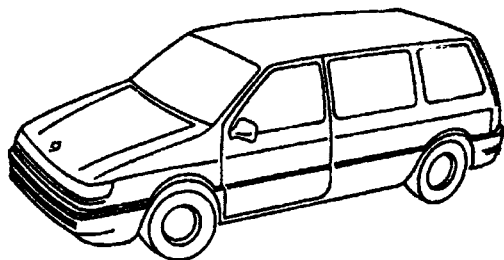
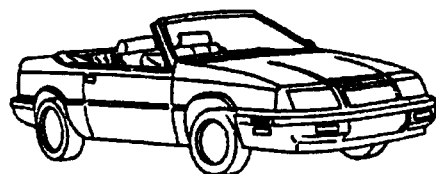
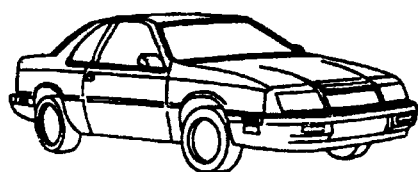


# PASSENGER CAR PARTS CATALOG

## ILLUSTRATIONS AND TEXT INTERIOR TRIM SECTION



 **CHRYSLER  
CORPORATION**  
MOPAR PARTS DIVISION

### GENERAL INFORMATION

Page INF - 1

This publication contains Parts Information for all 1993 Passenger Cars and All Wheel Drive Trucks. (For B,T,D, Model Trucks see Truck Catalog.)

The use of this Parts Catalog and the arrangement of information herein is explained in the General Information Section as indexed below.

### INDEX TO INFORMATION PAGES

● ABBREVIATIONS . . . . .	INF-14-17
● ALPHABETICAL INDEX. . . . .	INF- 5
● BODY PLATE INTERPRETATION. . . . .	INF-10
● BUILD DATE MO. AND YR. . . . .	INF- 8
● COLOR CODED OR COMBINED PART NUMBERS. . . . .	INF- 6
● DATE CORRELATION TABLES . . . . .	INF-11
● ENGINE IDENTIFICATION NUMBERS. . . . .	INF- 7
● GROUP SYSTEM. . . . .	INF- 3
● HOW TO LOCATE PARTS. . . . .	INF- 2
● ILLUSTRATION INDEX. . . . .	INF- 5
● INTERIOR TRIM. . . . .	INF- 6
● METRIC CONVERSION TABLE . . . . .	INF-13
● NEWPART INDEX. . . . .	INF- 5
● NUMERICAL INDEX. . . . .	INF- 5
● PAGE NUMBERING . . . . .	INF- 4
● PARTS CATALOG REVISION SERVICE. . . . .	INF- 5
● PARTS PACKAGES. . . . .	INF- 5
● PRICE CLASS (SERIES) INFORMATION. . . . .	INF-8 & 9
● PRODUCT BULLETINS. . . . .	INF- 5
● RIGHT AND LEFT PART NUMBERS . . . . .	INF- 4
● SALES CODES. . . . .	INF-12
● SPECIFYING INFORMATION. . . . .	INF- 4
● STANDARD PARTS . . . . .	INF- 5
● SYMBOLS USED IN THIS CATALOG. . . . .	INF- 4
● TRANSMISSION IDENTIFICATION. . . . .	INF- 6
● VEHICLE IDENTIFICATION NUMBER. . . . .	INF-8 & 9

**HOW TO USE THIS CATALOG AND LOCATE PARTS**

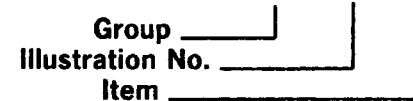
This Catalog is divided into Part Groups in which illustrations for parts of a similar function and/or location are published. The Group Contents listing on the next page shows the type of parts contained in each group. Tabs are provided or available to separate each group.

Several methods may be used to locate a specific part:

**Option 1:** From the Group Contents listing, select the group which would most logically contain the part to be found. Or open the catalog to Group 1, Master Group Illustration Index. Select the illustration group most likely to contain the parts associated. Turn to the Illustration Index in front of that group to select illustration and locate the parts item numbers and associated text information

**Option 2:** If the "noun" name of the part you seek is known, an alphabetical index of Nouns and illustration titles is provided to assist in finding the part. Several keys may be found in this index.

<b>RESERVOIR</b> Power Strng. Oil Pump. . .Group 19	Group Reference
<b>ALTERNATOR</b> , 5.8L Engine. . . . .8-200	Illustration Reference
<b>STARTER</b> . . . . .08-105-1	Illustration/Item Reference



**Option 3:** If the part number is known but the applications need to be determined, refer to the numerical index. This index shows the group, illustration number and item for each part listed in the catalog. Multiple references mean the part is listed more than once.

**PART GROUP - TITLES & CONTENT**

GROUP	CONTENTS
INF	Information Section
AL	Alphabetical Index
NE	Newpart Index
IL	Illustration Index (All Groups)
1	Master Index
2	<b>Front Suspension &amp; Drive</b> Front Suspension Components. . . Steering Knuckles Front Drive Shafts, Axles, Locking Hubs. . . Front Differential
3	<b>Rear Axle</b> Rear Axle and Component Parts. . . Rear Axle Mountings
4	<b>Parking Brake Controls</b>
5	<b>Service Brakes</b> Brake Controls and Mechanism. . . Brake Warning Switch, Park Brake Components within the Wheel . . Wheel Hardware, Bearings and Seals
6	<b>Clutch</b> Clutch Unit and Components. . . Clutch Pedal, Controls
7	<b>Cooling</b> Front Grille, Grille Support, Radiator Supports, Headlamp Supports. . . Radiators, Fans and Fan Motors, Hoses, Thermostats. . . Transmission Cooling. . . Water Pumps. . . Drive Belts and Pulleys . . . Turbocharger Cooling
8	<b>Electrical</b> Switches, Relays, Solenoids, Sensors, . . . Battery Trays. . . Engine Electrical. . . Starters, Alternators, Distributors. . . Front, Rear, Interior Lamp. . . Body Wiring. . . Horn
8A	<b>Instrument Panel and Console</b> Instrument Panel and Console Electrical Parts, Clusters, Switches, Wiring. . . All Hard and Soft Trim Parts. . . Radio, Speakers and Antenna
9 (A, B. . .)	<b>Engine (By Engine Type)</b> Engine Components. . . Engine Oil System. . . Flywheels, Torque Converters . . . Engine Mounting
11	<b>Exhaust</b> Exhaust System Components. . . Heat Shields
13	<b>Frame, Bumper &amp; Fascia</b> Frame Components, Crossmembers. . . Bumper and Fascia Components. . . Snow Plow Parts
14	<b>Fuel</b> Accelerator Pedal, Linkage, Throttle Control. . . Air Cleaner. . . Carburetors Throttle Body and Injection Components . . . Fuel Lines, Fuel Tank. . . Fuel Pump . . . Turbocharger Components. . . Speed Control

GROUP	CONTENTS
16	<b>Prop, Shaft and Universal Joint</b>
17	<b>Rear Suspension</b> Rear Suspension Components
18	<b>Service Bulletin Parts</b>
19	<b>Steering</b> Steering Wheels, Column. . . Power Steering Pump. . . Steering Gear. . . Steering Linkage, Tie Rods
21M	<b>Manual Transmission and Transfer Cases</b> Manual Transmission, Transaxle and Components. . . Gearshift Controls . . . Transfer Case, Controls, Mountings . . .
21P	<b>Speedometer Pinion and Cable</b>
21A	<b>Automatic Transmission</b> Automatic Transmission, Transaxle and Components. . . Gearshift Controls. . . Speedometer Pinion and Cable
22	<b>Wheels</b> Wheel Rims. . . Wheel Covers, Hubcaps . . . Jack and Spare Tire Storage
(23) E =	<b>Exterior Ornamentation</b> Exterior Ornamentation, Tape Stripes, Decals. . . Exterior Moldings. . . Vinyl Roof and Trim Ground Effects Pkgs.
(23A) S =	<b>Body-Sheet Metal Except Doors</b> Body Metal . . . Stationary Glass. . . Sunroof. . . Convertible Top. . . Hood and Deck Release
(23C) D =	<b>Body-Doors and Related Parts</b> Door Metal. . . Door Hardware. . . Door Glass. . . and Regulator. . . Door Mirrors . . . Weatherstrips
23D	<b>Body-Miscellaneous</b> Lock Cylinders and Keys. . . Windshield Washer/Wiper System
IT (A, B. . .)	<b>Interior Trim (By Body Code)</b> All Interior Trim Except Dash and Console. . . Seats and Seat Belts. . . Seat Adjusters, Manual and Power. . . Carpet. . . Interior Panels and Moldings . . . Security/Tonneau Covers
24	<b>Heater and Air</b> Heater, Air Conditioning System and Controls
25	<b>Emission Systems</b> Air Pump. . . EGR System. . . Vapor Canister
NU	<b>Numerical Index</b>

**PAGE NUMBERING**

Two-part page numbers are used throughout this catalog. The first part of the page designation indicates one major group or section. The second part indicates the actual page number in the group. For example:

2-1 indicates Group 2, Front Suspension, Page 1  
4-4 indicates Group 4 Parking Brakes, Page 4

In the maintenance of the Loose Leaf Parts Catalog Revision Service, it may become necessary to add information beyond the capacity of the page. In this event, an "A" page will be used. For example, if it becomes necessary, because of change, to add several part numbers to page 2-1 and space does not permit the addition, you will be given Page 2-1A. Page 2-1A should be filed immediately following Page 2-1

Figure and Item Numbers are also commonly used to identify locations in this Catalog, i.e., 14-910/8 refers to Group 14, illustration 910, Item Number 8. Illustration Numbers are always ascending sequential within the Groups

**RIGHT AND LEFT PART NUMBERS**

Right and Left part numbers are frequently combined on one line, e.g., 3514 444-5. Such numbers are interpreted as 3514 444 Right side application and 3514 445 Left Side. Right and Left Sides are always determined by their relationship to the driver when normally seated and looking forward.

**SYMBOLS USED IN THIS PARTS CATALOG**

The following symbols are commonly used with Part Number and quantity information in this Catalog:

**BOLD TYPE** - European only.

# - Precedes a new part number to the catalog and remains in subsequent issues until stock is available for shipment.

AR - Indicates the quantity required may vary or is to be determined by the user.

PAR - Indicates Paint As Required.

— - Indicates Item Not Illustrated.

**SPECIFYING INFORMATION**

The following information is included in this Parts Catalog:

- |   |   |
|---|---|
| 1. Part Name.   | 7. Effective points of model year running changes are indicated by vehicle serial number, engine number or body number where applicable. When serial number effective points are not available, production effective dates are used. (Refer to the Federal Certification Label for the build date.) |
| 2. Part Number.   |   |
| 3. Model Application.   |   |
| 4. Quantity used per vehicle.   |   |
| 5. Description and dimensions necessary for proper identification of parts where necessary.                   |   |
| 6. Model or Engine Column:<br>Engine by Displacement or Vehicle Model<br>Code Body Style Code or Price Class. | 8. Parts designated as CANADA or EXPORT are not available through U.S. parts outlets.   |

In the event replacement parts not listed herein are required due to a special service situation, Chrysler Dealers should contact their factory specifier for assistance. Problems encountered with particular part specifications can be resolved in the same manner.

**ILLUSTRATION INDEX**

This index is a compilation of catalog parts description data with reference to illustrations, figures and key numbers as shown:

ILLUSTRATION INDEX	GROUP	ILLUS. NO.
THROTTLE BODY .....	14	600

The first page of each group contains a listing of all illustrations within that group. Also refer to illustrations alphabetically listed in information section.

**ALPHABETICAL INDEX**

This index is a compilation of catalog parts description data with a reference to the location of the item by group - Figure and key number as shown in the following example:

THROTTLE BODY	14 - 610/ 18
Group _____	
Illustration No. _____	
Item _____	

The index will be expanded progressively as data is added to computer files. To locate a part by name, refer to the Alphabetical Index. This index indicates the group and illustration and item number where the part is located. Alphabetical Index can be found in INF section of catalog.

**NUMERICAL INDEX**

A listing of Part Numbers contained in the catalog. The numbers are in numerical sequence with reference to the group and illustration and item number where the part is located.

**PARTS PACKAGES**

Service Parts Packages, containing all parts needed for specific service operation, are listed in their respective groups with related parts. The listing will show adaptability and model application.

**STANDARD PARTS**

Important attaching standard parts such as bolts, nuts, etc. are generally listed in the text of the respective major parts groups.

**CATALOG AND PARTS BULLETINS**

BULLETINS are issued when important changes are made in production or when corrections are to be made in the Parts Catalog between regular revisions. All catalogs should be noted and changed accordingly to remain current between revisions.

**PARTS CATALOG REVISION SERVICE**

Subscribers to the Passenger Car Catalog Revision Service will be periodically provided with revised copy incorporating the latest information. Revisions may be provided by Group or complete book copy.

**NEWPART INDEX**

A listing of new part numbers contained in the catalog. The numbers are in group sequence with reference to the illustration and item number where the part is located.

**COLOR CODED OR COMBINED PART NUMBERS**

Appearing throughout this catalog are part numbers containing both letters and numbers. For example: D500 KB7. These are good serviceable part numbers. The combination of letters and numbers merely indicates the parts are keyed to the interior color of the vehicles on which they are used.

In addition, Right and Left part numbers are frequently combined on one line; e.g. D500 -1 KB7. Such numbers are interpreted as D500 KB7, Right side application, and D501 KB7 Left side. Right and Left Sides are always determined by their relationship to the driver when normally seated and looking forward.

**INTERIOR TRIM**

Refer to the Group IT, Interior Trim section of the catalog, for information relative to Interior Soft and Hard Trim, Rolled Stock, etc.

**TRANSMISSION IDENTIFICATION**

**MANUAL TRANSMISSION**

(Ex. PP23044360001)

<b>PLANT CODE</b> 2 letters PP - New Process Gear Division	<b>COMPONENT CODE</b> 3 digits 230 - 230 trans. 250 - 250 trans. 833 - 833 trans.	<b>DATE CODE</b> 4 digits Based on Date Correlation Tbls.
---	---	--

Location: Below centerline on Front of Right Side

**AUTOMATIC TRANSMISSION**

(Ex. PK3681063W44360001)

<b>PLANT CODE</b> 2 letters PK - Kokomo	<b>PART NO.</b> 7 digits 3681063	<b>CHANGE CODE</b> 1 digit W (Factory use only of no significance to the field)	<b>DATE CODE</b> 4 digits Based on Date Correlation Tbls.	<b>SERIAL NUMBER</b> 4 digits A sequential no. beginning with 0001 for each days production
---	--	--	--	--

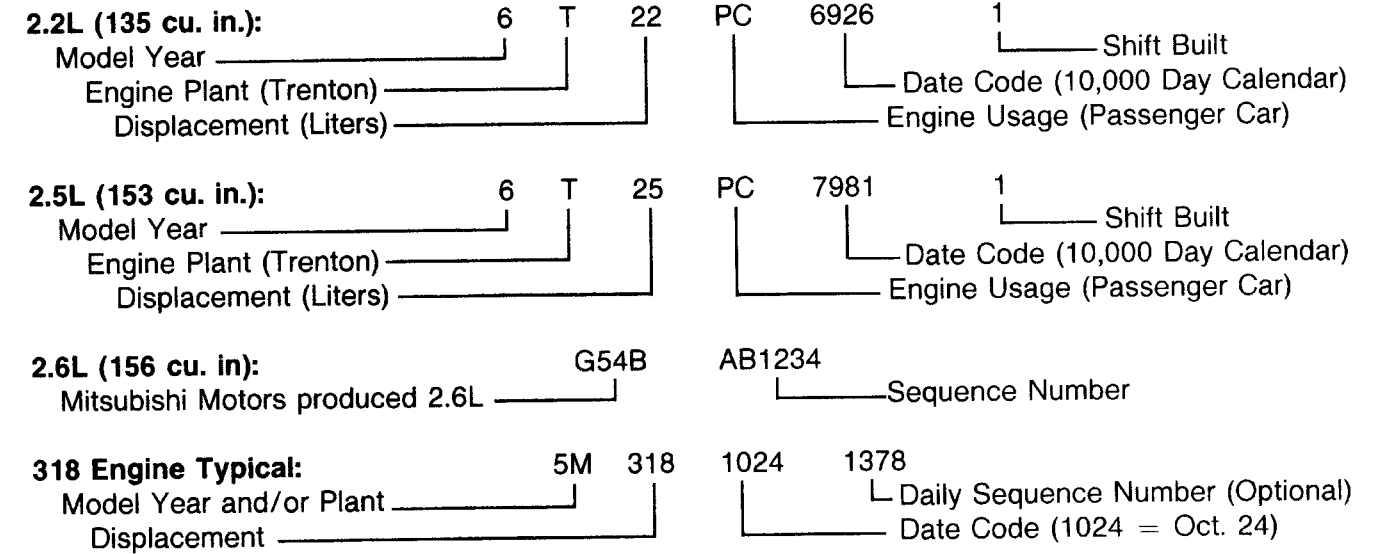
Location: On Oil Pan Side Rail-left Side.

**NOTE:** A derivative of the Vehicle Identification Number is also stamped on all production installed Engines and Transmissions, e.g.:

J	A	1000001
Model Year	Assembly Plant	Vehicle Sequence Number

**ENGINE IDENTIFICATION NUMBERS**

Following is an explanation of data found on the Engine Serial Number Pad



**2.2L & 318 ENGINE SERIAL NUMBER & PARTS IDENTIFICATION CODES & SYMBOLS DEFINED:**

A = Oversize Cylinder Bore HP = High Performance M = Mound Road Engine T = Trenton Engine/Truck  
 E = Cast Crankshaft K = Toluca Engine Plant PC = Passenger Car Engine W = Windsor Engine  
 H = Standard 4 Bbl. LC = Low Compression R = Passenger Car Engine X = O/S Valve Guide  
 S = Special Engine

**DIAMOND** (◇) = Tappets **MALTESE CROSS** (+) = 001 U/S Crankshaft × followed by MALTESE CROSS (× +) = .010 U/S Crankshaft

**Engine Number Location**

Displacement	Serial Number Pad Located
2.2L	Rear Face of Block, below Cylinder Head
2.5L	Rear Face of Block, below Cylinder Head
2.6L (G54B)	Right Upper front corner of Block
318	Left Front of Block below Cylinder Head

**CAUTION:** Replacement Engine Assemblies are furnished with blank engine number pads. Dealers are governed by state and local regulations regarding the affixing of engine numbers to these engines. In states where license fees are based on displacement or taxable horsepower it will be necessary to change the vehicle registration only if the replacement engine differs from the one it replaces.

### BUILD DATE

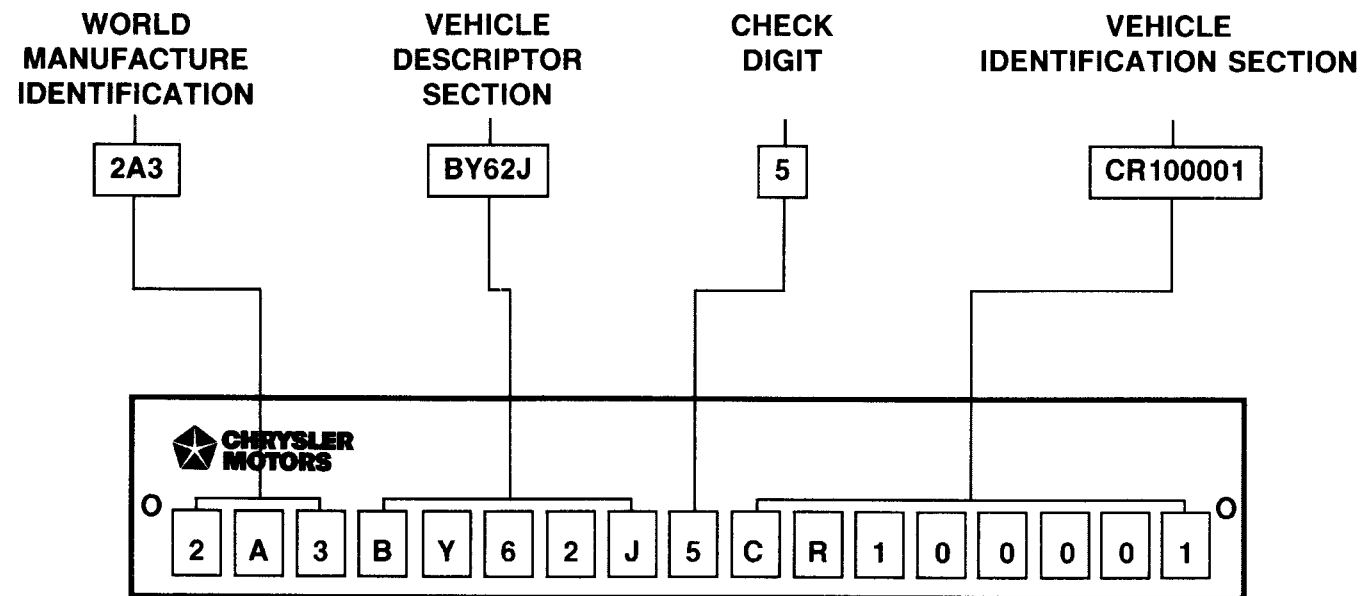
Vehicle build dates can be determined by reference to the VEHICLE CERTIFICATION LABEL located on the left "B" pillar or the left Front Door.

The Vehicle Certification Label includes, in addition to the VIN, the Month, Day, and Hour of build in the "Date of Manufacture" section.

Alternately, the approximate build date can be determined from the Body Code Plate (see "Code Plate Interpretation").

### VEHICLE IDENTIFICATION PLATE

All assembly plants use a uniform method for assigning vehicle serial numbers (VIN). This number consists of 17 digits and is shown on the Vehicle Identification Plate which is located on the instrument panel - visible thru the windshield. The VIN number (serial number) also appears on the Federal Certification Label located on the left front door frame. (Always specify the vehicle serial number when ordering parts by description). A description of serial numbers follows:



### VIN PLATE IDENTIFICATION

<b>1</b>	<b>2</b>	<b>3</b>	<b>4</b>	<b>5</b>	<b>6</b>	<b>7</b>	<b>8</b>	<b>9</b>	<b>10</b>	<b>11</b>	<b>12 thru 17</b>
Country	Make	Vehicle Type	Other	Line	Series	Body Style	Engine	Check Digit	Model Year	Assy. Plant	Sequence No.

- 1 COUNTRY**  
1 = Built in U.S.  
2 = Built in Canada  
3 = Built in Mexico
- 2 MAKE**  
B = Dodge  
C = Chrysler  
E = Eagle  
P = Plymouth
- 3 VEHICLE TYPE**  
3 = Passenger Car  
4 = Multipurpose Passenger Vehicle (MPV)  
7 = Truck
- 4 OTHER**  
A = Air Bag  
B = Manual Seat Belts  
C = Automatic Seat Belts  
D = 1-3000 LB  
E = 3001-4000 LB  
F = 4001-5000 LB  
G = 5001-6000 LB  
X = Driver Air Bag, Passenger Manual Seat Belt  
Y = Driver Air Bag, Passenger Automatic Seat Belt
- 5 LINE PASSENGER CAR**  
A = Acclaim  
LeBaron  
Spirit  
**Saratoga - European**  
C = Dynasty  
New Yorker Salon  
W = Daytona  
Daytona Shelby  
**Daytona Shelby - European**  
U = LeBaron (2 Dr.)  
**Chrysler LeBaron - European**  
F = Dynasty (Canada)  
P = Shadow  
Sundance  
V = New Yorker 5th Ave. Imperial  
**TRUCK (S BODY)**  
**Plymouth (P)**  
H = Voyager/Grand Voyager FWD  
K = Voyager/Grand Voyager AWD  
**Dodge (D)**  
H = Caravan C/V FWD  
K = Caravan C/V AWD  
**Chrysler (C)**  
H = Town & Country FWD (Y)  
K = Town & Country AWD (C)  
**ES Body - European**  
H = Chrysler Voyager/Grand Voyager 4x2  
H = Chrysler Ram Van 4x2  
K = Chrysler Voyager/Grand Voyager 4x4
- 6 SERIES**  
1 = Economy (E)      4 = High (H)  
2 = Low (L)            5 = Premium (P)  
3 = Medium (M)       6 = Special/Sport (S)  
7 = Performance/Image (X)
- 7 BODY STYLE PASSENGER CAR**  
1 = 2 Dr. Sedan/Coupe  
4 = 2 Dr. Hatchback  
5 = 2 Dr. Convertible  
6 = 4 Dr. Sedan  
8 = 4 Dr. Hatchback  
9 = 4 Dr. Wagon  
**TRUCK**  
1 = Van  
4 = Extended Wagon/Van  
5 = Wagon
- 8 ENGINE**  
A = 2.2L 4 cyl. 16V Turbo III (EDS)  
C = 2.2L 4 cyl. (TURBO) 174 HP CMC (EDS)  
D = 2.2L 4 cyl. (EFI) 93 HP CMC (EDF)  
H = 2.5L 4 cyl. (SPI) 111 HP CMC (EPC)  
J = 2.5L 4 cyl. (TURBO) 150 HP CMC (EDT)  
K = 2.5L 4 cyl. (EFI) 100 HP CMC (EDM)  
3 = 3.0L 6 cyl. (EFI) 141 HP MMC (EFA)  
R = 3.3L 6 cyl. (EFI) 150 HP CMC (EGA)  
L = 3.8L 6 cyl. (EFI) (EGH)  
V = 2.5L 4 cyl. Flex Fuel (EFI) (CNG)  
M = 2.5L 4 cyl. Eurostar Diesel (ENC)
- 9 CHECK DIGIT**  
0, 1, 2, 3, 4, 5, 6, 7, 8, 9, X
- 10 MODEL YEAR**  
P = 1993
- 11 ASSEMBLY PLANT U.S.**  
A = Outer Drive  
D = Belvidere  
F = Newark  
G = St. Louis-I  
N = Sterling  
R = Windsor (SWB)  
T = Toluca  
U = Eurostar  
X = St. Louis-2 (LWB)
- 12 thru 17 SEQUENCE NO.**  
Six Digit Number



**SALES CODES**

Due to the increase complexity of qualifications required to describe the application of some replacement parts; particularly those related to the Emission Control System, Sales Codes are used on a selected basis in some areas of this publication.

Normally, Sales Codes will be employed as secondary qualifiers and are for the express purpose of providing positive identification of parts applicable to vehicle components or systems so complex in nature that normal methods of written qualification are either inadequate or confusing.

The Sales code will always appear after the written description of the part; will be enclosed in parenthesis; will be prefixed S/C, and will follow a hyphen appended to the S/C, e.g.: (S/C-NAE).

To determine whether or not the vehicle for which the part is being specified was built with a particular Sales Code it will be necessary to refer to the Body Code Plate depicted on page INF-11. Sales Codes are also listed on vehicle invoices and on the Maroney label which is affixed to the side glass on new units.

**DEFINITION OF SALES CODES**

- EDS** - 2.2L 4 Cyl. MPI Turbo III 16 Valve
- EDF** - 2.2L 4 Cyl. EFI
- EDH** - 2.2L 4 Cyl. Hi Perf.
- EDL** - 2.2L 4 Cyl. TC Turbo II
- EDM** - 2.5L 4 Cyl. EFI
- EDT** - 2.5L 4 Cyl. TC Turbo I
- EFA** - 3.0 V6 Cyl. EFI
- EGA** - 3.3L V6 Cyl. EFI
- EDR** - 2.2L 4 Cyl. TC Turbo II
- EGH** - 3.8L V6 Cyl. EFI
- ENC** - 2.5L 4 Cyl. DFI Turbo Diesel

- NAA** - ELECTRONIC SPARK ADVANCE - w/Catalyst - Except California System. Used in conjunction with a Catalytic Exhaust System. Unleaded Fuel is required.
- NAB** - ELECTRONIC SPARK ADVANCE - w/o Catalyst. Used in conjunction with a conventional Non-Catalytic Exhaust System. Unleaded Fuel is not required. Canada & Export.
- NAE** - EMISSION CONTROLS TESTING AND LABEL - Commonly referred to as California Emission controls due to it being mandatory for designated engines on trucks sold in the State of California
- NAF** - HIGH ALTITUDE EMISSION CONTROL - Required for some truck lines and engine combinations sold in some geographical markets predominately above 4000 feet elevation.
- NAG** - USED IN CONJUNCTION WITH A CONVENTIONAL EXHAUST SYSTEM -Unleaded Fuel is not required. Canada & Export.
- NAU** - ALL U.S. TYPE EMISSION SYSTEMS
- NEB** - PERFORMANCE EXHAUST SYSTEM (LOW BACK PRESSURE)
- NED** - EXHAUST SYSTEM - Performance Type - With Bright Tip (Used Only on Shelby Charger)
- NBC** - FEDERAL EMISSION VEHICLE FOR CALIFORNIA MARKETS

- W4G, W4L, W4M, W4X, W4Z** - Wheel Cover A Body - 14"
- W4K, W4L, W4M, W4V, W48** - Wheel Cover C Body - 14"
- W5K, W5M** - Wheel Cover G Body - 15"
- W5F** - Wheel Cover J Body - 15"
- W4D, W4W, W4X, W48, W49, W4E** - Wheel Cover S Body - 14"
- W5K** - Wheel Cover ES Body - 15"
- W5F** - Wheel Cover A Body - 15"
- W4G, W4P** - Wheel Cover G Body - 14"
- W4T, W4Y** - Wheel Cover J Body - 14"
- W4G, W4X** - Wheel Cover P Body - 14"
- W5G, W5K, W5P, W5R** - Wheel Cover AS Body - 15"
- W4H, W4L** - Wheel Cover Y Body - 14"

**METRIC CONVERSION TABLE**

**LINEAR MEASUREMENT**

- 1 foot (ft.) = 12 inches (in.)
- 1 yard (yd.) = 3 ft. = 36 in.
- 1 mile (statute) = 5,280 ft.

To convert	Into	Multiply by
inches	centimeters	2.5400
inches	millimeters	25.4000
feet	meters	0.3048
feet	millimeters	304.8000
yards	meters	0.9144
miles	kilometers	1.6093

**AREA MEASUREMENT**

- 1 square foot (sq.ft) = 144 square inches (sq.in.)
- 1 square yard (sq.yd.) = 9 square feet
- 1 acre = 4,840 sq. ft.
- 1 square mile = 640 acres

To convert	Into	Multiply by
square inches	sq. centimeters	6.4516
square feet	sq. meters	0.0929
square yards	sq. meters	0.8361
acres	sq. meters	4.047.0
square miles	sq. kilometers	2.5900

**CUBIC MEASUREMENT (VOLUME)**

- 1 cubic foot (cu. ft.) = 1.728 cubic inches (cu. in.)
- 1 cubic yard (cu. yd.) = 27 cubic feet

To convert	Into	Multiply by
cubic inches	cu. centimeters	16.3872
cubic feet	cubic meters	0.0283
cubic yards	cubic meters	0.7646

**LIQUID MEASUREMENT (CAPACITY)**

- 1 pint (pt.) = 28.875 cubic inches
- 1 quart (qt.) = 2 pints = 57.75 cu. in.
- 1 gallon (gal.) = 4 qts. = 231 cu. in.

To convert	Into	Multiply by
cubic inches	liters	0.0164
pints	liters	2.1132
quarts	liters	0.9463
gallons	liters	3.7853
cubic feet	liters	28.3162

**WEIGHT MEASUREMENT**

- 1 ounce (oz.) = 16 drams
- 1 pound (lb.) = 16 ounces
- 1 short ton = 2000 pounds
- 1 long ton = 2240 pounds

To convert	Into	Multiply by
drams	grams	1.7718
ounces	drams	28.3495
pounds	kilograms	0.4536
tons (short)	tons (metric)	0.9072

**POWER MEASUREMENT**

- 1 horsepower (hp) = 746 watts = 7457 kilowatts (kw)

To convert	Into	Multiply by
horsepower (U.S.)	horsepower (met.)	1.0139
horsepower (U.S.)	kilowatts	0.7457
kilowatts	horsepower (U.S.)	1.3405

- 1 centimeter (cm) = 10 millimeters (mm)
- 1 meter (m) = 100 cm = 1000 mm
- 1 kilometer (km) = 1000 meters

To convert	Into	Multiply by
centimeters	inches	0.3937
millimeters	inches	0.0394
meters	feet	3.2808
millimeters	feet	0.0033
meters	yards	1.0936
kilometers	miles	0.6214

- 1 sq. centimeter (cm<sup>2</sup>) = 100 sq. millimeters (mm<sup>2</sup>)
- 1 sq. meter (m<sup>2</sup>) = 10,000 cm<sup>2</sup>
- 1 are (a) = 100 m<sup>2</sup>
- 1 sq. kilometer (km<sup>2</sup>) = 1,000,000 m<sup>2</sup>

To convert	Into	Multiply by
sq. centimeters	sq. inches	0.1550
sq. meters	sq. feet	10.7639
sq. meters	sq. yards	1.1960
sq. meters	acres	0.0002
sq. kilometers	sq. miles	0.3861

- 1 cu. centimeter (cm<sup>3</sup>) = 1000 cu. millimeters (mm<sup>3</sup>)
- 1 cubic meter (m<sup>3</sup>) = 1,000,000 cm<sup>3</sup>

To convert	Into	Multiply by
cu. centimeters	cubic inches	0.0610
cubic meters	cubic feet	35.3145
cubic meters	cubic yards	1.3079

- 1 centimeter (cl.) = 10 milliliters (ml.)
- 1 liter (l) = 100 cl. = 1000 ml.
- 1 kiloliter (kl) = 1000 liters

To convert	Into	Multiply by
liters	cubic inches	61.0250
liters	pints	0.4732
liters	quarts	1.0566
liters	gallons	0.2642
liters	cubic feet	0.0353

- 1 centigram (cg.) = 10 milligrams (mg.)
- 1 gram (g.) = 100 cg. = 1000 mg.
- 1 kilogram (kg.) = 1000 grams
- 1 metric ton (t.) = 1000 kg.

To convert	Into	Multiply by
grams	drams	0.5644
grams	ounces	0.0353
kilograms	pounds	2.2046
tons (metric)	tons (short)	1.1023

- 1 horsepower (ps) = 736 watts = 7355 kw

To convert	Into	Multiply by
horsepower (met.)	horsepower (U.S.)	0.9863
kilowatts	horsepower (met.)	0.7355
horsepower (met.)	kilowatts	1.2596

## ABBREVIATIONS

Abbreviations as used throughout this catalog are interpreted as follows:

ABS .....	ABSORBER	C.A.S. ....	CLEANER AIR SYSTEM
ACC .....	ACCESSORY	CARB .....	CARBURETOR
ACCEL .....	ACCELERATOR	CATA .....	CATALYTIC
A/CLNR .....	AIR CLEANER	C/BAR .....	CROSS BAR
A/COND .....	AIR CONDITIONING	CBL .....	CABLE
ACTG .....	ACTUATING	C/BRD .....	CIRCUIT BOARD
ACTR .....	ACTUATOR	C.BRKR .....	CIRCUIT BREAKER
ADAPT .....	ADAPTER-ADAPTATION	CCW .....	COUNTERCLOCKWISE
ADJ .....	ADJUSTING-ADJUSTOR- ADJUSTABLE-ADJUSTMENT	C/E .....	COMMUTATOR END
A/INL .....	AIR INLET	CHAM .....	CHAMFRED
ALTR .....	ALTERNATOR	CHMBR .....	CHAMBER
ALUM .....	ALUMINUM	CHR .....	CHROMIUM
AMP .....	AMPERE	C.I. ....	CUBIC INCH
AMPL .....	AMPLIFIER	C/IRON .....	CAST IRON
AMTR .....	AMMETER	C/CASE .....	CRANKCASE
ANCH .....	ANCHOR	CK/CHFT .....	CRANKSHAFT
& .....	AND	CL .....	CLEANER
A/OUT .....	AIR OUTLET	CL/NUT .....	CLINCH NUT
APPROX .....	APPROXIMATE, APPROXIMATELY	C/LP .....	COURTESY LAMP
AR .....	AS REQUIRED	CLSR .....	CLOSURE
A/RATLR .....	ANTI RATTLER	C/LTR .....	CIGAR OR CIGARETTE LIGHTER
A REST .....	ARM REST	C/MBR .....	CROSSMEMBER
ARM .....	ARMATURE	COE .....	CAB OVER ENGINE
A/SQK .....	ANTISQUEAK	COL .....	COLUMN
ASSY .....	ASSEMBLY	COMB .....	COMBINATION
A/SUSP .....	AIR SUSPENSION	COMBN .....	COMBUSTION
A.T.C. ....	AUTOMATIC TEMPERATURE CONTROL	COMP .....	COMPLETE, COMPONENT
ATT .....	ATTACHING	COMPN .....	COMPRESSION
A/TRANS .....	AUTOMATIC TRANSMISSION	COMPR .....	COMPRESSOR
AUTO .....	AUTOMATIC	COMPT .....	COMPARTMENT
AUX .....	AUXILIARY	COMTR .....	COMMUTATOR
BAL .....	BALANCE	COND .....	CONDENSER
BATT .....	BATTERY	CONDT .....	CONDUIT
BBL .....	BARREL	CONDTG .....	CONDITIONING
B/BRK .....	BOOSTER BRAKE	CONN .....	CONNECTING-CONNECTION- CONNECTOR
B/CRK .....	BELL CRANK	CONT .....	CONTINUED-CONTROL
B.E. ....	BLACK ENAMEL	CONTP .....	CONTINUED
B/JNT .....	BALL JOINT	CONV .....	CONVERTER
BLK .....	BLOCK	COP .....	COPPER
BLT .....	BUILT	CO/SHFT .....	COUNTERSHAFT
BLWR .....	BLOWER	CO/WT .....	COUNTERWEIGHT
BMPR .....	BUMPER	CP .....	CANDLEPOWER
BOLT / RET .....	BOLT / RETAINER	C/PILLAR .....	CENTER PILLAR
BOLT / WA. ....	BOLT / WASHER	CPLG .....	COUPLING
BR .....	BRASS	C/SHFT .....	CROSS SHAFT
BRD .....	BOARD	CSTG .....	CASTING
BRG .....	BEARING	CTR .....	CENTER
BRK .....	BRAKE	CU .....	CUBIC
BRKT .....	BRACKET	CUSH .....	CUSHION
BRKR .....	BREAKER	CUST .....	CUSTOM
BRT .....	BRIGHT	CV .....	CONVERTIBLE
BRZ .....	BRONZE	C/VAL .....	CONTROL VALVE
BSTR .....	BOOSTER	CVR .....	COVER
B/STUD .....	BALL STUD	C/WT .....	COUNTERWEIGHT
BTM .....	BOTTOM	CYL .....	CYLINDER
BTN .....	BUTTON	DBL .....	DOUBLE
B/UP .....	BACK UP	D/CVR .....	DUST COVER
BUSH .....	BUSHING	D/E .....	DRIVE END
CAD .....	CADIUM	DECAL .....	DECALCOMANIA
CAN .....	CANADA-CANADIAN	DEFL .....	DEFLECTOR
CAP .....	CAPACITY	DEFGR .....	DEFOGGER

## ABBREVIATIONS (Cont'd)

DEFR .....	DEFROSTER	FLR .....	FLOOR
DEG (°) .....	DEGREE	F/MLDG .....	FINISH MOULDING
D/EXH .....	DUAL EXHAUST	FNDR .....	FENDER
DIA .....	DIAMETER	F/PAN .....	FLOOR PAN
DIAG .....	DIAGONAL	F/PUMP .....	FUEL PUMP
DIAPH .....	DIAPHRAGM	FREQ .....	FREQUENCY
DIFF .....	DIFFERENTIAL	FRT .....	FRONT
DIM .....	DIMENSION	FT .....	FOOT-FEET
DIR .....	DIRECT-DIRECTIONAL	F/TANK .....	FUEL TANK
DIR CL .....	DIRECT CLUTCH	FTG .....	FITTING
DIST .....	DISTRIBUTOR-DISTRIBUTING	F/TOP .....	FOLDING TOP
DIV .....	DIVISION-DIVISIONAL	GA .....	GAUGE-GAGE
D/LINK .....	DRAG LINK	GALV .....	GALVANIZED
D/LP .....	DOVE LAMP	GARN .....	GARNISH
DMPR .....	DAMPER	G/BOX .....	GLOVE BOX
DOM .....	DOMESTIC	GEN .....	GENERATOR
D/PINION .....	DRIVE PINION	GLA .....	GLASS
DR .....	DOOR	G/MLDG .....	GARNISH-MOULDING
D/R SHAFT .....	DOUBLE ROCKER SHAFT	GND .....	GROUND
DRIV .....	DRIVE	GOV .....	GOVERNOR
DRVN .....	DRIVEN	GR .....	GEAR
D/SEAL .....	DUST SEAL	G/REG .....	GENERATOR-REGULATOR
D/SHLD .....	DUST SHIELD	GRL .....	GRILLE
D/SW .....	DIMMER SWITCH	GRMT .....	GROMMET
EBL .....	ELECTRIC HEATED BACK LIGHT	G/SHIFT .....	GEARSHIFT
ECC .....	ECCENTRIC	GSKT .....	GASKET
ECS .....	EVAPORATE EMISSION CONTROL SYSTEM	GVW .....	GROSS VEHICLE WEIGHT
E.F.I. (M) .....	ELECTRONIC FUEL INJECTION (METERING)	H/BRK .....	HAND BRAKE
E.G.R. ....	EXHAUST GAS RECIRCULATION	H/C .....	HIGH COMPRESSION
ELÉCT .....	ELECTRIC	HD .....	HEAD
ELIM .....	ELIMINATOR	H/D .....	HEAVY DUTY
EMR .....	ENGINE MAINTENANCE REMINDER	HDL .....	HANDLE
ENG .....	ENGINE	H/LIN .....	HEAD LINING
EQ .....	EQUIPMENT	HDLS .....	HEADLESS
ESC .....	ESCUTCHEON	HDR .....	HEADER
ETC .....	ET CETERA	HEMI .....	HEMISPHERICAL
EVAP .....	EVAPORATION-EVAPORATOR	HEX .....	HEXAGON
EX .....	EXTRA	HGE .....	HINGE
EXC .....	EXCLUDE	H/GUIDE .....	HYDRAGUIDE
EXH .....	EXHAUST	H/LP .....	HEADLAMP
EXP .....	EXPORT	H/PERF .....	HIGH PERFORMANCE
EXPN .....	EXPANSION	H/REST .....	HEAD REST
EXT .....	EXTENSION	HSG .....	HOUSING
EXTL .....	EXTERNAL	H/SNK .....	HEAT SINK
EXTR .....	EXTRUDED	H/SHLD .....	HEAT SHIELD
F .....	FAHRENHEIT	HT .....	HEATER
FACT .....	FACTORY	HVY .....	HEAVY
F/AIR .....	FRESH AIR	HYD .....	HYDRAULIC
FAST .....	FASTENING-FASTENER	I/ARM .....	IDLER ARM
F/AXLE .....	FRONT AXLE	I.D. ....	INSIDE DIAMETER
F/BRD .....	FLOOR BOARD	IDENT .....	IDENTIFICATION
F/CPLG .....	FLUID COUPLING	IGN .....	IGNITION
F/DR .....	FRONT DOOR	IN .....	INCH
F/FILT .....	FUEL FILTER	INCL .....	INCLUSIVE-INCLUDES
F/GA .....	FUEL GAGE	IND .....	INDUSTRIAL
F/IDLE .....	FAST IDLE	INDIC .....	INDICATOR
FIL HD .....	FILLISTER HEAD	INL .....	INLET
FIN .....	FINISH	INR .....	INNER
F/INJ .....	FUEL INJECTION	INS .....	INSULATING-INSULATION- INSULATOR
FLD .....	FIELD	INST .....	INSTRUMENT-INSTRUCTION
FLEX .....	FLEXIBLE	INT .....	INTAKE
FLG .....	FLANGE	INTER .....	INTERMITTENTLY- INTERMEDIATE
FL HD .....	FLAT HEAD	INTL .....	INTERNAL



## ABBREVIATIONS (Cont'd)

INTLK .....	INTERLOCK	N/PLT .....	NAME PLATE
I/PNL .....	INSTRUMENT PANEL	NUT / WA .....	NUT AND WASHER
I/PULLEY .....	IDLER PULLEY	O/CTR .....	OVER CENTER
I/S .....	INSIDE	O.D. ....	OUTSIDE DIAMETER
J/BLK .....	JUNCTION BLOCK	O/DRV .....	OVER DRIVE
JNT .....	JOINT	O/GA .....	OIL GAUGE
K/DN .....	KICKDOWN	OPER .....	OPERATING
KDX .....	KNOCK DOWN EXPORT	OPNG .....	OPENING
KILO .....	KILOMETER	OPP .....	OPPOSITE
KNU .....	KNUCKLE	OPT .....	OPTIONAL
K/UP .....	KICKUP	O/PUMP .....	OIL PUMP
LBS .....	POUNDS	ORN .....	ORNAMENT
L/C .....	LOW COMPRESSION	O/RUNN .....	OVERRUNNING
LCF .....	LOW CAB FORWARD	O/S .....	OUTSIDE
L/COMPT .....	LUGGAGE COMPARTMENT	O/SIZE .....	OVERSIZE
LEA .....	LEATHER	OTR .....	OUTER
LED .....	LIGHT EMITTING DIODE	OUTL .....	OUTLET
LGH .....	LENGTH	OV .....	OVAL
LHD .....	LEFT HAND DRIVE	O/W .....	OPTIONAL WITH
L.H. THD .....	LEFT HAND THREAD	O/WRAP .....	OVERWRAP
LIC .....	LICENSE	OZ .....	OUNCE
LIN .....	LINING-LINER	P .....	PITCH
LK .....	LOCK	PACK .....	PACKING
LKG .....	LOCKING	PARK .....	PARKING
LK/NUT .....	LOCK NUT	PART .....	PARTIAL PARTITION
LK/WA .....	LOCK WASHER	PASS .....	PASSENGER
LOC .....	LOCATING	P/BRK .....	POWER BRAKE
LP .....	LAMP	P/BTN .....	PUSH BUTTON
LPG .....	LIQUID PROPANE GAS	PC/BRD .....	PRINTED CIRCUIT BOARD.
L.S.H. ....	LOW SECTION HEIGHT	PED .....	PEDAL
LT .....	LEFT	PERF .....	PERFORMANCE
LUB .....	LUBRICANT-LUBRICATING	PIST .....	PISTON
LUGG .....	LUGGAGE	PIV .....	PIVOT
LVR .....	LEVER	PKG .....	PACKAGE
LWR .....	LOWER	PL .....	PLAIN
M / I .....	MARINE / INDUSTRIAL	P/LAMP .....	PARKING LAMP
M/ADJ .....	MANUAL ADJUSTING	PLR .....	PILLAR
MAN .....	MANUAL	PLT .....	PLATE-PLATED
MANF .....	MANIFOLD	PLUNG .....	PLUNGER
MAR .....	MARINE	PL/WA .....	PLAIN WASHER
MAX .....	MAXIMUM	P/MTR .....	POTENTIOMETER
MAX PERF .....	MAXIMUM PERFORMANCE	PNL .....	PANEL
M/BRK .....	MANUAL BRAKE	PNTD .....	PAINTED
MBR .....	MEMBER	POS .....	POSITIVE
M/CYL .....	MASTER CYLINDER	POLY .....	POLYESTER
MECH .....	MECHANISM	P/PNL .....	POCKET PANEL
MED .....	MEDIUM	PRESS .....	PRESSURE
MEDAL .....	MEDALLION	PRI .....	PRIMARY
MIL .....	MILITARY	PROD .....	PRODUCTION
MIN .....	MINIMUM	P/ROD .....	PUSH ROD
MDLG .....	MOULDING	PROP .....	PROPELLER
MOD .....	MODEL	PRPG .....	PROPORTIONING
M/MTRG .....	MAIN METERING	PSF .....	POUNDS PER SQUARE FOOT
M.P.H. ....	MILES PER HOUR	PSI .....	POUNDS PER SQUARE INCH
MT .....	MOUNT	P/STRG .....	POWER STEERING
MTG .....	MOUNTING	PT .....	POINT
MTR .....	MOTOR	PTO .....	POWER TAKE OFF
M/TRANS .....	MANUAL TRANSMISSION	PWR .....	POWER
MTRG .....	METERING	Q/PNL .....	QUARTER PANEL
NEG .....	NEGATIVE	QTR .....	QUARTER
NEUT .....	NEUTRAL	Q/WDO .....	QUARTER WINDOW
NI .....	NICKEL	R .....	RADIUS
NO. OR # .....	NUMBER	R/A .....	REAR AXLE
NOM .....	NOMINAL	R/AXLE .....	REAR AXLE
NO .....	NITROGEN OXIDE EMISSION CONTROL	RAD .....	RADIATOR

## ABBREVIATIONS (Cont'd)

R/CONT .....	REMOTE CONTROL	S/SILL .....	SIDE SILL
RC/SHIFT .....	ROCKER SHAFT	S/SPD .....	SINGLE SPEED
RD .....	ROUND	STA .....	STATION-STATIONARY
R/DR .....	REAR DOOR	STAB .....	STABILIZER
REC .....	RECEIVER	STD .....	STANDARD
RECIR .....	RECIRCULATING	STGHT .....	STRAIGHT
RECT .....	RECTANGULAR	STL .....	STEEL
RECTR .....	RECTIFIER	STRG .....	STEERING
RED .....	REDUCTION	STRKR .....	STRIKER
REFL .....	REFLECTOR	STRNR .....	STRAINER
REG .....	REGULATOR	STRTR .....	STARTER
REINF .....	REINFORCEMENT	SUCT .....	SUCTION
RÉL .....	RELEASE	SUPT .....	SUPPORT
REM .....	REMOTE	SUSP .....	SUSPENSION
REQ .....	REQUIRED	SW .....	SWITCH
RÉS .....	RESISTOR	SYNCH .....	SYNCHRONIZER
RET .....	RETAINER	T .....	TEETH
RETG .....	RETAINING	TAP .....	TAPPING
REV .....	REVERSE	TBI .....	THROTTLE BODY INJECTION
REVERB .....	REVERBERATOR	T/BKL .....	TURN BUCKLE
R/FLR .....	REAR FLOOR	T/BLK .....	TERMINAL BLOCK
RHD .....	RIGHT HAND DRIVE	T/COMP .....	TRIMMED COMPLETE
RHEO .....	RHEOSTAT	T/CONT .....	THROTTLE CONTROL
R.H. THD .....	RIGHT HAND THREAD	T/CONV .....	TORQUE CONVERTER
R/L .....	RIGHT AND LEFT	TEMP .....	TEMPERATURE
RPM .....	REVOLUTIONS PER MINUTE	TERM .....	TERMINAL
R/QTR .....	REAR QUARTER	T/GA .....	TEMPERATURE GAUGE
RR .....	REAR	T-GATE .....	TAILGATE
RSVR .....	RESERVOIR	THD .....	THREAD
RT .....	RIGHT	THK .....	THICK
R/WDO .....	REAR WINDOW	THERMO .....	THERMOSTAT
S/ABS .....	SHOCK ABSORBER	3RD .....	THIRD
S/C .....	SALES CODE	THR .....	THRUST
S/COMPT .....	SIDE COMPARTMENT	THROT .....	THROTTLE
S/DEFL .....	STONE DEFLECTOR	T.I.C. ....	THERMOSTATIC IGNITION CONTROL
SECT .....	SECTION	T/LP .....	TAIL LAMP
SER .....	SERIAL-SERVICE	TORQ .....	TORQUE
S/EXH .....	SINGLE EXHAUST	TORS .....	TORSION
S-FIN .....	SEMI-FINISHED	TPI .....	THREADS PER INCH
S/GR .....	STEERING GEAR	T/PIPE .....	TAIL PIPE
SHFT .....	SHIFT	T/PLT .....	TAPPING PLATE
SHLD .....	SHIELD	T/PNL .....	TRIM PANEL
SIG .....	SIGNAL	TPR .....	TAPER
S/KNU .....	STEERING KNUCKLE	TRANS .....	TRANSMISSION
SLD .....	SLIDE	TRANSF .....	TRANSFER
SLDG .....	SLIDING	TRIMD .....	TRIMMED
S/LP .....	STOP LAMP	T/SIG .....	TURN SIGNAL
SLTD .....	SLOTTED	TRUN. ....	TRUNNION
SLV .....	SLEEVE	TST .....	TAIL STOP / TURNING
S/MBR .....	SIDE MARKER	T/STRIP .....	TACKING STRIP
SOC .....	SOCKET	TUB .....	TUBULAR
SOL .....	SOLENOID	U/BODY .....	UNDERBODY
SPD .....	SPEED	U/DRV .....	UNDERDRIVE
SPEEDO .....	SPEEDOMETER	U/JNT .....	UNIVERSAL JOINT
SPKR .....	SPEAKER	UNIV .....	UNIVERSAL
SPL .....	SPECIAL	UPR .....	UPPER
SPL EQUIP .....	SPECIAL EQUIPMENT	U/S .....	UNDERSIZE
SPRG .....	SPRING	U/SEAT .....	UNDERSEAT
S/PNL .....	SIDE PANEL	U/W .....	USED WITH
SP/SHLD .....	SPLASH SHIELD	V .....	VENTUR (QTY OF CARB BBL)
SQ .....	SQUARE	VAC .....	VACUUM
S/R SHAFT .....	SINGLE ROCKER SHAFT	VAL .....	VALVE
S/RAIL .....	SIDE RAIL	V/DMPR .....	VIBRATION DAMPER
S/RING .....	SNAP RING	VENT .....	VENTILATOR-VENTILATING
S/SHLD .....	SIDE SHIELD	VERT .....	VERTICAL

---

**GROUP 2 - FRONT SUSPENSION & DRIVE**

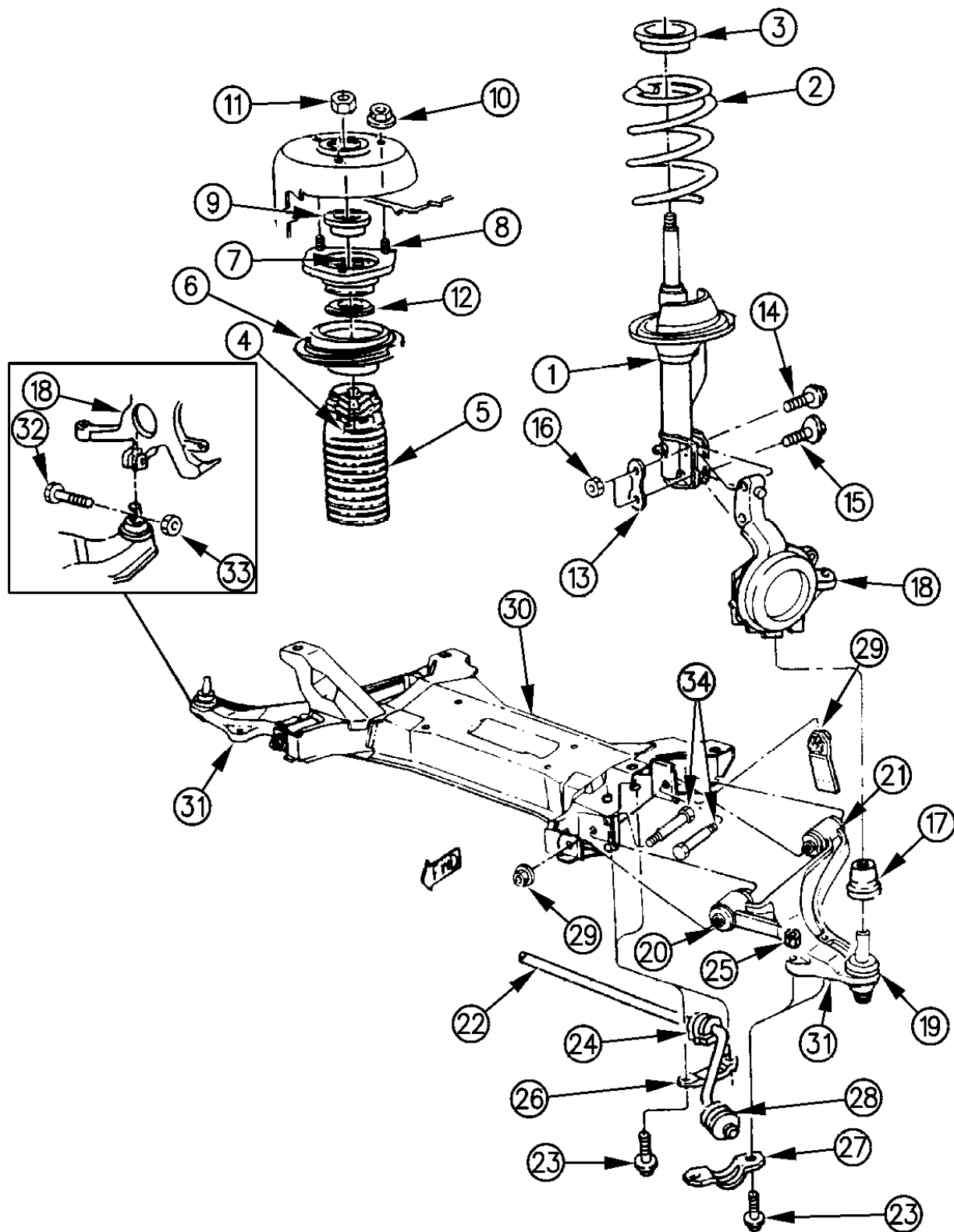
<b>ILLUSTRATION TITLE</b>	<b>GROUP-FIG. NO.</b>
<b>FRONT SUSPENSION</b>	
SUSPENSION, FRONT P BODY .....	Fig. 2-100
SUSPENSION, FRONT A BODY .....	Fig. 2-200
SUSPENSION, FRONT J BODY .....	Fig. 2-300
SUSPENSION, FRONT G BODY .....	Fig. 2-400
SUSPENSION, FRONT C BODY .....	Fig. 2-500
SUSPENSION, FRONT Y BODY .....	Fig. 2-600
SUSPENSION, FRONT S BODY .....	Fig. 2-700
<b>SHAFT IDENTIFICATION</b>	
SHAFT, MAJOR COMPONENT LISTING P,A,J,G,C,Y,S BODY .....	Fig. 2-800
<b>FRONT DRIVE SHAFTS</b>	
SHAFT, FRONT DRIVE P BODY .....	Fig. 2-900
SHAFT, FRONT DRIVE A BODY .....	Fig. 2-1000
SHAFT, FRONT DRIVE J BODY .....	Fig. 2-1100
SHAFT, FRONT DRIVE G BODY .....	Fig. 2-1200
SHAFT, FRONT DRIVE C BODY .....	Fig. 2-1300
SHAFT, FRONT DRIVE Y BODY .....	Fig. 2-1400
SHAFT, FRONT DRIVE S BODY .....	Fig. 2-1500

**ILLUSTRATION NOT AVAILABLE AT TIME OF PUBLICATION**

SUSPENSION, FRONT P BODY

Figure 2-100

93102 100



ITEM	PART NUMBER	QTY	BODY	MODEL	DESCRIPTION
------	-------------	-----	------	-------	-------------

NOTE: 1 ISOLATOR Pt.NO. 4014441 REQUIRED WHEN REPLACING SPRING AS NOTED.

1	4449 638	2			STRUT, Damper Assy., w/Std. Susp.	
	4656 500	1			w/Special Sport Susp.	
	4449 391	2			W/Special Sport Shocks (Canada)	
2					SPRING, w/2.2L EFI w/Man. Trans.	
	4449 484	1	24,44		Rt. w/o Air (See Note 1)	
	4449 486	1	24,44		Lt. w/o Air (See Note 1)	
	4449 486	1	24,44		Rt. w/Air (See Note 1)	
	4449 488	1	24,44		Lt. w/Air (See Note 1)	
						SPRING, w/2.2L EFI w/Auto Trans.
	4449 484	1	24,44		Rt. w/o Air (See Note 1)	
	4449 488	1	24,44		Lt. w/o Air	
	4449 486	1	24,44		Rt. w/Air	
	4449 488	1	24,44		Lt. w/Air (See Note 1)	
						SPRING, w/2.5L EFI w/Man. Trans.
	4449 484	1	24,44		Rt. w/o Air (See Note 1)	
	4449 486	1	27		Rt. w/o Air	
	4449 486	1	24,44		Lt. w/o Air (See Note 1)	
	4449 488	1	27		Lt. w/o Air	
4449 486	1	24,44		Rt. w/Air		
4449 486	1	27		Rt. w/Air (See Note1)		
4449 488	1	24,44		Lt. w/Air (See Note 1)		
4449 488	1	27		Lt. w/Air (See Note 1)		
4449 516	1	24,27,44		Rt. w/o Air w/Spec. Sport (See Note 1)		
4449 518	1	24,27,44		Lt. w/o Air w/Spec. Sport (See Note 1)		
4449 516	1	24,44		Rt. w/Air w/Spec. Sport (See Note 1)		
4449 518	1	27		Rt. w/Air w/Spec. Sport		
4449 518	1	24,44		Lt. w/Air w/Sec. Sport (See Note 1)		
4449 520	1	27		Lt. w/Air w/Sec. Sport		
					SPRING, w/2.5L EFI w/Auto Trans.	
4449 486	1	24,44		Rt. w/o Air		
4449 486	1	27		Rt. w/o Air (See Note 1)		
4449 488	1	24,44		Lt. w/o Air		
4449 488	1	27		Lt. w/o Air (See Note 1)		
4449 486	1	24,44		Rt. w/Air (See Note 1)		
4449 488	1	27		Rt. w/Air		
4449 488	1	24,44		Lt. w/Air (See Note 1)		

MODEL CODES:

A BODY=(C=LeBaron, D=Spirit, P=Acclaim/LaBaron(Landau), Saratoga)

C BODY=(D=Dynasty, C=New Yorker/N.Y. Salon)

G BODY=(V=Daytona/ROC, Chrysler Daytona)

J BODY=(C=LeBaron, Chrysler LeBaron)

P BODY=(P=Sundance, D=Shadow)

S BODY=(H=Voyager(H) FWD, K=Caravan(H) FWD,

Y=Town & Country(H) FWD, P=Voyager(K) AWD,

D=Caravan(K) AWD, C=Town & Country(K) AWD)

Y BODY=(C=Imperial/5th Avenue)

E-S BODY=(K=Chrysler Voyager(H) FWD, D=Chrysler

Voyager(K) AWD)

BODY STYLES:

21=2-Door Coupe

41=4-Door Sedan

12-52=FWD & AWD Van & Wgn Std W.B.

24=2-Door Hatchback

44=4-Door Hatchback

53=FWD & AWD Van & Wgn Ext. W.B.

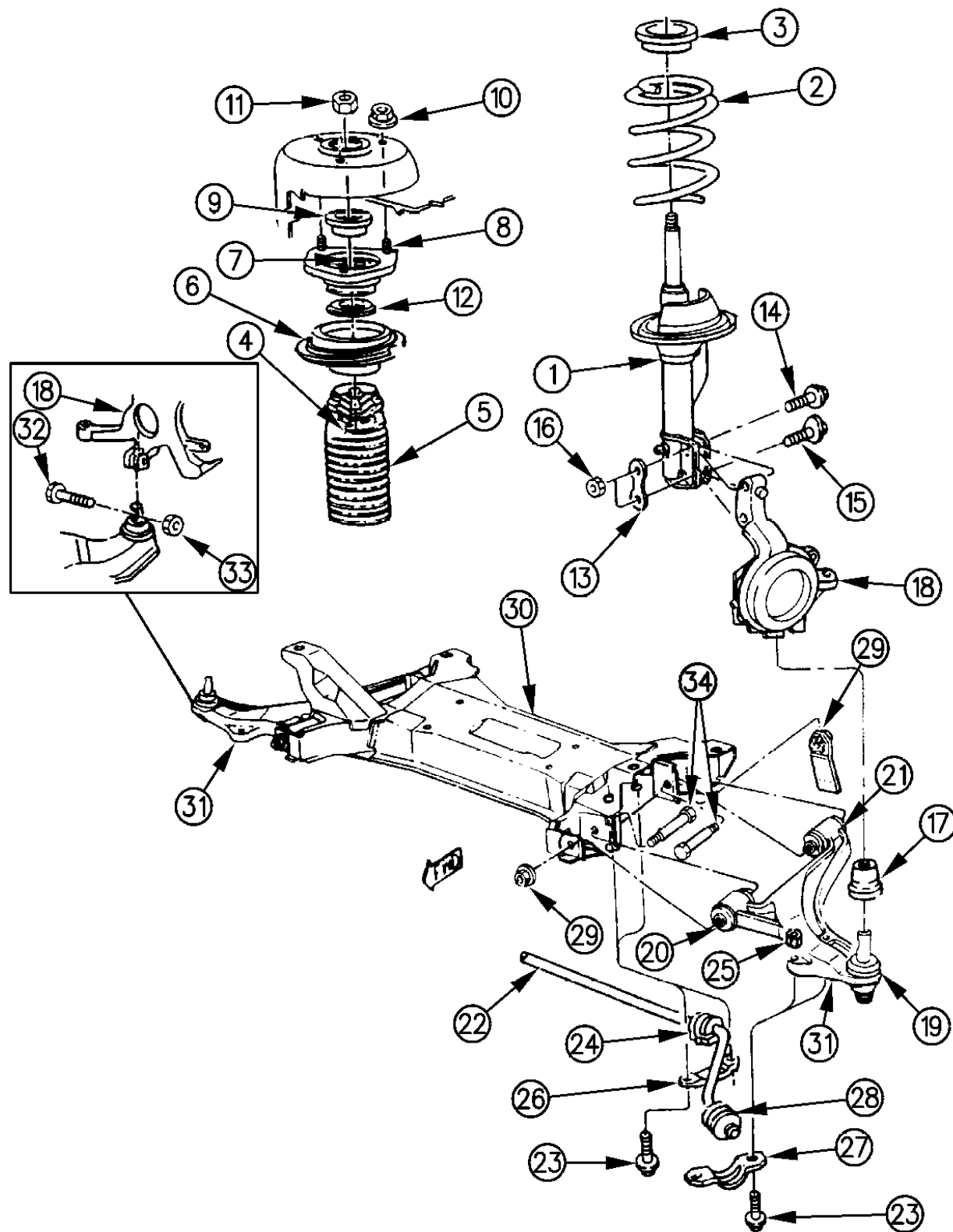
27=2-Door Convertible

AR = Use as Required - = Non Illustrated Part P.A.R. = Paint as Required

SUSPENSION, FRONT P BODY

Figure 2-100

93102 100



ITEM	PART NUMBER	QTY	BODY	MODEL	DESCRIPTION
	4449 490	1		27	Lt. w/Air
	4449 516	1		24,44	Rt. w/o Air w/Sec. Sport
	4449 516	1		27	Rt. w/o Air w/Sec. Sport (See Note 1)
	4449 518	1		24,27,44	Lt. w/o Air w/Spec. Sport (See Note 1)
	4449 516	1		24,44	Rt. w/Air w/Spec. Sport (See Note 1)
	4449 518	1		27	Rt. w/Air w/Spec. Sport
	4449 518	1		24,44	Lt. w/Air w/Spec. Sport (See Note 1)
	4449 520	1		27	Lt. w/Air w/Spec. Sport SPRING, w/3.0L w/Man. Trans.
	4449 486	1		24,44	Rt. w/o Air
	4449 486	1		27	Rt. w/o Air (See Note 1)
	4449 488	1		24,44	Lt. w/o Air
	4449 488	1		27	Lt. w/o Air (See Note 1)
	4449 486	1		24,44	Rt. w/Air (See Note 1)
	4449 488	1		27	Rt. w/Air
	4449 488	1		24,44	Lt. w/Air (See Note 1)
	4449 490	1		27	Lt. w/Air
	4449 516	1		24,44	Rt. w/o Air w/Spec. Sport
	4449 516	1		27	Rt. w/o Air w/Spec. Sport (See Note 1)
	4449 518	1		24,44	Lt. w/o Air w/Spec. Sport
	4449 518	1		27	Lt. w/o Air w/Spec. Sport (See Note 1)
	4449 516	1		24,44	Rt. w/Air w/Spec. Sport (See Note 1)
	4449 518	1		27	Rt. w/Air w/Spec. Sport
	4449 518	1		24,44	Lt. w/Air w/Spec. Sport (See Note 1)
	4449 520	1		27	Lt. w/Air w/Spec. Sport SPRING, w/3.0L w/Auto Trans.
	4449 486	1		24,44	Rt. w/o Air
	4449 486	1		27	Rt. w/o Air (See Note 1)
	4449 488	1		24,44	Lt. w/o Air
	4449 488	1		27	Lt. w/o Air (See Note 1)
	4449 486	1		24,44	Rt. w/Air (See Note 1)
	4449 488	1		27	Rt. w/Air
	4449 488	1		24,44	Lt. w/Air (See Note 1)
	4449 490	1		27	Lt. w/Air
	4449 516	1		24,44	Rt. w/o Air w/Spec. Sport
	4449 516	1		27	Rt. w/o Air w/Spec. Sport (See Note 1)
	4449 518	1		24,44	Lt. w/o Air w/Spec. Sport
	4449 518	1		27	Lt. w/o Air w/Spec. Sport (See Note 1)
	4449 516	1		24,44	Rt. w/Air w/Spec. Sport (See Note 1)

MODEL CODES:

A BODY=(C=LeBaron, D=Spirit, P=Acclaim/LaBaron(Landau), Saratoga) S BODY=(H=Voyager(H) FWD, K=Caravan(H) FWD, Y=Town & Country(H) FWD, P=Voyager(K) AWD, D=Caravan(K) AWD, C=Town & Country(K) AWD)  
 C BODY=(D=Dynasty, C=New Yorker/N.Y. Salon) Y BODY=(C=Imperial/5th Avenue)  
 G BODY=(V=Daytona/IROC, Chrysler Daytona) E-S BODY=(K=Chrysler Voyager(H) FWD, D=Chrysler Voyager(K) AWD)  
 J BODY=(C=LeBaron, Chrysler LeBaron)  
 P BODY=(P=Sundance, D=Shadow)

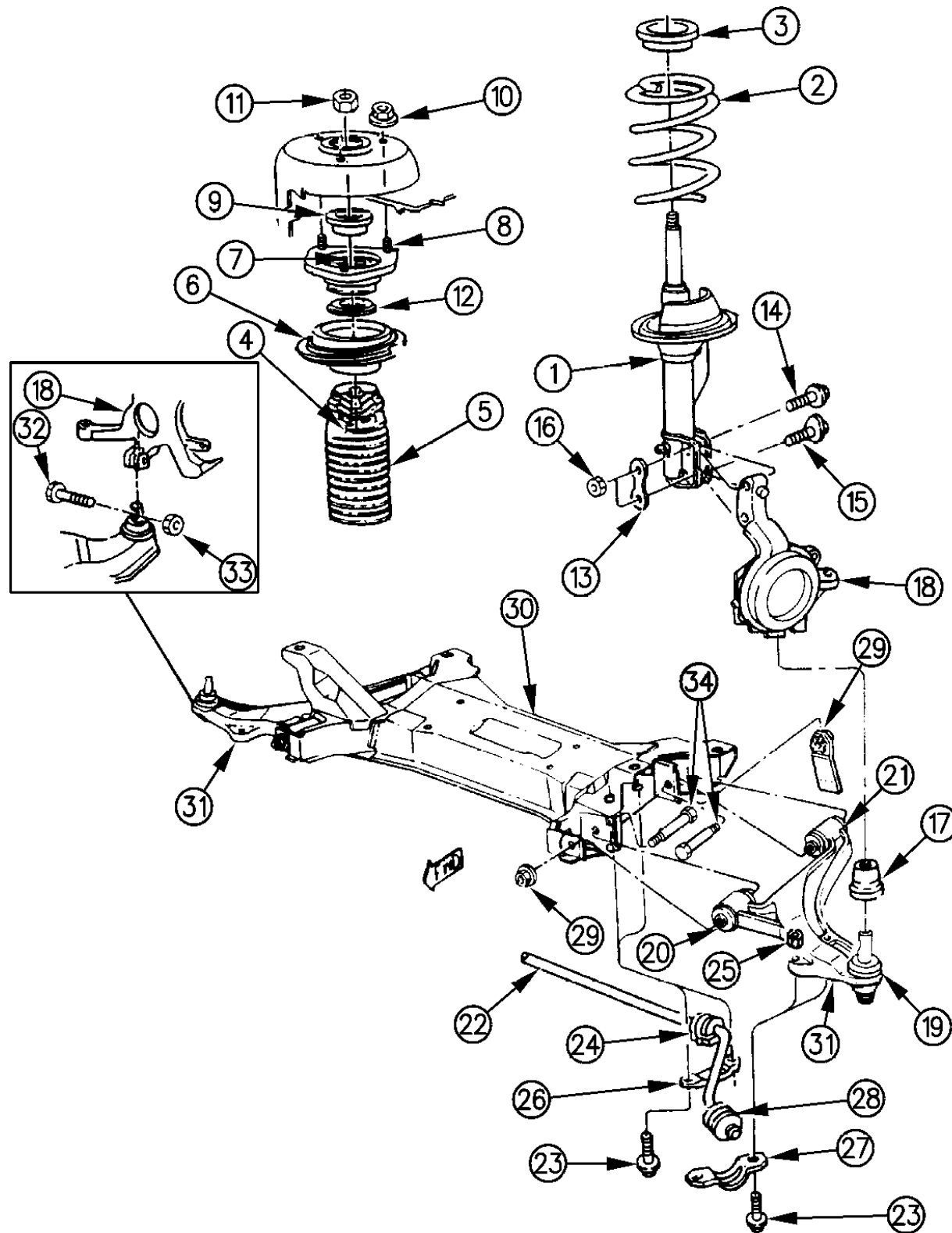
BODY STYLES:

21=2-Door Coupe 41=4-Door Sedan 12-52=FWD & AWD Van & Wgn Std W.B.  
 24=2-Door Hatchback 44=4-Door Hatchback 53=FWD & AWD Van & Wgn Ext. W.B.  
 27=2-Door Convertible

AR = Use as Required - = Non Illustrated Part P.A.R. = Paint as Required

**SUSPENSION, FRONT P BODY**  
Figure 2-100

93102 100



ITEM	PART NUMBER	QTY	BODY	MODEL	DESCRIPTION
	4449 518	1		27	Rt. w/Air w/Spec. Sport
	4449 518	1		24,44	Lt. w/Air w/Spec. Sport (See Note 1)
	4449 520	1		27	Lt. w/Air w/Spec. Sport
3	4014 441	AR			SPACER, Strut Dmpr.
4	4638 630	2			SHIELD, Dust, Frt. Susp. Strut Dmpr.(Serv. Pkg.)
5	4638 630	2			BUMPER, Frt. Susp. Strut Dmpr.(Serv. Pkg.)
	4449 064	2			w/Special Sport Susp.
6	4322 628	2			SEAT, Frt. Susp. Strut Dmpr., Upper
7	4322 633	2			WASHER, Strut Damper
8	4404 976	2			BEARING, w/Mount Frt. Susp. Strut Dmpr.
	4404 978	2			Retainer Assy-Frt Susp Strut Dmpr To Fendersheid
	6501 081	6			Screw Frt Susp Strut Dmpr To Fendersheid
	4404 977	2			Mount w/o Bearing
9	4052 822	2			RETAINER, Frt. Susp. Dmpr. Rebound Stop
10	6100 051	6			NUT, w/Washer, Frt. Susp. Strut Dmpr. Fender Shield Ret.
11	6501 094	2			NUT, Frt. Susp. Strut Dmpr. Rod
12	4322 620	2			BEARING, Frt. Susp. Strut Dmpr.
13	4014 444	2			WASHER, Frt. Susp. Strut Dmpr.
14	6501 644	4			BOLT, Frt. Susp. Knuckle to Strut Dmpr. Mtg.
15	6500 614	2			BOLT, Cam Dmpr. To Frt. Susp. Knuckle, Lwr.
16	6500 593	4			NUT, Strut Dmpr. Bolt
17	4052 509	2			SEAL, Frt. Susp. Cont. Arm B/Joint
18					KNUCKLE, Frt.
	4449 452	1			Rt. w/o ABS Brakes
	4449 815	1			Lt. w/o ABS Brakes
	4449 448	1			Rt. w/ABS Brakes
	4449 819	1			Lt. w/ABS Brakes
19	4449 553	2			BALL JOINT, Frt. Susp. Strg. Knuckle
20	5272 084	2			BUSHING, Cont. Arm Pivot, Front
21	5272 098	2			BUSHING, Rear
22	5272 374	1			SHAFT, Frt. Susp. Sway
23	6502 275	4			BOLT, Clamp
24	5272 209	2			CUSHION, Frt. Susp. Sway Elim.
25	6502 552	4			NUT, Bolt
26	4404 290	2			CLAMP, Shaft Bshg., Lwr.
27	5272 045	2			RETAINER, Shaft Arm
28	5272 214	2			BUSHING, Sway Frt.
29	4449 363	2			NUT, Cont. Arm Pivot Rear
	6101 515	2			Front

**MODEL CODES:**

A BODY=(C=LeBaron, D=Spirit, P=Acclaim/LaBaron(Landau), Saratoga) S BODY=(H=Voyager(H) FWD, K=Caravan(H) FWD, Y=Town & Country(H) FWD, P=Voyager(K) AWD, D=Caravan(K) AWD, C=Town & Country(K) AWD)  
 C BODY=(D=Dynasty, C=New Yorker/N.Y. Salon) Y BODY=(C=Imperial/5th Avenue)  
 G BODY=(V=Daytona/ROC, Chrysler Daytona) E-S BODY=(K=Chrysler Voyager(H) FWD, D=Chrysler Voyager(K) AWD)  
 J BODY=(C=LeBaron, Chrysler LeBaron) P BODY=(P=Sundance, D=Shadow)

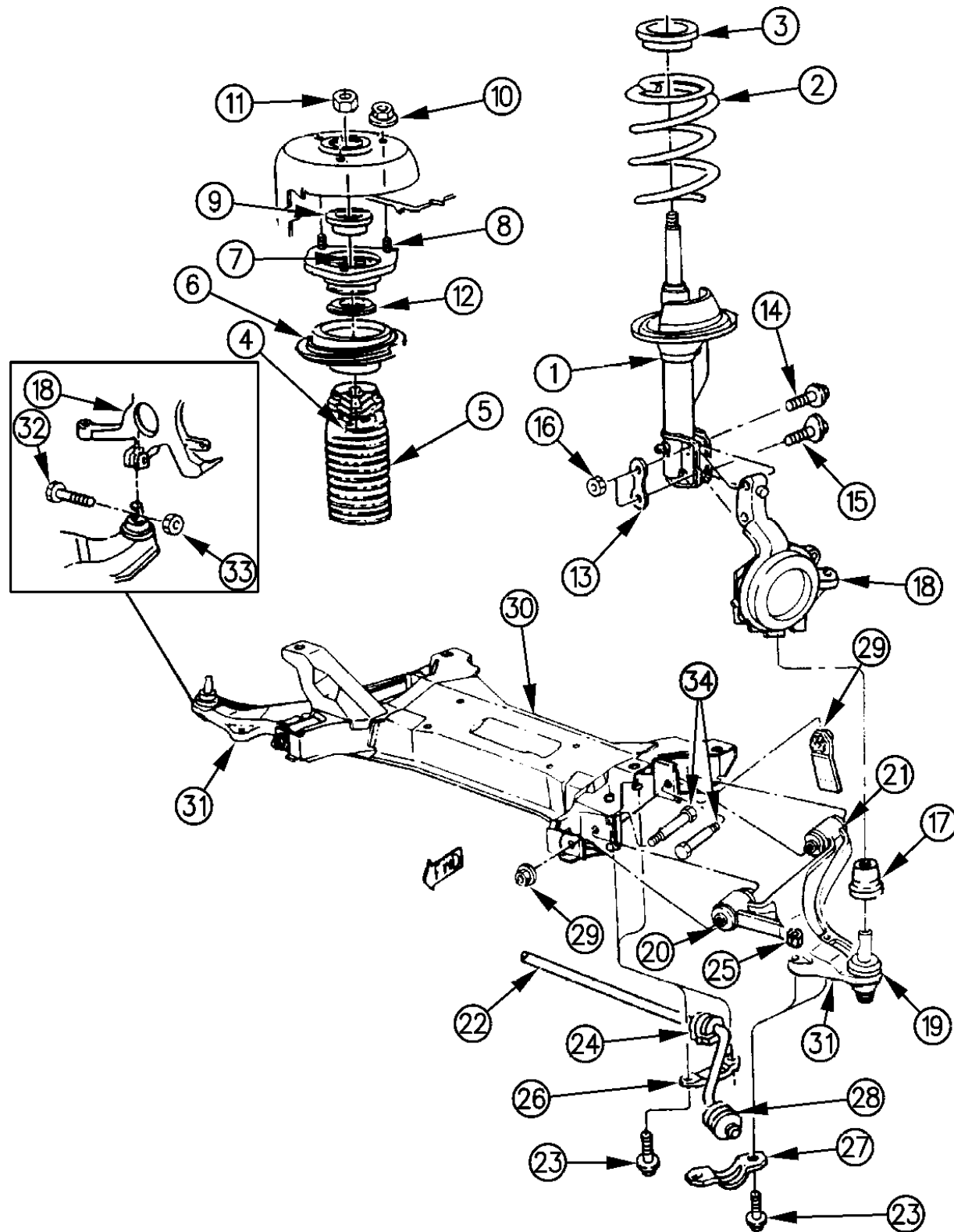
**BODY STYLES:**

21=2-Door Coupe 41=4-Door Sedan 12-52=FWD & AWD Van & Wgn Std W.B.  
 24=2-Door Hatchback 44=4-Door Hatchback 53=FWD & AWD Van & Wgn Ext. W.B.  
 27=2-Door Convertible

AR = Use as Required - = Non Illustrated Part P.A.R. = Paint as Required

**SUSPENSION, FRONT P BODY**  
Figure 2-100

93102 100



ITEM	PART NUMBER	QTY	BODY	MODEL	DESCRIPTION
30					CROSSMEMBER, (Ref. Only)
31	4728 884-5	1			ARM, Frt. Cont.
32	6502 336	2			BOLT, Knuckle To Cont. Arm
33	6502 335	2			NUT
34	6501 484	2			BOLT

**MODEL CODES:**

A BODY=(C=LeBaron, D=Spirit, P=Acclaim/LaBaron(Landau), Saratoga) S BODY=(H=Voyager(H) FWD, K=Caravan(H) FWD, Y=Town & Country(H) FWD, P=Voyager(K) AWD, D=Caravan(K) AWD, C=Town & Country(K) AWD)  
 C BODY=(D=Dynasty, C=New Yorker/N.Y. Salon)  
 G BODY=(V=Daytona/IROC, Chrysler Daytona)  
 J BODY=(C=LeBaron, Chrysler LeBaron)  
 P BODY=(P=Sundance, D=Shadow)  
 Y BODY=(C=Imperial/5th Avenue)  
 E-S BODY=(K=Chrysler Voyager(H) FWD, D=Chrysler Voyager(K) AWD)

**BODY STYLES:**

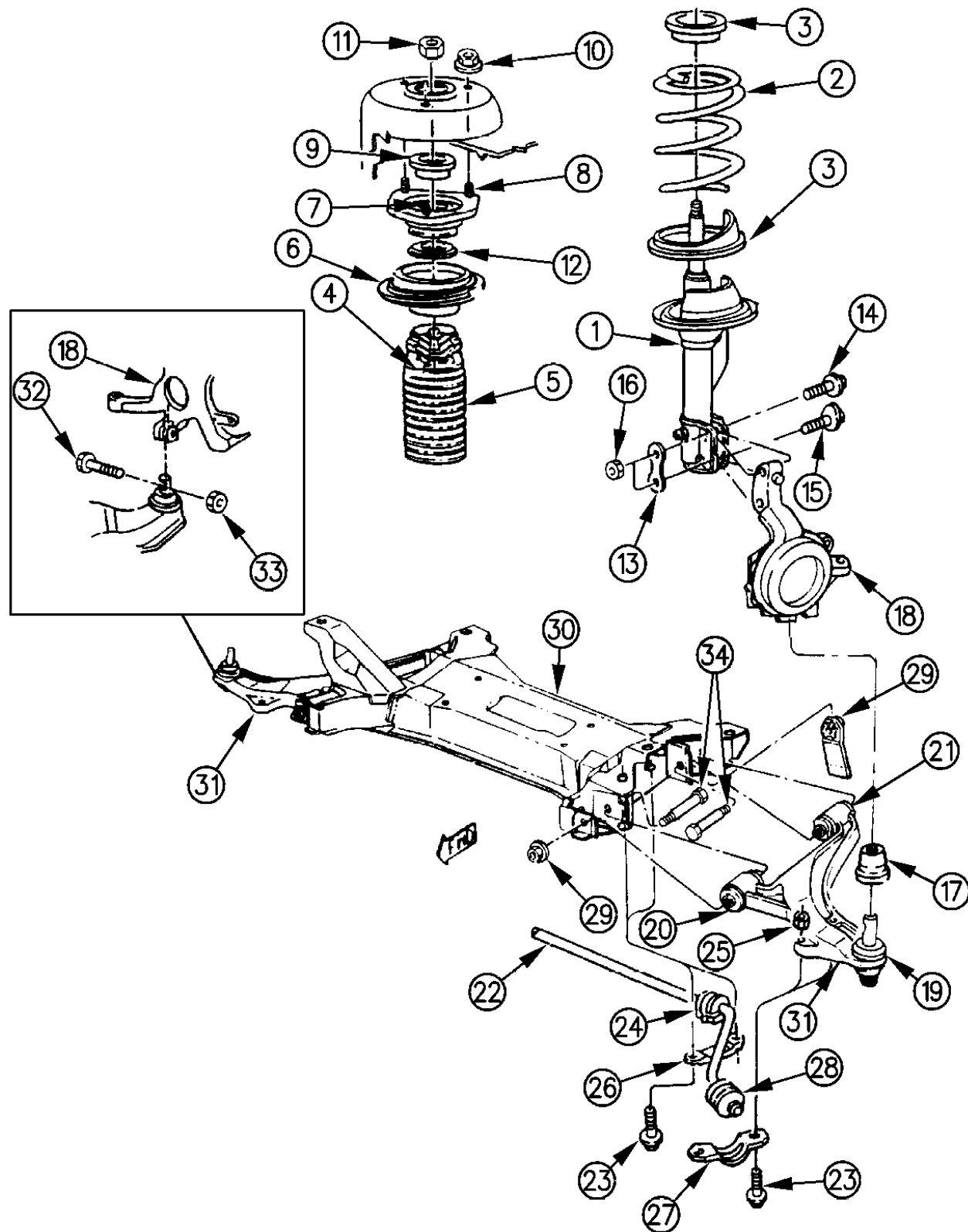
21=2-Door Coupe      41=4-Door Sedan      12-52=FWD & AWD Van & Wgn Std W.B.  
 24=2-Door Hatchback      44=4-Door Hatchback      53=FWD & AWD Van & Wgn Ext. W.B.  
 27=2-Door Convertible

AR = Use as Required - = Non Illustrated Part P.A.R. = Paint as Required

SUSPENSION, FRONT A BODY

Figure 2-200

93102 200



ITEM	PART NUMBER	QTY	BODY	MODEL	DESCRIPTION
------	-------------	-----	------	-------	-------------

NOTE: 1 ISOLATOR Pt.NO. 4014441 REQUIRED WHEN REPLACING SPRING AS NOTED.

1	4449 626	2			STRUT, Damper Assy. w/Std. Susp. (SDA)	
	4626 049	2		CP,PP	w/Std. Susp. (SDA)	
	4449 627	2			w/Firm Feel Susp. (SDC)	
	4626 050	2			w/Special Sport Susp. (SDE)	
	4626 050	2			w/EUROPEAN Market	
2					SPRING, w/2.5L EFI w/Man. Trans.	
	4449 484	1			Rt. w/o Air (See Note 1)	
	4449 486	1			Lt. w/o Air (See Note 1)	
	4449 486	1			Rt. w/Air	
	4449 488	1			Lt. w/Air	
					SPRING, w/2.5L EFI w/Auto Trans.	
	4449 484	1			Rt. w/o Air (See Note 1)	
	4449 486	1			Lt. w/o Air (See Note 1)	
	4449 486	1			Rt. w/Air	
	4449 488	1			Lt. w/Air	
					SPRING, w/3.0L EFI	
	4449 486	1			Rt. w/o Air	
	4449 488	1			Lt. w/o Air (See Note 1)	
	4449 710	1		CP41	Rt. w/All	
	4449 714	1		CP41	Lt. w/All	
	4449 488	1			Rt. w/Air	
	4449 490	1			Lt. w/Air	
	3	4014 441	AR			SPACER, Strut Dmpr. Seat Iso., Upper
		4404 366	AR			Lower
	4	4638 630	2			SHIELD, Dust, Frt. Susp. Strut Dmpr. (Serv. Pkg.)
5	4638 630	2			BUMPER, Frt. Susp. Strut Dmpr. (Serv. Pkg.)	
	4626 090	2			w/Sport Susp.	
6	4322 628	2			SEAT, Frt. Susp. Strut Dmpr., Upper	
7	4322 633	2			WASHER, Strut Damper	
8	4404 976	2			BEARING, w/Mount Frt. Susp. Strut Dmpr.	
	4404 977	2			Mount w/o Bearing	
9	4052 822	2			RETAINER, Frt. Susp. Dmpr. Rebound Stop	
10	6101 446	6			NUT, w/Washer, Frt. Susp. Strut Dmpr. Fender Shield Ret.	
11	6501 094	2			NUT, Frt. Susp. Strut Dmpr. Rod	
12	4322 620	2			BEARING, Frt. Susp. Strut Dmpr.	
13	4014 444	2			WASHER, Frt. Susp. Strut Dmpr.	

MODEL CODES:

A BODY=(C=LeBaron, D=Spirit, P=Acclaim/LaBaron(Landau), Saratoga)

C BODY=(D=Dynasty, C=New Yorker/N.Y. Salon)

G BODY=(V=Daytona/ROC, Chrysler Daytona)

J BODY=(C=LeBaron, Chrysler LeBaron)

P BODY=(P=Sundance, D=Shadow)

S BODY=(H=Voyager(H) FWD, K=Caravan(H) FWD,

Y=Town & Country(H) FWD, P=Voyager(K) AWD,

D=Caravan(K) AWD, C=Town & Country(K) AWD)

Y BODY=(C=Imperial/5th Avenue)

E-S BODY=(K=Chrysler Voyager(H) FWD, D=Chrysler

Voyager(K) AWD)

BODY STYLES:

21=2-Door Coupe

41=4-Door Sedan

12-52=FWD & AWD Van & Wgn Std W.B.

24=2-Door Hatchback

44=4-Door Hatchback

53=FWD & AWD Van & Wgn Ext. W.B.

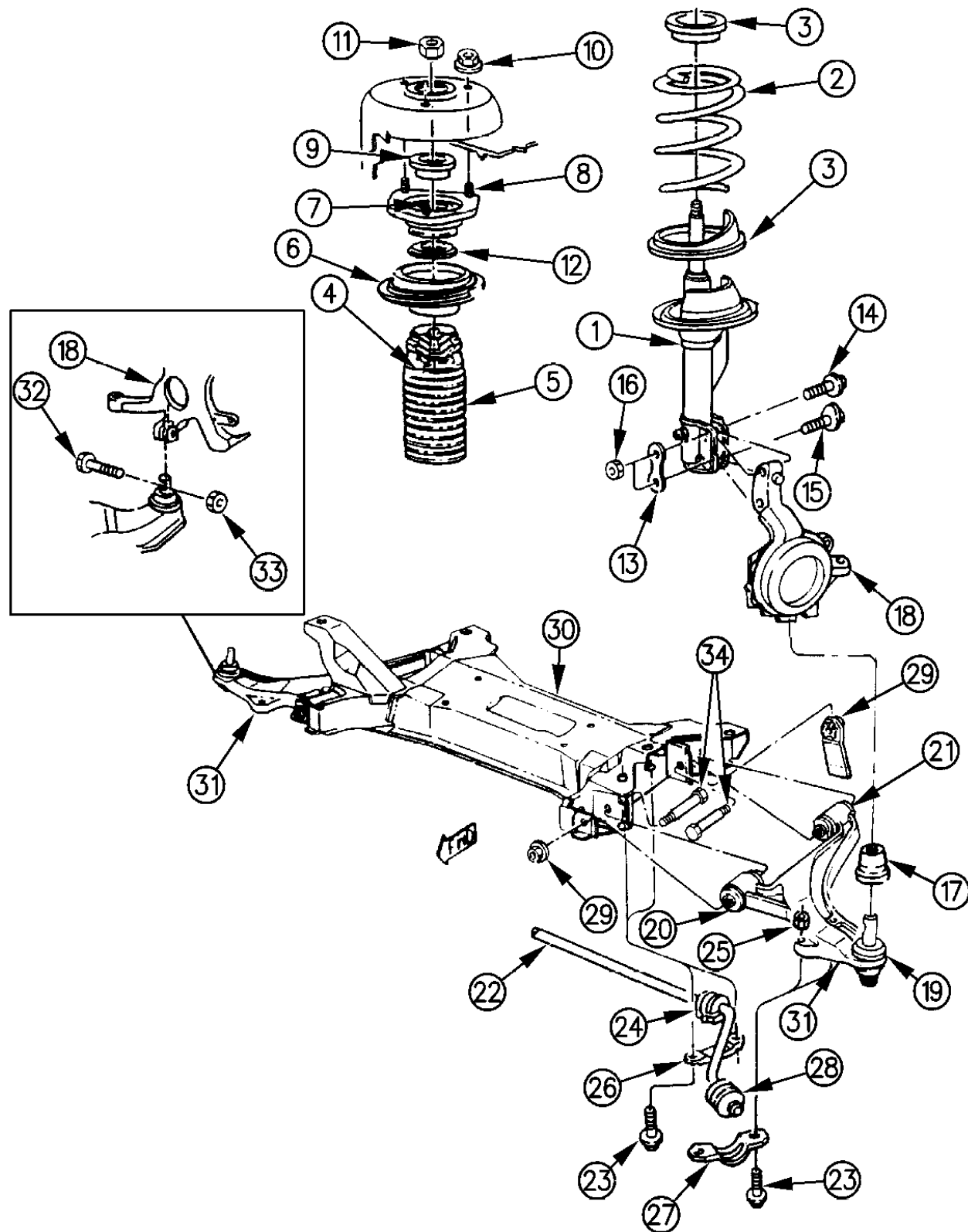
27=2-Door Convertible

AR = Use as Required - = Non Illustrated Part P.A.R. = Paint as Required

# SUSPENSION, FRONT A BODY

Figure 2-200

93102 200



ITEM	PART NUMBER	QTY	BODY	MODEL	DESCRIPTION
14	6500 615	2			BOLT, Frt. Susp. Knuckle to Strut Dmpr. Mtg., Upr.
15	6500 614	2			BOLT, Cam Dmpr. To Frt. Susp. Knuckle, Lwr.
16	6500 593	4			NUT, Strut Dmpr. Bolt
17	4052 509	2			SEAL, Frt. Susp. Cont. Arm B/Joint
18					KNUCKLE, Frt.
	4449 452	1			Rt. w/o ABS Brakes
	4449 815	1			Lt. w/o ABS Brakes
	4449 448	1			Rt. w/ABS Brakes
	4449 819	1			Lt. w/ABS Brakes
19	4449 553	2			BALL JOINT, Frt. Susp. Strg. Knuckle
20	5272 084	2			BUSHING, Cont. Arm Pivot Front
21	5272 098	1			BUSHING, Rear
22	5272 374	1			SHAFT, Frt. Susp. Sway
	5272 373	1		CP41	
23	6502 275	4			BOLT, Clamp
24	5272 209	2			CUSHION, Frt. Susp. Sway Elim.
	5272 219	2		CP41	
25	6100 518	4			NUT, Bolt
26	4404 290	2			CLAMP, Shaft Bshg., Lwr.
27	5272 045	2			RETAINER, Shaft Arm
28	5272 214	2			BUSHING, Sway Frt. Susp. Cont.
29	6101 515	2			NUT, Cont. Arm Pivot Rear
	4449 363	2			Front
30					CROSSMEMBER, (Ref. Only)
31	4684 624-5	1			ARM, Frt. Cont.
32	6502 336	2			BOLT, Knuckle To Cont. Arm
33	6502 335	2			NUT
34	6501 484	2			BOLT

**MODEL CODES:**

A BODY=(C=LeBaron, D=Spirit, P=Acclaim/LaBaron(Landau), Saratoga) S BODY=(H=Voyager(H) FWD, K=Caravan(H) FWD, Y=Town & Country(H) FWD, P=Voyager(K) AWD, D=Caravan(K) AWD, C=Town & Country(K) AWD)  
 C BODY=(D=Dynasty, C=New Yorker/N.Y. Salon) Y BODY=(C=Imperial/5th Avenue)  
 G BODY=(V=Daytona/IROC, Chrysler Daytona) E-S BODY=(K=Chrysler Voyager(H) FWD, D=Chrysler Voyager(K) AWD)  
 J BODY=(C=LeBaron, Chrysler LeBaron)  
 P BODY=(P=Sundance, D=Shadow)

**BODY STYLES:**

21=2-Door Coupe 41=4-Door Sedan 12-52=FWD & AWD Van & Wgn Std W.B.  
 24=2-Door Hatchback 44=4-Door Hatchback 53=FWD & AWD Van & Wgn Ext. W.B.  
 27=2-Door Convertible

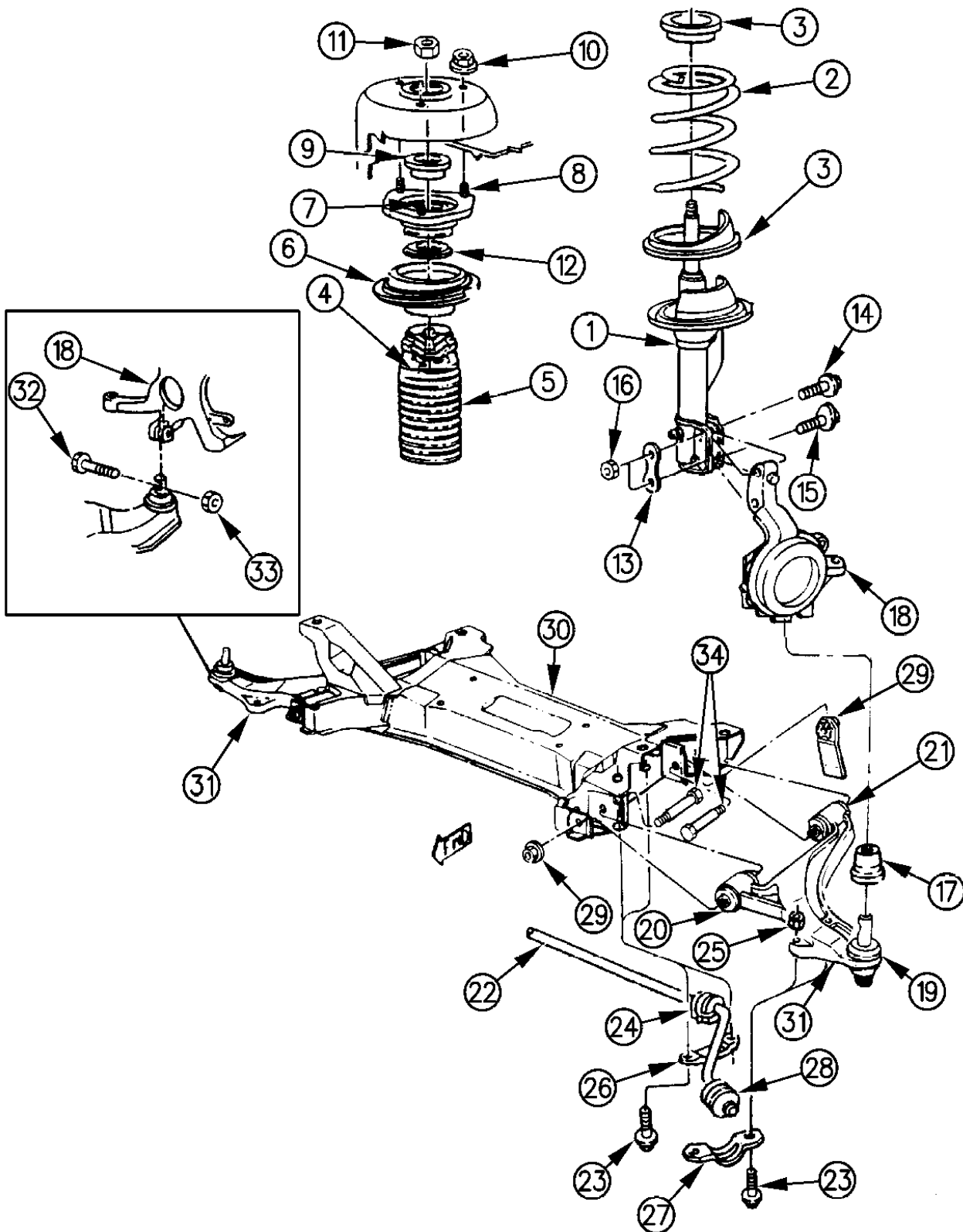
AR = Use as Required - = Non Illustrated Part P.A.R. = Paint as Required



SUSPENSION, FRONT J BODY

Figure 2-300

93102 300



ITEM	PART NUMBER	QTY	BODY	MODEL	DESCRIPTION
------	-------------	-----	------	-------	-------------

NOTE: 1 ISOLATOR Pt.NO. 4014441 REQUIRED WHEN REPLACING SPRING AS NOTED.

1	4449 628	2			STRUT, Damper Assy., w/Std. Susp. (SDA)
	4626 046	2			w/Special Sport (SDE) or Firm Feel (SDC) Susp.
2					SPRING, w/2.5L EFI w/Man. Trans.
	4449 484	1		21,27	Rt. w/o Air (See Note 1)
	4449 486	1		21,27	Lt. w/o Air (See Note 1)
	4449 486	1		21,27	Rt. w/Air
	4449 488	1		21,27	Lt. w/Air
					SPRING, w/2.5L EFI w/Auto Trans.
	4449 484	1		21	Rt. w/o Air (See Note 1)
	4449 486	1		27	Rt. w/o Air
	4449 488	1		21,27	Lt. w/o Air
	4449 486	1		21	Rt. w/Air
	4449 486	1		27	Rt. w/Air (See Note 1)
	4449 488	1		21,27	Lt. w/Air (See Note 1)
					SPRING, w/3.0L EFI w/Man. Trans.
	4449 484	1		21	Rt. w/o Air
	4449 486	1		27	Rt. w/o Air
	4449 488	1		21,27	Lt. w/o Air
	4449 486	1		21,27	Rt. w/Air (See Note 1)
	4449 488	1		21,27	Lt. w/Air (See Note 1)
					SPRING, w/3.0L EFI w/Auto Trans.
	4449 486	1		21,27	Rt. w/o Air
	4449 488	1		21,27	Lt. w/o Air (See Note 1)
	4449 486	1		21,27	Rt. w/Air (See Note 1)
	4449 488	1		21	Lt. w/Air (See Note 1)
	4449 490	1		27	Lt. w/Air
3	4014 441	AR			SPACER, Strut Dmpr. Seat Iso., Upper
	4404 366	AR			Lower
4	4638 630	2			SHIELD, Dust, Frt. Susp. Strut Dmpr.(Serv. Pkg.)
5	4638 630	2			BUMPER, Frt. Susp. Strut Dmpr. (Serv. Pkg.)
6	4322 628	2			SEAT, Frt. Susp. Strut Dmpr., Upper
7	4322 633	2			WASHER, Strut Damper
8	4404 976	2			BEARING, w/Mount Frt. Susp. Strut Dmpr.
	4404 977	2			Mount w/o Bearing
9	4052 822	2			RETAINER, Frt. Susp. Dmpr. Rebound Stop
10	6101 446	6			NUT, w/Washer, Frt. Susp. Strut Dmpr. Fender Shield Ret.

MODEL CODES:

A BODY=(C=LeBaron, D=Spirit, P=Acclaim/LaBaron(Landau), Saratoga)

C BODY=(D=Dynasty, C=New Yorker/N.Y. Salon)

G BODY=(V=Daytona/ROC, Chrysler Daytona)

J BODY=(C=LeBaron, Chrysler LeBaron)

P BODY=(P=Sundance, D=Shadow)

S BODY=(H=Voyager(H) FWD, K=Caravan(H) FWD,

Y=Town & Country(H) FWD, P=Voyager(K) AWD,

D=Caravan(K) AWD, C=Town & Country(K) AWD)

Y BODY=(C=Imperial/5th Avenue)

E-S BODY=(K=Chrysler Voyager(H) FWD, D=Chrysler

Voyager(K) AWD)

BODY STYLES:

21=2-Door Coupe

41=4-Door Sedan

12-52=FWD & AWD Van & Wgn Std W.B.

24=2-Door Hatchback

44=4-Door Hatchback

53=FWD & AWD Van & Wgn Ext. W.B.

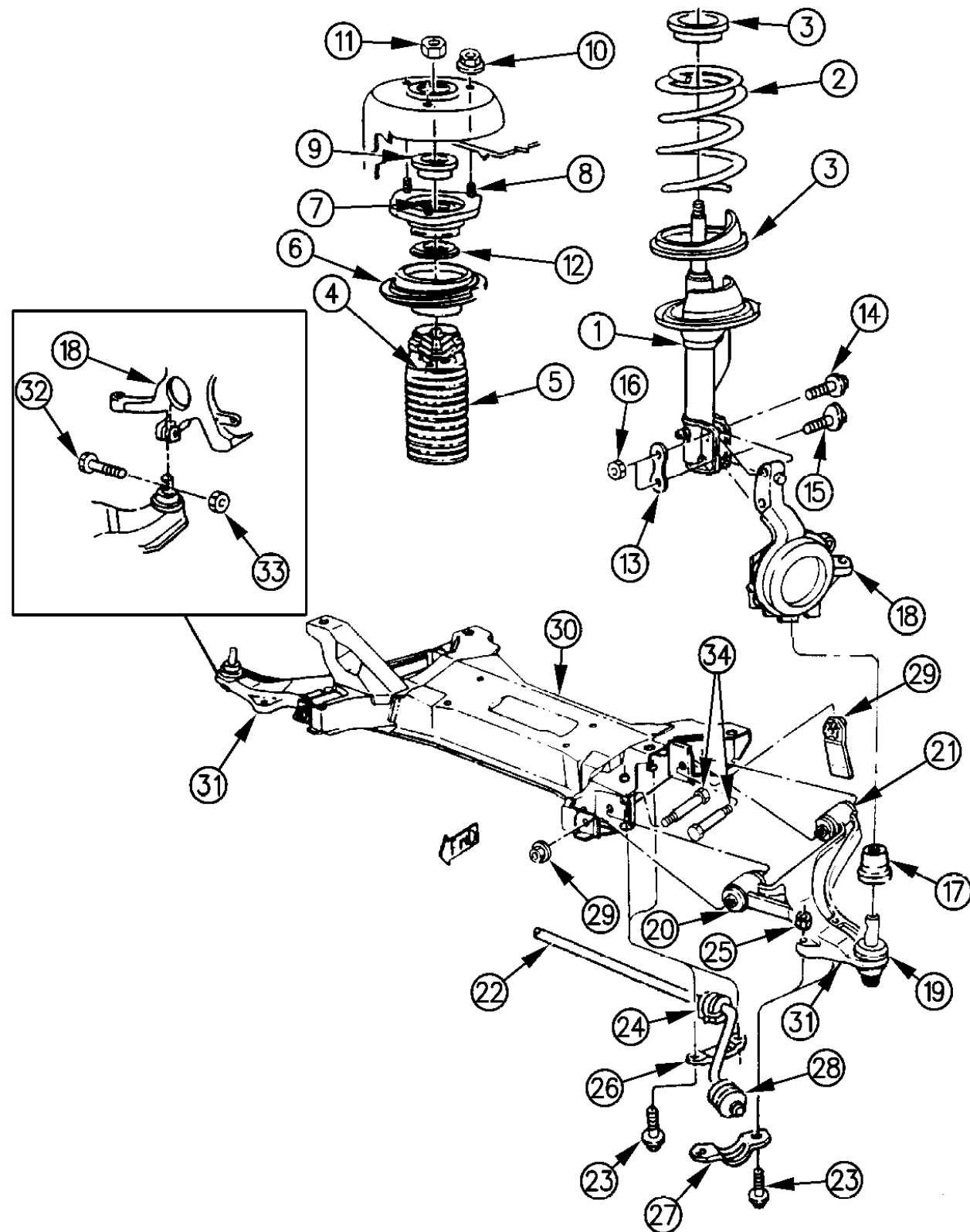
27=2-Door Convertible

AR = Use as Required - = Non Illustrated Part P.A.R. = Paint as Required

SUSPENSION, FRONT J BODY

Figure 2-300

93102 300



ITEM	PART NUMBER	QTY	BODY	MODEL	DESCRIPTION
11	6501 094	2			NUT, Frt. Susp. Strut Dmpr. Rod
12	4322 620	2			BEARING, Frt. Susp. Strut Dmpr.
13	4014 444	2			WASHER, Frt. Susp. Strut Dmpr.
14	6500 615	2			BOLT, Frt. Susp. Knuckle to Strut Dmpr. Mtg., Upr.
15	6500 614	2			BOLT, Cam Dmpr. To Frt. Susp. Knuckle, Lwr.
16	6500 593	4			NUT, Strut Dmpr. Bolt
17	4052 509	2			SEAL, Frt. Susp. Cont. Arm B/Joint
18					KNUCKLE, Frt.
	4449 452	1			Rt. w/o ABS Brakes
	4449 815	1			Lt. w/o ABS Brakes
	4449 448	1			Rt. w/ABS Brakes
	4449 819	1			Lt. w/ABS Brakes
19	4449 553	2			BALL JOINT, Frt. Susp. Strg. Knuckle
20	5272 084	2			BUSHING, Cont. Arm Pivot Front
21	5272 098	2			BUSHING, Rear
22	5272 373	1			SHAFT, Frt. Susp. Sway, Std.
	5272 374	1			w/Special Sport Susp.
23	6502 275	AR			BOLT, Clamp
24	5272 219	2			CUSHION, Frt. Susp. Sway Elim. w/Std. Susp.
	5272 209	2			w/Special Sport and Firm Feel Susp.
25	6502 337	4			NUT, Bolt
26	4404 290	2			CLAMP, Shaft Bshg., Lwr.
27	5272 045	2			RETAINER, Shaft Arm
28	5272 214	2			BUSHING, Sway Frt.
29	4449 363	2			NUT, Cont. Arm Pivot Rear
	6101 515	2			Front
30					CROSSMEMBER, (Ref. Only)
31	4728 884-5	1			ARM, Frt. Control
32	6502 336	2			BOLT, Knuckle To Cont. Arm
33	6502 335	2			NUT
34	6501 484	2			BOLT

MODEL CODES:

A BODY=(C=LeBaron, D=Spirit, P=Acclaim/LaBaron(Landau), Saratoga)

C BODY=(D=Dynasty, C=New Yorker/N.Y. Salon)

G BODY=(V=Daytona/IROC, Chrysler Daytona)

J BODY=(C=LeBaron, Chrysler LeBaron)

P BODY=(P=Sundance, D=Shadow)

S BODY=(H=Voyager(H) FWD, K=Caravan(H) FWD,

Y=Town & Country(H) FWD, P=Voyager(K) AWD,

D=Caravan(K) AWD, C=Town & Country(K) AWD)

Y BODY=(C=Imperial/5th Avenue)

E-S BODY=(K=Chrysler Voyager(H) FWD, D=Chrysler

Voyager(K) AWD)

BODY STYLES:

21=2-Door Coupe

41=4-Door Sedan

12-52=FWD & AWD Van & Wgn Std W.B.

24=2-Door Hatchback

44=4-Door Hatchback

53=FWD & AWD Van & Wgn Ext. W.B.

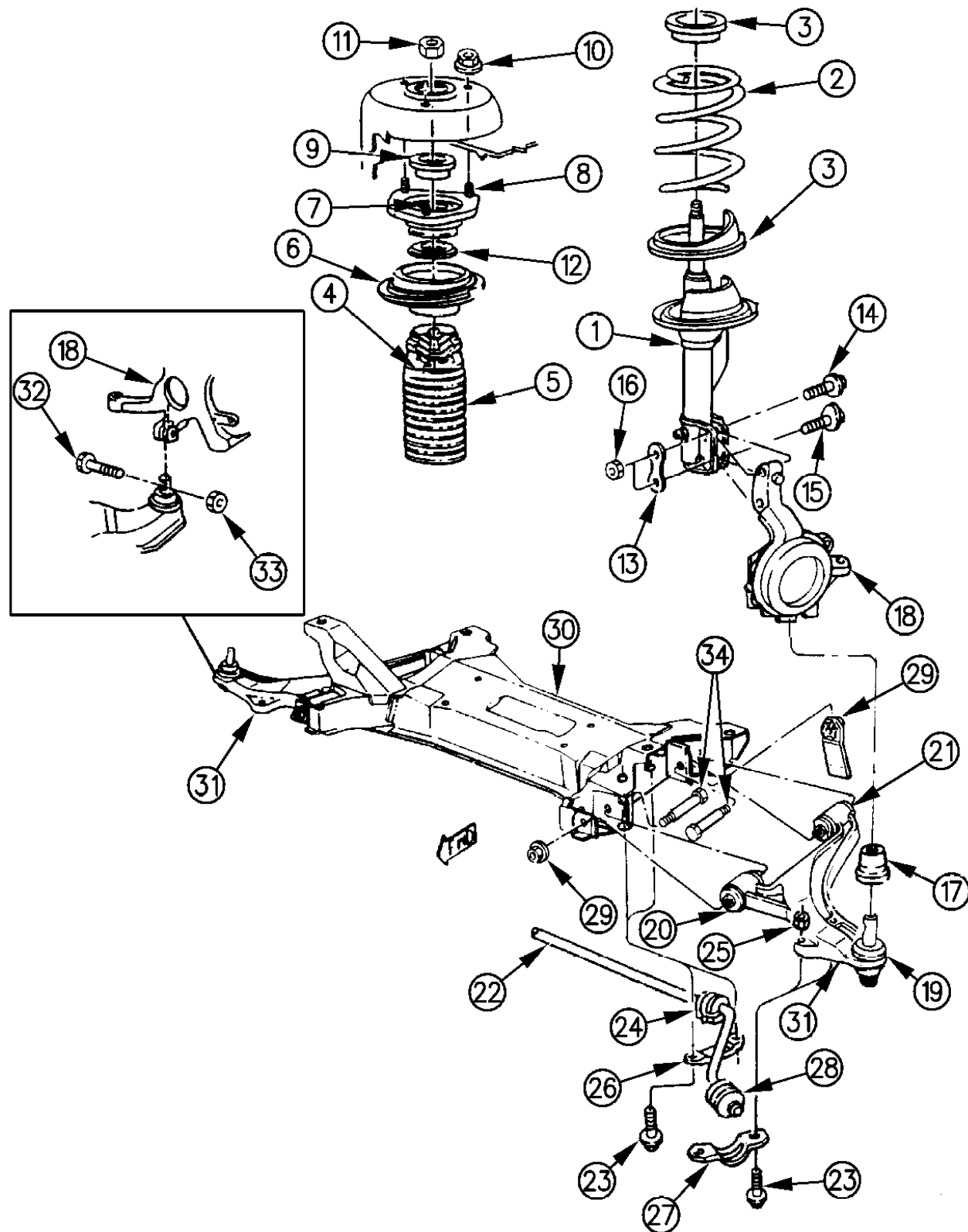
27=2-Door Convertible

AR = Use as Required - = Non Illustrated Part P.A.R. = Paint as Required

SUSPENSION, FRONT G BODY

Figure 2-400

93102 400



ITEM	PART NUMBER	QTY	BODY	MODEL	DESCRIPTION
------	-------------	-----	------	-------	-------------

NOTE: 1 ISOLATOR Pt.NO. 4014441 REQUIRED WHEN REPLACING SPRING AS NOTED.

1	4449 628	2			STRUT, Damper Assy., w/Std. Susp. (SDA)	
	4626 046	2			w/Firm Feel Susp. (SDC)	
	4449 630	2			w/Special Sport Susp. (SDE)	
	4626 277	2			w/16 Valve Eng.	
2					SPRING, w/2.2L 16 Valve Eng.	
	4704 102	1			Rt. w/o Air	
	4704 104	1			Lt. w/o Air	
	4704 104	1			Rt. w/Air (See Note 1)	
	4704 106	1			Lt. w/Air (See Note 1)	
						SPRING, w/2.5L EFI w/Man. Trans.
	4449 484	1			Rt. w/o Air	
	4449 486	1			Lt. w/o Air	
	4449 484	1			Rt. w/Air (See Note 1)	
	4449 486	1			Lt. w/Air (See Note 1)	
						SPRING, w/2.5L EFI w/Auto Trans.
	4449 484	1			Rt. w/o Air (See Note 1)	
4449 486	1			Lt. w/o Air (See Note 1)		
4449 486	1			Rt. w/Air		
4449 488	1			Lt. w/Air		
					SPRING, w/3.0L EFI w/Man. Trans.	
4449 486	1			Rt. w/o Air		
4449 516	1			Rt. w/o Air w/Firm Feel		
4449 488	1			Lt. w/o Air		
4449 518	1			Lt. w/o Air w/Firm Feel		
4449 486	1			Rt. w/Air (See Note 1)		
4449 516	1			Rt. w/Air w/Firm Feel (See Note 1)		
4449 488	1			Lt. w/Air (See Note 1)		
4449 518	1			Lt. w/Air w/Firm Feel (See Note 1)		
					SPRING, w/3.0L EFI w/Auto Trans.	
4449 486	1			Rt. w/o Air		
4449 516	1			Rt. w/o Air w/Firm Feel		
4449 488	1			Lt. w/o Air		
4449 518	1			Lt. w/o Air w/Firm Feel		
4449 486	1			Rt. w/Air (See Note 1)		
4449 516	1			Rt. w/Air w/Firm Feel (See Note 1)		
4449 488	1			Lt. w/Air (See Note 1)		

MODEL CODES:

A BODY=(C=LeBaron, D=Spirit, P=Acclaim/LaBaron(Landau), Saratoga)

C BODY=(D=Dynasty, C=New Yorker/N.Y. Salon)

G BODY=(V=Daytona/IROC, Chrysler Daytona)

J BODY=(C=LeBaron, Chrysler LeBaron)

P BODY=(P=Sundance, D=Shadow)

S BODY=(H=Voyager(H) FWD, K=Caravan(H) FWD,

Y=Town & Country(H) FWD, P=Voyager(K) AWD,

D=Caravan(K) AWD, C=Town & Country(K) AWD)

Y BODY=(C=Imperial/5th Avenue)

E-S BODY=(K=Chrysler Voyager(H) FWD, D=Chrysler

Voyager(K) AWD)

BODY STYLES:

21=2-Door Coupe

41=4-Door Sedan

12-52=FWD & AWD Van & Wgn Std W.B.

24=2-Door Hatchback

44=4-Door Hatchback

53=FWD & AWD Van & Wgn Ext. W.B.

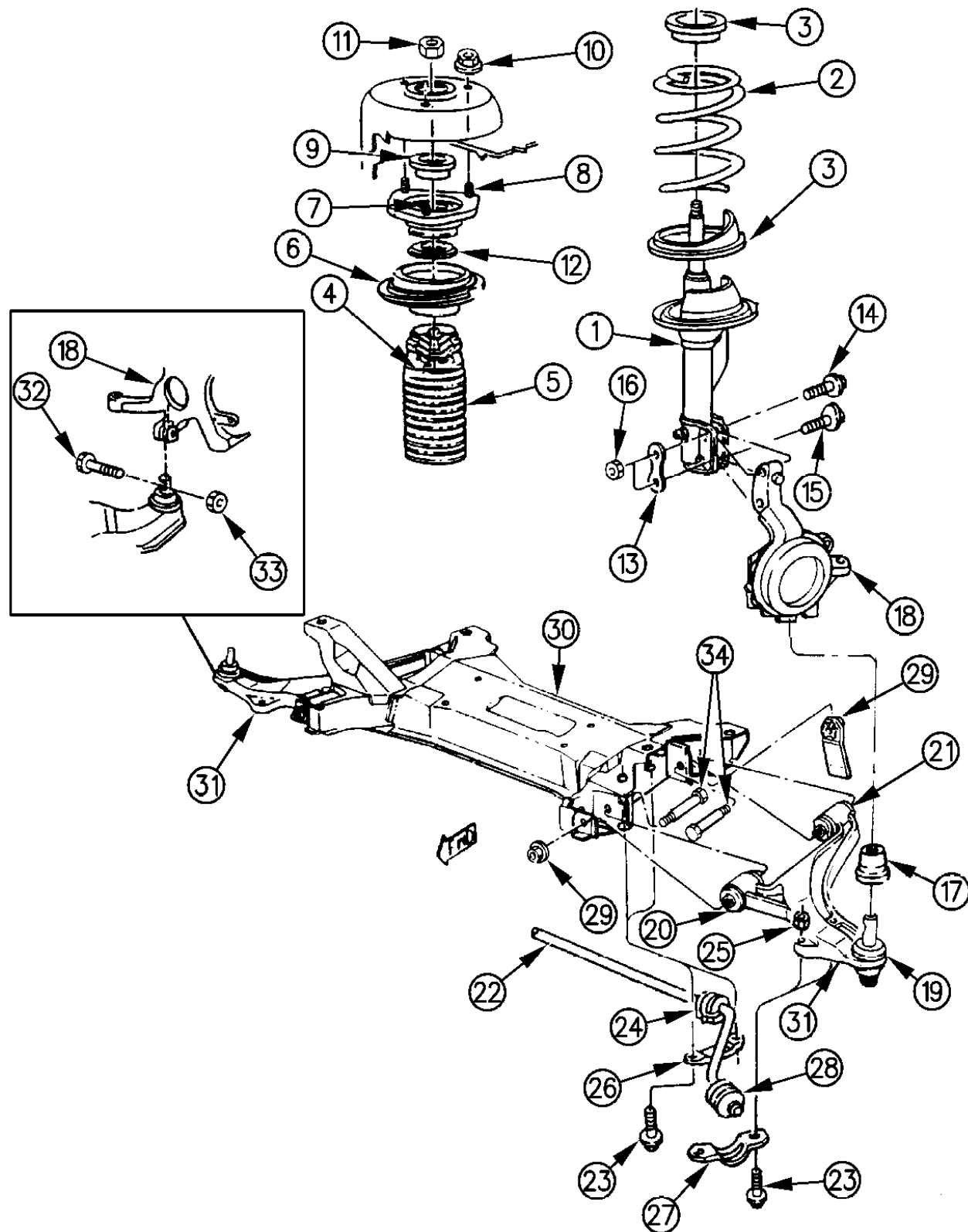
27=2-Door Convertible

AR = Use as Required - = Non Illustrated Part P.A.R. = Paint as Required

SUSPENSION, FRONT G BODY

Figure 2-400

93102 400



ITEM	PART NUMBER	QTY	BODY	MODEL	DESCRIPTION
	4449 518	1			Lt. w/Air w/Firm Feel (See Note 1)
3	4014 441	AR			SPACER, Strut Dmpr. Seat Iso., Upper
4	4638 630	2			SHIELD, Dust, Frt. Susp. Strut Dmpr.(Serv. Pkg.)
5	4638 630	2			BUMPER, Frt. Susp. Strut Dmpr. (Serv. Pkg.)
	4626 090	2			w/Sport Susp.
6	4322 628	2			SEAT, Frt. Susp. Strut Dmpr., Upper
7	4322 633	2			WASHER, Strut Damper
8	4404 976	2			BEARING, w/Mount Frt. Susp. Strut Dmpr.
	4404 977	2			Mount w/o Bearing
9	4052 822	2			RETAINER, Frt. Susp. Dmpr. Rebound Stop
10	6500 274	6			NUT, w/Washer, Frt. Susp. Strut Dmpr. Fender Shield Ret.
11	6501 094	2			NUT, Frt. Susp. Strut Dmpr. Rod
12	4322 620	2			BEARING, Frt. Susp. Strut Dmpr.
13	4014 444	2			WASHER, Frt. Susp. Strut Dmpr.
14	6500 615	2			BOLT, Frt. Susp. Knuckle to Strut Dmpr. Mtg., Up.
15	6500 614	2			BOLT, Cam Dmpr. To Frt. Susp. Knuckle, Lwr.
16	6500 593	4			NUT, Strut Dmpr. Bolt
17	4052 509	2			SEAL, Frt. Susp. Cont. Arm B/Joint
18					KNUCKLE, Frt.
	4449 452	1			Rt. w/o ABS Brakes
	4449 815	1			Lt. w/o ABS Brakes
	4449 448	1			Rt. w/ABS Brakes
	4449 819	1			Lt. w/ABS Brakes
19	4449 553	2			BALL JOINT, Frt. Susp. Strg. Knuckle
20	5272 084	2			BUSHING, Cont. Arm Pivot Front
21	5272 098	2			BUSHING, Rear w/Std. Susp.
	5272 088	2			w/Special Sport Susp.
22	5272 373	1			SHAFT, Frt. Susp. Sway, w/Std.
	5272 374	1			w/Special Sport and Firm Feel Susp.
23	6502 275	AR			BOLT, Clamp
24	5272 219	2			CUSHION, Frt. Susp. Sway Elim. w/Std.Susp.
	5272 209	2			w/Special Sport and Firm Feel Susp.
25	6502 337	4			NUT, Bolt
26	4404 290	2			CLAMP, Shaft Bshg., Lwr.
27	5272 045	2			RETAINER, Shaft Arm
28	5272 214	2			BUSHING, Sway Frt. Susp. Cont.
29	4449 363	2			NUT, Cont. Arm Pivot Rear
	6101 515	2			Front
30					CROSSMEMBER, (Ref. Only)

MODEL CODES:

A BODY=(C=LeBaron, D=Spirit, P=Acclaim/LaBaron(Landau), Saratoga)

C BODY=(D=Dynasty, C=New Yorker/N.Y. Salon)

G BODY=(V=Daytona/ROC, Chrysler Daytona)

J BODY=(C=LeBaron, Chrysler LeBaron)

P BODY=(P=Sundance, D=Shadow)

S BODY=(H=Voyager(H) FWD, K=Caravan(H) FWD,

Y=Town & Country(H) FWD, P=Voyager(K) AWD,

D=Caravan(K) AWD, C=Town & Country(K) AWD)

Y BODY=(C=Imperial/5th Avenue)

E-S BODY=(K=Chrysler Voyager(H) FWD, D=Chrysler

Voyager(K) AWD)

BODY STYLES:

21=2-Door Coupe

41=4-Door Sedan

12-52=FWD & AWD Van & Wgn Std W.B.

24=2-Door Hatchback

44=4-Door Hatchback

53=FWD & AWD Van & Wgn Ext. W.B.

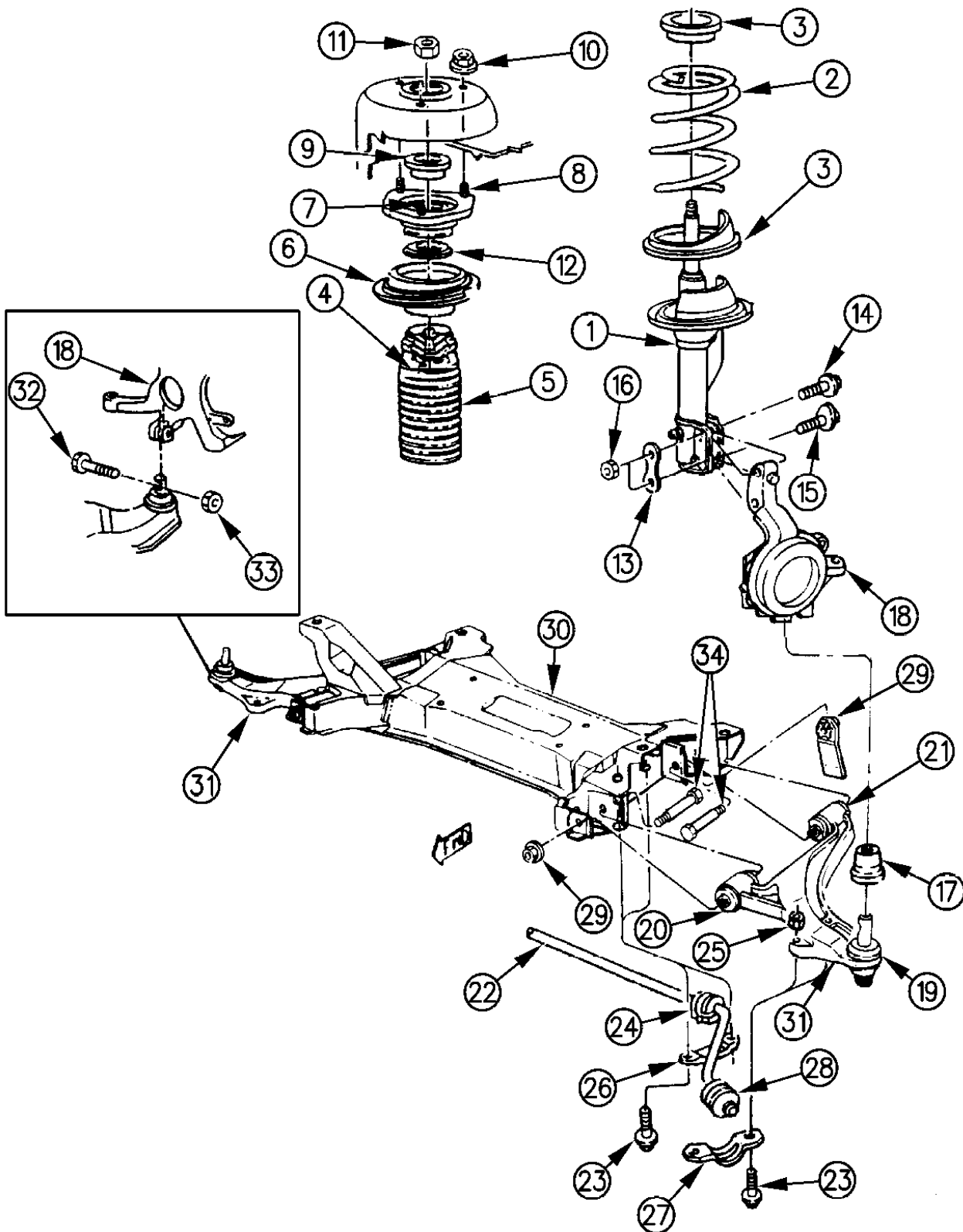
27=2-Door Convertible

AR = Use as Required - = Non Illustrated Part P.A.R. = Paint as Required

SUSPENSION, FRONT G BODY

Figure 2-400

93102 400



ITEM	PART NUMBER	QTY	BODY	MODEL	DESCRIPTION
31	4728 884-5	1			ARM, Frt. Cont.
32	6502 336	2			BOLT, Knuckle To Cont. Arm
33	6502 335	2			NUT
34	6501 484	2			BOLT

MODEL CODES:

A BODY=(C=LeBaron, D=Spirit, P=Acclaim/LaBaron(Landau),  
Saratoga) S BODY=(H=Voyager(H) FWD, K=Caravan(H) FWD,  
Y=Town & Country(H) FWD, P=Voyager(K) AWD,  
D=Caravan(K) AWD, C=Town & Country(K) AWD)  
C BODY=(D=Dynasty, C=New Yorker/N.Y. Salon)  
G BODY=(V=Daytona/ROC, Chrysler Daytona) Y BODY=(C=Imperial/5th Avenue)  
J BODY=(C=LeBaron, Chrysler LeBaron) E-S BODY=(K=Chrysler Voyager(H) FWD, D=Chrysler  
Voyager(K) AWD)  
P BODY=(P=Sundance, D=Shadow)

BODY STYLES:

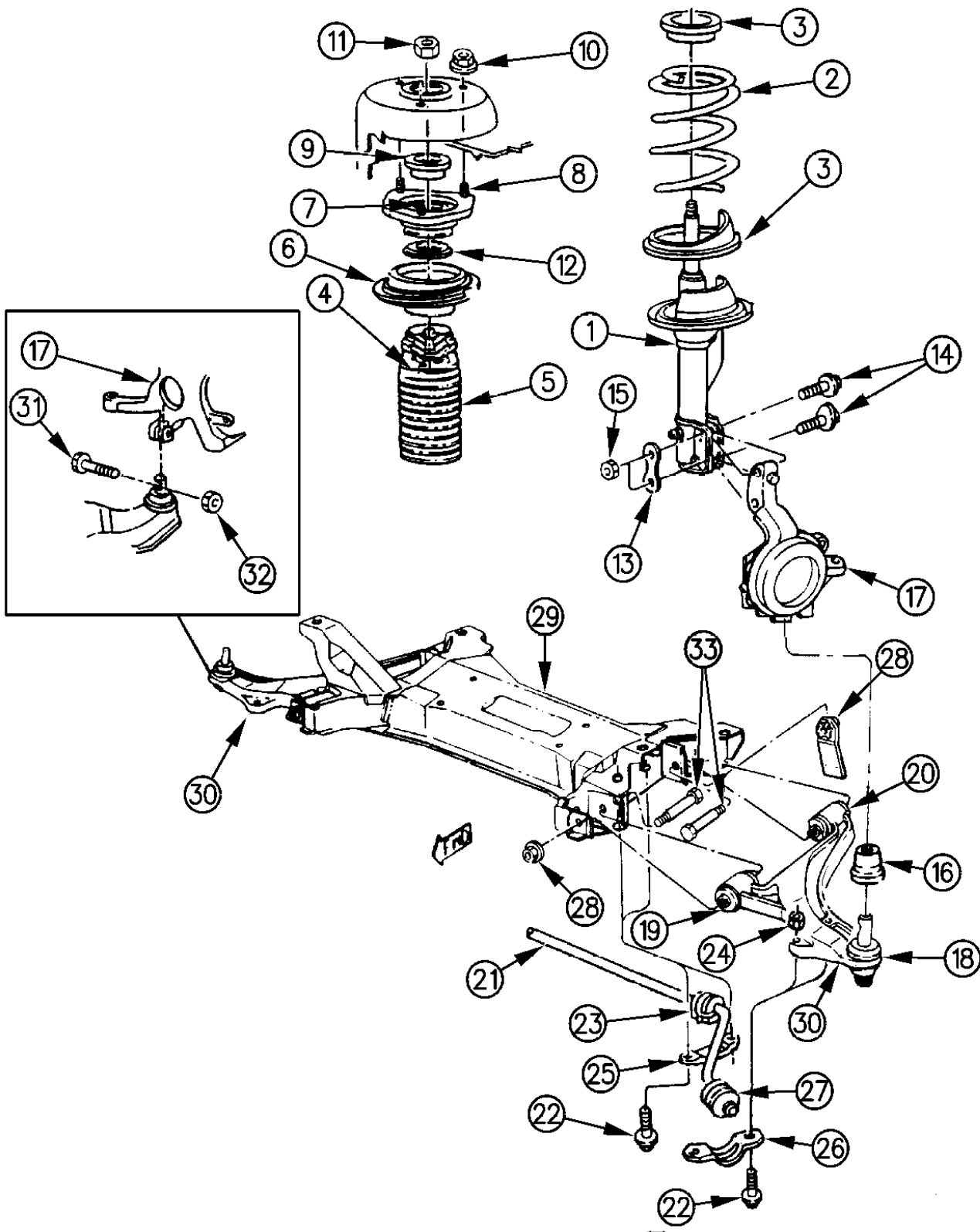
21=2-Door Coupe 41=4-Door Sedan 12-52=FWD & AWD Van & Wgn Std W.B.  
24=2-Door Hatchback 44=4-Door Hatchback 53=FWD & AWD Van & Wgn Ext. W.B.  
27=2-Door Convertible

AR = Use as Required - = Non Illustrated Part P.A.R. = Paint as Required

SUSPENSION, FRONT C BODY

Figure 2-500

93102 500



ITEM	PART NUMBER	QTY	BODY	MODEL	DESCRIPTION
------	-------------	-----	------	-------	-------------

NOTE: 1 ISOLATOR Pt.NO. 4014441 REQUIRED WHEN REPLACING SPRING AS NOTED.

1	4449 624	2			STRUT, Damper Assy., w/Std. Susp.
	4449 625	2			w/Firm Feel Susp.
2					SPRING, w/2.5L EFI
	4449 488	1			Rt. w/o Air
	4449 490	1			Lt. w/o Air (See Note 1)
	4449 488	1			Rt. w/Air (See Note 1)
	4449 492	1			Lt. w/Air
					SPRING, w/3.0L EFI
	4449 488	1			Rt. w/o Air (See Note 1)
	4449 492	1			Lt. w/o Air
	4449 490	1			Rt. w/Air
	4449 492	1			Lt. w/Air (See Note 1)
	4449 492	1	CS41		Rt.
	4449 494	1	CS41		Lt. (See Note 1)
					SPRING, w/3.3L EFI
	4449 490	1			Rt. w/o Air
	4449 492	1			Lt. w/o Air (See Note 1)
	4449 490	1			Rt. w/Air (See Note 1)
	4449 494	1			Lt. w/Air
3	4014 441	AR			SPACER, Strut Dmpr. Seat Iso. Upper
	4404 366	2			Spring Seat Cushion Lwr.
4	4638 630	2			SHIELD, Dust, Frt. Susp. Strut Dmpr.(Serv. Pkg.)
5	4638 630	2			BUMPER, Frt. Susp. Strut Dmpr.(Serv. Pkg.)
6	4449 134	2			SEAT, Frt. Susp. Strut Dmpr., Upper
7	4322 633	2			WASHER, Strut Damper
8	4684 006	2			BEARING, w/Mount Frt. Susp. Strut Dmpr.
9	4052 822	2			RETAINER, Frt. Susp. Dmpr. Rebound Stop
10	6101 446	6			NUT, w/Washer, Frt. Susp. Strut Dmpr. Fender Shield Ret.
11	6501 094	2			NUT, Frt. Susp. Strut Dmpr. Rod
12	4684 005	2			BEARING, Frt. Susp. Strut Dmpr.
13	4014 444	2			WASHER, Frt. Susp. Strut Dmpr.
14	6501 644	4			BOLT, Frt. Susp. Knuckle to Strut Dmpr. Mtg., Up.
15	6500 593	4			NUT, Strut Dmpr. Bolt
16	4052 509	2			SEAL, Frt. Susp. Cont. Arm B/Joint
17	4449 474-5	1			KNUCKLE, Frt. w/o Anti Lock Brakes
	4449 472-3	1			w/Anti Lock Brakes

MODEL CODES:

A BODY=(C=LeBaron, D=Spirit, P=Acclaim/LaBaron(Landau), Saratoga)

C BODY=(D=Dynasty, C=New Yorker/N.Y. Salon)

G BODY=(V=Daytona/IROC, Chrysler Daytona)

J BODY=(C=LeBaron, Chrysler LeBaron)

P BODY=(P=Sundance, D=Shadow)

S BODY=(H=Voyager(H) FWD, K=Caravan(H) FWD,

Y=Town & Country(H) FWD, P=Voyager(K) AWD,

D=Caravan(K) AWD, C=Town & Country(K) AWD)

Y BODY=(C=Imperial/5th Avenue)

E-S BODY=(K=Chrysler Voyager(H) FWD, D=Chrysler

Voyager(K) AWD)

BODY STYLES:

21=2-Door Coupe

41=4-Door Sedan

12-52=FWD & AWD Van & Wgn Std W.B.

24=2-Door Hatchback

44=4-Door Hatchback

53=FWD & AWD Van & Wgn Ext. W.B.

27=2-Door Convertible

AR = Use as Required - = Non Illustrated Part P.A.R. = Paint as Required



# SUSPENSION, FRONT Y BODY

Figure 2-600

93102 600

ITEM	PART NUMBER	QTY	BODY	MODEL	DESCRIPTION
------	-------------	-----	------	-------	-------------

NOTE: 1 ISOLATOR Pt.NO. 4014441 REQUIRED WHEN REPLACING SPRING AS NOTED.

1	4449 624	2			STRUT, Assy. w/Std. Susp., w/o Air Susp. (SLA)
2	4449 412-3	1			STRUT, Assy. w/Air Susp. (SLA)
3	5272 199	1			LINE, Air Rt. w/(SLA)
	4421 150	1			LINE, Air Lt. w/(SLA)
4	4419 465	2			SOLENOID VALVE, Air Line To Air Spring w/(SLA) ***
5		1			SPRING, w/3.3, 3.8L EFI
	4449 492	1			Rt. (See Note 1)
	4449 494	1			Lt. (See Note 1)
6	4014 441	AR			SPACER, Strut Dmpr. Seat Iso., Lwr.
7	4404 366	2			Spring Seat Cushion Lwr.
8	4638 630	2			SHIELD, Dust, Frt. Susp. Strut Dmpr.(Serv. Pkg.)
9	4638 630	2			BUMPER, Frt. Susp. Strut Dmpr.(Serv. Pkg.)
10	4449 134	2			SEAT, Frt. Susp. Strut Dmpr., Upper
11	4322 633	2			WASHER, Strut Damper
12	4684 006	2			BEARING, w/Mount Frt. Susp. Strut Dmpr.
13	4052 822	2			RETAINER, Frt. Susp. Dmpr. Rebound Stop
14	6101 446	6			NUT, w/Washer, Frt. Susp. Strut Dmpr. Fender Shield Ret.
15	6501 094	2			NUT, Frt. Susp. Strut Dmpr. Rod
16	4684 005	2			BEARING, Frt. Susp. Strut Dmpr.
17	4014 444	2			WASHER, Frt. Susp. Strut Dmpr.
18	6501 644	2			BOLT, Frt. Susp. Knuckle to Strut Dmpr. Mtg.
19	6500 593	4			NUT, Strut Dmpr. Bolt
20	4052 509	2			SEAL, Frt. Susp. Cont. Arm B/Joint
21	4449 474-5	1		YS	KNUCKLE, Frt. w/o Anti Lock Brakes
	4449 472-3	1		YS	w/Anti Lock Brakes
	4449 428-9	1		YP	w/All
22	4449 553	2			BALL JOINT, Frt. Susp. Strg. Knuckle
23	5272 084	2			BUSHING, Cont. Arm Pivot Front
24	5272 098	2			Rear
25	5272 201	1			SHAFT, Frt. Susp. Sway
26	6502 275	4			BOLT, Clamp
27	4322 677	2			CUSHION, Frt. Susp. Sway Elim. Std.
28	6100 509	4			NUT, Bolt
29	4404 290	2			CLAMP, Shaft Bshg., Lwr.
30	5272 045	2			RETAINER, Shaft Arm
31	4449 619	2			BUSHING, Sway Frt. Susp. Cont.

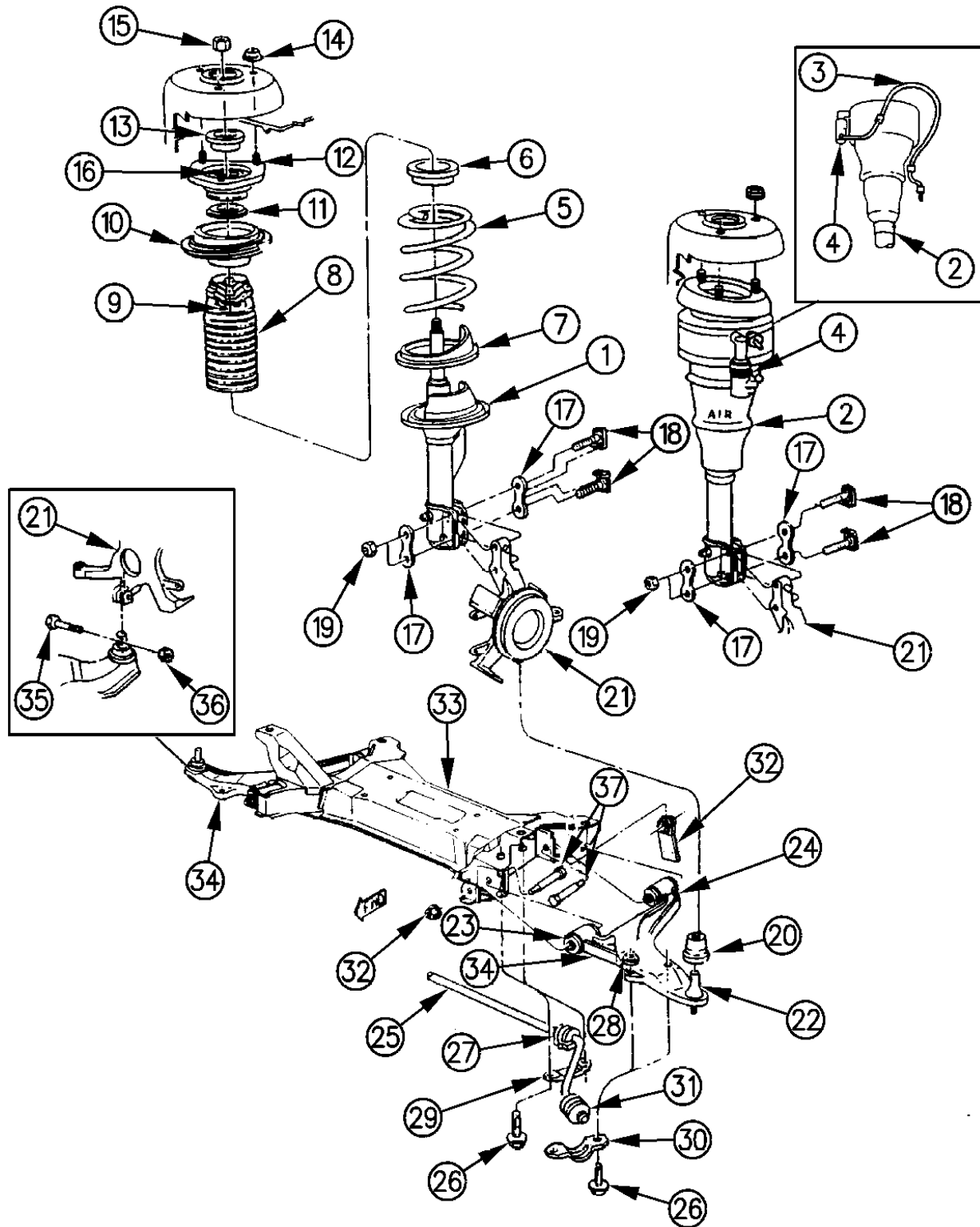
**MODEL CODES:**

A BODY=(C=LeBaron, D=Spirit, P=Acclaim/LaBaron(Landau), Saratoga) S BODY=(H=Voyager(H) FWD, K=Caravan(H) FWD, Y=Town & Country(H) FWD, P=Voyager(K) AWD, D=Caravan(K) AWD, C=Town & Country(K) AWD)  
 C BODY=(D=Dynasty, C=New Yorker/N.Y. Salon)  
 G BODY=(V=Daytona/ROC, Chrysler Daytona)  
 J BODY=(C=LeBaron, Chrysler LeBaron)  
 P BODY=(P=Sundance, D=Shadow) E-S BODY=(K=Chrysler Voyager(H) FWD, D=Chrysler Voyager(K) AWD)

**BODY STYLES:**

21=2-Door Coupe 41=4-Door Sedan 12-52=FWD & AWD Van & Wgn Std W.B.  
 24=2-Door Hatchback 44=4-Door Hatchback 53=FWD & AWD Van & Wgn Ext. W.B.  
 27=2-Door Convertible

AR = Use as Required - = Non Illustrated Part P.A.R. = Paint as Required

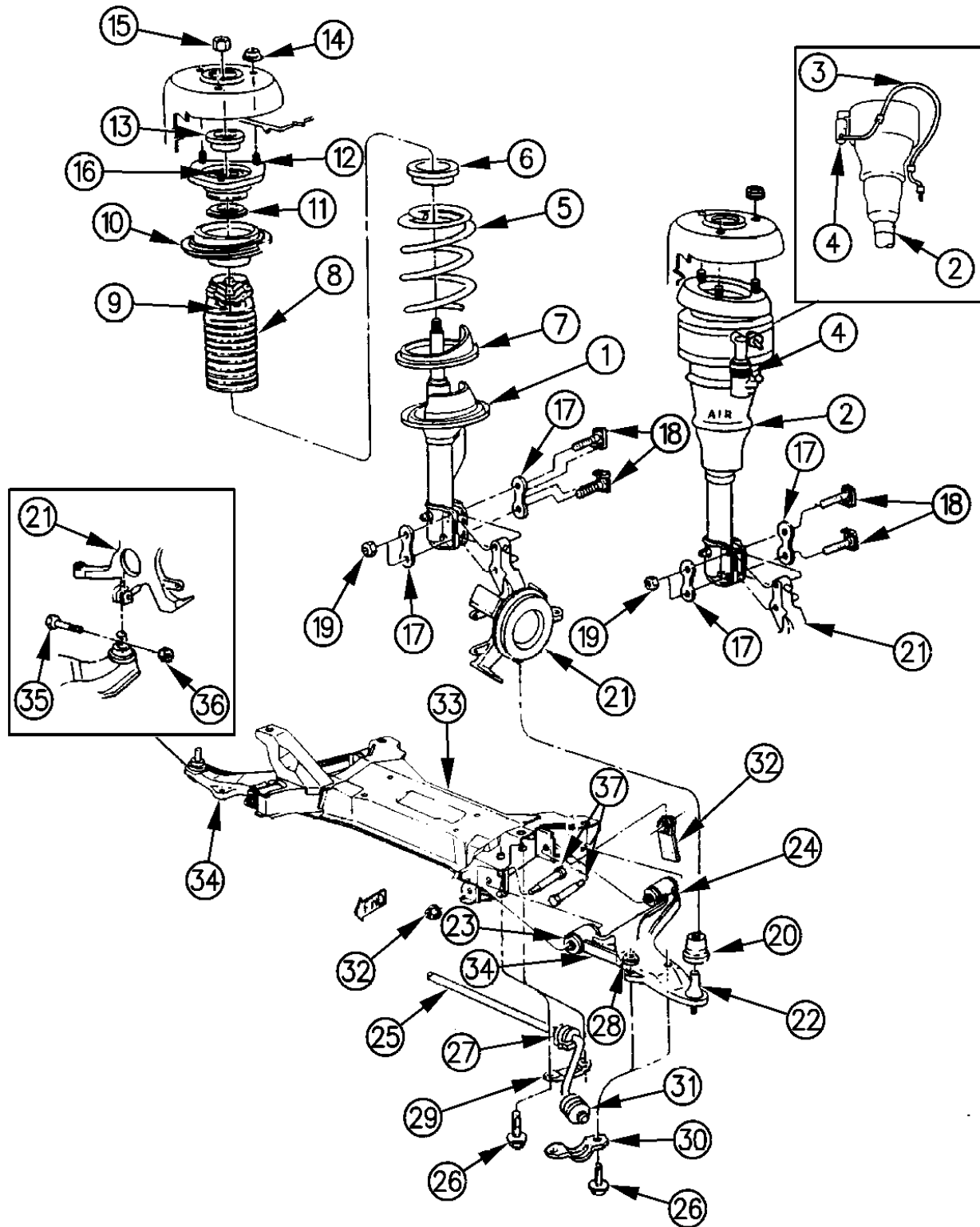




**SUSPENSION, FRONT Y BODY**  
Figure 2-600

93102 600

ITEM	PART NUMBER	QTY	BODY	MODEL	DESCRIPTION
32	4449 363	2			NUT PLATE, Rear ***
	6101 515	2			Front
33					CROSSMEMBER, (Ref. Only)
34	4728 884-5	1			ARM, Frt. Cont.
35	6502 336	2			BOLT, Knuckle To Cont. Arm
36	6502 335	2			NUT
37	6501 484	2			BOLT



**MODEL CODES:**

A BODY=(C=LeBaron, D=Spirit, P=Acclaim/LaBaron(Landau), Saratoga)      S BODY=(H=Voyager(H) FWD, K=Caravan(H) FWD, Y=Town & Country(H) FWD, P=Voyager(K) AWD, D=Caravan(K) AWD, C=Town & Country(K) AWD)  
 C BODY=(D=Dynasty, C=New Yorker/N.Y. Salon)  
 G BODY=(V=Daytona/ROC, Chrysler Daytona)  
 J BODY=(C=LeBaron, Chrysler LeBaron)  
 P BODY=(P=Sundance, D=Shadow)

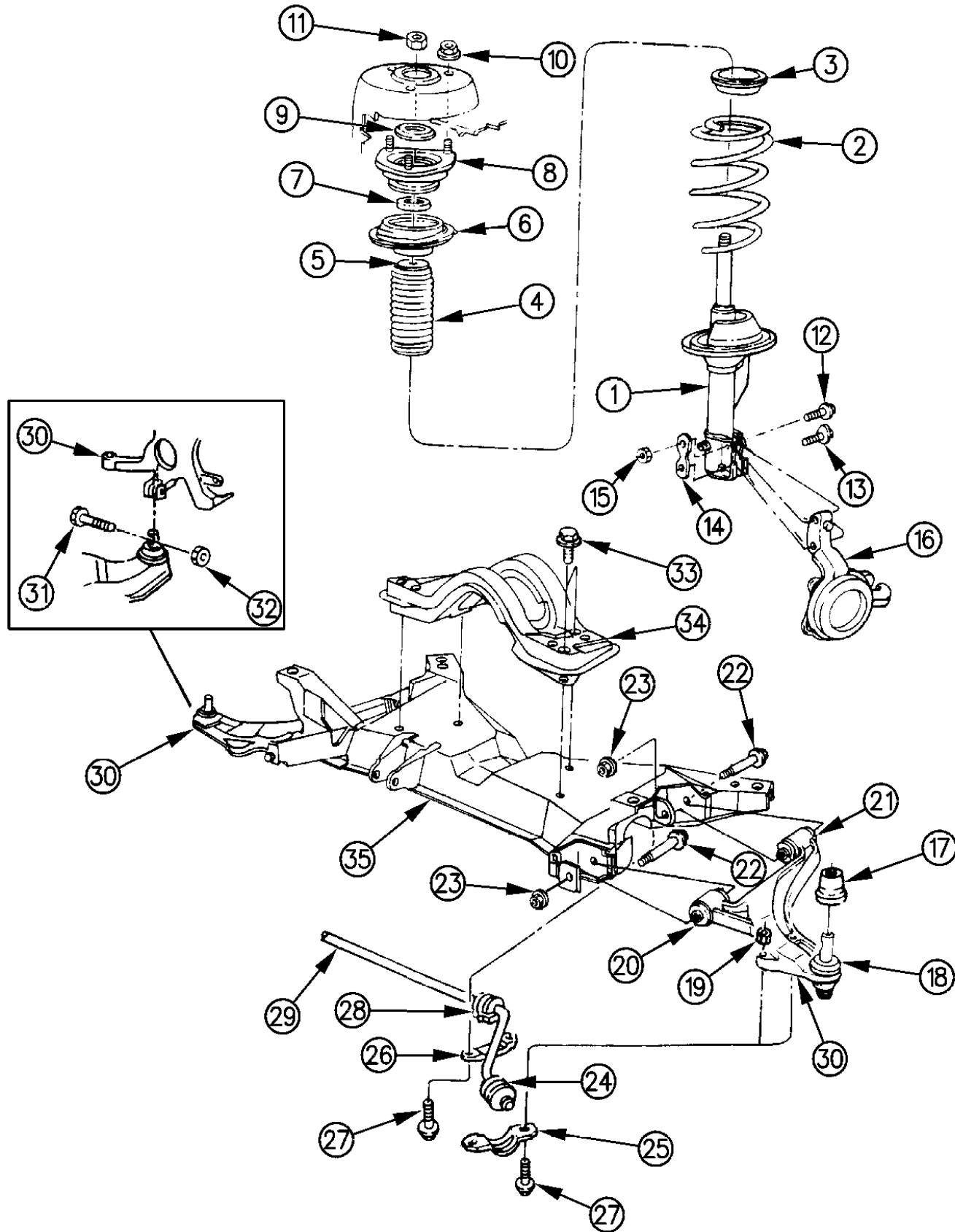
**BODY STYLES:**

21=2-Door Coupe      41=4-Door Sedan      12-52=FWD & AWD Van & Wgn Std W.B.  
 24=2-Door Hatchback      44=4-Door Hatchback      53=FWD & AWD Van & Wgn Ext. W.B.  
 27=2-Door Convertible

AR = Use as Required - = Non Illustrated Part P.A.R. = Paint as Required

**SUSPENSION, FRONT S BODY**  
Figure 2-700

93102 700



ITEM	PART NUMBER	QTY	BODY	MODEL	DESCRIPTION
NOTE: 1 ISOLATOR Pt.NO. 4014441 REQUIRED WHEN REPLACING SPRING AS NOTED.					
1	4449 634	2			STRUT, Damper Assy. w/Std. Susp.
	4449 635	2			w/H.D. Susp.
	4626 045	2			w/EUROPE
	4449 635	2			w/AWD, w/o Trailer Tow Pkg.
	4626 045	2			w/AWD, w/Trailer Tow Pkg.
2			12		SPRING, w/2.5L EFI
	4322 850	1			Rt. w/o Air
	4322 850	1			Lt. w/o Air (See Note 1)
	4322 850	1			Rt. w/Air (See Note 1)
	4322 852	1			Lt. w/Air
	4322 784	1			Rt. w/o Air w/H.D. (See Note 1)
	4322 786	1			Lt. w/o Air w/H.D.
	4322 786	1			Rt. w/Air w/H.D.
	4322 786	1			Lt. w/Air w/H.D. (See Note 1)
			12		SPRING, w/3.0L EFI
	4322 850	1			Rt. w/o Air (See Note 1)
	4322 852	1			Lt. w/o Air
	4322 852	1			Rt. w/Air
	4322 852	1			Lt. w/Air (See Note 1)
	4322 786	1			Rt. w/o Air w/H.D.
	4322 786	1			Lt. w/o Air w/H.D. (See Note 1)
	4322 786	1			Rt. w/Air w/H.D. (See Note 1)
	4322 788	1			Lt. w/Air w/H.D.
			12		SPRING, w/3.3L EFI w/AWD
	4449 730	1			Rt. w/o Air (See Note 1)
	4449 730	1			Lt. w/o Air
	4449 730	1			Rt. w/Air
	4449 730	1			Lt. w/Air (See Note 1)
			52		SPRING, w/2.5L EFI
	4322 850	1			Rt. w/o Air (See Note 1)
	4322 852	1			Lt. w/o Air
	4322 852	1			Rt. w/Air
	4322 852	1			Lt. w/Air (See Note 1)
	4322 786	1			Rt. w/o Air w/H.D.
	4322 786	1			Lt. w/o Air w/H.D. (See Note 1)
	4322 786	1			Rt. w/Air w/H.D. (See Note 1)
	4322 788	1			Lt. w/Air w/H.D.
			52		SPRING, w/3.0L EFI

**MODEL CODES:**

A BODY=(C=LeBaron, D=Spirit, P=Acclaim/LaBaron(Landau),  
Saratoga)  
C BODY=(D=Dynasty, C=New Yorker/N.Y. Salon)  
G BODY=(V=Daytona/ROC, Chrysler Daytona)  
J BODY=(C=LeBaron, Chrysler LeBaron)  
P BODY=(P=Sundance, D=Shadow)

S BODY=(H=Voyager(H) FWD, K=Caravan(H) FWD,  
Y=Town & Country(H) FWD, P=Voyager(K) AWD,  
D=Caravan(K) AWD, C=Town & Country(K) AWD)  
Y BODY=(C=Imperial/5th Avenue)  
E-S BODY=(K=Chrysler Voyager(H) FWD, D=Chrysler  
Voyager(K) AWD)

**BODY STYLES:**

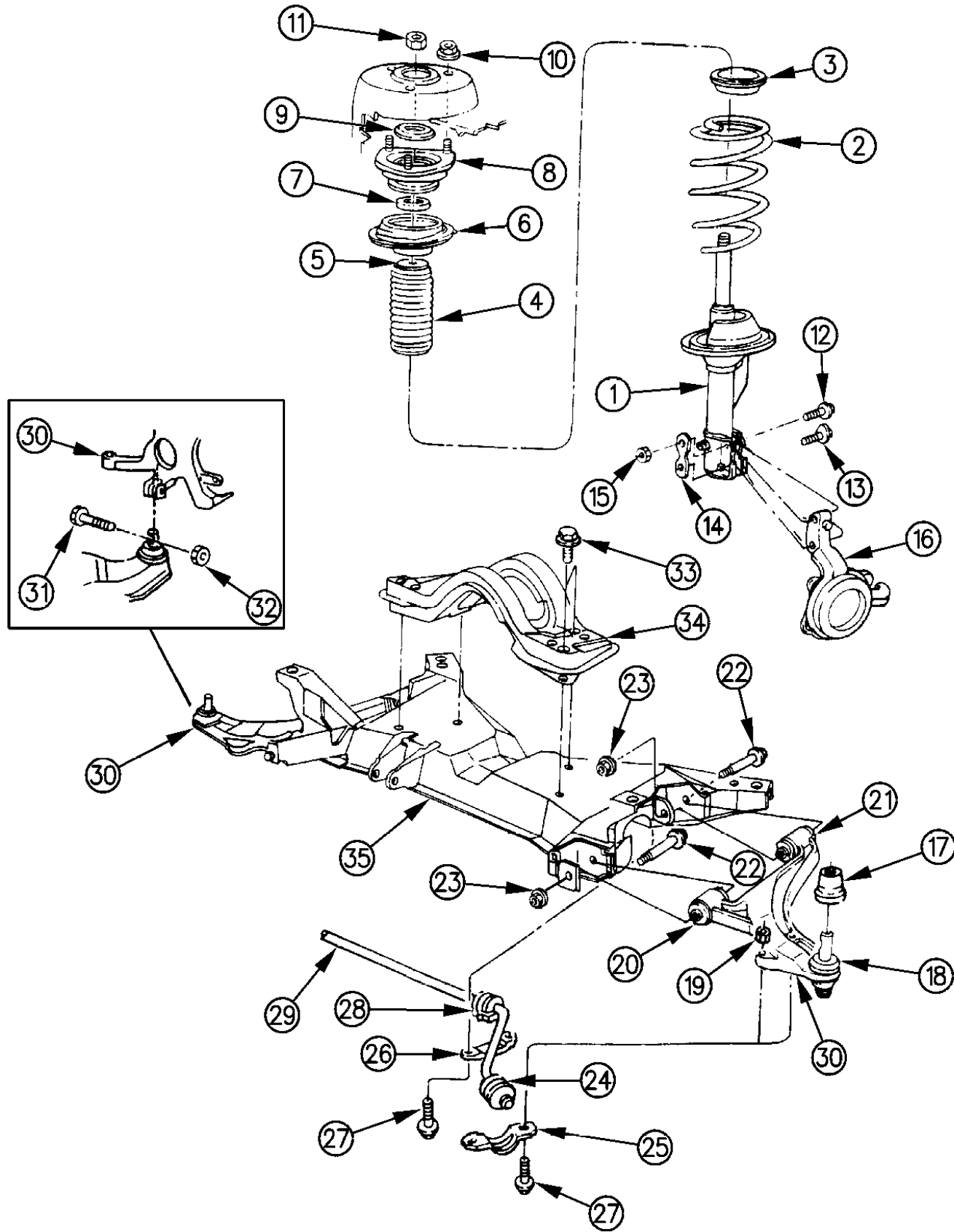
21=2-Door Coupe      41=4-Door Sedan      12-52=FWD & AWD Van & Wgn Std W.B.  
24=2-Door Hatchback      44=4-Door Hatchback      53=FWD & AWD Van & Wgn Ext. W.B.  
27=2-Door Convertible

AR = Use as Required - = Non Illustrated Part P.A.R. = Paint as Required

SUSPENSION, FRONT S BODY

Figure 2-700

93102 700



ITEM	PART NUMBER	QTY	BODY	MODEL	DESCRIPTION
	4322 852	1			Rt. w/o Air
	4322 852	1			Lt. w/o Air (See Note 1)
	4322 852	1			Rt. w/Air (See Note 1)
	4322 854	1			Lt. w/Air
	4322 786	1			Rt. w/o Air w/H.D. (See Note 1)
	4322 788	1			Lt. w/o Air w/H.D.
	4322 788	1			Rt. w/Air w/H.D.
	4322 788	1			Lt. w/Air w/H.D. (See Note 1)
				52	SPRING, w/3.3L Eng.
	4322 852	1			Rt. w/o Air (See Note 1)
	4322 854	1			Lt. w/o Air
	4322 854	1			Rt. w/Air
	4322 854	1			Lt. w/Air (See Note 1)
	4322 786	1			Rt. w/o Air w/H.D. (See Note 1)
	4322 788	1			Lt. w/o Air w/H.D.
	4322 788	1			Rt. w/Air w/H.D.
	4322 788	1			Lt. w/Air w/H.D. (See Note 1)
					SPRING, w/3.3L EFI w/AWD
	4449 730	1			Rt. w/o Air
	4449 730	1			Lt. w/o Air (See Note 1)
	4449 730	1			Rt. w/Air (See Note 1)
	4449 732	1			Lt. w/Air
				13	SPRING, w/3.3L EFI
	4322 786	1			Rt. w/o Air (See Note 1)
	4322 788	1			Lt. w/o Air
	4322 788	1			Rt. w/Air
	4322 788	1			Lt. w/Air (See Note 1)
	4322 788	1			Rt. w/Air
				13	SPRING, w/3.3L EFI w/AWD
	4449 730	1			Rt. w/o Air (See Note 1)
	4449 730	1			Lt. w/o Air
	4449 730	1			Rt. w/Air
	4449 730	1			Lt. w/Air (See Note 1)
				53	SPRING, w/3.0, 3.3L EFI
	4322 852	1			Rt. w/o Air (See Note 1)
	4322 854	1			Lt. w/o Air
	4322 854	1			Rt. w/Air
	4322 854	1		YP53	Rt. w/Air (See Note 1)
	4322 854	1			Lt. w/Air (See Note 1)
	4322 856	1			Lt. w/Air

MODEL CODES:

A BODY=(C=LeBaron, D=Spirit, P=Acclaim/LaBaron(Landau), Saratoga)

C BODY=(D=Dynasty, C=New Yorker/N.Y. Salon)

G BODY=(V=Daytona/ROC, Chrysler Daytona)

J BODY=(C=LeBaron, Chrysler LeBaron)

P BODY=(P=Sundance, D=Shadow)

S BODY=(H=Voyager(H) FWD, K=Caravan(H) FWD,

Y=Town & Country(H) FWD, P=Voyager(K) AWD,

D=Caravan(K) AWD, C=Town & Country(K) AWD)

Y BODY=(C=Imperial/5th Avenue)

E-S BODY=(K=Chrysler Voyager(H) FWD, D=Chrysler

Voyager(K) AWD)

BODY STYLES:

21=2-Door Coupe

41=4-Door Sedan

12-52=FWD & AWD Van & Wgn Std W.B.

24=2-Door Hatchback

44=4-Door Hatchback

53=FWD & AWD Van & Wgn Ext. W.B.

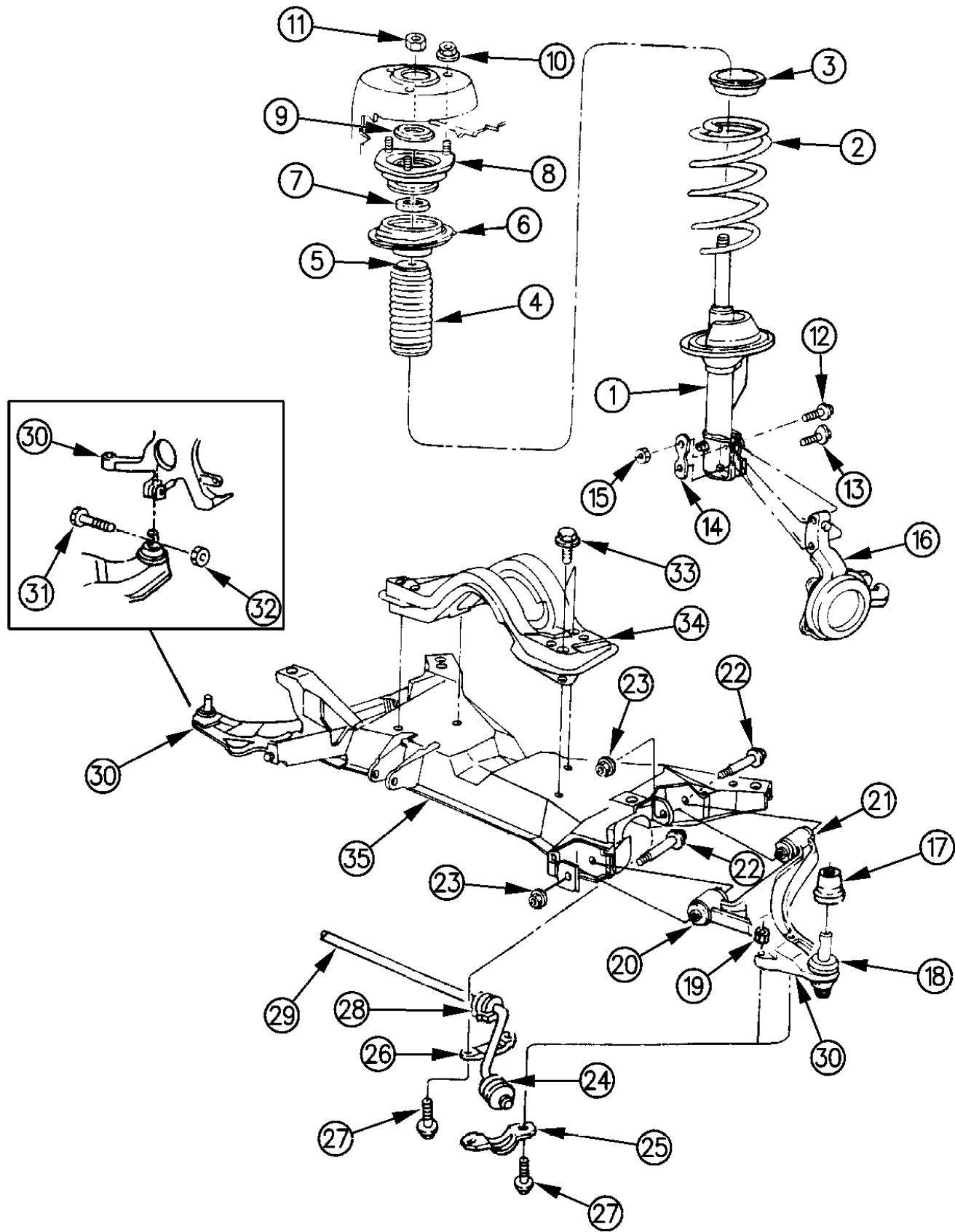
27=2-Door Convertible

AR = Use as Required - = Non Illustrated Part P.A.R. = Paint as Required

SUSPENSION, FRONT S BODY

Figure 2-700

93102 700



ITEM	PART NUMBER	QTY	BODY	MODEL	DESCRIPTION
	4322 786	1			Rt. w/o Air w/H.D.
	4322 788	1			Lt. w/o Air w/H.D.
	4322 788	1			Rt. w/Air w/H.D.
	4322 788	1			Lt. w/Air w/H.D. (See Note 1)
				53	SPRING, w/3.3L EFI w/AWD
	4449 730	1			Rt. w/o Air
	4449 730	1			Lt. w/o Air (See Note 1)
	4449 730	1			Rt. w/Air (See Note 1)
	4449 732	1			Lt. w/Air
3					SPACER, Front Spring
	4014 441	AR			Upper
	4404 366	AR			Lower
4	4638 630	2			SHEILD, Dust (Serv. Pkg.)
5	4638 630	2			BUMPER, Front Jounce (Serv. Pkg.)
6	4322 628	2			SEAT, Front Strut Upper
7	4322 633	2			WASHER, Front Strut
8	4404 976	2			MOUNT, Front Strut
	4684 643	2	ES		
9	4052 822	2			RETAINER, Front Strut Rebound
	4684 679	1	ES		
10	6101 446	6			NUT, w/Washer Fender Sheild
11	6501 094	2			NUT, Strut Rod
12	6500 615	2			BOLT, Front Strut to Knuckle Upper
13	6500 614	2			BOLT, Cam Lower
14	4014 444	2			WASHER, Front Strut
15	6500 593	4			NUT, Knuckle Bolt
16	4449 460-1	1			KNUCKLE, Frt. w/o Anti Lock Brakes
	4449 458-9	1			w/Anti Lock Brakes
	4486 258-9	1			w/o Anti Lock Brakes (AWD)
	4486 268-9	1			w/Anti Lock Brakes (AWD)
17	4052 509	2			SEAL, Front Ball Joint
18	4449 553	2			BALL JOINT, Front
19	6100 509	4			NUT
20	5272 084	2			BUSHING, Front
21	5272 098	2			BUSHING, Rear
22	6501 484	4			BOLT
23	6101 515	4			NUT
24	4449 618	2			BUSHING, Sway Elim. To Control Arm
25	5272 045	2			RETAINER, Sway Eliminator

MODEL CODES:

A BODY=(C=LeBaron, D=Spirit, P=Acclaim/LaBaron(Landau), Saratoga) S BODY=(H=Voyager(H) FWD, K=Caravan(H) FWD, Y=Town & Country(H) FWD, P=Voyager(K) AWD, D=Caravan(K) AWD, C=Town & Country(K) AWD)  
 C BODY=(D=Dynasty, C=New Yorker/N.Y. Salon) Y BODY=(C=Imperial/5th Avenue)  
 G BODY=(V=Daytona/ROC, Chrysler Daytona) E-S BODY=(K=Chrysler Voyager(H) FWD, D=Chrysler Voyager(K) AWD)  
 J BODY=(C=LeBaron, Chrysler LeBaron) P BODY=(P=Sundance, D=Shadow)

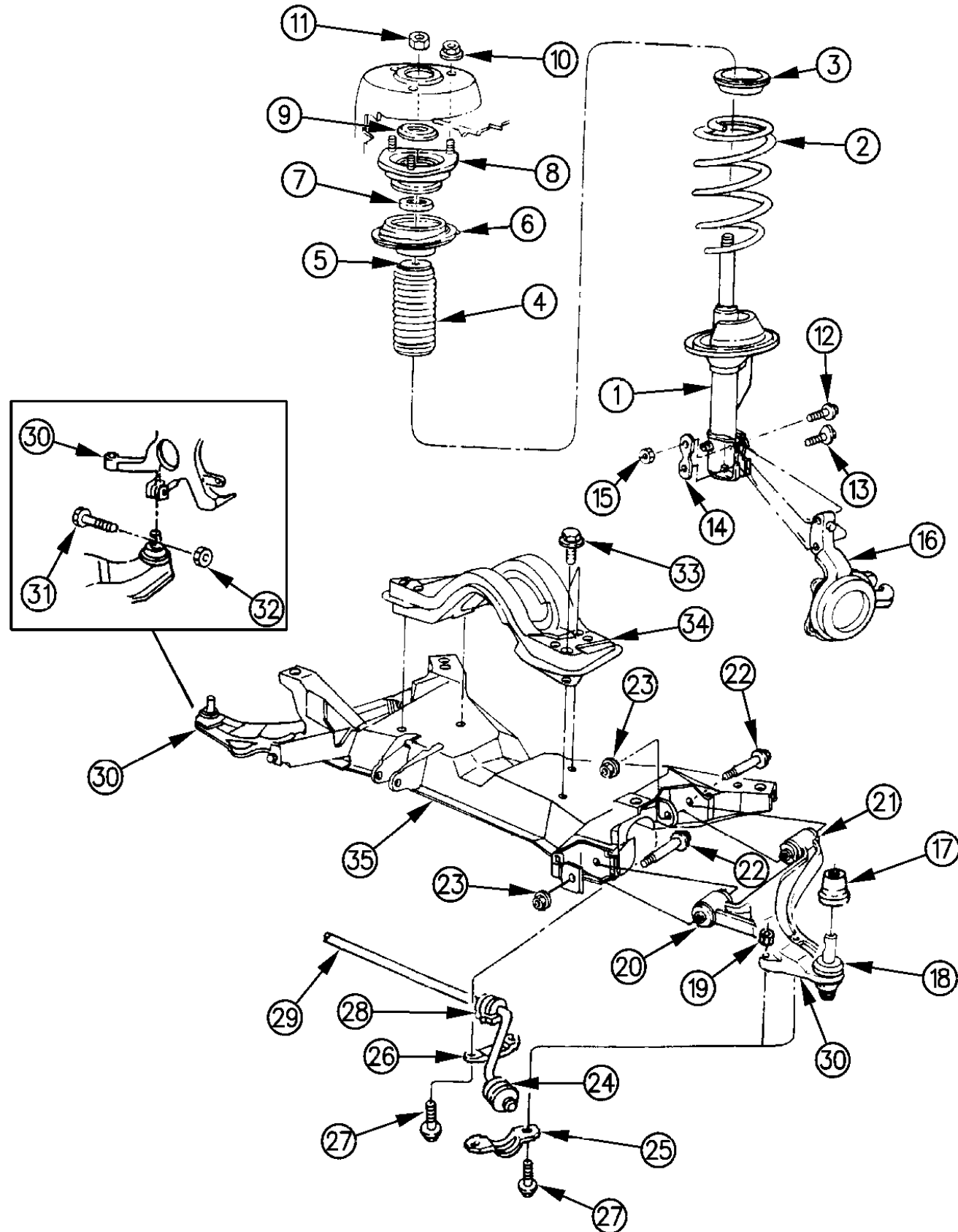
BODY STYLES:

21=2-Door Coupe 41=4-Door Sedan 12-52=FWD & AWD Van & Wgn Std W.B.  
 24=2-Door Hatchback 44=4-Door Hatchback 53=FWD & AWD Van & Wgn Ext. W.B.  
 27=2-Door Convertible

AR = Use as Required - = Non Illustrated Part P.A.R. = Paint as Required

**SUSPENSION, FRONT S BODY**  
Figure 2-700

93102 700



ITEM	PART NUMBER	QTY	BODY	MODEL	DESCRIPTION
26	4449 441	2			CLAMP, Sway Elim. To C/Mbr.
27	6502 275	8			SCREW
28	4449 567	2			CUSHION, Sway Elim. To C/Mbr.
29	5272 205	1			SHAFT, Sway Elim. w/Std. Sway Bar (SHA)
	4684 495	1			w/Heavy Duty Sway Bar (SHB), w/Handling Pkg. (AGA)
30	4728 884-5	1			ARM, Front Control
31	6502 336	2			BOLT, Knuckle To B/Joint Stud
32		4			NUT, (Not Serv.)
33	6501 865	4			SCREW, w/Washer
34	4626 346	1			BRIDGE, w/(AWD) ***
35		1			CROSSMEMBER, (Ref. Only)

**MODEL CODES:**

A BODY=(C=LeBaron, D=Spirit, P=Acclaim/LaBaron(Landau), Saratoga)      S BODY=(H=Voyager(H) FWD, K=Caravan(H) FWD, Y=Town & Country(H) FWD, P=Voyager(K) AWD, D=Caravan(K) AWD, C=Town & Country(K) AWD)  
 C BODY=(D=Dynasty, C=New Yorker/N.Y. Salon)  
 G BODY=(V=Daytona/IROC, Chrysler Daytona)  
 J BODY=(C=LeBaron, Chrysler LeBaron)  
 P BODY=(P=Sundance, D=Shadow)      Y BODY=(C=Imperial/5th Avenue)  
 E-S BODY=(K=Chrysler Voyager(H) FWD, D=Chrysler Voyager(K) AWD)

**BODY STYLES:**

21=2-Door Coupe      41=4-Door Sedan      12-52=FWD & AWD Van & Wgn Std W.B.  
 24=2-Door Hatchback      44=4-Door Hatchback      53=FWD & AWD Van & Wgn Ext. W.B.  
 27=2-Door Convertible

AR = Use as Required - = Non Illustrated Part P.A.R. = Paint as Required

**SHAFT, MAJOR COMPONENT LISTING P,A,J,G,C,Y,S BODY**  
**Figure 2-800**

93102 800

ITEM	PART NUMBER	QTY	BODY	MODEL	DESCRIPTION
------	-------------	-----	------	-------	-------------

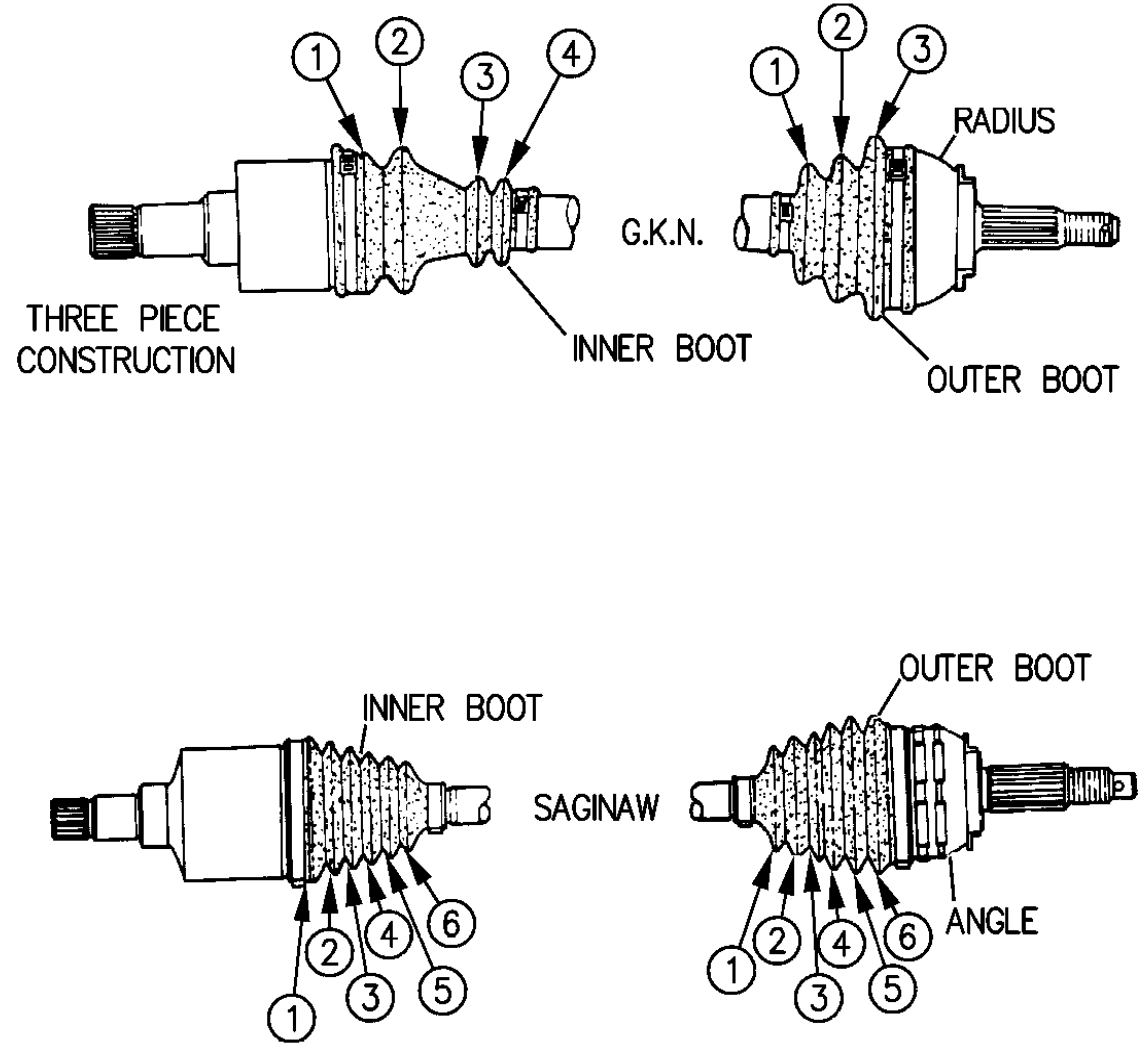
NOTE: ASSYS LISTED ARE THE MOST COMPLETE AND CURRENT THAT PRODUCTION HAS TO OFFER.  
 NOTE: (\*\*) INDICATES SERVICED ASSEMBLES  
 NOTE: (\*) INDICATES ABS BRAKES  
 NOTE: IF ADAPTER IS NEEDED BETWEEN INNER C.V. AND INNER BOOT USE THE FOLLOWING:  
 w/INNER C.V. 4641034 USE ADAPTER (4670055)  
 w/INNER C.V. 4641033, 4641036 USE ADAPTER (4670056)  
 w/INNER C.V. 4641035, 4641180 USE ADAPTER (4670057)

	READ NOTE	VENDOR RT/LT	SHAFT INTERC.	JOINT INNER	JOINT OUTER	BOOT INNER	BOOT OUTER	BOOT ***
-	4367 432	SAG-RT.	4641025	4641034	4641021	4641040	4641039	***
-	4367 434	SAG-RT.	4641192	4641034	4641018	4641040	4641039	***
-	4367 436	SAG-RT.	4641028	4641034	4641018	4641040	4641039	***
-	4511 404	GKN-RT.	4641176	4641177	4641172	4641182	4641181	***
-	4511 420	GKN-RT.	4641176	4641180	4641171	4641182	4641181	***
-	4511 435	GKN-LT.	4641323	4641328	4641156	4641339	4641164	***
-	4511 437	GKN-LT.	4641323	4641328	4641155	4641339	4641164	***
-	4511 438	GKN-RT.	4641322	4641336	4641155	4641340	4641164	***
-	4511 445	GKN-LT.	4641322	4641336	4641156	4641340	4641164	***
-	4511 448	GKN-RT.	4641321	4641336	4641156	4641340	4641164	***
-	4511 452	GKN-RT.	4641321	4641336	4641155	4641340	4641164	***
-	4511 474	GKN-RT.	4641178	4641180	4641172	4641182	4641181	***
-	4511 476	GKN-RT.	4641178	4641180	4641171	4641182	4641181	***
-	4539 403	SAG-LT.	4641027	4641036	4670012	4641044	4641038	***
-	4539 411	SAG-LT.	4641022	4641036	4670013	4641044	4641038	***
-	4539 414	SAG-RT.	4641045	4641033	4670013	4641041	4641038	***
-	4539 416	SAG-RT.	4641045	4641033	4670012	4641041	4641038	***
-	4539 427	SAG-LT.	4641023	4641035	4670012	4641043	4641038	***
-	4539 429	SAG-LT.	4641023	4641035	4670013	4641043	4641038	***
-	4539 468	SAG-RT.	4641026	4641033	4670012	4641041	4641038	***
-	4539 472	SAG-RT.	4641026	4641033	4670013	4641041	4641038	***
-	4543 403	GKN-LT.	4641335	4641325	4641330	4641337	4641331	***
-	4543 468	GKN-RT.	4641333	4641326	4641330	4641338	4641331	***
-	4543 442	GKN-RT.	4641334	4641327	4641329	4641338	4641331	***
-	4543 472	GKN-RT.	4641333	4641326	4641329	4641338	4641331	***
-	4545 370	SAG-LT.	4641027	4641036	4670012	4641041	4641038	***
-	4545 372	SAG-RT.	4641026	4641032	4670012	4641044	4641038	***
-	4545 375	SAG-LT.	4641027	4641036	4670012	4641041	4641038	***
-	4545 376	SAG-RT.	4641026	4641033	4670012	4641044	4641038	***

**MODEL CODES:**  
 A BODY=(C=LeBaron, D=Spirit, P=Acclaim/LaBaron(Landau), Saratoga) S BODY=(H=Voyager(H) FWD, K=Caravan(H) FWD, Y=Town & Country(H) FWD, P=Voyager(K) AWD, D=Caravan(K) AWD, C=Town & Country(K) AWD)  
 C BODY=(D=Dynasty, C=New Yorker/N.Y. Salon) Y BODY=(C=Imperial/5th Avenue)  
 G BODY=(V=Daytona/IROC, Chrysler Daytona) E-S BODY=(K=Chrysler Voyager(H) FWD, D=Chrysler Voyager(K) AWD)  
 J BODY=(C=LeBaron, Chrysler LeBaron)  
 P BODY=(P=Sundance, D=Shadow)

**BODY STYLES:**  
 21=2-Door Coupe 41=4-Door Sedan 12-52=FWD & AWD Van & Wgn Std W.B.  
 24=2-Door Hatchback 44=4-Door Hatchback 53=FWD & AWD Van & Wgn Ext. W.B.  
 27=2-Door Convertible

AR = Use as Required - = Non Illustrated Part P.A.R. = Paint as Required

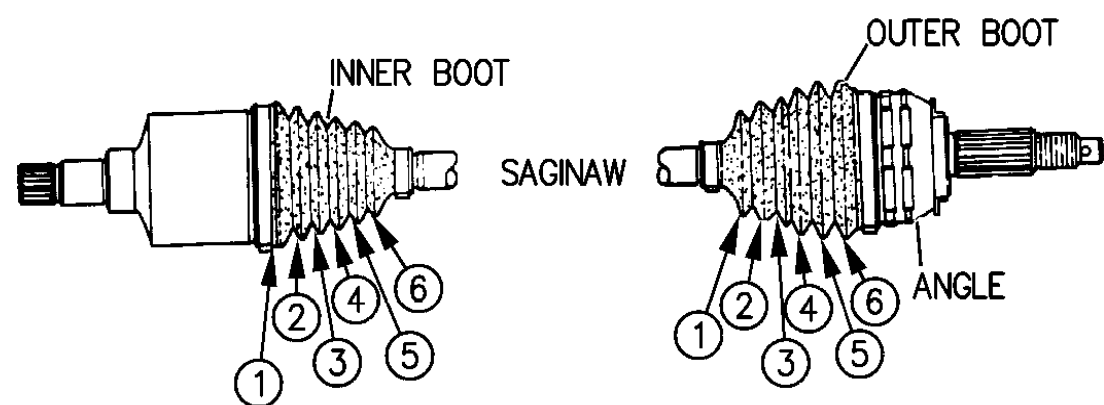
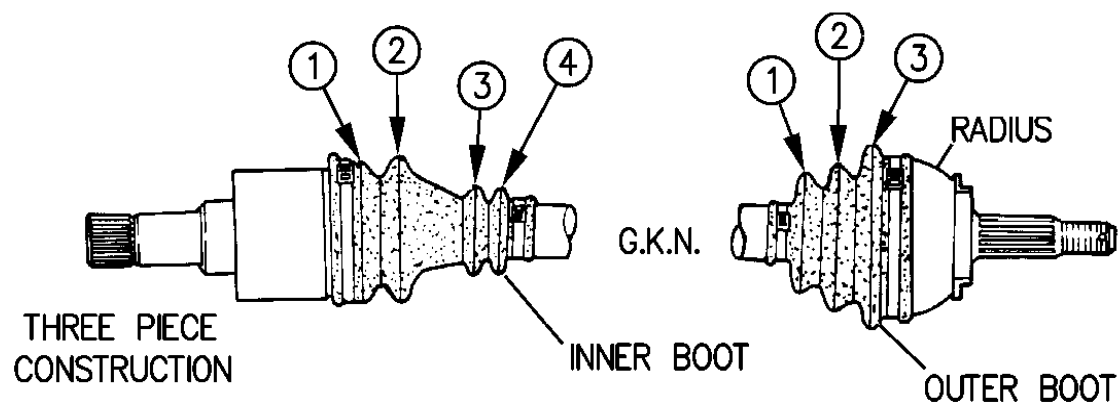


**SHAFT, MAJOR COMPONENT LISTING P,A,J,G,C,Y,S BODY**  
**Figure 2-800**

93102 800

ITEM	PART NUMBER	QTY	BODY	MODEL	DESCRIPTION
-	4545 377		SAG-RT.	4641026	4641033 4670012 4641044 4641038 ***
-	4545 409		SAG-LT.	4641023	4641035 4670012 4641043 4641038 ***
-	4545 415		SAG-LT.	4641025	4641035 4670013 4641042 4641038 ***
-	4641 050		GKN-RT.	4641239	4641240 4641155 4505904 4641164 ***
-	4641 051		GKN-RT.	4641239	4641240 4641156 4505907 4641164 ***
-	4641 293		GKN-RT.	4641173	4641177 4641172 4641183 4641181 ***
-	4641 294		GKN-LT.	4641173	4641177 4641171 4641183 4641181 ***
-	4641 319		SAG-LT.	4641324	4641035 4670013 4641043 4641038 ***
-	4641 398		SAG-LT.	4641024	4641037 4641021 4641042 4641039 ***
-	4641 523		GKN-LT.	4641335	4641325 4641329 4641337 4641331 ***
-	4641 528*		GKN-LT.	4641320	4641325 4641329 4641337 4641331 ***
-	4660 201**		SAG-LT.	4641024	4641037 4670013 4641042 4641039 ***
-	4660 456		SAG-LT.	4641324	4641035 4670013 4641043 4641038 ***

w/INNER C.V. 4641035, 4641180 USE ADAPTER (4670055)



**MODEL CODES:**

A BODY=(C=LeBaron, D=Spirit, P=Acclaim/LaBaron(Landau), Saratoga)      S BODY=(H=Voyager(H) FWD, K=Caravan(H) FWD, Y=Town & Country(H) FWD, P=Voyager(K) AWD, D=Caravan(K) AWD, C=Town & Country(K) AWD)  
 C BODY=(D=Dynasty, C=New Yorker/N.Y. Salon)  
 G BODY=(V=Daytona/IROC, Chrysler Daytona)  
 J BODY=(C=LeBaron, Chrysler LeBaron)  
 P BODY=(P=Sundance, D=Shadow)      Y BODY=(C=Imperial/5th Avenue)  
 E-S BODY=(K=Chrysler Voyager(H) FWD, D=Chrysler Voyager(K) AWD)

**BODY STYLES:**

21=2-Door Coupe      41=4-Door Sedan      12-52=FWD & AWD Van & Wgn Std W.B.  
 24=2-Door Hatchback      44=4-Door Hatchback      53=FWD & AWD Van & Wgn Ext. W.B.  
 27=2-Door Convertible

AR = Use as Required - = Non Illustrated Part P.A.R. = Paint as Required

SHAFT, FRONT DRIVE P BODY  
Figure 2-900

93102 900

ITEM	PART NUMBER	QTY	BODY	MODEL	DESCRIPTION
------	-------------	-----	------	-------	-------------

NOTE (1): For Shaft Identification And Major Componets. (See Fig. 2-800)  
NOTE (2): Identification of Shafts Should Be By Production Assembly Number. Replacement of Complete Shafts Should Be By Serviced Assembly Number.

\* = w/ABS BRAKES

ENG. TRANS. VENDOR RT, LT ASSY. No. SERVICE No.

\*\*\*\*\*  
(w/EDF,DM) (MAN.) (SAG) (RT.) (4539414) (Serviced Assy. 4728822) NOTE (2)  
(w/EDF,DM,FA)\* (ALL) (SAG) (RT.) (4539416) (Serviced Assy. 4728824) NOTE (2)  
(w/EDF,DM) (MAN.) (SAG) (LT.) (4539429) (Serviced Assy. 4741506) NOTE (2)  
(w/EDF,DM,FA)\* (MAN.) (SAG) (LT.) (4539427) (Serviced Assy. 4728821) NOTE (2)  
(w/EDF) (AUTO) (SAG) (RT.) (4367436) (Serviced Assy. 4741501) NOTE (2)  
(w/EDM) (AUTO) (SAG) (RT.) (4367434) (Serviced Assy. 4728818) NOTE (2)  
(w/EDM)\* (AUTO) (SAG) (RT.) (4367432) (Serviced Assy. 4728816) NOTE (2)  
(w/EDF,DM) (AUTO) (SAG) (LT.) (4660201) (Serviced Assy. 4741504) NOTE (2)  
(w/EDF,DM)\* (AUTO) (SAG) (LT.) (4641398) (Serviced Assy. 4728831) NOTE (2)  
(w/EFA) (ALL) (SAG) (RT.) (4539414) (Serviced Assy. 4728822) NOTE (2)  
(w/EFA) (MAN.) (SAG) (LT.) (4539429) (Serviced Assy. 4741506) NOTE (2)  
(w/EFA) (AUTO) (SAG) (LT.) (4539411) (Serviced Assy. 4728819) NOTE (2)  
(w/EFA)\* (AUTO) (SAG) (LT.) (4539403) (Serviced Assy. 4728817) NOTE (2)

1					SHAFT, Drive w/Circlip (See Note)
2					RING, Shaft Outer
	4367 017	AR			w/(SAG)
3					BOOT PACKAGE, Outer (See Note)
4					JOINT, C.V. Outer (See Note)
5	5212 536	2			SLEEVE, Outer Joint
6	5212 535	2			SEAL, Outer Joint
7					HOUSING, C.V. Inner
8					SPRING, w/Cup
	4367 012	2			w/(SAG)
9					TRIPOD, Inner (Serv. w/Inner Joint) ***
10					BOOT PACKAGE, Inner (See Note)
11					WEIGHT, Damper
	4367 016	1			w/(SAG)
12	5212 991	1			YOKE, Inner
13	4443 100	1			JOINT PACKAGE, Intermediate Shaft
14	5212 992	1			SHAFT, Inner
15	5212 932	1			BEARING, w/Bracket
16	5212 964	1			SEAL
17	5212 962	1			SLINGER, Inner

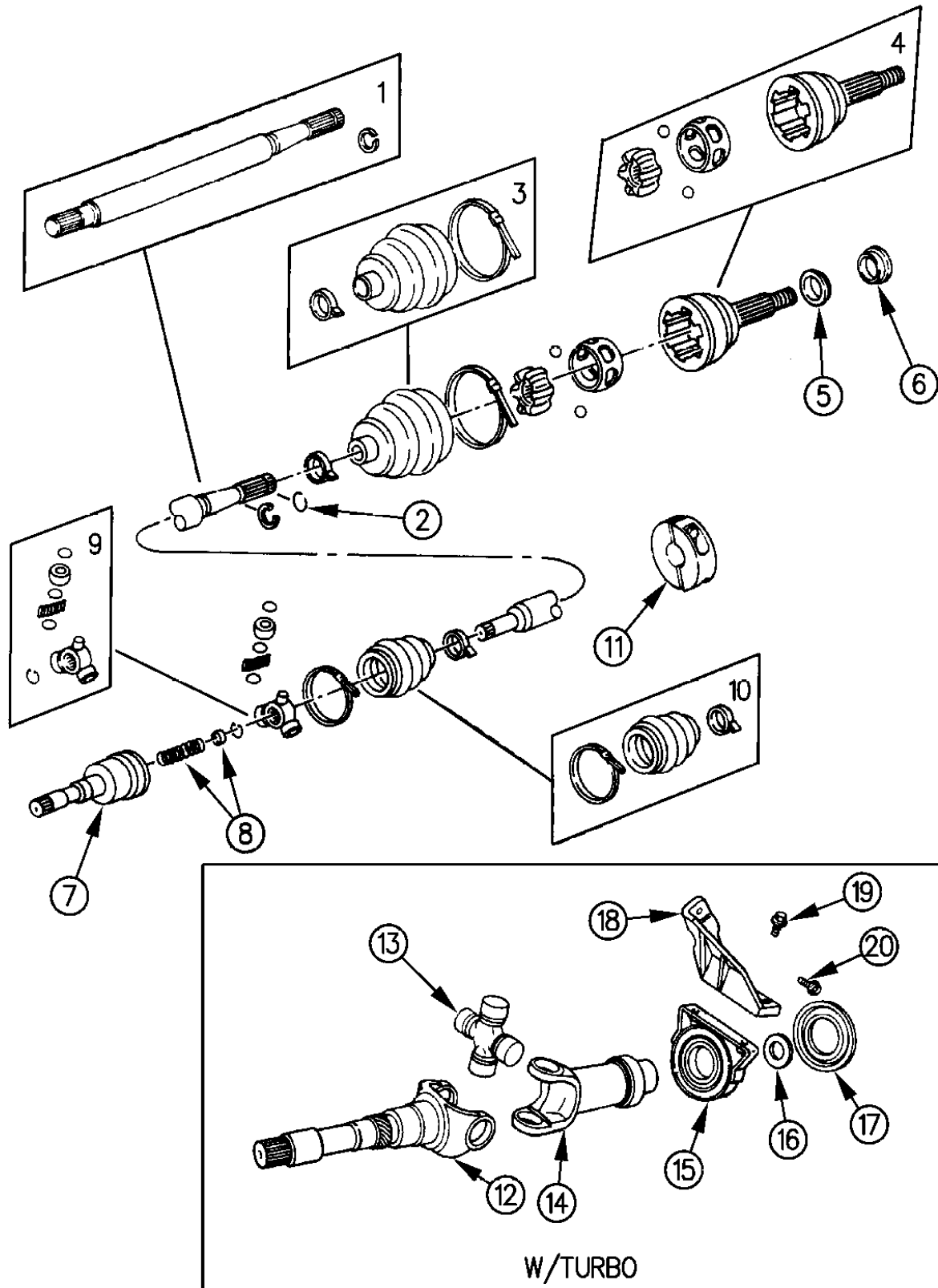
MODEL CODES:

A BODY=(C=LeBaron, D=Spirit, P=Acclaim/LaBaron(Landau), Saratoga) S BODY=(H=Voyager(H) FWD, K=Caravan(H) FWD, Y=Town & Country(H) FWD, P=Voyager(K) AWD, D=Caravan(K) AWD, C=Town & Country(K) AWD)  
C BODY=(D=Dynasty, C=New Yorker/N.Y. Salon) Y BODY=(C=Imperial/5th Avenue)  
G BODY=(V=Daytona/IROC, Chrysler Daytona) E-S BODY=(K=Chrysler Voyager(H) FWD, D=Chrysler Voyager(K) AWD)  
J BODY=(C=LeBaron, Chrysler LeBaron)  
P BODY=(P=Sundance, D=Shadow)

BODY STYLES:

21=2-Door Coupe 41=4-Door Sedan 12-52=FWD & AWD Van & Wgn Std W.B.  
24=2-Door Hatchback 44=4-Door Hatchback 53=FWD & AWD Van & Wgn Ext. W.B.  
27=2-Door Convertible

AR = Use as Required - = Non Illustrated Part P.A.R. = Paint as Required

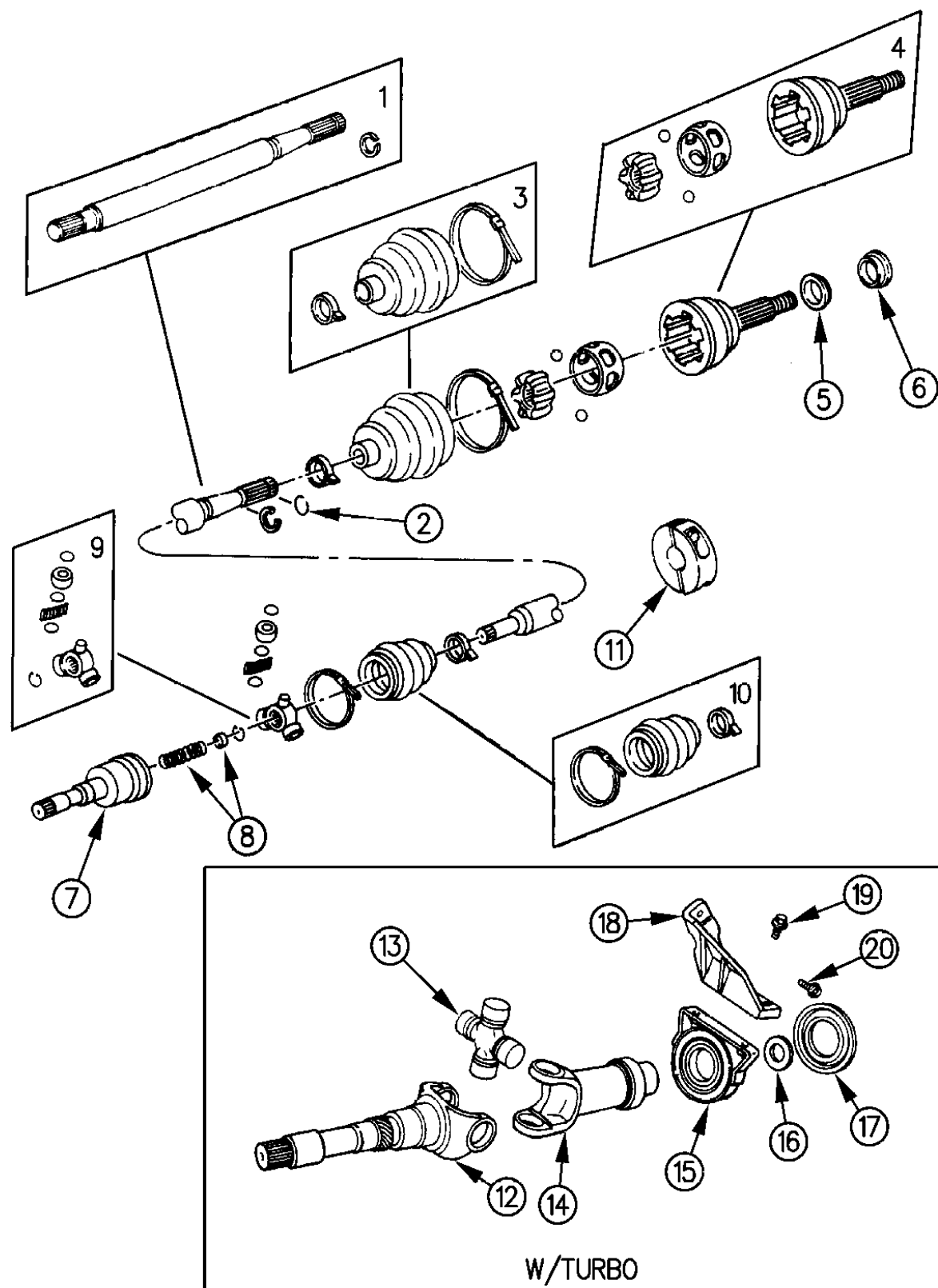




SHAFT, FRONT DRIVE P BODY  
Figure 2-900

93102 900

ITEM	PART NUMBER	QTY	BODY	MODEL	DESCRIPTION
	5212 975	1			Outer
18	4504 007	1			BRACKET, Inner Shaft
19	6101 299	2			SCREW, w/Washer
20	6500 158	2			SCREW, w/Washer



MODEL CODES:

A BODY=(C=LeBaron, D=Spirit, P=Acclaim/LaBaron(Landau), Saratoga) S BODY=(H=Voyager(H) FWD, K=Caravan(H) FWD, Y=Town & Country(H) FWD, P=Voyager(K) AWD, D=Caravan(K) AWD, C=Town & Country(K) AWD)  
 C BODY=(D=Dynasty, C=New Yorker/N.Y. Salon) Y BODY=(C=Imperial/5th Avenue)  
 G BODY=(V=Daytona/IROC, Chrysler Daytona) E-S BODY=(K=Chrysler Voyager(H) FWD, D=Chrysler Voyager(K) AWD)  
 J BODY=(C=LeBaron, Chrysler LeBaron)  
 P BODY=(P=Sundance, D=Shadow)

BODY STYLES:

21=2-Door Coupe 41=4-Door Sedan 12-52=FWD & AWD Van & Wgn Std W.B.  
 24=2-Door Hatchback 44=4-Door Hatchback 53=FWD & AWD Van & Wgn Ext. W.B.  
 27=2-Door Convertible

AR = Use as Required - = Non Illustrated Part P.A.R. = Paint as Required

**SHAFT, FRONT DRIVE A BODY**  
**Figure 2-1000**

93102 1000

ITEM	PART NUMBER	QTY	BODY	MODEL	DESCRIPTION
------	-------------	-----	------	-------	-------------

NOTE (1): For Shaft Identification And Major Componets. (See Fig. 2-800)

NOTE (2): Identification of Shafts Should Be By Production Assembly Number. Replacement of Complete Shafts Should Be By Serviced Assembly Number.

\* = w/ABS BRAKES

ENG. TRANS. VENDOR RT, LT ASSY. No. SERVICED No.

\*\*\*\*\*

(w/EDM) \* (MAN.) (GKN) (RT.) (4511404) (Serviced Assy. 4641673) NOTE (2)

(w/EDM) (MAN.) (GKN) (RT.) (4511420) (Serviced Assy. 4641674) NOTE (2)

(w/EFA) \* (AUTO) (GKN) (RT.) (4511474) (Serviced Assy. 4641688) NOTE (2)

(w/EFA) (AUTO) (GKN) (RT.) (4511476) (Serviced Assy. 4660689) NOTE (2)

(w/EDM) \* (AUTO) (GKN) (LT.) (4543403) (Serviced Assy. 4641670) NOTE (2)

(w/EDM) (AUTO) (GKN) (LT.) (4641523) (Serviced Assy. 4641671) NOTE (2)

(w/EDM) \* (AUTO) (GKN) (RT.) (4543468) (Serviced Assy. 4641675) NOTE (2)

(w/EDM) (AUTO) (GKN) (RT.) (4543472) (Serviced Assy. 4641676) NOTE (2)

(w/EDM) \* (MAN.) (SAG) (LT.) (4545409) (Serviced Assy. 4728827) NOTE (2)

(w/EDM) (MAN.) (SAG) (LT.) (4545415) (Serviced Assy. 4728829) NOTE (2)

(w/EFA) \* (AUTO) (GKN) (LT.) (4641293) (Serviced Assy. 4641687) NOTE (2)

(w/EFA) (AUTO) (GKN) (LT.) (4641294) (Serviced Assy. 4641696) NOTE (2)

1 SHAFT, Drive w/Circlip (See Note)

2 RING, Shaft Outer  
5212 566 AR w/(GKN)

3 BOOT PACKAGE, Outer (See Note)

4 JOINT, C.V. Outer (See Note)

5 5212 536 2 SLEEVE, Outer Joint

6 5212 535 2 SEAL, Outer Joint

7 HOUSING, C.V. Inner (See Note)

8 SPRING, w/Cup  
5212 675 2 w/(GKN)

9 TRIPOD, Inner (Serv. w/Inner Joint) \*\*\*

10 BOOT PACKAGE, Inner (See Note)

11 WEIGHT, Damper  
5212 767 1 w/(GKN)

12 5212 991 1 YOKE, Inner

13 4443 100 1 JOINT PACKAGE, Intermediate Shaft

14 5212 992 1 SHAFT, Inner

15 5212 932 1 BEARING, w/Bracket

16 5212 964 1 SEAL

17 5212 962 1 SLINGER, Inner

5212 975 1 Outer

**MODEL CODES:**

A BODY=(C=LeBaron, D=Spirit, P=Acclaim/LaBaron(Landau), Saratoga)

C BODY=(D=Dynasty, C=New Yorker/N.Y. Salon)

G BODY=(V=Daytona/IROC, Chrysler Daytona)

J BODY=(C=LeBaron, Chrysler LeBaron)

P BODY=(P=Sundance, D=Shadow)

S BODY=(H=Voyager(H) FWD, K=Caravan(H) FWD,

Y=Town & Country(H) FWD, P=Voyager(K) AWD,

D=Caravan(K) AWD, C=Town & Country(K) AWD)

Y BODY=(C=Imperial/5th Avenue)

E-S BODY=(K=Chrysler Voyager(H) FWD, D=Chrysler

Voyager(K) AWD)

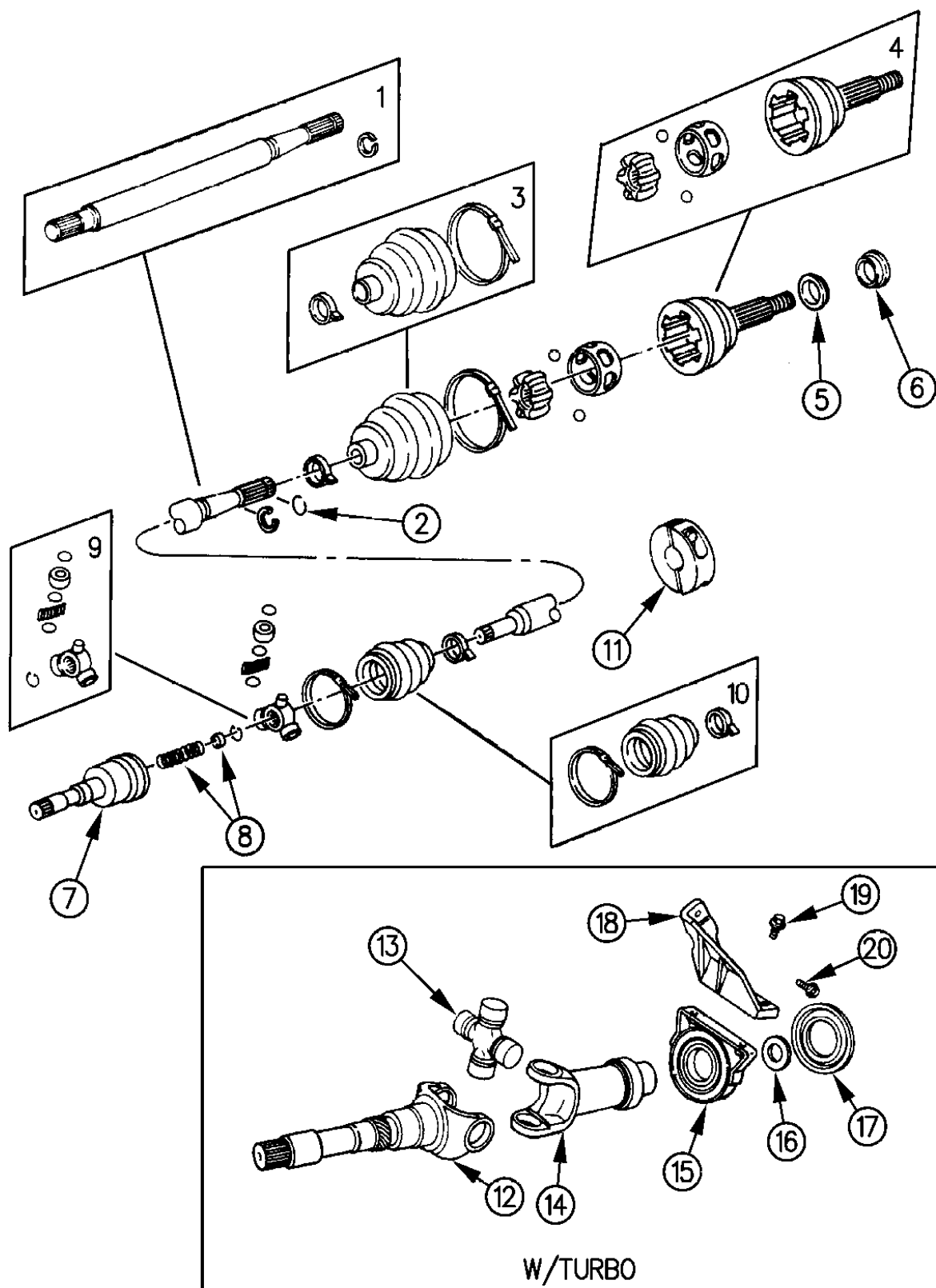
**BODY STYLES:**

21=2-Door Coupe 41=4-Door Sedan 12-52=FWD & AWD Van & Wgn Std W.B.

24=2-Door Hatchback 44=4-Door Hatchback 53=FWD & AWD Van & Wgn Ext. W.B.

27=2-Door Convertible

AR = Use as Required - = Non Illustrated Part P.A.R. = Paint as Required





SHAFT, FRONT DRIVE J BODY  
Figure 2-1100

93102 1100

ITEM	PART NUMBER	QTY	BODY	MODEL	DESCRIPTION
------	-------------	-----	------	-------	-------------

NOTE (1): For Shaft Identification And Major Componets. (See Fig. 2-800)

NOTE (2): Identification of Shafts Should Be By Production Assembly Number. Replacement of Complete Shafts Should Be By Serviced Assembly Number.

\* = w/ABS BRAKES

ENG. TRANS. VENDOR RT, LT ASSY. No. SERVICED No.

\*\*\*\*\*

- (w/EDM) \* (AUTO) (GKN) (LT.) (4543403) (Serviced Assy. 4641670) NOTE (2)
- (w/EDM) (AUTO) (GKN) (LT.) (4641523) (Serviced Assy. 4641671) NOTE (2)
- (w/EDM) \* (AUTO) (GKN) (RT.) (4543468) (Serviced Assy. 4641675) NOTE (2)
- (w/EDM) (AUTO) (GKN) (RT.) (4543472) (Serviced Assy. 4641676) NOTE (2)
- (w/EFA) \* (MAN.) (GKN) (RT.) (4511404) (Serviced Assy. 4641673) NOTE (2)
- (w/EFA) (MAN.) (GKN) (RT.) (4511420) (Serviced Assy. 4641674) NOTE (2)
- (w/EFA) \* (AUTO) (GKN) (RT.) (4511474) (Serviced Assy. 4641688) NOTE (2)
- (w/EFA) (AUTO) (GKN) (RT.) (4511476) (Serviced Assy. 4660689) NOTE (2)
- (w/EFA) \* (MAN.) (SAG) (LT.) (4539427) (Serviced Assy. 4728821) NOTE (2)
- (w/EFA) (MAN.) (SAG) (LT.) (4539429) (Serviced Assy. 4728457) NOTE (2)
- (w/EFA) \* (AUTO) (GKN) (LT.) (4641293) (Serviced Assy. 4641687) NOTE (2)
- (w/EFA) (AUTO) (GKN) (LT.) (4641294) (Serviced Assy. 4641696) NOTE (2)

1					SHAFT, Drive w/Circlip (See Note)
2	4367 017	AR			RING, Shaft Outer w/(SAG)
3					BOOT PACKAGE, Outer (See Note)
4					JOINT, C.V. Outer (See Note)
5	5212 536	2			SLEEVE, Outer Joint
6	5212 535	2			SEAL, Outer Joint
7					HOUSING, C.V. Inner (See Note)
8	4367 012	2			SPRING, w/Cup w/(SAG)
9	4367 041	2			TRIPOD, Inner (Serv. w/Inner Joint) ***
10					RING, Used With (SAG) Tripod
11	4367 016	1			WEIGHT, Damper w/(SAG)
12	5212 991	1			YOKE, Inner
13	4443 100	1			JOINT PACKAGE, Intermediate Shaft
14	5212 992	1			SHAFT, Inner
15	5212 932	1			BEARING, w/Bracket
16	5212 964	1			SEAL
17	5212 962	1			SLINGER, Inner

MODEL CODES:

A BODY=(C=LeBaron, D=Spirit, P=Acclaim/LaBaron(Landau), Saratoga)

C BODY=(D=Dynasty, C=New Yorker/N.Y. Salon)

G BODY=(V=Daytona/IROC, Chrysler Daytona)

J BODY=(C=LeBaron, Chrysler LeBaron)

P BODY=(P=Sundance, D=Shadow)

S BODY=(H=Voyager(H) FWD, K=Caravan(H) FWD,

Y=Town & Country(H) FWD, P=Voyager(K) AWD,

D=Caravan(K) AWD, C=Town & Country(K) AWD)

Y BODY=(C=Imperial/5th Avenue)

E-S BODY=(K=Chrysler Voyager(H) FWD, D=Chrysler

Voyager(K) AWD)

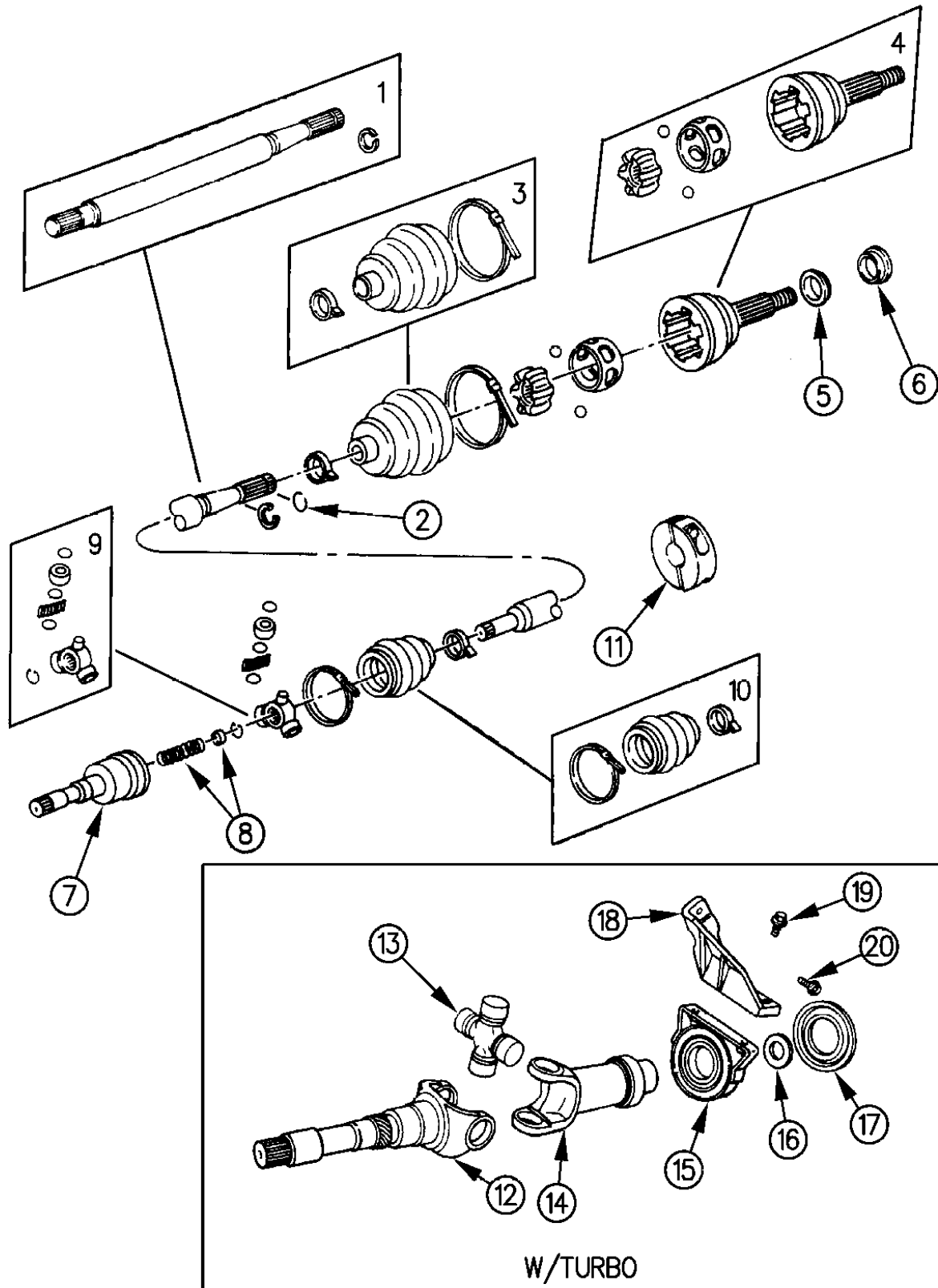
BODY STYLES:

21=2-Door Coupe      41=4-Door Sedan      12-52=FWD & AWD Van & Wgn Std W.B.

24=2-Door Hatchback      44=4-Door Hatchback      53=FWD & AWD Van & Wgn Ext. W.B.

27=2-Door Convertible

AR = Use as Required - = Non Illustrated Part P.A.R. = Paint as Required

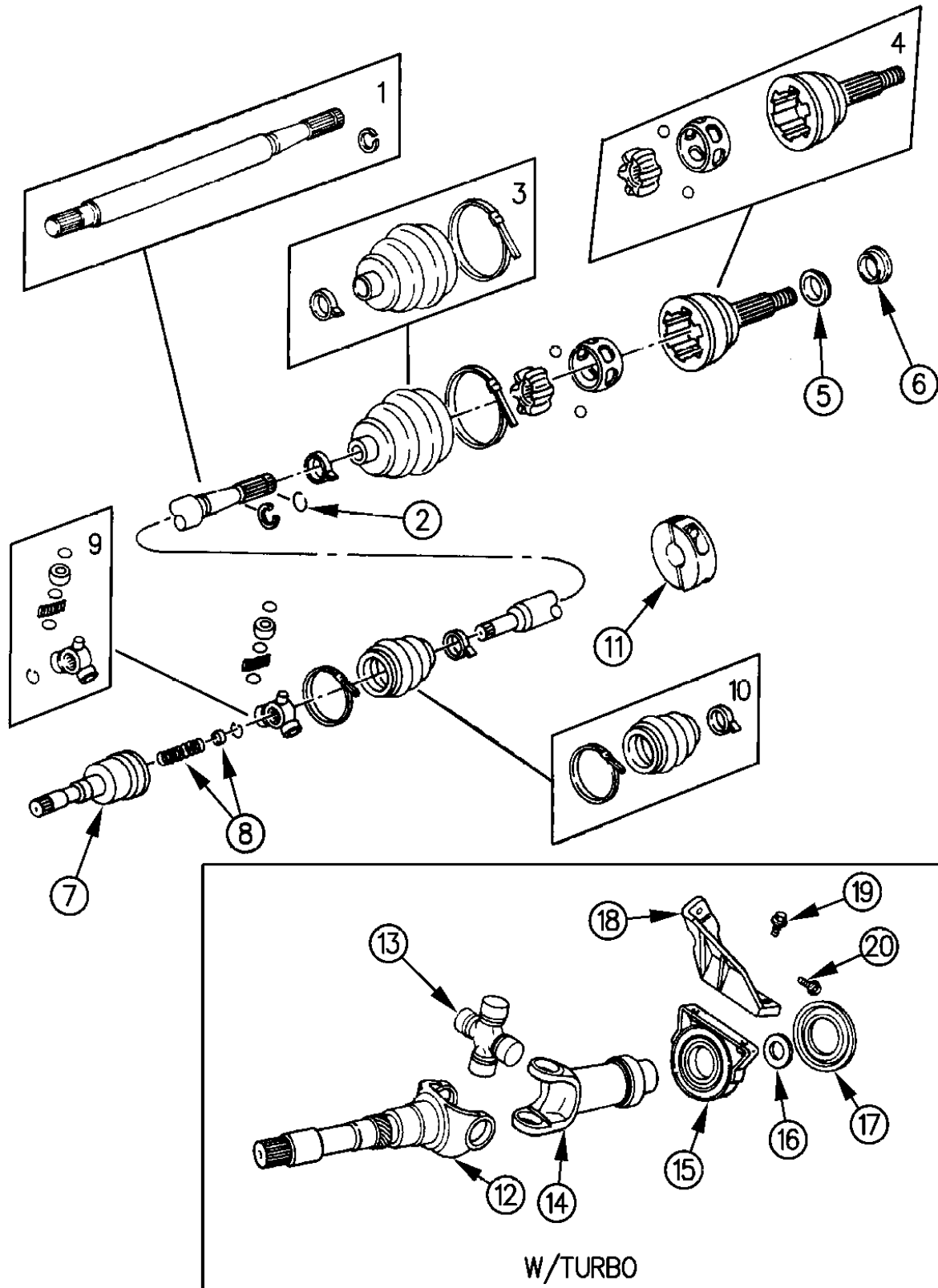


W/TURBO

SHAFT, FRONT DRIVE J BODY  
Figure 2-1100

93102 1100

ITEM	PART NUMBER	QTY	BODY	MODEL	DESCRIPTION
	5212 975	1			Outer
18	4504 007	1			BRACKET, Inner Shaft
19	6101 299	2			SCREW, w/Washer
20	6500 158	2			SCREW, w/Washer



MODEL CODES:

A BODY=(C=LeBaron, D=Spirit, P=Acclaim/LaBaron(Landau), Saratoga) S BODY=(H=Voyager(H) FWD, K=Caravan(H) FWD, Y=Town & Country(H) FWD, P=Voyager(K) AWD, D=Caravan(K) AWD, C=Town & Country(K) AWD)  
 C BODY=(D=Dynasty, C=New Yorker/N.Y. Salon) Y BODY=(C=Imperial/5th Avenue)  
 G BODY=(V=Daytona/IROC, Chrysler Daytona) E-S BODY=(K=Chrysler Voyager(H) FWD, D=Chrysler Voyager(K) AWD)  
 J BODY=(C=LeBaron, Chrysler LeBaron) P BODY=(P=Sundance, D=Shadow)

BODY STYLES:

21=2-Door Coupe 41=4-Door Sedan 12-52=FWD & AWD Van & Wgn Std W.B.  
 24=2-Door Hatchback 44=4-Door Hatchback 53=FWD & AWD Van & Wgn Ext. W.B.  
 27=2-Door Convertible

AR = Use as Required - = Non Illustrated Part P.A.R. = Paint as Required

SHAFT, FRONT DRIVE G BODY  
Figure 2-1200

93102 1200

ITEM	PART NUMBER	QTY	BODY	MODEL	DESCRIPTION
------	-------------	-----	------	-------	-------------

NOTE (1): For Shaft Identification And Major Componets. (See Fig. 2-800)  
NOTE (2): Identification of Shafts Should Be By Production Assembly Number. Replacement of Complete Shafts Should Be By Serviced Assembly Number.  
\* = w/ABS BRAKES  
ENG. TRANS. VENDOR RT, LT ASSY. No. SERVICED ASSY.

\*\*\*\*\*  
(w/EDM) (MAN.) (SAG) (RT.) (4539414) (Serviced Assy. 4728822) NOTE (2)  
(w/EDM,FA) \* (MAN.) (SAG) (RT.) (4539416) (Serviced Assy. 4728824) NOTE (2)  
(w/EDM,FA) \* (MAN.) (SAG) (LT.) (4539427) (Serviced Assy. 4728821) NOTE (2)  
(w/EDM,FA) (MAN.) (SAG) (LT.) (4539429) (Serviced Assy. 4741506) NOTE (2)  
(w/EDM) \* (AUTO) (SAG) (RT.) (4367432) (Serviced Assy. 4728816) NOTE (2)  
(w/EDM) \* (AUTO) (SAG) (LT.) (4641398) (Serviced Assy. 4728831) NOTE (2)  
(w/EDM) (AUTO) (SAG) (RT.) (4367434) (Serviced Assy. 4728818) NOTE (2)  
(w/EDM) (AUTO) (SAG) (LT.) (4660201) (Serviced Assy. 4741504) NOTE (2)  
(w/EFA) \* (AUTO) (SAG) (LT.) (4539403) (Serviced Assy. 4728817) NOTE (2)  
(w/EFA) (AUTO) (SAG) (LT.) (4539411) (Serviced Assy. 4728819) NOTE (2)  
(w/EFA) \* (AUTO) (SAG) (RT.) (4539416) (Serviced Assy. 4728824) NOTE (2)  
(w/EDS)\* (MAN.) (SAG) (RT.) (4545372) (Serviced Assy. 4741513) NOTE (2)  
(w/EDS)\* (MAN.) (SAG) (LT.) (4545409) (Serviced Assy. 4728827) NOTE (2)  
(w/EFA) (ALL ) (SAG) (RT.) (4539414) (Serviced Assy. 4728822) NOTE (2)

1					SHAFT, Drive w/Circlip (See Note)
2	4367 017	AR			RING, Shaft Outer w/(SAG)
3					BOOT PACKAGE, Outer (See Note)
4					JOINT, C.V. Outer (See Note)
5	5212 536	2			SLEEVE, Outer Joint
6	5212 535	2			SEAL, Outer Joint
7					HOUSING, C.V. Inner (See Note)
8					SPRING, w/Cup
	4367 012	2			w/(SAG)
9					TRIPOD, Inner (Serv. w/Inner Joint) ***
	4367 041	2			RING, Used With (SAG) Tripod
10					BOOT PACKAGE, Inner (See Note)
11					WEIGHT, Damper
	4367 016	1			w/(SAG)
12	5212 991	1			YOKE, Inner
13	4443 100	1			JOINT PACKAGE, Intermediate Shaft
14	5212 992	1			SHAFT, Inner
15	5212 932	1			BEARING, w/Bracket

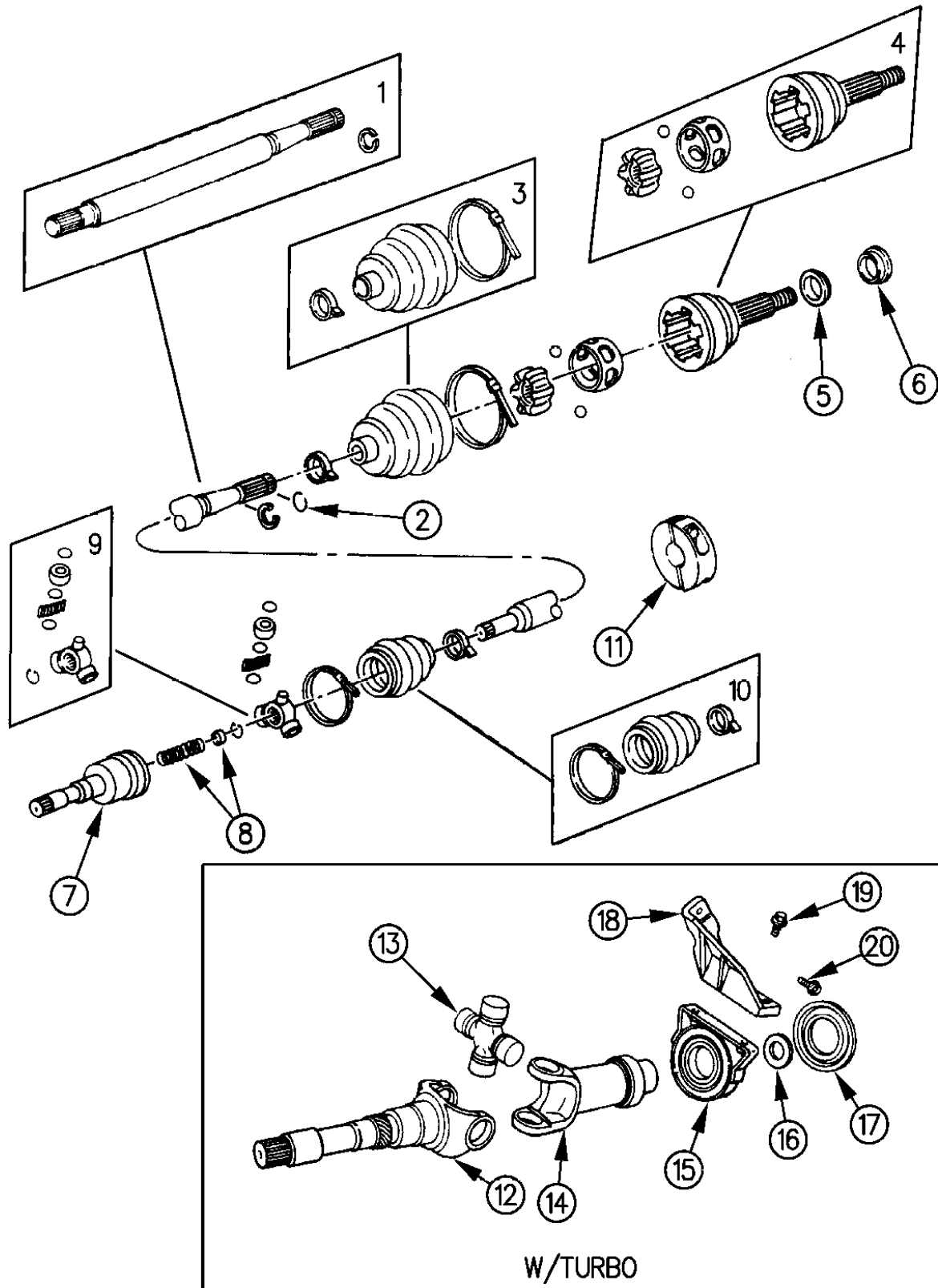
MODEL CODES:

A BODY=(C=LeBaron, D=Spirit, P=Acclaim/LaBaron(Landau), Saratoga) S BODY=(H=Voyager(H) FWD, K=Caravan(H) FWD, Y=Town & Country(H) FWD, P=Voyager(K) AWD, D=Caravan(K) AWD, C=Town & Country(K) AWD)  
C BODY=(D=Dynasty, C=New Yorker/N.Y. Salon) Y BODY=(C=Imperial/5th Avenue)  
G BODY=(V=Daytona/IROC, Chrysler Daytona) E-S BODY=(K=Chrysler Voyager(H) FWD, D=Chrysler Voyager(K) AWD)  
J BODY=(C=LeBaron, Chrysler LeBaron)  
P BODY=(P=Sundance, D=Shadow)

BODY STYLES:

21=2-Door Coupe 41=4-Door Sedan 12-52=FWD & AWD Van & Wgn Std W.B.  
24=2-Door Hatchback 44=4-Door Hatchback 53=FWD & AWD Van & Wgn Ext. W.B.  
27=2-Door Convertible

AR = Use as Required - = Non Illustrated Part P.A.R. = Paint as Required





SHAFT, FRONT DRIVE C BODY  
Figure 2-1300

93102 1300

ITEM	PART NUMBER	QTY	BODY	MODEL	DESCRIPTION
NOTE (1): For Shaft Identification And Major Componets. (See Fig. 2-800)					
NOTE (2): Identification of Shafts Should Be By Production Assembly Number. Replacement of Complete Shafts Should Be By Serviced Assembly Number.					
* = w/ABS BRAKES					
ENG. TRANS. VENDOR RT, LT ASSY. No. SERVICED No.					
*****					
(w/EDM) (AUTO) (SAG) (RT.) (4367434) (Serviced Assy. 4728818) NOTE (2)					
(w/EDM) (AUTO) (SAG) (LT.) (4660201) (Serviced Assy. 4741504) NOTE (2)					
(w/EFA,GA) (AUTO) (SAG) (RT.) (4539472) (Serviced Assy. 4728828) NOTE (2)					
(w/EFA,GA) (AUTO) (SAG) (LT.) (4539411) (Serviced Assy. 4728819) NOTE (2)					
(w/EFA,GA) * (AUTO) (SAG) (RT.) (4539468) (Serviced Assy. 4728826) NOTE (2)					
(w/EFA,GA) * (AUTO) (SAG) (LT.) (4539403) (Serviced Assy. 4728817) NOTE (2)					
1					SHAFT, Drive w/Circlip (See Note)
2	4367 017	AR			RING, Shaft Outer (SAG)
3					BOOT PACKAGE, Outer (See Note)
4					JOINT, C.V. Outer (See Note)
5	5212 536	2			SLEEVE, Outer Joint
6	5212 535	2			SEAL, Outer Joint
7					HOUSING, C.V. Inner (See Note)
8					SPRING, w/Cup
	4367 012	1			w/(SAG)
9					TRIPOD, Inner (Serv. w/Inner Joint) ***
10					BOOT PACKAGE, Inner (See Note)
11					WEIGHT, Damper
	4367 016	1			w/(SAG)
12	5212 991	1			YOKE, Inner
13	4384 514	1			JOINT PACKAGE, Intermediate Shaft
14	5212 992	1			SHAFT, Inner
15	5212 932	1			BEARING, w/Bracket
16	5212 964	1			SEAL
17	5212 962	1			SLINGER, Inner
	5212 975	1			Outer
18	4384 770	1			BRACKET, Inner Shaft
19	6101 299	2			SCREW, w/Washer
20	6500 158	2			SCREW, w/Washer

MODEL CODES:

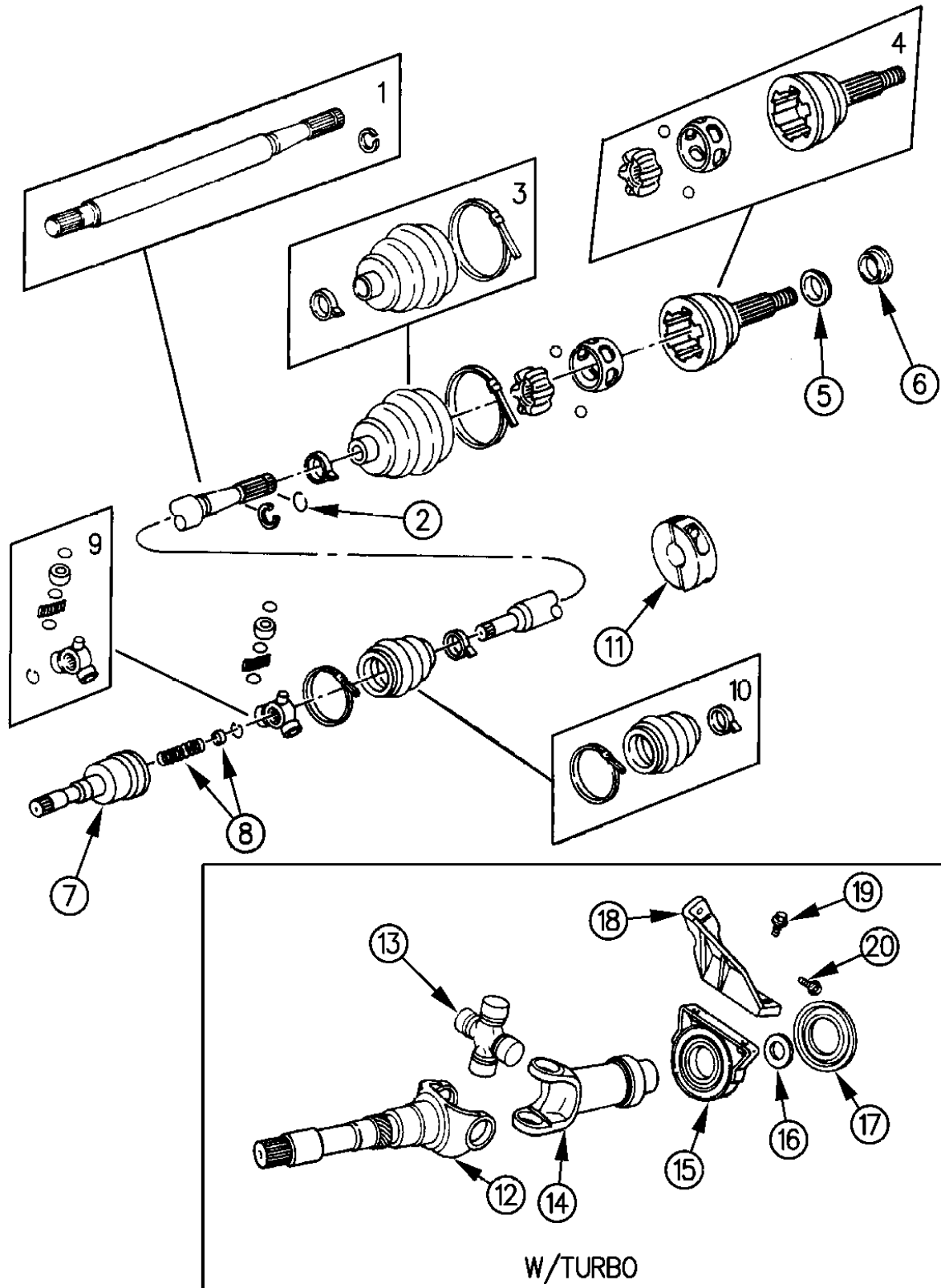
A BODY=(C=LeBaron, D=Spirit, P=Acclaim/LaBaron(Landau, Saratoga)  
C BODY=(D=Dynasty, C=New Yorker/N.Y. Salon)  
G BODY=(V=Daytona/IROC, Chrysler Daytona)  
J BODY=(C=LeBaron, Chrysler LeBaron)  
P BODY=(P=Sundance, D=Shadow)

S BODY=(H=Voyager(H) FWD, K=Caravan(H) FWD, Y=Town & Country(H) FWD, P=Voyager(K) AWD, D=Caravan(K) AWD, C=Town & Country(K) AWD)  
Y BODY=(C=Imperial/5th Avenue)  
E-S BODY=(K=Chrysler Voyager(H) FWD, D=Chrysler Voyager(K) AWD)

BODY STYLES:

21=2-Door Coupe      41=4-Door Sedan      12-52=FWD & AWD Van & Wgn Std W.B.  
24=2-Door Hatchback      44=4-Door Hatchback      53=FWD & AWD Van & Wgn Ext. W.B.  
27=2-Door Convertible

AR = Use as Required - = Non Illustrated Part P.A.R. = Paint as Required





SHAFT, FRONT DRIVE Y BODY  
Figure 2-1400

93102 1400

ITEM	PART NUMBER	QTY	BODY	MODEL	DESCRIPTION
------	-------------	-----	------	-------	-------------

NOTE (1): For Shaft Identification And Major Componets. (See Fig. 2-800)

NOTE (2): Identification of Shafts Should Be By Production Assembly Number. Replacement of Complete Shafts Should Be By Serviced Assembly Number.

\* = w/ABS BRAKES

ENG. TRANS. VENDOR RT, LT ASSY. No. SERVICED No.

\*\*\*\*\*

(w/EFA,GA) (AUTO) (SAG) (RT.) (4539472) (Serviced Assy. 4728828) NOTE (2)  
 (w/EFA,GA) (AUTO) (SAG) (LT.) (4539411) (Serviced Assy. 4728819) NOTE (2)  
 (w/EFA,GA) \* (AUTO) (SAG) (RT.) (4539468) (Serviced Assy. 4728826) NOTE (2)  
 (w/EFA,GA) \* (AUTO) (SAG) (LT.) (4539403) (Serviced Assy. 4728817) NOTE (2)  
 (w/EGH) (AUTO) (SAG) (RT.) (4545377) (Serviced Assy. 4741510) NOTE (2)  
 (w/EGH) (AUTO) (SAG) (LT.) (4545370) (Serviced Assy. 4741511) NOTE (2)  
 (w/EGH) \* (AUTO) (SAG) (RT.) (4545376) (Serviced Assy. 4728830) NOTE (2)  
 (w/EGH) \* (AUTO) (SAG) (LT.) (4545375) (Serviced Assy. 4728825) NOTE (2)

1					SHAFT, Drive w/Circlip (See Note)
2					RING, Shaft Outer
	4367 017	AR			w/(SAG)
3					BOOT PACKAGE, Outer (See Note)
4					JOINT, C.V. Outer (See Note)
5	5212 536	2			SLEEVE, Outer Joint
6	5212 535	2			SEAL, Outer Joint
7					HOUSING, C.V. Inner (See Note)
8					SPRING, w/Cup
	4367 012	1			w/(SAG)
9					TRIPOD, Inner (Serv. w/Inner Joint) ***
10					BOOT PACKAGE, Inner (See Note)
11					WEIGHT, Damper
	4367 016	1			w/(SAG)
12	5212 991	1			YOKE, Inner
13	4384 514	1			JOINT PACKAGE, Intermediate Shaft
14	5212 992	1			SHAFT, Inner
15	5212 932	1			BEARING, w/Bracket
16	5212 964	1			SEAL
17	5212 962	1			SLINGER, Inner
	5212 975	1			Outer
18	4384 770	1			BRACKET, Inner Shaft
19	6101 299	2			SCREW, w/Washer
20	6500 158	2			SCREW, w/Washer

MODEL CODES:

A BODY=(C=LeBaron, D=Spirit, P=Acclaim/LaBaron(Landau), Saratoga)

C BODY=(D=Dynasty, C=New Yorker/N.Y. Salon)

G BODY=(V=Daytona/IROC, Chrysler Daytona)

J BODY=(C=LeBaron, Chrysler LeBaron)

P BODY=(P=Sundance, D=Shadow)

S BODY=(H=Voyager(H) FWD, K=Caravan(H) FWD,

Y=Town & Country(H) FWD, P=Voyager(K) AWD,

D=Caravan(K) AWD, C=Town & Country(K) AWD)

Y BODY=(C=Imperial/5th Avenue)

E-S BODY=(K=Chrysler Voyager(H) FWD, D=Chrysler

Voyager(K) AWD)

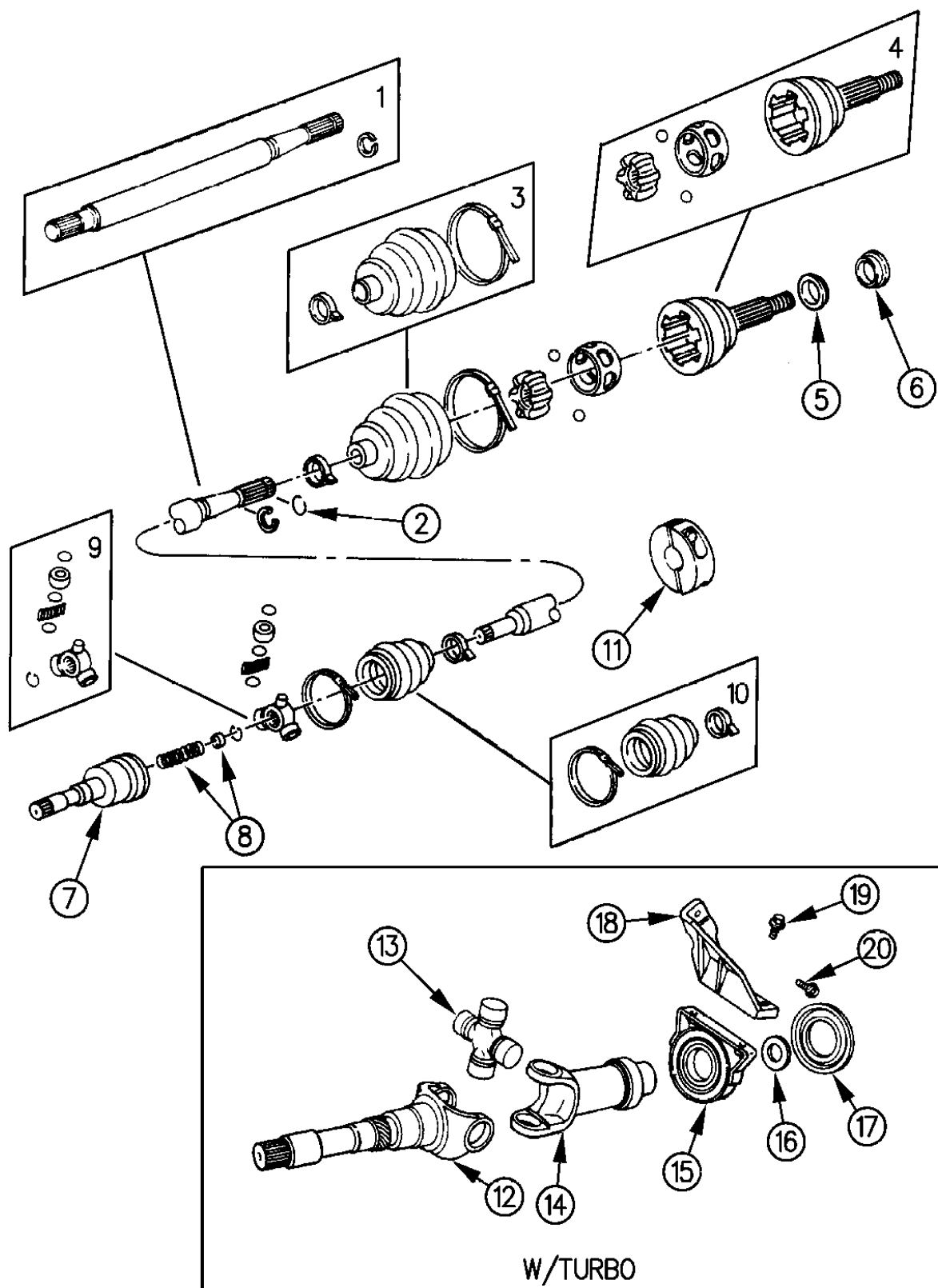
BODY STYLES:

21=2-Door Coupe 41=4-Door Sedan 12-52=FWD & AWD Van & Wgn Std W.B.

24=2-Door Hatchback 44=4-Door Hatchback 53=FWD & AWD Van & Wgn Ext. W.B.

27=2-Door Convertible

AR = Use as Required - = Non Illustrated Part P.A.R. = Paint as Required



SHAFT, FRONT DRIVE S BODY  
Figure 2-1500

93102 1500

ITEM	PART NUMBER	QTY	BODY	MODEL	DESCRIPTION
------	-------------	-----	------	-------	-------------

NOTE (1): For Shaft Identification And Major Componets. (See Fig. 2-800)

\* = w/ABS BRAKES

\*\* = w/ALL WHEEL DRIVE

ENG. TRANS. VENDOR RT, LT ASSY. No.

\*\*\*\*\*

- (w/EDM,NC) (MAN.) (GKN) (RT.) (4511438)
- (w/ENC) (MAN.) (GKN) (LT.) (4660456)or (SAG-4641319)
- (w/ENC) (MAN.) (GKN) (LT.) (4511445)
- (w/EDM) (MAN.) (GKN) (LT.) (4511445)
- (w/EDM) (AUTO) (GKN) (RT.) (4641677)
- (w/EDM) (AUTO) (GKN) (LT.) (4641528)
- (w/EFA,GA) (AUTO) (GKN) (RT.) (4511452)
- (w/EFA,GA) (AUTO) (GKN) (LT.) (4511437)
- (w/EFA,GA) \*\* (AUTO) (GKN) (LT.) (4511437)
- (w/EFA,GA) \* (AUTO) (GKN) (RT.) (4511448)
- (w/EFA,GA) \* (AUTO) (GKN) (LT.) (4511435)
- (w/EGA) \*\* (AUTO) (GKN) (RT.) (4641050)
- (w/EGA) \*,\*\* (AUTO) (GKN) (RT.) (4641051)
- (w/EGA) \*,\*\* (AUTO) (GKN) (LT.) (4511435)

1					SHAFT, Drive w/Circlip (See Note)
2					RING, Shaft Outer
	5212 566	AR			(GKN)
3					BOOT PACKAGE, Outer (See Note)
4					JOINT, C.V. Outer (See Note)
5	5212 536	2			SLEEVE, Outer Joint
6	5212 535	2			SEAL, Outer Joint
7					HOUSING, C.V. Inner (See Note)
8					SPRING, w/Cup
	5212 675	2			w/(GKN)
9					TRIPOD, Inner (Serv. w/Inner Joint) ***
10					BOOT PACKAGE, Inner (See Note)
11					WEIGHT, Damper
	5212 767	1			w/(GKN)
12	5212 991	1			YOKE, Inner
13	4384 514	1			JOINT PACKAGE, Intermediate Shaft
14	5212 979	1			SHAFT, Inner
15	5212 932	1			BEARING, w/Bracket
16	5212 964	1			SEAL
17	5212 962	1			SLINGER, Inner

MODEL CODES:

A BODY=(C=LeBaron, D=Spirit, P=Acclaim/LaBaron(Landau), Saratoga)

C BODY=(D=Dynasty, C=New Yorker/N.Y. Salon)

G BODY=(V=Daytona/ROC, Chrysler Daytona)

J BODY=(C=LeBaron, Chrysler LeBaron)

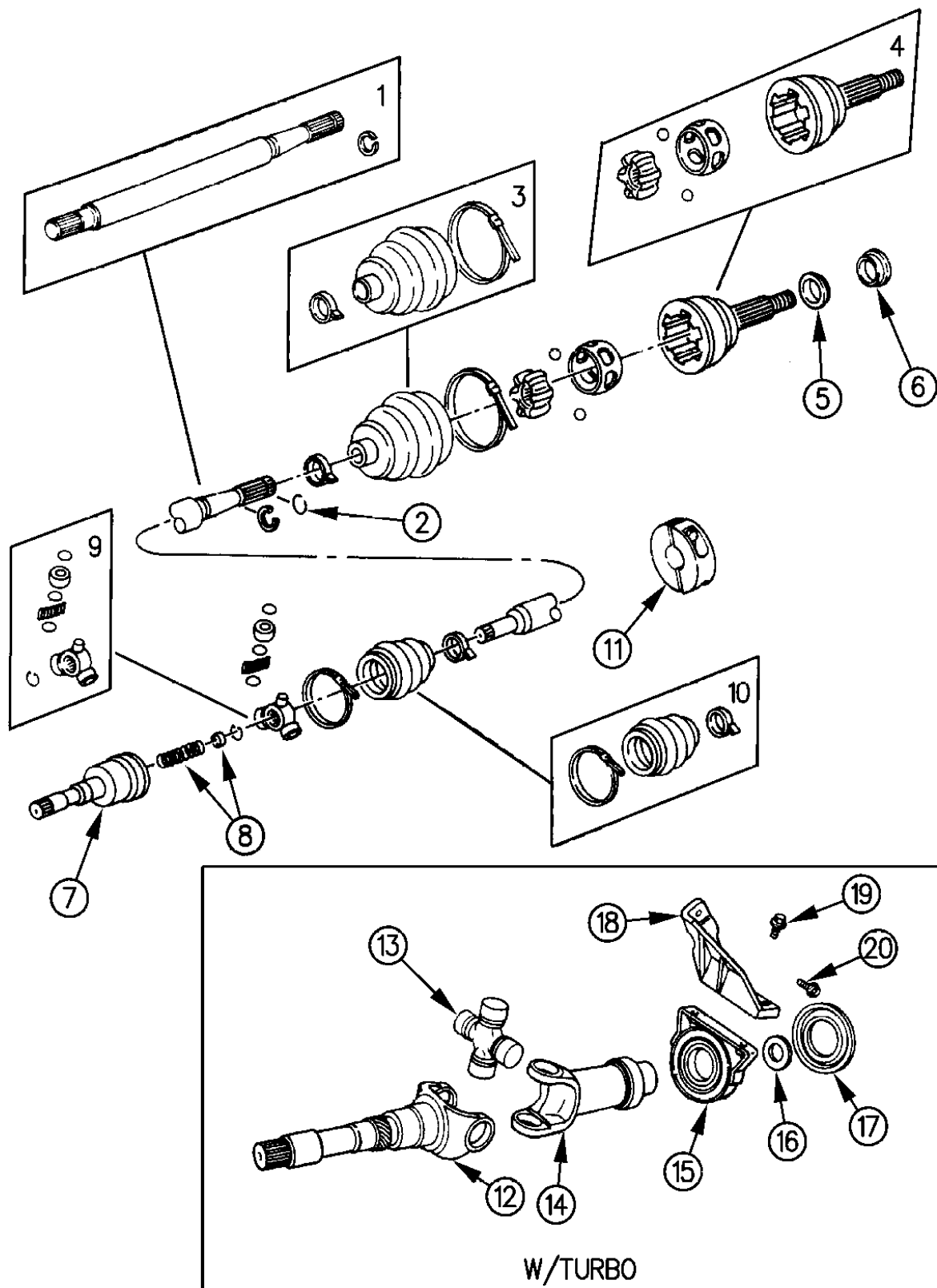
P BODY=(P=Sundance, D=Shadow)

S BODY=(H=Voyager(H) FWD, K=Caravan(H) FWD, Y=Town & Country(H) FWD, P=Voyager(K) AWD, D=Caravan(K) AWD, C=Town & Country(K) AWD)  
Y BODY=(C=Imperial/5th Avenue)  
E-S BODY=(K=Chrysler Voyager(H) FWD, D=Chrysler Voyager(K) AWD)

BODY STYLES:

21=2-Door Coupe      41=4-Door Sedan      12-52=FWD & AWD Van & Wgn Std W.B.  
24=2-Door Hatchback      44=4-Door Hatchback      53=FWD & AWD Van & Wgn Ext. W.B.  
27=2-Door Convertible

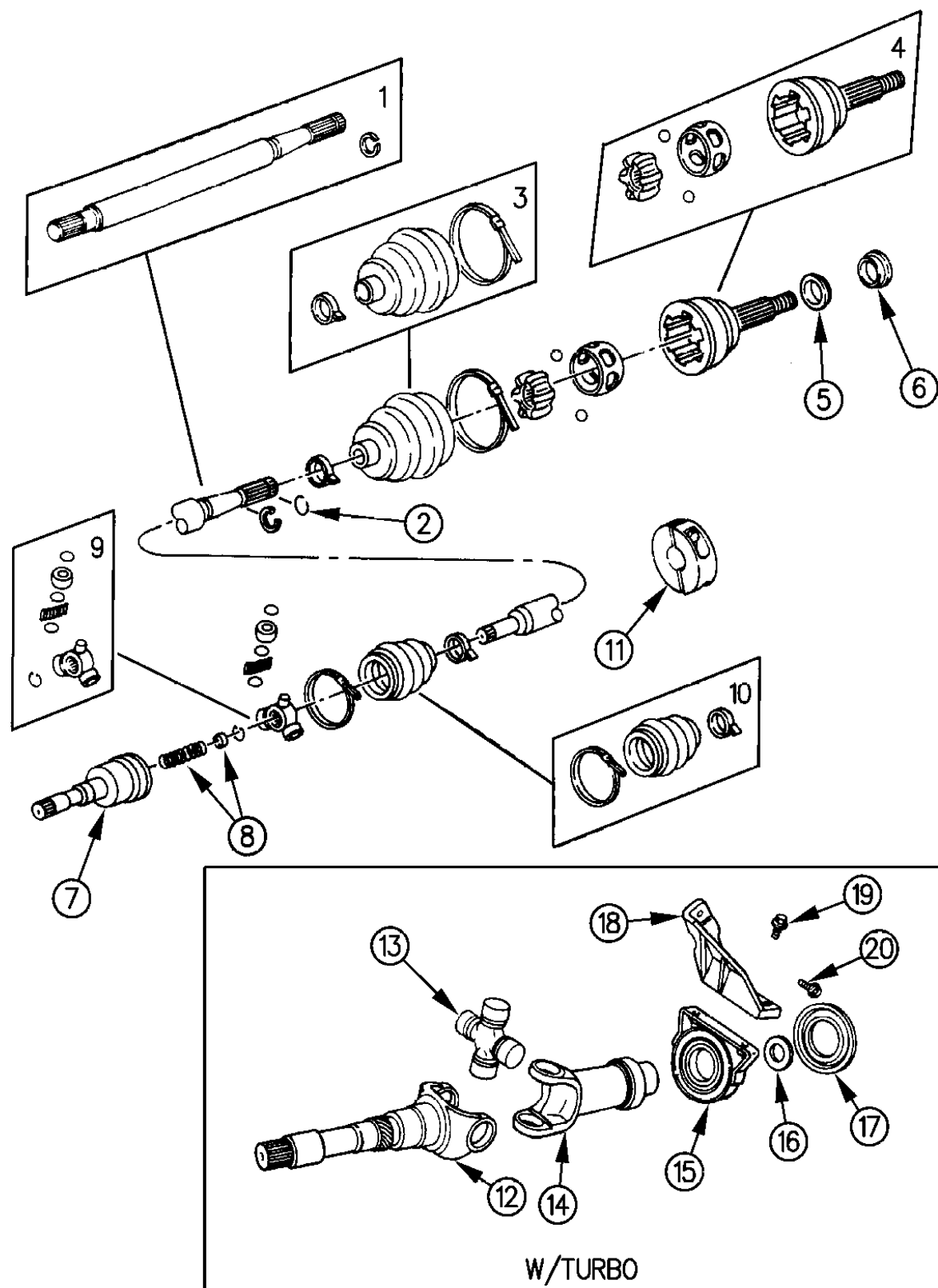
AR = Use as Required - = Non Illustrated Part P.A.R. = Paint as Required



SHAFT, FRONT DRIVE S BODY  
Figure 2-1500

93102 1500

ITEM	PART NUMBER	QTY	BODY	MODEL	DESCRIPTION
	5212 975	1			Outer
18	4384 770	1			BRACKET, Inner Shaft
19	6101 299	2			SCREW, w/Washer
20	6500 158	2			SCREW, w/Washer



MODEL CODES:

A BODY=(C=LeBaron, D=Spirit, P=Acclaim/LaBaron(Landau), Saratoga) S BODY=(H=Voyager(H) FWD, K=Caravan(H) FWD, Y=Town & Country(H) FWD, P=Voyager(K) AWD, D=Caravan(K) AWD, C=Town & Country(K) AWD)  
 C BODY=(D=Dynasty, C=New Yorker/N.Y. Salon) Y BODY=(C=Imperial/5th Avenue)  
 G BODY=(V=Daytona/IROC, Chrysler Daytona) E-S BODY=(K=Chrysler Voyager(H) FWD, D=Chrysler Voyager(K) AWD)  
 J BODY=(C=LeBaron, Chrysler LeBaron)  
 P BODY=(P=Sundance, D=Shadow)

BODY STYLES:

21=2-Door Coupe 41=4-Door Sedan 12-52=FWD & AWD Van & Wgn Std W.B.  
 24=2-Door Hatchback 44=4-Door Hatchback 53=FWD & AWD Van & Wgn Ext. W.B.  
 27=2-Door Convertible

AR = Use as Required - = Non Illustrated Part P.A.R. = Paint as Required

---

**GROUP 3 - REAR AXLE**

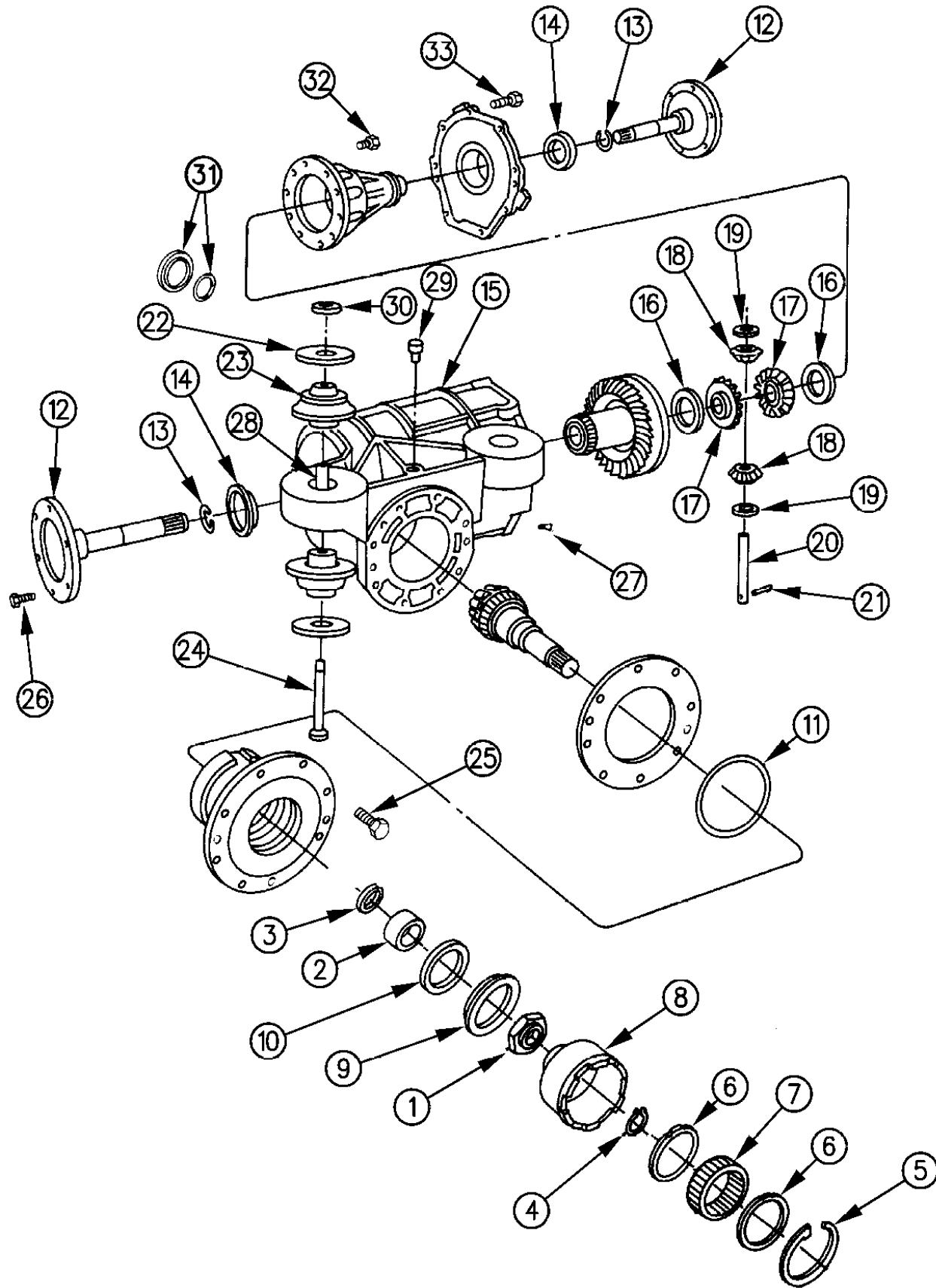
<b>ILLUSTRATION TITLE</b>	<b>GROUP-FIG. NO.</b>
DIFFERENTIAL, REAR AWD S BODY .....	Fig. 3-100
TORQUE TUBE ASSEMBLY AWD S BODY .....	Fig. 3-200
SHAFTS, REAR AXLE AWD S BODY .....	Fig. 3-300

**ILLUSTRATION NOT AVAILABLE AT TIME OF PUBLICATION**

---

**DIFFERENTIAL, REAR AWD S BODY**  
**Figure 3-100**

93103 100



ITEM	PART NUMBER	QTY	BODY	MODEL	DESCRIPTION
-	4518 960	1			CARRIER, Rear Differential Assembly Complete
1	4518 766	1			NUT, Hex Flange Lock
2	4518 143	1			SPACER
3					SHIM
	4641 430	AR			5.12/5.15mm
	4641 431	AR			5.16/5.19mm
	4641 432	AR			5.20/5.23mm
	4641 433	AR			5.24/5.27mm
	4641 434	AR			5.28/5.31mm
	4641 435	AR			5.32/5.35mm
	4641 436	AR			5.36/5.39mm
	4641 437	AR			5.40/5.43mm
	4641 438	AR			5.44/5.47mm
	4641 439	AR			5.48/5.51mm
	4641 440	AR			5.52/5.55mm
	4641 441	AR			5.56/5.59mm
	4641 442	AR			5.60/5.63mm
	4641 443	AR			5.64/5.67mm
	4641 444	AR			5.68/5.71mm
4	4486 755	1			SNAP RING
5	4518 952	1			SNAP RING
6	4518 536	2			SPACER, Over Running
7	4518 953	1			CLUTCH, Over Running ***
8	4518 510	1			RACE, Over Running Clutch ***
9	4518 148	1			SEAL (Serviced in 4637109 Seal Package) ***
10	4518 190	1			SEAL (Serviced in 4637109 Seal Package) ***
11	4486 077	1			O-RING
12	4518 920	2			CARRIER, Output
13	4518 780	2			RING, Joint Retaining
14	4641 263	2			SEAL RING ***
15		1			CASE, Rear Differential (Serviced in Assembly)
16	4412 016	1			WASHER, Package, Thrust
17	4531 093	2			GEAR, Side
18	4348 679	2			GEAR, Pinion
19	4137 024	2			WASHER, Pinion Gear
20	4348 687	1			SHAFT, Pinion
21	6101 284	1			PIN
22	4486 903	4			WASHER
23	4486 902	4			SLEEVE

**MODEL CODES:**

A BODY=(C=LeBaron, D=Spirit, P=Acclaim/LaBaron(Landau), Saratoga)      S BODY=(H=Voyager(H) FWD, K=Caravan(H) FWD, Y=Town & Country(H) FWD, P=Voyager(K) AWD, D=Caravan(K) AWD, C=Town & Country(K) AWD)  
 C BODY=(D=Dynasty, C=New Yorker/N.Y. Salon)  
 G BODY=(V=Daytona/IROC, Chrysler Daytona)  
 J BODY=(C=LeBaron, Chrysler LeBaron)  
 P BODY=(P=Sundance, D=Shadow)      E-S BODY=(K=Chrysler Voyager(H) FWD, D=Chrysler Voyager(K) AWD)

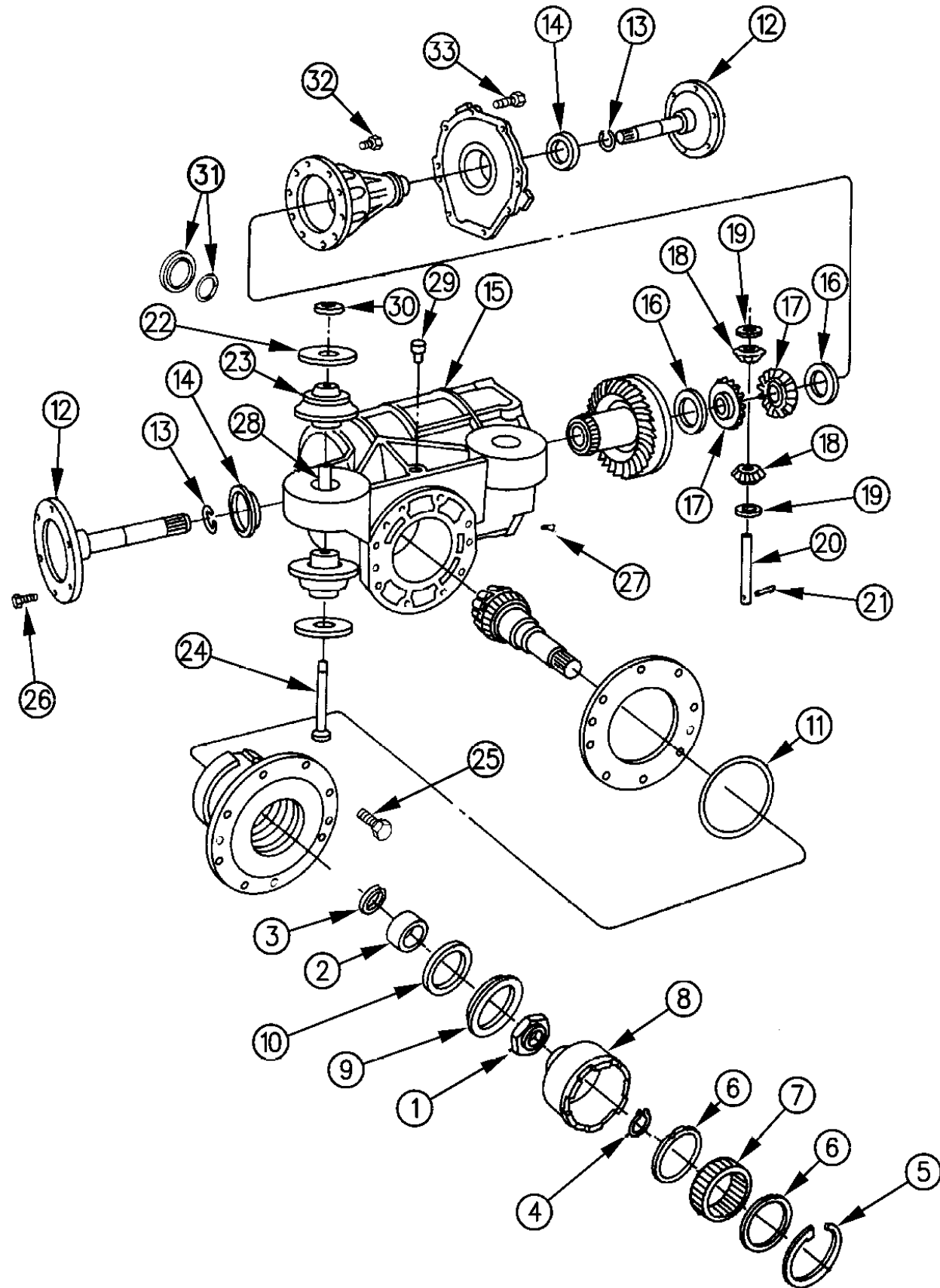
**BODY STYLES:**

21=2-Door Coupe      41=4-Door Sedan      12-52=FWD & AWD Van & Wgn Std W.B.  
 24=2-Door Hatchback      44=4-Door Hatchback      53=FWD & AWD Van & Wgn Ext. W.B.  
 27=2-Door Convertible

AR = Use as Required - = Non Illustrated Part P.A.R. = Paint as Required

**DIFFERENTIAL, REAR AWD S BODY**  
**Figure 3-100**

93103 100



ITEM	PART NUMBER	QTY	BODY	MODEL	DESCRIPTION
	4486 901	4			BUSHING, Carrier Rubber Isolator
24	4518 329	1			BOLT
25		8			SCREW (DNS) ***
26	6502 350	12			BOLT, Axle Shaft to Output Shaft
27	4486 046	1			MAGNET, Rear Drive Module End Cover ***
28	4486 902	4			SLEEVE, Carrier Rubber Isolator
29	2124 715	1			VENT
-	4641 290	1			RESERVOIR ASSEMBLY, Remote Vent ***
-	4213 328	1			VENT CAP ASSEMBLY, Hose ***
-	3683 823	1			CLAMP, Vent Cap Assembly
30	4518 308	2			WASHER, Isolator
31	4637 108	1			PLUG PACKAGE ***
32		10			BOLT, Ring Gear (DNS)
33	6101 321	8			BOLT, Flange Head, End Cover to Case

**MODEL CODES:**

A BODY=(C=LeBaron, D=Spirit, P=Acclaim/LaBaron(Landau, Saratoga) S BODY=(H=Voyager(H) FWD, K=Caravan(H) FWD, Y=Town & Country(H) FWD, P=Voyager(K) AWD, D=Caravan(K) AWD, C=Town & Country(K) AWD)  
 C BODY=(D=Dynasty, C=New Yorker/N.Y. Salon)  
 G BODY=(V=Daytona/IROC, Chrysler Daytona)  
 J BODY=(C=LeBaron, Chrysler LeBaron)  
 P BODY=(P=Sundance, D=Shadow)  
 Y BODY=(C=Imperial/5th Avenue)  
 E-S BODY=(K=Chrysler Voyager(H) FWD, D=Chrysler Voyager(K) AWD)

**BODY STYLES:**

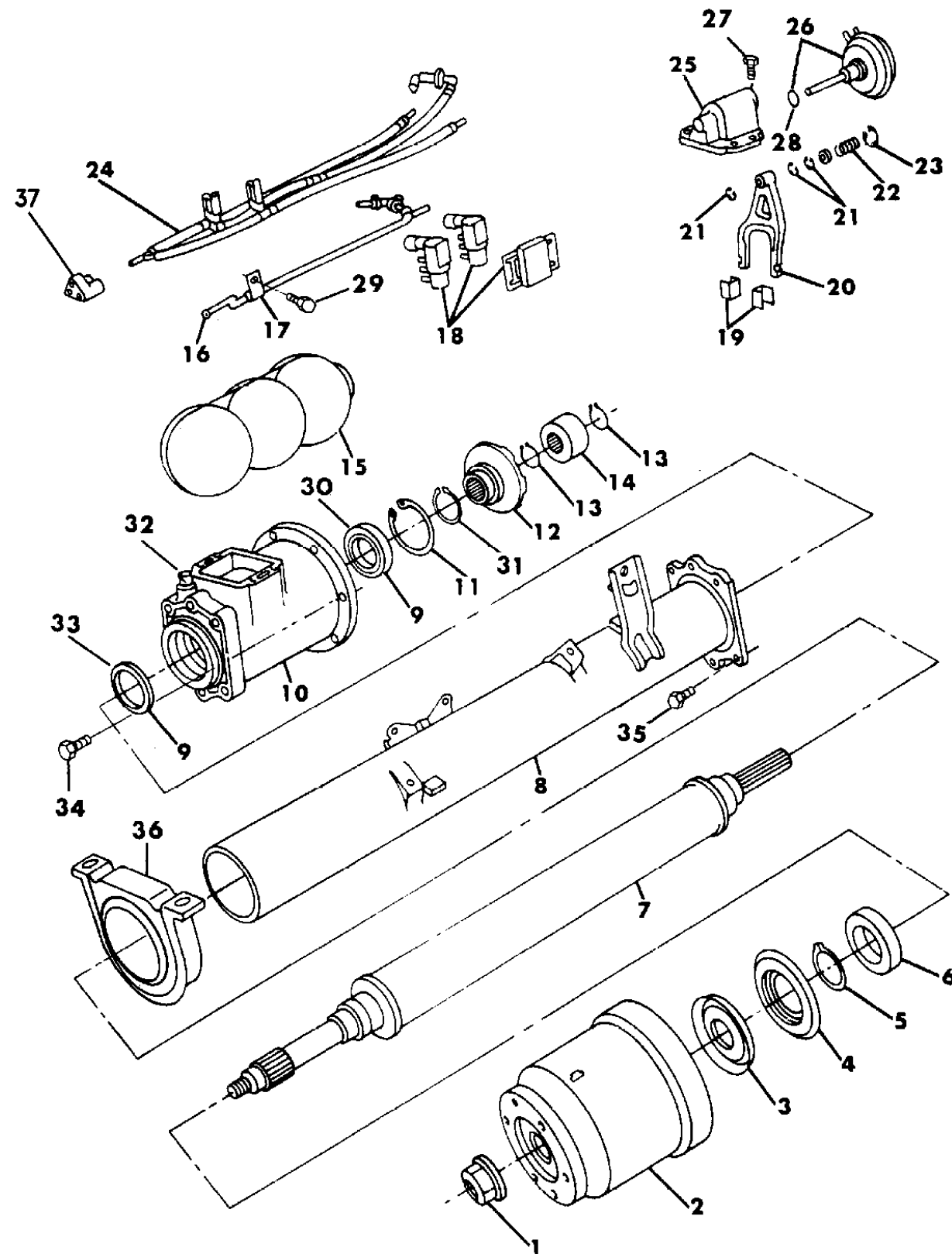
21=2-Door Coupe      41=4-Door Sedan      12-52=FWD & AWD Van & Wgn Std W.B.  
 24=2-Door Hatchback      44=4-Door Hatchback      53=FWD & AWD Van & Wgn Ext. W.B.  
 27=2-Door Convertible

AR = Use as Required - = Non Illustrated Part P.A.R. = Paint as Required

TORQUE TUBE ASSEMBLY AWD S BODY

Figure 3-200

93103 200A



ITEM	PART NUMBER	QTY	BODY	MODEL	DESCRIPTION
1	4518 903	1			NUT, Viscous Coupling to Torque Shaft
2	4518 836	1			COUPLING ASSEMBLY, Viscous ***
3	4518 538	1			PLATE, GUARD Viscous Coupling
4	4518 506	1			SEAL, Bearing
5	4518 551	2			RING, Bearing Retaining
6	4486 164	1			BEARING
7	4518 840	1			SHAFT ASSEMBLY, Torque
8	4518 838	1			TUBE ASSEMBLY, Torque ***
9	4637 106	1			BEARING and SEAL PACKAGE ***
10	4641 222	1			CASE, Overrunning Clutch
11	4486 166	1			RING, ORC Bearing Retaining
12	4518 945	1			CLUTCH, ORC Dog ***
13	4486 755	2			RING, ORC Race
14	4518 944	1			RACE, ORC ***
15	4518 804	1			RESERVOIR ASSEMBLY, ORC Vacuum ***
16	4641 306	1			TUBE, ORC Rear Main Vacuum, Steel
17	2207 919	1			CLIP, Rear Main Vacuum to Torque Tube
18	5234 219	1			SOLENOID ASSEMBLY, Vacuum - Dual ***
19	4338 589	2			PAD, Shift Fork
20	4518 939	1			FORK ASSEMBLY, ORC Shift ***
21	6023 878	2			RING, Retainer
22	4518 940	1			SPING, ORC Vacuum ***
23	6023 879	1			RING, Retainer
24	4518 912	1			TUBE, Reservoir to Solenoid Vac.
25	4641 223	1			COVER, ORC Shift Fork
26	4518 524	1			MOTOR ASSEMBLY, Vacuum ***
27	6100 166	4			BOLT
28	4641 017	1			O-RING
29	6501 105	1			SCREW
30	4518 826	1			BEARING ASSEMBLY
31	4518 551	1			RING, Snap
32		1			VENT
33	4518 190	1			SEAL
34		8			SCREW (DNS) ***
35	6101 321	6			BOLT, Torque Tube to Case
36	4486 317	1			ISOLATOR/BACKET ASSEMBLY, Torque Tube ***
37	4431 325	1			CONNECTOR, Tube Reservoir to Solenoid Vac.

MODEL CODES:

A BODY=(C=LeBaron, D=Spirit, P=Acclaim/LaBaron(Landau), Saratoga)

C BODY=(D=Dynasty, C=New Yorker/N.Y. Salon)

G BODY=(V=Daytona/IROC, Chrysler Daytona)

J BODY=(C=LeBaron, Chrysler LeBaron)

P BODY=(P=Sundance, D=Shadow)

S BODY=(H=Voyager(H) FWD, K=Caravan(H) FWD,

Y=Town & Country(H) FWD, P=Voyager(K) AWD,

D=Caravan(K) AWD, C=Town & Country(K) AWD)

Y BODY=(C=Imperial/5th Avenue)

E-S BODY=(K=Chrysler Voyager(H) FWD, D=Chrysler

Voyager(K) AWD)

BODY STYLES:

21=2-Door Coupe

41=4-Door Sedan

12-52=FWD & AWD Van & Wgn Std W.B.

24=2-Door Hatchback

44=4-Door Hatchback

53=FWD & AWD Van & Wgn Ext. W.B.

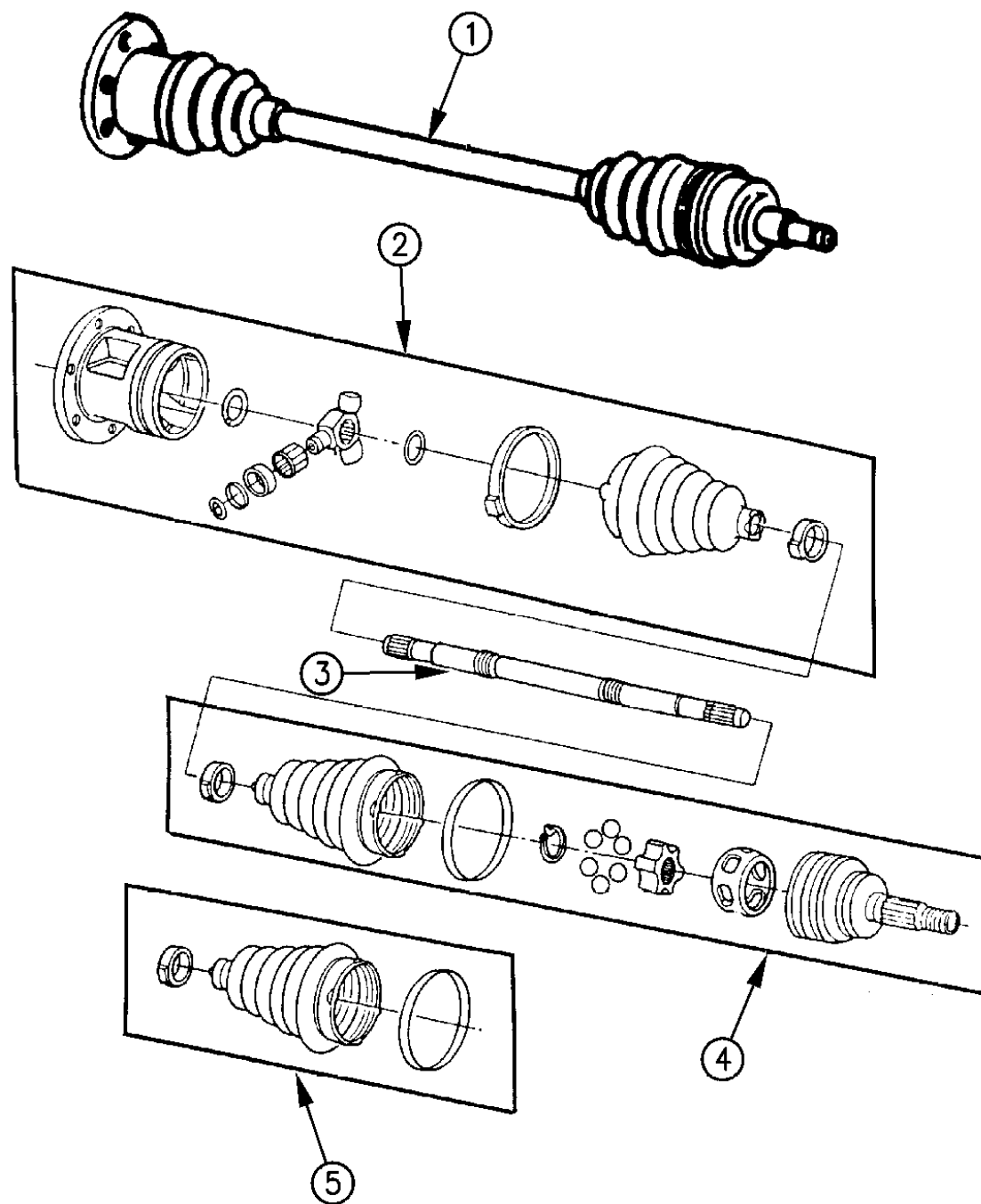
27=2-Door Convertible

AR = Use as Required - = Non Illustrated Part P.A.R. = Paint as Required

SHAFTS, REAR AXLE AWD S BODY

Figure 3-300

93103 300



ITEM	PART NUMBER	QTY	BODY	MODEL	DESCRIPTION
1					SHAFT ASSEMBLY, Complete
	4641 053	2			w/o ABS
	4641 054	2			w/ABS
2	4641 244	2			CV JOINT, Inner ***
3	4641 243	2			SHAFT, Interconnecting ***
4					CV JOINT, Outer ***
	4641 242	2			w/o ABS
	4641 241	2			w/ABS
5	4641 245	4			BOOT PACKAGE

MODEL CODES:

A BODY=(C=LeBaron, D=Spirit, P=Acclaim/LaBaron(Landau), Saratoga) S BODY=(H=Voyager(H) FWD, K=Caravan(H) FWD, Y=Town & Country(H) FWD, P=Voyager(K) AWD, D=Caravan(K) AWD, C=Town & Country(K) AWD)  
 C BODY=(D=Dynasty, C=New Yorker/N.Y. Salon) Y BODY=(C=Imperial/5th Avenue)  
 G BODY=(V=Daytona/IROC, Chrysler Daytona) E-S BODY=(K=Chrysler Voyager(H) FWD, D=Chrysler Voyager(K) AWD)  
 J BODY=(C=LeBaron, Chrysler LeBaron)  
 P BODY=(P=Sundance, D=Shadow)

BODY STYLES:

21=2-Door Coupe 41=4-Door Sedan 12-52=FWD & AWD Van & Wgn Std W.B.  
 24=2-Door Hatchback 44=4-Door Hatchback 53=FWD & AWD Van & Wgn Ext. W.B.  
 27=2-Door Convertible

AR = Use as Required - = Non Illustrated Part P.A.R. = Paint as Required



**GROUP 4 - BRAKES, PARKING**

<b>ILLUSTRATION TITLE</b>	<b>GROUP-FIG. NO.</b>
<b>LEVER AND CABLES</b>	
LEVER AND CABLES, PARKING BRAKE J BODY .....	Fig. 4-100
LEVER AND CABLES, PARKING BRAKE G BODY .....	Fig. 4-200
<b>LEVER, PARKING BRAKE</b>	
LEVER, PARKING BRAKE P BODY .....	Fig. 4-300
LEVER, PARKING BRAKE A BODY .....	Fig. 4-400
LEVER, PARKING BRAKE C,Y BODY .....	Fig. 4-500
LEVER, PARKING BRAKE S BODY .....	Fig. 4-600
<b>CABLE, PARKING BRAKE</b>	
CABLE, PARKING BRAKE P BODY .....	Fig. 4-700
CABLE, PARKING BRAKE A BODY .....	Fig. 4-800
CABLE, PARKING BRAKE C,Y BODY .....	Fig. 4-900
CABLE, PARKING BRAKE S BODY .....	Fig. 4-1000

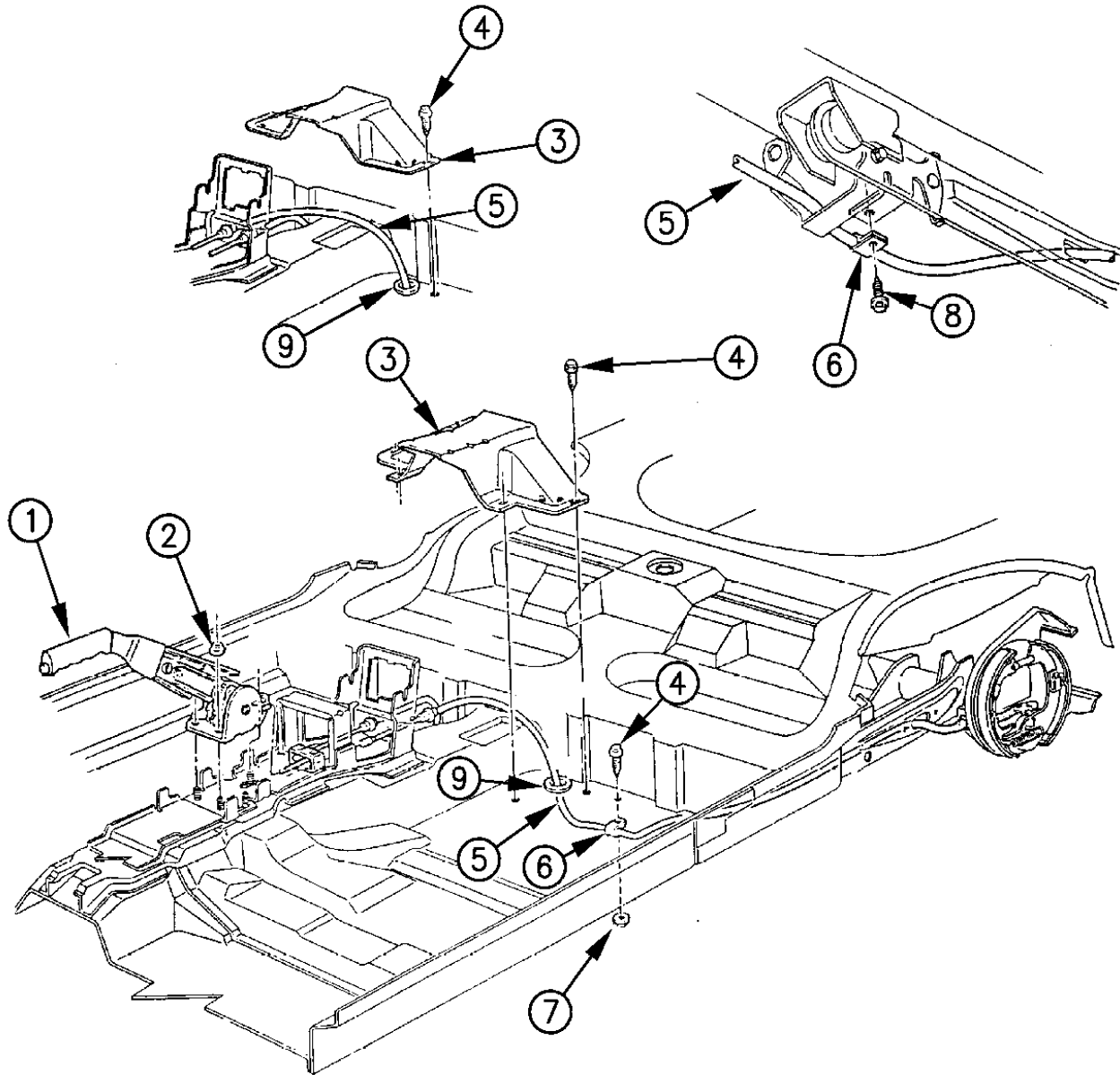
**ILLUSTRATION NOT AVAILABLE AT TIME OF PUBLICATION**

LEVER AND CABLES, PARKING BRAKE J BODY

Figure 4-100

93104 100

ITEM	PART NUMBER	QTY	BODY	MODEL	DESCRIPTION
1	4509 357	1			PARKING BRAKE ASSEMBLY, Up to 10-19-92 ***
	4509 611	1			After 10-19-92
2	6101 362	3			NUT and WASHER, Brake Handle Mtg.
3	4423 127	1	21		COVER, Parking Brake Cable
	4423 128	1	27		
4	6031 011	4			SCREW, 1/4-14 x 3/4"
5					CABLE, Parking Brake
	4423 600	2			w/Rear Disc
	4509 315	2			w/Rear Drum
6	4423 121	4			CLIP
7	0219 462	2			NUT, Cable Clip to Screw
8	6032 968	2			SCREW
9	4423 726	2			GROMMET, Parking Brake Cable



MODEL CODES:

A BODY=(C=LeBaron, D=Spirit, P=Acclaim/LaBaron(Landau, Saratoga)  
 C BODY=(D=Dynasty, C=New Yorker/N.Y. Salon)  
 G BODY=(V=Daytona/IROC, Chrysler Daytona)  
 J BODY=(C=LeBaron, Chrysler LeBaron)  
 P BODY=(P=Sundance, D=Shadow)

S BODY=(H=Voyager(H) FWD, K=Caravan(H) FWD, Y=Town & Country(H) FWD, P=Voyager(K) AWD, D=Caravan(K) AWD, C=Town & Country(K) AWD)  
 Y BODY=(C=Imperial/5th Avenue)  
 E-S BODY=(K=Chrysler Voyager(H) FWD, D=Chrysler Voyager(K) AWD)

BODY STYLES:

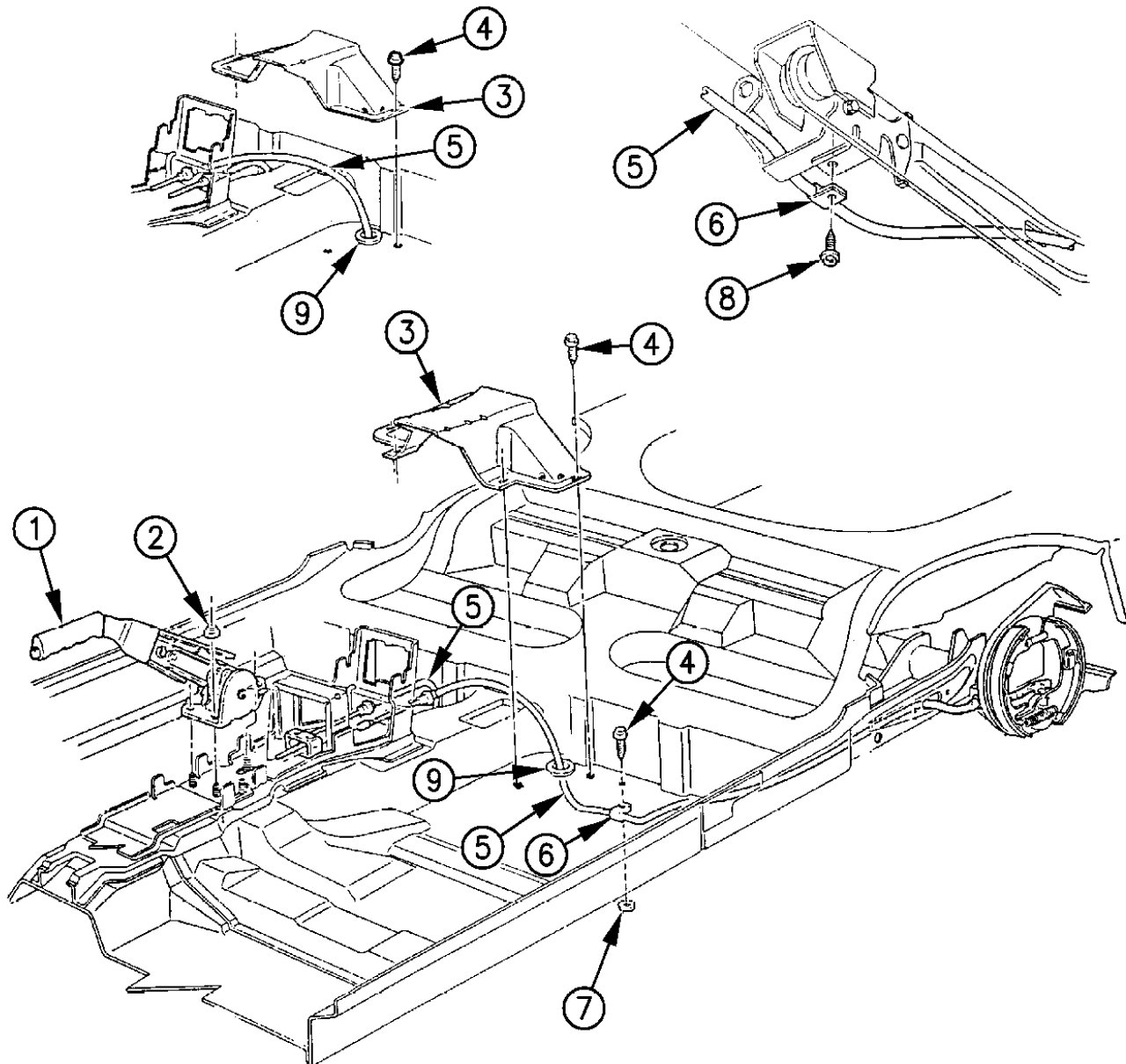
21=2-Door Coupe      41=4-Door Sedan      12-52=FWD & AWD Van & Wgn Std W.B.  
 24=2-Door Hatchback      44=4-Door Hatchback      53=FWD & AWD Van & Wgn Ext. W.B.  
 27=2-Door Convertible

AR = Use as Required - = Non Illustrated Part P.A.R. = Paint as Required

**LEVER AND CABLES, PARKING BRAKE G BODY**  
**Figure 4-200**

93104 200

ITEM	PART NUMBER	QTY	BODY	MODEL	DESCRIPTION
1	4509 357	1			PARKING BRAKE ASSEMBLY, Up to 10-19-92 ***
	4509 611	1			After 10-19-92
2	6101 362	3			NUT and WASHER, Brake Handle Mtg.
3	4423 125	1			COVER, Parking Brake Cable
4	6031 011	2			SCREW, 1/4-14 x 3/4"
5	4423 600	2			CABLE, Parking Brake, w/15" Wheels, w/4 Wheel Disc Brakes
	4423 737	2			CABLE, Parking Brake, w/14" or 15" Wheels, w/Frt. Disc., Rear Drum
6	4423 121	4			CLIP
7	0219 462	2			NUT, Cable Clip to Screw
8	6032 968	2			SCREW
9	4423 726	2			GROMMET, Parking Brake Cable



**MODEL CODES:**

A BODY=(C=LeBaron, D=Spirit, P=Acclaim/LaBaron(Landau), Saratoga)      S BODY=(H=Voyager(H) FWD, K=Caravan(H) FWD, Y=Town & Country(H) FWD, P=Voyager(K) AWD, D=Caravan(K) AWD, C=Town & Country(K) AWD)  
 C BODY=(D=Dynasty, C=New Yorker/N.Y. Salon)      Y BODY=(C=Imperial/5th Avenue)  
 G BODY=(V=Daytona/IROC, Chrysler Daytona)      E-S BODY=(K=Chrysler Voyager(H) FWD, D=Chrysler Voyager(K) AWD)  
 J BODY=(C=LeBaron, Chrysler LeBaron)  
 P BODY=(P=Sundance, D=Shadow)

**BODY STYLES:**

21=2-Door Coupe      41=4-Door Sedan      12-52=FWD & AWD Van & Wgn Std W.B.  
 24=2-Door Hatchback      44=4-Door Hatchback      53=FWD & AWD Van & Wgn Ext. W.B.  
 27=2-Door Convertible

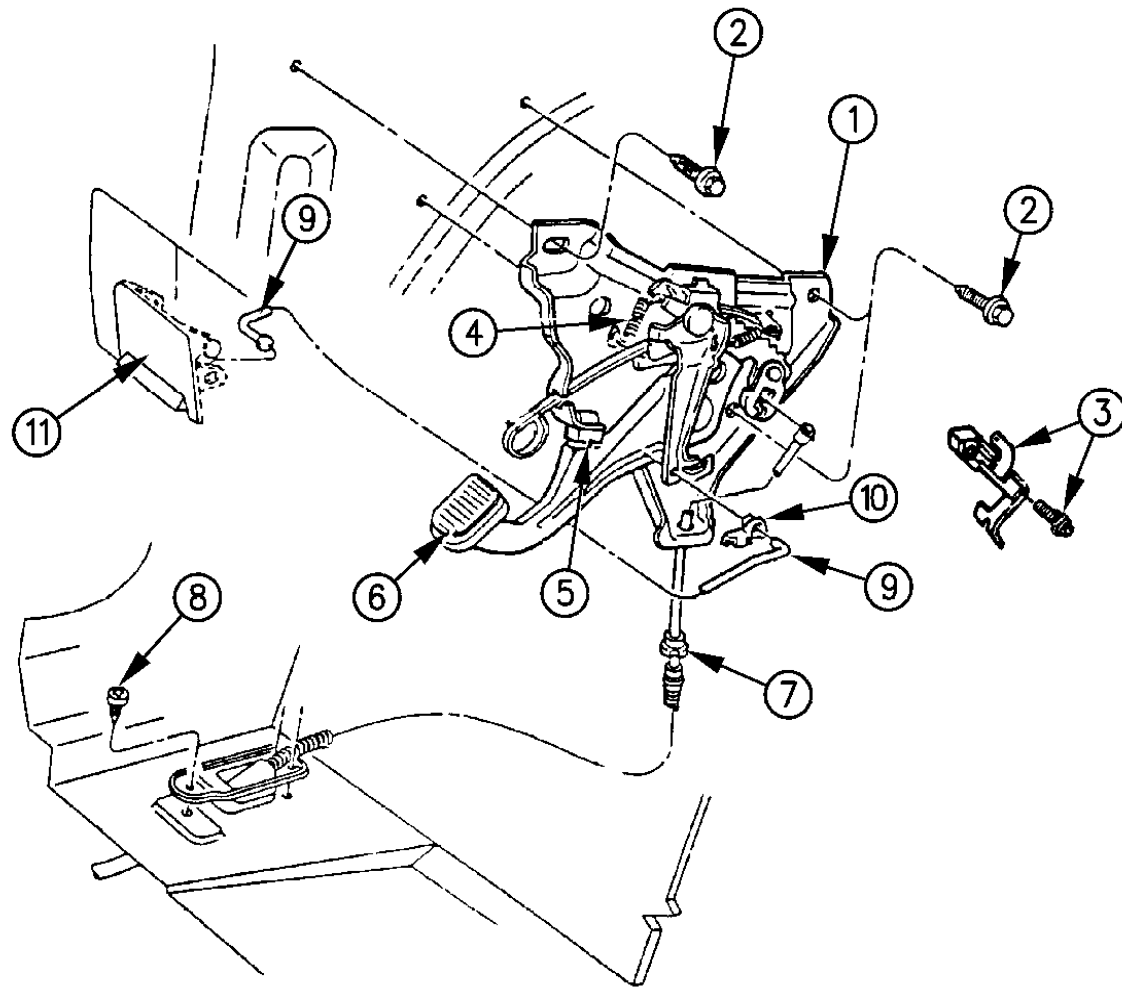
AR = Use as Required - = Non Illustrated Part P.A.R. = Paint as Required

LEVER, PARKING BRAKE P BODY

Figure 4-300

93104 300

ITEM	PART NUMBER	QTY	BODY	MODEL	DESCRIPTION
1	4423 681	1			LEVER, Parking Brake
2	6100 584	3			SCREW and WASHER, Bracket Mounting
3	4221 463	1			SWITCH, Parking Brake
4	4383 888	1			SPRING, Parking Brake Release Lever
	4383 899	1			SPRING, Parking Brake Sector Pawl
5	4294 843	1			BUMPER, Parking Brake Lever
6	4019 175	1			PAD, Parking Brake Lever Pedal
7	3467 939	2			RETAINER, Parking Brake to Cable
8	9414 721	3			SCREW
9	4383 755	1			ROD, Parking Brake Release Connector
10	3454 220	1			CLIP, Parking Brake Release Rod
11					HANDLE, Parking Brake Release
	P805 HD5	1			Silver Metallic or Medium Quartz
	P805 LM6	1			Red
	P805 JV8	1			Med. Champaign
	4019 174	2			PIN, P/Brake Handle



MODEL CODES:

A BODY=(C=LeBaron, D=Spirit, P=Acclaim/LaBaron(Landau),  
Saratoga)  
C BODY=(D=Dynasty, C=New Yorker/N.Y. Salon)  
G BODY=(V=Daytona/IROC, Chrysler Daytona)  
J BODY=(C=LeBaron, Chrysler LeBaron)  
P BODY=(P=Sundance, D=Shadow)

S BODY=(H=Voyager(H) FWD, K=Caravan(H) FWD,  
Y=Town & Country(H) FWD, P=Voyager(K) AWD,  
D=Caravan(K) AWD, C=Town & Country(K) AWD)  
Y BODY=(C=Imperial/5th Avenue)  
E-S BODY=(K=Chrysler Voyager(H) FWD, D=Chrysler  
Voyager(K) AWD)

BODY STYLES:

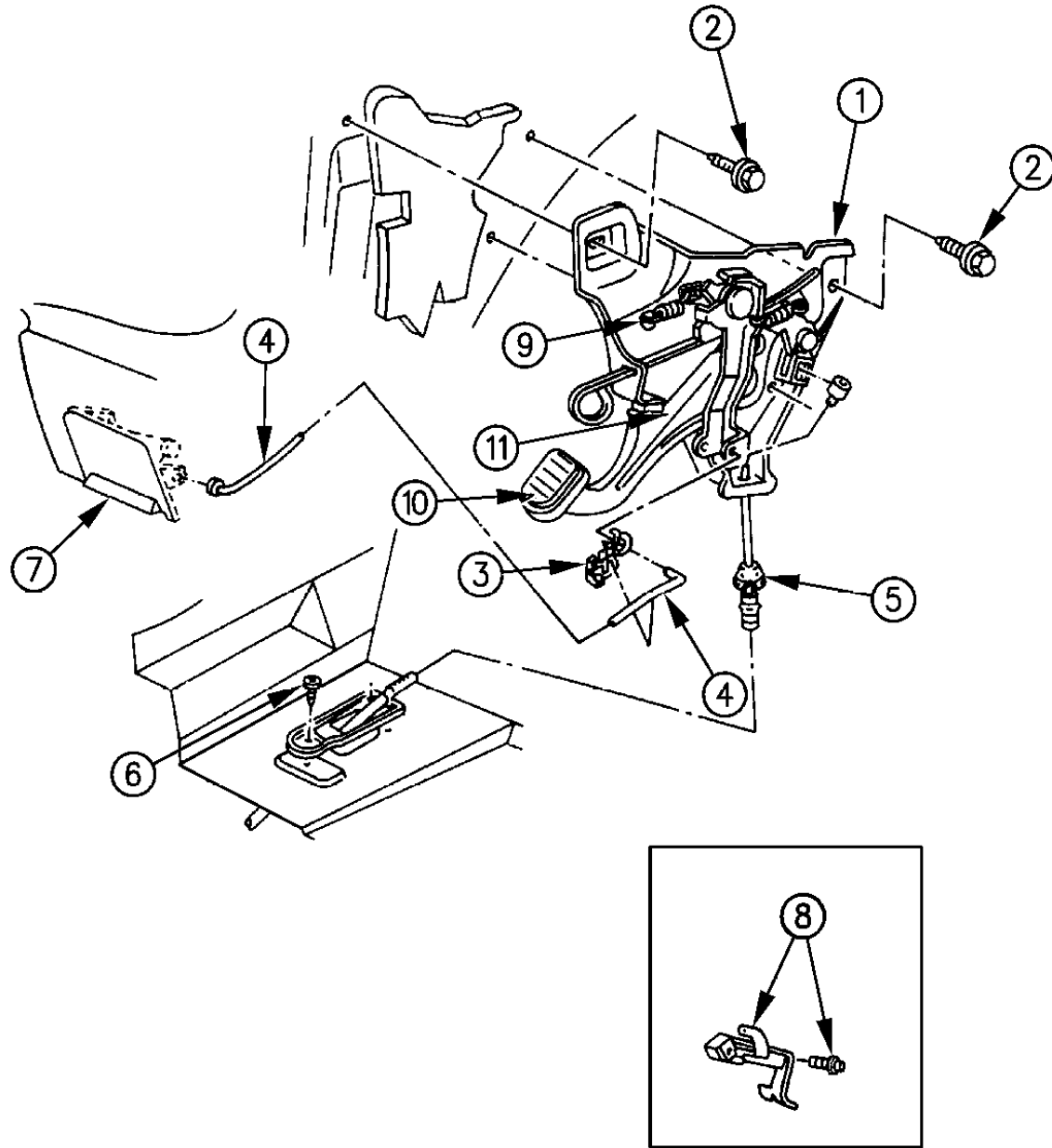
21=2-Door Coupe      41=4-Door Sedan      12-52=FWD & AWD Van & Wgn Std W.B.  
24=2-Door Hatchback      44=4-Door Hatchback      53=FWD & AWD Van & Wgn Ext. W.B.  
27=2-Door Convertible

AR = Use as Required - = Non Illustrated Part P.A.R. = Paint as Required

LEVER, PARKING BRAKE A BODY

Figure 4-400

93104 400



ITEM	PART NUMBER	QTY	BODY	MODEL	DESCRIPTION
1	4423 681	1			LEVER, Parking Brake
2	6100 584	1			SCREW and WASHER
	6101 314	2			
3	3454 220	1			CLIP, Lever Release Rod
4	4383 755	1			ROD, Parking Brake Release Connector
5	3467 939	2			RETAINER, Parking Brake Cable
6	9414 721	3			SCREW
7					HANDLE, Inst. Pnl. Brake
	AM14 JD5	1			Med. Quartz
	AM14 KB7	1			Slate Blue
	AM14 LM6	1			Red
	AM14 KV8	1			Med. Champagne
8	4221 463	1			SWITCH, Parking Brake
9	4383 888	1			SPRING, Parking Brake Release Lever
	4383 899	1			SPRING, Parking Brake Sector Pawl
10	4019 175	1			PAD, Parking Brake Pedal
11	4294 843	1			BUMPER, Parking Brake Lever

MODEL CODES:

A BODY=(C=LeBaron, D=Spirit, P=Acclaim/LaBaron(Landau),  
Saratoga)  
C BODY=(D=Dynasty, C=New Yorker/N.Y. Salon)  
G BODY=(V=Daytona/IROC, Chrysler Daytona)  
J BODY=(C=LeBaron, Chrysler LeBaron)  
P BODY=(P=Sundance, D=Shadow)

S BODY=(H=Voyager(H) FWD, K=Caravan(H) FWD,  
Y=Town & Country(H) FWD, P=Voyager(K) AWD,  
D=Caravan(K) AWD, C=Town & Country(K) AWD)  
Y BODY=(C=Imperial/5th Avenue)  
E-S BODY=(K=Chrysler Voyager(H) FWD, D=Chrysler  
Voyager(K) AWD)

BODY STYLES:

21=2-Door Coupe      41=4-Door Sedan      12-52=FWD & AWD Van & Wgn Std W.B.  
24=2-Door Hatchback      44=4-Door Hatchback      53=FWD & AWD Van & Wgn Ext. W.B.  
27=2-Door Convertible

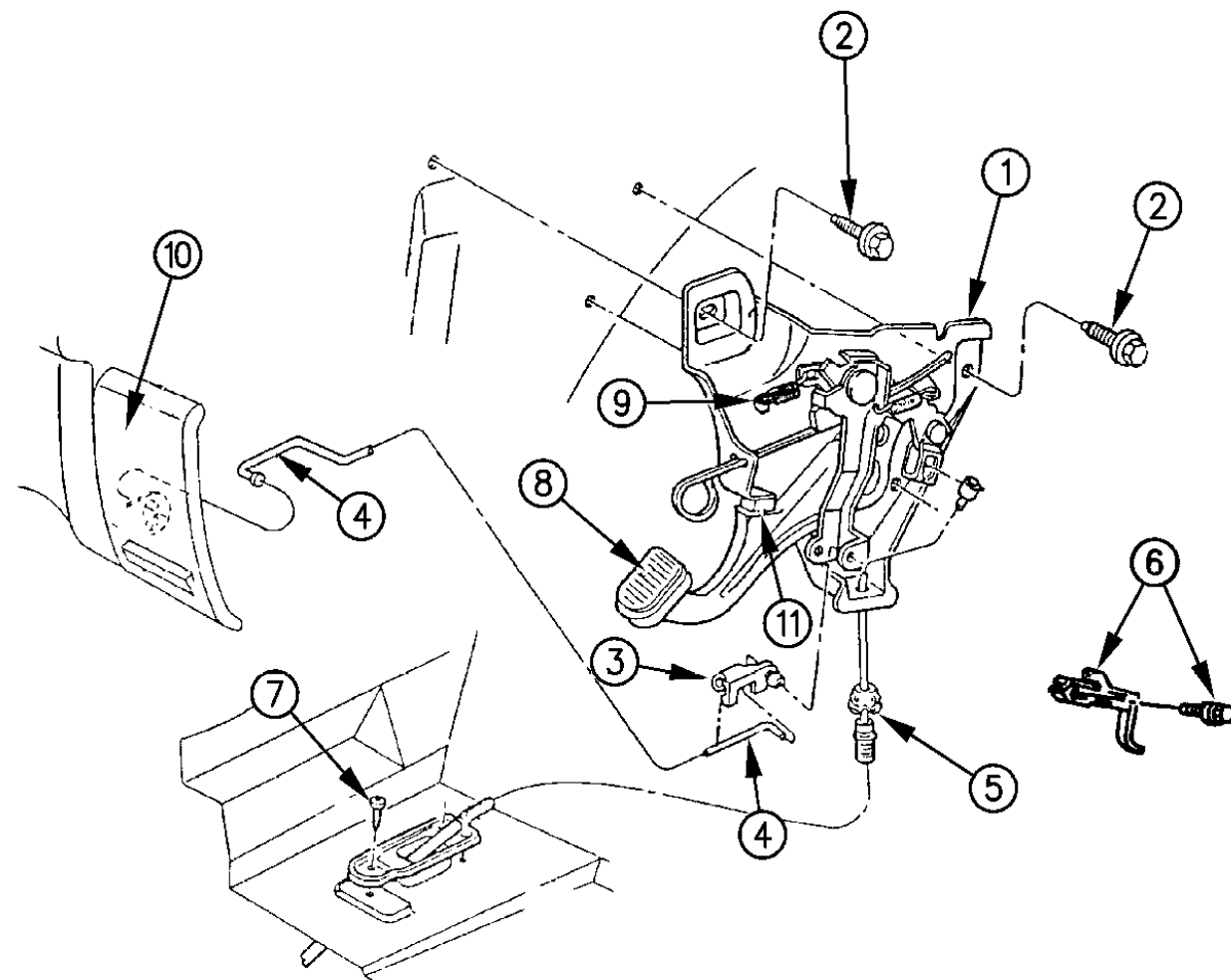
AR = Use as Required - = Non Illustrated Part P.A.R. = Paint as Required

LEVER, PARKING BRAKE C,Y BODY

Figure 4-500

93104 500

ITEM	PART NUMBER	QTY	BODY	MODEL	DESCRIPTION
1	4423 681	1			LEVER ASSEMBLY, Parking Brake ***
2	6100 584	3			SCREW and WASHER, M8x1.25x30
3	3454 220	1			CLIP, Parking Brake Lever Release Rod
4	4423 476	1			ROD, Parking Brake Release
5	3467 939	1			RETAINER, Parking Brake Cable Frt.
6	4221 463	1			SWITCH, Parking Brake
7	9414 721	3			SCREW
8	4019 175	1			PAD, Parking Brake Lever
9	4383 888	1			SPRING, Parking Brake Release Lever
	4383 899	1			SPRING, Parking Brake Sector Pawl
10	P405 JB9	1			HANDLE, Parking Brake Release Inst. Pnl. (Midnight Blue)
	P405 JH7	1			(Mohogany)
	P405 JR8	1			(Bordeaux)
	P405 JS8	1			(Dk. Characoal)
	P405 JV8	1			(Med. Champagne)
	P405 JX8	1			(Black)
	P405 LAZ	1			(Agate)
	P405 LM6	1			(Crimson Red)
	4019 174	1			PIN, P/Brake Release Handle
11	4294 843	1			BUMPER, Parking Brake Lever



MODEL CODES:

A BODY=(C=LeBaron, D=Spirit, P=Acclaim/LaBaron(Landau), Saratoga)

C BODY=(D=Dynasty, C=New Yorker/N.Y. Salon)

G BODY=(V=Daytona/IROC, Chrysler Daytona)

J BODY=(C=LeBaron, Chrysler LeBaron)

P BODY=(P=Sundance, D=Shadow)

S BODY=(H=Voyager(H) FWD, K=Caravan(H) FWD,

Y=Town & Country(H) FWD, P=Voyager(K) AWD,

D=Caravan(K) AWD, C=Town & Country(K) AWD)

Y BODY=(C=Imperial/5th Avenue)

E-S BODY=(K=Chrysler Voyager(H) FWD, D=Chrysler

Voyager(K) AWD)

BODY STYLES:

21=2-Door Coupe

41=4-Door Sedan

12-52=FWD & AWD Van & Wgn Std W.B.

24=2-Door Hatchback

44=4-Door Hatchback

53=FWD & AWD Van & Wgn Ext. W.B.

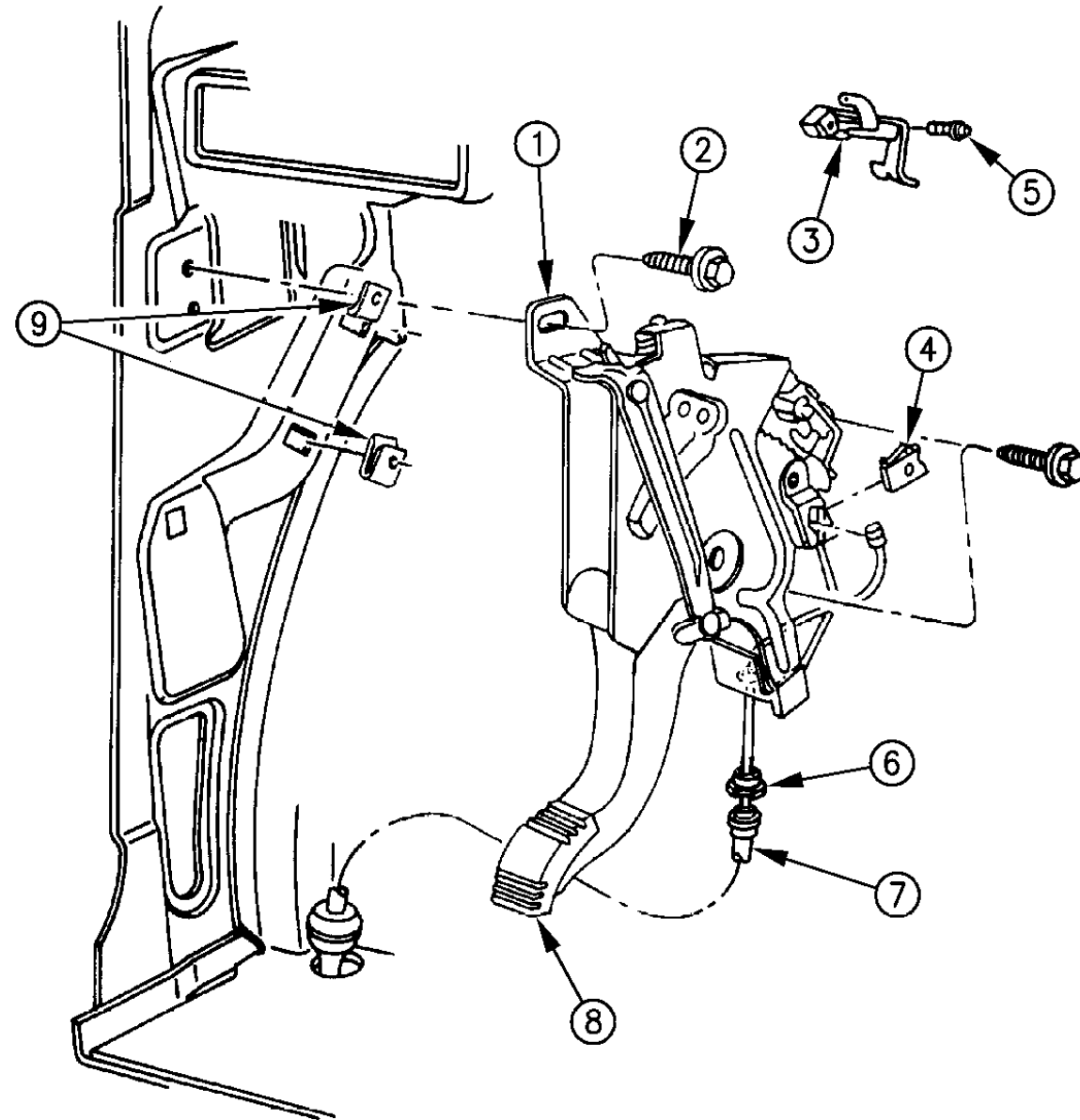
27=2-Door Convertible

AR = Use as Required - = Non Illustrated Part P.A.R. = Paint as Required

LEVER, PARKING BRAKE S BODY

Figure 4-600

93104 600



ITEM	PART NUMBER	QTY	BODY	MODEL	DESCRIPTION
1					LEVER ASSEMBLY, Parking Brake ***
	4683 001	1			All, Except Europe w/Manual Transmission
	4683 120	1			Europe w/Manual Transmission
2	6100 586	3			SCREW, M8x1.25x40
3	4221 463	1			SWITCH, Parking Brake
4	0152 490	1			CLIP, Parking Brake Clevis
5	9423 951	1			SCREW, Switch Mounting
6	3467 939	1			RETAINER, Cable
7					CABLE, Parking Brake Release, Front
	4423 778	1			w/112" W.B.
	4423 780	1			w/119" W.B.
8	4423 592	1			PAD, Lever
9	6101 283	2			U-NUT, Parking Brake Lever Mounting

MODEL CODES:

A BODY=(C=LeBaron, D=Spirit, P=Acclaim/LaBaron(Landau),  
Saratoga)  
C BODY=(D=Dynasty, C=New Yorker/N.Y. Salon)  
G BODY=(V=Daytona/IROC, Chrysler Daytona)  
J BODY=(C=LeBaron, Chrysler LeBaron)  
P BODY=(P=Sundance, D=Shadow)

S BODY=(H=Voyager(H) FWD, K=Caravan(H) FWD,  
Y=Town & Country(H) FWD, P=Voyager(K) AWD,  
D=Caravan(K) AWD, C=Town & Country(K) AWD)  
Y BODY=(C=Imperial/5th Avenue)  
E-S BODY=(K=Chrysler Voyager(H) FWD, D=Chrysler  
Voyager(K) AWD)

BODY STYLES:

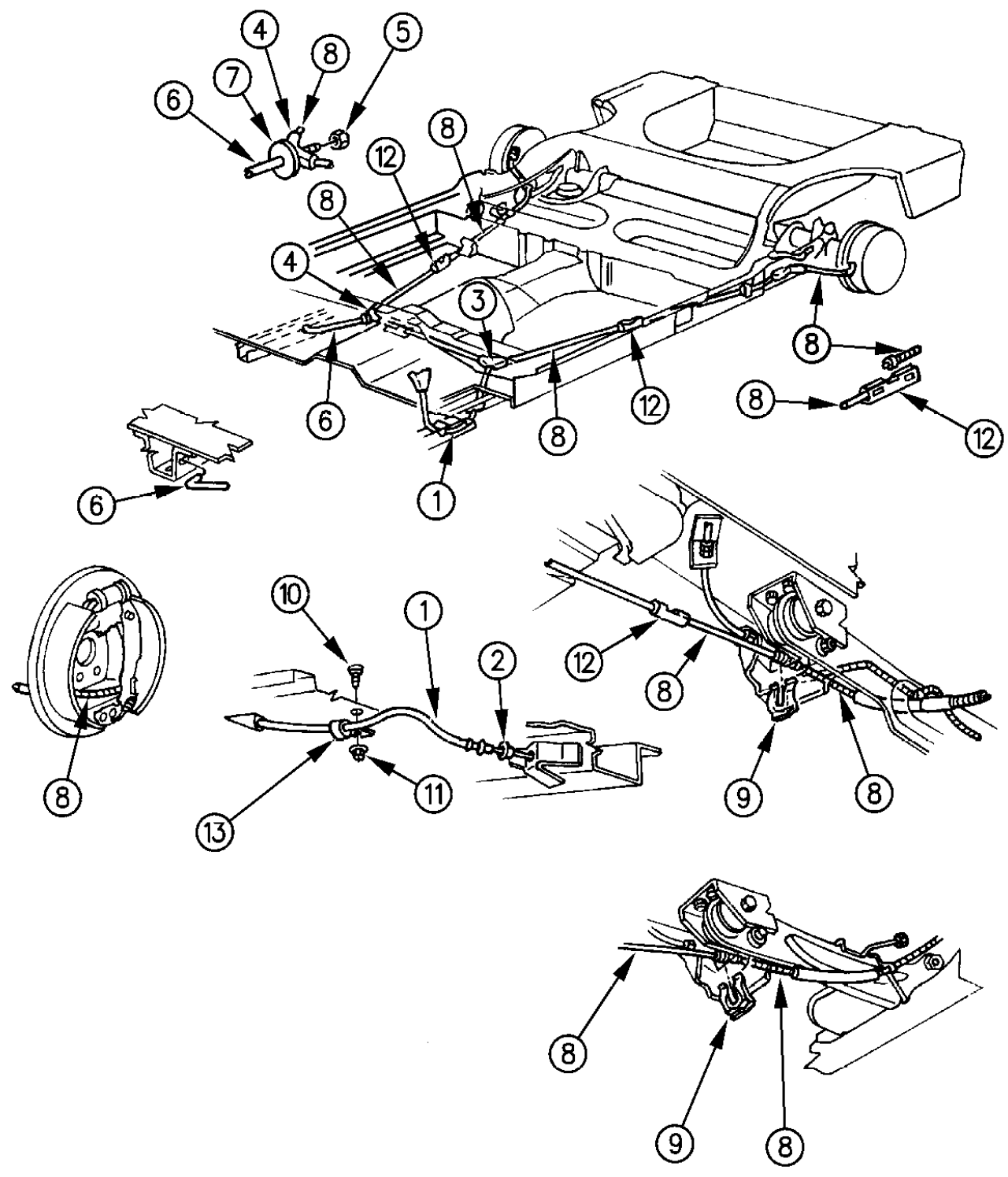
21=2-Door Coupe      41=4-Door Sedan      12-52=FWD & AWD Van & Wgn Std W.B.  
24=2-Door Hatchback      44=4-Door Hatchback      53=FWD & AWD Van & Wgn Ext. W.B.  
27=2-Door Convertible

AR = Use as Required - = Non Illustrated Part P.A.R. = Paint as Required

CABLE, PARKING BRAKE P BODY

Figure 4-700

93104 700



ITEM	PART NUMBER	QTY	BODY	MODEL	DESCRIPTION
1	4294 764	1			CABLE, Front
	5200 384	1			SEAL, Front Floor Pan P/Brake Cable
2	3467 939	1			RETAINER, Parking Brake Cable to Lever
3	3575 593	1			CONNECTOR, P/Brake Cable to Intermediate Cable
4	3467 901	1			EQUALIZER, Parking Brake Inter. Cable
5	6030 607	1			NUT
6	3766 379	1			HOOK, Parking Brake Inter. Cable Adjust
7	3880 022	1			CUSHION, Parking Brake Adj. Hook
8	4318 707	1			CABLE PACKAGE, Parking Brake Intermediate
	4423 758	2			CABLE, Parking Brake Rear
9	2201 467	2			CLIP, Rear Parking Brake Cable to Susp. Brkt.
10					SCREW, (Not Serviced)
11	0219 462	2			NUT
12	3766 234	2			CONNECTOR, Inter. to Rear Cable
13					CLIP, (Not Serviced)

MODEL CODES:

A BODY=(C=LeBaron, D=Spirit, P=Acclaim/LaBaron(Landau),  
Saratoga)  
C BODY=(D=Dynasty, C=New Yorker/N.Y. Salon)  
G BODY=(V=Daytona/IROC, Chrysler Daytona)  
J BODY=(C=LeBaron, Chrysler LeBaron)  
P BODY=(P=Sundance, D=Shadow)

S BODY=(H=Voyager(H) FWD, K=Caravan(H) FWD,  
Y=Town & Country(H) FWD, P=Voyager(K) AWD,  
D=Caravan(K) AWD, C=Town & Country(K) AWD)  
Y BODY=(C=Imperial/5th Avenue)  
E-S BODY=(K=Chrysler Voyager(H) FWD, D=Chrysler  
Voyager(K) AWD)

BODY STYLES:

21=2-Door Coupe      41=4-Door Sedan      12-52=FWD & AWD Van & Wgn Std W.B.  
24=2-Door Hatchback      44=4-Door Hatchback      53=FWD & AWD Van & Wgn Ext. W.B.  
27=2-Door Convertible

AR = Use as Required - = Non Illustrated Part P.A.R. = Paint as Required

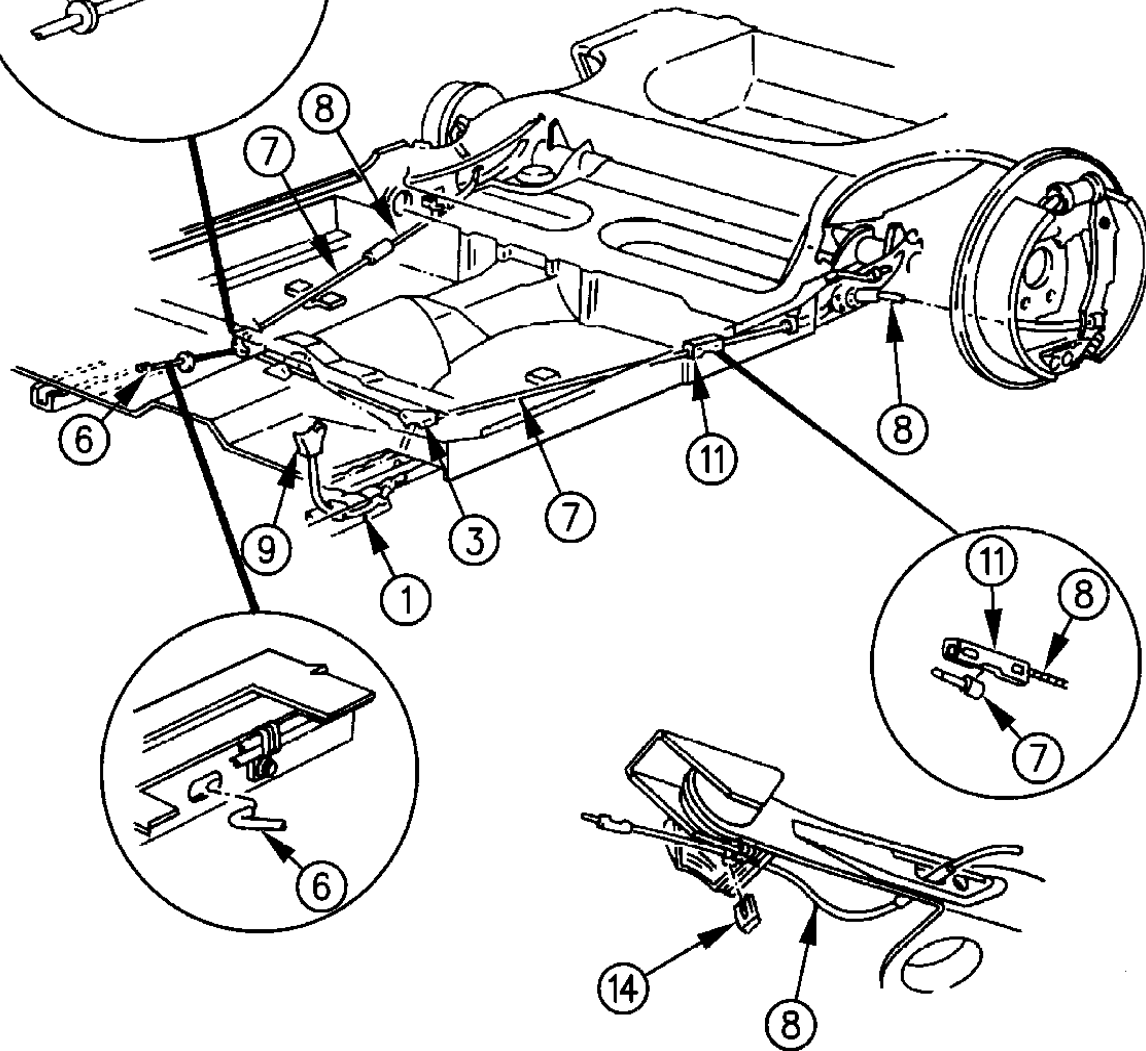
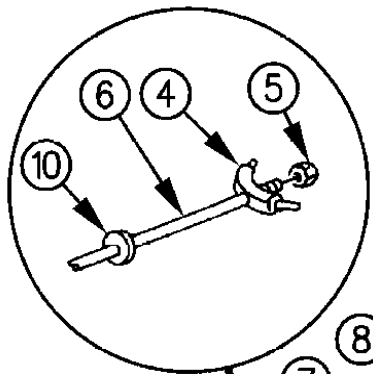
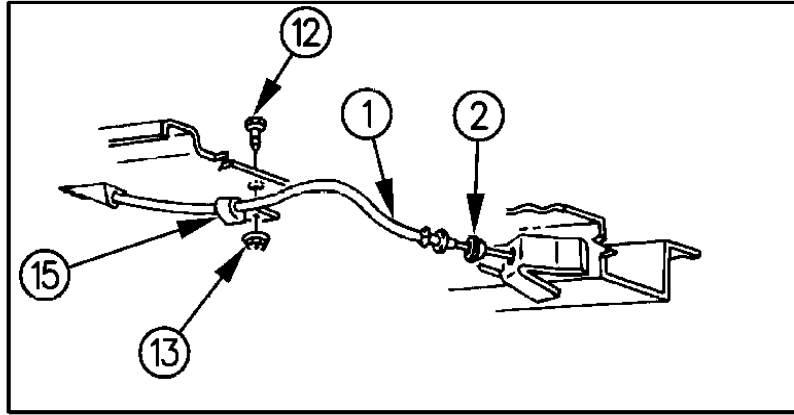


CABLE, PARKING BRAKE A BODY

Figure 4-800

93104 800A

ITEM	PART NUMBER	QTY	BODY	MODEL	DESCRIPTION
1	4294 764	1			CABLE, Front
	5200 384	1			SEAL, Front Floor Pan P/Brake Cable
2	3467 939	1			RETAINER, Parking Brake Cable to Lever
3	3575 593	1			CONNECTOR, Frt. to Inter. Cable
4	3467 901	1			EQUALIZER, Parking Brake Inter. Cable
5	6030 607	1			NUT
6	3766 379	1			HOOK, Parking Brake Inter. Cable Adjust
7	4423 184	1			CABLE, Parking Brake Intermediate
8	4383 980	2			CABLE, Parking Brake Rear
9	4423 681	1			LEVER, Parking Brake
10	3880 022	1			CUSHION, Parking Brake Adj. Hook
11	3766 234	2			CONNECTOR, Inter. to Rear Cable
12					SCREW, (Not Serviced)
13	0219 462	1			NUT, Cable Clip to Screw
14	2201 467	2			CLIP, Rear P/Brake Cable to Susp. Bracket
15					CLIP, (Not Serviced)



MODEL CODES:

A BODY=(C=LeBaron, D=Spirit, P=Acclaim/LaBaron(Landau),  
Saratoga)  
C BODY=(D=Dynasty, C=New Yorker/N.Y. Salon)  
G BODY=(V=Daytona/IROC, Chrysler Daytona)  
J BODY=(C=LeBaron, Chrysler LeBaron)  
P BODY=(P=Sundance, D=Shadow)

S BODY=(H=Voyager(H) FWD, K=Caravan(H) FWD,  
Y=Town & Country(H) FWD, P=Voyager(K) AWD,  
D=Caravan(K) AWD, C=Town & Country(K) AWD)  
Y BODY=(C=Imperial/5th Avenue)  
E-S BODY=(K=Chrysler Voyager(H) FWD, D=Chrysler  
Voyager(K) AWD)

BODY STYLES:

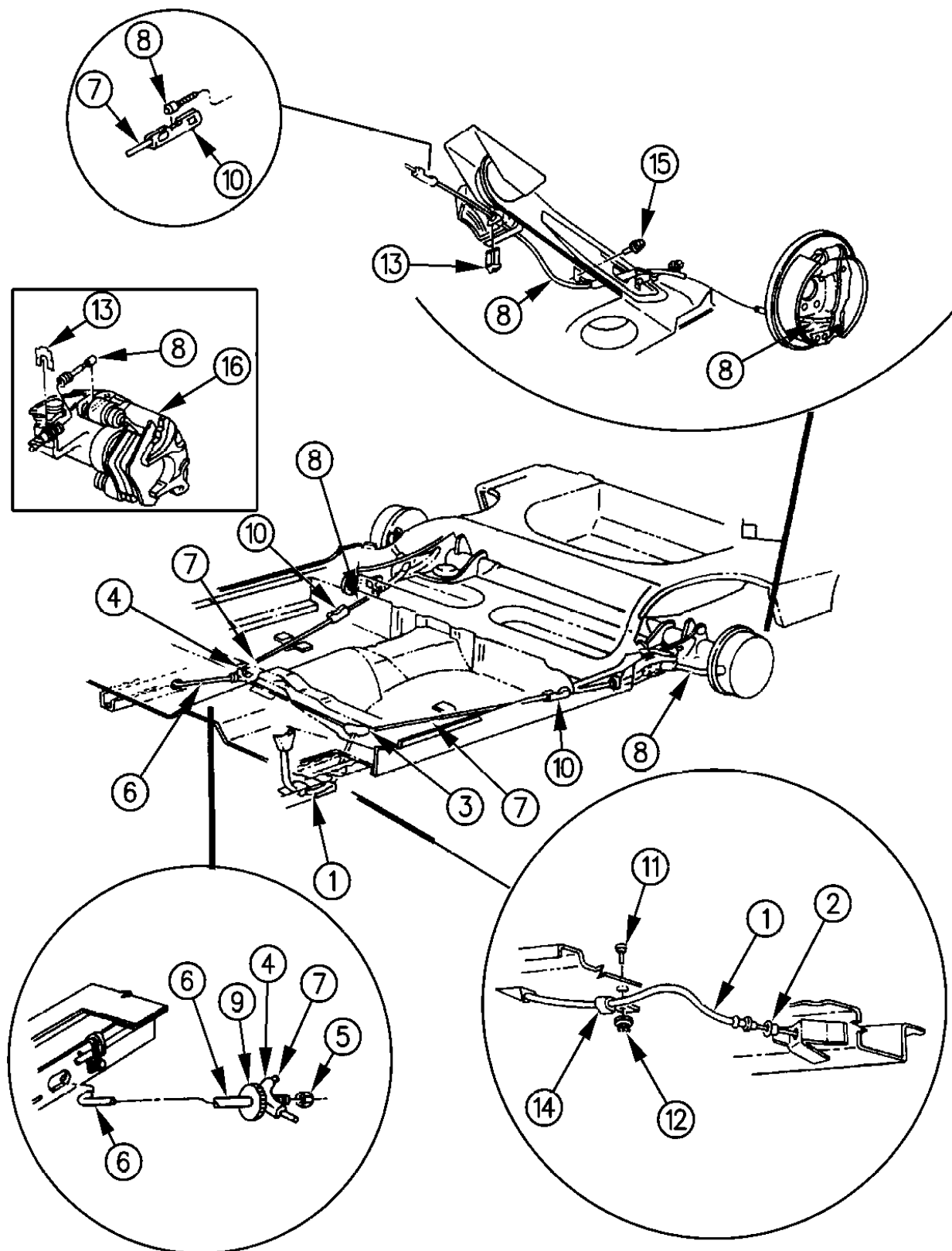
21=2-Door Coupe      41=4-Door Sedan      12-52=FWD & AWD Van & Wgn Std W.B.  
24=2-Door Hatchback      44=4-Door Hatchback      53=FWD & AWD Van & Wgn Ext. W.B.  
27=2-Door Convertible

AR = Use as Required - = Non Illustrated Part P.A.R. = Paint as Required

CABLE, PARKING BRAKE C,Y BODY

Figure 4-900

93104 900



ITEM	PART NUMBER	QTY	BODY	MODEL	DESCRIPTION
1	4294 764	1			CABLE, Parking Brake Front
2	3467 939	2			RETAINER, Parking Brake Cable
3	3575 593	1			CONNECTOR, Frt. to Inter. Cable
4	3467 901	1			EQUALIZER, Parking Brake Inter.
5	6030 607	1			NUT, Intermediate Cable Adj. Hook
6	3766 379	1			HOOK, Inter. P/Brake Cable Adjusting
7	4423 883	1	C		CABLE, Parking Brake Intermediate
	4423 563	1	Y		
8	4423 129	2			CABLE, Parking Brake Rear
9	3880 022	1			CUSHION, Parking Brake Adj. Hook
10	3766 234	2			CONNECTOR, Inter. to Rear Cable
11	0181 063	AR			SCREW
12	0219 462	AR			NUT
13	2201 467	2			CLIP, Rear P/Brake Cable to Susp. Bracket
14		AR			CLIP, (Not Serviced)
15		AR			SCREW and WASHER, (Not Serviced)
16					HOUSING, Rear Wheel Disc Brake (See Illus. in Group 5)

MODEL CODES:

A BODY=(C=LeBaron, D=Spirit, P=Acclaim/LaBaron(Landau),  
Saratoga)  
C BODY=(D=Dynasty, C=New Yorker/N.Y. Salon)  
G BODY=(V=Daytona/IROC, Chrysler Daytona)  
J BODY=(C=LeBaron, Chrysler LeBaron)  
P BODY=(P=Sundance, D=Shadow)

S BODY=(H=Voyager(H) FWD, K=Caravan(H) FWD,  
Y=Town & Country(H) FWD, P=Voyager(K) AWD,  
D=Caravan(K) AWD, C=Town & Country(K) AWD)  
Y BODY=(C=Imperial/5th Avenue)  
E-S BODY=(K=Chrysler Voyager(H) FWD, D=Chrysler  
Voyager(K) AWD)

BODY STYLES:

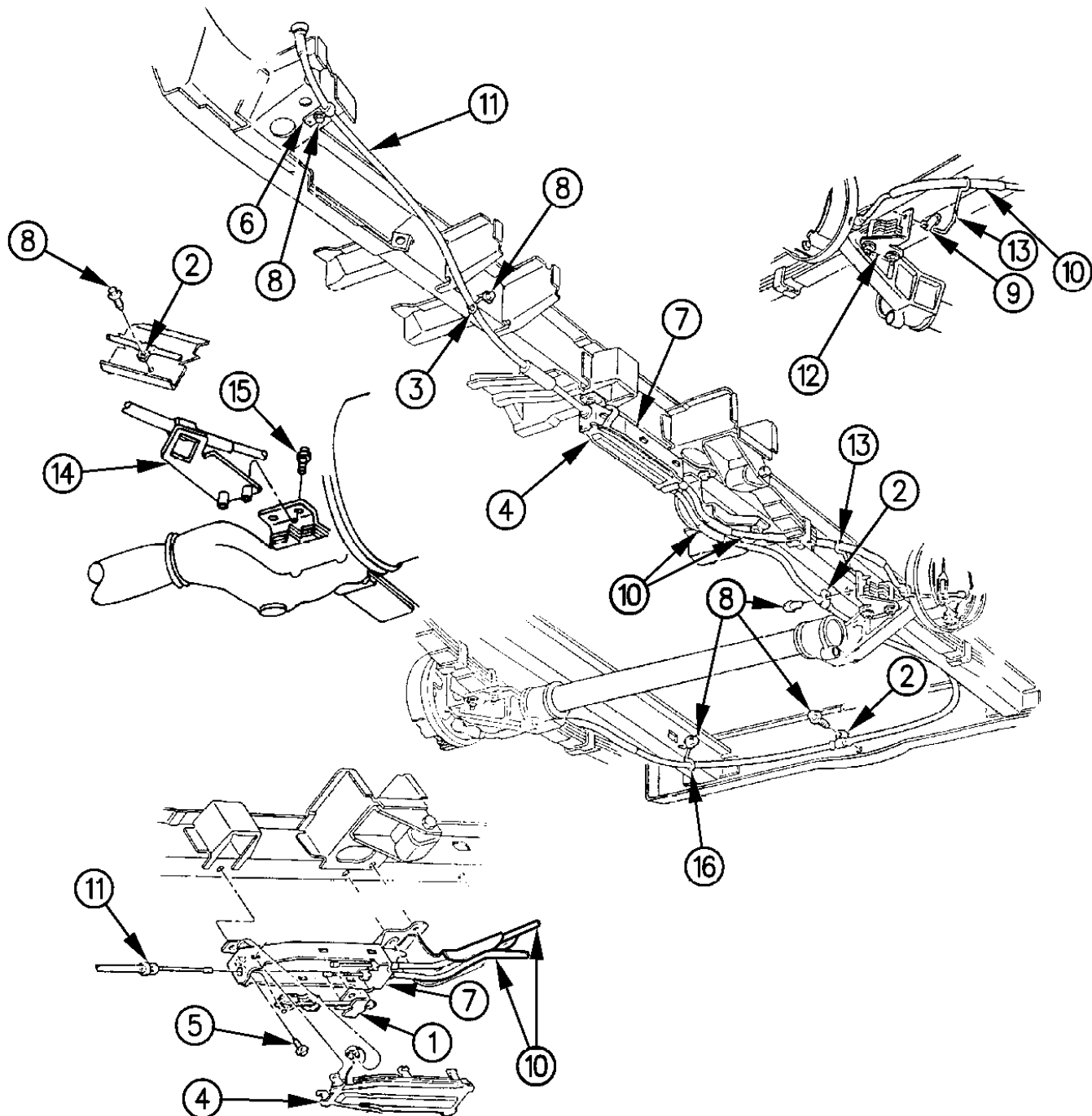
21=2-Door Coupe      41=4-Door Sedan      12-52=FWD & AWD Van & Wgn Std W.B.  
24=2-Door Hatchback      44=4-Door Hatchback      53=FWD & AWD Van & Wgn Ext. W.B.  
27=2-Door Convertible

AR = Use as Required - = Non Illustrated Part P.A.R. = Paint as Required

# CABLE, PARKING BRAKE S BODY

## Figure 4-1000

93104 1000



ITEM	PART NUMBER	QTY	BODY	MODEL	DESCRIPTION
1	4423 769	1			ADJUSTER, Parking Brake Cable
	4423 264	1			EQUALIZER, Parking Brake Cable
2	4423 746	2			CLIP, Rear Parking Brake Cable
3	4423 259	1			GUIDE, Front Cable Stand Off
4	4423 263	1			COVER, Parking Brake Cable Anchor
5	6500 879	4			SCREW, Cable Anchor Brkt. Mounting
6	4423 100	1			BRACKET, Front Parking Brake Cable
7					BRACKET, Parking Brake Cable Anchor
	4423 842	1			w/112" W.B.
	4423 843	1			w/119" W.B.
8					SCREW, (DNS)
9	4423 550	2			CLIP, Rear Cable Guide Retaining
10					CABLE, Rear Parking Brake
	4683 236	1	FWD		w/112" W.B., Right, 3093mm Lg.
	4423 789	1	FWD		w/112" W.B., Left, 1080mm Lg.
	4683 235	1	AWD		w/112" W.B., Right, 3103mm Lg.
	4423 783	1	AWD		w/112" W.B., Left 1064mm Lg.
	4683 388	1	FWD		w/119" W.B., Right, 3501mm Lg.
	4423 787	1	FWD		w/119" W.B., Left, 1132mm Lg.
	4423 784	1	AWD		w/119" W.B., Right, 3543mm Lg.
	4423 785	1	AWD		w/119" W.B., Left, 1123mm Lg.
11					CABLE, Frt. Parking Brake
	4423 778	1			w/112" W.B., 1800mm Lg.
	4423 780	1			w/119" W.B., 1923mm Lg.
12	4423 907	2			PLATE, Rear Cable Guide Mounting
13	4423 544	1			GUIDE, Rear Cable
14	4518 383	2	AWD		BRACKET, Rear Cable
15	6100 906	4	AWD		BOLT, Brkt. Mounting, M8x1.25x20
16					GUIDE, Rear Cable
	4423 536	1			with All Cables, Except 4683388
	4683 387	1			with 4683388 Cable

**MODEL CODES:**

A BODY=(C=LeBaron, D=Spirit, P=Acclaim/LaBaron(Landau), Saratoga)      S BODY=(H=Voyager(H) FWD, K=Caravan(H) FWD, Y=Town & Country(H) FWD, P=Voyager(K) AWD, D=Caravan(K) AWD, C=Town & Country(K) AWD)

C BODY=(D=Dynasty, C=New Yorker/N.Y. Salon)

G BODY=(V=Daytona/IROC, Chrysler Daytona)

J BODY=(C=LeBaron, Chrysler LeBaron)

P BODY=(P=Sundance, D=Shadow)

Y BODY=(C=Imperial/5th Avenue)

E-S BODY=(K=Chrysler Voyager(H) FWD, D=Chrysler Voyager(K) AWD)

**BODY STYLES:**

21=2-Door Coupe      41=4-Door Sedan      12-52=FWD & AWD Van & Wgn Std W.B.  
 24=2-Door Hatchback      44=4-Door Hatchback      53=FWD & AWD Van & Wgn Ext. W.B.  
 27=2-Door Convertible

AR = Use as Required - = Non Illustrated Part P.A.R. = Paint as Required

**GROUP 5 - BRAKES, SERVICE**

ILLUSTRATION TITLE	GROUP-FIG. NO.
<b>PEDAL</b>	
PEDAL, BRAKE P BODY .....	Fig. 5-100
PEDAL, BRAKE A BODY .....	Fig. 5-200
PEDAL, BRAKE J,G BODY .....	Fig. 5-300
PEDAL, BRAKE C,Y BODY .....	Fig. 5-400
PEDAL, BRAKE S BODY .....	Fig. 5-500
<b>BOOSTER, POWER BRAKE</b>	
BOOSTER, POWER BRAKE P BODY .....	Fig. 5-600
BOOSTER, POWER BRAKE A BODY .....	Fig. 5-700
BOOSTER, POWER BRAKE J,G BODY .....	Fig. 5-800
BOOSTER, POWER BRAKE C,Y BODY .....	Fig. 5-900
BOOSTER, POWER BRAKE S BODY .....	Fig. 5-1000
VACUUM SYSTEM 2.5L DIESEL ENGINE S BODY .....	Fig. 5-1050
<b>MASTER CYLINDER</b>	
MASTER CYLINDER ALL BODIES EXCEPT, C,Y,S W/ANTI-LOCK BRAKES .....	Fig. 5-1100
MASTER CYLINDER W/ANTI-LOCK BRAKES C,Y BODY .....	Fig. 5-1200
MASTER CYLINDER W/ANTI-LOCK BRAKES S BODY .....	Fig. 5-1300
<b>LINES AND HOSES, BRAKE</b>	
LINES AND HOSES, BRAKE P BODY W/O ANTI-LOCK BRAKES .....	Fig. 5-1400
LINES AND HOSES, BRAKE W/O ANTI-LOCK BRAKES A BODY .....	Fig. 5-1500
LINES AND HOSES, BRAKE W/ANTI-LOCK BRAKES P,A,J,G BODIES .....	Fig. 5-1600
LINES AND HOSES, BRAKE W/O ANTI-LOCK BRAKES J,G BODY .....	Fig. 5-1700
LINES AND HOSES, BRAKE FRONT WHEEL DISC BRAKE, W/REAR DRUM C,Y BODY .....	Fig. 5-1800
LINES AND HOSES, BRAKE 4 WHEEL DISC , W/ANTI-LOCK C,Y BODY .....	Fig. 5-1900
LINES AND HOSES, BRAKE S BODY .....	Fig. 5-2000
<b>BRAKES, FRONT</b>	
BRAKES, FRONT P BODY .....	Fig. 5-2100
BRAKES, FRONT A BODY .....	Fig. 5-2200
BRAKES, FRONT W/REAR DRUM BRAKES J BODY .....	Fig. 5-2300
BRAKES, FRONT W/REAR DISC BRAKES J BODY .....	Fig. 5-2400
BRAKES, FRONT W/REAR DRUM BRAKES G BODY .....	Fig. 5-2500
BRAKES, FRONT W/REAR DISC BRAKES G BODY .....	Fig. 5-2600
BRAKES, FRONT C,Y BODY .....	Fig. 5-2700
BRAKES, FRONT W/14" WHEELS S BODY .....	Fig. 5-2800
BRAKES, FRONT W/15" WHEELS S BODY .....	Fig. 5-2900

**ILLUSTRATION NOT AVAILABLE AT TIME OF PUBLICATION**

---

**GROUP 5 - BRAKES, SERVICE**

**ILLUSTRATION TITLE**

**GROUP-FIG. NO.**

**BRAKES, REAR**

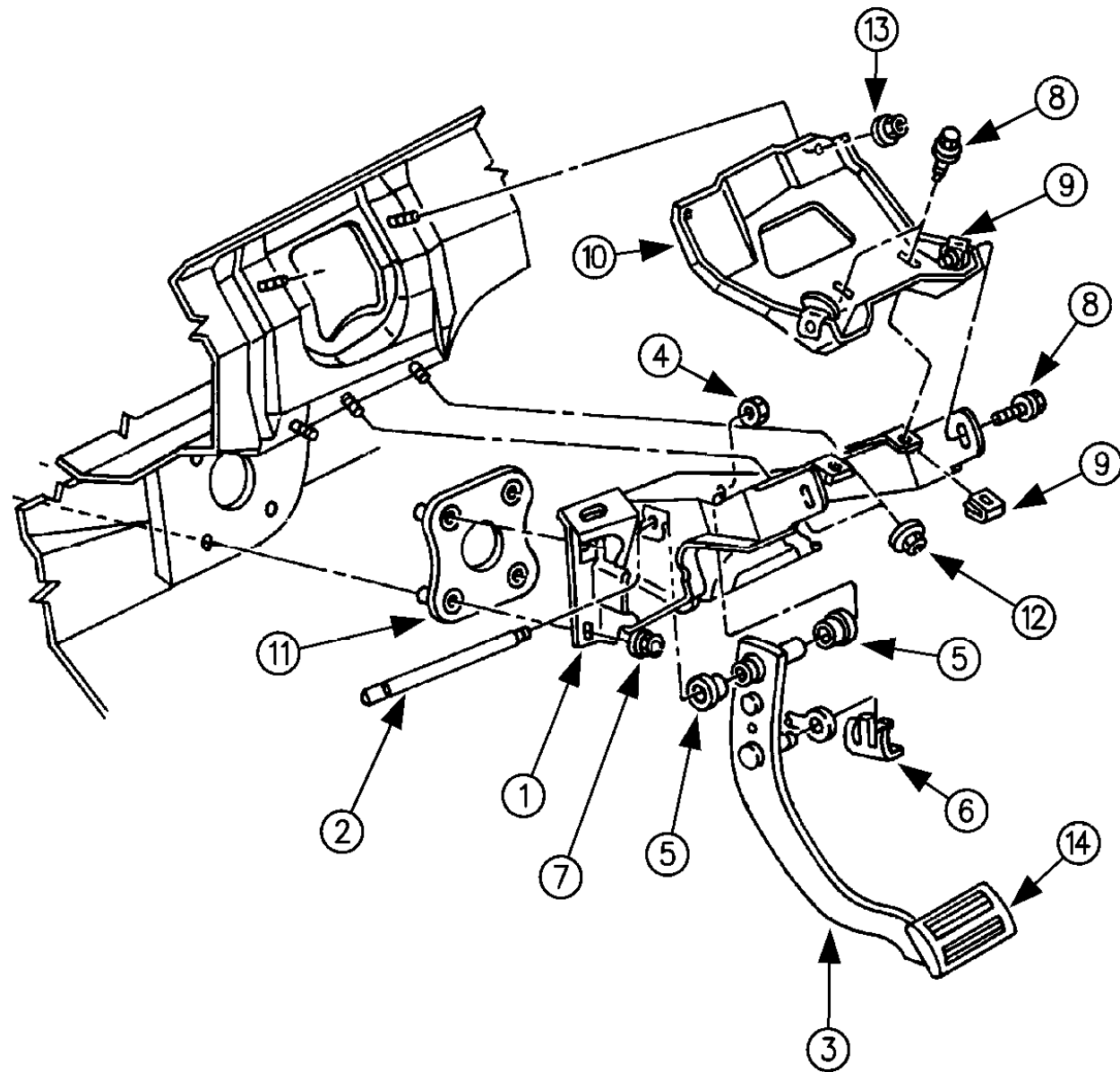
BRAKES, REAR DRUM P BODY .....	Fig. 5-3000
BRAKES, REAR DRUM A,J BODY .....	Fig. 5-3100
BRAKES, REAR DRUM G BODY .....	Fig. 5-3200
BRAKES, REAR DRUM C,Y BODY .....	Fig. 5-3300
BRAKES, REAR DRUM S BODY .....	Fig. 5-3400
BRAKES, REAR DISC W/14" OR 15" WHEELS P,A BODY .....	Fig. 5-3500
BRAKES, REAR DISC J,G BODY .....	Fig. 5-3600
BRAKES, REAR DISC C,Y BODY .....	Fig. 5-3700

**ANTI-LOCK BRAKE SYSTEM**

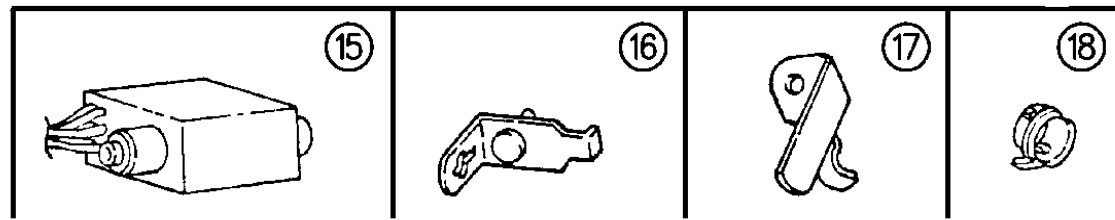
ANTI-LOCK BRAKE SYSTEM P,A,J,G W/14" FRT/DISC, RR DISC (BRF) W/15" FRT/DISC, RR DISC (BRG) .	Fig. 5-3800
ANTI-LOCK BRAKE SYSTEM A,J W/14" FRT/DISC, RR/DISC (BR1) BUILT AT NEWARK ASSEMBLY .....	Fig. 5-3850
ANTI-LOCK BRAKE SYSTEM C,Y BODY .....	Fig. 5-3900
ANTI-LOCK BRAKE SYSTEM S BODY .....	Fig. 5-4000

**PEDAL, BRAKE P BODY**  
Figure 5-100

93105 100



ITEM	PART NUMBER	QTY	BODY	MODEL	DESCRIPTION
1					BRACKET, Brake Pedal
	4423 819	1			With Automatic Transmission
	4509 362	1			With Manual Transmission
2	#				SHAFT, Brake Pedal Pivot
	4019 685	1			With Automatic Transmission
	4019 681	1			With Manual Transmission
3					PEDAL, Brake
	4509 283	1			With Automatic Transmission
	4509 279	1			With Manual Transmission
4	6500 197	1			NUT
5	2467 770	2			BUSHING, Brake Booster Lever Hub
6	4294 036	1			CLIP
7	6101 445	4			NUT and WASHER
8	6100 584	4			SCREW, w/WASHER
9	6500 501	4			U-NUT
10	4294 429	1			SUPPORT, Brake Pedal Brkt. to Plenum
11	4294 633	1			SPACER, Brake Pedal Brkt. to Dash Pad
12	6500 903	2			NUT and WASHER
13	6501 766	2			NUT and WASHER
14					PAD, Brake Pedal
	4019 660	1			With Automatic Transmission
	4019 715	1			With Manual Transmission
15	4373 537	1			SWITCH, Stop Lamp and Speed Control
16	3747 992	1			BRACKET, Stop Lamp Sw.
17	4565 233	1			STRIKER, Stop Lamp Sw.
18	6031 704	1			CLIP, Stop Lamp and Speed Control Sw. Mtg.



**MODEL CODES:**

A BODY=(C=LeBaron, D=Spirit, P=Acclaim/LaBaron(Landau, Saratoga) S BODY=(H=Voyager(H) FWD, K=Caravan(H) FWD, Y=Town & Country(H) FWD, P=Voyager(K) AWD, D=Caravan(K) AWD, C=Town & Country(K) AWD)  
 C BODY=(D=Dynasty, C=New Yorker/N.Y. Salon)  
 G BODY=(V=Daytona/IROC, Chrysler Daytona)  
 J BODY=(C=LeBaron, Chrysler LeBaron)  
 P BODY=(P=Sundance, D=Shadow)  
 Y BODY=(C=Imperial/5th Avenue)  
 E-S BODY=(K=Chrysler Voyager(H) FWD, D=Chrysler Voyager(K) AWD)

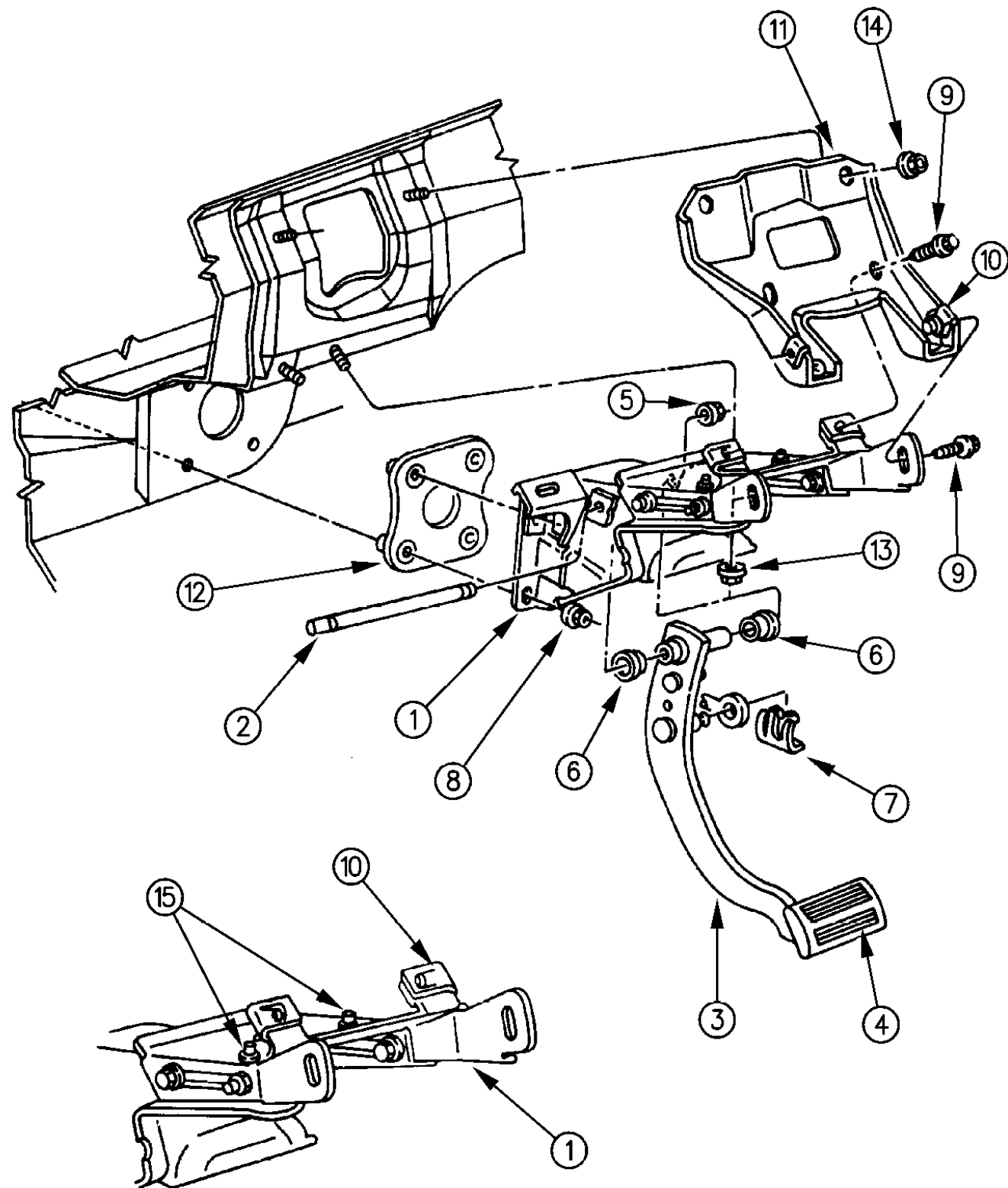
**BODY STYLES:**

21=2-Door Coupe      41=4-Door Sedan      12-52=FWD & AWD Van & Wgn Std W.B.  
 24=2-Door Hatchback      44=4-Door Hatchback      53=FWD & AWD Van & Wgn Ext. W.B.  
 27=2-Door Convertible

AR = Use as Required - = Non Illustrated Part P.A.R. = Paint as Required

**PEDAL, BRAKE A BODY**  
Figure 5-200

93105 200



ITEM	PART NUMBER	QTY	BODY	MODEL	DESCRIPTION
1					BRACKET, Brake Pedal
	4485 645	1			With Automatic Transmission
	4683 154	1			With Manual Transmission
2	#				SHAFT, Pivot
	4019 685	1			With Automatic Transmission
	4019 681	1			With Manual Transmission
3					PEDAL, Brake
	4423 905	1			With Automatic Transmission
	4509 279	1			Manual Transmission
4	#				PAD, Brake Pedal
	4019 660	1			With Automatic Transmission
	4019 715	1			With Manual Transmission
5	6500 197	1			NUT, Pedal Shaft
6	2467 770	2			BUSHING
7	4294 036	1			CLIP, Brake Pedal Booster Push Rod Pin
8	6101 445	4			NUT and WASHER
9	6100 584	4			SCREW and WASHER
10	6500 501	4			U-NUT
11	4294 625	1			SUPPORT, Brake Pedal Bracket to Plenum
12	4294 633	1			SPACER, Pedal Bracket to Dash Panel
13	6500 903	1			NUT and WASHER
14	6500 086	2			NUT and WASHER
15		2			CLIP, Retainer (Not Serv.)

**MODEL CODES:**

A BODY=(C=LeBaron, D=Spirit, P=Acclaim/LaBaron(Landau), Saratoga) S BODY=(H=Voyager(H) FWD, K=Caravan(H) FWD, Y=Town & Country(H) FWD, P=Voyager(K) AWD, D=Caravan(K) AWD, C=Town & Country(K) AWD)  
 C BODY=(D=Dynasty, C=New Yorker/N.Y. Salon) Y BODY=(C=Imperial/5th Avenue)  
 G BODY=(V=Daytona/IROC, Chrysler Daytona) E-S BODY=(K=Chrysler Voyager(H) FWD, D=Chrysler Voyager(K) AWD)  
 J BODY=(C=LeBaron, Chrysler LeBaron) P BODY=(P=Sundance, D=Shadow)

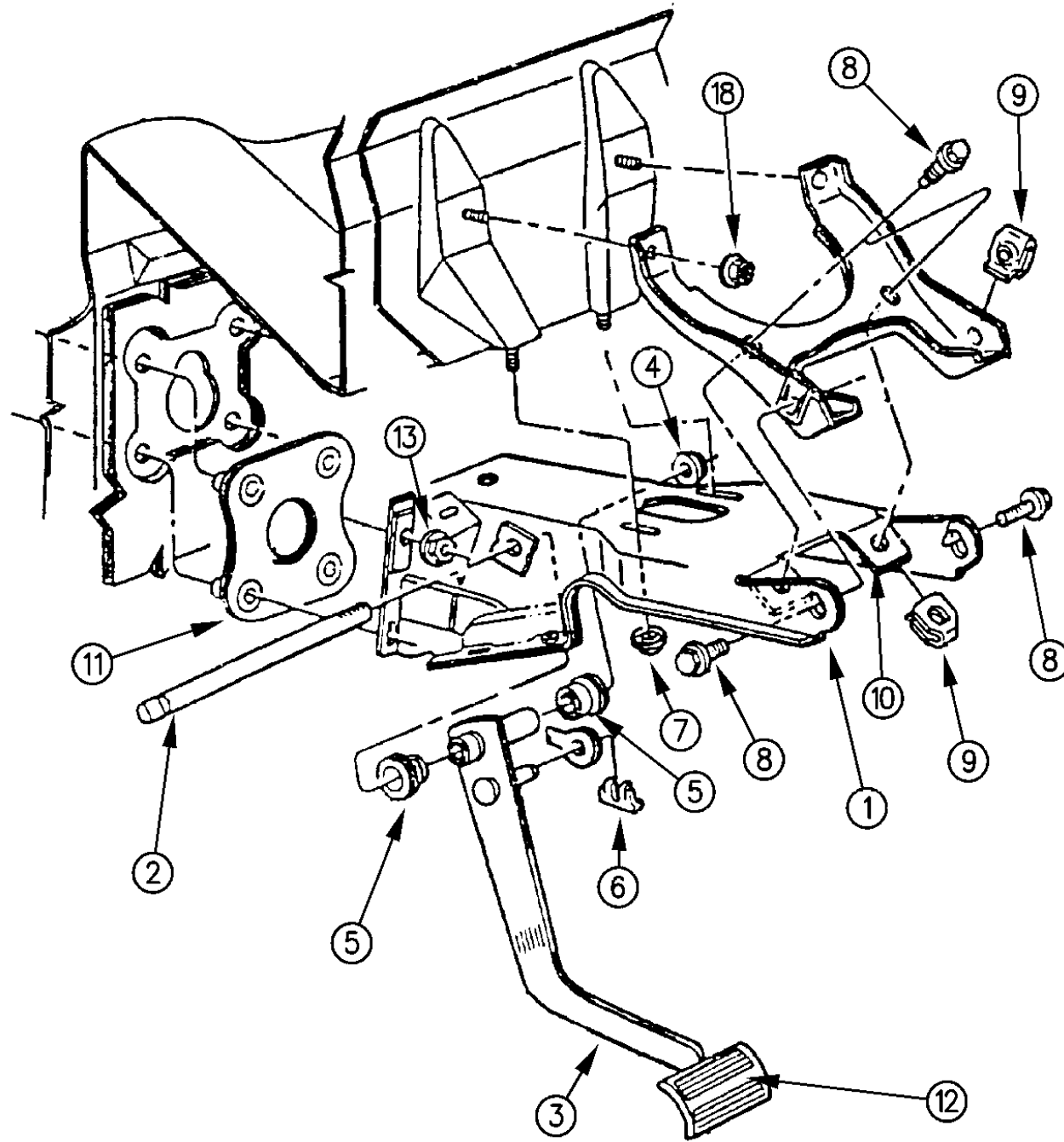
**BODY STYLES:**

21=2-Door Coupe      41=4-Door Sedan      12-52=FWD & AWD Van & Wgn Std W.B.  
 24=2-Door Hatchback      44=4-Door Hatchback      53=FWD & AWD Van & Wgn Ext. W.B.  
 27=2-Door Convertible

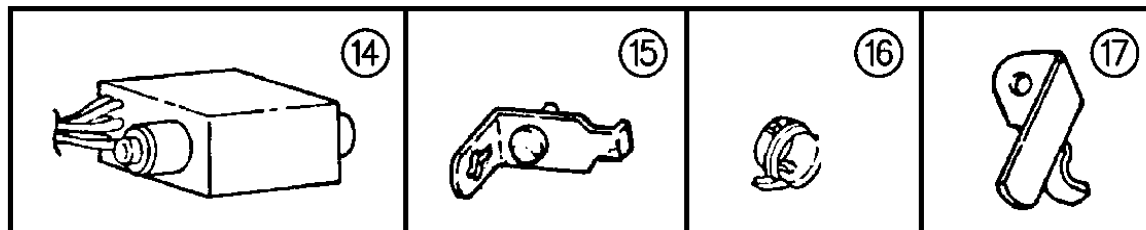
AR = Use as Required - = Non Illustrated Part P.A.R. = Paint as Required

**PEDAL, BRAKE J,G BODY**  
Figure 5-300

93105 300



ITEM	PART NUMBER	QTY	BODY	MODEL	DESCRIPTION
1					BRACKET, Brake Pedal
	4423 826	1			With Automatic Transmission
	4509 363	1			With Manual Transmission
2	#				SHAFT, Brake Pedal Pivot
	4019 685	1			With Automatic Transmission
	4019 681	1			With Manual Transmission
3					PEDAL, Brake
	4423 905	1			With Automatic Transmission
	4509 279	1			With Manual Transmission
4	6500 197	1			NUT
5	2467 770	2			BUSHING, Brake Pedal
6	4294 036	1			CLIP, Master Cyl. Push Rod Pin
7	6501 859	2			NUT and WASHER
8	6100 584	4			SCREW and WASHER
9	6500 501	4			U-NUT
10	4294 858	1			SUPPORT, Brake Pedal Brkt. to Plenum
11	4294 633	1			SPACER, Brake Pedal Brkt. to Dash Pnl.
12	4019 715	1			PAD, Brake Pedal, w/Manual Trans.
	4019 660	1			w/Auto. Trans.
13	6101 445	4			NUT and WASHER
14	4373 537	1			SWITCH, Stop Lamp and Speed Control
15	3747 992	1			BRACKET, Switch Mtg.
16	6031 704	1			CLIP, Stop Lamp Sw. to Brkt.
17	4565 233	1			STRIKER, Stop Lp. Sw.
18	6500 086	2			NUT and WASHER



**MODEL CODES:**

A BODY=(C=LeBaron, D=Spirit, P=Acclaim/LaBaron(Landau, Saratoga)  
C BODY=(D=Dynasty, C=New Yorker/N.Y. Salon)  
G BODY=(V=Daytona/IROC, Chrysler Daytona)  
J BODY=(C=LeBaron, Chrysler LeBaron)  
P BODY=(P=Sundance, D=Shadow)

S BODY=(H=Voyager(H) FWD, K=Caravan(H) FWD, Y=Town & Country(H) FWD, P=Voyager(K) AWD, D=Caravan(K) AWD, C=Town & Country(K) AWD)  
Y BODY=(C=Imperial/5th Avenue)  
E-S BODY=(K=Chrysler Voyager(H) FWD, D=Chrysler Voyager(K) AWD)

**BODY STYLES:**

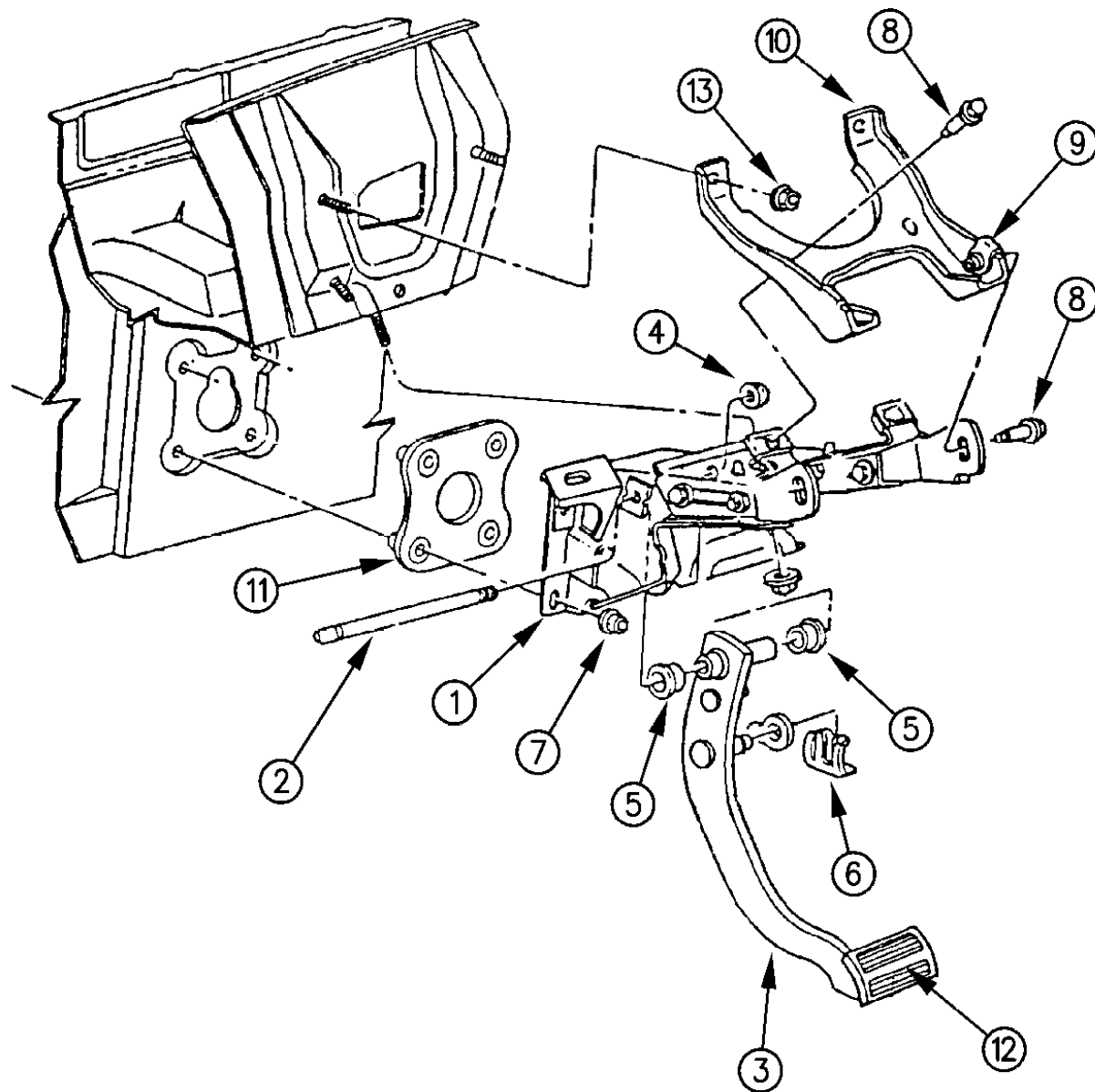
21=2-Door Coupe      41=4-Door Sedan      12-52=FWD & AWD Van & Wgn Std W.B.  
24=2-Door Hatchback      44=4-Door Hatchback      53=FWD & AWD Van & Wgn Ext. W.B.  
27=2-Door Convertible

AR = Use as Required - = Non Illustrated Part P.A.R. = Paint as Required

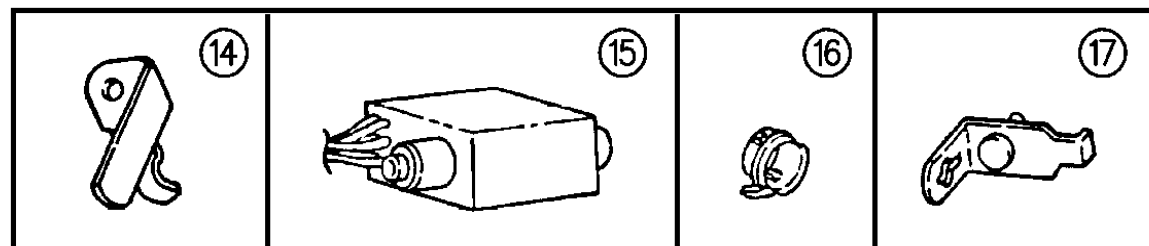


**PEDAL, BRAKE C,Y BODY**  
Figure 5-400

93105 400



ITEM	PART NUMBER	QTY	BODY	MODEL	DESCRIPTION
1	4509 144	1			BRACKET, Brake Pedal
2	4019 685	1			SHAFT, Brake Pedal Pivot
3					PEDAL
	4509 283	1			w/o ABS
	4485 377	1			w/ABS
4	6500 197	1			NUT, Brake Pedal Shaft
5	2467 770	2			BUSHING, Brake Pedal
6	4294 036	1			CLIP, Brake Pedal Booster Push Rod Pin
7	6101 445	4			NUT and WASHER
8	6100 584	4			SCREW and WASHER
9	6500 501	4			U-NUT
10	4294 251	1			SUPPORT, Brake Pedal Brkt. to Plenum
11	4294 633	1			SPACER, Brake Pedal Brkt. to Dash Pnl.
	4485 369	1			w/4 Wheel Disc Brake, w/Anti Lock
12	4019 660	1			PAD, Brake Pedal
	4294 780	1			BEZEL, Brake Pedal Pad
13	6500 086	2			NUT and WASHER
14					STRIKER, Stop Lamp Sw.
	4565 233	1			w/o ABS
	4565 049	1			w/ABS
15	4373 537	1			SWITCH, Stop Lamp and Speed Control
16	6031 704	1			CLIP, Stop Lamp Sw. to Brkt.
17	3747 992	1			BRACKET, Stop Lamp Switch
18	1234 5678AA	1			TEST1, Part Number ***
19	1234 567AA	1			TEST2, Part Number ***
20	1234 56AA	1			TEST4, Part number ***
22	1234 5AA	1			TEST3, Part Number
23		1			TEST5, Part Number
23	CFWT 6404	1			TEST6, Part Number



**MODEL CODES:**

A BODY=(C=LeBaron, D=Spirit, P=Acclaim/LaBaron(Landau), Saratoga) S BODY=(H=Voyager(H) FWD, K=Caravan(H) FWD, Y=Town & Country(H) FWD, P=Voyager(K) AWD, D=Caravan(K) AWD, C=Town & Country(K) AWD)  
 C BODY=(D=Dynasty, C=New Yorker/N.Y. Salon) Y BODY=(C=Imperial/5th Avenue)  
 G BODY=(V=Daytona/IROC, Chrysler Daytona) E-S BODY=(K=Chrysler Voyager(H) FWD, D=Chrysler Voyager(K) AWD)  
 J BODY=(C=LeBaron, Chrysler LeBaron) P BODY=(P=Sundance, D=Shadow)

**BODY STYLES:**

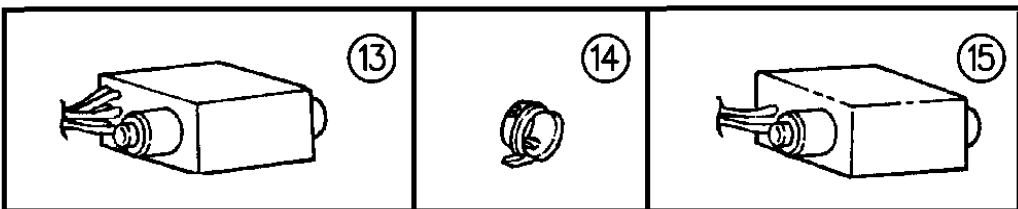
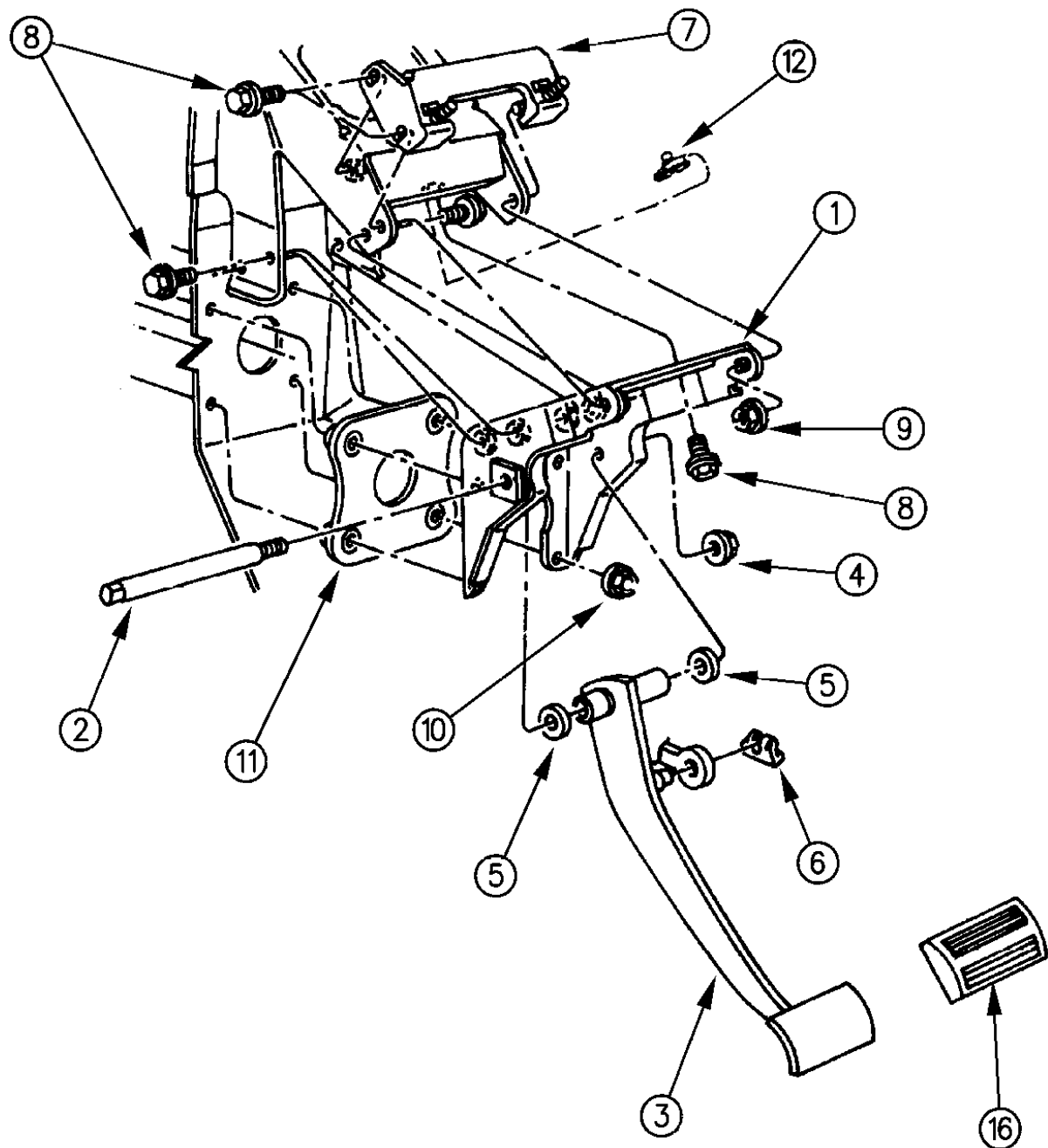
21=2-Door Coupe      41=4-Door Sedan      12-52=FWD & AWD Van & Wgn Std W.B.  
 24=2-Door Hatchback      44=4-Door Hatchback      53=FWD & AWD Van & Wgn Ext. W.B.  
 27=2-Door Convertible

AR = Use as Required - = Non Illustrated Part P.A.R. = Paint as Required

**PEDAL, BRAKE S BODY**  
Figure 5-500

93105 500

ITEM	PART NUMBER	QTY	BODY	MODEL	DESCRIPTION
1	4683 406	1			BRACKET, Brake Pedal
2	3880 452	1			SHAFT, Pivot w/Automatic Transmission
	3880 453	1			w/Manual Transmission
3					PEDAL, Brake
	4423 923	1			Automatic Transmission w/o ABS
	4423 979	1			w/ABS
	4423 951	1			Europe
	4423 968	1			Manual Transmission
4	6500 197	1			NUT
5	2467 770	2			BUSHING, Brake Pedal
6	4294 036	1			CLIP, Brake Pedal Booster Push Rod Pin
7	4485 365	1			BRACE, Brake Pedal Brkt. to Strg. Column Support
8	6101 728	2			SCREW and WASHER
9	6100 051	4			NUT and WASHER
10	6101 445	1			NUT and WASHER
11					SPACER, Brake Pedal Brkt. to Dash Pnl.
	4294 008	1			w/o ABS
	4485 369	1			w/ABS
12	6101 283	AR			U-NUT
13	4373 535	1			SWITCH, Stop Lamp and Speed Control
	4221 487	1			BRACKET, Stop Lamp Switch
14	6031 704	1			CLIP, Stop Lamp Sw. to Brkt.
15	4221 463	1			SWITCH, Parking Brake
16					PAD, Brake Pedal
	4019 660	1			w/Automatic Transmission
	4019 715	1			w/Manual Transmission



**MODEL CODES:**

A BODY=(C=LeBaron, D=Spirit, P=Acclaim/LaBaron(Landau), Saratoga)      S BODY=(H=Voyager(H) FWD, K=Caravan(H) FWD, Y=Town & Country(H) FWD, P=Voyager(K) AWD, D=Caravan(K) AWD, C=Town & Country(K) AWD)  
 C BODY=(D=Dynasty, C=New Yorker/N.Y. Salon)      Y BODY=(C=Imperial/5th Avenue)  
 G BODY=(V=Daytona/IROC, Chrysler Daytona)      E-S BODY=(K=Chrysler Voyager(H) FWD, D=Chrysler Voyager(K) AWD)  
 J BODY=(C=LeBaron, Chrysler LeBaron)  
 P BODY=(P=Sundance, D=Shadow)

**BODY STYLES:**

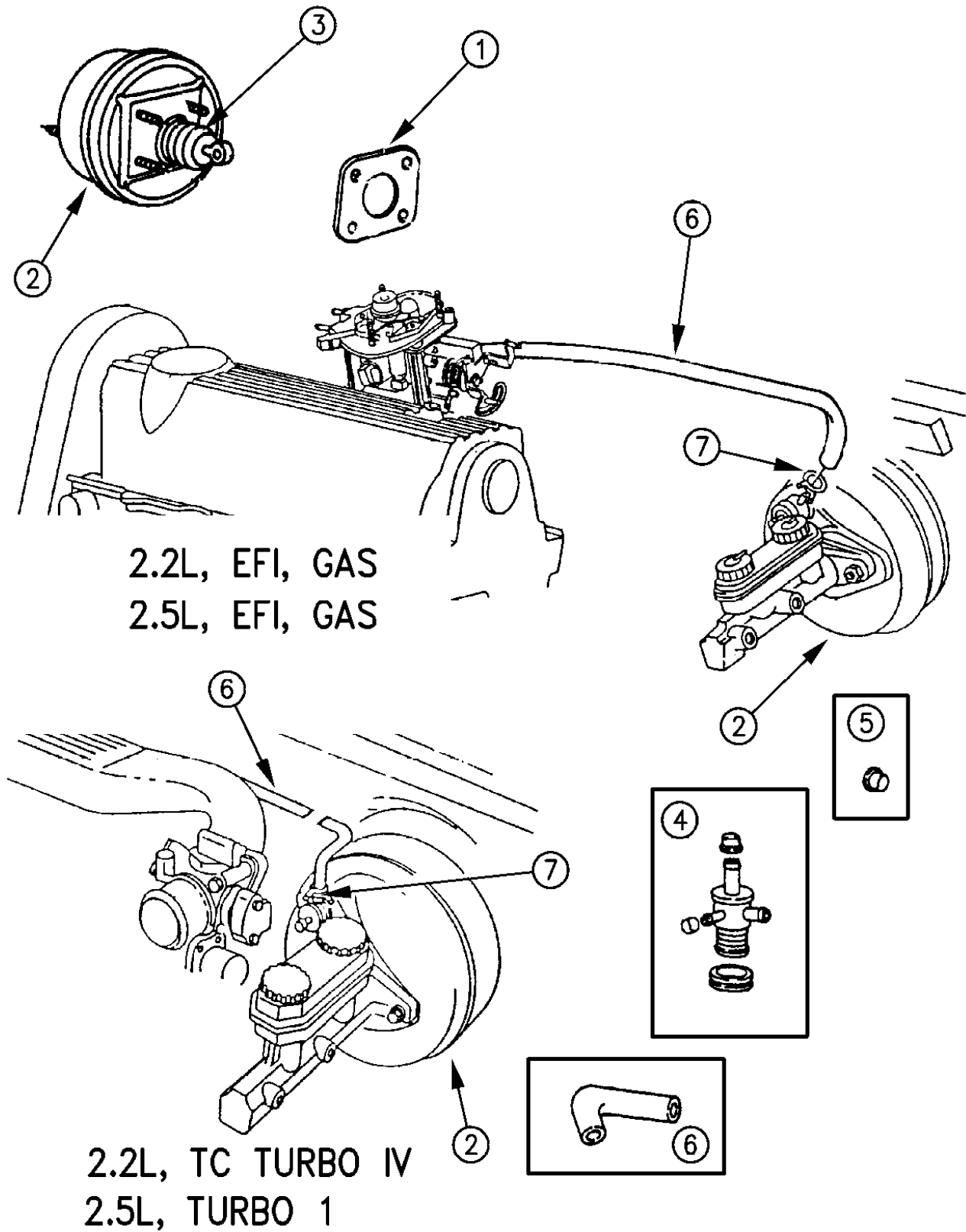
21=2-Door Coupe      41=4-Door Sedan      12-52=FWD & AWD Van & Wgn Std W.B.  
 24=2-Door Hatchback      44=4-Door Hatchback      53=FWD & AWD Van & Wgn Ext. W.B.  
 27=2-Door Convertible

AR = Use as Required - = Non Illustrated Part P.A.R. = Paint as Required

**BOOSTER, POWER BRAKE P BODY**  
Figure 5-600

93105 600

ITEM	PART NUMBER	QTY	BODY	MODEL	DESCRIPTION
1	3699 447	1			GASKET, Brake Booster Mtg.
2	4509 330	1			BOOSTER, Brake, 230mm (Bendix)
	4509 245	1			w/205mm (Bendix)
3	3880 006	1			BOOT, Brake Booster Push Rod (Bendix)
4	4271 382	1			VALVE and GROMMET PACKAGE, Brake Booster Check, w/ 230mm (Bendix)
	4485 491	1			VALVE, Brake Booster, w/205mm (Bendix)
5	3880 044	1			CAP, Brake Booster Check Valve, Large
	3580 171	1			CAP, Tube 3/16" Check Valve
6	4683 325	1			HOSE, Brake Booster to Throttle Body
	4294 974	1			HOSE, Brake Booster to Turbo Int. Manifold
7	2448 761	2			CLAMP, Brake Booster Vac. Hose



**MODEL CODES:**

A BODY=(C=LeBaron, D=Spirit, P=Acclaim/LaBaron(Landau),  
Saratoga)  
C BODY=(D=Dynasty, C=New Yorker/N.Y. Salon)  
G BODY=(V=Daytona/IROC, Chrysler Daytona)  
J BODY=(C=LeBaron, Chrysler LeBaron)  
P BODY=(P=Sundance, D=Shadow)

S BODY=(H=Voyager(H) FWD, K=Caravan(H) FWD,  
Y=Town & Country(H) FWD, P=Voyager(K) AWD,  
D=Caravan(K) AWD, C=Town & Country(K) AWD)  
Y BODY=(C=Imperial/5th Avenue)  
E-S BODY=(K=Chrysler Voyager(H) FWD, D=Chrysler  
Voyager(K) AWD)

**BODY STYLES:**

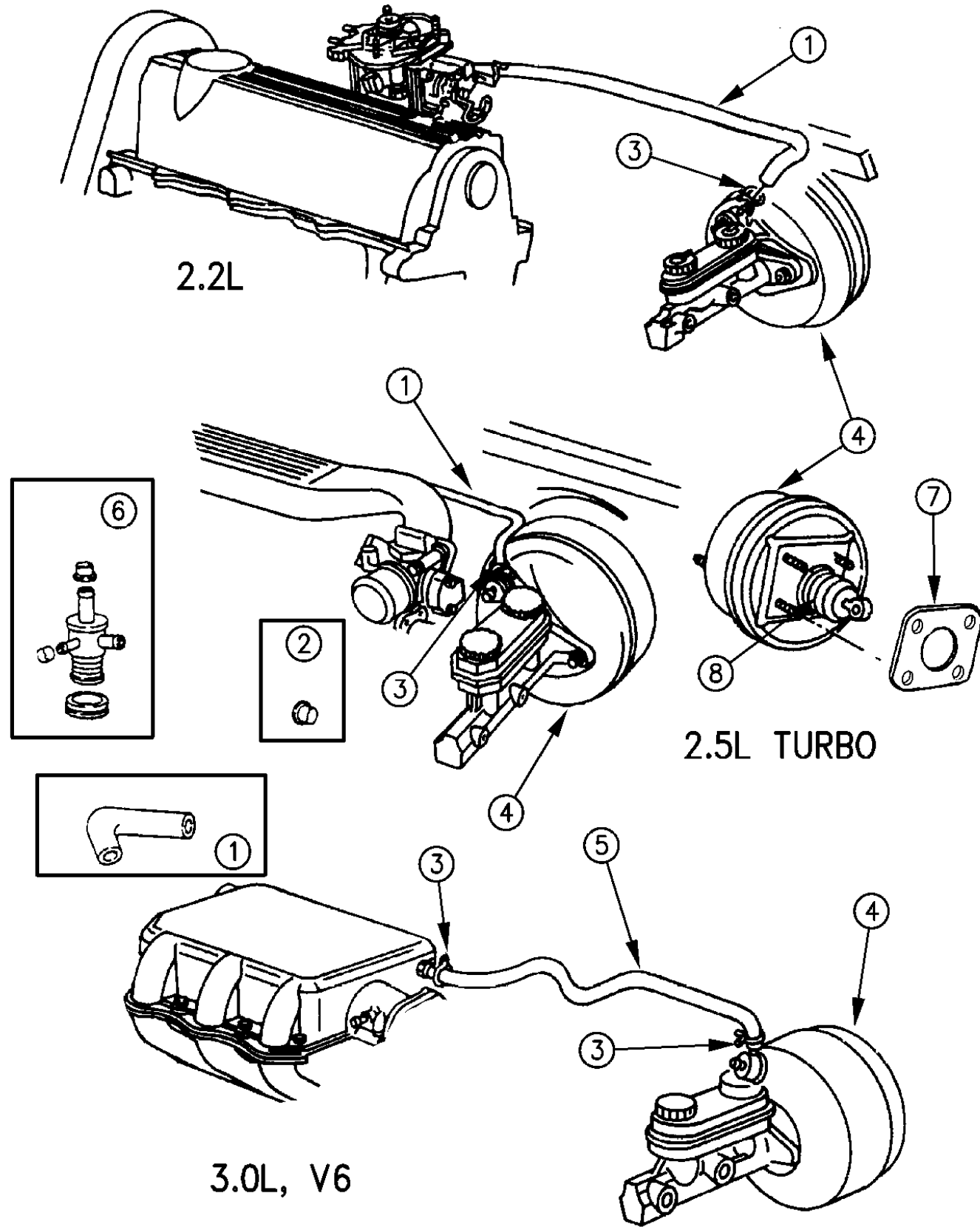
21=2-Door Coupe      41=4-Door Sedan      12-52=FWD & AWD Van & Wgn Std W.B.  
24=2-Door Hatchback      44=4-Door Hatchback      53=FWD & AWD Van & Wgn Ext. W.B.  
27=2-Door Convertible

AR = Use as Required - = Non Illustrated Part P.A.R. = Paint as Required

**BOOSTER, POWER BRAKE A BODY**  
**Figure 5-700**

93105 700

ITEM	PART NUMBER	QTY	BODY	MODEL	DESCRIPTION
1	4683 325	1			HOSE, Brake Booster to Throttle Body
	4294 974	1			HOSE, Brake Booster to Turbo Intake Manif.
	4509 198	1			HOSE & TUBE ASSY, Booster to Manif. 2.2L Turbo III ***
2	3880 044	1			CAP, Brake Booster Check Valve, Large
	3580 171	1			CAP, Tube 3/16" Check Valve
3	2448 761	2			CLAMP, Brake Booster Vac. Hose
4	4509 245	1			BOOSTER, Brake (Bendix 205mm)
	4683 288	1			w/Flex Fuel
5	4294 799	1			HOSE, Brake Booster to Intake Manif.
6	4485 491	1			VALVE, Brake Booster Check, w/205mm (Bendix)
	4324 173	1			w/Flex Fuel 2.5L Engine
7	3699 447	1			GASKET, Brake Booster Mtg.
8	3880 006	1			BOOT, Brake Booster Push Rod (Bendix)



**MODEL CODES:**

A BODY=(C=LeBaron, D=Spirit, P=Acclaim/LaBaron(Landau),  
Saratoga)  
 C BODY=(D=Dynasty, C=New Yorker/N.Y. Salon)  
 G BODY=(V=Daytona/IROC, Chrysler Daytona)  
 J BODY=(C=LeBaron, Chrysler LeBaron)  
 P BODY=(P=Sundance, D=Shadow)

S BODY=(H=Voyager(H) FWD, K=Caravan(H) FWD,  
Y=Town & Country(H) FWD, P=Voyager(K) AWD,  
D=Caravan(K) AWD, C=Town & Country(K) AWD)  
 Y BODY=(C=Imperial/5th Avenue)  
 E-S BODY=(K=Chrysler Voyager(H) FWD, D=Chrysler  
Voyager(K) AWD)

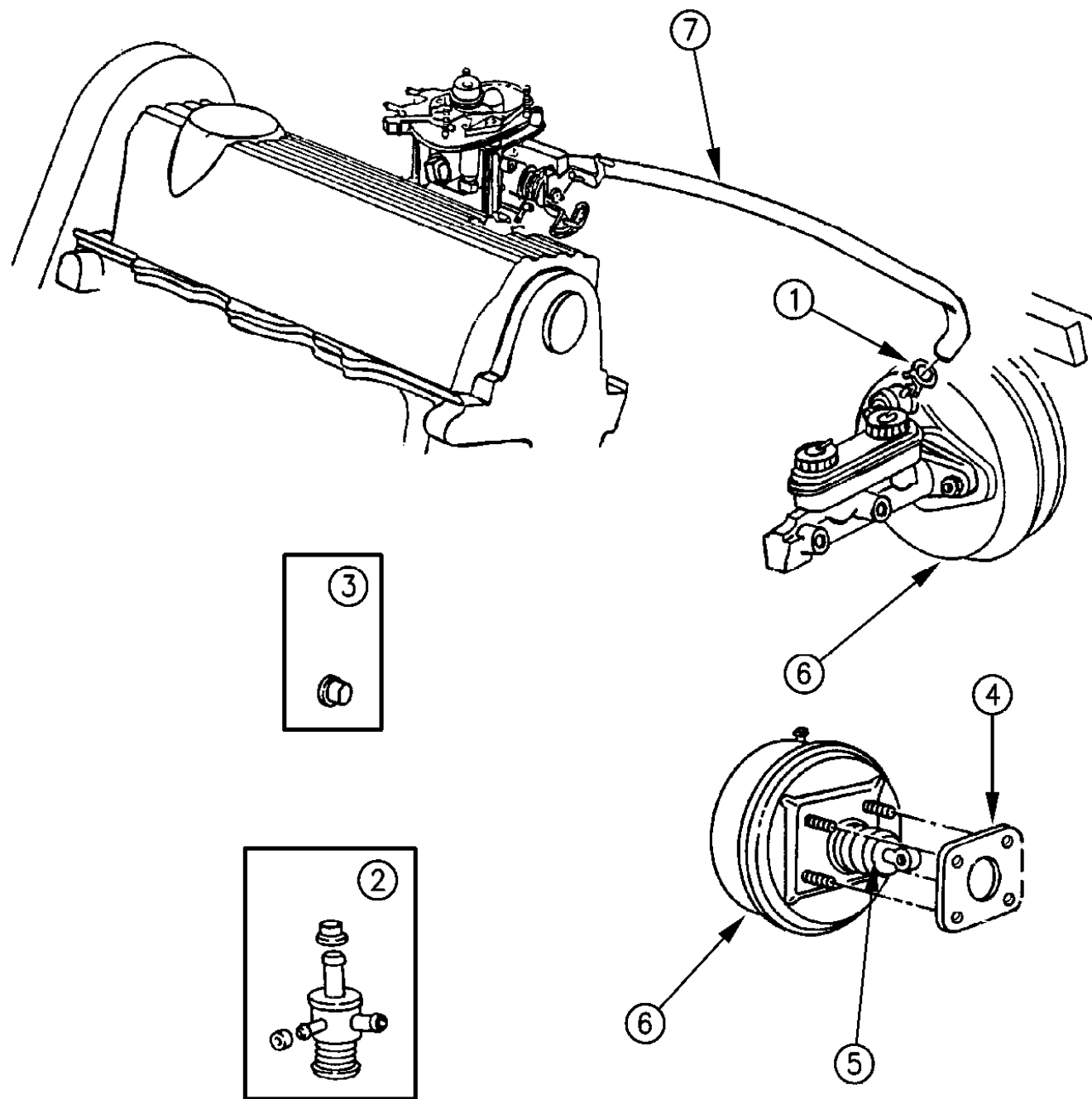
**BODY STYLES:**

21=2-Door Coupe      41=4-Door Sedan      12-52=FWD & AWD Van & Wgn Std W.B.  
 24=2-Door Hatchback      44=4-Door Hatchback      53=FWD & AWD Van & Wgn Ext. W.B.  
 27=2-Door Convertible

AR = Use as Required - = Non Illustrated Part P.A.R. = Paint as Required

**BOOSTER, POWER BRAKE J,G BODY**  
**Figure 5-800**

93105 800



ITEM	PART NUMBER	QTY	BODY	MODEL	DESCRIPTION
1	2448 761	2			CLAMP
2	4485 491	1			VALVE, Brake Booster Check, 205mm (Bendix)
3	3580 171	1			CAP, Check Valve Tube 3/16" I.D.
4	3699 447	1			GASKET, Brake Booster Mtg.
5	3880 006	1			BOOT, Brake Booster Push Rod (Bendix)
6	4509 245	1			BOOSTER, Brake, w/205mm (Bendix)
7	4683 325	1			HOSE, Booster to Throttle Body
	4294 974	1			HOSE, Booster to Turbo Intake Manif.
	4509 198	1			HOSE & TUBE ASSY, Booster to Manif. 2.2L Turbo III ***
	4294 799	1			HOSE, Booster to Intake Manif.- 3.0L V6

**MODEL CODES:**

A BODY=(C=LeBaron, D=Spirit, P=Acclaim/LaBaron(Landau), Saratoga)      S BODY=(H=Voyager(H) FWD, K=Caravan(H) FWD, Y=Town & Country(H) FWD, P=Voyager(K) AWD, D=Caravan(K) AWD, C=Town & Country(K) AWD)  
 C BODY=(D=Dynasty, C=New Yorker/N.Y. Salon)  
 G BODY=(V=Daytona/IROC, Chrysler Daytona)  
 J BODY=(C=LeBaron, Chrysler LeBaron)  
 P BODY=(P=Sundance, D=Shadow)      Y BODY=(C=Imperial/5th Avenue)  
 E-S BODY=(K=Chrysler Voyager(H) FWD, D=Chrysler Voyager(K) AWD)

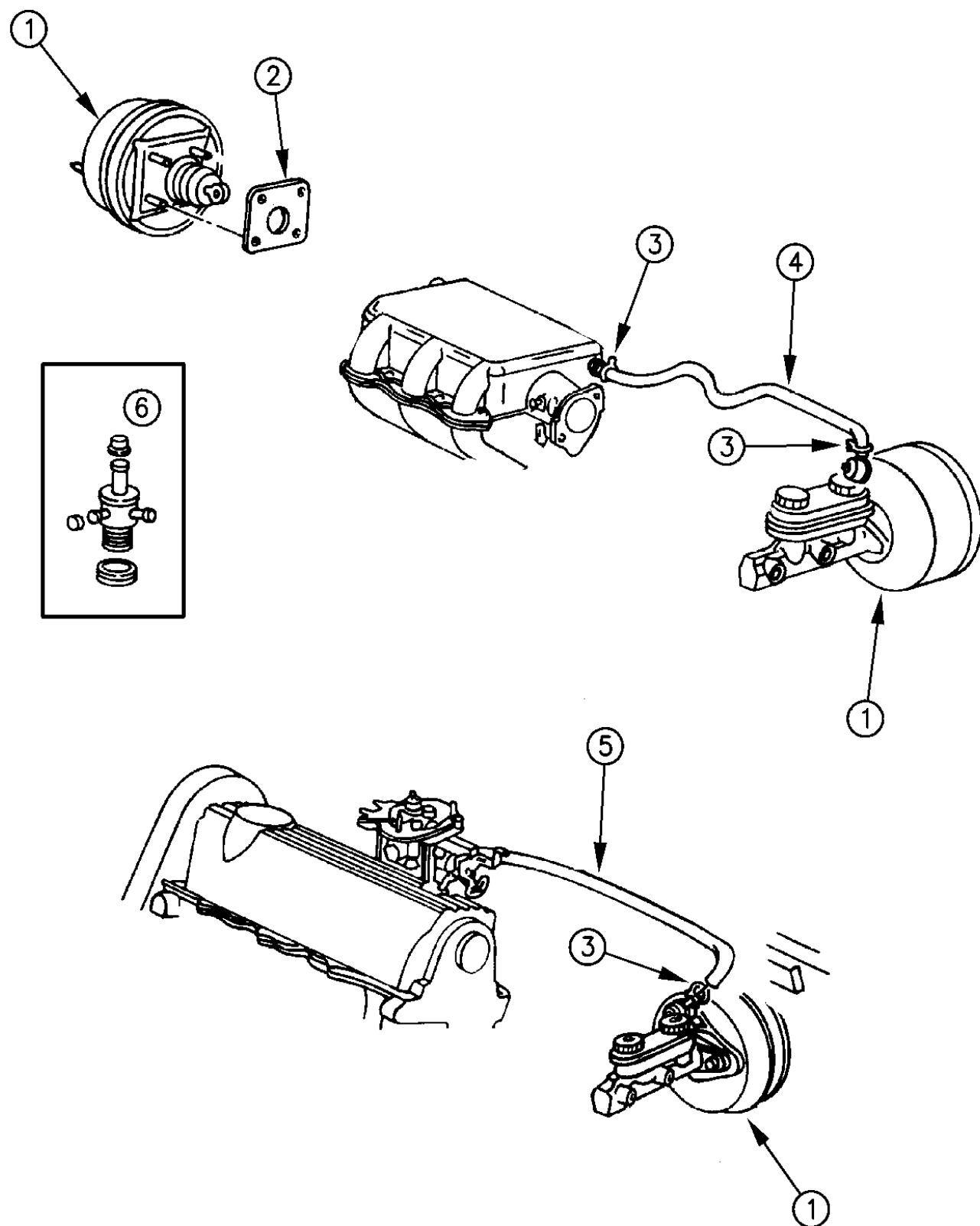
**BODY STYLES:**

21=2-Door Coupe      41=4-Door Sedan      12-52=FWD & AWD Van & Wgn Std W.B.  
 24=2-Door Hatchback      44=4-Door Hatchback      53=FWD & AWD Van & Wgn Ext. W.B.  
 27=2-Door Convertible

AR = Use as Required - = Non Illustrated Part P.A.R. = Paint as Required

**BOOSTER, POWER BRAKE C,Y BODY**  
Figure 5-900

93105 900



ITEM	PART NUMBER	QTY	BODY	MODEL	DESCRIPTION
1	4509 245	1			BOOSTER, Brake, 205mm (Bendix), Pwr. Disc Brake Frt., Rear Drum
2	4485 319	1			GASKET, Brake Booster Mtg.
3	2448 761	2			CLAMP
4					HOSE, Brake Booster to Int. Manifold
	4294 799	1	C		3.0L Engine
	4443 176	AR	C,Y		3.3L or 3.8L Engine (Roll Stock)
5	4683 325	1	C		HOSE, Brake Booster to Throttle Body - 2.5L Engine
6	4485 491	1			VALVE, Brake Booster Check, 205mm (Bendix)

**MODEL CODES:**

A BODY=(C=LeBaron, D=Spirit, P=Acclaim/LaBaron(Landau), Saratoga)      S BODY=(H=Voyager(H) FWD, K=Caravan(H) FWD, Y=Town & Country(H) FWD, P=Voyager(K) AWD, D=Caravan(K) AWD, C=Town & Country(K) AWD)

C BODY=(D=Dynasty, C=New Yorker/N.Y. Salon)

G BODY=(V=Daytona/IROC, Chrysler Daytona)

J BODY=(C=LeBaron, Chrysler LeBaron)

P BODY=(P=Sundance, D=Shadow)

Y BODY=(C=Imperial/5th Avenue)

E-S BODY=(K=Chrysler Voyager(H) FWD, D=Chrysler Voyager(K) AWD)

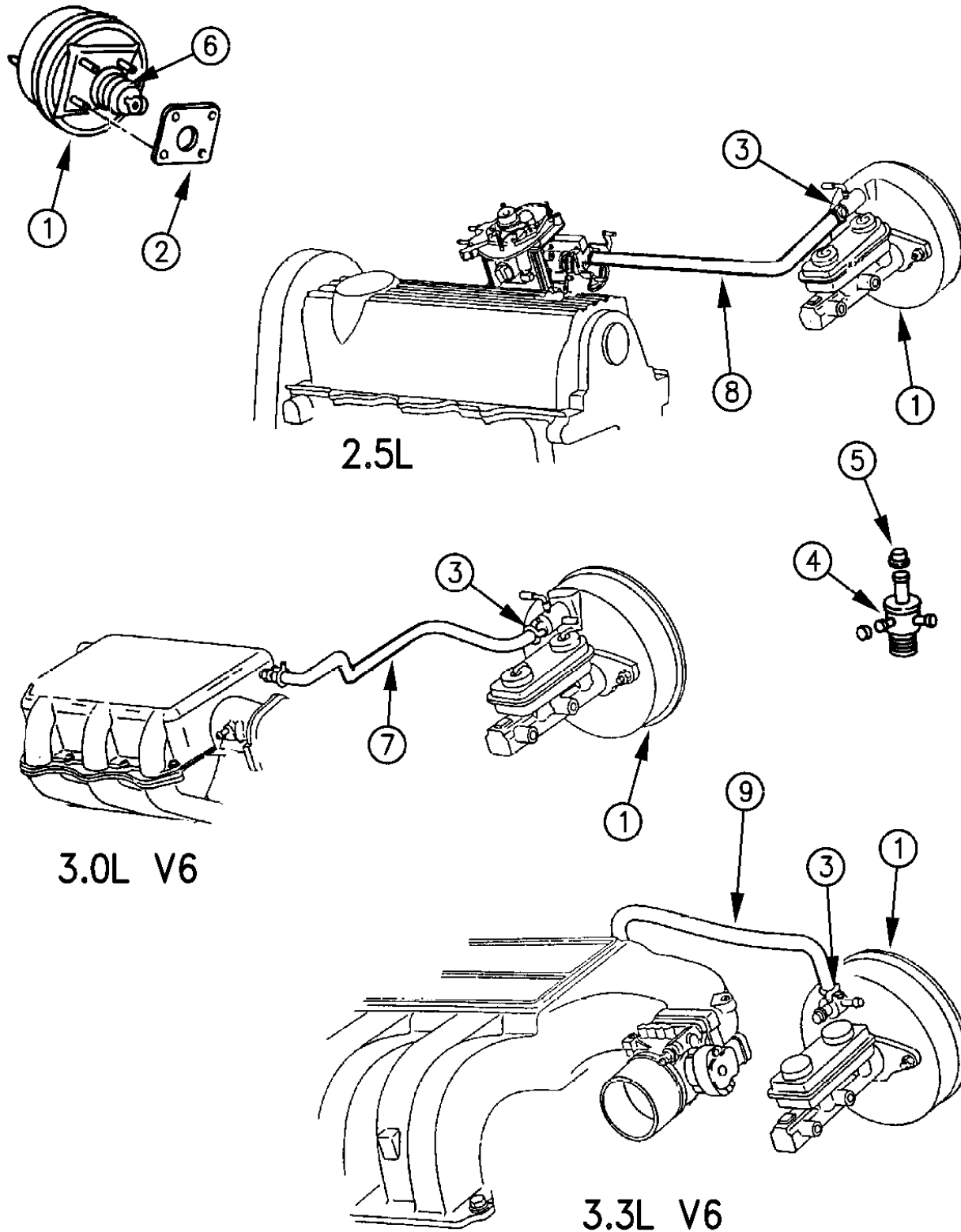
**BODY STYLES:**

21=2-Door Coupe      41=4-Door Sedan      12-52=FWD & AWD Van & Wgn Std W.B.  
24=2-Door Hatchback      44=4-Door Hatchback      53=FWD & AWD Van & Wgn Ext. W.B.  
27=2-Door Convertible

AR = Use as Required - = Non Illustrated Part P.A.R. = Paint as Required

**BOOSTER, POWER BRAKE S BODY**  
Figure 5-1000

93105 1000



ITEM	PART NUMBER	QTY	BODY	MODEL	DESCRIPTION
1					BOOSTER, Brake
	4509 270	1			All, Except Europe
	4509 281	1			Europe
2	3699 447	1			GASKET, Brake Booster Mtg.
3	2448 761	2			CLAMP
4	4271 382	1			VALVE and GROMMET PACKAGE, Brake Booster
5	3880 044	1			CAP, Brake Valve, Large
6	4294 158	1			BOOT, Brake Booster Push Rod
7	4294 798	1			HOSE, Brake Booster to Int. Manifold
8	4509 149	1			HOSE, Brake Booster to Throttle Body
9	4509 135	1			HOSE, Brake Booster to Intake Manif.
	4306 550	1			CONNECTOR, Brake Booster Vac
	3580 172	1			CAP, Conn Brake Booster Vac

**MODEL CODES:**

A BODY=(C=LeBaron, D=Spirit, P=Acclaim/LaBaron(Landau),  
Saratoga)  
C BODY=(D=Dynasty, C=New Yorker/N.Y. Salon)  
G BODY=(V=Daytona/IROC, Chrysler Daytona)  
J BODY=(C=LeBaron, Chrysler LeBaron)  
P BODY=(P=Sundance, D=Shadow)

S BODY=(H=Voyager(H) FWD, K=Caravan(H) FWD,  
Y=Town & Country(H) FWD, P=Voyager(K) AWD,  
D=Caravan(K) AWD, C=Town & Country(K) AWD)  
Y BODY=(C=Imperial/5th Avenue)  
E-S BODY=(K=Chrysler Voyager(H) FWD, D=Chrysler  
Voyager(K) AWD)

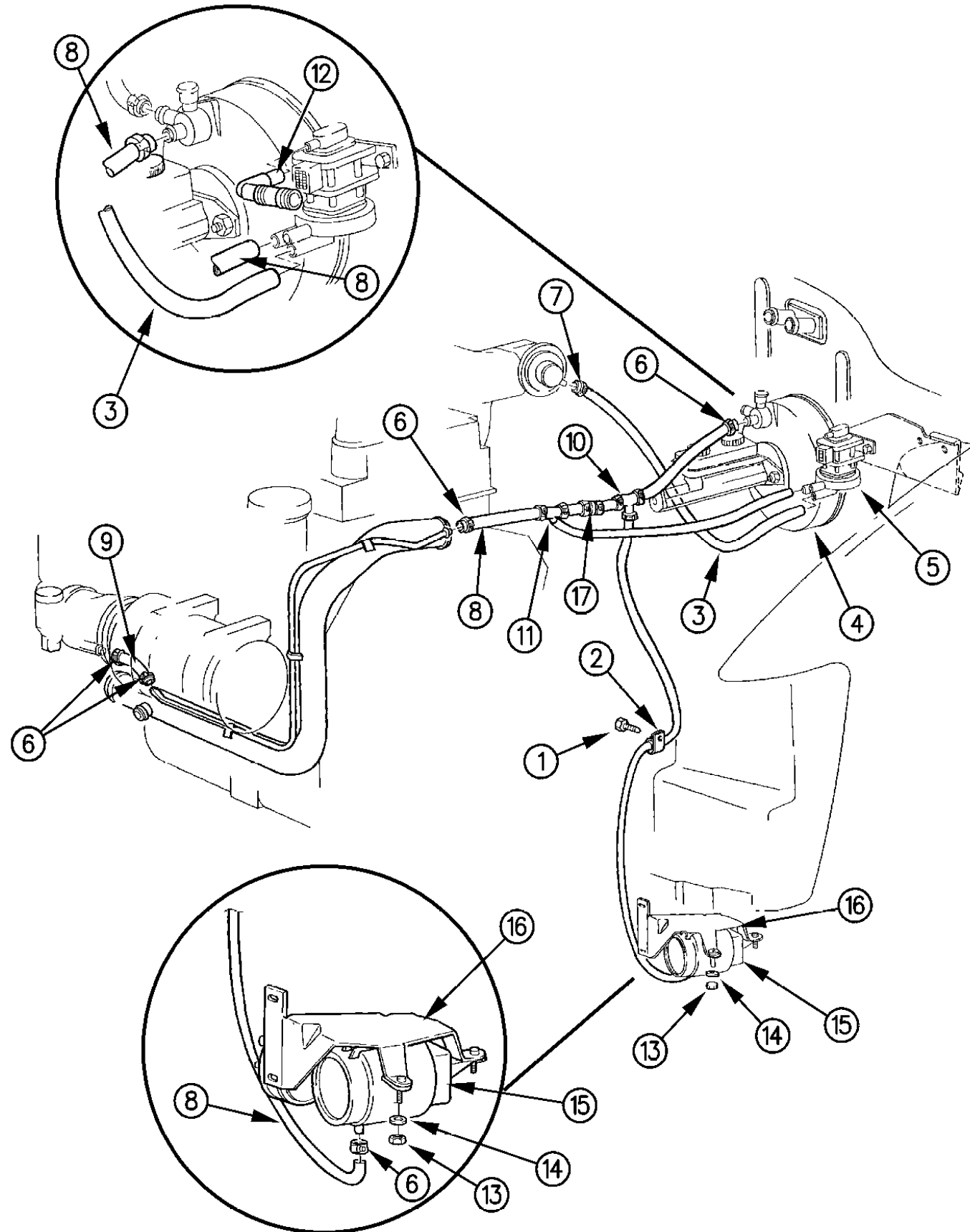
**BODY STYLES:**

21=2-Door Coupe      41=4-Door Sedan      12-52=FWD & AWD Van & Wgn Std W.B.  
24=2-Door Hatchback      44=4-Door Hatchback      53=FWD & AWD Van & Wgn Ext. W.B.  
27=2-Door Convertible

AR = Use as Required - = Non Illustrated Part P.A.R. = Paint as Required

VACUUM SYSTEM 2.5L DIESEL ENGINE S BODY  
Figure 5-1050

93105 1050



ITEM	PART NUMBER	QTY	BODY	MODEL	DESCRIPTION
1		AR			SCREW, (Not Serviced)
2	4470 400	1			BRACKET, Pressure and Return Vacuum Hose to Battery Tray
3	4026 511	AR			HOSE, Vacuum to EGR (50 Ft. Roll)
4	4509 281	1			BOOSTER, Brake
5	4686 063	1			MODULATOR, EGR
6	2448 761	AR			CLAMP
7	4641 085	AR			CLAMP, Vacuum Hose to EGR Valve
8	4443 176	AR			HOSE, Vacuum to Booster (25 Ft. Roll)
	3879 277	AR			HOSE, Brake Vacuum (25 Ft. Roll)
	4495 664	1			SLEEVE, Braided Hose Vac Pump Hose to Tee (279.4 +6.35)
	4546 593	1			(533.4 + 12.7)
		8			CLAMP, Brake Booster Vacuum Hose (Not Serviced)
	4443 176	AR			HOSE, Vacuum Pump (25 Ft. Roll)
	4683 463	1			CONNECTOR, Vacuum Pump Inlet
9	4428 265	1			HOSE, Vacuum Pump to Tube
10	4275 638	1			TEE, Brake Vacuum
11	4683 477	1			CONNECTOR, Brake Vacuum to EGR
12	4612 419	1			FILTER, Modulator
13	6100 015	3			NUT, Lock
14	4633 465	1			WASHER, Vacuum Pump
15	4683 444	1			PUMP, Vacuum
16	4683 464	1			BRACKET, Vacuum Pump Mount
17	4536 027	1			VALVE, Check

MODEL CODES:

A BODY=(C=LeBaron, D=Spirit, P=Acclaim/LaBaron(Landau),  
Saratoga)  
C BODY=(D=Dynasty, C=New Yorker/N.Y. Salon)  
G BODY=(V=Daytona/IROC, Chrysler Daytona)  
J BODY=(C=LeBaron, Chrysler LeBaron)  
P BODY=(P=Sundance, D=Shadow)

S BODY=(H=Voyager(H) FWD, K=Caravan(H) FWD,  
Y=Town & Country(H) FWD, P=Voyager(K) AWD,  
D=Caravan(K) AWD, C=Town & Country(K) AWD)  
Y BODY=(C=Imperial/5th Avenue)  
E-S BODY=(K=Chrysler Voyager(H) FWD, D=Chrysler  
Voyager(K) AWD)

BODY STYLES:

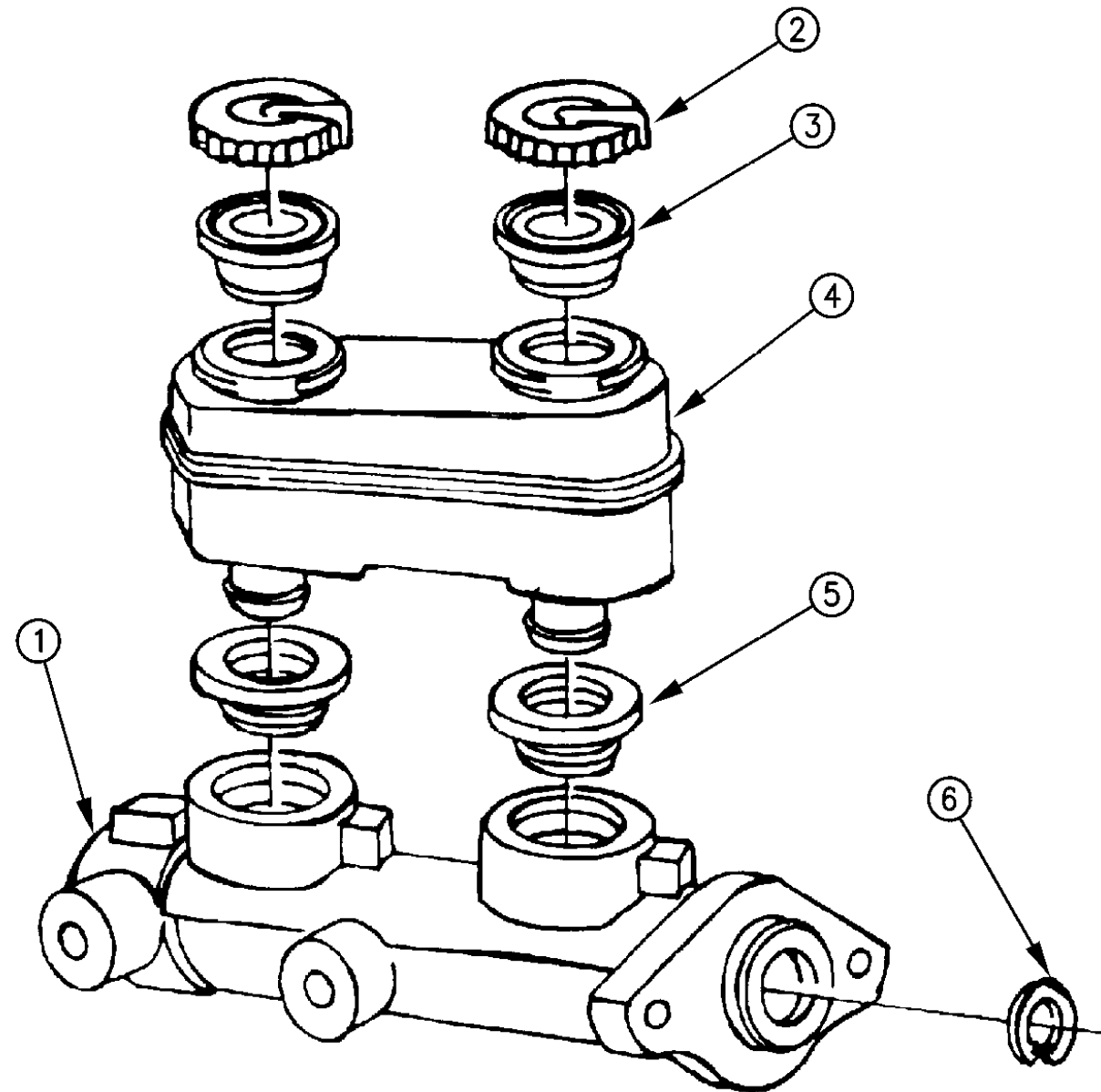
21=2-Door Coupe      41=4-Door Sedan      12-52=FWD & AWD Van & Wgn Std W.B.  
24=2-Door Hatchback      44=4-Door Hatchback      53=FWD & AWD Van & Wgn Ext. W.B.  
27=2-Door Convertible

AR = Use as Required - = Non Illustrated Part P.A.R. = Paint as Required



**MASTER CYLINDER ALL BODIES EXCEPT, C,Y,S W/ANTI-LOCK BRAKES**  
**Figure 5-1100**

93105 1100



**WITH POWER DISC BRAKES**

ITEM	PART NUMBER	QTY	BODY	MODEL	DESCRIPTION
1					MASTER CYLINDER, Complete
	4509 602	1	P		w/14" or 15" Wheels Disc/Drum
	4509 082	1	P,A,J		w/14" or 15" Wheels Disc/Disc w/ABS, w/o Fluid Window
	4485 301	1	A,G,J		w/14" or 15" Wheels, w/Fluid Window
	4509 082	1	A,G,J		w/14" or 15" Wheels, w/o Fluid Window
	4485 299	1	A,G,J		w/4 Wheel Disc Brakes, w/Fluid Window, w/15" or 16" Wheels
	4294 946	1	A,G,J		w/4 Wheel Disc Brakes, w/o Fluid Window, w/15" or 16" Wheels
	4294 946	1	C,Y		
	4485 299	1	S		w/Fluid Window
	4294 946	1	S		w/o Fluid Window
2	5204 056	2			CAP, Master Cylinder Reservoir
3	5204 057	2			DIAPHRAGM, Master Cylinder Reservoir
4					RESERVOIR, Master Cylinder
	3766 498	1	P		
	4485 302	1	A,G,J		w/14" or 15" Wheels, w/Fluid Window
	4509 091	1	A,G,J		w/14" or 15" Wheels, w/o Fluid Window
	4294 032	1	A,G,J		w/4 Wheel Disc Brakes, w/Fluid Window, w/15" or 16" Wheels
	4294 045	1	A,G,J,		w/4 Wheel Disc Brakes, w/o Fluid Window, w/15" or 16" Wheels
	4294 045	1	C,Y		
	4294 032	1	S		w/Fluid Window
	4294 045	1	S		w/o Fluid Window
5	5204 149	2			GROMMET, Reservoir Mounting
6					STOP, Master Cylinder Primary Piston
	6101 181	1	P		
	6031 134	1	A,G,J		
					NOTE: BRD is 14" Four Wheel Disc. ***
					BRE is 15" Four Wheel Disc. ***

**MODEL CODES:**

A BODY=(C=LeBaron, D=Spirit, P=Acclaim/LaBaron(Landau), Saratoga)  
 C BODY=(D=Dynasty, C=New Yorker/N.Y. Salon)  
 G BODY=(V=Daytona/IROC, Chrysler Daytona)  
 J BODY=(C=LeBaron, Chrysler LeBaron)  
 P BODY=(P=Sundance, D=Shadow)

S BODY=(H=Voyager(H) FWD, K=Caravan(H) FWD, Y=Town & Country(H) FWD, P=Voyager(K) AWD, D=Caravan(K) AWD, C=Town & Country(K) AWD)  
 Y BODY=(C=Imperial/5th Avenue)  
 E-S BODY=(K=Chrysler Voyager(H) FWD, D=Chrysler Voyager(K) AWD)

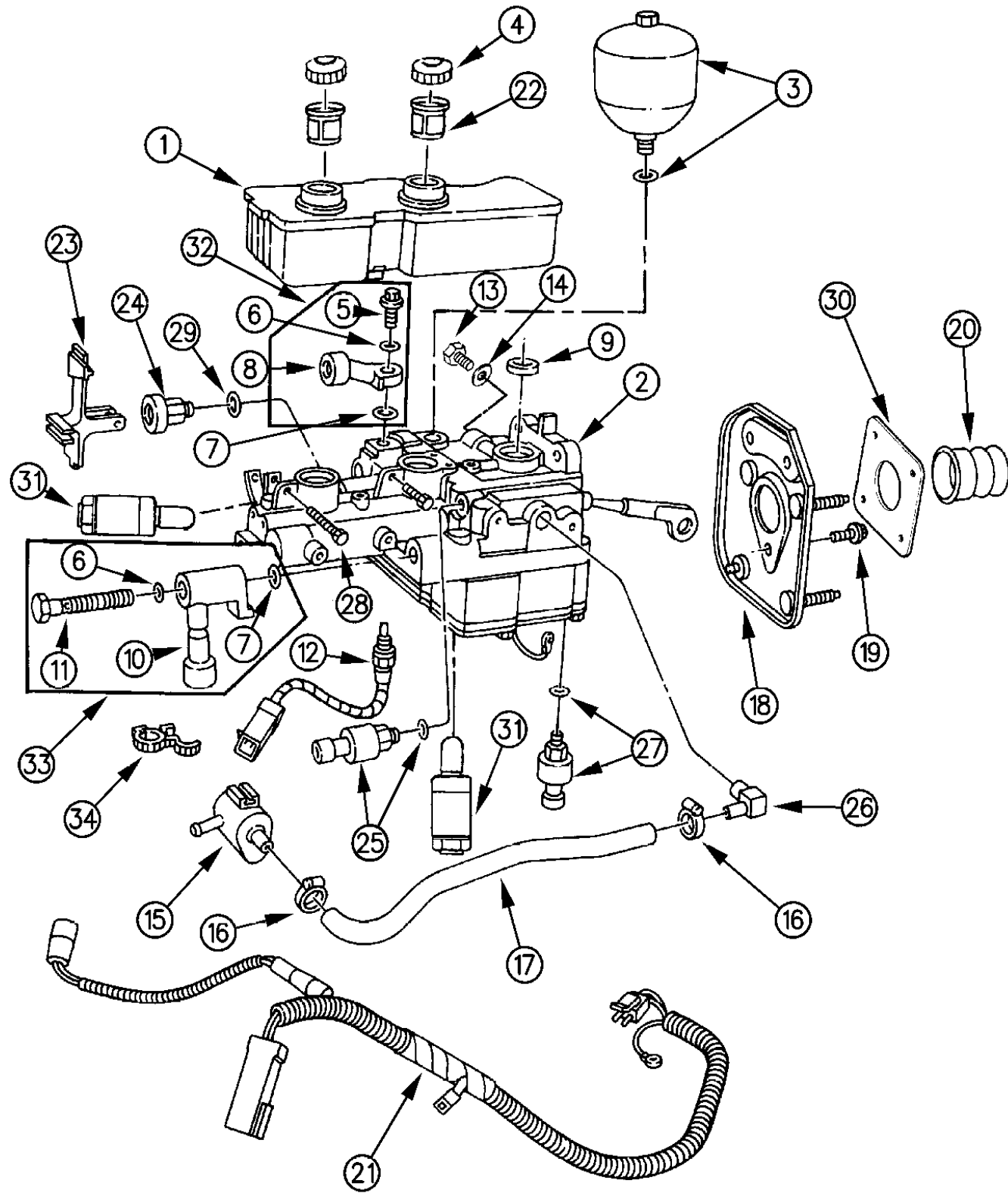
**BODY STYLES:**

21=2-Door Coupe      41=4-Door Sedan      12-52=FWD & AWD Van & Wgn Std W.B.  
 24=2-Door Hatchback      44=4-Door Hatchback      53=FWD & AWD Van & Wgn Ext. W.B.  
 27=2-Door Convertible

AR = Use as Required - = Non Illustrated Part P.A.R. = Paint as Required

**MASTER CYLINDER W/ANTI-LOCK BRAKES C,Y BODY**  
**Figure 5-1200**

93105 1200



ITEM	PART NUMBER	QTY	BODY	MODEL	DESCRIPTION
1	4713 319	1			RESERVOIR PACKAGE, Brake ***
2	4683 633	1			HYDRAULIC ASSEMBLY, Brake
	R468 3633	1			(Remanufactured)
3	4485 604	1			HYDRAULIC ACCUMULATOR ***
4	4485 639	2			CAP, Reservoir
5	4485 613	1			SCREW
6	4509 241	AR			O-RING
7	4485 616	AR			O-RING
8	4683 012	1			FITTING
9	4485 608	3			SEAL
10	4485 614	1			FITTING
11	4485 615	1			SCREW
12	4509 003	1			SWITCH, Differential Pressure
	4485 632	1			Dual Function Pressure
13	4683 013	1			PLUG, Hex Head
14	4683 014	1			O-RING, Plug
15	4485 606	1			FILTER
16	3683 823	2			CLAMP
17	4485 611	1			HOSE
18	4485 618	1			BRACKET
19	4485 619	3			BOLT
20	4485 620	1			BOOT
21	4485 605	1			HARNESS, Wire (Includes Low Fluid Warning Switch) ***
22	4485 575	2			FILTER, Reservoir
23	4485 908	1			BRACKET
24	4485 638	1			ADAPTER
25	4485 633	1			TRANSDUCER, Pressure Primary ***
26	4485 610	1			FITTING
27	4485 633	1			TRANSDUCER, Boost ***
	4485 632	1			SWITCH, Dual Function Pressure
28	4485 974	1			PIN PACKAGE (Also Serviced in Item #1) ***
29	4485 638	1			O-RING
30	4485 527	1			GASKET
31	4485 750	2			VALVE, Proportioning
32	4485 975	1			SERVICE PACKAGE, High Pressure, Banjo, Contains: Fitting, Screw, O-Rings ***
33	4485 976	1			SERVICE PACKAGE, Left Front Tube, Banjo, Contains: Fitting, Screw, O-Rings ***
34	6015 756	1			STRAP, Wire Harness Tie

**MODEL CODES:**

A BODY=(C=LeBaron, D=Spirit, P=Acclaim/LaBaron(Landau), Saratoga)  
 C BODY=(D=Dynasty, C=New Yorker/N.Y. Salon)  
 G BODY=(V=Daytona/IROC, Chrysler Daytona)  
 J BODY=(C=LeBaron, Chrysler LeBaron)  
 P BODY=(P=Sundance, D=Shadow)

S BODY=(H=Voyager(H) FWD, K=Caravan(H) FWD, Y=Town & Country(H) FWD, P=Voyager(K) AWD, D=Caravan(K) AWD, C=Town & Country(K) AWD)  
 Y BODY=(C=Imperial/5th Avenue)  
 E-S BODY=(K=Chrysler Voyager(H) FWD, D=Chrysler Voyager(K) AWD)

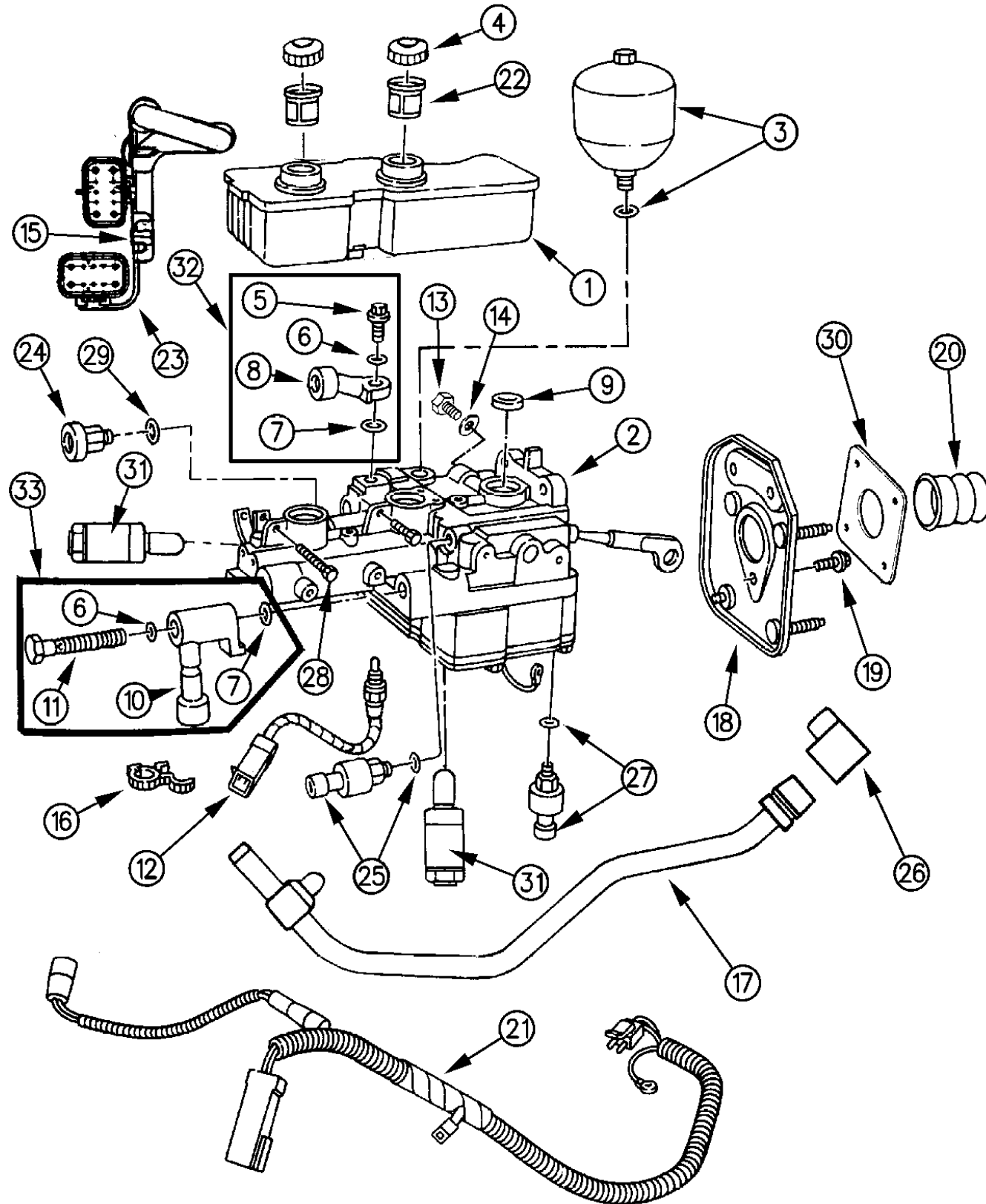
**BODY STYLES:**

21=2-Door Coupe      41=4-Door Sedan      12-52=FWD & AWD Van & Wgn Std W.B.  
 24=2-Door Hatchback      44=4-Door Hatchback      53=FWD & AWD Van & Wgn Ext. W.B.  
 27=2-Door Convertible

AR = Use as Required - = Non Illustrated Part P.A.R. = Paint as Required

**MASTER CYLINDER W/ANTI-LOCK BRAKES S BODY**  
**Figure 5-1300**

93105 1300



ITEM	PART NUMBER	QTY	BODY	MODEL	DESCRIPTION
1	4713 321	1			RESERVOIR PACKAGE, ABS Hydraulic Brake System Contains: Reservoir and #4,9,22 & 28. ***
2					HYDRAULIC ASSEMBLY, Brake FWD
	4683 474	1			Short Wheelbase
	R468 3474	1			Short Wheelbase- (Remanufactured)
	4683 398	1			Long Wheelbase
	R468 3398	1			Long Wheelbase- (Remanufactured)
					AWD
	4683 522	1			Short Wheelbase
	R468 3522	1			Short Wheelbase- (Remanufactured)
	4683 555	1			Long Wheelbase
	R468 3555	1			Long Wheelbase- (Remanufactured)
	4740 086	1			PISTON PACKAGE, Repair *** CONSIST OF: 1-ACTUATOR PISTON ASSEMBLY, Primary 1-ACTUATOR PISTON ASSEMBLY, Secondary 1-RETAINING RING, Primary Piston to Actuator 1-GASKET, HCU Mt. 1-CLIP, HCU Push Rod Pin 1-Instruction Sheet
3	4485 604	1			ACCUMULATOR PACKAGE ***
4	4485 639	2			CAP, Reservoir
5	4485 613	1			SCREW (Also Available in Service Package) ***
6	4509 241	AR			O-RING (Also Available in Service Package) ***
7	4485 616	AR			O-RING (Also Available in Service Package) ***
8	4683 012	1			FITTING (Also Available in Service Package) ***
9	4485 608	3			SEAL
10	4485 614	1			FITTING (Also Available in Service Package) ***
11	4485 615	1			SCREW
12	4509 003	1			SWITCH, Differential Pressure
13	4683 013	1			PLUG, Hex Head
14	4683 014	1			O-RING, Plug
15	4423 800	1			RIVET
16	6015 756	1			STRAP, Wire Harness Tie
17	4683 016	1			TUBE ASSEMBLY, Low Pressure Hose ***
-	4509 287	1			FILTER, Low Pressure Hose
18	4485 618	1			BRACKET
19	4485 619	3			BOLT

**MODEL CODES:**

A BODY=(C=LeBaron, D=Spirit, P=Acclaim/LaBaron(Landau),  
Saratoga)

C BODY=(D=Dynasty, C=New Yorker/N.Y. Salon)

G BODY=(V=Daytona/ROC, Chrysler Daytona)

J BODY=(C=LeBaron, Chrysler LeBaron)

P BODY=(P=Sundance, D=Shadow)

S BODY=(H=Voyager(H) FWD, K=Caravan(H) FWD,

Y=Town & Country(H) FWD, P=Voyager(K) AWD,

D=Caravan(K) AWD, C=Town & Country(K) AWD)

Y BODY=(C=Imperial/5th Avenue)

E-S BODY=(K=Chrysler Voyager(H) FWD, D=Chrysler

Voyager(K) AWD)

**BODY STYLES:**

21=2-Door Coupe

41=4-Door Sedan

12-52=FWD & AWD Van & Wgn Std W.B.

24=2-Door Hatchback

44=4-Door Hatchback

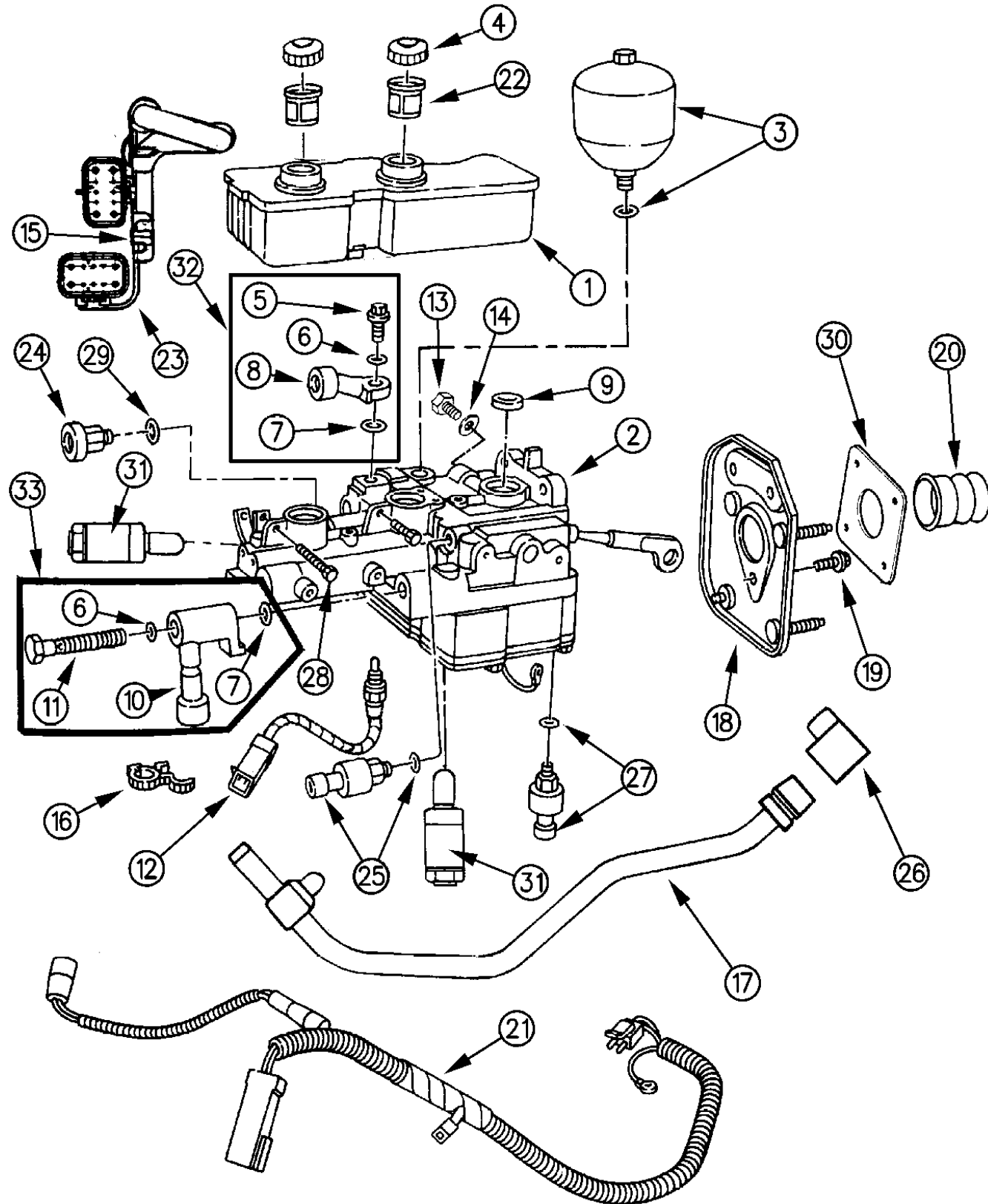
53=FWD & AWD Van & Wgn Ext. W.B.

27=2-Door Convertible

AR = Use as Required - = Non Illustrated Part P.A.R. = Paint as Required

**MASTER CYLINDER W/ANTI-LOCK BRAKES S BODY**  
**Figure 5-1300**

93105 1300



ITEM	PART NUMBER	QTY	BODY	MODEL	DESCRIPTION
20	4485 620	1			BOOT
21	4485 605	1			HARNESH, Wire (Includes Low Fluid Warning Switch) ***
22	4485 575	2			FILTER, Reservoir
23	4509 267	1			BRACKET, Connector And Filter
24	4485 638	1			ADAPTER
25	4485 633	1			TRANSDUCER, Pressure, Primary ***
26	4509 293	1			FITTING
27	4485 633	1			TRANSDUCER, Pressure Boost ***
	4485 632	1			SWITCH, Dual Function Pressure
28	4485 974	1			PIN PACKAGE, Reservoir (Also Serviced in Item No.1)
29	4485 638	1			O-RING
30	4485 527	1			GASKET
31					VALVE, Proportioning
					FWD
	4485 678	2			Short Wheelbase
	4509 187	2			Long Wheelbase
					AWD
	4509 239	2			Short Wheelbase
	4509 322	2			Long Wheelbase
-	4423 806	1			SERVICE PACKAGE, 10-Way Connector Bracket Contains: #15, an Anchor and an I Sheet. ***
32	4485 975	1			SERVICE PACKAGE, Banjo Contains: #5,6,7 & 8. ***
33	4485 976	1			SERVICE PACKAGE, Banjo, Contains: #6,7,10 & 11. ***

**MODEL CODES:**

A BODY=(C=LeBaron, D=Spirit, P=Acclaim/LaBaron(Landau), Saratoga)      S BODY=(H=Voyager(H) FWD, K=Caravan(H) FWD, Y=Town & Country(H) FWD, P=Voyager(K) AWD, D=Caravan(K) AWD, C=Town & Country(K) AWD)  
 C BODY=(D=Dynasty, C=New Yorker/N.Y. Salon)      Y BODY=(C=Imperial/5th Avenue)  
 G BODY=(V=Daytona/ROC, Chrysler Daytona)      E-S BODY=(K=Chrysler Voyager(H) FWD, D=Chrysler Voyager(K) AWD)  
 J BODY=(C=LeBaron, Chrysler LeBaron)  
 P BODY=(P=Sundance, D=Shadow)

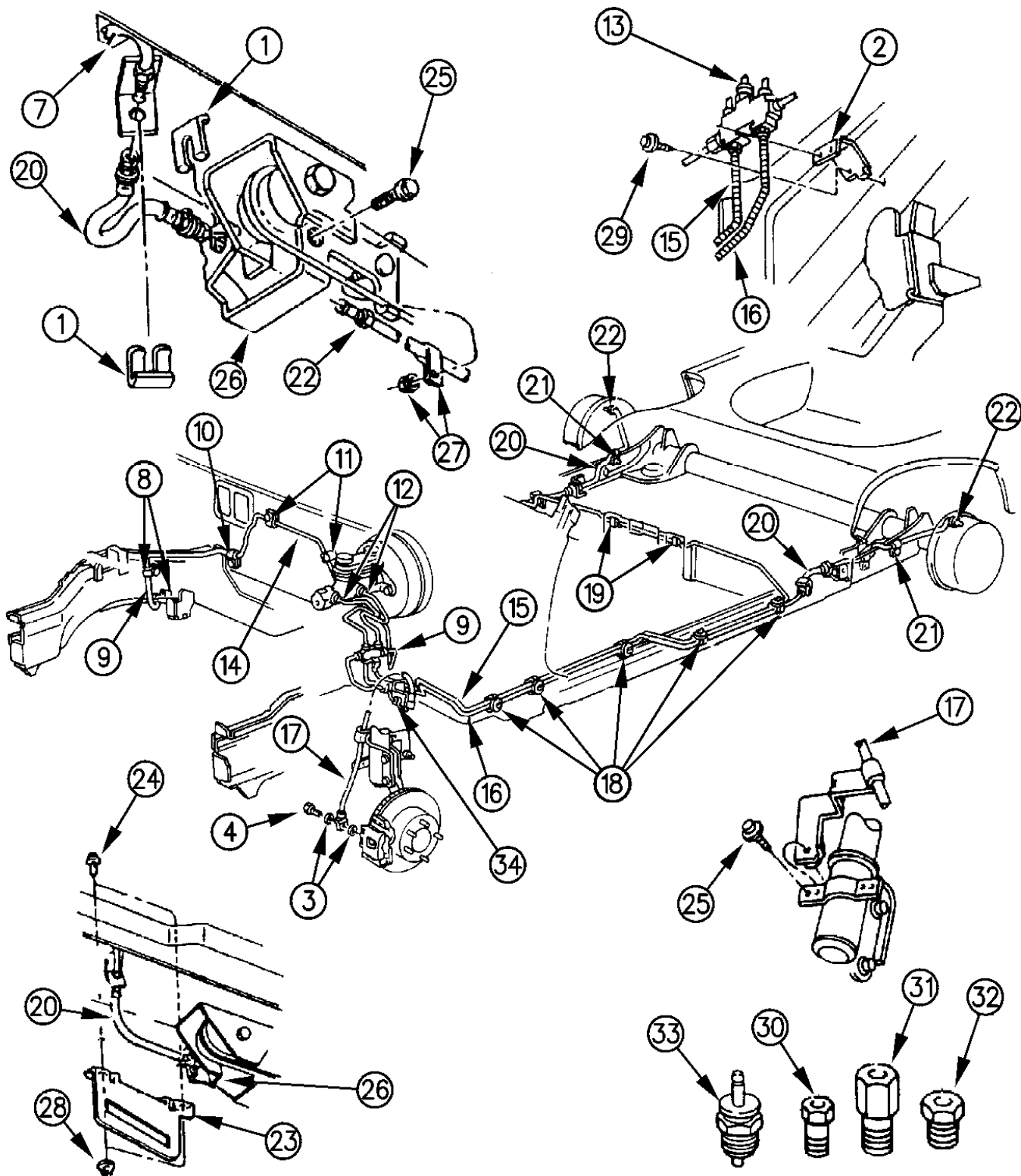
**BODY STYLES:**

21=2-Door Coupe      41=4-Door Sedan      12-52=FWD & AWD Van & Wgn Std W.B.  
 24=2-Door Hatchback      44=4-Door Hatchback      53=FWD & AWD Van & Wgn Ext. W.B.  
 27=2-Door Convertible

AR = Use as Required - = Non Illustrated Part P.A.R. = Paint as Required

**LINES AND HOSES, BRAKE P BODY W/O ANTI-LOCK BRAKES**  
**Figure 5-1400**

93105 1400



ITEM	PART NUMBER	QTY	BODY	MODEL	DESCRIPTION
1	2208 893	6			LOCK, Front and Rear Brake Hose
2	4238 626	1			BRACKET, Brake Valve Mounting
3	6030 084	AR			GASKET, Brake Hose
4	6030 230	AR			BOLT
7	1843 251	AR			TUBE, Rear Susp. Arm Brake
8					CLIP, (Not Serv.) SCREW, (Not Serv.)
9	1843 251	AR			TUBE, Valve Sw. to Hose, Rt.
10					CLIP, (Not Serv.) SCREW, (Not Serv.)
11					CLIP, (Not Serv.) SCREW, (Not Serv.)
12	1843 251	AR			TUBE, Master Cyl. to Brake Valve
13	4485 829	1			VALVE ASSEMBLY, Brake Diff., w/Proportioning, w/Frt. Disc Brakes, Rear Drum ***
14	1843 251	AR			TUBE, Valve Sw. to Frt. Hose, Lt.
15	1843 251	1			TUBE, Valve Sw. to Rear Hose, Lt.
16	1843 251	AR			TUBE, Valve Sw. to Rear Hose, Rt.
17	4509 354-5	1			HOSE, Front Wheel Brake
18	3766 495	5			CLIP
19					CLIP, (Not Serv.)
20	4383 850	2			HOSE, Rear Wheel Brake
21	4313 848	2			CLIP
	6500 274	4			NUT
22	1843 251	AR			TUBE, Rear Susp. Arm Brake
23	4383 691	1			SHIELD, Rear Wheel Brake Hose Heat
24					SCREW and WASHER, (Not Serv.)
25	6100 557	2			SCREW and WASHER
26	4383 954-5	1			BRACKET, Rear Wheel Brake Hose
27	4313 848	4			CLIP
	6500 274	4			NUT
28	0219 462	2			NUT
29	0152 939	1			SCREW
30	6029 113	AR			NUT
31	6034 880	AR			NUT
32	6031 714	AR			NUT
33					SWITCH, Brake System Indicator Lamp (Serv. in Valve Assy.)
34	5256 096-7	1			BRACKET, Front Side Rail Brake Tube
-	6501 734	2			SCREW, Bracket Attaching

**MODEL CODES:**

A BODY=(C=LeBaron, D=Spirit, P=Acclaim/LaBaron(Landau), Saratoga)

C BODY=(D=Dynasty, C=New Yorker/N.Y. Salon)

G BODY=(V=Daytona/IROC, Chrysler Daytona)

J BODY=(C=LeBaron, Chrysler LeBaron)

P BODY=(P=Sundance, D=Shadow)

S BODY=(H=Voyager(H) FWD, K=Caravan(H) FWD,

Y=Town & Country(H) FWD, P=Voyager(K) AWD,

D=Caravan(K) AWD, C=Town & Country(K) AWD)

Y BODY=(C=Imperial/5th Avenue)

E-S BODY=(K=Chrysler Voyager(H) FWD, D=Chrysler

Voyager(K) AWD)

**BODY STYLES:**

21=2-Door Coupe

41=4-Door Sedan

12-52=FWD & AWD Van & Wgn Std W.B.

24=2-Door Hatchback

44=4-Door Hatchback

53=FWD & AWD Van & Wgn Ext. W.B.

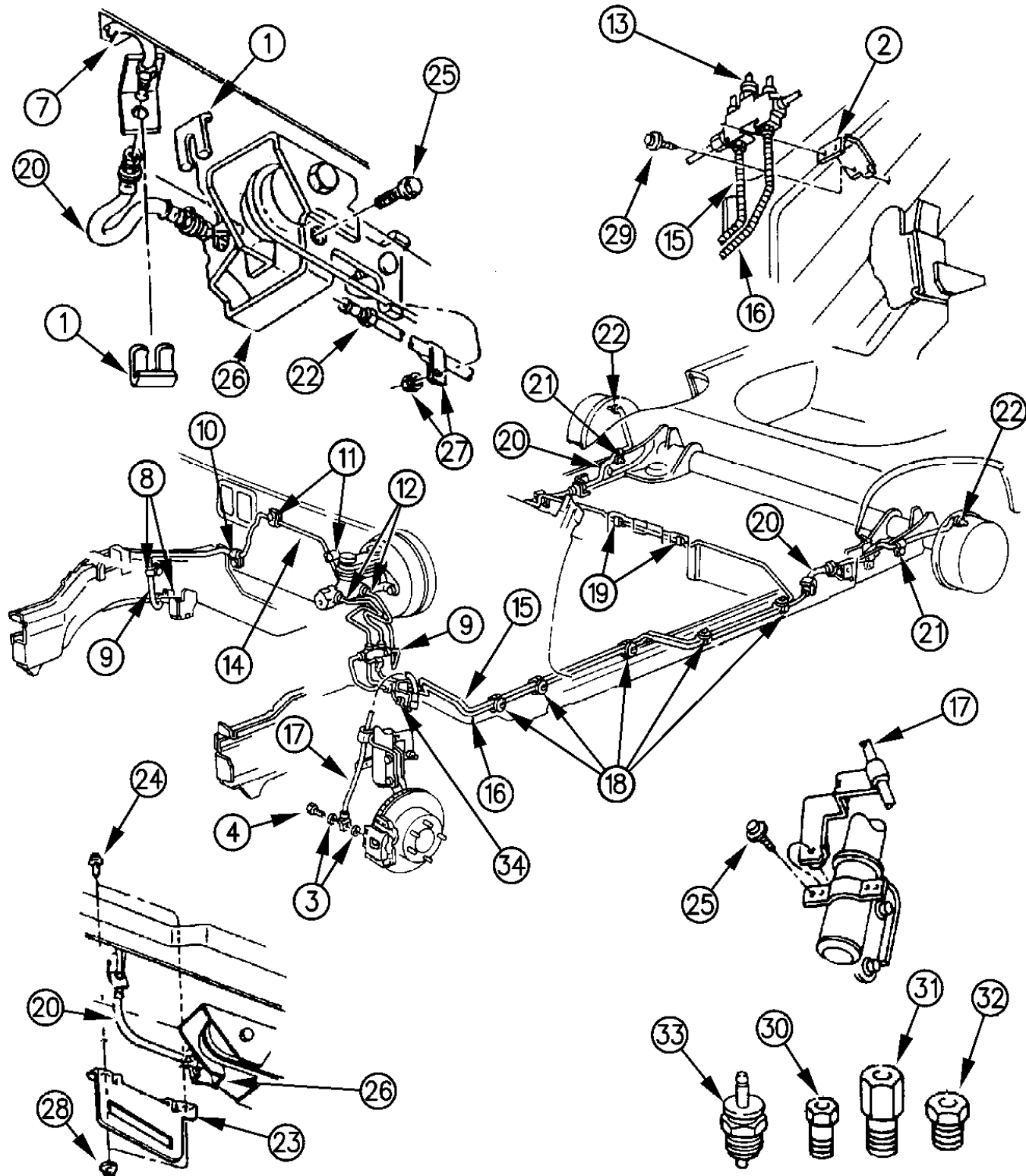
27=2-Door Convertible

AR = Use as Required - = Non Illustrated Part P.A.R. = Paint as Required

LINES AND HOSES, BRAKE P BODY W/O ANTI-LOCK BRAKES  
Figure 5-1400

93105 1400

ITEM	PART NUMBER	QTY	BODY	MODEL	DESCRIPTION
-	6502 737	2			NUT
	6034 881	AR			NUT, Inverted Flare Tube



MODEL CODES:

A BODY=(C=LeBaron, D=Spirit, P=Acclaim/LaBaron(Landau), Saratoga) S BODY=(H=Voyager(H) FWD, K=Caravan(H) FWD, Y=Town & Country(H) FWD, P=Voyager(K) AWD, D=Caravan(K) AWD, C=Town & Country(K) AWD)  
 C BODY=(D=Dynasty, C=New Yorker/N.Y. Salon) Y BODY=(C=Imperial/5th Avenue)  
 G BODY=(V=Daytona/IROC, Chrysler Daytona) E-S BODY=(K=Chrysler Voyager(H) FWD, D=Chrysler Voyager(K) AWD)  
 J BODY=(C=LeBaron, Chrysler LeBaron) P BODY=(P=Sundance, D=Shadow)

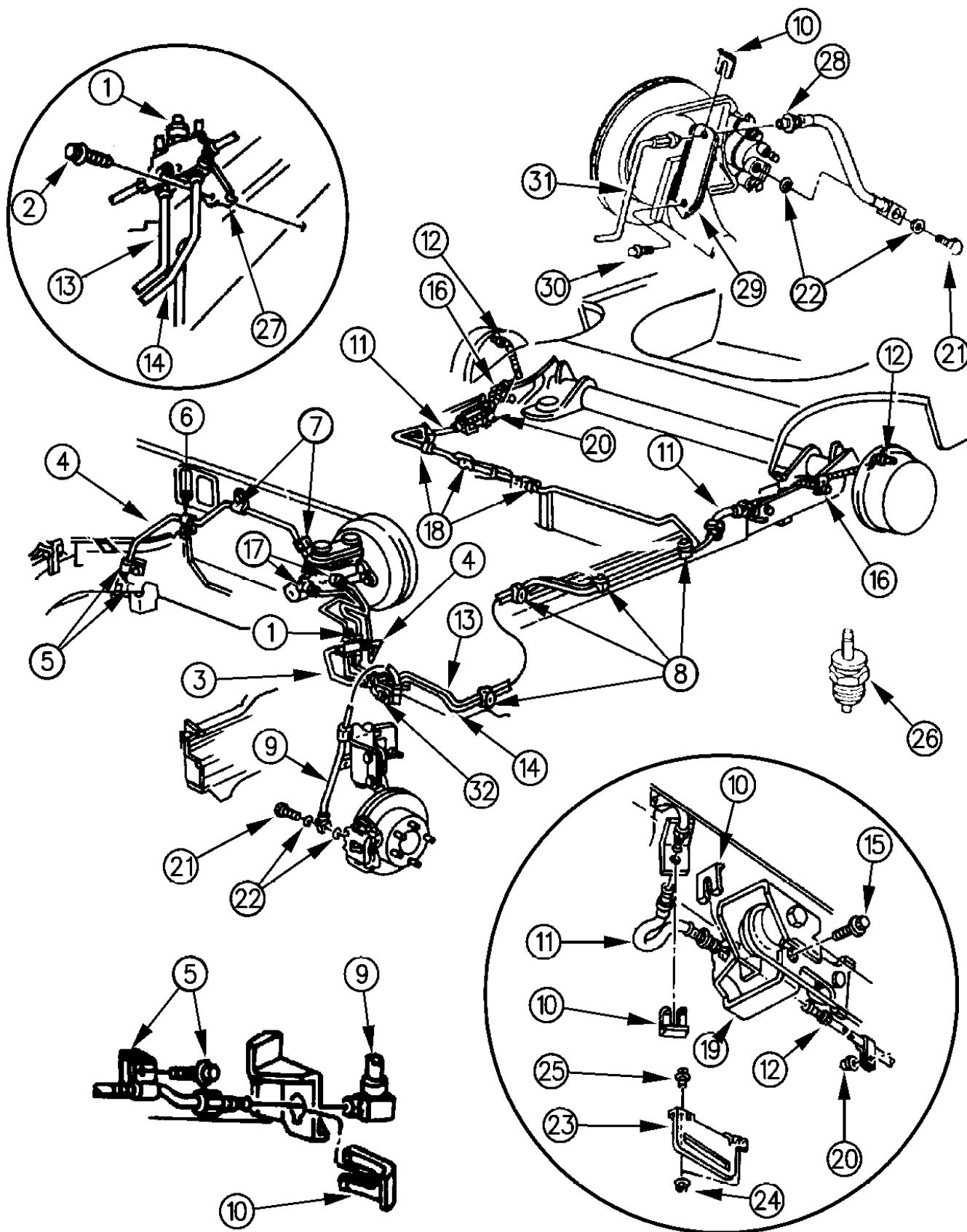
BODY STYLES:

21=2-Door Coupe 41=4-Door Sedan 12-52=FWD & AWD Van & Wgn Std W.B.  
 24=2-Door Hatchback 44=4-Door Hatchback 53=FWD & AWD Van & Wgn Ext. W.B.  
 27=2-Door Convertible

AR = Use as Required - = Non Illustrated Part P.A.R. = Paint as Required

LINES AND HOSES, BRAKE W/O ANTI-LOCK BRAKES A BODY  
Figure 5-1500

93105 1500



ITEM	PART NUMBER	QTY	BODY	MODEL	DESCRIPTION
1	4485 829	1			VALVE ASSEMBLY, Brake Diff., w/Proportioning ***
2	0152 939				SCREW
3	1843 251	1			TUBE, Valve Sw. to Frt. Hose, Lt.
4	1843 251	1			TUBE, Valve Sw. to Hose, Rt.
5					CLIP, (Not Serv.)
6					SCREW, (Not Serv.)
7					CLIP, (Not Serv.)
8	3766 495	5			CLIP
9	4509 354-5	1			HOSE, Front Wheel Brake
10	2208 893	6			LOCK
11	4383 850	2			HOSE, Rear Wheel Brake
12	1843 251				TUBE, Rear Susp. Arm Brake
13	1843 251				TUBE, Valve to Rear Hose, Lt.
14	1843 251				TUBE, Valve to Rear Hose, Rt.
15	6100 557	2			SCREW and WASHER
16	4313 848	4			CLIP
17	6500 274	4			NUT
18	1843 251				TUBE, Master Cyl. to Brake Valve
19	4383 954-5	1			CLIP, (Not Serv.)
20	4313 848	2			BRACKET, Rear Wheel Brake Hose
21	6030 230	2			CLIP
22	6030 084	4			NUT
23	4383 691	1			BOLT
24	0219 462	2			GASKET
25					SHIELD, Heat, Rear Wheel Brake Hose
26					NUT
27					SCREW and WASHER, (Not Serv.)
28					SWITCH, Brake System Indicator Lamp (Serv. in Valve Assy.)
29	4238 626	1			BRACKET, Brake Valve Mtg.
30	4383 708	2			HOSE, Rear Wheel Disc Brake
31	4423 412-3	1			BRACKET, Rear Wheel Disc Brake Hose
32	1843 251	AR			SCREW, (Not Serv.)
-	5256 096-7	1			TUBE, Rear Susp. Arm Brake
-	6501 734	2			BRACKET, Front Side Rail Brake Tube
-	6502 737	2			SCREW, Bracket Attaching
					NUT

MODEL CODES:

A BODY=(C=LeBaron, D=Spirit, P=Acclaim/LaBaron(Landau), Saratoga)

C BODY=(D=Dynasty, C=New Yorker/N.Y. Salon)

G BODY=(V=Daytona/IROC, Chrysler Daytona)

J BODY=(C=LeBaron, Chrysler LeBaron)

P BODY=(P=Sundance, D=Shadow)

S BODY=(H=Voyager(H) FWD, K=Caravan(H) FWD,

Y=Town & Country(H) FWD, P=Voyager(K) AWD,

D=Caravan(K) AWD, C=Town & Country(K) AWD)

Y BODY=(C=Imperial/5th Avenue)

E-S BODY=(K=Chrysler Voyager(H) FWD, D=Chrysler

Voyager(K) AWD)

BODY STYLES:

21=2-Door Coupe

41=4-Door Sedan

12-52=FWD & AWD Van & Wgn Std W.B.

24=2-Door Hatchback

44=4-Door Hatchback

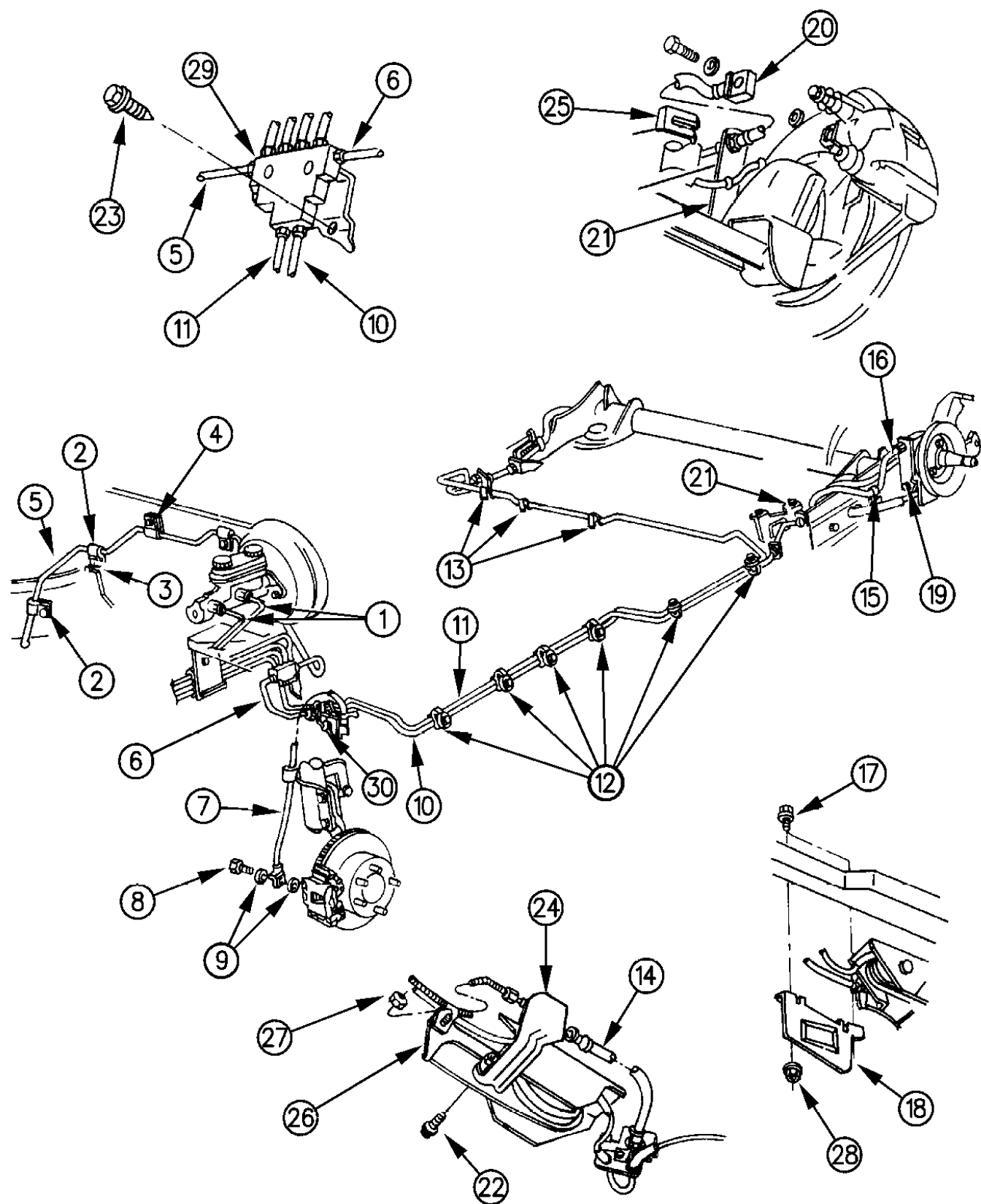
53=FWD & AWD Van & Wgn Ext. W.B.

27=2-Door Convertible

AR = Use as Required - = Non Illustrated Part P.A.R. = Paint as Required

**LINE AND HOSES, BRAKE W/ANTI-LOCK BRAKES P,A,J,G BODIES**  
**Figure 5-1600**

93105 1600



ITEM	PART NUMBER	QTY	BODY	MODEL	DESCRIPTION
1					TUBE, Master Cylinder to Brake Valve
	1843 251	AR			PRIMARY
	6034 880	1			NUT, Tube to Master Cylinder
	6502 286	1			NUT, Tube to Hydraulic Unit
	1843 251	AR			SECONDARY
	6034 880	1			NUT, Tube to Master Cylinder
	6502 288	1			NUT, Tube to Hydraulic Unit
2	2207 919	AR			CLIP, Front Tube
3					SCREW, Not Serviced
4	6031 573	2			CLIP, Front Tube
5	1843 251	AR			TUBE, Valve to Front Hose, Rt.
	3879 283	AR			COVER
	6034 881	1			NUT, Tube to Valve
	6034 880	1			NUT, Tube to Hose
6	1843 251	AR			TUBE, Valve to Front Hose, Lt.
	3879 283	AR			COVER
	6034 880	1			NUT, Tube to Hose
	6034 880	1			NUT, Tube to Valve
7	4423 446-7	1			HOSE, Front Wheel Brake (w/Bracket, Speed Sensor)
8	6030 230	4			BOLT
9	6030 084	8			GASKET
10	1843 251	AR			TUBE, Valve to Rear Hose, Rt.
	3879 283	AR			COVER
	6034 880	1			NUT, Tube to Hose
	6034 880	1			NUT, Tube to Valve
11	1843 251	AR			TUBE, Valve to Rear Hose, Lt.
	3879 283	AR			COVER
	6034 880	1			NUT, Tube to Hose
	6034 881	1			NUT, Tube to Valve
12	3766 495	6			CLIP
13					CLIP, Not Serviced
14	4383 850	2			HOSE, Rear Wheel Brake
15	4313 848	2			CLIP
	6500 274	2			NUT
16	1843 251	AR			TUBE, Rear Suspension Arm Brk., Rt. or Lt.
	3879 283	AR			COVER
	6034 880	4			NUT
17					SCREW, Not Serviced
18	4383 691	1			SHIELD, Rear Wheel Brk. Hose, Heat

**MODEL CODES:**

A BODY=(C=LeBaron, D=Spirit, P=Acclaim/LaBaron(Landau), Saratoga) S BODY=(H=Voyager(H) FWD, K=Caravan(H) FWD, Y=Town & Country(H) FWD, P=Voyager(K) AWD, D=Caravan(K) AWD, C=Town & Country(K) AWD)  
 C BODY=(D=Dynasty, C=New Yorker/N.Y. Salon) Y BODY=(C=Imperial/5th Avenue)  
 G BODY=(V=Daytona/IROC, Chrysler Daytona) E-S BODY=(K=Chrysler Voyager(H) FWD, D=Chrysler Voyager(K) AWD)  
 J BODY=(C=LeBaron, Chrysler LeBaron) P BODY=(P=Sundance, D=Shadow)

**BODY STYLES:**

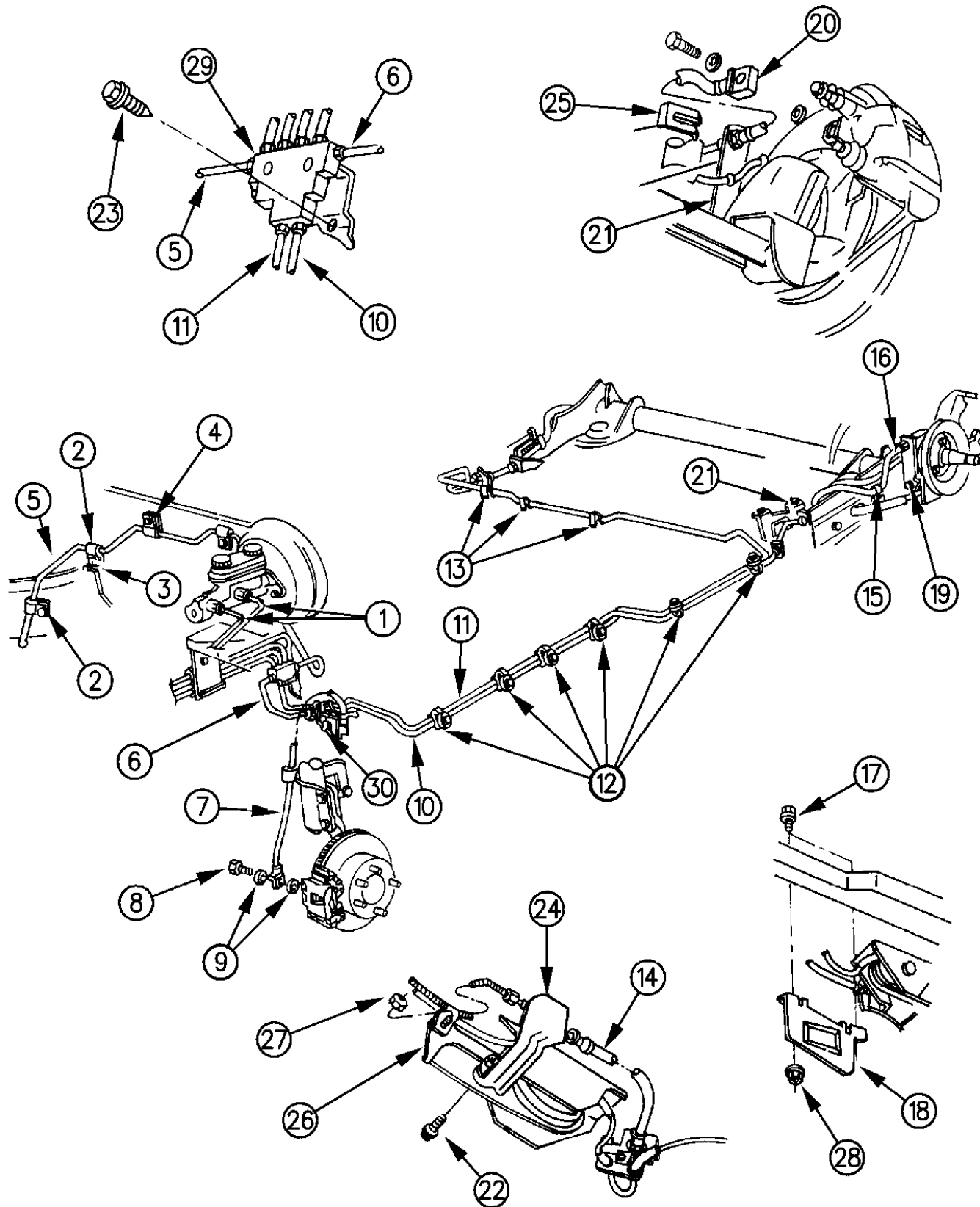
21=2-Door Coupe 41=4-Door Sedan 12-52=FWD & AWD Van & Wgn Std W.B.  
 24=2-Door Hatchback 44=4-Door Hatchback 53=FWD & AWD Van & Wgn Ext. W.B.  
 27=2-Door Convertible

AR = Use as Required - = Non Illustrated Part P.A.R. = Paint as Required



**LINES AND HOSES, BRAKE W/ANTI-LOCK BRAKES P,A,J,G BODIES**  
**Figure 5-1600**

93105 1600



ITEM	PART NUMBER	QTY	BODY	MODEL	DESCRIPTION
19	6100 153	2			BOLT, Rear Wheel Brake Hose Brkt.
20	4383 708	2			HOSE, Rear Wheel Disc
21	4423 412-3	1			BRACKET, Rear Wheel Disc Brk. Hose
22	6100 557	AR			SCREW
23					SCREW, Not Serviced
24	4383 954-5	1			BRACKET, Rear Wheel Brake Hose
25	2208 893	6			LOCK
26	4485 296	2			CLIP
27	6500 274	2			NUT
28					NUT, Not Serviced
29	4509 013	1			JUNCTION BLOCK ASSEMBLY ***
30	5256 096-7	1			BRACKET, Front Side Rail Brake Tube
-	6501 734	2			SCREW, Bracket Attaching
-	6502 737	2			NUT

**MODEL CODES:**

A BODY=(C=LeBaron, D=Spirit, P=Acclaim/LaBaron(Landau), Saratoga) S BODY=(H=Voyager(H) FWD, K=Caravan(H) FWD, Y=Town & Country(H) FWD, P=Voyager(K) AWD, D=Caravan(K) AWD, C=Town & Country(K) AWD)  
 C BODY=(D=Dynasty, C=New Yorker/N.Y. Salon) Y BODY=(C=Imperial/5th Avenue)  
 G BODY=(V=Daytona/IROC, Chrysler Daytona) E-S BODY=(K=Chrysler Voyager(H) FWD, D=Chrysler Voyager(K) AWD)  
 J BODY=(C=LeBaron, Chrysler LeBaron) P BODY=(P=Sundance, D=Shadow)

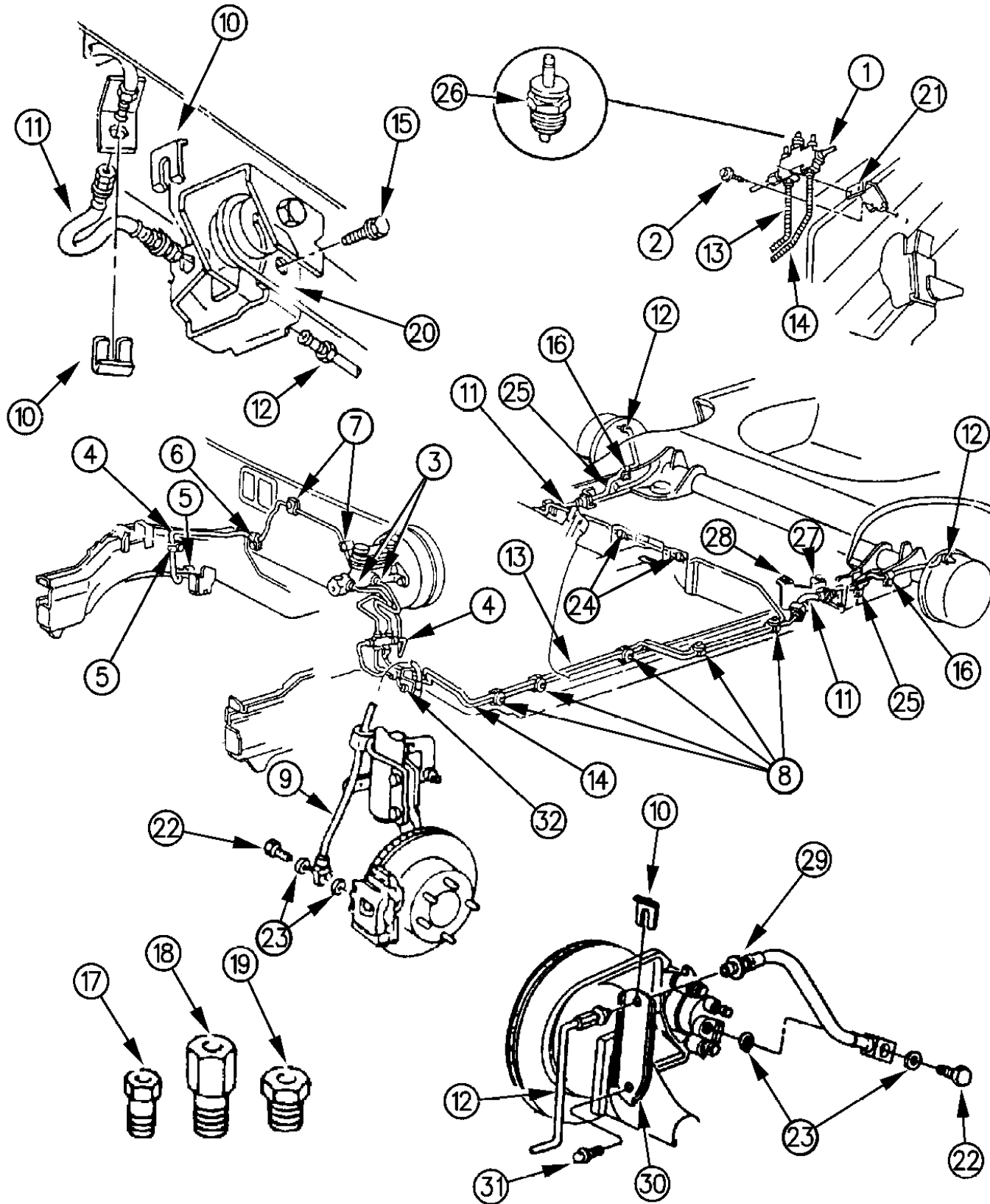
**BODY STYLES:**

21=2-Door Coupe      41=4-Door Sedan      12-52=FWD & AWD Van & Wgn Std W.B.  
 24=2-Door Hatchback      44=4-Door Hatchback      53=FWD & AWD Van & Wgn Ext. W.B.  
 27=2-Door Convertible

AR = Use as Required - = Non Illustrated Part P.A.R. = Paint as Required

**LINES AND HOSES, BRAKE W/O ANTI-LOCK BRAKES J,G BODY**  
**Figure 5-1700**

93105 1700



ITEM	PART NUMBER	QTY	BODY	MODEL	DESCRIPTION
1					VALVE ASSEMBLY, Brake Differential, With Proportioning, in Line ***
	4485 829	1			With 14" Wheels, Power Disc Front, Drum Rear, W/O Anti-Lock
	4485 829	1	J		With 15" Wheels, With 4 Wheel Disc Brake, Without Anti-Lock
	4509 896	1	G		With 15" Wheels, With 4 Wheel Front Disc Brake, Without Anti-Lock
2	0152 939	1			LOCK
3	1843 251	AR			SCREW
	3879 283	AR			TUBING, Brake 3/16" O.D., 25 Ft. Roll
4	1843 251	AR			COVER, 3/16" O.D., 25 Ft. Roll
5					TUBING, Brake 3/16" O.D., 25 Ft. Roll
6					CLIP and WASHER, (Not Serv.)
7					CLIP and SCREW, (Not Serv.)
8	3766 495	6			CLIP and SCREW, (Not Serv.)
9					CLIP
	4509 354-5	1			HOSE, Front Wheel Brake
	4423 446-7	1			w/o ABS
10	2208 893	6			w/ABS
11	4383 850	2			LOCK, Frt. and Rear Brake Hose
12	1843 251	AR			HOSE, Rear Wheel Brake
13	1843 251	AR			TUBING, Brake 3/16" O.D., 25 Ft. Roll
14	1843 251	AR			TUBING, Brake 3/16" O.D., 25 Ft. Roll
15	6100 557	2			TUBING, Brake 3/16" O.D., 25 Ft. Roll
16	4313 848	AR			SCREW and WASHER
17	6034 880	AR			CLIP
18	6500 274	AR			NUT
19	6031 714	AR			NUT
20	4423 290-1	1			NUT
21	4238 626	1			BRACKET, Rear Wheel Brake Hose
22	6030 230	2			BRACKET, Brake Valve Mtg.
23	6030 084	4			BOLT
24					GASKET, Brake Hose
25	4313 848	4			CLIP, (Not Serv.)
26		1			CLIP
27	4383 691	1			SWITCH, Brake System Indicator Lamp (Serv. in Valve Assy.)
	0219 462	2			SHIELD, Rear Wheel Brake Hose Heat
28					NUT, Heat Shield Attach.
29	4383 708	2			SCREW and WASHER, (Not Serv.)
30	4423 412-3	1			HOSE, Rear Wheel Disc Brakes
					BRACKET, Rear Wheel Disc Brake Hose

**MODEL CODES:**

A BODY=(C=LeBaron, D=Spirit, P=Acclaim/LaBaron(Landau), Saratoga)

C BODY=(D=Dynasty, C=New Yorker/N.Y. Salon)

G BODY=(V=Daytona/IROC, Chrysler Daytona)

J BODY=(C=LeBaron, Chrysler LeBaron)

P BODY=(P=Sundance, D=Shadow)

S BODY=(H=Voyager(H) FWD, K=Caravan(H) FWD,

Y=Town & Country(H) FWD, P=Voyager(K) AWD,

D=Caravan(K) AWD, C=Town & Country(K) AWD)

Y BODY=(C=Imperial/5th Avenue)

E-S BODY=(K=Chrysler Voyager(H) FWD, D=Chrysler

Voyager(K) AWD)

**BODY STYLES:**

21=2-Door Coupe

41=4-Door Sedan

12-52=FWD & AWD Van & Wgn Std W.B.

24=2-Door Hatchback

44=4-Door Hatchback

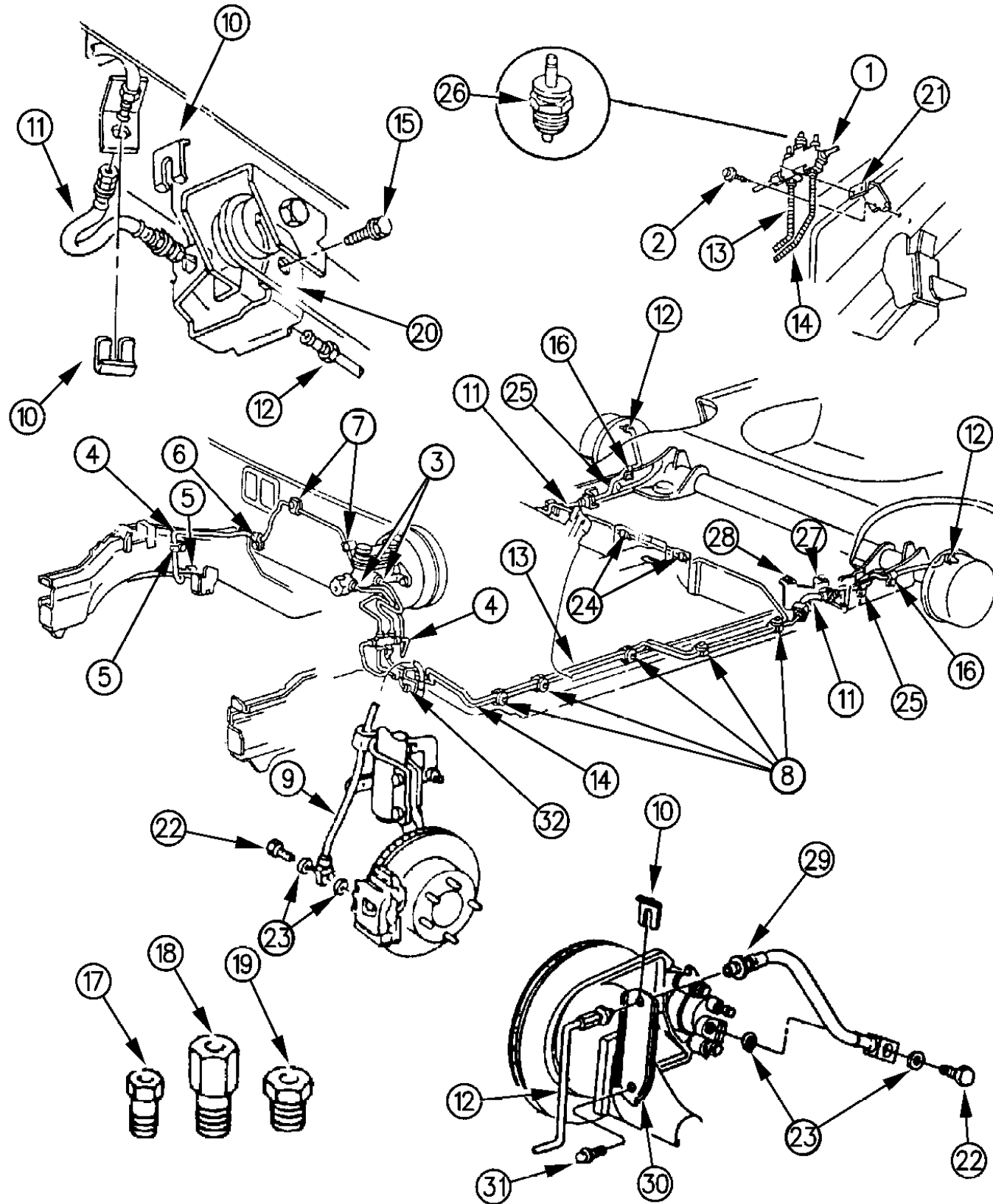
53=FWD & AWD Van & Wgn Ext. W.B.

27=2-Door Convertible

AR = Use as Required - = Non Illustrated Part P.A.R. = Paint as Required

**LINES AND HOSES, BRAKE W/O ANTI-LOCK BRAKES J,G BODY**  
**Figure 5-1700**

93105 1700



ITEM	PART NUMBER	QTY	BODY	MODEL	DESCRIPTION
31					SCREW, (Not Serv.)
32	5256 096-7	1			BRACKET, Front Side Rail Brake Tube
-	6501 734	2			SCREW, Bracket Attaching
-	6502 737	2			NUT

**MODEL CODES:**

A BODY=(C=LeBaron, D=Spirit, P=Acclaim/LaBaron(Landau),  
Saratoga)  
 C BODY=(D=Dynasty, C=New Yorker/N.Y. Salon)  
 G BODY=(V=Daytona/IROC, Chrysler Daytona)  
 J BODY=(C=LeBaron, Chrysler LeBaron)  
 P BODY=(P=Sundance, D=Shadow)

S BODY=(H=Voyager(H) FWD, K=Caravan(H) FWD,  
Y=Town & Country(H) FWD, P=Voyager(K) AWD,  
D=Caravan(K) AWD, C=Town & Country(K) AWD)  
 Y BODY=(C=Imperial/5th Avenue)  
 E-S BODY=(K=Chrysler Voyager(H) FWD, D=Chrysler  
Voyager(K) AWD)

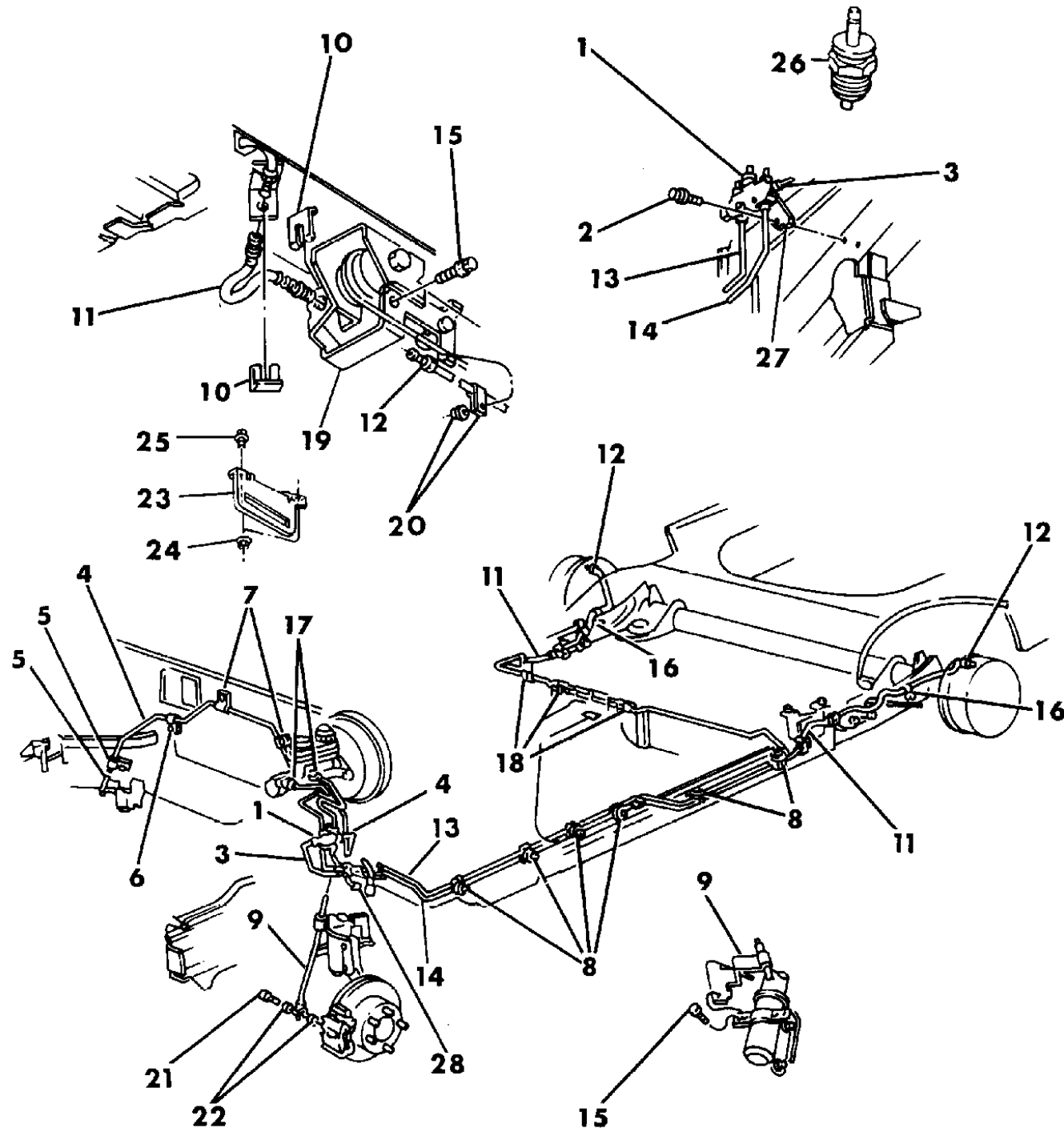
**BODY STYLES:**

21=2-Door Coupe      41=4-Door Sedan      12-52=FWD & AWD Van & Wgn Std W.B.  
 24=2-Door Hatchback      44=4-Door Hatchback      53=FWD & AWD Van & Wgn Ext. W.B.  
 27=2-Door Convertible

AR = Use as Required - = Non Illustrated Part P.A.R. = Paint as Required

**LINE AND HOSES, BRAKE FRONT WHEEL DISC BRAKE, W/REAR DRUM C,Y BODY**  
**Figure 5-1800**

93105 1800



ITEM	PART NUMBER	QTY	BODY	MODEL	DESCRIPTION
1	4485 628	1			VALVE ASSEMBLY, Brake Differential, With Proportioning, Without Anti-Lock ***
2	0152 939	1			SCREW
3	1843 251	AR			TUBING, Brake 25 Ft. Roll, 3/16" O.D.
	3879 283	AR			COVER, Brake Tube, 3/16" O.D., 25 Ft. Roll
4	1843 251	AR			TUBE, Brake, 25 Ft. Roll, 3/16" O.D.
	3879 283	AR			COVER, Brake Tube, 3/16" O.D.
5					CLIP, (Not Serv.)
6					CLIP, (Not Serv.)
7					CLIP, (Not Serv.)
8	4485 909	6			CLIP
9	4509 354-5	1			HOSE, Front Wheel Brake
10	2208 893	2			LOCK, Frt. Wheel Brake
11	4383 850	2			HOSE, Rear Wheel Brake
12	1843 251	AR			TUBE, Brake, 25 Ft. Roll, 3/16" O.D.
13	1843 251	AR			TUBE, Brake, 25 Ft. Roll, 3/16" O.D.
14	1843 251	AR			TUBE, Brake, 25 Ft. Roll, 3/16" O.D.
15	6100 557	2			SCREW and WASHER
16					CLIP, (Not Serv.)
17	1843 251	AR			TUBE, Brake, 25 Ft. Roll, 3/16" O.D.
18					CLIP, (Not Serv.)
19	4383 450-1	1			BRACKET, Rear Wheel Brake Hose
20	4313 848	2			CLIP
	6500 274	2			NUT
21	6030 230	2			BOLT
22	6030 084	4			GASKET
23	4383 691	1			SHIELD, Rear Wheel Brake Hose Heat
24	0219 462	2			NUT
25					SCREW and WASHER, (Not Serv.)
26					SWITCH, Brake System Indicator Lamp (Serv. in Valve Assy.)
27	4238 626	1			BRACKET, Brake Valve Mtg.
28	5256 096-7	1			BRACKET, Front Side Rail Brake Tube
-	6501 734	2			SCREW, Bracket Attaching
-	6502 737	2			NUT
	6034 881	AR			NUT, Inverted Flare Tube

**MODEL CODES:**

A BODY=(C=LeBaron, D=Spirit, P=Acclaim/LaBaron(Landau), Saratoga)

C BODY=(D=Dynasty, C=New Yorker/N.Y. Salon)

G BODY=(V=Daytona/IROC, Chrysler Daytona)

J BODY=(C=LeBaron, Chrysler LeBaron)

P BODY=(P=Sundance, D=Shadow)

S BODY=(H=Voyager(H) FWD, K=Caravan(H) FWD,

Y=Town & Country(H) FWD, P=Voyager(K) AWD,

D=Caravan(K) AWD, C=Town & Country(K) AWD)

Y BODY=(C=Imperial/5th Avenue)

E-S BODY=(K=Chrysler Voyager(H) FWD, D=Chrysler

Voyager(K) AWD)

**BODY STYLES:**

21=2-Door Coupe

41=4-Door Sedan

12-52=FWD & AWD Van & Wgn Std W.B.

24=2-Door Hatchback

44=4-Door Hatchback

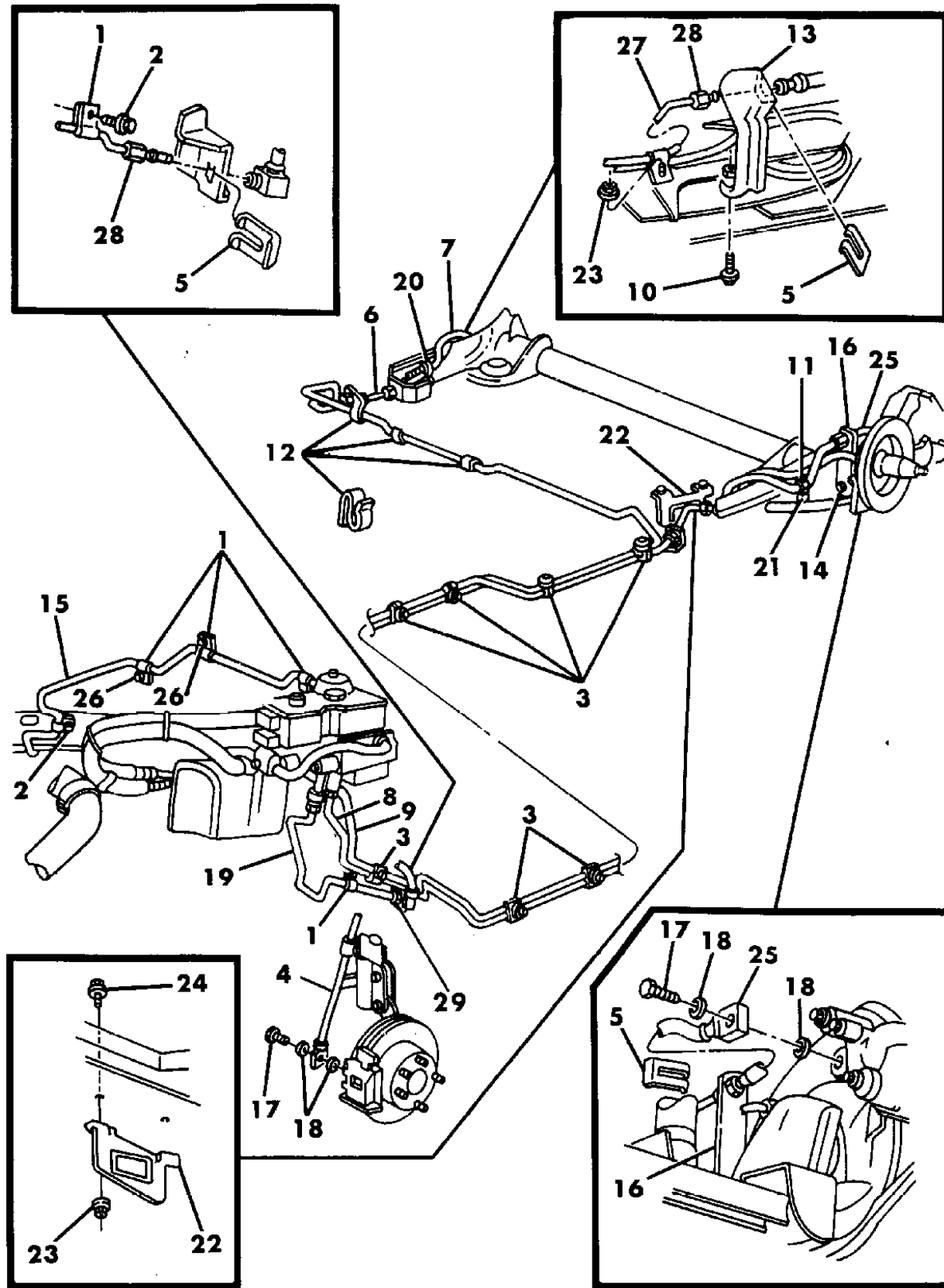
53=FWD & AWD Van & Wgn Ext. W.B.

27=2-Door Convertible

AR = Use as Required - = Non Illustrated Part P.A.R. = Paint as Required

LINES AND HOSES, BRAKE 4 WHEEL DISC , W/ANTI-LOCK C,Y BODY  
Figure 5-1900

93105 1900



ITEM	PART NUMBER	QTY	BODY	MODEL	DESCRIPTION
1	2207 919	AR			CLIP
2					SCREW Not Serviced) ***
3	4485 909	7			CLIP
4					HOSE, Front Wheel Brake
	4423 446-7	1	C	All	
	4423 446-7	1	Y	S	
	4423 394-5	1	Y	P	
5	2208 893	6			LOCK
6	4383 850	2			HOSE, Rear Wheel Brake
7	1843 251	AR			TUBE, Rear Susp. Arm Brk., Rt. or Lt.
	3879 283	AR			COVER
	6029 113	4			NUT
8	1843 251	AR			TUBE, Valve to Rear Hose, Rt.
	3879 283	AR			COVER
	6034 880	1			NUT, Tube to Hose
	6502 286	1			NUT, Tube to Valve
9	1843 251	AR			TUBE, Valve to Rear Hose, Lt.
	3879 283	AR			COVER
	6034 880	1			NUT, Tube to Hose
	6502 286	1			NUT, Tube to Valve
10	6100 557	AR			SCREW
11	2207 919	2			CLIP
12					CLIP (Not Serviced) ***
13	4383 450-1	1			BRACKET, Rear Wheel Brake Hose
14	6100 153	2			BOLT
15	1843 251	AR			TUBE, Modulator to Front Hose, Rt.
	3879 283	AR			COVER
	6034 880	1			NUT, Tube to Hose
	6502 288	1			NUT
16	4423 564-5	1			BRACKET, Rear Wheel Disc Brake Hose Adapter
17	6030 230	4			BOLT
18	6030 084	8			GASKET
19	1843 251	AR			TUBE, Modulator to Front Hose, Lt.
	3879 283	AR			COVER
	6034 880	1			NUT, Tube to Hose
	6502 288	1			NUT
20	4485 296	2			CLIP
21	6500 274	2			NUT
22	4383 691	1			SHIELD, Rear Wheel Brake Hose, Heat

MODEL CODES:

A BODY=(C=LeBaron, D=Spirit, P=Acclaim/LaBaron(Landau), Saratoga)

C BODY=(D=Dynasty, C=New Yorker/N.Y. Salon)

G BODY=(V=Daytona/IROC, Chrysler Daytona)

J BODY=(C=LeBaron, Chrysler LeBaron)

P BODY=(P=Sundance, D=Shadow)

S BODY=(H=Voyager(H) FWD, K=Caravan(H) FWD,

Y=Town & Country(H) FWD, P=Voyager(K) AWD,

D=Caravan(K) AWD, C=Town & Country(K) AWD)

Y BODY=(C=Imperial/5th Avenue)

E-S BODY=(K=Chrysler Voyager(H) FWD, D=Chrysler

Voyager(K) AWD)

BODY STYLES:

21=2-Door Coupe

41=4-Door Sedan

12-52=FWD & AWD Van & Wgn Std W.B.

24=2-Door Hatchback

44=4-Door Hatchback

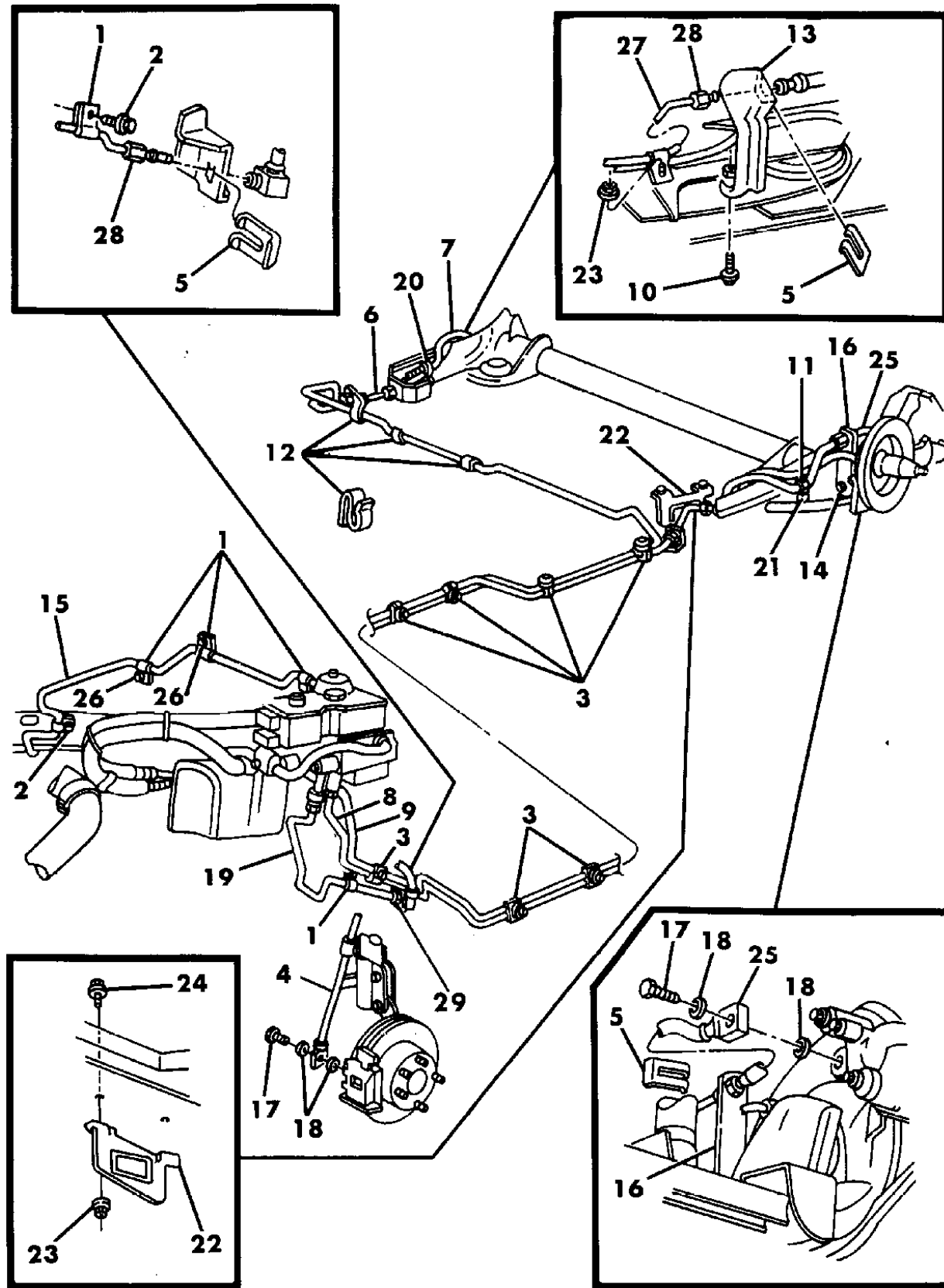
53=FWD & AWD Van & Wgn Ext. W.B.

27=2-Door Convertible

AR = Use as Required - = Non Illustrated Part P.A.R. = Paint as Required

LINES AND HOSES, BRAKE 4 WHEEL DISC , W/ANTI-LOCK C,Y BODY  
Figure 5-1900

93105 1900



ITEM	PART NUMBER	QTY	BODY	MODEL	DESCRIPTION
23	0219 462	2			NUT
24					SCREW (Not Serviced) ***
25	4383 708	2			HOSE, Rear Wheel Disc Brake
26					SCREW (Not Serviced) ***
27	3879 283	AR			COVER, Tube
28	6034 880	AR			NUT
29	5256 096-7	1			BRACKET, Front Side Rail Brake Tube
-	6501 734	2			SCREW, Bracket Attaching
-	6502 737	2			NUT

MODEL CODES:

A BODY=(C=LeBaron, D=Spirit, P=Acclaim/LaBaron(Landau), Saratoga) S BODY=(H=Voyager(H) FWD, K=Caravan(H) FWD, Y=Town & Country(H) FWD, P=Voyager(K) AWD, D=Caravan(K) AWD, C=Town & Country(K) AWD)  
 C BODY=(D=Dynasty, C=New Yorker/N.Y. Salon) Y BODY=(C=Imperial/5th Avenue)  
 G BODY=(V=Daytona/IROC, Chrysler Daytona) E-S BODY=(K=Chrysler Voyager(H) FWD, D=Chrysler Voyager(K) AWD)  
 J BODY=(C=LeBaron, Chrysler LeBaron)  
 P BODY=(P=Sundance, D=Shadow)

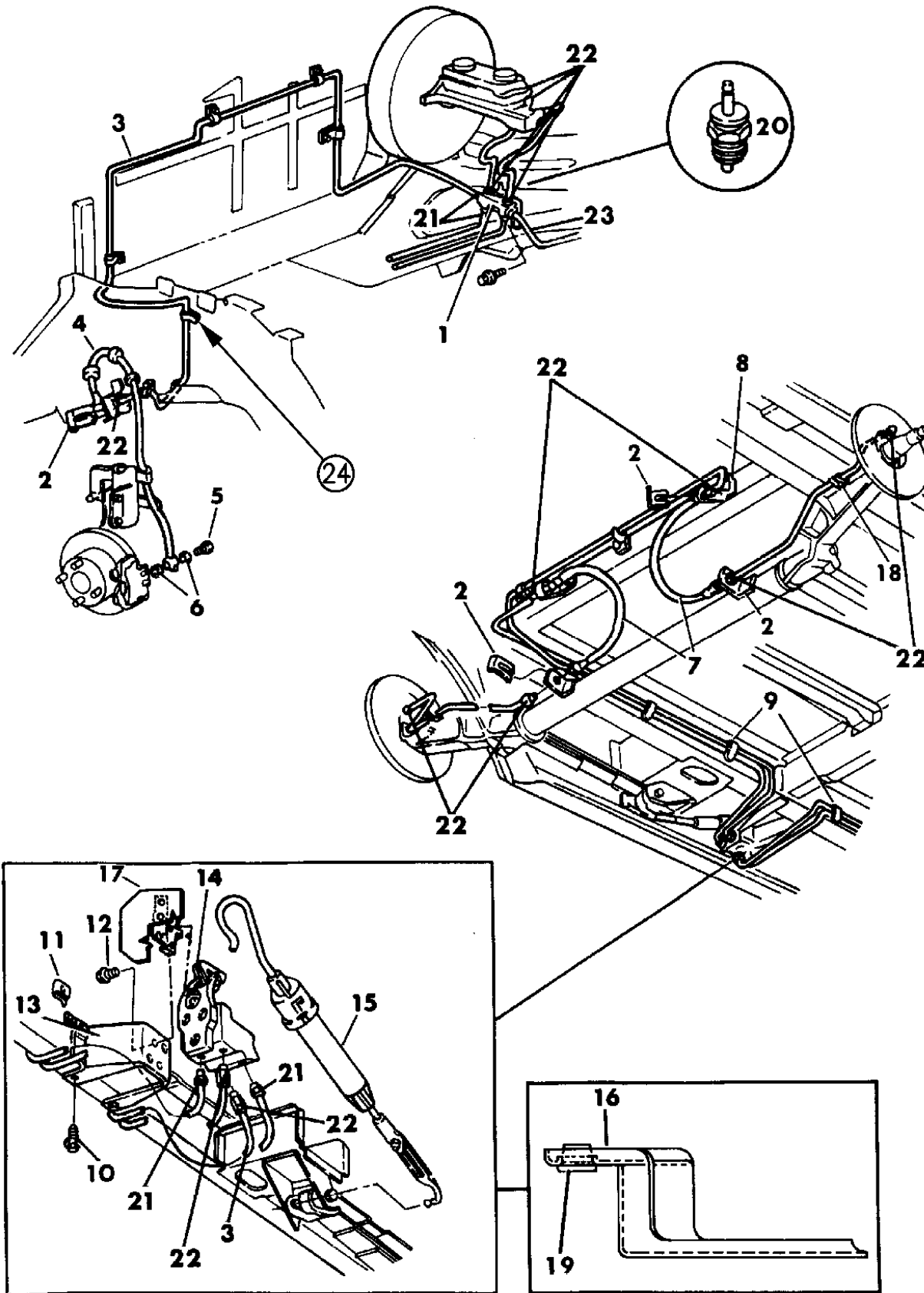
BODY STYLES:

21=2-Door Coupe 41=4-Door Sedan 12-52=FWD & AWD Van & Wgn Std W.B.  
 24=2-Door Hatchback 44=4-Door Hatchback 53=FWD & AWD Van & Wgn Ext. W.B.  
 27=2-Door Convertible

AR = Use as Required - = Non Illustrated Part P.A.R. = Paint as Required

LINES AND HOSES, BRAKE S BODY  
Figure 5-2000

93105 2000



ITEM	PART NUMBER	QTY	BODY	MODEL	DESCRIPTION
1	4485 429	1			SWITCH ASSEMBLY, Brake Diff.Inc. Prop. Valve ***
2	2208 893	6			LOCK, Frt. and Rear Brake Hose
3	1843 251	AR			TUBING, 3/16" O.D., 25 Ft. Roll
-	3879 283	AR			COVER, Brake Tube, 3/16" O.D., 25 Ft. Roll
-	6034 880	AR			NUT, 3/8-24
-	6034 881	AR			NUT, 7/16-24
-	6502 286	AR			NUT, M10X1.0 w/ABS at Modulator to Rear Brakes
-	6502 288	AR			NUT, M12X1.0 w/ABS at Modulator to Front Brakes
4					HOSE, Front Wheel Brake
	4509 354-5	1			w/o ABS
	4423 446-7	1			w/ABS
5	6030 230	2			BOLT, Brake Hose
6	6030 084	4			GASKET, Brake Hose
7	4423 385	2			HOSE, Rear Wheel Brake
8	4313 846	2			BRACKET, Rear Wheel Brake Hose C/Member
9	3766 495	6			CLIP, Rear Tube Lt. Rail, Use Up to Oct. 23, 1989
	4509 059	4			CLIP, Primary and Secondary Tube Rail, Use After Oct. 23, 1989
10	6500 879	4			SCREW
11	6101 283	2			U-NUT
12	6100 583	2			SCREW
13	4313 938	1			BRACKET, Height Sensing Brake Valve Mtg.
14					VALVE ASSEMBLY, Height Sensing Brake ***
	4383 673	1			ALL Except Europe
	4509 054	1			Europe
15	4313 947	1	12	H,P	ACTUATOR, Height Sensing Brake Valve, w/Std. Susp.
			52	H,P	w/Std. Susp., w/7 Passenger Seating Pkg.
	4383 697	1	53	H,P	ACTUATOR, Height Sensing Brake Valve, Ext. W.B., w/Heavy Duty Susp.
	4383 145	1	12		ACTUATOR, Height Sensing Brake Valve, w/Heavy Duty Susp.
			13		w/Ext. W.B.
			52		w/Heavy Duty Susp.
			53	H,P	w/Ext. W.B., w/Heavy Duty Susp., w/Heavy Duty Tow Pkg., w/ Passenger Seating Pkg.
	4313 969	1	52		ACTUATOR, Height Sensing Brake Valve, w/Std. Duty Susp., w/5 and 6 Passenger Seating Pkg.
	4383 586	1	53		ACTUATOR, Height Sensing Brake Valve, w/Ext. W.B., w/Std. Duty Susp.
	4509 203	1	52,53	D,P	w/AWD, w/o ABS

MODEL CODES:

A BODY=(C=LeBaron, D=Spirit, P=Acclaim/LaBaron(Landau), Saratoga)

C BODY=(D=Dynasty, C=New Yorker/N.Y. Salon)

G BODY=(V=Daytona/IROC, Chrysler Daytona)

J BODY=(C=LeBaron, Chrysler LeBaron)

P BODY=(P=Sundance, D=Shadow)

S BODY=(H=Voyager(H) FWD, K=Caravan(H) FWD,

Y=Town & Country(H) FWD, P=Voyager(K) AWD,

D=Caravan(K) AWD, C=Town & Country(K) AWD)

Y BODY=(C=Imperial/5th Avenue)

E-S BODY=(K=Chrysler Voyager(H) FWD, D=Chrysler

Voyager(K) AWD)

BODY STYLES:

21=2-Door Coupe

41=4-Door Sedan

12-52=FWD & AWD Van & Wgn Std W.B.

24=2-Door Hatchback

44=4-Door Hatchback

53=FWD & AWD Van & Wgn Ext. W.B.

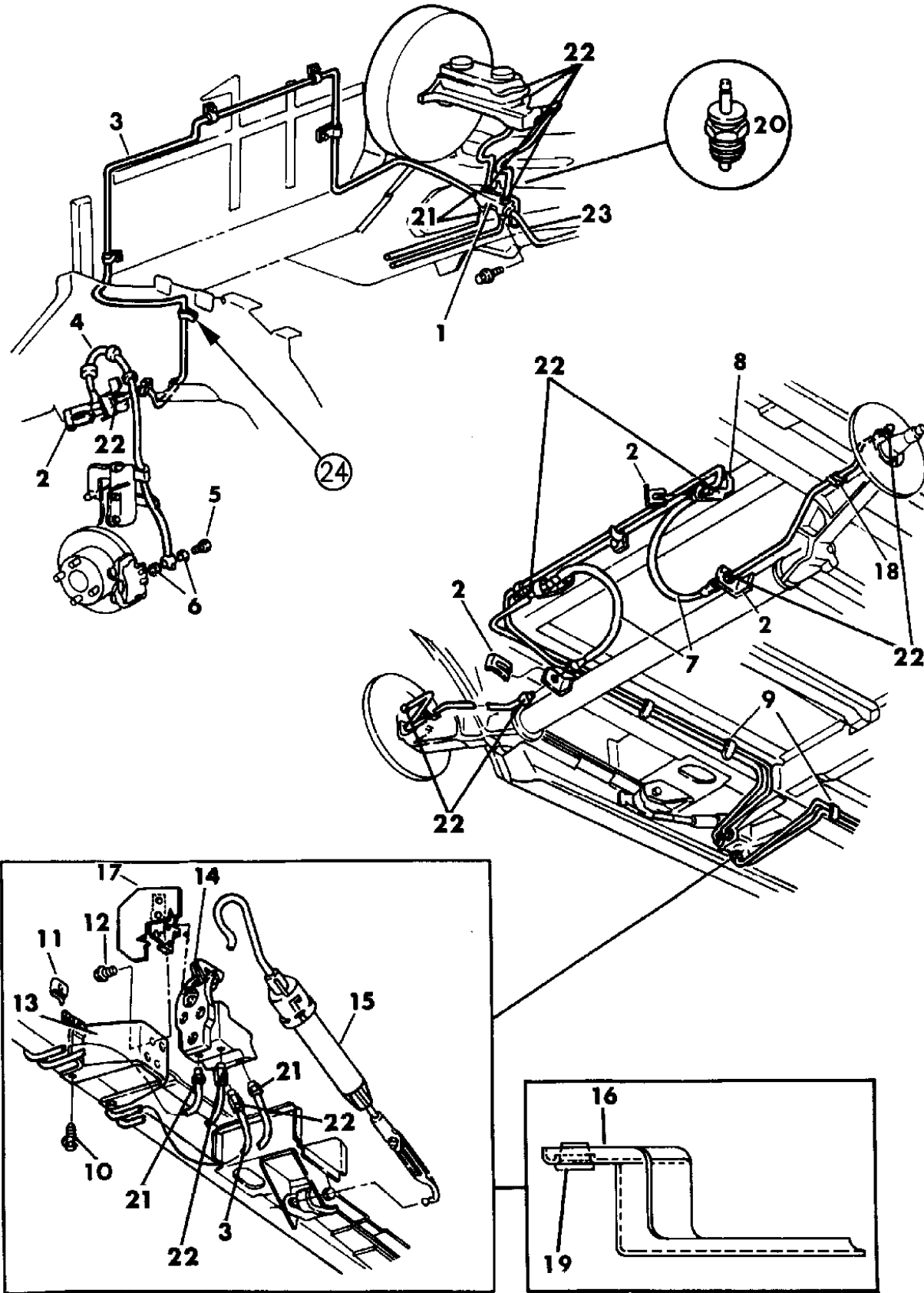
27=2-Door Convertible

AR = Use as Required - = Non Illustrated Part P.A.R. = Paint as Required

LINES AND HOSES, BRAKE S BODY  
Figure 5-2000

93105 2000

ITEM	PART NUMBER	QTY	BODY	MODEL	DESCRIPTION
16	4383 245	1			BRACKET, Actuator
17	4383 648	1			SHIELD, Height Sensing Brake Valve
18					CLIP, Rear Axle Brake Tube
	4313 025	2			FWD
	2207 919	2			AWD
	6100 273	2			SCREW & WA. ASSEMBLY, Brk. Tube Clip Attatch. AWD.
19	3575 333	1			GROMMET, Brake Load Sens. Actuator Rod
20		1			SWITCH, Brake System Indicator Lamp (Serv. in Item 1)
21	6033 832	AR			NUT, Inverted Flare
22	6034 880	AR			NUT, Inverted Flare
23		1			TUBE ASSEMBLY, Brake Dif. Switch to Front Left Hose ***
					w/o ABS
	4485 721	1			Pre-Fabricated
					w/ABS
-	1843 251	AR			Tubing (Roll Stock) ***
-	6502 286	2			NUT, Rear Brake Line to Modulator (w/ABS)
-	6502 288	2			NUT, Front Brake Line to Modulator (w/ABS)
24	4485 592	2			RETAINER, Sensor Wire Grommet



MODEL CODES:

A BODY=(C=LeBaron, D=Spirit, P=Acclaim/LaBaron(Landau),  
Saratoga)  
C BODY=(D=Dynasty, C=New Yorker/N.Y. Salon)  
G BODY=(V=Daytona/IROC, Chrysler Daytona)  
J BODY=(C=LeBaron, Chrysler LeBaron)  
P BODY=(P=Sundance, D=Shadow)

S BODY=(H=Voyager(H) FWD, K=Caravan(H) FWD,  
Y=Town & Country(H) FWD, P=Voyager(K) AWD,  
D=Caravan(K) AWD, C=Town & Country(K) AWD)  
Y BODY=(C=Imperial/5th Avenue)  
E-S BODY=(K=Chrysler Voyager(H) FWD, D=Chrysler  
Voyager(K) AWD)

BODY STYLES:

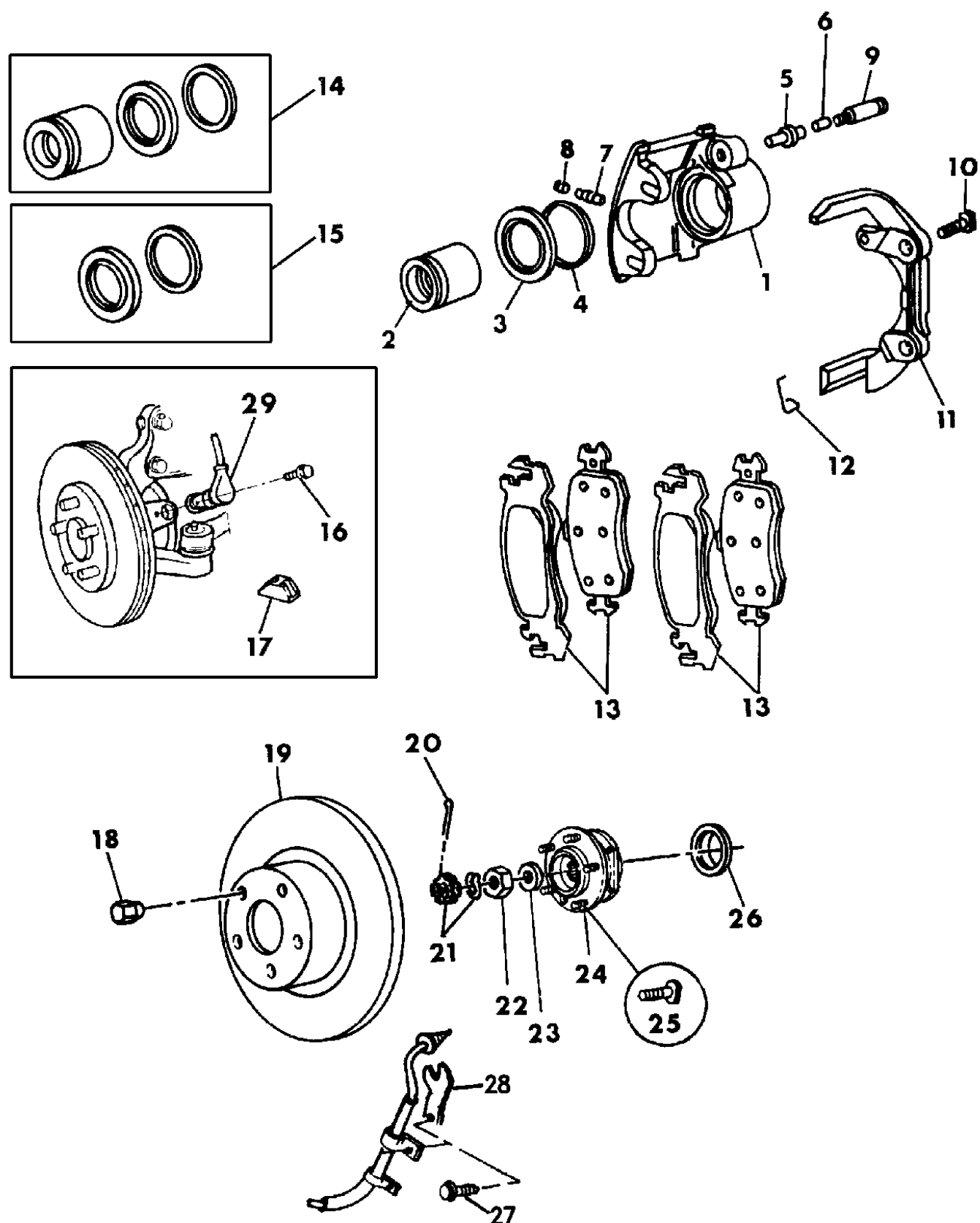
21=2-Door Coupe      41=4-Door Sedan      12-52=FWD & AWD Van & Wgn Std W.B.  
24=2-Door Hatchback      44=4-Door Hatchback      53=FWD & AWD Van & Wgn Ext. W.B.  
27=2-Door Convertible

AR = Use as Required - = Non Illustrated Part P.A.R. = Paint as Required



**BRAKES, FRONT P BODY**  
Figure 5-2100

93105 2100B



ITEM	PART NUMBER	QTY	BODY	MODEL	DESCRIPTION
1	5273 006-7	1			CALIPER ASSEMBLY, Front Wheel Disc Brake Partial (Casting No.122249-01) ***
2	4423 572	2			PISTON, (Also Serviced in Item 14)
3		2			BOOT, (Serviced in Items 14,15)
4		2			SEAL, (Serviced in Items 14,15)
5	4383 471	4			BUSHING
6	4423 573	4			SLEEVE
7	3780 788	2			SCREW, Disc Brake Bleeder
8	5204 389	2			CAP, Disc Brake Bleeder Screw
9	4423 639	4			BOLT, Frt. Wheel Brake Locating Sleeve (Also Serviced in Item 17)
10	6502 029	4			BOLT, Torque Plate Mounting
11	4423 463	2			TORQUE PLATE, ADAPTER, Disc Brake (Casting No.122052-01) ***
12	4423 443	2			CLIP, Disc Brake Caliper Anti-Rattle
13	4423 715	1			SHOE and LINING PACKAGE, Front Brake
14	4713 875	1			PISTON, BOOT and SEAL PACKAGE
15	4364 779	2			BOOT and SEAL PACKAGE
16	6101 419	2			BOLT, Frt. Wheel Speed Sensor Mounting
17		1			CLIP, (Not Required)
18	6500 526	20			NUT, Wheel
	6500 294	20			NUT, Wheel(Chrome)
19	4383 968	2			DISC, Frt. Wheel Brake (10.25" Diameter)
20	6500 336	2			COTTER PIN, Front Axle Hub Nut Lock ***
21	4293 167	2			LOCKNUT & WASHER PACKAGE ***
22	6500 298	2			NUT, Hub
23	6500 299	2			WASHER
24	5241 067	2			HUB & BEARING ASSEMBLY ***
	6101 055	4			SCREW and WASHER, Hex Hd Coned-Hub Brg to Strg Knuckle
25	6501 053	AR			BOLT
26	5212 535	2			SEAL
27	0187 303	2			SCREW, ABS Sensor Wire Retainer
28	4509 092-3	1			CLIP, Frt. Wheel Speed Sensor
29	4683 032-3	1			SENSOR ASSEMBLY, Anti-Lock Speed ***

**MODEL CODES:**

A BODY=(C=LeBaron, D=Spirit, P=Acclaim/LaBaron(Landau), Saratoga) S BODY=(H=Voyager(H) FWD, K=Caravan(H) FWD, Y=Town & Country(H) FWD, P=Voyager(K) AWD, D=Caravan(K) AWD, C=Town & Country(K) AWD)  
 C BODY=(D=Dynasty, C=New Yorker/N.Y. Salon) Y BODY=(C=Imperial/5th Avenue)  
 G BODY=(V=Daytona/IROC, Chrysler Daytona) E-S BODY=(K=Chrysler Voyager(H) FWD, D=Chrysler Voyager(K) AWD)  
 J BODY=(C=LeBaron, Chrysler LeBaron) P BODY=(P=Sundance, D=Shadow)

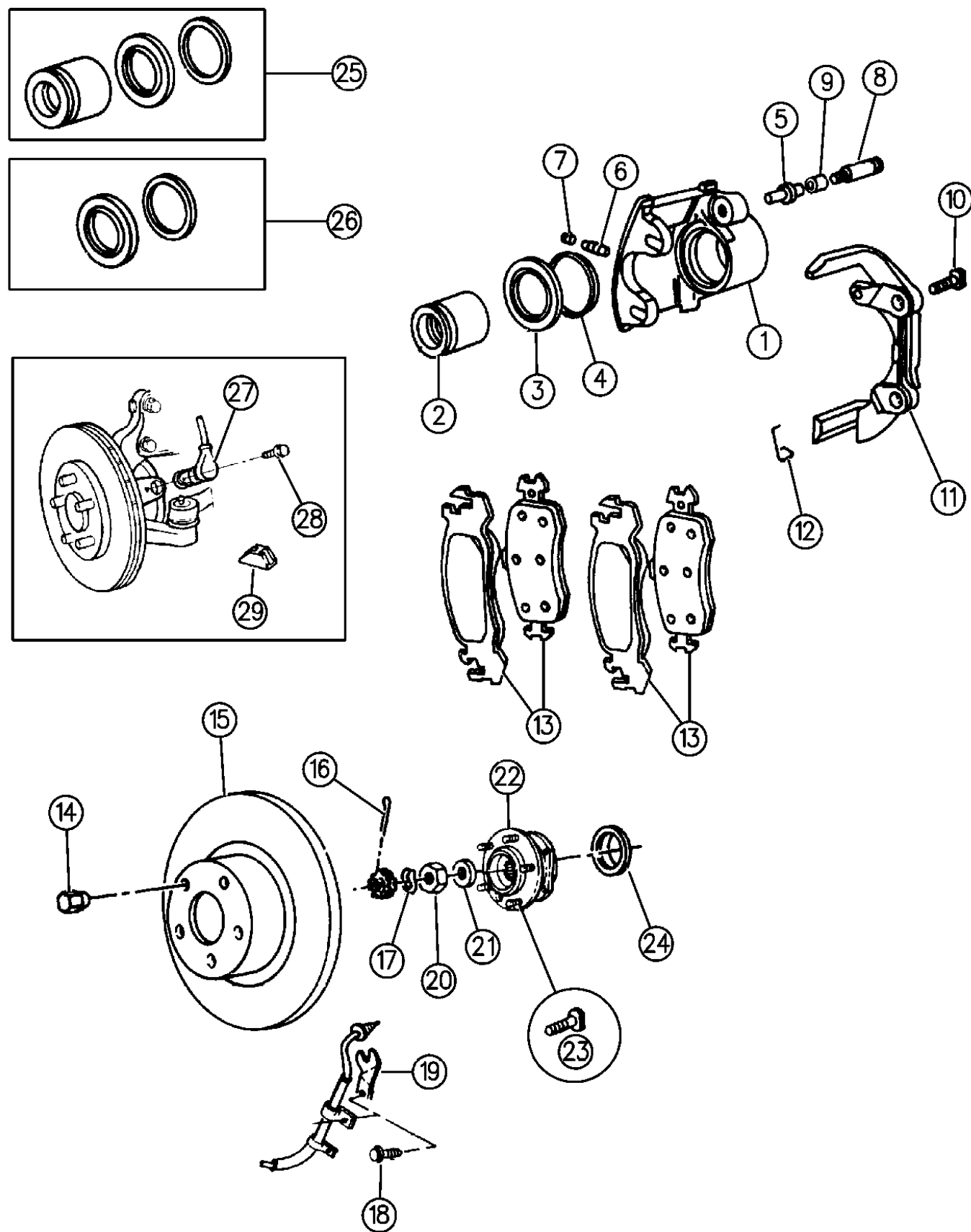
**BODY STYLES:**

21=2-Door Coupe 41=4-Door Sedan 12-52=FWD & AWD Van & Wgn Std W.B.  
 24=2-Door Hatchback 44=4-Door Hatchback 53=FWD & AWD Van & Wgn Ext. W.B.  
 27=2-Door Convertible

AR = Use as Required - = Non Illustrated Part P.A.R. = Paint as Required

**BRAKES, FRONT A BODY**  
Figure 5-2200

93105 2200A



ITEM	PART NUMBER	QTY	BODY	MODEL	DESCRIPTION
NOTE: Caliper Assembly Reference					
(A) = Service Parts for Caliper Stamped 122249-01					
(B) = Service Parts for Caliper Stamped 123919-01					
1		1			CALIPER ASSEMBLY, Front Wheel Disc Brake Partial ***
	5273 006-7	1			(A)
	4423 716-7	1			(B)
2		2			PISTON, (Also Serviced in Item 25)
	4423 572	2			w/(A)
	4423 465	2			w/(B)
3		2			BOOT, (Serviced in Items 25,26)
4		2			SEAL, (Serviced in Items 25, 26)
5	4383 471	4			BUSHING
6	3780 788	2			SCREW, Disc Brake Bleeder
7	5204 389	2			CAP, Disc Brake Bleeder Screw
8	4423 639	4			BOLT, Caliper Mounting
9	4423 573	4			SLEEVE, Caliper Mounting
10	6502 029	4			BOLT, Front Wheel Disc Brake Torque Plate Mtg.
11		2			TORQUE PLATE, Adapter, Disc Brake ***
	4423 463	2			w/Casting No.122052-01, Used w/(A)
	4423 464	2			w/Casting No.122196-01, Used w/(B)
12	4423 443	2			CLIP, Disc Brake Caliper Anti-Rattle
13					SHOE and LINING PACKAGE, Front Disc Brake
	4423 715	1			w/Front Wheel Disc/Rear Drum Brakes, (A)
	4423 822	1			w/Four Wheel Disc, (A)
	4423 812	1			w/Four Wheel Disc, (B)
14	6500 526	20			NUT, Wheel
15					DISC, Front Wheel Brake
	4383 968	2			10.25" Diameter
	4383 973	2			11.00" Diameter
16	6500 336	2			COTTER PIN, Front Axle Hub Nut Lock ***
17	4293 167	2			LOCKNUT & WASHER PACKAGE ***
18	0187 303	2			SCREW, ABS Sensor Wire Retainer
19	4509 092-3	1			CLIP, Front Wheel Speed Sensor
20	6500 298	2			NUT, Hub
21	6500 299	2			WASHER, Frt. Wheel Drive Hub
22	5241 067	2			HUB & BEARING ASSEMBLY ***
	6101 055	4			SCREW and WASHER, Hex Hd Coned- Hub and Brg to Strg Knuckle
23	6501 053	AR			BOLT

**MODEL CODES:**

A BODY=(C=LeBaron, D=Spirit, P=Acclaim/LaBaron(Landau),  
Saratoga)  
C BODY=(D=Dynasty, C=New Yorker/N.Y. Salon)  
G BODY=(V=Daytona/IROC, Chrysler Daytona)  
J BODY=(C=LeBaron, Chrysler LeBaron)  
P BODY=(P=Sundance, D=Shadow)

S BODY=(H=Voyager(H) FWD, K=Caravan(H) FWD,  
Y=Town & Country(H) FWD, P=Voyager(K) AWD,  
D=Caravan(K) AWD, C=Town & Country(K) AWD)  
Y BODY=(C=Imperial/5th Avenue)  
E-S BODY=(K=Chrysler Voyager(H) FWD, D=Chrysler  
Voyager(K) AWD)

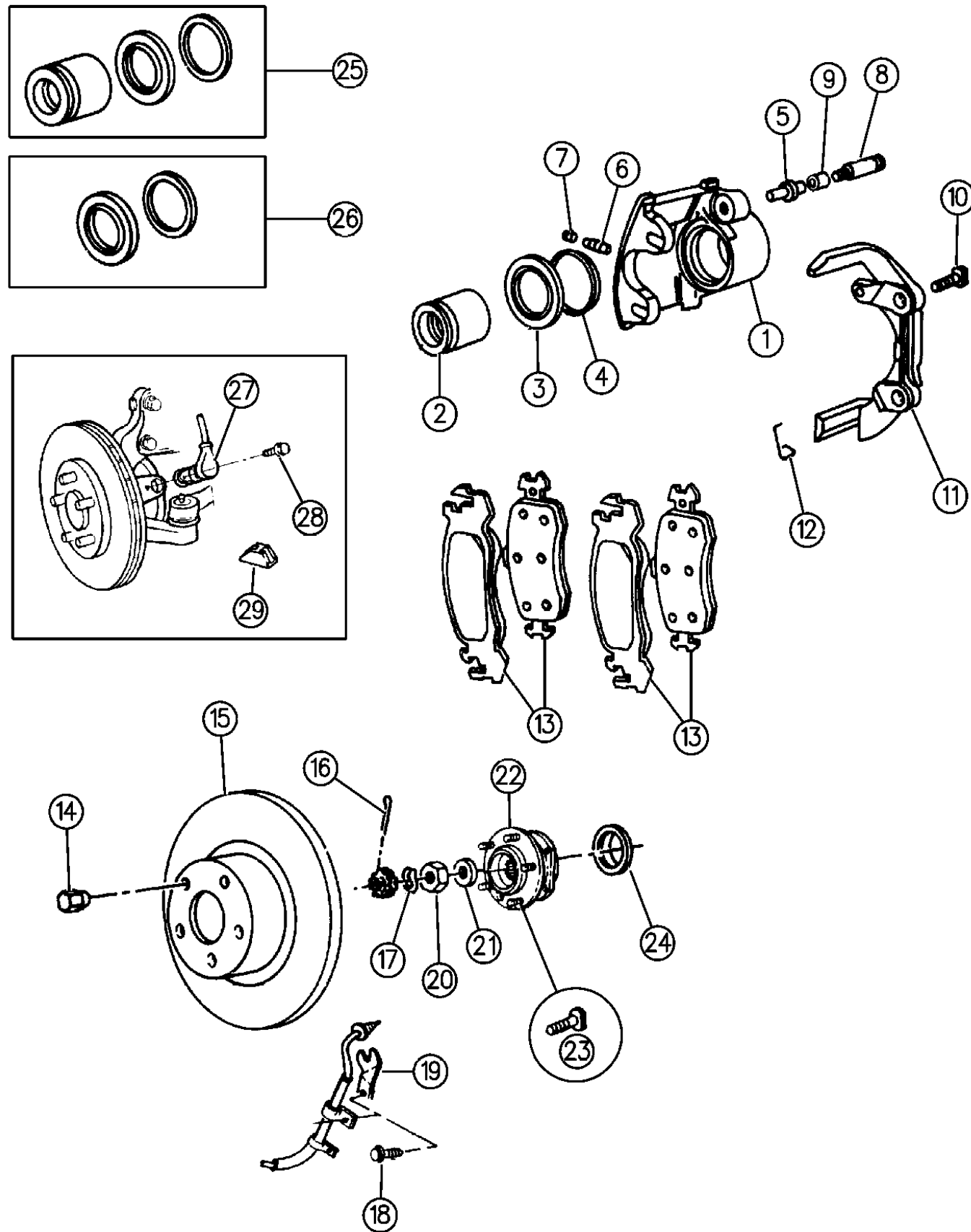
**BODY STYLES:**

21=2-Door Coupe      41=4-Door Sedan      12-52=FWD & AWD Van & Wgn Std W.B.  
24=2-Door Hatchback      44=4-Door Hatchback      53=FWD & AWD Van & Wgn Ext. W.B.  
27=2-Door Convertible

AR = Use as Required - = Non Illustrated Part P.A.R. = Paint as Required

**BRAKES, FRONT A BODY**  
Figure 5-2200

93105 2200A



ITEM	PART NUMBER	QTY	BODY	MODEL	DESCRIPTION
24	5212 535	2			SEAL
25	4713 875	1			PISTON, BOOT and SEAL PACKAGE w/(A)
	4713 874	1			w/(B)
26	4364 779	2			BOOT and SEAL PACKAGE w/(A)
	4364 781	2			w/(B)
27	4485 784-5	1			SENSOR ASSEMBLY, Anti-Lock Speed ***
28	6101 419	2			BOLT, Front Wheel Speed Sensor Mounting
29					CLIP, (Not Required)

**MODEL CODES:**

A BODY=(C=LeBaron, D=Spirit, P=Acclaim/LaBaron(Landau, Saratoga)  
 C BODY=(D=Dynasty, C=New Yorker/N.Y. Salon)  
 G BODY=(V=Daytona/IROC, Chrysler Daytona)  
 J BODY=(C=LeBaron, Chrysler LeBaron)  
 P BODY=(P=Sundance, D=Shadow)

S BODY=(H=Voyager(H) FWD, K=Caravan(H) FWD, Y=Town & Country(H) FWD, P=Voyager(K) AWD, D=Caravan(K) AWD, C=Town & Country(K) AWD)  
 Y BODY=(C=Imperial/5th Avenue)  
 E-S BODY=(K=Chrysler Voyager(H) FWD, D=Chrysler Voyager(K) AWD)

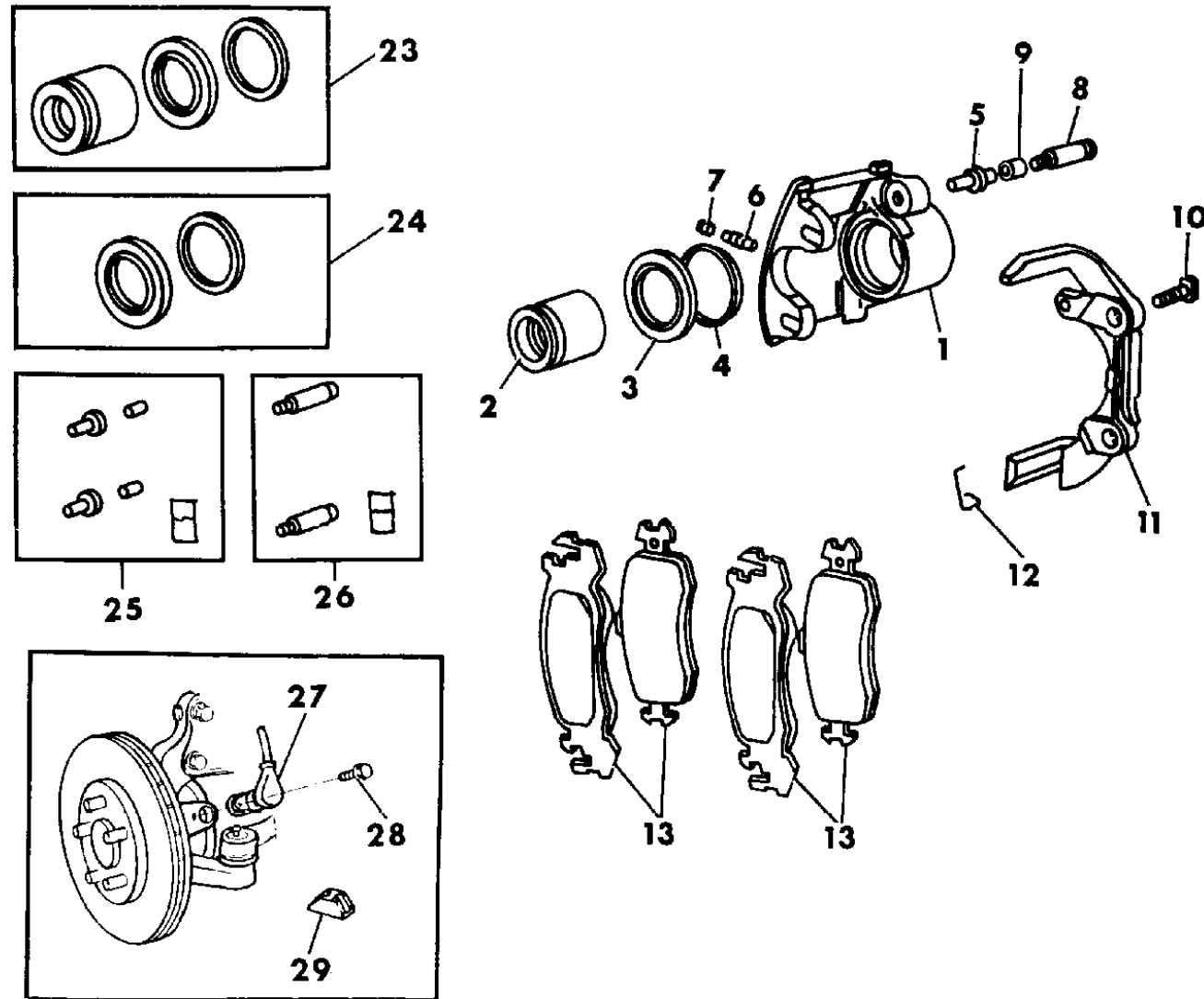
**BODY STYLES:**

21=2-Door Coupe      41=4-Door Sedan      12-52=FWD & AWD Van & Wgn Std W.B.  
 24=2-Door Hatchback      44=4-Door Hatchback      53=FWD & AWD Van & Wgn Ext. W.B.  
 27=2-Door Convertible

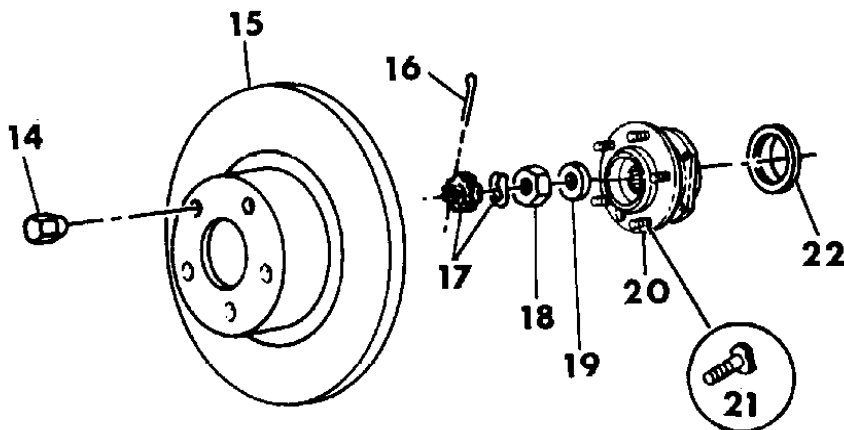
AR = Use as Required - = Non Illustrated Part P.A.R. = Paint as Required

**BRAKES, FRONT W/REAR DRUM BRAKES J BODY**  
Figure 5-2300

93105 2300



ITEM	PART NUMBER	QTY	BODY	MODEL	DESCRIPTION
1	5273 006-7	1			CALIPER ASSEMBLY, Front Wheel Disc Brake Partial (Casting No.122249-01) ***
2	4423 572	2			PISTON, (Also Serviced in Item 23)
3		2			BOOT, (Serviced in Items 23,24)
4		2			SEAL, (Serviced in Items 23,24)
5	4383 471	4			BUSHING, (Also Serviced in Item 25)
6	3780 788	2			SCREW, Disc Brake Bleeder
7	5204 389	2			CAP, Disc Brake Bleeder Screw
8	4423 639	4			BOLT, Frt. Wheel Brake Locating Sleeve (Also Serviced in Item 26)
9	4423 573	4			SLEEVE, (Also Serviced in Item 25)
10	6502 029	4			BOLT, Torque Plate Mounting
11	4423 463	2			TORQUE PLATE, Adapter, Disc Brake ***
12	4423 443	2			CLIP, Disc Brake Caliper Anti-Rattle
13	4423 715	1			SHOE, LINING and CLIP PACKAGE, Front Wheel Disc Brakes
14	6500 526	20			NUT, (M121x1.5-6H thd)
15	4383 968	2			DISC, Front Wheel Brake (10.25" Diameter)
16	6500 336	2			COTTER PIN, Front Axle Hub Nut Lock ***
17	4293 167	2			LOCKNUT & WASHER PACKAGE ***
18	6500 298	2			NUT, Hub
19	6500 299	2			WASHER
20	5241 067	2			HUB and BEARING ASSEMBLY ***
	6101 055	4			SCREW and WASHER, Hex Hd Coned- Hub and Brg to Strg Knuckle
21	6501 053	AR			BOLT
22	5212 535	2			SEAL
23	4713 875	1			PISTON, BOOT and SEAL PACKAGE
24	4364 779	2			BOOT and SEAL PACKAGE
25	4267 331	2			BUSHING PACKAGE
26	4267 330	2			BOLT PACKAGE ***
27	4485 784-5	1			SENSOR ASSEMBLY, Anti-lock Front Wheel Speed ***
28	6101 419	2			BOLT, Front Wheel Speed Sensor Mounting
29					CLIP, (Not Required)



**MODEL CODES:**

A BODY=(C=LeBaron, D=Spirit, P=Acclaim/LaBaron(Landau), Saratoga) S BODY=(H=Voyager(H) FWD, K=Caravan(H) FWD, Y=Town & Country(H) FWD, P=Voyager(K) AWD, D=Caravan(K) AWD, C=Town & Country(K) AWD)  
 C BODY=(D=Dynasty, C=New Yorker/N.Y. Salon) Y BODY=(C=Imperial/5th Avenue)  
 G BODY=(V=Daytona/IROC, Chrysler Daytona) E-S BODY=(K=Chrysler Voyager(H) FWD, D=Chrysler Voyager(K) AWD)  
 J BODY=(C=LeBaron, Chrysler LeBaron)  
 P BODY=(P=Sundance, D=Shadow)

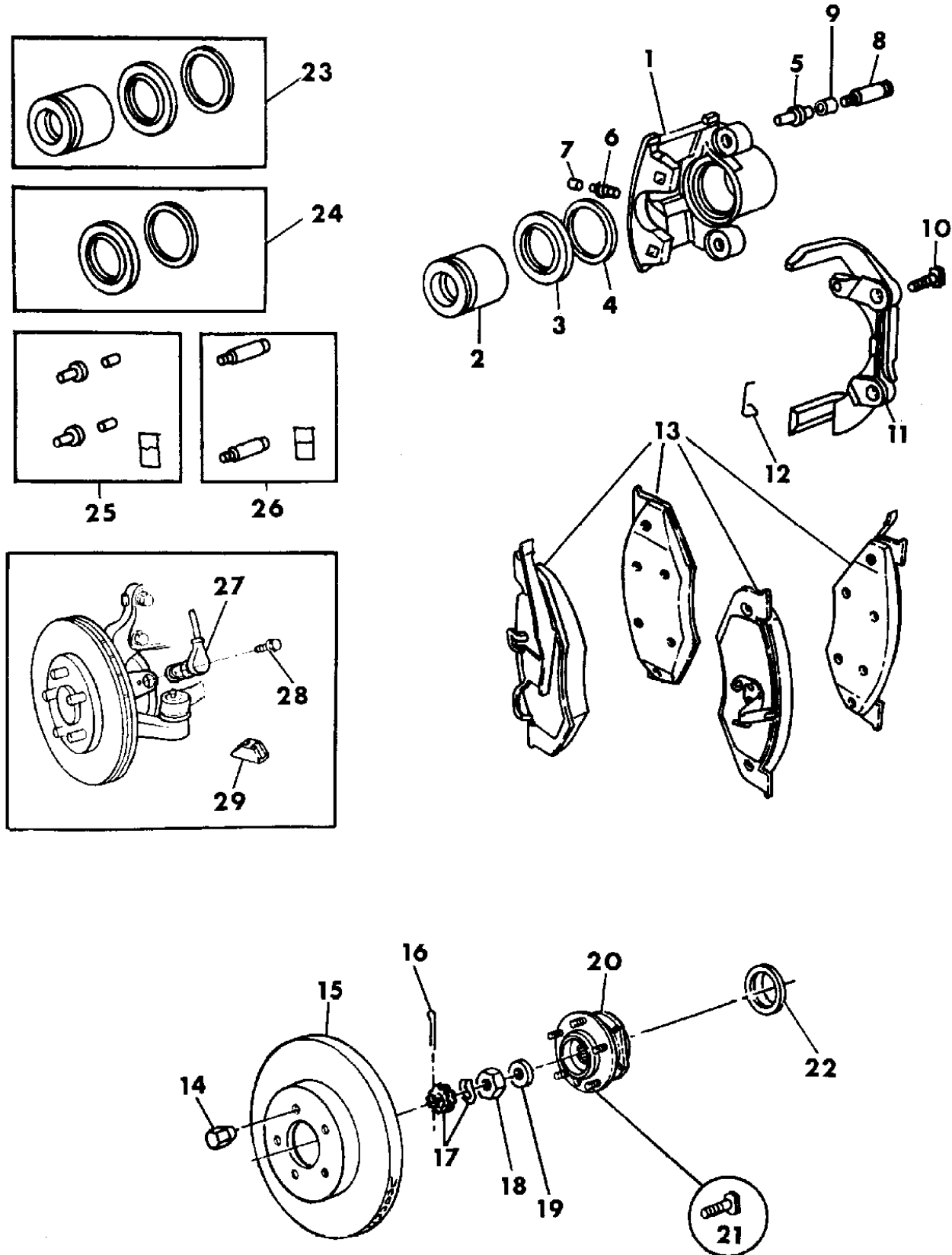
**BODY STYLES:**

21=2-Door Coupe 41=4-Door Sedan 12-52=FWD & AWD Van & Wgn Std W.B.  
 24=2-Door Hatchback 44=4-Door Hatchback 53=FWD & AWD Van & Wgn Ext. W.B.  
 27=2-Door Convertible

AR = Use as Required - = Non Illustrated Part P.A.R. = Paint as Required

**BRAKES, FRONT W/REAR DISC BRAKES J BODY**  
Figure 5-2400

93105 2400



ITEM	PART NUMBER	QTY	BODY	MODEL	DESCRIPTION
1	4423 716-7	1			CALIPER ASSEMBLY, Front Wheel Disc Brake Partial (Casting No.123919-01) ***
2	4423 465	2			PISTON, (Also Serviced in Item 23)
3		2			BOOT, (Serviced in Items 23,24)
4		2			SEAL, (Serviced in Items 23,24)
5	4383 471	4			BUSHING, (Also Serviced in Item 25)
6	3780 788	2			SCREW, Bleeder
7	5204 389	2			CAP, Bleeder Screw
8	4423 639	4			BOLT, Frt. Wheel Brake Locating Sleeve (Also Serviced in Item 26)
9	4423 573	4			SLEEVE, Front Wheel Disc Brake Locating (Also Serviced in Item 25)
10	6502 029	4			BOLT, Front Wheel Disc Brake Torque Plate Mtg.
11	4423 464	2			TORQUE PLATE, Adapter, Disc Brake ***
12	4423 443	2			CLIP, Disc Brake Caliper Anti-Rattle
13	4423 812	1			SHOE and LINING PACKAGE, Front Wheel Disc Brake
14	6500 526	20			NUT, Wheel
	6500 294	20			NUT, Wheel (Chrome)
15	4383 973	2			DISC , Front Wheel Brake (11.00" Diameter)
16	6500 336	2			COTTER PIN, Front Axle Hub Nut Lock ***
17	4293 167	2			LOCKNUT & WASHER PACKAGE ***
18	6500 298	2			NUT, Hub
19	6500 299	2			WASHER
20	5241 067	2			HUB and BEARING ASSEMBLY, Frt. Wheel Disc ***
	6101 055	4			SCREW and WASHER, Hex Hd Coned- Hub and Brg to Strg Knuckle
21	6501 053	AR			BOLT
22	5212 535	2			SEAL
23	4713 874	1			PISTON, BOOT and SEAL PACKAGE, Frt. Wheel Disc
24	4364 781	2			BOOT and SEAL PACKAGE
25	4267 331	2			BUSHING PACKAGE, Frt. Wheel Disc
26	4267 330	2			BOLT PACKAGE ***
27	4485 784-5	1			SENSOR ASSEMBLY, Anti-lock Front Wheel Speed ***
28	6101 419	2			BOLT, Front Wheel Speed Sensor Mounting
29					CLIP, (Not Required)

**MODEL CODES:**

A BODY=(C=LeBaron, D=Spirit, P=Acclaim/LaBaron(Landau), Saratoga) S BODY=(H=Voyager(H) FWD, K=Caravan(H) FWD, Y=Town & Country(H) FWD, P=Voyager(K) AWD, D=Caravan(K) AWD, C=Town & Country(K) AWD)  
 C BODY=(D=Dynasty, C=New Yorker/N.Y. Salon) Y BODY=(C=Imperial/5th Avenue)  
 G BODY=(V=Daytona/IROC, Chrysler Daytona) E-S BODY=(K=Chrysler Voyager(H) FWD, D=Chrysler Voyager(K) AWD)  
 J BODY=(C=LeBaron, Chrysler LeBaron) P BODY=(P=Sundance, D=Shadow)

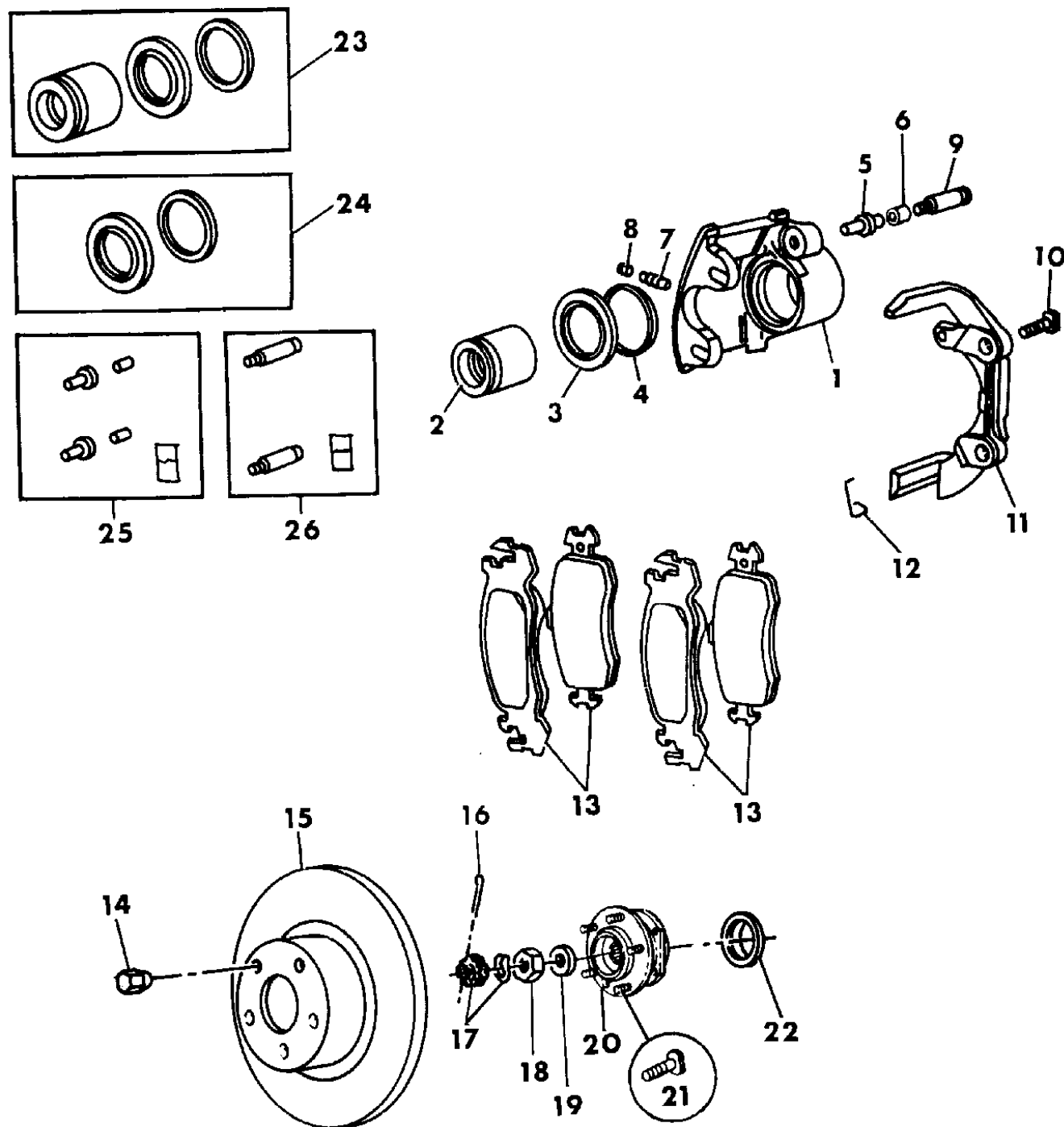
**BODY STYLES:**

21=2-Door Coupe 41=4-Door Sedan 12-52=FWD & AWD Van & Wgn Std W.B.  
 24=2-Door Hatchback 44=4-Door Hatchback 53=FWD & AWD Van & Wgn Ext. W.B.  
 27=2-Door Convertible

AR = Use as Required - = Non Illustrated Part P.A.R. = Paint as Required

**BRAKES, FRONT W/REAR DRUM BRAKES G BODY**  
**Figure 5-2500**

93105 2500



ITEM	PART NUMBER	QTY	BODY	MODEL	DESCRIPTION
1	5273 006-7	1			CALIPER ASSEMBLY, Front Wheel Disc Brake Partial (Casting No.122249-01) ***
2	4423 572	2			PISTON, (Also Serviced in Item 23)
3					BOOT, (Serviced In Items 23,24)
4					SEAL, (Serviced in Items 23,24)
5	4383 471	4			BUSHING, (Also Serviced In Item 25)
6	4423 573	4			SLEEVE, (Also Serviced in Item 25)
7	3780 788	2			SCREW, Disc Brake Bleeder
8	5204 389	2			CAP, Disc Brake Bleeder Screw
9	4423 639	4			BOLT, Frt. Wheel Brake Locating Sleeve (Also Serviced in Item 26)
		4			COVER, Bolt (Allen Hd. or Torque) (Not Serviced)
10	6502 029	4			BOLT, Front Wheel Disc Brake Torque Plate Mtg.
11	4423 463	2			TORQUE PLATE, Adapter, Disc Brake ***
12	4423 443	2			CLIP, Disc Brake Caliper Anti-Rattle
13	4423 715	1			SHOE and LINING PACKAGE, Front Brake
14	6500 526	20			NUT, Wheel
	6500 294	20			NUT, Wheel (Chrome)
15	4383 968	2			DISC, Front Wheel Brake (10.25" Dia.)
16	6500 336	2			COTTER PIN, Front Axle Hub Nut Lock ***
17	4293 167	2			LOCK NUT & WASHER PACKAGE ***
18	6500 298	2			NUT, Hub
19	6500 299	2			WASHER
20	5241 067	2			HUB and BEARING ASSEMBLY ***
	6101 055	4			SCREW and WASHER, Hex Hd Coned- Hub and Brg to Strg Knuckle
21	6501 053	AR			BOLT
22	5212 535	2			SEAL
23	4713 875	1			PISTON, BOOT and SEAL PACKAGE
24	4364 779	2			BOOT and SEAL PACKAGE
25	4267 331	2			BUSHING PACKAGE
26	4267 330	2			BOLT PACKAGE ***

**MODEL CODES:**

A BODY=(C=LeBaron, D=Spirit, P=Acclaim/LaBaron(Landau), Saratoga)      S BODY=(H=Voyager(H) FWD, K=Caravan(H) FWD, Y=Town & Country(H) FWD, P=Voyager(K) AWD, D=Caravan(K) AWD, C=Town & Country(K) AWD)

C BODY=(D=Dynasty, C=New Yorker/N.Y. Salon)      Y BODY=(C=Imperial/5th Avenue)

G BODY=(V=Daytona/IROC, Chrysler Daytona)      E-S BODY=(K=Chrysler Voyager(H) FWD, D=Chrysler Voyager(K) AWD)

J BODY=(C=LeBaron, Chrysler LeBaron)

P BODY=(P=Sundance, D=Shadow)

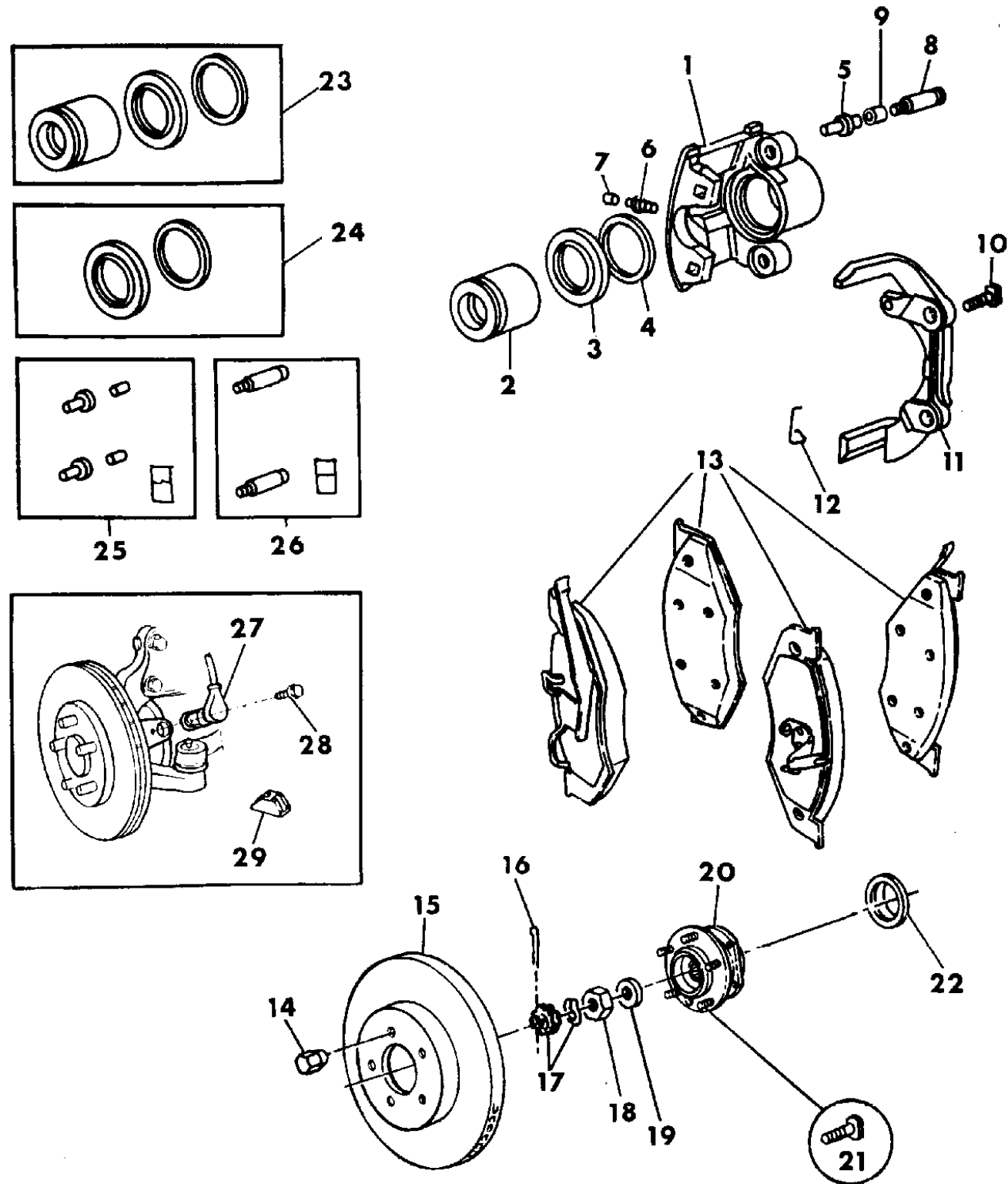
**BODY STYLES:**

21=2-Door Coupe      41=4-Door Sedan      12-52=FWD & AWD Van & Wgn Std W.B.  
 24=2-Door Hatchback      44=4-Door Hatchback      53=FWD & AWD Van & Wgn Ext. W.B.  
 27=2-Door Convertible

AR = Use as Required    - = Non Illustrated Part    P.A.R. = Paint as Required

**BRAKES, FRONT W/REAR DISC BRAKES G BODY**  
**Figure 5-2600**

93105 2600



ITEM	PART NUMBER	QTY	BODY	MODEL	DESCRIPTION
1	4423 716-7	1			CALIPER ASSEMBLY, Front Wheel Disc Brake, Partial (Casting No.123919-01) ***
2	4423 465	2			PISTON, (Also Serviced in Item 23)
3		2			BOOT, (Serviced in Items 23,24)
4		2			SEAL, (Serviced in Items 23,24)
5	4383 471	4			BUSHING, (Also Serviced in Item 25)
6	3780 788	2			SCREW, Bleeder
7	5204 389	2			CAP, Bleeder Screw
8	4423 639	4			BOLT, Frt. Wheel Brake Locating Sleeve (Also Serviced in Item 26)
9	4423 573	4			SLEEVE, Front Wheel Disc Brake Locating (Also Serviced in Item 25)
10	6502 029	4			BOLT, Front Wheel Disc Brake Torque Plate Mtg.
11	4423 464	2			TORQUE PLATE, Adapter, Disc Brake ***
12	4423 443	2			CLIP, Disc Brake Caliper Anti-Rattle
13	4423 812	1			SHOE and LINING PACKAGE, Front Wheel Disc Brake
14	6500 294	AR			NUT, Wheel (Chrome)
15	4383 973	2			DISC, Front Wheel Brake (11.00" Diameter)
16	6500 336	2			COTTER PIN, Front Axle Hub Nut Lock ***
17	4293 167	2			LOCKNUT & WASHER PACKAGE ***
18	6500 298	2			NUT, Hub
19	6500 299	2			WASHER
20	5241 067	2			HUB and BEARING ASSEMBLY, Frt. Wheel Disc ***
	6101 055	4			SCREW and WASHER, Hex Hd Coned- Hub and Brg to Strg Knuckle
21	6501 053	AR			BOLT
22	5212 535	2			SEAL
23	4713 874	1			PISTON, BOOT and SEAL PACKAGE, Frt. Wheel Disc
24	4364 781	2			BOOT and SEAL PACKAGE
25	4267 331	2			BUSHING PACKAGE, Frt. Wheel Disc
26	4267 330	2			BOLT PACKAGE ***
27	4485 784-5	1			SENSOR ASSEMBLY, Anti-Lock Front Wheel Speed ***
28	6101 419	2			BOLT, Front Wheel Speed Sensor Mounting
29					CLIP, (Not Required)

**MODEL CODES:**

A BODY=(C=LeBaron, D=Spirit, P=Acclaim/LaBaron(Landau), Saratoga)

C BODY=(D=Dynasty, C=New Yorker/N.Y. Salon)

G BODY=(V=Daytona/IROC, Chrysler Daytona)

J BODY=(C=LeBaron, Chrysler LeBaron)

P BODY=(P=Sundance, D=Shadow)

S BODY=(H=Voyager(H) FWD, K=Caravan(H) FWD,

Y=Town & Country(H) FWD, P=Voyager(K) AWD,

D=Caravan(K) AWD, C=Town & Country(K) AWD)

Y BODY=(C=Imperial/5th Avenue)

E-S BODY=(K=Chrysler Voyager(H) FWD, D=Chrysler

Voyager(K) AWD)

**BODY STYLES:**

21=2-Door Coupe

41=4-Door Sedan

12-52=FWD & AWD Van & Wgn Std W.B.

24=2-Door Hatchback

44=4-Door Hatchback

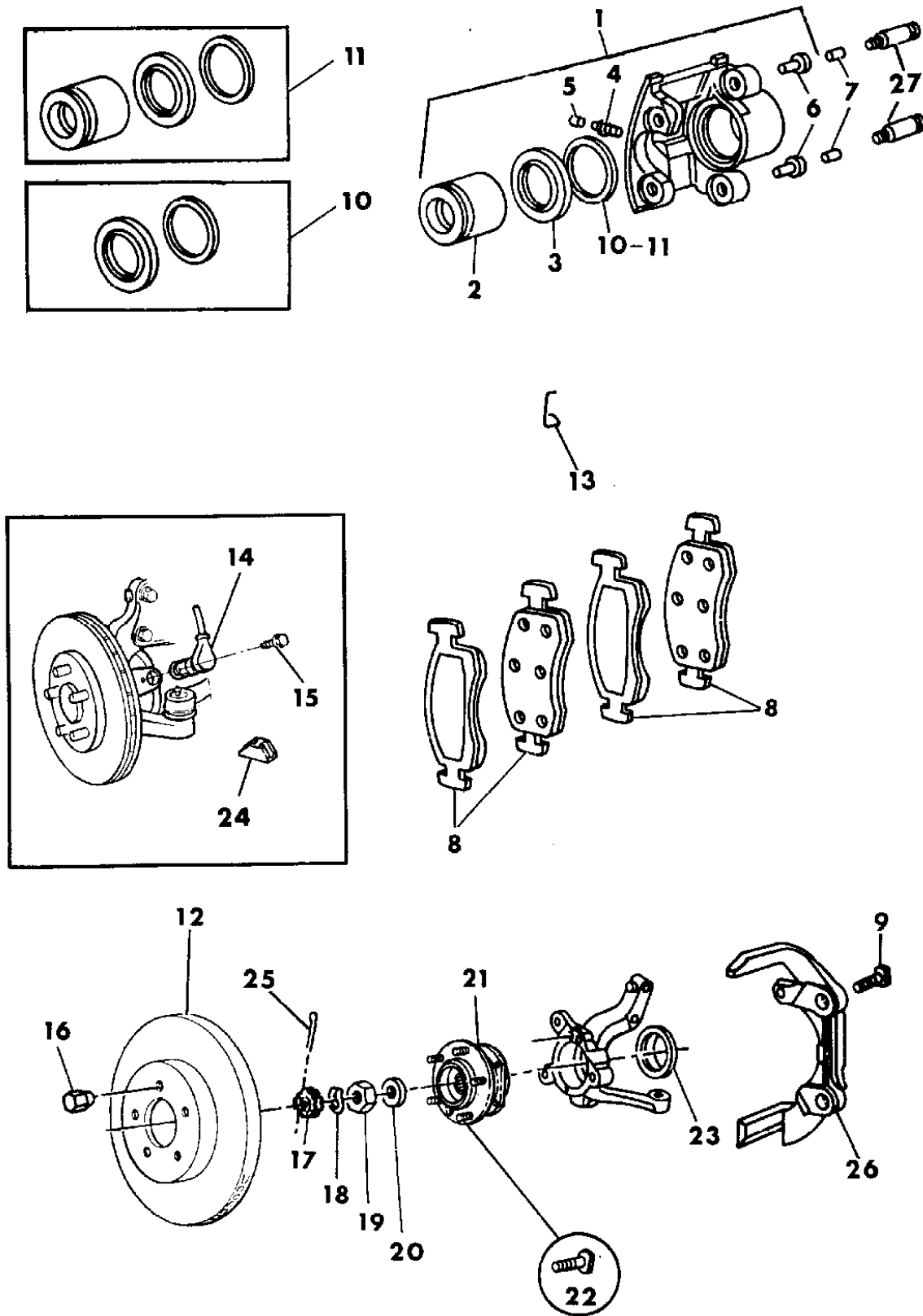
53=FWD & AWD Van & Wgn Ext. W.B.

27=2-Door Convertible

AR = Use as Required - = Non Illustrated Part P.A.R. = Paint as Required

**BRAKES, FRONT C,Y BODY**  
**Figure 5-2700**

93105 2700



ITEM	PART NUMBER	QTY	BODY	MODEL	DESCRIPTION
1	4423 466-7	1	Exc. Y	P	CALIPER ASSEMBLY, Front Wheel Disc Brake, Partial, Kelsey-Hayes ***
	4383 468-9	1	Y	P	Kelsey-Hayes
2	4423 465	2			PISTON, Frt. Wheel Disc Brake (Also Service in Item 11)
3		2			BOOT, Frt. Wheel Disc Brake (Service in Item 10,11)
4	3780 788	2			SCREW, Bleeder
5	5204 389	2			CAP, Bleeder Screw
6	4383 471	4			BUSHING, Frt. Wheel Disc Brake
7	4423 573	4			SLEEVE, Front Wheel Disc Brake Caliper Locating
8					SHOE and LINING PACKAGE
	4423 575	1	C	All	
	4423 575	1	Y	S	
	4423 714	1	Y	P	
9	4423 639	4			BOLT
10	4364 781	1			BOOT and SEAL PACKAGE, Frt. Wheel Disc Brake
11	4713 874	1			PISTON, BOOT and SEAL PACKAGE, Frt. Wheel Disc Brake
12	4383 968	2			DISC, Frt. Wheel Brake (10.25" Diameter)
13	4423 443	2			CLIP, Anti Rattle
14	4485 784-5	1			SENSOR, Anti-Lock, Frt. Wheel Speed
15	6101 419	AR			BOLT
16	6500 526	AR			NUT, Use w/14" Wheel Cover
	6500 294	AR			NUT, Chrome, Use w/14" Styled Road Wheel
17	4293 167	2			LOCK, Hub Nut
18	5212 684	2			WASHER, Hub Wave
19	6500 298	2			NUT, Hub
20	6500 299	2			WASHER
21	5241 067	2			HUB and BEARING ASSEMBLY, Frt. Wheel Brakes ***
	6101 055	4			SCREW and WASHER, Hex Hd Coned- Hub and Brg to Strg Knuckle
22	6501 053	AR			BOLT
23	5212 535	2			SEAL
24	4383 292	2			CLIP, Frt. Wheel Speed Sensor Inter. Brkt.
25	6500 336	2			PIN, Cotter
26	4423 463	2			PLATE, Torque, Adapter
27	4423 639	4			BOLT, Front Wheel Brake Locating Sleeve

**MODEL CODES:**

A BODY=(C=LeBaron, D=Spirit, P=Acclaim/LaBaron(Landau), Saratoga)

C BODY=(D=Dynasty, C=New Yorker/N.Y. Salon)

G BODY=(V=Daytona/IROC, Chrysler Daytona)

J BODY=(C=LeBaron, Chrysler LeBaron)

P BODY=(P=Sundance, D=Shadow)

S BODY=(H=Voyager(H) FWD, K=Caravan(H) FWD,

Y=Town & Country(H) FWD, P=Voyager(K) AWD,

D=Caravan(K) AWD, C=Town & Country(K) AWD)

Y BODY=(C=Imperial/5th Avenue)

E-S BODY=(K=Chrysler Voyager(H) FWD, D=Chrysler

Voyager(K) AWD)

**BODY STYLES:**

21=2-Door Coupe

41=4-Door Sedan

12-52=FWD & AWD Van & Wgn Std W.B.

24=2-Door Hatchback

44=4-Door Hatchback

53=FWD & AWD Van & Wgn Ext. W.B.

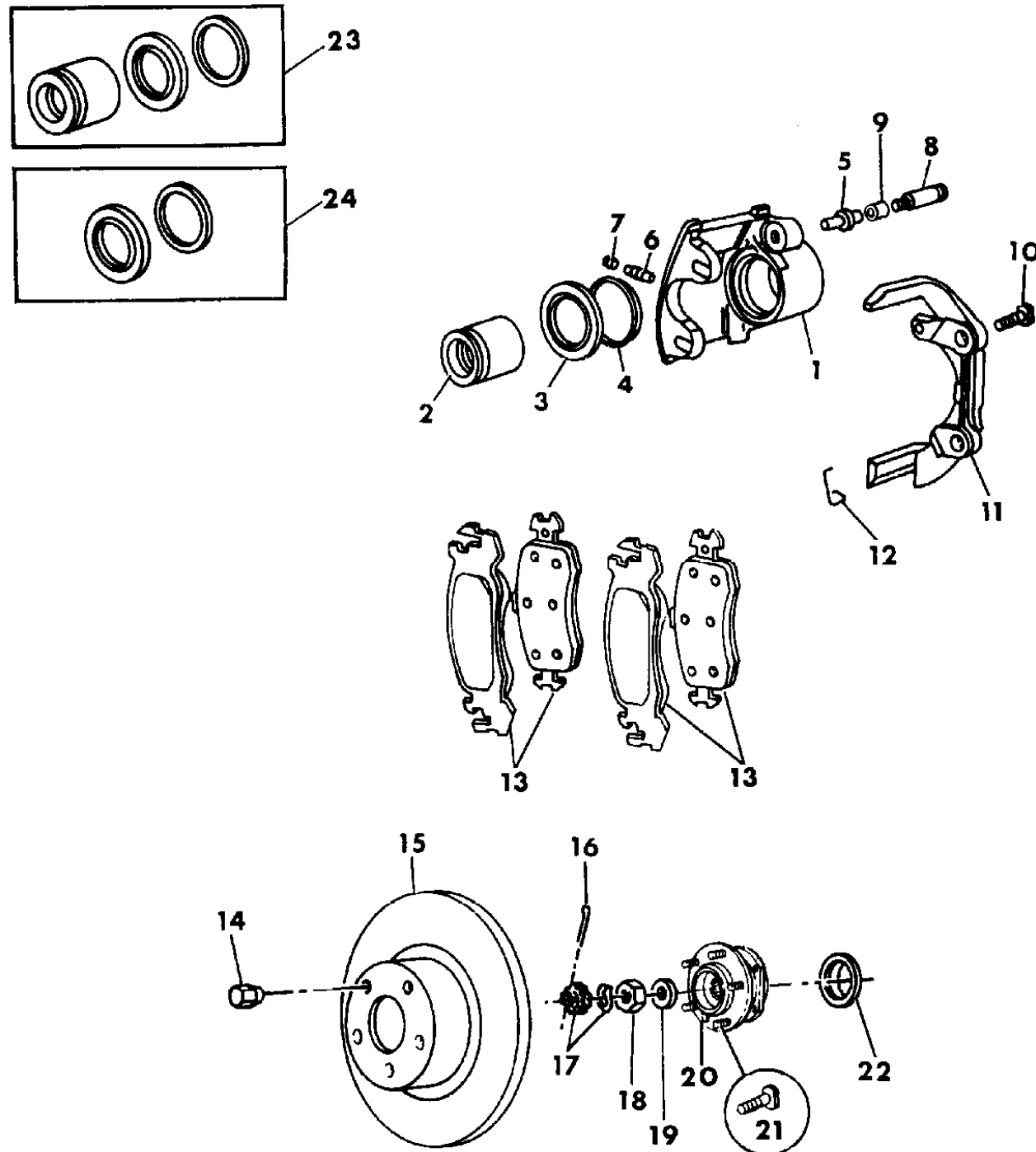
27=2-Door Convertible

AR = Use as Required - = Non Illustrated Part P.A.R. = Paint as Required



**BRAKES, FRONT W/14" WHEELS S BODY**  
**Figure 5-2800**

93105 2800B



ITEM	PART NUMBER	QTY	BODY	MODEL	DESCRIPTION
1	4423 466-7	1			CALIPER ASSEMBLY, Front Wheel Disc Brake Partial (Cast No. 122055-01) ***
2	4423 465	2			PISTON, (Also Serviced in Item 23)
3		2			BOOT, (Serviced in Items 23,24)
4		2			SEAL, (Serviced in Items 23,24)
5	4383 471	4			BUSHING
6	3780 788	2			SCREW, Disc Brake Bleeder
7	5204 389	2			CAP, Bleeder
8	4423 639	4			BOLT, Frt. Wheel Brake Locating Sleeve
9	4423 573	4			SLEEVE
10	6502 029	4			BOLT, Front Wheel Disc Brake Torque Plate Mtg.
11	4423 463	2			TORQUE PLATE, Adapter, Disc Brake ***
12	4423 443	2			CLIP, Disc Brake Caliper
13	4423 725	1			SHOE and LINING PACKAGE, Front Wheel Disc Brake
14	6500 526	20			NUT, Wheel
	6500 294	20			NUT, Wheel (Chrome)
15	4383 968	2			DISC, Front Wheel Brake (10.25" Diameter)
16	6500 336	2			COTTER PIN, Front Axle Hub Nut Lock ***
17	4293 167	2			LOCKNUT & WASHER PACKAGE ***
18	6500 298	2			NUT, Hub
19	6500 299	2			WASHER
20	5241 067	2			HUB and BEARING ASSEMBLY ***
21	6501 053	10			BOLT
22	5212 535	2			SEAL
23	4713 874	1			PISTON, BOOT and SEAL PACKAGE, Disc Brake
24	4364 781	2			BOOT and SEAL PACKAGE
	6501 596	8			SCREW and WASHER ASSEMBLY, Hub Brg. to Strg. Knuckle ***

**MODEL CODES:**

A BODY=(C=LeBaron, D=Spirit, P=Acclaim/LaBaron(Landau), Saratoga) S BODY=(H=Voyager(H) FWD, K=Caravan(H) FWD, Y=Town & Country(H) FWD, P=Voyager(K) AWD, D=Caravan(K) AWD, C=Town & Country(K) AWD)  
 C BODY=(D=Dynasty, C=New Yorker/N.Y. Salon)  
 G BODY=(V=Daytona/IROC, Chrysler Daytona)  
 J BODY=(C=LeBaron, Chrysler LeBaron)  
 P BODY=(P=Sundance, D=Shadow) Y BODY=(C=Imperial/5th Avenue)  
 E-S BODY=(K=Chrysler Voyager(H) FWD, D=Chrysler Voyager(K) AWD)

**BODY STYLES:**

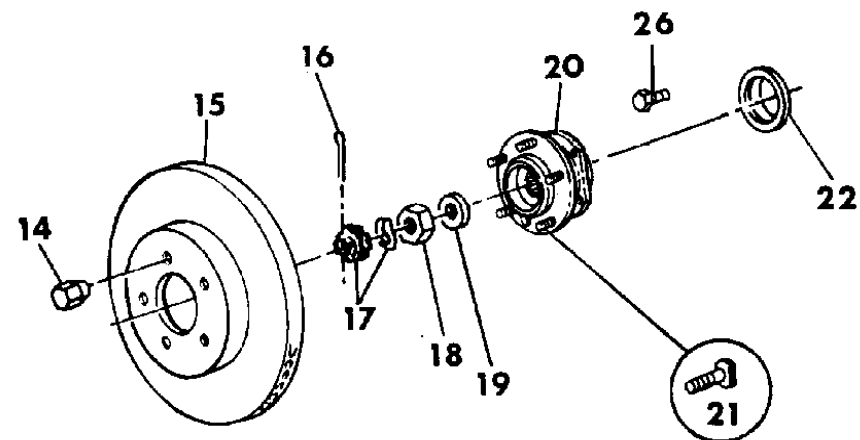
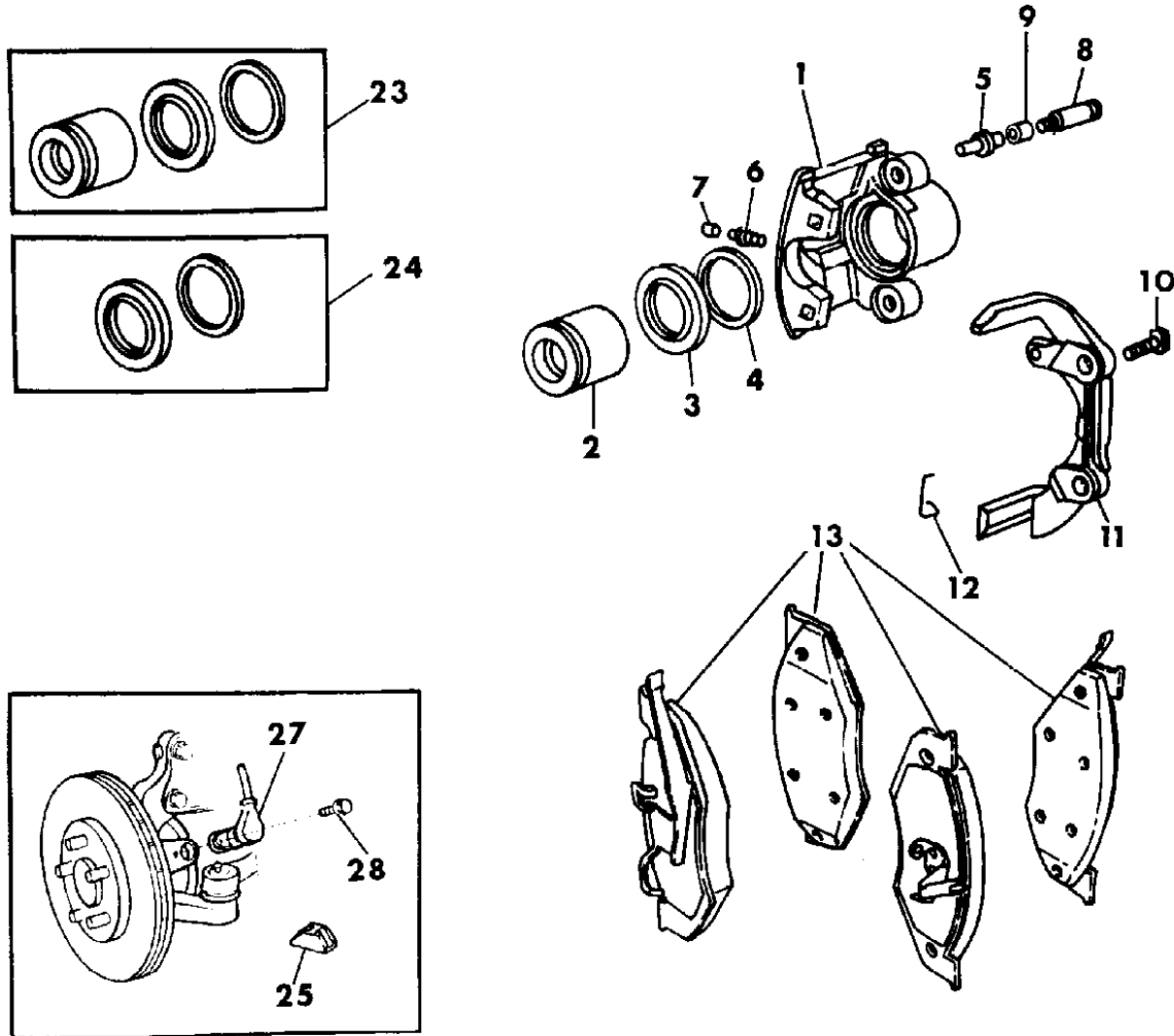
21=2-Door Coupe 41=4-Door Sedan 12-52=FWD & AWD Van & Wgn Std W.B.  
 24=2-Door Hatchback 44=4-Door Hatchback 53=FWD & AWD Van & Wgn Ext. W.B.  
 27=2-Door Convertible

AR = Use as Required - = Non Illustrated Part P.A.R. = Paint as Required

**BRAKES, FRONT W/15" WHEELS S BODY**  
**Figure 5-2900**

93105 2900B

ITEM	PART NUMBER	QTY	BODY	MODEL	DESCRIPTION
1	4423 716-7	1			CALIPER ASSEMBLY, Front Wheel Disc Brake Partial (Cast No. 123919-01) ***
2	4423 465	2			PISTON, (Also Serviced in Item 23)
3		2			BOOT, (Serviced in Items 23,24)
4		2			SEAL, (Serviced in Items 23,24)
5	4383 471	4			BUSHING
6	3780 788	2			SCREW, Bleeder
7	5204 389	2			CAP, Bleeder Screw
8	4423 639	4			BOLT, Frt. Wheel Brake Locating Sleeve
9	4423 573	4			SLEEVE
10	6502 029	4			BOLT, Front Wheel Disc Brake Torque Plate Mtg.
11	4423 464	2			TORQUE PLATE, Adapter, Disc Brake ***
12	4423 443	2			CLIP, Disc Brake Caliper
13	4423 812	1			SHOE and LINING PACKAGE, Front Wheel Disc Brake
		AR			CLIP, Anti-Rattle (Service with Shoe)
14	6500 294	AR			NUT, Wheel (Chrome)
15	4509 340	2			DISC, Front Wheel Brake (11.00" Diameter)
16	6500 336	2			COTTER PIN, Front Axle Hub Nut Lock ***
17	4293 167	2			LOCKNUT & WASHER PACKAGE ***
18	6500 298	2			NUT, Hub
19	6500 299	2			WASHER
20	4641 196	2			HUB and BEARING ASSEMBLY, Frt. Wheel Disc ***
21	6502 311	10			BOLT
22	5212 535	2			SEAL
23	4713 874	1			PISTON, BOOT and SEAL PACKAGE, Frt. Wheel Disc
24	4364 781	2			BOOT and SEAL PACKAGE
25	4383 292	2			CLIP, Front Wheel Speed Sensor
26	6101 055	8			SCREW & WASHER ASSEMBLY, Hub & Brg. to Strg. Knuckle ***
27					SENSOR ASSEMBLY, Anti-Lock Front Wheel ***
	4509 212	1			Rt.
	4683 057	1			Lt.
28	6101 419	2			BOLT, Frt. Wheel Speed Sensor Mounting



**MODEL CODES:**

A BODY=(C=LeBaron, D=Spirit, P=Acclaim/LaBaron(Landau), Saratoga)  
 C BODY=(D=Dynasty, C=New Yorker/N.Y. Salon)  
 G BODY=(V=Daytona/IROC, Chrysler Daytona)  
 J BODY=(C=LeBaron, Chrysler LeBaron)  
 P BODY=(P=Sundance, D=Shadow)

S BODY=(H=Voyager(H) FWD, K=Caravan(H) FWD, Y=Town & Country(H) FWD, P=Voyager(K) AWD, D=Caravan(K) AWD, C=Town & Country(K) AWD)  
 Y BODY=(C=Imperial/5th Avenue)  
 E-S BODY=(K=Chrysler Voyager(H) FWD, D=Chrysler Voyager(K) AWD)

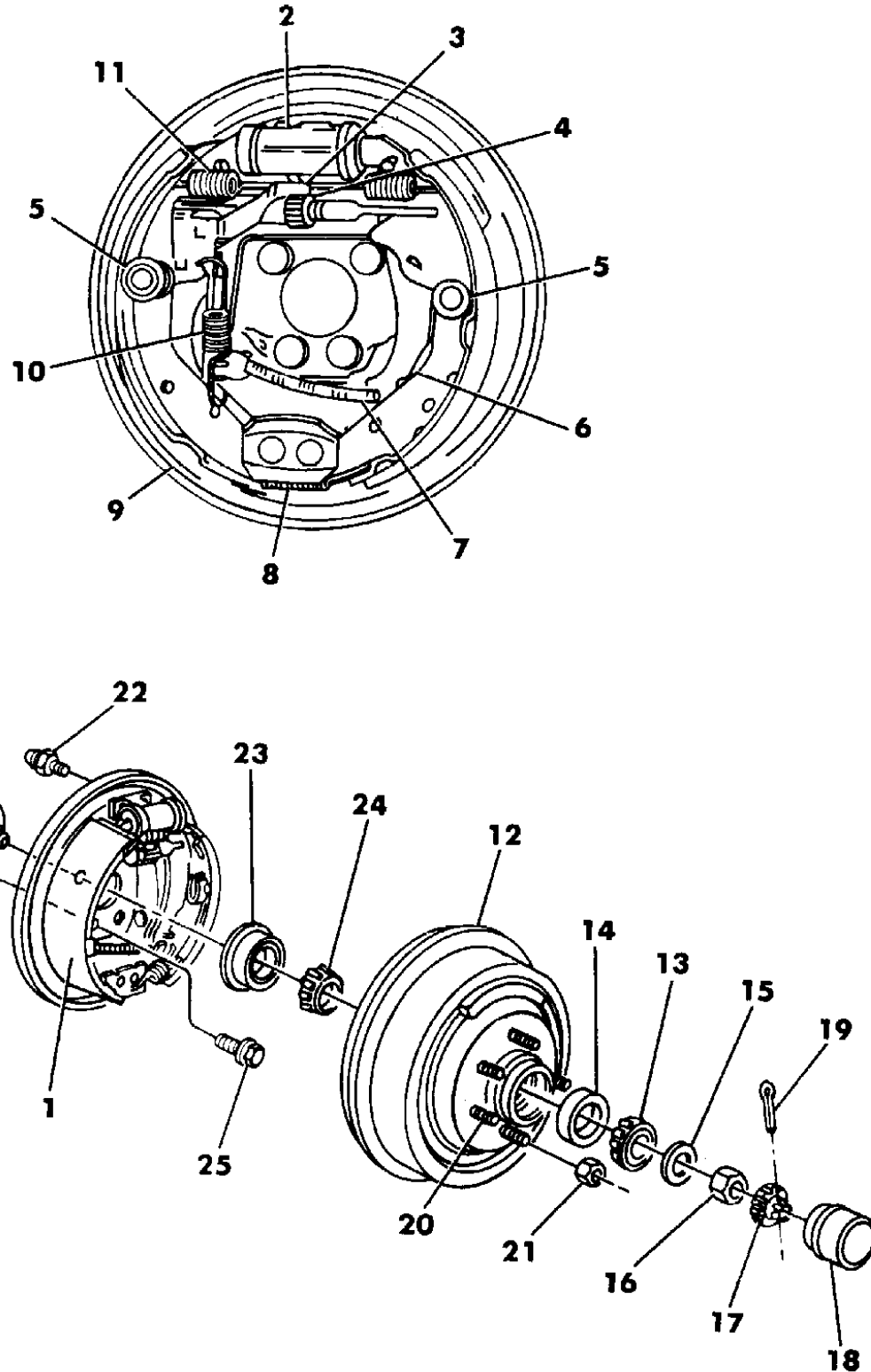
**BODY STYLES:**

21=2-Door Coupe      41=4-Door Sedan      12-52=FWD & AWD Van & Wgn Std W.B.  
 24=2-Door Hatchback      44=4-Door Hatchback      53=FWD & AWD Van & Wgn Ext. W.B.  
 27=2-Door Convertible

AR = Use as Required - = Non Illustrated Part P.A.R. = Paint as Required

**BRAKES, REAR DRUM P BODY**  
Figure 5-3000

93105 3000



ITEM	PART NUMBER	QTY	BODY	MODEL	DESCRIPTION
1	4238 827	1			SHOE and LINING PACKAGE
2	4238 701	2			CYLINDER, Rear Wheel Brake, Complete
	6028 921	AR			SCREW, Cyl. Mtg.
3	4238 722-3	1			LEVER, Auto. Adjuster
4	4238 766-7	1			SCREW, Auto. Adjuster
	4238 726-7	1			NUT, Rear Wheel Brake Adj.
	4238 721	2			PLUG, Rear Wheel Brake Adj. Hole
	4238 728	2			TUBE, Rear Wheel Brake Adj.
5	4238 732	4			RETAINER, Brake Shoe Hold Down Spring
	4238 733	4			PIN, Brake Shoe Hold Down Spring
6	4423 750-1	1			LEVER and PIN, Parking Brake
	4238 715	2			WASHER, Parking Brake Lever Pin Wave
	4238 716	2			CLIP, Parking Brake Lever Pin Ret.
7					CABLE, Parking Brake (See Group #4)
	3699 549	2			PLUG, Cable Hole
8	4238 730	2			SPRING, Lower Shoe Return
9	4740 372-3	1			SUPPORT, Brake
10	4238 851	2			SPRING, Auto. Adjuster Lever
11	4741 674	2			SPRING, Shoe Return
12	4383 655	2			HUB and DRUM, w/200mm x 32.5mm
13	3683 974	2			BEARING PACKAGE, Outer
14					CONE and ROLLER, Outer (Serv. 3683974 Brg. Pkg. See Item 13)
15	0600 194	2			WASHER, Brg. Thrust
16	6029 692	2			NUT, Brg. Adjust
17	1673 324	2			LOCK, Brg. Nut
18	3580 894	2			CAP, Grease
19					PIN, Cotter (Not Serv.)
20	5204 272	AR			STUD
21	6500 526	AR			NUT, Std.
	6500 294	AR			NUT, Chrome
	5204 250	AR			CAP, Wheel Nut, Black Plastic
22	3766 674	2			SCREW, Bleeder
	4238 717	2			CAP, Bleeder Screw
23	4238 570	2			SEAL, Dust
24	4238 567	2			CONE, CUP and BEARING PACKAGE
25	6501 716	AR			BOLT
26	4238 853	2			SEAL, Support
27					SPINDLE, Rear Wheel Mtg. (See Group 17)

**MODEL CODES:**

A BODY=(C=LeBaron, D=Spirit, P=Acclaim/LaBaron(Landau), Saratoga)  
 C BODY=(D=Dynasty, C=New Yorker/N.Y. Salon)  
 G BODY=(V=Daytona/IROC, Chrysler Daytona)  
 J BODY=(C=LeBaron, Chrysler LeBaron)  
 P BODY=(P=Sundance, D=Shadow)

S BODY=(H=Voyager(H) FWD, K=Caravan(H) FWD, Y=Town & Country(H) FWD, P=Voyager(K) AWD, D=Caravan(K) AWD, C=Town & Country(K) AWD)  
 Y BODY=(C=Imperial/5th Avenue)  
 E-S BODY=(K=Chrysler Voyager(H) FWD, D=Chrysler Voyager(K) AWD)

**BODY STYLES:**

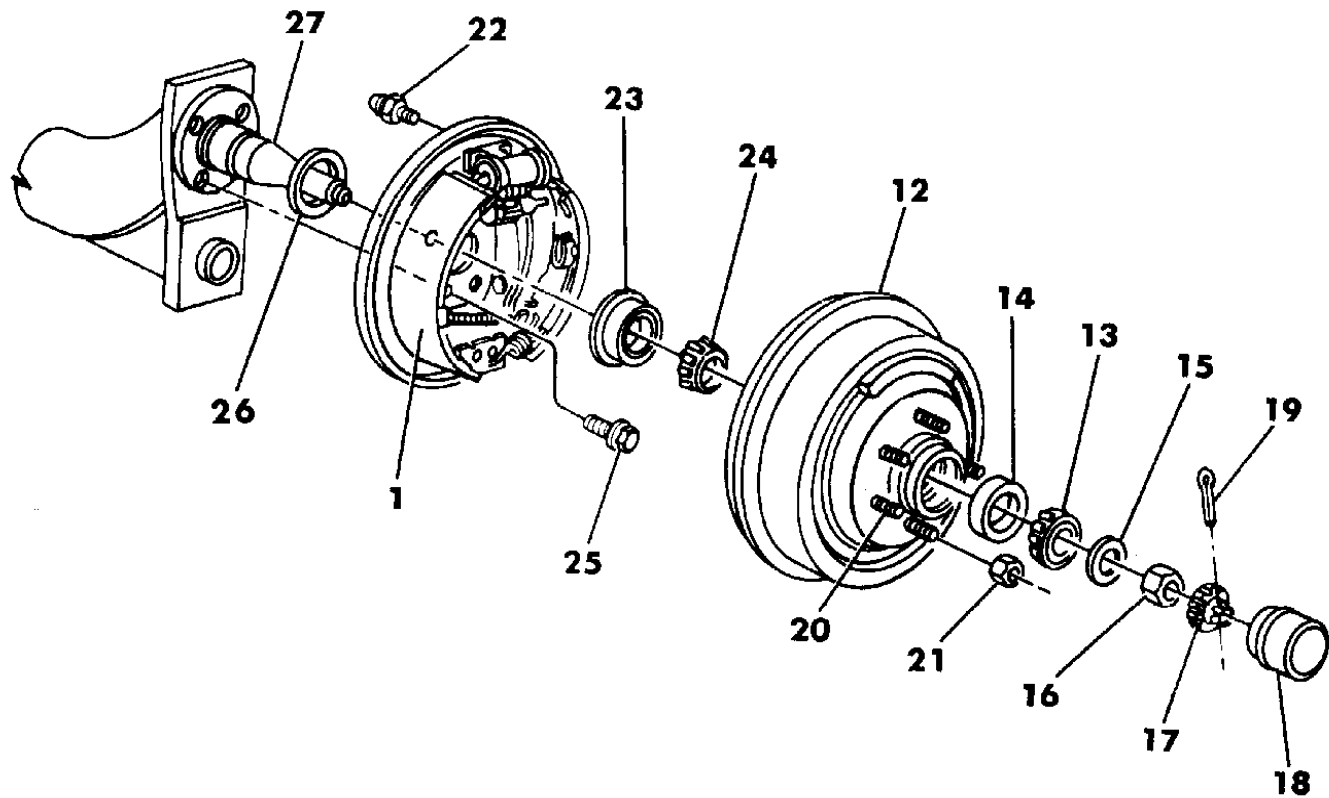
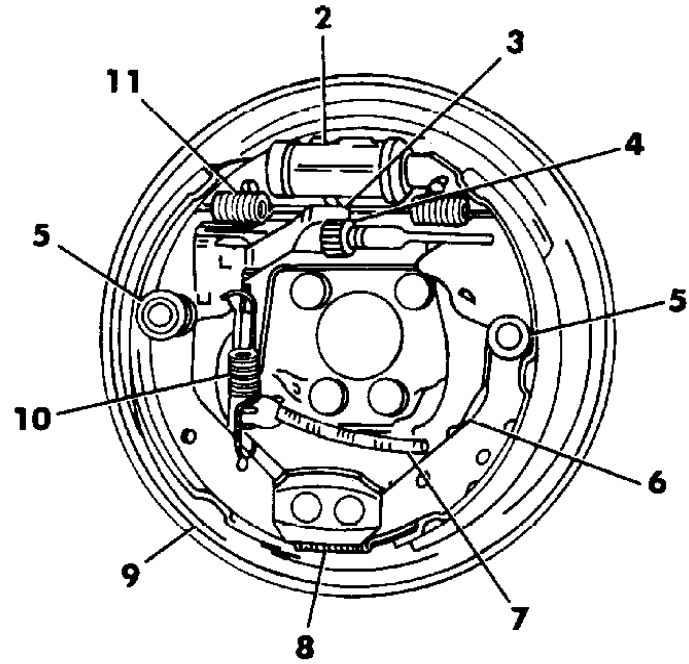
21=2-Door Coupe      41=4-Door Sedan      12-52=FWD & AWD Van & Wgn Std W.B.  
 24=2-Door Hatchback      44=4-Door Hatchback      53=FWD & AWD Van & Wgn Ext. W.B.  
 27=2-Door Convertible

AR = Use as Required - = Non Illustrated Part P.A.R. = Paint as Required

**BRAKES, REAR DRUM P BODY**  
Figure 5-3000

93105 3000

ITEM	PART NUMBER	QTY	BODY	MODEL	DESCRIPTION
	4636 732	1			BRAKE HARDWARE PACKAGE, Spring and Pin ***



**MODEL CODES:**

A BODY=(C=LeBaron, D=Spirit, P=Acclaim/LaBaron(Landau),  
Saratoga)  
C BODY=(D=Dynasty, C=New Yorker/N.Y. Salon)  
G BODY=(V=Daytona/IROC, Chrysler Daytona)  
J BODY=(C=LeBaron, Chrysler LeBaron)  
P BODY=(P=Sundance, D=Shadow)

S BODY=(H=Voyager(H) FWD, K=Caravan(H) FWD,  
Y=Town & Country(H) FWD, P=Voyager(K) AWD,  
D=Caravan(K) AWD, C=Town & Country(K) AWD)  
Y BODY=(C=Imperial/5th Avenue)  
E-S BODY=(K=Chrysler Voyager(H) FWD, D=Chrysler  
Voyager(K) AWD)

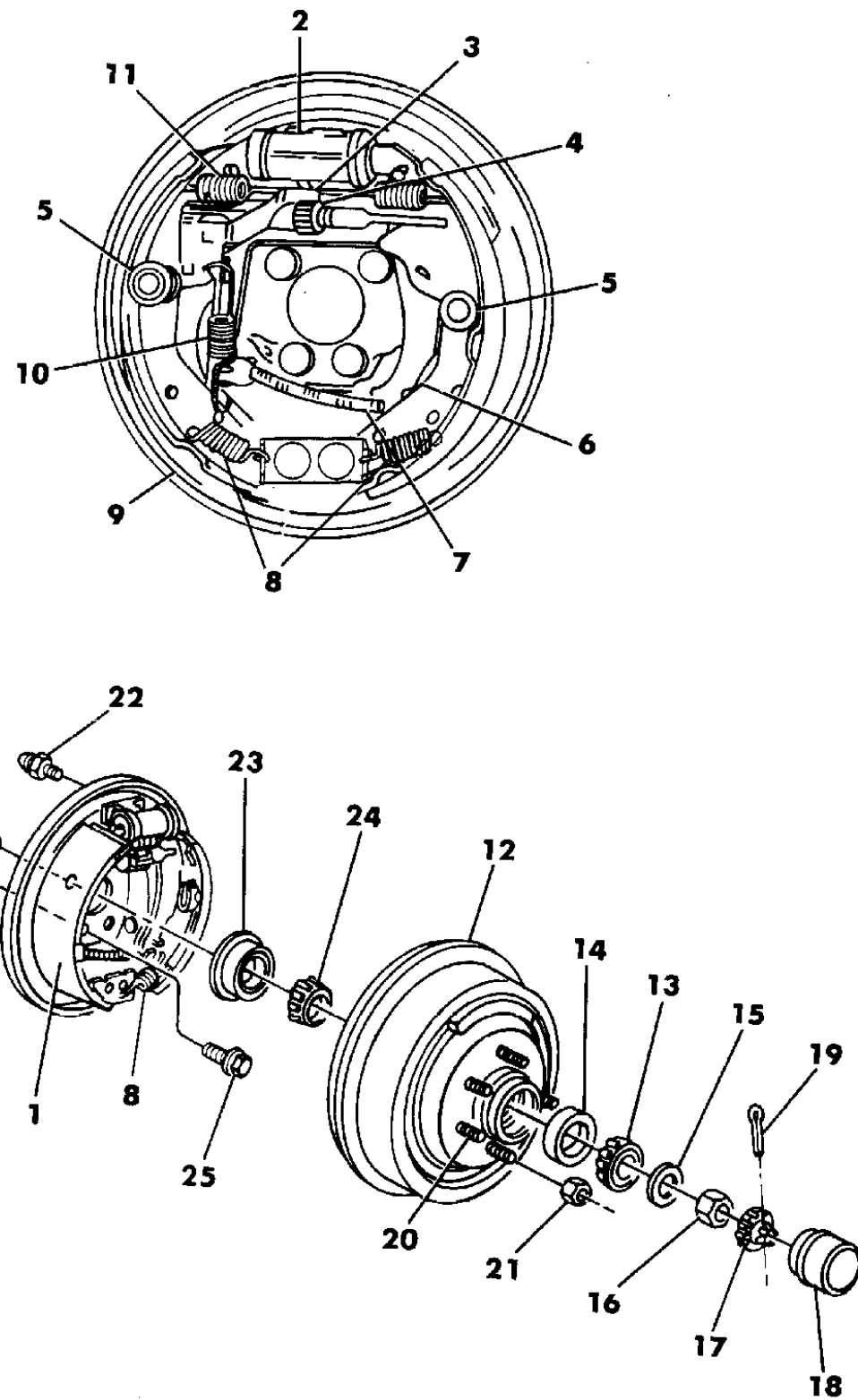
**BODY STYLES:**

21=2-Door Coupe      41=4-Door Sedan      12-52=FWD & AWD Van & Wgn Std W.B.  
24=2-Door Hatchback      44=4-Door Hatchback      53=FWD & AWD Van & Wgn Ext. W.B.  
27=2-Door Convertible

AR = Use as Required - = Non Illustrated Part P.A.R. = Paint as Required

**BRAKES, REAR DRUM A,J BODY**  
Figure 5-3100

93105 3100



ITEM	PART NUMBER	QTY	BODY	MODEL	DESCRIPTION
1	4728 870	1			SHOE and LINING PACKAGE, (Includes P/Brake Lever)
2	4423 246	2			CYLINDER, Rear Wheel Brake, Complete
-	4423 240	2			SEAL, Cylinder to Backing Plate
-	4423 232	4			SCREW, Cylinder Mounting
3	4423 220-1	1			LEVER, Auto. Adjust
4	4423 222-3	1			SCREW, Auto. Adjust
	4423 224-5	1			NUT, Rear Wheel Brake Adj.
	4423 235	2			PLUG, Rear Wheel Brake Adj. Hole
	4423 200	2			SOCKET, Auto. Adjust Screw
5	4423 228	4			RETAINER, Brake Shoe Hold Down Spring
	4423 229	4			PIN, Brake Shoe Hold Down Sprg.
6		1			LEVER, Parking Brake (Serviced in Item 1)
7					CABLE, Parking Brake (See Group #4)
8	4423 226	4			SPRING, Lower Shoe Return
9	4423 196-7	1			SUPPORT, Rear Wheel Brake
10	4423 211	2			SPRING, Auto. Adjuster Lever
11	4423 227	2			SPRING, Shoe Return
12	4383 587	2			HUB and DRUM
13	3683 974	2			BEARING PACKAGE, Outer
14					CONE and ROLLER, Outer (Serv. 3683974 Brg. Pkg. See Item 13)
15	0600 194	2			WASHER, Bearing Thrust
16	6029 692	2			NUT, Rear Wheel Brake Brg.
17	1673 324	2			LOCK, Bearing Nut
18	3580 894	2			CAP, Grease
19					PIN, Cotter (Not Serv.)
20	5204 272	AR			STUD
21	6500 526	AR			NUT, Std.
	6500 294	AR			NUT, Chrome
22	4423 230	2			SCREW, Bleeder
	4423 231	2			CAP, Bleeder Screw
23	4238 570	2			SEAL, Dust
24	4238 567	2			CONE, CUP and BEARING PACKAGE, Inner
25	6501 716	AR			BOLT
26	4238 853	2			SEAL, Support
27					SPINDLE, Rear Wheel Mtg. (See Group 17)

**MODEL CODES:**

A BODY=(C=LeBaron, D=Spirit, P=Acclaim/LaBaron(Landau), Saratoga)  
 C BODY=(D=Dynasty, C=New Yorker/N.Y. Salon)  
 G BODY=(V=Daytona/IROC, Chrysler Daytona)  
 J BODY=(C=LeBaron, Chrysler LeBaron)  
 P BODY=(P=Sundance, D=Shadow)

S BODY=(H=Voyager(H) FWD, K=Caravan(H) FWD, Y=Town & Country(H) FWD, P=Voyager(K) AWD, D=Caravan(K) AWD, C=Town & Country(K) AWD)  
 Y BODY=(C=Imperial/5th Avenue)  
 E-S BODY=(K=Chrysler Voyager(H) FWD, D=Chrysler Voyager(K) AWD)

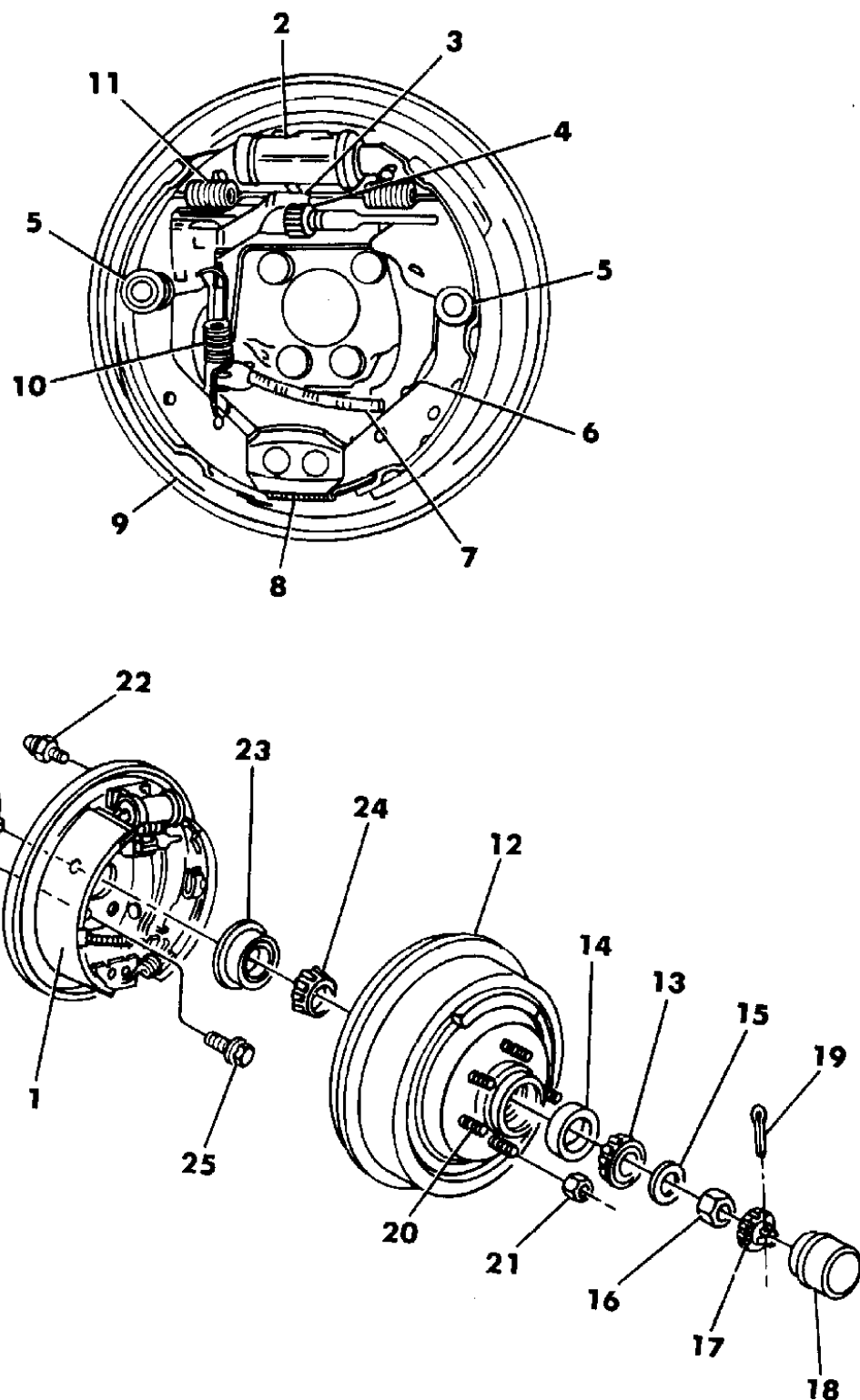
**BODY STYLES:**

21=2-Door Coupe      41=4-Door Sedan      12-52=FWD & AWD Van & Wgn Std W.B.  
 24=2-Door Hatchback      44=4-Door Hatchback      53=FWD & AWD Van & Wgn Ext. W.B.  
 27=2-Door Convertible

AR = Use as Required - = Non Illustrated Part P.A.R. = Paint as Required

**BRAKES, REAR DRUM G BODY**  
Figure 5-3200

93105 3200



ITEM	PART NUMBER	QTY	BODY	MODEL	DESCRIPTION
1	4509 314	1			SHOE and LINING PACKAGE
2	4238 701	2			CYLINDER, Rear Wheel Brake, Complete
	6028 921	AR			SCREW, Cyl. Mtg.
3	4238 764-5	1			LEVER, Auto. Adjuster
4	4238 766-7	1			SCREW, Auto. Adjuster
	4238 726-7	1			NUT, Rear Wheel Brake Adj.
	4238 721	2			PLUG, Rear Wheel Brake Adj. Hole
5	4238 732	4			RETAINER, Brake Shoe Hold Down Spring
	4238 771	4			PIN, Brake Shoe Hold Down Spring
6	4423 750-1	1			LEVER and PIN, Parking Brake
	4238 715	2			WASHER, Parking Brake Lever Pin Wave
	4238 716	2			CLIP, Parking Brake Lever Pin Ret.
7					CABLE, Parking Brake (See Group #4)
	3699 549	2			PLUG, Cable Hole
8	4238 730	2			SPRING, Lower Shoe Return
9	4423 754-5	1			SUPPORT, Brake
10	4238 851	2			SPRING, Auto. Adjuster Lever
11	4238 731	2			SPRING, Shoe Return
12	4383 587	2			HUB and DRUM
13	3683 974	2			BEARING PACKAGE, Outer
14					CONE and ROLLER, Outer (Serv. 3683974 Brg. Pkg. See Item 13)
15	0600 194	2			WASHER, Brg. Thrust
16	6029 692	2			NUT, Brg. Adjust
17	1673 324	2			LOCK, Brg. Nut
18	3580 894	2			CAP, Grease
19					PIN, Cotter (Not Serv.)
20	5204 272	AR			STUD
21	6500 526	AR			NUT, Std.
	6500 294	AR			NUT, Chrome
22	3766 674	2			SCREW, Bleeder
	4238 717	2			CAP, Bleeder Screw
23	4238 570	2			SEAL, Dust
24	4238 567	2			CONE, CUP and BEARING PACKAGE
25	6501 716	AR			BOLT
26	4238 853	2			SEAL, Support
27					SPINDLE, Rear Wheel Mtg. (See Group 17)
	4636 732	1			BRAKE HARDWARE PACKAGE, Spring and Pin ***

**MODEL CODES:**

A BODY=(C=LeBaron, D=Spirit, P=Acclaim/LaBaron(Landau), Saratoga) S BODY=(H=Voyager(H) FWD, K=Caravan(H) FWD, Y=Town & Country(H) FWD, P=Voyager(K) AWD, D=Caravan(K) AWD, C=Town & Country(K) AWD)  
 C BODY=(D=Dynasty, C=New Yorker/N.Y. Salon) Y BODY=(C=Imperial/5th Avenue)  
 G BODY=(V=Daytona/IROC, Chrysler Daytona) E-S BODY=(K=Chrysler Voyager(H) FWD, D=Chrysler Voyager(K) AWD)  
 J BODY=(C=LeBaron, Chrysler LeBaron)  
 P BODY=(P=Sundance, D=Shadow)

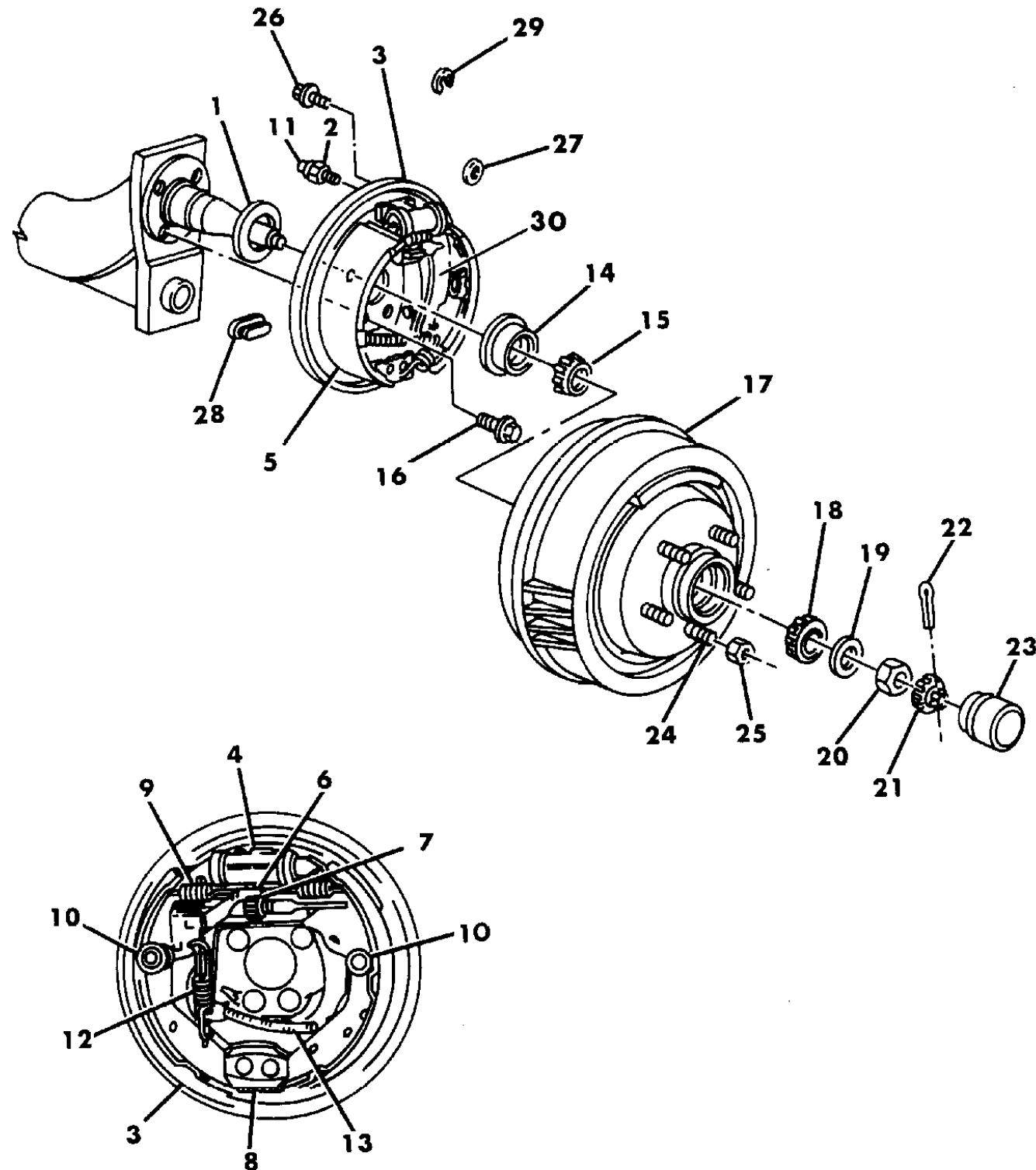
**BODY STYLES:**

21=2-Door Coupe 41=4-Door Sedan 12-52=FWD & AWD Van & Wgn Std W.B.  
 24=2-Door Hatchback 44=4-Door Hatchback 53=FWD & AWD Van & Wgn Ext. W.B.  
 27=2-Door Convertible

AR = Use as Required - = Non Illustrated Part P.A.R. = Paint as Required

**BRAKES, REAR DRUM C,Y BODY**  
Figure 5-3300

93105 3300



ITEM	PART NUMBER	QTY	BODY	MODEL	DESCRIPTION
1	4238 853	2			SEAL, Rear Wheel Brake to Spindle
2	4423 230	2			SCREW, Brake Cyl. Bleeder
3	4423 254-5	1			SUPPORT, Rear Wheel Brake
4	4423 246	2			CYLINDER, Rear Wheel Brake
-	4423 240	2			SEAL, Cylinder to Backing Plate
-	4423 232	4			SCREW, Cylinder Mounting
5	4728 870	1			SHOE and LINING PACKAGE, Rear Wheel Brake (4 Pack) (Includes P/Brake Lever)
6	4423 220-1	1			LEVER, Rear Wheel Brake Adj.
7	4423 222-3	1			SCREW, Rear Wheel Brake Adj.
	4423 224-5	1			NUT, Rear Wheel Brake Adj.
	4423 200	2			SOCKET, Rear Wheel Brake Adj. Screw
8	4423 226	2			SPRING, Rear Wheel Brake Lower Shoe Return
9	4423 227	2			SPRING, Rear Wheel Brake Shoe Return
10	4423 228	4			RETAINER, Rear Wheel Brake Shoe Hold Down
	4423 229	4			PIN, Rear Wheel Brake Shoe Hold Down Spring
11	4423 231	2			CAP, Rear Wheel Brake Cyl. Bleeder Screw
12	4423 211	2			SPRING, Rear Wheel Brake Adj. Lever
13					CABLE, Parking Brake (See Group #4)
14	4238 570	2			SEAL, Rear Wheel Disc Brake Hub Dust
15	4238 567	2			BEARING, Rear Wheel Inner
16	6502 146	8			BOLT, Spindle
17	4383 773	2			HUB and DRUM, Rear Wheel Brake
18	3683 974	1			BEARING PACKAGE, Outer
19	0600 194	2			WASHER, Rear Wheel Brg. Thrust
20	6029 692	2			NUT
21	1673 324	2			LOCK
22		2			PIN, (Not Serv.)
23	3580 894	2			CAP, Grease
24	5204 272	AR			STUD
25	6500 526	AR			NUT, Std.
	6500 294	AR			NUT, Chrome
26	4423 232	4			SCREW, Rear Wheel Brake Cyl. Mtg.
27	4423 233	2			WASHER, Parking Brake Lever Wave
28	4423 235	2			PLUG, Rear Wheel Brake Adj. Hole
29	4423 234	2			CLIP, Parking Brake Lever Ret.
30	4720 140-1	1			LEVER, Parking Brake

**MODEL CODES:**

A BODY=(C=LeBaron, D=Spirit, P=Acclaim/LaBaron(Landau), Saratoga)

C BODY=(D=Dynasty, C=New Yorker/N.Y. Salon)

G BODY=(V=Daytona/ROC, Chrysler Daytona)

J BODY=(C=LeBaron, Chrysler LeBaron)

P BODY=(P=Sundance, D=Shadow)

S BODY=(H=Voyager(H) FWD, K=Caravan(H) FWD,

Y=Town & Country(H) FWD, P=Voyager(K) AWD,

D=Caravan(K) AWD, C=Town & Country(K) AWD)

Y BODY=(C=Imperial/5th Avenue)

E-S BODY=(K=Chrysler Voyager(H) FWD, D=Chrysler

Voyager(K) AWD)

**BODY STYLES:**

21=2-Door Coupe

41=4-Door Sedan

12-52=FWD & AWD Van & Wgn Std W.B.

24=2-Door Hatchback

44=4-Door Hatchback

53=FWD & AWD Van & Wgn Ext. W.B.

27=2-Door Convertible

AR = Use as Required - = Non Illustrated Part P.A.R. = Paint as Required

**BRAKES, REAR DRUM S BODY**  
Figure 5-3400

93105 3400

ITEM	PART NUMBER	QTY	BODY	MODEL	DESCRIPTION
1					SHOE and LINING PACKAGE
	4313 080	1			w/14" or 15" Pwr. Disc FRT./ Rear Drum
	4423 606	1			w/A.B.S.
	4423 606	1			EUROPE
	4638 498	1			AWD
2					CYLINDER, Wheel Brake, Complete
	4313 056	2			FWD, 3/4" Bore
	4423 852	2			AWD, 3/4" Bore
	4423 601	2			Europe, 13/16" Bore
	4423 678	4			SCREW, Wheel Cylinder Mtg. FWD
	6028 921	4			SCREW, Wheel Cylinder Mtg. AWD
		4			PIN, Rear Brake Cylinder (Serviced in Cylinder)
3					CABLE, Auto. Adjuster Cable, Complete
	3461 662	2			FWD
	3461 664	2			AWD
	4238 721	2			PLUG, Rear Wheel Adjuster Hole
	3461 660	2			SPRING, Adjuster Cable
4					GUIDE, Auto. Adjuster Cable
	4313 074	2			FWD
	4423 692	1			AWD, Right
	2260 793	1			AWD, Left
5					LEVER, Parking Brake
	4423 553	2			FWD
	3880 631	2			AWD
6					SPRING, Brake Shoe Hold Down
	4313 062	4			FWD
	4126 525	4			AWD
	2260 548	4			PIN, Brake Shoe Hold Down Sprg.
7	2944 580-1	1			SPRING, Auto. Adjuster Lever
8	3461 665	2			LEVER, Auto. Adjuster
	4049 681	2			WASHER and LOCK PACKAGE, Rear Wheel Parking Brake Adj. Lever
9	4423 900-1	1			SCREW ASSEMBLY, Auto. Adjuster Complete ***
-	4423 898-9	1			Screw, Rear Auto. Adjuster
-	4423 902-3	1			NUT, Auto. Adjuster Screw
10					SPRING, Auto. Adjuster Shoe to Guide
	4313 069	2			FWD
	4423 693	2			AWD
11					SPRING, Parking Brake Strut

**MODEL CODES:**

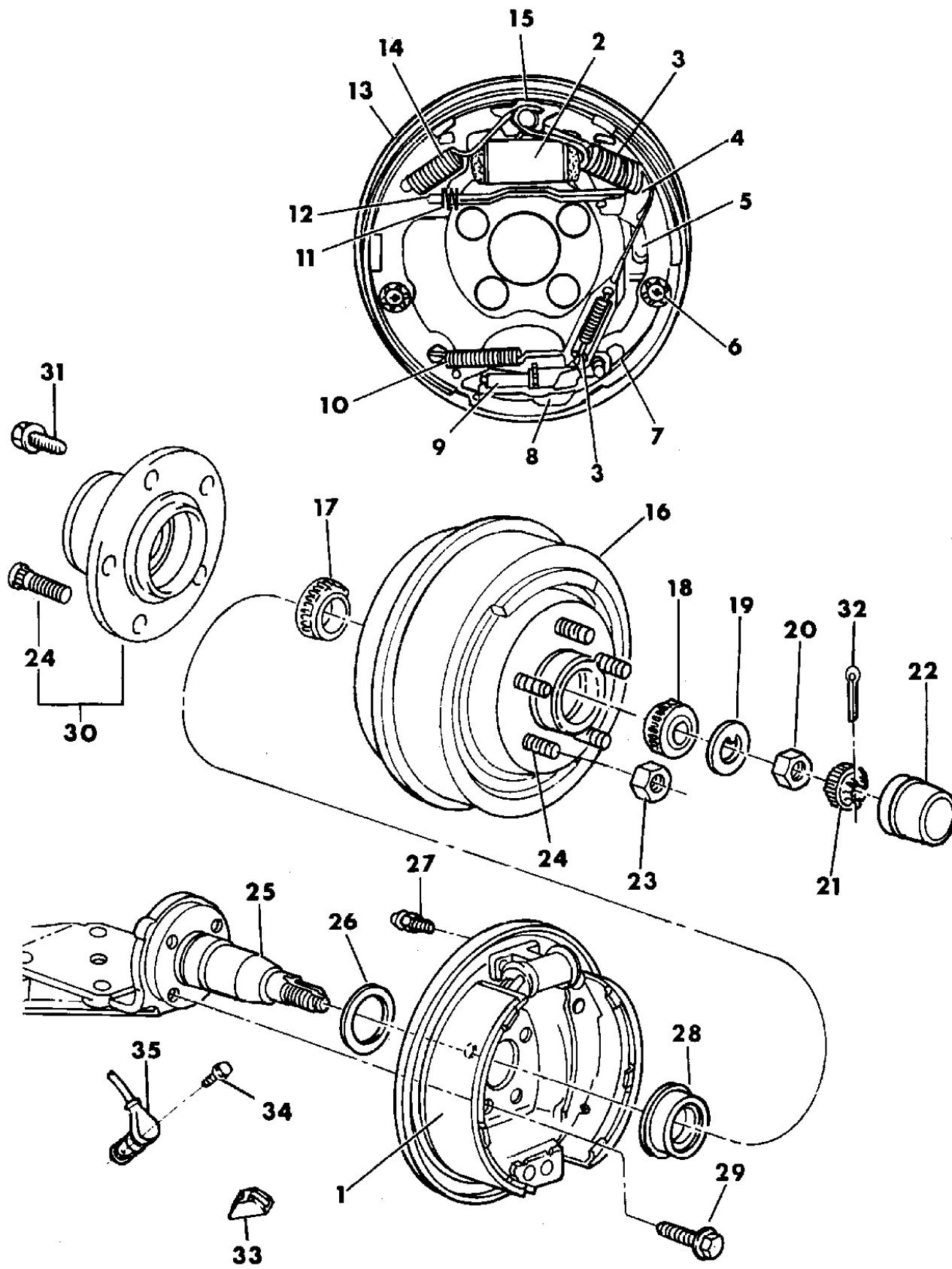
A BODY=(C=LeBaron, D=Spirit, P=Acclaim/LaBaron(Landau),  
Saratoga)  
C BODY=(D=Dynasty, C=New Yorker/N.Y. Salon)  
G BODY=(V=Daytona/IROC, Chrysler Daytona)  
J BODY=(C=LeBaron, Chrysler LeBaron)  
P BODY=(P=Sundance, D=Shadow)

S BODY=(H=Voyager(H) FWD, K=Caravan(H) FWD,  
Y=Town & Country(H) FWD, P=Voyager(K) AWD,  
D=Caravan(K) AWD, C=Town & Country(K) AWD)  
Y BODY=(C=Imperial/5th Avenue)  
E-S BODY=(K=Chrysler Voyager(H) FWD, D=Chrysler  
Voyager(K) AWD)

**BODY STYLES:**

21=2-Door Coupe      41=4-Door Sedan      12-52=FWD & AWD Van & Wgn Std W.B.  
24=2-Door Hatchback      44=4-Door Hatchback      53=FWD & AWD Van & Wgn Ext. W.B.  
27=2-Door Convertible

AR = Use as Required - = Non Illustrated Part P.A.R. = Paint as Required





**BRAKES, REAR DRUM S BODY**  
Figure 5-3400

93105 3400

ITEM	PART NUMBER	QTY	BODY	MODEL	DESCRIPTION
	4313 079	2			FWD
	2533 822	2			AWD
12	4713 590	2			STRUT, Parking Brake
	4741 308	2			FWD
					AWD
13					SUPPORT, Rear Wheel Brake
	4423 059	2			FWD - w/o ABS
	4423 701	2			FWD - w/ABS
	4486 385	2			AWD - All
14					SPRING, Brake Shoe Return
	2881 676	4			FWD
	2260 789	4			AWD
15					GUIDE, Brake Anchor Shoe
	4313 075	2			FWD
	2260 788	2			AWD
16					HUB and DRUM ASSEMBLY, Rear Wheel Brake ***
	4313 760	2			w/9x2.5", w/14" Wheels
	4383 117	2			w/9x2.5", w/15" Wheels
	4423 370	2			FWD, w/ABS
	4423 371	2			AWD, 11x2.5"(Drum Only)
17	5252 823	2			BEARING PACKAGE, Inner
	5224 299	2			CUP, Wheel, Inner
18	3683 974	2			BEARING PACKAGE, Outer
19	0600 194	2			WASHER, Thrust .437 ID, 1.562 OD, .120 THK
	6500 299	2			AWD, M23 ID, 38.0-OD, 4.05 THK
20	6029 692	2			NUT, Rear Wheel Brake Brg. .750-16
	6500 298	2			AWD, M22x1.50
21	1673 324	2			LOCK
22	3580 894	2			CAP
23	6500 526	AR			NUT, Std.
	6500 294	AR			NUT, Chrome
	5204 250	AR			CAP, Wheel Nut, Black Plastic
24					STUD, Rear Wheel
	5204 272	10			FWD
	6502 330	10			AWD
25					SPINDLE, (See Group 17)
26	4313 231	2			SEAL, Brake Support to Spindle
27	3766 674	2			SCREW, Bleeder
	4238 717	2			CAP, Cyl. Bleeder Screw

**MODEL CODES:**

A BODY=(C=LeBaron, D=Spirit, P=Acclaim/LaBaron(Landau), Saratoga)

C BODY=(D=Dynasty, C=New Yorker/N.Y. Salon)

G BODY=(V=Daytona/IROC, Chrysler Daytona)

J BODY=(C=LeBaron, Chrysler LeBaron)

P BODY=(P=Sundance, D=Shadow)

S BODY=(H=Voyager(H) FWD, K=Caravan(H) FWD,

Y=Town & Country(H) FWD, P=Voyager(K) AWD,

D=Caravan(K) AWD, C=Town & Country(K) AWD)

Y BODY=(C=Imperial/5th Avenue)

E-S BODY=(K=Chrysler Voyager(H) FWD, D=Chrysler

Voyager(K) AWD)

**BODY STYLES:**

21=2-Door Coupe

41=4-Door Sedan

12-52=FWD & AWD Van & Wgn Std W.B.

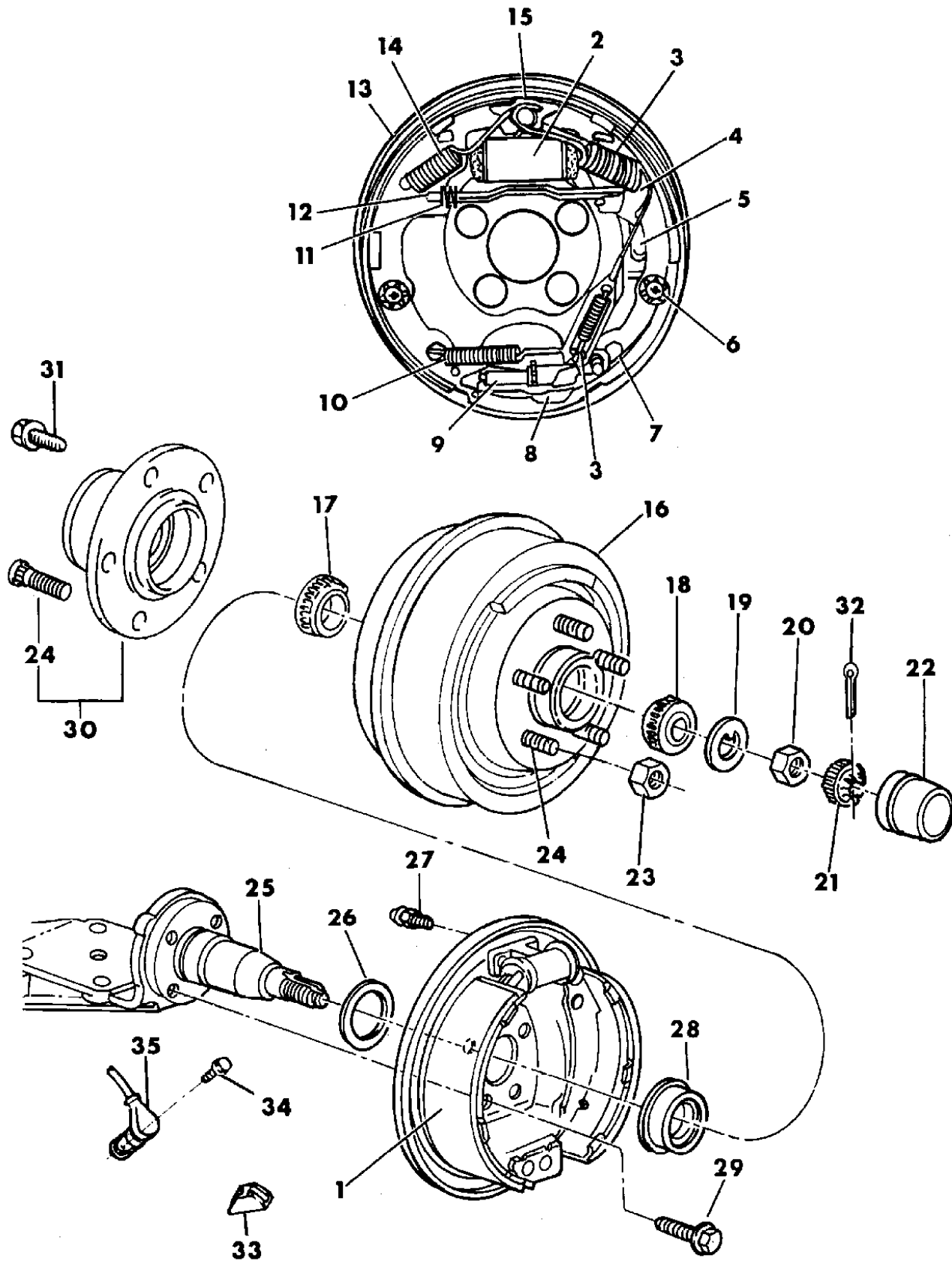
24=2-Door Hatchback

44=4-Door Hatchback

53=FWD & AWD Van & Wgn Ext. W.B.

27=2-Door Convertible

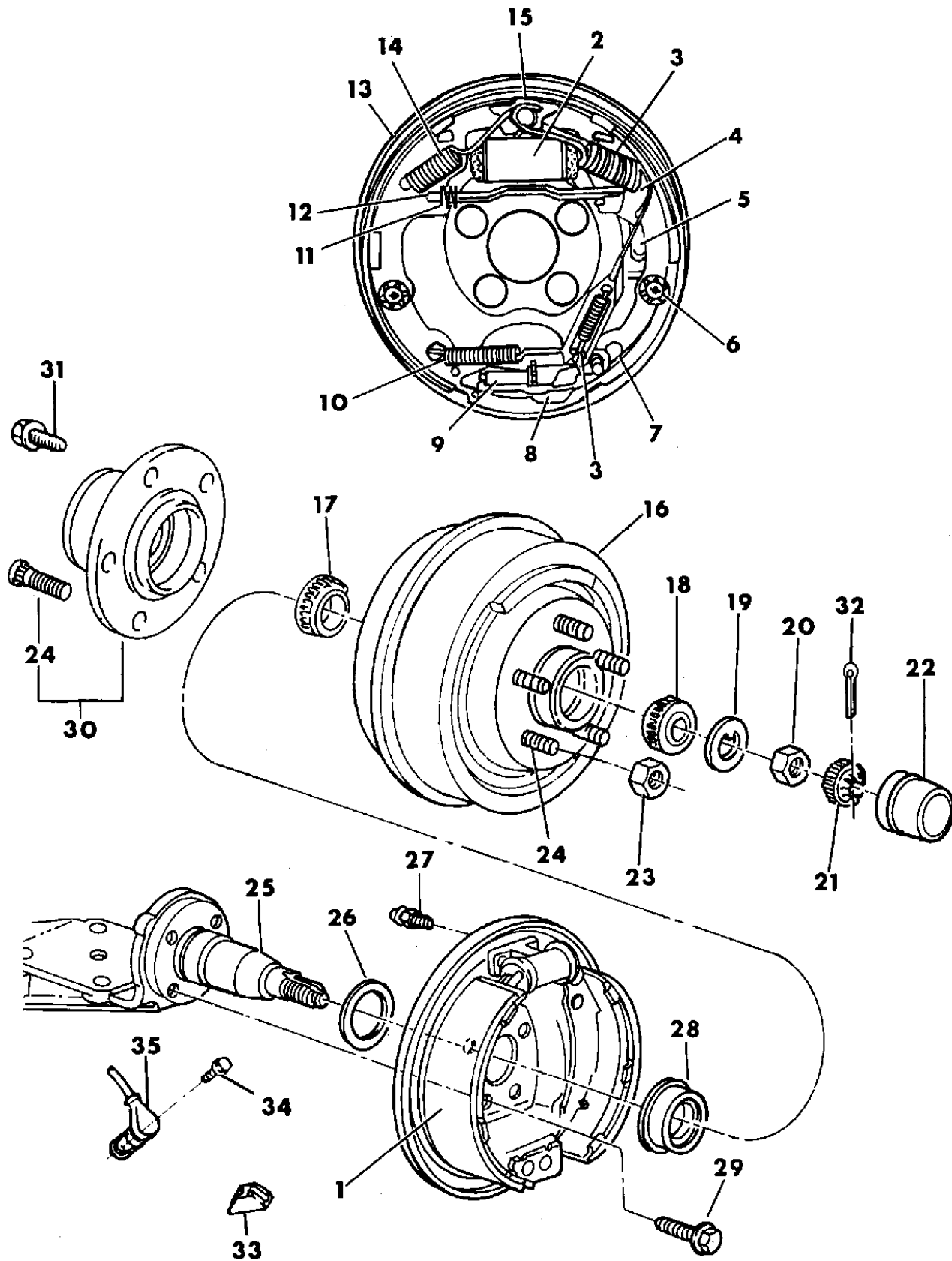
AR = Use as Required - = Non Illustrated Part P.A.R. = Paint as Required



**BRAKES, REAR DRUM S BODY**  
Figure 5-3400

93105 3400

ITEM	PART NUMBER	QTY	BODY	MODEL	DESCRIPTION
28	4238 789	2			SEAL, Dust
29	6500 815	8			BOLT, Support To Spindle
30	4486 860	2			HUB, BEARING and SEAL ASSEMBLY, AWD
	4486 400	2			SEAL, AWD
31	6502 057	10			SCREW & WA. ASSEMBLY, Hub & Bearing Ass'y. to Susp. M12 X 1.50 X 65 ***
32	6500 336	2			COTTER PIN, Hub Nut Lock ***
33	4383 292	2			CLIP, Sensor Assembly
34		2			SCREW, Clip Speed Sensor (DNS)
35					SENSOR ASSEMBLY, ANti-Lock Rear Wheel ***
	4683 008-9	1			FWD
	4509 214-5	1			AWD



**MODEL CODES:**

A BODY=(C=LeBaron, D=Spirit, P=Acclaim/LaBaron(Landau), Saratoga)      S BODY=(H=Voyager(H) FWD, K=Caravan(H) FWD, Y=Town & Country(H) FWD, P=Voyager(K) AWD, D=Caravan(K) AWD, C=Town & Country(K) AWD)  
 C BODY=(D=Dynasty, C=New Yorker/N.Y. Salon)      Y BODY=(C=Imperial/5th Avenue)  
 G BODY=(V=Daytona/IROC, Chrysler Daytona)      E-S BODY=(K=Chrysler Voyager(H) FWD, D=Chrysler Voyager(K) AWD)  
 J BODY=(C=LeBaron, Chrysler LeBaron)  
 P BODY=(P=Sundance, D=Shadow)

**BODY STYLES:**

21=2-Door Coupe      41=4-Door Sedan      12-52=FWD & AWD Van & Wgn Std W.B.  
 24=2-Door Hatchback      44=4-Door Hatchback      53=FWD & AWD Van & Wgn Ext. W.B.  
 27=2-Door Convertible

AR = Use as Required - = Non Illustrated Part P.A.R. = Paint as Required

**BRAKES, REAR DISC W/14" OR 15" WHEELS P,A BODY**  
**Figure 5-3500**

93105 3500A

ITEM	PART NUMBER	QTY	BODY	MODEL	DESCRIPTION
1					HOUSING, Rear Wheel Disc Brake, Partial, Kelsey Hayes (Includes Items 1-8) Per D.
	4383 876-7	1			w/14" Wheels (Cast#120492-01/02) (D)
	4383 894-5	1	A		w/15" Wheels
2	4383 878	2			PISTON, Rear Wheel Disc Brake
3	4383 879	2			BOOT ASSEMBLY, Rear Wheel Disc Brake Piston ***
4	4383 880	2			SEAL, Rear Wheel Disc Brake Piston
5	4383 471	4			BUSHING, Rear Wheel Disc Brake
6	4423 573	4			SLEEVE, Rear Wheel Disc Brake Bushing
7	3780 788	2			SCREW, Rear Wheel Disc Brake Bleeder
8	4238 717	2			CAP, Rear Wheel Disc Brake Screw
9	4509 374	1			SHOE and LINING PACKAGE, Rear Wheel Disc Brake, 2 Inner, 2 Outer
10	6501 522	4			BOLT, Rear Wheel Disc Brake Caliper Mtg.
11					ADAPTER, Rear Wheel Disc Brake
	4383 534-5	1			w/14" Disc Brakes (Casting No.121708-01 Rt.-02 Lt.)
	4383 536-7	1	A		w/15" Disc Brakes (Casting No.120703-01 Rt.-02 Lt.)
12	4509 503	2			SCREW, Rear Wheel Parking Brake Adjuster
	4383 538	2			(European)
13	4383 539	2			NUT, Rear Wheel Parking Brake Adjuster
14	4509 504	2			SOCKET, Rear Wheel Parking Brake Adj. Screw
	4383 540	2			(European)
15	4383 541	2			SPRING, Rear Wheel Parking Brake Shoe Return, Upper (Yellow)
	4383 542	2			Lower (Blue)
16	4383 543	4			CLIP, Rear Wheel Parking Brake Shoe Hold down
17	4238 733	4			PIN, Rear Wheel Parking Brake Shoe Hold Down Spring
18	4238 721	2			PLUG, Rear Wheel Parking Brake Adj. Hole
19	4383 545	1			SHOE and LINING, Rear Wheel Parking Brake (4 Pack)
20	4423 538-9	1			LEVER and LINK, Rear Wheel Parking Brake ***
		2			RETAINING RING, Rear Wheel Parking Brake Lever (Serv. in 4423538-9)
21		2			PIN, Rear Wheel Parking Brake Lwr. Shoulder (Serv. in 4423538-9)
22					LINK, Rear Wheel Parking Brake (Serv. in Assy., LEVER and LINK, See Item 20)
23	4238 570	2			SEAL, Dust
24	4238 567	2			BEARING ASSEMBLY, Rear Wheel Disc, Inner ***
25					HUB, Rear Wheel Disc Brake
	4383 492	2	A		Without Anti-Lock Brakes

**MODEL CODES:**

A BODY=(C=LeBaron, D=Spirit, P=Acclaim/LaBaron(Landau), Saratoga)

C BODY=(D=Dynasty, C=New Yorker/N.Y. Salon)

G BODY=(V=Daytona/IROC, Chrysler Daytona)

J BODY=(C=LeBaron, Chrysler LeBaron)

P BODY=(P=Sundance, D=Shadow)

S BODY=(H=Voyager(H) FWD, K=Caravan(H) FWD,

Y=Town & Country(H) FWD, P=Voyager(K) AWD,

D=Caravan(K) AWD, C=Town & Country(K) AWD)

Y BODY=(C=Imperial/5th Avenue)

E-S BODY=(K=Chrysler Voyager(H) FWD, D=Chrysler

Voyager(K) AWD)

**BODY STYLES:**

21=2-Door Coupe

41=4-Door Sedan

12-52=FWD & AWD Van & Wgn Std W.B.

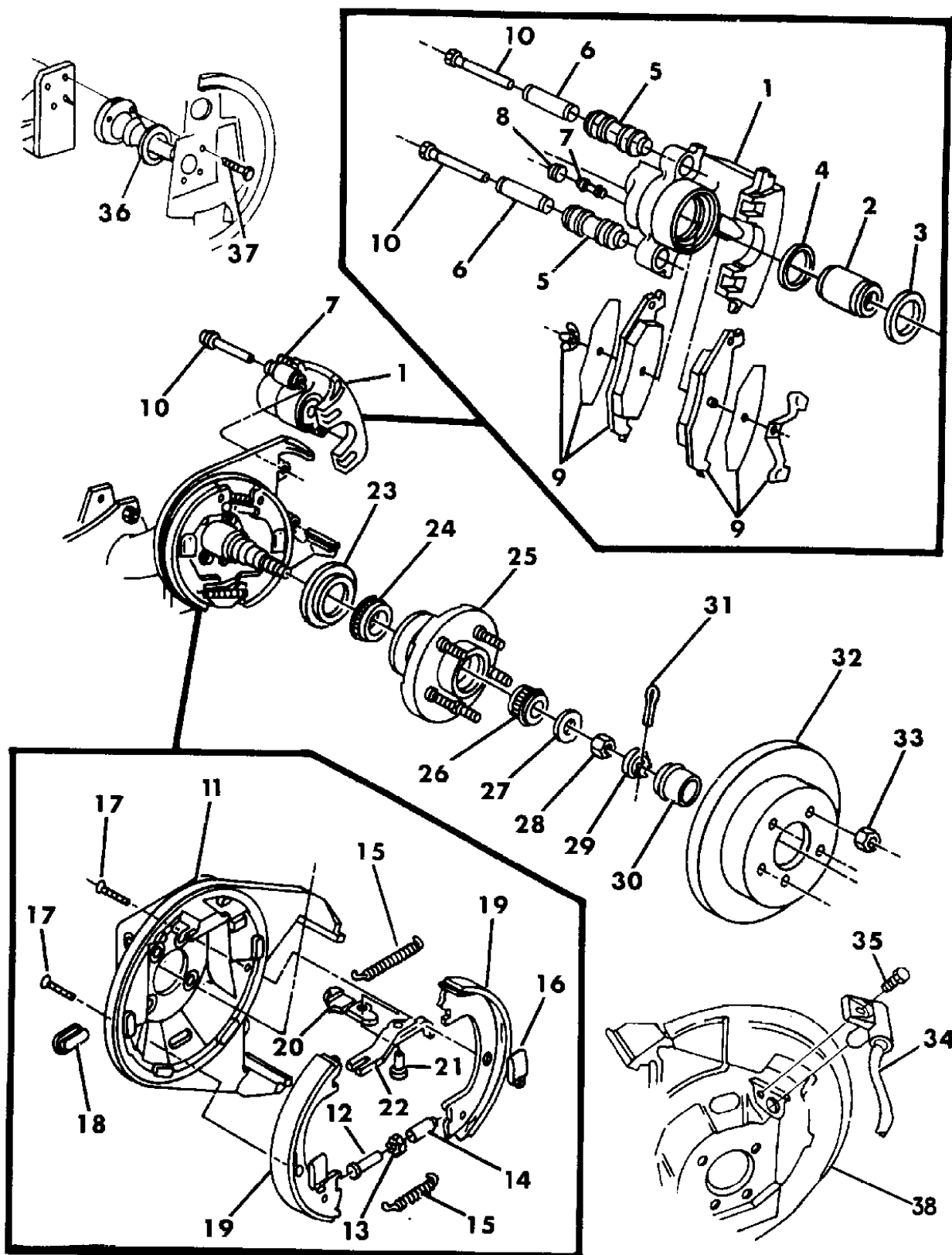
24=2-Door Hatchback

44=4-Door Hatchback

53=FWD & AWD Van & Wgn Ext. W.B.

27=2-Door Convertible

AR = Use as Required - = Non Illustrated Part P.A.R. = Paint as Required



**BRAKES, REAR DISC W/14" OR 15" WHEELS P,A BODY**  
**Figure 5-3500**

93105 3500A

ITEM	PART NUMBER	QTY	BODY	MODEL	DESCRIPTION
	4383 988	2			With Anti-Lock Brakes
-	4723 354	10			BOLT, Rear Wheel Disc Brake
26	3683 974	2			BEARING PACKAGE, Outer
27	0600 194	2			WASHER, Rear Wheel Brg. Thrust
28	6029 692	2			NUT
29	1673 324	2			LOCK
30	3580 894	2			CAP, Grease
31					PIN, (Not Serv.)
32					DISC, Rear Wheel Brake
	4383 551	2			14" Solid (12mm)
	4383 487	2	A		15" Vented (24mm)
33					NUT, Wheel
	6500 526	AR			Standard
	6502 738	AR			Chrome
		AR			RETAINER, RR Wheel Disc Brake (Not Serviced)
34	4683 114-5	1			SENSOR ASSEMBLY, Anti-Lock Rear Wheel Speed Disc ***
					CLIP, Speed Sensor, Serv. in Item 34
	0187 303	2			SCREW, Rear Wheel Speed Clip
35	6101 419	2			BOLT
36	4238 853	2			SEAL, Rear Wheel Brake Support to Spindle
37	6501 716	8			BOLT, Spindle Mounting
38					PLATE, Torque
	4423 584-5	1			w/14" 4 Wheel Disc Brakes, w/Anti-Lock Brakes
	4423 586-7	1	A		w/15" 4 Wheel Disc Brakes, w/Anti-Lock Brakes
					SHIELD, Rear Wheel Disc Brake
	4423 663	2			W/14" 4 Wheel Disc, w/Anti-Lock Brakes
	4423 798	2	A		w/15" 4 Wheel Disc Brakes, w/Anti-Lock Brakes
	6100 273	8			SCREW, Shield to Adapter

**MODEL CODES:**

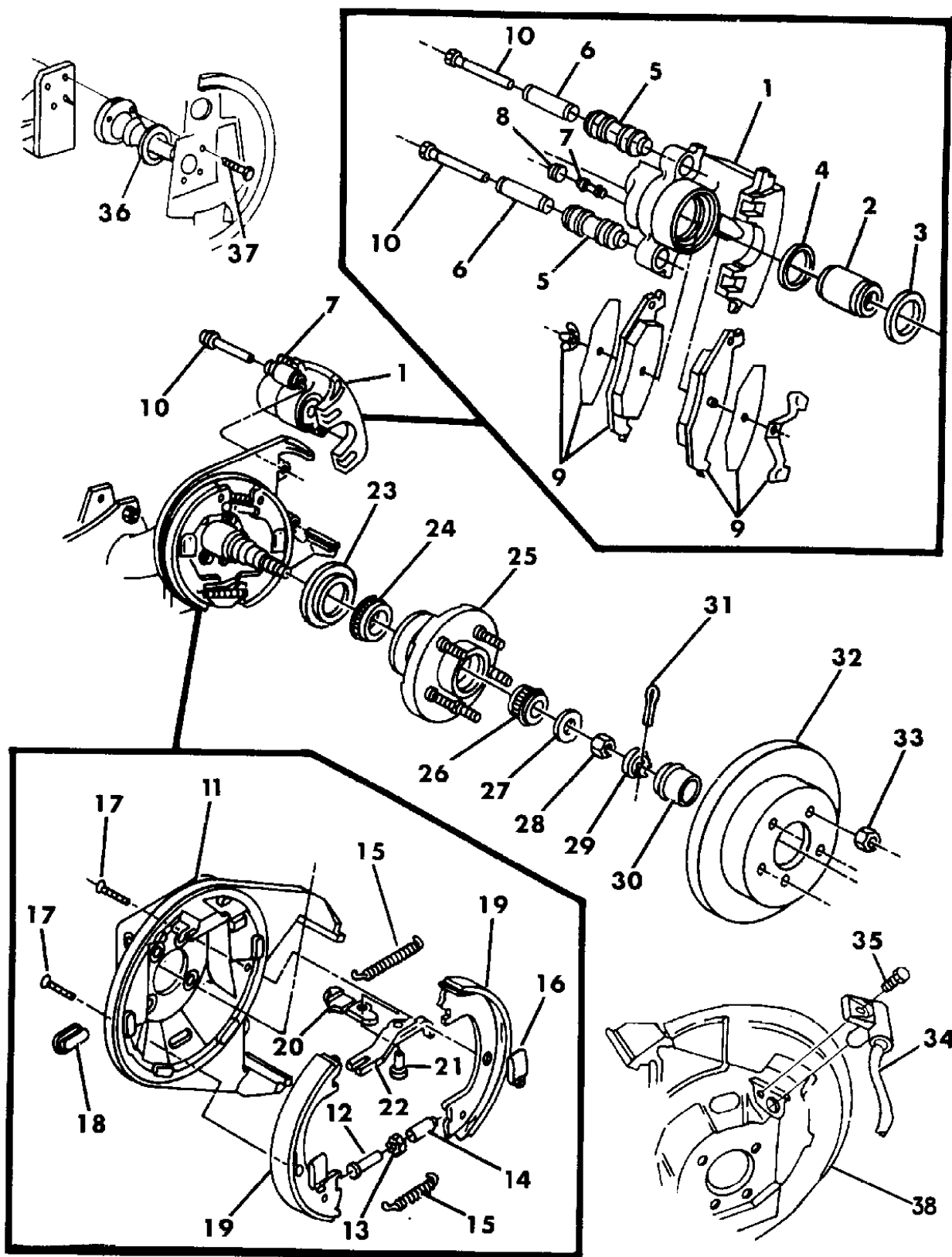
A BODY=(C=LeBaron, D=Spirit, P=Acclaim/LaBaron(Landau),  
Saratoga)  
 C BODY=(D=Dynasty, C=New Yorker/N.Y. Salon)  
 G BODY=(V=Daytona/IROC, Chrysler Daytona)  
 J BODY=(C=LeBaron, Chrysler LeBaron)  
 P BODY=(P=Sundance, D=Shadow)

S BODY=(H=Voyager(H) FWD, K=Caravan(H) FWD,  
Y=Town & Country(H) FWD, P=Voyager(K) AWD,  
D=Caravan(K) AWD, C=Town & Country(K) AWD)  
 Y BODY=(C=Imperial/5th Avenue)  
 E-S BODY=(K=Chrysler Voyager(H) FWD, D=Chrysler  
Voyager(K) AWD)

**BODY STYLES:**

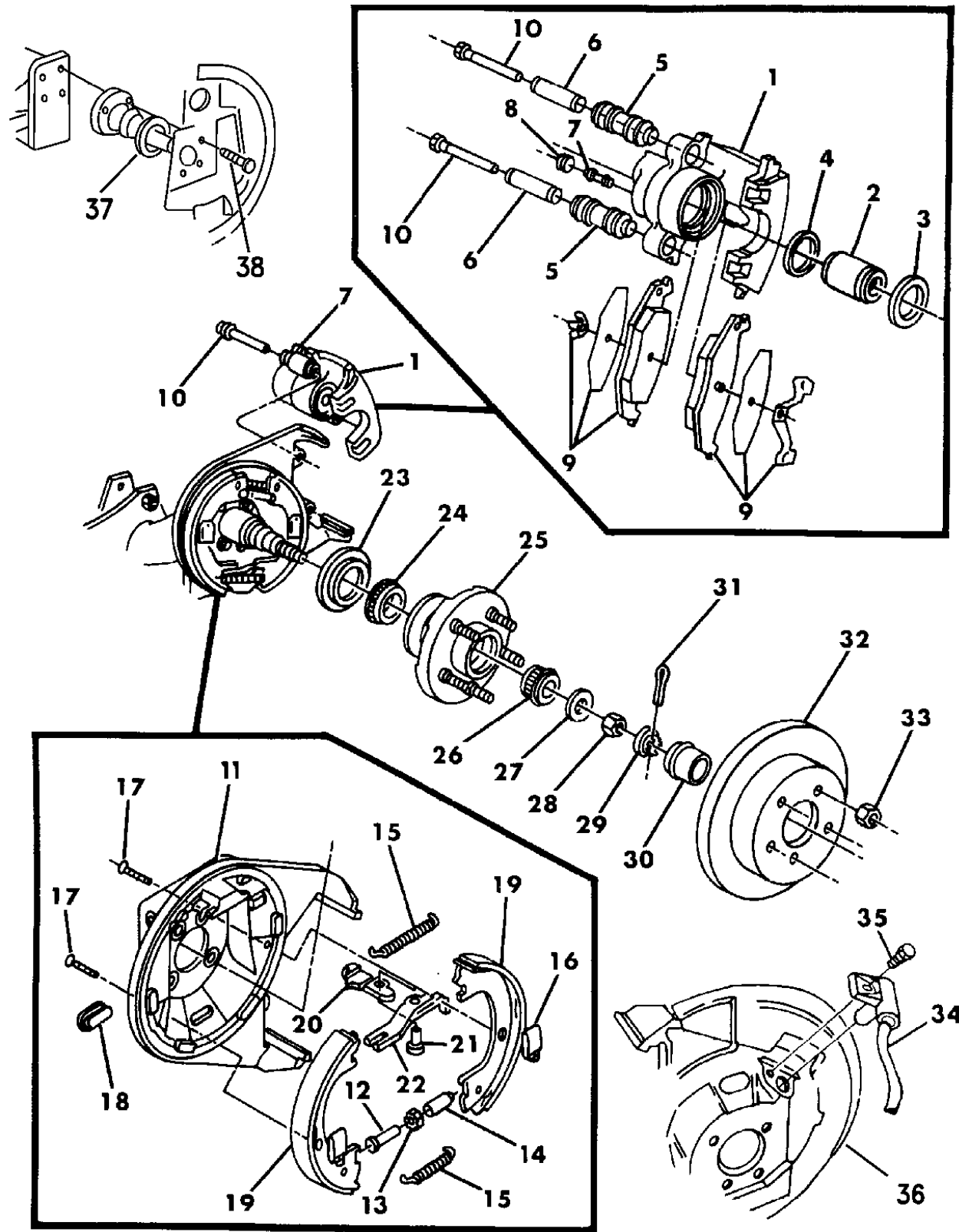
21=2-Door Coupe      41=4-Door Sedan      12-52=FWD & AWD Van & Wgn Std W.B.  
 24=2-Door Hatchback      44=4-Door Hatchback      53=FWD & AWD Van & Wgn Ext. W.B.  
 27=2-Door Convertible

AR = Use as Required - = Non Illustrated Part P.A.R. = Paint as Required



**BRAKES, REAR DISC J,G BODY**  
Figure 5-3600

93105 3600A



ITEM	PART NUMBER	QTY	BODY	MODEL	DESCRIPTION
1	4383 876-7	1	J		HOUSING, Rear Wheel Disc Brake, Partial, Kelsey-Hayes w/14" Wheels
	4383 894-5	1			w/15" Wheels
2	4383 896	2			PISTON, Rear Wheel Disc Brake
3	4383 897	2			BOOT ASSEMBLY, Rear Wheel Disc Brake Piston ***
4	4383 898	2			SEAL, Rear Wheel Disc Brake Piston
5	4383 471	4			BUSHING, Rear Wheel Disc Brake
6	4423 573	4			SLEEVE, Rear Wheel Disc Brake Bushing
7	3780 788	2			SCREW, Rear Wheel Disc Brake Bleeder
8	4238 717	2			CAP, Rear Wheel Disc Brake Screw
9	4509 374	1			SHOE and LINING PACKAGE, Rear Wheel Disc Brake, 2 Inner, 2 Outer
10	6501 522	4			BOLT, Rear Wheel Disc Brake Caliper Mtg.
11	4383 536-7	1			ADAPTER, Rear Wheel Disc Brake (Casting No.120703- 01 Rt.-02 Lt. w/o ABS
12	4383 538	2			SCREW, Rear Wheel Parking Brake Adjuster
13	4383 539	2			NUT, Rear Wheel Parking Brake Adjuster
14	4383 540	2			SOCKET, Rear Wheel Parking Brake Adj. Screw
15	4383 541	2			SPRING, Rear Wheel Parking Brake Shoe Return, Upper (Yellow)
	4383 542	2			Lower (Blue)
16	4383 543	4			CLIP, Rear Wheel Parking Brake Shoe Hold Down
17	4238 733	4			PIN, Rear Wheel Parking Brake Shoe Hold Down Spring
18	4238 721	2			PLUG, Rear Wheel Parking Brake Adj. Hole
19	4383 545	1			SHOE and LINING, Rear Wheel Parking Brake (4 Pack)
20	4423 538-9	1			LEVER and LINK, Rear Wheel Parking Brake
					RETAINING RING, Rear Wheel Parking Brake Lever (Serv. in 4423538-9)
21	#				PIN, Rear Wheel Parking Brake Lwr. Shoulder (Serv. in 4423538-9)
22					LINK, Rear Wheel Parking Brake (See Item 20 LEVER and LINK)
23	4238 570	2			SEAL, Dust
24	4238 567	2			BEARING ASSEMBLY, Rear Wheel Disc Inner ***
25					HUB, Rear Wheel Disc Brake
	4383 492	2			Without Anti-Lock Brakes
	4383 988	2			With Anti-Lock Brakes
-	4723 354	10			BOLT, Rear Wheel Disc Brake
26	3683 974	2			BEARING PACKAGE, Outer
27	0600 194	2			WASHER, Rear Wheel Brg. Thrust
28	6029 692	2			NUT

**MODEL CODES:**

A BODY=(C=LeBaron, D=Spirit, P=Acclaim/LaBaron(Landau), Saratoga) S BODY=(H=Voyager(H) FWD, K=Caravan(H) FWD, Y=Town & Country(H) FWD, P=Voyager(K) AWD, D=Caravan(K) AWD, C=Town & Country(K) AWD)  
 C BODY=(D=Dynasty, C=New Yorker/N.Y. Salon)  
 G BODY=(V=Daytona/IROC, Chrysler Daytona)  
 J BODY=(C=LeBaron, Chrysler LeBaron)  
 P BODY=(P=Sundance, D=Shadow)  
 Y BODY=(C=Imperial/5th Avenue)  
 E-S BODY=(K=Chrysler Voyager(H) FWD, D=Chrysler Voyager(K) AWD)

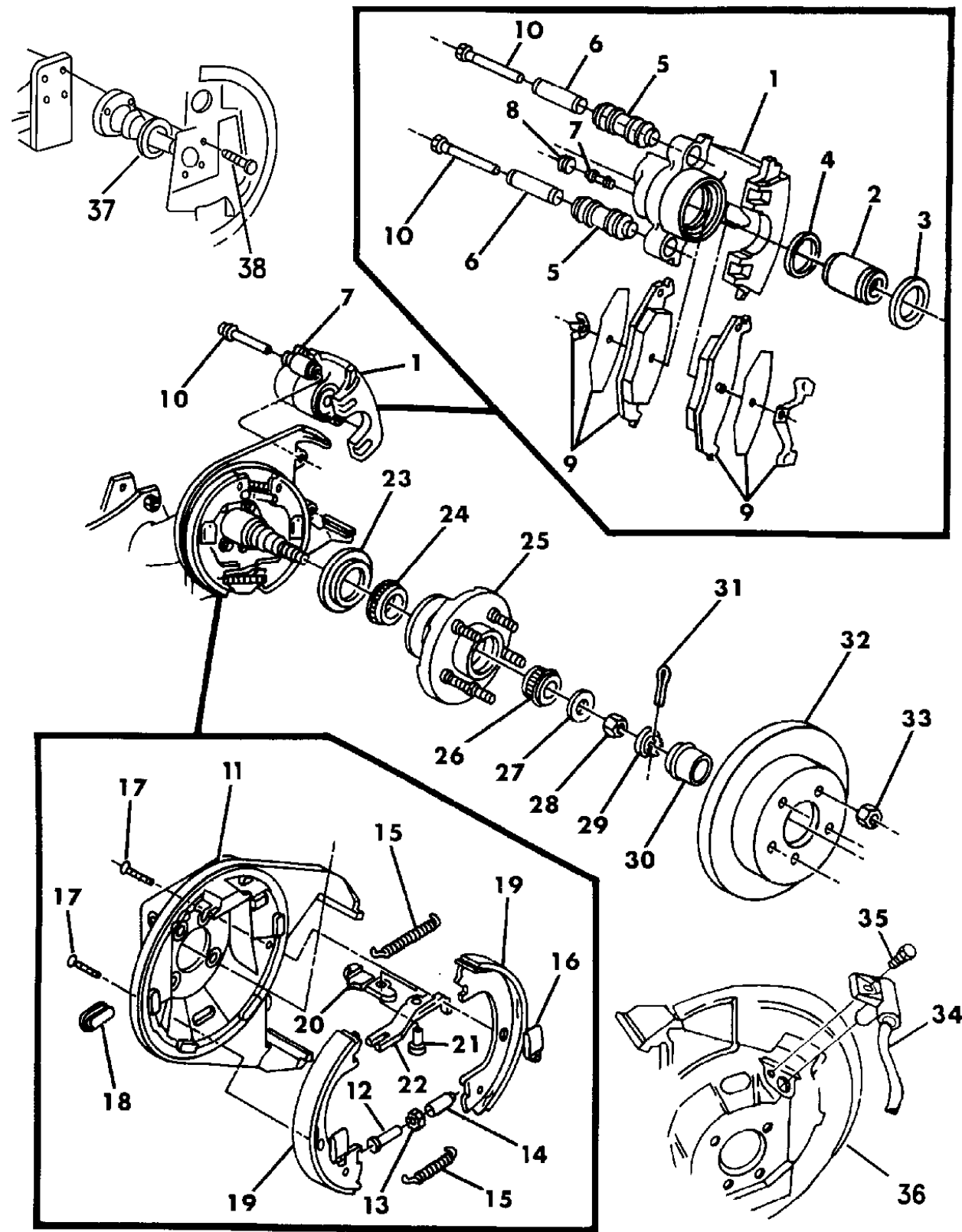
**BODY STYLES:**

21=2-Door Coupe 41=4-Door Sedan 12-52=FWD & AWD Van & Wgn Std W.B.  
 24=2-Door Hatchback 44=4-Door Hatchback 53=FWD & AWD Van & Wgn Ext. W.B.  
 27=2-Door Convertible

AR = Use as Required - = Non Illustrated Part P.A.R. = Paint as Required

**BRAKES, REAR DISC J,G BODY**  
Figure 5-3600

93105 3600A



ITEM	PART NUMBER	QTY	BODY	MODEL	DESCRIPTION
29	1673 324	2			LOCK
30	3580 894	2			CAP, Grease
31					PIN, (Not Serv.)
32					DISC, Rear Wheel Brake
	4383 551	2			14" Solid (12mm)
	4383 487	2			15" Vented (24mm)
33					NUT, Wheel
	6500 526	AR			Standard
	6500 294	AR			Chrome
		AR			RETAINER, RR Wheel Disc Brake (Not Serviced)
34	4683 114-5	1			SENSOR ASSEMBLY, Anti-Lock Rear Wheel ***
35	6101 419	2			SCREW
36	4423 584-5	1	J		PLATE, Torque w/14" Wheel Disc, w/Anti-Lock Brakes
	4423 586-7	1			w/15" 4 Wheel Disc, w/Anti-Lock Brakes
	4423 663	2	J		SHIELD, RR Wheel Disc Brake w/14" 4 Wheel Disc, w/Anti-Lock Brakes
	4423 798	2			w/15" 4 Wheel disc w/Anti-lock Brakes
	6100 273	8			SCREW, Shield to Adapt.
37	4238 853	2			SEAL, RR Wheel Brake Support to Spindle
38	6501 716	8			BOLT, Spindle Mounting

**MODEL CODES:**

A BODY=(C=LeBaron, D=Spirit, P=Acclaim/LaBaron(Landau), Saratoga)      S BODY=(H=Voyager(H) FWD, K=Caravan(H) FWD, Y=Town & Country(H) FWD, P=Voyager(K) AWD, D=Caravan(K) AWD, C=Town & Country(K) AWD)

C BODY=(D=Dynasty, C=New Yorker/N.Y. Salon)

G BODY=(V=Daytona/IROC, Chrysler Daytona)

J BODY=(C=LeBaron, Chrysler LeBaron)

P BODY=(P=Sundance, D=Shadow)

Y BODY=(C=Imperial/5th Avenue)

E-S BODY=(K=Chrysler Voyager(H) FWD, D=Chrysler Voyager(K) AWD)

**BODY STYLES:**

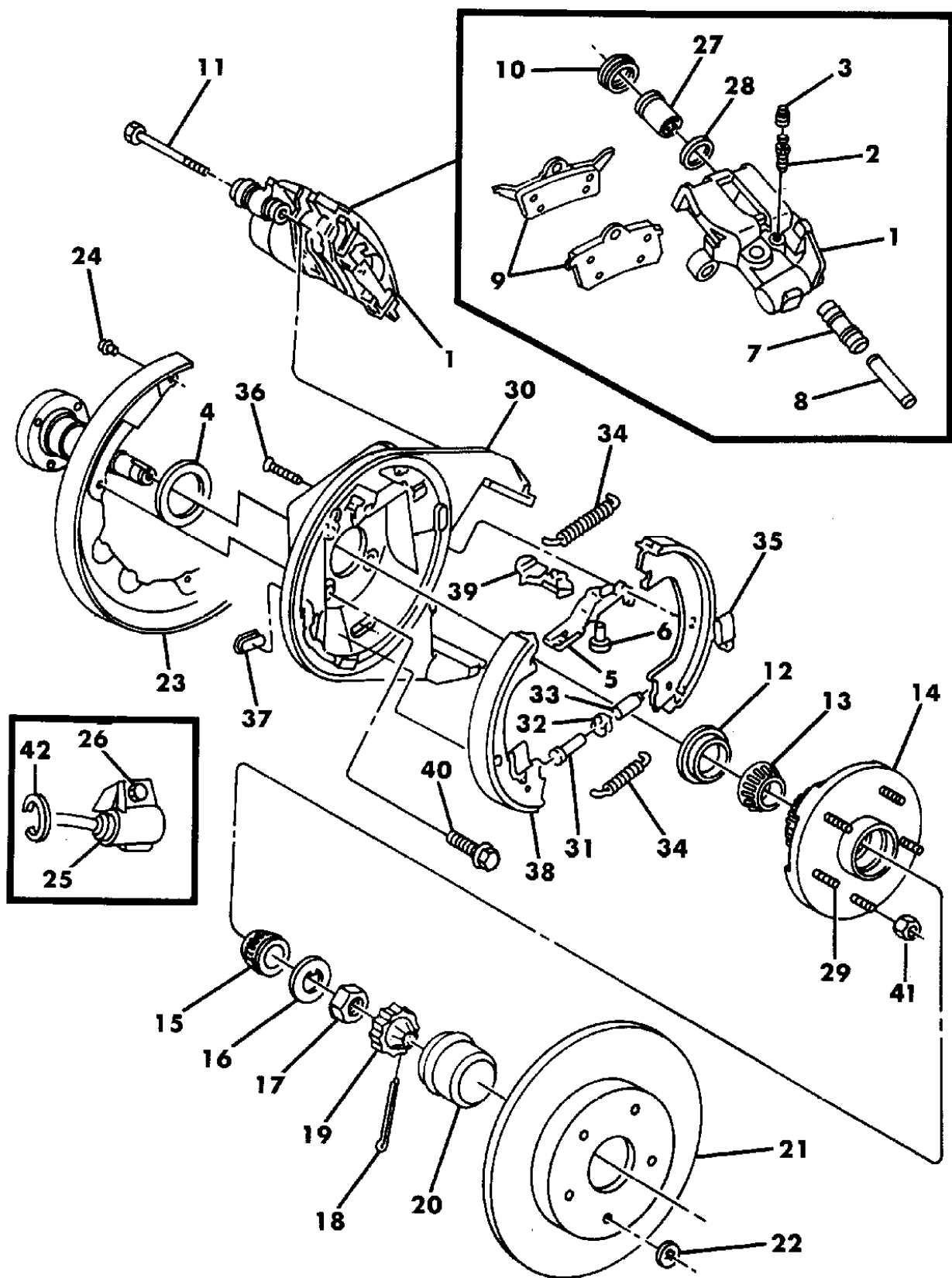
21=2-Door Coupe      41=4-Door Sedan      12-52=FWD & AWD Van & Wgn Std W.B.  
24=2-Door Hatchback      44=4-Door Hatchback      53=FWD & AWD Van & Wgn Ext. W.B.  
27=2-Door Convertible

AR = Use as Required - = Non Illustrated Part P.A.R. = Paint as Required

**BRAKES, REAR DISC C,Y BODY**  
Figure 5-3700

93105 3700

ITEM	PART NUMBER	QTY	BODY	MODEL	DESCRIPTION
1	4423 064-5	1			HOUSING, Rear Wheel Disc Brake, Partial
2	3780 788	2			SCREW, Rear Wheel Disc Brake Bleeder
3	4238 717	2			CAP, Disc Brake Bleeder Screw
4	4238 853	2			SEAL
5					LINK, Rear Wheel Parking Brake (Serv. in Item 39, Lever and Link)
6					PIN, Rear Wheel Parking Brake Lower Shoulder (Serv. in Item 39)
7	4383 471	4			BUSHING, Rear Wheel Disc Brake
8	4423 573	4			SLEEVE, Rear Wheel Disc Brake
9	4509 374	1			SHOE and LINING PACKAGE, Rear Wheel Disc (2 Inner, 2 Outer)
10	4383 897	2			BOOT, Rear Wheel Disc Brake Piston
11	6501 522	4			BOLT, Caliper Mounting
12	4238 570	2			SEAL, Dust
13	4238 567	2			BEARING ASSEMBLY, Rear Wheel Disc, Inner ***
14	4383 988	2			HUB, Rear Wheel Disc Brake, w/Anti-Lock Brakes
15	3683 974	2			BEARING PACKAGE, Outer
16	0600 194	2			WASHER
17	6029 692	2			NUT
18					PIN, (Not Serv.)
19	1673 324	2			LOCK
20	3580 894	2			CAP, Grease
21	4383 551	2			DISC, Rear Wheel Brake
22					RETAINER, (Not Serv.)
23	4423 663	2			SHIELD, Rear Wheel Disc Brake
24	6100 273	2			SCREW and WASHER
25	4485 356-7	1			SENSOR, Rear Wheel Disc Brake
26	6101 331	2			SCREW, Rear Wheel Speed Sensor Wire
27	4383 896	2			PISTON, Rear Wheel Disc Brake Caliper
28	4383 898	2			SEAL, Rear Wheel Disc Brake Piston
29	4723 354	10			BOLT, Rear Wheel Disc Brake
30	4423 192-3	1			ADAPTER, Rear Wheel Disc Brake
31	4383 538	2			SCREW
32	4383 539	2			NUT
33	4383 540	2			SOCKET
34	4383 541	2			SPRING, Rear Wheel Parking Brake Shoe Return Upper (Yellow)
	4383 542	2			Lower (Blue)
35	4383 543	4			CLIP, Rear Wheel Park Brake Shoe Hold Down



**MODEL CODES:**

A BODY=(C=LeBaron, D=Spirit, P=Acclaim/LaBaron(Landau, Saratoga) S BODY=(H=Voyager(H) FWD, K=Caravan(H) FWD, Y=Town & Country(H) FWD, P=Voyager(K) AWD, D=Caravan(K) AWD, C=Town & Country(K) AWD)  
 C BODY=(D=Dynasty, C=New Yorker/N.Y. Salon)  
 G BODY=(V=Daytona/IROC, Chrysler Daytona)  
 J BODY=(C=LeBaron, Chrysler LeBaron)  
 P BODY=(P=Sundance, D=Shadow)  
 Y BODY=(C=Imperial/5th Avenue)  
 E-S BODY=(K=Chrysler Voyager(H) FWD, D=Chrysler Voyager(K) AWD)

**BODY STYLES:**

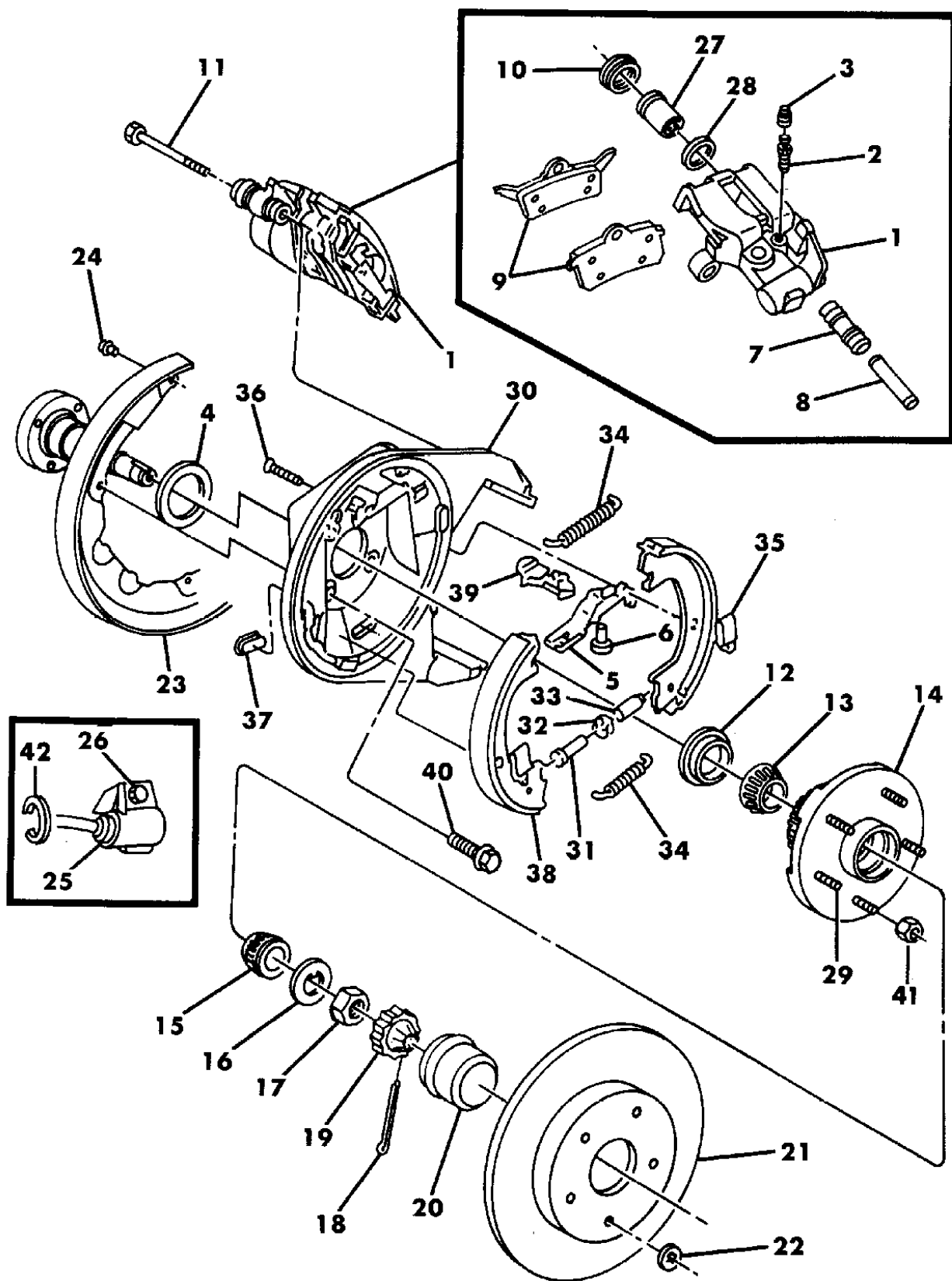
21=2-Door Coupe                      41=4-Door Sedan                      12-52=FWD & AWD Van & Wgn Std W.B.  
 24=2-Door Hatchback                44=4-Door Hatchback                53=FWD & AWD Van & Wgn Ext. W.B.  
 27=2-Door Convertible

AR = Use as Required - = Non Illustrated Part P.A.R. = Paint as Required

**BRAKES, REAR DISC C,Y BODY**  
Figure 5-3700

93105 3700

ITEM	PART NUMBER	QTY	BODY	MODEL	DESCRIPTION
36	4238 733	4			PIN, Rear Wheel Park Brake Shoe Hold Down Spring
37	4238 721	2			PLUG, Rear Wheel Park Brake Adjusting Hole
38	4383 545	1			SHOE and LINING PACKAGE, Rear Wheel Parking Brake (4 Pack)
39	4423 538-9	1			LEVER and LINK, Rear Wheel Parking Brake *** RETAINER RING, Rear Wheel Parking Brake Lever (Serv. in 4423538-9) ***
40	6502 146	8			BOLT
41					NUT, Wheel
	6500 526	AR			Standard
	6500 294	AR			Chrome
42	6015 640	2			CLIP, Rear Wheel Sensor Wire to Brake Hose Bracket



**MODEL CODES:**

A BODY=(C=LeBaron, D=Spirit, P=Acclaim/LaBaron(Landau, Saratoga) S BODY=(H=Voyager(H) FWD, K=Caravan(H) FWD, Y=Town & Country(H) FWD, P=Voyager(K) AWD, D=Caravan(K) AWD, C=Town & Country(K) AWD)  
 C BODY=(D=Dynasty, C=New Yorker/N.Y. Salon)  
 G BODY=(V=Daytona/IROC, Chrysler Daytona)  
 J BODY=(C=LeBaron, Chrysler LeBaron)  
 P BODY=(P=Sundance, D=Shadow)  
 Y BODY=(C=Imperial/5th Avenue)  
 E-S BODY=(K=Chrysler Voyager(H) FWD, D=Chrysler Voyager(K) AWD)

**BODY STYLES:**

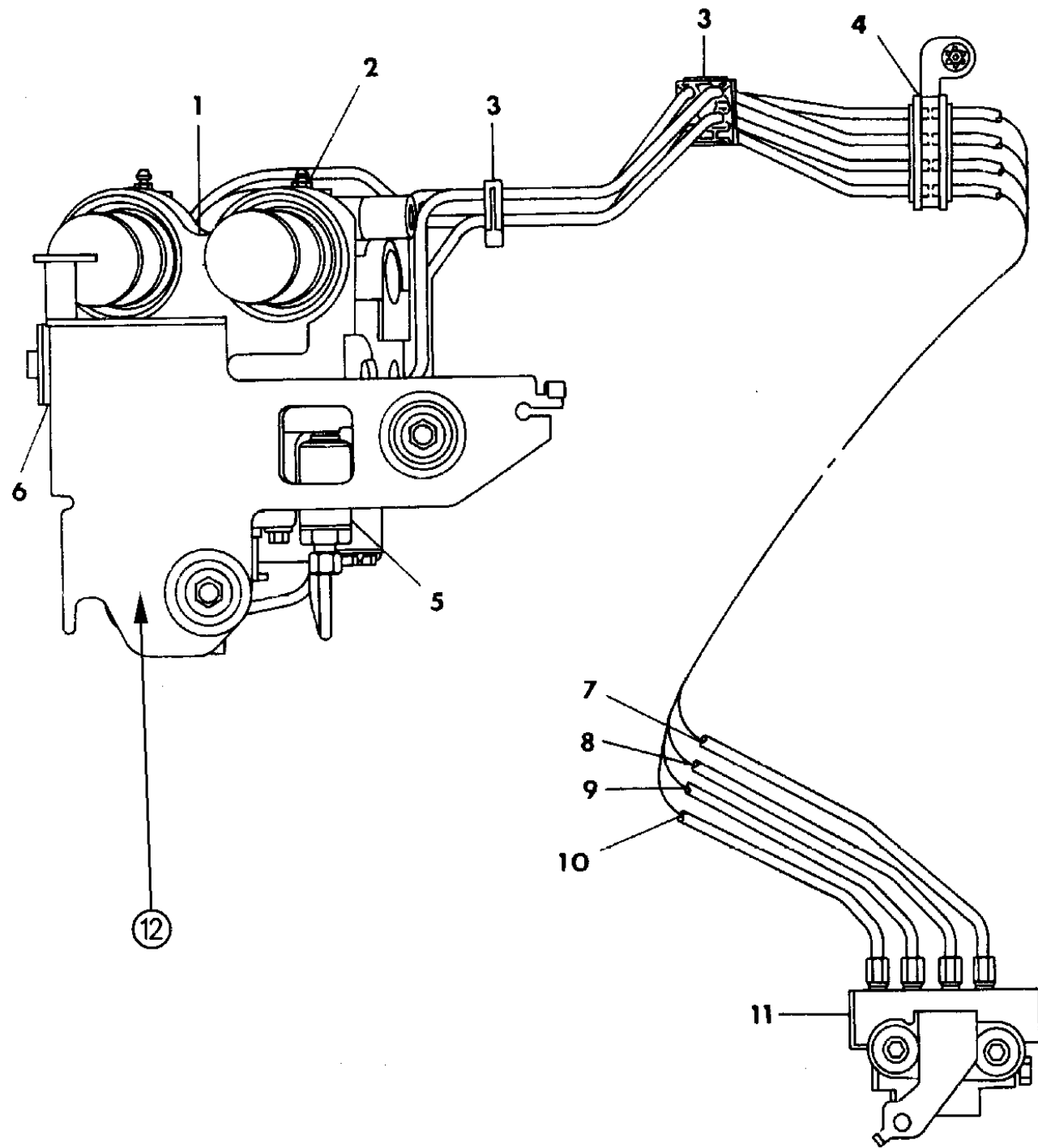
21=2-Door Coupe      41=4-Door Sedan      12-52=FWD & AWD Van & Wgn Std W.B.  
 24=2-Door Hatchback      44=4-Door Hatchback      53=FWD & AWD Van & Wgn Ext. W.B.  
 27=2-Door Convertible

AR = Use as Required - = Non Illustrated Part P.A.R. = Paint as Required



**ANTI-LOCK BRAKE SYSTEM P,A,J,G W/14" FRT/DISC, RR DISC (BRF) W/15" FRT/DISC, RR DISC (BRG)**  
**Figure 5-3800**

93105 3800



ITEM	PART NUMBER	QTY	BODY	MODEL	DESCRIPTION
1					HYDRAULIC ASSEMBLY, Brake
	4509 605	1	P,A,J		w/3 Sp. Auto. Trans.
	4509 604	1	P,A,J		w/Man. or 4 Sp. Auto. Trans.
	4509 605	1	G		w/3 Sp. Auto Trans.
	4509 604	1	G		w/Man. or 4 Sp. Auto Trans.
2	4509 039	6			SCREW, Bleeder
3	4509 019	2			CLIP
4	4728 589	1			CLIP KIT, 4 Tube Engine Mount ***
5	4485 678	2			VALVE ASSEMBLY, In-Line Proportioning ***
6	4509 037	1			STRAP, Ground
7	4509 014	1			TUBE ASSEMBLY ***
8	4509 017	1			TUBE ASSEMBLY ***
9	4509 016	1			TUBE ASSEMBLY ***
10	4509 015	1			TUBE ASSEMBLY ***
					Adapter Package, w/O-Ring
	4423 950	3			M11x1.00
	4423 956	1			M12x1.00
11	4509 013	1			JUNCTION BLOCK ASSEMBLY ***
12	4728 590	1			BRACKET PACKAGE, Mounting - HYD ***

NOTE: USE DIAL FUNCTION 69 TO IDENTIFY APPLICABLE BRAKE SALES CODE

**MODEL CODES:**

A BODY=(C=LeBaron, D=Spirit, P=Acclaim/LaBaron(Landau), Saratoga)      S BODY=(H=Voyager(H) FWD, K=Caravan(H) FWD, Y=Town & Country(H) FWD, P=Voyager(K) AWD, D=Caravan(K) AWD, C=Town & Country(K) AWD)  
 C BODY=(D=Dynasty, C=New Yorker/N.Y. Salon)  
 G BODY=(V=Daytona/IROC, Chrysler Daytona)  
 J BODY=(C=LeBaron, Chrysler LeBaron)  
 P BODY=(P=Sundance, D=Shadow)      Y BODY=(C=Imperial/5th Avenue)  
 E-S BODY=(K=Chrysler Voyager(H) FWD, D=Chrysler Voyager(K) AWD)

**BODY STYLES:**

21=2-Door Coupe      41=4-Door Sedan      12-52=FWD & AWD Van & Wgn Std W.B.  
 24=2-Door Hatchback      44=4-Door Hatchback      53=FWD & AWD Van & Wgn Ext. W.B.  
 27=2-Door Convertible

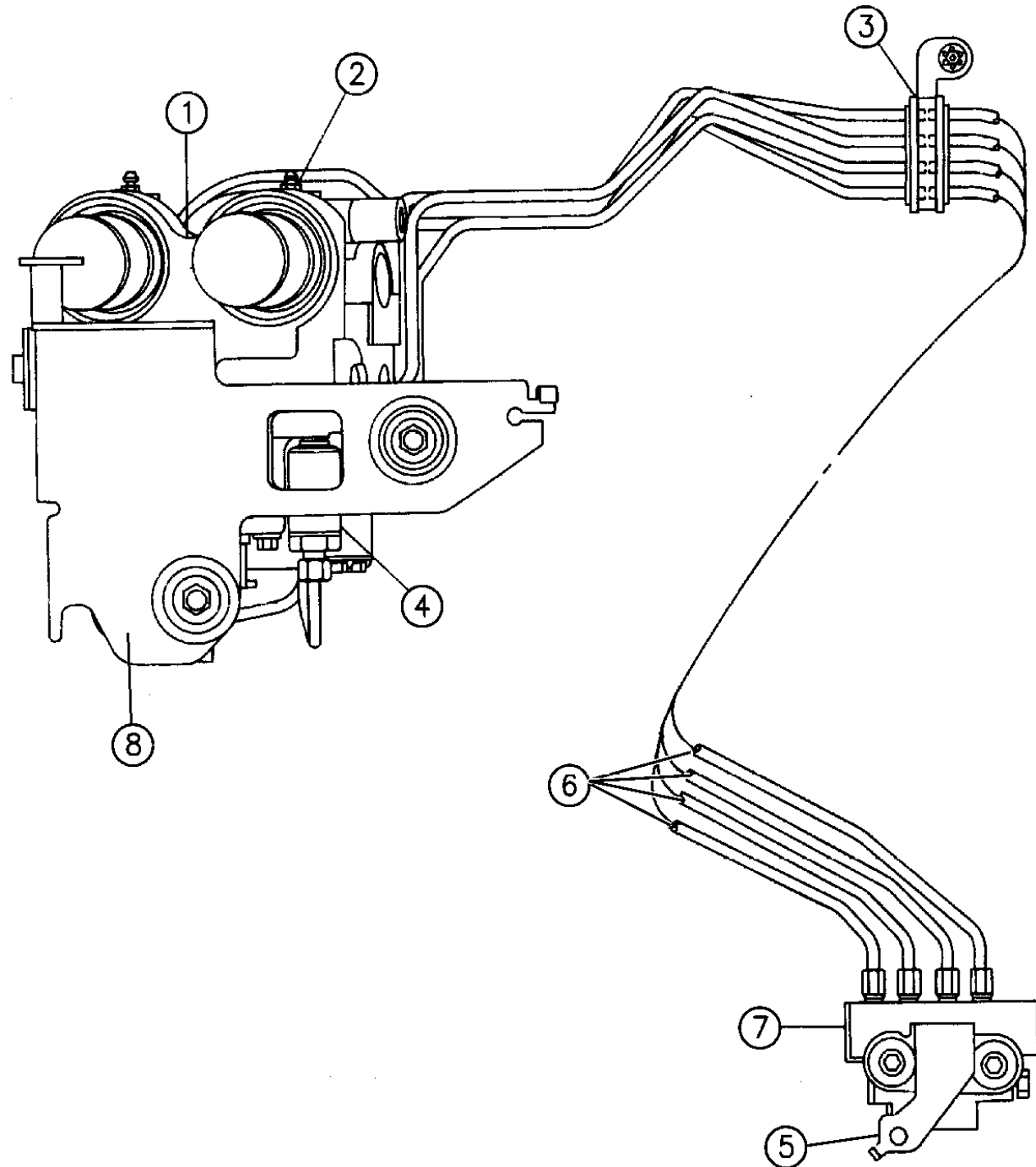
AR = Use as Required - = Non Illustrated Part P.A.R. = Paint as Required

**ANTI-LOCK BRAKE SYSTEM A,J W/14" FRT/DISC, RR/DISC (BR1) BUILT AT NEWARK ASSEMBLY**  
**Figure 5-3850**

93105 3850A

ITEM	PART NUMBER	QTY	BODY	MODEL	DESCRIPTION
1	4746 766	1			HYD ASSEMBLY, Brake ***
2	4683 039	6			SCREW, Bleeder
3	4683 038	1			CLIP PACKAGE, 4 Tube Eng. Mount ***
4	4723 869	2			VALVE ASSEMBLY, In Line Proportioning ***
5		1			(Service in Assembly) ***
6	4746 309	1			TUBE ASSEMBLY ***
	4746 297	4			ADAPTER ASSEMBLY, w/O-Ring ***
7	4683 092	1			JUNCTION BLOCK ASSEMBLY ***
8	4683 082	1			BRACKET, Mounting Pkg.
	4746 298	1			O-RING PACKAGE, ABS HYD ***
	4713 978	1			ISOLATOR PACKAGE, ABS HYD Mounting ***
	4683 475	1			SHIELD, Acid HYD
	4746 322	1			SWITCH, Pressure Diff.
	4746 306	1			O-RING, Diff. Switch

NOTE: USE DIAL FUNCTION 69 TO IDENTIFY APPLICABLE BRAKE SALES CODE



**MODEL CODES:**

A BODY=(C=LeBaron, D=Spirit, P=Acclaim/LaBaron(Landau), Saratoga)      S BODY=(H=Voyager(H) FWD, K=Caravan(H) FWD, Y=Town & Country(H) FWD, P=Voyager(K) AWD, D=Caravan(K) AWD, C=Town & Country(K) AWD)  
 C BODY=(D=Dynasty, C=New Yorker/N.Y. Salon)      Y BODY=(C=Imperial/5th Avenue)  
 G BODY=(V=Daytona/IROC, Chrysler Daytona)      E-S BODY=(K=Chrysler Voyager(H) FWD, D=Chrysler Voyager(K) AWD)  
 J BODY=(C=LeBaron, Chrysler LeBaron)  
 P BODY=(P=Sundance, D=Shadow)

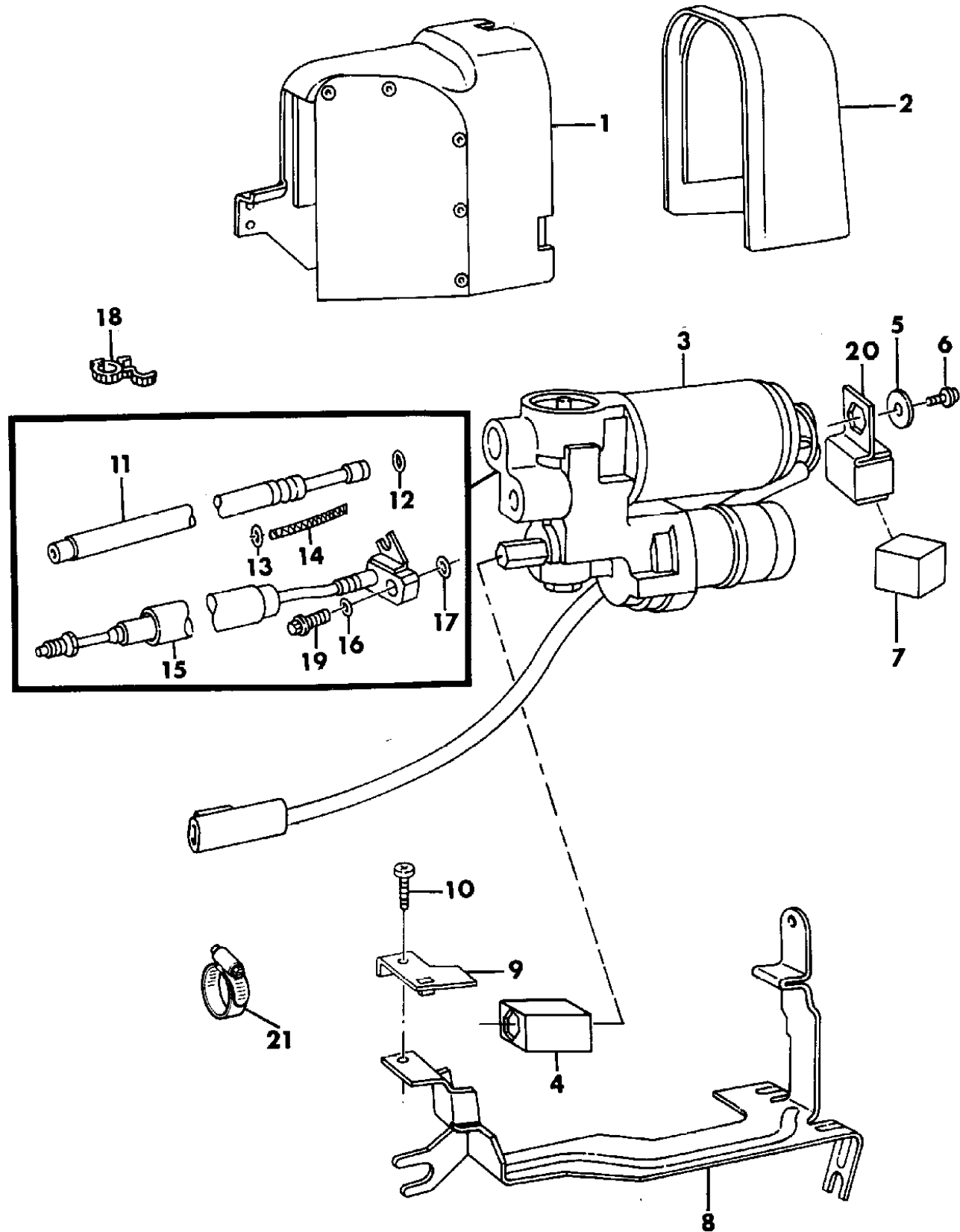
**BODY STYLES:**

21=2-Door Coupe      41=4-Door Sedan      12-52=FWD & AWD Van & Wgn Std W.B.  
 24=2-Door Hatchback      44=4-Door Hatchback      53=FWD & AWD Van & Wgn Ext. W.B.  
 27=2-Door Convertible

AR = Use as Required - = Non Illustrated Part P.A.R. = Paint as Required

**ANTI-LOCK BRAKE SYSTEM C,Y BODY**  
Figure 5-3900

93105 3900



ITEM	PART NUMBER	QTY	BODY	MODEL	DESCRIPTION
1	4485 943	1			SHIELD AND COVER, Heat ***
2	4485 944	1			SHIELD AND BRACKET, Heat ***
3	4485 950	1			PUMP AND MOTOR PACKAGE *** w/o Hoses and Bracket
	4683 221	1			w/Hoses and Bracket
4	4485 341	1			ISOLATOR ***
5					WASHER, (Not Serviced)
6					BOLT, (Not Serviced)
7	4485 342	1			ISOLATOR ***
8					BRACKET, (Serviced in Item 2)
	6101 524	AR			SCREW and WASHER, Pump and Mtr Assy to Trans
	6501 411	AR			STUD, Anti Lock Pump and Mtr to Auto Trans Diff.
	6101 445	2			Nut and WASHER, Brake Anti Lock Pump and Mtr Trans Mtg. ***
9					BRACKET, (Serviced in Item 1)
10					SCREW, (Not Serviced)
11	4485 942	1			HOSE, Return
12	4485 949	1			O-RING
13	4485 977	1			O-RING
14	4485 948	1			FILTER
15	4713 615	1			HOSE PACKAGE, High Pressure, Also Includes #16,17,18 & 19. ***
16	4509 241	1			O-RING
17	4485 616	1			O-RING
18	6015 756	2			STRAP
19	4485 978	1			SCREW
20	4485 947	1			BRACKET
21	6502 491	1			CLAMP

**MODEL CODES:**

A BODY=(C=LeBaron, D=Spirit, P=Acclaim/LaBaron(Landau, Saratoga) S BODY=(H=Voyager(H) FWD, K=Caravan(H) FWD, Y=Town & Country(H) FWD, P=Voyager(K) AWD, D=Caravan(K) AWD, C=Town & Country(K) AWD)  
 C BODY=(D=Dynasty, C=New Yorker/N.Y. Salon)  
 G BODY=(V=Daytona/IROC, Chrysler Daytona)  
 J BODY=(C=LeBaron, Chrysler LeBaron)  
 P BODY=(P=Sundance, D=Shadow) Y BODY=(C=Imperial/5th Avenue)  
 E-S BODY=(K=Chrysler Voyager(H) FWD, D=Chrysler Voyager(K) AWD)

**BODY STYLES:**

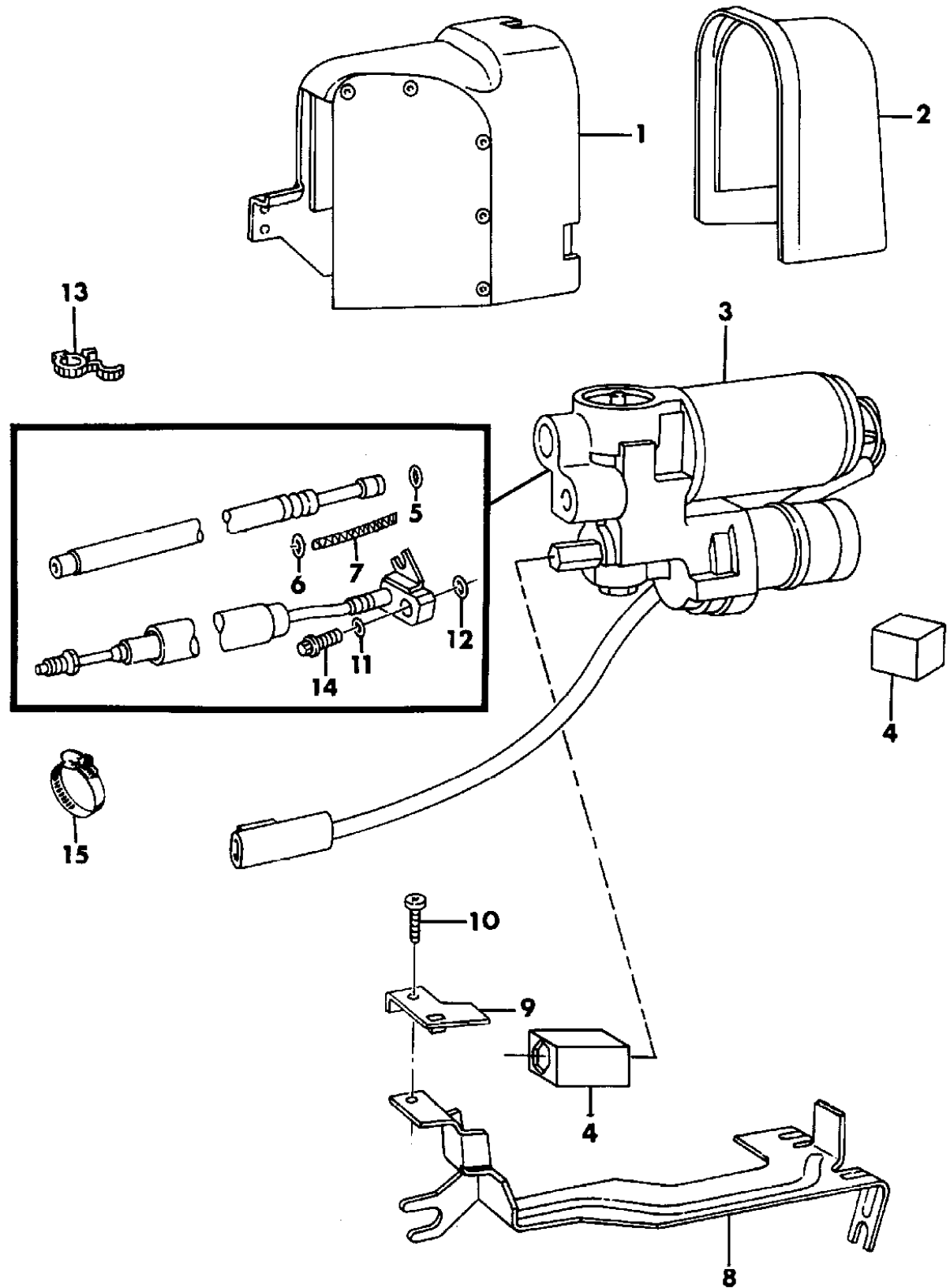
21=2-Door Coupe      41=4-Door Sedan      12-52=FWD & AWD Van & Wgn Std W.B.  
 24=2-Door Hatchback      44=4-Door Hatchback      53=FWD & AWD Van & Wgn Ext. W.B.  
 27=2-Door Convertible

AR = Use as Required - = Non Illustrated Part P.A.R. = Paint as Required

**ANTI-LOCK BRAKE SYSTEM S BODY**  
Figure 5-4000

93105 4000

ITEM	PART NUMBER	QTY	BODY	MODEL	DESCRIPTION
1	4509 289	1			SHIELD AND COVER, Heat (Includes Item #9) ***
2	4509 288	1			SHIELD AND BRACKETS, Heat (Includes Items #8) ***
		2			BOLT, Shoulder (Not Serviced)
3	4509 292	1			PUMP AND MOTOR ASSEMBLY ***
4	4509 294	1			SERVICE PACKAGE, Isolator ***
5	4485 949	1			O-RING
6	4485 977	1			O-RING
7	4485 948	1			FILTER
8					BRACKET (Serviced in Item #2) ***
	6502 411	2			STUD, Brake ABS Pump and Motor to A/Trans Diff Cover m8x1.25x41.00
9					BRACKET (Serviced in Item #1) ***
10					SCREW (Not Serviced) ***
11	4509 241	1			O-RING
12	4485 616	1			O-RING
13	6015 756	AR			STRAP
14	4485 978	1			BOLT
15	6502 491	1			CLAMP
-	4683 222	1			SERVICE PACKAGE, Pump And Motor, Contains: Pump And Motor Assembly Less Hoses and Brackets, Bolt, Clamp, Clips, O-Rings, Strap, Tube ***
-	4713 614	1			SERVICE PACKAGE, High Pressure Hose, Contains: Hose Assembly, High Pressure, Bolt, Clips, O-Rings, Strap ***
-	4509 264	1			SERVICE PACKAGE, Supply Hose, Contains: Supply Hose, Bolt, Clamp, Clips, Filter, O-Rings, Strap ***



**MODEL CODES:**

A BODY=(C=LeBaron, D=Spirit, P=Acclaim/LaBaron(Landau),  
Saratoga) S BODY=(H=Voyager(H) FWD, K=Caravan(H) FWD,  
Y=Town & Country(H) FWD, P=Voyager(K) AWD,  
D=Caravan(K) AWD, C=Town & Country(K) AWD)  
C BODY=(D=Dynasty, C=New Yorker/N.Y. Salon)  
G BODY=(V=Daytona/IROC, Chrysler Daytona)  
Y BODY=(C=Imperial/5th Avenue)  
J BODY=(C=LeBaron, Chrysler LeBaron)  
E-S BODY=(K=Chrysler Voyager(H) FWD, D=Chrysler  
Voyager(K) AWD)  
P BODY=(P=Sundance, D=Shadow)

**BODY STYLES:**

21=2-Door Coupe      41=4-Door Sedan      12-52=FWD & AWD Van & Wgn Std W.B.  
24=2-Door Hatchback      44=4-Door Hatchback      53=FWD & AWD Van & Wgn Ext. W.B.  
27=2-Door Convertible

AR = Use as Required - = Non Illustrated Part P.A.R. = Paint as Required

---

**GROUP 6 - CLUTCH**

<b>ILLUSTRATION TITLE</b>	<b>GROUP-FIG. NO.</b>
<b>CLUTCH</b>	
CLUTCH, ALL ENGINES A523, A543, A568, GETRAG 5 SPEED TRANSAXLE A,G,J,P,S BODY MANUAL TRANSMISSIONS .....	Fig. 6-100
CLUTCH, ALL ENGINES MANUAL TRANSMISSIONS S BODY .....	Fig. 6-200
CLUTCH PEDAL AND LINKAGE, ALL ENGINES A523, A543, A568 5 SPEED TRANSAXLE A,G,J,P BODY MANUAL TRANSMISSIONS .....	Fig. 6-300
CLUTCH PEDAL AND LINKAGE, ALL ENGINES MANUAL TRANSMISSION S BODY .....	Fig. 6-400

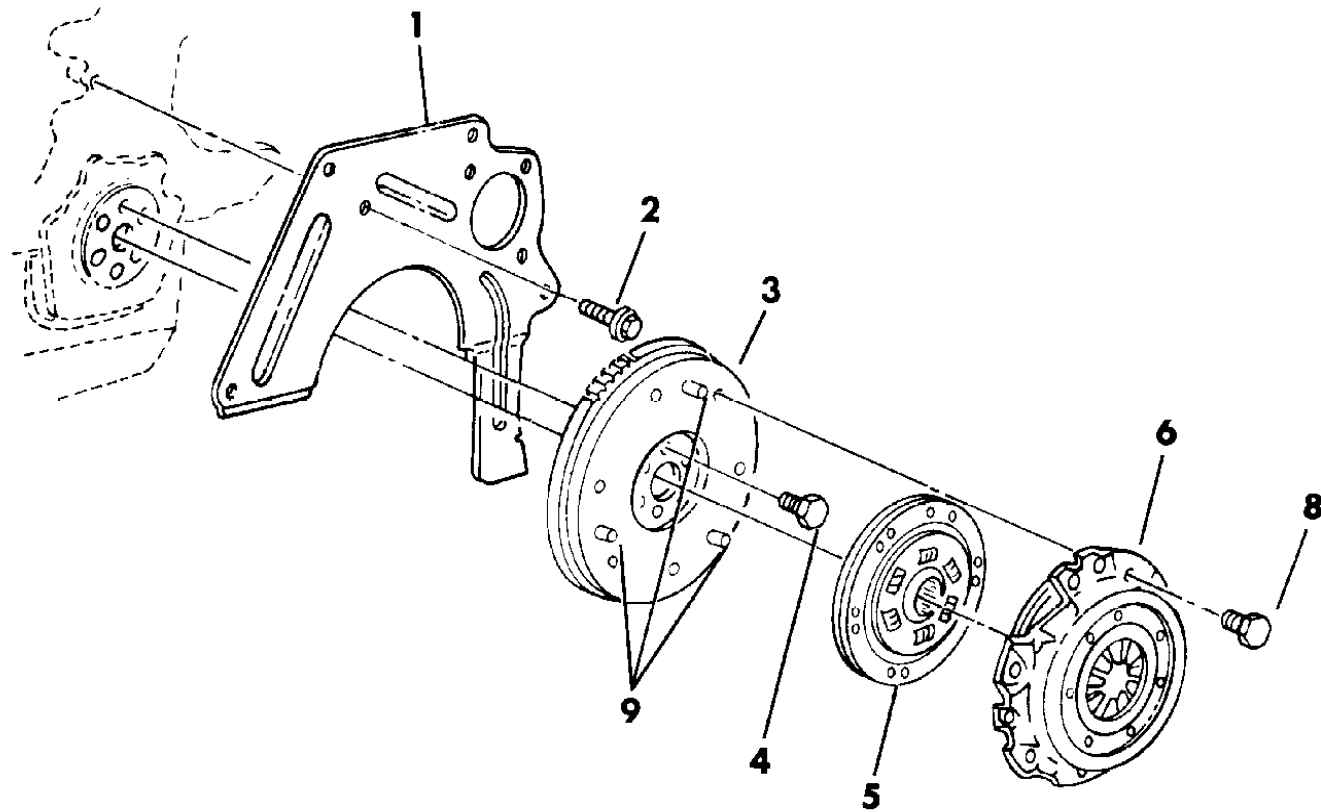
**ILLUSTRATION NOT AVAILABLE AT TIME OF PUBLICATION**

---

CLUTCH, ALL ENGINES A523, A543, A568, GETRAG 5 SPEED TRANSAXLE A,G,J,P,S BODY MANUAL TRANSMISSIONS

Figure 6-100

93106 100



ITEM	PART NUMBER	QTY	BODY	MODEL	DESCRIPTION
1					COVER, Transmission Case Upper (Refer to Gr. 21)
2					SCREW, With Washer, (Refer to Gr. 21)
3					FLYWHEEL, (Refer to Gr. 9)
4					BOLT, Flywheel Mounting Refer to Gr. 9)
5					DISC, Clutch
	4511 051	1	P		W/2.2 Liter EFI Engine, LUK
	4511 175	1	A,G,P		W/2.5 Liter Engine, FICHTEL & SACHS
	4511 177	1	A		W/2.5 Liter TURBO I Engine, FICHTEL & SACHS
	4670 073	1	S		2.5L Turbo Diesel
	4511 177	1	G,J,P		W/3.0 Liter Engine, FICHTEL & SACHS
	4511 099	1	G		W/2.2L W/16 Valve TURBO III Engine. FICHTEL & SACHS
	4511 099	1	G		W/2.5 Liter TURBO Engine, FICHTEL & SACHS
6					COVER and PLATE ASSEMBLY, Clutch And Disc Package
	4636 266	1	P		W/2.2 Liter EFI Engine, LUK Clutch
	4511 174	1	A,G,P		W/2.5 Liter Engine, FICHTEL & SACHS
	4626 646	1	S		2.5L Turbo Diesel
	4313 637	1	A,P		W/2.5 Liter TURBO Engine, FICHTEL & SACHS
	4638 856	1	A,G		W/2.2 Liter W/16 Valve Engine TURBO III, FICHTEL SACHS
	4638 856	1	J,G		W/2.5 Liter TURBO Engine, FICHTEL & SACHS
	4511 176	1	G,J,P		w/ 3.0 Liter Engine
8					BOLT, With Washer, Cover to Flywheel
	6500 151	6			M6x1.25x20-17
	6101 452	6	S		M8x20
9					DOWEL, Flywheel To Cover
	6031 923	3			

MODEL CODES:

A BODY=(C=LeBaron, D=Spirit, P=Acclaim/LaBaron(Landau),  
Saratoga)  
C BODY=(D=Dynasty, C=New Yorker/N.Y. Salon)  
G BODY=(V=Daytona/IROC, Chrysler Daytona)  
J BODY=(C=LeBaron, Chrysler LeBaron)  
P BODY=(P=Sundance, D=Shadow)

S BODY=(H=Voyager(H) FWD, K=Caravan(H) FWD,  
Y=Town & Country(H) FWD, P=Voyager(K) AWD,  
D=Caravan(K) AWD, C=Town & Country(K) AWD)  
Y BODY=(C=Imperial/5th Avenue)  
E-S BODY=(K=Chrysler Voyager(H) FWD, D=Chrysler  
Voyager(K) AWD)

BODY STYLES:

21=2-Door Coupe      41=4-Door Sedan      12-52=FWD & AWD Van & Wgn Std W.B.  
24=2-Door Hatchback      44=4-Door Hatchback      53=FWD & AWD Van & Wgn Ext. W.B.  
27=2-Door Convertible

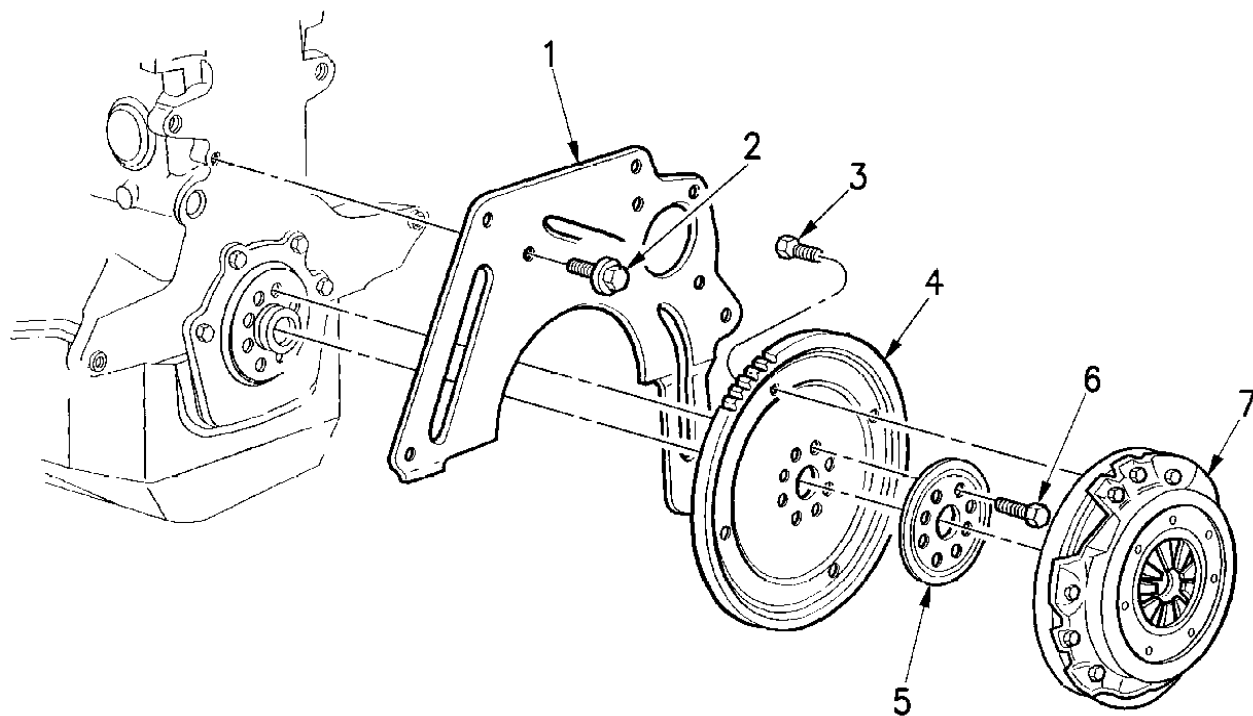
AR = Use as Required - = Non Illustrated Part P.A.R. = Paint as Required

CLUTCH, ALL ENGINES MANUAL TRANSMISSIONS S BODY

Figure 6-200

93106 200

ITEM	PART NUMBER	QTY	BODY	MODEL	DESCRIPTION
1					COVER, Trans Upper (Refer to Gr. 9)
2					SCREW, w/ WASHER (Refer to Gr. 9)
3	6501 099	4			BOLT, Drive Plate to Clutch
4					PLATE, Clutch Drive (Refer to Gr. 9)
5					PLATE, Crankshaft Bolt Backing (Refer to Gr. 9)
6					BOLT, Drive Plate to Crankshaft (Refer to Gr. 9)
7	4670 060	1			COVER, Pressure PLATE and DISC, Clutch
	4641 106	1			European



MODEL CODES:

A BODY=(C=LeBaron, D=Spirit, P=Acclaim/LaBaron(Landau),  
Saratoga)  
C BODY=(D=Dynasty, C=New Yorker/N.Y. Salon)  
G BODY=(V=Daytona/IROC, Chrysler Daytona)  
J BODY=(C=LeBaron, Chrysler LeBaron)  
P BODY=(P=Sundance, D=Shadow)

S BODY=(H=Voyager(H) FWD, K=Caravan(H) FWD,  
Y=Town & Country(H) FWD, P=Voyager(K) AWD,  
D=Caravan(K) AWD, C=Town & Country(K) AWD)  
Y BODY=(C=Imperial/5th Avenue)  
E-S BODY=(K=Chrysler Voyager(H) FWD, D=Chrysler  
Voyager(K) AWD)

BODY STYLES:

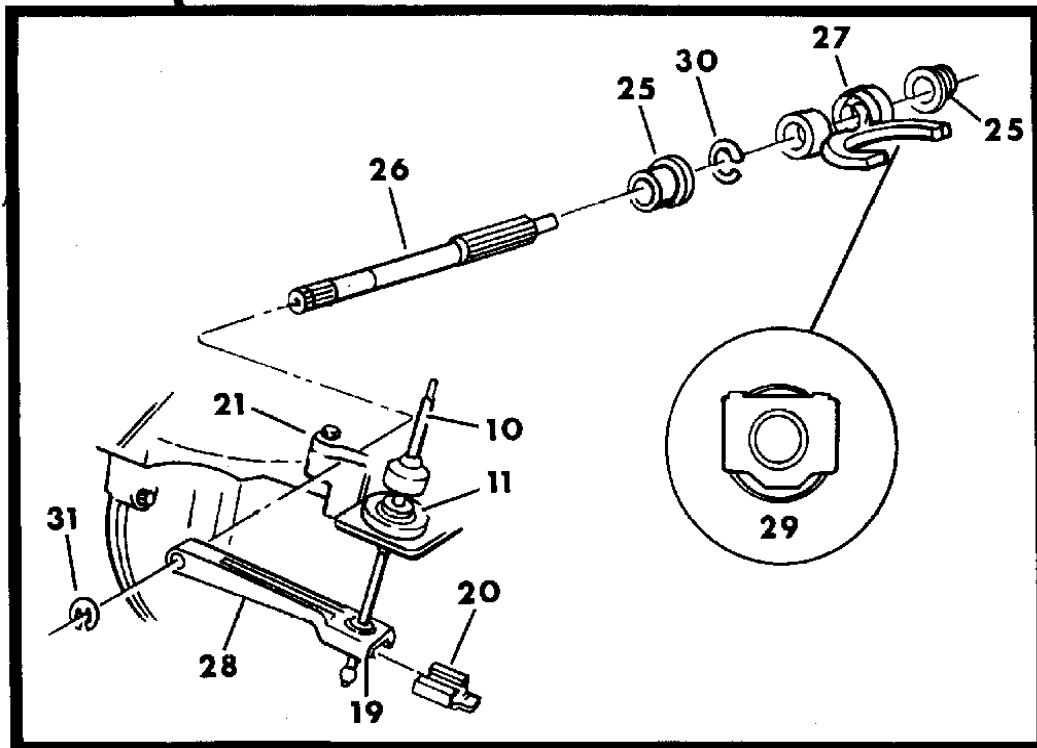
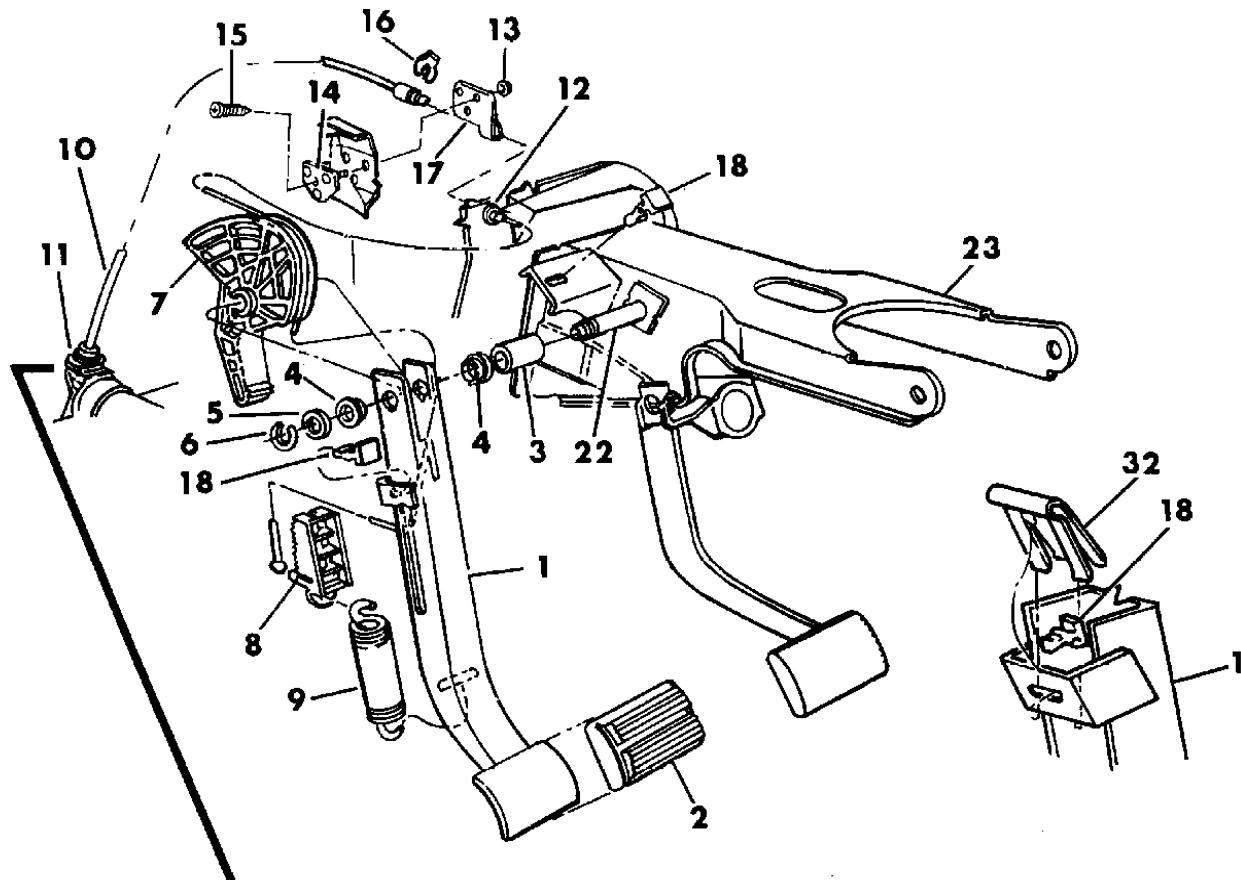
21=2-Door Coupe      41=4-Door Sedan      12-52=FWD & AWD Van & Wgn Std W.B.  
24=2-Door Hatchback      44=4-Door Hatchback      53=FWD & AWD Van & Wgn Ext. W.B.  
27=2-Door Convertible

AR = Use as Required - = Non Illustrated Part P.A.R. = Paint as Required

CLUTCH PEDAL AND LINKAGE, ALL ENGINES A523, A543, A568 5 SPEED TRANSAXLE A,G,J,P BODY MANUAL TRANSMISSIONS

Figure 6-300

93106 300



ITEM	PART NUMBER	QTY	BODY	MODEL	DESCRIPTION
1	4670 029	1			PEDAL, Clutch
2	4019 715	1			PAD, Pedal
3	4019 716	1			SPACER, Pedal Shaft
4	4019 707	2			BUSHING, Pedal Shaft
5	2073 632	1			WASHER, Pedal Shaft
6	6030 373	1			RING, Pedal Shaft, Lock
7	4188 669	1			ADJUSTER, Clutch Cable Pivot
8	4019 695	1			POSITIONER, Clutch Cable Adjuster ***
9	4188 666	1			SPRING, Clutch Cable Adjuster
10	4670 754	1			CABLE, Clutch Pedal
11	4295 594				ISOLATOR, Clutch Cable
	4641 289	AR			SPACER
12	2216 552	1			GROMMET, Clutch Cable Dash Panel
13	6502 504	3			NUT, Cable Mounting Plate, (M8x1.25)
14					PLATE, Cable Mounting (Refer Group 14)
15	3759 944	1			RETAINER, Plate
16	4295 369	1			CLIP, Cable
	4188 665	1	A		
17	4641 109	1			BRACKET, Cable Mounting
18	2266 820	1			BUMPER, Pedal Stop Bracket
19	5206 244	1			GROMMET, Cable Retainer
20	5206 245	1			RETAINER, Cable Lock
21					TRANSAXLE, (Reference)
22					SHAFT, (Refer to Gr. 5)
23					BRACKET, (Refer to Gr. 5)
25					BUSHING, Clutch Release Shaft
	4295 759	1			Inner
	4295 438	1			Outer
26	4295 426	1			SHAFT, Clutch Release
27	4511 046	1			FORK, Clutch Release
28	4641 117	1			LEVER, Clutch Release Shaft Assembly
29	4505 353	1			BEARING, With Sleeve, Clutch Release
30	6500 510	1			E-RING, Shaft Outer Bushing
31	6500 951	1			E-RING, Lever To Shaft
32	4188 653	1			SPRING, Clutch Cable Adjusting

MODEL CODES:

A BODY=(C=LeBaron, D=Spirit, P=Acclaim/LaBaron(Landau), Saratoga)

C BODY=(D=Dynasty, C=New Yorker/N.Y. Salon)

G BODY=(V=Daytona/IROC, Chrysler Daytona)

J BODY=(C=LeBaron, Chrysler LeBaron)

P BODY=(P=Sundance, D=Shadow)

S BODY=(H=Voyager(H) FWD, K=Caravan(H) FWD,

Y=Town & Country(H) FWD, P=Voyager(K) AWD,

D=Caravan(K) AWD, C=Town & Country(K) AWD)

Y BODY=(C=Imperial/5th Avenue)

E-S BODY=(K=Chrysler Voyager(H) FWD, D=Chrysler

Voyager(K) AWD)

BODY STYLES:

21=2-Door Coupe

41=4-Door Sedan

12-52=FWD & AWD Van & Wgn Std W.B.

24=2-Door Hatchback

44=4-Door Hatchback

53=FWD & AWD Van & Wgn Ext. W.B.

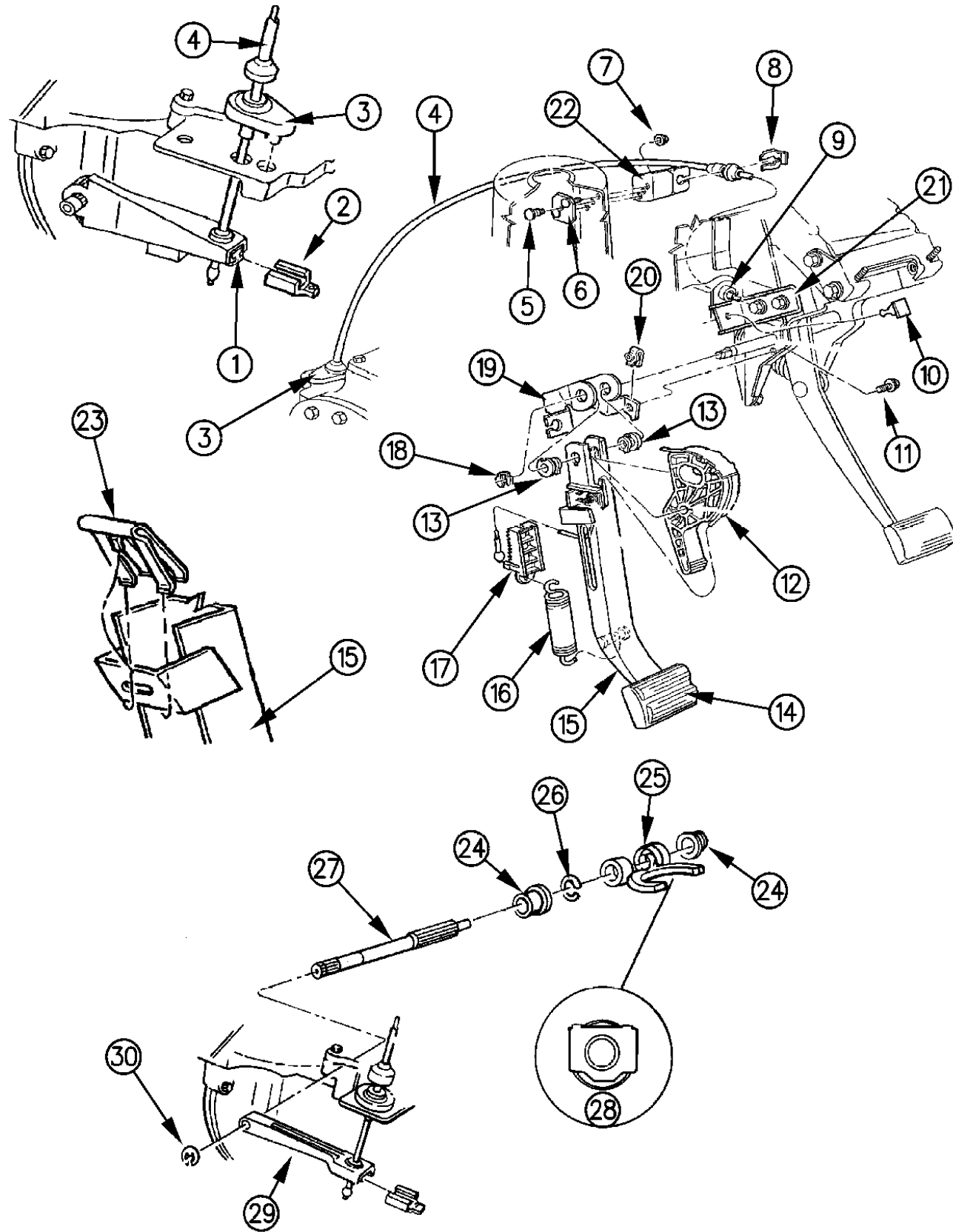
27=2-Door Convertible

AR = Use as Required - = Non Illustrated Part P.A.R. = Paint as Required



**CLUTCH PEDAL AND LINKAGE, ALL ENGINES MANUAL TRANSMISSION S BODY**  
**Figure 6-400**

93106 400



ITEM	PART NUMBER	QTY	BODY	MODEL	DESCRIPTION
1	5206 244	1			GROMMET, Lock Retainer
2	5206 245	1			RETAINER
3	4377 825	1			ISOLATOR, Clutch Pedal Cable
4	4670 059	1			CABLE, Clutch Release
5	3759 944	1			RETAINER
6	4188 101	1			PLATE
7	6001 445	2			NUT, w/ WASHER
8	4295 369	1			CLIP, Clutch Cable Mounting Bracket
9	3593 446	1			GROMMET, Dash Panel
10	4471 941	1			BUMPER, Clutch Pedal Stop Bracket
11	6101 010	1			SCREW, w/ WASHER
12	4188 660	1			ADJUSTER, Cable Pivot
13	4019 707	2			BUSHING
14	4019 715	1			PAD, Clutch Pedal
15	4670 029	1			PEDAL, Clutch
16	4188 666	1			SPRING, Cable Adjusting
17	4019 695	1			POSITIONER, Cable Adjusting ***
18	6030 373	1			RING, Shift Lock
19	4670 072	1			BRACKET, Clutch Interlock Switch
20	1150 3714	1			U-NUT
21	4188 673	1			BRACKET, Clutch Pedal Stop
22	4431 157	1			BRACKET, Clutch Cable Mounting
23	4188 653	1			SPRING, Auto Clutch Cable Adjusting
24	4295 759	1			BUSHING, Clutch Release Shaft Inner
	4295 438	1			Outer
25	4511 046	1			FORK, Clutch Release
26	6500 510	1			E-RING, Shaft Outer Bushing
27	4295 426	1			SHAFT, Clutch Release
28	4505 353	1			BEARING, w/ SLEEVE, Clutch Release
29	4511 039	1			LEVER, Clutch Release Shaft
30	6500 951	1			E-RING, Lever to Shaft

**MODEL CODES:**

A BODY=(C=LeBaron, D=Spirit, P=Acclaim/LaBaron(Landau), Saratoga)      S BODY=(H=Voyager(H) FWD, K=Caravan(H) FWD, Y=Town & Country(H) FWD, P=Voyager(K) AWD, D=Caravan(K) AWD, C=Town & Country(K) AWD)  
 C BODY=(D=Dynasty, C=New Yorker/N.Y. Salon)  
 G BODY=(V=Daytona/IROC, Chrysler Daytona)  
 J BODY=(C=LeBaron, Chrysler LeBaron)  
 P BODY=(P=Sundance, D=Shadow)      Y BODY=(C=Imperial/5th Avenue)  
 E-S BODY=(K=Chrysler Voyager(H) FWD, D=Chrysler Voyager(K) AWD)

**BODY STYLES:**

21=2-Door Coupe      41=4-Door Sedan      12-52=FWD & AWD Van & Wgn Std W.B.  
 24=2-Door Hatchback      44=4-Door Hatchback      53=FWD & AWD Van & Wgn Ext. W.B.  
 27=2-Door Convertible

AR = Use as Required - = Non Illustrated Part P.A.R. = Paint as Required

---

## GROUP 7 - COOLING

ILLUSTRATION TITLE	GROUP-FIG. NO.
<b>GRILLES</b>	
GRILLE AND RELATED PARTS P BODY (D,P) .....	Fig. 7-100
GRILLE AND RELATED PARTS A BODY .....	Fig. 7-200
GRILLE AND RELATED PARTS J BODY (C) .....	Fig. 7-300
GRILLE AND RELATED PARTS G BODY (V) .....	Fig. 7-400
GRILLE AND RELATED PARTS C BODY (D AND C-H) .....	Fig. 7-500
GRILLE AND RELATED PARTS C,Y BODY (C-S) (Y-S) .....	Fig. 7-600
GRILLE AND RELATED PARTS Y BODY (C-P) .....	Fig. 7-700
GRILLE AND RELATED PARTS S BODY (H,K) .....	Fig. 7-800
<b>RADIATORS</b>	
RADIATOR AND RELATED PARTS 2.2L ENGINE AND 2.5L ENGINE P BODY .....	Fig. 7-900
RADIATOR AND RELATED PARTS 2.2L ENGINE 16 VALVE G BODY .....	Fig. 7-1000
RADIATOR AND RELATED PARTS 2.5L ENGINE A,J,G,C BODY .....	Fig. 7-1100
RADIATOR AND RELATED PARTS 2.5L ENGINE S BODY .....	Fig. 7-1200
RADIATOR AND RELATED PARTS 3.0L ENGINE A,J,G,P BODY .....	Fig. 7-1300
RADIATOR AND RELATED PARTS 3.0L ENGINE C,Y BODY .....	Fig. 7-1400
RADIATOR AND RELATED PARTS 3.0L ENGINE S BODY .....	Fig. 7-1500
RADIATOR AND RELATED PARTS 3.3L, 3.8L ENGINE C,Y BODY .....	Fig. 7-1600
RADIATOR AND RELATED PARTS 3.3L ENGINE S BODY .....	Fig. 7-1700
RADIATOR AND RELATED PARTS 2.5L DIESEL ENGINE S BODY .....	Fig. 7-1720
<b>INTERCOOLER ASSEMBLY</b>	
INTERCOOLER ASSEMBLY 2.5L DIESEL ENGINE S BODY .....	Fig. 7-1750
<b>COOLANT RESERVE TANKS</b>	
COOLANT RESERVE TANKS .....	Fig. 7-1800
COOLANT RESERVE TANK 2.5L DIESEL ENGINE S BODY .....	Fig. 7-1850
<b>OIL COOLERS</b>	
OIL COOLER - WATER COOLED .....	Fig. 7-1900
OIL COOLER - AIR COOLED S BODY .....	Fig. 7-2000
<b>DRIVE BELTS</b>	
DRIVE BELTS .....	Fig. 7-2100
<b>DRIVE PULLEYS</b>	
DRIVE PULLEYS 2.2L AND 2.5L ENGINE .....	Fig. 7-2200
DRIVE PULLEYS 3.0L ENGINE .....	Fig. 7-2300
DRIVE PULLEYS 3.3L, 3.8L ENGINE .....	Fig. 7-2400
DRIVE PULLEYS AND BELTS 2.5L DIESEL ENGINE S BODY .....	Fig. 7-2450

ILLUSTRATION NOT AVAILABLE AT TIME OF PUBLICATION

---

**GROUP 7 - COOLING**

**ILLUSTRATION TITLE**

**GROUP-FIG. NO.**

**DRIVE PULLEYS (Continued)**

DRIVE PULLEYS AND BELTS 2.5L DIESEL ENGINE S BODY ..... Fig. 7-2450

**WATER PUMPS**

WATER PUMP AND RELATED PARTS 2.2L AND 2.5L ENGINE ..... Fig. 7-2500

WATER PUMP AND RELATED PARTS 3.0L ENGINE ..... Fig. 7-2600

WATER PUMP AND RELATED PARTS 3.3L, 3.8L ENGINE ..... Fig. 7-2700

WATER PUMP AND RELATED PARTS 2.5L DIESEL ENGINE S BODY ..... Fig. 7-2750

GRILLE AND RELATED PARTS P BODY (D,P)

Figure 7-100

93107 100

ITEM	PART NUMBER	QTY	BODY	MODEL	DESCRIPTION
1	4655 132-3	1			PANEL, Radiator Closure
2	6100 041	19			U-NUT
3	4546 321	1			SHIELD, Closure Panel Radiator Air - Rt.
4		AR			RETAINER (Not Serviced)
5	4534 390	1			CROSSMEMBER, Radiator Closure Panel
6	4534 392	1			SUPPORT, Radiator Closure Panel to Upper Crossmember
7	BF23 KX9	1			COVER, Upper Crossmember Support Blackout
8	4534 444-5	1			BRACKET, Radiator Closure S/Panel to Crossmember
9	4534 446	1			BRACKET ASSEMBLY, Front Crossmember Plate and Engine Mounting ret. ***
10		1			CROSSMEMBER, Front Side Rail Front (Refer to Group 13)
11		1			DAM, Air
	5263 871	1			
	4676 257	1			Canada
12	6501 067	7			RETAINER
13	5263 454	1			BRACKET, Radiator Grille Opening Panel to Hood Lock Support
14		18			SCREW and WASHER (Not Serviced)
15	5263 455	4			BRACKET, Radiator Grille Opening Panel to Closure Panel - Outer
16	5263 463	1		P	PANEL, Radiator Grille Opening
	5263 462	1		D	PANEL, Radiator Grille Opening w/Grille
17					GRILLE, Radiator (see note)
	4451 502	1		P	Bright
	GP05 LW7	1		P	White
	GP05 LRB	1		P	Radiant Fire
	GP05 LQE	1		P	Aqua
	GP05 MX8	1		P	Black
	GP05 LGF	1		P	Emerald Green
	GP05 MMB	1		P	Wildberry
18	0152 383	5		P	SCREW
19	6031 234	5		P	NUT
20	6100 567	1			SCREW and WASHER

NOTE: The Grille for the Shadow is serviced with Item #16.

MODEL CODES:

A BODY=(C=LeBaron, D=Spirit, P=Acclaim/LaBaron(Landau),  
Saratoga)

C BODY=(D=Dynasty, C=New Yorker/N.Y. Salon)

G BODY=(V=Daytona/IROC, Chrysler Daytona)

J BODY=(C=LeBaron, Chrysler LeBaron)

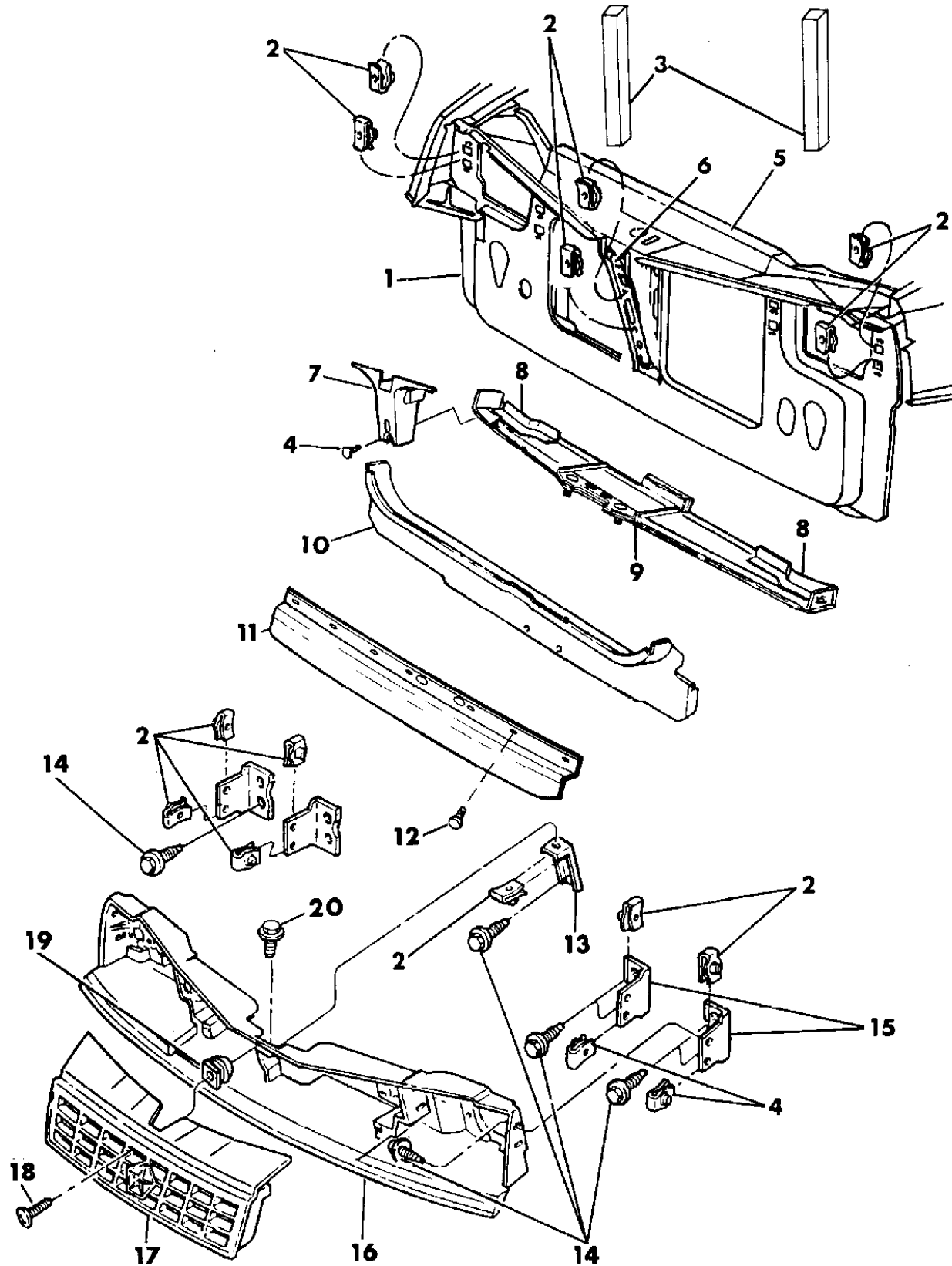
P BODY=(P=Sundance, D=Shadow)

S BODY=(H=Voyager(H) FWD, K=Caravan(H) FWD,  
Y=Town & Country(H) FWD, P=Voyager(K) AWD,  
D=Caravan(K) AWD, C=Town & Country(K) AWD)  
Y BODY=(C=Imperial/5th Avenue)  
E-S BODY=(K=Chrysler Voyager(H) FWD, D=Chrysler  
Voyager(K) AWD)

BODY STYLES:

21=2-Door Coupe      41=4-Door Sedan      12-52=FWD & AWD Van & Wgn Std W.B.  
24=2-Door Hatchback      44=4-Door Hatchback      53=FWD & AWD Van & Wgn Ext. W.B.  
27=2-Door Convertible

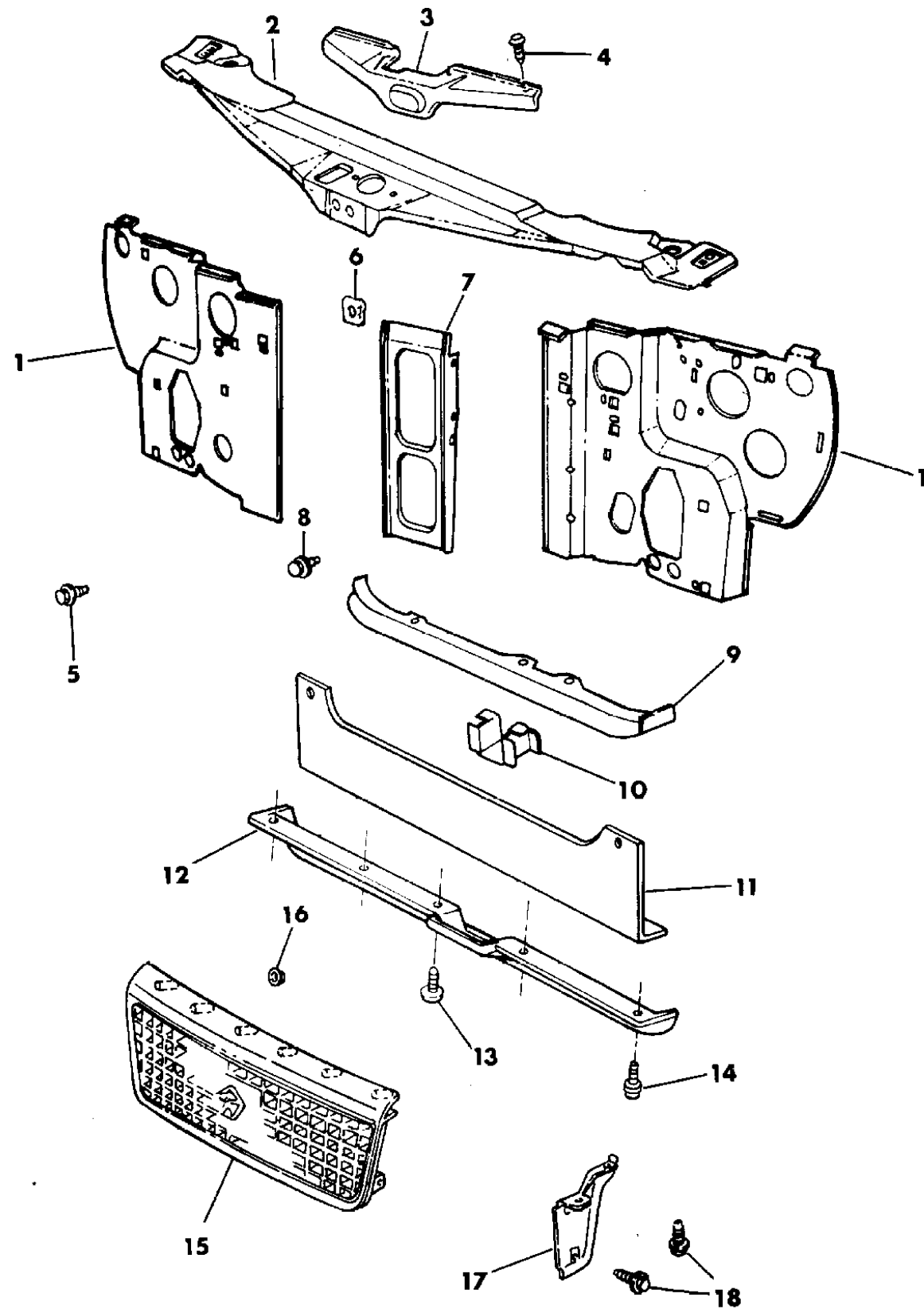
AR = Use as Required - = Non Illustrated Part P.A.R. = Paint as Required



GRILLE AND RELATED PARTS A BODY

Figure 7-200

93107 200



ITEM	PART NUMBER	QTY	BODY	MODEL	DESCRIPTION
1	4655 134-5	1			PANEL, Radiator Closure
2	4534 387	1			CROSSMEMBER, Radiator Closure Panel - Upper
3	4534 773	1			COVER, Closure Panel Upper Crossmember Blackout
4	4310 631	6			FASTENER
5	6100 567	2			SCREW and WASHER
6	6100 041	2			U-NUT
7	4534 391	1			SUPPORT, Closure Panel to Upper Crossmember
8		1			SCREW and WASHER (Not Serviced)
9	4534 394	1			PLATE, Front Siderail Front Crossmember Closure
10	4386 867	1			GUSSET and NUT, Front Crossmember Engine Mounting Bracket
	4534 446	1			BRACKET, Front Crossmember Plate
11		1			CROSSMEMBER, Front Side Rail Front (Refer to Group 13)
12	5263 871	1			DAM, Air
13	6030 441	9			RETAINER
14		4			SCREW and WASHER
15					GRILLE, Radiator
	4451 917	1		C,P	Bright
	5263 246	1			Bright EUROPE
	HU81 MBD	1		C,D	Light Blue
	HU82 MBD	1		P	Light Blue/Bright
	HU81 MBF	1		C,D	Medium Water Blue
	HU82 MBF	1		P	Medium Water Blue
	HU81 MGF	1		C,D	Emerald Green
	HU82 MGF	1		P	Emerald Green/Bright
	JG33 MGY	1		D	Emerald Green/Gold
	JG33 MWY	1		D	Crimson Red and White/Gold
	HU81 MMB	1		C,D	Wildberry
	HU82 MMB	1		P	Wildberry/Bright
	HU81 MRB	1		C,D	Radiant Fire
	HU81 MRF	1		C,D	Radiant Red
	HU82 MRF	1		P	Radiant Red/Bright
	JG33 MMY	1		D	Wildberry/Gold
	HU81 MQE	1		C,D	Aqua
	HU82 MQE	1		P	Aqua/Bright
	JG33 MRY	1		D	Poppy Red/Gold
	HU81 MW7	1		C,D	White
	HU82 MW7	1		P	White/Bright
	JG33 MWY	1		D	White/Gold
	HU81 MX8	1		C,D	Black

MODEL CODES:

A BODY=(C=LeBaron, D=Spirit, P=Acclaim/LaBaron(Landau), Saratoga)

C BODY=(D=Dynasty, C=New Yorker/N.Y. Salon)

G BODY=(V=Daytona/IROC, Chrysler Daytona)

J BODY=(C=LeBaron, Chrysler LeBaron)

P BODY=(P=Sundance, D=Shadow)

S BODY=(H=Voyager(H) FWD, K=Caravan(H) FWD,

Y=Town & Country(H) FWD, P=Voyager(K) AWD,

D=Caravan(K) AWD, C=Town & Country(K) AWD)

Y BODY=(C=Imperial/5th Avenue)

E-S BODY=(K=Chrysler Voyager(H) FWD, D=Chrysler

Voyager(K) AWD)

BODY STYLES:

21=2-Door Coupe

41=4-Door Sedan

12-52=FWD & AWD Van & Wgn Std W.B.

24=2-Door Hatchback

44=4-Door Hatchback

53=FWD & AWD Van & Wgn Ext. W.B.

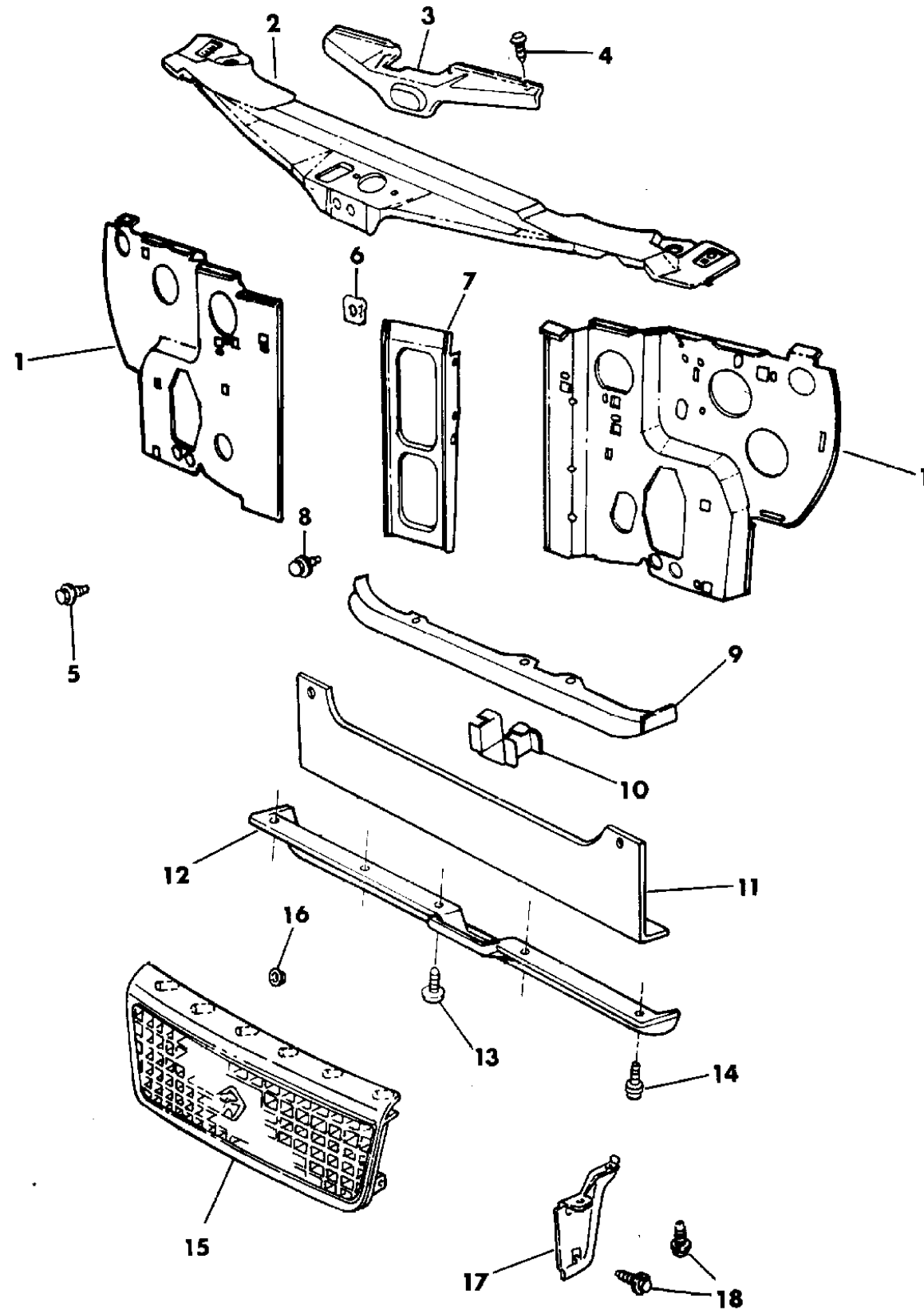
27=2-Door Convertible

AR = Use as Required - = Non Illustrated Part P.A.R. = Paint as Required

GRILLE AND RELATED PARTS A BODY

Figure 7-200

93107 200



ITEM	PART NUMBER	QTY	BODY	MODEL	DESCRIPTION
	HU82 MX8	1		P	Black/Bright
	JG33 MXY	1		D	Black/Gold
	HU81 MFA	1		C,D	Light Driftwood
	HU82 MFA	1		P	Light Driftwood/Bright
	6503 049	7			PIN, Push, Header to Grille, Lower
16		6			NUT (Not Serviced)
17	4674 382-3	1			BRACKET, Hood Outer to Radiator Grille
18	6100 250	2			SCREW
-	4534 444-5	1			BRACKET, Radiator Closure Panel to Crossmember

MODEL CODES:

A BODY=(C=LeBaron, D=Spirit, P=Acclaim/LaBaron(Landau),  
Saratoga)  
C BODY=(D=Dynasty, C=New Yorker/N.Y. Salon)  
G BODY=(V=Daytona/IROC, Chrysler Daytona)  
J BODY=(C=LeBaron, Chrysler LeBaron)  
P BODY=(P=Sundance, D=Shadow)

S BODY=(H=Voyager(H) FWD, K=Caravan(H) FWD,  
Y=Town & Country(H) FWD, P=Voyager(K) AWD,  
D=Caravan(K) AWD, C=Town & Country(K) AWD)  
Y BODY=(C=Imperial/5th Avenue)  
E-S BODY=(K=Chrysler Voyager(H) FWD, D=Chrysler  
Voyager(K) AWD)

BODY STYLES:

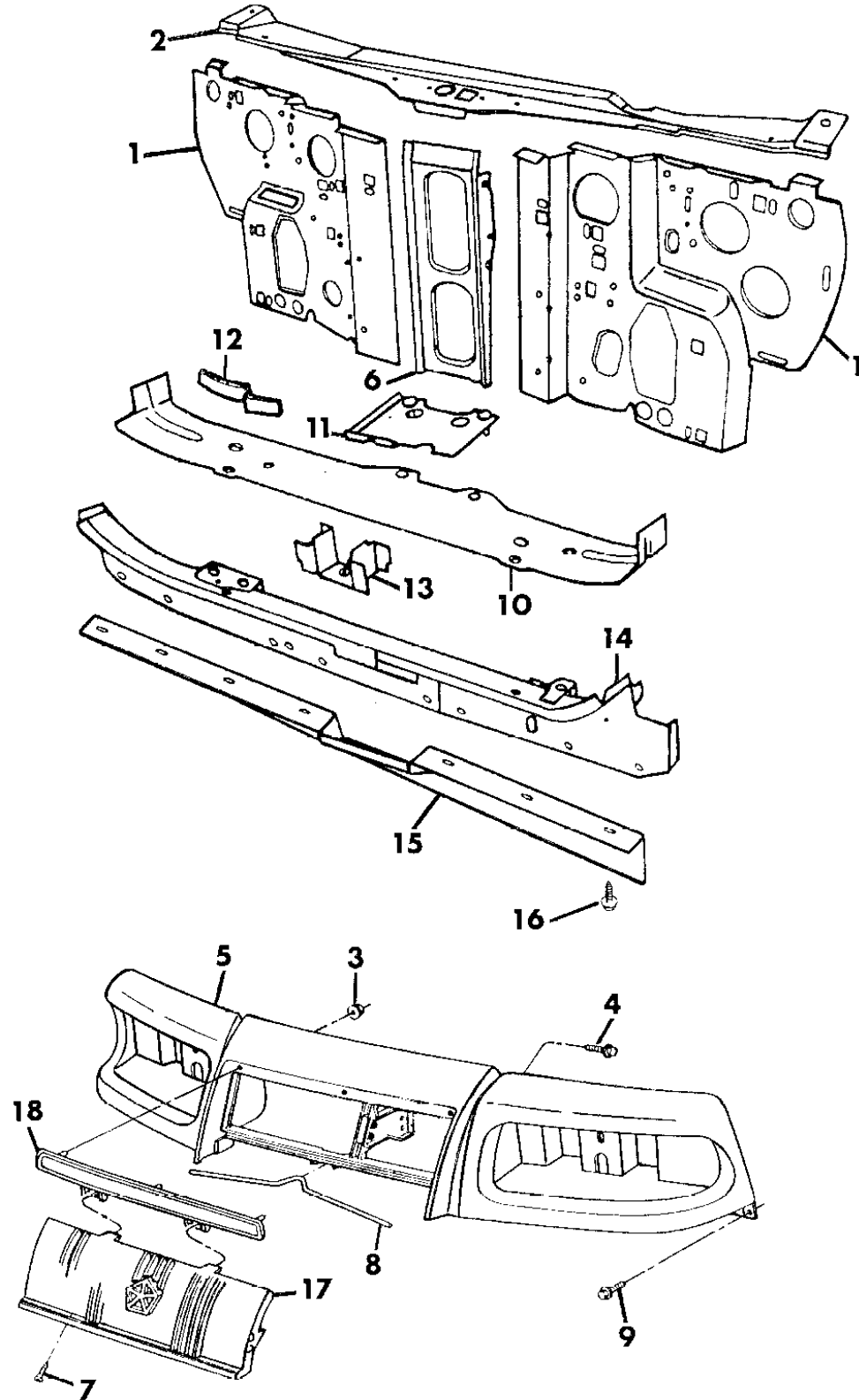
21=2-Door Coupe      41=4-Door Sedan      12-52=FWD & AWD Van & Wgn Std W.B.  
24=2-Door Hatchback      44=4-Door Hatchback      53=FWD & AWD Van & Wgn Ext. W.B.  
27=2-Door Convertible

AR = Use as Required - = Non Illustrated Part P.A.R. = Paint as Required

GRILLE AND RELATED PARTS J BODY (C)

Figure 7-300

93107 300



ITEM	PART NUMBER	QTY	BODY	MODEL	DESCRIPTION
1	5253 870-1	1			PANEL, Radiator Closure - Side
2	4534 388	1			CROSSMEMBER, Radiator Closure Panel
3					SCREW (Not Serviced)
4	6100 567	2			SCREW
5	5263 364	1			PANEL, Grille Opening
6	4655 703	1			SUPPORT, Radiator Closure Panel
7					SCREW (Not Serviced)
8	5263 882	1			SPRING, Radiator Grille Return
9	6100 567	2			SCREW
10	4534 394	1			PLATE, Front Side Rail Front Crossmember
11	4534 446	1			BRACKET, Front Crossmember
12	4534 444-5	2			BRACKET, Radiator Closure Side Panel to Crossmember
13	4386 867	1			GUSSET, Front Crossmember Engine Mounting Front
14		1			CROSSMEMBER, Front Side Rail Front (Refer to Group 13)
15	5263 871	1			DAM, Air
16	6501 067	7			RETAINER
17					GRILLE, Radiator
	5263 365	1			Bright
	FC55 MQE	1			Aqua
	FC55 MMB	1			Dark Red
	FC55 MRB	1			Radiant Fire
	FC55 MGF	1			Emerald Green
	FC55 MW7	1			White
	FC55 MX8	1			Black
18					HEADER, Grille
	5263 369	1			Bright
	FC56 MQE	1			Aqua
	FC56 MRB	1			Radiant Fire
	FC56 MGF	1			Emerald Green
	FC56 MW7	1			White
	FC56 MX8	1			Black

MODEL CODES:

A BODY=(C=LeBaron, D=Spirit, P=Acclaim/LaBaron(Landau), Saratoga)

C BODY=(D=Dynasty, C=New Yorker/N.Y. Salon)

G BODY=(V=Daytona/IROC, Chrysler Daytona)

J BODY=(C=LeBaron, Chrysler LeBaron)

P BODY=(P=Sundance, D=Shadow)

S BODY=(H=Voyager(H) FWD, K=Caravan(H) FWD,

Y=Town & Country(H) FWD, P=Voyager(K) AWD,

D=Caravan(K) AWD, C=Town & Country(K) AWD)

Y BODY=(C=Imperial/5th Avenue)

E-S BODY=(K=Chrysler Voyager(H) FWD, D=Chrysler

Voyager(K) AWD)

BODY STYLES:

21=2-Door Coupe

41=4-Door Sedan

12-52=FWD & AWD Van & Wgn Std W.B.

24=2-Door Hatchback

44=4-Door Hatchback

53=FWD & AWD Van & Wgn Ext. W.B.

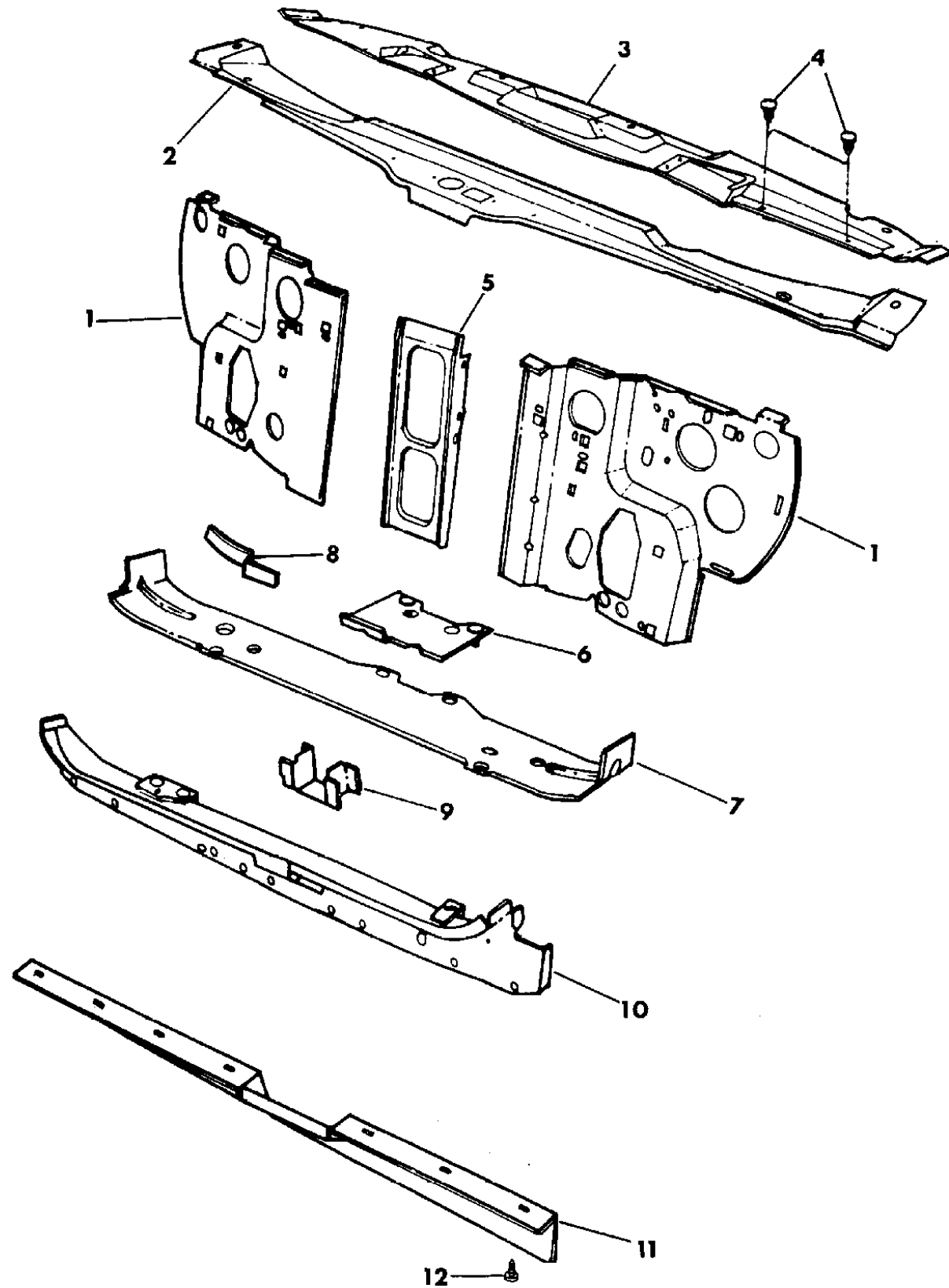
27=2-Door Convertible

AR = Use as Required - = Non Illustrated Part P.A.R. = Paint as Required

GRILLE AND RELATED PARTS G BODY (V)

Figure 7-400

93107 400



ITEM	PART NUMBER	QTY	BODY	MODEL	DESCRIPTION
NOTE: For Grille and related items not listed, refer to Group 13.					
1	4534 384-5	2			PANEL, Radiator Closure - Side
2	4534 388	1			CROSSMEMBER, Radiator Closure Panel
3	5263 811	1			SHIELD, Sight - Headlamp Mounting Panel to Crossmember
4	6502 104	4			RETAINER
5	4655 703	1			SUPPORT, Radiator Closure Panel to Crossmember
6	4534 446	1			BRACKET, Front Crossmember
7	4534 394	1			PLATE, Front Side Rail Front Crossmember
8	4534 444-5	2			BRACKET, Radiator Closure Side Panel to Crossmember
9	4386 867	1			GUSSET, Front Crossmember Engine Mounting Front
10		1			CROSSMEMBER, Front Side Rail Front (Refer to Group 13)
11	5263 871	1			DAM, Air
12	6501 067	7			RIVET

MODEL CODES:

A BODY=(C=LeBaron, D=Spirit, P=Acclaim/LaBaron(Landau),  
Saratoga)  
C BODY=(D=Dynasty, C=New Yorker/N.Y. Salon)  
G BODY=(V=Daytona/IROC, Chrysler Daytona)  
J BODY=(C=LeBaron, Chrysler LeBaron)  
P BODY=(P=Sundance, D=Shadow)

S BODY=(H=Voyager(H) FWD, K=Caravan(H) FWD,  
Y=Town & Country(H) FWD, P=Voyager(K) AWD,  
D=Caravan(K) AWD, C=Town & Country(K) AWD)  
Y BODY=(C=Imperial/5th Avenue)  
E-S BODY=(K=Chrysler Voyager(H) FWD, D=Chrysler  
Voyager(K) AWD)

BODY STYLES:

21=2-Door Coupe      41=4-Door Sedan      12-52=FWD & AWD Van & Wgn Std W.B.  
24=2-Door Hatchback      44=4-Door Hatchback      53=FWD & AWD Van & Wgn Ext. W.B.  
27=2-Door Convertible

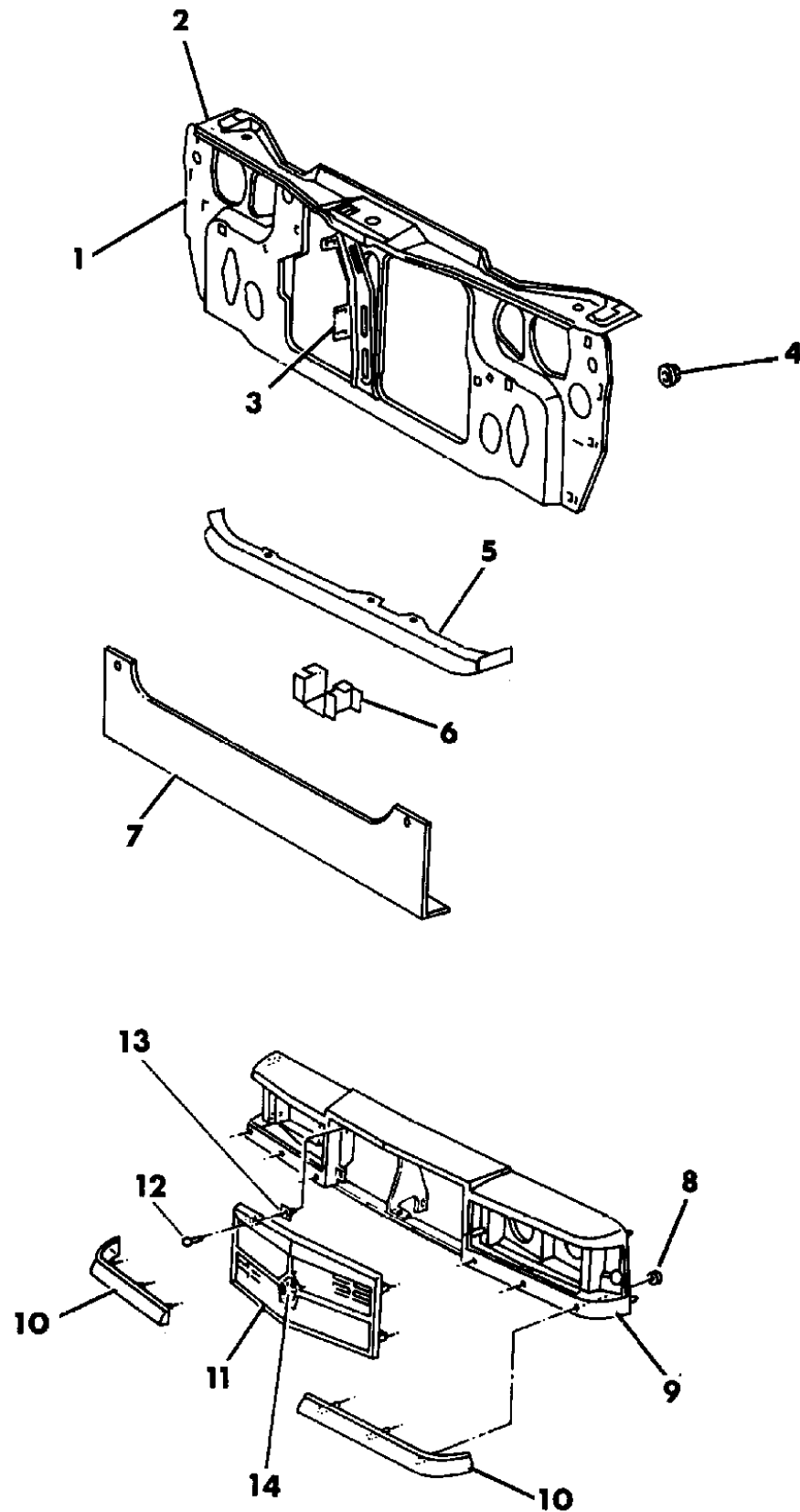
AR = Use as Required - = Non Illustrated Part P.A.R. = Paint as Required



GRILLE AND RELATED PARTS C BODY (D AND C-H)

Figure 7-500

93107 500



ITEM	PART NUMBER	QTY	BODY	MODEL	DESCRIPTION
1	4534 386	1			PANEL, Radiator Closure
2	4534 389	1			CROSSMEMBER, Radiator Closure Panel - Upper
3	5256 170	1			SUPPORT, Radiator Closure Panel
4	6500 284	4			NUT and WASHER
5	5253 703	1			PLATE, Front Side Rail Front Crossmember Closure
6	4386 867	1			GUSSET and NUT, Front Crossmember Engine Mounting Bracket
7		1			CROSSMEMBER, Front Side Rail Front (Refer to Group 13)
8		6			NUT (Not Serviced)
9	4451 970	1			PANEL, Grille Opening
10	5263 194-5	1			MOULDING, Grille Ext. Outer
11					GRILLE, Radiator
	4388 752	1		D	
	4515 330	1		D	CANADA
	4515 330	1		C-H	
12		4			SCREW (Not Serviced)
13		4			NUT (Not Serviced)
14		1			PENTASTAR, Radiator Grille (Refer to Group 23) ***

MODEL CODES:

A BODY=(C=LeBaron, D=Spirit, P=Acclaim/LaBaron(Landau), Saratoga) S BODY=(H=Voyager(H) FWD, K=Caravan(H) FWD, Y=Town & Country(H) FWD, P=Voyager(K) AWD, D=Caravan(K) AWD, C=Town & Country(K) AWD)  
 C BODY=(D=Dynasty, C=New Yorker/N.Y. Salon) Y BODY=(C=Imperial/5th Avenue)  
 G BODY=(V=Daytona/IROC, Chrysler Daytona) E-S BODY=(K=Chrysler Voyager(H) FWD, D=Chrysler Voyager(K) AWD)  
 J BODY=(C=LeBaron, Chrysler LeBaron)  
 P BODY=(P=Sundance, D=Shadow)

BODY STYLES:

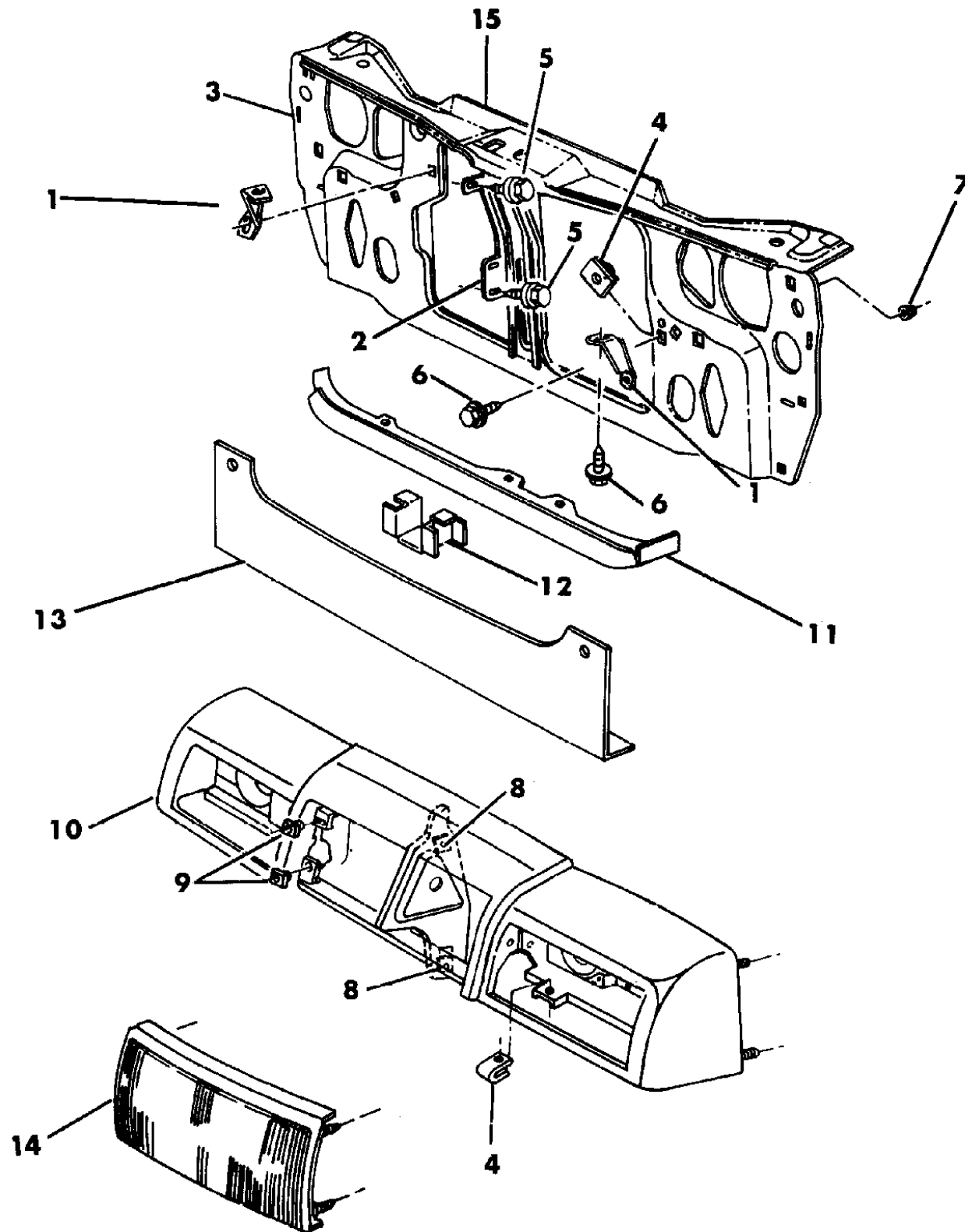
21=2-Door Coupe 41=4-Door Sedan 12-52=FWD & AWD Van & Wgn Std W.B.  
 24=2-Door Hatchback 44=4-Door Hatchback 53=FWD & AWD Van & Wgn Ext. W.B.  
 27=2-Door Convertible

AR = Use as Required - = Non Illustrated Part P.A.R. = Paint as Required

GRILLE AND RELATED PARTS C,Y BODY (C-S) (Y-S)

Figure 7-600

93107 600



ITEM	PART NUMBER	QTY	BODY	MODEL	DESCRIPTION
1	5263 272-3	1			BRACKET, Headlamp Housing to Closure Panel
2	5256 170	1			SUPPORT, Closure Panel
3	4655 131	1			PANEL, Radiator Closure
4	6100 040	4			U-NUT
5	6100 567	2			SCREW and WASHER
6					SCREW and WASHER (Not Serviced)
7	6500 284	4			NUT and WASHER
8	1150 3714	2			U-NUT
9	6034 278	4			NUT, Grille to Mounting Panel
10	4515 526	1			PANEL ASSEMBLY, Grille ***
	4515 529	1			CROSSBAR, Radiator Grille Mounting Panel, Lower
11	5253 703	1			PLATE, Front Crossmember
12	4386 867	1			GUSSET, w/Nut
13					CROSSMEMBER (Reference)
14	4515 541	1			GRILLE, Radiator
	5263 156	4			CLIP, Grille
	6034 278	4			NUT, Grille to Mounting Panel
15	4534 389	1			CROSSMEMBER, Closure Panel, Upper

MODEL CODES:

A BODY=(C=LeBaron, D=Spirit, P=Acclaim/LaBaron(Landau),  
Saratoga)  
C BODY=(D=Dynasty, C=New Yorker/N.Y. Salon)  
G BODY=(V=Daytona/IROC, Chrysler Daytona)  
J BODY=(C=LeBaron, Chrysler LeBaron)  
P BODY=(P=Sundance, D=Shadow)

S BODY=(H=Voyager(H) FWD, K=Caravan(H) FWD,  
Y=Town & Country(H) FWD, P=Voyager(K) AWD,  
D=Caravan(K) AWD, C=Town & Country(K) AWD)  
Y BODY=(C=Imperial/5th Avenue)  
E-S BODY=(K=Chrysler Voyager(H) FWD, D=Chrysler  
Voyager(K) AWD)

BODY STYLES:

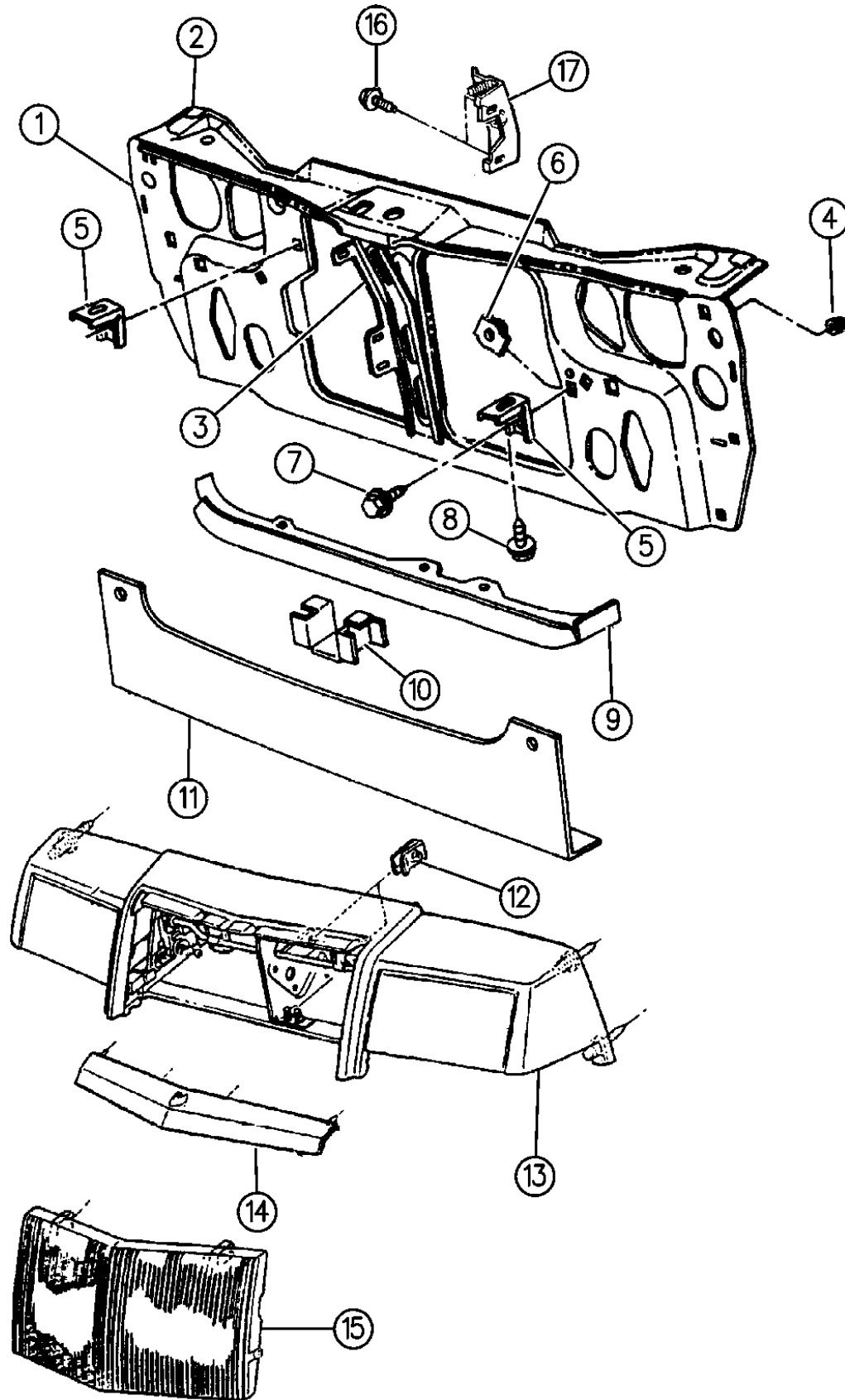
21=2-Door Coupe      41=4-Door Sedan      12-52=FWD & AWD Van & Wgn Std W.B.  
24=2-Door Hatchback      44=4-Door Hatchback      53=FWD & AWD Van & Wgn Ext. W.B.  
27=2-Door Convertible

AR = Use as Required - = Non Illustrated Part P.A.R. = Paint as Required

GRILLE AND RELATED PARTS Y BODY (C-P)

Figure 7-700

93107 700A



ITEM	PART NUMBER	QTY	BODY	MODEL	DESCRIPTION
1	4534 386	1			PANEL, Radiator Closure
2	4534 389	1			CROSSMEMBER, Radiator Closure Panel - Upper
3	5256 170	1			SUPPORT, Radiator Closure Panel
4	6500 284	4			NUT and WASHER
5	4451 151	2			BRACKET, Headlamp Housing to Closure Panel
6	6100 040	2			U-NUT
7		2			SCREW and WASHER (Not Serviced)
8		2			SCREW and WASHER (Not Serviced)
9	5253 703	1			PLATE, Front Side Rail Front Crossmember Closure
10	4386 867	1			GUSSET and NUT, Front Crossmember Engine Mounting Bracket
11		1			CROSSMEMBER, Front Side Rail Front (Refer to Group 13)
12	6100 041	2			U-NUT
13	5263 121	1			PANEL, Radiator Grille
	4515 062	1			CROSSBAR, Radiator Grille Mounting Panel, Upper
	4451 006	1			CROSSBAR, Radiator Grille Mounting Panel, Lower
14	4451 039	1			HEADER, Radiator Grille
15	4451 040	1			GRILLE, Radiator
-	4451 038	1			ROD, Grille Pivot
-	4451 096	2			BRACKET, Grille Pivot Rod
-	4451 206-7	1			RETAINER, Grille Pivot Rod
-	4451 198	2			BRACKET, Pivot Rod Upper Retaining Spring
-	4451 034	1			SPRING, Grille Pivot Rod Upper Retainer
16	6100 567	2			SCREW AND WASHER ***
17	4451 197	1			BRACKET, Motor Mounting

MODEL CODES:

A BODY=(C=LeBaron, D=Spirit, P=Acclaim/LaBaron(Landau),  
Saratoga)  
C BODY=(D=Dynasty, C=New Yorker/N.Y. Salon)  
G BODY=(V=Daytona/IROC, Chrysler Daytona)  
J BODY=(C=LeBaron, Chrysler LeBaron)  
P BODY=(P=Sundance, D=Shadow)

S BODY=(H=Voyager(H) FWD, K=Caravan(H) FWD,  
Y=Town & Country(H) FWD, P=Voyager(K) AWD,  
D=Caravan(K) AWD, C=Town & Country(K) AWD)  
Y BODY=(C=Imperial/5th Avenue)  
E-S BODY=(K=Chrysler Voyager(H) FWD, D=Chrysler  
Voyager(K) AWD)

BODY STYLES:

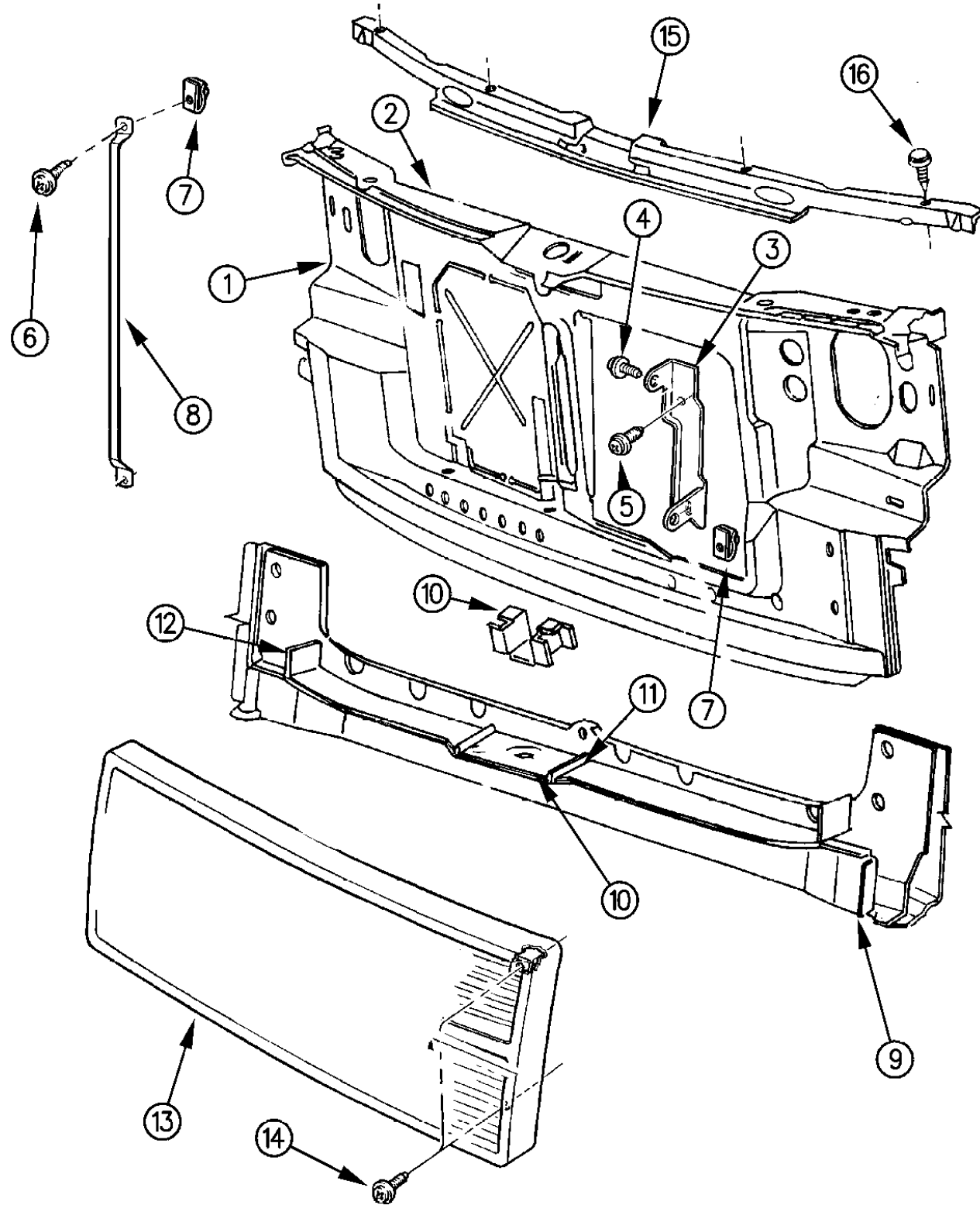
21=2-Door Coupe      41=4-Door Sedan      12-52=FWD & AWD Van & Wgn Std W.B.  
24=2-Door Hatchback      44=4-Door Hatchback      53=FWD & AWD Van & Wgn Ext. W.B.  
27=2-Door Convertible

AR = Use as Required - = Non Illustrated Part P.A.R. = Paint as Required

GRILLE AND RELATED PARTS S BODY (H,K)

Figure 7-800

93107 800



ITEM	PART NUMBER	QTY	BODY	MODEL	DESCRIPTION
1	4673 349	1			PANEL ASSEMBLY, Radiator Closure ***
	4674 120	1	ES		PANEL, Radiator Closure
2	4674 126	1			CROSSMEMBER, Radiator Closure Panel, Upper
	4674 128	1			REINFORCEMENT, Upper Crossmember to Radiator Closure Panel
3	4576 544-5	2			BRACKET, Radiator Grille Adapter to Closure Panel
4	6100 567	12			SCREW and WASHER
5	6100 286	1			SCREW and WASHER
6	6100 547	2			SCREW and WASHER
7	1150 3714	6			NUT
8	4674 122	1			BRACE, Radiator Closure Panel - Center
	4674 132	1			REINFORCEMENT, Brace Attaching
9	4719 119	1			CROSSMEMBER, Radiator Closure Panel, Lower
10	5255 427	1			GUSSET and NUT, Front Crossmember Engine Mounting Bracket
11	5255 424	1			BRACKET and STUD, Front Crossmember Radiator Support Engine Mounting - Right ***
12	4674 135	1			PLATE, Front Side Rail Crossmember Closure
13					GRILLE, Radiator
	4576 764	1		C,Y	Bright
	4576 763	1		P,H	Bright
	4576 765	1		D,K	Bright
	HJ67 MSK	1		D,K 52,53	Medium Quartz (Low Gloss)
	HJ67 MP5	1		D,K 52,53	Teal
	HJ67 MR4	1		D,K 52,53	Bright Red
	HJ67 MRF	1		D,K 52,53	Radiant Red
	HJ67 MW7	1		D,K 52,53	White
	HJ67 MX8	1		D,K 52,53	Black
	HJ66 MD8	1		D,K	EUROPE
14	6033 803	4			SCREW
15	4451 699	1			SHIELD, Sight
16	6502 381	5			RETAINER

MODEL CODES:

A BODY=(C=LeBaron, D=Spirit, P=Acclaim/LaBaron(Landau), Saratoga) S BODY=(H=Voyager(H) FWD, K=Caravan(H) FWD, Y=Town & Country(H) FWD, P=Voyager(K) AWD, D=Caravan(K) AWD, C=Town & Country(K) AWD)  
 C BODY=(D=Dynasty, C=New Yorker/N.Y. Salon) Y BODY=(C=Imperial/5th Avenue)  
 G BODY=(V=Daytona/IROC, Chrysler Daytona) E-S BODY=(K=Chrysler Voyager(H) FWD, D=Chrysler Voyager(K) AWD)  
 J BODY=(C=LeBaron, Chrysler LeBaron) P BODY=(P=Sundance, D=Shadow)

BODY STYLES:

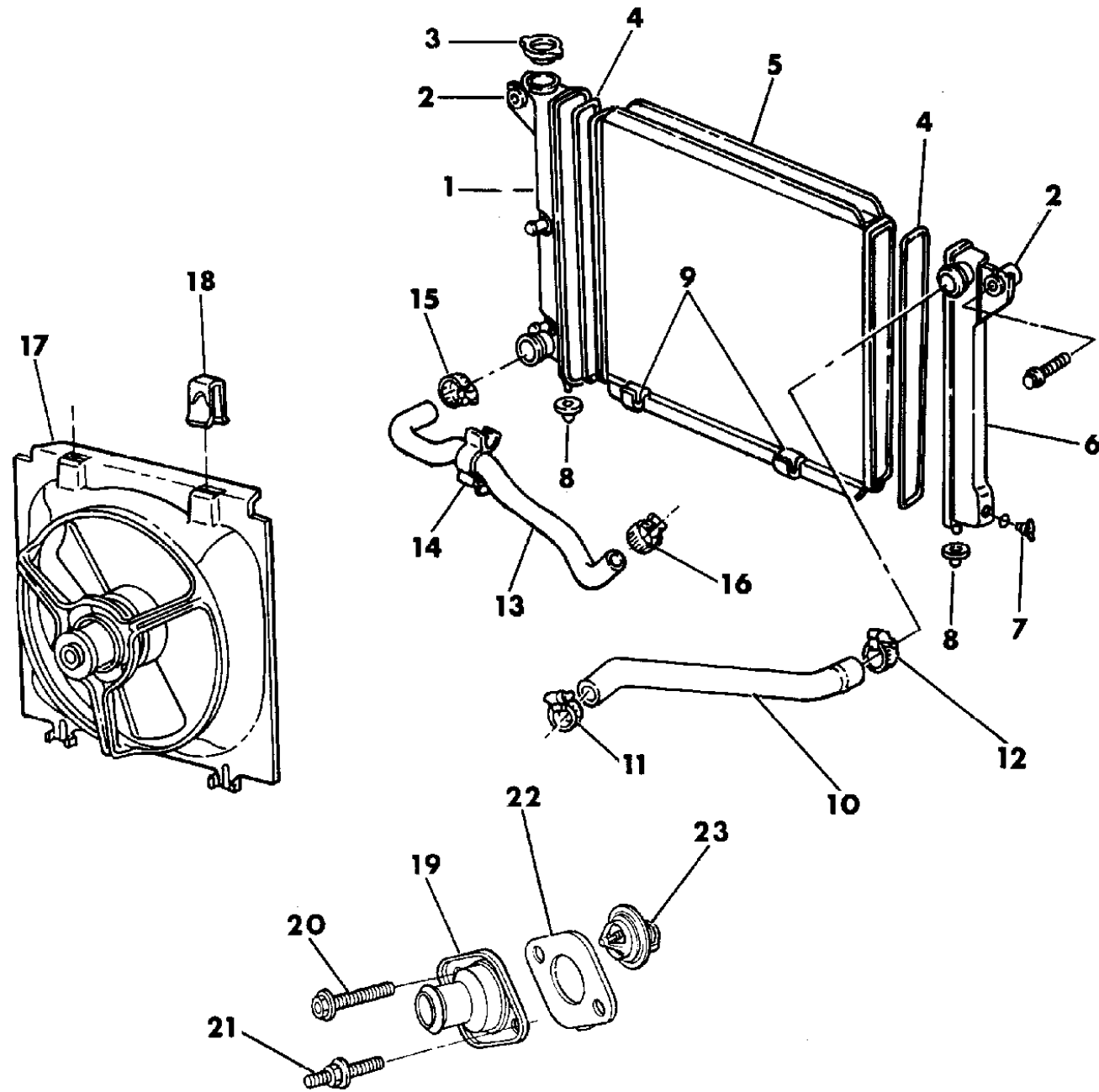
21=2-Door Coupe 41=4-Door Sedan 12-52=FWD & AWD Van & Wgn Std W.B.  
 24=2-Door Hatchback 44=4-Door Hatchback 53=FWD & AWD Van & Wgn Ext. W.B.  
 27=2-Door Convertible

AR = Use as Required - = Non Illustrated Part P.A.R. = Paint as Required

RADIATOR AND RELATED PARTS 2.2L ENGINE AND 2.5L ENGINE P BODY

Figure 7-900

93107 900



ITEM	PART NUMBER	QTY	BODY	MODEL	DESCRIPTION
1					TANK, Outlet (Serviced in Radiator Assembly)
2	4266 142	2			ISOLATOR, Radiator Mounting - Upper
3	3781 830	1			CAP, Radiator
4					GASKET, Tank to Header (Serviced in Radiator Assembly)
5	4401 969	1			RADIATOR (Includes #'s 1,2,3,4,6,7,8,9)
6					TANK, Inlet (Serviced in Radiator Assembly)
7	4266 904	1			DRAINCOCK
8	4401 950	2			ISOLATOR, Radiator Mounting - Lower
9	4546 603	2			CLIP, Shroud Retaining
10	4401 978	1			HOSE, Inlet
11	4401 436	1			CLAMP, Inlet Hose (Eng. End)
12	4401 437	1			CLAMP, Inlet Hose (Rad. End)
13	4546 372	1			HOSE, Outlet
14	4546 319	1			CLIP, Outlet Hose
15	4401 438	1			CLAMP, Outlet Hose (Rad. End)
16	4401 439	1			CLAMP, Outlet Hose (Eng. End)
17					FAN-MOTOR-SHROUD ASSEMBLY
					Stamped 4546576 used on: 2.2L Eng. and 2.5L Eng. w/(S/C - EDM) w/o Air Cond. - Manual Trans. Consists of:
	4401 958	1			FAN
	4546 538	1			MOTOR
	4495 597	1			SHROUD
	6500 377	1			RETAINER
					Stamped 4546577 2.2L Eng. and 2.5L Eng. w/(S/C - EDM) w/o Air Cond., Auto. Trans. Consists of:
	4401 958	1			FAN
	4546 538	1			MOTOR
	4495 597	1			SHROUD
	6500 377	1			RETAINER
					Stamped 4546578 2.2L Eng. and 2.5L Eng. w/(S/C - EDM) w/Air Cond. - Auto. Trans. Consists of:
	4401 958	1			FAN
	4546 538	1			MOTOR

MODEL CODES:

A BODY=(C=LeBaron, D=Spirit, P=Acclaim/LaBaron(Landau), Saratoga) S BODY=(H=Voyager(H) FWD, K=Caravan(H) FWD, Y=Town & Country(H) FWD, P=Voyager(K) AWD, D=Caravan(K) AWD, C=Town & Country(K) AWD)  
 C BODY=(D=Dynasty, C=New Yorker/N.Y. Salon)  
 G BODY=(V=Daytona/ROC, Chrysler Daytona)  
 J BODY=(C=LeBaron, Chrysler LeBaron)  
 P BODY=(P=Sundance, D=Shadow)  
 Y BODY=(C=Imperial/5th Avenue)  
 E-S BODY=(K=Chrysler Voyager(H) FWD, D=Chrysler Voyager(K) AWD)

BODY STYLES:

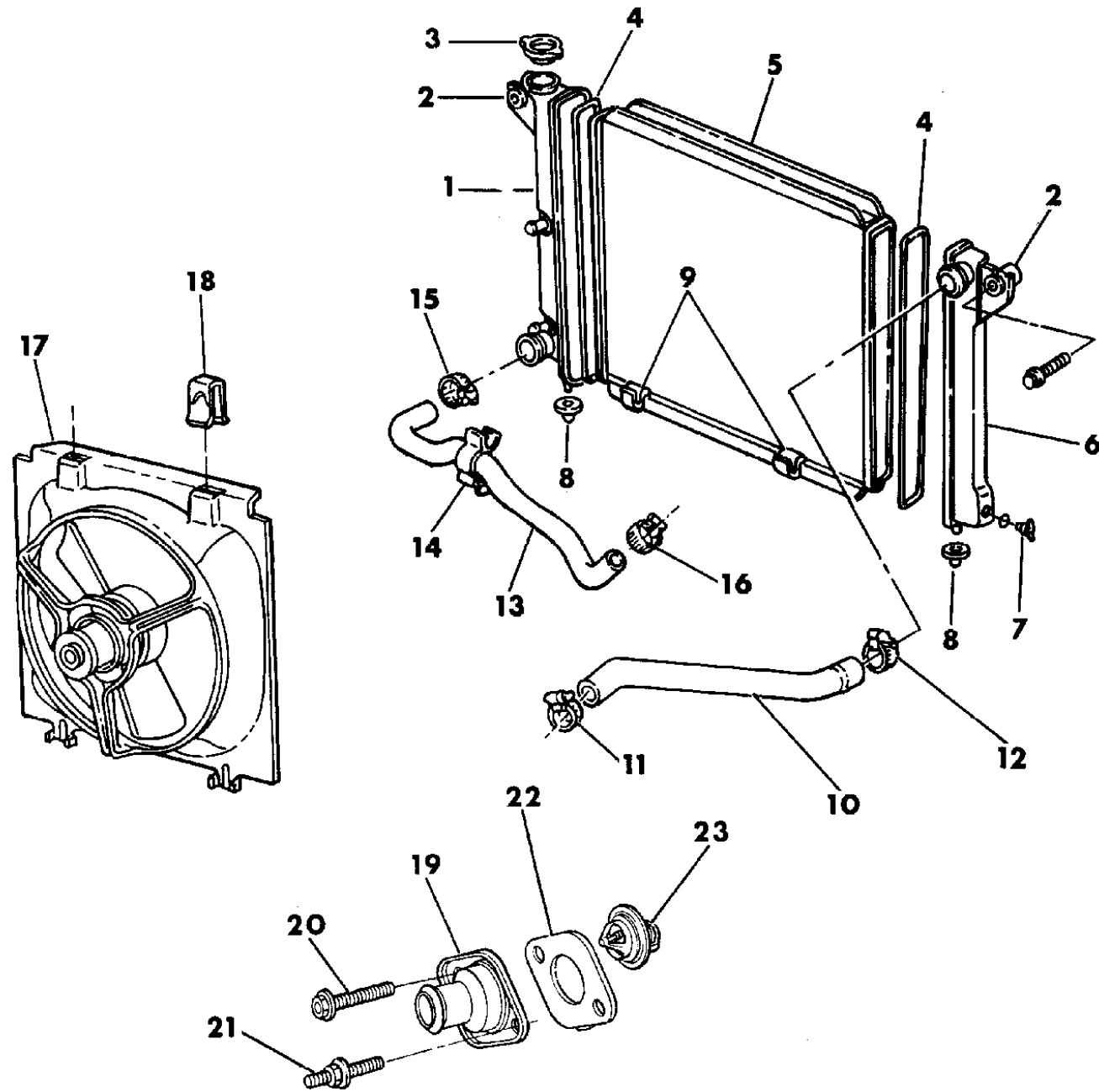
21=2-Door Coupe 41=4-Door Sedan 12-52=FWD & AWD Van & Wgn Std W.B.  
 24=2-Door Hatchback 44=4-Door Hatchback 53=FWD & AWD Van & Wgn Ext. W.B.  
 27=2-Door Convertible

AR = Use as Required - = Non Illustrated Part P.A.R. = Paint as Required

RADIATOR AND RELATED PARTS 2.2L ENGINE AND 2.5L ENGINE P BODY

Figure 7-900

93107 900



ITEM	PART NUMBER	QTY	BODY	MODEL	DESCRIPTION
	4495 597	1			SHROUD
	6500 377	1			RETAINER Stamped 4682075 2.2L Eng. and 2.5L Eng. w/(S/C - EDT) - w/Air Cond. - Manual Trans.
					Consists of:
	4401 958	1			FAN
	4546 538	1			MOTOR
	4495 597	1			SHROUD
	6500 377	1			RETAINER
18	4546 552	2			U-NUT, Fan Module Attaching
19	5281 063	1			CONNECTOR, Cylinder Water Outlet
20	6100 295	1			SCREW and WASHER, Cylinder Water Outlet Connector
21	6500 559	1			STUD and WASHER, Cylinder Water Outlet Connector
22	4179 895	1			GASKET, Cylinder Water Outlet Connector
23	4494 470	1			THERMOSTAT
-	4723 656	1			LABEL, Fan Caution

MODEL CODES:

A BODY=(C=LeBaron, D=Spirit, P=Acclaim/LaBaron(Landau), Saratoga) S BODY=(H=Voyager(H) FWD, K=Caravan(H) FWD, Y=Town & Country(H) FWD, P=Voyager(K) AWD, D=Caravan(K) AWD, C=Town & Country(K) AWD)  
 C BODY=(D=Dynasty, C=New Yorker/N.Y. Salon) Y BODY=(C=Imperial/5th Avenue)  
 G BODY=(V=Daytona/IROC, Chrysler Daytona) E-S BODY=(K=Chrysler Voyager(H) FWD, D=Chrysler Voyager(K) AWD)  
 J BODY=(C=LeBaron, Chrysler LeBaron) P BODY=(P=Sundance, D=Shadow)

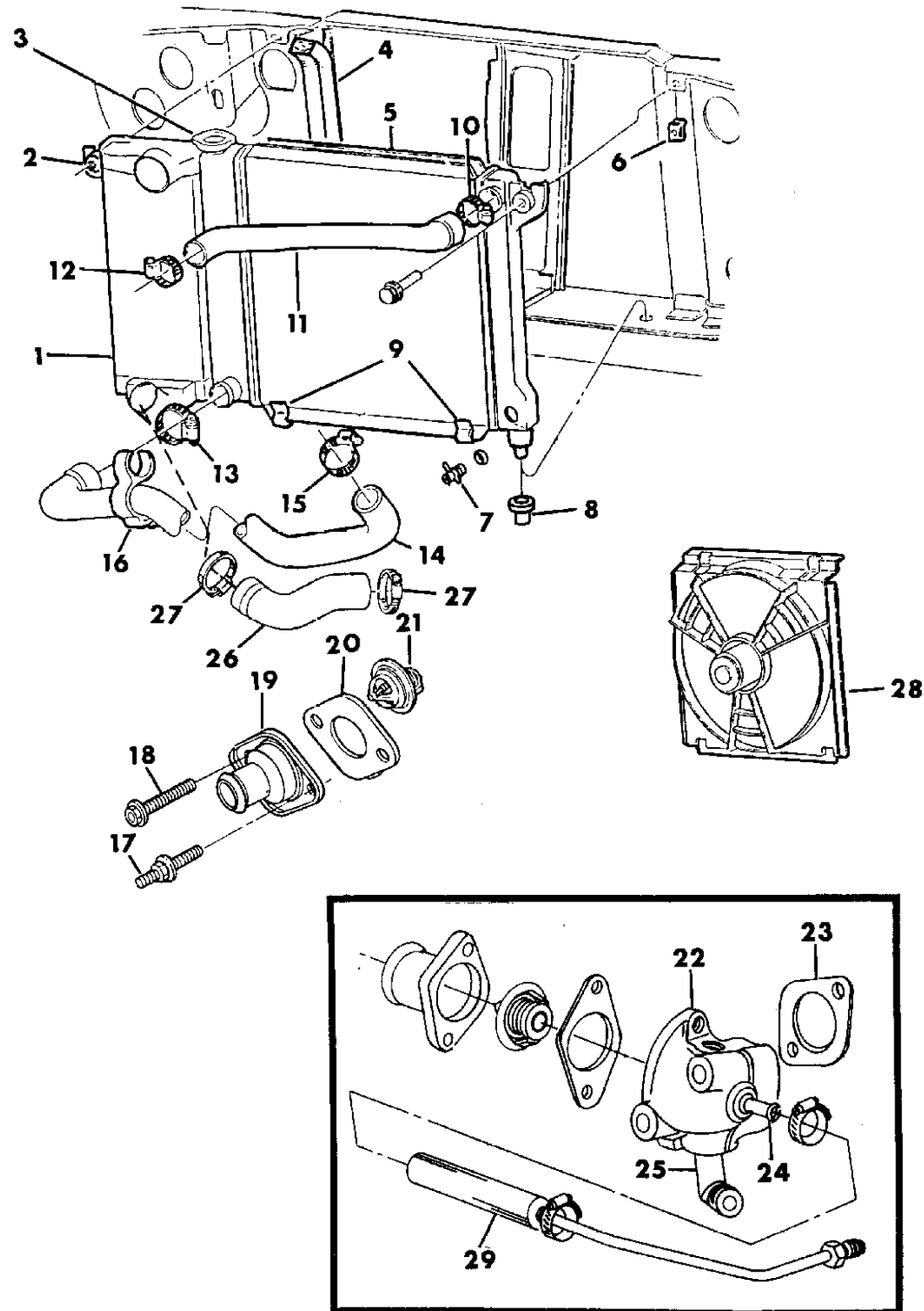
BODY STYLES:

21=2-Door Coupe 41=4-Door Sedan 12-52=FWD & AWD Van & Wgn Std W.B.  
 24=2-Door Hatchback 44=4-Door Hatchback 53=FWD & AWD Van & Wgn Ext. W.B.  
 27=2-Door Convertible

AR = Use as Required - = Non Illustrated Part P.A.R. = Paint as Required

**RADIATOR AND RELATED PARTS 2.2L ENGINE 16 VALVE G BODY**  
**Figure 7-1000**

93107 1000



ITEM	PART NUMBER	QTY	BODY	MODEL	DESCRIPTION
1	4401 989	1			COOLER, Charge Air
2	4266 142	2			ISOLATOR, Radiator Mounting - Upper
3	3781 830	1			CAP, Radiator
4	4401 990	1			AIRSEAL, Charge Air Cooler ***
5	4401 964	1			RADIATOR (Includes #'s 2,3,7,8,9,)
6	6100 041	2			U-NUT
7	4266 904	1			DRAINCOCK
8	4401 950	2			ISOLATOR, Radiator Mounting - Lower
9	4140 538	2			CLIP, Spring - Bottom Shroud Mounting
10	4401 437	1			CLAMP, Inlet Hose (Rad. End)
11	4546 345	1			HOSE, Inlet
12	4401 436	1			CLAMP, Inlet Hose (Eng. End)
13	4401 438	1			CLAMP, Outlet Hose (Rad. End)
14	4401 980	1			HOSE, Outlet
15	4401 439	1			CLAMP, Outlet Hose (Eng. End)
16	4546 319	1			CLIP, Outlet Hose
17	6500 559	1			STUD and WASHER, Cylinder Water Outlet Connector
18	6100 295	1			SCREW and WASHER, Cylinder Water Outlet Connector
19	6032 606	1			CONNECTOR, Cylinder Water Outlet
20	4179 895	1			GASKET, Cylinder Water Outlet Connector
21	4494 470	1			THERMOSTAT
22	4667 501	1			WATER BOX ***
	4667 502	1			ELBOW, Water Box to Heater
23	4315 333	1			GASKET
24	4343 761	1			NIPPLE, Thermostat By-Pass
25	4315 207	1			PIPE, Water Box Outlet
26	4669 135	1			HOSE, Intercooler to T/Body
27	6033 135	2			CLAMP
28					FAN-MOTOR-SHROUD ASSEMBLY
					Stamped 4546267 Consists of:
	4401 958	1			FAN
	4546 541	1			MOTOR
	4546 544	1			SHROUD
	6500 377	1			RETAINER
29	4536 178	1			TUBE ASSEMBLY, Water Inlet ***
-	4442 850	1			BRACKET, Inlet Pipe
-	4723 656	1			LABEL, Fan Caution

**MODEL CODES:**

A BODY=(C=LeBaron, D=Spirit, P=Acclaim/LaBaron(Landau), Saratoga)  
 C BODY=(D=Dynasty, C=New Yorker/N.Y. Salon)  
 G BODY=(V=Daytona/IROC, Chrysler Daytona)  
 J BODY=(C=LeBaron, Chrysler LeBaron)  
 P BODY=(P=Sundance, D=Shadow)

S BODY=(H=Voyager(H) FWD, K=Caravan(H) FWD, Y=Town & Country(H) FWD, P=Voyager(K) AWD, D=Caravan(K) AWD, C=Town & Country(K) AWD)  
 Y BODY=(C=Imperial/5th Avenue)  
 E-S BODY=(K=Chrysler Voyager(H) FWD, D=Chrysler Voyager(K) AWD)

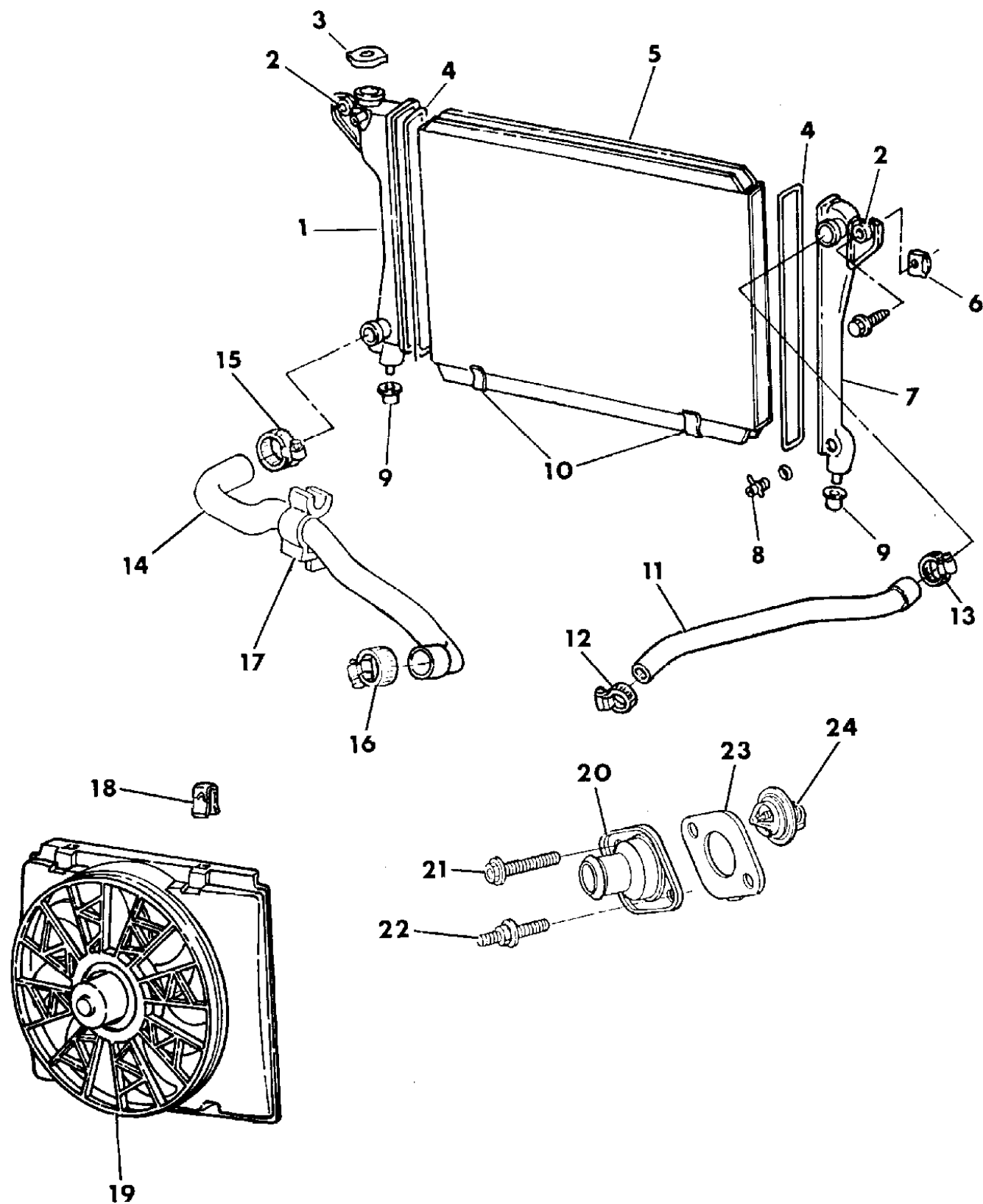
**BODY STYLES:**

21=2-Door Coupe      41=4-Door Sedan      12-52=FWD & AWD Van & Wgn Std W.B.  
 24=2-Door Hatchback      44=4-Door Hatchback      53=FWD & AWD Van & Wgn Ext. W.B.  
 27=2-Door Convertible

AR = Use as Required - = Non Illustrated Part P.A.R. = Paint as Required

**RADIATOR AND RELATED PARTS 2.5L ENGINE A,J,G,C BODY**  
**Figure 7-1100**

93107 1100



ITEM	PART NUMBER	QTY	BODY	MODEL	DESCRIPTION
1					TANK, Outlet (Serviced in Radiator Assembly)
2	4266 142	2			ISOLATOR, Radiator Mounting - Upper
3	3781 830	1			CAP, Radiator
4		2			GASKET, Tank to Header (Serviced in Radiator Assembly)
5					RADIATOR (Includes #'s 1,2,3,4,7,8,9,10)
	4401 969	1	A,J,G		
	4401 974	1	C		
6	6100 041	2			U-NUT
7					TANK, Inlet (Serviced in Radiator Assembly)
8	4266 904	1			DRAINCOCK
9	4401 950	2			ISOLATOR, Radiator Mounting - Lower
10	4140 538	2			CLIP, Spring - Bottom Shroud Mounting
	4546 603	1	A		
11	4401 978	1	A,J,G		HOSE, Inlet
	4401 983	1	C		
12	4401 436	1			CLAMP, Inlet Hose (Eng. End)
13	4401 437	1			CLAMP, Inlet Hose (Rad. End)
14	4546 372	1	A,J,G		HOSE and SLEEVE, Outlet ***
	4401 984	1	C		
15	4401 438	1			CLAMP, Outlet Hose (Rad. End)
16	4401 439	1			CLAMP, Outlet Hose (Eng. End)
17	4546 319	1			CLIP, Radiator Outlet Hose
18	6501 336	2			CLIP, Fan Module Attach
19					FAN-MOTOR-SHROUD ASSEMBLY
					Stamped 4546576 used on:
			A,G		w/(S/C - EDM) w/o Air Cond. Manual Trans.
					Consists of:
	4401 958	1			FAN
	4546 538	1			MOTOR
	4495 597	1			SHROUD
	6500 377	1			RETAINER
					Stamped 4401921, w/o Air Cond.
					Stamped 4401922, w/Air Cond.
			C		w/(S/C - EDM)
	4401 959	1			FAN - 11"
	4401 960	1			FAN - 12"
	4546 538	1			MOTOR
	4546 545	1			SHROUD
	6500 377	1			RETAINER

**MODEL CODES:**

A BODY=(C=LeBaron, D=Spirit, P=Acclaim/LaBaron(Landau), Saratoga)  
 C BODY=(D=Dynasty, C=New Yorker/N.Y. Salon)  
 G BODY=(V=Daytona/IROC, Chrysler Daytona)  
 J BODY=(C=LeBaron, Chrysler LeBaron)  
 P BODY=(P=Sundance, D=Shadow)

S BODY=(H=Voyager(H) FWD, K=Caravan(H) FWD, Y=Town & Country(H) FWD, P=Voyager(K) AWD, D=Caravan(K) AWD, C=Town & Country(K) AWD)  
 Y BODY=(C=Imperial/5th Avenue)  
 E-S BODY=(K=Chrysler Voyager(H) FWD, D=Chrysler Voyager(K) AWD)

**BODY STYLES:**

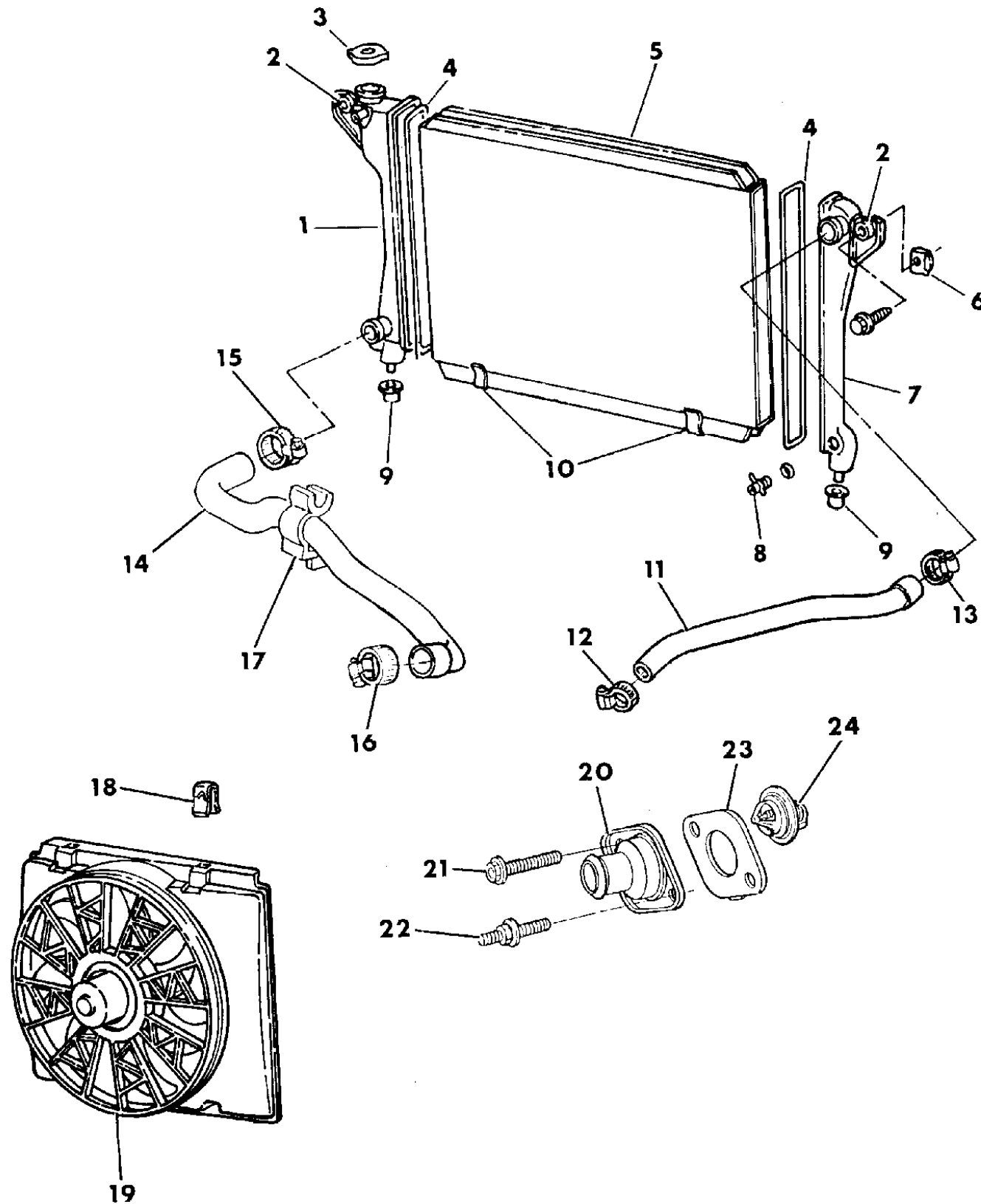
21=2-Door Coupe      41=4-Door Sedan      12-52=FWD & AWD Van & Wgn Std W.B.  
 24=2-Door Hatchback      44=4-Door Hatchback      53=FWD & AWD Van & Wgn Ext. W.B.  
 27=2-Door Convertible

AR = Use as Required - = Non Illustrated Part P.A.R. = Paint as Required



**RADIATOR AND RELATED PARTS 2.5L ENGINE A,J,G,C BODY**  
**Figure 7-1100**

93107 1100



ITEM	PART NUMBER	QTY	BODY	MODEL	DESCRIPTION
					Stamped 4682075 used on:
			A,G		w/(S/C - EDM) w/Air Cond. - Manual Trans.
					Consists of:
	4401 958	1			FAN
	4546 538	1			MOTOR
	4495 597	1			SHROUD
	6500 377	1			RETAINER
			A,G		Stamped 4546577 used in:
			J		w/(S/C - EDM) - w/o Air Cond. - Auto. trans.
	4401 958	1			FAN
	4546 538	1			MOTOR
	4495 597	1			SHROUD
	6500 377	1			RETAINER
			A,G,J		Stamped 4546578 used in:
					w/(S/C - EDM) - w/Air Cond. - Auto. Trans.
	4401 958	1			FAN
	4546 538	1			MOTOR
	4495 597	1			SHROUD
	6500 377	1			RETAINER
20	5281 063	1			CONNECTOR, Cylinder Water Outlet
21	6100 295	1			SCREW and WASHER, Cylinder Water Outlet Connector
22	6500 559	1			STUD and WASHER
23	4179 895	1			GASKET
24	4494 470	1			THERMOSTAT
-	4723 656	1			LABEL, Fan Caution

**MODEL CODES:**

A BODY=(C=LeBaron, D=Spirit, P=Acclaim/LaBaron(Landau),  
Saratoga)  
 C BODY=(D=Dynasty, C=New Yorker/N.Y. Salon)  
 G BODY=(V=Daytona/IROC, Chrysler Daytona)  
 J BODY=(C=LeBaron, Chrysler LeBaron)  
 P BODY=(P=Sundance, D=Shadow)

S BODY=(H=Voyager(H) FWD, K=Caravan(H) FWD,  
Y=Town & Country(H) FWD, P=Voyager(K) AWD,  
D=Caravan(K) AWD, C=Town & Country(K) AWD)  
 Y BODY=(C=Imperial/5th Avenue)  
 E-S BODY=(K=Chrysler Voyager(H) FWD, D=Chrysler  
Voyager(K) AWD)

**BODY STYLES:**

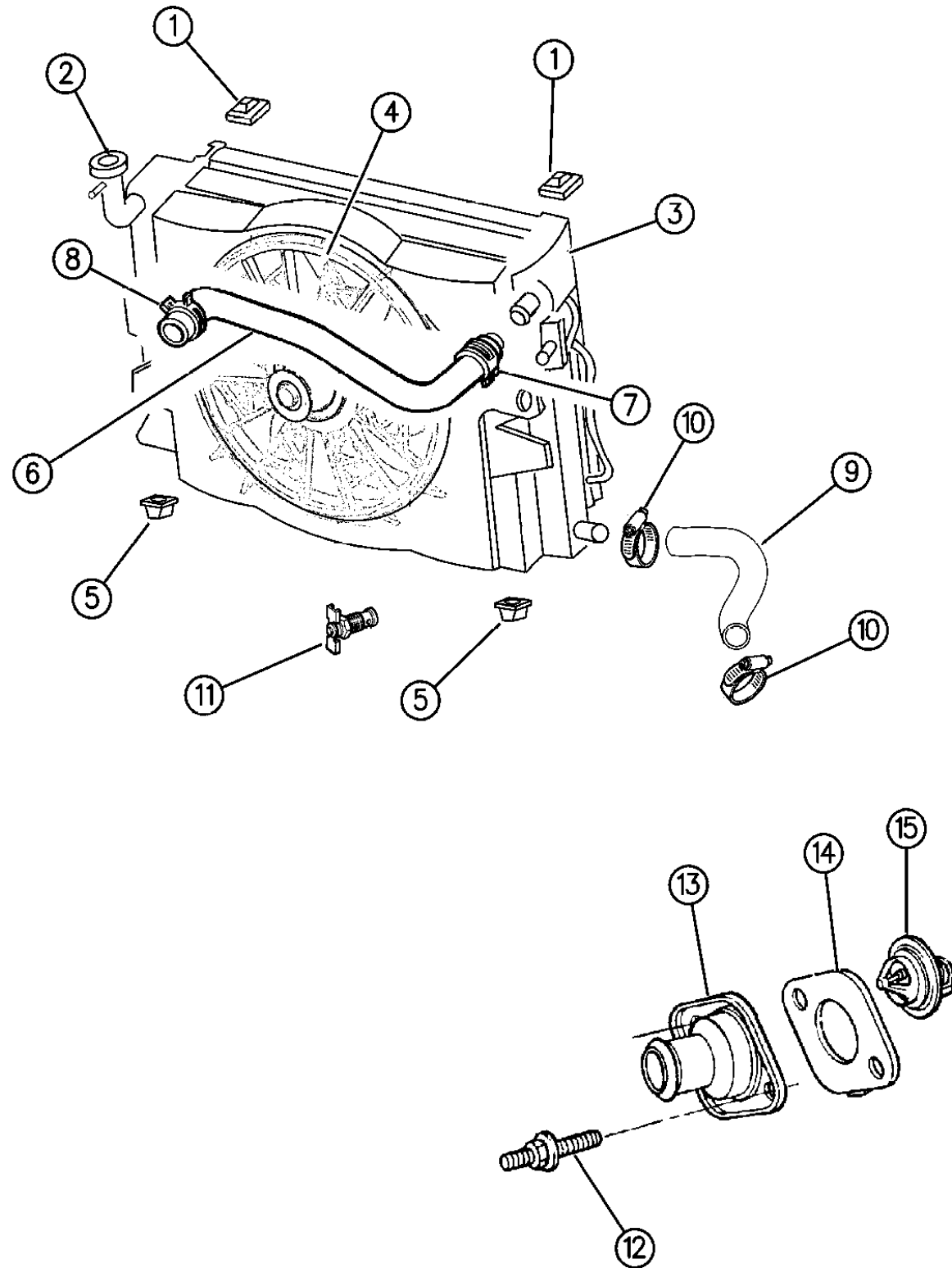
21=2-Door Coupe      41=4-Door Sedan      12-52=FWD & AWD Van & Wgn Std W.B.  
 24=2-Door Hatchback      44=4-Door Hatchback      53=FWD & AWD Van & Wgn Ext. W.B.  
 27=2-Door Convertible

AR = Use as Required - = Non Illustrated Part P.A.R. = Paint as Required

RADIATOR AND RELATED PARTS 2.5L ENGINE S BODY

Figure 7-1200

93107 1200A



ITEM	PART NUMBER	QTY	BODY	MODEL	DESCRIPTION
1	4644 267	2			ISOLATOR, Upper
2	3781 830	1			CAP, Radiator
3					RADIATOR
	4644 363	1			
	4644 266	1			Heavy Duty (Cap on Right Side)
	4644 266	1			EUROPE
	4443 176	AR			HOSE, Radiator Drain (Roll Stock)
4	4644 367	1			MODULE, Fan Consists of: Fan, Motor, Shroud
5	4401 950	2			ISOLATOR, Lower
6					HOSE, Inlet
	4682 362	1			
	4682 361	1			EUROPE
7	4401 437	1			CLAMP
8	4401 436	1			CLAMP
9	4682 479	1			HOSE, Outlet
10	4401 439	2			CLAMP
11	4644 269	1			PLUG, Drain, w/Ring
12	6100 295	1			SCREW and WASHER
13	5281 063	1			CONNECTOR, Water Outlet
14	4179 895	1			GASKET
15	4494 470	1			THERMOSTAT
16	6500 559	1			STUD and WASHER
-	4723 656	1			LABEL, Fan Caution

94107 120A

MODEL CODES:

A BODY=(C=LeBaron, D=Spirit, P=Acclaim/LaBaron(Landau), Saratoga)

C BODY=(D=Dynasty, C=New Yorker/N.Y. Salon)

G BODY=(V=Daytona/IROC, Chrysler Daytona)

J BODY=(C=LeBaron, Chrysler LeBaron)

P BODY=(P=Sundance, D=Shadow)

S BODY=(H=Voyager(H) FWD, K=Caravan(H) FWD,

Y=Town & Country(H) FWD, P=Voyager(K) AWD,

D=Caravan(K) AWD, C=Town & Country(K) AWD)

Y BODY=(C=Imperial/5th Avenue)

E-S BODY=(K=Chrysler Voyager(H) FWD, D=Chrysler

Voyager(K) AWD)

BODY STYLES:

21=2-Door Coupe

41=4-Door Sedan

12-52=FWD & AWD Van & Wgn Std W.B.

24=2-Door Hatchback

44=4-Door Hatchback

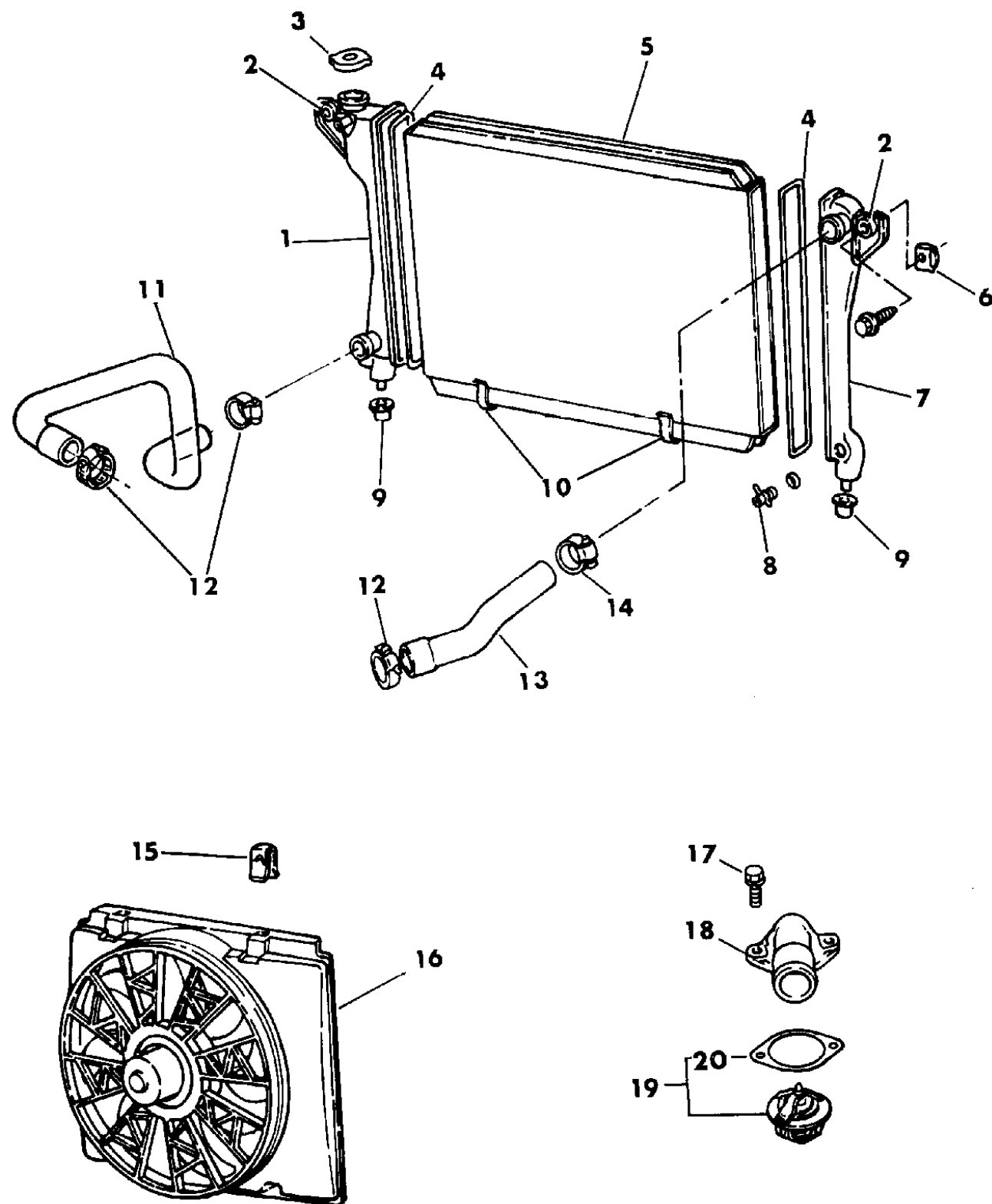
53=FWD & AWD Van & Wgn Ext. W.B.

27=2-Door Convertible

AR = Use as Required - = Non Illustrated Part P.A.R. = Paint as Required

**RADIATOR AND RELATED PARTS 3.0L ENGINE A,J,G,P BODY**  
**Figure 7-1300**

93107 1300



ITEM	PART NUMBER	QTY	BODY	MODEL	DESCRIPTION
1					TANK, Outlet (Serviced in Radiator Assembly)
2	4266 142	2			ISOLATOR, Radiator Mounting - Upper
3	3781 830	1			CAP, Radiator
4		2			GASKET, Tank to Header (Serviced in Radiator Assembly)
5	4401 968	1			RADIATOR (Includes #'s 1,2,3,4,7,8,9,10)
6	6100 041	2			U-NUT
7					TANK, Inlet (Serviced in Radiator Assembly)
8	4266 904	1			DRAINCOCK
9	4401 950	2			ISOLATOR, Radiator Mounting - Lower
10	4546 603	2			CLIP, Shroud Retaining
11					HOSE, Outlet
	4546 562	1	A		31TH Trans.
	4401 982	1	A		41TE Trans.
	4546 567	1	GJP		Manual Trans.
	4401 982	1	GJP		Auto. Trans.
	4546 592	1	GJP		SLEEVE, Outlet Hose
12	4401 439	1			CLAMP
13	4401 981	1			HOSE, Inlet
14	4401 437	1			CLAMP
15	6501 336	2			CLIP, Fan Module Attach
16			A		FAN-MOTOR-SHROUD ASSEMBLY
					Stamped 4546613-4546614-4495601
	4495 601	1			MODULE, Fan, Motor and Shroud (Contains 4401958 - 4546540 - 4495597)
	4401 958	1			FAN
	4546 540	1			MOTOR
	4495 597	1			SHROUD
	6500 377	1			RETAINER
17	MF24 1555	2			BOLT (8x25)
18	MD09 7041	1			FITTING, Water Outlet Hose
19	MD99 7310	1			THERMOSTAT PACKAGE
20	MD11 8040	1			GASKET, Water Outlet Fitting
-	4401 999	1			CLAMP, Hose at Thermostat
-	4723 656	1			LABEL, Fan Caution

**MODEL CODES:**

A BODY=(C=LeBaron, D=Spirit, P=Acclaim/LaBaron(Landau), Saratoga)  
 C BODY=(D=Dynasty, C=New Yorker/N.Y. Salon)  
 G BODY=(V=Daytona/IROC, Chrysler Daytona)  
 J BODY=(C=LeBaron, Chrysler LeBaron)  
 P BODY=(P=Sundance, D=Shadow)

S BODY=(H=Voyager(H) FWD, K=Caravan(H) FWD, Y=Town & Country(H) FWD, P=Voyager(K) AWD, D=Caravan(K) AWD, C=Town & Country(K) AWD)  
 Y BODY=(C=Imperial/5th Avenue)  
 E-S BODY=(K=Chrysler Voyager(H) FWD, D=Chrysler Voyager(K) AWD)

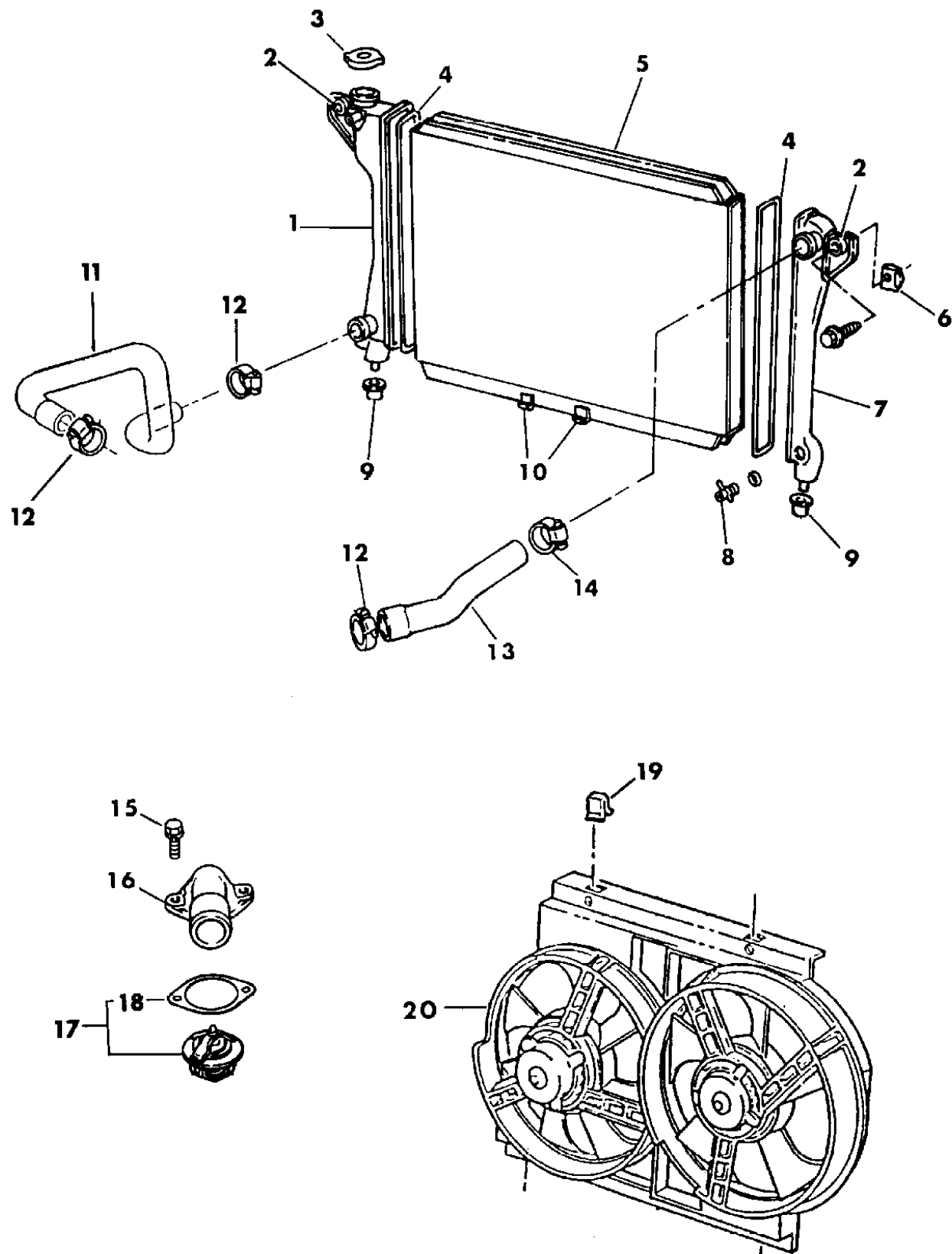
**BODY STYLES:**

21=2-Door Coupe      41=4-Door Sedan      12-52=FWD & AWD Van & Wgn Std W.B.  
 24=2-Door Hatchback      44=4-Door Hatchback      53=FWD & AWD Van & Wgn Ext. W.B.  
 27=2-Door Convertible

AR = Use as Required - = Non Illustrated Part P.A.R. = Paint as Required

**RADIATOR AND RELATED PARTS 3.0L ENGINE C,Y BODY**  
**Figure 7-1400**

93107 1400



ITEM	PART NUMBER	QTY	BODY	MODEL	DESCRIPTION
1					TANK, Outlet (Serviced In Radiator Assembly)
2	4266 142	2			ISOLATOR, Radiator Mounting - Upper
3	3781 830	1			CAP, Radiator
4		2			GASKET, Tank to Header (Serviced in Radiator Assembly)
5	4401 974	1			RADIATOR (Includes #'s 1,2,3,4,7,8,9,10)
6	6100 041	2			U-NUT, Upper Shroud Mounting
7					TANK, Inlet (Serviced in Radiator Assembly)
8	4266 904	1			DRAINCOCK
9	4401 950	2			ISOLATOR, Radiator Mounting - Lower
10	4140 538	2			CLIP, Spring - Bottom Shroud Mounting
	4546 604	1			CLIP, Shroud Retaining
11	4401 986	1			HOSE, Outlet
12	4401 438	3			CLAMP
13	4401 985	1			HOSE, Inlet
14	4401 437	1			CLAMP
15	MF24 1555	2			BOLT (8x25)
16	MD09 7041	1			FITTING, Water Outlet Hose
17	MD99 7310	1			THERMOSTAT PACKAGE
	4401 999	1			CLAMP, Hose at Thermostat
18	MD11 8040	1			GASKET, Water Outlet Fitting
19	6501 336	2			CLIP, Fan Module Attach
20					FAN-MOTOR-SHROUD ASSEMBLY
					Stamped 4401923
					Stamped 4401927
	4401 959	1			FAN 11"
	4401 960	1			FAN 12"
	4546 538	2			MOTOR
	4546 545	1			SHROUD
	6500 377	1			RETAINER
-	4723 656	1			LABEL, Fan Caution

**MODEL CODES:**

A BODY=(C=LeBaron, D=Spirit, P=Acclaim/LaBaron(Landau), Saratoga)      S BODY=(H=Voyager(H) FWD, K=Caravan(H) FWD, Y=Town & Country(H) FWD, P=Voyager(K) AWD, D=Caravan(K) AWD, C=Town & Country(K) AWD)

C BODY=(D=Dynasty, C=New Yorker/N.Y. Salon)

G BODY=(V=Daytona/IROC, Chrysler Daytona)

J BODY=(C=LeBaron, Chrysler LeBaron)

P BODY=(P=Sundance, D=Shadow)

Y BODY=(C=Imperial/5th Avenue)

E-S BODY=(K=Chrysler Voyager(H) FWD, D=Chrysler Voyager(K) AWD)

**BODY STYLES:**

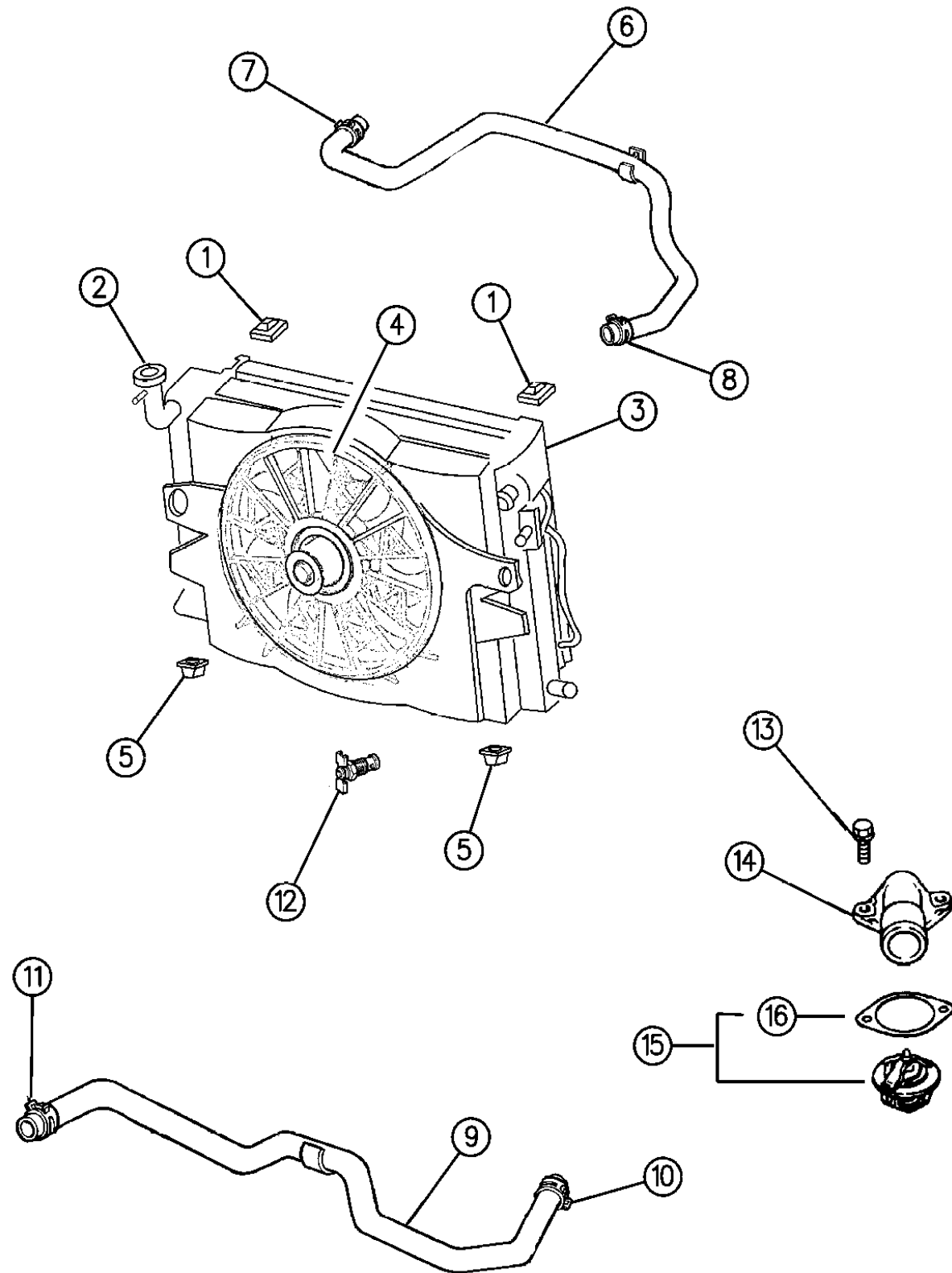
21=2-Door Coupe      41=4-Door Sedan      12-52=FWD & AWD Van & Wgn Std W.B.  
 24=2-Door Hatchback      44=4-Door Hatchback      53=FWD & AWD Van & Wgn Ext. W.B.  
 27=2-Door Convertible

AR = Use as Required - = Non Illustrated Part P.A.R. = Paint as Required

# RADIATOR AND RELATED PARTS 3.0L ENGINE S BODY

Figure 7-1500

93107 1500A



ITEM	PART NUMBER	QTY	BODY	MODEL	DESCRIPTION
1	4644 267	2			ISOLATOR, Upper
2	3781 830	1			CAP, Radiator
3					RADIATOR
	4644 364	1			Heavy Duty
	4644 345	1			
4	4443 176	AR			HOSE, Radiator Drain (Roll Stock)
	4644 367	1			MODULE, Fan Consists of: Fan, Motor, Shroud
5	4401 950	2			ISOLATOR, Lower
6					HOSE, Inlet
	4546 533	1			CLIP, Inlet Hose
	4401 542	1			
7	4401 437	1			CLAMP
8	4401 999	1			CLAMP
9					HOSE, Outlet
	4546 530	1			w/A670 Trans.
	4682 041	1			w/A604 Trans.
	4682 237	1			Heavy Duty
	4546 319	1			CLIP, Outlet Hose
10	4401 439	1			CLAMP
11		1			CLAMP (Not Serviced)
12	4644 269	1			PLUG, Drain, w/Ring
13	MF24 1555	2			SCREW and WASHER
14	MD09 7041	1			CONNECTOR, Water Outlet
14	4179 895	1			GASKET
15	MD99 7310	1			THERMOSTAT
16	MD17 1446	1			GASKET
-	4723 656	1			LABEL, Fan Caution

**MODEL CODES:**

A BODY=(C=LeBaron, D=Spirit, P=Acclaim/LaBaron(Landau), Saratoga) S BODY=(H=Voyager(H) FWD, K=Caravan(H) FWD, Y=Town & Country(H) FWD, P=Voyager(K) AWD, D=Caravan(K) AWD, C=Town & Country(K) AWD)  
 C BODY=(D=Dynasty, C=New Yorker/N.Y. Salon) Y BODY=(C=Imperial/5th Avenue)  
 G BODY=(V=Daytona/IROC, Chrysler Daytona) E-S BODY=(K=Chrysler Voyager(H) FWD, D=Chrysler Voyager(K) AWD)  
 J BODY=(C=LeBaron, Chrysler LeBaron) P BODY=(P=Sundance, D=Shadow)

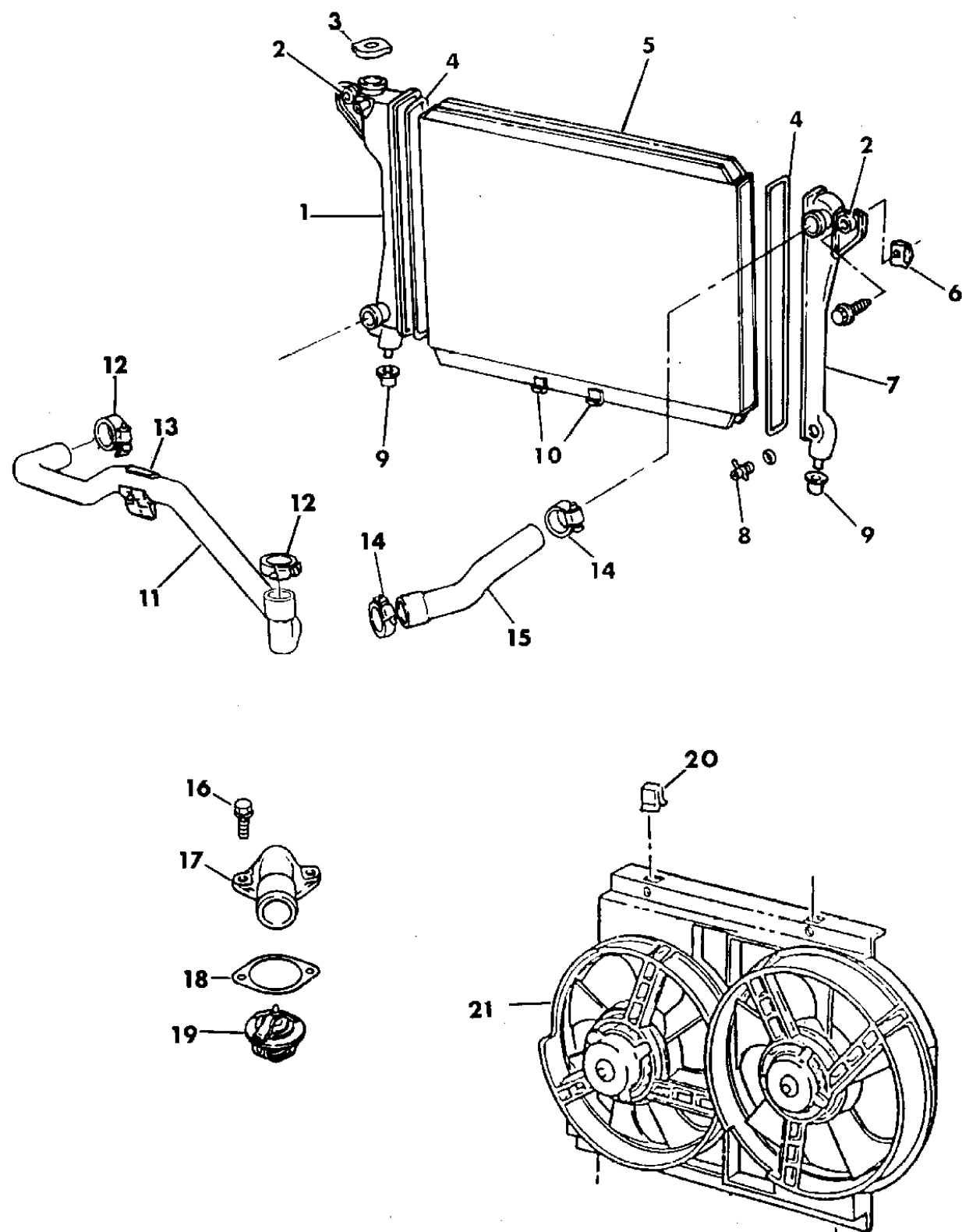
**BODY STYLES:**

21=2-Door Coupe 41=4-Door Sedan 12-52=FWD & AWD Van & Wgn Std W.B.  
 24=2-Door Hatchback 44=4-Door Hatchback 53=FWD & AWD Van & Wgn Ext. W.B.  
 27=2-Door Convertible

AR = Use as Required - = Non Illustrated Part P.A.R. = Paint as Required

**RADIATOR AND RELATED PARTS 3.3L, 3.8L ENGINE C,Y BODY**  
**Figure 7-1600**

93107 1600



ITEM	PART NUMBER	QTY	BODY	MODEL	DESCRIPTION
1					TANK, Outlet (Serviced in Radiator Assembly)
2	4266 142	2			ISOLATOR, Radiator Mounting - Upper
3	3781 830	1			CAP, Radiator
4		2			GASKET, Tank to Header (Serviced in Radiator Assembly)
5	4401 974	1			RADIATOR (Included #'s 2,3,4,7,8,9,10)
6	6100 041	2			U-NUT
7					TANK, Inlet (Serviced in Radiator Assembly)
8	4266 904	1			DRAINCOCK
9	4401 950	1			ISOLATOR, Radiator Mounting - Lower
10	4140 538	2			CLIP, Spring - Bottom Shroud Mounting
11	4401 988	1			HOSE, Outlet
12	4401 438	2			CLAMP, Radiator Hose
13	4401 550	1			CLIP, Radiator Outlet Hose
14	4401 439	2			CLAMP, Radiator Hose
15	4682 235	1			HOSE, Inlet
16	6101 462	2			SCREW, Cylinder Water Outlet Elbow
17	4621 162	1			ELBOW, Cylinder Water Outlet
18	4179 895	1			GASKET, Cylinder Water Outlet Elbow
19	4573 560	1			THERMOSTAT
20	6501 336	2			CLIP, Fan Module Attach
21					FAN-MOTOR-SHROUD ASSEMBLY
					Stamped 4682325
					Stamped 4682328
					Stamped 4401956
	4401 959	1			FAN - 11" ***
	4401 960	1			FAN - 12" ***
	4546 538	2			MOTOR
	4546 545	1			SHROUD
	6500 377	1			RETAINER
-	4723 656	1			LABEL, Fan Caution

**MODEL CODES:**

A BODY=(C=LeBaron, D=Spirit, P=Acclaim/LaBaron(Landau), Saratoga) S BODY=(H=Voyager(H) FWD, K=Caravan(H) FWD, Y=Town & Country(H) FWD, P=Voyager(K) AWD, D=Caravan(K) AWD, C=Town & Country(K) AWD)  
 C BODY=(D=Dynasty, C=New Yorker/N.Y. Salon)  
 G BODY=(V=Daytona/IROC, Chrysler Daytona)  
 J BODY=(C=LeBaron, Chrysler LeBaron)  
 P BODY=(P=Sundance, D=Shadow)  
 Y BODY=(C=Imperial/5th Avenue)  
 E-S BODY=(K=Chrysler Voyager(H) FWD, D=Chrysler Voyager(K) AWD)

**BODY STYLES:**

21=2-Door Coupe      41=4-Door Sedan      12-52=FWD & AWD Van & Wgn Std W.B.  
 24=2-Door Hatchback      44=4-Door Hatchback      53=FWD & AWD Van & Wgn Ext. W.B.  
 27=2-Door Convertible

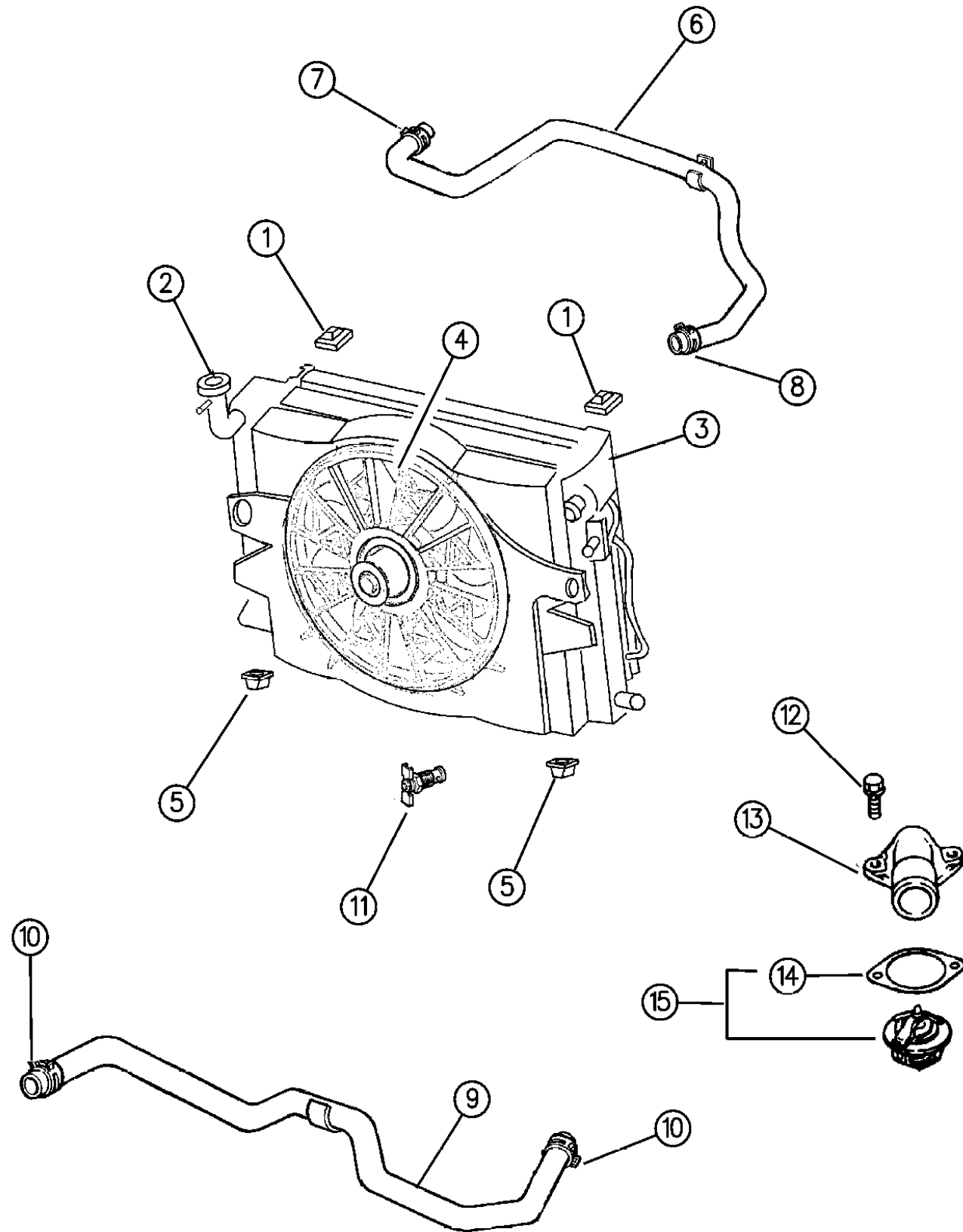
AR = Use as Required - = Non Illustrated Part P.A.R. = Paint as Required

RADIATOR AND RELATED PARTS 3.3L ENGINE S BODY

Figure 7-1700

93107 1700A

ITEM	PART NUMBER	QTY	BODY	MODEL	DESCRIPTION
1	4644 267	2			ISOLATOR, Upper
2	3781 830	1			CAP, Radiator
3					RADIATOR
	4644 363	1			Heavy Duty (Cap on Right Side)
	4644 266	1			
4	4443 176	AR			HOSE, Radiator Drain (Roll Stock)
	4644 367	1			MODULE, Fan
					Consists of: Fan, Motor, Shroud
5	4401 950	2			ISOLATOR, Lower
6					HOSE, Inlet
	4546 535	1			Heavy Duty
	4682 380	1			
	4401 542	1			
7	4401 437	1			CLAMP
8	4401 439	1			CLAMP
9	4682 586	1			HOSE, Outlet
10	4401 439	2			CLAMP
11	4644 269	1			PLUG, Drain, w/Ring
12	6100 295	1			SCREW and WASHER
13	4621 162	1			ELBOW, Water Outlet
14	4179 895	1			GASKET
15	4573 560	1			THERMOSTAT
-	4723 656	1			LABEL, Fan Caution



MODEL CODES:

A BODY=(C=LeBaron, D=Spirit, P=Acclaim/LaBaron(Landau), Saratoga)  
 C BODY=(D=Dynasty, C=New Yorker/N.Y. Salon)  
 G BODY=(V=Daytona/IROC, Chrysler Daytona)  
 J BODY=(C=LeBaron, Chrysler LeBaron)  
 P BODY=(P=Sundance, D=Shadow)

S BODY=(H=Voyager(H) FWD, K=Caravan(H) FWD, Y=Town & Country(H) FWD, P=Voyager(K) AWD, D=Caravan(K) AWD, C=Town & Country(K) AWD)  
 Y BODY=(C=Imperial/5th Avenue)  
 E-S BODY=(K=Chrysler Voyager(H) FWD, D=Chrysler Voyager(K) AWD)

BODY STYLES:

21=2-Door Coupe      41=4-Door Sedan      12-52=FWD & AWD Van & Wgn Std W.B.  
 24=2-Door Hatchback      44=4-Door Hatchback      53=FWD & AWD Van & Wgn Ext. W.B.  
 27=2-Door Convertible

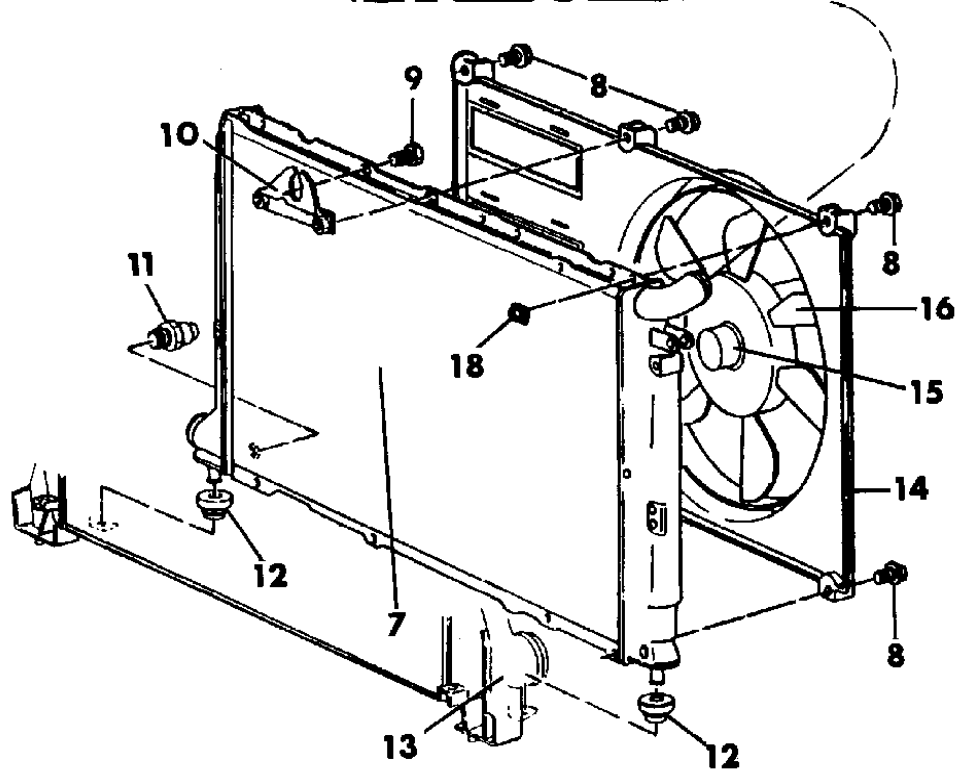
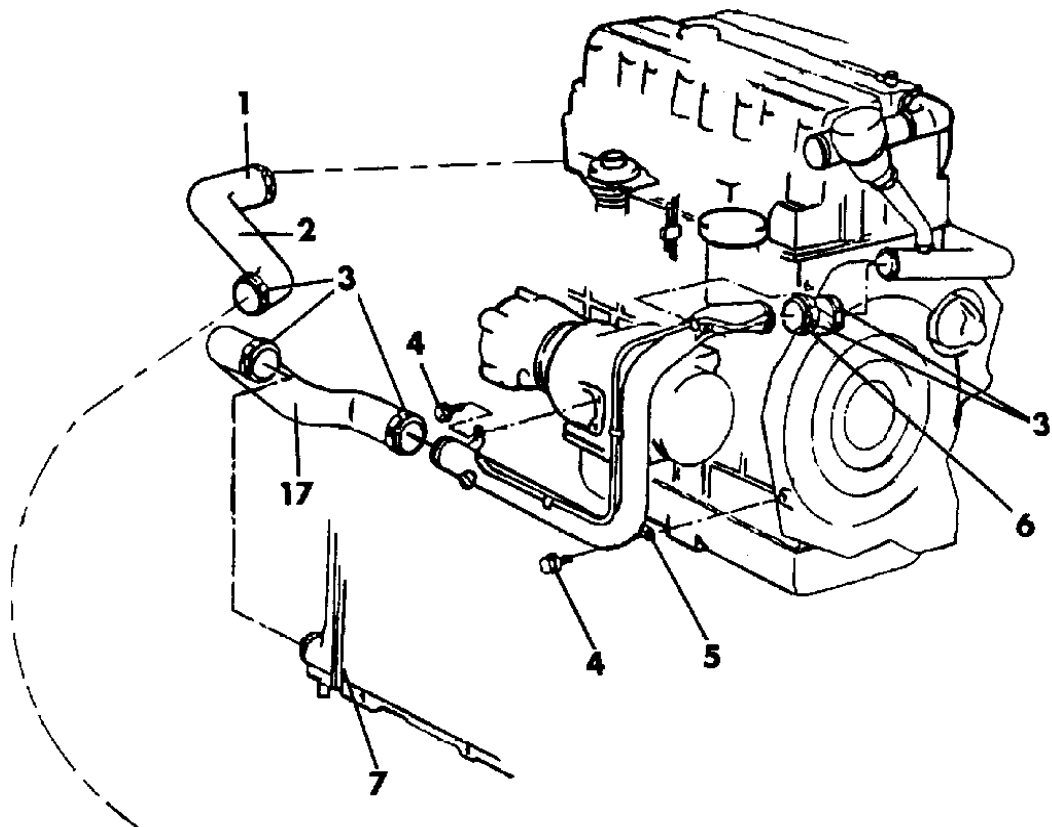
AR = Use as Required - = Non Illustrated Part P.A.R. = Paint as Required

RADIATOR AND RELATED PARTS 2.5L DIESEL ENGINE S BODY

Figure 7-1720

93107 1720

ITEM	PART NUMBER	QTY	BODY	MODEL	DESCRIPTION
1		1			CLAMP (Not Serviced)
2	4682 127	1			HOSE, Thermostat to Radiator
3	4401 438	3			CLAMP
4	6101 256	2			SCREW and WASHER
5	4682 113	1			TUBE ASSEMBLY, Radiator to Engine ***
6	4682 119	1			HOSE, Tube to Pump Inlet
7					RADIATOR ASSEMBLY
	4682 543	1			Heater only
	4682 495	1			Air Conditioning
	4773 821	4			DRAINCOCK, w/ O-Ring
8	6100 567	6			BOLT
9	6101 419	1			BOLT
10	4682 539	1			BRACKET, Radiator
11	4682 129	1			SWITCH, Temperature
12	4682 211	2			MOUNT, Rubber ***
13		1			INTERCOOLER (Refer to Illus. 1750)
14					SHROUD, Radiator
	4723 654	1			Heater only
	4741 226	1			Air Conditioning
15	4723 650	1			MOTOR, Fan
16	4723 651	1			FAN
	4723 655	1			RETAINER, Fan
	4723 656	1			LABEL, Fan Caution
17	4682 128	1			HOSE, Radiator to Pump
18		5			U-NUT (Not Serviced)
	4546 150	1			LABEL, Coolant Warning



MODEL CODES:

A BODY=(C=LeBaron, D=Spirit, P=Acclaim/LaBaron(Landau), Saratoga) S BODY=(H=Voyager(H) FWD, K=Caravan(H) FWD, Y=Town & Country(H) FWD, P=Voyager(K) AWD, D=Caravan(K) AWD, C=Town & Country(K) AWD)  
 C BODY=(D=Dynasty, C=New Yorker/N.Y. Salon) Y BODY=(C=Imperial/5th Avenue)  
 G BODY=(V=Daytona/ROC, Chrysler Daytona) E-S BODY=(K=Chrysler Voyager(H) FWD, D=Chrysler Voyager(K) AWD)  
 J BODY=(C=LeBaron, Chrysler LeBaron) P BODY=(P=Sundance, D=Shadow)

BODY STYLES:

21=2-Door Coupe 41=4-Door Sedan 12-52=FWD & AWD Van & Wgn Std W.B.  
 24=2-Door Hatchback 44=4-Door Hatchback 53=FWD & AWD Van & Wgn Ext. W.B.  
 27=2-Door Convertible

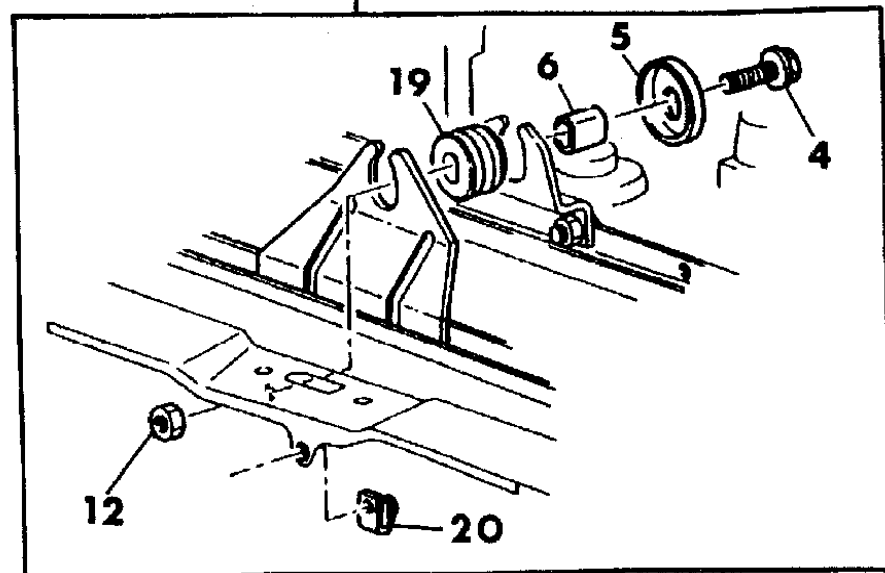
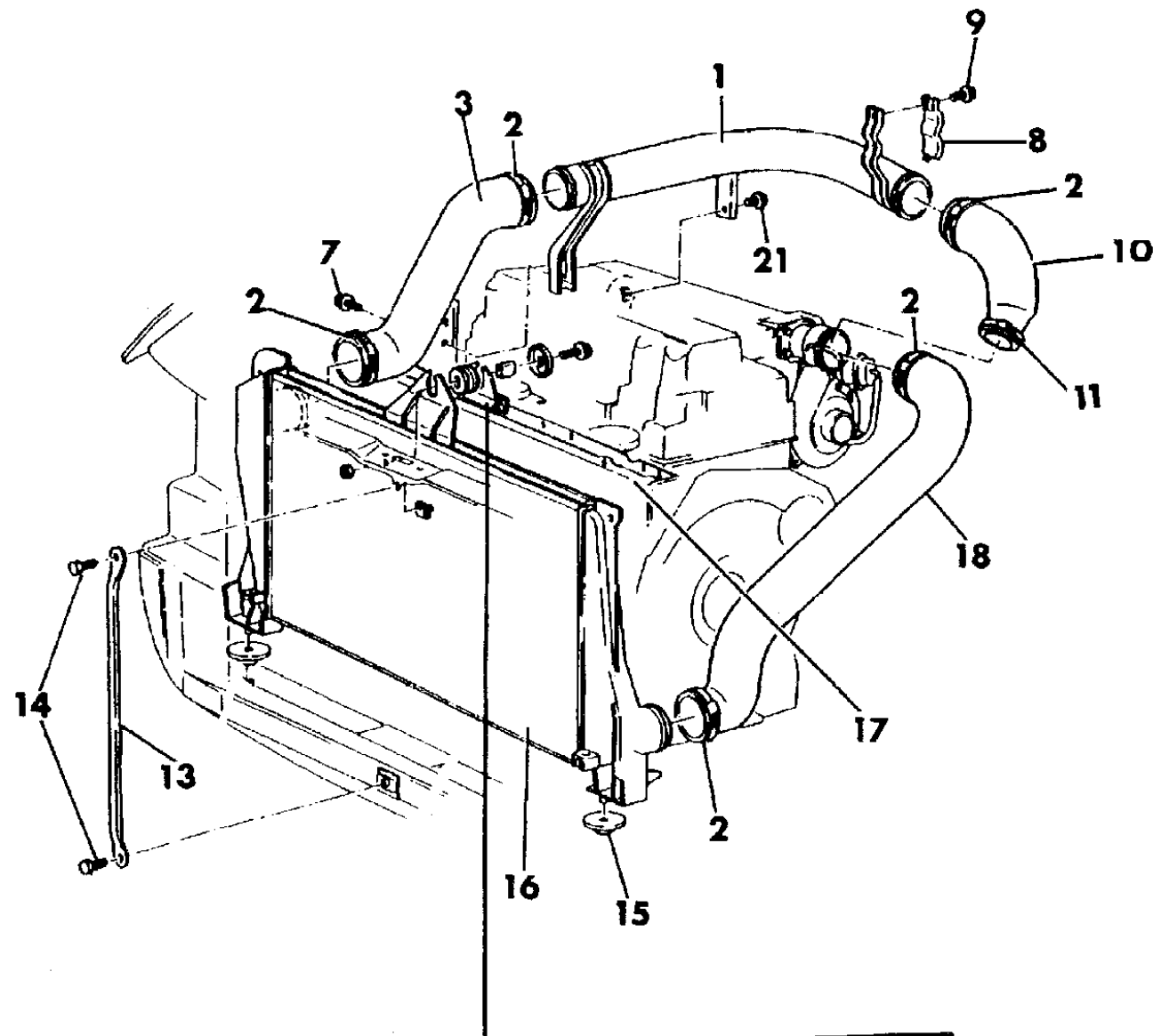
AR = Use as Required - = Non Illustrated Part P.A.R. = Paint as Required



INTERCOOLER ASSEMBLY 2.5L DIESEL ENGINE S BODY

Figure 7-1750

93107 1750



ITEM	PART NUMBER	QTY	BODY	MODEL	DESCRIPTION
1	4682 134	1			TUBE ASSEMBLY ***
2	2448 764	5			CLAMP
3	4682 138	1			HOSE, Tube to Intercooler
4	6100 317	1			SCREW and WASHER (M8 x 45)
5	4682 112	1			WASHER, Rubber Mount
6	4682 111	1			SLEEVE, Rubber Mount
7		2			SCREW and WASHER (M8 x 25)
8	4682 320	1			BRACKET, Heater Tubes
9	6501 013	1			SCREW and WASHER (M6 x 25)
10	4682 250	1			HOSE
11	6502 091	1			CLAMP
12	6500 230	1			NUT
13	4674 122	1			BRACE
14	6100 567	2			BOLT
15	4682 109	2			RUBBER MOUNT ***
16					INTERCOOLER ASSEMBLY
	4682 089	1			Heater only
	4682 528	1			Air Conditioning
	4677 210-1	1			SEAL, Body to Intercooler
17	4682 543	1			RADIATOR ASSEMBLY
18	4682 140	1			HOSE, Intercooler to Flange
19	4682 110	1			RUBBER MOUNT ***
20	1150 3714	1			U-NUT
21	6503 022	1			SCREW

MODEL CODES:

A BODY=(C=LeBaron, D=Spirit, P=Acclaim/LaBaron(Landau), Saratoga) S BODY=(H=Voyager(H) FWD, K=Caravan(H) FWD, Y=Town & Country(H) FWD, P=Voyager(K) AWD, D=Caravan(K) AWD, C=Town & Country(K) AWD)  
 C BODY=(D=Dynasty, C=New Yorker/N.Y. Salon)  
 G BODY=(V=Daytona/IROC, Chrysler Daytona)  
 J BODY=(C=LeBaron, Chrysler LeBaron)  
 P BODY=(P=Sundance, D=Shadow)  
 Y BODY=(C=Imperial/5th Avenue)  
 E-S BODY=(K=Chrysler Voyager(H) FWD, D=Chrysler Voyager(K) AWD)

BODY STYLES:

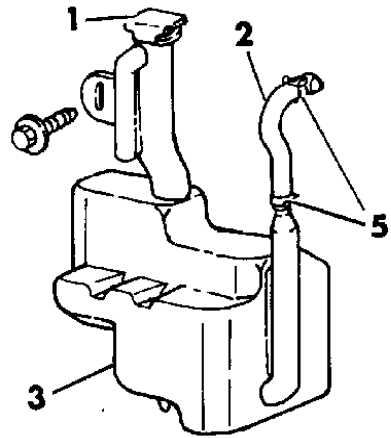
21=2-Door Coupe 41=4-Door Sedan 12-52=FWD & AWD Van & Wgn Std W.B.  
 24=2-Door Hatchback 44=4-Door Hatchback 53=FWD & AWD Van & Wgn Ext. W.B.  
 27=2-Door Convertible

AR = Use as Required - = Non Illustrated Part P.A.R. = Paint as Required

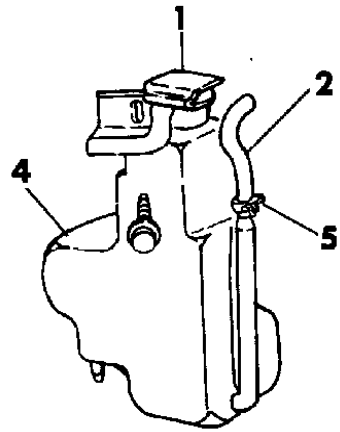
COOLANT RESERVE TANKS

Figure 7-1800

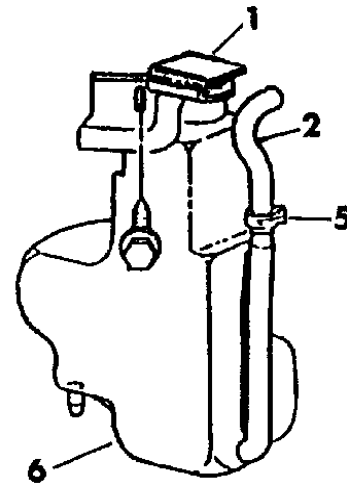
93107 1800



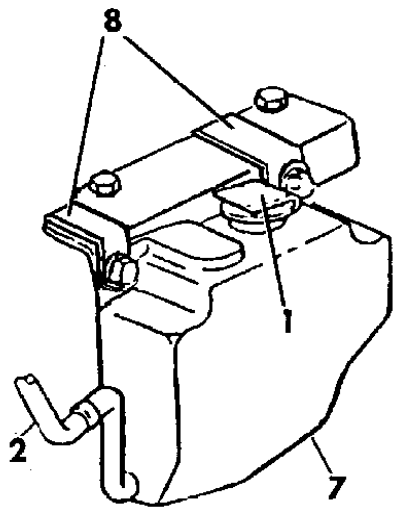
P BODY



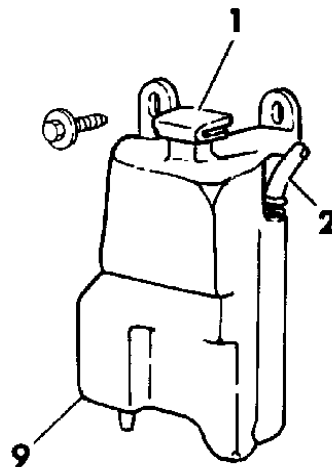
A BODY



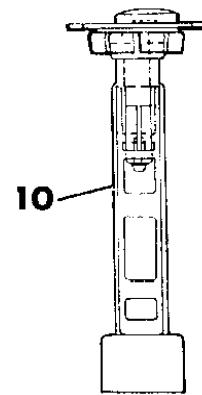
J,G BODY



C,Y BODY



S BODY



ITEM	PART NUMBER	QTY	BODY	MODEL	DESCRIPTION
1	4401 493	1			CAP, Coolant Reserve Tank
2	4266 423	1	ACGJPY		HOSE, Radiator to Coolant Reserve Tank
	4682 242	1	S		Serviced in 50 Ft. Roll
	4682 426	1			EUROPE Diesel Engine 1992
	4682 571	1			EUROPE Diesel Engine 1993
	4682 413	1	S		STRAP and CLIP, Vent Hose EUROPE ***
3	4546 137	1	GJP		TANK, Coolant Reserve
4					TANK, Coolant Reserve
	4546 137	1	A		4 Cyl. Engine
	4546 346	1	G		16 Valve Engine
	4682 005	1	A		3.0L Engine
	4612 235	1	A		BRACKET, w/Tank, 3.0L Engine, w/Speed Control
5	2448 761	AR			CLAMP
6					TANK, Coolant Reserve
	4546 137	1	J,G		2.2L and 2.5L Engines
	4682 005	1	J,G		3.0L Engine
7	4546 140	1	C,Y		TANK, Coolant Reserve
8	4546 604	2	C,Y		CLIP, Tank Attaching
9	4546 519	1	S		TANK, Coolant Reserve
10					SENSOR, Coolant Fluid Level
	5235 342	1	PAJG		
	4672 343	1	J		3.0L Engine
	5235 341	1	CY		
	4682 425	1			EUROPE
	4546 555	1	CY		GASKET, Sensor
	4546 142	1			PLUG, Coolant Reserve Tank
	1150 3714	1			NUT, Bottle Attaching

MODEL CODES:

A BODY=(C=LeBaron, D=Spirit, P=Acclaim/LaBaron(Landau),  
Saratoga)  
C BODY=(D=Dynasty, C=New Yorker/N.Y. Salon)  
G BODY=(V=Daytona/IROC, Chrysler Daytona)  
J BODY=(C=LeBaron, Chrysler LeBaron)  
P BODY=(P=Sundance, D=Shadow)

S BODY=(H=Voyager(H) FWD, K=Caravan(H) FWD,  
Y=Town & Country(H) FWD, P=Voyager(K) AWD,  
D=Caravan(K) AWD, C=Town & Country(K) AWD)  
Y BODY=(C=Imperial/5th Avenue)  
E-S BODY=(K=Chrysler Voyager(H) FWD, D=Chrysler  
Voyager(K) AWD)

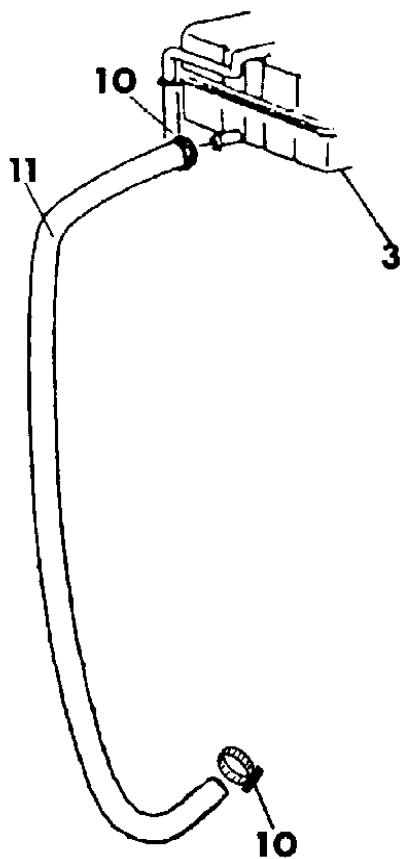
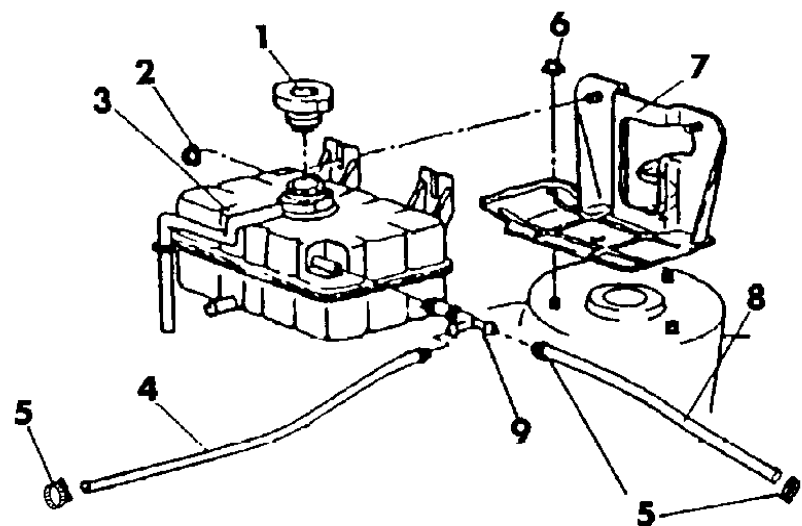
BODY STYLES:

21=2-Door Coupe      41=4-Door Sedan      12-52=FWD & AWD Van & Wgn Std W.B.  
24=2-Door Hatchback      44=4-Door Hatchback      53=FWD & AWD Van & Wgn Ext. W.B.  
27=2-Door Convertible

AR = Use as Required - = Non Illustrated Part P.A.R. = Paint as Required

**COOLANT RESERVE TANK 2.5L DIESEL ENGINE S BODY**  
**Figure 7-1850**

93107 1850



ITEM	PART NUMBER	QTY	BODY	MODEL	DESCRIPTION
1	4592 098	1			CAP, Bottle
2	6500 274	2			NUT
3	4546 146	1			BOTTLE, Coolant ***
4	4546 148	1			HOSE, Hot Bottle Overflow
					HOSE, Radiator to Reservoir
5	4682 426	1			Heater only
	4682 571	1			Air Conditioning
5	2448 761	5			CLAMP
6					NUT and WASHER (Not Serviced)
7	4682 120	1			BRACKET, Coolant Bottle
8	4682 464	1			HOSE, Reservoir to Water Rail
9	4682 572	1			TEE
10	6502 017	2			CLAMP
11					HOSE, Reservoir to Tube
	4682 126	1			Heater only
	4682 584	1			Air Conditioning

**MODEL CODES:**

A BODY=(C=LeBaron, D=Spirit, P=Acclaim/LaBaron(Landau),  
Saratoga)  
 C BODY=(D=Dynasty, C=New Yorker/N.Y. Salon)  
 G BODY=(V=Daytona/IROC, Chrysler Daytona)  
 J BODY=(C=LeBaron, Chrysler LeBaron)  
 P BODY=(P=Sundance, D=Shadow)

S BODY=(H=Voyager(H) FWD, K=Caravan(H) FWD,  
Y=Town & Country(H) FWD, P=Voyager(K) AWD,  
D=Caravan(K) AWD, C=Town & Country(K) AWD)  
 Y BODY=(C=Imperial/5th Avenue)  
 E-S BODY=(K=Chrysler Voyager(H) FWD, D=Chrysler  
Voyager(K) AWD)

**BODY STYLES:**

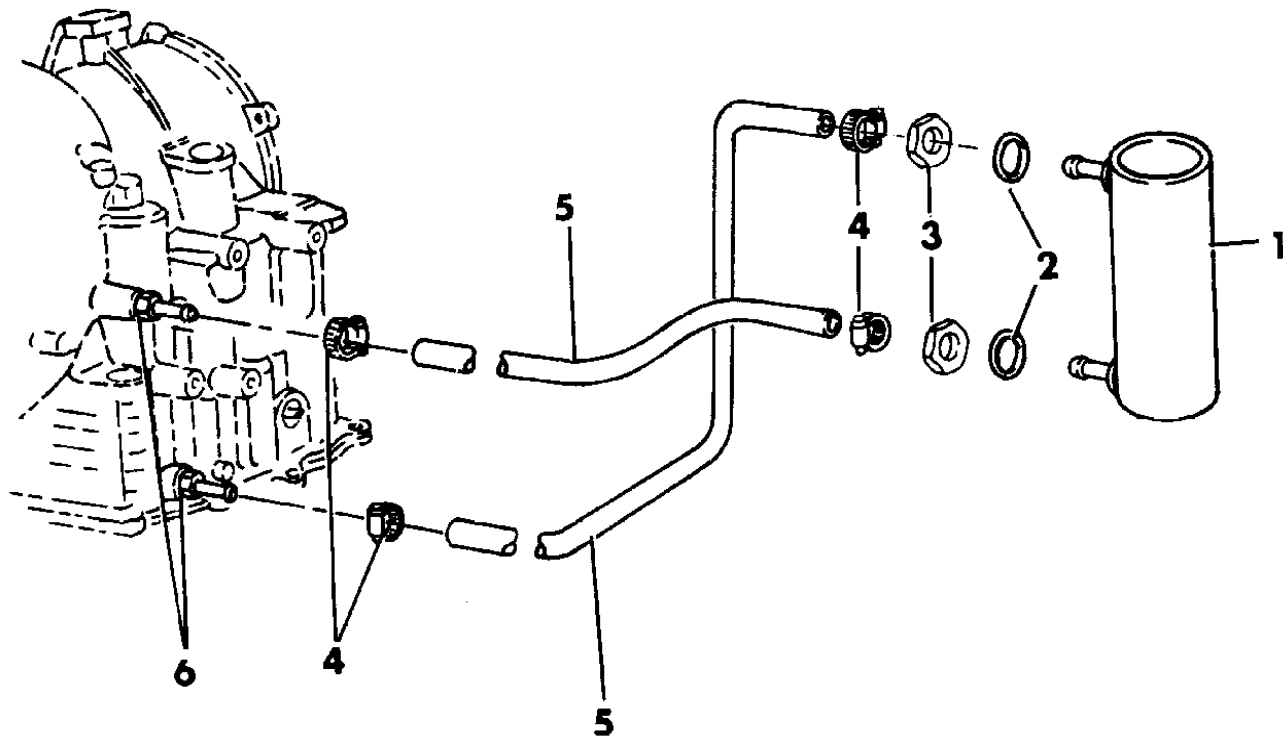
21=2-Door Coupe      41=4-Door Sedan      12-52=FWD & AWD Van & Wgn Std W.B.  
 24=2-Door Hatchback      44=4-Door Hatchback      53=FWD & AWD Van & Wgn Ext. W.B.  
 27=2-Door Convertible

AR = Use as Required - = Non Illustrated Part P.A.R. = Paint as Required

# OIL COOLER - WATER COOLED

Figure 7-1900

93107 1900



ITEM	PART NUMBER	QTY	BODY	MODEL	DESCRIPTION
1					COOLER, Oil (Serviced in Radiator Assembly)
2					O-RING (Serviced in Radiator Assembly)
3	6030 435	2			NUT
4	6032 839	4			CLAMP
5					HOSE, Oil Cooler
					RETURN
	4546 374	1	A,G,J,P		2.5L Engine
	4546 132		A,G,J,P		3.0L Engine
					PRESSURE
	4546 373	1	A,G,J,P		2.5L Engine
	4495 659	1	A,G,J,P		3.0L Engine
					RETURN and PRESSURE
	4546 135	1	C		2.5L Engine
	4546 136	1	C,Y		3.0L - 3.3L Engine
	4546 557	1	S		2.5L - 3.0L Engine
	4682 360	1	S		3.0L Engine
	4682 467	1	S		3.0L Eng., w/Rear A/C and Heater
	4682 555	1	S		3.3L - 3.8L Eng.
	4546 542	1			EUROPE 3.3L - 3.8L Engine
	5264 277	1			HOSE ASSEMBLY, Oil Cooler to Pump, 3.3L Engine EUROPE
	4495 666	1	A,G,J,P		SLEEVE, Braided, Pressure Hose, 2.5L - 3.0L Engine
6	4446 725	2			CONNECTOR, Oil Cooler Hose

**MODEL CODES:**

A BODY=(C=LeBaron, D=Spirit, P=Acclaim/LaBaron(Landau),  
Saratoga)  
C BODY=(D=Dynasty, C=New Yorker/N.Y. Salon)  
G BODY=(V=Daytona/IROC, Chrysler Daytona)  
J BODY=(C=LeBaron, Chrysler LeBaron)  
P BODY=(P=Sundance, D=Shadow)

S BODY=(H=Voyager(H) FWD, K=Caravan(H) FWD,  
Y=Town & Country(H) FWD, P=Voyager(K) AWD,  
D=Caravan(K) AWD, C=Town & Country(K) AWD)  
Y BODY=(C=Imperial/5th Avenue)  
E-S BODY=(K=Chrysler Voyager(H) FWD, D=Chrysler  
Voyager(K) AWD)

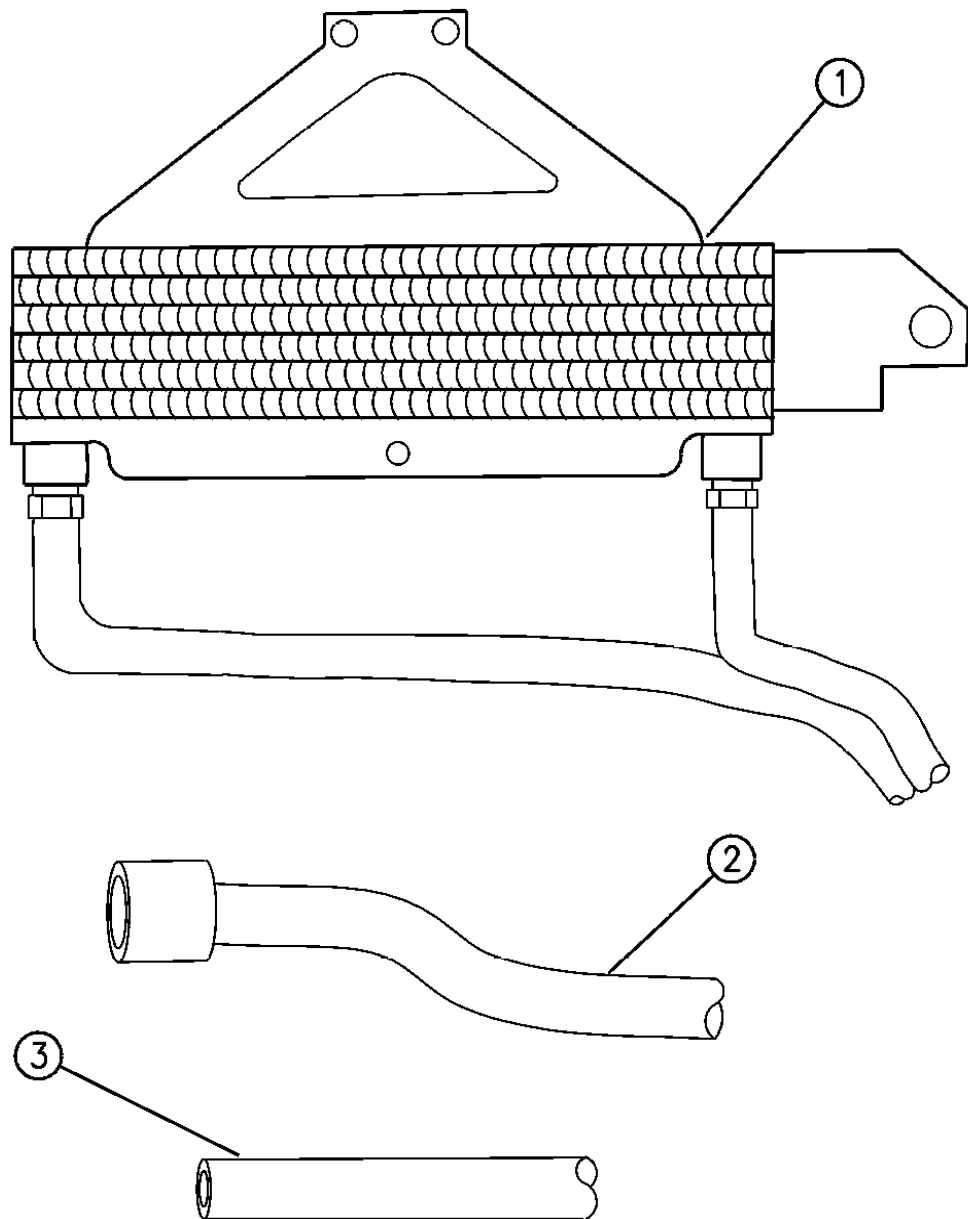
**BODY STYLES:**

21=2-Door Coupe      41=4-Door Sedan      12-52=FWD & AWD Van & Wgn Std W.B.  
24=2-Door Hatchback      44=4-Door Hatchback      53=FWD & AWD Van & Wgn Ext. W.B.  
27=2-Door Convertible

AR = Use as Required - = Non Illustrated Part P.A.R. = Paint as Required

**OIL COOLER - AIR COOLED S BODY**  
**Figure 7-2000**

93107 2000A



ITEM	PART NUMBER	QTY	BODY	MODEL	DESCRIPTION
1					COOLER, Oil
	4644 951	1			
	4644 952	1			w/Aux. A/C
	4682 481	1			SCREW, Cooler to Radiator
		1			RETAINER, Oil Cooler (Not Required)
		1			PIN, Cooler, Lower (Not Required)
2	4644 662	1			LINE, Intermediate Coupled ***
3	4644 663	1			LINE, Return ***
-	6032 839	1			CLAMP
-	4644 691	1			CLIP, Line Retainer
-	4644 700	2			CLIP, S-Type

**MODEL CODES:**

A BODY=(C=LeBaron, D=Spirit, P=Acclaim/LaBaron(Landau), Saratoga)      S BODY=(H=Voyager(H) FWD, K=Caravan(H) FWD, Y=Town & Country(H) FWD, P=Voyager(K) AWD, D=Caravan(K) AWD, C=Town & Country(K) AWD)  
 C BODY=(D=Dynasty, C=New Yorker/N.Y. Salon)  
 G BODY=(V=Daytona/IROC, Chrysler Daytona)  
 J BODY=(C=LeBaron, Chrysler LeBaron)  
 P BODY=(P=Sundance, D=Shadow)      Y BODY=(C=Imperial/5th Avenue)  
 E-S BODY=(K=Chrysler Voyager(H) FWD, D=Chrysler Voyager(K) AWD)

**BODY STYLES:**

21=2-Door Coupe      41=4-Door Sedan      12-52=FWD & AWD Van & Wgn Std W.B.  
 24=2-Door Hatchback      44=4-Door Hatchback      53=FWD & AWD Van & Wgn Ext. W.B.  
 27=2-Door Convertible

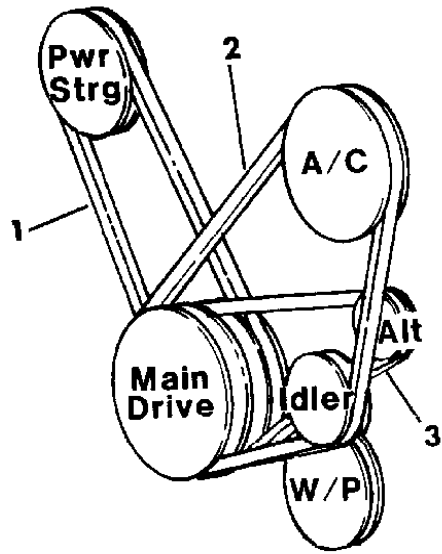
AR = Use as Required - = Non Illustrated Part P.A.R. = Paint as Required

DRIVE BELTS  
Figure 7-2100

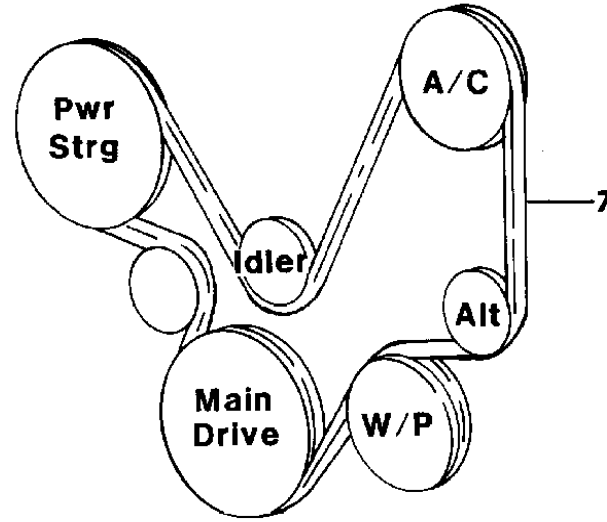
93107 2100A

ITEM	PART NUMBER	QTY	BODY	MODEL	DESCRIPTION
1	4343 490	1	AGJPCS		BELT, Power Steering Drive
2	4536 137	1			BELT, Air Condition Drive
3	4668 165	1			BELT, Alternator and Water Pump Drive 38.25" O.S. Lgh. (B4040382)
4	5281 140	1			BELT, Alternator and Power Steering Pump Drive approx. 71.65" O.S. Lgh.
5	4483 204	1	A,G,J,P		BELT, Air Condition Drive 3.0L Eng.
	4387 378	1	C,Y		
	4612 461	1	S		
6	4612 277	1	C		BELT, Drive *** w/o Air Cond.
	4612 379	1	C,Y		w/Air Cond.
	4612 460	1	S		w/Air Cond.
	4612 418	1	S		w/o Air Cond.
7	4668 109	1	G		BELT, Drive w/Air Cond. 2.2L-16 Valve Engine
	4741 824	1			BELT, Accessory Drive DIESEL Engine

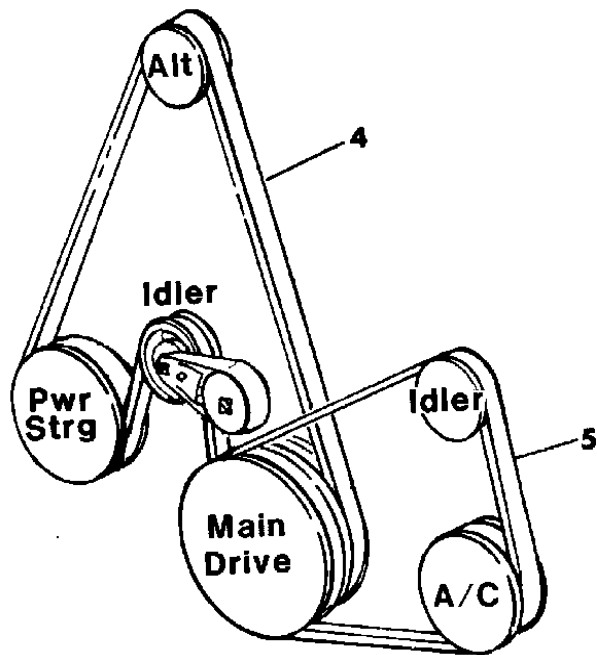
NOTE: For 2.5L Diesel Engine Belts refer to Illustration 2450.



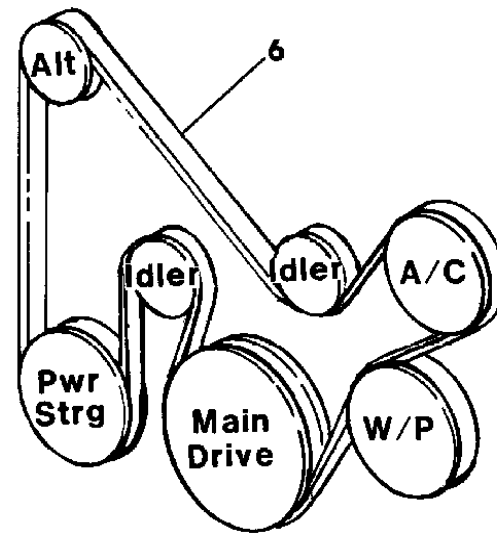
2.2L 2.5L ENGINE



2.2L ENGINE 16 VALVE



3.0L ENGINE



3.8L 3.3L ENGINE

MODEL CODES:

A BODY=(C=LeBaron, D=Spirit, P=Acclaim/LaBaron(Landau), Saratoga)

C BODY=(D=Dynasty, C=New Yorker/N.Y. Salon)

G BODY=(V=Daytona/IROC, Chrysler Daytona)

J BODY=(C=LeBaron, Chrysler LeBaron)

P BODY=(P=Sundance, D=Shadow)

S BODY=(H=Voyager(H) FWD, K=Caravan(H) FWD,

Y=Town & Country(H) FWD, P=Voyager(K) AWD,

D=Caravan(K) AWD, C=Town & Country(K) AWD)

Y BODY=(C=Imperial/5th Avenue)

E-S BODY=(K=Chrysler Voyager(H) FWD, D=Chrysler

Voyager(K) AWD)

BODY STYLES:

21=2-Door Coupe

41=4-Door Sedan

12-52=FWD & AWD Van & Wgn Std W.B.

24=2-Door Hatchback

44=4-Door Hatchback

53=FWD & AWD Van & Wgn Ext. W.B.

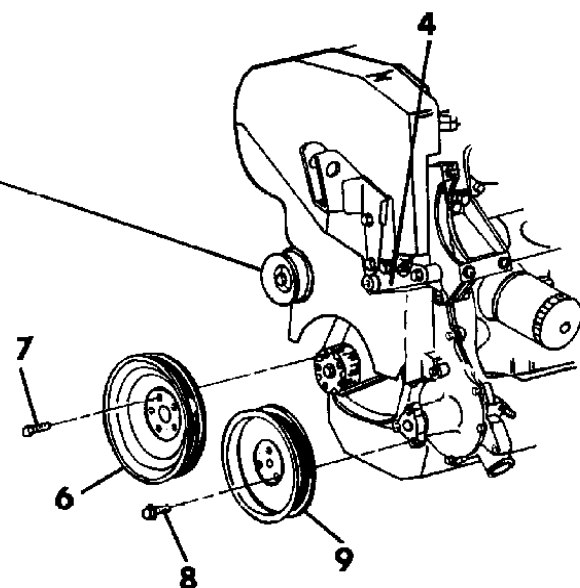
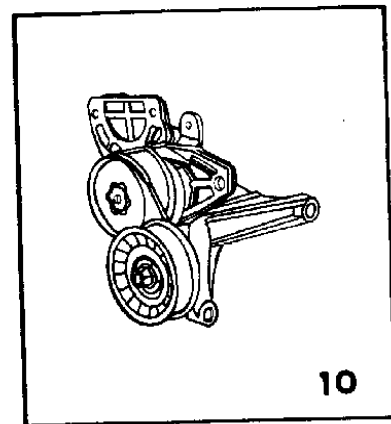
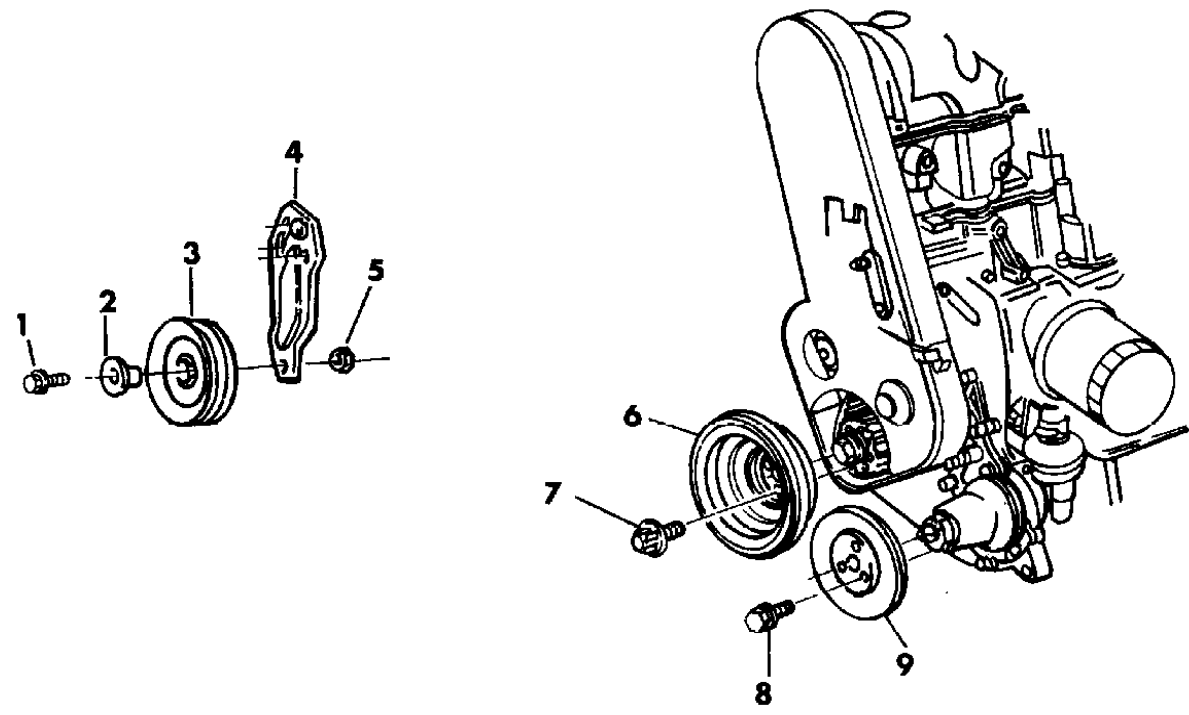
27=2-Door Convertible

AR = Use as Required - = Non Illustrated Part P.A.R. = Paint as Required

DRIVE PULLEYS 2.2L AND 2.5L ENGINE

Figure 7-2200

93107 2200



16 VALVE ENGINE

ITEM	PART NUMBER	QTY	BODY	MODEL	DESCRIPTION
1	6501 732	1			SCREW and WASHER
	6101 504	1	G		w/16 Valve Eng.
2	4483 016	1			SHIELD, Idler Roller
3	3830 196	1			PULLEY, Idler
	4536 173	1	G		w/16 Valve Eng.
	3300 2201	1			BUSHING, Idler
	6100 402	1	G		BOLT, Idler Pulley Attaching (16 Valve Eng.)
4	5281 051	1			PULLEY and BRACKET, A/C Idler ***
					BRACKET, Compressor, Idler Mounting
	5281 050	1			w/16 Valve Eng.
	4442 705	1	G		
5	6100 525	1			NUT
6					PULLEY, Drive
	4483 412	1			w/o Air Cond.
	4483 413	1			w/Air Cond.
	4484 297	1	G		w/16 Valve Eng.
	6101 611	5	G		BOLT, Drive Pulley Attaching, M8x1.25x25, 16 Valve Eng.
7	6101 452	4			BOLT
8	6100 302	3			SCREW and WASHER
9					PULLEY, Water Pump
	4483 468	1			Exc. A Body-2.2L Engine-16 Valve Eng.
	4612 216	1	G		w/16 Valve Eng.
10	4668 019	1	G		BRACKET, w/Tensioner Assembly, Power Steering Pump Mounting, w/16 Valve Engine

MODEL CODES:

A BODY=(C=LeBaron, D=Spirit, P=Acclaim/LaBaron(Landau), Saratoga)  
 C BODY=(D=Dynasty, C=New Yorker/N.Y. Salon)  
 G BODY=(V=Daytona/ROC, Chrysler Daytona)  
 J BODY=(C=LeBaron, Chrysler LeBaron)  
 P BODY=(P=Sundance, D=Shadow)

S BODY=(H=Voyager(H) FWD, K=Caravan(H) FWD, Y=Town & Country(H) FWD, P=Voyager(K) AWD, D=Caravan(K) AWD, C=Town & Country(K) AWD)  
 Y BODY=(C=Imperial/5th Avenue)  
 E-S BODY=(K=Chrysler Voyager(H) FWD, D=Chrysler Voyager(K) AWD)

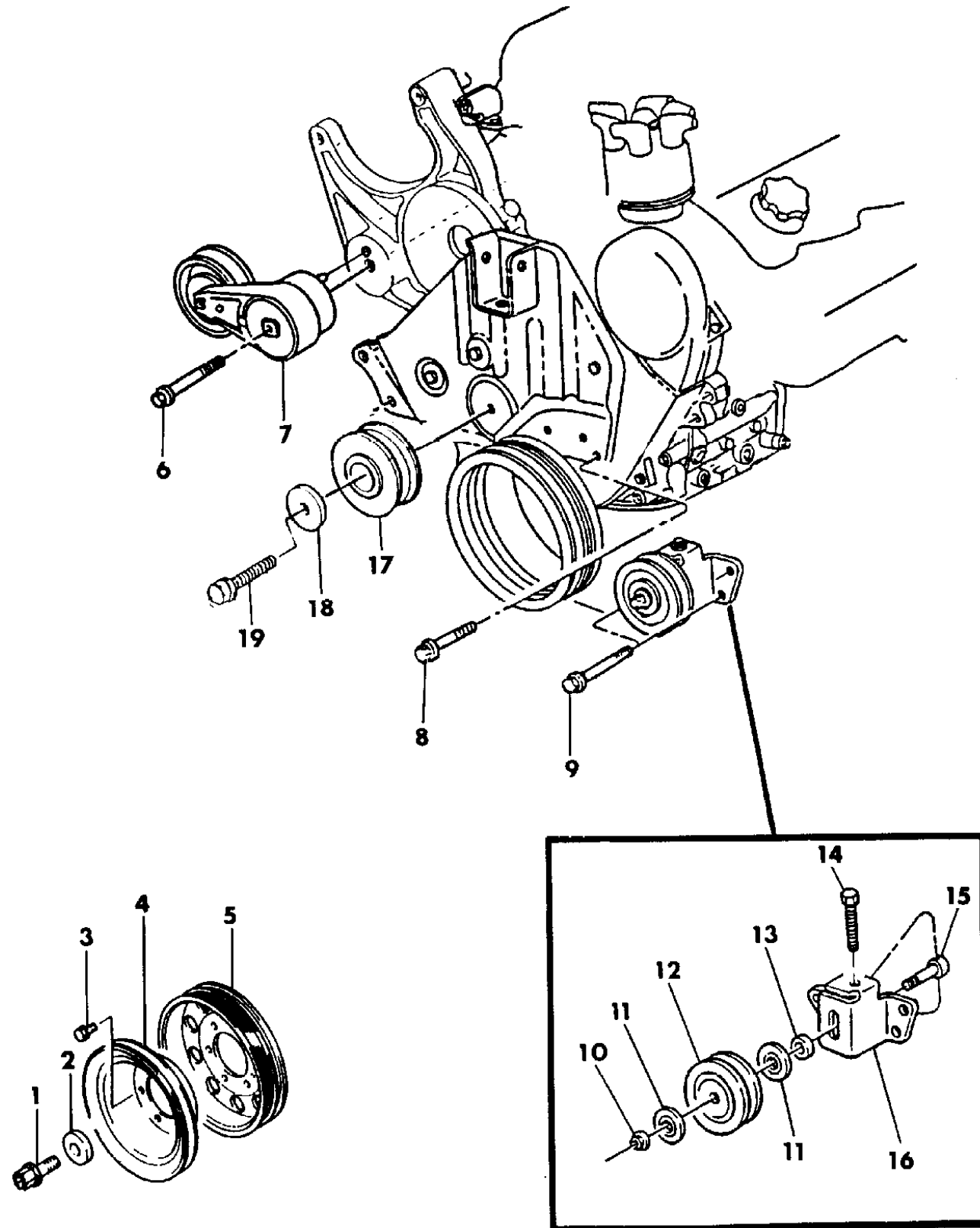
BODY STYLES:

21=2-Door Coupe      41=4-Door Sedan      12-52=FWD & AWD Van & Wgn Std W.B.  
 24=2-Door Hatchback      44=4-Door Hatchback      53=FWD & AWD Van & Wgn Ext. W.B.  
 27=2-Door Convertible

AR = Use as Required - = Non Illustrated Part P.A.R. = Paint as Required

DRIVE PULLEYS 3.0L ENGINE  
Figure 7-2300

93107 2300



ITEM	PART NUMBER	QTY	BODY	MODEL	DESCRIPTION
1	MD13 1259	1			BOLT, Crankshaft (14x40)
2	MD09 6930	1			WASHER, Crankshaft Damper Pulley
3	MB42 1933	6			BOLT and WASHER (8x20)
4	MD14 4667	1			PULLEY, Crankshaft - Power Steering and Air Cond. Drive
5	MD14 3435	1			PULLEY, Crankshaft - Alternator Drive
6	6101 431	1			BOLT
7	4556 027	1	ACJPY		TENSIONER, Alternator and Power Steering Pump Belt
	4536 154	1	G,S		
8	6101 668	1			SCREW and WASHER, w/o Air Cond.
9	6501 633	3			SCREW and WASHER
10	6101 448	1			NUT and WASHER
11	4483 016	2			SHIELD, Idler Pulley
12	3830 196	1			PULLEY, Idler
13	1947 850	1			SPACER
14	6501 595	1			BOLT, Idler Adjust
15	6501 775	1			BOLT
16	4536 250	1			BRACKET, Idler Pulley
17	5281 007	1			PULLEY ASSEMBLY, Idler
18	4536 085	1			SHIELD, Idler Roller
19	6101 514	1			SCREW AND WASHER, Idler Pulley Mounting ***

MODEL CODES:

A BODY=(C=LeBaron, D=Spirit, P=Acclaim/LaBaron(Landau),  
Saratoga)  
C BODY=(D=Dynasty, C=New Yorker/N.Y. Salon)  
G BODY=(V=Daytona/IROC, Chrysler Daytona)  
J BODY=(C=LeBaron, Chrysler LeBaron)  
P BODY=(P=Sundance, D=Shadow)

S BODY=(H=Voyager(H) FWD, K=Caravan(H) FWD,  
Y=Town & Country(H) FWD, P=Voyager(K) AWD,  
D=Caravan(K) AWD, C=Town & Country(K) AWD)  
Y BODY=(C=Imperial/5th Avenue)  
E-S BODY=(K=Chrysler Voyager(H) FWD, D=Chrysler  
Voyager(K) AWD)

BODY STYLES:

21=2-Door Coupe      41=4-Door Sedan      12-52=FWD & AWD Van & Wgn Std W.B.  
24=2-Door Hatchback      44=4-Door Hatchback      53=FWD & AWD Van & Wgn Ext. W.B.  
27=2-Door Convertible

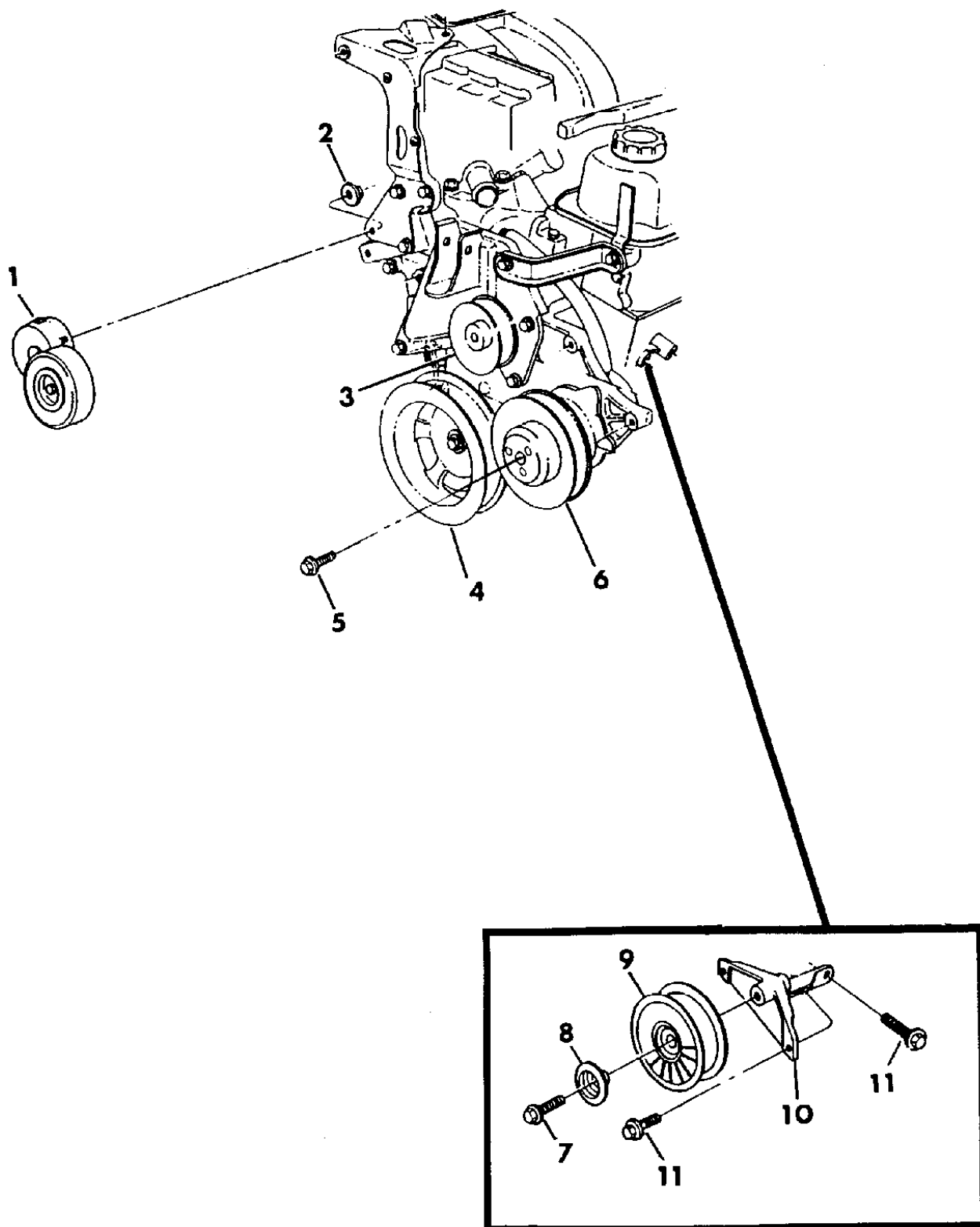
AR = Use as Required - = Non Illustrated Part P.A.R. = Paint as Required



DRIVE PULLEYS 3.3L, 3.8L ENGINE  
Figure 7-2400

93107 2400

ITEM	PART NUMBER	QTY	BODY	MODEL	DESCRIPTION
1	4483 214	1			TENSIONER, Belt Drive
2	6101 448	1			NUT
3	4536 173	1			PULLEY, Idler
	6101 524	1			SCREW and WASHER, Pulley Mounting
	3300 2201	1			BUSHING, Idler Pulley
4	4448 886	1			DAMPER, Vibration
5	6101 506	3			SCREW and WASHER
6	4612 172	1			PULLEY, Water Pump
7	6101 054	1			SCREW and WASHER
8	4536 085	1			SHIELD, Idler Roller - w/o Air Cond.
9	4483 221	1			PULLEY, Idler - w/o Air Cond.
10	4483 219	1			BRACKET, Idler Pulley Mounting - w/o Air Cond.
11	6101 524	2			SCREW and WASHER
	4773 892	1			SHIELD, Splash / Snow



MODEL CODES:

A BODY=(C=LeBaron, D=Spirit, P=Acclaim/LaBaron(Landau), Saratoga) S BODY=(H=Voyager(H) FWD, K=Caravan(H) FWD, Y=Town & Country(H) FWD, P=Voyager(K) AWD, D=Caravan(K) AWD, C=Town & Country(K) AWD)  
 C BODY=(D=Dynasty, C=New Yorker/N.Y. Salon) Y BODY=(C=Imperial/5th Avenue)  
 G BODY=(V=Daytona/ROC, Chrysler Daytona) E-S BODY=(K=Chrysler Voyager(H) FWD, D=Chrysler Voyager(K) AWD)  
 J BODY=(C=LeBaron, Chrysler LeBaron) P BODY=(P=Sundance, D=Shadow)

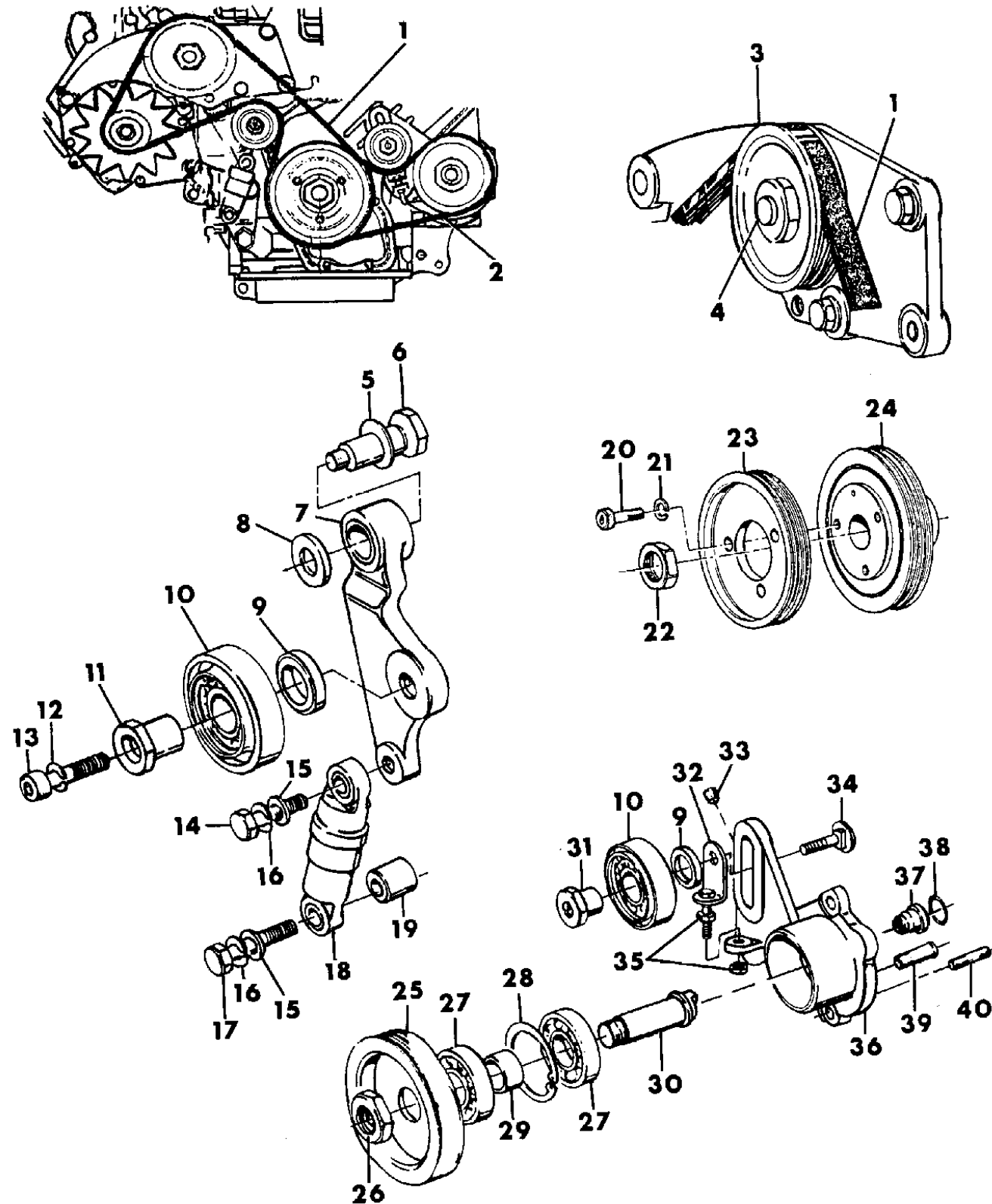
BODY STYLES:

21=2-Door Coupe 41=4-Door Sedan 12-52=FWD & AWD Van & Wgn Std W.B.  
 24=2-Door Hatchback 44=4-Door Hatchback 53=FWD & AWD Van & Wgn Ext. W.B.  
 27=2-Door Convertible

AR = Use as Required - = Non Illustrated Part P.A.R. = Paint as Required

DRIVE PULLEYS AND BELTS 2.5L DIESEL ENGINE S BODY  
Figure 7-2450

93107 2450



ITEM	PART NUMBER	QTY	BODY	MODEL	DESCRIPTION
1	4723 288	1			BELT, Alternator
2	4723 345	1			BELT, Power Steering
3	4723 201	1			PULLEY, Water Pump (20602115)
	4741 810	1			(20602123)
4	4720 448	1			NUT, Pulley
5	4720 710	1			SPACER
6	4723 285	1			PIN, Belt Tensioner
7	4798 792	1			BRACKET, Idler
8	4723 299	1			WASHER
9	4723 301	1			SPACER, Idler
10	4723 298	1			BEARING, Idler
11	4723 300	1			PIN, Tensioner
12	4720 688	1			WASHER
13	4723 302	1			BOLT
14	4723 303	1			BOLT
15	4720 193	1			WASHER
16	4723 165	1			WASHER
17	4723 310	1			BOLT, Tensioner
18	4720 714	1			TENSIONER O-RING, Tensioner
	4728 198	1			SHAFT, Tensioner
19	4723 316	1			SPACER
20	4720 722	3			BOLT
21	4720 725	3			WASHER
22	4720 273	1			NUT
23	4723 179	1			PULLEY, Crankshaft, Front
24	4723 180	1			PULLEY, Crankshaft, Rear
25	4723 343	1			PULLEY, Water Pump
26	4723 344	1			NUT
27	4723 339	1			BEARING
28	4723 341	1			SNAP RING
29	4723 342	1			SPACER
30	4723 340	1			SHAFT, Pulley
31	4723 338	1			PIN, Tensioner
32	4723 337	1			ROD, Tensioner
33	4720 664	1			PLUG
34	4723 336	1			SCREW
35	4723 262	2			WASHER

MODEL CODES:

A BODY=(C=LeBaron, D=Spirit, P=Acclaim/LaBaron(Landau), Saratoga) S BODY=(H=Voyager(H) FWD, K=Caravan(H) FWD, Y=Town & Country(H) FWD, P=Voyager(K) AWD, D=Caravan(K) AWD, C=Town & Country(K) AWD)  
 C BODY=(D=Dynasty, C=New Yorker/N.Y. Salon)  
 G BODY=(V=Daytona/ROC, Chrysler Daytona)  
 J BODY=(C=LeBaron, Chrysler LeBaron)  
 P BODY=(P=Sundance, D=Shadow)  
 Y BODY=(C=Imperial/5th Avenue)  
 E-S BODY=(K=Chrysler Voyager(H) FWD, D=Chrysler Voyager(K) AWD)

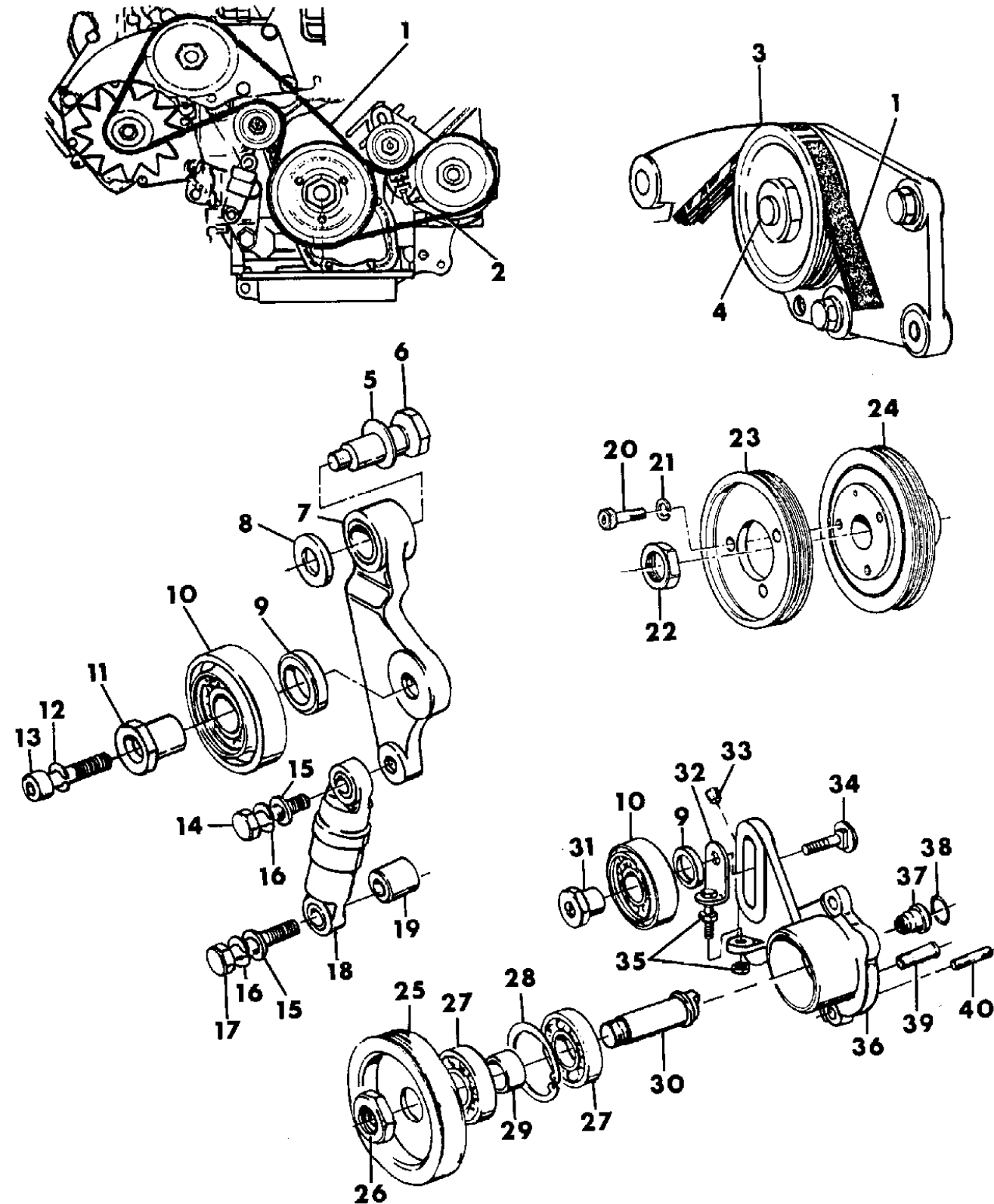
BODY STYLES:

21=2-Door Coupe 41=4-Door Sedan 12-52=FWD & AWD Van & Wgn Std W.B.  
 24=2-Door Hatchback 44=4-Door Hatchback 53=FWD & AWD Van & Wgn Ext. W.B.  
 27=2-Door Convertible

AR = Use as Required - = Non Illustrated Part P.A.R. = Paint as Required

DRIVE PULLEYS AND BELTS 2.5L DIESEL ENGINE S BODY  
Figure 7-2450

93107 2450



ITEM	PART NUMBER	QTY	BODY	MODEL	DESCRIPTION
36	4723 333	1			SUPPORT
37	4723 335	1			VALVE
38	4723 334	1			GASKET
39	4723 332	1			PIPE
40	4723 331	2			STUD
-	4719 060	1			SHIELD, Accessory Splash

MODEL CODES:

A BODY=(C=LeBaron, D=Spirit, P=Acclaim/LaBaron(Landau), Saratoga) S BODY=(H=Voyager(H) FWD, K=Caravan(H) FWD, Y=Town & Country(H) FWD, P=Voyager(K) AWD, D=Caravan(K) AWD, C=Town & Country(K) AWD)  
 C BODY=(D=Dynasty, C=New Yorker/N.Y. Salon)  
 G BODY=(V=Daytona/IROC, Chrysler Daytona)  
 J BODY=(C=LeBaron, Chrysler LeBaron)  
 P BODY=(P=Sundance, D=Shadow)  
 Y BODY=(C=Imperial/5th Avenue)  
 E-S BODY=(K=Chrysler Voyager(H) FWD, D=Chrysler Voyager(K) AWD)

BODY STYLES:

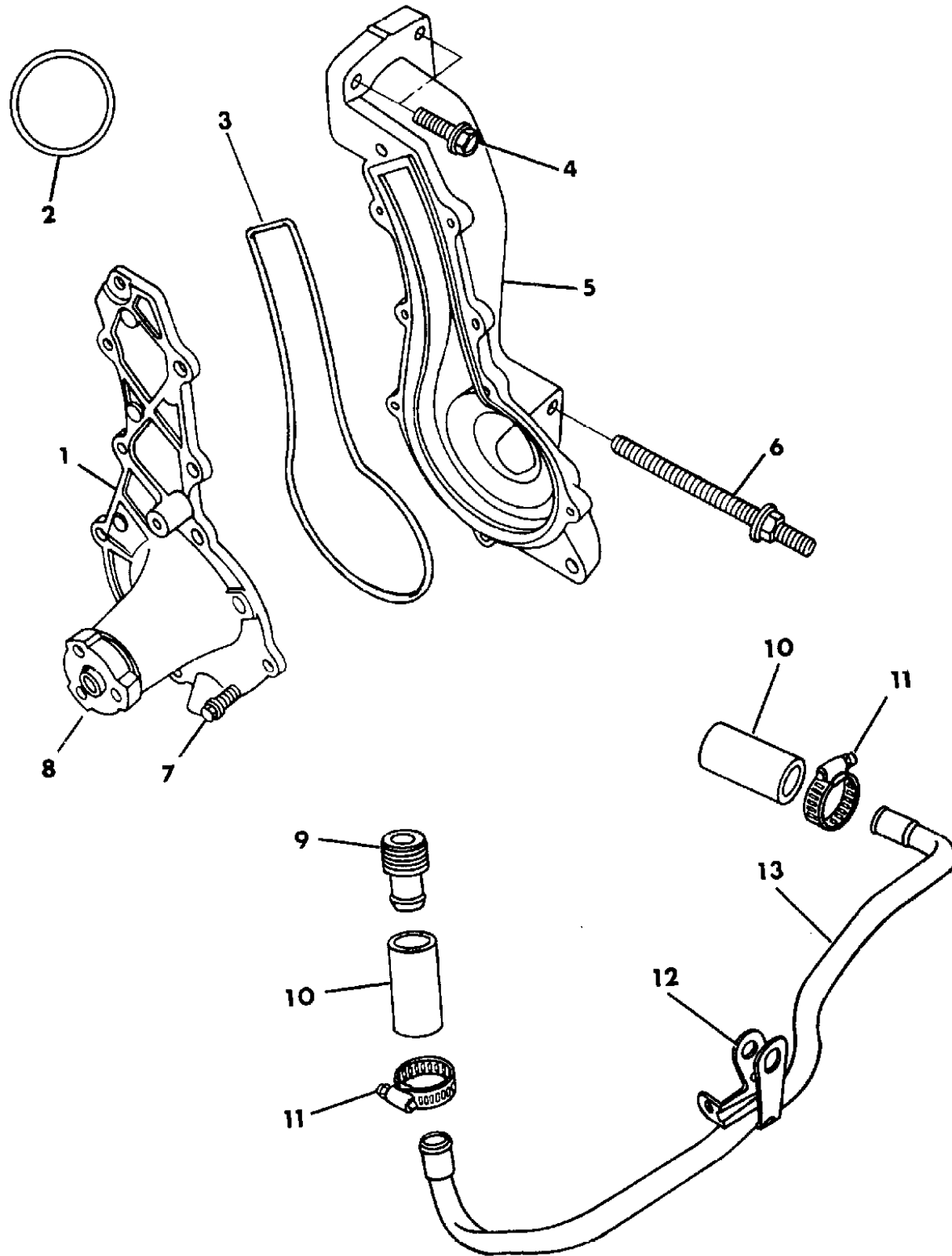
21=2-Door Coupe 41=4-Door Sedan 12-52=FWD & AWD Van & Wgn Std W.B.  
 24=2-Door Hatchback 44=4-Door Hatchback 53=FWD & AWD Van & Wgn Ext. W.B.  
 27=2-Door Convertible

AR = Use as Required - = Non Illustrated Part P.A.R. = Paint as Required

WATER PUMP AND RELATED PARTS 2.2L AND 2.5L ENGINE

Figure 7-2500

93107 2500



ITEM	PART NUMBER	QTY	BODY	MODEL	DESCRIPTION
1	4621 172	1			PUMP, Water
	4626 682	1	G		16 Valve Engine
	4720 429	1	ES		Diesel Eng.
	4484 321	1			DEFECTOR ASSEMBLY, Pump ***
	4556 247	1	G		SPACER, Pump to Block (16 Valve)
2	5203 542	1			GASKET, Water Pump Housing
3	4387 459	1			GASKET, Water Pump Body
4	6101 462	3			SCREW, Water Pump Housing Attach
5	4315 737	1			HOUSING, Water Pump
6	6502 718	1			STUD, Water Pump Housing Attach
	4720 550	4	ES		Diesel Eng.
	4720 553	4	ES		WASHER, Pump to Block, Diesel Eng.
	4720 552	4	ES		NUT, Pump to Block, Diesel Eng.
7	6100 267	9			SCREW and WASHER, Water Pump Body Attach
8	4483 629	1			HUB, Water Pump Pulley
9	4105 295	1			NIPPLE, Water By-Pass
10	4273 488	2			HOSE, Water By-Pass
11	0153 640	AR			CLAMP
12	5281 186	1			BRACKET
13	4273 486	1			TUBE, By-Pass

MODEL CODES:

A BODY=(C=LeBaron, D=Spirit, P=Acclaim/LaBaron(Landau),  
Saratoga)  
C BODY=(D=Dynasty, C=New Yorker/N.Y. Salon)  
G BODY=(V=Daytona/IROC, Chrysler Daytona)  
J BODY=(C=LeBaron, Chrysler LeBaron)  
P BODY=(P=Sundance, D=Shadow)

S BODY=(H=Voyager(H) FWD, K=Caravan(H) FWD,  
Y=Town & Country(H) FWD, P=Voyager(K) AWD,  
D=Caravan(K) AWD, C=Town & Country(K) AWD)  
Y BODY=(C=Imperial/5th Avenue)  
E-S BODY=(K=Chrysler Voyager(H) FWD, D=Chrysler  
Voyager(K) AWD)

BODY STYLES:

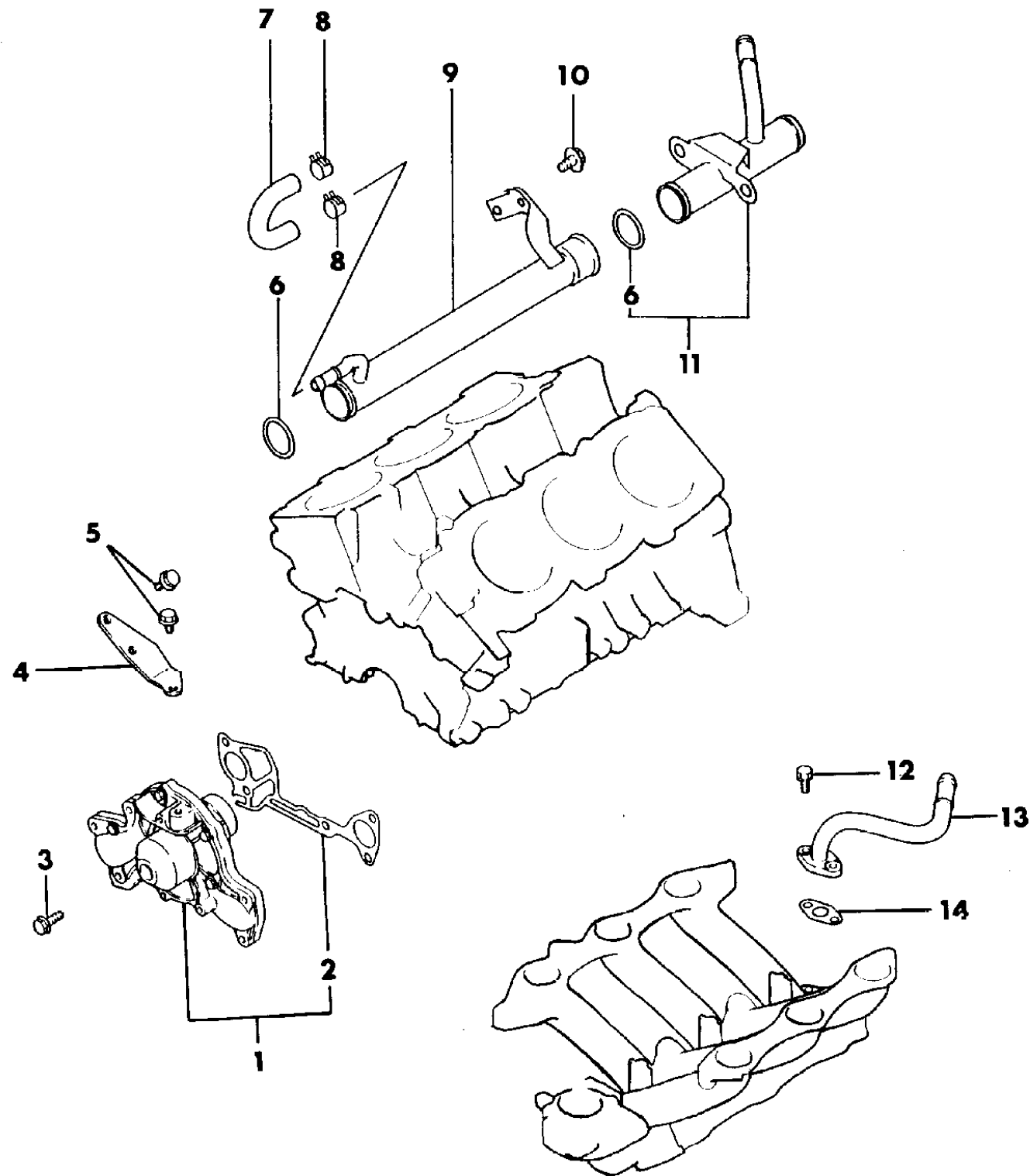
21=2-Door Coupe      41=4-Door Sedan      12-52=FWD & AWD Van & Wgn Std W.B.  
24=2-Door Hatchback      44=4-Door Hatchback      53=FWD & AWD Van & Wgn Ext. W.B.  
27=2-Door Convertible

AR = Use as Required - = Non Illustrated Part P.A.R. = Paint as Required

WATER PUMP AND RELATED PARTS 3.0L ENGINE

Figure 7-2600

93107 2600



ITEM	PART NUMBER	QTY	BODY	MODEL	DESCRIPTION
1	MD98 0000	1			WATER PUMP and GASKET PACKAGE ***
2	MD15 1426	1			GASKET, Water Pump
3	MS10 0941	5			BOLT, Flange (8x25)
4	MD10 3357	1			BRACKET
5	MF14 0222	3			BOLT, Flange (8x14)
6	MD03 0764	2			O-RING, Water Pipe
7	MD12 5267	1			HOSE, Water By-Pass
8	MS66 0179	2			CLAMP, Hose (17.8)
9	MD12 5265	1			PIPE, Water Inlet (A)
10	MF14 0021	2			BOLT, Flange (8x12)
11					PIPE ASSEMBLY, Water Inlet
	MD13 1987	1			Exc. 3 Speed Auto Trans.
	MD15 3840	1			w/3 Speed Auto. Trans.
12	MF24 0353	2			BOLT and WASHER (8x20)
13	MD14 6346	1			PIPE ASSEMBLY, Water By-Pass
14	MD10 3625	1			GASKET, Heater Pipe

MODEL CODES:

A BODY=(C=LeBaron, D=Spirit, P=Acclaim/LaBaron(Landau),  
Saratoga)

C BODY=(D=Dynasty, C=New Yorker/N.Y. Salon)

G BODY=(V=Daytona/IROC, Chrysler Daytona)

J BODY=(C=LeBaron, Chrysler LeBaron)

P BODY=(P=Sundance, D=Shadow)

S BODY=(H=Voyager(H) FWD, K=Caravan(H) FWD,

Y=Town & Country(H) FWD, P=Voyager(K) AWD,

D=Caravan(K) AWD, C=Town & Country(K) AWD)

Y BODY=(C=Imperial/5th Avenue)

E-S BODY=(K=Chrysler Voyager(H) FWD, D=Chrysler

Voyager(K) AWD)

BODY STYLES:

21=2-Door Coupe

41=4-Door Sedan

12-52=FWD & AWD Van & Wgn Std W.B.

24=2-Door Hatchback

44=4-Door Hatchback

53=FWD & AWD Van & Wgn Ext. W.B.

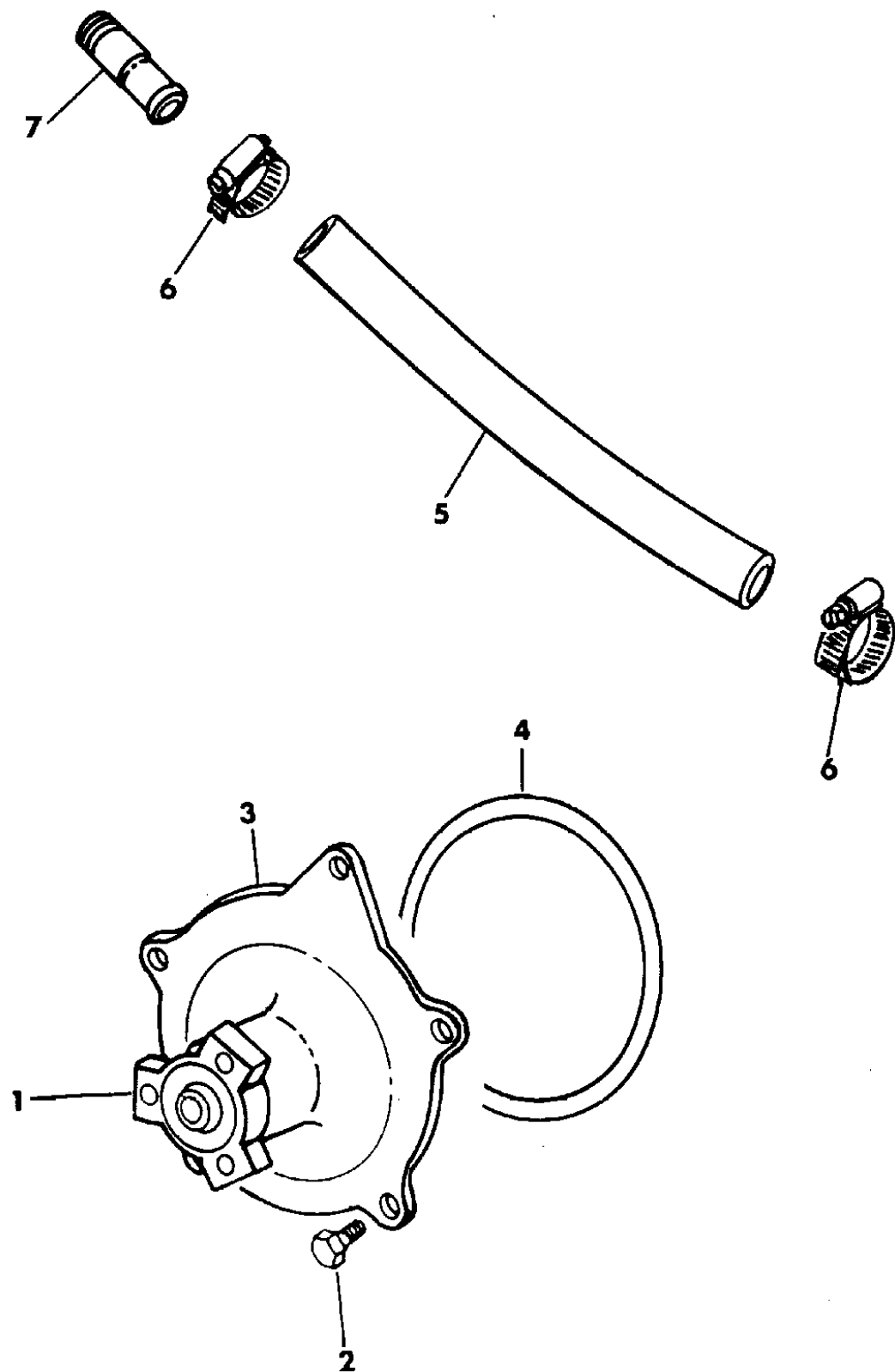
27=2-Door Convertible

AR = Use as Required - = Non Illustrated Part P.A.R. = Paint as Required

WATER PUMP AND RELATED PARTS 3.3L, 3.8L ENGINE

Figure 7-2700

93107 2700



ITEM	PART NUMBER	QTY	BODY	MODEL	DESCRIPTION
1	4483 629	1			HUB, Water Pump Pulley
2	6100 266	5			SCREW, Water Pump Attach
3	4448 878	1			BODY ASSEMBLY, Water Pump ***
4	4483 937	1			SEAL, Water Pump Body
5	5252 013	1			HOSE, Water Pump By-Pass
6	0153 640	2			CLAMP, By-Pass Hose
7	4621 653	1			NIPPLE, Water Pump By-Pass

MODEL CODES:

A BODY=(C=LeBaron, D=Spirit, P=Acclaim/LaBaron(Landau), Saratoga) S BODY=(H=Voyager(H) FWD, K=Caravan(H) FWD, Y=Town & Country(H) FWD, P=Voyager(K) AWD, D=Caravan(K) AWD, C=Town & Country(K) AWD)  
 C BODY=(D=Dynasty, C=New Yorker/N.Y. Salon) Y BODY=(C=Imperial/5th Avenue)  
 G BODY=(V=Daytona/IROC, Chrysler Daytona) E-S BODY=(K=Chrysler Voyager(H) FWD, D=Chrysler Voyager(K) AWD)  
 J BODY=(C=LeBaron, Chrysler LeBaron)  
 P BODY=(P=Sundance, D=Shadow)

BODY STYLES:

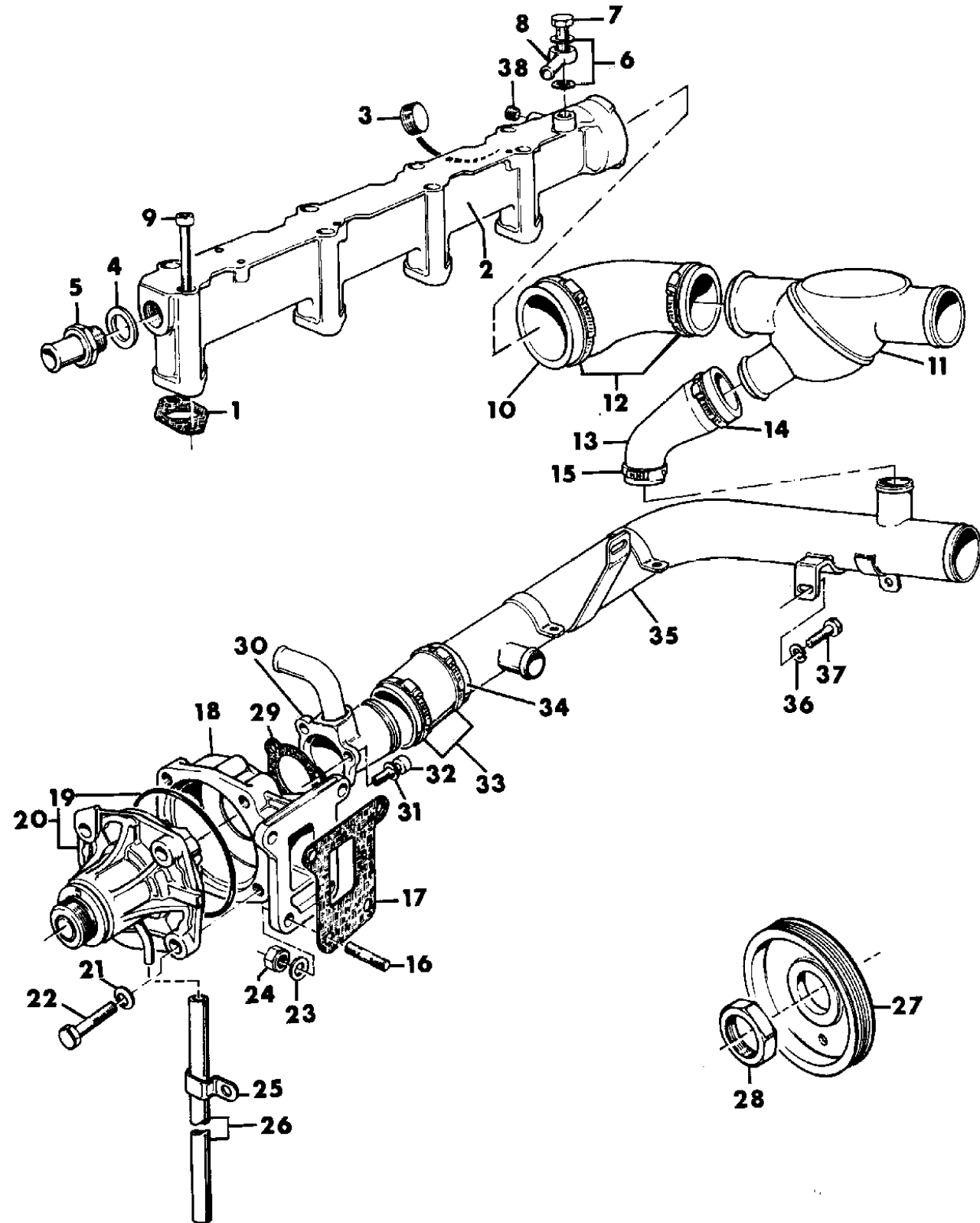
21=2-Door Coupe 41=4-Door Sedan 12-52=FWD & AWD Van & Wgn Std W.B.  
 24=2-Door Hatchback 44=4-Door Hatchback 53=FWD & AWD Van & Wgn Ext. W.B.  
 27=2-Door Convertible

AR = Use as Required - = Non Illustrated Part P.A.R. = Paint as Required

WATER PUMP AND RELATED PARTS 2.5L DIESEL ENGINE S BODY

Figure 7-2750

93107 2750



ITEM	PART NUMBER	QTY	BODY	MODEL	DESCRIPTION
1	4720 450	4			GASKET, Water Manifold
2	4723 202	1			MANIFOLD, Water ***
3	4723 197	1			PLUG, Water Manifold
4	4720 564	1			WASHER, Adapter
5	4720 447	1			ADAPTER, Hose Heater Feed
6	4720 554	1			WASHER, Banjo
7	4720 358	1			BOLT, Banjo
8	4720 439	1			BANJO, Air Bleed ***
9	4720 567	1			BOLT, Water Manifold
10	4723 206	1			HOSE, Manifold to Thermostat Housing
11	4720 432	1			VALVE, Thermostat
12	4720 452	2			CLAMP
13	4723 207	1			HOSE
14	4723 208	1			CLAMP
15	4720 453	1			CLAMP
16	4720 550	1			STUD, Water Pump to Block
17	4720 451	1			GASKET
18	4723 203	1			HOUSING, Water Pump
19	4723 198	1			GASKET, Water Pump
20	4720 429	1			PUMP, Water
21	4723 200	1			WASHER
22	4723 199	4			BOLT, Pump Attaching
23	4720 553	4			WASHER, Pump to Block
24	4720 552	4			NUT, Pump to Block
25	4720 446	1			CLIP, Drain Pipe
26	4720 438	1			TUBE, Drain
27	4723 201	1			PULLEY, Pump
28	4720 448	1			NUT
29	4720 449	1			GASKET, Hose to Pump
30	4723 205	1			CONNECTOR, Pump Housing
31	4723 204	1			WASHER, Pump to Pipe
32	4720 551	3			SCREW
33	4723 209	2			CLAMP
34	4720 437	1			HOSE
35	4720 435	1			PIPE, Water Return
36	4720 565	1			WASHER
37	4720 566	1			BOLT
38	4723 196	1			PLUG

MODEL CODES:

A BODY=(C=LeBaron, D=Spirit, P=Acclaim/LaBaron(Landau),  
Saratoga)  
C BODY=(D=Dynasty, C=New Yorker/N.Y. Salon)  
G BODY=(V=Daytona/IROC, Chrysler Daytona)  
J BODY=(C=LeBaron, Chrysler LeBaron)  
P BODY=(P=Sundance, D=Shadow)

S BODY=(H=Voyager(H) FWD, K=Caravan(H) FWD,  
Y=Town & Country(H) FWD, P=Voyager(K) AWD,  
D=Caravan(K) AWD, C=Town & Country(K) AWD)  
Y BODY=(C=Imperial/5th Avenue)  
E-S BODY=(K=Chrysler Voyager(H) FWD, D=Chrysler  
Voyager(K) AWD)

BODY STYLES:

21=2-Door Coupe      41=4-Door Sedan      12-52=FWD & AWD Van & Wgn Std W.B.  
24=2-Door Hatchback      44=4-Door Hatchback      53=FWD & AWD Van & Wgn Ext. W.B.  
27=2-Door Convertible

AR = Use as Required - = Non Illustrated Part P.A.R. = Paint as Required

---

**GROUP 8 - ELECTRICAL**

<b>ILLUSTRATION TITLE</b>	<b>GROUP-FIG. NO.</b>
<b>RELAYS--SWITCHES--MODULES--SENSORS</b>	
RELAYS P-BODY .....	Fig. 8-100
RELAYS A-BODY .....	Fig. 8-200
RELAYS J-BODY .....	Fig. 8-300
RELAYS G-BODY .....	Fig. 8-400
RELAYS C-Y BODY .....	Fig. 8-500
RELAYS S-BODY .....	Fig. 8-600
SWITCHES P-BODY .....	Fig. 8-700
SWITCHES A-BODY .....	Fig. 8-800
SWITCHES J-BODY .....	Fig. 8-900
SWITCHES G-BODY .....	Fig. 8-1000
SWITCHES C-Y BODY .....	Fig. 8-1100
SWITCHES S-BODY .....	Fig. 8-1200
MODULES--ELECTRONIC P-BODY .....	Fig. 8-1300
MODULES--ELECTRONIC A-BODY .....	Fig. 8-1400
MODULES--ELECTRONIC J-BODY .....	Fig. 8-1500
MODULES--ELECTRONIC G-BODY .....	Fig. 8-1600
MODULES--ELECTRONIC C-Y BODY .....	Fig. 8-1700
MODULES--ELECTRONIC S-BODY .....	Fig. 8-1800
SENSORS P-BODY .....	Fig. 8-1900
SENSORS A-BODY .....	Fig. 8-2000
SENSORS J-BODY .....	Fig. 8-2100
SENSORS G-GODY .....	Fig. 8-2200
SENSORS C-Y BODY .....	Fig. 8-2300
SENSORS S-BODY .....	Fig. 8-2400
<b>BATTERY TRAYS</b>	
BATTERY TRAY P-A-J-G-C-Y-S BODY .....	Fig. 8-2500
<b>DISTRIBUTORS</b>	
DISTRIBUTOR 4-6 CYLINDER ENGINE .....	Fig. 8-2600
<b>STARTERS</b>	
STARTER (ENGINE STARTER MOTOR) 4-6 CYLINDER .....	Fig. 8-2700
STARTER (ENGINE STARTER MOTOR) DIESEL ENGINE .....	Fig. 8-2800
<b>ALTERNATORS</b>	
ALTERNATOR & PULLEY (GENERATOR) .....	Fig. 8-2900
ALTERNATOR MOUNTING (GENERATOR) 4-CYLINDER .....	Fig. 8-3000
ALTERNATOR & MOUNTING (GENERATOR) DIESEL ENGINE .....	Fig. 8-3100

**ILLUSTRATION NOT AVAILABLE AT TIME OF PUBLICATION**



**GROUP 8 - ELECTRICAL**

**GROUP 8 - ELECTRICAL**

**ILLUSTRATION TITLE**

**GROUP-FIG. NO.**

**ILLUSTRATION TITLE**

**GROUP-FIG. NO.**

**ALTERNATORS (Continued)**

ALTERNATOR & MOUNTING (GENERATOR) DIESEL ENGINE .....	Fig. 8-3100
ALTERNATOR MOUNTING 6 CYLINDER .....	Fig. 8-3200

**LAMPS**

LAMPS--FRONT P BODY .....	Fig. 8-3300
LAMPS & WIRING--REAR P BODY .....	Fig. 8-3400
LAMPS--FRONT A BODY .....	Fig. 8-3500
LAMPS & WIRING--REAR A BODY .....	Fig. 8-3600
LAMPS--FRONT J BODY .....	Fig. 8-3700
LAMPS & WIRING--REAR J BODY .....	Fig. 8-3800
LAMPS--FRONT G BODY .....	Fig. 8-3900
LAMPS & WIRING--REAR G BODY .....	Fig. 8-4000
LAMPS--FRONT NEW YORKER- DYNASTY C-BODY .....	Fig. 8-4100
LAMPS--FRONT ROTATING NEW YORKER & FIFTH AVENUE C-Y BODY .....	Fig. 8-4200
LAMPS & WIRING--REAR NEW YORKER-DYNASTY-FIFTH AVENUE C-Y BODY .....	Fig. 8-4300
LAMPS--FRONT FIFTH AVENUE & IMPERIAL Y BODY .....	Fig. 8-4400
LAMPS--FRONT ROTATING IMPERIAL Y BODY .....	Fig. 8-4500
LAMPS & WIRING--REAR IMPERIAL Y BODY .....	Fig. 8-4600
LAMPS--FRONT S BODY .....	Fig. 8-4700
LAMPS & WIRING--REAR S BODY .....	Fig. 8-4800
LAMPS--CARGO-DOME-COURTESY P BODY .....	Fig. 8-5000
LAMPS--CARGO-DOME-COURTESY A BODY .....	Fig. 8-5100
LAMPS--CARGO-DOME-COURTESY J BODY .....	Fig. 8-5200
LAMPS--CARGO-DOME-COURTESY G BODY .....	Fig. 8-5300
LAMPS--CARGO-DOME-COURTESY C BODY .....	Fig. 8-5400
LAMPS--CARGO-DOME-COURTESY Y BODY .....	Fig. 8-5500
LAMPS--CARGO-DOME-COURTESY S BODY .....	Fig. 8-5600

**ILLUMINATED DOOR LOCK LIGHT**

ILLUMINATED DOOR LOCK LIGHT .....	Fig. 8-5700
-----------------------------------	-------------

**SOCKETS AND CABLES**

SOCKETS AND BULBS--EXTERIOR LAMPS .....	Fig. 8-5800
---	-------------

**BULB CROSS REFERENCE**

BULB CROSS REFERENCE--INTERIOR LAMPS .....	Fig. 8-5900
--	-------------

**WIRING--ENGINE-FRONT END & RELATED PARTS**

WIRING--ENGINE & RELATED PARTS P BODY .....	Fig. 8-6000
WIRING--HEADLAMP TO DASH P BODY .....	Fig. 8-6100

**WIRING--ENGINE-FRONT END & RELATED PARTS (Continued)**

WIRING--HEADLAMP TO DASH P BODY .....	Fig. 8-6100
WIRING--ENGINE & RELATED PARTS A BODY .....	Fig. 8-6200
WIRING--HEADLAMP TO DASH A BODY .....	Fig. 8-6300
WIRING--ENGINE & RELATED PARTS J BODY .....	Fig. 8-6400
WIRING--HEADLAMP TO DASH J BODY .....	Fig. 8-6500
WIRING--ENGINE & RELATED PARTS G BODY .....	Fig. 8-6600
WIRING--HEADLAMP TO DASH G BODY .....	Fig. 8-6700
WIRING--ENGINE & RELATED PARTS C-Y BODY .....	Fig. 8-6800
WIRING--HEADLAMP TO DASH C-Y BODY .....	Fig. 8-6900
WIRING--ENGINE & RELATED PARTS S BODY .....	Fig. 8-7000
WIRING--HEADLAMP TO DASH S BODY .....	Fig. 8-7100
SINGLE BOARD ENGINE CONTROLLERS (POWERTRAIN CONTROL MODULE) P-BODY .....	Fig. 8-7200
SINGLE BOARD ENGINE CONTROLLERS (POWERTRAIN CONTROL MODULE) A-BODY .....	Fig. 8-7210
SINGLE BOARD ENGINE CONTROLLERS (POWERTRAIN CONTROL MODULE) J-BODY .....	Fig. 8-7220
SINGLE BOARD ENGINE CONTROLLERS (POWERTRAIN CONTROL MODULE) G-BODY .....	Fig. 8-7230
SINGLE BOARD ENGINE CONTROLLERS (POWERTRAIN CONTROL MODULE) C-Y BODY .....	Fig. 8-7240
SINGLE BOARD ENGINE CONTROLLERS (POWERTRAIN CONTROL MODULE) S-BODY .....	Fig. 8-7250
SPARK PLUGS--CABLES--COILS .....	Fig. 8-7300
WIRING--INSTRUMENT PANEL P BODY .....	Fig. 8-7400
WIRING--INSTRUMENT PANEL A BODY .....	Fig. 8-7500
WIRING--INSTRUMENT PANEL J BODY .....	Fig. 8-7600
WIRING--INSTRUMENT PANEL G BODY .....	Fig. 8-7700
WIRING--INSTRUMENT PANEL C-Y BODY .....	Fig. 8-7800
WIRING--INSTRUMENT PANEL S BODY .....	Fig. 8-7900

**HORNS**

HORN ALL MODELS .....	Fig. 8-8000
-----------------------	-------------

**SWITCHES-TURN SIGNAL AND HAZARD WARNING**

SWITCHES-TURN SIGNAL AND HAZARD WARNING .....	Fig. 8-8100
---	-------------

**WIRING--BODY & ACCESSORIES**

WIRING--BODY & ACCESSORIES P BODY .....	Fig. 8-8200
WIRING--BODY & ACCESSORIES A BODY .....	Fig. 8-8300
WIRING--BODY & ACCESSORIES J BODY .....	Fig. 8-8400
WIRING--BODY & ACCESSORIES G BODY .....	Fig. 8-8500
WIRING--BODY & ACCESSORIES C-Y BODY .....	Fig. 8-8600
WIRING--BODY & ACCESSORIES C-Y BODY .....	Fig. 8-8700
WIRING--BODY & ACCESSORIES S BODY .....	Fig. 8-8800



**GROUP 8 - ELECTRICAL**

**GROUP 8 - ELECTRICAL**

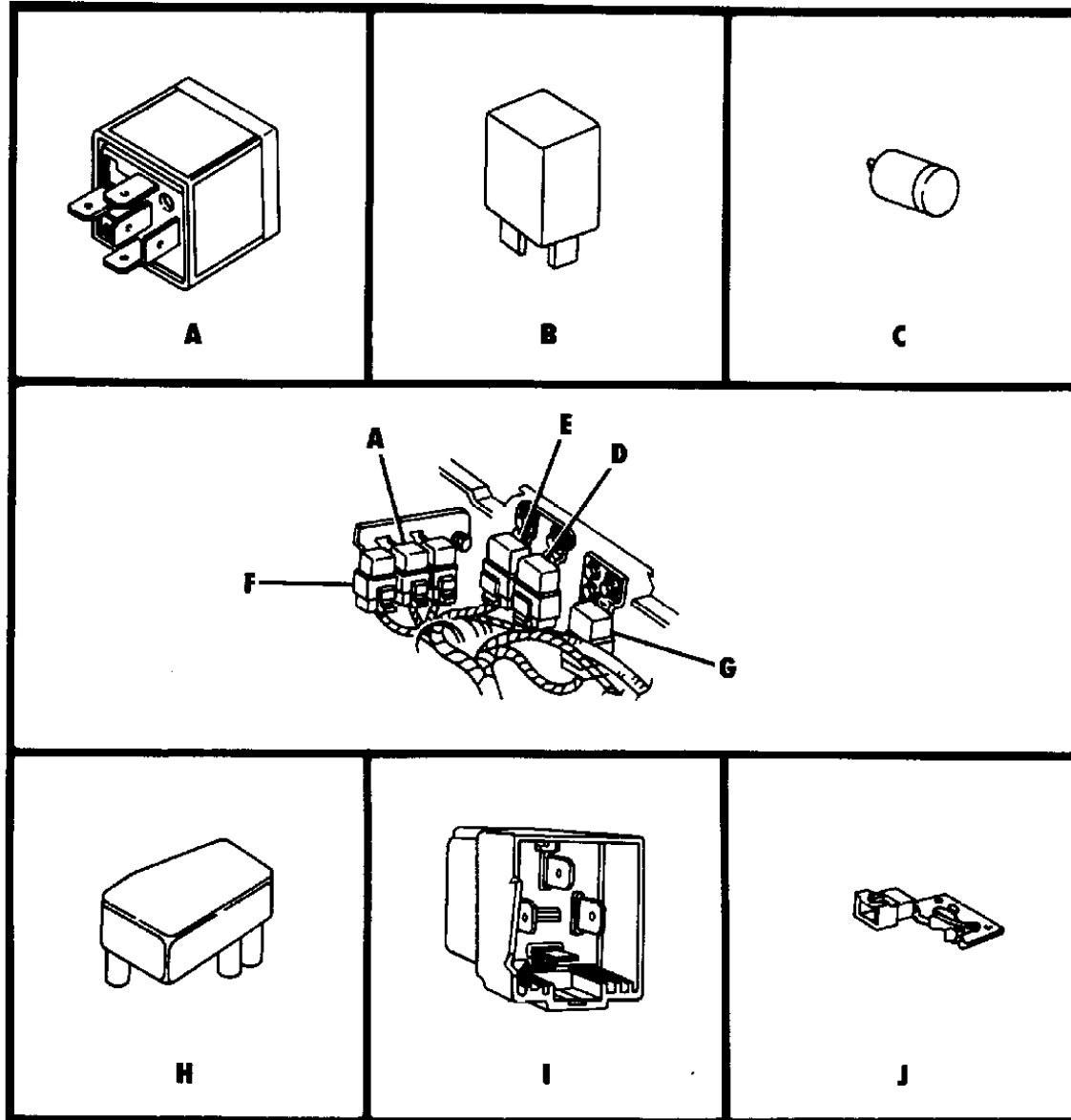
ILLUSTRATION TITLE	GROUP-FIG. NO.
<b>WIRING--BODY &amp; ACCESSORIES (Continued)</b>	
WIRING--BODY & ACCESSORIES S BODY .....	Fig. 8-8800
WIRING & SWITCHES--FRONT DOOR P BODY .....	Fig. 8-8900
WIRING & SWITCHES--REAR DOOR P BODY .....	Fig. 8-9000
WIRING & SWITCHES--LIFTGATE P BODY .....	Fig. 8-9100
WIRING & SWITCHES--FRONT DOOR A BODY .....	Fig. 8-9200
WIRING & SWITCHES--REAR DOOR A BODY .....	Fig. 8-9300
WIRING--TRUNK A BODY .....	Fig. 8-9400
WIRING & SWITCHES--FRONT DOOR J BODY .....	Fig. 8-9500
WIRING & SWITCHES--LIFTGATE J BODY .....	Fig. 8-9600
WIRING & SWITCHES--DOOR G BODY .....	Fig. 8-9700
WIRING--LIFTGATE G BODY .....	Fig. 8-9800
WIRING & SWITCHES--FRONT DOOR C BODY .....	Fig. 8-9900
WIRING & SWITCHES--REAR DOOR C BODY .....	Fig. 8-10000
WIRING & SWITCHES--FRONT DOOR Y BODY .....	Fig. 8-10100
WIRING & SWITCHES--REAR DOOR Y BODY .....	Fig. 8-10200
WIRING & SWITCHES--FRONT DOOR S BODY .....	Fig. 8-10300
WIRING & SWITCHES--SLIDING DOOR S BODY .....	Fig. 8-10400
WIRING--LIFTGATE S BODY .....	Fig. 8-10500
<b>TERMINAL CHARTS</b>	
TERMINAL CHART .....	Fig. 8-10600
TERMINAL CHART .....	Fig. 8-10700
<b>INSULATOR CHARTS</b>	
INSULATORS 1 WAY .....	Fig. 8-10800
INSULATORS 2 WAY .....	Fig. 8-10900
INSULATORS 3 WAY .....	Fig. 8-11000
INSULATORS 4 WAY .....	Fig. 8-11100
INSULATORS 5 WAY .....	Fig. 8-11200
INSULATORS 6 WAY .....	Fig. 8-11300
INSULATORS 7 WAY .....	Fig. 8-11400
INSULATORS 8 & 9 WAY .....	Fig. 8-11500
INSULATORS 10 & 11 WAY .....	Fig. 8-11600
INSULATORS 13-16-21 WAY .....	Fig. 8-11700
INSULATORS 25 WAY .....	Fig. 8-11800
INSULATORS WINDOW LIFTS .....	Fig. 8-11900
WIRING REPAIR PACKAGES .....	Fig. 8-11950

ILLUSTRATION TITLE	GROUP-FIG. NO.
<b>RETAINERS--CONNECTORS--PLUGS</b>	
BULKHEAD CONNECTORS & COMPONENTS 40 & 50 WAY .....	Fig. 8-12000
WIRING HARNESS REPAIR CRIMP PKG.-FUSIBLE LINK PKG.-HEAT SHRINK TUBE .....	Fig. 8-12100
WIRING CLIPS .....	Fig. 8-12200

RELAYS P-BODY  
Figure 8-100

93108 100

ITEM	PART NUMBER	QTY	BODY	MODEL	DESCRIPTION
RELAYS					
P-BODY					
A	4637 907	1			Starter, (Use Insul. 4439086) (Use Brkt. 5233851)
B	4221 658	1			Horn
C	2889 565	1			Time Delay & Head Lamp
D	4439 013	1			A/C Clutch Cutout, (Use Insul. 4439083)
E	4443 904	1			Radiator Fan, (Use Insul. 4439085)
F	4637 907	1			Fuel Pump, (Shutdown) (Use Insul. 4527106)
G	5233 208	1			Auto Shutdown
H	4375 253	1			Low Fuel
I	4373 307	1			Namebrand Speaker
J	4687 472	1			E.A.T.X, w/Brkt.



**MODEL CODES:**

A BODY=(C=LeBaron, D=Spirit, P=Acclaim/LaBaron(Landau), Saratoga) S BODY=(H=Voyager(H) FWD, K=Caravan(H) FWD, Y=Town & Country(H) FWD, P=Voyager(K) AWD, D=Caravan(K) AWD, C=Town & Country(K) AWD)  
 C BODY=(D=Dynasty, C=New Yorker/N.Y. Salon) Y BODY=(C=Imperial/5th Avenue)  
 G BODY=(V=Daytona/IROC, Chrysler Daytona) E-S BODY=(K=Chrysler Voyager(H) FWD, D=Chrysler Voyager(K) AWD)  
 J BODY=(C=LeBaron, Chrysler LeBaron) P BODY=(P=Sundance, D=Shadow)

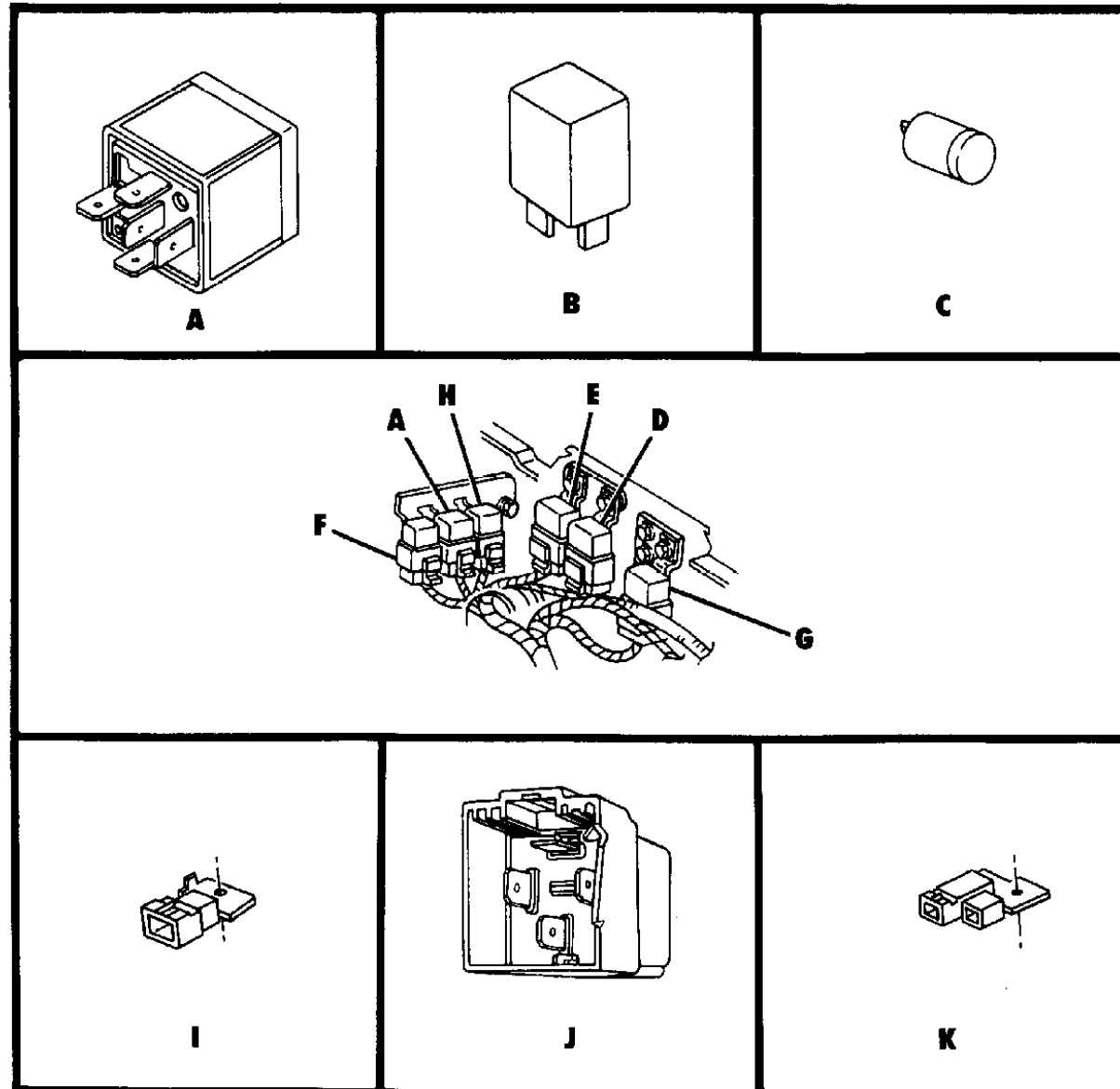
**BODY STYLES:**

21=2-Door Coupe      41=4-Door Sedan      12-52=FWD & AWD Van & Wgn Std W.B.  
 24=2-Door Hatchback      44=4-Door Hatchback      53=FWD & AWD Van & Wgn Ext. W.B.  
 27=2-Door Convertible

AR = Use as Required - = Non Illustrated Part P.A.R. = Paint as Required

RELAYS A-BODY  
Figure 8-200

93108 200



ITEM	PART NUMBER	QTY	BODY	MODEL	DESCRIPTION
RELAYS					
A-BODY					
A	4637 907	1			Starter, (Use Insul. 4439086)
B	4221 658	1			Horn
C	2889 565	1			Time Delay & Head Lamp
D	4439 013	1			A/C Clutch Cutoff, (Use Insul. 4400242)
E	4443 904	1			Radiator Fan, (Use Insul. 4439085)
F	4637 907	1			Fuel Pump
G	5233 208	1			Auto Shutdown
H	4557 155	1			Anti-Lock Pump Motor
I	4740 114	1			Fog Lamp
	4740 114	1			Fog Lamp, w/Bracket, EUROPE
	4687 472	1			E.A.T.X., w/Brkt.
J	4740 114	1			Namebrand Speaker, w/Bracket, (Screw 6032723)
K	4687 147	1			Door Lock Inhibiter, w/Bracket (Screw 6032723)
	5266 228	1			Illuminated Entry, w/Bracket (Screw 6032723)
-	4373 789				Anti-Lock Brake (Module & Warning Lp., w/Bracket, (Stamped 4373798)

MODEL CODES:

A BODY=(C=LeBaron, D=Spirit, P=Acclaim/LaBaron(Landau), Saratoga) S BODY=(H=Voyager(H) FWD, K=Caravan(H) FWD, Y=Town & Country(H) FWD, P=Voyager(K) AWD, D=Caravan(K) AWD, C=Town & Country(K) AWD)  
 C BODY=(D=Dynasty, C=New Yorker/N.Y. Salon)  
 G BODY=(V=Daytona/IROC, Chrysler Daytona) Y BODY=(C=Imperial/5th Avenue)  
 J BODY=(C=LeBaron, Chrysler LeBaron) E-S BODY=(K=Chrysler Voyager(H) FWD, D=Chrysler Voyager(K) AWD)  
 P BODY=(P=Sundance, D=Shadow)

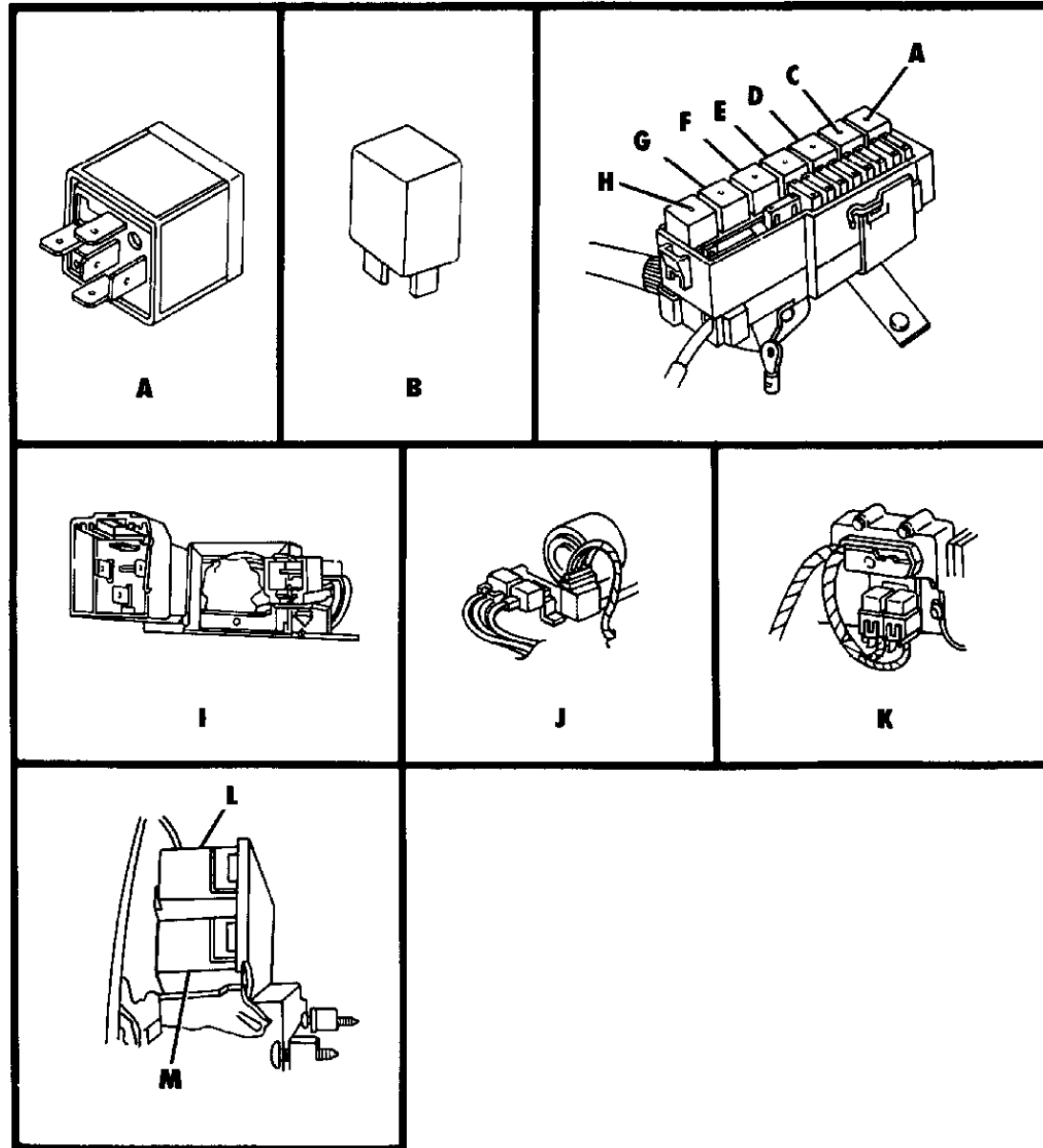
BODY STYLES:

21=2-Door Coupe 41=4-Door Sedan 12-52=FWD & AWD Van & Wgn Std W.B.  
 24=2-Door Hatchback 44=4-Door Hatchback 53=FWD & AWD Van & Wgn Ext. W.B.  
 27=2-Door Convertible

AR = Use as Required - = Non Illustrated Part P.A.R. = Paint as Required

RELAYS J-BODY  
Figure 8-300

93108 300



ITEM	PART NUMBER	QTY	BODY	MODEL	DESCRIPTION
RELAYS					
J-BODY					
A	4728 990	1			Starter, (Use Insul. 4439086)
B	5266 230	1			Horn
C	4728 989	1			Auto Shutdown
D	5252 672	1			Headlamp Motors--Park Lamps--Fog Lamps--Winshield Wiper
	5252 672	1			Door Lock, Washer Motor
E	4373 229	1			Headlamp Open-Close
F	4373 229	1			Headlamp Open-Close
G	4728 989	1			A/C Clutch
H	4728 989	1			Radiator Fan
	4728 989	1			Fuel Pump
I	3600 3031	1			Amplifier & Antenna
J	4221 691	1			Top Control
K	4687 472	1			E.A.T.X., w/Brkt.
L	5266 195	1			Anti-Lock Brake (Pump Motor) w/Bracket
M	4373 789	1			Anti-Lock Brake (Mod. & Warning Lp.) w/Bracket

MODEL CODES:

A BODY=(C=LeBaron, D=Spirit, P=Acclaim/LaBaron(Landau), Saratoga) S BODY=(H=Voyager(H) FWD, K=Caravan(H) FWD, Y=Town & Country(H) FWD, P=Voyager(K) AWD, D=Caravan(K) AWD, C=Town & Country(K) AWD)  
 C BODY=(D=Dynasty, C=New Yorker/N.Y. Salon) Y BODY=(C=Imperial/5th Avenue)  
 G BODY=(V=Daytona/IROC, Chrysler Daytona) E-S BODY=(K=Chrysler Voyager(H) FWD, D=Chrysler Voyager(K) AWD)  
 J BODY=(C=LeBaron, Chrysler LeBaron) P BODY=(P=Sundance, D=Shadow)

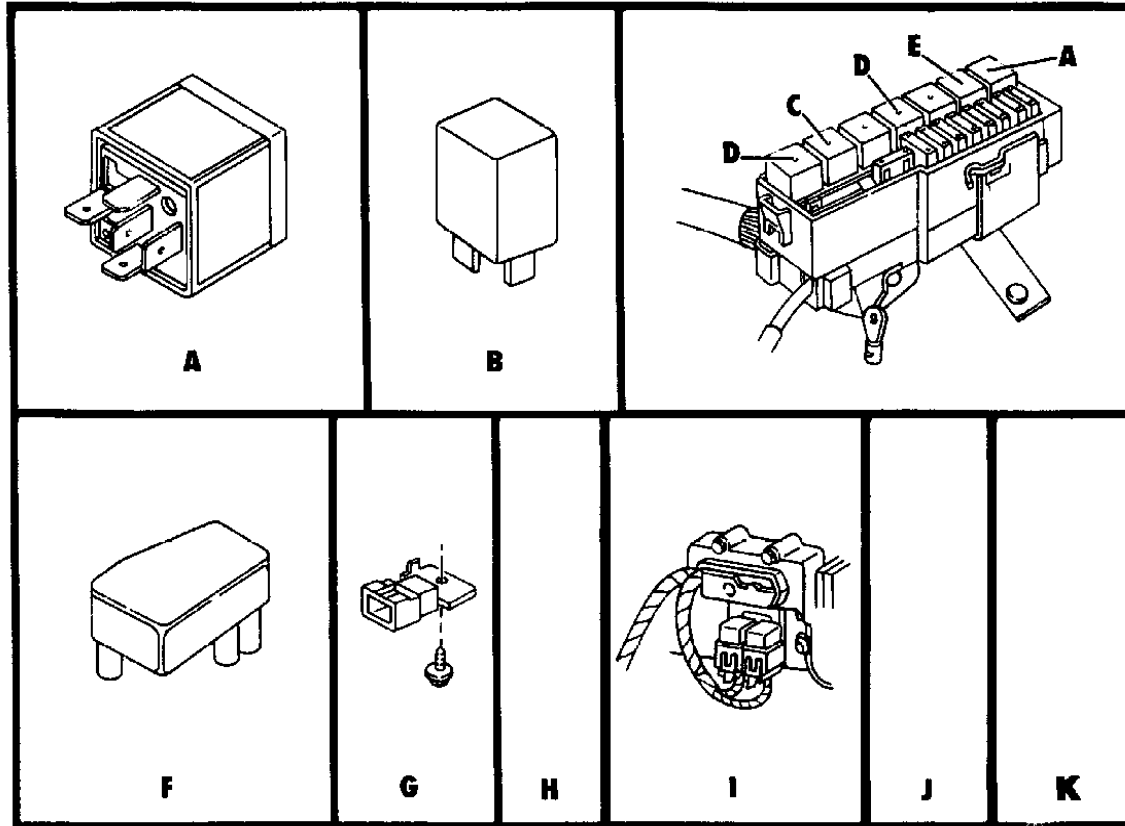
BODY STYLES:

21=2-Door Coupe 41=4-Door Sedan 12-52=FWD & AWD Van & Wgn Std W.B.  
 24=2-Door Hatchback 44=4-Door Hatchback 53=FWD & AWD Van & Wgn Ext. W.B.  
 27=2-Door Convertible

AR = Use as Required - = Non Illustrated Part P.A.R. = Paint as Required

RELAYS G-BODY  
Figure 8-400

93108 400



ITEM	PART NUMBER	QTY	BODY	MODEL	DESCRIPTION
RELAYS					
G-BODY					
A	4728 990	1			Starter, w/Diode
B	5266 230	1			Horn
C	4728 989	1			A/C Clutch Cutout
D	4728 989	1			Radiator Fan
E	4728 989	1			Fuel Pump, (Shutdown) (Use Insul. 4527106)
F	4728 989	1			Low Fuel
G	5252 672	1			Fog Lamp--Park & Turn Lamp--Washer Motor--Low Beam--Hi-Beam
H					
I	4687 472	1			E.A.T.X., w/Brkt.
J	4373 789	1			Anti-Lock Brake (Mod. & Warning Lp.) w/Bracket
	5266 195	1			Anti-Lock Brake Pump Motor, w/Bracket
K	5252 672	1			Door Lock Control, Headlamp, Washer Motor, Hi-Beam
	3600 3031	1			Power Antenna, Namebrand Speakers

MODEL CODES:

A BODY=(C=LeBaron, D=Spirit, P=Acclaim/LaBaron(Landau),  
Saratoga)  
C BODY=(D=Dynasty, C=New Yorker/N.Y. Salon)  
G BODY=(V=Daytona/IROC, Chrysler Daytona)  
J BODY=(C=LeBaron, Chrysler LeBaron)  
P BODY=(P=Sundance, D=Shadow)

S BODY=(H=Voyager(H) FWD, K=Caravan(H) FWD,  
Y=Town & Country(H) FWD, P=Voyager(K) AWD,  
D=Caravan(K) AWD, C=Town & Country(K) AWD)  
Y BODY=(C=Imperial/5th Avenue)  
E-S BODY=(K=Chrysler Voyager(H) FWD, D=Chrysler  
Voyager(K) AWD)

BODY STYLES:

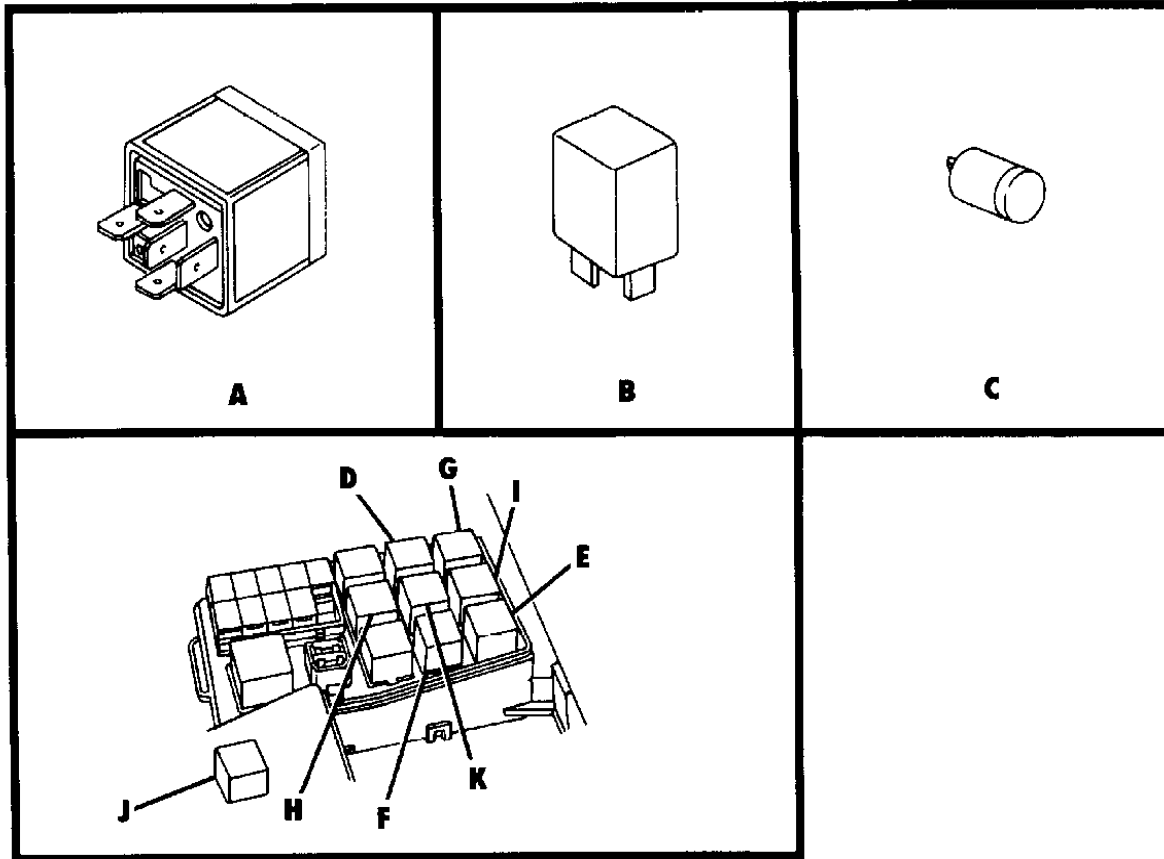
21=2-Door Coupe      41=4-Door Sedan      12-52=FWD & AWD Van & Wgn Std W.B.  
24=2-Door Hatchback      44=4-Door Hatchback      53=FWD & AWD Van & Wgn Ext. W.B.  
27=2-Door Convertible

AR = Use as Required - = Non Illustrated Part P.A.R. = Paint as Required

RELAYS C-Y BODY  
Figure 8-500

93108 500

ITEM	PART NUMBER	QTY	BODY	MODEL	DESCRIPTION
RELAYS					
C-Y BODY					
A	4728 990	1			Starter
B	5252 672	1			Horn
C	5252 672	1			Headlamp Delay
D	5234 471	1			A/C Clutch Cutout W.O.T.
E	5234 471	1	C-Y		Radiator Fan (Use Insul. 4439085)
F	5234 471	1	C-Y		Fuel Pump
G	5234 471	1	C-Y		Auto Shutdown
H	5252 672	1	C-Y		Concealed Headlamp & Door Lock & H/Lp. Delay
I					Electronic Transmission
J	5266 187	1	C-Y		Anti-Lock Brake (Pump Motor)
	5252 672	1	C-Y		Anti-Lock Brake, (Modulator)
K	5234 471	1	C-Y		Back-Up Lamp
	5234 471	1	C-Y		E.A.T.X., w/Brkt.
	5256 025	1	C-Y		Sunroof Control
	5252 672	1	C-Y		Twilight Sentinel
	5252 672		C-Y		Park Lamp
	4373 307	1	C-Y		Load Leveler
	4687 588	1	C-Y		Load Leveler, w/Bracket
	5252 672	1			Door Lock
	3600 3031	1			Pwr. Antenna & Speaker



MODEL CODES:

A BODY=(C=LeBaron, D=Spirit, P=Acclaim/LaBaron(Landau),  
Saratoga)  
C BODY=(D=Dynasty, C=New Yorker/N.Y. Salon)  
G BODY=(V=Daytona/IROC, Chrysler Daytona)  
J BODY=(C=LeBaron, Chrysler LeBaron)  
P BODY=(P=Sundance, D=Shadow)

S BODY=(H=Voyager(H) FWD, K=Caravan(H) FWD,  
Y=Town & Country(H) FWD, P=Voyager(K) AWD,  
D=Caravan(K) AWD, C=Town & Country(K) AWD)  
Y BODY=(C=Imperial/5th Avenue)  
E-S BODY=(K=Chrysler Voyager(H) FWD, D=Chrysler  
Voyager(K) AWD)

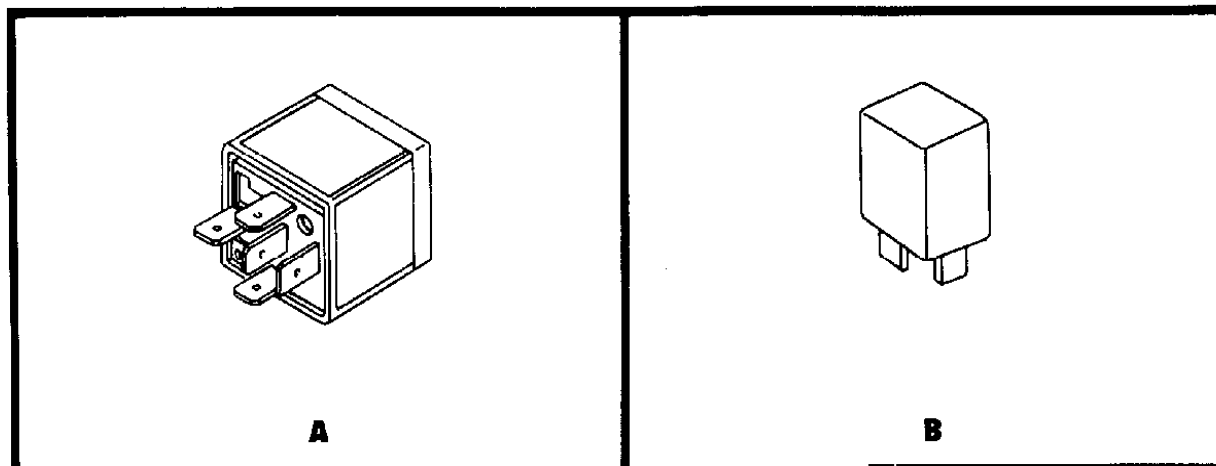
BODY STYLES:

21=2-Door Coupe      41=4-Door Sedan      12-52=FWD & AWD Van & Wgn Std W.B.  
24=2-Door Hatchback      44=4-Door Hatchback      53=FWD & AWD Van & Wgn Ext. W.B.  
27=2-Door Convertible

AR = Use as Required - = Non Illustrated Part P.A.R. = Paint as Required

RELAYS S-BODY  
Figure 8-600

93108 600



ITEM	PART NUMBER	QTY	BODY	MODEL	DESCRIPTION
RELAYS					
S-BODY					
A	4557 538	1			Starter
B	5252 672	1			Horn
	4557 540	1			Radiator Fan (Bracket 4687441), ASD RELAY
	5252 523	1			A/C Clutch Cutout
	5234 324	1			A/C Clutch Fan, w/Bracket
	4637 583	1			E.A.T.X., w/Bracket
	5252 672	1			Ign. Feed
	5252 672	1			Van Conversion
	5252 672	1			Namebrand Speaker, w/Diode
	5252 672	1			Aux. Heater & A/C Control
	5252 672	1			Door Lock Control
	5252 672	1			Headlamp
	5252 672	1			Hazzard Warning
	4373 229	1			Parking Lamp
	4557 655	1			Anti-Lock Brake (Pump Motor) w/Bracket
	4687 246	1			A.B.S. w/Bracket, (Stamped 5266193)
	5266 281	1			A.B.S., w/Diode Stamped# 5266164
	5252 672	1			Fog Lamp, Rear, EUROPE
	4557 538	1			Multi-Function
	4557 539	2			Multi-Function
	3600 3031	1			Power Antenna, Amplifier
	4687 476	1	ES		Start L/Dump, w/Bracket (Attaching Retainer 6502353) EUROPE
	4687 652	1	ES		Start L/Dump, Hev. Duty, EUROPE
	4687 410	1	ES		Load Dump Diode, EUROPE
	4686 062	1	ES		Glow Plug Timer (Use Bracket 4686064) EUROPE
	4687 668	1	ES		SPL Sound Isol, 5T Rad/Fan Hi., EUROPE

MODEL CODES:

A BODY=(C=LeBaron, D=Spirit, P=Acclaim/LaBaron(Landau),  
Saratoga)  
C BODY=(D=Dynasty, C=New Yorker/N.Y. Salon)  
G BODY=(V=Daytona/IROC, Chrysler Daytona)  
J BODY=(C=LeBaron, Chrysler LeBaron)  
P BODY=(P=Sundance, D=Shadow)

S BODY=(H=Voyager(H) FWD, K=Caravan(H) FWD,  
Y=Town & Country(H) FWD, P=Voyager(K) AWD,  
D=Caravan(K) AWD, C=Town & Country(K) AWD)  
Y BODY=(C=Imperial/5th Avenue)  
E-S BODY=(K=Chrysler Voyager(H) FWD, D=Chrysler  
Voyager(K) AWD)

BODY STYLES:

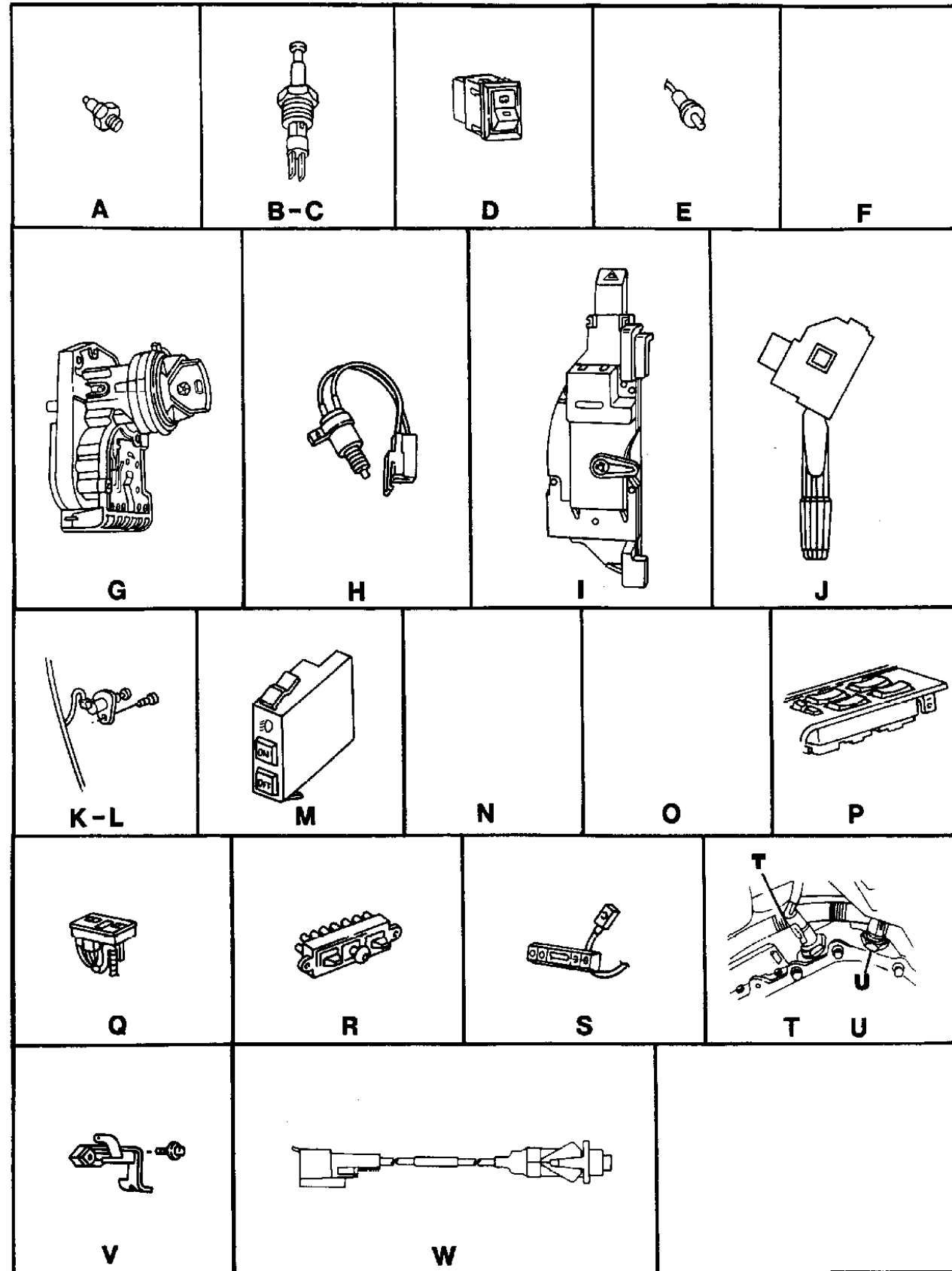
21=2-Door Coupe      41=4-Door Sedan      12-52=FWD & AWD Van & Wgn Std W.B.  
24=2-Door Hatchback      44=4-Door Hatchback      53=FWD & AWD Van & Wgn Ext. W.B.  
27=2-Door Convertible

AR = Use as Required - = Non Illustrated Part P.A.R. = Paint as Required



**SWITCHES P-BODY**  
Figure 8-700

93108 700A



ITEM	PART NUMBER	QTY	BODY	MODEL	DESCRIPTION
SWITCHES					
P-BODY					
A	4373 814	1			Back-Up Lamp, (Use Gskt. 1302807)
B	4687 558	1			Door Pillar, Rear
C	4687 558	1			Door Pillar, Frt.
D	4373 447	1			E.B.L. (Heated Rear Window)
E	4373 674	1			Glove Box Lamp
F	4565 320	1			Headlamp, Inst. Lp., Dome Lp.
G	4443 924	1			Ignition, w/Buzzer & Halo, (Insul. 4419594) (Mtg. Screw 4326772)
H	4565 215	1			Stop Lamp, (Use Brkt. 3747992)
I	5269 381	1			Turn Signal & Hazard Warning, w/ or w/o Tilt, w/o Intermittent, MULTIFUNCTION
J	5269 378	1			w/ or w/o Tilt, w/Intermittent Wipe & Wash (MULTIFUNCTION)
K		AR			Door Ajar, Front & Rear, Ind. Lp.
L	4373 037	1			Door Ajar, Rear (Pillar) (Insul. Serv. Assy.)
M	4373 448	1			Fog Lamp
N	4373 552	1			Liftgate Open-Cargo & Dome Lp.
O	4373 011	1			Dual Remote Mirrors, (Use Knob 4221622) (Insul. Serv. In Wiring)
P	4373 081	1	44		Window Lift, Console, 5-Gang (Use Insul. 4419581)
	4373 077	1			Window Lift, 2-Gang (Console) (Use Insul. 4331164)
	4373 075	1			Window Lift, Rear Door, w/Bezel (1-Gang) (Insul. 4419581)
Q	4373 075	1			Door Lock, w/Bezel (Use Insul. 4439089)
R	3747 924	1			Seat Adjuster
S		1			Speed Control, (See Group #19)
T	4671 019	1			(PRNODL) (Use Insul. 4638996)
U	3747 361	1			Neutral Start (Use Insul. 4638996)
V	4221 463	1			Parking Brake
W	4672 014	1			Clutch Interlock
		1			Trans. Oil Pressure (Adapter 6032269)
	4672 011	1			Power Steering

**MODEL CODES:**

A BODY=(C=LeBaron, D=Spirit, P=Acclaim/LaBaron(Landau), Saratoga) S BODY=(H=Voyager(H) FWD, K=Caravan(H) FWD, Y=Town & Country(H) FWD, P=Voyager(K) AWD, D=Caravan(K) AWD, C=Town & Country(K) AWD)  
 C BODY=(D=Dynasty, C=New Yorker/N.Y. Salon) Y BODY=(C=Imperial/5th Avenue)  
 G BODY=(V=Daytona/IROC, Chrysler Daytona) E-S BODY=(K=Chrysler Voyager(H) FWD, D=Chrysler Voyager(K) AWD)  
 J BODY=(C=LeBaron, Chrysler LeBaron) P BODY=(P=Sundance, D=Shadow)

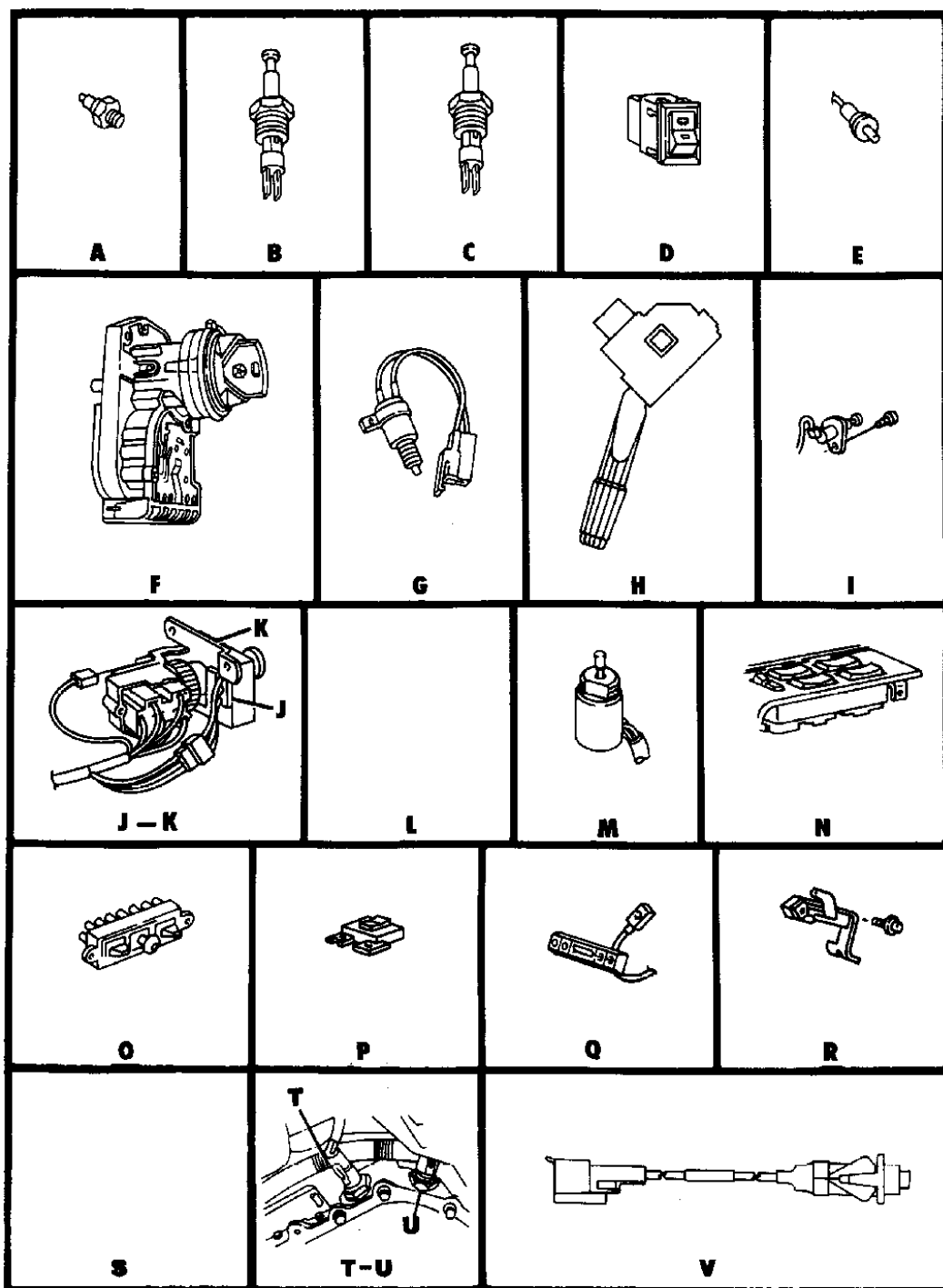
**BODY STYLES:**

21=2-Door Coupe      41=4-Door Sedan      12-52=FWD & AWD Van & Wgn Std W.B.  
 24=2-Door Hatchback      44=4-Door Hatchback      53=FWD & AWD Van & Wgn Ext. W.B.  
 27=2-Door Convertible

AR = Use as Required - = Non Illustrated Part P.A.R. = Paint as Required

**SWITCHES A-BODY**  
**Figure 8-800**

93108 800



ITEM	PART NUMBER	QTY	BODY	MODEL	DESCRIPTION
SWITCHES					
A-BODY					
A	4373 814	1			Back-Up Lamp
B	4687 558	1			Door Pillar, Frt.
C	4687 214	1			Door Pillar, Rear
D	4373 171	1			E.B.L. (Heated Rr. Wdo.) (Use Plate 4373173 & Escuton 4565276)
E	4373 674	1			Glove Box Lamp
F	4443 924	1			Ignition, w/Buzzer & Halo (Use Insul. 4419594) (Mtg. Screw 4326772)
G	4373 537	1			Stop Lamp, (Use Brkt. 3747992)
H	5269 378	1			Hazard Warning, Inter. Wipe & Wash, Beam Select, MULTIFUNCTION
I		1			Door Ajar, Frt. & Rear
J	4565 281	1			Fog Lamp (Control)
K	4565 268	1			Fog Lamp, Rear, (Use Bezel 4565267) EUROPE
L	4565 321	1			Headlamp
M	4373 552	1			Trunk Ajar & Cargo Lamp
N	4373 279	1			Remote Control Mirror, (Use Knob 4373456)
	4565 158	1		C	Window Lift (1-Gang) Frt. Door Rt. (Use Knob 4565295)
	4565 292	1		C	Window Lift (5-Gang) Frt. Door Lt. (Use Insul. 4419581)
	4565 293	1		P-D	1-Gang, Rt. (Insul. 4419581)
	4373 071	1			(For Door Switches Listed Below Use Mtg. Plate 4373075 & Retainer 4221907)
	DY51 KB7	2		P-D	Rear Door Wdo. Lift, w/Bezel, Blue
	DY51 JD5	2		P-D	Quartz
	DY51 KV8	2		P-D	Champagne
	DY51 LM6	2		P-D	Red
	EX10 KD5	2		C	Quartz
	EX10 KB7	2		C	Blue
	EX10 LM6	2		C	Red
	EX10 KV8	2		C	Champagne
O	4373 666	1			Seat Adjuster
P	4565 159	1		C	Door Lock (Use Knob 4565163) (Insul. 4439087)
	4373 395	1		P-D	
Q		1			Speed Control, (See Group #19)
R	4221 463	1			Parking Brake
S	4671 019	1			(PRNODL) (Use Insul. 4638996)

**MODEL CODES:**

A BODY=(C=LeBaron, D=Spirit, P=Acclaim/LaBaron(Landau), Saratoga) S BODY=(H=Voyager(H) FWD, K=Caravan(H) FWD, Y=Town & Country(H) FWD, P=Voyager(K) AWD, D=Caravan(K) AWD, C=Town & Country(K) AWD)  
 C BODY=(D=Dynasty, C=New Yorker/N.Y. Salon)  
 G BODY=(V=Daytona/ROC, Chrysler Daytona)  
 J BODY=(C=LeBaron, Chrysler LeBaron)  
 P BODY=(P=Sundance, D=Shadow)  
 Y BODY=(C=Imperial/5th Avenue)  
 E-S BODY=(K=Chrysler Voyager(H) FWD, D=Chrysler Voyager(K) AWD)

**BODY STYLES:**

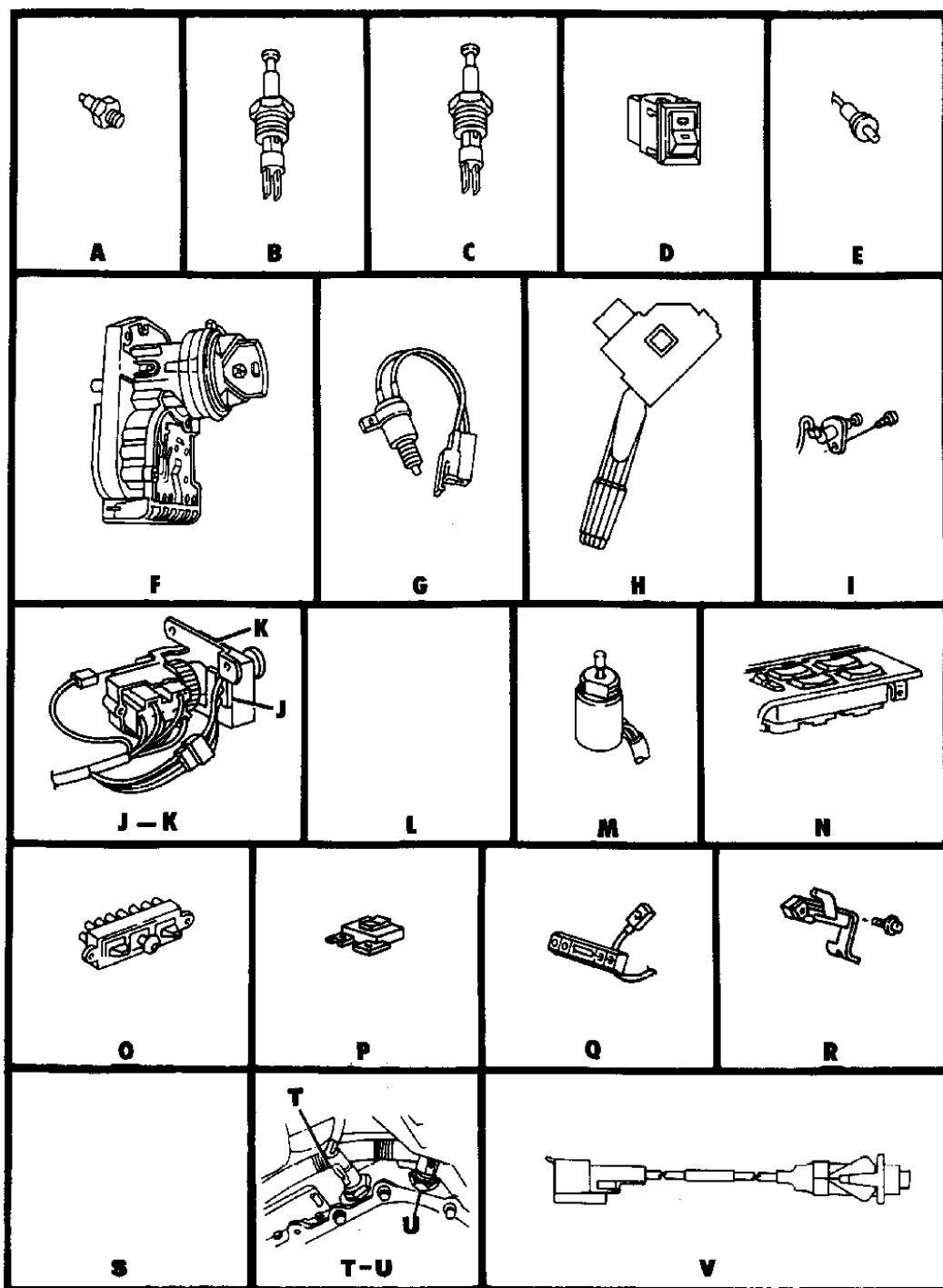
21=2-Door Coupe      41=4-Door Sedan      12-52=FWD & AWD Van & Wgn Std W.B.  
 24=2-Door Hatchback      44=4-Door Hatchback      53=FWD & AWD Van & Wgn Ext. W.B.  
 27=2-Door Convertible

AR = Use as Required - = Non Illustrated Part P.A.R. = Paint as Required

SWITCHES A-BODY  
Figure 8-800

93108 800

ITEM	PART NUMBER	QTY	BODY	MODEL	DESCRIPTION
T	4565 166	1			Headlamp Leveling, (Use Bezel 4685108) EUROPE
U	3747 361	1			Neutral Start, (Use Insul. 4638996)
	5234 319	1			Neutral Start, w/A604 Trans. (Use Insul. 4638996)
V	4672 014	1			Clutch Interlock



MODEL CODES:

A BODY=(C=LeBaron, D=Spirit, P=Acclaim/LaBaron(Landau),  
Saratoga) S BODY=(H=Voyager(H) FWD, K=Caravan(H) FWD,  
Y=Town & Country(H) FWD, P=Voyager(K) AWD,  
D=Caravan(K) AWD, C=Town & Country(K) AWD)  
C BODY=(D=Dynasty, C=New Yorker/N.Y. Salon)  
G BODY=(V=Daytona/IROC, Chrysler Daytona) Y BODY=(C=Imperial/5th Avenue)  
J BODY=(C=LeBaron, Chrysler LeBaron) E-S BODY=(K=Chrysler Voyager(H) FWD, D=Chrysler  
Voyager(K) AWD)  
P BODY=(P=Sundance, D=Shadow)

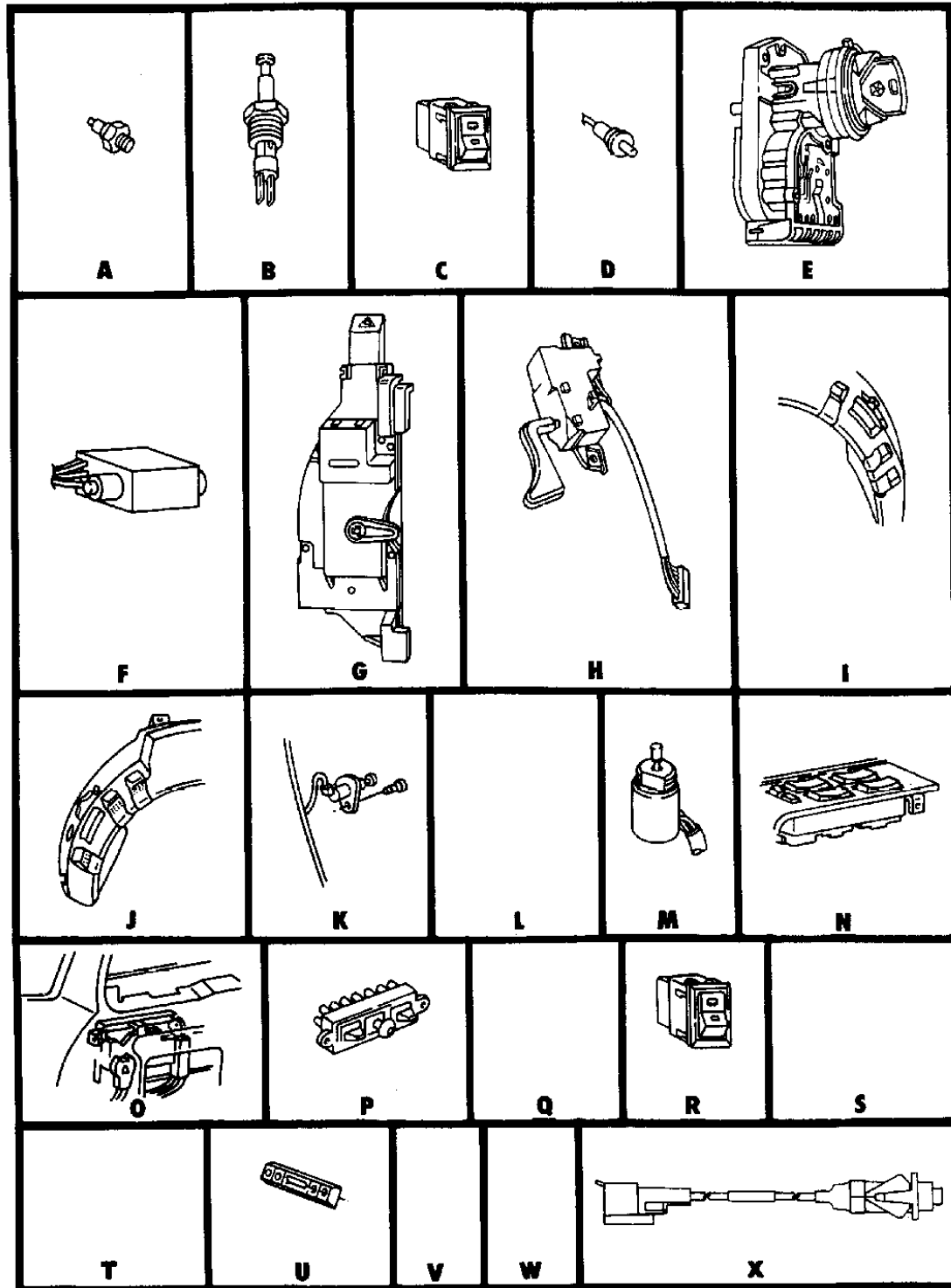
BODY STYLES:

21=2-Door Coupe      41=4-Door Sedan      12-52=FWD & AWD Van & Wgn Std W.B.  
24=2-Door Hatchback      44=4-Door Hatchback      53=FWD & AWD Van & Wgn Ext. W.B.  
27=2-Door Convertible

AR = Use as Required - = Non Illustrated Part P.A.R. = Paint as Required

SWITCHES J-BODY  
Figure 8-900

93108 900



ITEM	PART NUMBER	QTY	BODY	MODEL	DESCRIPTION
SWITCHES					
J-BODY					
A	4373 814	1			Back-Up Lamp
B	4687 558	2			Door Pillar, Front
C		1			E.B.L., (Heated Rear Window)
D	4373 331	1	27		E.B.L., (Heated Rear Window)
	4373 674	1			Glove Box Lamp
E	4443 924	1			Ignition, w/Buzzer & Halo (Insul. 4419594) (Mtg. Screw 4326772)
F	4565 215	1			Stop Lamp, (Use Brkt. 3747992)
G	4326 603	1			Turn Signal Cancel & Hazard Warning, (Column)
H	4565 032	1			Turn Signal & Lane Change (Binicle) (Use Lever 5265737)
I	4373 695	1			Windshield Wipe & Wash, w/Intermittent Wipe, Frt. & Rear (Binicle)
	4373 695	1			Windshield Wipe & Wash, w/Intermittent Wipe, Front Only (Binicle)
J	4373 504	1			Headlamp, Inst. Lp., Dome Lamp, Fog Lamp, (Use Lever 4460178)
K	4565 051	1			Door Ajar, Ind. Lamp (Insul. Serv. in Inst. Pnl. Wire)
	5269 267	1			Fog Lamp, Rear, EUROPE
L	4373 552	1			Trunk Ajar & Cargo Lamp
M	4373 287	1			Dual Remote Mirrors, (Insul. Serv. In Wiring)
N	4373 852	1	21		Window Lift, 2-Gang, Lt. (Use Insul. 4439088)
	4373 850	1	27		Window Lift, 4-Gang, Lt., (Use Insul. 4331164)
	4373 854	1			Window Lift, 1-Gang, Rt., (Use Insul. 4419581)
O	4373 678	1			Illum. Entry (Use Insul. 4504251)
P	4373 849	1			Seat Adjuster, w/Plate (8-Way) (Insul. Serv. In Wiring)
	4373 671	1			Seat Adjuster (6-Way), (Insul. Serv. In Wiring)
Q	4373 354	1	27		Folding Top, (Bezel 4373510)
R	4373 237	1	27		E.B.L. Cut-Out, w/Bracket
	4373 654	1	21		
S	4373 855	1			Door Lock, Rt. & Lt. (Use Insul. 4439087)
T	4565 220-1	1			Security Alarm Disarm, (Use Insul. 4400241)
	5252 559	1			Security Alarm (Underhood) (Use Striker 4373519)
	4373 455	1			Deck Lid Alarm
U		1			Speed Control, (See Group #19)
V	4671 019	1			(PRNODL) (Use Insul. 4638996)
	3747 361	1			Neutral Start, (Use Insul. 4638996)
	5234 319	1			Neutral Start, w/A604 Trans. (Use Insul. 4638996)
W	5269 346	1			Headlamp Leveling, (Bezel 4685108) EUROPE

MODEL CODES:

A BODY=(C=LeBaron, D=Spirit, P=Acclaim/LaBaron(Landau), Saratoga)

C BODY=(D=Dynasty, C=New Yorker/N.Y. Salon)

G BODY=(V=Daytona/ROC, Chrysler Daytona)

J BODY=(C=LeBaron, Chrysler LeBaron)

P BODY=(P=Sundance, D=Shadow)

S BODY=(H=Voyager(H) FWD, K=Caravan(H) FWD,

Y=Town & Country(H) FWD, P=Voyager(K) AWD,

D=Caravan(K) AWD, C=Town & Country(K) AWD)

Y BODY=(C=Imperial/5th Avenue)

E-S BODY=(K=Chrysler Voyager(H) FWD, D=Chrysler

Voyager(K) AWD)

BODY STYLES:

21=2-Door Coupe 41=4-Door Sedan 12-52=FWD & AWD Van & Wgn Std W.B.

24=2-Door Hatchback 44=4-Door Hatchback 53=FWD & AWD Van & Wgn Ext. W.B.

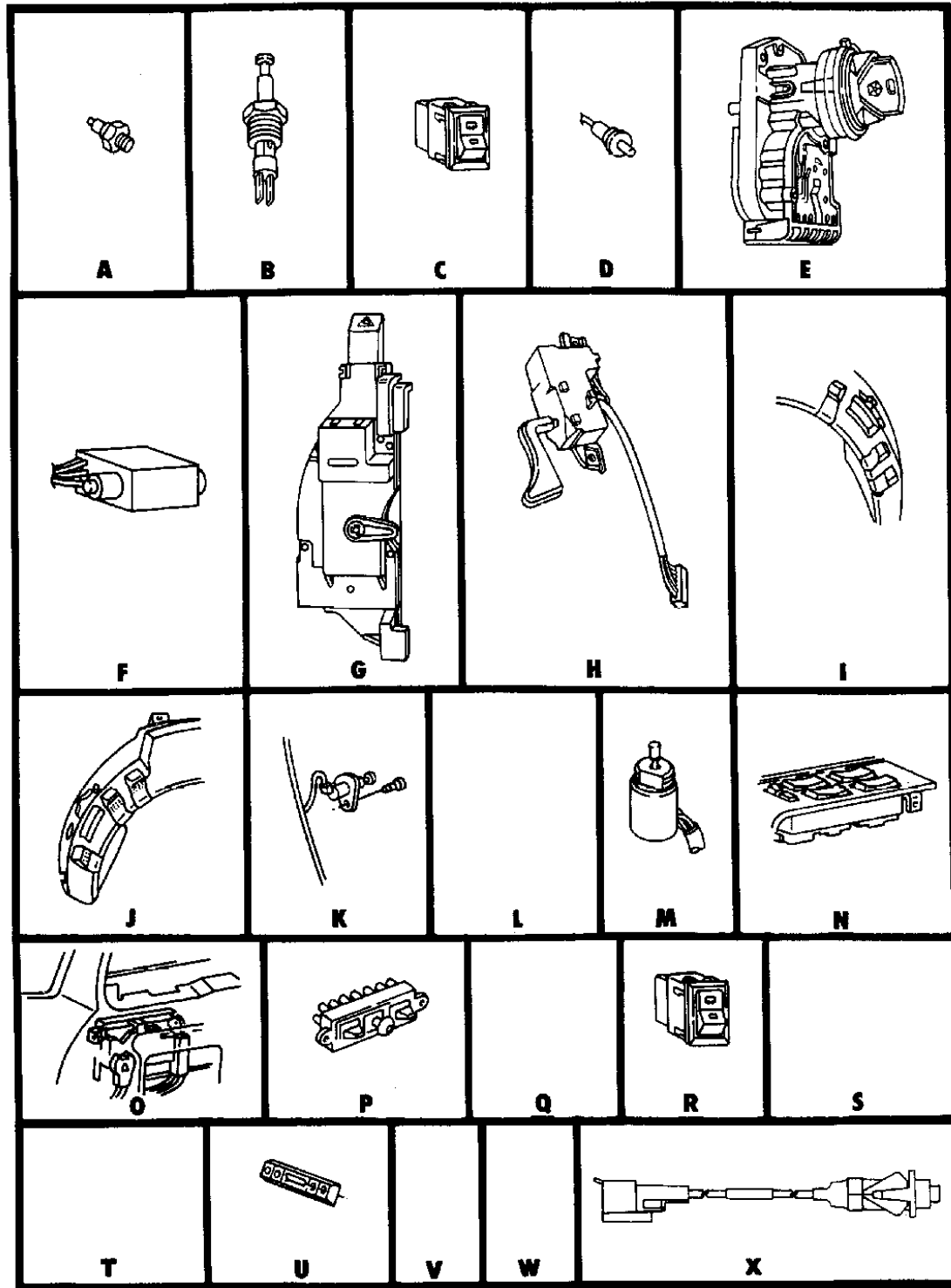
27=2-Door Convertible

AR = Use as Required - = Non Illustrated Part P.A.R. = Paint as Required

SWITCHES J-BODY  
Figure 8-900

93108 900

ITEM	PART NUMBER	QTY	BODY	MODEL	DESCRIPTION
X	4672 014	1			Clutch Interlock
	4672 011	1			Power Steering



MODEL CODES:

A BODY=(C=LeBaron, D=Spirit, P=Acclaim/LaBaron(Landau),  
Saratoga) S BODY=(H=Voyager(H) FWD, K=Caravan(H) FWD,  
Y=Town & Country(H) FWD, P=Voyager(K) AWD,  
D=Caravan(K) AWD, C=Town & Country(K) AWD)  
C BODY=(D=Dynasty, C=New Yorker/N.Y. Salon)  
G BODY=(V=Daytona/IROC, Chrysler Daytona) Y BODY=(C=Imperial/5th Avenue)  
J BODY=(C=LeBaron, Chrysler LeBaron) E-S BODY=(K=Chrysler Voyager(H) FWD, D=Chrysler  
P BODY=(P=Sundance, D=Shadow) Voyager(K) AWD)

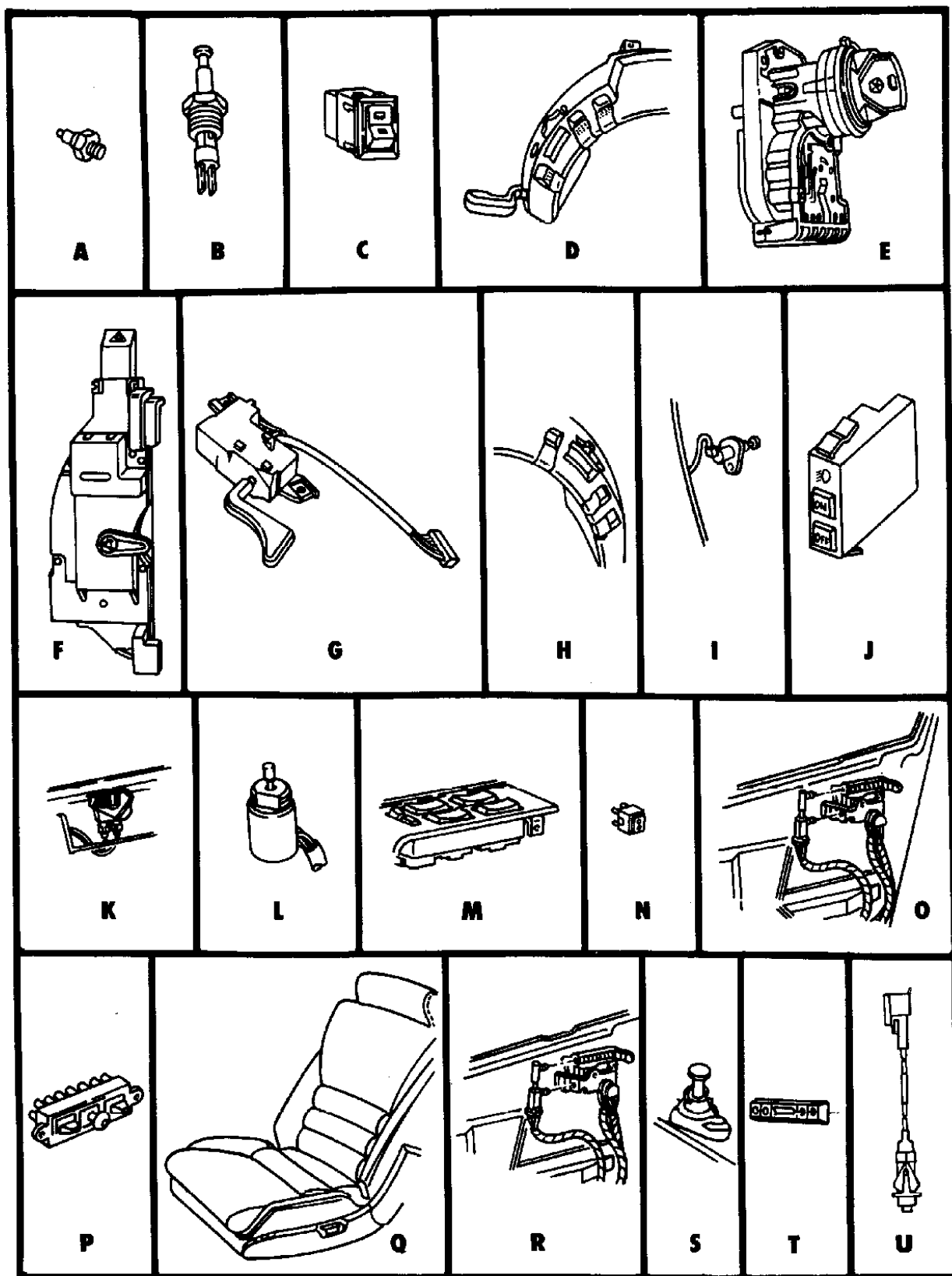
BODY STYLES:

21=2-Door Coupe 41=4-Door Sedan 12-52=FWD & AWD Van & Wgn Std W.B.  
24=2-Door Hatchback 44=4-Door Hatchback 53=FWD & AWD Van & Wgn Ext. W.B.  
27=2-Door Convertible

AR = Use as Required - = Non Illustrated Part P.A.R. = Paint as Required

**SWITCHES G-BODY**  
Figure 8-1000

93108 1000A



ITEM	PART NUMBER	QTY	BODY	MODEL	DESCRIPTION
SWITCHES					
G-BODY					
A	4373 814	1			Back-Up Lamp, (Use Gskt. 1302807)
B	4687 558	1			Door Pillar Front
C	4373 331	1			E.B.L. (Heated Rear Window)
D	4373 696	1			Headlamp, Inst. Lamp, Dome Lamp & Fog Lamp
	4373 504	1			Headlamp, Inst. Lamp, Dome Lamp, w/o Fog Lamp (Use Lever 4460178)
	4373 674	1			Glove Box
E	4443 924	1			Ignition, w/Buzzer & Halo (Insul. 4419594) (Mtg. Screw 4326772)
F	4326 603	1			Turn Signal Cancel & Hazard Warning
G	4565 032	1			Turn Signal & Lane Change (Binicle) (Use Lever 5265737)
H	4373 503	1			Windshield Wiper & Wash, Frt. & Rear (Binicle)
	4373 695	1			Windshield Wiper & Wash, Front Only (Binicle)
I	4565 051	1			Door Ajar, Ind. Lamp (Insul. Serv. In Inst. Pnl. Harness)
J	4373 696	1			Fog Lamp
	5269 267	1			Fog Lamp, EUROPE
K	4373 552	1			Liftgate Open-Cargo & Dome
L	4373 287	1			Dual Remote Mirrors (Use Knob 4373120) (Use Insul. 4439087)
M	4685 278	1			Window Lift, 2-Gang (Use Insul. 4439088)
	4373 354	1			Window Lift, 1-Gang Rt. (Use Insul. 4419581)
N	4565 130	1			6-Way Power Seat, w/Bezel
	4373 354	1			Door Lock, (Use Insul. 4439087)
O	4565 130	1			Power Window & 6-Way Seat w/Bezel
	4373 678	1			Illum. Entry (Use Insul. 4504251)
P	4373 846	1			Seat Adjuster, w/Recliner (Insul. Serv. In Wiring) 6-Way
	4565 130	1			Seat Adjuster, 6-Way Power (Insul. Serv. In Wiring)
Q	4373 856	1			Lumbar & Wing Control
R	4565 222-3	1			Security Alarm Disarm (Use Insul. 4400241)
S	5252 559	1			Security Alarm, Underhood (Use Striker 4373519)
		1			Speed Control, (See Group #19)
	4671 019	1			(PRNODL) (Use Insul. 4638996)
	3747 361	1			Neutral Start, (Use Insul. 4419551)
T	5234 319	1			Neutral Start, w/A604 Trans. (Use Insul. 4419551)
	5269 346	1			Headlamp Leveling, (Bezel 4685108) EUROPE
U	4672 014	1			Clutch Interlock
	4672 011	1			Power Steering

**MODEL CODES:**

A BODY=(C=LeBaron, D=Spirit, P=Acclaim/LaBaron(Landau), Saratoga) S BODY=(H=Voyager(H) FWD, K=Caravan(H) FWD, Y=Town & Country(H) FWD, P=Voyager(K) AWD, D=Caravan(K) AWD, C=Town & Country(K) AWD)  
 C BODY=(D=Dynasty, C=New Yorker/N.Y. Salon) Y BODY=(C=Imperial/5th Avenue)  
 G BODY=(V=Daytona/IROC, Chrysler Daytona) E-S BODY=(K=Chrysler Voyager(H) FWD, D=Chrysler Voyager(K) AWD)  
 J BODY=(C=LeBaron, Chrysler LeBaron) P BODY=(P=Sundance, D=Shadow)

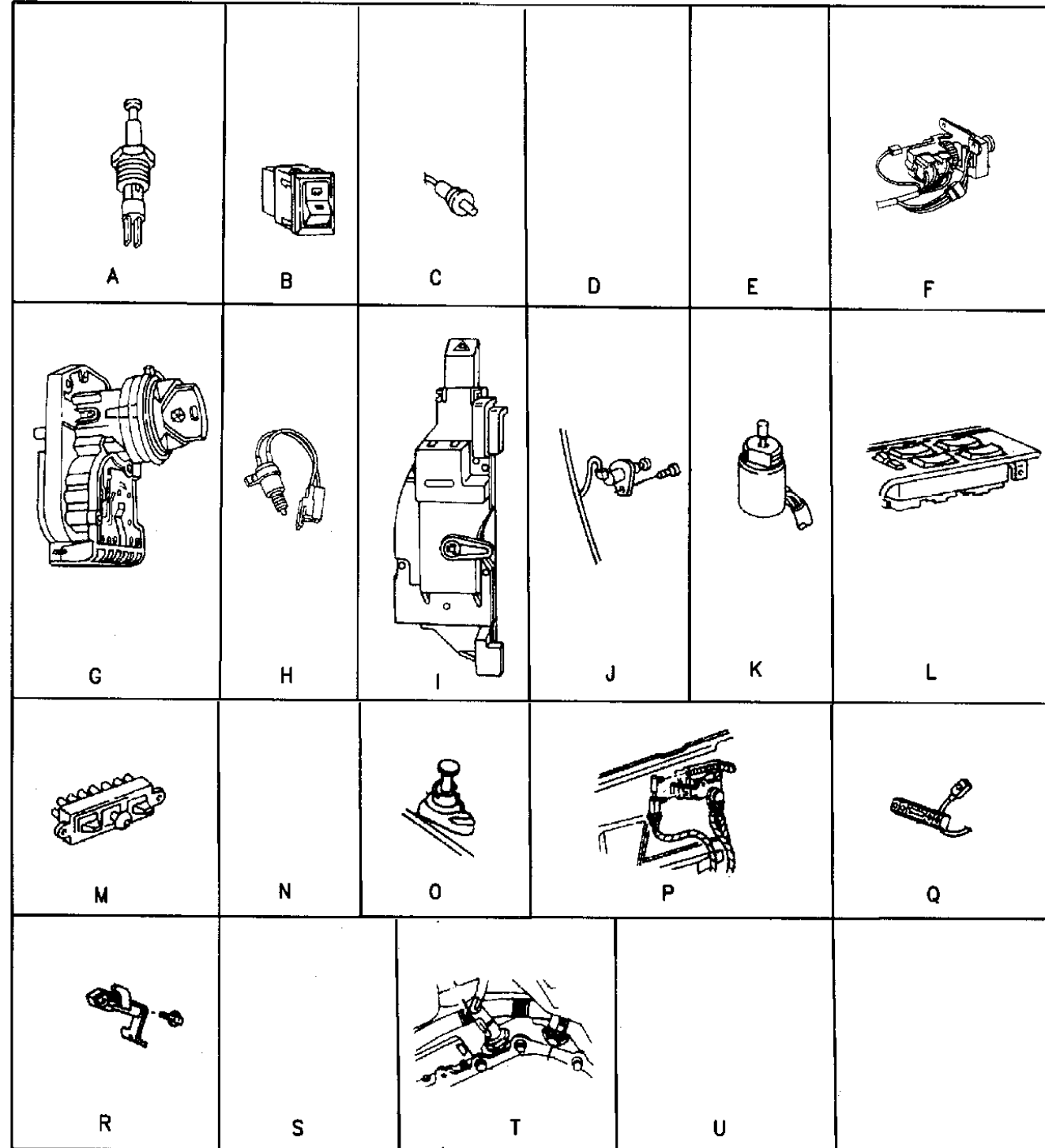
**BODY STYLES:**

21=2-Door Coupe 41=4-Door Sedan 12-52=FWD & AWD Van & Wgn Std W.B.  
 24=2-Door Hatchback 44=4-Door Hatchback 53=FWD & AWD Van & Wgn Ext. W.B.  
 27=2-Door Convertible

AR = Use as Required - = Non Illustrated Part P.A.R. = Paint as Required

**SWITCHES C-Y BODY**  
Figure 8-1100

93108 1100



ITEM	PART NUMBER	QTY	BODY	MODEL	DESCRIPTION
SWITCHES					
C-Y BODY					
A	4687 558	2	C-Y		Door Pillar, Front
B	4373 655	1	C	H,P	E.B.L. (Heated Rear Window) (Black)
C	4373 674	1	C-Y		Glove Box Lamp
D	4373 521	1	C-Y		Deck Lid Release, Remote (Glovebox)
E	4373 224	1	C-Y		Deck Lid Release, Power
F	4373 225		C-Y		Deck Lid Pull (Ajar)
	4565 319	1	C-Y	(C)	Headlamp, Inst. Lp., Dome Lp. (Elec. Dash)
	4565 320	1	C		Headlamp, Inst. Panel (Std. Dash)
G	4443 924	1	C-Y		Ignition, w/Buzzer & Halo (Insul. 4419594) (Mtg. Screw 4326772)
H	4373 537	1	C-Y		Stop Lamp, (Use Brkt. 3747992)
I	4728 424	1	C-Y		Turn Signal & Hazard Warning, w/Tilt (MULTIFUNCTION)
J	4565 051	1	C-Y		Door Ajar, Front & Rear Ind. Lamp
	4687 214	1	C-Y		Door Ajar, Rear (Pillar)
K	4373 232	1	C-Y		Dual Remote Mirrors, (Use Knob 4373456)
L	4373 081	1	C	H-P	Window Lift, 5-Gang (Black) Lt. (Insul. 4419581)
	4565 212	1	Y	P	Window Lift, 5 Gang (Chrome) (Insul. 4419581)
	4373 219	1	C-Y	S	Window Lift, Door, 5-Gang (Chrome) (Insul. 4419581)
	4373 633	1	C-Y	S	Window Lift, Frt. Bright, Rt.
	4373 633	1	C-Y	S	Door Lock, Bright
M	4373 633	1	C-Y	S	Window Lift, Bright, Rear
	4373 634	1	Y	P	Pwr. Seat Back, Rt. & Lt., Bright
	4373 632	1	C	H-P	Pwr. Seat Back, Rt. & Lt., Bright
	4373 632	AR	C	H-P	Rt. Frt. Wdo. Lift, Black (Insul. 4419581)
	4373 632	AR	C	H-P	Door Lock, Black
	4373 632	AR	C	H-P	Rear Wdo. Lift, Black
	4373 632	AR	C	H-P	Pwr. Seat Back, Black (Insul. 4419581)
	4373 634	1	Y	P	1-Gang, Rt. (Chrome)
	4565 212	1	Y	P	5-Gang, (Chrome)
	4373 634	1	Y	1	Door Lock, (Chrome)
	4419 191	1	C	D	Seat Adjuster, w/Bezel (Nut 6033273), Black
	4565 217	1	Y	P	Lt. Black, w/Memory
	4637 046	1	Y	S	Lt., Chrome, w/Recliner
		1	Y	S	Seat Adjuster, w/Bezel (Nut 6033273) (Landau) Chrome
			C	S	Buttons, w/Memory
	4419 192		C	S	Chrome, w/o Memory, w/o Mirror
	4373 708	1	Y	P	Seat Adjuster, (Nut 6033273) Bright, Driver Recliner
	4565 207	1	Y	P	Passenger Recliner

**MODEL CODES:**

A BODY=(C=LeBaron, D=Spirit, P=Acclaim/LaBaron(Landau), Saratoga)

C BODY=(D=Dynasty, C=New Yorker/N.Y. Salon)

G BODY=(V=Daytona/IROC, Chrysler Daytona)

J BODY=(C=LeBaron, Chrysler LeBaron)

P BODY=(P=Sundance, D=Shadow)

S BODY=(H=Voyager(H) FWD, K=Caravan(H) FWD,

Y=Town & Country(H) FWD, P=Voyager(K) AWD,

D=Caravan(K) AWD, C=Town & Country(K) AWD)

Y BODY=(C=Imperial/5th Avenue)

E-S BODY=(K=Chrysler Voyager(H) FWD, D=Chrysler

Voyager(K) AWD)

**BODY STYLES:**

21=2-Door Coupe

41=4-Door Sedan

12-52=FWD & AWD Van & Wgn Std W.B.

24=2-Door Hatchback

44=4-Door Hatchback

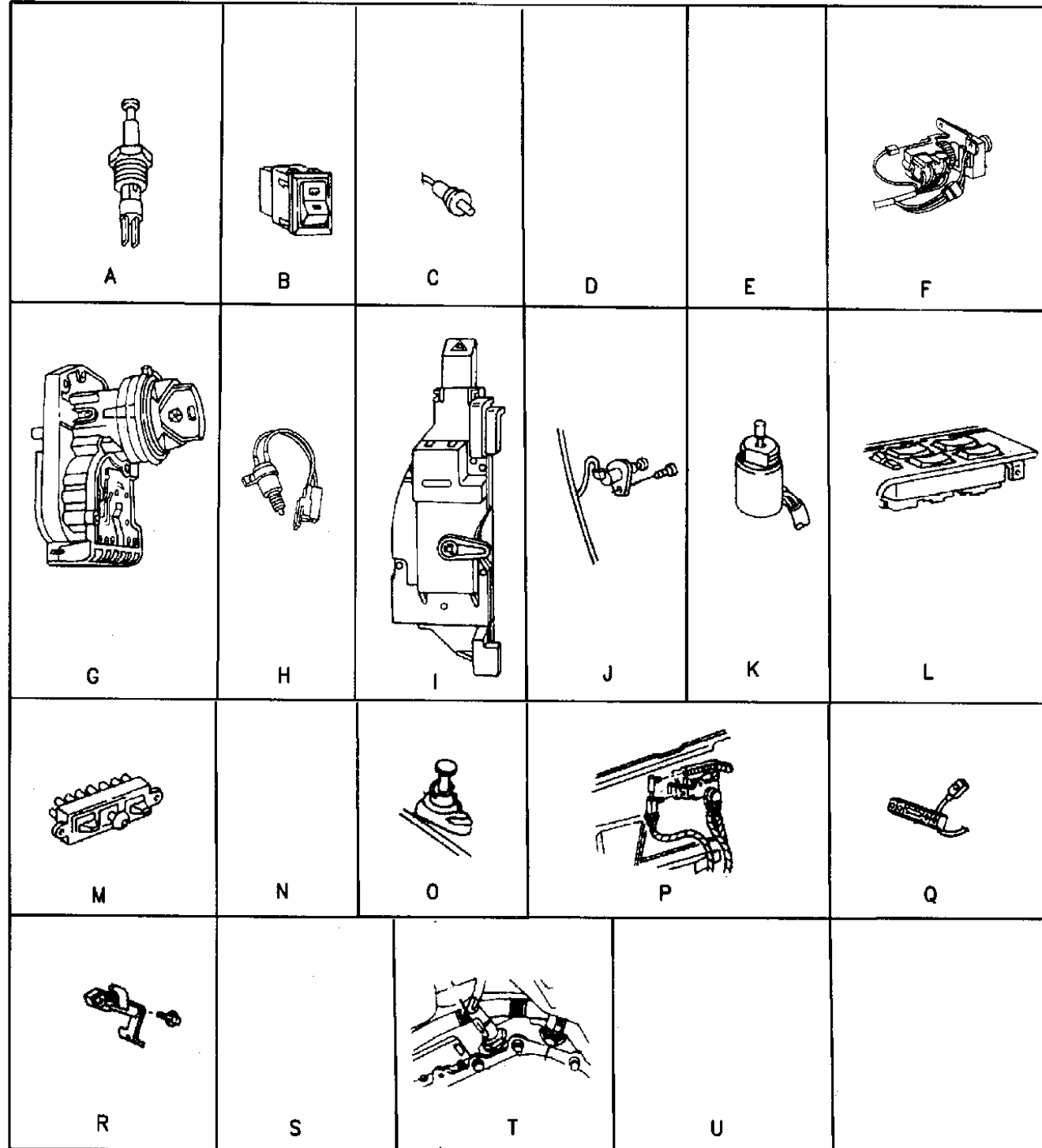
53=FWD & AWD Van & Wgn Ext. W.B.

27=2-Door Convertible

AR = Use as Required - = Non Illustrated Part P.A.R. = Paint as Required

**SWITCHES C-Y BODY**  
Figure 8-1100

93108 1100



ITEM	PART NUMBER	QTY	BODY	MODEL	DESCRIPTION
	4373 370	1	C	(D)	Seat & Mirror Memory, Black
	4221 905	1	Y	(S)	Seat & Mirror Memory, Bright
	4221 905	1	C	C	Seat & Mirror Memory, Bright
	4373 686	1	C-Y		Deck Lid Security, (Mtg. Brkt. 4503019)
N	5252 225	1			A/C Ambient Temp.
O	5252 559	1	C-Y		Security Alarm, (Underhood) (Striker 4373178)
P	4565 151	1	C-Y		Security Alarm, (In Door) (Plug 4337950) (w/Wiring) Rt.
	4565 152	1	C-Y		Lt.
Q		1	C-Y		Speed Control, (See Group #19)
R	4221 463	1	C-Y		Parking Brake
S	4671 019	1	C-Y		(PRNODL) (Use Insul. 4638996)
T	5234 319	1	C-Y		Neutral Start, w/A604 Trans. (Use Insul. 4638996)
U	5252 225	1	C-Y		Ambient Temp.

**MODEL CODES:**

A BODY=(C=LeBaron, D=Spirit, P=Acclaim/LaBaron(Landau), Saratoga) S BODY=(H=Voyager(H) FWD, K=Caravan(H) FWD, Y=Town & Country(H) FWD, P=Voyager(K) AWD, D=Caravan(K) AWD, C=Town & Country(K) AWD)  
 C BODY=(D=Dynasty, C=New Yorker/N.Y. Salon) Y BODY=(C=Imperial/5th Avenue)  
 G BODY=(V=Daytona/IROC, Chrysler Daytona) E-S BODY=(K=Chrysler Voyager(H) FWD, D=Chrysler Voyager(K) AWD)  
 J BODY=(C=LeBaron, Chrysler LeBaron)  
 P BODY=(P=Sundance, D=Shadow)

**BODY STYLES:**

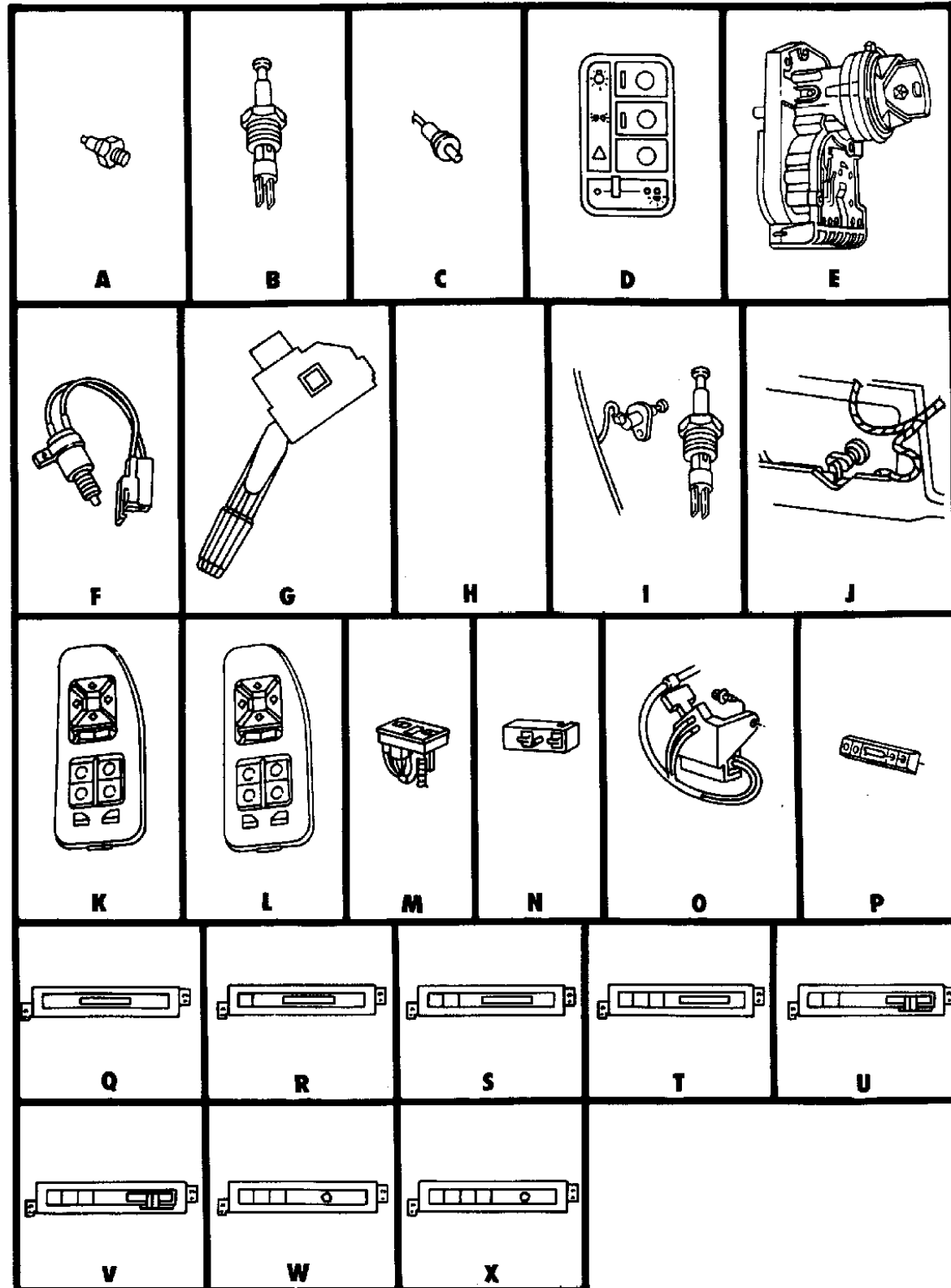
21=2-Door Coupe      41=4-Door Sedan      12-52=FWD & AWD Van & Wgn Std W.B.  
 24=2-Door Hatchback      44=4-Door Hatchback      53=FWD & AWD Van & Wgn Ext. W.B.  
 27=2-Door Convertible

AR = Use as Required - = Non Illustrated Part P.A.R. = Paint as Required



**SWITCHES S-BODY**  
Figure 8-1200

93108 1200



ITEM	PART NUMBER	QTY	BODY	MODEL	DESCRIPTION
SWITCHES					
S-BODY					
A	4373 814	1			Back-Up Lamp
B	4687 558	1			Door Pillar, Sliding Door, Ajar
C	4373 674	1			Glove Box Lamp
D	4373 305	1			Headlamp, Park & Hazard Warning (w/Slide Dimmer)
E	4443 924	1			Ignition, w/Buzzer & Halo (Mtg. Screw 4326772)
F	4373 535	1			Stop Lamp, (Use Brkt. 4221487) (Striker 4221488)
G	4638 063	1			Turn Signal & Wiper, (MULTIFUNCTION)
H	4565 224	1			Wiper, Rear (BULB & SOCKET 4685004)
I	4565 051	1			Door Ajar, Front door
J	4565 023	1			Liftgate Open, Cargo & Dome
K	4685 055	1			Dual Remote Mirror
L	4685 278	1			Window Lift, Lt.
	4373 354	1			Window Lift, Rt. (Insul. 4419581)
M	4373 860	1			Door Lock
N	4373 848	1			Seat Adjuster
O		1			Storage Compartment, Underseat
P					Speed Control (See Group #19)
Q	4565 025	1			E.B.L., Cover, (FWD)
	4565 026	1			(AWD)
	4565 234	1			E.B.L, Cover, Rt.
R	4565 027	1			Hatch Release, (AWD)
	4373 494	1			(FWD)
S	4565 028	1			E.B.L., Hatch Release, (AWD)
	4373 493	1			(FWD)
T	4373 721	1			E.B.L., Hatch Release, Front Fog Lamp, (FWD)
	4565 029	1			(AWD)
U	4373 492	1			E.B.L., Hatch Release, Rear Blower
V	4373 722	1			E.B.L., Hatch Release, Front Fog Lamp, Rear Blower
W	4565 303	1			E.B.L., Rear Hatch, Front Fog Lamp, EUROPE
X	4565 224	1			E.B.L., Liftgate, Frt. Fog Lamp, Rear Htr. & A/C, EUROPE
	4565 302	1			E.B.L., Liftgate, Rear Heater & A.C. EUROPE
	4565 304	1			E.B.L., Liftgate, Frt. Fog Lp., Rear Wdo., EUROPE
	4565 301	1			E.B.L., Liftgate, EUROPE
	5252 225				Ambient Temp.
	4685 293	1			Sunroof & Rear Qtr. Vent (Bezel 4373579)
	4565 168	1			Headlamp Leveling (Bezel 4565285) EUROPE
	4685 295				Rear Fog Lamp, EUROPE

**MODEL CODES:**

A BODY=(C=LeBaron, D=Spirit, P=Acclaim/LaBaron(Landau), Saratoga) S BODY=(H=Voyager(H) FWD, K=Caravan(H) FWD, Y=Town & Country(H) FWD, P=Voyager(K) AWD, D=Caravan(K) AWD, C=Town & Country(K) AWD)  
 C BODY=(D=Dynasty, C=New Yorker/N.Y. Salon)  
 G BODY=(V=Daytona/IROC, Chrysler Daytona)  
 J BODY=(C=LeBaron, Chrysler LeBaron)  
 P BODY=(P=Sundance, D=Shadow)  
 Y BODY=(C=Imperial/5th Avenue)  
 E-S BODY=(K=Chrysler Voyager(H) FWD, D=Chrysler Voyager(K) AWD)

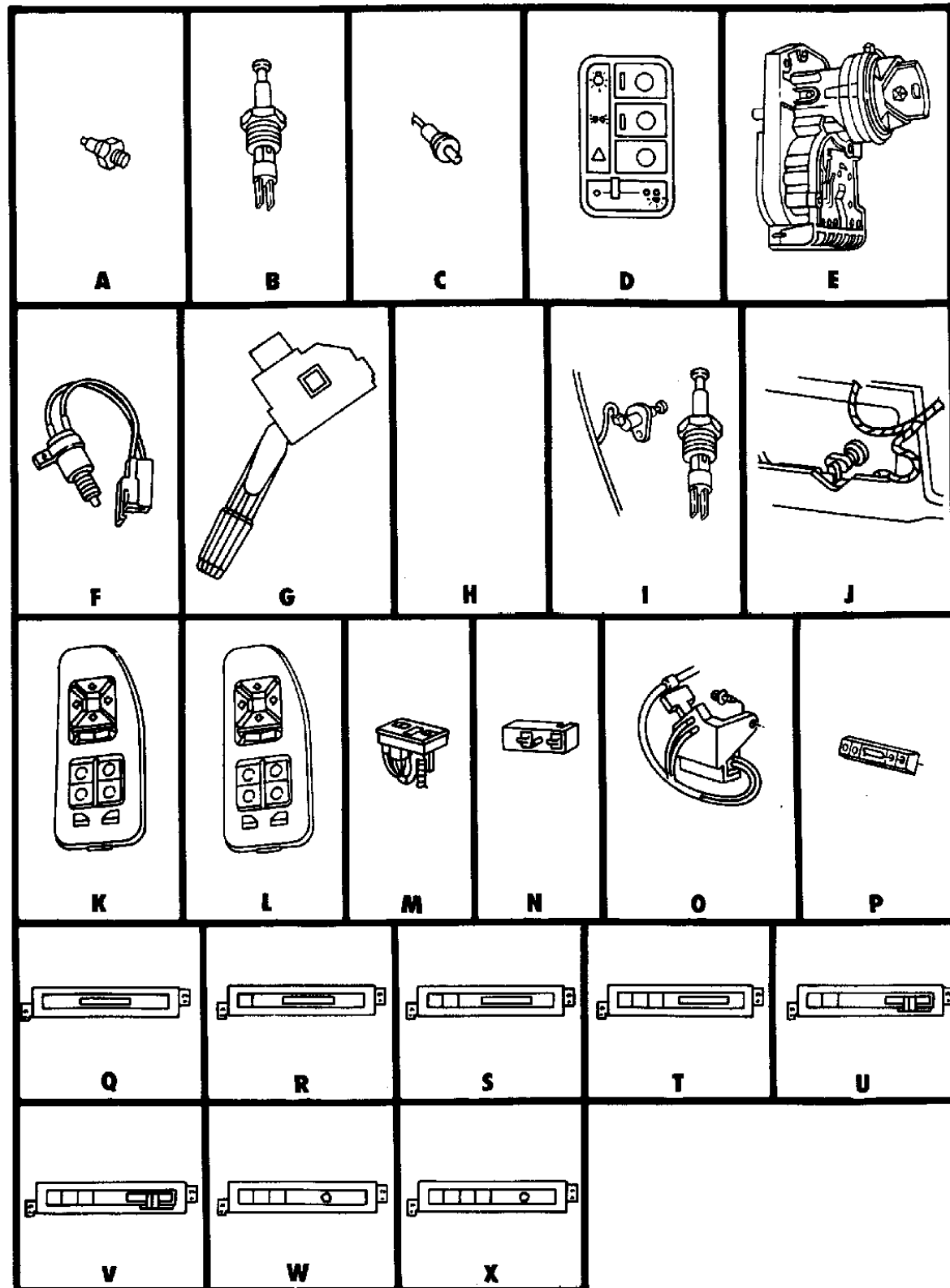
**BODY STYLES:**

21=2-Door Coupe      41=4-Door Sedan      12-52=FWD & AWD Van & Wgn Std W.B.  
 24=2-Door Hatchback      44=4-Door Hatchback      53=FWD & AWD Van & Wgn Ext. W.B.  
 27=2-Door Convertible

AR = Use as Required - = Non Illustrated Part P.A.R. = Paint as Required

**SWITCHES S-BODY**  
Figure 8-1200

93108 1200



ITEM	PART NUMBER	QTY	BODY	MODEL	DESCRIPTION
	4671 019	1			(PRNODL)(Insul. 4638996)
	4687 255	1			Illuminated Entry
	4682 129	1	ES		Thermo, Radiator w/EGR, EUROPE
	4672 014	1			Clutch Interlock

**MODEL CODES:**

A BODY=(C=LeBaron, D=Spirit, P=Acclaim/LaBaron(Landau),  
Saratoga) S BODY=(H=Voyager(H) FWD, K=Caravan(H) FWD,  
Y=Town & Country(H) FWD, P=Voyager(K) AWD,  
D=Caravan(K) AWD, C=Town & Country(K) AWD)  
C BODY=(D=Dynasty, C=New Yorker/N.Y. Salon)  
G BODY=(V=Daytona/IROC, Chrysler Daytona) Y BODY=(C=Imperial/5th Avenue)  
J BODY=(C=LeBaron, Chrysler LeBaron) E-S BODY=(K=Chrysler Voyager(H) FWD, D=Chrysler  
P BODY=(P=Sundance, D=Shadow) Voyager(K) AWD)

**BODY STYLES:**

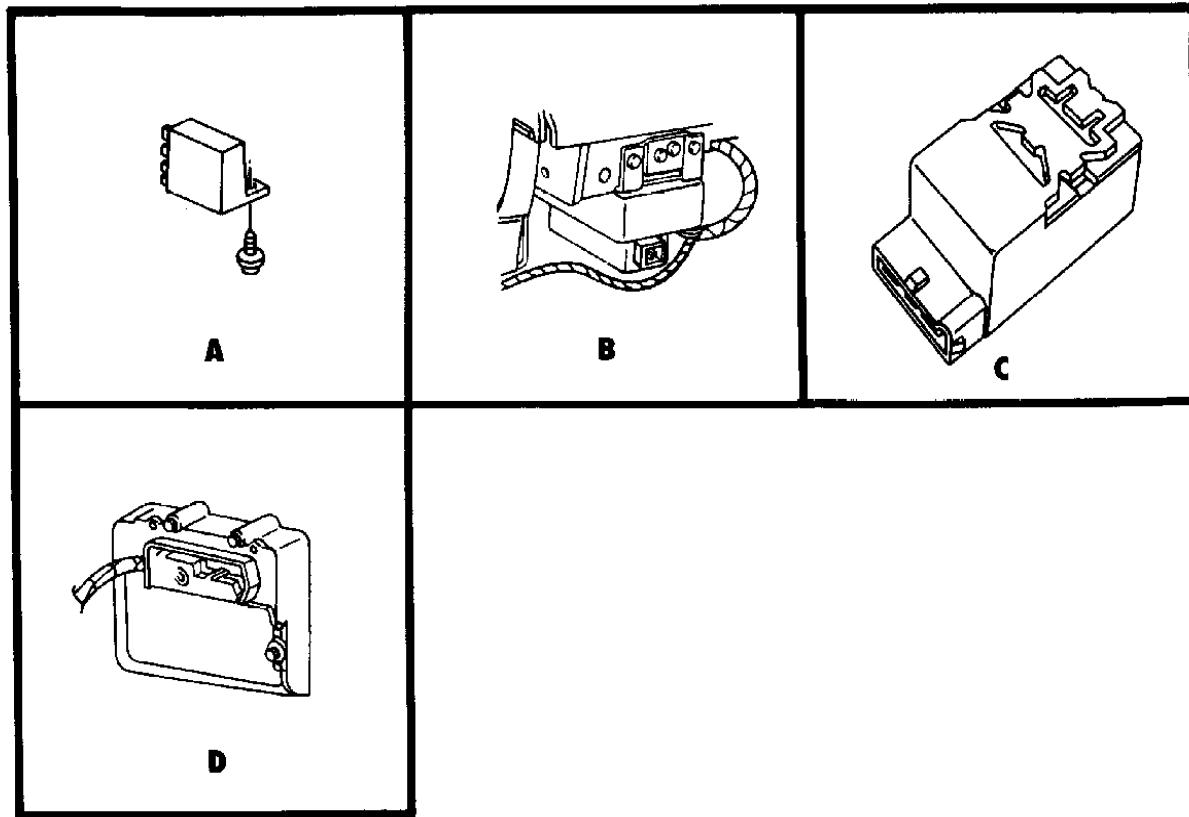
21=2-Door Coupe      41=4-Door Sedan      12-52=FWD & AWD Van & Wgn Std W.B.  
24=2-Door Hatchback      44=4-Door Hatchback      53=FWD & AWD Van & Wgn Ext. W.B.  
27=2-Door Convertible

AR = Use as Required - = Non Illustrated Part P.A.R. = Paint as Required

MODULES--ELECTRONIC P-BODY  
Figure 8-1300

93108 1300

ITEM	PART NUMBER	QTY	BODY	MODEL	DESCRIPTION
MODULES ***					
P-BODY					
A	5266 269	1			Chime
B	5252 554	1			Airbag Diagnostic, w/Brkt.
C	4503 104	1			Intermittent Wiper
D	4672 021	1			E.A.T.X. (Mtg. Screw 6033882) (Insul. 4419491)
	5234 235	1			A.B.S. Control (Use Insul. & Cover 4419494)
	4437 394	1			Daytime Running Lamp



**MODEL CODES:**

A BODY=(C=LeBaron, D=Spirit, P=Acclaim/LaBaron(Landau), Saratoga) S BODY=(H=Voyager(H) FWD, K=Caravan(H) FWD, Y=Town & Country(H) FWD, P=Voyager(K) AWD, D=Caravan(K) AWD, C=Town & Country(K) AWD)  
 C BODY=(D=Dynasty, C=New Yorker/N.Y. Salon) Y BODY=(C=Imperial/5th Avenue)  
 G BODY=(V=Daytona/IROC, Chrysler Daytona) E-S BODY=(K=Chrysler Voyager(H) FWD, D=Chrysler Voyager(K) AWD)  
 J BODY=(C=LeBaron, Chrysler LeBaron)  
 P BODY=(P=Sundance, D=Shadow)

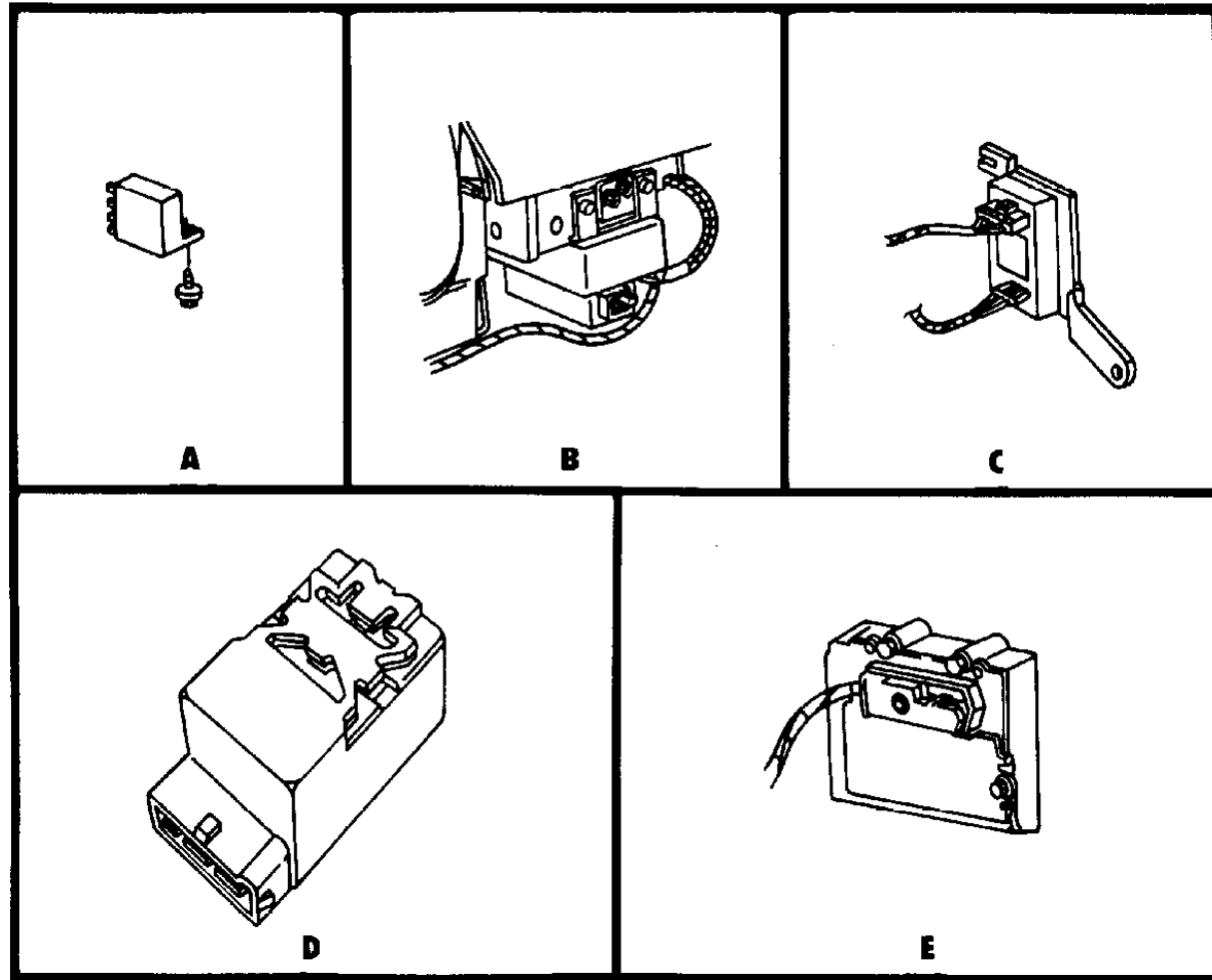
**BODY STYLES:**

21=2-Door Coupe      41=4-Door Sedan      12-52=FWD & AWD Van & Wgn Std W.B.  
 24=2-Door Hatchback      44=4-Door Hatchback      53=FWD & AWD Van & Wgn Ext. W.B.  
 27=2-Door Convertible

AR = Use as Required - = Non Illustrated Part P.A.R. = Paint as Required

MODULES--ELECTRONIC A-BODY  
Figure 8-1400

93108 1400



ITEM	PART NUMBER	QTY	BODY	MODEL	DESCRIPTION
MODULES ***					
A-BODY					
A	5266 269	1			Chime
B	4723 293	1			Airbag Diagnostic, w/Brkt.
C	4503 219	1			Lamp Outage w/Brkt. ((Mtg. Stud & Washer 6032788)
D	4503 104	1			Intermittent Wiper
E	4672 304	1			E.A.T.X. (Mtg. Screw 6033882) (Insul. 4419491)
EUROPE					
	4686 209	1			A.B.S. Control, LC-6, (Up To 4-19-93 NEWARK BR1)
	5234 235				LC-4, (Aft. 4-19-93 NEWARK BR1)
	4688 012	1			Daytime Running Lamp
	4437 394	1			

**MODEL CODES:**

A BODY=(C=LeBaron, D=Spirit, P=Acclaim/LaBaron(Landau),  
Saratoga)  
C BODY=(D=Dynasty, C=New Yorker/N.Y. Salon)  
G BODY=(V=Daytona/IROC, Chrysler Daytona)  
J BODY=(C=LeBaron, Chrysler LeBaron)  
P BODY=(P=Sundance, D=Shadow)

S BODY=(H=Voyager(H) FWD, K=Caravan(H) FWD,  
Y=Town & Country(H) FWD, P=Voyager(K) AWD,  
D=Caravan(K) AWD, C=Town & Country(K) AWD)  
Y BODY=(C=Imperial/5th Avenue)  
E-S BODY=(K=Chrysler Voyager(H) FWD, D=Chrysler  
Voyager(K) AWD)

**BODY STYLES:**

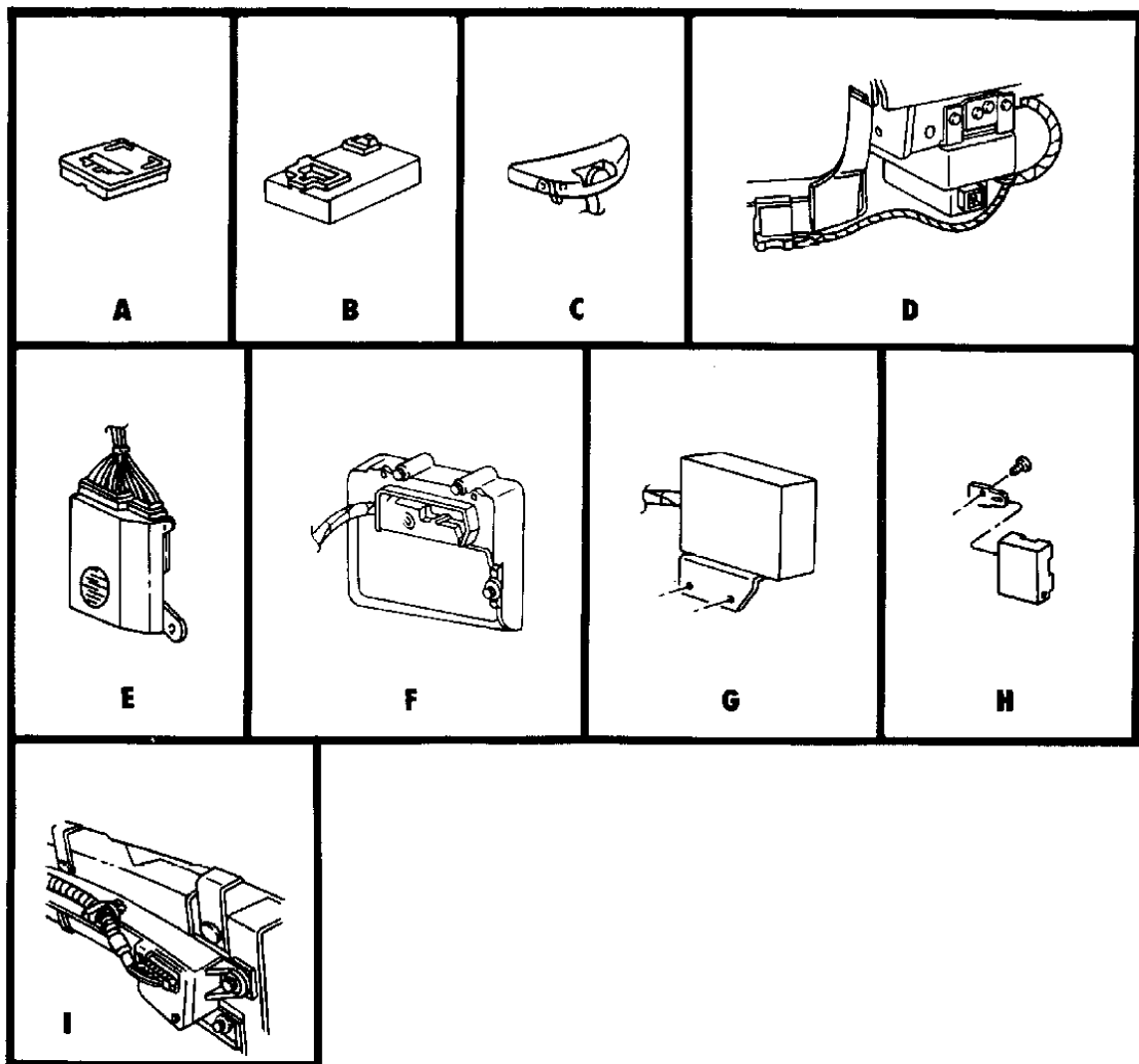
21=2-Door Coupe      41=4-Door Sedan      12-52=FWD & AWD Van & Wgn Std W.B.  
24=2-Door Hatchback      44=4-Door Hatchback      53=FWD & AWD Van & Wgn Ext. W.B.  
27=2-Door Convertible

AR = Use as Required - = Non Illustrated Part P.A.R. = Paint as Required

**MODULES--ELECTRONIC J-BODY**  
Figure 8-1500

93108 1500

ITEM	PART NUMBER	QTY	BODY	MODEL	DESCRIPTION
------	-------------	-----	------	-------	-------------



MODULES ***					
J-BODY					
A	4686 003	1			Theft Alarm, (Bracket 4503087)
B	4672 121	1			Lamp Outage (Bracket 4503085)
C		1			Headphone, (See Interior Trim Section)
D	4723 352	1			Airbag Diagnostic (Use Insul. 4443958)
E		1			Body Controller, (Base) w/o E.V.I.C. (REPAIR CENTER)
		1			Body Controller, (Premium) (REPAIR CENTER)
F	4672 021	1			EATX (Mtg. Screw 6033882) (Use Insul. 4419491)
EUROPE					
G	5234 235	1			A.B.S. Control (Insul. & Cover 4419494) (Aft. 4-19-93 NEWARK, BR1)
H		1			Intermittent Wiper
I	5266 002	1			Engine Node
	4437 394	1			Daytime Running Lamp

**MODEL CODES:**

A BODY=(C=LeBaron, D=Spirit, P=Acclaim/LaBaron(Landau), Saratoga)      S BODY=(H=Voyager(H) FWD, K=Caravan(H) FWD, Y=Town & Country(H) FWD, P=Voyager(K) AWD, D=Caravan(K) AWD, C=Town & Country(K) AWD)

C BODY=(D=Dynasty, C=New Yorker/N.Y. Salon)

G BODY=(V=Daytona/IROC, Chrysler Daytona)

J BODY=(C=LeBaron, Chrysler LeBaron)

P BODY=(P=Sundance, D=Shadow)

Y BODY=(C=Imperial/5th Avenue)

E-S BODY=(K=Chrysler Voyager(H) FWD, D=Chrysler Voyager(K) AWD)

**BODY STYLES:**

21=2-Door Coupe      41=4-Door Sedan      12-52=FWD & AWD Van & Wgn Std W.B.

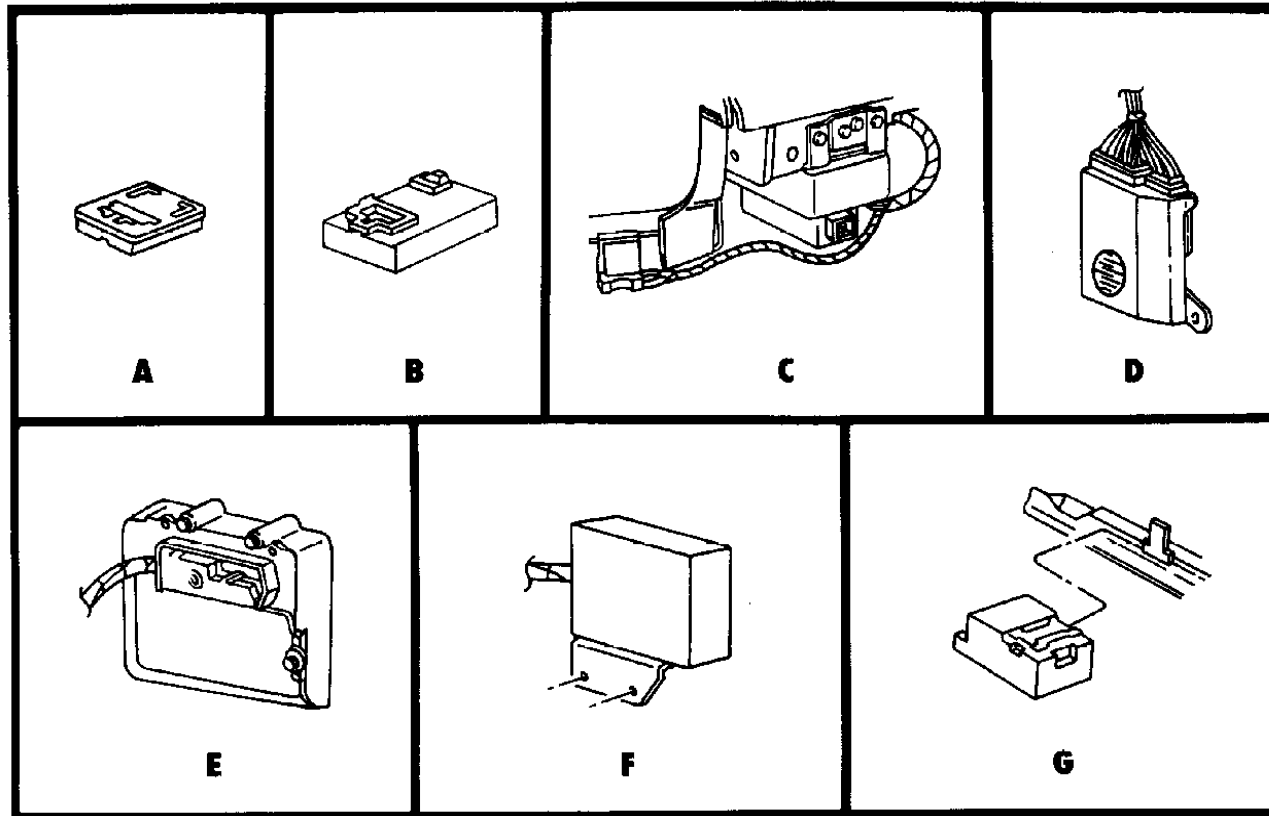
24=2-Door Hatchback      44=4-Door Hatchback      53=FWD & AWD Van & Wgn Ext. W.B.

27=2-Door Convertible

AR = Use as Required - = Non Illustrated Part P.A.R. = Paint as Required

**MODULES--ELECTRONIC G-BODY**  
Figure 8-1600

93108 1600



ITEM	PART NUMBER	QTY	BODY	MODEL	DESCRIPTION
MODULES ***					
G-BODY					
A	4686 003				Theft Alarm, (Bracket 4503087)
B					Lamp Outage (Bracket 4503085)
C	4723 352	1			Airbag Diagnostic (Use Insul. 4443958 2-Way & 4209939 10-Way)
D		1			Body Controller, (Basic) (Spacer & Stud 5266113) (Clip J4175266) (REPAIR CENTER) Premium (REPAIR CENTER)
E	4672 021				E.A.T.X. (Mtg. Screw 6033882) (Use Insul. Pkg., 4419491)
F	5234 235	1			A.B.S. Control (Use Insul. 4419494)
G	4688 012	1			A.B.S. Control
	4437 394				Intermittent Wiper Daytime Running Lamp

**MODEL CODES:**

A BODY=(C=LeBaron, D=Spirit, P=Acclaim/LaBaron(Landau), Saratoga) S BODY=(H=Voyager(H) FWD, K=Caravan(H) FWD, Y=Town & Country(H) FWD, P=Voyager(K) AWD, D=Caravan(K) AWD, C=Town & Country(K) AWD)  
 C BODY=(D=Dynasty, C=New Yorker/N.Y. Salon) Y BODY=(C=Imperial/5th Avenue)  
 G BODY=(V=Daytona/IROC, Chrysler Daytona) E-S BODY=(K=Chrysler Voyager(H) FWD, D=Chrysler Voyager(K) AWD)  
 J BODY=(C=LeBaron, Chrysler LeBaron) P BODY=(P=Sundance, D=Shadow)

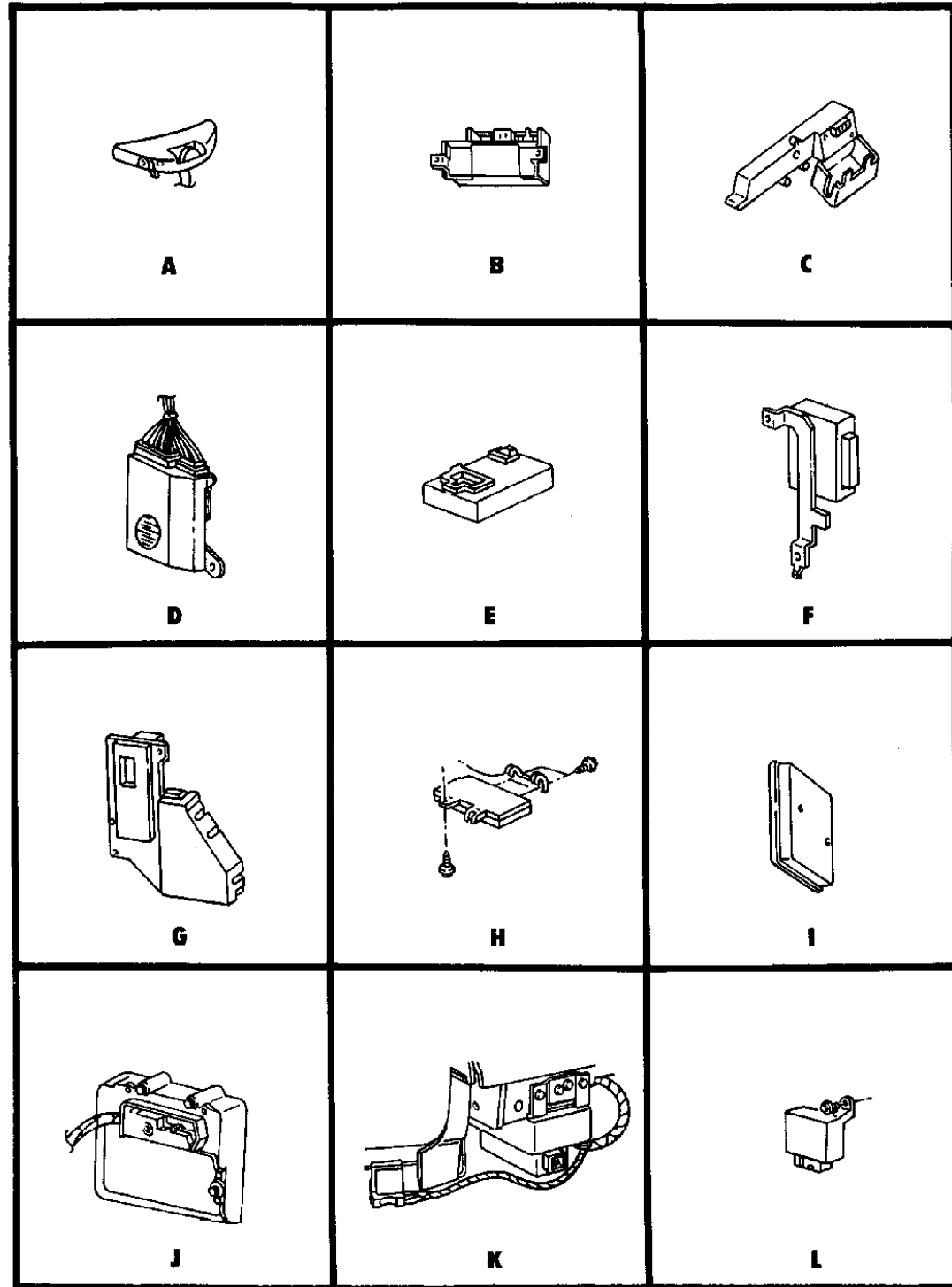
**BODY STYLES:**

21=2-Door Coupe      41=4-Door Sedan      12-52=FWD & AWD Van & Wgn Std W.B.  
 24=2-Door Hatchback      44=4-Door Hatchback      53=FWD & AWD Van & Wgn Ext. W.B.  
 27=2-Door Convertible

AR = Use as Required - = Non Illustrated Part P.A.R. = Paint as Required

**MODULES--ELECTRONIC C-Y BODY**  
Figure 8-1700

93108 1700



ITEM	PART NUMBER	QTY	BODY	MODEL	DESCRIPTION
MODULES ***					
C-Y BODY					
A		1			Rear Headphone, See Interior Trim
B	5234 020	1			Anti-Lock Brake (Shield 4374466)
C	5266 030	1			Engine Node (E.V.I.C), (Use Bracket 4374967 & Mtg. Screw 9414587)
D			C C-Y	D	Body Controller, (BASIC) (REPAIR CENTER) Body Controller, (PREMIUM) (REPAIR CENTER)
E	4503 193	1	Y		Lamp Outage, (Use Bracket 5266134)
F	4557 584	1	Y		Load Leveling
	4557 584	1	C-Y		Air Suspension
G		1	Y		Power & Vacuum, A.T.C..
H	5266 120	AR			Memory, Seat & Mirror
I	4686 003	1	C-Y		Security Alarm
J	4672 022	1			EATX Controller, (Mtg. Screw 6033882) (Use Insul. 4419491)
K	4723 476	1	C-Y		Airbag Diagnostic, w/Brkt.
L	4437 394				Daytime Running Lamp

**MODEL CODES:**

A BODY=(C=LeBaron, D=Spirit, P=Acclaim/LaBaron(Landau), Saratoga) S BODY=(H=Voyager(H) FWD, K=Caravan(H) FWD, Y=Town & Country(H) FWD, P=Voyager(K) AWD, D=Caravan(K) AWD, C=Town & Country(K) AWD)  
 C BODY=(D=Dynasty, C=New Yorker/N.Y. Salon) Y BODY=(C=Imperial/5th Avenue)  
 G BODY=(V=Daytona/IROC, Chrysler Daytona) E-S BODY=(K=Chrysler Voyager(H) FWD, D=Chrysler Voyager(K) AWD)  
 J BODY=(C=LeBaron, Chrysler LeBaron) P BODY=(P=Sundance, D=Shadow)

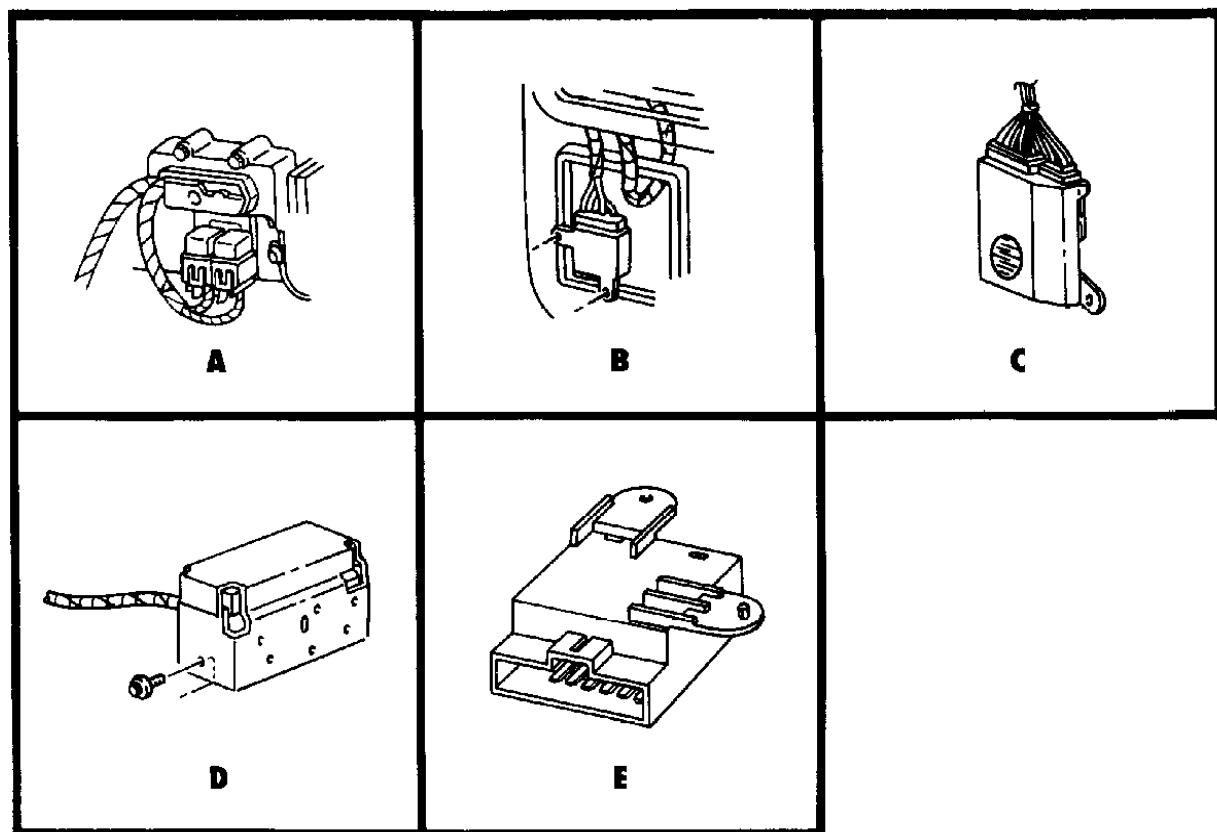
**BODY STYLES:**

21=2-Door Coupe      41=4-Door Sedan      12=52=FWD & AWD Van & Wgn Std W.B.  
 24=2-Door Hatchback      44=4-Door Hatchback      53=FWD & AWD Van & Wgn Ext. W.B.  
 27=2-Door Convertible

AR = Use as Required - = Non Illustrated Part P.A.R. = Paint as Required

**MODULES--ELECTRONIC S-BODY**  
Figure 8-1800

93108 1800



ITEM	PART NUMBER	QTY	BODY	MODEL	DESCRIPTION
MODULES ***					
S-BODY					
A	4686 506	1			EATX Controller, (Mtg. Screw 6033882) (Use Insul. 4419491)
B	4661 297				Rear Wiper & Washer
C	4686 533				Body Controller, (Mtg. Brkt. 4503161) w/o Elec. Dash. (REPAIR CENTER)
	4686 234				w/Elec. Dash (REPAIR CENTER)
D	4637 512				Airbag Diagnostic
E					Intermittent Wiper
	5234 955	1	S,ES		ABS Control, Hydraulic System, All Wheel Drive
	5234 025		S,ES		ABS Module Front Wheel Drive
	4686 010	1	ES		Combination Controller, EUROPE
	4686 081		ES		Combination Controller, Diesel, EUROPE
	4686 532		ES		EUROPE
	4686 287		ES		E.G.R. Diesel, EUROPE
	4312 664				Chimes
	4437 394				Daytime Running Lamp
	4685 310				Warning Lamp
	4685 314				Warning Lamp, EUROPE
	4686 234	1			With Electronic Dash
	4686 533	1		AS	with Mechanical Cluster ***
	4686 234	1		AS	with Electronic Cluster ***

**MODEL CODES:**

A BODY=(C=LeBaron, D=Spirit, P=Acclaim/LaBaron(Landau), Saratoga) S BODY=(H=Voyager(H) FWD, K=Caravan(H) FWD, Y=Town & Country(H) FWD, P=Voyager(K) AWD, D=Caravan(K) AWD, C=Town & Country(K) AWD)  
 C BODY=(D=Dynasty, C=New Yorker/N.Y. Salon) Y BODY=(C=Imperial/5th Avenue)  
 G BODY=(V=Daytona/IROC, Chrysler Daytona) E-S BODY=(K=Chrysler Voyager(H) FWD, D=Chrysler Voyager(K) AWD)  
 J BODY=(C=LeBaron, Chrysler LeBaron) P BODY=(P=Sundance, D=Shadow)

**BODY STYLES:**

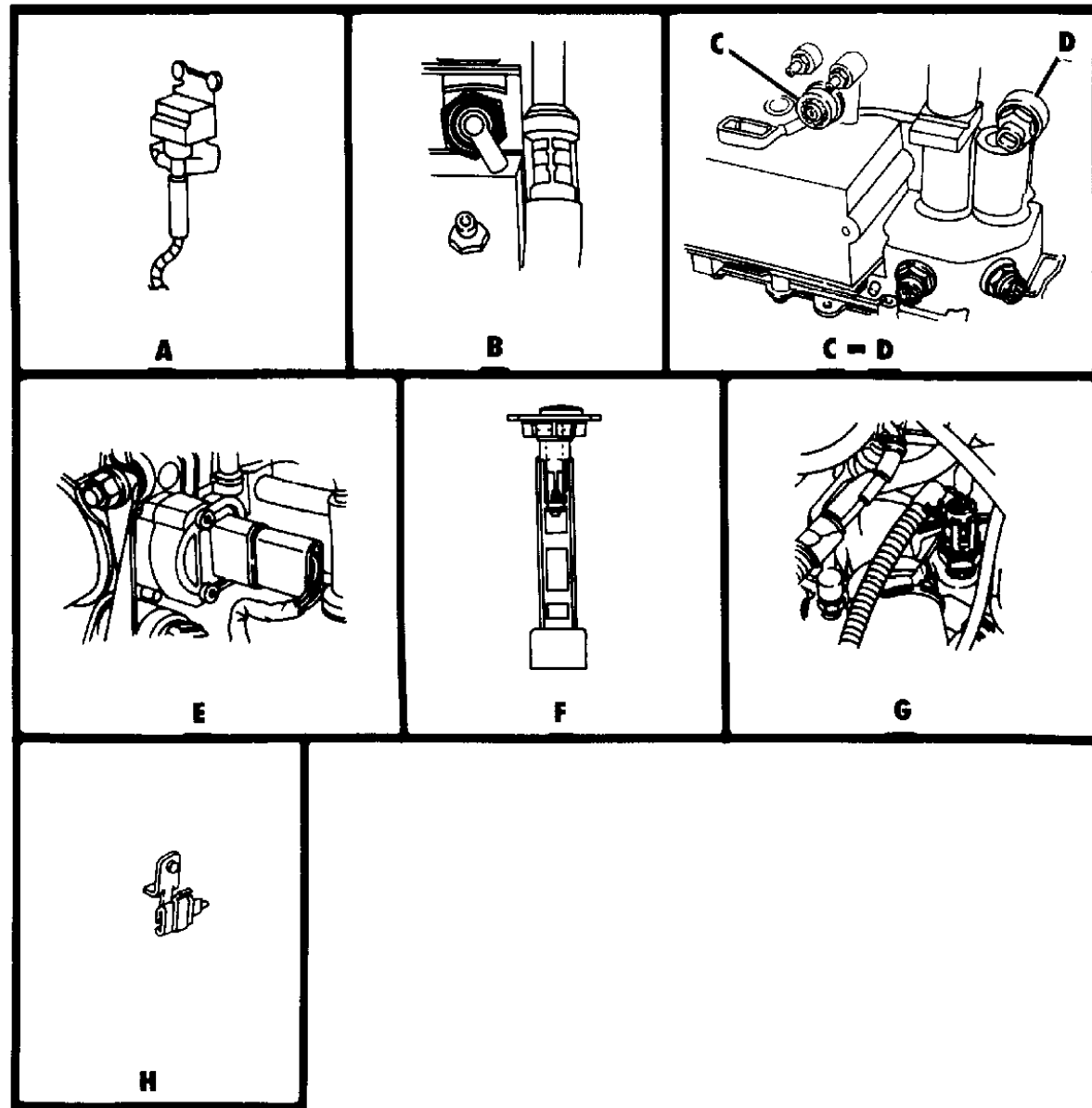
21=2-Door Coupe      41=4-Door Sedan      12-52=FWD & AWD Van & Wgn Std W.B.  
 24=2-Door Hatchback      44=4-Door Hatchback      53=FWD & AWD Van & Wgn Ext. W.B.  
 27=2-Door Convertible

AR = Use as Required - = Non Illustrated Part P.A.R. = Paint as Required



**SENSORS P-BODY**  
Figure 8-1900

93108 1900



ITEM	PART NUMBER	QTY	BODY	MODEL	DESCRIPTION
SENSORS					
P-BODY					
A	4728 281	AR			Airbag Impact (Use Insul. 4439082) (Mtg. Plate 6502825)
B		1			Detonation (Use Insul. 4124807)
C	4412 878	1			Trans. Input (Use Insul. 4419478)
D	4412 879	1			Trans. Output (Use Insul. 4419478)
E	5234 904	1			Throttle Position (Use Insul. 4419552) 2.5 Eng.
F		1			Coolant Fluid Level
G	3300 4281	1			Coolant Temp. (Use Insul. 4414901)
H	5266 203	1			Ambient Temp. Overhead Console
	4683 032-3	1			Anti-Lock Frt. Whl.

**MODEL CODES:**

A BODY=(C=LeBaron, D=Spirit, P=Acclaim/LaBaron(Landau), Saratoga) S BODY=(H=Voyager(H) FWD, K=Caravan(H) FWD, Y=Town & Country(H) FWD, P=Voyager(K) AWD, D=Caravan(K) AWD, C=Town & Country(K) AWD)  
 C BODY=(D=Dynasty, C=New Yorker/N.Y. Salon) Y BODY=(C=Imperial/5th Avenue)  
 G BODY=(V=Daytona/IROC, Chrysler Daytona) E-S BODY=(K=Chrysler Voyager(H) FWD, D=Chrysler Voyager(K) AWD)  
 J BODY=(C=LeBaron, Chrysler LeBaron)  
 P BODY=(P=Sundance, D=Shadow)

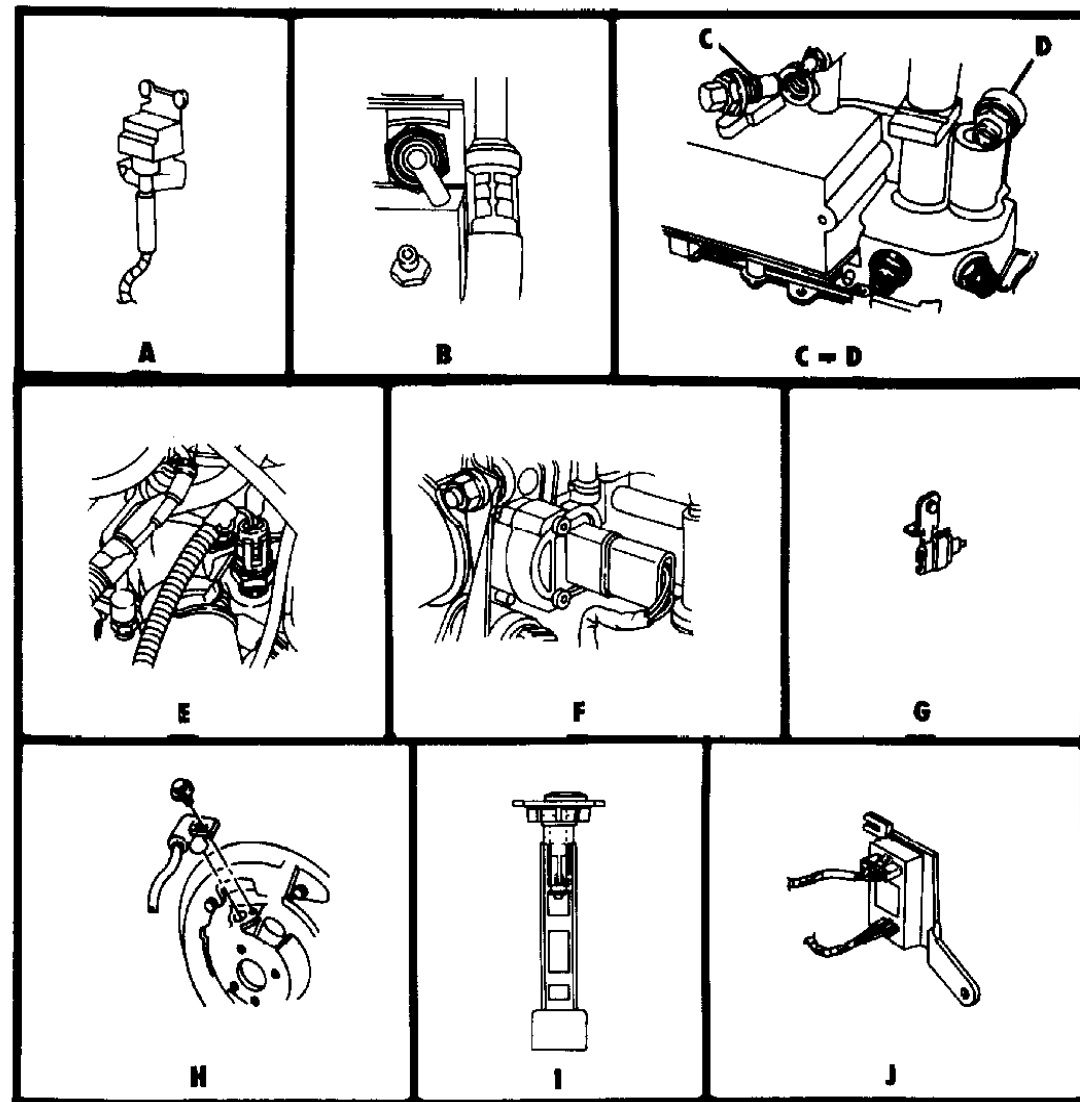
**BODY STYLES:**

21=2-Door Coupe      41=4-Door Sedan      12-52=FWD & AWD Van & Wgn Std W.B.  
 24=2-Door Hatchback      44=4-Door Hatchback      53=FWD & AWD Van & Wgn Ext. W.B.  
 27=2-Door Convertible

AR = Use as Required - = Non Illustrated Part P.A.R. = Paint as Required

**SENSORS A-BODY**  
Figure 8-2000

93108 2000



ITEM	PART NUMBER	QTY	BODY	MODEL	DESCRIPTION
SENSORS					
A-BODY					
A	4728 370	AR			Airbag Impact (Use Insul. 4439082)
B	4686 044	1			Detonation (Use Insul. 4124807)
C	4412 878	1			Trans. Input (Use Insul. 4419478)
D	4412 879	1			Trans. Output (Use Insul. 4419478)
E	3300 4281	1			Coolant Temp. 6-Cyl.
	5226 374	1			Coolant Temp. 4-Cyl. (Use Insul. 4414901)
F	5234 904	1			Throttle Position (Use Insul. 4419552) 2.5 Eng.
G	4688 204	1			Ambient Temp., Overhead Console
H		AR			Rear Wheel Anti-Lock Speed Disc
	4683 032-3	1			Frnt. Wheel Anti-Lock
I		1			Coolant Fluid Level
J		1			Lamp Outage
	4686 069	1			Methanol Concentration (Screw 6031011)

**MODEL CODES:**

A BODY=(C=LeBaron, D=Spirit, P=Acclaim/LaBaron(Landau),  
Saratoga) S BODY=(H=Voyager(H) FWD, K=Caravan(H) FWD,  
Y=Town & Country(H) FWD, P=Voyager(K) AWD,  
D=Caravan(K) AWD, C=Town & Country(K) AWD)  
C BODY=(D=Dynasty, C=New Yorker/N.Y. Salon)  
G BODY=(V=Daytona/IROC, Chrysler Daytona) Y BODY=(C=Imperial/5th Avenue)  
J BODY=(C=LeBaron, Chrysler LeBaron) E-S BODY=(K=Chrysler Voyager(H) FWD, D=Chrysler  
P BODY=(P=Sundance, D=Shadow) Voyager(K) AWD)

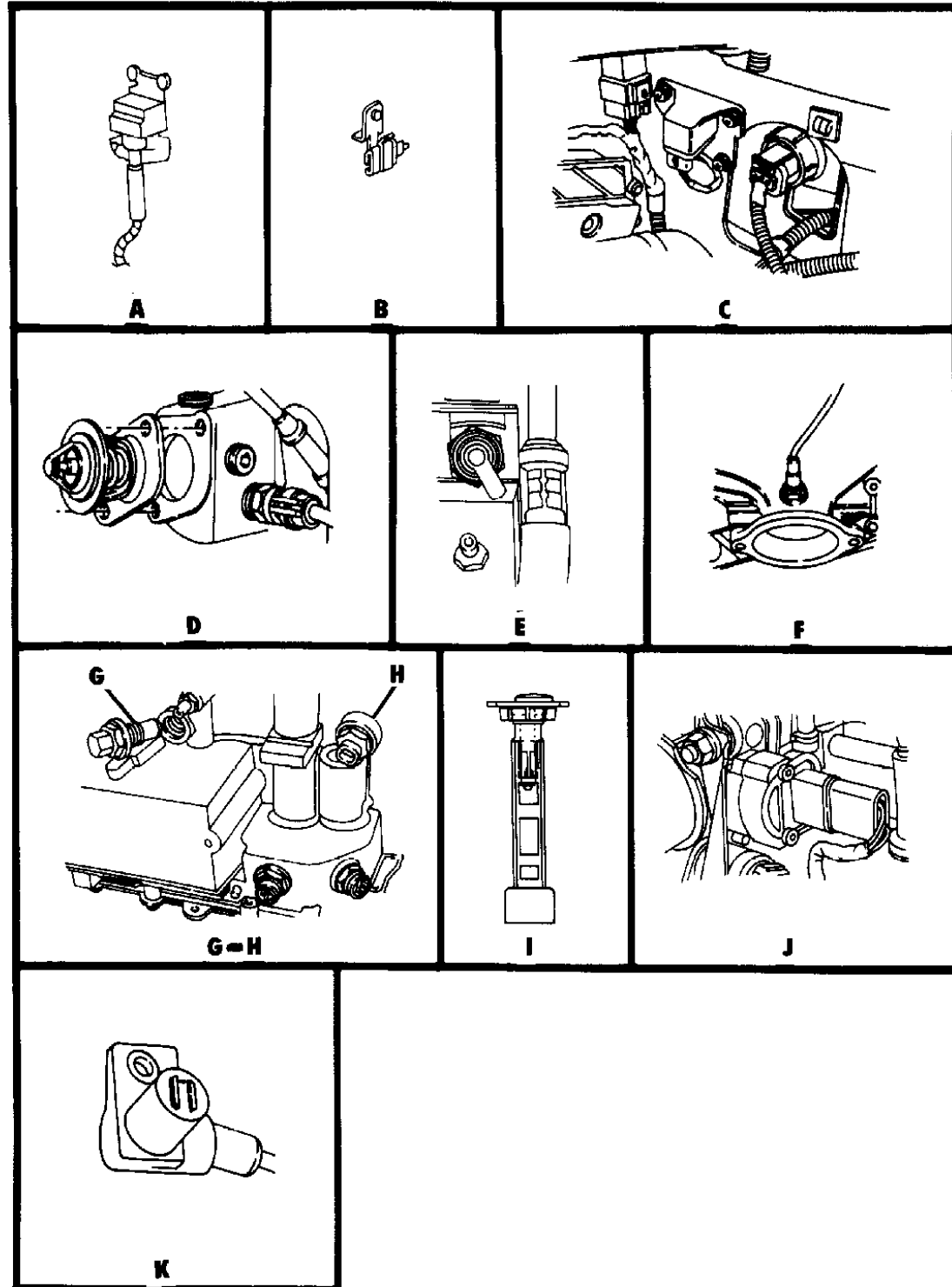
**BODY STYLES:**

21=2-Door Coupe 41=4-Door Sedan 12-52=FWD & AWD Van & Wgn Std W.B.  
24=2-Door Hatchback 44=4-Door Hatchback 53=FWD & AWD Van & Wgn Ext. W.B.  
27=2-Door Convertible

AR = Use as Required - = Non Illustrated Part P.A.R. = Paint as Required

**SENSORS J-BODY**  
Figure 8-2100

93108 2100



ITEM	PART NUMBER	QTY	BODY	MODEL	DESCRIPTION
SENSORS					
J-BODY					
A	4728 506	AR			Air Bag Impact, Rt. (Use Insul. 4439082)
B	5266 203	1			Ambient Temp., w/Wiring (Use Insul. 4443964)
C	4728 505	AR			Air Bag, Lt. (Use Insul. 4439082)
D		1			Coolant Temp. (Use Insul. 4414901)
	3300 4281	1			Coolant. Temp. 6-Cyl.
E		1			Detonation (Use Insul. 4124807)
F	5233 088	1			Oxygen (Use Insul. 4209476)
G	4412 878	1			Trans. Input (Use Insul. 4419478)
H	4412 879	1			Trans. Output (Use Insul. 4419478)
I	5235 342	1			Radiator Coolant Level, w/EVIC
J	5234 904	1			Throttle Position (Use Insul. 4419552) 2.5 Eng.
	5234 902	1			Throttle Position, 3.0 Eng. (Use Insul. 4419552)
K	4713 338-9	AR			Anti-Lock Rear Wheel Speed Disc (Use Clip 4383292)
	4683 032-3	1			Anti-Lock Frt. Wheel
	3880 450	AR			Master Cylinder Reservoir Fluid, w/Message Center

**MODEL CODES:**

A BODY=(C=LeBaron, D=Spirit, P=Acclaim/LaBaron(Landau), Saratoga) S BODY=(H=Voyager(H) FWD, K=Caravan(H) FWD, Y=Town & Country(H) FWD, P=Voyager(K) AWD, D=Caravan(K) AWD, C=Town & Country(K) AWD)  
 C BODY=(D=Dynasty, C=New Yorker/N.Y. Salon) Y BODY=(C=Imperial/5th Avenue)  
 G BODY=(V=Daytona/IROC, Chrysler Daytona) E-S BODY=(K=Chrysler Voyager(H) FWD, D=Chrysler Voyager(K) AWD)  
 J BODY=(C=LeBaron, Chrysler LeBaron) P BODY=(P=Sundance, D=Shadow)

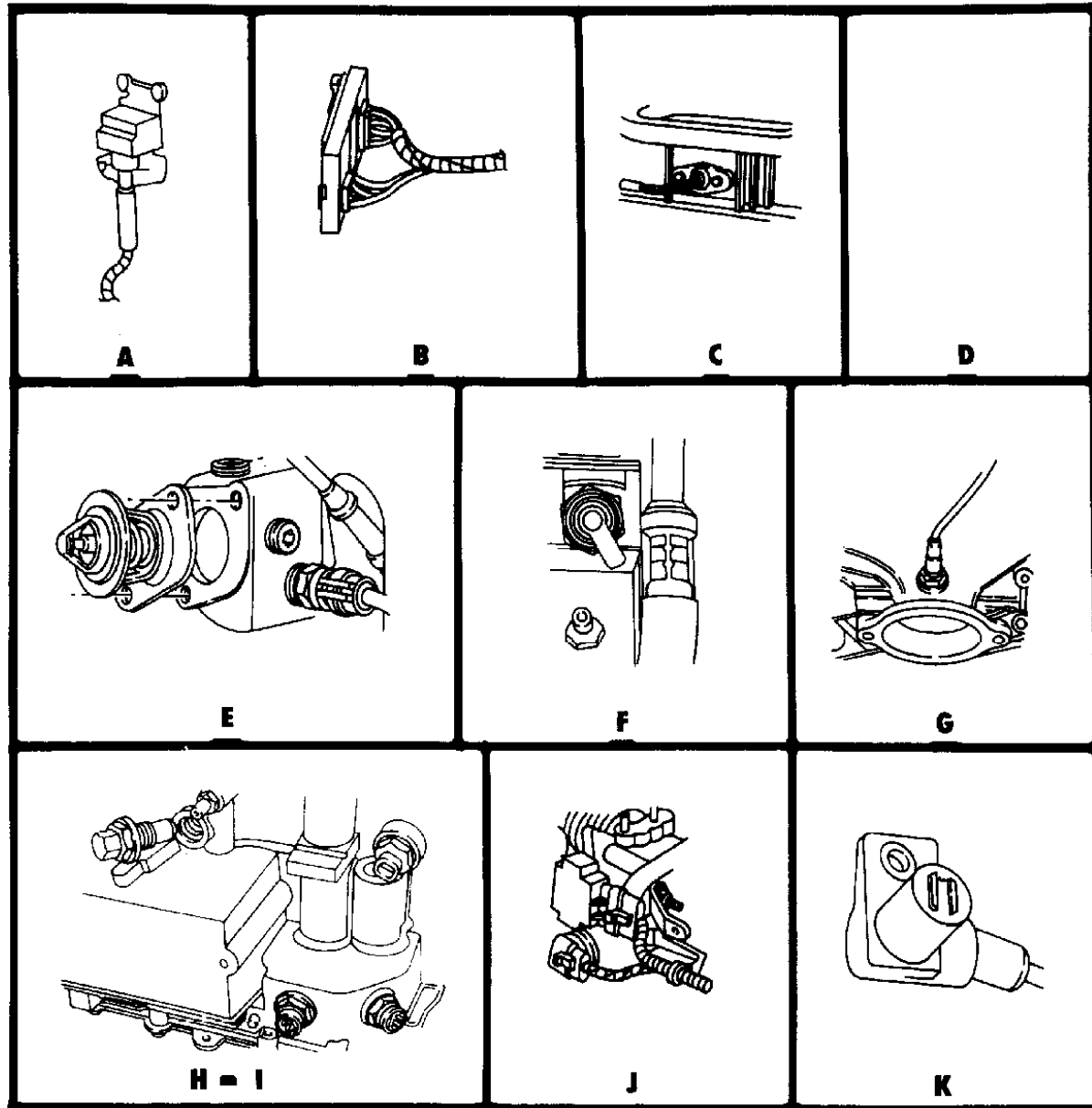
**BODY STYLES:**

21=2-Door Coupe      41=4-Door Sedan      12-52=FWD & AWD Van & Wgn Std W.B.  
 24=2-Door Hatchback      44=4-Door Hatchback      53=FWD & AWD Van & Wgn Ext. W.B.  
 27=2-Door Convertible

AR = Use as Required - = Non Illustrated Part P.A.R. = Paint as Required

**SENSORS G-GODY**  
Figure 8-2200

93108 2200



ITEM	PART NUMBER	QTY	BODY	MODEL	DESCRIPTION
SENSORS					
G-BODY					
A	4728 505	2			Air Bag Impact (Mtg. Screw 6501888) (Use Insul. 4439082)
B		1			Lamp Outage
C	5266 203	1			Ambient Temp, w/Wiring (Use Insul. 4443964)
D	5227 805	1			Charge Temp., w/Gauge
E	5226 374	1			Coolant Temp. (Use Insul. 4414901)
F	3300 4281	1			Coolant Temp. 6-Cyl.
F	4686 044	1			Detonation (Use Insul. 4124807)
G	5233 088	1			Oxygen (Use Insul. 4209476)
H	4412 878	1			Trans. Input (Use Insul. 4419478)
I	4412 879	1			Trans. Output (Use Insul. 4419478)
J	5234 904	1			Throttle Position (Use Insul. 4419552)
K	5234 902	1			Throttle Position, 3.0 Eng. (Use Insul. 4419552)
K	4683 032-3	AR			Front Wheel Anti-Lock
	4713 338-9	AR			Rear Wheel Anti-Lock (Use Bracket 4464026-7)
	4557 711				Crank Timing (Use Screw 6501957)
	4557 747				Camshaft

**MODEL CODES:**

A BODY=(C=LeBaron, D=Spirit, P=Acclaim/LaBaron(Landau), Saratoga)      S BODY=(H=Voyager(H) FWD, K=Caravan(H) FWD, Y=Town & Country(H) FWD, P=Voyager(K) AWD, D=Caravan(K) AWD, C=Town & Country(K) AWD)  
 C BODY=(D=Dynasty, C=New Yorker/N.Y. Salon)  
 G BODY=(V=Daytona/IROC, Chrysler Daytona)  
 J BODY=(C=LeBaron, Chrysler LeBaron)  
 P BODY=(P=Sundance, D=Shadow)  
 Y BODY=(C=Imperial/5th Avenue)  
 E-S BODY=(K=Chrysler Voyager(H) FWD, D=Chrysler Voyager(K) AWD)

**BODY STYLES:**

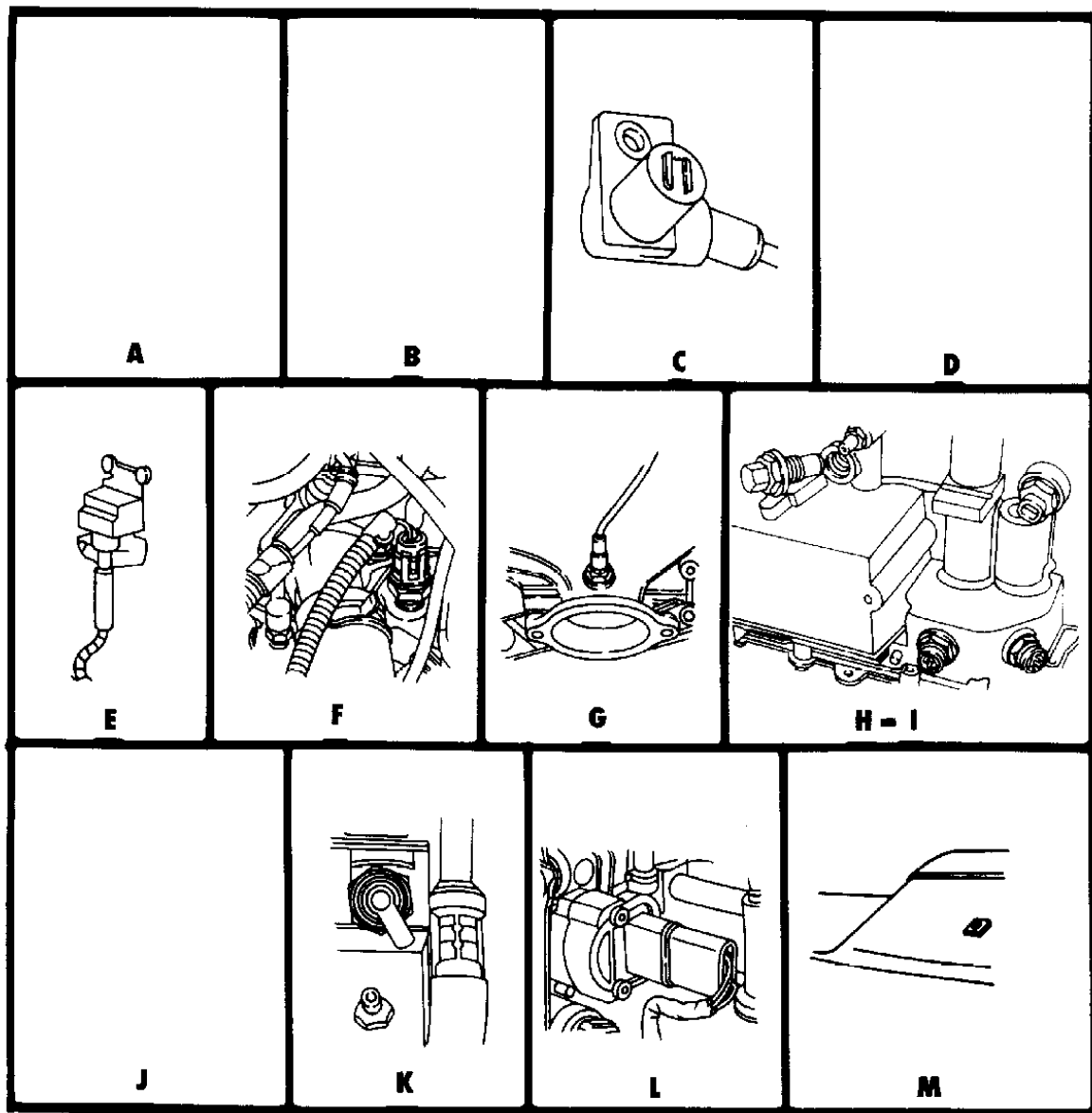
21=2-Door Coupe      41=4-Door Sedan      12-52=FWD & AWD Van & Wgn Std W.B.  
 24=2-Door Hatchback      44=4-Door Hatchback      53=FWD & AWD Van & Wgn Ext. W.B.  
 27=2-Door Convertible

AR = Use as Required - = Non Illustrated Part P.A.R. = Paint as Required

**SENSORS C-Y BODY**  
Figure 8-2300

93108 2300

ITEM	PART NUMBER	QTY	BODY	MODEL	DESCRIPTION
SENSORS					
C-Y BODY					
A	4728 281	AR			Air Bag Impact (Mtg. Plate 6502044) (Use Insul. 4439082)
B	5235 341	1	Y		Radiator Coolant Level
C	4683 032-3	AR			Frnt. Wheel, w/Anti-Brake
	4713 336	AR			Rear Wheel, w/Anti-Brake
D	3880 450	1	Y		Brk. M/Cyl. Rsvr. Fluid Level
E	4728 281	AR	C-Y		Frnt. Airbag Impact (Use Insul. 4439082) (Use Mtg. Plate 6502044)
F	5226 374	1			Coolant Temp. (Use Insul. 4414901)
	3300 4281	1			Coolant Temp. 6-Cyl.
G	5233 088	1			Oxygen (Use Plug 4625095 For MIDDLE EAST)
H	4412 878	1			Trans. Input (Use Insul. 4419478)
I	4412 879	1			Trans. Output (Use Insul. 4419478)
J	5235 341	1	Y		Radiator Coolant Level (Use Gasket 4546555)
K	4728 369	1	Y		Detonation, 3.3, 3.8 Eng.
L	5234 901	1			Throttle Position (Use Insul. 4638997)
	5234 902	1			Throttle Position, 3.0 Eng. (Use Insul. 4638997)
M	EA68 LAZ	1	Y		A.T.C. Sun--Agate (Uses Plug EA69LAZ)
	EA68 LM6	1	Y		Red (Uses Plug EA69LM6)
	EA68 KV8	1	Y		Champagne (Uses Plug EW69KV8)
	EA68 KX8	1	Y		Black



**MODEL CODES:**

A BODY=(C=LeBaron, D=Spirit, P=Acclaim/LaBaron(Landau), Saratoga) S BODY=(H=Voyager(H) FWD, K=Caravan(H) FWD, Y=Town & Country(H) FWD, P=Voyager(K) AWD, D=Caravan(K) AWD, C=Town & Country(K) AWD)  
 C BODY=(D=Dynasty, C=New Yorker/N.Y. Salon) Y BODY=(C=Imperial/5th Avenue)  
 G BODY=(V=Daytona/IROC, Chrysler Daytona) E-S BODY=(K=Chrysler Voyager(H) FWD, D=Chrysler Voyager(K) AWD)  
 J BODY=(C=LeBaron, Chrysler LeBaron) P BODY=(P=Sundance, D=Shadow)

**BODY STYLES:**

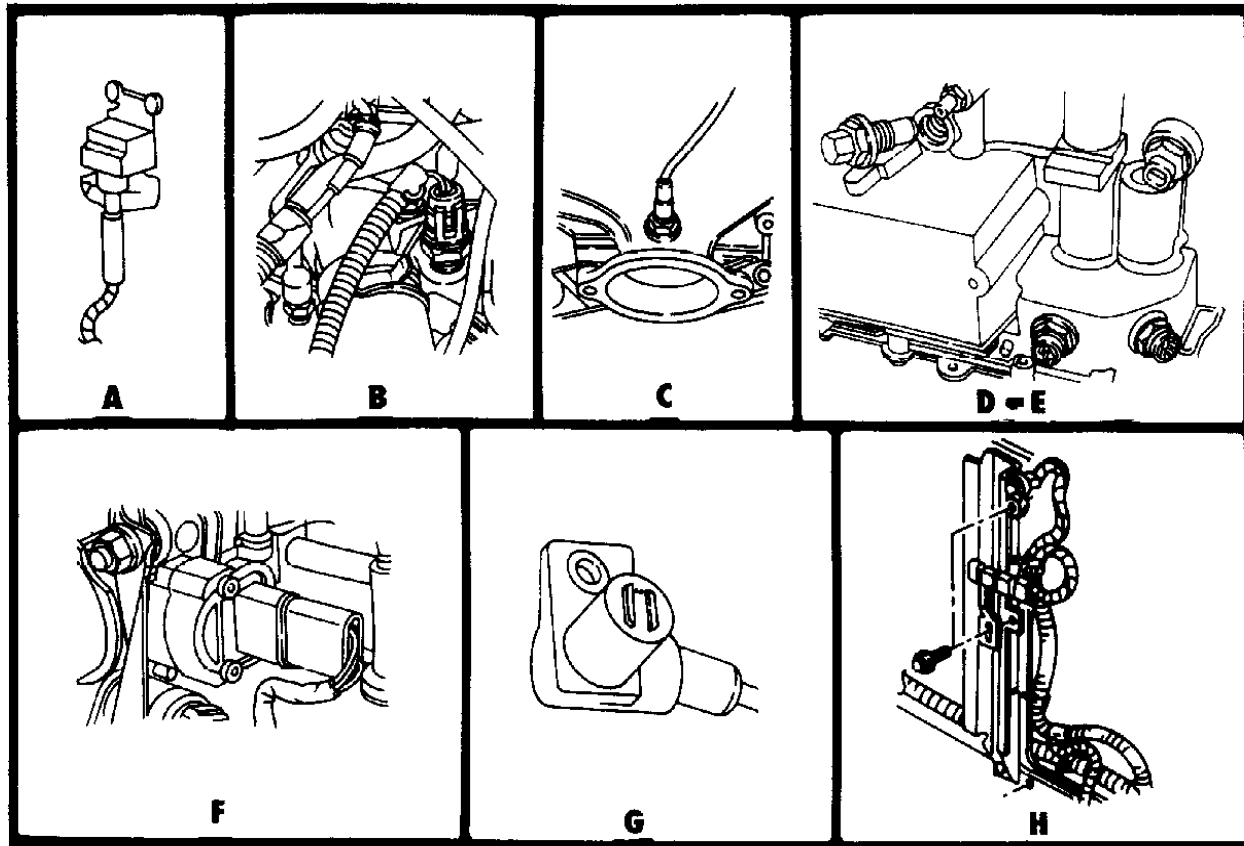
21=2-Door Coupe      41=4-Door Sedan      12-52=FWD & AWD Van & Wgn Std W.B.  
 24=2-Door Hatchback      44=4-Door Hatchback      53=FWD & AWD Van & Wgn Ext. W.B.  
 27=2-Door Convertible

AR = Use as Required - = Non Illustrated Part P.A.R. = Paint as Required

**SENSORS S-BODY**  
Figure 8-2400

93108 2400

ITEM	PART NUMBER	QTY	BODY	MODEL	DESCRIPTION
SENSORS					
S-BODY					
A	4728 048	2			Air Bag Impact (Nut 6502543) Stamped# 4686139
B	3300 4281	1			Coolant Temp. (Use Insul. 4414901)
C	5233 088	1			Oxygen (Use Insul. 4209476)
D	4412 878	1			Trans. Input (Use Insul. 4419478)
E	4412 879	1			Trans. Output (Use Insul. 4419478)
F	5234 902	1			Throttle Position, 3.0 Eng. (Use Insul. 4638997)
G	4509 212	AR			Anti-Lock Speed, Frt. Wheel Disc, Right
	4683 057				Left
H	4688 204	1			Ambient Temp., Overhead Console
	4720 656	1	ES		Water Temp., Cyl. Head, EUROPE
	4720 598	1	ES		Water Temp., Diesel, EUROPE



**MODEL CODES:**

A BODY=(C=LeBaron, D=Spirit, P=Acclaim/LaBaron(Landau), Saratoga) S BODY=(H=Voyager(H) FWD, K=Caravan(H) FWD, Y=Town & Country(H) FWD, P=Voyager(K) AWD, D=Caravan(K) AWD, C=Town & Country(K) AWD)  
 C BODY=(D=Dynasty, C=New Yorker/N.Y. Salon) Y BODY=(C=Imperial/5th Avenue)  
 G BODY=(V=Daytona/IROC, Chrysler Daytona) E-S BODY=(K=Chrysler Voyager(H) FWD, D=Chrysler Voyager(K) AWD)  
 J BODY=(C=LeBaron, Chrysler LeBaron)  
 P BODY=(P=Sundance, D=Shadow)

**BODY STYLES:**

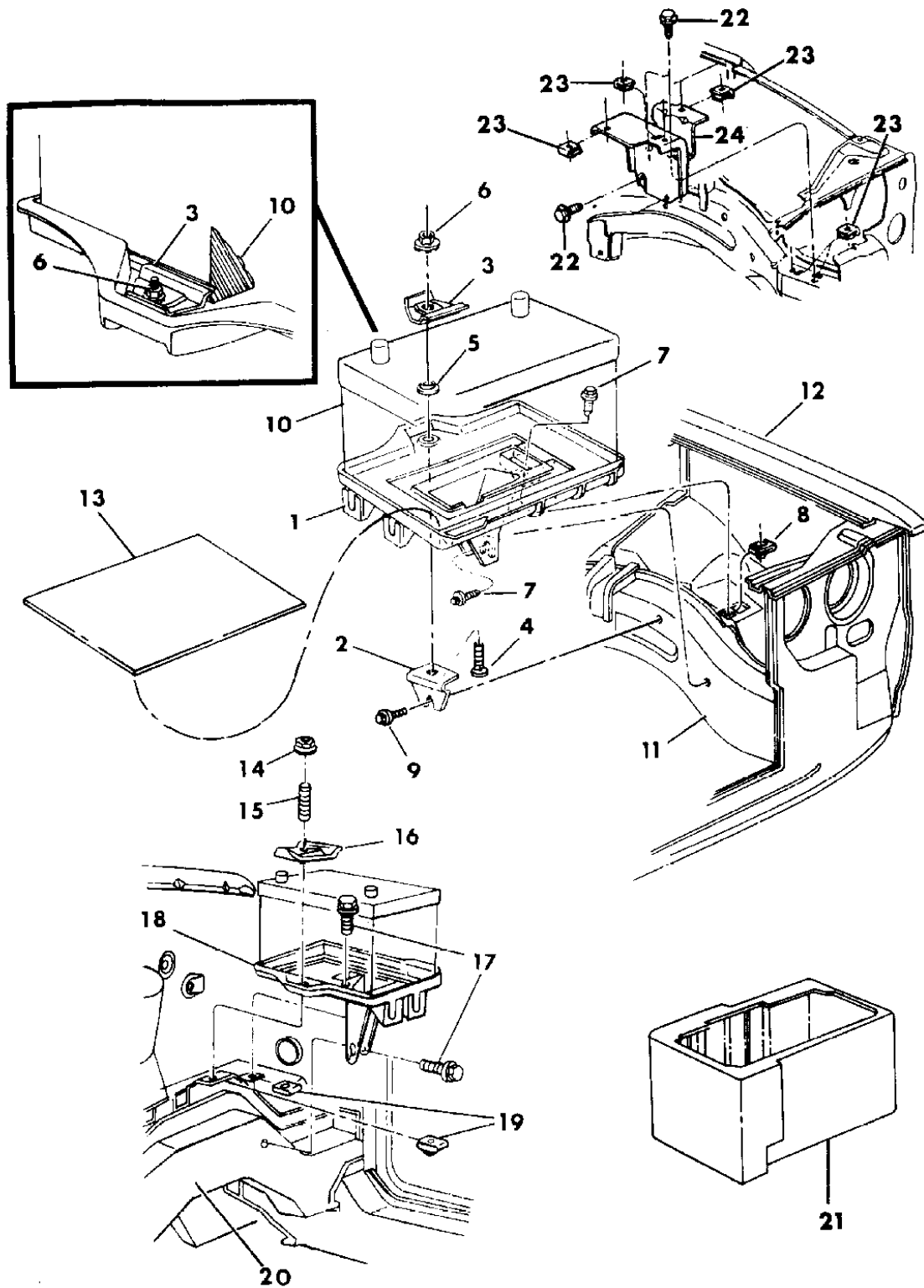
21=2-Door Coupe      41=4-Door Sedan      12-52=FWD & AWD Van & Wgn Std W.B.  
 24=2-Door Hatchback      44=4-Door Hatchback      53=FWD & AWD Van & Wgn Ext. W.B.  
 27=2-Door Convertible

AR = Use as Required - = Non Illustrated Part P.A.R. = Paint as Required

**BATTERY TRAY P-A-J-G-C-Y-S BODY**  
Figure 8-2500

93108 2500

ITEM	PART NUMBER	QTY	BODY	MODEL	DESCRIPTION
1					TRAY, Battery
	4655 415	1	P-A-J-G		
	4490 809		C-Y		
2	4534 398	1	A-J		BRACKET, Hold Down
3	5202 576	1	P-A-J-G		BRACKET, Hold Down
	4490 878		C-Y-S		RETAINER
4	6101 013	1	A-C		BOLT, Retainer
	6101 013		P-J-G		
5					PUSH-NUT, (Not Serv.)
6	6101 445	2	A-C-Y		NUT, w/Washer
	6101 445		P-J-G		
7	6500 354	2	J-C-Y		BOLT, Tray Attaching
	6500 354		A-G-P		
8	6101 283		C		U-NUT
9		1			SCREW, w/Washer (Not Serv.)
10					BATTERY, (See Mopar Battery Catalog)
11					SIDE RAIL
12					FENDER
13	4534 399	1		ALL	SHIELD, w/Speed Control
14	6101 445	1	S		NUT, w/Washer
15		1	S		STUD, (Not Serv.)
16	4490 878	1	S		RETAINER
17	6500 300	2			SCREW
18	4490 184	1	S		TRAY, Battery
-	4674 181	1	S		SUPPORT, w/Brace, Tray to Side Rail
-	4683 040				BRACKET, Tray Support (Anti-Lock)
19	6101 283	1	S		U-NUT
20			S		SIDE RAIL
21	5235 147	1	P-A-J-G		THERMOGAURD, Battery (Box) ***
	5234 375	1	C-Y		
22	6501 422	4			SCREW
23	6101 283	5			U-NUT
24	4655 136	1	C-Y		SUPPORT



**MODEL CODES:**

A BODY=(C=LeBaron, D=Spirit, P=Acclaim/LaBaron(Landau),  
Saratoga)  
C BODY=(D=Dynasty, C=New Yorker/N.Y. Salon)  
G BODY=(V=Daytona/IROC, Chrysler Daytona)  
J BODY=(C=LeBaron, Chrysler LeBaron)  
P BODY=(P=Sundance, D=Shadow)

S BODY=(H=Voyager(H) FWD, K=Caravan(H) FWD,  
Y=Town & Country(H) FWD, P=Voyager(K) AWD,  
D=Caravan(K) AWD, C=Town & Country(K) AWD)  
Y BODY=(C=Imperial/5th Avenue)  
E-S BODY=(K=Chrysler Voyager(H) FWD, D=Chrysler  
Voyager(K) AWD)

**BODY STYLES:**

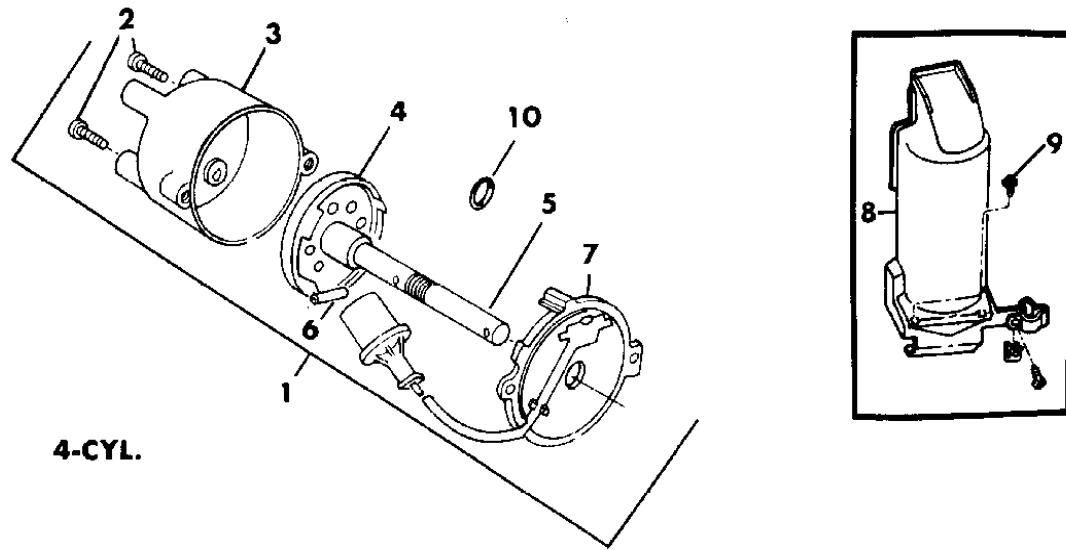
21=2-Door Coupe      41=4-Door Sedan      12-52=FWD & AWD Van & Wgn Std W.B.  
24=2-Door Hatchback      44=4-Door Hatchback      53=FWD & AWD Van & Wgn Ext. W.B.  
27=2-Door Convertible

AR = Use as Required - = Non Illustrated Part P.A.R. = Paint as Required

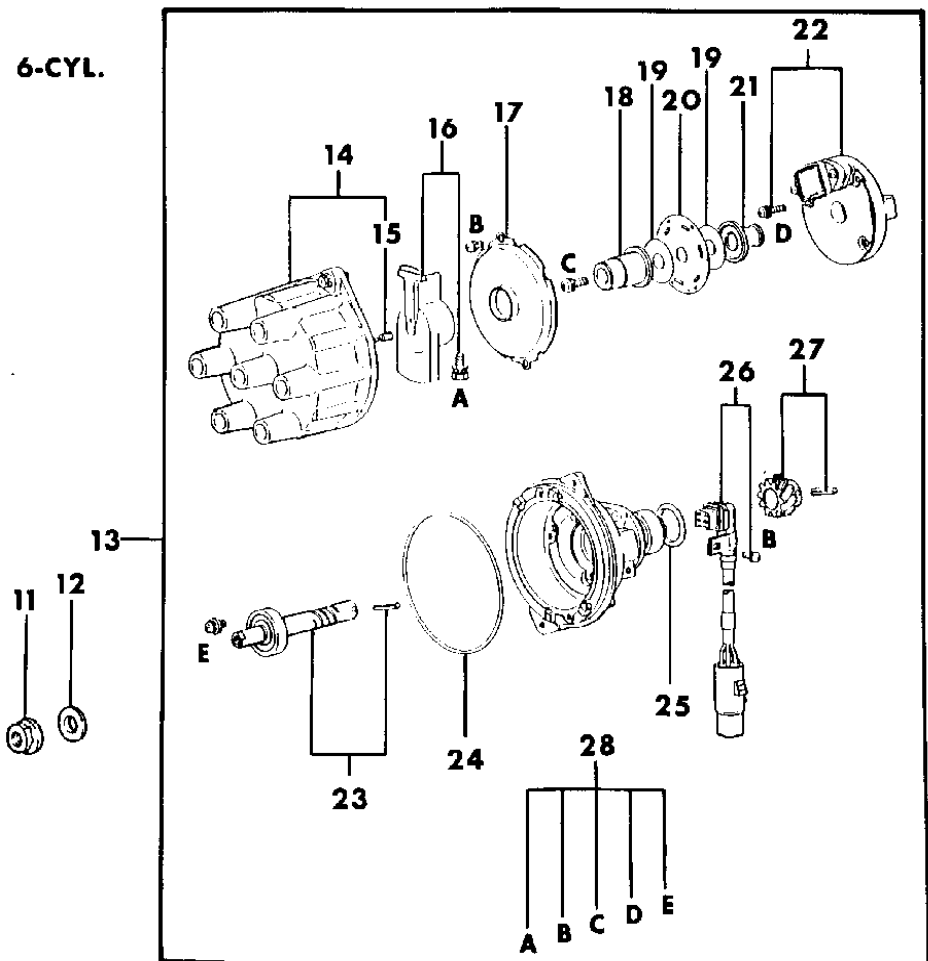
**DISTRIBUTOR 4-6 CYLINDER ENGINE**  
**Figure 8-2600**

93108 2600

ITEM	PART NUMBER	QTY	BODY	MODEL	DESCRIPTION
1					DISTRIBUTOR
	5226 575				Complete (Single Switch) ***
	5227 274				(Partial) Dual Switch, Turbo
	5227 273				(Partial) Single Switch, T.B.I.
2	6500 077	AR			SCREW, Cap
3	5226 546	AR			CAP, Dist.
4	5226 535	AR			ROTOR, Dist.
5		AR			SHAFT, (Serv. in Item #1)
6		AR			PIN, (Serv. in Item #1)
7	5227 271	AR			SWITCH, w/Plate
8	5226 526	AR			SHIELD, Dist. Splash
9	6502 572	AR			SCREW, Dist. Splash
10	6031 594	AR			O-RING
-	6031 196	AR			INSERT, O-Ring
11	MF43 4114	AR			NUT, Flange
12	MD10 2178	AR			WASHER, Special
13	MD11 6211	AR			DISTRIBUTOR
14	MD61 1526	AR			CAP
15	MD60 2757	AR			CONTACT
16	MD61 1757	AR			ROTOR
17	MD61 1461	AR			COVER
18	MD61 1550	AR			BLANK, (C)
19	MD61 1547	AR			SPACER
20	MD61 1549	AR			DISC
21	MD61 1714	AR			BUSHING
22	MD61 1715	AR			UNIT SET
23	MD61 1548	AR			SHAFT
24	MD61 1460	AR			O-RING
25	MD61 1463	AR			O-RING
26	MD61 1538	AR			LEAD WIRE SET
27	MD61 1469	AR			COUPLING SET
28	MD61 1553	AR			SCREW SET



4-CYL.



6-CYL.

**MODEL CODES:**

A BODY=(C=LeBaron, D=Spirit, P=Acclaim/LaBaron(Landau), Saratoga)  
 C BODY=(D=Dynasty, C=New Yorker/N.Y. Salon)  
 G BODY=(V=Daytona/IROC, Chrysler Daytona)  
 J BODY=(C=LeBaron, Chrysler LeBaron)  
 P BODY=(P=Sundance, D=Shadow)

S BODY=(H=Voyager(H) FWD, K=Caravan(H) FWD, Y=Town & Country(H) FWD, P=Voyager(K) AWD, D=Caravan(K) AWD, C=Town & Country(K) AWD)  
 Y BODY=(C=Imperial/5th Avenue)  
 E-S BODY=(K=Chrysler Voyager(H) FWD, D=Chrysler Voyager(K) AWD)

**BODY STYLES:**

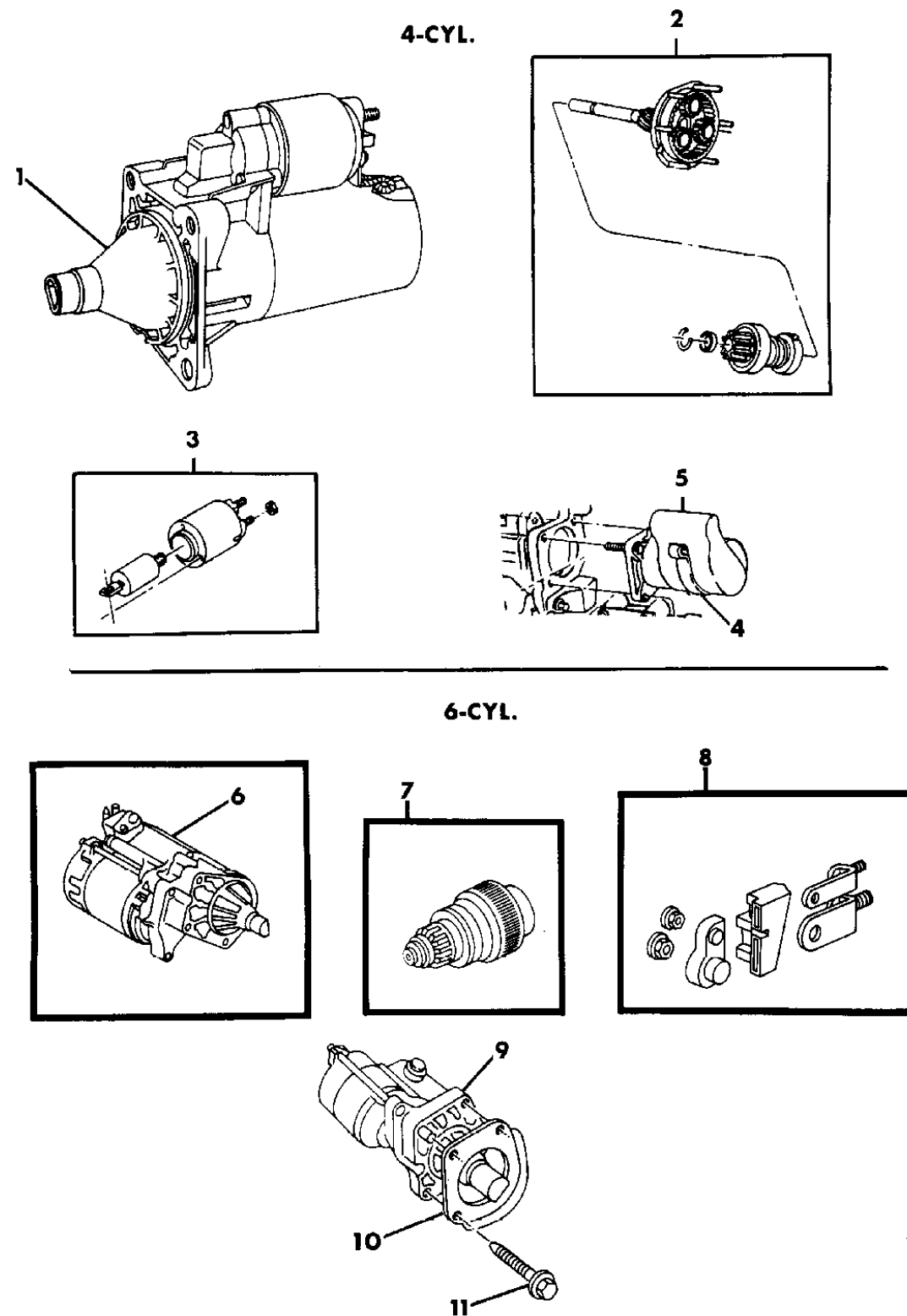
21=2-Door Coupe      41=4-Door Sedan      12-52=FWD & AWD Van & Wgn Std W.B.  
 24=2-Door Hatchback      44=4-Door Hatchback      53=FWD & AWD Van & Wgn Ext. W.B.  
 27=2-Door Convertible

AR = Use as Required - = Non Illustrated Part P.A.R. = Paint as Required



**STARTER (ENGINE STARTER MOTOR) 4-6 CYLINDER**  
**Figure 8-2700**

93108 2700



ITEM	PART NUMBER	QTY	BODY	MODEL	DESCRIPTION
1	4671 130	1			STARTER, 4 Cylinder
2	4713 850				OVERRUNNING CLUTCH, (Gear Train) ***
3	4713 848	1			SOLENOID
4		1			CLIP, Starter (Serv. w/Starter)
5		1			SHIELD, Heat
6	4671 084	1	PAJGCY		STARTER, BOSCH--3.0 Eng. (Gear Train 4713849)
	4557 284	1	PAJGCYS		NIPPON--3.0 Eng.
7	5234 963	1			CLUTCH ASSEMBLY
8		1			TERMINAL, (Serv. w/Starter)
9	4686 045	1			STARTER, 3.3, 3.5, 3.8 Eng.
	4686 109	1	ES		3.3 Eng.
10	4531 484	1			COVER, Trans. Starter Ground, 3.3 Eng.
11		AR			SCREW, w/Washer, 3.3 Eng.
-	6502 954				SCREW, Starter Mtg. 6-Cyl.
	6502 980				4-Cyl.

**MODEL CODES:**

A BODY=(C=LeBaron, D=Spirit, P=Acclaim/LaBaron(Landau), Saratoga)      S BODY=(H=Voyager(H) FWD, K=Caravan(H) FWD, Y=Town & Country(H) FWD, P=Voyager(K) AWD, D=Caravan(K) AWD, C=Town & Country(K) AWD)  
 C BODY=(D=Dynasty, C=New Yorker/N.Y. Salon)  
 G BODY=(V=Daytona/IROC, Chrysler Daytona)  
 J BODY=(C=LeBaron, Chrysler LeBaron)  
 P BODY=(P=Sundance, D=Shadow)      Y BODY=(C=Imperial/5th Avenue)  
 E-S BODY=(K=Chrysler Voyager(H) FWD, D=Chrysler Voyager(K) AWD)

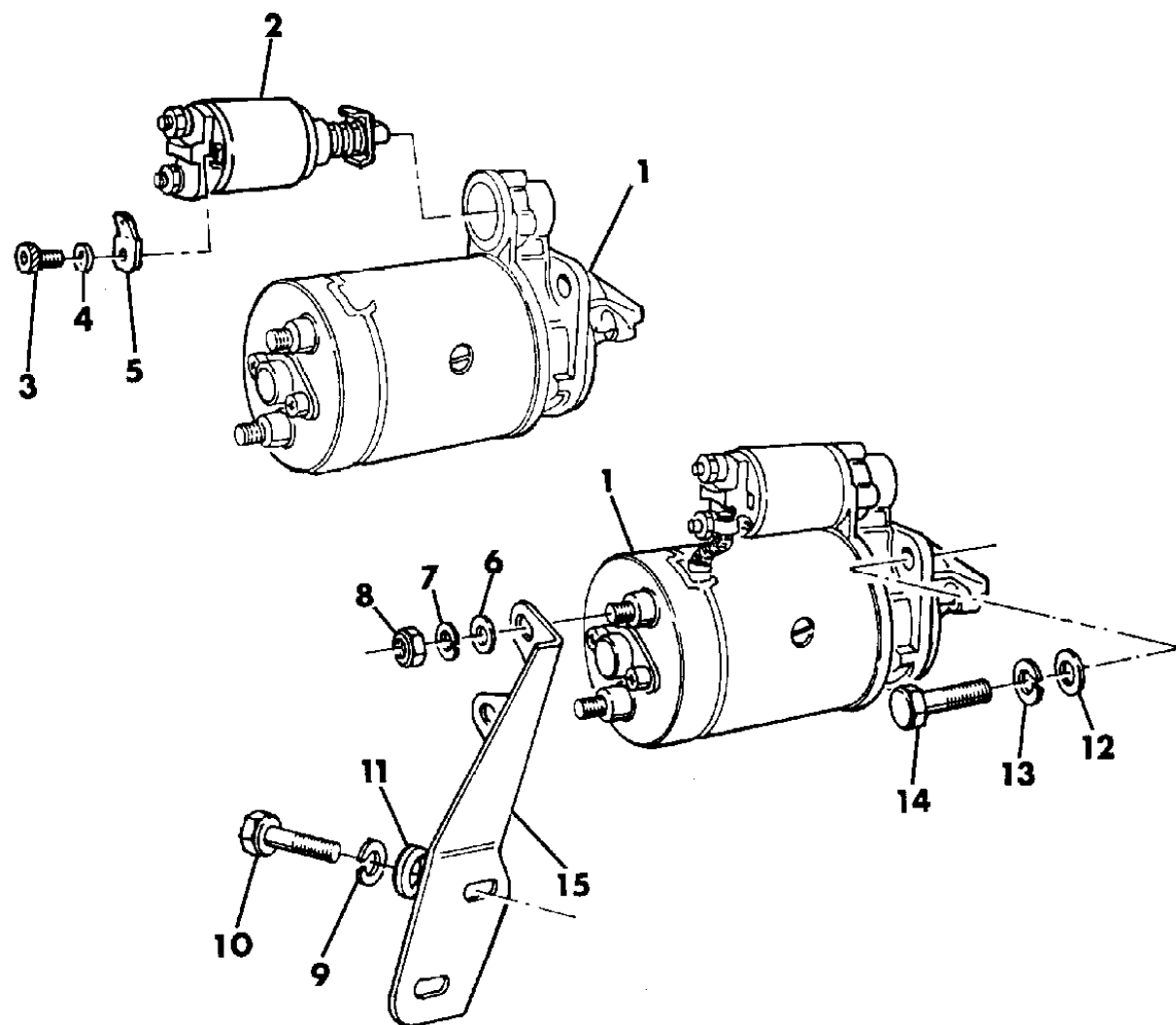
**BODY STYLES:**

21=2-Door Coupe      41=4-Door Sedan      12-52=FWD & AWD Van & Wgn Std W.B.  
 24=2-Door Hatchback      44=4-Door Hatchback      53=FWD & AWD Van & Wgn Ext. W.B.  
 27=2-Door Convertible

AR = Use as Required - = Non Illustrated Part P.A.R. = Paint as Required

**STARTER (ENGINE STARTER MOTOR) DIESEL ENGINE**  
**Figure 8-2800**

93108 2800



ITEM	PART NUMBER	QTY	BODY	MODEL	DESCRIPTION
1	4720 582				STARTER
2	4723 275				SOLENOID
3	4723 276				SCREW, Solenoid Terminal
4	4723 277				WASHER
5	4723 278				TERMINAL
6	4723 279				WASHER
7	4720 285				WASHER
8	4723 262				NUT
9	4720 686				WASHER
10	4723 280				BOLT
11	4723 281				WASHER
12	4723 292				WASHER
13	4723 165				WASHER
14	4723 291				BOLT
15	4720 577				BRACKET, Mounting

**MODEL CODES:**

A BODY=(C=LeBaron, D=Spirit, P=Acclaim/LaBaron(Landau), Saratoga)      S BODY=(H=Voyager(H) FWD, K=Caravan(H) FWD, Y=Town & Country(H) FWD, P=Voyager(K) AWD, D=Caravan(K) AWD, C=Town & Country(K) AWD)  
 C BODY=(D=Dynasty, C=New Yorker/N.Y. Salon)  
 G BODY=(V=Daytona/IROC, Chrysler Daytona)  
 J BODY=(C=LeBaron, Chrysler LeBaron)  
 P BODY=(P=Sundance, D=Shadow)      Y BODY=(C=Imperial/5th Avenue)  
 E-S BODY=(K=Chrysler Voyager(H) FWD, D=Chrysler Voyager(K) AWD)

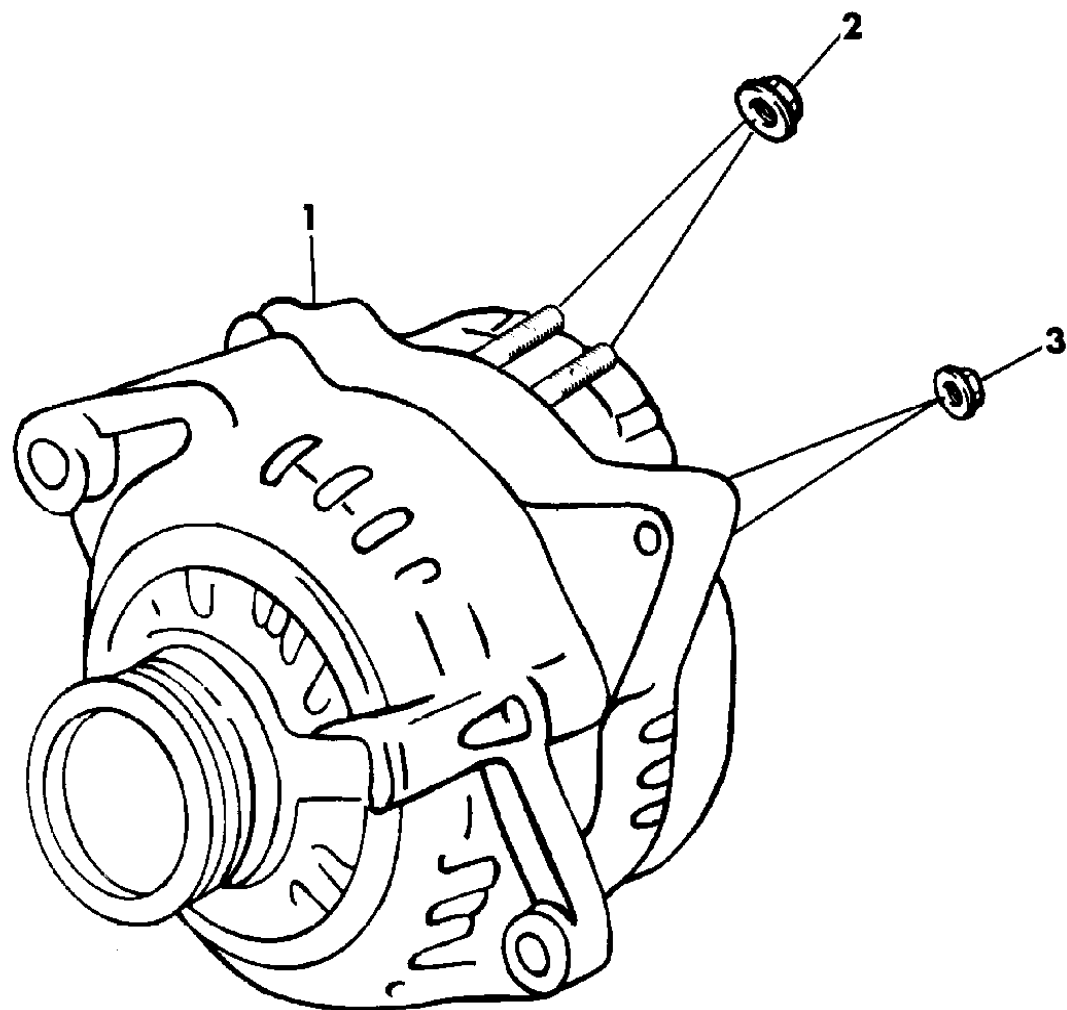
**BODY STYLES:**

21=2-Door Coupe      41=4-Door Sedan      12=52=FWD & AWD Van & Wgn Std W.B.  
 24=2-Door Hatchback      44=4-Door Hatchback      53=FWD & AWD Van & Wgn Ext. W.B.  
 27=2-Door Convertible

AR = Use as Required - = Non Illustrated Part P.A.R. = Paint as Required

**ALTERNATOR & PULLEY (GENERATOR)**  
Figure 8-2900

93108 2900



ITEM	PART NUMBER	QTY	BODY	MODEL	DESCRIPTION
1					ALTERNATOR
	5234 031	1			4 GROOVE--90 Amp. (OPTIONAL 5252883) (Stamped 4557431) Stamped 4557431
	5234 032	1			6 GROOVE--90 Amp.
	5234 208	1			4 GROOVE--120 Amp.
	5234 033	1			6 GROOVE--120 Amp.
	4686 021	1	ES		6 Groove--120 Amp. (VOLTAGE REGULATOR 5234625) EUROPE
	4686 019		ES		5 Groove--120 Amp. (VOLTAGE REGULATOR 5234625) EUROPE
2		3			NUT, Alt. Battery & Ground Terminals (Not Serv.)
3		2			LOCKNUT, Alt. Field Terminals (Not Serv.) ***
-	5234 625	2	ES		VOLTAGE REGULATOR, (Use Mtg. Screw 6034261) EUROPE ***

**MODEL CODES:**

A BODY=(C=LeBaron, D=Spirit, P=Acclaim/LaBaron(Landau), Saratoga) S BODY=(H=Voyager(H) FWD, K=Caravan(H) FWD, Y=Town & Country(H) FWD, P=Voyager(K) AWD, D=Caravan(K) AWD, C=Town & Country(K) AWD)  
 C BODY=(D=Dynasty, C=New Yorker/N.Y. Salon) Y BODY=(C=Imperial/5th Avenue)  
 G BODY=(V=Daytona/IROC, Chrysler Daytona) E-S BODY=(K=Chrysler Voyager(H) FWD, D=Chrysler Voyager(K) AWD)  
 J BODY=(C=LeBaron, Chrysler LeBaron)  
 P BODY=(P=Sundance, D=Shadow)

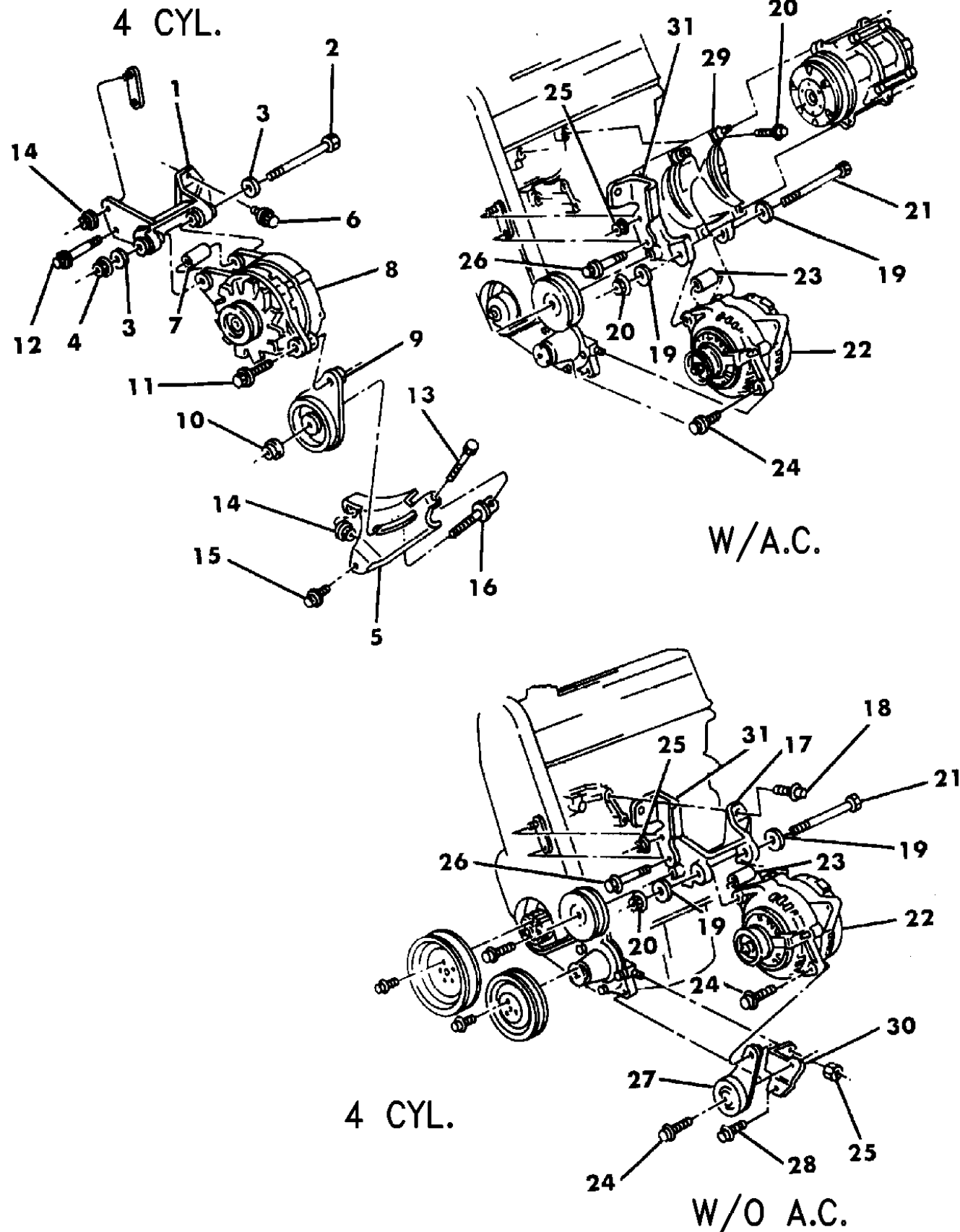
**BODY STYLES:**

21=2-Door Coupe      41=4-Door Sedan      12-52=FWD & AWD Van & Wgn Std W.B.  
 24=2-Door Hatchback      44=4-Door Hatchback      53=FWD & AWD Van & Wgn Ext. W.B.  
 27=2-Door Convertible

AR = Use as Required - = Non Illustrated Part P.A.R. = Paint as Required

ALTERNATOR MOUNTING (GENERATOR) 4-CYLINDER  
Figure 8-3000

93108 3000A



ITEM	PART NUMBER	QTY	BODY	MODEL	DESCRIPTION
1	4556 172				BRACKET, Alt. Mtg., w/o A.C.
2					SCREW, Not Serv.
3	6501 972				WASHER, Pivot
4					NUT, Lock, Not Serv.
5	4536 077				BRACKET, Adj. Lower
6	6501 732	2			SCREW, w/Washer to Block
7	4483 488				SPACER, Alt. Mtg.
8					ALTERNATOR
9	4483 491				BRACKET, Adj. Upper
10					NUT, w/Washer Not Serv.
11					SCREW, w/Washer Not Serv.
12	6500 399				SCREW, w/Washer, Pivot Attach.
13	6501 595				BOLT, Alt. Adj.
14	6101 448	AR			NUT, Flange Lock
15	6501 756	AR			SCREW, w/Washer
16	6502 030				SCREW, Adj.
17	4556 172				BRACKET, Alt. Mtg. w/o A.C.
18	6501 732	2			SCREW, w/Washer
19		2			WASHER, Flat, Not Serv.
20					NUT, Flange Lock Not Serv.
21					SCREW, Not Serv.
22					ALTERNATOR
23	4483 488				SPACER, Alt. Mtg.
24		AR			SCREW, w/Washer, Serv. Assy.
25	6101 448	AR			NUT, w/C/Washer
26					SCREW, (Not Serv.)
27	4483 491				BRACKET, Adj. Upper
28	6501 756				BOLT
29	4668 058				ADAPTER, Alt. & A/C Comp. Mtg.
30	4536 077				BRACKET, Alt. Mtg. to Water Pump
31					STRUT, Eng. Mtg. (Group #9)

MODEL CODES:

A BODY=(C=LeBaron, D=Spirit, P=Acclaim/LaBaron(Landau),  
Saratoga)  
C BODY=(D=Dynasty, C=New Yorker/N.Y. Salon)  
G BODY=(V=Daytona/IROC, Chrysler Daytona)  
J BODY=(C=LeBaron, Chrysler LeBaron)  
P BODY=(P=Sundance, D=Shadow)

S BODY=(H=Voyager(H) FWD, K=Caravan(H) FWD,  
Y=Town & Country(H) FWD, P=Voyager(K) AWD,  
D=Caravan(K) AWD, C=Town & Country(K) AWD)  
Y BODY=(C=Imperial/5th Avenue)  
E-S BODY=(K=Chrysler Voyager(H) FWD, D=Chrysler  
Voyager(K) AWD)

BODY STYLES:

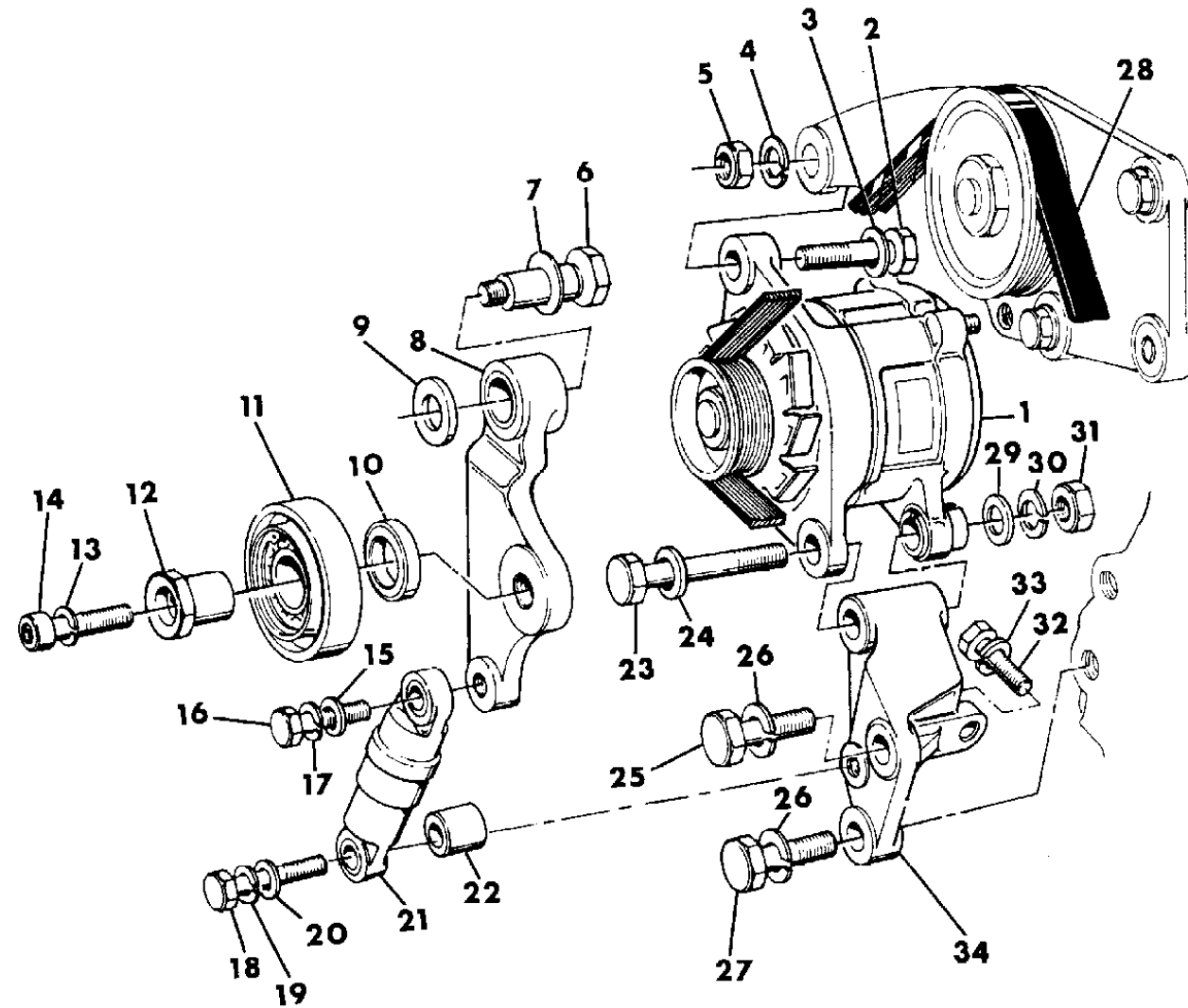
21=2-Door Coupe      41=4-Door Sedan      12-52=FWD & AWD Van & Wgn Std W.B.  
24=2-Door Hatchback      44=4-Door Hatchback      53=FWD & AWD Van & Wgn Ext. W.B.  
27=2-Door Convertible

AR = Use as Required - = Non Illustrated Part P.A.R. = Paint as Required

ALTERNATOR & MOUNTING (GENERATOR) DIESEL ENGINE

Figure 8-3100

93108 3100



ITEM	PART NUMBER	QTY	BODY	MODEL	DESCRIPTION
1	4686 019				ALTERNATOR
2	4723 282				BOLT
3	4723 281				WASHER
4	4720 686				WASHER
5	4723 284				NUT, Mtg.
6	4728 199				PIN, Tensioner
7	4728 200				SPACER, Lever Support
8	4723 316				COVER, Blanking, Frt. Timing
9	4728 198				WASHER
10	4723 301				SPACER, Idler
11	4723 298				BEARING, Idler
12	4723 300				PIN, Belt Tensioner
13	4720 688				WASHER
14	4723 302				BOLT
15	4720 193				WASHER
16	4723 303				BOLT
17	4723 165				WASHER
18					BOLT
19	4720 193				WASHER
20					BOLT
21	4720 714				TENSIONER ***
22	4723 316				SPACER
23	4723 315				BOLT, Alt. Brkt. Lwr.
24	4723 281				WASHER
25	4723 313				BOLT
26	4723 311				WASHER
27	4723 312				BOLT
28	4723 288				BELT
29	4723 281				WASHER, Mtg.
30	4720 686				WASHER, Mtg.
31	4723 284				NUT, Mtg.
32	4720 675				BOLT, Adapter Plate Mtg.
33	4720 686				WASHER
34	4720 579				BRACKET, Lwr. Mtg.

MODEL CODES:

A BODY=(C=LeBaron, D=Spirit, P=Acclaim/LaBaron(Landau),  
Saratoga)  
C BODY=(D=Dynasty, C=New Yorker/N.Y. Salon)  
G BODY=(V=Daytona/ROC, Chrysler Daytona)  
J BODY=(C=LeBaron, Chrysler LeBaron)  
P BODY=(P=Sundance, D=Shadow)

S BODY=(H=Voyager(H) FWD, K=Caravan(H) FWD,  
Y=Town & Country(H) FWD, P=Voyager(K) AWD,  
D=Caravan(K) AWD, C=Town & Country(K) AWD)  
Y BODY=(C=Imperial/5th Avenue)  
E-S BODY=(K=Chrysler Voyager(H) FWD, D=Chrysler  
Voyager(K) AWD)

BODY STYLES:

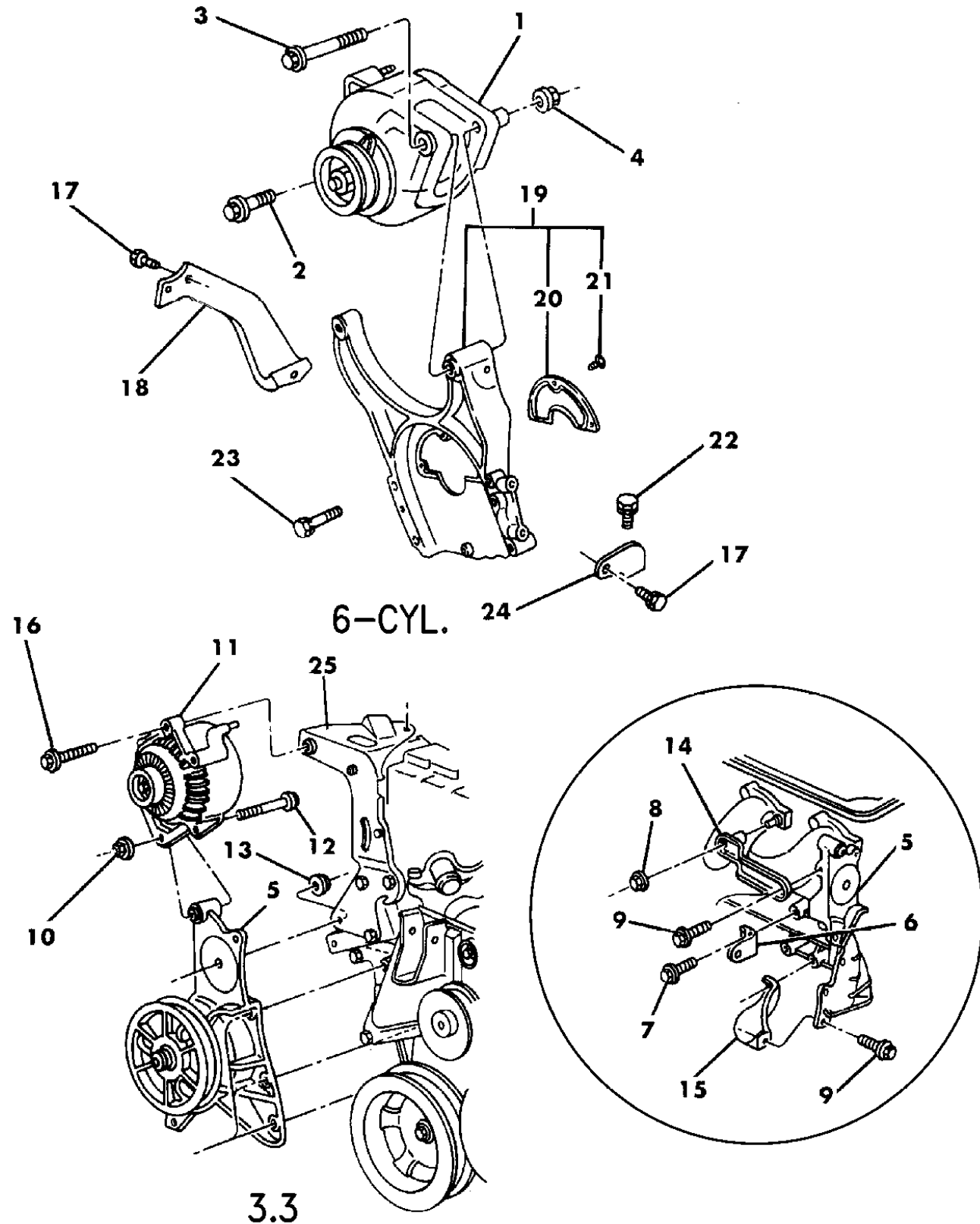
21=2-Door Coupe      41=4-Door Sedan      12-52=FWD & AWD Van & Wgn Std W.B.  
24=2-Door Hatchback      44=4-Door Hatchback      53=FWD & AWD Van & Wgn Ext. W.B.  
27=2-Door Convertible

AR = Use as Required - = Non Illustrated Part P.A.R. = Paint as Required

ALTERNATOR MOUNTING 6 CYLINDER

Figure 8-3200

93108-3200B



ITEM	PART NUMBER	QTY	BODY	MODEL	DESCRIPTION
1	5234 032		A-J-ES		ALTERNATOR, 90 Amp.
	5234 033		S		120 Amp.
2	6100 309				SCREW, w/Washer
3	6033 272				SCREW, w/Washer
4					NUT, Not Serv.
5	4315 474				BRACKET, Alt., P/Strg. & Tension Mtg.
6	4315 443				STRUT, Block to P/Strg. Pump
7	6101 503	5			SCREW, w/Washer
8	6501 926				NUT, w/Washer
9	6101 524	8			SCREW, w/Washer
10	6101 505				SCREW, w/Washer
11					ALTERNATOR
12					LOCKNUT, Flange, Not Serv. ***
13	6101 448				NUT, w/Washer
14	4483 211				STRUT
15	4612 122				STRUT, Eng. Mount to Cyl. Head Rt.
	4612 114				Lt.
16	6101 504				SCREW, w/Washer
17	MD11 0865	2			BOLT
18	MD10 8427				BRACKET
19	MD16 1923				BRACKET, Alt. Mtg.
20	MD12 0450				COVER, Mtg. Brkt.
21	MD12 0451				CLIP, Brkt. Cover
22	MD11 5942				BOLT
23	MD11 0864				BOLT
24	MD14 9003				BRACKET
25	5281 077				BRACKET, Alt. Mtg.

MODEL CODES:

A BODY=(C=LeBaron, D=Spirit, P=Acclaim/LaBaron(Landau),  
Saratoga)  
C BODY=(D=Dynasty, C=New Yorker/N.Y. Salon)  
G BODY=(V=Daytona/IROC, Chrysler Daytona)  
J BODY=(C=LeBaron, Chrysler LeBaron)  
P BODY=(P=Sundance, D=Shadow)

S BODY=(H=Voyager(H) FWD, K=Caravan(H) FWD,  
Y=Town & Country(H) FWD, P=Voyager(K) AWD,  
D=Caravan(K) AWD, C=Town & Country(K) AWD)  
Y BODY=(C=Imperial/5th Avenue)  
E-S BODY=(K=Chrysler Voyager(H) FWD, D=Chrysler  
Voyager(K) AWD)

BODY STYLES:

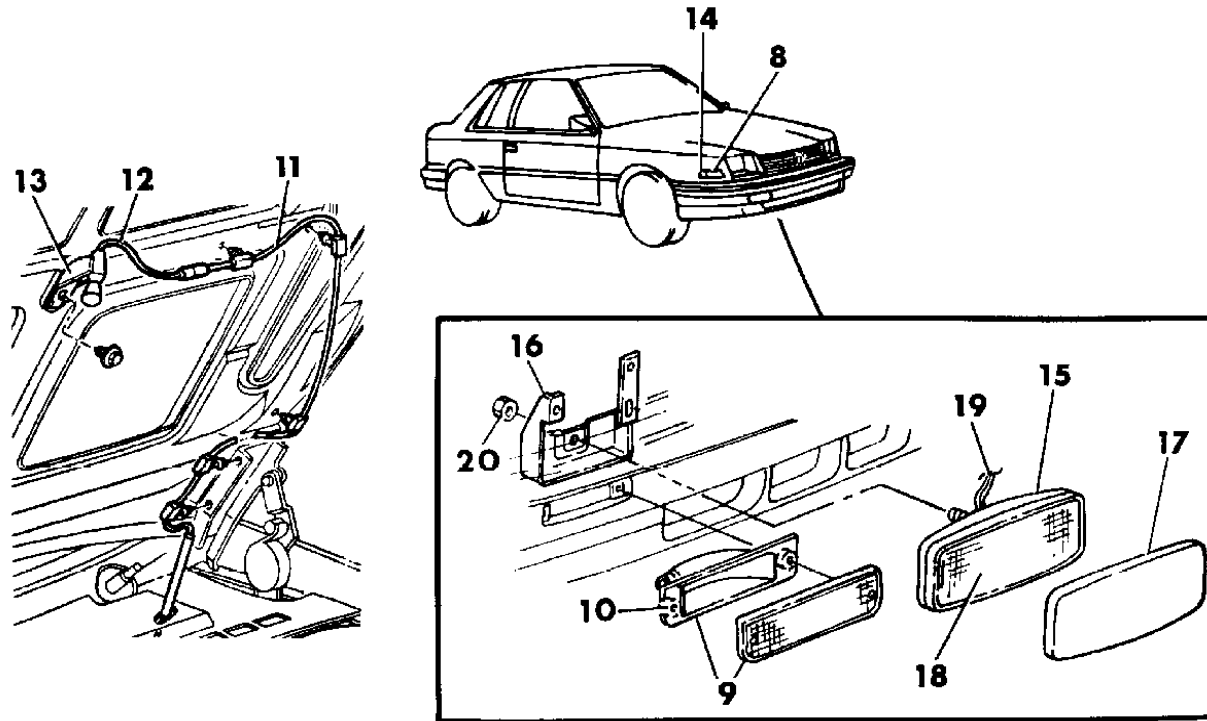
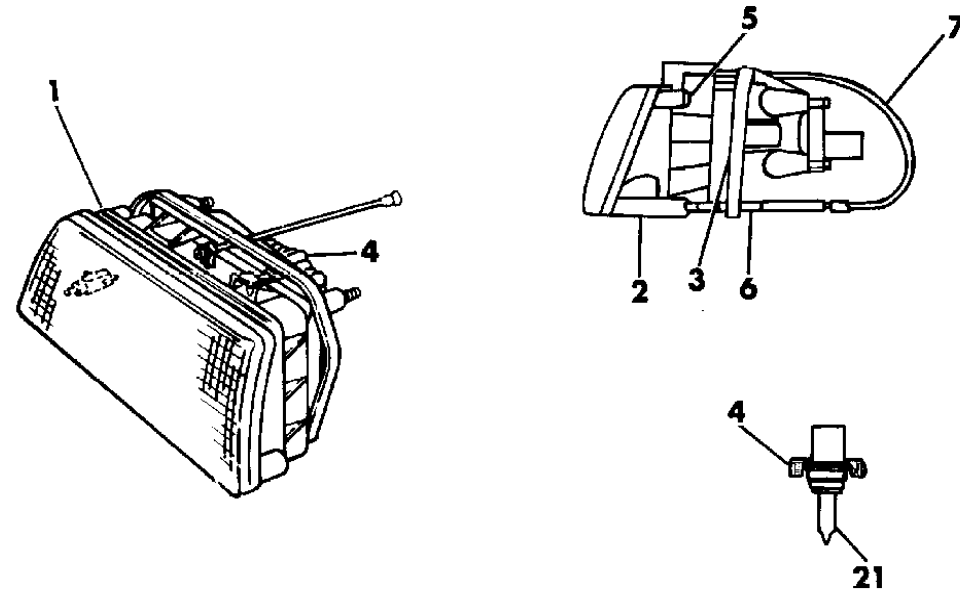
21=2-Door Coupe      41=4-Door Sedan      12-52=FWD & AWD Van & Wgn Std W.B.  
24=2-Door Hatchback      44=4-Door Hatchback      53=FWD & AWD Van & Wgn Ext. W.B.  
27=2-Door Convertible

AR = Use as Required - = Non Illustrated Part P.A.R. = Paint as Required

LAMPS--FRONT P BODY  
Figure 8-3300

93108 3300

ITEM	PART NUMBER	QTY	BODY	MODEL	DESCRIPTION
1	4451 508-9	1			HOUSING AND LENS, Headlamp (Use Mtg. Nut 6500284) ***
2	4451 520-1	1			SEAT, Headlamp
3	5252 862-3	1			ADAPTOR, H/Lamp (Inc. Adj. Screw & Bolt)
4	4451 512	2			RETAINER NUT, Aero H/Lamp Bulb ***
5	4451 479	8			SCREW, H/Lamp Seat To Hsg. Attach.
6	6502 867	6			SCREW, Aero H/Lamp Adj.
7	5263 743	AR			CABLE, Adjusting
8	4328 698	AR			LAMP, Fender S/Marker & Reflex (Use Nut 6029471)
9	4399 808-9	1			LAMP, Frt. Bumper Park & T/Sig.
-	0153 903	AR			SCREW, Park/Turn Mtg.
10	6032 746	AR			NUT, Frt. Bumper Park & T/Sig. Mtg.
11	4221 150	1			LAMP, Underhood
12	5267 124	1			CABLE, Underhood Light
13		1			BULB, Underhood Light
14	9425 542	1			BULB, Side Marker
15		AR			LAMP, Front Bumper Fog
	5263 607	1			(Also Use Brkt. 4451852-3, Bulb 5263606, 4515023 Wiring & Screw w/Washer 6100304)
16	4451 852-3	AR			BRACKET, Fog Lamp Frt. Bumper
17		AR			COVER, Fog Lamp (Not Required)
18		AR			LENS and HOUSING, (Serv. w/Fog Lamp)
19	4515 023	AR			WIRING, Fog Lamp Pigtail
20	6101 445	AR			NUT, Frt. Bumper Fog Lamp
21	4388 238	AR			BULB AND SOCKET ***
	4388 238				SOCKET, Aero H/Lamp---#9004-
	4400 588				SOCKET, Side Marker---#168--9425542
	4439 076				SOCKET, H/Lamp (AERO)
					NOTE: BULBS AND SOCKETS ARE ALSO ON ILLUS. 5800-5900



MODEL CODES:

A BODY=(C=LeBaron, D=Spirit, P=Acclaim/LaBaron(Landau), Saratoga)  
C BODY=(D=Dynasty, C=New Yorker/N.Y. Salon)  
G BODY=(V=Daytona/IROC, Chrysler Daytona)  
J BODY=(C=LeBaron, Chrysler LeBaron)  
P BODY=(P=Sundance, D=Shadow)

S BODY=(H=Voyager(H) FWD, K=Caravan(H) FWD, Y=Town & Country(H) FWD, P=Voyager(K) AWD, D=Caravan(K) AWD, C=Town & Country(K) AWD)  
Y BODY=(C=Imperial/5th Avenue)  
E-S BODY=(K=Chrysler Voyager(H) FWD, D=Chrysler Voyager(K) AWD)

BODY STYLES:

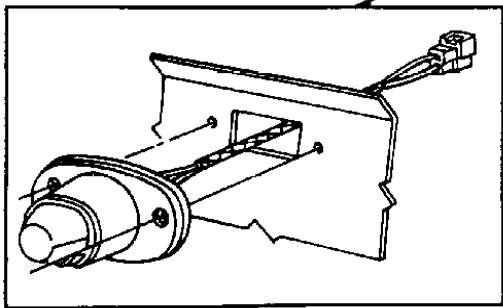
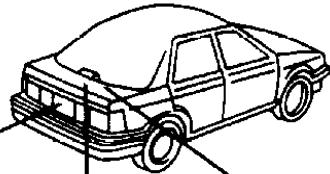
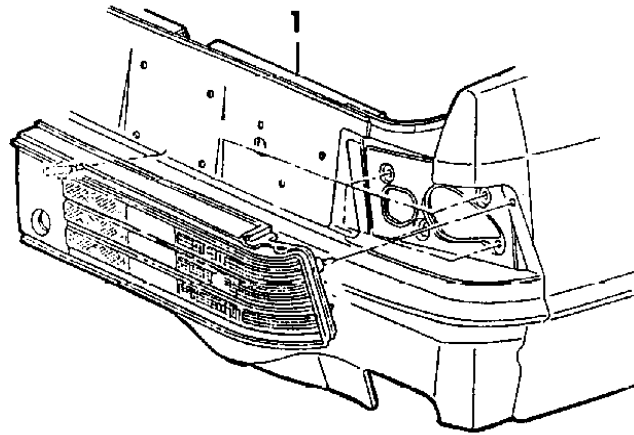
21=2-Door Coupe  
24=2-Door Hatchback  
27=2-Door Convertible  
41=4-Door Sedan  
44=4-Door Hatchback  
12-52=FWD & AWD Van & Wgn Std W.B.  
53=FWD & AWD Van & Wgn Ext. W.B.

AR = Use as Required - = Non Illustrated Part P.A.R. = Paint as Required

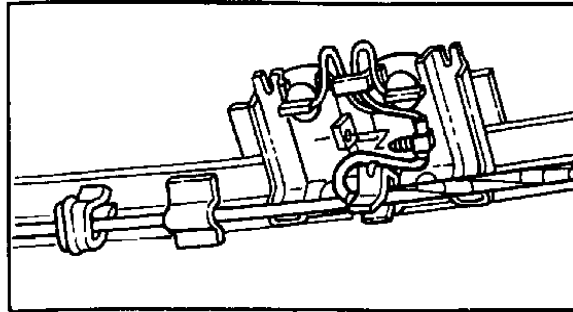
LAMPS & WIRING--REAR P BODY  
Figure 8-3400

93108 3400

ITEM	PART NUMBER	QTY	BODY	MODEL	DESCRIPTION
1	4399 494-5	1		D	LAMP, Tail, Stop, Turn Signal
	4399 488-9			P	
2	4399 628	1			LAMP, Center High Mtd. Stop
	4399 678	1		27	HOUSING And LENS, Hi-Mtd. Stop Lamp
	X788 FC7	1		27	COVER, Hi-Mtd. Stop Lamp
	4400 766	1		27	SOCKET And CABLE, Hi-Mtd. Stop Lamp
	4399 246	1		P-D	"Rally Sport Pkg."
3	0153 988	1			BULB, Hi Mtd. Stop Lamp
	5207 516	AR			LAMP, Liftgate License Lamp (Also Order 1-4481186 Socket & Cable)
4	4400 822	1			SOCKET and CABLE, Hi-Mtd. Stop Lp.
	4450 818				SOCKET, Side Marker---#916--153700
	4399 579				SOCKET, Hi-Mtd. Stop Lamp---#1156--9417866
	4450 814				SOCKET, License Lamp---#168--9425542
	4399 579				SOCKET, Back-Up Lamp---#1156--9417866
	4399 576				SOCKET, Tail, Stop, T/Signal---#3157--154509
NOTE: BULBS AND SOCKETS ARE ALSO ON ILLUS. 5800-5900					

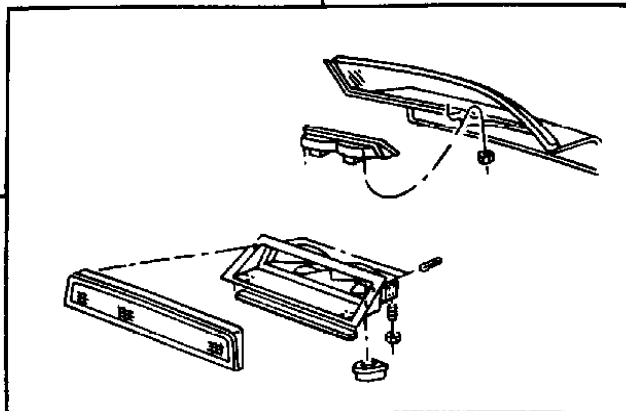


3



4

2



MODEL CODES:

A BODY=(C=LeBaron, D=Spirit, P=Acclaim/LaBaron(Landau), Saratoga)

C BODY=(D=Dynasty, C=New Yorker/N.Y. Salon)

G BODY=(V=Daytona/IROC, Chrysler Daytona)

J BODY=(C=LeBaron, Chrysler LeBaron)

P BODY=(P=Sundance, D=Shadow)

S BODY=(H=Voyager(H) FWD, K=Caravan(H) FWD,

Y=Town & Country(H) FWD, P=Voyager(K) AWD,

D=Caravan(K) AWD, C=Town & Country(K) AWD)

Y BODY=(C=Imperial/5th Avenue)

E-S BODY=(K=Chrysler Voyager(H) FWD, D=Chrysler

Voyager(K) AWD)

BODY STYLES:

21=2-Door Coupe

41=4-Door Sedan

12-52=FWD & AWD Van & Wgn Std W.B.

24=2-Door Hatchback

44=4-Door Hatchback

53=FWD & AWD Van & Wgn Ext. W.B.

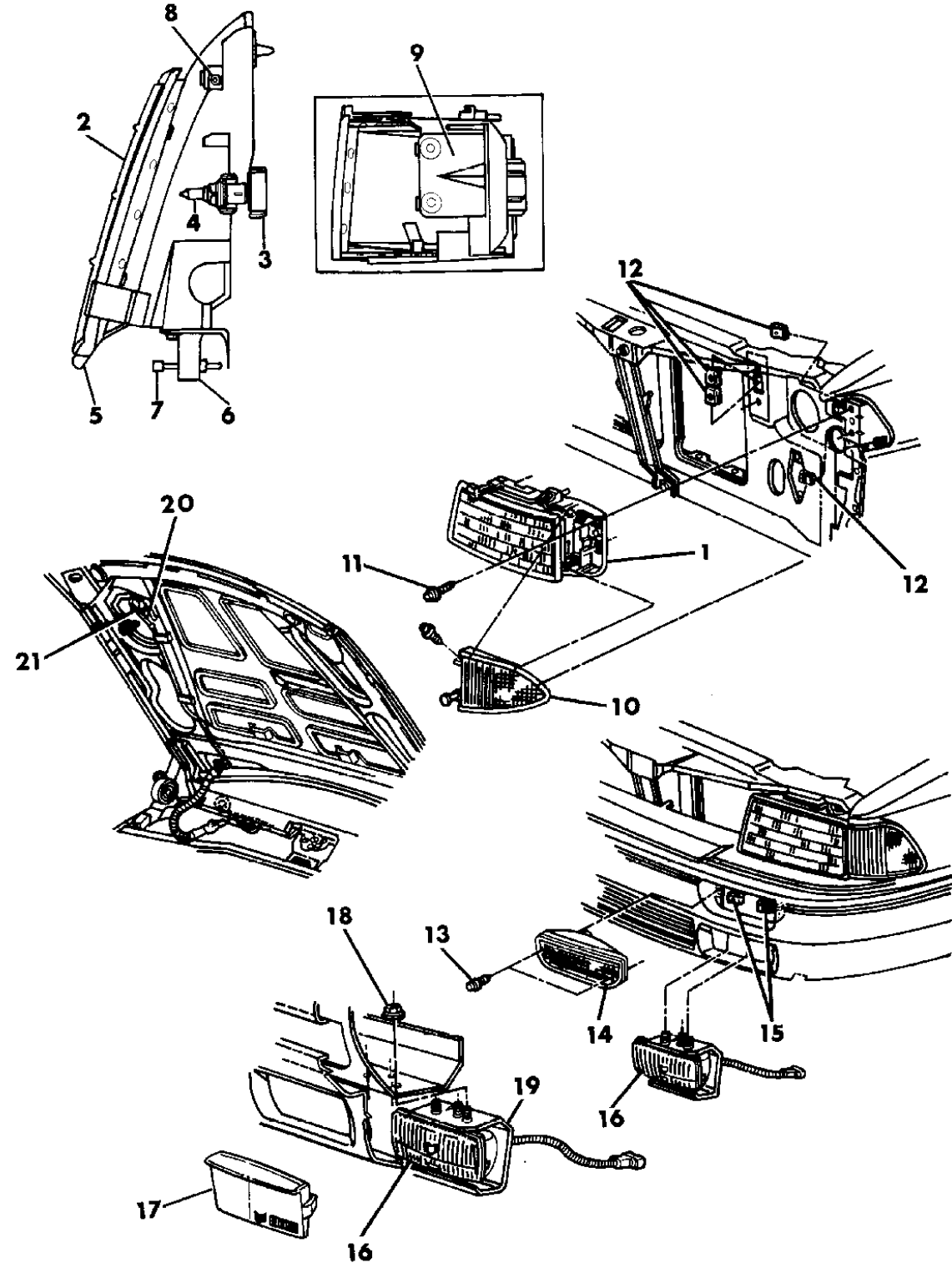
27=2-Door Convertible

AR = Use as Required - = Non Illustrated Part P.A.R. = Paint as Required



LAMPS--FRONT A BODY  
Figure 8-3500

93108 3500



ITEM	PART NUMBER	QTY	BODY	MODEL	DESCRIPTION
1					HEADLAMP ASSEMBLY, Aero, CONSISTS OF:
2	4773 252-3	1			HOUSING AND LENS ***
3	4388 589	AR			RETAINER
4					BULB
5	4576 844-5				SEAL
-	4388 592-3	1			HEADLAMP ASSEMBLY, EUROPE
6	4576 404-5	1			ADAPTOR, w/Cable
	4388 556-7				EUROPE
	5263 486-7				EUROPE
7					CLIP, Adj. Screw
	6033 376	AR			EUROPE
	4515 325	AR			EUROPE
8	6031 234	AR			NUT
9	4388 603	AR			BRACKET, H/Lamp & Adaptor Mtg. (Adj. Screw 6033375)
-	6101 308	2			NUT, H/Lamp & Adaptor Assy.Mtg. Brkt.
-	6100 567	2			SCREW, Brkt.To H/Lamp & Adaptor Assy. Attg.
10	4676 018-9	1			LAMP, Side Marker Reflex (AMBER)
	4676 022-3	1			(CLEAR/AMBER)
	4676 026-7	1			EUROPE
11	6501 212	4			SCREW, w/Washer
12	1150 3714	4			U-NUT
13					SCREW, w/Washer (Not Serv.)
14					LAMP, Fascia Park & Turn Signal
	4399 166-7	AR		C	
	5262 226-7	AR		D-P	
	4523 008-9	1		D	EUROPE
15		4			U-NUT, (Not Serv.)
16					FOG LAMP, (Use Bulb 4638534)
	5263 318	AR			EUROPE
	5263 559	AR			EUROPE
17		AR			COVER, Fog Lamp (Not Used)
18					NUT, (Not Serv.)
19	5263 316-7	1			BRACKET, Fog Lamp
	6501 025	AR			PUSHNUT, Fog Lamp Brkt.
20	4221 150	1			LAMP, Underhood (Wiring Is Not Serv.)
21	9428 606	1			BULB, Underhood Lamp
-	5263 602	1			ACTUATOR, H/Lp., EUROPE
-	5263 494				LABEL, Headlamp Leveling
-	5263 506	2			SPACER, H/Lp. Leveling, EUROPE

MODEL CODES:

A BODY=(C=LeBaron, D=Spirit, P=Acclaim/LaBaron(Landau), Saratoga)

C BODY=(D=Dynasty, C=New Yorker/N.Y. Salon)

G BODY=(V=Daytona/ROC, Chrysler Daytona)

J BODY=(C=LeBaron, Chrysler LeBaron)

P BODY=(P=Sundance, D=Shadow)

S BODY=(H=Voyager(H) FWD, K=Caravan(H) FWD,

Y=Town & Country(H) FWD, P=Voyager(K) AWD,

D=Caravan(K) AWD, C=Town & Country(K) AWD)

Y BODY=(C=Imperial/5th Avenue)

E-S BODY=(K=Chrysler Voyager(H) FWD, D=Chrysler

Voyager(K) AWD)

BODY STYLES:

21=2-Door Coupe

41=4-Door Sedan

12-52=FWD & AWD Van & Wgn Std W.B.

24=2-Door Hatchback

44=4-Door Hatchback

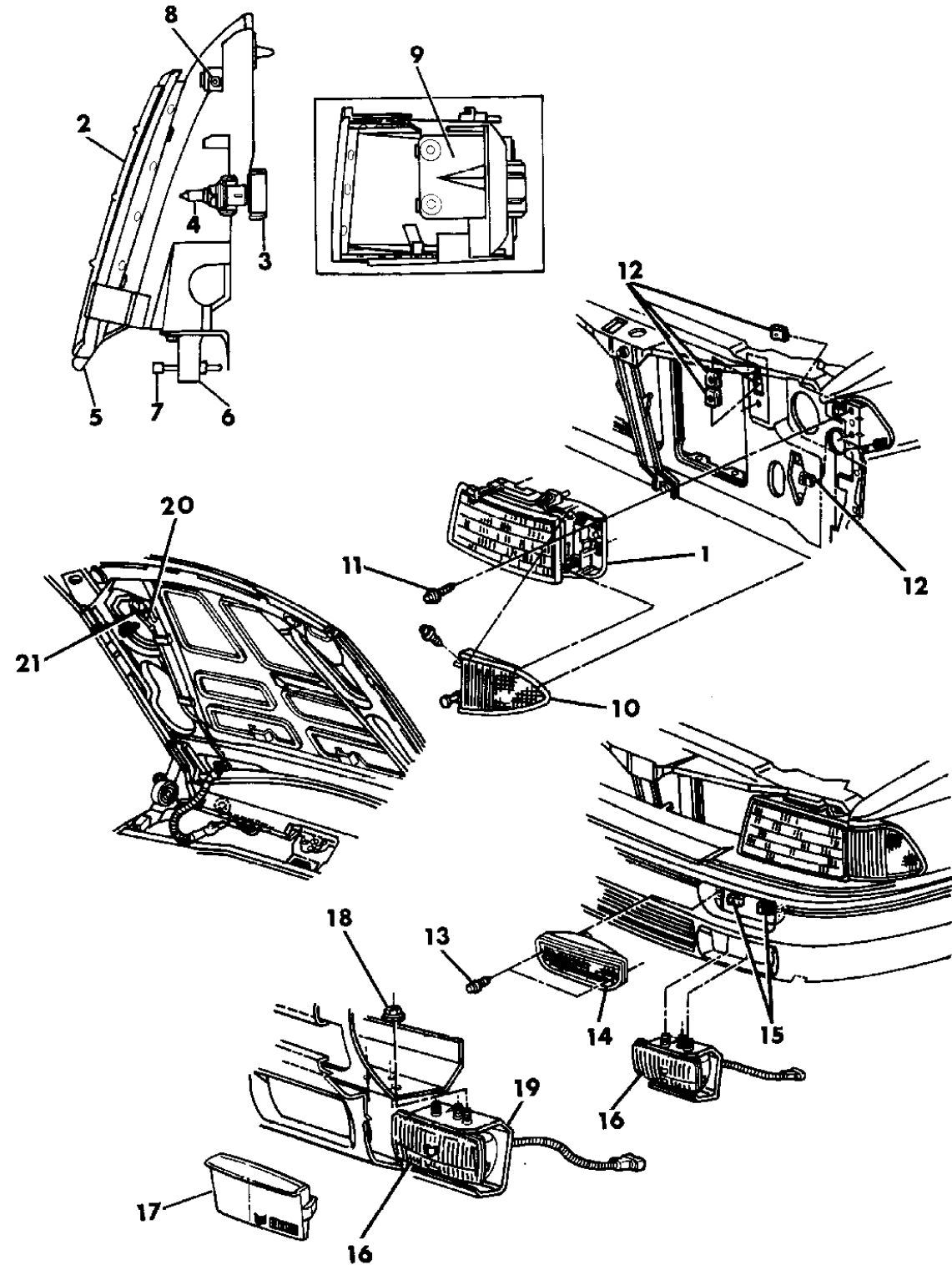
53=FWD & AWD Van & Wgn Ext. W.B.

27=2-Door Convertible

AR = Use as Required - = Non Illustrated Part P.A.R. = Paint as Required

LAMPS--FRONT A BODY  
Figure 8-3500

93108 3500



ITEM	PART NUMBER	QTY	BODY	MODEL	DESCRIPTION
-	4676 026-7	AR			COVER ASSEMBLY, Fender EUROPE
-	4576 158	AR			LAMP, Frt. Fender Side Repeater, EUROPE
-	4676 194-5	1			BRACKET, H/Lp. Actuator to Upr. C/Member, EUROPE
-	6033 375	AR			SCREW, Aero H/Lp. Adj.
	4399 639			C	SOCKET, Park & Turn Signal---3157NA--154525
	4400 588				SOCKET, Side Marker---#168--9425542
	4439 076				SOCKET, Headlamp (AERO)---#9004-
	4388 238				SOCKET, w/Wire Headlamp (AERO)
					NOTE: BULBS AND SOCKETS ARE ALSO ON ILLUS. 5800-5900

MODEL CODES:

A BODY=(C=LeBaron, D=Spirit, P=Acclaim/LaBaron(Landau),  
Saratoga)  
C BODY=(D=Dynasty, C=New Yorker/N.Y. Salon)  
G BODY=(V=Daytona/IROC, Chrysler Daytona)  
J BODY=(C=LeBaron, Chrysler LeBaron)  
P BODY=(P=Sundance, D=Shadow)

S BODY=(H=Voyager(H) FWD, K=Caravan(H) FWD,  
Y=Town & Country(H) FWD, P=Voyager(K) AWD,  
D=Caravan(K) AWD, C=Town & Country(K) AWD)  
Y BODY=(C=Imperial/5th Avenue)  
E-S BODY=(K=Chrysler Voyager(H) FWD, D=Chrysler  
Voyager(K) AWD)

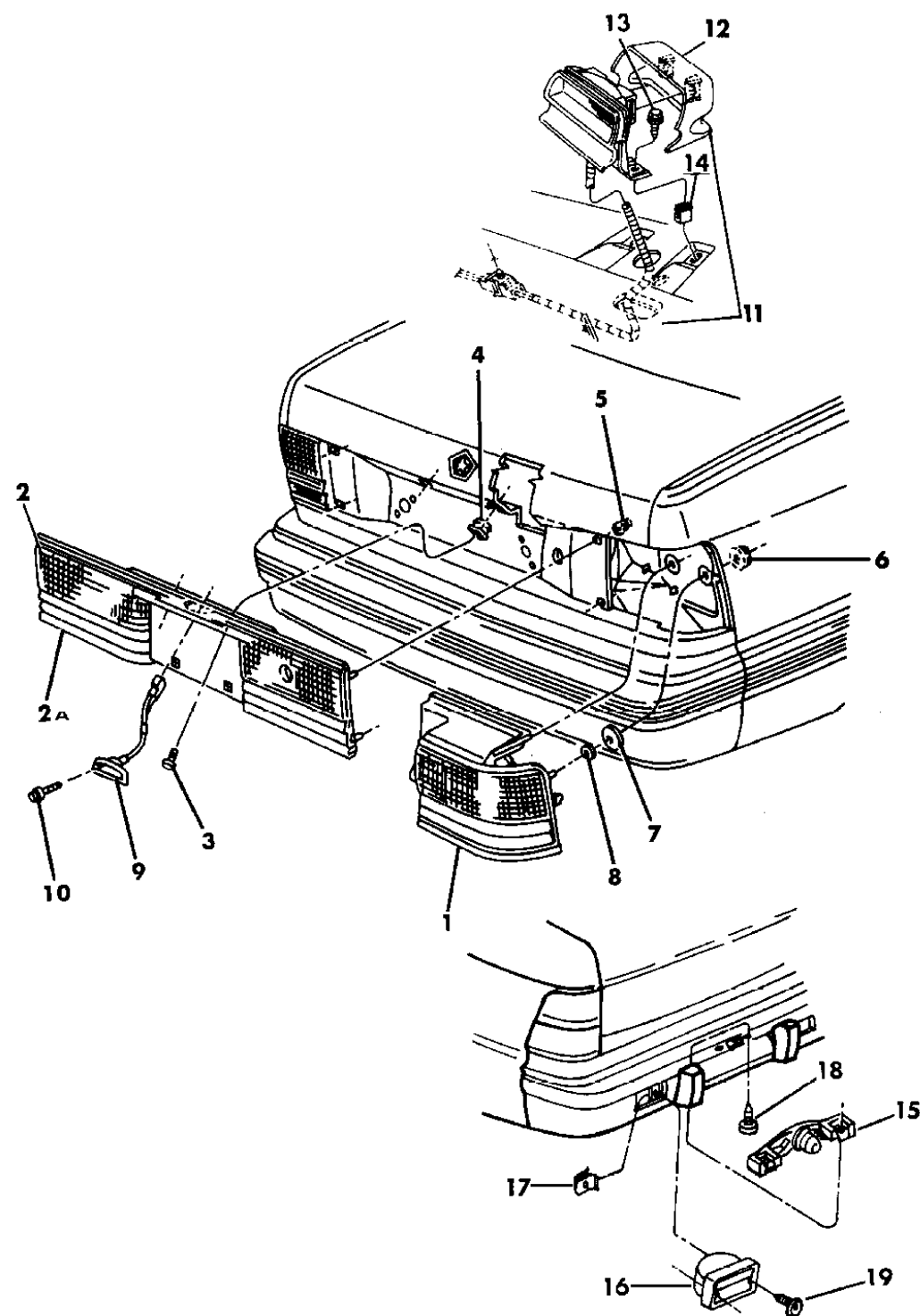
BODY STYLES:

21=2-Door Coupe      41=4-Door Sedan      12-52=FWD & AWD Van & Wgn Std W.B.  
24=2-Door Hatchback      44=4-Door Hatchback      53=FWD & AWD Van & Wgn Ext. W.B.  
27=2-Door Convertible

AR = Use as Required - = Non Illustrated Part P.A.R. = Paint as Required

LAMPS & WIRING--REAR A BODY  
Figure 8-3600

93108 3600



ITEM	PART NUMBER	QTY	BODY	MODEL	DESCRIPTION
1	4576 820-1	1		CP,CM	LAMP, Tail, Stop, Turn Signal, Side Marker & Reflex
	4576 052-3			PH	RED/CLEAR LENS
	4676 100-1			D	
	4676 100-1			CM	Mideast
	4523 142-3				EUROPE
2	4676 107	1		CP,CM	LAMP, Deck Lid Applique B/Up (w/Moulding)
	4576 822	1		PH	
	4576 823			CP,CM,CH	EUROPE
	4676 106	1		CM	Mideast
4676 106			D		
2A	4399 214-5	1		PH	MOULDING, Deck Lid Applique
3		2			SCREW, (Not Serv.)
4					RETAINER, (Not Serv.)
5		8			NUT, (Not Serv.)
6		4			NUT, (Not Serv.)
7					SEAL, (Serv. In Assy.)
8					SHIM, (Serv. In Assy.)
9	4399 700	1		PH	LAMP, License
	4676 153			DP	
	4576 898			CM,CP,DH	
	4399 935			CM,PH	EUROPE
10					SCREW, (Serv. In Assy.)
11	4399 606	1		C,P,D	LAMP, Hi-Mtd. Stop Lamp, (Use Clip 6032268)
	4399 448	1			LAMP, Hi-Mtd. w/Adaptor (Lens 4399503) Shelf Panel
12	H270 HC5	1			COVER, P.A.R., Shelf Panel
	H230 HC5	1		C,P,D	P.A.R.
13					SCREW, (Not Serv.)
14	6031 869	AR			NUT, Attaching
15	4399 751	1		C	LAMP, Fascia Mtd. License
	4576 900			D	
16	4321 560	2		C	LAMP, Rear Bumper Back-Up
17				C	NUT, (Not Serv.)
18				C	SCREW, (Not Serv.)
19				C	SCREW, (Not Serv.)
-	2096 857	AR			LAMP, Trunk Socket
	4625 065				SOCKET, Hi-Mtd. Stop Lamp---#921--153938
	4414 184			P-D	SOCKET, License Lamp---#168--9425542
	4636 358			P	SOCKET, Back-Up Lamp---#1156--9417866 SOCKET, Back-Up Lamp---(Serv. In Wiring)

MODEL CODES:

A BODY=(C=LeBaron, D=Spirit, P=Acclaim/LaBaron(Landau), Saratoga) S BODY=(H=Voyager(H) FWD, K=Caravan(H) FWD, Y=Town & Country(H) FWD, P=Voyager(K) AWD, D=Caravan(K) AWD, C=Town & Country(K) AWD)  
 C BODY=(D=Dynasty, C=New Yorker/N.Y. Salon) Y BODY=(C=Imperial/5th Avenue)  
 G BODY=(V=Daytona/IROC, Chrysler Daytona) E-S BODY=(K=Chrysler Voyager(H) FWD, D=Chrysler Voyager(K) AWD)  
 J BODY=(C=LeBaron, Chrysler LeBaron) P BODY=(P=Sundance, D=Shadow)

BODY STYLES:

21=2-Door Coupe 41=4-Door Sedan 12-52=FWD & AWD Van & Wgn Std W.B.  
 24=2-Door Hatchback 44=4-Door Hatchback 53=FWD & AWD Van & Wgn Ext. W.B.  
 27=2-Door Convertible

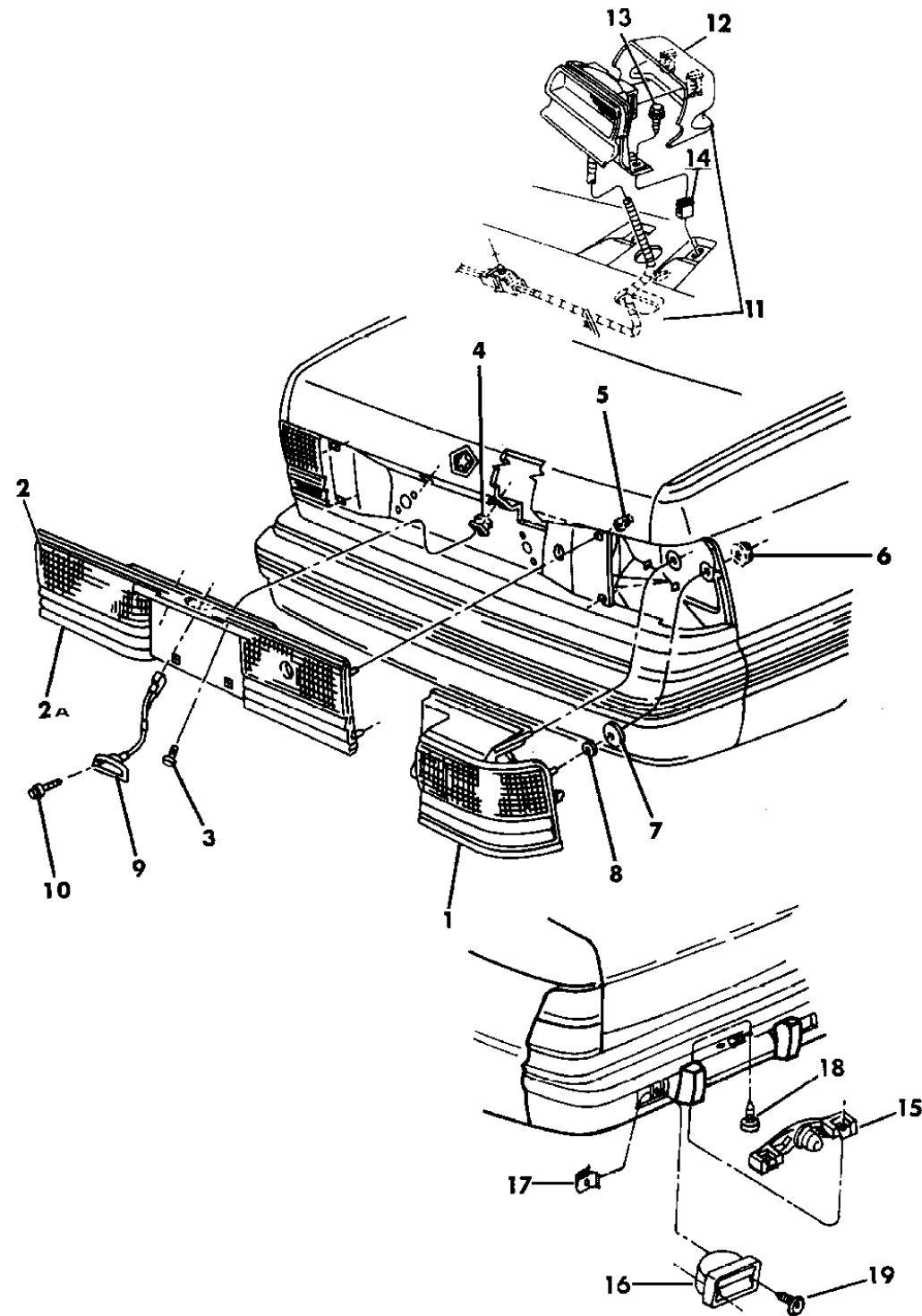
AR = Use as Required - = Non Illustrated Part P.A.R. = Paint as Required

LAMPS & WIRING--REAR A BODY  
Figure 8-3600

93108 3600

ITEM	PART NUMBER	QTY	BODY	MODEL	DESCRIPTION
------	-------------	-----	------	-------	-------------

	4636 362				SOCKET, Tail, Stop, Turn---#3157--154509
	4400 588				SOCKET, Side Marker---#168--9425542
					NOTE: BULBS AND SOCKETS ARE ALSO ON ILLUS. 5800-5900



**MODEL CODES:**

A BODY=(C=LeBaron, D=Spirit, P=Acclaim/LaBaron(Landau),  
Saratoga)  
C BODY=(D=Dynasty, C=New Yorker/N.Y. Salon)  
G BODY=(V=Daytona/IROC, Chrysler Daytona)  
J BODY=(C=LeBaron, Chrysler LeBaron)  
P BODY=(P=Sundance, D=Shadow)

S BODY=(H=Voyager(H) FWD, K=Caravan(H) FWD,  
Y=Town & Country(H) FWD, P=Voyager(K) AWD,  
D=Caravan(K) AWD, C=Town & Country(K) AWD)  
Y BODY=(C=Imperial/5th Avenue)  
E-S BODY=(K=Chrysler Voyager(H) FWD, D=Chrysler  
Voyager(K) AWD)

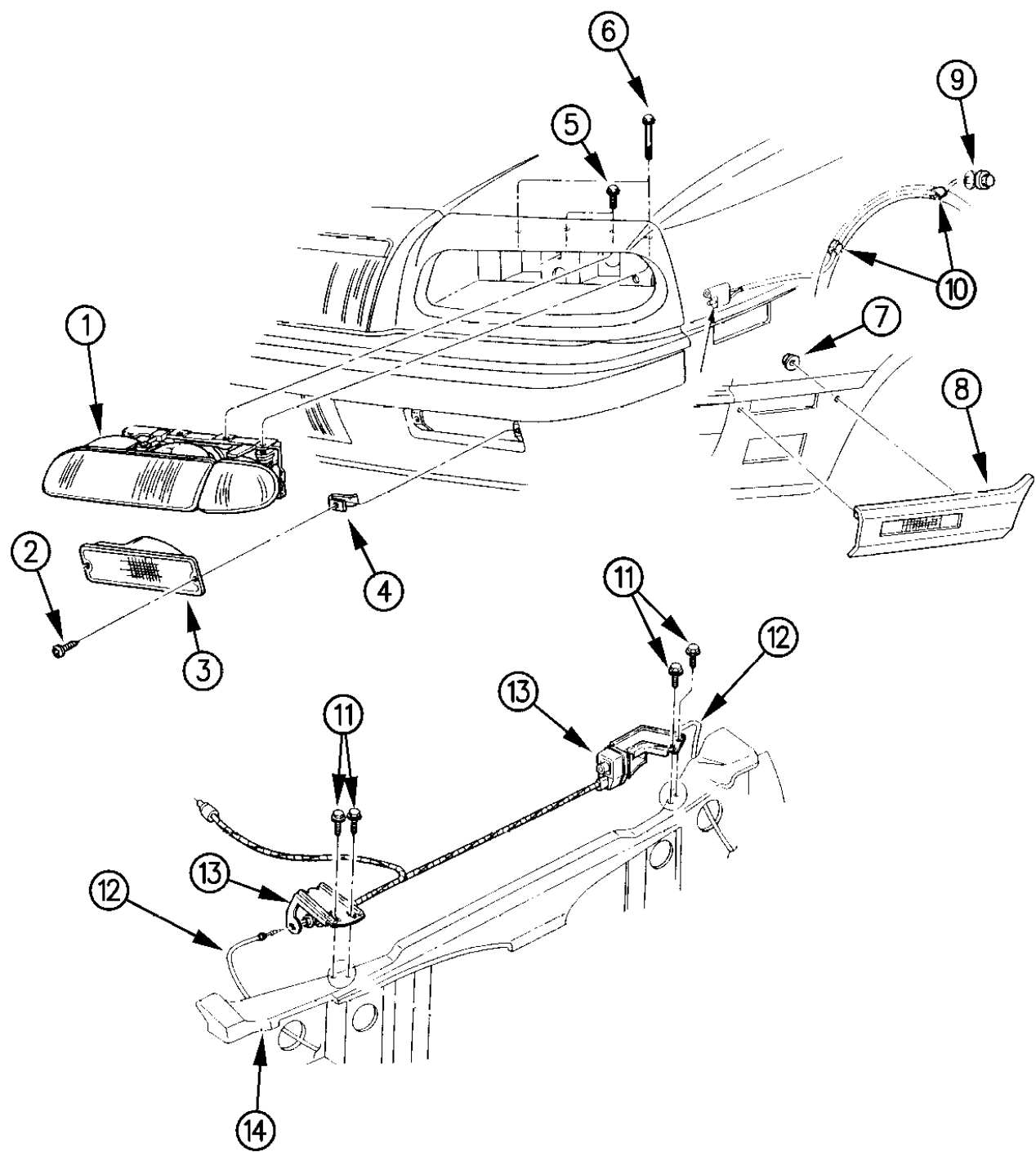
**BODY STYLES:**

21=2-Door Coupe      41=4-Door Sedan      12-52=FWD & AWD Van & Wgn Std W.B.  
24=2-Door Hatchback      44=4-Door Hatchback      53=FWD & AWD Van & Wgn Ext. W.B.  
27=2-Door Convertible

AR = Use as Required - = Non Illustrated Part P.A.R. = Paint as Required

LAMPS--FRONT J BODY  
Figure 8-3700

93108 3700



ITEM	PART NUMBER	QTY	BODY	MODEL	DESCRIPTION
1	5263 372-3	1			HEADLAMP and ADAPTOR, w/Parking Lamp ***
	4778 074-5				w/o Parking Lamp
	5263 374-5				w/Parking Lamp, EUROPE
	4778 076-7				w/o Parking Lamp, EUROPE
-	0154 221				BULB, Headlamp #9006 (AERO TYPE)
2					SCREW, Not Serv.
3	5262 298-9				LAMP, Park & Turn, Fascia
	4321 684-5				EUROPE
	5288 018-9				Park & Turn Signal (Next To Headlamp)
	5288 024-5				EUROPE
4	6033 232				NUT
5	6101 719				SCREW
6	6502 750				SCREW
7	6032 389				NUT
8					LAMP, Bumper Reflex & Side Marker (Serv. Assy.)
9	4576 158				LAMP, Side Repeater, EUROPE
10	6015 327				CLIP, EUROPE
11					SCREW, Not Serv.
12	5263 964				ACTUATOR, w/Cable, Leveling System, EUROPE
-					CLIP, Serv. Assy.
-	5263 729				BAG, Leveling Kit, EUROPE
13	5263 714-5				BRACKET, EUROPE
14	5263 826				LABEL, Headlamp Leveling, EUROPE

NOTE: BULBS AND SOCKETS ARE ALSO ON ILLUS. 5800-5900

MODEL CODES:

A BODY=(C=LeBaron, D=Spirit, P=Acclaim/LaBaron(Landau),  
Saratoga)  
C BODY=(D=Dynasty, C=New Yorker/N.Y. Salon)  
G BODY=(V=Daytona/IROC, Chrysler Daytona)  
J BODY=(C=LeBaron, Chrysler LeBaron)  
P BODY=(P=Sundance, D=Shadow)

S BODY=(H=Voyager(H) FWD, K=Caravan(H) FWD,  
Y=Town & Country(H) FWD, P=Voyager(K) AWD,  
D=Caravan(K) AWD, C=Town & Country(K) AWD)  
Y BODY=(C=Imperial/5th Avenue)  
E-S BODY=(K=Chrysler Voyager(H) FWD, D=Chrysler  
Voyager(K) AWD)

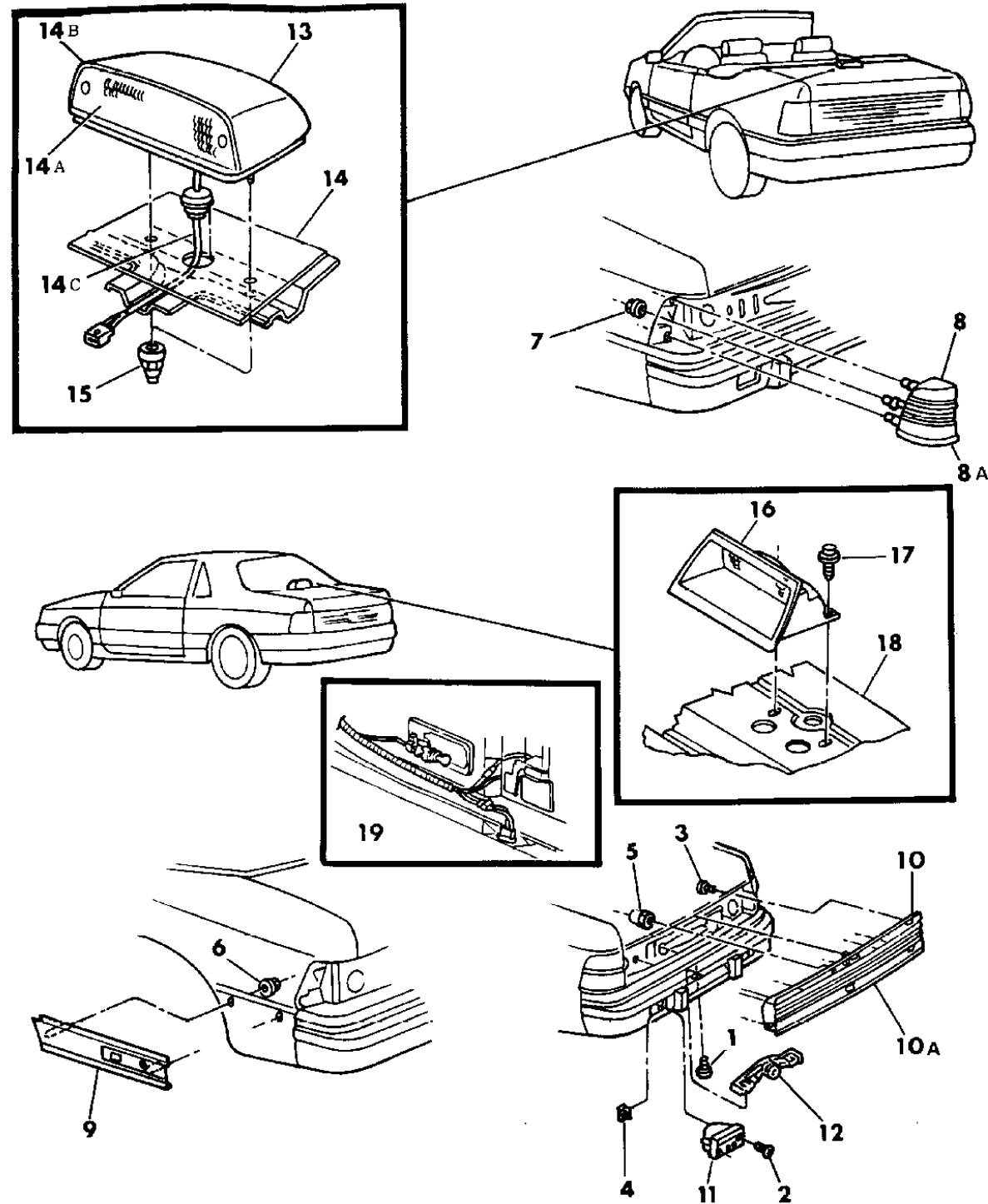
BODY STYLES:

21=2-Door Coupe      41=4-Door Sedan      12-52=FWD & AWD Van & Wgn Std W.B.  
24=2-Door Hatchback      44=4-Door Hatchback      53=FWD & AWD Van & Wgn Ext. W.B.  
27=2-Door Convertible

AR = Use as Required - = Non Illustrated Part P.A.R. = Paint as Required

LAMPS & WIRING--REAR J BODY  
Figure 8-3800

93108 3800



ITEM	PART NUMBER	QTY	BODY	MODEL	DESCRIPTION
1					SCREW, (Not Serv.)
2					SCREW, (Not Serv.)
3					SCREW, (Not Serv.)
4					NUT
5	6033 024				NUT
6					NUT, (Not Serv.)
7					NUT, Apert. Pnl.
8	5261 914-5 4399 572-3				LAMP ASSEMBLY, Aperture Pnl. Tail, Stop, T/Sig. (Red Amber) EUROPE
8A	4523 066-7 4523 288-9			"GTC"	MOULDING, Aperture Pnl. Tail/Stop/T/Sig. (Use Nut 6502033)
9					LAMP ASSEMBLY, Rear Bumper Nerf Ext. & Side Marker(Serv. Assy.)
10	5261 916				LAMP ASSEMBLY, Deck Lid Mtd. (Mtg. Nut 6033025), Bulb #916--153700
10A	5262 193				EUROPE MOULDING, Deck Lid Lamp
	5262 169				APPLIQUE, Lic. Lamp & Plate Brkt. EUROPE
	4399 572-3				LAMP, Aprtr. Pnl. Tail, Stop, T/Sig., EUROPE
11	4321 560 5262 240				LAMP ASSEMBLY, Rear Bumper B/Up EUROPE
	4523 171				w/Fog Lamp, EUROPE
12	4399 751 5262 170	2			LAMP ASSEMBLY, Fascia Mtd. Lic. EUROPE
13				27	LAMP ASSEMBLY, Hi-Mtd. Stop (Serv. Components)
14					DECK LID
14A	4399 678			27	HOUSING, w/LENS, Hi-Mtd. Stop Lp.
14B	X788 FC7			27	COVER, Hi-Mtd. Stop Lp. w/Plate (Dealer Paint)
14C	4400 766			27	SOCKET and CABLE, Hi-Mtd. Stop Lp.
14D	4371 987			27	PLUG
15					NUT, (Not Serv.)
16	4399 001			21	LAMP ASSEMBLY, Hi-Mtd. Stop Lp.
17				21	SCREW, Hi-Mtd. Stop Lp., (Not Serv.)
18					SHELF PANEL, (See Interior Trim Section)
19	4374 642 4400 899 4443 991 4400 588 4636 359			27	LAMP, Trunk SOCKET, Side Marker---#168--9425542 SOCKET, Hi-Mtd. Stop Lamp---#922--153988 SOCKET, License Lamp---#168--9425542 SOCKET, Stop & Turn Signal---#3157--154509

MODEL CODES:

A BODY=(C=LeBaron, D=Spirit, P=Acclaim/LaBaron(Landau), Saratoga)

C BODY=(D=Dynasty, C=New Yorker/N.Y. Salon)

G BODY=(V=Daytona/IROC, Chrysler Daytona)

J BODY=(C=LeBaron, Chrysler LeBaron)

P BODY=(P=Sundance, D=Shadow)

S BODY=(H=Voyager(H) FWD, K=Caravan(H) FWD,

Y=Town & Country(H) FWD, P=Voyager(K) AWD,

D=Caravan(K) AWD, C=Town & Country(K) AWD)

Y BODY=(C=Imperial/5th Avenue)

E-S BODY=(K=Chrysler Voyager(H) FWD, D=Chrysler

Voyager(K) AWD)

BODY STYLES:

21=2-Door Coupe

41=4-Door Sedan

12-52=FWD & AWD Van & Wgn Std W.B.

24=2-Door Hatchback

44=4-Door Hatchback

53=FWD & AWD Van & Wgn Ext. W.B.

27=2-Door Convertible

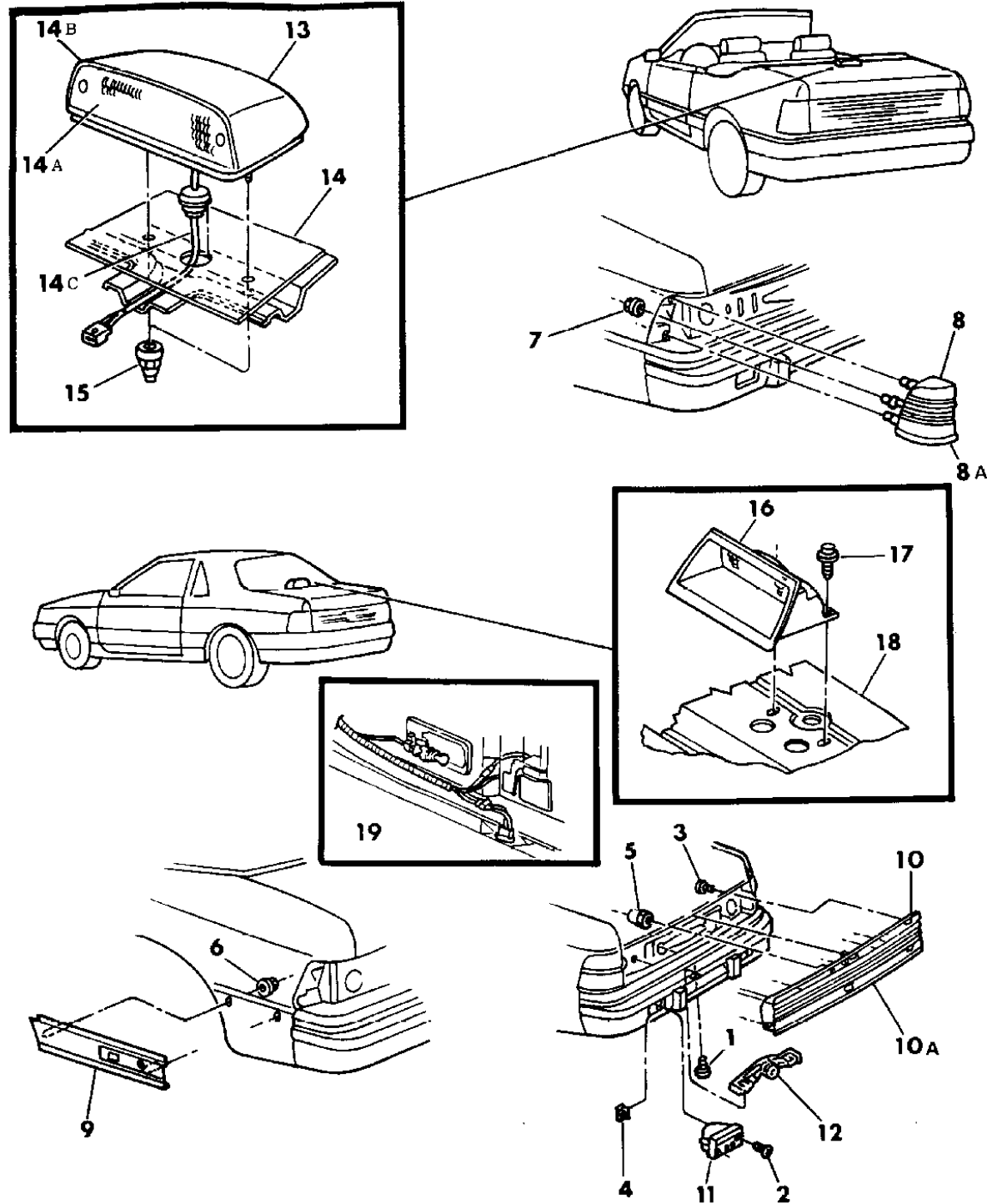
AR = Use as Required - = Non Illustrated Part P.A.R. = Paint as Required

LAMPS & WIRING--REAR J BODY  
Figure 8-3800

93108 3800

ITEM	PART NUMBER	QTY	BODY	MODEL	DESCRIPTION
------	-------------	-----	------	-------	-------------

NOTE: BULBS AND SOCKETS ARE ALSO ON ILLUS. 5800-5900



MODEL CODES:

A BODY=(C=LeBaron, D=Spirit, P=Acclaim/LaBaron(Landau),  
Saratoga) S BODY=(H=Voyager(H) FWD, K=Caravan(H) FWD,  
Y=Town & Country(H) FWD, P=Voyager(K) AWD,  
D=Caravan(K) AWD, C=Town & Country(K) AWD)  
C BODY=(D=Dynasty, C=New Yorker/N.Y. Salon) Y BODY=(C=Imperial/5th Avenue)  
G BODY=(V=Daytona/IROC, Chrysler Daytona) E-S BODY=(K=Chrysler Voyager(H) FWD, D=Chrysler  
Voyager(K) AWD)  
J BODY=(C=LeBaron, Chrysler LeBaron) P BODY=(P=Sundance, D=Shadow)

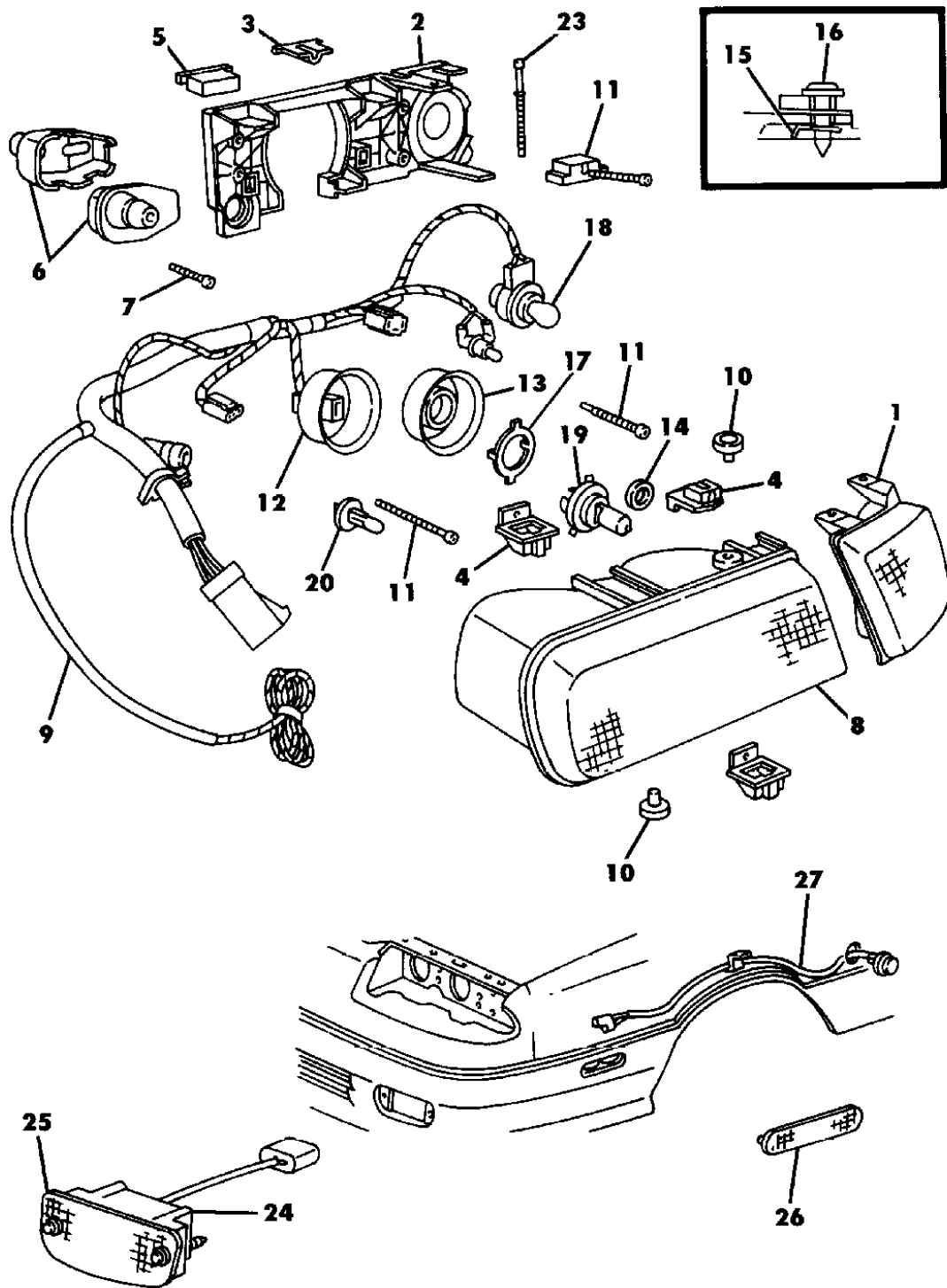
BODY STYLES:

21=2-Door Coupe 41=4-Door Sedan 12-52=FWD & AWD Van & Wgn Std W.B.  
24=2-Door Hatchback 44=4-Door Hatchback 53=FWD & AWD Van & Wgn Ext. W.B.  
27=2-Door Convertible

AR = Use as Required - = Non Illustrated Part P.A.R. = Paint as Required

LAMPS--FRONT G BODY  
Figure 8-3900

93108 3900



ITEM	PART NUMBER	QTY	BODY	MODEL	DESCRIPTION
1	5303 072-3				LAMP ASSEMBLY, H/Lamp Adaptor Mtd. Park, Turn, Side Mrkr. EUROPE
-	5303 074-5				EUROPE
-	5263 866-7				MODULE, Headlamp, AERO, Domestic
-	5263 862				PAD, Headlamp Support
2	5263 356-7	1			ADAPTOR, H/Lp. & Park/Turn/Side Marker (Use Mtg. Screw 4451481)
	5263 360-1				EUROPE
3	5263 358	2			DRIVE ASSEMBLY ***
4	5263 392	1			INSERT, Headlamp Screw
5	5263 362				PIVOT, EUROPE
6	5263 363	1			ACTUATOR, Leveling EUROPE
7	5263 651				SHAFT, Actuator EUROPE
8	4515 624-5	AR			HEADLAMP ASSEMBLY
	4515 628-9				EUROPE
9	5267 964	1			WIRING, Frt. End
	4661 365				EUROPE
10	5600 3772	2			CAP, Vent
11	4451 481				SCREW, Headlamp Adj.
12	5263 391				CAP, Dust, H/Lamp Bulb H-4
13	5263 390				CAP, Dust, H/Lamp Bulb H-1
14	5263 389				GROMMET, Running Lamp
15	6100 041				U-NUT, T/Sig. Lamp To H/Lp. Adaptor
16					SCREW, (Not Serv.)
17	5263 650				ADAPTOR, Bulb H-1 EUROPE
18	0154 525				BULB, H/Lp. Adaptor T/Sig.
	0153 623				EUROPE
19	0154 222				BULB, H/Lamp #9005
20	0154 221				BULB, H/Lp. #9006 (AERO TYPE)
21	5263 371				SOCKET, Bulb #9005
22	5263 384				SOCKET, Bulb #9006
23	5263 359				STEM, Drive Extension ***
24	5263 754-5				FOG LAMP
	5263 756-7				EUROPE
25	5263 523				COVER, Fog Lamp
	5263 736				GROMMET, w/Pigtail
-	4740 039				BULB, Fog Lamp
26	4523 222				REFLECTOR, Fascia Side
-	5303 043				COVER, Frt. Fascia (Side Reflex) EUROPE
27	4576 158				LAMP, Side Repeater

MODEL CODES:

A BODY=(C=LeBaron, D=Spirit, P=Acclaim/LaBaron(Landau), Saratoga)

C BODY=(D=Dynasty, C=New Yorker/N.Y. Salon)

G BODY=(V=Daytona/ROC, Chrysler Daytona)

J BODY=(C=LeBaron, Chrysler LeBaron)

P BODY=(P=Sundance, D=Shadow)

S BODY=(H=Voyager(H) FWD, K=Caravan(H) FWD,

Y=Town & Country(H) FWD, P=Voyager(K) AWD,

D=Caravan(K) AWD, C=Town & Country(K) AWD)

Y BODY=(C=Imperial/5th Avenue)

E-S BODY=(K=Chrysler Voyager(H) FWD, D=Chrysler

Voyager(K) AWD)

BODY STYLES:

21=2-Door Coupe 41=4-Door Sedan 12-52=FWD & AWD Van & Wgn Std W.B.

24=2-Door Hatchback 44=4-Door Hatchback 53=FWD & AWD Van & Wgn Ext. W.B.

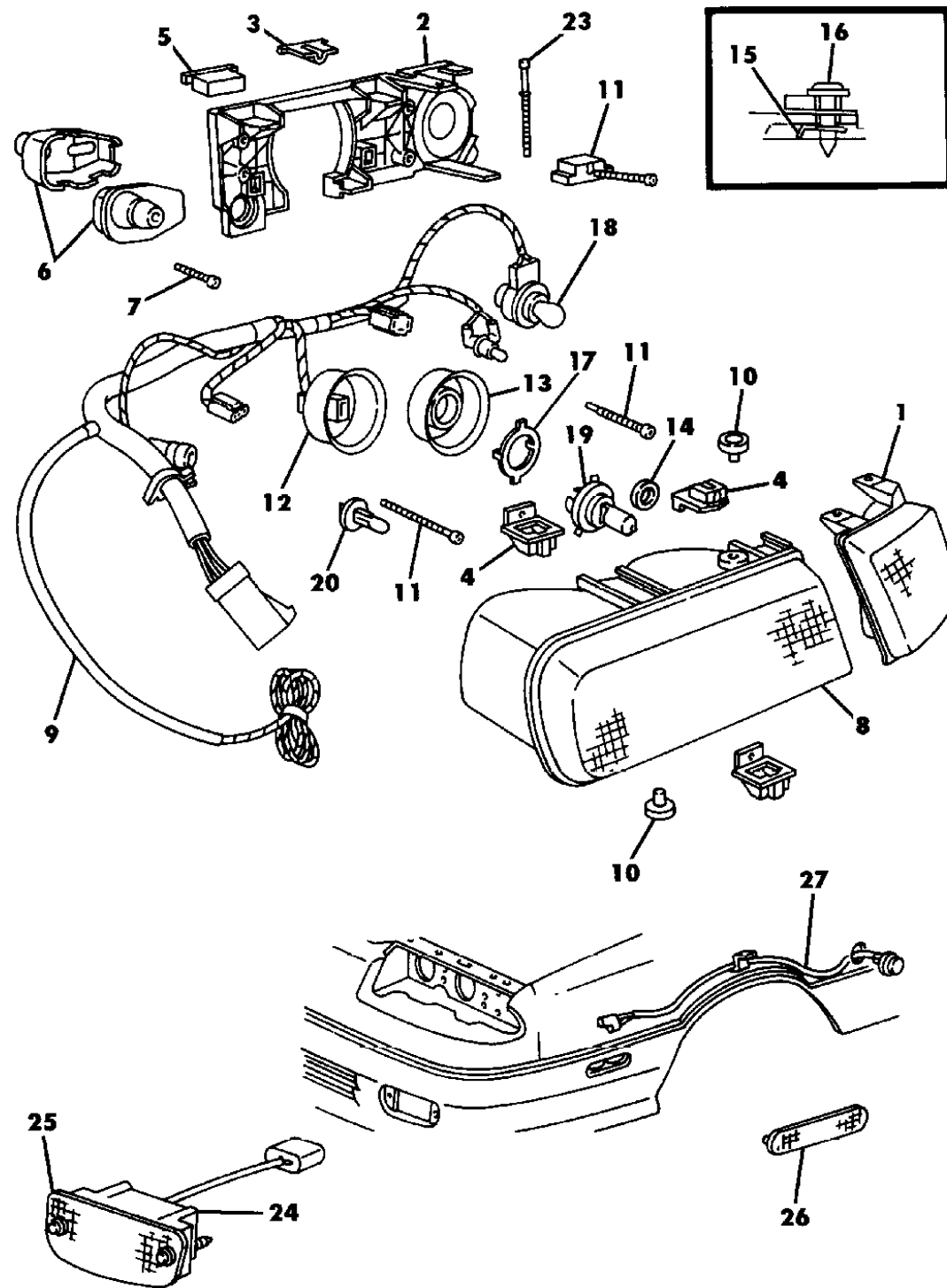
27=2-Door Convertible

AR = Use as Required - = Non Illustrated Part P.A.R. = Paint as Required



LAMPS--FRONT G BODY  
Figure 8-3900

93108 3900



ITEM	PART NUMBER	QTY	BODY	MODEL	DESCRIPTION
------	-------------	-----	------	-------	-------------

-	4221 150				LAMP, Underhood
---	----------	--	--	--	-----------------

**MODEL CODES:**

A BODY=(C=LeBaron, D=Spirit, P=Acclaim/LaBaron(Landau),  
Saratoga)  
C BODY=(D=Dynasty, C=New Yorker/N.Y. Salon)  
G BODY=(V=Daytona/IROC, Chrysler Daytona)  
J BODY=(C=LeBaron, Chrysler LeBaron)  
P BODY=(P=Sundance, D=Shadow)

S BODY=(H=Voyager(H) FWD, K=Caravan(H) FWD,  
Y=Town & Country(H) FWD, P=Voyager(K) AWD,  
D=Caravan(K) AWD, C=Town & Country(K) AWD)  
Y BODY=(C=Imperial/5th Avenue)  
E-S BODY=(K=Chrysler Voyager(H) FWD, D=Chrysler  
Voyager(K) AWD)

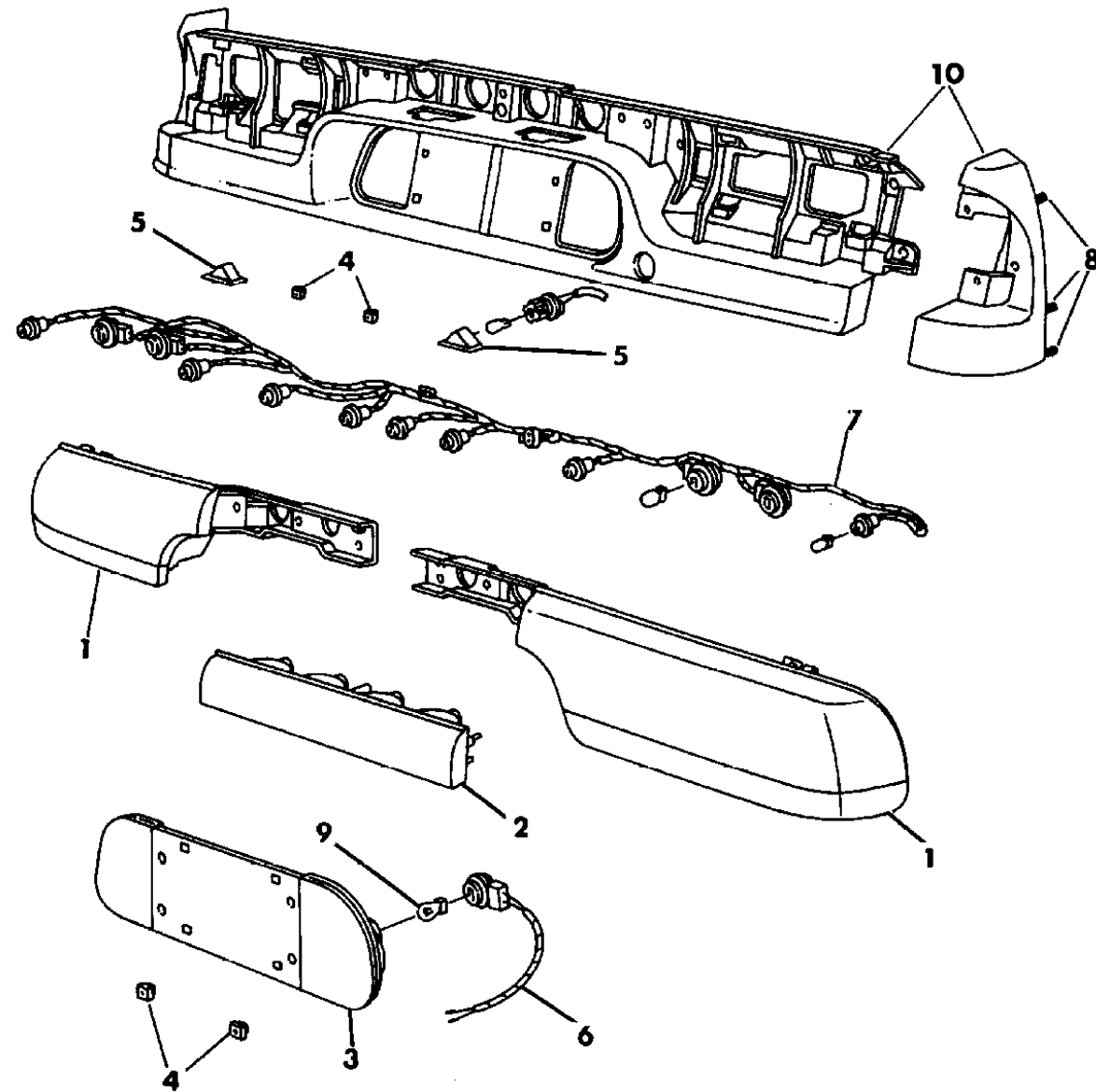
**BODY STYLES:**

21=2-Door Coupe      41=4-Door Sedan      12-52=FWD & AWD Van & Wgn Std W.B.  
24=2-Door Hatchback      44=4-Door Hatchback      53=FWD & AWD Van & Wgn Ext. W.B.  
27=2-Door Convertible

AR = Use as Required - = Non Illustrated Part P.A.R. = Paint as Required

LAMPS & WIRING--REAR G BODY  
Figure 8-4000

93108 4000



ITEM	PART NUMBER	QTY	BODY	MODEL	DESCRIPTION
1	4523 200-1	1			LAMP, Tail, Stop, T/Signal (Mtg. Push-Nut 6034374)
	5262 220-1	1			EUROPE
2	4523 218				LAMP, Hi-Mtd. Stop
	5262 236	1			Back-Up & Fog, EUROPE
3	5262 234				LAMP, Back-Up & License Lp. Carrier
-	4523 253				PANEL, (Also 5216050 Button & 5262264 Screw) EUROPE
-	5303 042	AR			REFLECTOR, Rear Fascia (Attach. Clips Not Serv.)
-	5303 044				COVER, Reflector, Side Marker, (Attach. Clips Not Serv.) EUROPE
4	6034 374				PUSH NUT
5	5262 089	1			LAMP, License
6	5267 081				WIRING, Back-Up Lamp
7	5267 082				WIRING, Rear Closure Tail, Stop, Turn EUROPE
	5267 079				Back-Up & Fog Lamp, EUROPE
8					STUD, (Not Serv.)
9	0154 509				BULB, Tail, Stop, Turn, #3157
10					PANEL

MODEL CODES:

A BODY=(C=LeBaron, D=Spirit, P=Acclaim/LaBaron(Landau),  
Saratoga)  
C BODY=(D=Dynasty, C=New Yorker/N.Y. Salon)  
G BODY=(V=Daytona/IROC, Chrysler Daytona)  
J BODY=(C=LeBaron, Chrysler LeBaron)  
P BODY=(P=Sundance, D=Shadow)

S BODY=(H=Voyager(H) FWD, K=Caravan(H) FWD,  
Y=Town & Country(H) FWD, P=Voyager(K) AWD,  
D=Caravan(K) AWD, C=Town & Country(K) AWD)  
Y BODY=(C=Imperial/5th Avenue)  
E-S BODY=(K=Chrysler Voyager(H) FWD, D=Chrysler  
Voyager(K) AWD)

BODY STYLES:

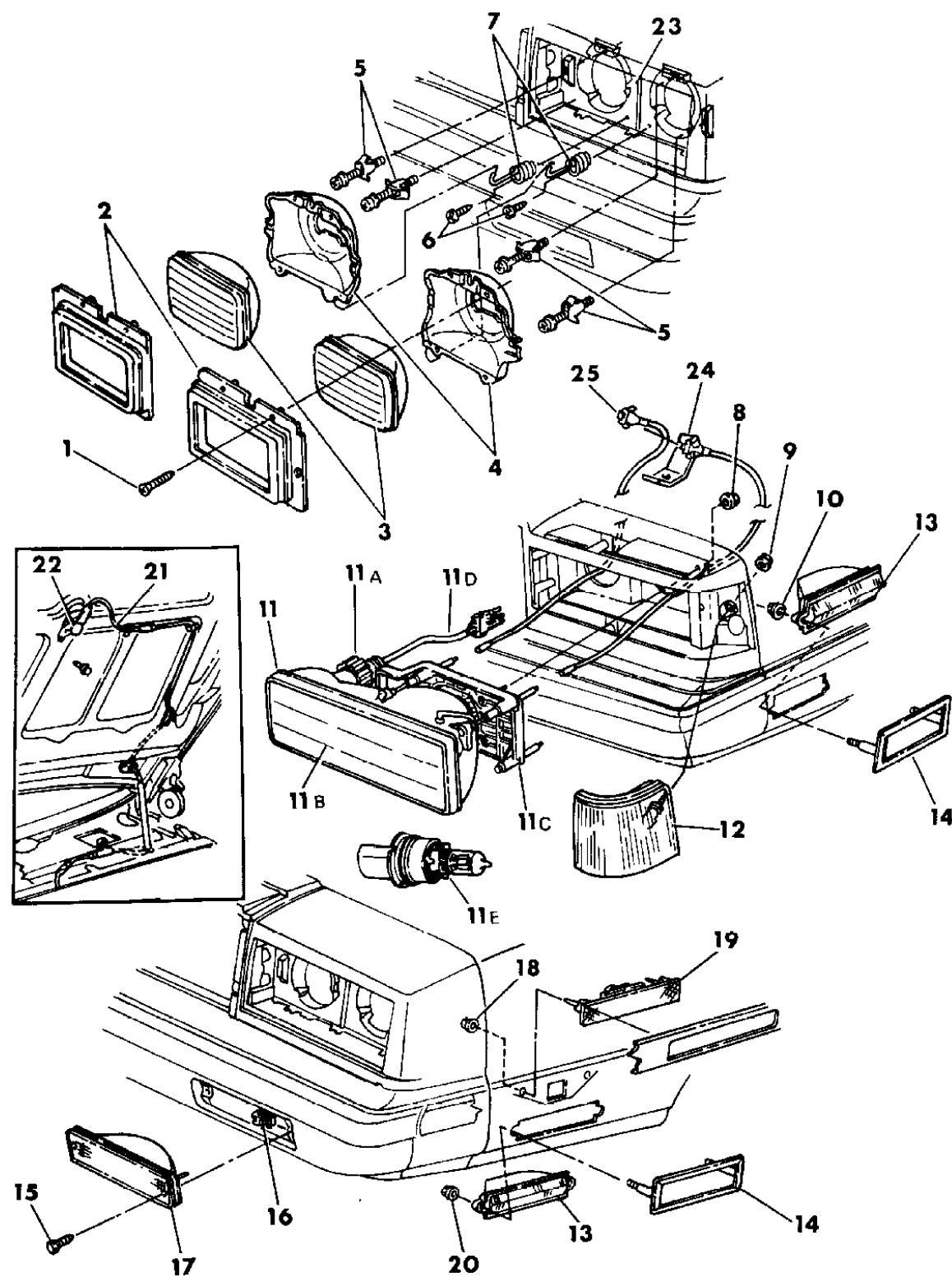
21=2-Door Coupe      41=4-Door Sedan      12-52=FWD & AWD Van & Wgn Std W.B.  
24=2-Door Hatchback      44=4-Door Hatchback      53=FWD & AWD Van & Wgn Ext. W.B.  
27=2-Door Convertible

AR = Use as Required - = Non Illustrated Part P.A.R. = Paint as Required

LAMPS--FRONT NEW YORKER- DYNASTY C-BODY

Figure 8-4100

93108 4100



ITEM	PART NUMBER	QTY	BODY	MODEL	DESCRIPTION
1					SCREW, (Not Serv.)
2	4334 904-5	AR	C	S	BEZEL, H/Lamp
3	4451 025	AR	C		BULB, Lo
	4451 024	AR	C	S	High
	4388 238	AR	C	D	AERO
4	3868 926-7	AR			SEAT, Hi-Lo
	3868 928-9	AR			High
5	4334 142	8	C	S	NUT and SCREW
6					SCREW, (Not Serv.)
7	5201 386	AR			SPRING, Adj.
8	6500 284	AR			NUT and WASHER
9	6023 205	AR			NUT and WASHER
10					NUT and WASHER, (Not Serv.)
11			C	D	LAMP ASSEMBLY, (Serv. Component Parts.)
	5252 155	AR			SCREW PACKAGE, Adjusting
11A	4388 837	AR	C	D	RETAINER, H/Lamp Bulb
11B	4388 834-5	1	C	D	HOUSING, H/Lamp w/Clips
11C	4388 832-3	1	C	D	PLATE, H/Lamp Mtg. w/Adj. w/Studs
11D	4388 728	AR	C	D	SOCKET & CABLE, w/Retainer (Park & Turn Signal) ***
11E	4388 238	2	C	D	BULB, "AERO"
12	4399 814-5	1	C	D	LAMP ASSEMBLY, Frt. S/Marker & Reflex
13	5262 232-3	1	C		LAMP ASSEMBLY, Fender Cornering
14	4399 056-7	1	C		BEZEL, Cornering Lamp, w/o ES & GTS Pkg.
15					SCREW, (Not Serv.)
16	6033 232	AR	C	S	U-NUT
17	5262 228-9	1	C	S	LAMP, Park & Turn Signal, Bulb #154227
18					NUT, (Not Serv.)
19	5262 016-7	2	C	S	LAMP, Side Marker
20					NUT, (Not Serv.)
21	4221 150	1	C		LAMP, Underhood
22	9428 606		C		BULB
23	4388 994-5	1	C	S	HOUSING, H/Lamp
24	4451 237	1	C	D	BRACKET, H/Lamp Cable Adj.
25	5263 130	1	C	D	CABLE, H/Lamp Adj.

NOTE: BULBS AND SOCKETS ARE LISTED ON ILLUS. 5800-5900

MODEL CODES:

A BODY=(C=LeBaron, D=Spirit, P=Acclaim/LaBaron(Landau), Saratoga)  
 C BODY=(D=Dynasty, C=New Yorker/N.Y. Salon)  
 G BODY=(V=Daytona/IROC, Chrysler Daytona)  
 J BODY=(C=LeBaron, Chrysler LeBaron)  
 P BODY=(P=Sundance, D=Shadow)

S BODY=(H=Voyager(H) FWD, K=Caravan(H) FWD, Y=Town & Country(H) FWD, P=Voyager(K) AWD, D=Caravan(K) AWD, C=Town & Country(K) AWD)  
 Y BODY=(C=Imperial/5th Avenue)  
 E-S BODY=(K=Chrysler Voyager(H) FWD, D=Chrysler Voyager(K) AWD)

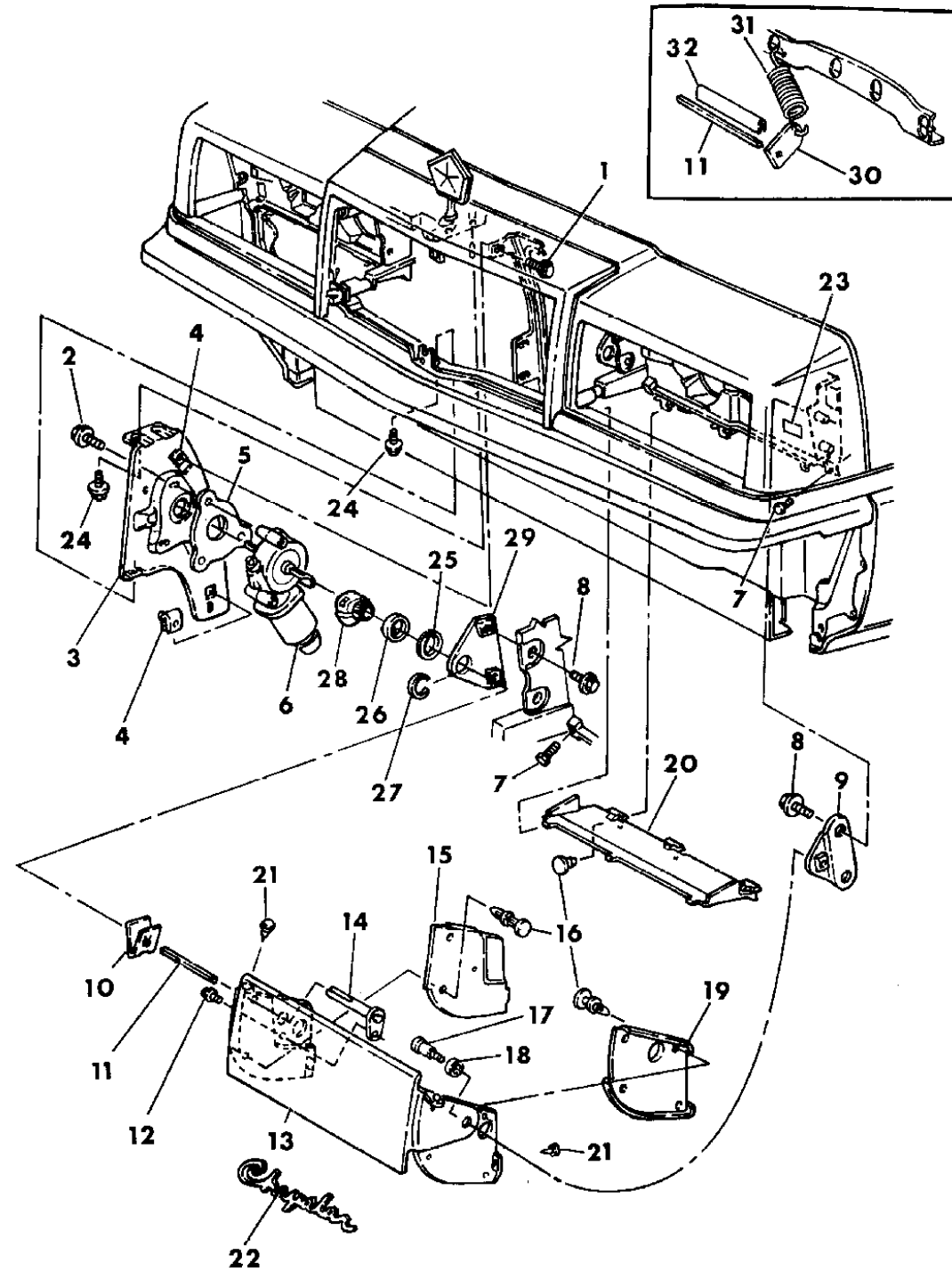
BODY STYLES:

21=2-Door Coupe  
 24=2-Door Hatchback  
 27=2-Door Convertible  
 41=4-Door Sedan  
 44=4-Door Hatchback  
 12-52=FWD & AWD Van & Wgn Std W.B.  
 53=FWD & AWD Van & Wgn Ext. W.B.

AR = Use as Required - = Non Illustrated Part P.A.R. = Paint as Required

LAMPS--FRONT ROTATING NEW YORKER & FIFTH AVENUE C-Y BODY  
Figure 8-4200

93108 4200



ITEM	PART NUMBER	QTY	BODY	MODEL	DESCRIPTION
1	6100 567				SCREW and WASHER
2	6100 276				SCREW and WASHER
3	4515 534				BRACKET, Rot. H/Lamp Door Motor Mtg.
4	6100 041				U-NUT
5	4334 931				PLATE, Motor Mtg. Adaptor
6	4467 311				MOTOR, (Use Insul. 4638419)
7					SCREW, (Not Serv.)
8	6024 067				SCREW
9	5263 158-9				BRACKET, Outer Pivot
10	5263 129				CLIP, Spring
11	4576 524				BAR, Torsion
12					SCREW, (Not Serv.)
13	4515 530-1				DOOR, H/Lamp
14	5263 170				CRANK ASSEMBLY
15					COVER, H/Lamp Door Inner Arm (Serv. In Door Assy.)
16	6501 577				PUSH-PIN, Sight Shield
17	6033 866				SCREW, Pivot
18	6033 076				BUSHING
19					COVER, H/Lamp Door Outer Arm (Serv. In Door Assy.)
20	4334 888-9				SHIELD, Sight
21	3574 200				DOWNSTOP & UP-STOP, H/Lamp Door ***
22	4454 245				NAMEPLATE
23	4388 659	2			PIVOT
24					SCREW, (Not Serv.)
25	6033 521				BUSHING, H/Lamp Door Inner Pivot
26	4103 261				SLEEVE, H/Lamp Door Adjusting Collar
27	4103 262				RETAINER, H/Lamp Door Adjusting Collar
28	5263 150-1				COLLAR, H/Lamp Adjusting, (Use Set Screw 6033543)
29	5263 162-3				BRACKET, H/Lamp Door Inner Pivot Adj.
	4388 724				LABEL, Rot. H/Lamp Door
	5263 129	2			CLAMP
30	4388 716				BRACKET, Torsion Bar Mtd.
31	5263 045				SPRING, Torsion Bracket
32	4388 713				SPACER, (Sleeve)
	4364 393				CONDUIT, Headlamp Mtr. Wiring

MODEL CODES:

A BODY=(C=LeBaron, D=Spirit, P=Acclaim/LaBaron(Landau), Saratoga)

C BODY=(D=Dynasty, C=New Yorker/N.Y. Salon)

G BODY=(V=Daytona/IROC, Chrysler Daytona)

J BODY=(C=LeBaron, Chrysler LeBaron)

P BODY=(P=Sundance, D=Shadow)

S BODY=(H=Voyager(H) FWD, K=Caravan(H) FWD,

Y=Town & Country(H) FWD, P=Voyager(K) AWD,

D=Caravan(K) AWD, C=Town & Country(K) AWD)

Y BODY=(C=Imperial/5th Avenue)

E-S BODY=(K=Chrysler Voyager(H) FWD, D=Chrysler

Voyager(K) AWD)

BODY STYLES:

21=2-Door Coupe

41=4-Door Sedan

12-52=FWD & AWD Van & Wgn Std W.B.

24=2-Door Hatchback

44=4-Door Hatchback

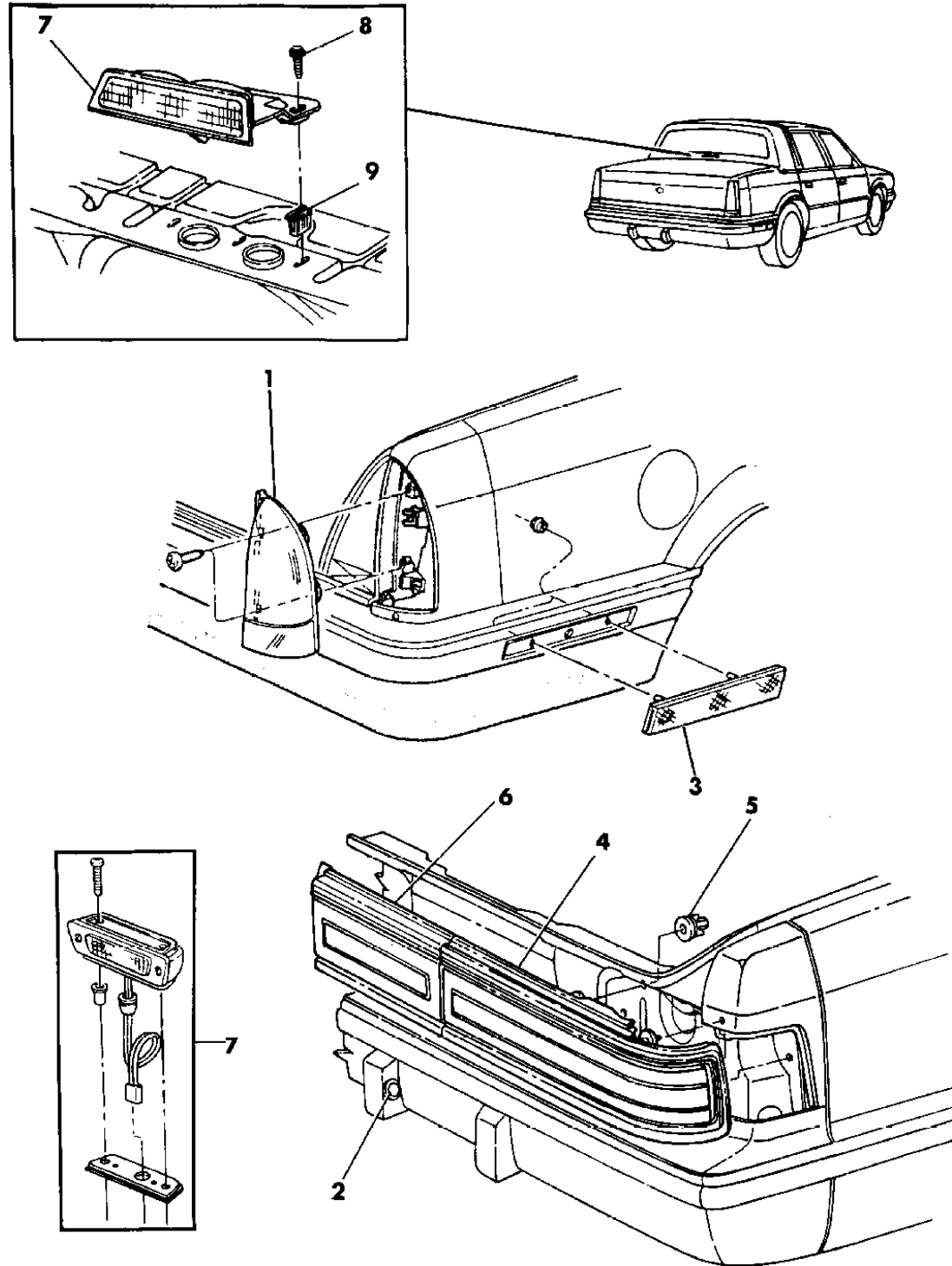
53=FWD & AWD Van & Wgn Ext. W.B.

27=2-Door Convertible

AR = Use as Required - = Non Illustrated Part P.A.R. = Paint as Required

LAMPS & WIRING--REAR NEW YORKER-DYNASTY-FIFTH AVENUE C-Y BODY  
Figure 8-4300

93108 4300



ITEM	PART NUMBER	QTY	BODY	MODEL	DESCRIPTION
1	5262 230-1			C	LAMP ASSEMBLY, Qtr. Ext. Tail, Stop, T/Sig., Back-Up
	6033 252				CLIP, Qtr. Ext. Anti-Rattle
2	4388 885		C-Y	D-P	LAMP, License
	4399 751		C-Y	S	
3	5262 018-9				LAMP, Qtr. Panel S/Marker
4	4399 868-9			D	LAMP, Lwr. Deck Opening
	5262 028				(CHRYSLER) - CANADA
	5262 028-9				w/o GTS Pkg.
	4399 106-7			D	LENS, Tail Lamp, (Canada)
5					NUT, (Not Serv.)
6	4399 114			D	APPLIQUE ASSEMBLY
	5262 025				w/o GTS Pkg.
	4399 768				(Canada)
7	4399 066				LAMP, High Mtd. Stop
	5262 180				w/Landau Top
8	6032 817				SCREW
9	6031 869				NUT
	4221 577				LAMP, Trunk (Mtg. Screw 6031160) (Use Bulb 9428606)
					NOTE: BULBS AND SOCKETS ARE LISTED ON ILLUS. 5800-5900

MODEL CODES:

A BODY=(C=LeBaron, D=Spirit, P=Acclaim/LaBaron(Landau),  
Saratoga)  
C BODY=(D=Dynasty, C=New Yorker/N.Y. Salon)  
G BODY=(V=Daytona/IROC, Chrysler Daytona)  
J BODY=(C=LeBaron, Chrysler LeBaron)  
P BODY=(P=Sundance, D=Shadow)

S BODY=(H=Voyager(H) FWD, K=Caravan(H) FWD,  
Y=Town & Country(H) FWD, P=Voyager(K) AWD,  
D=Caravan(K) AWD, C=Town & Country(K) AWD)  
Y BODY=(C=Imperial/5th Avenue)  
E-S BODY=(K=Chrysler Voyager(H) FWD, D=Chrysler  
Voyager(K) AWD)

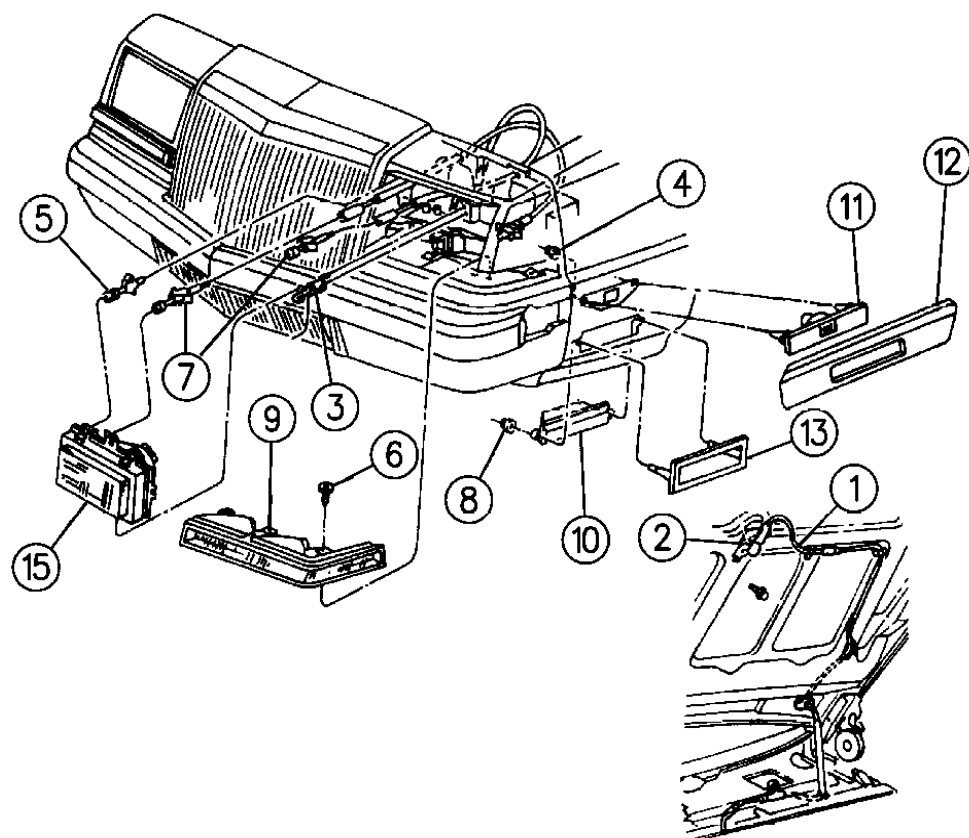
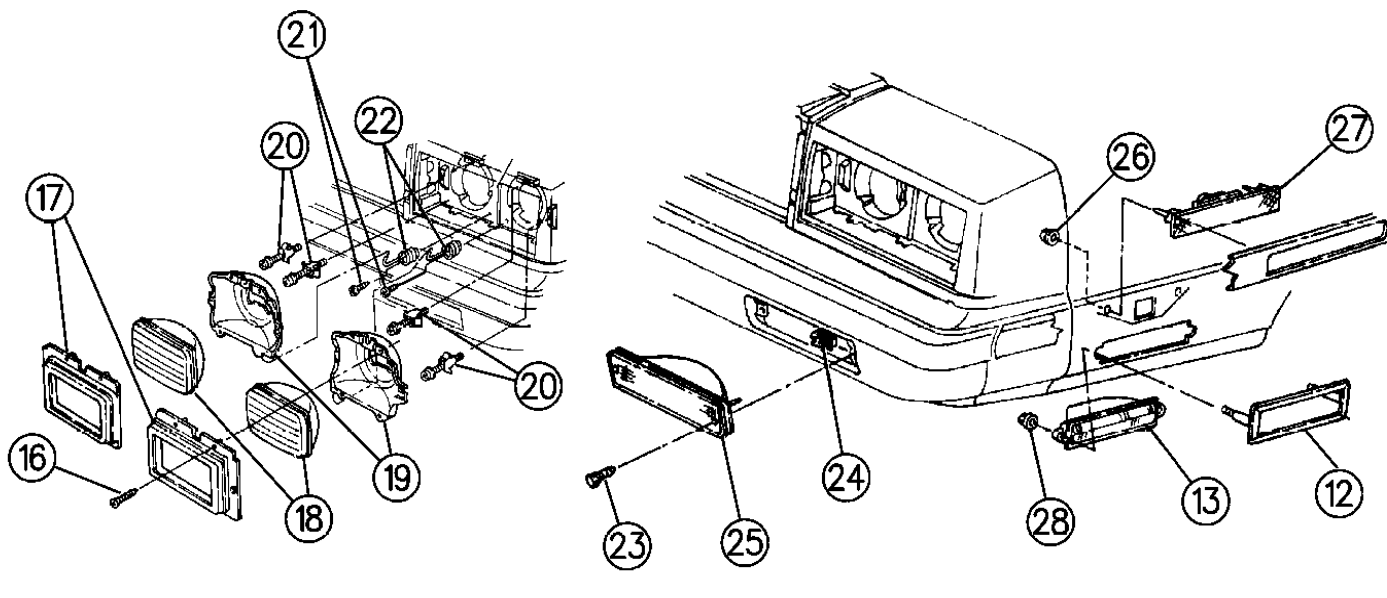
BODY STYLES:

21=2-Door Coupe      41=4-Door Sedan      12-52=FWD & AWD Van & Wgn Std W.B.  
24=2-Door Hatchback      44=4-Door Hatchback      53=FWD & AWD Van & Wgn Ext. W.B.  
27=2-Door Convertible

AR = Use as Required - = Non Illustrated Part P.A.R. = Paint as Required

LAMPS--FRONT FIFTH AVENUE & IMPERIAL Y BODY  
Figure 8-4400

93108 4400B



ITEM	PART NUMBER	QTY	BODY	MODEL	DESCRIPTION
1	4221 150				LAMP, Underhood
2	9428 606				BULB
3	3868 549	4			SPRING, H/Lp.
4		4			NUT, (Not Serv.)
5	4334 139	4			NUT, w/Screw, Adj.
6		6			SCREW, (Not Serv.)
7	5263 136	4	Y	P	NUT, w/Screw
8		4			NUT, Fender Cornering (Not Serv.)
9	4399 454-5		Y	P	LAMP ASSEMBLY, Turn Sig. & Side Marker
10	5262 232-3		Y	S	LAMP ASSEMBLY, Fender Cornering
11	4399 876-7		Y	P	
12	4399 650-1		Y	P	REFLECTOR ASSEMBLY, Fender ***
13					MOULDING
14	4399 056-7		Y	P	BEZEL ASSEMBLY, Cornering Lamp ***
15	5262 094-5		Y	S	
		4			CABLE ASSEMBLY, H/Lamp Adj. (Not Used)
					HEADLAMP ASSEMBLY, Hi. & Lo Beam
					CONSISTS OF:
	4451 344-5		Y	S-P	SEAT ASSEMBLY, Hi-Beam
	4451 032	2	Y	S-P	RING, H/Lamp Bulb Aiming
	4451 342-3	2	Y	S-P	SEAT ASSEMBLY, Lo-Beam
	4451 174		Y	S-P	SCREW, H/Lp. Seat
	4451 032		Y	S-P	RING, H/Lamp Bulb Aiming
16					SCREW, (Not Serv.)
17	4334 904-5				BEZEL, Headlamp
18	4451 025		Y	S-P	BULB, Lo-Beam
	4451 024		Y	S-P	Hi-Beam
19	3868 926-7				SEAT, Hi-Lo
	4368 928				Hi-Beam
20	4334 142				NUT, w/Screw
21					SCREW, (Not Serv.)
22	5201 386				SPRING, Adj.
23					SCREW, (Not Serv.)
24	6033 232				U-NUT
25	5262 228-9		Y	S	LAMP, Park & Turn Signal, (Bulb 154227)
26					NUT, (Not Serv.)
27	5262 016-7		Y	S	LAMP, Side Marker
28					NUT, (Not Serv.)

MODEL CODES:

A BODY=(C=LeBaron, D=Spirit, P=Acclaim/LaBaron(Landau), Saratoga)

C BODY=(D=Dynasty, C=New Yorker/N.Y. Salon)

G BODY=(V=Daytona/IROC, Chrysler Daytona)

J BODY=(C=LeBaron, Chrysler LeBaron)

P BODY=(P=Sundance, D=Shadow)

S BODY=(H=Voyager(H) FWD, K=Caravan(H) FWD,

Y=Town & Country(H) FWD, P=Voyager(K) AWD,

D=Caravan(K) AWD, C=Town & Country(K) AWD)

Y BODY=(C=Imperial/5th Avenue)

E-S BODY=(K=Chrysler Voyager(H) FWD, D=Chrysler

Voyager(K) AWD)

BODY STYLES:

21=2-Door Coupe

41=4-Door Sedan

12-52=FWD & AWD Van & Wgn Std W.B.

24=2-Door Hatchback

44=4-Door Hatchback

53=FWD & AWD Van & Wgn Ext. W.B.

27=2-Door Convertible

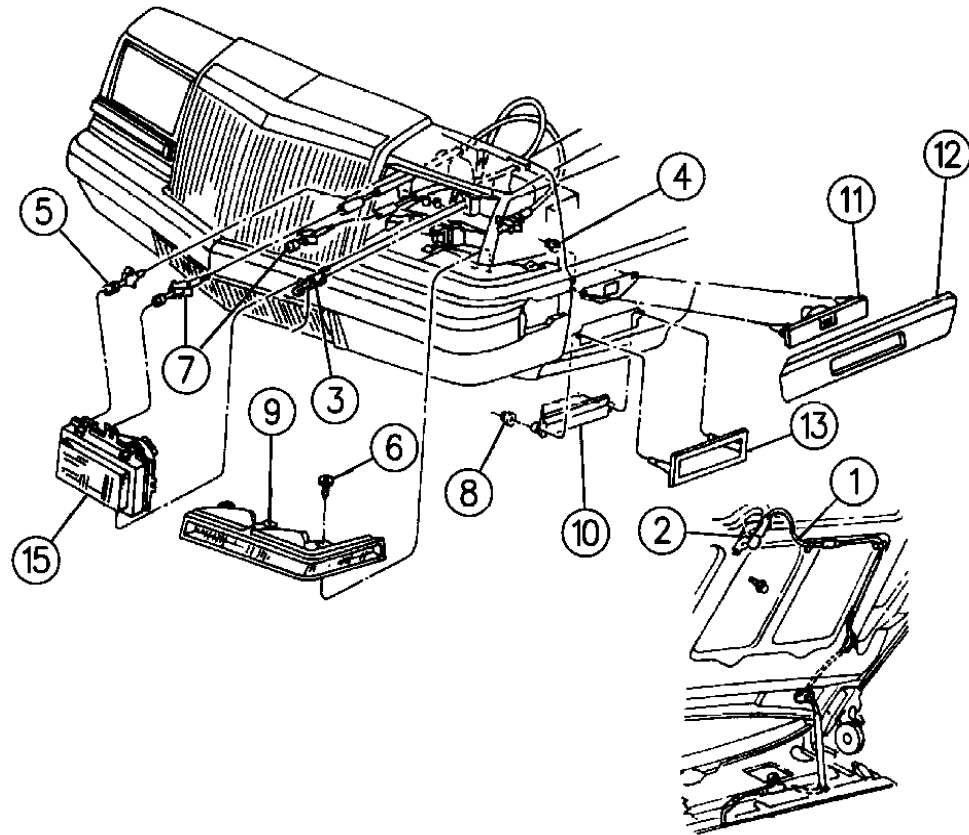
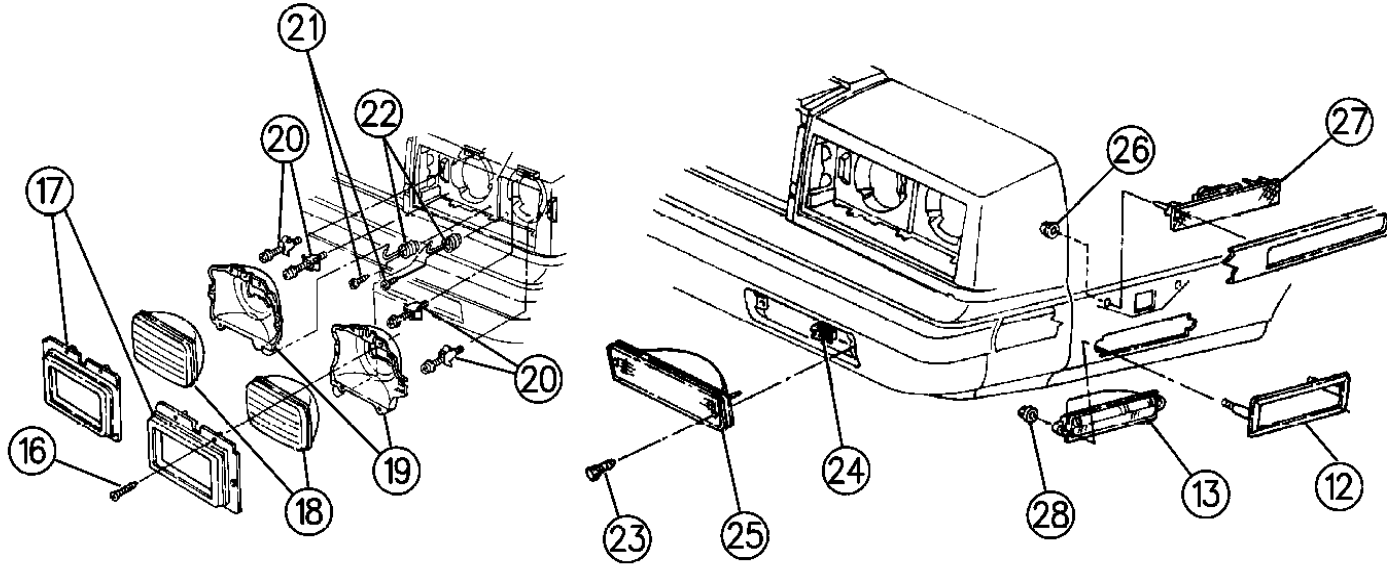
AR = Use as Required - = Non Illustrated Part P.A.R. = Paint as Required

LAMPS--FRONT FIFTH AVENUE & IMPERIAL Y BODY  
Figure 8-4400

93108 4400B

ITEM	PART NUMBER	QTY	BODY	MODEL	DESCRIPTION
------	-------------	-----	------	-------	-------------

NOTE: BULBS AND SOCKETS ARE LISTED ON ILLUS. 5800-5900



**MODEL CODES:**

A BODY=(C=LeBaron, D=Spirit, P=Acclaim/LaBaron(Landau),  
Saratoga) S BODY=(H=Voyager(H) FWD, K=Caravan(H) FWD,  
Y=Town & Country(H) FWD, P=Voyager(K) AWD,  
D=Caravan(K) AWD, C=Town & Country(K) AWD)  
C BODY=(D=Dynasty, C=New Yorker/N.Y. Salon)  
G BODY=(V=Daytona/IROC, Chrysler Daytona) Y BODY=(C=Imperial/5th Avenue)  
J BODY=(C=LeBaron, Chrysler LeBaron) E-S BODY=(K=Chrysler Voyager(H) FWD, D=Chrysler  
P BODY=(P=Sundance, D=Shadow) Voyager(K) AWD)

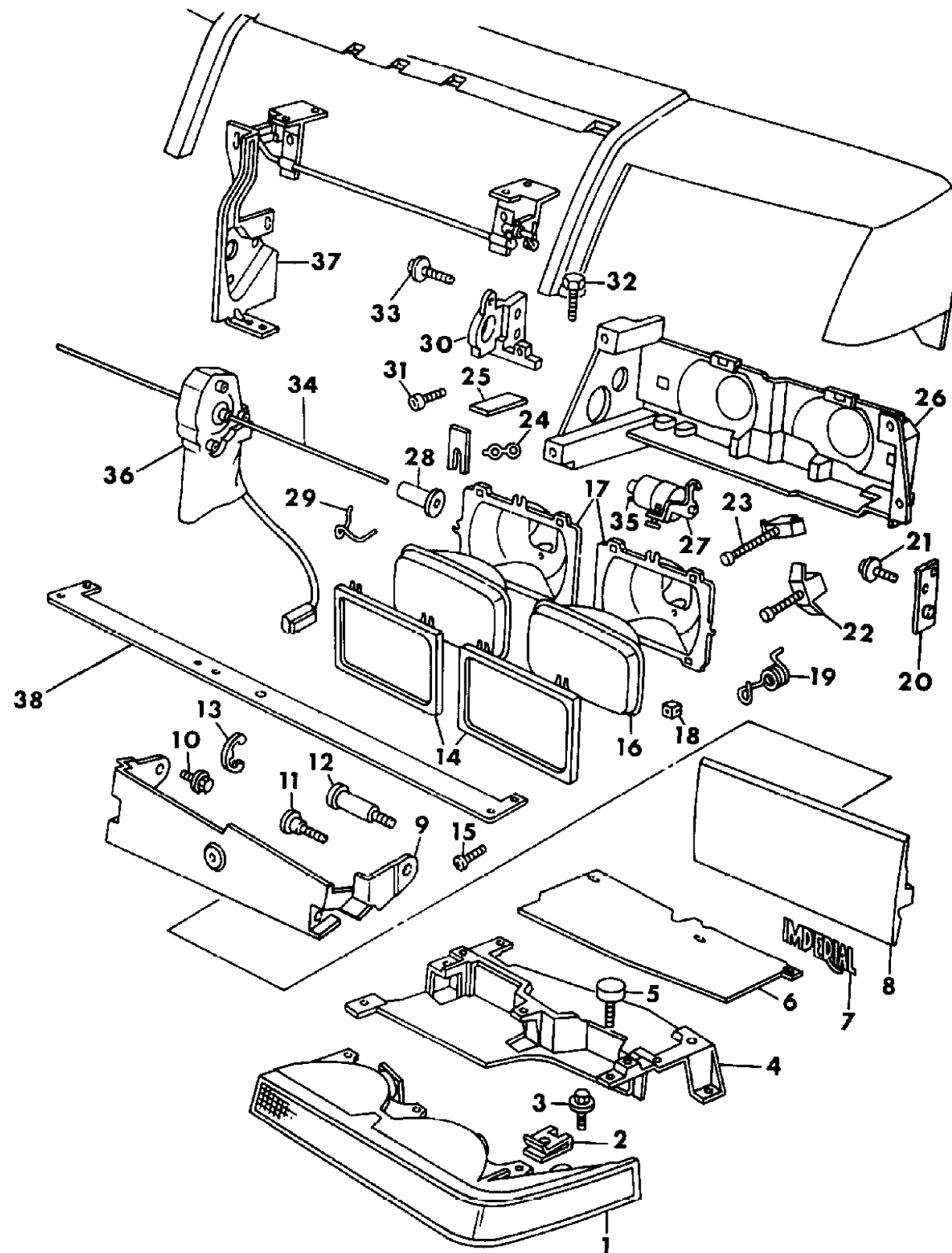
**BODY STYLES:**

21=2-Door Coupe 41=4-Door Sedan 12-52=FWD & AWD Van & Wgn Std W.B.  
24=2-Door Hatchback 44=4-Door Hatchback 53=FWD & AWD Van & Wgn Ext. W.B.  
27=2-Door Convertible

AR = Use as Required - = Non Illustrated Part P.A.R. = Paint as Required

LAMPS--FRONT ROTATING IMPERIAL Y BODY  
Figure 8-4500

93108 4500A



ITEM	PART NUMBER	QTY	BODY	MODEL	DESCRIPTION
1	4399 454-5				LAMP
2	6501 013				U-NUT
3					SCREW, Not Serv.
4	4451 016-7				BRACKET, Mtg. Pnl., Park/Turn Lamp & Filler
5	6033 114				SCREW, Up-Stop & Down-Stop
6	4451 018-9				SIGHT SHIELD ***
7	4451 201				NAMEPLATE, (Mtg. Nut 9420862)
8	4451 202-3				DOOR
9	5263 124-5				PANEL, H/Lp. Door Inner
10	6034 177				SCREW
11	6034 177				SCREW, Pivot
12	6033 649				SCREW, Pivot
13	6023 878				E-CLIP ***
14	4451 032				RING
15					SCREW, Not Serv.
16	4451 024				BULB, Hi-Beam
	4451 025				Lo-Beam
17	4451 344-5				SEAT, Hi-Lo
18					SCREW, Not Serv.
19	3868 789				SPRING, Seat Adj.
20	4451 152-3				BRACKET, Door Outer Pivot
21					SCREW, (Not Serv.)
22	5263 136				SCREW, Adj.
23	5263 136				SCREW, w/Nut Adj.
24					CAP, (Not Serv.)
25	5263 038				PAD
26	5263 118-9				HOUSING
27	5263 230-1				PIVOT
28	4334 419				SLEEVE
29	4334 334				CLIP
30	5263 224-5				BRACKET
31	6033 543				SCREW
32	6033 114				STOP
33					SCREW, w/Washer (Not Serv.)
34	4576 524				BAR
35					FITTING, (Not Serv.)
36	4467 311				MOTOR AND BOOT ***
	4388 724				LABEL, Rot. H/Lp.
37	4451 007	AR			BRACKET, Motor Mtg. & Support

MODEL CODES:

A BODY=(C=LeBaron, D=Spirit, P=Acclaim/LaBaron(Landau), Saratoga)

C BODY=(D=Dynasty, C=New Yorker/N.Y. Salon)

G BODY=(V=Daytona/ROC, Chrysler Daytona)

J BODY=(C=LeBaron, Chrysler LeBaron)

P BODY=(P=Sundance, D=Shadow)

S BODY=(H=Voyager(H) FWD, K=Caravan(H) FWD,

Y=Town & Country(H) FWD, P=Voyager(K) AWD,

D=Caravan(K) AWD, C=Town & Country(K) AWD)

Y BODY=(C=Imperial/5th Avenue)

E-S BODY=(K=Chrysler Voyager(H) FWD, D=Chrysler

Voyager(K) AWD)

BODY STYLES:

21=2-Door Coupe

41=4-Door Sedan

12-52=FWD & AWD Van & Wgn Std W.B.

24=2-Door Hatchback

44=4-Door Hatchback

53=FWD & AWD Van & Wgn Ext. W.B.

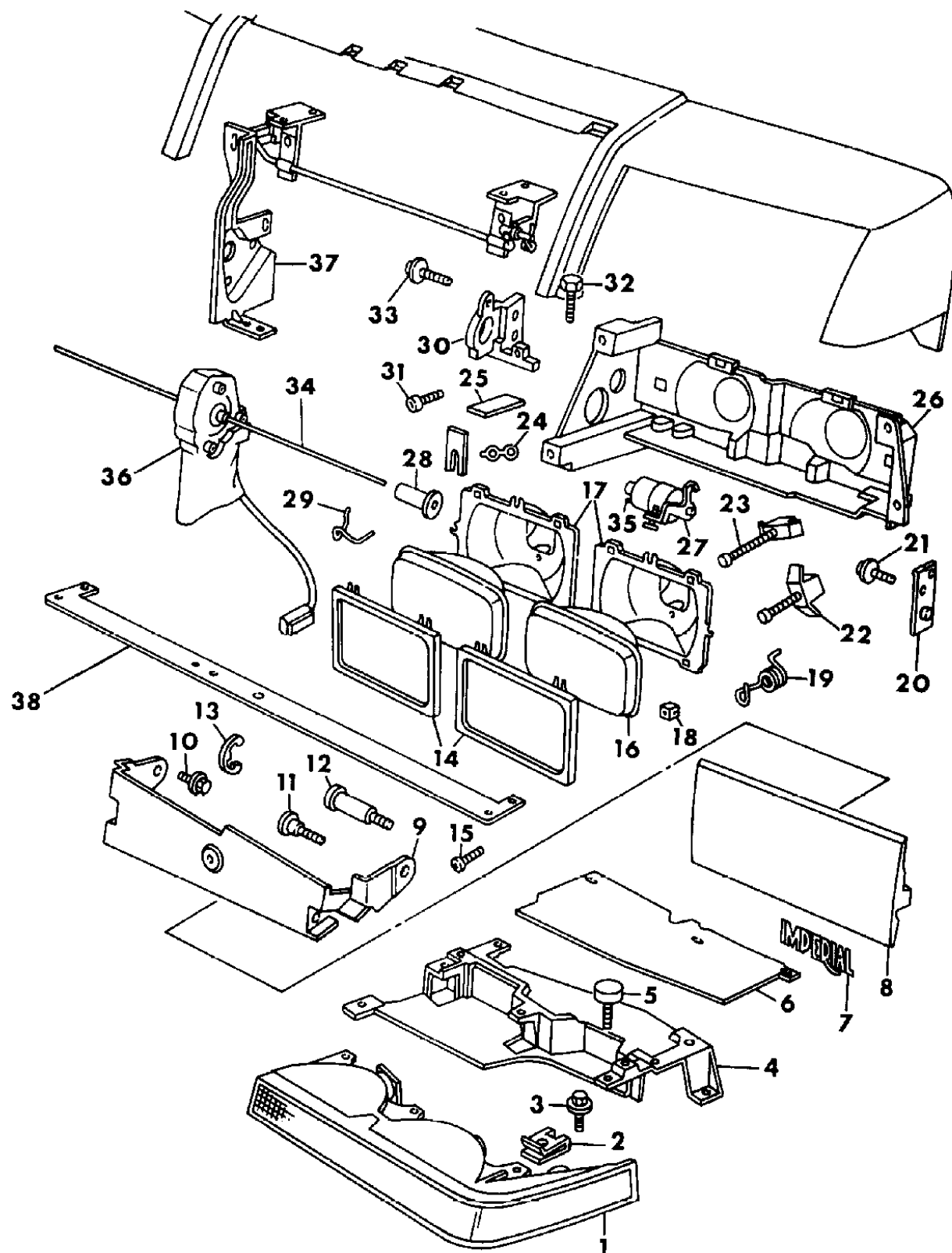
27=2-Door Convertible

AR = Use as Required - = Non Illustrated Part P.A.R. = Paint as Required



LAMPS--FRONT ROTATING IMPERIAL Y BODY  
Figure 8-4500

93108 4500A



ITEM	PART NUMBER	QTY	BODY	MODEL	DESCRIPTION
------	-------------	-----	------	-------	-------------

38	4451 006				CROSSBAR, Radiator Grille Mtg. Pnl. Lower ***
----	----------	--	--	--	---

**MODEL CODES:**

A BODY=(C=LeBaron, D=Spirit, P=Acclaim/LaBaron(Landau),  
Saratoga)

C BODY=(D=Dynasty, C=New Yorker/N.Y. Salon)

G BODY=(V=Daytona/ROC, Chrysler Daytona)

J BODY=(C=LeBaron, Chrysler LeBaron)

P BODY=(P=Sundance, D=Shadow)

S BODY=(H=Voyager(H) FWD, K=Caravan(H) FWD,

Y=Town & Country(H) FWD, P=Voyager(K) AWD,

D=Caravan(K) AWD, C=Town & Country(K) AWD)

Y BODY=(C=Imperial/5th Avenue)

E-S BODY=(K=Chrysler Voyager(H) FWD, D=Chrysler

Voyager(K) AWD)

**BODY STYLES:**

21=2-Door Coupe

41=4-Door Sedan

12-52=FWD & AWD Van & Wgn Std W.B.

24=2-Door Hatchback

44=4-Door Hatchback

53=FWD & AWD Van & Wgn Ext. W.B.

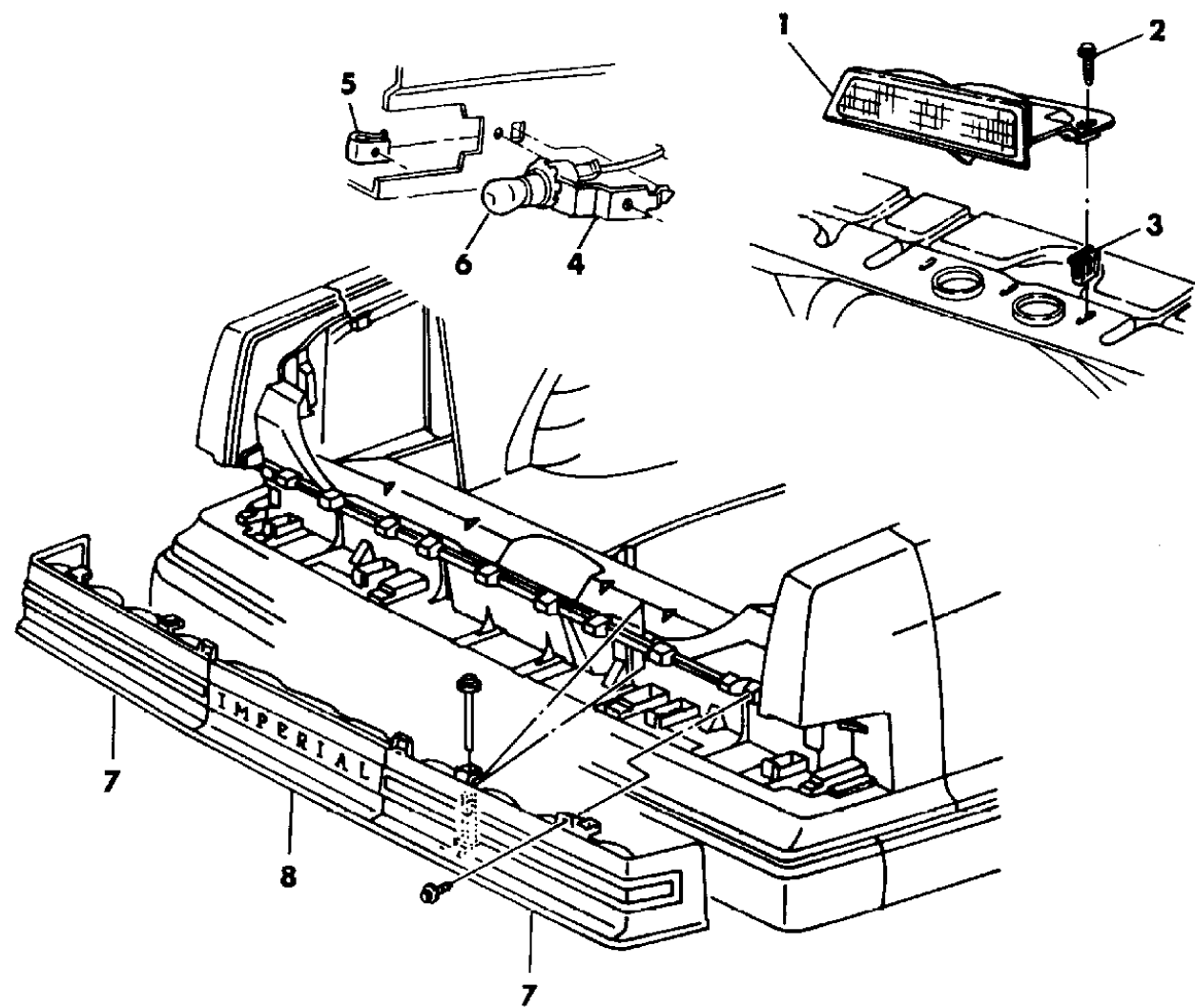
27=2-Door Convertible

AR = Use as Required - = Non Illustrated Part P.A.R. = Paint as Required

LAMPS & WIRING--REAR IMPERIAL Y BODY  
Figure 8-4600

93108 4600

ITEM	PART NUMBER	QTY	BODY	MODEL	DESCRIPTION
1	4399 433	1			LAMP, High Mtd. Stop
2	6032 817	AR			SCREW, Hi-Mtd. Stop Lamp
3	6031 869	AR			GROMMET, Hi-Mtd. Stop Lamp
4	4221 577	1			LAMP, Trunk (Mtg. Screw 6031160)
5	6031 130	AR			U-NUT
6	9428 606	1			BULB, Trunk Lamp
7	4422 586-7	1			LAMP, Tail, Stop, T/Sig. & S/Marker
8	4422 597	1			LAMP, Back-Up
-	4388 885	AR			LAMP, Rear Bumper License Guard
	4422 592	1			MOULDING, Tail, Stop, Turn Sig.
	5267 663	1			HARNES, Wiring
	4388 885				LAMP, Rear Bumper
NOTE: BULBS AND SOCKETS ARE LISTED ON ILLUS. 5800-5900					



MODEL CODES:

A BODY=(C=LeBaron, D=Spirit, P=Acclaim/LaBaron(Landau), Saratoga) S BODY=(H=Voyager(H) FWD, K=Caravan(H) FWD, Y=Town & Country(H) FWD, P=Voyager(K) AWD, D=Caravan(K) AWD, C=Town & Country(K) AWD)  
 C BODY=(D=Dynasty, C=New Yorker/N.Y. Salon)  
 G BODY=(V=Daytona/IROC, Chrysler Daytona)  
 J BODY=(C=LeBaron, Chrysler LeBaron)  
 P BODY=(P=Sundance, D=Shadow)

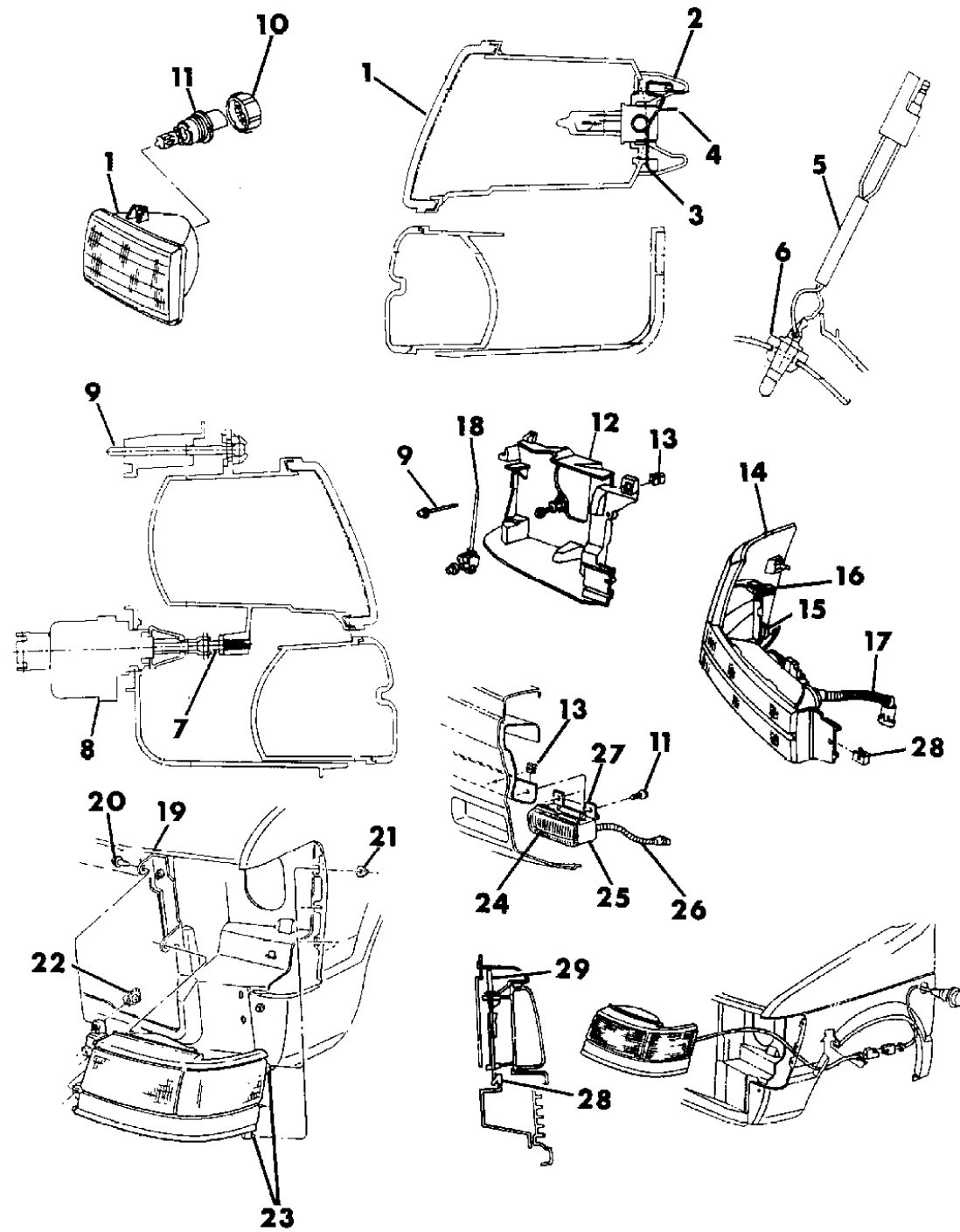
BODY STYLES:

21=2-Door Coupe      41=4-Door Sedan      12-52=FWD & AWD Van & Wgn Std W.B.  
 24=2-Door Hatchback      44=4-Door Hatchback      53=FWD & AWD Van & Wgn Ext. W.B.  
 27=2-Door Convertible

AR = Use as Required - = Non Illustrated Part P.A.R. = Paint as Required

LAMPS--FRONT S BODY  
Figure 8-4700

93108 4700



ITEM	PART NUMBER	QTY	BODY	MODEL	DESCRIPTION
1					HOUSING AND LENS ***
	4451 730-1	AR			U.S.
	4576 892-3				Plastic, EUROPE
2	4576 716	AR			BOOT, Rubber, EUROPE
3	5263 476	AR			SPRING, Hold Down, EUROPE
4	4451 708	AR			BULB, H4, EUROPE
5	4576 554	AR			WIRING, w/Bulb, Position Lamp, EUROPE
6		AR			GROMMET, (Serv. In Headlamp Module) EUROPE
7					STUD, Vertical Adjust, (Serv. w/H/Lamp Assy.) EUROPE
8	5263 478	AR			MOTOR, Headlamp Leveling, EUROPE
9	4638 431	AR			STUD, Pivot, w/Nut
10	4388 227	AR			NUT, Retaining
11	4388 238	AR			BULB AND SOCKET, Aero H/Lp. ***
12					ADAPTOR ASSEMBLY, H/Lp. ***
	4515 296-7	AR	DK		(Use 2-Pivot Studs #9)
	4515 294-5	AR	H-P-Y		(Use 1-Pivot Studs #9)
	5263 542-3	AR			EUROPE
13	1150 3714	AR			U-NUT, M6
14					LAMP, Park & Turn Sig., w/o Wiring & Bulbs
	4762 258-9		K,D		Town & Country
	4762 256-7	AR	H,P,Y		EUROPE
	4762 254-5				
15	0154 509	AR			BULB, Park & T/Sig #2358
16	9425 542	AR			BULB, Side Marker #168
17	4481 093	AR			WIRING
18	4451 994	AR			GEARDRIVE, Horizontal, Rt, Long Input Shaft ***
	4451 995	AR			Horizontal, Lt., Long Input Shaft
	4451 996	AR			Verticle, Rt., Short Input Shaft
	4451 997				Verticle., Lt., Short Input Shaft
19	4576 544-5	AR			BRACKET, H/Lamp Adapt. Mtg.
20	6101 501	AR			SCREW, w/Washer
21	6501 859	AR			NUT, Adaptor To Fender
22		AR			U-NUT, (Serv. w/H/Lp. & Adaptor
23					STUD, (Serv. Assy.)
24	4576 427	AR	S-ES		LAMP ASSEMBLY, Fog Lamp
	4576 443		ES		EUROPE
-	4515 345				PLATE, Retaining, Fog Lamp
-	5263 517				WASHER, Lock, Fog Lamp
25		AR			HOUSING, Fog Lamp (Serv. Assy.)
26	4515 349	AR			WIRING, Fog Lamp Pigtail

MODEL CODES:

A BODY=(C=LeBaron, D=Spirit, P=Acclaim/LaBaron(Landau), Saratoga)

C BODY=(D=Dynasty, C=New Yorker/N.Y. Salon)

G BODY=(V=Daytona/ROC, Chrysler Daytona)

J BODY=(C=LeBaron, Chrysler LeBaron)

P BODY=(P=Sundance, D=Shadow)

S BODY=(H=Voyager(H) FWD, K=Caravan(H) FWD,

Y=Town & Country(H) FWD, P=Voyager(K) AWD,

D=Caravan(K) AWD, C=Town & Country(K) AWD)

Y BODY=(C=Imperial/5th Avenue)

E-S BODY=(K=Chrysler Voyager(H) FWD, D=Chrysler

Voyager(K) AWD)

BODY STYLES:

21=2-Door Coupe

41=4-Door Sedan

12-52=FWD & AWD Van & Wgn Std W.B.

24=2-Door Hatchback

44=4-Door Hatchback

53=FWD & AWD Van & Wgn Ext. W.B.

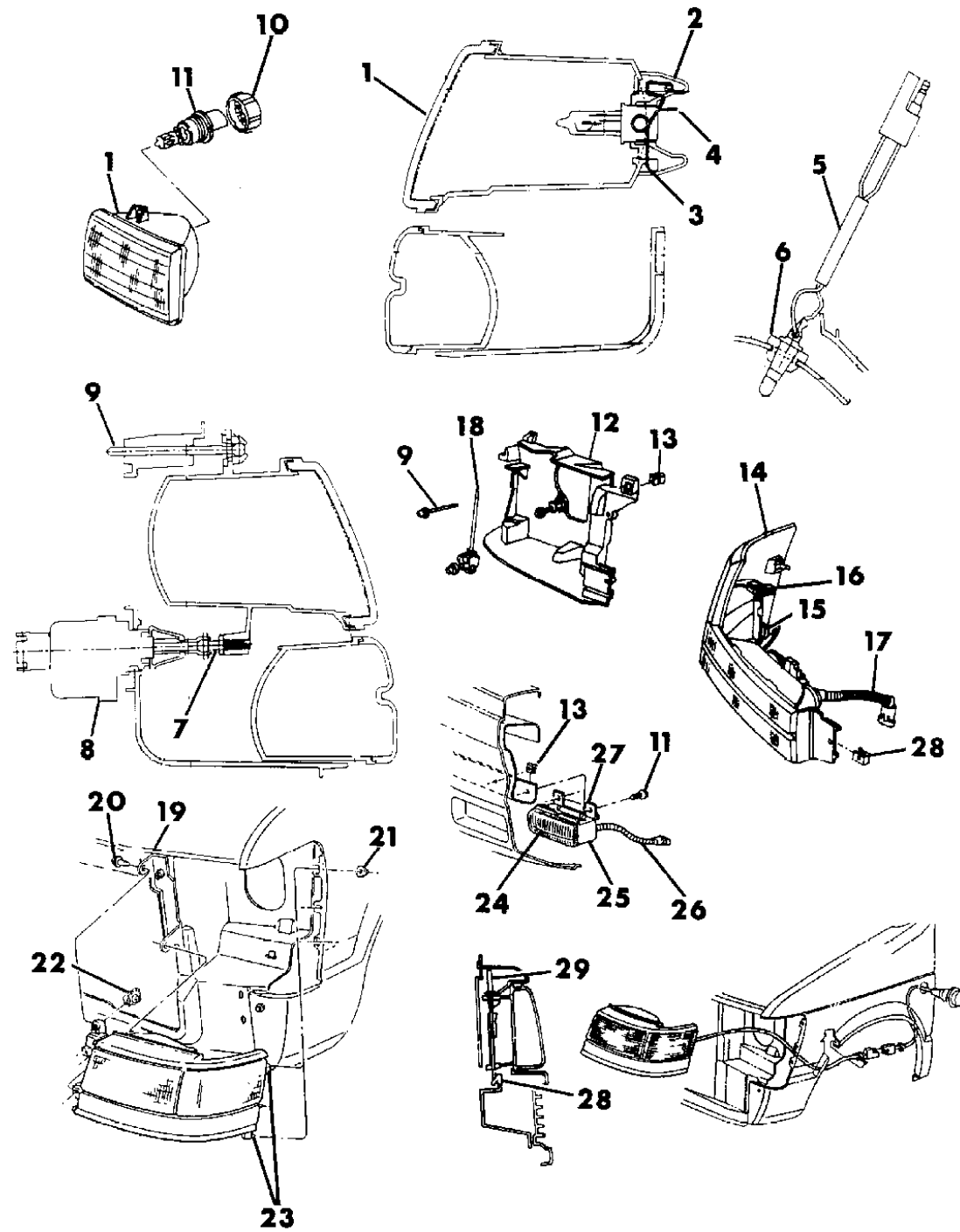
27=2-Door Convertible

AR = Use as Required - = Non Illustrated Part P.A.R. = Paint as Required

LAMPS--FRONT S BODY

Figure 8-4700

93108 4700



ITEM	PART NUMBER	QTY	BODY	MODEL	DESCRIPTION
-	4740 039	AR			BULB, Fog Lamp
27	4676 226	2			BRACKET, Fog Lamp
-	4676 223				STUD PLATE, Fog Lamp Brkt. To Front Reinforcement, (2-Stud) ***
28	6033 583	AR			CLIP, Park & Turn Lamp
29	6033 761				SCREW, Park/Turn/Side Marker
	4515 345	AR			PLATE, Pressure, Fog Lamp
	4515 348	AR			GROMMET, Fog Lamp
	4451 742-3	AR		H-P-Y	MOULDING, Aero H/Lamp (Upper)
	4451 744-5	AR		H-P-Y	(Lower)
					SCREW, Ret. Ring to Seat (Not Serv.)
-	4221 150	1			LAMP, Underhood
-	4687 458	1			WIRING, Underhood Lamp
-	4576 158				LAMP, Side Repeater, EUROPE
-	5263 494				LABEL, Headlamp Leveling

MODEL CODES:

A BODY=(C=LeBaron, D=Spirit, P=Acclaim/LaBaron(Landau),  
Saratoga)  
C BODY=(D=Dynasty, C=New Yorker/N.Y. Salon)  
G BODY=(V=Daytona/IROC, Chrysler Daytona)  
J BODY=(C=LeBaron, Chrysler LeBaron)  
P BODY=(P=Sundance, D=Shadow)

S BODY=(H=Voyager(H) FWD, K=Caravan(H) FWD,  
Y=Town & Country(H) FWD, P=Voyager(K) AWD,  
D=Caravan(K) AWD, C=Town & Country(K) AWD)  
Y BODY=(C=Imperial/5th Avenue)  
E-S BODY=(K=Chrysler Voyager(H) FWD, D=Chrysler  
Voyager(K) AWD)

BODY STYLES:

21=2-Door Coupe      41=4-Door Sedan      12-52=FWD & AWD Van & Wgn Std W.B.  
24=2-Door Hatchback      44=4-Door Hatchback      53=FWD & AWD Van & Wgn Ext. W.B.  
27=2-Door Convertible

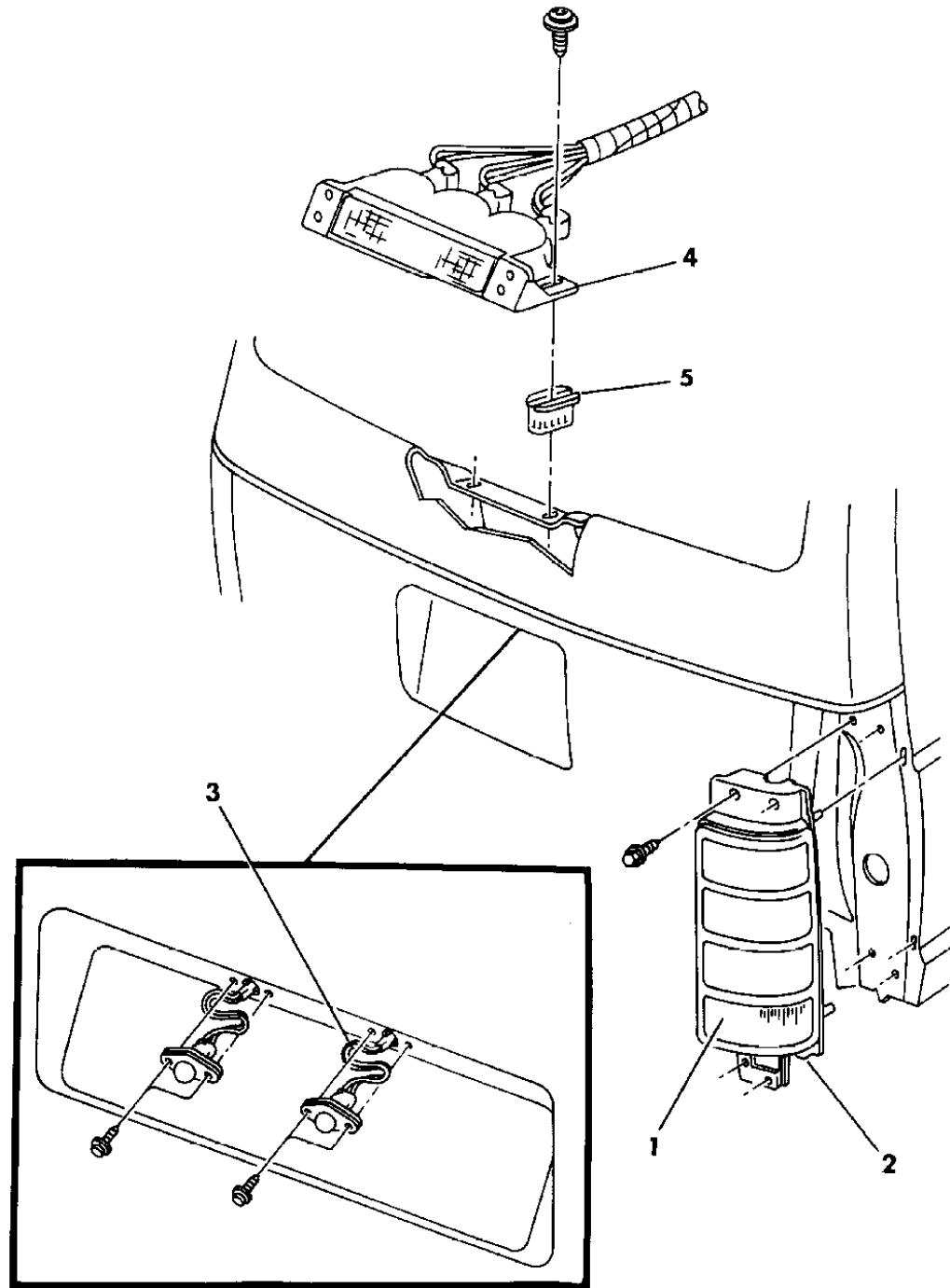
AR = Use as Required - = Non Illustrated Part P.A.R. = Paint as Required

LAMPS & WIRING--REAR S BODY  
Figure 8-4800

93108 4800

ITEM	PART NUMBER	QTY	BODY	MODEL	DESCRIPTION
1		1			LAMP, Qtr. Pnl. Tail, Stop, Turn, Back-Up & Side Marker
	4399 906-7	1		H-P-Y	
	5262 008-9	1		D-K	
	5262 314-5	1		K	EUROPE
-	4399 730-1	1			BRACKET, Tail, Stop, Turn Sig & Back-Up
2					GASKET, Tail Lamp (Not Serv.)
3					LAMP, Lift Gate Handle License
	4399 749	2			
	4523 170	2			EUROPE
4	4399 912	AR			LAMP, Hi-Mtd. Stop
5	6031 869	2			GROMMET
	4399 952-3	1			RETAINER, Tail, Stop, Turn, Back-Up, Fog & Reflector, Bulb & Socket

NOTE: BULBS AND SOCKETS ARE LISTED ON ILLUS. 5800-5900



MODEL CODES:

A BODY=(C=LeBaron, D=Spirit, P=Acclaim/LaBaron(Landau), Saratoga) S BODY=(H=Voyager(H) FWD, K=Caravan(H) FWD, Y=Town & Country(H) FWD, P=Voyager(K) AWD, D=Caravan(K) AWD, C=Town & Country(K) AWD)  
 C BODY=(D=Dynasty, C=New Yorker/N.Y. Salon) Y BODY=(C=Imperial/5th Avenue)  
 G BODY=(V=Daytona/IROC, Chrysler Daytona) E-S BODY=(K=Chrysler Voyager(H) FWD, D=Chrysler Voyager(K) AWD)  
 J BODY=(C=LeBaron, Chrysler LeBaron)  
 P BODY=(P=Sundance, D=Shadow)

BODY STYLES:

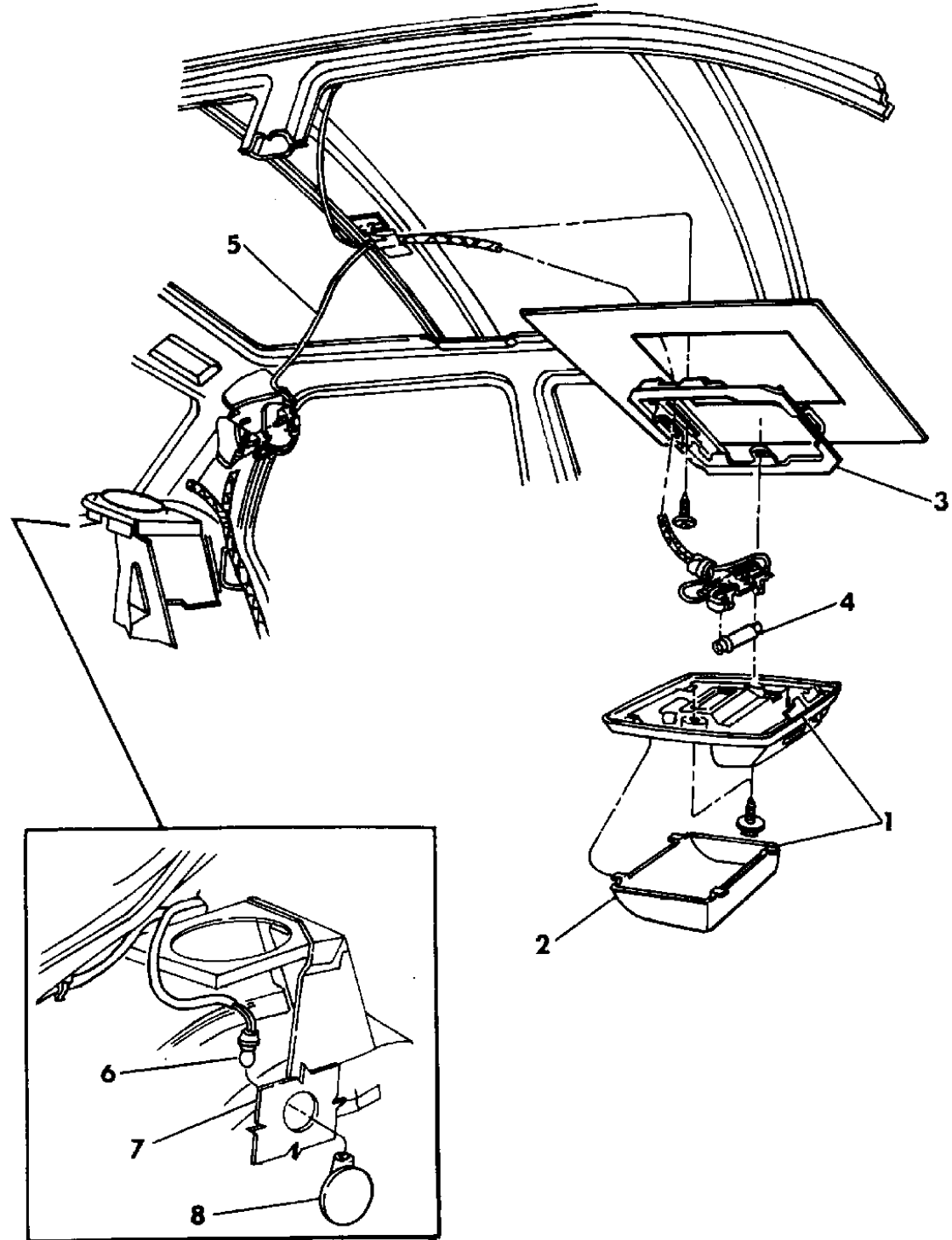
21=2-Door Coupe 41=4-Door Sedan 12-52=FWD & AWD Van & Wgn Std W.B.  
 24=2-Door Hatchback 44=4-Door Hatchback 53=FWD & AWD Van & Wgn Ext. W.B.  
 27=2-Door Convertible

AR = Use as Required - = Non Illustrated Part P.A.R. = Paint as Required

LAMPS--CARGO-DOME-COURTESY P BODY

Figure 8-5000

93108 5000



ITEM	PART NUMBER	QTY	BODY	MODEL	DESCRIPTION
1	3593 728	1			LAMP, Dome
2	3488 936	1			LENS, Dome Lamp
3	4047 293	1			BRACKET, Dome Lamp, (Use Retainer 4565230)
4	9431 808	1			BULB, Dome Lamp
5		1			WIRING, Dome & Map Lamp
6	9437 173	1			BULB, Cargo Lamp
7					PANEL, Trim
8	5209 554	1			LENS, Cargo Lamp
-	5209 523			27	HOUSING, Reading Lamp
-	4220 597			27	LENS, Reading Lamp
-	9431 808			27	BULB, Reading Lamp

MODEL CODES:

A BODY=(C=LeBaron, D=Spirit, P=Acclaim/LaBaron(Landau),  
Saratoga)  
C BODY=(D=Dynasty, C=New Yorker/N.Y. Salon)  
G BODY=(V=Daytona/IROC, Chrysler Daytona)  
J BODY=(C=LeBaron, Chrysler LeBaron)  
P BODY=(P=Sundance, D=Shadow)

S BODY=(H=Voyager(H) FWD, K=Caravan(H) FWD,  
Y=Town & Country(H) FWD, P=Voyager(K) AWD,  
D=Caravan(K) AWD, C=Town & Country(K) AWD)  
Y BODY=(C=Imperial/5th Avenue)  
E-S BODY=(K=Chrysler Voyager(H) FWD, D=Chrysler  
Voyager(K) AWD)

BODY STYLES:

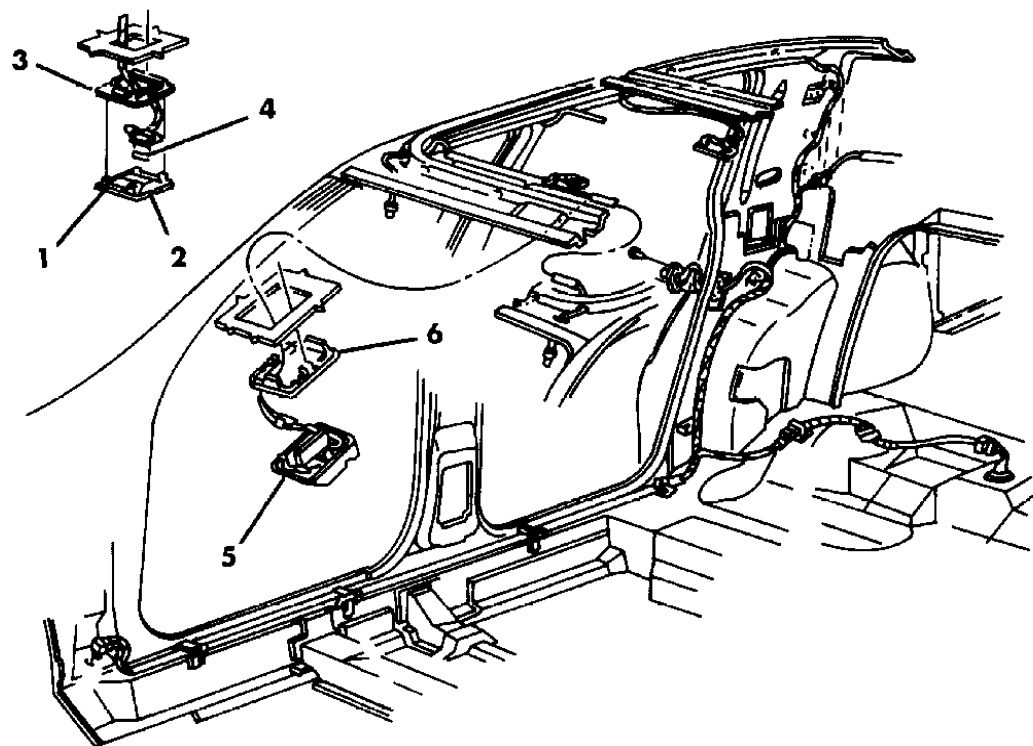
21=2-Door Coupe      41=4-Door Sedan      12-52=FWD & AWD Van & Wgn Std W.B.  
24=2-Door Hatchback      44=4-Door Hatchback      53=FWD & AWD Van & Wgn Ext. W.B.  
27=2-Door Convertible

AR = Use as Required - = Non Illustrated Part P.A.R. = Paint as Required

LAMPS--CARGO-DOME-COURTESY A BODY  
Figure 8-5100

93108 5100

ITEM	PART NUMBER	QTY	BODY	MODEL	DESCRIPTION
1	3593 728	1			LAMP, Dome
2	3488 936	1			LENS, Dome Lamp
3	4047 293	1			BRACKET, Dome Lamp Mtg.
4	9431 808	1			BULB
5	WD08 JD5	1			LAMP, Frt. Header Reading, (Quartz)
6	4312 706	1			BRACKET, Frt. Reading Lamp
-	4437 393	1			LENS, Frt. & Rear Door Courtesy Lp.
-	4437 391	1			HOUSING, Frt. & Rear Door Courtesy Lamp
-	4437 571	2			RETAINER & SEAL, Door Courtesy Lamp ***



**MODEL CODES:**

A BODY=(C=LeBaron, D=Spirit, P=Acclaim/LaBaron(Landau),  
Saratoga)  
C BODY=(D=Dynasty, C=New Yorker/N.Y. Salon)  
G BODY=(V=Daytona/IROC, Chrysler Daytona)  
J BODY=(C=LeBaron, Chrysler LeBaron)  
P BODY=(P=Sundance, D=Shadow)

S BODY=(H=Voyager(H) FWD, K=Caravan(H) FWD,  
Y=Town & Country(H) FWD, P=Voyager(K) AWD,  
D=Caravan(K) AWD, C=Town & Country(K) AWD)  
Y BODY=(C=Imperial/5th Avenue)  
E-S BODY=(K=Chrysler Voyager(H) FWD, D=Chrysler  
Voyager(K) AWD)

**BODY STYLES:**

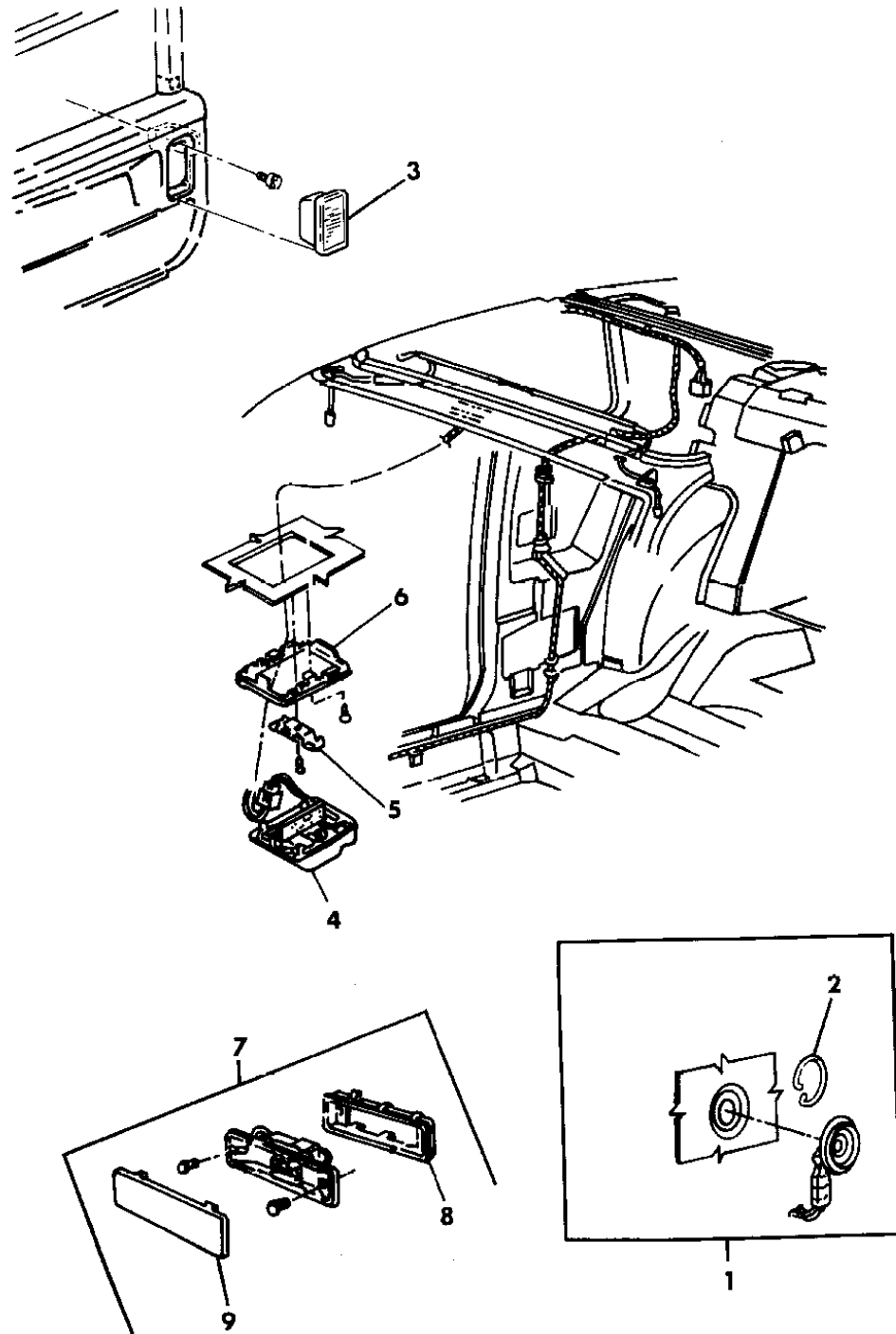
21=2-Door Coupe      41=4-Door Sedan      12-52=FWD & AWD Van & Wgn Std W.B.  
24=2-Door Hatchback      44=4-Door Hatchback      53=FWD & AWD Van & Wgn Ext. W.B.  
27=2-Door Convertible

AR = Use as Required - = Non Illustrated Part P.A.R. = Paint as Required

LAMPS--CARGO-DOME-COURTESY J BODY

Figure 8-5200

93108 5200



ITEM	PART NUMBER	QTY	BODY	MODEL	DESCRIPTION
1	4437 886	1			LAMP ASSEMBLY, Qtr. Reading (Shield 4437713)
2	6033 162	1			CLIP, Rear Qtr. Reading Lamp
3	5269 344	1			LAMP, Frt. Door Courtesy
4	WD08 LAZ	1			LAMP, Front Header Reading, Agate
	WD08 LM6	1			Red
	WD08 JB9	1			Blue
	WD08 JV8	1			Champagne
5	4374 583	1			ADAPTOR, Header Reading Lamp
6	4312 706	1			BRACKET, Frt. Header Reading Lamp
7	4374 642	1			LAMP, Cargo
8	3591 126	1			BRACKET, Cargo Lamp Mtg.
9	3488 995	1			LENS
-	5209 554				LENS, Trunk Lamp
-	9437 173				BULB, Trunk Lamp
-	4374 022				SOCKET, Trunk Lamp

MODEL CODES:

A BODY=(C=LeBaron, D=Spirit, P=Acclaim/LaBaron(Landau),  
Saratoga)  
C BODY=(D=Dynasty, C=New Yorker/N.Y. Salon)  
G BODY=(V=Daytona/IROC, Chrysler Daytona)  
J BODY=(C=LeBaron, Chrysler LeBaron)  
P BODY=(P=Sundance, D=Shadow)

S BODY=(H=Voyager(H) FWD, K=Caravan(H) FWD,  
Y=Town & Country(H) FWD, P=Voyager(K) AWD,  
D=Caravan(K) AWD, C=Town & Country(K) AWD)  
Y BODY=(C=Imperial/5th Avenue)  
E-S BODY=(K=Chrysler Voyager(H) FWD, D=Chrysler  
Voyager(K) AWD)

BODY STYLES:

21=2-Door Coupe      41=4-Door Sedan      12-52=FWD & AWD Van & Wgn Std W.B.  
24=2-Door Hatchback      44=4-Door Hatchback      53=FWD & AWD Van & Wgn Ext. W.B.  
27=2-Door Convertible

AR = Use as Required - = Non Illustrated Part P.A.R. = Paint as Required

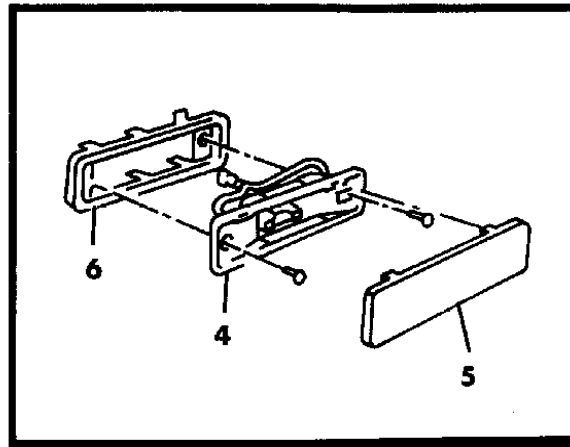
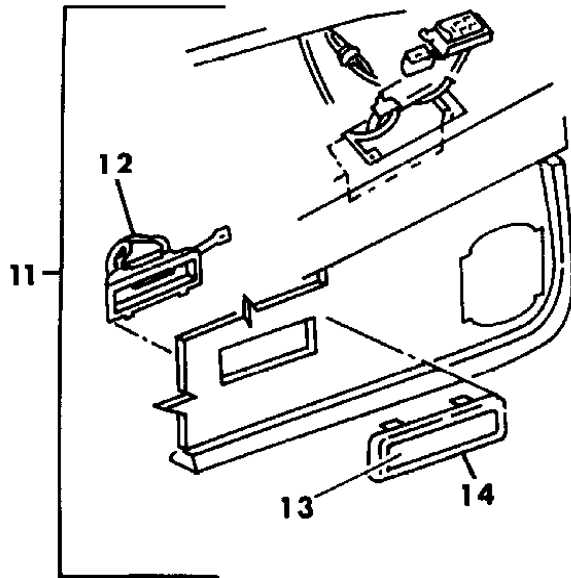
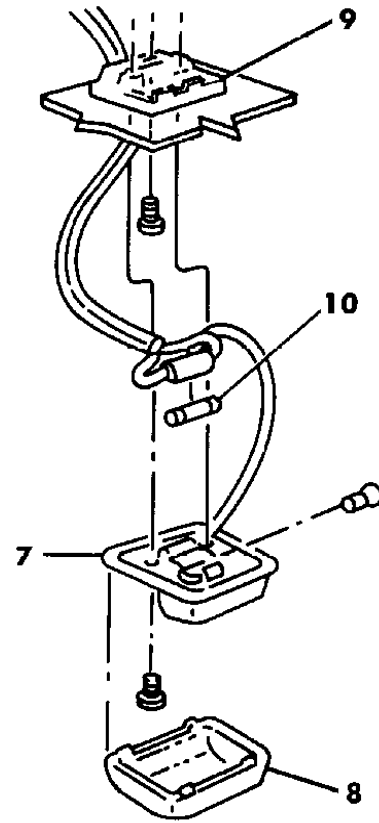
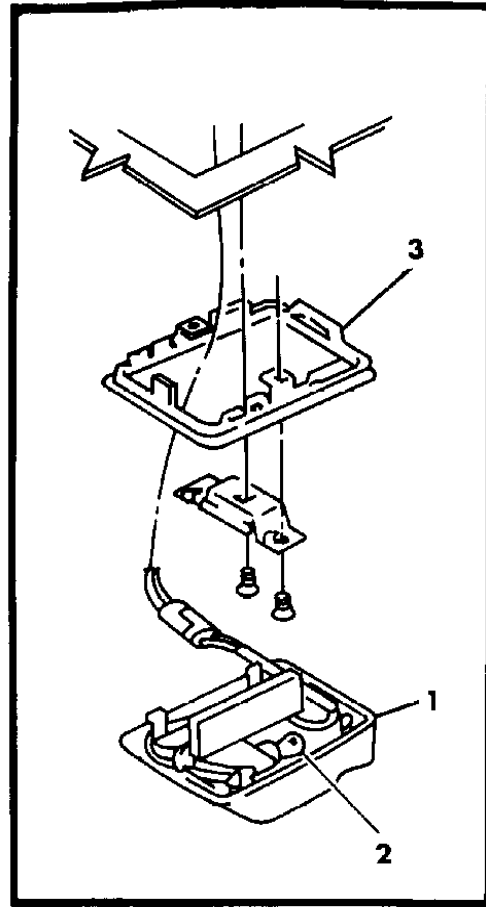


LAMPS--CARGO-DOME-COURTESY G BODY

Figure 8-5300

93108 5300

ITEM	PART NUMBER	QTY	BODY	MODEL	DESCRIPTION
1	WD08 LAZ	1			LAMP, Frt. Header Reading, Agate
	WD08 LM6	1			Red
	WD08 JD5	1			Quartz
2	9436 750	AR			BULB
3	4312 706	1			BRACKET, Frt. Header Reading
4	4374 642	1			LAMP, Cargo
5	3488 995	1			LENS, Cargo Lamp
6	3591 126	1			BRACKET, Cargo Lamp
7	3593 728	1			LAMP, Dome
8	3488 936	1			LENS, Dome Lamp
9	4047 293	1			BRACKET, Dome Lamp
10	9431 808	1			BULB, Dome Lamp
11					LAMP, Frt. Door Courtesy (Serv. Component Parts)
12	4374 079	1			HOUSING, Frt. Door Courtesy Lamp
13	4312 892	1			LENS, Frt. Door Courtesy Lamp
14	4374 095	1			BEZEL, Frt. Door Courtesy Lamp



MODEL CODES:

A BODY=(C=LeBaron, D=Spirit, P=Acclaim/LaBaron(Landau),  
Saratoga)  
C BODY=(D=Dynasty, C=New Yorker/N.Y. Salon)  
G BODY=(V=Daytona/IROC, Chrysler Daytona)  
J BODY=(C=LeBaron, Chrysler LeBaron)  
P BODY=(P=Sundance, D=Shadow)

S BODY=(H=Voyager(H) FWD, K=Caravan(H) FWD,  
Y=Town & Country(H) FWD, P=Voyager(K) AWD,  
D=Caravan(K) AWD, C=Town & Country(K) AWD)  
Y BODY=(C=Imperial/5th Avenue)  
E-S BODY=(K=Chrysler Voyager(H) FWD, D=Chrysler  
Voyager(K) AWD)

BODY STYLES:

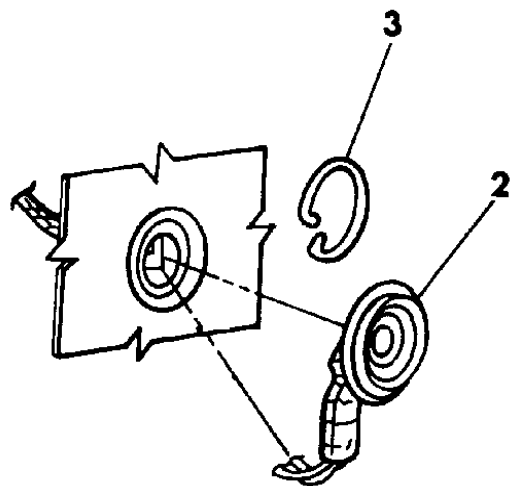
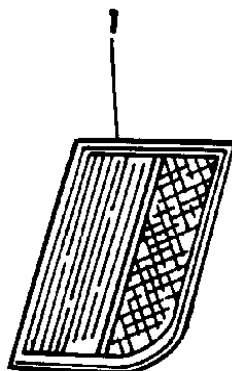
21=2-Door Coupe      41=4-Door Sedan      12-52=FWD & AWD Van & Wgn Std W.B.  
24=2-Door Hatchback      44=4-Door Hatchback      53=FWD & AWD Van & Wgn Ext. W.B.  
27=2-Door Convertible

AR = Use as Required - = Non Illustrated Part P.A.R. = Paint as Required

LAMPS--CARGO-DOME-COURTESY C BODY  
Figure 8-5400

93108 5400

ITEM	PART NUMBER	QTY	BODY	MODEL	DESCRIPTION
1	4374 624-5	AR			LENS, Front and Rear Door Courtesy Lp.
2	4437 884	AR			LAMP, Rear Qtr. Courtesy & Reading Lamp
3	6033 162	AR			CLIP, Rear Qtr. Courtesy & Reading Lamp



**MODEL CODES:**

A BODY=(C=LeBaron, D=Spirit, P=Acclaim/LaBaron(Landau),  
Saratoga)  
C BODY=(D=Dynasty, C=New Yorker/N.Y. Salon)  
G BODY=(V=Daytona/IROC, Chrysler Daytona)  
J BODY=(C=LeBaron, Chrysler LeBaron)  
P BODY=(P=Sundance, D=Shadow)

S BODY=(H=Voyager(H) FWD, K=Caravan(H) FWD,  
Y=Town & Country(H) FWD, P=Voyager(K) AWD,  
D=Caravan(K) AWD, C=Town & Country(K) AWD)  
Y BODY=(C=Imperial/5th Avenue)  
E-S BODY=(K=Chrysler Voyager(H) FWD, D=Chrysler  
Voyager(K) AWD)

**BODY STYLES:**

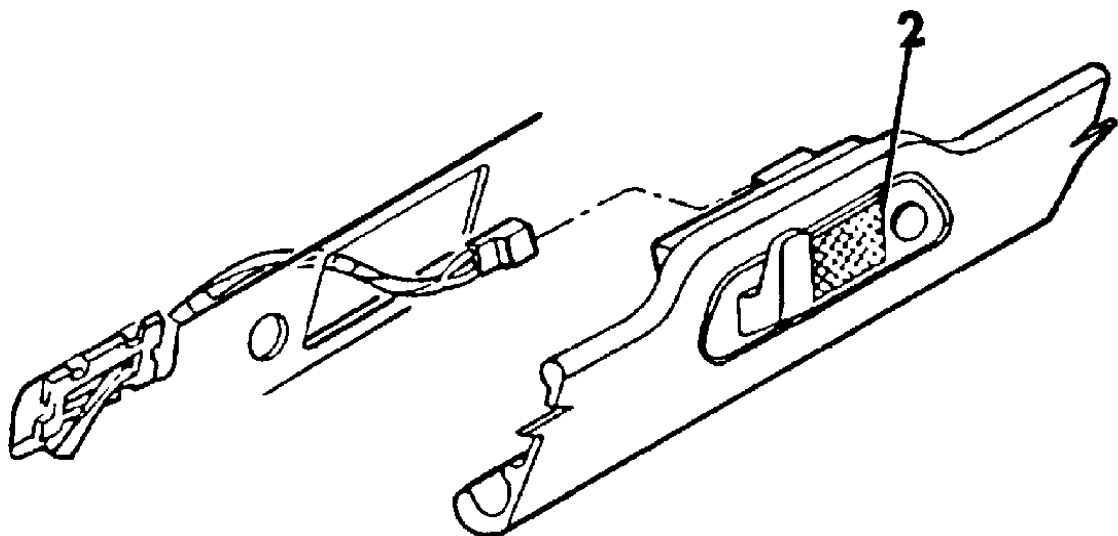
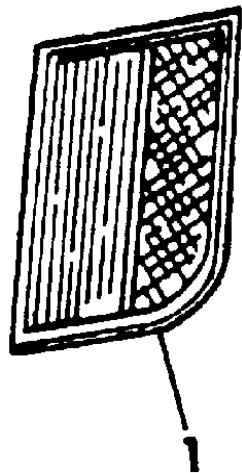
21=2-Door Coupe      41=4-Door Sedan      12-52=FWD & AWD Van & Wgn Std W.B.  
24=2-Door Hatchback      44=4-Door Hatchback      53=FWD & AWD Van & Wgn Ext. W.B.  
27=2-Door Convertible

AR = Use as Required - = Non Illustrated Part P.A.R. = Paint as Required

LAMPS--CARGO-DOME-COURTESY Y BODY  
Figure 8-5500

93108 5500A

ITEM	PART NUMBER	QTY	BODY	MODEL	DESCRIPTION
1	4374 624-5	1		S	LENS, Front and Rear Door Courtesy Lp.
	4374 830-1	1		P	
-	4437 348-9			P	HOUSING, Courtesy Lamp
	9437 484	AR			SOCKET, Courtesy Lamp
2	5268 154-5	1			LAMP, Reading, Roof Rail (Use Nut 6033536)
-	4437 202-3	1			LENS, Rail Reading Lamp
-	4437 207	1			WIRING, Reading Lamp
-	9431 809	1			BULB, Reading Lamp & Dr. Courtesy Lamp



**MODEL CODES:**

A BODY=(C=LeBaron, D=Spirit, P=Acclaim/LaBaron(Landau),  
Saratoga)  
C BODY=(D=Dynasty, C=New Yorker/N.Y. Salon)  
G BODY=(V=Daytona/IROC, Chrysler Daytona)  
J BODY=(C=LeBaron, Chrysler LeBaron)  
P BODY=(P=Sundance, D=Shadow)

S BODY=(H=Voyager(H) FWD, K=Caravan(H) FWD,  
Y=Town & Country(H) FWD, P=Voyager(K) AWD,  
D=Caravan(K) AWD, C=Town & Country(K) AWD)  
Y BODY=(C=Imperial/5th Avenue)  
E-S BODY=(K=Chrysler Voyager(H) FWD, D=Chrysler  
Voyager(K) AWD)

**BODY STYLES:**

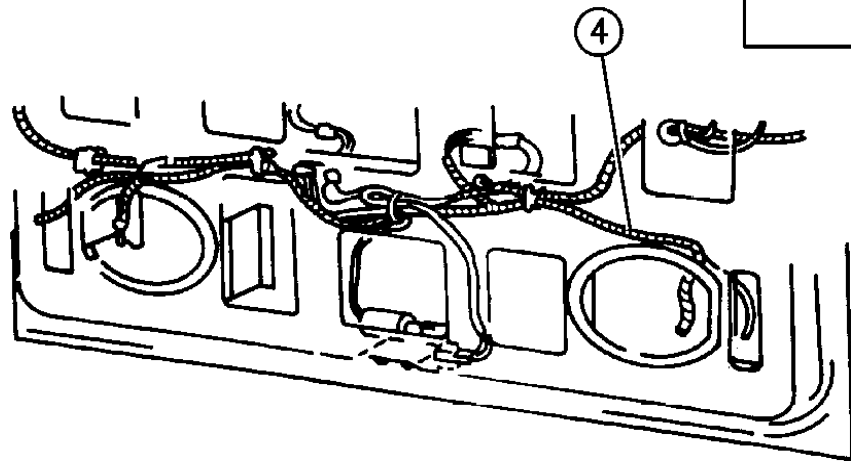
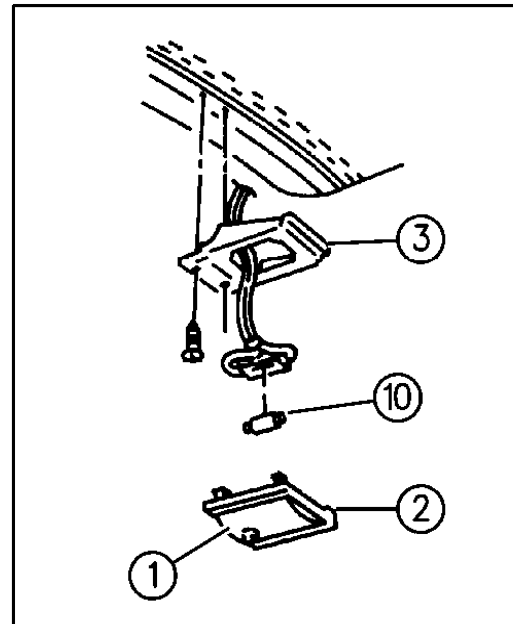
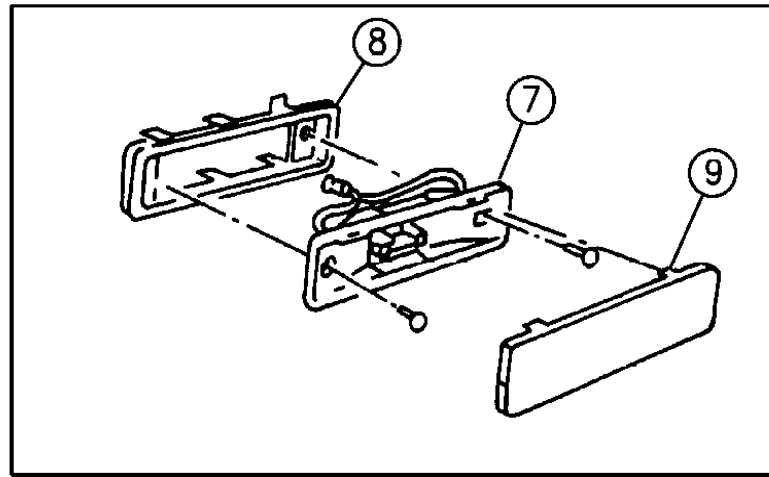
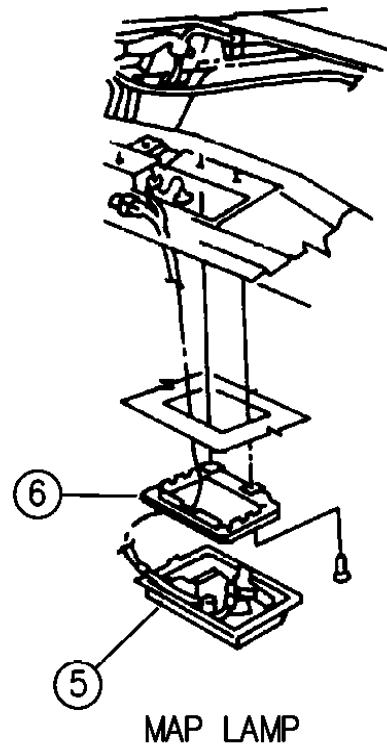
21=2-Door Coupe      41=4-Door Sedan      12-52=FWD & AWD Van & Wgn Std W.B.  
24=2-Door Hatchback      44=4-Door Hatchback      53=FWD & AWD Van & Wgn Ext. W.B.  
27=2-Door Convertible

AR = Use as Required - = Non Illustrated Part P.A.R. = Paint as Required

LAMPS--CARGO-DOME-COURTESY S BODY

Figure 8-5600

93108 5600C



ITEM	PART NUMBER	QTY	BODY	MODEL	DESCRIPTION
1	3593 728	1			LAMP, Cargo or Dome
2	3488 936	1			LENS, Dome Lamp
3	3593 282	1			BRACKET, Dome Lamp (Wagon (Van)
4	4312 151	1			WIRING, Liftgate
5	4625 625	1			LAMP, Frt. Header Reading, w/o Wiring
	4437 974				WIRING, Frt. Header Reading Lamp
	4437 976				LENS, Frt. Header Reading Lamp
6	4437 453	1			BRACKET, Front Header Reading
7	4437 618-9	1			LAMP, Front Door Courtesy (Red & White)
-	4437 626-7	1			REFLECTOR, Door Courtesy (Red)
8		1			BRACKET, Courtesy Lamp (Not Required)
9		1			LENS, Front Door Courtesy (Not Required)
10	9431 808	1			BULB, Dome Lamp

MODEL CODES:

A BODY=(C=LeBaron, D=Spirit, P=Acclaim/LaBaron(Landau),  
Saratoga)  
C BODY=(D=Dynasty, C=New Yorker/N.Y. Salon)  
G BODY=(V=Daytona/IROC, Chrysler Daytona)  
J BODY=(C=LeBaron, Chrysler LeBaron)  
P BODY=(P=Sundance, D=Shadow)

S BODY=(H=Voyager(H) FWD, K=Caravan(H) FWD,  
Y=Town & Country(H) FWD, P=Voyager(K) AWD,  
D=Caravan(K) AWD, C=Town & Country(K) AWD)  
Y BODY=(C=Imperial/5th Avenue)  
E-S BODY=(K=Chrysler Voyager(H) FWD, D=Chrysler  
Voyager(K) AWD)

BODY STYLES:

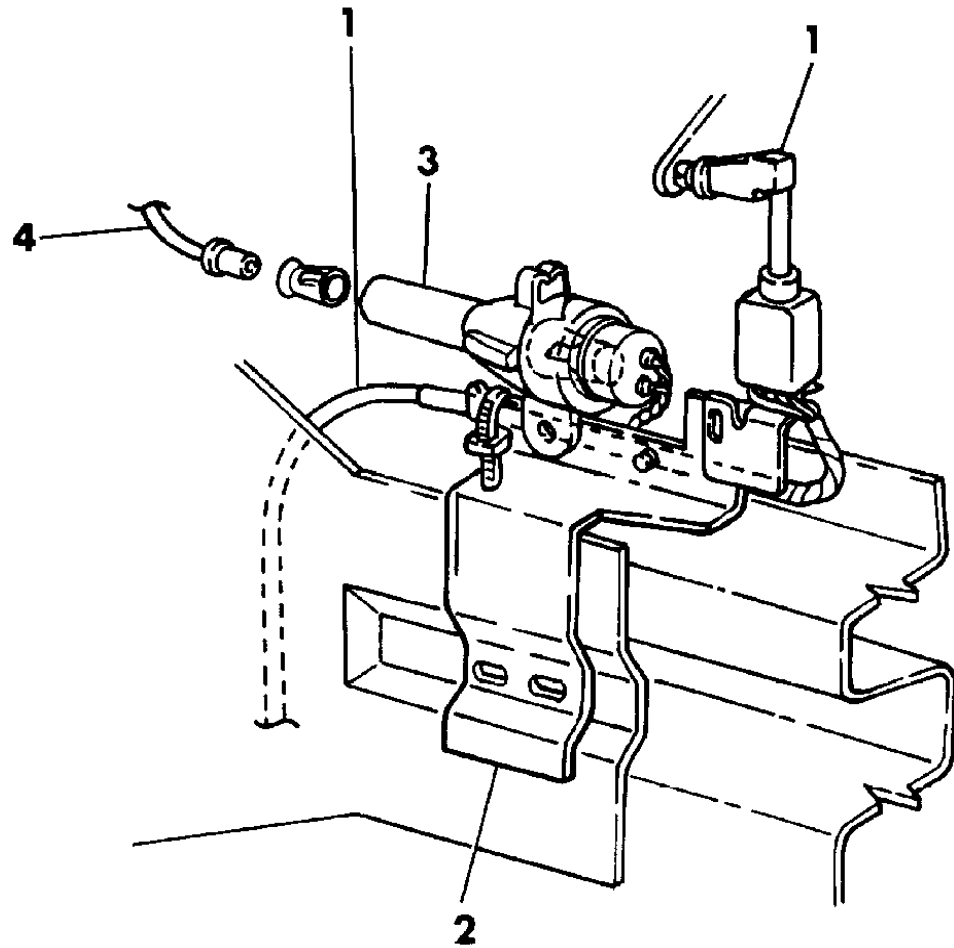
21=2-Door Coupe      41=4-Door Sedan      12-52=FWD & AWD Van & Wgn Std W.B.  
24=2-Door Hatchback      44=4-Door Hatchback      53=FWD & AWD Van & Wgn Ext. W.B.  
27=2-Door Convertible

AR = Use as Required - = Non Illustrated Part P.A.R. = Paint as Required

**ILLUMINATED DOOR LOCK LIGHT**  
Figure 8-5700

93108 5700

ITEM	PART NUMBER	QTY	BODY	MODEL	DESCRIPTION
1	4687 255	AR	S		SWITCH, Illum. Entry, w/Wiring
	4687 068	1	A		
	4373 678	AR	J-G		w/Wiring
-	4638 469				LAMP PACKAGE, (Plugs Into Switch 4687068)
2		AR	S		BRACKET, (Part Of Door Latch, Handle)
3					HOUSING
4			G-J		WIRING, w/L.E.D. (Part Of Switch)



**MODEL CODES:**

A BODY=(C=LeBaron, D=Spirit, P=Acclaim/LaBaron(Landau), Saratoga)      S BODY=(H=Voyager(H) FWD, K=Caravan(H) FWD, Y=Town & Country(H) FWD, P=Voyager(K) AWD, D=Caravan(K) AWD, C=Town & Country(K) AWD)  
 C BODY=(D=Dynasty, C=New Yorker/N.Y. Salon)      Y BODY=(C=Imperial/5th Avenue)  
 G BODY=(V=Daytona/IROC, Chrysler Daytona)      E-S BODY=(K=Chrysler Voyager(H) FWD, D=Chrysler Voyager(K) AWD)  
 J BODY=(C=LeBaron, Chrysler LeBaron)  
 P BODY=(P=Sundance, D=Shadow)

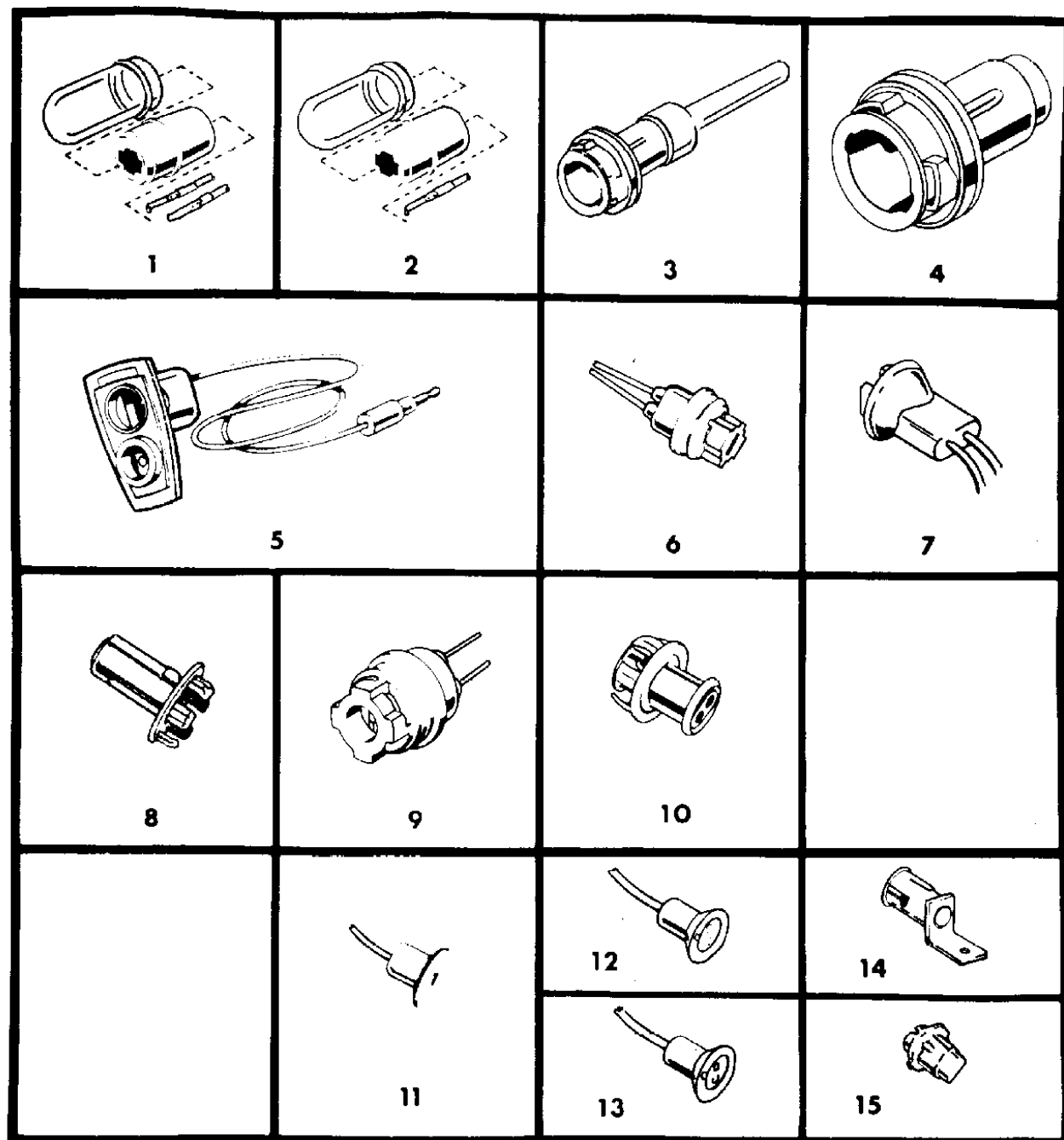
**BODY STYLES:**

21=2-Door Coupe      41=4-Door Sedan      12-52=FWD & AWD Van & Wgn Std W.B.  
 24=2-Door Hatchback      44=4-Door Hatchback      53=FWD & AWD Van & Wgn Ext. W.B.  
 27=2-Door Convertible

AR = Use as Required - = Non Illustrated Part P.A.R. = Paint as Required

**SOCKETS AND BULBS--EXTERIOR LAMPS**  
Figure 8-5800

93108 5800



ITEM	PART NUMBER	QTY	BODY	MODEL	DESCRIPTION
1					SOCKET
	4374 022	AR	P-A-G		Cargo Lamp
	4374 022	AR	G-C-Y		Cargo Lamp
	4374 022	AR	S		Underseat Storage Lamp, (Use Hood 4374156)
	4374 022	AR	P		PRNDL Lamp
2	4374 023		S-Y		SOCKET, Inst. Panel Wiring
3-10					SOCKET, (SEE ITEMS #13 & 15)
11	4636 361		A		SOCKET, Cornering Lamp (BULB #3157--154509)
12	4523 105	AR	C-Y		SOCKET, Cornering Lamp (BULB #3157--154509)
13					SOCKET, Park & Turn Signal
	3843 432		J		Park & Turn Signal (BULB #2057--9438848)
	3843 431		P		Park & Turn Signal (BULB #2057--9438848)
	4399 639		A		Park & Turn Signal (BULB #3157NA--154525 or #3157--154509)
	4636 359		G		Park & Turn Signal (BULB #3057NA)
	4636 360		S-C		Park & Turn Signal Ext. (BULB #3157--154509)
	4399 900		S	(HSX)	Park & Turn Signal (BULB #3157--154525)
	4636 360		Y	(P)(S)	Park & Turn Signal (BULB #3157NA--154525)
			Y	(S)	Park & Turn Signal (BULB #3157NA--154525)
	4400 588		P-A		Side Marker, Frt. & Rear (BULB #168--9425542 or #194)
	4400 899		J		Side Marker, Rear (BULB #168--9425542)
	4400 588		Y	(P,S)	Side Marker, Frt. (BULB #194NA, 168--9425542, 9438068)
	4400 588		Y	(P)	Side Marker, Rear (BULB #916--153700)
	4400 147		Y	(S)	Side Marker, Rear (BULB #168--9425542)
	4450 818		P-J-C-S		Side Marker, Rear (BULB #916--153700)
	4400 588		J		Side Marker Frt. (BULB #168--9425542)
	4400 588		G		Side Marker Frt. (BULB #168--9425542)
	4400 898		G		Side Marker, Rear (BULB #168--9425542)
	4414 332		S		Headlamp (Aero) (BULB #9004--4388238)
	4439 076		P-A		Headlamp (Aero) (BULB 4388238)
	4450 814		J		Headlamp-Lo, BULB #HP4656--153784)
			J		Headlamp-Hi., (BULB--153775)
	0154 221		J		Headlamp, 154221--#9006 (AERO TYPE)
			G		Headlamp, (Serv. in Wiring 5267964 (BULB #9005--154222---#9006--154221)
	4388 238		A		Headlamp, Includes Bulb & Socket
	4400 822		P		Hi-Mtd. Stop Lamp (BULB #922--153988)
	4400 899		C-Y		Hi-Mtd. Stop Lamp (BULB #922--153988)
	4400 884		C-Y		Hi-Mtd. Stop Lamp (BULB #922-153988)

**MODEL CODES:**

A BODY=(C=LeBaron, D=Spirit, P=Acclaim/LaBaron(Landau), Saratoga) S BODY=(H=Voyager(H) FWD, K=Caravan(H) FWD, Y=Town & Country(H) FWD, P=Voyager(K) AWD, D=Caravan(K) AWD, C=Town & Country(K) AWD)  
 C BODY=(D=Dynasty, C=New Yorker/N.Y. Salon)  
 G BODY=(V=Daytona/IROC, Chrysler Daytona)  
 J BODY=(C=LeBaron, Chrysler LeBaron)  
 P BODY=(P=Sundance, D=Shadow)  
 Y BODY=(C=Imperial/5th Avenue)  
 E-S BODY=(K=Chrysler Voyager(H) FWD, D=Chrysler Voyager(K) AWD)

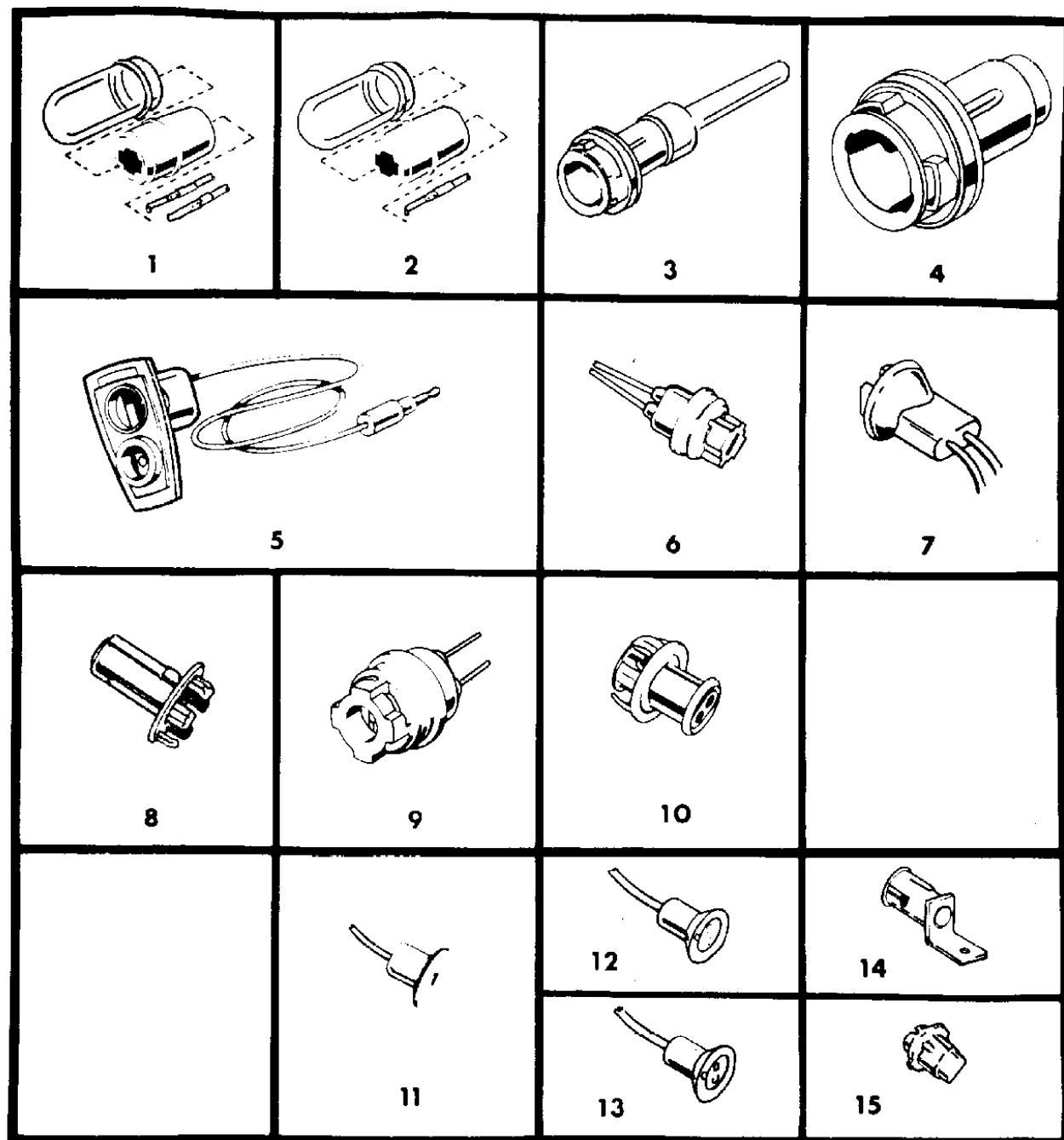
**BODY STYLES:**

21=2-Door Coupe      41=4-Door Sedan      12-52=FWD & AWD Van & Wgn Std W.B.  
 24=2-Door Hatchback      44=4-Door Hatchback      53=FWD & AWD Van & Wgn Ext. W.B.  
 27=2-Door Convertible

AR = Use as Required - = Non Illustrated Part P.A.R. = Paint as Required

**SOCKETS AND BULBS--EXTERIOR LAMPS**  
Figure 8-5800

93108 5800



ITEM	PART NUMBER	QTY	BODY	MODEL	DESCRIPTION
	4400 822		J	21	Hi-Mtd. Stop Lamp (BULB #922--153988)
	4443 991		J-S	27	Hi-Mtd. Stop Lamp (BULB #922--153988)
	4400 588		G		Hi-Mtd. Stop Lamp (BULB #921--153938)
	4625 065		A		Hi-Mtd. Stop Lamp (BULB #921--153938) (Serv. in Wiring Assy.)
	4400 588		A	(C)	License Lamp (BULB #168--9425542)
	4414 184		A	(P,D)	License Lamp (BULB #168--9425542)
	4414 184		C		License Lamp (BULB #194--9421330)
	4414 184		Y		License Lamp (BULB #194--9421330)
	4527 025		S		License Lamp (BULB #168--9425542)
	4400 588		J		License Lamp (BULB #168--9425542)
	4450 814		P		License Lamp (BULB #168--9425542)
	4400 898		G		License Lamp (BULB #168--9425542)
14	2096 857	1	A		SOCKET, w/Bracket, Trunk Lamp (Cargo)
15					SOCKET, Printed Circuit Board
	4450 798		P		Back-Up Lamp (BULB #1156--9417866)
			C	(S)	Back-Up Lamp (BULB #1141) (Serv. in Wiring Assy.)
	4636 358		C	(H)	Back-Up Lamp (BULB #3157--154509)
	4636 361		Y	(P)	Back-Up Lamp (BULB #3157--154509)
	4400 898		Y	(P)	Back-Up Lamp (BULB #921--153938)
	4450 824		S		Back-Up Lamp (BULB #921--153938)
	4400 588		Y	(S)	Back-Up Lamp (BULB #922)
	4636 358		G		Back-Up Lamp (BULB #3157--154509)
	4636 358		C	(D)	Back-Up Lamp (BULB #3157--154509)
	4124 721		J		Back-Up Lamp (BULB #1156--9417866)
	4450 821		A	(P,D)	Back-Up Lamp (BULB #921--153938)
	4124 721		A-J	(C)	Back-Up Lamp (BULB #1156)
	4636 362		Y	(P)	Tail, Stop, Turn Signal (BULB #3157--154509)
	4636 359		C-Y	(S,D)	Tail, Stop, Turn Signal (BULB #3157--154509)
	4400 898		Y	(P)	Tail (BULB #916)
	4399 900		S		Tail, Stop, Turn Signal (BULB #3157--154509)
	4636 359		J		Tail, Stop, Turn Signal (BULB #3157--154509)
	4636 362		A		Tail, Stop, Turn Signal (BULB #3157--154509)
	4636 358		A		Turn, Rear (BULB #3157--154509)
	4450 821		J		Tail, Deck Lid, (BULB, #916--153700)
	4399 576		P		Tail, Stop, Turn Signal (BULB #2057--9438848)
	4636 359		C		Tail, Stop, Turn Signal (BULB #3157--154509)
	4636 360		G		Tail, Stop, Turn Signal (BULB #3057--154509)
	4400 898		G		Tail (BULB #168--9425542)

**MODEL CODES:**

A BODY=(C=LeBaron, D=Spirit, P=Acclaim/LaBaron(Landau), Saratoga) S BODY=(H=Voyager(H) FWD, K=Caravan(H) FWD, Y=Town & Country(H) FWD, P=Voyager(K) AWD, D=Caravan(K) AWD, C=Town & Country(K) AWD)  
 C BODY=(D=Dynasty, C=New Yorker/N.Y. Salon) Y BODY=(C=Imperial/5th Avenue)  
 G BODY=(V=Daytona/IROC, Chrysler Daytona) E-S BODY=(K=Chrysler Voyager(H) FWD, D=Chrysler Voyager(K) AWD)  
 J BODY=(C=LeBaron, Chrysler LeBaron) P BODY=(P=Sundance, D=Shadow)

**BODY STYLES:**

21=2-Door Coupe 41=4-Door Sedan 12-52=FWD & AWD Van & Wgn Std W.B.  
 24=2-Door Hatchback 44=4-Door Hatchback 53=FWD & AWD Van & Wgn Ext. W.B.  
 27=2-Door Convertible

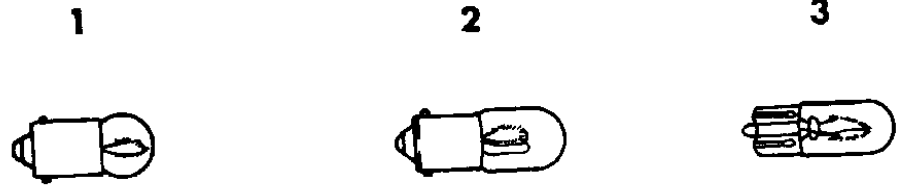
AR = Use as Required - = Non Illustrated Part P.A.R. = Paint as Required

**BULB CROSS REFERENCE--INTERIOR LAMPS**

**Figure 8-5900**

93108 5900

ITEM	PART NUMBER	QTY	BODY	MODEL	DESCRIPTION
1					BULB, INDICATOR LAMPS
	0154 087		C-Y		Air Bag, Mech. Cluster, #103
	9421 330		PAJG		Air Bag, Mech. Cluster, #PC194
	0154 087		A		Anti-Lock, Mech. Cluster, #103
	9421 330		PGJCY		Anti-Lock, Mech. Cluster, #PC194
	9421 330		A-Y		Anti-Lock, Elec. Cluster, #PC194
	0154 087		J		Anti-Lock, Elec. Cluster, #103
	0154 087		A		Brake, Mech. Cluster, #103
	9421 330		PJACY		Brake, Mech. Cluster, #PC194
	9421 330				Brake, Elec. Cluster, #PC194
	0154 087		J		Brake, Elec. Cluster, #103
	0154 087		A		Check Engine, Mech. Cluster, #103
	9421 330		PJGJCY		Check Engine, Mech. Cluster, #PC194
	9421 330		A-Y		Check Engine, Elec. Cluster, #PC194
	0154 087		J		Check Engine, Elec. Cluster, #103
	9421 330		ALL		Check Gauges, #PC194
	9421 330		A-C-Y		Door Open, #74
	9421 330		P		Door Open, #161
	4437 661		G-J		Door Open, #
	9427 943		S		Door Courtesy & Liftgate Bulb, #562
			G		Fog Lamp, #PC194
	0154 087		A		High Beam, #103
	9421 330		PJGJCY		High Beam, #PC194
	9421 330		A-Y		High Beam, Elec. Cluster, #PC194
	9433 184		A		Lamp Outage, #74
	0154 087		A		Low Fuel, #103
			P		Low Fuel, #161
	9421 330		C-Y		Low Fuel, #PC194
	5269 245		G-J		Low Fuel, #
	9433 184		A-C-Y		Low Washer Fluid, #74
			P		Low Washer Fluid, #161
	4437 661		G-J		Low Washer Fluid, #
	9421 330		ALL		Oil Pressure, #PC194
	9433 184		A-C-Y		Trunk Open, #74
			P		Trunk Open, #161
	4437 661		G-J		Trunk Open, #
			C-Y		Theft Alarm Set, #168
	4437 661		G-J		Theft Alarm Set, #
	0154 087		A		Turn Signal, Mech. Cluster, #103



**MODEL CODES:**  
A BODY=(C=LeBaron, D=Spirit, P=Acclaim/LaBaron(Landau), Saratoga) S BODY=(H=Voyager(H) FWD, K=Caravan(H) FWD, Y=Town & Country(H) FWD, P=Voyager(K) AWD, D=Caravan(K) AWD, C=Town & Country(K) AWD)  
C BODY=(D=Dynasty, C=New Yorker/N.Y. Salon) Y BODY=(C=Imperial/5th Avenue)  
G BODY=(V=Daytona/ROC, Chrysler Daytona) E-S BODY=(K=Chrysler Voyager(H) FWD, D=Chrysler Voyager(K) AWD)  
J BODY=(C=LeBaron, Chrysler LeBaron)  
P BODY=(P=Sundance, D=Shadow)

**BODY STYLES:**  
21=2-Door Coupe 41=4-Door Sedan 12-52=FWD & AWD Van & Wgn Std W.B.  
24=2-Door Hatchback 44=4-Door Hatchback 53=FWD & AWD Van & Wgn Ext. W.B.  
27=2-Door Convertible

AR = Use as Required - = Non Illustrated Part P.A.R. = Paint as Required

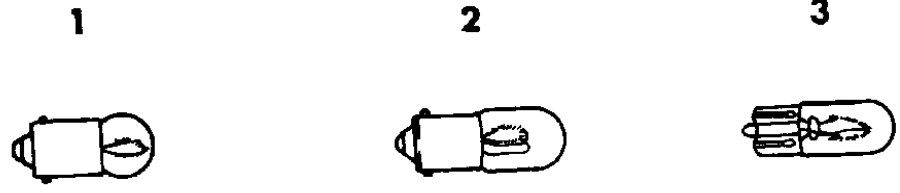


**BULB CROSS REFERENCE--INTERIOR LAMPS**

**Figure 8-5900**

93108 5900

ITEM	PART NUMBER	QTY	BODY	MODEL	DESCRIPTION
	9421 330		PJGCY		Turn Signal, Mech. Cluster, #PC194
	9421 330		A-Y		Turn Signal, Elec. Cluster, #PC194
	0154 087		A		Seat Belt, Mech. Cluster, #103
	9421 330		PJGCY		Seat Belt, Mech. Cluster, #PC194
	9421 330		A-Y		Seat Belt, Elec. Cluster, #PC194
	0154 087		J		Seat Belt, Elec. Cluster, #103
	4685 004				Windshield Wiper, Rear, (Neo-Wedge)
2					<b>BULB, DIMMER CONTROLLED LAMPS</b>
	9436 789		ALL		A/C Heater Control, #37
	4437 661		ALL		Automatic Temperature Control, #
			A-C-Y		Column Gearshift Indicator, #161
	9421 330		P		Console Gearshift Indicator, #194
			A-G-J		Console Gearshift Indicator, #161
	9421 330		G		Fog Lamp Switch Symbol, #PC194
	9436 789		G-J		Headlamp Dimmer Switch, #37
			C-Y		Headlamp Switch Symbol, #161
	9436 789		J-G		Headlamp Switch Symbol, #37
	4883 175		S		Headlamp Switch POD
			All		Heater Control
			J		E.V.I.C., #ASC
	9421 330		All		Instrument Cluster, Mech. Cluster, #PC194
	9433 184		A-Y		Instrument Cluster, #74
	9433 184		A-C-Y		Message Center, #74
			P		Message Center, #161
	9433 184		A-J		Navigator/Travel Companion, #74
			All		Radio, #ASC
					Rear Defogger Switch, (REPLACE SWITCH)
	9436 789		G		Rear Wiper Switch, #37
			C-Y		Theft Alarm, #161
	5268 053		J		Top Lift Switch, #
			All		Travel Computer, #ASC
			P		Turbo Gauge, #161
	9436 789		J-G		Windshield Wiper Switch, #37
3					<b>BULB, NON-DIMMING LAMPS</b>
	9433 184		A		Ash Receiver, #74
			P-C-Y		Ash Receiver, #161
	9436 789		J-G-S		Ash Receiver, #37
	9436 750		J		Center Console Rear, #906
			P-A		Cigar Lighter, #161



**MODEL CODES:**

A BODY=(C=LeBaron, D=Spirit, P=Acclaim/LaBaron(Landau), Saratoga)  
 C BODY=(D=Dynasty, C=New Yorker/N.Y. Salon)  
 G BODY=(V=Daytona/ROC, Chrysler Daytona)  
 J BODY=(C=LeBaron, Chrysler LeBaron)  
 P BODY=(P=Sundance, D=Shadow)

S BODY=(H=Voyager(H) FWD, K=Caravan(H) FWD, Y=Town & Country(H) FWD, P=Voyager(K) AWD, D=Caravan(K) AWD, C=Town & Country(K) AWD)  
 Y BODY=(C=Imperial/5th Avenue)  
 E-S BODY=(K=Chrysler Voyager(H) FWD, D=Chrysler Voyager(K) AWD)

**BODY STYLES:**

21=2-Door Coupe      41=4-Door Sedan      12-52=FWD & AWD Van & Wgn Std W.B.  
 24=2-Door Hatchback      44=4-Door Hatchback      53=FWD & AWD Van & Wgn Ext. W.B.  
 27=2-Door Convertible

AR = Use as Required - = Non Illustrated Part P.A.R. = Paint as Required

BULB CROSS REFERENCE--INTERIOR LAMPS

Figure 8-5900

93108 5900

ITEM	PART NUMBER	QTY	BODY	MODEL	DESCRIPTION
	9437 484		A-C-Y	(S)	Courtesy, #214-2
			J		Courtesy, #906
	9431 809		Y	(P)	Courtesy, #212-2
	9431 808		All		Dome, #211-2
	9428 606		All		Engine Compartment, #105
	0152 244		All		Glove Compartment, #1891
	9436 789		All		Ignition Lock, #37
	9425 542		J		Inside Rear View Mirror, #168
	9437 173		A		Overhead Console, #912
	9436 750		C-Y		Overhead Console, #906
	9431 809		P-J-G		Overhead Console, #212-2
	9436 750		All		Reading Lamp Front, #906
	9425 542		J-C		Reading Lamp Rear, #168
	J400 3086		P	27	Reading Lamp Rear, #561
	9437 484		Y		Reading Lamp Rear, #214-2
	9431 809		J-G		Rear Cargo, #212-2
	9437 173		P		Rear Cargo, #912
	0151 578		A		Luggage Compartment, #1004
	9428 606		C-Y		Luggage Compartment, #105
	6501 966		All		Visor Vanity

1



2



3



**MODEL CODES:**

A BODY=(C=LeBaron, D=Spirit, P=Acclaim/LaBaron(Landau),  
Saratoga)  
C BODY=(D=Dynasty, C=New Yorker/N.Y. Salon)  
G BODY=(V=Daytona/ROC, Chrysler Daytona)  
J BODY=(C=LeBaron, Chrysler LeBaron)  
P BODY=(P=Sundance, D=Shadow)

S BODY=(H=Voyager(H) FWD, K=Caravan(H) FWD,  
Y=Town & Country(H) FWD, P=Voyager(K) AWD,  
D=Caravan(K) AWD, C=Town & Country(K) AWD)  
Y BODY=(C=Imperial/5th Avenue)  
E-S BODY=(K=Chrysler Voyager(H) FWD, D=Chrysler  
Voyager(K) AWD)

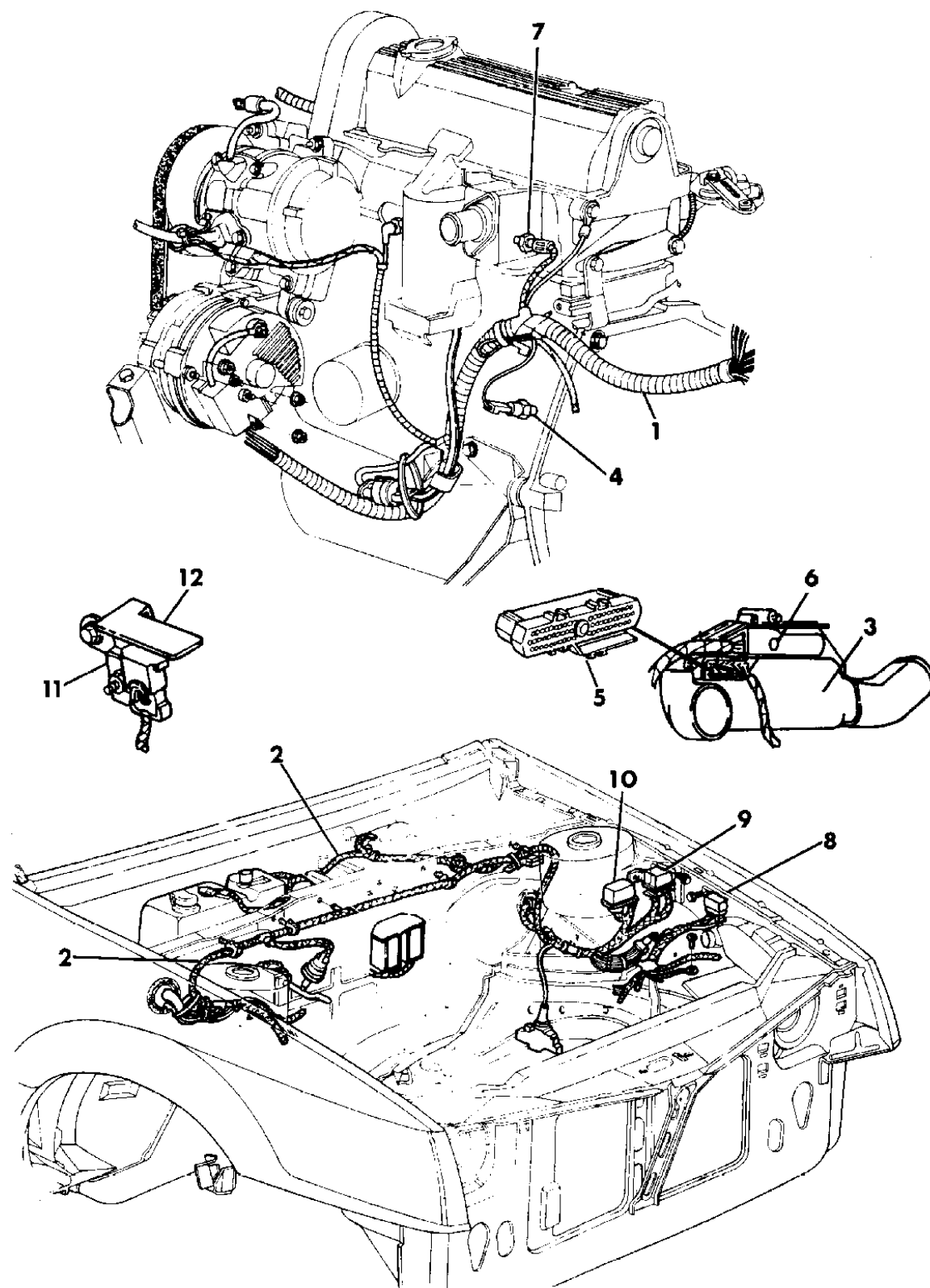
**BODY STYLES:**

21=2-Door Coupe      41=4-Door Sedan      12-52=FWD & AWD Van & Wgn Std W.B.  
24=2-Door Hatchback      44=4-Door Hatchback      53=FWD & AWD Van & Wgn Ext. W.B.  
27=2-Door Convertible

AR = Use as Required - = Non Illustrated Part P.A.R. = Paint as Required

**WIRING--ENGINE & RELATED PARTS P BODY**  
**Figure 8-6000**

93108 6000



ITEM	PART NUMBER	QTY	BODY	MODEL	DESCRIPTION
1	4625 822	1			WIRING, ENGINE- 2.2, 2.5 Eng. T.B.I.
	4661 421				3.0 Eng.
	4625 344	1			WIRING, Throttle Body, 4-Cyl.
	5267 446	1			WIRING, Battery Pos. Auto.Trans., 4-Cyl.
	5267 447	1			Man. Trans., 4-Cyl.
	4661 334	1			3.0 Eng., Man. Trans.
	4661 420				3.0 Eng., Auto. Trans.
	4661 469				WIRING, Trans., 3.0 Eng., Overlay
	4661 418				WIRING, DRL Jumper, 3.0 Eng.
-	4469 334				STRAP, Ground, Eng. to Frame Rail (Clips)
-	4372 040				STRAP, Ground, Eng. to Cowl (Eyes)
2		1			WIRING, Headlamp & Dash, (See ILLUS. 6100)
3					SINGLE BOARD ENG. CONTROL, (See Illus. 7200) ***
4	4687 813	1			SWITCH AND SENDING UNIT, Oil, (Use Insul. 4439081) ***
-	3300 4281				SENSOR, Temp. Sending
-	4504 203	1			SENDING UNIT, Eng. Temp.
5		1			INSULATOR, 60-Way S.B.E.C. (See Illus. 7200)
6					COVER, Insulator (See Illus. 7200)
7		1			SENSOR, Detonation
8	4439 013	1			RELAY, A/C Clutch
9	4443 904	1			RELAY, Rad. Fan (Use Insul. 4439085)
10	4637 907	1			RELAY, Starter (Use Insul. 4439086)
-	5233 851	1			BRACKET, Relay Mtg.
11	4686 181	1			MAP SENSOR, (Use Insul. 4504260)
12	5234 333	1			BRACKET, Map Sensor, (Mtg. Screw 9415464)

NOTE: FOR WIRE REPAIR CRIMP PKGS. & HEAT TUBES  
 SEE ILLUS. 12100  
 NOTE: SPARK PLUGS--CABLES--COIL, ILLUS. 7300

**MODEL CODES:**

A BODY=(C=LeBaron, D=Spirit, P=Acclaim/LaBaron(Landau), Saratoga)      S BODY=(H=Voyager(H) FWD, K=Caravan(H) FWD, Y=Town & Country(H) FWD, P=Voyager(K) AWD, D=Caravan(K) AWD, C=Town & Country(K) AWD)  
 C BODY=(D=Dynasty, C=New Yorker/N.Y. Salon)  
 G BODY=(V=Daytona/IROC, Chrysler Daytona)  
 J BODY=(C=LeBaron, Chrysler LeBaron)  
 P BODY=(P=Sundance, D=Shadow)      Y BODY=(C=Imperial/5th Avenue)  
 E-S BODY=(K=Chrysler Voyager(H) FWD, D=Chrysler Voyager(K) AWD)

**BODY STYLES:**

21=2-Door Coupe      41=4-Door Sedan      12-52=FWD & AWD Van & Wgn Std W.B.  
 24=2-Door Hatchback      44=4-Door Hatchback      53=FWD & AWD Van & Wgn Ext. W.B.  
 27=2-Door Convertible

AR = Use as Required   - = Non Illustrated Part   P.A.R. = Paint as Required

**WIRING--HEADLAMP TO DASH P BODY**  
Figure 8-6100

93108 6100

ITEM	PART NUMBER	QTY	BODY	MODEL	DESCRIPTION
A					WIRING, HEADLAMP TO DASH
	4661 468		P		2.2 & 2.5 Eng., T.B.I.
	4661 464		P		2.2 & 2.5 Eng., w/Overhead Console
	4661 462		P		CANADA
	4661 474		P		2.5 Eng., w/A.B.S.
	4661 472		P		3.0 Eng., Auto. Trans.
	4661 471		P		3.0 Eng., Man. Trans.
	4661 473		P		w/A.B.S. ***
1	4439 082				INSULATOR, Airbag Sensor
2	4400 588				SOCKET, Rt. Side Marker Lp.
3	4414 901				INSULATOR, Rt. Horn
4	3843 431				SOCKET, Rt. Park & Turn Lamp
5					INSULATOR, Fog Lamp (Serv. Assy.)
6					INSULATOR, Ambient Temp. (Serv. Assy.)
7	4728 321				INSULATOR, A/C Clutch (Diode 4222599)
8	4304 635				INSULATOR, Distributor
9	4414 901				INSULATOR, Coolant Sensor
10	2230 985				INSULATOR, Eng. Temp Sensor
11	4504 260				INSULATOR, Map Sensor
12					INSULATOR, A/C High Pressure Switch (Serv. Assy.)
13	4439 076				INSULATOR, Aero Headlamp, Rt.
14					INSULATOR, E.A.T.X. #1, 6-Way (Serv. Assy.)
15	4504 267				INSULATOR, E.A.T.X. #2, 10-Way
16					INSULATOR, Purge Solenoid (Serv. Assy.)
17	3843 435				TERMINAL, H/Lamp Ground, Rt.
18	3843 398				INSULATOR, A/C Low Pressure Switch
19	4527 253				INSULATOR, To Inst. Panel Harness (16-Way)
20	4443 952				INSULATOR, Airbag Disconnect (5-Way)
21	4527 252				INSULATOR, Airbag Disconnect (16-Way Black)
22	4527 254				INSULATOR, Airbag Disconnect (16-Way Green)
23	4209 927				INSULATOR, Clutch Interlock
24					INSULATOR, Parking Brake (Serv. Assy.)
25	4209 712				INSULATOR, Brake Switch
26	4331 930				INSULATOR, Underpanel Diagnostics
27					TERMINAL, Tube & Grommet (Serv. Assy.)
28	4504 251				INSULATOR, Speed Control
29	4414 252				INSULATOR, Windshield Wiper Motor (4-Way)
30					INSULATOR, Underhood Lamp (Serv. Assy.)
31	1704 562				INSULATOR, Low Fluid Sensor

**MODEL CODES:**

A BODY=(C=LeBaron, D=Spirit, P=Acclaim/LaBaron(Landau, Saratoga)

C BODY=(D=Dynasty, C=New Yorker/N.Y. Salon)

G BODY=(V=Daytona/ROC, Chrysler Daytona)

J BODY=(C=LeBaron, Chrysler LeBaron)

P BODY=(P=Sundance, D=Shadow)

S BODY=(H=Voyager(H) FWD, K=Caravan(H) FWD,

Y=Town & Country(H) FWD, P=Voyager(K) AWD,

D=Caravan(K) AWD, C=Town & Country(K) AWD)

Y BODY=(C=Imperial/5th Avenue)

E-S BODY=(K=Chrysler Voyager(H) FWD, D=Chrysler

Voyager(K) AWD)

**BODY STYLES:**

21=2-Door Coupe

41=4-Door Sedan

12-52=FWD & AWD Van & Wgn Std W.B.

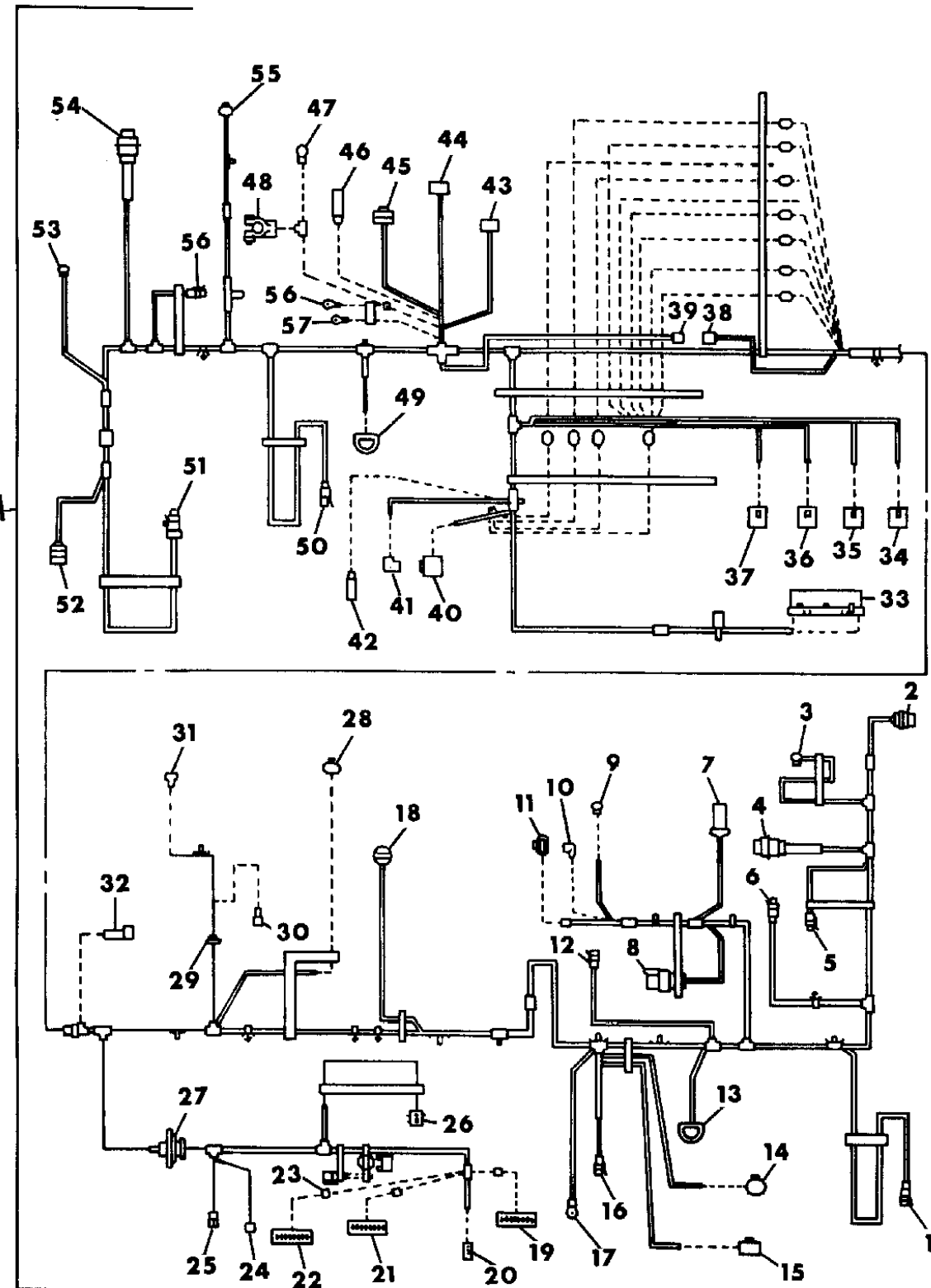
24=2-Door Hatchback

44=4-Door Hatchback

53=FWD & AWD Van & Wgn Ext. W.B.

27=2-Door Convertible

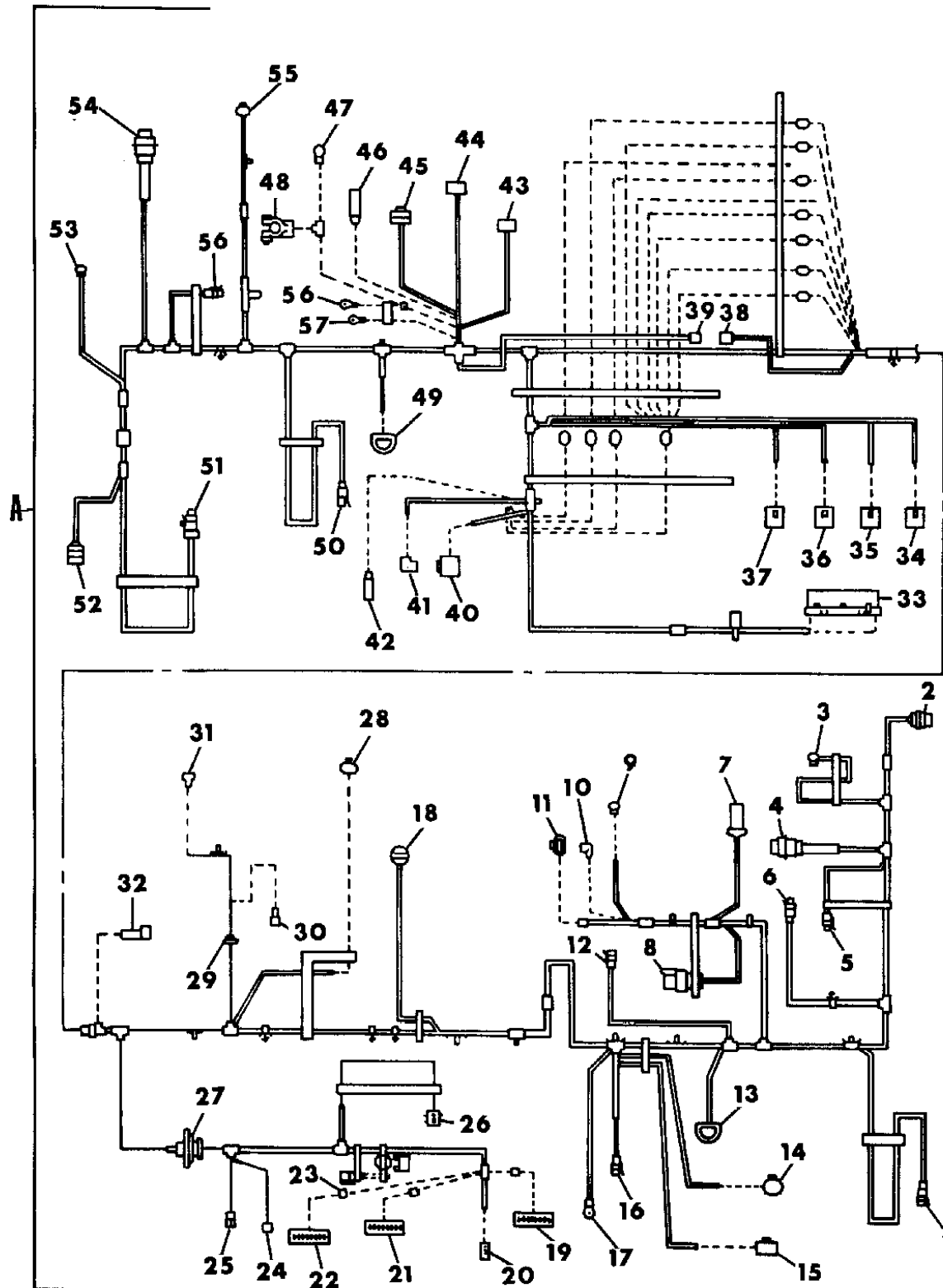
AR = Use as Required - = Non Illustrated Part P.A.R. = Paint as Required



**WIRING--HEADLAMP TO DASH P BODY**  
Figure 8-6100

93108 6100

ITEM	PART NUMBER	QTY	BODY	MODEL	DESCRIPTION
32					INSULATOR, Brake Warning Lamp Switch (Serv. Assy.)
33					INSULATOR, Engine Controller
34	4439 084				INSULATOR, Fuel Pump Relay
35	4439 086				INSULATOR, Starter Relay
36	4439 083				INSULATOR, A/C Clutch Relay
37	4439 085				INSULATOR, Rad. Fan Relay
38	5267 240				INSULATOR, I.O.D. Disconnect (3-Way)
39					INSULATOR, I.O.D. Disconnect (2-Way) (Serv. Assy.)
40	4439 084				INSULATOR, Auto. Shutdown Relay
41	4274 909				INSULATOR, Diagnostic Conn.
42					INSULATOR, Battery (1-Way) (Serv. Assy.)
43					INSULATOR, Battery (10-Way) (Serv. Assy.)
44					INSULATOR, To Eng. Wiring (10-Way Gray) (Serv. Assy.)
45	4504 267				INSULATOR, To Eng. Wiring (10-Way Black)
46					INSULATOR, To Eng. Wiring (1-Way) (Serv. Assy.)
47	4304 572				INSULATOR, Battery Ground
48					TERMINAL, (Serv. Assy.)
49	4439 076				INSULATOR, Lt. Aero Headlamp
50					INSULATOR, Airbag Sensor, Lt. (Serv. Assy.)
51	4504 267				INSULATOR, DRL Module (10-Way)
52	4400 588				SOCKET, Side Marker Lp., Lt.
53	4414 901				INSULATOR, Lt. Horn
54	3843 431				SOCKET, Park & Turn, Lt.
55					INSULATOR, Rad, Fan, (2-Way) (Serv. Assy.)
56					INSULATOR, Fog Lamp Lt., (Serv. Assy.)



**MODEL CODES:**

A BODY=(C=LeBaron, D=Spirit, P=Acclaim/LaBaron(Landau, Saratoga)  
C BODY=(D=Dynasty, C=New Yorker/N.Y. Salon)  
G BODY=(V=Daytona/IROC, Chrysler Daytona)  
J BODY=(C=LeBaron, Chrysler LeBaron)  
P BODY=(P=Sundance, D=Shadow)

S BODY=(H=Voyager(H) FWD, K=Caravan(H) FWD, Y=Town & Country(H) FWD, P=Voyager(K) AWD, D=Caravan(K) AWD, C=Town & Country(K) AWD)  
Y BODY=(C=Imperial/5th Avenue)  
E-S BODY=(K=Chrysler Voyager(H) FWD, D=Chrysler Voyager(K) AWD)

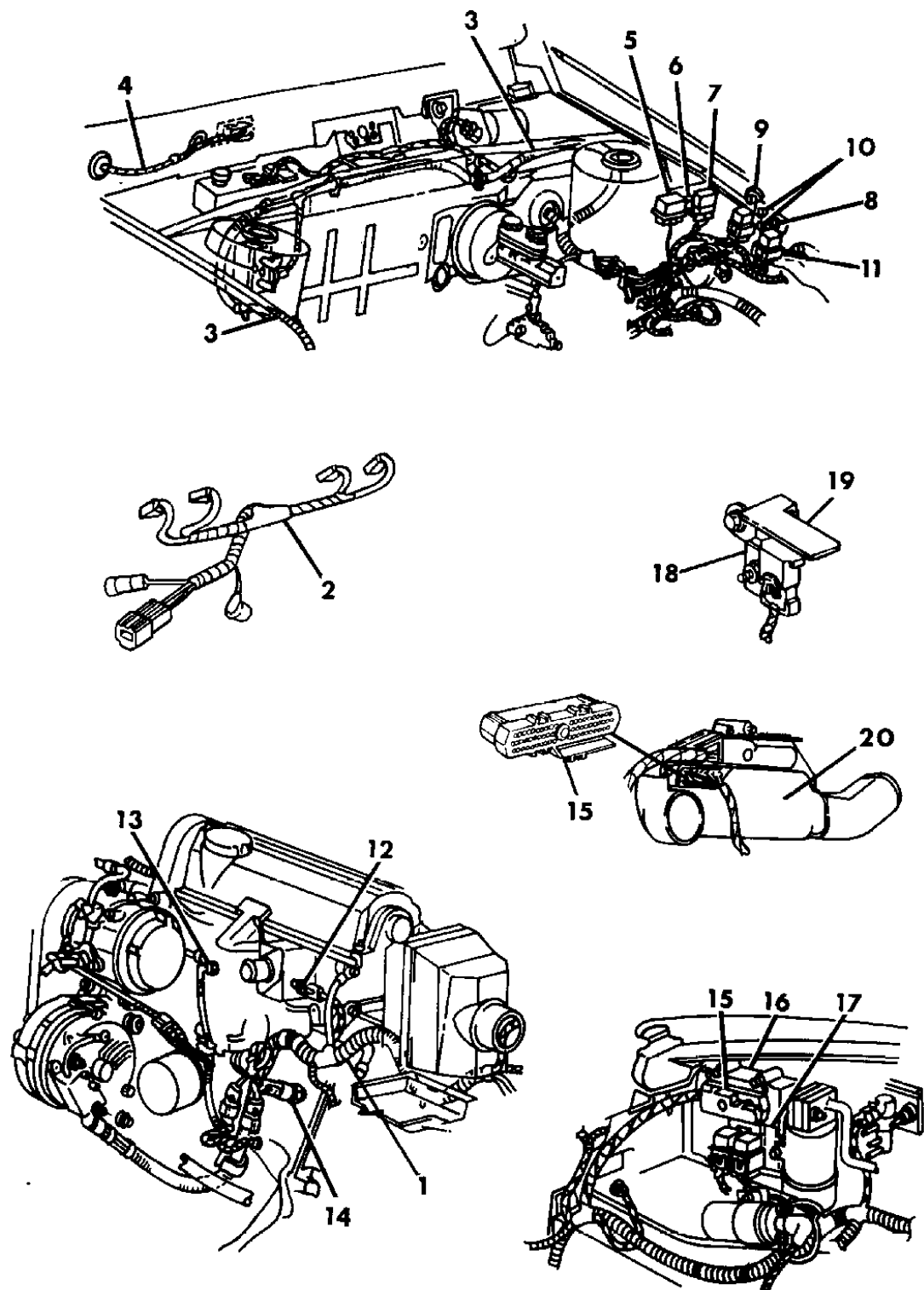
**BODY STYLES:**

21=2-Door Coupe                      41=4-Door Sedan                      12-52=FWD & AWD Van & Wgn Std W.B.  
24=2-Door Hatchback                44=4-Door Hatchback                53=FWD & AWD Van & Wgn Ext. W.B.  
27=2-Door Convertible

AR = Use as Required - = Non Illustrated Part P.A.R. = Paint as Required

**WIRING--ENGINE & RELATED PARTS A BODY**  
Figure 8-6200

93108 6200



ITEM	PART NUMBER	QTY	BODY	MODEL	DESCRIPTION
1		1			WIRING, Engine
	4687 656	1			2.5 Eng. T.B.I.
	4687 445				Flex Fuel
	4625 777	1			3.0 Eng.
					WIRING, Negative Battery Cable (Part of Headlamp & Dash Wiring)
2		1			WIRING, Fuel Rail (Serv. w/Engine Wiring)
	4687 596	1			WIRING, Flex Fuel
	4625 344	1			WIRING, Throttle Body, 2.5 Eng. (Overlay)
	4625 778	1			WIRING, Battery, w/ A-413 Trans. 2.5 Eng. TBI, Positive
	4687 504	1			3.0 Eng., A-670 Trans., Positive
	4625 780	1			3.0 Eng., A-604 Trans., Positive
	4625 779	1			WIRING, 2.5 Eng., Man. Trans.
	4625 789				WIRING, Trans. Overlay, A-604
	4625 790				A-670
					WIRING, Negative Cable (Part of Headlamp & Dash Wiring)
-	4469 334				STRAP, Ground, Eng. to Frame Rail (Clips)
-	4372 040				STRAP, Ground, Eng. to Cowl (Eyes)
3		1			WIRING, H/Lamp & Dash, (See ILLUS. 6300)
4		1			WIRING, Inst. Panel
5	4637 907	1			RELAY, Starter (Use Insul. 4439086)
6					SCREW, (Not Serv.)
7	4443 904	1			RELAY, Rad. Fan (Use Insul. 4439085)
-	5233 851				BRACKET, Relay Mtg.
8					SCREW, (Not Serv.)
9					RELAY
10					SCREW, (Not Serv.)
11	4637 907	1			RELAY, Fuel Pump
12	3300 4281	1			SENSOR, Eng. Temp. (Use Insul. 2230985)
13	4504 203	1			SENDING UNIT, Temp. Gauge (Use Insul. 2230985)
14	4687 813	1			SWITCH AND SENDING UNIT, Oil ***
15		1			INSULATOR, 60-Way, (See Illus. 7200)
16	4672 021	1			CONTROLLER, ETAX (Mtg. Screw 6033882) (Use Insul. 4419491)
17	4687 472	1			RELAY, ETAX
18	4686 181	1			SENSOR, M.A.P.
19	5234 333	1			BRACKET, (Mtg. Screw 9415464)
20					SINGLE BOARD ENG. CONTROL, (See Illus. 7200) ***

**MODEL CODES:**

A BODY=(C=LeBaron, D=Spirit, P=Acclaim/LaBaron(Landau, Saratoga) S BODY=(H=Voyager(H) FWD, K=Caravan(H) FWD, Y=Town & Country(H) FWD, P=Voyager(K) AWD, D=Caravan(K) AWD, C=Town & Country(K) AWD)  
 C BODY=(D=Dynasty, C=New Yorker/N.Y. Salon)  
 G BODY=(V=Daytona/IROC, Chrysler Daytona)  
 J BODY=(C=LeBaron, Chrysler LeBaron)  
 P BODY=(P=Sundance, D=Shadow)  
 Y BODY=(C=Imperial/5th Avenue)  
 E-S BODY=(K=Chrysler Voyager(H) FWD, D=Chrysler Voyager(K) AWD)

**BODY STYLES:**

21=2-Door Coupe      41=4-Door Sedan      12-52=FWD & AWD Van & Wgn Std W.B.  
 24=2-Door Hatchback      44=4-Door Hatchback      53=FWD & AWD Van & Wgn Ext. W.B.  
 27=2-Door Convertible

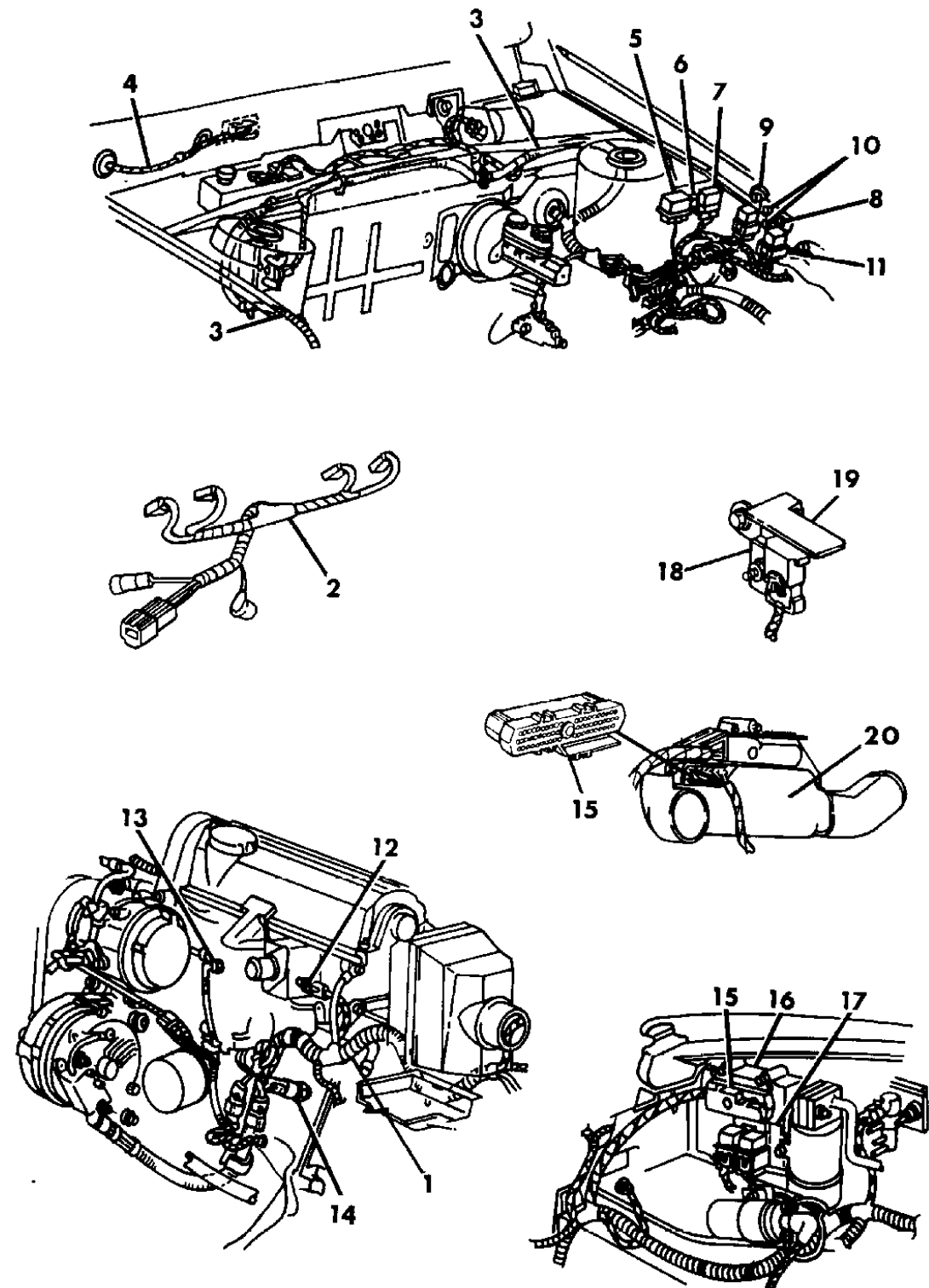
AR = Use as Required - = Non Illustrated Part P.A.R. = Paint as Required

**WIRING--ENGINE & RELATED PARTS A BODY**  
**Figure 8-6200**

93108 6200

ITEM	PART NUMBER	QTY	BODY	MODEL	DESCRIPTION
------	-------------	-----	------	-------	-------------

NOTE: FOR WIRE REPAIR CRIMP PKGS. & HEAT TUBES  
 SEE ILLUS. 12100  
 NOTE: SPARK PLUGS--CABLES--COIL, ILLUS. 7300



**MODEL CODES:**

A BODY=(C=LeBaron, D=Spirit, P=Acclaim/LaBaron(Landau),  
 Saratoga) S BODY=(H=Voyager(H) FWD, K=Caravan(H) FWD,  
 Y=Town & Country(H) FWD, P=Voyager(K) AWD,  
 D=Caravan(K) AWD, C=Town & Country(K) AWD)  
 C BODY=(D=Dynasty, C=New Yorker/N.Y. Salon)  
 G BODY=(V=Daytona/IROC, Chrysler Daytona) Y BODY=(C=Imperial/5th Avenue)  
 J BODY=(C=LeBaron, Chrysler LeBaron) E-S BODY=(K=Chrysler Voyager(H) FWD, D=Chrysler  
 P BODY=(P=Sundance, D=Shadow) Voyager(K) AWD)

**BODY STYLES:**

21=2-Door Coupe      41=4-Door Sedan      12-52=FWD & AWD Van & Wgn Std W.B.  
 24=2-Door Hatchback      44=4-Door Hatchback      53=FWD & AWD Van & Wgn Ext. W.B.  
 27=2-Door Convertible

AR = Use as Required - = Non Illustrated Part P.A.R. = Paint as Required

**WIRING--HEADLAMP TO DASH A BODY**  
Figure 8-6300

93108 6300

ITEM	PART NUMBER	QTY	BODY	MODEL	DESCRIPTION
------	-------------	-----	------	-------	-------------

A					WIRING, HEADLAMP TO DASH
	4688 079		A		2.5 Eng., 14", w/o Anti-Lock
	4688 080		A		2.5 Eng., 14" Disc, w/Anti-Lock
	4688 081		A		2.5 Eng., 14" Disc, CANADA-EUROPE
	4687 034		A		2.5 Eng., Anti-Lock, Flex Fuel
	4688 087		A		2.5 Eng., w/o Anti-Lock, Flex Fuel
	4688 082		A		3.0 Eng., 14" Disc, w/Anti-Lock
	4688 083		A		3.0 Eng., 14" Disc, w/o Anti-Lock
	4688 084		A		3.0 Eng., CANADA-EUROPE
	4688 085		A		3.0 Eng, 14" Disc, w/o Anti-Lock, Canada
1	4443 961				INSULATOR, Park & Turn Lp., Rt. (Term. 4481529)
2	4414 901				INSULATOR, Horn, Rt.
3	4687 013				INSULATOR, Fog Lamp, Rt.
4	4443 964				INSULATOR, Ambient Temp.
5	4209 957				INSULATOR, A/C Clutch
6	4304 635				INSULATOR, Distributor
7	4414 901				INSULATOR, Coolant Sensor
8	2230 985				INSULATOR, Eng. Temp. Sensor
9	4504 260				INSULATOR, Map Sensor
10	4439 082				INSULATOR, Airbag Impact
11					INSULATOR, A.B.S. Conn.
12	4400 242				INSULATOR, A/C Pressure Switch
13					INSULATOR, Aero H/Lamp, Rt. (Serv. Assy.)
14	4400 588				INSULATOR, Side Marker, Rt.
15	4504 266				INSULATOR, E.A.T.X. #1 (10-Way)
16	4504 267				INSULATOR, E.A.T.X. #2, (10-Way)
17	4439 084				INSULATOR, A.B.S., Light Relay Yellow
18	4439 084				INSULATOR, A.B.S. System Relay
19	5267 471				TERMINAL, H/Lamp Ground Rt.
20	4443 964				INSULATOR, E.G.R. Purge Solenoid
21					INSULATOR, Rear Wheel Brake Sensor (Serv. Assy.)
22					INSULATOR, Lt. Rear Wheel Brake Sensor (Serv. Assy.)
23					GROMMET, (Serv. Assy.)
24					INSULATOR, Frt. Brake Sensor, Rt.
25	3843 398				INSULATOR, A/C Low Pressure Switch
26	4481 640				INSULATOR, Bulkhead Conn.
27	4443 953				INSULATOR, To Inst. Panel Harness (Airbag)
28					INSULATOR, Park Brake Switch
29	4209 712				INSULATOR, Brake & Clutch Switch (Speed Control)

**MODEL CODES:**

A BODY=(C=LeBaron, D=Spirit, P=Acclaim/LaBaron(Landau), Saratoga)

C BODY=(D=Dynasty, C=New Yorker/N.Y. Salon)

G BODY=(V=Daytona/IROC, Chrysler Daytona)

J BODY=(C=LeBaron, Chrysler LeBaron)

P BODY=(P=Sundance, D=Shadow)

S BODY=(H=Voyager(H) FWD, K=Caravan(H) FWD,

Y=Town & Country(H) FWD, P=Voyager(K) AWD,

D=Caravan(K) AWD, C=Town & Country(K) AWD)

Y BODY=(C=Imperial/5th Avenue)

E-S BODY=(K=Chrysler Voyager(H) FWD, D=Chrysler

Voyager(K) AWD)

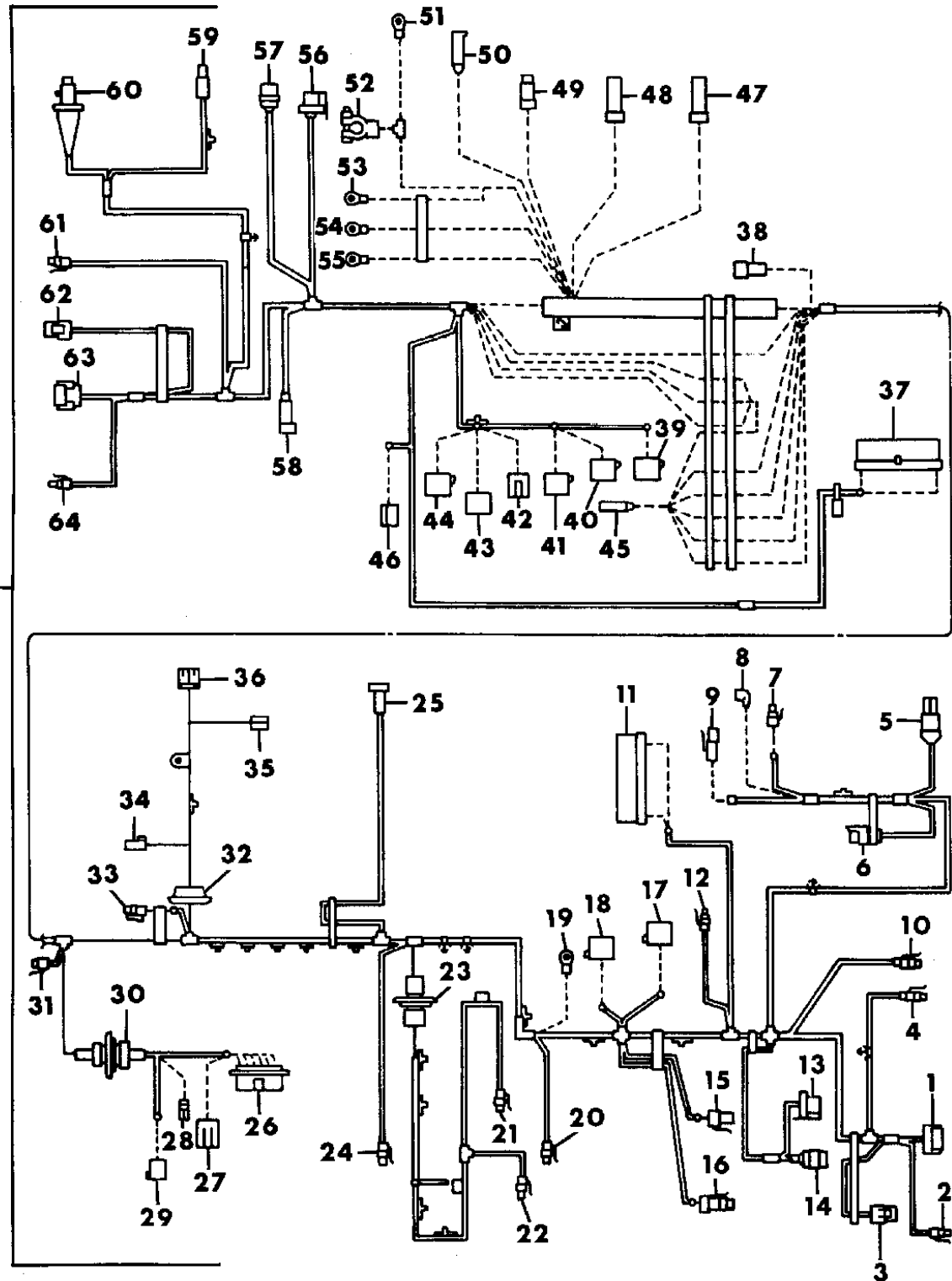
**BODY STYLES:**

21=2-Door Coupe      41=4-Door Sedan      12-52=FWD & AWD Van & Wgn Std W.B.

24=2-Door Hatchback      44=4-Door Hatchback      53=FWD & AWD Van & Wgn Ext. W.B.

27=2-Door Convertible

AR = Use as Required - = Non Illustrated Part P.A.R. = Paint as Required





**WIRING--HEADLAMP TO DASH A BODY**  
Figure 8-6300

93108 6300

ITEM	PART NUMBER	QTY	BODY	MODEL	DESCRIPTION
30					GROMMET, (Serv. Assy.)
31					INSULATOR, Frt. Wheel Brake Sensor
32					GROMMET, (Serv. Assy.)
33	4504 251				INSULATOR, Speed Control
34	4414 252				INSULATOR, Windshield Washer Motor
35	2298 882				INSULATOR, Windshield Wiper Motor
36	1704 562				INSULATOR, Low Fluid Level Sensor
37					INSULATOR, S.B.E.C. (Serv. Assy.)
38					INSULATOR, I.O.D. #1 & #2 (Serv. Assy.)
39	4439 084				INSULATOR, Auto. Shutdown Relay
40	4439 083				INSULATOR, A/C Clutch Relay
41	4439 085				INSULATOR, Rad. Fan
42					INSULATOR, A.B.S Pump Motor Relay (Serv. Assy.)
43	4439 086				INSULATOR, Starter Relay
44	4439 084				INSULATOR, Fuel Pump Relay
45	3843 937				INSULATOR, Battery (1-Way)
46	4274 909				INSULATOR, Diagnostic Connector
47					INSULATOR, Battery (10-Way) (Serv. Assy.)
48					INSULATOR, Eng. Wire (Serv. Assy.)
49	4504 267				INSULATOR, Eng. Wiring
50					INSULATOR, Eng. Wire (1-Way) (Serv. Assy.)
51					INSULATOR, Terminal, Eng. Ground
52					TERMINAL, Battery (Serv. Assy.)
53	5267 427				TERMINAL, Battery Ground
54	3843 435				TERMINAL, Lt. A.B.S.
55	3843 435				TERMINAL, H/Lamp Ground
56					INSULATOR, Lt. Aero H/Lamp (Serv. Assy.)
57	4400 588				INSULATOR, Side Marker
58					INSULATOR, Park Warning Switch
59					INSULATOR, Rad. Fan (Serv. Assy.)
60	4504 267				INSULATOR, A.B.S. Hyd. Unit
61	4439 082				INSULATOR, Lt. Impact Sensor
62	4687 013				INSULATOR, Lt. Fog Lamp
63	4443 961				INSULATOR, Park & Turn Lp.
64	4414 901				INSULATOR, Horn Lt.

**MODEL CODES:**

A BODY=(C=LeBaron, D=Spirit, P=Acclaim/LaBaron(Landau), Saratoga)

C BODY=(D=Dynasty, C=New Yorker/N.Y. Salon)

G BODY=(V=Daytona/IROC, Chrysler Daytona)

J BODY=(C=LeBaron, Chrysler LeBaron)

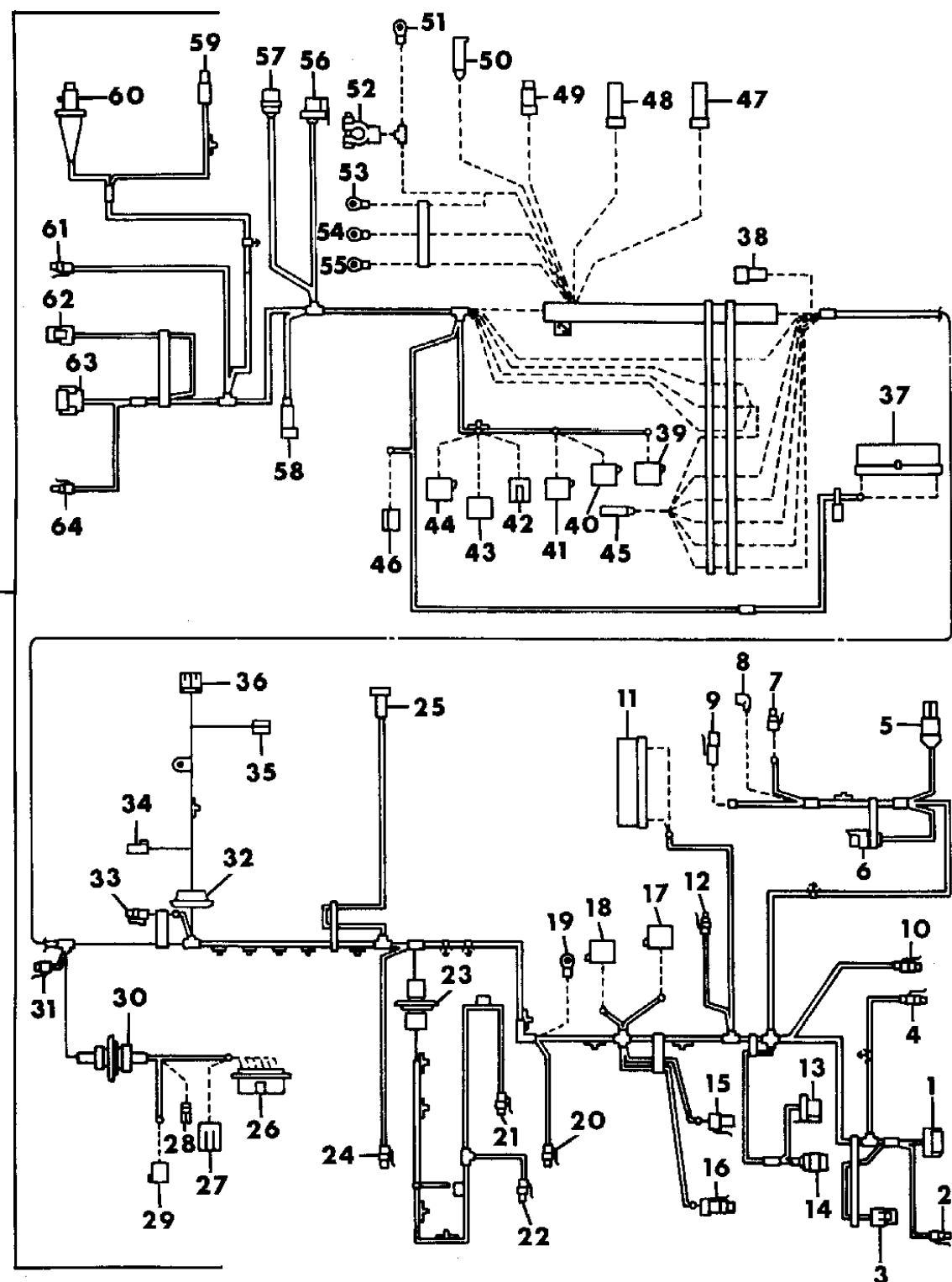
P BODY=(P=Sundance, D=Shadow)

S BODY=(H=Voyager(H) FWD, K=Caravan(H) FWD, Y=Town & Country(H) FWD, P=Voyager(K) AWD, D=Caravan(K) AWD, C=Town & Country(K) AWD)  
Y BODY=(C=Imperial/5th Avenue)  
E-S BODY=(K=Chrysler Voyager(H) FWD, D=Chrysler Voyager(K) AWD)

**BODY STYLES:**

21=2-Door Coupe      41=4-Door Sedan      12-52=FWD & AWD Van & Wgn Std W.B.  
24=2-Door Hatchback      44=4-Door Hatchback      53=FWD & AWD Van & Wgn Ext. W.B.  
27=2-Door Convertible

AR = Use as Required - = Non Illustrated Part P.A.R. = Paint as Required



**WIRING--ENGINE & RELATED PARTS J BODY**  
Figure 8-6400

93108 6400

ITEM	PART NUMBER	QTY	BODY	MODEL	DESCRIPTION
1	4687 656	1			WIRING, ENGINE, 2.5 Eng., T.B.I.
	4625 777	1			3.0 Eng.
-	4304 678	1			CABLE, Batt. & Eng. Ground (Repair)
2					WIRING, H/Lamp & Dash (See Illus. 6500)
	4625 344	1			WIRING, Fuel Rail, 2.5 Eng.
	4625 789	1			WIRING, E.A.T.X. Overlay
	MD10 7722	1			Fuel Rail, 3.0 Eng.
	4625 344	1			WIRING, Throttle Body, 2.5 Eng.
	4625 781	1			WIRING, Battery Positive, 3.0 Man. Trans.
	4625 782	1			3.0 Eng., A-604 Trans.
	4625 778	1			2.2, 2.5 Eng., A-413 Trans.
	4625 779	1			2.5 Eng., Man. Trans., Pos.
	4625 789	1			WIRING, Elec. Auto. Trans., 3.0 Eng. (E.T.A.X.)
-	4372 040				STRAP, Ground, Eng. to Cowl (Eyes)
-	4469 334				STRAP, Ground, Eng. to Frame Rail (Clips)
3	4687 813	1			SWITCH AND SENDING UNIT, Oil, T.B.I., 2.5 & 3.0 Eng. (Use Insul. 4439081) ***
-	5227 049	1			SENSOR, Eng. Oil Level, 3.0 Eng.
4					FITTING, Oil Pressure, Turbo (Export Only)
5	3300 4281	1			SENSOR, Coolant Temp (Use Insul. 4414901)
6					SINGLE BOARD ENG. CONTROL, (See Illus. 7200) ***
7		1			INSULATOR, 60-Way (See Illus. 7200)
8					COVER, Insulator (See Illus. 7200)
9	4504 203	1			SENDING UNIT, Temp. Gauge (Use Insul. 2230985)
10	5252 260	1			RELAY, Starter (Use Insul. 4439086)
11	5234 471	1			RELAY, Rad. Fan
12	5234 471	1			RELAY, A/C Clutch Cutout
13	4686 181	1			MAP SENSOR, (Use Insul. 4368173)
14	5234 333	1			BRACKET, Map Sensor, (Mtg. Screw 9415464)
15					POWER DISTRIBUTION CENTER ***
	4661 430				COVER, Top, 6-Cyl.
	4661 429				4-Cyl.
	4527 114	1			BRACKET ASSEMBLY, Power Distribution Center
	5267 150	1			BUSS BAR & STUD
	4625 759	1			HOUSING, Insulator
	6502 691	2			NUT, Mounting
A	4728 989	AR			RELAY, Radiator Fan
B	4728 989	AR			RELAY, A/C Clutch
C	4373 229	AR			RELAY, Headlamp Open-Close

**MODEL CODES:**

A BODY=(C=LeBaron, D=Spirit, P=Acclaim/LaBaron(Landau), Saratoga)

C BODY=(D=Dynasty, C=New Yorker/N.Y. Salon)

G BODY=(V=Daytona/IROC, Chrysler Daytona)

J BODY=(C=LeBaron, Chrysler LeBaron)

P BODY=(P=Sundance, D=Shadow)

S BODY=(H=Voyager(H) FWD, K=Caravan(H) FWD,

Y=Town & Country(H) FWD, P=Voyager(K) AWD,

D=Caravan(K) AWD, C=Town & Country(K) AWD)

Y BODY=(C=Imperial/5th Avenue)

E-S BODY=(K=Chrysler Voyager(H) FWD, D=Chrysler

Voyager(K) AWD)

**BODY STYLES:**

21=2-Door Coupe

41=4-Door Sedan

12-52=FWD & AWD Van & Wgn Std W.B.

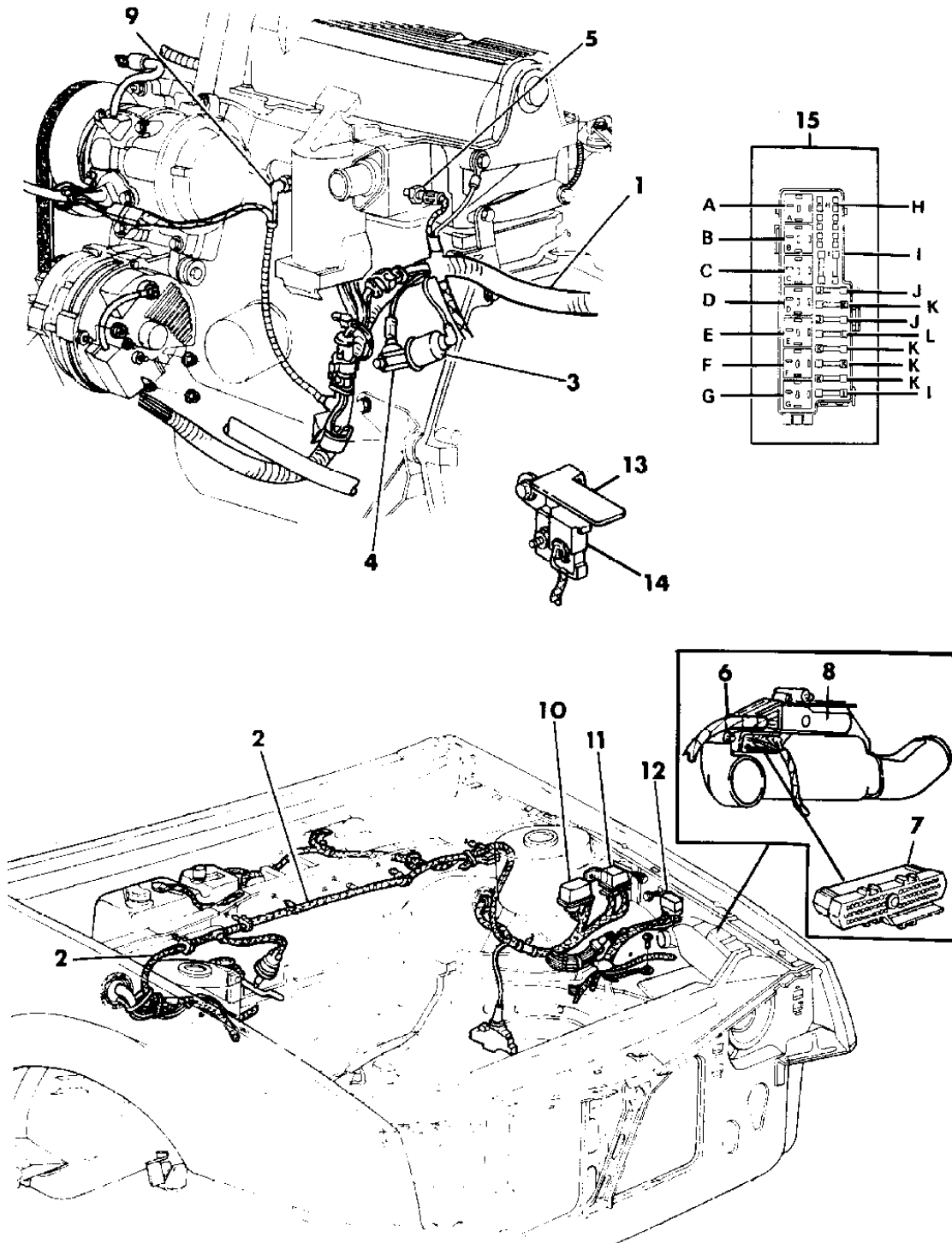
24=2-Door Hatchback

44=4-Door Hatchback

53=FWD & AWD Van & Wgn Ext. W.B.

27=2-Door Convertible

AR = Use as Required - = Non Illustrated Part P.A.R. = Paint as Required

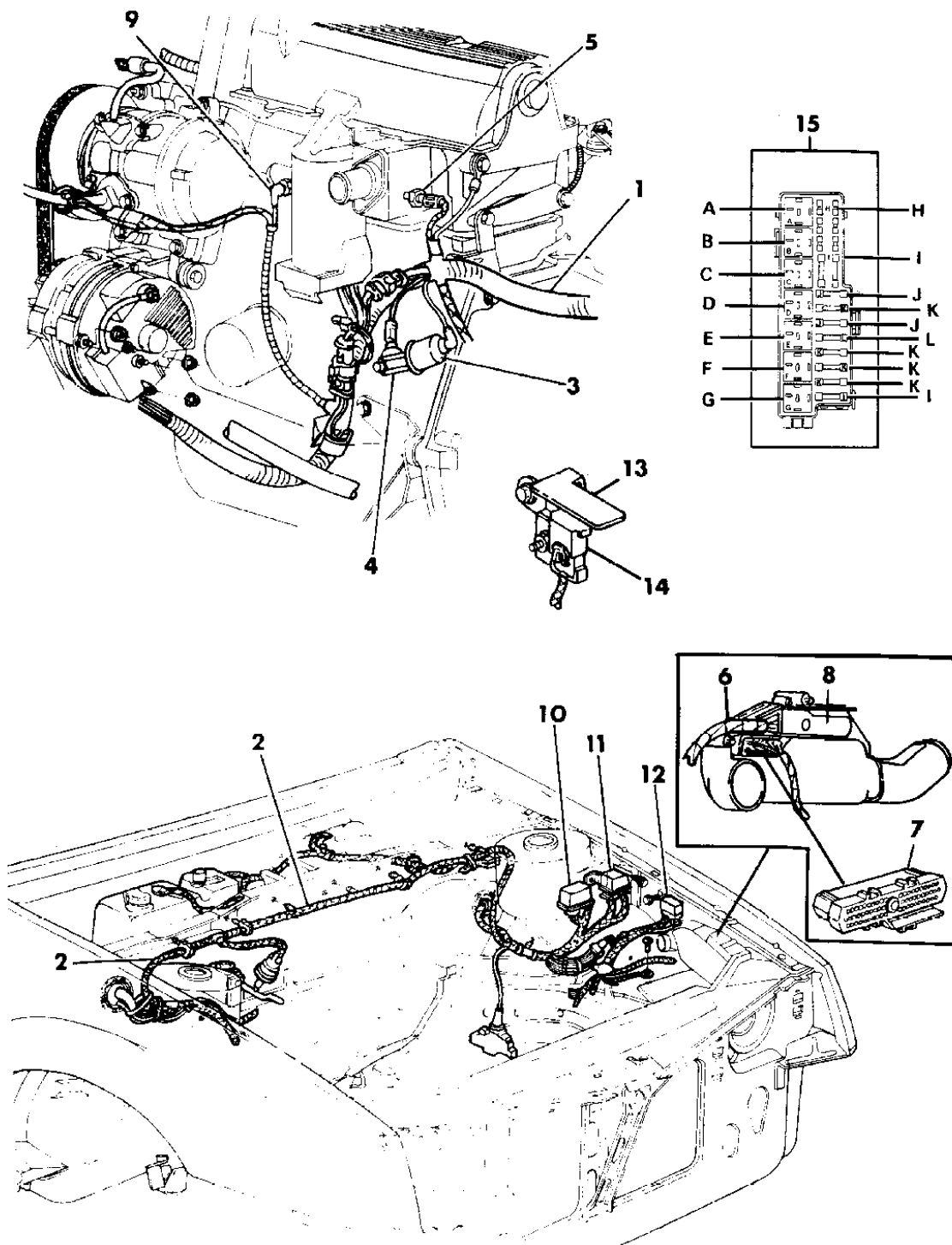


**WIRING--ENGINE & RELATED PARTS J BODY**  
**Figure 8-6400**

93108 6400

ITEM	PART NUMBER	QTY	BODY	MODEL	DESCRIPTION
D	4373 229	AR			RELAY, Headlamp Open-Close
E	5252 672	AR			RELAY, Headlamp Motors
F	4728 989	AR			RELAY, Auto-Shutdown
G	4728 990	AR			RELAY, Starter (Insul. 4439086)
H	6101 488	AR			FUSE, (MINI) 20 Amp.
I	6101 643	AR			FUSE, (MAXI) 60 Amp.
J	6101 642	AR			FUSE, (MAXI) 50 Amp.,
K	6101 641	AR			FUSE, (MAXI) 40 Amp.
L	6101 640	AR			FUSE, (MAXI) 30 Amp.

NOTE: FOR WIRE REPAIR CRIMP PKGS. & HEAT TUBES  
 SEE ILLUS. 12100  
 NOTE: SPARK PLUGS--CABLES--COIL, ILLUS. 7300



**MODEL CODES:**

A BODY=(C=LeBaron, D=Spirit, P=Acclaim/LaBaron(Landau),  
 Saratoga) S BODY=(H=Voyager(H) FWD, K=Caravan(H) FWD,  
 Y=Town & Country(H) FWD, P=Voyager(K) AWD,  
 D=Caravan(K) AWD, C=Town & Country(K) AWD)  
 C BODY=(D=Dynasty, C=New Yorker/N.Y. Salon)  
 G BODY=(V=Daytona/IROC, Chrysler Daytona)  
 Y BODY=(C=Imperial/5th Avenue)  
 J BODY=(C=LeBaron, Chrysler LeBaron)  
 E-S BODY=(K=Chrysler Voyager(H) FWD, D=Chrysler  
 Voyager(K) AWD)  
 P BODY=(P=Sundance, D=Shadow)

**BODY STYLES:**

21=2-Door Coupe      41=4-Door Sedan      12-52=FWD & AWD Van & Wgn Std W.B.  
 24=2-Door Hatchback      44=4-Door Hatchback      53=FWD & AWD Van & Wgn Ext. W.B.  
 27=2-Door Convertible

AR = Use as Required - = Non Illustrated Part P.A.R. = Paint as Required

**WIRING--HEADLAMP TO DASH J BODY**  
Figure 8-6500

93108 6500

ITEM	PART NUMBER	QTY	BODY	MODEL	DESCRIPTION
A					WIRING, HEADLAMP TO DASH
	4625 838		J		2.5 Eng. Turbo, w/o Anti-Lock
	4661 536		J		2.5 Eng. T.B.I., 15" w/Anti-Lock
	4661 517		J		2.5 Eng., 14" Disc., CANADA
	4661 513		J		3.0 Eng., w/Anti-Lock, w/Info-Ctr.
	4661 685		J		3.0 Eng., w/o Anti-Lock, CANADA-EUROPE
	4661 497		J		3.0 Eng., w/Anti-Lock, w/o Monitor
	4661 574		J		3.0 Eng., w/o Anti-Lock
	4661 512		J		3.0 Eng., w/Monitor, w/o Anti-Lock
	4661 737		J		3.0 Eng., w/A.B.S. Bendix 4, w/o Monitor
	4661 692		J		3.0 Eng., w/A.B.S. Bendix 4 System, w/Monitor
1	4400 242				INSULATOR, A/C High Pressure Switch
2	4443 964				INSULATOR, Ambient Temp. Sensor
3	4414 901				INSULATOR, Horn, Rt.
4	4504 268				INSULATOR, H/Lamp Disconnect, Rt.
5	4439 082				INSULATOR, Airbag Sensor, Rt.
6					INSULATOR, E.A.T.X. #2 (Serv. Assy)
7	4504 267				INSULATOR, E.A.T.X. #1, (10-Way)
8	4439 084				INSULATOR, A.B.S. Warning
9	4439 084				INSULATOR, A.B.S. Warning System Relay
10	4443 964				INSULATOR, Purge Solenoid
11	3843 435				TERMINAL, Ground, Rt.
12					INSULATOR, A.B.S. Controller
13	4209 957				INSULATOR, A/C Clutch (Diode 4222599)
14	4414 901				INSULATOR, Distributor
15	4414 901				INSULATOR, Coolant Sensor
16	2230 985				INSULATOR, Eng. Temp. Sensor
17	4504 260				INSULATOR, MAP Sensor
18					INSULATOR, A.B.S. Sensor, Frt. Rt.
19					GROMMET, (Serv. Assy.)
20	3843 398				INSULATOR, A/C Low Pressure Switch
21					INSULATOR, A.B.S. Sensor Rear Rt. (Serv. Assy.)
22					INSULATOR, A.B.S. Sensor Rear Lt. (Serv. Assy.)
23	4504 251				INSULATOR, Speed Control
24	1704 562				INSULATOR, Low Washer Fluid Level Sensor
25	2298 882				INSULATOR, Windshield Washer Motor
26	4414 252				INSULATOR, Windshield Wiper Motor
28	4481 640				INSULATOR, Bulkhead Connector
29	4443 953				INSULATOR, Airbag Disconnect

**MODEL CODES:**

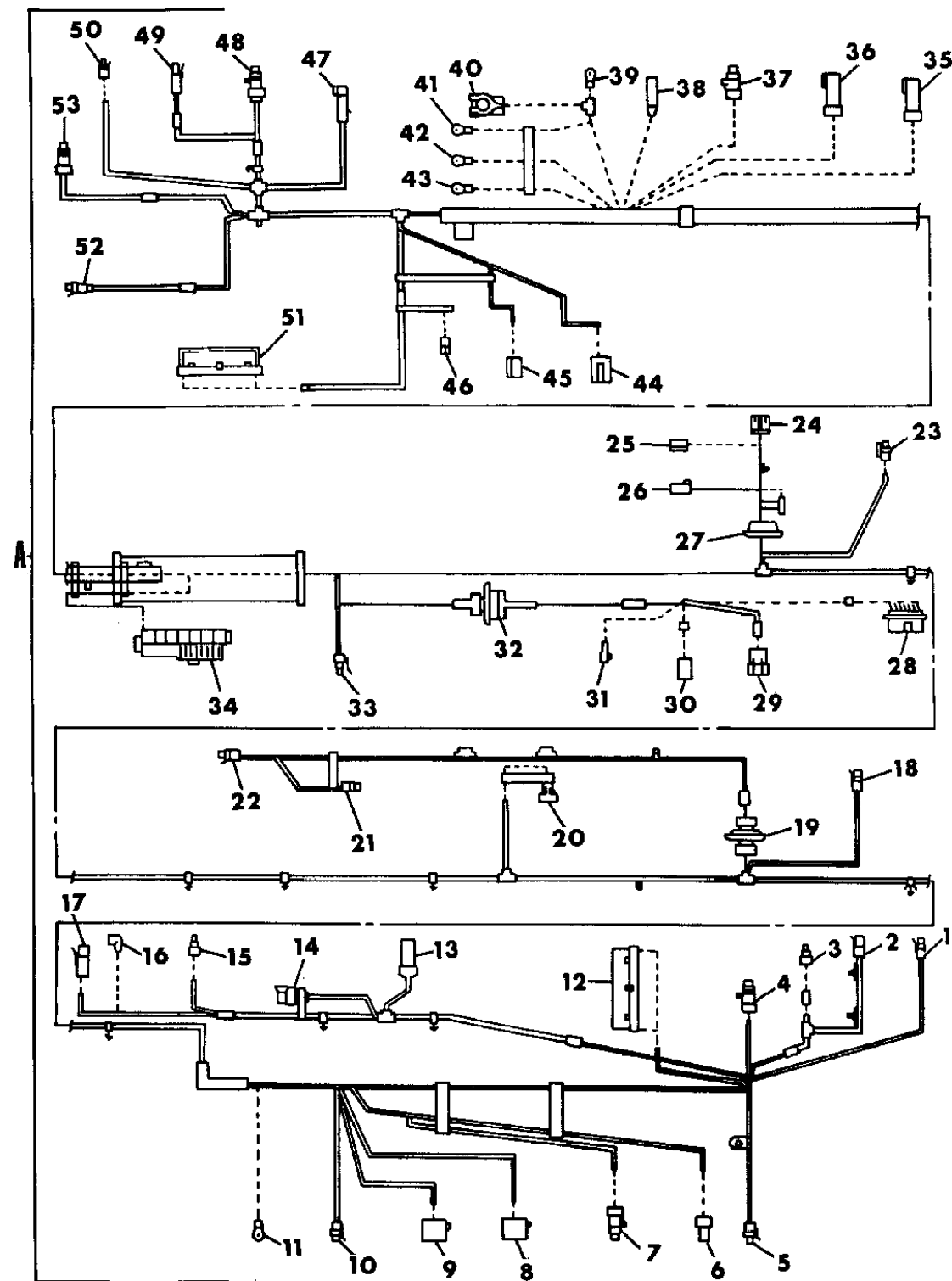
A BODY=(C=LeBaron, D=Spirit, P=Acclaim/LaBaron(Landau), Saratoga)  
C BODY=(D=Dynasty, C=New Yorker/N.Y. Salon)  
G BODY=(V=Daytona/ROC, Chrysler Daytona)  
J BODY=(C=LeBaron, Chrysler LeBaron)  
P BODY=(P=Sundance, D=Shadow)

S BODY=(H=Voyager(H) FWD, K=Caravan(H) FWD, Y=Town & Country(H) FWD, P=Voyager(K) AWD, D=Caravan(K) AWD, C=Town & Country(K) AWD)  
Y BODY=(C=Imperial/5th Avenue)  
E-S BODY=(K=Chrysler Voyager(H) FWD, D=Chrysler Voyager(K) AWD)

**BODY STYLES:**

21=2-Door Coupe      41=4-Door Sedan      12-52=FWD & AWD Van & Wgn Std W.B.  
24=2-Door Hatchback      44=4-Door Hatchback      53=FWD & AWD Van & Wgn Ext. W.B.  
27=2-Door Convertible

AR = Use as Required - = Non Illustrated Part P.A.R. = Paint as Required



**WIRING--HEADLAMP TO DASH J BODY**  
Figure 8-6500

93108 6500

ITEM	PART NUMBER	QTY	BODY	MODEL	DESCRIPTION
30	4209 712				INSULATOR, Airbag Disconnect
31	4209 927				INSULATOR, Clutch Interlock (5267627 Jumper)
32					GROMMET, (Serv. Assy.)
33					INSULATOR, A.B.S. Sensor, Lt. Frt. (Serv. Assy.)
34					INSULATOR, P.D.C.
35					INSULATOR, To Battery Harness (Serv. Assy.)
36					INSULATOR, To Eng. Harness #3 (Serv. Assy.)
37					INSULATOR, Eng. Harness #2 (Serv. Assy.)
38					INSULATOR, Eng. Harness 1-Way (Serv. Assy.)
39	4304 572				INSULATOR, Battery Ground (Eng.)
40					TERMINAL, Battery (Serv. Assy.)
41	5267 427				TERMINAL, Body Ground
42	3843 435				TERMINAL, Ground, Lt.
43	3843 435				TERMINAL, A.B.S. Ground
44	4527 106				INSULATOR, A.B.S. Pump Motor Relay
45	4274 909				INSULATOR, Diagnostic Connector
46					INSULATOR, Hood Ajar (S.A.M.)
47					INSULATOR, A.B.S. Brake Warning Lp. Switch (Serv. Assy.)
48					INSULATOR, Hydraulic Unit (Serv. Assy.)
49					INSULATOR, Rad. Fan (Serv. Assy.)
50	4414 901				INSULATOR, Horn, Lt.
51	4625 565				INSULATOR, S.B.E.C.
52	4439 082				INSULATOR, Airbag Sensor, Lt.
53	4504 268				INSULATOR, H/Lamp Disconnect, Lt.

**MODEL CODES:**

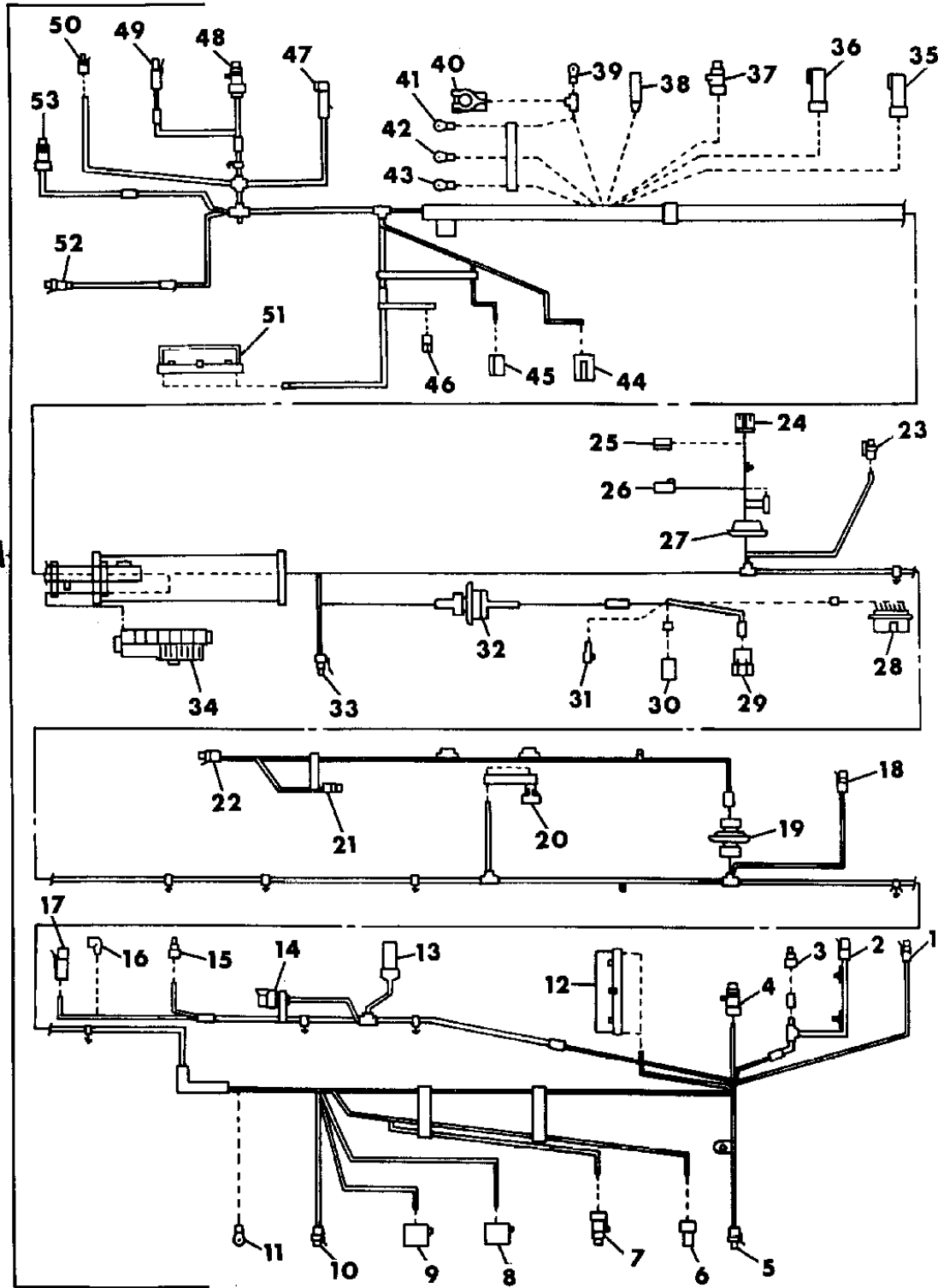
A BODY=(C=LeBaron, D=Spirit, P=Acclaim/LaBaron(Landau),  
Saratoga)  
C BODY=(D=Dynasty, C=New Yorker/N.Y. Salon)  
G BODY=(V=Daytona/ROC, Chrysler Daytona)  
J BODY=(C=LeBaron, Chrysler LeBaron)  
P BODY=(P=Sundance, D=Shadow)

S BODY=(H=Voyager(H) FWD, K=Caravan(H) FWD,  
Y=Town & Country(H) FWD, P=Voyager(K) AWD,  
D=Caravan(K) AWD, C=Town & Country(K) AWD)  
Y BODY=(C=Imperial/5th Avenue)  
E-S BODY=(K=Chrysler Voyager(H) FWD, D=Chrysler  
Voyager(K) AWD)

**BODY STYLES:**

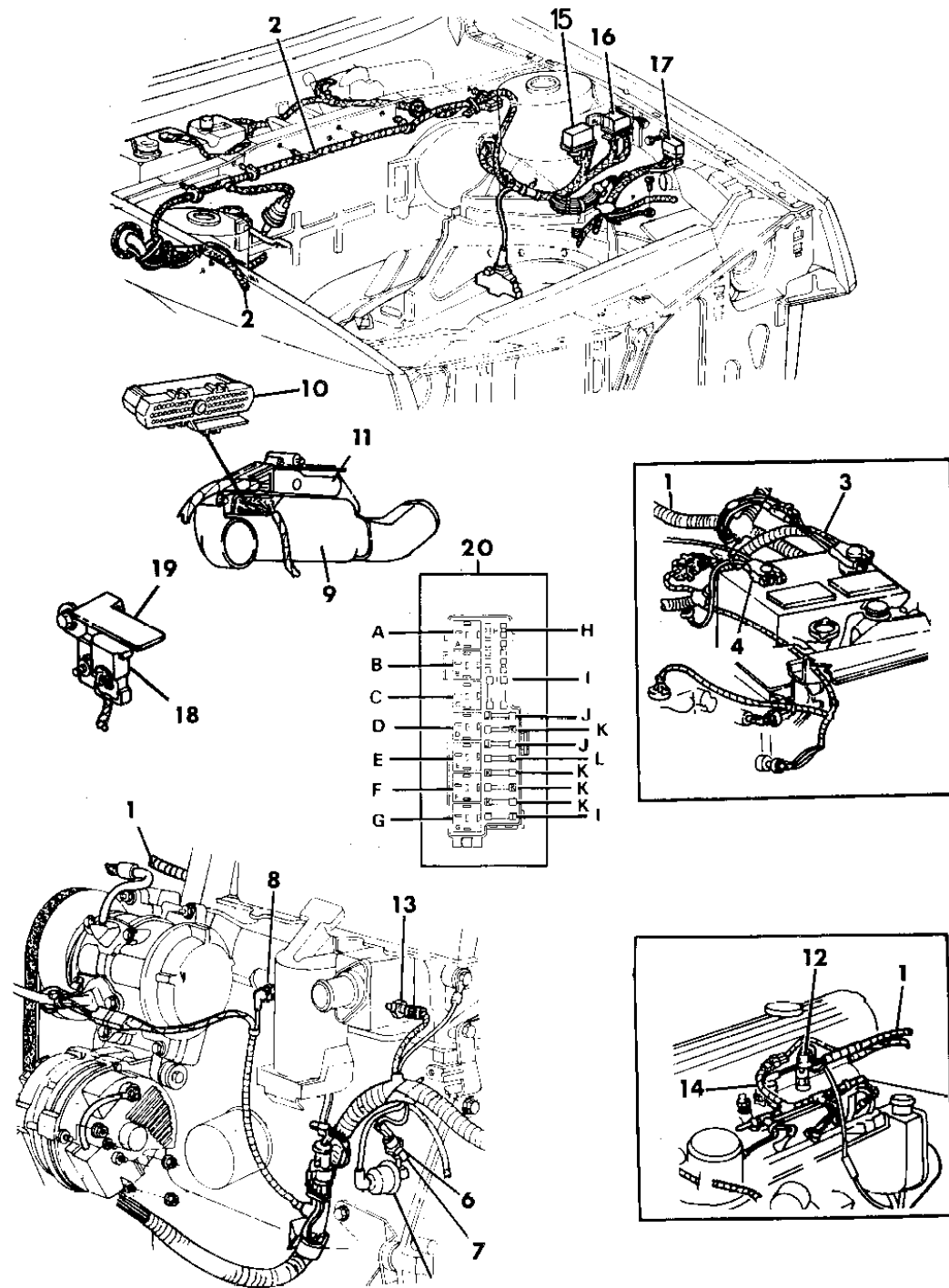
21=2-Door Coupe      41=4-Door Sedan      12=52=FWD & AWD Van & Wgn Std W.B.  
24=2-Door Hatchback      44=4-Door Hatchback      53=FWD & AWD Van & Wgn Ext. W.B.  
27=2-Door Convertible

AR = Use as Required - = Non Illustrated Part P.A.R. = Paint as Required



**WIRING--ENGINE & RELATED PARTS G BODY**  
**Figure 8-6600**

93108 6600



ITEM	PART NUMBER	QTY	BODY	MODEL	DESCRIPTION
1	4687 656	1			WIRING, ENGINE, 2.5 TBI
	4687 415	1			2.5 Eng., 16-Valve
	4625 777	1			3.0 Eng.
	4687 423	1			WIRING, Fuel Rail, 16-Valve Eng.
	4687 415	1			Turbo, 16-Valve
	4625 344	1			WIRING, Throttle Body, 2.5 Eng.
	4625 789	1			WIRING, 3.0 Eng., w/A-604 Trans. (OVERLAY)
-	4469 334				STRAP, Ground, Eng. to Frame Rail (Clips)
-	4372 040				STRAP, Ground, Eng. to Cowl (Eyes)
2					WIRING, FRONT END, Headlamp to Dash Panel, (See ILLUS. 6700)
3					WIRING, Battery
	4625 779	1			Positive, Man. Trans. 2.5 Eng.
	4625 778	1			Positive, w/A-413 Trans., 2.5 Eng.
	4625 781	1			Positive, 3.0 Eng., Man. Trans.
	4625 782	1			Positive, 3.0 Eng., A-604 Trans.
4	4304 678	1			CABLE, Battery & Engine Ground (Repair)
5	4687 814	1			SWITCH AND SENDING UNIT, Oil, Turbo ***
	4687 813	1			2.5, 3.0 Eng., (Use Insul. 4439081)
6		1			SWITCH, Oil Pressure
7		1			FITTING, Oil Pressure
8		1			SENDING UNIT, Eng. Temp. Gauge (Serv. Assy.)
9					SINGLE BOARD ENG. CONTROL, (See Illus. 7200) ***
10		1			INSULATOR, 60-Way, (See Illus. 7200)
11					COVER, Insulator (See Illus. 7200)
12		1			SENSOR, Charge Temp. Turbo
13	3300 4281	1			SENSOR, Coolant T.B.I. & Turbo (Use Insul. 4414901)
14	4700 044	1			SENSOR, Detonation, (Use Insul. 4127807)
15	4728 990	1			RELAY, Starter
16	4728 989	1			RELAY, Rad. Fan.
17	4728 989	1			RELAY, A/C Clutch Cutout
18	5234 327	1			MAP SENSOR, Turbo, w/Bracket
	4686 181	1			(Use Insul. 4504260)
19		1			BRACKET, Map Sensor Turbo (Serv. w/Sensor)
	5234 333	1			2.2, 2.5 Eng.
-	4557 711				SENSOR, Crankshaft Timing (Use Screw 6501957)
-	4557 747				SENSOR, Camshaft Timing
20					POWER DISTRIBUTION CENTER ***
					BOTTOM, (Box) (Serv. In H/Lamp & Dash Harness)

**MODEL CODES:**

A BODY=(C=LeBaron, D=Spirit, P=Acclaim/LaBaron(Landau), Saratoga) S BODY=(H=Voyager(H) FWD, K=Caravan(H) FWD, Y=Town & Country(H) FWD, P=Voyager(K) AWD, D=Caravan(K) AWD, C=Town & Country(K) AWD)  
 C BODY=(D=Dynasty, C=New Yorker/N.Y. Salon)  
 G BODY=(V=Daytona/IROC, Chrysler Daytona)  
 J BODY=(C=LeBaron, Chrysler LeBaron)  
 P BODY=(P=Sundance, D=Shadow)  
 Y BODY=(C=Imperial/5th Avenue)  
 E-S BODY=(K=Chrysler Voyager(H) FWD, D=Chrysler Voyager(K) AWD)

**BODY STYLES:**

21=2-Door Coupe 41=4-Door Sedan 12-52=FWD & AWD Van & Wgn Std W.B.  
 24=2-Door Hatchback 44=4-Door Hatchback 53=FWD & AWD Van & Wgn Ext. W.B.  
 27=2-Door Convertible

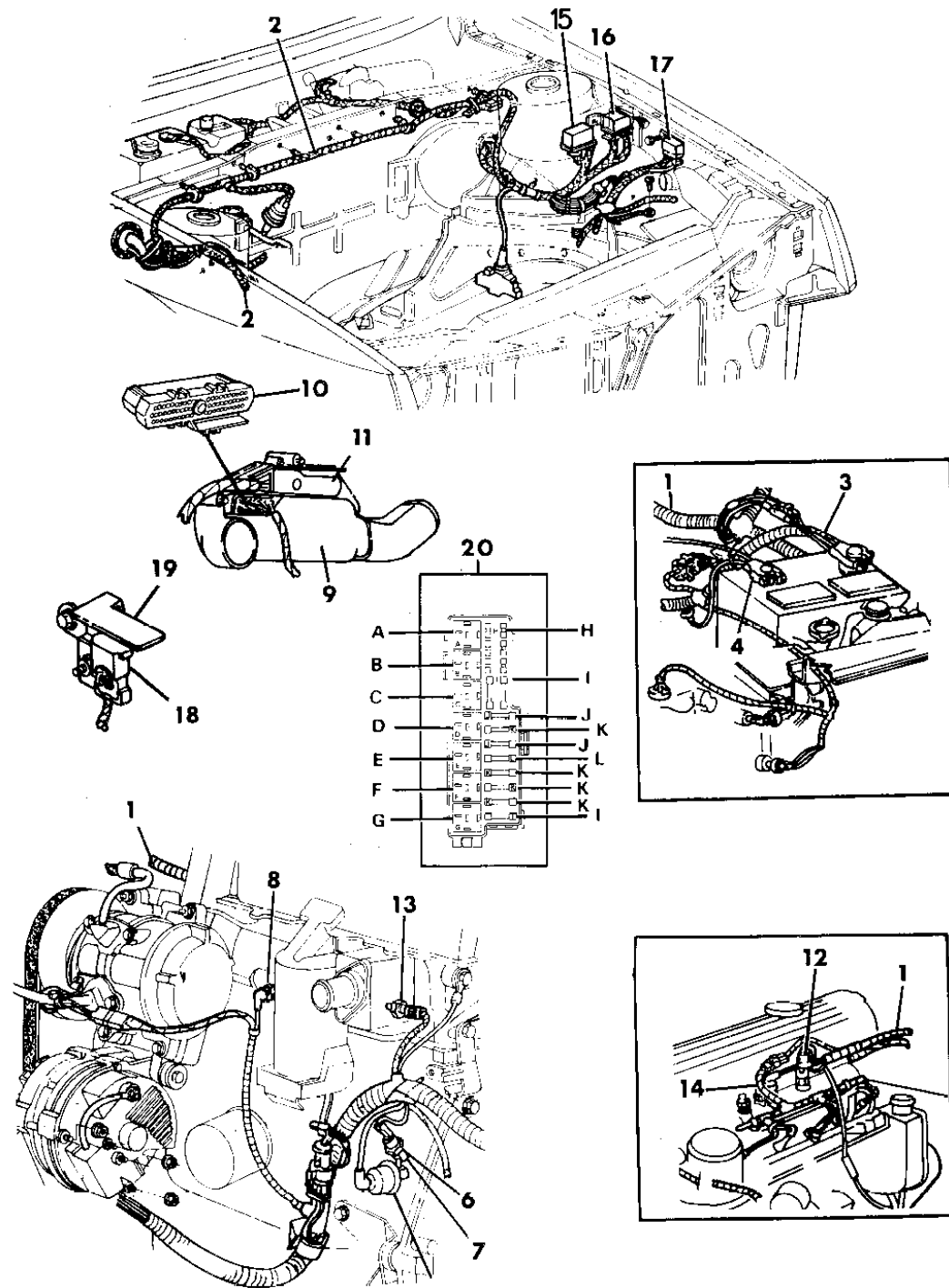
AR = Use as Required - = Non Illustrated Part P.A.R. = Paint as Required

**WIRING--ENGINE & RELATED PARTS G BODY**  
**Figure 8-6600**

93108 6600

ITEM	PART NUMBER	QTY	BODY	MODEL	DESCRIPTION
	4661 430	1			COVER, Top, 6-Cyl.
	4661 429				4-Cyl.
	4527 114	1			BRACKET ASSEMBLY, Power Distribution Center
	6502 691	AR			NUT, Mounting
A	4728 989	AR			RELAY, Radiator Fan
B	4728 989	AR			RELAY, A/C Clutch
C	4373 229	AR			RELAY, Headlamp Open-Close
D	4373 229	AR			RELAY, Headlamp Open-Close
E	5252 672	AR			RELAY, Headlamp Motors
F	4728 989	AR			RELAY, Auto-Shutdown
G	4728 990	AR			RELAY, Starter
H	6101 488	AR			FUSE, (MINI) 20 Amp.
I	6101 643	AR			FUSE, (MAXI) 60 Amp.
J	6101 642	AR			FUSE, (MAXI) 50 Amp.
K	6101 641	AR			FUSE, (MAXI) 40 Amp.
L	6101 640	AR			FUSE, (MAXI) 30 Amp.

NOTE: FOR WIRE REPAIR CRIMP PKGS. & HEAT TUBES  
 SEE ILLUS. 12100  
 NOTE: SPARK PLUGS--CABLES--COIL, ILLUS. 7300



**MODEL CODES:**

A BODY=(C=LeBaron, D=Spirit, P=Acclaim/LaBaron(Landau, Saratoga)  
 C BODY=(D=Dynasty, C=New Yorker/N.Y. Salon)  
 G BODY=(V=Daytona/IROC, Chrysler Daytona)  
 J BODY=(C=LeBaron, Chrysler LeBaron)  
 P BODY=(P=Sundance, D=Shadow)  
 S BODY=(H=Voyager(H) FWD, K=Caravan(H) FWD, Y=Town & Country(H) FWD, P=Voyager(K) AWD, D=Caravan(K) AWD, C=Town & Country(K) AWD)  
 Y BODY=(C=Imperial/5th Avenue)  
 E-S BODY=(K=Chrysler Voyager(H) FWD, D=Chrysler Voyager(K) AWD)

**BODY STYLES:**

21=2-Door Coupe      41=4-Door Sedan      12-52=FWD & AWD Van & Wgn Std W.B.  
 24=2-Door Hatchback      44=4-Door Hatchback      53=FWD & AWD Van & Wgn Ext. W.B.  
 27=2-Door Convertible

AR = Use as Required - = Non Illustrated Part P.A.R. = Paint as Required

**WIRING--HEADLAMP TO DASH G BODY**  
Figure 8-6700

93108 6700

ITEM	PART NUMBER	QTY	BODY	MODEL	DESCRIPTION
------	-------------	-----	------	-------	-------------

A					WIRING, HEADLAMP TO DASH
	4661 557		G		2.5 Eng. T.B.I., 15" w/Anti-Lock
	4661 407		G		2.5 Eng. T.B.I., 14"
	4661 445		G		2.5 Eng., CANADA
	4661 122		G		2.2 Eng., 16-Valve, w/o Anti-Lock
	4661 123		G		2.5 Eng., 16-Valve, w/Anti-Lock
	4661 498		G		3.0 Eng., 14", w/o Anti-Lock, CANADA
	4661 399		G		3.0 Eng., 15", w/Anti-Lock
	4661 488		G		3.0 Eng, 14"
1	4400 242				INSULATOR, A/c High Pressure Switch
2	4443 964				INSULATOR, Ambient Temp. Sensor
3	4414 901				INSULATOR, Horn, Rt.
4	4504 268				INSULATOR, H/Lamp Disconnect, Rt.
5	4439 082				INSULATOR, Airbag Sensor, Rt.
6					INSULATOR, E.A.T.X. #2 (Serv. Assy)
7	4504 267				INSULATOR, E.A.T.X. #1, (10-Way)
8	4439 084				INSULATOR, A.B.S. Warning
9	4439 084				INSULATOR, A.B.S. Warning System Relay
10	4443 964				INSULATOR, Purge Solenoid
11	3843 435				TERMINAL, Ground, Rt.
12					INSULATOR, A.B.S. Controller
13	4209 957				INSULATOR, A/C Clutch (Diode 4222599)
14	4414 901				INSULATOR, Distributor
15	4414 901				INSULATOR, Coolant Sensor
16	2230 985				INSULATOR, Eng. Temp. Sensor
17	4504 260				INSULATOR, MAP Sensor
18					INSULATOR, A.B.S. Sensor, Frt. Rt.
19					GROMMET, (Serv. Assy.)
20	3843 398				INSULATOR, A/C Low Pressure Switch
21					INSULATOR, A.B.S. Sensor Rear Rt. (Serv. Assy.)
22					INSULATOR, A.B.S. Sensor Rear Lt. (Serv. Assy.)
23	4504 251				INSULATOR, Speed Control
24	1704 562				INSULATOR, Low Washer Fluid Level Sensor
25	2298 882				INSULATOR, Windshield Washer Motor
26	4414 252				INSULATOR, Windshield Wiper Motor
28	4481 640				INSULATOR, Bulkhead Connector
29	4443 953				INSULATOR, Airbag Disconnect
30	4209 712				INSULATOR, Airbag Disconnect
31	4209 927				INSULATOR, Clutch Interlock (5267627 Jumper)

**MODEL CODES:**

A BODY=(C=LeBaron, D=Spirit, P=Acclaim/LaBaron(Landau), Saratoga)

C BODY=(D=Dynasty, C=New Yorker/N.Y. Salon)

G BODY=(V=Daytona/IROC, Chrysler Daytona)

J BODY=(C=LeBaron, Chrysler LeBaron)

P BODY=(P=Sundance, D=Shadow)

S BODY=(H=Voyager(H) FWD, K=Caravan(H) FWD,

Y=Town & Country(H) FWD, P=Voyager(K) AWD,

D=Caravan(K) AWD, C=Town & Country(K) AWD)

Y BODY=(C=Imperial/5th Avenue)

E-S BODY=(K=Chrysler Voyager(H) FWD, D=Chrysler

Voyager(K) AWD)

**BODY STYLES:**

21=2-Door Coupe

41=4-Door Sedan

12-52=FWD & AWD Van & Wgn Std W.B.

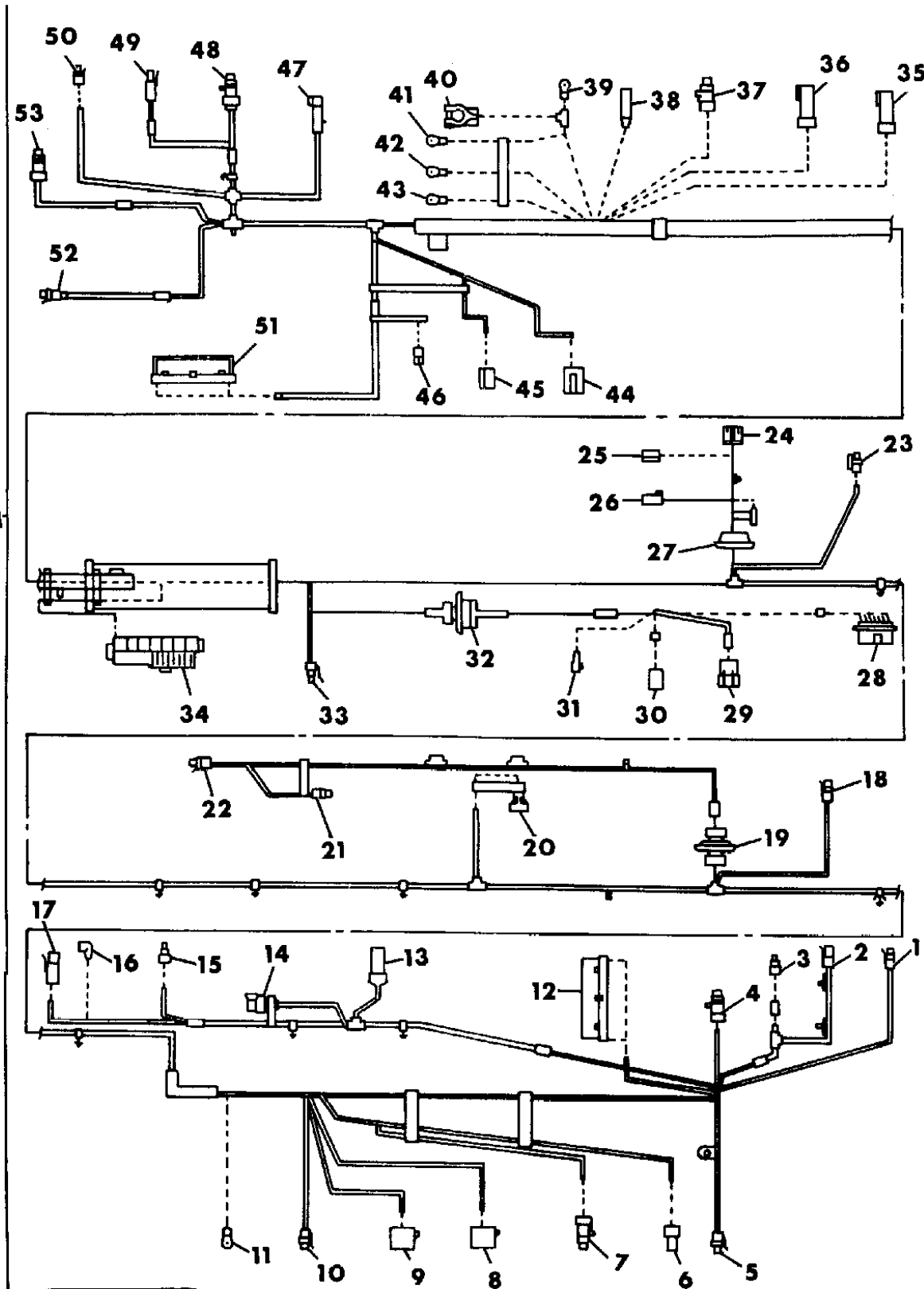
24=2-Door Hatchback

44=4-Door Hatchback

53=FWD & AWD Van & Wgn Ext. W.B.

27=2-Door Convertible

AR = Use as Required - = Non Illustrated Part P.A.R. = Paint as Required





WIRING--HEADLAMP TO DASH G BODY  
Figure 8-6700

93108 6700

ITEM	PART NUMBER	QTY	BODY	MODEL	DESCRIPTION
32					GROMMET, (Serv. Assy.)
33					INSULATOR, A.B.S. Sensor, Lt. Frt. (Serv. Assy.)
34					INSULATOR, P.D.C.
35					INSULATOR, To Battery Harness (Serv. Assy.)
36					INSULATOR, To Eng. Harness #3 (Serv. Assy.)
37					INSULATOR, Eng. Harness #2 (Serv. Assy.)
38					INSULATOR, Eng. Harness 1-Way (Serv. Assy.)
39	4304 572				INSULATOR, Battery Ground (Eng.)
40					TERMINAL, Battery (Serv. Assy.)
41	5267 427				TERMINAL, Body Ground
42	3843 435				TERMINAL, Ground, Lt.
43	3843 435				TERMINAL, A.B.S. Ground
44	4527 106				INSULATOR, A.B.S. Pump Motor Relay
45	4274 909				INSULATOR, Diagnostic Connector
46					INSULATOR, Hood Ajar (S.A.M.)
47					INSULATOR, A.B.S. Brake Warning Lp. Switch (Serv. Assy.)
48					INSULATOR, Hydraulic Unit (Serv. Assy.)
49					INSULATOR, Rad. Fan (Serv. Assy.)
50	4414 901				INSULATOR, Horn, Lt.
51	4625 565				INSULATOR, S.B.E.C.
52	4439 082				INSULATOR, Airbag Sensor, Lt.
53	4504 268				INSULATOR, H/Lamp Disconnect, Lt.

MODEL CODES:

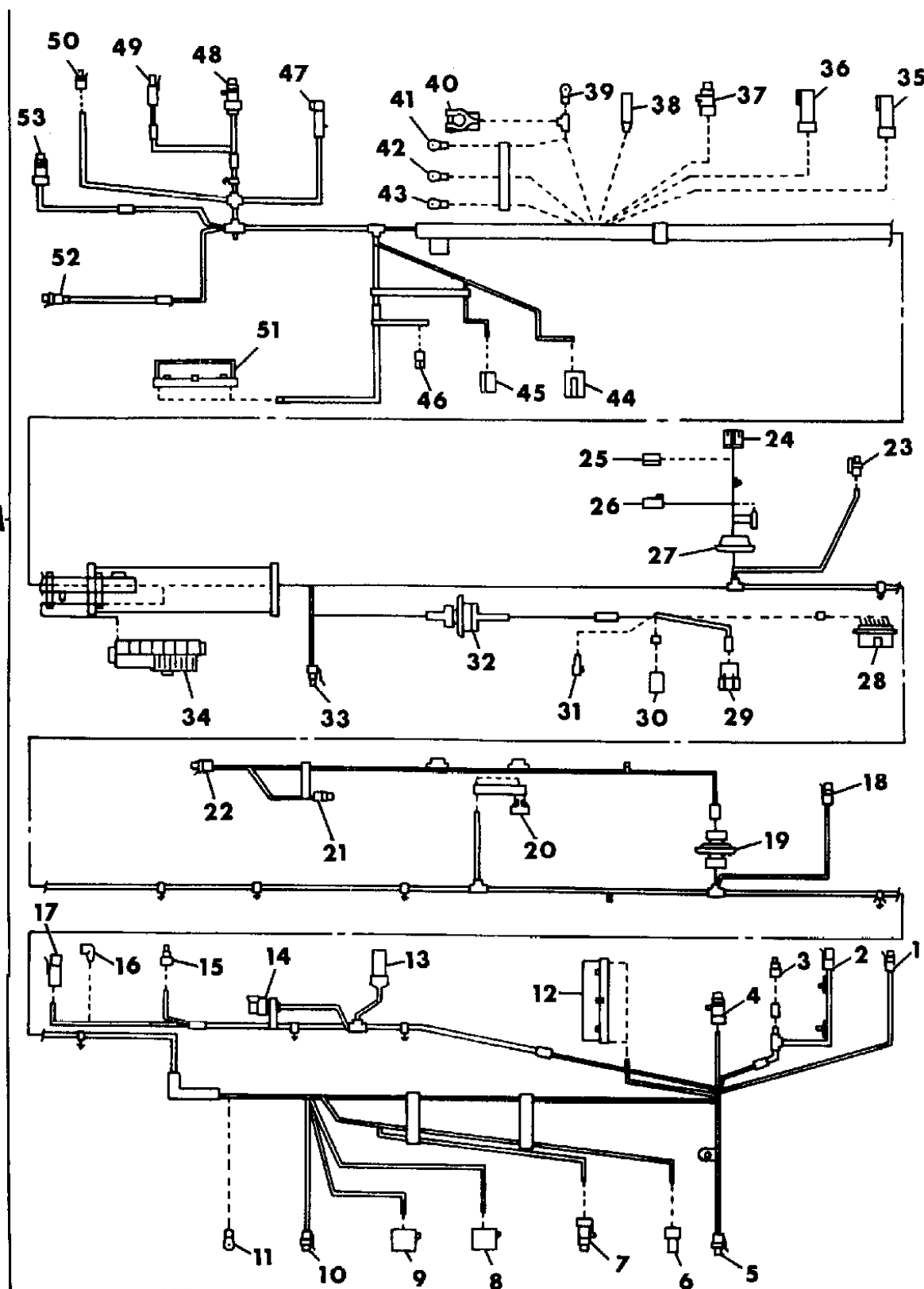
A BODY=(C=LeBaron, D=Spirit, P=Acclaim/LaBaron(Landau),  
Saratoga)  
C BODY=(D=Dynasty, C=New Yorker/N.Y. Salon)  
G BODY=(V=Daytona/IROC, Chrysler Daytona)  
J BODY=(C=LeBaron, Chrysler LeBaron)  
P BODY=(P=Sundance, D=Shadow)

S BODY=(H=Voyager(H) FWD, K=Caravan(H) FWD,  
Y=Town & Country(H) FWD, P=Voyager(K) AWD,  
D=Caravan(K) AWD, C=Town & Country(K) AWD)  
Y BODY=(C=Imperial/5th Avenue)  
E-S BODY=(K=Chrysler Voyager(H) FWD, D=Chrysler  
Voyager(K) AWD)

BODY STYLES:

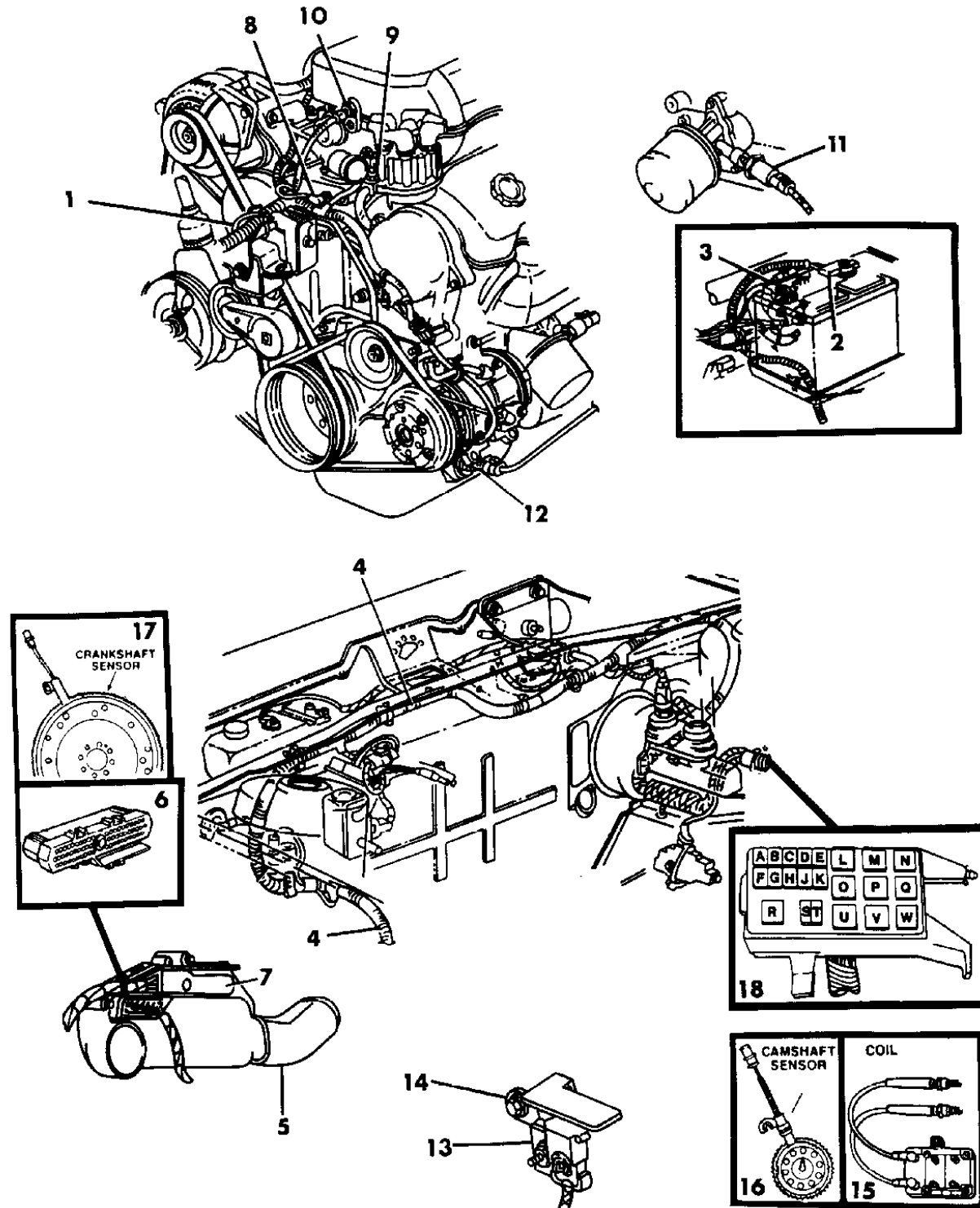
21=2-Door Coupe      41=4-Door Sedan      12-52=FWD & AWD Van & Wgn Std W.B.  
24=2-Door Hatchback      44=4-Door Hatchback      53=FWD & AWD Van & Wgn Ext. W.B.  
27=2-Door Convertible

AR = Use as Required - = Non Illustrated Part P.A.R. = Paint as Required



**WIRING--ENGINE & RELATED PARTS C-Y BODY**  
**Figure 8-6800**

93108 6800



ITEM	PART NUMBER	QTY	BODY	MODEL	DESCRIPTION
1	4687 304	1	C-Y		WIRING, Engine, 3.0 Eng.
	5267 905	1	C-Y		3.3, 3.8 Eng.
	5267 903	1	C		2.5 Eng.
-	4625 344	1	C		WIRING, Throttle Body, 2.5 Eng.
-	4687 019	1	C-Y		WIRING, Fuel Rail, 3.3 & 3.8 Eng.
-	4469 334				STRAP, Ground, Eng. to Frame Rail (Clips)
-	4372 040				STRAP, Ground, Eng. to Cowl (Eyes)
2	4687 407	1	C-Y		WIRING, Battery Pos. 3.0 Eng.
	4687 336		C-Y		3.3 & 3.8 Eng.
	4687 308		Y		Pos., w/Overhead Console
	5267 706	1	C		2.5 Eng.
3		1			WIRING, Battery Neg.
4					WIRING, Headlamp and Dash (See Illus. 6900)
5					SINGLE BOARD ENG. CONTROL, (See Illus. 7200) ***
6		1			INSULATOR, 60-Way, (See Illus. 7200)
7					COVER, Insulator (See Illus. 7200)
8	4504 203	1	C-Y		SENDING UNIT, Eng. Temp.
9	3300 4281	1	C-Y		SENSOR, Coolant Temp. (Sending Unit)
10					SENSOR
11	4687 813	1	C-Y		SENDING UNIT, OIL SWITCH, TBI, 2.5-3.0 Eng.
	4707 015	1	C-Y		3.3, 3.8 Eng.
12	5227 049	1	Y		SENSOR, Oil Level, 3.0-3.3-3.8 Eng.
13	4686 181	1			MAP SENSOR
	5234 024	1	C-Y		3.3, 3.8 Eng., (Use Insul. 4504260)
14	5234 333	1			BRACKET, MAP Sensor (Mtg. Screw 9415464) 2.5 Eng.
	MD14 9003	1			3.0 Eng.
15	4443 971	1			COIL, Ign., D.I.S.
16	4504 225	1			SENSOR, D.I.S. (Camshaft)
17	4504 224	1			SENSOR, D.I.S., (Crankshaft)
-	5252 229	1			SPACER, D.I.S. Sensor
-	6032 920	1			O-RING, D.I.S.
18	4625 508	1			POWER DISTRIBUTION CENTER, Use Bolt & Washer 4481495 (BASE) ***
-	4687 064	1			COVER, Power Dist. Center (Upper)
-					COVER, Power Dist. Center (Lower) (Serv. w/Wiring)
A	6101 618	AR			FUSIBLE LINK, 30 Amp. (ABS System)
B	6101 618	AR			30 Amp. (ABS Pump Motor)
C	6101 620	AR			50 Amp. (Veh. Lamps)
D	6101 618	AR			30 Amp. (Rad. Fan.)

**MODEL CODES:**

A BODY=(C=LeBaron, D=Spirit, P=Acclaim/LaBaron(Landau), Saratoga)  
 C BODY=(D=Dynasty, C=New Yorker/N.Y. Salon)  
 G BODY=(V=Daytona/IROC, Chrysler Daytona)  
 J BODY=(C=LeBaron, Chrysler LeBaron)  
 P BODY=(P=Sundance, D=Shadow)

S BODY=(H=Voyager(H) FWD, K=Caravan(H) FWD, Y=Town & Country(H) FWD, P=Voyager(K) AWD, D=Caravan(K) AWD, C=Town & Country(K) AWD)  
 Y BODY=(C=Imperial/5th Avenue)  
 E-S BODY=(K=Chrysler Voyager(H) FWD, D=Chrysler Voyager(K) AWD)

**BODY STYLES:**

21=2-Door Coupe      41=4-Door Sedan      12-52=FWD & AWD Van & Wgn Std W.B.  
 24=2-Door Hatchback      44=4-Door Hatchback      53=FWD & AWD Van & Wgn Ext. W.B.  
 27=2-Door Convertible

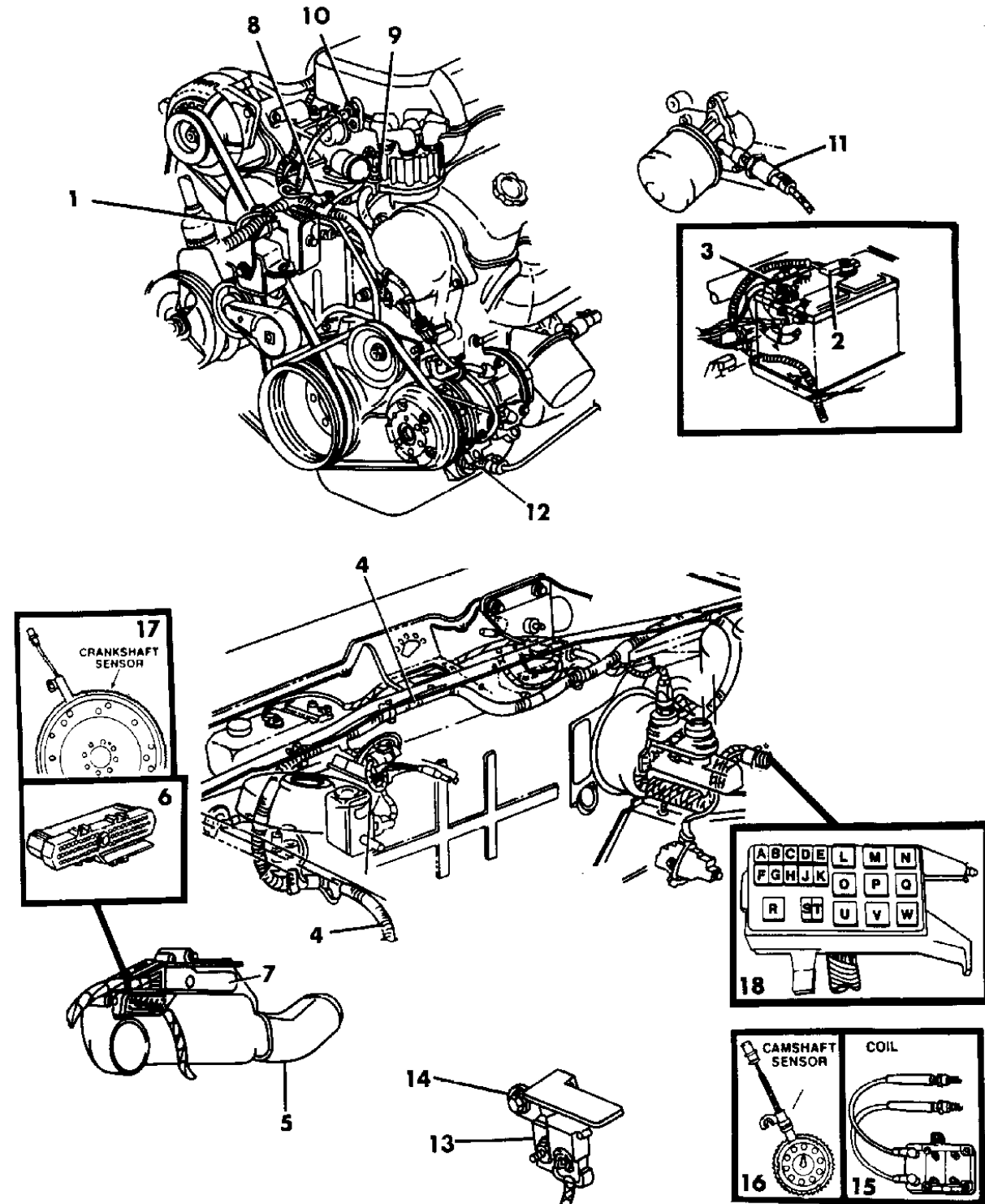
AR = Use as Required - = Non Illustrated Part P.A.R. = Paint as Required

**WIRING--ENGINE & RELATED PARTS C-Y BODY**  
**Figure 8-6800**

93108 6800

ITEM	PART NUMBER	QTY	BODY	MODEL	DESCRIPTION
E	6101 619	AR			40 Amp. (Ign. System)
F	6101 620	AR			50 Amp. (Park Lamps)
G	6101 619	AR			40 Amp. (Heated Rear Window)
H	6101 620	AR			50 Amp. (Blower Motor)
J	6101 620	AR			30 Amp. (Fuel Pump Elec. Trans.)
K					Blank
L	4373 229	AR			RELAY, Concealed H/Lamp
M	4504 214	AR			RELAY, A/C Clutch
N	4504 214	AR			RELAY, Fuel Pump
O	4373 229	AR			RELAY, Concealed H/Lamp
P	4504 214	AR			RELAY, B/Up Lamp
Q	4504 214	AR			RELAY, Elec. Trans.
R	5266 187	AR			RELAY, ABS Pump Motor
S	6101 617	AR			FUSIBLE LINK, 20 Amp. (Hazard Lamps)
T					10 Amp. (Ign. Run)
U					Blank
V					Blank
W	4504 214	AR			RELAY, Rad. Fan

NOTE: FOR WIRE REPAIR CRIMP PKGS. & HEAT TUBES  
 SEE ILLUS. 12100  
 NOTE: SPARK PLUGS--CABLES--COIL, ILLUS. 7300



**MODEL CODES:**

A BODY=(C=LeBaron, D=Spirit, P=Acclaim/LaBaron(Landau), Saratoga)      S BODY=(H=Voyager(H) FWD, K=Caravan(H) FWD, Y=Town & Country(H) FWD, P=Voyager(K) AWD, D=Caravan(K) AWD, C=Town & Country(K) AWD)  
 C BODY=(D=Dynasty, C=New Yorker/N.Y. Salon)      Y BODY=(C=Imperial/5th Avenue)  
 G BODY=(V=Daytona/IROC, Chrysler Daytona)      E-S BODY=(K=Chrysler Voyager(H) FWD, D=Chrysler Voyager(K) AWD)  
 J BODY=(C=LeBaron, Chrysler LeBaron)  
 P BODY=(P=Sundance, D=Shadow)

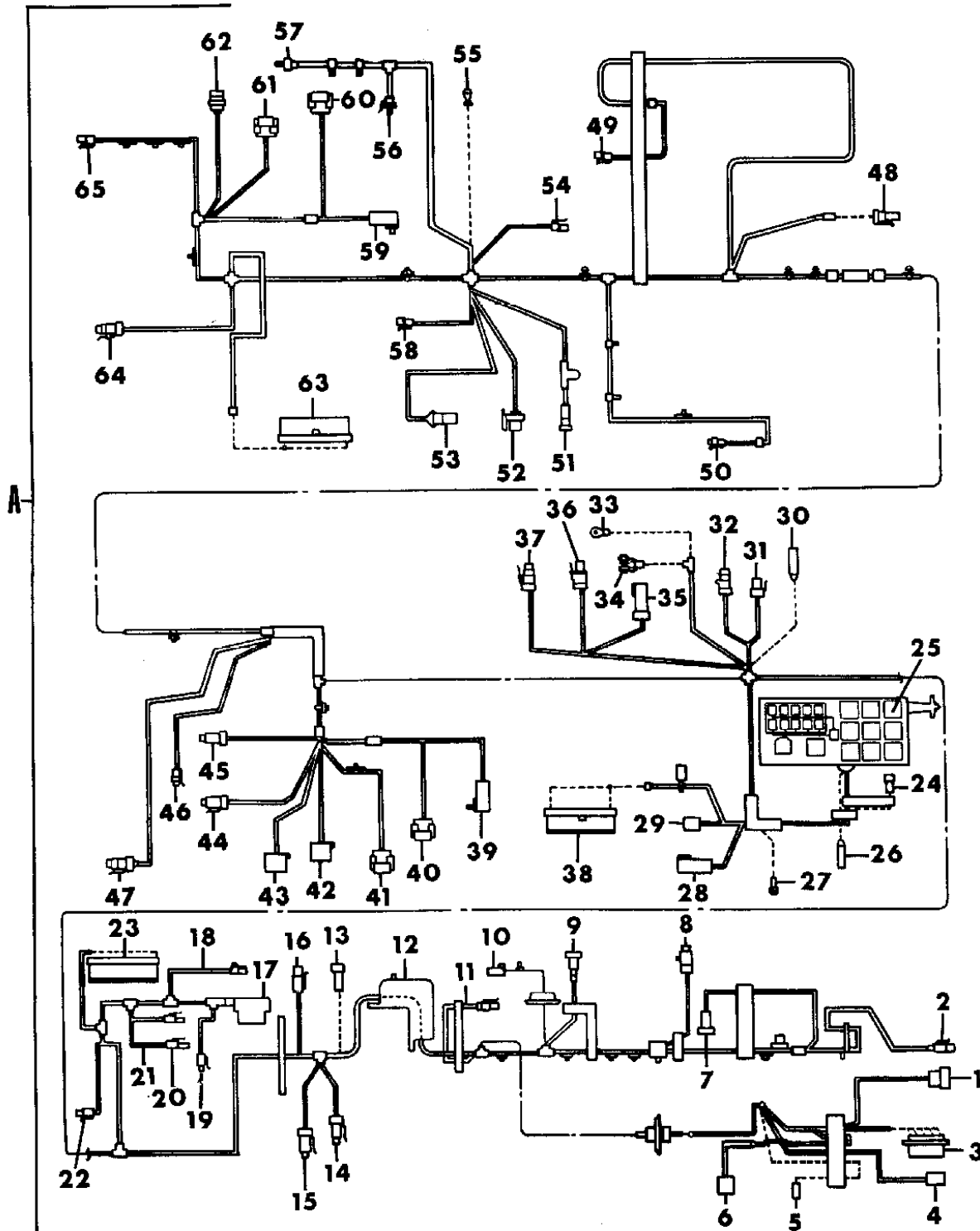
**BODY STYLES:**

21=2-Door Coupe      41=4-Door Sedan      12-52=FWD & AWD Van & Wgn Std W.B.  
 24=2-Door Hatchback      44=4-Door Hatchback      53=FWD & AWD Van & Wgn Ext. W.B.  
 27=2-Door Convertible

AR = Use as Required - = Non Illustrated Part P.A.R. = Paint as Required

**WIRING--HEADLAMP TO DASH C-Y BODY**  
Figure 8-6900

93108 6900



ITEM	PART NUMBER	QTY	BODY	MODEL	DESCRIPTION
A					WIRING, H/LAMP TO DASH
	4687 404		C	D	2.5 Eng.
	4687 330		C	S	3.0 Eng., A.B.S.
	4687 306		D	C	3.0 Eng., w/o A.B.S.
	4687 309		C	D	3.3 Eng., w/ Anti-Lock
	4687 408		C	D	3.0 Eng., w/Anti-Lock, 14"
	4687 307		C	D	3.3-3.8 Eng., Disc Brakes
	4687 328		Y		3.0 Eng.
	4687 311		Y		3.3-3.8 Eng., w/Cornering Lps.
	4687 325		C-Y		3.3 3.8 Eng., w/o Anti-Lock
	4687 314		C-Y		3.3-3.8 Eng., w/Anti-Lock & Std. Suspension
	4687 323		Y		3.3-3.8 Eng., w/Disc
1	4443 953				INSULATOR, To Inst. Panel Air-Bag
2					INSULATOR, Rt. Frt. Wheel Sensor (Serv. Assy.)
3	4481 640				INSULATOR, Bulkhead
4	4209 712				INSULATOR, Brake & Clutch Switch (Speed Control)
5					INSULATOR, Park Brake Switch (Serv. Assy.)
6					INSULATOR, Lt. Body (Serv. Assy.)
7					GROMMET, (Serv. Assy.)
8	4504 267				INSULATOR, Air Suspension Wiring
9					INSULATOR, Brake Fluid Sensor (Serv. Assy.)
10	4414 252				INSULATOR, Windshield Wiper Motor
11					INSULATOR, Lt. Wheel Sensor (Serv. Assy.)
12					TROUGH, (Serv. Assy.) ***
13					INSULATOR, Brake Warning
14	4504 267				INSULATOR, Anti-Lock Brake Modulator, Black
15	4504 268				INSULATOR, Anti-Lock Brake Modulator, Gray
16	4439 081				INSULATOR, To Pump Motor
17	4443 957				INSULATOR, Trans. Solenoid & Pressure Switch
18	4504 251				INSULATOR, Speed Control
19	4443 964				INSULATOR, Turbine Speed Sensor
20	4638 996				INSULATOR, PRNDL
21	4638 996				INSULATOR, Neutral Safety Switch
22	4400 242				INSULATOR, Output Speed Sensor
23	4687 048				INSULATOR, A.B.S. Controller
24					INSULATOR, Security Alarm (Serv. Assy.)
25					INSULATOR, P.D.C.
26	3843 937				INSULATOR, Battery
27					INSULATOR, Lt. H/Lamp Ground (Serv. Assy.)

**MODEL CODES:**

A BODY=(C=LeBaron, D=Spirit, P=Acclaim/LaBaron(Landau), Saratoga)

C BODY=(D=Dynasty, C=New Yorker/N.Y. Salon)

G BODY=(V=Daytona/IROC, Chrysler Daytona)

J BODY=(C=LeBaron, Chrysler LeBaron)

P BODY=(P=Sundance, D=Shadow)

S BODY=(H=Voyager(H) FWD, K=Caravan(H) FWD,

Y=Town & Country(H) FWD, P=Voyager(K) AWD,

D=Caravan(K) AWD, C=Town & Country(K) AWD)

Y BODY=(C=Imperial/5th Avenue)

E-S BODY=(K=Chrysler Voyager(H) FWD, D=Chrysler Voyager(K) AWD)

**BODY STYLES:**

21=2-Door Coupe

41=4-Door Sedan

12-52=FWD & AWD Van & Wgn Std W.B.

24=2-Door Hatchback

44=4-Door Hatchback

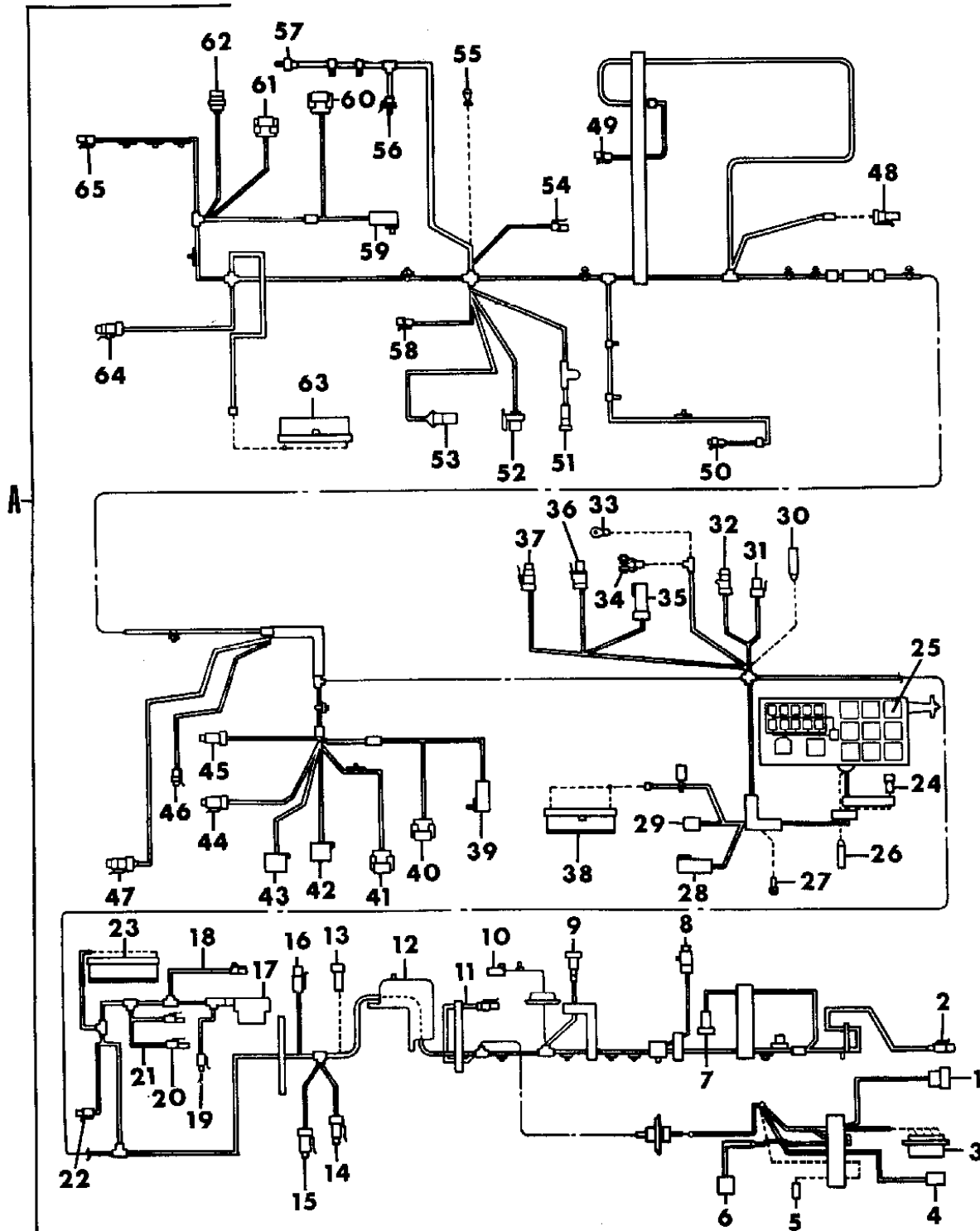
53=FWD & AWD Van & Wgn Ext. W.B.

27=2-Door Convertible

AR = Use as Required - = Non Illustrated Part P.A.R. = Paint as Required

**WIRING--HEADLAMP TO DASH C-Y BODY**  
Figure 8-6900

93108 6900



ITEM	PART NUMBER	QTY	BODY	MODEL	DESCRIPTION
28	4400 578				INSULATOR, To Battery Wiring
29	4274 909				INSULATOR, Diagnostic Connector
30					INSULATOR, To Eng. 1-Way, (Serv. Assy.)
31					INSULATOR, To Eng. Wire, 6-Way, (Serv. Assy.)
32					INSULATOR, To Eng., 10-Way, (Serv. Assy.)
33					TERMINAL, Eng. Ground (Serv. Assy.)
34					TERMINAL, Battery Negative (Serv. Assy.)
35					INSULATOR, Battery Pos. (Serv. Assy.)
36	5267 061				INSULATOR, Fuel Rail, 6-Way
37	4504 256				INSULATOR, Fuel Rail, 10-Way
38					INSULATOR, S.B.E.C.
39					INSULATOR, Lt. Frt. Height Sensor & Solenoid
40	4504 258				INSULATOR, Lt. Cornering Lp., Gray
41	4504 258				INSULATOR, Lt. Cornering Lp., Gray
42	4439 086				INSULATOR, A.B.S. System Relay
43	4439 086				INSULATOR, A.B.S. Yellow Light
44	4504 267				INSULATOR, To Lt. Lighting Jumper Wire
45	4504 268				INSULATOR, To Lt. Lighting Jumper Wire
46	4439 082				INSULATOR, Lt. Airbag Sensor
47	4504 266				INSULATOR, To Concealed H/Lamp Jumper
48	4439 077				INSULATOR, To Cooling Module Wire
49	4439 082				INSULATOR, To A/C Hi-Pressure Cut-Out
50	4439 082				INSULATOR, A/C Ambient Temp. Switch
51					INSULATOR, Rt. Park & Turn Lamp (Serv. Assy.)
52	4414 332				INSULATOR, Rt. Aero H/Lamp
53	4209 957				INSULATOR, A/C Clutch
54	4439 082				INSULATOR, Rt. Airbag Sensor
55	4209 499				INSULATOR, Rt. H/Lamp Ground
56	4414 901				INSULATOR, Horn
57	4414 901				INSULATOR, Horn
58	4400 242				INSULATOR, A/C Fan Cut-Out Switch
59					INSULATOR, Rt. Frt. Height Sensor & Solenoid
60	4504 258				INSULATOR, Rt. Cornering Lamp
61	4504 258				INSULATOR, Rt. Cornering Lamp
62	4400 588				INSULATOR, Rt. Side Marker Lamp
63	4419 491				INSULATOR, E.A.T.X. Module
64	4504 266				INSULATOR, To Rt. Lighting Jumper Wire
65	4443 964				INSULATOR, Purge Solenoid

**MODEL CODES:**

A BODY=(C=LeBaron, D=Spirit, P=Acclaim/LaBaron(Landau), Saratoga)

C BODY=(D=Dynasty, C=New Yorker/N.Y. Salon)

G BODY=(V=Daytona/ROC, Chrysler Daytona)

J BODY=(C=LeBaron, Chrysler LeBaron)

P BODY=(P=Sundance, D=Shadow)

S BODY=(H=Voyager(H) FWD, K=Caravan(H) FWD,

Y=Town & Country(H) FWD, P=Voyager(K) AWD,

D=Caravan(K) AWD, C=Town & Country(K) AWD)

Y BODY=(C=Imperial/5th Avenue)

E-S BODY=(K=Chrysler Voyager(H) FWD, D=Chrysler

Voyager(K) AWD)

**BODY STYLES:**

21=2-Door Coupe

41=4-Door Sedan

12-52=FWD & AWD Van & Wgn Std W.B.

24=2-Door Hatchback

44=4-Door Hatchback

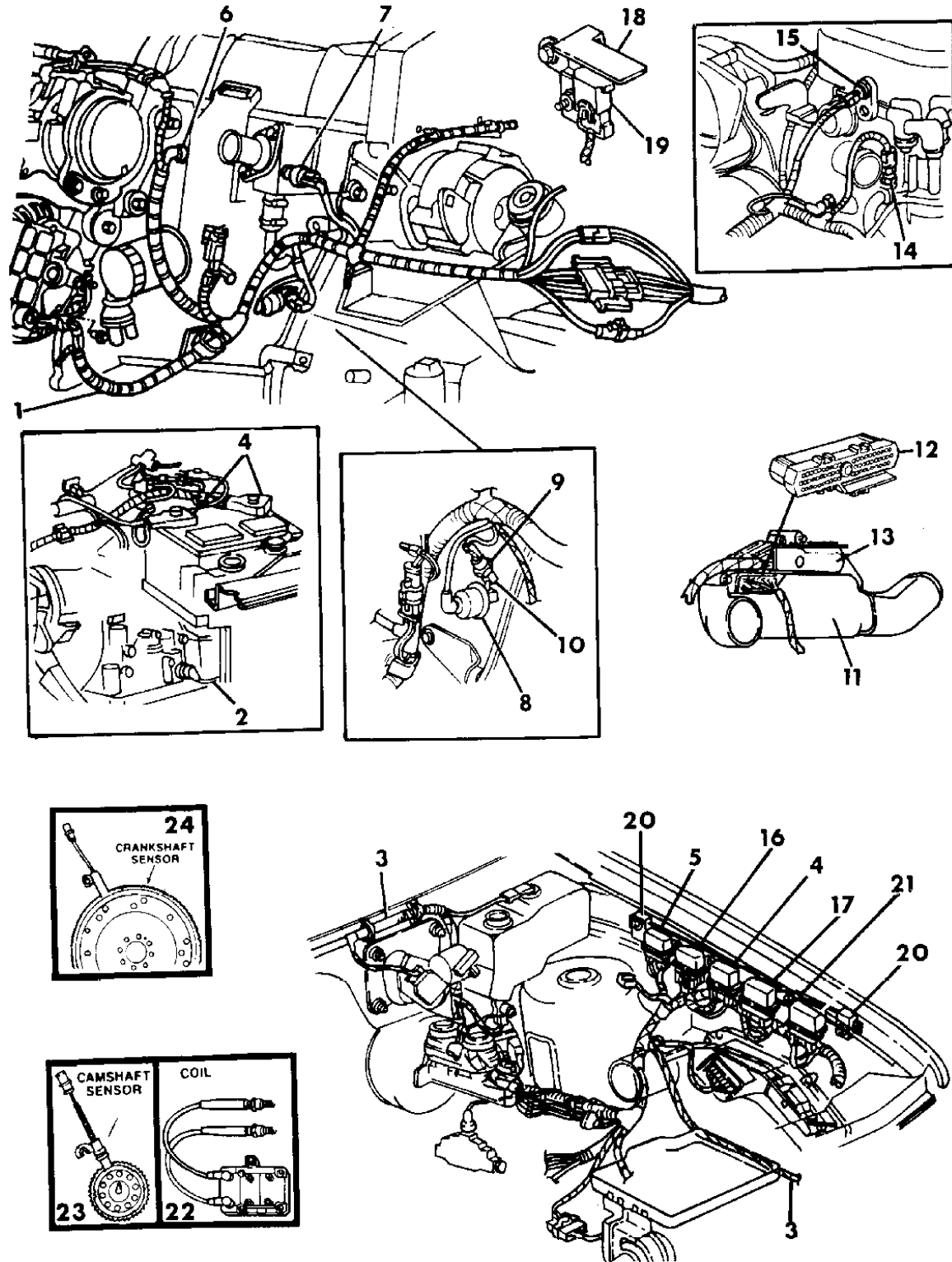
53=FWD & AWD Van & Wgn Ext. W.B.

27=2-Door Convertible

AR = Use as Required - = Non Illustrated Part P.A.R. = Paint as Required

**WIRING--ENGINE & RELATED PARTS S BODY**  
Figure 8-7000

93108 7000



ITEM	PART NUMBER	QTY	BODY	MODEL	DESCRIPTION
1					WIRING, ENGINE
	4688 325	1			2.5 Eng.
	4688 323	1			3.0 Eng.
	4688 224	1			3.3 Eng.
	4688 198		ES		2.5 Diesel Eng., w/Battery Wiring, EUROPE
	4687 019	1			Fuel Rail, 3.3, 3.8 Eng.
-	4469 334				STRAP, Ground, Eng. to Frame Rail (Clips)
-	4372 040				STRAP, Ground, Eng. to Cowl (Eyes)
2					WIRING, AUTO. TRANS. (See CABLE, Battery Below)
-	4688 159				WIRING, E.A.T.X.
	4625 344	1			WIRING, Throttle Body, 2.5 Eng.
3					WIRING, FRONT END, Headlamp to Dash Panel (SEE ILLUS. 7100)
-		1			CABLE, Battery
	4688 291	1			2.5 Eng., Auto. Trans., Pos.
	4688 193	1			2.5 Eng., Man. Trans.
	4688 194		ES		2.5 Eng., Turbo Diesel, EUROPE
	4688 292	1			3.0 Eng., Pos. A-670 Trans.
	4688 160	1			3.0 Eng., A-604, Positive
	4688 159	1			3.3 Eng. Pos.
4	4557 538	1			RELAY, Starter
5					REGULATOR, Voltage
6	4504 203	1			SENDING UNIT, Eng. Temp.
7	3300 4281	1			SWITCH, Eng. Temp. w/Light (Export)
8	4707 015	1			SWITCH AND SENDING UNIT, Oil ***
	4720 599		ES		Diesel, EUROPE, 1992
	5602 7250		ES		Diesel, EUROPE, 1993
9					FITTING, Oil Pressure, 2.5, 3.0 Eng.
10	4687 813	1			SWITCH AND SENDING UNIT, Exc. Turbo (Use Insul 4439081) ***
11					SINGLE BOARD ENG. CONTROL, (See Illus. 7200) ***
12		1			INSULATOR, 60-Way, (See Illus. 7200)
13					COVER, Insulator, (See Illus. 7200)
14	3300 4281	1			SENSOR, Coolant (Use Insul. 4414901)
-	4720 656		ES		SENSOR, Water Temp. Cyl. Head (Diesel) EUROPE
15	3300 4281	1			SENSOR, Coolant Dual Therm
16	4557 540				RELAY, Rad. Fan
17	4557 540	1			RELAY, Condenser Fan Mtr.
	5252 523	1			RELAY, A/C Clutch Cutout
18	4686 181	1			MAP SENSOR, 2.5 & 3.0 Eng., (Mtg. Screw 187875)

**MODEL CODES:**

A BODY=(C=LeBaron, D=Spirit, P=Acclaim/LaBaron(Landau), Saratoga)  
 C BODY=(D=Dynasty, C=New Yorker/N.Y. Salon)  
 G BODY=(V=Daytona/IROC, Chrysler Daytona)  
 J BODY=(C=LeBaron, Chrysler LeBaron)  
 P BODY=(P=Sundance, D=Shadow)

S BODY=(H=Voyager(H) FWD, K=Caravan(H) FWD, Y=Town & Country(H) FWD, P=Voyager(K) AWD, D=Caravan(K) AWD, C=Town & Country(K) AWD)  
 Y BODY=(C=Imperial/5th Avenue)  
 E-S BODY=(K=Chrysler Voyager(H) FWD, D=Chrysler Voyager(K) AWD)

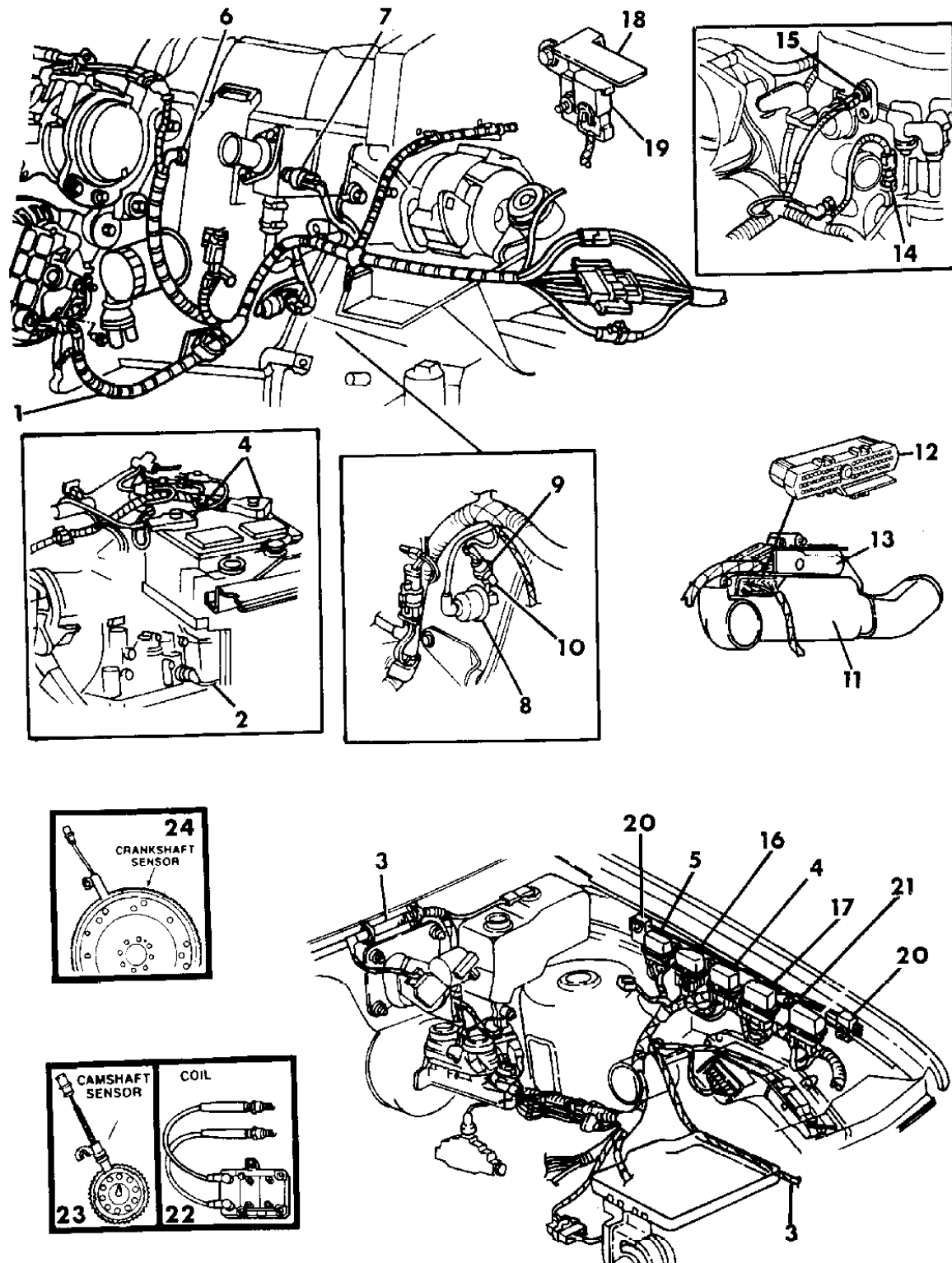
**BODY STYLES:**

21=2-Door Coupe      41=4-Door Sedan      12-52=FWD & AWD Van & Wgn Std W.B.  
 24=2-Door Hatchback      44=4-Door Hatchback      53=FWD & AWD Van & Wgn Ext. W.B.  
 27=2-Door Convertible

AR = Use as Required - = Non Illustrated Part P.A.R. = Paint as Required

**WIRING--ENGINE & RELATED PARTS S BODY**  
**Figure 8-7000**

93108 7000



ITEM	PART NUMBER	QTY	BODY	MODEL	DESCRIPTION
	5234 024	1			3.8 Eng.
	5234 024	1			3.3 Eng. (Use Insul. 4638998)
19		1			BRACKET, Map Sensor, 2.5 Turbo, (Hose 5235320) (Serv. w/ Sensor)
	4557 462	1			2.5 Eng. TBI
20	5233 191	1			ISOLATOR
21	4687 475	1			BRACKET, 5-Position, Relay Mtg.
22	4443 971	1			COIL, Ign., D.I.S.
23	4504 225	1			SENSOR, D.I.S. (Camshaft)
24	4504 224	1			SENSOR, D.I.S. (Crankshaft) (Use Insul. 5211587)
-	6032 920	1			O-RING, D.I.S.
-	5252 229	1			SPACER, D.I.S. Sensor
NOTE: FOR WIRE REPAIR CRIMP PKGS. & HEAT TUBES SEE ILLUS. 12100 NOTE: SPARK PLUGS--CABLES--COIL, ILLUS. 7300					

**MODEL CODES:**

A BODY=(C=LeBaron, D=Spirit, P=Acclaim/LaBaron(Landau), Saratoga)      S BODY=(H=Voyager(H) FWD, K=Caravan(H) FWD, Y=Town & Country(H) FWD, P=Voyager(K) AWD, D=Caravan(K) AWD, C=Town & Country(K) AWD)  
 C BODY=(D=Dynasty, C=New Yorker/N.Y. Salon)  
 G BODY=(V=Daytona/IROC, Chrysler Daytona)  
 J BODY=(C=LeBaron, Chrysler LeBaron)  
 P BODY=(P=Sundance, D=Shadow)      Y BODY=(C=Imperial/5th Avenue)  
 E-S BODY=(K=Chrysler Voyager(H) FWD, D=Chrysler Voyager(K) AWD)

**BODY STYLES:**

21=2-Door Coupe      41=4-Door Sedan      12-52=FWD & AWD Van & Wgn Std W.B.  
 24=2-Door Hatchback      44=4-Door Hatchback      53=FWD & AWD Van & Wgn Ext. W.B.  
 27=2-Door Convertible

AR = Use as Required - = Non Illustrated Part P.A.R. = Paint as Required

**WIRING--HEADLAMP TO DASH S BODY**  
Figure 8-7100

93108 7100

ITEM	PART NUMBER	QTY	BODY	MODEL	DESCRIPTION
A					WIRING, H/LAMP TO DASH
	4688 221		S		2.5 Eng. T.B.I., w/o E.A.T.X.
	4688 222		S-ES		2.5 Eng. T.B.I., EUROPE
	4688 065		ES		2.5 Eng., Diesel
	4688 223		S		3.0 Eng., 14"
	4688 121		S-ES		3.0 Eng., 15"
	4688 124		S-ES		3.3 Eng., w/o A.B.S., EUROPE
	4688 123		S-ES		3.3 Eng., w/A.B.S., EUROPE
	4688 122				3.3 Eng., w/A.B.S., (Up To 1-18-93)
	4688 231				3.3 Eng., w/A.B.S., (Aft. 1-18-93)
	4688 225				w/o A.B.S.
1	4450 957				INSULATOR, Trans. Solenoid
2	4638 996				INSULATOR, PRNDL
3	4638 996				INSULATOR, Neutral Safety Switch
4					INSULATOR, Turbine Input Speed Sensor (Serv. Assy.)
5					INSULATOR, Turbine Output Speed Sensor (Serv. Assy.)
6					INSULATOR, A/C Ambient Temp. Sensor (Serv. Assy.)
7					INSULATOR, Ambient Temp. Sensor (Serv. Assy.)
8					INSULATOR, Fog Lamp (Serv. Assy.)
9	4209 499				TERMINAL, Rt. H/Lamp Ground
10					INSULATOR, A/C Fan Motor (Serv. Assy.)
11					INSULATOR, Rt. Airbag Sensor (Serv. Assy.)
12	4439 076				INSULATOR, Rt. Park Lamp
13	4414 214				INSULATOR, Rt. H/Lamp
14					INSULATOR, Purge Solenoid (Serv. Assy.)
15	4414 901				INSULATOR, Horn
16	4414 901				INSULATOR, Airbag, H/Lamp To Inst. Panel Wiring
17	4527 041				INSULATOR, Horn
18	4439 085				INSULATOR, A/C Fan Relay
19	4439 083				INSULATOR, A/C Clutch Relay
20	4419 491				INSULATOR, E.A.T.X. Module
21	4439 086				INSULATOR, Back-Up Lamp Relay
22	4439 086				INSULATOR, Safety Shutdown Relay
23					INSULATOR, A/C Low Pressure Cutout
24	4414 252				INSULATOR, Windshield Wiper Motor
25	2298 882				INSULATOR, Windshield Washer Motor
26	1704 562				INSULATOR, Low Fluid Level Sensor
27	4439 086				INSULATOR, Starter Relay
28	4439 084				INSULATOR, Auto. Shutdown Relay

**MODEL CODES:**

A BODY=(C=LeBaron, D=Spirit, P=Acclaim/LaBaron(Landau, Saratoga)

C BODY=(D=Dynasty, C=New Yorker/N.Y. Salon)

G BODY=(V=Daytona/ROC, Chrysler Daytona)

J BODY=(C=LeBaron, Chrysler LeBaron)

P BODY=(P=Sundance, D=Shadow)

S BODY=(H=Voyager(H) FWD, K=Caravan(H) FWD,

Y=Town & Country(H) FWD, P=Voyager(K) AWD,

D=Caravan(K) AWD, C=Town & Country(K) AWD)

Y BODY=(C=Imperial/5th Avenue)

E-S BODY=(K=Chrysler Voyager(H) FWD, D=Chrysler

Voyager(K) AWD)

**BODY STYLES:**

21=2-Door Coupe

41=4-Door Sedan

12-52=FWD & AWD Van & Wgn Std W.B.

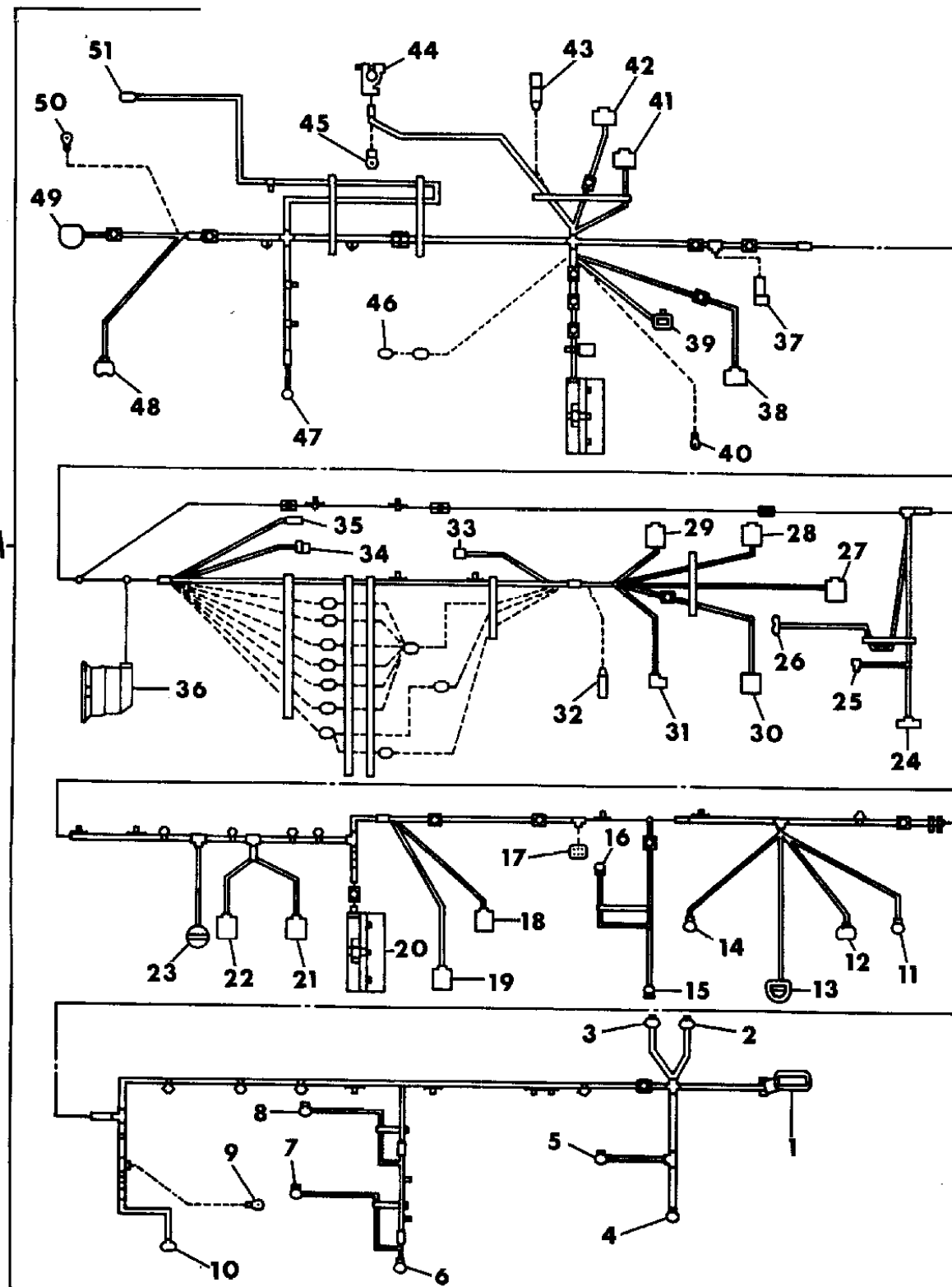
24=2-Door Hatchback

44=4-Door Hatchback

53=FWD & AWD Van & Wgn Ext. W.B.

27=2-Door Convertible

AR = Use as Required - = Non Illustrated Part P.A.R. = Paint as Required

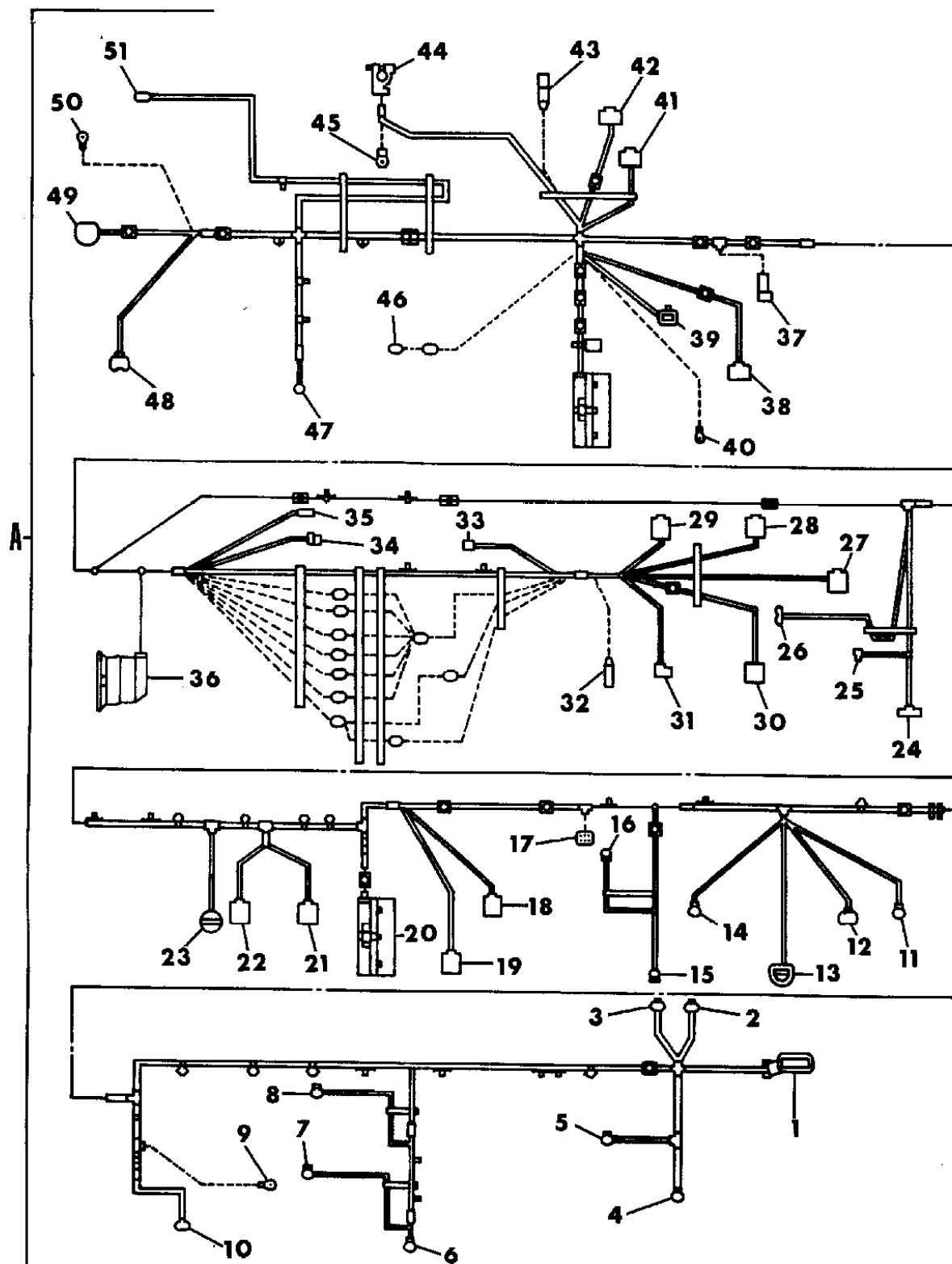




**WIRING--HEADLAMP TO DASH S BODY**  
Figure 8-7100

93108 7100

ITEM	PART NUMBER	QTY	BODY	MODEL	DESCRIPTION
29	4439 085				INSULATOR, Rad. Fan
30	4439 084				INSULATOR, Fuel Pump Relay
31	4274 909				INSULATOR, Diagnostics, 5-Way
32	3843 937				INSULATOR, Battery Disconnect
33	5267 169				INSULATOR, I.O.D.
34					INSULATOR, (Serv. Assy.)
35	2580 064				INSULATOR, Underhood Lamp
36	4331 712				INSULATOR, Bulkhead
37					INSULATOR, Brake Warning (Serv. Assy.)
38	4504 268				INSULATOR, Battery, 10-Way
39	5267 059				INSULATOR, Battery, 6-Way
40	5267 427				TERMINAL, Body Ground
41	4481 288				INSULATOR, Engine Wiring, Black
42					INSULATOR, Eng. Wiring, Gray
43					INSULATOR, Alternator (Serv. Assy.)
44					WIRING, Battery (Serv. Assy.)
45	4304 572				INSULATOR, Eng. Ground
46					INSULATOR, Hazard Flasher (Serv. Assy.)
47					INSULATOR, Airbag Sensor, Lt. (Serv. Assy.)
48	4439 076				INSULATOR, Park Lamp, Lt.
49	4439 076				INSULATOR, H/Lamp, Lt.
50	4209 499				TERMINAL, H/Lamp Ground, Lt.
51	4504 251				INSULATOR, Speed Control



**MODEL CODES:**

A BODY=(C=LeBaron, D=Spirit, P=Acclaim/LaBaron(Landau, Saratoga)

C BODY=(D=Dynasty, C=New Yorker/N.Y. Salon)

G BODY=(V=Daytona/IROC, Chrysler Daytona)

J BODY=(C=LeBaron, Chrysler LeBaron)

P BODY=(P=Sundance, D=Shadow)

S BODY=(H=Voyager(H) FWD, K=Caravan(H) FWD,

Y=Town & Country(H) FWD, P=Voyager(K) AWD,

D=Caravan(K) AWD, C=Town & Country(K) AWD)

Y BODY=(C=Imperial/5th Avenue)

E-S BODY=(K=Chrysler Voyager(H) FWD, D=Chrysler

Voyager(K) AWD)

**BODY STYLES:**

21=2-Door Coupe

41=4-Door Sedan

12-52=FWD & AWD Van & Wgn Std W.B.

24=2-Door Hatchback

44=4-Door Hatchback

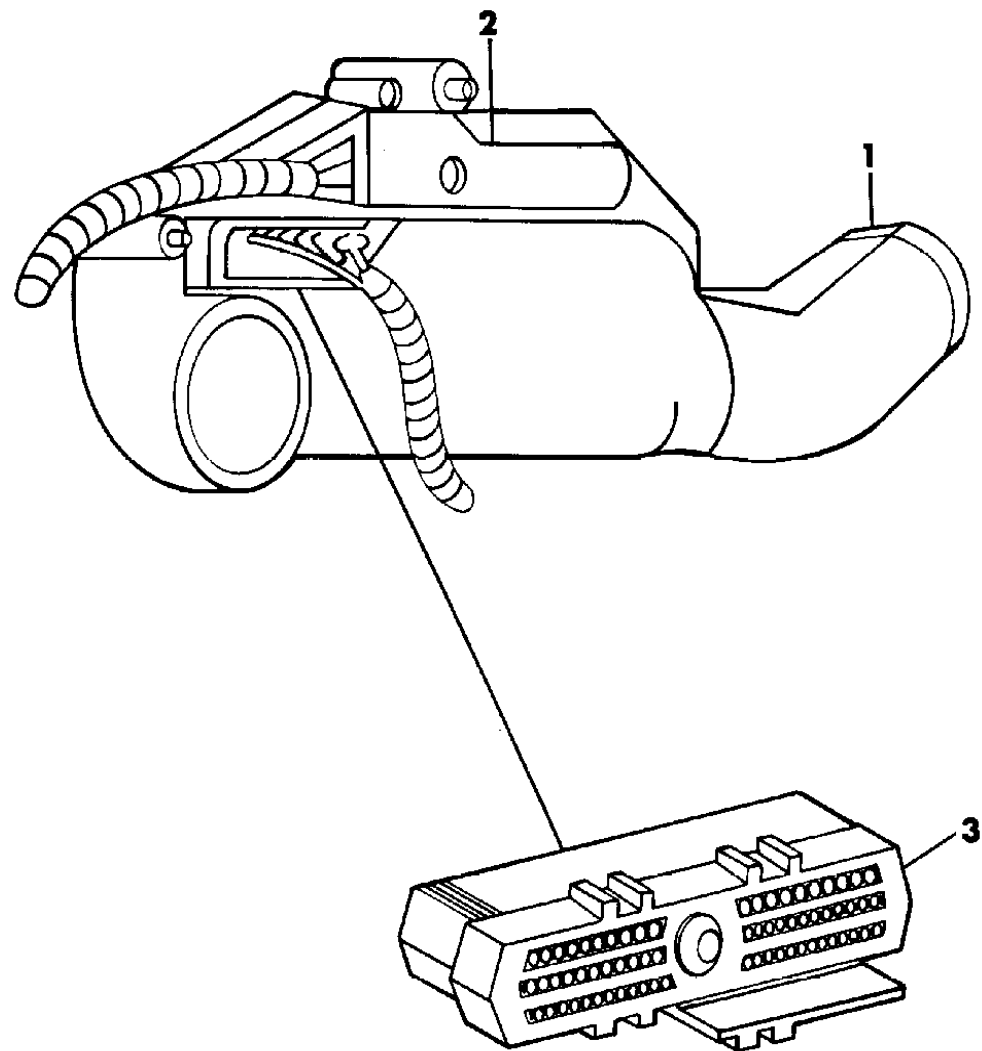
53=FWD & AWD Van & Wgn Ext. W.B.

27=2-Door Convertible

AR = Use as Required - = Non Illustrated Part P.A.R. = Paint as Required

**SINGLE BOARD ENGINE CONTROLLERS (POWERTRAIN CONTROL MODULE) P-BODY**  
**Figure 8-7200**

93108 7200



ITEM	PART NUMBER	QTY	BODY	MODEL	DESCRIPTION
1					SINGLE BOARD ENGINE CONTROLLER ***
	4672 335		P		2.2 Eng., Man. Trans., w/o RFI
	4672 336		P		2.2 Eng., Auto. Trans., w/RFI
	4672 191		P		2.2 Eng., Auto. Trans., w/o RFI, TAIWAN
	4672 206		P		2.2 Eng., w/RFI, TAIWAN
	4639 544		P		2.2 Eng., Auto. Trans., w/o RFI
	4714 207		P		2.2 Eng., Auto. Trans., w/RFI
	4639 546		P		2.2 Eng., Auto. Trans. w/o RFI, Calif.
	4714 208		P		2.2 Eng., Auto. Trans., w/RFI, Calif.
	4639 557		P		2.5 Eng., Auto. Trans., w/o RFI
	4672 210		P		2.5 Eng., Auto. Trans., Calif., RFI
	4639 558		P		2.5 Eng., Auto. Trans., Calif., w/o RFI
	4672 194		P		2.5 Eng., Auto. Trans., w/o RFI, TAIWAN
	4639 554		P		2.5 Eng., Man. Trans., w/o RFI
	4672 212		P		2.5 Eng., Man. Trans., w/RFI
	4686 309		P		3.0 Eng., Man. Trans., w/o RFI
	4686 321		P		3.0 Eng., Man. Trans., w/RFI
	4686 631		P		3.0 Eng., Auto. Trans.
	4686 318		P		3.0 Eng., Auto. Trans., w/RFI, Calif.
	6033 882	2			SCREW, Mounting
2					COVER, Insulator (Serv. w/Headlamp & Dash Wiring)
3	4419 492				INSULATOR, S.B.E.C.

**MODEL CODES:**

A BODY=(C=LeBaron, D=Spirit, P=Acclaim/LaBaron(Landau), Saratoga)      S BODY=(H=Voyager(H) FWD, K=Caravan(H) FWD, Y=Town & Country(H) FWD, P=Voyager(K) AWD, D=Caravan(K) AWD, C=Town & Country(K) AWD)  
 C BODY=(D=Dynasty, C=New Yorker/N.Y. Salon)  
 G BODY=(V=Daytona/IROC, Chrysler Daytona)  
 J BODY=(C=LeBaron, Chrysler LeBaron)  
 P BODY=(P=Sundance, D=Shadow)      Y BODY=(C=Imperial/5th Avenue)  
 E-S BODY=(K=Chrysler Voyager(H) FWD, D=Chrysler Voyager(K) AWD)

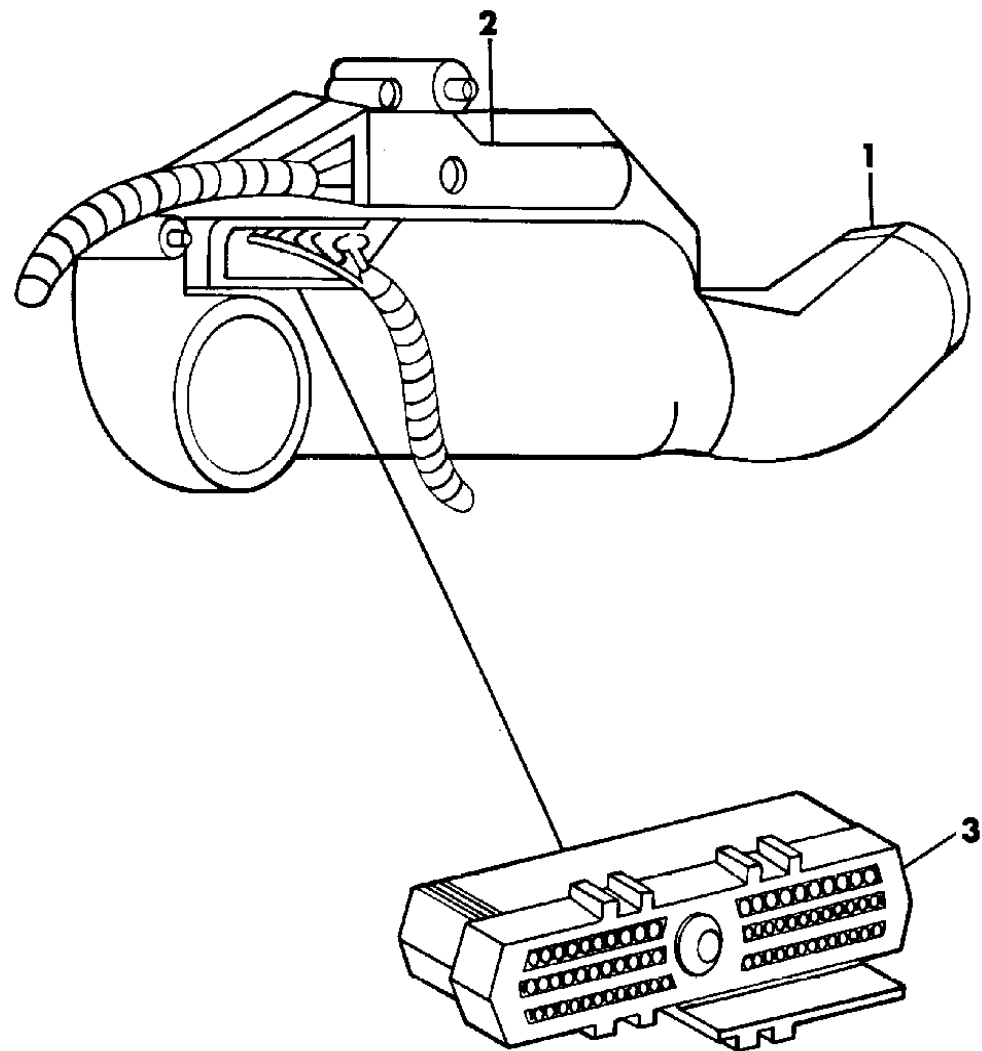
**BODY STYLES:**

21=2-Door Coupe      41=4-Door Sedan      12-52=FWD & AWD Van & Wgn Std W.B.  
 24=2-Door Hatchback      44=4-Door Hatchback      53=FWD & AWD Van & Wgn Ext. W.B.  
 27=2-Door Convertible

AR = Use as Required - = Non Illustrated Part P.A.R. = Paint as Required

**SINGLE BOARD ENGINE CONTROLLERS (POWERTRAIN CONTROL MODULE) A-BODY**  
**Figure 8-7210**

93108 7210



ITEM	PART NUMBER	QTY	BODY	MODEL	DESCRIPTION
1					SINGLE BOARD ENGINE CONTROLLER ***
					NOTE: RFI=RADIO NOISE SUPPRESSION
	4672 210				2.5 Eng., Auto. Trans., w/RFI, Calif.
	4639 557				2.5 Eng., Auto. Trans., w/o RFI
	4672 211				2.5 Eng., Auto. Trans., w/RFI, TAIWAN
	4672 194				2.5 Eng., Auto. Trans., w/o RFI, TAIWAN
	4639 554				2.5 Eng., Man. Trans., w/o RFI
	4672 212				2.5 Eng., Man. Trans., w/RFI
	4672 192				2.5 Eng. Man. Trans., w/o RFI, EUROPE
	4672 213				2.5 Eng., Man. Trans., w/RFI, EUROPE
	4686 333				2.5 Eng. w/o RFI, Flex Fuel, Calif.
	4686 332				2.5 Eng., w/RFI, Flex Fuel
	4686 334				2.5 Eng., w/RFI, Flex Fuel, Calif.
	4686 331				2.5 Eng., w/o RFI, (Fed. or Hi-Altitude)
	4686 631				3.0 Eng., Fed. or Hi-Altitude, w/o RFI
	4686 317				3.0 Eng., w/RFI, Fed. or Hi-Altitude
	4686 308				3.0 Eng., Leaded Fuel, w/o RFI
	4686 307				3.0 Eng., w/o RFI
	4686 307				3.0 Eng., w/o RFI, EUROPE
	4686 319				3.0 Eng., w/RFI
	4686 319				3.0 Eng., w/RFI, EUROPE
	4686 632				3.0 Eng., w/o RFI, Calif.
	4686 318				3.0 Eng., w/RFI, Calif.
2					COVER, Insulator (Serv. w/Headlamp & Dash Wiring)
3					INSULATOR, S.B.E.C. (Serv. Assy.)

**MODEL CODES:**

A BODY=(C=LeBaron, D=Spirit, P=Acclaim/LaBaron(Landau), Saratoga)      S BODY=(H=Voyager(H) FWD, K=Caravan(H) FWD, Y=Town & Country(H) FWD, P=Voyager(K) AWD, D=Caravan(K) AWD, C=Town & Country(K) AWD)  
 C BODY=(D=Dynasty, C=New Yorker/N.Y. Salon)  
 G BODY=(V=Daytona/IROC, Chrysler Daytona)  
 J BODY=(C=LeBaron, Chrysler LeBaron)  
 P BODY=(P=Sundance, D=Shadow)      Y BODY=(C=Imperial/5th Avenue)  
 E-S BODY=(K=Chrysler Voyager(H) FWD, D=Chrysler Voyager(K) AWD)

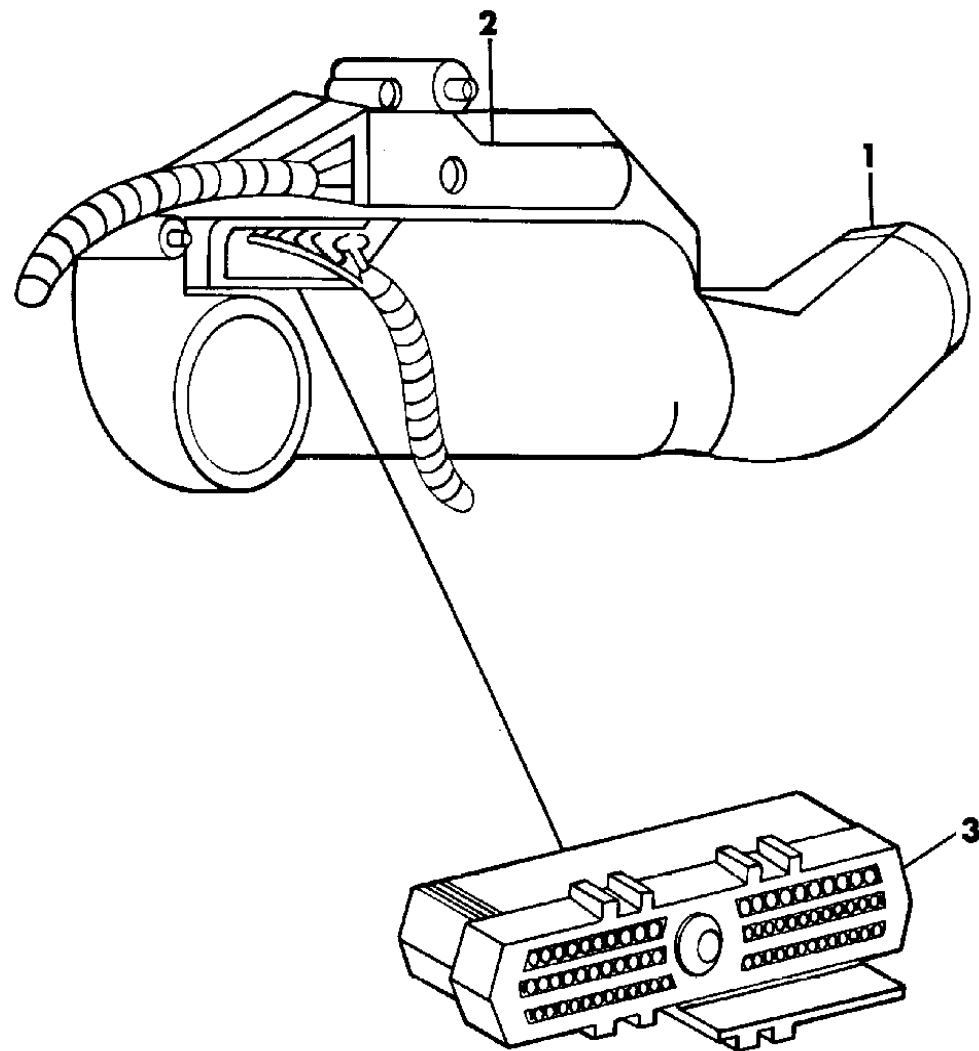
**BODY STYLES:**

21=2-Door Coupe      41=4-Door Sedan      12-52=FWD & AWD Van & Wgn Std W.B.  
 24=2-Door Hatchback      44=4-Door Hatchback      53=FWD & AWD Van & Wgn Ext. W.B.  
 27=2-Door Convertible

AR = Use as Required - = Non Illustrated Part P.A.R. = Paint as Required

**SINGLE BOARD ENGINE CONTROLLERS (POWERTRAIN CONTROL MODULE) J-BODY**  
**Figure 8-7220**

93108 7220



ITEM	PART NUMBER	QTY	BODY	MODEL	DESCRIPTION
1					SINGLE BOARD ENGINE CONTROLLER ***
					NOTE: RFI=RADIO NOISE SUPPRESSION
	4639 557		J		2.5 Eng., Auto. Trans., w/o RFI
	4639 558		J		2.5 Eng., Auto. Trans., Calif., w/o RFI
	4672 210		J		2.5 Eng., Auto. Trans., w/RFI, Calif.
	4672 192		J		2.5 Eng., Man. Trans., w/o RFI, EUROPE
	4672 213		J		2.5 Eng., Man. Trans., w/RFI, EUROPE
	4639 585		J		3.0 Eng., Man. Trans., w/o RFI
	4686 322		J		3.0 Eng., Man. Trans., w/RFI, EUROPE
	4714 252		J		3.0 Eng., Man. Trans., w/o RFI, EUROPE
	4686 322		J		3.0 Eng., Man. Trans., w/RFI, EUROPE
	4639 582		J		3.0 Eng., Auto. Trans., w/o RFI, EUROPE
	4686 319		J		3.0 Eng., w/RFI, EUROPE
	4686 631		J		3.0 Eng., Auto. Trans., w/o RFI
	4686 318		J		3.0 Eng., Auto. Trans., w/RFI, Calif.
2					COVER, Insulator (Serv. w/Headlamp & Dash Wiring)
3	4419 492				INSULATOR, S.B.E.C.

**MODEL CODES:**

A BODY=(C=LeBaron, D=Spirit, P=Acclaim/LaBaron(Landau), Saratoga)      S BODY=(H=Voyager(H) FWD, K=Caravan(H) FWD, Y=Town & Country(H) FWD, P=Voyager(K) AWD, D=Caravan(K) AWD, C=Town & Country(K) AWD)  
 C BODY=(D=Dynasty, C=New Yorker/N.Y. Salon)  
 G BODY=(V=Daytona/IROC, Chrysler Daytona)  
 J BODY=(C=LeBaron, Chrysler LeBaron)  
 P BODY=(P=Sundance, D=Shadow)      Y BODY=(C=Imperial/5th Avenue)  
 E-S BODY=(K=Chrysler Voyager(H) FWD, D=Chrysler Voyager(K) AWD)

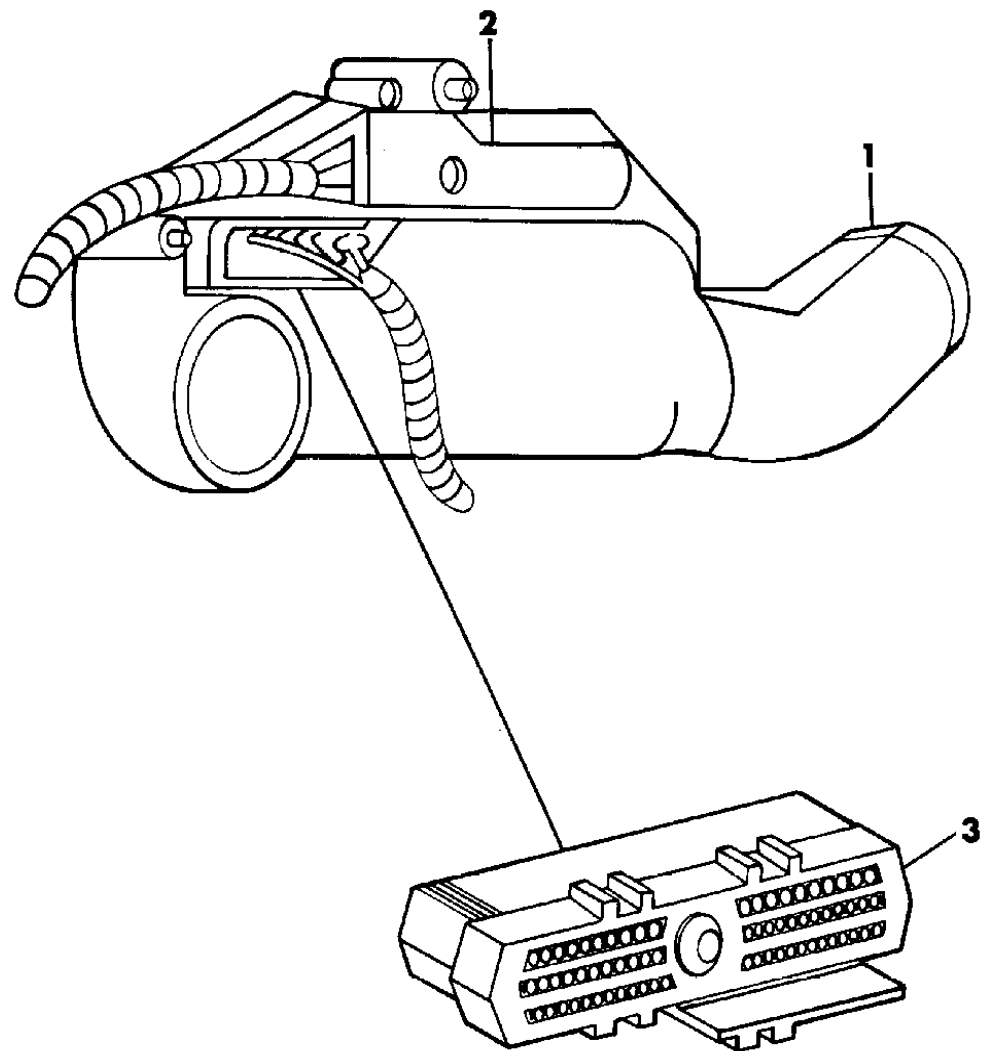
**BODY STYLES:**

21=2-Door Coupe      41=4-Door Sedan      12-52=FWD & AWD Van & Wgn Std W.B.  
 24=2-Door Hatchback      44=4-Door Hatchback      53=FWD & AWD Van & Wgn Ext. W.B.  
 27=2-Door Convertible

AR = Use as Required - = Non Illustrated Part P.A.R. = Paint as Required

**SINGLE BOARD ENGINE CONTROLLERS (POWERTRAIN CONTROL MODULE) G-BODY**  
**Figure 8-7230**

93108 7230



ITEM	PART NUMBER	QTY	BODY	MODEL	DESCRIPTION
1					SINGLE BOARD ENGINE CONTROLLER ***
					NOTE: RFI=RADIO NOISE SUPPRESSION
	4672 338		G		2.2 Eng., 16 Valve, w/o RFI, EUROPE
	4672 330		G		2.2 Eng., 16 Valve, w/RFI, EUROPE
	4672 283		G		2.2 Eng., 16-Valve, Man. Trans., w/RFI
	4639 557		G		2.5 Eng. Auto. Trans., w/o RFI
	4672 210		G		2.5 Eng., Auto. Trans., w/RFI, Calif.
	4639 558		G		2.5 Eng., Auto. Trans., w/o RFI, Calif.
	4672 211		G		2.5 Eng., Auto. Trans., w/RFI, TAIWAN
	4672 194		G		2.5 Eng., Auto. Trans., w/o RFI, TAIWAN
	4639 554		G		2.5 Eng., Man. Trans., w/o RFI
	4672 212		G		2.5 Eng., Man. Trans., w/RFI
	4686 309		G		3.0 Eng., Man. Trans., w/o RFI
	4686 321		G		3.0 Eng., Man. Trans., w/RFI
	4686 310		G		3.0 Eng., Man. Trans., w/o RFI, EUROPE
	4686 322		G		3.0 Eng., Man. Trans., w/RFI, EUROPE
	4686 631		G		3.0 Eng., Auto. Trans., w/o RFI
	4686 318		G		3.0 Eng., Auto. Trans., w/RFI, Calif.
2					COVER, Insulator (Serv. w/Headlamp & Dash Wiring)
3	4419 492				INSULATOR, S.B.E.C.

**MODEL CODES:**

A BODY=(C=LeBaron, D=Spirit, P=Acclaim/LaBaron(Landau), Saratoga)      S BODY=(H=Voyager(H) FWD, K=Caravan(H) FWD, Y=Town & Country(H) FWD, P=Voyager(K) AWD, D=Caravan(K) AWD, C=Town & Country(K) AWD)  
 C BODY=(D=Dynasty, C=New Yorker/N.Y. Salon)  
 G BODY=(V=Daytona/IROC, Chrysler Daytona)  
 J BODY=(C=LeBaron, Chrysler LeBaron)  
 P BODY=(P=Sundance, D=Shadow)      Y BODY=(C=Imperial/5th Avenue)  
 E-S BODY=(K=Chrysler Voyager(H) FWD, D=Chrysler Voyager(K) AWD)

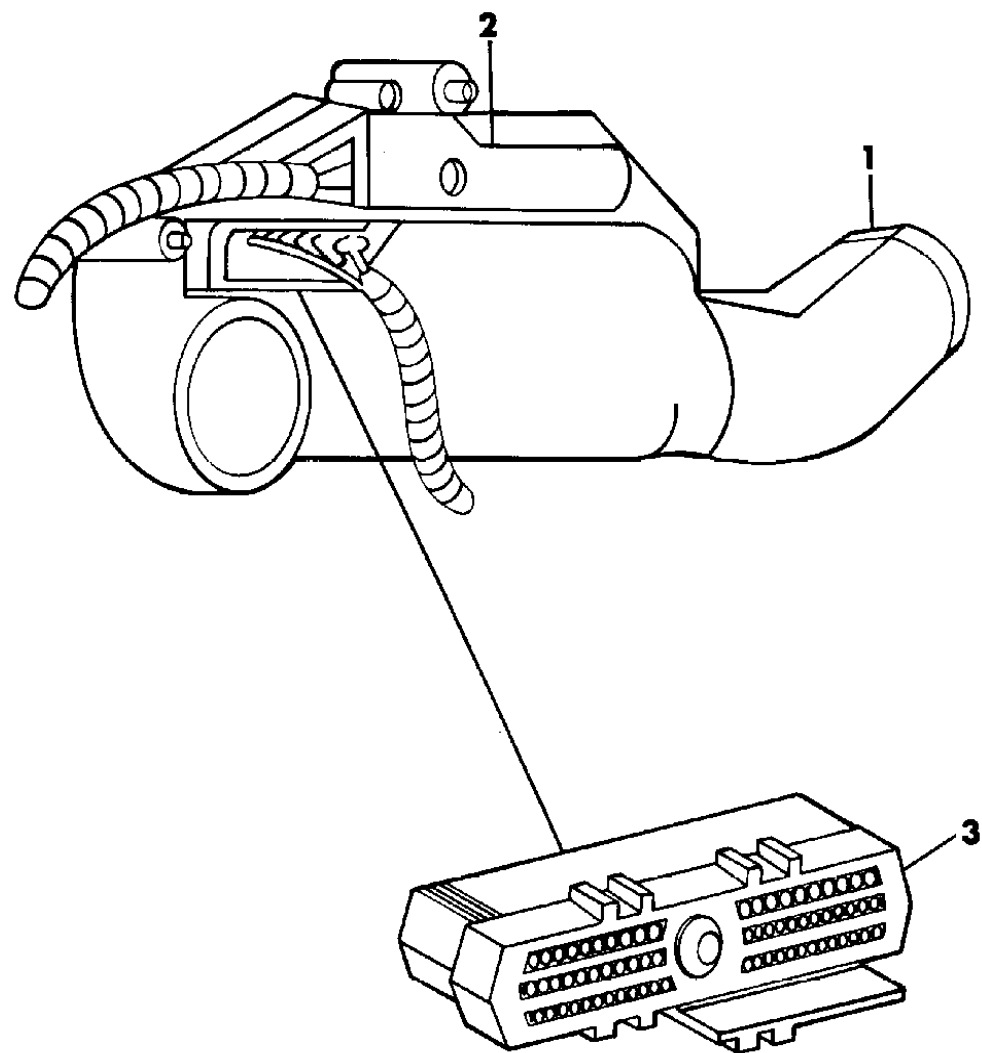
**BODY STYLES:**

21=2-Door Coupe      41=4-Door Sedan      12-52=FWD & AWD Van & Wgn Std W.B.  
 24=2-Door Hatchback      44=4-Door Hatchback      53=FWD & AWD Van & Wgn Ext. W.B.  
 27=2-Door Convertible

AR = Use as Required - = Non Illustrated Part P.A.R. = Paint as Required

**SINGLE BOARD ENGINE CONTROLLERS (POWERTRAIN CONTROL MODULE) C-Y BODY**  
**Figure 8-7240**

93108 7240



ITEM	PART NUMBER	QTY	BODY	MODEL	DESCRIPTION
1					SINGLE BOARD ENGINE CONTROLLER ***
					NOTE: RFI=RADIO NOISE SUPPRESSION
	4686 629		C		3.0 Eng., w/o RFI
	4727 641		C		3.0 Eng., w/RFI
	4639 588		C		2.5 Eng., w/o RFI
	4672 227		C		2.5 Eng., w/RFI
	4686 630		C		3.0 Eng., w/o RFI, Calif.
	4727 642		C		3.0 Eng., w/RFI, Calif
	4686 636		C-Y		3.0 Eng., Leaded Fuel, w/o RFI
	4727 648		C-Y		3.0 Eng., w/RFI, Leaded Fuel, w/RFI
	4639 598		C-Y		3.3 Eng., w/o RFI
	4639 600		C-Y		3.3 Eng., w/o RFI, Calif.
	4762 745		C-Y		3.3 Eng., w/RFI, Fed.
	4672 238		C-Y		3.3 Eng., w/RFI, Calif.
	4639 602		C-Y		3.8 Eng., w/o RFI
	4672 244		Y		3.8 Eng., w/RFI
	4639 604		Y		3.8 Eng., w/o RFI, Calif.
	4672 245		Y		3.8 Eng., w/RFI, Calif.
2					COVER, Insulator (Serv. w/Headlamp & Dash Wiring)
3	4419 492				INSULATOR, S.B.E.C.

**MODEL CODES:**

A BODY=(C=LeBaron, D=Spirit, P=Acclaim/LaBaron(Landau), Saratoga)      S BODY=(H=Voyager(H) FWD, K=Caravan(H) FWD, Y=Town & Country(H) FWD, P=Voyager(K) AWD, D=Caravan(K) AWD, C=Town & Country(K) AWD)  
 C BODY=(D=Dynasty, C=New Yorker/N.Y. Salon)      Y BODY=(C=Imperial/5th Avenue)  
 G BODY=(V=Daytona/IROC, Chrysler Daytona)      E-S BODY=(K=Chrysler Voyager(H) FWD, D=Chrysler Voyager(K) AWD)  
 J BODY=(C=LeBaron, Chrysler LeBaron)  
 P BODY=(P=Sundance, D=Shadow)

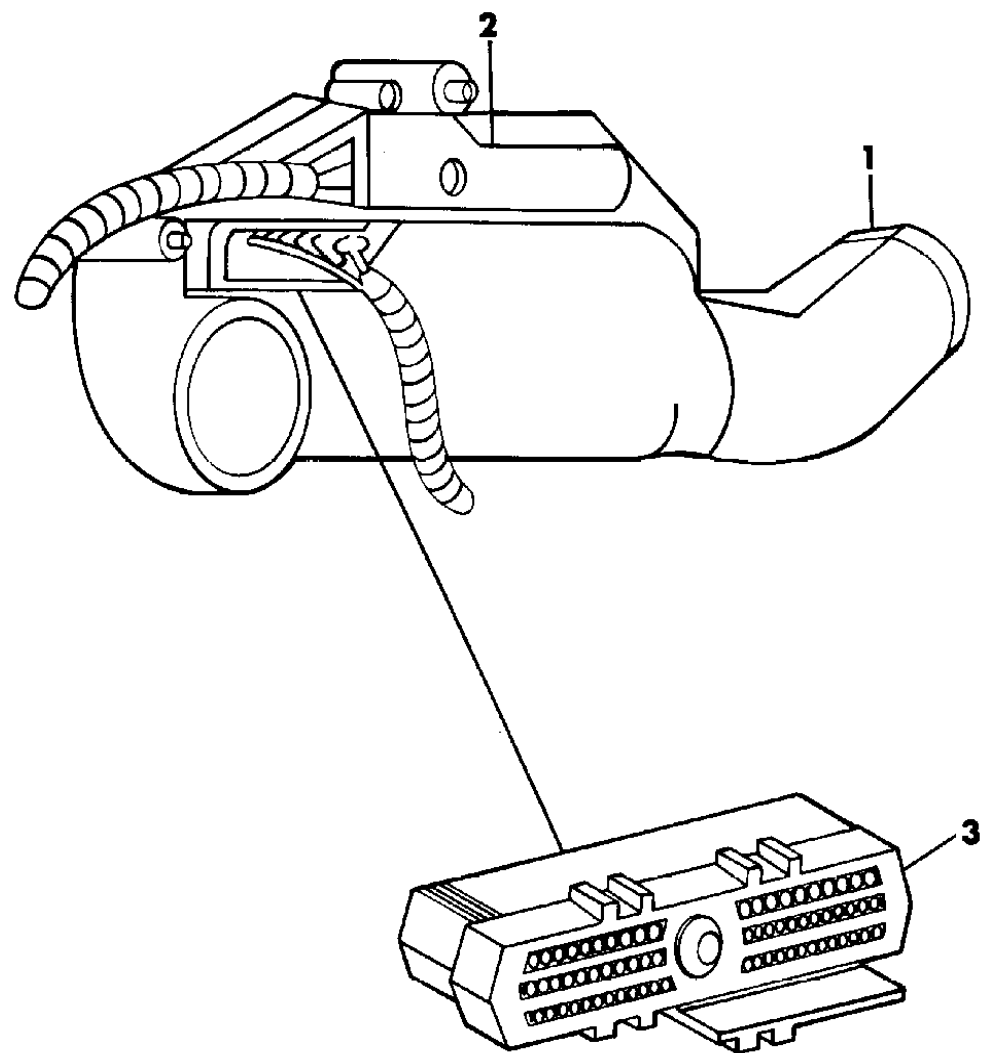
**BODY STYLES:**

21=2-Door Coupe      41=4-Door Sedan      12-52=FWD & AWD Van & Wgn Std W.B.  
 24=2-Door Hatchback      44=4-Door Hatchback      53=FWD & AWD Van & Wgn Ext. W.B.  
 27=2-Door Convertible

AR = Use as Required - = Non Illustrated Part P.A.R. = Paint as Required

**SINGLE BOARD ENGINE CONTROLLERS (POWERTRAIN CONTROL MODULE) S-BODY**  
**Figure 8-7250**

93108 7250



ITEM	PART NUMBER	QTY	BODY	MODEL	DESCRIPTION
1					SINGLE BOARD ENGINE CONTROLLER ***
	4639 607	S			2.5 Eng., Auto. Trans., w/o RFI
	4672 228	S			2.5 Eng., Auto. Trans., w/RFI
	4639 608	S			2.5 Eng., Man. Trans., w/o RFI
	4672 229	S			2.5 Eng., Man. Trans., w/RFI
	4639 606	S			2.5 Eng., Man. Trans., w/o RFI, EUROPE
	4672 230	S			2.5 Eng., Man. Trans., w/RFI
	4686 626	S			3.0 Eng., w/o RFI
	4686 627	S			3.0 Eng., w/o RFI, Calif.
	4686 638	S		12-13	3.0 Eng., w/RFI
	4686 639	S		52-53	3.0 Eng., w/RFI, Calif.
	4686 628	ES			3.0 Eng., EXPORT
	4557 618	S			3.3 Eng., 2 Wheel Drive, w/o RFI
	4686 280	S			3.3 Eng, w/RFI, AWD, EUROPE
	4557 619	S			3.3 Eng., w/o RFI, 2 Wheel Drive, Calif.
	4672 242	S			3.3 Eng., w/RFI, 2 Wheel Drive, Calif.
	4686 279	S		52-53	3.3 Eng., AWD, w/RFI
	4686 276	S			3.3 Eng., AWD, w/o RFI
	4672 241	S			3.3 Eng., 2 Wheel Drive
	4557 620	S-ES		HKY	3.3 Eng., w/o RFI, 2 Wheel Drive, EUROPE
	4686 277	S-ES		CDP	3.3 Eng., w/o RFI, AWD, EUROPE
	4672 243	S			3.3 Eng., w/RFI, 2 Wheel Drive, EUROPE
2					COVER, Insulator (Serv. w/Headlamp & Dash Wiring)
3	4419 492				INSULATOR, S.B.E.C.

**MODEL CODES:**

A BODY=(C=LeBaron, D=Spirit, P=Acclaim/LaBaron(Landau), Saratoga)      S BODY=(H=Voyager(H) FWD, K=Caravan(H) FWD, Y=Town & Country(H) FWD, P=Voyager(K) AWD, D=Caravan(K) AWD, C=Town & Country(K) AWD)  
 C BODY=(D=Dynasty, C=New Yorker/N.Y. Salon)      Y BODY=(C=Imperial/5th Avenue)  
 G BODY=(V=Daytona/IROC, Chrysler Daytona)      E-S BODY=(K=Chrysler Voyager(H) FWD, D=Chrysler Voyager(K) AWD)  
 J BODY=(C=LeBaron, Chrysler LeBaron)  
 P BODY=(P=Sundance, D=Shadow)

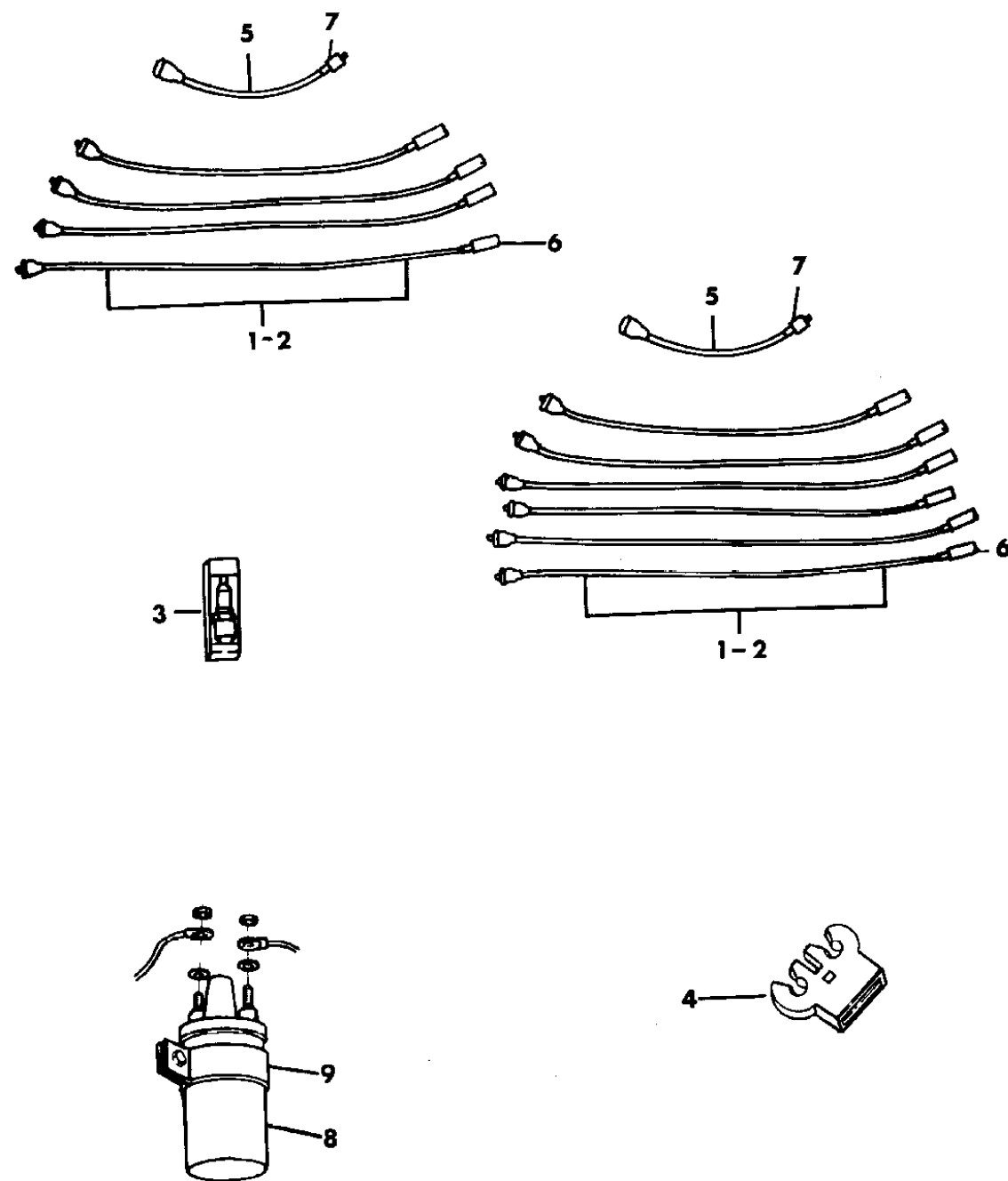
**BODY STYLES:**

21=2-Door Coupe      41=4-Door Sedan      12-52=FWD & AWD Van & Wgn Std W.B.  
 24=2-Door Hatchback      44=4-Door Hatchback      53=FWD & AWD Van & Wgn Ext. W.B.  
 27=2-Door Convertible

AR = Use as Required - = Non Illustrated Part P.A.R. = Paint as Required

**SPARK PLUGS--CABLES--COILS**  
Figure 8-7300

93108 7300



ITEM	PART NUMBER	QTY	BODY	MODEL	DESCRIPTION
1-2	4637 155	1			CABLE SET, 4-Cyl.
	MD99 7629	1			3.0 Eng.
	4638 809	1	A-G		4-Cyl. 16 Valve
	4728 955	1			3.3-3.8 Eng.
3	5213 693	AR			SPARK PLUG, RN-12-YC
	4318 131	AR			RN-11-YC4, 3.0 Eng.
	5235 010	AR			RN-16-YC5, 3.3 Eng.
	4106 117	AR	A-G		RN-9-YC, 16 Valve
4					SEPARATOR
	5233 610	AR	C-Y-S		3.3-3.8 Eng.
	MD04 1676	AR			3.0 Eng.
	MD00 1795	AR			3.0 Eng.
5					CABLE, Coil
	5234 607	AR			4-Cyl.
	MD13 8070	AR			3.0 Eng.
	5213 360	AR	J		2.5 Eng.
	5234 179	AR	C-Y		2.5 Eng.
6	5226 785	AR			CABLE, Spark Plug, #1-4, 4-Cyl.
	5226 786	AR			#2-3, 4-Cyl.
	4484 467	1	A-G		#1, 16 Valve
	4484 468	1	A-G		#2, 16 Valve
	4484 469	1	A-G		#3, 16 Valve
	4484 470	1	A-G		#4, 16 Valve
	MD09 7070	AR			#6, 3.0 Eng.
	MD10 7725	AR			#5, 3.0 Eng.
	MD10 7724	AR			#3, 3.0 Eng.
	MD09 7055	AR			#2, 3.0 Eng.
	MD10 7723	AR			#1, 3.0 Eng.
	MD09 7059	AR			#4, 3.0 Eng.
	4686 050	AR			#1, 3.3-3.8 Eng.
	4686 051	AR			#2, 3.3-3.8 Eng.
	4686 052	AR			#3, 3.3-3.8 Eng.
4686 053	AR			#4, 3.3-3.8 Eng.	
4686 054	AR			#5, 3.3-3.8 Eng.	
4686 055	AR			#6, 3.3-3.8 Eng.	
7		AR			NIPPLE, Dist. End. (Serv. w/Cable)
8	5252 577	AR			COIL, 2.2, 2.5, TBI - 2.5 Turbo, (Insul. 4638991 )
	5233 109	AR			2.2 16-Valve
	MD14 1044	AR			3.0 Eng.

**MODEL CODES:**

A BODY=(C=LeBaron, D=Spirit, P=Acclaim/LaBaron(Landau), Saratoga) S BODY=(H=Voyager(H) FWD, K=Caravan(H) FWD, Y=Town & Country(H) FWD, P=Voyager(K) AWD, D=Caravan(K) AWD, C=Town & Country(K) AWD)  
 C BODY=(D=Dynasty, C=New Yorker/N.Y. Salon) Y BODY=(C=Imperial/5th Avenue)  
 G BODY=(V=Daytona/IROC, Chrysler Daytona) E-S BODY=(K=Chrysler Voyager(H) FWD, D=Chrysler Voyager(K) AWD)  
 J BODY=(C=LeBaron, Chrysler LeBaron) P BODY=(P=Sundance, D=Shadow)

**BODY STYLES:**

21=2-Door Coupe 41=4-Door Sedan 12-52=FWD & AWD Van & Wgn Std W.B.  
 24=2-Door Hatchback 44=4-Door Hatchback 53=FWD & AWD Van & Wgn Ext. W.B.  
 27=2-Door Convertible

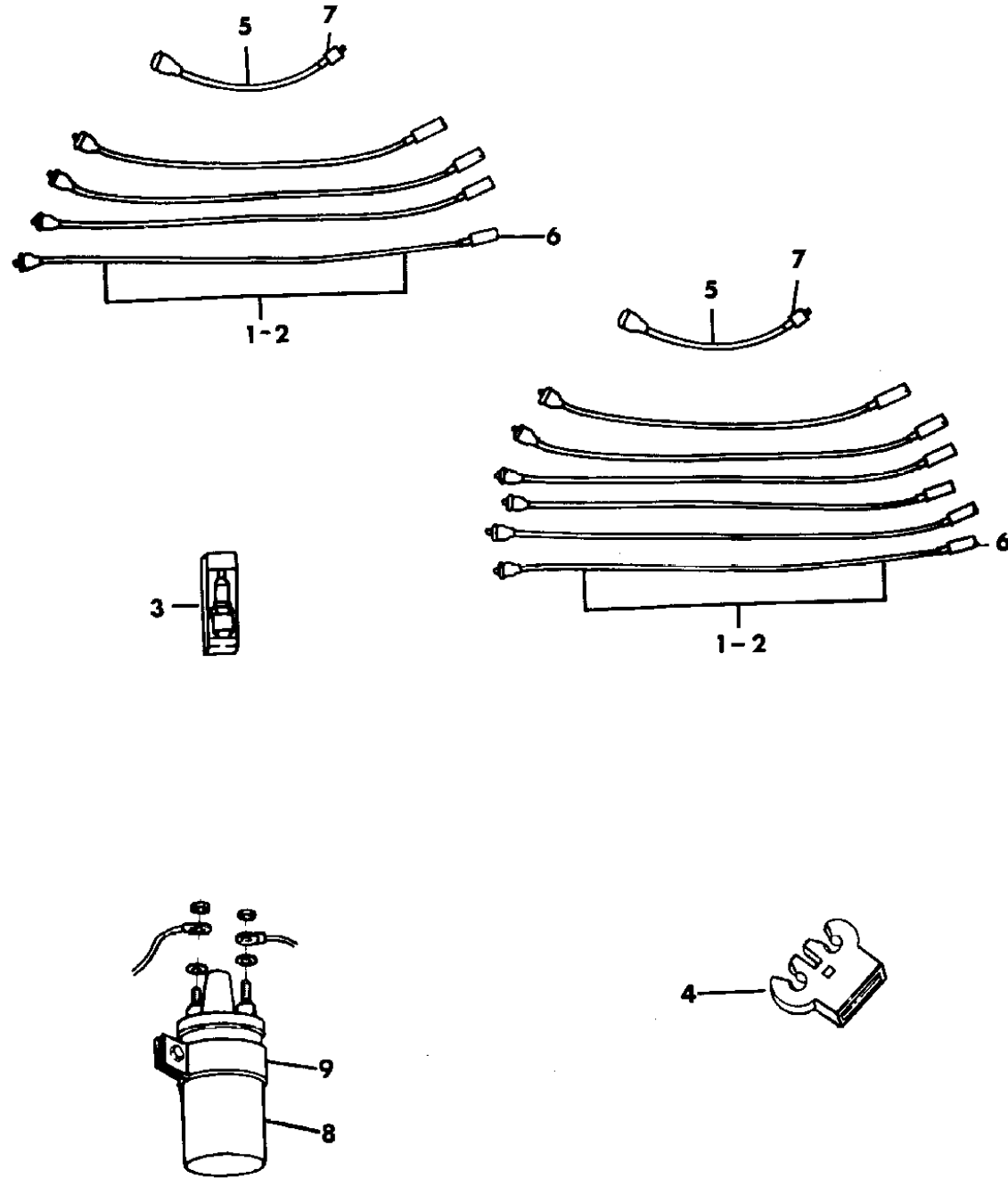
AR = Use as Required - = Non Illustrated Part P.A.R. = Paint as Required



**SPARK PLUGS--CABLES--COILS**  
Figure 8-7300

93108 7300

ITEM	PART NUMBER	QTY	BODY	MODEL	DESCRIPTION
	4443 971	AR			3.3-3.8 Eng.
9	5252 576	AR			BRACKET, Coil, 4-Cyl.
-	4442 855	1			PLATE, Coil Mtg. (16-Valve Eng.)



**MODEL CODES:**

A BODY=(C=LeBaron, D=Spirit, P=Acclaim/LaBaron(Landau), Saratoga)      S BODY=(H=Voyager(H) FWD, K=Caravan(H) FWD, Y=Town & Country(H) FWD, P=Voyager(K) AWD, D=Caravan(K) AWD, C=Town & Country(K) AWD)  
 C BODY=(D=Dynasty, C=New Yorker/N.Y. Salon)  
 G BODY=(V=Daytona/IROC, Chrysler Daytona)  
 J BODY=(C=LeBaron, Chrysler LeBaron)  
 P BODY=(P=Sundance, D=Shadow)

**BODY STYLES:**

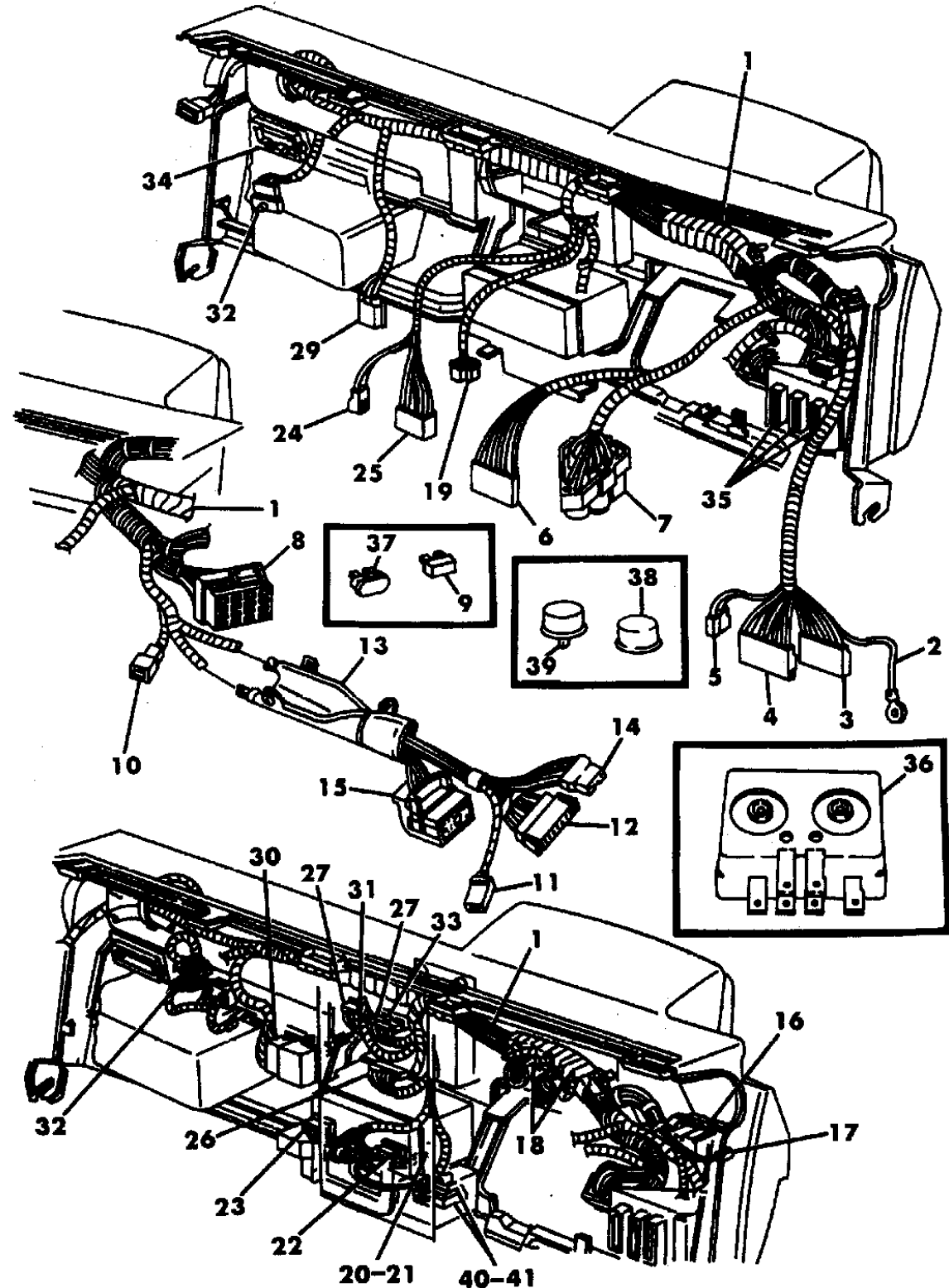
21=2-Door Coupe      41=4-Door Sedan      12-52=FWD & AWD Van & Wgn Std W.B.  
 24=2-Door Hatchback      44=4-Door Hatchback      53=FWD & AWD Van & Wgn Ext. W.B.  
 27=2-Door Convertible

AR = Use as Required - = Non Illustrated Part P.A.R. = Paint as Required

WIRING--INSTRUMENT PANEL P BODY

Figure 8-7400

931008 7400



ITEM	PART NUMBER	QTY	BODY	MODEL	DESCRIPTION
1	4661 484	1			WIRING HARNESS, Inst. Panel, Base, w/Inter. Wipe, Fog Lamp, Air Bag
	4661 581	1			w/Intermittent Wiper
	4661 582	1			w/Message Center
	4661 485	1			w/o Message Center (Base), w/o Intermittent
	4661 483	1			w/Fog Lamp, Overhead Console, Message Center, Namebrand Speakers
-	4362 713	1			WIRING, Stereo Speakers
-	4481 762	1			WIRING, Airbag Module Jumper
2	4209 499	1			INSULATOR, Airbag Ground Eyelet
3	4274 521	1			INSULATOR, To Body Wire, Gray, 8-Way
4	4209 948	1			INSULATOR, To Body, Gray, 10-Way
5	4055 019	1			INSULATOR, To Body Wire, 2-Way
6	4209 182	1			INSULATOR, Inter-Wipe Module, 8-Way
7	4368 099	1			MODULE, Relay Bank
8	4661 319	1			FUSE BLOCK
9	6101 132	AR			FUSE, 4-Amp., Std.
	6101 133	AR			5-Amp., Std.
	6101 139	AR			30-Amp., Std.
	6101 135	AR			10-Amp., Std.
	6101 136	AR			15-Amp., Std.
	6101 137	AR			20-Amp., Std.
	6101 523	AR			2-Amp., Std.
	6101 481				2-Amp., Mini
	6101 482				3-Amp., Mini
	6101 483				4-Amp., Mini
	6101 484				5-Amp., Mini
	6101 485				7.5-Amp., Mini
	6101 486				10-Amp., Mini
	6101 487				15-Amp., Mini
	6101 488				20-Amp., Mini
	6101 679				20-Amp., Maxi
	6101 640				30-Amp., Maxi
	6101 641				40-Amp., Maxi
	6101 642				50-Amp., Maxi
	6101 643				60-Amp., Maxi
	6101 645				80-Amp., Maxi
-	4331 020				FUSE PULLER ***
10	4443 954	1			INSULATOR, Airbag Squib, 2-Way

MODEL CODES:

A BODY=(C=LeBaron, D=Spirit, P=Acclaim/LaBaron(Landau), Saratoga)

C BODY=(D=Dynasty, C=New Yorker/N.Y. Salon)

G BODY=(V=Daytona/ROC, Chrysler Daytona)

J BODY=(C=LeBaron, Chrysler LeBaron)

P BODY=(P=Sundance, D=Shadow)

S BODY=(H=Voyager(H) FWD, K=Caravan(H) FWD,

Y=Town & Country(H) FWD, P=Voyager(K) AWD,

D=Caravan(K) AWD, C=Town & Country(K) AWD)

Y BODY=(C=Imperial/5th Avenue)

E-S BODY=(K=Chrysler Voyager(H) FWD, D=Chrysler

Voyager(K) AWD)

BODY STYLES:

21=2-Door Coupe

41=4-Door Sedan

12-52=FWD & AWD Van & Wgn Std W.B.

24=2-Door Hatchback

44=4-Door Hatchback

53=FWD & AWD Van & Wgn Ext. W.B.

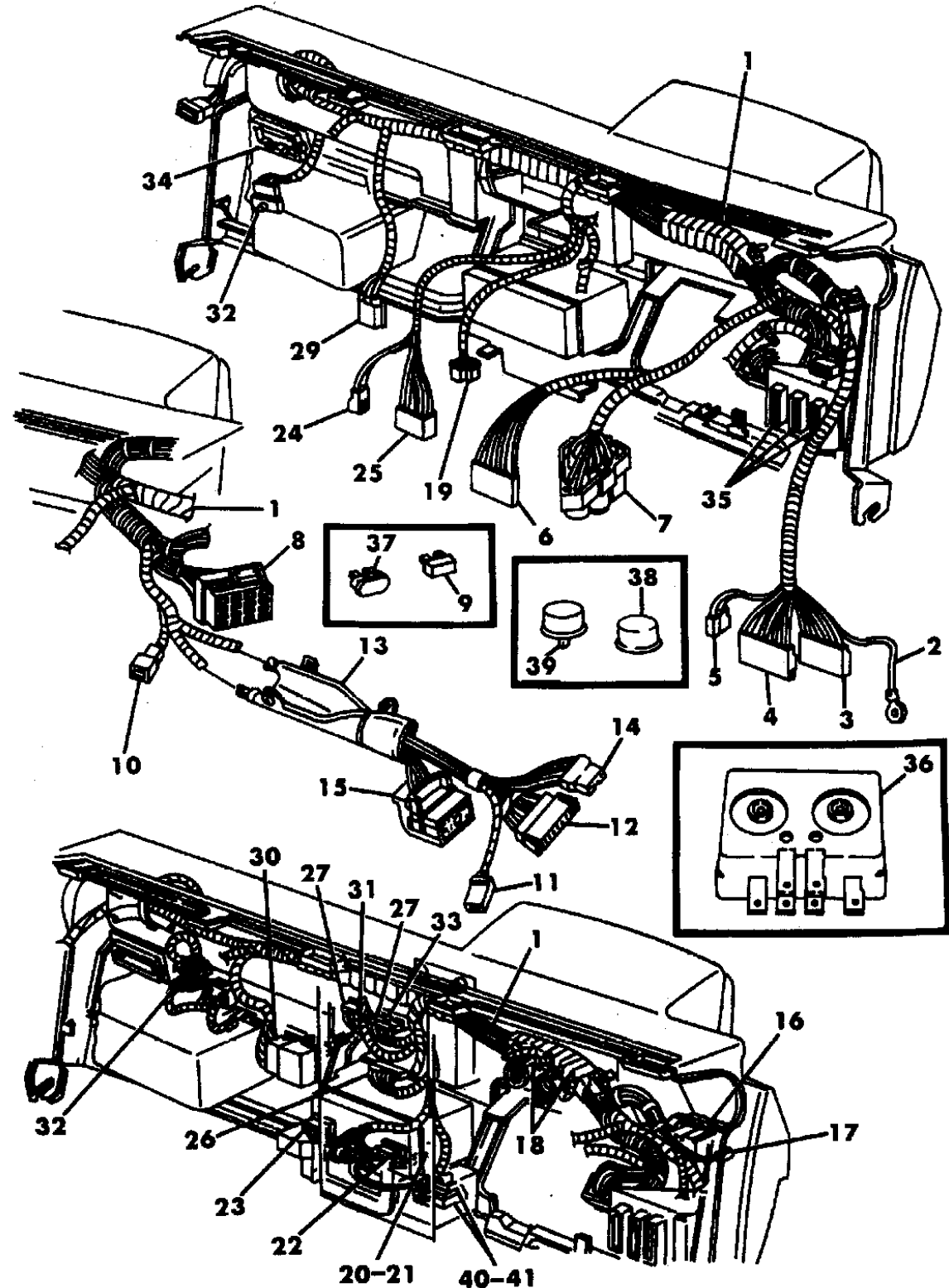
27=2-Door Convertible

AR = Use as Required - = Non Illustrated Part P.A.R. = Paint as Required

WIRING--INSTRUMENT PANEL P BODY

Figure 8-7400

931008 7400



ITEM	PART NUMBER	QTY	BODY	MODEL	DESCRIPTION
11	4504 257	1			INSULATOR, Halo-Lamp, 4-Way (Terminal 4304729)
12	4419 594	1			INSULATOR, Ign. Switch, 7-Way
	5211 545	1			5-Way
	5211 546	1			6-Way
13		1			TROUGH, (Serv. In Wiring) ***
14	4481 035	1			INSULATOR, Clockspring, 5-Way
15	4419 577	1			INSULATOR, Multifunction
16	4527 299	1			INSULATOR, Headlamp Switch, 9-Way
17		1			INSULATOR, H/Lamp Switch Ground, 1-Way (Serv. Assy.)
18	4304 597	1			INSULATOR, Printed Circuit Board, 11-Way
19	2298 882	1			INSULATOR, T/Signal Flasher, 2-Way
20	4374 022	1			INSULATOR, (SOCKET) Ash Reciever
21	9415 969	1			BULB, Ash Reciever, #161
22	4720 928	1			INSULATOR, Radio, Black
23		1			INSULATOR, Radio, Gray (Use #22)
24	4443 958	1			INSULATOR, Airbag Module, 2-Way
25	4209 939	1			INSULATOR, Airbag Module, 10-Way
26		1			INSULATOR, A/C & Heater Control, 7-Way (Serv. In Wiring)
-	4713 022				INSULATOR, A/C Resistor Block
27	4504 255	1			INSULATOR, E.B.L. Switch, 5-Way
29		1			INSULATOR, Elec. Cyc. Clutch Switch Pigtail, (Sev. In Wiring)
30	4274 017	1			INSULATOR, Chimes, 7-Way
31	4331 498	1			INSULATOR, Message Center
32	4274 516	1			INSULATOR, Name Brand Speakers, 4-Way
	4331 332	AR			INSULATOR, Ultimate Sound 7-Way
33	4374 022	2			SOCKET, Turbo-Gauge Illumination
34	4527 256	1			INSULATOR, To Body Wiring, 16-Way
35	4527 256	1			INSULATOR, Black, 16-Way
	4527 257	1			Gray, 16-Way
	4527 258	1			Green, 16-Way
36	4373 067	1			BUZZER, Warning
37	4331 929	AR			BREAKER, Circuit, 6-Amp.
	4186 379	AR			30-Amp.
38	3837 162	AR			FLASHER, T/Sig., 3-Lamp ***
	3837 161	AR			2-Lamp
39	2932 877	AR			FLASHER, Hazard Warning ***
40	4374 022	AR			SOCKET, Cigar Lighter
41	2257 443	1			INSULATOR, Cigar Lighter
-	4124 252	1			BUSS BAR, w/Term. F/Block 3-Way ***

MODEL CODES:

A BODY=(C=LeBaron, D=Spirit, P=Acclaim/LaBaron(Landau), Saratoga)

C BODY=(D=Dynasty, C=New Yorker/N.Y. Salon)

G BODY=(V=Daytona/ROC, Chrysler Daytona)

J BODY=(C=LeBaron, Chrysler LeBaron)

P BODY=(P=Sundance, D=Shadow)

S BODY=(H=Voyager(H) FWD, K=Caravan(H) FWD,

Y=Town & Country(H) FWD, P=Voyager(K) AWD,

D=Caravan(K) AWD, C=Town & Country(K) AWD)

Y BODY=(C=Imperial/5th Avenue)

E-S BODY=(K=Chrysler Voyager(H) FWD, D=Chrysler

Voyager(K) AWD)

BODY STYLES:

21=2-Door Coupe

41=4-Door Sedan

12-52=FWD & AWD Van & Wgn Std W.B.

24=2-Door Hatchback

44=4-Door Hatchback

53=FWD & AWD Van & Wgn Ext. W.B.

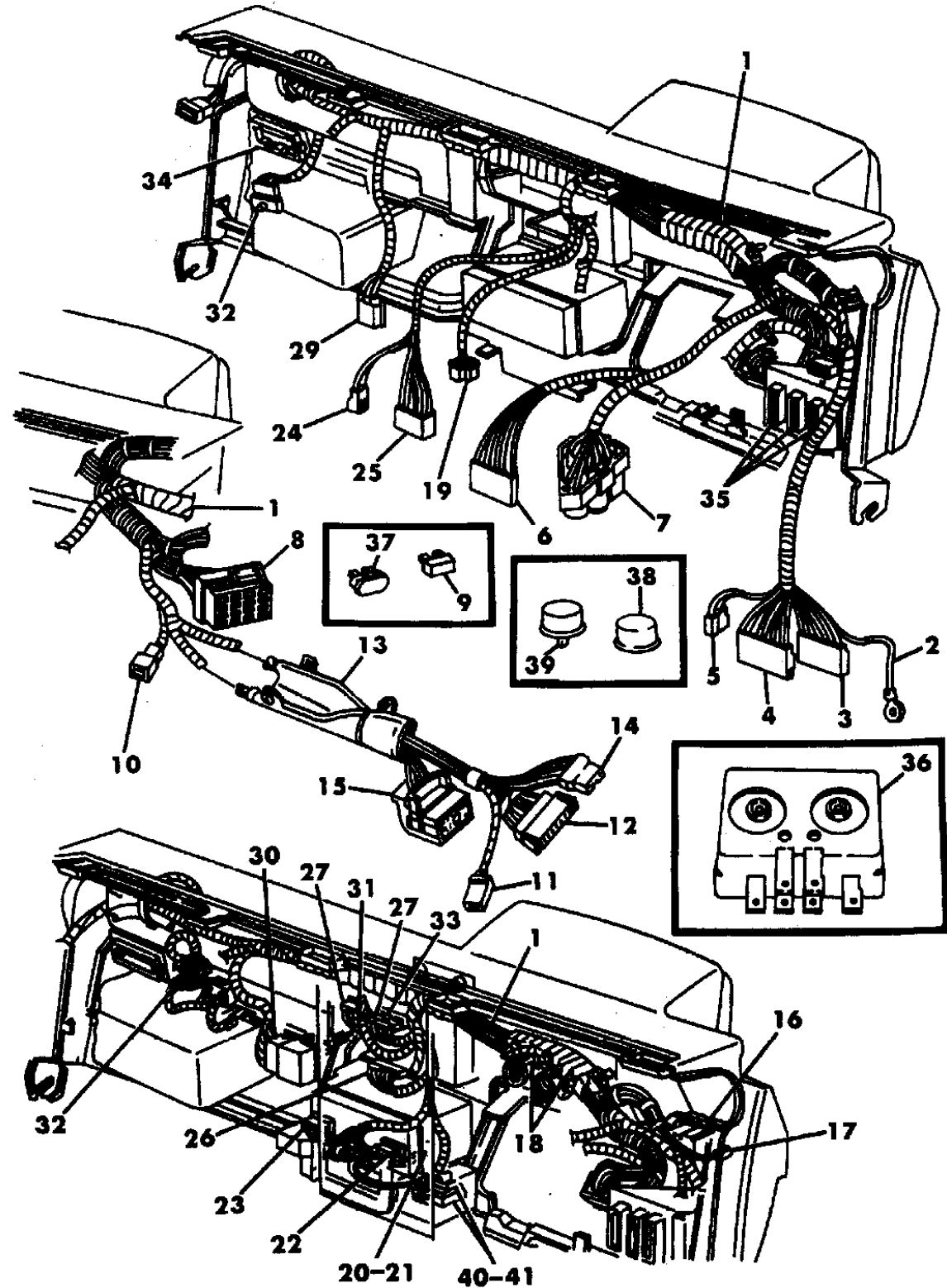
27=2-Door Convertible

AR = Use as Required - = Non Illustrated Part P.A.R. = Paint as Required

WIRING--INSTRUMENT PANEL P BODY

Figure 8-7400

931008 7400



ITEM	PART NUMBER	QTY	BODY	MODEL	DESCRIPTION
	4124 256	AR			4-Way

MODEL CODES:

A BODY=(C=LeBaron, D=Spirit, P=Acclaim/LaBaron(Landau),  
Saratoga)  
C BODY=(D=Dynasty, C=New Yorker/N.Y. Salon)  
G BODY=(V=Daytona/IROC, Chrysler Daytona)  
J BODY=(C=LeBaron, Chrysler LeBaron)  
P BODY=(P=Sundance, D=Shadow)

S BODY=(H=Voyager(H) FWD, K=Caravan(H) FWD,  
Y=Town & Country(H) FWD, P=Voyager(K) AWD,  
D=Caravan(K) AWD, C=Town & Country(K) AWD)  
Y BODY=(C=Imperial/5th Avenue)  
E-S BODY=(K=Chrysler Voyager(H) FWD, D=Chrysler  
Voyager(K) AWD)

BODY STYLES:

21=2-Door Coupe      41=4-Door Sedan      12-52=FWD & AWD Van & Wgn Std W.B.  
24=2-Door Hatchback      44=4-Door Hatchback      53=FWD & AWD Van & Wgn Ext. W.B.  
27=2-Door Convertible

AR = Use as Required - = Non Illustrated Part P.A.R. = Paint as Required

WIRING--INSTRUMENT PANEL A BODY

Figure 8-7500

93108 7500

ITEM	PART NUMBER	QTY	BODY	MODEL	DESCRIPTION
1	4400 932	1			FUSE BOX
2	6100 840	4			PUSHNUT ***
3	4625 690	1			WIRING, Inst. Panel, Mech. Cluster, w/Overhead Console
	4625 688	1			Base
	4625 692				w/Elec. Cluster
	4625 689	1			w/Illum. Entry
	4625 691	1			w/Trip Computer
	4625 693	1			Elec. Cluster, EUROPE
	4688 129	1			MID-EAST
4	2298 882	1			INSULATOR, T/Sig. Flasher, 2-Way
	4439 078	1			3-Way, EUROPE
5		AR			GROMMET, Wiring, (Serv. Assy.)
		1			3-Way, EUROPE
6	4469 059	1			CABLE, Radio Antenna
7	4331 021	1			INSULATOR, A/C Heater Control (7-Way)
8		1			INSULATOR, Printed Circuit Board 11-Way, (Serv. In Wiring)
9		AR			CLIP, Locator (Serv. In Wiring)
10		1			HOLDER, Fuse, (Serv. In Wiring) EUROPE
11		1			INSULATOR, Clutch Switch (Serv. In Wiring) 3-Way
12	4274 017	1			INSULATOR, Chime Module
13	4414 065	1			INSULATOR, Blower Motor Feed
14	4439 084	1			INSULATOR, Illum. Entry 9-Way
15	4439 083	1			INSULATOR, Fog Lamp Relay, 5-Way
16	4720 928	1			INSULATOR, Radio Feed, 7-Way
17		1			INSULATOR, Speaker (Use #16)
18	4374 022	1			SOCKET, Cigar Lighter
19	9415 969	1			BULB, Cigar Lighter, #161
20	4374 704	1			SOCKET, Ash Reciever
21	9433 184	1			BULB, Ash Receiver, #74
22		1			INSULATOR, Message Center, (Serv. In Wiring) 14-Way
23		1			INSULATOR, Mini-Trip, (Serv. In Wiring) 7-Way
24		1			INSULATOR, Cigar Lighter Feed, (Not Serv.)
25		1			INSULATOR, Cigar Lighter Ground, (Serv. In Wiring)
26	4713 022	1			INSULATOR, A/C Blower Mtr. Resistor, 5-Way
27	4331 930	1			INSULATOR, Trans. Diagnostic, 6-Way
28		1			INSULATOR, Cluster Lt., 13-Way (Serv. In Wiring)
29		1			INSULATOR, Cluster, Rt., 13-Way (Serv. In Wiring)
30	4304 596	1			INSULATOR, Printed Circuit Board, Rt., 11-Way
31		1			INSULATOR, PRNDL Lp., 2-Way

MODEL CODES:

A BODY=(C=LeBaron, D=Spirit, P=Acclaim/LaBaron(Landau), Saratoga)

C BODY=(D=Dynasty, C=New Yorker/N.Y. Salon)

G BODY=(V=Daytona/IROC, Chrysler Daytona)

J BODY=(C=LeBaron, Chrysler LeBaron)

P BODY=(P=Sundance, D=Shadow)

S BODY=(H=Voyager(H) FWD, K=Caravan(H) FWD,

Y=Town & Country(H) FWD, P=Voyager(K) AWD,

D=Caravan(K) AWD, C=Town & Country(K) AWD)

Y BODY=(C=Imperial/5th Avenue)

E-S BODY=(K=Chrysler Voyager(H) FWD, D=Chrysler

Voyager(K) AWD)

BODY STYLES:

21=2-Door Coupe

41=4-Door Sedan

12-52=FWD & AWD Van & Wgn Std W.B.

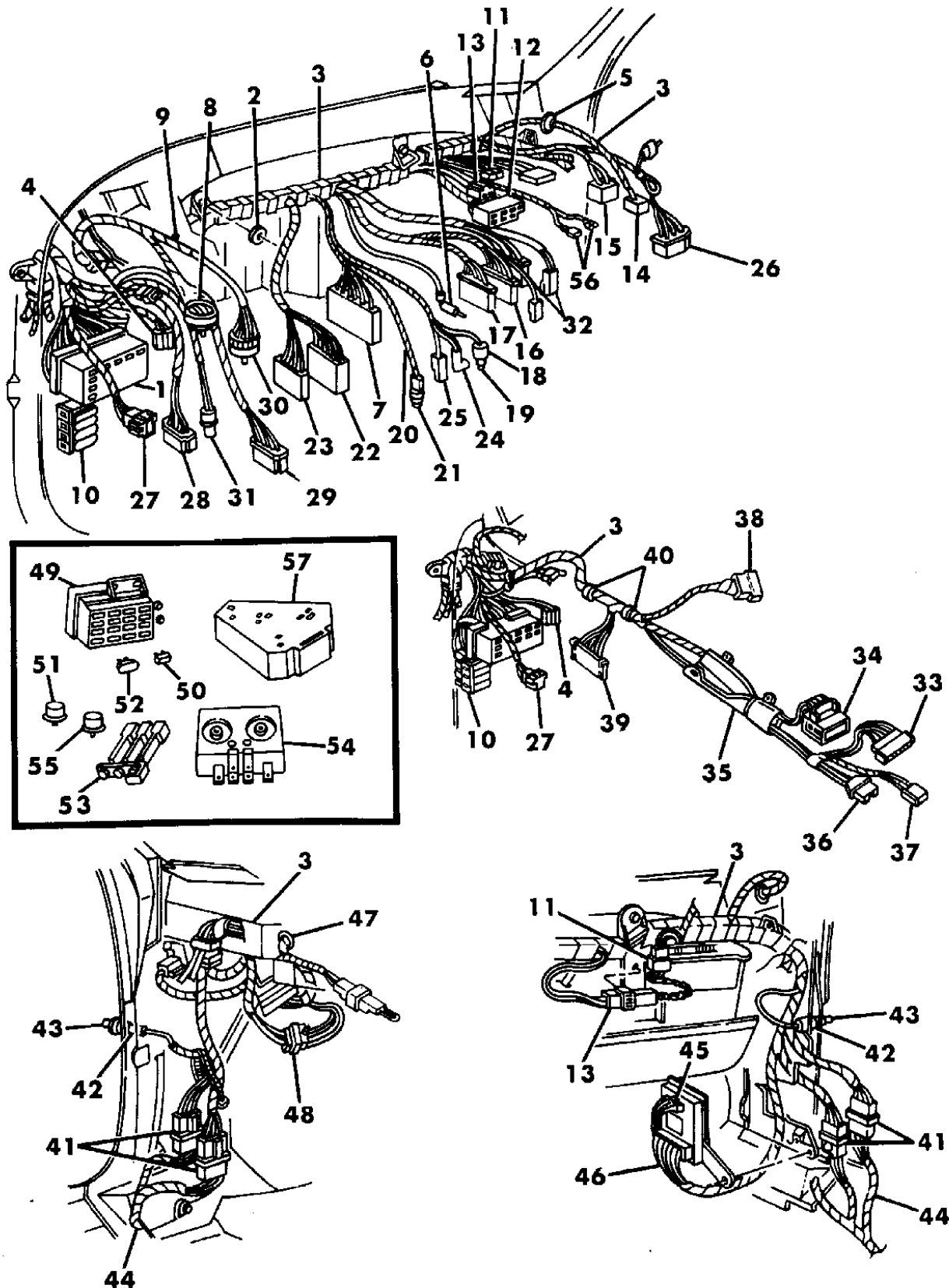
24=2-Door Hatchback

44=4-Door Hatchback

53=FWD & AWD Van & Wgn Ext. W.B.

27=2-Door Convertible

AR = Use as Required - = Non Illustrated Part P.A.R. = Paint as Required



WIRING--INSTRUMENT PANEL A BODY

Figure 8-7500

93108 7500

ITEM	PART NUMBER	QTY	BODY	MODEL	DESCRIPTION
32		1			INSULATOR, Airbag Module
	4209 939	1			10-Way
	4443 958	1			2-Way
	4443 954	1			EUROPE
33	4419 594	1			INSULATOR, Ign. Switch, 7-Way
34	4419 577	1			INSULATOR, Multifunction
35		1			TROUGH, Inst. Pnl. Wiring (Serv. In Wiring) ***
36	4527 389	1			INSULATOR, Clockspring, 5-Way
37	4527 387	1			INSULATOR, Halo, 4-Way
38		1		D,X	INSULATOR, Fog Lamp Sw., Rear EUROPE
39	4209 182	1			INSULATOR, Pulse Wipe Module, 8-Way
40		AR			CLIP, (Serv. Assy.)
41		1			INSULATOR, To Body Wiring (Serv. In Wiring)
42		1			INSULATOR, To Door Switch (Serv. Assy.)
43		1			SWITCH, Door (See Switch Illustration)
44		1			WIRING, Body (See Body & Accessory Wiring Illus.)
45	5267 494	1			INSULATOR, Lamp Outage Module 5-Way
46		1			INSULATOR, Lamp Outage, 14-Way, (Serv. In Wiring)
47		1			GROMMET, (Serv. In Wiring)
48	4443 952	1			INSULATOR, Airbag Sensor
49	4400 932	1			FUSEBLOCK ***
50	6101 523	AR			FUSE, 2-Amp., Std.
	6101 131	AR			3-Amp., Std.
	6101 132	AR			4-Amp., Std.
	6101 133	AR			5-Amp., Std.
	6101 136	AR			15-Amp., Std.
	6101 137	AR			20-Amp., Std.
	6101 138	AR			25-Amp., Std.
	6101 139	AR			30-Amp., Std.
	6101 481				2-Amp., Mini
	6101 482				3-Amp., Mini
	6101 483				4-Amp., Mini
	6101 484				5-Amp., Mini
	6101 485				7.5-Amp., Mini
	6101 486				10-Amp., Mini
	6101 487				15-Amp., Mini
	6101 488				20-Amp., Mini
	6101 679				20-Amp., Maxi
	6101 640				30-Amp., Maxi

MODEL CODES:

A BODY=(C=LeBaron, D=Spirit, P=Acclaim/LaBaron(Landau), Saratoga)

C BODY=(D=Dynasty, C=New Yorker/N.Y. Salon)

G BODY=(V=Daytona/IROC, Chrysler Daytona)

J BODY=(C=LeBaron, Chrysler LeBaron)

P BODY=(P=Sundance, D=Shadow)

S BODY=(H=Voyager(H) FWD, K=Caravan(H) FWD,

Y=Town & Country(H) FWD, P=Voyager(K) AWD,

D=Caravan(K) AWD, C=Town & Country(K) AWD)

Y BODY=(C=Imperial/5th Avenue)

E-S BODY=(K=Chrysler Voyager(H) FWD, D=Chrysler

Voyager(K) AWD)

BODY STYLES:

21=2-Door Coupe

41=4-Door Sedan

12-52=FWD & AWD Van & Wgn Std W.B.

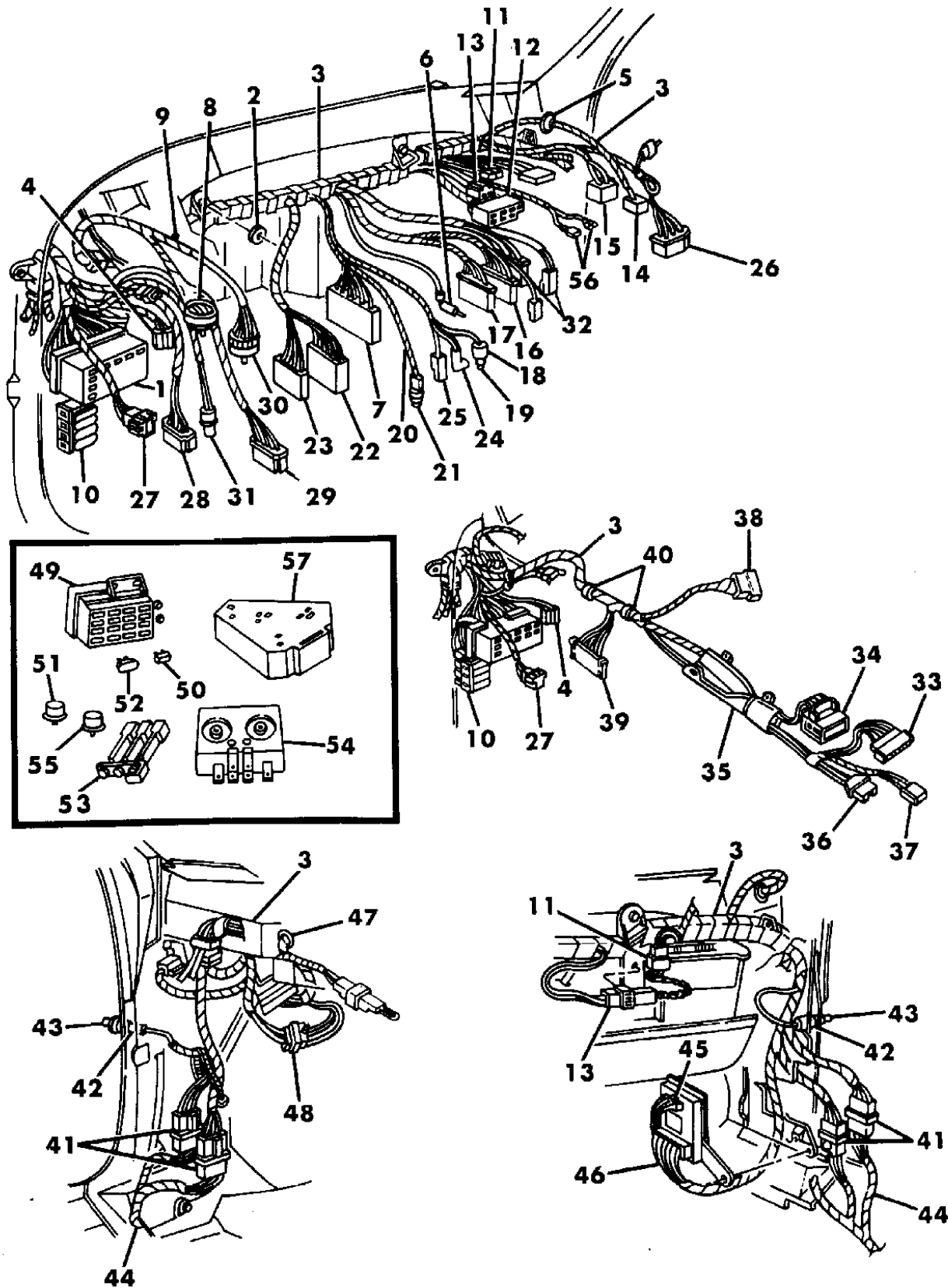
24=2-Door Hatchback

44=4-Door Hatchback

53=FWD & AWD Van & Wgn Ext. W.B.

27=2-Door Convertible

AR = Use as Required - = Non Illustrated Part P.A.R. = Paint as Required

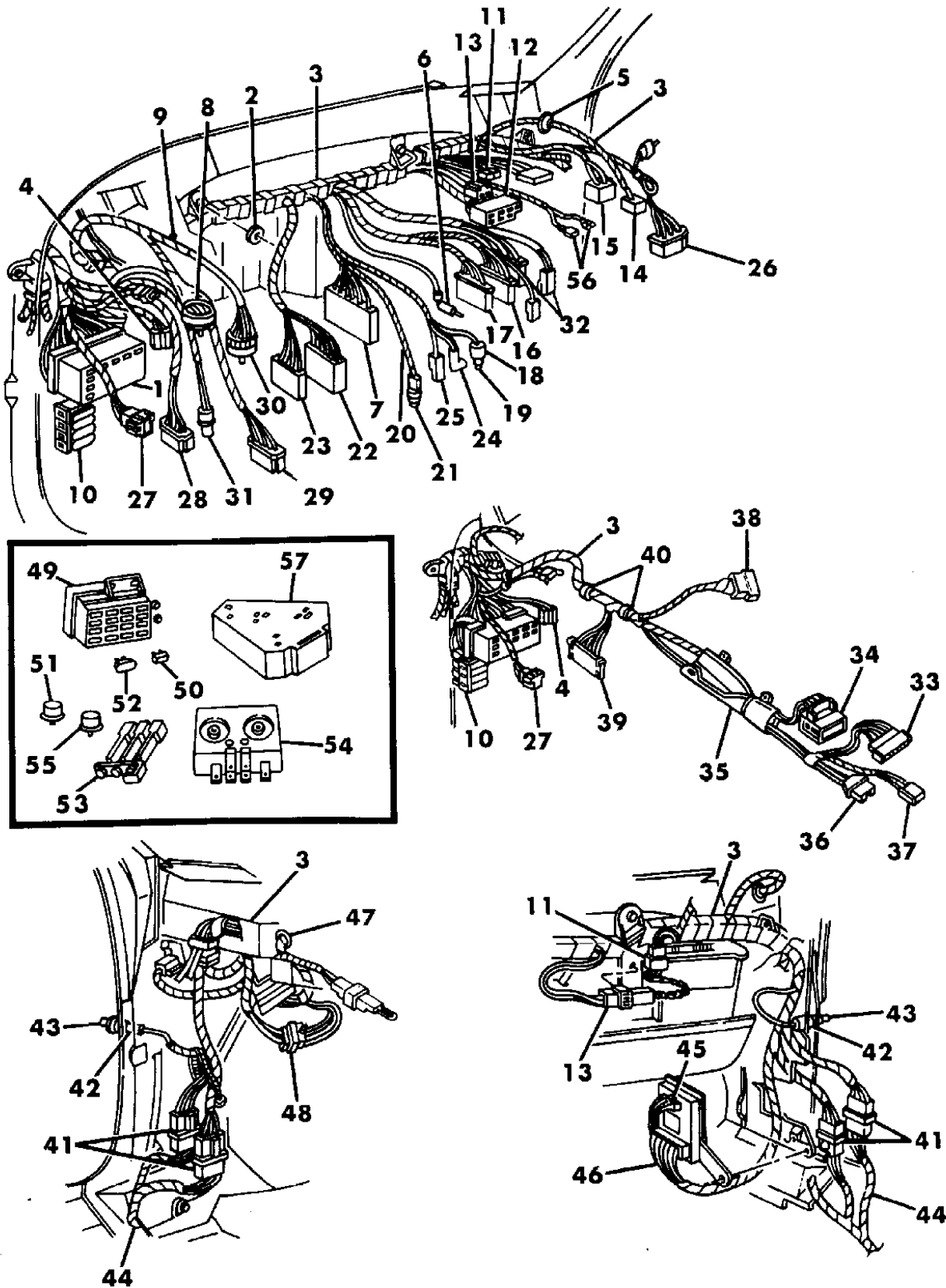


WIRING--INSTRUMENT PANEL A BODY

Figure 8-7500

93108 7500

ITEM	PART NUMBER	QTY	BODY	MODEL	DESCRIPTION
	6101 641				40-Amp., Maxi
	6101 641				40-Amp., Maxi
	6101 642				50-Amp., Maxi
	6101 643				60-Amp., Maxi
	6101 645				80-Amp., Maxi
51	2932 877	AR			FLASHER, Hazard Warning ***
52	4414 333	AR			BREAKER, Circuit, 30-Amp.
	4331 929	AR			6-Amp.
53	4124 752	AR			TERMINAL, Buss Bar, 3-Way
	4124 258	AR			1-Way
54	4373 067	1			BUZZER, Warning
55	3837 161	AR			FLASHER, T/Sig., 2-Lamp ***
	3837 162	AR			3-Lamp ***
56		1			INSULATOR, Glove Box Lamp (Serv. In Wiring)
57	4331 712	1			INSULATOR, Bulkhead Assembly



MODEL CODES:

A BODY=(C=LeBaron, D=Spirit, P=Acclaim/LaBaron(Landau, Saratoga)  
 C BODY=(D=Dynasty, C=New Yorker/N.Y. Salon)  
 G BODY=(V=Daytona/IROC, Chrysler Daytona)  
 J BODY=(C=LeBaron, Chrysler LeBaron)  
 P BODY=(P=Sundance, D=Shadow)

S BODY=(H=Voyager(H) FWD, K=Caravan(H) FWD, Y=Town & Country(H) FWD, P=Voyager(K) AWD, D=Caravan(K) AWD, C=Town & Country(K) AWD)  
 Y BODY=(C=Imperial/5th Avenue)  
 E-S BODY=(K=Chrysler Voyager(H) FWD, D=Chrysler Voyager(K) AWD)

BODY STYLES:

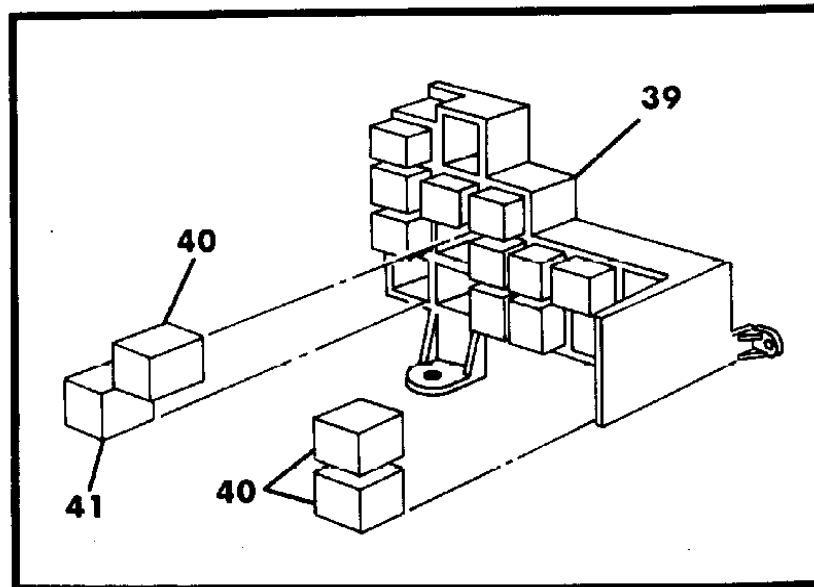
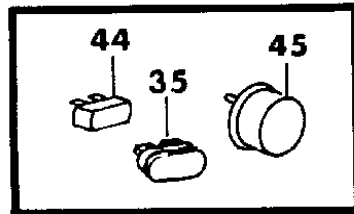
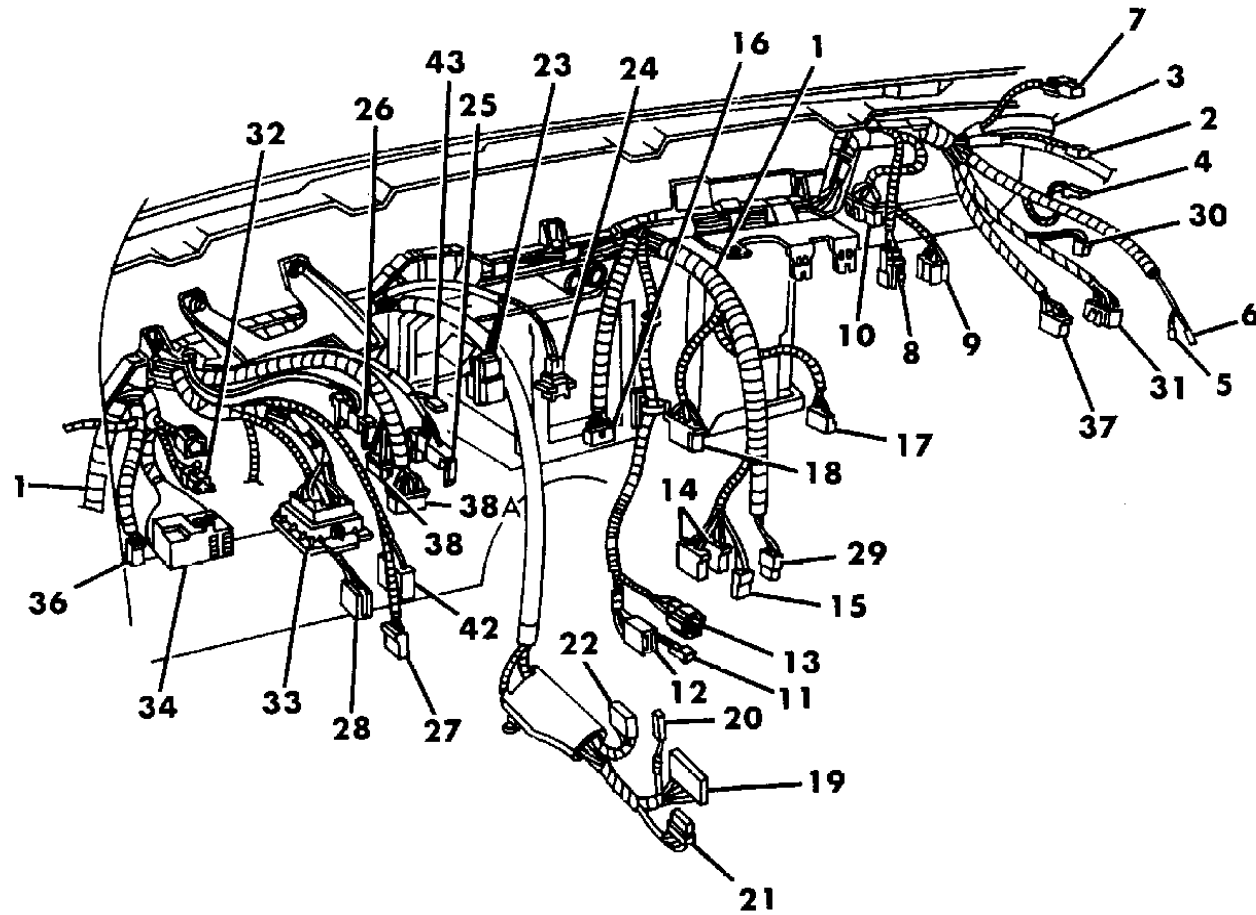
21=2-Door Coupe      41=4-Door Sedan      12-52=FWD & AWD Van & Wgn Std W.B.  
 24=2-Door Hatchback      44=4-Door Hatchback      53=FWD & AWD Van & Wgn Ext. W.B.  
 27=2-Door Convertible

AR = Use as Required - = Non Illustrated Part P.A.R. = Paint as Required

WIRING--INSTRUMENT PANEL J BODY

Figure 8-7600

93108 7600



ITEM	PART NUMBER	QTY	BODY	MODEL	DESCRIPTION
1					WIRING, Inst. Panel
	4661 023	1			w/Mech. Cluster
	4661 022	1			w/Mech. Cluster, w/EVIC
	4661 021	1			w/Mech. Cluster, w/Pwr. Locks & Time Delay
	4661 020	1			w/Mech. Cluster, w/Sec. Alarm
	4661 019	1			w/Elec. Cluster, w/EVIC
	4661 017	1			w/Elec. Cluster, w/o EVIC
	4661 015	1			EUROPE
2	4368 428	1			INSULATOR, Power Antenna
3	4527 365	1			INSULATOR, Body Computer (Black)
	4527 364	1			(Natural)
4	4209 927	1			INSULATOR, Frt. Spkr. Rt.
5		1			INSULATOR, Glove Box Feed (Serv. In Wiring)
6	2580 061	1			INSULATOR, Glove Box
7	4414 065	1			INSULATOR, Blower Motor Feed
8	4274 937	1			INSULATOR, Speaker Choke
9		1			INSULATOR, A/C Clutch Cycling (Serv. In Wiring)
10	4713 022	1			INSULATOR, A/C or Heater Resistor Block
11	4443 958	1			INSULATOR, Airbag Diagnostic (2-Way)
12	4209 939	1			INSULATOR, Airbag Diagnostic (10 Way)
13		1			INSULATOR, Console Jumper (Serv. In Wiring)
14	4720 928	AR			INSULATOR, Radio
15		1			INSULATOR, Amp. Ground (Serv. In Wiring)
16	4504 263	1			INSULATOR, Lighted Message Ctr. Ground, 6-Way
17	4504 255	1			INSULATOR, EBL (5-Way)
18	4331 021	1			INSULATOR, A/C Control (7-Way)
19		1			INSULATOR, Ignition Switch
	4419 594	1			7-Way
	5211 546	1			6-Way
	5211 545	1			5-Way
-	4527 299	1			INSULATOR, H/Lamp Switch, 9-Way
20	4527 387	1			INSULATOR, Halo-Light (4-Way)
21	4625 237	1			INSULATOR, Clockspring
22	4209 939	1			INSULATOR, T/Sig. & Hazard
23	4439 083	1			INSULATOR, Flasher (Combo) (9-Way)
24	4443 954	1			INSULATOR, To Airbag Wire (2-Way)
25	4419 573	1			INSULATOR, Rt. Switch POD
26		1			INSULATOR, Lt. Switch POD (Use #25)
27		1			INSULATOR, Dimmer Module, 6-Way, (Serv. In Wiring)

MODEL CODES:

A BODY=(C=LeBaron, D=Spirit, P=Acclaim/LaBaron(Landau), Saratoga)

C BODY=(D=Dynasty, C=New Yorker/N.Y. Salon)

G BODY=(V=Daytona/IROC, Chrysler Daytona)

J BODY=(C=LeBaron, Chrysler LeBaron)

P BODY=(P=Sundance, D=Shadow)

S BODY=(H=Voyager(H) FWD, K=Caravan(H) FWD,

Y=Town & Country(H) FWD, P=Voyager(K) AWD,

D=Caravan(K) AWD, C=Town & Country(K) AWD)

Y BODY=(C=Imperial/5th Avenue)

E-S BODY=(K=Chrysler Voyager(H) FWD, D=Chrysler

Voyager(K) AWD)

BODY STYLES:

21=2-Door Coupe

41=4-Door Sedan

12-52=FWD & AWD Van & Wgn Std W.B.

24=2-Door Hatchback

44=4-Door Hatchback

53=FWD & AWD Van & Wgn Ext. W.B.

27=2-Door Convertible

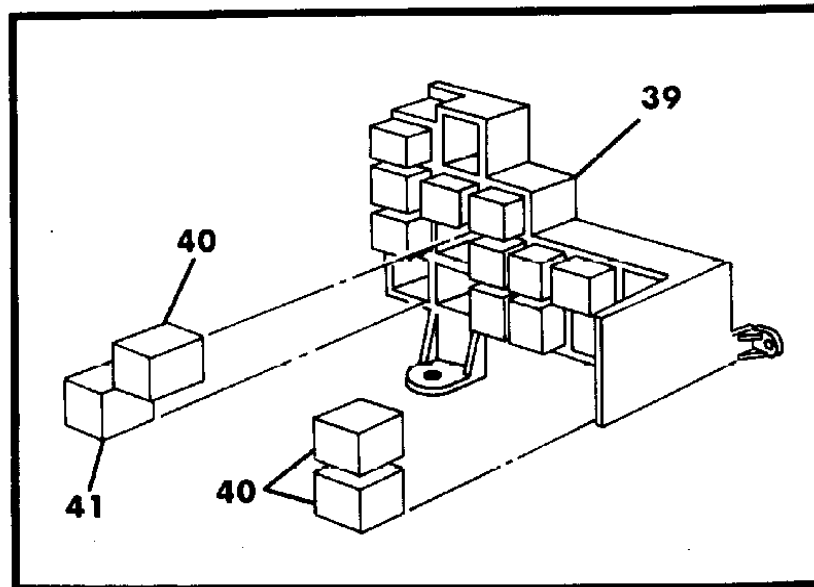
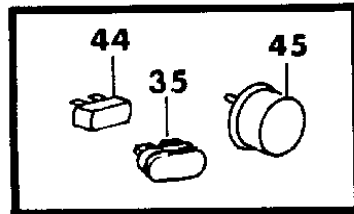
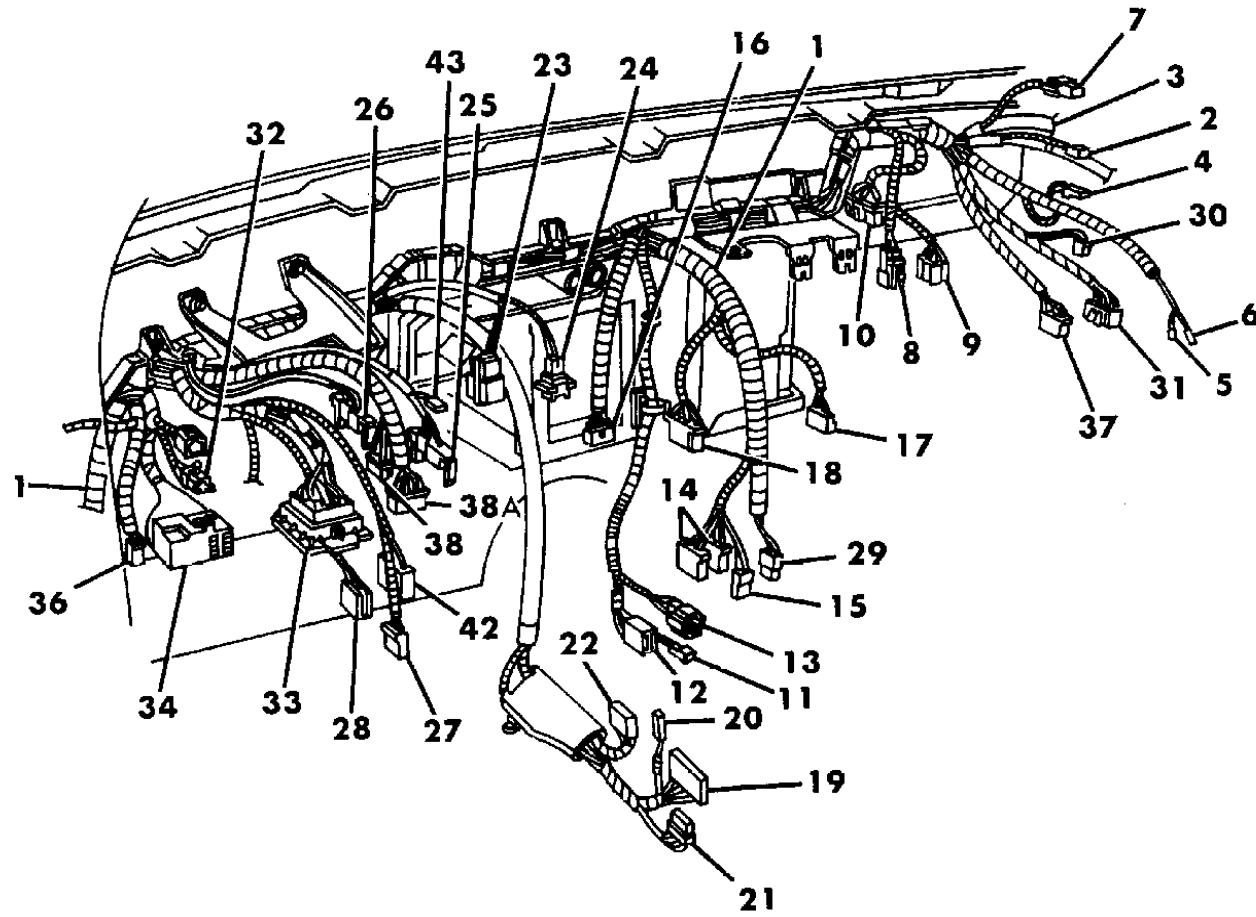
AR = Use as Required - = Non Illustrated Part P.A.R. = Paint as Required



WIRING--INSTRUMENT PANEL J BODY

Figure 8-7600

93108 7600



ITEM	PART NUMBER	QTY	BODY	MODEL	DESCRIPTION
28	4443 952	1			INSULATOR, Airbag To Eng. Wiring (8-Way)
29		1			INSULATOR, Trip Computer (7-Way) (Serv. In Wiring)
30	5267 494	1			INSULATOR, Lamp Outage (5-Way)
31		1			INSULATOR, Lamp Outage (14-Way) (Serv. In Wiring)
32	4331 930	1			INSULATOR, D.R.B. Connector (6-Way)
33	4331 712	1			INSULATOR, Bulkhead To H/Lamp & Dash Wiring
34	4481 526	1			INSULATOR, Fuseblock
35	6101 481	AR			FUSE, 2-Amp., Mini
	6101 484	AR			5-Amp., Mini
	6101 486	AR			10-Amp., Mini
	6101 487	AR			15-Amp., Mini
	6101 488	AR			20-Amp., Mini
	6101 679	AR			20-Amp., Maxi
	6101 640				30-Amp., Maxi
	6101 641				40-Amp., Maxi
	6101 642				50-Amp., Maxi
	6101 643				60-Amp., Maxi
	6101 645				80-Amp., Maxi
	6101 132				4-Amp., Std.
	6101 133				5-Amp., Std.
	6101 139				30-Amp., Std.
	6101 135				10-Amp., Std.
	6101 136	AR			15-Amp., Std.
	6101 137				20-Amp., Std.
	6101 523				2-Amp., Std.
36	4209 927	AR			INSULATOR, Speaker Front
37		1			INSULATOR, Sec. Alarm Module
38	4527 380	1			INSULATOR, Cluster Blue, (13-Way)
38A	4527 381	1			INSULATOR, Red (13-Way)
39		1			RELAY BLOCK, (Serv. In Wiring) ***
40	4373 229	AR			RELAY
	5252 672	AR			RELAY, Rear Fog Lamps
41		AR			RELAY, NBS & Pwr. Antenna
42	4209 939	1			INSULATOR, Headlamp Leaveling, EUROPE
43		1			INSULATOR, Rear Fog Lamp (Serv. In Wiring) EUROPE
44	4186 379	AR			CIRCUIT BREAKER, 30 Amp. ***
45	2932 877	AR			FLASHER, Hazard Warning ***
	4672 198	AR			T/Sig. & Haz. Warning, "GT PKG."
	3837 162	AR			3-Lamp

MODEL CODES:

A BODY=(C=LeBaron, D=Spirit, P=Acclaim/LaBaron(Landau),  
Saratoga)  
C BODY=(D=Dynasty, C=New Yorker/N.Y. Salon)  
G BODY=(V=Daytona/IROC, Chrysler Daytona)  
J BODY=(C=LeBaron, Chrysler LeBaron)  
P BODY=(P=Sundance, D=Shadow)

S BODY=(H=Voyager(H) FWD, K=Caravan(H) FWD,  
Y=Town & Country(H) FWD, P=Voyager(K) AWD,  
D=Caravan(K) AWD, C=Town & Country(K) AWD)  
Y BODY=(C=Imperial/5th Avenue)  
E-S BODY=(K=Chrysler Voyager(H) FWD, D=Chrysler  
Voyager(K) AWD)

BODY STYLES:

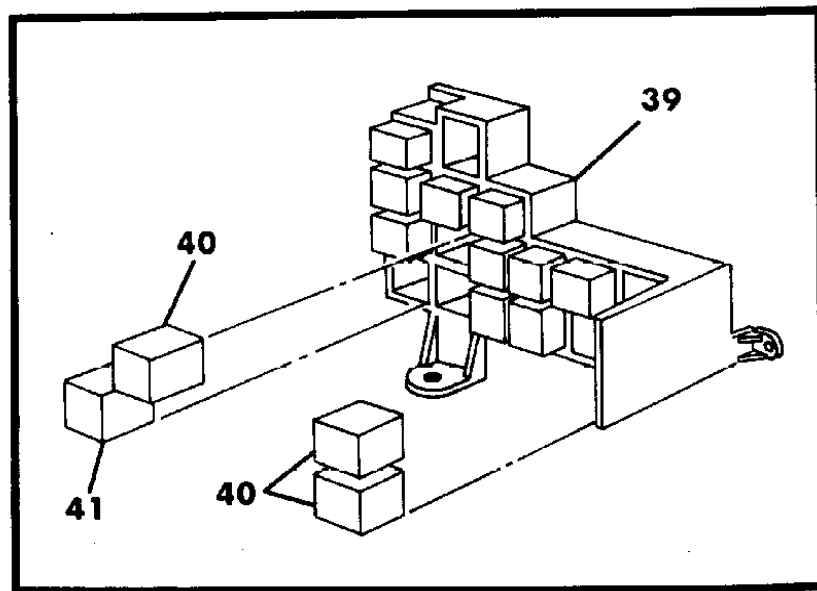
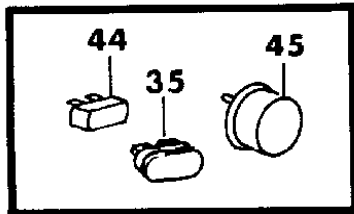
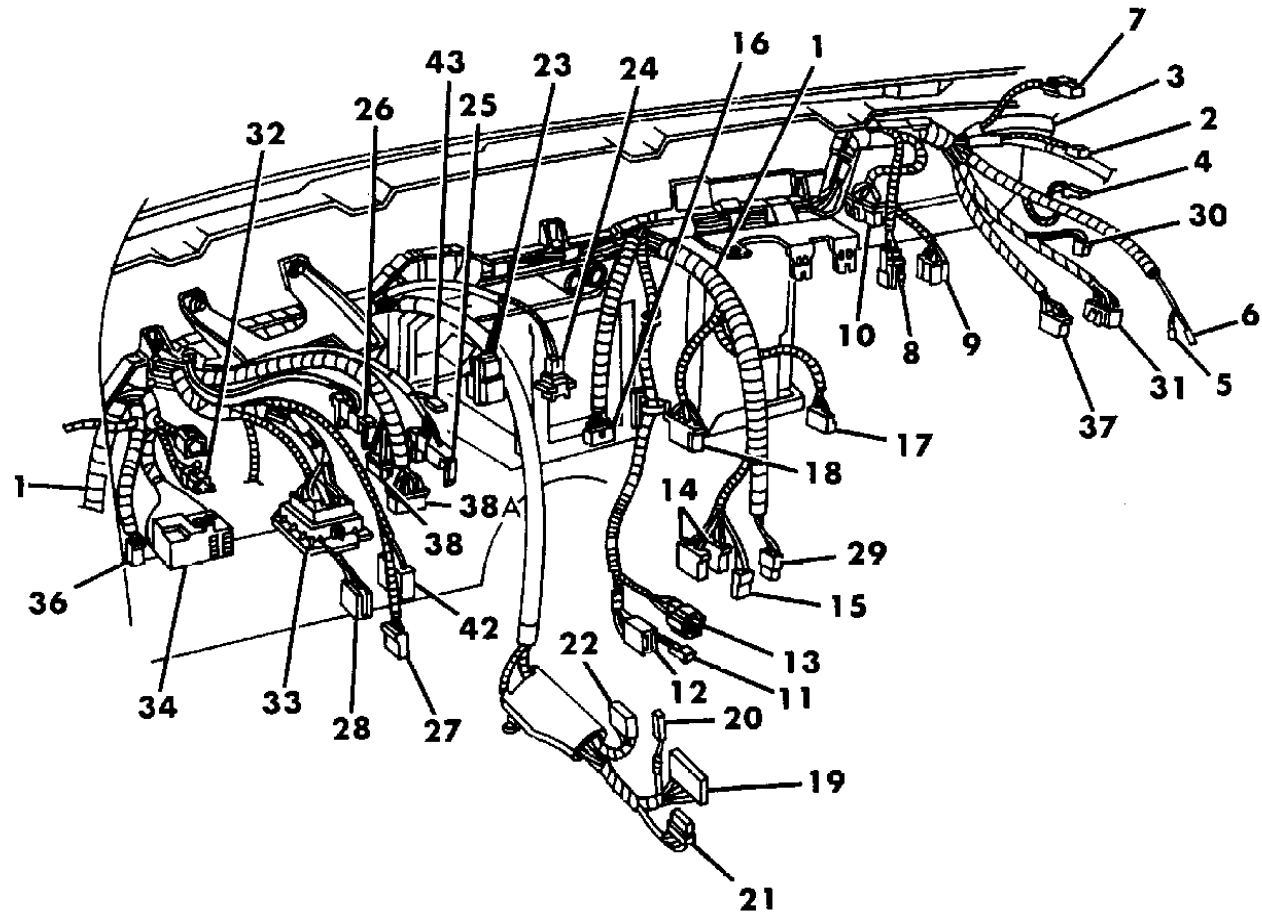
21=2-Door Coupe      41=4-Door Sedan      12-52=FWD & AWD Van & Wgn Std W.B.  
24=2-Door Hatchback      44=4-Door Hatchback      53=FWD & AWD Van & Wgn Ext. W.B.  
27=2-Door Convertible

AR = Use as Required - = Non Illustrated Part P.A.R. = Paint as Required

WIRING--INSTRUMENT PANEL J BODY

Figure 8-7600

93108 7600



ITEM	PART NUMBER	QTY	BODY	MODEL	DESCRIPTION
	4373 429	AR			T/Signal & S/Marker
	4565 016	AR			EUROPE
-	4373 745	AR			DIODE PACK ***
-	4124 256				BUSS BAR, 4-Way ***

MODEL CODES:

A BODY=(C=LeBaron, D=Spirit, P=Acclaim/LaBaron(Landau),  
Saratoga)  
C BODY=(D=Dynasty, C=New Yorker/N.Y. Salon)  
G BODY=(V=Daytona/IROC, Chrysler Daytona)  
J BODY=(C=LeBaron, Chrysler LeBaron)  
P BODY=(P=Sundance, D=Shadow)

S BODY=(H=Voyager(H) FWD, K=Caravan(H) FWD,  
Y=Town & Country(H) FWD, P=Voyager(K) AWD,  
D=Caravan(K) AWD, C=Town & Country(K) AWD)  
Y BODY=(C=Imperial/5th Avenue)  
E-S BODY=(K=Chrysler Voyager(H) FWD, D=Chrysler  
Voyager(K) AWD)

BODY STYLES:

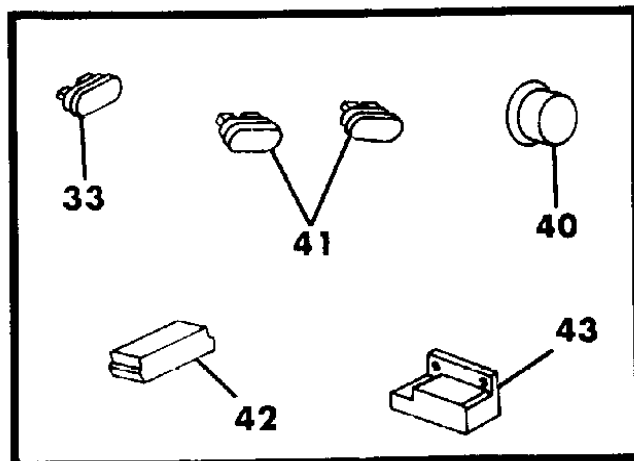
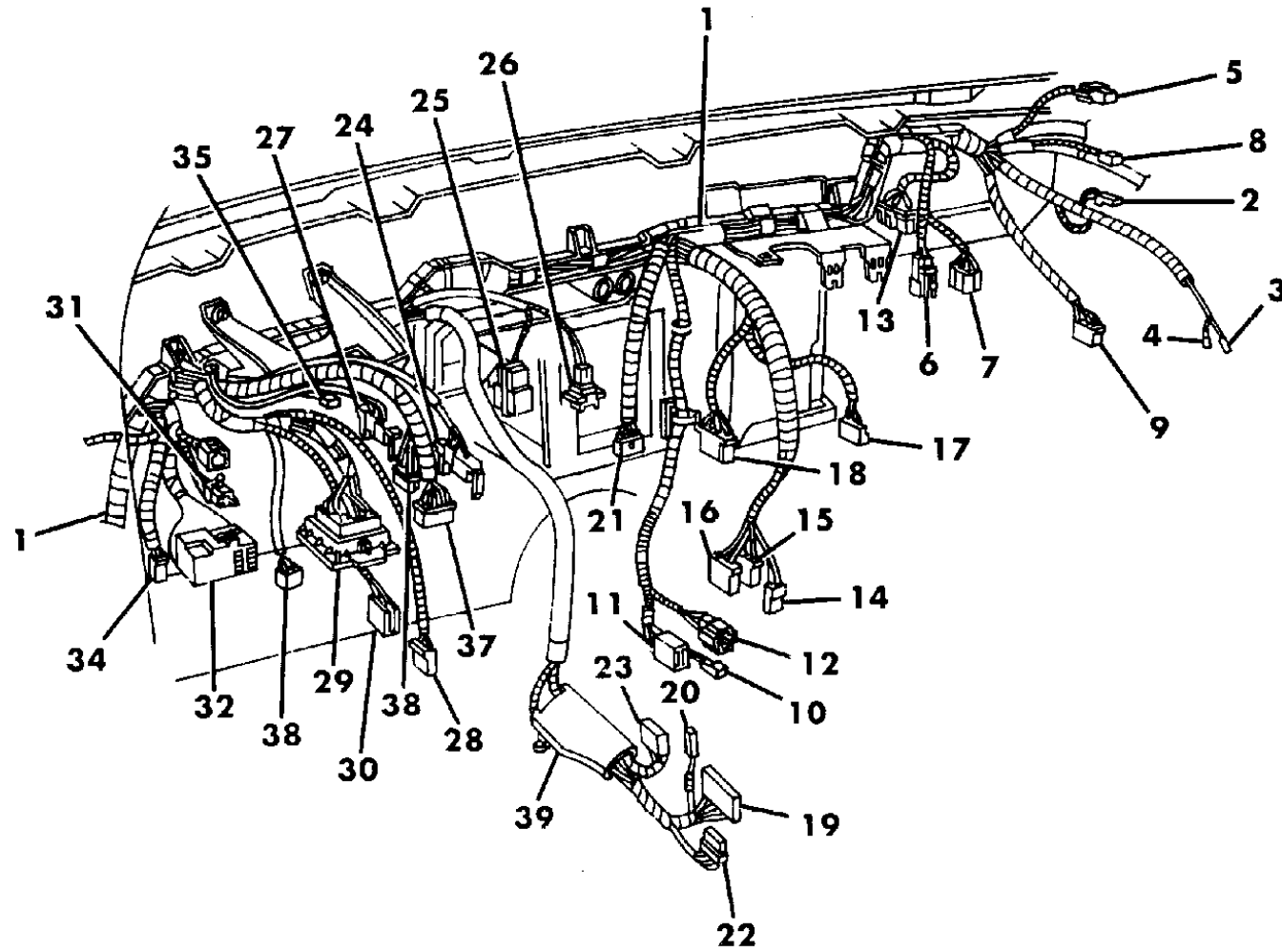
21=2-Door Coupe      41=4-Door Sedan      12-52=FWD & AWD Van & Wgn Std W.B.  
24=2-Door Hatchback      44=4-Door Hatchback      53=FWD & AWD Van & Wgn Ext. W.B.  
27=2-Door Convertible

AR = Use as Required - = Non Illustrated Part P.A.R. = Paint as Required

WIRING--INSTRUMENT PANEL G BODY

Figure 8-7700

93108 7700



ITEM	PART NUMBER	QTY	BODY	MODEL	DESCRIPTION
1					WIRING HARNESS, Inst. Panel
	4661 028	1			Base
	4661 027	1			w/Alarm System
	4661 025	1			w/o Alarm, w/Pwr. Locks
	4661 026	1			EUROPE
2		1			INSULATOR, Rt. Frt. Speaker, (Not Serv.)
3	4400 220	1			TERMINAL, Glove Box Lamp
4	2580 061	1			TERMINAL, Glove Box Lamp
5	4414 065	1			INSULATOR, Blower Mtr. Feed, 2-Way
6	4274 937	1			INSULATOR, Speaker Choke, 2-Way
7		1			INSULATOR, A/C Clutch Cycle, 3-Way, (Serv. In Wiring)
8		1			INSULATOR, Power Antenna Mtr., 3-Way
9	4274 897	1			INSULATOR, Security Alarm, Rt. Rear Body, 21-Way
10	4443 958	1			INSULATOR, Airbag Diagnostic, 2-Way
11	4209 939	1			INSULATOR, Airbag Diagnostic, 10-Way
12		1			INSULATOR, Console Jumper, 3-Way (Serv. In Wiring)
13	4432 540	1			INSULATOR, Heater or A/C Resistor Block, 5-Way
14		1			INSULATOR, Speaker Amp. Ground (Serv. In Wiring)
15	4720 928	1			INSULATOR, Radio
16		1			INSULATOR, Radio (Use #14)
17	4504 255	1			INSULATOR, E.B.L., 5-Way
18	4331 021	1			INSULATOR, A/C or Heater Control Switch, 7-Way
19	4419 594	1			INSULATOR, Ignition Switch, 7-Way
20	4527 387	1			INSULATOR, Halo Light, 4-Way
21	4504 263	1			INSULATOR, Lighted Message Ctr., 6-Way
22	4527 389	1			INSULATOR, Clockspring, 5-Way
23		1			INSULATOR, T/Sig. & Hazard, 10-Way (Serv. Assy.)
24	4419 573	1			INSULATOR, Rt. Switch POD
25	4439 083	1			INSULATOR, T/Sig. Flasher Combo, 9-Way
26	4443 954	1			INSULATOR, Airbag (Squib) 2-Way
27		1			INSULATOR, Lt. Switch POD (Use #24)
28	4504 269	1			INSULATOR, Dimmer Module, 6-Way
-	4527 299	1			INSULATOR, Headlamp Switch, 9-Way
29	4331 712	1			INSULATOR, To Headlamp & Dash Wire
30	4443 952	1			INSULATOR, Airbag To Eng. Wire
31	4331 930	1			INSULATOR, D.R.B. Connection
32	4481 526	1			FUSEBLOCK ***
33	6101 481	1			FUSE, 2-Amp., Mini
	6101 484	AR			5-Amp., Mini

MODEL CODES:

A BODY=(C=LeBaron, D=Spirit, P=Acclaim/LaBaron(Landau), Saratoga)

C BODY=(D=Dynasty, C=New Yorker/N.Y. Salon)

G BODY=(V=Daytona/ROC, Chrysler Daytona)

J BODY=(C=LeBaron, Chrysler LeBaron)

P BODY=(P=Sundance, D=Shadow)

S BODY=(H=Voyager(H) FWD, K=Caravan(H) FWD,

Y=Town & Country(H) FWD, P=Voyager(K) AWD,

D=Caravan(K) AWD, C=Town & Country(K) AWD)

Y BODY=(C=Imperial/5th Avenue)

E-S BODY=(K=Chrysler Voyager(H) FWD, D=Chrysler

Voyager(K) AWD)

BODY STYLES:

21=2-Door Coupe

41=4-Door Sedan

12-52=FWD & AWD Van & Wgn Std W.B.

24=2-Door Hatchback

44=4-Door Hatchback

53=FWD & AWD Van & Wgn Ext. W.B.

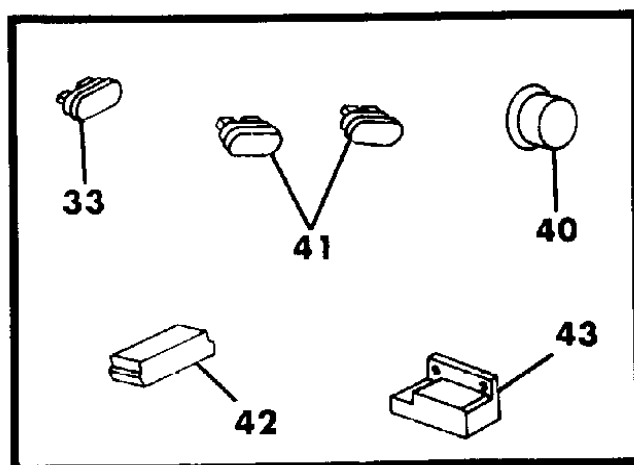
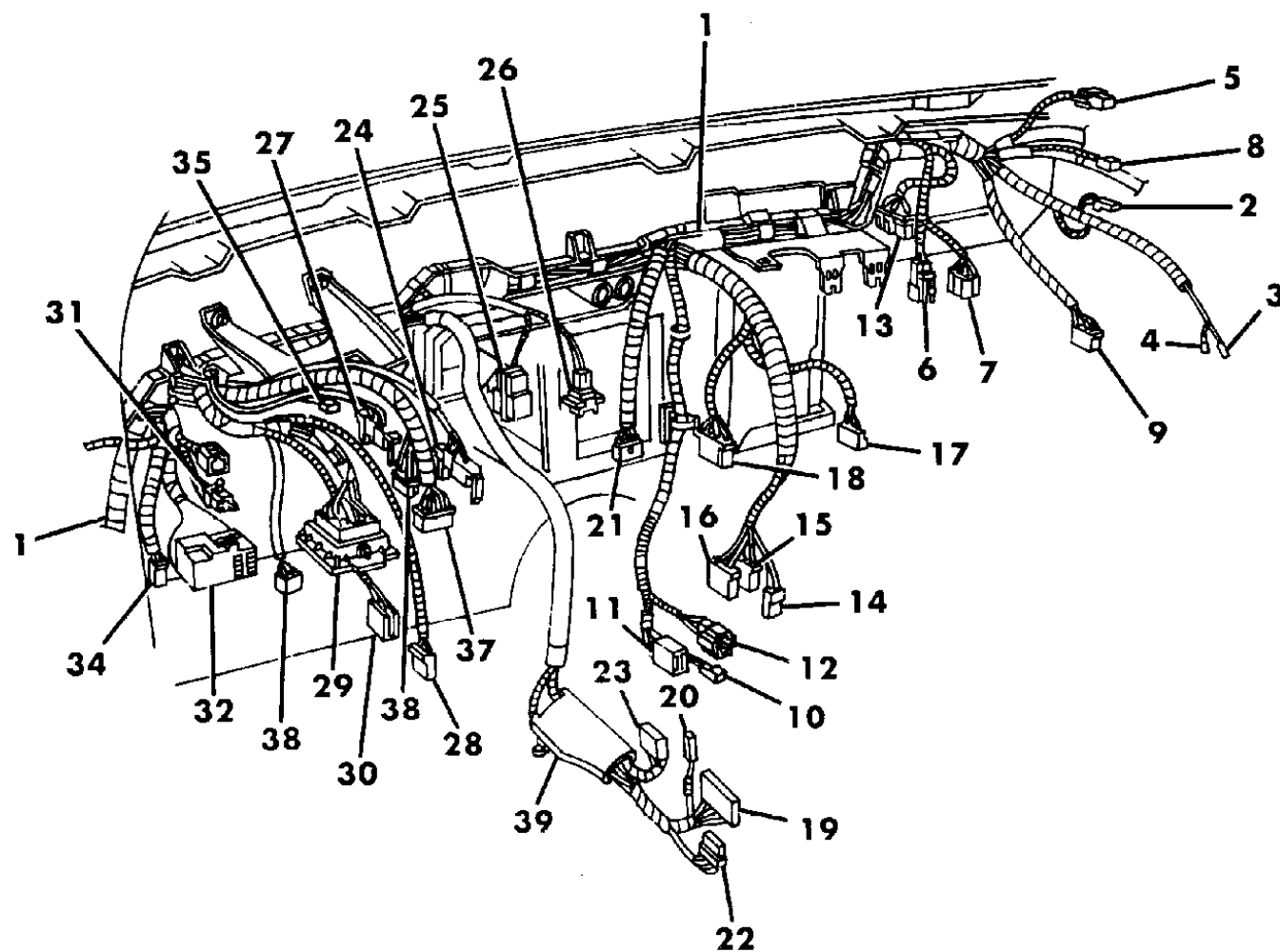
27=2-Door Convertible

AR = Use as Required - = Non Illustrated Part P.A.R. = Paint as Required

WIRING--INSTRUMENT PANEL G BODY

Figure 8-7700

93108 7700



ITEM	PART NUMBER	QTY	BODY	MODEL	DESCRIPTION
	6101 487	AR			15-Amp., Mini
	6101 488	AR			20-Amp., Mini
	6101 132				4-Amp., Std.
	6101 133				5-Amp., Std.
	6101 139				30-Amp., Std.
	6101 135				10-Amp., Std.
	6101 136				15-Amp., Std.
	6101 137				20-Amp., Std.
	6101 523				2-Amp., Std.
	6101 679				20-Amp., Maxi
	6101 640				30-Amp., Maxi
	6101 641				40-Amp., Maxi
	6101 642				50-Amp., Maxi
	6101 643				60-Amp., Maxi
	6101 645				80-Amp., Maxi
34		1			INSULATOR, Lt. Frt. Speaker (Not Serv.)
35		1			INSULATOR, Rear Fog Lp., 4-Way (Serv. In Wiring) EUROPE
36		1			INSULATOR, Headlamp Leveling Switch (Serv. In Wiring) EUROPE
37		1			INSULATOR, Cluster, Mechanical (Serv. Assy.)
38		1			INSULATOR, Cluster, Mechanical (Serv. Assy.)
39		1			TROUGH, (Serv. In Wiring) ***
40	2932 877	1			FLASHER, Hazard Warning ***
	3837 161	1			2-Lamp
	3837 162	1			3-Lamp
	4373 429	1			T/Signal & Side Marker
41	4331 929	1			CIRCUIT BREAKER, 6-Amp. ***
	4186 379	1			30-Amp.
42	4373 067	1			BUZZER, Headlamp & Seat Belt
43	4312 664	1			CONTROL, Chimes
-	4373 745	AR			DIODE PACK ***

MODEL CODES:

A BODY=(C=LeBaron, D=Spirit, P=Acclaim/LaBaron(Landau), Saratoga)

C BODY=(D=Dynasty, C=New Yorker/N.Y. Salon)

G BODY=(V=Daytona/IROC, Chrysler Daytona)

J BODY=(C=LeBaron, Chrysler LeBaron)

P BODY=(P=Sundance, D=Shadow)

S BODY=(H=Voyager(H) FWD, K=Caravan(H) FWD,

Y=Town & Country(H) FWD, P=Voyager(K) AWD,

D=Caravan(K) AWD, C=Town & Country(K) AWD)

Y BODY=(C=Imperial/5th Avenue)

E-S BODY=(K=Chrysler Voyager(H) FWD, D=Chrysler

Voyager(K) AWD)

BODY STYLES:

21=2-Door Coupe

41=4-Door Sedan

12-52=FWD & AWD Van & Wgn Std W.B.

24=2-Door Hatchback

44=4-Door Hatchback

53=FWD & AWD Van & Wgn Ext. W.B.

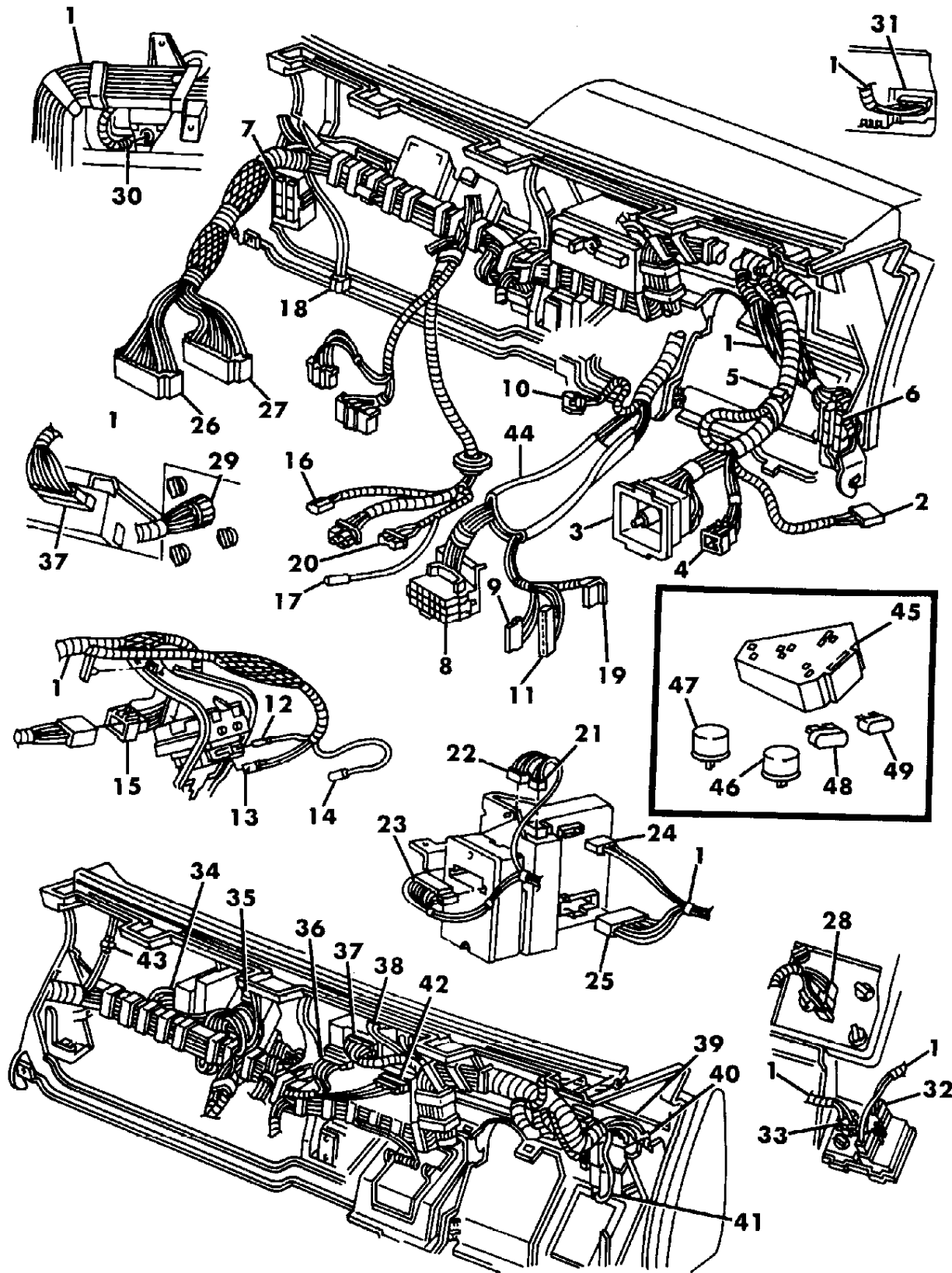
27=2-Door Convertible

AR = Use as Required - = Non Illustrated Part P.A.R. = Paint as Required

WIRING--INSTRUMENT PANEL C-Y BODY

Figure 8-7800

93108 7800



ITEM	PART NUMBER	QTY	BODY	MODEL	DESCRIPTION
1		1			WIRING HARNESS, Inst. Panel
	4687 509	1	C-Y	S	Premium, w/Keyless Entry & A/C
	4687 510	1	C-Y	S	Premium, w/ A/C
	4687 511	1	C-Y	S	Basic, w/ A/C
	4687 512	1	C	D	Lowline, w/ A/C, w/o Message Center
	4687 513	1	C	D	Highline, w/ A/C, w/o Message Center
	4687 514	1	C	D	Highline, w/Keyless Entry & A/C, w/o Message Center
	4687 615	1	Y	S	w/ A.C. & Security Alarm & E.V.I.C.
	4687 516	1	Y	S	w/ A.C. & Elec. Cluster & E.V.I.C.
	4687 608	1	Y	S-P	w/Keyless Entry & E.V.I.C.
	4687 604	1	Y	S-P	Premium, w/A.T.C.
	4687 506	1	C	D	Highline, w/Keyless Entry
	4687 607	1	Y	S-P	Premium, w/Message Center
	4687 605	1	Y	S-P	w/Elec. Cluster, w/E.V.I.C
	4687 502	1	C	D	Highline, w/ A/C
	4687 601	1	C	D	Lowline, w A/C
2	4274 501	1			INSULATOR, Cellular Phone
3	4331 712	1			INSULATOR, Bulkhead Connector, 4-Way
4	4331 930	1			INSULATOR, Diagnostic, 6-Way
5	4443 952	1			INSULATOR, Airbag Wiring (Eng.) 8-Way
6		1			INSULATOR, Lt. Side, 44-Way
7		1			INSULATOR, Rt. Side, 32-Way Interface, (Serv. In Wiring)
8	4419 577	1			INSULATOR, Multifunction Switch
9	4481 035	1			INSULATOR, Speed Control, 5-Way
10	4443 954	1			INSULATOR, Clockspring, 2-Way
11	4419 594	1			INSULATOR, To Ignition Switch, 7-Way
12	4443 958	1			INSULATOR, Airbag Module, 2-Way
13	4209 939	1			INSULATOR, Airbag Module, 10-Way
14	2580 064	1			INSULATOR, Program Module, 1-Way
15		1			INSULATOR, Glovebox Module (Serv. In Wiring)
16	2298 882	1			INSULATOR, Windshield Washer Pump Motor
17	2580 064	1			INSULATOR, Underhood Lamp, 1-Way
18	4432 540	1			INSULATOR, Blower Motor Resistor, 5-Way
19	4527 387	1			INSULATOR, Ignition Light & Key-In Light, 4-Way
20	1704 562	1			INSULATOR, Low Washer Fluid Level Sensor, 2-Way
21	5267 621	1			INSULATOR, Keyless Entry, Blue, 8-Way
22	5267 619	1			INSULATOR, Keyless Entry, Black, 8-Way
23	4368 475	1			INSULATOR, Security Alarm, 21-Way
24	5267 494	1			INSULATOR, Lamp Outage, 5-Way

MODEL CODES:

A BODY=(C=LeBaron, D=Spirit, P=Acclaim/LaBaron(Landau), Saratoga)

C BODY=(D=Dynasty, C=New Yorker/N.Y. Salon)

G BODY=(V=Daytona/IROC, Chrysler Daytona)

J BODY=(C=LeBaron, Chrysler LeBaron)

P BODY=(P=Sundance, D=Shadow)

S BODY=(H=Voyager(H) FWD, K=Caravan(H) FWD,

Y=Town & Country(H) FWD, P=Voyager(K) AWD,

D=Caravan(K) AWD, C=Town & Country(K) AWD)

Y BODY=(C=Imperial/5th Avenue)

E-S BODY=(K=Chrysler Voyager(H) FWD, D=Chrysler

Voyager(K) AWD)

BODY STYLES:

21=2-Door Coupe

41=4-Door Sedan

12-52=FWD & AWD Van & Wgn Std W.B.

24=2-Door Hatchback

44=4-Door Hatchback

53=FWD & AWD Van & Wgn Ext. W.B.

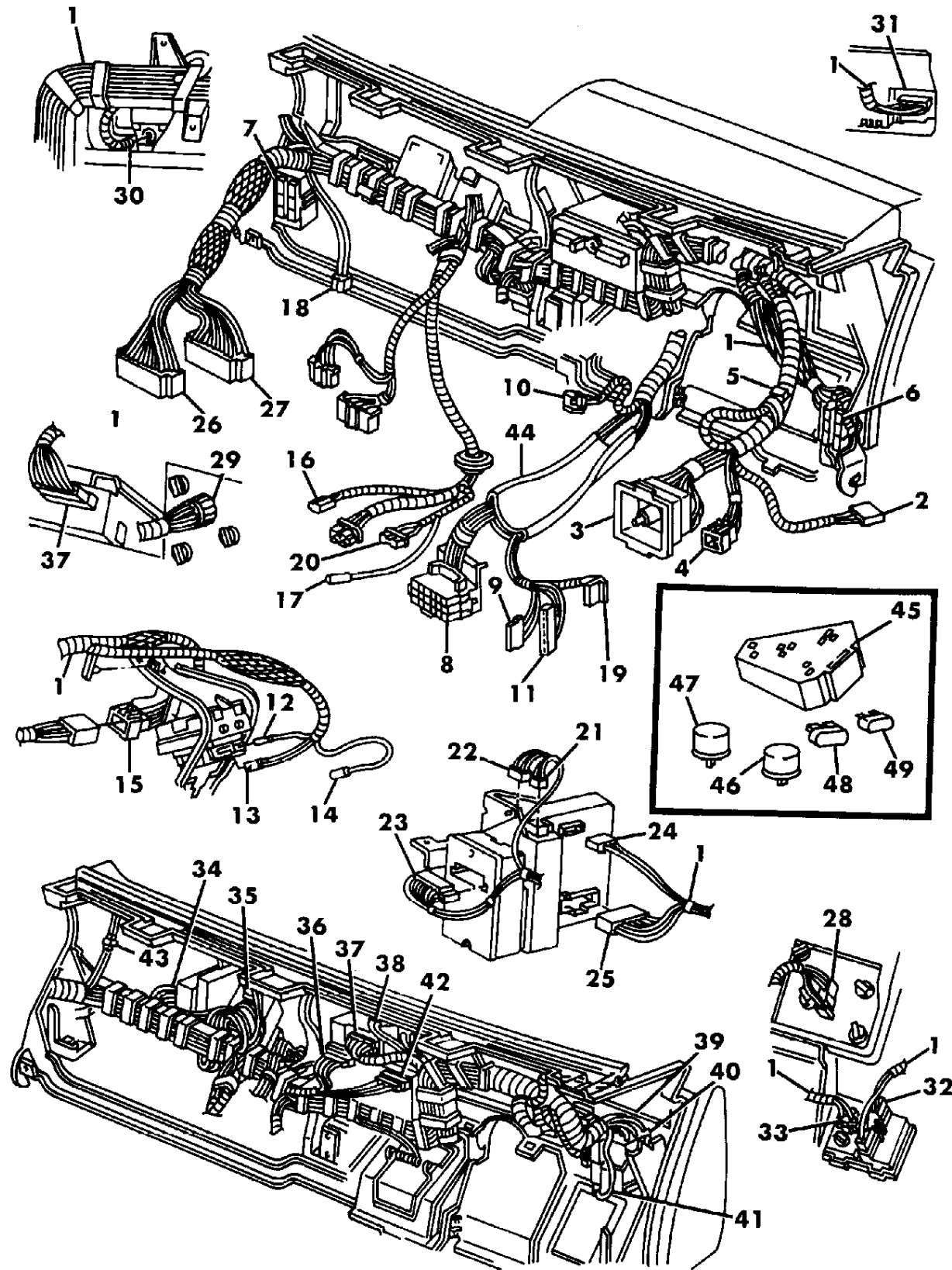
27=2-Door Convertible

AR = Use as Required - = Non Illustrated Part P.A.R. = Paint as Required

WIRING--INSTRUMENT PANEL C-Y BODY

Figure 8-7800

93108 7800



ITEM	PART NUMBER	QTY	BODY	MODEL	DESCRIPTION
25		1			INSULATOR, Lamp Outage, 14-Way (Serv. In Wiring)
26	4527 365	1			INSULATOR, Body Computer, Black, 25-Way
27		1			INSULATOR, Body Computer, Red, 25-Way (Serv. Assy.)
28	4331 498	1			INSULATOR, Lt. Printed Circuit Board, 6-Way
29		1			INSULATOR, Lt. Printed Circuit Board, 11-Way (Serv. In Wiring)
30	4374 022	1			INSULATOR, (Socket) PRNDL
31	4368 480	1			INSULATOR, Printed Circuit Board (Elec.)
32	4504 255	1			INSULATOR, EBL Switch, 5-Way
33	4331 006	1			INSULATOR, Security Alarm, 4-Way
34	4368 475	1			INSULATOR, Security Alarm, 21-Way
35	4331 006	1			INSULATOR, Lamp Outage, 5-Way
36	4400 275	1			INSULATOR, Speaker Feed, Black, 7-Way
37	4331 021	1			INSULATOR, Heater/A.C., 7-Way
38	4209 712	1			INSULATOR, ATC In Car Sensor, 6-Way
39		1			INSULATOR, H/Lamp Switch Title Lamp Socket, (Not Serv.)
40	4432 542	1			INSULATOR, H/Lamp Switch, 9-Way
41		1			INSULATOR, H/Lamp Switch, 2-Way (Serv. Assy.)
42	4720 928	1			INSULATOR, Radio
43	4209 927	1			INSULATOR, Speaker, Panel
44		1			TROUGH, (Serv. In Wiring) ***
45	4504 272	1			RELAY BANK ***
46	3837 161	AR			FLASHER, 2-Lamp ***
	3837 162	AR			3-Lamp
47	2932 877	AR			FLASHER, Hazard Warning ***
48	6101 523	AR			FUSE, 2-Amp., Std.
	6101 132	AR			4-Amp., Std.
	6101 133	AR			5-Amp., Std.
	6101 136	AR			15-Amp., Std.
	6101 137	AR			20-Amp., Std.
	6101 139	AR			30-Amp., Std.
	6101 481				2-Amp., Mini
	6101 482				3-Amp., Mini
	6101 483				4-Amp., Mini
	6101 484				5-Amp., Mini
	6101 485				7.5-Amp., Mini
	6101 486				10-Amp., Mini
	6101 487				15-Amp., Mini
	6101 488				20-Amp., Mini
	6101 679				20-Amp., Maxi

MODEL CODES:

A BODY=(C=LeBaron, D=Spirit, P=Acclaim/LaBaron(Landau), Saratoga)

C BODY=(D=Dynasty, C=New Yorker/N.Y. Salon)

G BODY=(V=Daytona/IROC, Chrysler Daytona)

J BODY=(C=LeBaron, Chrysler LeBaron)

P BODY=(P=Sundance, D=Shadow)

S BODY=(H=Voyager(H) FWD, K=Caravan(H) FWD,

Y=Town & Country(H) FWD, P=Voyager(K) AWD,

D=Caravan(K) AWD, C=Town & Country(K) AWD)

Y BODY=(C=Imperial/5th Avenue)

E-S BODY=(K=Chrysler Voyager(H) FWD, D=Chrysler

Voyager(K) AWD)

BODY STYLES:

21=2-Door Coupe

41=4-Door Sedan

12-52=FWD & AWD Van & Wgn Std W.B.

24=2-Door Hatchback

44=4-Door Hatchback

53=FWD & AWD Van & Wgn Ext. W.B.

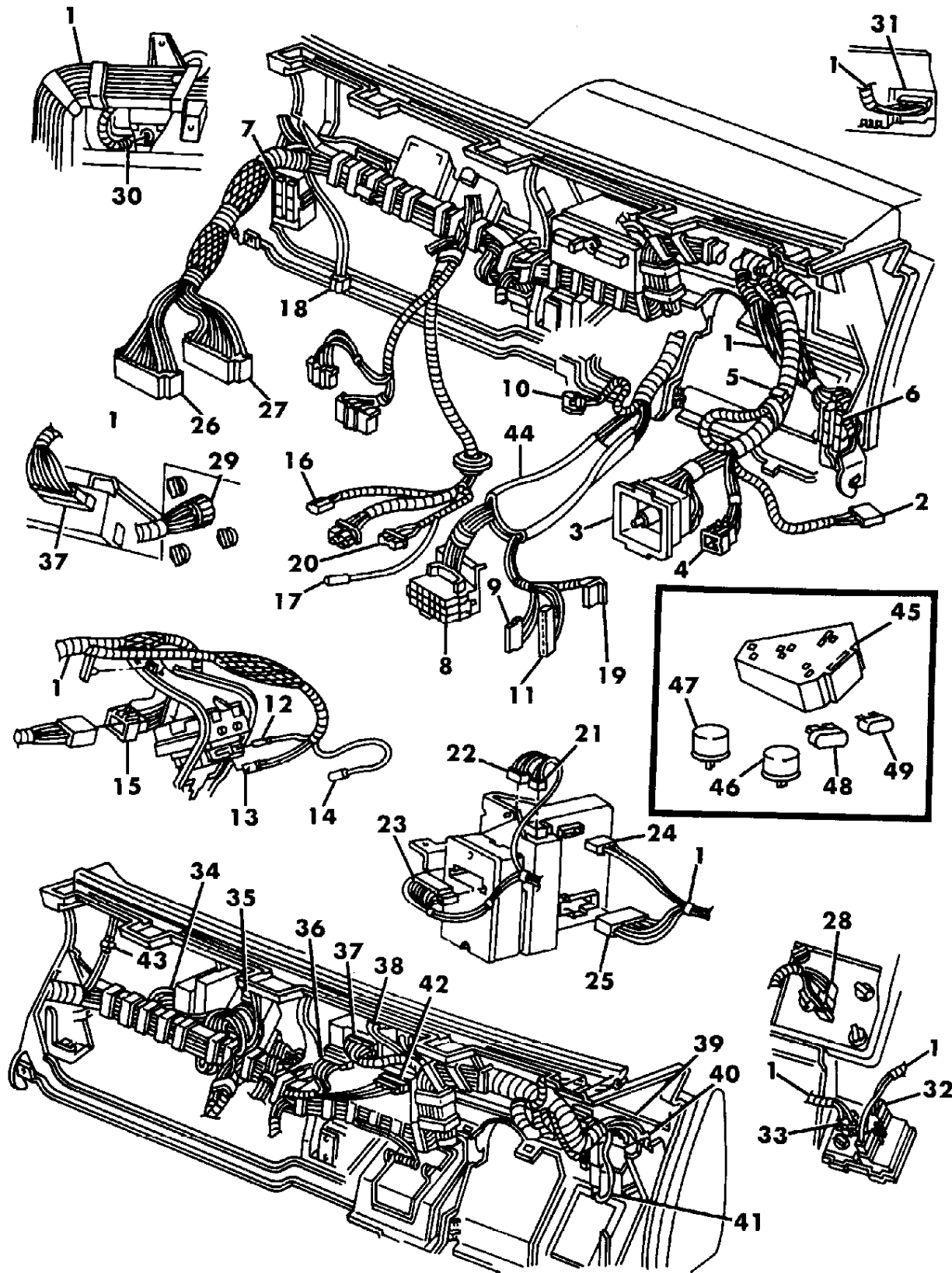
27=2-Door Convertible

AR = Use as Required - = Non Illustrated Part P.A.R. = Paint as Required

WIRING--INSTRUMENT PANEL C-Y BODY

Figure 8-7800

93108 7800



ITEM	PART NUMBER	QTY	BODY	MODEL	DESCRIPTION
	6101 640				30-Amp., Maxi
	6101 641				40-Amp., Maxi
	6101 642				50-Amp., Maxi
	6101 645				60-Amp., Maxi
	6101 645				80-Amp., Maxi
-	4331 020				FUSE PULLER ***
49	4414 333	AR			CIRCUIT BREAKER, 30-Amp. ***
-	4400 912				FUSE BLOCK

MODEL CODES:

A BODY=(C=LeBaron, D=Spirit, P=Acclaim/LaBaron(Landau),  
Saratoga)  
C BODY=(D=Dynasty, C=New Yorker/N.Y. Salon)  
G BODY=(V=Daytona/IROC, Chrysler Daytona)  
J BODY=(C=LeBaron, Chrysler LeBaron)  
P BODY=(P=Sundance, D=Shadow)

S BODY=(H=Voyager(H) FWD, K=Caravan(H) FWD,  
Y=Town & Country(H) FWD, P=Voyager(K) AWD,  
D=Caravan(K) AWD, C=Town & Country(K) AWD)  
Y BODY=(C=Imperial/5th Avenue)  
E-S BODY=(K=Chrysler Voyager(H) FWD, D=Chrysler  
Voyager(K) AWD)

BODY STYLES:

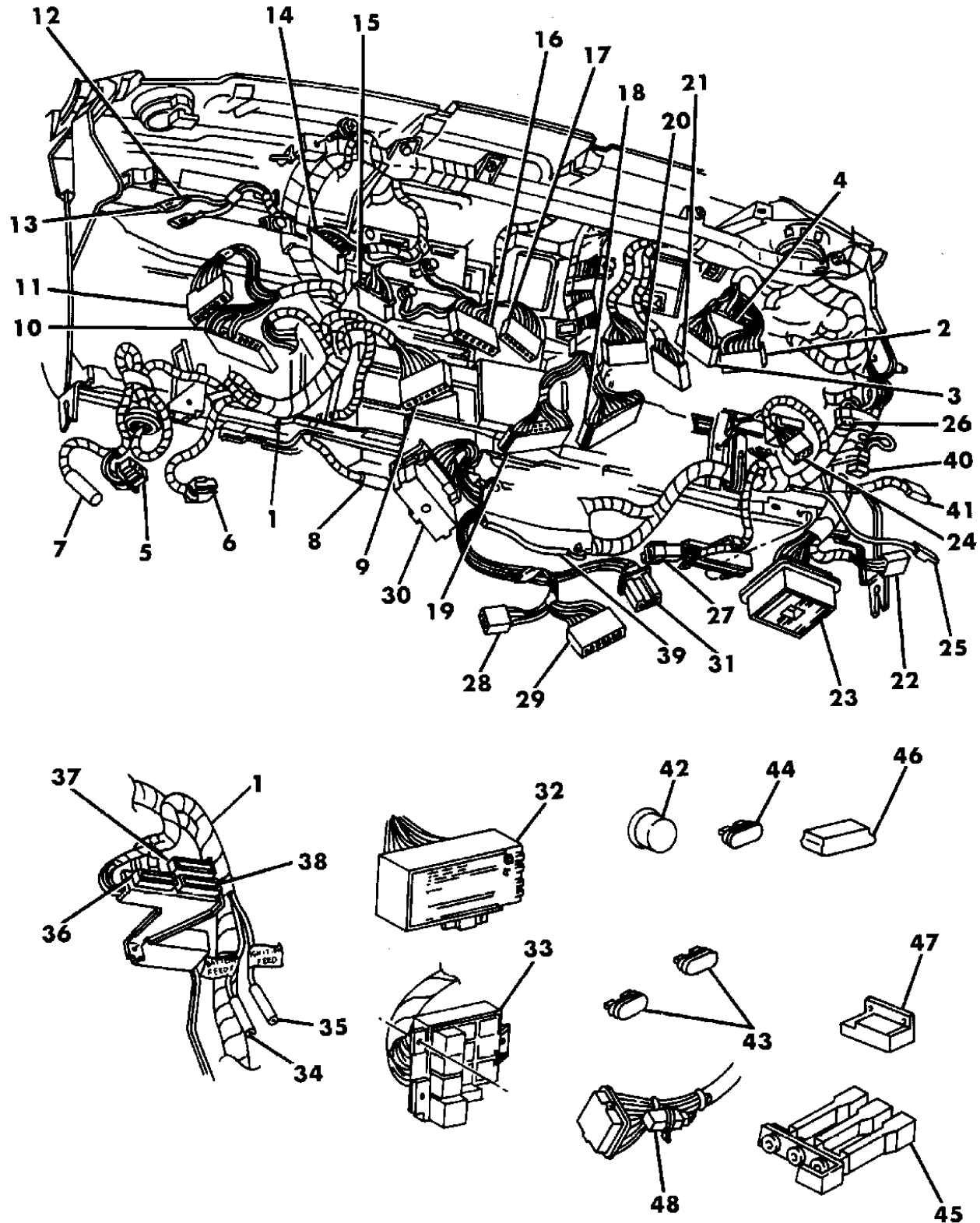
21=2-Door Coupe                      41=4-Door Sedan                      12-52=FWD & AWD Van & Wgn Std W.B.  
24=2-Door Hatchback                44=4-Door Hatchback                53=FWD & AWD Van & Wgn Ext. W.B.  
27=2-Door Convertible

AR = Use as Required - = Non Illustrated Part P.A.R. = Paint as Required

WIRING--INSTRUMENT PANEL S BODY

Figure 8-7900

93108 7900



ITEM	PART NUMBER	QTY	BODY	MODEL	DESCRIPTION
1		1			WIRING HARNESS, Inst. Panel
	4688 068	1			EUROPE
	4688 064	1			w/Light Pkg. & Air Bag
	4688 166	1			w/Light Pkg., Door Locks, Namebrand Speakers, Airbag
	4688 167	1			w/Airbag, Namebrand Speakers
	4688 069	1			Canada
	4688 062	1			w/Rear Heater & A.C. & Airbag
	4688 063	1			w/Heated Mirror, Fog Lamps, Air-Bag, Namebrand Speakers, Locks
	4688 303		ES		w/Turbo Diesel
2	4368 446	1			INSULATOR, Left POD, Black, 7-Way
3	4527 022	1			INSULATOR, Left POD, Gray, 8-Way
4	4527 023	1			INSULATOR, Left POD, Blue, 8-Way
5	4432 540	1			INSULATOR, Blower Motor Resistor, 5-Way
6	4414 065	1			INSULATOR, Blower, Black, 2-Way
7		1			INSULATOR, To Eng. Compartment, (Serv. In Wiring)
8	4374 704	1			INSULATOR, (Socket) Ash Reciever Light
9	4331 021	1			INSULATOR, A.C. & Heater Controls, 7-Way
10	4209 948	1			INSULATOR, Rear A/C Heater & Fog Lamps, 10-Way
11		1			INSULATOR, Liftgate E.B.L. (Serv. In Wiring)
12		1			INSULATOR, Glove Box Lamp (Serv. In Wiring)
13		1			INSULATOR, Glove Box Lamp (Serv. In Wiring)
14	4720 928	1			INSULATOR, Radio
15	4720 928	1			INSULATOR, Radio (Use #14)
16	4527 022	1			INSULATOR, Rt. POD, 8-Way
17	4368 446	1			INSULATOR, Rt. POD, 7-Way
18	4740 379	1			INSULATOR, Body Computer, Blue, 25-Way
19	4740 379	1			INSULATOR, Body Computer, Blue, 25-Way
20		1			INSULATOR, To Cluster, 14-Way, (Serv. In Assy.)
21		1			INSULATOR, To Warning Lamp Center, 14-Way, (Serv. In Wiring)
22	4209 712	1			INSULATOR, Stop Lamp & Speed Control, 6-Way
23	4481 640	1			INSULATOR, Bulkhead Connector
24	4504 269	1			INSULATOR, Dimming Module, 6-Way
25		1			INSULATOR, Parking Brake Switch (Serv. In Wiring)
26	4274 937	1			INSULATOR, Speaker Choke
27	4331 930	1			INSULATOR, Diagnostic Conn., 6-Way
28	4527 387	1			INSULATOR, Key Light Switch, 4-Way
29	4419 594	1			INSULATOR, Ignition Switch, 7-Way
30	4419 577	1			INSULATOR, Multifunction, 24-Way

MODEL CODES:

A BODY=(C=LeBaron, D=Spirit, P=Acclaim/LaBaron(Landau), Saratoga)

C BODY=(D=Dynasty, C=New Yorker/N.Y. Salon)

G BODY=(V=Daytona/IROC, Chrysler Daytona)

J BODY=(C=LeBaron, Chrysler LeBaron)

P BODY=(P=Sundance, D=Shadow)

S BODY=(H=Voyager(H) FWD, K=Caravan(H) FWD,

Y=Town & Country(H) FWD, P=Voyager(K) AWD,

D=Caravan(K) AWD, C=Town & Country(K) AWD)

Y BODY=(C=Imperial/5th Avenue)

E-S BODY=(K=Chrysler Voyager(H) FWD, D=Chrysler

Voyager(K) AWD)

BODY STYLES:

21=2-Door Coupe

41=4-Door Sedan

12-52=FWD & AWD Van & Wgn Std W.B.

24=2-Door Hatchback

44=4-Door Hatchback

53=FWD & AWD Van & Wgn Ext. W.B.

27=2-Door Convertible

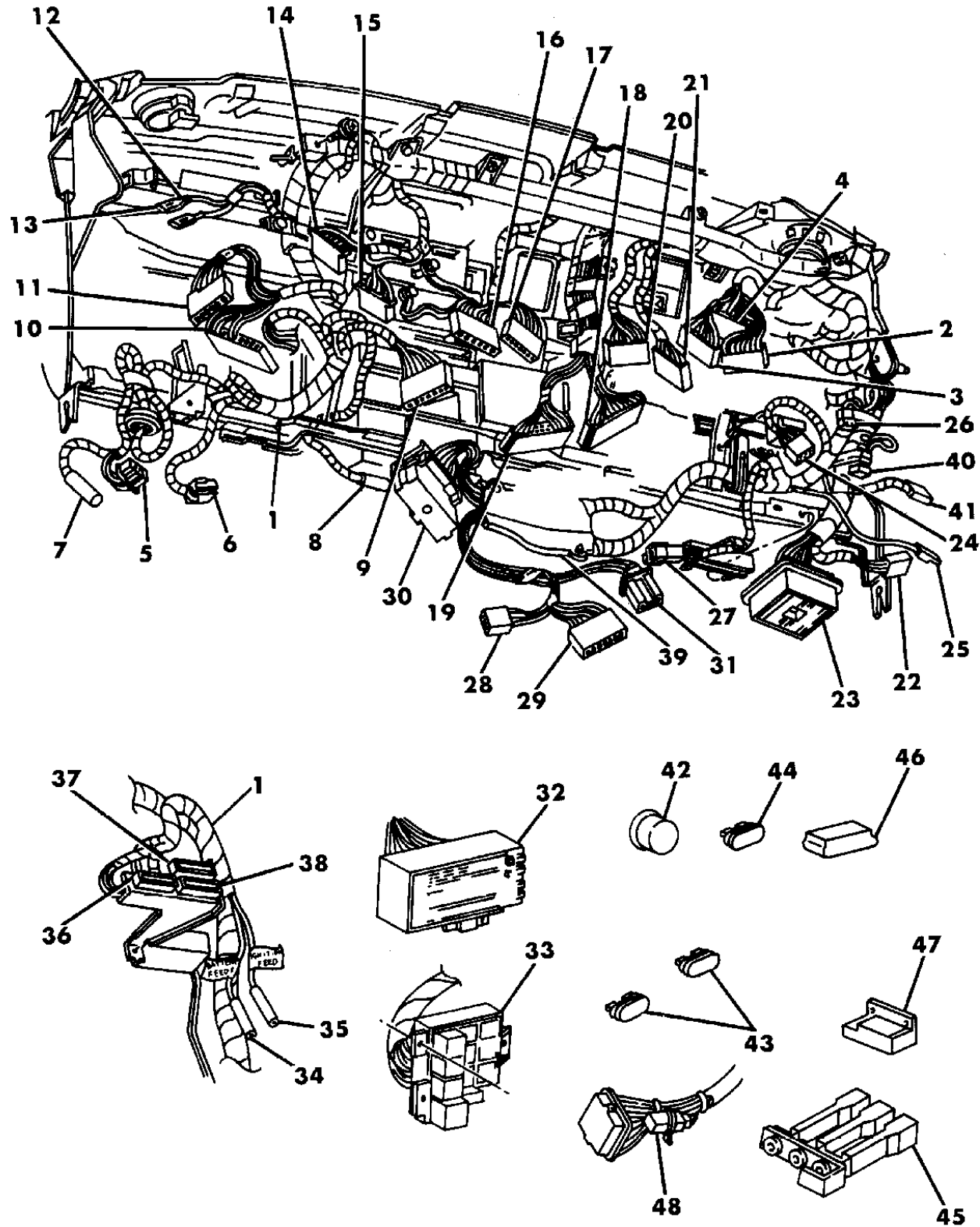
AR = Use as Required - = Non Illustrated Part P.A.R. = Paint as Required



WIRING--INSTRUMENT PANEL S BODY

Figure 8-7900

93108 7900



ITEM	PART NUMBER	QTY	BODY	MODEL	DESCRIPTION
31	4527 389	1			INSULATOR, Speed Control, 5-Way
32		1			INSULATOR, Fuseblock (Serv. In Wiring)
33	4481 070	1			RELAY BLOCK ***
34	2580 064	1			INSULATOR, Battery Feed
35	2580 064	1			INSULATOR, Ignition Feed
36	4527 256	1			INSULATOR, Left Body, Black, 16-Way
37	4527 258	1			INSULATOR, Left Body, Green, 16-Way
38	4527 257	1			INSULATOR, Left Sill, 16-Way
39		1			TROUGH, (Serv. In Wiring) ***
40	4274 937	1			INSULATOR, Clutch Interlock By-Pass
41	4209 927	1			INSULATOR, Clutch Interlock Switch
42	2932 877	1			FLASHER, Hazard Warning ***
	4713 484	1			Turn Signal Combination
	3837 161	1			Turn Signal, 2-Lamp
	4373 691	1			EUROPE
	3837 162	1			3-Lamp
	4373 692	1			EUROPE
43	4331 929	1			CIRCUIT BREAKER, 6-Amp. ***
	4527 053	1			25-Amp.
	4186 379	1			30-Amp.
44	6101 481	AR			FUSE, 2-Amp., Mini
	6101 485	AR			7.5 Amp., Mini
	6101 486	AR			10-Amp., Mini
	6101 488	AR			20-Amp., Mini
	6101 132	AR			4-Amp., Std.
	6101 133				5-Amp., Std.
	6101 136	AR			15-Amp., Std.
	6101 139				30-Amp., Std.
	6101 135				10-Amp., Std.
	6101 137				20-Amp., Std.
	6101 679				20-Amp., Maxi
	6101 640				30-Amp., Maxi
	6101 641				40-Amp., Maxi
	6101 642				50-Amp., Maxi
	6101 643				60-Amp., Maxi
	6101 645				80-Amp., Maxi
45	4124 752	1			TERMINAL, Buss-Bar, 3-Way
	4124 258	1			1-Way
46	4373 067	1			BUZZER, Key, Headlamp, Seat Belt

MODEL CODES:

A BODY=(C=LeBaron, D=Spirit, P=Acclaim/LaBaron(Landau), Saratoga) S BODY=(H=Voyager(H) FWD, K=Caravan(H) FWD, Y=Town & Country(H) FWD, P=Voyager(K) AWD, D=Caravan(K) AWD, C=Town & Country(K) AWD)  
 C BODY=(D=Dynasty, C=New Yorker/N.Y. Salon) Y BODY=(C=Imperial/5th Avenue)  
 G BODY=(V=Daytona/IROC, Chrysler Daytona) E-S BODY=(K=Chrysler Voyager(H) FWD, D=Chrysler Voyager(K) AWD)  
 J BODY=(C=LeBaron, Chrysler LeBaron)  
 P BODY=(P=Sundance, D=Shadow)

BODY STYLES:

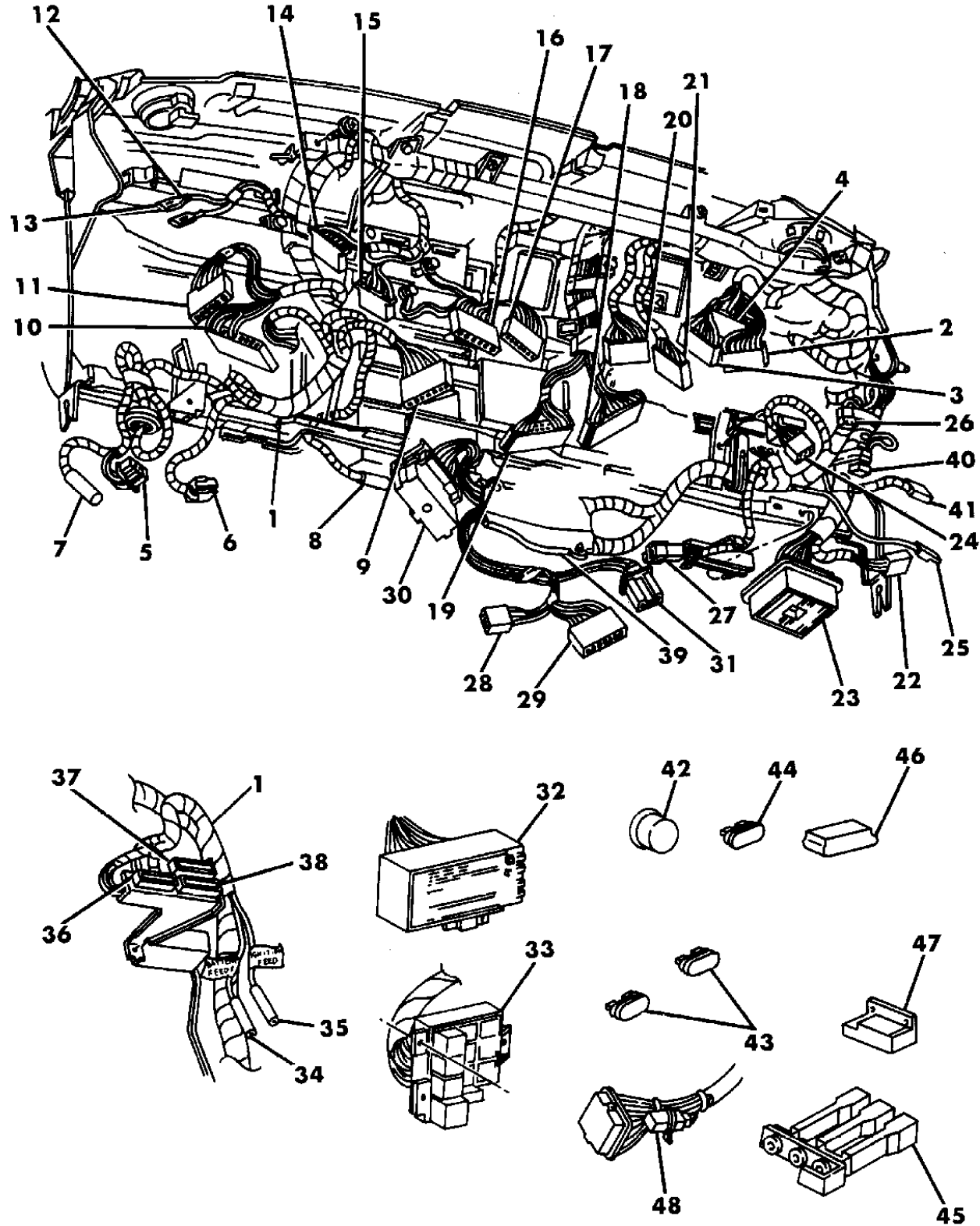
21=2-Door Coupe 41=4-Door Sedan 12-52=FWD & AWD Van & Wgn Std W.B.  
 24=2-Door Hatchback 44=4-Door Hatchback 53=FWD & AWD Van & Wgn Ext. W.B.  
 27=2-Door Convertible

AR = Use as Required - = Non Illustrated Part P.A.R. = Paint as Required

**WIRING--INSTRUMENT PANEL S BODY**  
Figure 8-7900

93108 7900

ITEM	PART NUMBER	QTY	BODY	MODEL	DESCRIPTION
47	4312 664	1			CONTROL, Chimes
48	4312 831	1			SENSOR, Interlock Speed



**MODEL CODES:**

A BODY=(C=LeBaron, D=Spirit, P=Acclaim/LaBaron(Landau), Saratoga)      S BODY=(H=Voyager(H) FWD, K=Caravan(H) FWD, Y=Town & Country(H) FWD, P=Voyager(K) AWD, D=Caravan(K) AWD, C=Town & Country(K) AWD)  
 C BODY=(D=Dynasty, C=New Yorker/N.Y. Salon)      Y BODY=(C=Imperial/5th Avenue)  
 G BODY=(V=Daytona/IROC, Chrysler Daytona)      E-S BODY=(K=Chrysler Voyager(H) FWD, D=Chrysler Voyager(K) AWD)  
 J BODY=(C=LeBaron, Chrysler LeBaron)  
 P BODY=(P=Sundance, D=Shadow)

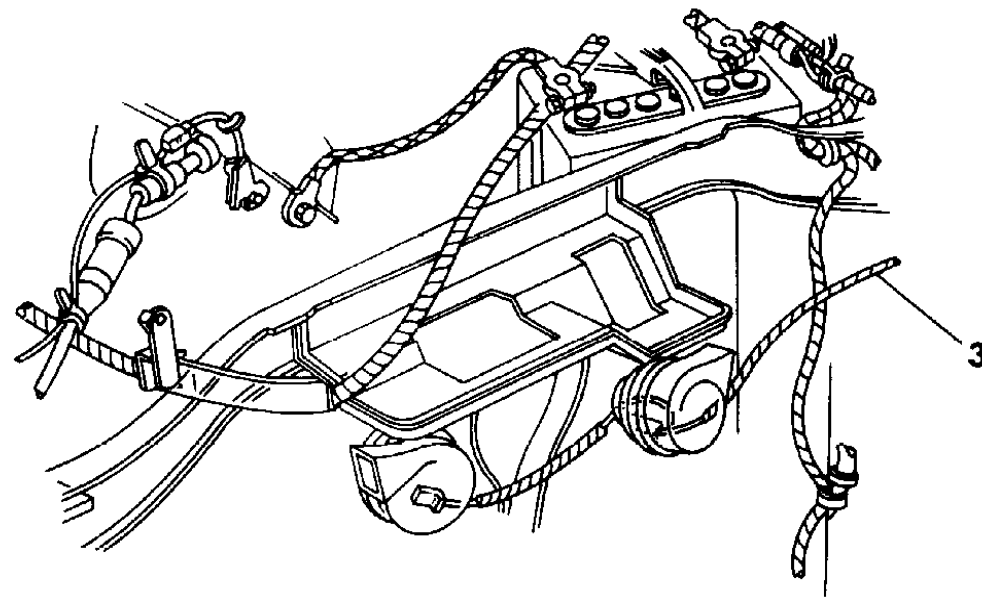
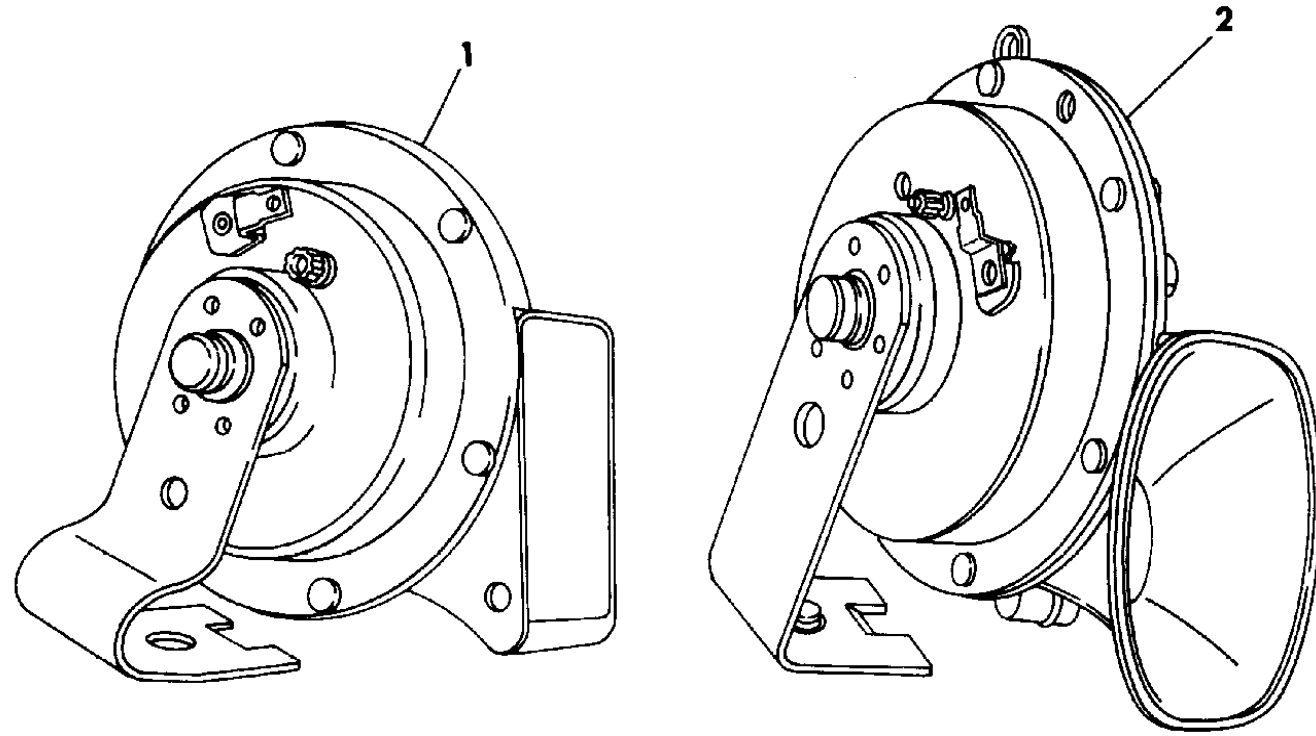
**BODY STYLES:**

21=2-Door Coupe      41=4-Door Sedan      12-52=FWD & AWD Van & Wgn Std W.B.  
 24=2-Door Hatchback      44=4-Door Hatchback      53=FWD & AWD Van & Wgn Ext. W.B.  
 27=2-Door Convertible

AR = Use as Required - = Non Illustrated Part P.A.R. = Paint as Required

HORN ALL MODELS  
Figure 8-8000

93108 8000



ITEM	PART NUMBER	QTY	BODY	MODEL	DESCRIPTION
1					HORN, High Note Pkg.
	5269 098		C-Y		(Use Brkt. 5269114) (Insul. 4414901)
	5269 099		S		(Use Brkt. 5269118) (Insul. 4414901)
	5269 102		J-G		Hi-Note (Insul. 4414901)
	5269 374		P		Hi-Note (Use Bracket 5269375) (Insul. 4414901)
	5269 193		A		Hi-Note
2					HORN, Low Note Pkg.
	5269 372		P		Lo-Note (Use Bracket 5269375) (Insul. 4414901)
	5269 104		S		(Use Brkt. 5269120) Dual (Insul. 4414901)
	4685 134		S		Lo-Note (Single) (Insul. 4414901)
	5269 103		C-Y		Lo-Note (Use Brkt. 5269115) (Insul. 4414901)
	5269 108		J-G		Lo-Note (Insul. 4414901)
	5269 194		A		Lo-Note (Insul. 4414901)
-	5269 375		P		PLATE, Horn Mtg. or Backing
-	5269 111		C-Y		PLATE, Horn Mtg. or Backing
	5266 230				RELAY, Horn
3			S		WIRING, Horn (Not Serv.)

MODEL CODES:

A BODY=(C=LeBaron, D=Spirit, P=Acclaim/LaBaron(Landau),  
Saratoga)  
C BODY=(D=Dynasty, C=New Yorker/N.Y. Salon)  
G BODY=(V=Daytona/IROC, Chrysler Daytona)  
J BODY=(C=LeBaron, Chrysler LeBaron)  
P BODY=(P=Sundance, D=Shadow)

S BODY=(H=Voyager(H) FWD, K=Caravan(H) FWD,  
Y=Town & Country(H) FWD, P=Voyager(K) AWD,  
D=Caravan(K) AWD, C=Town & Country(K) AWD)  
Y BODY=(C=Imperial/5th Avenue)  
E-S BODY=(K=Chrysler Voyager(H) FWD, D=Chrysler  
Voyager(K) AWD)

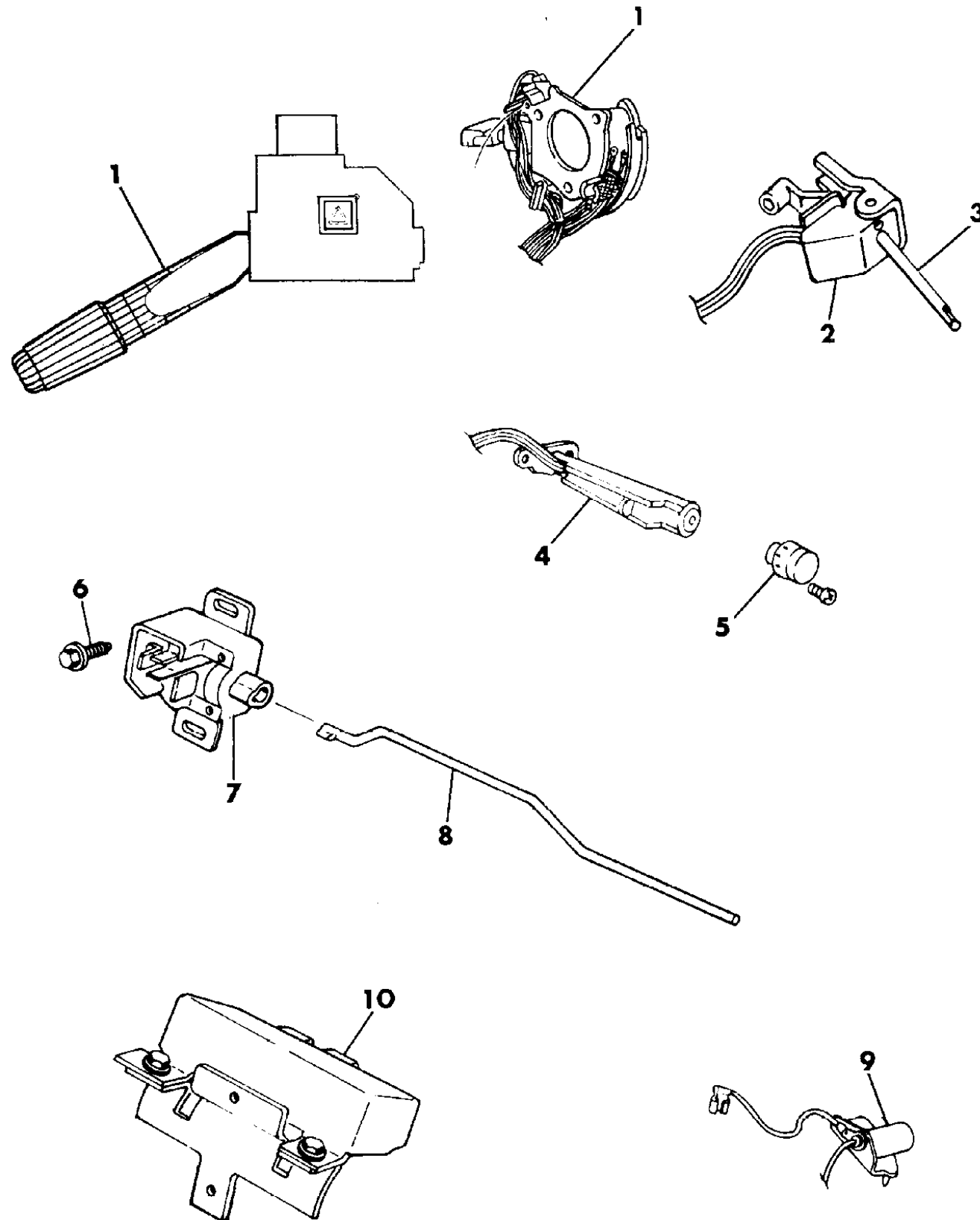
BODY STYLES:

21=2-Door Coupe      41=4-Door Sedan      12-52=FWD & AWD Van & Wgn Std W.B.  
24=2-Door Hatchback      44=4-Door Hatchback      53=FWD & AWD Van & Wgn Ext. W.B.  
27=2-Door Convertible

AR = Use as Required - = Non Illustrated Part P.A.R. = Paint as Required

**SWITCHES-TURN SIGNAL AND HAZARD WARNING**  
**Figure 8-8100**

93108 8100



ITEM	PART NUMBER	QTY	BODY	MODEL	DESCRIPTION
1					SWITCH, Turn Signal & Hazard Warning
	4728 424	1	C-Y		w/Tilt, Hazard, Interm. Wipe & Wash (MULTIFUNCTION)
	4728 424	1	C-Y		w/o Tilt, (MULTIFUNCTION)
	5269 378	1	P-A		w/ Interm. Wipe, w/ or w/o Tilt, (MULTIFUNCTION)
	5269 381		P		w/ or w/o Tilt, w/o Inter. Wipe (MULTIFUNCTION)
	4326 603	1	J-G		T/Sig. Cancel & Hazard Warning (Column) (Use Insul. 4209939)
	4565 032	1	J-G		T/Signal & Lane Change (Binicle) (Use Lever 4460181)
	4638 063	1	S		w/ or w/o Tilt
2					SWITCH, w/Shield Wiper & Washer
	4565 224		S		Windshield Wiper, Rear (Bulb Serv. w/Switch)
	4373 503	1	G		w/Intermittent Wiper, Frt. & Rear (Binicle)
	4373 695	1	J-G		w/Intermittent Wiper, Front Only (Binicle)
3					SHAFT, Turn Signal & w/Shield Wiper Switch
4		1			LEVER, Speed Control
5		1	G-J		KNOB, Wiper & Washer Switch
6					SCREW, (Not Serv.)
7					SWITCH, Head Lamp Beam Selector
	4373 696	1	G		Headlamp, Inst. Lamp, Dome & Fog Lamp (Module), w/Road Lamps
	4373 504	1	G		w/o Road Lamps
	4373 504	1	J		Headlamp, Inst. Lamp (Module)
8					ROD, H/Lamp Beam Selector Actuating
9					LAMP, Ignition & Starter Switch
10					SWITCH, Ignition & Starter
	4443 924	1	A-G-J		w/Buzzer & Halo, (Use Insul. 4-Way 4557387 & 7 Way 4419594) (Mtg. Screw 4326772)
	4443 924	1	P-C-Y-S		w/Buzzer & Halo, (Use Insul. 4-Way 4527387 & 7 Way 4419594) (Mtg. Screw 4326772)

**MODEL CODES:**

A BODY=(C=LeBaron, D=Spirit, P=Acclaim/LaBaron(Landau), Saratoga)  
 C BODY=(D=Dynasty, C=New Yorker/N.Y. Salon)  
 G BODY=(V=Daytona/IROC, Chrysler Daytona)  
 J BODY=(C=LeBaron, Chrysler LeBaron)  
 P BODY=(P=Sundance, D=Shadow)

S BODY=(H=Voyager(H) FWD, K=Caravan(H) FWD, Y=Town & Country(H) FWD, P=Voyager(K) AWD, D=Caravan(K) AWD, C=Town & Country(K) AWD)  
 Y BODY=(C=Imperial/5th Avenue)  
 E-S BODY=(K=Chrysler Voyager(H) FWD, D=Chrysler Voyager(K) AWD)

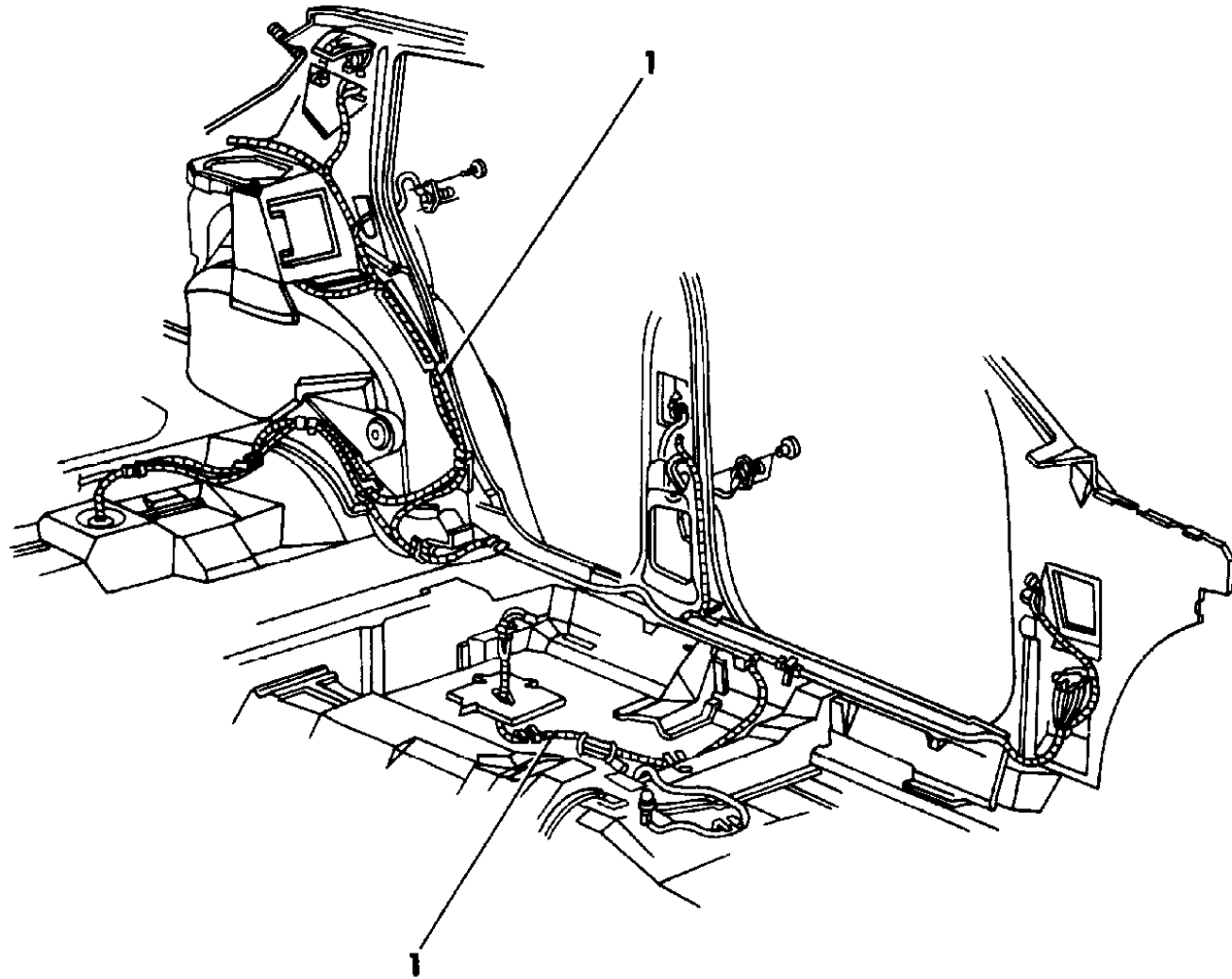
**BODY STYLES:**

21=2-Door Coupe      41=4-Door Sedan      12-52=FWD & AWD Van & Wgn Std W.B.  
 24=2-Door Hatchback      44=4-Door Hatchback      53=FWD & AWD Van & Wgn Ext. W.B.  
 27=2-Door Convertible

AR = Use as Required - = Non Illustrated Part P.A.R. = Paint as Required

**WIRING--BODY & ACCESSORIES P BODY**  
**Figure 8-8200**

93108 8200



ITEM	PART NUMBER	QTY	BODY	MODEL	DESCRIPTION
1					WIRING, Body
	4661 383	1	27		Body Door Lock, Speaker, Passive Restraint, Lt.
	4661 361	1	44		Body, Locks, Mirror, Namebrand Speakers, Dome Lamp, Lt.
	4661 463	1	24		Body Speaker (Namebrand) Wdo. Lift, Locks, Mirror, Pwr. Seat, Lt.
	4450 422	1	24-44-27		Elec. Seat Adjuster
	4481 186	1	ALL		License Lamp
	4625 989	1	24		Overhead Console & Visor Vanity
	4625 340	1	44		
	4661 063	1	44		Rear Wdo. Lift & Lock
	5267 124				Underhood Lamp, 2.5 Eng.
	4661 332				3.0 Eng.

**MODEL CODES:**

A BODY=(C=LeBaron, D=Spirit, P=Acclaim/LaBaron(Landau), Saratoga) S BODY=(H=Voyager(H) FWD, K=Caravan(H) FWD, Y=Town & Country(H) FWD, P=Voyager(K) AWD, D=Caravan(K) AWD, C=Town & Country(K) AWD)  
 C BODY=(D=Dynasty, C=New Yorker/N.Y. Salon)  
 G BODY=(V=Daytona/IROC, Chrysler Daytona)  
 J BODY=(C=LeBaron, Chrysler LeBaron)  
 P BODY=(P=Sundance, D=Shadow)  
 Y BODY=(C=Imperial/5th Avenue)  
 E-S BODY=(K=Chrysler Voyager(H) FWD, D=Chrysler Voyager(K) AWD)

**BODY STYLES:**

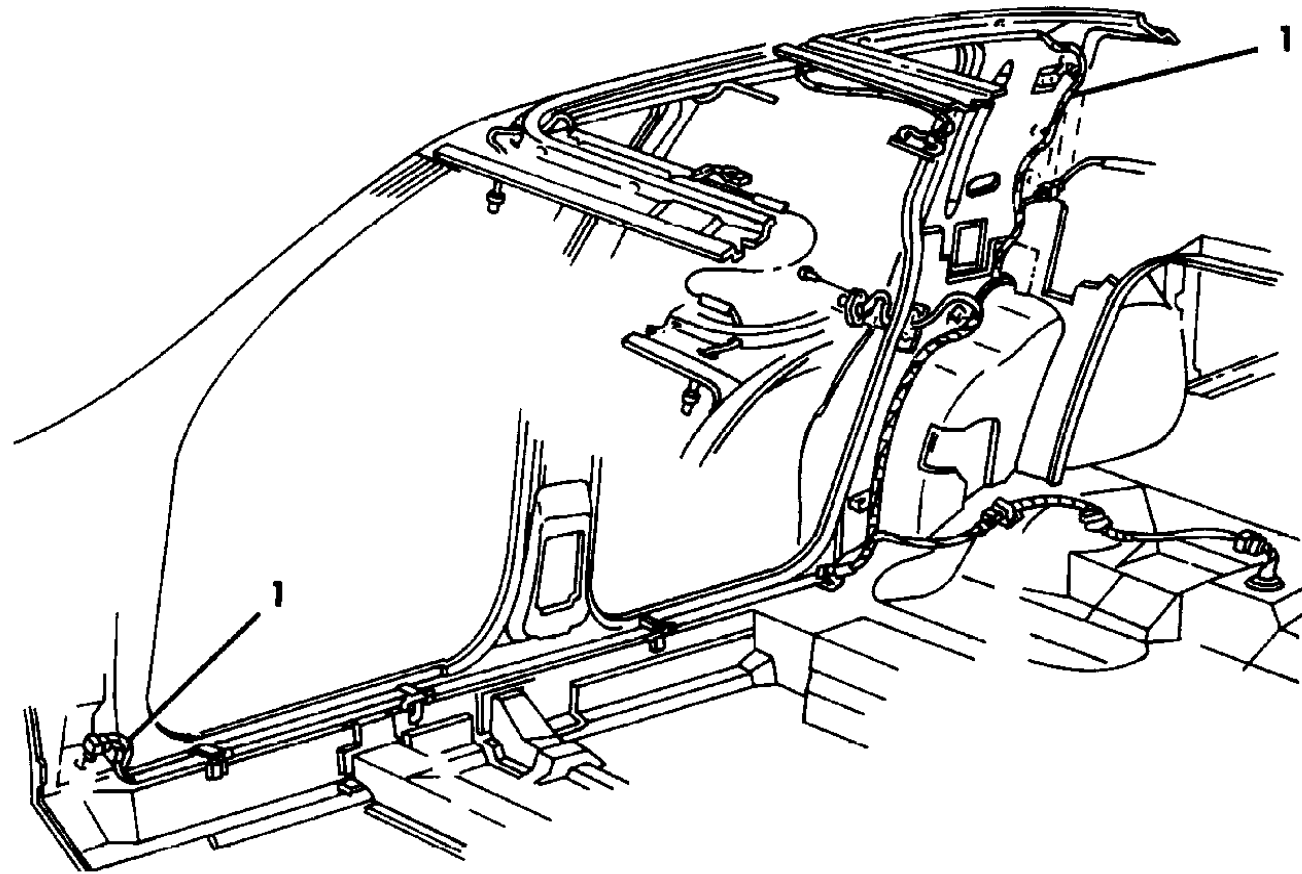
21=2-Door Coupe      41=4-Door Sedan      12-52=FWD & AWD Van & Wgn Std W.B.  
 24=2-Door Hatchback      44=4-Door Hatchback      53=FWD & AWD Van & Wgn Ext. W.B.  
 27=2-Door Convertible

AR = Use as Required - = Non Illustrated Part P.A.R. = Paint as Required

WIRING--BODY & ACCESSORIES A BODY

Figure 8-8300

93108 8300



ITEM	PART NUMBER	QTY	BODY	MODEL	DESCRIPTION
1					WIRING, Body Unified
	4687 708			C,P	
	4687 101			D,P	w/o Pwr. Mirrors, Locks, Pwr. Windows, Illum. Entry, Pwr. Seats
	4687 002			D,P	w/o Power Mirrors, Illum. Entry
	4687 003			D,P	w/o Power Mirrors, Door Locks
	4687 005			D,P	w/Power Windows
	4687 775			D,P	w/o Power Mirrors, Power Windows
	4687 006			D,P	w/o Power Windows, EUROPE
	4687 007			D,P	w/Power Windows, EUROPE
	4687 443				w/ Power Mirrors, Locks, (Flex Fuel)
	4687 525				w/o Power Mirrors, (Flex Fuel)
	4687 626				w/o Power Mirrors, Door Locks (Flex Fuel)
	4688 118				Flex Fuel, w/Power Windows
	4688 220				Flex Fuel, w/o Power Mirrors
	4687 464				Rear Body
	4687 465				Rear Body, EUROPE
	4687 447				Dome Lamp, Overhead Console, Illum. Entry
	4687 346				Illum. Entry
-	4372 040				STRAP, Ground (Engine to Cowl Ground) 3.0 Eng.

MODEL CODES:

A BODY=(C=LeBaron, D=Spirit, P=Acclaim/LaBaron(Landau),  
Saratoga)  
C BODY=(D=Dynasty, C=New Yorker/N.Y. Salon)  
G BODY=(V=Daytona/IROC, Chrysler Daytona)  
J BODY=(C=LeBaron, Chrysler LeBaron)  
P BODY=(P=Sundance, D=Shadow)

S BODY=(H=Voyager(H) FWD, K=Caravan(H) FWD,  
Y=Town & Country(H) FWD, P=Voyager(K) AWD,  
D=Caravan(K) AWD, C=Town & Country(K) AWD)  
Y BODY=(C=Imperial/5th Avenue)  
E-S BODY=(K=Chrysler Voyager(H) FWD, D=Chrysler  
Voyager(K) AWD)

BODY STYLES:

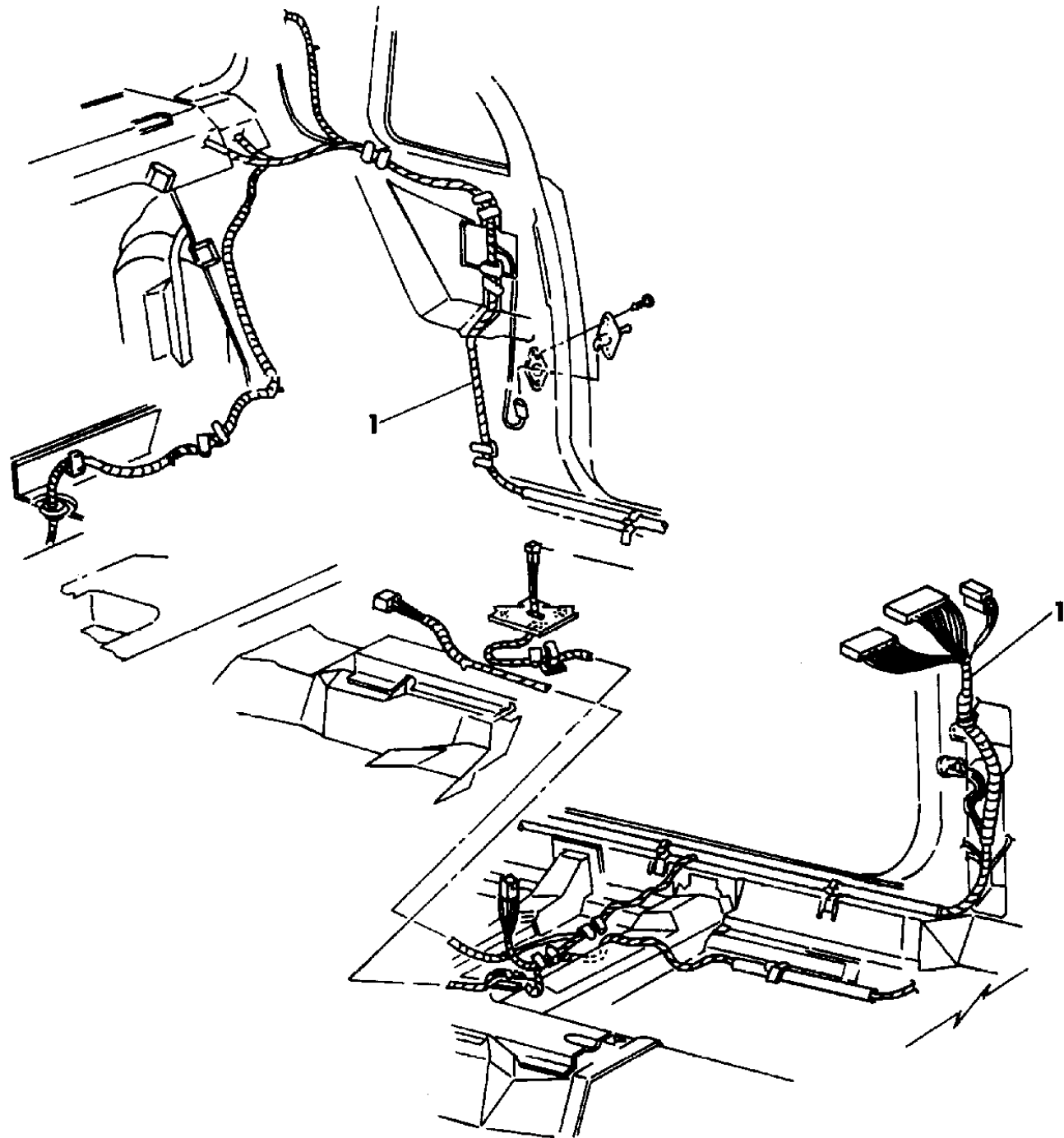
21=2-Door Coupe      41=4-Door Sedan      12-52=FWD & AWD Van & Wgn Std W.B.  
24=2-Door Hatchback      44=4-Door Hatchback      53=FWD & AWD Van & Wgn Ext. W.B.  
27=2-Door Convertible

AR = Use as Required - = Non Illustrated Part P.A.R. = Paint as Required

WIRING--BODY & ACCESSORIES J BODY

Figure 8-8400

93108 8400



ITEM	PART NUMBER	QTY	BODY	MODEL	DESCRIPTION
1					WIRING, Body & Accessory
	4414 890	1			Applique
	4661 516	1	27		Body, Rear Base
	4661 521		27		Body, Lt. Front w/Name Brand Speaker
	4661 521		27		Body, Rear w/Sound System
	4661 412	1	21		Body, Rear
	4661 423	1	27		w/Namebrand Speakers, Rear, EUROPE
	4661 422		27		w/o Namebrand Speakers, Rear, EUROPE
	4661 614	1	21		Body, Lt. Frt., w/R/S, EUROPE
	5267 627	1			Clutch Interlock Jumper
	4625 990	1	21		Console, Cigar Lighter
	5267 058	AR			Console, Cigar Lighter, PRNDL
	4661 231	1	21		Console, Overhead, Rear Speakers, Courtesy Lamp (C/Pillar)
	4661 011	1	27		Console, Park Brake, Power Top
	4481 470	1			Console, Overhead Jumper
	4661 428				Lighted Rear View Mirror
	4661 176	1	21		Deck Lid Release Cable
	4661 177	1	21		EUROPE
	4661 178		27		Deck Lid Release
	4661 180	1	27		EUROPE
	4661 381	1	21		Door, Lt. Illum. Entry, P/Wdo. Lift
	4661 437	1	27		
	4661 384	1			Door, Frt. Rt., Wdo. Lift, Illum. Entry
	4661 232		21		Dome, Visor, C/Plr. & Rear Speaker, w/Name Brand
	4661 230				Dome, Visor, C/Plr. & Rear Speaker, w/o Namebrand
	4661 229				Dome, Overhead Console, C/Plr. & Rear Speaker
	4661 382	1			Rt. Frt. Door, Pwr. Mirror, Illum. Entry, Wdo. Lift, Locks
	4481 447	1			Enthusiast Seat Jumper
	4661 427		27		Illum. Vanity Visor
	4661 396	1	27		Courtesy Lamps, Rear View Mirror
	4527 466	1			Aperture Pnl. Tail, Stop, Turn Signal
	4481 259	1			Rear Fascia
	4481 260	1			Rear Fascia, EUROPE
	5267 677	1			Turn Signal Jumper
	4527 428	1			Tube & Grommet (Flexible)

MODEL CODES:

A BODY=(C=LeBaron, D=Spirit, P=Acclaim/LaBaron(Landau), Saratoga)

C BODY=(D=Dynasty, C=New Yorker/N.Y. Salon)

G BODY=(V=Daytona/ROC, Chrysler Daytona)

J BODY=(C=LeBaron, Chrysler LeBaron)

P BODY=(P=Sundance, D=Shadow)

S BODY=(H=Voyager(H) FWD, K=Caravan(H) FWD,

Y=Town & Country(H) FWD, P=Voyager(K) AWD,

D=Caravan(K) AWD, C=Town & Country(K) AWD)

Y BODY=(C=Imperial/5th Avenue)

E-S BODY=(K=Chrysler Voyager(H) FWD, D=Chrysler

Voyager(K) AWD)

BODY STYLES:

21=2-Door Coupe

41=4-Door Sedan

12-52=FWD & AWD Van & Wgn Std W.B.

24=2-Door Hatchback

44=4-Door Hatchback

53=FWD & AWD Van & Wgn Ext. W.B.

27=2-Door Convertible

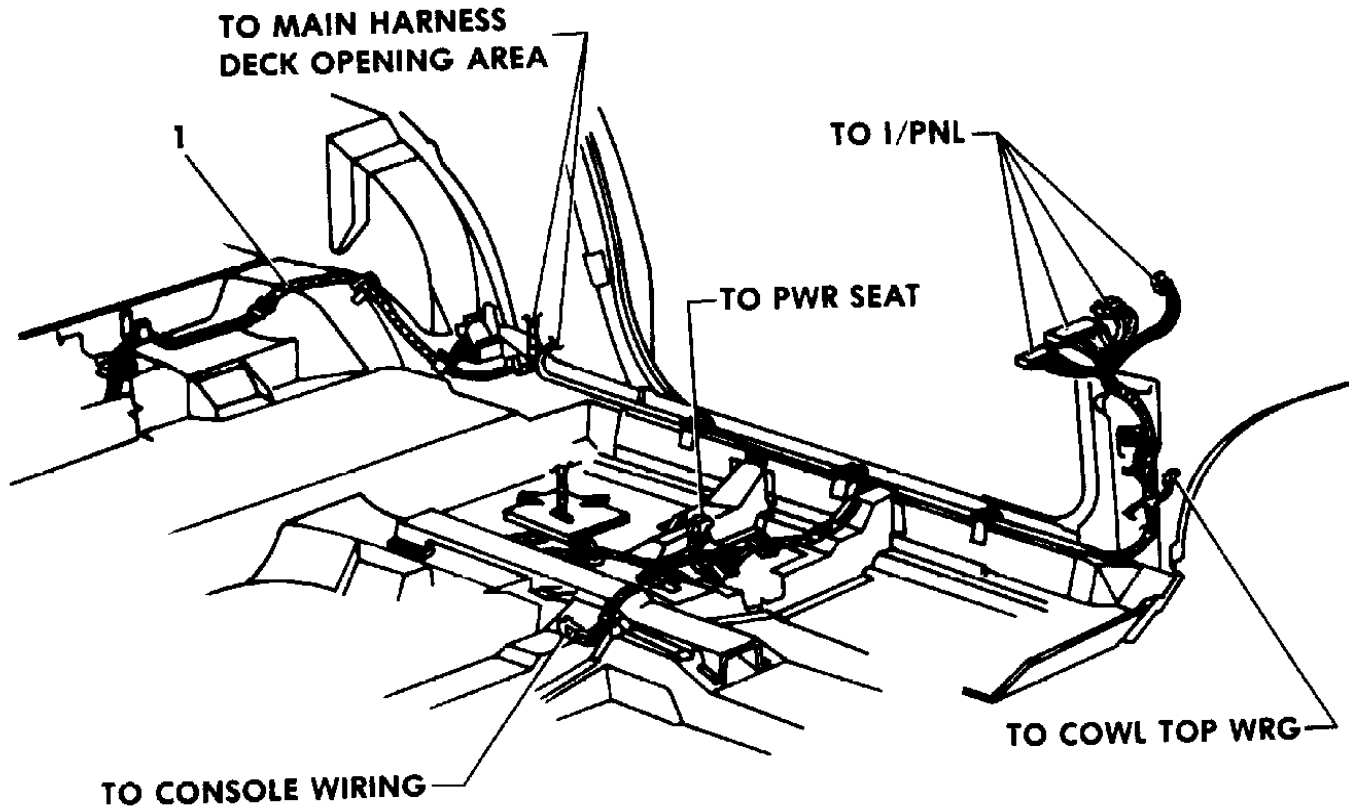
AR = Use as Required - = Non Illustrated Part P.A.R. = Paint as Required

WIRING--BODY & ACCESSORIES G BODY

Figure 8-8500

93108 8500

ITEM	PART NUMBER	QTY	BODY	MODEL	DESCRIPTION
1	5267 753	1			WIRING, BODY Lt. Frt. (Basic)
	4625 223	1			Lt. Body, w/o Rear Wiper
	4625 103	1			EUROPE
					WIRING, ACCESSORIES
	4661 514	1			L/Gate, Heated Rear Wdo., Rear Wipe
	4481 247	1			Liftgate, Body Jumper
	4661 172	1			Dome Lamp
	4661 171	1			Dome, Map & Reading, Vanity Visor
	4661 233	1			Lt. Door w/Lift, Pwr. Seat
	4661 152	1			Rt. Door, Pwr. Wdo., Pwr. Door Lock
	4661 152	1			Rt. Door Courtesy Lamps & Speaker
	4661 170	1			Dome & Overhead Console
	4661 171	1			O/Head Light Dome, Map & Illum. Visor
	4625 985	1			T/Sig. Lamp Jumper, EUROPE
	4481 448	1			Pwr. Seat Jumper
	4481 470	1			Overhead Console Jumper
	4481 447	1			Enthusiast Seat Jumper
	5267 964	1			Frnt. End. Lighting, w/Fog Lamps
	4625 767	1			EUROPE
	4481 618	1			Side Repeater Lamp, EUROPE
	5267 080	1			Taillamp
	5267 081	1			Back-Up Lamps
	5267 082	1			Rear Closure, Tail, Stop, Turn, EUROPE
	5267 079	1			Rear Closure, Back-Up & Fog Lamp, EUROPE
	5267 627	1			Clutch Interlock Jumper
	5267 058	1			Console, Cigar Lighter, PRNDL
	4625 990	1			Console Cigar Lighter, Man. Trans.
	4515 625				Headlamp Lighting AERO, Domestic
	4515 629				Headlamp Lighting AERO, EUROPE



MODEL CODES:

A BODY=(C=LeBaron, D=Spirit, P=Acclaim/LaBaron(Landau), Saratoga)  
 C BODY=(D=Dynasty, C=New Yorker/N.Y. Salon)  
 G BODY=(V=Daytona/IROC, Chrysler Daytona)  
 J BODY=(C=LeBaron, Chrysler LeBaron)  
 P BODY=(P=Sundance, D=Shadow)

S BODY=(H=Voyager(H) FWD, K=Caravan(H) FWD, Y=Town & Country(H) FWD, P=Voyager(K) AWD, D=Caravan(K) AWD, C=Town & Country(K) AWD)  
 Y BODY=(C=Imperial/5th Avenue)  
 E-S BODY=(K=Chrysler Voyager(H) FWD, D=Chrysler Voyager(K) AWD)

BODY STYLES:

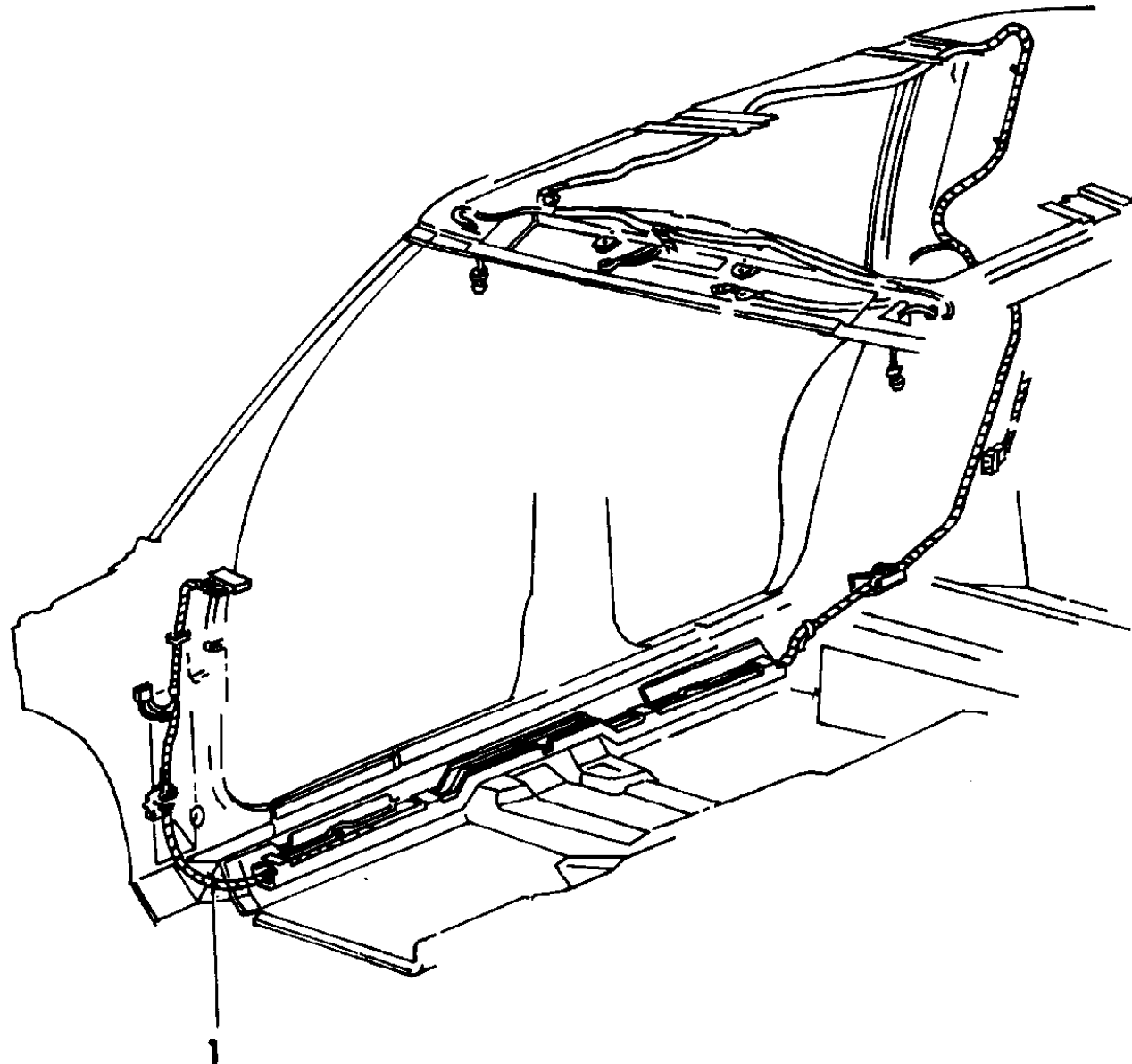
21=2-Door Coupe      41=4-Door Sedan      12-52=FWD & AWD Van & Wgn Std W.B.  
 24=2-Door Hatchback      44=4-Door Hatchback      53=FWD & AWD Van & Wgn Ext. W.B.  
 27=2-Door Convertible

AR = Use as Required - = Non Illustrated Part P.A.R. = Paint as Required



**WIRING--BODY & ACCESSORIES C-Y BODY**  
**Figure 8-8600**

93108 8600



ITEM	PART NUMBER	QTY	BODY	MODEL	DESCRIPTION
1					WIRING, ACCESSORIES
		1			Lt. Body, Air Susp. & Deck Lid Pull Down
		1			Lt. Frt. Body, Load Level & Deck Lid Pull Down
	4687 421	1	C-Y		Lt. Frt. Door Memory Seat & Mirror
	4527 652	1	C-Y		Underhood Lamp
	5267 165	1	Y		Hi-Mtd. Stop Lamp
	5267 164		C		
	4527 621	1	Y	P	Deck Lid, w/Pulldown
	5267 415	1	C	D	Deck Lid, w/Pulldown
	5267 319	1	C	D	Deck Lid, w/o Pulldown
	5267 317	1	C	Y	Deck Lid
	4527 624	1	C-Y		Sunroof (Body)
	4687 417	1	C-Y		Cellular Phone
	4450 292	1	C-Y		Pwr. Seat Recliner, Rt.
	4450 293	1	C-Y		Pwr. Seat, w/Memory
	5267 689	1	C-Y		Cooling Module, w/E.V.I.C.
	5267 690	1	C-Y		w/o E.V.I.C.
		1			Rt. Body, Air Susp., w/Namebrand Speakers
		1			Lt. Deck Lid, w/Pull Down
		1		P	Rt. Body, w/Air Susp.
	4527 653	1	C	D	Front Lights, w/o Running Lamps, Lt.
	4527 655		C	D	w/Running Lamps, Lt.
	5267 417		C-Y	C-S	Rt.
	5267 520		C-Y	C-S	Lt.
	4687 062-3		Y	C-P	
	4625 724	1	Y		Body Right, w/Twilight Sentinel, w/o Std. Susp.
	4625 627	1	Y		Body Right, w/Twilight Sentinel, & Standard Suspension
	4625 626	1	Y		Body Right, w/Namebrand Speaker & Twilight Sentinel
	4625 725	1	Y		Body Right, w/Namebrand Speaker & Twilight Sentinel, w/o Standard Suspension
	5267 504	1	Y		Body Right, w/o Std. Suspension, w/o Twilight Sentinel or Std. Suspension
	4625 723	1	C		Body Right, w/Twilight Sentinel & Illum. Visor
	5267 902	1	C		Body Right, w/Illum. Visor, Day/Night Mirror
	5267 408	1	C		Body Right, w/o Namebrand Speaker or Twilight Sentinel or Std. Suspension
	5267 411	1	C		Body Right, w/Namebrand Speaker & Illum. Visor
	4625 622	1	C		Body Right, w/Twilight Sentinel & Illum. Visor & Namebrand Speaker

**MODEL CODES:**

A BODY=(C=LeBaron, D=Spirit, P=Acclaim/LaBaron(Landau), Saratoga)  
 C BODY=(D=Dynasty, C=New Yorker/N.Y. Salon)  
 G BODY=(V=Daytona/ROC, Chrysler Daytona)  
 J BODY=(C=LeBaron, Chrysler LeBaron)  
 P BODY=(P=Sundance, D=Shadow)

S BODY=(H=Voyager(H) FWD, K=Caravan(H) FWD, Y=Town & Country(H) FWD, P=Voyager(K) AWD, D=Caravan(K) AWD, C=Town & Country(K) AWD)  
 Y BODY=(C=Imperial/5th Avenue)  
 E-S BODY=(K=Chrysler Voyager(H) FWD, D=Chrysler Voyager(K) AWD)

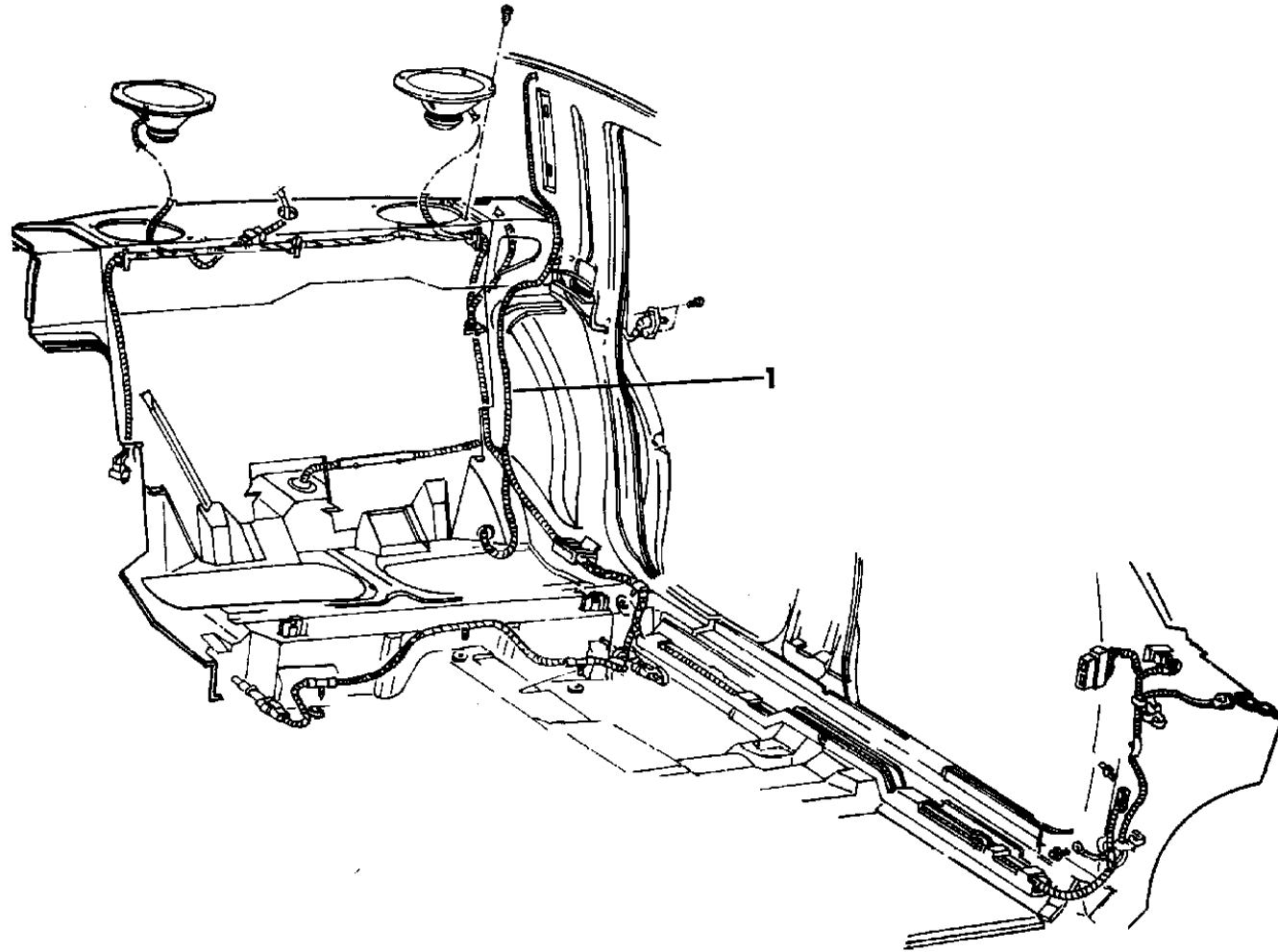
**BODY STYLES:**

21=2-Door Coupe      41=4-Door Sedan      12-52=FWD & AWD Van & Wgn Std W.B.  
 24=2-Door Hatchback      44=4-Door Hatchback      53=FWD & AWD Van & Wgn Ext. W.B.  
 27=2-Door Convertible

AR = Use as Required - = Non Illustrated Part P.A.R. = Paint as Required

**WIRING--BODY & ACCESSORIES C-Y BODY**  
**Figure 8-8600**

93108 8700



ITEM	PART NUMBER	QTY	BODY	MODEL	DESCRIPTION
1					WIRING, ACCESSORIES
	4687 505	1			Lt. Body, Air Susp., w/A.B.S.
	4687 433	1			Lt. Frt. Body, Air Suspension, w/o A.B.S.
	4625 088	AR	C-Y		Tail, Stop, Turn, Back-Up, Side Marker
	4687 421	1	C-Y		Lt. Frt. Door Memory Seat & Mirror
	4527 652	1	C-Y		Underhood Lamp
	5267 165	1	Y		Hi-Mtd. Stop Lamp
	5267 164		C		
	4527 621	1	Y	P	Deck Lid, w/Pulldown
	5267 415	1	C	D	Deck Lid, w/Pulldown
	5267 319	1	C	D	Deck Lid, w/o Pulldown
	5267 317	1	C	Y	Deck Lid
	5267 261	1	C-Y		Load Leveler
	4527 624	1	C-Y		Sunroof (Body)
	4527 584	1	Y		ATC
	4687 417	1	C-Y		Cellular Phone
	4450 292	1	C-Y		Pwr. Seat Recliner, Rt.
	4450 293	1	C-Y		Pwr. Seat, w/Memory
	5267 689	1	C-Y		Cooling Module, w/E.V.I.C.
	5267 690	1	C-Y		w/o E.V.I.C.
		1			Rt. Body, Air Susp., w/Namebrand Speakers
		1			Lt. Deck Lid, w/Pull Down
		1		P	Rt. Body, w/Air Susp.
	4527 653	1	C	D	Front Lights, w/o Running Lamps, Lt.
	4527 655		C	D	w/Running Lamps, Lt.
	5267 417		C-Y	C-S	Rt.
	5267 520		C-Y	C-S	Lt.
	4687 062-3		Y	C-P	
	4625 608	1	Y		Body, Lt. Front, w/14" Disc., w/o Load Level
	5267 705	1	Y		w/14" Anti-Lock & Load Level
	4625 535	1	C		w/14" Anti-Lock & Load Level
	5267 703	1	C		w/14" Disc., w/o Load Level
	4625 724	1	Y		Body Right, w/Twilight Sentinel, w/o Std. Susp.
	5267 410	1	Y		Body Right, w/Namebrand Speaker & Twilight Sentinel
	5267 506	1	Y		Body Right, w/Illum. Visor, w/o Twilight Sentinel
	5267 412	1	Y		Body Right, w/Namebrand Speakers, w/o Twilight Sentinel
	4625 627	1	Y		Body Right, w/Twilight Sentinel, & Standard Suspension
	4625 626	1	Y		Body Right, w/Namebrand Speaker & Twilight Sentinel

**MODEL CODES:**

A BODY=(C=LeBaron, D=Spirit, P=Acclaim/LaBaron(Landau),  
Saratoga)  
 C BODY=(D=Dynasty, C=New Yorker/N.Y. Salon)  
 G BODY=(V=Daytona/IROC, Chrysler Daytona)  
 J BODY=(C=LeBaron, Chrysler LeBaron)  
 P BODY=(P=Sundance, D=Shadow)

S BODY=(H=Voyager(H) FWD, K=Caravan(H) FWD,  
Y=Town & Country(H) FWD, P=Voyager(K) AWD,  
D=Caravan(K) AWD, C=Town & Country(K) AWD)  
 Y BODY=(C=Imperial/5th Avenue)  
 E-S BODY=(K=Chrysler Voyager(H) FWD, D=Chrysler  
Voyager(K) AWD)

**BODY STYLES:**

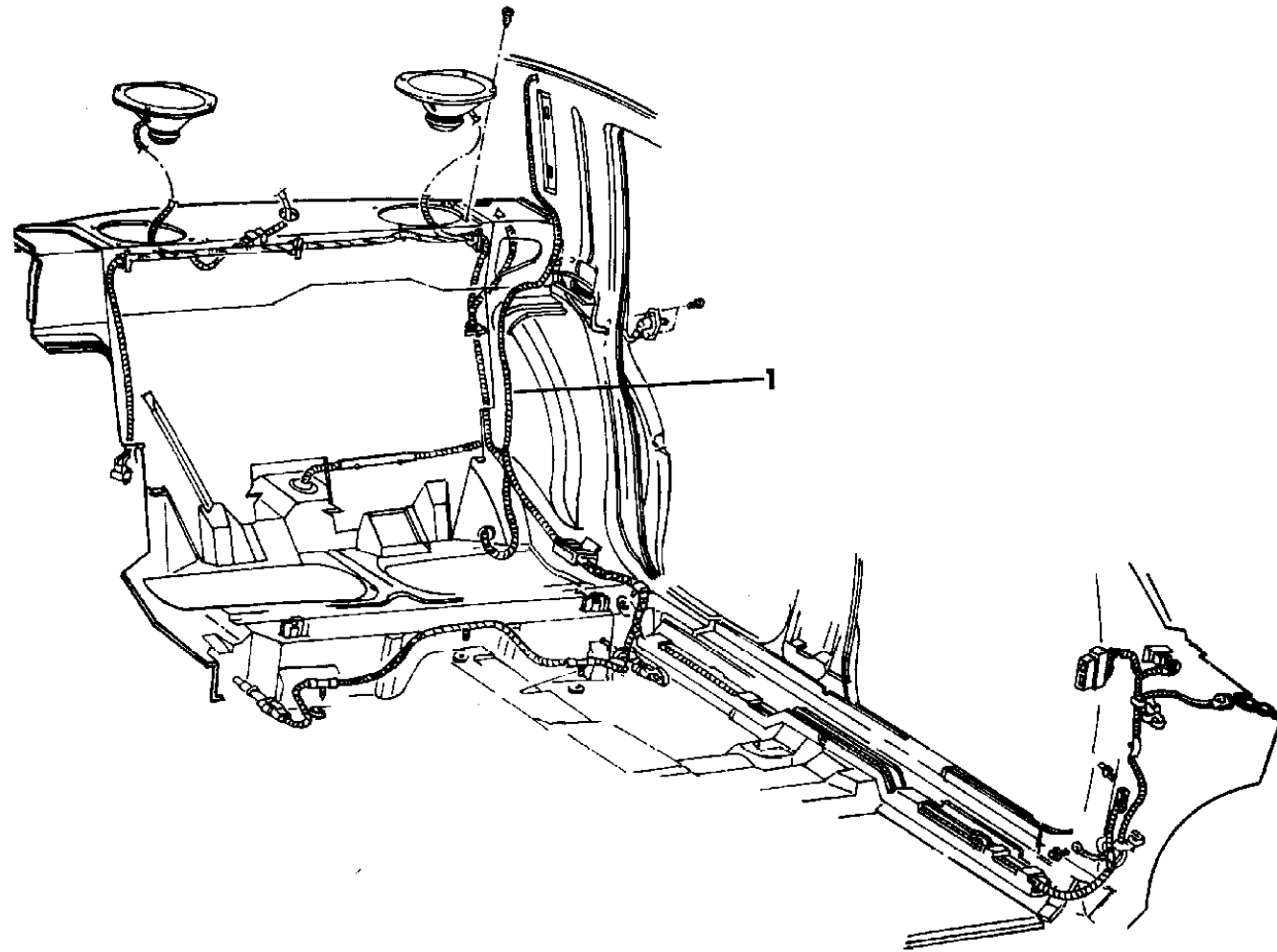
21=2-Door Coupe      41=4-Door Sedan      12-52=FWD & AWD Van & Wgn Std W.B.  
 24=2-Door Hatchback      44=4-Door Hatchback      53=FWD & AWD Van & Wgn Ext. W.B.  
 27=2-Door Convertible

AR = Use as Required - = Non Illustrated Part P.A.R. = Paint as Required

WIRING--BODY & ACCESSORIES C-Y BODY

Figure 8-8600

93108 8700



ITEM	PART NUMBER	QTY	BODY	MODEL	DESCRIPTION
	4625 725	1	Y		Body Right, w/Namebrand Speaker & Twilight Sentinal, w/o Standard Suspension
	5267 504	1	Y		Body Right, w/o Std. Suspension, w/o Twilight Sentinal or Std. Suspension
	4625 613	1	Y		Body Right, w/Std. Suspension, w/o Namebrand Speakers
	4625 723	1	C		Body Right, w/Twilight Sentinal & Illum. Visor
	5267 902	1	C		Body Right, w/Illum. Visor, Day/Night Mirror
	5267 408	1	C		Body Right, w/o Namebrand Speaker or Twilight Sentinal or Std. Suspension
	5267 411	1	C		Body Right, w/Namebrand Speaker & Illum. Visor
	4625 622	1	C		Body Right, w/Twilight Sentinal & Illum. Visor & Namebrand Speaker

MODEL CODES:

A BODY=(C=LeBaron, D=Spirit, P=Acclaim/LaBaron(Landau), Saratoga)  
 C BODY=(D=Dynasty, C=New Yorker/N.Y. Salon)  
 G BODY=(V=Daytona/IROC, Chrysler Daytona)  
 J BODY=(C=LeBaron, Chrysler LeBaron)  
 P BODY=(P=Sundance, D=Shadow)

S BODY=(H=Voyager(H) FWD, K=Caravan(H) FWD, Y=Town & Country(H) FWD, P=Voyager(K) AWD, D=Caravan(K) AWD, C=Town & Country(K) AWD)  
 Y BODY=(C=Imperial/5th Avenue)  
 E-S BODY=(K=Chrysler Voyager(H) FWD, D=Chrysler Voyager(K) AWD)

BODY STYLES:

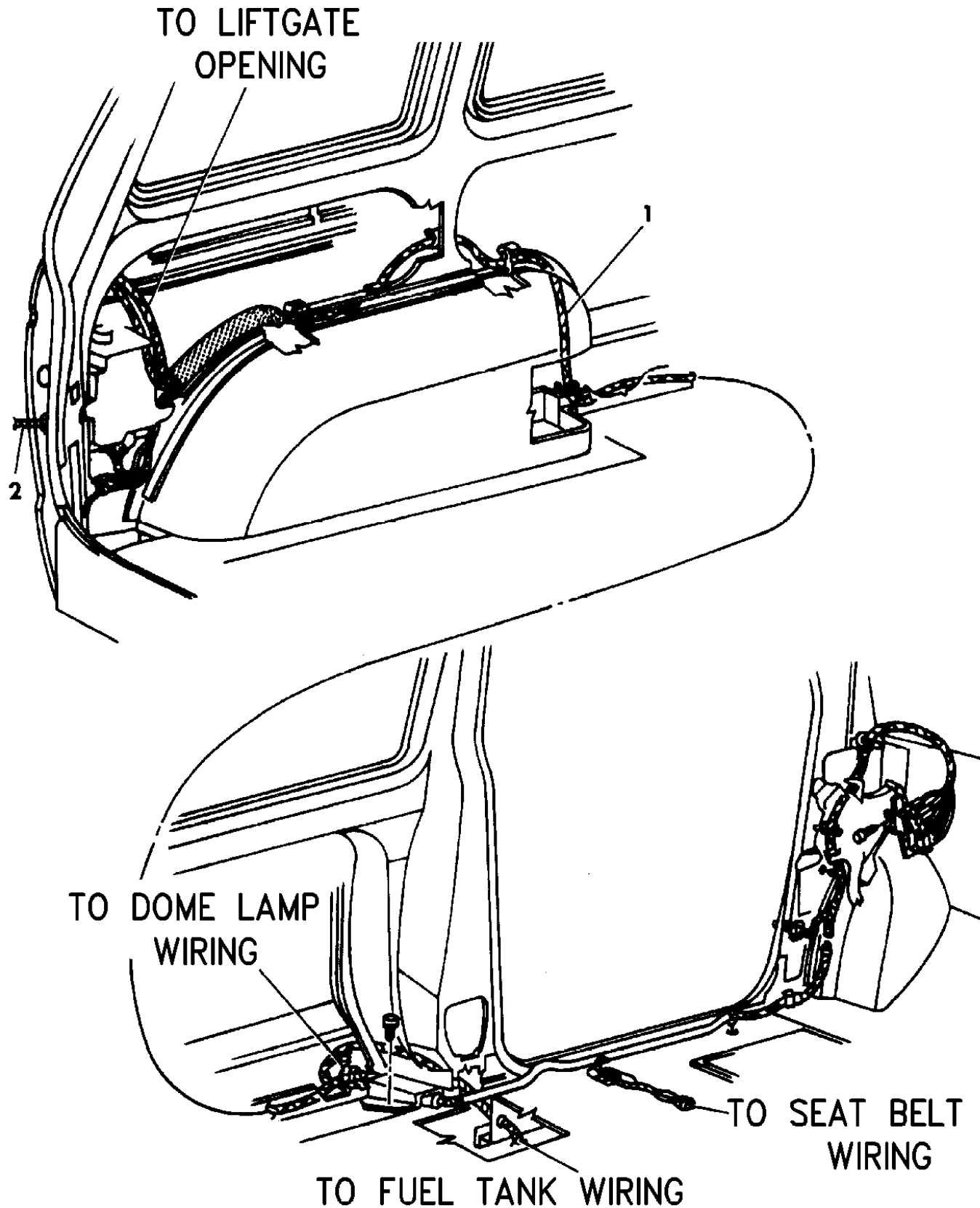
21=2-Door Coupe      41=4-Door Sedan      12-52=FWD & AWD Van & Wgn Std W.B.  
 24=2-Door Hatchback      44=4-Door Hatchback      53=FWD & AWD Van & Wgn Ext. W.B.  
 27=2-Door Convertible

AR = Use as Required - = Non Illustrated Part P.A.R. = Paint as Required

WIRING--BODY & ACCESSORIES S BODY

Figure 8-8800

93108 8800A



ITEM	PART NUMBER	QTY	BODY	MODEL	DESCRIPTION
1	4688 855	1		12-52	WIRING, BODY, Short W.B.
	4688 858	1			Body, EUROPE
	4688 859	1		13-53	Body, Long W.B.
2	4687 123	1			WIRING, ACCESSORIES, Dome Lamp, Visor, Power Vent, Overhead Console
	5267 486	1			Trailer Tow
	4576 554	1			Pigtail, w/Bulb, w/Running Lamps, EUROPE
	4399 749	1			Liftgate License
	4625 368	1		AWD	Sending Unit & Elec. Fuel Pump
	4625 366	1		FWD	
	4304 835	1			Roof Lamp (Taxi)
	4687 458	1			Underhood Lamp
	4687 717	1			Lt. & Rt., Door Lock/Wdo. Lift/Power Mirror/Courtesy Lp
	4687 716	1			Cowl, Mirror, Courtesy Lamp, Illum. Entry & Locks
	4687 812				Cowl Top, Courtesy Lamp, Mirror, Illum. Entry, Locks, Namebrand Speaker
	4625 477				Cowl Top, Mirror, Wdo. Lift, Courtesy Lamp, Mirror, Locks
	4527 185				Lt. Sill
	4687 109	1			Dome Lamp
	4540 089				Rear Heater & A/C (Stamped 4474473)
	4687 915	1			Cowl Top Door Lock, Courtesy Lamp & Illum. Entry
	4687 714				Cowl Top, Locks
	4687 713				Cowl Top Pwr. Mirror, Wdo. Lift & Door Locks
	5267 487	1		12-13	Rear Dome Lamp Jumper
	4625 496	1			E.B.L Pigtail
	4687 653	1			Fog Lamp Jumper
	4687 458				Underhood Lamp
	4687 556	1			Overlay E.A.T.X., A-604 Trans.
	4625 189				Power Seat Adjuster Jumper Wire

MODEL CODES:

A BODY=(C=LeBaron, D=Spirit, P=Acclaim/LaBaron(Landau), Saratoga)

C BODY=(D=Dynasty, C=New Yorker/N.Y. Salon)

G BODY=(V=Daytona/IROC, Chrysler Daytona)

J BODY=(C=LeBaron, Chrysler LeBaron)

P BODY=(P=Sundance, D=Shadow)

S BODY=(H=Voyager(H) FWD, K=Caravan(H) FWD,

Y=Town & Country(H) FWD, P=Voyager(K) AWD,

D=Caravan(K) AWD, C=Town & Country(K) AWD)

Y BODY=(C=Imperial/5th Avenue)

E-S BODY=(K=Chrysler Voyager(H) FWD, D=Chrysler

Voyager(K) AWD)

BODY STYLES:

21=2-Door Coupe

41=4-Door Sedan

12-52=FWD & AWD Van & Wgn Std W.B.

24=2-Door Hatchback

44=4-Door Hatchback

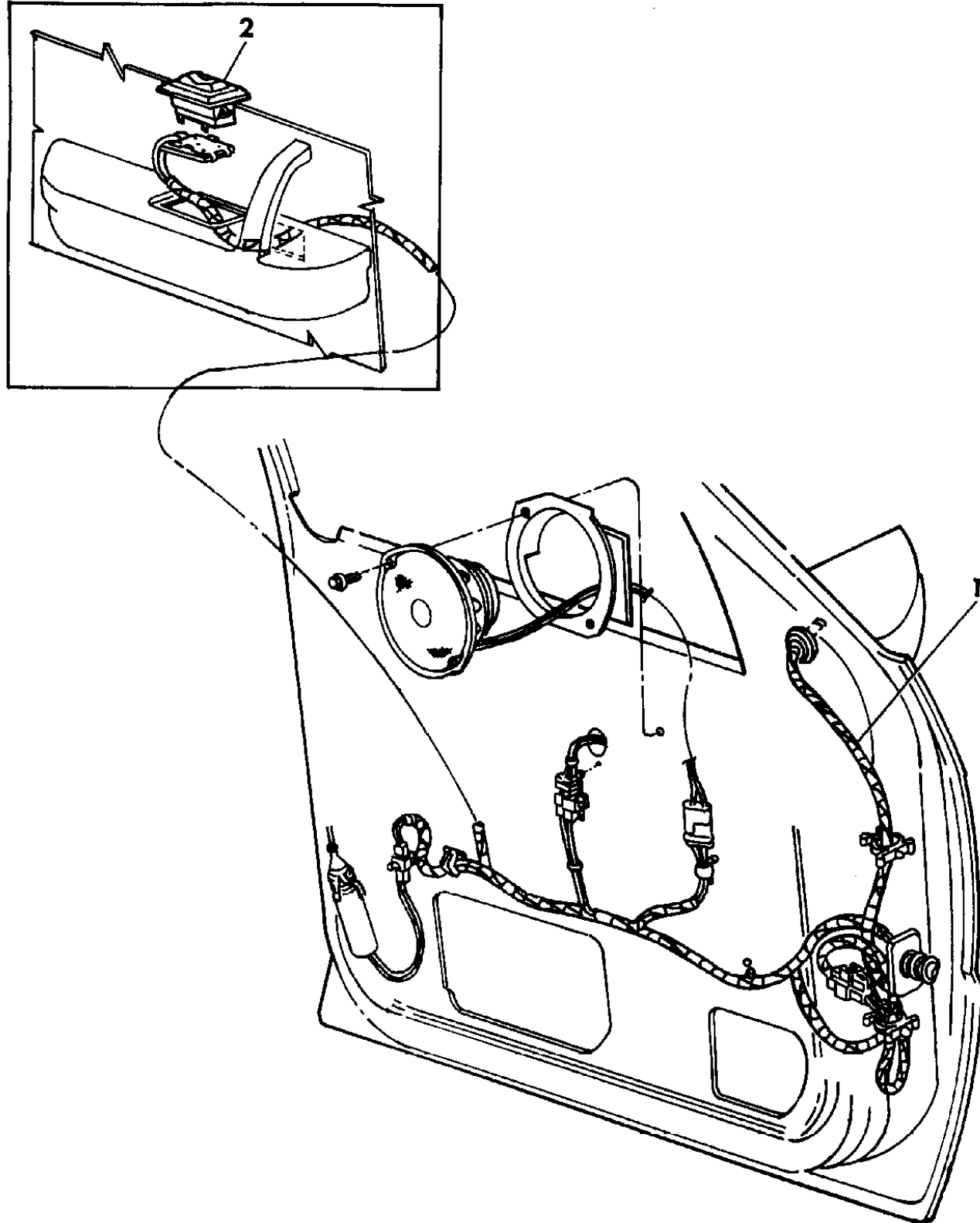
53=FWD & AWD Van & Wgn Ext. W.B.

27=2-Door Convertible

AR = Use as Required - = Non Illustrated Part P.A.R. = Paint as Required

**WIRING & SWITCHES--FRONT DOOR P BODY**  
Figure 8-8900

93108 8900



ITEM	PART NUMBER	QTY	BODY	MODEL	DESCRIPTION
1		1		24-44	WIRING Lt. Frt. Door Lock, Pwr. Wdo., Speaker (Window Lift Insul. 4419581) (Part Of Left Body Wiring)
2	4373 075	2			SWITCH, w/BEZEL, Door Lock and Wdo. Lift,1-Gang
	4373 081	1			Wdo. Lift, Console 5-Gang
	4373 077	1			2-Gang
-	4221 907	AR			RETAINER, Door Lock & Wdo. Lift

**MODEL CODES:**

A BODY=(C=LeBaron, D=Spirit, P=Acclaim/LaBaron(Landau), Saratoga)      S BODY=(H=Voyager(H) FWD, K=Caravan(H) FWD, Y=Town & Country(H) FWD, P=Voyager(K) AWD, D=Caravan(K) AWD, C=Town & Country(K) AWD)  
 C BODY=(D=Dynasty, C=New Yorker/N.Y. Salon)  
 G BODY=(V=Daytona/IROC, Chrysler Daytona)  
 J BODY=(C=LeBaron, Chrysler LeBaron)  
 P BODY=(P=Sundance, D=Shadow)      Y BODY=(C=Imperial/5th Avenue)  
 E-S BODY=(K=Chrysler Voyager(H) FWD, D=Chrysler Voyager(K) AWD)

**BODY STYLES:**

21=2-Door Coupe      41=4-Door Sedan      12-52=FWD & AWD Van & Wgn Std W.B.  
 24=2-Door Hatchback      44=4-Door Hatchback      53=FWD & AWD Van & Wgn Ext. W.B.  
 27=2-Door Convertible

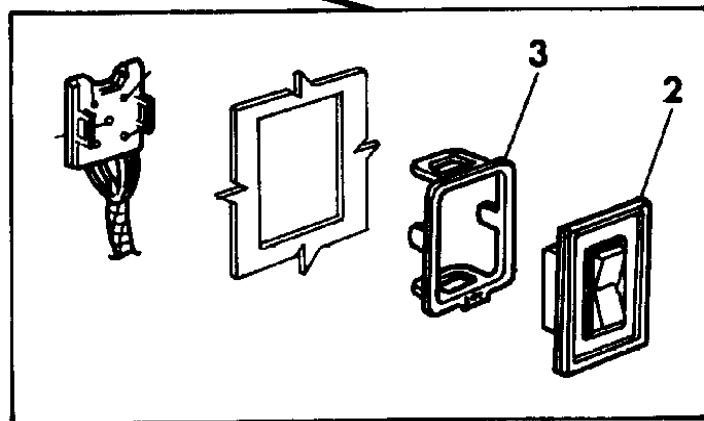
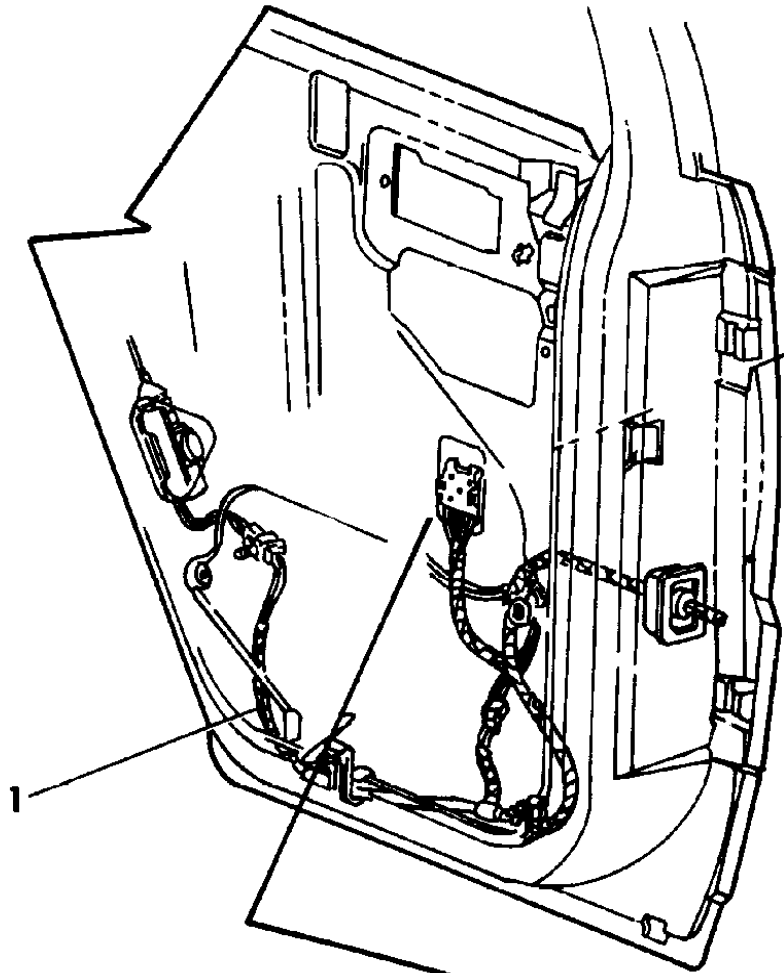
AR = Use as Required - = Non Illustrated Part P.A.R. = Paint as Required

WIRING & SWITCHES--REAR DOOR P BODY

Figure 8-9000

93108 9000

ITEM	PART NUMBER	QTY	BODY	MODEL	DESCRIPTION
1					WIRING
	4661 063	2			Power Door Lock, Wdo. Lift
2	4373 075	AR			SWITCH, w/BEZEL, w/Lift & Door Lock
3	4221 907	AR			RETAINER, Switch



MODEL CODES:

A BODY=(C=LeBaron, D=Spirit, P=Acclaim/LaBaron(Landau),  
Saratoga)  
C BODY=(D=Dynasty, C=New Yorker/N.Y. Salon)  
G BODY=(V=Daytona/IROC, Chrysler Daytona)  
J BODY=(C=LeBaron, Chrysler LeBaron)  
P BODY=(P=Sundance, D=Shadow)

S BODY=(H=Voyager(H) FWD, K=Caravan(H) FWD,  
Y=Town & Country(H) FWD, P=Voyager(K) AWD,  
D=Caravan(K) AWD, C=Town & Country(K) AWD)  
Y BODY=(C=Imperial/5th Avenue)  
E-S BODY=(K=Chrysler Voyager(H) FWD, D=Chrysler  
Voyager(K) AWD)

BODY STYLES:

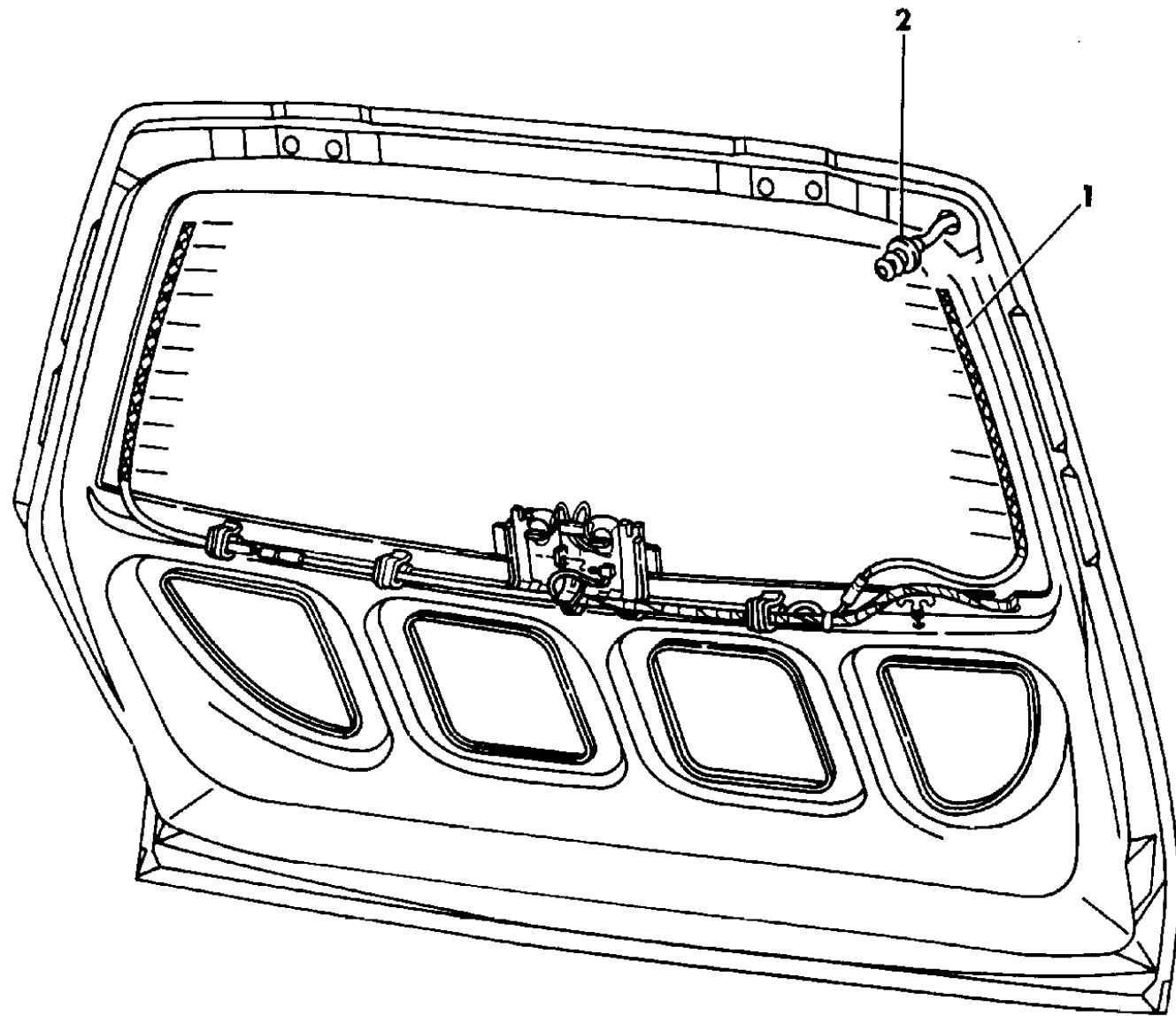
21=2-Door Coupe      41=4-Door Sedan      12-52=FWD & AWD Van & Wgn Std W.B.  
24=2-Door Hatchback      44=4-Door Hatchback      53=FWD & AWD Van & Wgn Ext. W.B.  
27=2-Door Convertible

AR = Use as Required - = Non Illustrated Part P.A.R. = Paint as Required

**WIRING & SWITCHES--LIFTGATE P BODY**  
**Figure 8-9100**

93108 9100

ITEM	PART NUMBER	QTY	BODY	MODEL	DESCRIPTION
1					WIRING
	5267 126	2			Liftgate, Hi-Mtd. Stop Lamp, E.B.L.
2	4368 350	AR			GROMMET, w/Tube, Liftgate



**MODEL CODES:**

A BODY=(C=LeBaron, D=Spirit, P=Acclaim/LaBaron(Landau),  
Saratoga)  
 C BODY=(D=Dynasty, C=New Yorker/N.Y. Salon)  
 G BODY=(V=Daytona/IROC, Chrysler Daytona)  
 J BODY=(C=LeBaron, Chrysler LeBaron)  
 P BODY=(P=Sundance, D=Shadow)

S BODY=(H=Voyager(H) FWD, K=Caravan(H) FWD,  
Y=Town & Country(H) FWD, P=Voyager(K) AWD,  
D=Caravan(K) AWD, C=Town & Country(K) AWD)  
 Y BODY=(C=Imperial/5th Avenue)  
 E-S BODY=(K=Chrysler Voyager(H) FWD, D=Chrysler  
Voyager(K) AWD)

**BODY STYLES:**

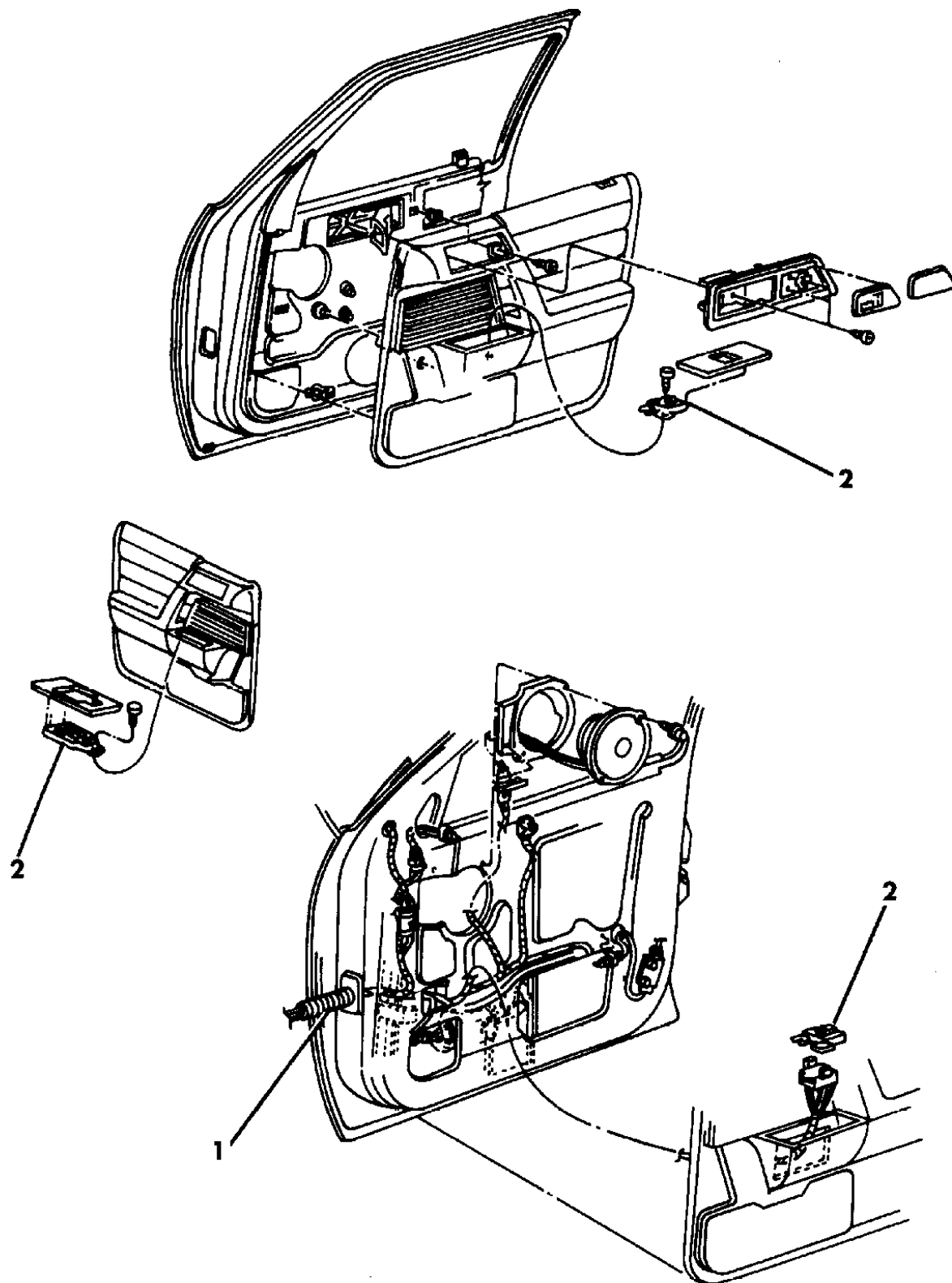
21=2-Door Coupe      41=4-Door Sedan      12-52=FWD & AWD Van & Wgn Std W.B.  
 24=2-Door Hatchback      44=4-Door Hatchback      53=FWD & AWD Van & Wgn Ext. W.B.  
 27=2-Door Convertible

AR = Use as Required - = Non Illustrated Part P.A.R. = Paint as Required

**WIRING & SWITCHES--FRONT DOOR A BODY**  
Figure 8-9200

93108 9200

ITEM	PART NUMBER	QTY	BODY	MODEL	DESCRIPTION
1					WIRING
	4625 388	1			Door Lock, Speaker, Pwr. Mirror, Wdo. Lift (Window Lift Insulator 4419581)
	4625 390	1			EUROPE
2	4565 158	1		C	SWITCH, Wdo. Lift Rt., (Use Knob 4565163)
	4565 292	1		C	Wdo. Lift, Lt.



**MODEL CODES:**

A BODY=(C=LeBaron, D=Spirit, P=Acclaim/LaBaron(Landau), Saratoga)      S BODY=(H=Voyager(H) FWD, K=Caravan(H) FWD, Y=Town & Country(H) FWD, P=Voyager(K) AWD, D=Caravan(K) AWD, C=Town & Country(K) AWD)  
 C BODY=(D=Dynasty, C=New Yorker/N.Y. Salon)      Y BODY=(C=Imperial/5th Avenue)  
 G BODY=(V=Daytona/IROC, Chrysler Daytona)      E-S BODY=(K=Chrysler Voyager(H) FWD, D=Chrysler Voyager(K) AWD)  
 J BODY=(C=LeBaron, Chrysler LeBaron)  
 P BODY=(P=Sundance, D=Shadow)

**BODY STYLES:**

21=2-Door Coupe      41=4-Door Sedan      12-52=FWD & AWD Van & Wgn Std W.B.  
 24=2-Door Hatchback      44=4-Door Hatchback      53=FWD & AWD Van & Wgn Ext. W.B.  
 27=2-Door Convertible

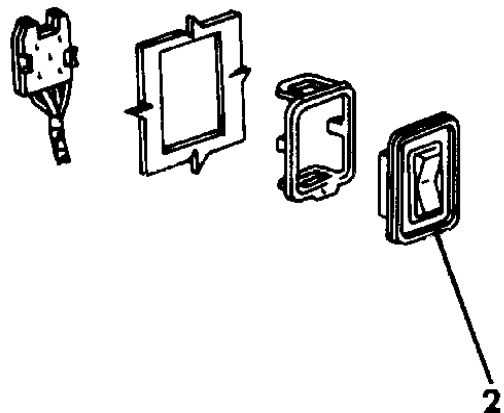
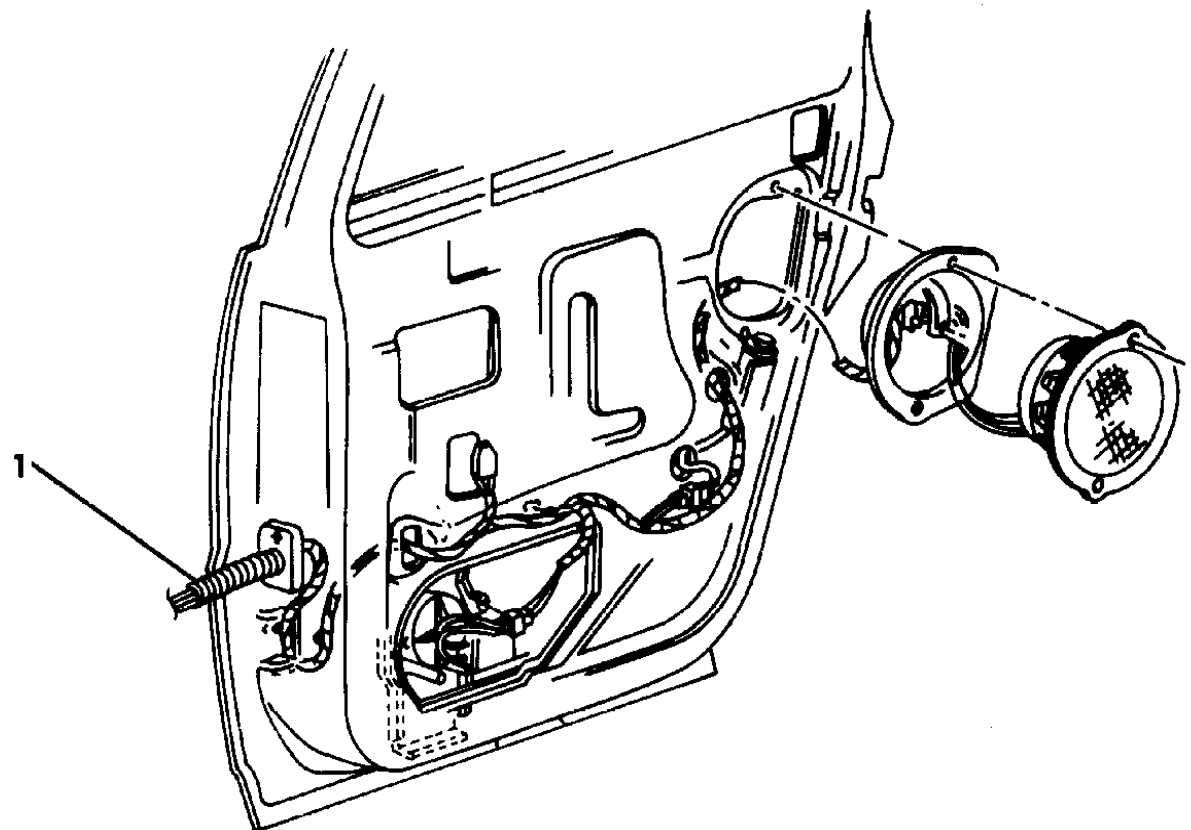
AR = Use as Required - = Non Illustrated Part P.A.R. = Paint as Required



**WIRING & SWITCHES--REAR DOOR A BODY**  
**Figure 8-9300**

93108 9300

ITEM	PART NUMBER	QTY	BODY	MODEL	DESCRIPTION
1					WIRING
	4625 393	1			Base
	4687 192	1			Rear Door Locks
	4625 395	1			Speakers, Door Locks, Pwr. Wdo., Speakers, Courtesy Lp.
2					SWITCH
	DY51 KB7	AR		P-D	Rear Door Window Lift, w/Bezel, Blue
	DY51 JD5	AR		P-D	Quartz
	DY51 KV8	AR		P-D	Champagne
	DY51 LM6	AR		P-D	Red
	EX10 KD5	AR		C	Quartz
	EX10 KB7	AR		C	Blue
	EX10 LM6	AR		C	Red
	EX10 KV8	AR		C	Champagne



**MODEL CODES:**

A BODY=(C=LeBaron, D=Spirit, P=Acclaim/LaBaron(Landau), Saratoga)      S BODY=(H=Voyager(H) FWD, K=Caravan(H) FWD, Y=Town & Country(H) FWD, P=Voyager(K) AWD, D=Caravan(K) AWD, C=Town & Country(K) AWD)  
C BODY=(D=Dynasty, C=New Yorker/N.Y. Salon)  
G BODY=(V=Daytona/IROC, Chrysler Daytona)  
J BODY=(C=LeBaron, Chrysler LeBaron)  
P BODY=(P=Sundance, D=Shadow)

**BODY STYLES:**

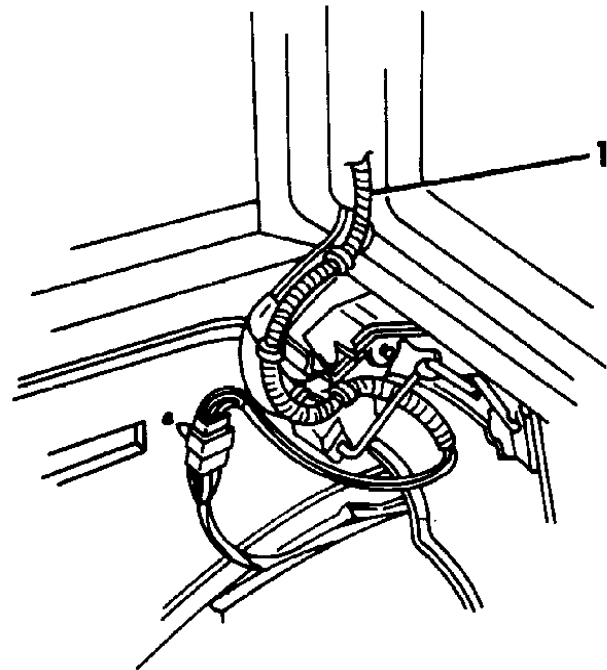
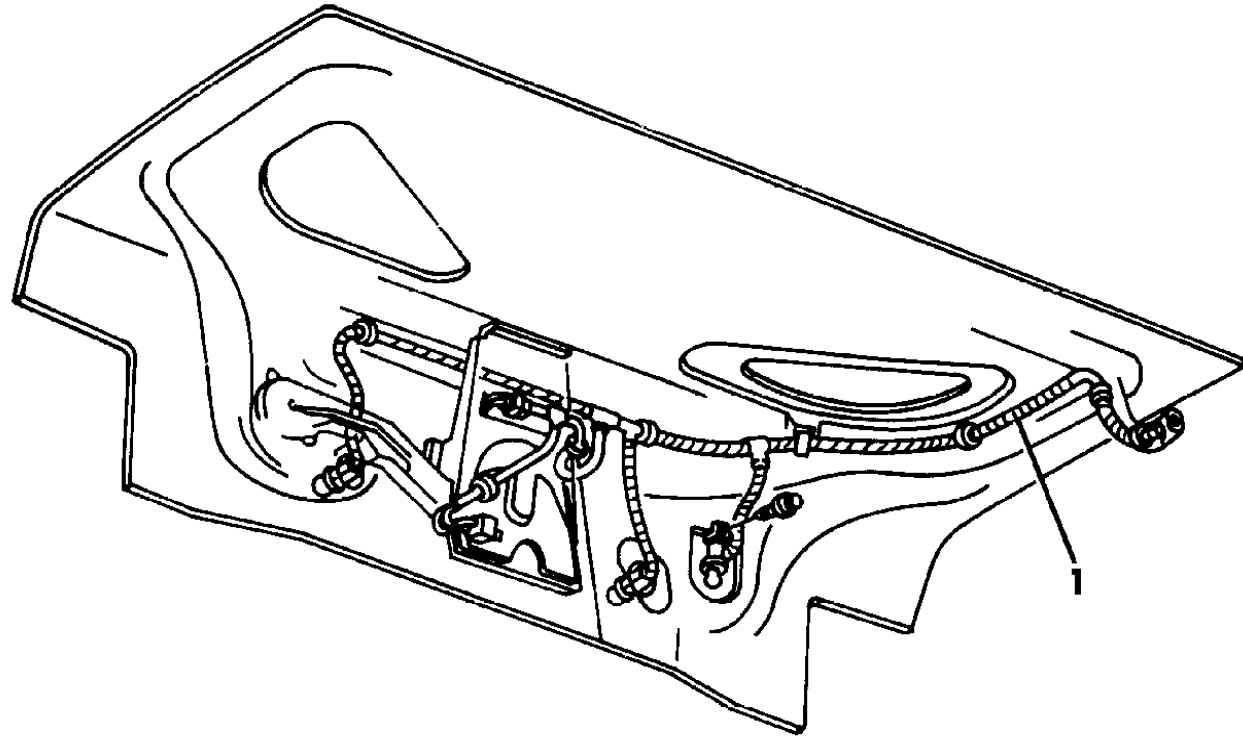
21=2-Door Coupe      41=4-Door Sedan      12-52=FWD & AWD Van & Wgn Std W.B.  
24=2-Door Hatchback      44=4-Door Hatchback      53=FWD & AWD Van & Wgn Ext. W.B.  
27=2-Door Convertible

AR = Use as Required - = Non Illustrated Part P.A.R. = Paint as Required

**WIRING--TRUNK A BODY**  
**Figure 8-9400**

93108 9400

ITEM	PART NUMBER	QTY	BODY	MODEL	DESCRIPTION
1	4687 464	1			WIRING, Deck Lid (Rear Body)
	4687 465	1			EUROPE



**MODEL CODES:**

A BODY=(C=LeBaron, D=Spirit, P=Acclaim/LaBaron(Landau),  
Saratoga) S BODY=(H=Voyager(H) FWD, K=Caravan(H) FWD,  
Y=Town & Country(H) FWD, P=Voyager(K) AWD,  
D=Caravan(K) AWD, C=Town & Country(K) AWD)  
C BODY=(D=Dynasty, C=New Yorker/N.Y. Salon)  
G BODY=(V=Daytona/IROC, Chrysler Daytona)  
Y BODY=(C=Imperial/5th Avenue)  
J BODY=(C=LeBaron, Chrysler LeBaron)  
E-S BODY=(K=Chrysler Voyager(H) FWD, D=Chrysler  
Voyager(K) AWD)  
P BODY=(P=Sundance, D=Shadow)

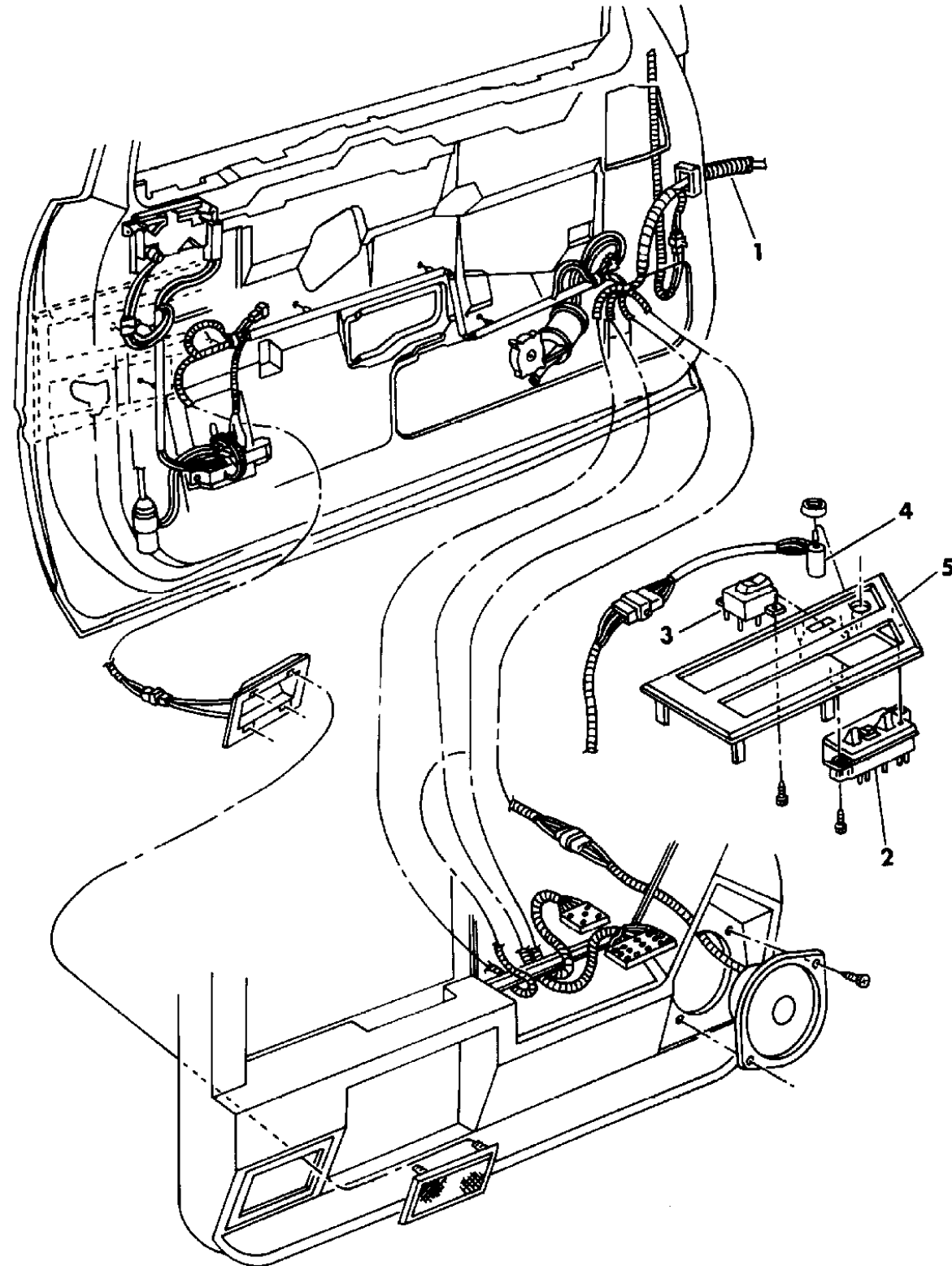
**BODY STYLES:**

21=2-Door Coupe      41=4-Door Sedan      12-52=FWD & AWD Van & Wgn Std W.B.  
24=2-Door Hatchback      44=4-Door Hatchback      53=FWD & AWD Van & Wgn Ext. W.B.  
27=2-Door Convertible

AR = Use as Required - = Non Illustrated Part P.A.R. = Paint as Required

**WIRING & SWITCHES--FRONT DOOR J BODY**  
**Figure 8-9500**

93108 9500



ITEM	PART NUMBER	QTY	BODY	MODEL	DESCRIPTION
1					WIRING
	4661 411	1		27	Lt. Door Wdo. Lift, Door Locks, Pwr. Seat, Pwr. Mirror, Illum. Entry
	4661 382	1			Rt. Door, Pwr. Mirror, Illum. Entry, Wdo. Lift, Door Lock
	4661 413	1		27	Lt. Frt. Door, Pwr. Mirror, Illum. Entry, Wdo. Lift
	4661 381			21	Lt. Door Illum. Entry & Wdo. Lift
	4661 379			21	Lt. Door Illum. Entry, Wdo. Lift, Pwr. Mirror & Door Lock
	4661 515			21	Lt. Illum. Entry, Wdo. Lift, Pwr. Mirror, Door Lock, Pwr. Seat
	4661 384				Rt. Door Illum. Entry & Wdo. Lift
2	4373 849	AR			SWITCH, Pwr. Seat Adj., 8-Way w/Plate
	4373 671	AR			6-Way
3	4373 855	AR			SWITCH, Door Lock
4	4373 287	AR			SWITCH, Remote Mirror (Use Knob 4373120)
	4373 850	AR		27	Wdo. Lift, 4-Gang, Lt.
	4373 852	AR		21	Wdo. Lift, 2 Gang, Lt.
5					BEZELS, (See Group 23C)
	4527 428	AR			TUBE or GROMMET, Wiring

**MODEL CODES:**

A BODY=(C=LeBaron, D=Spirit, P=Acclaim/LaBaron(Landau), Saratoga) S BODY=(H=Voyager(H) FWD, K=Caravan(H) FWD, Y=Town & Country(H) FWD, P=Voyager(K) AWD, D=Caravan(K) AWD, C=Town & Country(K) AWD)  
 C BODY=(D=Dynasty, C=New Yorker/N.Y. Salon) Y BODY=(C=Imperial/5th Avenue)  
 G BODY=(V=Daytona/IROC, Chrysler Daytona) E-S BODY=(K=Chrysler Voyager(H) FWD, D=Chrysler Voyager(K) AWD)  
 J BODY=(C=LeBaron, Chrysler LeBaron) P BODY=(P=Sundance, D=Shadow)

**BODY STYLES:**

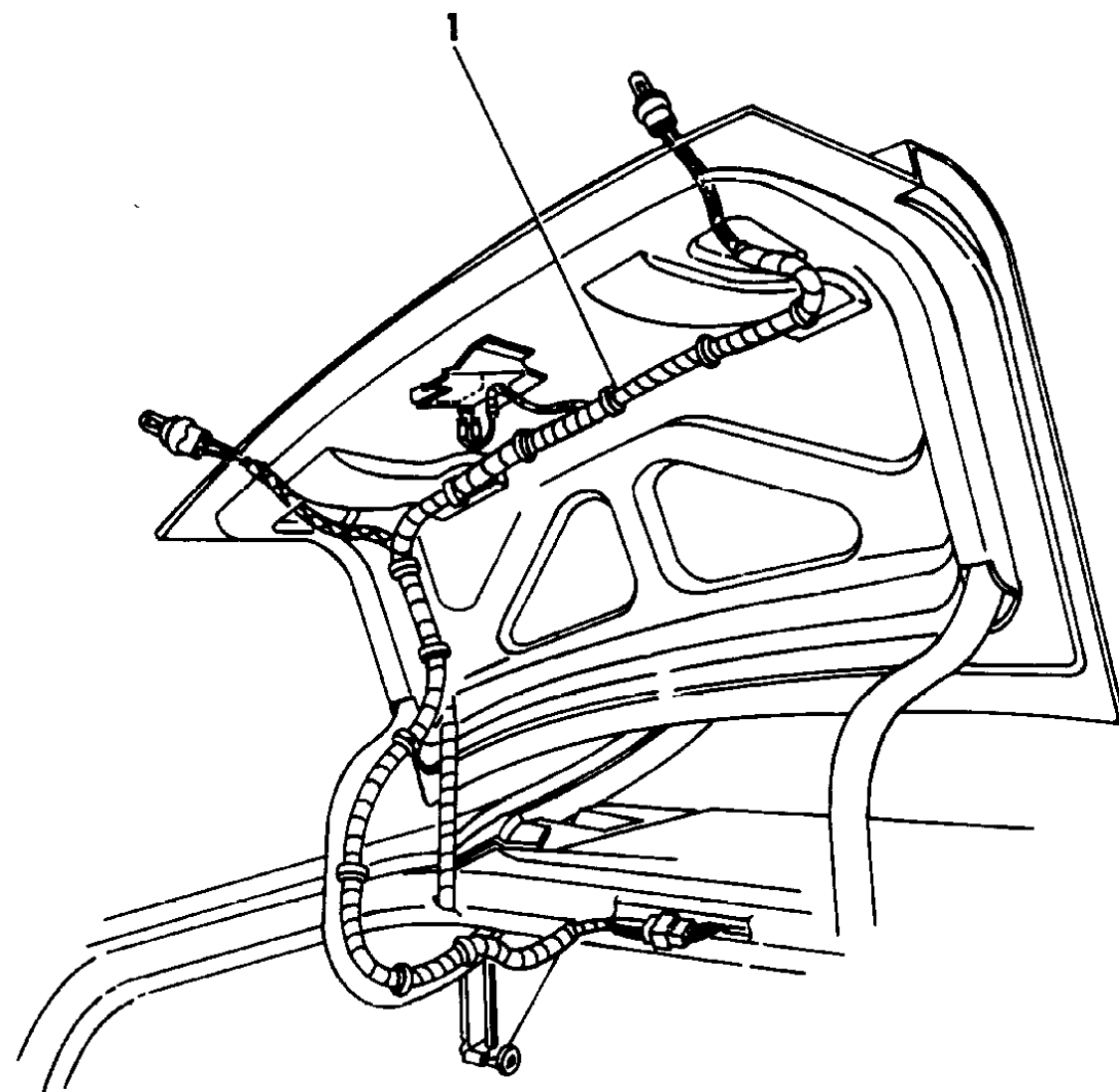
21=2-Door Coupe      41=4-Door Sedan      12-52=FWD & AWD Van & Wgn Std W.B.  
 24=2-Door Hatchback      44=4-Door Hatchback      53=FWD & AWD Van & Wgn Ext. W.B.  
 27=2-Door Convertible

AR = Use as Required - = Non Illustrated Part P.A.R. = Paint as Required

**WIRING & SWITCHES--LIFTGATE J BODY**  
Figure 8-9600

93108 9600

ITEM	PART NUMBER	QTY	BODY	MODEL	DESCRIPTION
1					WIRING
	4661 176	1		21	Deck Lid & Release Cable
	4661 177				EUROPE
	4661 178	1		27	
	4661 180				EUROPE



**MODEL CODES:**

A BODY=(C=LeBaron, D=Spirit, P=Acclaim/LaBaron(Landau), Saratoga)      S BODY=(H=Voyager(H) FWD, K=Caravan(H) FWD, Y=Town & Country(H) FWD, P=Voyager(K) AWD, D=Caravan(K) AWD, C=Town & Country(K) AWD)  
 C BODY=(D=Dynasty, C=New Yorker/N.Y. Salon)  
 G BODY=(V=Daytona/IROC, Chrysler Daytona)  
 J BODY=(C=LeBaron, Chrysler LeBaron)  
 P BODY=(P=Sundance, D=Shadow)      Y BODY=(C=Imperial/5th Avenue)  
 E-S BODY=(K=Chrysler Voyager(H) FWD, D=Chrysler Voyager(K) AWD)

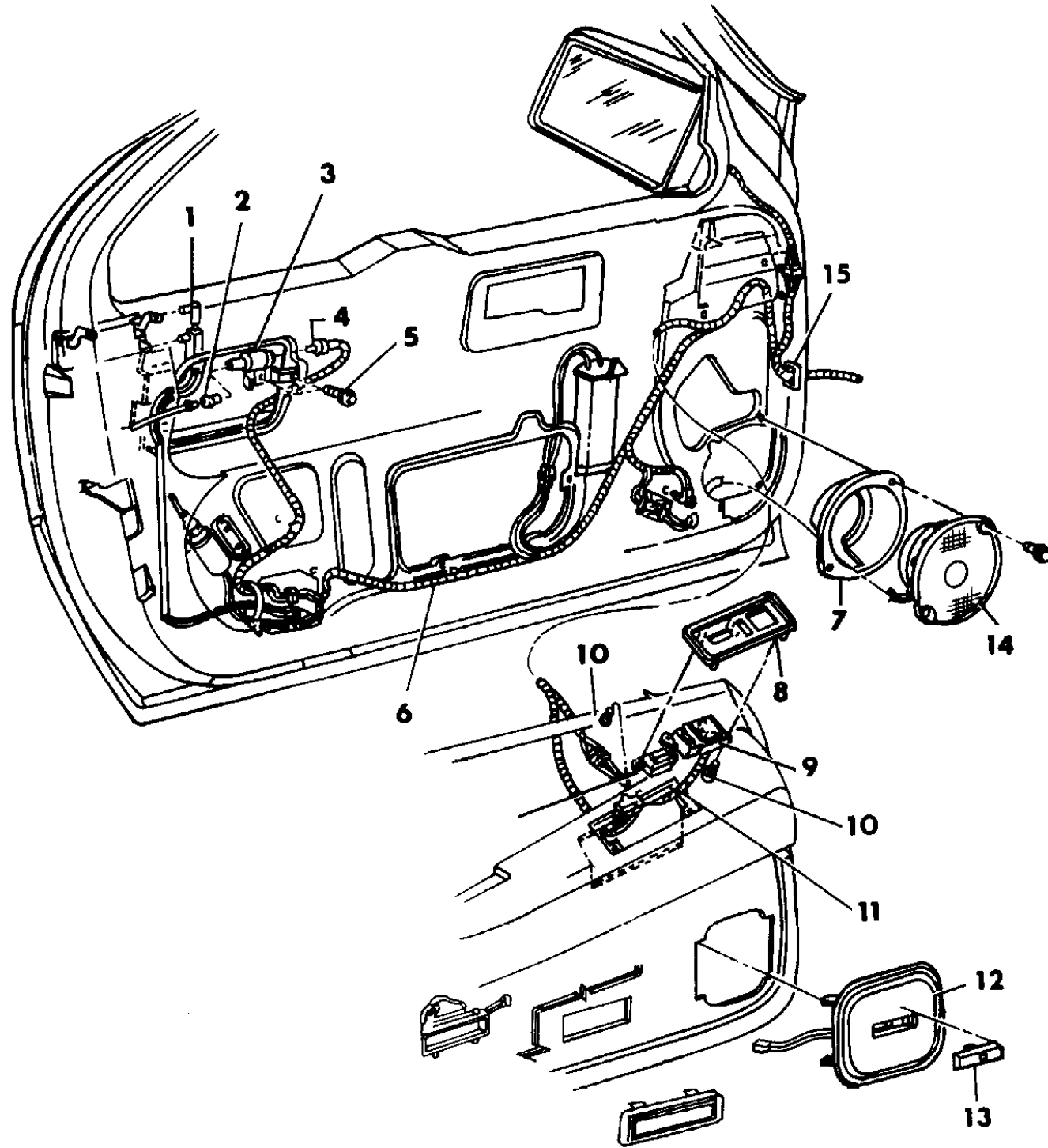
**BODY STYLES:**

21=2-Door Coupe      41=4-Door Sedan      12-52=FWD & AWD Van & Wgn Std W.B.  
 24=2-Door Hatchback      44=4-Door Hatchback      53=FWD & AWD Van & Wgn Ext. W.B.  
 27=2-Door Convertible

AR = Use as Required - = Non Illustrated Part P.A.R. = Paint as Required

**WIRING & SWITCHES--DOOR G BODY**  
Figure 8-9700

93108 9700



ITEM	PART NUMBER	QTY	BODY	MODEL	DESCRIPTION
1	4373 678	2			SWITCH, Illum. Entry
2					CLIP, Switch (Not Serv.)
3		AR			HOUSING, Illum. Entry
4		AR			BULB
5					SCREW, (Not Serv.)
6					WIRING, Door
	4661 160				Rt. Door (Base)
	4661 165				Lt. Door (Base)
	4661 152	1			Rt. Door Wdo. Lift & Locks
	4661 233	1			Lt. Front Door Pwr. Wdo., Locks, Seat
	4661 143				Lt. Door Illum. Entry & Namebrand Speakers
	4661 145				Lt. Door Pwr. Window & Door Lock
7					ADAPTOR PLATE, Speaker, (See Group 23C)
8					BEZEL, Armrest Switch, (See Group 23C)
9	4373 287	1			SWITCH, w/Selector, Dual Mirrors
10					SCREW, (Not Serv.)
11	4373 354	AR			SWITCH, Door Lock, Single
	4685 278	AR			SWITCH, Wdo. Lift, 2 Gang
	4565 253	AR			Seat Adjuster w/Recliner & Power Windows, 8-Way
12					GRILLE, Speaker, (See Group 23C)
13					ESCUTCHEON, Speaker Grille, (See Group 23C)
14					SPEAKER, Door, (See Group 23C)
15	4336 390	AR			PLUG, w/o Door Wiring

**MODEL CODES:**

A BODY=(C=LeBaron, D=Spirit, P=Acclaim/LaBaron(Landau, Saratoga) S BODY=(H=Voyager(H) FWD, K=Caravan(H) FWD, Y=Town & Country(H) FWD, P=Voyager(K) AWD, D=Caravan(K) AWD, C=Town & Country(K) AWD)  
 C BODY=(D=Dynasty, C=New Yorker/N.Y. Salon) Y BODY=(C=Imperial/5th Avenue)  
 G BODY=(V=Daytona/IROC, Chrysler Daytona) E-S BODY=(K=Chrysler Voyager(H) FWD, D=Chrysler Voyager(K) AWD)  
 J BODY=(C=LeBaron, Chrysler LeBaron)  
 P BODY=(P=Sundance, D=Shadow)

**BODY STYLES:**

21=2-Door Coupe      41=4-Door Sedan      12-52=FWD & AWD Van & Wgn Std W.B.  
 24=2-Door Hatchback      44=4-Door Hatchback      53=FWD & AWD Van & Wgn Ext. W.B.  
 27=2-Door Convertible

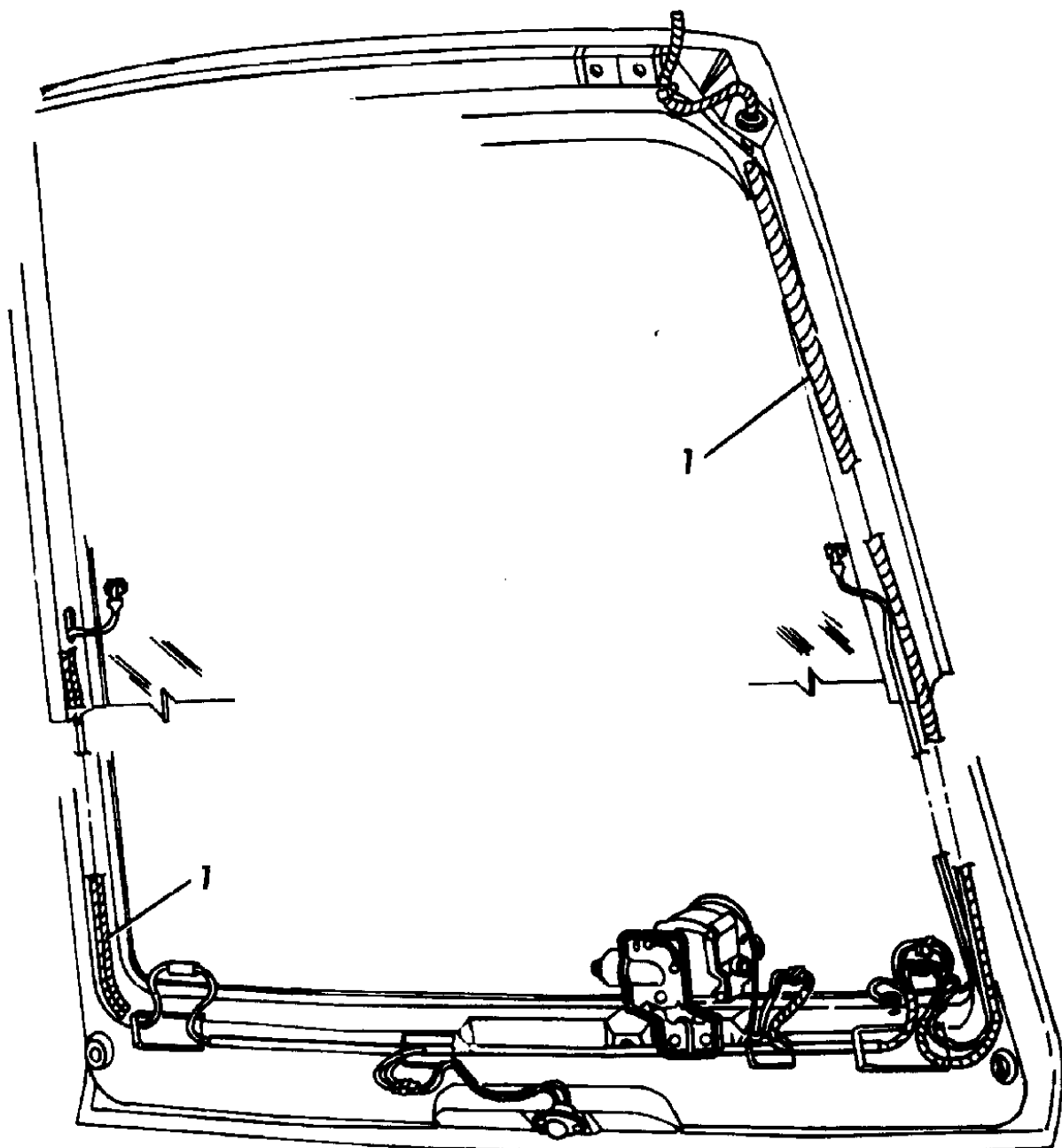
AR = Use as Required - = Non Illustrated Part P.A.R. = Paint as Required

**WIRING--LIFTGATE G BODY**  
Figure 8-9800

93108 9800

ITEM	PART NUMBER	QTY	BODY	MODEL	DESCRIPTION
------	-------------	-----	------	-------	-------------

1					WIRING
	4661 514	1			Liftgate Lic. Lamp, w/E.B.L., Rear Wipe
	4481 247	1			Liftgate Body Jumper



**MODEL CODES:**

A BODY=(C=LeBaron, D=Spirit, P=Acclaim/LaBaron(Landau), Saratoga)      S BODY=(H=Voyager(H) FWD, K=Caravan(H) FWD, Y=Town & Country(H) FWD, P=Voyager(K) AWD, D=Caravan(K) AWD, C=Town & Country(K) AWD)  
 C BODY=(D=Dynasty, C=New Yorker/N.Y. Salon)      Y BODY=(C=Imperial/5th Avenue)  
 G BODY=(V=Daytona/ROC, Chrysler Daytona)      E-S BODY=(K=Chrysler Voyager(H) FWD, D=Chrysler Voyager(K) AWD)  
 J BODY=(C=LeBaron, Chrysler LeBaron)  
 P BODY=(P=Sundance, D=Shadow)

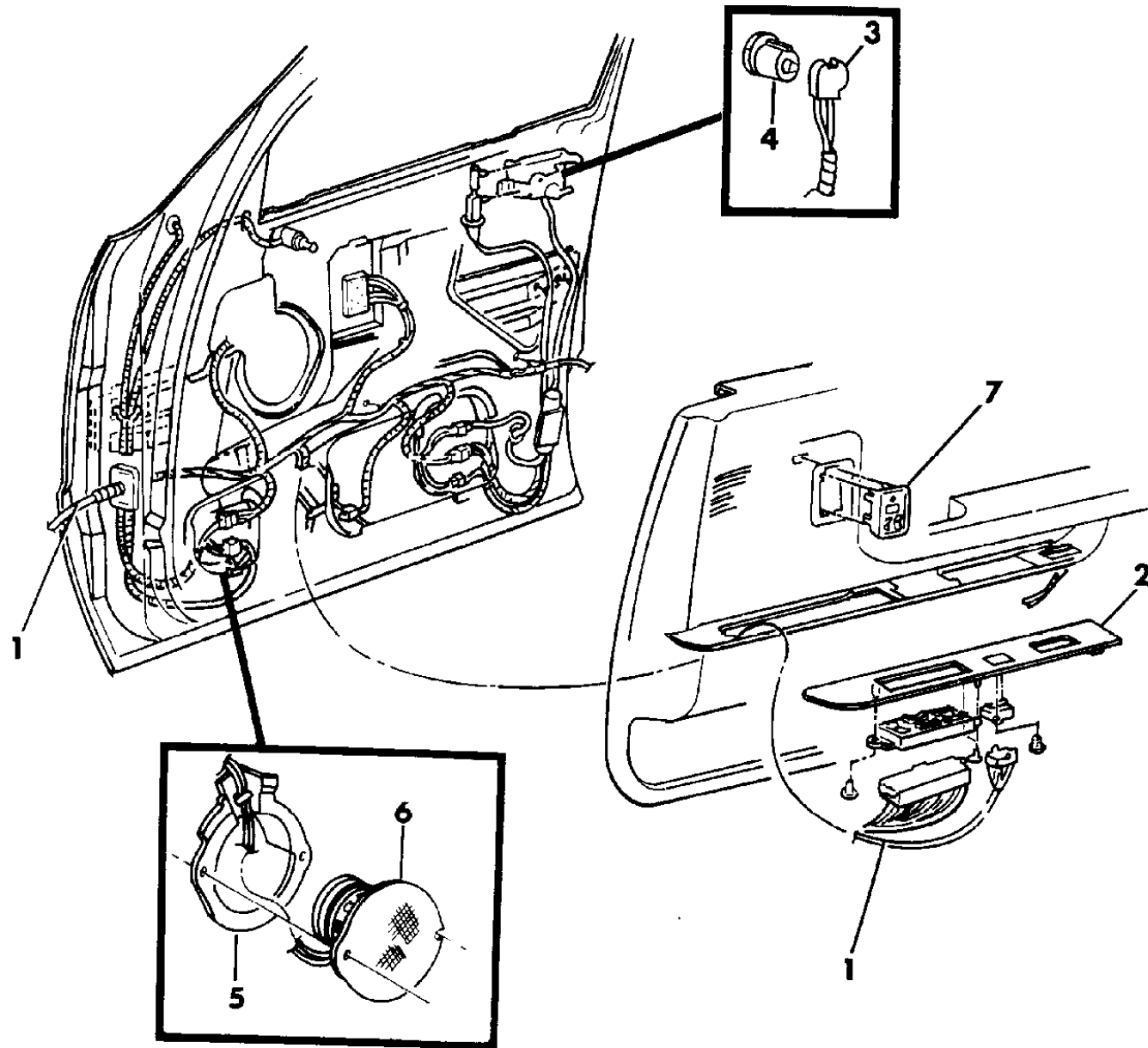
**BODY STYLES:**

21=2-Door Coupe      41=4-Door Sedan      12-52=FWD & AWD Van & Wgn Std W.B.  
 24=2-Door Hatchback      44=4-Door Hatchback      53=FWD & AWD Van & Wgn Ext. W.B.  
 27=2-Door Convertible

AR = Use as Required - = Non Illustrated Part P.A.R. = Paint as Required

**WIRING & SWITCHES--FRONT DOOR C BODY**  
**Figure 8-9900**

93108 9900



ITEM	PART NUMBER	QTY	BODY	MODEL	DESCRIPTION
1					WIRING
	4687 440	AR			Frnt. Door Courtesy Lp., Dr. Lock, Wdo. Lift, Pwr. Mirror, Rt. & Lt., Pwr. Seats
2	4331 726	AR			BEZELS, (See Group 23C)
	4450 864	AR			CUP, Wiring, 2-Hole
	4450 864	AR			3-Hole
3	4565 151	AR			SWITCH, w/Wiring (Security Alarm) Rt.
	4565 152	AR			Lt.
4		AR			KEY CYLINDER ***
5	4469 216-7	AR			ADAPTOR, Speaker
6		AR			SPEAKER
7		AR			SWITCH, Seat Adjuster (See Illus. 1100)

**MODEL CODES:**

A BODY=(C=LeBaron, D=Spirit, P=Acclaim/LaBaron(Landau),  
Saratoga)  
 C BODY=(D=Dynasty, C=New Yorker/N.Y. Salon)  
 G BODY=(V=Daytona/IROC, Chrysler Daytona)  
 J BODY=(C=LeBaron, Chrysler LeBaron)  
 P BODY=(P=Sundance, D=Shadow)

S BODY=(H=Voyager(H) FWD, K=Caravan(H) FWD,  
Y=Town & Country(H) FWD, P=Voyager(K) AWD,  
D=Caravan(K) AWD, C=Town & Country(K) AWD)  
 Y BODY=(C=Imperial/5th Avenue)  
 E-S BODY=(K=Chrysler Voyager(H) FWD, D=Chrysler  
Voyager(K) AWD)

**BODY STYLES:**

21=2-Door Coupe      41=4-Door Sedan      12-52=FWD & AWD Van & Wgn Std W.B.  
 24=2-Door Hatchback      44=4-Door Hatchback      53=FWD & AWD Van & Wgn Ext. W.B.  
 27=2-Door Convertible

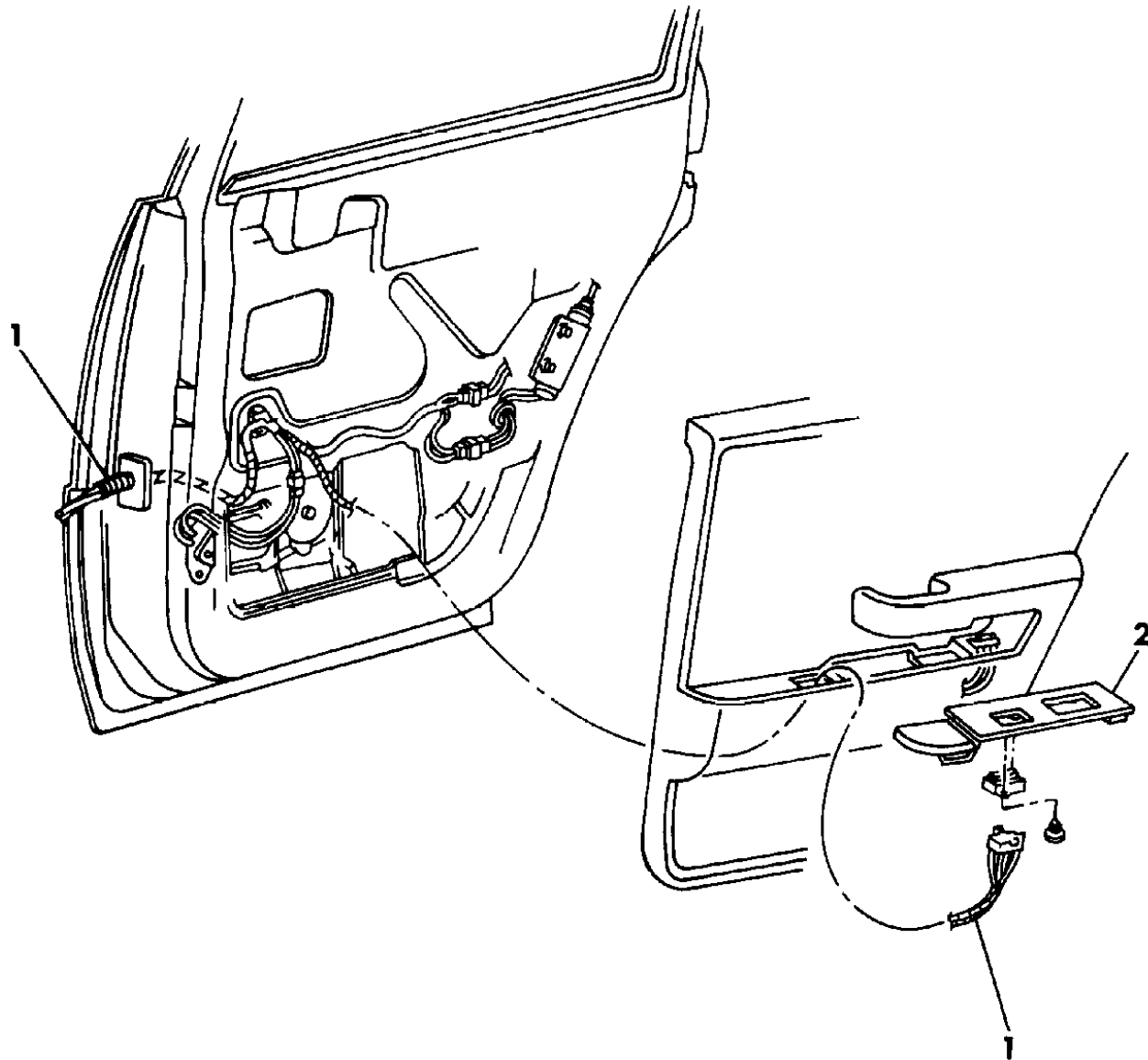
AR = Use as Required - = Non Illustrated Part P.A.R. = Paint as Required

WIRING & SWITCHES--REAR DOOR C BODY

Figure 8-1000

93108 10000

ITEM	PART NUMBER	QTY	BODY	MODEL	DESCRIPTION
1					WIRING, ACCESSORIES
	5267 318	2			Wdo. Lift & Door Lock
	5267 416				Wdo. Lift
	5267 409				w/o Locks or Pwr. Windows
	5267 414				w/Locks, w/o Pwr. Windows
2					BEZELS, (See Group 23C)



MODEL CODES:

A BODY=(C=LeBaron, D=Spirit, P=Acclaim/LaBaron(Landau),  
Saratoga)  
C BODY=(D=Dynasty, C=New Yorker/N.Y. Salon)  
G BODY=(V=Daytona/IROC, Chrysler Daytona)  
J BODY=(C=LeBaron, Chrysler LeBaron)  
P BODY=(P=Sundance, D=Shadow)

S BODY=(H=Voyager(H) FWD, K=Caravan(H) FWD,  
Y=Town & Country(H) FWD, P=Voyager(K) AWD,  
D=Caravan(K) AWD, C=Town & Country(K) AWD)  
Y BODY=(C=Imperial/5th Avenue)  
E-S BODY=(K=Chrysler Voyager(H) FWD, D=Chrysler  
Voyager(K) AWD)

BODY STYLES:

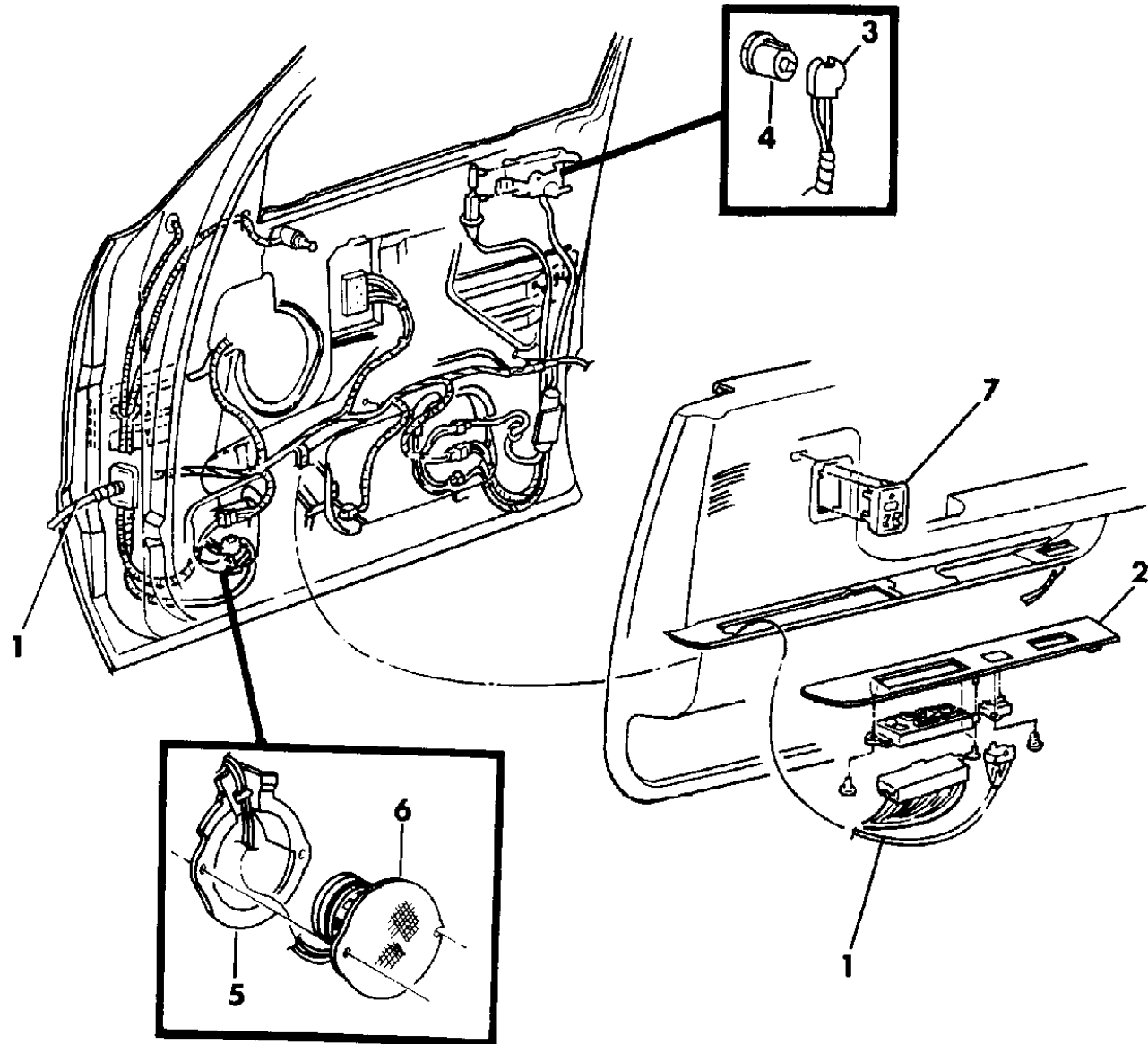
21=2-Door Coupe      41=4-Door Sedan      12-52=FWD & AWD Van & Wgn Std W.B.  
24=2-Door Hatchback      44=4-Door Hatchback      53=FWD & AWD Van & Wgn Ext. W.B.  
27=2-Door Convertible

AR = Use as Required - = Non Illustrated Part P.A.R. = Paint as Required



**WIRING & SWITCHES--FRONT DOOR Y BODY**  
Figure 8-1010

93108 10100



ITEM	PART NUMBER	QTY	BODY	MODEL	DESCRIPTION
1					WIRING
	4687 440	1			Lt. & Rt., Pwr. Seat, Wdo. Lift, Door Locks, Pwr. Mirror & Courtesy Lp.
	4687 421	1			Lt. Door Memory Seat & Mirror
2					BEZEL, (See Group 23C)
3	4565 151	AR			SWITCH, w/Wiring (Security Alarm) Rt.
	4565 152	AR			Lt.
4		AR			KEY CYLINDER ***
5	4469 216-7	AR			ADAPTOR, Speaker
6		AR			SPEAKER
7		AR			SWITCH, Seat Adjuster (See Illus. 1100)

**MODEL CODES:**

A BODY=(C=LeBaron, D=Spirit, P=Acclaim/LaBaron(Landau), Saratoga)      S BODY=(H=Voyager(H) FWD, K=Caravan(H) FWD, Y=Town & Country(H) FWD, P=Voyager(K) AWD, D=Caravan(K) AWD, C=Town & Country(K) AWD)

C BODY=(D=Dynasty, C=New Yorker/N.Y. Salon)

G BODY=(V=Daytona/IROC, Chrysler Daytona)

J BODY=(C=LeBaron, Chrysler LeBaron)

P BODY=(P=Sundance, D=Shadow)

Y BODY=(C=Imperial/5th Avenue)

E-S BODY=(K=Chrysler Voyager(H) FWD, D=Chrysler Voyager(K) AWD)

**BODY STYLES:**

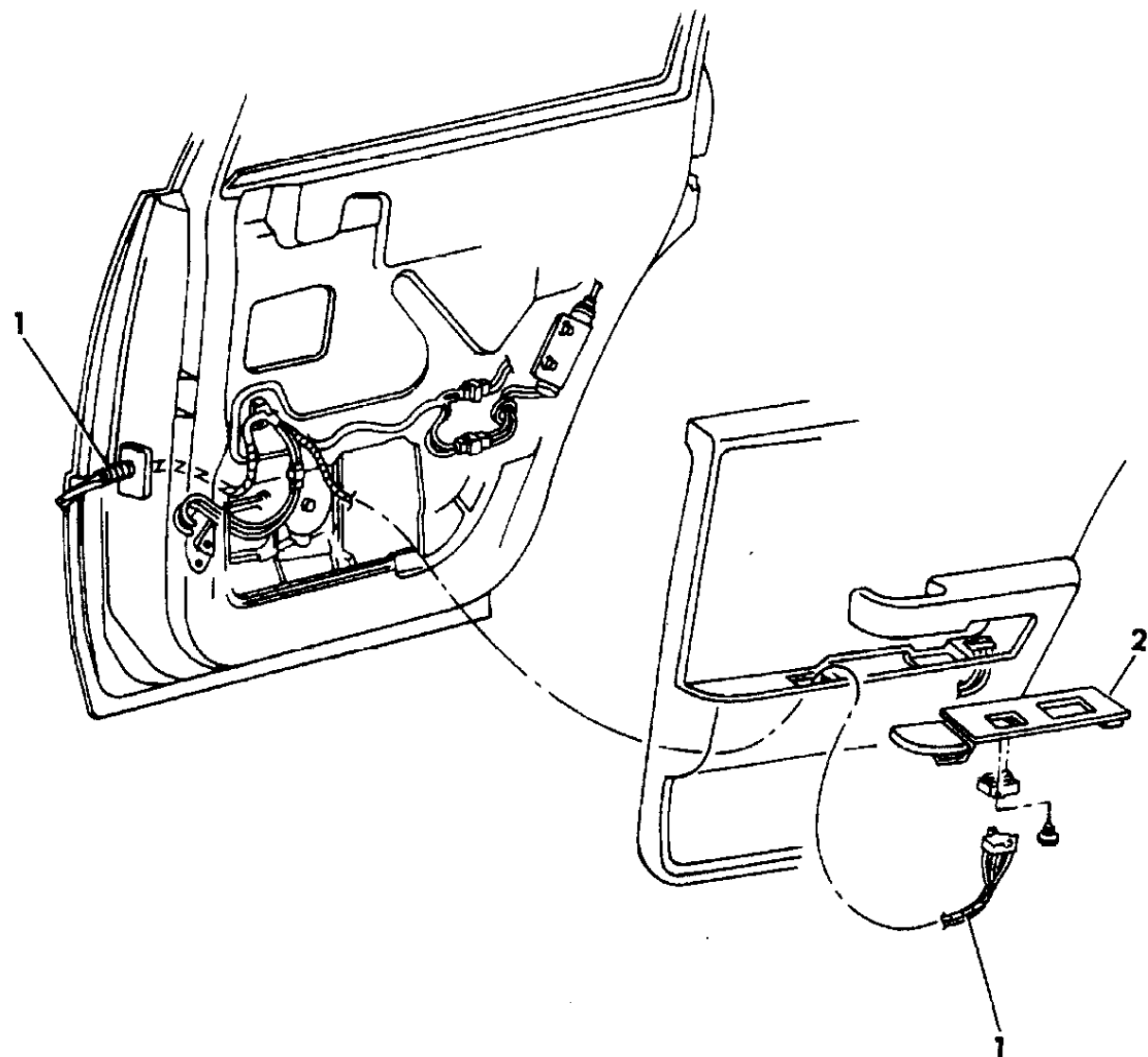
21=2-Door Coupe      41=4-Door Sedan      12-52=FWD & AWD Van & Wgn Std W.B.  
24=2-Door Hatchback      44=4-Door Hatchback      53=FWD & AWD Van & Wgn Ext. W.B.  
27=2-Door Convertible

AR = Use as Required - = Non Illustrated Part P.A.R. = Paint as Required

**WIRING & SWITCHES--REAR DOOR Y BODY**  
**Figure 8-1020**

93108 10200

ITEM	PART NUMBER	QTY	BODY	MODEL	DESCRIPTION
1					WIRING
	5267 622	2	P		Door Wdo. Lift, Door Locks, Cigar Lighter
	5267 420		S		
2					BEZEL, See Group 23C



**MODEL CODES:**

A BODY=(C=LeBaron, D=Spirit, P=Acclaim/LaBaron(Landau), Saratoga)      S BODY=(H=Voyager(H) FWD, K=Caravan(H) FWD, Y=Town & Country(H) FWD, P=Voyager(K) AWD, D=Caravan(K) AWD, C=Town & Country(K) AWD)  
 C BODY=(D=Dynasty, C=New Yorker/N.Y. Salon)  
 G BODY=(V=Daytona/IROC, Chrysler Daytona)      Y BODY=(C=Imperial/5th Avenue)  
 J BODY=(C=LeBaron, Chrysler LeBaron)      E-S BODY=(K=Chrysler Voyager(H) FWD, D=Chrysler Voyager(K) AWD)  
 P BODY=(P=Sundance, D=Shadow)

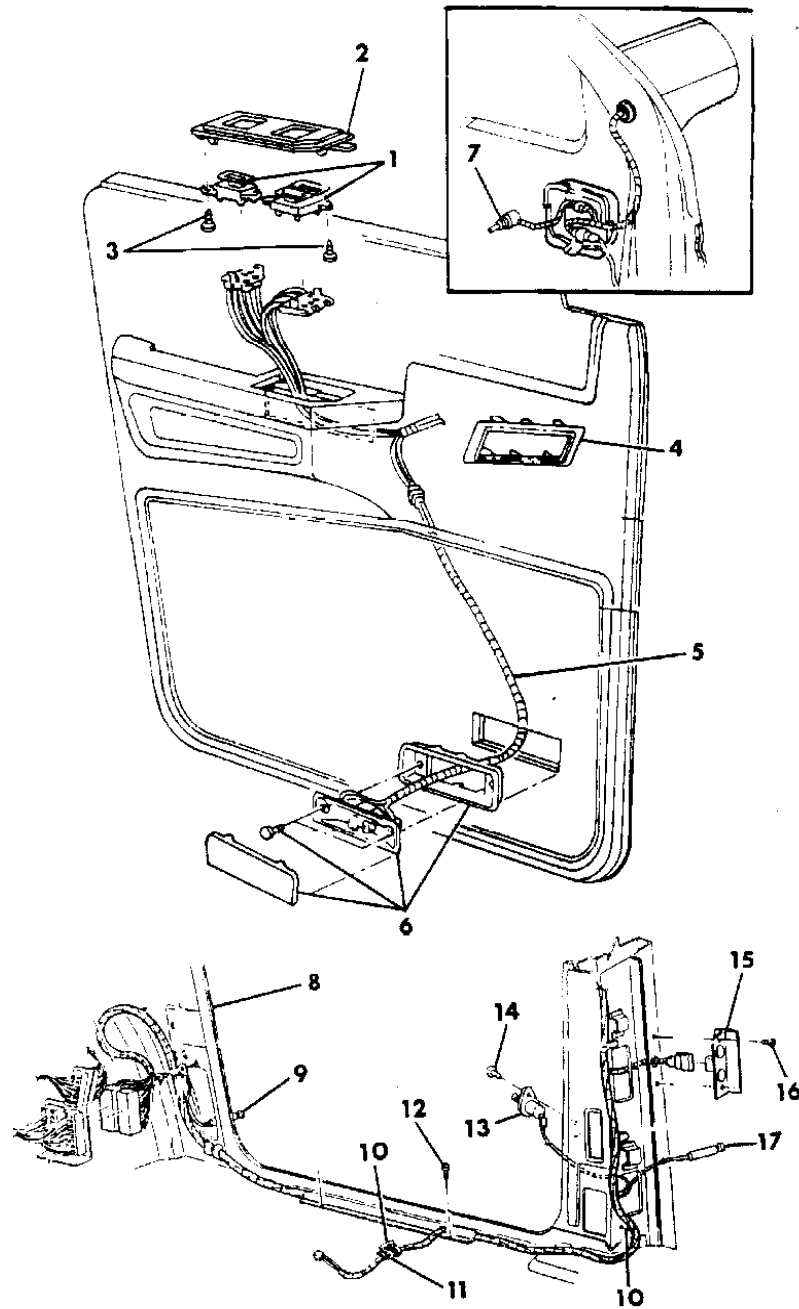
**BODY STYLES:**

21=2-Door Coupe      41=4-Door Sedan      12-52=FWD & AWD Van & Wgn Std W.B.  
 24=2-Door Hatchback      44=4-Door Hatchback      53=FWD & AWD Van & Wgn Ext. W.B.  
 27=2-Door Convertible

AR = Use as Required - = Non Illustrated Part P.A.R. = Paint as Required

**WIRING & SWITCHES--FRONT DOOR S BODY**  
Figure 8-1030

93108 10300



ITEM	PART NUMBER	QTY	BODY	MODEL	DESCRIPTION
1					SWITCH, Window Lift
	4373 354	AR			Single
	4685 278	AR			Double
	4373 860				Door Lock
2					BEZEL, Window Lift & Door Lock (See Group 23C)
3					SCREW, (Not Serv.)
4					BEZEL, Remote Control Handle (See Group 23C)
5					WIRING, Door (See Body & Accessory Wiring)
6					COURTESY LAMP, (See Illus. 5600)
7	4685 055	1			SWITCH, Elec. Mirror
8					PANEL, Cowl Side
9	4687 558	AR			SWITCH, Frt. Door Pillar (Sliding & Dr. Jamb) Snap In
10					CLIP, (Serv. In Assy.)
11					CLIP, Not Serv.
12		2			SCREW, Not Serv.
13	4687 558				SWITCH, Door Ajar Frt.
14		AR			SCREW, Not Serv.
15	4687 721	AR			CONTACT, Door Lock
	4687 719	AR			BEZEL, Sliding Door Stabilizer-Child Guard Lock (Cover)
16		AR			SCREW, Not Serv.
17	4687 215	AR			SWITCH, Dome & Courtesy Lp. Sliding Door

**MODEL CODES:**

A BODY=(C=LeBaron, D=Spirit, P=Acclaim/LaBaron(Landau),  
Saratoga)  
C BODY=(D=Dynasty, C=New Yorker/N.Y. Salon)  
G BODY=(V=Daytona/ROC, Chrysler Daytona)  
J BODY=(C=LeBaron, Chrysler LeBaron)  
P BODY=(P=Sundance, D=Shadow)

S BODY=(H=Voyager(H) FWD, K=Caravan(H) FWD,  
Y=Town & Country(H) FWD, P=Voyager(K) AWD,  
D=Caravan(K) AWD, C=Town & Country(K) AWD)  
Y BODY=(C=Imperial/5th Avenue)  
E-S BODY=(K=Chrysler Voyager(H) FWD, D=Chrysler  
Voyager(K) AWD)

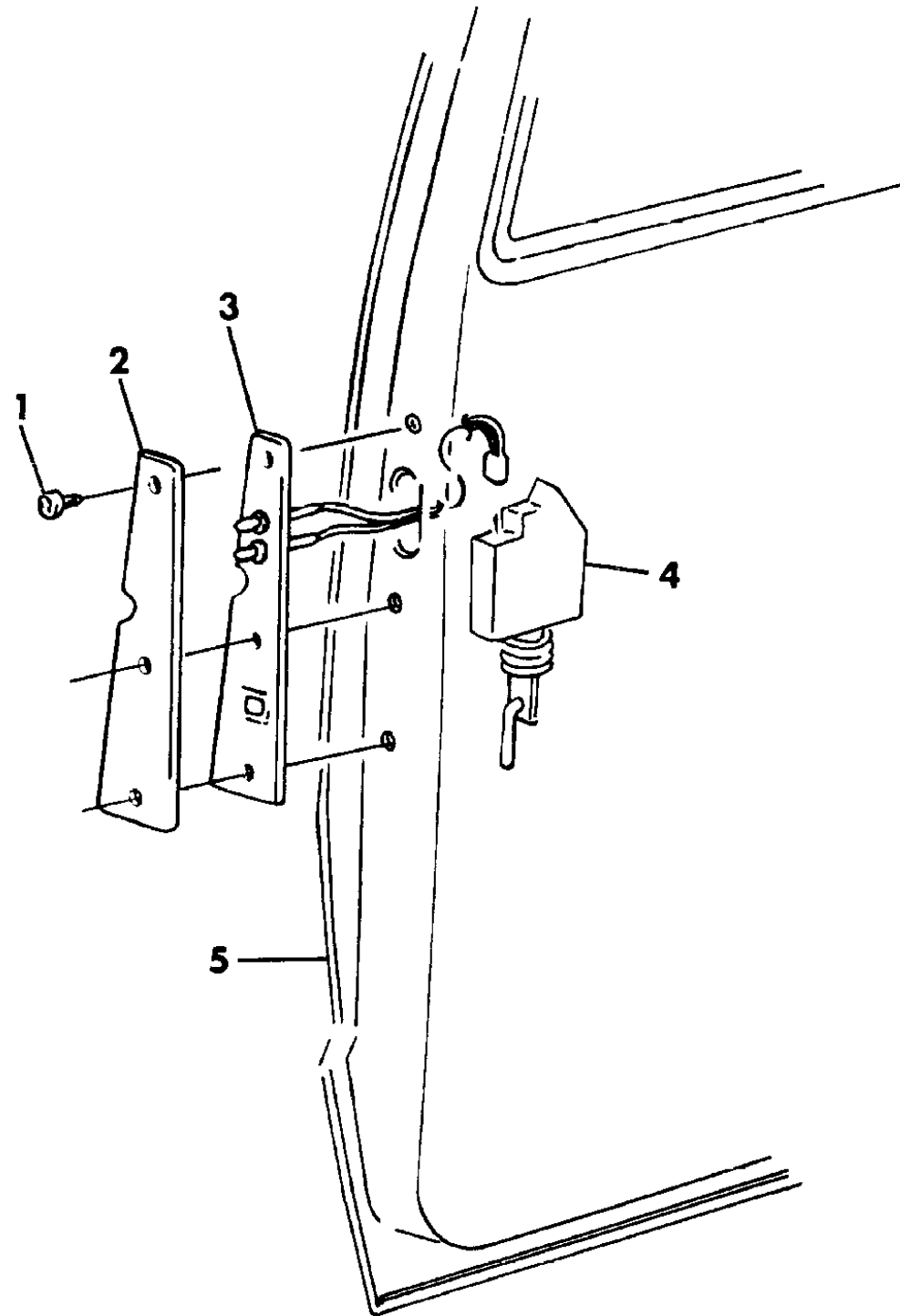
**BODY STYLES:**

21=2-Door Coupe      41=4-Door Sedan      12-52=FWD & AWD Van & Wgn Std W.B.  
24=2-Door Hatchback      44=4-Door Hatchback      53=FWD & AWD Van & Wgn Ext. W.B.  
27=2-Door Convertible

AR = Use as Required - = Non Illustrated Part P.A.R. = Paint as Required

**WIRING & SWITCHES--SLIDING DOOR S BODY**  
**Figure 8-1040**

93108 10400



ITEM	PART NUMBER	QTY	BODY	MODEL	DESCRIPTION
1					SCREW, (Not Serv.)
2	4687 720	AR		ES	COVER ASSEMBLY, Door
3	4687 686	AR			PLUNGER ASSEMBLY, Door Lock ***
4					LOCK, Latch Motor (See 23C)
5					DOOR PANEL ***

**MODEL CODES:**

A BODY=(C=LeBaron, D=Spirit, P=Acclaim/LaBaron(Landau), Saratoga)      S BODY=(H=Voyager(H) FWD, K=Caravan(H) FWD, Y=Town & Country(H) FWD, P=Voyager(K) AWD, D=Caravan(K) AWD, C=Town & Country(K) AWD)  
 C BODY=(D=Dynasty, C=New Yorker/N.Y. Salon)  
 G BODY=(V=Daytona/IROC, Chrysler Daytona)  
 J BODY=(C=LeBaron, Chrysler LeBaron)  
 P BODY=(P=Sundance, D=Shadow)

**BODY STYLES:**

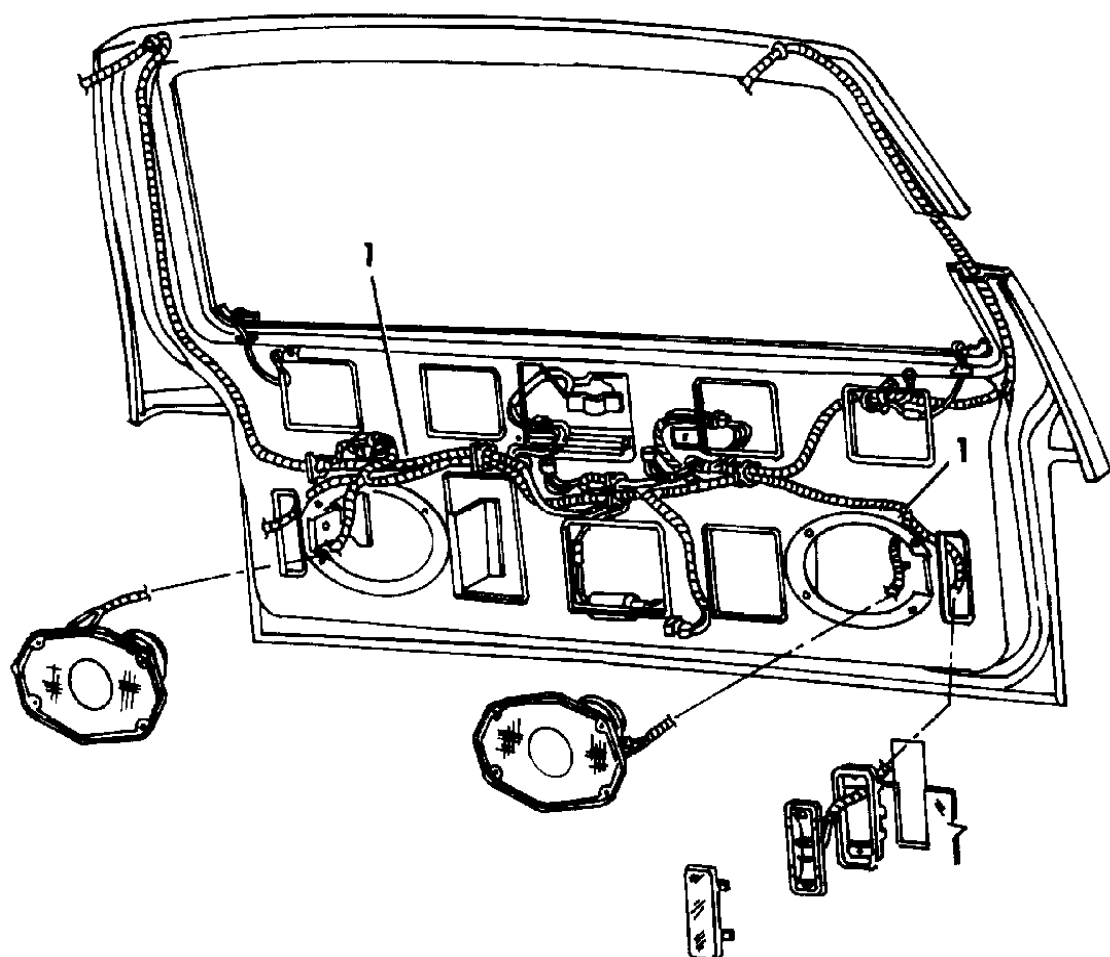
21=2-Door Coupe      41=4-Door Sedan      12-52=FWD & AWD Van & Wgn Std W.B.  
 24=2-Door Hatchback      44=4-Door Hatchback      53=FWD & AWD Van & Wgn Ext. W.B.  
 27=2-Door Convertible

AR = Use as Required - = Non Illustrated Part P.A.R. = Paint as Required

**WIRING--LIFTGATE S BODY**  
Figure 8-1050

93108 10500

ITEM	PART NUMBER	QTY	BODY	MODEL	DESCRIPTION
1					WIRING, Liftgate
					INCLUDES HI-MTD. STOP LAMP CONNECTOR ***
	4688 133	1			Base
	4687 104				Base, Speaker, EBL, Release
	4687 105				Base, Speaker, EBL, Release, Wiper
	4687 106				Base, Speaker, EBL, Release, Wiper, Fog Lamp
	4687 107				Base, EBL, Release, Wiper, Fog Lamp, Namebrand Speakers



**MODEL CODES:**

A BODY=(C=LeBaron, D=Spirit, P=Acclaim/LaBaron(Landau), Saratoga)      S BODY=(H=Voyager(H) FWD, K=Caravan(H) FWD, Y=Town & Country(H) FWD, P=Voyager(K) AWD, D=Caravan(K) AWD, C=Town & Country(K) AWD)  
 C BODY=(D=Dynasty, C=New Yorker/N.Y. Salon)      Y BODY=(C=Imperial/5th Avenue)  
 G BODY=(V=Daytona/IROC, Chrysler Daytona)      E-S BODY=(K=Chrysler Voyager(H) FWD, D=Chrysler Voyager(K) AWD)  
 J BODY=(C=LeBaron, Chrysler LeBaron)  
 P BODY=(P=Sundance, D=Shadow)

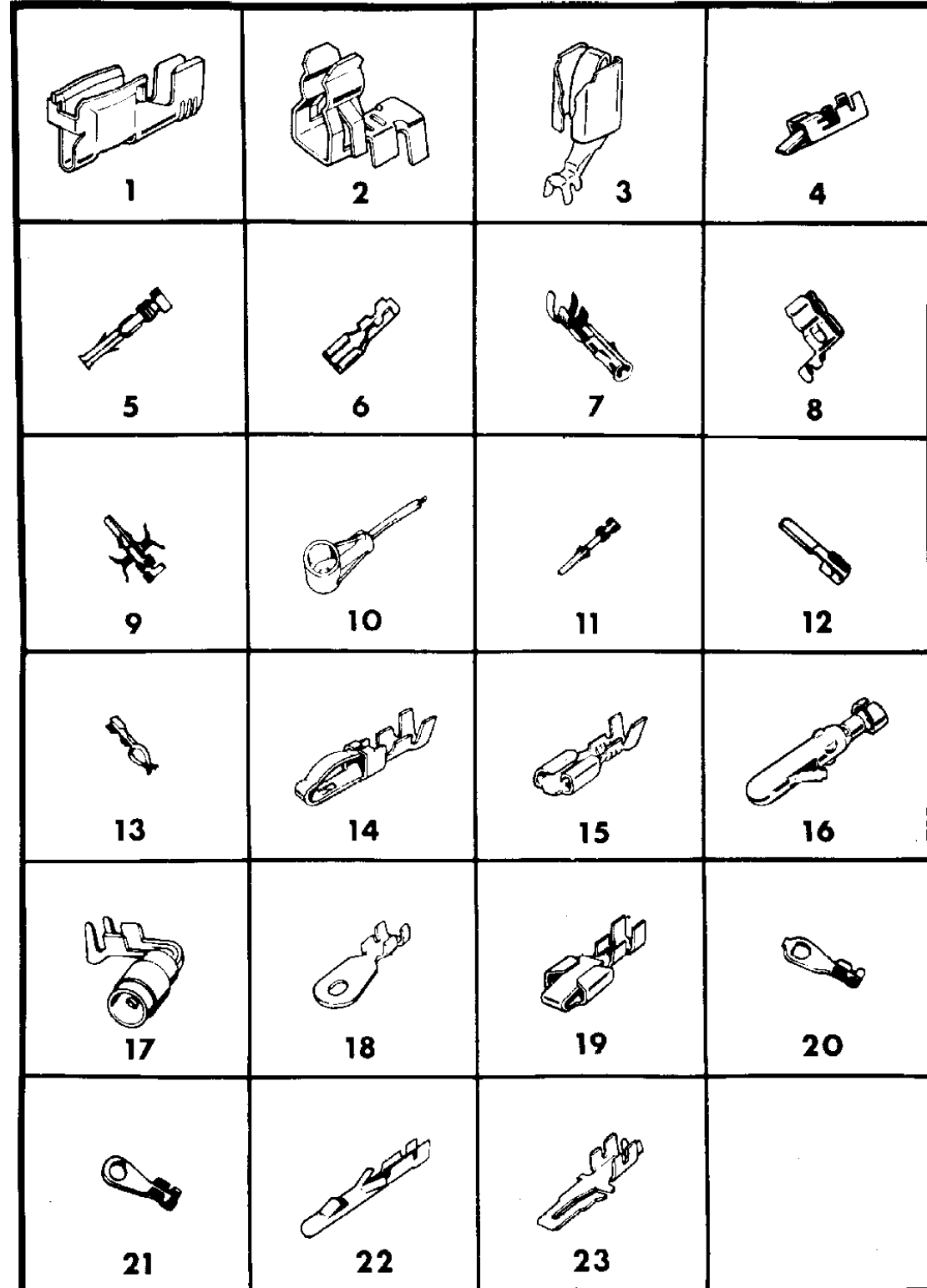
**BODY STYLES:**

21=2-Door Coupe      41=4-Door Sedan      12-52=FWD & AWD Van & Wgn Std W.B.  
 24=2-Door Hatchback      44=4-Door Hatchback      53=FWD & AWD Van & Wgn Ext. W.B.  
 27=2-Door Convertible

AR = Use as Required - = Non Illustrated Part P.A.R. = Paint as Required

**TERMINAL CHART**  
Figure 8-1060

93108 10600



ITEM	PART NUMBER	QTY	BODY	MODEL	DESCRIPTION
1	3513 613				TERMINAL
2	3591 596				TERMINAL
3	3764 607				TERMINAL
4	2496 532				TERMINAL
5	2983 410				TERMINAL
6	2580 061				TERMINAL
7	3513 544				TERMINAL
8	2926 722				TERMINAL
9	2983 411				TERMINAL
10	3588 946				TERMINAL
11	2983 409				TERMINAL
12	2983 412				TERMINAL
13	3513 586				TERMINAL
14	3764 556				TERMINAL
15	3764 570				TERMINAL
16	3513 543				TERMINAL
17	3843 577				TERMINAL
18					TERMINAL, (Serv. Assy)
19	3588 819				TERMINAL
20	3513 637				TERMINAL
21	3438 709				TERMINAL
22	3513 756				TERMINAL
23	3513 692				TERMINAL

**MODEL CODES:**

A BODY=(C=LeBaron, D=Spirit, P=Acclaim/LaBaron(Landau), Saratoga)      S BODY=(H=Voyager(H) FWD, K=Caravan(H) FWD, Y=Town & Country(H) FWD, P=Voyager(K) AWD, D=Caravan(K) AWD, C=Town & Country(K) AWD)  
 C BODY=(D=Dynasty, C=New Yorker/N.Y. Salon)  
 G BODY=(V=Daytona/ROC, Chrysler Daytona)  
 J BODY=(C=LeBaron, Chrysler LeBaron)  
 P BODY=(P=Sundance, D=Shadow)      Y BODY=(C=Imperial/5th Avenue)  
 E-S BODY=(K=Chrysler Voyager(H) FWD, D=Chrysler Voyager(K) AWD)

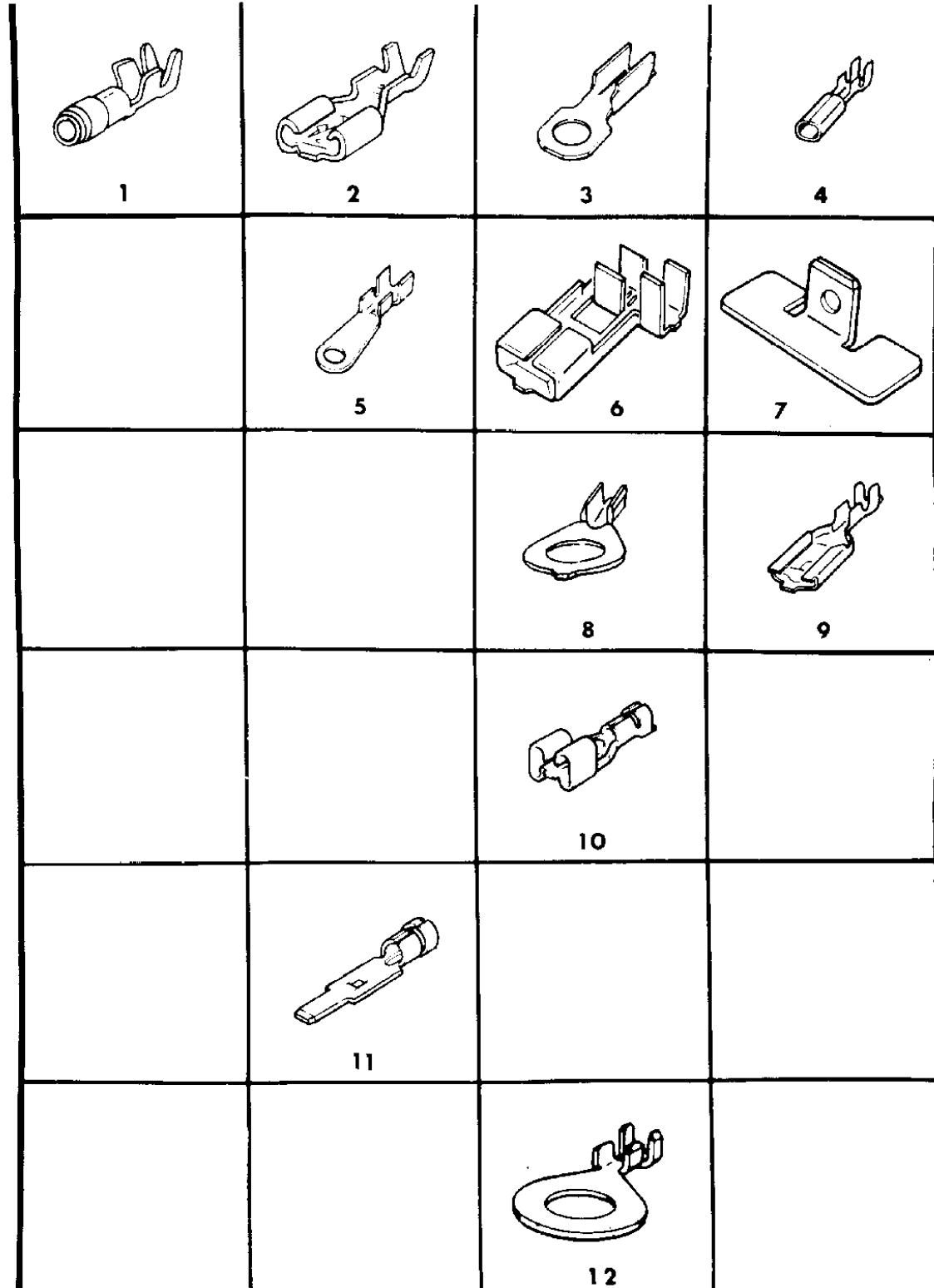
**BODY STYLES:**

21=2-Door Coupe      41=4-Door Sedan      12-52=FWD & AWD Van & Wgn Std W.B.  
 24=2-Door Hatchback      44=4-Door Hatchback      53=FWD & AWD Van & Wgn Ext. W.B.  
 27=2-Door Convertible

AR = Use as Required - = Non Illustrated Part P.A.R. = Paint as Required

TERMINAL CHART  
Figure 8-1060

93108 10700



ITEM	PART NUMBER	QTY	BODY	MODEL	DESCRIPTION
1	3843 576				TERMINAL
2	4400 775				TERMINAL
3	2197 947				TERMINAL
4	2983 410				TERMINAL
5	2290 069				TERMINAL
6	4055 468				TERMINAL
7	4055 775				TERMINAL
8	5211 602				TERMINAL
9	1704 562				TERMINAL
10	3843 601				TERMINAL
11	3843 386				TERMINAL
12	5211 599				TERMINAL

MODEL CODES:

A BODY=(C=LeBaron, D=Spirit, P=Acclaim/LaBaron(Landau), Saratoga) S BODY=(H=Voyager(H) FWD, K=Caravan(H) FWD, Y=Town & Country(H) FWD, P=Voyager(K) AWD, D=Caravan(K) AWD, C=Town & Country(K) AWD)  
 C BODY=(D=Dynasty, C=New Yorker/N.Y. Salon) Y BODY=(C=Imperial/5th Avenue)  
 G BODY=(V=Daytona/IROC, Chrysler Daytona) E-S BODY=(K=Chrysler Voyager(H) FWD, D=Chrysler Voyager(K) AWD)  
 J BODY=(C=LeBaron, Chrysler LeBaron)  
 P BODY=(P=Sundance, D=Shadow)

BODY STYLES:

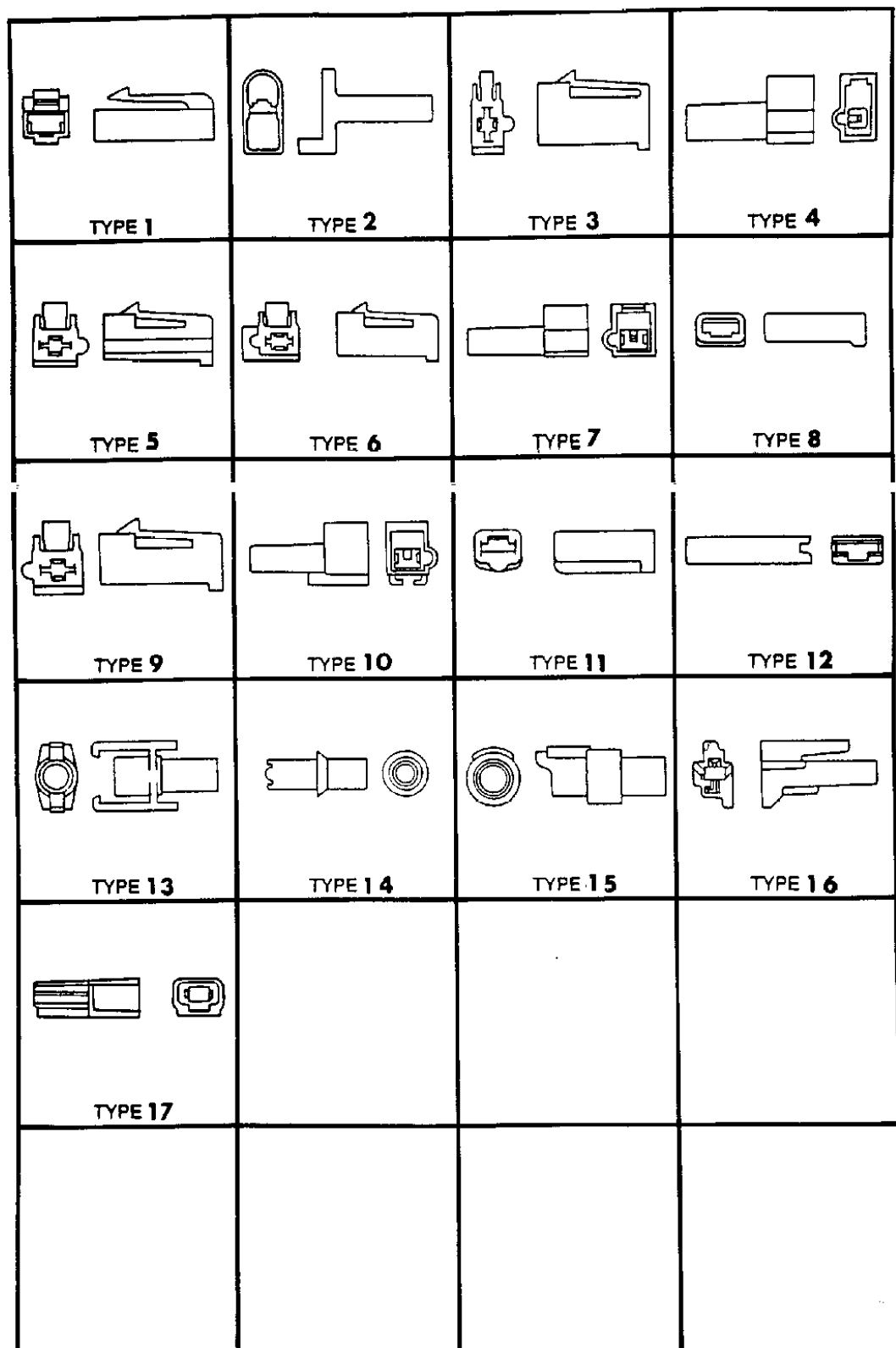
21=2-Door Coupe 41=4-Door Sedan 12-52=FWD & AWD Van & Wgn Std W.B.  
 24=2-Door Hatchback 44=4-Door Hatchback 53=FWD & AWD Van & Wgn Ext. W.B.  
 27=2-Door Convertible

AR = Use as Required - = Non Illustrated Part P.A.R. = Paint as Required

**INSULATORS 1 WAY**  
Figure 8-1080

93108 10800

ITEM	PART NUMBER	QTY	BODY	MODEL	DESCRIPTION
1					NATURAL--NOT SERV.
2	4124 694				BLACK--W/TERMINAL 2298882
3	4124 687				VIOLET--W/TERMINAL 3843601
4	4124 686				VIOLET--W/TERMINAL 3843386
5	4124 236				GREEN--W/TERMINAL 3843601
6	4124 757				BLACK--W/TERMINAL 2298882
7	4124 235				GREEN--W/TERMINAL 3843386
8	4055 395				BLACK--W/TERMINAL 4186045
9	3843 754				NATURAL--W/TERMINAL 3843601
10	4274 267				NATURAL--W/TERMINAL 3843386
11					NATURAL--NOT SERV.
12	4304 611				BLACK--W/TERMINAL 4304610
13	3588 780				BLACK--W/TERMINAL 3513543
14	3588 781				BLACK--W/TERMINAL 3513544
15	4304 640				BLACK--W/TERMINAL 4304637
16	4331 515				GRAY--W/TERMINAL 4331510
17					BLACK--NOT SERV.



**MODEL CODES:**

A BODY=(C=LeBaron, D=Spirit, P=Acclaim/LaBaron(Landau), Saratoga)      S BODY=(H=Voyager(H) FWD, K=Caravan(H) FWD, Y=Town & Country(H) FWD, P=Voyager(K) AWD, D=Caravan(K) AWD, C=Town & Country(K) AWD)  
 C BODY=(D=Dynasty, C=New Yorker/N.Y. Salon)  
 G BODY=(V=Daytona/IROC, Chrysler Daytona)  
 J BODY=(C=LeBaron, Chrysler LeBaron)  
 P BODY=(P=Sundance, D=Shadow)

**BODY STYLES:**

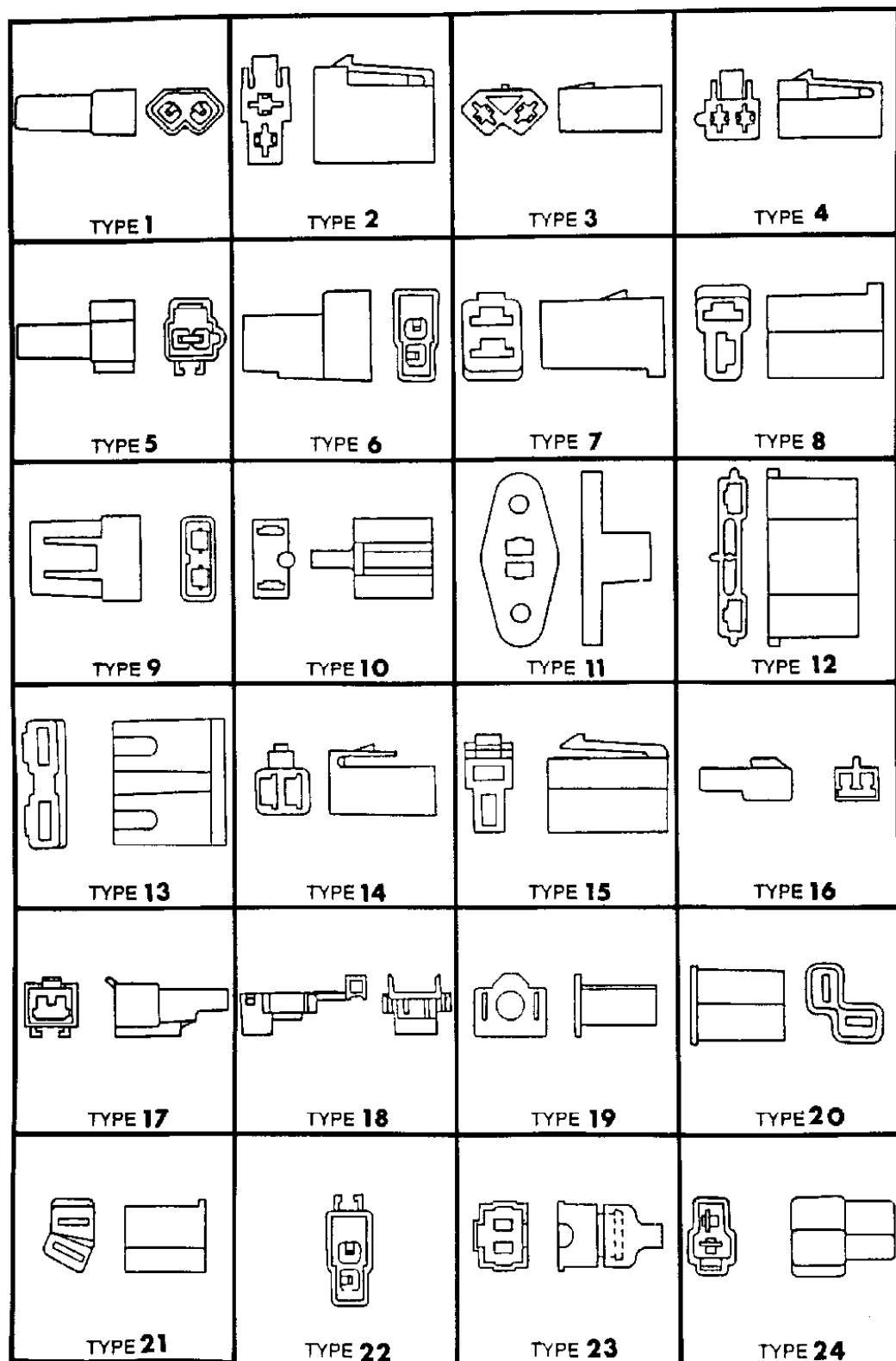
21=2-Door Coupe      41=4-Door Sedan      12-52=FWD & AWD Van & Wgn Std W.B.  
 24=2-Door Hatchback      44=4-Door Hatchback      53=FWD & AWD Van & Wgn Ext. W.B.  
 27=2-Door Convertible

AR = Use as Required - = Non Illustrated Part P.A.R. = Paint as Required



**INSULATORS 2 WAY**  
**Figure 8-1090**

93108 10900



ITEM	PART NUMBER	QTY	BODY	MODEL	DESCRIPTION
1	4055 020				NATURAL--W/TERMINAL 3843386
2	4055 019				NATURAL--W/TERMINAL 3843601
3	4055 021				NATURAL--W/TERMINAL 3843601
4	4209 957				BLACK--W/TERMINAL 3843601
5	4055 012				BLACK--W/TERMINAL 4055012
6	4274 936				BLACK--W/TERMINAL 3843386
7	4055 018				NATURAL--W/TERMINAL 3843386
8	3764 263				BLACK--W/TERMINAL
9	3764 944				BLACK--W/TERMINAL
10					GRAY--NOT SERV.
11	3588 525				WHITE--W/TERMINAL
12					BLACK--NOT SERV.
13	3588 399				BLACK--W/TERMINAL
14	2857 761				BLACK
15	4209 180				GRAY--W/TERMINAL 3588819
16					ASSORTED--NOT SERV.
17	4209 927				BLACK--W/TERM. 4209706
18	4274 937				BLACK--W/TERMINAL 4209707
19	4274 059				BLACK--W/TERMINAL 4274057 & 4274058
20					BLACK--NOT SERV.
21	3588 523				GRAY--W/TERMINAL
22					ORANGE--NOT SERV.
23	4274 923				BLACK--NOT SERV.
24	4304 527				BLACK--W/TERMINAL 4274922
					ASSORTED--W/TERMINAL 4304528

**MODEL CODES:**

A BODY=(C=LeBaron, D=Spirit, P=Acclaim/LaBaron(Landau), Saratoga)      S BODY=(H=Voyager(H) FWD, K=Caravan(H) FWD, Y=Town & Country(H) FWD, P=Voyager(K) AWD, D=Caravan(K) AWD, C=Town & Country(K) AWD)  
 C BODY=(D=Dynasty, C=New Yorker/N.Y. Salon)  
 G BODY=(V=Daytona/IROC, Chrysler Daytona)  
 J BODY=(C=LeBaron, Chrysler LeBaron)  
 P BODY=(P=Sundance, D=Shadow)      Y BODY=(C=Imperial/5th Avenue)  
 E-S BODY=(K=Chrysler Voyager(H) FWD, D=Chrysler Voyager(K) AWD)

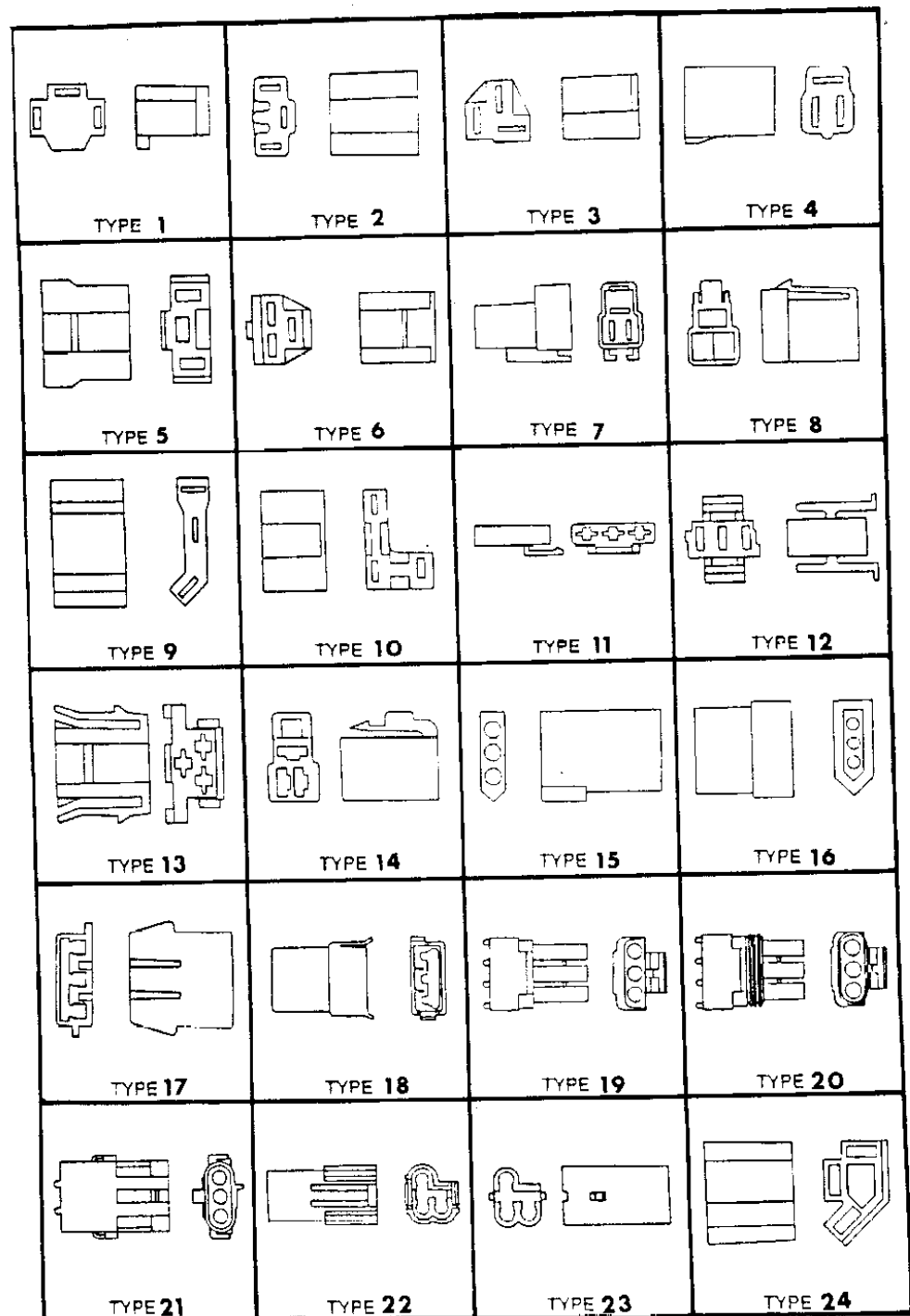
**BODY STYLES:**

21=2-Door Coupe      41=4-Door Sedan      12-52=FWD & AWD Van & Wgn Std W.B.  
 24=2-Door Hatchback      44=4-Door Hatchback      53=FWD & AWD Van & Wgn Ext. W.B.  
 27=2-Door Convertible

AR = Use as Required - = Non Illustrated Part P.A.R. = Paint as Required

**INSULATORS 3 WAY**  
Figure 8-1100

93108 11000



ITEM	PART NUMBER	QTY	BODY	MODEL	DESCRIPTION
1	4439 078				BLACK
2	2857 754				
3	2889 650				
4					YELLOW--W/TERMINAL 1769281
5					GRAY--NOT SERV.
	3843 282				NATURAL
6	3843 059				RED
	3843 494				NATURAL
7	4274 264				BLACK--W/TERMINAL 3843386
8	4055 008				BLACK--W/TERMINAL 3843601
9	4055 148				BLACK--W/TERMINAL 2096466
10	4055 589				BLACK--W/TERMINAL 2096466
11					NATURAL--NOT SERV.
12	4124 621				GRAY--W/TERMINAL 4124083
13					NATURAL--NOT SERV.
14					NATURAL--NOT SERV.
15	4209 546				BLACK--W/TERMINAL 2983410
16	4209 548				BLACK--W/TERMINAL 2983409
17	4274 501				BLACK--W/TERMINAL 4209706
18	4274 506				BLACK--W/TERMINAL 4209707
19					BLUE--SERV. ASSY.
20					ORANGE--SERV. ASSY.
21	4368 173				BLACK--W/TERMINAL 4274665
22	4368 428				BLACK
23	4368 434				BLACK
24	4368 356				BLACK--W/TERMINAL 4186045

**MODEL CODES:**

A BODY=(C=LeBaron, D=Spirit, P=Acclaim/LaBaron(Landau), Saratoga)      S BODY=(H=Voyager(H) FWD, K=Caravan(H) FWD, Y=Town & Country(H) FWD, P=Voyager(K) AWD, D=Caravan(K) AWD, C=Town & Country(K) AWD)  
 C BODY=(D=Dynasty, C=New Yorker/N.Y. Salon)  
 G BODY=(V=Daytona/IROC, Chrysler Daytona)  
 J BODY=(C=LeBaron, Chrysler LeBaron)  
 P BODY=(P=Sundance, D=Shadow)

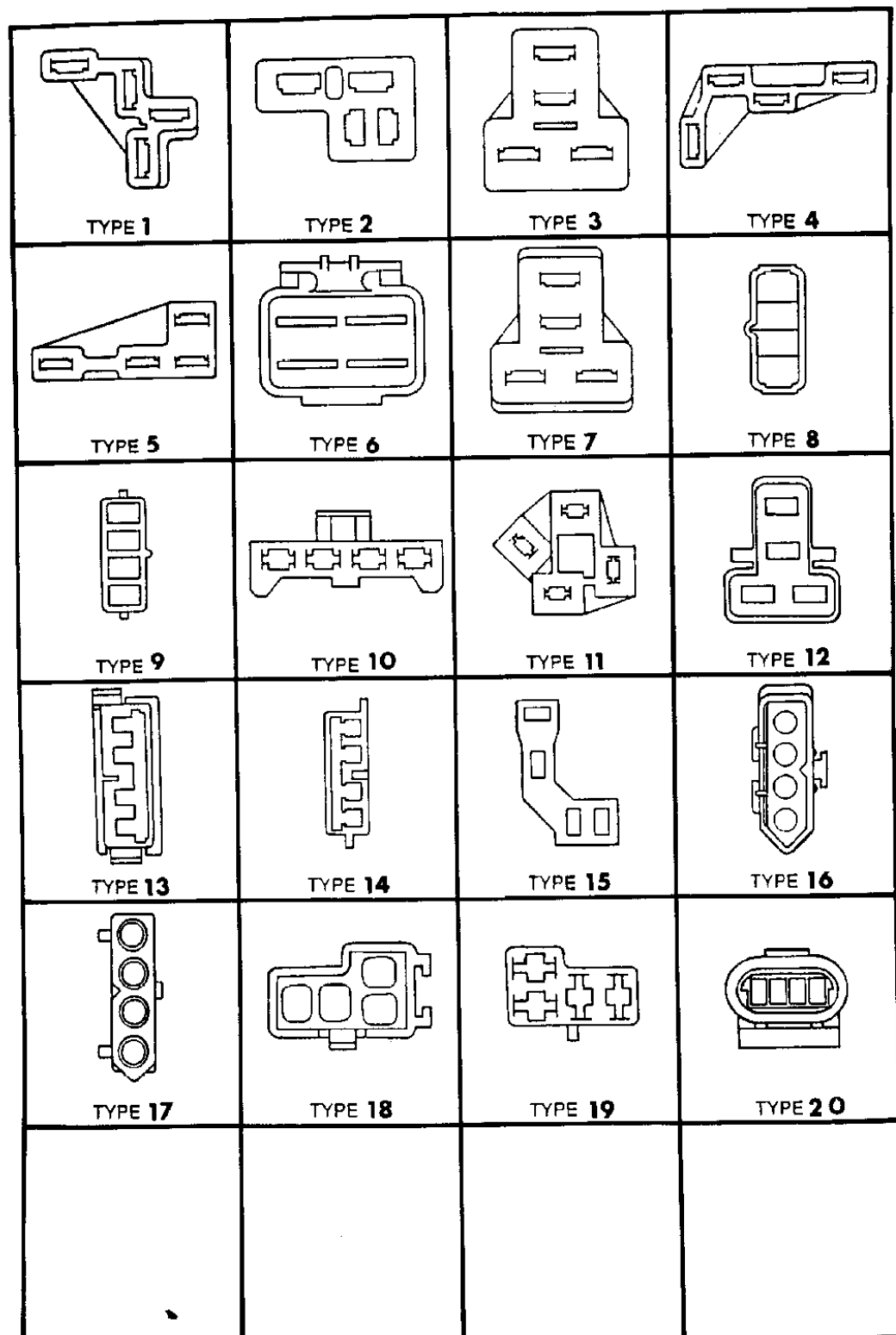
**BODY STYLES:**

21=2-Door Coupe      41=4-Door Sedan      12-52=FWD & AWD Van & Wgn Std W.B.  
 24=2-Door Hatchback      44=4-Door Hatchback      53=FWD & AWD Van & Wgn Ext. W.B.  
 27=2-Door Convertible

AR = Use as Required - = Non Illustrated Part P.A.R. = Paint as Required

**INSULATORS 4 WAY**  
Figure 8-1110

93108 11100



ITEM	PART NUMBER	QTY	BODY	MODEL	DESCRIPTION
1					NOT SERV.
2					INSULATOR
3					INSULATOR
4					NOT SERV.
5					INSULATOR
6					INSULATOR
7	3843 283				NATURAL
8	4055 024				NATURAL--W/TERMINAL 3843386
9	4055 025				NATURAL--W/TERMINAL 3843601
10	4055 249				GRAY--W/TERMINAL 3843601
11	4124 199				BLACK--W/TERMINAL 3843601
12	4124 695				NATURAL--W/TERMINAL 3843601
13	4274 516				BLACK--W/TERMINAL 4209707
14	4274 511				BLACK--W/TERMINAL 4209706
15	4209 272				W/TERMINAL 3843601
16					INSULATOR
17					INSULATOR
18	4274 990				RED--W/TERMINAL
	4274 989				BLACK--W/TERMINAL 3843686
	4274 990				NATURAL--W/TERMINAL 3843686
19	4274 992				RED--W/TERMINAL 3843601
	4274 993				BLACK--W/TERMINAL 3843601
	4274 994				NATURAL--W/TERMINAL 3843601
20	4414 900				BLACK--W/TERMINAL 4368618

**MODEL CODES:**

A BODY=(C=LeBaron, D=Spirit, P=Acclaim/LaBaron(Landau), Saratoga)      S BODY=(H=Voyager(H) FWD, K=Caravan(H) FWD, Y=Town & Country(H) FWD, P=Voyager(K) AWD, D=Caravan(K) AWD, C=Town & Country(K) AWD)  
 C BODY=(D=Dynasty, C=New Yorker/N.Y. Salon)  
 G BODY=(V=Daytona/IROC, Chrysler Daytona)  
 J BODY=(C=LeBaron, Chrysler LeBaron)  
 P BODY=(P=Sundance, D=Shadow)

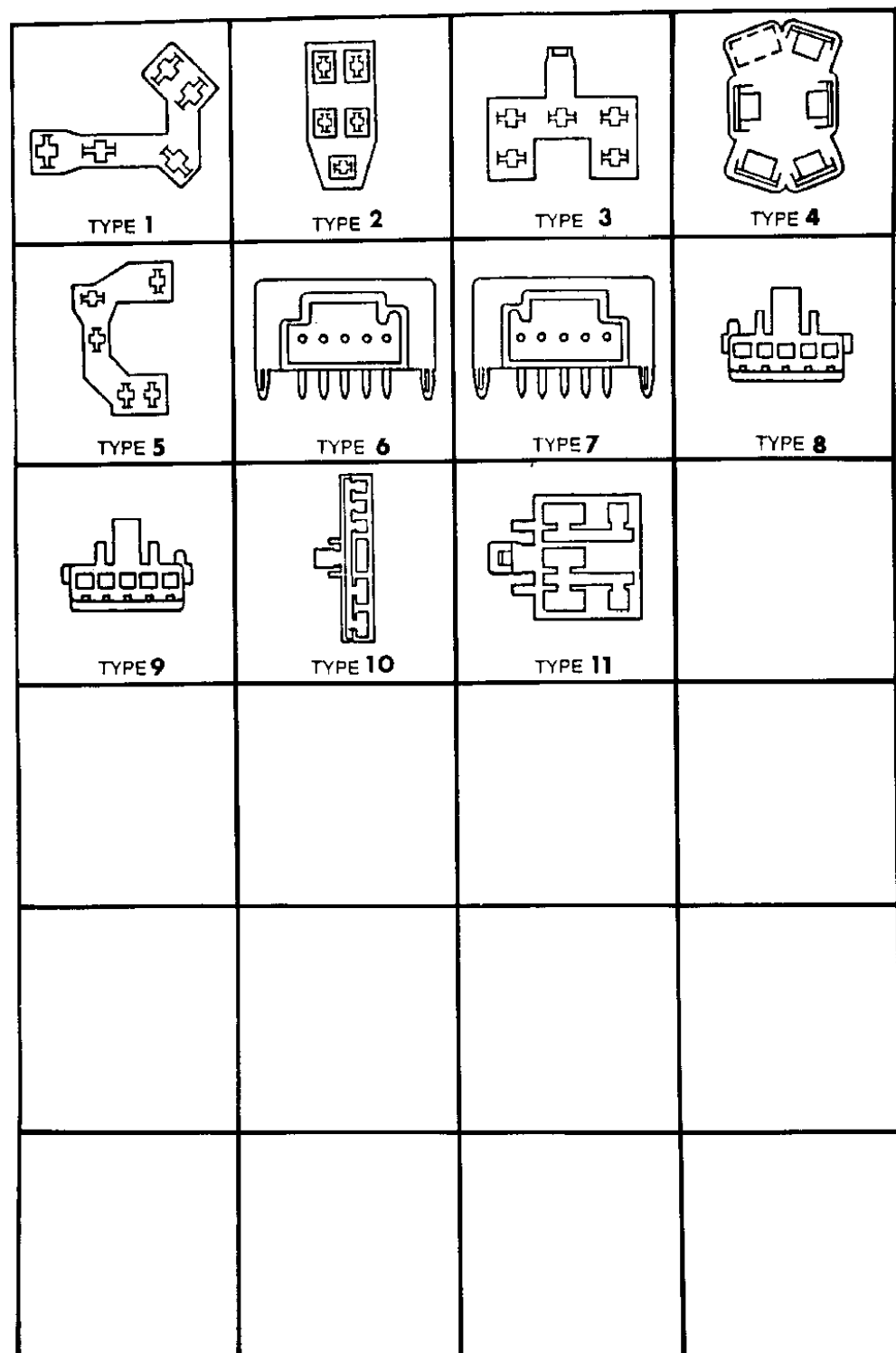
**BODY STYLES:**

21=2-Door Coupe      41=4-Door Sedan      12-52=FWD & AWD Van & Wgn Std W.B.  
 24=2-Door Hatchback      44=4-Door Hatchback      53=FWD & AWD Van & Wgn Ext. W.B.  
 27=2-Door Convertible

AR = Use as Required - = Non Illustrated Part P.A.R. = Paint as Required

**INSULATORS 5 WAY**  
Figure 8-1120

93108 11200



ITEM	PART NUMBER	QTY	BODY	MODEL	DESCRIPTION
1	4124 008				BLACK--W/TERMINAL 3843601
2	4124 262				BLACK--W/TERMINAL 3843601
	4362 324				NATURAL--W/TERMINAL 3843601
3	5211 545				BLACK--W/TERMINAL 3843601
4	4162 879				BLACK--W/TERMINAL 3588819
5	4274 837				BLACK--
6					NATURAL--NOT SERV.
7					BLACK--NOT SERV.
8	4331 006				NATURAL--W/TERMINAL 4304729
9	4331 006				BLACK--W/TERMINAL 4304729
10	4331 017				BLACK--W/TERMINAL 4209706 & 4331010
11	4368 444				BLACK--W/TERMINAL 4209706 & 4331010

**MODEL CODES:**

A BODY=(C=LeBaron, D=Spirit, P=Acclaim/LaBaron(Landau), Saratoga)      S BODY=(H=Voyager(H) FWD, K=Caravan(H) FWD, Y=Town & Country(H) FWD, P=Voyager(K) AWD, D=Caravan(K) AWD, C=Town & Country(K) AWD)  
 C BODY=(D=Dynasty, C=New Yorker/N.Y. Salon)  
 G BODY=(V=Daytona/IROC, Chrysler Daytona)  
 J BODY=(C=LeBaron, Chrysler LeBaron)  
 P BODY=(P=Sundance, D=Shadow)      Y BODY=(C=Imperial/5th Avenue)  
 E-S BODY=(K=Chrysler Voyager(H) FWD, D=Chrysler Voyager(K) AWD)

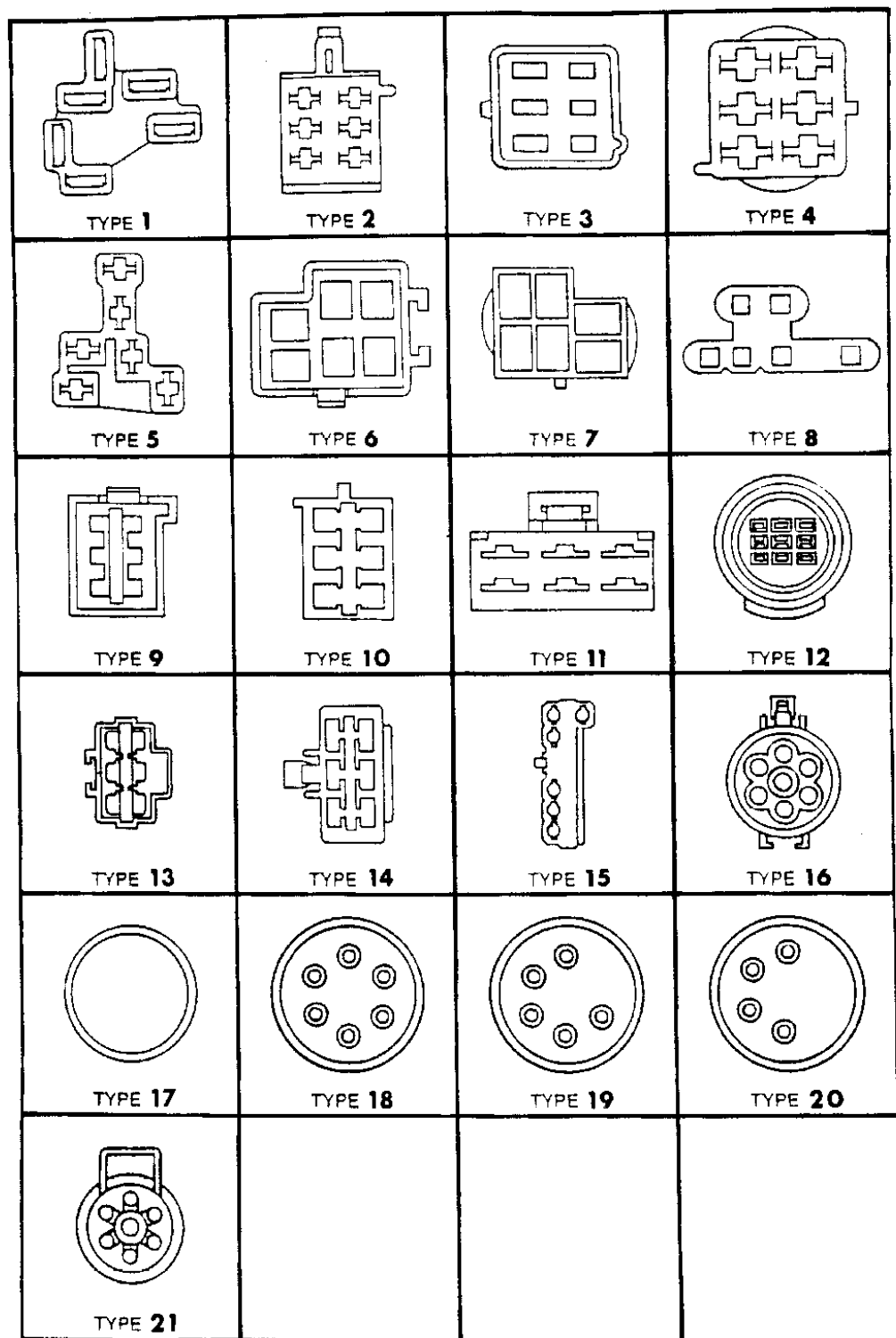
**BODY STYLES:**

21=2-Door Coupe      41=4-Door Sedan      12-52=FWD & AWD Van & Wgn Std W.B.  
 24=2-Door Hatchback      44=4-Door Hatchback      53=FWD & AWD Van & Wgn Ext. W.B.  
 27=2-Door Convertible

AR = Use as Required - = Non Illustrated Part P.A.R. = Paint as Required

**INSULATORS 6 WAY**  
Figure 8-1130

93108 11300



ITEM	PART NUMBER	QTY	BODY	MODEL	DESCRIPTION
1	4055 014				BLACK--W/TERMINAL 1769281
2	5211 546				BLACK--W/TERMINAL 3843601
3	4055 014				NATURAL--W/TERMINAL 3843386
4	4055 015				NATURAL--W/TERMINAL 3843601
5	4055 384				NATURAL--W/TERMINAL 3843601
6	4274 905				BLACK--W/TERMINAL 3843386
7	4274 909				BLACK--W/TERMINAL 3843601
8	4124 754				NATURAL--W/TERMINAL 3843380
9	4274 926				NATURAL--W/TERMINAL 4209707
	4331 930				BLUE--W/TERMINAL
10	4209 712				NATURAL--W/TERMINAL 4209706
	4331 931				BLUE--W/TERMINAL 4209706
11	4209 339				NATURAL--W/TERMINAL 4209340
12	4331 717				BLACK--W/TERMINAL 4304637
13	4368 334				NATURAL--W/TERMINAL 3843386
14	4368 342				NATURAL--W/TERMINAL 4331010
15	4331 497				BLACK--W/TERMINAL 4304599
	4331 498				GRAY--W/TERMINAL 4304599
16					BLACK--SERV.ASSY.
17					RED--SERV. ASSY.
18					GRAY--SERV. ASSY.
19					GRAY--SERV. ASSY.
20					GRAY--SERV. ASSY.
21					BLACK--SERV. ASSY.

**MODEL CODES:**

A BODY=(C=LeBaron, D=Spirit, P=Acclaim/LaBaron(Landau), Saratoga)      S BODY=(H=Voyager(H) FWD, K=Caravan(H) FWD, Y=Town & Country(H) FWD, P=Voyager(K) AWD, D=Caravan(K) AWD, C=Town & Country(K) AWD)  
 C BODY=(D=Dynasty, C=New Yorker/N.Y. Salon)  
 G BODY=(V=Daytona/IROC, Chrysler Daytona)  
 J BODY=(C=LeBaron, Chrysler LeBaron)  
 P BODY=(P=Sundance, D=Shadow)      Y BODY=(C=Imperial/5th Avenue)  
 E-S BODY=(K=Chrysler Voyager(H) FWD, D=Chrysler Voyager(K) AWD)

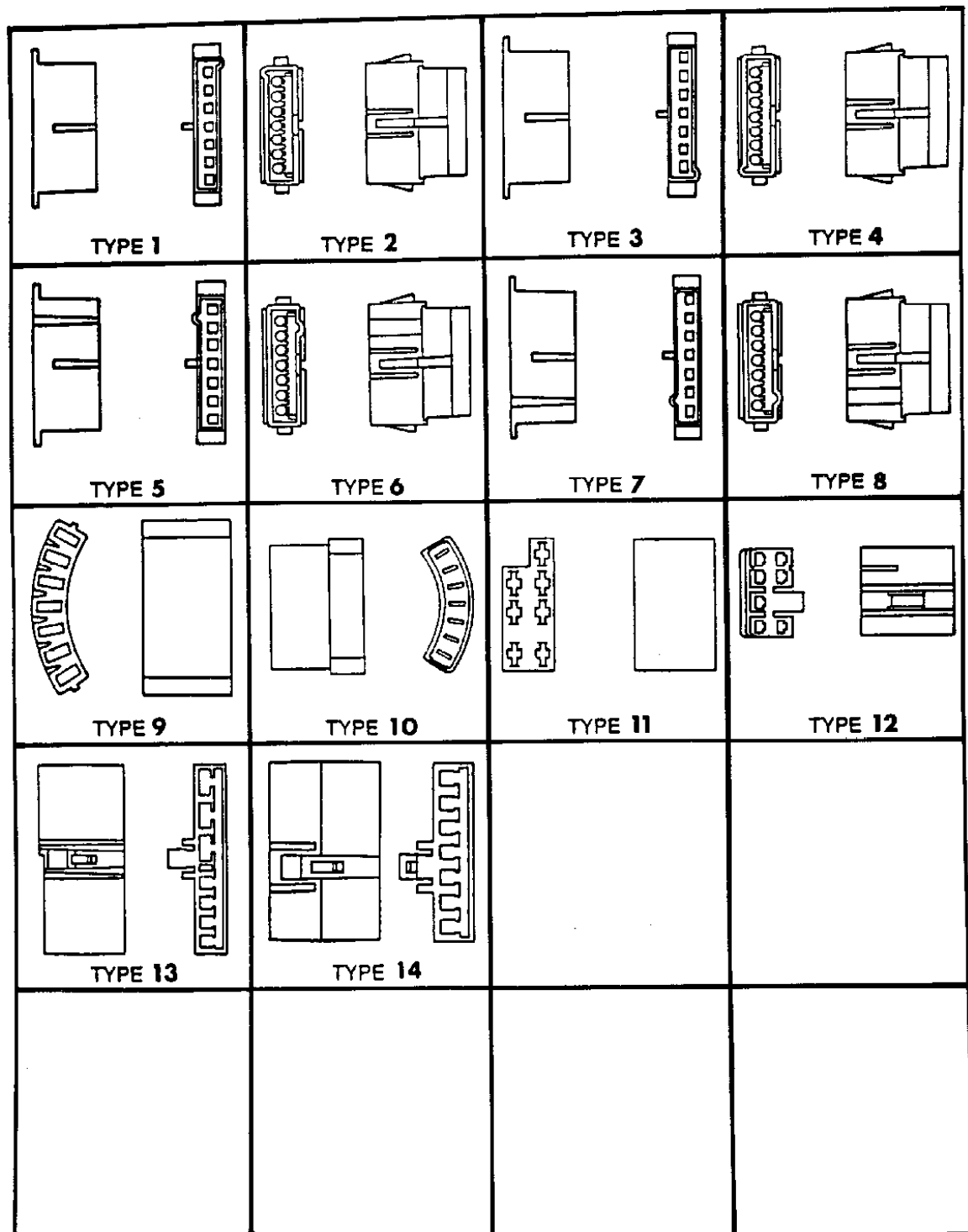
**BODY STYLES:**

21=2-Door Coupe      41=4-Door Sedan      12-52=FWD & AWD Van & Wgn Std W.B.  
 24=2-Door Hatchback      44=4-Door Hatchback      53=FWD & AWD Van & Wgn Ext. W.B.  
 27=2-Door Convertible

AR = Use as Required - = Non Illustrated Part P.A.R. = Paint as Required

**INSULATORS 7 WAY**  
Figure 8-1140

93108 11400



ITEM	PART NUMBER	QTY	BODY	MODEL	DESCRIPTION
1	4304 116				GRAY--W/TERMINAL 4304729
2	4304 107				GRAY--W/TERMINAL 4304100
3	4304 117				BLACK--W/TERMINAL 4304729
4	4304 108				BLACK--W/TERMINAL 4304100
5	4304 118				RED--W/TERMINAL 4304729
6	4304 109				RED--W/TERMINAL 4304100
7	4304 432				GREEN--W/TERMINAL 4304729
8	4304 431				GREEN--W/TERMINAL 4304100
9	4055 023				GRAY--W/TERMINAL 3843601
10	4055 022				GRAY--W/TERMINAL 3843386
11	4274 017				NATURAL--W/TERMINAL 3843601
12					BLACK--NOT SERV.
13	4331 021				BLACK--W/TERMINALS 4209706 & 4331010
14	4368 446				BLACK--W/TERMINALS 4209706 & 4331010

**MODEL CODES:**

A BODY=(C=LeBaron, D=Spirit, P=Acclaim/LaBaron(Landau), Saratoga)      S BODY=(H=Voyager(H) FWD, K=Caravan(H) FWD, Y=Town & Country(H) FWD, P=Voyager(K) AWD, D=Caravan(K) AWD, C=Town & Country(K) AWD)  
 C BODY=(D=Dynasty, C=New Yorker/N.Y. Salon)  
 G BODY=(V=Daytona/IROC, Chrysler Daytona)  
 J BODY=(C=LeBaron, Chrysler LeBaron)  
 P BODY=(P=Sundance, D=Shadow)      Y BODY=(C=Imperial/5th Avenue)  
 E-S BODY=(K=Chrysler Voyager(H) FWD, D=Chrysler Voyager(K) AWD)

**BODY STYLES:**

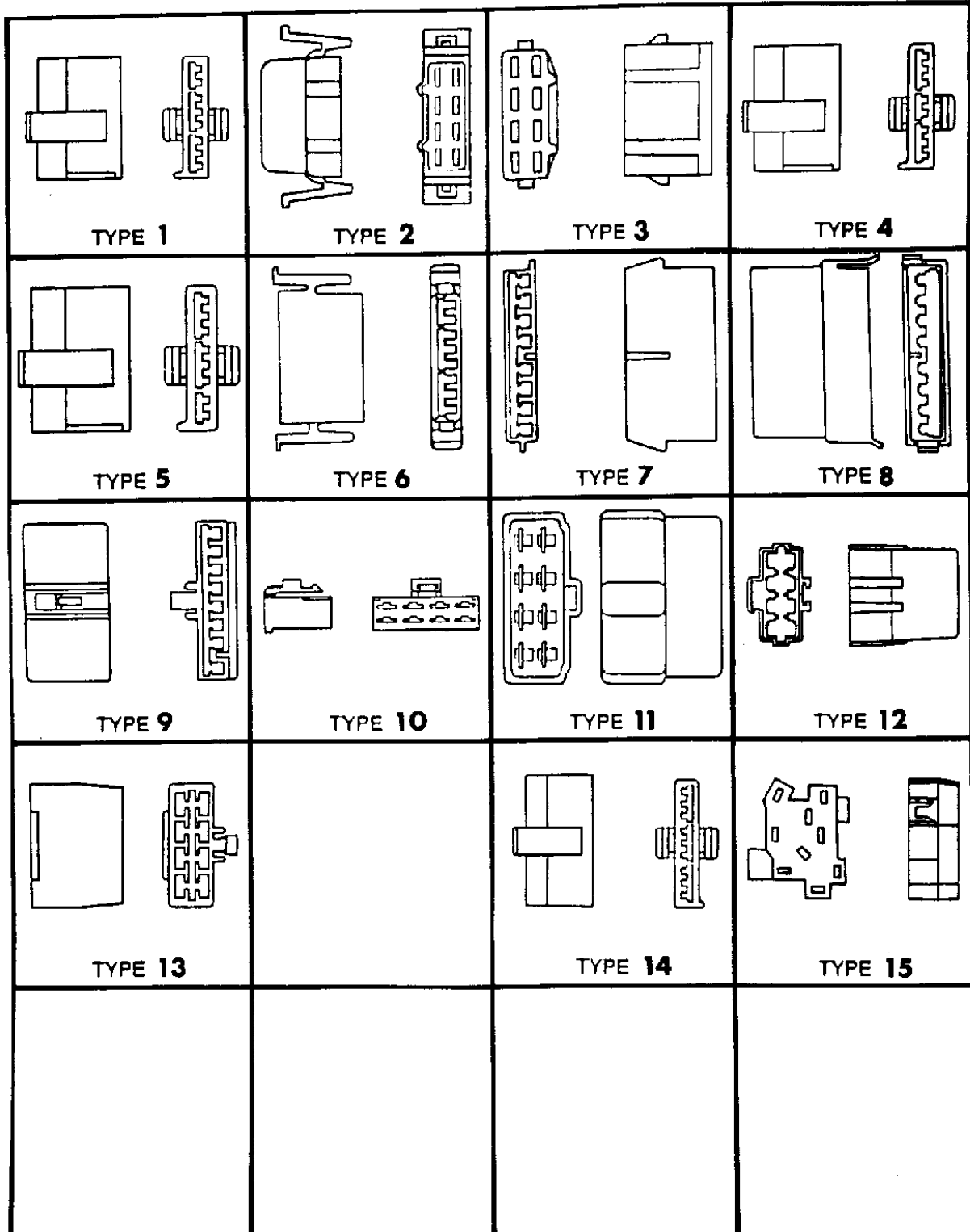
21=2-Door Coupe      41=4-Door Sedan      12-52=FWD & AWD Van & Wgn Std W.B.  
 24=2-Door Hatchback      44=4-Door Hatchback      53=FWD & AWD Van & Wgn Ext. W.B.  
 27=2-Door Convertible

AR = Use as Required   - = Non Illustrated Part   P.A.R. = Paint as Required

**INSULATORS 8 & 9 WAY**  
Figure 8-1150

93108 11500

ITEM	PART NUMBER	QTY	BODY	MODEL	DESCRIPTION
1	3764 572				WHITE--W/TERMINAL 3764556
2	3843 413				BLACK--W/TERMINAL 3843386
3	4055 047				BLACK--W/TERMINAL 3843601
4	4055 582				BLACK--W/TERMINAL 3764556
5	4124 821				RED--W/TERMINAL 3764556
6	4209 182				BLACK--W/TERMINAL 3764556
7	4274 521				BLACK--W/TERMINAL 4209706
8	4274 527				GRAY--W/TERMINAL 4209707
9	4331 015				BLACK--W/TERMINAL 4209706
10	4304 634				NATURAL--W/TERMINAL 4209340
11	4304 667				NATURAL--W/TERMINAL 4304528
12	4368 330				NATURAL--W/TERMINAL 3843386
13	4368 338				NATURAL--W/TERMINAL 4331010
14	3764 557				WHITE--W/TERMINAL 3764556
15	3843 141				BLACK--W/TERMINAL 1769281



**MODEL CODES:**

A BODY=(C=LeBaron, D=Spirit, P=Acclaim/LaBaron(Landau), Saratoga)      S BODY=(H=Voyager(H) FWD, K=Caravan(H) FWD, Y=Town & Country(H) FWD, P=Voyager(K) AWD, D=Caravan(K) AWD, C=Town & Country(K) AWD)  
 C BODY=(D=Dynasty, C=New Yorker/N.Y. Salon)  
 G BODY=(V=Daytona/IROC, Chrysler Daytona)  
 J BODY=(C=LeBaron, Chrysler LeBaron)  
 P BODY=(P=Sundance, D=Shadow)      Y BODY=(C=Imperial/5th Avenue)  
 E-S BODY=(K=Chrysler Voyager(H) FWD, D=Chrysler Voyager(K) AWD)

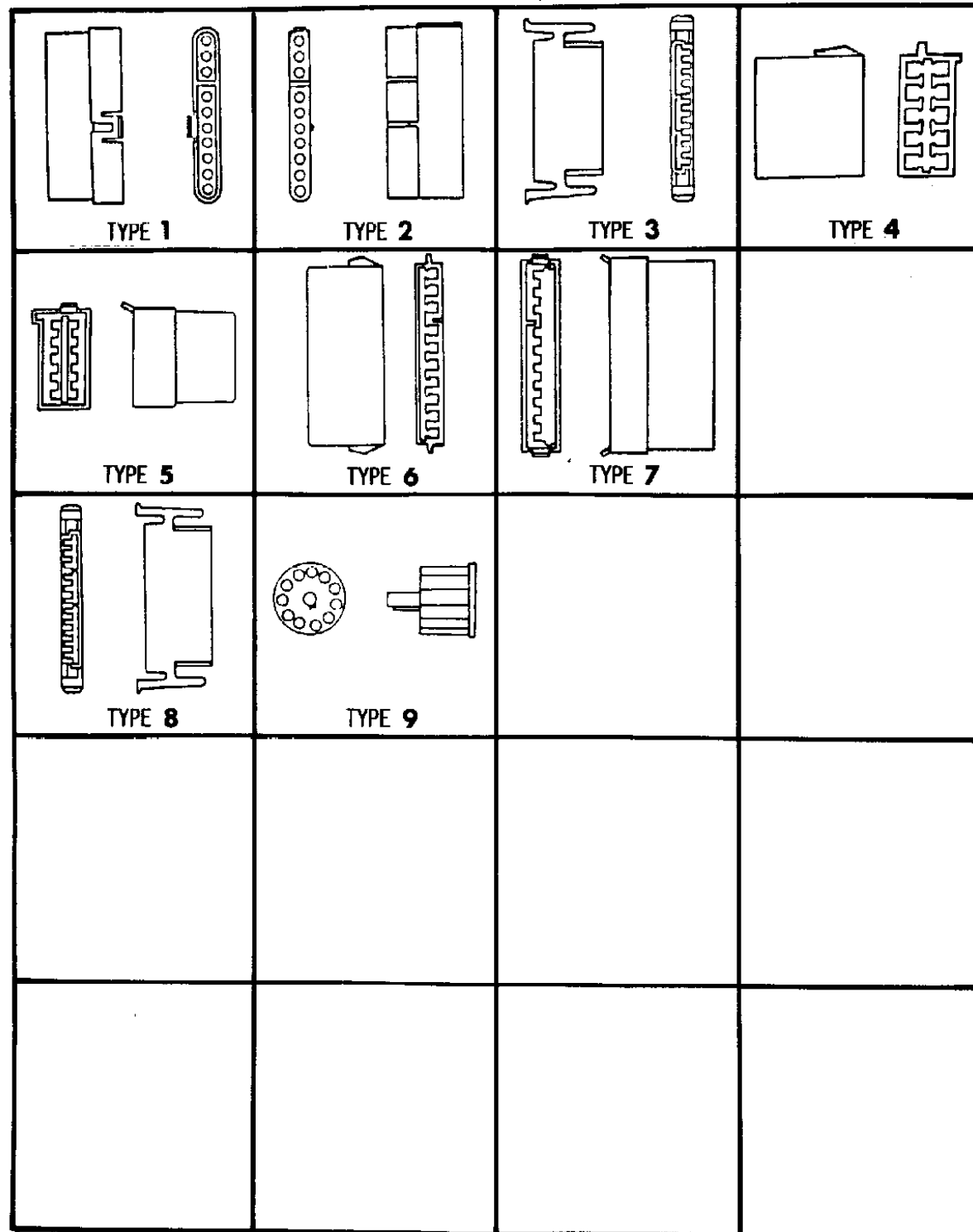
**BODY STYLES:**

21=2-Door Coupe      41=4-Door Sedan      12-52=FWD & AWD Van & Wgn Std W.B.  
 24=2-Door Hatchback      44=4-Door Hatchback      53=FWD & AWD Van & Wgn Ext. W.B.  
 27=2-Door Convertible

AR = Use as Required - = Non Illustrated Part P.A.R. = Paint as Required

**INSULATORS 10 & 11 WAY**  
Figure 8-1160

93108 11600



ITEM	PART NUMBER	QTY	BODY	MODEL	DESCRIPTION
1	4124 242				BLUE--W/TERMINAL 2983409
2	4124 243				BLUE--W/TERMINAL 2983410
3					BLACK--W/TERMINAL 3764556 (Not Serv.)
4	4209 939				GREEN--W/TERMINAL 4209706
5	4209 943				GREEN--W/TERMINAL 4209707
6	4209 948				NATURAL--W/TERMINAL 4209706
7	4274 929				NATURAL--W/TERMINAL 4209707
8	4209 701				BLACK--W/TERMINAL 3764556
9	4304 596				BLACK--TERMINAL, SERV. ASSY.
	4304 597				GRAY--TERMINAL, SERV. ASSY.
	4368 040				GREEN--TERMINAL, SERV. ASSY.

**MODEL CODES:**

A BODY=(C=LeBaron, D=Spirit, P=Acclaim/LaBaron(Landau), Saratoga)      S BODY=(H=Voyager(H) FWD, K=Caravan(H) FWD, Y=Town & Country(H) FWD, P=Voyager(K) AWD, D=Caravan(K) AWD, C=Town & Country(K) AWD)  
 C BODY=(D=Dynasty, C=New Yorker/N.Y. Salon)  
 G BODY=(V=Daytona/IROC, Chrysler Daytona)  
 J BODY=(C=LeBaron, Chrysler LeBaron)  
 P BODY=(P=Sundance, D=Shadow)      Y BODY=(C=Imperial/5th Avenue)  
 E-S BODY=(K=Chrysler Voyager(H) FWD, D=Chrysler Voyager(K) AWD)

**BODY STYLES:**

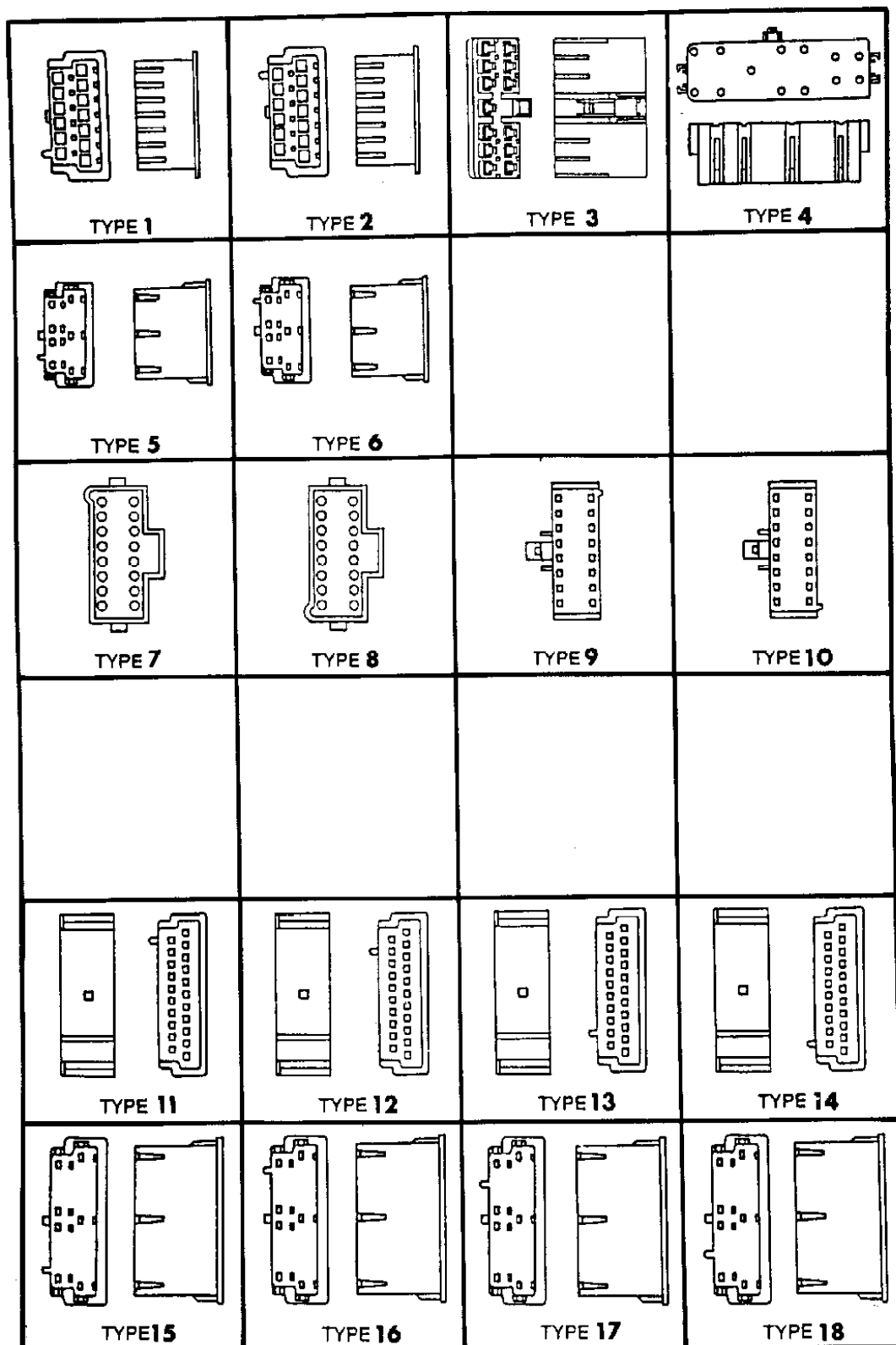
21=2-Door Coupe      41=4-Door Sedan      12-52=FWD & AWD Van & Wgn Std W.B.  
 24=2-Door Hatchback      44=4-Door Hatchback      53=FWD & AWD Van & Wgn Ext. W.B.  
 27=2-Door Convertible

AR = Use as Required - = Non Illustrated Part P.A.R. = Paint as Required



**INSULATORS 13-16-21 WAY**  
**Figure 8-1170**

93108 11700



ITEM	PART NUMBER	QTY	BODY	MODEL	DESCRIPTION
1	4368 480				NATURAL--W/4304729
2	4304 741				BLACK
3	4331 164				GRAY--TERMINAL, SERV. ASSY.
4	4304 627				BLACK
5	4625 494				NATURAL--TERMINAL, SERV. ASSY.
6					RED--SERV. ASSY.
7	4331 501				BLACK--W/TERMINAL 4304100
8					GRAY--W/TERMINAL 4304100 SERV. ASSY.
9					BLACK--NOT SERV.
10	4331 502				GRAY--4304729
11	4304 744				BLUE--W/TERMINAL 4304729
12	4304 745				BLACK--W/TERMINAL 4304729
13	4304 746				NATURAL--W/TERMINAL 4304729
14	4304 747				RED--W/TERMINAL 4304729
15	4368 475				RED--W/TERMINAL 4304729
16	4368 475				BLUE--W/TERMINAL 4304729
17	4368 475				BLACK--W/TERMINAL 4304729
18	4368 475				NATURAL--W/TERMINAL 4304729

**MODEL CODES:**

A BODY=(C=LeBaron, D=Spirit, P=Acclaim/LaBaron(Landau), Saratoga)      S BODY=(H=Voyager(H) FWD, K=Caravan(H) FWD, Y=Town & Country(H) FWD, P=Voyager(K) AWD, D=Caravan(K) AWD, C=Town & Country(K) AWD)  
 C BODY=(D=Dynasty, C=New Yorker/N.Y. Salon)  
 G BODY=(V=Daytona/IROC, Chrysler Daytona)  
 J BODY=(C=LeBaron, Chrysler LeBaron)  
 P BODY=(P=Sundance, D=Shadow)      Y BODY=(C=Imperial/5th Avenue)  
 E-S BODY=(K=Chrysler Voyager(H) FWD, D=Chrysler Voyager(K) AWD)

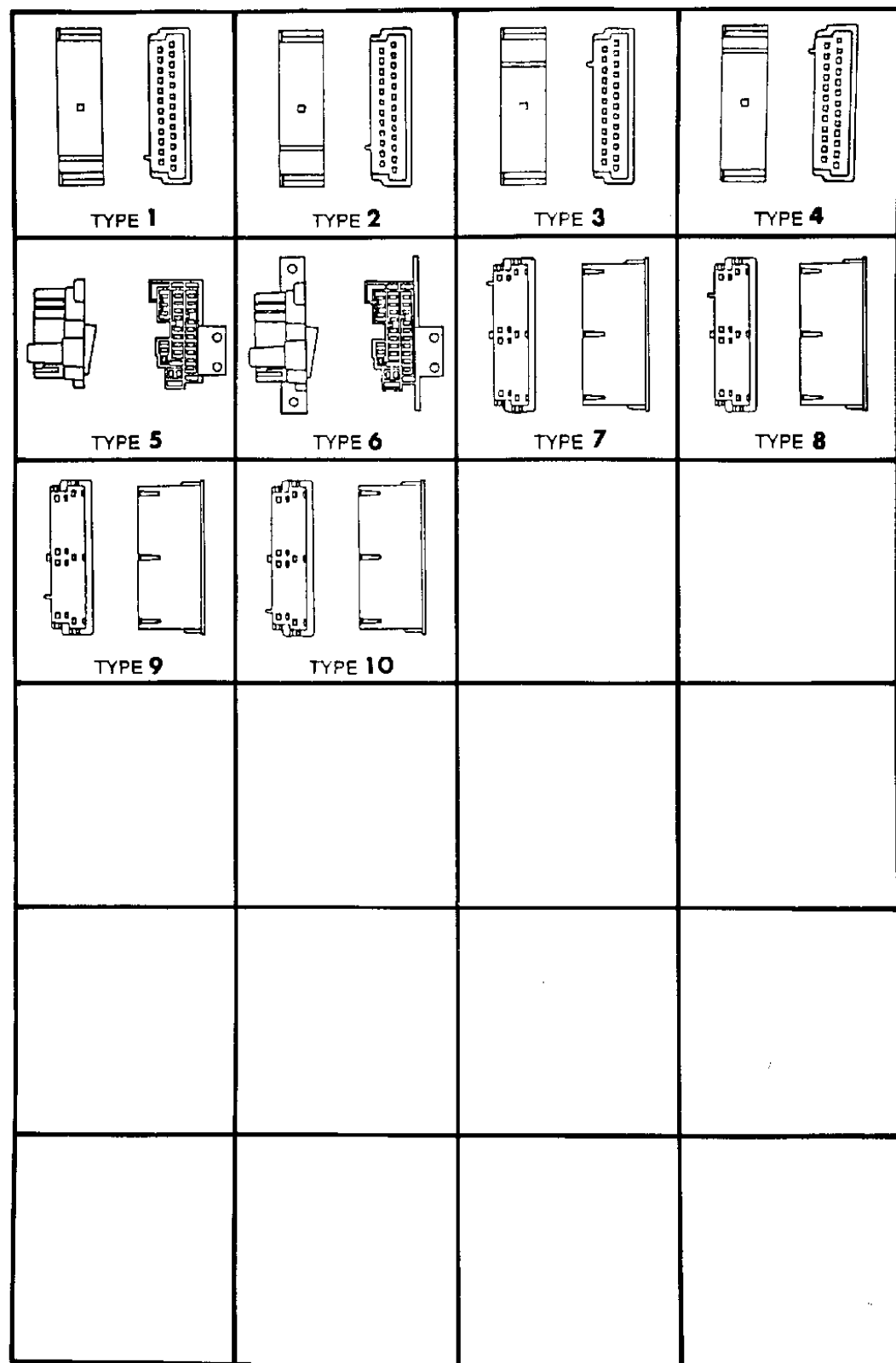
**BODY STYLES:**

21=2-Door Coupe      41=4-Door Sedan      12-52=FWD & AWD Van & Wgn Std W.B.  
 24=2-Door Hatchback      44=4-Door Hatchback      53=FWD & AWD Van & Wgn Ext. W.B.  
 27=2-Door Convertible

AR = Use as Required - = Non Illustrated Part P.A.R. = Paint as Required

INSULATORS 25 WAY  
Figure 8-1180

93108 11800



ITEM	PART NUMBER	QTY	BODY	MODEL	DESCRIPTION
1	4331 040				RED--W/TERMINAL 4304729
2	4331 039				NATURAL--W/TERMINAL 4304729
3	4331 038				BLACK--W/4304729
4	4331 037				BLUE--W/TERMINAL 4304729
5	4304 532				GRAY--W/TERMINAL 3843386 & 4209707
6	4274 897				GRAY--W/TERMINAL 3843386 & 4209707
7	4368 463				BLUE--W/TERMINAL 4304729
8	4368 463				BLACK--W/TERMINAL 4304729
9	4368 463				NATURAL--W/TERMINAL 4304729
10	4368 463				RED--W/TERMINAL 4304729

**MODEL CODES:**

A BODY=(C=LeBaron, D=Spirit, P=Acclaim/LaBaron(Landau), Saratoga) S BODY=(H=Voyager(H) FWD, K=Caravan(H) FWD, Y=Town & Country(H) FWD, P=Voyager(K) AWD, D=Caravan(K) AWD, C=Town & Country(K) AWD)  
 C BODY=(D=Dynasty, C=New Yorker/N.Y. Salon) Y BODY=(C=Imperial/5th Avenue)  
 G BODY=(V=Daytona/IROC, Chrysler Daytona) E-S BODY=(K=Chrysler Voyager(H) FWD, D=Chrysler Voyager(K) AWD)  
 J BODY=(C=LeBaron, Chrysler LeBaron)  
 P BODY=(P=Sundance, D=Shadow)

**BODY STYLES:**

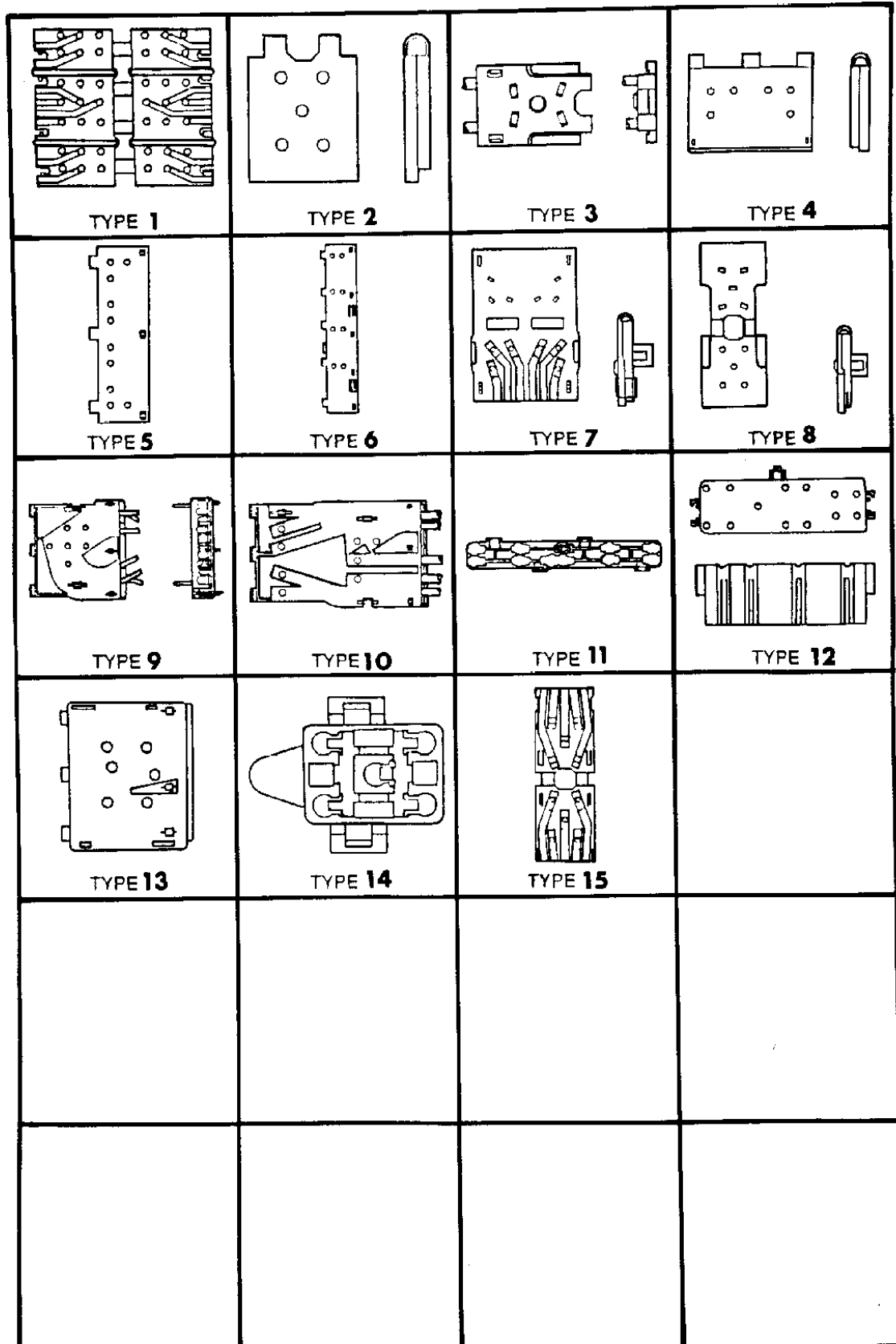
21=2-Door Coupe      41=4-Door Sedan      12-52=FWD & AWD Van & Wgn Std W.B.  
 24=2-Door Hatchback      44=4-Door Hatchback      53=FWD & AWD Van & Wgn Ext. W.B.  
 27=2-Door Convertible

AR = Use as Required - = Non Illustrated Part P.A.R. = Paint as Required

**INSULATORS WINDOW LIFTS**  
Figure 8-1190

93108 11900

ITEM	PART NUMBER	QTY	BODY	MODEL	DESCRIPTION
1	2926 374				BLACK--W/TERMINAL 3513613
2	4368 159				WHITE--W/TERMINAL 3513613
3	3513 665				WHITE--W/TERMINAL 3513613
4	4124 188				NATURAL--W/TERMINAL 3513613
5					NATURAL--W/TERMINAL 3513613 (Not Serv.)
6	4124 190				NATURAL--W/TERMINAL 3513613
7	4124 622				NATURAL--W/TERMINAL 3513613
8	4124 623				NATURAL--W/TERMINAL 3513613
9	4209 002				NATURAL--W/TERMINAL 3513613
10	4209 003				NATURAL--W/TERMINAL 3513613
11	4209 298				BLACK--W/TERMINAL 4209258
12	4331 164				GRAY--
13	4368 023				NATURAL--W/TERMINAL 3513613
14	4368 300				GRAY--
15	4368 159				NATURAL--



**MODEL CODES:**

A BODY=(C=LeBaron, D=Spirit, P=Acclaim/LaBaron(Landau), Saratoga)      S BODY=(H=Voyager(H) FWD, K=Caravan(H) FWD, Y=Town & Country(H) FWD, P=Voyager(K) AWD, D=Caravan(K) AWD, C=Town & Country(K) AWD)  
 C BODY=(D=Dynasty, C=New Yorker/N.Y. Salon)      Y BODY=(C=Imperial/5th Avenue)  
 G BODY=(V=Daytona/IROC, Chrysler Daytona)      E-S BODY=(K=Chrysler Voyager(H) FWD, D=Chrysler Voyager(K) AWD)  
 J BODY=(C=LeBaron, Chrysler LeBaron)  
 P BODY=(P=Sundance, D=Shadow)

**BODY STYLES:**

21=2-Door Coupe      41=4-Door Sedan      12-52=FWD & AWD Van & Wgn Std W.B.  
 24=2-Door Hatchback      44=4-Door Hatchback      53=FWD & AWD Van & Wgn Ext. W.B.  
 27=2-Door Convertible

AR = Use as Required - = Non Illustrated Part P.A.R. = Paint as Required

**WIRING REPAIR PACKAGES**

**Figure 8-1195**

**ILLUSTRATION NOT AVAILABLE AT TIME OF PUBLICATION**

ITEM	PART NUMBER	QTY	BODY	MODEL	DESCRIPTION
	4419 581		ACGJPSY		INSULATOR, Wire Repair, Pwr. Wdo, Rt. Frt. & Rear, Lt. Rear, 5-WAY
	4419 588		ACGJPY		INSULATOR, Wire Repair, Fuel Pump, 2-Way
	4638 991		ACGJPSY		INSULATOR, Wire Repair, Ign. Coil, 2-Way
	4638 997		ACGJPSY		INSULATOR, Wire Repair, Throttle Position Sensor, 3-Way
	4419 577		ACPSY		INSULATOR, Wire Repair, Multifunction, 24-Way
	4419 591		ACGJPY		INSULATOR, Wire Repair, Fuel Tank Sending Unit, 3-Way
	4419 568		CY		INSULATOR, Wire Repair, A/C Resistor, 5-Way, w/o ATC
	4419 573		JG		INSULATOR, Wire Repair, Switch POD
	4713 001		ACGJPYS		INSULATOR, Wire Repair, Fuel Injector (Multi-Point) 2-Way
	4723 178		ALL		INSULATOR, Wire Repair, Battery Main Disconnect Latch Broken
	4419 476		ACYS		INSULATOR, Wire Repair, E.A.T.X. Solenoid, 8-Way
	4419 478		ACYS		INSULATOR, Wire Repair, Turbine & Speed Sensor, w/E.A. T.X., 2-Way
	4419 491		GJPACSY		INSULATOR, Wire Repair, E.A.T.X. Controller, 60-Way
	4419 492		PSAGJCY		INSULATOR, Wire Repair, Eng. Controller, 60-Way
	4419 493				INSULATOR, Wire Repair, A.B.S. & Eng. Controller, 60-Way
	4638 996		AJGPCYS		INSULATOR, Wire Repair, PRNDL & Saftey Switch, 3-Way
	4720 928		ALL		INSULATOR, Wire Repair, Radio

**MODEL CODES:**

A BODY=(C=LeBaron, D=Spirit, P=Acclaim/LaBaron(Landau), Saratoga)  
 C BODY=(D=Dynasty, C=New Yorker/N.Y. Salon)  
 G BODY=(V=Daytona/IROC, Chrysler Daytona)  
 J BODY=(C=LeBaron, Chrysler LeBaron)  
 P BODY=(P=Sundance, D=Shadow)

S BODY=(H=Voyager(H) FWD, K=Caravan(H) FWD, Y=Town & Country(H) FWD, P=Voyager(K) AWD, D=Caravan(K) AWD, C=Town & Country(K) AWD)  
 Y BODY=(C=Imperial/5th Avenue)  
 E-S BODY=(K=Chrysler Voyager(H) FWD, D=Chrysler Voyager(K) AWD)

**BODY STYLES:**

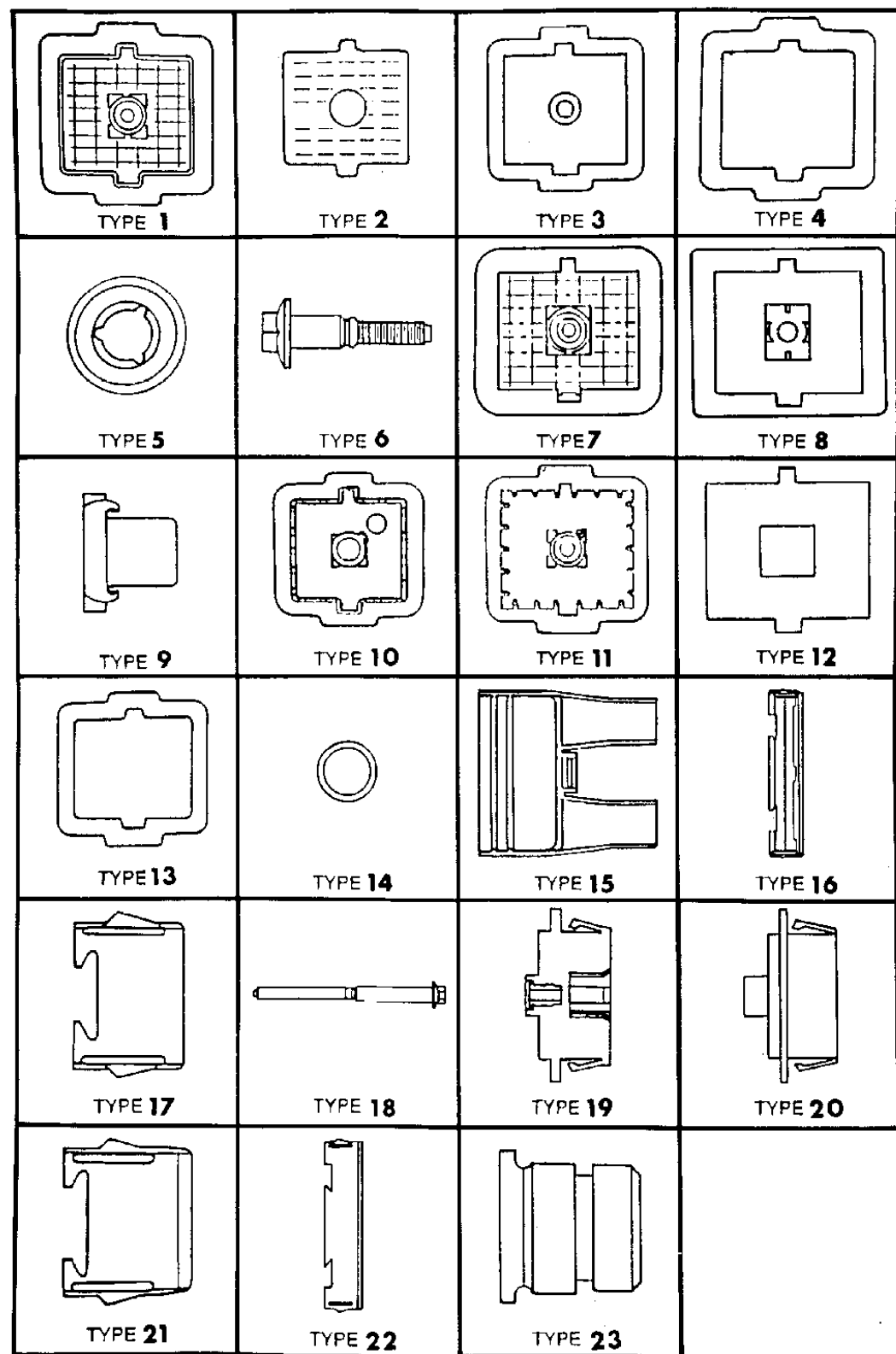
21=2-Door Coupe      41=4-Door Sedan      12-52=FWD & AWD Van & Wgn Std W.B.  
 24=2-Door Hatchback      44=4-Door Hatchback      53=FWD & AWD Van & Wgn Ext. W.B.  
 27=2-Door Convertible

AR = Use as Required - = Non Illustrated Part P.A.R. = Paint as Required

BULKHEAD CONNECTORS & COMPONENTS 40 & 50 WAY

Figure 8-1200

93108 12000



ITEM	PART NUMBER	QTY	BODY	MODEL	DESCRIPTION
1	4055 405				CONNECTOR, 40 WAY MALE, W/TERMINAL 3843386
2					SEAL, NOT SERV.
3					CONNECTOR, USE 4055405
4					SEAL, NOT SERV.
5	6031 057				NUT, SPRING
6					BOLT, NOT SERV.
7	4055 406				CONNECTOR, 40 WAY FEMALE, W/TERMINAL 3843601
8	4055 406				CONNECTOR, USE 4055406
9					TEENUT, NOT SERV.
10	4331 712				CONNECTOR, 50 WAY MALE, W/TERMINAL 3843386-4209707
11					CONNECTOR, USE 4331712
12	4331 711				GASKET
13					SEAL, NOT SERV.
14					O-RING, NOT SERV.
15	4331 714				SHIELD
16	4331 406				WEDGE, LOCKING TERM. MALE-LONG
17	4331 715				WEDGE, LOCKING TERM. MALE-SHORT
18					SCREW, Serv. Assy.
19	4481 640				CONNECTOR, 50 WAY FEMALE, W/TERMINAL 4331506-4209706
20					CONNECTOR, USE 4331713
21	4331 422				WEDGE, LOCKING TERM. FEMALE-SHORT
22	4331 423				WEDGE, LOCKING TERM. FEMALE-LONG
23					BUSHING, NOT SERV.

MODEL CODES:

A BODY=(C=LeBaron, D=Spirit, P=Acclaim/LaBaron(Landau), Saratoga) S BODY=(H=Voyager(H) FWD, K=Caravan(H) FWD, Y=Town & Country(H) FWD, P=Voyager(K) AWD, D=Caravan(K) AWD, C=Town & Country(K) AWD)  
 C BODY=(D=Dynasty, C=New Yorker/N.Y. Salon) Y BODY=(C=Imperial/5th Avenue)  
 G BODY=(V=Daytona/IROC, Chrysler Daytona) E-S BODY=(K=Chrysler Voyager(H) FWD, D=Chrysler Voyager(K) AWD)  
 J BODY=(C=LeBaron, Chrysler LeBaron) P BODY=(P=Sundance, D=Shadow)

BODY STYLES:

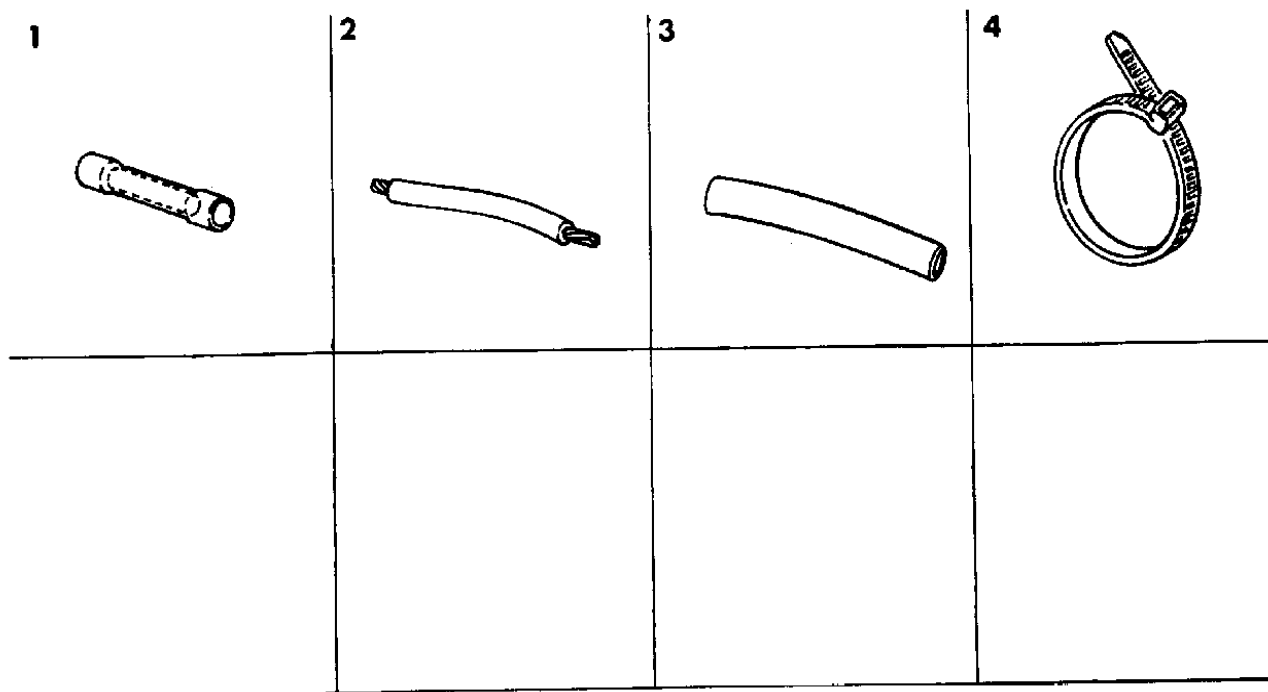
21=2-Door Coupe 41=4-Door Sedan 12-52=FWD & AWD Van & Wgn Std W.B.  
 24=2-Door Hatchback 44=4-Door Hatchback 53=FWD & AWD Van & Wgn Ext. W.B.  
 27=2-Door Convertible

AR = Use as Required - = Non Illustrated Part P.A.R. = Paint as Required

**WIRING HARNESS REPAIR CRIMP PKG.-FUSIBLE LINK PKG.-HEAT SHRINK TUBE**  
**Figure 8-1210**

93108 12100

ITEM	PART NUMBER	QTY	BODY	MODEL	DESCRIPTION
1	4439 004	1			CRIMP PACKAGE, 18-22 Gauge, (3 Pieces)
	4439 005	1			14-16 Gauge (3 Pieces)
	4439 006	1			10-12 Gauge (3 Pieces)
2	4364 877	1			FUSIBLE LINK PACKAGE, (D/Green-10 Gauge (4 12" Pieces) ***
	4364 876	1			(Black-12 Gauge) (4 12" Pieces)
	4364 875	1			(Red-14 Gauge) (4 12" Pieces)
	4364 874	1			(D/Blue-16 Gauge) (4 12" Pieces)
	4364 873	1			(Gray-18 Gauge) (4 12" Pieces)
	4364 878	1			(Orange-20 Gauge) (4 12" Pieces)
	4419 351	1			(White-22 Gauge) (4 12" Pieces)
3	4419 644	1			HEAT SHRINK TUBE, 1/4" x 2" Long
4	6015 756	1			TY-STRAPS, 6.75" Long (To Tie 1/16" to 2 1/8" of Wire)
	6016 155	1			14" Long (To Tie 3/16" to 4" of Wire)
	5600 1144				Double Tie
					DIODE'S
	4373 745		G-J		Package, Ext. Lamp Control
	4222 599		G-H-S		
	4289 694		L-J-K		Motorola-5404
	4289 694		G-H-S		
	4414 698				A.C. Clutch Relay
	4368 557				A.C. Clutch Diode Mold Repair
	4368 556		J-K-G		Battery Cable Mold
	4400 800		G		Headlamp Motor
	4400 624		S		Main Body
	4274 161		M		Main Body
-	4364 393				CONVOLUTE TUBING, 1/4", 10 Foot Roll ***
	4364 374				1/2", 10 Foot Roll
	4364 375				3/8", 10 Foot Roll
	4364 392				5/8", 10 Foot Roll



**MODEL CODES:**

A BODY=(C=LeBaron, D=Spirit, P=Acclaim/LaBaron(Landau), Saratoga) S BODY=(H=Voyager(H) FWD, K=Caravan(H) FWD, Y=Town & Country(H) FWD, P=Voyager(K) AWD, D=Caravan(K) AWD, C=Town & Country(K) AWD)  
 C BODY=(D=Dynasty, C=New Yorker/N.Y. Salon) Y BODY=(C=Imperial/5th Avenue)  
 G BODY=(V=Daytona/IROC, Chrysler Daytona) E-S BODY=(K=Chrysler Voyager(H) FWD, D=Chrysler Voyager(K) AWD)  
 J BODY=(C=LeBaron, Chrysler LeBaron)  
 P BODY=(P=Sundance, D=Shadow)

**BODY STYLES:**

21=2-Door Coupe      41=4-Door Sedan      12-52=FWD & AWD Van & Wgn Std W.B.  
 24=2-Door Hatchback      44=4-Door Hatchback      53=FWD & AWD Van & Wgn Ext. W.B.  
 27=2-Door Convertible

AR = Use as Required - = Non Illustrated Part P.A.R. = Paint as Required

WIRING CLIPS  
Figure 8-1220

93108 12200

ITEM	PART NUMBER	QTY	BODY	MODEL	DESCRIPTION
1	6016 054	AR			CLIP
2	6016 158	AR			CLIP
3	6015 839	AR			CLIP
4	6015 327	AR			CLIP, (.71h x .38w)
	6015 377	AR			(.52h x .38w)
5	6016 080	AR			CLIP
6	6015 412	AR			CLIP
7	6015 544	AR			CLIP
8	6015 288	AR			CLIP
9	6015 739	AR			CLIP
10	6015 776	AR			CLIP, (1.88l x .38w)
	6015 801	AR			(4.98l x .26w)
11	6015 818	AR			CLIP
12	6016 083	AR			CLIP
13	6016 118	AR			CLIP
14	6015 925	AR			CLIP
15	6016 046	AR			CLIP
16	6016 059	AR			CLIP
17	6016 149	AR			CLIP
18	6016 153	AR			CLIP
19	6016 036	AR			CLIP
20	6016 122	AR			CLIP
21	6016 144	AR			CLIP
22	6016 127	AR			CLIP
23	6016 044	AR			CLIP
24	6016 160	AR			CLIP
25	6016 120	AR			CLIP
26	6016 121	AR			CLIP
27	6016 074	AR			CLIP
-	6016 428		S-ES		CLIP, Plastic & Metal
-	5267 485		S-ES		CLIP, (3/8" Xmas Tree) Wiring

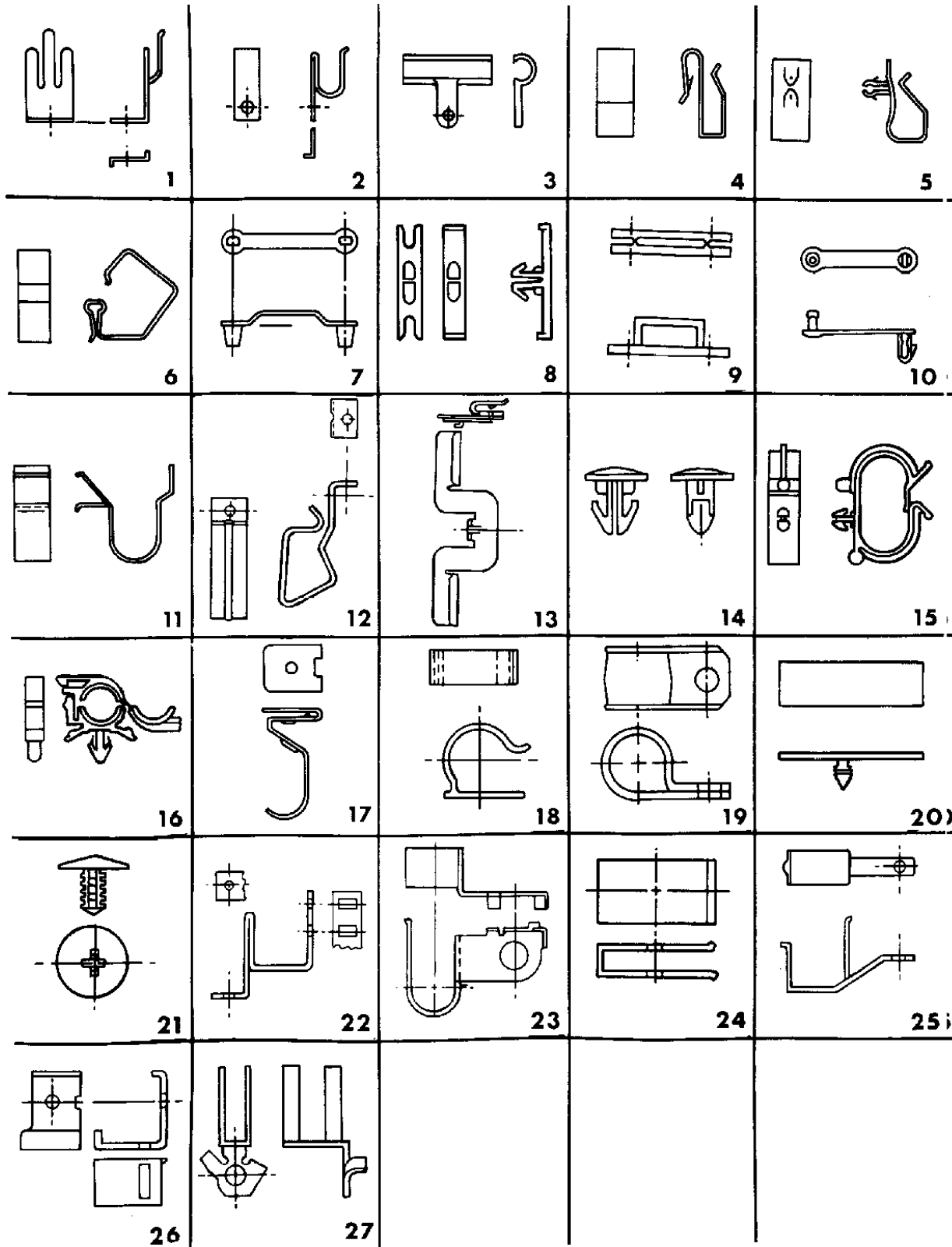
MODEL CODES:

A BODY=(C=LeBaron, D=Spirit, P=Acclaim/LaBaron(Landau), Saratoga) S BODY=(H=Voyager(H) FWD, K=Caravan(H) FWD, Y=Town & Country(H) FWD, P=Voyager(K) AWD, D=Caravan(K) AWD, C=Town & Country(K) AWD)  
 C BODY=(D=Dynasty, C=New Yorker/N.Y. Salon) Y BODY=(C=Imperial/5th Avenue)  
 G BODY=(V=Daytona/IROC, Chrysler Daytona) E-S BODY=(K=Chrysler Voyager(H) FWD, D=Chrysler Voyager(K) AWD)  
 J BODY=(C=LeBaron, Chrysler LeBaron) P BODY=(P=Sundance, D=Shadow)

BODY STYLES:

21=2-Door Coupe 41=4-Door Sedan 12-52=FWD & AWD Van & Wgn Std W.B.  
 24=2-Door Hatchback 44=4-Door Hatchback 53=FWD & AWD Van & Wgn Ext. W.B.  
 27=2-Door Convertible

AR = Use as Required - = Non Illustrated Part P.A.R. = Paint as Required



---

**GROUP 8A - ELECTRICAL - INSTRUMENT PANEL AND CONSOLES**

<b>ILLUSTRATION TITLE</b>	<b>GROUP-FIG. NO.</b>
<b>P BODY</b>	
INSTRUMENT PANEL RADIO, BEZELS, GLOVEBOX, ANTENNA P BODY .....	Fig. 8A-100
INSTRUMENT PANEL CLUSTER P BODY .....	Fig. 8A-200
INSTRUMENT PANEL CONTROLS AND SWITCHES P BODY .....	Fig. 8A-300
CONSOLE P BODY .....	Fig. 8A-400
CONSOLETTA P BODY .....	Fig. 8A-500
CONSOLE, OVERHEAD P BODY .....	Fig. 8A-600
<b>A BODY</b>	
INSTRUMENT PANEL BEZELS AND SILENCERS A BODY .....	Fig. 8A-700
INSTRUMENT PANEL CLUSTER A BODY .....	Fig. 8A-800
INSTRUMENT PANEL PAD, CONTROLS, RADIO AND ANTENNA A BODY .....	Fig. 8A-900
CONSOLE A BODY .....	Fig. 8A-1000
CONSOLE, OVERHEAD A BODY .....	Fig. 8A-1100
<b>J BODY</b>	
INSTRUMENT PANEL BEZELS J BODY .....	Fig. 8A-1200
INSTRUMENT PANEL CLUSTER J BODY .....	Fig. 8A-1300
INSTRUMENT PANEL PANEL, RADIO AND ANTENNA J BODY .....	Fig. 8A-1400
INSTRUMENT PANEL REINFORCEMENTS J BODY .....	Fig. 8A-1500
CONSOLE, CENTER J BODY .....	Fig. 8A-1600
CONSOLE, OVERHEAD J BODY .....	Fig. 8A-1700
<b>G BODY</b>	
INSTRUMENT PANEL BEZELS G BODY .....	Fig. 8A-1800
INSTRUMENT PANEL CLUSTER G BODY .....	Fig. 8A-1900
INSTRUMENT PANEL PANEL, RADIO AND ANTENNA G BODY .....	Fig. 8A-2000
INSTRUMENT PANEL REINFORCEMENTS G BODY .....	Fig. 8A-2100
CONSOLE, CENTER G BODY .....	Fig. 8A-2200
CONSOLE, OVERHEAD G BODY .....	Fig. 8A-2300
<b>C BODY</b>	
INSTRUMENT PANEL PANEL AND PAD C BODY .....	Fig. 8A-2400
INSTRUMENT PANEL CLUSTER C BODY .....	Fig. 8A-2500
INSTRUMENT PANEL SWITCHES, CONTROLS AND SPEAKERS C BODY .....	Fig. 8A-2600
INSTRUMENT PANEL GLOVE BOX, RADIO AND ANTENNA C BODY .....	Fig. 8A-2700
CONSOLE, OVERHEAD MAP LAMP C BODY .....	Fig. 8A-2800
<b>Y BODY</b>	
INSTRUMENT PANEL PANEL AND PAD Y BODY .....	Fig. 8A-2900

**ILLUSTRATION NOT AVAILABLE AT TIME OF PUBLICATION**



---

**GROUP 8A - ELECTRICAL - INSTRUMENT PANEL AND CONSOLES**

**ILLUSTRATION TITLE**

**GROUP-FIG. NO.**

**Y BODY (Continued)**

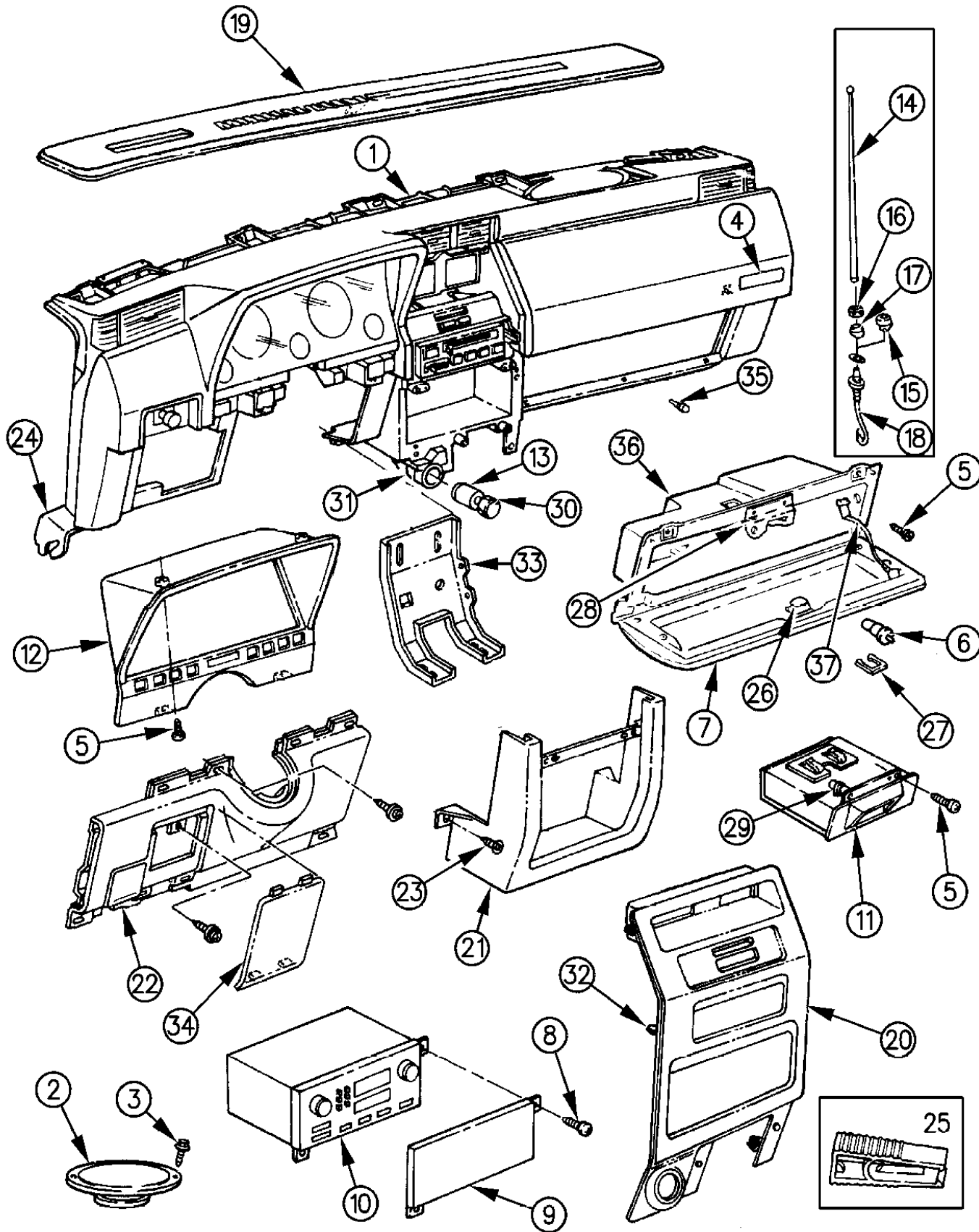
INSTRUMENT PANEL PANEL AND PAD Y BODY .....	Fig. 8A-2900
INSTRUMENT PANEL CLUSTER Y BODY .....	Fig. 8A-3000
INSTRUMENT PANEL SWITCHES, CONTROLS AND SPEAKERS Y BODY .....	Fig. 8A-3100
INSTRUMENT PANEL GLOVE BOX, RADIO AND ANTENNA Y BODY .....	Fig. 8A-3200
CONSOLE, OVERHEAD Y BODY .....	Fig. 8A-3300
CONSOLE, OVERHEAD MAP LAMP Y BODY .....	Fig. 8A-3310

**S BODY**

INSTRUMENT PANEL PANEL, RADIO AND SPEAKER S BODY .....	Fig. 8A-3400
INSTRUMENT PANEL SILENCERS AND COVERS S BODY .....	Fig. 8A-3500
INSTRUMENT PANEL CLUSTER S BODY .....	Fig. 8A-3600
INSTRUMENT PANEL CONSOLE S BODY .....	Fig. 8A-3700
INSTRUMENT PANEL CENTER MODULE S BODY .....	Fig. 8A-3800
CONSOLE, OVERHEAD S BODY .....	Fig. 8A-3900

**INSTRUMENT PANEL RADIO, BEZELS, GLOVEBOX, ANTENNA P BODY**  
Figure 8A-100

93182 100A



ITEM	PART NUMBER	QTY	BODY	MODEL	DESCRIPTION
1					PANEL, Instrument
	P808 KB7	1			Blue
	P808 LM6	1			Red
	P808 KV8	1			Champagne
	P808 KD5	1			Quartz
					REINFORCEMENT, I/Panel
	4372 752	1			Lower Right
	5265 304	1			Center
	5265 465	1			Lower Left
2					SPEAKER, Rear
	4469 239	2			Name Brand
	5269 189	2			Coax Amplified
	5269 195	2			Standard
	4469 417	1			CHOKE, Speaker
3		2			SCREW (DNS)
4					NAME PLATE, Instrument Panel
	4372 392	1			"Sundance"
	4372 140	1			"Shadow"
5		AR			SCREW (DNS)
6		1			LAMP, w/Switch, See Group 8
7					DOOR, Glovebox
	GY40 MD5	1			Quartz
	GY40 MM6	1			Red
	GY40 MV8	1			Champagne
	5265 894	1			DECAL, Air Bag
8	6031 665	2			SCREW
9	4372 399	1			PLATE, Radio Opening, w/o Radio
10					RADIO
	5269 414	1			Am/Fm/Mx w/Cassette, Black
	5269 411	1			Am/Fm/Mx, Black
	5269 054	1			W/CD Player
	4741 444	1			KNOB, Radio
	4391 825	1			Primary
	4741 435	1			Secondary
	4741 436	1			Volume
	4741 437	1			Joystick
	4741 437	1			Equilizer
11	4460 221	1			RECEIVER, Ash
	5265 891	1			Woodgrain

**MODEL CODES:**

A BODY=(C=LeBaron, D=Spirit, P=Acclaim/LaBaron(Landau), Saratoga)

C BODY=(D=Dynasty, C=New Yorker/N.Y. Salon)

G BODY=(V=Daytona/IROC, Chrysler Daytona)

J BODY=(C=LeBaron, Chrysler LeBaron)

P BODY=(P=Sundance, D=Shadow)

S BODY=(H=Voyager(H) FWD, K=Caravan(H) FWD,

Y=Town & Country(H) FWD, P=Voyager(K) AWD,

D=Caravan(K) AWD, C=Town & Country(K) AWD)

Y BODY=(C=Imperial/5th Avenue)

E-S BODY=(K=Chrysler Voyager(H) FWD, D=Chrysler

Voyager(K) AWD)

**BODY STYLES:**

21=2-Door Coupe

41=4-Door Sedan

12-52=FWD & AWD Van & Wgn Std W.B.

24=2-Door Hatchback

44=4-Door Hatchback

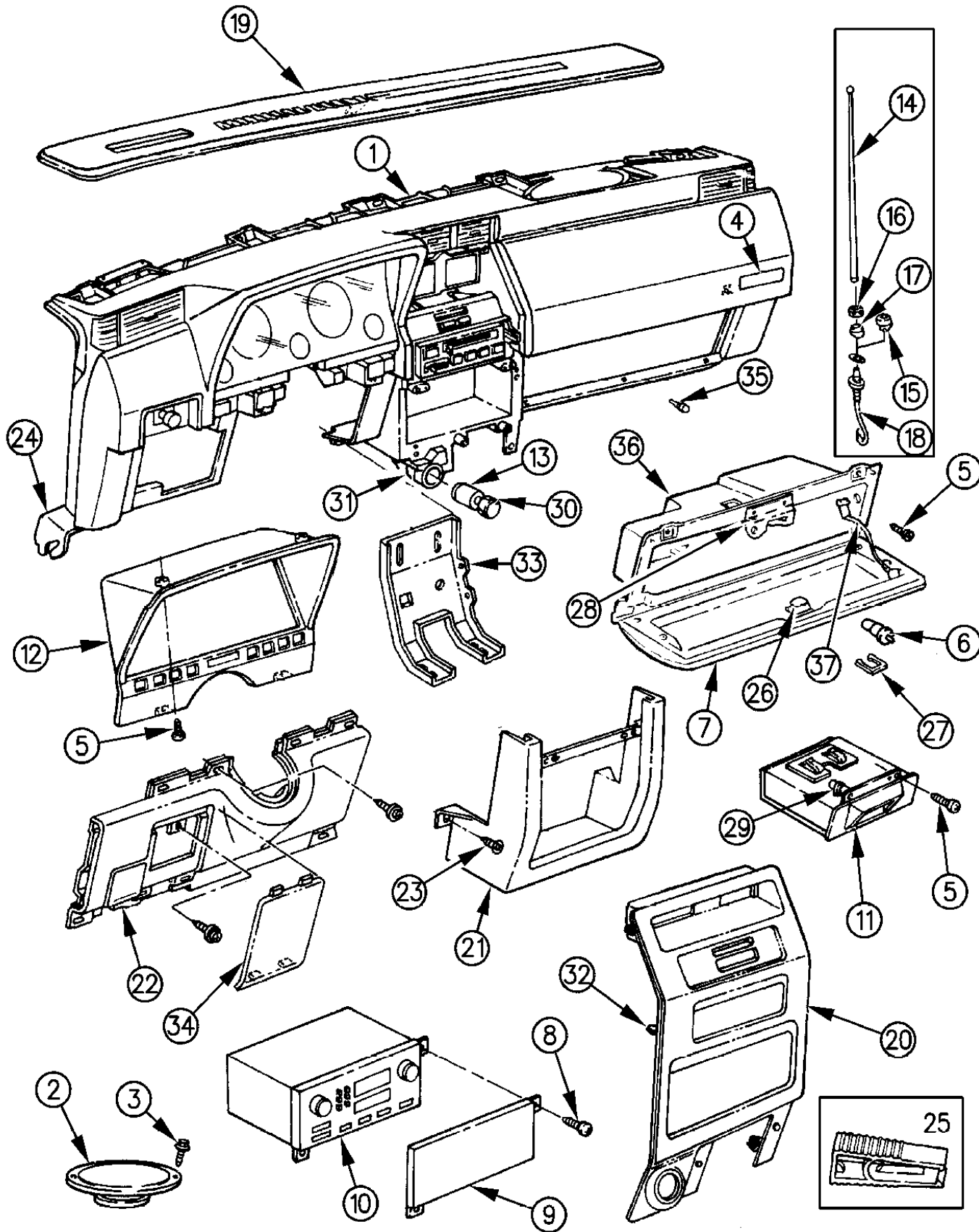
53=FWD & AWD Van & Wgn Ext. W.B.

27=2-Door Convertible

AR = Use as Required - = Non Illustrated Part P.A.R. = Paint as Required

**INSTRUMENT PANEL RADIO, BEZELS, GLOVEBOX, ANTENNA P BODY**  
Figure 8A-100

93182 100A



ITEM	PART NUMBER	QTY	BODY	MODEL	DESCRIPTION
	4311 738	1			HOUSING, Ash Receiver
12	GV20 MD5	1			BEZEL, Cluster Quartz
	GV20 MM6	1			Red
	GV20 MV8	1			Champagne
	GV20 M2X	1			Black
	5269 365	1			Woodgrain
13	3747 633	1			SHELL, C/Lighter ***
14	4469 015	1			MAST, Antenna
15	4222 739	1			PLUG, Antenna Hole
16	4372 136	1			CAP NUT, Antenna Mtg.
17	4372 492	1			ADAPTER and GASKET, Antenna
18	5269 220	1			BODY, w/CABLE
19	P327 JV8	1			COVER, I/Panel Top
	6500 926	AR			CLIP, Top Panel
20					BEZEL, Instrument Panel Center Module
	5265 954	1			w/Cubby Box, w/o Switch Openings, Woodgrain
	5265 890	1			w/Cubby Box, w/Two Switch Openings, Woodgrain
					w/Cubby Box, w/o Switches
	P395 HD5	1			Quartz
	P395 LM6	1			Red
	P395 MV8	1			Champagne
	P395 M2X	1			Black
					w/Cubby Box, w/One Switch Opening
	GS73 MD5	1			Quartz
	GS73 MM6	1			Red
	GS73 MV8	1			Champagne
	GS73 M2X	1			Black
					w/Cubby Box, w/Two Switch Openings
	GS74 MD5	1			Quartz
	GS74 MM6	1			Red
	GS74 MV8	1			Champagne
	GS74 M2X	1			Black
21	P809 JV8	1			COVER, Center Module
22	HH11 LV8	1			COVER, I/Panel Steering Column Opening
23		4			SCREW (DNS)
24					REINFORCEMENT, I/Panel
	5265 465	1			Left
	4372 752	1			Right

**MODEL CODES:**

A BODY=(C=LeBaron, D=Spirit, P=Acclaim/LaBaron(Landau), Saratoga)

C BODY=(D=Dynasty, C=New Yorker/N.Y. Salon)

G BODY=(V=Daytona/IROC, Chrysler Daytona)

J BODY=(C=LeBaron, Chrysler LeBaron)

P BODY=(P=Sundance, D=Shadow)

S BODY=(H=Voyager(H) FWD, K=Caravan(H) FWD,

Y=Town & Country(H) FWD, P=Voyager(K) AWD,

D=Caravan(K) AWD, C=Town & Country(K) AWD)

Y BODY=(C=Imperial/5th Avenue)

E-S BODY=(K=Chrysler Voyager(H) FWD, D=Chrysler

Voyager(K) AWD)

**BODY STYLES:**

21=2-Door Coupe

41=4-Door Sedan

12-52=FWD & AWD Van & Wgn Std W.B.

24=2-Door Hatchback

44=4-Door Hatchback

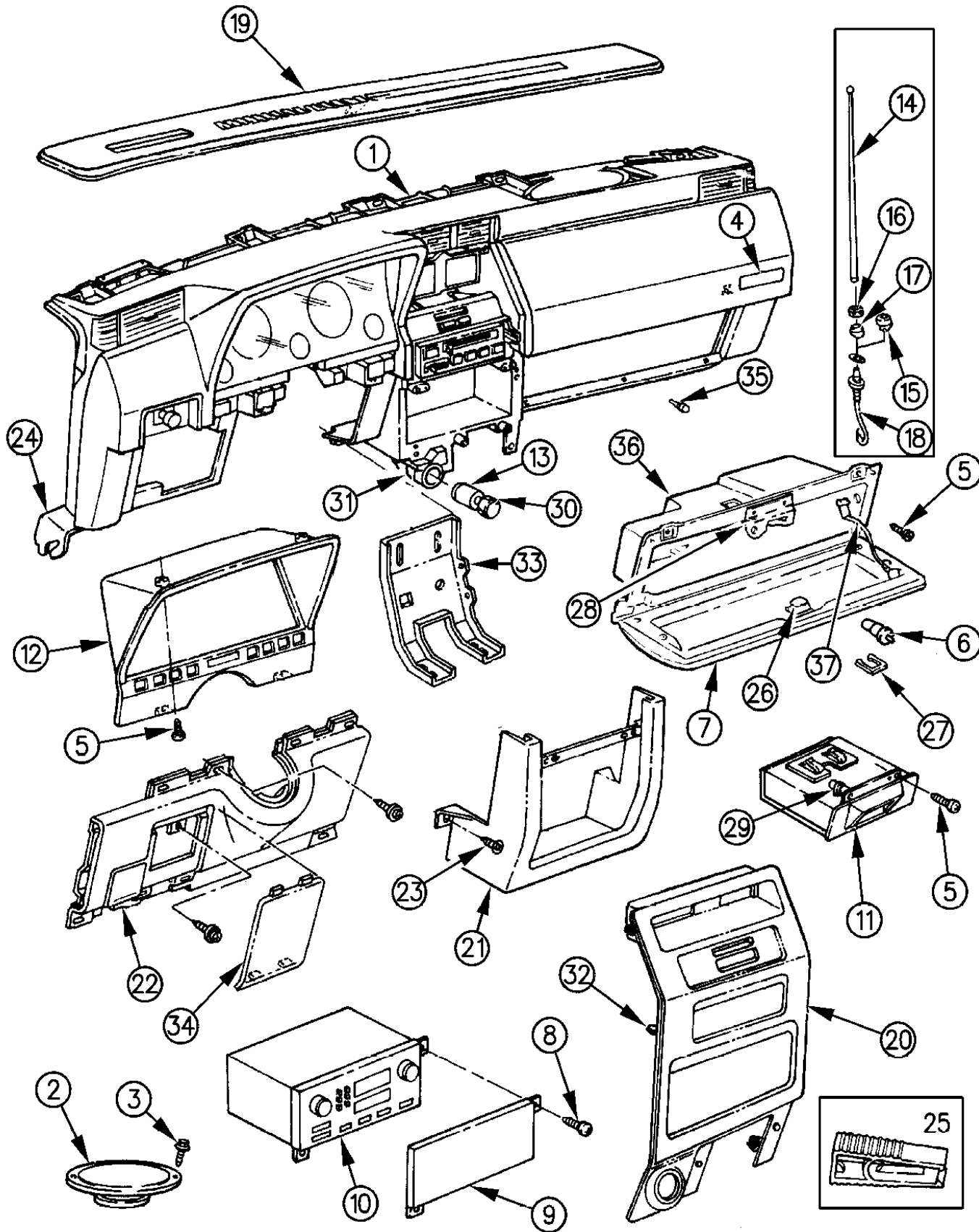
53=FWD & AWD Van & Wgn Ext. W.B.

27=2-Door Convertible

AR = Use as Required - = Non Illustrated Part P.A.R. = Paint as Required

**INSTRUMENT PANEL RADIO, BEZELS, GLOVEBOX, ANTENNA P BODY**  
Figure 8A-100

93182 100A



ITEM	PART NUMBER	QTY	BODY	MODEL	DESCRIPTION
	5265 304	1			Center
25	4331 020	1			PULLER, Fuse ***
26		1			LATCH, Glove Box
	4460 070		24,44		Black w/o Lock
	P894 HD5			27	Medium Quartz w/Lock
	P894 LM6			27	Crimson Red w/Lock
	P894 KV8			27	Medium Champagne w/Lock
27	4311 741	1			CLIP, Glove Box Catch Retaining
28	4372 871	1			CATCH, Glove Box Latch
29	4363 045	1			HOOD, Ash Receiver Lamp
30	4565 269	1			KNOB, C/Lighter
	3004 190	1			ELEMENT, C/Lighter Heat
31	4221 793	1			SHIELD, C/Lighter Mtg.
32	4220 455	6			CLIP, Center Module Bezel Att.
33	4460 986	1			BRACE, Center ***
34					DOOR, Fuse Box
	P806 HD5	1			Quartz
	P806 JV8	1			Champagne
	P806 LM6	1			Red
35	4372 911	1			BUMPER, Glovebox Door
36	5265 330	1			BIN, Glovebox
37	4372 717	1			STRAP, Check

**MODEL CODES:**

A BODY=(C=LeBaron, D=Spirit, P=Acclaim/LaBaron(Landau),  
Saratoga)  
C BODY=(D=Dynasty, C=New Yorker/N.Y. Salon)  
G BODY=(V=Daytona/IROC, Chrysler Daytona)  
J BODY=(C=LeBaron, Chrysler LeBaron)  
P BODY=(P=Sundance, D=Shadow)

S BODY=(H=Voyager(H) FWD, K=Caravan(H) FWD,  
Y=Town & Country(H) FWD, P=Voyager(K) AWD,  
D=Caravan(K) AWD, C=Town & Country(K) AWD)  
Y BODY=(C=Imperial/5th Avenue)  
E-S BODY=(K=Chrysler Voyager(H) FWD, D=Chrysler  
Voyager(K) AWD)

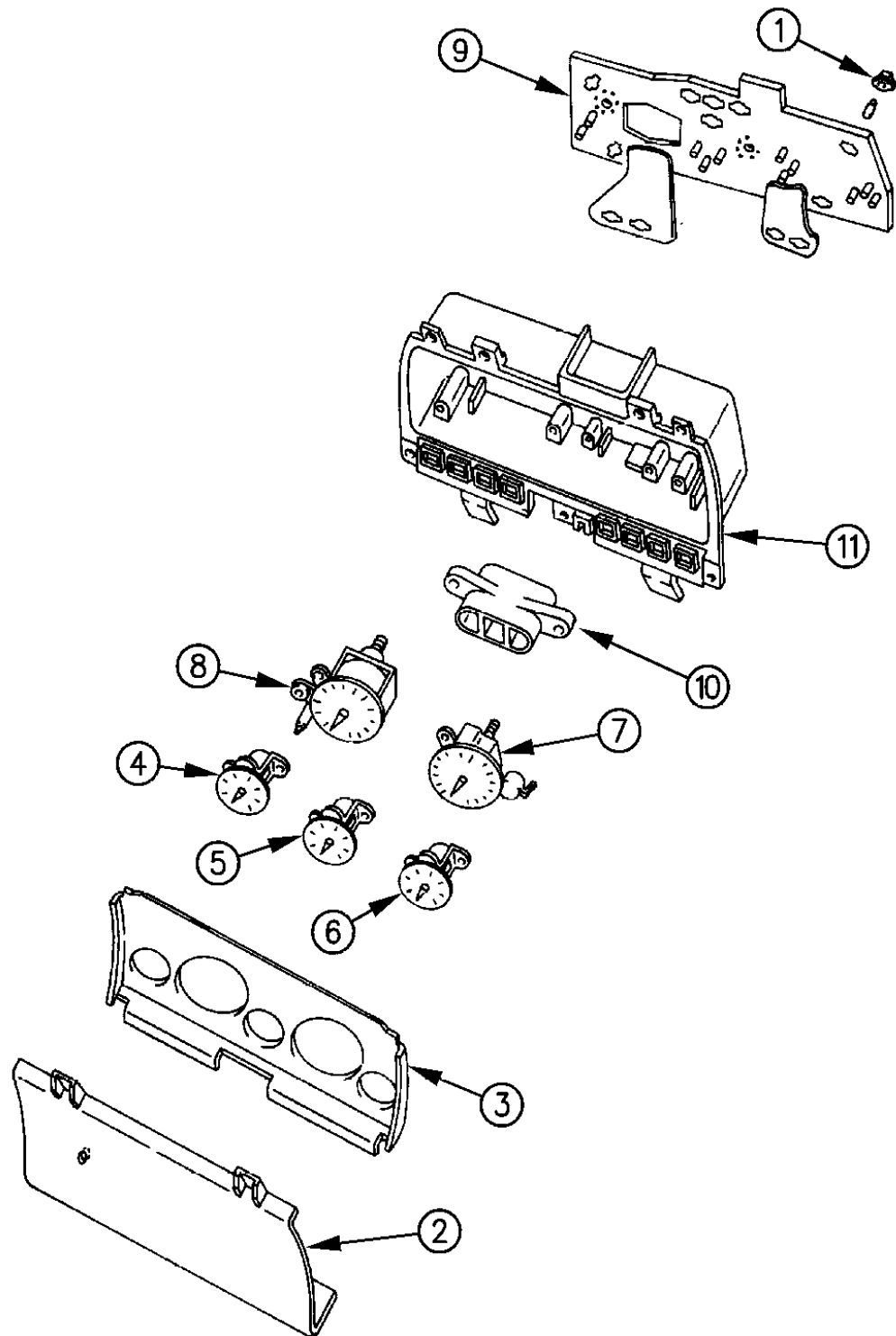
**BODY STYLES:**

21=2-Door Coupe      41=4-Door Sedan      12-52=FWD & AWD Van & Wgn Std W.B.  
24=2-Door Hatchback      44=4-Door Hatchback      53=FWD & AWD Van & Wgn Ext. W.B.  
27=2-Door Convertible

AR = Use as Required - = Non Illustrated Part P.A.R. = Paint as Required

**INSTRUMENT PANEL CLUSTER P BODY**  
Figure 8A-200

93182 200



ITEM	PART NUMBER	QTY	BODY	MODEL	DESCRIPTION
1	4437 565	AR			SOCKET, Bulb
	9421 330	AR			BULB
2	4437 680	1			LENS, Cluster
3					MASK, Cluster
	4723 126	1			w/Tachometer
	4723 124	1			w/o Tachometer
4	4437 677	1			GAUGE, Volt
5					GAUGE, Fuel
	4437 685	1			w/Tachometer
	4437 676	1			w/o Tachometer
6	4437 675	1			GAUGE, Temperature
7	4437 686	1			TACHOMETER
8					SPEEDOMETER
	5268 307	1			125 Mile
	5268 308	1			200 Kilo
	3592 750	1			LABEL, Speedometer
9					BOARD, Circuit
	4437 673	1			w/o Tachometer
	4437 683	1			w/Tachometer
	4375 410	1			Tachometer Drive
10	4437 674	1			CHIMNEY, Turn Signal and Hi-Beam
11	5268 069	1			HOUSING, Cluster

**MODEL CODES:**

A BODY=(C=LeBaron, D=Spirit, P=Acclaim/LaBaron(Landau, Saratoga) S BODY=(H=Voyager(H) FWD, K=Caravan(H) FWD, Y=Town & Country(H) FWD, P=Voyager(K) AWD, D=Caravan(K) AWD, C=Town & Country(K) AWD)  
 C BODY=(D=Dynasty, C=New Yorker/N.Y. Salon)  
 G BODY=(V=Daytona/IROC, Chrysler Daytona)  
 J BODY=(C=LeBaron, Chrysler LeBaron)  
 P BODY=(P=Sundance, D=Shadow) Y BODY=(C=Imperial/5th Avenue)  
 E-S BODY=(K=Chrysler Voyager(H) FWD, D=Chrysler Voyager(K) AWD)

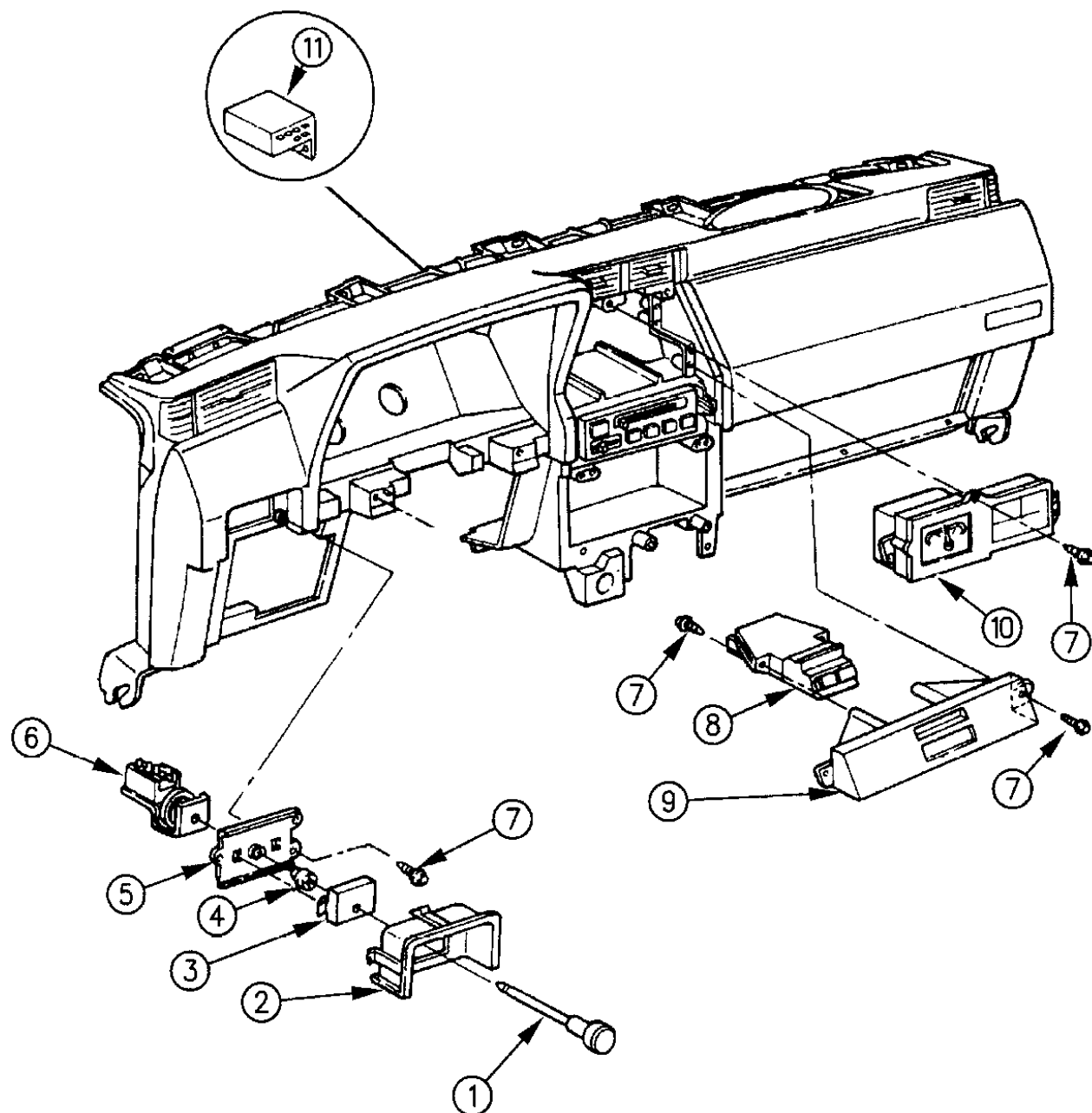
**BODY STYLES:**

21=2-Door Coupe      41=4-Door Sedan      12-52=FWD & AWD Van & Wgn Std W.B.  
 24=2-Door Hatchback      44=4-Door Hatchback      53=FWD & AWD Van & Wgn Ext. W.B.  
 27=2-Door Convertible

AR = Use as Required - = Non Illustrated Part P.A.R. = Paint as Required

**INSTRUMENT PANEL CONTROLS AND SWITCHES P BODY**  
**Figure 8A-300**

93182 300A



ITEM	PART NUMBER	QTY	BODY	MODEL	DESCRIPTION
1	4373 761	1			KNOB, w/SHAFT, H/Lamp Switch
2	4221 758	1			BEZEL, Headlamp Switch
3	4221 759	1			ESCUTCHEON, Headlamp Switch Mtg.
4	4221 063	1			RETAINER, Headlamp Switch
5	4221 757	1			PLATE, Headlamp Switch Mtg.
6	4565 320	1			SWITCH, H/Lamp
7		AR			SCREW (DNS)
8	4373 447	1			CONTROL, Heated Backlite
9					BEZEL, Accessory Switch
10	4221 735	1			w/Heated Backlite
	4373 206	1			w/Heated Backlite and Fog Lamps
					MODULE, Turbo and Message Center, Order Components Listed Below
	4375 359	1			Housing, w/Turbo Gauge
	4375 394	1			Housing, w/o Turbo Gauge
	4375 317	1			Lens, Meessage Center
	4375 360	1			Circuit Board
	4375 253	1			Low Fuel Relay
	4437 565	4			Socket
	9421 330	4			Bulb
11	5266 269	1			CONTROL, Dual Chime

**MODEL CODES:**

A BODY=(C=LeBaron, D=Spirit, P=Acclaim/LaBaron(Landau, Saratoga) S BODY=(H=Voyager(H) FWD, K=Caravan(H) FWD, Y=Town & Country(H) FWD, P=Voyager(K) AWD, D=Caravan(K) AWD, C=Town & Country(K) AWD)  
 C BODY=(D=Dynasty, C=New Yorker/N.Y. Salon)  
 G BODY=(V=Daytona/IROC, Chrysler Daytona)  
 J BODY=(C=LeBaron, Chrysler LeBaron)  
 P BODY=(P=Sundance, D=Shadow)  
 Y BODY=(C=Imperial/5th Avenue)  
 E-S BODY=(K=Chrysler Voyager(H) FWD, D=Chrysler Voyager(K) AWD)

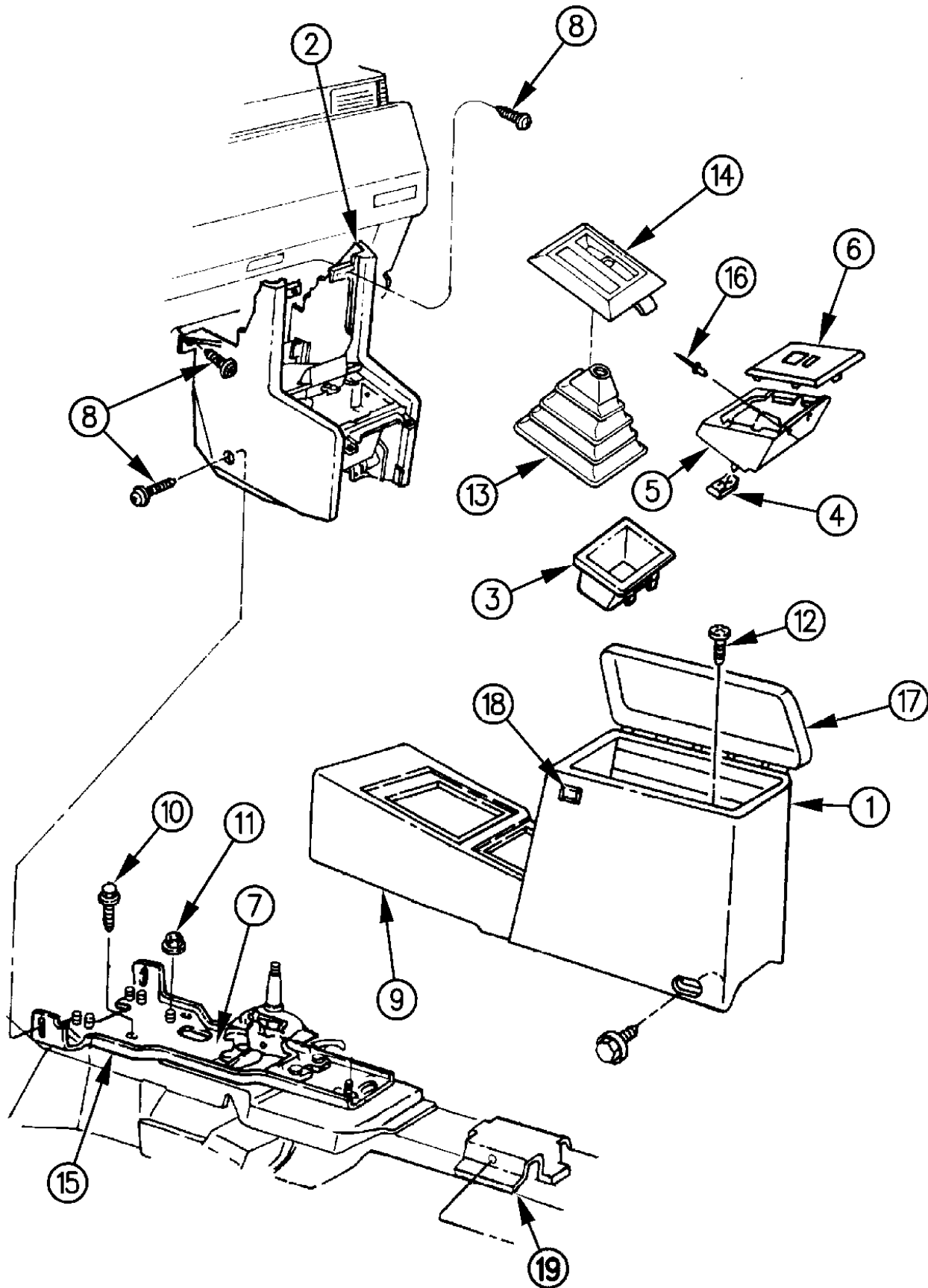
**BODY STYLES:**

21=2-Door Coupe      41=4-Door Sedan      12-52=FWD & AWD Van & Wgn Std W.B.  
 24=2-Door Hatchback      44=4-Door Hatchback      53=FWD & AWD Van & Wgn Ext. W.B.  
 27=2-Door Convertible

AR = Use as Required - = Non Illustrated Part P.A.R. = Paint as Required

CONSOLE P BODY  
Figure 8A-400

93182 400B



ITEM	PART NUMBER	QTY	BODY	MODEL	DESCRIPTION
1	DZ50 KV8	1			BASE, Console
2	V756 JV8	1			CONSOLE, Front
	4521 320	1			HOLDER, Dual Cup
	V758-9 JV8	1			PANEL, Side
3	4309 008	1			BIN, Storage
4	6033 242	2			RETAINER, Bezel
5					BASE, Switch Bezel
	V722 HD5	1			Quartz
	V722 LM6	1			Red
	V722 JV8	1			Champagne
6					BEZEL, Switch
			24,27		w/Electric Windows, w/o Electric Mirrors
	V727 LM6	1			Red
	V727 JV8	1			Champagne
	V727 HD5	1			Quartz
			24,27		w/Electric Windows, w/Electric Mirrors
	V725 LM6	1			Red
	V725 JV8	1			Champagne
	V725 HD5	1			Quartz
			44		w/Electric Windows, w/o Electric Mirrors
	V726 LM6	1			Red
	V726 JV8	1			Champagne
	V726 HD5	1			Quartz
			44		w/Electric Windows, w/Electric Mirrors
	V724 LM6	1			Red
	V724 JV8	1			Champagne
	V724 HD5	1			Quartz
			24,44		w/Electric Mirrors
	V728 LM6	1			Red
	V728 JV8	1			Champagne
	V728 HD5	1			Quartz
7	4512 998	1			PLATE, Att. Bracket
8		1			SCREW (DNS)
9	V691 JV8	1			CONSOLE, Front
10		1			SCREW (DNS)
11	6500 284	2			NUT
12		1			SCREW (DNS)
13	4446 885	1			BOOT, Manual Shift
14		1			LAMP, Gear Selector, See Group 21A

MODEL CODES:

A BODY=(C=LeBaron, D=Spirit, P=Acclaim/LaBaron(Landau), Saratoga)

C BODY=(D=Dynasty, C=New Yorker/N.Y. Salon)

G BODY=(V=Daytona/IROC, Chrysler Daytona)

J BODY=(C=LeBaron, Chrysler LeBaron)

P BODY=(P=Sundance, D=Shadow)

S BODY=(H=Voyager(H) FWD, K=Caravan(H) FWD,

Y=Town & Country(H) FWD, P=Voyager(K) AWD,

D=Caravan(K) AWD, C=Town & Country(K) AWD)

Y BODY=(C=Imperial/5th Avenue)

E-S BODY=(K=Chrysler Voyager(H) FWD, D=Chrysler

Voyager(K) AWD)

BODY STYLES:

21=2-Door Coupe

41=4-Door Sedan

12-52=FWD & AWD Van & Wgn Std W.B.

24=2-Door Hatchback

44=4-Door Hatchback

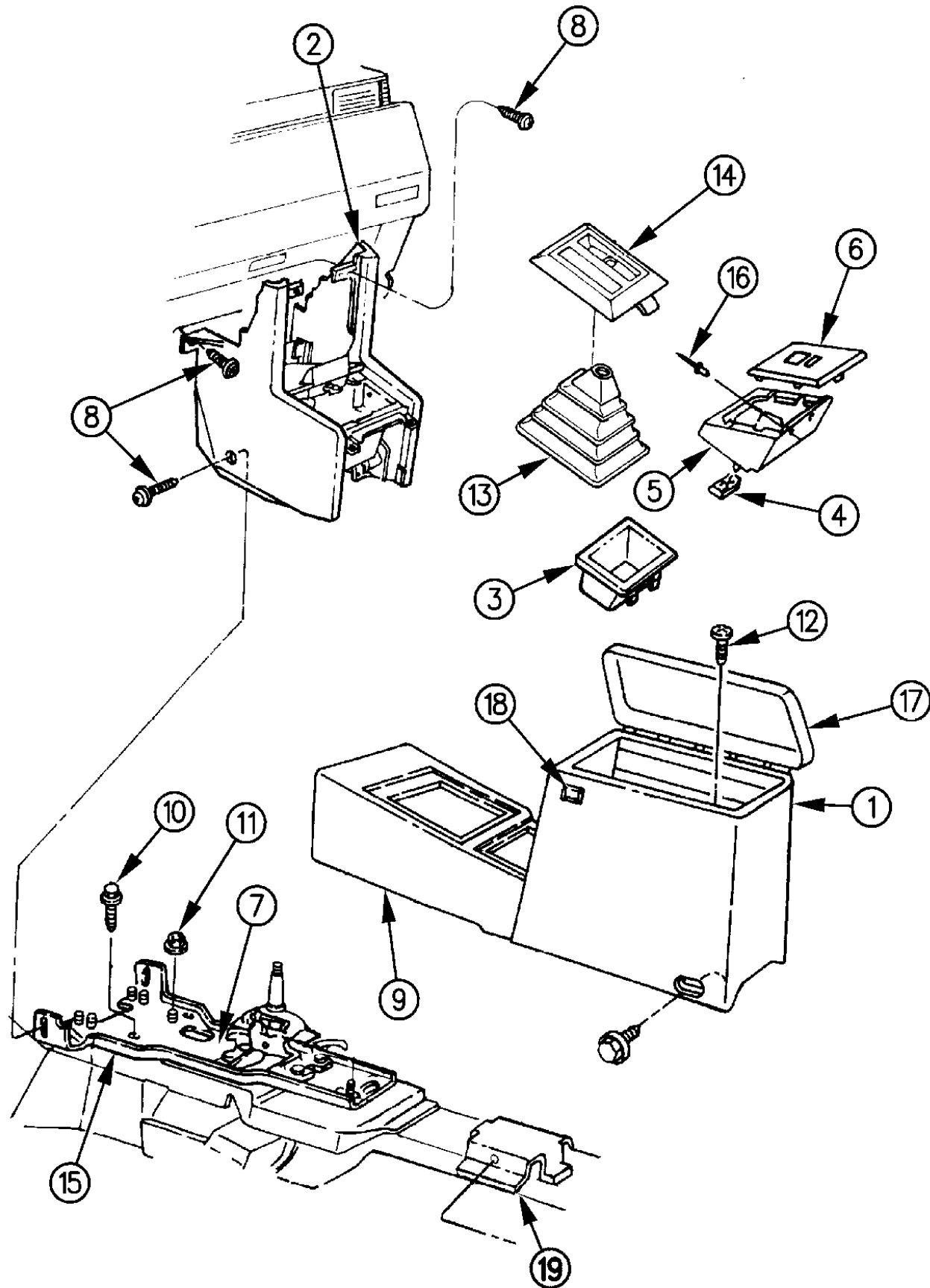
53=FWD & AWD Van & Wgn Ext. W.B.

27=2-Door Convertible

AR = Use as Required - = Non Illustrated Part P.A.R. = Paint as Required

CONSOLE P BODY  
Figure 8A-400

93182 400B



ITEM	PART NUMBER	QTY	BODY	MODEL	DESCRIPTION
15	4611 810	1			BRACKET, Mtg.
16		1			RIVET (DNS)
17					LID, Console
	HA56 LM6	1			Red
	HA56 KV8	1			Champagne
	HA56 KD5	1			Quartz
	F245 EK1	1			PLUG, Lid
	4453 451	2			BUSHING, Lid
18		1			LATCH, Serviced in Base
19	4371 655	1			BRACKET, Console Mounting

MODEL CODES:

A BODY=(C=LeBaron, D=Spirit, P=Acclaim/LaBaron(Landau), Saratoga) S BODY=(H=Voyager(H) FWD, K=Caravan(H) FWD, Y=Town & Country(H) FWD, P=Voyager(K) AWD, D=Caravan(K) AWD, C=Town & Country(K) AWD)  
 C BODY=(D=Dynasty, C=New Yorker/N.Y. Salon)  
 G BODY=(V=Daytona/IROC, Chrysler Daytona)  
 J BODY=(C=LeBaron, Chrysler LeBaron)  
 P BODY=(P=Sundance, D=Shadow)  
 Y BODY=(C=Imperial/5th Avenue)  
 E-S BODY=(K=Chrysler Voyager(H) FWD, D=Chrysler Voyager(K) AWD)

BODY STYLES:

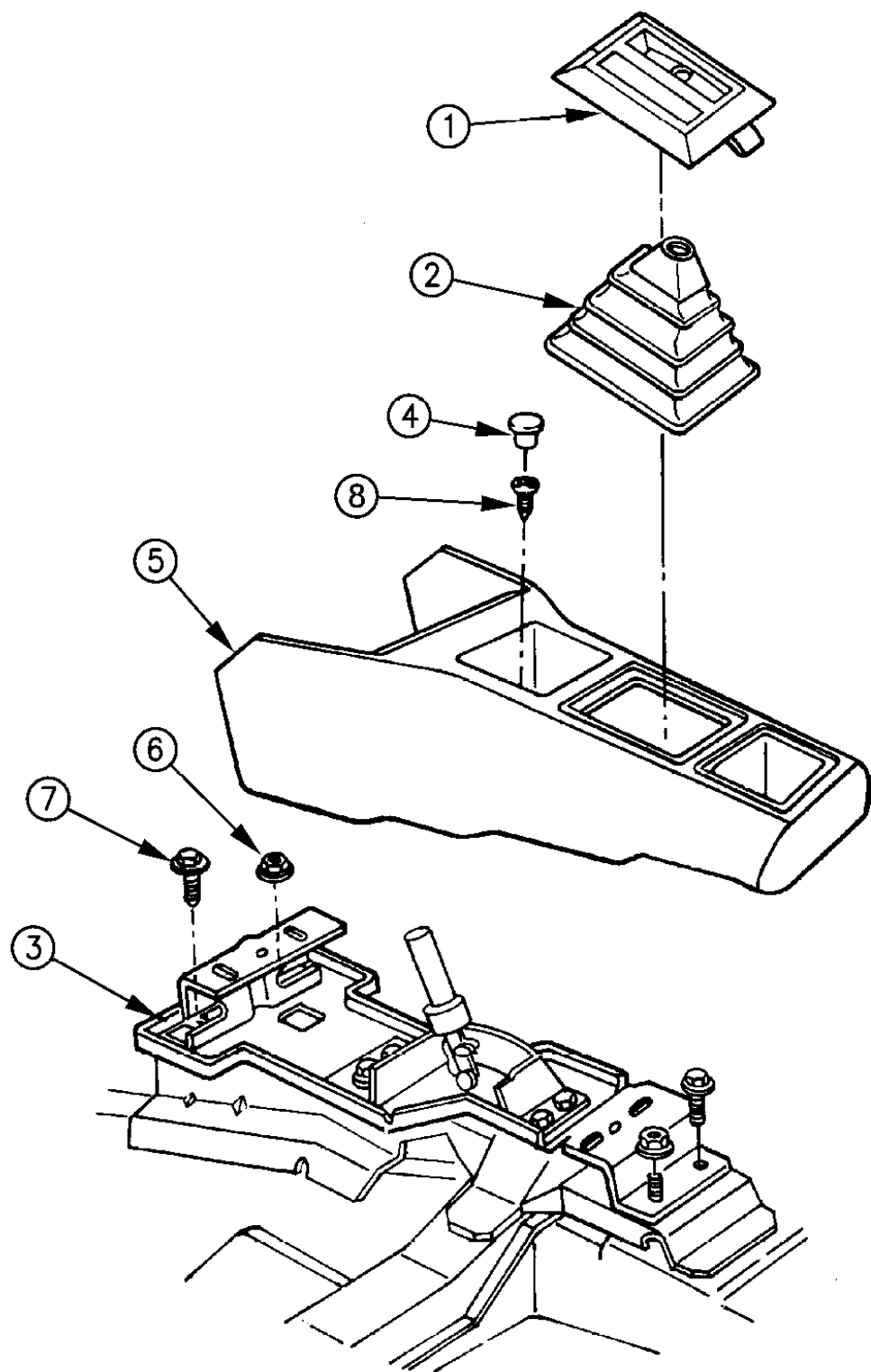
21=2-Door Coupe 41=4-Door Sedan 12-52=FWD & AWD Van & Wgn Std W.B.  
 24=2-Door Hatchback 44=4-Door Hatchback 53=FWD & AWD Van & Wgn Ext. W.B.  
 27=2-Door Convertible

AR = Use as Required - = Non Illustrated Part P.A.R. = Paint as Required



CONSOLETTA P BODY  
Figure 8A-500

93182 500



ITEM	PART NUMBER	QTY	BODY	MODEL	DESCRIPTION
1	4565 313	1			LAMP, Gear Shift Indicator
2	4446 885	1			BOOT, Gear Shift, w/Manual Trans.
3	4611 812	1			BRACKET, Mtg.
4	V503 LM6	4			CAP, Screw Red
	V503 HD5	4			Quartz
	V503 JV8	4			Champagne
5	V757 JV8	1			BASE, Consolette
6	6101 445	2			NUT
7-8		2			SCREW (DNS)

MODEL CODES:

A BODY=(C=LeBaron, D=Spirit, P=Acclaim/LaBaron(Landau),  
Saratoga)

C BODY=(D=Dynasty, C=New Yorker/N.Y. Salon)

G BODY=(V=Daytona/IROC, Chrysler Daytona)

J BODY=(C=LeBaron, Chrysler LeBaron)

P BODY=(P=Sundance, D=Shadow)

S BODY=(H=Voyager(H) FWD, K=Caravan(H) FWD,

Y=Town & Country(H) FWD, P=Voyager(K) AWD,

D=Caravan(K) AWD, C=Town & Country(K) AWD)

Y BODY=(C=Imperial/5th Avenue)

E-S BODY=(K=Chrysler Voyager(H) FWD, D=Chrysler

Voyager(K) AWD)

BODY STYLES:

21=2-Door Coupe

41=4-Door Sedan

12-52=FWD & AWD Van & Wgn Std W.B.

24=2-Door Hatchback

44=4-Door Hatchback

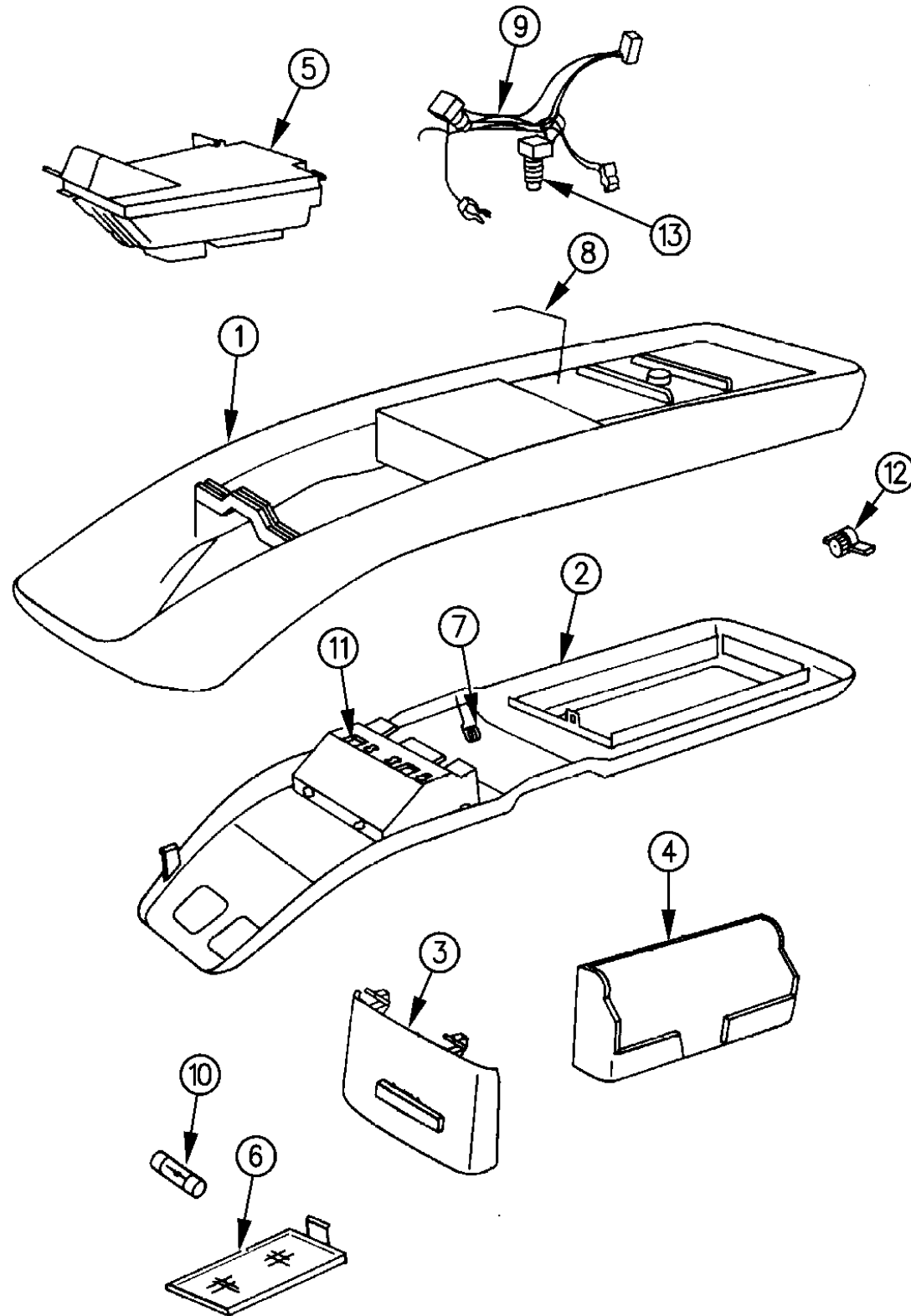
53=FWD & AWD Van & Wgn Ext. W.B.

27=2-Door Convertible

AR = Use as Required - = Non Illustrated Part P.A.R. = Paint as Required

CONSOLE, OVERHEAD P BODY  
Figure 8A-600

93182 600



ITEM	PART NUMBER	QTY	BODY	MODEL	DESCRIPTION
1					HOUSING, Console
	DM22 KD5	1			Quartz
	DM22 LM6	1			Red
	DM22 KV4	1			Taupe
	4611 577	1			BRACKET, Console Mtg.
2	4620 116	1			BEZEL, Console
3	4620 114	1			DOOR, G.D.O.
	4547 583	1			PACKAGE, G.D.O. Service
4	4620 061	1			DOOR, Sunglass Bin
5	5266 200	1			MODULE, Compass/Temperature
6	4547 580-1	1			LENS
7	4547 579	1			SPRING, Kick-Out
8	4547 578	1			SPRING, Sunglass Bin Latch
9	4481 470	1			WIRING, w/Switch
10	4547 577	2			BULB
11	4547 573	1			HOUSING, Bulb
12	4309 336	1			DAMPER, Viscous
13	4547 576	2			SPRING, Switch

MODEL CODES:

A BODY=(C=LeBaron, D=Spirit, P=Acclaim/LaBaron(Landau), Saratoga) S BODY=(H=Voyager(H) FWD, K=Caravan(H) FWD, Y=Town & Country(H) FWD, P=Voyager(K) AWD, D=Caravan(K) AWD, C=Town & Country(K) AWD)  
 C BODY=(D=Dynasty, C=New Yorker/N.Y. Salon) Y BODY=(C=Imperial/5th Avenue)  
 G BODY=(V=Daytona/IROC, Chrysler Daytona) E-S BODY=(K=Chrysler Voyager(H) FWD, D=Chrysler Voyager(K) AWD)  
 J BODY=(C=LeBaron, Chrysler LeBaron)  
 P BODY=(P=Sundance, D=Shadow)

BODY STYLES:

21=2-Door Coupe 41=4-Door Sedan 12-52=FWD & AWD Van & Wgn Std W.B.  
 24=2-Door Hatchback 44=4-Door Hatchback 53=FWD & AWD Van & Wgn Ext. W.B.  
 27=2-Door Convertible

AR = Use as Required - = Non Illustrated Part P.A.R. = Paint as Required

**INSTRUMENT PANEL BEZELS AND SILENCERS A BODY**  
**Figure 8A-700**

93182 700A

ITEM	PART NUMBER	QTY	BODY	MODEL	DESCRIPTION
1	BEZEL, Left				
	P321 KBB	1		P,D	Blue
	P321 LMM	1		P,D	Red
	P321 KJV	1		P,D	Taupe
	P321 HDD	1		P,D	Quartz
	GE31 LD5	1		D	Woodgrain
	DP59 KD5	1		C,PP,PX	Quartz
	DP59 KB7	1		C,PP,PX	Blue
	DP59 LM6	1		C,PP,PX	Red
	DP59 KV8	1		C,PP,PX	Taupe
2	BOX, Cubby				
	BEZEL, Steering Column w/Fuel Label				
	P576 KB7	1			Blue
	P576 JD5	1			Quartz
	P576 LM6	1			Red
	P576 KV8	1			Taupe
	w/o Fuel Label				
	P285 KB7	1			Blue
	P285 JD5	1			Quartz
	P285 LM6	1			Red
3	P285 KV8				
	w/Flex Fuel				
	GU26 LB7	1			Blue
	GU26 LD5	1			Quartz
	GU26 LM6	1			Red
	GU26 LV8	1			Champagne
	4372 865	1			RETAINER, Bezel
	COVER, Steering Column Opening				
	EC76 KB7	1			Blue, EUROPE
	EC76 KD5	1			Quartz, EUROPE
4	EC76 LM6				
	Red, EUROPE				
	EC76 KV8				
	Taupe, EUROPE				
	DOOR, Fuse Access				
	P318 LM6	1			Red
	P318 KB7	1			Blue
	P318 JD5	1			Quartz
	P318 KV8	1			Taupe
	AR		SCREW, Not Serv.		

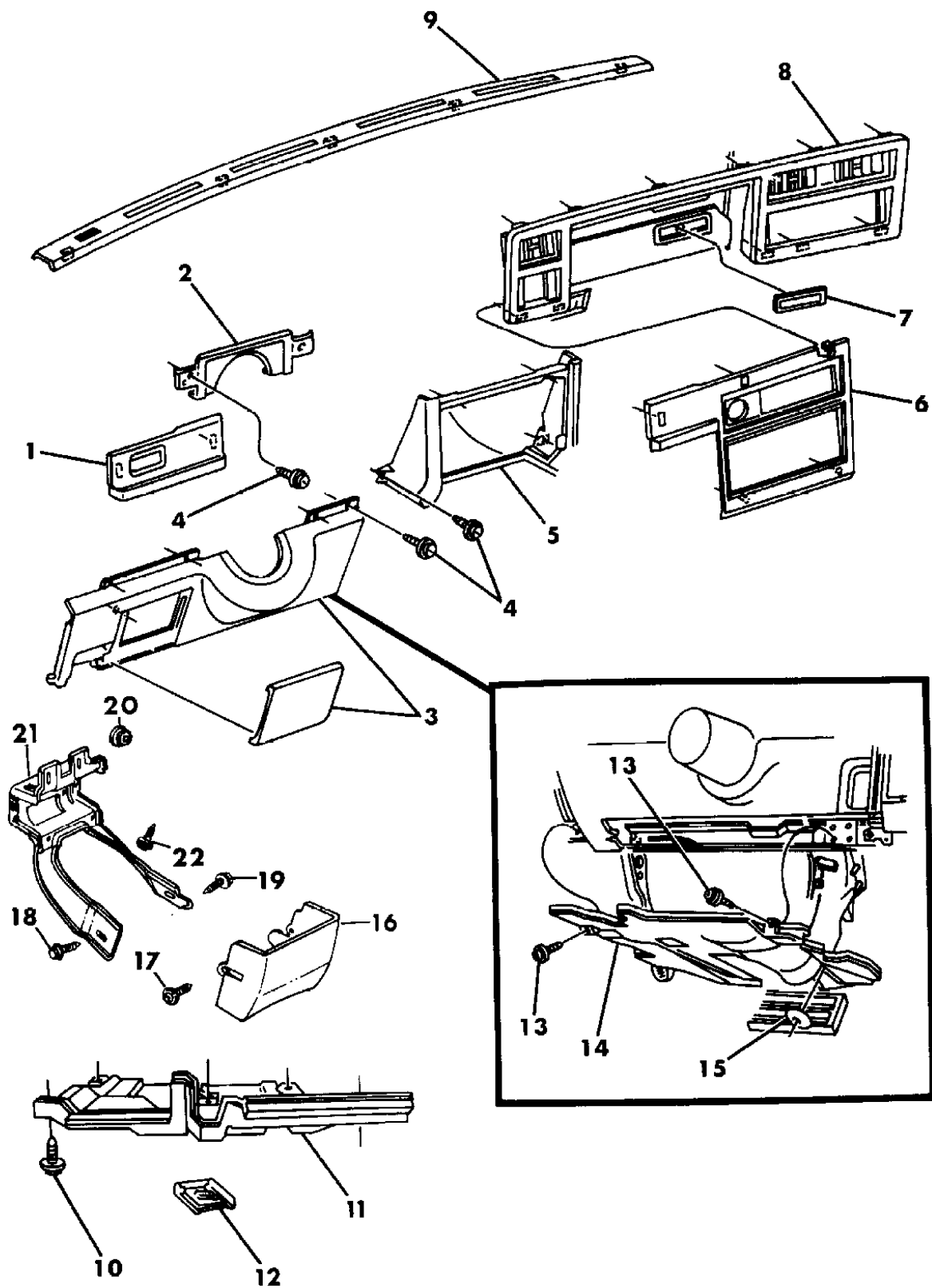
**MODEL CODES:**

A BODY=(C=LeBaron, D=Spirit, P=Acclaim/LaBaron(Landau, Saratoga) S BODY=(H=Voyager(H) FWD, K=Caravan(H) FWD, Y=Town & Country(H) FWD, P=Voyager(K) AWD, D=Caravan(K) AWD, C=Town & Country(K) AWD)  
 C BODY=(D=Dynasty, C=New Yorker/N.Y. Salon) Y BODY=(C=Imperial/5th Avenue)  
 G BODY=(V=Daytona/ROC, Chrysler Daytona) E-S BODY=(K=Chrysler Voyager(H) FWD, D=Chrysler Voyager(K) AWD)  
 J BODY=(C=LeBaron, Chrysler LeBaron) P BODY=(P=Sundance, D=Shadow)

**BODY STYLES:**

21=2-Door Coupe      41=4-Door Sedan      12-52=FWD & AWD Van & Wgn Std W.B.  
 24=2-Door Hatchback      44=4-Door Hatchback      53=FWD & AWD Van & Wgn Ext. W.B.  
 27=2-Door Convertible

AR = Use as Required - = Non Illustrated Part P.A.R. = Paint as Required



**INSTRUMENT PANEL BEZELS AND SILENCERS A BODY**  
**Figure 8A-700**

93182 700A

ITEM	PART NUMBER	QTY	BODY	MODEL	DESCRIPTION
5	P322 KB7	1			COVER, Center Module Trim
6	P320 KBB	1	P,D		BEZEL, Center Module Trim Blue
	P320 LMM	1	P,D		Red
	P320 KJV	1	P,D		Taupe
	P320 HDD	1	P,D		Quartz
	GE30 LD5	1	C,PP,PX		Quartz, w/Woodgrain
	GE30 LB7	1	C,PP,PX		Blue, w/Woodgrain
	GE30 LM6	1	C,PP,PX		Red, w/Woodgrain
	GE30 LV8	1			Champagne, w/Woodgrain
7					NAME PLATE, I/Panel
	4504 514	1			"Acclaim"
	4504 515	1			"Spirit"
	4636 224	1			"Chrysler"
8					BEZEL, Cluster
	P492 KB9	1	P,D		Blue
	P492 KJ9	1	P,D		Taupe
	P492 LM8	1	P,D		Red
	P492 HD7	1	P,D		Quartz
	4678 260	1			Woodgrain
	4678 182	1			Woodgrain w/Electronic Cluster
	6032 268	AR			CLIP, Bezel Att.
9	EB18 KD5	1			COVER, Top
	4524 002	5			CLIP, Top Cover Att.
10		3			SCREW, Not Serv.
11	4460 394	1			SILENCER, Right
12	6501 498	3			NUT
13		3			SCREW, Not Serv.
14	4636 688	1			SILENCER
15	4220 344	1			FASTENER
16					COVER, Support Brace
	DF99 KB7	1	P,D		Blue
	DF99 JD5	1	P,D		Quartz
	DF99 LM6	1	P,D		Red
	DF99 KV8	1	P,D		Champagne
	DG01 KB7	1	C		Blue
	DG01 JD5	1	C		Quartz
	DG01 LM6	1	C		Red
	DG01 KV8	1	C		Taupe

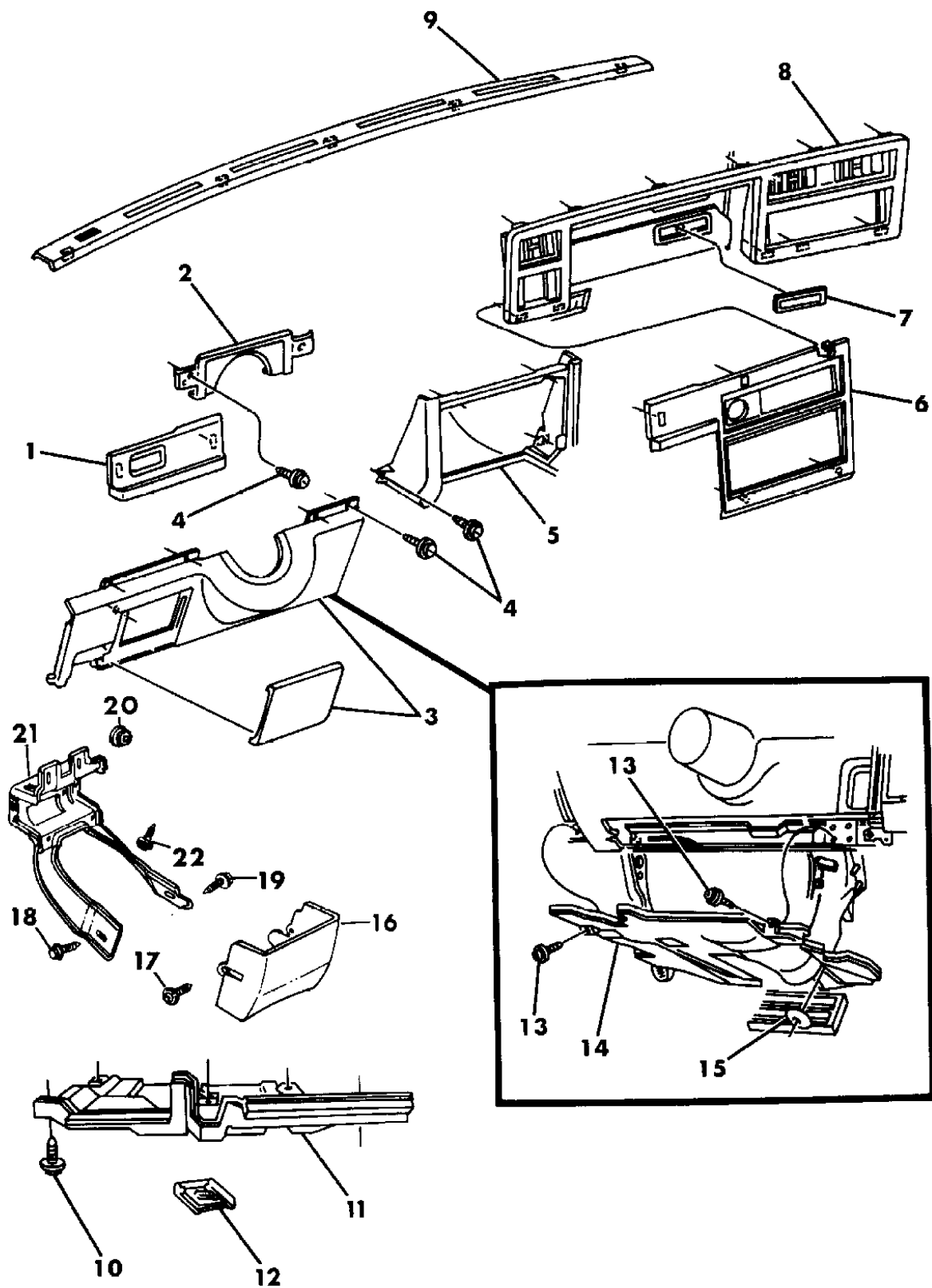
**MODEL CODES:**

A BODY=(C=LeBaron, D=Spirit, P=Acclaim/LaBaron(Landau), Saratoga) S BODY=(H=Voyager(H) FWD, K=Caravan(H) FWD, Y=Town & Country(H) FWD, P=Voyager(K) AWD, D=Caravan(K) AWD, C=Town & Country(K) AWD)  
 C BODY=(D=Dynasty, C=New Yorker/N.Y. Salon) Y BODY=(C=Imperial/5th Avenue)  
 G BODY=(V=Daytona/ROC, Chrysler Daytona) E-S BODY=(K=Chrysler Voyager(H) FWD, D=Chrysler Voyager(K) AWD)  
 J BODY=(C=LeBaron, Chrysler LeBaron) P BODY=(P=Sundance, D=Shadow)

**BODY STYLES:**

21=2-Door Coupe      41=4-Door Sedan      12-52=FWD & AWD Van & Wgn Std W.B.  
 24=2-Door Hatchback      44=4-Door Hatchback      53=FWD & AWD Van & Wgn Ext. W.B.  
 27=2-Door Convertible

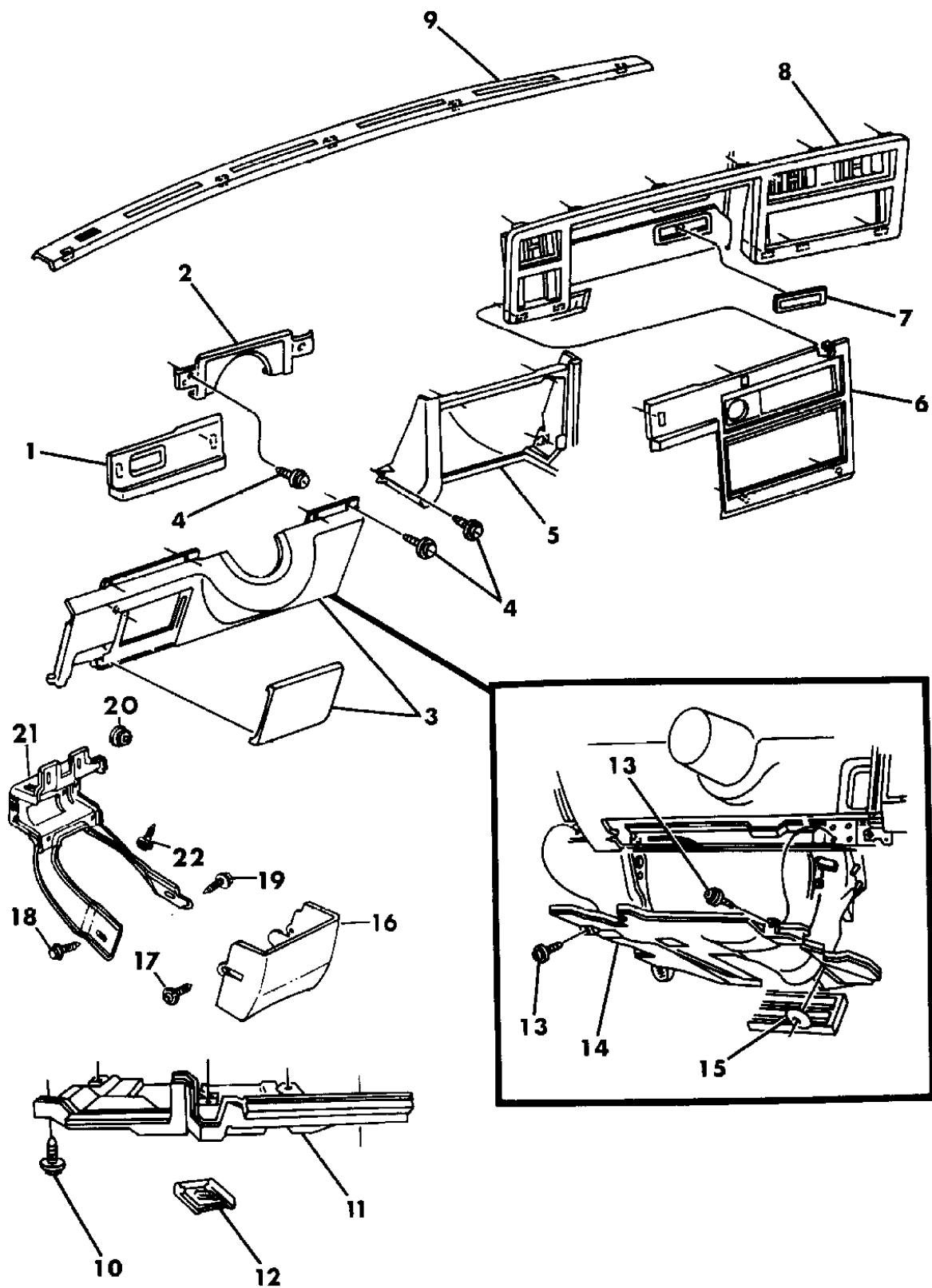
AR = Use as Required - = Non Illustrated Part P.A.R. = Paint as Required



**INSTRUMENT PANEL BEZELS AND SILENCERS A BODY**  
**Figure 8A-700**

93182 700A

ITEM	PART NUMBER	QTY	BODY	MODEL	DESCRIPTION
-		AR			FASTENER, Center Support Brace Cover
	F155 KB7				Blue
	F155 HD5				Quartz
	F155 KM6				Red
	F155 JV8				Champagne
17	6032 723	1			SCREW
18	6100 584	2			SCREW
19	6033 901	1			SCREW
20	6500 284	2			NUT
21	5265 366	1			BRACE, Support
22	6032 114	3			SCREW



**MODEL CODES:**

A BODY=(C=LeBaron, D=Spirit, P=Acclaim/LaBaron(Landau, Saratoga) S BODY=(H=Voyager(H) FWD, K=Caravan(H) FWD, Y=Town & Country(H) FWD, P=Voyager(K) AWD, D=Caravan(K) AWD, C=Town & Country(K) AWD)  
 C BODY=(D=Dynasty, C=New Yorker/N.Y. Salon)  
 G BODY=(V=Daytona/IROC, Chrysler Daytona)  
 J BODY=(C=LeBaron, Chrysler LeBaron)  
 P BODY=(P=Sundance, D=Shadow)  
 Y BODY=(C=Imperial/5th Avenue)  
 E-S BODY=(K=Chrysler Voyager(H) FWD, D=Chrysler Voyager(K) AWD)

**BODY STYLES:**

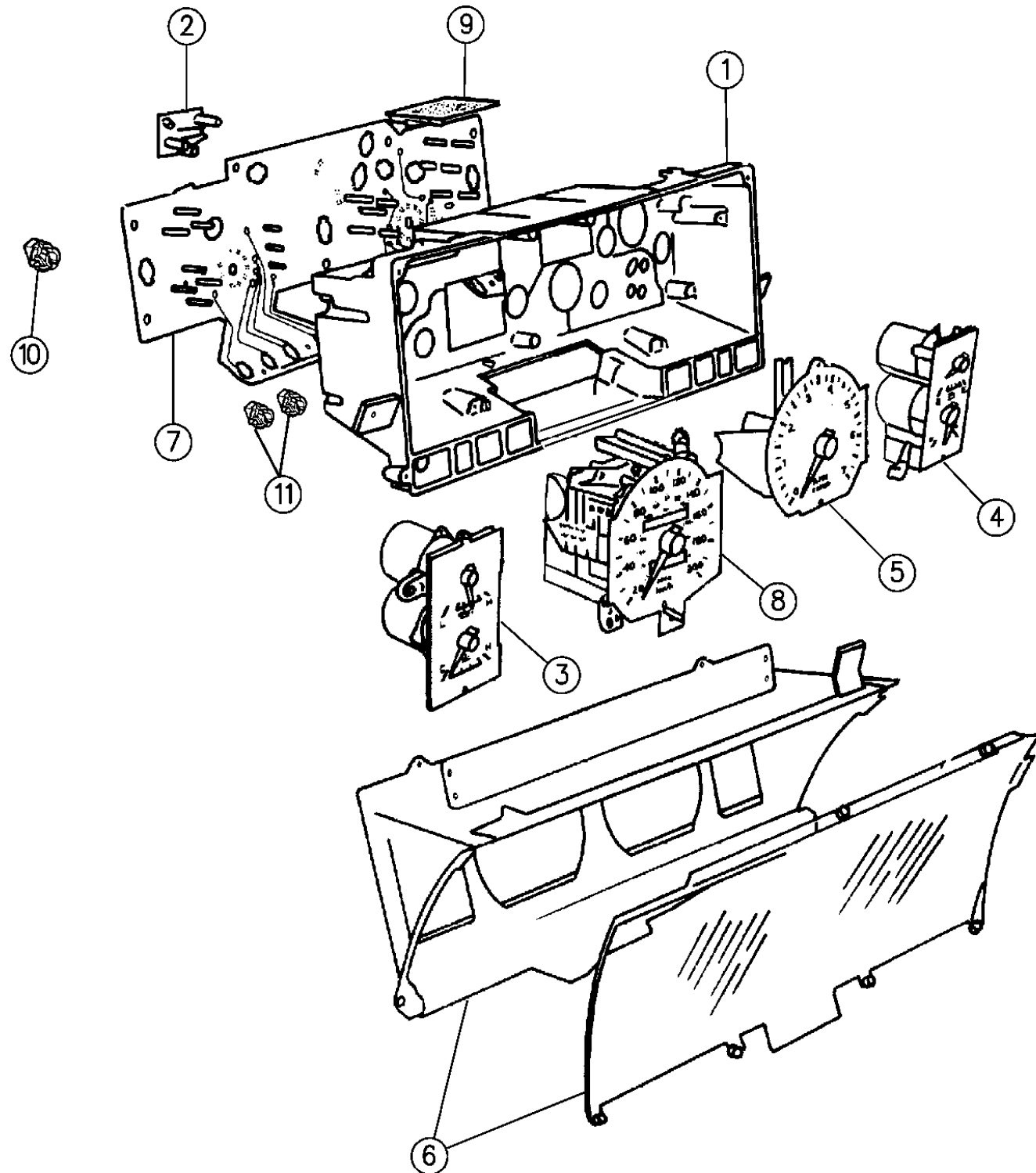
21=2-Door Coupe      41=4-Door Sedan      12-52=FWD & AWD Van & Wgn Std W.B.  
 24=2-Door Hatchback      44=4-Door Hatchback      53=FWD & AWD Van & Wgn Ext. W.B.  
 27=2-Door Convertible

AR = Use as Required - = Non Illustrated Part P.A.R. = Paint as Required

INSTRUMENT PANEL CLUSTER A BODY

Figure 8A-800

93182 800A



ITEM	PART NUMBER	QTY	BODY	MODEL	DESCRIPTION
	4685 322	1			CLUSTER, Electronic
1	4375 219	1			HOUSING, Cluster
2	4375 253	1			RELAY, Low Fuel
3	4375 241	1			GAUGE, Oil/Temperature
	4375 240	1			GAUGE, Temperature
4					GAUGE, Volt/Fuel
	4375 244	1			120/125 Mph
	4740 002	1			220 Kilo
	4437 965	1			GAUGE, Large Fuel
	4740 001	1			GAUGE, Large Fuel, Flex Fuel
	4375 243	1			GAUGE, Volt
5	5268 290	1			TACHOMETER
6	4723 380	1			MASK, Cluster
	4723 380	1			(EUROPEAN)
	4437 957	1			220 KM/H
7					BOARD, Circuit
	4375 232	1			w/o Tachometer
	4437 959	1			w/Tachometer
	4437 590	AR			SOCKET & LAMP ASSEMBLY (PC74) ***
8					SPEEDOMETER
	4685 119	1			120 Mph
	4685 117	1			220 Kilo.
	4685 118	1			200 Kilo
	3592 750	1			LABEL, Speedometer
	5268 296	1			220 KM/H w/Tach.
9	4375 410	1			BOARD, Tachometer
	4051 861	1			BOARD, Gauge Alert
10	4437 565	AR			SOCKET, Brake Warning
	9421 330	AR			Bulb
11	4312 947	8			SOCKET, Lower PC Board Warning
	0154 087	8			BULB, Mini

MODEL CODES:

A BODY=(C=LeBaron, D=Spirit, P=Acclaim/LaBaron(Landau), Saratoga)

C BODY=(D=Dynasty, C=New Yorker/N.Y. Salon)

G BODY=(V=Daytona/ROC, Chrysler Daytona)

J BODY=(C=LeBaron, Chrysler LeBaron)

P BODY=(P=Sundance, D=Shadow)

S BODY=(H=Voyager(H) FWD, K=Caravan(H) FWD,

Y=Town & Country(H) FWD, P=Voyager(K) AWD,

D=Caravan(K) AWD, C=Town & Country(K) AWD)

Y BODY=(C=Imperial/5th Avenue)

E-S BODY=(K=Chrysler Voyager(H) FWD, D=Chrysler

Voyager(K) AWD)

BODY STYLES:

21=2-Door Coupe

41=4-Door Sedan

12-52=FWD & AWD Van & Wgn Std W.B.

24=2-Door Hatchback

44=4-Door Hatchback

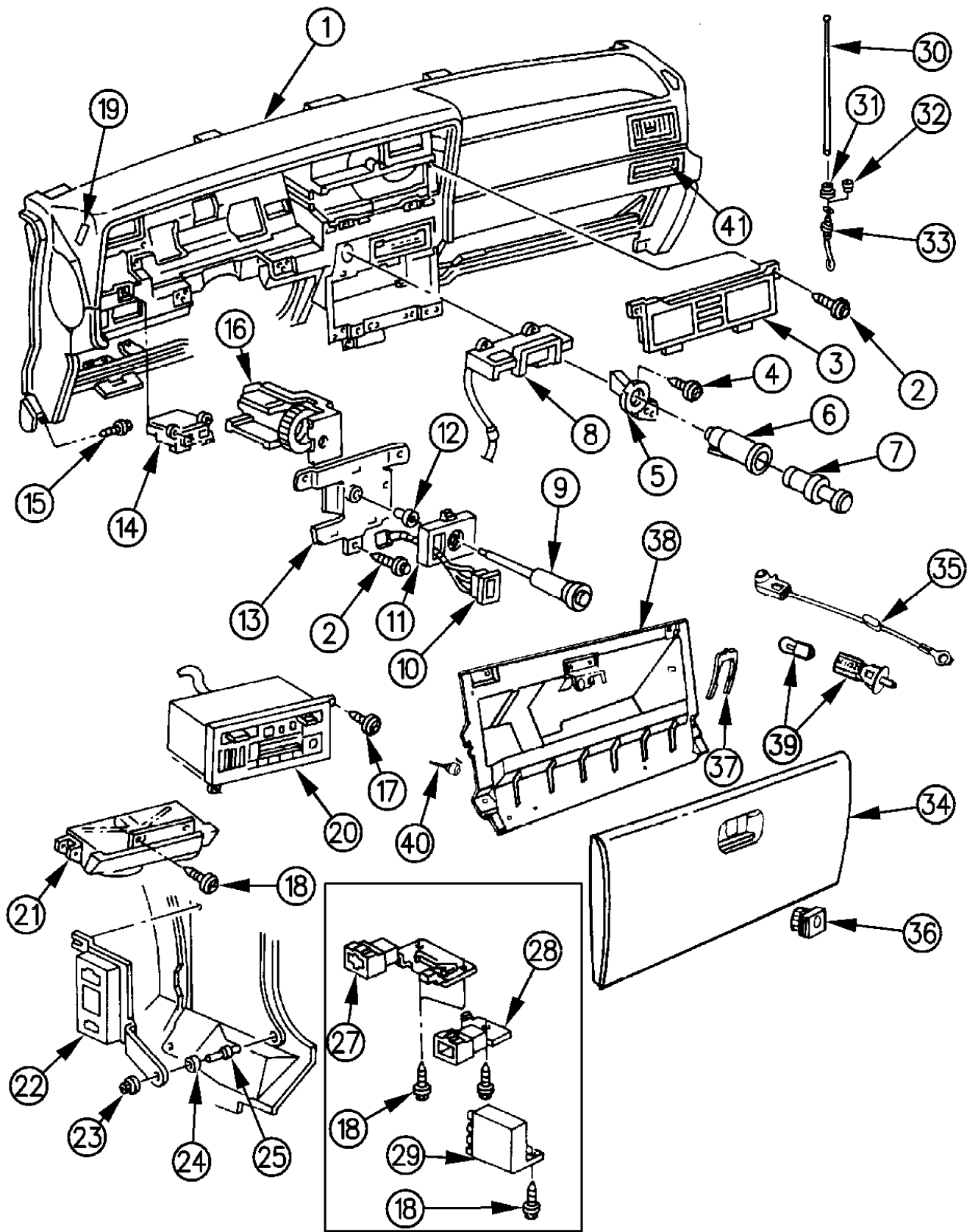
53=FWD & AWD Van & Wgn Ext. W.B.

27=2-Door Convertible

AR = Use as Required - = Non Illustrated Part P.A.R. = Paint as Required

**INSTRUMENT PANEL PAD, CONTROLS, RADIO AND ANTENNA A BODY**  
**Figure 8A-900**

93182 900A



ITEM	PART NUMBER	QTY	BODY	MODEL	DESCRIPTION
1					PANEL and PAD, I/Panel
	DJ56 KB7	1	P,D		Blue
	DJ56 LM6	1	P,D		Red
	DJ56 KV8	1	P,D		Champagne
	DJ56 KD5	1	P,D		Quartz
	DJ57 KB7	1	C,PP,PX		Blue
	DJ57 LM6	1	C,PP,PX		Red
	DJ57 KV8	1	C,PP,PX		Champagne
	DJ57 KD5	1	C,PP,PX		Quartz
	5265 455	1			REINFORCEMENT, I/Panel
2		AR			SCREW (DNS)
3		1			MODULE, Message Center w/Traveler, Serviced by Vendor (4685041)
					w/o Travler, Order Components Listed Below.
	4375 281	1			Housing
	4375 283	1			Circuit Board
	9433 184	AR			Bulb
	4312 947	AR			Socket
4		2			SCREW (DNS)
5	4373 277	1			BEZEL, C/Lighter
6	3747 633	1			SHELL, C/Lighter
7	4373 764	1			KNOB, C/Lighter
	4360 011	1			BEZEL, w/Element
8					INDICATOR, Gearshift
	4685 174	1			w/3 Speed Auto
	4685 175	1			w/4 Speed Auto
	4685 178	1			w/3 Speed, w/Electronic Cluster
	4685 179	1			w/4 Speed, w/Electronic Cluster
	4437 825	1			COVER, Indicator
9					KNOB, w/Shaft, H/Lamp Switch
	4373 767	1	D,P		
	4221 532	1	C,PP,PX		
10	4565 281	1			CONTROL, Fog Lamp
11					ESCUTCHEON, H/Lamp Switch
	4565 276	1			w/o Fog Lamp
	4565 277	1			w/Fog Lamp
	4565 267	1			BEZEL, Fog Lamp Switch (EUROPEAN)
12	4221 063	1			RETAINER, H/Lamp Switch
13	4373 464	1			PLATE, H/Lamp Swich Mtg.

**MODEL CODES:**

A BODY=(C=LeBaron, D=Spirit, P=Acclaim/LaBaron(Landau), Saratoga)      S BODY=(H=Voyager(H) FWD, K=Caravan(H) FWD, Y=Town & Country(H) FWD, P=Voyager(K) AWD, D=Caravan(K) AWD, C=Town & Country(K) AWD)  
 C BODY=(D=Dynasty, C=New Yorker/N.Y. Salon)  
 G BODY=(V=Daytona/IROC, Chrysler Daytona)  
 J BODY=(C=LeBaron, Chrysler LeBaron)  
 P BODY=(P=Sundance, D=Shadow)      Y BODY=(C=Imperial/5th Avenue)  
 E-S BODY=(K=Chrysler Voyager(H) FWD, D=Chrysler Voyager(K) AWD)

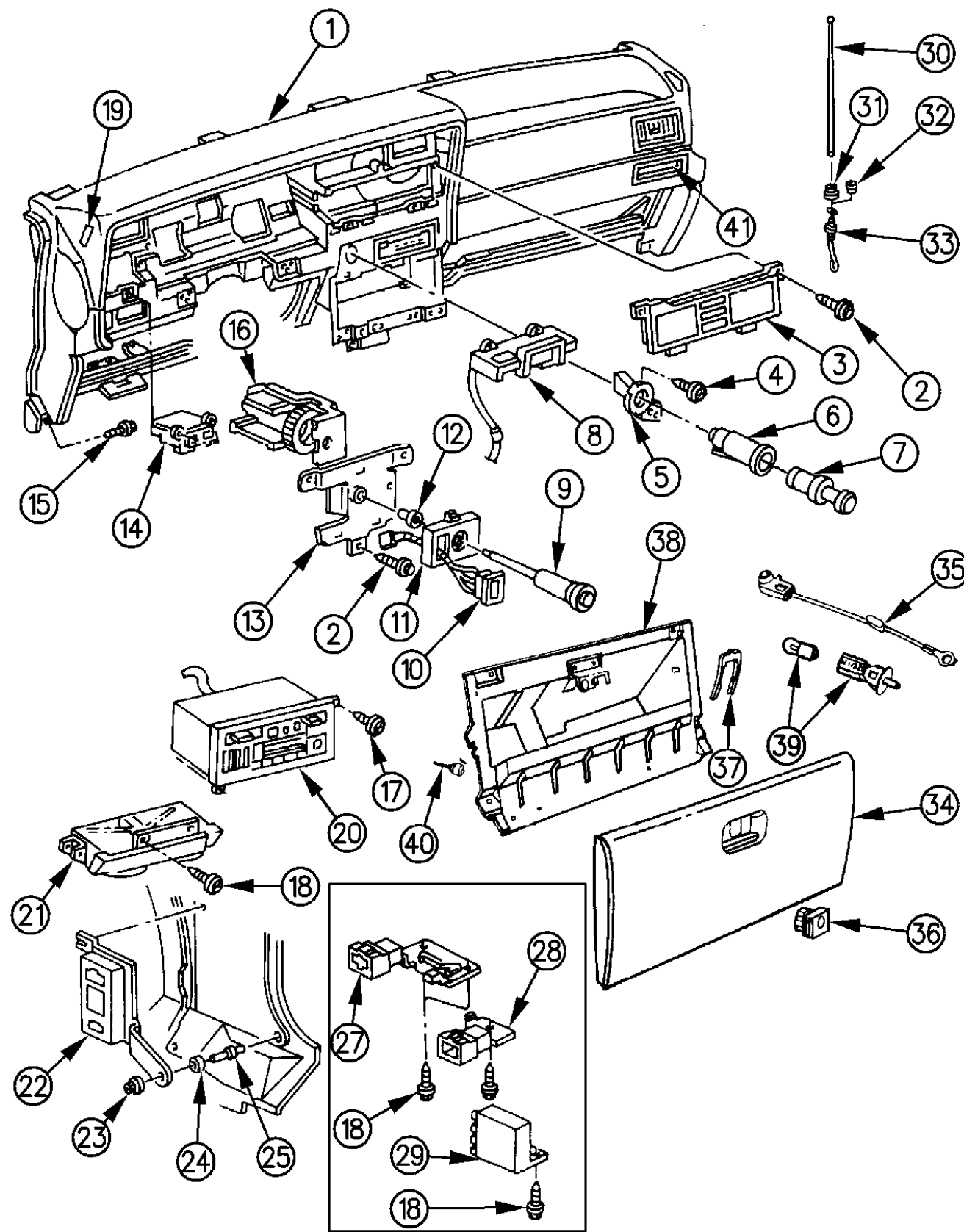
**BODY STYLES:**

21=2-Door Coupe      41=4-Door Sedan      12-52=FWD & AWD Van & Wgn Std W.B.  
 24=2-Door Hatchback      44=4-Door Hatchback      53=FWD & AWD Van & Wgn Ext. W.B.  
 27=2-Door Convertible

AR = Use as Required - = Non Illustrated Part P.A.R. = Paint as Required

**INSTRUMENT PANEL PAD, CONTROLS, RADIO AND ANTENNA A BODY**  
**Figure 8A-900**

93182 900A



ITEM	PART NUMBER	QTY	BODY	MODEL	DESCRIPTION
14	4373 171	1			CONTROL, Heated Backlite
	4373 173	1			PLATE, Heated Backlite Cover
15		2			SCREW (DNS)
16	4565 321	1			SWITCH, H/Lamp
17		2			SCREW (DNS)
18		AR			SCREW (DNS)
19	3849 662-3	1			GRILLE, Demister
20					RADIO
	5269 411	1			Am/Fm/Mx, Black
	5269 414	1			Am/Fm/Mx w/Cassette, Black
	5269 412	1			Am/Fm/Mx w/Cassette, Bright
	5269 054	1			w/CD PLayer
					KNOB, Radio
	4741 444	1			Primary
	4391 825	1			Secondary
	4741 435	1			Volume
	4741 436	1			Joystick
	4741 437	1			Equilizer
					BRIGHT
	4741 441	1			Primary
	4741 446	1			Secondary
	4741 439	1			Joystick
	4741 440	1			Equilizer
	4741 438	1			Volume
	4372 399	1			COVER, Radio Opening
21					ASH RECEIVER, w/Cupholder
	WE26 KB7	1			Blue
	WE26 LM6	1			Red
	WE26 KV8	1			Champagne
	WE26 JD5	1			Quartz
	5502 0573	2			BUTTON, Receiver Check Strap
	4372 914	1			RECEPTACLE, Ash Receiver
22	4503 219	1			MODULE, Lamp Outage
23		2			NUT (DNS)
24		2			SPACER (DNS)
25	6032 788	2			STUD
27	5269 011	1			CHOKER, Premium Speaker
28	4687 145	1			RELAY, Fog Lamp
29	5266 269	1			CONTROL, Chimes

**MODEL CODES:**

A BODY=(C=LeBaron, D=Spirit, P=Acclaim/LaBaron(Landau), Saratoga)      S BODY=(H=Voyager(H) FWD, K=Caravan(H) FWD, Y=Town & Country(H) FWD, P=Voyager(K) AWD, D=Caravan(K) AWD, C=Town & Country(K) AWD)  
 C BODY=(D=Dynasty, C=New Yorker/N.Y. Salon)  
 G BODY=(V=Daytona/IROC, Chrysler Daytona)  
 J BODY=(C=LeBaron, Chrysler LeBaron)  
 P BODY=(P=Sundance, D=Shadow)      Y BODY=(C=Imperial/5th Avenue)  
 E-S BODY=(K=Chrysler Voyager(H) FWD, D=Chrysler Voyager(K) AWD)

**BODY STYLES:**

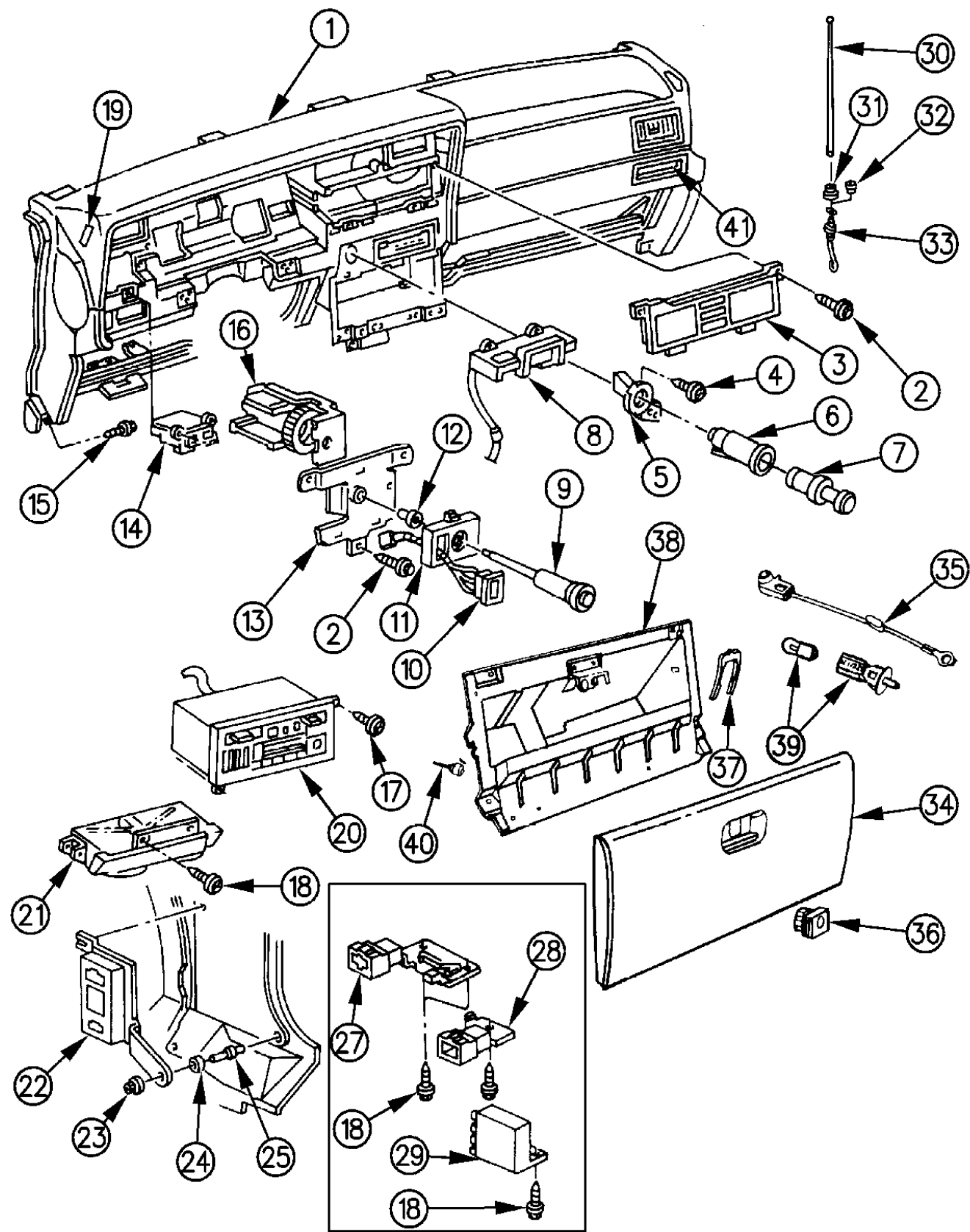
21=2-Door Coupe      41=4-Door Sedan      12-52=FWD & AWD Van & Wgn Std W.B.  
 24=2-Door Hatchback      44=4-Door Hatchback      53=FWD & AWD Van & Wgn Ext. W.B.  
 27=2-Door Convertible

AR = Use as Required - = Non Illustrated Part P.A.R. = Paint as Required



**INSTRUMENT PANEL PAD, CONTROLS, RADIO AND ANTENNA A BODY**  
**Figure 8A-900**

93182 900A



ITEM	PART NUMBER	QTY	BODY	MODEL	DESCRIPTION
30	4469 016	1			MAST, Antenna
31	4372 137	1			NUT, Mtg.
32	4222 736	1			ADAPTER, w/Gasket
33	4469 058	1			CABLE, Antenna
	4469 059	1			CABLE, Antenna Pigtail
34					DOOR, Glovebox
	GY40 MB7	1			Blue
	GY40 MD5	1			Quartz
	GY40 MM6	1			Red
	GY40 MV8	1			Champagne
	5265 894	1			DECAL, Air Bag
35	4372 717	1			STRAP, Door
36					LATCH, Door
	P894 HD5	1			Quartz
	P894 KB7	1			Blue
	P894 LM6	1			Red
	P894 KV8	1			Champagne
37	4460 426	1			CLIP, Latch
38	5265 330	1			BIN, Glovebox
39		1			LAMP, w/Switch, See Group 8
40	4372 911	AR			BUMPER
41					NAMEPLATE, I/Panel
	4504 515	1			"Acclaim"
	4504 514	1			"Spirit"
	4636 224	1			"Chrysler"
	6029 168	2			CLIP, Nameplate Att.

**MODEL CODES:**

A BODY=(C=LeBaron, D=Spirit, P=Acclaim/LaBaron(Landau), Saratoga)      S BODY=(H=Voyager(H) FWD, K=Caravan(H) FWD, Y=Town & Country(H) FWD, P=Voyager(K) AWD, D=Caravan(K) AWD, C=Town & Country(K) AWD)  
 C BODY=(D=Dynasty, C=New Yorker/N.Y. Salon)  
 G BODY=(V=Daytona/IROC, Chrysler Daytona)  
 J BODY=(C=LeBaron, Chrysler LeBaron)  
 P BODY=(P=Sundance, D=Shadow)      Y BODY=(C=Imperial/5th Avenue)  
 E-S BODY=(K=Chrysler Voyager(H) FWD, D=Chrysler Voyager(K) AWD)

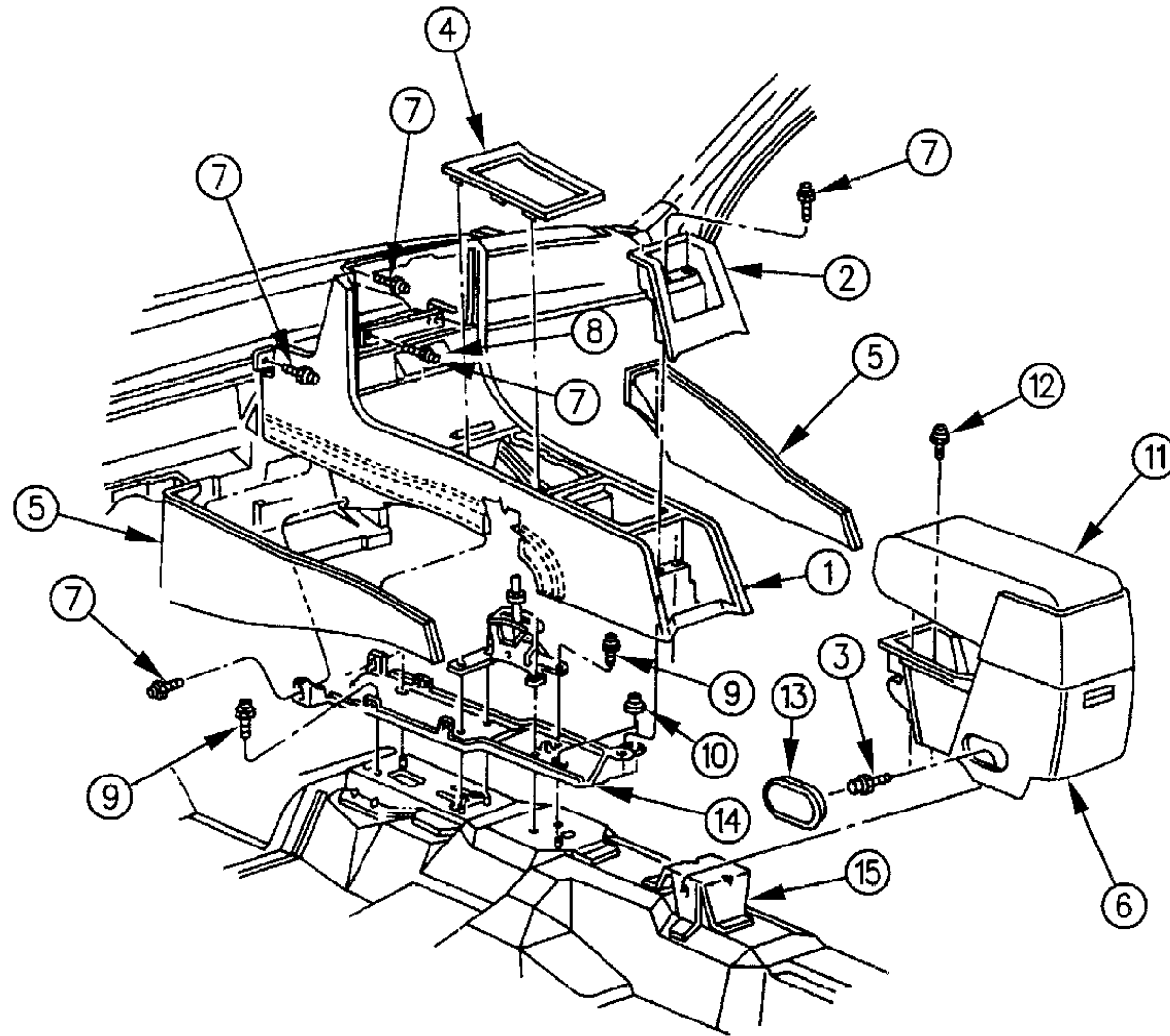
**BODY STYLES:**

21=2-Door Coupe      41=4-Door Sedan      12-52=FWD & AWD Van & Wgn Std W.B.  
 24=2-Door Hatchback      44=4-Door Hatchback      53=FWD & AWD Van & Wgn Ext. W.B.  
 27=2-Door Convertible

AR = Use as Required - = Non Illustrated Part P.A.R. = Paint as Required

CONSOLE A BODY  
Figure 8A-1000

93182 1000A



ITEM	PART NUMBER	QTY	BODY	MODEL	DESCRIPTION
1	DZ46 KV8	1			BASE, Console
					BIN, Cup Holder and Cassette
	V228 KJ9	1			Taupe
	V228 HD7	1			Quartz
	V228 KB9	1			Blue
	V228 LM8	1			Red
					LID, w/Latch Storage Box
	V222 HD7	1			Quartz
	V222 KB9	1			Blue
	V222 LM8	1			Red
V222 KJ9	1			Taupe	
4409 856-7	1			SPRING, Lid	
2					CAP, Rear
	EC30 KB9	1			Blue
	EC30 LM8	1			Red
	EC30 KJ9	1			Taupe
EC30 KD7	1			Quartz	
3		2			SCREW (DNS)
					BEZEL, Console
4					Blue
	V328 KB9	1			Blue
	V328 LM8	1			Red
					Quartz
5					CARPET, Console
	DZ42-3 KB7	1			Blue
	DZ42-3 LM6	1			Red
	DZ42-3 KV8	1			Taupe
DZ42-3 KD5	1			Quartz	
6					HOLDER, Cup
					COVER, Cup Holder
	P608 HD5	1			Quartz
	P608 KB7	1			Blue
P608 LM6	1			Red	
P608 KV8	1			Taupe	
7		2			SCREW (DNS)
					RETAINER, w/Lid, Ash Receiver
8					Quartz
	V613 KB9	1			Blue
	V613 LM8	1			Red
	V613 KJ9	1			Taupe

MODEL CODES:

A BODY=(C=LeBaron, D=Spirit, P=Acclaim/LaBaron(Landau), Saratoga)

C BODY=(D=Dynasty, C=New Yorker/N.Y. Salon)

G BODY=(V=Daytona/ROC, Chrysler Daytona)

J BODY=(C=LeBaron, Chrysler LeBaron)

P BODY=(P=Sundance, D=Shadow)

S BODY=(H=Voyager(H) FWD, K=Caravan(H) FWD,

Y=Town & Country(H) FWD, P=Voyager(K) AWD,

D=Caravan(K) AWD, C=Town & Country(K) AWD)

Y BODY=(C=Imperial/5th Avenue)

E-S BODY=(K=Chrysler Voyager(H) FWD, D=Chrysler

Voyager(K) AWD)

BODY STYLES:

21=2-Door Coupe

41=4-Door Sedan

12-52=FWD & AWD Van & Wgn Std W.B.

24=2-Door Hatchback

44=4-Door Hatchback

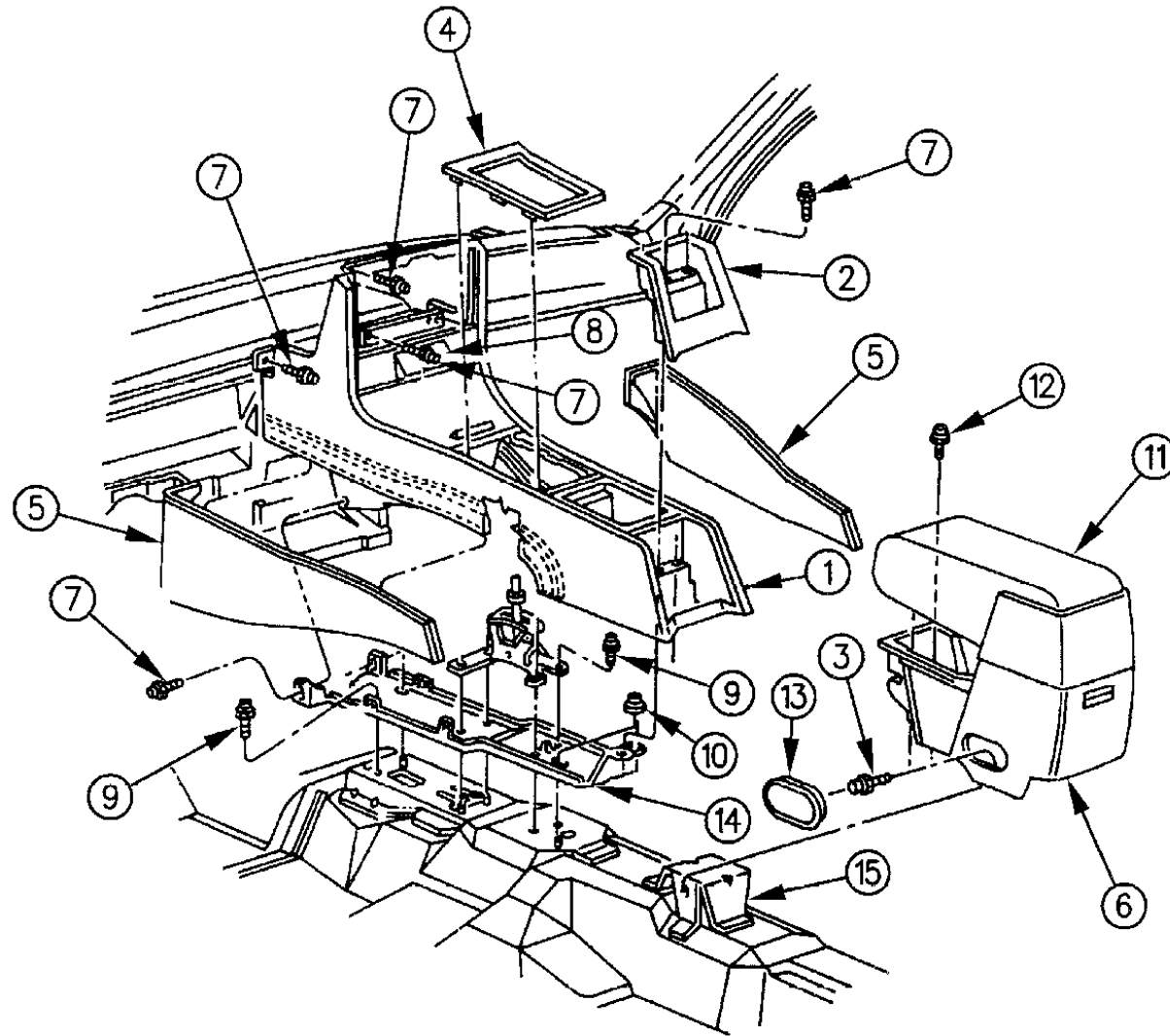
53=FWD & AWD Van & Wgn Ext. W.B.

27=2-Door Convertible

AR = Use as Required - = Non Illustrated Part P.A.R. = Paint as Required

CONSOLE A BODY  
Figure 8A-1000

93182 1000A



ITEM	PART NUMBER	QTY	BODY	MODEL	DESCRIPTION
	4473 868	1			RECEPTACLE, Ash Receiver
	4507 085	1			HOUSING, Ash Receiver
9		3			SCREW (DNS)
10	6101 445	2			NUT
11					ARMREST, Console
	EW62 KB7	1			Blue
	EW62 LMA	1			Red
	EW62 KV4				Taupe
	EW62 KD5	1			Quartz
12		2			SCREW (DNS)
13					PLUG
	V348 KB7	1			Blue
	V348 LM6	1			Red
	V348 KV8	1			Taupe
	V348 HD5	1			Quartz
14	4611 808	1			BRACKET, Console
15	4371 655	1			BRACKET, Front Floor Pan Center Armrest Support

MODEL CODES:

A BODY=(C=LeBaron, D=Spirit, P=Acclaim/LaBaron(Landau),  
Saratoga)  
C BODY=(D=Dynasty, C=New Yorker/N.Y. Salon)  
G BODY=(V=Daytona/IROC, Chrysler Daytona)  
J BODY=(C=LeBaron, Chrysler LeBaron)  
P BODY=(P=Sundance, D=Shadow)

S BODY=(H=Voyager(H) FWD, K=Caravan(H) FWD,  
Y=Town & Country(H) FWD, P=Voyager(K) AWD,  
D=Caravan(K) AWD, C=Town & Country(K) AWD)  
Y BODY=(C=Imperial/5th Avenue)  
E-S BODY=(K=Chrysler Voyager(H) FWD, D=Chrysler  
Voyager(K) AWD)

BODY STYLES:

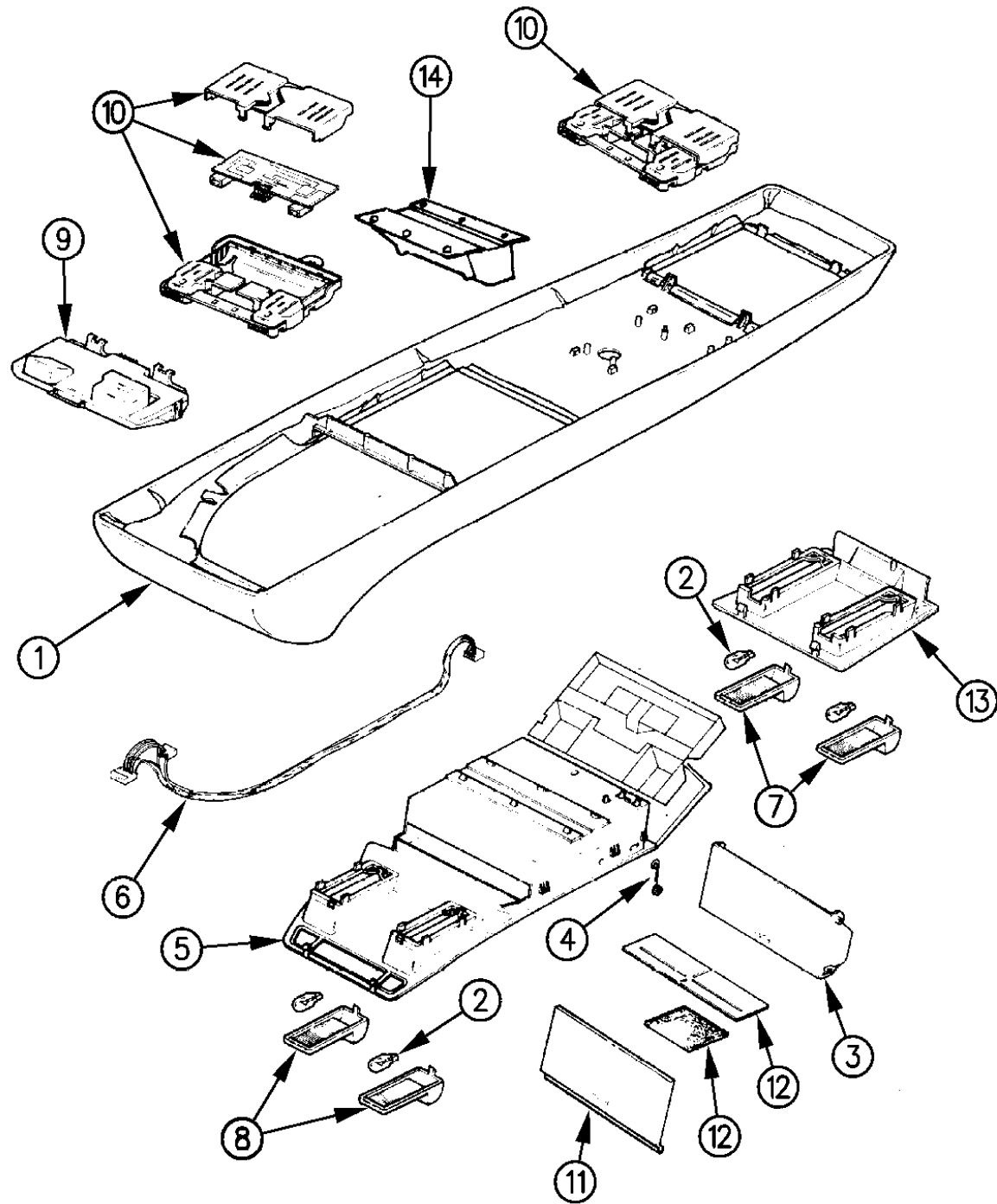
21=2-Door Coupe      41=4-Door Sedan      12-52=FWD & AWD Van & Wgn Std W.B.  
24=2-Door Hatchback      44=4-Door Hatchback      53=FWD & AWD Van & Wgn Ext. W.B.  
27=2-Door Convertible

AR = Use as Required - = Non Illustrated Part P.A.R. = Paint as Required

CONSOLE, OVERHEAD A BODY  
Figure 8A-1100

93182 1100

ITEM	PART NUMBER	QTY	BODY	MODEL	DESCRIPTION
1					HOUSING, Console
	V706 JD5	1			Quartz
	V706 LMA	1			Red
	V706 KB7	1			Blue
	V706 KV8	1			Taupe
2	9437 173	4			BULB
3	4507 568	1			DOOR, Sunglass Bin
4	4547 853	1			SPRING, Torque
5	4521 399	1			PANEL, Center
6	4450 262	1			WIRING, Console
7	4507 584-5	1			LENS, Rear
8	4507 582-3	1			LENS, Front
9	5266 221	1			MODULE, Compass
10	4638 924				MODULE, Lamp
11	4507 567	1			DOOR, GDO
12	4309 344	1			PACKAGE, GDO Adator
13	4507 577	1			PANEL, Rear
14	4507 412	1			BRACKET, Console Mtg.



MODEL CODES:

A BODY=(C=LeBaron, D=Spirit, P=Acclaim/LaBaron(Landau, Saratoga)  
C BODY=(D=Dynasty, C=New Yorker/N.Y. Salon)  
G BODY=(V=Daytona/IROC, Chrysler Daytona)  
J BODY=(C=LeBaron, Chrysler LeBaron)  
P BODY=(P=Sundance, D=Shadow)

S BODY=(H=Voyager(H) FWD, K=Caravan(H) FWD, Y=Town & Country(H) FWD, P=Voyager(K) AWD, D=Caravan(K) AWD, C=Town & Country(K) AWD)  
Y BODY=(C=Imperial/5th Avenue)  
E-S BODY=(K=Chrysler Voyager(H) FWD, D=Chrysler Voyager(K) AWD)

BODY STYLES:

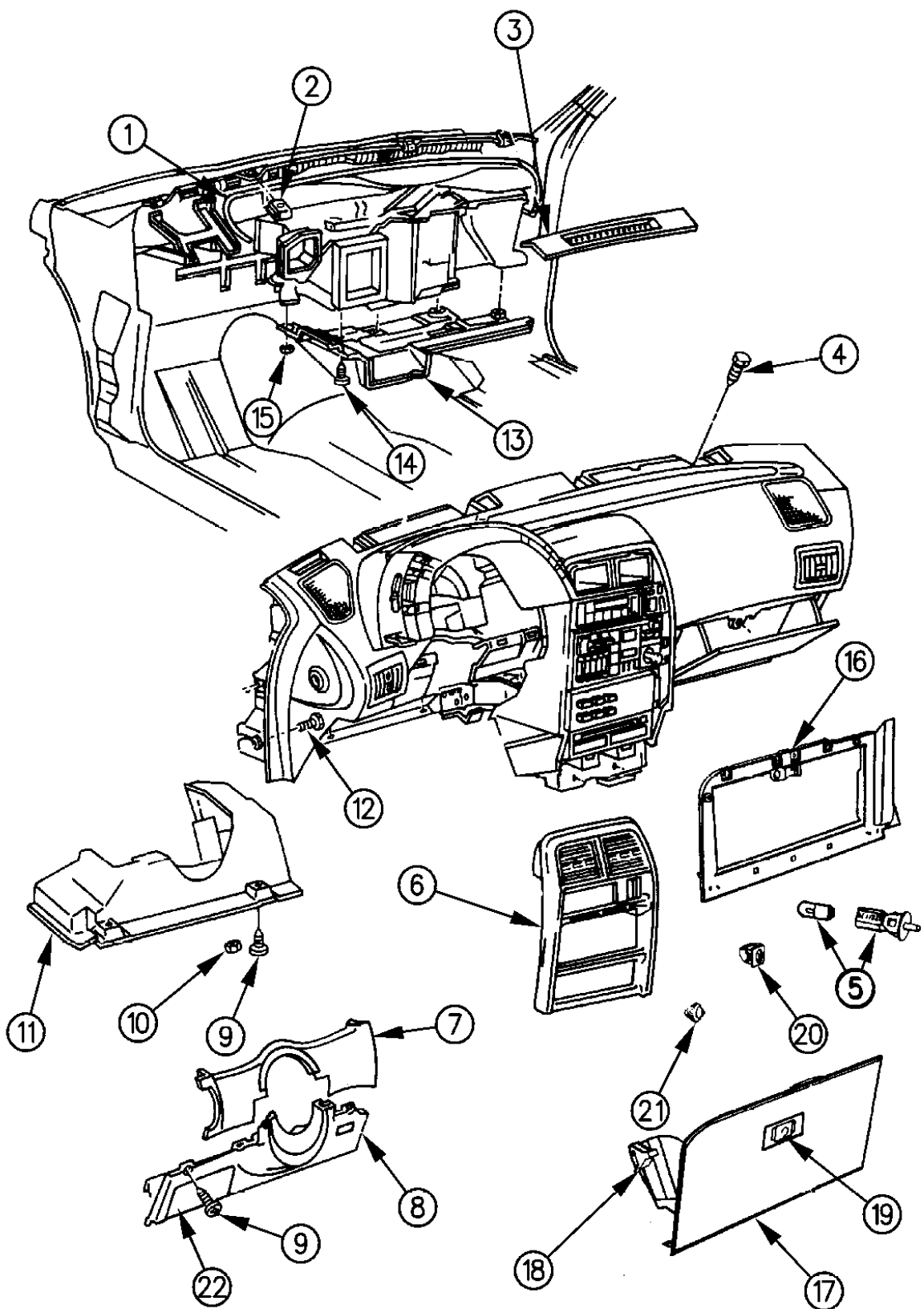
21=2-Door Coupe      41=4-Door Sedan      12-52=FWD & AWD Van & Wgn Std W.B.  
24=2-Door Hatchback      44=4-Door Hatchback      53=FWD & AWD Van & Wgn Ext. W.B.  
27=2-Door Convertible

AR = Use as Required - = Non Illustrated Part P.A.R. = Paint as Required

INSTRUMENT PANEL BEZELS J BODY

Figure 8A-1200

93182 1200



ITEM	PART NUMBER	QTY	BODY	MODEL	DESCRIPTION
1	4026 511	1			HOSE, Turbo
2		4			CLIP (DNS)
3					GRILLE, Defroster
	P564-5 JB9	1			Blue
	P564-5 LM6	1			Red
	P564-5 JV8	1			Champagne
	P564-5 LAZ	1			Agate
4	4460 805	4			CLIP, Grille
		4			SCREW (DNS)
5	4373 674	1			LAMP, w/Switch Glovebox
6					BEZEL, Center
	HB61 LB9	1			Blue
	HB61 LAZ	1			Agate
	HB61 LM6	1			Red
	HB61 LV8	1			Champagne
	5265 926	AR			CLIP, Bezel Att.
7	EE47 JD5	1			COVER, Cluster Trim
8	GD79 MD5	1			COVER, Steering Column Opening (EUROPEAN)
	ET87 LAZ	1			Agate
	ET87 LB9	1			Blue
	ET87 LM6	1			Red
	ET87 LV8	1			Taupe
9		AR			SCREW (DNS)
10	4220 344	1			CLIP
11	5265 300	1			SILENCER
12		2			SCREW (DNS)
13	4372 996	1			SILENCER
14		3			SCREW (DNS)
15	6501 498	3			CLIP
16					FRAME, Glovebox
	ET75 LB9	1			Blue
	ET75 LAZ	1			Agate
	ET75 LM6	1			Red
	ET75 LV8	1			Champagne
17					DOOR, w/Bin, Glovebox
	HC62 MAZ	1			Agate
	HC62 MB9	1			Blue
	HC62 MM6	1			Red

MODEL CODES:

A BODY=(C=LeBaron, D=Spirit, P=Acclaim/LaBaron(Landau),  
Saratoga)

C BODY=(D=Dynasty, C=New Yorker/N.Y. Salon)

G BODY=(V=Daytona/IROC, Chrysler Daytona)

J BODY=(C=LeBaron, Chrysler LeBaron)

P BODY=(P=Sundance, D=Shadow)

S BODY=(H=Voyager(H) FWD, K=Caravan(H) FWD,  
Y=Town & Country(H) FWD, P=Voyager(K) AWD,  
D=Caravan(K) AWD, C=Town & Country(K) AWD)  
Y BODY=(C=Imperial/5th Avenue)  
E-S BODY=(K=Chrysler Voyager(H) FWD, D=Chrysler  
Voyager(K) AWD)

BODY STYLES:

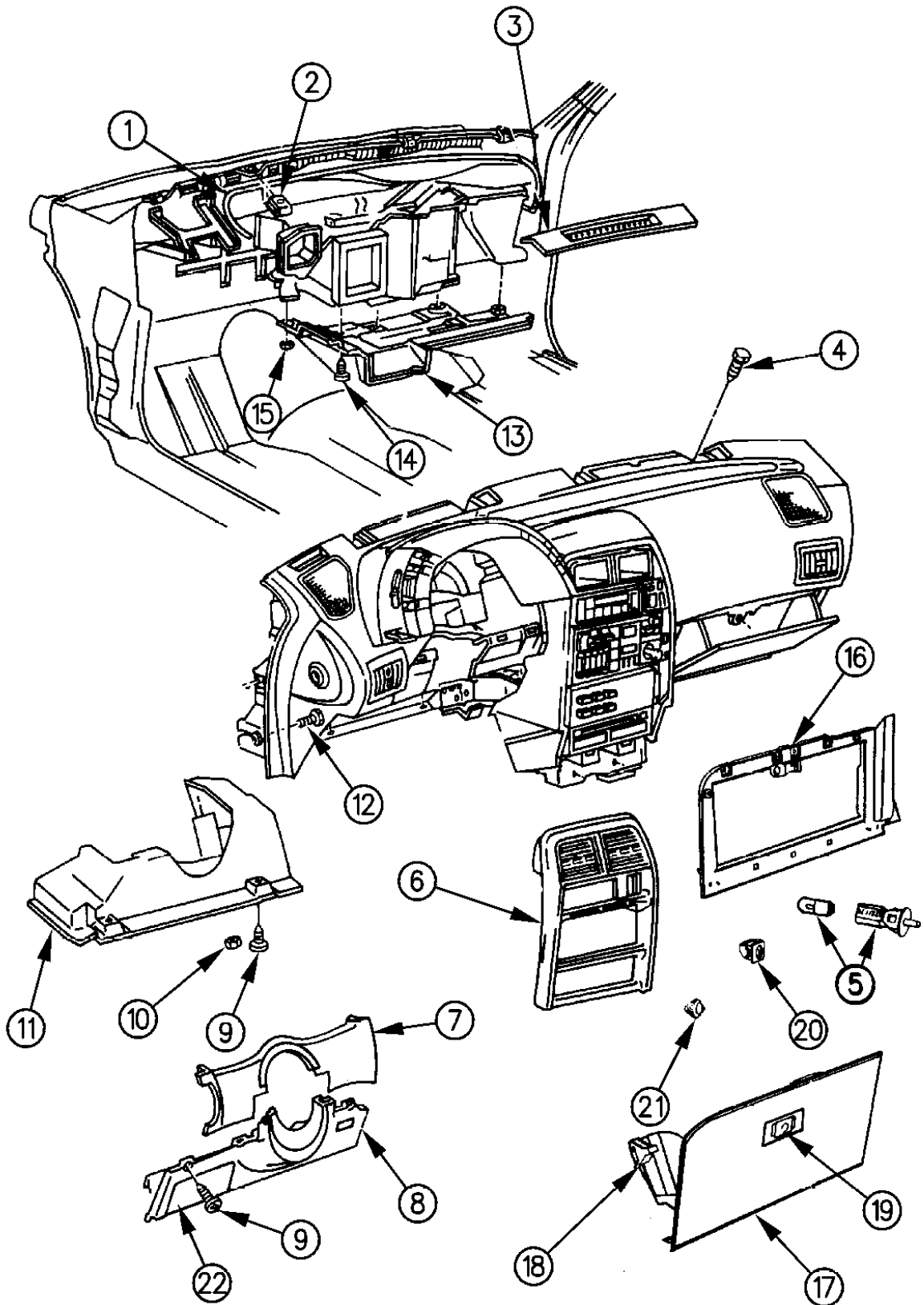
21=2-Door Coupe      41=4-Door Sedan      12-52=FWD & AWD Van & Wgn Std W.B.  
24=2-Door Hatchback      44=4-Door Hatchback      53=FWD & AWD Van & Wgn Ext. W.B.  
27=2-Door Convertible

AR = Use as Required - = Non Illustrated Part P.A.R. = Paint as Required

INSTRUMENT PANEL BEZELS J BODY

Figure 8A-1200

93182 1200



ITEM	PART NUMBER	QTY	BODY	MODEL	DESCRIPTION
	HC62 MV8	1			Champagne
	5265 894	1			DECAL, Air Bag
18	5265 026	2			BUMPER, Door
19	P894 JX9	1			LATCH, Glovebox
20	6032 838	3			CLIP, Screw
21	5265 031	2			BUMPER
22					COVER, Fuse Access
	ET89 LB9	1			Blue
	ET89 LM6	1			Red
	ET89 LV8	1			Champagne
	ET89 LAZ	1			Agate

MODEL CODES:

A BODY=(C=LeBaron, D=Spirit, P=Acclaim/LaBaron(Landau),  
Saratoga)  
C BODY=(D=Dynasty, C=New Yorker/N.Y. Salon)  
G BODY=(V=Daytona/IROC, Chrysler Daytona)  
J BODY=(C=LeBaron, Chrysler LeBaron)  
P BODY=(P=Sundance, D=Shadow)

S BODY=(H=Voyager(H) FWD, K=Caravan(H) FWD,  
Y=Town & Country(H) FWD, P=Voyager(K) AWD,  
D=Caravan(K) AWD, C=Town & Country(K) AWD)  
Y BODY=(C=Imperial/5th Avenue)  
E-S BODY=(K=Chrysler Voyager(H) FWD, D=Chrysler  
Voyager(K) AWD)

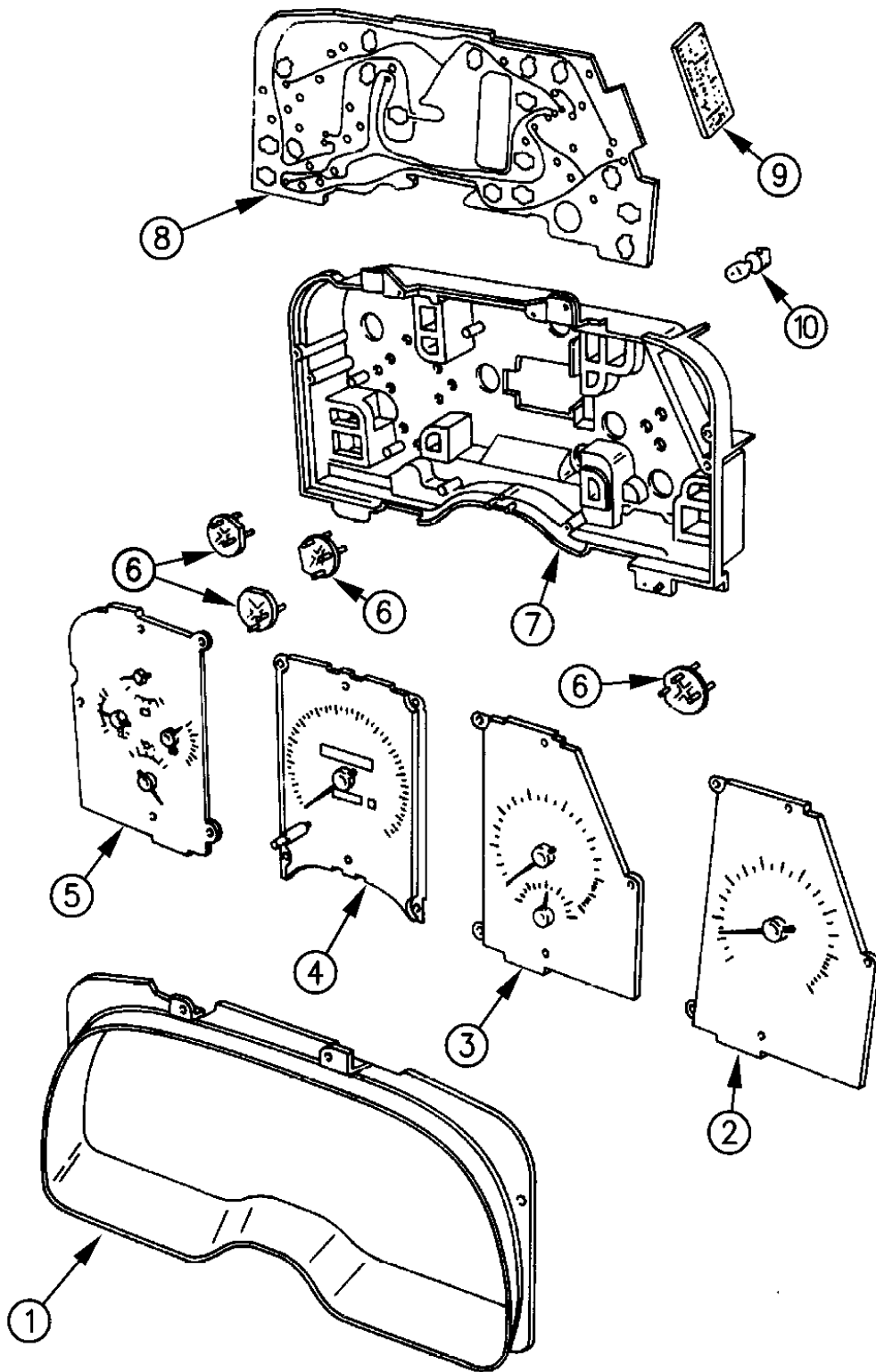
BODY STYLES:

21=2-Door Coupe      41=4-Door Sedan      12-52=FWD & AWD Van & Wgn Std W.B.  
24=2-Door Hatchback      44=4-Door Hatchback      53=FWD & AWD Van & Wgn Ext. W.B.  
27=2-Door Convertible

AR = Use as Required - = Non Illustrated Part P.A.R. = Paint as Required

**INSTRUMENT PANEL CLUSTER J BODY**  
Figure 8A-1300

93182 1300



ITEM	PART NUMBER	QTY	BODY	MODEL	DESCRIPTION
	5269 401	1			CLUSTER, Electronic
1	5268 011	1			MASK, w/Lens, Cluster
2	4723 130	1			TACHOMETER
3	4723 131	1			TACHOMETER, w/Turbo Gauge
4					SPEEDOMETER
	5269 306	1			270 KM/H
	4638 943	1			140 Mph.
	4638 944	1			220 Kmh.
	3592 750	1			LABEL, Speedometer
5	5268 206	1			GAUGE, Oil/Temp., Volt/Fuel
	5268 340	1			GAUGE, Fuel
	5268 341	1			GAUGE, Volt/Temperature
6					ADAPTER
	4437 727	AR			Fuel/Oil Gauge
	4437 728	1			Volt Gauge
	4437 727	2			Tachometer/Temp. Gauge
7	5268 344	1			HOUSING, Cluster
	4437 663	14			NUT, Gauge to Board
	4437 662	7			SCREW, Board to Housing
8					BOARD, Printed Circuit
	5268 343	1			w/o Turbo
	5268 219	1			w/Turbo
9	4375 410	1			BOARD, Tachometer Drive Circuit
10					BULB, w/Socket
	5269 245	2			Low Fuel/Seat Belt Warning
	4437 590	AR			Circuit Board

**MODEL CODES:**

A BODY=(C=LeBaron, D=Spirit, P=Acclaim/LaBaron(Landau), Saratoga) S BODY=(H=Voyager(H) FWD, K=Caravan(H) FWD, Y=Town & Country(H) FWD, P=Voyager(K) AWD, D=Caravan(K) AWD, C=Town & Country(K) AWD)  
 C BODY=(D=Dynasty, C=New Yorker/N.Y. Salon) Y BODY=(C=Imperial/5th Avenue)  
 G BODY=(V=Daytona/IROC, Chrysler Daytona) E-S BODY=(K=Chrysler Voyager(H) FWD, D=Chrysler Voyager(K) AWD)  
 J BODY=(C=LeBaron, Chrysler LeBaron) P BODY=(P=Sundance, D=Shadow)

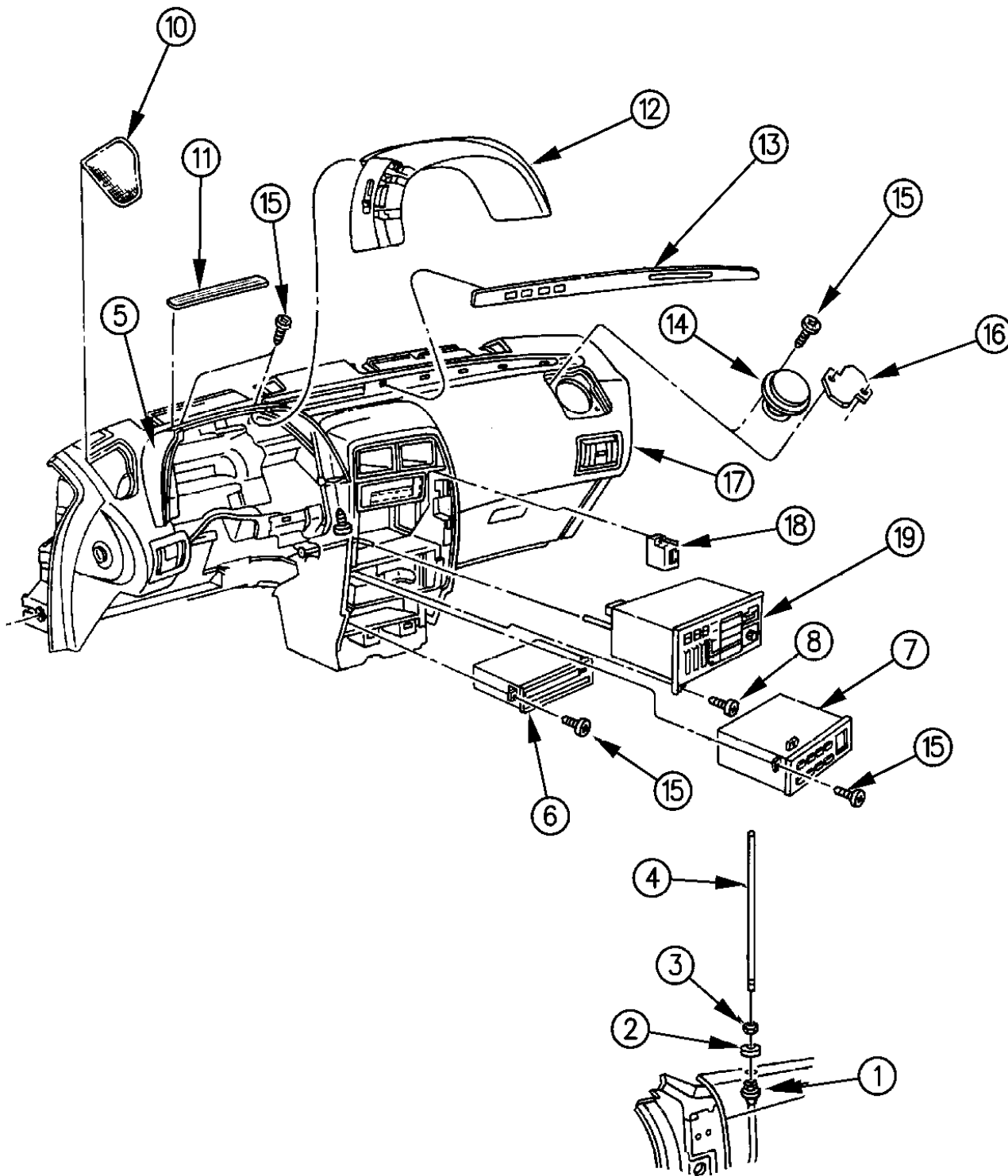
**BODY STYLES:**

21=2-Door Coupe      41=4-Door Sedan      12-52=FWD & AWD Van & Wgn Std W.B.  
 24=2-Door Hatchback      44=4-Door Hatchback      53=FWD & AWD Van & Wgn Ext. W.B.  
 27=2-Door Convertible

AR = Use as Required - = Non Illustrated Part P.A.R. = Paint as Required

**INSTRUMENT PANEL PANEL, RADIO AND ANTENNA J BODY**  
**Figure 8A-1400**

93182 1400



ITEM	PART NUMBER	QTY	BODY	MODEL	DESCRIPTION
1	5269 004	1			BODY, w/Cable
2	4222 736	1			ADAPTER, w/Gasket
3	4372 137	1			NUT, Cap
4	4469 015	1			MAST, Antenna
5	ET70 LD5	1			COVER, Cluster Outer Trim
6					BOX, Cubby
	5265 088	1			Upper
	5265 086	1			Lower
7					MODULE
	4437 484	1			Traveler
		1			Evic (5269234 Vendor)
8		2			SCREW (DNS)
	6034 422	2			U-NUT, Radio Mtg.
10					GRILLE, Speaker
	P296-7 JB9	1			Blue
	P296-7 LM6	1			Red
	P296-7 JV8	1			Champagne
	P296-7 LAZ	1			Agate
11					GRILLE, Cluster Vent
	P566 JB9	1			Blue
	P566 JV8	1			Champagne
	P566 LAZ	1			Agate
12					BEZEL, Cluster Switch Trim
	5265 500	1			Outer
	5265 504	1			Inner ***
13					MODULE, Message Center, Order Components Listed Below
	4437 498	1			Housing, w/Circuit Board
	4437 661	AR			Lamp and Socket
	4437 753	1			Bezel, w/o Alarm System, w/Name Plate
	4437 754	1			Bezel, w/Alarm System, w/Name Plate
14					SPEAKER
	5269 196	2			I/Panel
	5269 033	2	27		Rear, Standard
	5269 057	1	27		Rear, Infinity
	4469 294	1	21		Rear, Infinity
	4685 313	2	21		Rear, Standard
	4430 171	1			CHOKE, Speaker
15		4			SCREW (DNS)
16	5265 870	2			COVER, Speaker

**MODEL CODES:**

A BODY=(C=LeBaron, D=Spirit, P=Acclaim/LaBaron(Landau), Saratoga)

C BODY=(D=Dynasty, C=New Yorker/N.Y. Salon)

G BODY=(V=Daytona/IROC, Chrysler Daytona)

J BODY=(C=LeBaron, Chrysler LeBaron)

P BODY=(P=Sundance, D=Shadow)

S BODY=(H=Voyager(H) FWD, K=Caravan(H) FWD,

Y=Town & Country(H) FWD, P=Voyager(K) AWD,

D=Caravan(K) AWD, C=Town & Country(K) AWD)

Y BODY=(C=Imperial/5th Avenue)

E-S BODY=(K=Chrysler Voyager(H) FWD, D=Chrysler

Voyager(K) AWD)

**BODY STYLES:**

21=2-Door Coupe

41=4-Door Sedan

12-52=FWD & AWD Van & Wgn Std W.B.

24=2-Door Hatchback

44=4-Door Hatchback

53=FWD & AWD Van & Wgn Ext. W.B.

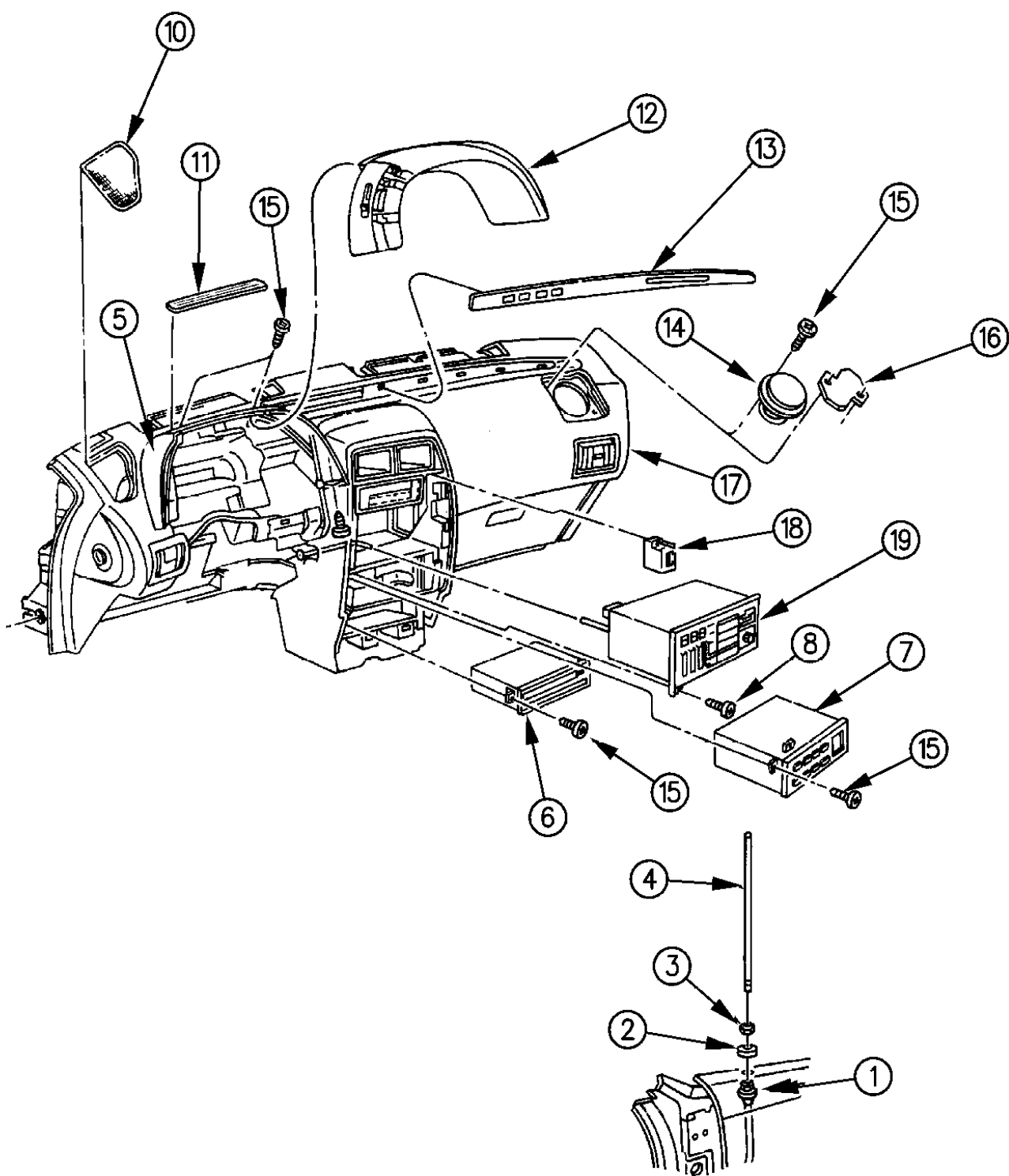
27=2-Door Convertible

AR = Use as Required - = Non Illustrated Part P.A.R. = Paint as Required



**INSTRUMENT PANEL, RADIO AND ANTENNA J BODY**  
**Figure 8A-1400**

93182 1400



ITEM	PART NUMBER	QTY	BODY	MODEL	DESCRIPTION
17					PANEL, Instrument
	ET71 LAZ	1			Agate
	ET71 LB9	1			Blue
	ET71 LM6	1			Red
	ET71 LV8	1			Champagne
18	4373 331	1			SWITCH, Heated Backlite
	4565 060	1			COVER, Backlite Switch
19					RADIO
	5269 411	1			Am/Fm/Mx, Black
	5269 414	1			Am/Fm/Mx w/Cassette, Black
	5269 054	1			w/CD Player
	4741 444	1			KNOB, Radio
	4741 445	1			Primary
	4741 445	1			Secondary
	4741 435	1			Volume
	4741 436	1			Joystick
	4741 437	1			Equilizer
	5269 123	1			AMPLIFIER, Power

**MODEL CODES:**

A BODY=(C=LeBaron, D=Spirit, P=Acclaim/LaBaron(Landau), Saratoga)      S BODY=(H=Voyager(H) FWD, K=Caravan(H) FWD, Y=Town & Country(H) FWD, P=Voyager(K) AWD, D=Caravan(K) AWD, C=Town & Country(K) AWD)  
 C BODY=(D=Dynasty, C=New Yorker/N.Y. Salon)  
 G BODY=(V=Daytona/IROC, Chrysler Daytona)  
 J BODY=(C=LeBaron, Chrysler LeBaron)  
 P BODY=(P=Sundance, D=Shadow)      Y BODY=(C=Imperial/5th Avenue)  
 E-S BODY=(K=Chrysler Voyager(H) FWD, D=Chrysler Voyager(K) AWD)

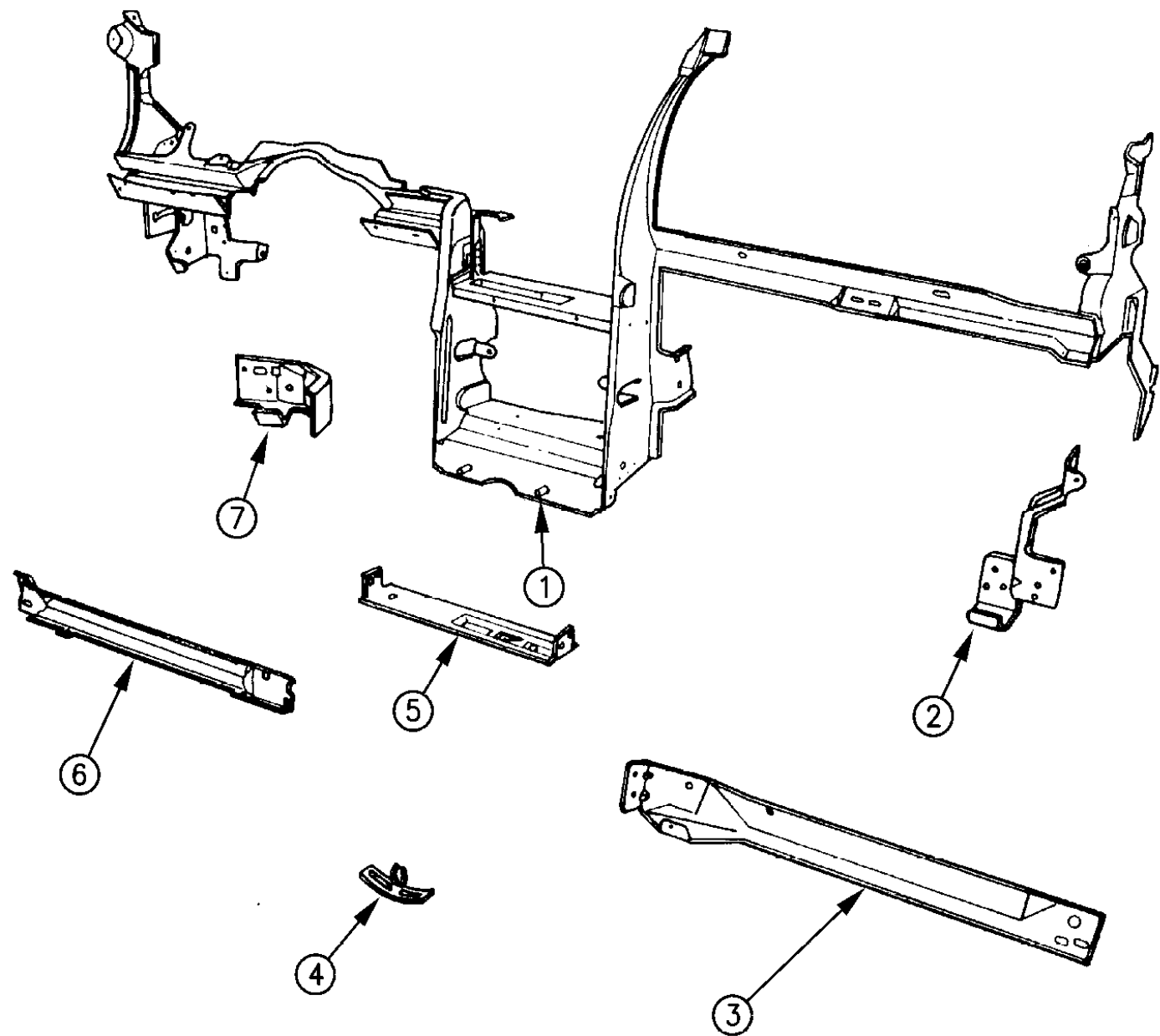
**BODY STYLES:**

21=2-Door Coupe      41=4-Door Sedan      12-52=FWD & AWD Van & Wgn Std W.B.  
 24=2-Door Hatchback      44=4-Door Hatchback      53=FWD & AWD Van & Wgn Ext. W.B.  
 27=2-Door Convertible

AR = Use as Required - = Non Illustrated Part P.A.R. = Paint as Required

**INSTRUMENT PANEL REINFORCEMENTS J BODY**  
Figure 8A-1500

93182 1500



ITEM	PART NUMBER	QTY	BODY	MODEL	DESCRIPTION
1	5265 551	1			REINFORCEMENT, Main
2	5265 706	1			SUPPORT, Lower Right
3	5265 708	1			REINFORCEMENT, Lower Right
4	4524 275	1			CLIP, Module Att.
5	4636 537	1			BRACKET, w/Clip, Module
6	5265 711	1			REINFORCEMENT, Lower Left
7	5265 709	1			REINFORCEMENT, Center Support

**MODEL CODES:**

A BODY=(C=LeBaron, D=Spirit, P=Acclaim/LaBaron(Landau), Saratoga)      S BODY=(H=Voyager(H) FWD, K=Caravan(H) FWD, Y=Town & Country(H) FWD, P=Voyager(K) AWD, D=Caravan(K) AWD, C=Town & Country(K) AWD)  
 C BODY=(D=Dynasty, C=New Yorker/N.Y. Salon)  
 G BODY=(V=Daytona/IROC, Chrysler Daytona)  
 J BODY=(C=LeBaron, Chrysler LeBaron)  
 P BODY=(P=Sundance, D=Shadow)      E-S BODY=(K=Chrysler Voyager(H) FWD, D=Chrysler Voyager(K) AWD)

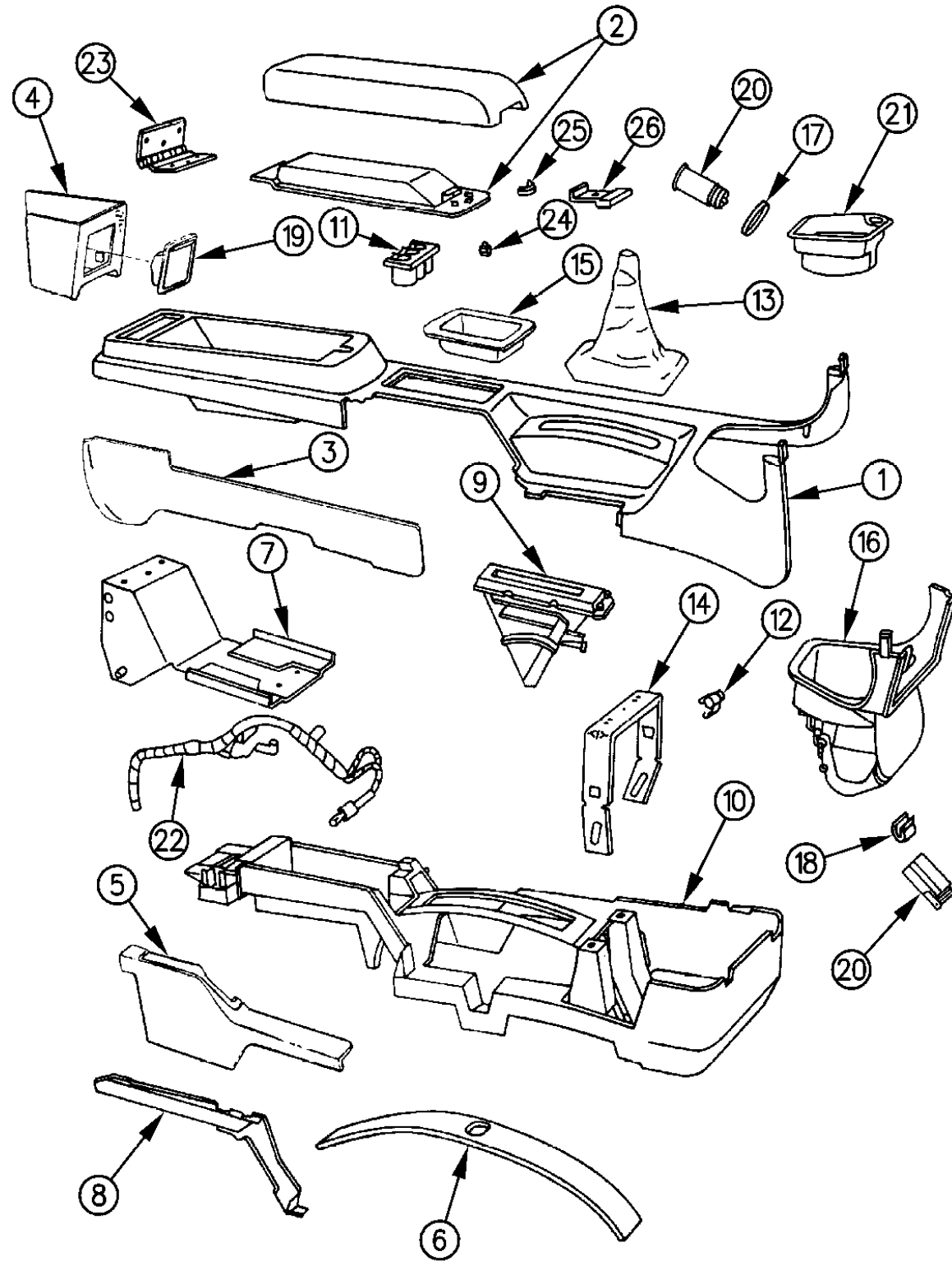
**BODY STYLES:**

21=2-Door Coupe      41=4-Door Sedan      12-52=FWD & AWD Van & Wgn Std W.B.  
 24=2-Door Hatchback      44=4-Door Hatchback      53=FWD & AWD Van & Wgn Ext. W.B.  
 27=2-Door Convertible

AR = Use as Required - = Non Illustrated Part P.A.R. = Paint as Required

CONSOLE, CENTER J BODY  
Figure 8A-1600

93182 1600



ITEM	PART NUMBER	QTY	BODY	MODEL	DESCRIPTION
1	DL22 JV8	1			BASE, Console w/Manual Trans.
	DL21 JV8	1			w/Auto Trans.
2	V654 JB9	1			ARMREST, Console Blue
	V654 LAZ	1			Agate
	V654 LM6	1			Red
	V654 JV8	1			Champagne
3	CARPET, Side				
	RIGHT				
	GC60 LB9	1			Blue
	GC60 LAZ	1			Agate
	GC60 LM6	1			Red
	GC60 LV8	1			Champagne
	LEFT				
	GC39 LB9	1			Blue
GC39 LAZ	1			Agate	
GC39 LM6	1			Red	
GC39 LV8	1			Champagne	
4	CARPET, Rear				
	GA25 LB9	1			Blue
	GA25 LAZ	1			Agate
	GA25 LM6	1			Red
GA25 LV8	1			Champagne	
5	COVER, Hand Brake				
	GA24 LB9	1			Blue
	GA24 LAZ	1			Agate
	GA24 LM6	1			Red
	GA24 LV8	1			Champagne
6	4611 583	1			SLIDE, Gear Selector
7	4496 340	1			BRACKET, Rear Adjusting
8	4496 333	1			SEAL, Hand Brake
9		1			LAMP, Gear Selector
	4565 363	1			w/3 Speed Auto
	4565 364	1			w/4 Speed Auto
10	REINFORCEMENT, Lower				
	4620 860	1			w/Auto Trans.
	4620 861	1			w/Manual Trans.
11	4453 741	1			HOLDER, Coin

MODEL CODES:

A BODY=(C=LeBaron, D=Spirit, P=Acclaim/LaBaron(Landau),  
Saratoga)

C BODY=(D=Dynasty, C=New Yorker/N.Y. Salon)

G BODY=(V=Daytona/IROC, Chrysler Daytona)

J BODY=(C=LeBaron, Chrysler LeBaron)

P BODY=(P=Sundance, D=Shadow)

S BODY=(H=Voyager(H) FWD, K=Caravan(H) FWD,

Y=Town & Country(H) FWD, P=Voyager(K) AWD,

D=Caravan(K) AWD, C=Town & Country(K) AWD)

Y BODY=(C=Imperial/5th Avenue)

E-S BODY=(K=Chrysler Voyager(H) FWD, D=Chrysler

Voyager(K) AWD)

BODY STYLES:

21=2-Door Coupe

41=4-Door Sedan

12-52=FWD & AWD Van & Wgn Std W.B.

24=2-Door Hatchback

44=4-Door Hatchback

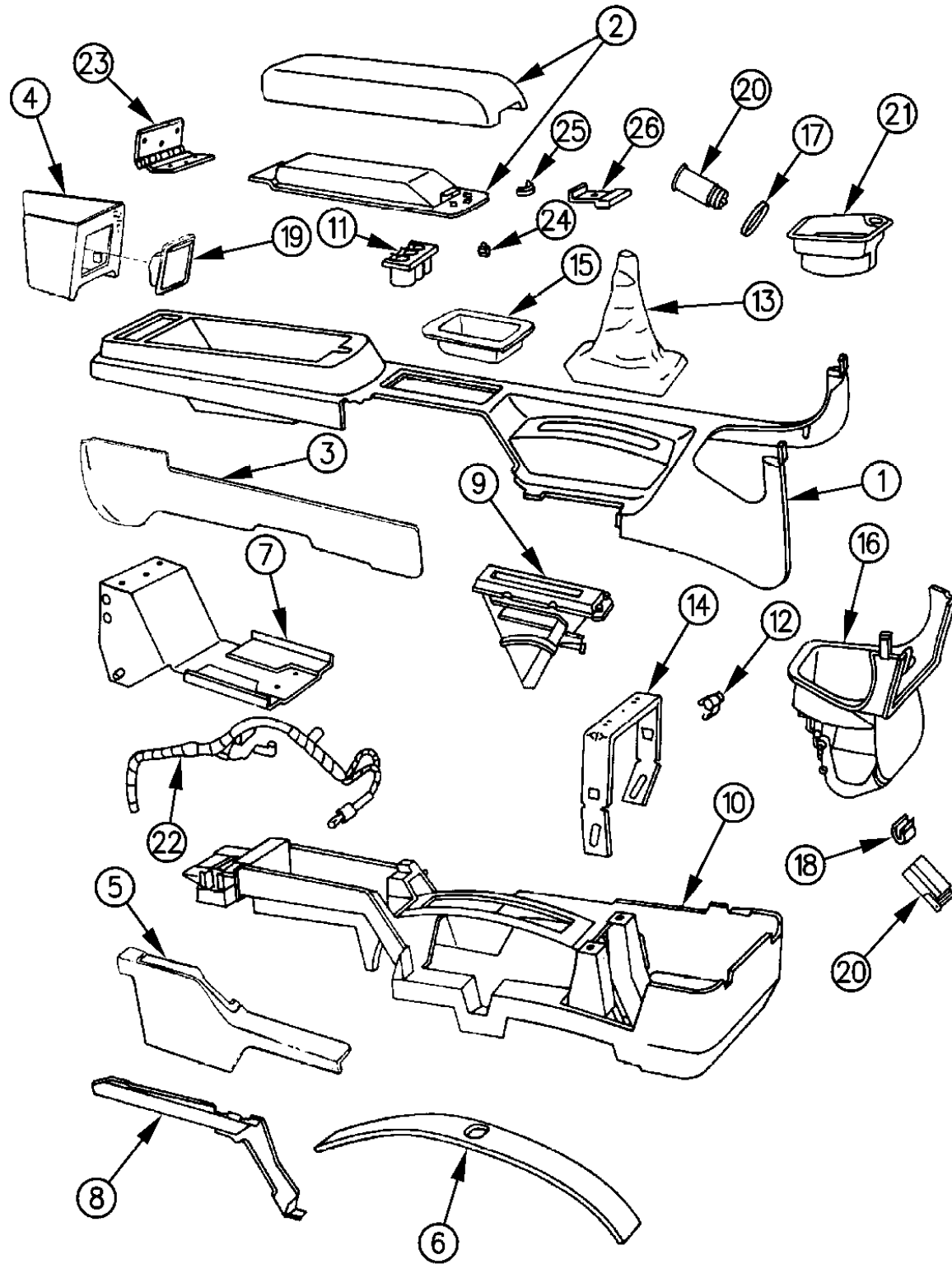
53=FWD & AWD Van & Wgn Ext. W.B.

27=2-Door Convertible

AR = Use as Required - = Non Illustrated Part P.A.R. = Paint as Required

CONSOLE, CENTER J BODY  
Figure 8A-1600

93182 1600



ITEM	PART NUMBER	QTY	BODY	MODEL	DESCRIPTION
12	4437 852	1			HOOD, Ash Receiver Bulb
13	4471 170	1			BOOT, Gear Shift
14	4620 938	1			BRACKET, Upper Mtg.
15	4373 513	1			BOX, Cubby
16	4620 030	1			HOUSING, Ash Receiver
	4665 289	1			LENS, Ash Receiver Lamp
17	3746 629	1			RING, C/Lighter Trim
18	4453 758	1			BUMPER, Lid
19	4437 539	1			HOUSING, Courtesy Lamp
	4437 535	1			LENS, Courtesy Lamp
20	3747 633	1			SHELL, C/Lighter ***
	4221 761	1			KNOB, C/Lighter
	3004 190	1			ELEMENT, C/Lighter
21	4473 344	1			RECEPTACLE, Ash Receiver
22	5267 058	1			WIRING, Console
23	4496 819	1			HINGE, Armrest
24	4453 713	1			BUMPER, Armrest
25	4496 829	1			SPRING, Latch
26	4496 825	1			PADDLE, Latch ***

MODEL CODES:

A BODY=(C=LeBaron, D=Spirit, P=Acclaim/LaBaron(Landau), Saratoga) S BODY=(H=Voyager(H) FWD, K=Caravan(H) FWD, Y=Town & Country(H) FWD, P=Voyager(K) AWD, D=Caravan(K) AWD, C=Town & Country(K) AWD)  
 C BODY=(D=Dynasty, C=New Yorker/N.Y. Salon) Y BODY=(C=Imperial/5th Avenue)  
 G BODY=(V=Daytona/IROC, Chrysler Daytona) E-S BODY=(K=Chrysler Voyager(H) FWD, D=Chrysler Voyager(K) AWD)  
 J BODY=(C=LeBaron, Chrysler LeBaron) P BODY=(P=Sundance, D=Shadow)

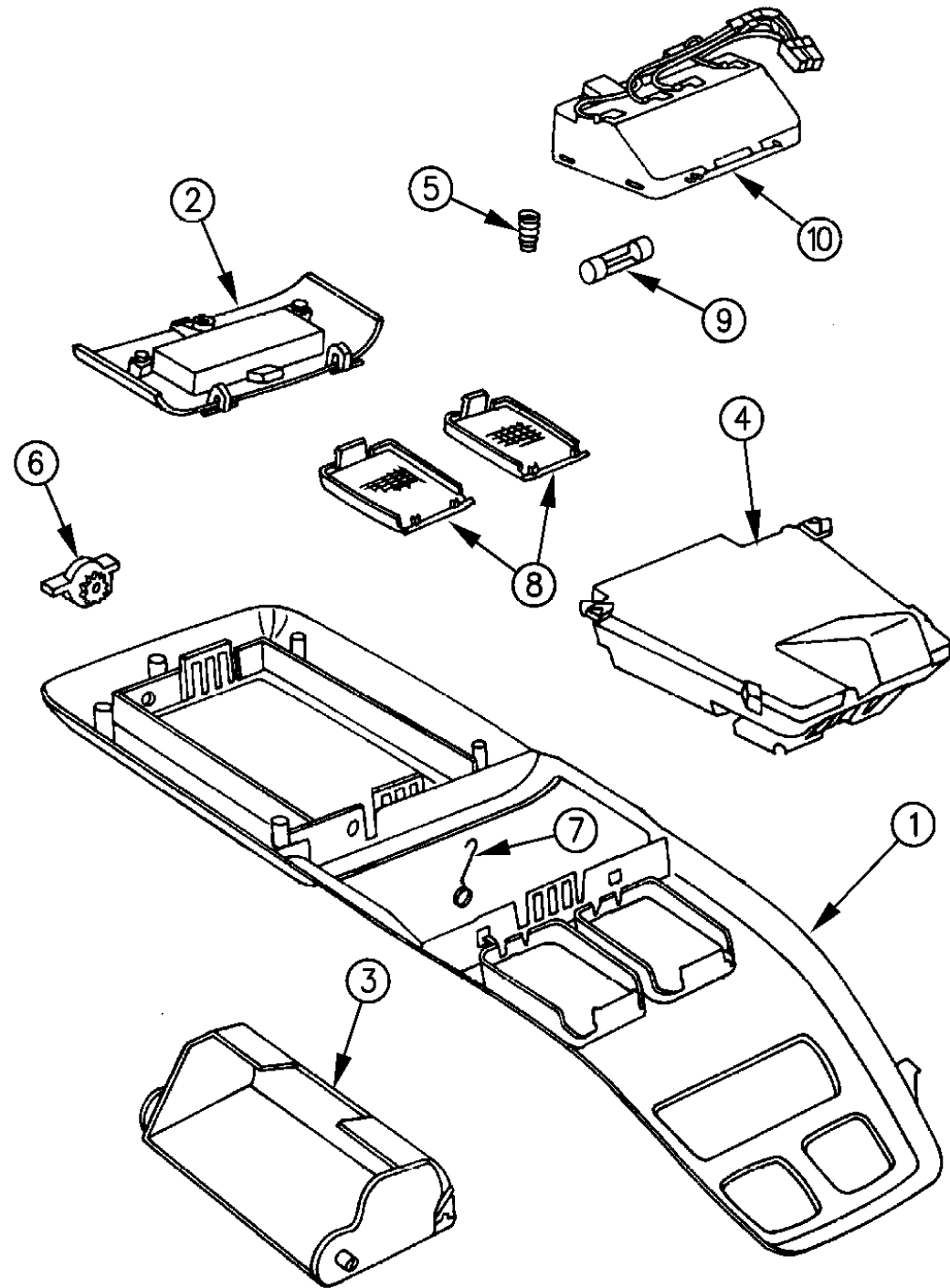
BODY STYLES:

21=2-Door Coupe 41=4-Door Sedan 12-52=FWD & AWD Van & Wgn Std W.B.  
 24=2-Door Hatchback 44=4-Door Hatchback 53=FWD & AWD Van & Wgn Ext. W.B.  
 27=2-Door Convertible

AR = Use as Required - = Non Illustrated Part P.A.R. = Paint as Required

CONSOLE, OVERHEAD J BODY  
Figure 8A-1700

93182 1700



ITEM	PART NUMBER	QTY	BODY	MODEL	DESCRIPTION
1					HOUSING, Console
	AR59 JB9	1			Blue
	AR59 LAZ	1			Agate
	AR59 LMA	1			Red
	AR59 JV8	1			Champagne
	4521 502	1			BRACKET, Console Mtg.
	4481 470	1			WIRING, Jumper
	4620 116	1			BEZEL, Trim
2	4620 114	1			DOOR, GDO
3	4620 061	1			DOOR, Sunglass Bin
4	5269 229	1			MODULE, Compass/Temperature
5	4547 576	2			SPRING, Judco Switch
6	4309 336	1			DAMPER, Viscous
7	4547 578	1			SPRING, Sunglass Latch
	4547 579	1			SPRING, Kick Out
8	4547 580-1	1			LENS, Reading Lamp
9	4547 577	2			BULB, Lamp
10	4547 573	1			HOUSING, Bulb

MODEL CODES:

A BODY=(C=LeBaron, D=Spirit, P=Acclaim/LaBaron(Landau), Saratoga) S BODY=(H=Voyager(H) FWD, K=Caravan(H) FWD, Y=Town & Country(H) FWD, P=Voyager(K) AWD, D=Caravan(K) AWD, C=Town & Country(K) AWD)  
 C BODY=(D=Dynasty, C=New Yorker/N.Y. Salon)  
 G BODY=(V=Daytona/IROC, Chrysler Daytona)  
 J BODY=(C=LeBaron, Chrysler LeBaron)  
 P BODY=(P=Sundance, D=Shadow)  
 Y BODY=(C=Imperial/5th Avenue)  
 E-S BODY=(K=Chrysler Voyager(H) FWD, D=Chrysler Voyager(K) AWD)

BODY STYLES:

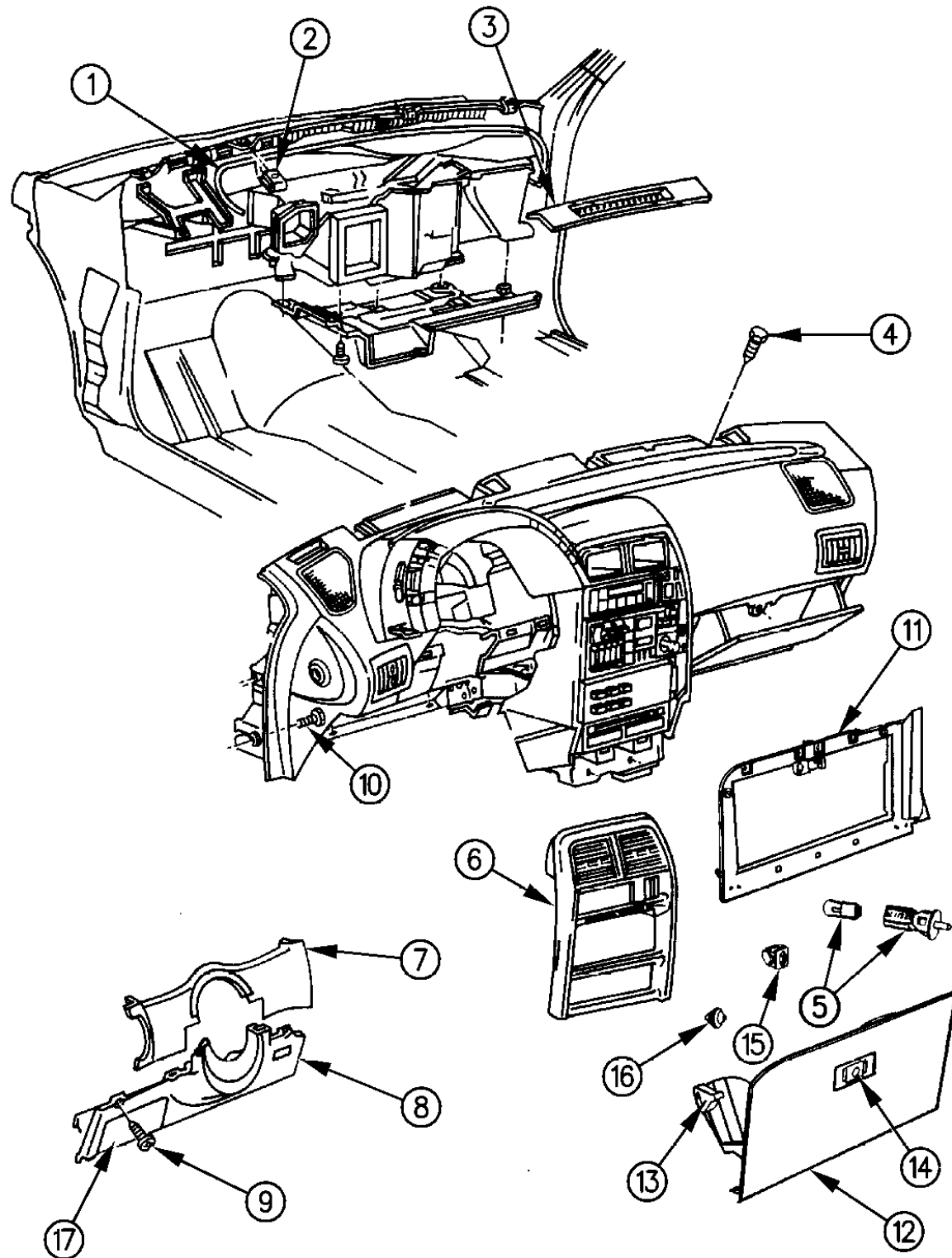
21=2-Door Coupe      41=4-Door Sedan      12-52=FWD & AWD Van & Wgn Std W.B.  
 24=2-Door Hatchback      44=4-Door Hatchback      53=FWD & AWD Van & Wgn Ext. W.B.  
 27=2-Door Convertible

AR = Use as Required - = Non Illustrated Part P.A.R. = Paint as Required

INSTRUMENT PANEL BEZELS G BODY

Figure 8A-1800

93182 1800



ITEM	PART NUMBER	QTY	BODY	MODEL	DESCRIPTION
1	4026 511	1			HOSE, Turbo Gauge
2		4			CLIP (DNS)
3					GRILLE, Defroster
	P564-5 JD5	1			Quartz
	P564-5 LM6	1			Red
	P564-5 LAZ	1			Agate
4	4460 805	4			CLIP, Grille
5	4373 674	1			SCREW (DNS)
	4565 204	1			LAMP, w/Switch Glovebox
6	HB61 LX8	1			PLUG
7	EE47 JD5	1			BEZEL, Trim
8	GD79 MD5	1			COVER, Steering Column Cluster Trim
					COVER, Steering Column Lower
					(EUROPEAN)
	GD83 MAZ	1			Agate
	GD83 MD5	1			Quartz
9		5			SCREW (DNS)
10		2			SCREW (DNS)
11					FRAME, Glovebox
	ET75 LD5	1			Quartz
	ET75 LM6	1			Red
	ET75 LAZ	1			Agate
12					DOOR, w/Bin, Glovebox
	HC62 MAZ	1			Agate
	HC62 MD5	1			Quartz
	HC62 MM6	1			Crimson Red
	HC62 MV8	1			Medium Champagne
	HC62 MB9	1			Midnight Blue
	5265 894	1			DECAL, Air Bag
13	5265 026	2			BUMPER, Door
14	P894 JX9	1			LATCH, Glovebox
15	4460 426	1			CLIP, Latch
	6032 838	3			CLIP, Screw
16	4460 184	2			BUMPER
17					COVER, Fuse Access
	ET89 LD5	1			Quartz
	ET89 LM6	1			Red
	ET89 LAZ	1			Agate

MODEL CODES:

A BODY=(C=LeBaron, D=Spirit, P=Acclaim/LaBaron(Landau), Saratoga)  
 C BODY=(D=Dynasty, C=New Yorker/N.Y. Salon)  
 G BODY=(V=Daytona/IROC, Chrysler Daytona)  
 J BODY=(C=LeBaron, Chrysler LeBaron)  
 P BODY=(P=Sundance, D=Shadow)

S BODY=(H=Voyager(H) FWD, K=Caravan(H) FWD, Y=Town & Country(H) FWD, P=Voyager(K) AWD, D=Caravan(K) AWD, C=Town & Country(K) AWD)  
 Y BODY=(C=Imperial/5th Avenue)  
 E-S BODY=(K=Chrysler Voyager(H) FWD, D=Chrysler Voyager(K) AWD)

BODY STYLES:

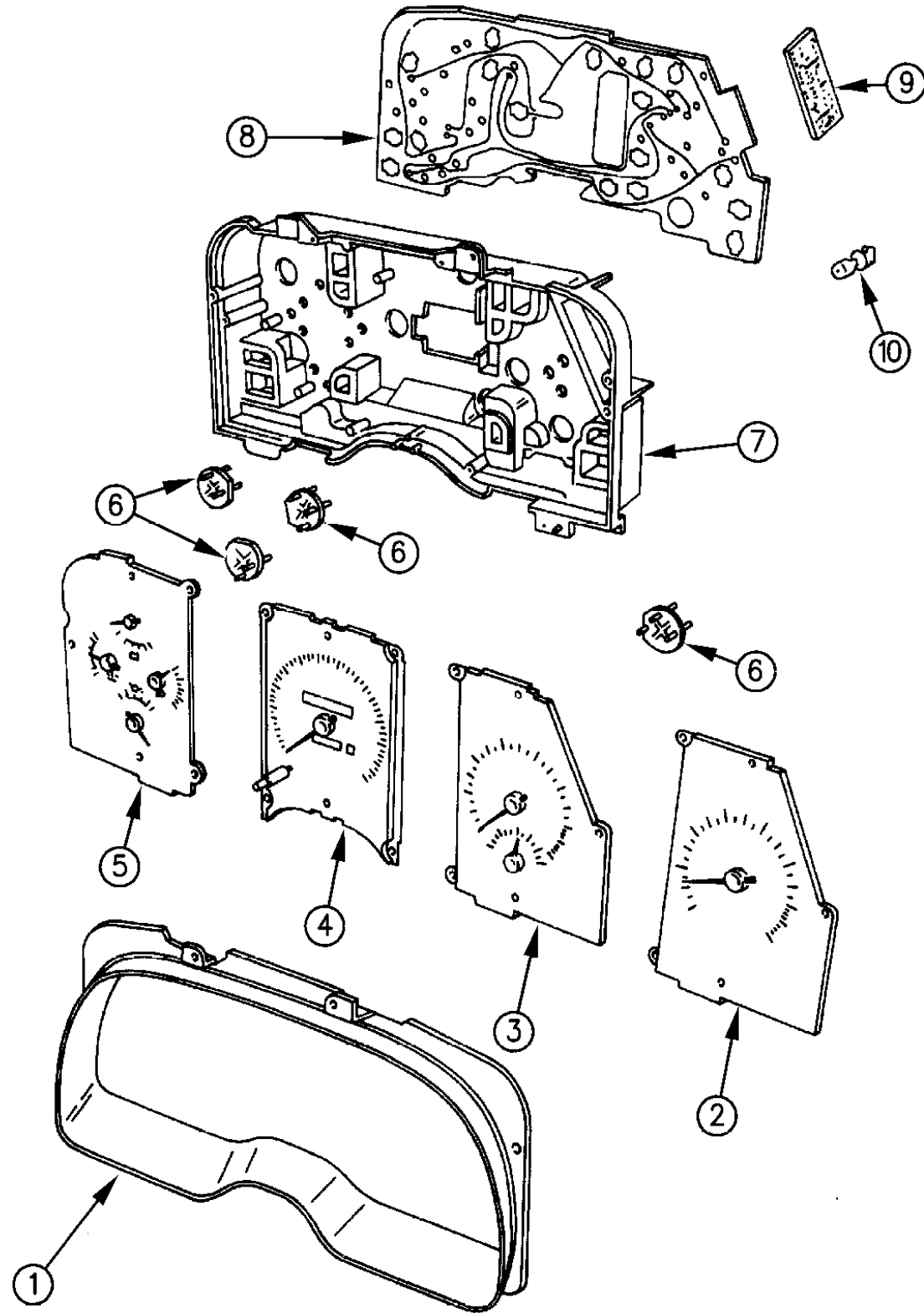
21=2-Door Coupe      41=4-Door Sedan      12-52=FWD & AWD Van & Wgn Std W.B.  
 24=2-Door Hatchback      44=4-Door Hatchback      53=FWD & AWD Van & Wgn Ext. W.B.  
 27=2-Door Convertible

AR = Use as Required - = Non Illustrated Part P.A.R. = Paint as Required

INSTRUMENT PANEL CLUSTER G BODY

Figure 8A-1900

93182 1900A



ITEM	PART NUMBER	QTY	BODY	MODEL	DESCRIPTION
1	5268 011	1			MASK, w/Lens, Cluster
2	4723 130	1			TACHOMETER, w/o Turbo Gauge
3					TACHOMETER
	4437 654	1			w/Turbo Gauge
	4723 136	1			w/160 Mph/270 Kph. Speedometer
4					SPEEDOMETER
	4638 944	1			220 Kmh.
	5269 304	1			160 Mph.
	5269 306	1			270 Kph.
	3592 750	1			LABEL, Speedometer
5	5268 206	1			GAUGE, Oil/Temp. Volt/Fuel
6					ADAPTER
	4437 727	2			Fuel/Oil Gauge
	4437 728	1			Volt Gauge
	4437 727	2			Tachometer/Temp.
7	5268 344	1			HOUSING, Cluster
	4437 663	14			NUT, Gauge to Board Mtg.
	4437 662	7			SCREW, Board to Housing
8	5268 219	1			BOARD, Printed Circuit
9	4375 410	1			BOARD, Tachometer Drive
10					BULB, w/Socket
	5269 245	2			Low Fuel/Seat Belt Warning
	4437 590	AR			Circuit Board

MODEL CODES:

A BODY=(C=LeBaron, D=Spirit, P=Acclaim/LaBaron(Landau),  
Saratoga)  
C BODY=(D=Dynasty, C=New Yorker/N.Y. Salon)  
G BODY=(V=Daytona/IROC, Chrysler Daytona)  
J BODY=(C=LeBaron, Chrysler LeBaron)  
P BODY=(P=Sundance, D=Shadow)

S BODY=(H=Voyager(H) FWD, K=Caravan(H) FWD,  
Y=Town & Country(H) FWD, P=Voyager(K) AWD,  
D=Caravan(K) AWD, C=Town & Country(K) AWD)  
Y BODY=(C=Imperial/5th Avenue)  
E-S BODY=(K=Chrysler Voyager(H) FWD, D=Chrysler  
Voyager(K) AWD)

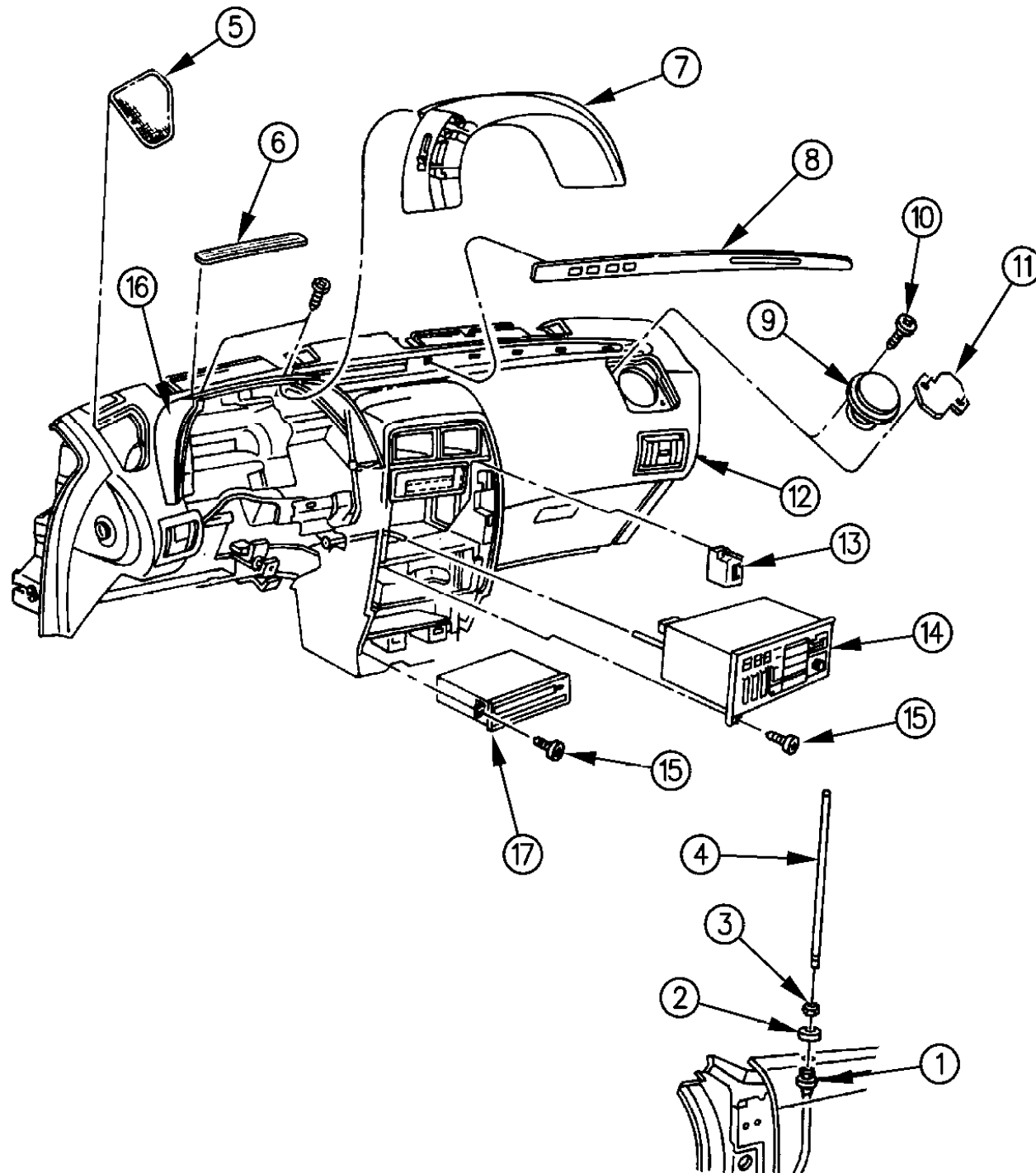
BODY STYLES:

21=2-Door Coupe      41=4-Door Sedan      12-52=FWD & AWD Van & Wgn Std W.B.  
24=2-Door Hatchback      44=4-Door Hatchback      53=FWD & AWD Van & Wgn Ext. W.B.  
27=2-Door Convertible

AR = Use as Required - = Non Illustrated Part P.A.R. = Paint as Required

**INSTRUMENT PANEL, RADIO AND ANTENNA G BODY**  
**Figure 8A-2000**

93182 2000



ITEM	PART NUMBER	QTY	BODY	MODEL	DESCRIPTION
1	5269 003	1			BODY, w/Cable
2	4372 144	1			ADAPTER, w/Gasket
3	4372 136	1			NUT, Cap
4	4469 015	1			MAST, Antenna
5					GRILLE, Speaker
	P296-7 JD5	1			Quartz
	P296-7 LM6	1			Red
	P296-7 LAZ	1			Agate
6					GRILLE, Cluster Vent
	P566 JD5	1			Quartz
	P566 LM6	1			Red
	P566 LAZ	1			Agate
7					BEZEL, Cluster Switch Trim
					OUTER
	5265 500	1			w/o Fog Lamps, w/o Rear Wipe/Wash
	5265 501	1			w/Fog Lamps
	5265 502	1			w/Rear Wipe/Wash
	5265 503	1			w/Fog Lamps, w/Rear Wipe/Wash
	5265 504	1			INNER
8					MODULE, Message Center, Order Component Listed Below
	4437 498	1			Housing, w/Circuit Board
	4437 661	AR			Lamp, w/Socket
	4437 614	1			Bezel, w/o Alarm System, w/Name Plate
	4437 612	1			Bezel, w/Alarm System, w/Name Plate
9					SPEAKER
	4469 283	2			I/Panel
	5269 195	2			Rear, Name Brand
	4469 286	2			Rear, Standard
	4430 171	1			CHOKE, Speaker
10		4			SCREW (DNS)
11	4460 984	2			COVER, Speaker
12					PANEL, Instrument
	ET71 LD5	1			Quartz
	ET71 LM6	1			Red
	ET71 LAZ	1			Agate
13	4373 331	1			SWITCH, Heated Backlite
	4565 060	1			COVER, Backlite Switch
14					RADIO
	5269 411	1			Am/Fm/Mx, Black

**MODEL CODES:**

A BODY=(C=LeBaron, D=Spirit, P=Acclaim/LaBaron(Landau), Saratoga)

C BODY=(D=Dynasty, C=New Yorker/N.Y. Salon)

G BODY=(V=Daytona/IROC, Chrysler Daytona)

J BODY=(C=LeBaron, Chrysler LeBaron)

P BODY=(P=Sundance, D=Shadow)

S BODY=(H=Voyager(H) FWD, K=Caravan(H) FWD,

Y=Town & Country(H) FWD, P=Voyager(K) AWD,

D=Caravan(K) AWD, C=Town & Country(K) AWD)

Y BODY=(C=Imperial/5th Avenue)

E-S BODY=(K=Chrysler Voyager(H) FWD, D=Chrysler

Voyager(K) AWD)

**BODY STYLES:**

21=2-Door Coupe

41=4-Door Sedan

12-52=FWD & AWD Van & Wgn Std W.B.

24=2-Door Hatchback

44=4-Door Hatchback

53=FWD & AWD Van & Wgn Ext. W.B.

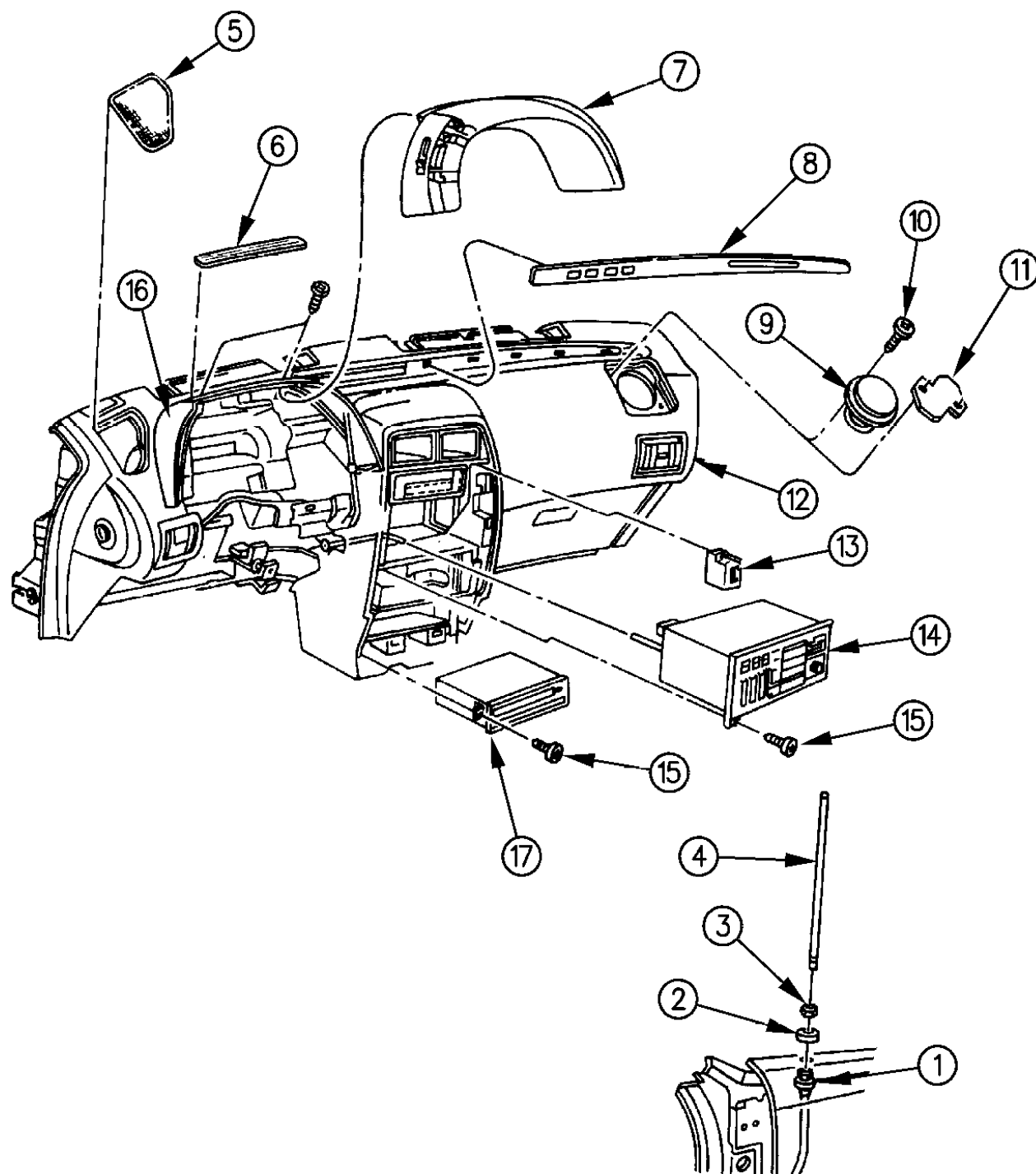
27=2-Door Convertible

AR = Use as Required - = Non Illustrated Part P.A.R. = Paint as Required



**INSTRUMENT PANEL, RADIO AND ANTENNA G BODY**  
**Figure 8A-2000**

93182 2000



ITEM	PART NUMBER	QTY	BODY	MODEL	DESCRIPTION
	5269 414	1			Am/Fm/Mx w/Cassette, Black
	5269 054	1			w/CD Player
	4741 444	1			KNOB, Radio
	4741 445	1			Primary
	4741 435	1			Secondary
	4741 436	1			Volume
	4741 437	1			Joystick
	4741 437	1			Equilizer
15		AR			SCREW (DNS)
	6034 422	2			U-NUT, Radio Mtg.
16	ET70 LD5	1			COVER, Cluster Trim Outer
17					BOX, Cubby
	5265 088	1			Upper
	5265 086	1			Lower

**MODEL CODES:**

A BODY=(C=LeBaron, D=Spirit, P=Acclaim/LaBaron(Landau), Saratoga)      S BODY=(H=Voyager(H) FWD, K=Caravan(H) FWD, Y=Town & Country(H) FWD, P=Voyager(K) AWD, D=Caravan(K) AWD, C=Town & Country(K) AWD)  
 C BODY=(D=Dynasty, C=New Yorker/N.Y. Salon)      Y BODY=(C=Imperial/5th Avenue)  
 G BODY=(V=Daytona/IROC, Chrysler Daytona)      E-S BODY=(K=Chrysler Voyager(H) FWD, D=Chrysler Voyager(K) AWD)  
 J BODY=(C=LeBaron, Chrysler LeBaron)  
 P BODY=(P=Sundance, D=Shadow)

**BODY STYLES:**

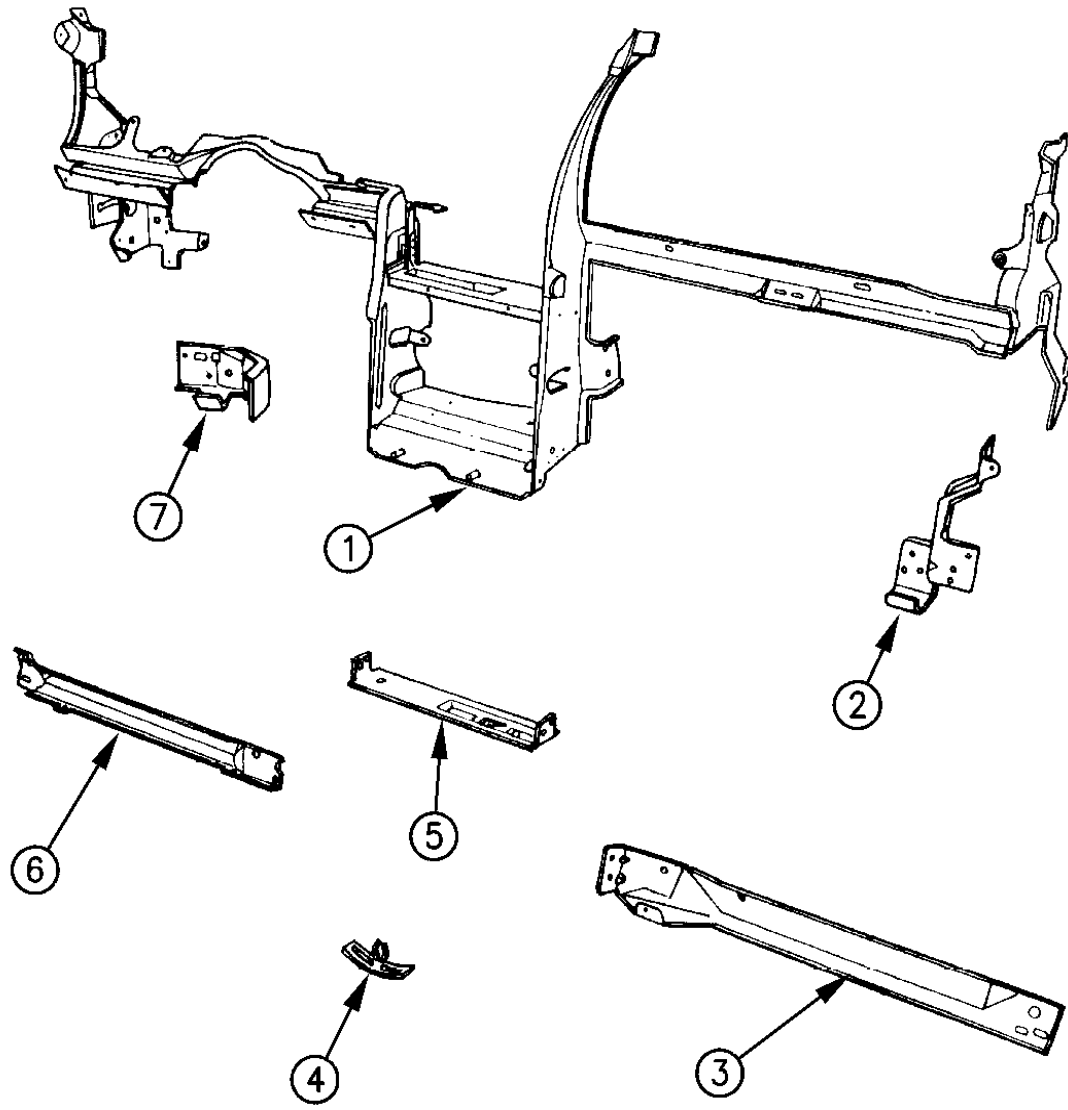
21=2-Door Coupe      41=4-Door Sedan      12-52=FWD & AWD Van & Wgn Std W.B.  
 24=2-Door Hatchback      44=4-Door Hatchback      53=FWD & AWD Van & Wgn Ext. W.B.  
 27=2-Door Convertible

AR = Use as Required - = Non Illustrated Part P.A.R. = Paint as Required

**INSTRUMENT PANEL REINFORCEMENTS G BODY**  
**Figure 8A-2100**

93182 2100

ITEM	PART NUMBER	QTY	BODY	MODEL	DESCRIPTION
1	5265 551	1			REINFORCEMENT, Main
2	5265 706	1			SUPPORT, Lower Right
3	5265 708	1			REINFORCEMENT, Lower Right
4	4524 275	1			CLIP, Module Att.
5	4636 537	1			BRACKET, w/Clip, Module
6	5265 711	1			REINFORCEMENT, Lower Left
7	5265 709	1			REINFORCEMENT, Center Support



**MODEL CODES:**

A BODY=(C=LeBaron, D=Spirit, P=Acclaim/LaBaron(Landau), Saratoga)      S BODY=(H=Voyager(H) FWD, K=Caravan(H) FWD, Y=Town & Country(H) FWD, P=Voyager(K) AWD, D=Caravan(K) AWD, C=Town & Country(K) AWD)  
 C BODY=(D=Dynasty, C=New Yorker/N.Y. Salon)  
 G BODY=(V=Daytona/IROC, Chrysler Daytona)      Y BODY=(C=Imperial/5th Avenue)  
 J BODY=(C=LeBaron, Chrysler LeBaron)      E-S BODY=(K=Chrysler Voyager(H) FWD, D=Chrysler Voyager(K) AWD)  
 P BODY=(P=Sundance, D=Shadow)

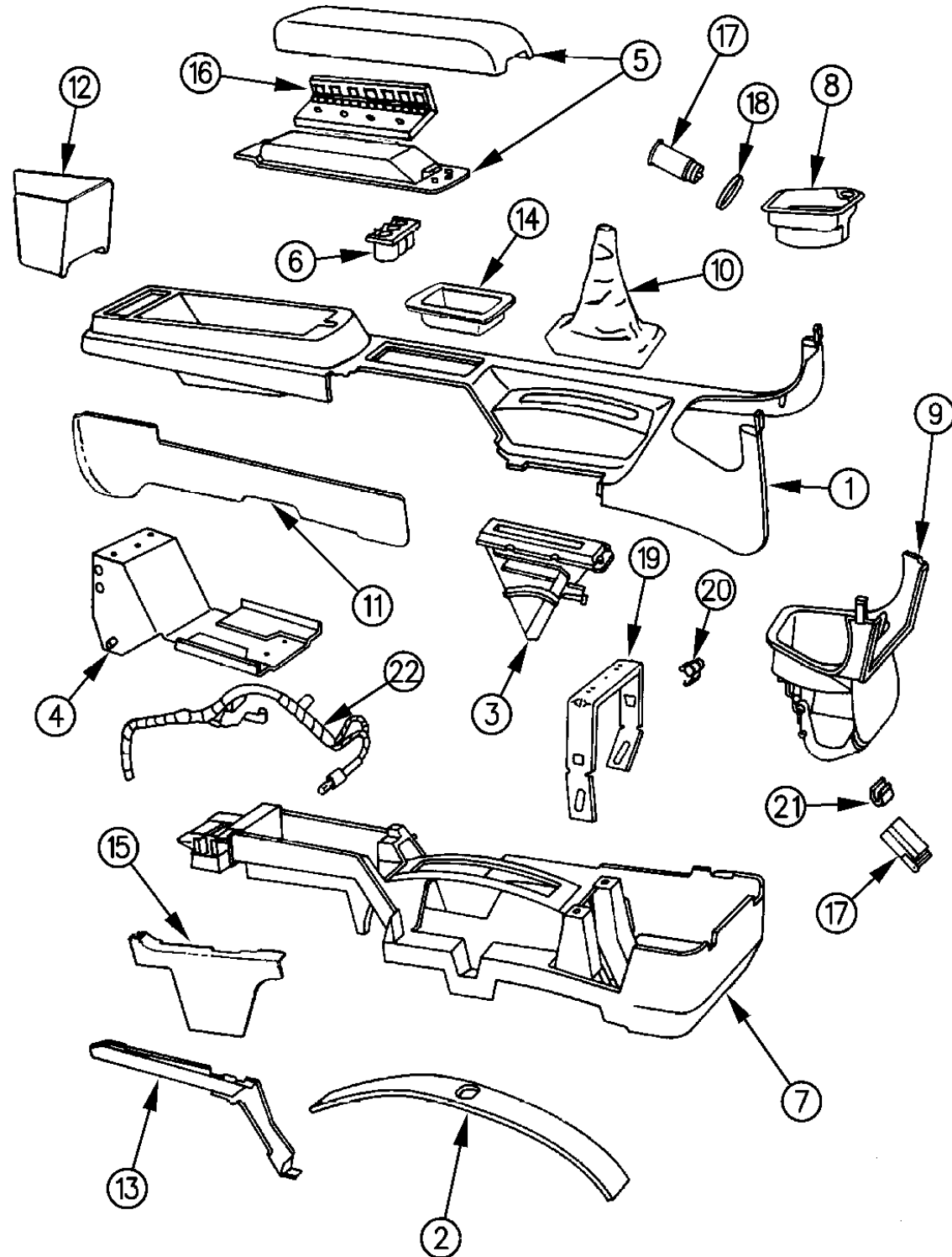
**BODY STYLES:**

21=2-Door Coupe      41=4-Door Sedan      12-52=FWD & AWD Van & Wgn Std W.B.  
 24=2-Door Hatchback      44=4-Door Hatchback      53=FWD & AWD Van & Wgn Ext. W.B.  
 27=2-Door Convertible

AR = Use as Required - = Non Illustrated Part P.A.R. = Paint as Required

CONSOLE, CENTER G BODY  
Figure 8A-2200

93182 2200



ITEM	PART NUMBER	QTY	BODY	MODEL	DESCRIPTION
1					BASE, Console
	DL22 JV8	1			w/Manual Trans.
	DL21 JV8	1			w/Auto Trans.
2	4611 583	1			SLIDE, Gear Selector
3		1			LAMP, Gear Selector
	4565 363	1			w/3 Speed Auto
	4565 364	1			w/4 Speed Auto
4	4496 340	1			BRACKET, Rear Adjusting
5	V654 KX9	1			ARMREST, Console
6	4453 741	1			HOLDER, Coin
7					REINFORCEMENT, Lower
	4620 860	1			w/Auto Trans.
	4620 861	1			w/Manual Trans.
8	4473 344	1			RECEPTACLE, Ash Receiver
9	4620 030	1			HOUSING, Ash Receiver
10	4471 170	1			BOOT, w/Manual Trans.
11					PANEL, w/Carpet, Side
					RIGHT
	GC60 LD5	1			Quartz
	GC60 LAZ	1			Agate
	GC60 LM6	1			Red
	GC60 LRC	1			Radiant Red
					LEFT
	GC39 LD5	1			Quartz
	GC39 LAZ	1			Agate
	GC39 LM6	1			Red
	GC39 LRC	1			Radiant Red
12					CARPET, Rear
	GA26 LD5	1			Quartz
	GA26 LM6	1			Red
	GA26 LAZ	1			Agate
	GA26 LRC	1			Radiant Red
13	4496 333	1			SEAL, Hand Brake
14	4373 513	1			BOX, Cubby
15	GA24 LX8	1			COVER, Hand Brake
16	4496 819	1			HINGE, Armrest
	4496 829	1			SPRING, Latch
17	3747 633	1			SHELL, C/Lighter ***
	4221 761	1			KNOB, C/Lighter

MODEL CODES:

A BODY=(C=LeBaron, D=Spirit, P=Acclaim/LaBaron(Landau, Saratoga)

C BODY=(D=Dynasty, C=New Yorker/N.Y. Salon)

G BODY=(V=Daytona/IROC, Chrysler Daytona)

J BODY=(C=LeBaron, Chrysler LeBaron)

P BODY=(P=Sundance, D=Shadow)

S BODY=(H=Voyager(H) FWD, K=Caravan(H) FWD,

Y=Town & Country(H) FWD, P=Voyager(K) AWD,

D=Caravan(K) AWD, C=Town & Country(K) AWD)

Y BODY=(C=Imperial/5th Avenue)

E-S BODY=(K=Chrysler Voyager(H) FWD, D=Chrysler

Voyager(K) AWD)

BODY STYLES:

21=2-Door Coupe

41=4-Door Sedan

12-52=FWD & AWD Van & Wgn Std W.B.

24=2-Door Hatchback

44=4-Door Hatchback

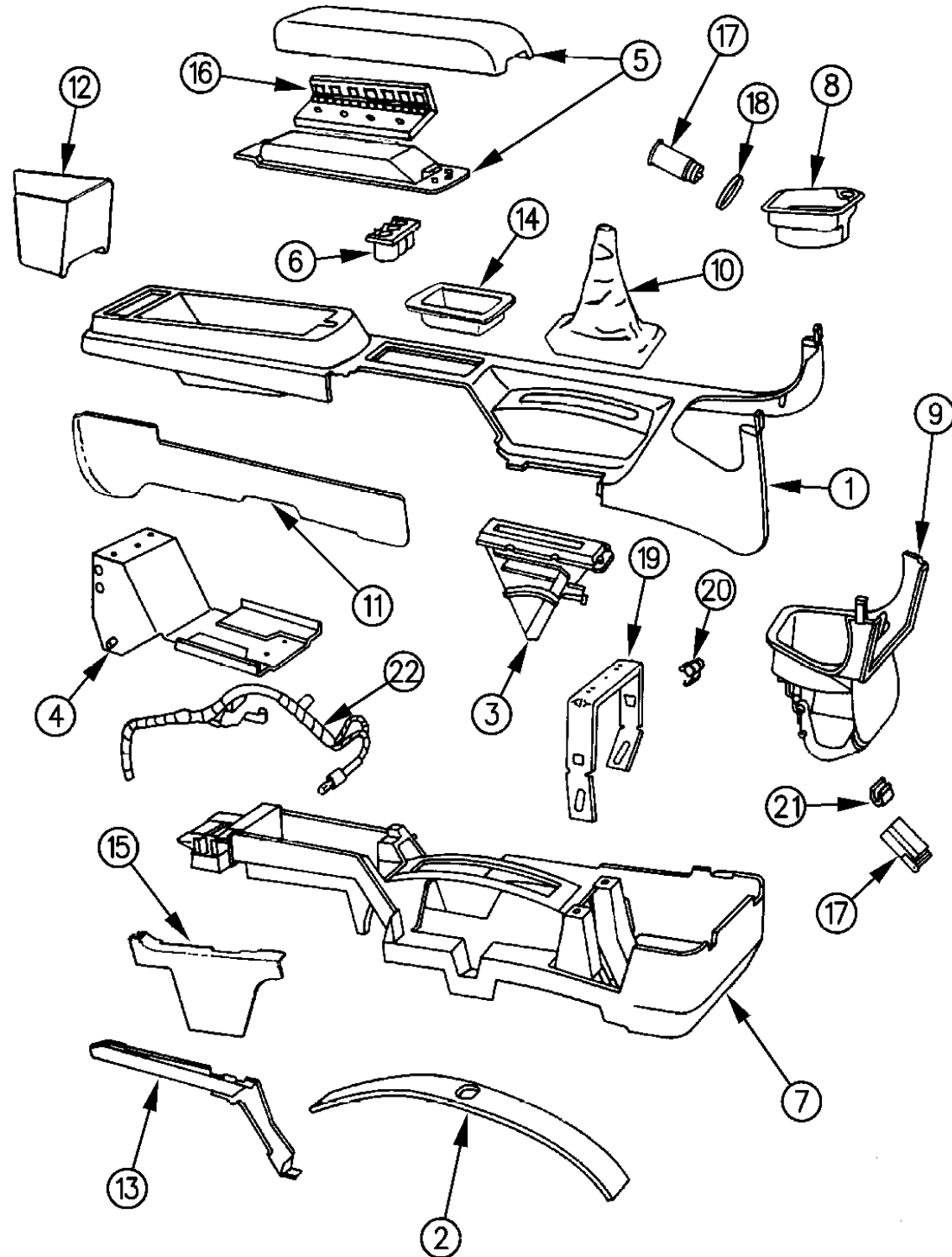
53=FWD & AWD Van & Wgn Ext. W.B.

27=2-Door Convertible

AR = Use as Required - = Non Illustrated Part P.A.R. = Paint as Required

CONSOLE, CENTER G BODY  
Figure 8A-2200

93182 2200



ITEM	PART NUMBER	QTY	BODY	MODEL	DESCRIPTION
	3004 190	1			ELEMENT, C/Lighter
18	3746 629	1			RING, Trim
19	4620 938	1			BRACKET, Upper Mtg.
20	4437 852	1			HOOD, Ash Receiver Bulb
21	4453 758	1			BUMPER, Ash Receiver Lid
22	5267 058	1			WIRING, Console

MODEL CODES:

A BODY=(C=LeBaron, D=Spirit, P=Acclaim/LaBaron(Landau),  
Saratoga)  
C BODY=(D=Dynasty, C=New Yorker/N.Y. Salon)  
G BODY=(V=Daytona/IROC, Chrysler Daytona)  
J BODY=(C=LeBaron, Chrysler LeBaron)  
P BODY=(P=Sundance, D=Shadow)

S BODY=(H=Voyager(H) FWD, K=Caravan(H) FWD,  
Y=Town & Country(H) FWD, P=Voyager(K) AWD,  
D=Caravan(K) AWD, C=Town & Country(K) AWD)  
Y BODY=(C=Imperial/5th Avenue)  
E-S BODY=(K=Chrysler Voyager(H) FWD, D=Chrysler  
Voyager(K) AWD)

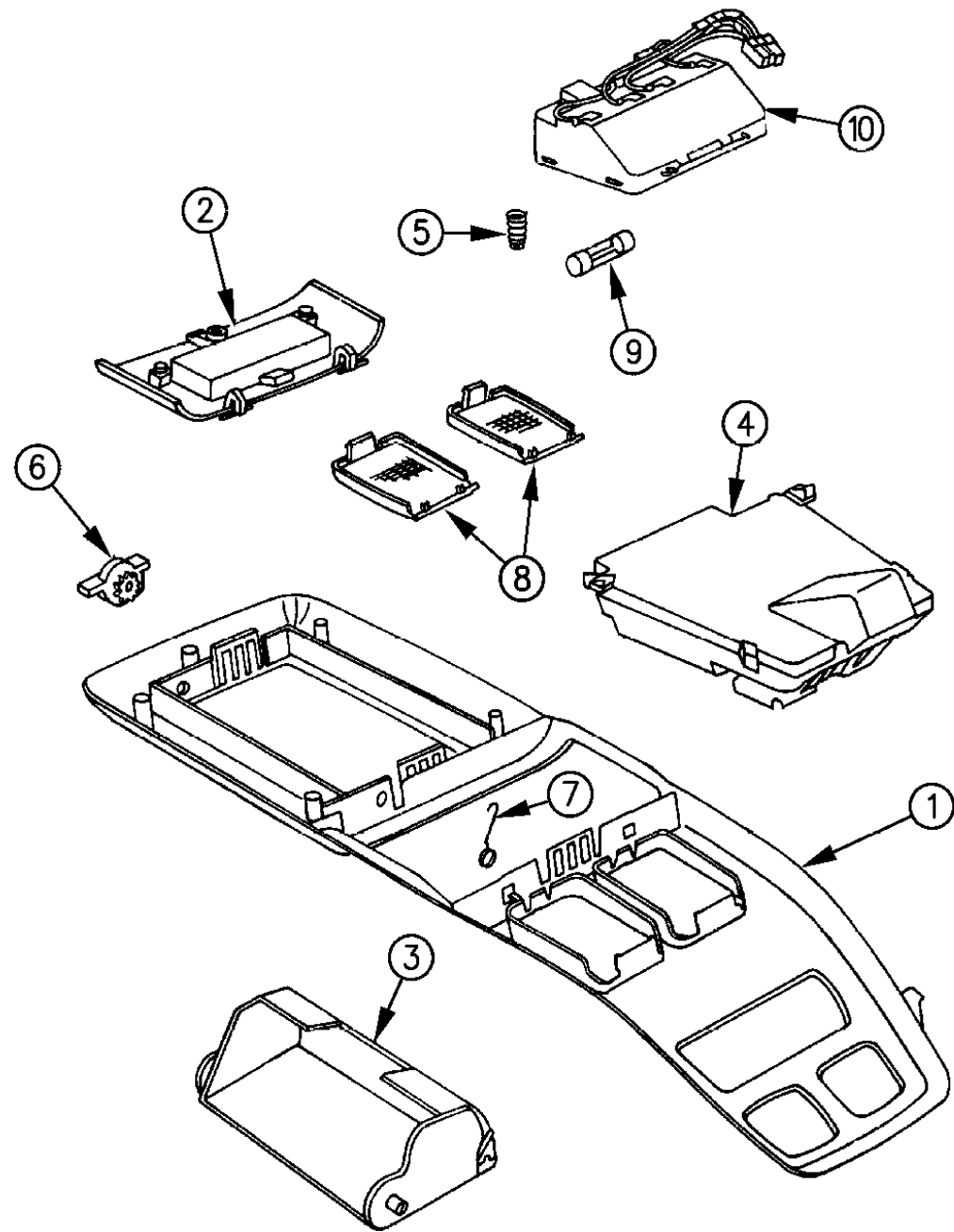
BODY STYLES:

21=2-Door Coupe      41=4-Door Sedan      12-52=FWD & AWD Van & Wgn Std W.B.  
24=2-Door Hatchback      44=4-Door Hatchback      53=FWD & AWD Van & Wgn Ext. W.B.  
27=2-Door Convertible

AR = Use as Required - = Non Illustrated Part P.A.R. = Paint as Required

CONSOLE, OVERHEAD G BODY  
Figure 8A-2300

93182 2300



ITEM	PART NUMBER	QTY	BODY	MODEL	DESCRIPTION
1					HOUSING, Console
	AR61 LMA	1			Red
	AR61 LAZ	1			Agate
	4521 500	1			BRACKET, Console Mtg.
2	4620 114	1			DOOR, Garage Door Opener
3	4620 061	1			DOOR, Sunglass Bin
4	5269 229	1			MODULE, Compass/Temperature
	4481 470	1			WIRING, Jumper
5	4547 576	1			SPRING, Judco Switch
6	4309 336	1			DAMPER, Viscous
7	4547 578	1			SPRING, Sunglass Latch
	4547 579	1			SPRING, Kick Out
8	4547 580-1	1			LENS, Reading Lamp
9	4547 577	2			BULB, Reading Lamp
10	4547 573	1			HOUSING, Bulb

MODEL CODES:

A BODY=(C=LeBaron, D=Spirit, P=Acclaim/LaBaron(Landau),  
Saratoga)  
C BODY=(D=Dynasty, C=New Yorker/N.Y. Salon)  
G BODY=(V=Daytona/IROC, Chrysler Daytona)  
J BODY=(C=LeBaron, Chrysler LeBaron)  
P BODY=(P=Sundance, D=Shadow)

S BODY=(H=Voyager(H) FWD, K=Caravan(H) FWD,  
Y=Town & Country(H) FWD, P=Voyager(K) AWD,  
D=Caravan(K) AWD, C=Town & Country(K) AWD)  
Y BODY=(C=Imperial/5th Avenue)  
E-S BODY=(K=Chrysler Voyager(H) FWD, D=Chrysler  
Voyager(K) AWD)

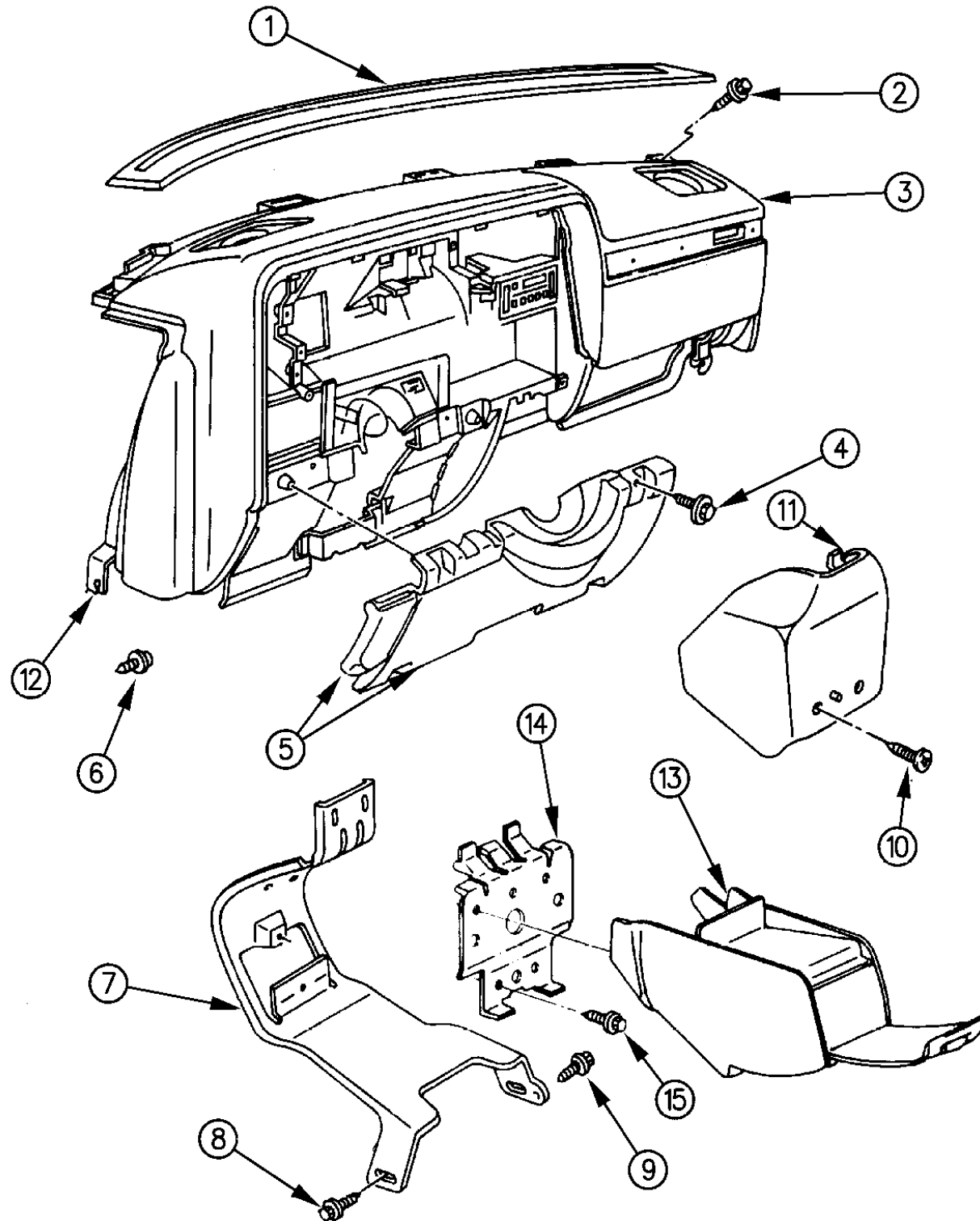
BODY STYLES:

21=2-Door Coupe      41=4-Door Sedan      12-52=FWD & AWD Van & Wgn Std W.B.  
24=2-Door Hatchback      44=4-Door Hatchback      53=FWD & AWD Van & Wgn Ext. W.B.  
27=2-Door Convertible

AR = Use as Required - = Non Illustrated Part P.A.R. = Paint as Required

**INSTRUMENT PANEL AND PAD C BODY**  
Figure 8A-2400

93182 2400



ITEM	PART NUMBER	QTY	BODY	MODEL	DESCRIPTION
1	P527 HV8	1			COVER, Top
	4372 150	1			SEAL, Top Cover
	6500 926	AR			CLIP, Panel
2	6031 011	5			SCREW
	DH75 LAZ	1			Agate
	DH75 KB9	1			Blue
	DH75 LM6	1			Red
	DH75 KV8	1			Champagne
3	4439 055	6			FASTENER, I/Panel Pad
	6032 723	7			SCREW
	FR81 KV8	1			COVER, w/Brake Release Handle SILENCER, I/Panel
4	4621 062	1			Left
	4460 132	1			Right
	4220 344	AR			FASTENER
	6032 723	2			SCREW
5	4460 137	1			BRACKET
6	6100 584	1			SCREW
7	6033 901	1			SCREW
8	6032 723	7			SCREW
11					COVER, Bracket
	WT04 LAZ	1			Agate
	WT04 JB9	1			Blue
	WT04 LM6	1			Red
	WT04 JV8	1			Champagne
12					SUPPORT
	4460 105	1			Left
	4678 058	1			Center, w/Right and Left Supports
	4460 104	1			Right
13	ES62 LV8	1			CONSOLE, Mini
					DRAWER, Console
	GV26 LAZ	1			Agate
	GV26 LB9	1			Blue
	GV26 LM6	1			Red
14	GV26 LV8	1			Champagne
					LATCH, Drawer
	GV25 LAZ	1			Agate
15	GV25 LB9	1			Blue

**MODEL CODES:**

A BODY=(C=LeBaron, D=Spirit, P=Acclaim/LaBaron(Landau, Saratoga) S BODY=(H=Voyager(H) FWD, K=Caravan(H) FWD, Y=Town & Country(H) FWD, P=Voyager(K) AWD, D=Caravan(K) AWD, C=Town & Country(K) AWD)  
 C BODY=(D=Dynasty, C=New Yorker/N.Y. Salon)  
 G BODY=(V=Daytona/ROC, Chrysler Daytona)  
 J BODY=(C=LeBaron, Chrysler LeBaron)  
 P BODY=(P=Sundance, D=Shadow)  
 Y BODY=(C=Imperial/5th Avenue)  
 E-S BODY=(K=Chrysler Voyager(H) FWD, D=Chrysler Voyager(K) AWD)

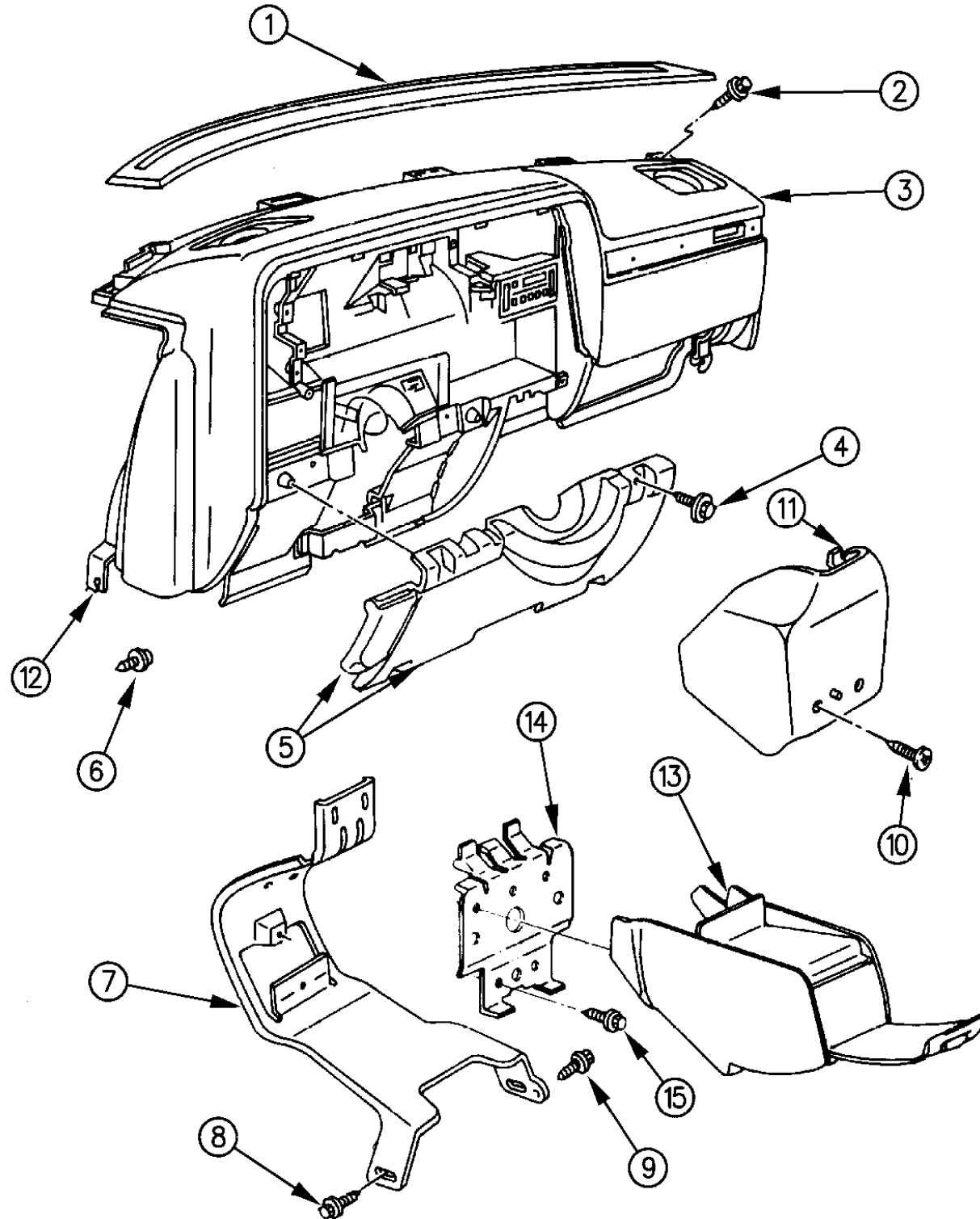
**BODY STYLES:**

21=2-Door Coupe      41=4-Door Sedan      12-52=FWD & AWD Van & Wgn Std W.B.  
 24=2-Door Hatchback      44=4-Door Hatchback      53=FWD & AWD Van & Wgn Ext. W.B.  
 27=2-Door Convertible

AR = Use as Required - = Non Illustrated Part P.A.R. = Paint as Required

**INSTRUMENT PANEL AND PAD C BODY**  
Figure 8A-2400

93182 2400



ITEM	PART NUMBER	QTY	BODY	MODEL	DESCRIPTION
	GV25 LM6	1			Red
	GV25 LV8	1			Champagne LATCH, Door
	GV27 LAZ	1			Agate
	GV27 LB9	1			Blue
	GV27 LM6	1			Red
	GV27 LV8	1			Champagne DOOR, Console
	GV28 LAZ	1			Agate
	GV28 LB9	1			Blue
	GV28 LM6	1			Red
	GV28 LV8	1			Champagne
14	4681 506	1			BRACKET, Console
15		AR			SCREW (DNS)

**MODEL CODES:**

A BODY=(C=LeBaron, D=Spirit, P=Acclaim/LaBaron(Landau),  
Saratoga)  
C BODY=(D=Dynasty, C=New Yorker/N.Y. Salon)  
G BODY=(V=Daytona/IROC, Chrysler Daytona)  
J BODY=(C=LeBaron, Chrysler LeBaron)  
P BODY=(P=Sundance, D=Shadow)

S BODY=(H=Voyager(H) FWD, K=Caravan(H) FWD,  
Y=Town & Country(H) FWD, P=Voyager(K) AWD,  
D=Caravan(K) AWD, C=Town & Country(K) AWD)  
Y BODY=(C=Imperial/5th Avenue)  
E-S BODY=(K=Chrysler Voyager(H) FWD, D=Chrysler  
Voyager(K) AWD)

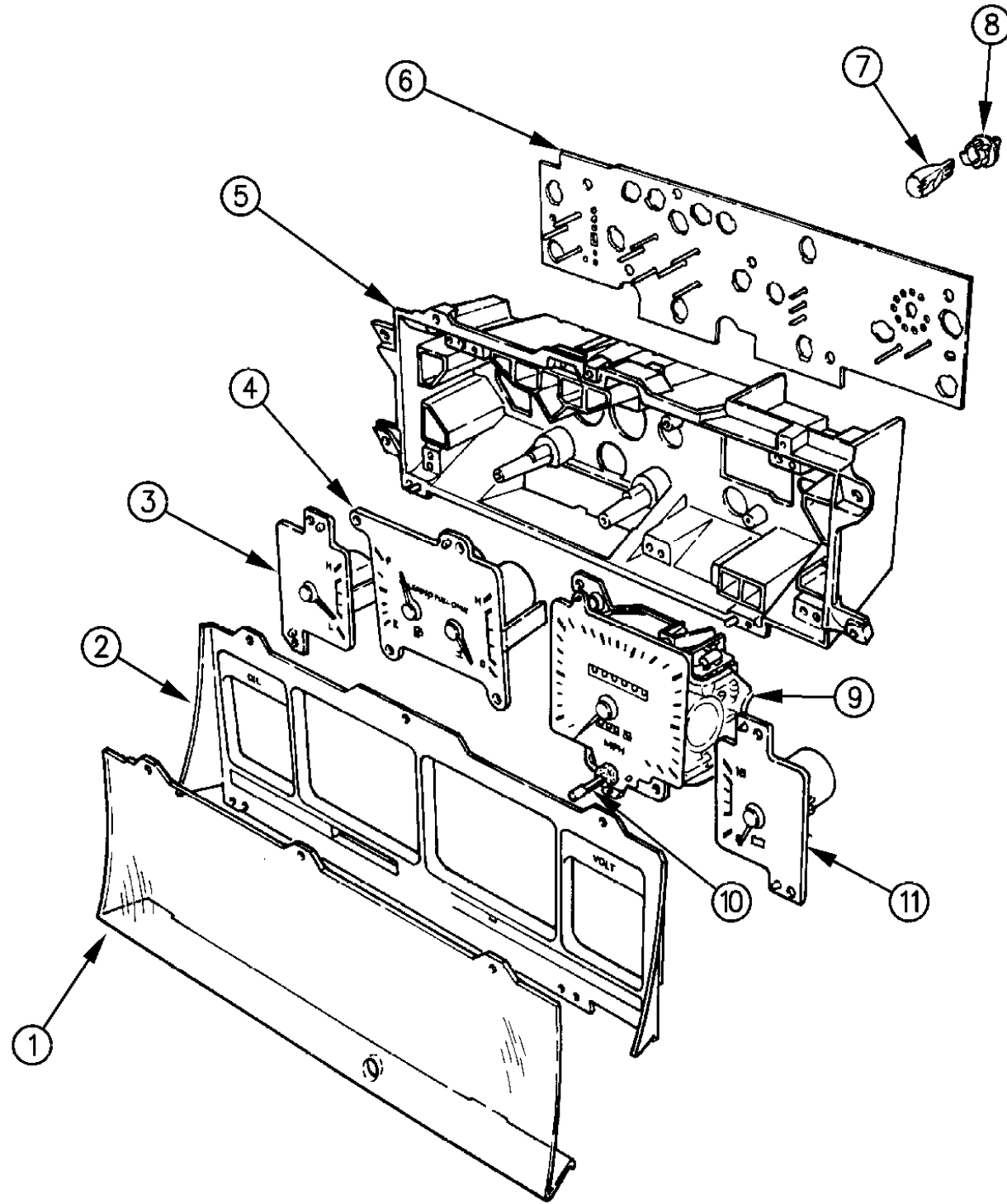
**BODY STYLES:**

21=2-Door Coupe      41=4-Door Sedan      12-52=FWD & AWD Van & Wgn Std W.B.  
24=2-Door Hatchback      44=4-Door Hatchback      53=FWD & AWD Van & Wgn Ext. W.B.  
27=2-Door Convertible

AR = Use as Required - = Non Illustrated Part P.A.R. = Paint as Required

**INSTRUMENT PANEL CLUSTER C BODY**  
Figure 8A-2500

93182 2500



ITEM	PART NUMBER	QTY	BODY	MODEL	DESCRIPTION
1	4375 181	1			LENS, Cluster
2	5268 093	1			MASK, Cluster (w/Analog) (w/Elec. Cluster Serv. w/Cluster)
	4437 721	1			MIDEAST
3	4375 201	1			GAUGE, Oil
4	4723 084	1			GAUGE, Fuel/Temperature
5	5268 094	1			HOUSING, Cluster
6	4437 723	1			BOARD, Printed Circuit
7	9421 330	AR			BULB
8	4437 565	AR			SOCKET, Bulb
9					SPEEDOMETER
	4713 522	1			120 Mph.
	4713 523	1			200 Kilo.
	3592 750	1			LABEL, Speedometer
10	4375 367	1			KNOB, Odometer Reset
11	4375 203	1			GAUGE, Volt

**MODEL CODES:**

A BODY=(C=LeBaron, D=Spirit, P=Acclaim/LaBaron(Landau),  
Saratoga)  
C BODY=(D=Dynasty, C=New Yorker/N.Y. Salon)  
G BODY=(V=Daytona/IROC, Chrysler Daytona)  
J BODY=(C=LeBaron, Chrysler LeBaron)  
P BODY=(P=Sundance, D=Shadow)

S BODY=(H=Voyager(H) FWD, K=Caravan(H) FWD,  
Y=Town & Country(H) FWD, P=Voyager(K) AWD,  
D=Caravan(K) AWD, C=Town & Country(K) AWD)  
Y BODY=(C=Imperial/5th Avenue)  
E-S BODY=(K=Chrysler Voyager(H) FWD, D=Chrysler  
Voyager(K) AWD)

**BODY STYLES:**

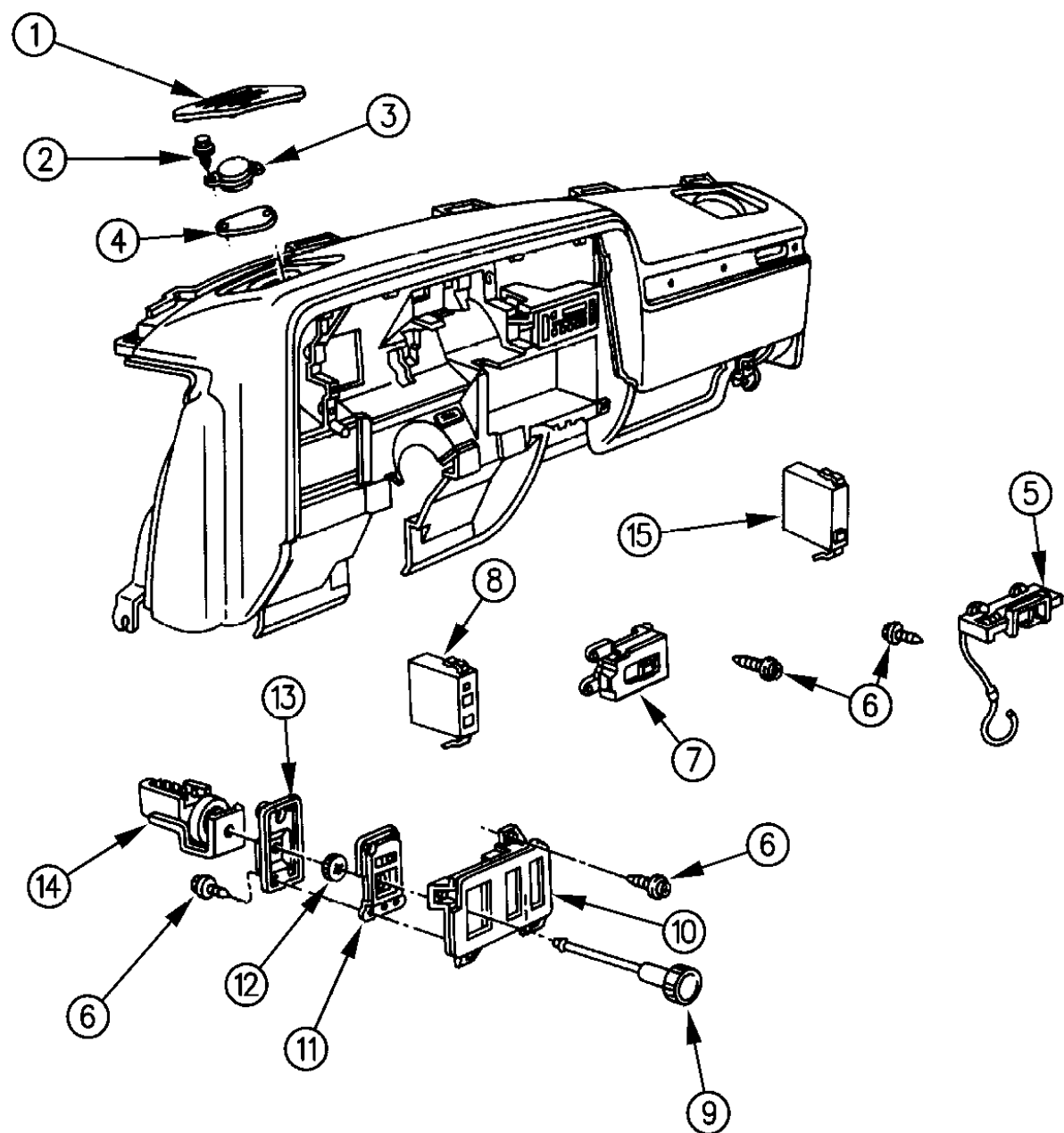
21=2-Door Coupe      41=4-Door Sedan      12-52=FWD & AWD Van & Wgn Std W.B.  
24=2-Door Hatchback      44=4-Door Hatchback      53=FWD & AWD Van & Wgn Ext. W.B.  
27=2-Door Convertible

AR = Use as Required - = Non Illustrated Part P.A.R. = Paint as Required



**INSTRUMENT PANEL SWITCHES, CONTROLS AND SPEAKERS C BODY**  
**Figure 8A-2600**

93182 2600



ITEM	PART NUMBER	QTY	BODY	MODEL	DESCRIPTION
1	DJ59 JB9	1			GRILLE, Speaker Blue, Left
	DJ60 JB9	1			Blue, Right
	DJ59 LAZ	1			Agate, Left
	DJ60 LAZ	1			Agate, Right
	DJ59 LM6	1			Red, Left
	DJ60 LM6	1			Red, Right
	DJ59 JV8	1			Champagne, Left
	DJ60 JV8	1			Champagne, Right
2	P493 LAZ	1			GRILLE, ATC Sensor Agate
	P493 HB9	1			Blue
	P493 LM6	1			Red
	P493 HV8	1			Champagne
	5269 196	2			SCREW (DNS) SPEAKER Front
	4469 294	2			Rear (RCK Infinity)
	4685 313	2			Rear (RCD Standard)
	5265 012	2			COVER, Speaker Opening
	4469 295	1			AMPLIFIER, Power
	4685 176	1			INDICATOR, Gear Shift w/3 Speed Trans.
3	4685 177	1			w/4 Speed Trans.
	6032 723	AR			SCREW
4	4437 792	1			MESSAGE CENTER Housing
	4437 793	1			Circuit Board
	4312 947	AR			Socket
	9433 184	AR			Bulb
5	4373 403	1			CONTROL, Heated Backlite
	4221 532	1			KNOB, w/Shaft H/Lamp Bright
6	4221 512	1			Black
	4373 663	1			BEZEL, Switch w/o Alarm System
7	4373 662	1			w/Alarm System
	4373 252	1			ESCUTCHEON, Switch Mtg.
8	4221 063	1			RETAINER

**MODEL CODES:**

A BODY=(C=LeBaron, D=Spirit, P=Acclaim/LaBaron(Landau), Saratoga) S BODY=(H=Voyager(H) FWD, K=Caravan(H) FWD, Y=Town & Country(H) FWD, P=Voyager(K) AWD, D=Caravan(K) AWD, C=Town & Country(K) AWD)  
 C BODY=(D=Dynasty, C=New Yorker/N.Y. Salon) Y BODY=(C=Imperial/5th Avenue)  
 G BODY=(V=Daytona/IROC, Chrysler Daytona) E-S BODY=(K=Chrysler Voyager(H) FWD, D=Chrysler Voyager(K) AWD)  
 J BODY=(C=LeBaron, Chrysler LeBaron) P BODY=(P=Sundance, D=Shadow)

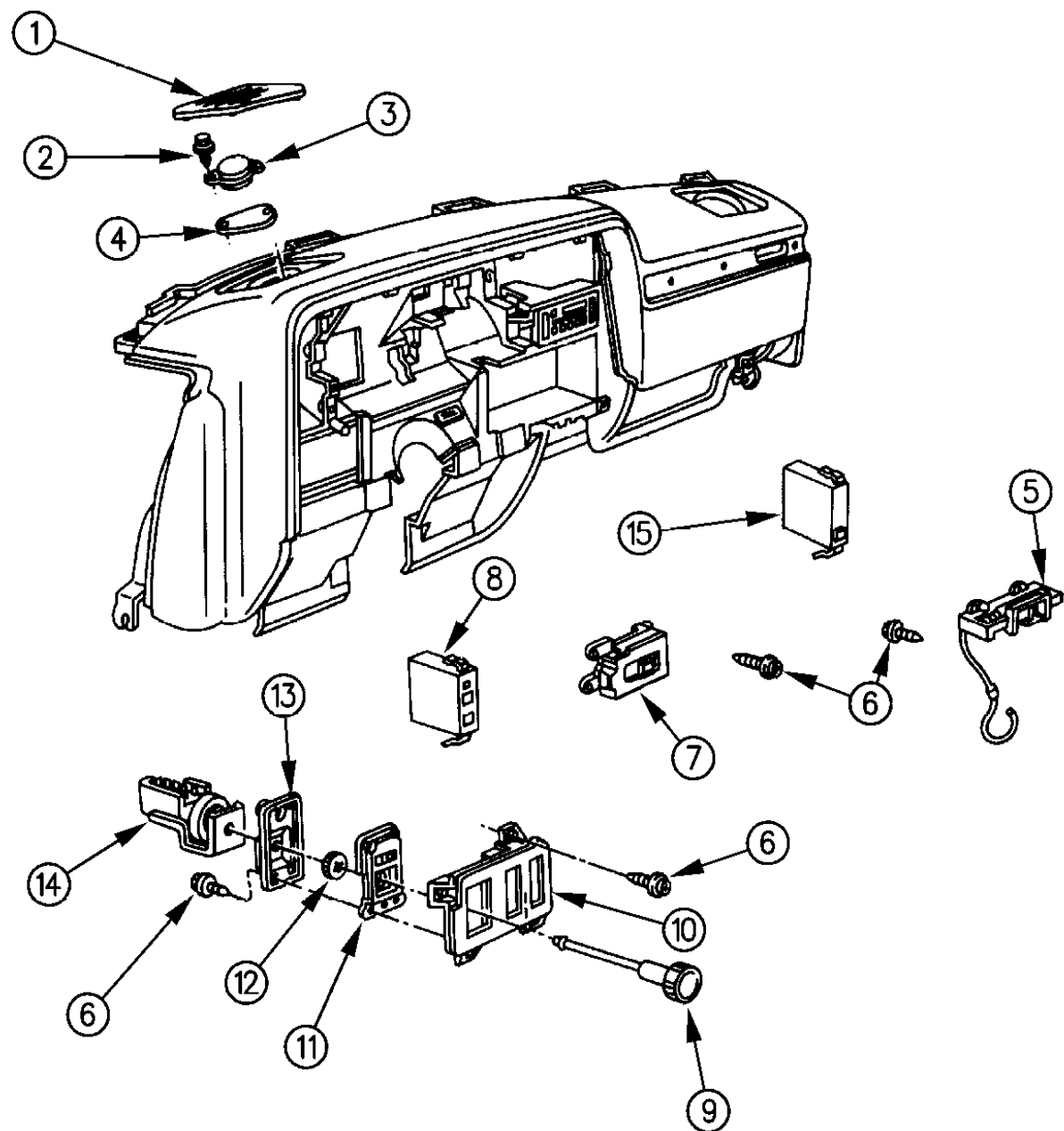
**BODY STYLES:**

21=2-Door Coupe 41=4-Door Sedan 12-52=FWD & AWD Van & Wgn Std W.B.  
 24=2-Door Hatchback 44=4-Door Hatchback 53=FWD & AWD Van & Wgn Ext. W.B.  
 27=2-Door Convertible

AR = Use as Required - = Non Illustrated Part P.A.R. = Paint as Required

**INSTRUMENT PANEL SWITCHES, CONTROLS AND SPEAKERS C BODY**  
**Figure 8A-2600**

93182 2600



ITEM	PART NUMBER	QTY	BODY	MODEL	DESCRIPTION
13	4221 511	1			PLATE
14	4565 320	1			SWITCH, H/Lamp w/o Electronic Cluster
	4565 319	1			w/Electronic Cluster
15	4373 416	1			LAMP, Security

**MODEL CODES:**

A BODY=(C=LeBaron, D=Spirit, P=Acclaim/LaBaron(Landau), Saratoga)      S BODY=(H=Voyager(H) FWD, K=Caravan(H) FWD, Y=Town & Country(H) FWD, P=Voyager(K) AWD, D=Caravan(K) AWD, C=Town & Country(K) AWD)  
 C BODY=(D=Dynasty, C=New Yorker/N.Y. Salon)  
 G BODY=(V=Daytona/IROC, Chrysler Daytona)  
 J BODY=(C=LeBaron, Chrysler LeBaron)  
 P BODY=(P=Sundance, D=Shadow)      Y BODY=(C=Imperial/5th Avenue)  
 E-S BODY=(K=Chrysler Voyager(H) FWD, D=Chrysler Voyager(K) AWD)

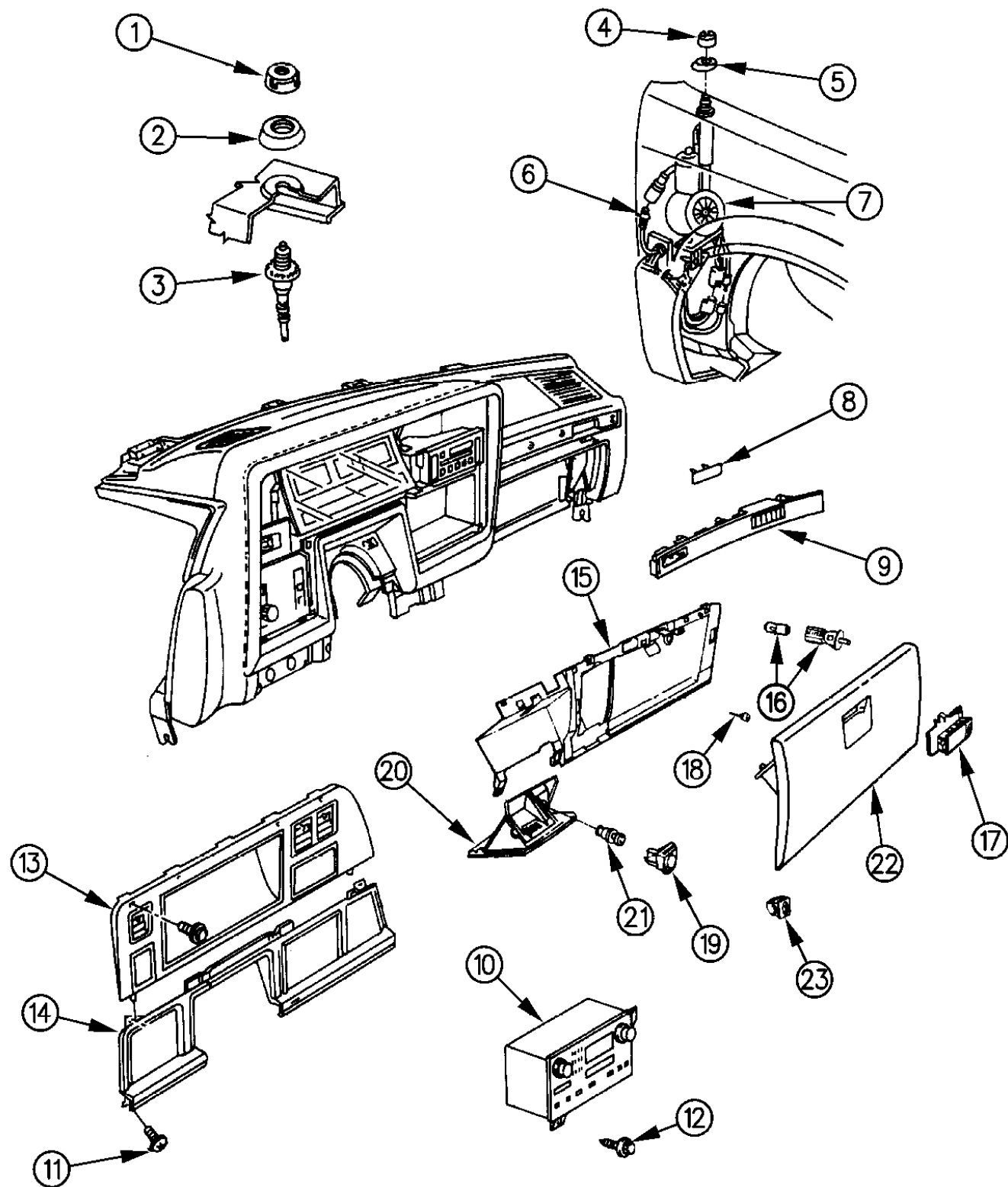
**BODY STYLES:**

21=2-Door Coupe      41=4-Door Sedan      12-52=FWD & AWD Van & Wgn Std W.B.  
 24=2-Door Hatchback      44=4-Door Hatchback      53=FWD & AWD Van & Wgn Ext. W.B.  
 27=2-Door Convertible

AR = Use as Required - = Non Illustrated Part P.A.R. = Paint as Required

**INSTRUMENT PANEL GLOVE BOX, RADIO AND ANTENNA C BODY**  
**Figure 8A-2700**

93182 2700



ITEM	PART NUMBER	QTY	BODY	MODEL	DESCRIPTION
1	4372 137	1			NUT, Cap
2	4222 736	1			ADAPTER, w/Gasket
3	4469 363	1			BODY, w/Cable
	4469 365	1			CABLE, Antenna Pigtail
	4469 016	1			MAST, Antenna
4	4372 450	1			NUT, Cap
5	4372 271	1			ADAPTER, w/Gasket
6	4469 366	1			BODY, w/Cable
7	4469 168	1			ANTENNA, Power
	4494 010	1			MAST, Power Antenna
8	4460 632	1			NAME PLATE "Dynasty"
	4460 626	1			"New Yorker"
9		1			BEZEL, Right
	4460 302		CP,CH		
	4460 304	1	CS		
10					RADIO
	5269 414	1			Am/Fm/Mx w/Cassette, Black
	5269 413	1			Am/Fm/Mx, Bright
	5269 411	1			Am/Fm/Mx, Black
	5269 412	1			Am/Fm/Mx w/Cassette, Bright
					KNOB, Radio
					BLACK
	4741 444	1			Primary
	4741 445	1			Secondary
					BRIGHT
	4741 441	1			Primary
	4741 446	1			Secondary
	4685 272	1			AMPLIFIER, Power
11	6032 723	1			SCREW
12		1			SCREW (DNS)
13					BEZEL, Upper
	5268 222	1			w/Overhead Console, Hickory
	5268 226	1			w/Message Center, Hickory
14					BEZEL, Lower
					HICKORY
	FM54 LAZ	1		D	Agate
	FM54 LB9	1		D	Blue
	FM54 LM6	1		D	Red

**MODEL CODES:**

A BODY=(C=LeBaron, D=Spirit, P=Acclaim/LaBaron(Landau), Saratoga)      S BODY=(H=Voyager(H) FWD, K=Caravan(H) FWD, Y=Town & Country(H) FWD, P=Voyager(K) AWD, D=Caravan(K) AWD, C=Town & Country(K) AWD)  
 C BODY=(D=Dynasty, C=New Yorker/N.Y. Salon)  
 G BODY=(V=Daytona/IROC, Chrysler Daytona)  
 J BODY=(C=LeBaron, Chrysler LeBaron)  
 P BODY=(P=Sundance, D=Shadow)      Y BODY=(C=Imperial/5th Avenue)  
 E-S BODY=(K=Chrysler Voyager(H) FWD, D=Chrysler Voyager(K) AWD)

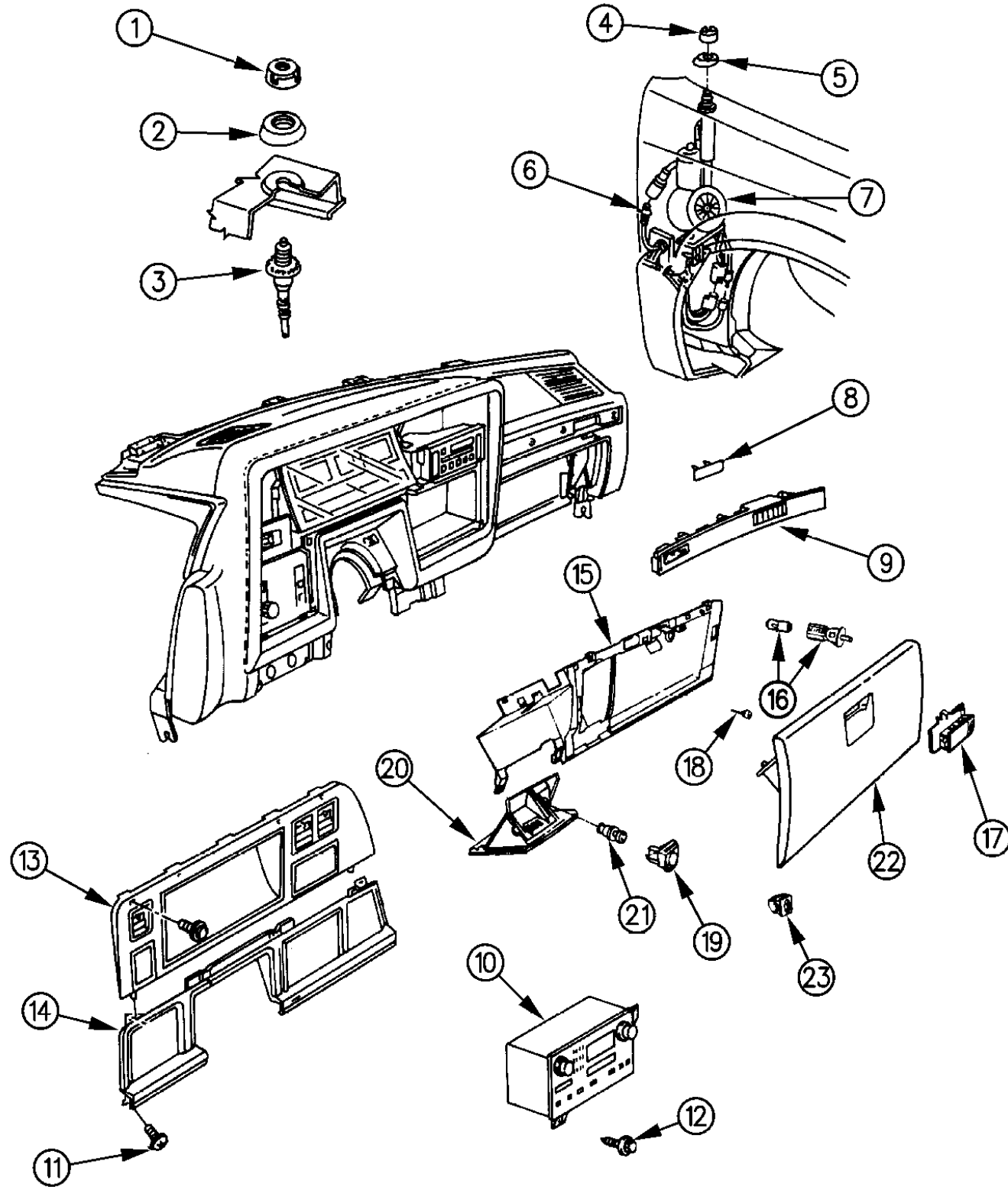
**BODY STYLES:**

21=2-Door Coupe      41=4-Door Sedan      12-52=FWD & AWD Van & Wgn Std W.B.  
 24=2-Door Hatchback      44=4-Door Hatchback      53=FWD & AWD Van & Wgn Ext. W.B.  
 27=2-Door Convertible

AR = Use as Required - = Non Illustrated Part P.A.R. = Paint as Required

**INSTRUMENT PANEL GLOVE BOX, RADIO AND ANTENNA C BODY**  
Figure 8A-2700

93182 2700



ITEM	PART NUMBER	QTY	BODY	MODEL	DESCRIPTION
	FM54 LV8	1		D	Champagne
	FX07 LAZ	1		C	Agate
	FX07 LB9	1		C	Blue
	FX07 LM6	1		C	Red
	FX07 LV8	1		C	Champagne
15	5265 033	1			FRAME, Glovebox
16		1			LAMP, w/Switch Glovebox, See Group 8
17	5265 554	1			LOCK, Glovebox, w/o Cylinder
18					BUMPER
	5265 007	2			Frame to Glovebox
	4460 477	2			Frame to Bin
19		1			SWITCH, Deck Lid Release, See Group 8
20					RECEIVER, Ash
	AR92 JB9	1			Blue
	AR92 LM6	1			Red
	AR92 JV8	1			Champagne
	4460 467	1			RECETACLE, Ash Receiver ***
	4437 732	1			HOOD, Ash Receiver Lamp
	4048 038	1			DIFFUSER, Ash Receiver Lamp
21	3746 629	1			SHELL, C/Lighter ***
	3004 190	1			ELEMENT, C/Lighter
	3747 165	1			KNOB, C/Lighter
	3746 629	1			RING, Trim
22	GZ83 MV8	1			DOOR, w/Bin Glovebox
	4460 877	1			DECAL, Airbag Warning
	4460 125	1			DOOR, Fuse Access
	4678 087	1			DECAL, Fuse Block Cover
23	6033 255	6			CLIP, Screw

**MODEL CODES:**

A BODY=(C=LeBaron, D=Spirit, P=Acclaim/LaBaron(Landau),  
Saratoga)  
C BODY=(D=Dynasty, C=New Yorker/N.Y. Salon)  
G BODY=(V=Daytona/IROC, Chrysler Daytona)  
J BODY=(C=LeBaron, Chrysler LeBaron)  
P BODY=(P=Sundance, D=Shadow)

S BODY=(H=Voyager(H) FWD, K=Caravan(H) FWD,  
Y=Town & Country(H) FWD, P=Voyager(K) AWD,  
D=Caravan(K) AWD, C=Town & Country(K) AWD)  
Y BODY=(C=Imperial/5th Avenue)  
E-S BODY=(K=Chrysler Voyager(H) FWD, D=Chrysler  
Voyager(K) AWD)

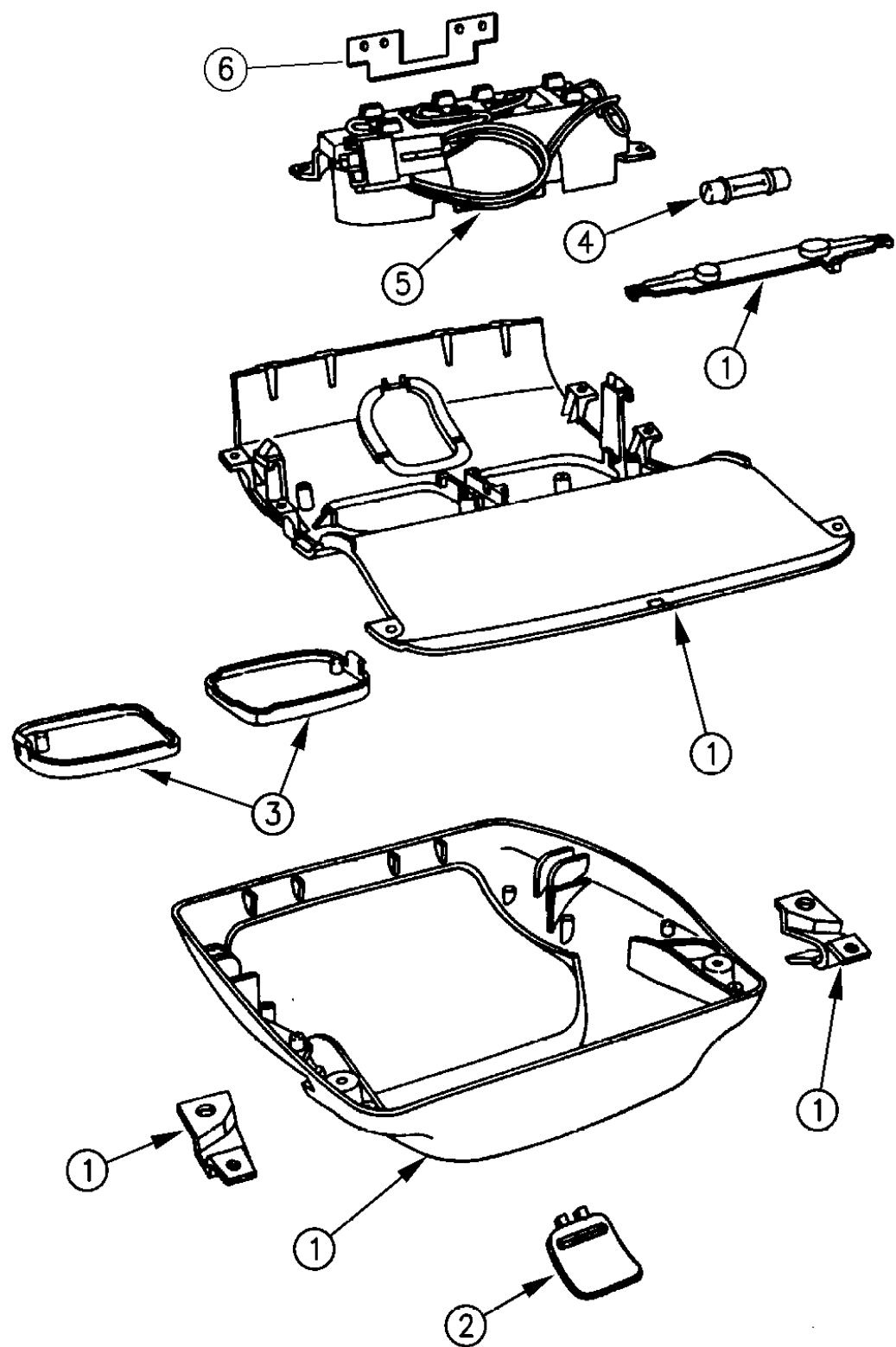
**BODY STYLES:**

21=2-Door Coupe      41=4-Door Sedan      12-52=FWD & AWD Van & Wgn Std W.B.  
24=2-Door Hatchback      44=4-Door Hatchback      53=FWD & AWD Van & Wgn Ext. W.B.  
27=2-Door Convertible

AR = Use as Required - = Non Illustrated Part P.A.R. = Paint as Required

CONSOLE, OVERHEAD MAP LAMP C BODY  
Figure 8A-2800

93182 2800A



ITEM	PART NUMBER	QTY	BODY	MODEL	DESCRIPTION
1					HOUSING, Console
	EX89 LAZ	1			Agate
	EX89 LM6	1			Red
	EX89 LB9	1			Blue
	EX89 LV4	1			Champagne
2					BEZEL
	EX91 LX8	1			w/o Sun Roof
	EX92 LX8	1			w/Sun Roof
3					LENS, Maplamp
	5268 176	1			Right
	5268 175	1			Left
4	9431 808	2			BULB
5	4685 020	1			SWITCH, w/Wiring
-	4685 023	1			BRACKET, Console Mounting

MODEL CODES:

A BODY=(C=LeBaron, D=Spirit, P=Acclaim/LaBaron(Landau), Saratoga) S BODY=(H=Voyager(H) FWD, K=Caravan(H) FWD, Y=Town & Country(H) FWD, P=Voyager(K) AWD, D=Caravan(K) AWD, C=Town & Country(K) AWD)  
 C BODY=(D=Dynasty, C=New Yorker/N.Y. Salon) Y BODY=(C=Imperial/5th Avenue)  
 G BODY=(V=Daytona/IROC, Chrysler Daytona) E-S BODY=(K=Chrysler Voyager(H) FWD, D=Chrysler Voyager(K) AWD)  
 J BODY=(C=LeBaron, Chrysler LeBaron) P BODY=(P=Sundance, D=Shadow)

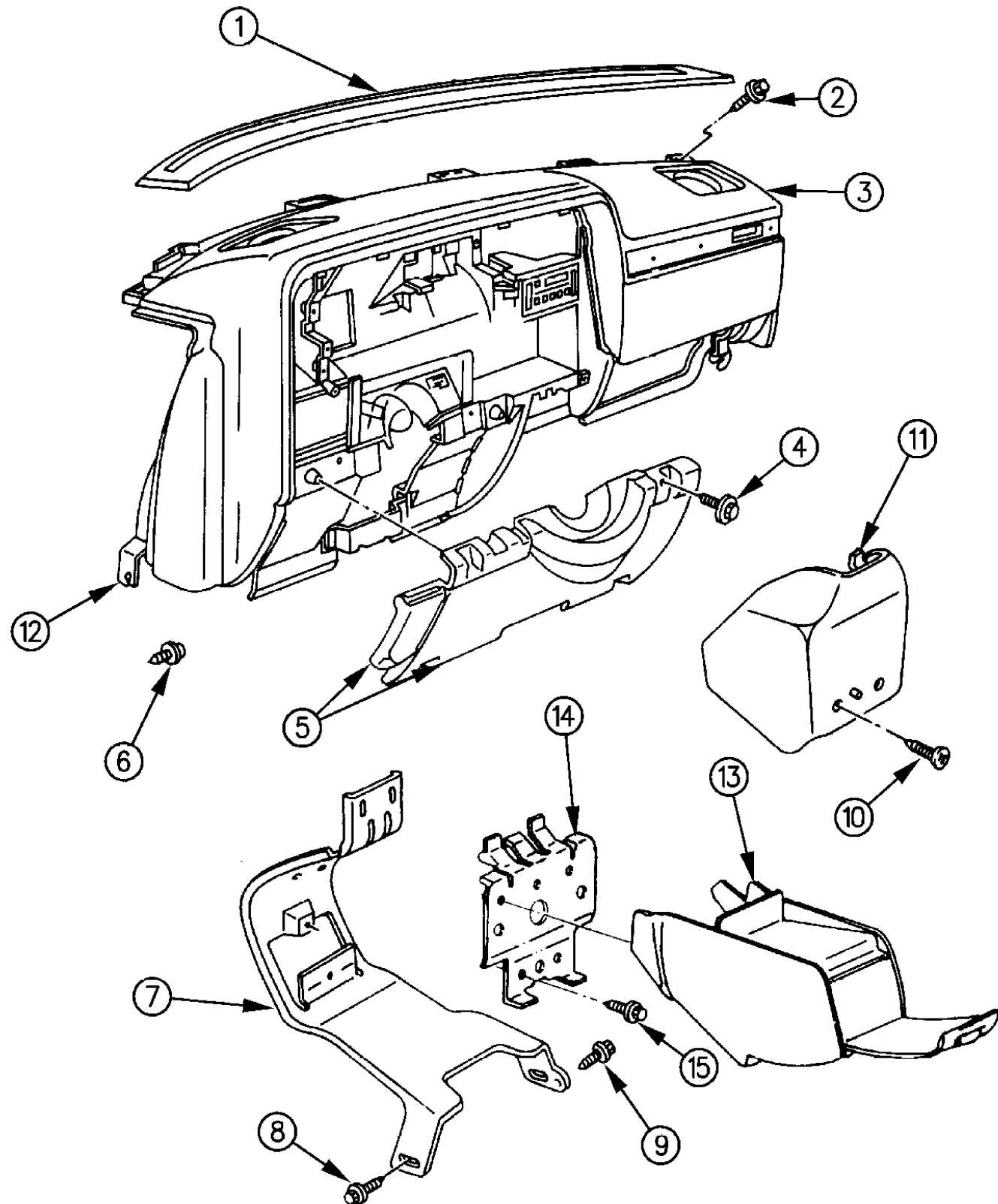
BODY STYLES:

21=2-Door Coupe 41=4-Door Sedan 12-52=FWD & AWD Van & Wgn Std W.B.  
 24=2-Door Hatchback 44=4-Door Hatchback 53=FWD & AWD Van & Wgn Ext. W.B.  
 27=2-Door Convertible

AR = Use as Required - = Non Illustrated Part P.A.R. = Paint as Required

**INSTRUMENT PANEL AND PAD Y BODY**  
Figure 8A-2900

93182 2900B



ITEM	PART NUMBER	QTY	BODY	MODEL	DESCRIPTION
1	P527 HV8	1			PANEL, Cowl Top
	6500 926	5			CLIP, Panel
2	6031 011	5			SCREW
3					PANEL, w/Pad
	DH82 KB9	1	YP		Blue
	DH82 LM6	1	YP		Red
	DH82 KV8	1	YP		Champagne
	DH82 KX9	1	YP		Black
	DH82 KH7	1	YP		Mahogoney
	DH75 LAZ	1	YS		Agate
	DH75 KB9	1	YS		Blue
	DH75 LM6	1	YS		Red
	DH75 KV8	1	YS		Champagne
	4439 055	6			FASTENER, I/Panel Pad
4	6032 723	7			SCREW
5	FR81 KV8	1			COVER, w/Brake Release Handle
					SILENCER, I/Panel
	4621 062	1			Left
	4460 132	1			Right
	4220 344	AR			FASTENER
6	6032 723	2			SCREW
7	4460 137	1			BRACKET
8	6100 584	1			SCREW
9	6033 901	1			SCREW
10	6032 723	7			SCREW
11					COVER, Bracket
	WT04 LAZ	1			Agate
	WT04 JB9	1			Blue
	WT04 LM6	1			Red
	WT04 JV8	1			Champagne
	WT04 JX9	1			Black
	WT04 JH7	1			Champagne
12					SUPPORT
	4460 105	1			Left
	4678 058	1			Center, w/Right and Left Supports
	4460 104	1			Right
13	ES62 LV8	1			CONSOLE, Mini
					DRAWER, Console
	GV26 LAZ	1			Agate

**MODEL CODES:**

A BODY=(C=LeBaron, D=Spirit, P=Acclaim/LaBaron(Landau, Saratoga) S BODY=(H=Voyager(H) FWD, K=Caravan(H) FWD, Y=Town & Country(H) FWD, P=Voyager(K) AWD, D=Caravan(K) AWD, C=Town & Country(K) AWD)  
 C BODY=(D=Dynasty, C=New Yorker/N.Y. Salon) Y BODY=(C=Imperial/5th Avenue)  
 G BODY=(V=Daytona/IROC, Chrysler Daytona) E-S BODY=(K=Chrysler Voyager(H) FWD, D=Chrysler Voyager(K) AWD)  
 J BODY=(C=LeBaron, Chrysler LeBaron) P BODY=(P=Sundance, D=Shadow)

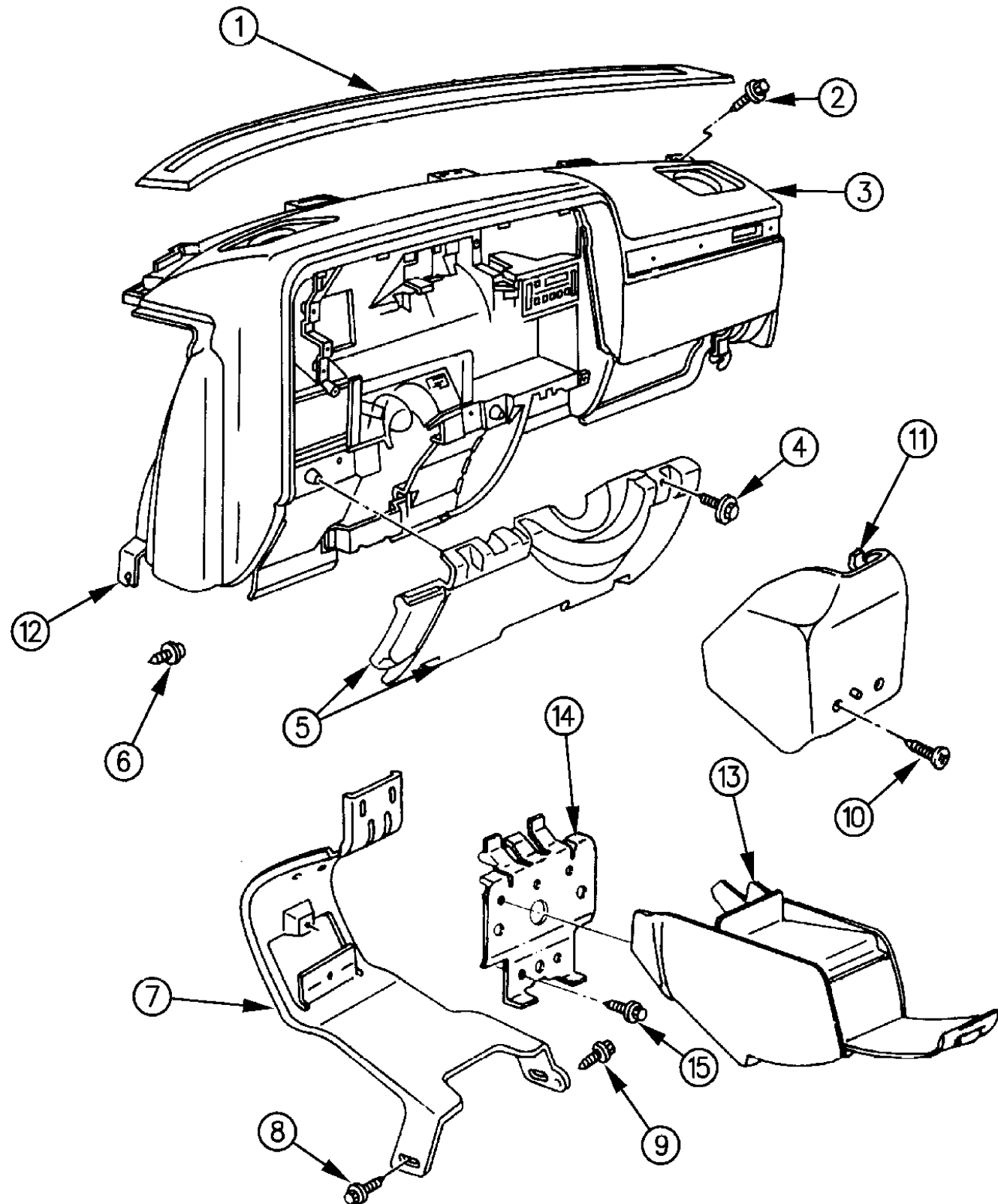
**BODY STYLES:**

21=2-Door Coupe      41=4-Door Sedan      12-52=FWD & AWD Van & Wgn Std W.B.  
 24=2-Door Hatchback      44=4-Door Hatchback      53=FWD & AWD Van & Wgn Ext. W.B.  
 27=2-Door Convertible

AR = Use as Required - = Non Illustrated Part P.A.R. = Paint as Required

**INSTRUMENT PANEL AND PAD Y BODY**  
Figure 8A-2900

93182 2900B



ITEM	PART NUMBER	QTY	BODY	MODEL	DESCRIPTION
	GV26 LB9	1			Blue
	GV26 LM6	1			Red
	GV26 LV8	1			Champagne
	GV26 LX8	1			Black
	GV26 LH7	1			Mahogany
					LATCH, Drawer
	GV25 LAZ	1			Agate
	GV25 LB9	1			Blue
	GV25 LM6	1			Red
	GV25 LV8	1			Champagne
	GV25 LX8	1			Black
	GV25 LH7	1			Mahogany
					LATCH, Door
	GV27 LAZ	1			Agate
	GV27 LB9	1			Blue
	GV27 LM6	1			Red
	GV27 LV8	1			Champagne
	GV27 LX8	1			Black
	GV27 LH7	1			Mahogany
					DOOR, Console
	GV28 LAZ	1			Agate
	GV28 LB9	1			Blue
	GV28 LM6	1			Red
	GV28 LV8	1			Champagne
	GV28 LX8	1			Black
	GV28 LH7	1			Mahogany
14	4681 506	1			BRACKET, Console
15		AR			SCREW (DNS)

**MODEL CODES:**

A BODY=(C=LeBaron, D=Spirit, P=Acclaim/LaBaron(Landau, Saratoga) S BODY=(H=Voyager(H) FWD, K=Caravan(H) FWD, Y=Town & Country(H) FWD, P=Voyager(K) AWD, D=Caravan(K) AWD, C=Town & Country(K) AWD)  
 C BODY=(D=Dynasty, C=New Yorker/N.Y. Salon)  
 G BODY=(V=Daytona/IROC, Chrysler Daytona)  
 J BODY=(C=LeBaron, Chrysler LeBaron)  
 P BODY=(P=Sundance, D=Shadow)  
 Y BODY=(C=Imperial/5th Avenue)  
 E-S BODY=(K=Chrysler Voyager(H) FWD, D=Chrysler Voyager(K) AWD)

**BODY STYLES:**

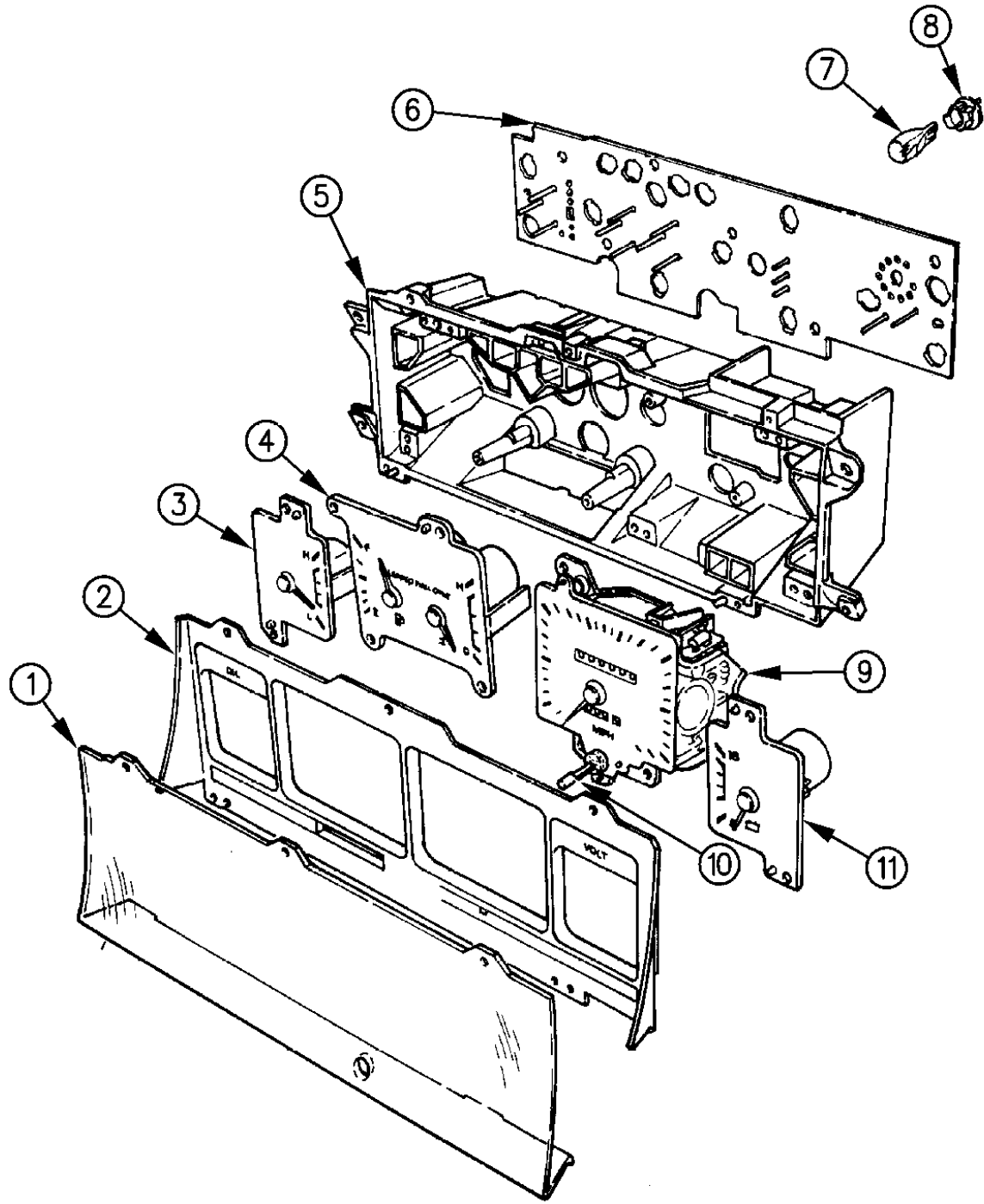
21=2-Door Coupe      41=4-Door Sedan      12-52=FWD & AWD Van & Wgn Std W.B.  
 24=2-Door Hatchback      44=4-Door Hatchback      53=FWD & AWD Van & Wgn Ext. W.B.  
 27=2-Door Convertible

AR = Use as Required - = Non Illustrated Part P.A.R. = Paint as Required

**INSTRUMENT PANEL CLUSTER Y BODY**  
Figure 8A-3000

93182 3000

ITEM	PART NUMBER	QTY	BODY	MODEL	DESCRIPTION
	4685 321	1			CLUSTER, Electronic
1	4375 181	1			LENS, Cluster
2		1			MASK, Cluster, (Serv. w/Cluster)
3	4375 201	1			GAUGE, Oil
4	4723 084	1			GAUGE, Fuel/Temperature
5	5268 094	1			HOUSING, Cluster
6	4437 723	1			BOARD, Printed Circuit
7	9421 330	AR			BULB
8	4437 590	AR			BULB, w/Socket
9					SPEEDOMETER
	4713 523	1			200 Kilo.
	4713 522	1			120 Mph.
	3592 750	1			LABEL, Speedometer
10	4375 367	1			KNOB, Odometer Reset
11	4375 203	1			GAUGE, Volt



**MODEL CODES:**

A BODY=(C=LeBaron, D=Spirit, P=Acclaim/LaBaron(Landau), Saratoga)      S BODY=(H=Voyager(H) FWD, K=Caravan(H) FWD, Y=Town & Country(H) FWD, P=Voyager(K) AWD, D=Caravan(K) AWD, C=Town & Country(K) AWD)  
 C BODY=(D=Dynasty, C=New Yorker/N.Y. Salon)  
 G BODY=(V=Daytona/IROC, Chrysler Daytona)  
 J BODY=(C=LeBaron, Chrysler LeBaron)  
 P BODY=(P=Sundance, D=Shadow)

**BODY STYLES:**

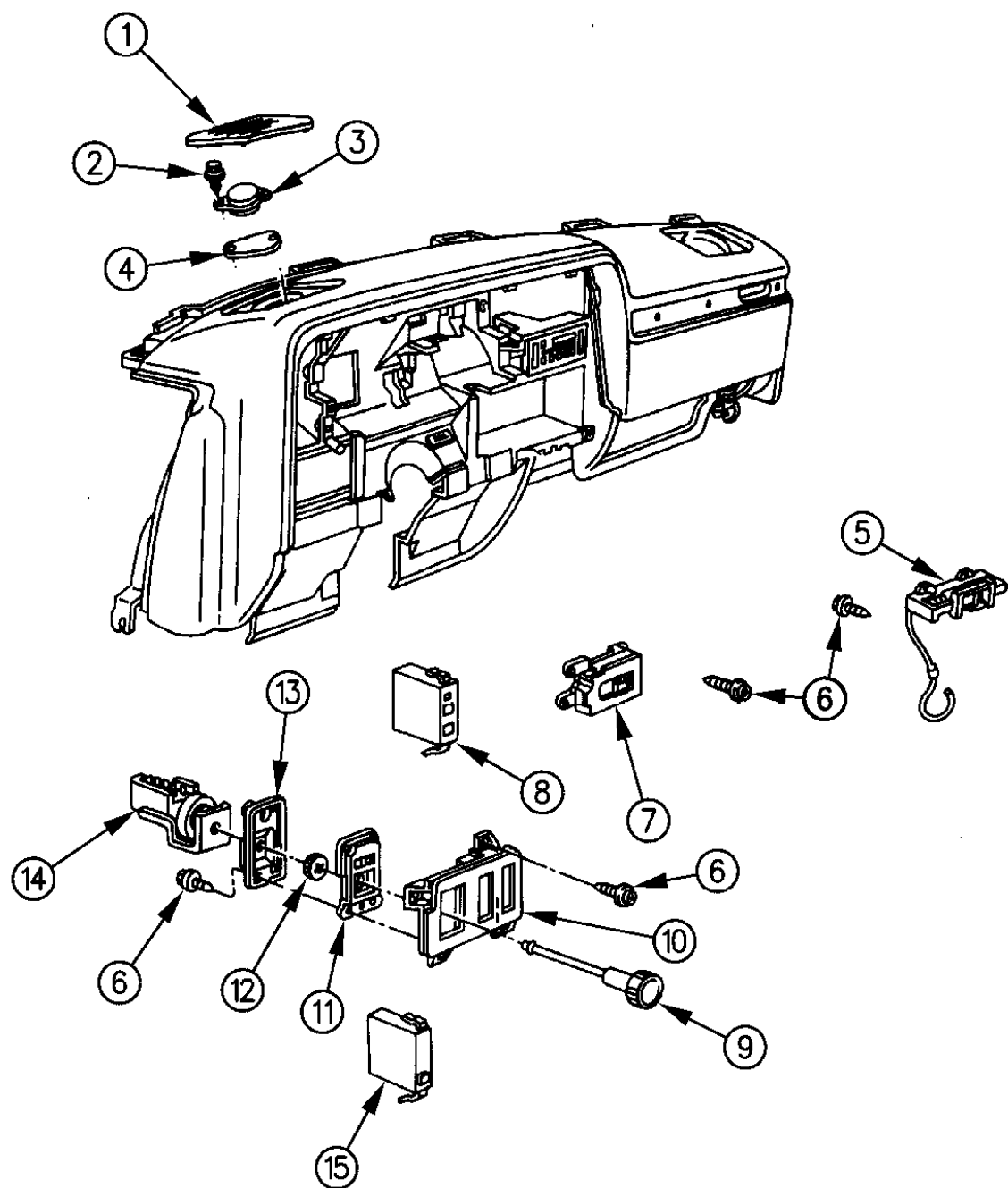
21=2-Door Coupe      41=4-Door Sedan      12-52=FWD & AWD Van & Wgn Std W.B.  
 24=2-Door Hatchback      44=4-Door Hatchback      53=FWD & AWD Van & Wgn Ext. W.B.  
 27=2-Door Convertible

AR = Use as Required - = Non Illustrated Part P.A.R. = Paint as Required



**INSTRUMENT PANEL SWITCHES, CONTROLS AND SPEAKERS Y BODY**  
**Figure 8A-3100**

93182 3100



ITEM	PART NUMBER	QTY	BODY	MODEL	DESCRIPTION
1					GRILLE, Speaker
	DJ59 JB9	1			Blue, Left
	DJ60 JB9	1			Blue, Right
	DJ59 LAZ	1			Agate, Left
	DJ60 LAZ	1			Agate, Right
	DJ59 LM6	1			Red, Left
	DJ60 LM6	1			Red, Right
	DJ59 JV8	1			Champagne, Left
	DJ60 JV8	1			Champagne, Right
	DJ59 JX8	1			Black, Left
	DJ60 JX8	1			Black, Right
	DJ59 JH7	1			Mahogany, Left
	DJ60 JH7	1			Mahogany, Right
	2	P493 LAZ	1		
P493 HB9		1			Agate
P493 LM6		1			Blue
P493 HV8		1			Red
P493 JH7		1			Champagne
P493 JX8		1			Mahogany
3		4			SCREW (DNS)
					SPEAKER
	5269 196	2			Front
4	4469 294	2			Rear
	4469 295	1			AMPLIFIER, Power
5	5265 012	2			COVER, Speaker Opening
					INDICATOR, Gear Shift
6	4685 179	1			w/4 Speed, w/Electronic Cluster
	4685 177	1			w/4 Speed, w/o Electronic Cluster
7	6032 723	AR			SCREW
					MESSAGE CENTER
8	4437 792	1			Housing
	5268 361	1			Circuit Board
9	4373 403	1			CONTROL, Heated Backlite
	4221 532	1			KNOB, w/Shaft H/Lamp
10					BEZEL
	4373 663	1			w/o Alarm System
	4373 662	1			w/Alarm System
11	4373 252	1			ESCUTCHEON, Switch Mtg.

**MODEL CODES:**

A BODY=(C=LeBaron, D=Spirit, P=Acclaim/LaBaron(Landau), Saratoga)      S BODY=(H=Voyager(H) FWD, K=Caravan(H) FWD, Y=Town & Country(H) FWD, P=Voyager(K) AWD, D=Caravan(K) AWD, C=Town & Country(K) AWD)  
C BODY=(D=Dynasty, C=New Yorker/N.Y. Salon)  
G BODY=(V=Daytona/IROC, Chrysler Daytona)  
J BODY=(C=LeBaron, Chrysler LeBaron)  
P BODY=(P=Sundance, D=Shadow)

**BODY STYLES:**

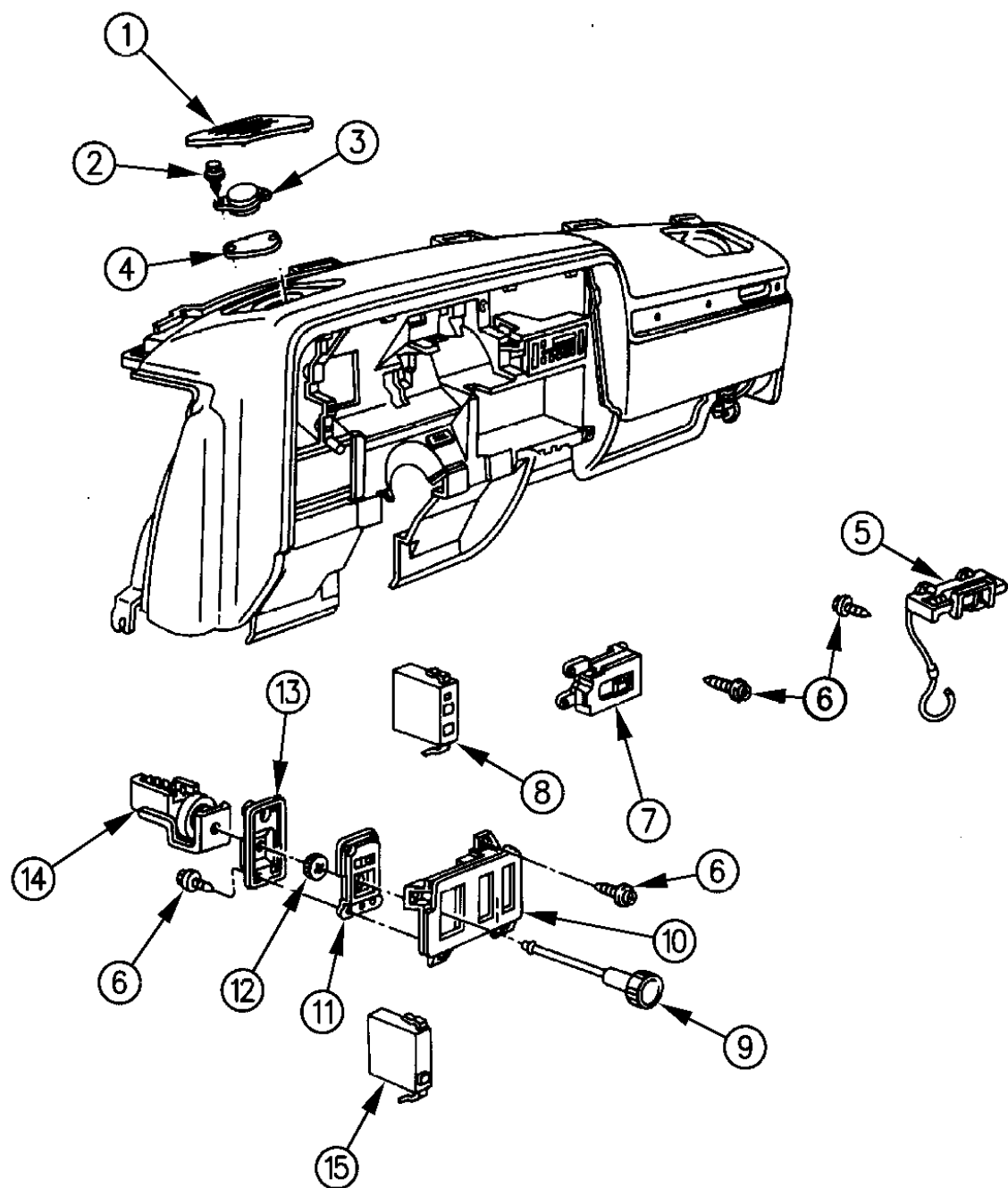
21=2-Door Coupe      41=4-Door Sedan      12-52=FWD & AWD Van & Wgn Std W.B.  
24=2-Door Hatchback      44=4-Door Hatchback      53=FWD & AWD Van & Wgn Ext. W.B.  
27=2-Door Convertible

AR = Use as Required - = Non Illustrated Part P.A.R. = Paint as Required

**INSTRUMENT PANEL SWITCHES, CONTROLS AND SPEAKERS Y BODY**  
**Figure 8A-3100**

93182 3100

ITEM	PART NUMBER	QTY	BODY	MODEL	DESCRIPTION
12	4221 063	1			RETAINER
13	4221 511	1			PLATE
14	4565 319	1			SWITCH, H/Lamp
15	4373 416	1			LAMP, Security Alarm



**MODEL CODES:**

A BODY=(C=LeBaron, D=Spirit, P=Acclaim/LaBaron(Landau), Saratoga)      S BODY=(H=Voyager(H) FWD, K=Caravan(H) FWD, Y=Town & Country(H) FWD, P=Voyager(K) AWD, D=Caravan(K) AWD, C=Town & Country(K) AWD)  
 C BODY=(D=Dynasty, C=New Yorker/N.Y. Salon)  
 G BODY=(V=Daytona/IROC, Chrysler Daytona)  
 J BODY=(C=LeBaron, Chrysler LeBaron)  
 P BODY=(P=Sundance, D=Shadow)

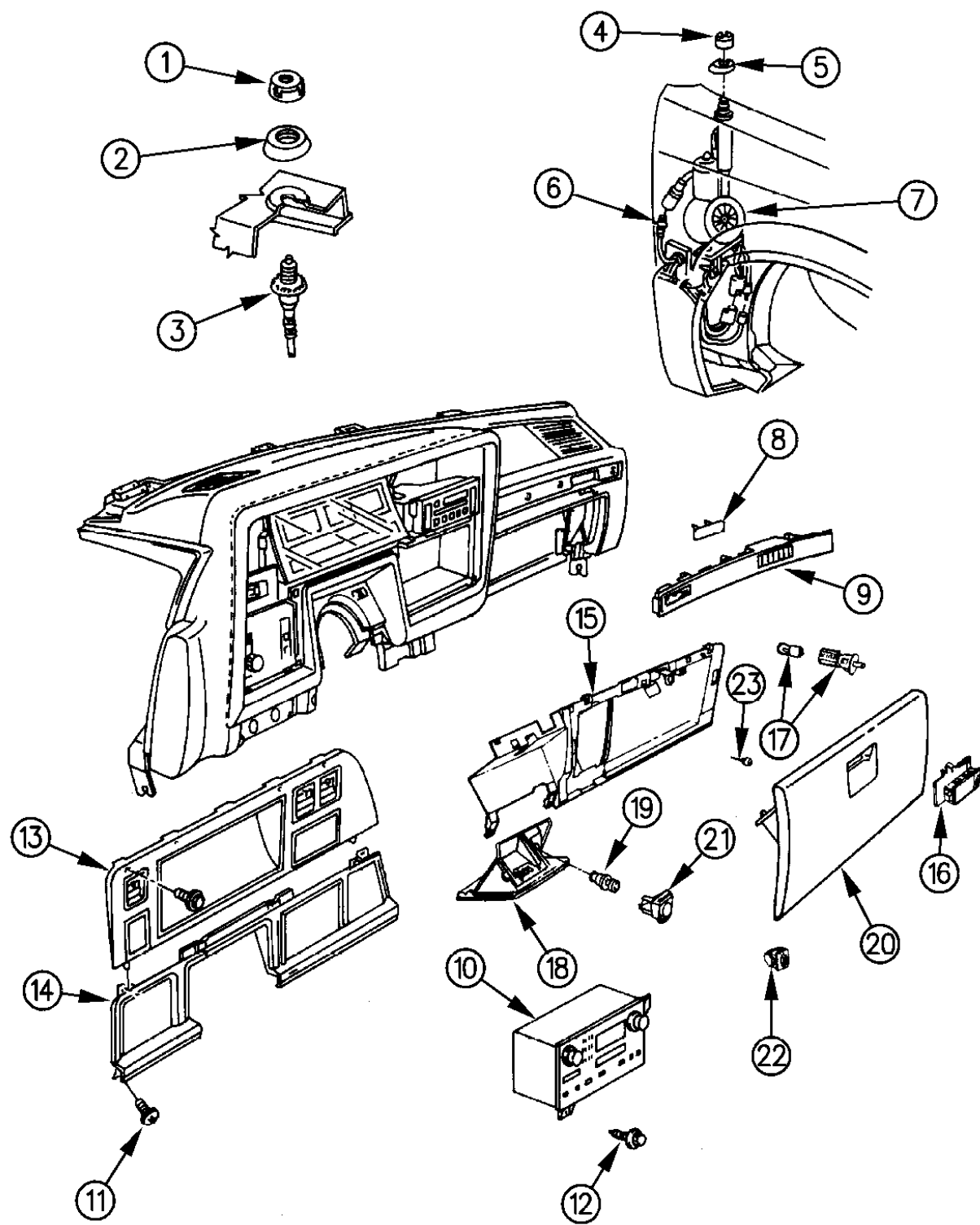
**BODY STYLES:**

21=2-Door Coupe      41=4-Door Sedan      12-52=FWD & AWD Van & Wgn Std W.B.  
 24=2-Door Hatchback      44=4-Door Hatchback      53=FWD & AWD Van & Wgn Ext. W.B.  
 27=2-Door Convertible

AR = Use as Required - = Non Illustrated Part P.A.R. = Paint as Required

**INSTRUMENT PANEL GLOVE BOX, RADIO AND ANTENNA Y BODY**  
**Figure 8A-3200**

93182 3200



ITEM	PART NUMBER	QTY	BODY	MODEL	DESCRIPTION
1	4372 137	1			NUT, Cap
2	4222 736	1			ADAPTER, w/Gasket
3	4469 363	1			BODY, w/Cable
	4469 365	1			CABLE, Antenna Pigtail
	4469 016	1			MAST, Antenna
4	4372 450	1			NUT, Cap
5	4372 271	1			ADAPTER, w/Gasket
6	4469 366	1			BODY, w/Cable
7	4469 168	1			ANTENNA, Power
	4494 010	1			MAST, Power Antenna
8	4460 630	1			NAME PLATE, "Fifth Avenue"
9	5265 263	1		YP	BEZEL, Right w/Nameplate
	4460 304	1		YS	
10					RADIO
	5269 413	1			Am/Fm/Mx
	5269 053	1			w/CD Player
	4741 441	1			KNOB, Radio Primary
	4741 446	1			Secondary
	4741 438	1			Volume
	4741 439	1			Joystick
	4741 440	1			Equilizer
	4685 272	1			AMPLIFIER, Power PACKAGE, Radio Knob
11	6032 723	1			SCREW
12		1			SCREW (DNS)
13					BEZEL, Upper
	5268 193	1		YP	w/Electronic Cluster
	5268 191	1		YP	w/o Electronic Cluster
	5268 224	1		YS	w/Message Center
	5268 225	1		YS	w/Overhead Console
14					BEZEL, Lower
					Burlwood
	FX07 LAZ	1		YS	Agate
	FX07 LB9	1		YS	Blue
	FX07 LM6	1		YS	Red
	FX07 LV8	1		YS	Champagne Teak

**MODEL CODES:**

A BODY=(C=LeBaron, D=Spirit, P=Acclaim/LaBaron(Landau), Saratoga) S BODY=(H=Voyager(H) FWD, K=Caravan(H) FWD, Y=Town & Country(H) FWD, P=Voyager(K) AWD, D=Caravan(K) AWD, C=Town & Country(K) AWD)  
 C BODY=(D=Dynasty, C=New Yorker/N.Y. Salon)  
 G BODY=(V=Daytona/IROC, Chrysler Daytona)  
 J BODY=(C=LeBaron, Chrysler LeBaron)  
 P BODY=(P=Sundance, D=Shadow)  
 Y BODY=(C=Imperial/5th Avenue)  
 E-S BODY=(K=Chrysler Voyager(H) FWD, D=Chrysler Voyager(K) AWD)

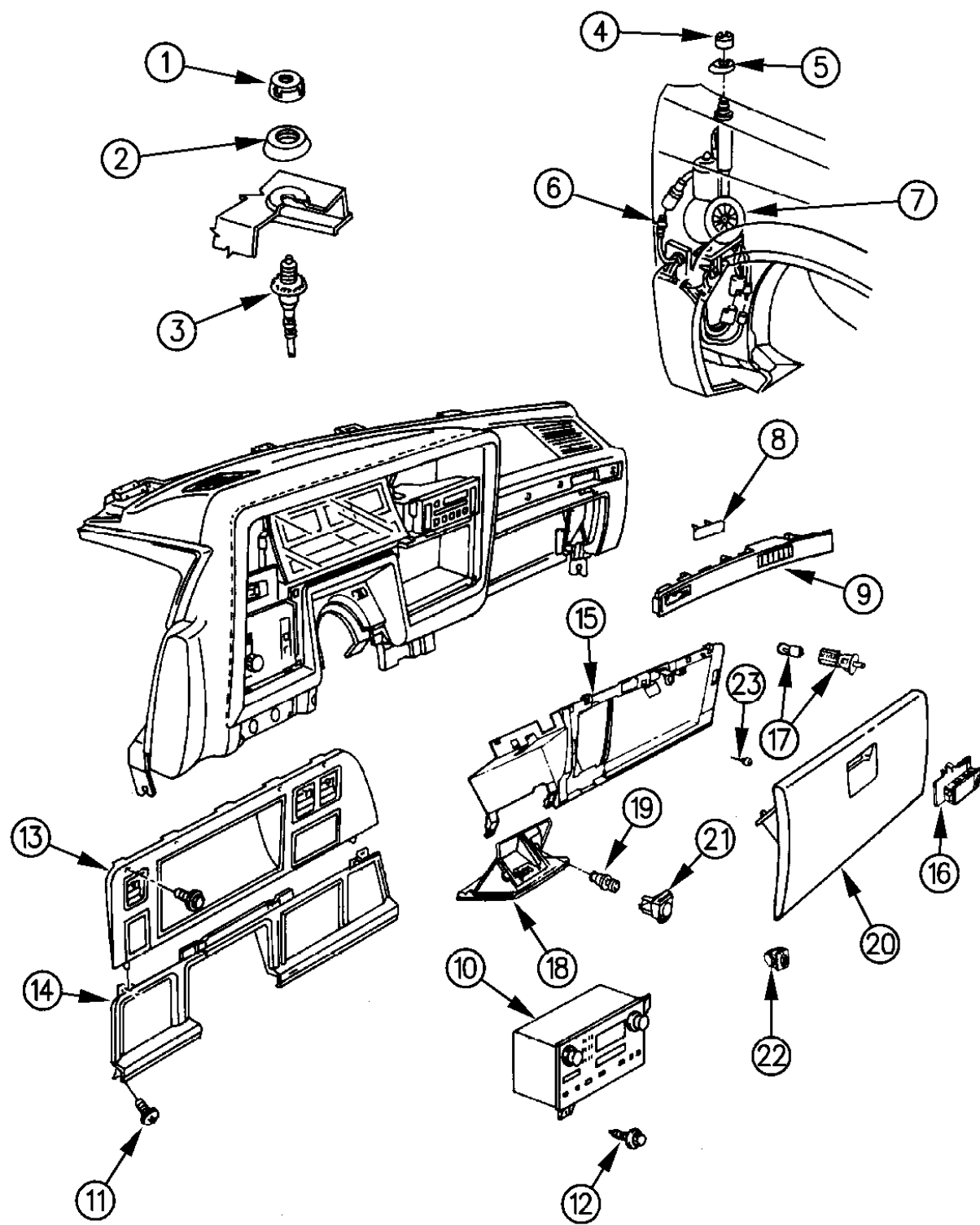
**BODY STYLES:**

21=2-Door Coupe      41=4-Door Sedan      12-52=FWD & AWD Van & Wgn Std W.B.  
 24=2-Door Hatchback      44=4-Door Hatchback      53=FWD & AWD Van & Wgn Ext. W.B.  
 27=2-Door Convertible

AR = Use as Required - = Non Illustrated Part P.A.R. = Paint as Required

**INSTRUMENT PANEL GLOVE BOX, RADIO AND ANTENNA Y BODY**  
**Figure 8A-3200**

93182 3200



ITEM	PART NUMBER	QTY	BODY	MODEL	DESCRIPTION
	DJ61 JB9	1		YP	Blue
	DJ61 LM6	1		YP	Red
	DJ61 JV8	1		YP	Champagne
	DJ61 JX8	1		YP	Black
	DJ61 JH7	1		YP	Mahogoney
15	5265 033	1			FRAME, Glovebox
16	5265 554	1			LOCK, Glovebox, w/o Cylinder
17		1			LAMP, w/Switch, See Group 8
18					RECEIVER, Ash
	AR92 JB9	1			Blue
	AR92 LM6	1			Red
	AR92 JV8	1			Champagne
	AR92 JX8	1			Black
	AR92 JH7	1			Mahogney
	4460 467	1			RECEPTACLE, Ash Receiver
	4437 732	1			HOOD, Ash Receiver Lamp
	4048 038	1			DIFFUSER, Ash Receiver Lamp
19	3747 633	1			SHELL, C/Lighter ***
	3004 190	1			ELEMENT, C/Lighter
	3747 165	1			KNOB, C/Lighter
	3746 629	1			RING, Trim
20	GZ83 MV8	1			DOOR, w/Bin Glovebox
	4460 877	1			DECAL, Airbag Warning
	4460 125	1			DOOR, Fuse Access
	4678 087	1			DECAL, Fuse Block Cover
21		1			SWITCH, Deck Lid Release, See Group 8
22	6033 255	6			CLIP, Screw
23					BUMPER
	5265 007	2			Frame to Glovebox
	4460 477	2			Frame to Bin

**MODEL CODES:**

A BODY=(C=LeBaron, D=Spirit, P=Acclaim/LaBaron(Landau), Saratoga)      S BODY=(H=Voyager(H) FWD, K=Caravan(H) FWD, Y=Town & Country(H) FWD, P=Voyager(K) AWD, D=Caravan(K) AWD, C=Town & Country(K) AWD)  
 C BODY=(D=Dynasty, C=New Yorker/N.Y. Salon)  
 G BODY=(V=Daytona/IROC, Chrysler Daytona)  
 J BODY=(C=LeBaron, Chrysler LeBaron)  
 P BODY=(P=Sundance, D=Shadow)

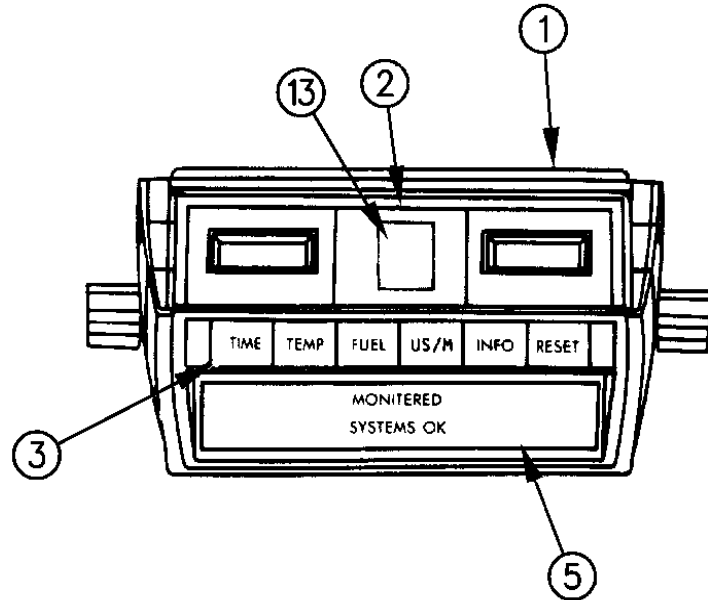
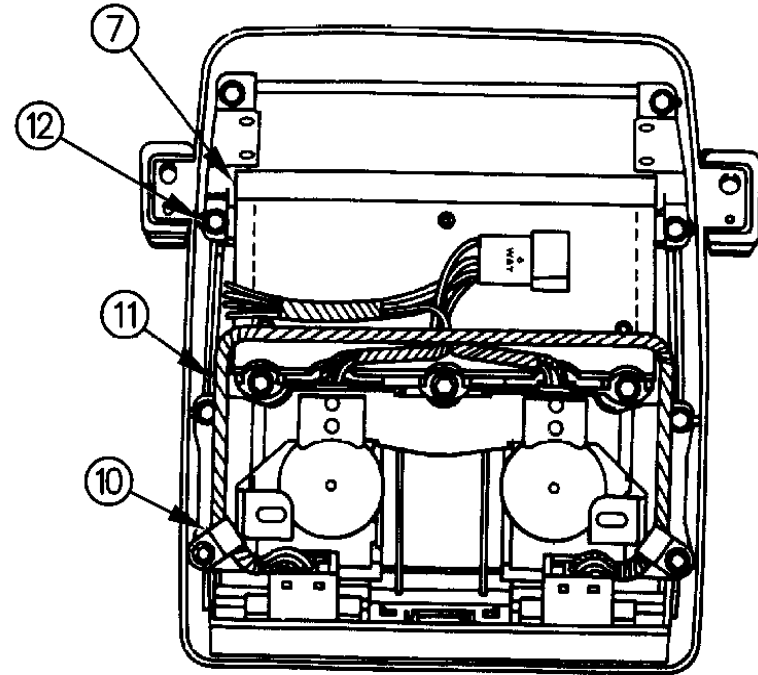
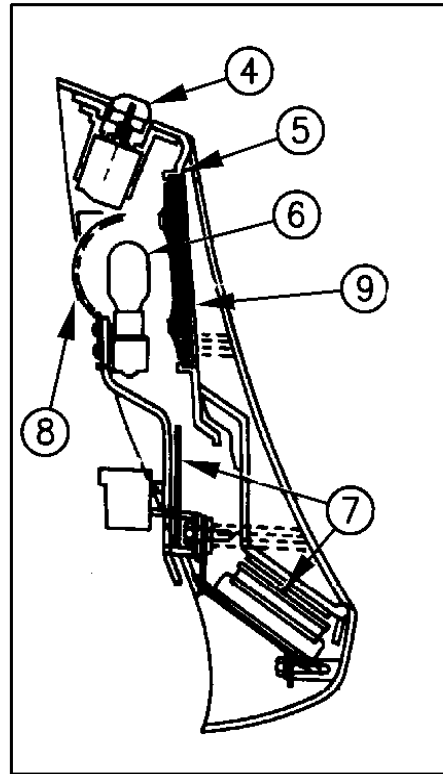
**BODY STYLES:**

21=2-Door Coupe      41=4-Door Sedan      12-52=FWD & AWD Van & Wgn Std W.B.  
 24=2-Door Hatchback      44=4-Door Hatchback      53=FWD & AWD Van & Wgn Ext. W.B.  
 27=2-Door Convertible

AR = Use as Required   - = Non Illustrated Part   P.A.R. = Paint as Required

CONSOLE, OVERHEAD Y BODY  
Figure 8A-3300

93182 3300



ITEM	PART NUMBER	QTY	BODY	MODEL	DESCRIPTION
1					HOUSING, Console
	AA89 LAZ	1			Agate
	AA89 LMA	1			Red
	AA89 JB9	1			Blue
	AA89 JV4	1			Champagne
	AA89 JW8	1			White
	AA89 JX9	1			Black
	AA89 JH7	1			Mahogoney
2					BEZEL
	4374 305	1			w/o Sun Roof
	4374 313	1			w/Sun Roof
3	5268 055	1			BUTTON ASSEMBLY, Electronics ***
4	5268 048	2			BUTTON, Lamp Switch
5	5268 047	1			BEZEL
6	9436 750	2			BULB
7	4685 040	1			BOARD, Printed Circuit
8	4374 306	1			BRACKET
9	4443 970	1			LENS PACKAGE
10	6016 036	2			CLIP, Wiring
11	5268 042	1			WIRING
12		AR			SCREW (DNS)
13	4373 082	1			SWITCH, Sun Roof

MODEL CODES:

A BODY=(C=LeBaron, D=Spirit, P=Acclaim/LaBaron(Landau, Saratoga)  
C BODY=(D=Dynasty, C=New Yorker/N.Y. Salon)  
G BODY=(V=Daytona/IROC, Chrysler Daytona)  
J BODY=(C=LeBaron, Chrysler LeBaron)  
P BODY=(P=Sundance, D=Shadow)

S BODY=(H=Voyager(H) FWD, K=Caravan(H) FWD, Y=Town & Country(H) FWD, P=Voyager(K) AWD, D=Caravan(K) AWD, C=Town & Country(K) AWD)  
Y BODY=(C=Imperial/5th Avenue)  
E-S BODY=(K=Chrysler Voyager(H) FWD, D=Chrysler Voyager(K) AWD)

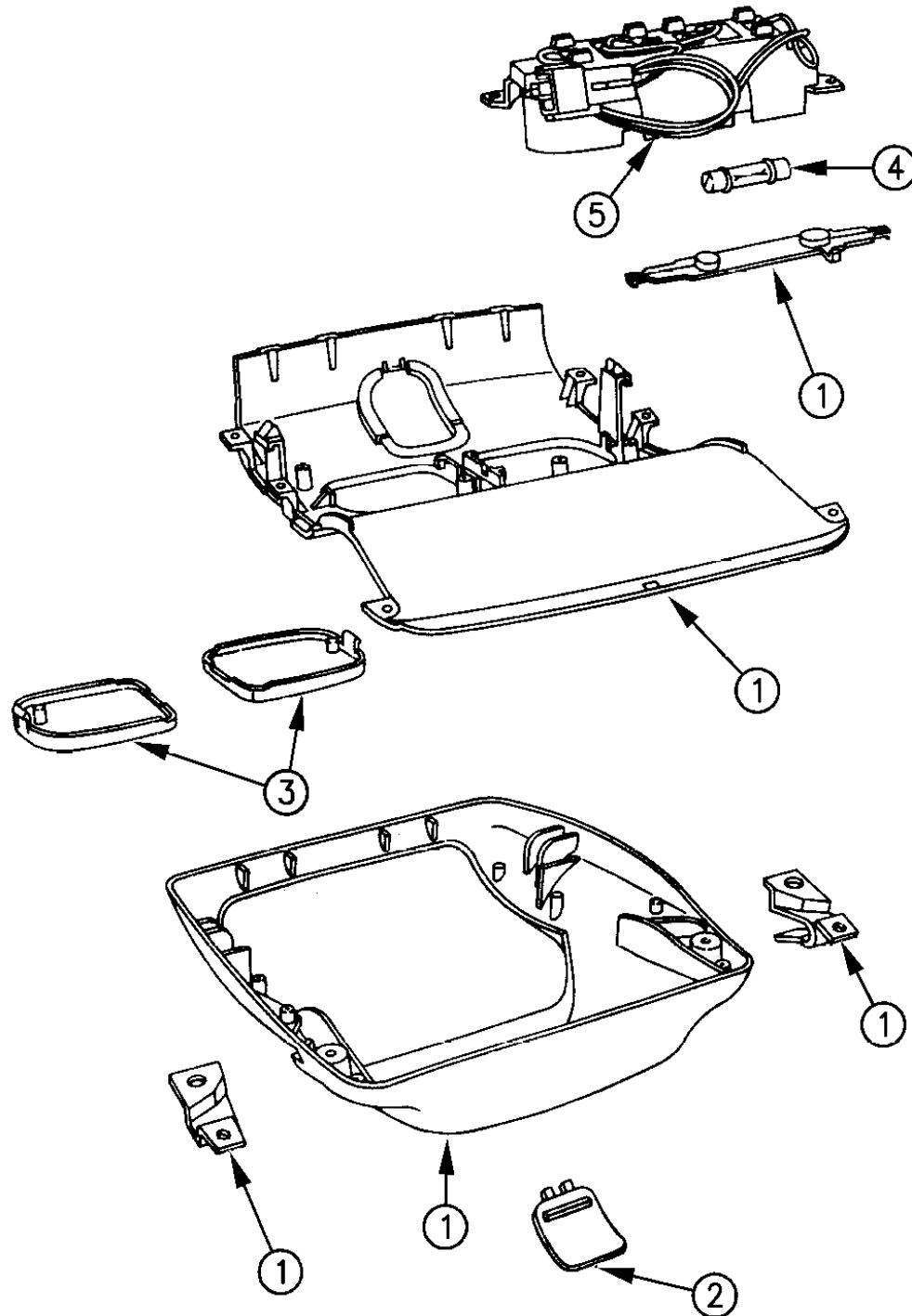
BODY STYLES:

21=2-Door Coupe      41=4-Door Sedan      12-52=FWD & AWD Van & Wgn Std W.B.  
24=2-Door Hatchback      44=4-Door Hatchback      53=FWD & AWD Van & Wgn Ext. W.B.  
27=2-Door Convertible

AR = Use as Required - = Non Illustrated Part P.A.R. = Paint as Required

CONSOLE, OVERHEAD MAP LAMP Y BODY  
Figure 8A-3310

93182 3310



ITEM	PART NUMBER	QTY	BODY	MODEL	DESCRIPTION
1					HOUSING, Console
	EX89 LAZ	1			Agate
	EX89 LM6	1			Red
	EX89 LB9	1			Blue
	EX89 LV4	1			Champagne
	EX89 LH7	1			Mahogany
	EX89 LW8	1			White
	EX89 LX8	1			Black
2					BEZEL
	EX91 LX8	1			w/o Sun Roof
	EX92 LX8	1			w/Sun Roof
3					LENS, Maplamp
	5268 176	1			Right
	5268 175	1			Left
4	9431 808	2			BULB
5	4685 020	1			SWITCH, w/Wiring
-	4685 023	1			BRACKET, Console Mounting

MODEL CODES:

A BODY=(C=LeBaron, D=Spirit, P=Acclaim/LaBaron(Landau),  
Saratoga)

C BODY=(D=Dynasty, C=New Yorker/N.Y. Salon)

G BODY=(V=Daytona/IROC, Chrysler Daytona)

J BODY=(C=LeBaron, Chrysler LeBaron)

P BODY=(P=Sundance, D=Shadow)

S BODY=(H=Voyager(H) FWD, K=Caravan(H) FWD,

Y=Town & Country(H) FWD, P=Voyager(K) AWD,

D=Caravan(K) AWD, C=Town & Country(K) AWD)

Y BODY=(C=Imperial/5th Avenue)

E-S BODY=(K=Chrysler Voyager(H) FWD, D=Chrysler

Voyager(K) AWD)

BODY STYLES:

21=2-Door Coupe

41=4-Door Sedan

12-52=FWD & AWD Van & Wgn Std W.B.

24=2-Door Hatchback

44=4-Door Hatchback

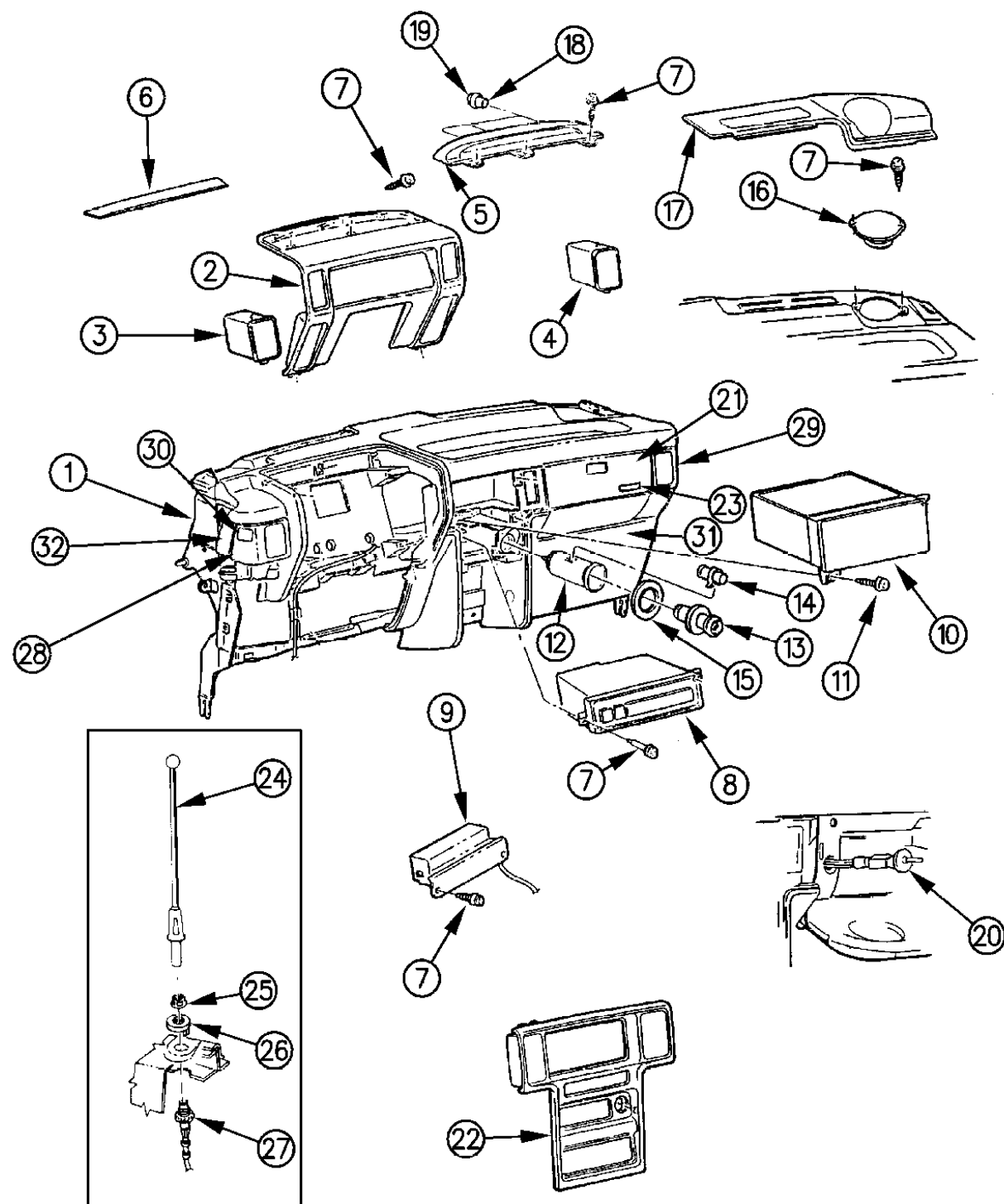
53=FWD & AWD Van & Wgn Ext. W.B.

27=2-Door Convertible

AR = Use as Required - = Non Illustrated Part P.A.R. = Paint as Required

**INSTRUMENT PANEL PANEL, RADIO AND SPEAKER S BODY**  
**Figure 8A-3400**

93182 3400A



ITEM	PART NUMBER	QTY	BODY	MODEL	DESCRIPTION
1					PANEL, w/Pad
	P483 MM6	1			Red
	P483 KD5	1			Quartz
	P483 MB7	1			Blue
	P483 KV8	1			Taupe
	6029 509	AR			CLIP, I/Panel Att. REINFORCEMENT, I/Panel
	4460 722	1			Middle to Cowl Top
	4460 730	1			Lower Right
	4524 189	1			Lower Left
	4460 727	1			Lower Under Column
	4678 045	1			Middle SUPPORT, I/Panel
	4678 076	1			Right
	4678 075	1			Left
	5265 006	1			BRACE, Middle to Lower Right
2	4685 163	1			BEZEL, Cluster
	5268 214	1			RETAINER, Seal to Bezel, Right
	4462 470	2			LOUVER, Bezel ***
3-4					SWITCH, H/Lamp and Rear Wiper, See Group 8
5					MODULE, Warning Indicator, Order Components Listed Below
	4723 191	1			Housing, w/Overlay
	4728 221	1			Housing, w/Overlay (EUROPEAN)
	4437 590	AR			Socket, w/Bulb, Module
	4437 515	1			Bezel, Module
6	4437 516	1			GRILLE, Module
7	6032 723	AR			SCREW
8					SWITCH, w/Bezel, See Group 8
9					INDICATOR, Gear Shift
	4685 172	1			3 Speed Auto
	4685 173	1			4 Speed Auto.
	4437 846	1			BULB, w/Socket Indicator
10					RADIO
	5269 411	1			Am/Fm/Mx, Black (RAL)
	5269 414	1			Am/Fm/Mx w/Cassette, Black (RAS)
	5269 251	1			Am/Fm/Cassette, w/Graphic Equalizer, Black (RAY)
	5269 199	1			Am/Fm/Mx/ETR, w/Cassette (EUROPEAN)
	5269 054	1			w/CD Player (RBC)
	4372 040	1			STRAP, Radio Ground

**MODEL CODES:**

A BODY=(C=LeBaron, D=Spirit, P=Acclaim/LaBaron(Landau), Saratoga) S BODY=(H=Voyager(H) FWD, K=Caravan(H) FWD, Y=Town & Country(H) FWD, P=Voyager(K) AWD, D=Caravan(K) AWD, C=Town & Country(K) AWD)  
 C BODY=(D=Dynasty, C=New Yorker/N.Y. Salon) Y BODY=(C=Imperial/5th Avenue)  
 G BODY=(V=Daytona/ROC, Chrysler Daytona) E-S BODY=(K=Chrysler Voyager(H) FWD, D=Chrysler Voyager(K) AWD)  
 J BODY=(C=LeBaron, Chrysler LeBaron) P BODY=(P=Sundance, D=Shadow)

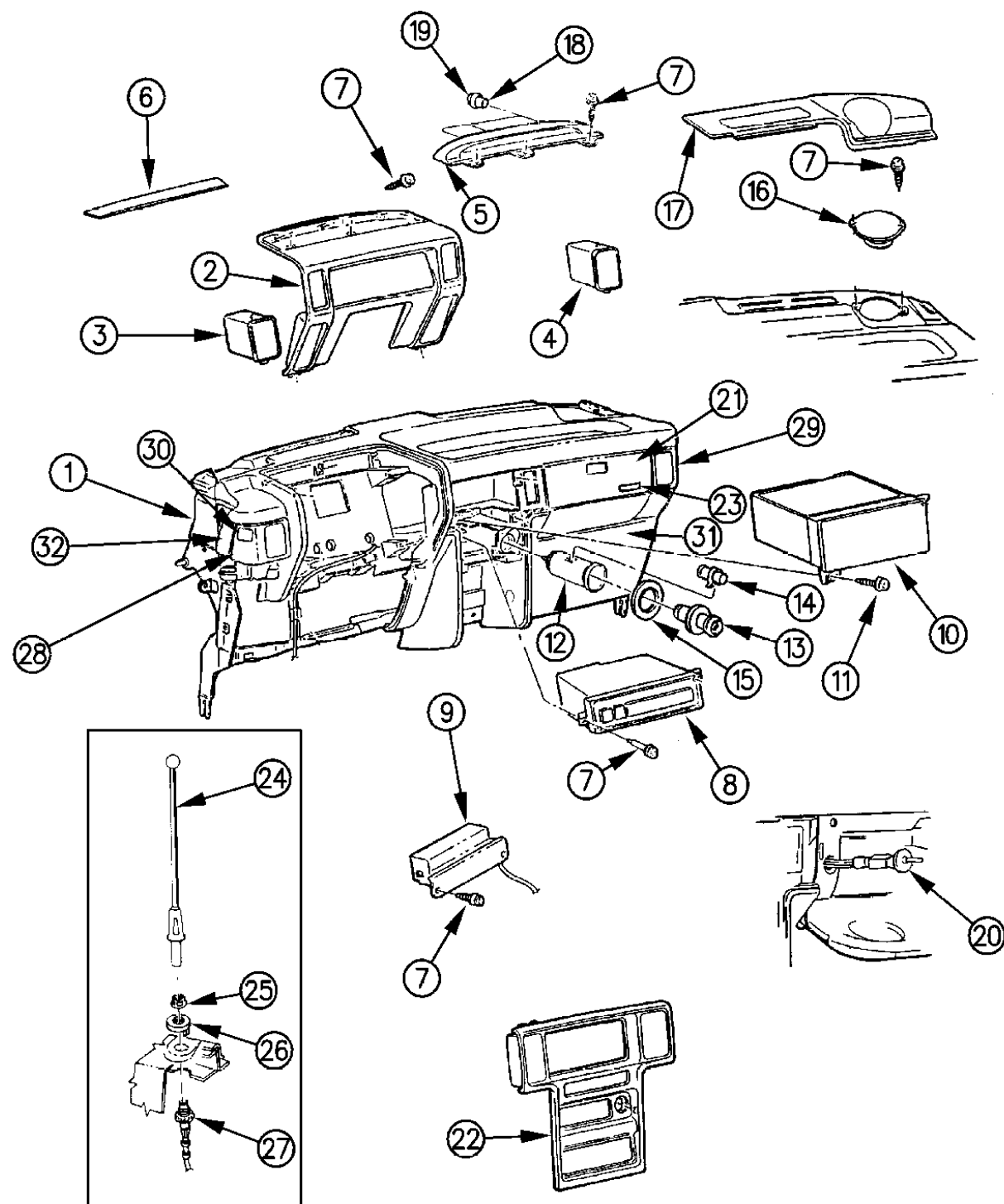
**BODY STYLES:**

21=2-Door Coupe 41=4-Door Sedan 12-52=FWD & AWD Van & Wgn Std W.B.  
 24=2-Door Hatchback 44=4-Door Hatchback 53=FWD & AWD Van & Wgn Ext. W.B.  
 27=2-Door Convertible

AR = Use as Required - = Non Illustrated Part P.A.R. = Paint as Required

**INSTRUMENT PANEL PANEL, RADIO AND SPEAKER S BODY**  
**Figure 8A-3400**

93182 3400A



ITEM	PART NUMBER	QTY	BODY	MODEL	DESCRIPTION
					KNOB, Radio
		1			Primary
	4741 441				Bright (RAS)
	4741 444				Black (RAL)
		1			Secondary
	4741 445				Black (RAL)
		1			Volume
	4741 327				(RAY)
	4741 435				(RBC)
		1			Joystick
	4741 328				(RAY)
	4741 436				(RBC)
		1			Equalizer
	4741 329				(RAY)
	4741 437				(RBC)
	4372 399	1			COVER, Radio Opening
11		2			SCREW (DNS)
12	3747 633	1			SHELL, C/Lighter ***
13	4373 689	1			KNOB, C/Lighter
	4360 011	1			ELEMENT, C/Lighter
14	4363 045	1			HOOD, C/Lighter Lamp
	AS46 KV8	1			ESCUTCHEON, Ash Receiver Lamp
15	4373 844	1			SHIELD, C/Lighter Mtg.
16					SPEAKER
	4685 414	2			Stereo
	4685 141	2			Infinity Sound
	4685 313	2			Rear, Stereo
	4469 182	2			Rear, Infinity
17					GRILLE, Speaker and Defroster
	FD22-3 MM6	1			Red
	FD22-3 MB7	1			Blue
	FD22-3 KD5	1			Quartz
	FD22-3 KV8	1			Taupe
	5265 168	6			CLIP, Grille Att.
18	9421 330	1			BULB
19		1			SOCKET (DNS)
20	4221 170	1			LAMP, Glovebox
	2822 583	1			LENS, Glovebox Lamp
21		1			DOOR, Glovebox

**MODEL CODES:**

A BODY=(C=LeBaron, D=Spirit, P=Acclaim/LaBaron(Landau), Saratoga)

C BODY=(D=Dynasty, C=New Yorker/N.Y. Salon)

G BODY=(V=Daytona/IROC, Chrysler Daytona)

J BODY=(C=LeBaron, Chrysler LeBaron)

P BODY=(P=Sundance, D=Shadow)

S BODY=(H=Voyager(H) FWD, K=Caravan(H) FWD,

Y=Town & Country(H) FWD, P=Voyager(K) AWD,

D=Caravan(K) AWD, C=Town & Country(K) AWD)

Y BODY=(C=Imperial/5th Avenue)

E-S BODY=(K=Chrysler Voyager(H) FWD, D=Chrysler

Voyager(K) AWD)

**BODY STYLES:**

21=2-Door Coupe

41=4-Door Sedan

12-52=FWD & AWD Van & Wgn Std W.B.

24=2-Door Hatchback

44=4-Door Hatchback

53=FWD & AWD Van & Wgn Ext. W.B.

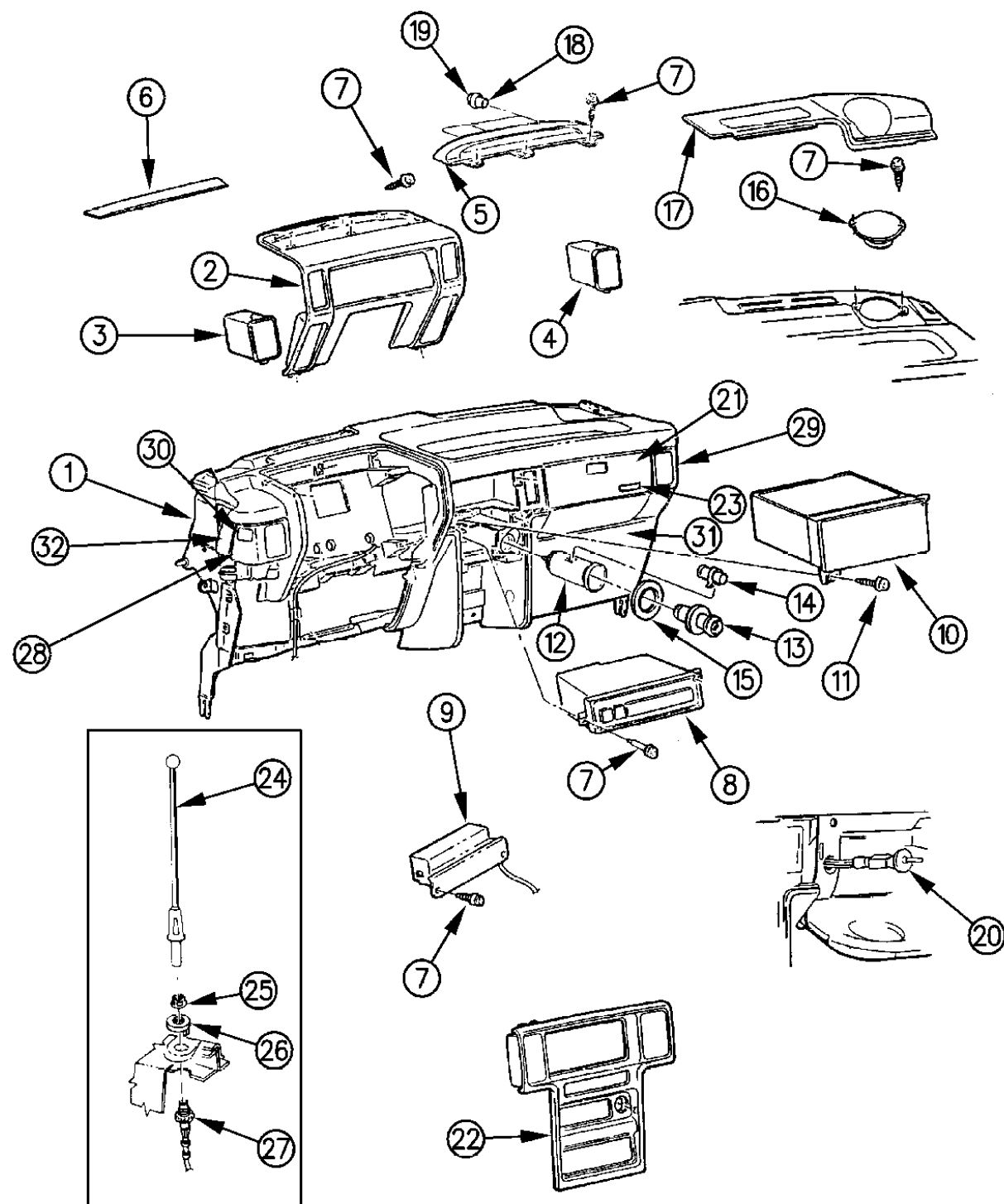
27=2-Door Convertible

AR = Use as Required - = Non Illustrated Part P.A.R. = Paint as Required



**INSTRUMENT PANEL PANEL, RADIO AND SPEAKER S BODY**  
**Figure 8A-3400**

93182 3400A



ITEM	PART NUMBER	QTY	BODY	MODEL	DESCRIPTION
	HF48 MM6	1			Red
	HF48 MD5	1			Quartz
	HF48 MB7	1			Blue
	HF48 MV8	1			Taupe
	4740 957	1			Woodgrain (P.A.R.)
	KK17 MD5	1			Quartz w/Birchstar Woodgrain
	KK17 MV8	1			Champagne w/Birchstar Woodgrain
	KK33 MD5	1			Quartz w/Burl Woodgrain
	KK33 MV8	1			Champagne w/Burl Woodgrain
	5265 894	1			DECAL, Air Bag
	4460 989	2			BUMPER, Door
	4460 740	1			LATCH, Glovebox Door
	4524 057	1			CLIP, Latch Retaining
	4678 103	1			STRIKER, Door
	4220 268	2			PIN, Pivot
	4524 133	1			PLATE, Striker
22					BEZEL, Center Console
		1			w/Forward Mounted Console
	5265 203				Black
		1			Woodgrain, w/Forward Mounted Console
	5265 352				Burlwood
	4741 409				Birch Star
	5265 201	1			w/o Forward Mounted Console
	4524 342	4			CLIP, Bezel Att.
23					NAMEPLATE, I/Panel
	4636 220	1			"Town & Country"
	4636 223	1			"Chrysler Voyager"
	4636 222	1			"Dodge Caravan"
	4636 221	1			"Plymouth Voyager"
24	4469 016	1			MAST, Antenna
25	4372 137	1			NUT, Cap
26	4222 736	1			ADAPTER
	4222 739	1			PLUG
	5269 186	1			COVER, Antenna Base (EUROPEAN)
27	4688 253	1			BODY, w/Cable
	5269 005	1			CABLE, Antenna Pigtail
28					BEZEL, Air Outlet
	4460 748	1			Left
	5265 351	1			Left, Woodgrain

**MODEL CODES:**

A BODY=(C=LeBaron, D=Spirit, P=Acclaim/LaBaron(Landau), Saratoga) S BODY=(H=Voyager(H) FWD, K=Caravan(H) FWD, Y=Town & Country(H) FWD, P=Voyager(K) AWD, D=Caravan(K) AWD, C=Town & Country(K) AWD)  
 C BODY=(D=Dynasty, C=New Yorker/N.Y. Salon)  
 G BODY=(V=Daytona/IROC, Chrysler Daytona)  
 J BODY=(C=LeBaron, Chrysler LeBaron)  
 P BODY=(P=Sundance, D=Shadow)  
 Y BODY=(C=Imperial/5th Avenue)  
 E-S BODY=(K=Chrysler Voyager(H) FWD, D=Chrysler Voyager(K) AWD)

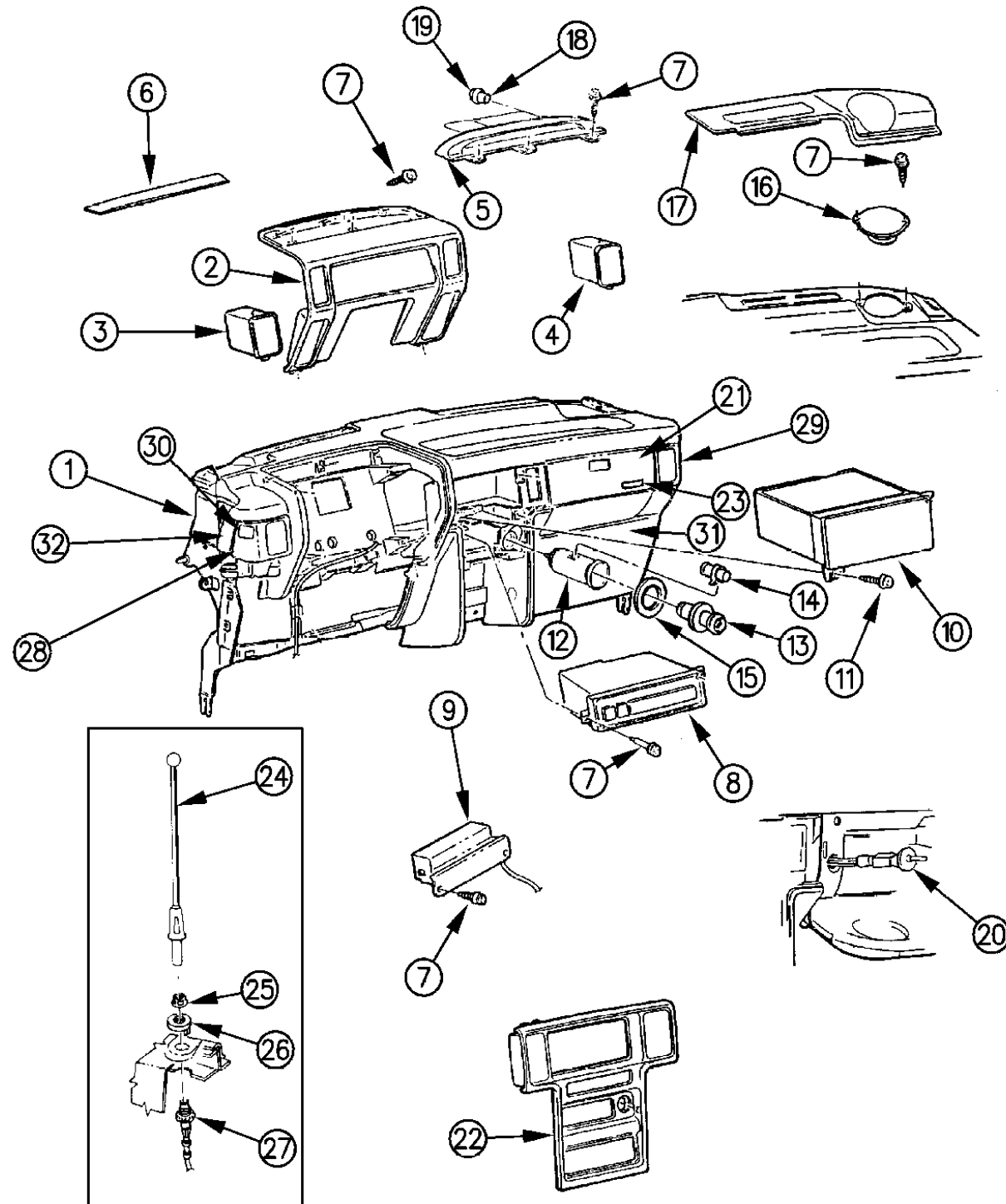
**BODY STYLES:**

21=2-Door Coupe      41=4-Door Sedan      12-52=FWD & AWD Van & Wgn Std W.B.  
 24=2-Door Hatchback      44=4-Door Hatchback      53=FWD & AWD Van & Wgn Ext. W.B.  
 27=2-Door Convertible

AR = Use as Required - = Non Illustrated Part P.A.R. = Paint as Required

**INSTRUMENT PANEL PANEL, RADIO AND SPEAKER S BODY**  
**Figure 8A-3400**

93182 3400A



ITEM	PART NUMBER	QTY	BODY	MODEL	DESCRIPTION
	4741 407	1			Left, Burlwood
29					BEZEL, Air Outlet
	4460 744	1			Right
	5265 349	1			Right, Woodgrain
	4741 408	1			Right, Burlwood
30	4524 342	2			CLIP, Bezel to End Cap
					DEMISTER, Air ***
	4460 751	1			Left
	4460 745	1			Right
31	WT33 KC5	1			PANEL, I/Panel Lower Right, w/Glovebox
32					CAP, I/Panel End
	AV36-7 MB7	1			Blue
	AV36-7 KD5	1			Quartz
	AV36-7 MM6	1			Red
	AV36-7 KV8	1			Taupe

**MODEL CODES:**

A BODY=(C=LeBaron, D=Spirit, P=Acclaim/LaBaron(Landau), Saratoga)      S BODY=(H=Voyager(H) FWD, K=Caravan(H) FWD, Y=Town & Country(H) FWD, P=Voyager(K) AWD, D=Caravan(K) AWD, C=Town & Country(K) AWD)  
 C BODY=(D=Dynasty, C=New Yorker/N.Y. Salon)  
 G BODY=(V=Daytona/IROC, Chrysler Daytona)  
 J BODY=(C=LeBaron, Chrysler LeBaron)  
 P BODY=(P=Sundance, D=Shadow)

**BODY STYLES:**

21=2-Door Coupe      41=4-Door Sedan      12-52=FWD & AWD Van & Wgn Std W.B.  
 24=2-Door Hatchback      44=4-Door Hatchback      53=FWD & AWD Van & Wgn Ext. W.B.  
 27=2-Door Convertible

AR = Use as Required - = Non Illustrated Part P.A.R. = Paint as Required

**INSTRUMENT PANEL SILENCERS AND COVERS S BODY**  
Figure 8A-3500

93182 3500

ITEM	PART NUMBER	QTY	BODY	MODEL	DESCRIPTION
1	4460 226	1			SILENCER, Left
	4674 480	8			STUD, Silencer Retaining
	4674 481	8			CAP, Silencer Retaining
	4674 482	8			NUT, Silencer Retaining
	4674 483	8			WASHER, Silencer Retaining
2	6032 723	AR			SCREW (DNS)
3	EX58 LV8	1			COVER, Steering Column (P.A.R.)
	EX24 MB7	1			Blue
	EX24 MD5	1			Quartz
	EX24 MM6	1			Red
	EX24 MV8	1			Taupe
	6033 255	AR			CLIP, Cover Att.
	6032 719	AR			NUT, Cover Att.
4	4524 226	1			BRACKET, Silencer
5	4460 228	1			SILENCER, Right
6					PLATE, Fuse Access
	HJ01 MD5	1			Quartz
	HJ01 MM6	1			Red
	HJ01 MV8	1			Taupe
	HJ01 MB7	1			Blue
7	4430 171	1			CHOKER, Speaker
8		1			CLIP, Serviced in 6
9	4460 782	1			RAMP, Cowl Side ***
10	6101 308	AR			U-NUT
11		1			SCREW (DNS)
12		1			REINFORCEMENT (DNS)
13		1			NUT (DNS)
14		2			SCREW (DNS)
15		5			SCREW (DNS)

**MODEL CODES:**

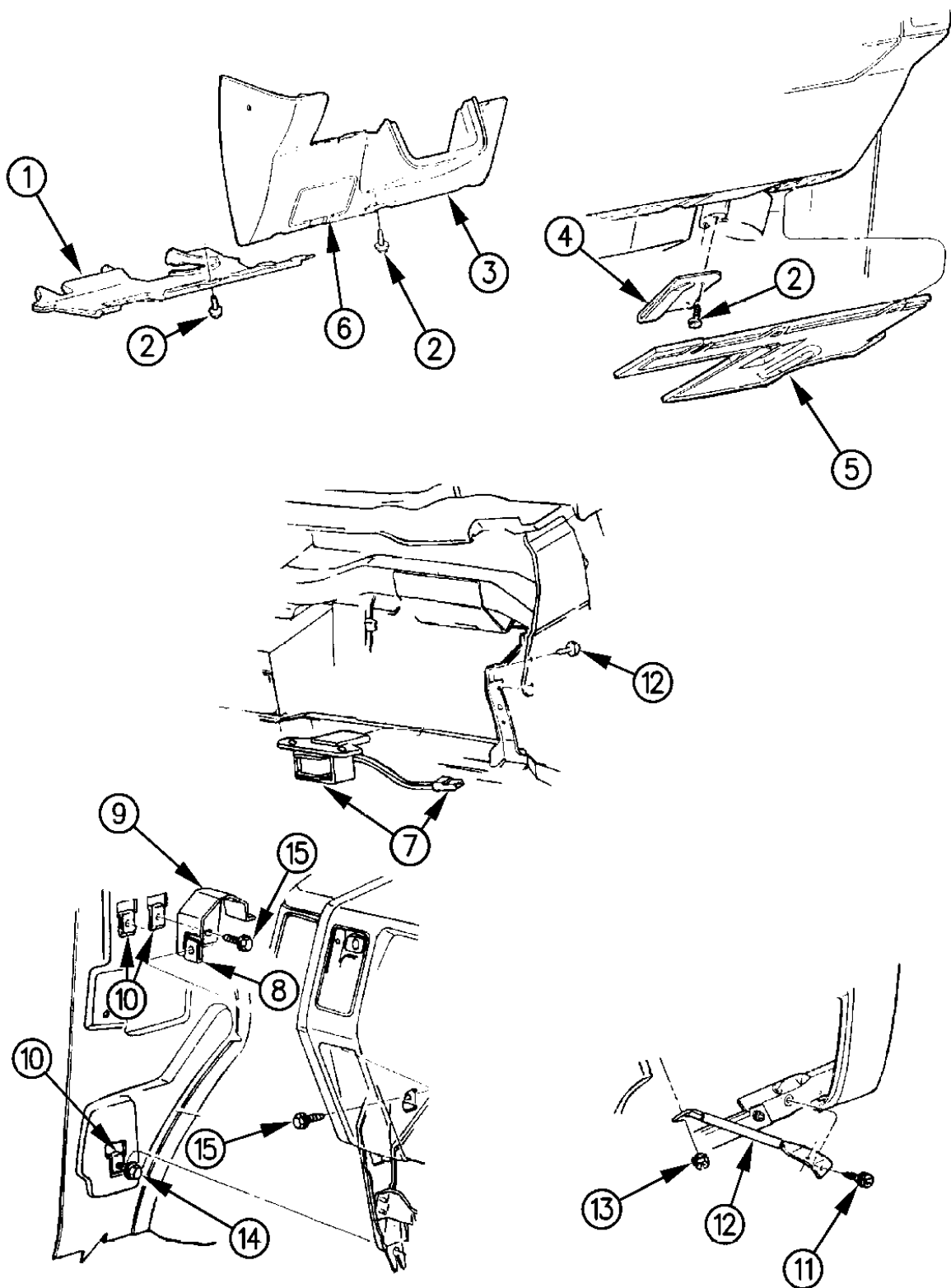
A BODY=(C=LeBaron, D=Spirit, P=Acclaim/LaBaron(Landau),  
Saratoga)  
C BODY=(D=Dynasty, C=New Yorker/N.Y. Salon)  
G BODY=(V=Daytona/IROC, Chrysler Daytona)  
J BODY=(C=LeBaron, Chrysler LeBaron)  
P BODY=(P=Sundance, D=Shadow)

S BODY=(H=Voyager(H) FWD, K=Caravan(H) FWD,  
Y=Town & Country(H) FWD, P=Voyager(K) AWD,  
D=Caravan(K) AWD, C=Town & Country(K) AWD)  
Y BODY=(C=Imperial/5th Avenue)  
E-S BODY=(K=Chrysler Voyager(H) FWD, D=Chrysler  
Voyager(K) AWD)

**BODY STYLES:**

21=2-Door Coupe      41=4-Door Sedan      12-52=FWD & AWD Van & Wgn Std W.B.  
24=2-Door Hatchback      44=4-Door Hatchback      53=FWD & AWD Van & Wgn Ext. W.B.  
27=2-Door Convertible

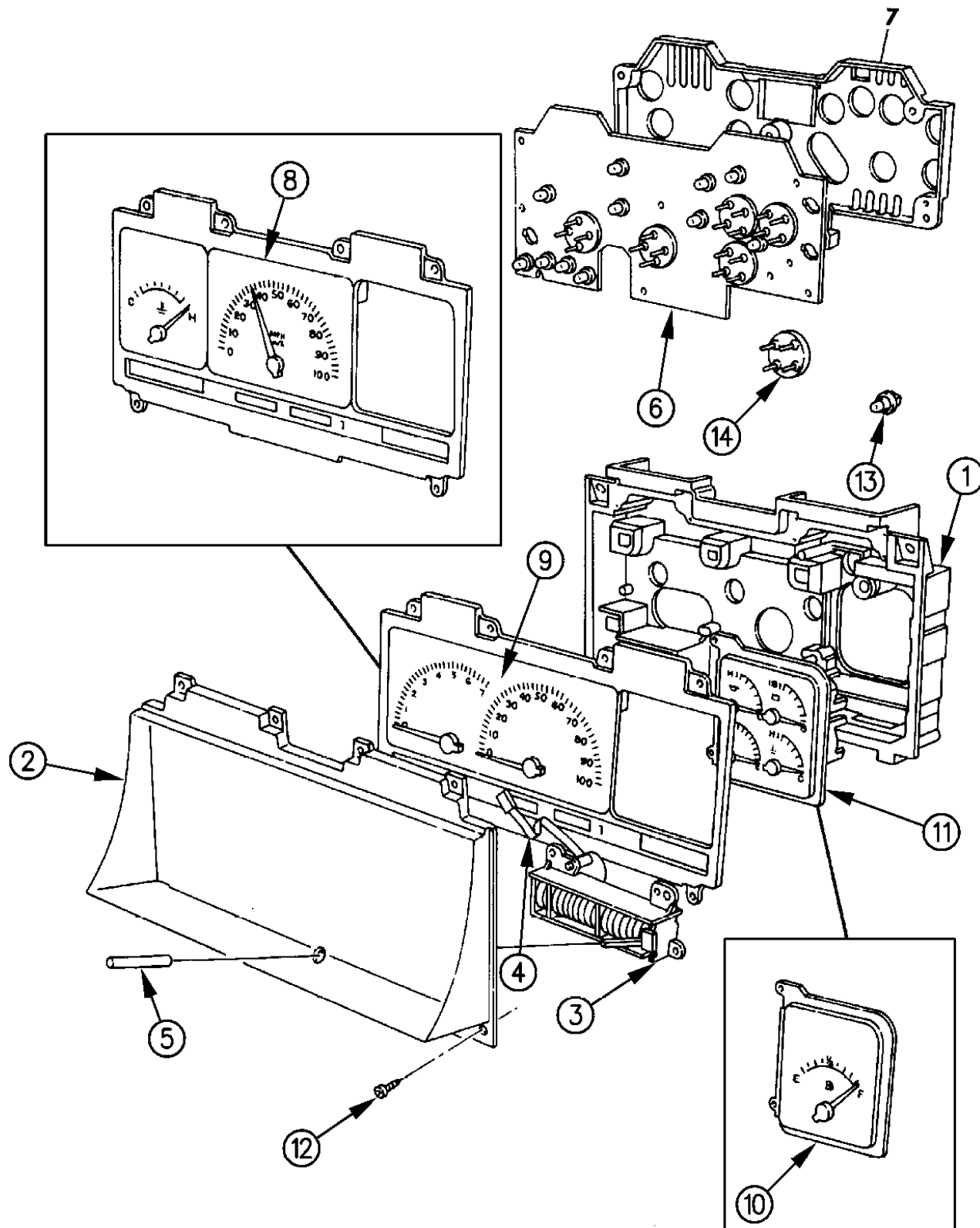
AR = Use as Required - = Non Illustrated Part P.A.R. = Paint as Required



INSTRUMENT PANEL CLUSTER S BODY

Figure 8A-3600

93182 3600



ITEM	PART NUMBER	QTY	BODY	MODEL	DESCRIPTION
	4685 011	1			CLUSTER, Electronic
1	5268 362	1			HOUSING, Cluster
2	4437 773	1			LENS, Cluster
3	4685 035	1			ODOMETER
4	4437 776	1			HARNESS, Speedometer
5	4437 777	1			KNOB, Reset
6					BOARD, Circuit
	4685 148	1			100 Mph., w/o Tachometer
	4685 146	1			100 Mph, w/Tachometer
	4685 149	1			160 Kilo., w/o Tachometer
	4685 152	1			200 Kilo., w/Tachometer
	4728 608	1			200 Kilo., w/Tachometer (Diesel)
7	4437 782	1			COVER, Circuit Board
8	4685 034	1			SPEEDOMETER, w/Temperature
	4685 152	1			200 KILO w/Tach
	4685 032				Canada
9	4685 033	1			SPEEDOMETER, w/Tachometer
	4685 031				200 KM/H, Canada
	4685 123	1			Diesel
	3592 750	1			LABEL, Replacement
10	4437 770	1			GAUGE, Fuel
11		1			GAUGE, Fuel/Temp./Oil/Volt
	4437 771				Gas
	4685 100				Diesel
12	6032 723	4			SCREW, Lens Mtg.
	4437 662	AR			SCREW, Cluster
13	4437 590	AR			SOCKET, w/Bulb
14		1			ADAPTER, Serviced in Circuit Board

MODEL CODES:

A BODY=(C=LeBaron, D=Spirit, P=Acclaim/LaBaron(Landau), Saratoga)

C BODY=(D=Dynasty, C=New Yorker/N.Y. Salon)

G BODY=(V=Daytona/IROC, Chrysler Daytona)

J BODY=(C=LeBaron, Chrysler LeBaron)

P BODY=(P=Sundance, D=Shadow)

S BODY=(H=Voyager(H) FWD, K=Caravan(H) FWD,

Y=Town & Country(H) FWD, P=Voyager(K) AWD,

D=Caravan(K) AWD, C=Town & Country(K) AWD)

Y BODY=(C=Imperial/5th Avenue)

E-S BODY=(K=Chrysler Voyager(H) FWD, D=Chrysler

Voyager(K) AWD)

BODY STYLES:

21=2-Door Coupe

41=4-Door Sedan

12-52=FWD & AWD Van & Wgn Std W.B.

24=2-Door Hatchback

44=4-Door Hatchback

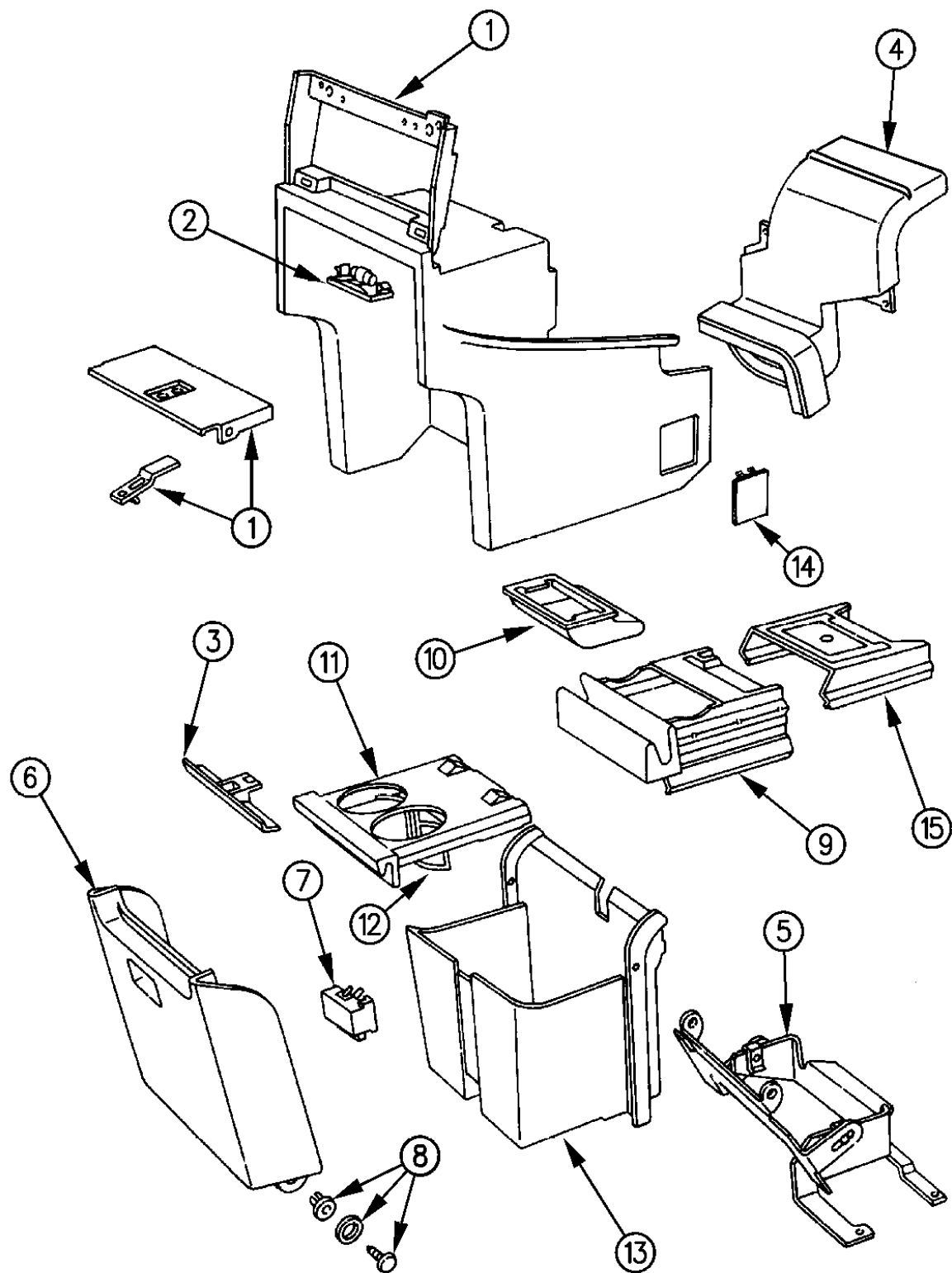
53=FWD & AWD Van & Wgn Ext. W.B.

27=2-Door Convertible

AR = Use as Required - = Non Illustrated Part P.A.R. = Paint as Required

**INSTRUMENT PANEL CONSOLE S BODY**  
Figure 8A-3700

93182 3700



ITEM	PART NUMBER	QTY	BODY	MODEL	DESCRIPTION
1	ET61 KV8	1			HOUSING, Console
2	AS46 KV8	1			ESCUTCHEON, w/Hood Ash Receiver Lamp
3	4524 143	1			FILLER, Retainer
4	4462 608	1			DUCT, Floor
5	4460 700	1			BRACKET, Console Mtg.
6	P497 KV8	1			DOOR, Console
	5265 566	1			SPRING, Door Assist
7	4460 760	1			LATCH, Door
8	4220 268	2			PIN, Door
9	4460 766	1			RECEIVER, Ash
	6032 114	4			SCREW, Ash Receiver Mtg.
10	4460 768	1			RECEPTACLE, Ash Receiver
11	4460 774	1			HOLDER, Cup, w/Stirrups And Springs
12	4460 780	2			STIRRUP, Cupholder ***
13	4460 697	1			BIN, Console
	5265 566	1			SPRING, Assist
	4460 989	AR			BUMPER, Console
14	EW63 KV8	1			COVER, Diagnostic Check
15	4460 773	1			HOUSING, Ash Receiver
	4678 061	1			BUMPER, Ash Receiver to Housing

**MODEL CODES:**

A BODY=(C=LeBaron, D=Spirit, P=Acclaim/LaBaron(Landau), Saratoga)      S BODY=(H=Voyager(H) FWD, K=Caravan(H) FWD, Y=Town & Country(H) FWD, P=Voyager(K) AWD, D=Caravan(K) AWD, C=Town & Country(K) AWD)  
 C BODY=(D=Dynasty, C=New Yorker/N.Y. Salon)  
 G BODY=(V=Daytona/IROC, Chrysler Daytona)  
 J BODY=(C=LeBaron, Chrysler LeBaron)  
 P BODY=(P=Sundance, D=Shadow)      Y BODY=(C=Imperial/5th Avenue)  
 E-S BODY=(K=Chrysler Voyager(H) FWD, D=Chrysler Voyager(K) AWD)

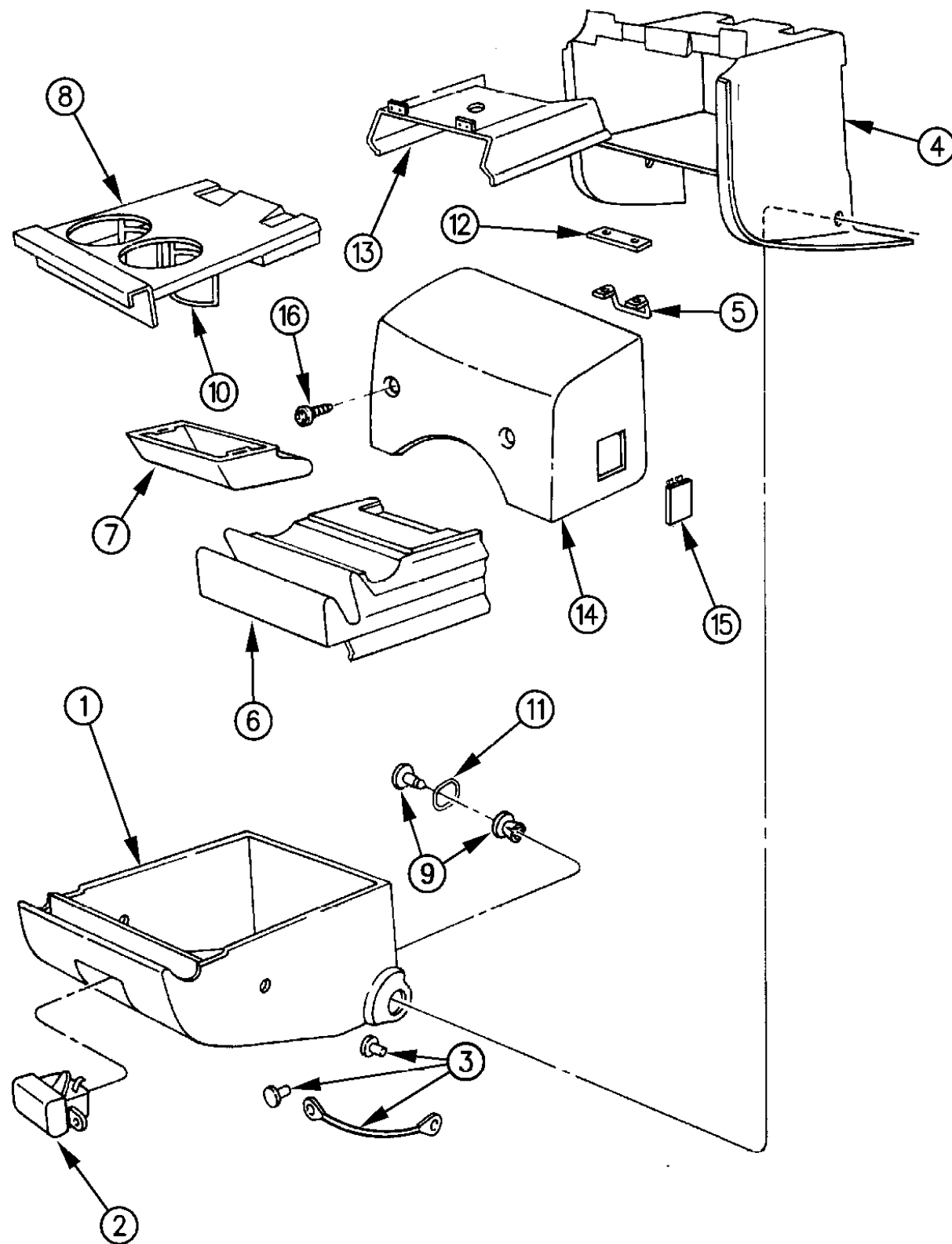
**BODY STYLES:**

21=2-Door Coupe      41=4-Door Sedan      12-52=FWD & AWD Van & Wgn Std W.B.  
 24=2-Door Hatchback      44=4-Door Hatchback      53=FWD & AWD Van & Wgn Ext. W.B.  
 27=2-Door Convertible

AR = Use as Required - = Non Illustrated Part P.A.R. = Paint as Required

**INSTRUMENT PANEL CENTER MODULE S BODY**  
Figure 8A-3800

93182 3800



ITEM	PART NUMBER	QTY	BODY	MODEL	DESCRIPTION
1	5265 200	1			DOOR, w/Bin
	4460 989	2			BUMPER, Door
2	4460 760	1			LATCH, Door
	6032 985	2			SCREW, Latch Att.
3	4460 961	2			STRAP, Check
4	4460 754	1			HOUSING, Module
	5265 201	1			BEZEL, Housing
5	4460 756	1			STRIKER, Door
6	4460 766	1			RECEIVER, Ash
	6032 723	4			SCREW, Ash Receiver Mtg.
7	4460 768	1			RECEPTACLE, Ash Receiver
8	4460 774	1			HOLDER, Cup
9	4220 268	2			PIN, Door
10	4460 780	2			STIRUP, Cupholder ***
11	5265 111	2			WASHER, Wave
12	4524 294	1			PLATE, Striker
13	4460 773	1			HOUSING, Ash Receiver
14					COVER, Airbag Module
	EK50 MB7	1			Blue
	EK50 KD5	1			Quartz
	EK50 MMA	1			Red
	EK50 KV8	1			Taupe
15					PLUG, Module Access Hole
	EN85 MB7	1			Blue
	EN85 KD5	1			Quartz
	EN85 MM6	1			Red
	EN85 KV8	1			Taupe
16	6032 723	2			SCREW

**MODEL CODES:**

A BODY=(C=LeBaron, D=Spirit, P=Acclaim/LaBaron(Landau, Saratoga) S BODY=(H=Voyager(H) FWD, K=Caravan(H) FWD, Y=Town & Country(H) FWD, P=Voyager(K) AWD, D=Caravan(K) AWD, C=Town & Country(K) AWD)  
 C BODY=(D=Dynasty, C=New Yorker/N.Y. Salon)  
 G BODY=(V=Daytona/IROC, Chrysler Daytona)  
 J BODY=(C=LeBaron, Chrysler LeBaron)  
 P BODY=(P=Sundance, D=Shadow)  
 Y BODY=(C=Imperial/5th Avenue)  
 E-S BODY=(K=Chrysler Voyager(H) FWD, D=Chrysler Voyager(K) AWD)

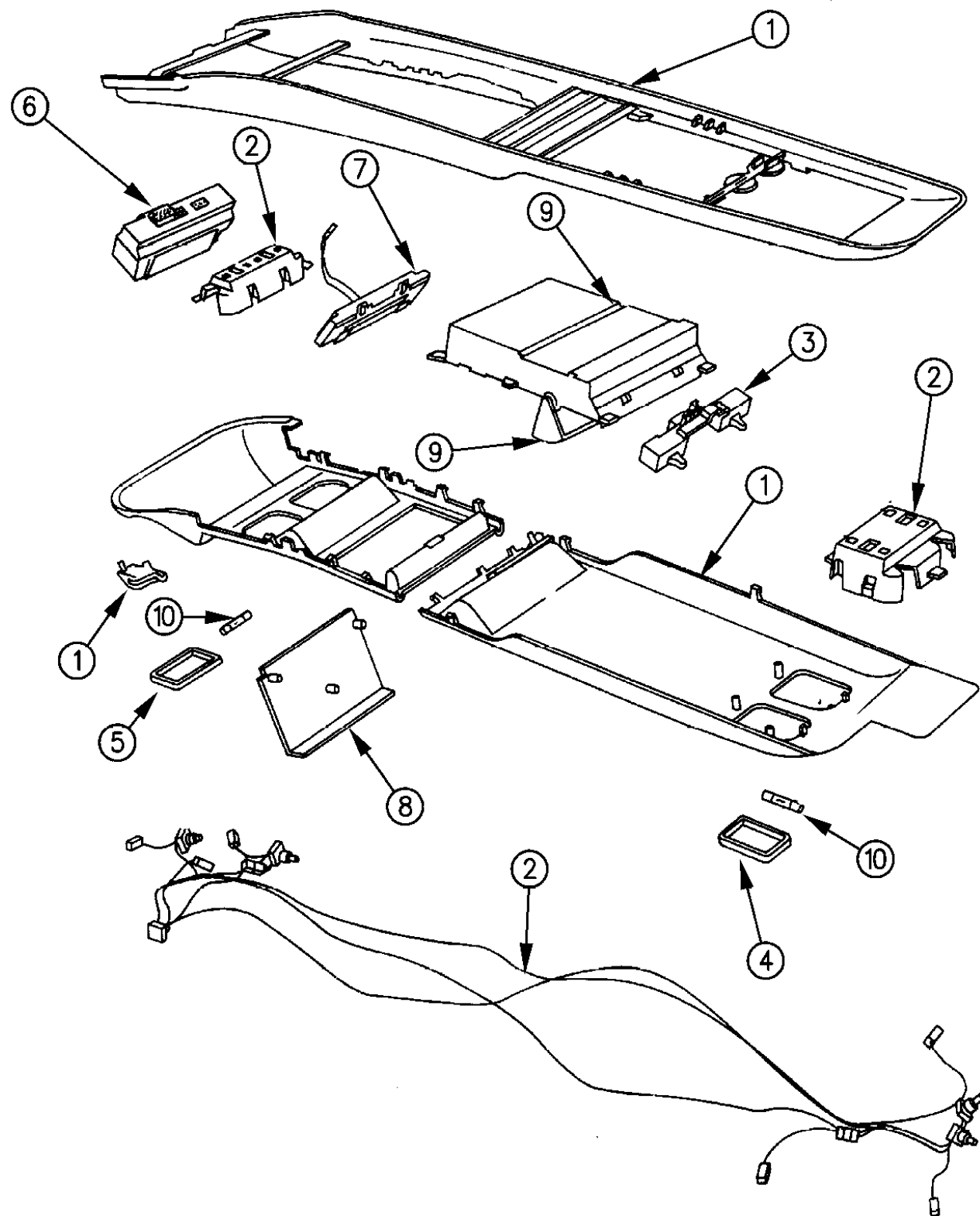
**BODY STYLES:**

21=2-Door Coupe      41=4-Door Sedan      12-52=FWD & AWD Van & Wgn Std W.B.  
 24=2-Door Hatchback      44=4-Door Hatchback      53=FWD & AWD Van & Wgn Ext. W.B.  
 27=2-Door Convertible

AR = Use as Required - = Non Illustrated Part P.A.R. = Paint as Required

CONSOLE, OVERHEAD S BODY  
Figure 8A-3900

93182 3900A



ITEM	PART NUMBER	QTY	BODY	MODEL	DESCRIPTION
1					HOUSING, Console
					W/ELECTRONICS
	DD41 MB7	1			Blue
	DD41 KD5	1			Quartz
	DD41 MM6	1			Red
	DD41 KV4	1			Taupe
					W/O ELECTRONICS
	DD43 MB7	1			Blue
	DD43 MD5	1			Quartz
	DD43 MMA	1			Red
	DD43 MV4	1			Taupe
	5268 233	1			BRACKET, Mtg.
2	5268 196	1			WIRING, w/Housings
3	4565 203	1			SWITCH, Vent Glass
4					LENS, Front
	5268 175	1			Left
	5268 176	1			Right
5					LENS, Rear
	5268 177	1			Left
	5268 178	1			Right
6	4685 012	1			MODULE, Compass/Temperature
7	4437 660	1			SWITCH, Mini Trip
8	5268 173	1			DOOR, G.D.O.
9	5268 174	1			HOUSING, Sunglass/G.D.O.
	4547 583	1			PACKAGE, G.D.O. Service
10	9431 808	4			BULB

MODEL CODES:

A BODY=(C=LeBaron, D=Spirit, P=Acclaim/LaBaron(Landau),  
Saratoga)  
C BODY=(D=Dynasty, C=New Yorker/N.Y. Salon)  
G BODY=(V=Daytona/IROC, Chrysler Daytona)  
J BODY=(C=LeBaron, Chrysler LeBaron)  
P BODY=(P=Sundance, D=Shadow)

S BODY=(H=Voyager(H) FWD, K=Caravan(H) FWD,  
Y=Town & Country(H) FWD, P=Voyager(K) AWD,  
D=Caravan(K) AWD, C=Town & Country(K) AWD)  
Y BODY=(C=Imperial/5th Avenue)  
E-S BODY=(K=Chrysler Voyager(H) FWD, D=Chrysler  
Voyager(K) AWD)

BODY STYLES:

21=2-Door Coupe      41=4-Door Sedan      12-52=FWD & AWD Van & Wgn Std W.B.  
24=2-Door Hatchback      44=4-Door Hatchback      53=FWD & AWD Van & Wgn Ext. W.B.  
27=2-Door Convertible

AR = Use as Required - = Non Illustrated Part P.A.R. = Paint as Required

**GROUP 9A - ENGINE, 4 CYLINDER**

**ILLUSTRATION TITLE**

**GROUP-FIG. NO.**

**2.2 L ENGINE**

I.D. LOCATIONS 2.2 L ENGINE ..... Fig. 9A-100  
CYLINDER BLOCK 2.2 L ENGINE ..... Fig. 9A-200  
CYLINDER HEAD 2.2 L ENGINE E.F.I. .... Fig. 9A-300  
CYLINDER HEAD 2.2 L ENGINE TURBO 16 VALVE ..... Fig. 9A-400  
CRANKSHAFT, PISTONS AND TORQUE CONVERTER 2.2 L ENGINE E.F.I. .... Fig. 9A-500  
CRANKSHAFT AND PISTONS 2.2 L ENGINE TURBO 16 VALVE ..... Fig. 9A-600  
CAMSHAFT AND VALVES 2.2 L ENGINE E.F.I. .... Fig. 9A-700  
CAMSHAFTS AND VALVES 2.2 L ENGINE TURBO 16 VALVE ..... Fig. 9A-800  
BALANCE SHAFTS 2.2 L ENGINE ..... Fig. 9A-900  
TIMING BELT & COVERS & INTERMEDIATE SHAFT 2.2 L ENGINE E.F.I. .... Fig. 9A-1000  
TIMING BELT, COVERS AND INTERMEDIATE SHAFT 2.2 L ENGINE TURBO 16 VALVE ..... Fig. 9A-1100  
ENGINE OILING 2.2 L ENGINE ..... Fig. 9A-1200  
OIL LINES 2.2 L ENGINE TURBO 16 VALVE ..... Fig. 9A-1300  
MANIFOLD, INTAKE AND EXHAUST 2.2 L ENGINE E.F.I. .... Fig. 9A-1400  
MANIFOLDS 2.2 L ENGINE TURBO 16 VALVE ..... Fig. 9A-1500  
CRANKCASE VENTILATION 2.2 L ENGINE E.F.I. .... Fig. 9A-1600  
CRANKCASE VENTILATION 2.2 L ENGINE TURBO 16 VALVE ..... Fig. 9A-1700  
ENGINE MOUNTING 2.2 L ENGINE ..... Fig. 9A-1800

**2.5 L ENGINE**

CYLINDER BLOCK 2.5 L ENGINE ..... Fig. 9A-2000  
CYLINDER HEAD 2.5 L ENGINE ..... Fig. 9A-2100  
CRANKSHAFT & PISTONS 2.5 L ENGINE ..... Fig. 9A-2200  
BALANCE SHAFTS 2.5 L ENGINE ..... Fig. 9A-2400  
TIMING BELT & COVERS & INTERMEDIATE SHAFT 2.5 L ENGINE ..... Fig. 9A-2500  
ENGINE OILING 2.5 L ENGINE ..... Fig. 9A-2600  
MANIFOLDS, INTAKE & EXHAUST 2.5 L ENGINE ..... Fig. 9A-2700  
CRANKCASE VENTILATION 2.5 L ENGINE ..... Fig. 9A-2800  
CRANKCASE VENTILATION 2.5 L FLEX FUEL ENGINE ..... Fig. 9A-2900  
ENGINE MOUNTING 2.5 L ENGINE ..... Fig. 9A-3000

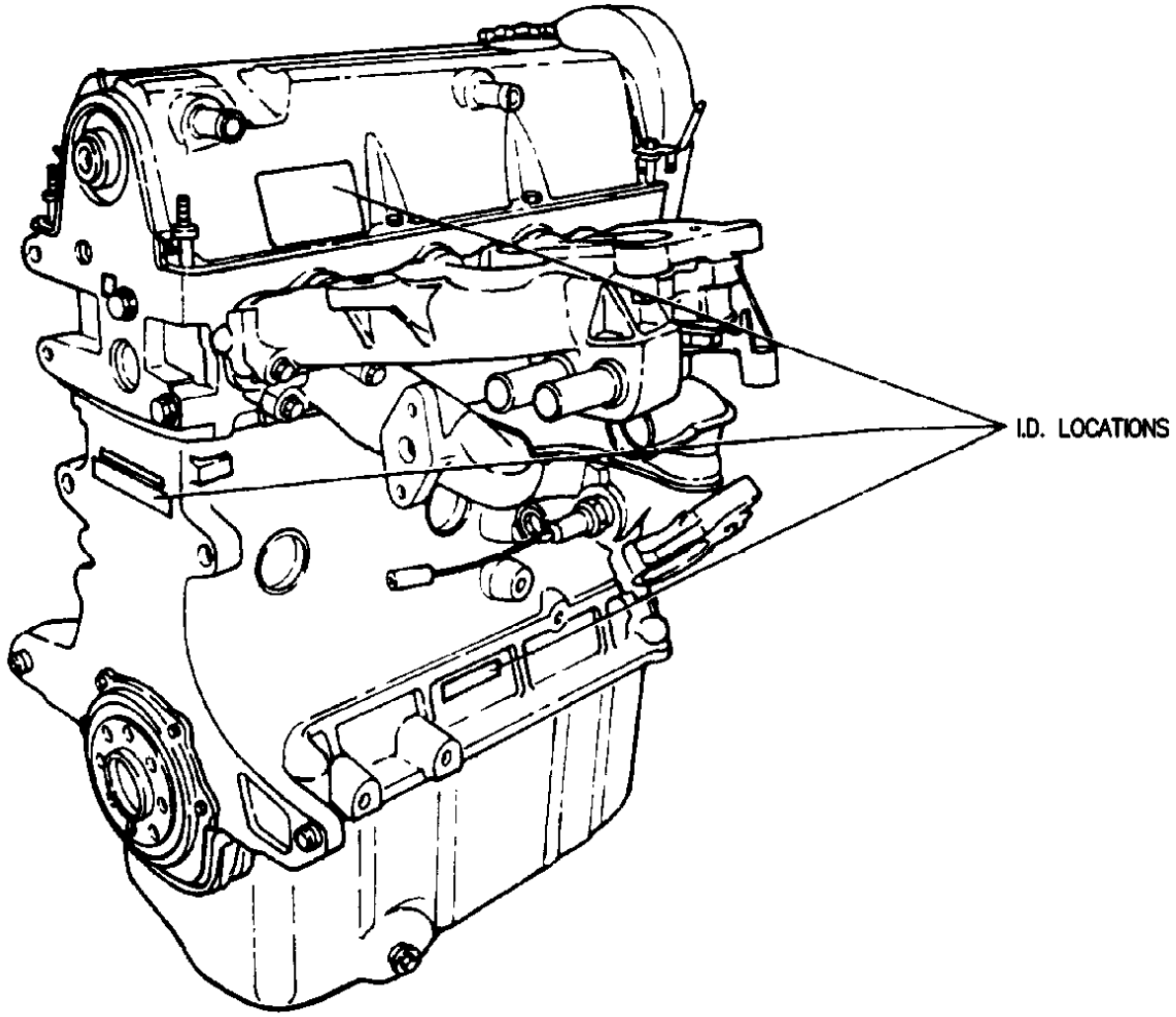
**ILLUSTRATION NOT AVAILABLE AT TIME OF PUBLICATION**



**I.D. LOCATIONS 2.2 L ENGINE  
Figure 9A-100**

93158 100

ITEM	PART NUMBER	QTY	BODY	MODEL	DESCRIPTION



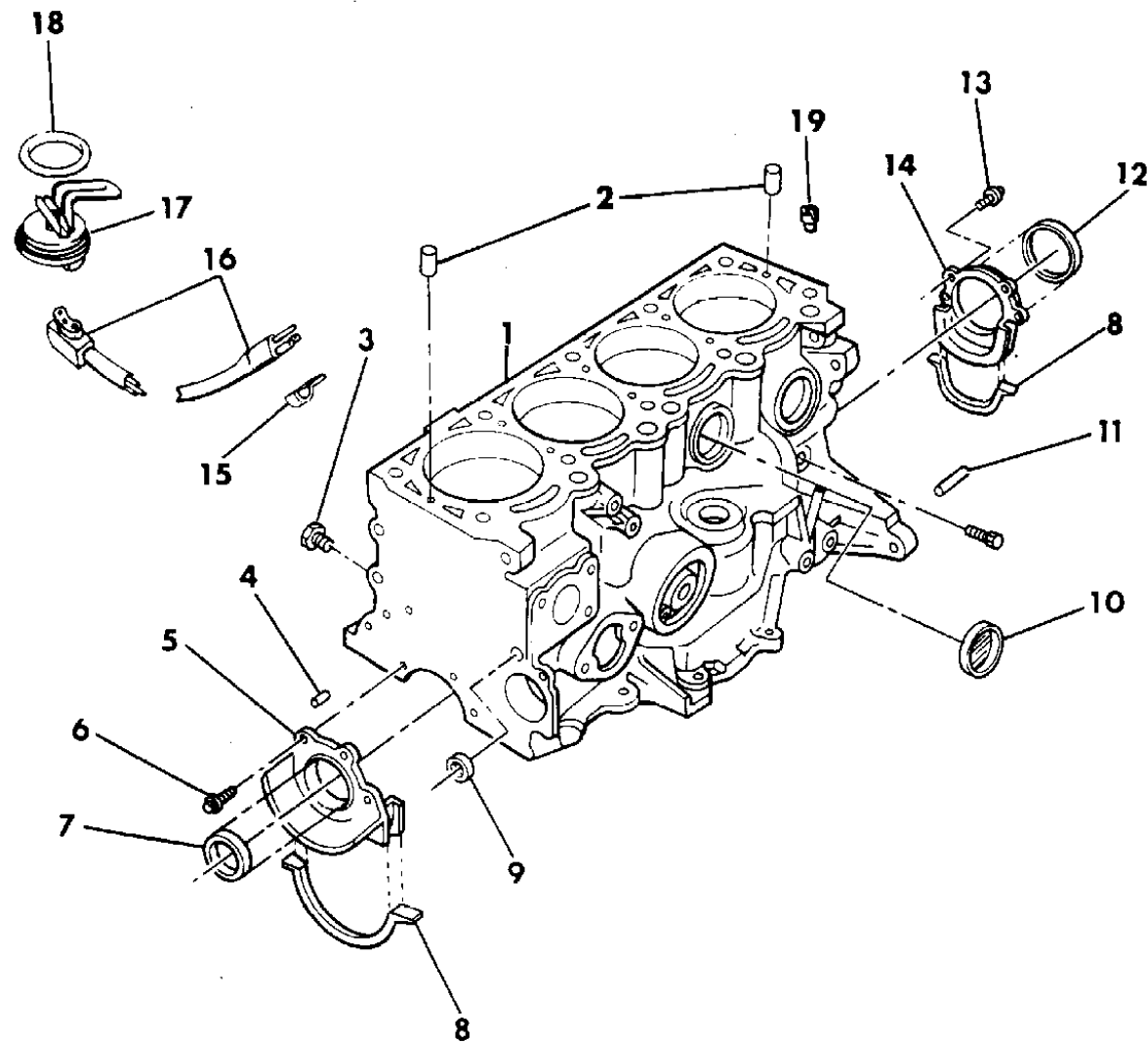
**MODEL CODES:**  
A BODY=(C=LeBaron, D=Spirit, P=Acclaim/LaBaron(Landau), Saratoga) S BODY=(H=Voyager(H) FWD, K=Caravan(H) FWD, Y=Town & Country(H) FWD, P=Voyager(K) AWD, D=Caravan(K) AWD, C=Town & Country(K) AWD)  
C BODY=(D=Dynasty, C=New Yorker/N.Y. Salon) Y BODY=(C=Imperial/5th Avenue)  
G BODY=(V=Daytona/IROC, Chrysler Daytona) E-S BODY=(K=Chrysler Voyager(H) FWD, D=Chrysler Voyager(K) AWD)  
J BODY=(C=LeBaron, Chrysler LeBaron)  
P BODY=(P=Sundance, D=Shadow)

**BODY STYLES:**  
21=2-Door Coupe      41=4-Door Sedan      12-52=FWD & AWD Van & Wgn Std W.B.  
24=2-Door Hatchback      44=4-Door Hatchback      53=FWD & AWD Van & Wgn Ext. W.B.  
27=2-Door Convertible

AR = Use as Required - = Non Illustrated Part P.A.R. = Paint as Required

**CYLINDER BLOCK 2.2 L ENGINE**  
**Figure 9A-200**

93158 200



ITEM	PART NUMBER	QTY	BODY	MODEL	DESCRIPTION
NOTE 1: These Packages do not contain Gaskets for all required sealings. R.T.V. Sealer #4318025 and Gasket Eliminator #4318029 must be used in addition as described in the Chrysler repair Manual.					
	4626 450	1			GASKET PACKAGE, Engine Lower (See Note 1)
NOTE: Short Assembly Consists of the Cylinder Block with Piston and Rings, Crankshaft and Bearing, Connecting Rods and Bearing, on as described in the Chrysler repair Manual.					
	4556 470	1			ENGINE, Short (See Note)
	4621 838	1			EFI
					Turbo 16 Valve
1		1			BLOCK, Cylinder (Serviced in Short Engine)
2	6500 402	2			DOWEL, Cylinder Block to Cylinder Head
3		1			PLUG, Cylinder Block Water Jacket Drain 1/4" Pipe (Not Serviced)
4	5203 466	4			DOWEL, Cylinder Block to Crankshaft Seal Retainer
5					RETAINER, Crankshaft Oil Seal Front w/Oil Seal (See Note 1)
	4387 580	1			EFI
	4536 309	1			Turbo 16 Valve
6	6101 278	3			SCREW and WASHER, Crankshaft Oil Seal Retainer, Front
	6100 271	1			
7	4273 275	1			OIL SEAL, Crankshaft Front
8		1			SEAL, Oil Pan to Retainer (See Oil Pan Illust.)
9	5203 340	2			PLUG, Cylinder Block Oil Gallery Hole (5/8)
	4556 019	AR			.065" O/S
	6034 331	AR			PLUG, Coolant Switch Non-Turbo
10	5203 342	5			PLUG, Cylinder Block Water Hole 1-5/8"
	4556 023	AR			.065" O/S
11	5240 849	2			DOWEL, Cylinder Block to Clutch Housing Trans. Case
12	5203 590	1			OIL SEAL, Crankshaft Rear
13	6101 278	4			SCREW and WASHER, Crankshaft Oil Seal Retainer Rear
14	5214 784	1			RETAINER, Crankshaft Rear Oil Seal w/Oil Seal (See Note 1)
15	6015 412	2			CLIP, Engine Block Heater Cord
	6015 756	AR			STRAP, Engine Block Heater
16	4687 405	1			CORD, Engine Block Heater
17	4713 316	1			HEATER PACKAGE, Engine Block
18	4494 471	1			O-RING, Engine Block Heater-1/11/32 Dia. 11/64 Width
	6501 446	1			1/11/32 Dia. 9/64 Width
	6501 447	1			13/64 Dia. 1/16 Width
19	4323 808	1			RESTRICTOR, Cylinder Head Oil

**MODEL CODES:**

A BODY=(C=LeBaron, D=Spirit, P=Acclaim/LaBaron(Landau), Saratoga)  
 C BODY=(D=Dynasty, C=New Yorker/N.Y. Salon)  
 G BODY=(V=Daytona/IROC, Chrysler Daytona)  
 J BODY=(C=LeBaron, Chrysler LeBaron)  
 P BODY=(P=Sundance, D=Shadow)

S BODY=(H=Voyager(H) FWD, K=Caravan(H) FWD, Y=Town & Country(H) FWD, P=Voyager(K) AWD, D=Caravan(K) AWD, C=Town & Country(K) AWD)  
 Y BODY=(C=Imperial/5th Avenue)  
 E-S BODY=(K=Chrysler Voyager(H) FWD, D=Chrysler Voyager(K) AWD)

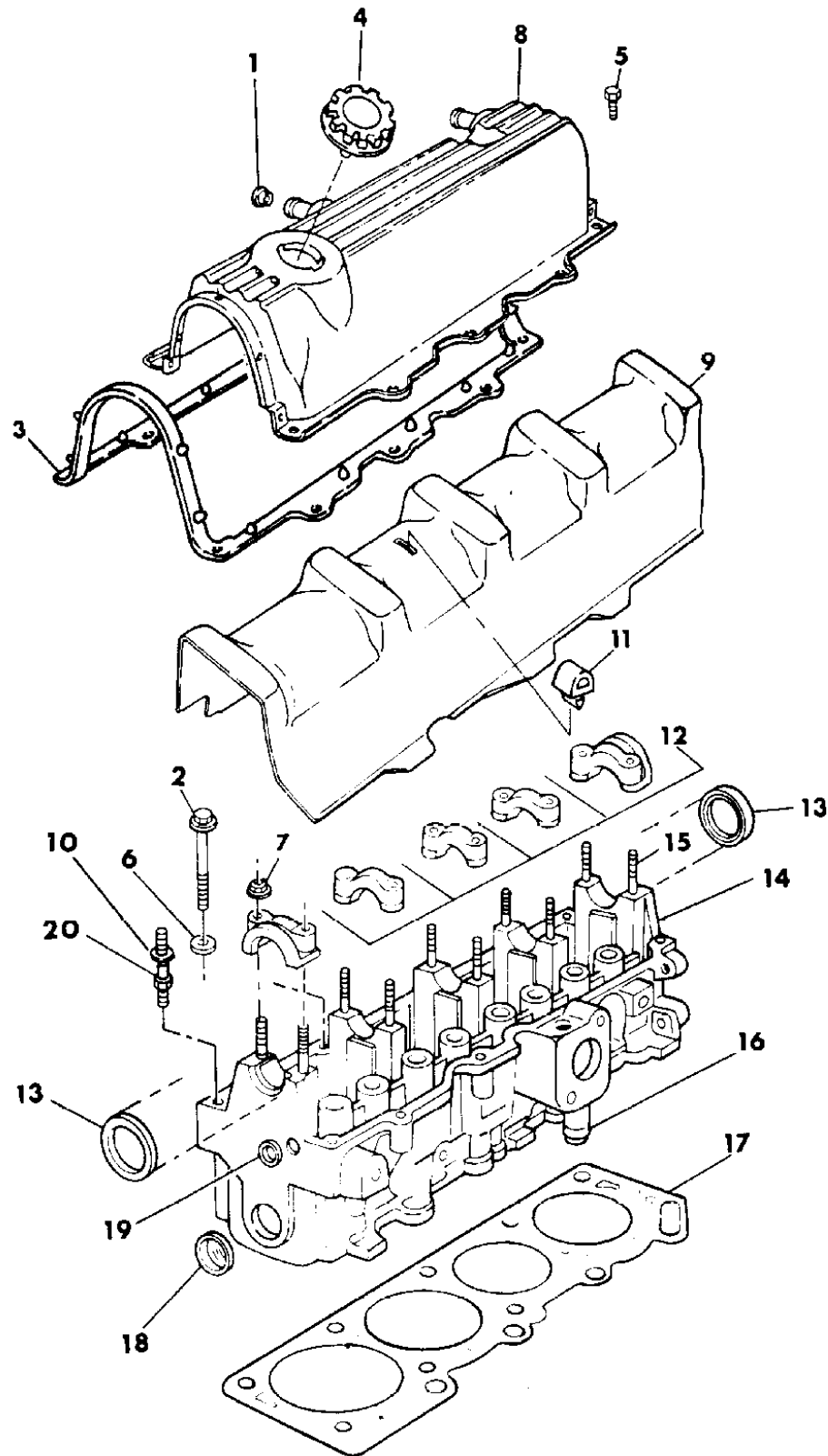
**BODY STYLES:**

21=2-Door Coupe      41=4-Door Sedan      12-52=FWD & AWD Van & Wgn Std W.B.  
 24=2-Door Hatchback      44=4-Door Hatchback      53=FWD & AWD Van & Wgn Ext. W.B.  
 27=2-Door Convertible

AR = Use as Required - = Non Illustrated Part P.A.R. = Paint as Required

**CYLINDER HEAD 2.2 L ENGINE E.F.I.**  
**Figure 9A-300**

93158 300



ITEM	PART NUMBER	QTY	BODY	MODEL	DESCRIPTION
NOTE 1: These Packages do not contain Gaskets for all required sealings. R.T.V. Sealer #4318025 and Gasket Eliminator #4318029 must be used in addition as described in the Chrysler repair Manual.					
NOTE 2: Cylinder Heads Stamped "O/S J" on Camshaft Bearing Journal or Camshaft Air Pump End Face are not Serviced, use "Standard Cylinder Head and "Standard" Camshaft Package for Service.					
	4728 218	1			GASKET PACKAGE, Engine Upper (See Note 1) w/Steel Stamped Valve Cover Consists of: 1- 5281064 Gasket, Cylinder Head 8- 4201332 Seal, Valve Stem Oil
					1- 4179895 Gasket, Cylinder Water Outlet Connection 2- 5214479 Seal, Cylinder Head Cover End 1- 5277717 Gasket, EGR Flange 1- 4105745 Gasket, Intake and Exhaust Manifold
1	4667 303	1			RESTRICTOR, Cylinder Head Cover PCV
2	6501 433	10			SCREW, Cylinder Head m11-1.5x122.5
	6500 267	1			SCREW and WASHER, Cylinder Head Plug-M10x1.25x16
3		1			GASKET, Cylinder Head Cover-RTV Sealer
	5214 479	2			SEAL, Cylinder Head Cover End (For 4343496 Cover)
4	4621 012	1			CAP, Oil Filler
5	6100 275	3			SCREW, w/Washer, Cylinder Head
6	6501 435	10			WASHER, Cylinder Head Screw
7		AR			NUT, Camshaft Bearing Cap Stud (Not Serviced)
8	5241 066	1			COVER PACKAGE, Cylinder Head ***
9	4667 174	1			CURTAIN, Cylinder Head
10	6500 274	2			NUT, Cylinder Head Cover
11	4387 331	2			RETAINER, Cylinder Head Curtain
12					CAPS, Camshaft Bearing (Serviced in Cylinder Head (See Note 1))
13	4105 395	1			SEAL, Camshaft Front
	4343 903	1			PLUG, Camshaft Rear
14	5281 139	1			HEAD, Cylinder - Standard Camshaft Journals See Note 2)
15		10			SCREW, Camshaft Bearing Cap (Not Serviced)
16	4105 295	1			NIPPLE, Thermostat Water By-Pass
17	5281 064	1			GASKET, Cylinder Head
18	4556 020	2			PLUG, Cylinder Head Water Hole 1-1/4
	4105 972	AR			.065 O/S
19	5203 340	2			PLUG, Cylinder Head Oil Gallery Hole (5/8)
	4556 019	AR			.065 O/S
20	6500 435	2			STUD, Cylinder Head Cover (M6)

**MODEL CODES:**

A BODY=(C=LeBaron, D=Spirit, P=Acclaim/LaBaron(Landau), Saratoga) S BODY=(H=Voyager(H) FWD, K=Caravan(H) FWD, Y=Town & Country(H) FWD, P=Voyager(K) AWD, D=Caravan(K) AWD, C=Town & Country(K) AWD)  
 C BODY=(D=Dynasty, C=New Yorker/N.Y. Salon) Y BODY=(C=Imperial/5th Avenue)  
 G BODY=(V=Daytona/IROC, Chrysler Daytona) E-S BODY=(K=Chrysler Voyager(H) FWD, D=Chrysler Voyager(K) AWD)  
 J BODY=(C=LeBaron, Chrysler LeBaron) P BODY=(P=Sundance, D=Shadow)

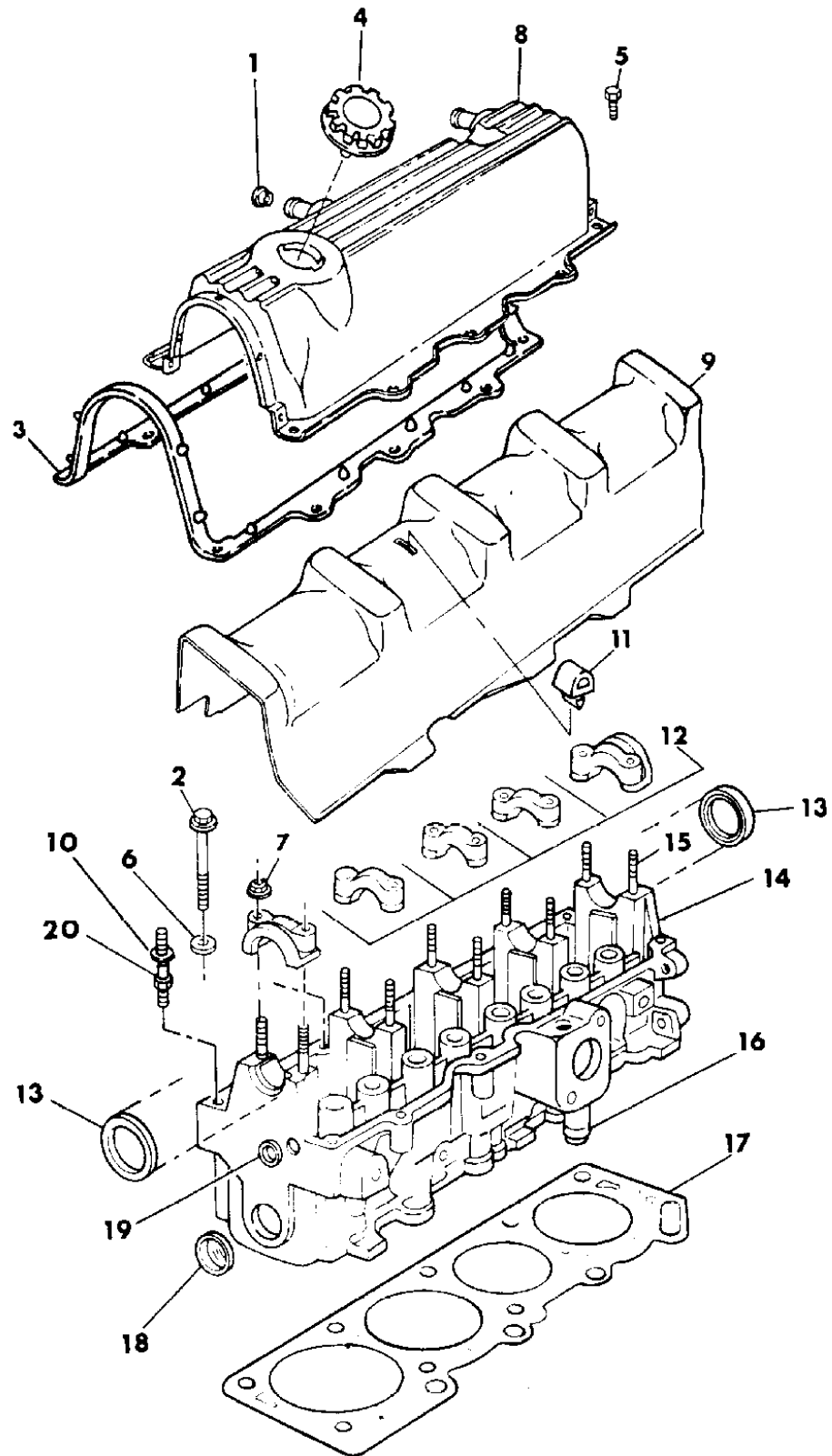
**BODY STYLES:**

21=2-Door Coupe 41=4-Door Sedan 12-52=FWD & AWD Van & Wgn Std W.B.  
 24=2-Door Hatchback 44=4-Door Hatchback 53=FWD & AWD Van & Wgn Ext. W.B.  
 27=2-Door Convertible

AR = Use as Required - = Non Illustrated Part P.A.R. = Paint as Required

**CYLINDER HEAD 2.2 L ENGINE E.F.I.  
Figure 9A-300**

93158 300



ITEM	PART NUMBER	QTY	BODY	MODEL	DESCRIPTION
------	-------------	-----	------	-------	-------------

	6100 276	5			SCREW and WASHER, M6x1.00x20
--	----------	---	--	--	------------------------------

**MODEL CODES:**

A BODY=(C=LeBaron, D=Spirit, P=Acclaim/LaBaron(Landau),  
Saratoga) S BODY=(H=Voyager(H) FWD, K=Caravan(H) FWD,  
Y=Town & Country(H) FWD, P=Voyager(K) AWD,  
D=Caravan(K) AWD, C=Town & Country(K) AWD)  
C BODY=(D=Dynasty, C=New Yorker/N.Y. Salon)  
G BODY=(V=Daytona/IROC, Chrysler Daytona) Y BODY=(C=Imperial/5th Avenue)  
J BODY=(C=LeBaron, Chrysler LeBaron) E-S BODY=(K=Chrysler Voyager(H) FWD, D=Chrysler  
P BODY=(P=Sundance, D=Shadow) Voyager(K) AWD)

**BODY STYLES:**

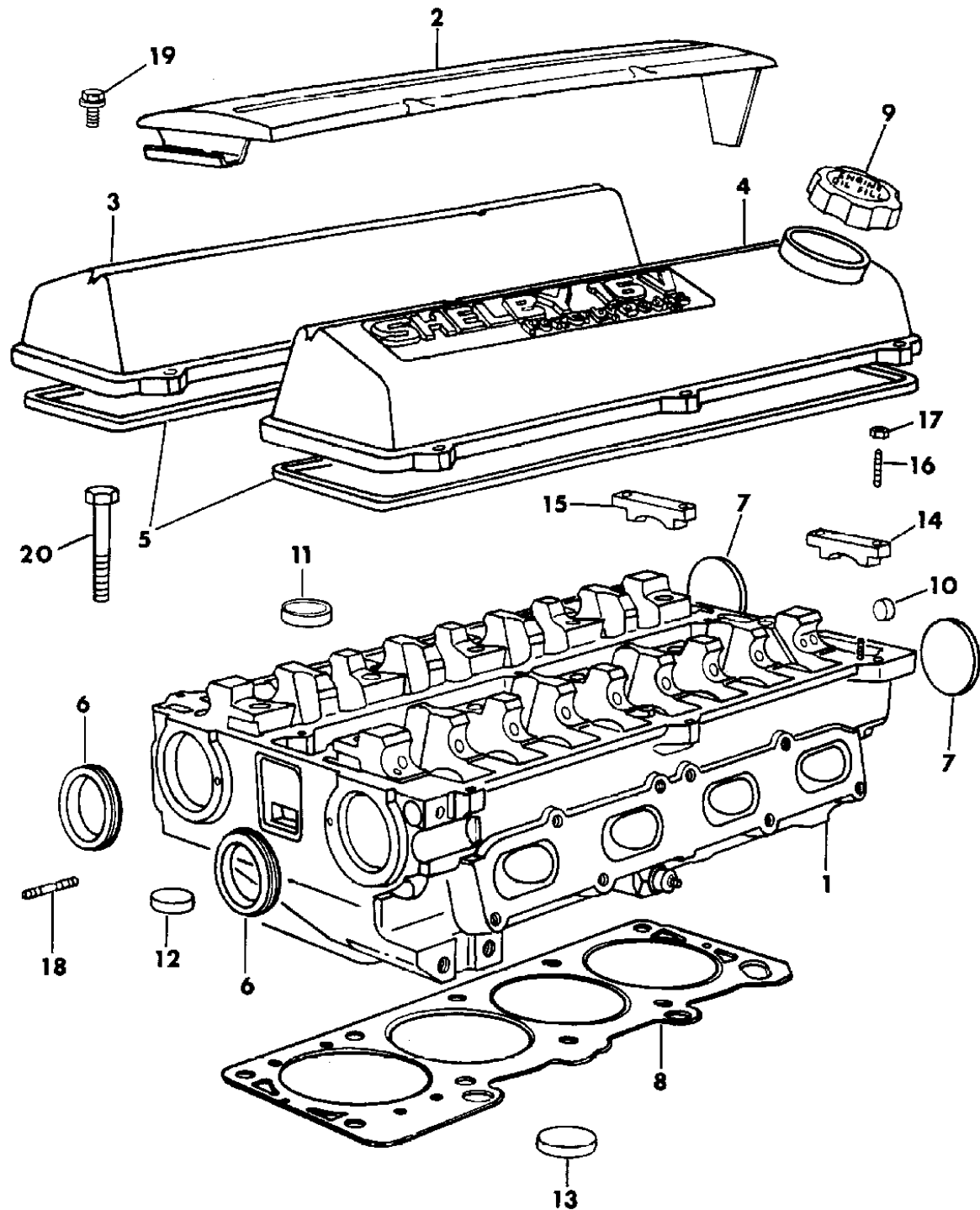
21=2-Door Coupe      41=4-Door Sedan      12-52=FWD & AWD Van & Wgn Std W.B.  
24=2-Door Hatchback      44=4-Door Hatchback      53=FWD & AWD Van & Wgn Ext. W.B.  
27=2-Door Convertible

AR = Use as Required - = Non Illustrated Part P.A.R. = Paint as Required

**CYLINDER HEAD 2.2 L ENGINE TURBO 16 VALVE**  
**Figure 9A-400**

93158 400

ITEM	PART NUMBER	QTY	BODY	MODEL	DESCRIPTION
	4728 213	1			GASKET PACKAGE, Upper Engine
1	4713 447	1			Head, Cylinder (Partial, Includes Plugs and Studs) ***
2	4442 807	1			COVER, Spark Plug
3	4484 463	1			COVER, Exhaust Rocker Arm
4					COVER, Intake Rocker Arms
	4484 462	1			Europe
	4667 509	1			Europe
5	4484 489	2			GASKET, Rocker ARM COVER
6	4424 059	2			SEAL, Camshaft Oil
7	4424 085	2			PLUG, Core Hole
8	4424 060	1			GASKET, Cylinder Head
9	4484 490	1			CAP, Oil Fill
10	4424 084	3			PLUG, Cylinder Head Oil m10
11	4424 083	3			PLUG, Cylinder Head Water m26
	4484 426	1			Plug, Core 8mm
12	4424 089	1			PLUG, Oil m16
13	5203 340	1			PLUG, Oil Gallery 5/8"
14	4484 404	1			RETAINER, Camshaft Intake
15	4484 405	1			RETAINER, Camshaft Exhaust
16	4484 305	4			STUD, Camshaft Retainer
17	6501 140	4			NUT, Camshaft Retainer
18	4484 303	8			STUD, Exhaust Manifold
19	6100 267	AR			SCREW AND WASHER, Camshaft Cover ***
	6100 248	AR			SCREW AND WASHER, Spark Plug Cover ***
20	6502 219	10			BOLT, Cylinder Head Attaching



**MODEL CODES:**

A BODY=(C=LeBaron, D=Spirit, P=Acclaim/LaBaron(Landau, Saratoga) S BODY=(H=Voyager(H) FWD, K=Caravan(H) FWD, Y=Town & Country(H) FWD, P=Voyager(K) AWD, D=Caravan(K) AWD, C=Town & Country(K) AWD)  
 C BODY=(D=Dynasty, C=New Yorker/N.Y. Salon)  
 G BODY=(V=Daytona/IROC, Chrysler Daytona)  
 J BODY=(C=LeBaron, Chrysler LeBaron)  
 P BODY=(P=Sundance, D=Shadow)  
 Y BODY=(C=Imperial/5th Avenue)  
 E-S BODY=(K=Chrysler Voyager(H) FWD, D=Chrysler Voyager(K) AWD)

**BODY STYLES:**

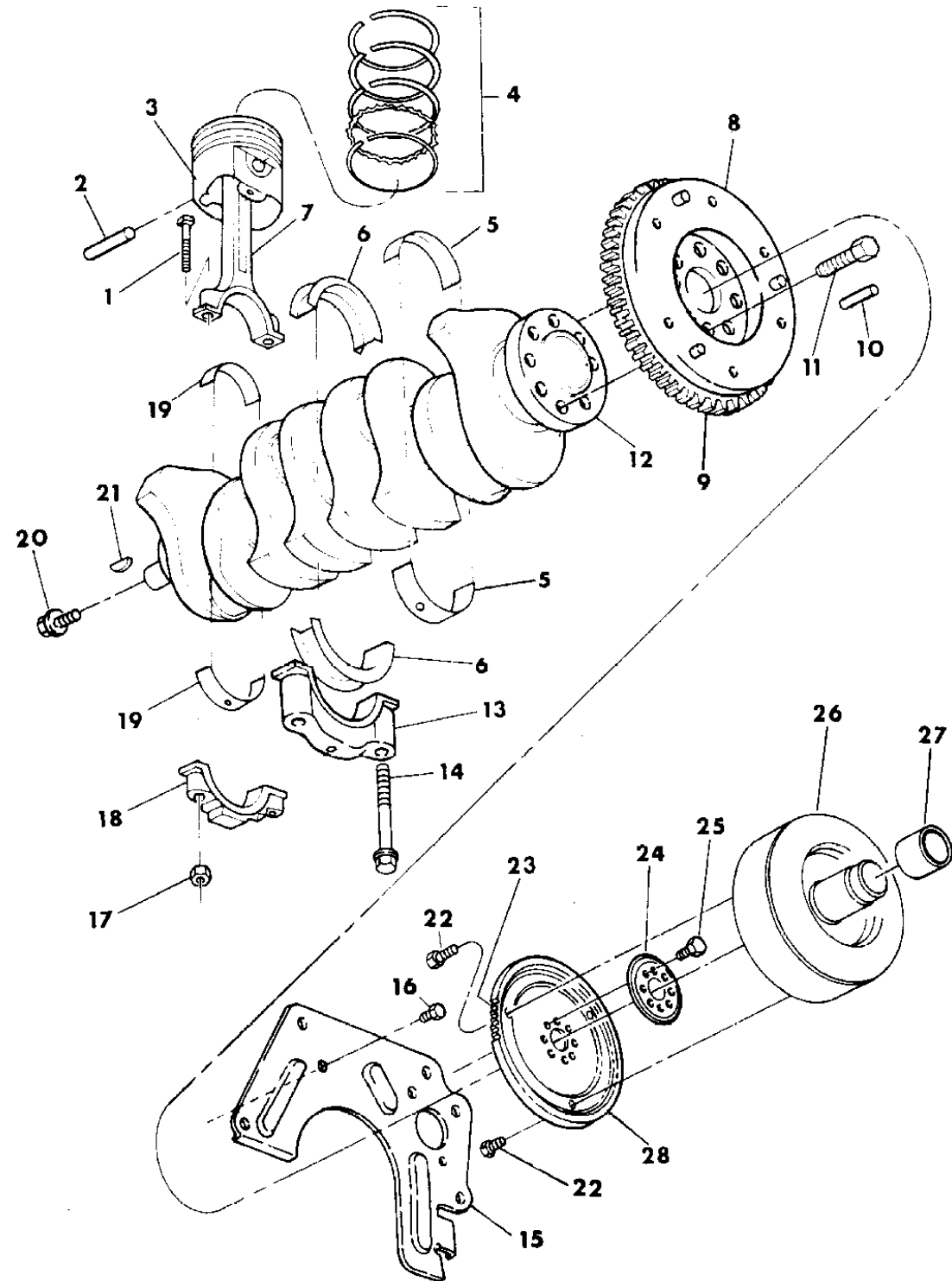
21=2-Door Coupe      41=4-Door Sedan      12-52=FWD & AWD Van & Wgn Std W.B.  
 24=2-Door Hatchback      44=4-Door Hatchback      53=FWD & AWD Van & Wgn Ext. W.B.  
 27=2-Door Convertible

AR = Use as Required - = Non Illustrated Part P.A.R. = Paint as Required

CRANKSHAFT, PISTONS AND TORQUE CONVERTER 2.2 L ENGINE E.F.I.

Figure 9A-500

93158 500



ITEM	PART NUMBER	QTY	BODY	MODEL	DESCRIPTION
1	4448 934	8			BOLT, Connecting Rod Bearing Cap
2		4			PIN, Piston (Serviced with Piston)
3					PISTON, w/Pin
	4773 796	4			'B' Size 87.455 MM
	4626 120	4			'C' Size 87.468 MM
	4728 765	4			'D' Size 87.481 MM
	4728 769	4			'E' Size 87.494 MM
4	4626 575	4			RING PACKAGE, Piston, Standard
5	4637 595	4			BEARING PACKAGE, Crankshaft Main #1,2,4,5, Standard
	4637 596	4			0.025 MM U/S
	4637 598	4			0.250 MM U/S
6	4637 601	1			BEARING PACKAGE, Crankshaft Main #3, Standard
	4637 602	1			0.025 MM U/S
	4637 604	1			0.250 MM U/S
7	4387 736				ROD ASSEMBLY, Connecting
8	4471 317				FLYWHEEL, w/Ring Gear
9		1			GEAR, Flywheel (Serviced in Flywheel)
10	6031 923	3			DOWEL, Clutch Cover to Flywheel
11	6501 197	8			BOLT, Flywheel to Crankshaft
12	4448 495				CRANKSHAFT
13					CAP, Crankshaft Bearing (Serviced with Block)
14	6501 934	10			SCREW, Crankshaft Bearing Cap
15	4412 526	1			COVER, Trans. Case Upper (Also in Group 21)
16		1			SCREW, Trans. Case Upper (See Group 21)
17	4227 678	8			NUT, Connecting Rod Bearing Cap Bolt
18					CAP, Connecting Rod (Serviced in Item 7)
19	5241 076	4			BEARING PACKAGE, Connecting Rod Standard
					Consists of:
					2---Bearing, Connecting Rod
	5241 077	4			0.025 U/S
	5241 079	4			0.250 U/S
20	6501 947	1			SCREW, Crankshaft Sprocket
21	6500 150	1			KEY, Crankshaft Sprocket
22	6501 099	4			BOLT, Drive Plate to Torque Converter (M10x1.50-13.2 Special)
23		1			GEAR, Torque Converter Ring (Serviced in Item 28)
24	4471 933	1			PLATE, Crankshaft Bolt Backing
25	6501 193	8			BOLT, Drive Plate to Crankshaft (M10x1.0-18)
26	5280 002	1			CONVERTER, Torque
27		1			SEAL, Torque Converter Impeller Hub (See Group 21)

MODEL CODES:

A BODY=(C=LeBaron, D=Spirit, P=Acclaim/LaBaron(Landau), Saratoga)

C BODY=(D=Dynasty, C=New Yorker/N.Y. Salon)

G BODY=(V=Daytona/IROC, Chrysler Daytona)

J BODY=(C=LeBaron, Chrysler LeBaron)

P BODY=(P=Sundance, D=Shadow)

S BODY=(H=Voyager(H) FWD, K=Caravan(H) FWD,

Y=Town & Country(H) FWD, P=Voyager(K) AWD,

D=Caravan(K) AWD, C=Town & Country(K) AWD)

Y BODY=(C=Imperial/5th Avenue)

E-S BODY=(K=Chrysler Voyager(H) FWD, D=Chrysler

Voyager(K) AWD)

BODY STYLES:

21=2-Door Coupe

41=4-Door Sedan

12-52=FWD & AWD Van & Wgn Std W.B.

24=2-Door Hatchback

44=4-Door Hatchback

53=FWD & AWD Van & Wgn Ext. W.B.

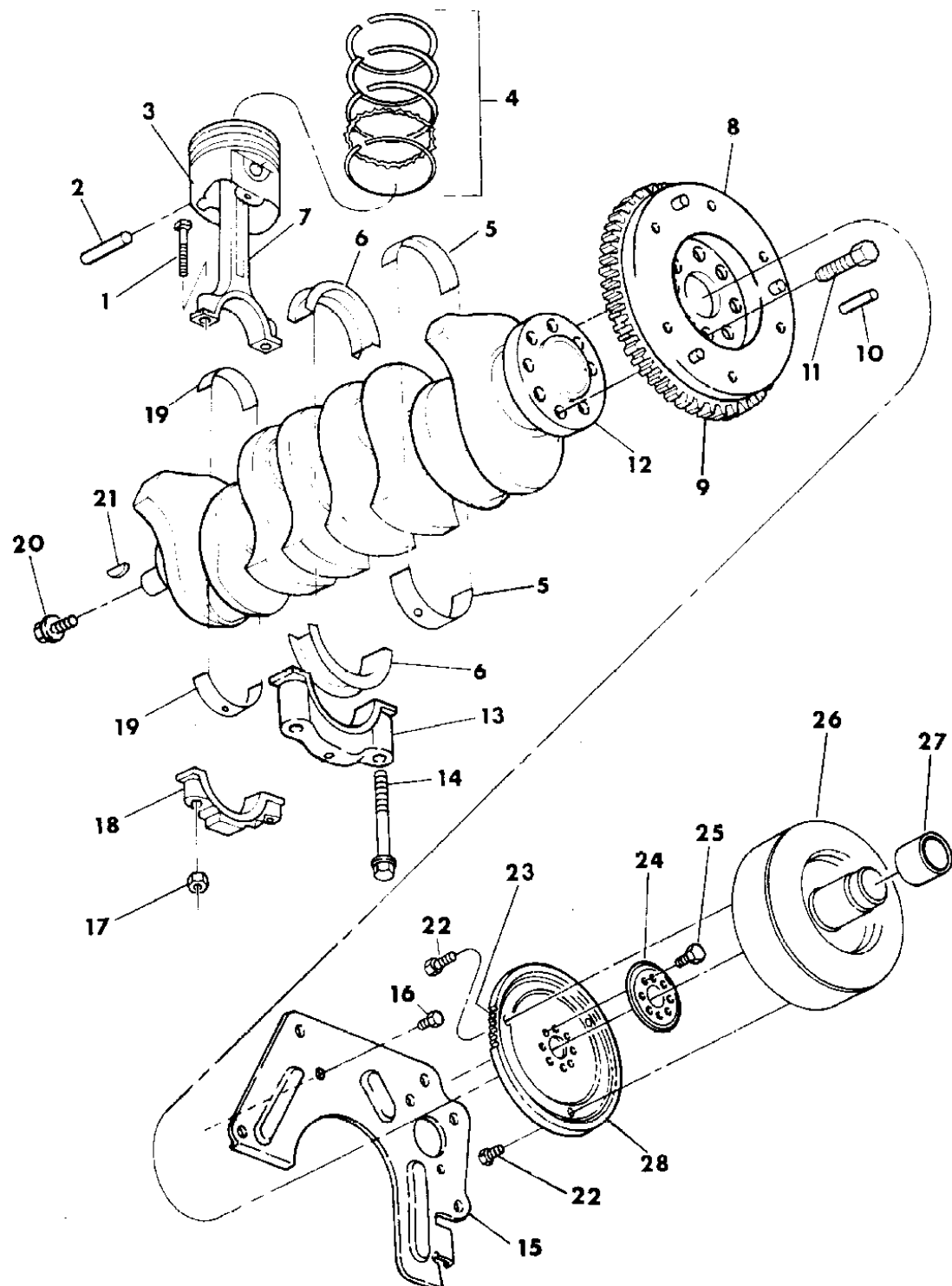
27=2-Door Convertible

AR = Use as Required - = Non Illustrated Part P.A.R. = Paint as Required

**CRANKSHAFT, PISTONS AND TORQUE CONVERTER 2.2 L ENGINE E.F.I.**  
**Figure 9A-500**

93158 500

ITEM	PART NUMBER	QTY	BODY	MODEL	DESCRIPTION
28	4446 309	1			PLATE, Torque Converter Drive



**MODEL CODES:**

A BODY=(C=LeBaron, D=Spirit, P=Acclaim/LaBaron(Landau), Saratoga)	S BODY=(H=Voyager(H) FWD, K=Caravan(H) FWD, Y=Town & Country(H) FWD, P=Voyager(K) AWD, D=Caravan(K) AWD, C=Town & Country(K) AWD)
C BODY=(D=Dynasty, C=New Yorker/N.Y. Salon)	Y BODY=(C=Imperial/5th Avenue)
G BODY=(V=Daytona/IROC, Chrysler Daytona)	E-S BODY=(K=Chrysler Voyager(H) FWD, D=Chrysler Voyager(K) AWD)
J BODY=(C=LeBaron, Chrysler LeBaron)	
P BODY=(P=Sundance, D=Shadow)	

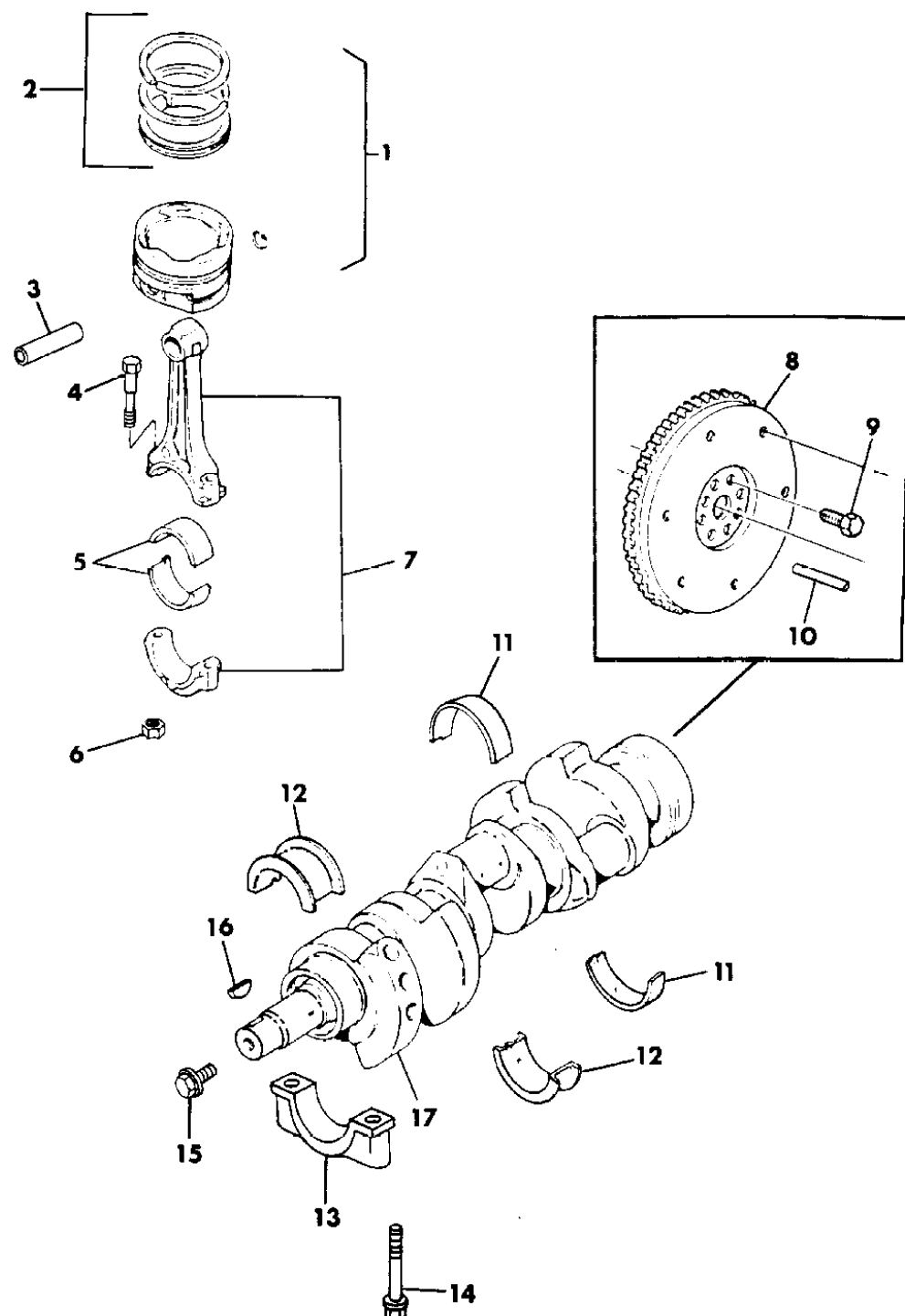
**BODY STYLES:**

21=2-Door Coupe	41=4-Door Sedan	12-52=FWD & AWD Van & Wgn Std W.B.
24=2-Door Hatchback	44=4-Door Hatchback	53=FWD & AWD Van & Wgn Ext. W.B.
27=2-Door Convertible		

AR = Use as Required - = Non Illustrated Part P.A.R. = Paint as Required

**CRANKSHAFT AND PISTONS 2.2 L ENGINE TURBO 16 VALVE**  
**Figure 9A-600**

93158 600



ITEM	PART NUMBER	QTY	BODY	MODEL	DESCRIPTION
1	4442 960	4			PISTON ASSEMBLY, Piston Rings & Snap Ring ***
	4483 495	AR			RING, Snap, Piston Wrist Pin Retaining
2					RING PACKAGE, Piston (Serviced with Piston)
3	4315 352	4			PIN, Piston
4	4536 307	8			BOLT, Connecting Rod Bearing Cap
5					BEARING PACKAGE, Connecting Rod Consists of: 2----Bearing, Connecting Rod
	5241 076	4			Standard
	5241 077	4			0.025 U/S
	5241 079	4			0.250 U/S
6	4536 306	8			NUT, Connecting Rod Bearing Cap Bolt
7	4556 210				ROD ASSEMBLY, Connecting
	4536 094	4			BUSHING, Connecting Rod
8	4446 045				FLYWHEEL, w/Ring Gear
9	6501 197	8			BOLT, Flywheel to Crankshaft
10	6031 923	3			DOWEL, Clutch Cover to Flywheel
11					BEARING PACKAGE, Crankshaft Main #1,2,4,5
	4637 595	4			Standard
	4637 596	4			0.025 MM U/S
	4637 598	4			0.250 MM U/S
12					BEARING PACKAGE, Crankshaft Main #3
	4637 601	1			Standard
	4637 602	1			0.025 MM U/S
	4637 604	1			0.250 MM U/S
13					CAP, Crankshaft Bearing (Serviced with Block)
14	6501 934	10			BOLT, Crankshaft Bearing Cap
15	6501 947	1			SCREW, Crankshaft Sprocket
16	6500 150	1			KEY, Crankshaft Sprocket
17	4536 082				CRANKSHAFT

**MODEL CODES:**

A BODY=(C=LeBaron, D=Spirit, P=Acclaim/LaBaron(Landau), Saratoga) S BODY=(H=Voyager(H) FWD, K=Caravan(H) FWD, Y=Town & Country(H) FWD, P=Voyager(K) AWD, D=Caravan(K) AWD, C=Town & Country(K) AWD)  
 C BODY=(D=Dynasty, C=New Yorker/N.Y. Salon) Y BODY=(C=Imperial/5th Avenue)  
 G BODY=(V=Daytona/IROC, Chrysler Daytona) E-S BODY=(K=Chrysler Voyager(H) FWD, D=Chrysler Voyager(K) AWD)  
 J BODY=(C=LeBaron, Chrysler LeBaron) P BODY=(P=Sundance, D=Shadow)

**BODY STYLES:**

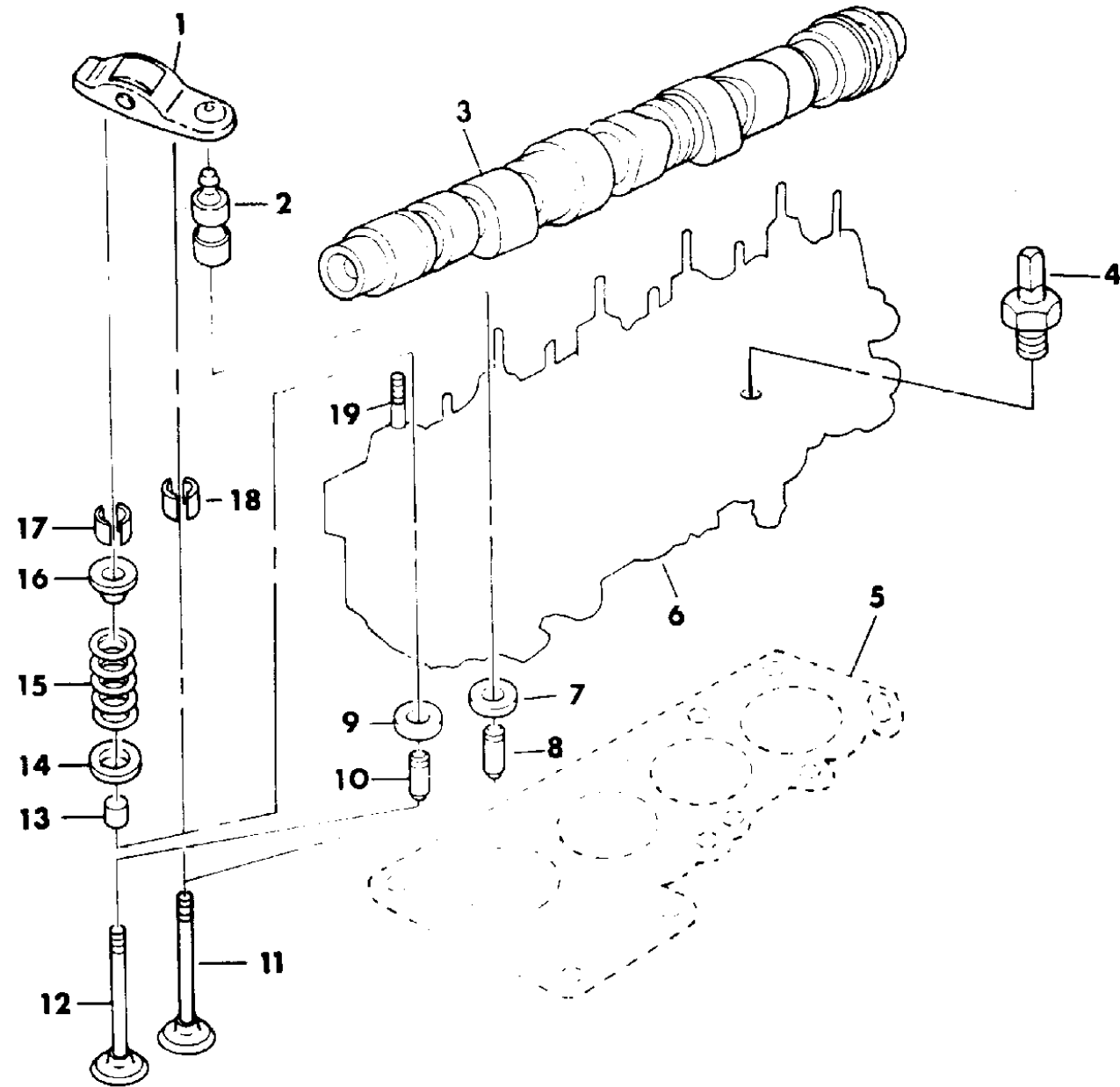
21=2-Door Coupe      41=4-Door Sedan      12-52=FWD & AWD Van & Wgn Std W.B.  
 24=2-Door Hatchback      44=4-Door Hatchback      53=FWD & AWD Van & Wgn Ext. W.B.  
 27=2-Door Convertible

AR = Use as Required - = Non Illustrated Part P.A.R. = Paint as Required



**CAMSHAFT AND VALVES 2.2 L ENGINE E.F.I.  
Figure 9A-700**

93158 700



ITEM	PART NUMBER	QTY	BODY	MODEL	DESCRIPTION
------	-------------	-----	------	-------	-------------

NOTE 1: Gasket Eliminator #4318029 must be used as described in the Chrysler Repair Manual. andard" Camshaft Package for Service.

1	4397 767	8			ROCKER, Valve (Roller)
2	4240 007	8			ADJUSTER, Valve Lash
3	4387 850	1			CAMSHAFT, w/Standard Journals
	4448 479	1			.050 O/S Journals
4	4105 295	1			NIPPLE, Thermostat Water By-Pass (Also in Group 7)
5		1			GASKET, Cylinder Head (See Cylinder Head Illust.)
6		1			HEAD, Cylinder (See Cylinder Head Illust.)
7	5203 472	4			SEAT, Intake Valve 43.375 MM O/D
8	4483 714	4			GUIDE, Intake Valve 12.540 MM O/D 40 MM Lgh.
9	5203 792	4			SEAT, Exhaust Valve 36.815 MM O/D
10	4483 711	4			GUIDE, Exhaust Valve 12.540 MM O/D 43 MM Lgh.
11	4298 137	4			VALVE, Intake Standard
	4298 138	4			0.15 MM O/S
	4298 139	4			0.40 MM O/S
	4298 140	4			0.80 MM O/S
12	4298 142	4			VALVE, Exhaust Standard
	4298 143	4			0.15 MM O/S
	4298 144	4			0.40 MM O/S
	4298 145	4			0.80 MM O/S
13	4201 332	8			SEAL, Valve Guide Standard
	4105 366	8			0.15 MM O/S (Green)
	4105 367	8			0.40 MM O/S (Yellow)
	4105 368	8			0.80 MM O/S (Red)
14	5203 474	8			SEAT, Valve Spring
15	4448 305	8			SPRING, Valve
16	5203 578	8			RETAINER, Valve Spring Intake and Exhaust
17	5203 577	8			LOCK, Exhaust Valve Spring Retainer
18	4201 349	8			LOCK, Intake Valve Spring Retainer
19		10			SCREW, Camshaft Bearing Cap (Not Serviced) M8x1.25x45 Lg.

**MODEL CODES:**

A BODY=(C=LeBaron, D=Spirit, P=Acclaim/LaBaron(Landau), Saratoga) S BODY=(H=Voyager(H) FWD, K=Caravan(H) FWD, Y=Town & Country(H) FWD, P=Voyager(K) AWD, D=Caravan(K) AWD, C=Town & Country(K) AWD)  
 C BODY=(D=Dynasty, C=New Yorker/N.Y. Salon)  
 G BODY=(V=Daytona/IROC, Chrysler Daytona)  
 J BODY=(C=LeBaron, Chrysler LeBaron)  
 P BODY=(P=Sundance, D=Shadow)  
 Y BODY=(C=Imperial/5th Avenue)  
 E-S BODY=(K=Chrysler Voyager(H) FWD, D=Chrysler Voyager(K) AWD)

**BODY STYLES:**

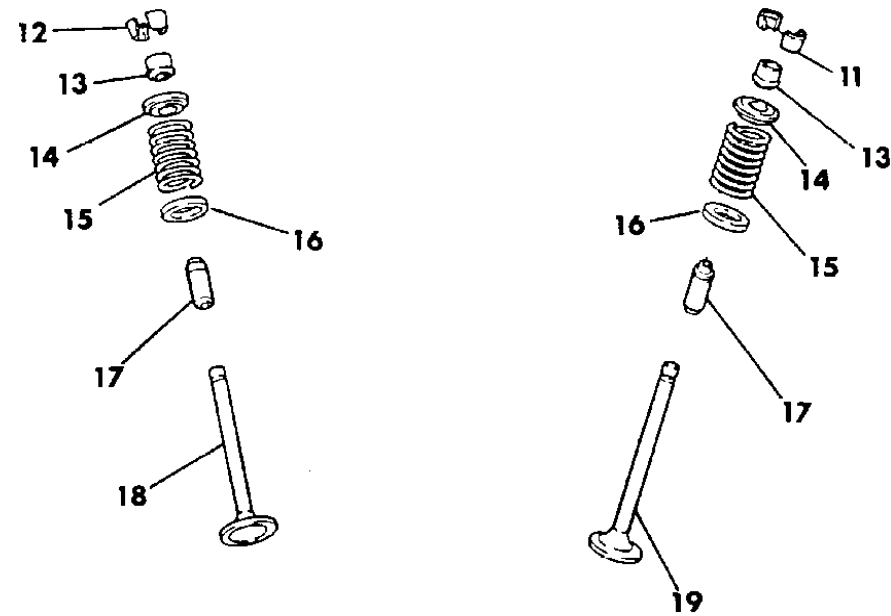
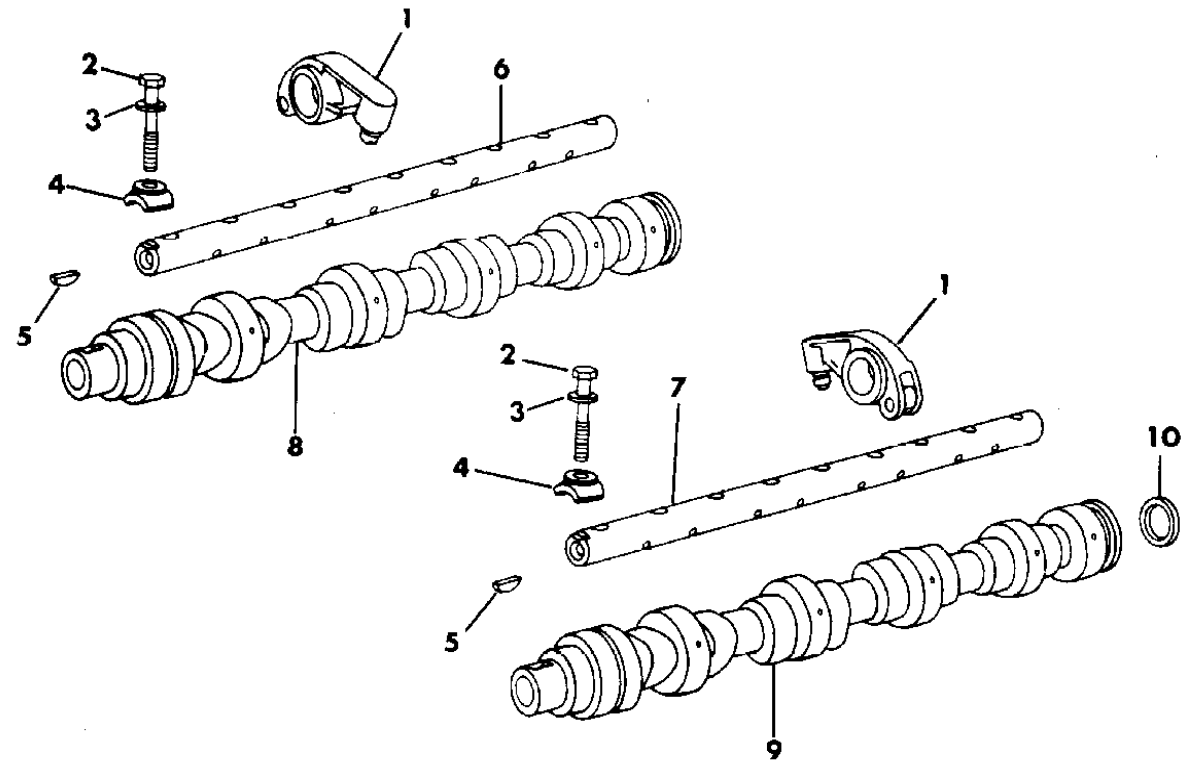
21=2-Door Coupe      41=4-Door Sedan      12-52=FWD & AWD Van & Wgn Std W.B.  
 24=2-Door Hatchback      44=4-Door Hatchback      53=FWD & AWD Van & Wgn Ext. W.B.  
 27=2-Door Convertible

AR = Use as Required - = Non Illustrated Part P.A.R. = Paint as Required

**CAMSHAFTS AND VALVES 2.2 L ENGINE TURBO 16 VALVE**  
**Figure 9A-800**

93158 800

ITEM	PART NUMBER	QTY	BODY	MODEL	DESCRIPTION
1					ARM, Rocker Assembly
	4484 380	8			Right
	4484 379	8			Left
2	4484 418	16			BOLT, Rocker Shaft Retaining
3	6101 461	16			WASHER, Plain M8
4					RETAINER, Rocker Shaft
	4424 007	16			Intake and Exhaust Shafts
	4484 423	1			Exhaust Shaft End
	4424 008	1			Intake Shaft End
5	4442 045	2			KEY, Camshaft Sprocket
6	4484 419	1			SHAFT ASSEMBLY, Exhaust Valve Rocker
7	4484 373	1			SHAFT ASSEMBLY, Intake Valve Rocker
8	4442 941	1			CAMSHAFT ASSEMBLY, Exhaust ***
9	4442 940	1			CAMSHAFT ASSEMBLY, Intake ***
10	4424 061	1			SPACER, Intake Rocker Shaft
11	4424 035	16			LOCK, Intake Valve Spring Retainer
12	4424 034	16			LOCK, Exhaust Valve Spring Retainer
13	4638 413	1			SEAL PACKAGE, Valve Stem ***
14	4424 033	16			RETAINER, Valve Spring
15	4442 213	16			SPRING, Valve
16	4484 407	16			SEAT, Valve Spring
17					GUIDE, Valve
	4484 408	16			Standard
18	4484 422	8			VALVE, Exhaust
19	4484 421	8			VALVE, Intake



**MODEL CODES:**

A BODY=(C=LeBaron, D=Spirit, P=Acclaim/LaBaron(Landau), Saratoga)      S BODY=(H=Voyager(H) FWD, K=Caravan(H) FWD, Y=Town & Country(H) FWD, P=Voyager(K) AWD, D=Caravan(K) AWD, C=Town & Country(K) AWD)  
 C BODY=(D=Dynasty, C=New Yorker/N.Y. Salon)  
 G BODY=(V=Daytona/IROC, Chrysler Daytona)  
 J BODY=(C=LeBaron, Chrysler LeBaron)  
 P BODY=(P=Sundance, D=Shadow)      Y BODY=(C=Imperial/5th Avenue)  
 E-S BODY=(K=Chrysler Voyager(H) FWD, D=Chrysler Voyager(K) AWD)

**BODY STYLES:**

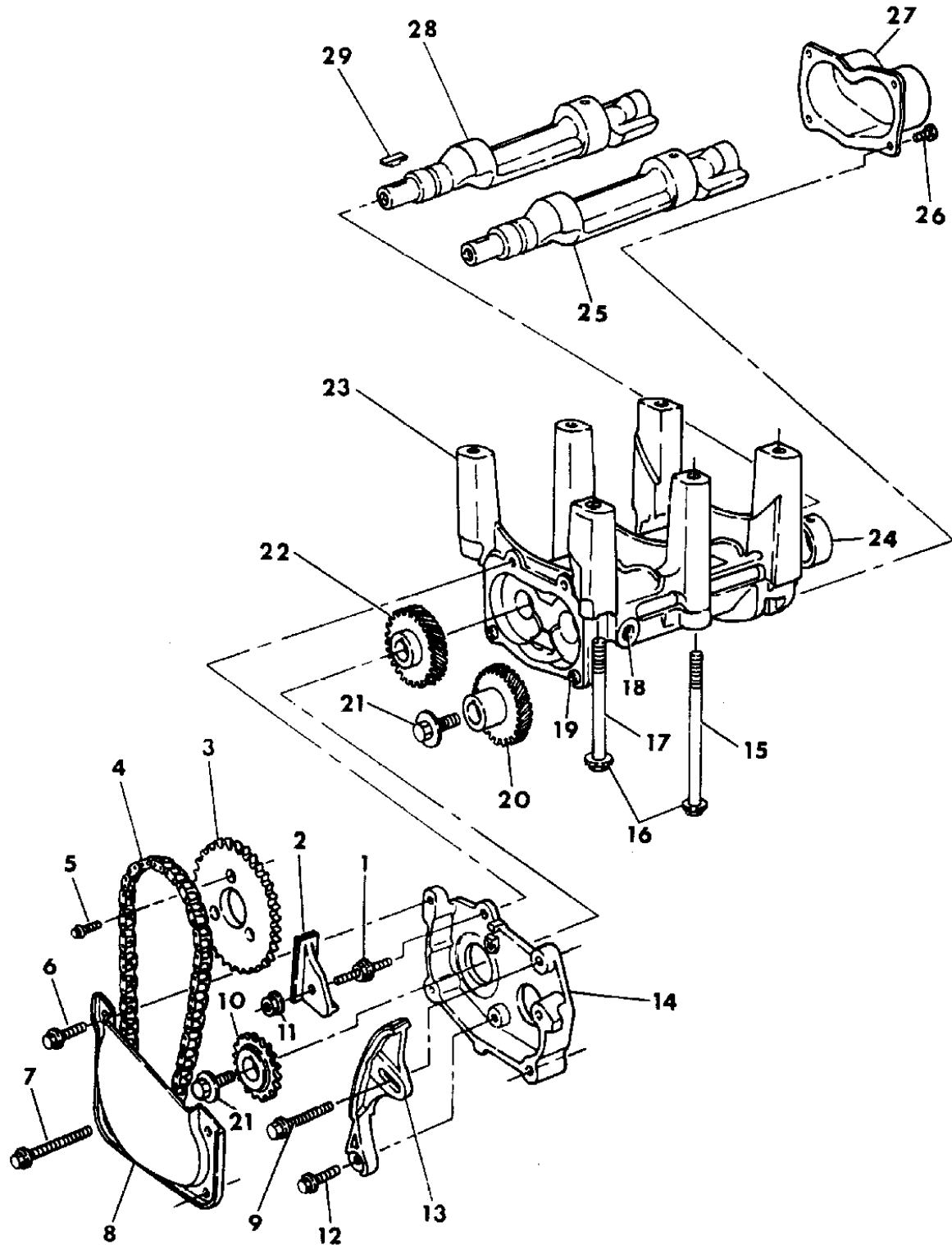
21=2-Door Coupe      41=4-Door Sedan      12-52=FWD & AWD Van & Wgn Std W.B.  
 24=2-Door Hatchback      44=4-Door Hatchback      53=FWD & AWD Van & Wgn Ext. W.B.  
 27=2-Door Convertible

AR = Use as Required - = Non Illustrated Part P.A.R. = Paint as Required

**BALANCE SHAFTS 2.2 L ENGINE**  
**Figure 9A-900**

93158 900

ITEM	PART NUMBER	QTY	BODY	MODEL	DESCRIPTION
1	6501 226	1			STUD and WASHER, Cover and Chain Guide Attaching (M6x41)
2	4343 660	1			GUIDE, Chain
3	4483 486	1			SPROCKET, Crankshaft Chain
4	4273 260	1			CHAIN, Balance Shaft
5	6101 410	3			SCREW, Crankshaft Chain Sprocket (M6x16)
6	6501 714	2			SCREW and WASHER, Carrier Cover Attaching (M6x16)
7	6100 272	2			SCREW and WASHER, Trough and Cover Attaching (M6x50)
8	4323 041	1			TROUGH, Carrier Cover (Front)
9	6501 420	1			SCREW and WASHER, Tensioner and Cover Attaching (M6x35)
10	4483 485	1			SPROCKET, Balance Shaft Chain
11	6100 047	1			NUT and WASHER, Chain Guide Attaching
12	6101 278	1			SCREW and WASHER, Tensioner to Cover Attaching (M6x20)
13	4343 662	1			TENSIONER, Chain
14	4323 039	1			COVER, Carrier Gear (Front)
15	6501 909	4			BOLT, Carrier Attaching (M10x1.5-140)
16	6501 435	6			WASHER, Carrier Attaching Bolt
17	6501 908	2			BOLT, Carrier Attaching (M10x1.5-105)
18	5203 517	1			PLUG, Carrier Oil Hole (7/16")
19		2			DOWEL, Carrier to Gear Cover (Not Serviced)
20	4343 785	1			GEAR, Balance Shaft Driven
21	6501 404	2			SCREW and WASHER, Balance Shaft Gear Attaching (M8x1.25-25)
22	4343 783	1			GEAR, Balance Shaft Drive
23	4556 231	1			CARRIER and BEARING, Balance Shaft
24		2			BEARING, Balance Shaft Rear (Serviced in #4556231)
25	4621 089	1			SHAFT, Balance Driven
26	6501 714	4			SCREW and WASHER, Trough to Carrier Cover (M6x16)
27	4323 043	1			COVER, Balance Shaft (Rear)
28	4621 088	1			SHAFT, Balance Drive
29	6500 150	2			KEY, Balance Shaft Gear



**MODEL CODES:**

A BODY=(C=LeBaron, D=Spirit, P=Acclaim/LaBaron(Landau, Saratoga)  
 C BODY=(D=Dynasty, C=New Yorker/N.Y. Salon)  
 G BODY=(V=Daytona/IROC, Chrysler Daytona)  
 J BODY=(C=LeBaron, Chrysler LeBaron)  
 P BODY=(P=Sundance, D=Shadow)

S BODY=(H=Voyager(H) FWD, K=Caravan(H) FWD, Y=Town & Country(H) FWD, P=Voyager(K) AWD, D=Caravan(K) AWD, C=Town & Country(K) AWD)  
 Y BODY=(C=Imperial/5th Avenue)  
 E-S BODY=(K=Chrysler Voyager(H) FWD, D=Chrysler Voyager(K) AWD)

**BODY STYLES:**

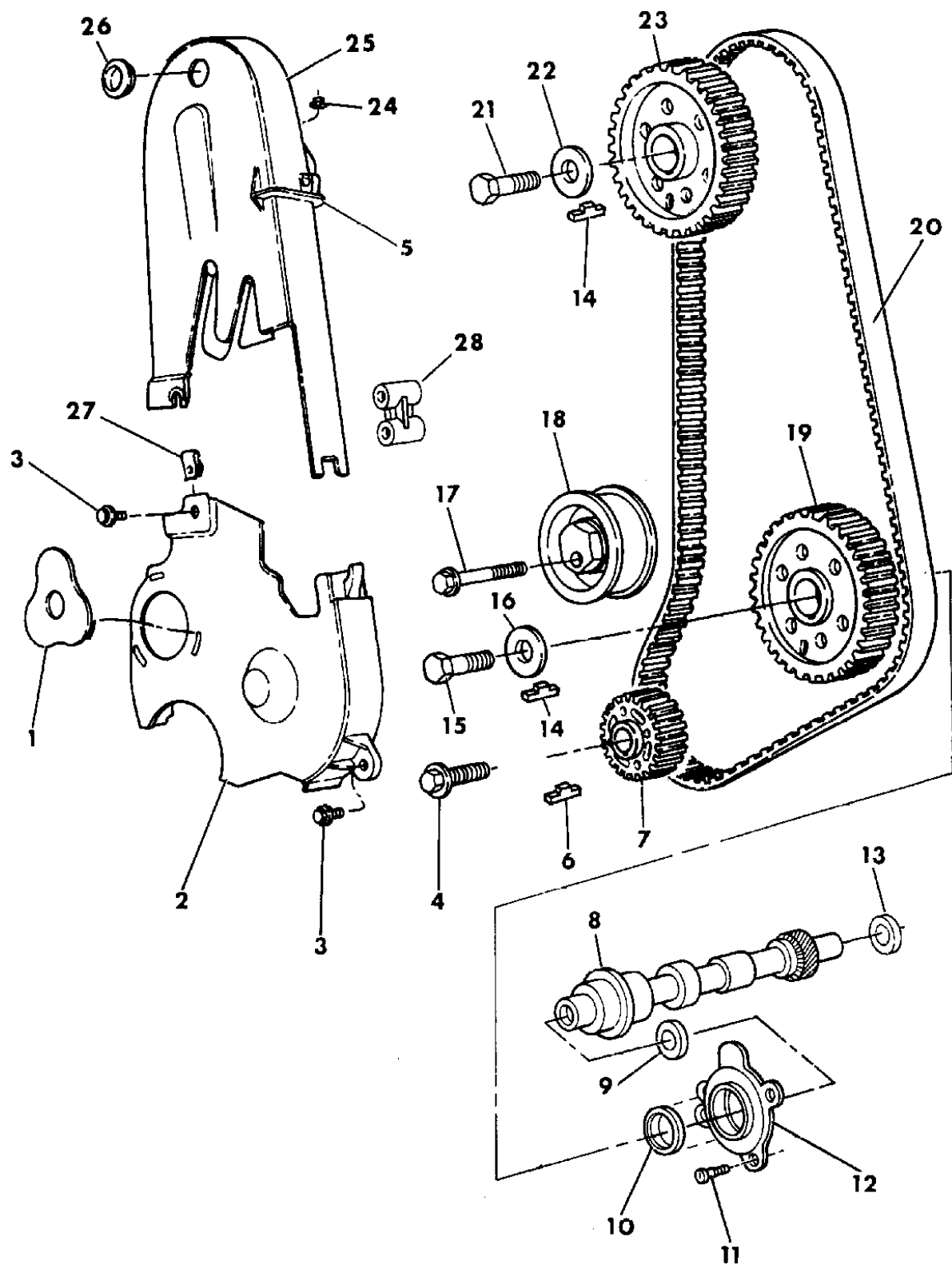
21=2-Door Coupe      41=4-Door Sedan      12-52=FWD & AWD Van & Wgn Std W.B.  
 24=2-Door Hatchback      44=4-Door Hatchback      53=FWD & AWD Van & Wgn Ext. W.B.  
 27=2-Door Convertible

AR = Use as Required - = Non Illustrated Part P.A.R. = Paint as Required

**TIMING BELT & COVERS & INTERMEDIATE SHAFT 2.2 L ENGINE E.F.I.**  
**Figure 9A-1000**

93158 1000

ITEM	PART NUMBER	QTY	BODY	MODEL	DESCRIPTION
1	4448 725	1			PLUG, Timing Belt Cover Lower
2	4667 273	1			COVER, Timing Belt Cover Lower
3	6500 778	3			SCREW, Timing Belt Cover (M6x20)
4	6501 947	1			SCREW and WASHER, Crankshaft Sprocket
5		1			(Serviced in Item 25)
6	6500 150	1			KEY, Crankshaft Sprocket
7	4667 262	1			SPROCKET, Crankshaft
8	4343 428	1			SHAFT, Intermediate
9	4448 700	1			BEARING, Intermediate Shaft Front
10	4105 395	1			SEAL, Intermediate Shaft Oil
11	6101 278	3			SCREW, Intermediate Shaft Seal Retainer
12	5203 325	1			RETAINER, Intermediate Shaft Oil Seal
13	4105 217	1			BEARING, Intermediate Shaft Rear
14	6500 150	1			KEY, Intermediate Shaft Sprocket
	6500 150	1			KEY, Camshaft Sprocket
15	6501 405	1			BOLT, Intermediate Shaft Sprocket
16	6500 346	1			WASHER, Intermediate Shaft Sprocket Screw
17	6101 277	1			SCREW and WASHER, Tension Pulley Mounting
18	4315 705	1			PULLEY, Tension
19	4448 690	1			SPROCKET, Intermediate Shaft
20	4387 549	1			BELT, Timing
21	6501 405	1			BOLT, Camshaft Sprocket
22	6500 346	1			WASHER, Camshaft Sprocket Screw
23	4448 690	1			SPROCKET, Camshaft
24	6500 274	2			NUT, Timing Belt Cover
25	4667 275	1			COVER, Timing Belt Upper
26	2094 631	1			PLUG, Timing Belt Cover Upper
27	6100 041	1			U-NUT, Timing Belt Cover
28	4556 176	1			SPACER
	6502 564	1			STUD, A/C Compressor Mounting Bracket M10 x 1.50/M8 x 1.25 x 54.00



**MODEL CODES:**

A BODY=(C=LeBaron, D=Spirit, P=Acclaim/LaBaron(Landau), Saratoga)      S BODY=(H=Voyager(H) FWD, K=Caravan(H) FWD, Y=Town & Country(H) FWD, P=Voyager(K) AWD, D=Caravan(K) AWD, C=Town & Country(K) AWD)  
 C BODY=(D=Dynasty, C=New Yorker/N.Y. Salon)  
 G BODY=(V=Daytona/IROC, Chrysler Daytona)  
 J BODY=(C=LeBaron, Chrysler LeBaron)  
 P BODY=(P=Sundance, D=Shadow)

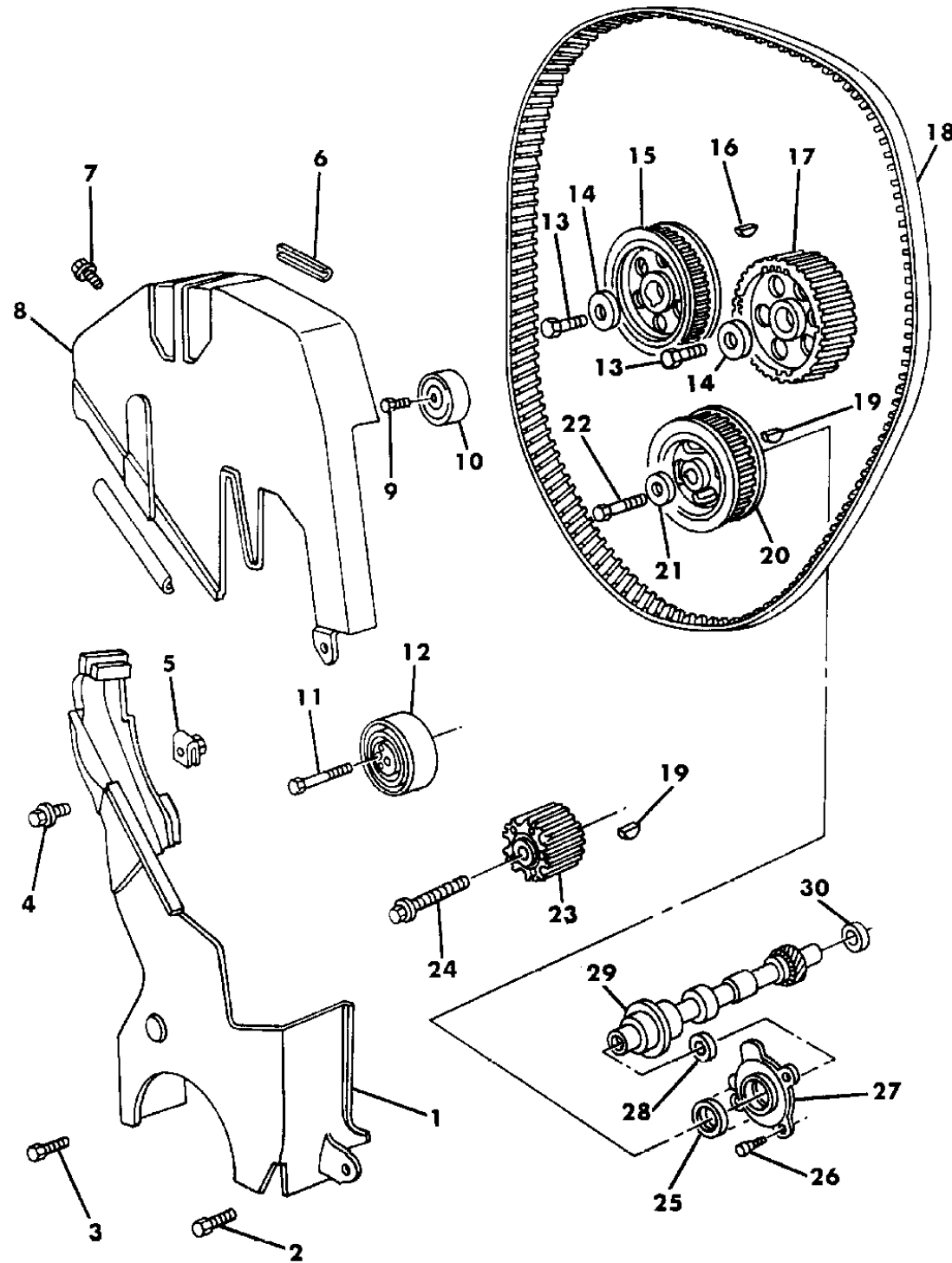
**BODY STYLES:**

21=2-Door Coupe      41=4-Door Sedan      12-52=FWD & AWD Van & Wgn Std W.B.  
 24=2-Door Hatchback      44=4-Door Hatchback      53=FWD & AWD Van & Wgn Ext. W.B.  
 27=2-Door Convertible

AR = Use as Required - = Non Illustrated Part P.A.R. = Paint as Required

**TIMING BELT, COVERS AND INTERMEDIATE SHAFT 2.2 L ENGINE TURBO 16 VALVE**  
**Figure 9A-1100**

93158 1100



ITEM	PART NUMBER	QTY	BODY	MODEL	DESCRIPTION
1	4442 822	1			COVER, Timing Belt Lower
2	6500 778	1			SCREW, With Washer
3	6101 451	1			SCREW, Hex Head
4	6100 266	1			SCREW m6x20
5	6100 507	1			NUT
6					STRIP, Cover Edging (Serviced in Assembly) ***
7	6501 714	1			SCREW, Cover Attaching m6X18
	1150 3714	1			U/Nut ***
8	4442 821	1			COVER, Timing Belt Upper
9	6100 402	1			BOLT
10	4484 465	1			PULLEY, Idler
11	6100 409	1			BOLT, Tensioner Pulley m10X70
12	4484 464	1			PULLEY, Tensioner
13	4442 115	2			BOLT, Camshaft Sprocket
14	4442 108	2			WASHER, Camshaft Sprocket
15	4484 263	1			SPROCKET, Exhaust Camshaft
16	4442 045	2			KEY, Camshaft Sprocket
17	4442 871	1			SPROCKET, Intake Camshaft
18	4667 530	1			BELT, Timing
19	6500 150	2			KEY
20	4443 000	1			SPROCKET ASSEMBLY, Intermediate Shaft
21	6500 346	1			WASHER
22	6501 405	1			BOLT
23	4442 973	1			SPROCKET, Crankshaft
	4484 287	1			WASHER, Crankshaft Sprocket and Pulley Pilot
24	6501 947	1			BOLT, Crankshaft Sprocket
25	4105 395	1			SEAL, Intermediate Shaft
26	6101 278	3			SCREW, Intermediate Shaft
27	4484 070	1			RETAINER, Intermediate Shaft Oil Seal
28	4448 700	1			BEARING, Intermediate Shaft Front
29	4667 371	1			SHAFT, Intermediate
30	4105 217	1			BEARING, Intermediate Shaft Rear

**MODEL CODES:**

A BODY=(C=LeBaron, D=Spirit, P=Acclaim/LaBaron(Landau), Saratoga)      S BODY=(H=Voyager(H) FWD, K=Caravan(H) FWD, Y=Town & Country(H) FWD, P=Voyager(K) AWD, D=Caravan(K) AWD, C=Town & Country(K) AWD)  
 C BODY=(D=Dynasty, C=New Yorker/N.Y. Salon)      Y BODY=(C=Imperial/5th Avenue)  
 G BODY=(V=Daytona/IROC, Chrysler Daytona)      E-S BODY=(K=Chrysler Voyager(H) FWD, D=Chrysler Voyager(K) AWD)  
 J BODY=(C=LeBaron, Chrysler LeBaron)  
 P BODY=(P=Sundance, D=Shadow)

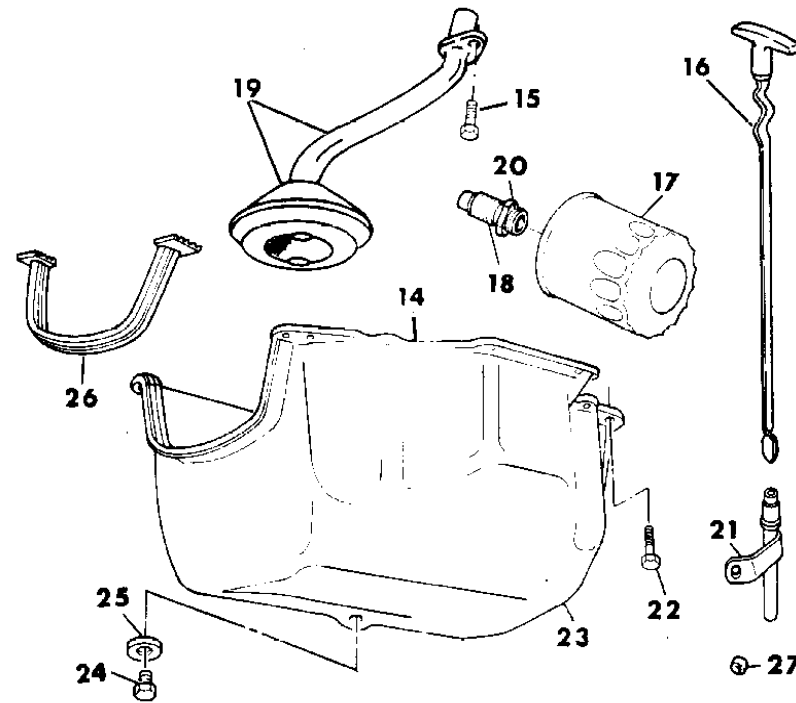
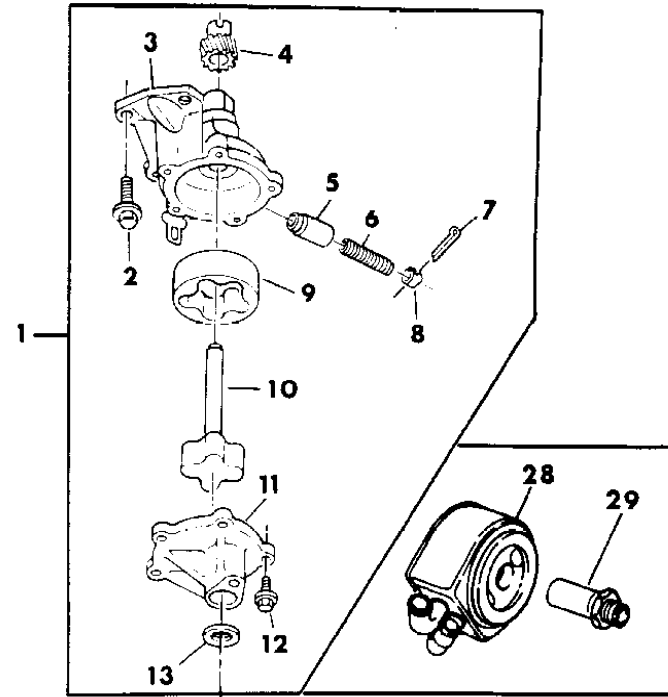
**BODY STYLES:**

21=2-Door Coupe      41=4-Door Sedan      12-52=FWD & AWD Van & Wgn Std W.B.  
 24=2-Door Hatchback      44=4-Door Hatchback      53=FWD & AWD Van & Wgn Ext. W.B.  
 27=2-Door Convertible

AR = Use as Required - = Non Illustrated Part P.A.R. = Paint as Required

**ENGINE OILING 2.2 L ENGINE**  
**Figure 9A-1200**

93158 1200



ITEM	PART NUMBER	QTY	BODY	MODEL	DESCRIPTION
1					PUMP, Oil
	4397 746	1			EDF Engine
	4667 379	1			Turbo 16 Valve
2	6101 452	2			SCREW and WASHER, Oil Pump Mounting
3		1			BODY, Oil Pump (Serviced in Item #1)
4		1			GEAR, Oil Pump Dist. Drive (Serviced in Item #1)
5	2463 541	1			PLUNGER, Oil Pressure Relief Valve
6	2402 473	1			SPRING, Oil Pressure Relief Valve
7	0108 636	1			PIN, Oil Pressure Relief Valve
8	2806 273	1			CAP, Oil Pressure Relief Valve
9		1			ROTOR, Oil Pump Outer (Serviced in Item #10)
10	4342 940	1			DRIVE SHAFT and ROTOR, Oil Pump
11	4323 030	1			COVER, Oil Pump
12	6100 267	4			SCREW and WASHER, Oil Pump Cover
13	6032 920	1			SEAL, Oil Pump Cover to Oil Pump Suction Pipe
14	4397 768	1			GASKET PACKAGE, Oil Pan
15	6500 070	1			SCREW, Oil Pickup Tube Attaching (M8x25)
16					INDICATOR, Oil Level
	4536 071	1			EDF Engine
	4621 111	1			Turbo Engine
17	5281 090	1			FILTER, Oil
18	4536 073	1			VALVE, Anti-Drain Back Oil Filter Adapter
19					TUBE, Oil Pickup w/Strainer
	4387 360	1			EDF Engine
	4387 675	1			Turbo Engine
20	1407 748	1			O-RING, Oil Filter Adapter
21					TUBE, Oil Level Indicator and Clip
	4387 575	1			EDF Engine
	4442 916	1			Turbo Engine
22	6501 990	12			SCREW, w/Washer Oil Pan Attaching (M8x1.25x16)
	6101 285	AR			(M6x1x17)
23	4621 159	1			PAN, Oil Partial w/Liners Painted EDF Engine
	4621 160	1			Turbo Engine
24	4293 859	1			PLUG PACKAGE, Oil Pan Drain
25	6032 145	1			GASKET, Oil Pan Drain Plug (Also in Plug Pkg)
26	5203 778	1			SEAL, Oil Pan to Retainer (Rear)
	4387 478	1			(Front)
27	6101 445	1			NUT, Oil Level Indicator Tube Attaching 8m x1.25
28	4387 305	1			OIL COOLER, Engine ***

**MODEL CODES:**

A BODY=(C=LeBaron, D=Spirit, P=Acclaim/LaBaron(Landau),  
Saratoga)

C BODY=(D=Dynasty, C=New Yorker/N.Y. Salon)

G BODY=(V=Daytona/IROC, Chrysler Daytona)

J BODY=(C=LeBaron, Chrysler LeBaron)

P BODY=(P=Sundance, D=Shadow)

S BODY=(H=Voyager(H) FWD, K=Caravan(H) FWD,

Y=Town & Country(H) FWD, P=Voyager(K) AWD,

D=Caravan(K) AWD, C=Town & Country(K) AWD)

Y BODY=(C=Imperial/5th Avenue)

E-S BODY=(K=Chrysler Voyager(H) FWD, D=Chrysler

Voyager(K) AWD)

**BODY STYLES:**

21=2-Door Coupe

41=4-Door Sedan

12-52=FWD & AWD Van & Wgn Std W.B.

24=2-Door Hatchback

44=4-Door Hatchback

53=FWD & AWD Van & Wgn Ext. W.B.

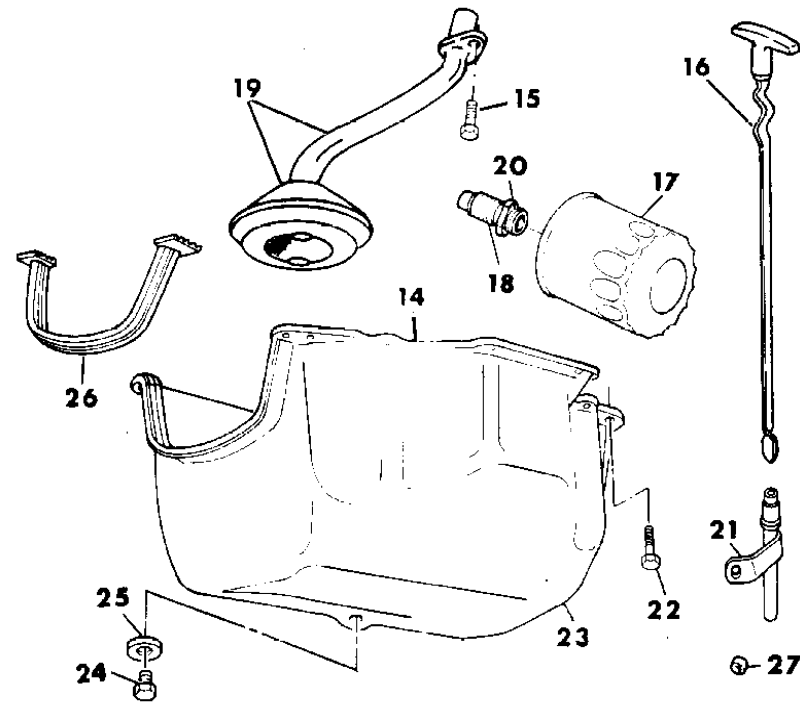
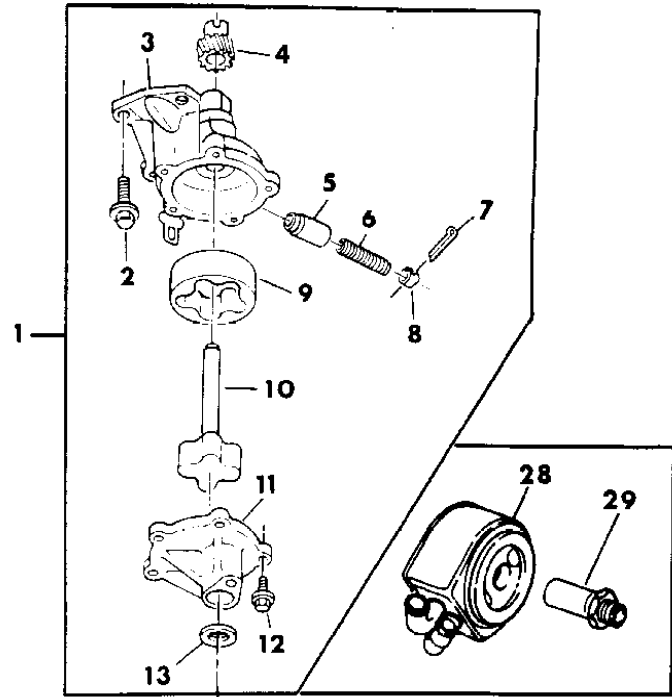
27=2-Door Convertible

AR = Use as Required - = Non Illustrated Part P.A.R. = Paint as Required

**ENGINE OILING 2.2 L ENGINE**  
**Figure 9A-1200**

93158 1200

ITEM	PART NUMBER	QTY	BODY	MODEL	DESCRIPTION
29	4387 822	1			CONNECTOR, Oil Cooler Engine



**MODEL CODES:**

A BODY=(C=LeBaron, D=Spirit, P=Acclaim/LaBaron(Landau),  
Saratoga) S BODY=(H=Voyager(H) FWD, K=Caravan(H) FWD,  
Y=Town & Country(H) FWD, P=Voyager(K) AWD,  
D=Caravan(K) AWD, C=Town & Country(K) AWD)  
C BODY=(D=Dynasty, C=New Yorker/N.Y. Salon)  
G BODY=(V=Daytona/IROC, Chrysler Daytona) Y BODY=(C=Imperial/5th Avenue)  
J BODY=(C=LeBaron, Chrysler LeBaron) E-S BODY=(K=Chrysler Voyager(H) FWD, D=Chrysler  
P BODY=(P=Sundance, D=Shadow) Voyager(K) AWD)

**BODY STYLES:**

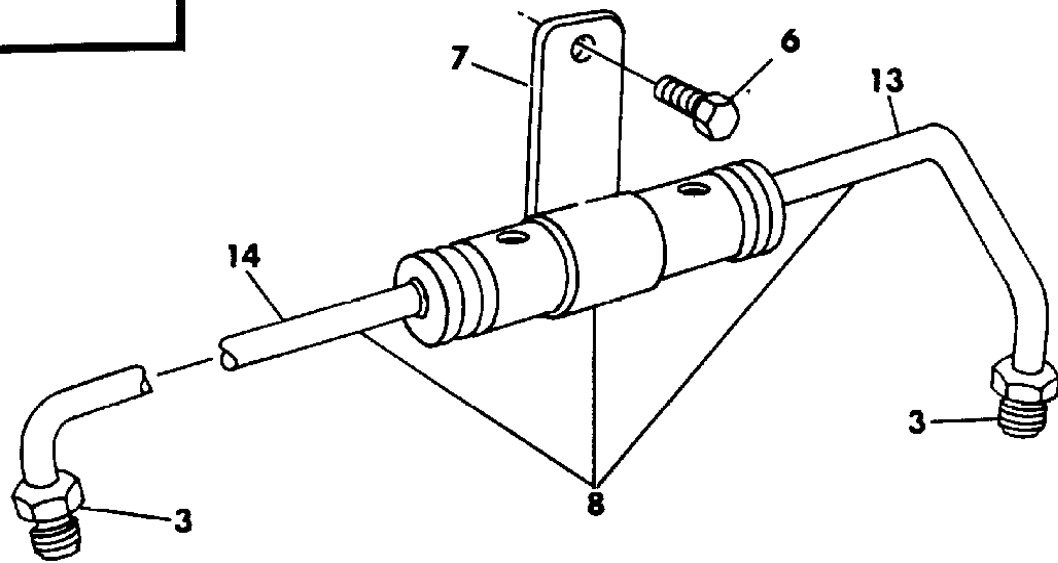
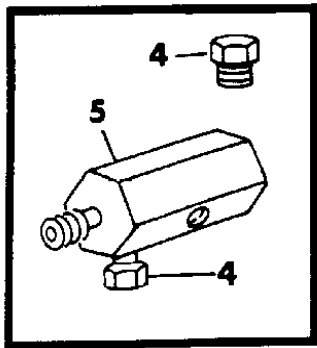
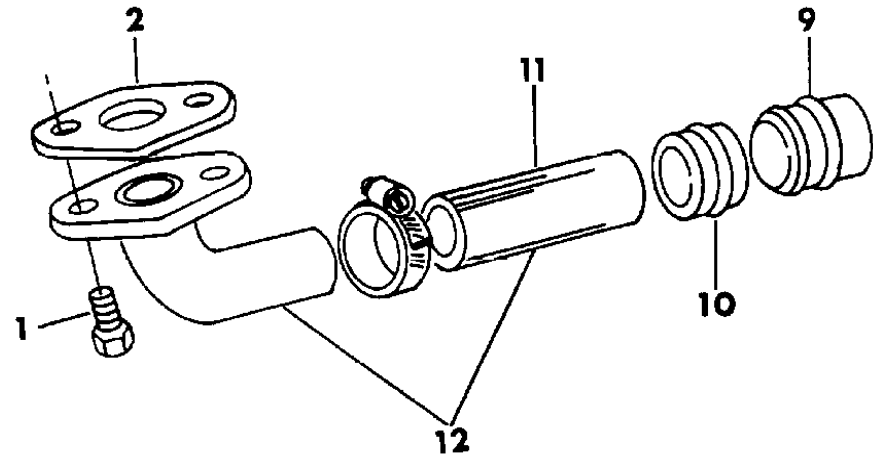
21=2-Door Coupe      41=4-Door Sedan      12-52=FWD & AWD Van & Wgn Std W.B.  
24=2-Door Hatchback      44=4-Door Hatchback      53=FWD & AWD Van & Wgn Ext. W.B.  
27=2-Door Convertible

AR = Use as Required - = Non Illustrated Part P.A.R. = Paint as Required

**OIL LINES 2.2 L ENGINE TURBO 16 VALVE**  
**Figure 9A-1300**

93158 1300

ITEM	PART NUMBER	QTY	BODY	MODEL	DESCRIPTION
1	6100 296	1			SCREW, w/Washer Turbo Oil Drain Back Tube (M8x20)
2	4227 980	1			GASKET, Turbo Oil Drain Back Tube
3	0137 398	2			NUT, Turbo Oil Feed Tube
4	6032 570	1			CONNECTOR, Turbo Oil Inlet
5	4484 383	1			FITTING, Cylinder Block to Turbo Oil Feed Tube
6	6500 158	1			SCREW and WASHER, Oil Feed (M10x25) Tube Att.
7	4442 805	1			CLAMP, Turbo Oil Feed Tube
8	4442 846	1			TUBE, Turbo Oil Feed
9		1			TUBE, Turbo Oil Drain Back Service in Assembly
10	6502 083	2			CLAMP, Turbo Oil Drain Back Hose (Serviced in Item 12)
11	4105 457	1			HOSE, Turbo Oil Drain Back
12	4442 993	1			TUBE ASSEMBLY, Turbo Oil Drain Back ***
13	4442 844	1			TUBE ASSEMBLY, Turbo Oil Supply-Center Housing ***
14	4442 843	1			TUBE ASSEMBLY, Turbo Oil Supply ***



**MODEL CODES:**

A BODY=(C=LeBaron, D=Spirit, P=Acclaim/LaBaron(Landau), Saratoga) S BODY=(H=Voyager(H) FWD, K=Caravan(H) FWD, Y=Town & Country(H) FWD, P=Voyager(K) AWD, D=Caravan(K) AWD, C=Town & Country(K) AWD)  
 C BODY=(D=Dynasty, C=New Yorker/N.Y. Salon)  
 G BODY=(V=Daytona/IROC, Chrysler Daytona)  
 J BODY=(C=LeBaron, Chrysler LeBaron)  
 P BODY=(P=Sundance, D=Shadow)

**BODY STYLES:**

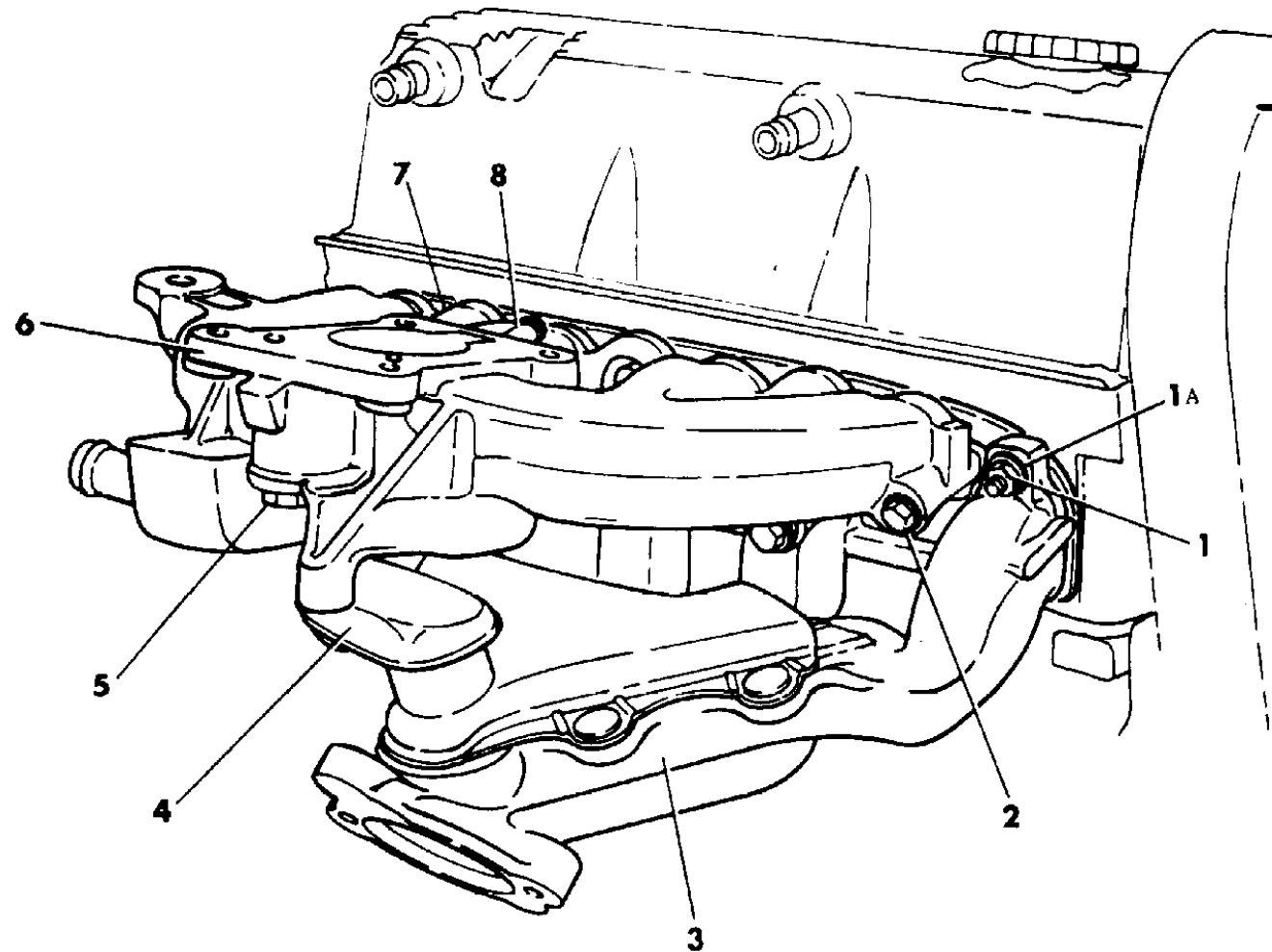
21=2-Door Coupe      41=4-Door Sedan      12-52=FWD & AWD Van & Wgn Std W.B.  
 24=2-Door Hatchback      44=4-Door Hatchback      53=FWD & AWD Van & Wgn Ext. W.B.  
 27=2-Door Convertible

AR = Use as Required - = Non Illustrated Part P.A.R. = Paint as Required



**MANIFOLD, INTAKE AND EXHAUST 2.2 L ENGINE E.F.I.**  
**Figure 9A-1400**

93158 1400



ITEM	PART NUMBER	QTY	BODY	MODEL	DESCRIPTION
------	-------------	-----	------	-------	-------------

NOTE 1: These Packages do not contain Gaskets for all required sealings. R.T.V. Sealer #4318025 and Gasket Eliminator #4318029 must be used in addition as described in the Chrysler repair Manual.

	4240 096	1			GASKET PACKAGE, Manifold (See Note 1) Consists of: 1-4105745 Gasket, Intake and Exhaust Manifold 1-4201384 Gasket, Exhaust Manifold Crossover Flange
1	6500 679	8			STUD, Exhaust Manifold to Cylinder Head
1a	6500 363	8			NUT, Exhaust Manifold to Head Stud
2	6501 690	4			BOLT, Intake Manifold to Cylinder Head (M8x90)
	6501 689	4			BOLT, Intake Manifold to Cylinder Head (M8x65)
3					MANIFOLD, Exhaust
	4273 099	1			w/Oxygen, EGR and Asperator Ports
	4448 746	1			w/Oxygen and EGR Ports
	4621 028	1			w/Oxygen Port
4		1			(Refer to Group 14)
5		1			PLUG, Exhaust Manifold 3/4-14 Not Serviced
	6500 362	1			PLUG, Exhaust Manifold M18
6					MANIFOLD, Intake
	4667 172	1			w/EGR
	4667 173	1			w/o EGR
7	4105 745	1			GASKET, Intake and Exhaust Manifold
8	4343 761	1			NIPPLE, Crankcase Vent Hole

**MODEL CODES:**

A BODY=(C=LeBaron, D=Spirit, P=Acclaim/LaBaron(Landau), Saratoga) S BODY=(H=Voyager(H) FWD, K=Caravan(H) FWD, Y=Town & Country(H) FWD, P=Voyager(K) AWD, D=Caravan(K) AWD, C=Town & Country(K) AWD)  
 C BODY=(D=Dynasty, C=New Yorker/N.Y. Salon) Y BODY=(C=Imperial/5th Avenue)  
 G BODY=(V=Daytona/IROC, Chrysler Daytona) E-S BODY=(K=Chrysler Voyager(H) FWD, D=Chrysler Voyager(K) AWD)  
 J BODY=(C=LeBaron, Chrysler LeBaron)  
 P BODY=(P=Sundance, D=Shadow)

**BODY STYLES:**

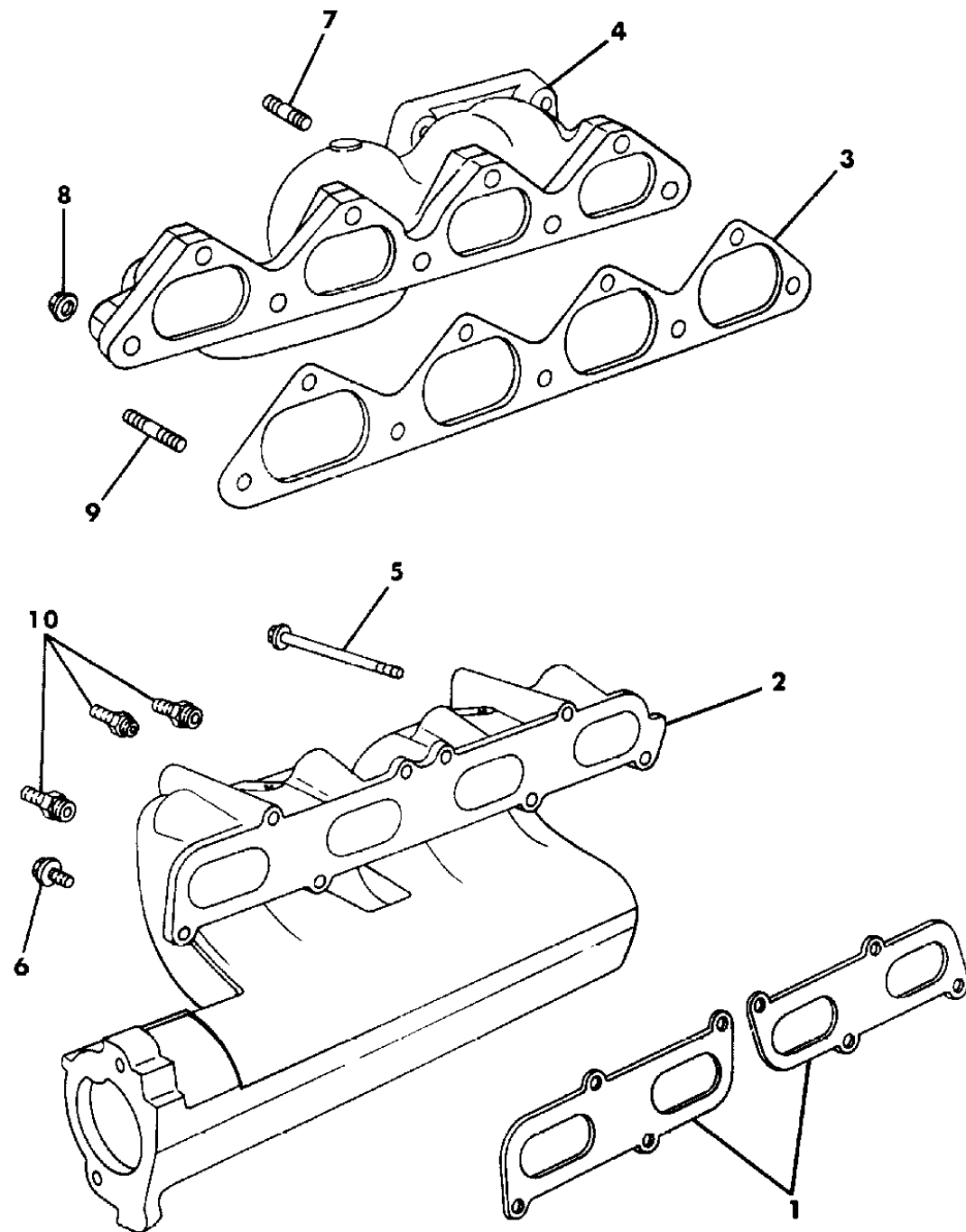
21=2-Door Coupe 41=4-Door Sedan 12-52=FWD & AWD Van & Wgn Std W.B.  
 24=2-Door Hatchback 44=4-Door Hatchback 53=FWD & AWD Van & Wgn Ext. W.B.  
 27=2-Door Convertible

AR = Use as Required - = Non Illustrated Part P.A.R. = Paint as Required

**MANIFOLDS 2.2 L ENGINE TURBO 16 VALVE**  
**Figure 9A-1500**

93158 1500

ITEM	PART NUMBER	QTY	BODY	MODEL	DESCRIPTION
	4728 214	1			GASKET PACKAGE, Intake and Exhaust Manifold
1	4484 412	2			GASKET, Intake Manifold
2	4484 413	1			MANIFOLD, Intake
3	4484 411	1			GASKET, Exhaust Manifold
4	4484 410	1			MANIFOLD, Exhaust
5	6100 939	2			BOLT, Intake Attaching m8x1.25x110
6	6500 517	4			BOLT, Intake Attaching m8x1.25x25
	6502 245	1			BOLT, Intake Attaching m8x1.25x125
7	6500 830	4			STUD, Turbo Attaching m10x1.5x40-6
8	6500 363	8			NUT, Exhaust Attaching
9	4484 303	8			STUD, Exhaust Manifold to Head
10					CONNECTOR, Manifold Vacuum
	6034 239	AR			Straight Connector 1/4-18 P.T.
	5277 636	AR			Y Connector 3/8-18 P.T.



**MODEL CODES:**

A BODY=(C=LeBaron, D=Spirit, P=Acclaim/LaBaron(Landau),  
Saratoga)  
 C BODY=(D=Dynasty, C=New Yorker/N.Y. Salon)  
 G BODY=(V=Daytona/IROC, Chrysler Daytona)  
 J BODY=(C=LeBaron, Chrysler LeBaron)  
 P BODY=(P=Sundance, D=Shadow)

S BODY=(H=Voyager(H) FWD, K=Caravan(H) FWD,  
Y=Town & Country(H) FWD, P=Voyager(K) AWD,  
D=Caravan(K) AWD, C=Town & Country(K) AWD)  
 Y BODY=(C=Imperial/5th Avenue)  
 E-S BODY=(K=Chrysler Voyager(H) FWD, D=Chrysler  
Voyager(K) AWD)

**BODY STYLES:**

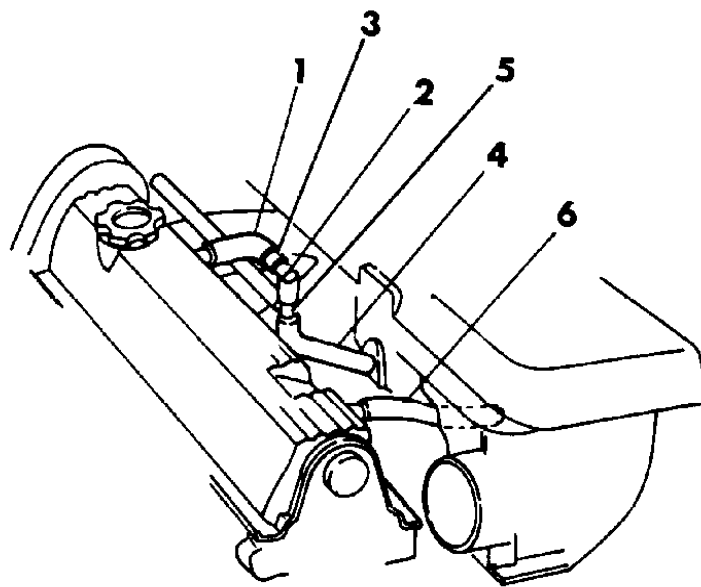
21=2-Door Coupe      41=4-Door Sedan      12-52=FWD & AWD Van & Wgn Std W.B.  
 24=2-Door Hatchback      44=4-Door Hatchback      53=FWD & AWD Van & Wgn Ext. W.B.  
 27=2-Door Convertible

AR = Use as Required - = Non Illustrated Part P.A.R. = Paint as Required

**CRANKCASE VENTILATION 2.2 L ENGINE E.F.I.  
Figure 9A-1600**

93158 1600

ITEM	PART NUMBER	QTY	BODY	MODEL	DESCRIPTION
NOTE 1: Part No. 4095681 Consists of a 50 Foot Roll Hose (Used as Required) on as described in the Chrysler repair Manual.					
1	4315 704	1			HOSE, PCV Valve to Cylinder Head Cover
2	4315 405	1			VALVE, Crankcase
3	4343 761	1			NIPPLE, Crankcase Vent Hole
4	4095 681	1			HOSE, Crankcase Vent Valve to Tee (See Note 1)
5	4300 267	1			TEE, PCV Valve
	4315 703	1			HOSE, Tee to Intake Manifold
6	4343 477	1			HOSE, Crankcase Vent to Air Cleaner



WITH ELECT. FUEL INJECTION

**MODEL CODES:**

A BODY=(C=LeBaron, D=Spirit, P=Acclaim/LaBaron(Landau), Saratoga)      S BODY=(H=Voyager(H) FWD, K=Caravan(H) FWD, Y=Town & Country(H) FWD, P=Voyager(K) AWD, D=Caravan(K) AWD, C=Town & Country(K) AWD)  
 C BODY=(D=Dynasty, C=New Yorker/N.Y. Salon)  
 G BODY=(V=Daytona/IROC, Chrysler Daytona)      Y BODY=(C=Imperial/5th Avenue)  
 J BODY=(C=LeBaron, Chrysler LeBaron)      E-S BODY=(K=Chrysler Voyager(H) FWD, D=Chrysler Voyager(K) AWD)  
 P BODY=(P=Sundance, D=Shadow)

**BODY STYLES:**

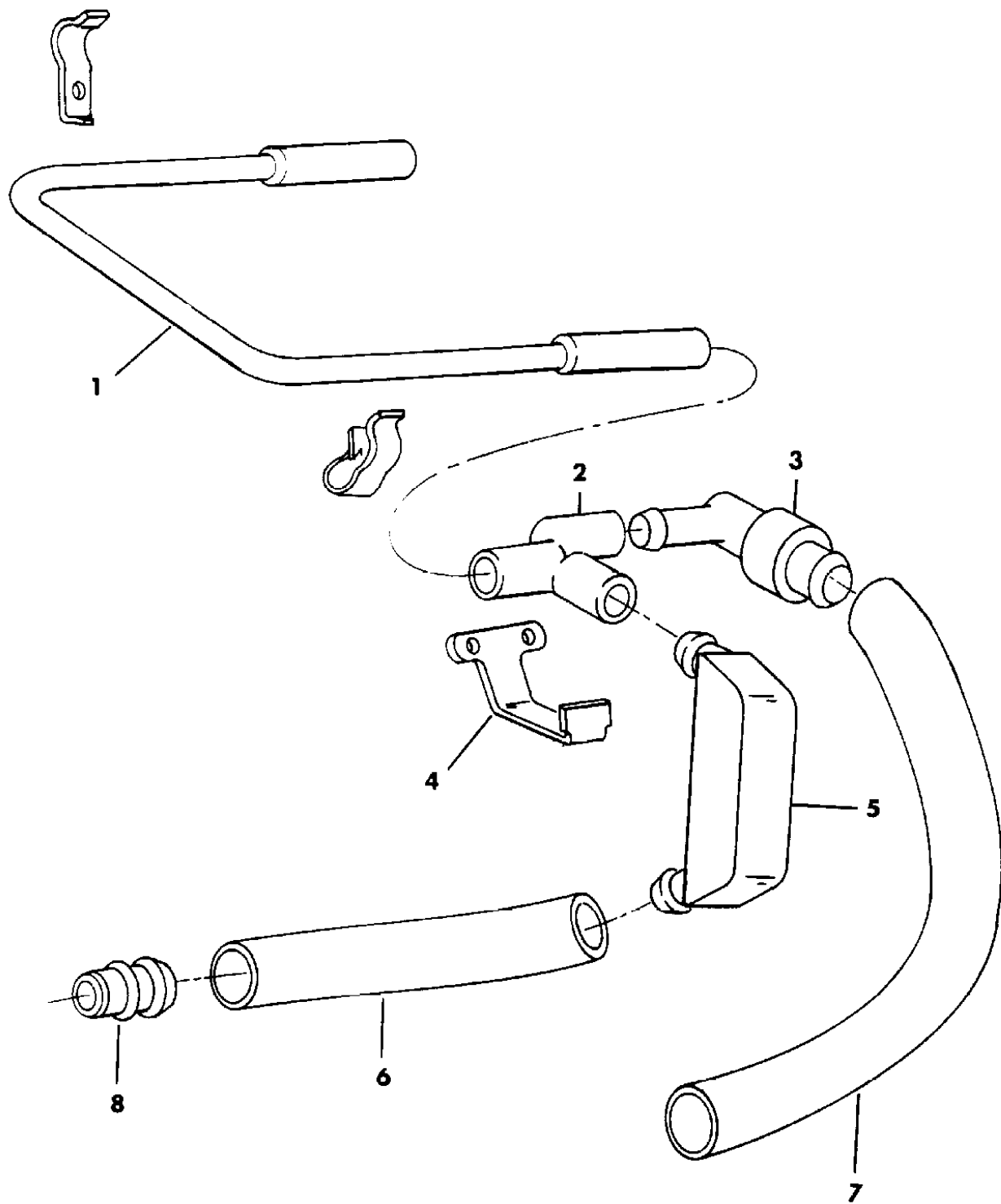
21=2-Door Coupe      41=4-Door Sedan      12-52=FWD & AWD Van & Wgn Std W.B.  
 24=2-Door Hatchback      44=4-Door Hatchback      53=FWD & AWD Van & Wgn Ext. W.B.  
 27=2-Door Convertible

AR = Use as Required - = Non Illustrated Part P.A.R. = Paint as Required

**CRANKCASE VENTILATION 2.2 L ENGINE TURBO 16 VALVE**  
**Figure 9A-1700**

93158 1700

ITEM	PART NUMBER	QTY	BODY	MODEL	DESCRIPTION
1	4621 022	1			TUBE ASSEMBLY, Adatper to Air Cleaner ***
2	4621 020	1			ADAPTER, PCV Valve to Oil Separator
3	3671 076	1			VALVE, PCV
4	4621 034	AR			BRACKET, Oil Separtor
5	4621 033	1			SEPARATOR ASSEMBLY, Oil ***
6	4621 091	1			HOSE, Oil Separator to Block
7	4621 166	1			HOSE, PCV Valve to Manifold
8	4387 304	1			NIPPLE, Crankcase Vent



**MODEL CODES:**

A BODY=(C=LeBaron, D=Spirit, P=Acclaim/LaBaron(Landau), Saratoga)      S BODY=(H=Voyager(H) FWD, K=Caravan(H) FWD, Y=Town & Country(H) FWD, P=Voyager(K) AWD, D=Caravan(K) AWD, C=Town & Country(K) AWD)  
 C BODY=(D=Dynasty, C=New Yorker/N.Y. Salon)  
 G BODY=(V=Daytona/IROC, Chrysler Daytona)  
 J BODY=(C=LeBaron, Chrysler LeBaron)  
 P BODY=(P=Sundance, D=Shadow)      Y BODY=(C=Imperial/5th Avenue)  
 E-S BODY=(K=Chrysler Voyager(H) FWD, D=Chrysler Voyager(K) AWD)

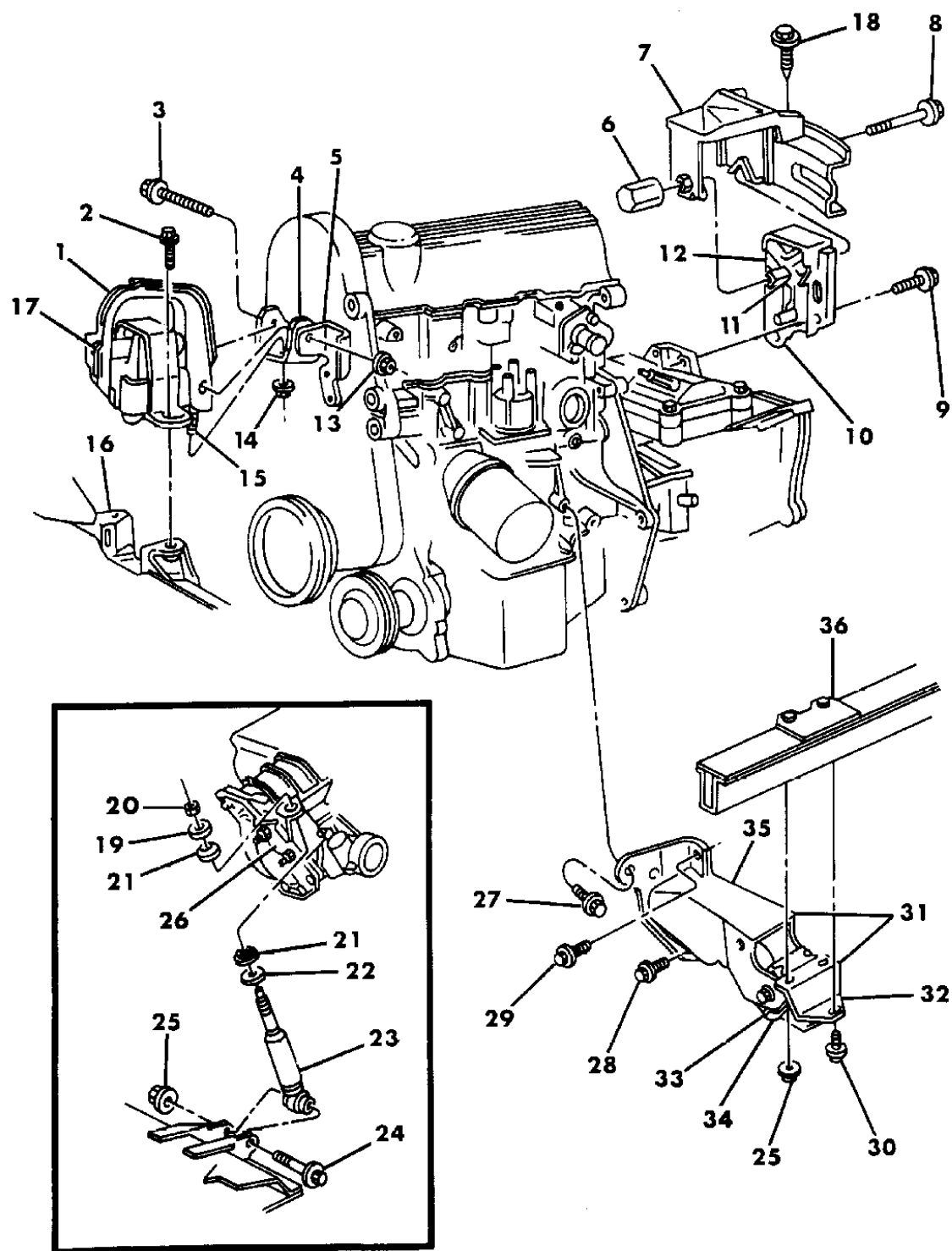
**BODY STYLES:**

21=2-Door Coupe      41=4-Door Sedan      12-52=FWD & AWD Van & Wgn Std W.B.  
 24=2-Door Hatchback      44=4-Door Hatchback      53=FWD & AWD Van & Wgn Ext. W.B.  
 27=2-Door Convertible

AR = Use as Required - = Non Illustrated Part P.A.R. = Paint as Required

**ENGINE MOUNTING 2.2 L ENGINE**  
Figure 9A-1800

93158 1800



ITEM	PART NUMBER	QTY	BODY	MODEL	DESCRIPTION
1					SUPPORT ASSEMBLY, Engine Mount Rt. ***
	4505 496	1	P		
	4612 093	1	G		
2	6501 946	2			SCREW, w/Washer Bushing to Frame Bracket Rt.
3	6501 736	1			BOLT, Engine Support Insulator Bracket to Engine Mounting Rt.
4	5252 351	1			BRACKET, Engine Mounting Rt.
5	4483 198	1			STRUT, Engine Mounting Rt.
6	4471 924	1			WEIGHT, Engine Mount Damper
7		1			BRACKET, Frame Side Rail (Group 13)
8	6501 940	2			SCREW, w/Washer, Engine Support Insulator, to Frame Side Rail Bracket
9	6502 073	AR			SCREW, w/Washer, Engine Support Insulator Bracket, to Trans. Case Lt.
10					SUPPORT, Engine Left
	4668 114	1			Manual Trans.
	4668 132	1			Automatic Trans.
11		1			SPACER, Engine Support Bushing Lt. (Serviced in Item 10)
		1			STUD, Engine Support Insulator Bracket to Engine Bracket- Rt. (Not Serviced)
12		1			BUSHING, Engine Support Insulator Lt. (Serviced in Item 10)
13	6502 195	1			NUT, Engine Support Insulator Bracket, Engine Mounting Bolt
14	6501 737	1			NUT, Engine Support Insulator Bracket, to Engine Mounting Stud Rt.
15	4612 116	1			STUD, Engine Support Insulator Bracket, to Engine Mounting Rt.
16					SIDE RAIL, (See Group 13)
17	6502 074	1			SCREW, w/Washer, Engine Support Bushing
18		2			SCREW and WASHER, Not Serviced
19	6500 966	1			RETAINER, Damper Bushing Upper, Manual Trans.
20	6100 525	1			NUT, Damper Upper Manual Trans.
21					BUSHING, Engine Damper Upper - Manual (Serviced in Damper Pkg.)
22	6500 967	1			RETAINER, Damper Bushing Lower, w/Manual Trans
23	4364 769	1			DAMPER PKG, Engine Roll, Manual ***
24	6101 342	1			SCREW, Support Crossmember to Engine Damper, Manual Trans.
25	6101 448	3			NUT, Support Crossmember Engine Damper, Manual Trans.
26	4412 041	1			BRACKET, Engine Damper, Manual Trans.
27	6501 741	2			SCREW and WASHER

**MODEL CODES:**

A BODY=(C=LeBaron, D=Spirit, P=Acclaim/LaBaron(Landau), Saratoga) S BODY=(H=Voyager(H) FWD, K=Caravan(H) FWD, Y=Town & Country(H) FWD, P=Voyager(K) AWD, D=Caravan(K) AWD, C=Town & Country(K) AWD)  
 C BODY=(D=Dynasty, C=New Yorker/N.Y. Salon)  
 G BODY=(V=Daytona/IROC, Chrysler Daytona)  
 J BODY=(C=LeBaron, Chrysler LeBaron)  
 P BODY=(P=Sundance, D=Shadow)  
 Y BODY=(C=Imperial/5th Avenue)  
 E-S BODY=(K=Chrysler Voyager(H) FWD, D=Chrysler Voyager(K) AWD)

**BODY STYLES:**

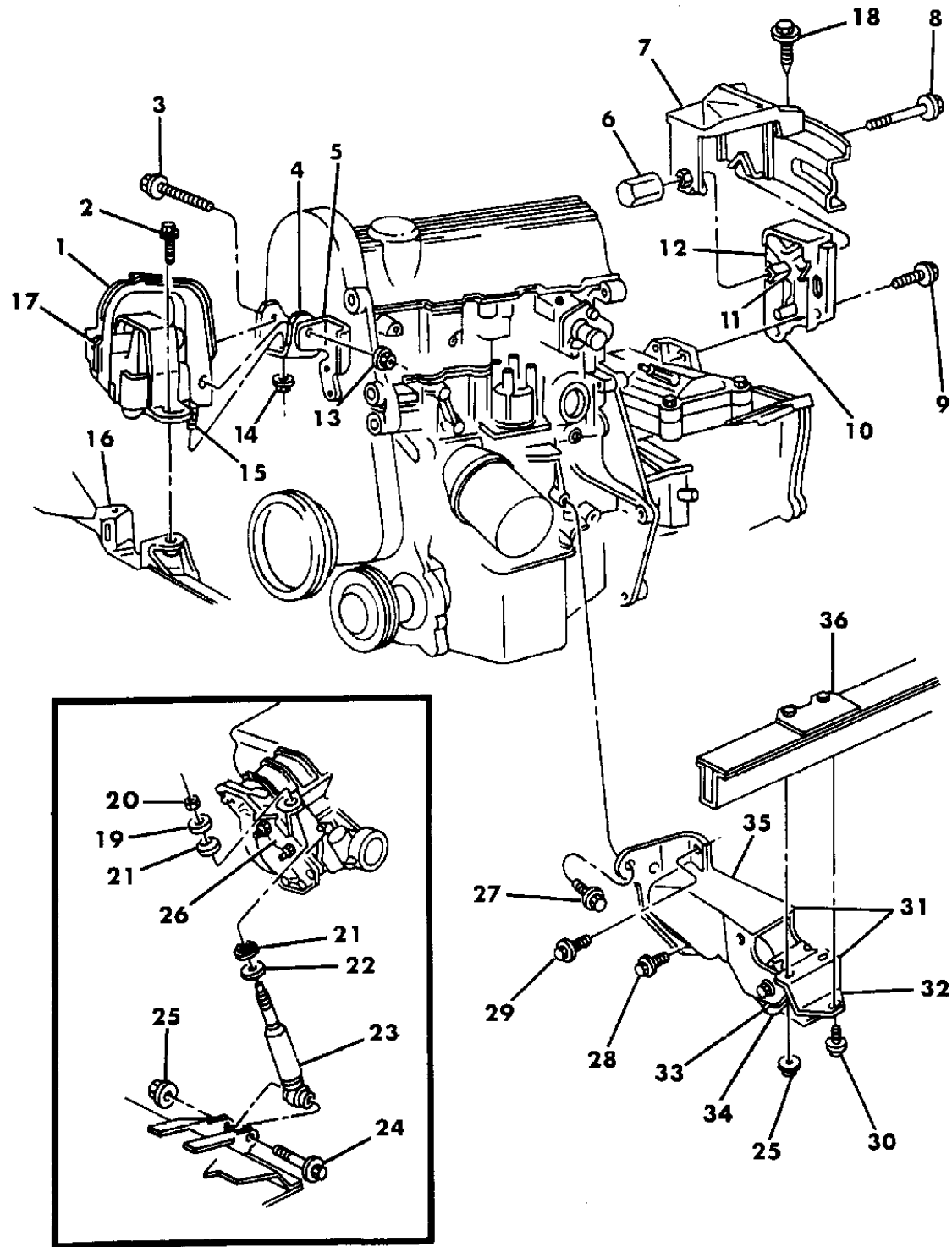
21=2-Door Coupe 41=4-Door Sedan 12-52=FWD & AWD Van & Wgn Std W.B.  
 24=2-Door Hatchback 44=4-Door Hatchback 53=FWD & AWD Van & Wgn Ext. W.B.  
 27=2-Door Convertible

AR = Use as Required - = Non Illustrated Part P.A.R. = Paint as Required

ENGINE MOUNTING 2.2 L ENGINE

Figure 9A-1800

93158 1800



ITEM	PART NUMBER	QTY	BODY	MODEL	DESCRIPTION
28	6501 565	1			SCREW and WASHER, Engine Support Insulator Bracket to Trans. Front
29	6502 125	1			SCREW and WASHER, Engine Support Insulator Bracket to Engine Lug Front
30	6501 946	1			SCREW and WASHER
31					SUPPORT ASSEMBLY, Engine - Front ***
	4556 384	1	P		
	4668 145	1	G		
32					INSULATOR ASSEMBLY, Engine Support Front ***
	4537 072	1	P		
	4668 145	1	G		
33	4537 072	1			BRACKET ASSEMBLY, Engine Mount Front
34	5272 111	1			BUSHING, Engine Support Insulator Front
35	4556 383	1			BRACKET, Engine Mounting Front
36	4386 867	1			GUSSET, Front Crossmember Engine Mount Front
NOTE: The Following Items Are Not Shown On Illust. on as described in the Chrysler repair Manual.					
	6500 816	1			STUD, Block to Engine Mount Rt. (M10x1.50x50)
	6501 072	1			SCREW, w/Washer, Engine Mount and Spacer to Block (M10x1.5x85)
	6501 200	1			STUD, Engine Mounting and Spacer to Block (10-1.50x110 Lgh.)
					CLOSURE, Right Engine Mount Stone Guard
	4105 790	1	AP		
	4667 469	1	AG		

MODEL CODES:

A BODY=(C=LeBaron, D=Spirit, P=Acclaim/LaBaron(Landau, Saratoga)  
 C BODY=(D=Dynasty, C=New Yorker/N.Y. Salon)  
 G BODY=(V=Daytona/IROC, Chrysler Daytona)  
 J BODY=(C=LeBaron, Chrysler LeBaron)  
 P BODY=(P=Sundance, D=Shadow)

S BODY=(H=Voyager(H) FWD, K=Caravan(H) FWD, Y=Town & Country(H) FWD, P=Voyager(K) AWD, D=Caravan(K) AWD, C=Town & Country(K) AWD)  
 Y BODY=(C=Imperial/5th Avenue)  
 E-S BODY=(K=Chrysler Voyager(H) FWD, D=Chrysler Voyager(K) AWD)

BODY STYLES:

21=2-Door Coupe      41=4-Door Sedan      12-52=FWD & AWD Van & Wgn Std W.B.  
 24=2-Door Hatchback      44=4-Door Hatchback      53=FWD & AWD Van & Wgn Ext. W.B.  
 27=2-Door Convertible

AR = Use as Required - = Non Illustrated Part P.A.R. = Paint as Required

**CYLINDER BLOCK 2.5 L ENGINE**

**Figure 9A-2000**

93158 2000

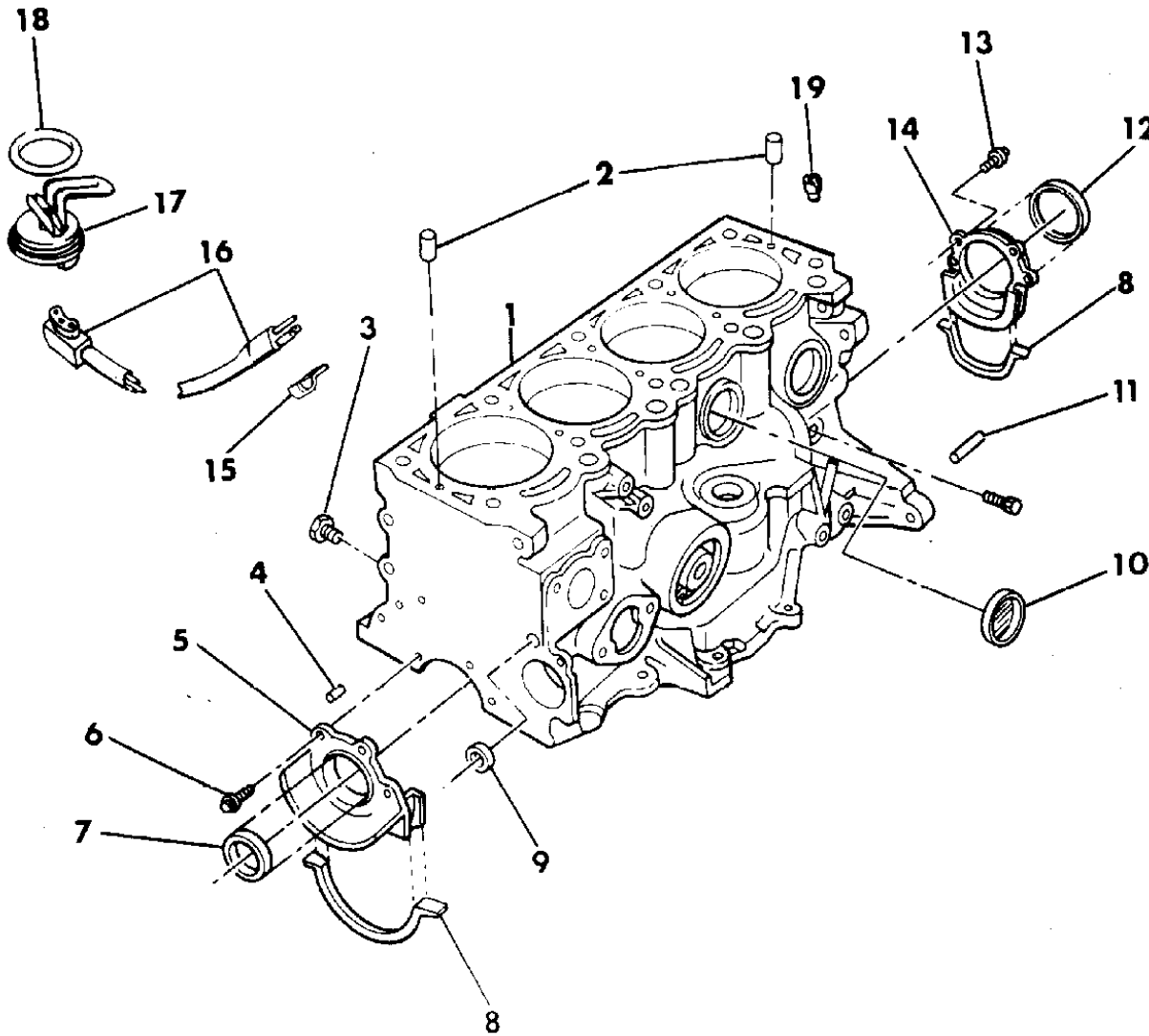
ITEM	PART NUMBER	QTY	BODY	MODEL	DESCRIPTION
------	-------------	-----	------	-------	-------------

NOTE 1: These Packages do not contain Gaskets for all required sealings. R.T.V. Sealer #4318025 and Gasket Eliminator #4318029 must be used in addition as described in the Chrysler repair Manual.

4626 450 1 GASKET PACKAGE, Engine Lower

NOTE: Short Engine Assembly consists of the Cylinder Block with Piston and Rings, Crankshaft and Bearings, Connecting Rods and Bearings. on as described in the Chrysler repair Manual.

1	4556 431	1			ENGINE, Short EDM Injected Engine
	4723 328	1			Flex Fuel Engine
2	6500 402	2			DOWEL, Cylinder Block to Head
3		1			PLUG, Cylinder Block Water Jacket Drain (1/4" NPT)(Not Serviced)
4		4			DOWEL, Cylinder Block to Crankshaft Seal Retainer (Not Serviced)
5	4387 580	1			RETAINER, Crankshaft Front Oil Seal
6	6101 278	3			SCREW and WASHER, Crankshaft Front Oil Seal Retainer
	6100 271	1			SCREW, w/Washer, Crankshaft Oil Seal Retainer Mount Front
7	4273 275	1			SEAL, Crankshaft Front Oil
8		2			SEAL, Oil Pan to Retainer (See Oil Pan Illust.)
9	4556 018	2			PLUG, Cylinder Block Oil Gallery (5/8")
	4556 019	AR			(0.65" O/S)
10	4556 022	5			PLUG, Cylinder Block Core Hole Cup (1.625")
	4556 023	AR			(0.65" O/S)
11	5240 849	2			DOWEL, Cylinder Block to Transaxle Case
12	5203 590	1			SEAL, Crankshaft Rear Oil
13	6101 278	4			SCREW and WASHER, Crankshaft Rear Oil Seal Retainer
14	5214 784	1			RETAINER, Crankshaft Rear Oil Seal
15	6015 412	2			CLIP, Engine Block Heater Cord
16	4687 405	1			CORD, Engine Block Heater
	6015 756	AR			STRAP, Engine Block Heater
17	4720 692	1			HEATER PACKAGE, Engine Block
18	6501 445	1			O-RING, Engine Block Heater (1-11/32 Dia. 11/64 Width)
	6501 446	1			(1-11/32 Dia. 9/64 Width)
19	4323 808	1			RESTRICTOR, Cylinder Head Oil



**MODEL CODES:**

A BODY=(C=LeBaron, D=Spirit, P=Acclaim/LaBaron(Landau), Saratoga)

C BODY=(D=Dynasty, C=New Yorker/N.Y. Salon)

G BODY=(V=Daytona/IROC, Chrysler Daytona)

J BODY=(C=LeBaron, Chrysler LeBaron)

P BODY=(P=Sundance, D=Shadow)

S BODY=(H=Voyager(H) FWD, K=Caravan(H) FWD,

Y=Town & Country(H) FWD, P=Voyager(K) AWD,

D=Caravan(K) AWD, C=Town & Country(K) AWD)

Y BODY=(C=Imperial/5th Avenue)

E-S BODY=(K=Chrysler Voyager(H) FWD, D=Chrysler

Voyager(K) AWD)

**BODY STYLES:**

21=2-Door Coupe

41=4-Door Sedan

12-52=FWD & AWD Van & Wgn Std W.B.

24=2-Door Hatchback

44=4-Door Hatchback

53=FWD & AWD Van & Wgn Ext. W.B.

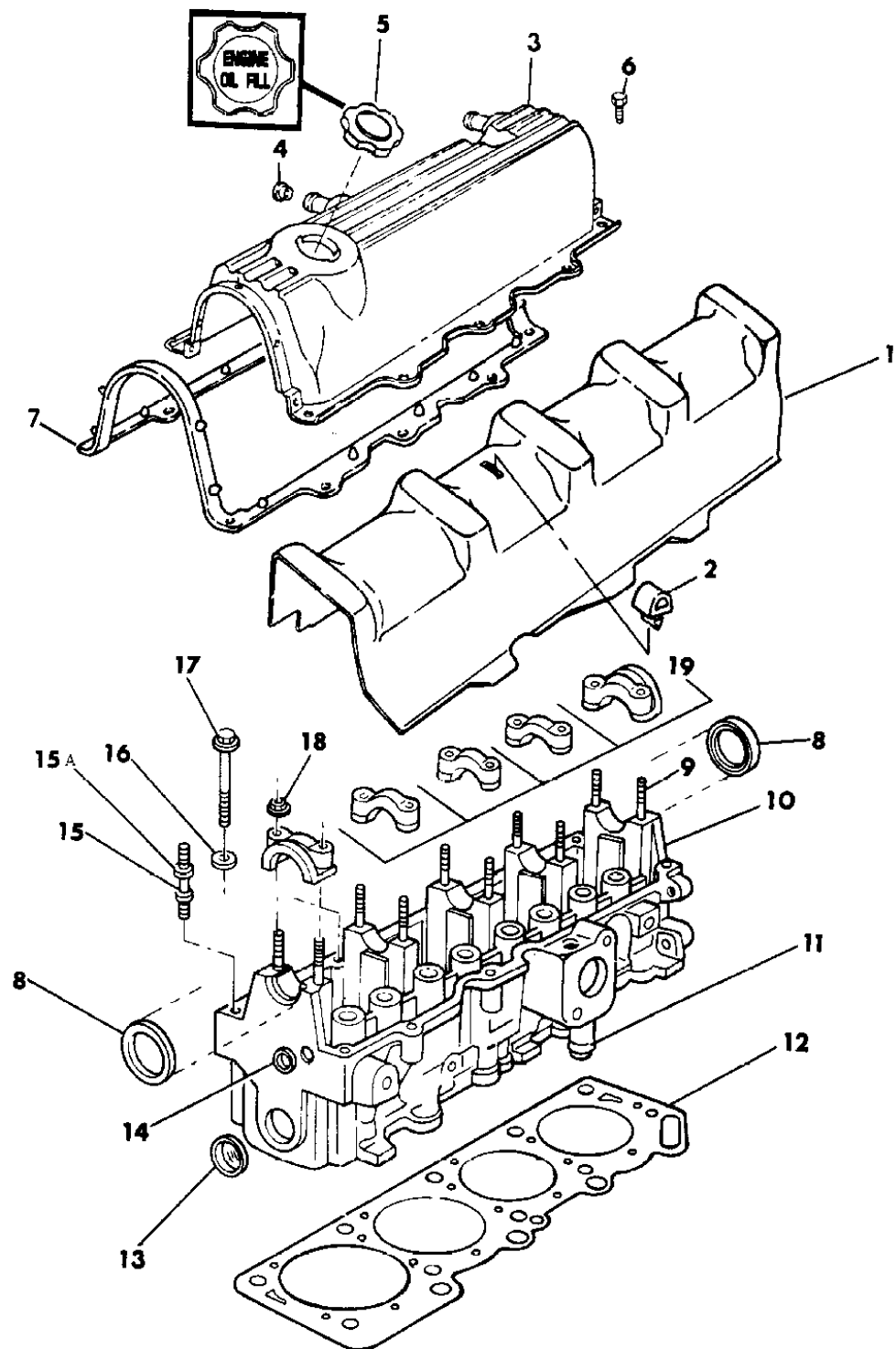
27=2-Door Convertible

AR = Use as Required - = Non Illustrated Part P.A.R. = Paint as Required

CYLINDER HEAD 2.5 L ENGINE

Figure 9A-2100

93158 2100



ITEM	PART NUMBER	QTY	BODY	MODEL	DESCRIPTION
NOTE 1: These Packages do not contain Gaskets for all required sealings. R.T.V. Sealer #4318025 and Gasket Eliminator #4318029 must be used in addition as described in the Chrysler repair Manual.					
	4728 218	1			GASKET PACKAGE, Engine Upper w/EDM Injected Engine-w/ Steel Stamped Valve Cover
	4397 772	1			W/EDT Turbo Engine
	4728 047	1			Flex Fuel Engine
1	4667 174	1			CURTAIN, Cylinder Head w/EDM Injected Engine
2	4387 331	2			RETAINER, Cylinder Head Curtain w/EDM Injected Engine
3	5241 066	1			COVER PACKAGE, Cylinder Head w/EDM Injected Engine ***
NOTE: Package Contains Cover, End Seals, Fasteners and Instructions. RTV Will Also Be Required. on as described in the Chrysler repair Manual.					
4	4667 303	1			RESTRICTOR, Cylinder Head Cover PCV EDM Engine
5	4621 012	1			CAP, Oil Filler
	4573 955	1			w/Flex Fuel
6	6100 276	5			SCREW and WASHER, Cylinder Head Cover (M6x20) w/EDM Injected Engine
7	5241 066	1			GASKET, Assembly Package w/EDM Injected Engine
	4318 025	1			RTV-Sealer
	5214 479	2			SEAL, Cylinder Head Cover End
8	4105 395	1			SEAL, Camshaft Front Oil
	4343 903	1			PLUG, Camshaft Rear
9		10			SCREW, Camshaft Bearing Cap (M8x1.25x45Lg.) (Not Serviced)
10	4343 627	1			HEAD, Cylinder w/EDM Injected Engine
	4387 838	1			Flex Fuel Engine
	6500 267	1			SCREW and WASHER, Cylinder Head Plug M10-1.25x16
11	4105 295	1			NIPPLE, Thermostat Water By-Pass
12					GASKET, Cylinder Head
	5281 064	1			W/EDM Injected Engine
	5281 065	1			W/EDT Turbo Engine
13	4556 020	2			PLUG, Cylinder Head Core Hole Cup (1.25")
	4105 972	AR			(.065" O.S.)
14	4556 018	2			PLUG, Cylinder Head Oil Gallery Hole (5/8")
	4556 019	AR			(.065" O.S.)
15	6500 435	2			STUD, w/Flat Washer, Cylinder Head Cover (M6)
	6100 276	5			SCREW, w/WASHER Cylinder Head Cover
15a	6500 274	2			NUT, Lock Cylinder Head Cover Stud (M6x1.00)
16	6501 435	10			WASHER, Cylinder Head Screw
17	6501 433	10			SCREW, Cylinder Head (M11x122.5)
18		AR			NUT, Camshaft Bearing Cap Stud (Not Serviced)

MODEL CODES:

A BODY=(C=LeBaron, D=Spirit, P=Acclaim/LaBaron(Landau), Saratoga)  
 C BODY=(D=Dynasty, C=New Yorker/N.Y. Salon)  
 G BODY=(V=Daytona/IROC, Chrysler Daytona)  
 J BODY=(C=LeBaron, Chrysler LeBaron)  
 P BODY=(P=Sundance, D=Shadow)

S BODY=(H=Voyager(H) FWD, K=Caravan(H) FWD, Y=Town & Country(H) FWD, P=Voyager(K) AWD, D=Caravan(K) AWD, C=Town & Country(K) AWD)  
 Y BODY=(C=Imperial/5th Avenue)  
 E-S BODY=(K=Chrysler Voyager(H) FWD, D=Chrysler Voyager(K) AWD)

BODY STYLES:

21=2-Door Coupe      41=4-Door Sedan      12-52=FWD & AWD Van & Wgn Std W.B.  
 24=2-Door Hatchback      44=4-Door Hatchback      53=FWD & AWD Van & Wgn Ext. W.B.  
 27=2-Door Convertible

AR = Use as Required - = Non Illustrated Part P.A.R. = Paint as Required

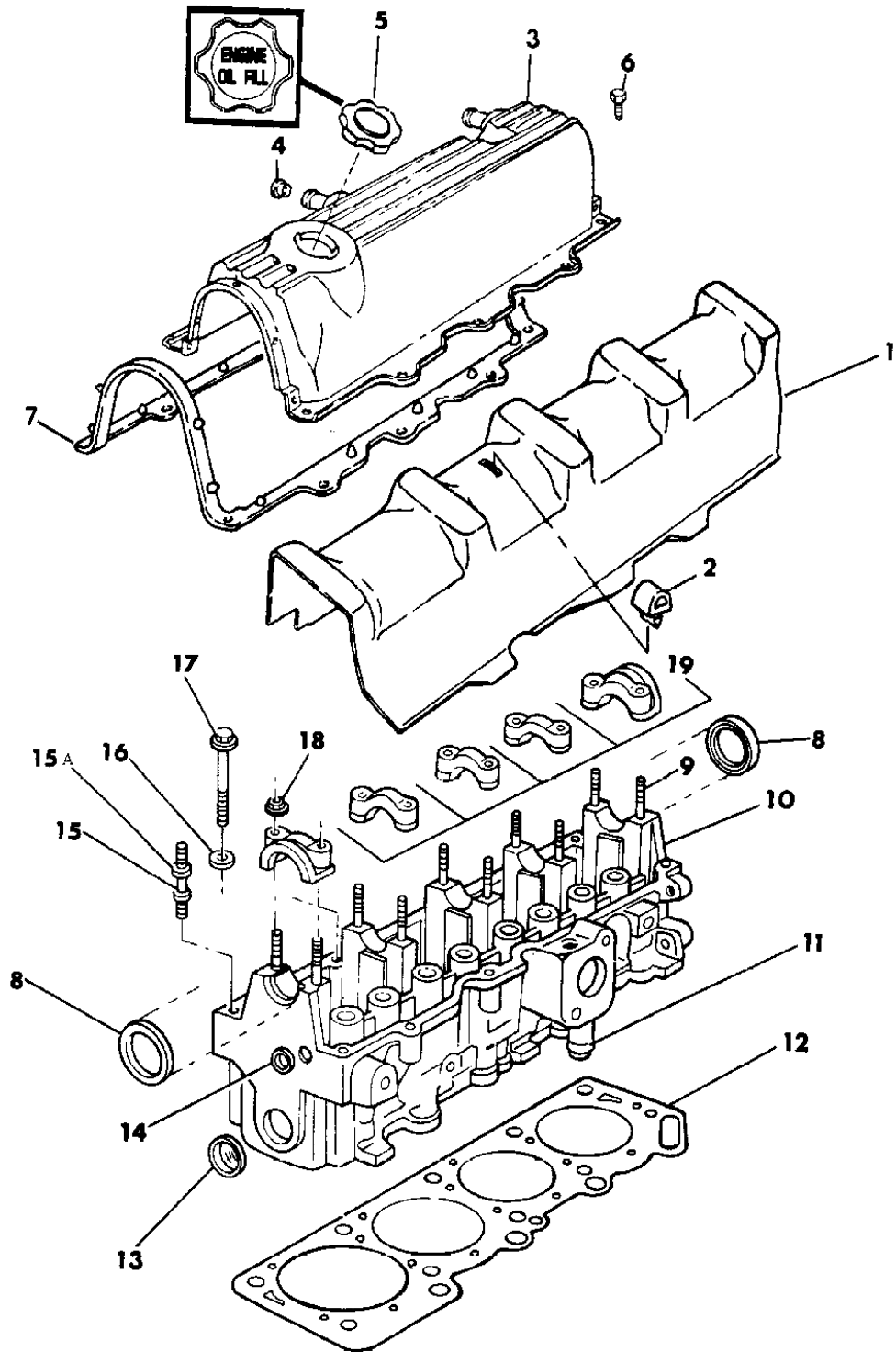


CYLINDER HEAD 2.5 L ENGINE

Figure 9A-2100

93158 2100

ITEM	PART NUMBER	QTY	BODY	MODEL	DESCRIPTION
19		5			CAPS, Camshaft Bearing (Served in Cylinder Head)



MODEL CODES:

A BODY=(C=LeBaron, D=Spirit, P=Acclaim/LaBaron(Landau), Saratoga) S BODY=(H=Voyager(H) FWD, K=Caravan(H) FWD, Y=Town & Country(H) FWD, P=Voyager(K) AWD, D=Caravan(K) AWD, C=Town & Country(K) AWD)  
 C BODY=(D=Dynasty, C=New Yorker/N.Y. Salon) Y BODY=(C=Imperial/5th Avenue)  
 G BODY=(V=Daytona/IROC, Chrysler Daytona) E-S BODY=(K=Chrysler Voyager(H) FWD, D=Chrysler Voyager(K) AWD)  
 J BODY=(C=LeBaron, Chrysler LeBaron) P BODY=(P=Sundance, D=Shadow)

BODY STYLES:

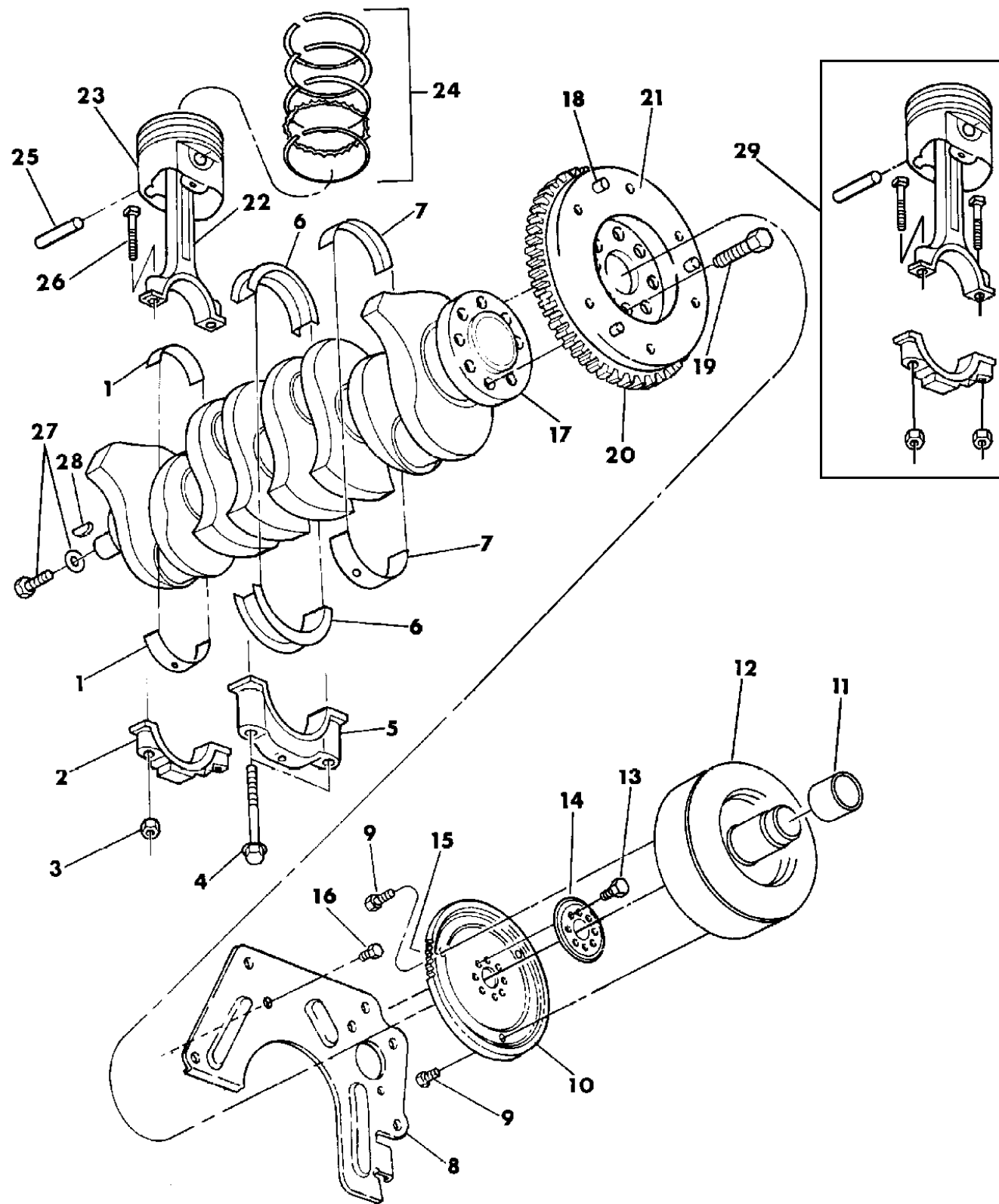
21=2-Door Coupe 41=4-Door Sedan 12-52=FWD & AWD Van & Wgn Std W.B.  
 24=2-Door Hatchback 44=4-Door Hatchback 53=FWD & AWD Van & Wgn Ext. W.B.  
 27=2-Door Convertible

AR = Use as Required - = Non Illustrated Part P.A.R. = Paint as Required

# CRANKSHAFT & PISTONS 2.5 L ENGINE

Figure 9A-2200

93158 2200A



ITEM	PART NUMBER	QTY	BODY	MODEL	DESCRIPTION
1	5241 076	4			BEARING PACKAGE, Connecting Rod Standard
	5241 077	4			.025mm U/S
	5241 079	4			.250mm U/S
2		4			CAP, Connecting Rod Bearing (Serviced in Piston Assembly)
3	4227 678	8			NUT, Connecting Rod Bearing Cap Bolt
4	6501 934	10			SCREW, Crankshaft Bearing Cap
5		5			CAPS, Crankshaft Bearing (Serviced in Block)
6	4637 601	1			BEARING PACKAGE, Crankshaft # 3 Standard
	4637 602	1			.025mm U/S
	4637 604	1			.250mm U/S
7	4637 595	4			BEARING PACKAGE, Crankshaft # 1,2,4 or 5 Standard
	4637 596	4			.025mm U/S
	4637 598	4			.250mm U/S
8		1			COVER, Transaxle Case Upper (See Group 21 Illust.)
9	6501 099	4			BOLT, Drive Plate to Torque Converter
10	4446 309	1			PLATE, Torque Converter Drive (Used w/Modular Clutch)
11		1			SEAL, Torque Converter Hub (See Group 21 Illust.)
12	4723 463	1			CONVERTER, Torque
13	6501 193	8			BOLT, Drive Plate to Crankshaft
14	4471 933	1			PLATE, Crankshaft Bolt Backing
15		1			GEAR, Starter Ring (Serviced in Item # 10)
16		1			SCREW and WASHER, Transaxle Case Cover (See Group 21 Illust.)
17	4448 487	1			CRANKSHAFT
18		1			PIN(Serviced in Flywheel) ***
19	6501 197	8			BOLT, Flywheel to Crankshaft
20		1			GEAR, Starter Ring (Serviced in Item # 21)
21	4471 319	1			FLYWHEEL ASSY, (Not Used w/Modular Clutch) ***
22		4			ROD and CAP, Connecting (Serviced assy #29)
23		4			PISTON and PIN, Standard (serviced assy #29)
24					RING SET, Piston for Complete Engine
					STANDARD
	4626 636	1			EDM Injected Engine
	4626 683	1			Flex Fuel Engine
25					PIN, Piston (Serviced w/assy #29)
26	4448 934	8			BOLT, Connecting Rod Bearing Cap
27	6501 947	1			SCREW and WASHER, Crankshaft Sprocket
28	6500 150	1			KEY, Crankshaft Sprocket
29					PISTON, PIN, and ROD Assy(exc turbo)

**MODEL CODES:**

A BODY=(C=LeBaron, D=Spirit, P=Acclaim/LaBaron(Landau), Saratoga)  
 C BODY=(D=Dynasty, C=New Yorker/N.Y. Salon)  
 G BODY=(V=Daytona/IROC, Chrysler Daytona)  
 J BODY=(C=LeBaron, Chrysler LeBaron)  
 P BODY=(P=Sundance, D=Shadow)

S BODY=(H=Voyager(H) FWD, K=Caravan(H) FWD, Y=Town & Country(H) FWD, P=Voyager(K) AWD, D=Caravan(K) AWD, C=Town & Country(K) AWD)  
 Y BODY=(C=Imperial/5th Avenue)  
 E-S BODY=(K=Chrysler Voyager(H) FWD, D=Chrysler Voyager(K) AWD)

**BODY STYLES:**

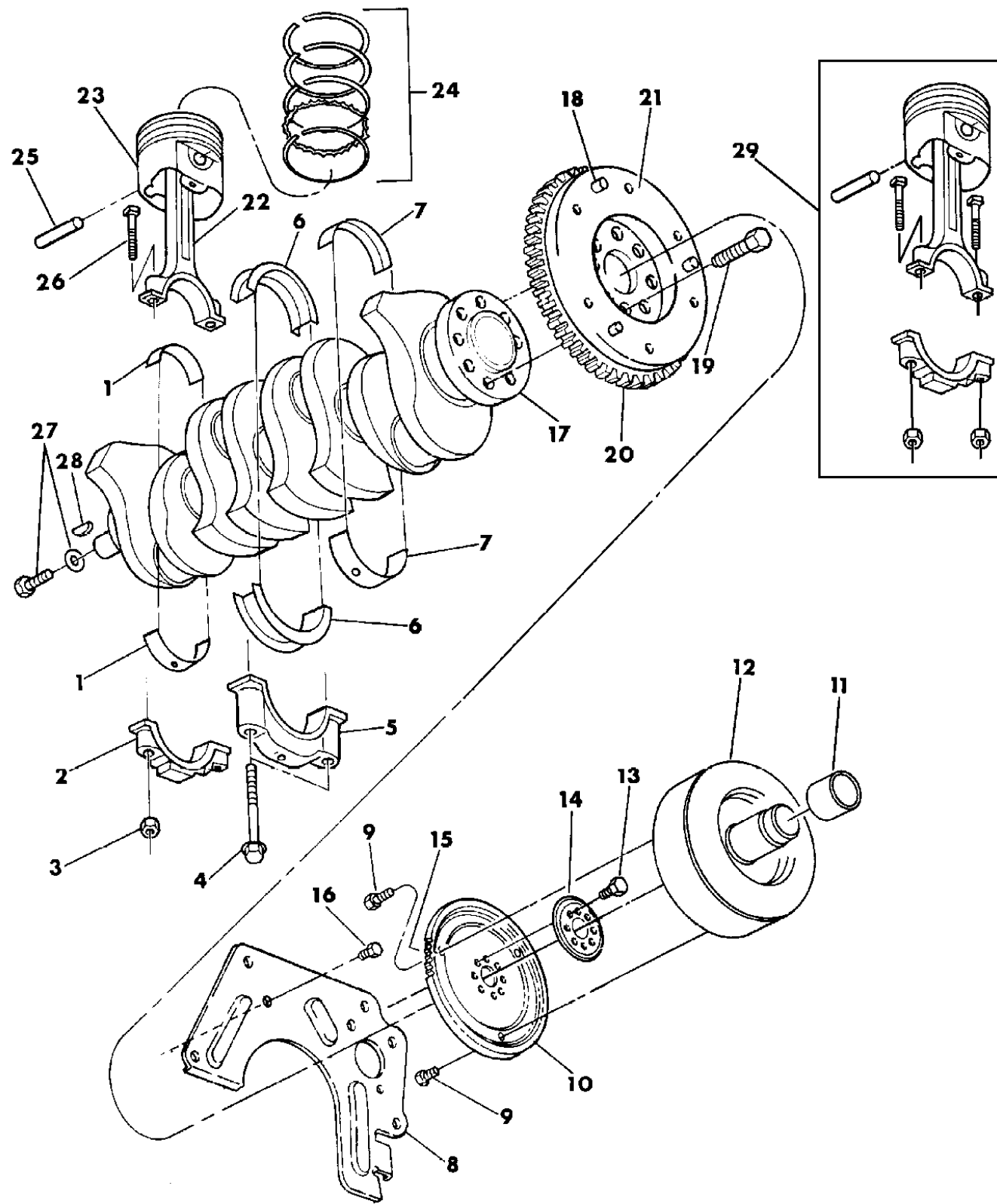
21=2-Door Coupe      41=4-Door Sedan      12-52=FWD & AWD Van & Wgn Std W.B.  
 24=2-Door Hatchback      44=4-Door Hatchback      53=FWD & AWD Van & Wgn Ext. W.B.  
 27=2-Door Convertible

AR = Use as Required - = Non Illustrated Part P.A.R. = Paint as Required

CRANKSHAFT & PISTONS 2.5 L ENGINE

Figure 9A-2200

93158 2200A



ITEM	PART NUMBER	QTY	BODY	MODEL	DESCRIPTION
	4728 945	4			(A-Size) 3.4435"
	4728 946	4			(B-size) 3.4440"
	4728 947	4			(C-size) 3.4446"
	4728 948	4			(D-size) 3.4451"
	4728 949	4			(E-size) 3.4460"
NOTE: PISTON SIZE FOR EACH CYLINDER SHOULD BE STAMPED ON THE INTAKE SIDE OF THE CYLINDER BLOCK AT THE OIL PAN RAIL. on as described in the Chrysler repair Manual.					
1	4298 142	4			VALVE, Exhaust - Standard
	4298 143	4			0.15mm O/S
	4298 144	4			0.40mm O/S
	4298 145	4			0.80mm O/S
2	4298 137	4			VALVE, Intake - Standard EDM Engine
	4298 138	4			0.15mm O/S
	4298 139	4			0.40mm O/S
	4298 140	4			0.80mm O/S
	4323 244	4			Standard, Flex Fuel Engine
	4323 245	4			0.15MM O/S
	4323 246	4			0.40MM O/S
	4323 247	4			0.80MM O/S
3					GUIDE, Exh Valve (Service in Head Assy)
4	5203 792	4			SEAT, Exhaust Valve
5	4483 714	4			GUIDE, Intake Valve
6	5203 472	4			SEAT, Intake Valve
7		1			HEAD, Cylinder (See Cylinder Head Illust.)
8		1			GASKET, Cylinder Head (See Cylinder Head Illust.)
9	4105 295	1			NIPPLE, Thermostat Water By-Pass (Also in Group 7)
10	4387 850	1			CAMSHAFT, Standard Journals
11		10			SCREW, Camshaft Bearing Cap M8x1.25x45Lg. (Not Serviced)
12	4201 349	8			LOCK, Intake Valve Spring Retainer
13	4240 007	8			ADJUSTER, Valve Lash
14	4397 767	8			ROCKER, Valve (Roller)
15	5203 577	8			LOCK, Exhaust Valve Spring Retainer
16	5203 578	8			RETAINER, Valve Spring
17	4448 305	8			SPRING, Valve
18	5203 474	8			SEAT, Valve Spring
19	4201 332	8			SEAL, Valve Guide - Standard EDM Engine
	4105 366	8			0.15mm O/S (Green)
	4105 367	8			0.40mm O/S (Yellow)
	4105 368	8			0.80mm O/S (Red)

MODEL CODES:

A BODY=(C=LeBaron, D=Spirit, P=Acclaim/LaBaron(Landau), Saratoga)

C BODY=(D=Dynasty, C=New Yorker/N.Y. Salon)

G BODY=(V=Daytona/IROC, Chrysler Daytona)

J BODY=(C=LeBaron, Chrysler LeBaron)

P BODY=(P=Sundance, D=Shadow)

S BODY=(H=Voyager(H) FWD, K=Caravan(H) FWD,

Y=Town & Country(H) FWD, P=Voyager(K) AWD,

D=Caravan(K) AWD, C=Town & Country(K) AWD)

Y BODY=(C=Imperial/5th Avenue)

E-S BODY=(K=Chrysler Voyager(H) FWD, D=Chrysler

Voyager(K) AWD)

BODY STYLES:

21=2-Door Coupe

41=4-Door Sedan

12-52=FWD & AWD Van & Wgn Std W.B.

24=2-Door Hatchback

44=4-Door Hatchback

53=FWD & AWD Van & Wgn Ext. W.B.

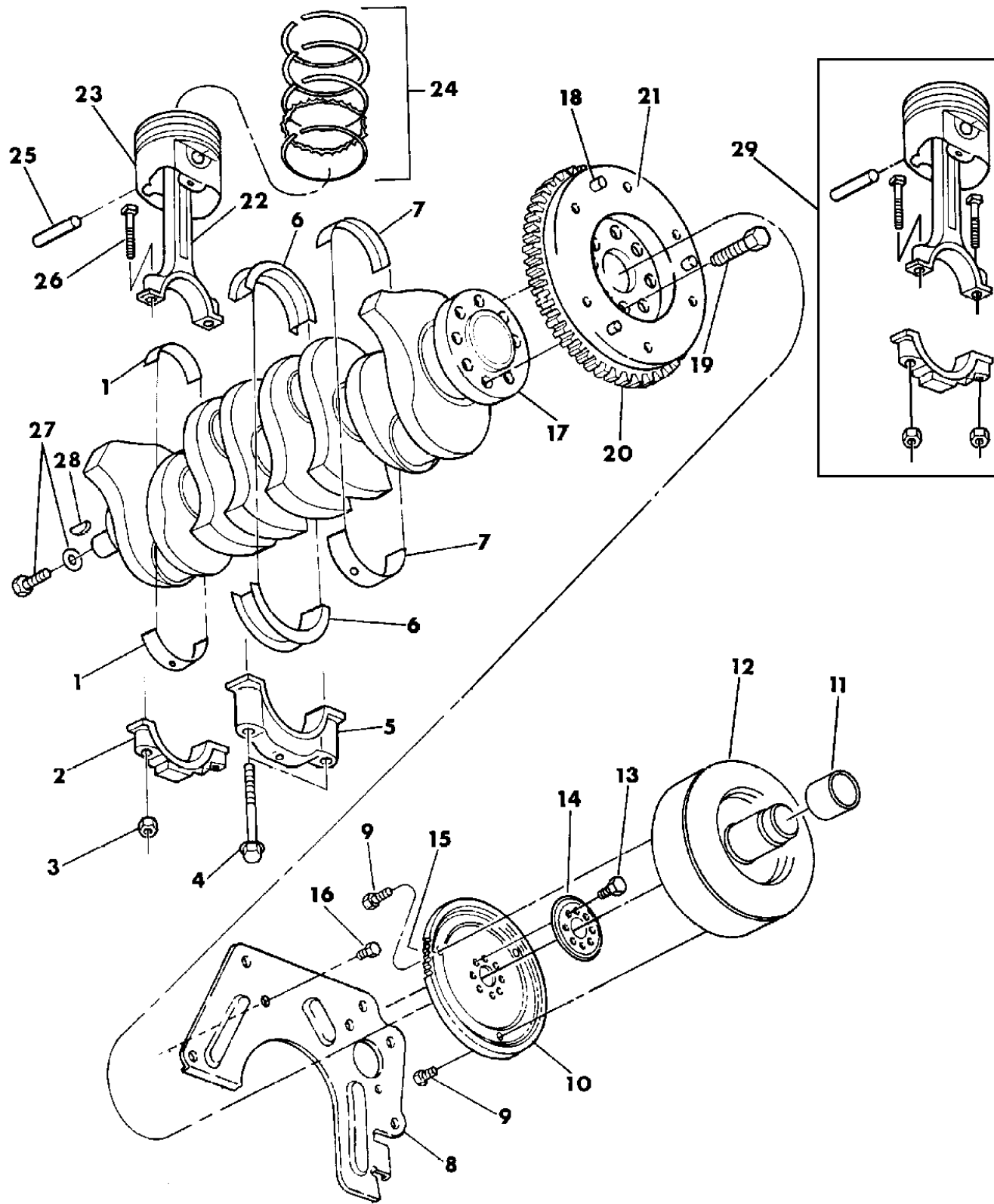
27=2-Door Convertible

AR = Use as Required - = Non Illustrated Part P.A.R. = Paint as Required

# CRANKSHAFT & PISTONS 2.5 L ENGINE

Figure 9A-2200

93158 2200A



ITEM	PART NUMBER	QTY	BODY	MODEL	DESCRIPTION
	4667 243	8			Standard, Flex Fuel Engine
	4667 376	8			0.15mm O/S
	4667 377	8			0.40mm O/S
	4667 378	8			0.80mm O/S

**MODEL CODES:**

A BODY=(C=LeBaron, D=Spirit, P=Acclaim/LaBaron(Landau), Saratoga)      S BODY=(H=Voyager(H) FWD, K=Caravan(H) FWD, Y=Town & Country(H) FWD, P=Voyager(K) AWD, D=Caravan(K) AWD, C=Town & Country(K) AWD)

C BODY=(D=Dynasty, C=New Yorker/N.Y. Salon)

G BODY=(V=Daytona/IROC, Chrysler Daytona)

J BODY=(C=LeBaron, Chrysler LeBaron)

P BODY=(P=Sundance, D=Shadow)

Y BODY=(C=Imperial/5th Avenue)

E-S BODY=(K=Chrysler Voyager(H) FWD, D=Chrysler Voyager(K) AWD)

**BODY STYLES:**

21=2-Door Coupe      41=4-Door Sedan      12-52=FWD & AWD Van & Wgn Std W.B.  
 24=2-Door Hatchback      44=4-Door Hatchback      53=FWD & AWD Van & Wgn Ext. W.B.  
 27=2-Door Convertible

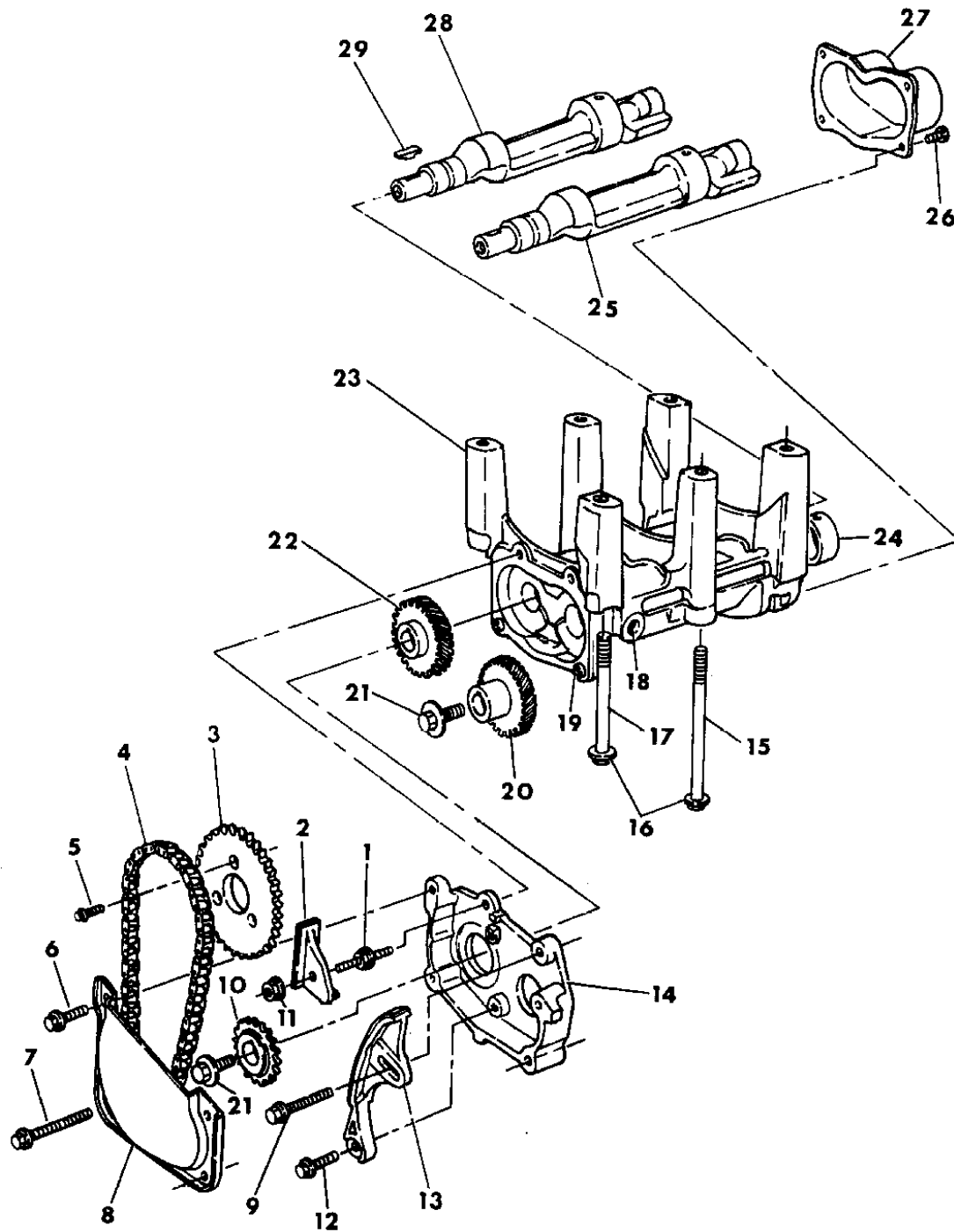
AR = Use as Required - = Non Illustrated Part P.A.R. = Paint as Required

# BALANCE SHAFTS 2.5 L ENGINE

## Figure 9A-2400

93158 2400

ITEM	PART NUMBER	QTY	BODY	MODEL	DESCRIPTION
1	6501 226	1			STUD and WASHER, Cover and Chain Guide Attaching (M6x41)
2	4343 660	1			GUIDE, Chain
3	4483 486	1			SPROCKET, Crankshaft Chain
4	4273 260	1			CHAIN, Balance Shaft
5	6101 410	3			SCREW, Crankshaft Chain Sprocket (M6x16)
6	6501 714	2			SCREW and WASHER, Carrier Cover Attaching (M6x16)
7	6100 272	2			SCREW and WASHER, Trough and Cover Attaching (M6x50)
8	4323 041	1			TROUGH, Carrier Cover (Front)
9	6501 420	1			SCREW and WASHER, Tensioner and Cover Attaching (M6x35)
10	4483 485	1			SPROCKET, Balance Shaft Chain
11	6100 047	1			NUT and WASHER, Chain Guide Attaching
12	6101 278	1			SCREW and WASHER, Tensioner to Cover Attaching (M6x20)
13	4343 662	1			TENSIONER, Chain
14	4323 039	1			COVER, Carrier Gear (Front)
15	6501 909	4			BOLT, Carrier Attaching (M10x1.5-140)
16	6501 435	6			WASHER, Carrier Attaching Bolt
17	6501 908	2			BOLT, Carrier Attaching (M10x1.5-105)
18	5203 517	1			PLUG, Carrier Oil Hole (7/16")
19		2			DOWEL, Carrier to Gear Cover 7mm I.D., 10mm O.D., 7.75mm Length (Not Serviced)
20	4343 785	1			GEAR, Balance Shaft Driven
21	6501 404	2			SCREW and WASHER, Balance Shaft Gear Attaching (M8x1.25-25)
22	4343 783	1			GEAR, Balance Shaft Drive
23	4556 231	1			CARRIER and BEARING, Balance Shaft
		2			DOWEL, Balance Shaft Carrier to Block 6x16mm (Not Serviced)
24		2			BEARING, Balance Shaft Rear (Serviced in #4556231)
25	4556 010	1			SHAFT, Balance Driven
26	6501 714	4			SCREW and WASHER, Trough to Carrier Cover (M6x16)
27	4323 043	1			COVER, Balance Shaft (Rear)
28	4556 009	1			SHAFT, Balance Drive
29	6500 150	2			KEY, Balance Shaft Gear



### MODEL CODES:

A BODY=(C=LeBaron, D=Spirit, P=Acclaim/LaBaron(Landau, Saratoga)

C BODY=(D=Dynasty, C=New Yorker/N.Y. Salon)

G BODY=(V=Daytona/IROC, Chrysler Daytona)

J BODY=(C=LeBaron, Chrysler LeBaron)

P BODY=(P=Sundance, D=Shadow)

S BODY=(H=Voyager(H) FWD, K=Caravan(H) FWD,

Y=Town & Country(H) FWD, P=Voyager(K) AWD,

D=Caravan(K) AWD, C=Town & Country(K) AWD)

Y BODY=(C=Imperial/5th Avenue)

E-S BODY=(K=Chrysler Voyager(H) FWD, D=Chrysler

Voyager(K) AWD)

### BODY STYLES:

21=2-Door Coupe

41=4-Door Sedan

12-52=FWD & AWD Van & Wgn Std W.B.

24=2-Door Hatchback

44=4-Door Hatchback

53=FWD & AWD Van & Wgn Ext. W.B.

27=2-Door Convertible

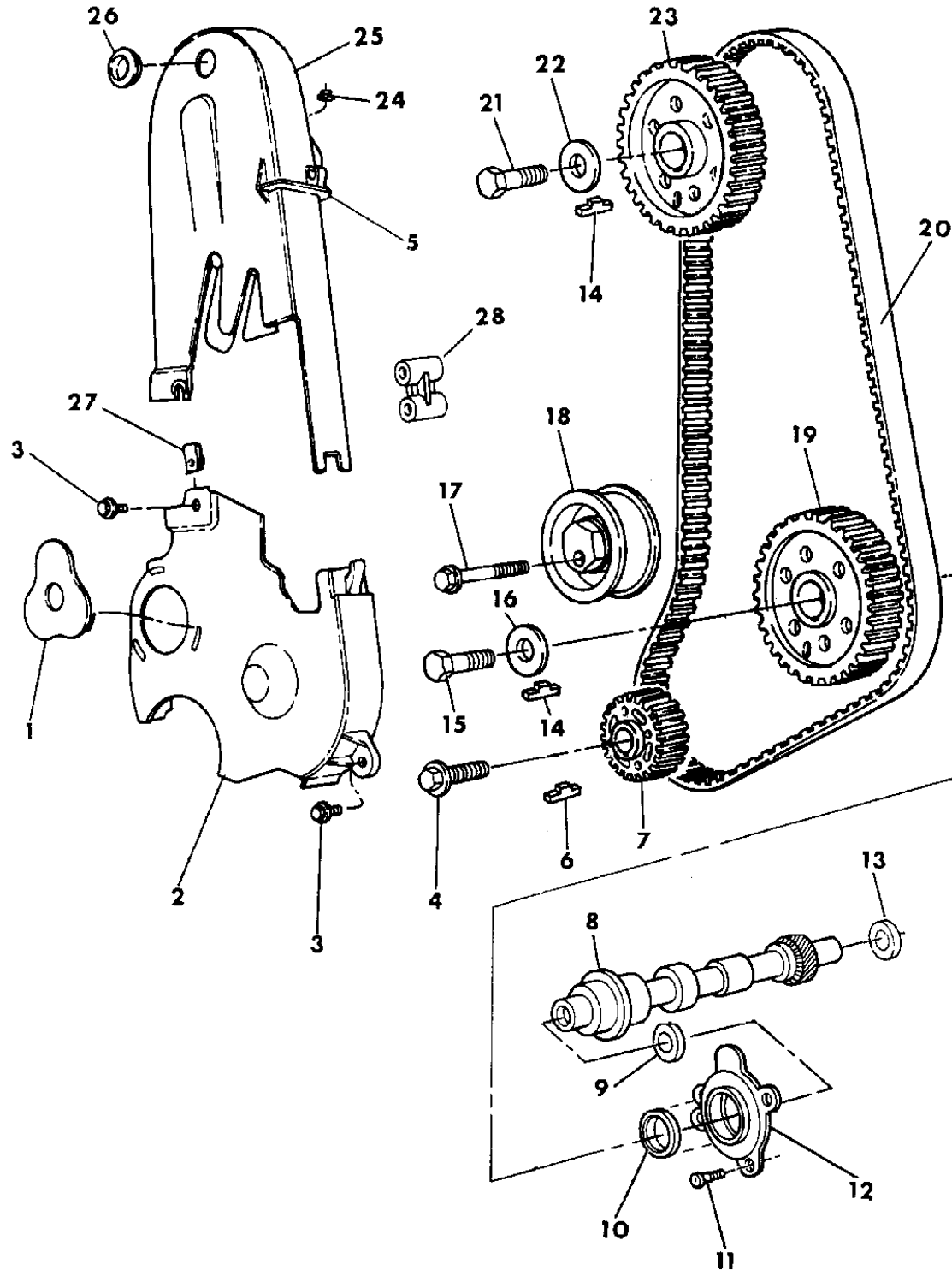
AR = Use as Required - = Non Illustrated Part P.A.R. = Paint as Required

TIMING BELT & COVERS & INTERMEDIATE SHAFT 2.5 L ENGINE

Figure 9A-2500

93158 2500

ITEM	PART NUMBER	QTY	BODY	MODEL	DESCRIPTION
1	4448 725	1			PLUG, Timing Belt Cover Lower
2	4667 273	1			COVER, Timing Belt Cover Lower
3	6500 778	3			SCREW, Timing Belt Cover (M6x20)
4	6501 947	1			SCREW and WASHER, Crankshaft Sprocket
5		1			(Serviced in Item 25)
6	6500 150	1			KEY, Crankshaft Sprocket
7	4667 262	1			SPROCKET, Crankshaft
8	4343 428	1			SHAFT, Intermediate
9	4448 700	1			BEARING, Intermediate Shaft Front
10	4105 395	1			SEAL, Intermediate Shaft Oil
11	6101 278	3			SCREW, Intermediate Shaft Seal Retainer
12	5203 325	1			RETAINER, Intermediate Shaft Oil Seal
13	4105 217	1			BEARING, Intermediate Shaft Rear
14	6500 150	1			KEY, Intermediate Shaft Sprocket
	6500 150	1			KEY, Camshaft Sprocket
15	6501 405	1			BOLT, Intermediate Shaft Sprocket
16	6500 346	1			WASHER, Intermediate Shaft Sprocket Screw
17	6101 277	1			SCREW and WASHER, Tension Pulley Mounting
18	4315 705	1			PULLEY, Tension
19	4448 690	1			SPROCKET, Intermediate Shaft
20	4387 549	1			BELT, Timing
21	6501 405	1			BOLT, Camshaft Sprocket
22	6500 346	1			WASHER, Camshaft Sprocket Screw
23	4448 690	1			SPROCKET, Camshaft
24	6500 274	2			NUT, Timing Belt Cover
25	4667 275	1			COVER, Timing Belt Upper
26	2094 631	1			PLUG, Timing Belt Cover Upper
27	6100 041	1			U-NUT, Timing Belt Cover
28	4556 176	1			SPACER, Accessory Mounting Bracket



MODEL CODES:

A BODY=(C=LeBaron, D=Spirit, P=Acclaim/LaBaron(Landau), Saratoga)

C BODY=(D=Dynasty, C=New Yorker/N.Y. Salon)

G BODY=(V=Daytona/IROC, Chrysler Daytona)

J BODY=(C=LeBaron, Chrysler LeBaron)

P BODY=(P=Sundance, D=Shadow)

S BODY=(H=Voyager(H) FWD, K=Caravan(H) FWD,

Y=Town & Country(H) FWD, P=Voyager(K) AWD,

D=Caravan(K) AWD, C=Town & Country(K) AWD)

Y BODY=(C=Imperial/5th Avenue)

E-S BODY=(K=Chrysler Voyager(H) FWD, D=Chrysler

Voyager(K) AWD)

BODY STYLES:

21=2-Door Coupe

41=4-Door Sedan

12-52=FWD & AWD Van & Wgn Std W.B.

24=2-Door Hatchback

44=4-Door Hatchback

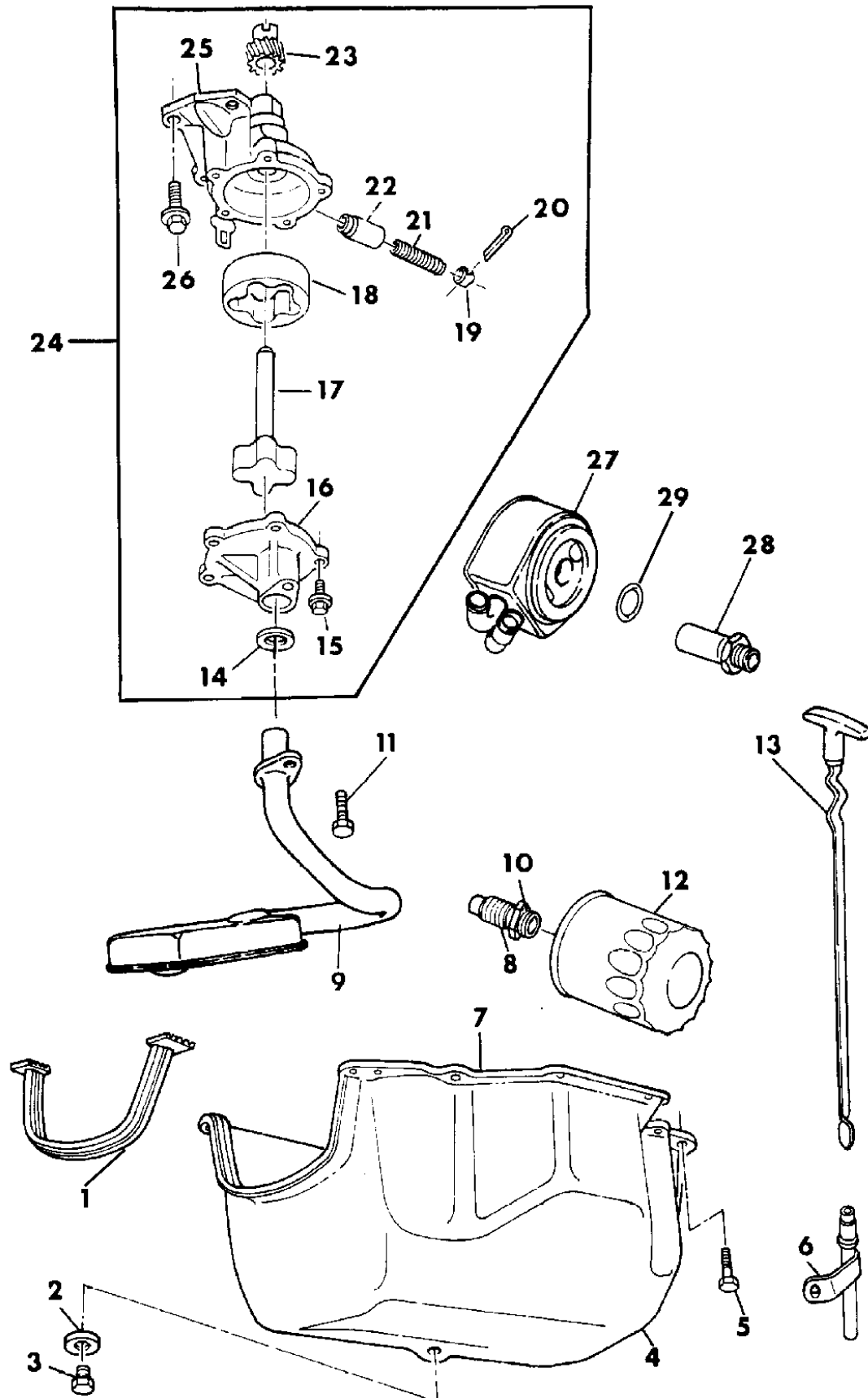
53=FWD & AWD Van & Wgn Ext. W.B.

27=2-Door Convertible

AR = Use as Required - = Non Illustrated Part P.A.R. = Paint as Required

ENGINE OILING 2.5 L ENGINE  
Figure 9A-2600

93158 2600A



ITEM	PART NUMBER	QTY	BODY	MODEL	DESCRIPTION
1	4387 478	1			SEAL, Oil Pan to Retainer Front
	5203 778	1			Rear
2	6032 145	1			GASKET, Oil Pan Drain Plug (Also in Plug Pkg)
3	4293 859	1			PLUG PACKAGE, Oil Pan Drain
4	4621 160	1			PAN, Oil Partial w/Liners Painted
5	6501 990	12			SCREW, Oil Pan Mounting (M8x1.25x16)
	6101 285	1			(M6x1x17)
6	4387 575	1			TUBE and CLIP, Oil Level Indicator
	6101 445	1			NUT, Oil Level Indicator Tube Att
7	4397 768	1			GASKET PACKAGE, Oil Pan
8	4536 073	1			VALVE, Anti-Drain Back Oil Filter Adapter
9	4387 675	1			TUBE, Oil Pump Pickup
10	1407 748	1			O-RING, Oil Filter Adapter
11	6500 070	1			SCREW and WASHER, Oil Pickup Tube to Pump Cover (M8x25)
12	5281 090	1			FILTER, Oil
13	4483 102	1			INDICATOR, Oil Level
14	6032 920	1			SEAL, Oil Pump Cover to Pickup Tube
15	6100 267	1			SCREW and WASHER, Oil Pump Cover Att
16	4323 030	1			COVER, Oil Pump
17	4342 940	1			DRIVE SHAFT and ROTOR, Oil Pump
18		1			ROTOR, Oil Pump Outer (Serviced in Item 17)
19	2806 273	1			CAP, Oil Pressure Relief Valve
20	0108 636	1			PIN, Oil Pressure Relief Valve
21	2402 473	1			SPRING, Oil Pressure Relief Valve
22	2463 541	1			PLUNGER, Oil Pressure Relief Valve
23		1			GEAR, Oil Pump & Distributor Drive (Serviced in Item #24)
24	4397 746	1			PUMP, Oil
25		1			BODY, Oil Pump (Serviced in Item #24)
26	6101 452	2			SCREW and WASHER, Oil Pump Mounting (M8x25)
27	4387 305	1			OIL COOLER, Engine ***
28	4387 822	1			CONNECTOR, Oil Cooler Engine (European)
29	4740 294	1			SEAL, Oil Cooler

MODEL CODES:

A BODY=(C=LeBaron, D=Spirit, P=Acclaim/LaBaron(Landau), Saratoga)

C BODY=(D=Dynasty, C=New Yorker/N.Y. Salon)

G BODY=(V=Daytona/IROC, Chrysler Daytona)

J BODY=(C=LeBaron, Chrysler LeBaron)

P BODY=(P=Sundance, D=Shadow)

S BODY=(H=Voyager(H) FWD, K=Caravan(H) FWD,

Y=Town & Country(H) FWD, P=Voyager(K) AWD,

D=Caravan(K) AWD, C=Town & Country(K) AWD)

Y BODY=(C=Imperial/5th Avenue)

E-S BODY=(K=Chrysler Voyager(H) FWD, D=Chrysler

Voyager(K) AWD)

BODY STYLES:

21=2-Door Coupe

41=4-Door Sedan

12-52=FWD & AWD Van & Wgn Std W.B.

24=2-Door Hatchback

44=4-Door Hatchback

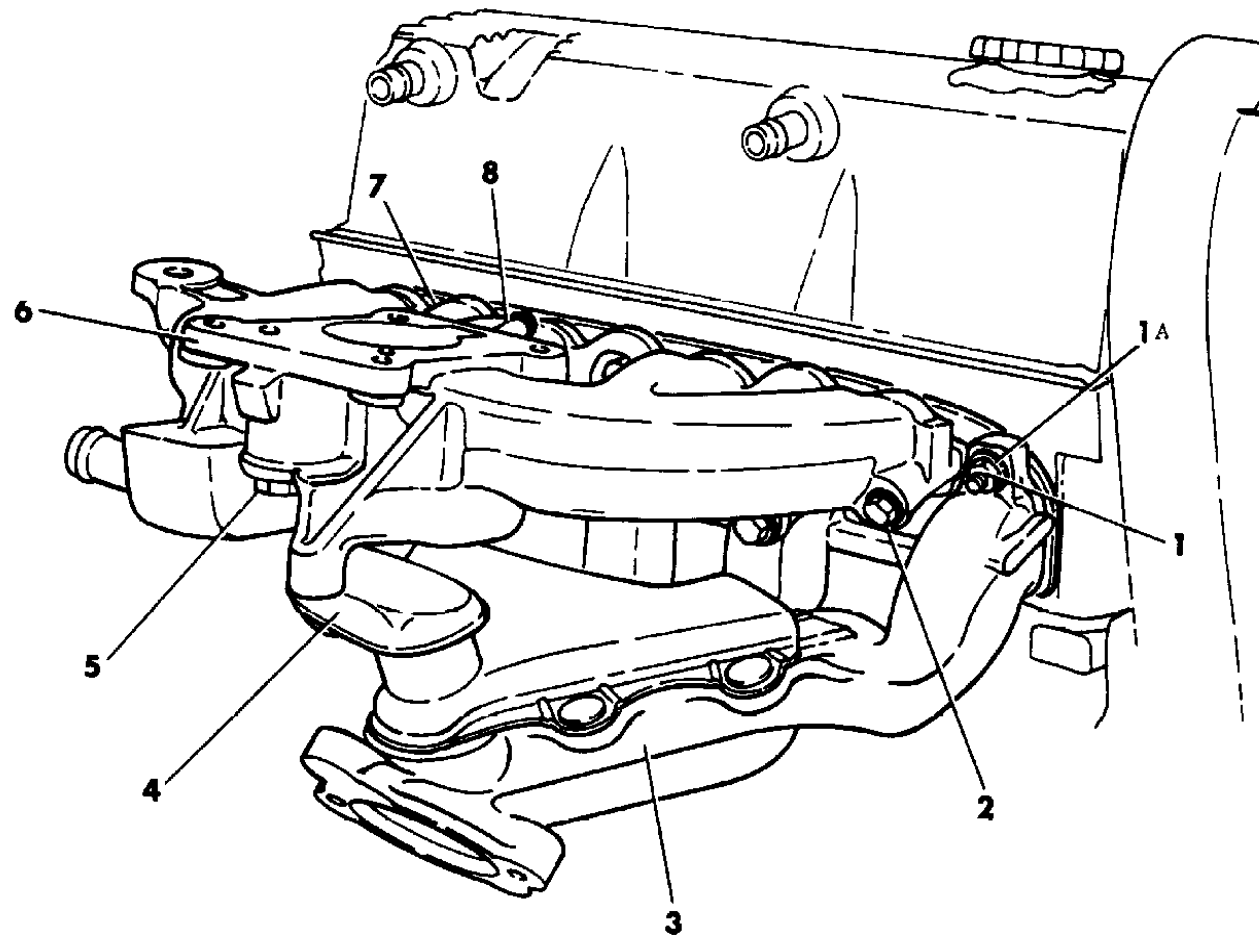
53=FWD & AWD Van & Wgn Ext. W.B.

27=2-Door Convertible

AR = Use as Required - = Non Illustrated Part P.A.R. = Paint as Required

**MANIFOLDS, INTAKE & EXHAUST 2.5 L ENGINE**  
**Figure 9A-2700**

93158 2700



ITEM	PART NUMBER	QTY	BODY	MODEL	DESCRIPTION
NOTE 1: These Packages do not contain Gaskets for all required Sealing R.T.V. Sealer # 4318025 and Gasket Eliminator Sealer #4318029 must be used in addition as described in the Chrysler Repair Manual.					
	4105 745	1			GASKET, Intake and Exhaust Manifold
1	6500 679	8			STUD, Exhaust Manifold to Head
1a	6500 363	8			NUT, Exhaust Manifold to Head Stud
2	6501 690	4			BOLT, Intake Manifold to Head (M8x90)
3					MANIFOLD, Exhaust
	4273 099	1			w/Oxygen, EGR and Asperator Ports
	4448 746	1			w/Oxygen and EGR Ports
	4621 028	1			w/Oxygen Port
4		1			(Refer to Group 14)
5		1			PLUG, Exhaust Manifold (3/4-14 Not Serviced)
6					MANIFOLD, Intake
	4667 172	1			w/EGR
	4667 173	1			w/o EGR
	4621 401	1			Flex Fuel Engine
	4667 320	1			PLUG, Intake Manifold Cup
7	4105 745	1			GASKET, Intake & Exhaust Manifold
8	4343 761	1			NIPPLE, Crankcase Vent Valve w/EDM Injected Engine

**MODEL CODES:**

A BODY=(C=LeBaron, D=Spirit, P=Acclaim/LaBaron(Landau), Saratoga) S BODY=(H=Voyager(H) FWD, K=Caravan(H) FWD, Y=Town & Country(H) FWD, P=Voyager(K) AWD, D=Caravan(K) AWD, C=Town & Country(K) AWD)  
 C BODY=(D=Dynasty, C=New Yorker/N.Y. Salon) Y BODY=(C=Imperial/5th Avenue)  
 G BODY=(V=Daytona/IROC, Chrysler Daytona) E-S BODY=(K=Chrysler Voyager(H) FWD, D=Chrysler Voyager(K) AWD)  
 J BODY=(C=LeBaron, Chrysler LeBaron)  
 P BODY=(P=Sundance, D=Shadow)

**BODY STYLES:**

21=2-Door Coupe      41=4-Door Sedan      12-52=FWD & AWD Van & Wgn Std W.B.  
 24=2-Door Hatchback      44=4-Door Hatchback      53=FWD & AWD Van & Wgn Ext. W.B.  
 27=2-Door Convertible

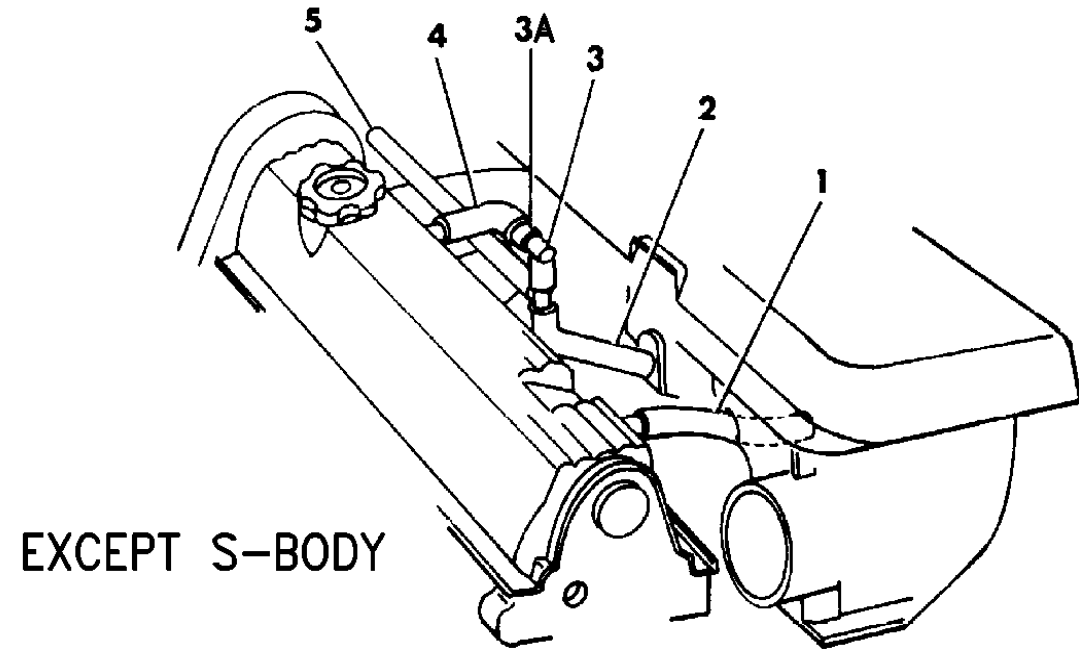
AR = Use as Required - = Non Illustrated Part P.A.R. = Paint as Required



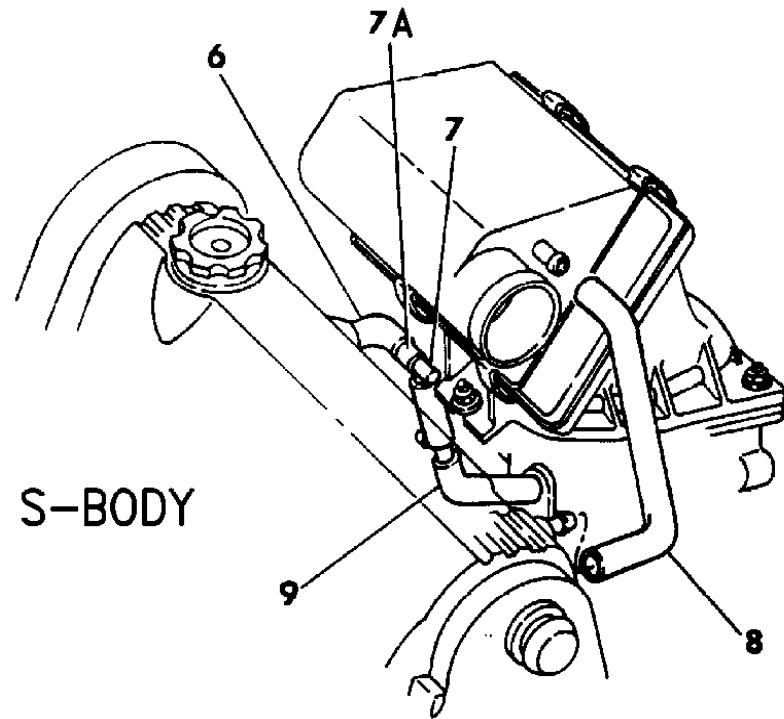
CRANKCASE VENTILATION 2.5 L ENGINE

Figure 9A-2800

93158 2800A



EXCEPT S-BODY



S-BODY

ITEM	PART NUMBER	QTY	BODY	MODEL	DESCRIPTION
1	4343 477	1	Exc S		HOSE, Crankcase Vent to Air Cleaner
	4667 303	1	Exc S		RESTRICTOR, Crankcase Vent System (EUROPEAN)
	4315 703	1	Exc S		HOSE, Tee to Intake Manifold
	4095 681	AR	Exc S		HOSE, Crankcase Vent Valve to Tee (50' Roll)
2	4300 267	1	Exc S		TEE, Crankcase Vent Valve
	4315 405	1	Exc S		VALVE, Crankcase Vent
	3671 076	1	Exc S		(European)
3a	4343 761	1	Exc S		NIPPLE, Crankcase Vent Valve
4	4315 704	1	Exc S		HOSE, PCV Valve to Cylinder Head Cover
		1			(Refer to Group 25)
5	4315 704	1	S		HOSE, PCV Valve to Cylinder Head Cover
	4315 405	1	S		VALVE, Crankcase Vent
	3671 076	1	S		(European)
7a	4343 761	1	S		NIPPLE, Crankcase Vent Valve
8	4387 537	1	S		HOSE, Crankcase Vent to Air Cleaner
	4667 303	1	S		RESTRICTOR, Crankcase Vent System (EUROPEAN)
	4315 703	1	S		HOSE, Tee To Intake Manifold
9	4300 267	1	S		TEE, Crankcase Vent Valve
	4095 681	1	S		HOSE, Crankcase Vent Valve to Tee (50" Roll)

MODEL CODES:

A BODY=(C=LeBaron, D=Spirit, P=Acclaim/LaBaron(Landau),  
Saratoga)  
C BODY=(D=Dynasty, C=New Yorker/N.Y. Salon)  
G BODY=(V=Daytona/IROC, Chrysler Daytona)  
J BODY=(C=LeBaron, Chrysler LeBaron)  
P BODY=(P=Sundance, D=Shadow)

S BODY=(H=Voyager(H) FWD, K=Caravan(H) FWD,  
Y=Town & Country(H) FWD, P=Voyager(K) AWD,  
D=Caravan(K) AWD, C=Town & Country(K) AWD)  
Y BODY=(C=Imperial/5th Avenue)  
E-S BODY=(K=Chrysler Voyager(H) FWD, D=Chrysler  
Voyager(K) AWD)

BODY STYLES:

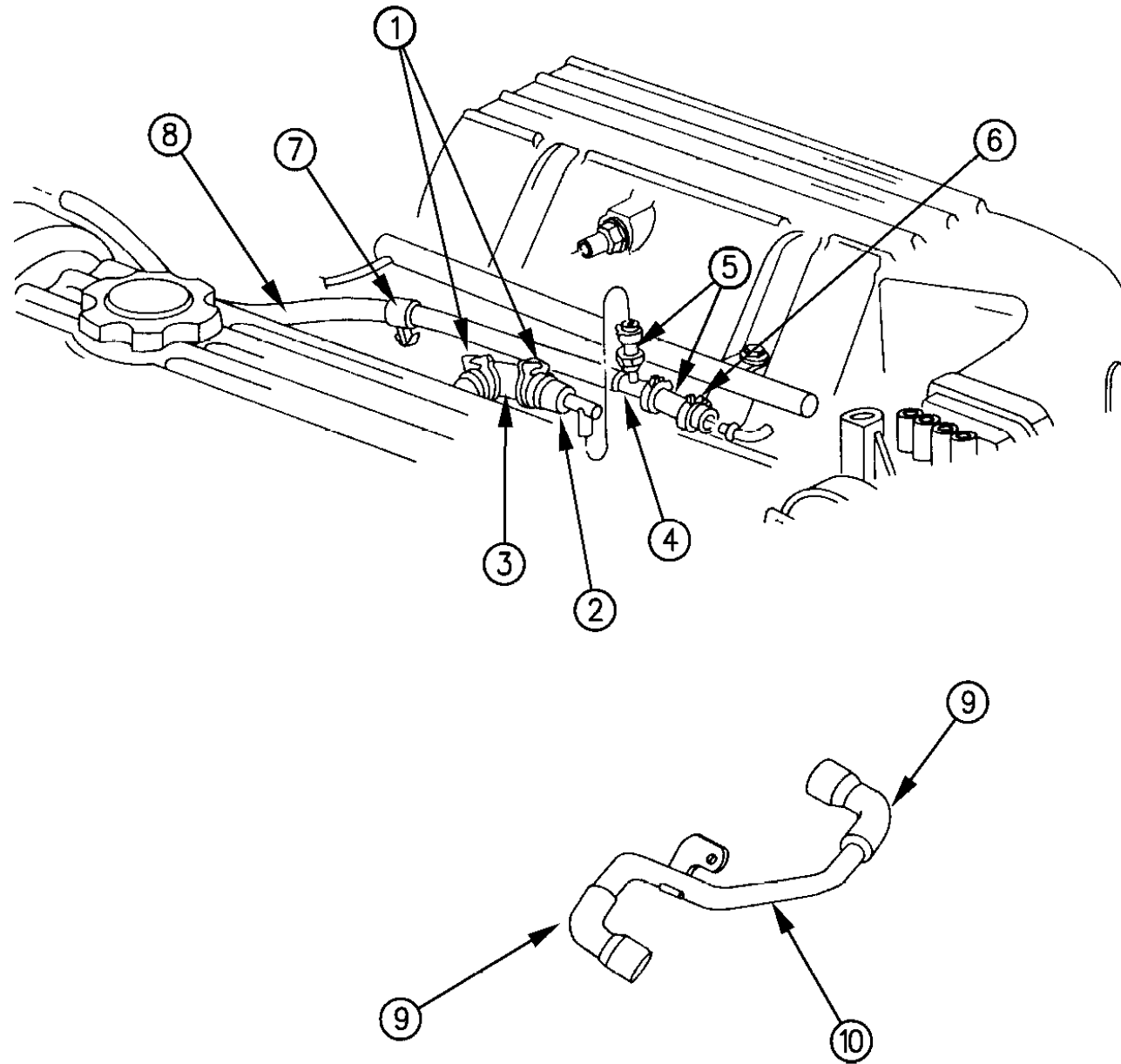
21=2-Door Coupe      41=4-Door Sedan      12-52=FWD & AWD Van & Wgn Std W.B.  
24=2-Door Hatchback      44=4-Door Hatchback      53=FWD & AWD Van & Wgn Ext. W.B.  
27=2-Door Convertible

AR = Use as Required - = Non Illustrated Part P.A.R. = Paint as Required

CRANKCASE VENTILATION 2.5 L FLEX FUEL ENGINE

Figure 9A-2900

93158 2900 A



ITEM	PART NUMBER	QTY	BODY	MODEL	DESCRIPTION
1	2448 770	2			CLAMP, Hose
2	3671 076	1			VALVE, Crankcase Vent
3	4315 704	1			HOSE, Crankcase Vent Valve Moulded
4	4104 545	1			TEE 5/16x3/8x3/8
5	4095 681	AR			HOSE (Service Rolled Stock)
6	2448 770	4			CLAMP
7	6015 288	1			CLIP
8	4443 176	1			HOSE, Vacuum 5/16
9	5281 196	2			HOSE, Formed
10	5281 195	1			TUBE, Air Cleaner to Cylinder Head Cover

MODEL CODES:

A BODY=(C=LeBaron, D=Spirit, P=Acclaim/LaBaron(Landau),  
Saratoga)  
C BODY=(D=Dynasty, C=New Yorker/N.Y. Salon)  
G BODY=(V=Daytona/IROC, Chrysler Daytona)  
J BODY=(C=LeBaron, Chrysler LeBaron)  
P BODY=(P=Sundance, D=Shadow)

S BODY=(H=Voyager(H) FWD, K=Caravan(H) FWD,  
Y=Town & Country(H) FWD, P=Voyager(K) AWD,  
D=Caravan(K) AWD, C=Town & Country(K) AWD)  
Y BODY=(C=Imperial/5th Avenue)  
E-S BODY=(K=Chrysler Voyager(H) FWD, D=Chrysler  
Voyager(K) AWD)

BODY STYLES:

21=2-Door Coupe      41=4-Door Sedan      12-52=FWD & AWD Van & Wgn Std W.B.  
24=2-Door Hatchback      44=4-Door Hatchback      53=FWD & AWD Van & Wgn Ext. W.B.  
27=2-Door Convertible

AR = Use as Required - = Non Illustrated Part P.A.R. = Paint as Required

**ENGINE MOUNTING 2.5 L ENGINE**  
Figure 9A-3000

93158 3000A

ITEM	PART NUMBER	QTY	BODY	MODEL	DESCRIPTION
1					SUPPORT ASSEMBLY, Engine Mount Right ***
	4505 496	1	AGJPS		2.5l Auto and Manual
	4471 030	1	C		
	4537 002	1	P27 J27		
2	6501 946	2			SCREW, w/Washer Bushing to Frame Bracket Rt.
3	6501 736	1			BOLT, Engine Support Insulator Bracket to Engine Mounting Rt.
4	5252 351	1			BRACKET, Engine Mounting Right
5	4483 198	1			STRUT, Engine Mounting Right
6	4471 924	1			WEIGHT, Engine Mount Damper
7		1			BRACKET, Frame Side Rail (See Group 13)
8	6501 940	2			SCREW, w/Washer, Engine Support Insulator, to Frame Side Rail Bracket
9	6101 394	2			SCREW, w/Washer, Engine Support Insulator Bracket, to Trans
10					Case Left SUPPORT, Engine Left
	4668 132	1	AGJPS		3 Spd. Auto
	4505 509	1	C		3 Spd. Auto
	4505 509	1	P27 J27		3 Spd. Auto
	4668 133	1	AGJS		4 Spd. Auto
	4471 031	1	C		4 Spd. Auto
	4612 079	1	J27		4 Spd. Auto
	4668 114	1	AGJPS		Manual
	4668 114	1			Manual
	4612 154	1	P27 J27		Manual
11		1			SPACER, Engine Support Bushing Lt. (Serviced in Item 10)
		1			STUD, Engine Support Insulator Bracket to Engine Bracket- Rt. (Not Serviced)
12		1			BUSHING, Engine Support Insulator Lt. (Serviced in Item 10)
13	6502 195	1			NUT, Engine Support Insulator Bracket, Engine Mounting Bolt
14	6501 737	1			NUT, Engine Support Insulator Bracket, to Engine Mounting Stud Right
15	6502 973	1			STUD, Engine Support to Engine Mount, Serviced in 4612093 and 4505496
16					SIDE RAIL, (See Group 13)
17	6502 074	1			SCREW, w/Washer, Engine Support Bushing Serviced in 4612093 and 4505496
18		2			SCREW and WASHER, Not Serviced
19	6500 966	1			RETAINER, Damper Bushing Upper, Manual Trans.
20	6100 525	1			NUT, Damper Upper Manual Trans

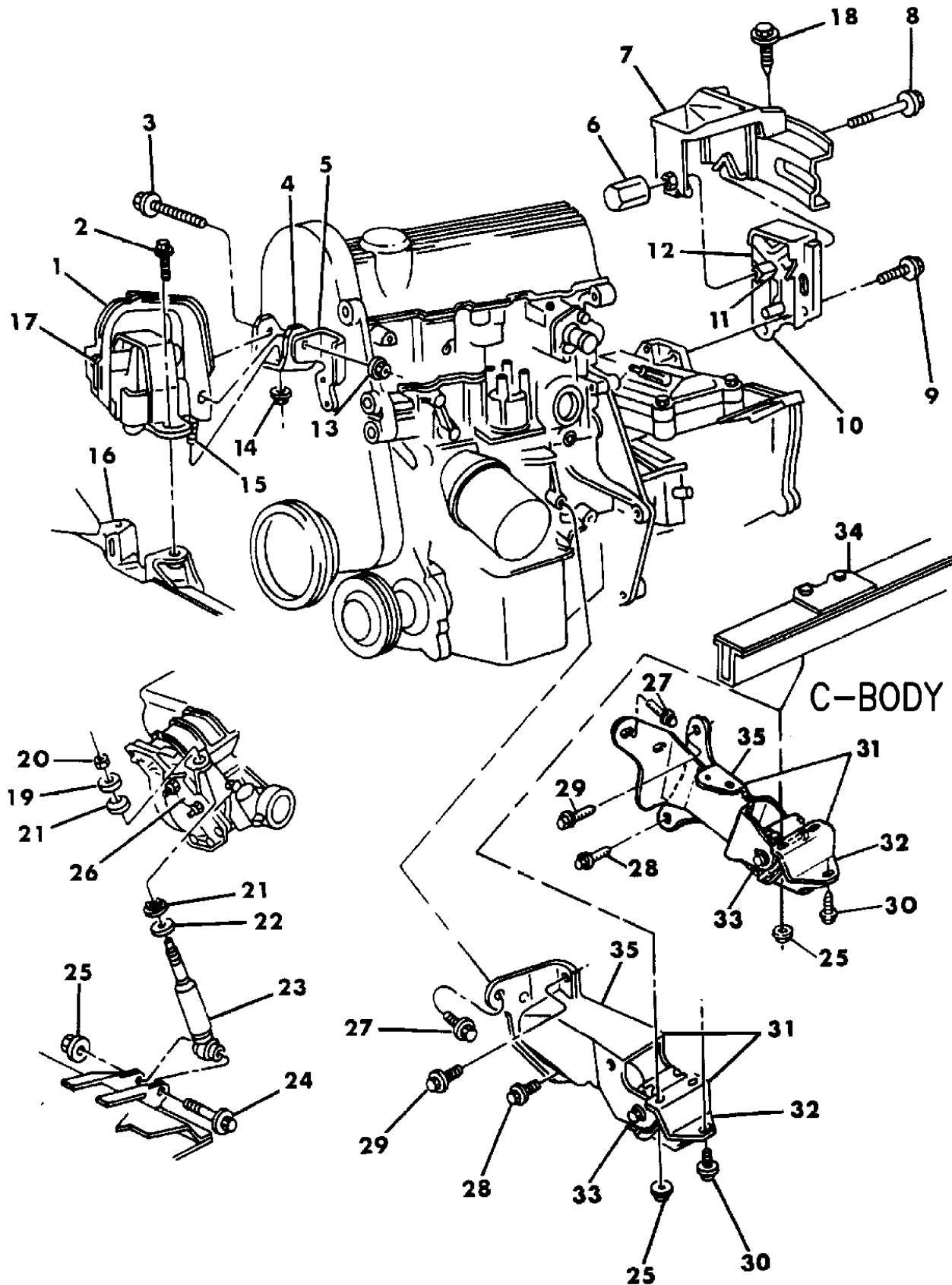
**MODEL CODES:**

A BODY=(C=LeBaron, D=Spirit, P=Acclaim/LaBaron(Landau, Saratoga) S BODY=(H=Voyager(H) FWD, K=Caravan(H) FWD, Y=Town & Country(H) FWD, P=Voyager(K) AWD, D=Caravan(K) AWD, C=Town & Country(K) AWD)  
 C BODY=(D=Dynasty, C=New Yorker/N.Y. Salon) Y BODY=(C=Imperial/5th Avenue)  
 G BODY=(V=Daytona/IROC, Chrysler Daytona) E-S BODY=(K=Chrysler Voyager(H) FWD, D=Chrysler Voyager(K) AWD)  
 J BODY=(C=LeBaron, Chrysler LeBaron) P BODY=(P=Sundance, D=Shadow)

**BODY STYLES:**

21=2-Door Coupe      41=4-Door Sedan      12-52=FWD & AWD Van & Wgn Std W.B.  
 24=2-Door Hatchback      44=4-Door Hatchback      53=FWD & AWD Van & Wgn Ext. W.B.  
 27=2-Door Convertible

AR = Use as Required - = Non Illustrated Part P.A.R. = Paint as Required



ENGINE MOUNTING 2.5 L ENGINE

Figure 9A-3000

93158 3000A

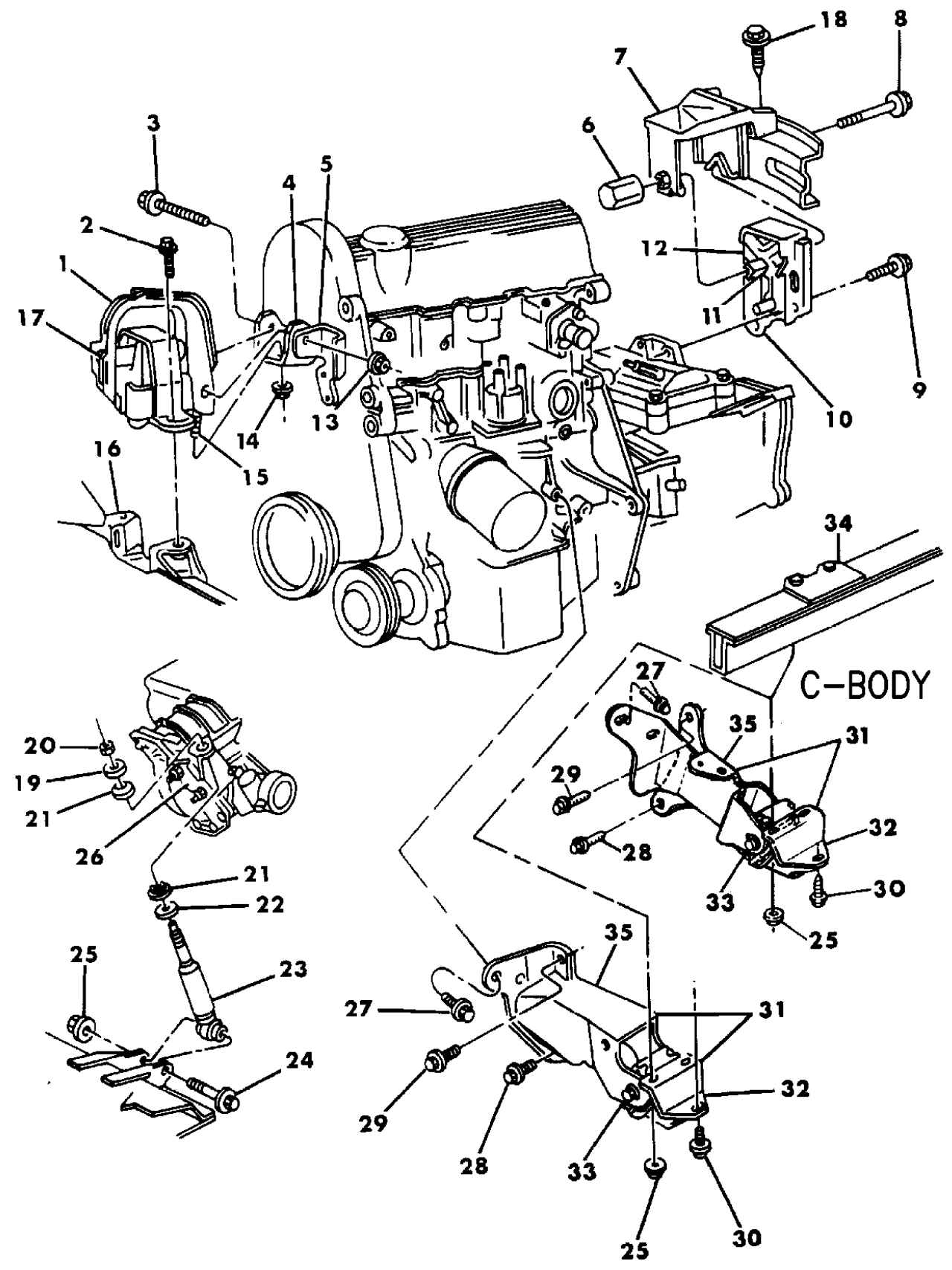
ITEM	PART NUMBER	QTY	BODY	MODEL	DESCRIPTION
21					BUSHING, Engine Damper Upper - Manual (Serviced in Damper Pkg.)
22	6500 967	1			RETAINER, Damper Bushing Lower, Manual Trans
23	4364 769	1			DAMPER PKG, Engine Roll, Manual ***
24	6101 342	1			SCREW, Support Crossmember to Engine Damper, Manual Trans
25	6101 448	3			NUT, Support Crossmember Engine Damper, Manual Trans
26	4412 041	1			BRACKET, Engine Damper, Manual Trans
27	6501 741	2			SCREW and WASHER
28	6501 565	1			SCREW and WASHER, Engine Support Insulator Bracket to Trans. Front
29	6502 125	1			SCREW and WASHER, Engine Support Insulator Bracket to Engine Lug Front
30	6501 946	1			SCREW and WASHER
31					SUPPORT ASSEMBLY, Engine - Front ***
	4612 558	1	AGJPS		2.5l Auto
	4668 535	1	C		2.5l Auto
	4556 384	1	AGP		2.5l Manual
	4612 558	1	S		Manual
32					INSULATOR ASSEMBLY, Engine Support Front ***
	4537 072	1	AGP		2.5l Manual
	4612 017	1	ACGJPS		2.5l Auto
	4612 017	1	S		Manual
33	6501 633	1			BOLT, w/Washer M10x1.5x112
	6101 318	1			NUT, M10x1.5
34	4534 446	1	ACGJP		BRACKET, Front Crossmember Engine Mounting Plate
			S		See Group 13 Serviced in Assembly
35					BRACKET, Engine Mounting Front
	4556 383	1	AGJPS		
	4556 381	1	C		

NOTE: The Following Items Are Not Shown On Illust. ddition as described in the Chrysler Repair Manual.  
 6500 816 1 STUD, Block to Engine Mount Rt. (M10x1.50x50)  
 4105 790 1 CLOSURE, Right Engine Mount Stone Guard

**MODEL CODES:**  
 A BODY=(C=LeBaron, D=Spirit, P=Acclaim/LaBaron(Landau), Saratoga) S BODY=(H=Voyager(H) FWD, K=Caravan(H) FWD, Y=Town & Country(H) FWD, P=Voyager(K) AWD, D=Caravan(K) AWD, C=Town & Country(K) AWD)  
 C BODY=(D=Dynasty, C=New Yorker/N.Y. Salon) Y BODY=(C=Imperial/5th Avenue)  
 G BODY=(V=Daytona/IROC, Chrysler Daytona) E-S BODY=(K=Chrysler Voyager(H) FWD, D=Chrysler Voyager(K) AWD)  
 J BODY=(C=LeBaron, Chrysler LeBaron) P BODY=(P=Sundance, D=Shadow)

**BODY STYLES:**  
 21=2-Door Coupe 41=4-Door Sedan 12-52=FWD & AWD Van & Wgn Std W.B.  
 24=2-Door Hatchback 44=4-Door Hatchback 53=FWD & AWD Van & Wgn Ext. W.B.  
 27=2-Door Convertible

AR = Use as Required - = Non Illustrated Part P.A.R. = Paint as Required



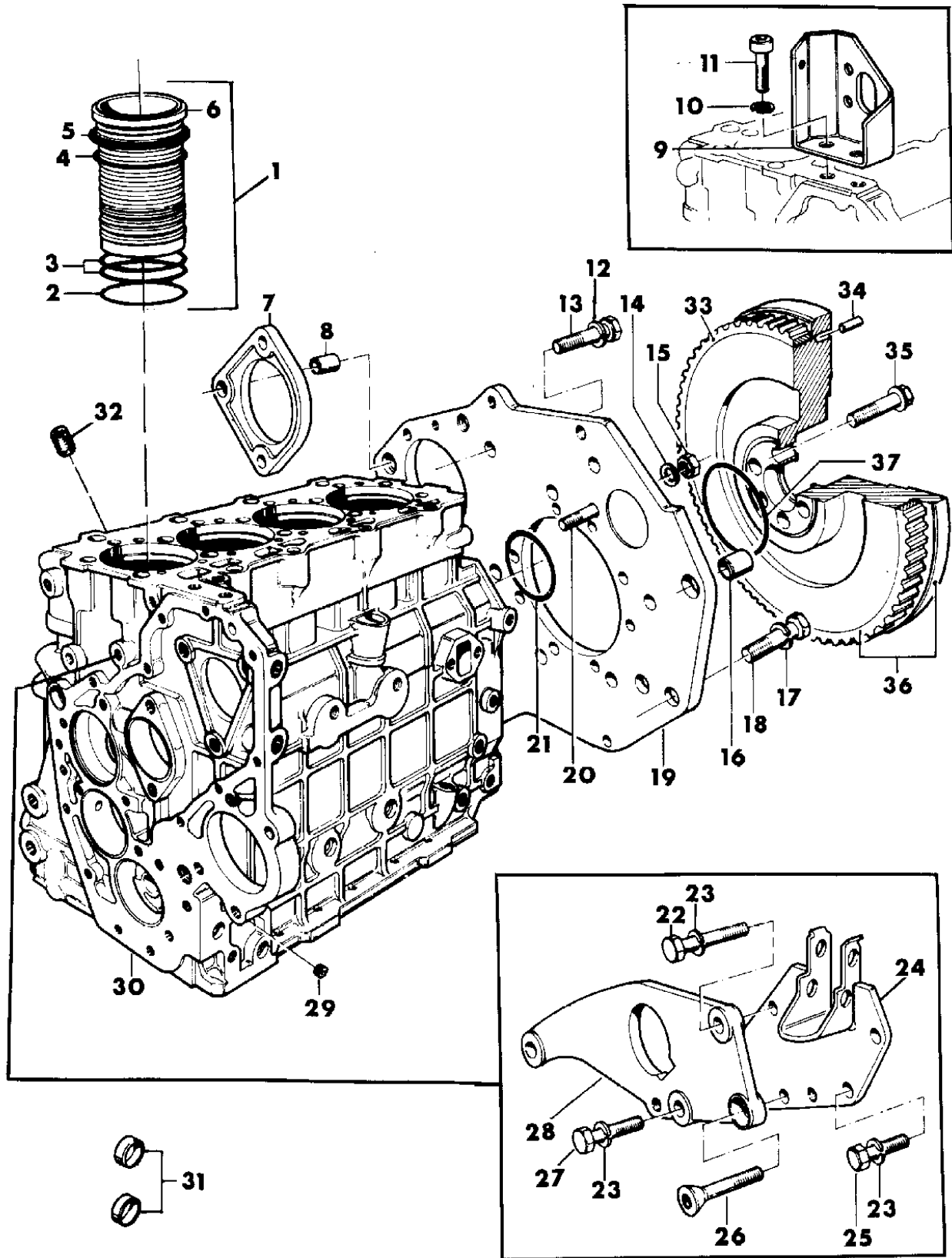
**GROUP 9D - ENGINE, 4 CYLINDER DIESEL**

<b>ILLUSTRATION TITLE</b>	<b>GROUP-FIG. NO.</b>
<b>2.5 L DIESEL ENGINE</b>	
CYLINDER BLOCK AND SUPPORTS 2.5L TURBO DIESEL S BODY .....	Fig. 9D-100
CYLINDER HEAD AND COVER 2.5L TURBO DIESEL S BODY .....	Fig. 9D-200
CRANKSHAFT AND PISTONS 2.5L TURBO DIESEL S BODY .....	Fig. 9D-300
CAMSHAFT AND VALVES 2.5L TURBO DIESEL S BODY .....	Fig. 9D-400
TIMING GEARS AND CASE 2.5L TURBO DIESEL S BODY .....	Fig. 9D-500
ENGINE OILING 2.5L TURBO DIESEL S BODY .....	Fig. 9D-600
OIL LINES 2.5L TURBO DIESEL S BODY .....	Fig. 9D-700
MANIFOLD INTAKE AND EXHAUST 2.5L TURBO DIESEL S BODY .....	Fig. 9D-800
CRANKCASE VENTILATION 2.5L TURBO DIESEL S BODY .....	Fig. 9D-900
ENGINE MOUNTS 2.5L TURBO DIESEL S BODY-EARLY MODEL 93 BUILD .....	Fig. 9D-1000
ENGINE MOUNTS 2.5L TURBO DIESEL S BODY-LATE MODEL 93 BUILD .....	Fig. 9D-1010

**ILLUSTRATION NOT AVAILABLE AT TIME OF PUBLICATION**

**CYLINDER BLOCK AND SUPPORTS 2.5L TURBO DIESEL S BODY**  
Figure 9D-100

93120 100



ITEM	PART NUMBER	QTY	BODY	MODEL	DESCRIPTION
	4740 274	1			ENGINE ASSEMBLY, Long Block ***
1	4723 118	1			SHIM and O-RING PACKAGE, Cylinder Liner ***
2	4720 625	1			O-RING, Cylinder Liner Water ***
3	4720 627	2			O-RING, Cylinder Liner Oil ***
4	4720 626	1			O-Ring, Cylinder Liner Upper ***
5					SHIM, Cylinder Liner ***
	4720 620	1			.15mm
	4720 624	1			.17mm
	4720 621	1			.20mm
	4720 623	1			.23mm
	4720 622	1			.25mm
6	4720 611	4			LINER, Cylinder
7	4720 580	1			SPACER, Starter Motor
8	4720 236	1			DOWEL, Starter Motor ***
9	4720 226	1			LIFTING EYE ***
10	4720 686	AR			WASHER
11	4720 684	AR			SCREW
12					WASHER
13	4720 674	AR			BOLT, Adaptor Plate to Block
14	4720 565	AR			WASHER
15	4720 678	AR			NUT, Adaptor Plate
16	4720 237	2			DOWEL, Transmission Adaptor Plate ***
17	4720 688	AR			WASHER
18	4720 675	AR			BOLT, Adaptor Plate Attaching
19	4720 231	1			ADAPTOR, Transmission Plate ***
20	4723 151	1			STUD, Adaptor Plate Attaching
21	4720 239	1			O-RING, Adaptor Plate to Block ***
22	4723 157	AR			BOLT, Alternator BRACKET
23	4720 686	AR			WASHER
24	4720 225	1			BRACKET, Engine Mount
25	4720 679	AR			BOLT, Engine Mount
26	4723 152	AR			SCREW, Alternator Bracket to Block
27	4720 712	AR			BOLT, Alternator Bracket Upper
28	4720 578	1			BRACKET, Alternator Upper
29	4720 664	AR			PLUG, Cylinder Block
30	4720 216	1			BLOCK ASSEMBLY, Engine ***
31	4723 210	AR			PLUG, Core Hole
32	4720 663	AR			PLUG, Cylinder Block
33	4720 224	1			RING GEAR, Flywheel ***

**MODEL CODES:**

A BODY=(C=LeBaron, D=Spirit, P=Acclaim/LaBaron(Landau), Saratoga) S BODY=(H=Voyager(H) FWD, K=Caravan(H) FWD, Y=Town & Country(H) FWD, P=Voyager(K) AWD, D=Caravan(K) AWD, C=Town & Country(K) AWD)  
 C BODY=(D=Dynasty, C=New Yorker/N.Y. Salon)  
 G BODY=(V=Daytona/IROC, Chrysler Daytona)  
 J BODY=(C=LeBaron, Chrysler LeBaron)  
 P BODY=(P=Sundance, D=Shadow)  
 Y BODY=(C=Imperial/5th Avenue)  
 E-S BODY=(K=Chrysler Voyager(H) FWD, D=Chrysler Voyager(K) AWD)

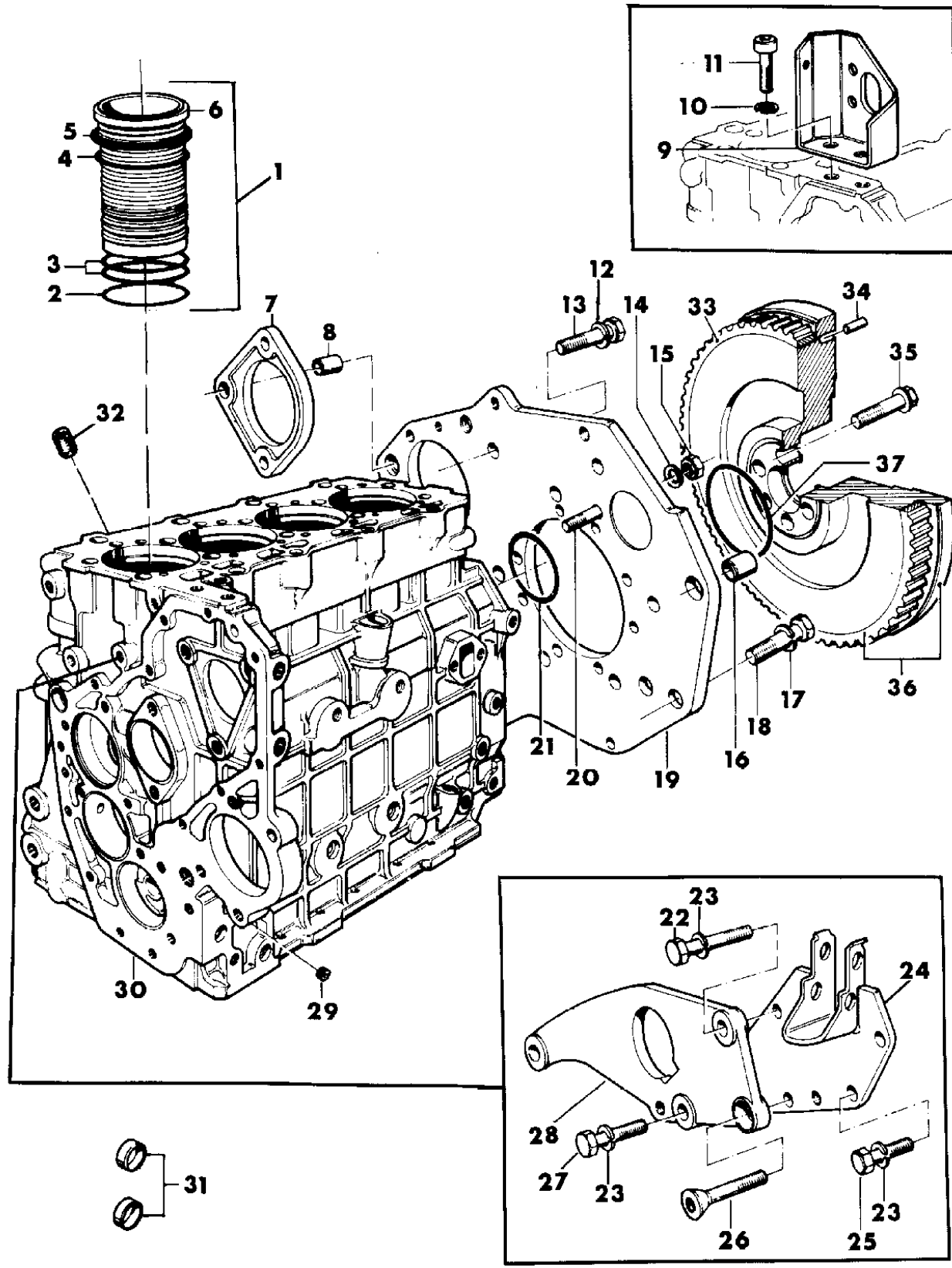
**BODY STYLES:**

21=2-Door Coupe 41=4-Door Sedan 12-52=FWD & AWD Van & Wgn Std W.B.  
 24=2-Door Hatchback 44=4-Door Hatchback 53=FWD & AWD Van & Wgn Ext. W.B.  
 27=2-Door Convertible

AR = Use as Required - = Non Illustrated Part P.A.R. = Paint as Required

**CYLINDER BLOCK AND SUPPORTS 2.5L TURBO DIESEL S BODY**  
**Figure 9D-100**

93120 100



ITEM	PART NUMBER	QTY	BODY	MODEL	DESCRIPTION
34	4720 304	AR			DOWEL, Front Cover ***
35	4720 232	6			BOLT, Flywheel Attaching
36	4720 222	1			FLYWHEEL ASSEMBLY ***
37	4720 240	1			O-RING, Flywheel to Crankshaft ***

**MODEL CODES:**

A BODY=(C=LeBaron, D=Spirit, P=Acclaim/LaBaron(Landau), Saratoga)      S BODY=(H=Voyager(H) FWD, K=Caravan(H) FWD, Y=Town & Country(H) FWD, P=Voyager(K) AWD, D=Caravan(K) AWD, C=Town & Country(K) AWD)  
 C BODY=(D=Dynasty, C=New Yorker/N.Y. Salon)      Y BODY=(C=Imperial/5th Avenue)  
 G BODY=(V=Daytona/IROC, Chrysler Daytona)      E-S BODY=(K=Chrysler Voyager(H) FWD, D=Chrysler Voyager(K) AWD)  
 J BODY=(C=LeBaron, Chrysler LeBaron)  
 P BODY=(P=Sundance, D=Shadow)

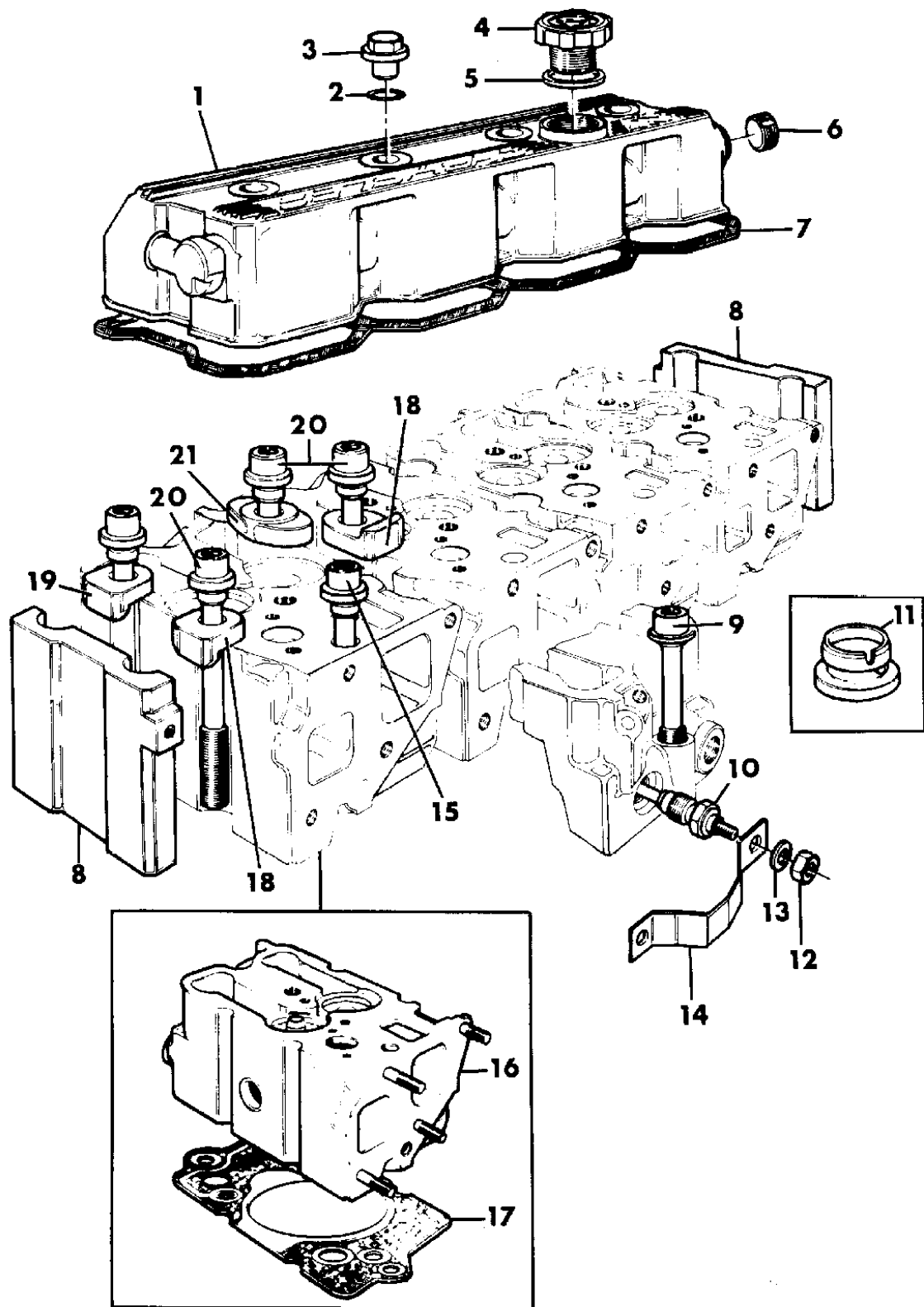
**BODY STYLES:**

21=2-Door Coupe      41=4-Door Sedan      12-52=FWD & AWD Van & Wgn Std W.B.  
 24=2-Door Hatchback      44=4-Door Hatchback      53=FWD & AWD Van & Wgn Ext. W.B.  
 27=2-Door Convertible

AR = Use as Required    - = Non Illustrated Part    P.A.R. = Paint as Required

**CYLINDER HEAD AND COVER 2.5L TURBO DIESEL S BODY**  
**Figure 9D-200**

93120 200



ITEM	PART NUMBER	QTY	BODY	MODEL	DESCRIPTION
1	4720 301	1			COVER, Cylinder Head
2	4720 308	4			O-RING, Cylinder Head Cover Attaching Nut ***
3	4720 302	4			NUT, Cylinder Head Cover Attaching
4	4720 299	1			CAP ASSEMBLY, Oil Filler ***
5	4720 300	1			GASKET, Oil Filler Cap
6	4723 169	1			PLUG, Cylinder Head Cover
7	4720 303	1			GASKET, Cylinder Head Cover
8	4720 238	2			END COVER, Cylinder Head Attaching ***
9	4720 671	AR			BOLT, Head Attaching Injector Side
10	4720 600	4			GLOW PLUG ***
11	4723 234	1			HOT PLUG, Pre-Combustion Chamber ***
12	4723 167	4			NUT, Conductor Attaching
13	4723 168	4			WASHER
14	4720 711	1			CONDUCTOR, Glow Plug ***
15	4720 233	4			BOLT, Cylinder Head Attaching Exhaust Side
16	4720 145	4			HEAD, Cylinder ***
17					GASKET, Cylinder Head
	4720 166	4			1.42
	4720 167	4			1.52
	4720 168	4			1.62
18	4720 228	5			CLAMP, Cylinder Head Manifold Side
19	4720 229	2			CLAMP, Cylinder Head Front
20	4720 235	10			BOLT, Cylinder Head Attaching
21	4720 230	3			CLAMP, Cylinder Head

**MODEL CODES:**

A BODY=(C=LeBaron, D=Spirit, P=Acclaim/LaBaron(Landau), Saratoga)      S BODY=(H=Voyager(H) FWD, K=Caravan(H) FWD, Y=Town & Country(H) FWD, P=Voyager(K) AWD, D=Caravan(K) AWD, C=Town & Country(K) AWD)  
 C BODY=(D=Dynasty, C=New Yorker/N.Y. Salon)  
 G BODY=(V=Daytona/IROC, Chrysler Daytona)  
 J BODY=(C=LeBaron, Chrysler LeBaron)  
 P BODY=(P=Sundance, D=Shadow)

**BODY STYLES:**

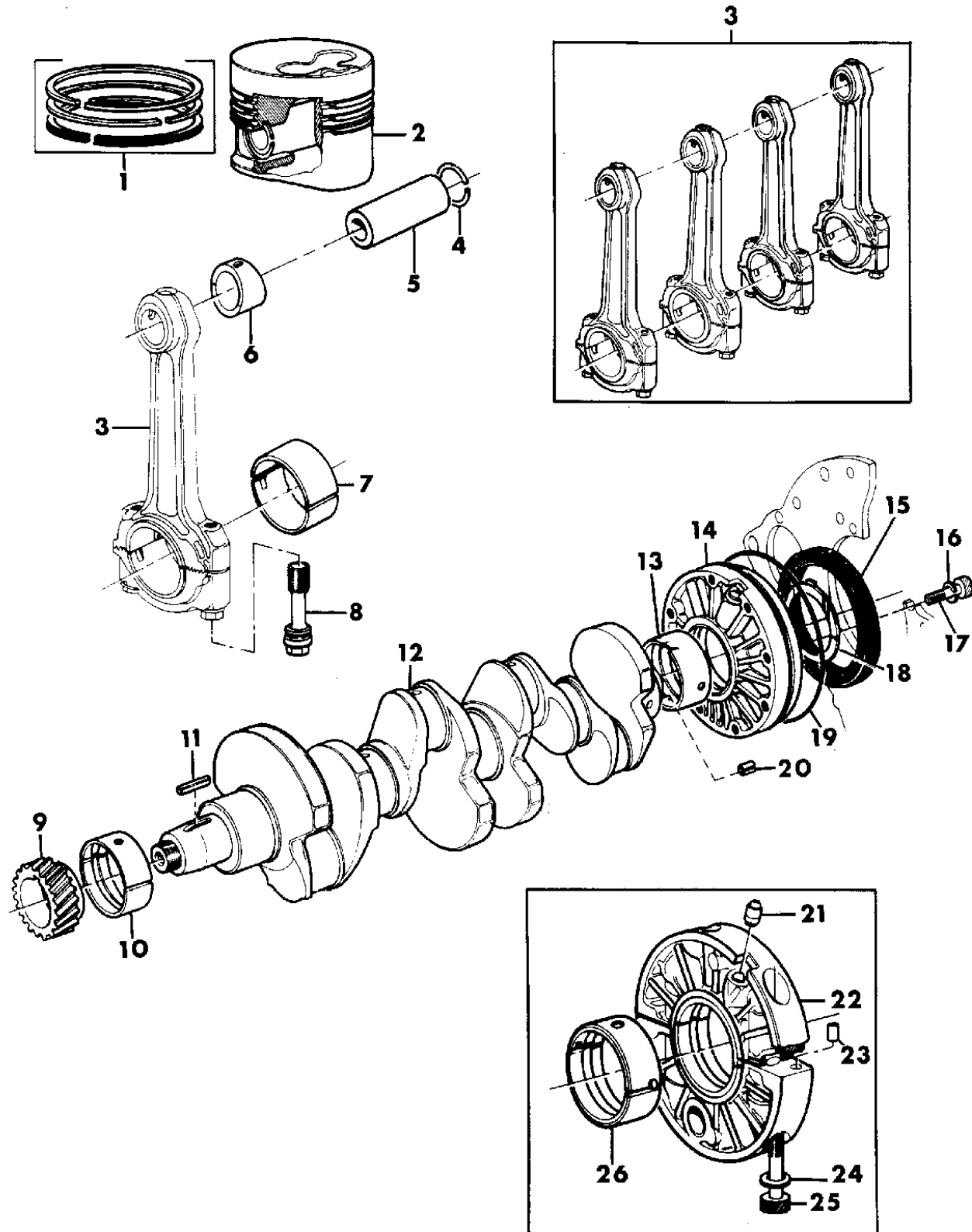
21=2-Door Coupe      41=4-Door Sedan      12-52=FWD & AWD Van & Wgn Std W.B.  
 24=2-Door Hatchback      44=4-Door Hatchback      53=FWD & AWD Van & Wgn Ext. W.B.  
 27=2-Door Convertible

AR = Use as Required - = Non Illustrated Part P.A.R. = Paint as Required



**CRANKSHAFT AND PISTONS 2.5L TURBO DIESEL S BODY**  
Figure 9D-300

93120 300



ITEM	PART NUMBER	QTY	BODY	MODEL	DESCRIPTION
1	4720 084	1			RING PACKAGE, Piston ***
2	4720 077	4			PISTON ASSEMBLY, Engine ***
3	4723 122	1			ROD PACKAGE, Connecting ***
4	4720 099	AR			SPRING RING, Piston Pin ***
5	4723 159	4			PIN, Piston
6	4723 160	4			BUSHING, Connecting Rod
7					BEARING PACKAGE, Connecting Rod ***
	4720 877	4			Standard
	4720 882	4			.125mm
	4720 883	4			.25mm
	4720 884	4			.50mm
8	4720 106	8			BOLT, Connecting Rod
9	4720 271	1			GEAR, Crankshaft Timing Drive ***
10					BEARING PACKAGE, Front Main ***
	4720 885	1			Standard
	4720 886	1			.125mm
	4720 887	1			.25mm
	4720 888	1			.50mm
11	4720 274	1			KEY, Crankshaft
12	4720 244	1			CRANKSHAFT, Engine ***
13					BEARING PACKAGE, Rear Main ***
	4723 119	1			Standard
	4723 120	1			.125mm
	4723 121	1			.25mm
14	4720 245	1			HOUSING ASSEMBLY, Rear Bearing ***
15	4720 283	1			OIL SEAL, Crankshaft Rear Support ***
16	4720 285	8			WASHER, Spring Rear Crankshaft Support
17	4720 284	8			SCREW, Rear Crankshaft Support
18					WASHER, Crankshaft Thrust
	4720 272	1			Standard
	4720 828	1			.10mm
	4720 829	1			.20mm
19	4720 277	1			O-RING, Crankshaft Rear Support ***
20	4723 158	1			PIN Crankshaft ***
21	4720 246	1			VALVE, Rear Piston Jet
22	4723 161	1			HOUSING ASSEMBLY, Center Bearing ***
23	4720 241	2			DOWEL, Center Bearing Housing ***
24	4720 243	2			WASHER, Spring Center Bearing Housing
25	4720 274	2			SCREW, Center Bearing Housing

**MODEL CODES:**

A BODY=(C=LeBaron, D=Spirit, P=Acclaim/LaBaron(Landau), Saratoga)  
 C BODY=(D=Dynasty, C=New Yorker/N.Y. Salon)  
 G BODY=(V=Daytona/IROC, Chrysler Daytona)  
 J BODY=(C=LeBaron, Chrysler LeBaron)  
 P BODY=(P=Sundance, D=Shadow)

S BODY=(H=Voyager(H) FWD, K=Caravan(H) FWD, Y=Town & Country(H) FWD, P=Voyager(K) AWD, D=Caravan(K) AWD, C=Town & Country(K) AWD)  
 Y BODY=(C=Imperial/5th Avenue)  
 E-S BODY=(K=Chrysler Voyager(H) FWD, D=Chrysler Voyager(K) AWD)

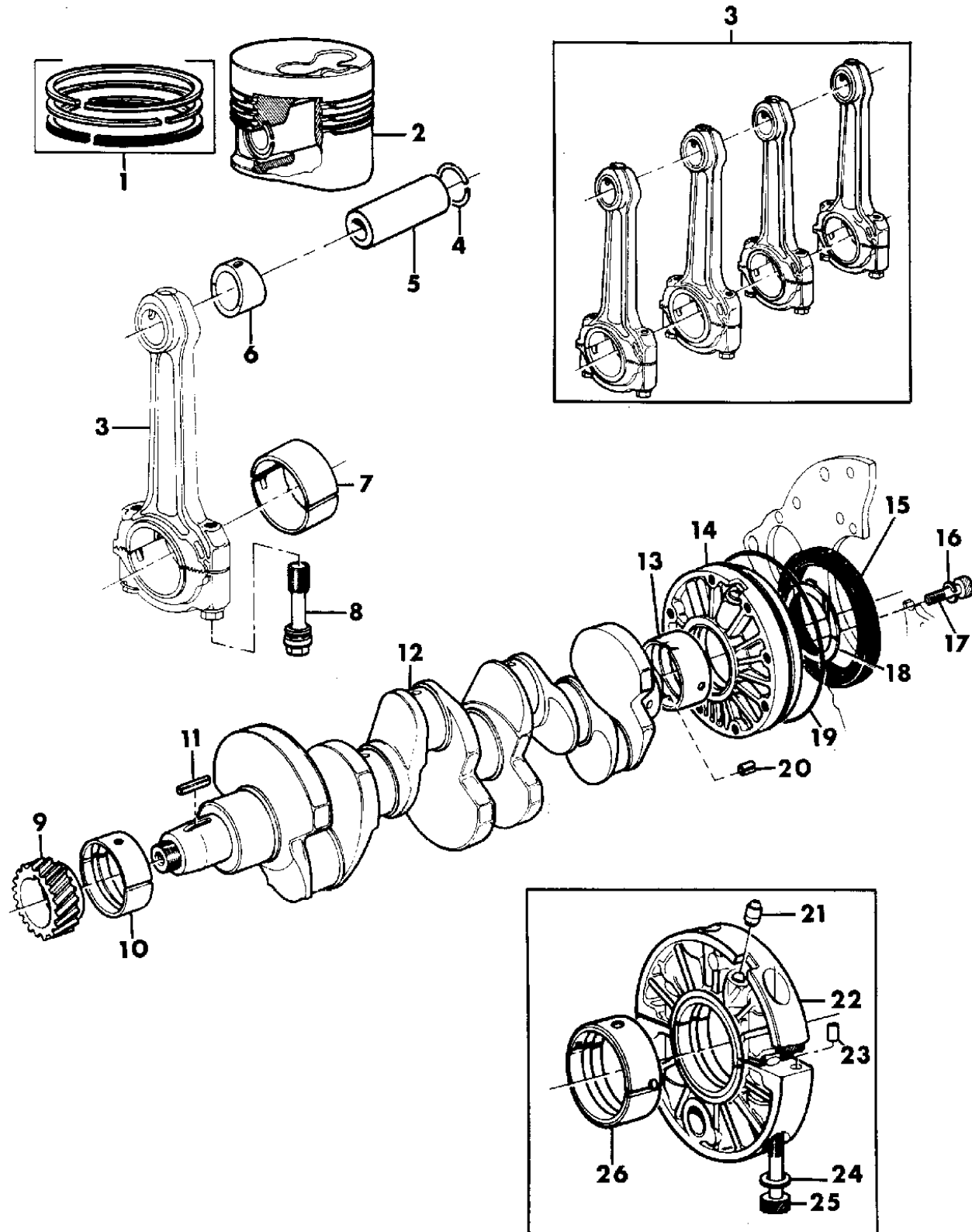
**BODY STYLES:**

21=2-Door Coupe      41=4-Door Sedan      12-52=FWD & AWD Van & Wgn Std W.B.  
 24=2-Door Hatchback      44=4-Door Hatchback      53=FWD & AWD Van & Wgn Ext. W.B.  
 27=2-Door Convertible

AR = Use as Required - = Non Illustrated Part P.A.R. = Paint as Required

**CRANKSHAFT AND PISTONS 2.5L TURBO DIESEL S BODY**  
**Figure 9D-300**

93120 300



ITEM	PART NUMBER	QTY	BODY	MODEL	DESCRIPTION
26					BEARING PACKAGE, Center Main, #2,3,4. ***
	4720 889	3			Standard
	4720 890	3			.125mm
	4720 892	3			.25mm
	4720 893	3			.50mm

**MODEL CODES:**

A BODY=(C=LeBaron, D=Spirit, P=Acclaim/LaBaron(Landau), Saratoga)      S BODY=(H=Voyager(H) FWD, K=Caravan(H) FWD, Y=Town & Country(H) FWD, P=Voyager(K) AWD, D=Caravan(K) AWD, C=Town & Country(K) AWD)  
 C BODY=(D=Dynasty, C=New Yorker/N.Y. Salon)  
 G BODY=(V=Daytona/IROC, Chrysler Daytona)  
 J BODY=(C=LeBaron, Chrysler LeBaron)  
 P BODY=(P=Sundance, D=Shadow)      Y BODY=(C=Imperial/5th Avenue)  
 E-S BODY=(K=Chrysler Voyager(H) FWD, D=Chrysler Voyager(K) AWD)

**BODY STYLES:**

21=2-Door Coupe      41=4-Door Sedan      12-52=FWD & AWD Van & Wgn Std W.B.  
 24=2-Door Hatchback      44=4-Door Hatchback      53=FWD & AWD Van & Wgn Ext. W.B.  
 27=2-Door Convertible

AR = Use as Required - = Non Illustrated Part P.A.R. = Paint as Required

**CAMSHAFT AND VALVES 2.5L TURBO DIESEL S BODY**  
Figure 9D-400

93120 400

ITEM	PART NUMBER	QTY	BODY	MODEL	DESCRIPTION
1	4720 161	8			SCREW, Valve Adjustment
2	4723 235	4			ROCKER, Exhaust ***
3	4720 162	8			NUT, Valve Adjustment
4	4723 243	4			SHAFT, Rocker Support
5	4720 164	4			NUT, Rocker Support
6	4723 236	4			ROCKER, Inlet ***
7	4720 163	4			SPRING PLATE, Rocker ***
8	4720 155	7			LOCK, Valve
9	4720 152	8			RETAINER, Valve Spring Upper
10	4720 158	8			SPRING, Valve
11	4720 153	8			WASHER, Valve Spring Lower
12					GUIDE, Valve Stem
	4723 239	8			Standard
	4723 240	AR			.10mm
13	4723 228	AR			PLUG, Cylinder Head
14	4723 241	2			STUD, Cylinder Head
15	4723 242	2			STUD, Cylinder Head
16	4723 210	2			PLUG, Cylinder Head
17	4720 124	8			ROD, Push
18	4720 125	8			FOLLOWER, Cam ***
19	4720 220	1			BEARING, Camshaft Center
20	4720 219	1			BEARING, Camshaft Rear
21	4723 162	1			CAMSHAFT ***
22	4720 137	1			KEY, Camshaft
23	4723 163	1			PLATE, Camshaft
24	4723 165	AR			WASHER
25	4720 135	AR			BOLT m8x18
26	4720 218	1			BEARING, Camshaft Front
27	4720 146	4			VALVE, Intake
28	4723 245	4			SEAT, Intake Valve + .30 ***
29	4720 148	4			VALVE, Exhaust
30	4723 244	4			SEAT, Exhaust Valve + .30 ***
31	4720 581	1			ADAPTOR, Water Temperature Sensor ***
32	4720 598	1			SENSOR, Water Temperature
33	4720 656	1			TRANSMITTER, Water Temperature ***
34	4720 159	1			PLUG, Cylinder Head m20x1.5
35	4723 237	1			PLUG, Cylinder Head Core
36	4723 238	4			STUD, Rocker Support
37	4720 165	4			DOWEL, Rocker Support ***

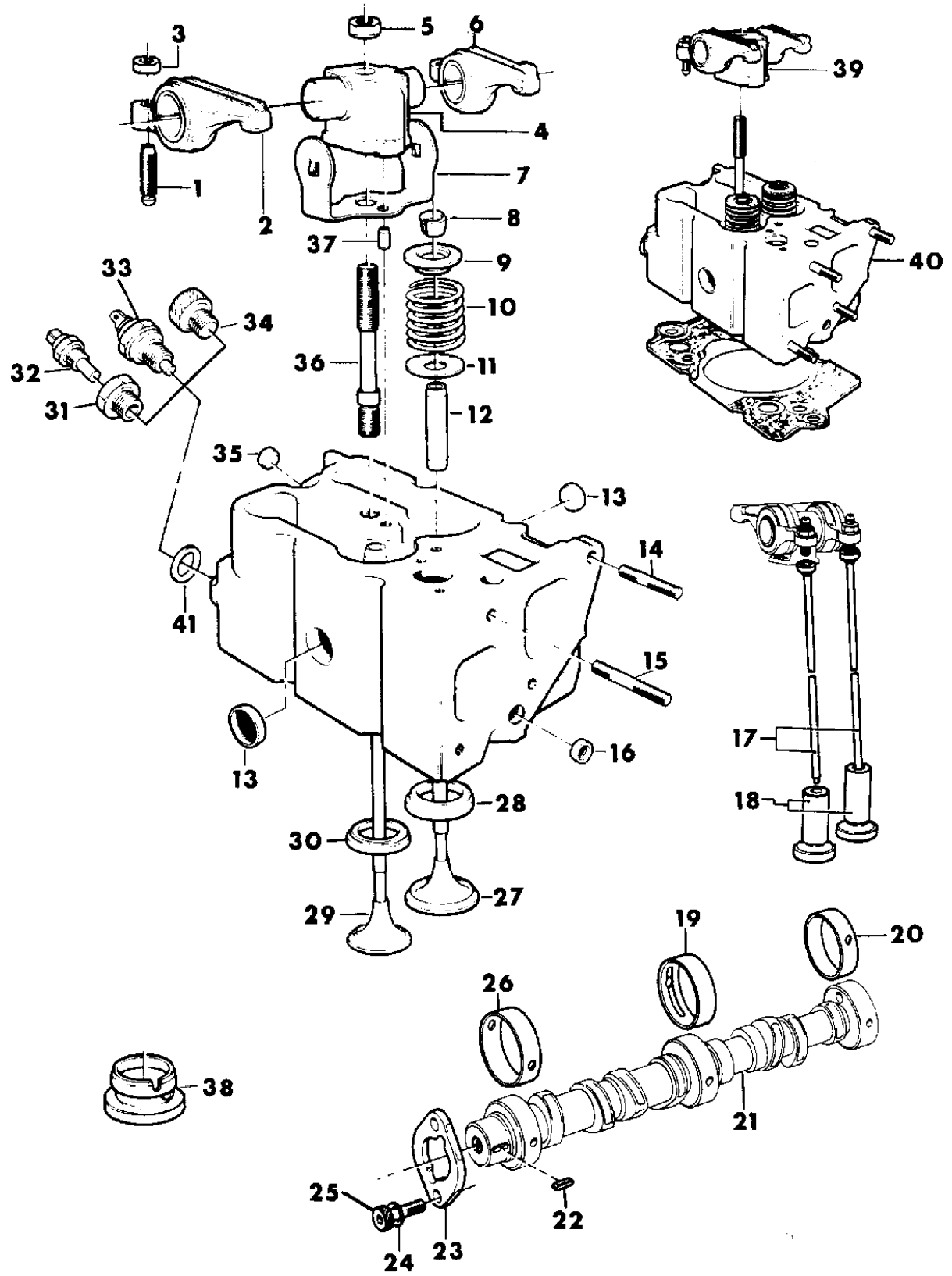
**MODEL CODES:**

A BODY=(C=LeBaron, D=Spirit, P=Acclaim/LaBaron(Landau), Saratoga)      S BODY=(H=Voyager(H) FWD, K=Caravan(H) FWD, Y=Town & Country(H) FWD, P=Voyager(K) AWD, D=Caravan(K) AWD, C=Town & Country(K) AWD)  
 C BODY=(D=Dynasty, C=New Yorker/N.Y. Salon)  
 G BODY=(V=Daytona/IROC, Chrysler Daytona)  
 J BODY=(C=LeBaron, Chrysler LeBaron)  
 P BODY=(P=Sundance, D=Shadow)      Y BODY=(C=Imperial/5th Avenue)  
 E-S BODY=(K=Chrysler Voyager(H) FWD, D=Chrysler Voyager(K) AWD)

**BODY STYLES:**

21=2-Door Coupe      41=4-Door Sedan      12-52=FWD & AWD Van & Wgn Std W.B.  
 24=2-Door Hatchback      44=4-Door Hatchback      53=FWD & AWD Van & Wgn Ext. W.B.  
 27=2-Door Convertible

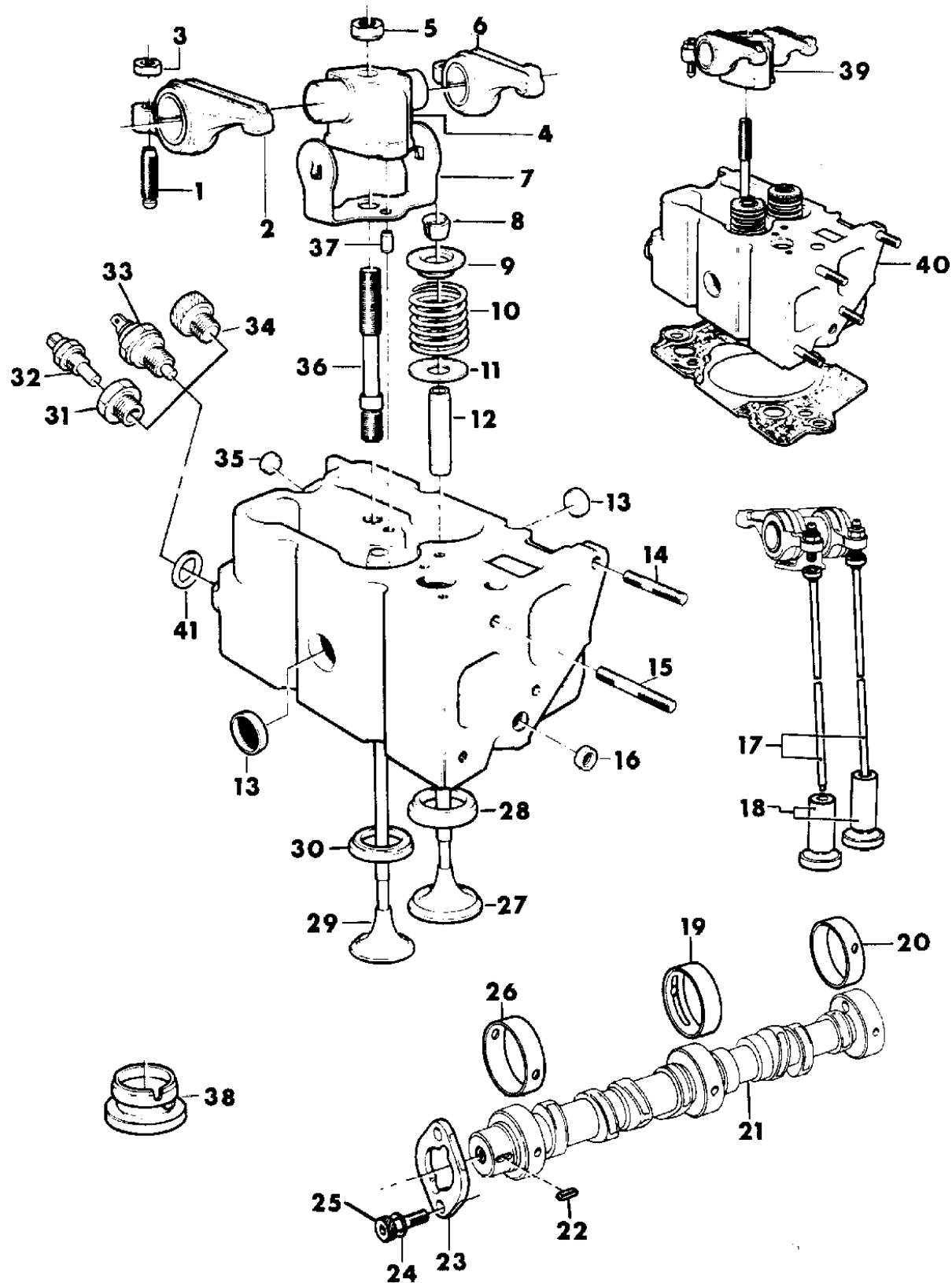
AR = Use as Required - = Non Illustrated Part P.A.R. = Paint as Required



**CAMSHAFT AND VALVES 2.5L TURBO DIESEL S BODY**  
**Figure 9D-400**

93120 400

ITEM	PART NUMBER	QTY	BODY	MODEL	DESCRIPTION
38	4723 234	1			HOT PLUG, Pre-Cumbustion Chamber ***
39	4720 160	AR			SHAFT PACKAGE, Rocker Support ***
40		4			HEAD, Cylinder (Refer to Illustration #200) ***
41	4723 246	1			WASHER, Transmitter Water Temperature



**MODEL CODES:**

A BODY=(C=LeBaron, D=Spirit, P=Acclaim/LaBaron(Landau),  
 Saratoga) S BODY=(H=Voyager(H) FWD, K=Caravan(H) FWD,  
 Y=Town & Country(H) FWD, P=Voyager(K) AWD,  
 D=Caravan(K) AWD, C=Town & Country(K) AWD)  
 C BODY=(D=Dynasty, C=New Yorker/N.Y. Salon)  
 G BODY=(V=Daytona/IROC, Chrysler Daytona)  
 J BODY=(C=LeBaron, Chrysler LeBaron)  
 P BODY=(P=Sundance, D=Shadow) Y BODY=(C=Imperial/5th Avenue)  
 E-S BODY=(K=Chrysler Voyager(H) FWD, D=Chrysler  
 Voyager(K) AWD)

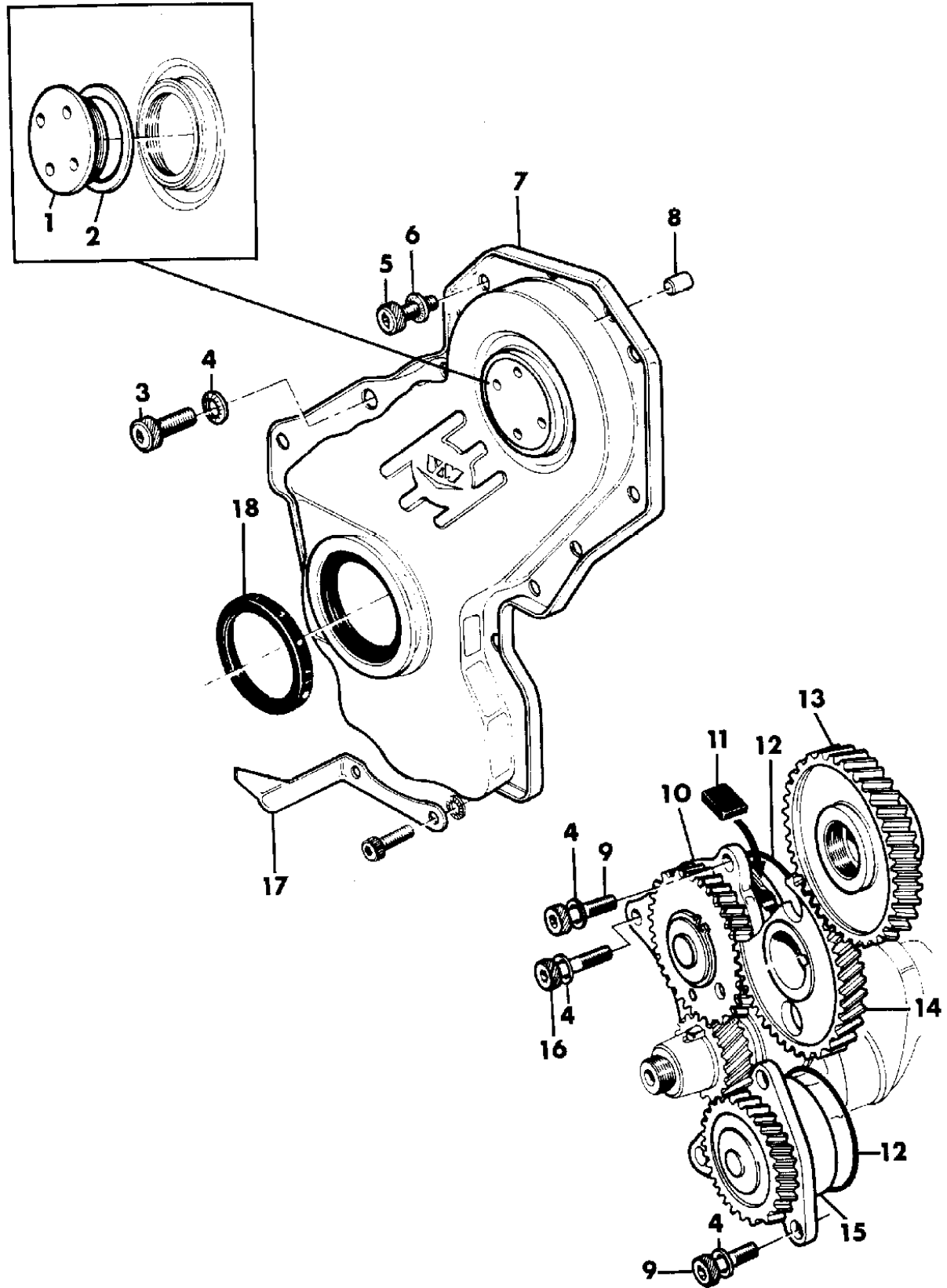
**BODY STYLES:**

21=2-Door Coupe 41=4-Door Sedan 12-52=FWD & AWD Van & Wgn Std W.B.  
 24=2-Door Hatchback 44=4-Door Hatchback 53=FWD & AWD Van & Wgn Ext. W.B.  
 27=2-Door Convertible

AR = Use as Required - = Non Illustrated Part P.A.R. = Paint as Required

**TIMING GEARS AND CASE 2.5L TURBO DIESEL S BODY**  
**Figure 9D-500**

93120 500



ITEM	PART NUMBER	QTY	BODY	MODEL	DESCRIPTION
1	4720 287	1			COVER, Front Timing
2	4720 290	1			GASKET, Front Timing Cover
3	4720 696	2			SCREW, Timing Cover Attaching
4	4720 565	AR			WASHER
5	4720 695	16			SCREW, Timing Cover Attaching
6	4720 305	16			WASHER
7	4720 286	1			COVER, Timing
8	4720 304	2			DOWEL, Timing Cover ***
9	4720 135	AR			BOLT
10	4720 123	1			PUMP, Vacuum
11	4723 231	1			INSERT, Vacuum Pump Rotor
12	4720 239	1			O-RING, Blanketing Front Timing ***
13	4720 188	1			GEAR, Injection Pump ***
14	4723 232	1			GEAR, Camshaft Drive ***
15	4723 233	1			PUMP, Engine Oil
16	4720 136	AR			BOLT
17	4723 192	1			INDICATOR, Timing ***
18	4720 291	1			SEAL, Timing Cover

**MODEL CODES:**

A BODY=(C=LeBaron, D=Spirit, P=Acclaim/LaBaron(Landau), Saratoga)      S BODY=(H=Voyager(H) FWD, K=Caravan(H) FWD, Y=Town & Country(H) FWD, P=Voyager(K) AWD, D=Caravan(K) AWD, C=Town & Country(K) AWD)  
 C BODY=(D=Dynasty, C=New Yorker/N.Y. Salon)  
 G BODY=(V=Daytona/IROC, Chrysler Daytona)  
 J BODY=(C=LeBaron, Chrysler LeBaron)  
 P BODY=(P=Sundance, D=Shadow)      Y BODY=(C=Imperial/5th Avenue)  
 E-S BODY=(K=Chrysler Voyager(H) FWD, D=Chrysler Voyager(K) AWD)

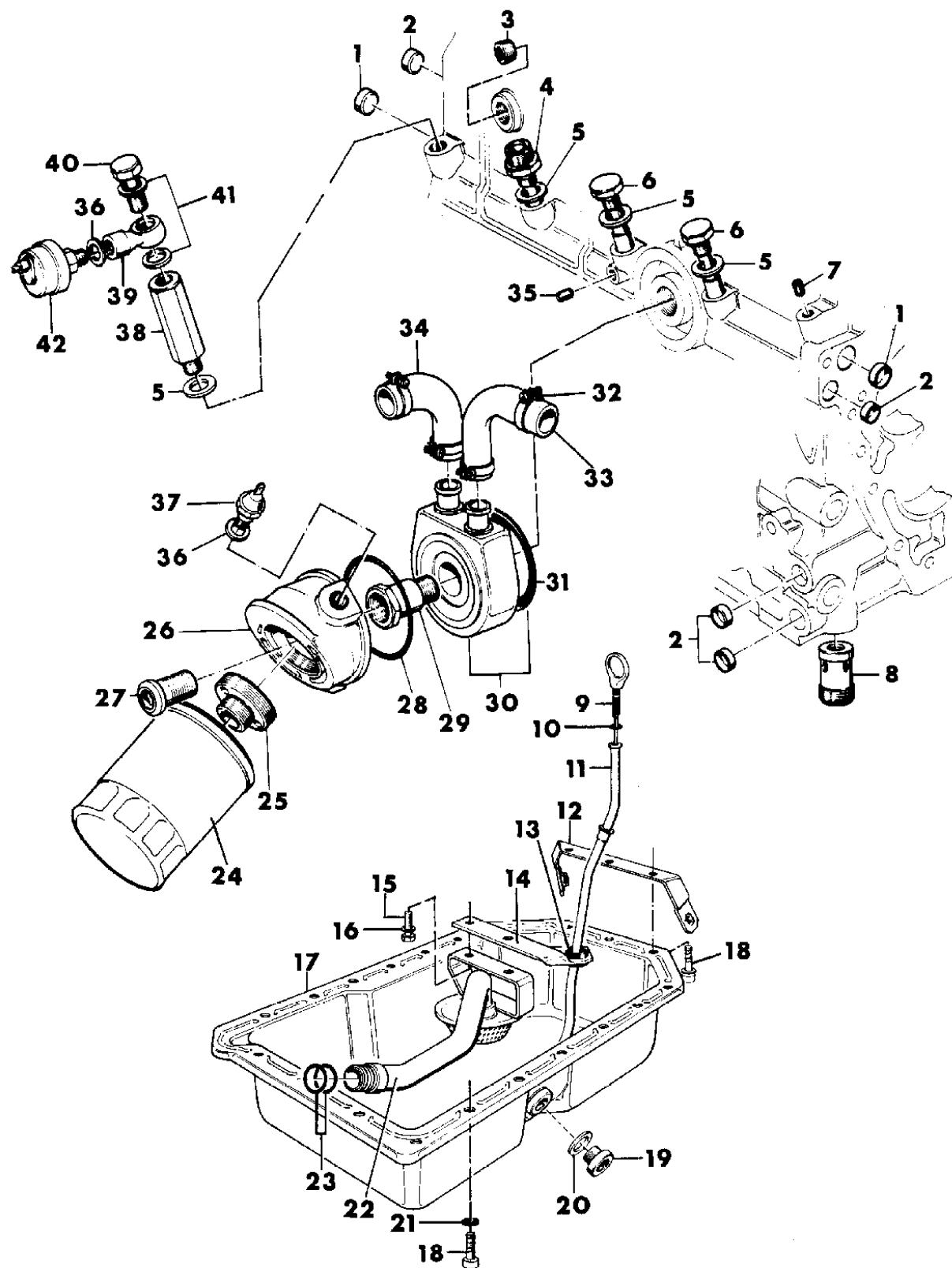
**BODY STYLES:**

21=2-Door Coupe      41=4-Door Sedan      12-52=FWD & AWD Van & Wgn Std W.B.  
 24=2-Door Hatchback      44=4-Door Hatchback      53=FWD & AWD Van & Wgn Ext. W.B.  
 27=2-Door Convertible

AR = Use as Required - = Non Illustrated Part P.A.R. = Paint as Required

**ENGINE OILING 2.5L TURBO DIESEL S BODY**  
**Figure 9D-600**

93120 600



ITEM	PART NUMBER	QTY	BODY	MODEL	DESCRIPTION
1	4723 211	AR			PLUG, Block Core Hole
2	4723 210	AR			PLUG, Block Core Hole
3	4720 659	1			PLUG, Intake Manifold
4	4720 709	1			BOLT, Adapter Oil Feed To Turbo
5	4720 704	AR			WASHER
6	4720 726	2			BOLT, Adapter
7	4720 663	AR			PLUG
8	4720 217	1			VALVE, Oil Pressure
9	4723 170	1			INDICATOR, Oil Level ***
10	4720 373	1			O-RING, Oil Indicator ***
11	4720 355	1			TUBE, Oil Indicator
12	4723 173	1			BRACKET, Oil Pan
13	4720 362	1			GASKET, Indicator Tube
14	4720 354	1			BRACKET, Indicator Tube
15	4723 171	2			BOLT, Oil Suction Pipe
16	4723 172	2			WASHER, Oil Suction Pipe
17	4720 351	1			PAN, Engine Oil ***
18	4720 695	AR			SCREW, Oil Pan Attaching
19	4720 352	1			PLUG, Oil Drain
20	4720 353	1			WASHER, Oil Drain Plug
21	4720 305	AR			WASHER
22	4720 356	1			PIPE, Oil Suction ***
23	4720 374	2			O-RING, Oil Suction Pipe ***
24	4720 364	1			FILTER, Engine Oil
25	4720 361	1			ADAPTER, Oil Filter
26	4723 212	1			BASE, Oil Filter
27	4720 360	1			ADAPTER, Oil Filter Base To Cooler
28	4720 375	1			O-RING, Oil Filter Base To Cooler ***
29	4723 213	1			CONNECTOR, Oil Filter Base
30	4720 366	1			COOLER, Engine Oil ***
31	4723 217	1			O-RING, Oil Cooler ***
32	4720 694	AR			CLAMP
33	4723 214	1			HOSE, Engine Oil Cooler
34	4723 215	1			HOSE, Engine Oil Cooler
35	4720 663	1			PLUG
36	4720 713	AR			WASHER
37	4720 599	1			SWITCH, Oil Pressure
38	4723 216	1			UNION, Oil Pressure Transducer ***
39	4720 359	1			CONNECTOR, Banjo

**MODEL CODES:**

A BODY=(C=LeBaron, D=Spirit, P=Acclaim/LaBaron(Landau), Saratoga)      S BODY=(H=Voyager(H) FWD, K=Caravan(H) FWD, Y=Town & Country(H) FWD, P=Voyager(K) AWD, D=Caravan(K) AWD, C=Town & Country(K) AWD)  
 C BODY=(D=Dynasty, C=New Yorker/N.Y. Salon)      Y BODY=(C=Imperial/5th Avenue)  
 G BODY=(V=Daytona/IROC, Chrysler Daytona)      E-S BODY=(K=Chrysler Voyager(H) FWD, D=Chrysler Voyager(K) AWD)  
 J BODY=(C=LeBaron, Chrysler LeBaron)  
 P BODY=(P=Sundance, D=Shadow)

**BODY STYLES:**

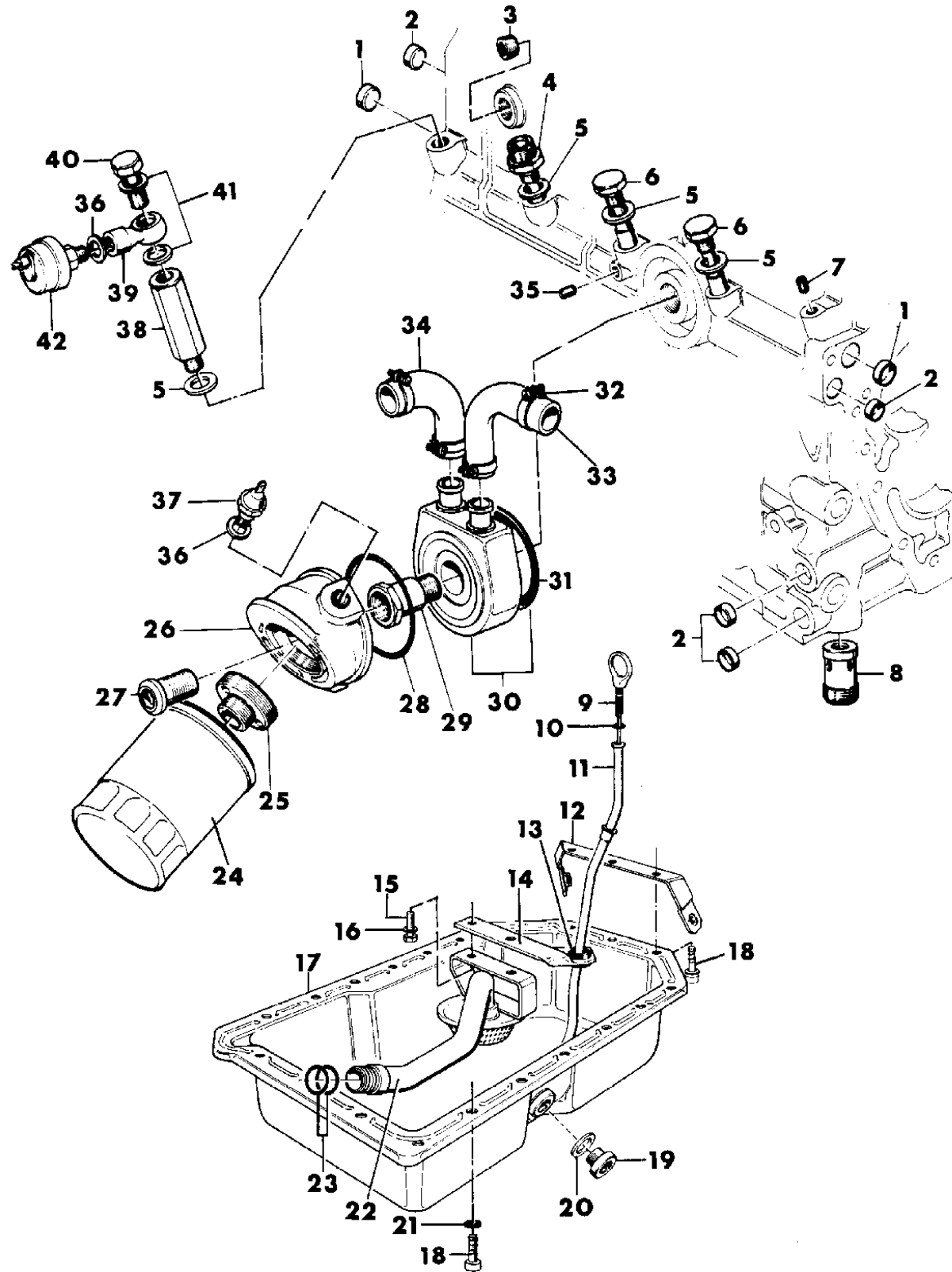
21=2-Door Coupe      41=4-Door Sedan      12-52=FWD & AWD Van & Wgn Std W.B.  
 24=2-Door Hatchback      44=4-Door Hatchback      53=FWD & AWD Van & Wgn Ext. W.B.  
 27=2-Door Convertible

AR = Use as Required - = Non Illustrated Part P.A.R. = Paint as Required

**ENGINE OILING 2.5L TURBO DIESEL S BODY**  
**Figure 9D-600**

93120 600

ITEM	PART NUMBER	QTY	BODY	MODEL	DESCRIPTION
40	4720 367	1			BOLT, Banjo
41	4720 703	2			WASHER
42	4720 597	1			TRANSDUCER, Oil Pressure ***



**MODEL CODES:**

A BODY=(C=LeBaron, D=Spirit, P=Acclaim/LaBaron(Landau),  
 Saratoga) S BODY=(H=Voyager(H) FWD, K=Caravan(H) FWD,  
 Y=Town & Country(H) FWD, P=Voyager(K) AWD,  
 D=Caravan(K) AWD, C=Town & Country(K) AWD)  
 C BODY=(D=Dynasty, C=New Yorker/N.Y. Salon)  
 G BODY=(V=Daytona/IROC, Chrysler Daytona)  
 Y BODY=(C=Imperial/5th Avenue)  
 J BODY=(C=LeBaron, Chrysler LeBaron)  
 E-S BODY=(K=Chrysler Voyager(H) FWD, D=Chrysler  
 Voyager(K) AWD)  
 P BODY=(P=Sundance, D=Shadow)

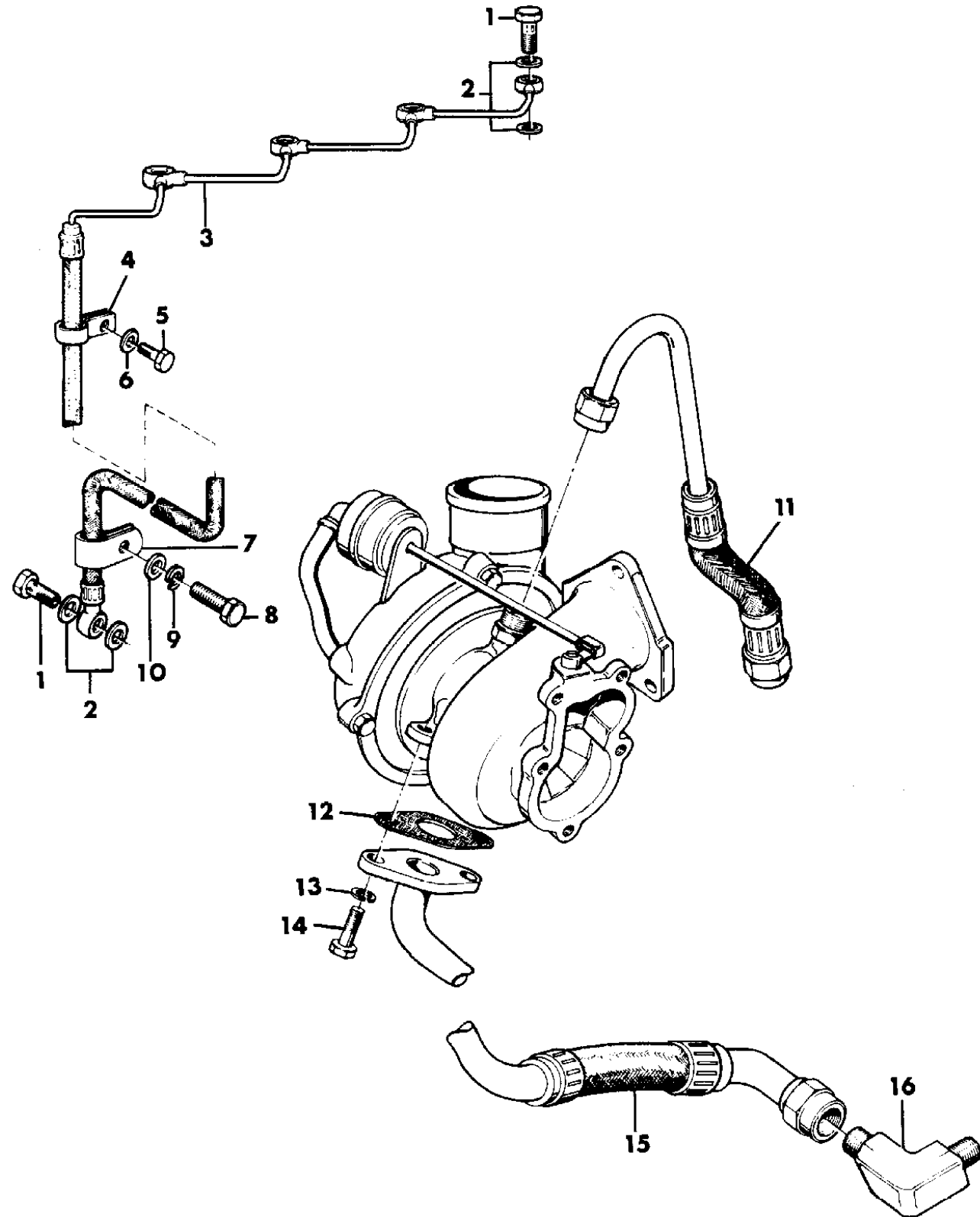
**BODY STYLES:**

21=2-Door Coupe      41=4-Door Sedan      12-52=FWD & AWD Van & Wgn Std W.B.  
 24=2-Door Hatchback      44=4-Door Hatchback      53=FWD & AWD Van & Wgn Ext. W.B.  
 27=2-Door Convertible

AR = Use as Required - = Non Illustrated Part P.A.R. = Paint as Required

OIL LINES 2.5L TURBO DIESEL S BODY  
Figure 9D-700

93120 700



ITEM	PART NUMBER	QTY	BODY	MODEL	DESCRIPTION
1	4720 358	AR			BOLT, Banjo
2	4720 554	AR			WASHER
3	4720 357	1			PIPE, Rocker Oil Feed ***
4	4720 368	1			CLIP, P-Type
5	4720 372	1			BOLT
6	4723 195	1			WASHER
7	4720 371	1			CLIP, P-Type
8	4723 164	AR			BOLT
9	4723 165	AR			WASHER, Lock
10	4720 553	AR			WASHER
11	4723 219	1			TUBE, Oil Feed
12	4720 423	1			GASKET, Oil Return Pipe
13	4720 285	1			WASHER, Spring
14	4728 186	2			BOLT
15	4720 421	1			PIPE, Oil Drain ***
16	4720 422	1			ADAPTOR, Oil Drain Pipe ***

MODEL CODES:

A BODY=(C=LeBaron, D=Spirit, P=Acclaim/LaBaron(Landau),  
Saratoga)  
C BODY=(D=Dynasty, C=New Yorker/N.Y. Salon)  
G BODY=(V=Daytona/IROC, Chrysler Daytona)  
J BODY=(C=LeBaron, Chrysler LeBaron)  
P BODY=(P=Sundance, D=Shadow)

S BODY=(H=Voyager(H) FWD, K=Caravan(H) FWD,  
Y=Town & Country(H) FWD, P=Voyager(K) AWD,  
D=Caravan(K) AWD, C=Town & Country(K) AWD)  
Y BODY=(C=Imperial/5th Avenue)  
E-S BODY=(K=Chrysler Voyager(H) FWD, D=Chrysler  
Voyager(K) AWD)

BODY STYLES:

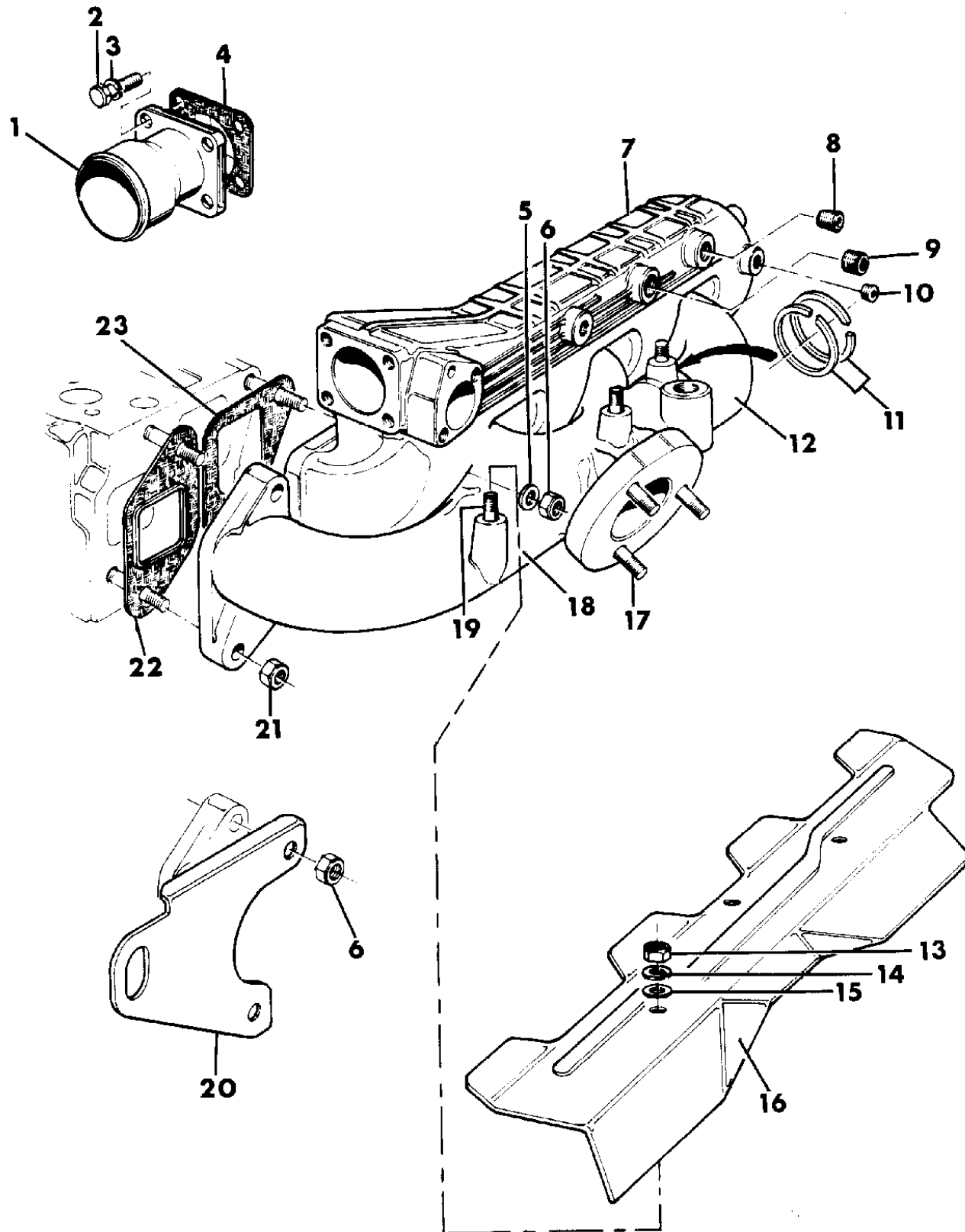
21=2-Door Coupe      41=4-Door Sedan      12-52=FWD & AWD Van & Wgn Std W.B.  
24=2-Door Hatchback      44=4-Door Hatchback      53=FWD & AWD Van & Wgn Ext. W.B.  
27=2-Door Convertible

AR = Use as Required - = Non Illustrated Part P.A.R. = Paint as Required



**MANIFOLD INTAKE AND EXHAUST 2.5L TURBO DIESEL S BODY**  
**Figure 9D-800**

93120 800



ITEM	PART NUMBER	QTY	BODY	MODEL	DESCRIPTION
1	4723 193	1			CONNECTOR, Intake Manifold
2	4720 658	4			SCREW, Connector Attaching
3	4720 285	4			WASHER
4	4720 207	1			GASKET, Connector
5	4723 165	AR			WASHER
6	4720 553	AR			NUT
7	4720 199	1			MANIFOLD, Intake ***
8	4720 659	AR			PLUG, Intake Manifold
9	4723 188	1			PLUG, Intake Manifold
10	4720 664	AR			PLUG, Intake Manifold
11	4720 214	2			CIRCLIP, Exhaust Manifold ***
12	4720 201	1			MANIFOLD, Exhaust Rear Half ***
13	4720 660	AR			NUT
14	4720 285	AR			LOCKWASHER ***
15	4720 661	AR			WASHER
16	4720 209	1			SHEILD, Exhaust Manifold Heat ***
17	4720 425	4			STUD, Turbo Elbow Attaching
18	4720 200	1			MANIFOLD, Exhaust Front Half ***
19	4720 657	3			STUD, Exhaust Heat Sheild
20	4723 247	1			BRACKET, Lifting
21	4720 428	AR			NUT
22	4720 204	4			GASKET, Exhaust Manifold
23	4720 206	4			GASKET, Intake Manifold

**MODEL CODES:**

A BODY=(C=LeBaron, D=Spirit, P=Acclaim/LaBaron(Landau), Saratoga) S BODY=(H=Voyager(H) FWD, K=Caravan(H) FWD, Y=Town & Country(H) FWD, P=Voyager(K) AWD, D=Caravan(K) AWD, C=Town & Country(K) AWD)  
 C BODY=(D=Dynasty, C=New Yorker/N.Y. Salon) Y BODY=(C=Imperial/5th Avenue)  
 G BODY=(V=Daytona/IROC, Chrysler Daytona) E-S BODY=(K=Chrysler Voyager(H) FWD, D=Chrysler Voyager(K) AWD)  
 J BODY=(C=LeBaron, Chrysler LeBaron) P BODY=(P=Sundance, D=Shadow)

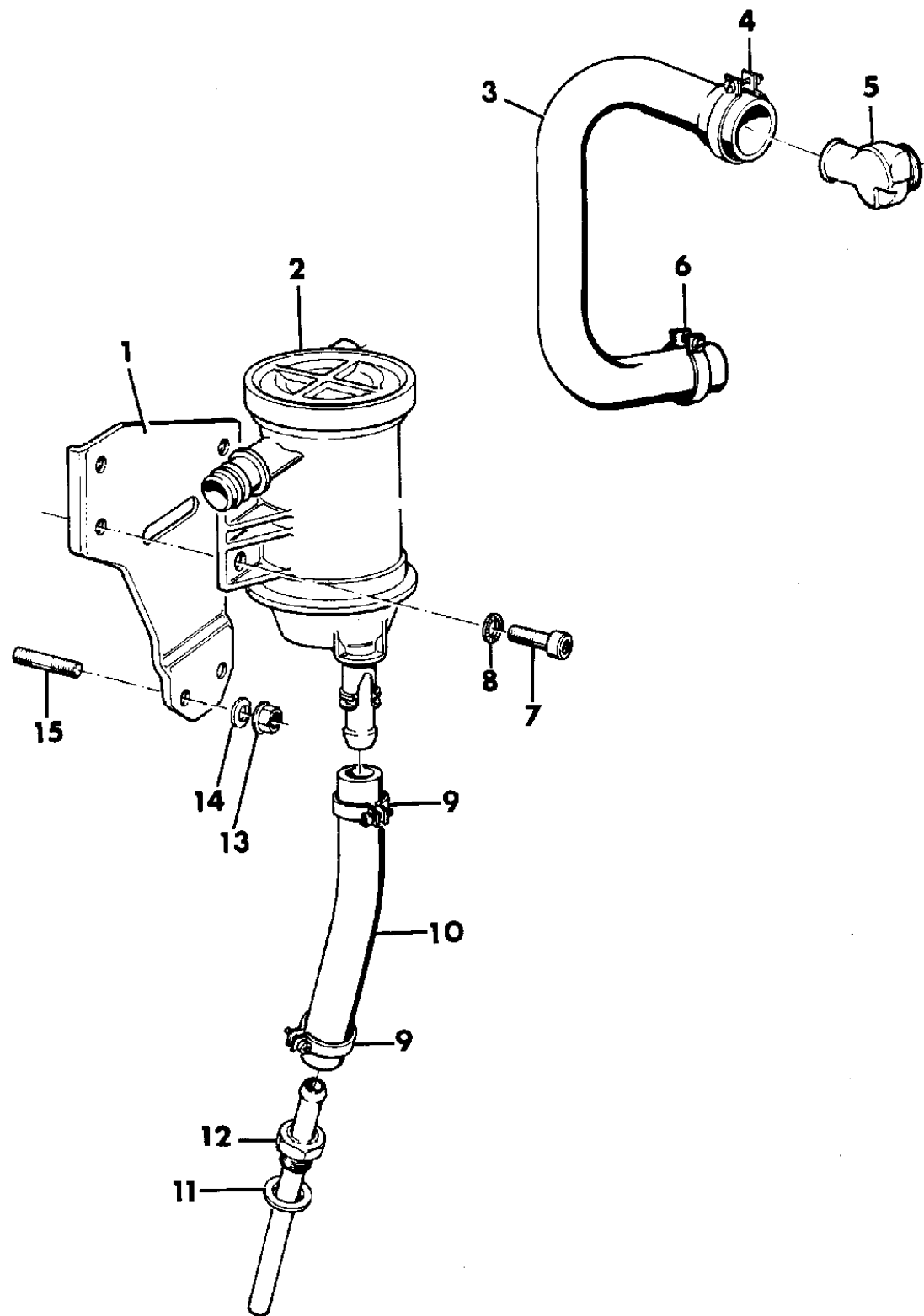
**BODY STYLES:**

21=2-Door Coupe      41=4-Door Sedan      12-52=FWD & AWD Van & Wgn Std W.B.  
 24=2-Door Hatchback      44=4-Door Hatchback      53=FWD & AWD Van & Wgn Ext. W.B.  
 27=2-Door Convertible

AR = Use as Required - = Non Illustrated Part P.A.R. = Paint as Required

**CRANKCASE VENTILATION 2.5L TURBO DIESEL S BODY**  
**Figure 9D-900**

93120 900



ITEM	PART NUMBER	QTY	BODY	MODEL	DESCRIPTION
1	4723 174	1			BRACKET, Oil Seperator Attaching
2	4723 229	1			SEPERATOR, Engine Oil ***
3	4723 166	1			HOSE, Crankcase Breather
4	4720 693	1			CLAMP, Breather Hose
5	4720 691	1			ADAPTOR, Crankcase Breather ***
6	4720 694	1			CLAMP, Breather Hose
7	4720 695	AR			SCREW
8	4720 305	AR			WASHER
9	4723 177	2			CLAMP, Oil Seperator Hose
10	4723 176	1			HOSE, Oil Transducer To Seperator
11	4720 704	1			WASHER, Oil Pressure Transducer
12	4723 230	1			UNION, Oil To Sump ***
13	4720 699	2			NUT, Oil Seperator Bracket Attaching
14	4723 175	2			WASHER, Oil Seperator Bracket
15	4720 550	2			STUD

**MODEL CODES:**

A BODY=(C=LeBaron, D=Spirit, P=Acclaim/LaBaron(Landau),  
Saratoga)  
 C BODY=(D=Dynasty, C=New Yorker/N.Y. Salon)  
 G BODY=(V=Daytona/IROC, Chrysler Daytona)  
 J BODY=(C=LeBaron, Chrysler LeBaron)  
 P BODY=(P=Sundance, D=Shadow)

S BODY=(H=Voyager(H) FWD, K=Caravan(H) FWD,  
Y=Town & Country(H) FWD, P=Voyager(K) AWD,  
D=Caravan(K) AWD, C=Town & Country(K) AWD)  
 Y BODY=(C=Imperial/5th Avenue)  
 E-S BODY=(K=Chrysler Voyager(H) FWD, D=Chrysler  
Voyager(K) AWD)

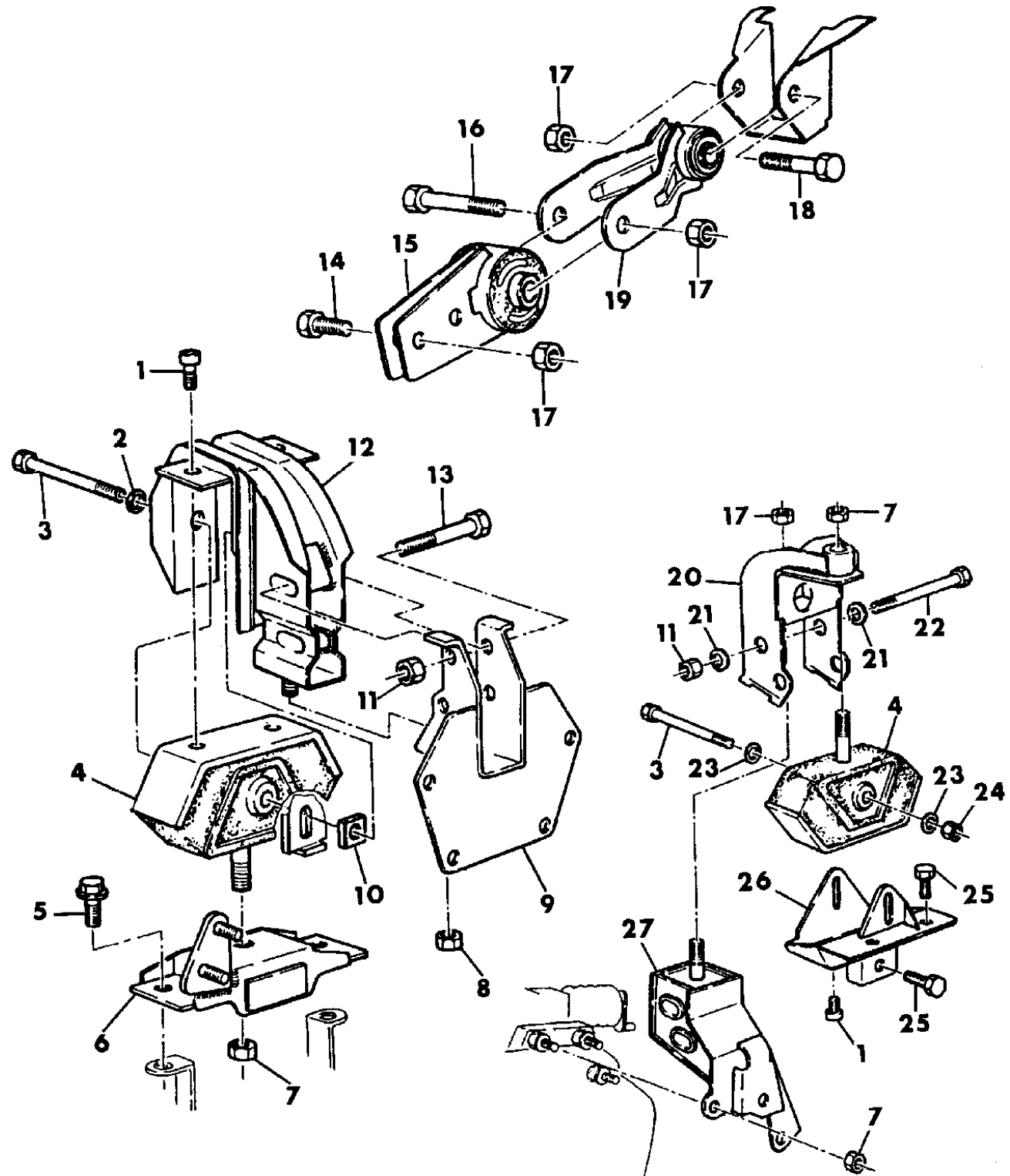
**BODY STYLES:**

21=2-Door Coupe      41=4-Door Sedan      12-52=FWD & AWD Van & Wgn Std W.B.  
 24=2-Door Hatchback      44=4-Door Hatchback      53=FWD & AWD Van & Wgn Ext. W.B.  
 27=2-Door Convertible

AR = Use as Required - = Non Illustrated Part P.A.R. = Paint as Required

**ENGINE MOUNTS 2.5L TURBO DIESEL S BODY-EARLY MODEL 93 BUILD**  
**Figure 9D-1000**

93120 1000



ITEM	PART NUMBER	QTY	BODY	MODEL	DESCRIPTION
1	6500 399	4			SCREW, w/Washer x10-1.5x20
2		2			WASHER, Coned NOT SERVICED
3	6100 194	2			BOLT m10x95
4	4668 026	2			INSULATOR, Engine Mount ***
5	6501 946	2			SCREW, w/Washer m10-1.5x40
6	4668 027	1			SUPPORT ASSEMBLY, w/Bumper Right Engine Mount ***
7	4612 410	5			NUT m12x1.5
8	6501 737	1			NUT m12x1.75
9	4720 225	1			BRACKET ASSEMBLY, Right Engine Mount ***
10	4668 095	1			RETAINER, Stud
11	6502 195	4			NUT
12	4668 050	1			BRACKET ASSEMBLY, Right Engine Mount ***
13	6501 736	2			SCREW, w/Washer m12x80
14	6101 062	2			SCREW, w/Washer m10x40
15	4668 063	1			BRACKET ASSEMBLY, w/BushingTorque Strut ***
16	6101 330	1			BOLT,w/Washer m10x85
17	6100 518	5			NUT, Lock
18	6101 342	1			SCREW, w/Washer m10-1.5x75
19	4668 030	1			BRACKET ASSEMBLY, w/Bushing Torque Strut ***
20	4668 043	1			BRACKET ASSEMBLY, Left Engine Mount Upper ***
21	6100 132	2			WASHER, Coned
22	6100 212	2			BOLT m12x100
23		2			WASHER, Coned NOT SERVICED
24	6500 197	1			NUT, Lock
25		3			SCREW, w/Washer m10-1.5x40
26	4668 029	1			SUPPORT ASSEMBLY, Left Engine Mount ***
27	4668 048	1			BRACKET ASSEMBLY, Left Engine Mount Lower ***
-	4723 878	1			STUD, Double Ended, on Trans. Case to Eng. Mtg. Brkt., 105mm Lg. (Not Shown)
-	4723 879	2			73mm Lg. (Not Shown)

**MODEL CODES:**

A BODY=(C=LeBaron, D=Spirit, P=Acclaim/LaBaron(Landau), Saratoga)      S BODY=(H=Voyager(H) FWD, K=Caravan(H) FWD, Y=Town & Country(H) FWD, P=Voyager(K) AWD, D=Caravan(K) AWD, C=Town & Country(K) AWD)  
 C BODY=(D=Dynasty, C=New Yorker/N.Y. Salon)      Y BODY=(C=Imperial/5th Avenue)  
 G BODY=(V=Daytona/IROC, Chrysler Daytona)      E-S BODY=(K=Chrysler Voyager(H) FWD, D=Chrysler Voyager(K) AWD)  
 J BODY=(C=LeBaron, Chrysler LeBaron)  
 P BODY=(P=Sundance, D=Shadow)

**BODY STYLES:**

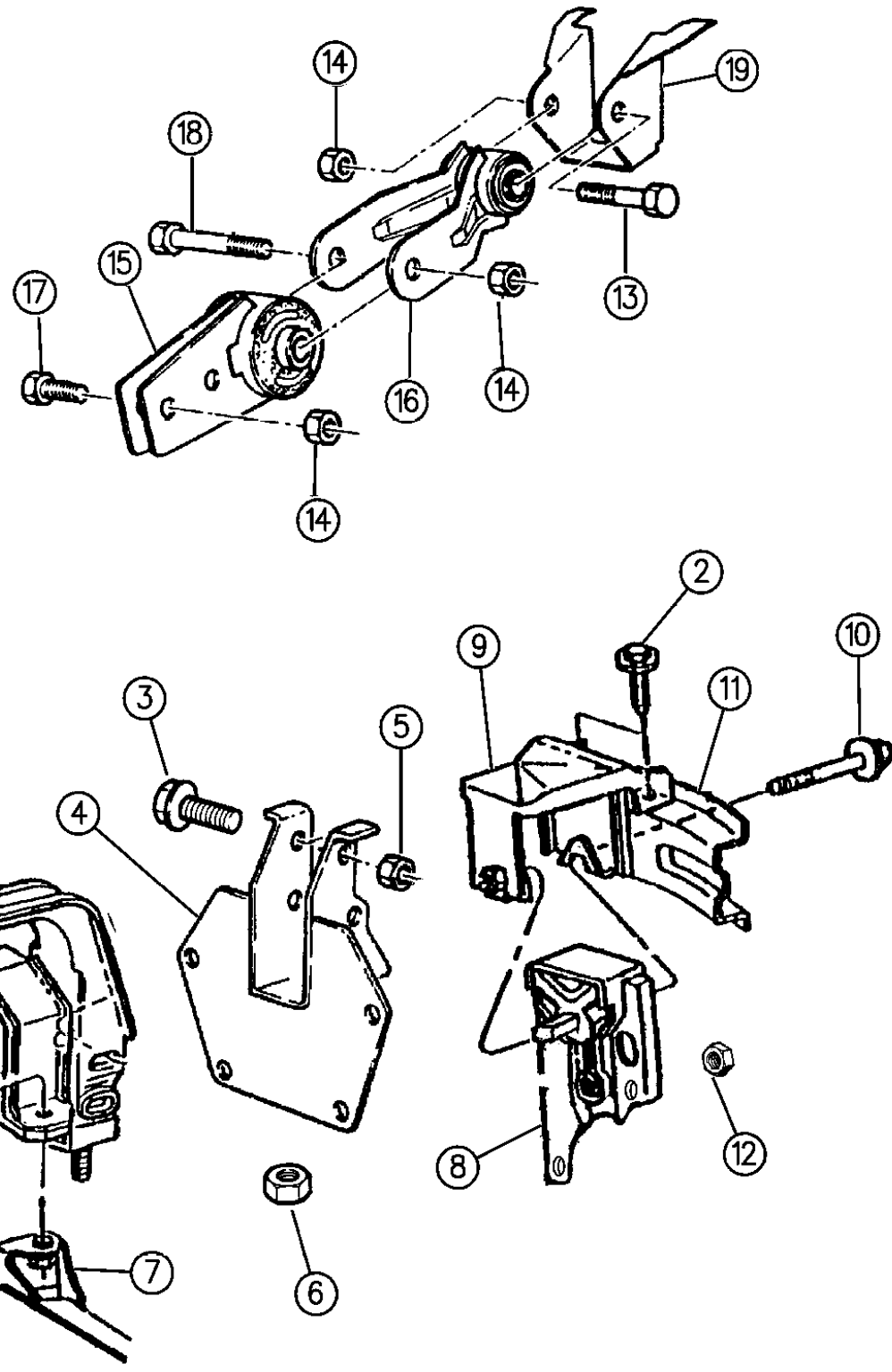
21=2-Door Coupe      41=4-Door Sedan      12-52=FWD & AWD Van & Wgn Std W.B.  
 24=2-Door Hatchback      44=4-Door Hatchback      53=FWD & AWD Van & Wgn Ext. W.B.  
 27=2-Door Convertible

AR = Use as Required - = Non Illustrated Part P.A.R. = Paint as Required

ENGINE MOUNTS 2.5L TURBO DIESEL S BODY-LATE MODEL 93 BUILD

Figure 9D-1010

93120 1010



94120 1010

ITEM	PART NUMBER	QTY	BODY	MODEL	DESCRIPTION
1	5281 695	1			SUPPORT ASSY, Engine Mount -Right- ***
2	6503 119	4			SCREW, w/Washer, Support to Frame
3	6502 027	2			SCREW, w/Washer, Bracket to Engine Mounting Bracket -Right-
4	4720 225	1			BRACKET, Engine Mounting -Right-
5	6502 195	2			NUT, Insulator Bracket to Engine Mounting Screw -Right-
6	6501 737	1			NUT, Insulator Bracket Stud to Engine Bracket -Right-
7					SIDE RAIL (Reference) ***
8	5281 271	1			SUPPORT ASSY, Engine Mount -Left- ***
9	4612 493	1			BRACKET, Front Side Rail Engine Mounting -Left-
10	6501 940	1			SCREW, w/Washer, Insulator to Frame -Left-
11					FRAME ASSY, (Reference) ***
12	4612 410	3			NUT, Insulator Bracket to Transmission Case -Left-
13	6101 342	1			SCREW, Torque Strut Bracket to Crossmember
14	6100 518	3			NUT, Torque Strut Assy
15	4668 063	1			BRACKET/BUSHING ASSY, Torque Strut ***
16	4668 030	1			BRACKET/BUSHING ASSY, Torque Strut ***
17	6101 062	2			SCREW, Torque Strut to Engine
18	6101 440	1			SCREW, Torque Strut Pivot
19					CROSSMEMBER, (Reference)

MODEL CODES:

A BODY=(C=LeBaron, D=Spirit, P=Acclaim/LaBaron(Landau, Saratoga) S BODY=(H=Voyager(H) FWD, K=Caravan(H) FWD, Y=Town & Country(H) FWD, P=Voyager(K) AWD, D=Caravan(K) AWD, C=Town & Country(K) AWD)  
 C BODY=(D=Dynasty, C=New Yorker/N.Y. Salon)  
 G BODY=(V=Daytona/IROC, Chrysler Daytona)  
 J BODY=(C=LeBaron, Chrysler LeBaron)  
 P BODY=(P=Sundance, D=Shadow)  
 Y BODY=(C=Imperial/5th Avenue)  
 E-S BODY=(K=Chrysler Voyager(H) FWD, D=Chrysler Voyager(K) AWD)

BODY STYLES:

21=2-Door Coupe      41=4-Door Sedan      12-52=FWD & AWD Van & Wgn Std W.B.  
 24=2-Door Hatchback      44=4-Door Hatchback      53=FWD & AWD Van & Wgn Ext. W.B.  
 27=2-Door Convertible

AR = Use as Required - = Non Illustrated Part P.A.R. = Paint as Required

**GROUP 9B - ENGINE, 6 CYLINDER**

<b>ILLUSTRATION TITLE</b>	<b>GROUP-FIG. NO.</b>
I.D. LOCATION 3.0L ENGINE .....	Fig. 9B-50
<b>3.0 L ENGINE</b>	
SHORT ENGINE 3.0 L ENGINE .....	Fig. 9B-100
GASKET SETS 3.0 L ENGINE .....	Fig. 9B-200
CYLINDER BLOCK 3.0 L ENGINE .....	Fig. 9B-300
CYLINDER HEAD 3.0 L ENGINE .....	Fig. 9B-400
CRANKSHAFT, PISTONS AND TORQUE CONVERTER 3.0 L ENGINE .....	Fig. 9B-500
CAMSHAFT & VALVES 3.0 L ENGINE .....	Fig. 9B-600
OIL PAN & TIMING BELT COVER 3.0 L ENGINE .....	Fig. 9B-700
MANIFOLD, INTAKE & EXHAUST 3.0 L ENGINE .....	Fig. 9B-800
OIL PUMP & OIL FILTER 3.0 L ENGINE .....	Fig. 9B-900
ENGINE MOUNTING 3.0 L ENGINE .....	Fig. 9B-1000
<b>3.3 AND 3.8 L ENGINE</b>	
I.D. LOCATION 3.3L AND 3.8L ENGINE .....	Fig. 9B-1100
CYLINDER BLOCK 3.3L AND 3.8L ENGINE .....	Fig. 9B-1200
CYLINDER HEAD 3.3L AND 3.8L ENGINE .....	Fig. 9B-1300
CRANKSHAFT AND PISTONS 3.3L AND 3.8L ENGINE .....	Fig. 9B-1400
CAMSHAFT AND VALVES 3.3L AND 3.8L ENGINE .....	Fig. 9B-1500
TIMING CHAIN AND COVER 3.3L AND 3.8L ENGINE .....	Fig. 9B-1600
ENGINE OILING 3.3L AND 3.8L ENGINE .....	Fig. 9B-1700
MANIFOLD, INTAKE AND EXHAUST 3.3L AND 3.8L ENGINE .....	Fig. 9B-1800
CRANKCASE VENTILATION 3.3L AND 3.8L ENGINE .....	Fig. 9B-1900
ENGINE MOUNTING 3.3 L AND 3.8 L ENGINE .....	Fig. 9B-2000
ENGINE MOUNT POWER TRANSFER UNIT S BODY AWD .....	Fig. 9B-2100

**ILLUSTRATION NOT AVAILABLE AT TIME OF PUBLICATION**

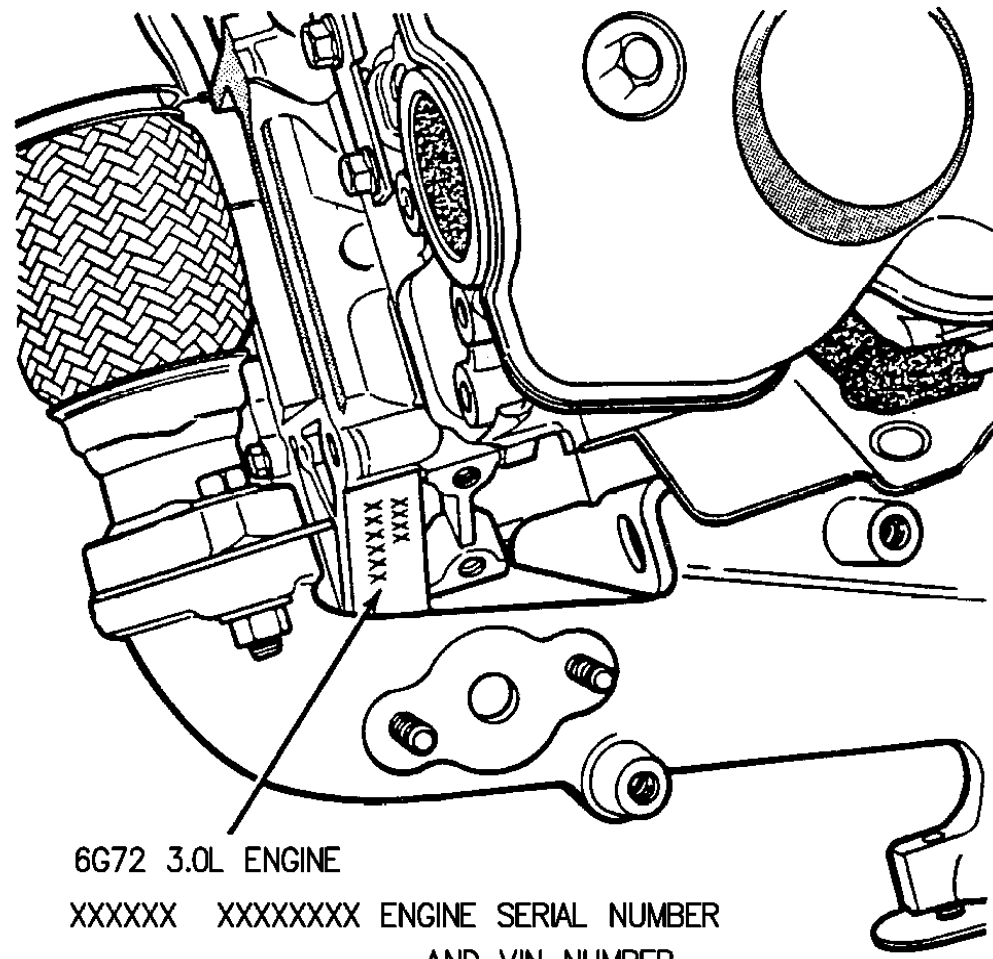
I.D. LOCATION 3.0L ENGINE  
Figure 9B-50

93156 050

GENERAL INFORMATION 3.0L

ENGINE IDENTIFICATION NUMBER OR CODE

The engine identification number is located on the rear of the cylinder block just below the cylinder head.



Engine Identification 3.0L

ITEM	PART NUMBER	QTY	BODY	MODEL	DESCRIPTION
-					I.D. LOCATION ***

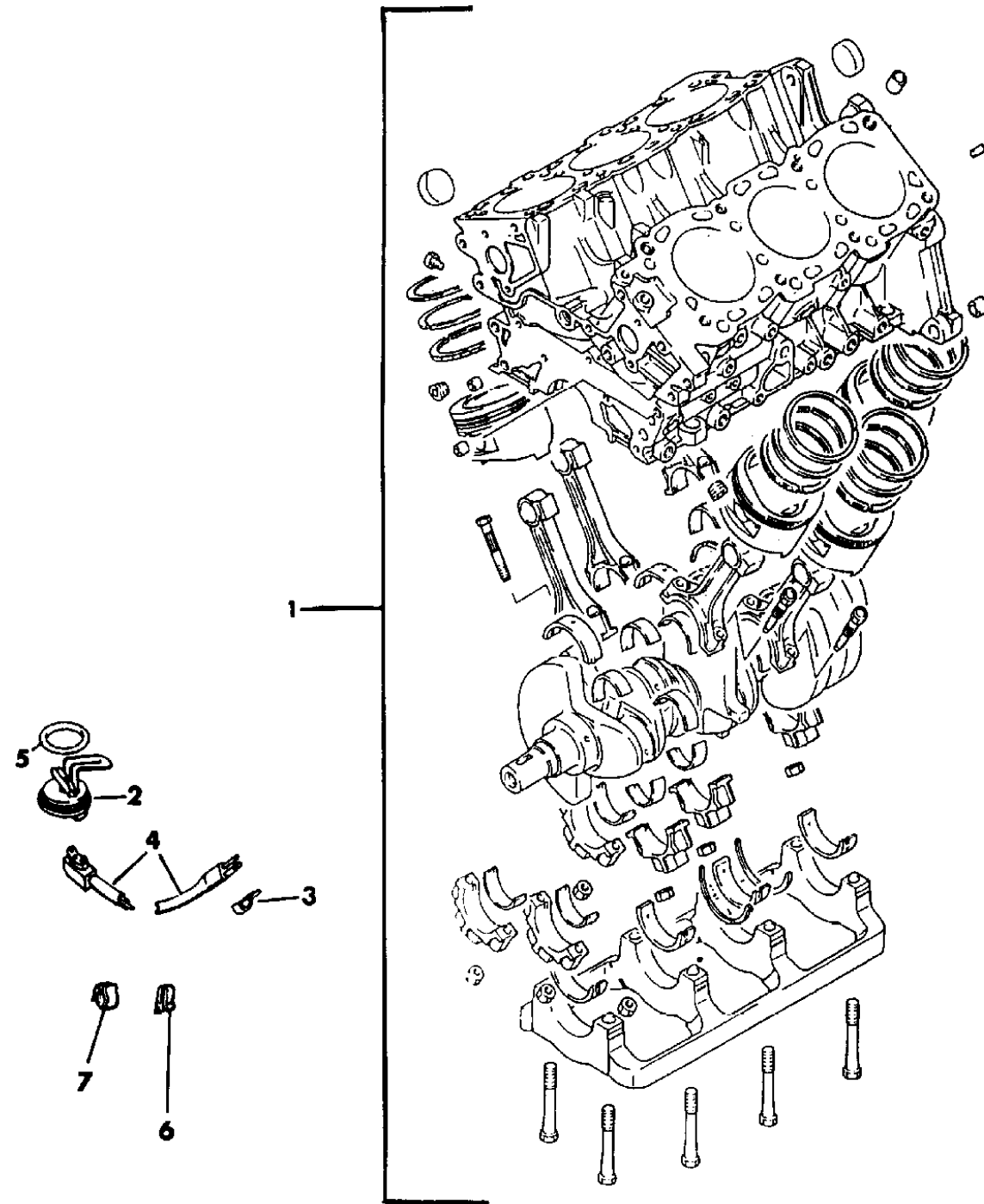
**MODEL CODES:**  
 A BODY=(C=LeBaron, D=Spirit, P=Acclaim/LaBaron(Landau), Saratoga)     S BODY=(H=Voyager(H) FWD, K=Caravan(H) FWD, Y=Town & Country(H) FWD, P=Voyager(K) AWD, D=Caravan(K) AWD, C=Town & Country(K) AWD)  
 C BODY=(D=Dynasty, C=New Yorker/N.Y. Salon)     Y BODY=(C=Imperial/5th Avenue)  
 G BODY=(V=Daytona/ROC, Chrysler Daytona)     E-S BODY=(K=Chrysler Voyager(H) FWD, D=Chrysler Voyager(K) AWD)  
 J BODY=(C=LeBaron, Chrysler LeBaron)  
 P BODY=(P=Sundance, D=Shadow)

**BODY STYLES:**  
 21=2-Door Coupe     41=4-Door Sedan     12-52=FWD & AWD Van & Wgn Std W.B.  
 24=2-Door Hatchback     44=4-Door Hatchback     53=FWD & AWD Van & Wgn Ext. W.B.  
 27=2-Door Convertible

AR = Use as Required - = Non Illustrated Part P.A.R. = Paint as Required

SHORT ENGINE 3.0 L ENGINE  
Figure 9B-100

93156 100



ITEM	PART NUMBER	QTY	BODY	MODEL	DESCRIPTION
1	MD14 0545	1			ENGINE, Short (Except Europe)
	MD15 6461	1			EUROPE
2	4443 903	1			HEATER, Engine Block
3	6015 412	1			CLIP, Engine Block Heater Cord
4	3614 282	1			CORD, Engine Block Heater
5	4494 471	1			O-RING, Engine Block Heater O/S (1-11/32x11/64)
	6501 446	1			(1-11/32x9/64)
	6501 447	1			(13/64x1/16)
6	6015 756	AR			STRAP, Engine Block Heater Cord
7		1			CLIP, Engine Block Heater Cord (Not Serviced)

**MODEL CODES:**

A BODY=(C=LeBaron, D=Spirit, P=Acclaim/LaBaron(Landau), Saratoga) S BODY=(H=Voyager(H) FWD, K=Caravan(H) FWD, Y=Town & Country(H) FWD, P=Voyager(K) AWD, D=Caravan(K) AWD, C=Town & Country(K) AWD)  
 C BODY=(D=Dynasty, C=New Yorker/N.Y. Salon) Y BODY=(C=Imperial/5th Avenue)  
 G BODY=(V=Daytona/IROC, Chrysler Daytona) E-S BODY=(K=Chrysler Voyager(H) FWD, D=Chrysler Voyager(K) AWD)  
 J BODY=(C=LeBaron, Chrysler LeBaron) P BODY=(P=Sundance, D=Shadow)

**BODY STYLES:**

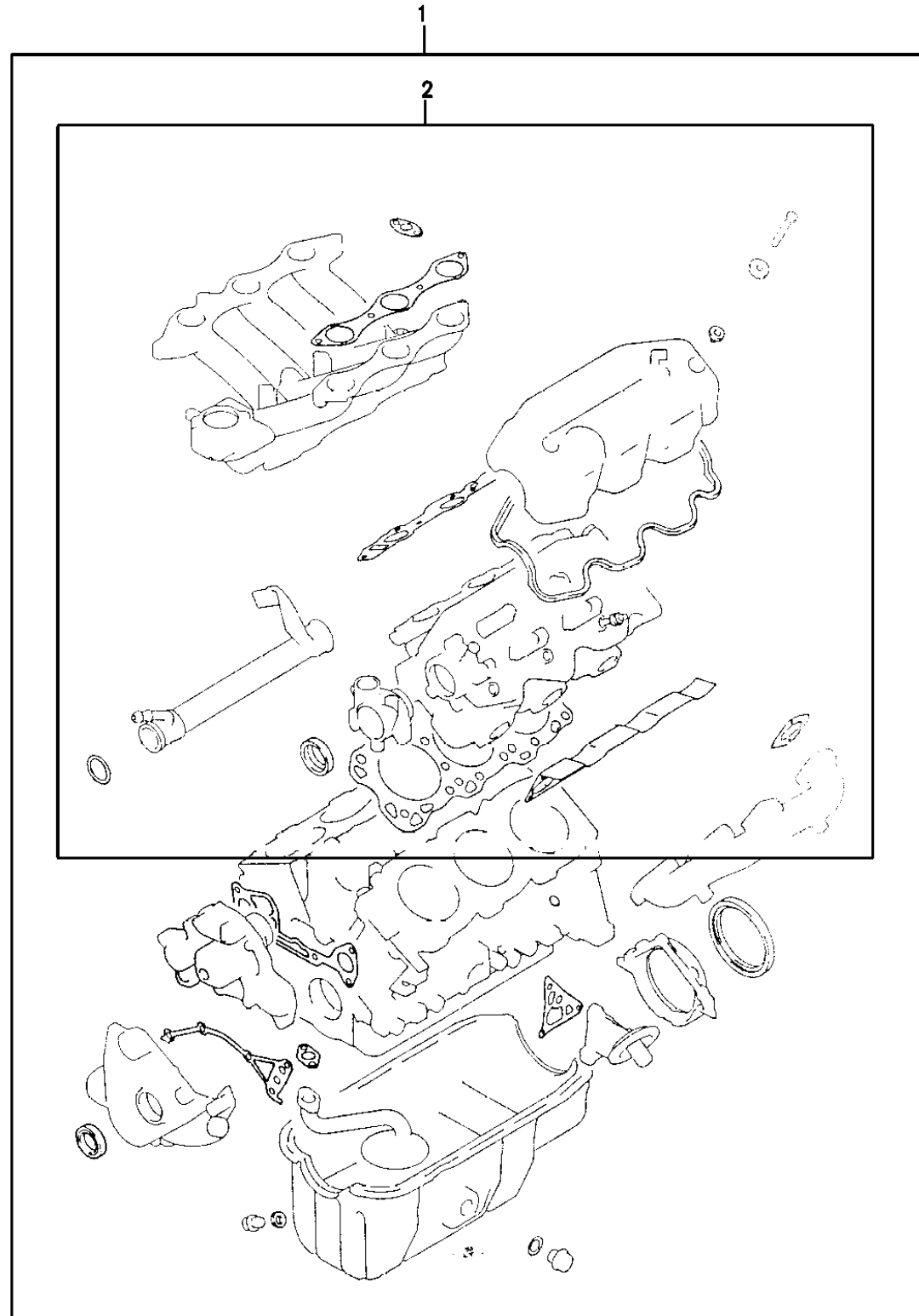
21=2-Door Coupe 41=4-Door Sedan 12-52=FWD & AWD Van & Wgn Std W.B.  
 24=2-Door Hatchback 44=4-Door Hatchback 53=FWD & AWD Van & Wgn Ext. W.B.  
 27=2-Door Convertible

AR = Use as Required - = Non Illustrated Part P.A.R. = Paint as Required

**GASKET SETS 3.0 L ENGINE**  
**Figure 9B-200**

93156 200

ITEM	PART NUMBER	QTY	BODY	MODEL	DESCRIPTION
1	MD99 7494	1			GASKET SET, Engine Overhaul
2	MD99 7488	1			GASKET SET, Engine Upper



**MODEL CODES:**

A BODY=(C=LeBaron, D=Spirit, P=Acclaim/LaBaron(Landau),  
Saratoga) S BODY=(H=Voyager(H) FWD, K=Caravan(H) FWD,  
Y=Town & Country(H) FWD, P=Voyager(K) AWD,  
D=Caravan(K) AWD, C=Town & Country(K) AWD)  
C BODY=(D=Dynasty, C=New Yorker/N.Y. Salon)  
G BODY=(V=Daytona/IROC, Chrysler Daytona) Y BODY=(C=Imperial/5th Avenue)  
J BODY=(C=LeBaron, Chrysler LeBaron) E-S BODY=(K=Chrysler Voyager(H) FWD, D=Chrysler  
P BODY=(P=Sundance, D=Shadow) Voyager(K) AWD)

**BODY STYLES:**

21=2-Door Coupe      41=4-Door Sedan      12-52=FWD & AWD Van & Wgn Std W.B.  
24=2-Door Hatchback      44=4-Door Hatchback      53=FWD & AWD Van & Wgn Ext. W.B.  
27=2-Door Convertible

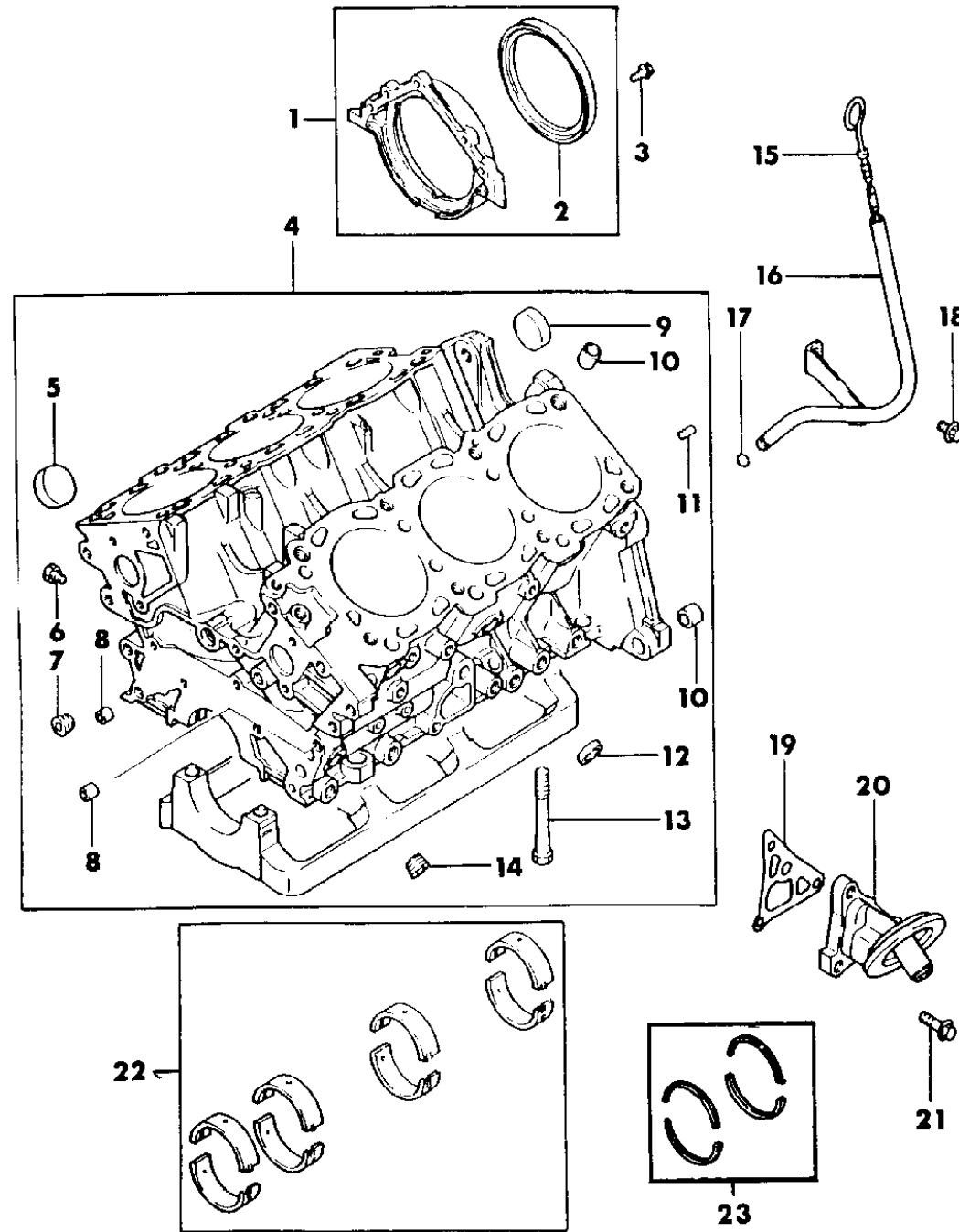
AR = Use as Required - = Non Illustrated Part P.A.R. = Paint as Required



CYLINDER BLOCK 3.0 L ENGINE

Figure 9B-300

93156 300



ITEM	PART NUMBER	QTY	BODY	MODEL	DESCRIPTION
1	MD09 6866	1			CASE ASSEMBLY, Oil Seal
2	MD10 1915	1			OIL SEAL
3	MF14 0207	3			BOLT, Flange (6x20)
4	MD11 4563	1			BLOCK ASSEMBLY, Cylinder
5	MD09 6863	1			CAP, Sealing (41)
6	MD00 0269	2			PLUG, Taper (PT-1/4)
7	MD04 0338	2			PLUG, Taper
8	MS47 1104	2			BUSHING, Knock (8x9)
9	MF66 5541	2			CAP, Sealing (35)
10	MS47 1111	2			BUSHING, Knock (12x13)
	MS47 1112	4			(12x16)
11	MF47 2403	2			PIN, Dowel (6)
12	MF66 5538	5			CAP, Sealing (25)
13	MD08 8723	8			BOLT, Bearing Cap
14	MD14 5018	1			PLUG, Taper (PT-3/8)
15	MD13 2369	1			ROD, Oil Level Gauge
16	MD10 3164	1			GUIDE, Oil Level Gauge
17	MD07 5834	1			O-RING, (9)
18	MF14 0021	1			BOLT, Flange (8x12)
19	MD15 1297	1			GASKET, Oil Filter Bracket
20	MD10 1814	1			BRACKET, Oil Filter (Domestic)
	MD11 1606	1			EUROPE
21	MF14 0027	3			BOLT, Flange (8x25)
22	MD10 5269	4			BEARING SET, Crankshaft (Std.)
23	MD11 6890	1			BEARING SET, Crankshaft Thrust

MODEL CODES:

A BODY=(C=LeBaron, D=Spirit, P=Acclaim/LaBaron(Landau),  
Saratoga)  
C BODY=(D=Dynasty, C=New Yorker/N.Y. Salon)  
G BODY=(V=Daytona/IROC, Chrysler Daytona)  
J BODY=(C=LeBaron, Chrysler LeBaron)  
P BODY=(P=Sundance, D=Shadow)

S BODY=(H=Voyager(H) FWD, K=Caravan(H) FWD,  
Y=Town & Country(H) FWD, P=Voyager(K) AWD,  
D=Caravan(K) AWD, C=Town & Country(K) AWD)  
Y BODY=(C=Imperial/5th Avenue)  
E-S BODY=(K=Chrysler Voyager(H) FWD, D=Chrysler  
Voyager(K) AWD)

BODY STYLES:

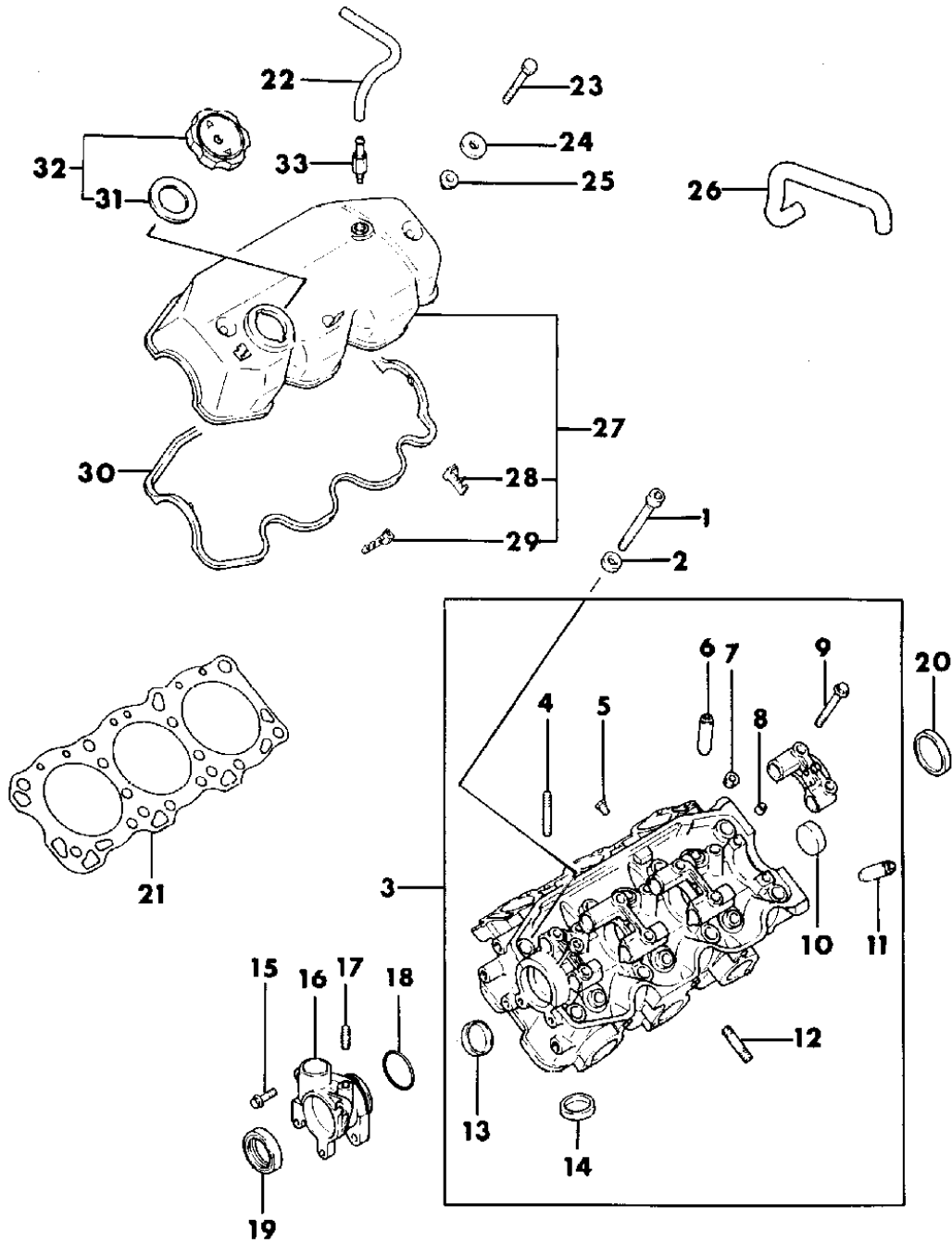
21=2-Door Coupe      41=4-Door Sedan      12-52=FWD & AWD Van & Wgn Std W.B.  
24=2-Door Hatchback      44=4-Door Hatchback      53=FWD & AWD Van & Wgn Ext. W.B.  
27=2-Door Convertible

AR = Use as Required - = Non Illustrated Part P.A.R. = Paint as Required

CYLINDER HEAD 3.0 L ENGINE

Figure 9B-400

93156 400



ITEM	PART NUMBER	QTY	BODY	MODEL	DESCRIPTION
1	MD06 5959	16			BOLT, Cylinder Head
2	MD02 0733	16			WASHER, Cylinder Head Bolt
3	MD18 2211	2			HEAD ASSEMBLY, Cylinder (Domestic)
NOTE: WHEN REPLACING A CYLINDER HEAD ASSY, 1987-1990, ORDER 1 BOLT PART MF103961 and 1 BOLT MF103966APPLICATION 1991 and FORWARD HAS CORRECT BOLTS addition as described in the Chrysler Repair Manual.					
	MD18 2213	2			EUROPE
4	MD10 8395	8			STUD (8x38)
5	MD10 4627	2			PLUG, Taper (1/16)
6	MD00 0461	6			GUIDE , Valve Inlet (0.05 MM O/S)
	MD00 0462	6			(0.25 MM O/S)
	MD00 0463	6			(0.50 MM O/S)
7	MD02 2295	2			PLUG, Taper (1/4)
8	MD00 9347	16			BUSHING, Knock (8)
9	MD02 0566	16			BOLT, Flange
10	MF66 5541	2			PLUG, Expansion
11	MD18 5850	6			GUIDE, Valve Exhaust (0.05 MM O/S)
	MD18 5851	6			(0.25 MM O/S)
	MD18 5852	6			(0.50 MM O/S)
	MD18 5547	AR			SNAP RING, Cylinder Head
12	MD10 8396	12			STUD (8x30)
13	MD11 0451	6			SEAT, Valve Exhaust (0.30 MM O/S) (Domestic)
	MD12 8114	6			(0.30 MM O/S) (European Export)
	MD11 0452	6			(0.60 MM O/S) (Exc. European Export)
	MD12 8115	6			(0.60 MM O/S) (European Export)
14	MD02 4414	6			SEAT, Valve Inlet (0.30 MM O/S)
	MD02 4415	6			(0.60 MM O/S)
15	MF14 0027	3			BOLT, Flange (8x25)
16	MD09 6907	1			ADAPTER ASSEMBLY, Distributor
17	MS40 1327	1			STUD (8x25)
18	MD09 6909	1			O-RING
19	MD13 3317	2			OIL SEAL, Stamped "NOK---AH2057N"
20	MD18 0183	2			PACKING, Circular
21	MD16 5614	2			GASKET, Cylinder Head
22	MD14 3606	1			HOSE, PCV
	4536 062	1			INSULATOR, PCV Valve Hose
	4459 663	1			HOSE, PCV Make-Up Drain
23	MF10 3961	4			BOLT, Rocker Cover (8x35)
	MF10 3966	4			(8x55)
24	MD08 5089	4			WASHER

MODEL CODES:

A BODY=(C=LeBaron, D=Spirit, P=Acclaim/LaBaron(Landau), Saratoga)

C BODY=(D=Dynasty, C=New Yorker/N.Y. Salon)

G BODY=(V=Daytona/ROCC, Chrysler Daytona)

J BODY=(C=LeBaron, Chrysler LeBaron)

P BODY=(P=Sundance, D=Shadow)

S BODY=(H=Voyager(H) FWD, K=Caravan(H) FWD,

Y=Town & Country(H) FWD, P=Voyager(K) AWD,

D=Caravan(K) AWD, C=Town & Country(K) AWD)

Y BODY=(C=Imperial/5th Avenue)

E-S BODY=(K=Chrysler Voyager(H) FWD, D=Chrysler

Voyager(K) AWD)

BODY STYLES:

21=2-Door Coupe 41=4-Door Sedan 12-52=FWD & AWD Van & Wgn Std W.B.

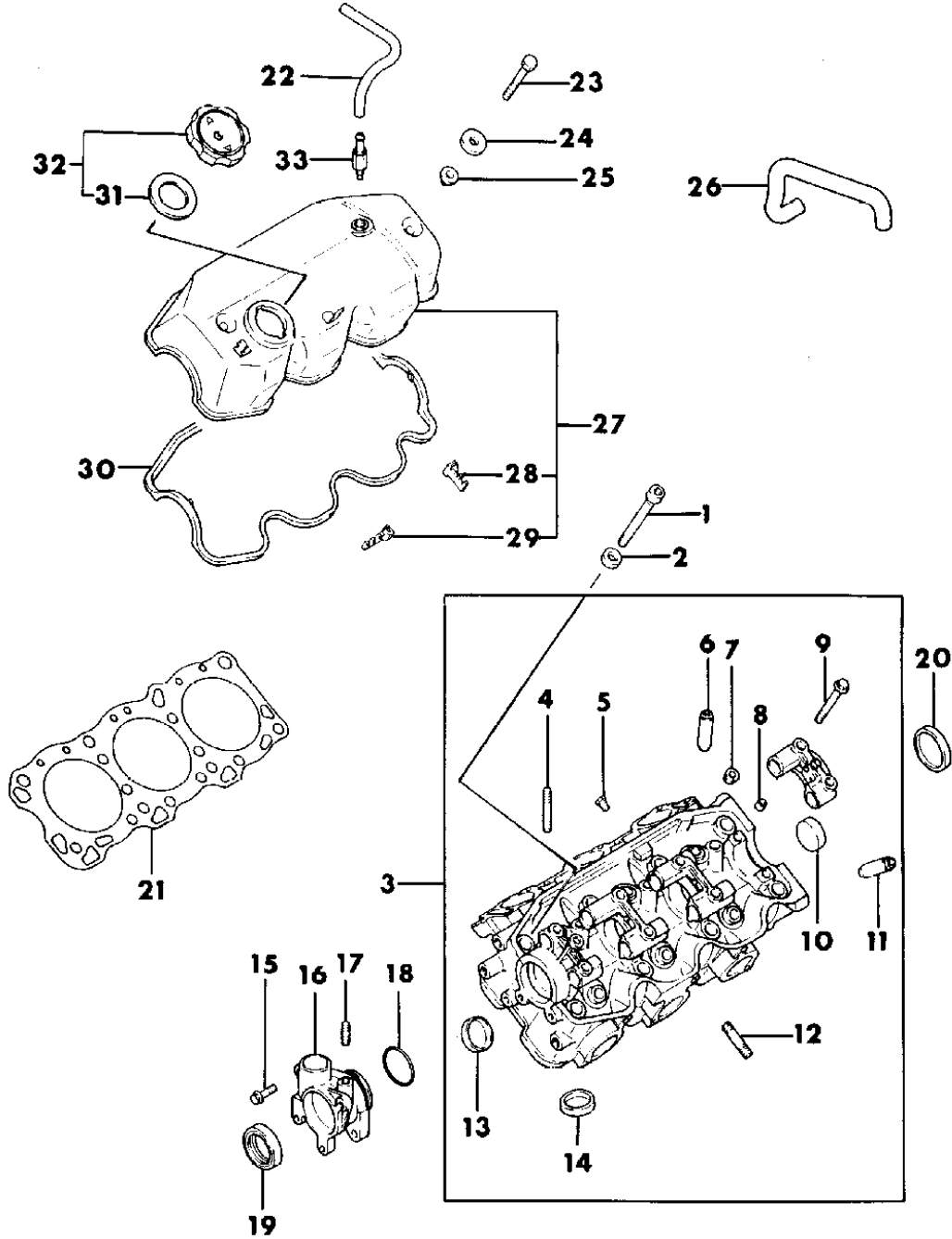
24=2-Door Hatchback 44=4-Door Hatchback 53=FWD & AWD Van & Wgn Ext. W.B.

27=2-Door Convertible

AR = Use as Required - = Non Illustrated Part P.A.R. = Paint as Required

**CYLINDER HEAD 3.0 L ENGINE**  
**Figure 9B-400**

93156 400



ITEM	PART NUMBER	QTY	BODY	MODEL	DESCRIPTION
25	MD00 0523	4			OIL SEAL
26	MD17 0192	1			HOSE, Breather
27	MD14 3583	1			COVER ASSEMBLY, Rocker (Left) Includes Item 28,29
	MD15 6423	1			(Right) Includes Item 28 Only
28	MD09 7072	1			CLAMP, Cable
29	MD00 1336	2			CLAMP, Cable
30	MD13 3671	2			GASKET, Rocker Cover
31	MD10 3148	1			PACKING
32	MD13 2260	1			CAP, Oil Filler
33	MD13 9971	1			VALVE, PCV

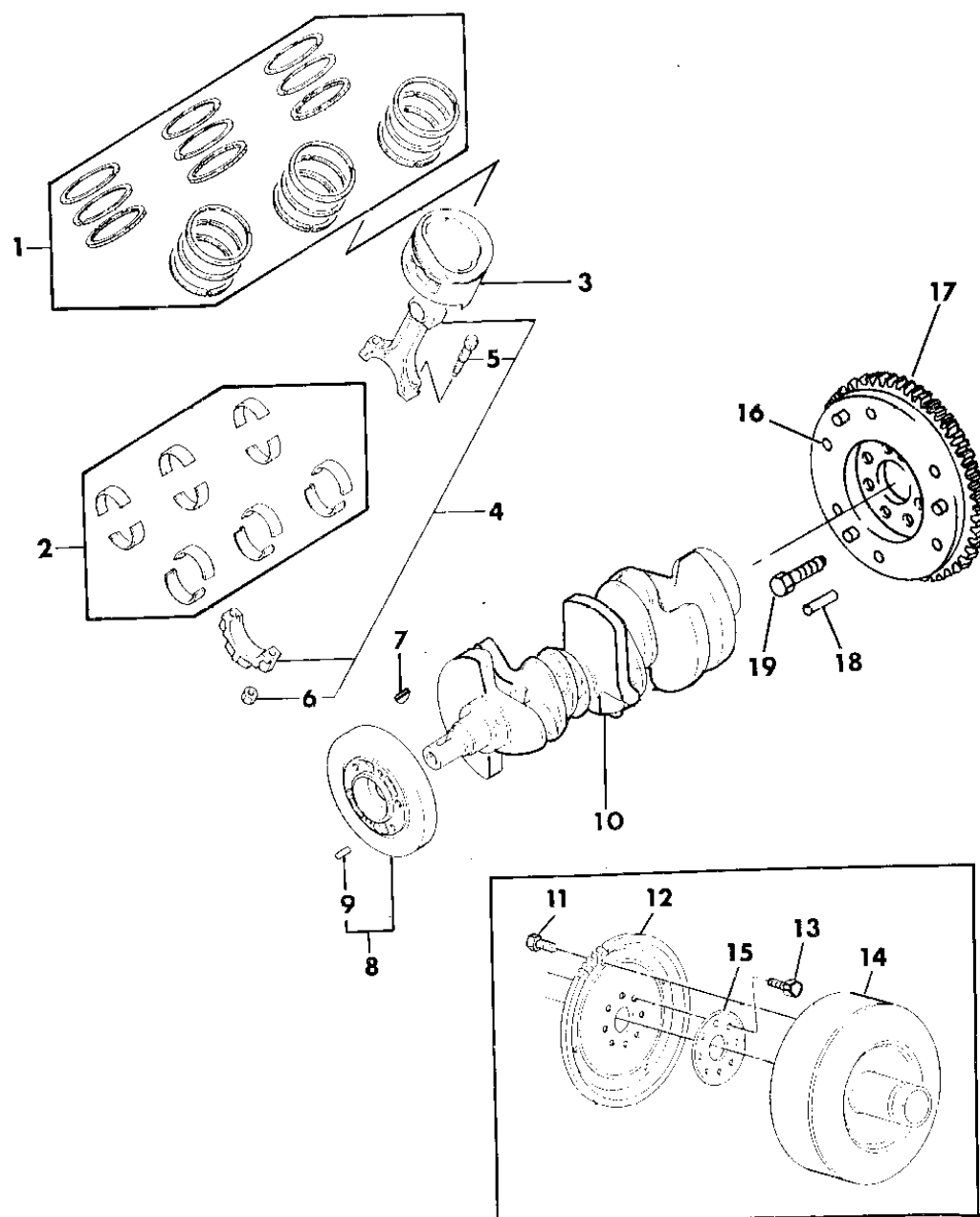
**MODEL CODES:**  
A BODY=(C=LeBaron, D=Spirit, P=Acclaim/LaBaron(Landau), Saratoga) S BODY=(H=Voyager(H) FWD, K=Caravan(H) FWD, Y=Town & Country(H) FWD, P=Voyager(K) AWD, D=Caravan(K) AWD, C=Town & Country(K) AWD)  
C BODY=(D=Dynasty, C=New Yorker/N.Y. Salon) Y BODY=(C=Imperial/5th Avenue)  
G BODY=(V=Daytona/IROC, Chrysler Daytona) E-S BODY=(K=Chrysler Voyager(H) FWD, D=Chrysler Voyager(K) AWD)  
J BODY=(C=LeBaron, Chrysler LeBaron)  
P BODY=(P=Sundance, D=Shadow)

**BODY STYLES:**  
21=2-Door Coupe 41=4-Door Sedan 12-52=FWD & AWD Van & Wgn Std W.B.  
24=2-Door Hatchback 44=4-Door Hatchback 53=FWD & AWD Van & Wgn Ext. W.B.  
27=2-Door Convertible

AR = Use as Required - = Non Illustrated Part P.A.R. = Paint as Required

**CRANKSHAFT, PISTONS AND TORQUE CONVERTER 3.0 L ENGINE**  
**Figure 9B-500**

93156 500



ITEM	PART NUMBER	QTY	BODY	MODEL	DESCRIPTION
1					RING SET, Piston (Up to Prod Date 11-30-92)
	MD10 4939	1			(Std.)
	MD10 5201	1			(0.25 MM O/S)
	MD10 5202	1			(0.50 MM O/S)
	MD10 5203	1			(0.75 MM O/S)
	MD10 5204	1			(1.00 MM O/S) (Prod Date 12-01-92 and After) ***
	MD30 1716	1			(Std.)
	MD30 1717	1			(0.25 MM O/S)
	MD30 1718	1			(0.50 MM O/S)
	MD30 1719	1			(0.75 MM O/S)
	MD30 1720	1			(1.00 MM O/S)
					RING SET, Piston(EUROPE)(Up to Prod Date 11-30-92)
	MD12 9548	1			(Std.)
	MD12 9549	1			(0.25 MM O/S)
	MD12 9550	1			(0.50 MM O/S)
	MD12 9551	1			(0.75 MM O/S)
	MD12 9552	1			(1.00 MM O/S) (Prod Date 12-01-92 and After)(EUROPE) ***
	MD30 1803	1			(Std.)
	MD30 1804	1			(0.25 MM O/S)
	MD30 1805	1			(0.50 MM O/S)
	MD30 1806	1			(0.75 MM O/S)
	MD30 1807	1			(1.00 MM O/S)
2	MD10 5277	1			BEARING SET, Connecting Rod (Std.)
3					PISTON, w/PIN, (Up to Prod Date 11-30-92)
	MD11 9671	3			(Std.) Rt.
	MD13 1251	3			(0.25 MM O/S) Rt.
	MD13 1252	3			(0.50 MM O/S) Rt.
	MD13 1253	3			(0.75 MM O/S) Rt.
	MD13 1254	3			(1.00 MM O/S) Rt.
	MD15 2563	3			(Std.) Lt.
	MD15 2575	3			(0.25 MM O/S) Lt.
	MD15 2576	3			(0.50 MM O/S) Lt.
	MD15 2577	3			(0.75 MM O/S) Lt.
	MD15 2578	3			(1.00 MM O/S) Lt.
					PISTON, w/PIN, (Prod Date 12-01-92 and After)
	MD19 7808	3			(Std.) Rt.
	MD30 1733	3			(0.25 MM O/S) Rt.

**MODEL CODES:**

A BODY=(C=LeBaron, D=Spirit, P=Acclaim/LaBaron(Landau), Saratoga) S BODY=(H=Voyager(H) FWD, K=Caravan(H) FWD, Y=Town & Country(H) FWD, P=Voyager(K) AWD, D=Caravan(K) AWD, C=Town & Country(K) AWD)  
 C BODY=(D=Dynasty, C=New Yorker/N.Y. Salon)  
 G BODY=(V=Daytona/ROC, Chrysler Daytona)  
 J BODY=(C=LeBaron, Chrysler LeBaron)  
 P BODY=(P=Sundance, D=Shadow)  
 Y BODY=(C=Imperial/5th Avenue)  
 E-S BODY=(K=Chrysler Voyager(H) FWD, D=Chrysler Voyager(K) AWD)

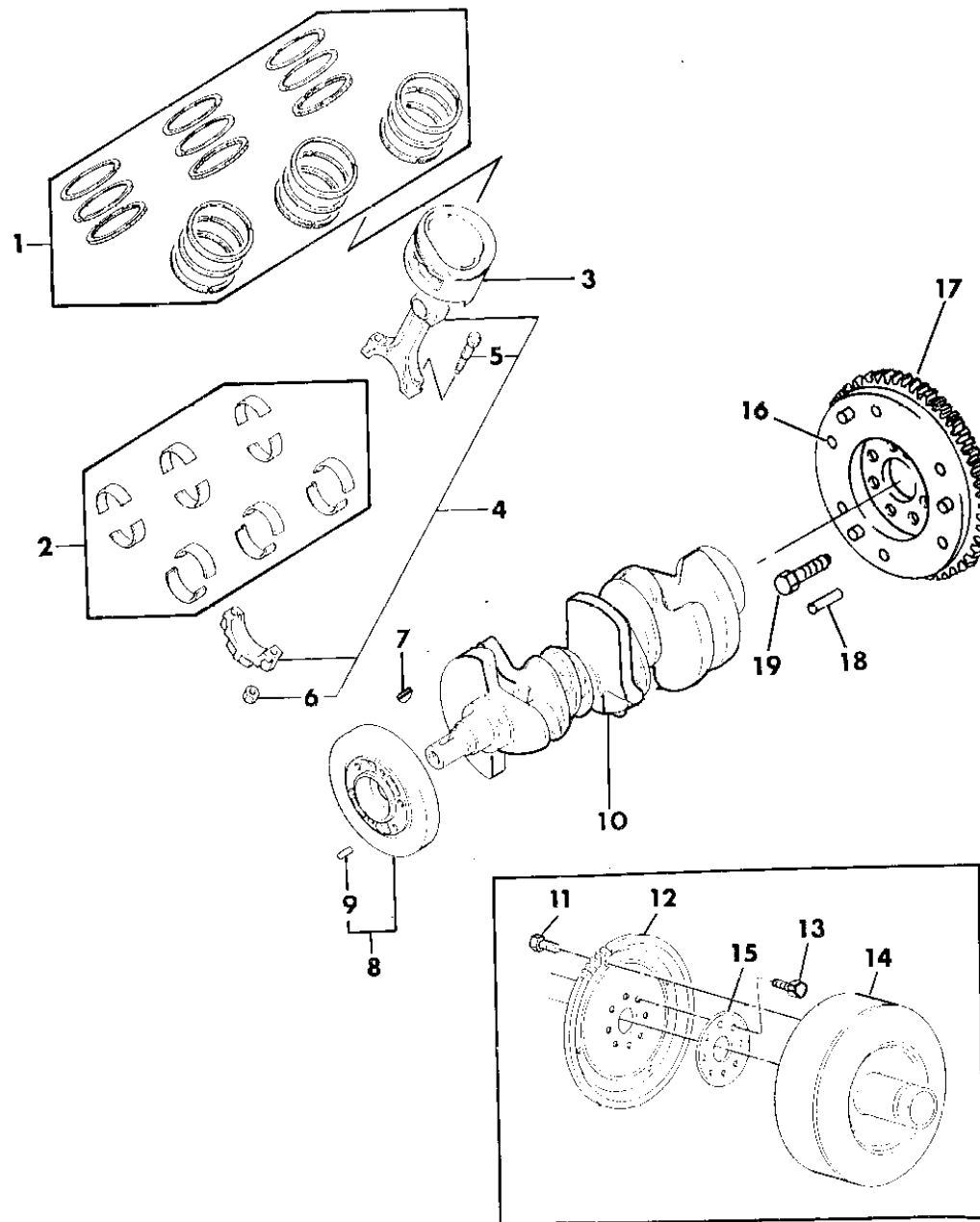
**BODY STYLES:**

21=2-Door Coupe      41=4-Door Sedan      12-52=FWD & AWD Van & Wgn Std W.B.  
 24=2-Door Hatchback      44=4-Door Hatchback      53=FWD & AWD Van & Wgn Ext. W.B.  
 27=2-Door Convertible

AR = Use as Required - = Non Illustrated Part P.A.R. = Paint as Required

**CRANKSHAFT, PISTONS AND TORQUE CONVERTER 3.0 L ENGINE**  
**Figure 9B-500**

93156 500



ITEM	PART NUMBER	QTY	BODY	MODEL	DESCRIPTION
	MD30 1734	3			(0.50 MM O/S) Rt.
	MD30 1735	3			(0.75 MM O/S) Rt.
	MD30 1736	3			(1.00 MM O/S) Rt.
	MD19 7814	3			(Std.) Lt.
	MD30 1741	3			(0.25 MM O/S) Lt.
	MD30 1742	3			(0.50 MM O/S) Lt.
	MD30 1743	3			(0.75 MM O/S) Lt.
	MD30 1744	3			(1.00 MM O/S) Lt.
4	MD09 6043	6			ROD ASSEMBLY, Connecting
5	MD09 6144	12			BOLT, Connecting Rod
6	MD00 6704	12			NUT, Connecting Rod
7	MD00 8959	1			KEY, Camshaft (5x22)
8	MD09 6778	1			DAMPER ASSEMBLY, Crankshaft
9	MF47 2569	1			PIN, Spring (5x16)
10	MD14 4525	1			CRANKSHAFT
11	6501 099	4			BOLT, Drive Plate to T/Converter
12	4446 309	1			PLATE, T/Converter Drive
13	6501 193	8			BOLT, Drive Plate to Crankshaft
14	4723 463	1			TORQUE CONVERTER ASSEMBLY
15	4471 933	1			PLATE, Crankshaft Bolt Backing
16	4471 319	1	G,J,P		FLYWHEEL, w/Ring Gear ***
17		1			(Serviced in Flywheel)
18	6031 923	2	G,J,P		DOWEL, Clutch Cover to Flywheel
19	6501 197	8	G,J,P		BOLT, Flywheel

**MODEL CODES:**

A BODY=(C=LeBaron, D=Spirit, P=Acclaim/LaBaron(Landau),  
Saratoga)  
 C BODY=(D=Dynasty, C=New Yorker/N.Y. Salon)  
 G BODY=(V=Daytona/IROC, Chrysler Daytona)  
 J BODY=(C=LeBaron, Chrysler LeBaron)  
 P BODY=(P=Sundance, D=Shadow)

S BODY=(H=Voyager(H) FWD, K=Caravan(H) FWD,  
Y=Town & Country(H) FWD, P=Voyager(K) AWD,  
D=Caravan(K) AWD, C=Town & Country(K) AWD)  
 Y BODY=(C=Imperial/5th Avenue)  
 E-S BODY=(K=Chrysler Voyager(H) FWD, D=Chrysler  
Voyager(K) AWD)

**BODY STYLES:**

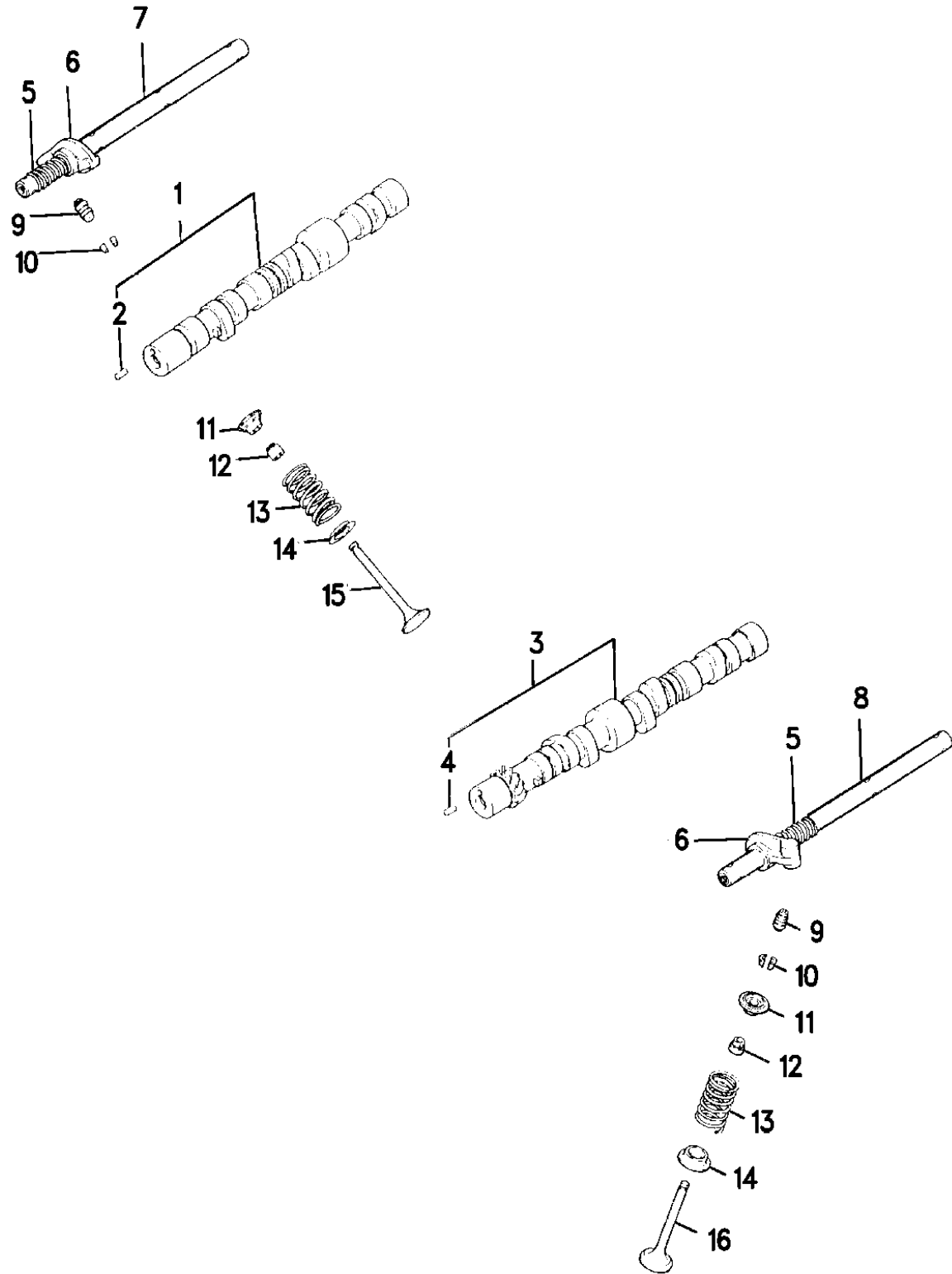
21=2-Door Coupe      41=4-Door Sedan      12-52=FWD & AWD Van & Wgn Std W.B.  
 24=2-Door Hatchback      44=4-Door Hatchback      53=FWD & AWD Van & Wgn Ext. W.B.  
 27=2-Door Convertible

AR = Use as Required - = Non Illustrated Part P.A.R. = Paint as Required

CAMSHAFT & VALVES 3.0 L ENGINE

Figure 9B-600

93156 600A



ITEM	PART NUMBER	QTY	BODY	MODEL	DESCRIPTION
1	MD14 5655	1			CAMSHAFT ASSEMBLY,(B)-Rt.
2	MD15 8443	1			PIN, Dowel
3	MD14 5656	1			CAMSHAFT ASSEMBLY,(A)-Lt.
4	MD15 8443	1			PIN, Dowel
5	MD12 5669	12			SPRING, Rocker Shaft Rt.
6	MD19 5450	12			ARM, Rocker (B) Intake and Exhaust
7	MD09 6809	2			SHAFT, Rocker Arm (B) Exhaust
8	MD09 6810	2			SHAFT, Rocker Arm (A) Intake
9	MD15 1382	12			ADJUSTER, Lash
10	MD06 1895	24			LOCK, Valve Spring Retainer
11	MD06 6498	12			RETAINER, Valve Spring
12	MD19 7467	12			SEAL, Valve Stem
13	MD07 3398	12			SPRING, Valve Intake and Exhaust
14	MD09 6944	12			SEAT, Valve Spring
15	MD08 8812	6			VALVE, Exhaust (Except Europe)
	MD09 6219	6			EUROPE
16	MD08 8811	6			VALVE, Inlet

MODEL CODES:

A BODY=(C=LeBaron, D=Spirit, P=Acclaim/LaBaron(Landau),  
Saratoga)  
C BODY=(D=Dynasty, C=New Yorker/N.Y. Salon)  
G BODY=(V=Daytona/IROC, Chrysler Daytona)  
J BODY=(C=LeBaron, Chrysler LeBaron)  
P BODY=(P=Sundance, D=Shadow)

S BODY=(H=Voyager(H) FWD, K=Caravan(H) FWD,  
Y=Town & Country(H) FWD, P=Voyager(K) AWD,  
D=Caravan(K) AWD, C=Town & Country(K) AWD)  
Y BODY=(C=Imperial/5th Avenue)  
E-S BODY=(K=Chrysler Voyager(H) FWD, D=Chrysler  
Voyager(K) AWD)

BODY STYLES:

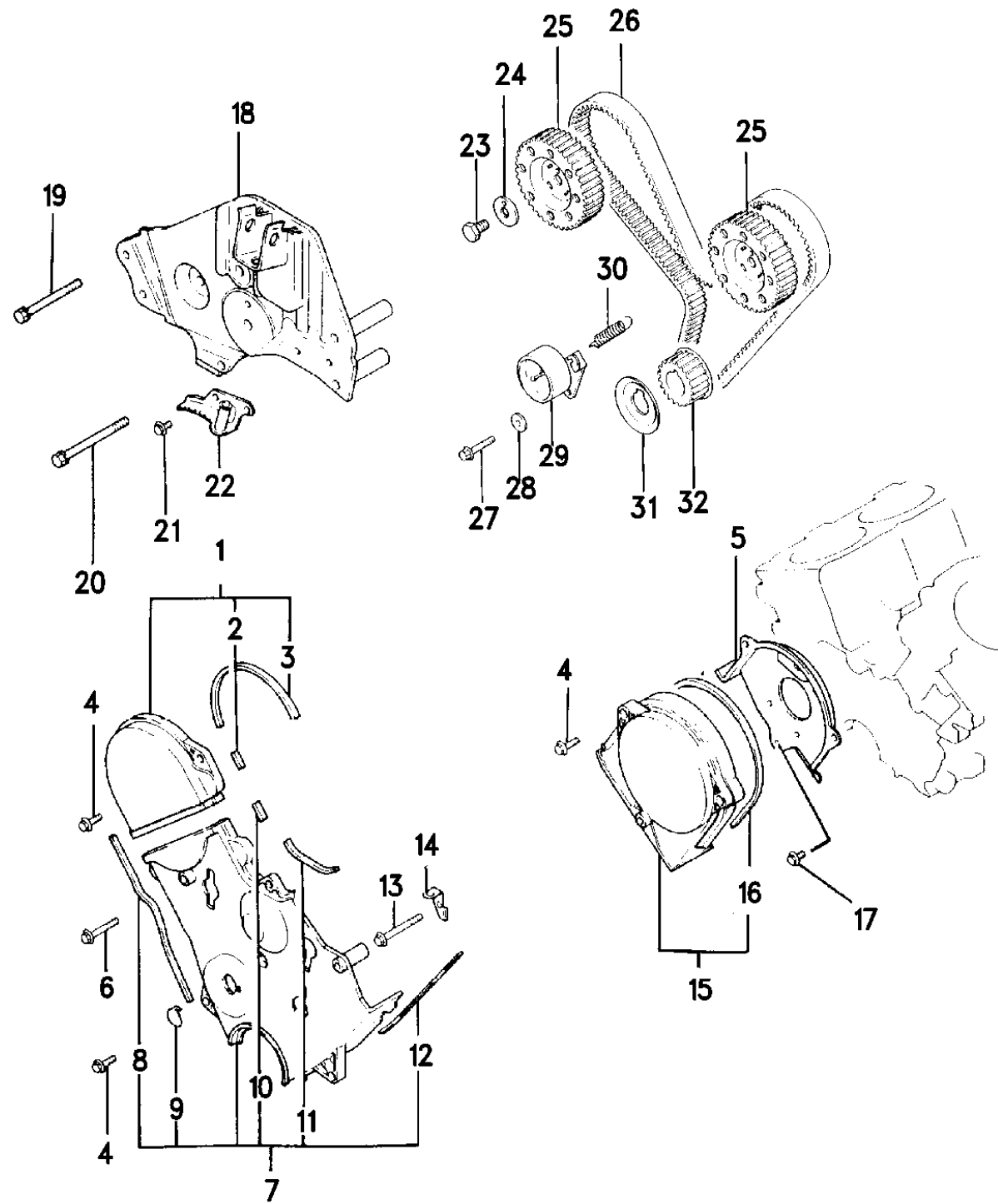
21=2-Door Coupe      41=4-Door Sedan      12-52=FWD & AWD Van & Wgn Std W.B.  
24=2-Door Hatchback      44=4-Door Hatchback      53=FWD & AWD Van & Wgn Ext. W.B.  
27=2-Door Convertible

AR = Use as Required - = Non Illustrated Part P.A.R. = Paint as Required

OIL PAN & TIMING BELT COVER 3.0 L ENGINE

Figure 9B-700

93156 700A



ITEM	PART NUMBER	QTY	BODY	MODEL	DESCRIPTION
1	MD15 6911	1			COVER ASSEMBLY, Timing Belt Outer, Upper
2	MD10 4042	1			GASKET, Timing Belt Cover Lower
3	MD10 4043	1			GASKET, Timing Belt Cover Upper
4	MF14 0207	8			BOLT, Flange (6x20)
5	MD10 4161	1			COVER, Timing Belt Inner
6	MF14 0218	1			BOLT, Flange (6x55)
7	MD14 4769	1			COVER ASSEMBLY, Timing Belt Outer, Lower
8	MD10 4040	1			GASKET, Timing Belt Cover Lower
9	MD00 6668	1			COVER, Access
10	MD10 4042	1			GASKET, Timing Belt Cover Lower
11	MD10 4041	1			GASKET, Timing Belt Cover Lower
12	MD10 4039	1			GASKET, Timing Belt Cover Lower
13	MF14 0219	1			BOLT, Flange (6x60)
14	MD10 7367	1			BRACKET, Harness Clip
15	MD17 5541	1			COVER ASSEMBLY, Timing Belt Outer, Upper
16	MD10 4044	1			GASKET, Timing Belt Cover Upper
17	MF14 0202	3			BOLT, Flange (6x10)
18	MD15 6820	1			BRACKET, Engine Support
19	MF30 1358	1			Washer Assembled (10x85)
	MD15 8693	1			Flange, (8x94)
20	MF30 1360	3			BOLT, Washer Assembled (10x100)
21	MF14 0202	2			BOLT, Flange (6x10)
22	MD09 8809	1			BRACKET, Timing Indicator
23	MF14 0285	2			BOLT, Flange (12x30)
24	MD09 0578	2			WASHER, Camshaft Sprocket
25	MD10 4052	2			SPROCKET, Camshaft
26	MD10 0679	1			BELT, Timing
27	MF14 0234	1			BOLT, Flange (8x45)
28	MD14 5401	1			WASHER, (t=2)
29	MD10 4578	1			TENSIONER, Timing Belt
30	MD16 6227	1			SPRING, Tensioner
31	MD09 6940	1			FLANGE, Sprocket
32	MD10 0568	1			SPROCKET, Crankshaft

MODEL CODES:

A BODY=(C=LeBaron, D=Spirit, P=Acclaim/LaBaron(Landau),  
Saratoga)  
C BODY=(D=Dynasty, C=New Yorker/N.Y. Salon)  
G BODY=(V=Daytona/IROC, Chrysler Daytona)  
J BODY=(C=LeBaron, Chrysler LeBaron)  
P BODY=(P=Sundance, D=Shadow)

S BODY=(H=Voyager(H) FWD, K=Caravan(H) FWD,  
Y=Town & Country(H) FWD, P=Voyager(K) AWD,  
D=Caravan(K) AWD, C=Town & Country(K) AWD)  
Y BODY=(C=Imperial/5th Avenue)  
E-S BODY=(K=Chrysler Voyager(H) FWD, D=Chrysler  
Voyager(K) AWD)

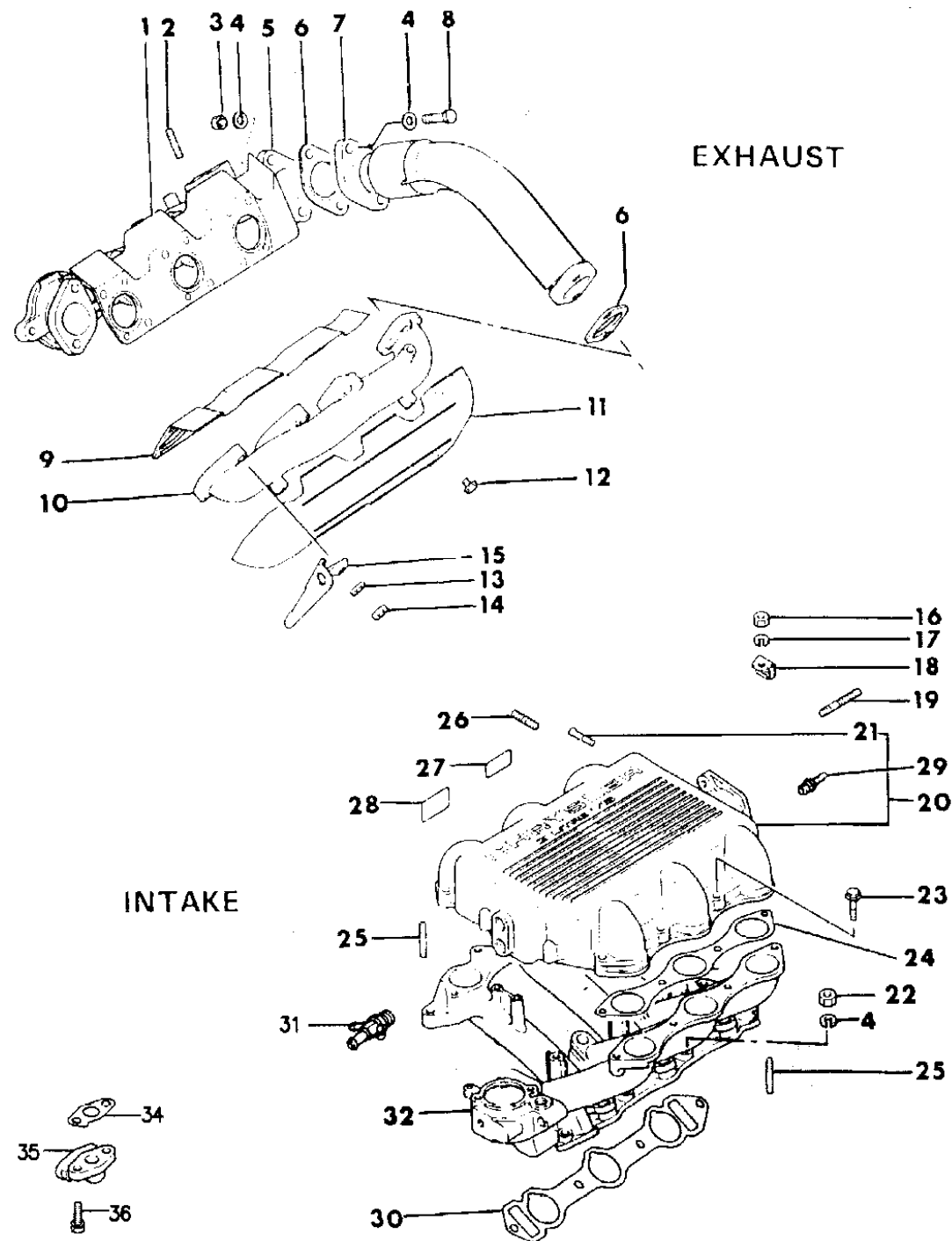
BODY STYLES:

21=2-Door Coupe                      41=4-Door Sedan                      12-52=FWD & AWD Van & Wgn Std W.B.  
24=2-Door Hatchback                44=4-Door Hatchback                53=FWD & AWD Van & Wgn Ext. W.B.  
27=2-Door Convertible

AR = Use as Required - = Non Illustrated Part P.A.R. = Paint as Required

**MANIFOLD, INTAKE & EXHAUST 3.0 L ENGINE**  
**Figure 9B-800**

93156 800A



ITEM	PART NUMBER	QTY	BODY	MODEL	DESCRIPTION
1	MD15 5648	1			GASKET, Exhaust Manifold Rt.
2	MD04 1256	2			STUD, (8x20)
3	MD05 0073	4			NUT, (10)
4	MD05 0076	8			WASHER, Plain (10)
5					MANIFOLD, Exhaust Right
	MD11 7624	1			Automatic
	MD13 4390	1			Manual
6	MD08 8836	2			GASKET, Exhaust Cross Over Pipe
7	MD10 3885	1			PIPE, Exhaust, Cross Over
8	MD00 0478	4			BOLT
9	MD15 5649	1			GASKET, Exhaust Manifold Lt.
10	MD09 6958	1			MANIFOLD, Exhaust Left
11	MD15 5490	1			PROTECTOR, Heat Front
12	MD06 7956	3			BOLT, Flange
13	MD04 1192	7			WASHER, Plain (8)
14	MD00 0569	12			NUT, (8)
15	MD10 8316	2			HANGER, Engine
16	MF43 0035	AR			NUT, (8)
17	MF45 0435	10			WASHER, Spring (8)
18	MD11 7593	1			BRACKET, Intake Domestic 3 Spd. Automatic
19	MS40 1437	2			STUD, (8X55)
20					PLENUM, Air Intake
	MD17 9115	1			Automatic
	MD18 8449	1			Manual
21	MD10 7332	1			NIPPLE
22	MF43 0121	8			NUT, Inlet Manifold (Jam 8)
23	MF24 0362	6			BOLT, Flange (8X45)
24					GASKET, Inlet Air Plenum
	MD09 4128	2			Domestic
	MD14 9853	2			Europe
25	MS40 1335	2			STUD, (8X45)
26	MS40 1425	2			STUD, (8X20)
27		1			LABEL, Engine Build Date (Not Serviced)
28					LABEL, Engine Part Number
	MD19 1396	1			Domestic 4 Speed Automatic
	MD19 1397	1			Domestic 3 Speed Automatic
	MD19 1398	1			Domestic Manual
	MD19 1399	1	S		European Automatic
	MD19 1400	1			European Manual

**MODEL CODES:**

A BODY=(C=LeBaron, D=Spirit, P=Acclaim/LaBaron(Landau), Saratoga) S BODY=(H=Voyager(H) FWD, K=Caravan(H) FWD, Y=Town & Country(H) FWD, P=Voyager(K) AWD, D=Caravan(K) AWD, C=Town & Country(K) AWD)  
 C BODY=(D=Dynasty, C=New Yorker/N.Y. Salon) Y BODY=(C=Imperial/5th Avenue)  
 G BODY=(V=Daytona/ROC, Chrysler Daytona) E-S BODY=(K=Chrysler Voyager(H) FWD, D=Chrysler Voyager(K) AWD)  
 J BODY=(C=LeBaron, Chrysler LeBaron)  
 P BODY=(P=Sundance, D=Shadow)

**BODY STYLES:**

21=2-Door Coupe 41=4-Door Sedan 12-52=FWD & AWD Van & Wgn Std W.B.  
 24=2-Door Hatchback 44=4-Door Hatchback 53=FWD & AWD Van & Wgn Ext. W.B.  
 27=2-Door Convertible

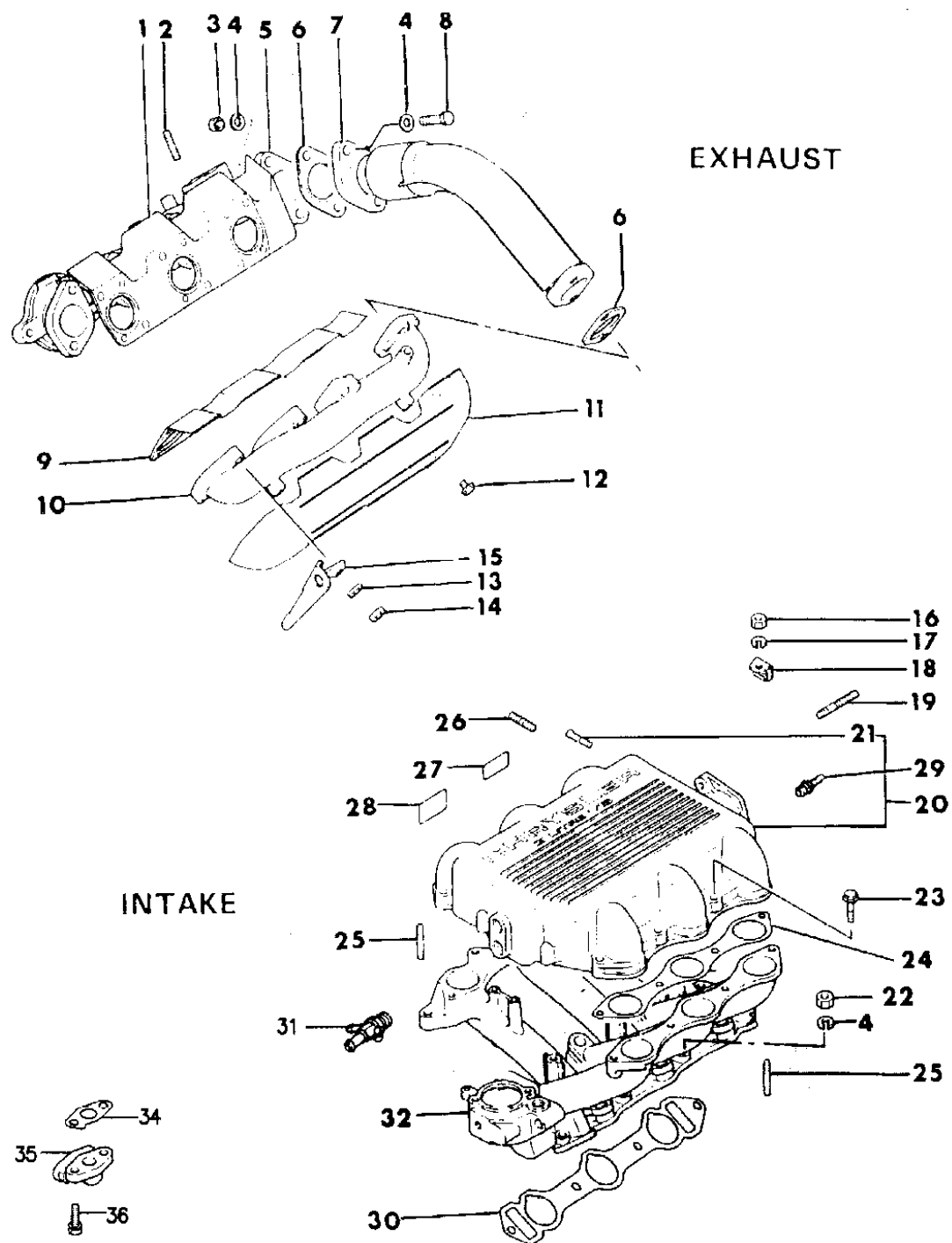
AR = Use as Required - = Non Illustrated Part P.A.R. = Paint as Required



**MANIFOLD, INTAKE & EXHAUST 3.0 L ENGINE**  
**Figure 9B-800**

93156 800A

ITEM	PART NUMBER	QTY	BODY	MODEL	DESCRIPTION
29	4307 879	1			CONNECTOR, Vac Control Drivers Side
30	MD15 7195	2			GASKET, Inlet Manifold
	MD15 7195	2			Domestic
	MD16 8419	2			European
31					CONNECTOR, Manifold Vac Pass Side
	5277 654	1			3/8" and 1/4"
	4612 600	1			3/8" and 1/4" and 1/4"
	6500 362	1	A,C,Y		Plug, Exhaust Manifold MIDEAST
32	MD16 5496	1			MANIFOLD, Inlet
34	MD14 9764	1			GASKET, EGR Pipe
35	MD19 1571	1			FLANGE, EGR Pipe
36	MF24 1255	2			BOLT, w/Washer 8x25



**MODEL CODES:**

A BODY=(C=LeBaron, D=Spirit, P=Acclaim/LaBaron(Landau, Saratoga) S BODY=(H=Voyager(H) FWD, K=Caravan(H) FWD, Y=Town & Country(H) FWD, P=Voyager(K) AWD, D=Caravan(K) AWD, C=Town & Country(K) AWD)  
 C BODY=(D=Dynasty, C=New Yorker/N.Y. Salon) Y BODY=(C=Imperial/5th Avenue)  
 G BODY=(V=Daytona/IROC, Chrysler Daytona) E-S BODY=(K=Chrysler Voyager(H) FWD, D=Chrysler Voyager(K) AWD)  
 J BODY=(C=LeBaron, Chrysler LeBaron)  
 P BODY=(P=Sundance, D=Shadow)

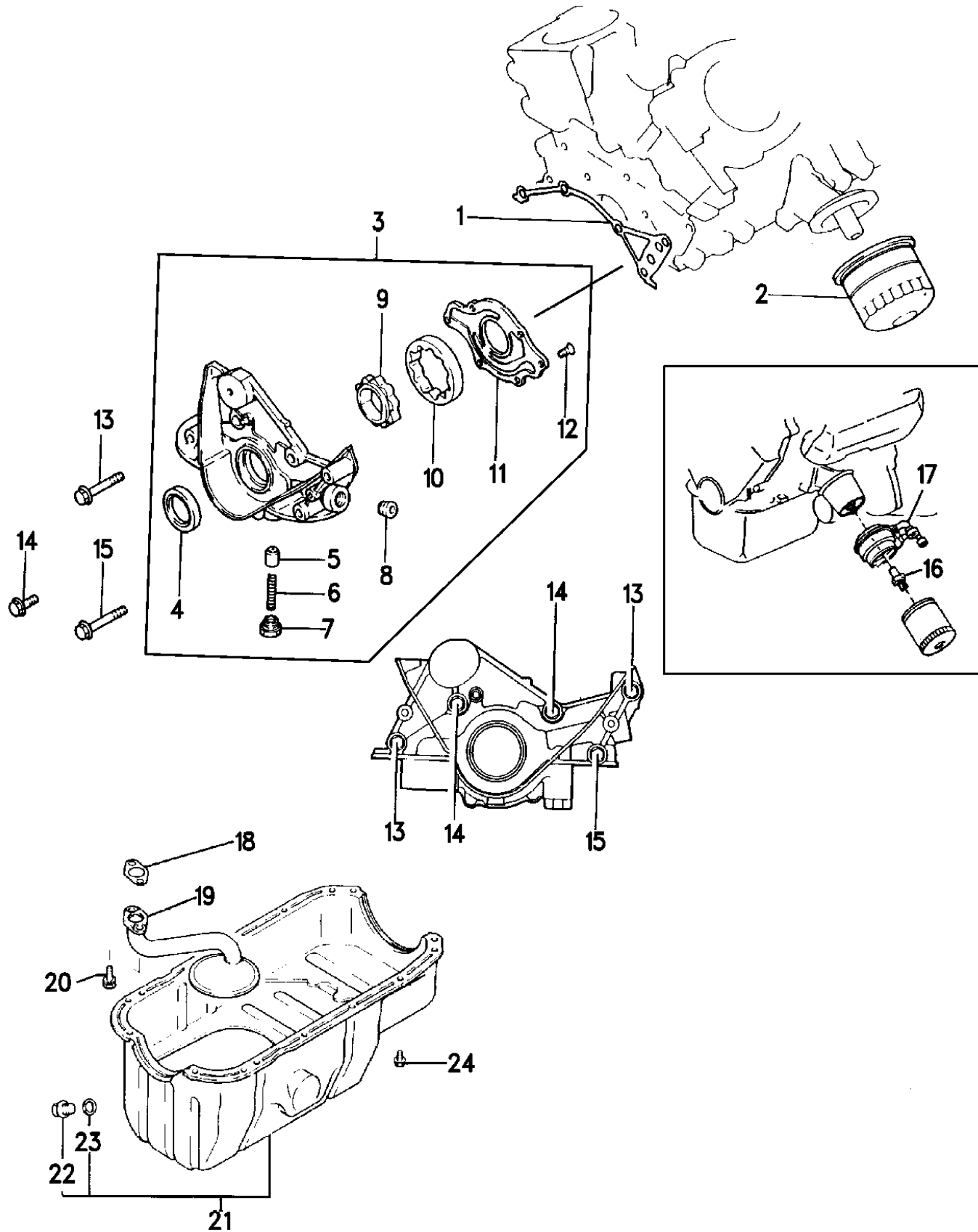
**BODY STYLES:**

21=2-Door Coupe      41=4-Door Sedan      12-52=FWD & AWD Van & Wgn Std W.B.  
 24=2-Door Hatchback      44=4-Door Hatchback      53=FWD & AWD Van & Wgn Ext. W.B.  
 27=2-Door Convertible

AR = Use as Required - = Non Illustrated Part P.A.R. = Paint as Required

**OIL PUMP & OIL FILTER 3.0 L ENGINE**  
**Figure 9B-900**

93156 900A



ITEM	PART NUMBER	QTY	BODY	MODEL	DESCRIPTION
1	MD15 1295	1			GASKET, Oil Pump Case
2	5281 090	1			FILTER, Oil
	MD12 9809	1	AS		S-Body ***
3	MD15 2909	1			CASE ASSEMBLY, Oil Pump
4	MD08 8855	1			OIL SEAL
5	MD02 1563	1			PLUNGER, Relief
6	MD01 5988	1			SPRING, Relief
7	MD02 1564	1			PLUG, Engine Oil Pump Inner
8	MD14 5018	1			PLUG, Engine Oil Pump Inner (Tapper)
9	MD08 8853	1			ROTOR, Oil Pump Inner
10	MD08 8854	1			ROTOR, Oil Pump Outer
11	MD15 2911	1			COVER, Oil Pump Rear
12	MD14 1302	6			SCREW, Engine Oil Pump Inner
13	MF14 0036	2			BOLT, Flange (8X55)
14	MF14 0027	2			BOLT, Flange (8X25)
15	MF14 0037	1			BOLT, Flange (8X60)
16	4387 822	1			CONNECTOR, Oil Cooler Engine
17	4387 305	1			OIL COOLER, Engine ***
18	MD14 9368	1			GASKET, Oil Screen
19	MD10 9466	1			SCREEN, Oil
20	MS24 1071	2			BOLT, w/Washer (8x20)
21	MD18 9191	1			PAN ASSEMBLY, Oil
22	MD05 0316	1			PLUG, Oil Drain
23	MD05 0317	1			GASKET, Oil Drain Plug
24	MD09 7012	16			BOLT, Flange (6x10)

**MODEL CODES:**

A BODY=(C=LeBaron, D=Spirit, P=Acclaim/LaBaron(Landau),  
Saratoga)  
 C BODY=(D=Dynasty, C=New Yorker/N.Y. Salon)  
 G BODY=(V=Daytona/IROC, Chrysler Daytona)  
 J BODY=(C=LeBaron, Chrysler LeBaron)  
 P BODY=(P=Sundance, D=Shadow)

S BODY=(H=Voyager(H) FWD, K=Caravan(H) FWD,  
Y=Town & Country(H) FWD, P=Voyager(K) AWD,  
D=Caravan(K) AWD, C=Town & Country(K) AWD)  
 Y BODY=(C=Imperial/5th Avenue)  
 E-S BODY=(K=Chrysler Voyager(H) FWD, D=Chrysler  
Voyager(K) AWD)

**BODY STYLES:**

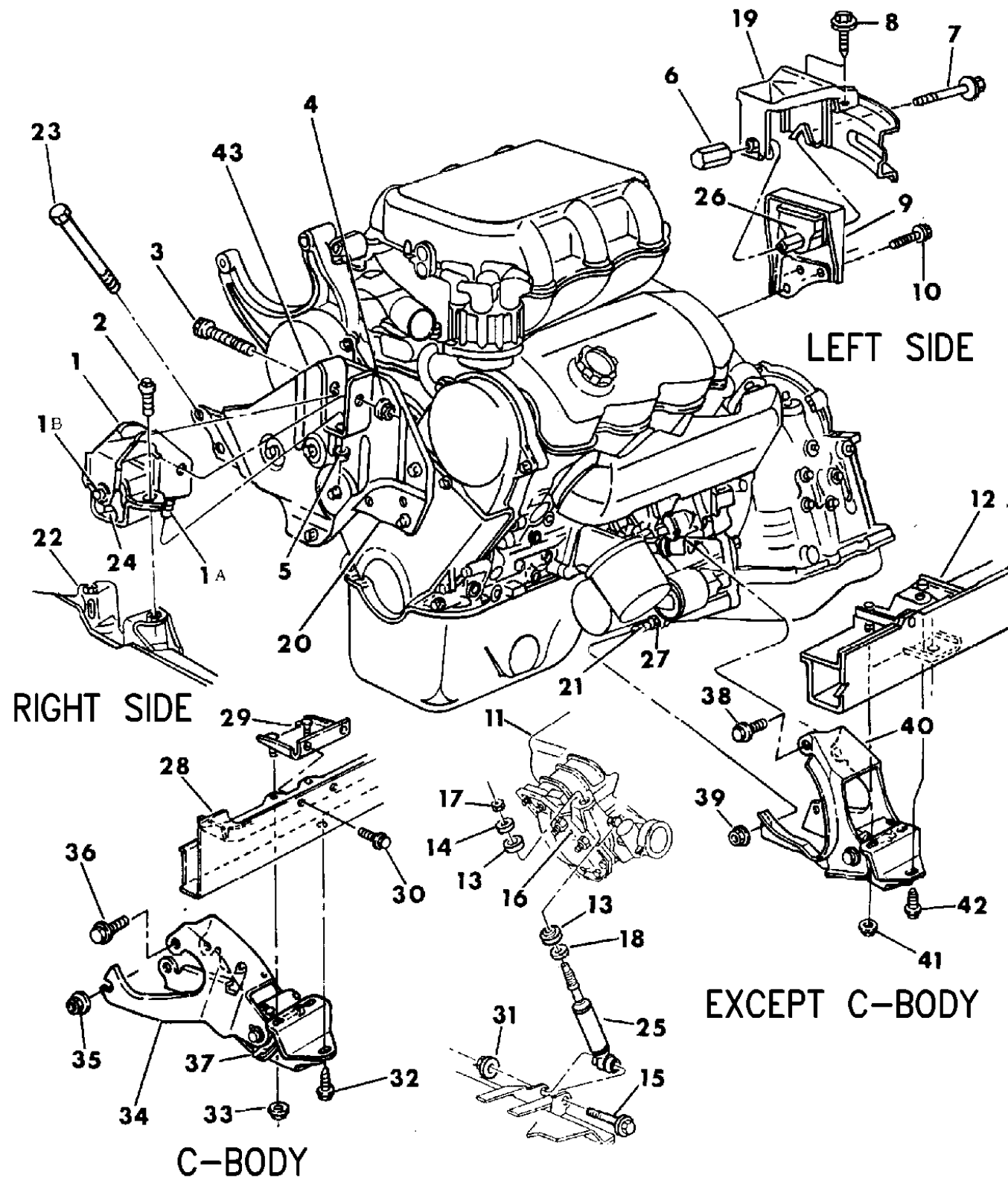
21=2-Door Coupe      41=4-Door Sedan      12-52=FWD & AWD Van & Wgn Std W.B.  
 24=2-Door Hatchback      44=4-Door Hatchback      53=FWD & AWD Van & Wgn Ext. W.B.  
 27=2-Door Convertible

AR = Use as Required - = Non Illustrated Part P.A.R. = Paint as Required

ENGINE MOUNTING 3.0 L ENGINE

Figure 9B-1000

93156 1000A



ITEM	PART NUMBER	QTY	BODY	MODEL	DESCRIPTION
1					SUPPORT ASSEMBLY, Engine Mount, Right ***
	4471 036	1	AGJPS		
	4612 090	1	JP	27	
	4505 411	1		A,S	
	4505 468	1	C		
1A		1			STUD, Engine Support Insulator Bracket to Engine Mount Bracket Rt. Service in Assembly
1B	6502 074	1	AGJPS		SCREW, w/Washer, Engine Support Bushing (M8x1.25x45), not serviced for C body
	6501 786	1	C		SCREW, w/Washer, Engine Supt (M12-1.75x148.00)
	6501 786	1	J, P	27	SCREW, w/Washer, Engine Supt (M12-1.75x148.00)
2	6501 946	2			SCREW, w/Washer, Bushing to Frame Bracket Rt.
3	6501 736	1			SCREW, w/Washer, Engine Support Insulator Bracket to Engine Mount Bracket Rt.
4	6502 195				NUT, Engine Support Insulator Bracket to Engine Mount Screw & Washer Rt.
5	6501 737	1			NUT, Engine Support Insulator Bracket Stud to Engine Mount Bracket Rt.
6	4471 924	1			WEIGHT, Engine Mount Damper Lt.
7	6501 940	1			SCREW, w/Washer, Engine Support Insulator to Frame Lt.
8					SCREW and WASHER Not Serviced
9					SUPPORT, Engine, Left
					A604 4 Speed Automatic
	4668 133	1	AGJPS		
	4612 079	1	JP	27	
	4471 031	1	C		
					A413 3 Speed Automatic
	4668 132	1	AGJS		
					Manual Transaxle
	4668 114	1	AGJPS		
	4612 154	1	P	27	
10	6502 073	AR			SCREW, w/Washer, Engine Support Insulator Bracket to Trans. Case Lt.
11		1			(See Group 21)
12		1	S		(See Group 13)
13		2			BUSHING, Engine Damper Upper w/Manual Trans. (Serviced in Item 25)
14	6500 966	1			RETAINER, Damper Bushing Upper w/Manual Trans.
15	6101 342	1			SCREW and WASHER, w/Manual Trans.

MODEL CODES:

A BODY=(C=LeBaron, D=Spirit, P=Acclaim/LaBaron(Landau), Saratoga)

C BODY=(D=Dynasty, C=New Yorker/N.Y. Salon)

G BODY=(V=Daytona/IROC, Chrysler Daytona)

J BODY=(C=LeBaron, Chrysler LeBaron)

P BODY=(P=Sundance, D=Shadow)

S BODY=(H=Voyager(H) FWD, K=Caravan(H) FWD,

Y=Town & Country(H) FWD, P=Voyager(K) AWD,

D=Caravan(K) AWD, C=Town & Country(K) AWD)

Y BODY=(C=Imperial/5th Avenue)

E-S BODY=(K=Chrysler Voyager(H) FWD, D=Chrysler

Voyager(K) AWD)

BODY STYLES:

21=2-Door Coupe

41=4-Door Sedan

12-52=FWD & AWD Van & Wgn Std W.B.

24=2-Door Hatchback

44=4-Door Hatchback

53=FWD & AWD Van & Wgn Ext. W.B.

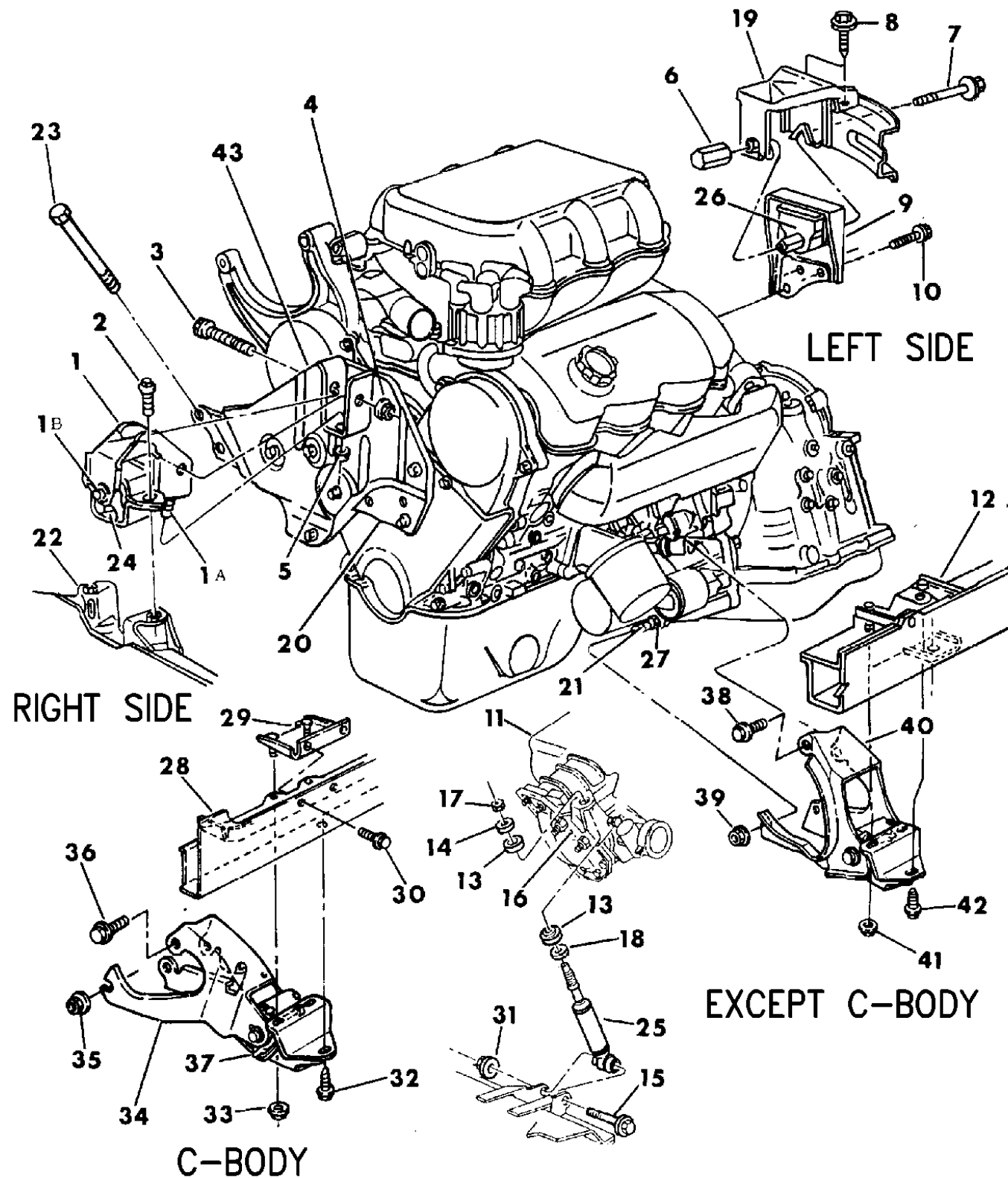
27=2-Door Convertible

AR = Use as Required - = Non Illustrated Part P.A.R. = Paint as Required

ENGINE MOUNTING 3.0 L ENGINE

Figure 9B-1000

93156 1000A



ITEM	PART NUMBER	QTY	BODY	MODEL	DESCRIPTION
16	4412 041	1			BRACKET, Engine Damper w/Manual Trans.
17	6100 525	1			NUT, Damper Upper w/Manual Trans.
18	6500 967	1			RETAINER, Damper Bushing Lower w/Manual Trans.
19		1			(See Group 13)
20	MD15 6820	1			BRACKET, Engine Support
21	6501 514	1			STUD, Engine Support Insulator Bracket to Trans. Case
22		1			(See Group 13)
23	MF30 1358	1			BOLT, w/Washer, Bracket Engine Support Rt. (10X85)
24		1			BUSHING, Engine Support Insulator Rt. (Serviced in Item 1)
25	4364 769	1			DAMPER, Engine Roll w/Manual Trans.
26		1			BUSHING, Engine Support Insulator Lt. (Serviced in Item 9)
	6502 073	1			SCREW, w/Washer
27		1	C		STRUT, Trans. to Cylinder Block Front (See Group 21)
28		1	C		(See Group 13)
29		1	AC		RETAINER, Front Crossmember Plate Engine Mount Bracket (Group 13)
30		2	AC		SCREW and WASHER, Crossmember Front Side Rail, Front to Plate Front Side Rail (Not Serviced)
31	6101 448	1			NUT and WASHER, To Suspension Crossmember Engine Damper w/Manual Trans.
32		1	C		SCREW and WASHER, Engine Mount Front Bracket to Crossmember Front Side Rail Front (Not Serviced) M10x1.50x35
33	6101 448	2			NUT, Lock, Engine Mount Bracket to Plate Front Crossmember
34	4446 202	1	C		BRACKET, Engine Support Insulator- Front
	4537 072	1	C		INSULATOR ASSEMBLY, Engine Mount Front (Use 5272111 Bushing) ***
	4537 080	1	CY		SUPPORT ASSEMBLY, Engine Mount Front ***
	4556 377	1	S		SUPPORT ASSEMBLY, Engine Mount Front, w/tow or taxi package ***
	4612 091	1	AJGPS		SUPPORT ASSEMBLY, Engine Mount, Front ***
35	6502 585	1			NUT, Screw and Washer, Right
36	6101 662	1	C		SCREW and WASHER, Engine Support Insulator Bracket to Trans., Front
37			C		INSULATOR, Engine Support, Front
	4537 072	1	C		
	5272 099	1	AGJS		
	4537 072	1	S	AWD	
	4556 376	1	S		Taxi or Heavy Duty
	5272 111	1			BUSHING, Engine Support Insulator, Front

MODEL CODES:

A BODY=(C=LeBaron, D=Spirit, P=Acclaim/LaBaron(Landau), Saratoga)

C BODY=(D=Dynasty, C=New Yorker/N.Y. Salon)

G BODY=(V=Daytona/ROC, Chrysler Daytona)

J BODY=(C=LeBaron, Chrysler LeBaron)

P BODY=(P=Sundance, D=Shadow)

S BODY=(H=Voyager(H) FWD, K=Caravan(H) FWD,

Y=Town & Country(H) FWD, P=Voyager(K) AWD,

D=Caravan(K) AWD, C=Town & Country(K) AWD)

Y BODY=(C=Imperial/5th Avenue)

E-S BODY=(K=Chrysler Voyager(H) FWD, D=Chrysler

Voyager(K) AWD)

BODY STYLES:

21=2-Door Coupe

41=4-Door Sedan

12-52=FWD & AWD Van & Wgn Std W.B.

24=2-Door Hatchback

44=4-Door Hatchback

53=FWD & AWD Van & Wgn Ext. W.B.

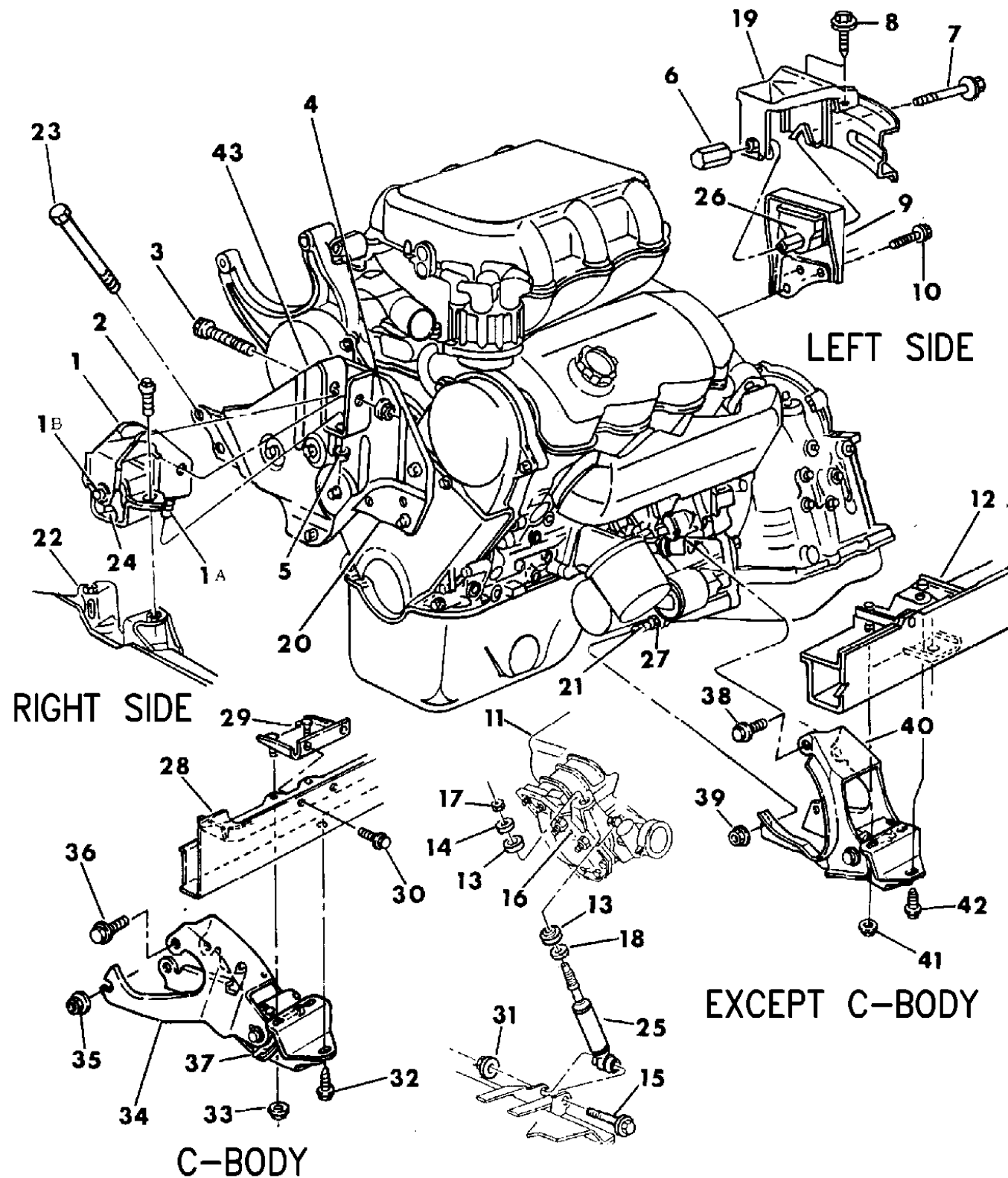
27=2-Door Convertible

AR = Use as Required - = Non Illustrated Part P.A.R. = Paint as Required

ENGINE MOUNTING 3.0 L ENGINE

Figure 9B-1000

93156 1000A



ITEM	PART NUMBER	QTY	BODY	MODEL	DESCRIPTION
	6500 840	1	C		SCREW and WASHER, Engine Support Insulator to Frame, Front
38	6101 662	1			SCREW and WASHER
39	6502 585	1			NUT, Engine Support Insulator Bracket to Trans. Case
40	5272 119	1	Exc. C		BRACKET, Engine Support Front
			Exc. C		BRACKET, Engine Mount Front Serviced in Insulator Assembly
		1	Exc. C		SLEEVE, Front Crossmember Engine Mount Insulator (Serviced in Assembly)
	4386 867	1			GUSSET, Front Crossmember Engine Mount Front
	5272 099	1	Exc. C		INSULATOR, Engine Support Front (S Body H.D.)
	5272 111	1			BUSHING, Engine Support Front
	6501 633	1			SCREW, w/Washer, Insulator to Bracket M10 x 1.50 x 112.00
41	6101 448	AR			NUT and WASHER
42		1	Exc. C		SCREW and WASHER, Engine Mount Front Bracket to Crossmember Front Side Rail Front (Not Serviced)
43	4536 152	1			BRACKET, Collar Plate Engine Mount Right

MODEL CODES:

A BODY=(C=LeBaron, D=Spirit, P=Acclaim/LaBaron(Landau), Saratoga)  
 C BODY=(D=Dynasty, C=New Yorker/N.Y. Salon)  
 G BODY=(V=Daytona/IROC, Chrysler Daytona)  
 J BODY=(C=LeBaron, Chrysler LeBaron)  
 P BODY=(P=Sundance, D=Shadow)

S BODY=(H=Voyager(H) FWD, K=Caravan(H) FWD, Y=Town & Country(H) FWD, P=Voyager(K) AWD, D=Caravan(K) AWD, C=Town & Country(K) AWD)  
 Y BODY=(C=Imperial/5th Avenue)  
 E-S BODY=(K=Chrysler Voyager(H) FWD, D=Chrysler Voyager(K) AWD)

BODY STYLES:

21=2-Door Coupe  
 24=2-Door Hatchback  
 27=2-Door Convertible  
 41=4-Door Sedan  
 44=4-Door Hatchback  
 12-52=FWD & AWD Van & Wgn Std W.B.  
 53=FWD & AWD Van & Wgn Ext. W.B.

AR = Use as Required - = Non Illustrated Part P.A.R. = Paint as Required

I.D. LOCATION 3.3L AND 3.8L ENGINE

Figure 9B-1100

93156 1100A

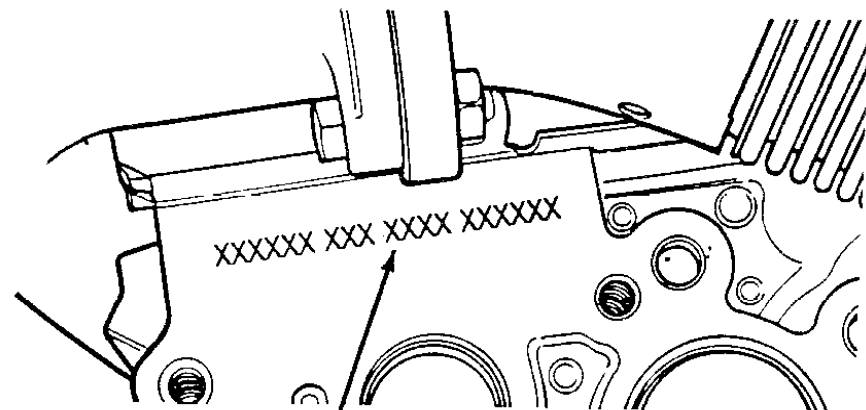
ITEM	PART NUMBER	QTY	BODY	MODEL	DESCRIPTION
------	-------------	-----	------	-------	-------------

1		1			I.D. LOCATION, Located on Left Side of Engine ***
---	--	---	--	--	---

GENERAL INFORMATION 3.3L - 3.8L

ENGINE IDENTIFICATION NUMBER OR CODE

The engine identification number is located on the rear of the cylinder block just below the cylinder head.



X Model Year	X Manufacturing Plant	XXXX Component Code/Usage	XXXX Month/Day	XXXXXXXX Serial Code
Last digit of model year	Satillo S Trenton T Toluca K	Engine 3.3L - 3.8L Usage Pass Car PC Truck T		Last 8 Digits of VIN

Engine Identification  
3.3 L - 3.8L

MODEL CODES:

A BODY=(C=LeBaron, D=Spirit, P=Acclaim/LaBaron(Landau), Saratoga) S BODY=(H=Voyager(H) FWD, K=Caravan(H) FWD, Y=Town & Country(H) FWD, P=Voyager(K) AWD, D=Caravan(K) AWD, C=Town & Country(K) AWD)  
 C BODY=(D=Dynasty, C=New Yorker/N.Y. Salon) Y BODY=(C=Imperial/5th Avenue)  
 G BODY=(V=Daytona/IROC, Chrysler Daytona) E-S BODY=(K=Chrysler Voyager(H) FWD, D=Chrysler Voyager(K) AWD)  
 J BODY=(C=LeBaron, Chrysler LeBaron)  
 P BODY=(P=Sundance, D=Shadow)

BODY STYLES:

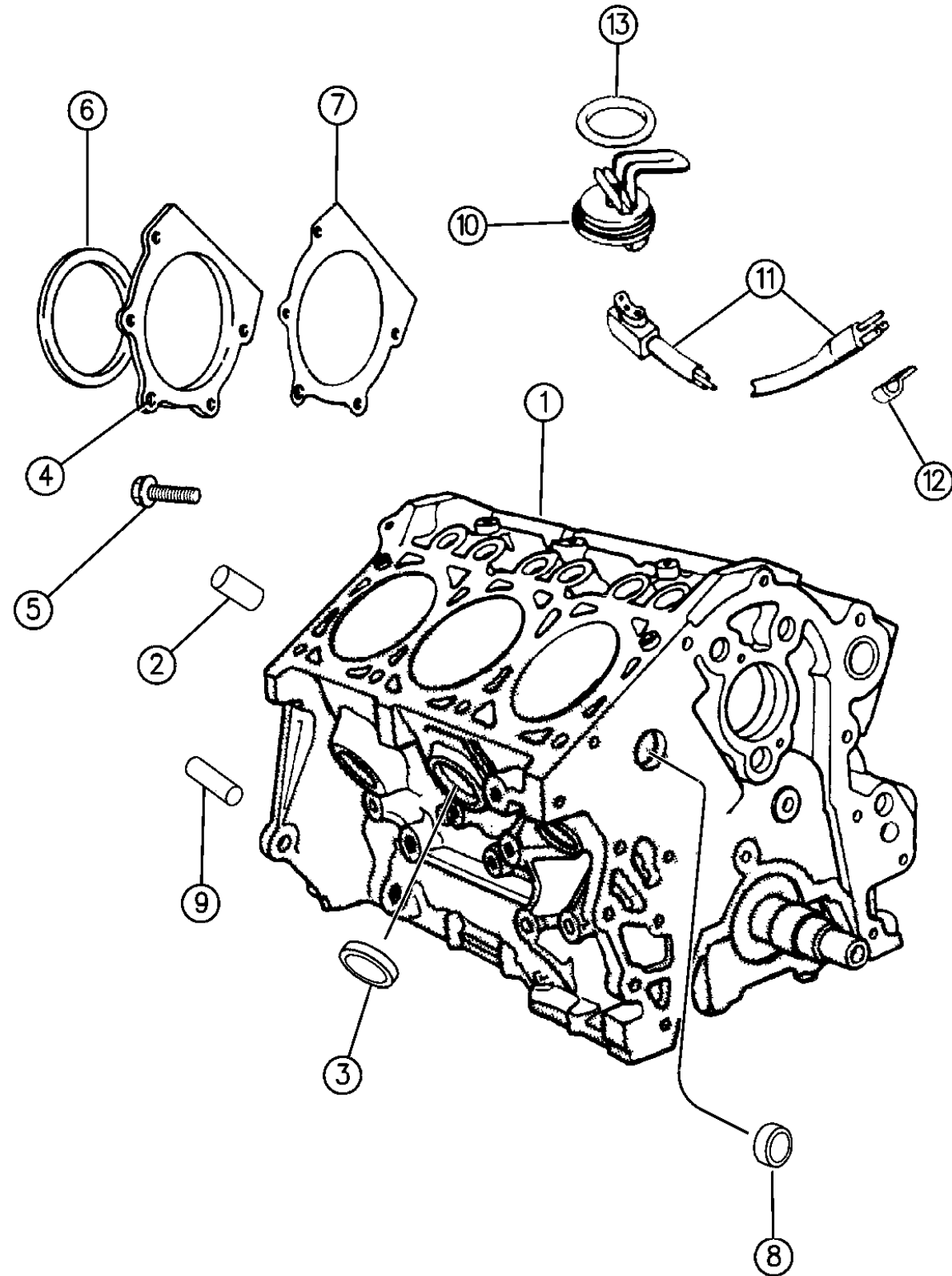
21=2-Door Coupe      41=4-Door Sedan      12-52=FWD & AWD Van & Wgn Std W.B.  
 24=2-Door Hatchback      44=4-Door Hatchback      53=FWD & AWD Van & Wgn Ext. W.B.  
 27=2-Door Convertible

AR = Use as Required - = Non Illustrated Part P.A.R. = Paint as Required

CYLINDER BLOCK 3.3L AND 3.8L ENGINE

Figure 9B-1200

93156 1200A



ITEM	PART NUMBER	QTY	BODY	MODEL	DESCRIPTION
	4728 215	1			GASKET PACKAGE, Eng Lower
NOTE: Contains SEALS:for Crankshaft-Frt/Rr,Oil Pump Water Pump,GSKTS:for Oil Pan,Oil Seal Ret,Chain Case Cvr,Cvr to Oil Inlet, Cvr to Water Inlet&Outlet.ddition as described in the Chrysler Repair Manual.					
	4728 367	1			ENGINE, Short, 3.3 Litre
	4728 368	1			ENGINE, Short, 3.8 Litre
NOTE: Short Assembly Consists of the Cylinder Block with Piston and Rings, Crankshaft and Bearings, Connecting Rods and Bearings. ddition as described in the Chrysler Repair Manual.					
1		1			BLOCK, Cylinder (Serviced in Short Engine) ***
2	4448 856	4			DOWEL, Cylinder Block to Cylinder Head
3		2			PLUG, Cylinder Block Water Jacket Drain (1/4) Pipe (Not Serviced)
	5203 342	8			PLUG, Cylinder Block Water Hole (1-5/8")
	4556 023	AR			(.065" O/S)
4	4448 021	1			RETAINER, Crankshaft Rear Oil Seal w/Oil Seal
5	6101 278	5			SCREW and WASHER, Crankshaft Oil Seal Retainer Rear
6	5203 590	1			OIL SEAL, Crankshaft Rear
7	4448 018	1			GASKET, Crankshaft Oil Seal Retainer Rear
8	4556 018	5			PLUG, Cylinder Block Oil Hole (5/8)
	4556 019	AR			(.065" O/S)
	4556 222	2			(0.88MM" O/S) Orifice 5/8 Dia.
9	5240 849	2			DOWEL, Cylinder Block to Clutch Housing or Trans. Case
	5203 466	2			DOWEL, Cylinder Block to Crankshaft Retainer
10	4713 316	1			HEATER PACKAGE, Engine Block ***
11	4687 409	1			CORD, Engine Block Heater
12	6015 756	2			STRAP, Engine Block Heater
	6015 412	1			CLIP, Engine Block Heater Cord
		1			CLIP, Engine Block Heater Cord (Not Serviced)
13	6501 445	1			O-RING, Engine Block Heater (1-11/32 Dia. 11/64 Width)
	6501 446	1			(1-11/32 Dia. 9/64 Width)

MODEL CODES:

A BODY=(C=LeBaron, D=Spirit, P=Acclaim/LaBaron(Landau), Saratoga)  
 C BODY=(D=Dynasty, C=New Yorker/N.Y. Salon)  
 G BODY=(V=Daytona/IROC, Chrysler Daytona)  
 J BODY=(C=LeBaron, Chrysler LeBaron)  
 P BODY=(P=Sundance, D=Shadow)

S BODY=(H=Voyager(H) FWD, K=Caravan(H) FWD, Y=Town & Country(H) FWD, P=Voyager(K) AWD, D=Caravan(K) AWD, C=Town & Country(K) AWD)  
 Y BODY=(C=Imperial/5th Avenue)  
 E-S BODY=(K=Chrysler Voyager(H) FWD, D=Chrysler Voyager(K) AWD)

BODY STYLES:

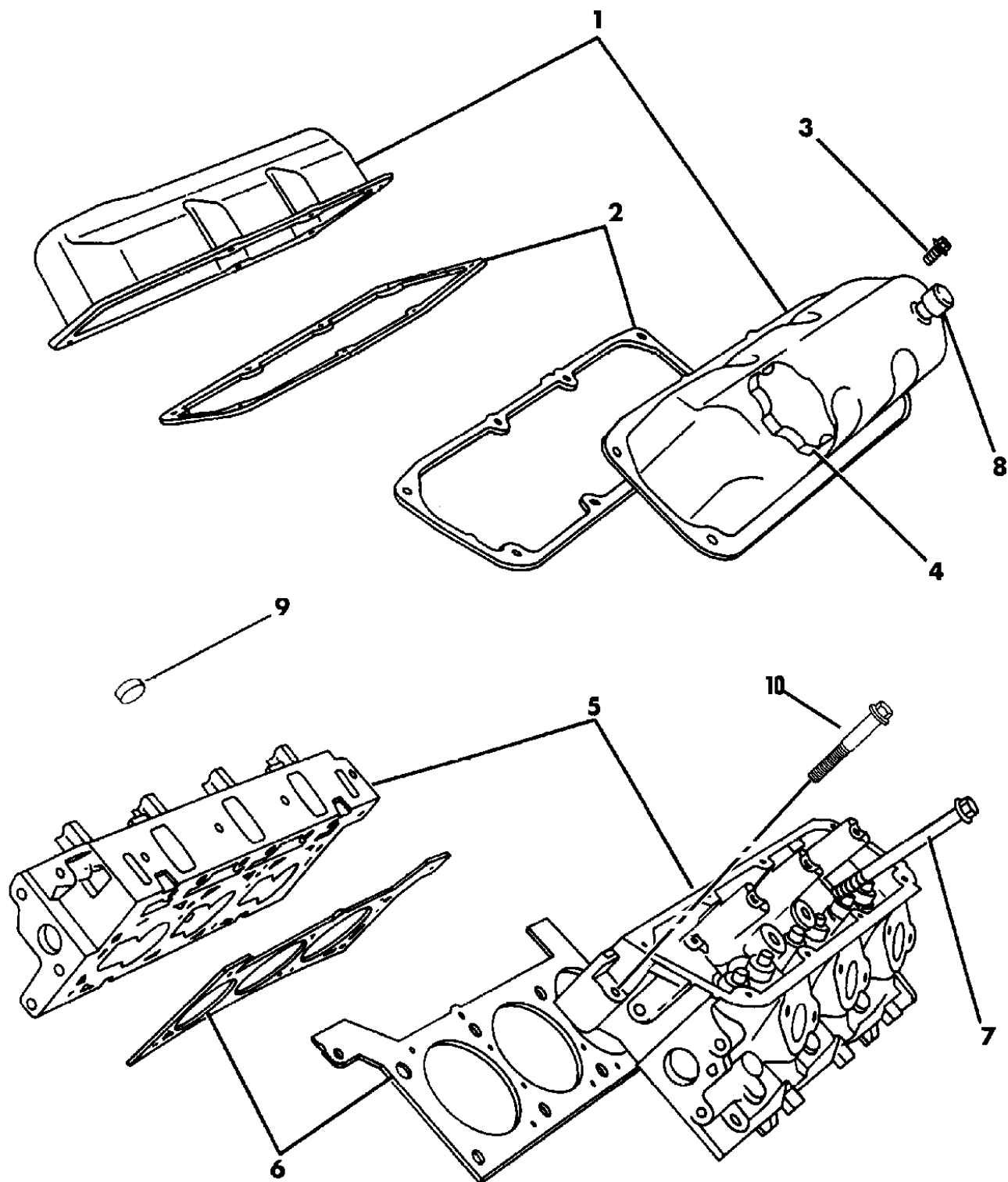
21=2-Door Coupe      41=4-Door Sedan      12-52=FWD & AWD Van & Wgn Std W.B.  
 24=2-Door Hatchback      44=4-Door Hatchback      53=FWD & AWD Van & Wgn Ext. W.B.  
 27=2-Door Convertible

AR = Use as Required - = Non Illustrated Part P.A.R. = Paint as Required

CYLINDER HEAD 3.3L AND 3.8L ENGINE

Figure 9B-1300

93156 1300A



ITEM	PART NUMBER	QTY	BODY	MODEL	DESCRIPTION
	4728 216	1			GASKET PACKAGE, Engine Upper 3.3L
NOTE: PKG CONTAINS GSKTS FOR CYL HEADS, INTAKE TO HTR TUBE, INT.MAN.PLENUM, INT.MAN.TO HEAD & BLOCK EXH.CROSSOVER, VLV CVRS(2), VLV STEM OIL SEALS(12)ddition as described in the Chrysler Repair Manual.					
	4728 217	1			3.8L
1	4448 866	1			COVER, Cylinder Head Right w/Baffle
	4448 867	1			Left w/Baffle
2	4448 007	2			GASKET, Cylinder Head Cover
3	6501 979	16			SCREW, Cylinder Head Cover Att.
4	4621 012	1			CAP, Oil Filler
5	4448 016	2			HEAD, Cylinder Partial
					BRACKET, Ignition Cable Separator
	5234 507	1			Right Bank
	4687 774	1			Left Bank
6					GASKET, Cylinder Head
	4448 147	1			Right, w/3.3L Engine
	4448 146	1			Left, w/3.3L Engine
	4448 950	1			Right, w/3.8L Engine
	4448 949	1			Left, w/3.8L Engine
7	6501 433	16			SCREW, Cylinder Head Att. (M11x122.5)
	6503 495	16			WASHER, Cylinder Head Att. Screw
	6101 631	2			SCREW and WASHER, Cylinder Head to Cylinder Block (M8-1.25x65)
8		1			NIPPLE, Cylinder Head Cover (Serviced in Cover)
9	4556 020	4			PLUG, Cylinder Head Core Hole Cup (1-1/4")
		1			PLUG, Cylinder Head Y8-27 (Not Serviced)
10	6101 631	2			SCREW, w/Washer, Cylinder Head to Block (M8-1.25x65)

MODEL CODES:

A BODY=(C=LeBaron, D=Spirit, P=Acclaim/LaBaron(Landau), Saratoga) S BODY=(H=Voyager(H) FWD, K=Caravan(H) FWD, Y=Town & Country(H) FWD, P=Voyager(K) AWD, D=Caravan(K) AWD, C=Town & Country(K) AWD)  
 C BODY=(D=Dynasty, C=New Yorker/N.Y. Salon)  
 G BODY=(V=Daytona/IROC, Chrysler Daytona)  
 J BODY=(C=LeBaron, Chrysler LeBaron)  
 P BODY=(P=Sundance, D=Shadow)  
 Y BODY=(C=Imperial/5th Avenue)  
 E-S BODY=(K=Chrysler Voyager(H) FWD, D=Chrysler Voyager(K) AWD)

BODY STYLES:

21=2-Door Coupe 41=4-Door Sedan 12-52=FWD & AWD Van & Wgn Std W.B.  
 24=2-Door Hatchback 44=4-Door Hatchback 53=FWD & AWD Van & Wgn Ext. W.B.  
 27=2-Door Convertible

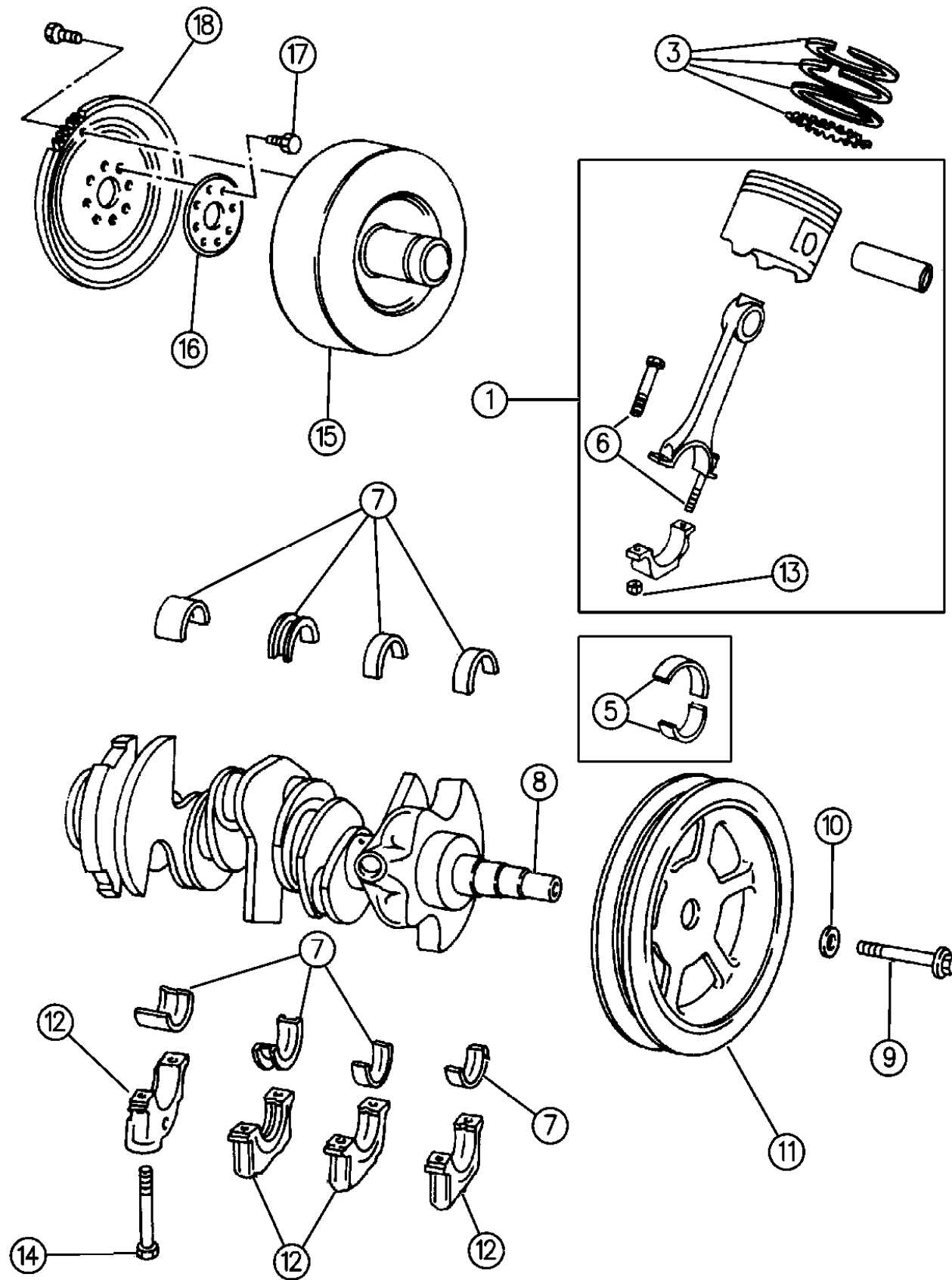
AR = Use as Required - = Non Illustrated Part P.A.R. = Paint as Required



CRANKSHAFT AND PISTONS 3.3L AND 3.8L ENGINE

Figure 9B-1400

93156 1400A



ITEM	PART NUMBER	QTY	BODY	MODEL	DESCRIPTION
1					PISTON, PIN, and ROD ASSY
	4556 359	6			3.3L Engine
	4556 360	6			3.8L Engine
3					RING, Piston (Package for Complete engine)
	5241 052	1			3.3L Engine
	4626 388	1			3.8L Engine
5					BEARING PACKAGE, Connecting Rod Standard ***
	4504 381	6			.025MM U/S
	4504 382	6			.025MM U/S
	4504 384	6			.250MM U/S
6					BOLT, Connecting Rod Bearing Cap
	4448 934	12			
7					BEARING PACKAGE, Crankshaft #1,3,4 Standard ***
	4626 751	3			.025MM U/S
	4626 746	3			.025MM U/S
	4626 748	3			.250MM U/S
					BEARING PACKAGE, Crankshaft #2 ***
	4728 222	1			Standard
	4728 223	1			.025MM U/S
	4728 224	1			.250MM U/S
8					CRANKSHAFT ASSEMBLY ***
	4556 224	1			w/3.3L Engine
	4483 699	1			w/3.8L Engine
9					SCREW, Crankshaft
	6502 278	1			
10					WASHER, Crankshaft
	6500 431	1			
11					DAMPER, Vibration
	4448 886	1			
12					CAP, Crankshaft Bearing (Serviced with Block)
13					NUT, Connecting Rod Bearing Cap Bolt
	4227 678	12			
14					SCREW, Crankshaft Bearing Cap
	6501 985	8			
15					CONVERTER, Torque
	4741 622	1			
16					PLATE, Crankshaft Bolt Backing
	4471 933	1			
17					BOLT, Drive Plate to Crankshaft
	6501 193	8			
18					PLATE, Torque Converter Drive
	4505 423	1			
19					SCREW, Drive Plate to Torque Converter
	6501 099	4			

MODEL CODES:

A BODY=(C=LeBaron, D=Spirit, P=Acclaim/LaBaron(Landau), Saratoga) S BODY=(H=Voyager(H) FWD, K=Caravan(H) FWD, Y=Town & Country(H) FWD, P=Voyager(K) AWD, D=Caravan(K) AWD, C=Town & Country(K) AWD)  
 C BODY=(D=Dynasty, C=New Yorker/N.Y. Salon) Y BODY=(C=Imperial/5th Avenue)  
 G BODY=(V=Daytona/IROC, Chrysler Daytona) E-S BODY=(K=Chrysler Voyager(H) FWD, D=Chrysler Voyager(K) AWD)  
 J BODY=(C=LeBaron, Chrysler LeBaron) P BODY=(P=Sundance, D=Shadow)

BODY STYLES:

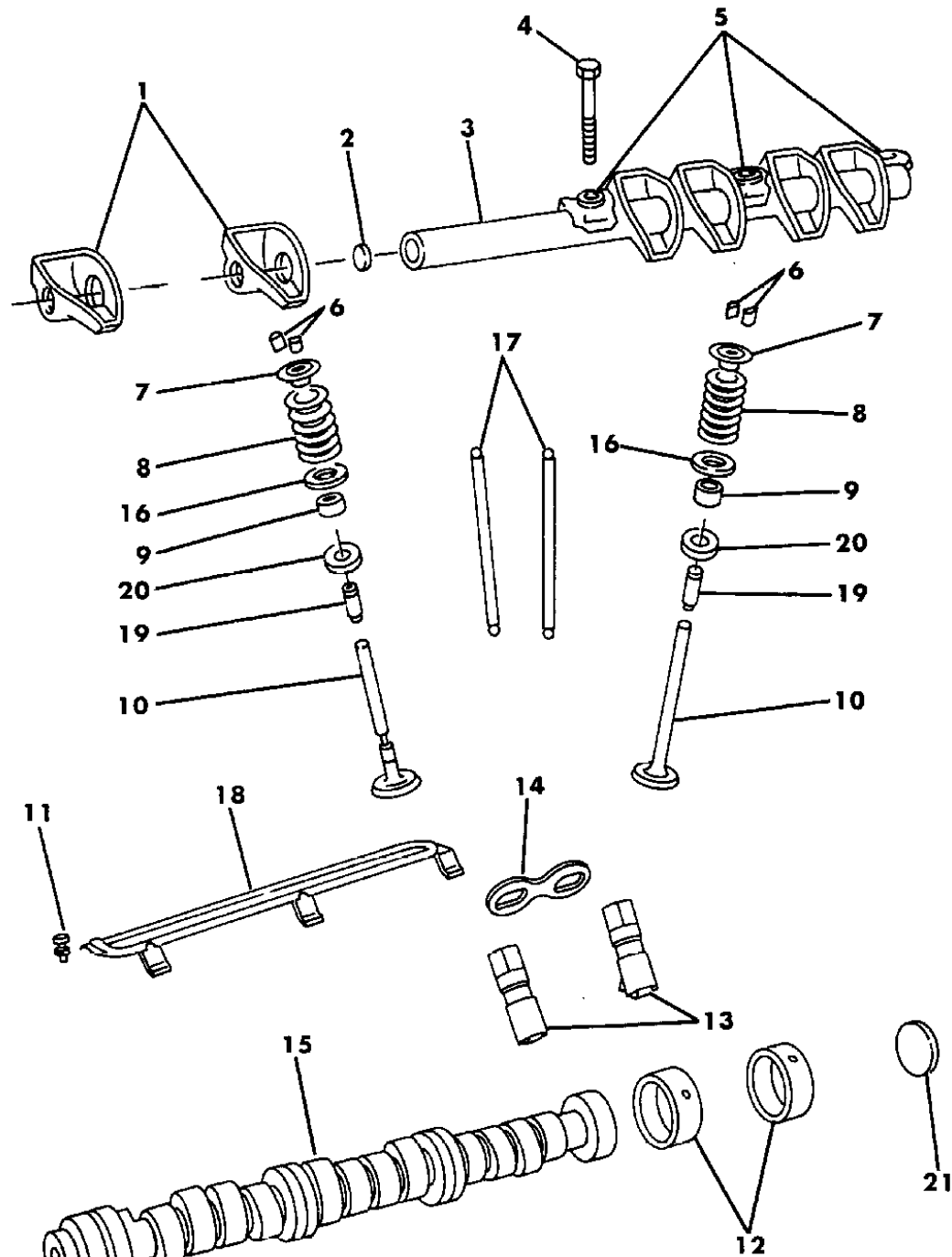
21=2-Door Coupe 41=4-Door Sedan 12-52=FWD & AWD Van & Wgn Std W.B.  
 24=2-Door Hatchback 44=4-Door Hatchback 53=FWD & AWD Van & Wgn Ext. W.B.  
 27=2-Door Convertible

AR = Use as Required - = Non Illustrated Part P.A.R. = Paint as Required

CAMSHAFT AND VALVES 3.3L AND 3.8L ENGINE

Figure 9B-1500

93156 1500



ITEM	PART NUMBER	QTY	BODY	MODEL	DESCRIPTION
1	4483 725	12			ROCKER, Valve
2	1324 268	4			PLUG, Valve Rocker Shaft
3	4448 152	2			SHAFT, Valve Rocker
4	6100 171	8			SCREW, Valve Rocker Shaft M8x1.25x50
5	2463 322	8			RETAINER, Valve Rocker Shaft
6	4448 075	12			LOCK, Intake Valve Spring Retainer
	5203 577	12			Exhaust
7	4483 745	12			RETAINER, Valve Spring
8	4483 859	12			SPRING, Valve
9	4201 332	12			SEAL, Valve Guide Standard
	4105 366	12			0.15MM O/S Green
	4105 367	12			0.40MM O/S Yellow
	4105 368	12			0.80MM O/S Red
10	4448 052	6			VALVE, Intake Standard
	4448 053	6			0.15MM O/S
	4448 054	6			0.40MM O/S
	4448 055	6			0.80MM O/S
	4621 116	6			VALVE, Exhaust Standard
	4621 117	6			0.15MM O/S
	4621 118	6			0.40MM O/S
	4621 119	6			0.80MM O/S
11	6500 136	3			SCREW and WASHER, Yoke Retainer Att.
12					BEARING, Camshaft (Serviced in Short Engine)
13	4387 677	12			TAPPET, Valve (Std) .9040/.9035
	4387 678	12			(.001 O/Size) .9050/.9045
	4387 679	12			(.008 O/Size) .9120/.9115
	4387 680	12			(.030 O/Size) .9340/.9335
14	4448 078	6			YOKE, Tappet Aligning
15	4448 049	1			CAMSHAFT
16	5203 474	12			SEAT, Valve Spring
17	4448 050	12			ROD, Valve Push
18	4448 933	1			YOKE, Tappet Aligning
19					GUIDE, Valve (Serviced in Cylinder Head)
20					SEAT, Valve (NOT SERVICED)
21	4483 620	1			PLUG, Camshaft Rear Bearing

MODEL CODES:

A BODY=(C=LeBaron, D=Spirit, P=Acclaim/LaBaron(Landau), Saratoga)

C BODY=(D=Dynasty, C=New Yorker/N.Y. Salon)

G BODY=(V=Daytona/IROC, Chrysler Daytona)

J BODY=(C=LeBaron, Chrysler LeBaron)

P BODY=(P=Sundance, D=Shadow)

S BODY=(H=Voyager(H) FWD, K=Caravan(H) FWD,

Y=Town & Country(H) FWD, P=Voyager(K) AWD,

D=Caravan(K) AWD, C=Town & Country(K) AWD)

Y BODY=(C=Imperial/5th Avenue)

E-S BODY=(K=Chrysler Voyager(H) FWD, D=Chrysler

Voyager(K) AWD)

BODY STYLES:

21=2-Door Coupe

41=4-Door Sedan

12-52=FWD & AWD Van & Wgn Std W.B.

24=2-Door Hatchback

44=4-Door Hatchback

53=FWD & AWD Van & Wgn Ext. W.B.

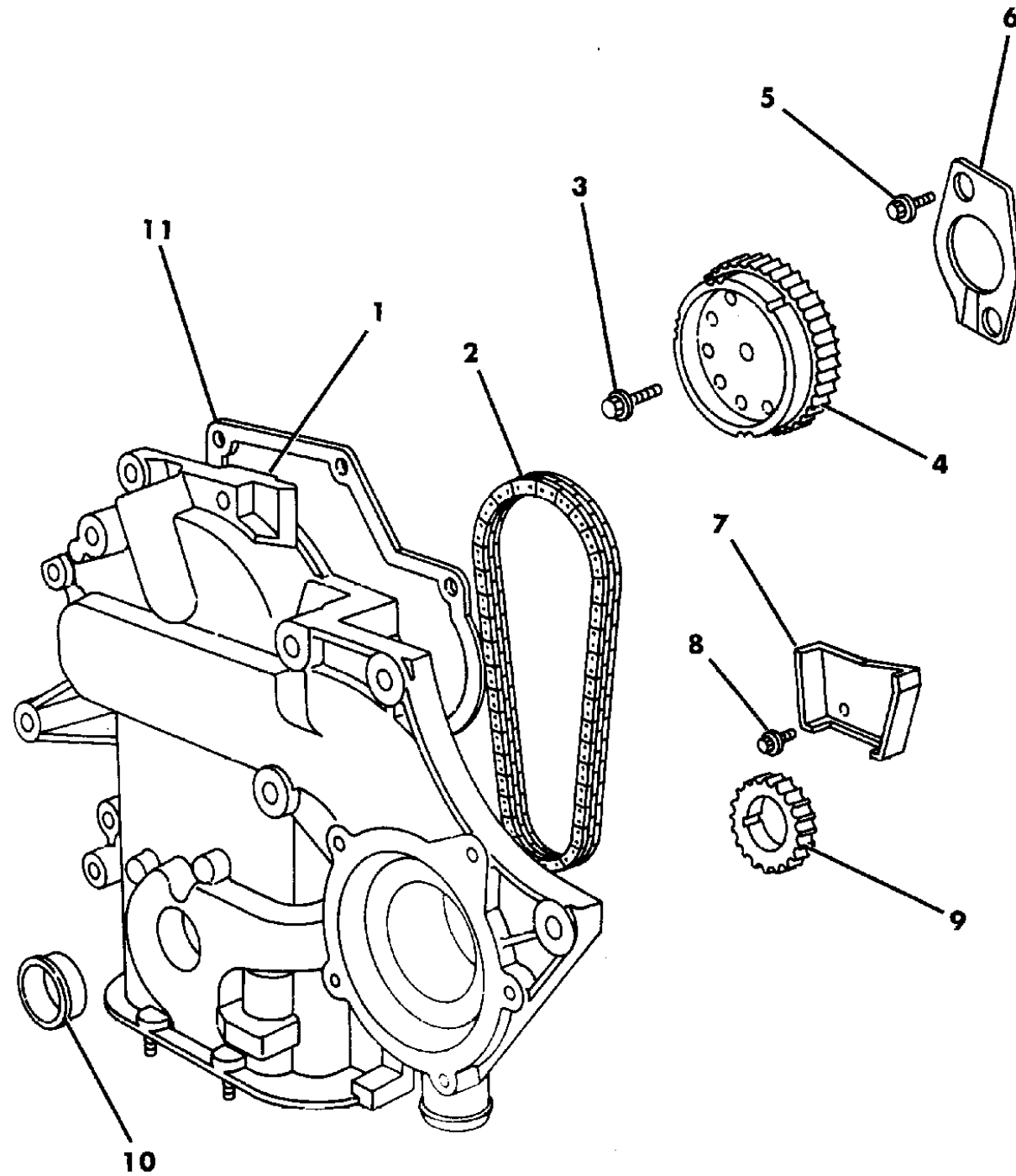
27=2-Door Convertible

AR = Use as Required - = Non Illustrated Part P.A.R. = Paint as Required

**TIMING CHAIN AND COVER 3.3L AND 3.8L ENGINE**

**Figure 9B-1600**

93156 1600



ITEM	PART NUMBER	QTY	BODY	MODEL	DESCRIPTION
1	4448 881	1			COVER, Chain Case (Also in Pkg.)
Chain Case Cover includes Water Pump works and Oil Pump works... ddition as described in the Chrysler Repair Manual.					
	4638 231	1			COVER PACKAGE, Chain Case ***
Cover Pkg contains Cover assy, Gaskets and O-Rings... ddition as described in the Chrysler Repair Manual.					
	6101 611	4			SCREW and WASHER, Chain Case Att. (25 Long)
	6101 614	4			(45 Long)
2	4448 185	1			CHAIN, Timing - Silent
3	6101 062	1			SCREW and WASHER, Camshaft Sprocket Att.
4	4448 897	1			SPROCKET, Camshaft
	6100 902	1			DOWEL, Camshaft Sprocket
5	6101 010	2			SCREW and WASHER, Camshaft Sprocket Thrust Plate
6	4448 921				PLATE, Camshaft Sprocket Thrust
7	4448 158	1			SNUBBER, Timing Chain ***
8	6100 276	1			SCREW and WASHER, Timing Chain Snubber
9	4448 154	1			SPROCKET, Crankshaft Silent - (Sintered)
	4448 557	1			DOWEL, Crankshaft Sprocket
10	4273 275	1			SEAL, Crankshaft Front Oil (Also in Pkg.)
11	4448 883	1			GASKET, Chain Case Cover (Also in Pkg.)
	4483 444	1			O-Ring, Chain Case Cover Oil Inl. to Cyl Block (Also in Cover Pkg) ***
	4483 443	2			O-Ring, Chain Case Cover Water Inl. to Cyl Block (Also in Cover Pkg) ***

**MODEL CODES:**

A BODY=(C=LeBaron, D=Spirit, P=Acclaim/LaBaron(Landau), Saratoga)  
 C BODY=(D=Dynasty, C=New Yorker/N.Y. Salon)  
 G BODY=(V=Daytona/IROC, Chrysler Daytona)  
 J BODY=(C=LeBaron, Chrysler LeBaron)  
 P BODY=(P=Sundance, D=Shadow)

S BODY=(H=Voyager(H) FWD, K=Caravan(H) FWD, Y=Town & Country(H) FWD, P=Voyager(K) AWD, D=Caravan(K) AWD, C=Town & Country(K) AWD)  
 Y BODY=(C=Imperial/5th Avenue)  
 E-S BODY=(K=Chrysler Voyager(H) FWD, D=Chrysler Voyager(K) AWD)

**BODY STYLES:**

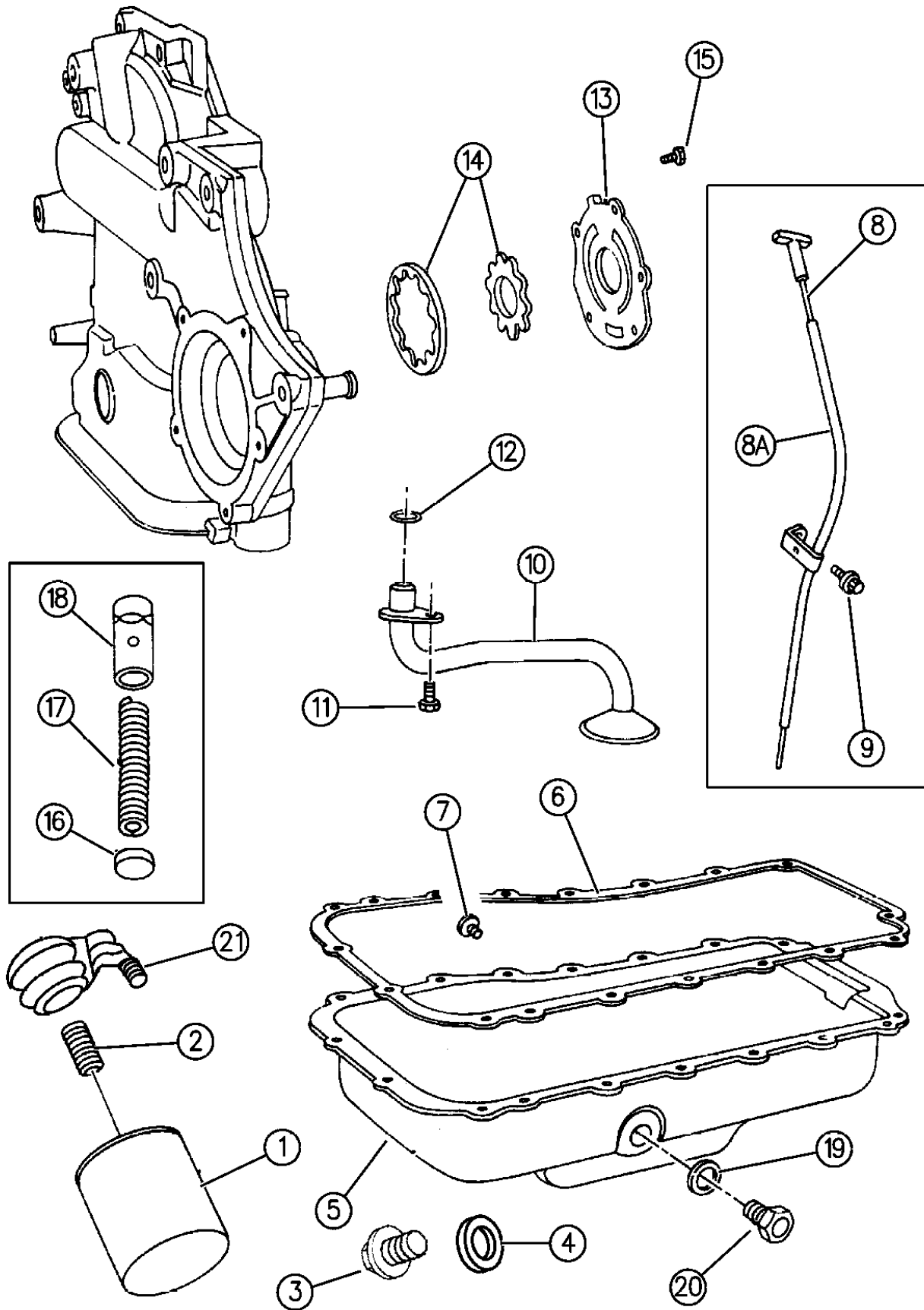
21=2-Door Coupe      41=4-Door Sedan      12-52=FWD & AWD Van & Wgn Std W.B.  
 24=2-Door Hatchback      44=4-Door Hatchback      53=FWD & AWD Van & Wgn Ext. W.B.  
 27=2-Door Convertible

AR = Use as Required - = Non Illustrated Part P.A.R. = Paint as Required

**ENGINE OILING 3.3L AND 3.8L ENGINE**  
**Figure 9B-1700**

93156 1700B

ITEM	PART NUMBER	QTY	BODY	MODEL	DESCRIPTION
1	5281 090	1			FILTER, Oil
2	4104 511	1			ADAPTER, Oil Filter to Cylinder Block
3	4293 859	1			PLUG PACKAGE, Oil Pan Drain
4	6032 145	1			GASKET, Oil Pan Drain (Also in Plug Pkg.)
5	4448 889	1			PAN, Oil Partial
	6034 061	1			PLUG, Oil Level Sensor
	5302 0281	1			GASKET, Oil Level Sensor Plug
6	4448 896	1			SENSOR, Engine Oil Level (See Group 8)
	5241 062	1			GASKET, Oil Pan
					GASKET PACKAGE, Oil Pan (Contains Pan Gskt and Oil Pickup Tube Seal)
7	6502 343	16			SCREW and WASHER, Oil Pan Att.
	6500 274	2			NUT, Oil Pan Att. Flange Lock
	6501 991	2			STUD, Oil Pan Attaching m6x1.0x32
8	5281 109	1			INDICATOR, Oil Level
8A	4483 649	1			TUBE, Oil Level Indicator and Clip
9	6101 452	1			SCREW and WASHER, Oil Level Indicator Tube Att.
10	4448 895	1			TUBE, Oil Pickup w/Strainer
11	6500 070	1			SCREW and WASHER, Oil Pickup Tube Att. (M8x25)
12	6032 920	1			SEAL, Oil Pickup Tube to Chain Case Cover
13	4483 603	1			COVER, Oil Pump
14	4728 396	1			ROTOR PKG, Oil Pump (Contains 1-4621355 and 1-4621356) ***
15	6101 386	5			SCREW, Oil Pump Cover Att. (M6x18)
16	2806 273	1			CAP, Oil Pressure Relief Valve
17	2402 473	1			SPRING, Oil Pressure Relief Valve
18	2843 208	1			PLUNGER, Oil Pressure Relief Valve
19	5302 0281	1			GASKET, Oil Level Sensor Plug
20	6034 061	1			PLUG, Oil Level Sensor (Sensor in Group 8 )
21	4387 305	1	ES		COOLER, Engine Oil ***



**MODEL CODES:**

A BODY=(C=LeBaron, D=Spirit, P=Acclaim/LaBaron(Landau), Saratoga)  
 C BODY=(D=Dynasty, C=New Yorker/N.Y. Salon)  
 G BODY=(V=Daytona/IROC, Chrysler Daytona)  
 J BODY=(C=LeBaron, Chrysler LeBaron)  
 P BODY=(P=Sundance, D=Shadow)

S BODY=(H=Voyager(H) FWD, K=Caravan(H) FWD, Y=Town & Country(H) FWD, P=Voyager(K) AWD, D=Caravan(K) AWD, C=Town & Country(K) AWD)  
 Y BODY=(C=Imperial/5th Avenue)  
 E-S BODY=(K=Chrysler Voyager(H) FWD, D=Chrysler Voyager(K) AWD)

**BODY STYLES:**

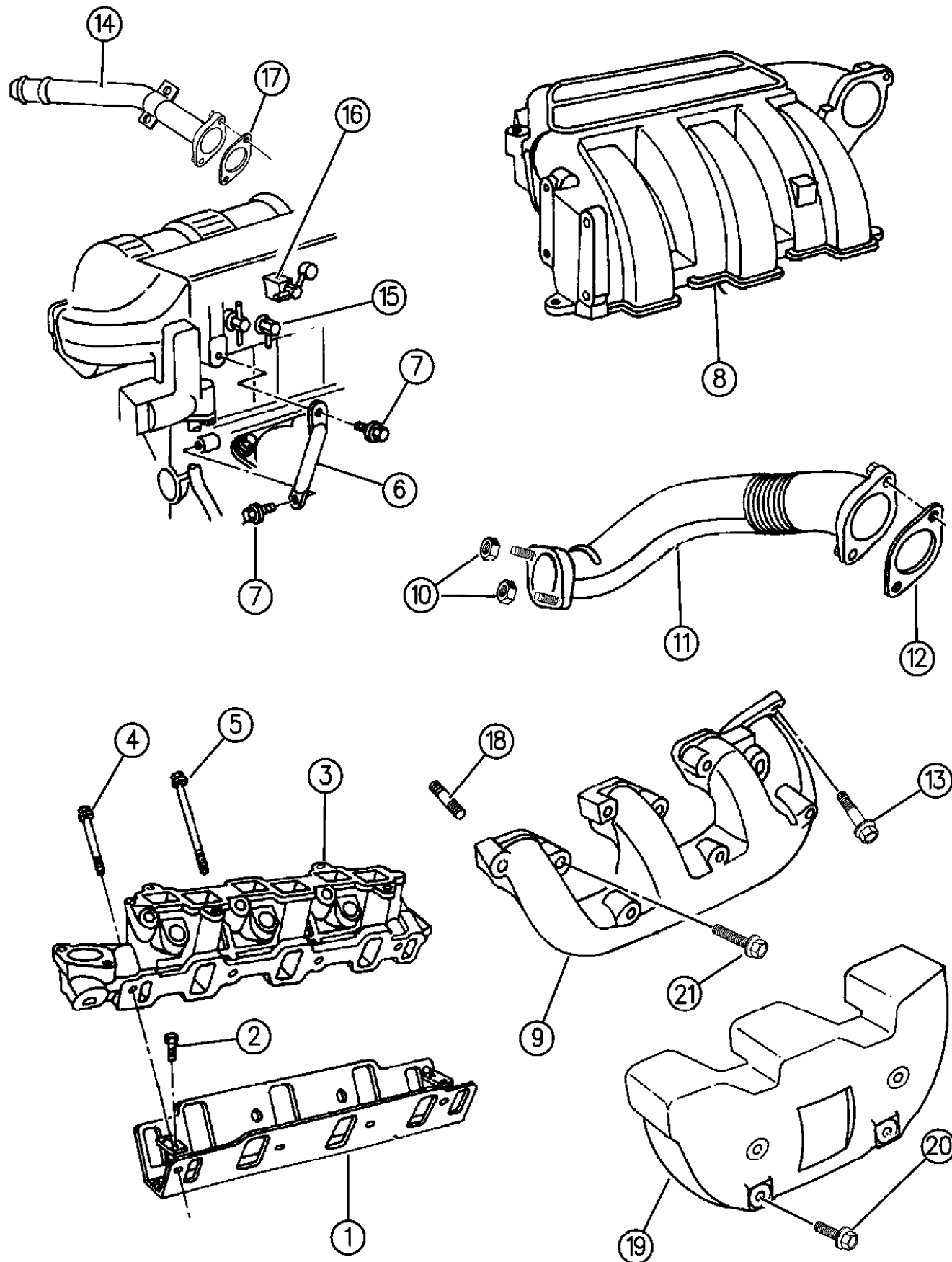
21=2-Door Coupe      41=4-Door Sedan      12-52=FWD & AWD Van & Wgn Std W.B.  
 24=2-Door Hatchback      44=4-Door Hatchback      53=FWD & AWD Van & Wgn Ext. W.B.  
 27=2-Door Convertible

AR = Use as Required - = Non Illustrated Part P.A.R. = Paint as Required

MANIFOLD, INTAKE AND EXHAUST 3.3L AND 3.8L ENGINE

Figure 9B-1800

93156 1800



ITEM	PART NUMBER	QTY	BODY	MODEL	DESCRIPTION
1	4448 161	1			GASKET, Intake Manifold
2	6101 010	2			SCREW and WASHER, Intake Manifold to Cylinder Block Gasket (M6x1x18 Lg.)
3	4573 576	1			MANIFOLD, Intake Lower
4	6501 993	2			SCREW and WASHER, Intake Manifold Plenum (M8x1.25x 70Lg.)
5	6502 257	6			SCREW and WASHER, Intake Manifold Plenum (M8x1.25x120 Lg.)
6	6502 059	4			To intake Manifold Lower
7	4448 123	1			STRUT, Cylinder Head to Intake Manifold
8	4612 115	1			A/C Compr. to Cylinder Head
9	6500 158	2			SCREW and WASHER, Strut Cylinder head to Intake Manifold
10	4621 377	1	Y		MANIFOLD ASSEMBLY, Intake Plenum *** w/3.8L Engine
11	4621 376	1	C,Y,S		w/3.3L Engine w/EGR
12	4621 374	1	C,Y,S		w/3.3L Engine w/o EGR
13	4483 619	1			GASKET, Intake Manifold Plenum
14	4667 320	1			PLUG, Intake Manifold Cup
15	4448 009	1			MANIFOLD, Exh LEFT 3.3 & 3.8 RIGHT
16	4315 767	1			3.3L (excl Calif)
17	4448 909	1			3.3L w/Calif
18	4448 909	1			3.8L All
19	4612 719	1			PLATE, Cover (EGR Hole)
20	5277 723	1			GASKET, EGR Cover Plate
21	1150 2693	2			SCREW/Washer, EGR Cover Plate ***
22	6100 219	2			NUT, Exhaust Crossover Att. Screw
23	4448 013	1			CROSSOVER, Exhaust (2-Bolts pressed in on one end,2-Nuts on other end) ***
24	4448 149	2			GASKET, Exhaust Crossover
25	6502 279	2			SCREW, Exhaust Crossover to Exhaust Manifold
26	6500 158	1			SCREW and WASHER, Crossover Support Bracket to Cylinder head Att. (M10x1.5x25)
27	4448 851	1			TUBE, (Heater Hose) Mounting from Intake Manif. (Water) Following the Block
28	4287 147	1	C,Y		CONNECTOR,Manifold Vacuum
29	5277 643	1	S		CONNECTOR, Vacuum
30	4306 550	1			CONNECTOR, Vacuum
31	4448 852	1			GASKET, Heater Tube Water Hose
32	6502 210	1			STUD, w/Collar, M10x1.50/M8x1.25x107.00 Torx Tip

MODEL CODES:

A BODY=(C=LeBaron, D=Spirit, P=Acclaim/LaBaron(Landau), Saratoga)

C BODY=(D=Dynasty, C=New Yorker/N.Y. Salon)

G BODY=(V=Daytona/IROC, Chrysler Daytona)

J BODY=(C=LeBaron, Chrysler LeBaron)

P BODY=(P=Sundance, D=Shadow)

S BODY=(H=Voyager(H) FWD, K=Caravan(H) FWD,

Y=Town & Country(H) FWD, P=Voyager(K) AWD,

D=Caravan(K) AWD, C=Town & Country(K) AWD)

Y BODY=(C=Imperial/5th Avenue)

E-S BODY=(K=Chrysler Voyager(H) FWD, D=Chrysler

Voyager(K) AWD)

BODY STYLES:

21=2-Door Coupe

41=4-Door Sedan

12-52=FWD & AWD Van & Wgn Std W.B.

24=2-Door Hatchback

44=4-Door Hatchback

53=FWD & AWD Van & Wgn Ext. W.B.

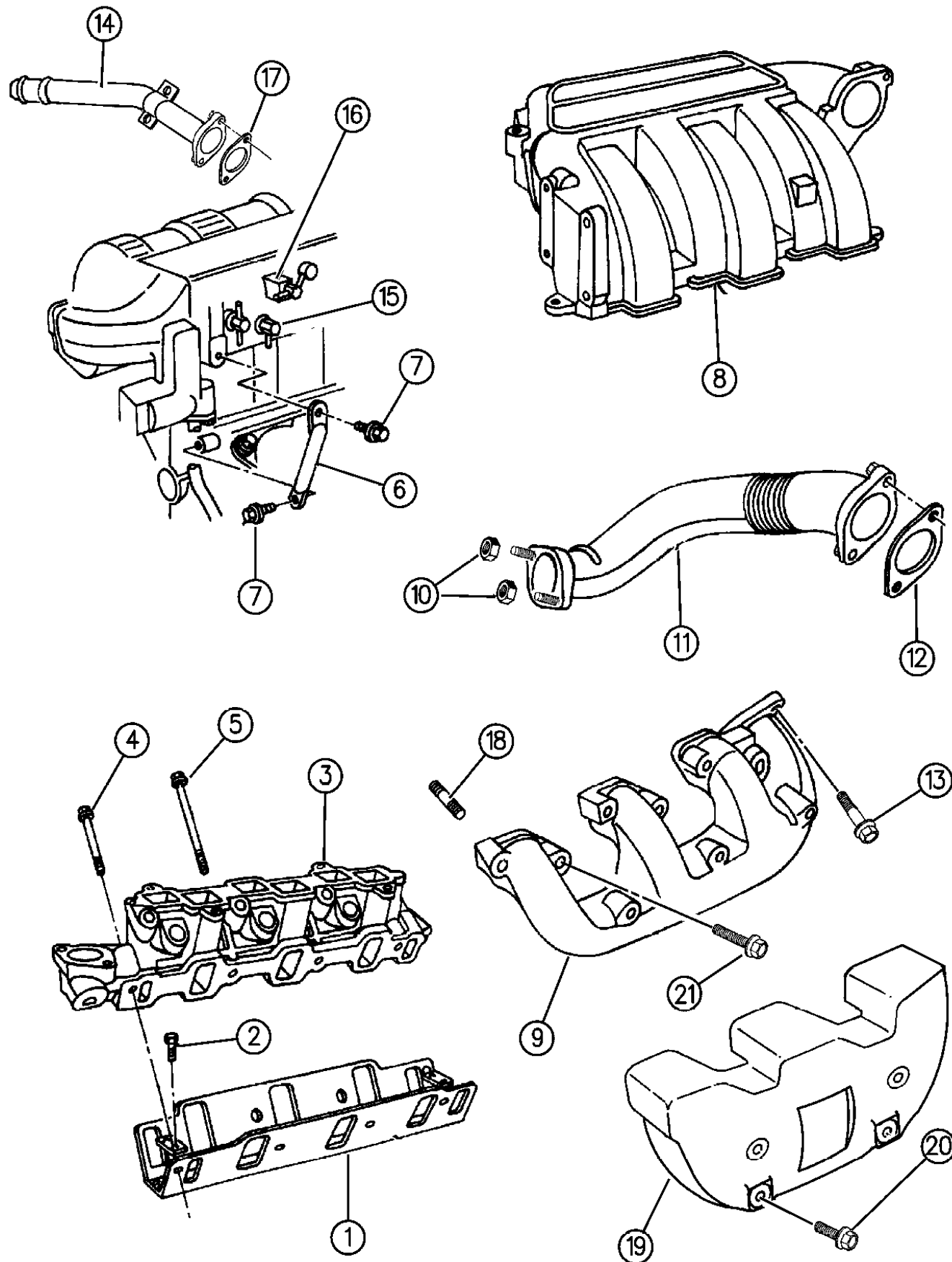
27=2-Door Convertible

AR = Use as Required - = Non Illustrated Part P.A.R. = Paint as Required

MANIFOLD, INTAKE AND EXHAUST 3.3L AND 3.8L ENGINE

Figure 9B-1800

93156 1800



ITEM	PART NUMBER	QTY	BODY	MODEL	DESCRIPTION
19	4621 666	1			SHIELD, Exhaust Heat
20	6502 280	2			SCREW/Washer, Exhaust Manifold Heat Shield Attach ***
21	6100 929	11			SCREW, Exhaust Manifold Attach ( M8 x 1.25 x 45.00)

MODEL CODES:

A BODY=(C=LeBaron, D=Spirit, P=Acclaim/LaBaron(Landau), Saratoga) S BODY=(H=Voyager(H) FWD, K=Caravan(H) FWD, Y=Town & Country(H) FWD, P=Voyager(K) AWD, D=Caravan(K) AWD, C=Town & Country(K) AWD)  
 C BODY=(D=Dynasty, C=New Yorker/N.Y. Salon)  
 G BODY=(V=Daytona/IROC, Chrysler Daytona)  
 J BODY=(C=LeBaron, Chrysler LeBaron)  
 P BODY=(P=Sundance, D=Shadow)  
 Y BODY=(C=Imperial/5th Avenue)  
 E-S BODY=(K=Chrysler Voyager(H) FWD, D=Chrysler Voyager(K) AWD)

BODY STYLES:

21=2-Door Coupe      41=4-Door Sedan      12-52=FWD & AWD Van & Wgn Std W.B.  
 24=2-Door Hatchback      44=4-Door Hatchback      53=FWD & AWD Van & Wgn Ext. W.B.  
 27=2-Door Convertible

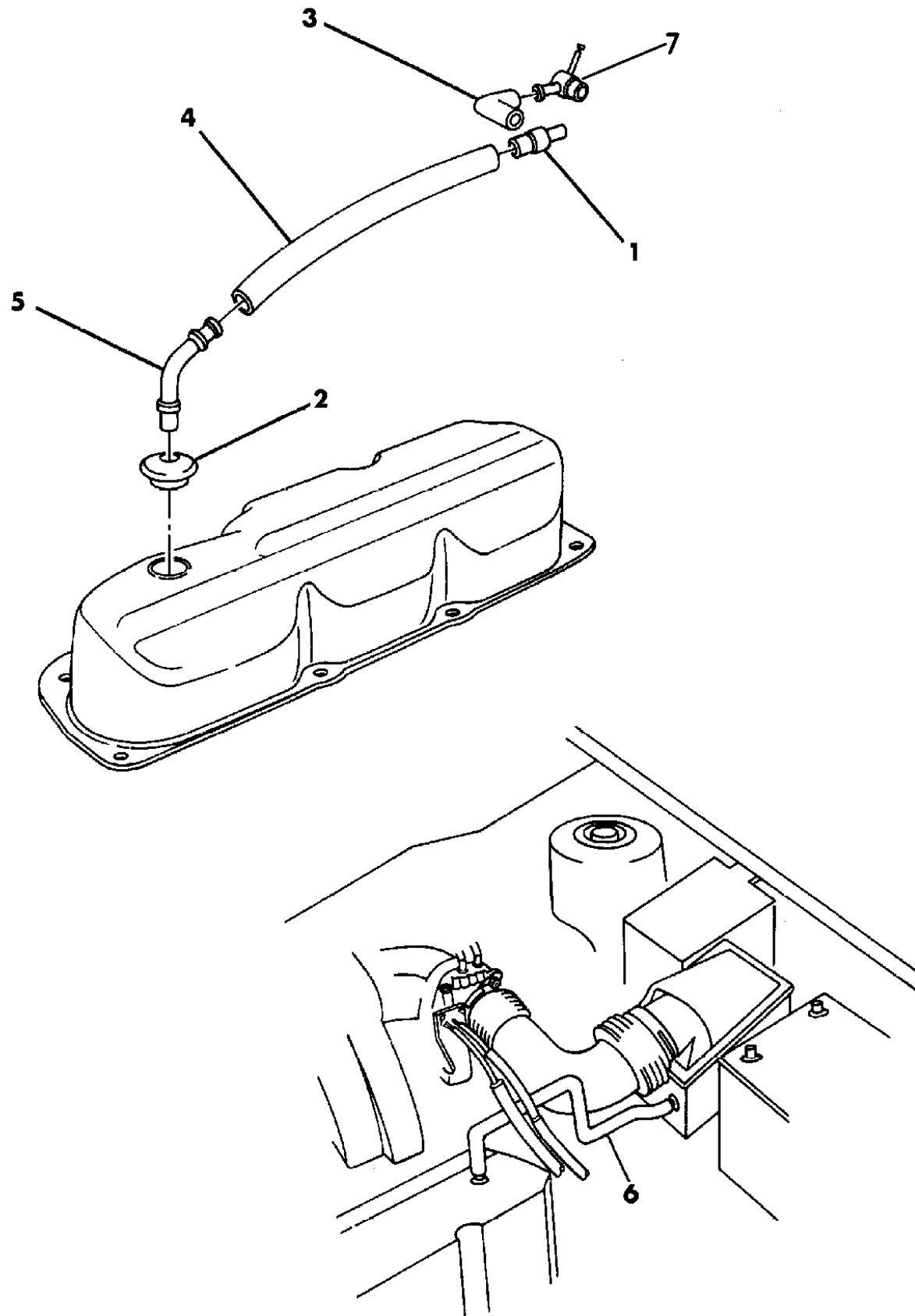
AR = Use as Required - = Non Illustrated Part P.A.R. = Paint as Required

CRANKCASE VENTILATION 3.3L AND 3.8L ENGINE

Figure 9B-1900

93156 1900A

ITEM	PART NUMBER	QTY	BODY	MODEL	DESCRIPTION
1	3671 076	1			VALVE, Crankcase Vent
2	3751 510	1			GROMMET, Crankcase Vent Elbow
3	4536 156	1			HOSE, PCV Valve to Vac. Source
4	4315 772	1			HOSE, Cylinder Head Cover to Crankcase Vent Valve
		2			CLAMP, PCV Valve (Not Serviced)
5	4536 167	1			ELBOW, Crankcase Vent Hose
6	4483 120	1	S		HOSE, Crankcase Vent to Air Cleaner
	4556 225	1	C,Y		
7	5277 577	1			CONNECTOR, Three Port



MODEL CODES:

A BODY=(C=LeBaron, D=Spirit, P=Acclaim/LaBaron(Landau),  
Saratoga)  
C BODY=(D=Dynasty, C=New Yorker/N.Y. Salon)  
G BODY=(V=Daytona/IROC, Chrysler Daytona)  
J BODY=(C=LeBaron, Chrysler LeBaron)  
P BODY=(P=Sundance, D=Shadow)

S BODY=(H=Voyager(H) FWD, K=Caravan(H) FWD,  
Y=Town & Country(H) FWD, P=Voyager(K) AWD,  
D=Caravan(K) AWD, C=Town & Country(K) AWD)  
Y BODY=(C=Imperial/5th Avenue)  
E-S BODY=(K=Chrysler Voyager(H) FWD, D=Chrysler  
Voyager(K) AWD)

BODY STYLES:

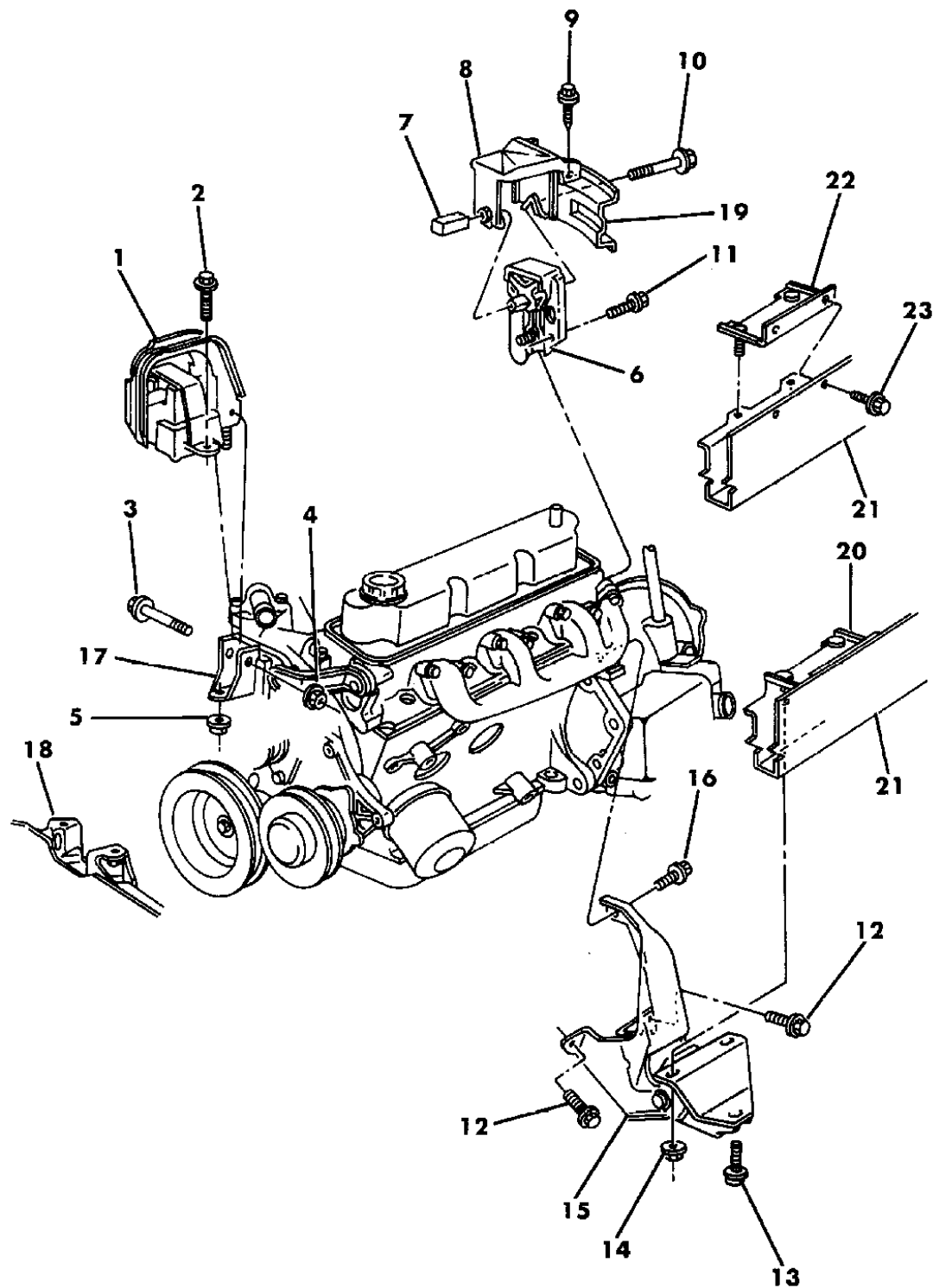
21=2-Door Coupe      41=4-Door Sedan      12-52=FWD & AWD Van & Wgn Std W.B.  
24=2-Door Hatchback      44=4-Door Hatchback      53=FWD & AWD Van & Wgn Ext. W.B.  
27=2-Door Convertible

AR = Use as Required - = Non Illustrated Part P.A.R. = Paint as Required

ENGINE MOUNTING 3.3 L AND 3.8 L ENGINE

Figure 9B-2000

93156 2000



ITEM	PART NUMBER	QTY	BODY	MODEL	DESCRIPTION
1	4471 036	1	S		SUPPORT, Engine Rt.
	5272 166	1	S	AWD	
	4612 090	1	C,Y		
	6502 074	1	S		SCREW and WASHER, Engine Support Bushing
	6501 786	1	C,Y		
2	6501 946	2			SCREW and WASHER, Bushing to Frame Bracket Rt.
3	6502 505	2			SCREW and WASHER, Engine Support Bracket to Engine Mount Bracket Rt.
4	6502 195	1			NUT, Engine Support Insul. Bracket to Engine Mount Screw and Washer Rt.
5	6501 737	AR			NUT, Engine Support Insul. Bracket Stud to Engine Bracket Rt.
6	4668 133	1	S		SUPPORT, Engine Lt.
	4471 031	1	C,Y		
7	4471 924	1			WEIGHT, Engine Mount Damper Lt. ***
8		1			(Group 13)
9		1			SCREW and WASHER, Support Bracket to Frame Lt. (Not Serviced)
10	6501 940	AR			SCREW and WASHER, Engine Support Insul to Frame Lt.
11	6101 394	2			SCREW and WASHER, Engine Support Insul. Bracket to T/Case Lt.
	6502 072	1	S		
12		2			SCREW and WASHER, Engine Support Insul. Bracket (Not Serviced)
13	6501 946	AR			SCREW and WASHER
14	6101 448	2			NUT and WASHER, Engine Support Insul. to Frame Front
15					Front Engine Mount ***
	4612 020	1			AC and AY Bodies Support Assembly, Complete BRACKET Attaching to Block (Not Serviced)
	4612 017	1			Insulator Assembly (Attaching to Crossmember)
	6501 633	1			Screw, w/Washer m10-1.5x112 Insulator to Bracket
	6101 318	1			Nut, w/Washer m10-1.5 AS Bodies
					Support Assemblies, Complete
	4612 936	1			w/Taxi & Heavy Duty
	4612 946	1			w/o Taxi & Heavy Duty
	4612 944	1			AWD
					BRACKET Attaching to Block (Not Serviced) Insulator Assembly (Attaching to Crossmember)

MODEL CODES:

A BODY=(C=LeBaron, D=Spirit, P=Acclaim/LaBaron(Landau), Saratoga)

C BODY=(D=Dynasty, C=New Yorker/N.Y. Salon)

G BODY=(V=Daytona/ROC, Chrysler Daytona)

J BODY=(C=LeBaron, Chrysler LeBaron)

P BODY=(P=Sundance, D=Shadow)

S BODY=(H=Voyager(H) FWD, K=Caravan(H) FWD,

Y=Town & Country(H) FWD, P=Voyager(K) AWD,

D=Caravan(K) AWD, C=Town & Country(K) AWD)

Y BODY=(C=Imperial/5th Avenue)

E-S BODY=(K=Chrysler Voyager(H) FWD, D=Chrysler

Voyager(K) AWD)

BODY STYLES:

21=2-Door Coupe

41=4-Door Sedan

12-52=FWD & AWD Van & Wgn Std W.B.

24=2-Door Hatchback

44=4-Door Hatchback

53=FWD & AWD Van & Wgn Ext. W.B.

27=2-Door Convertible

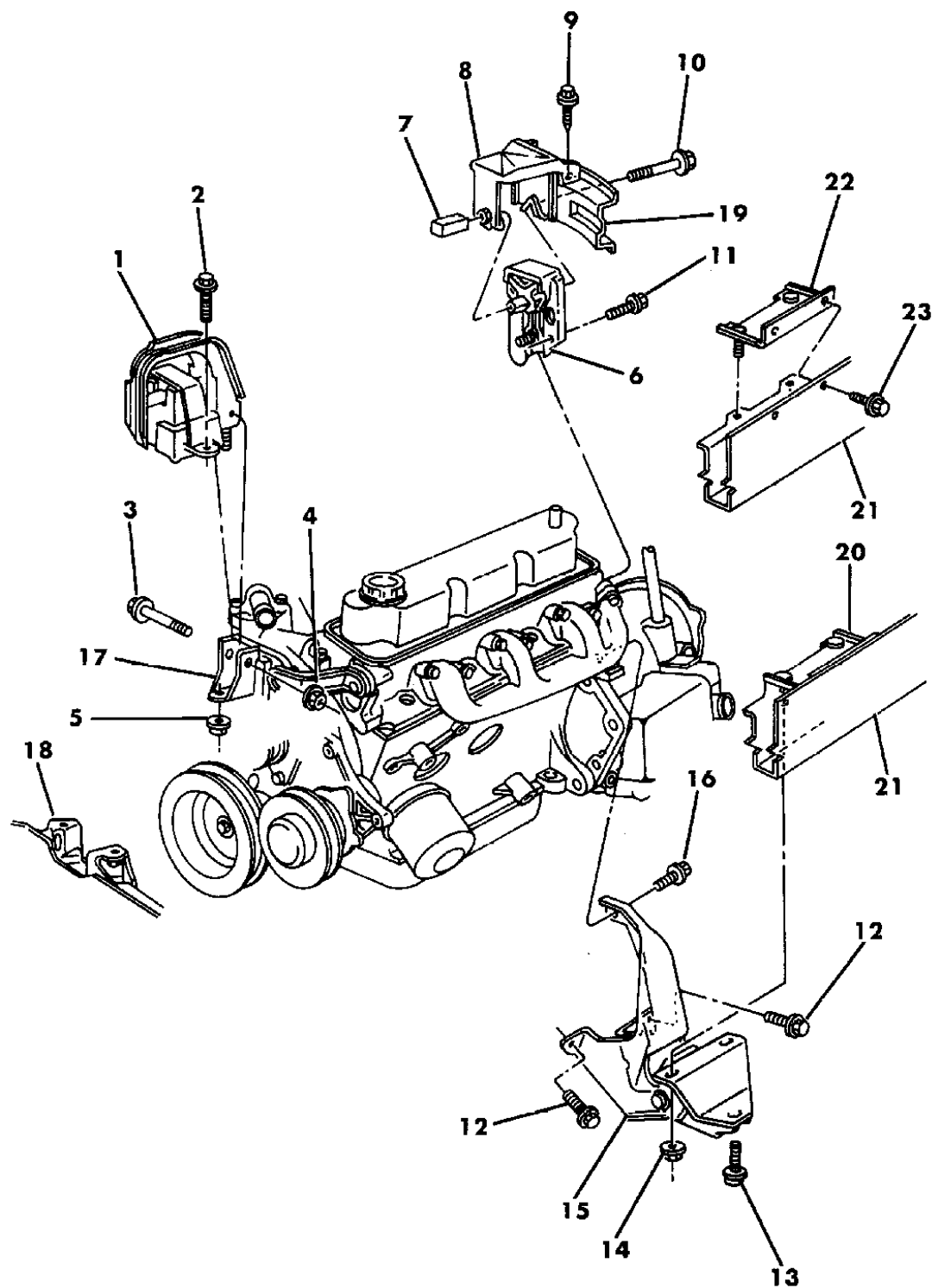
AR = Use as Required - = Non Illustrated Part P.A.R. = Paint as Required



ENGINE MOUNTING 3.3 L AND 3.8 L ENGINE

Figure 9B-2000

93156 2000



ITEM	PART NUMBER	QTY	BODY	MODEL	DESCRIPTION
	5202 028	1			w/Taxi & Heavy Duty
	4537 072	1			w/o Taxi & Heavy Duty
	4612 005	1			AWD
	6501 633	1			Screw, w/Washer m10-1.5x112 (Insulator to Bracket)
	6101 318	1			Nut w/Washer m10-1.5
16	6501 740	1			SCREW and WASHER, Engine Support Insul. Bracket to Engine Lug - Frt.
17	5281 073	1			BRACKET, Engine Mount Rt.
		3			NUT, Weld Right Bracket Mount M10x1.5 (NotService d)
18		1			(Group 13)
19		1			(Group 13)
20		1	S		(Group 13)
21		1	S		(Group 13)
22	4386 588	1	C,Y		RETAINER, Front Crossmember Plate Engine Mount Bracket
23		2	C,Y		SCREW and WASHER, (Not Serviced)
24					STRUT, Engine Mount to Cylinder Head
	4612 122	1			Right
	4612 114	1			Left

MODEL CODES:

A BODY=(C=LeBaron, D=Spirit, P=Acclaim/LaBaron(Landau),  
Saratoga)  
C BODY=(D=Dynasty, C=New Yorker/N.Y. Salon)  
G BODY=(V=Daytona/IROC, Chrysler Daytona)  
J BODY=(C=LeBaron, Chrysler LeBaron)  
P BODY=(P=Sundance, D=Shadow)

S BODY=(H=Voyager(H) FWD, K=Caravan(H) FWD,  
Y=Town & Country(H) FWD, P=Voyager(K) AWD,  
D=Caravan(K) AWD, C=Town & Country(K) AWD)  
Y BODY=(C=Imperial/5th Avenue)  
E-S BODY=(K=Chrysler Voyager(H) FWD, D=Chrysler  
Voyager(K) AWD)

BODY STYLES:

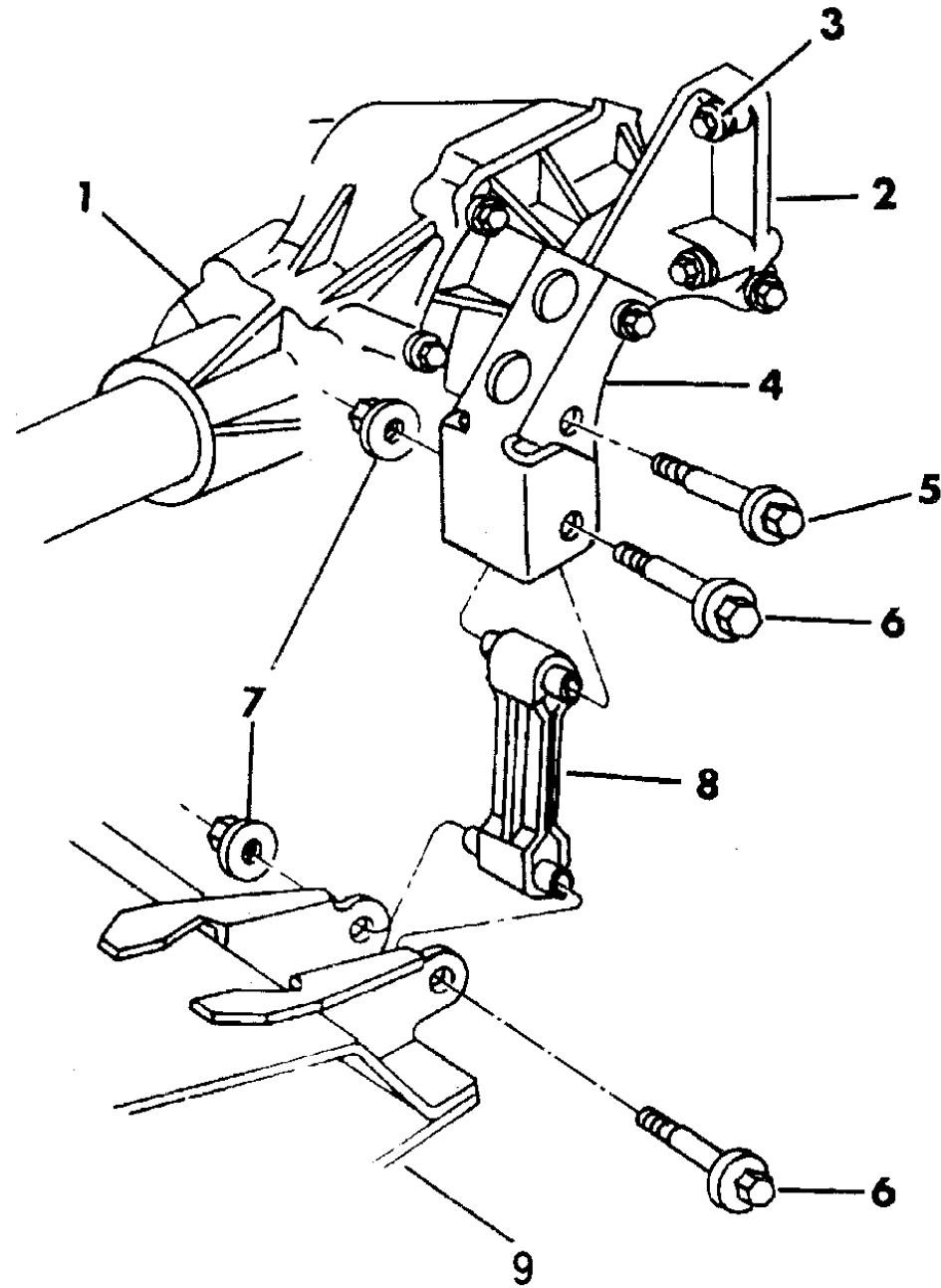
21=2-Door Coupe      41=4-Door Sedan      12-52=FWD & AWD Van & Wgn Std W.B.  
24=2-Door Hatchback      44=4-Door Hatchback      53=FWD & AWD Van & Wgn Ext. W.B.  
27=2-Door Convertible

AR = Use as Required - = Non Illustrated Part P.A.R. = Paint as Required

ENGINE MOUNT POWER TRANSFER UNIT S BODY AWD

Figure 9B-2100

93156 2100A



ITEM	PART NUMBER	QTY	BODY	MODEL	DESCRIPTION
1					Power Transfer Unit (Group 21) ***
2	4518 754	1			BRACKET, PTU to Block
3	6100 940	2			BOLT, Bracket to Block
4	4612 182	1			BRACKET, PTU to Engine Roll Strut
5	6100 934	3			BOLT, Bracket to PTU Case
6	6502 968	1			SCREW and WASHER, m10-1.5x67
7	6502 337	2			NUT
8	4612 180	1			STRUT ASSEMBLY, PTU Engine Roll ***
9					Crossmember (Group 13)

ection 27150.1 and with the Department of California Highway Patrols regulations adopted pursuant to Vehicle Code Section 27150.2 when used in the applications specified in this document.  
 State of California. applications specified in this document.  
 e 4000 feet elevation. applications specified in this document.

**MODEL CODES:**

A BODY=(C=LeBaron, D=Spirit, P=Acclaim/LaBaron(Landau), Saratoga) S BODY=(H=Voyager(H) FWD, K=Caravan(H) FWD, Y=Town & Country(H) FWD, P=Voyager(K) AWD, D=Caravan(K) AWD, C=Town & Country(K) AWD)  
 C BODY=(D=Dynasty, C=New Yorker/N.Y. Salon) Y BODY=(C=Imperial/5th Avenue)  
 G BODY=(V=Daytona/IROC, Chrysler Daytona) E-S BODY=(K=Chrysler Voyager(H) FWD, D=Chrysler Voyager(K) AWD)  
 J BODY=(C=LeBaron, Chrysler LeBaron)  
 P BODY=(P=Sundance, D=Shadow)

**BODY STYLES:**

21=2-Door Coupe 41=4-Door Sedan 12-52=FWD & AWD Van & Wgn Std W.B.  
 24=2-Door Hatchback 44=4-Door Hatchback 53=FWD & AWD Van & Wgn Ext. W.B.  
 27=2-Door Convertible

AR = Use as Required - = Non Illustrated Part P.A.R. = Paint as Required

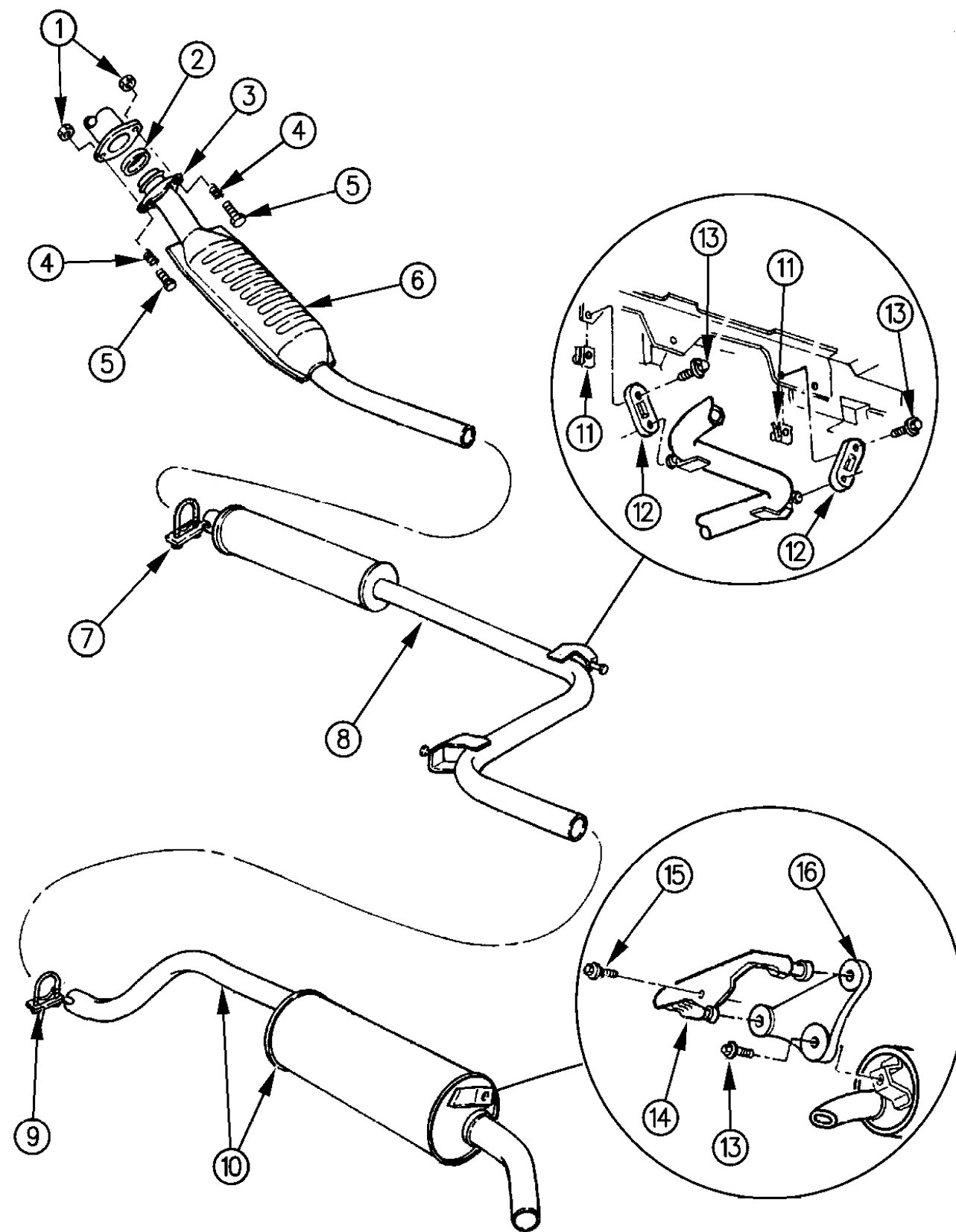
**GROUP 11 - EXHAUST**

<b>ILLUSTRATION TITLE</b>	<b>GROUP-FIG. NO.</b>
<b>EXHAUST SYSTEMS</b>	
EXHAUST SYSTEM 2.2L AND 2.5L ENGINE P,A,J,G,C BODY .....	Fig. 11-100
EXHAUST SYSTEM 2.2L 16 VALVE G BODY .....	Fig. 11-200
EXHAUST SYSTEM 3.0L, 3.3L, 3.8L ENGINE A,J,G,P,C,Y BODY .....	Fig. 11-300
EXHAUST SYSTEM 2.5L ENGINE S BODY .....	Fig. 11-400
EXHAUST SYSTEM 3.0L, 3.3L ENGINE - FWD S BODY .....	Fig. 11-500
EXHAUST SYSTEM 3.3L ENGINE - AWD S BODY .....	Fig. 11-600
EXHAUST SYSTEM 2.5L DIESEL ENGINE S BODY .....	Fig. 11-650
<b>HEAT SHIELDS</b>	
HEAT SHIELDS - EXHAUST P,A,J,G,C,Y BODY .....	Fig. 11-700
HEAT SHIELDS - EXHAUST S BODY - FWD .....	Fig. 11-800
HEAT SHIELDS - EXHAUST S BODY - AWD .....	Fig. 11-900

**ILLUSTRATION NOT AVAILABLE AT TIME OF PUBLICATION**

**EXHAUST SYSTEM 2.2L AND 2.5L ENGINE P,A,J,G,C BODY**  
**Figure 11-100**

93111 100



ITEM	PART NUMBER	QTY	BODY	MODEL	DESCRIPTION
1	6100 499	2			NUT
2	4427 008	1			RING, Seal
	4301 350	1			Flex Fuel
3	4150 799	1			FLANGE, Front Converter
4	4301 631	2			SPRING
5	5217 003	2			BOLT
6					CONVERTER, Catalytic w/Pipes - Front
	4427 029	1	P		2.2L Eng. w/(S/C - NAA, NAF) - Man. Trans.
	4301 716	1	P		2.2L Eng. w/(S/C - NAA, NAF) - Auto. Trans.
	4427 030	1	P		2.2L Eng. w/(S/C - NAE)
	4427 029	1	P,A,G		2.5L Eng. w/(S/C - NAA, NAF) - Man. Trans.
	4301 716	1	P,A,J,G		2.5L Eng. w/(S/C - NAA, NAF) - Auto. Trans.
	4427 030	1	P,A,J,G		2.5L Eng. w/(S/C - NAE)
	4301 716	1	C		2.5L Eng. w/(S/C - NAA, NAF)
	4427 030	1	C		2.5L Eng. w/(S/C - NAE)
7	4301 378	1			CLAMP
8					PIPE, Exhaust Extension
					w/o RESONATOR
	4427 137	1	P		2.2L Eng. and 2.5L Eng.
	4427 137	1	G		2.5L Eng.
	4301 942	1	A,C		2.5L Eng.
	4427 594	1	J		2.5L Eng.
9	4495 532	1			CLAMP
10					PIPE, Tail w/Muffler
	4427 249	1	P		2.2L Eng. and 2.5L Eng.
	4427 773	1	A		2.5L Eng.
	4427 592	1	J		2.5L Eng.
	4495 675	1	G	H	2.5L Eng.
	4495 676	1	G	L	2.5L Eng.
	4427 748	1	C		2.5L Eng.
11	6101 283	2			U-NUT
12	4301 195	2			INSULATOR, Extension Pipe Support
13	6500 202	3			BOLT, Shoulder
14	4427 676	1			BRACKET, Muffler Support
15	6100 591	1			SCREW
16	4301 848	1			INSULATOR, Muffler Support

**MODEL CODES:**

A BODY=(C=LeBaron, D=Spirit, P=Acclaim/LaBaron(Landau), Saratoga)

C BODY=(D=Dynasty, C=New Yorker/N.Y. Salon)

G BODY=(V=Daytona/ROC, Chrysler Daytona)

J BODY=(C=LeBaron, Chrysler LeBaron)

P BODY=(P=Sundance, D=Shadow)

S BODY=(H=Voyager(H) FWD, K=Caravan(H) FWD,

Y=Town & Country(H) FWD, P=Voyager(K) AWD,

D=Caravan(K) AWD, C=Town & Country(K) AWD)

Y BODY=(C=Imperial/5th Avenue)

E-S BODY=(K=Chrysler Voyager(H) FWD, D=Chrysler

Voyager(K) AWD)

**BODY STYLES:**

21=2-Door Coupe

41=4-Door Sedan

12-52=FWD & AWD Van & Wgn Std W.B.

24=2-Door Hatchback

44=4-Door Hatchback

53=FWD & AWD Van & Wgn Ext. W.B.

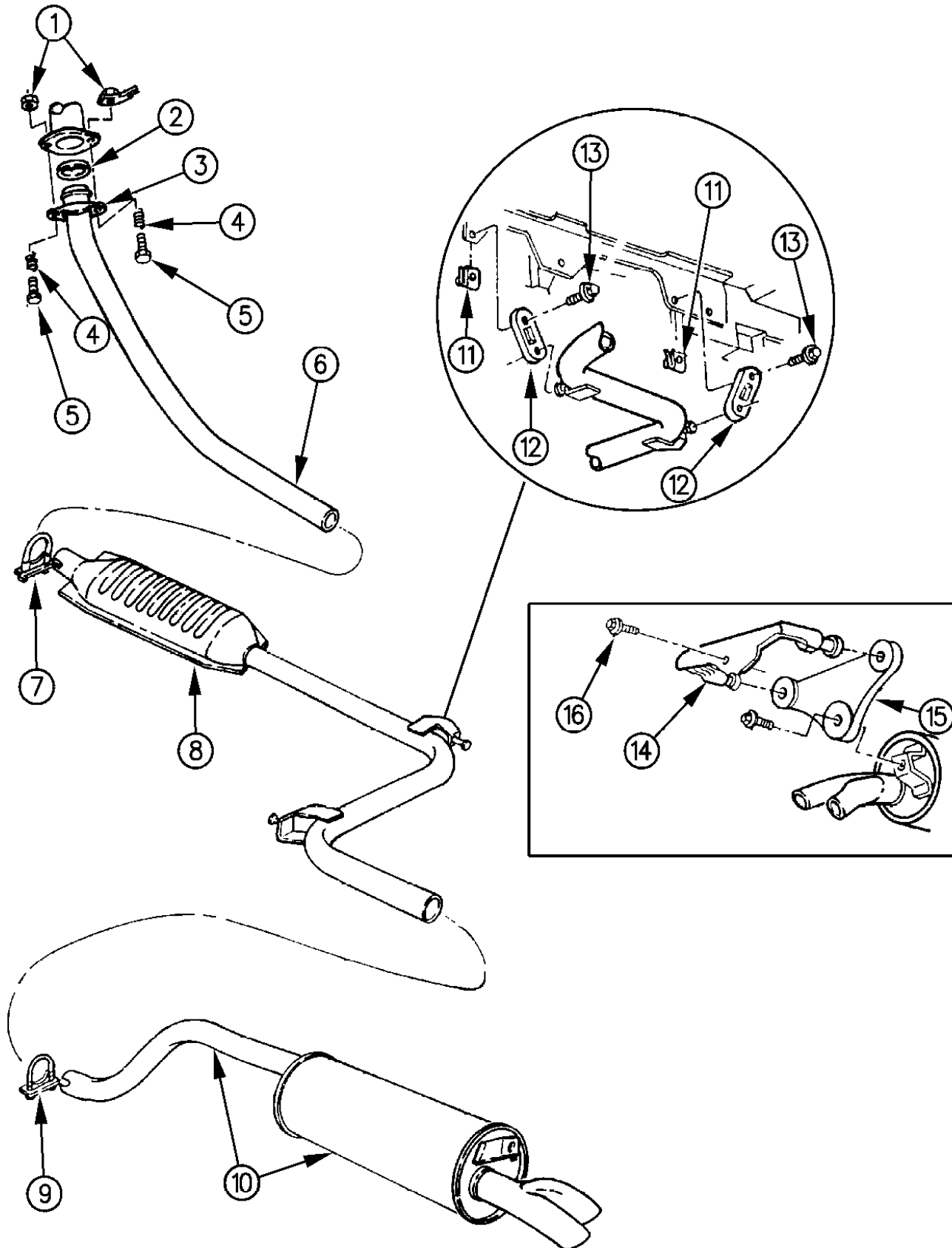
27=2-Door Convertible

AR = Use as Required - = Non Illustrated Part P.A.R. = Paint as Required

EXHAUST SYSTEM 2.2L 16 VALVE G BODY

Figure 11-200

93111 200



ITEM	PART NUMBER	QTY	BODY	MODEL	DESCRIPTION
1					NUT
	6100 499	1			Right
	4427 610	1			Left
2	4301 984	1			RING, Seal
3	4301 985	1			FLANGE, Front Exhaust Pipe
4	4427 590	2			SPRING and BOLT ASSEMBLY ***
5	5217 003	2			BOLT
6	4427 033	1			PIPE, Exhaust
7	4301 050	1			CLAMP
8	4427 034	1			CONVERTER, Catalytic w/Pipes - Rear
9	4495 532	1			CLAMP
10	4495 677	1			PIPE, Tail w/Muffler
11	6101 283	2			U-NUT
12	4301 195	AR			INSULATOR, Rear Converter Support
13	6500 202	3			BOLT, Shoulder
14	4427 676	1			BRACKET, Muffler Support
15	4301 848	1			INSULATOR, Muffler Support
16	6100 591	1			SCREW

MODEL CODES:

A BODY=(C=LeBaron, D=Spirit, P=Acclaim/LaBaron(Landau),  
Saratoga)  
C BODY=(D=Dynasty, C=New Yorker/N.Y. Salon)  
G BODY=(V=Daytona/IROC, Chrysler Daytona)  
J BODY=(C=LeBaron, Chrysler LeBaron)  
P BODY=(P=Sundance, D=Shadow)

S BODY=(H=Voyager(H) FWD, K=Caravan(H) FWD,  
Y=Town & Country(H) FWD, P=Voyager(K) AWD,  
D=Caravan(K) AWD, C=Town & Country(K) AWD)  
Y BODY=(C=Imperial/5th Avenue)  
E-S BODY=(K=Chrysler Voyager(H) FWD, D=Chrysler  
Voyager(K) AWD)

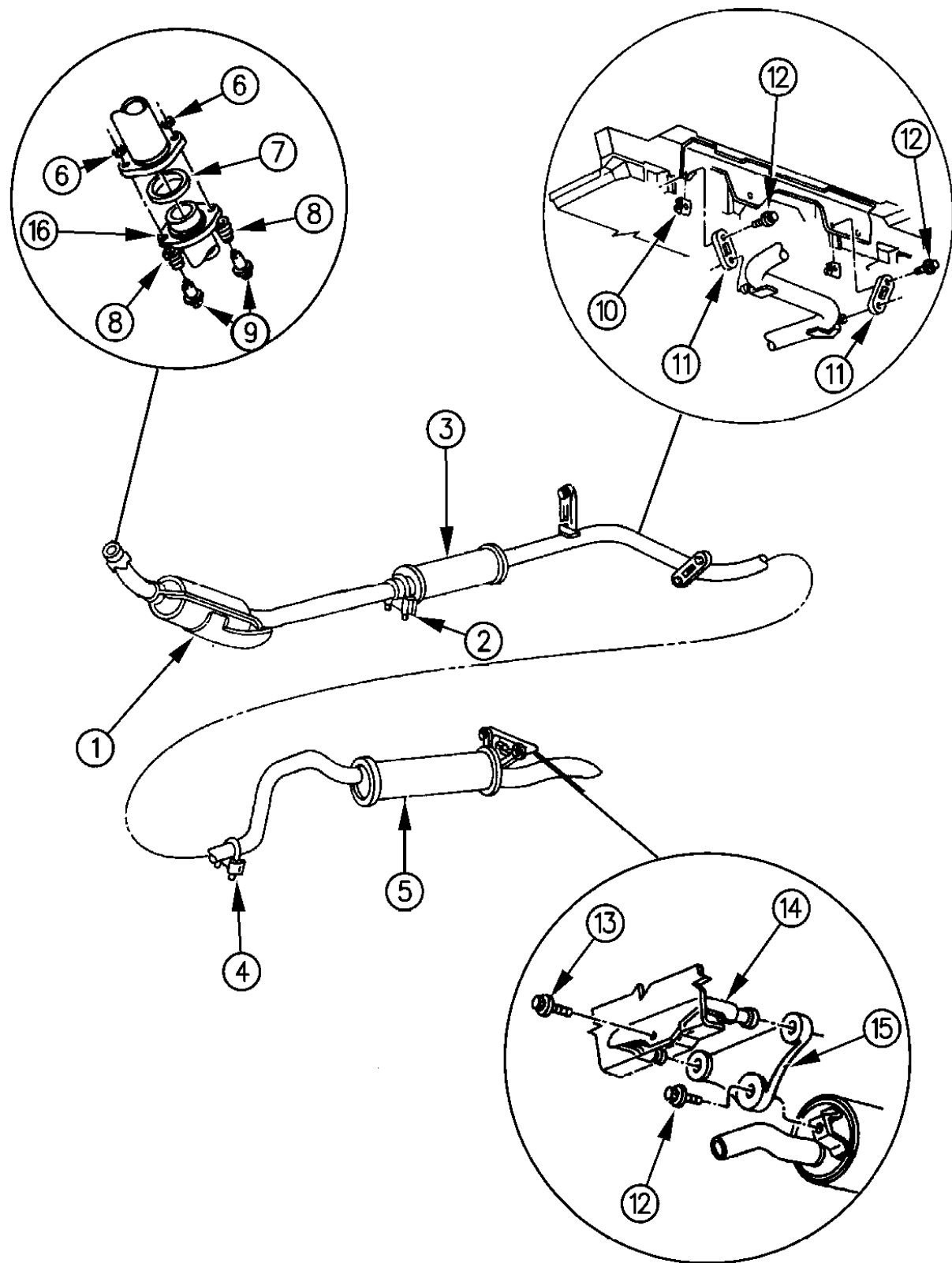
BODY STYLES:

21=2-Door Coupe      41=4-Door Sedan      12-52=FWD & AWD Van & Wgn Std W.B.  
24=2-Door Hatchback      44=4-Door Hatchback      53=FWD & AWD Van & Wgn Ext. W.B.  
27=2-Door Convertible

AR = Use as Required - = Non Illustrated Part P.A.R. = Paint as Required

**EXHAUST SYSTEM 3.0L, 3.3L, 3.8L ENGINE A,J,G,P,C,Y BODY**  
**Figure 11-300**

93111 300



ITEM	PART NUMBER	QTY	BODY	MODEL	DESCRIPTION
1					CONVERTER ASSEMBLY, w/Pipes
	4427 705	1	G,J		3.0L Eng.
	4427 731	1	G,J		3.0L Eng. Calif.
	4427 621	1	A,C,P		3.0L Eng.
	4427 740	1	A,C,P		3.0L Eng. Calif.
	4427 630	1	C,Y		3.3L Eng.
	4427 631	1	C,Y		3.3L Eng. Calif.
	4427 630	1	C,Y		3.8L Eng.
	4427 631	1	C,Y		3.8L Eng. Calif.
2	4301 410	1			CLAMP
3					PIPE ASSEMBLY, Exhaust Extension w/Resonator ***
	4427 743	1	A,C		3.0L Eng.
	4495 674	1	J		3.0L Eng.
	4427 717	1	C		3.3L - 3.8L Eng.
	4427 675	1	Y		3.3L - 3.8L Eng.
	4427 616	1	A,C,Y		3.0L Eng. MID EAST
	4495 673	1	G		PIPE, Extension w/o Resonator 3.0L Eng.
	4427 625	1	G		3.0L Eng.
	4495 680	1	P		3.0L Eng.
4	4495 532	1			CLAMP
5					PIPE, Tail w/Muffler
	4427 747	1	A		3.0L Eng.
	4495 679	1	J		3.0L Eng.
	4495 678	1	G		3.0L Eng.
	4495 681	1	P		3.0L Eng.
	4427 749	1	C,Y		3.0L Eng.
	4427 749	1	Y		3.0L Eng. MID EAST
	4427 750	1	C		3.3L - 3.8L Eng.
	4427 718	1	Y		3.3L Eng.
	4427 728	1	Y		3.8L Eng.
6	6100 499	2			NUT
7	4301 984	1			RING, Seal
8	4427 299	2			SPRING
9	5217 003	2			BOLT
10	6101 283	2			U-NUT
11	4301 195	2			INSULATOR
12	6500 202	3			BOLT, Shoulder
13	6100 591	1			SCREW
14	4427 676	1			BRACKET, Muffler Support

**MODEL CODES:**

A BODY=(C=LeBaron, D=Spirit, P=Acclaim/LaBaron(Landau), Saratoga)      S BODY=(H=Voyager(H) FWD, K=Caravan(H) FWD, Y=Town & Country(H) FWD, P=Voyager(K) AWD, D=Caravan(K) AWD, C=Town & Country(K) AWD)  
 C BODY=(D=Dynasty, C=New Yorker/N.Y. Salon)  
 G BODY=(V=Daytona/IROC, Chrysler Daytona)  
 J BODY=(C=LeBaron, Chrysler LeBaron)  
 P BODY=(P=Sundance, D=Shadow)      E-S BODY=(K=Chrysler Voyager(H) FWD, D=Chrysler Voyager(K) AWD)

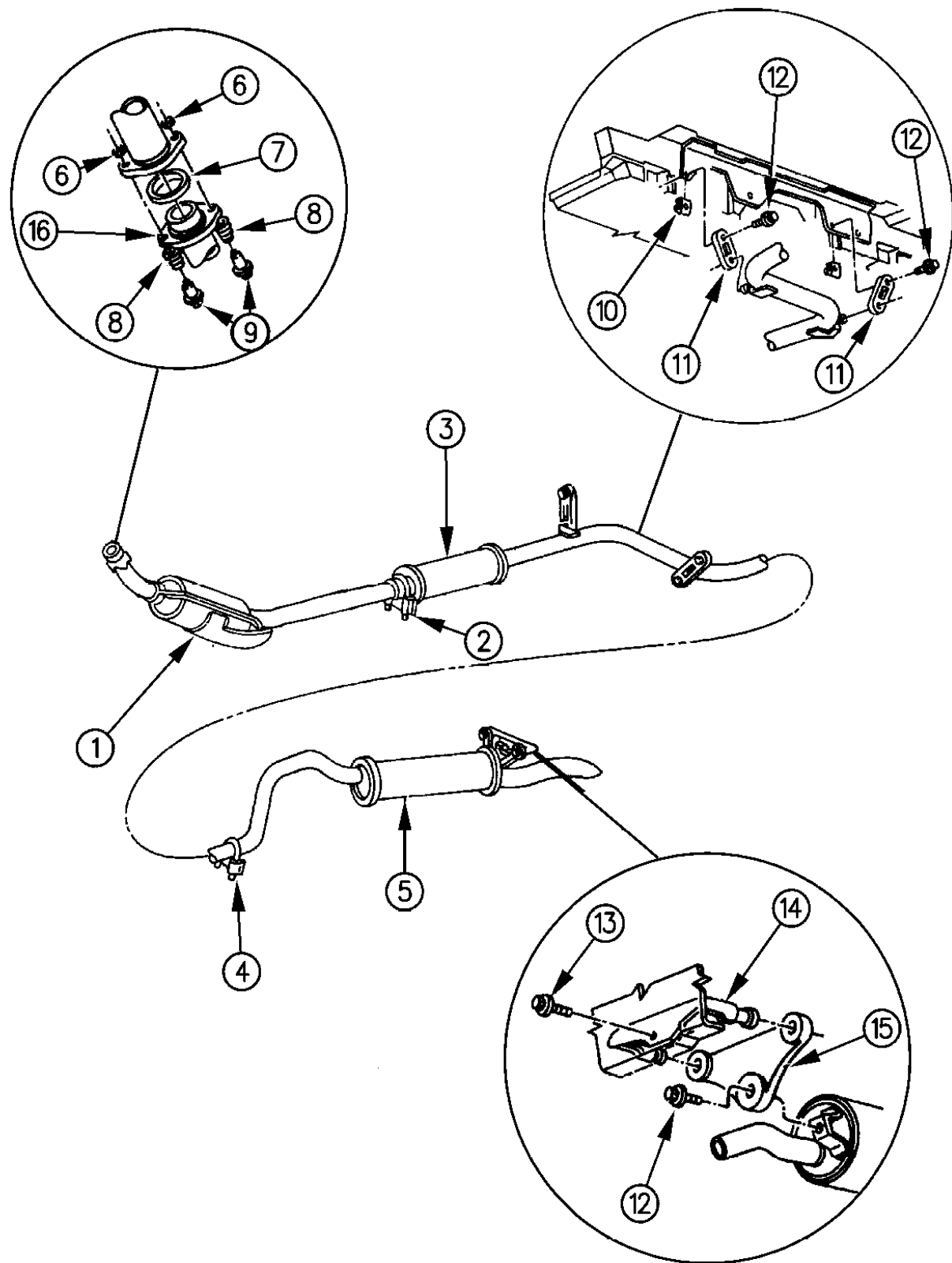
**BODY STYLES:**

21=2-Door Coupe      41=4-Door Sedan      12-52=FWD & AWD Van & Wgn Std W.B.  
 24=2-Door Hatchback      44=4-Door Hatchback      53=FWD & AWD Van & Wgn Ext. W.B.  
 27=2-Door Convertible

AR = Use as Required - = Non Illustrated Part P.A.R. = Paint as Required

EXHAUST SYSTEM 3.0L, 3.3L, 3.8L ENGINE A,J,G,P,C,Y BODY  
Figure 11-300

93111 300



ITEM	PART NUMBER	QTY	BODY	MODEL	DESCRIPTION
15	4301 848	1			INSULATOR, Muffler Support
16	4301 985	1			FLANGE, Front Converter

MODEL CODES:

A BODY=(C=LeBaron, D=Spirit, P=Acclaim/LaBaron(Landau),  
Saratoga)  
C BODY=(D=Dynasty, C=New Yorker/N.Y. Salon)  
G BODY=(V=Daytona/IROC, Chrysler Daytona)  
J BODY=(C=LeBaron, Chrysler LeBaron)  
P BODY=(P=Sundance, D=Shadow)

S BODY=(H=Voyager(H) FWD, K=Caravan(H) FWD,  
Y=Town & Country(H) FWD, P=Voyager(K) AWD,  
D=Caravan(K) AWD, C=Town & Country(K) AWD)  
Y BODY=(C=Imperial/5th Avenue)  
E-S BODY=(K=Chrysler Voyager(H) FWD, D=Chrysler  
Voyager(K) AWD)

BODY STYLES:

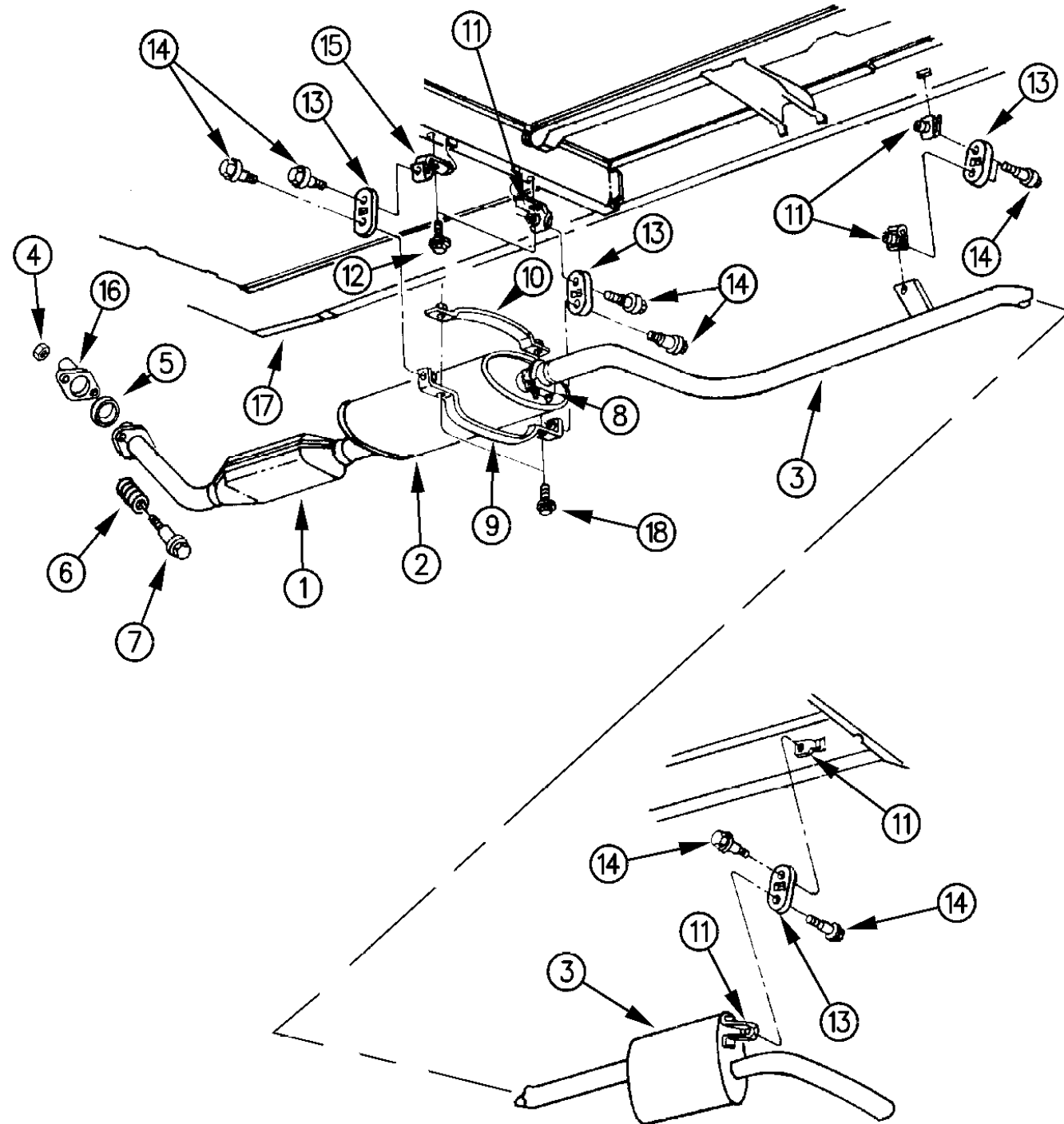
21=2-Door Coupe      41=4-Door Sedan      12-52=FWD & AWD Van & Wgn Std W.B.  
24=2-Door Hatchback      44=4-Door Hatchback      53=FWD & AWD Van & Wgn Ext. W.B.  
27=2-Door Convertible

AR = Use as Required - = Non Illustrated Part P.A.R. = Paint as Required

EXHAUST SYSTEM 2.5L ENGINE S BODY

Figure 11-400

93111 400



ITEM	PART NUMBER	QTY	BODY	MODEL	DESCRIPTION
1					CONVERTER, w/Exhaust Pipe
	4427 679	1		H,K	
	4486 524	1		C,D,P	
	4486 605	1	ES	12,52	PIPE, Exhaust MID-EAST
2	4495 283	1			MUFFLER, Front
	4486 602	1	ES	12,52	EUROPE
3					PIPE, Tail, w/Resonator
	4427 713	1			
	4486 614	1	ES		MID-EAST
4	6100 499	2			NUT, Rear Converter
5	4427 008	1			RING, Seal
6	4301 631	2			SPRING
7	5217 003	2			BOLT
8	4301 081	1			CLAMP
9					CLAMP, Muffler Support, Lower
	4427 367	1			
	4495 306	1		ES	
10					CLAMP, Muffler Support, Upper
	4427 368	1			
	4495 307	1		ES	
11	6101 283	6			U-NUT
12		2			SCREW (Not Serviced)
13	4301 960	4			INSULATOR
14	6500 306	8			BOLT, Shoulder
15	4427 369	2			BRACKET, Front Muffler Support to Body
16					MANIFOLD, Exhaust (Reference) ***
17					RAIL (Reference)
18	6500 584	2			SCREW, Clamp

MODEL CODES:

A BODY=(C=LeBaron, D=Spirit, P=Acclaim/LaBaron(Landau), Saratoga) S BODY=(H=Voyager(H) FWD, K=Caravan(H) FWD, Y=Town & Country(H) FWD, P=Voyager(K) AWD, D=Caravan(K) AWD, C=Town & Country(K) AWD)  
 C BODY=(D=Dynasty, C=New Yorker/N.Y. Salon) Y BODY=(C=Imperial/5th Avenue)  
 G BODY=(V=Daytona/IROC, Chrysler Daytona) E-S BODY=(K=Chrysler Voyager(H) FWD, D=Chrysler Voyager(K) AWD)  
 J BODY=(C=LeBaron, Chrysler LeBaron) P BODY=(P=Sundance, D=Shadow)

BODY STYLES:

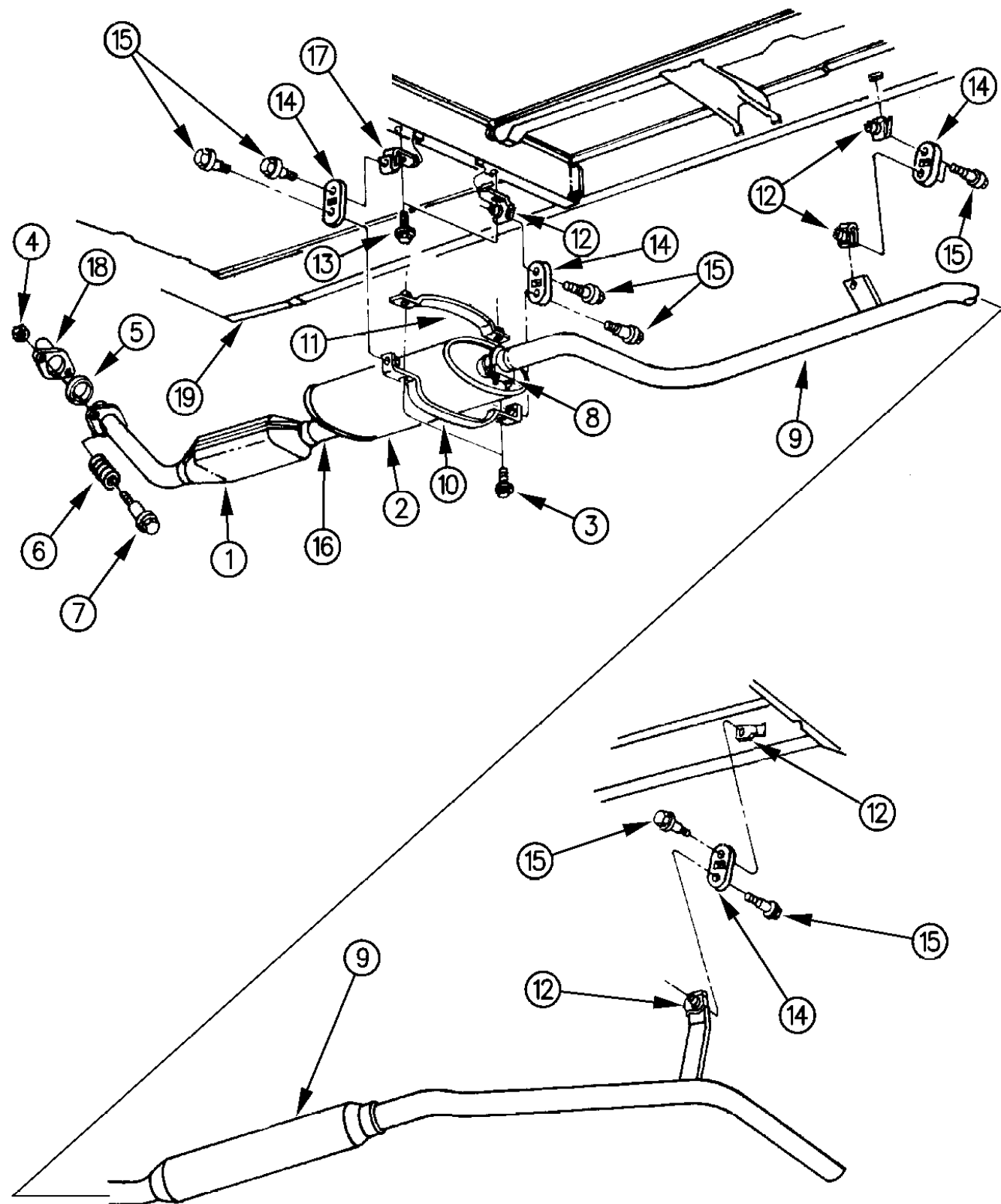
21=2-Door Coupe 41=4-Door Sedan 12-52=FWD & AWD Van & Wgn Std W.B.  
 24=2-Door Hatchback 44=4-Door Hatchback 53=FWD & AWD Van & Wgn Ext. W.B.  
 27=2-Door Convertible

AR = Use as Required - = Non Illustrated Part P.A.R. = Paint as Required



**EXHAUST SYSTEM 3.0L, 3.3L ENGINE - FWD S BODY**  
**Figure 11-500**

93111 500



ITEM	PART NUMBER	QTY	BODY	MODEL	DESCRIPTION
1					CONVERTER, w/Exhaust Pipe
	4427 681	1			3.0L Engine
	4427 738	1		52	3.0L Engine Calif.
	4427 767	1		53	3.0L Engine Calif.
	4427 691	1			3.3L Engine
	4427 692	1			3.3L Engine Calif.
2					MUFFLER, Front
	4427 751	1			3.0L Engine
	4427 756	1		12,52	3.3L Engine
	4427 757	1		13,53	3.3L Engine
	4486 604	1		12,52	EUROPE
	4427 720	1		53	EUROPE
3	6500 584				SCREW, Clamp
4	6100 499	2			NUT, Converter Manifold Flange
5	4301 984	1			RING, Seal
6	4427 299	1			SPRING, Manifold Flange
7	5217 003	2			BOLT
8	4301 081	2			CLAMP
9					PIPE, Tail, w/Resonator
	4427 754	1		12,52	
	4427 758	1		13,53	
	4427 755	1		52	EUROPE
	4486 607	1		53	EUROPE
	4486 614	1	ES		MID-EAST
10					CLAMP, Muffler Support, Lower
	4427 367	1			
	4495 306	1		ES	
11					CLAMP, Muffler Support, Upper
	4427 368	1			
	4495 307	1		ES	
12	6101 283	6			U-NUT
13					SCREW, Support Bracket (Not Serviced)
14	4301 960	4			INSULATOR
15	6500 306	8			BOLT, Shoulder
16	4301 410	1			CLAMP
17	4427 369	2			BRACKET, Muffler Support to Body
18					MANIFOLD, Exhaust (Reference) ***
19					RAIL (Reference)

**MODEL CODES:**

A BODY=(C=LeBaron, D=Spirit, P=Acclaim/LaBaron(Landau), Saratoga)      S BODY=(H=Voyager(H) FWD, K=Caravan(H) FWD, Y=Town & Country(H) FWD, P=Voyager(K) AWD, D=Caravan(K) AWD, C=Town & Country(K) AWD)  
 C BODY=(D=Dynasty, C=New Yorker/N.Y. Salon)  
 G BODY=(V=Daytona/IROC, Chrysler Daytona)  
 J BODY=(C=LeBaron, Chrysler LeBaron)  
 P BODY=(P=Sundance, D=Shadow)      Y BODY=(C=Imperial/5th Avenue)  
 E-S BODY=(K=Chrysler Voyager(H) FWD, D=Chrysler Voyager(K) AWD)

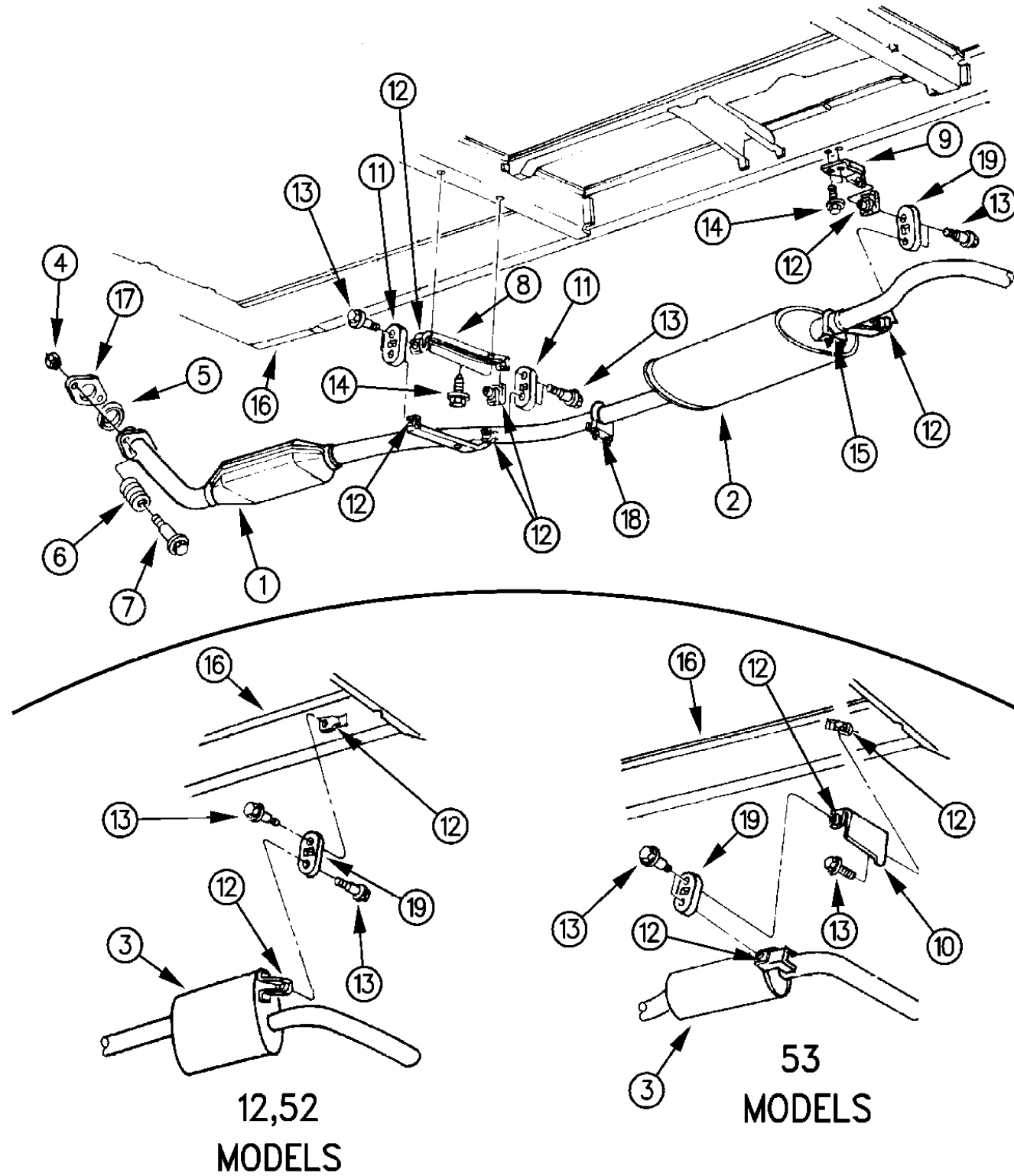
**BODY STYLES:**

21=2-Door Coupe      41=4-Door Sedan      12-52=FWD & AWD Van & Wgn Std W.B.  
 24=2-Door Hatchback      44=4-Door Hatchback      53=FWD & AWD Van & Wgn Ext. W.B.  
 27=2-Door Convertible

AR = Use as Required - = Non Illustrated Part P.A.R. = Paint as Required

**EXHAUST SYSTEM 3.3L ENGINE - AWD S BODY**  
**Figure 11-600**

93111 600A



ITEM	PART NUMBER	QTY	BODY	MODEL	DESCRIPTION
1	4486 524	1			CONVERTER, Rear, w/Pipe
	4486 475	1			BRACKET, Rear Cata. Converter Support
2					MUFFLER, Front
	4427 760	1		12,52	
3	4495 314	1		53	
	4486 608	1		52	EUROPE
4	4486 610	1		53	EUROPE
					PIPE ASSEMBLY, Tail w/Resonator ***
5	4427 761	1		12,52	
	4427 762	1		53	
6	4486 612	1		52	EUROPE
	4486 611	1		53	EUROPE
7	4427 752	1		52	MUFFLER ASSEMBLY, Rear, w/Tailpipe and Spout ***
4	6100 499	2			NUT, Manifold Flange
5	4301 984	1			RING, Seal
6	4427 299	2			SPRING
7	5217 003	2			BOLT
8	4486 480	1			BRACKET, Converter Support
9	4486 504	1			BRACKET, Tail Pipe Front Support
10	4486 609	1		53	BRACKET, Tail Pipe Rear Support
11	4427 092	2			INSULATOR
12	6101 283	AR			U-NUT
13	6500 306	8			BOLT, Shoulder
14		AR			SCREW (Not Serviced)
15	4301 081	1			CLAMP
16					RAIL (Reference)
17					MANIFOLD, Exhaust (Reference) ***
18	4301 410	1			CLAMP, Muffler Inlet
19					INSULATOR
-	4301 195	2		12,52	
-	4301 960	2		53	

**MODEL CODES:**

A BODY=(C=LeBaron, D=Spirit, P=Acclaim/LaBaron(Landau), Saratoga) S BODY=(H=Voyager(H) FWD, K=Caravan(H) FWD, Y=Town & Country(H) FWD, P=Voyager(K) AWD, D=Caravan(K) AWD, C=Town & Country(K) AWD)  
 C BODY=(D=Dynasty, C=New Yorker/N.Y. Salon) Y BODY=(C=Imperial/5th Avenue)  
 G BODY=(V=Daytona/IROC, Chrysler Daytona) E-S BODY=(K=Chrysler Voyager(H) FWD, D=Chrysler Voyager(K) AWD)  
 J BODY=(C=LeBaron, Chrysler LeBaron) P BODY=(P=Sundance, D=Shadow)

**BODY STYLES:**

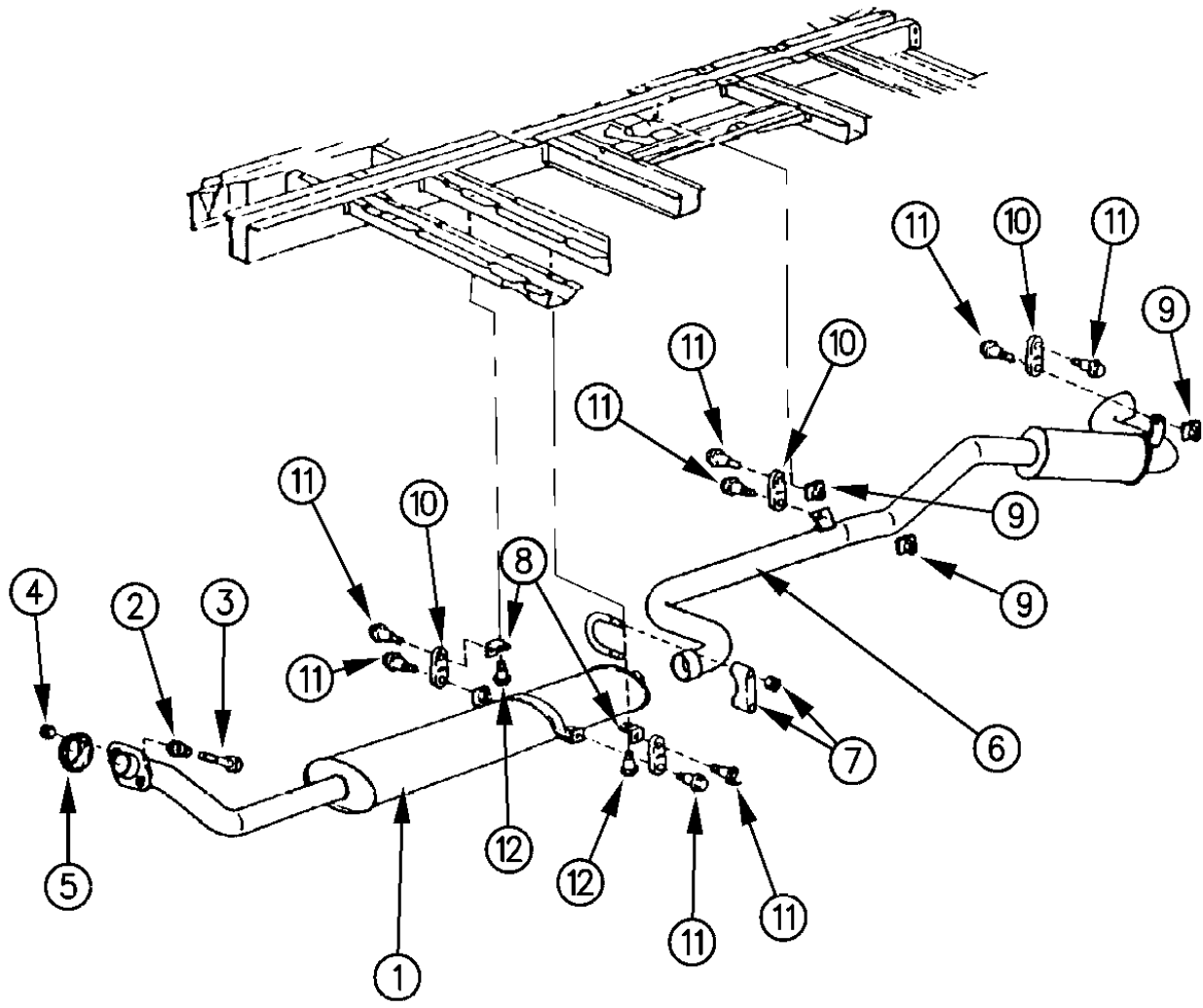
21=2-Door Coupe 41=4-Door Sedan 12-52=FWD & AWD Van & Wgn Std W.B.  
 24=2-Door Hatchback 44=4-Door Hatchback 53=FWD & AWD Van & Wgn Ext. W.B.  
 27=2-Door Convertible

AR = Use as Required - = Non Illustrated Part P.A.R. = Paint as Required

**EXHAUST SYSTEM 2.5L DIESEL ENGINE S BODY**  
**Figure 11-650**

93111 650

ITEM	PART NUMBER	QTY	BODY	MODEL	DESCRIPTION
1	4682 147	1			MUFFLER ASSEMBLY, Front ***
2	4427 299	2			SPRING, Exhaust Pipe
3	5217 003	2			BOLT
4	6100 499	2			NUT
5	4301 984	1			SEAL RING ***
6					MUFFLER ASSEMBLY, Rear ***
	4682 150	1			Short Wheelbase
	4682 151	1			Long Wheelbase
7	4301 410	1			CLAMP
8	4427 369	2			BRACKET, Muffler Support to Body, Front
9	6101 283	5			U-NUT
10	4301 960	4			INSULATOR
11	6500 306	8			BOLT
12		2			SCREW (M8 x 1.25 x 20.00)



**MODEL CODES:**

A BODY=(C=LeBaron, D=Spirit, P=Acclaim/LaBaron(Landau), Saratoga)      S BODY=(H=Voyager(H) FWD, K=Caravan(H) FWD, Y=Town & Country(H) FWD, P=Voyager(K) AWD, D=Caravan(K) AWD, C=Town & Country(K) AWD)  
 C BODY=(D=Dynasty, C=New Yorker/N.Y. Salon)  
 G BODY=(V=Daytona/IROC, Chrysler Daytona)  
 J BODY=(C=LeBaron, Chrysler LeBaron)  
 P BODY=(P=Sundance, D=Shadow)

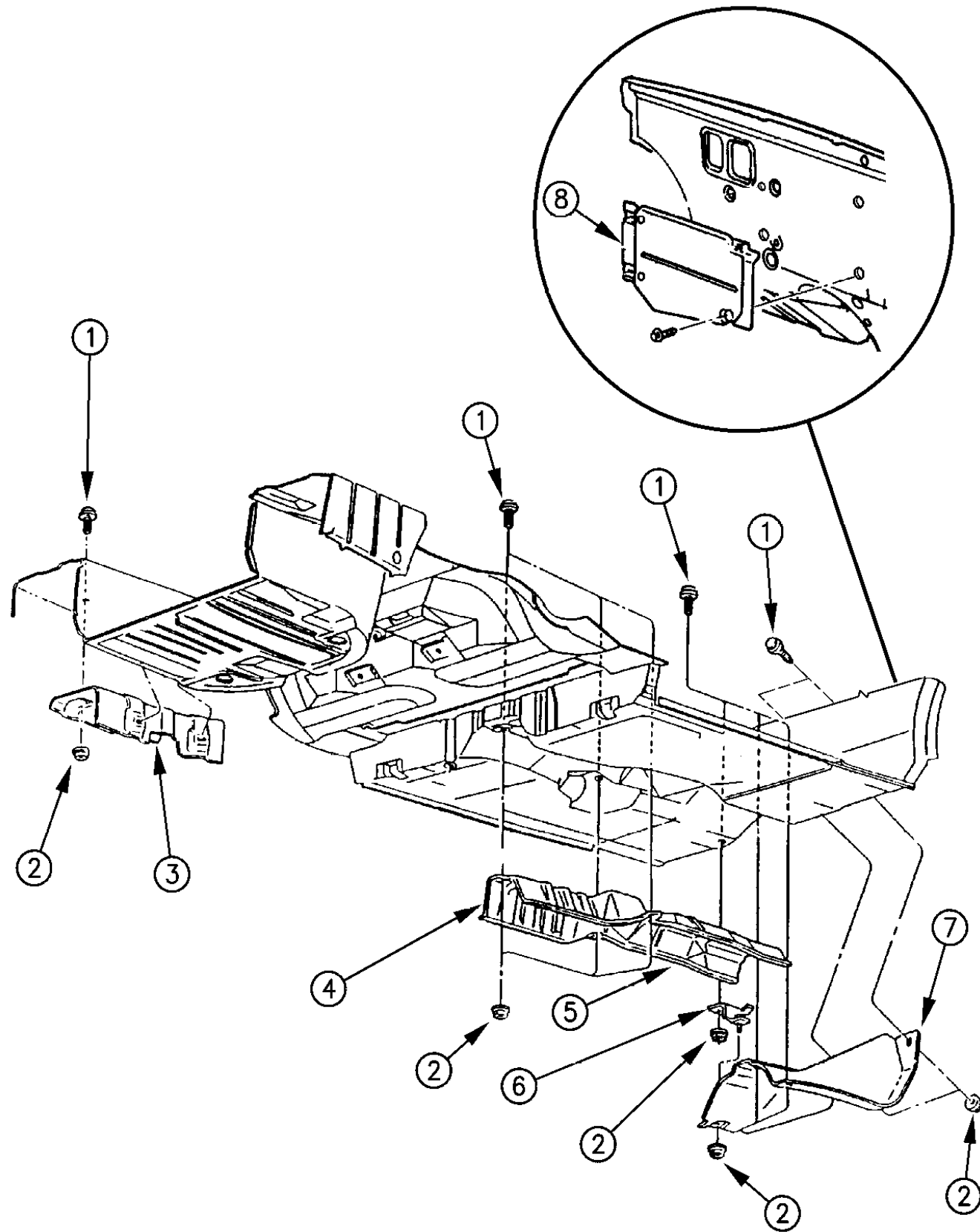
**BODY STYLES:**

21=2-Door Coupe      41=4-Door Sedan      12-52=FWD & AWD Van & Wgn Std W.B.  
 24=2-Door Hatchback      44=4-Door Hatchback      53=FWD & AWD Van & Wgn Ext. W.B.  
 27=2-Door Convertible

AR = Use as Required - = Non Illustrated Part P.A.R. = Paint as Required

HEAT SHIELDS - EXHAUST P,A,J,G,C,Y BODY  
Figure 11-700

93111 700



ITEM	PART NUMBER	QTY	BODY	MODEL	DESCRIPTION
1		AR			SCREW (Not Serviced)
2	0219 462	AR			NUT
3	4546 049	1	P,G		SHIELD, Muffler Heat
4	4401 506	1	PAJGC		SHIELD, Underbody Heat - Upper 2.2L w/(S/C - EDF) and 2.5L Eng. w/(S/C - EDM) ***
	4401 506	1	PAJCY		3.0L and 3.3L Eng.
	4401 507	1	A,J,C,Y		SHIELD, Underbody Heat - Short
5	4495 635	1	G		SHIELD, Underbody Heat 2.2L Eng. 16 Valve Engine
	4546 631	1	A,C,J		3.0L and 3.3L Eng.
	4546 632	1	G		
	4546 632	1	Y		3.8L Eng.
6	4266 299	1	P,A,J,G		BRACKET, Heat Shield Stand Off 2.2L Eng. w/(S/C - EDF) and 2.5L Eng. w/(S/C - EDM) - Man. Trans.
7	4401 494	1	PAJGC		SHIELD, Toeboard Heat
8	4401 497	1	P,A,J,G		SHIELD, Dash Panel Heat 2.2L and 2.5L Eng. Turbo

MODEL CODES:

A BODY=(C=LeBaron, D=Spirit, P=Acclaim/LaBaron(Landau, Saratoga)  
C BODY=(D=Dynasty, C=New Yorker/N.Y. Salon)  
G BODY=(V=Daytona/IROC, Chrysler Daytona)  
J BODY=(C=LeBaron, Chrysler LeBaron)  
P BODY=(P=Sundance, D=Shadow)  
S BODY=(H=Voyager(H) FWD, K=Caravan(H) FWD, Y=Town & Country(H) FWD, P=Voyager(K) AWD, D=Caravan(K) AWD, C=Town & Country(K) AWD)  
Y BODY=(C=Imperial/5th Avenue)  
E-S BODY=(K=Chrysler Voyager(H) FWD, D=Chrysler Voyager(K) AWD)

BODY STYLES:

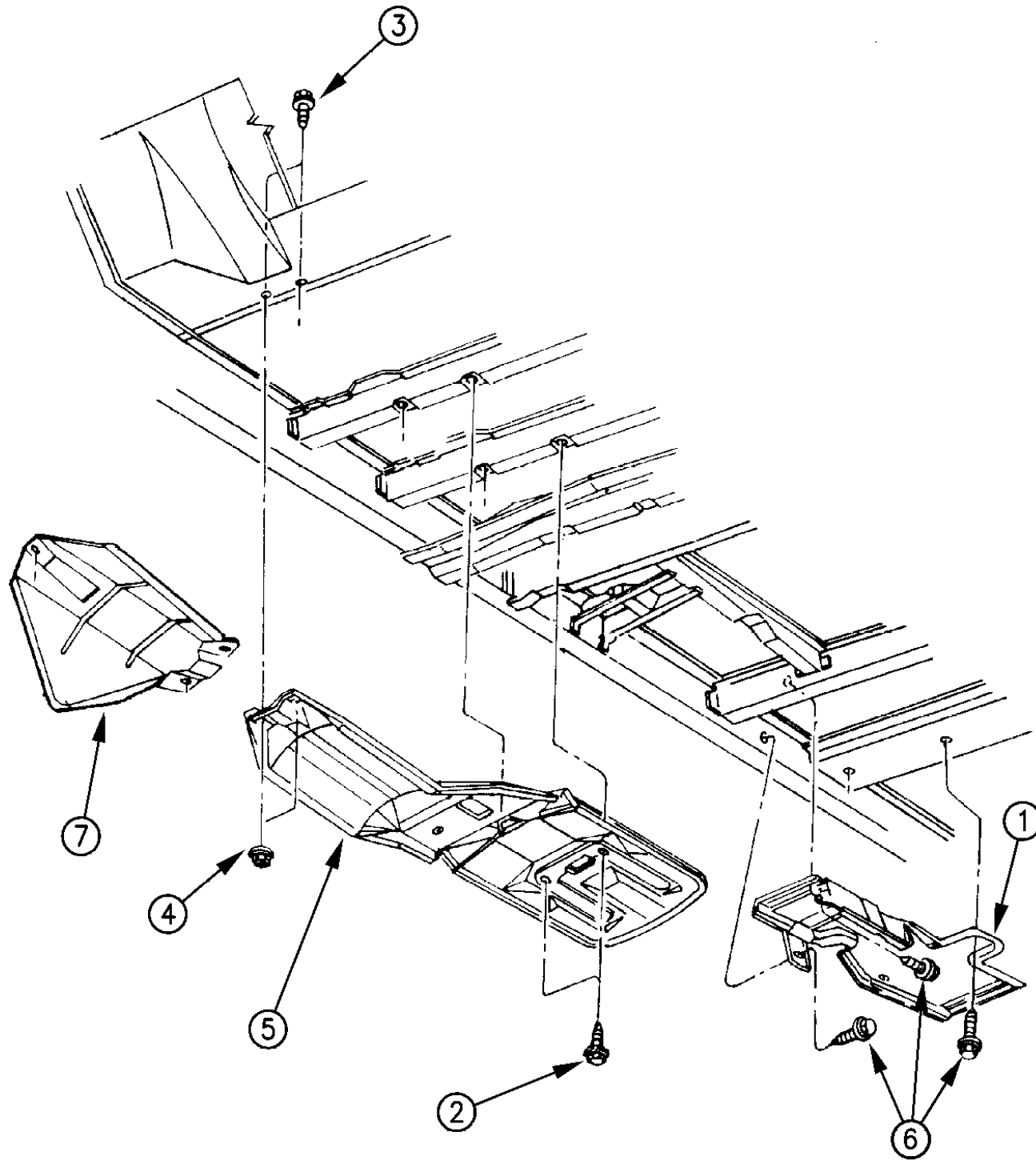
21=2-Door Coupe  
24=2-Door Hatchback  
27=2-Door Convertible  
41=4-Door Sedan  
44=4-Door Hatchback  
53=FWD & AWD Van & Wgn Ext. W.B.  
12-52=FWD & AWD Van & Wgn Std W.B.

AR = Use as Required - = Non Illustrated Part P.A.R. = Paint as Required

# HEAT SHIELDS - EXHAUST S BODY - FWD

Figure 11-800

93111 800



ITEM	PART NUMBER	QTY	BODY	MODEL	DESCRIPTION
1					SHIELD ASSEMBLY, Kick-Up Heat ***
	4486 517	1		12	
	4486 516	1		13	
2	6031 011	4			SCREW
3		2			SCREW (Not Serviced)
4	0219 462	2			NUT, Heat Shield Attaching
5					SHIELD ASSEMBLY, Under Body Heat ***
	4546 671	1		12,13	
	4546 244	1		52,53	
6		4			SCREW (Not Serviced)
7					SHIELD, Toe Board
	4546 568	1			Upper
	4546 575	1			Lower

**MODEL CODES:**

A BODY=(C=LeBaron, D=Spirit, P=Acclaim/LaBaron(Landau), Saratoga) S BODY=(H=Voyager(H) FWD, K=Caravan(H) FWD, Y=Town & Country(H) FWD, P=Voyager(K) AWD, D=Caravan(K) AWD, C=Town & Country(K) AWD)  
 C BODY=(D=Dynasty, C=New Yorker/N.Y. Salon) Y BODY=(C=Imperial/5th Avenue)  
 G BODY=(V=Daytona/IROC, Chrysler Daytona) E-S BODY=(K=Chrysler Voyager(H) FWD, D=Chrysler Voyager(K) AWD)  
 J BODY=(C=LeBaron, Chrysler LeBaron)  
 P BODY=(P=Sundance, D=Shadow)

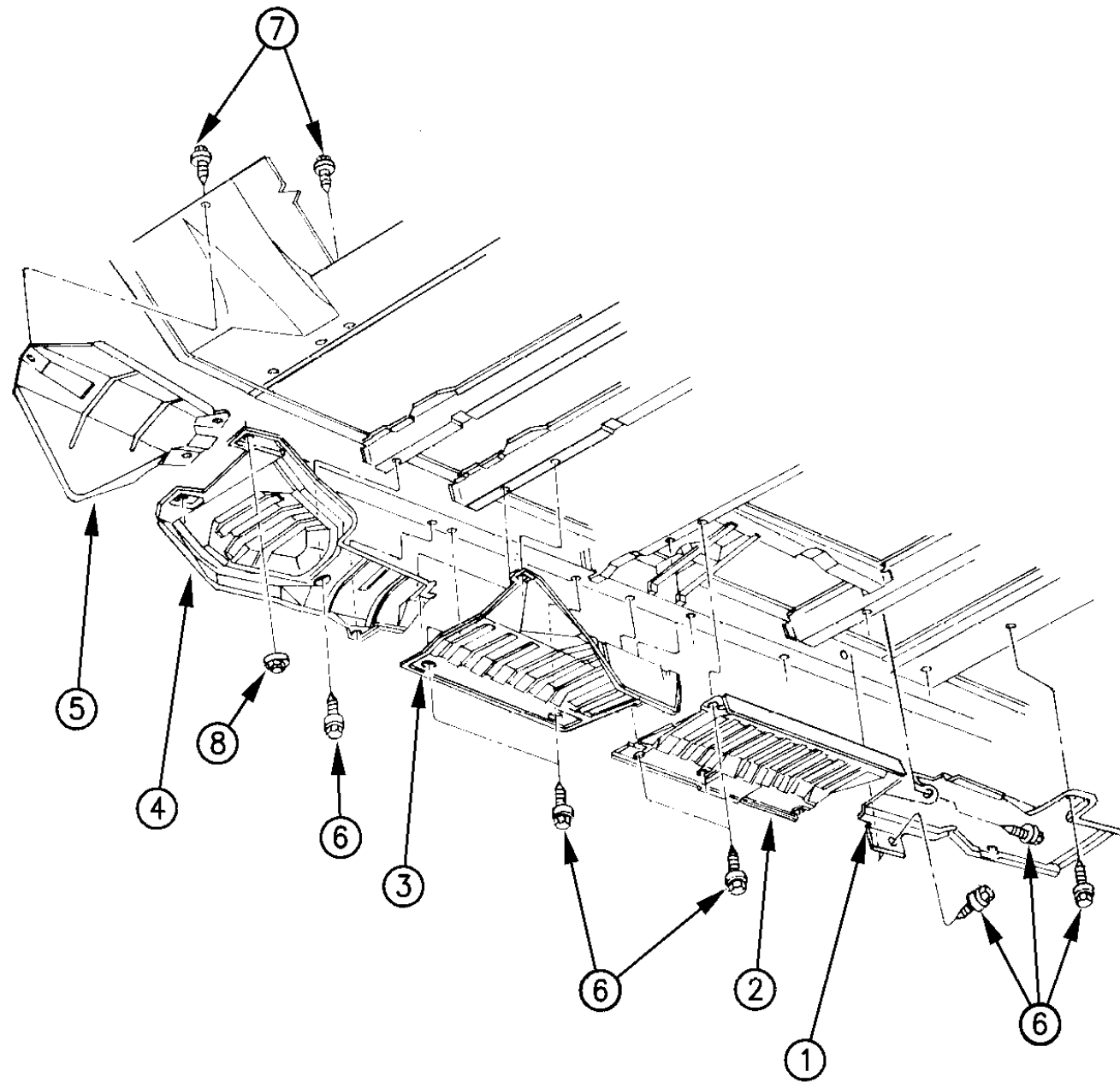
**BODY STYLES:**

21=2-Door Coupe      41=4-Door Sedan      12-52=FWD & AWD Van & Wgn Std W.B.  
 24=2-Door Hatchback      44=4-Door Hatchback      53=FWD & AWD Van & Wgn Ext. W.B.  
 27=2-Door Convertible

AR = Use as Required - = Non Illustrated Part P.A.R. = Paint as Required

**HEAT SHIELDS - EXHAUST S BODY - AWD**  
**Figure 11-900**

93111 900



ITEM	PART NUMBER	QTY	BODY	MODEL	DESCRIPTION
1					SHIELD ASSEMBLY, Kick-Up Heat ***
	4486 517	1		12	
	4486 516	1		13	
2					SHIELD, Muffler Heat
	4486 520	1		12,13	
	4486 512	1		52,53	
3					SHIELD, Pipe Heat
	4486 510	1		12	
	4486 511	1		13	
4					SHIELD, Heat
	4486 519	1		12,13	
	4486 509	1		52,53	
5	4546 568	1			SHIELD, Toe Board Heat
6		17			SCREW (Not Serviced)
7		4			SCREW (Not Serviced)
8	0219 462	4			NUT, Heat Shield

**MODEL CODES:**

A BODY=(C=LeBaron, D=Spirit, P=Acclaim/LaBaron(Landau), Saratoga)      S BODY=(H=Voyager(H) FWD, K=Caravan(H) FWD, Y=Town & Country(H) FWD, P=Voyager(K) AWD, D=Caravan(K) AWD, C=Town & Country(K) AWD)  
 C BODY=(D=Dynasty, C=New Yorker/N.Y. Salon)  
 G BODY=(V=Daytona/IROC, Chrysler Daytona)  
 J BODY=(C=LeBaron, Chrysler LeBaron)  
 P BODY=(P=Sundance, D=Shadow)      Y BODY=(C=Imperial/5th Avenue)  
 E-S BODY=(K=Chrysler Voyager(H) FWD, D=Chrysler Voyager(K) AWD)

**BODY STYLES:**

21=2-Door Coupe      41=4-Door Sedan      12-52=FWD & AWD Van & Wgn Std W.B.  
 24=2-Door Hatchback      44=4-Door Hatchback      53=FWD & AWD Van & Wgn Ext. W.B.  
 27=2-Door Convertible

AR = Use as Required - = Non Illustrated Part P.A.R. = Paint as Required

---

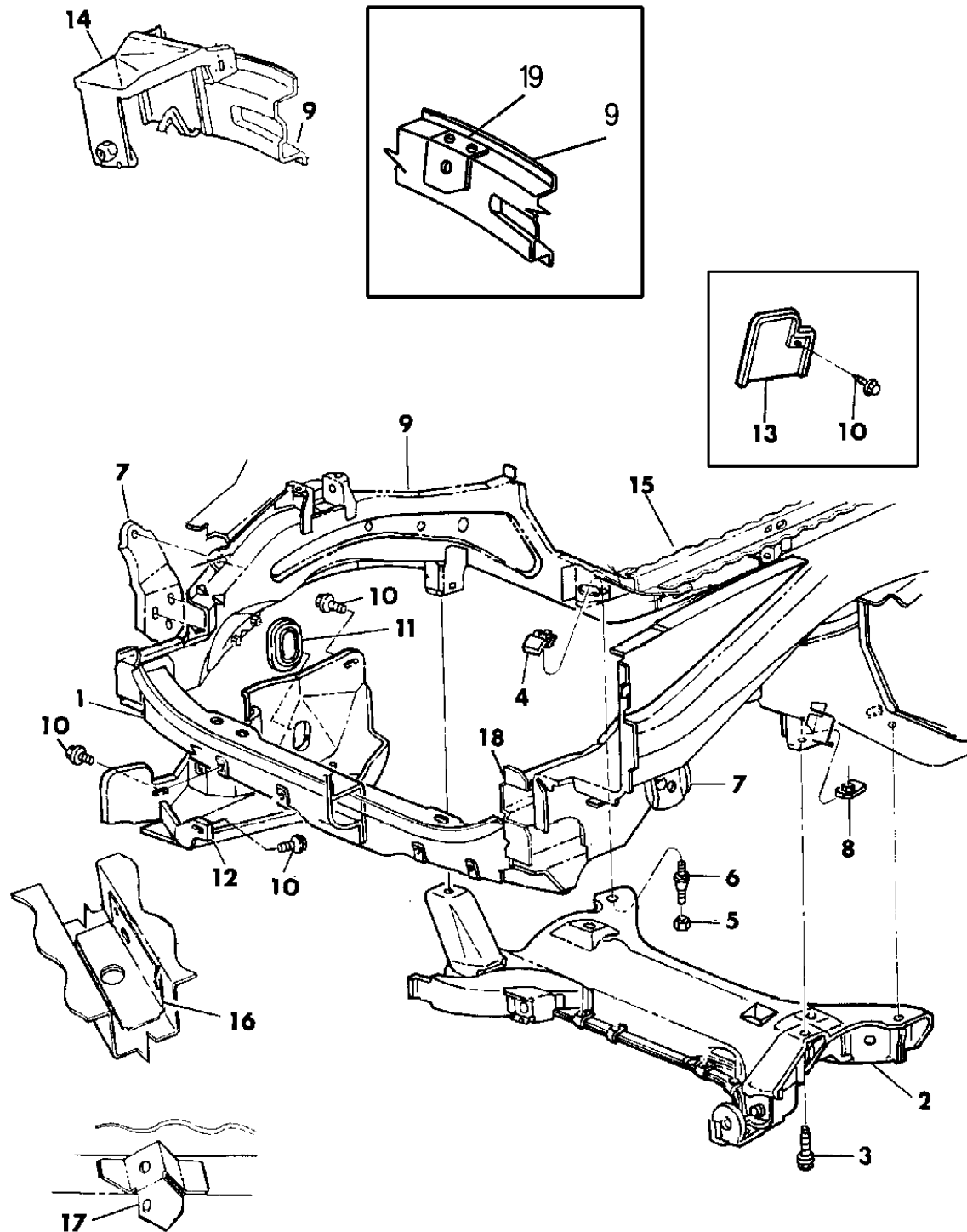
**GROUP 13 - FRAME & BUMPERS**

<b>ILLUSTRATION TITLE</b>	<b>GROUP-FIG. NO.</b>
<b>FRAMES</b>	
FRAME FRONT P,J,G BODY .....	Fig. 13-100
FRAME FRONT A,C,Y BODY .....	Fig. 13-200
FRAME REAR P,J,G BODY .....	Fig. 13-300
FRAME REAR A,C,Y BODY .....	Fig. 13-400
FRAME FRONT S BODY .....	Fig. 13-500
FRAME REAR S BODY .....	Fig. 13-600
<b>FASCIA AND BUMPERS</b>	
FASCIA, FRONT P BODY .....	Fig. 13-700
FASCIA, REAR P BODY .....	Fig. 13-800
FASCIA, FRONT A BODY .....	Fig. 13-900
FASCIA, REAR A BODY .....	Fig. 13-1000
FASCIA, FRONT J BODY .....	Fig. 13-1100
FASCIA, REAR J BODY .....	Fig. 13-1200
FASCIA, FRONT G BODY .....	Fig. 13-1300
FASCIA, REAR G BODY .....	Fig. 13-1400
FASCIA, FRONT C BODY MODEL H-P .....	Fig. 13-1500
FASCIA, REAR C BODY MODEL H-P .....	Fig. 13-1600
FASCIA, FRONT C BODY MODEL C-S Y BODY MODEL S .....	Fig. 13-1700
FASCIA, REAR C,Y BODY MODEL S .....	Fig. 13-1800
FASCIA, FRONT Y BODY MODEL P .....	Fig. 13-1900
FASCIA, REAR Y BODY MODEL P .....	Fig. 13-2000
FRONT, FASCIA S BODY .....	Fig. 13-2100
REAR FASCIA S BODY .....	Fig. 13-2200

**ILLUSTRATION NOT AVAILABLE AT TIME OF PUBLICATION**

FRAME FRONT P,J,G BODY  
Figure 13-100

93113 100



ITEM	PART NUMBER	QTY	BODY	MODEL	DESCRIPTION
1	4534 393	1			CROSSMEMBER, Frt. S/Rail Front
	4534 394	1			PLATE, Front Side Rail, Front Crossmember
	4534 446	1			BRACKET, Front Crossmember Plate and EngineMounting
2					CROSSMEMBER, Suspension, Front
	4656 001	1			Manual Trans.
	4627 000	1			Automatic Trans.
3	6502 553	2			SCREW and WASHER, Crossmember Mounting
4	6501 075	2			NUT PLATE ASSEMBLY, Crossmember Mounting, Rear
5	6500 122	2			NUT, Stud
6	5202 246	2			STUD, Crossmember Mounting, Rear
7					BRACKET, Shipping Tie Down, (Not Serviced)
8	5256 237	2			RETAINER, Front S/Rail Crossmember, Front Support
9	4655 592-3	1			RAIL ASSEMBLY, Front Side Rail, Front, w/Reinforcement ***
	6100 592	1			SCREW and WASHER, Side Rail Engine Mount, Right
	6101 283	1			U-NUT, Side Rail Engine Mount, Right
10	6031 012	AR			SCREW
11	2811 825	1			PLUG, Splash Shield
12	4637 580				SHIELD PACKAGE ***
13	4655 121	1			COVER, Front Side Rail
14	5272 159	1			BRACKET, Front Side Rail Engine Mount, Upper, Left
15	4386 008-9	1			RAIL, w/Reinforcement, Frt. S/Rail Rr. Rail Pk. Brake Cable
16	4296 416	1	P		REINFORCEMENT, Front Side Rail, Rear Park. Brk. Cable, Right
	5255 399	1			BRACKET, Front Side Rail, Front C/mbr Towing
-	6024 487	1			SCREW and WASHER, Front Side Rail to C/mbr Towing Bracket
17	4296 417	1	P		BRACKET, Front Side Rail, Park. Brk. Cable, Left
18	5253 881	2			REINFORCEMENT, Side Rail, E.A.U.
19	4534 063	1			REINFORCEMENT, Side Rail Engine Mounting, Left

MODEL CODES:

A BODY=(C=LeBaron, D=Spirit, P=Acclaim/LaBaron(Landau), Saratoga)

C BODY=(D=Dynasty, C=New Yorker/N.Y. Salon)

G BODY=(V=Daytona/IROC, Chrysler Daytona)

J BODY=(C=LeBaron, Chrysler LeBaron)

P BODY=(P=Sundance, D=Shadow)

S BODY=(H=Voyager(H) FWD, K=Caravan(H) FWD,

Y=Town & Country(H) FWD, P=Voyager(K) AWD,

D=Caravan(K) AWD, C=Town & Country(K) AWD)

Y BODY=(C=Imperial/5th Avenue)

E-S BODY=(K=Chrysler Voyager(H) FWD, D=Chrysler

Voyager(K) AWD)

BODY STYLES:

21=2-Door Coupe

41=4-Door Sedan

12-52=FWD & AWD Van & Wgn Std W.B.

24=2-Door Hatchback

44=4-Door Hatchback

53=FWD & AWD Van & Wgn Ext. W.B.

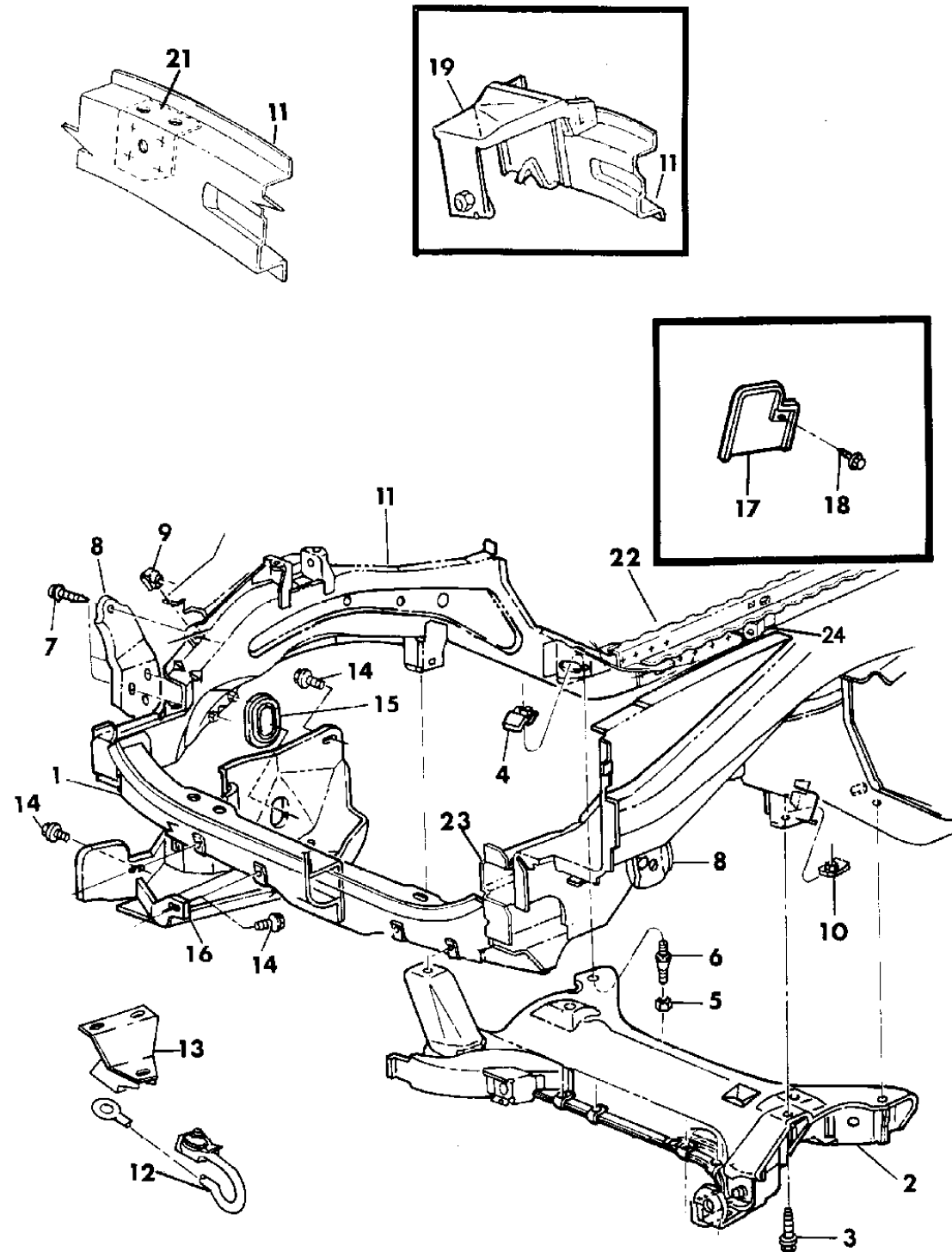
27=2-Door Convertible

AR = Use as Required - = Non Illustrated Part P.A.R. = Paint as Required



FRAME FRONT A,C,Y BODY  
Figure 13-200

93113 200



ITEM	PART NUMBER	QTY	BODY	MODEL	DESCRIPTION
1					CROSSMEMBER, Frt. S/Rail Frt.
	5253 840	1	C,Y		
	4534 393	1	A		
	4534 446	1	A		BRACKET, Front Crossmember Plate and Engine Mounting
	5253 703	1	C,Y		PLATE, Front Side Rail, Front Crossmember Closure
	4534 394	1	A		
2					CROSSMEMBER, Suspension, Front
	4656 001	1	A		Manual
	4627 000	1	A,C,Y		Automatic
3	6502 553	2			SCREW and WASHER, Crossmember Mounting
4	6501 075	2			NUT PLATE ASSEMBLY, Crossmember Mounting, Rear
5	6500 122	2			NUT, Stud
6	5202 246	2			STUD, Crossmember Mounting, Rear
7	6100 230	6			SCREW and WASHER
8					BRACKET, Frt. S/Rail Shipping Tie Down (Not Serviced)
9		2			U-NUT, (Not Serviced)
10	5256 237	2			RETAINER, Front S/Rail Crossmember, Front Support
11					RAIL ASSEMBLY, Front Side Rail, Front, w/Reinforcement
	4655 592-3	1	A		
	4719 212-3	1	C,Y		
12	5255 399	1			BRACKET, Front Crossmember Towing
13					SUPPORT, Engine Mounting Front
	4668 535	1	C		4 Cyl.
	4612 020	1	C,Y		6 Cyl.
	4612 091	1	A		
14					SCREW
	6031 011	AR	C,Y		
	6031 012	AR	A		
15	2811 825	1			PLUG, Splash Shield
16					SHIELD, Accessory Pulley Splash, Right
	5256 386	1	A		
	5256 434	1	C,Y		
17	4655 121	1			COVER, Front Side Rail
18	6031 012	AR			SCREW and WASHER
19	5272 159	1			BRACKET, Front Side Rail Engine Mount, Upper, Left
21	4534 063	1	C,Y		REINFORCEMENT, Front Side Rail
	5255 399	1			BRACKET, Front Side Rail, Front C/mbr Towing
22	4490 136-7	1			RAIL, Front Side Rear Right
23	5253 881	2	A		REINFORCEMENT, Side Rail, E.A.U.

MODEL CODES:

A BODY=(C=LeBaron, D=Spirit, P=Acclaim/LaBaron(Landau),  
Saratoga)

C BODY=(D=Dynasty, C=New Yorker/N.Y. Salon)

G BODY=(V=Daytona/ROC, Chrysler Daytona)

J BODY=(C=LeBaron, Chrysler LeBaron)

P BODY=(P=Sundance, D=Shadow)

S BODY=(H=Voyager(H) FWD, K=Caravan(H) FWD,

Y=Town & Country(H) FWD, P=Voyager(K) AWD,

D=Caravan(K) AWD, C=Town & Country(K) AWD)

Y BODY=(C=Imperial/5th Avenue)

E-S BODY=(K=Chrysler Voyager(H) FWD, D=Chrysler

Voyager(K) AWD)

BODY STYLES:

21=2-Door Coupe

41=4-Door Sedan

12-52=FWD & AWD Van & Wgn Std W.B.

24=2-Door Hatchback

44=4-Door Hatchback

53=FWD & AWD Van & Wgn Ext. W.B.

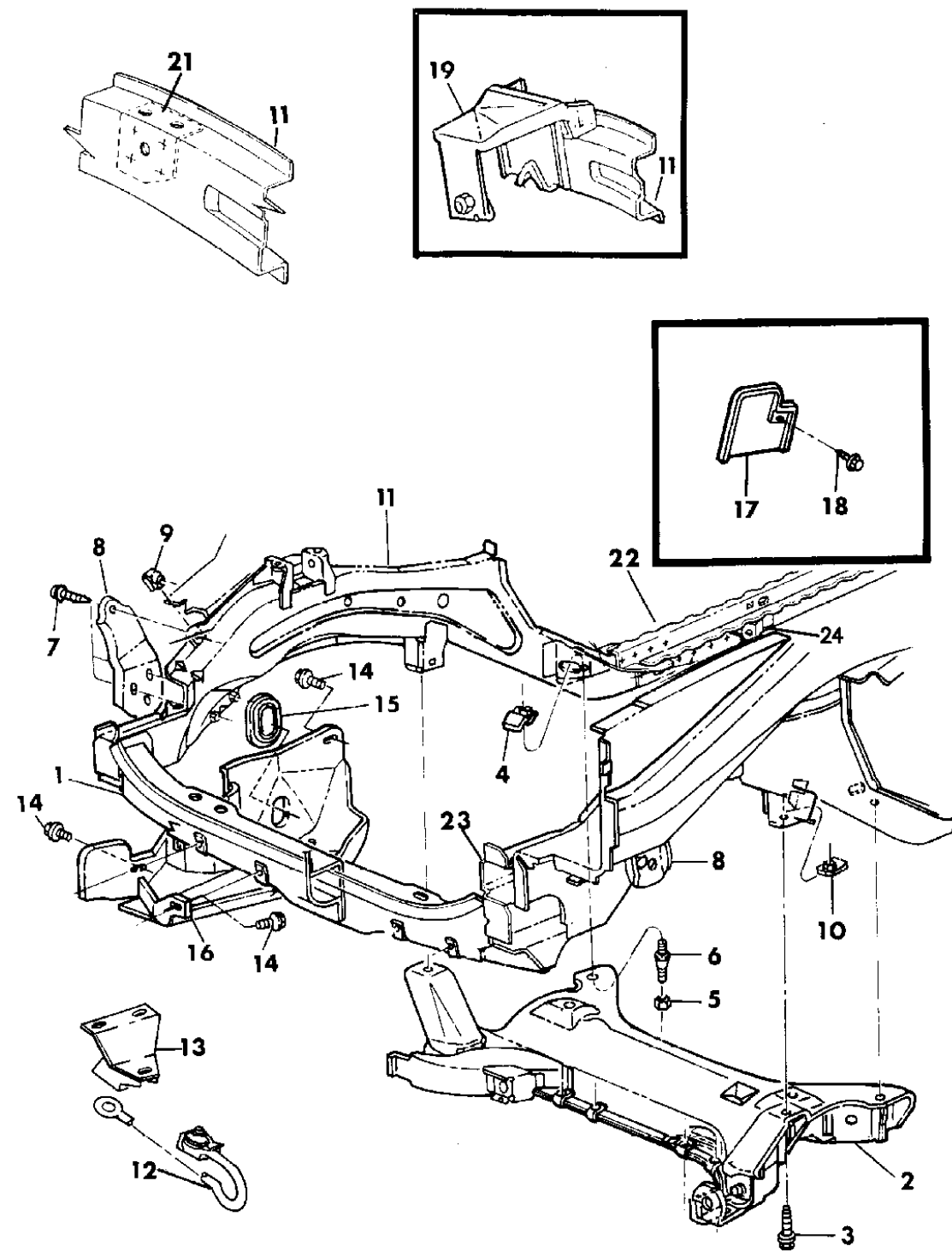
27=2-Door Convertible

AR = Use as Required - = Non Illustrated Part P.A.R. = Paint as Required

FRAME FRONT A,C,Y BODY  
Figure 13-200

93113 200

ITEM	PART NUMBER	QTY	BODY	MODEL	DESCRIPTION
24	4296 417	1			BRACKET, Front Side Rail Parking Brake Cable, Left



MODEL CODES:

A BODY=(C=LeBaron, D=Spirit, P=Acclaim/LaBaron(Landau),  
Saratoga) S BODY=(H=Voyager(H) FWD, K=Caravan(H) FWD,  
Y=Town & Country(H) FWD, P=Voyager(K) AWD,  
D=Caravan(K) AWD, C=Town & Country(K) AWD)  
C BODY=(D=Dynasty, C=New Yorker/N.Y. Salon)  
G BODY=(V=Daytona/IROC, Chrysler Daytona) Y BODY=(C=Imperial/5th Avenue)  
J BODY=(C=LeBaron, Chrysler LeBaron) E-S BODY=(K=Chrysler Voyager(H) FWD, D=Chrysler  
P BODY=(P=Sundance, D=Shadow) Voyager(K) AWD)

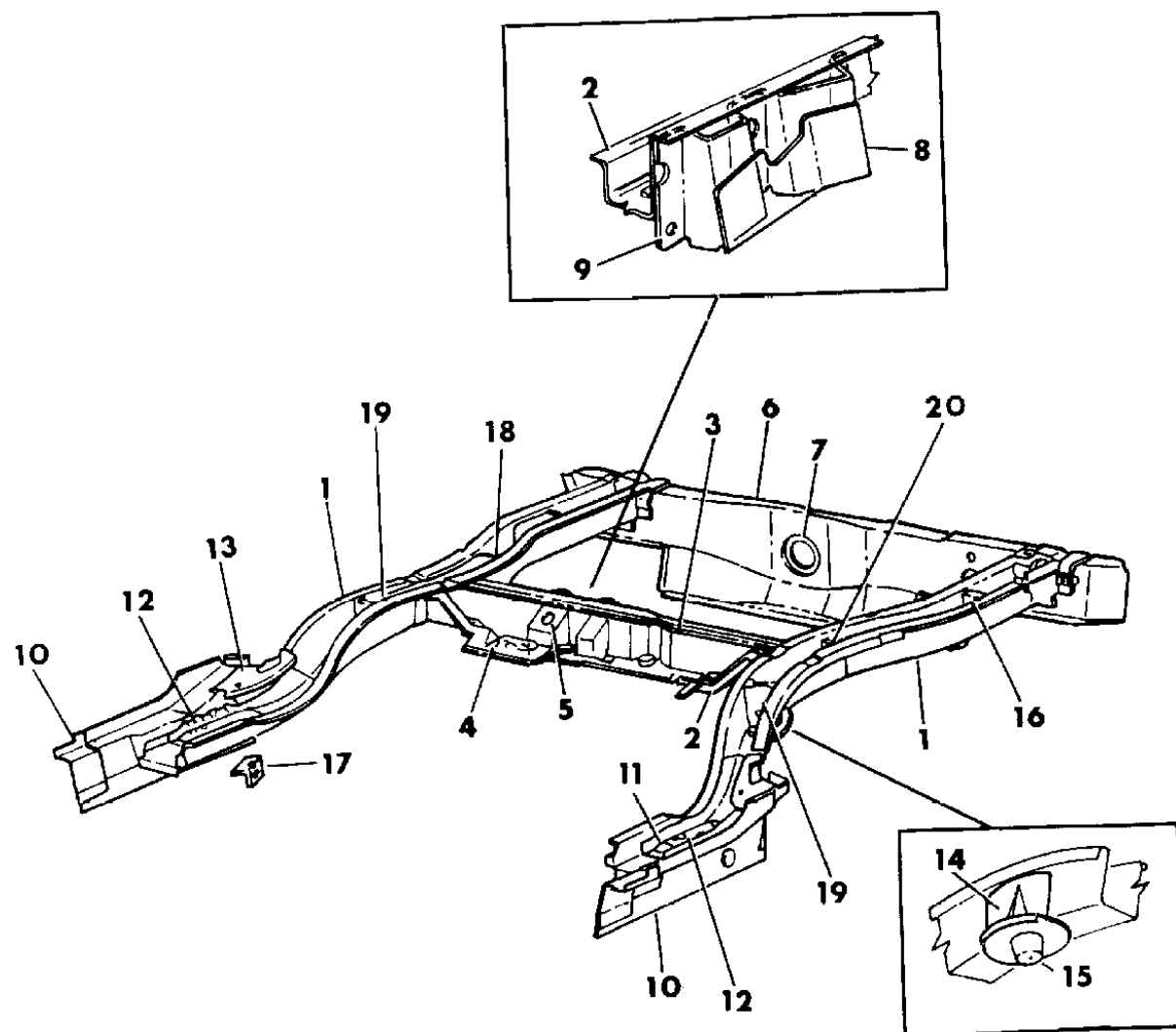
BODY STYLES:

21=2-Door Coupe 41=4-Door Sedan 12-52=FWD & AWD Van & Wgn Std W.B.  
24=2-Door Hatchback 44=4-Door Hatchback 53=FWD & AWD Van & Wgn Ext. W.B.  
27=2-Door Convertible

AR = Use as Required - = Non Illustrated Part P.A.R. = Paint as Required

FRAME REAR P,J,G BODY  
Figure 13-300

93113 300



ITEM	PART NUMBER	QTY	BODY	MODEL	DESCRIPTION
1					RAIL ASSEMBLY, Rear Floor Pan Side
	4512 504-5	1	J		
	4512 506-7	1	PG		
2					CROSSMEMBER ASSEMBLY, Rear Suspension
	4548 477	1	P,G		
	4548 478	1	J		
3		1			REINFORCEMENT, w/Weld Nut, Rear Floor Pan Rear Suspension Crossmember (Serviced In Item No. 2)
4	4314 256	2			REINFORCEMENT, w/Bolt, Rear Floor Pan Fuel Tank Strap Mtg. Rear
5		1			REINFORCEMENT, Rear Floor Pan Rear Suspension Crossmember Internal (Serviced In Item No. 2)
6					CROSSMEMBER, Rear Floor Pan Rear
	4674 193	1	P,G		
	4674 197	1	J		
-	4512 537	1	J		REINFORCEMENT, Shipping, Left
7	4512 494	1			PLUG, 2.75" Dia./70mm
8		1			PLATE, Rear Floor Pan Rear Suspension Crossmember External Reinforcement (Serviced In Item No. 2)
9		1			REINFORCEMENT, Rear Floor Pan Rear Suspension Crossmember External (Serviced In Item No. 2)
10		1			EXTENSION, Sill Inner Rear
	5256 702-3	1	J		
	4512 516-7	1	P,G		
11					REINFORCEMENT, Rear Floor Side Rail Suspension Mtg.
	4512 502-3	1	J		
	4475 844	1	P,G		Right
	4475 847	1	P,G		Left
12	4416 486-7	2			PLATE, Tapping, Rear Floor Pan Side Rail Suspension
13					REINFORCEMENT, w/Nut, Front Floor Pan Rear Seat Belt Anchor Outer
	4416 096-7	1	J		
	5256 040-1	1	P,G		
14		2			REINFORCEMENT, Rear Floor Pan Side Rail Spring Seat Bracket (Serviced In Item No. 15)
15	4325 008	2			BRACKET, Rear Floor Pan Side Rail Spring Seat
16	4512 435	2			REINFORCEMENT, Rear Floor Pan Rear Side Rail E.A.U. Mtg. BRACKET, Tie Down
	4548 470	1	G,P		

MODEL CODES:

A BODY=(C=LeBaron, D=Spirit, P=Acclaim/LaBaron(Landau), Saratoga)

C BODY=(D=Dynasty, C=New Yorker/N.Y. Salon)

G BODY=(V=Daytona/ROC, Chrysler Daytona)

J BODY=(C=LeBaron, Chrysler LeBaron)

P BODY=(P=Sundance, D=Shadow)

S BODY=(H=Voyager(H) FWD, K=Caravan(H) FWD,

Y=Town & Country(H) FWD, P=Voyager(K) AWD,

D=Caravan(K) AWD, C=Town & Country(K) AWD)

Y BODY=(C=Imperial/5th Avenue)

E-S BODY=(K=Chrysler Voyager(H) FWD, D=Chrysler

Voyager(K) AWD)

BODY STYLES:

21=2-Door Coupe

41=4-Door Sedan

12-52=FWD & AWD Van & Wgn Std W.B.

24=2-Door Hatchback

44=4-Door Hatchback

53=FWD & AWD Van & Wgn Ext. W.B.

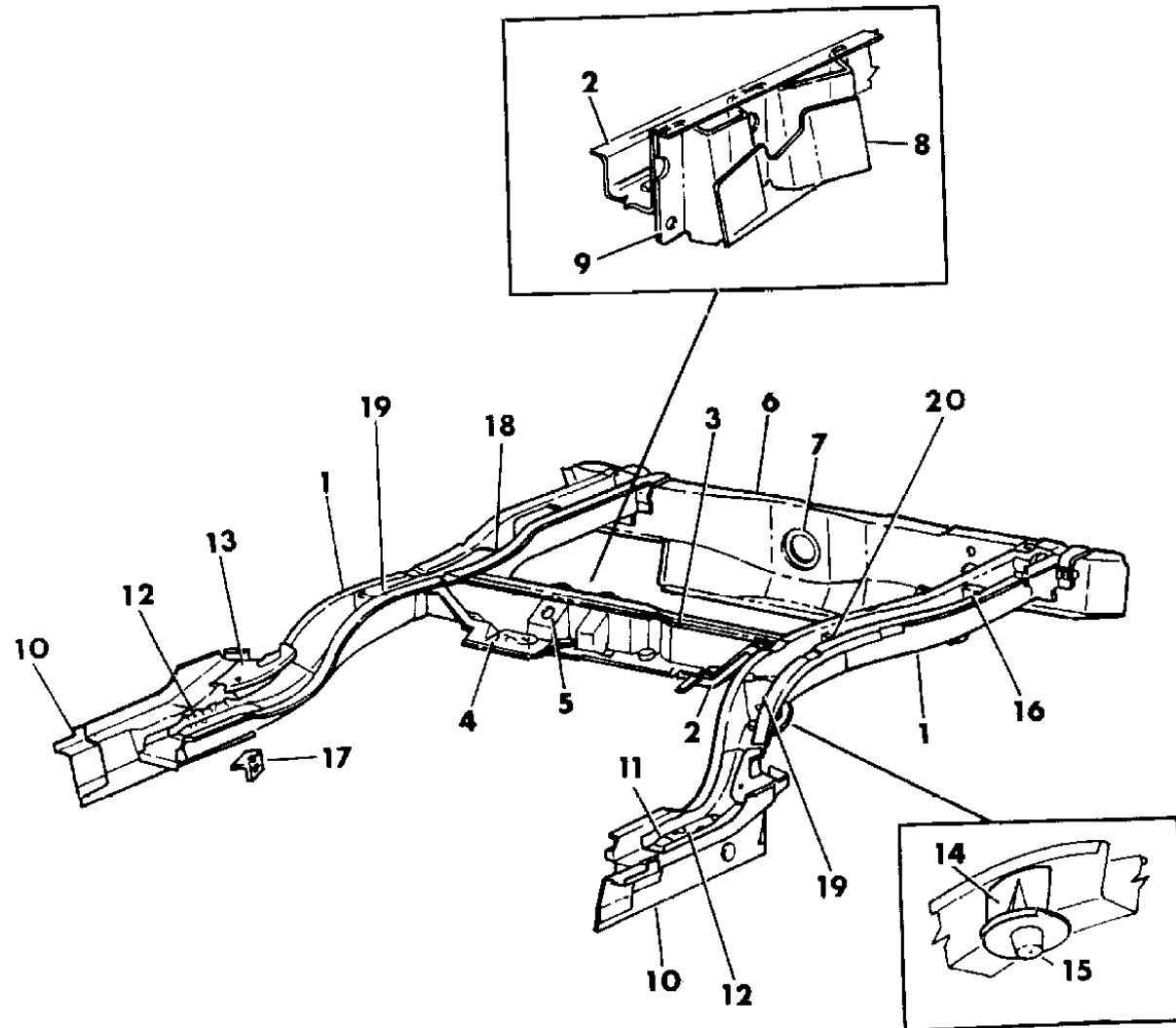
27=2-Door Convertible

AR = Use as Required - = Non Illustrated Part P.A.R. = Paint as Required

FRAME REAR P,J,G BODY  
Figure 13-300

93113 300

ITEM	PART NUMBER	QTY	BODY	MODEL	DESCRIPTION
	4674 144	1	J		
	6101 448	2			NUT and WASHER, To Tie Down
	6101 283	4			U-NUT
17	4416 516-7	1			BRACKET, Rear Floor Pan Rear Rail Brake Line Ret.
18	4314 266	1	J		REINFORCEMENT, Rear Floor Pan, Rear Rail, Front
					Crossmember, Right
19	4314 261	2	J		GUSSET, Rear Floor Pan, Rear Side Rail, Upper Spring Seat Bracket
20	4314 434	1	J		REINFORCEMENT, w/Weld Nut, Rear Floor Pan, Rear Rail Track Bar Gusset



**MODEL CODES:**

A BODY=(C=LeBaron, D=Spirit, P=Acclaim/LaBaron(Landau),  
Saratoga)  
C BODY=(D=Dynasty, C=New Yorker/N.Y. Salon)  
G BODY=(V=Daytona/IROC, Chrysler Daytona)  
J BODY=(C=LeBaron, Chrysler LeBaron)  
P BODY=(P=Sundance, D=Shadow)

S BODY=(H=Voyager(H) FWD, K=Caravan(H) FWD,  
Y=Town & Country(H) FWD, P=Voyager(K) AWD,  
D=Caravan(K) AWD, C=Town & Country(K) AWD)  
Y BODY=(C=Imperial/5th Avenue)  
E-S BODY=(K=Chrysler Voyager(H) FWD, D=Chrysler  
Voyager(K) AWD)

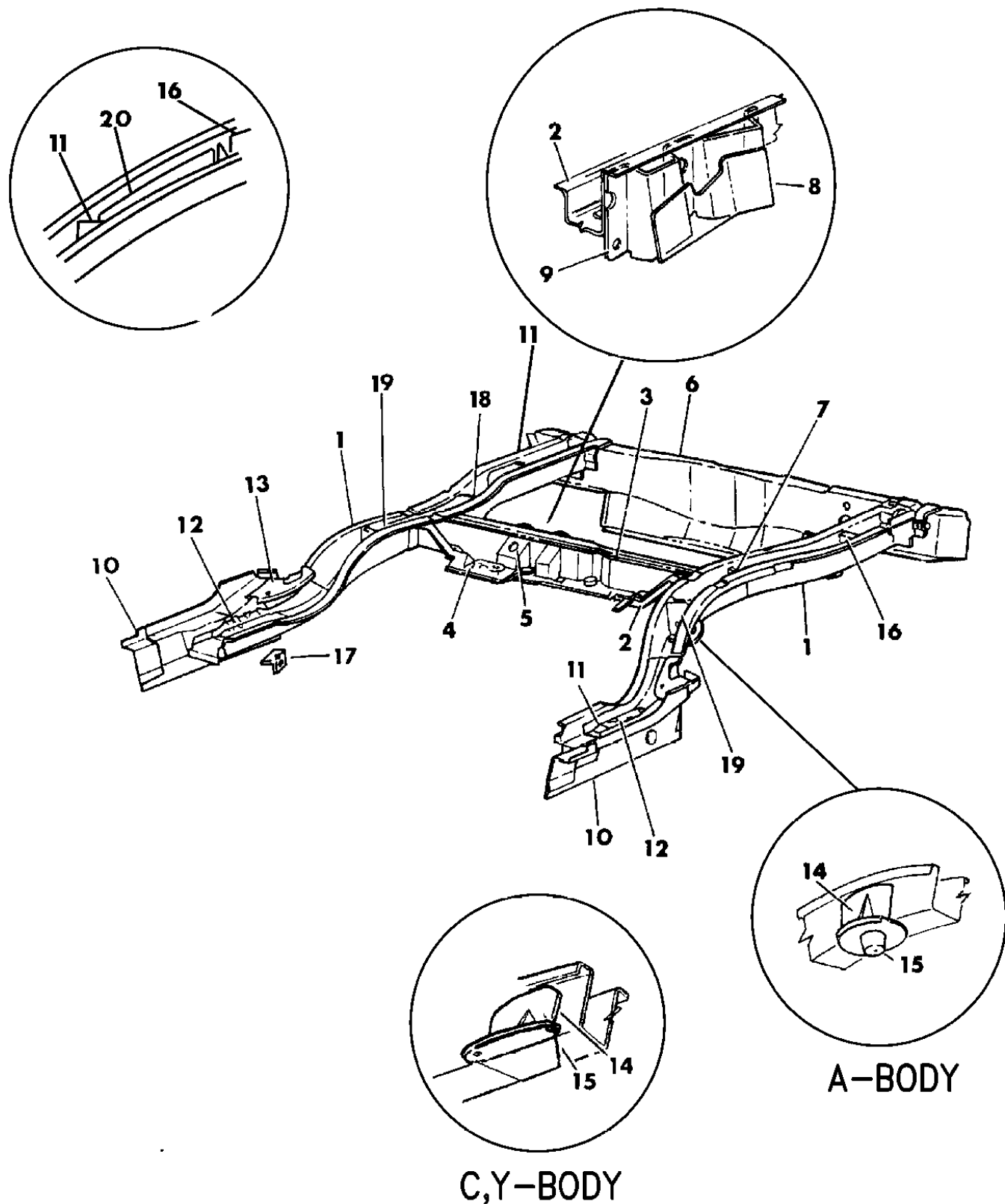
**BODY STYLES:**

21=2-Door Coupe      41=4-Door Sedan      12-52=FWD & AWD Van & Wgn Std W.B.  
24=2-Door Hatchback      44=4-Door Hatchback      53=FWD & AWD Van & Wgn Ext. W.B.  
27=2-Door Convertible

AR = Use as Required - = Non Illustrated Part P.A.R. = Paint as Required

FRAME REAR A,C,Y BODY  
Figure 13-400

93113 400A



ITEM	PART NUMBER	QTY	BODY	MODEL	DESCRIPTION
1					RAIL ASSEMBLY, Rear Floor Pan Side
	4512 504-5	1	A		
	4512 490-1	1	C,Y		
2	4548 478	1			CROSSMEMBER ASSEMBLY, Rear Floor Pan, Rear
3		1			REINFORCEMENT, w/Weld Nut, Rear Floor Pan Rear
					Suspension Crossmember (Serviced In Item No. 2)
4	4314 256	2			REINFORCEMENT, w/Bolt, Rear Floor Pan Fuel Tank Strap Mtg.
5		1			REINFORCEMENT, Rear Floor Pan Rear Suspension
					Crossmember Internal (Serviced In Item No. 2)
6					CROSSMEMBER, Rear Floor Pan Rear
	4674 197	1	A		
	4674 195	1	C,Y		
-	4512 537	1			REINFORCEMENT, Shipping, Left
7	4314 434	1			REINFORCEMENT, w/Weld Nut, Rear Floor Pan, Rear Track Bar
					Gusset
8		1			PLATE, Rear Floor Pan Rear Suspension Crossmember External
					Reinforcement (Serviced In Item No. 2)
9		1			REINFORCEMENT, Rear Floor Pan Rear Suspension
					Crossmember External (Serviced In Item No. 2)
10	4475 016-7	1			EXTENSION, Sill Inner Rear
11					REINFORCEMENT, Rear Floor Side Rail Suspension Mtg.
	4512 502-3	1	A		
	4475 844	1	C,Y		Right
	4475 847	1	C,Y		Left
12	4416 486-7	1			PLATE, Tapping, Rear Floor Pan Side Rail Suspension
13	4416 096-7	1			REINFORCEMENT, w/Nut, Front Floor Pan Rear Seat Belt
					Anchor Outer
14		2			REINFORCEMENT, Rear Floor Pan Side Rail Spring Seat
					Bracket (Serviced In Item No. 15)
15					BRACKET, Rear Floor Pan Side Rail Spring Seat
	4325 008	2	A		
	5253 902	2	C,Y		
16					REINFORCEMENT, Rear Floor Pan Rear Side Rail E.A.U. Mtg.
	4512 435	2	A		
	4512 590	1	C,Y		Right
	4314 425	1	C,Y		Left
	4674 144	1	A,C,Y		BRACKET, Tie Down
	6101 448	2	A,C,Y		NUT and WASHER, To Tie Down

MODEL CODES:

A BODY=(C=LeBaron, D=Spirit, P=Acclaim/LaBaron(Landau),  
Saratoga)  
C BODY=(D=Dynasty, C=New Yorker/N.Y. Salon)  
G BODY=(V=Daytona/IROC, Chrysler Daytona)  
J BODY=(C=LeBaron, Chrysler LeBaron)  
P BODY=(P=Sundance, D=Shadow)

S BODY=(H=Voyager(H) FWD, K=Caravan(H) FWD,  
Y=Town & Country(H) FWD, P=Voyager(K) AWD,  
D=Caravan(K) AWD, C=Town & Country(K) AWD)  
Y BODY=(C=Imperial/5th Avenue)  
E-S BODY=(K=Chrysler Voyager(H) FWD, D=Chrysler  
Voyager(K) AWD)

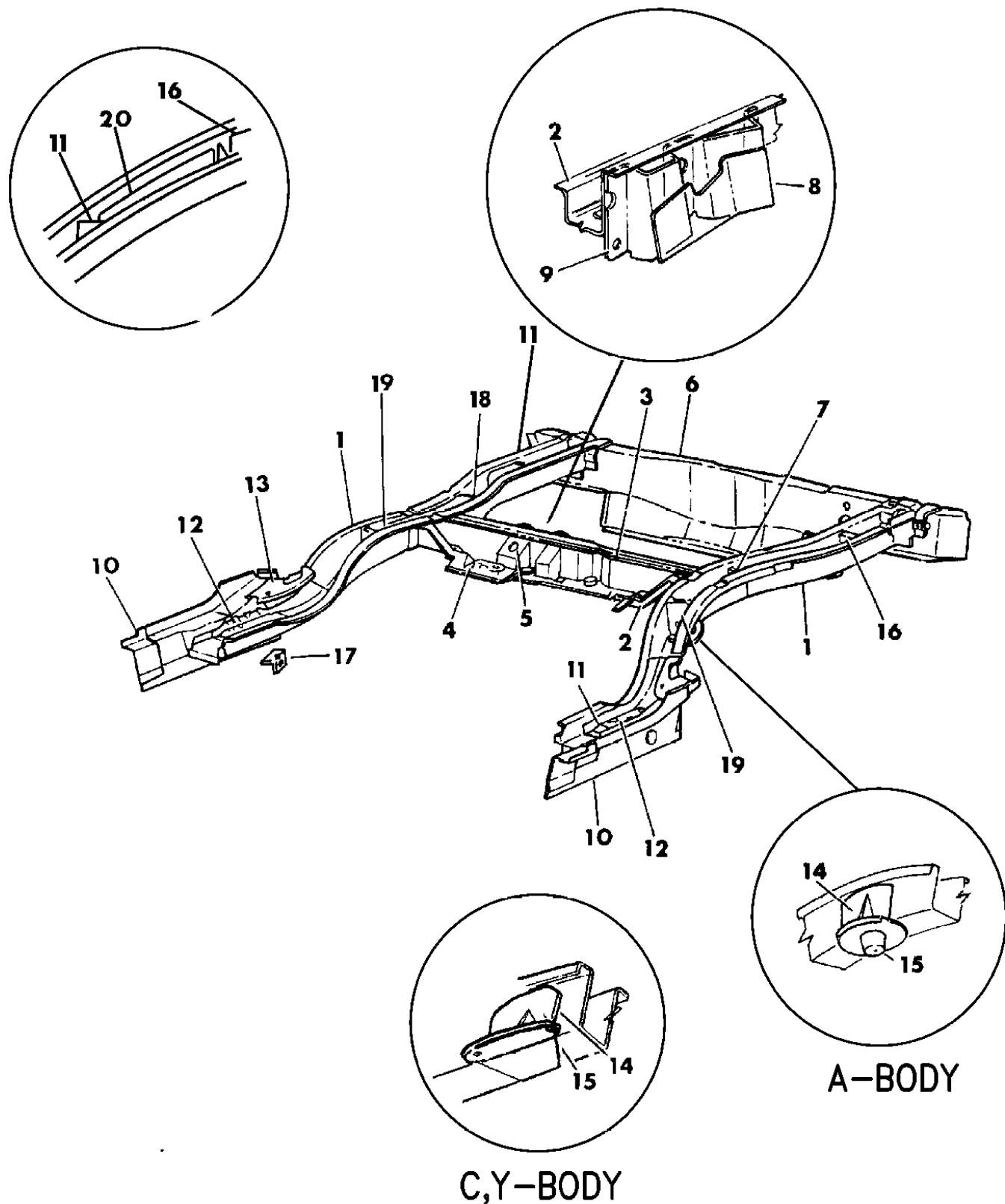
BODY STYLES:

21=2-Door Coupe      41=4-Door Sedan      12-52=FWD & AWD Van & Wgn Std W.B.  
24=2-Door Hatchback      44=4-Door Hatchback      53=FWD & AWD Van & Wgn Ext. W.B.  
27=2-Door Convertible

AR = Use as Required - = Non Illustrated Part P.A.R. = Paint as Required

FRAME REAR A,C,Y BODY  
Figure 13-400

93113 400A



ITEM	PART NUMBER	QTY	BODY	MODEL	DESCRIPTION
	6101 283	4			U-NUT
17	4416 516-7	1			BRACKET, Rear Floor Pan Rear Rail Brake Line Ret.
18	4314 266	1			REINFORCEMENT, Rear Floor Pan, Rear Rail, Front Crossmember, Right
19	4314 261	2			GUSSET, Rear Floor Pan, Rear Side Rail, Upper Spring Seat Bracket
20	4512 522	1	C,Y		EXTENSION, Right

MODEL CODES:

A BODY=(C=LeBaron, D=Spirit, P=Acclaim/LaBaron(Landau), Saratoga) S BODY=(H=Voyager(H) FWD, K=Caravan(H) FWD, Y=Town & Country(H) FWD, P=Voyager(K) AWD, D=Caravan(K) AWD, C=Town & Country(K) AWD)  
 C BODY=(D=Dynasty, C=New Yorker/N.Y. Salon) Y BODY=(C=Imperial/5th Avenue)  
 G BODY=(V=Daytona/IROC, Chrysler Daytona) E-S BODY=(K=Chrysler Voyager(H) FWD, D=Chrysler Voyager(K) AWD)  
 J BODY=(C=LeBaron, Chrysler LeBaron) P BODY=(P=Sundance, D=Shadow)

BODY STYLES:

21=2-Door Coupe 41=4-Door Sedan 12-52=FWD & AWD Van & Wgn Std W.B.  
 24=2-Door Hatchback 44=4-Door Hatchback 53=FWD & AWD Van & Wgn Ext. W.B.  
 27=2-Door Convertible

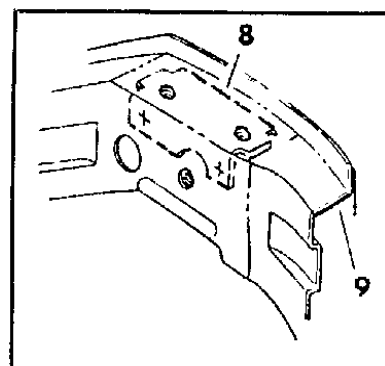
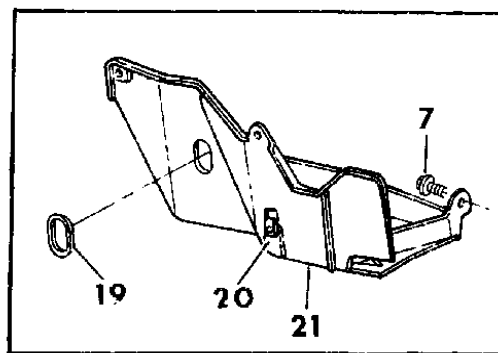
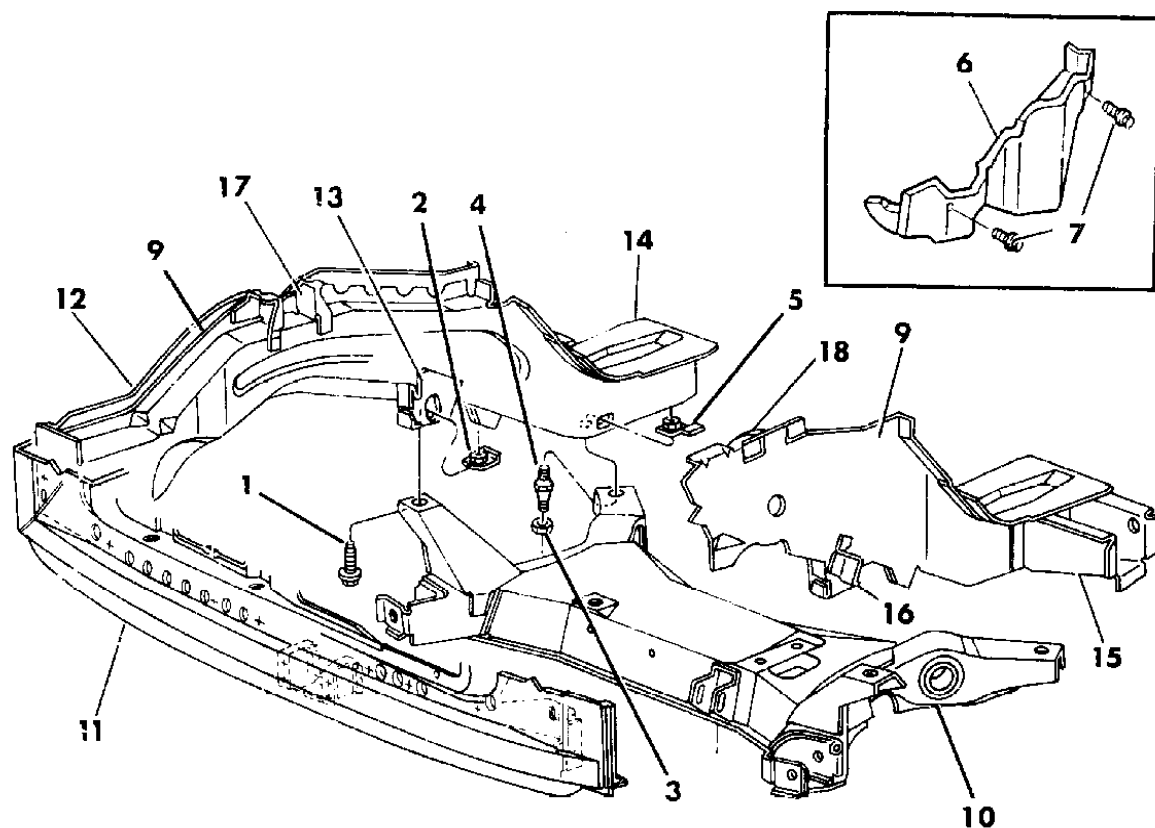
AR = Use as Required - = Non Illustrated Part P.A.R. = Paint as Required

FRAME FRONT S BODY

Figure 13-500

93113 500

ITEM	PART NUMBER	QTY	BODY	MODEL	DESCRIPTION
1	6502 553	2			BOLT and WASHER
2	4191 299	2			PLATE, Crossmember to Side Rail, Front
3	6500 122	2			NUT, Front Suspension, Crossmember Rear
4	5202 246	2			STUD, Front Suspension, Crossmember Rear
5	6501 075	2			PLATE, Front Suspension, Crossmember Rear
6	4490 539	1			SHIELD, Trans. Appearance, Left
7	6031 012	2			SCREW and WASHER
8	4534 063	1			REINFORCEMENT, Front Side Rail Engine Mounting, Left
	5255 399	1			BRACKET, Front Side Rail, Front Crossmember Towing
-	6024 487	1			SCREW and WASHER, Front Side Rail to C/mbr Towing Bracket
9	4719 410-1	1			RAIL, Side, Front
	4673 114-5	1			REINFORCEMENT, Side Rail
10					CROSSMEMBER, Front Suspension, Complete
	4656 066	1	FWD		Auto. Trans.
	4656 067	1	FWD		Manual Trans
	4684 673	1	FWD		Diesel, EUROPE
	4684 024	1	AWD		
11					PANEL, Rad. Closure (Reference Only)
12	4674 072-3	1			REINFORCEMENT, Side Front Rail Outer
13	4490 420-1	1			BRACKET, Crossmember Mounting
14	4270 104	2			REINFORCEMENT, Side Front Rail to Dash Panel
15	4490 922-3	1			REINFORCEMENT, Side Front Rail to Sill Inner
16	5255 036-7	1			BRACKET, Side Front Rail Outer Reinforcement Brake Tube Support
17	4719 046	1			BRACKET, Front Side Rail Engine Mounting, Right
18	5272 159	1			BRACKET, Front Side Rail Engine Mount, Upper Left
	6101 283	2			U-NUT, Bracket, Front Engine Mounting
	6100 584	2			SCREW, Front Side Rail, Engine Mounting Bracket Right
19	2811 825	1			PLUG
20	6029 509	2			U-NUT
21	4674 356	1			SHIELD, Accessory Drive Splash



MODEL CODES:

A BODY=(C=LeBaron, D=Spirit, P=Acclaim/LaBaron(Landau), Saratoga)  
 C BODY=(D=Dynasty, C=New Yorker/N.Y. Salon)  
 G BODY=(V=Daytona/IROC, Chrysler Daytona)  
 J BODY=(C=LeBaron, Chrysler LeBaron)  
 P BODY=(P=Sundance, D=Shadow)

S BODY=(H=Voyager(H) FWD, K=Caravan(H) FWD, Y=Town & Country(H) FWD, P=Voyager(K) AWD, D=Caravan(K) AWD, C=Town & Country(K) AWD)  
 Y BODY=(C=Imperial/5th Avenue)  
 E-S BODY=(K=Chrysler Voyager(H) FWD, D=Chrysler Voyager(K) AWD)

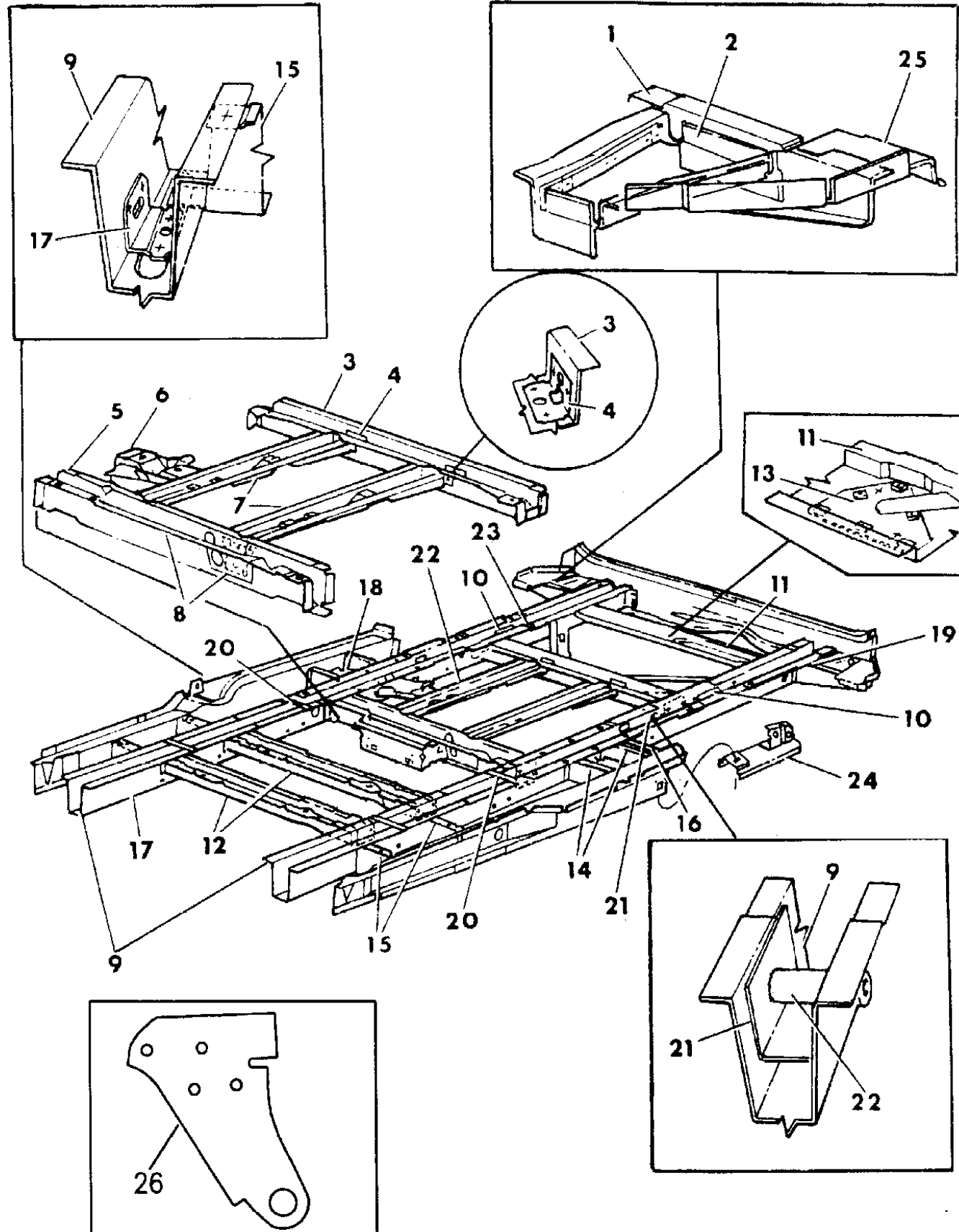
BODY STYLES:

21=2-Door Coupe      41=4-Door Sedan      12-52=FWD & AWD Van & Wgn Std W.B.  
 24=2-Door Hatchback      44=4-Door Hatchback      53=FWD & AWD Van & Wgn Ext. W.B.  
 27=2-Door Convertible

AR = Use as Required - = Non Illustrated Part P.A.R. = Paint as Required

FRAME REAR S BODY  
Figure 13-600

93113 600



ITEM	PART NUMBER	QTY	BODY	MODEL	DESCRIPTION
1	5255 694-5	1			SUPPORT, Floor Pan Rear Suspension Hanger Rear Bracket
2	4278 398	2		12,52	PLATE, Fir. Pan, Rr. Susp. Hanger Brkt., Rear
	4385 024	2		13,53	
3	4475 636	1			CROSSMEMBER, Floor Pan Fuel Tank Support Rear
4	4475 631	2			REINFORCEMENT, Floor Pan Fuel Tank Support Rear Crossmember Strap Mounting
5	5255 084	1		12,52	CROSSMEMBER, Floor Pan Fuel Tank Support, Front
	5255 085	1		13,53	
6	4416 466	1			REINFORCEMENT, Floor Pan Fuel Tank Support to Side Rail, Rt. Side
7					STRAINER, Floor Pan, Fuel Tank Support
	4475 639	1			Left
	4512 920	1			Right
8	4475 632	2			REINFORCEMENT, Floor Pan Fuel Tank Support Crossmember Strap Mounting
9					RAIL, Floor Pan Side
	4674 457	2			Standard W.B.
	5255 047	2			Extended W.B.
10	4512 434	2			REINFORCEMENT, Floor Pan Side Rail Jounce and Shipping Tie Down
11	4674 455	1			CROSSMEMBER, Floor Pan Tire Stowage Support
12	4512 043	2			CROSSMEMBER, Floor Pan, Front & Rear Seat Support
13	4512 037	1			SUPPORT, w/REINFORCEMENT
14	4512 393	2			BRACKET, Floor Pan Rear Suspension Hanger Front
15	4278 960	4			REINFORCEMENT, Floor Pan Side Rail to Sill Inner
16					SUPPORT, Rear Spring to Fuel Filler Tube Ret. Front Lt. Side
	4314 333	1		12,52	Standard W.B.
	4385 098	1		13,53	Extended W.B.
17	4475 632	1			REINFORCEMENT, Body Side F/Pan F/Tank Strap Mounting
18	4314 103	2			PLATE, Rear Susp. Hanger Brkt. Mtg., Front
19	4512 487	1			REINFORCEMENT, Rail Spare Tire Winch Mtg.
20	4278 554	2			PLATE, Floor Pan, Rear Rail Tie
21	4512 036	2			BRACKET, Floor Pan, Rear Shock Absorber Sleeve Mounting
22	4371 620	2			SLEEVE, Floor Pan Rail, Rear Shock Absorber Mounting
23	4337 806	4			STRAP, Floor Pan S/Rail, Rear Seat Striker Reinforcement
24	4314 329	1			RETAINER, Rear Spring to Fuel Filler Tube, Left
25					BRACKET, Floor Pan, Rear Suspension Hanger, Rear

MODEL CODES:

A BODY=(C=LeBaron, D=Spirit, P=Acclaim/LaBaron(Landau), Saratoga) S BODY=(H=Voyager(H) FWD, K=Caravan(H) FWD, Y=Town & Country(H) FWD, P=Voyager(K) AWD, D=Caravan(K) AWD, C=Town & Country(K) AWD)  
 C BODY=(D=Dynasty, C=New Yorker/N.Y. Salon) Y BODY=(C=Imperial/5th Avenue)  
 G BODY=(V=Daytona/IROC, Chrysler Daytona) E-S BODY=(K=Chrysler Voyager(H) FWD, D=Chrysler Voyager(K) AWD)  
 J BODY=(C=LeBaron, Chrysler LeBaron)  
 P BODY=(P=Sundance, D=Shadow)

BODY STYLES:

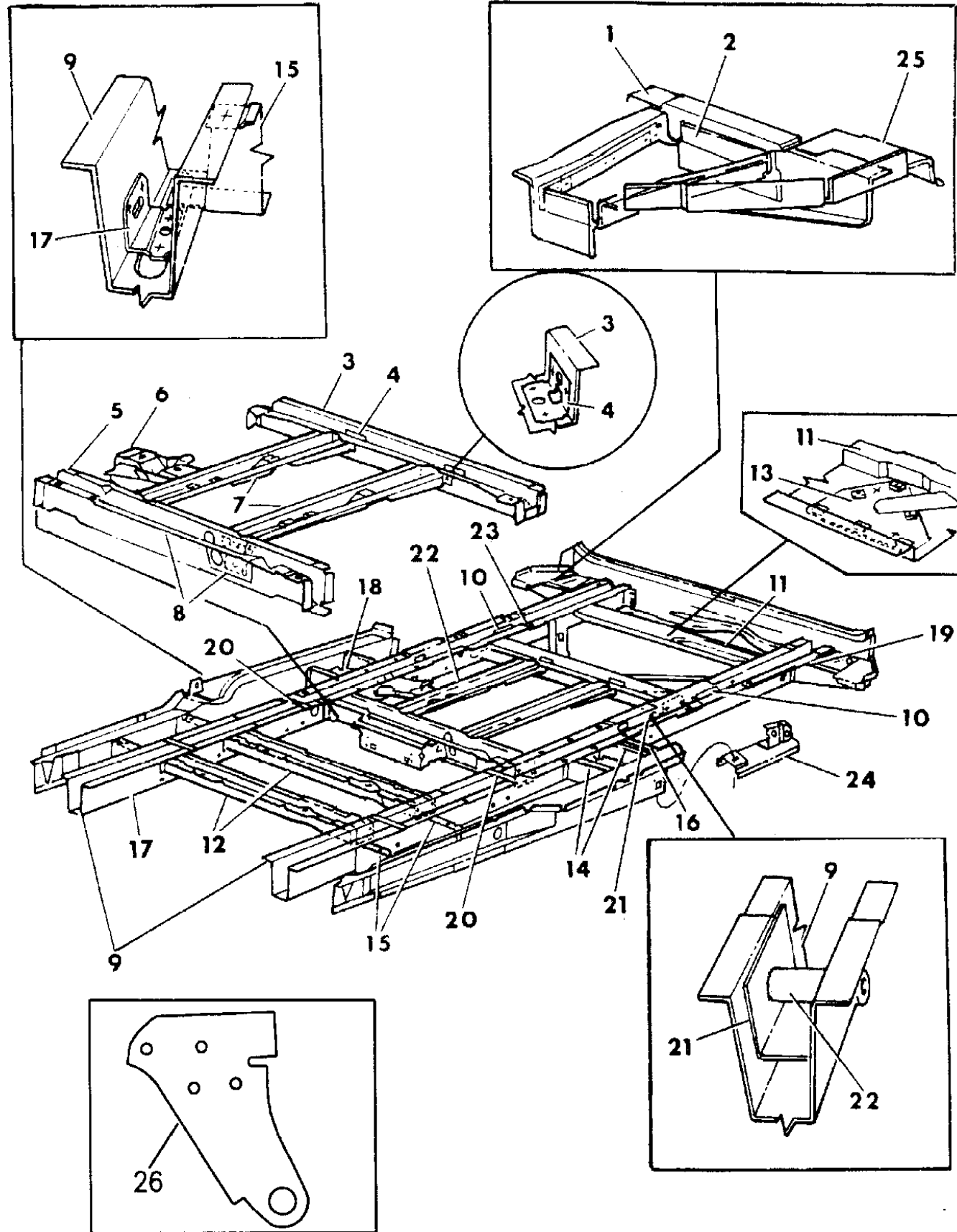
21=2-Door Coupe 41=4-Door Sedan 12-52=FWD & AWD Van & Wgn Std W.B.  
 24=2-Door Hatchback 44=4-Door Hatchback 53=FWD & AWD Van & Wgn Ext. W.B.  
 27=2-Door Convertible

AR = Use as Required - = Non Illustrated Part P.A.R. = Paint as Required



FRAME REAR S BODY  
Figure 13-600

93113 600



ITEM	PART NUMBER	QTY	BODY	MODEL	DESCRIPTION
	4512 918-9	1		12,52	
	5255 304-5	1		13,53	
26			ES		BRACKET, Assy. Rear Rail Towing, EUROPE
	4674 067	1			S.W.B.
	4674 074	1			L.W.B.
	4674 075	1	ES		SUPPORT, Towing Bracket
	4674 065	1	ES		PLATE ASSEMBLY, Towing Bracket ***
	6100 584	6	ES		SCREW, Rear Towing Bracket, EUROPE
	6100 583	1	ES		SCREW and WASHER, Towing Bracket Mounting Plate, EUROPE
	4723 247	1	ES		TOW HOOK, EUROPE ***
	4720 684	2	ES		BOLT, Toe Hook, EUROPE
	4720 686	2	ES		WASHER, Tow Hook, EUROPE

MODEL CODES:

A BODY=(C=LeBaron, D=Spirit, P=Acclaim/LaBaron(Landau),  
Saratoga)  
C BODY=(D=Dynasty, C=New Yorker/N.Y. Salon)  
G BODY=(V=Daytona/IROC, Chrysler Daytona)  
J BODY=(C=LeBaron, Chrysler LeBaron)  
P BODY=(P=Sundance, D=Shadow)

S BODY=(H=Voyager(H) FWD, K=Caravan(H) FWD,  
Y=Town & Country(H) FWD, P=Voyager(K) AWD,  
D=Caravan(K) AWD, C=Town & Country(K) AWD)  
Y BODY=(C=Imperial/5th Avenue)  
E-S BODY=(K=Chrysler Voyager(H) FWD, D=Chrysler  
Voyager(K) AWD)

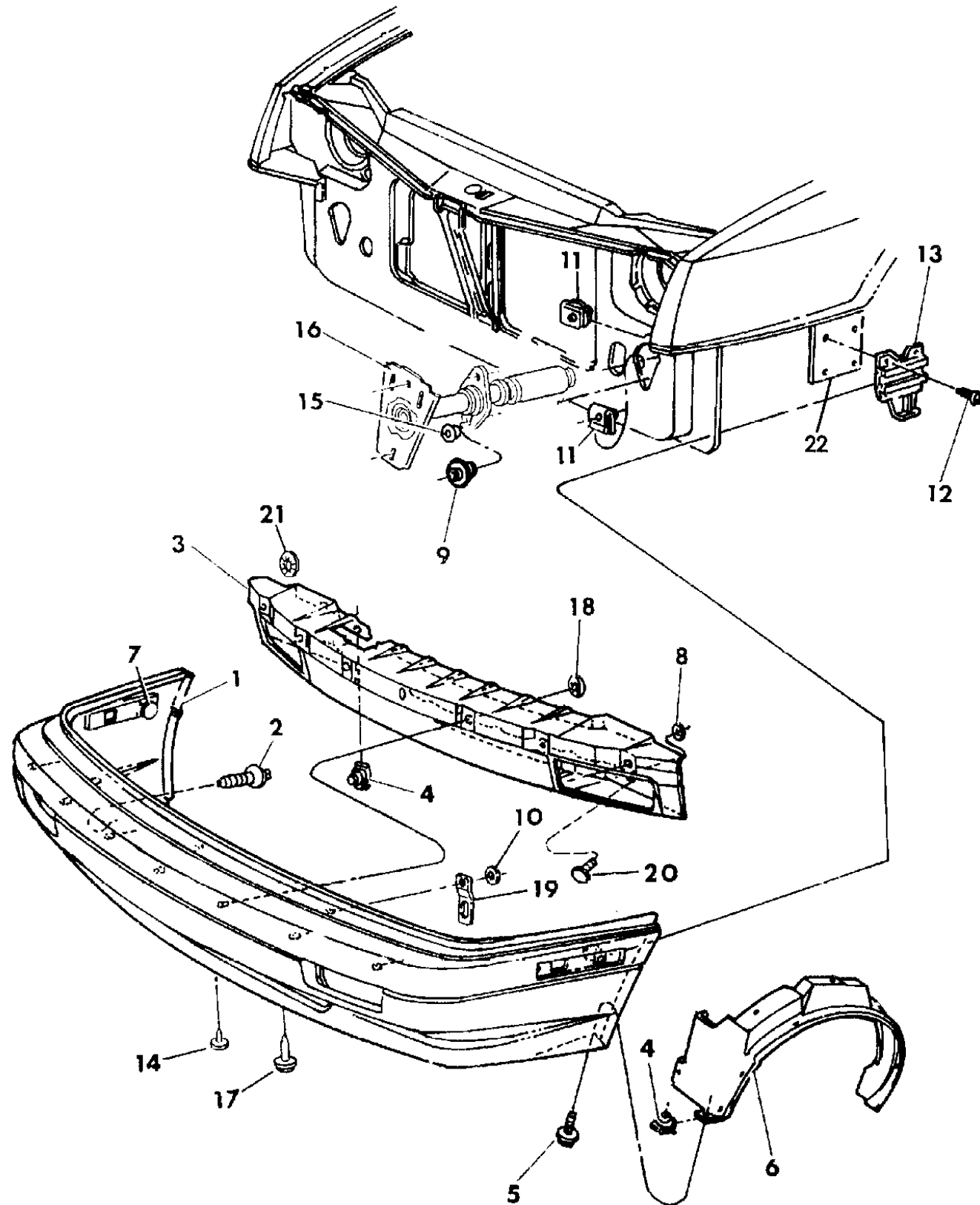
BODY STYLES:

21=2-Door Coupe      41=4-Door Sedan      12-52=FWD & AWD Van & Wgn Std W.B.  
24=2-Door Hatchback      44=4-Door Hatchback      53=FWD & AWD Van & Wgn Ext. W.B.  
27=2-Door Convertible

AR = Use as Required - = Non Illustrated Part P.A.R. = Paint as Required

FASCIA, FRONT P BODY  
Figure 13-700

93113 700



ITEM	PART NUMBER	QTY	BODY	MODEL	DESCRIPTION
1					FASCIA, Front
	FY20 LX9	1		DP-L	Flat Black, (Grained)
	4720 697	1		DP(HL)	P.A.R., w/o Nerf (Grained in Nerf Area)
	4451 857	1		DP-S	P.A.R.
	6100 840	3			PUSH NUT, Support Tab to Fascia attaching
2	6501 501	3			SCREW and WASHER
3	4451 920	1			REINFORCEMENT, Front
4	1150 3714	5			U-NUT
5	6100 567	2			SCREW and WASHER
6		1			SHIELD, Fender (Reference Only)
7	4334 212	2			PIN, Front Fascia Attaching
8	6100 041	4			NUT
9		4			ISOLATOR (Serviced In Item No. 16)
10	6100 840	3			PUSH PIN, Support tab to Fascia attaching ***
11	6501 997	4			U-NUT
12		8			SCREW (Not Serviced), (.190-16x.625)
13	4451 859	2			PLATE, Fascia to Body
14	6501 067	2			RETAINER, Front Fascia to Reinforcement
15	6100 051	4			NUT and WASHER
16					ABSORBER
	5263 592	2			w/Man. Trans.
	5263 591	2			w/Auto. Trans.
	6100 841	4			NUT, Reinforcement to E.E.A.
17	6501 212	2			SCREW, w/WASHER
18	6501 859	2			NUT
19	4388 033	3			TAB, Support, Front Fascia
	6500 898	2			RIVET, Tab to Fascia Attaching
20	6500 463	4			BOLT
21	6031 635	7			PUSH NUT
22	4341 786-7	1			SUPPORT
	4334 235	1		D(HL),P	LICENSE PLATE PACKAGE, Attaching Parts
	4451 866	1		D,S	BRACKET, License Plate Mounting

MODEL CODES:

A BODY=(C=LeBaron, D=Spirit, P=Acclaim/LaBaron(Landau),  
Saratoga)

C BODY=(D=Dynasty, C=New Yorker/N.Y. Salon)

G BODY=(V=Daytona/ROC, Chrysler Daytona)

J BODY=(C=LeBaron, Chrysler LeBaron)

P BODY=(P=Sundance, D=Shadow)

S BODY=(H=Voyager(H) FWD, K=Caravan(H) FWD,

Y=Town & Country(H) FWD, P=Voyager(K) AWD,

D=Caravan(K) AWD, C=Town & Country(K) AWD)

Y BODY=(C=Imperial/5th Avenue)

E-S BODY=(K=Chrysler Voyager(H) FWD, D=Chrysler

Voyager(K) AWD)

BODY STYLES:

21=2-Door Coupe

41=4-Door Sedan

12-52=FWD & AWD Van & Wgn Std W.B.

24=2-Door Hatchback

44=4-Door Hatchback

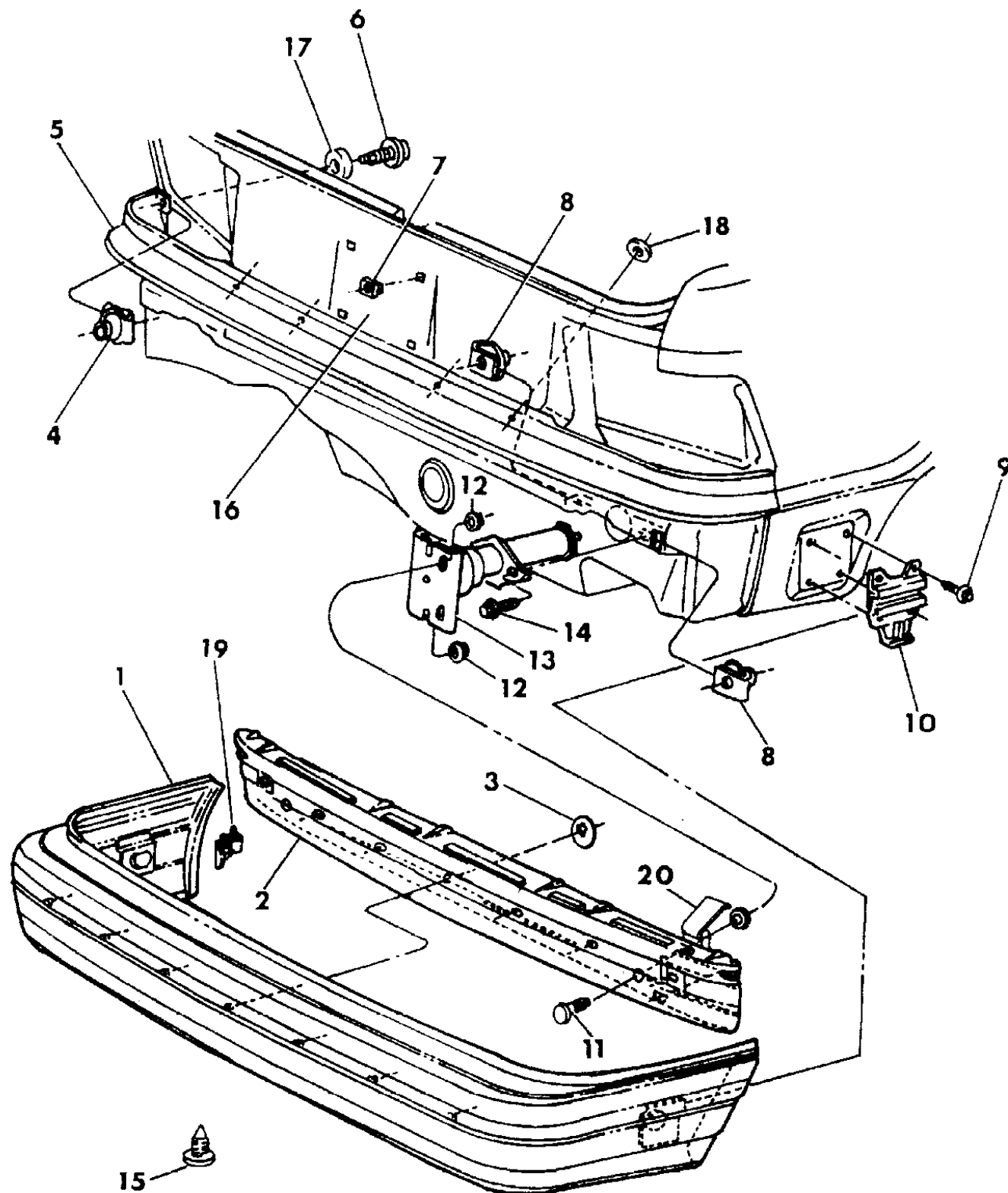
53=FWD & AWD Van & Wgn Ext. W.B.

27=2-Door Convertible

AR = Use as Required - = Non Illustrated Part P.A.R. = Paint as Required

FASCIA, REAR P BODY  
Figure 13-800

93113 800



ITEM	PART NUMBER	QTY	BODY	MODEL	DESCRIPTION
1					FASCIA, Rear
	FY21 LX9	1		DP-L	Flat Black, (Grained)
	4720 698	1		DP(HL)	P.A.R.,(Grained Only in Nerf Area)
	4451 863	1		DP-S	P.A.R.
2	5263 483	1			REINFORCEMENT, Rear Fascia
3	6031 635	7			PUSH NUT
4	6100 040	6			U-NUT
5	4341 276	1			PANEL, Lift Gate Opening Lower Fascia
6		AR			SCREW and WASHER, (Not Serviced), (M5x.8x25.00)
7		4			NUT, License Plate Mounting (Not Serviced), (For .250 Screw)
8	6101 283	4			U-NUT
9		8			SCREW, (Not Serviced)
10	4451 859	2			PLATE, Fascia to Body
11	6500 463	4			BOLT
12	6100 051	4			NUT and WASHER
13	5263 341	2			ABSORBER
14		4			SCREW and WASHER, (Not Serviced), (M8x1.25x35.00)
15	6501 067	3			RETAINER, Fascia to Reinforcement
16	4270 974	1			LICENSE PLATE PACKAGE, Attaching Parts
17	5231 207	2			WASHER, Sealing
18		4			WASHER, Sealing (Not Serviced)
19	4334 994	2			BRACKET, Rear Fascia to Aperture Panel
20	4515 350	2			SUPPORT, Fascia

MODEL CODES:

A BODY=(C=LeBaron, D=Spirit, P=Acclaim/LaBaron(Landau),  
Saratoga)

C BODY=(D=Dynasty, C=New Yorker/N.Y. Salon)

G BODY=(V=Daytona/IROC, Chrysler Daytona)

J BODY=(C=LeBaron, Chrysler LeBaron)

P BODY=(P=Sundance, D=Shadow)

S BODY=(H=Voyager(H) FWD, K=Caravan(H) FWD,

Y=Town & Country(H) FWD, P=Voyager(K) AWD,

D=Caravan(K) AWD, C=Town & Country(K) AWD)

Y BODY=(C=Imperial/5th Avenue)

E-S BODY=(K=Chrysler Voyager(H) FWD, D=Chrysler

Voyager(K) AWD)

BODY STYLES:

21=2-Door Coupe

41=4-Door Sedan

12-52=FWD & AWD Van & Wgn Std W.B.

24=2-Door Hatchback

44=4-Door Hatchback

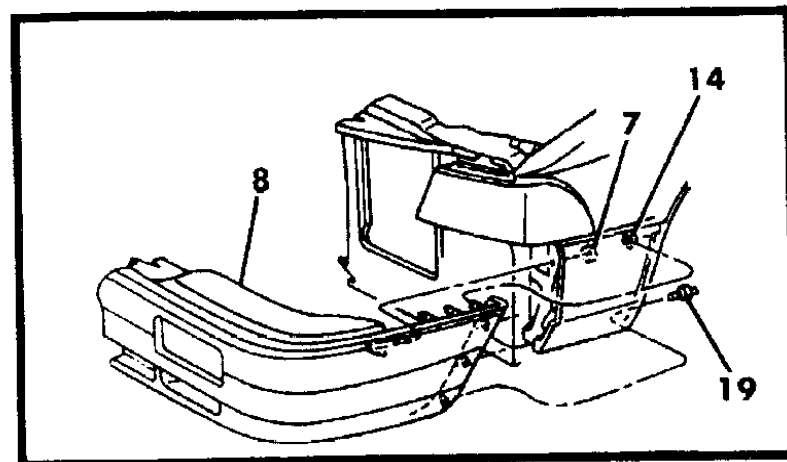
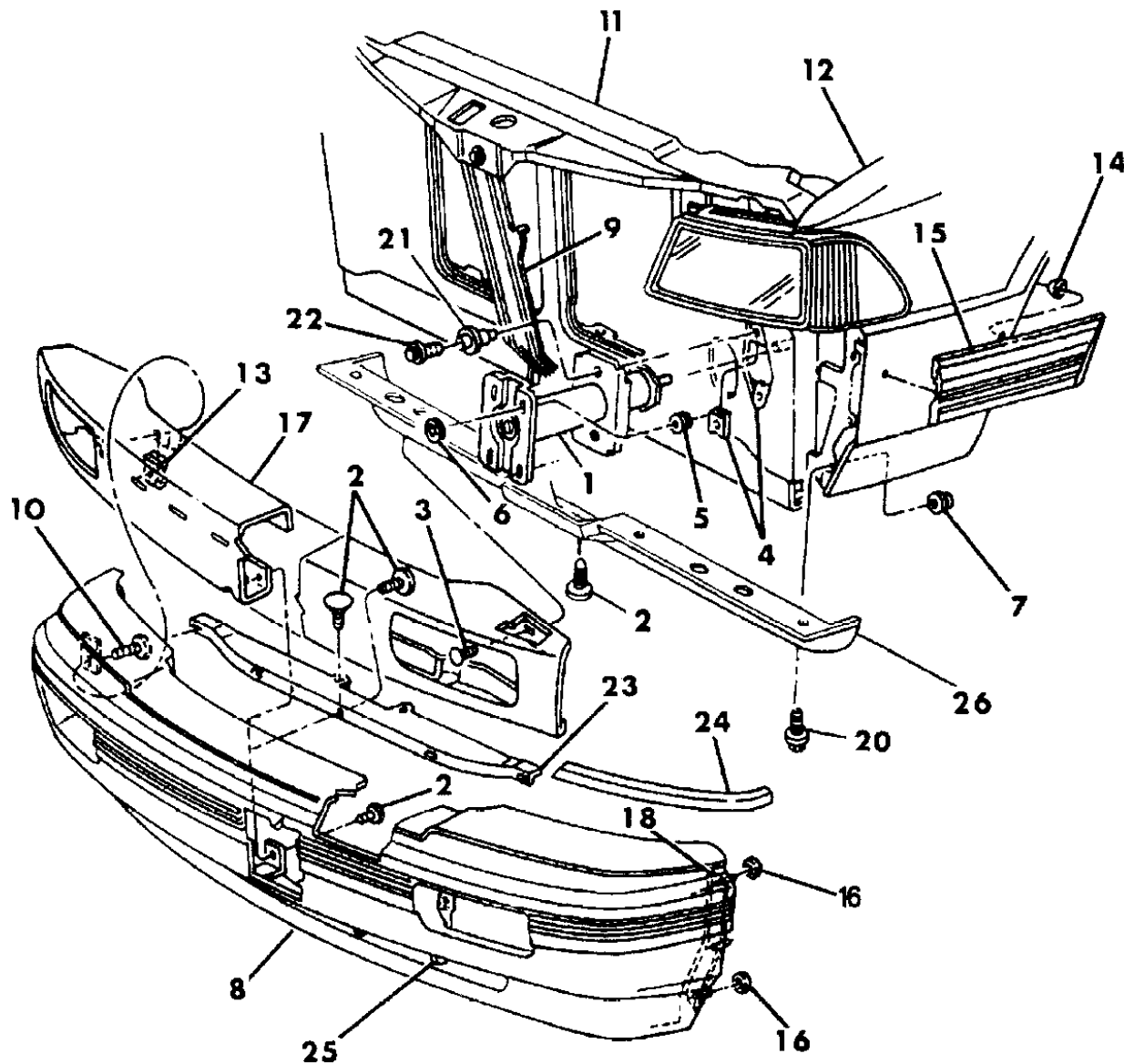
53=FWD & AWD Van & Wgn Ext. W.B.

27=2-Door Convertible

AR = Use as Required - = Non Illustrated Part P.A.R. = Paint as Required

FASCIA, FRONT A BODY  
Figure 13-900

93113 900



ITEM	PART NUMBER	QTY	BODY	MODEL	DESCRIPTION
1					ABSORBER, I.E.A Unit
	5263 593	2			4 CYL.
	5263 594	2			6 Cyl.
2	6030 441	AR			RETAINER
3	6500 463	4			BOLT
4	6501 997	4			U-NUT
5	6100 051	4			NUT
6		4			PUSH-NUT (Not Serviced)
7	6501 859	AR			NUT and WASHER, Front Bumper Fascia Retainer Attaching
8					FASCIA, Front
	4388 606	1		C,P,D(H)	P.A.R.
	4723 718	1		D-P	P.A.R.
	6027 318	2			RIVET, Fascia to Fender
	4451 578	1		D-P	BRACKET, License Plate
	5263 420	1		C,P,D-H	
	4388 552	1			LICENSE PLATE PKG., EUROPE ***
		5			SCREW, License Plate Bracket, (Not Serviced)
9					SUPPORT, Radiator Closure Panel (Reference)
10	6100 286	6			SCREW and WASHER
11					PANEL, Radiator Closure (Reference)
12					FENDER (Reference)
13	6100 041	6			U-NUT
14	6032 389	AR			NUT
15					NERF, Extension Assembly
	X546-7 LQE	1		P,D(H)	Aqua (U.S. Built)
	X546-7 PQK	1		P,D(H)	Aqua (Mexican Built)
	X546-7 HX8	1		P,D(H)	Black
	X546-7 KBD	1		P,D(H)	Light Blue
	X546-7 KBF	1		P,D(H)	Medium Water Blue
	X546-7 MFA	1		P,D(H)	Light Driftwood
	X546-7 MGF	1		P,D(H)	Emerald Green (U.S. Built)
	X546-7 PGS	1		P,D(H)	Emerald Green (Mexican Built)
	X546-7 MRB	1		D(H)	Radiant Fire
	X546-7 MRF	1		P,D(H)	Radiant Red
	X546-7 KW7	1		P,D(H)	Bright White
	X546-7 MMB	1		P,D(H)	Wildberry (U.S. Built)
	X546-7 PME	1		P,D(H)	Wildberry (Mexican Built)
	X546-7 PBC	1		P,D(H)	Lt. Royal Blue

MODEL CODES:

A BODY=(C=LeBaron, D=Spirit, P=Acclaim/LaBaron(Landau), Saratoga) S BODY=(H=Voyager(H) FWD, K=Caravan(H) FWD, Y=Town & Country(H) FWD, P=Voyager(K) AWD, D=Caravan(K) AWD, C=Town & Country(K) AWD)  
 C BODY=(D=Dynasty, C=New Yorker/N.Y. Salon)  
 G BODY=(V=Daytona/IROC, Chrysler Daytona)  
 J BODY=(C=LeBaron, Chrysler LeBaron)  
 P BODY=(P=Sundance, D=Shadow)  
 Y BODY=(C=Imperial/5th Avenue)  
 E-S BODY=(K=Chrysler Voyager(H) FWD, D=Chrysler Voyager(K) AWD)

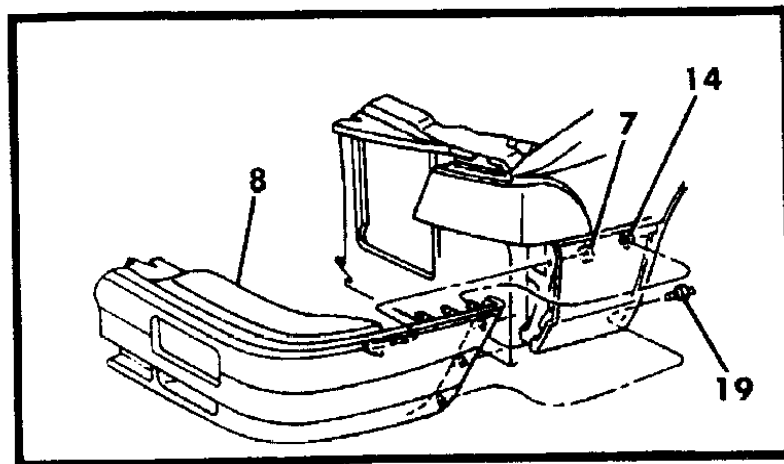
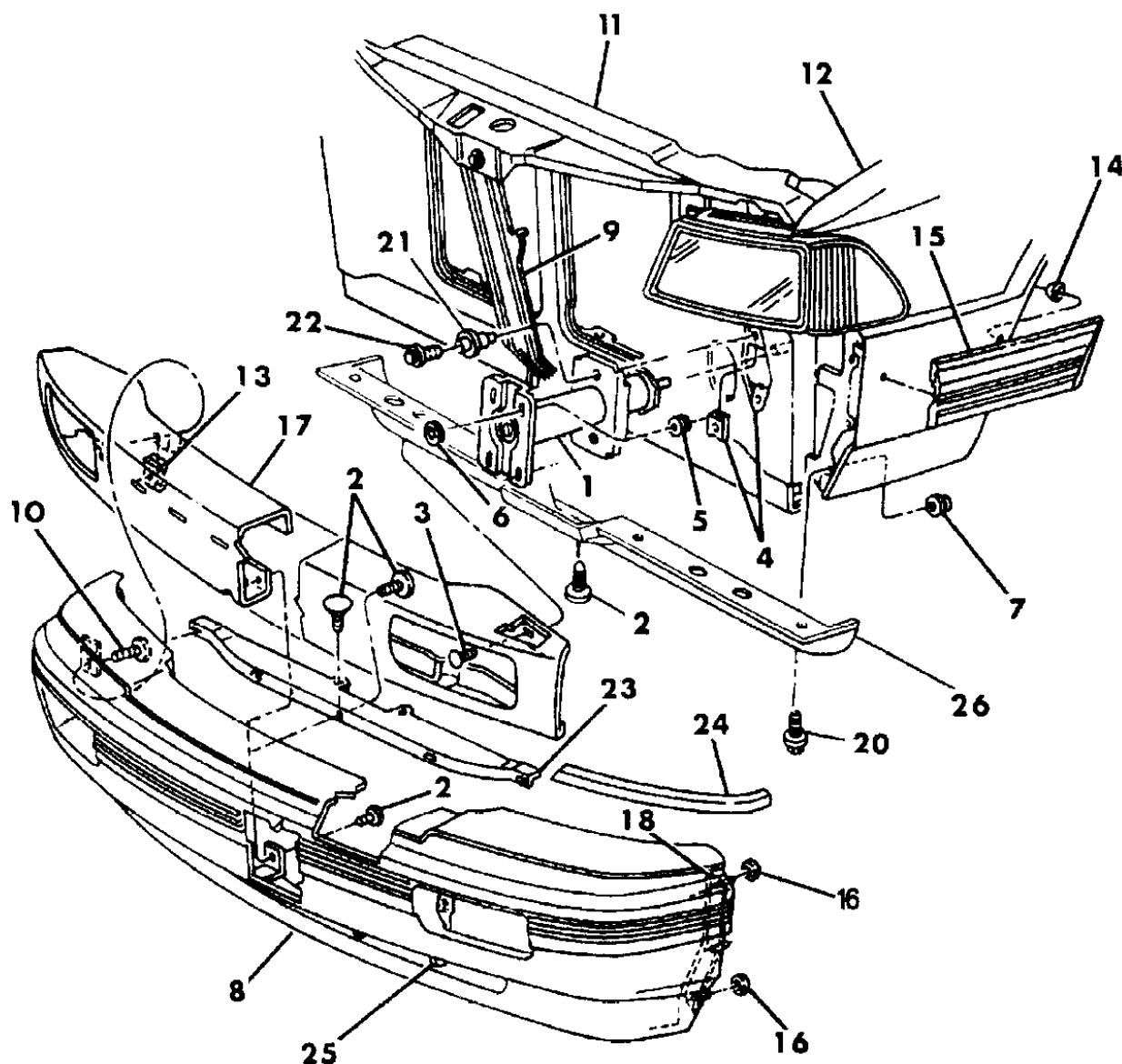
BODY STYLES:

21=2-Door Coupe 41=4-Door Sedan 12-52=FWD & AWD Van & Wgn Std W.B.  
 24=2-Door Hatchback 44=4-Door Hatchback 53=FWD & AWD Van & Wgn Ext. W.B.  
 27=2-Door Convertible

AR = Use as Required - = Non Illustrated Part P.A.R. = Paint as Required

FASCIA, FRONT A BODY  
Figure 13-900

93113 900



ITEM	PART NUMBER	QTY	BODY	MODEL	DESCRIPTION
GOLD PACKAGE					
	JD56-7 MGY	1		P,D	Emerald Green/Gold
	JD56-7 MMY	1		P,D	Wildberry/Gold
	JD56-7 MRY	1		P,D	Bright Red/Gold
	JD56-7 MWY	1		P,D	White/Gold
	JD56-7 MXY	1		P,D	Black/Gold
-----					
	BB28-9 LQE	1		C	Aqua
	BB28-9 HX8	1		C	Black
	BB28-9 KBD	1		C	Light Blue
	BB28-9 KBF	1		C	Medium Water Blue
	BB28-9 MFA	1		C	Light Driftwood
	BB28-9 MGF	1		C	Emerald Green
	BB28-9 MRF	1		C	Radiant Red
	BB28-9 LP5	1		C	Teal
	BB28-9 HW7	1		C	White
	BB28-9 MMB	1		C	Wildberry
-----					
NERF STRIP					
	X822-3 HX8	1		D(P)	Bright Strip Assembly Black
	X822-3 KBF	1		D(P)	Medium Water Blue
	X822-3 MFA	1		D(P)	Light Driftwood
	X822-3 MGF	1		D(P)	Emerald Green
	X822-3 LRB	1		D(P)	Radiant Fire
	X822-3 HW7	1		D(P)	White
	X822-3 MMB	1		D(P)	Wildberry
16	6100 840	4			PUSH NUT
17	5263 418	1			REINFORCEMENT ASSEMBLY, Front
18					RETAINER ASSEMBLY, Fascia
	4388 574	2		C,P,D-H	
	4451 976-7	1		D-P	
	4515 273	2		D-P	RETAINER ASSEMBLY, Fascia
19	6031 390	6			RETAINER
20		4			SCREW, Air Dam to Lower Crossmember,(Not Serviced), (M6x1.00x23.00)
21		4			ISOLATOR ASSEMBLY (Serviced in Item #1)
22					BOLT and WASHER, E.A.U. (Not Serviced), (M8x1.25x35.00)
23	4388 559	1			SIGHT SHIELD

MODEL CODES:

A BODY=(C=LeBaron, D=Spirit, P=Acclaim/LaBaron(Landau), Saratoga) S BODY=(H=Voyager(H) FWD, K=Caravan(H) FWD, Y=Town & Country(H) FWD, P=Voyager(K) AWD, D=Caravan(K) AWD, C=Town & Country(K) AWD)  
 C BODY=(D=Dynasty, C=New Yorker/N.Y. Salon)  
 G BODY=(V=Daytona/IROC, Chrysler Daytona)  
 J BODY=(C=LeBaron, Chrysler LeBaron)  
 P BODY=(P=Sundance, D=Shadow)  
 Y BODY=(C=Imperial/5th Avenue)  
 E-S BODY=(K=Chrysler Voyager(H) FWD, D=Chrysler Voyager(K) AWD)

BODY STYLES:

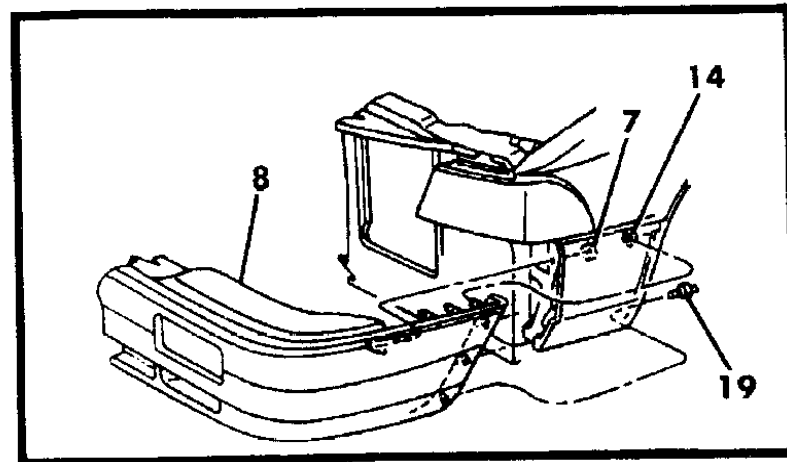
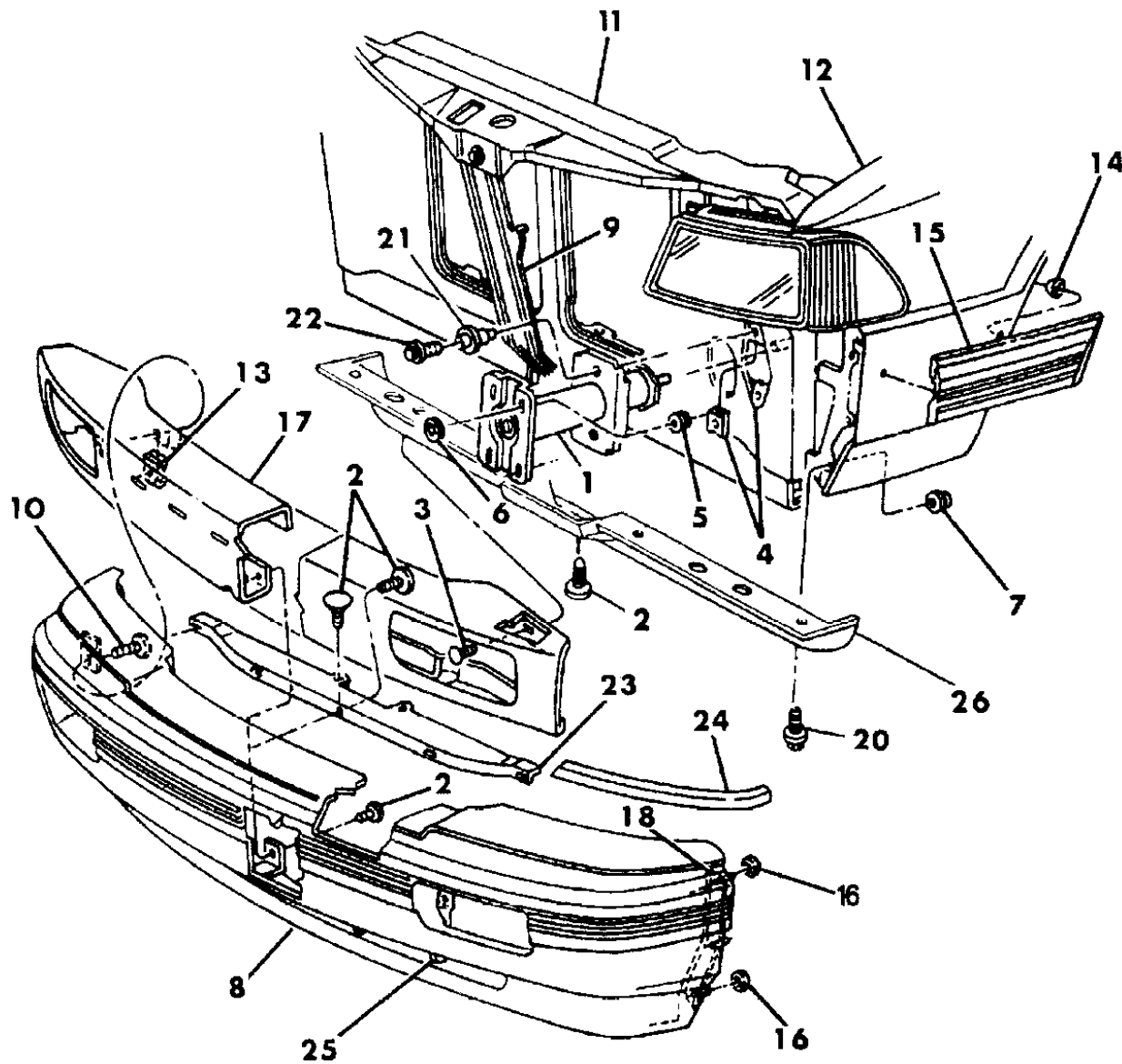
21=2-Door Coupe  
 24=2-Door Hatchback  
 27=2-Door Convertible  
 41=4-Door Sedan  
 44=4-Door Hatchback  
 12-52=FWD & AWD Van & Wgn Std W.B.  
 53=FWD & AWD Van & Wgn Ext. W.B.

AR = Use as Required - = Non Illustrated Part P.A.R. = Paint as Required

FASCIA, FRONT A BODY  
Figure 13-900

93113 900

ITEM	PART NUMBER	QTY	BODY	MODEL	DESCRIPTION
24					NERF STRIP ASSEMBLY
	4388 568-9	1		P,C,D-H	Bright (Chrome)
	4451 610-1	1		D-P	Bright (Chrome and Black)
	4676 392-3	1			Gold
25	4576 220				GRILLE, Fascia, Lower Insert, As Molded, (Does Not Require Paint)
	6031 722	5			SCREW and WASHER, Grille to Fascia
26	5263 871	1			AIR DAM, Radiator



**MODEL CODES:**

A BODY=(C=LeBaron, D=Spirit, P=Acclaim/LaBaron(Landau),  
Saratoga)  
C BODY=(D=Dynasty, C=New Yorker/N.Y. Salon)  
G BODY=(V=Daytona/IROC, Chrysler Daytona)  
J BODY=(C=LeBaron, Chrysler LeBaron)  
P BODY=(P=Sundance, D=Shadow)

S BODY=(H=Voyager(H) FWD, K=Caravan(H) FWD,  
Y=Town & Country(H) FWD, P=Voyager(K) AWD,  
D=Caravan(K) AWD, C=Town & Country(K) AWD)  
Y BODY=(C=Imperial/5th Avenue)  
E-S BODY=(K=Chrysler Voyager(H) FWD, D=Chrysler  
Voyager(K) AWD)

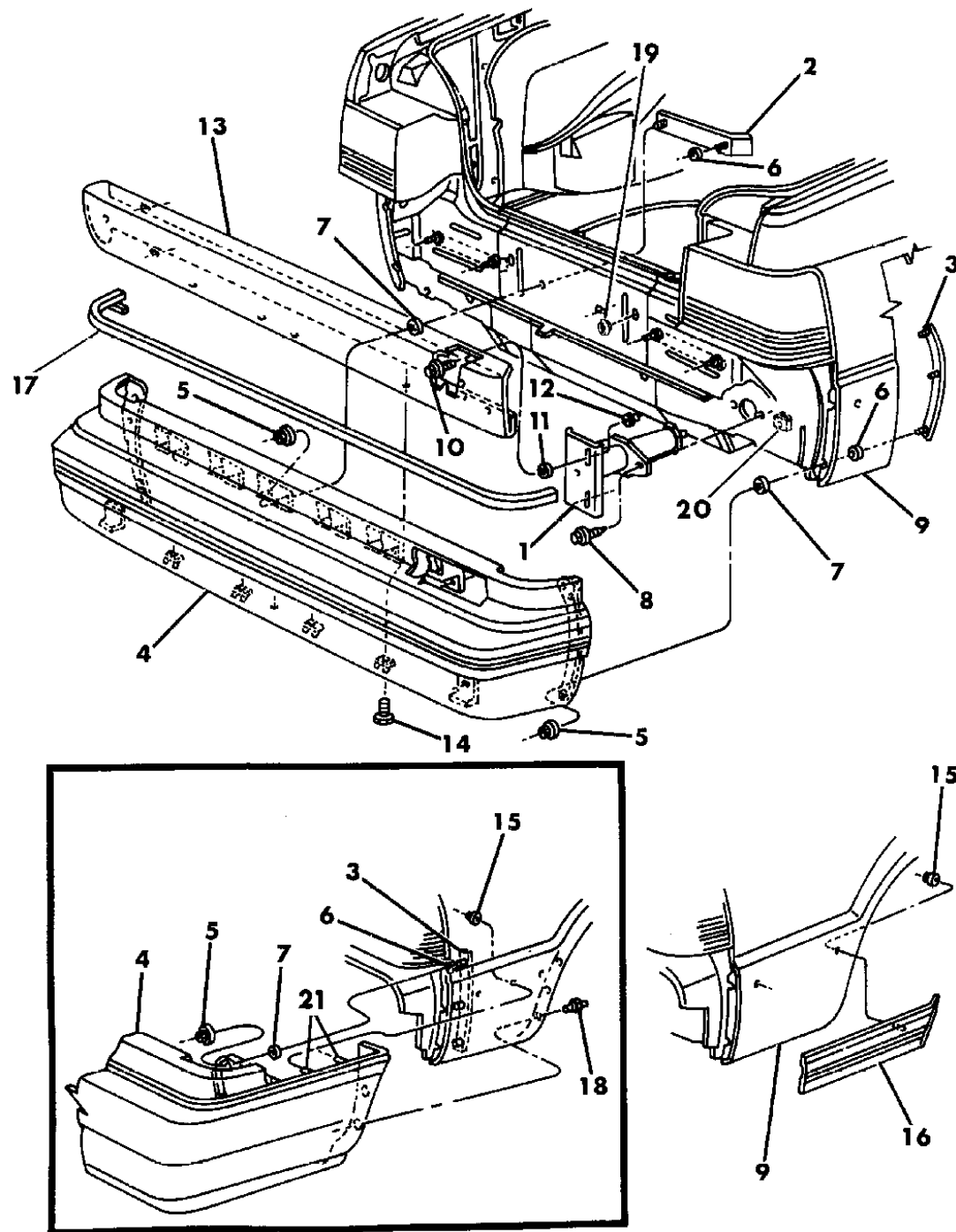
**BODY STYLES:**

21=2-Door Coupe      41=4-Door Sedan      12-52=FWD & AWD Van & Wgn Std W.B.  
24=2-Door Hatchback      44=4-Door Hatchback      53=FWD & AWD Van & Wgn Ext. W.B.  
27=2-Door Convertible

AR = Use as Required - = Non Illustrated Part P.A.R. = Paint as Required

FASCIA, REAR A BODY  
Figure 13-1000

93113 1000



ITEM	PART NUMBER	QTY	BODY	MODEL	DESCRIPTION
1					ABSORBER, I.E.A.
	4576 142	2		C,D	
	5263 341	2		P	
	5263 341	2		C	EUROPE
2	4576 410	3			PLATE ASSEMBLY, Fascia Attaching ***
3	5263 738-9	1			RETAINER ASSEMBLY, Aperture Panel, Rear
4					FASCIA ASSEMBLY
	4388 620	1		P	P.A.R.
	4638 794	1		C(M,P),D(H)	P.A.R., Stamped 4676247
	4638 795	1		D(P)	P.A.R., Stamped 4676249
	4388 620	1		C	P.A.R., EUROPE
5	6501 859	12			NUT and WASHER
6		12			WASHER, (Not Serviced)
7		12			PUSH NUT, (Not Serviced)
8	6100 592	4			SCREW and WASHER
9					APERTURE PANEL, (Reference) ***
10	6500 463	4			BOLT, Absorber Mounting
11		4			PUSH NUT, (Not Serviced)
12	6100 051	4			NUT and WASHER
13					REINFORCEMENT, Fascia, Rear
	5263 417	1		P	
	4576 120	1		C,D	
	5263 417	1		C	EUROPE
14	6030 441	4			RETAINER, Fascia to Reinforcement
15	6032 389	AR			NUT
16					NERF, Extension Assembly
	DF70-1 LQE	1		P,D	Aqua
	DF70-1 HX8	1		P,D	Black
	DF70-1 KBD	1		P,D	Light Blue
	DF70-1 KBF	1		P,D	Medium Water Blue
	DF70-1 MFA	1		P,D	Light Driftwood
	DF70-1 MGF	1		P,D	Emerald Green
	DF70-1 MRB	1		P,D	Radiant Fire
	DF70-1 MRF	1		P,D	Radiant Red
	DF70-1 KW7	1		P,D	White
	DF70-1 MMB	1		P,D	Wildberry
					-----
					GOLD PACKAGE
	JD58-9 MGY	1		P,D	Emerald Green/Gold

MODEL CODES:

A BODY=(C=LeBaron, D=Spirit, P=Acclaim/LaBaron(Landau), Saratoga) S BODY=(H=Voyager(H) FWD, K=Caravan(H) FWD, Y=Town & Country(H) FWD, P=Voyager(K) AWD, D=Caravan(K) AWD, C=Town & Country(K) AWD)  
 C BODY=(D=Dynasty, C=New Yorker/N.Y. Salon)  
 G BODY=(V=Daytona/ROC, Chrysler Daytona)  
 J BODY=(C=LeBaron, Chrysler LeBaron)  
 P BODY=(P=Sundance, D=Shadow)  
 Y BODY=(C=Imperial/5th Avenue)  
 E-S BODY=(K=Chrysler Voyager(H) FWD, D=Chrysler Voyager(K) AWD)

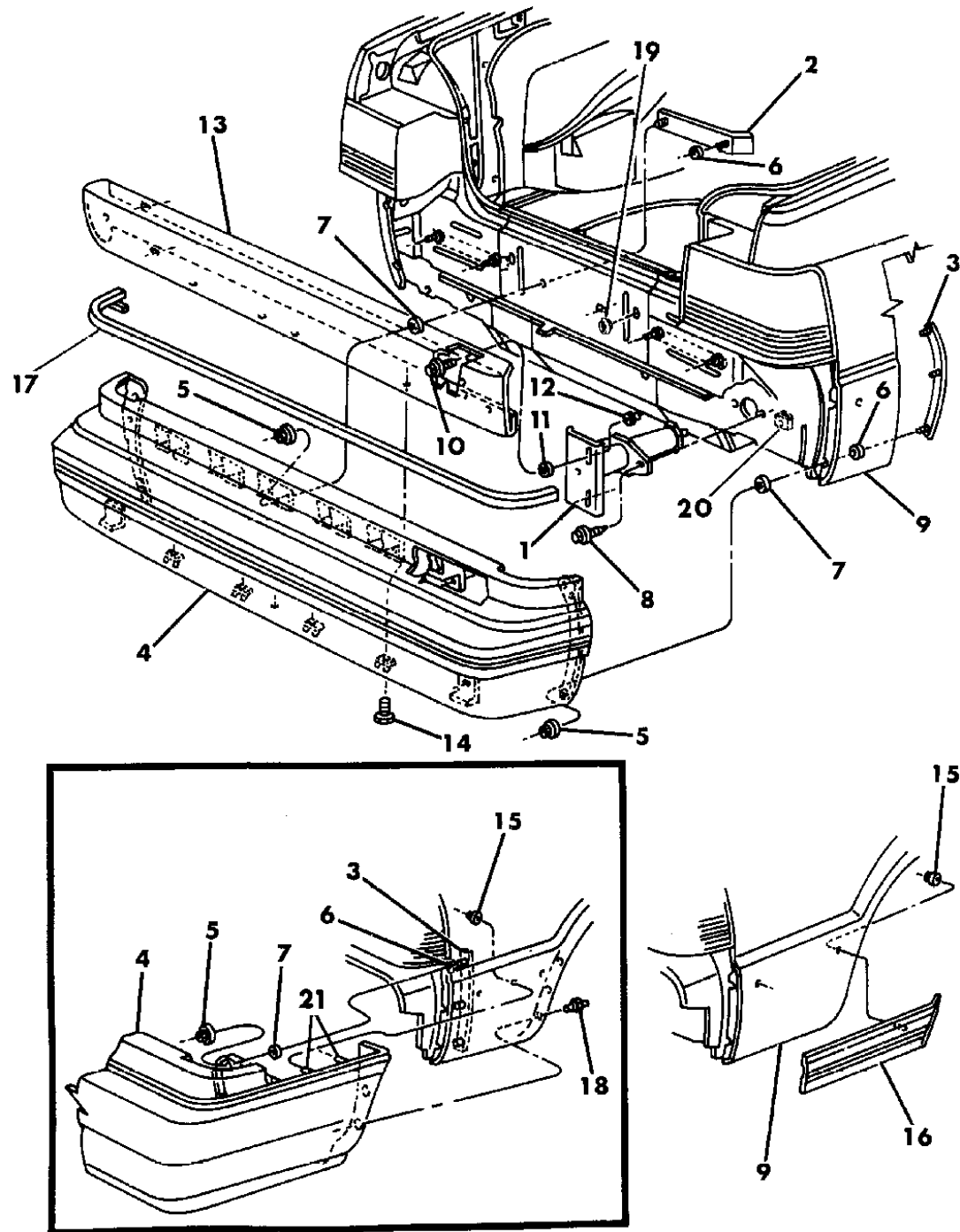
BODY STYLES:

21=2-Door Coupe  
 24=2-Door Hatchback  
 27=2-Door Convertible  
 41=4-Door Sedan  
 44=4-Door Hatchback  
 12-52=FWD & AWD Van & Wgn Std W.B.  
 53=FWD & AWD Van & Wgn Ext. W.B.

AR = Use as Required - = Non Illustrated Part P.A.R. = Paint as Required

FASCIA, REAR A BODY  
Figure 13-1000

93113 1000



ITEM	PART NUMBER	QTY	BODY	MODEL	DESCRIPTION
	JD58-9 MMY	1		P,D	Wildberry/Gold
	JD58-9 MRY	1		P,D	Poppy Red/Gold
	JD58-9 MWY	1		P,D	White/Gold
	JD58-9 MXY	1		P,D	Black/Gold
	DF72-3 LQE	1		C-M	Aqua
	DF72-3 HX8	1		C	Black
	DF72-3 KBD	1		C-M	Light Blue
	DF72-3 KBF	1		C	Medium Water Blue
	DF72-3 MFA	1		C	Light Driftwood
	DF72-3 MGF	1		C	Emerald Green
	DF72-3 MRF	1		C-M	Radiant Red
	DF72-3 MP5	1		C-P	Teal
	DF72-3 HW7	1		C	Bright White
	DF72-3 MMB	1		C	Wildberry
					Bright Strip Assembly
	X820-1 KBF	1		D-P	Medium Water Blue
	X820-1 MFA	1		D-P	Light Driftwood
	X820-1 MGF	1		D-P	Emerald Green
	X820-1 MMB	1		D-P	Wildberry
	X820-1 LRB	1		D-P	Radiant Fire
	X820-1 HW7	1		D-P	White
	X820-1 HX8	1		D-P	Black
17					NERF ASSEMBLY ***
					Bright
	4388 570	1		C,P,D-H	
	4451 584	1		D-P	
	4676 399	1		D,P	Gold Package
18	6031 390	6		D-P	RETAINER
19	4440 294	2			PLUG
20	6101 283	4			U-NUT
21	4451 978-9	AR			RETAINER, Fascia to Aperture Side, Attaching

MODEL CODES:

A BODY=(C=LeBaron, D=Spirit, P=Acclaim/LaBaron(Landau), Saratoga) S BODY=(H=Voyager(H) FWD, K=Caravan(H) FWD, Y=Town & Country(H) FWD, P=Voyager(K) AWD, D=Caravan(K) AWD, C=Town & Country(K) AWD)  
 C BODY=(D=Dynasty, C=New Yorker/N.Y. Salon) Y BODY=(C=Imperial/5th Avenue)  
 G BODY=(V=Daytona/IROC, Chrysler Daytona) E-S BODY=(K=Chrysler Voyager(H) FWD, D=Chrysler Voyager(K) AWD)  
 J BODY=(C=LeBaron, Chrysler LeBaron) P BODY=(P=Sundance, D=Shadow)

BODY STYLES:

21=2-Door Coupe 41=4-Door Sedan 12-52=FWD & AWD Van & Wgn Std W.B.  
 24=2-Door Hatchback 44=4-Door Hatchback 53=FWD & AWD Van & Wgn Ext. W.B.  
 27=2-Door Convertible

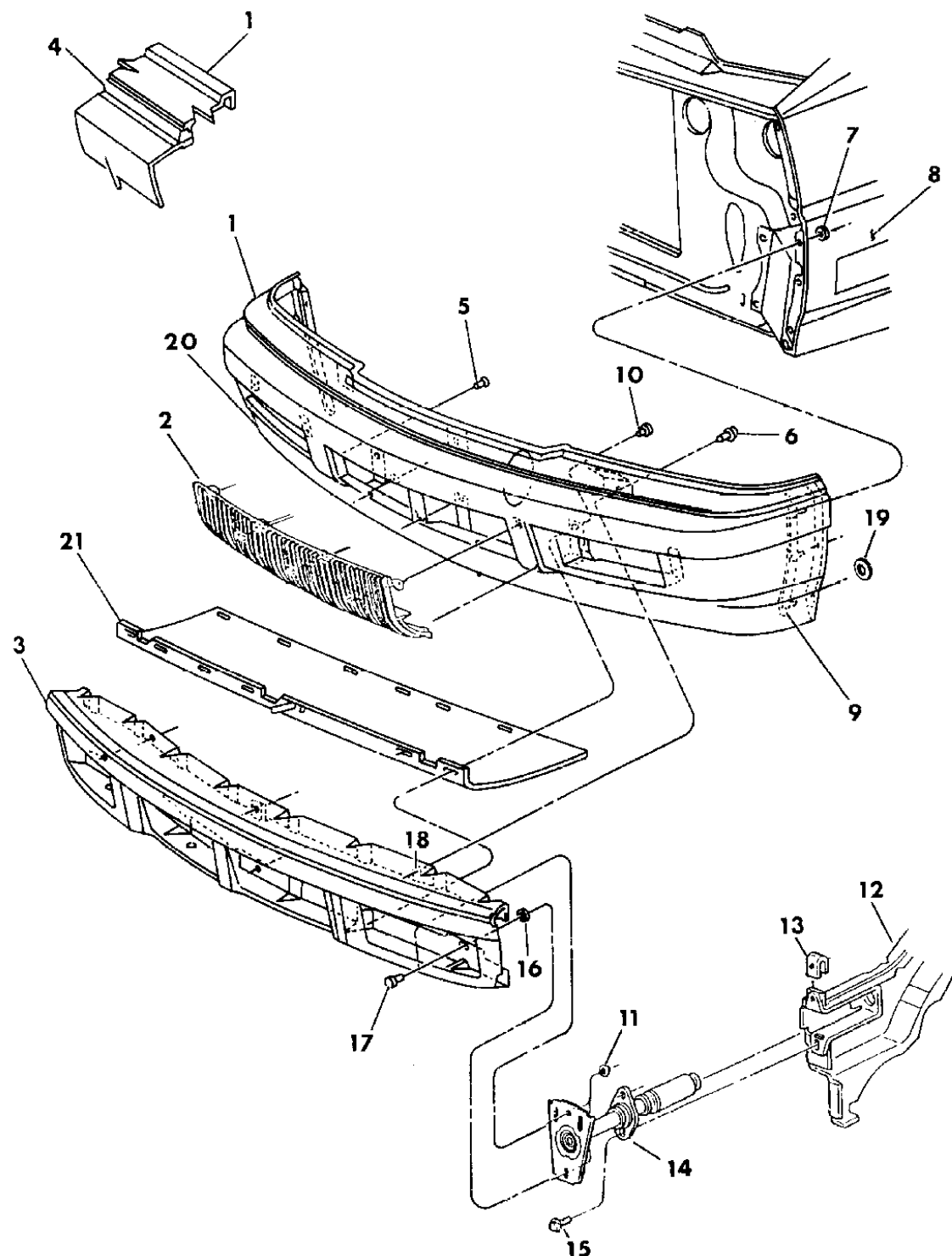
AR = Use as Required - = Non Illustrated Part P.A.R. = Paint as Required



FASCIA, FRONT J BODY  
Figure 13-1100

93113 1100

ITEM	PART NUMBER	QTY	BODY	MODEL	DESCRIPTION
1	4451 275	1			FASCIA, Front, P.A.R.
2	4334 317	1			GRILLE, Front Fascia Lower Bright
	X538 LQE	1			Aqua
	X538 JX9	1			Flat Black
	X538 MGF	1			Emerald Green
	X538 KRB	1			Radiant Fire
	X538 HW7	1			Bright White
3	5263 682	1			REINFORCEMENT, Front Bumper Fascia
4	4334 353	1			NERF STRIP, Front Fascia Bright w/o Turbo
	DP21 KX8	1			Black
	HM79 MY2	1			Gold Metallic
	AD98 JD8	1			Dark Quartz Gray
5	9421 073	8			SCREW and WASHER, Bumper Fascia to Lower Grille
6	6100 286	3			SCREW and WASHER, Fascia to Reinforcement
7	6501 859	6			NUT and WASHER, Fascia and Retainer to Fender
8		1			PANEL, Front Fender (Reference Only)
9	4334 392-3	1			RETAINER, Front Fascia
10	6030 441	3			RETAINER, Fascia to Reinforcement
11	6100 051	4			NUT and WASHER
12		1			RAIL, Front Side (Reference Only)
13	6501 997	4			U-NUT, Rail Extension to Front Closure Panel
14					ABSORBER, Front Bumper 4 Cyl.
	5263 843	2			6 Cyl.
	5263 844	2			
15		4			BOLT and WASHER, (Not Serviced), (M8x1.25x35.00)
16		4			PUSH NUT, (Not Serviced)
17	6500 381	4			BOLT, Front Fascia Reinforcement to Absorber
18	1150 3714	3			U-NUT, Front Fascia to Reinforcement
19	6100 840	6			PUSH NUT
20	4334 327	1			LICENSE PLATE PACKAGE, Attaching Parts
	4337 770-1	1			SPRING, License Plate Frame Assembly
21	5263 671	1			BAFFLE, Front Bumper Reinforcement to Headlamp Housing
-	6501 067	4			RETAINER, Baffle to Reinforcement



MODEL CODES:

A BODY=(C=LeBaron, D=Spirit, P=Acclaim/LaBaron(Landau), Saratoga)

C BODY=(D=Dynasty, C=New Yorker/N.Y. Salon)

G BODY=(V=Daytona/IROC, Chrysler Daytona)

J BODY=(C=LeBaron, Chrysler LeBaron)

P BODY=(P=Sundance, D=Shadow)

S BODY=(H=Voyager(H) FWD, K=Caravan(H) FWD,

Y=Town & Country(H) FWD, P=Voyager(K) AWD,

D=Caravan(K) AWD, C=Town & Country(K) AWD)

Y BODY=(C=Imperial/5th Avenue)

E-S BODY=(K=Chrysler Voyager(H) FWD, D=Chrysler

Voyager(K) AWD)

BODY STYLES:

21=2-Door Coupe

41=4-Door Sedan

12-52=FWD & AWD Van & Wgn Std W.B.

24=2-Door Hatchback

44=4-Door Hatchback

53=FWD & AWD Van & Wgn Ext. W.B.

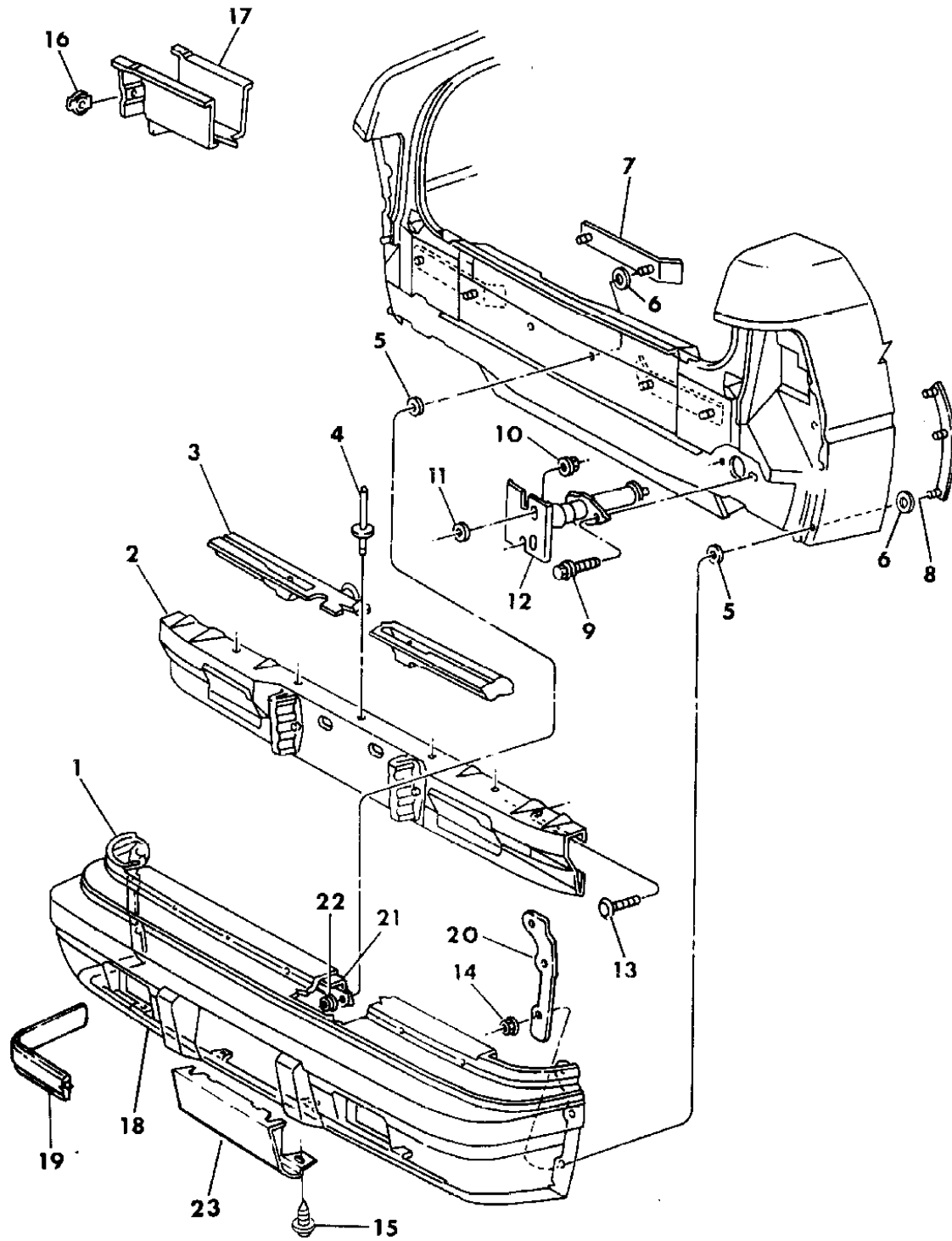
27=2-Door Convertible

AR = Use as Required - = Non Illustrated Part P.A.R. = Paint as Required

FASCIA, REAR J BODY  
Figure 13-1200

93113 1200

ITEM	PART NUMBER	QTY	BODY	MODEL	DESCRIPTION
1	4451 349	1			FASCIA, Rear (P.A.R.)
2	4388 199	1			REINFORCEMENT, Rear Fascia
	6100 041	4			U-NUT, Z Bracket to Fascia Reinforcement
3	4451 323	1			SUPPORT, Rear Fascia
4	6027 318	5			RIVET
5		12			PUSH NUT, (Not Serviced)
6		12			WASHER, Sealing (Not Serviced)
7	4576 410	3			PLATE, Rear Fascia Attaching
8	5263 738-9	1			RETAINER, Rear Aperture Panel
9	6501 093	4			SCREW and WASHER
10	6100 051	4			NUT and WASHER
11		4			PUSH NUT, (Not Serviced)
12	5263 341	2			ABSORBER, Rear
13	6500 463	4			BOLT, Carriage
14	6501 859	6			NUT and WASHER
15	6501 067	4			RETAINER
16	6101 283	4			U-NUT
17		1			RAIL, Rear Floor Pan Side (Reference Only)
18	4334 327	1			LICENSE PLATE PACKAGE, Attaching Parts
	5262 173	1			LICENSE PLATE, Frame Assembly, EUROPE ***
19	4334 433	1			NERF STRIP, Rear Fascia
	DP23 KX8	1			Black
	HM82 MY2	1			Gold Metallic
	AD99 JD8	1			Quartz
20	4334 430-1	1			RETAINER, Rear Bumper Fascia
21	4334 429	1			BRACE, Rear Bumper Fascia
22	6500 583	6			NUT and WASHER
23	5263 643	1			PANEL, Valance, EUROPE



MODEL CODES:

A BODY=(C=LeBaron, D=Spirit, P=Acclaim/LaBaron(Landau),  
Saratoga)  
C BODY=(D=Dynasty, C=New Yorker/N.Y. Salon)  
G BODY=(V=Daytona/IROC, Chrysler Daytona)  
J BODY=(C=LeBaron, Chrysler LeBaron)  
P BODY=(P=Sundance, D=Shadow)

S BODY=(H=Voyager(H) FWD, K=Caravan(H) FWD,  
Y=Town & Country(H) FWD, P=Voyager(K) AWD,  
D=Caravan(K) AWD, C=Town & Country(K) AWD)  
Y BODY=(C=Imperial/5th Avenue)  
E-S BODY=(K=Chrysler Voyager(H) FWD, D=Chrysler  
Voyager(K) AWD)

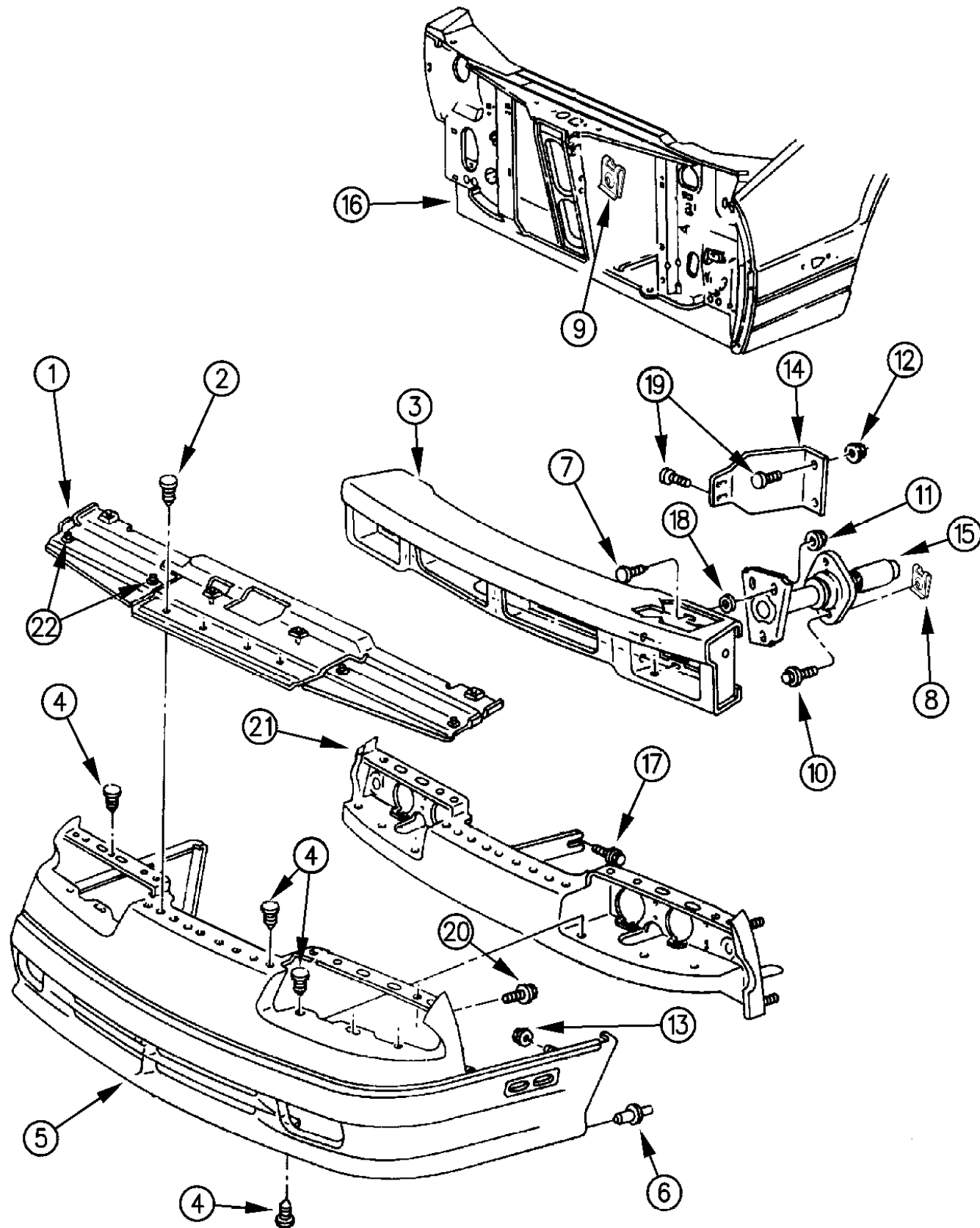
BODY STYLES:

21=2-Door Coupe      41=4-Door Sedan      12-52=FWD & AWD Van & Wgn Std W.B.  
24=2-Door Hatchback      44=4-Door Hatchback      53=FWD & AWD Van & Wgn Ext. W.B.  
27=2-Door Convertible

AR = Use as Required - = Non Illustrated Part P.A.R. = Paint as Required

FASCIA, FRONT G BODY  
Figure 13-1300

93113 1300A



ITEM	PART NUMBER	QTY	BODY	MODEL	DESCRIPTION
1	5263 811	1			SIGHT SHIELD, Assembly, Headlamp Mounting Panel
2	6502 104	8			RETAINER
3	4515 600	1			REINFORCEMENT ASSEMBLY, Fascia
4	6501 067	AR			RETAINER, Bumper Fascia to Reinforcement
5					FASCIA, Front (Paint As Required)
	4723 304	1		H,S,X	
	4723 308	1		L	
6	6031 390	8			RETAINER, Fascia to Fender
7	6500 463	4			BOLT
8	6501 997	4			U-NUT, EEA Assy. to Closure Panel
9	1150 3714	1			U-NUT
10					SCREW and WASHER, (Not Serviced)
11	6100 051	4			NUT
12	6500 583	2			NUT and WASHER
13	6501 016	4			NUT
14	5263 248	1			BAFFLE, Front Fascia Reinforcement to Closure Panel
15					ABSORBER ASSEMBLY ***
	5263 335	2			Auto. Trans.
	5263 336	2			Manual Trans. and 6 Cylinder Engine
16					SUPPORT, Closure Panel to Crossmember
17	6100 567	1			SCREW and WASHER
18		4			PUSH NUT, (Not Serviced)
19	6030 441	4			NUT
20		4			SCREW and WASHER, (Not Serviced), (.190-16x.750)
21	5263 847				PANEL, Assy., Fascia to H/Lp Mtg.
22	6502 545	4			RETAINER
					LICENSE PLATE PACKAGE, Attaching Parts
-	5263 790	1			
-	5263 787	1			EUROPE

MODEL CODES:

A BODY=(C=LeBaron, D=Spirit, P=Acclaim/LaBaron(Landau), Saratoga)

C BODY=(D=Dynasty, C=New Yorker/N.Y. Salon)

G BODY=(V=Daytona/IROC, Chrysler Daytona)

J BODY=(C=LeBaron, Chrysler LeBaron)

P BODY=(P=Sundance, D=Shadow)

S BODY=(H=Voyager(H) FWD, K=Caravan(H) FWD,

Y=Town & Country(H) FWD, P=Voyager(K) AWD,

D=Caravan(K) AWD, C=Town & Country(K) AWD)

Y BODY=(C=Imperial/5th Avenue)

E-S BODY=(K=Chrysler Voyager(H) FWD, D=Chrysler

Voyager(K) AWD)

BODY STYLES:

21=2-Door Coupe

41=4-Door Sedan

12-52=FWD & AWD Van & Wgn Std W.B.

24=2-Door Hatchback

44=4-Door Hatchback

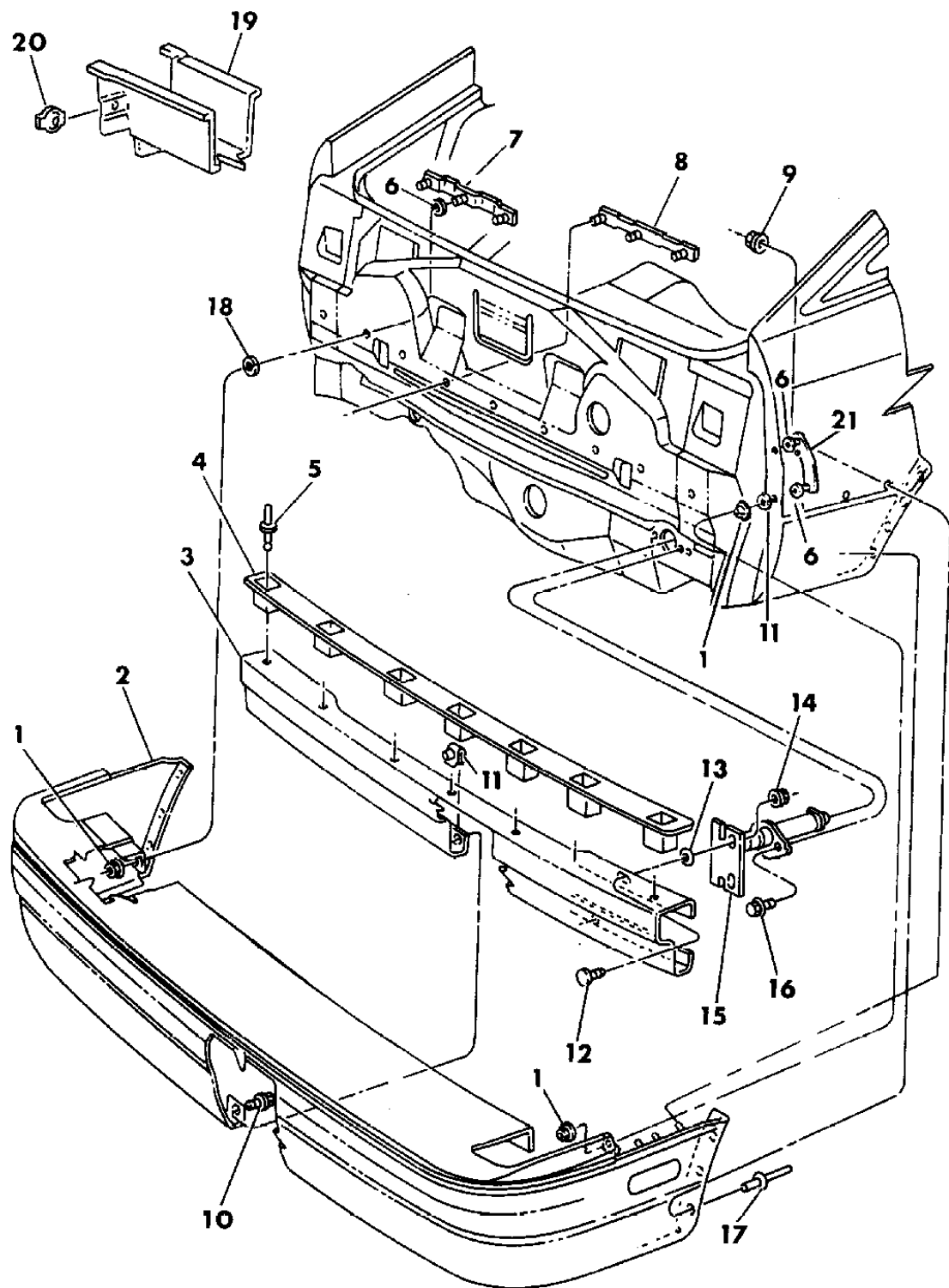
53=FWD & AWD Van & Wgn Ext. W.B.

27=2-Door Convertible

AR = Use as Required - = Non Illustrated Part P.A.R. = Paint as Required

FASCIA, REAR G BODY  
Figure 13-1400

93113 1400



ITEM	PART NUMBER	QTY	BODY	MODEL	DESCRIPTION
1	6500 583	13			NUT and WASHER, Fascia to Lower Deck Panel
2	5263 758	1	L		FASCIA, Rear Bumper P.A.R.
	5263 775	1	HSX		
	5263 323	3	HSX		TAPE, Blackout Fascia Center Ribs
3	5263 327	1			REINFORCEMENT, Rear Fascia
4	5263 268	1			SUPPORT, Rear Fascia
5	6502 586	7			Retainer ***
6		13			WASHER, (Not Serviced)
7	4451 469	2			RETAINER, Lift Gate Panel to Rear Fascia, Outer
8	4388 336	1			RETAINER, Lift Gate Panel to Rear Fascia, Center
9	6501 016	6			NUT
10	6100 286	3			SCREW, Bumper Fascia Reinforcement
11	1150 3714	3			U-NUT
12	6500 463	4			BOLT
13		4			PUSH NUT, (Not Serviced)
14	6100 051	4			NUT and WASHER
15	5263 324	2			ABSORBER
16		4			SCREW and WASHER, (Not Serviced), (M8x1.25x35.00)
17	6031 390	2			RETAINER, Bumper Fascia to Aperture
18	6501 792	13			PUSH NUT
19		1			RAIL, Rear Floor Pan Side (Reference Only)
20	1150 3714	4			U-NUT
21	5263 776-7	1			PLATE, Assembly, Rear Fascia
-	4270 974	1			PACKAGE, License Plate Attaching

MODEL CODES:

A BODY=(C=LeBaron, D=Spirit, P=Acclaim/LaBaron(Landau),  
Saratoga)  
C BODY=(D=Dynasty, C=New Yorker/N.Y. Salon)  
G BODY=(V=Daytona/IROC, Chrysler Daytona)  
J BODY=(C=LeBaron, Chrysler LeBaron)  
P BODY=(P=Sundance, D=Shadow)

S BODY=(H=Voyager(H) FWD, K=Caravan(H) FWD,  
Y=Town & Country(H) FWD, P=Voyager(K) AWD,  
D=Caravan(K) AWD, C=Town & Country(K) AWD)  
Y BODY=(C=Imperial/5th Avenue)  
E-S BODY=(K=Chrysler Voyager(H) FWD, D=Chrysler  
Voyager(K) AWD)

BODY STYLES:

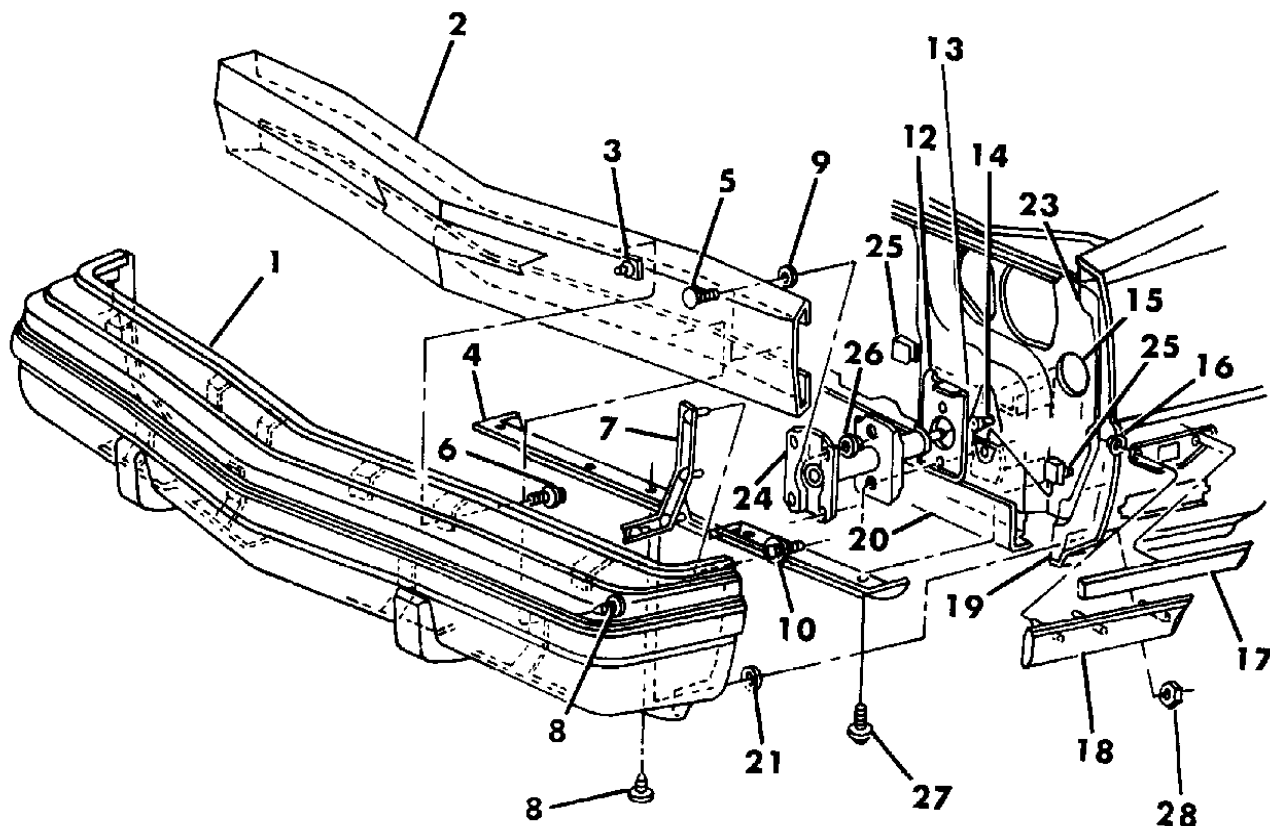
21=2-Door Coupe      41=4-Door Sedan      12-52=FWD & AWD Van & Wgn Std W.B.  
24=2-Door Hatchback      44=4-Door Hatchback      53=FWD & AWD Van & Wgn Ext. W.B.  
27=2-Door Convertible

AR = Use as Required - = Non Illustrated Part P.A.R. = Paint as Required

FASCIA, FRONT C BODY MODEL H-P  
Figure 13-1500

93113 1500

ITEM	PART NUMBER	QTY	BODY	MODEL	DESCRIPTION
1	4388 788	1			FASCIA, Front (Primed)
	4451 246	2			SUPPORT, Front Fascia to Lower Crossmember (T Shaped)
	6027 318	4			RIVET, Support Fascia to Lower Crossmember
	1150 3714	6			NUT, Fascia to Reinforcement
	4451 225	1			NERF ASSEMBLY, Front Bumper Fascia
	4388 797	1			PACKAGE, Front License Plate Attaching
2	5263 046	1			REINFORCEMENT, Fascia
3	6100 041	6			U-NUT, Fascia to Reinforcement
4	4676 257	1			AIR DAM, Radiator Closure Panel
5	6500 381	4			BOLT, Carriage, Reinforcement to E.A.U.
6	6100 286	6			SCREW and WASHER, Fascia to Reinforcement
7	4388 806-7	1			PLATE, Fascia to Fender Mounting
8	6501 067	AR			RETAINER
9	6501 025	4			PUSH NUT
10	6500 702	4			BOLT and WASHER, E.A.U. to Frame w/2.5 Engine (3.0 Bolt Not Serviced)
12	4194 927	2			BRACKET, Limiter, Front, 4cy., Auto.
13					RAIL, Front Side (Reference Only)
14	4194 932	2			GROMMET, E.A.U. to Body
15					REINFORCEMENT, Side Rail (Reference Only)
16	6032 389	6			NUT
17	4451 230-1	1			NERF, Extension, Front (Bright)
18	4388 826-7	1			(Black)
19					PANEL, Fender (Reference Only)
20					PANEL, Headlamp Closure (Reference Only)
21	6100 840	8			PUSH NUT, Fascia to Fender
23					REINFORCEMENT, Fender, Front (Reference Only)
24	4388 884	2			ABSORBER, Front, w/3.0, 3.3 Engine, (5 mph)
	4388 503	2			w/2.5 Eng.
25	6500 634	4			U-NUT
26					NUT and WASHER, (Not Serviced), (M8x1.25)
27					SCREW and WASHER, (Not Serviced), (M6x1.00x23.00)
28	6500 284	8			NUT and WASHER



MODEL CODES:

A BODY=(C=LeBaron, D=Spirit, P=Acclaim/LaBaron(Landau, Saratoga)  
C BODY=(D=Dynasty, C=New Yorker/N.Y. Salon)  
G BODY=(V=Daytona/IROC, Chrysler Daytona)  
J BODY=(C=LeBaron, Chrysler LeBaron)  
P BODY=(P=Sundance, D=Shadow)

S BODY=(H=Voyager(H) FWD, K=Caravan(H) FWD, Y=Town & Country(H) FWD, P=Voyager(K) AWD, D=Caravan(K) AWD, C=Town & Country(K) AWD)  
Y BODY=(C=Imperial/5th Avenue)  
E-S BODY=(K=Chrysler Voyager(H) FWD, D=Chrysler Voyager(K) AWD)

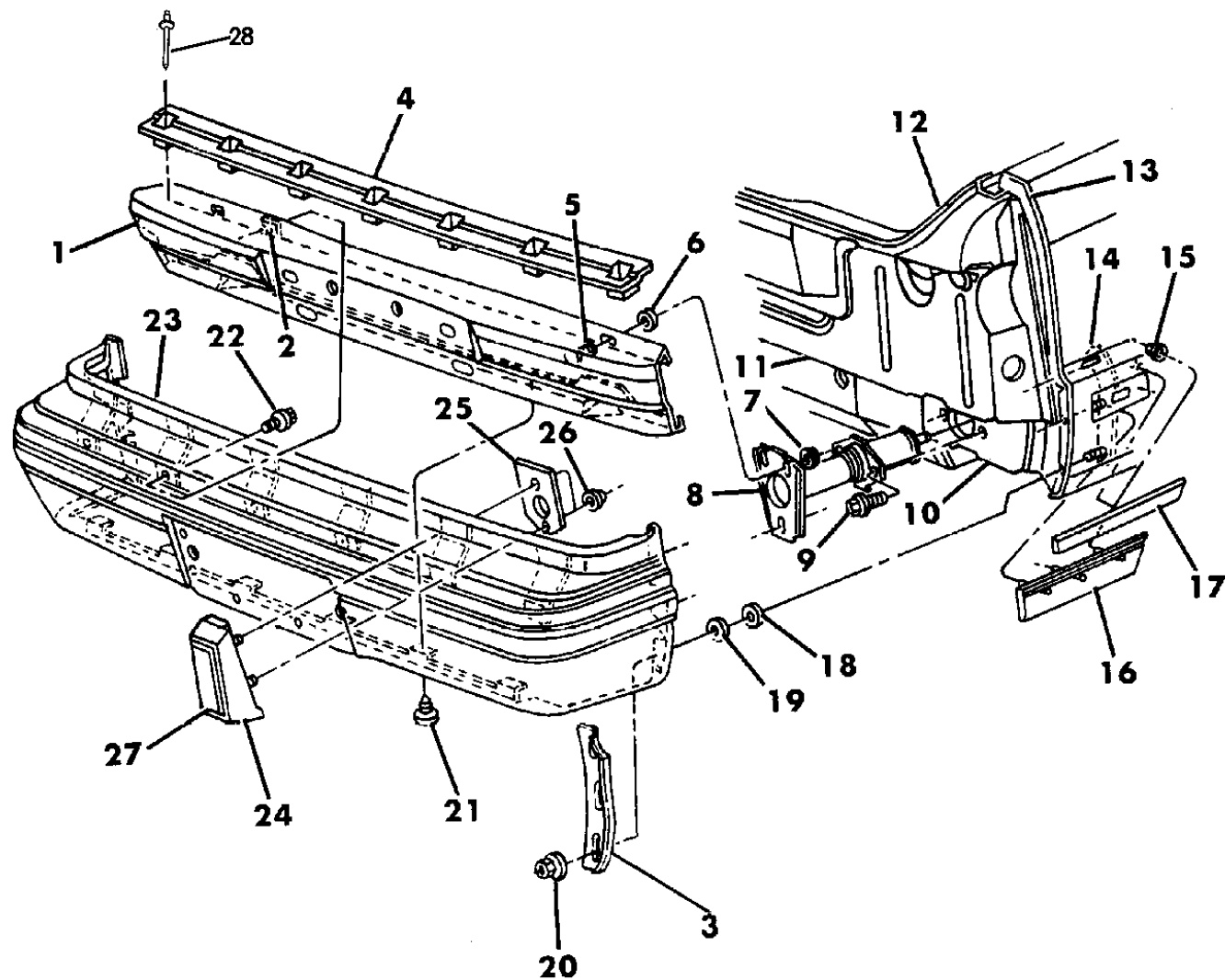
BODY STYLES:

21=2-Door Coupe      41=4-Door Sedan      12-52=FWD & AWD Van & Wgn Std W.B.  
24=2-Door Hatchback      44=4-Door Hatchback      53=FWD & AWD Van & Wgn Ext. W.B.  
27=2-Door Convertible

AR = Use as Required - = Non Illustrated Part P.A.R. = Paint as Required

FASCIA, REAR C BODY MODEL H-P  
Figure 13-1600

93113 1600



ITEM	PART NUMBER	QTY	BODY	MODEL	DESCRIPTION
1	4388 743	1			REINFORCEMENT, Fascia Rear
2	6100 041	6			U-NUT
3	4388 808-9	1			PLATE, Fascia Mounting, Rear
4	4388 791	1			SUPPORT, Rear Bumper Fascia
5	6500 381	4			BOLT, Reinforcement to E.A.U.
6					PUSH NUT, (Not Serviced)
7		4			NUT and WASHER, Reinforcement to E.A.U. (Not Serviced), (M8x1.25)
8	4334 914	2			ABSORBER, Bumper Rear, (5mph)
9					SCREW and WASHER, (Not Serviced), (M8x1.25x35.00)
10					CROSSMEMBER, Rear Floor Pan (Reference Only)
11					REINFORCEMENT, Deck Opening Lower Panel (Reference Only)
12					PANEL, Deck Opening Lower (Reference Only)
13					PANEL, Body Side Aperture (Reference Only)
14	4388 810-1	1			PLATE, Aperture to Fascia
15	6032 389	6			NUT
16	4451 240-1	1			NERF, Ext. Assy., Rear Mldg (Black)
17	4451 232-3	1			NERF, Ext., Rear (Bright)
18					WASHER, Sealing (Not Serviced)
19	6100 840	6			PUSH NUT, Fascia to Aperture Panel
20	6500 284	6			NUT and WASHER, Fascia to Aperture Panel
21	6501 067	6			RETAINER, Fascia to Reinforcement
22	6100 286	6			SCREW and WASHER, Fascia to Reinforcement
23	4388 789	1			FASCIA, Bumper (Primed)
	4451 227	1			NERF ASSY., Rear Bumper Fascia
	4388 706	1			PACKAGE, Rear License Plate Attaching
24	4388 778-9	1			GUARD, w/Lamp, Fascia
25	4388 814	2			PLATE, Guard Attaching
26	6100 047	4			NUT and WASHER, Guard to Fascia
27	4388 782	2			CUSHION, Guard
28	6027 318	7			RIVET

MODEL CODES:

A BODY=(C=LeBaron, D=Spirit, P=Acclaim/LaBaron(Landau), Saratoga) S BODY=(H=Voyager(H) FWD, K=Caravan(H) FWD, Y=Town & Country(H) FWD, P=Voyager(K) AWD, D=Caravan(K) AWD, C=Town & Country(K) AWD)  
 C BODY=(D=Dynasty, C=New Yorker/N.Y. Salon) Y BODY=(C=Imperial/5th Avenue)  
 G BODY=(V=Daytona/IROC, Chrysler Daytona) E-S BODY=(K=Chrysler Voyager(H) FWD, D=Chrysler Voyager(K) AWD)  
 J BODY=(C=LeBaron, Chrysler LeBaron) P BODY=(P=Sundance, D=Shadow)

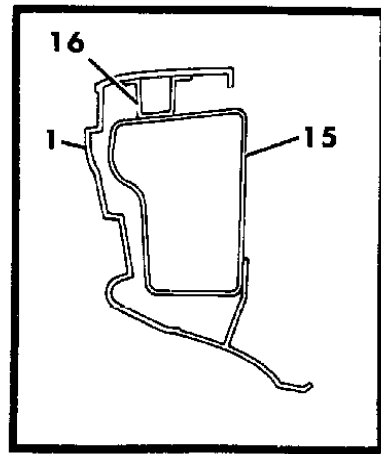
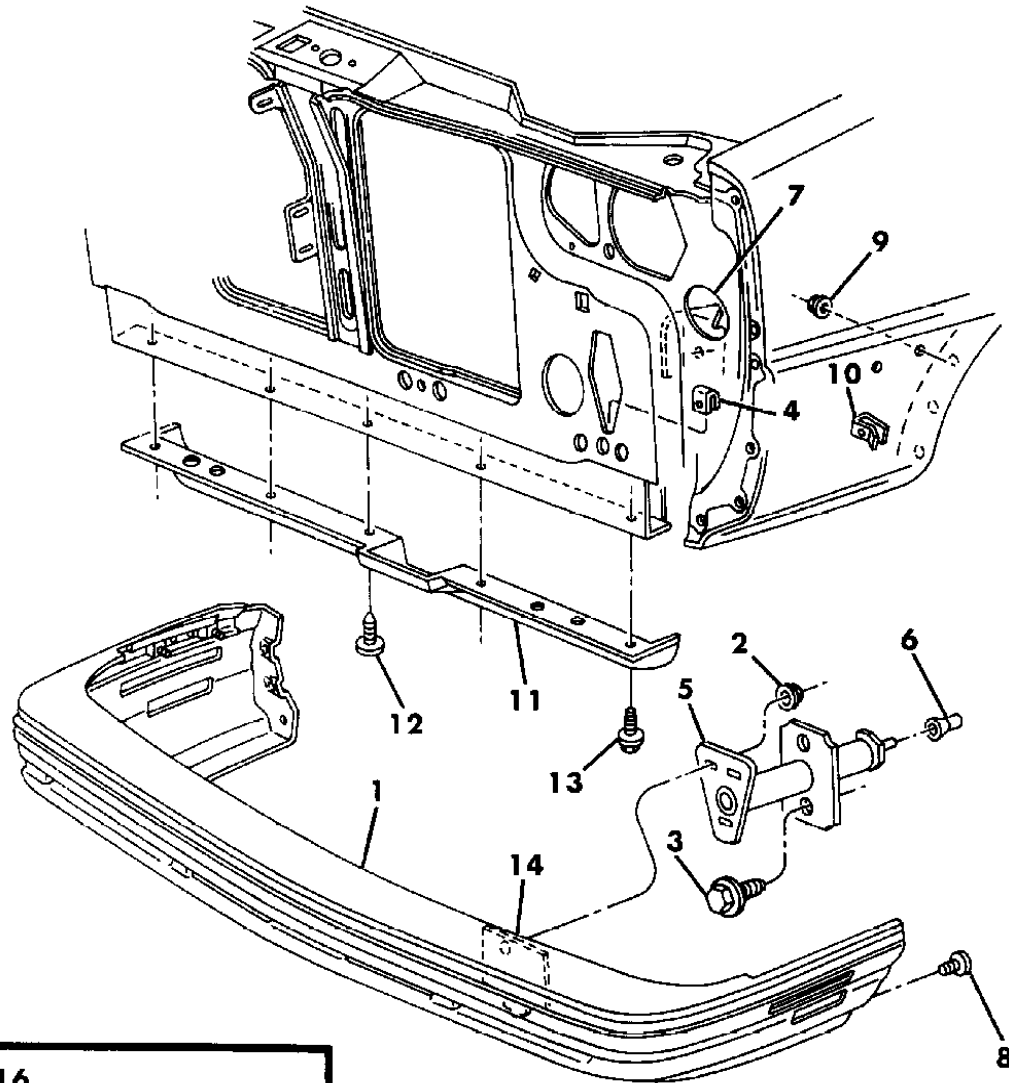
BODY STYLES:

21=2-Door Coupe 41=4-Door Sedan 12-52=FWD & AWD Van & Wgn Std W.B.  
 24=2-Door Hatchback 44=4-Door Hatchback 53=FWD & AWD Van & Wgn Ext. W.B.  
 27=2-Door Convertible

AR = Use as Required - = Non Illustrated Part P.A.R. = Paint as Required

FASCIA, FRONT C BODY MODEL C-S Y BODY MODEL S  
Figure 13-1700

93113 1700



ITEM	PART NUMBER	QTY	BODY	MODEL	DESCRIPTION
1					FASCIA, Front
	4515 545	1	Y	S	w/Cornering Lamps
	5263 265	1	C,Y	S	w/o Cornering Lamps
-	4515 554	1			Nerf Strip, Bright
-	4515 566	1			PACKAGE, Front License Plate Attaching
2		4			NUT and WASHER, (Not Serviced), (M8x1.25)
3		4			SCREW and WASHER, (Not Serviced), (M8x1.25x35.00)
4	6500 634	4			U-NUT
5	4515 561	2			ABSORBER
6	4194 932	2			GROMMET
7					RAIL, Front Side, (Reference Only)
8		6			SCREW and WASHER, (Not Serviced), (.190-16x.750)
9	6500 284	4			NUT and WASHER
10	6032 031	6			U-NUT
11	4676 257	1			AIR DAM
12	6501 067	1			RETAINER
13		4			SCREW and WASHER, (Not Serviced), (M6x1.00x23.00)
14	4515 562	2			ADAPTER
-	6501 025	4			PUSH NUT, Fascia to Adapter
15	4515 556	1			REINFORCEMENT, Front Fascia
-	6027 318	7			RIVET, Fascia to Reinforcement
-	1150 3714	4			U NUT, Fascia to Reinforcement, Upper ***
-	6100 286	4			SCREW and Washer, Fascia to Reinforcement, Upper ***
-	6501 067	5			RETAINER, Fascia to Reinforcement, Lower
-	4576 475	2			SPACER, Fascia to Reinforcement, Foam
16	4515 560	1			SUPPORT, Front Fascia

**MODEL CODES:**

A BODY=(C=LeBaron, D=Spirit, P=Acclaim/LaBaron(Landau),  
Saratoga)  
C BODY=(D=Dynasty, C=New Yorker/N.Y. Salon)  
G BODY=(V=Daytona/IROC, Chrysler Daytona)  
J BODY=(C=LeBaron, Chrysler LeBaron)  
P BODY=(P=Sundance, D=Shadow)

S BODY=(H=Voyager(H) FWD, K=Caravan(H) FWD,  
Y=Town & Country(H) FWD, P=Voyager(K) AWD,  
D=Caravan(K) AWD, C=Town & Country(K) AWD)  
Y BODY=(C=Imperial/5th Avenue)  
E-S BODY=(K=Chrysler Voyager(H) FWD, D=Chrysler  
Voyager(K) AWD)

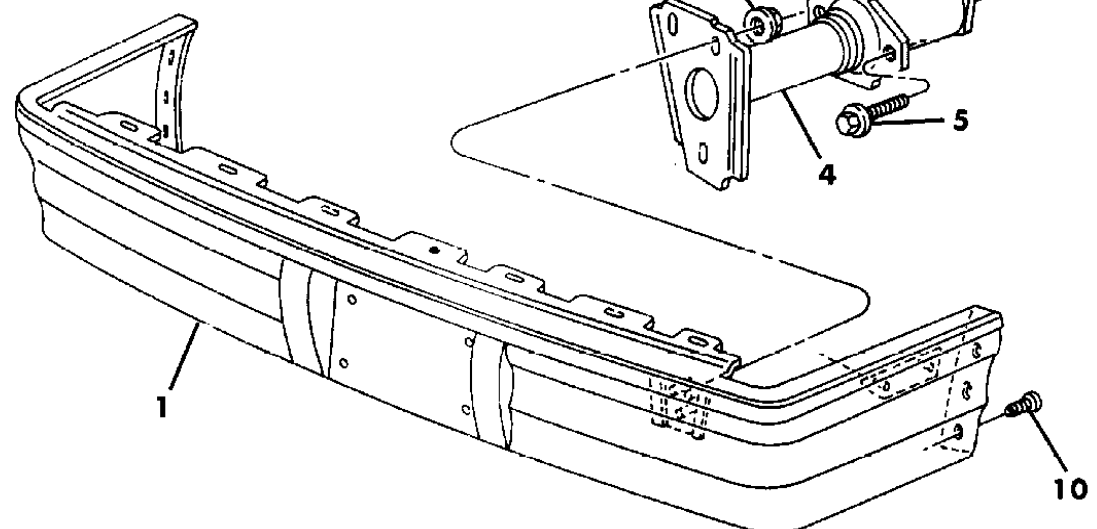
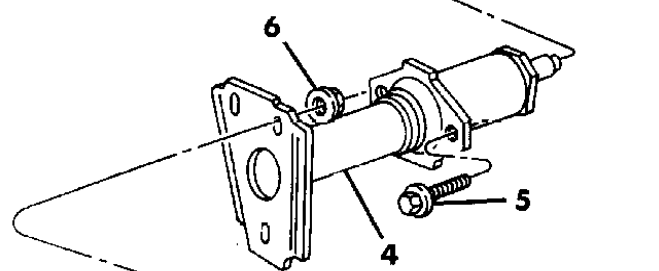
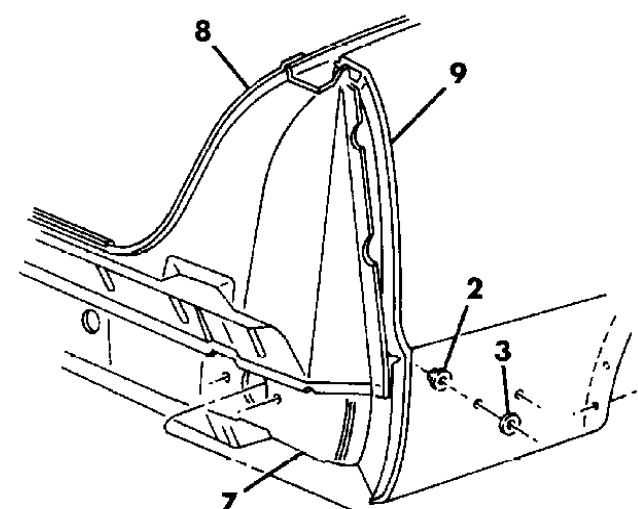
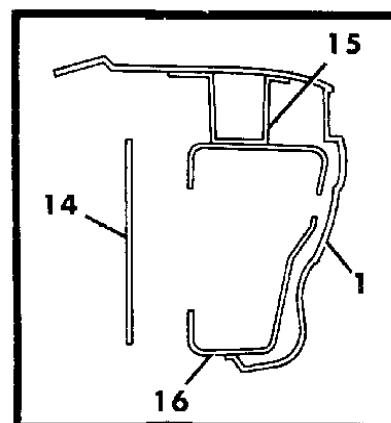
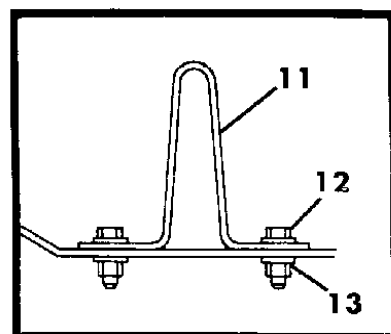
**BODY STYLES:**

21=2-Door Coupe      41=4-Door Sedan      12-52=FWD & AWD Van & Wgn Std W.B.  
24=2-Door Hatchback      44=4-Door Hatchback      53=FWD & AWD Van & Wgn Ext. W.B.  
27=2-Door Convertible

AR = Use as Required - = Non Illustrated Part P.A.R. = Paint as Required

FASCIA, REAR C,Y BODY MODEL S  
Figure 13-1800

93113 1800



ITEM	PART NUMBER	QTY	BODY	MODEL	DESCRIPTION
1	4515 577	1			FASCIA, P.A.R., w/Mounting Brackets
-	4515 588	1			NERF STRIP
-	4515 598	1			MOUNTING PACKAGE, License Plate ***
2	6500 284	4			NUT
3		4			WASHER, Sealing, (Not Serviced)
4	4334 914	2			ABSORBER
5		4			SCREW and WASHER, (Not Serviced), (M8x1.25x35.00)
6		4			NUT and WASHER, (Not Serviced), (M8x1.25)
7					CROSSMEMBER, (Reference Only)
8					PANEL, Deck Lid, (Reference Only)
9					PANEL, Body Side, (Reference Only)
10		6			SCREW, (Not Serviced), (.190-16x.750)
11	4515 592	2			BRACKET
12	6100 276	4			SCREW and WASHER
13	6100 047	4			NUT
14	4515 596	2			ADAPTER
-	6501 025	4			PUSH NUT, Fascia Adapter to E.A.U.
15	4515 594	1			SUPPORT
16	4515 591	1			REINFORCEMENT
-	6027 318	5			RIVET, Fascia Support to Reinforcement
-	6501 067	AR			RETAINER, Fascia to Reinforcement

MODEL CODES:

A BODY=(C=LeBaron, D=Spirit, P=Acclaim/LaBaron(Landau), Saratoga) S BODY=(H=Voyager(H) FWD, K=Caravan(H) FWD, Y=Town & Country(H) FWD, P=Voyager(K) AWD, D=Caravan(K) AWD, C=Town & Country(K) AWD)  
 C BODY=(D=Dynasty, C=New Yorker/N.Y. Salon) Y BODY=(C=Imperial/5th Avenue)  
 G BODY=(V=Daytona/IROC, Chrysler Daytona) E-S BODY=(K=Chrysler Voyager(H) FWD, D=Chrysler Voyager(K) AWD)  
 J BODY=(C=LeBaron, Chrysler LeBaron)  
 P BODY=(P=Sundance, D=Shadow)

BODY STYLES:

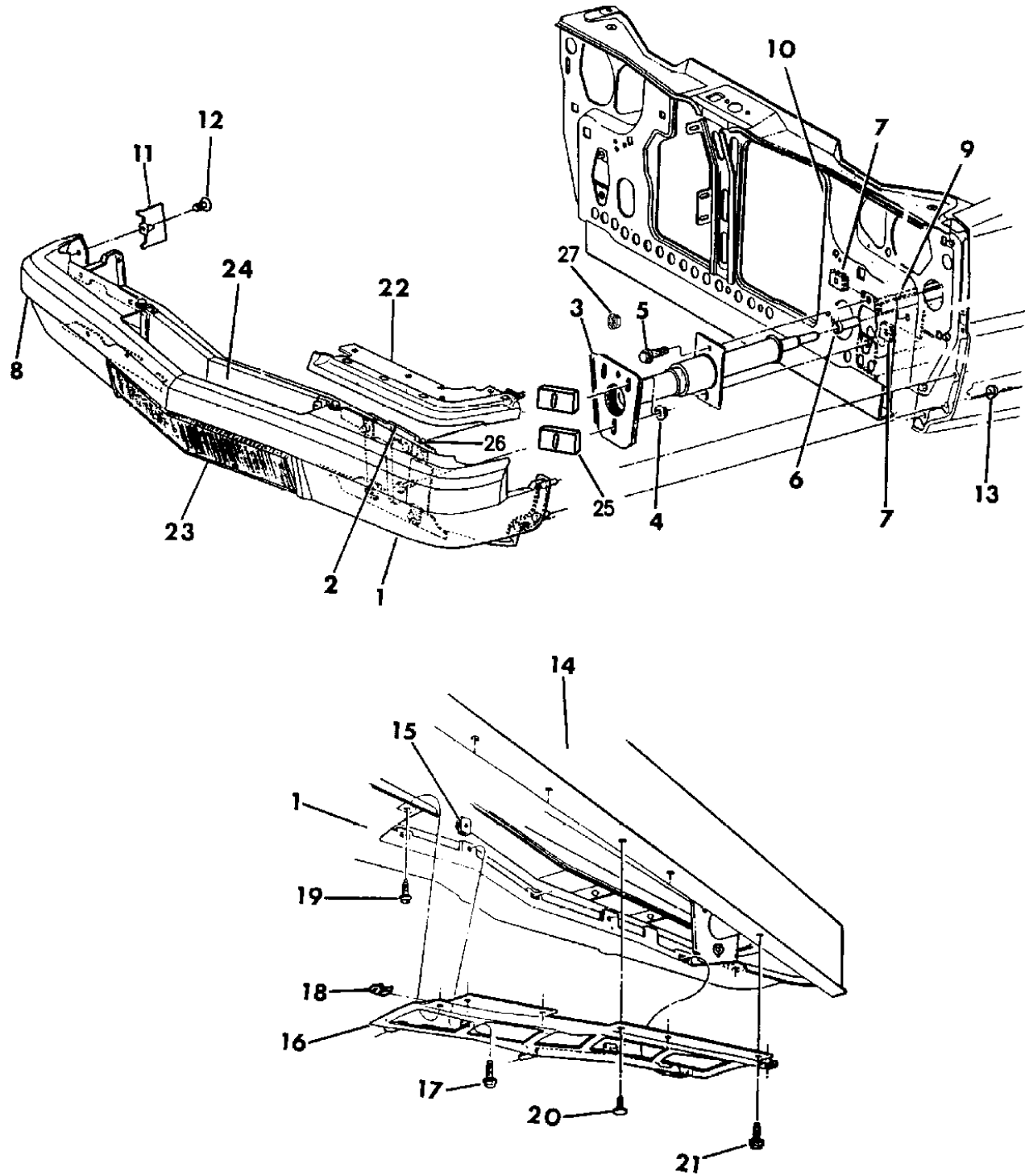
21=2-Door Coupe 41=4-Door Sedan 12-52=FWD & AWD Van & Wgn Std W.B.  
 24=2-Door Hatchback 44=4-Door Hatchback 53=FWD & AWD Van & Wgn Ext. W.B.  
 27=2-Door Convertible

AR = Use as Required - = Non Illustrated Part P.A.R. = Paint as Required



FASCIA, FRONT Y BODY MODEL P  
Figure 13-1900

93113 1900



ITEM	PART NUMBER	QTY	BODY	MODEL	DESCRIPTION
1	5263 092	1			FASCIA, Front Bumper
	5263 179	1			NERF STRIP, MIDEAST- Saudi Arabia
	5263 132-3	1			RETAINER ASSEMBLY, Fascia
					REINFORCEMENT, Front
					Upper
					Lower
					ISOLATOR, Bumper Reinforcement
	2	4451 044	1		ADAPTER, Reinforcement
	3	4576 263	2		ABSORBER ASSEMBLY, Front ***
	4		4		NUT and WASHER, (Not Serviced), (M8x1.25)
5		4		BOLT and WASHER, (Not Serviced), (M8x1.25x35.00)	
6	4451 210	2		GROMMET	
7	6500 634	4		U-NUT	
8	4451 141	1		BUMPER, Front	
9				RAIL, (Reference)	
10				PANEL, Closure (Reference)	
11	4334 834	2		SIGHT SHIELD, Bumper End	
12	6030 441	2		RETAINER	
13	6500 284	6		NUT and WASHER	
14				CROSSMEMBER, Front (Reference)	
15				U-NUT, (Not Serviced)	
16	4451 084	1		EXTENSION, Fascia	
17				SCREW and WASHER, (Not Serviced), (M8x1.25x35 00)	
18				U-NUT, (Not Serviced), (M6x1.00)	
19	6501 995	2		SCREW and WASHER	
20	6501 067	1		RETAINER	
21	6502 486	4		SCREW	
22	5263 102-3	1		FILLER, Assembly	
23	4451 092	1		GRILLE, Front Bumper Lower	
	6032 856	4		RIVET, Grille Spring To Upper Reinforcement	
	5263 146	2		SPRING, Grille Return Lower	
	6100 840	6		NUT, Spring Push On	
	9421 073	8		SCREW, Front Bumper Lower Grille To Fascia	
24	4451 098	1		CLOSURE, Frt. BUMPER to Grille ***	
25	5263 036	AR		SHIM	
26	6500 381	4		BOLT, Carriage, Adaptor to Absorber	
27	6501 025	4		PUSH NUT, E.A.U. to Adaptor	
	4451 094	1		BRACKET, License Plate Mounting	

**MODEL CODES:**

A BODY=(C=LeBaron, D=Spirit, P=Acclaim/LaBaron(Landau), Saratoga)  
 C BODY=(D=Dynasty, C=New Yorker/N.Y. Salon)  
 G BODY=(V=Daytona/IROC, Chrysler Daytona)  
 J BODY=(C=LeBaron, Chrysler LeBaron)  
 P BODY=(P=Sundance, D=Shadow)

S BODY=(H=Voyager(H) FWD, K=Caravan(H) FWD, Y=Town & Country(H) FWD, P=Voyager(K) AWD, D=Caravan(K) AWD, C=Town & Country(K) AWD)  
 Y BODY=(C=Imperial/5th Avenue)  
 E-S BODY=(K=Chrysler Voyager(H) FWD, D=Chrysler Voyager(K) AWD)

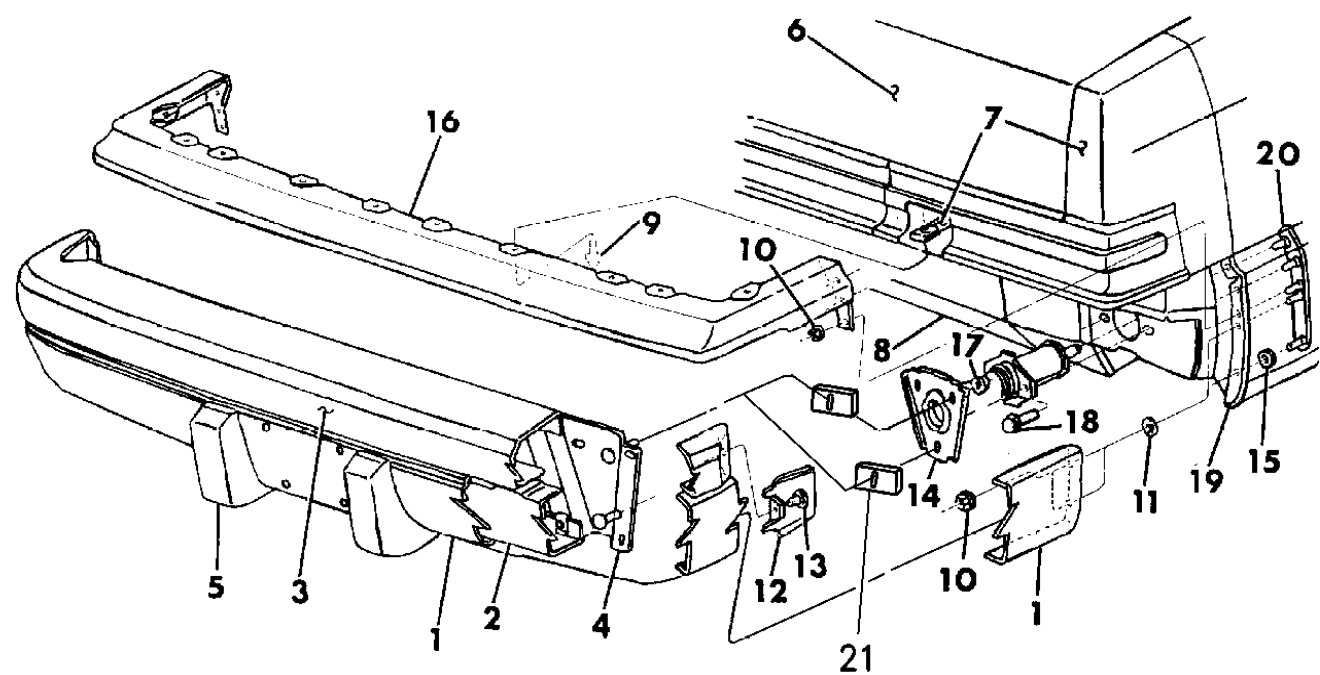
**BODY STYLES:**

21=2-Door Coupe  
 24=2-Door Hatchback  
 27=2-Door Convertible  
 41=4-Door Sedan  
 44=4-Door Hatchback  
 12-52=FWD & AWD Van & Wgn Std W.B.  
 53=FWD & AWD Van & Wgn Ext. W.B.

AR = Use as Required - = Non Illustrated Part P.A.R. = Paint as Required

FASCIA, REAR Y BODY MODEL P  
Figure 13-2000

93113 2000



ITEM	PART NUMBER	QTY	BODY	MODEL	DESCRIPTION
1	4451 100	1			FASCIA, Rear
	5263 180	1			NERF STRIP, MIDEAST - Saudi Arabia
2	4515 261	1			REINFORCEMENT, Rear
3	4388 513	1			BUMPER, Rear
4	4451 134	1			ADAPTER, Reinforcement
5	4334 940-1	1			GUARD, Assembly, Rear
	4334 939	2			PLATE, Rear Bumper Guard
6					DECK LID, (Reference) ***
7					END CAP, (Reference)
8					CROSSMEMBER, Rear Floor Pan (Reference)
9		10			SCREW, (Not Serviced), (.190-16x.625)
10	6500 284	10			NUT and WASHER
11	6100 840	4			PUSH NUT
12	4334 836	2			SIGHT SHIELD
13	6030 441	2			RETAINER
14	4334 914	2			ABSORBER, Rear Bumper
15		10			WASHER, SEALING, (Not Serviced)
16	4451 108	1			FILLER, Assembly, Rear
17		4			NUT and WASHER, Absorber to Adapter (Not Serviced), (M8x1.25)
18		4			SCREW and WASHER (Not Serviced), (M8x1.25x35.00)
19					PANEL, Aperture (Reference)
20	4334 846-7	1			RETAINER ASSEMBLY, Aperture Panel
21	5263 036	AR			SHIM
	4388 706	1			PACKAGE, License Plate Mounting

MODEL CODES:

A BODY=(C=LeBaron, D=Spirit, P=Acclaim/LaBaron(Landau), Saratoga) S BODY=(H=Voyager(H) FWD, K=Caravan(H) FWD, Y=Town & Country(H) FWD, P=Voyager(K) AWD, D=Caravan(K) AWD, C=Town & Country(K) AWD)  
 C BODY=(D=Dynasty, C=New Yorker/N.Y. Salon) Y BODY=(C=Imperial/5th Avenue)  
 G BODY=(V=Daytona/IROC, Chrysler Daytona) E-S BODY=(K=Chrysler Voyager(H) FWD, D=Chrysler Voyager(K) AWD)  
 J BODY=(C=LeBaron, Chrysler LeBaron)  
 P BODY=(P=Sundance, D=Shadow)

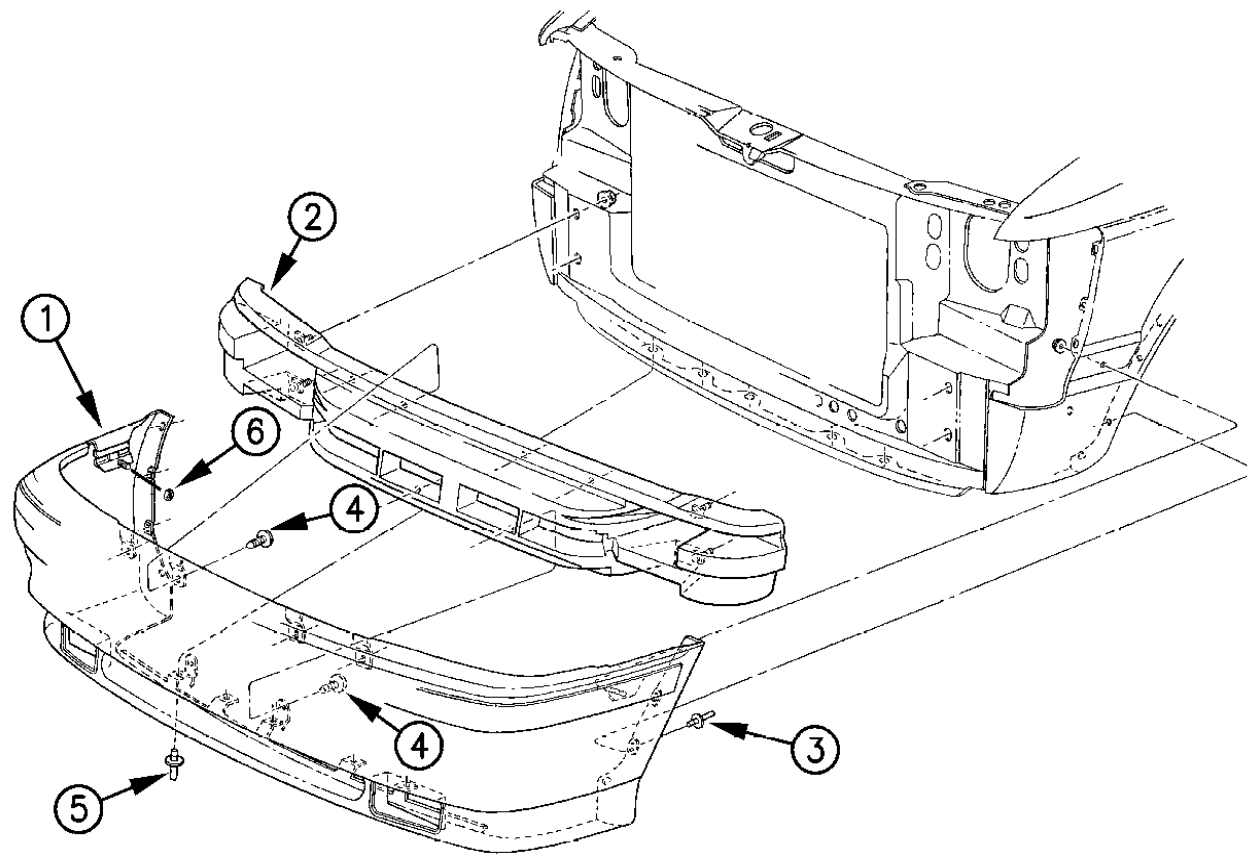
BODY STYLES:

21=2-Door Coupe 41=4-Door Sedan 12-52=FWD & AWD Van & Wgn Std W.B.  
 24=2-Door Hatchback 44=4-Door Hatchback 53=FWD & AWD Van & Wgn Ext. W.B.  
 27=2-Door Convertible

AR = Use as Required - = Non Illustrated Part P.A.R. = Paint as Required

**FRONT, FASCIA S BODY**  
**Figure 13-2100**

93113 2100



ITEM	PART NUMBER	QTY	BODY	MODEL	DESCRIPTION
1					FASCIA, Includes Fascia to Fender Retainers
	4451 756	1			P.A.R. w/o Fog Lights
	4728 516	1			P.A.R. w/Fog Lights
	4676 219	2			RETAINER, Fascia to Fender, Repair NERF STRIP
	ER27 MXY	1			Black & Gold
	ER27 MXX	1			Black & Flat Black
	ER27 MRX	1			Red & Black
	ER27 LPR	1			Teal & Red
	ER27 KWR	1			White & Red
	ER27 MRF	1			Radiant Red
	4451 747	1			Bright
2	4576 991	1			REINFORCEMENT
3	6031 390	4			RETAINER
4	6501 067	AR			RETAINER, Fascia to Reinforcement
5	6500 911	5			RIVET, Fascia to Lower C/Mbr.
6	6501 859	2			NUT and WASHER
					BRACKET, License Plate
-	4451 761	1			w/o Fog Lights
-	4451 846	1			w/Fog Lights
-	4451 700	1			EUROPE

**MODEL CODES:**

A BODY=(C=LeBaron, D=Spirit, P=Acclaim/LaBaron(Landau), Saratoga)      S BODY=(H=Voyager(H) FWD, K=Caravan(H) FWD, Y=Town & Country(H) FWD, P=Voyager(K) AWD, D=Caravan(K) AWD, C=Town & Country(K) AWD)

C BODY=(D=Dynasty, C=New Yorker/N.Y. Salon)      Y BODY=(C=Imperial/5th Avenue)

G BODY=(V=Daytona/IROC, Chrysler Daytona)      E-S BODY=(K=Chrysler Voyager(H) FWD, D=Chrysler Voyager(K) AWD)

J BODY=(C=LeBaron, Chrysler LeBaron)

P BODY=(P=Sundance, D=Shadow)

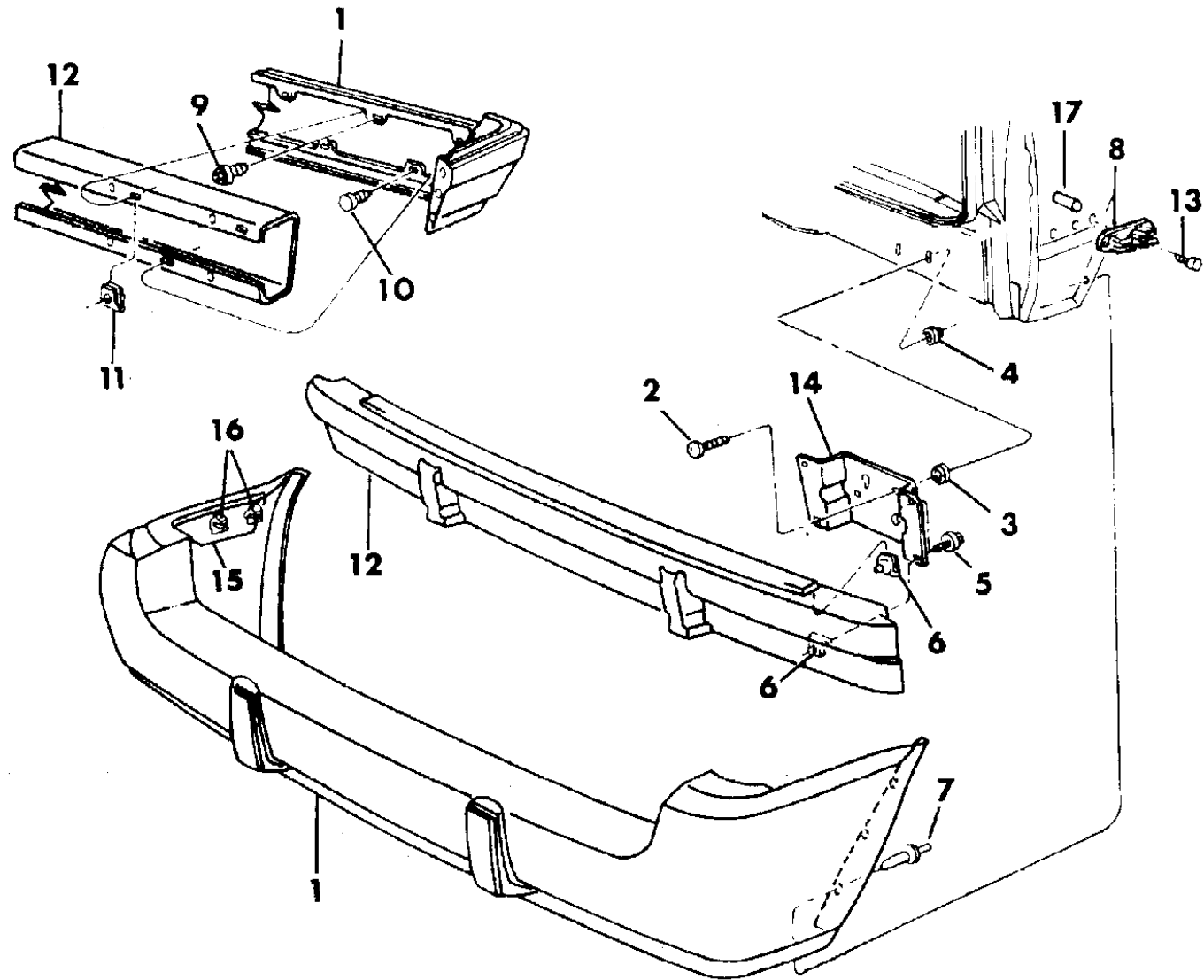
**BODY STYLES:**

21=2-Door Coupe      41=4-Door Sedan      12-52=FWD & AWD Van & Wgn Std W.B.  
 24=2-Door Hatchback      44=4-Door Hatchback      53=FWD & AWD Van & Wgn Ext. W.B.  
 27=2-Door Convertible

AR = Use as Required - = Non Illustrated Part P.A.R. = Paint as Required

**REAR FASCIA S BODY**  
**Figure 13-2200**

93113 2200



ITEM	PART NUMBER	QTY	BODY	MODEL	DESCRIPTION
1	4451 813	1		12,52	FASCIA, P.A.R. NERF STRIP
	4451 794-5	1			Bright
	ER30-1 MXY	1			Black & Gold
	ER30-1 MXX	1			Black & Flat Black
	ER30-1 MRX	1			Red & Black
	ER30-1 LPR	1			Teal & Red
	ER30-1 KWR	1			White & Red
	5263 538-9	1			White & Red, w/L.E. Decore
	4451 814	1		13,53	FASCIA, P.A.R. NERF STRIP
	4451 802-3	1			Bright
	ER32-3 MXY	1			Black & Gold
	ER32-3 MXX	1			Black & Flat Black
	ER32-3 MRF	1			Radiant Red
	ER32-3 LPR	1			Teal & Red
	ER32-3 KWR	1			White & Red
	ER32-3 KXR	1			Black & Red
2		4			BOLT, (Not Serv.) (M10x1.50x25.00)
3		4			PUSH NUT, (Not Serv.) (M10x1.50)
4		4			NUT and WASHER, (Not Serv.) (10mm)
5	6100 304	8			SCREW and WASHER
6	6101 283	8			U-NUT
7	6031 390	6			RETAINER
8					TRACK, Bumper Fascia to Aperture
	5263 406	2		12,52	
	5263 407	2		13,53	
9	6100 286	6			SCREW and WASHER
10	6501 067	7			RETAINER
11	6100 041	6			U-NUT
12	4451 806	1			REINFORCEMENT
13		AR			SCREW, (Not Serviced), (.190-16x.625)
14	4451 834-5	1			BRACKET, Support
15					RETAINER
	5263 402	1		12,52	
	5263 404	1		13,53	
16	5263 405	2			BUTTON
Items 15 & 16 are serviced with the fascia. applications specified in this document.					
17	4073 281	AR			CAP

**MODEL CODES:**

A BODY=(C=LeBaron, D=Spirit, P=Acclaim/LaBaron(Landau), Saratoga)     S BODY=(H=Voyager(H) FWD, K=Caravan(H) FWD, Y=Town & Country(H) FWD, P=Voyager(K) AWD, D=Caravan(K) AWD, C=Town & Country(K) AWD)

C BODY=(D=Dynasty, C=New Yorker/N.Y. Salon)     Y BODY=(C=Imperial/5th Avenue)

G BODY=(V=Daytona/IROC, Chrysler Daytona)     E-S BODY=(K=Chrysler Voyager(H) FWD, D=Chrysler Voyager(K) AWD)

J BODY=(C=LeBaron, Chrysler LeBaron)

P BODY=(P=Sundance, D=Shadow)

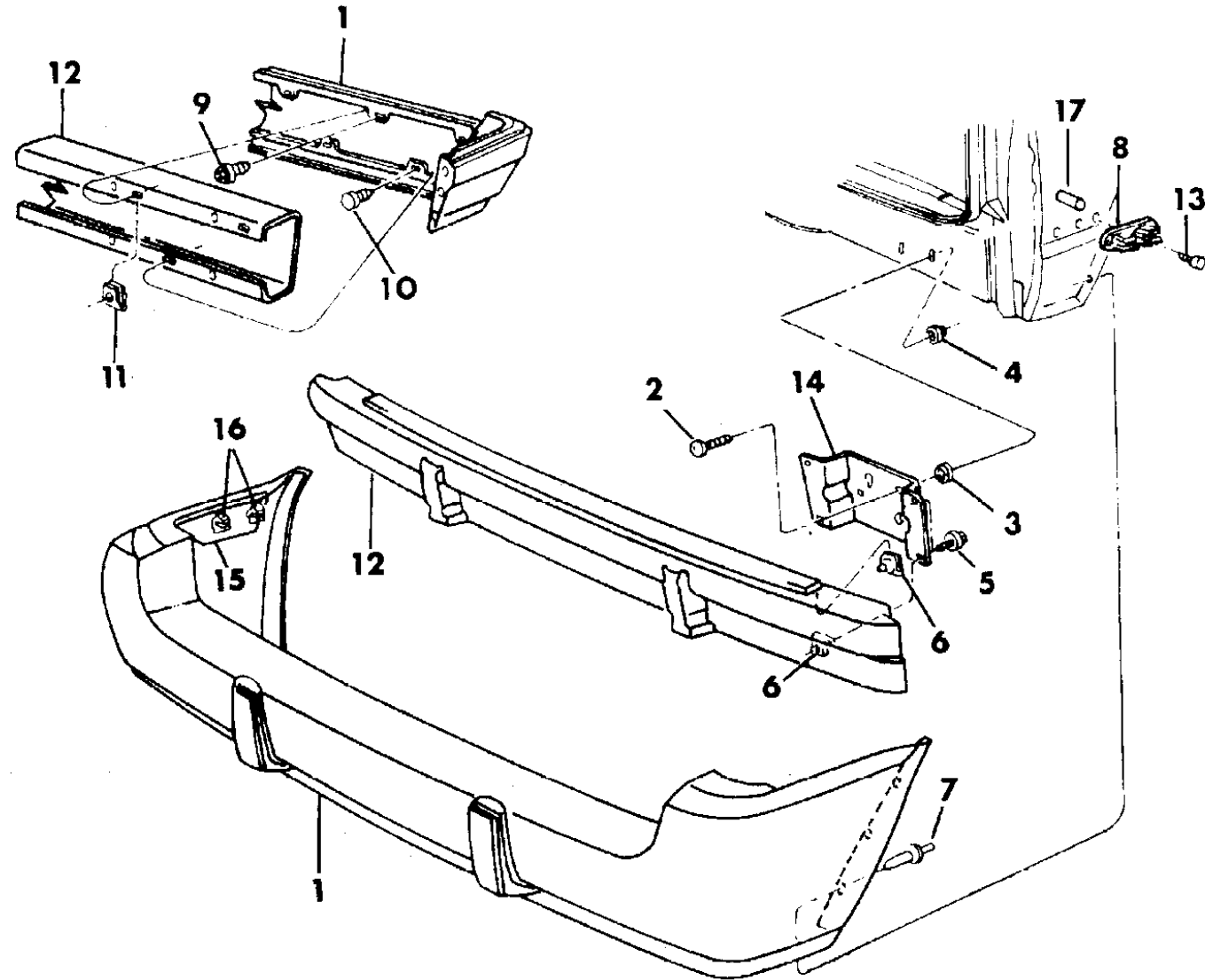
**BODY STYLES:**

21=2-Door Coupe     41=4-Door Sedan     12-52=FWD & AWD Van & Wgn Std W.B.  
24=2-Door Hatchback     44=4-Door Hatchback     53=FWD & AWD Van & Wgn Ext. W.B.  
27=2-Door Convertible

AR = Use as Required - = Non Illustrated Part P.A.R. = Paint as Required

REAR FASCIA S BODY  
Figure 13-2200

93113 2200



ITEM	PART NUMBER	QTY	BODY	MODEL	DESCRIPTION
	4270 974	1			PACKAGE, License Plate Mtg.

**MODEL CODES:**

A BODY=(C=LeBaron, D=Spirit, P=Acclaim/LaBaron(Landau),  
Saratoga)  
C BODY=(D=Dynasty, C=New Yorker/N.Y. Salon)  
G BODY=(V=Daytona/IROC, Chrysler Daytona)  
J BODY=(C=LeBaron, Chrysler LeBaron)  
P BODY=(P=Sundance, D=Shadow)

S BODY=(H=Voyager(H) FWD, K=Caravan(H) FWD,  
Y=Town & Country(H) FWD, P=Voyager(K) AWD,  
D=Caravan(K) AWD, C=Town & Country(K) AWD)  
Y BODY=(C=Imperial/5th Avenue)  
E-S BODY=(K=Chrysler Voyager(H) FWD, D=Chrysler  
Voyager(K) AWD)

**BODY STYLES:**

21=2-Door Coupe      41=4-Door Sedan      12-52=FWD & AWD Van & Wgn Std W.B.  
24=2-Door Hatchback      44=4-Door Hatchback      53=FWD & AWD Van & Wgn Ext. W.B.  
27=2-Door Convertible

AR = Use as Required - = Non Illustrated Part P.A.R. = Paint as Required

**GROUP 14 - FUEL**

ILLUSTRATION TITLE	GROUP-FIG. NO.
<b>FRESH AIR INTAKE SYSTEM</b>	
FRESH AIR INTAKE SYSTEM .....	Fig. 14-100
<b>AIR CLEANERS</b>	
AIR CLEANER 2.2L - 2.5L ENGINE P,A,J,G,C BODY .....	Fig. 14-200
AIR CLEANER 2.5L ENGINE (FLEX FUEL) A BODY .....	Fig. 14-250
AIR CLEANER 2.2L ENGINE 16 VALVE G BODY .....	Fig. 14-300
AIR CLEANER 2.5L ENGINE S BODY .....	Fig. 14-400
AIR CLEANER AND HOSES 2.5L DIESEL ENGINE ES BODY .....	Fig. 14-500
AIR CLEANER 3.0L ENGINE .....	Fig. 14-600
AIR CLEANER 3.3L - 3.8L ENGINE .....	Fig. 14-700
<b>THROTTLE BODIES, TURBO CHARGERS AND FUEL RAILS</b>	
THROTTLE BODY 2.2L - 2.5L ENGINE .....	Fig. 14-800
THROTTLE BODY 2.5L ENGINE (FLEX FUEL) A BODY .....	Fig. 14-850
THROTTLE BODY 2.2L ENGINE 16 VALVE ENGINE 3.0L - 3.3L - 3.8L ENGINE .....	Fig. 14-900
TURBO CHARGER 2.2L ENGINE 16 VALVE .....	Fig. 14-1000
TURBO CHARGER AND ELBOW, 2.5L TURBO DIESEL ENGINE ES BODY .....	Fig. 14-1100
FUEL RAIL AND RELATED PARTS 2.2L ENGINE 16 VALVE .....	Fig. 14-1200
TURBO CHARGER AND ELBOW, 2.5L TURBO DIESEL ENGINE ES BODY .....	Fig. 14-1300
FUEL RAIL AND RELATED PARTS 2.5L ENGINE (FLEX FUEL) A BODY .....	Fig. 14-1350
FUEL RAIL AND RELATED PARTS 3.0L ENGINE .....	Fig. 14-1400
FUEL RAIL AND RELATED PARTS 3.3L - 3.8L ENGINE .....	Fig. 14-1500
<b>THROTTLE CONTROLS</b>	
THROTTLE CONTROLS 2.2L - 2.5L ENGINE .....	Fig. 14-1600
THROTTLE CONTROLS 2.5L ENGINE (FLEX FUEL) A BODY .....	Fig. 14-1650
THROTTLE CONTROLS 2.2L ENGINE 16 VALVE .....	Fig. 14-1700
THROTTLE CONTROLS, 2.5L TURBO DIESEL ENGINE ES BODY .....	Fig. 14-1800
THROTTLE CONTROLS 3.0L ENGINE W/4-SPEED AUTO, 5-SPEED MAN. TRANS. P,A,J,G,C,S BODYS ...	Fig. 14-1900
THROTTLE CONTROLS 3.0L ENGINE W/3 SPEED TRANS. A,S BODY .....	Fig. 14-2000
THROTTLE CONTROLS 3.3L - 3.8L ENGINE .....	Fig. 14-2100
<b>SPEED CONTROLS</b>	
SPEED CONTROL 2.2L - 2.5L ENGINE P,A,J,G BODY .....	Fig. 14-2200
SPEED CONTROL 2.5L ENGINE C,S BODY .....	Fig. 14-2300
SPEED CONTROL 2.2L ENGINE 16 VALVE G BODY .....	Fig. 14-2400
SPEED CONTROL 3.0L ENGINE P,A,J,G BODY .....	Fig. 14-2500
SPEED CONTROL 3.0L ENGINE C,Y,S BODY .....	Fig. 14-2600
SPEED CONTROL 3.3L - 3.8L ENGINE C,Y,S BODY .....	Fig. 14-2700

ILLUSTRATION NOT AVAILABLE AT TIME OF PUBLICATION

---

## GROUP 14 - FUEL

### ILLUSTRATION TITLE

### GROUP-FIG. NO.

#### **SPEED CONTROLS (Continued)**

SPEED CONTROL 3.3L - 3.8L ENGINE C,Y,S BODY ..... Fig. 14-2700

#### **ACCELERATOR PEDAL**

ACCELERATOR PEDAL P,A,G,J,C,Y,S BODY ..... Fig. 14-2800

ACCELERATOR PEDAL 2.5L TURBO DIESEL ENGINE ES BODY ..... Fig. 14-2900

ACCELERATOR CONTROLS 2.5L TURBO DIESEL ENGINE ES BODY ..... Fig. 14-3000

#### **FUEL FILTERS**

FUEL FILTER P,A,G,J,C,Y,S BODY ..... Fig. 14-3100

FUEL FILTER, 2.5L TURBO DIESEL ENGINE ES BODY ..... Fig. 14-3200

#### **FUEL LINES**

FUEL LINES P,A,J,G,C,Y BODY ..... Fig. 14-3300

FUEL LINES AND COMPONENTS FLEX FUEL A BODY ..... Fig. 14-3350

FUEL LINES S BODY ..... Fig. 14-3400

FUEL LINES 2.5L TURBO DIESEL ENGINE ES BODY ..... Fig. 14-3500

#### **FUEL PUMPS AND LEVEL UNITS**

FUEL PUMP AND LEVEL UNIT P,A,J,G,C,Y BODY ..... Fig. 14-3600

FUEL INJECTION PUMP 2.5L TURBO DIESEL ENGINE ES BODY ..... Fig. 14-3700

FUEL PUMP AND LEVEL UNIT S BODY ..... Fig. 14-3800

#### **FUEL TANKS AND FILLER TUBES**

FUEL TANK P,A,J,G,C,Y BODY ..... Fig. 14-3900

FUEL TANK FILLER TUBES P,A,J,G,C,Y BODY ..... Fig. 14-4000

FUEL TANK S BODY - FWD ..... Fig. 14-4100

FUEL TANK S BODY - AWD ..... Fig. 14-4200

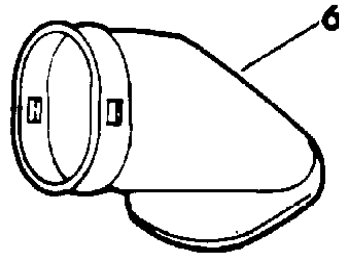
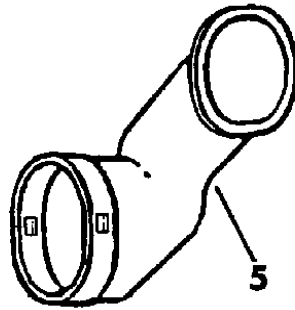
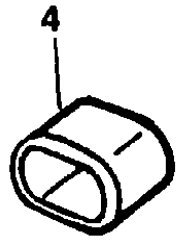
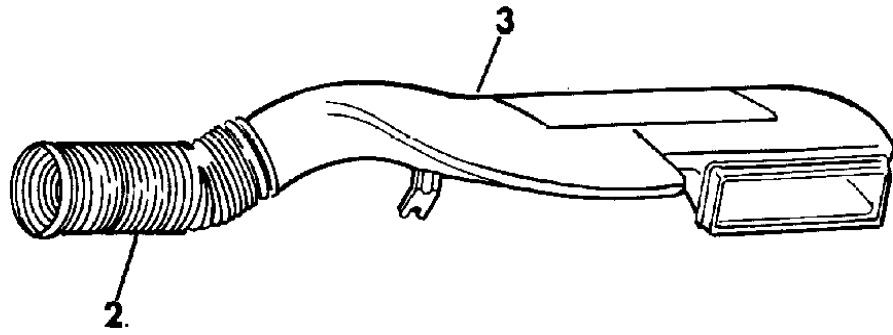
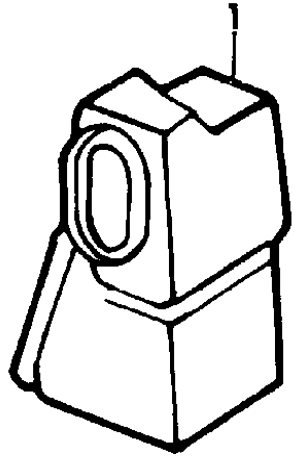
FUEL TANK 2.5L TURBO DIESEL ENGINE ES BODY ..... Fig. 14-4300

FUEL TANK FILLER TUBES S BODY ..... Fig. 14-4400

FRESH AIR INTAKE SYSTEM  
Figure 14-100

93114 100A

ITEM	PART NUMBER	QTY	BODY	MODEL	DESCRIPTION
1	4458 195	1	P		MODULE, Air Inlet
	4458 195	1	A		2.5L and 3.0L Eng.
2	5277 528	1	A,G		DUCT, Fresh Air - 2.2L Eng. 16 Valve
3	5277 681	1	A,G		FLEX DUCT, Fresh Air - 2.2L Eng. 16 Valve ***
4	5227 009	1	J,G		DUCT, Radiator Closure to Housing
5	4459 679	1	C,Y		ADAPTER, Fresh Air
6	4459 680	1	S		DUCT, Fresh Air



**MODEL CODES:**

A BODY=(C=LeBaron, D=Spirit, P=Acclaim/LaBaron(Landau),  
Saratoga)  
C BODY=(D=Dynasty, C=New Yorker/N.Y. Salon)  
G BODY=(V=Daytona/IROC, Chrysler Daytona)  
J BODY=(C=LeBaron, Chrysler LeBaron)  
P BODY=(P=Sundance, D=Shadow)

S BODY=(H=Voyager(H) FWD, K=Caravan(H) FWD,  
Y=Town & Country(H) FWD, P=Voyager(K) AWD,  
D=Caravan(K) AWD, C=Town & Country(K) AWD)  
Y BODY=(C=Imperial/5th Avenue)  
E-S BODY=(K=Chrysler Voyager(H) FWD, D=Chrysler  
Voyager(K) AWD)

**BODY STYLES:**

21=2-Door Coupe      41=4-Door Sedan      12-52=FWD & AWD Van & Wgn Std W.B.  
24=2-Door Hatchback      44=4-Door Hatchback      53=FWD & AWD Van & Wgn Ext. W.B.  
27=2-Door Convertible

AR = Use as Required - = Non Illustrated Part P.A.R. = Paint as Required

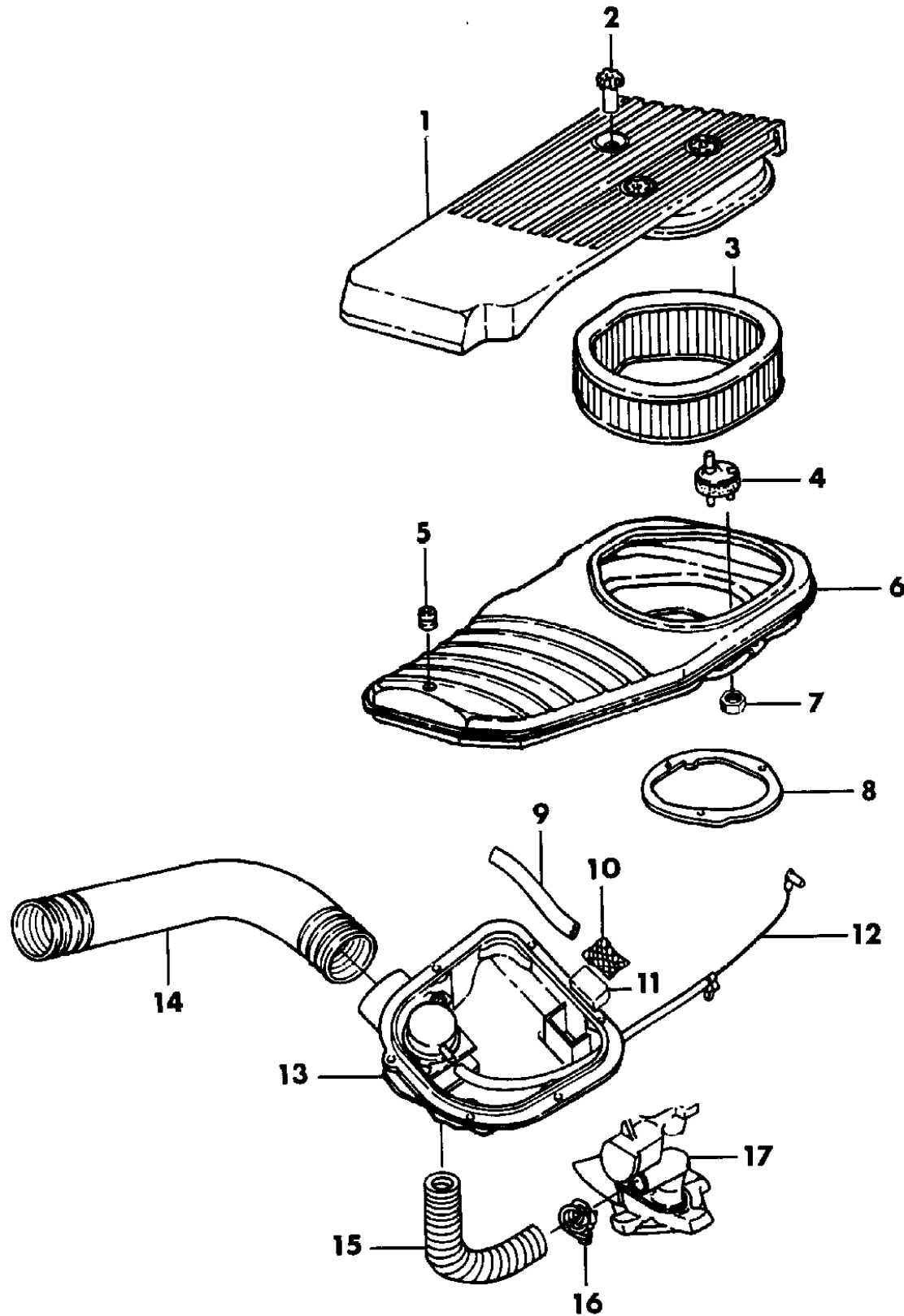


AIR CLEANER 2.2L - 2.5L ENGINE P,A,J,G,C BODY

Figure 14-200

93114 200

ITEM	PART NUMBER	QTY	BODY	MODEL	DESCRIPTION
1	5277 862	1			COVER, Air Cleaner
2	4324 314	3			NUT, Cover Retaining
3	4288 899	1			FILTER, Air Cleaner
4	4342 765	1			SENSOR, Air Cleaner Temperature
5	4306 125	2			GROMMET, Body to Cover
6	5277 855	1			BODY, Air Cleaner
7	6501 214	1			NUT, Air Cleaner Temperature Sensor
8	4405 108	1			GASKET, Air Cleaner to Throttle Body
9	4343 477	1			HOSE, Crankcase Vent to Air Cleaner
10	4288 006	1			ARRESTOR, Flame
11	4288 007	1			FILTER, P.C.V.
12	4306 317	1			HOSE, Temperature Sensor to Vacuum Motor
13					SHELL, Lower
	4405 013	1	P,A,G		w/Aspirator
	4306 124	1	P,A,G		w/o Aspirator
	4306 124	1	J		
	4458 410	1	C		
14					DUCT, Air Cleaner
	4288 003	1	P,A,J,G		2.2L and 2.5L Eng.
	4459 651	1	C		2.5L Eng.
15	4288 002	1			CONNECTOR, Air Heater to Air Cleaner
16					CLAMP (not serviced)
17	5203 338	1			HEATER, Carburetor Air



MODEL CODES:

A BODY=(C=LeBaron, D=Spirit, P=Acclaim/LaBaron(Landau),  
Saratoga)  
C BODY=(D=Dynasty, C=New Yorker/N.Y. Salon)  
G BODY=(V=Daytona/IROC, Chrysler Daytona)  
J BODY=(C=LeBaron, Chrysler LeBaron)  
P BODY=(P=Sundance, D=Shadow)

S BODY=(H=Voyager(H) FWD, K=Caravan(H) FWD,  
Y=Town & Country(H) FWD, P=Voyager(K) AWD,  
D=Caravan(K) AWD, C=Town & Country(K) AWD)  
Y BODY=(C=Imperial/5th Avenue)  
E-S BODY=(K=Chrysler Voyager(H) FWD, D=Chrysler  
Voyager(K) AWD)

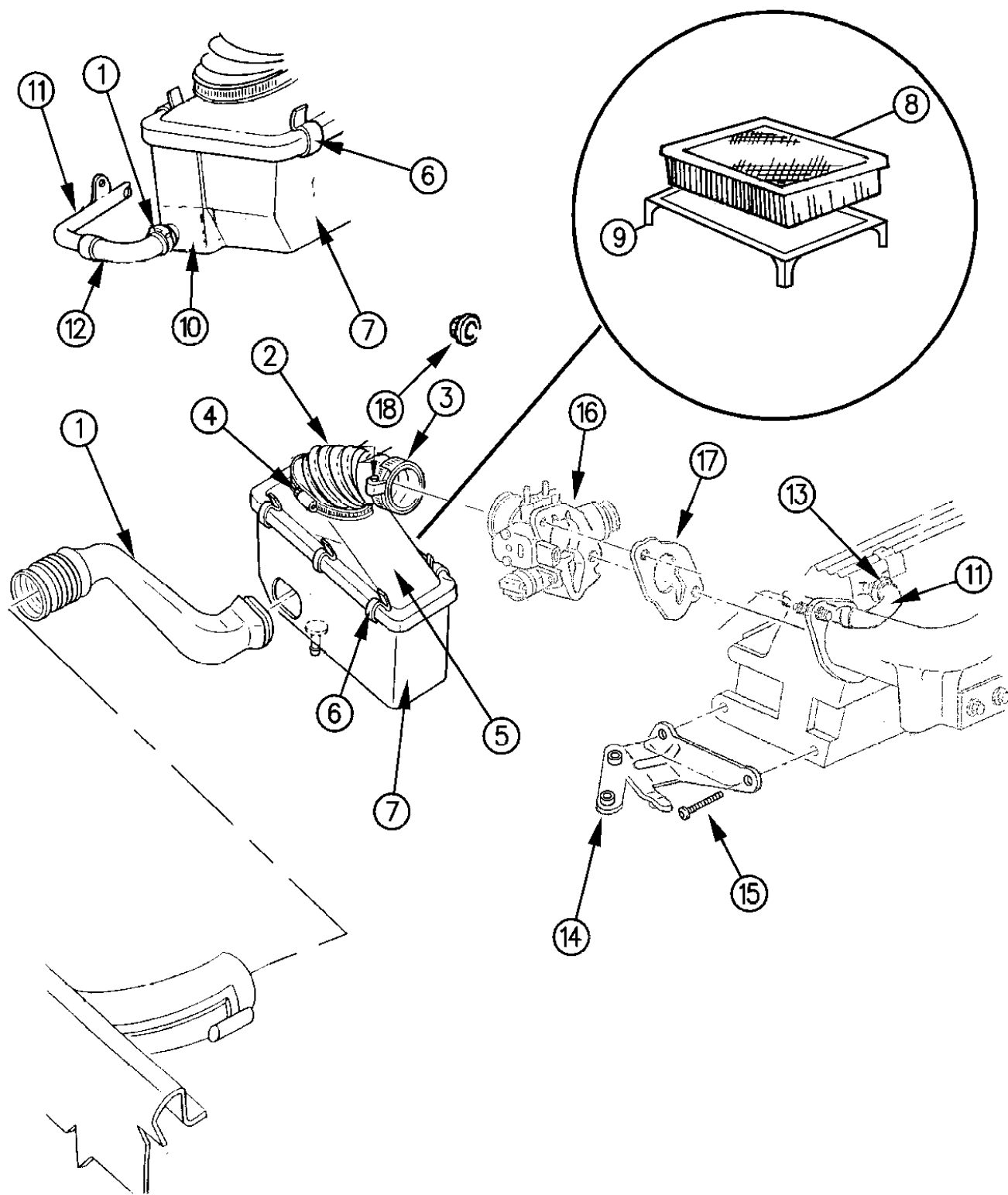
BODY STYLES:

21=2-Door Coupe      41=4-Door Sedan      12-52=FWD & AWD Van & Wgn Std W.B.  
24=2-Door Hatchback      44=4-Door Hatchback      53=FWD & AWD Van & Wgn Ext. W.B.  
27=2-Door Convertible

AR = Use as Required - = Non Illustrated Part P.A.R. = Paint as Required

**AIR CLEANER 2.5L ENGINE (FLEX FUEL) A BODY**  
**Figure 14-250**

93114 250A



ITEM	PART NUMBER	QTY	BODY	MODEL	DESCRIPTION
1	4458 440	1			DUCT, Fresh Air
2	4458 392	1			HOSE, Air Cleaner To Throttle Body
3	6502 309	1			CLAMP, Round Type
4	6502 310	1			CLAMP, Oval Type
5	4458 395	1			COVER, Air Cleaner Top
6	5277 576	5			LATCH, Cover Top
7	4458 396	1			HOUSING, Lower
-	4300 052	1			BUMPER, Air Cleaner To Valve Cover
8	4213 583	1			ELEMENT, Filter
9	4459 676	1			FRAME, Filter Support
10	4459 675	1			FILTER, Crankcase Vent
11	5281 195	1			TUBE, Crankcase Vent
12	5281 196	1			HOSE, Crankcase Vent
13	2448 770	2			CLAMP
14	4458 393	1			BRACKET, Air Cleaner Mounting
15	6500 158	2			SCREW, w/Washer
16		1			THROTTLE BODY, Assy. (See Illus. 850) ***
17		1			GASKET, Throttle Body To Manifold (See Illus. 850)
18	6101 445	2			NUT, w/Washer Throttle Body Mounting

**MODEL CODES:**

A BODY=(C=LeBaron, D=Spirit, P=Acclaim/LaBaron(Landau, Saratoga) S BODY=(H=Voyager(H) FWD, K=Caravan(H) FWD, Y=Town & Country(H) FWD, P=Voyager(K) AWD, D=Caravan(K) AWD, C=Town & Country(K) AWD)  
 C BODY=(D=Dynasty, C=New Yorker/N.Y. Salon) Y BODY=(C=Imperial/5th Avenue)  
 G BODY=(V=Daytona/IROC, Chrysler Daytona) E-S BODY=(K=Chrysler Voyager(H) FWD, D=Chrysler Voyager(K) AWD)  
 J BODY=(C=LeBaron, Chrysler LeBaron) P BODY=(P=Sundance, D=Shadow)

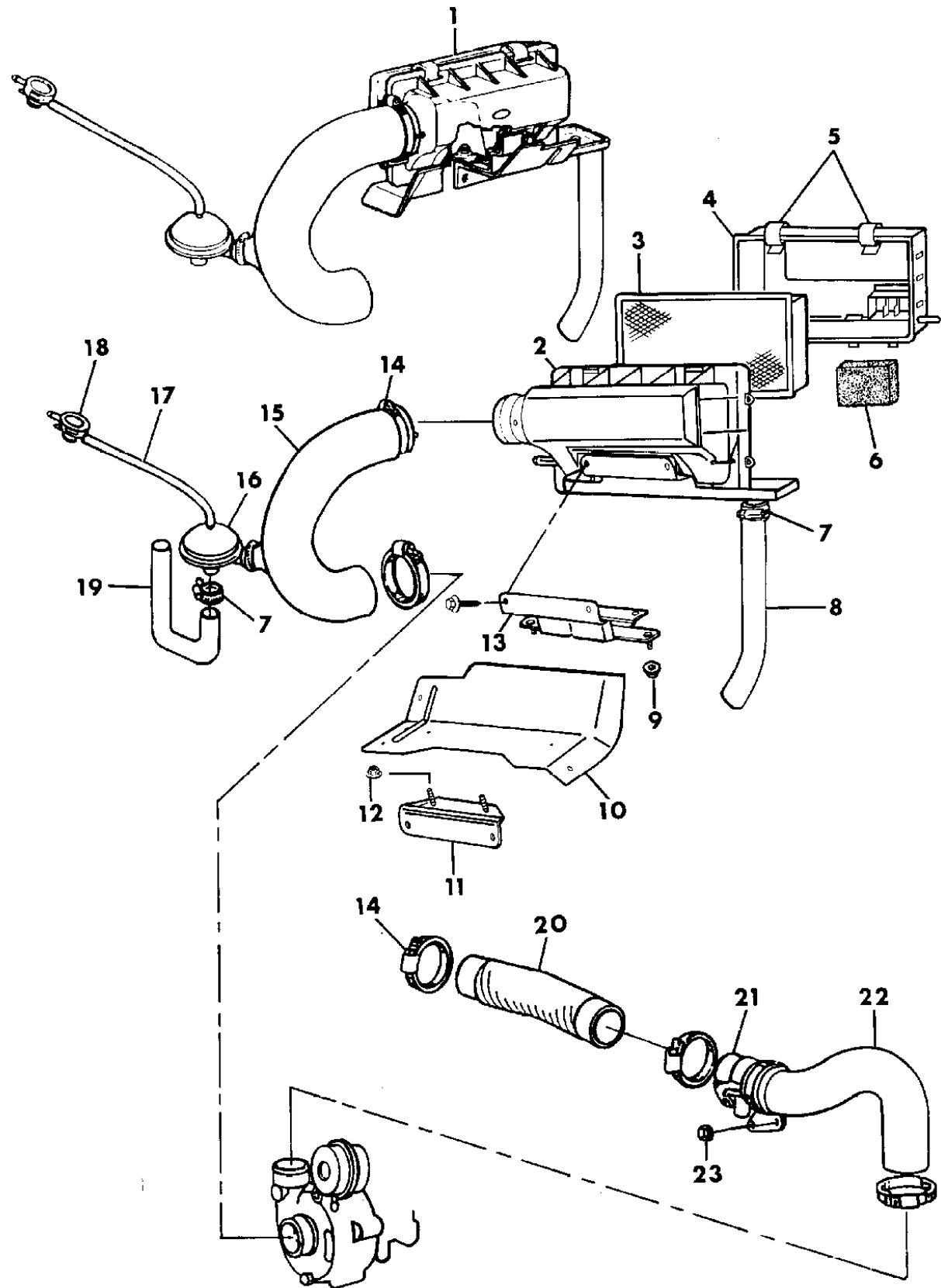
**BODY STYLES:**

21=2-Door Coupe      41=4-Door Sedan      12-52=FWD & AWD Van & Wgn Std W.B.  
 24=2-Door Hatchback      44=4-Door Hatchback      53=FWD & AWD Van & Wgn Ext. W.B.  
 27=2-Door Convertible

AR = Use as Required - = Non Illustrated Part P.A.R. = Paint as Required

**AIR CLEANER 2.2L ENGINE 16 VALVE G BODY**  
**Figure 14-300**

93114 300



ITEM	PART NUMBER	QTY	BODY	MODEL	DESCRIPTION
1	4669 174	1			AIR CLEANER ASSEMBLY ***
2	5277 363	1			COVER, Air Cleaner
3	4213 583	1			FILTER, Air Cleaner
4	5277 512	1			HOUSING, Air Cleaner Filter
5	5277 576	4			LATCH, Air Cleaner
6	5277 655	1			FILTER, Crankcase Inlet Filter
7	0153 640	4			CLAMP
8		1			HOSE, Drain (not serviced)
9	6500 201	2			NUT, Heat Shield Attach
10	5277 781	1			SHIELD, Heat
11	5277 356	1			BRACKET, Air Cleaner Mounting - Eng. Side
12	6500 583	2			NUT
13	5277 633	1			BRACKET, Air Cleaner Mounting
14	6033 135	6			CLAMP
15	5277 789	1			HOSE, Air Cleaner to Turbo
16	4504 564	1			VALVE, Air Shut Off
17	4287 145	1			HOSE, Vacuum
18	4324 488	1			VALVE, Check
19	5277 790	1			HOSE, By-Pass Valve
20	5277 873	1			HOSE, Tube to Air Cooler
21	5277 771	1			TUBE ASSEMBLY, Turbo to Intercooler ***
22	5277 786	1			HOSE, Turbo to Tube
23	6101 445	2			NUT and WASHER

**MODEL CODES:**

A BODY=(C=LeBaron, D=Spirit, P=Acclaim/LaBaron(Landau), Saratoga)      S BODY=(H=Voyager(H) FWD, K=Caravan(H) FWD, Y=Town & Country(H) FWD, P=Voyager(K) AWD, D=Caravan(K) AWD, C=Town & Country(K) AWD)  
 C BODY=(D=Dynasty, C=New Yorker/N.Y. Salon)  
 G BODY=(V=Daytona/IROC, Chrysler Daytona)  
 J BODY=(C=LeBaron, Chrysler LeBaron)  
 P BODY=(P=Sundance, D=Shadow)      Y BODY=(C=Imperial/5th Avenue)  
 E-S BODY=(K=Chrysler Voyager(H) FWD, D=Chrysler Voyager(K) AWD)

**BODY STYLES:**

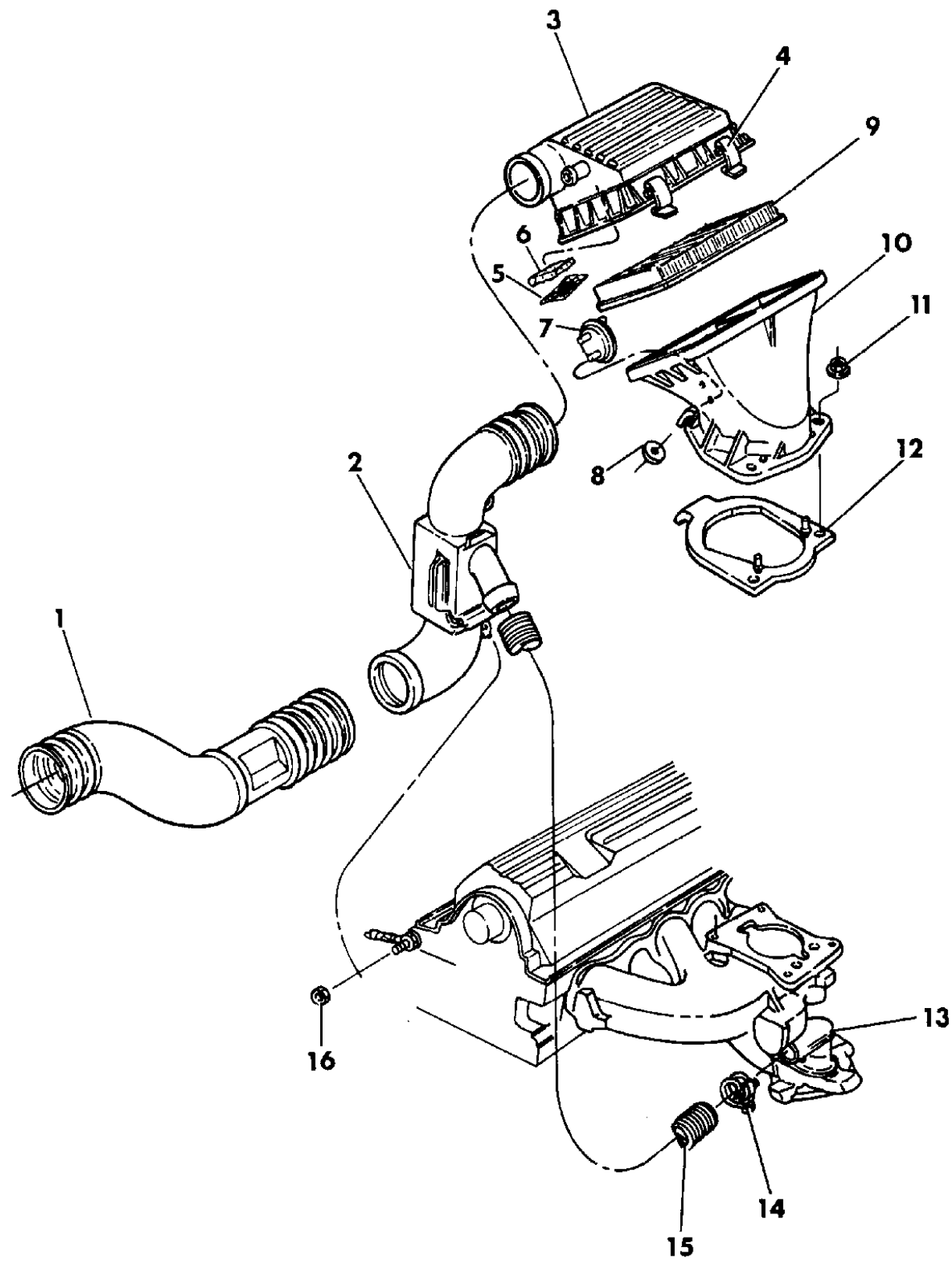
21=2-Door Coupe      41=4-Door Sedan      12-52=FWD & AWD Van & Wgn Std W.B.  
 24=2-Door Hatchback      44=4-Door Hatchback      53=FWD & AWD Van & Wgn Ext. W.B.  
 27=2-Door Convertible

AR = Use as Required - = Non Illustrated Part P.A.R. = Paint as Required

AIR CLEANER 2.5L ENGINE S BODY

Figure 14-400

93114 400



ITEM	PART NUMBER	QTY	BODY	MODEL	DESCRIPTION
1	5283 801	1			DUCT, Air Cleaner Fresh Air
2	4300 293	1			MODULE, Heated Air
3	4300 300	1			COVER, Air Cleaner
4	5277 576	4			LATCH, Air Cleaner
5	4288 006	1			ARRESTOR, Flame
6	4288 007	1			FILTER, PCV
7	4342 765	1			SENSOR PACKAGE, Air Cleaner Temperature
8	6501 214	1			NUT, Air Cleaner Temp. Sensor
9	4306 113	1			FILTER, Air Cleaner
10	4300 299	1			BODY, Air Cleaner
11	6501 730	3			NUT
12	4201 284	1			GASKET, Air Cleaner to Throttle Body
13	5203 338	1			HEATER, Throttle Body Air
14					CLAMP (not serviced)
15	4306 121	1			CONNECTOR, Air Heater to Air Cleaner
16	6101 467	1			NUT

MODEL CODES:

A BODY=(C=LeBaron, D=Spirit, P=Acclaim/LaBaron(Landau), Saratoga) S BODY=(H=Voyager(H) FWD, K=Caravan(H) FWD, Y=Town & Country(H) FWD, P=Voyager(K) AWD, D=Caravan(K) AWD, C=Town & Country(K) AWD)  
 C BODY=(D=Dynasty, C=New Yorker/N.Y. Salon)  
 G BODY=(V=Daytona/IROC, Chrysler Daytona)  
 J BODY=(C=LeBaron, Chrysler LeBaron)  
 P BODY=(P=Sundance, D=Shadow)  
 Y BODY=(C=Imperial/5th Avenue)  
 E-S BODY=(K=Chrysler Voyager(H) FWD, D=Chrysler Voyager(K) AWD)

BODY STYLES:

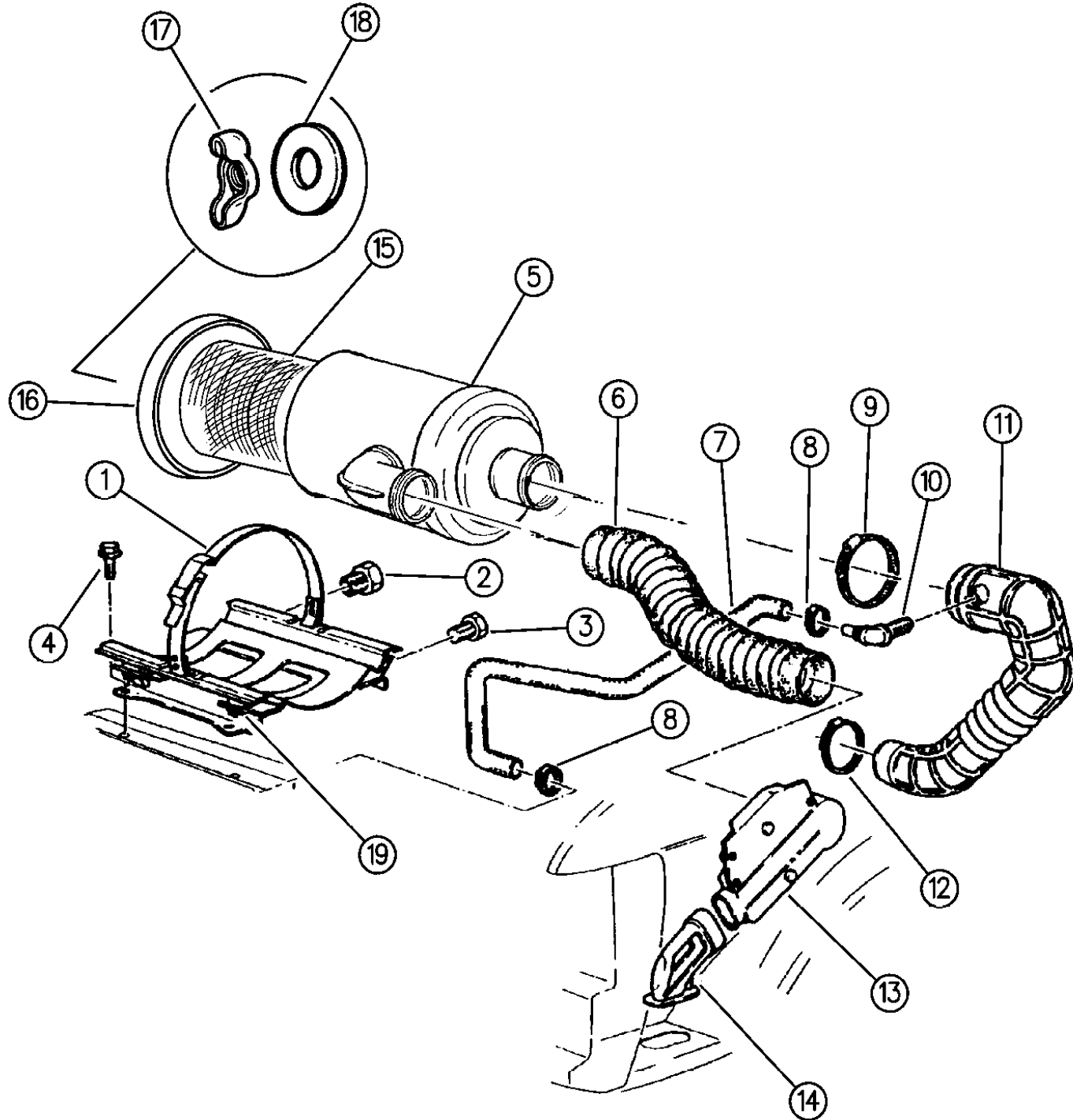
21=2-Door Coupe      41=4-Door Sedan      12-52=FWD & AWD Van & Wgn Std W.B.  
 24=2-Door Hatchback      44=4-Door Hatchback      53=FWD & AWD Van & Wgn Ext. W.B.  
 27=2-Door Convertible

AR = Use as Required - = Non Illustrated Part P.A.R. = Paint as Required

AIR CLEANER AND HOSES 2.5L DIESEL ENGINE ES BODY

Figure 14-500

93114 500C



ITEM	PART NUMBER	QTY	BODY	MODEL	DESCRIPTION
1	4669 068	1			BRACKET ASSEMBLY, Air Cleaner ***
2	4669 079	1			BOLT, (M14x1.5)
3	6101 506	1			SCREW, (M8x18)
4	6101 285	2			SCREW, (M6x12)
5	4728 276	1			BODY, Air Cleaner
6	4459 651	1			DUCT, Air Cleaner
7	4669 089	1			HOSE, Oil Separator to Air Cleaner, (dia. 16mm)
8	6502 017	2			CLAMP
9	6502 094	1			CLAMP
10	4669 090	1			CONNECTOR, Hose Oil Separator
11	4612 382	1			HOSE, Air Cleaner
12	6502 091	1			CLAMP
13	4686 066	1			CONTROL MODULE, E.G.R. ***
14	4459 680	1			ADAPTER, Fresh Air
15	8350 1843	1			FILTER
16	4728 275	1			COVER
17	4740 203	1			NUT
18	4740 205	1			WASHER
19	4669 076	4			SILENCER

MODEL CODES:

A BODY=(C=LeBaron, D=Spirit, P=Acclaim/LaBaron(Landau),  
Saratoga)  
C BODY=(D=Dynasty, C=New Yorker/N.Y. Salon)  
G BODY=(V=Daytona/IROC, Chrysler Daytona)  
J BODY=(C=LeBaron, Chrysler LeBaron)  
P BODY=(P=Sundance, D=Shadow)

S BODY=(H=Voyager(H) FWD, K=Caravan(H) FWD,  
Y=Town & Country(H) FWD, P=Voyager(K) AWD,  
D=Caravan(K) AWD, C=Town & Country(K) AWD)  
Y BODY=(C=Imperial/5th Avenue)  
E-S BODY=(K=Chrysler Voyager(H) FWD, D=Chrysler  
Voyager(K) AWD)

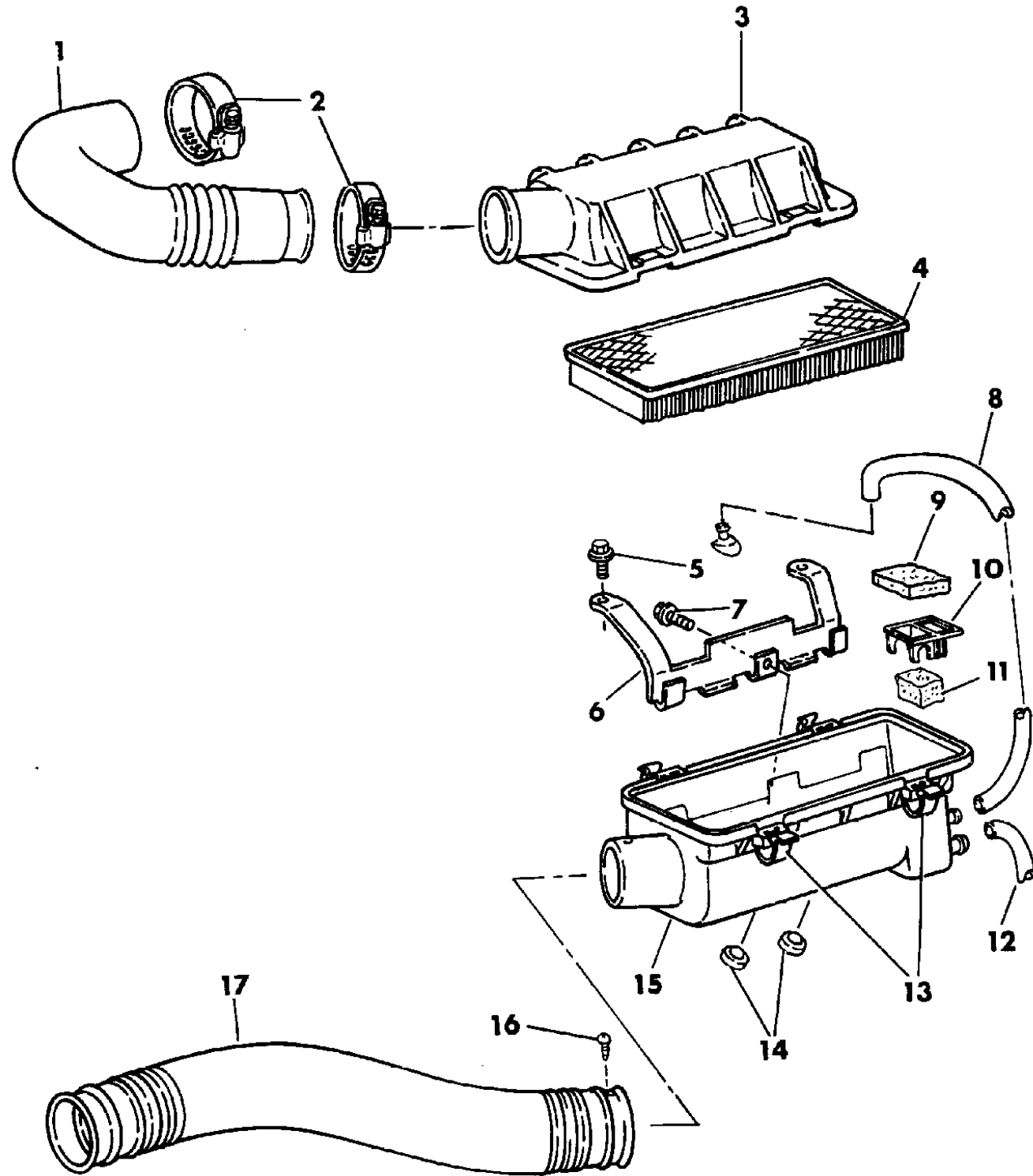
BODY STYLES:

21=2-Door Coupe      41=4-Door Sedan      12-52=FWD & AWD Van & Wgn Std W.B.  
24=2-Door Hatchback      44=4-Door Hatchback      53=FWD & AWD Van & Wgn Ext. W.B.  
27=2-Door Convertible

AR = Use as Required - = Non Illustrated Part P.A.R. = Paint as Required

**AIR CLEANER 3.0L ENGINE**  
**Figure 14-600**

93114 600



ITEM	PART NUMBER	QTY	BODY	MODEL	DESCRIPTION
1	4300 496	1			HOSE, Air Cleaner to Throttle Body
2	2448 764	2			CLAMP
3					COVER, (Serviced in Air Cleaner Assy)
4	4213 583	1			FILTER, Air Cleaner
5	6101 452	2			BOLT
6	4307 307	1			BRACKET, Air Cleaner to Intake
7					SCREW (not serviced)
8	MD14 2355	1			HOSE, Breather
9	4306 914	1			FILTER, PCV System Lower
10	4459 659	1			FILTER, Frame
11	4459 657	1			FILTER, PCV System Upper
12	4459 663	1			HOSE, PCV Drain
13	5277 576	4			LATCH, Air Cleaner
14	4300 052	2			BUMPER, Air Cleaner to Rocker Cover
15	5283 198	1			CLEANER ASSY, Air, Complete ***
16	6032 723	1			SCREW
17	4275 038	1			DUCT, Air Cleaner Fresh Air

**MODEL CODES:**

A BODY=(C=LeBaron, D=Spirit, P=Acclaim/LaBaron(Landau), Saratoga)      S BODY=(H=Voyager(H) FWD, K=Caravan(H) FWD, Y=Town & Country(H) FWD, P=Voyager(K) AWD, D=Caravan(K) AWD, C=Town & Country(K) AWD)  
 C BODY=(D=Dynasty, C=New Yorker/N.Y. Salon)      Y BODY=(C=Imperial/5th Avenue)  
 G BODY=(V=Daytona/IROC, Chrysler Daytona)      E-S BODY=(K=Chrysler Voyager(H) FWD, D=Chrysler Voyager(K) AWD)  
 J BODY=(C=LeBaron, Chrysler LeBaron)  
 P BODY=(P=Sundance, D=Shadow)

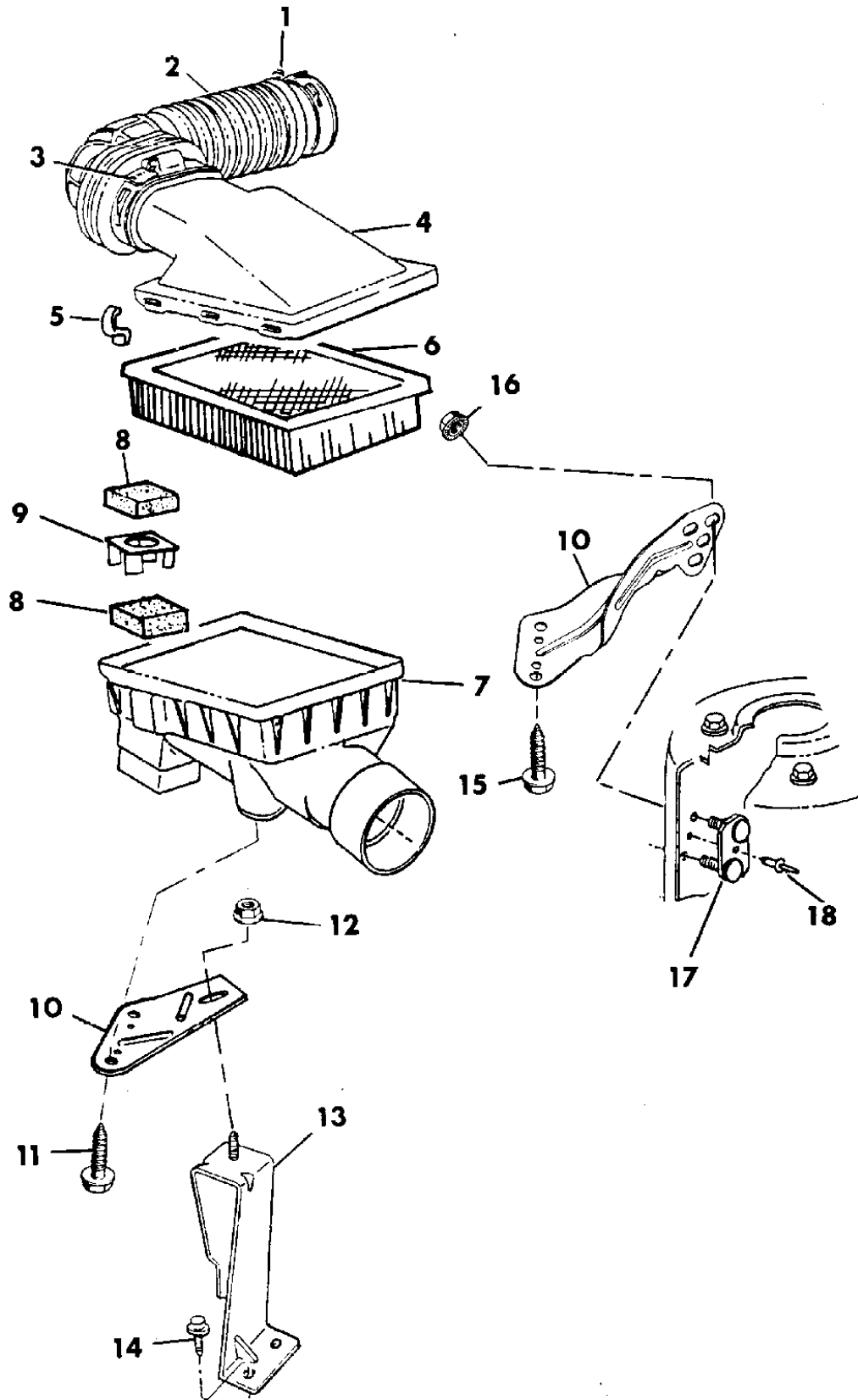
**BODY STYLES:**

21=2-Door Coupe      41=4-Door Sedan      12-52=FWD & AWD Van & Wgn Std W.B.  
 24=2-Door Hatchback      44=4-Door Hatchback      53=FWD & AWD Van & Wgn Ext. W.B.  
 27=2-Door Convertible

AR = Use as Required - = Non Illustrated Part P.A.R. = Paint as Required

**AIR CLEANER 3.3L - 3.8L ENGINE**  
**Figure 14-700**

93114 700



ITEM	PART NUMBER	QTY	BODY	MODEL	DESCRIPTION
1	6502 003	1			CLAMP, Hose to Throttle Body
2	4324 161	1	C,Y		HOSE, Air Cleaner to Throttle Body
	4324 162		S		
3	6502 004	1			CLAMP, Hose to Air Cleaner
4	4458 053	1			COVER, Air Cleaner
5	5277 576	AR			LATCH, Air Cleaner
6	4306 113	1			FILTER, Air Cleaner
7	4458 052	1			BODY, Air Cleaner
8	4459 675	2			FILTER, Crankcase Inlet Air
9	4459 676	1			FRAME, Filter Support
10	4458 055	1	C,Y		BRACKET, Air Cleaner to Frame Bracket
	4458 054	1	S		
11		2			SCREW (not serviced)
12	6500 284	1			NUT and WASHER
13	4458 060	1	C,Y		BRACKET, Frame to Air Cleaner Bracket
14		3			SCREW and WASHER (not serviced)
15		2			SCREW ((not serviced)
16	6500 284	2			NUT and WASHER
17	4459 673	1	S		PLATE, Air Cleaner Bracket
18		1			RIVET (not serviced)

**MODEL CODES:**

A BODY=(C=LeBaron, D=Spirit, P=Acclaim/LaBaron(Landau), Saratoga) S BODY=(H=Voyager(H) FWD, K=Caravan(H) FWD, Y=Town & Country(H) FWD, P=Voyager(K) AWD, D=Caravan(K) AWD, C=Town & Country(K) AWD)  
 C BODY=(D=Dynasty, C=New Yorker/N.Y. Salon) Y BODY=(C=Imperial/5th Avenue)  
 G BODY=(V=Daytona/IROC, Chrysler Daytona) E-S BODY=(K=Chrysler Voyager(H) FWD, D=Chrysler Voyager(K) AWD)  
 J BODY=(C=LeBaron, Chrysler LeBaron) P BODY=(P=Sundance, D=Shadow)

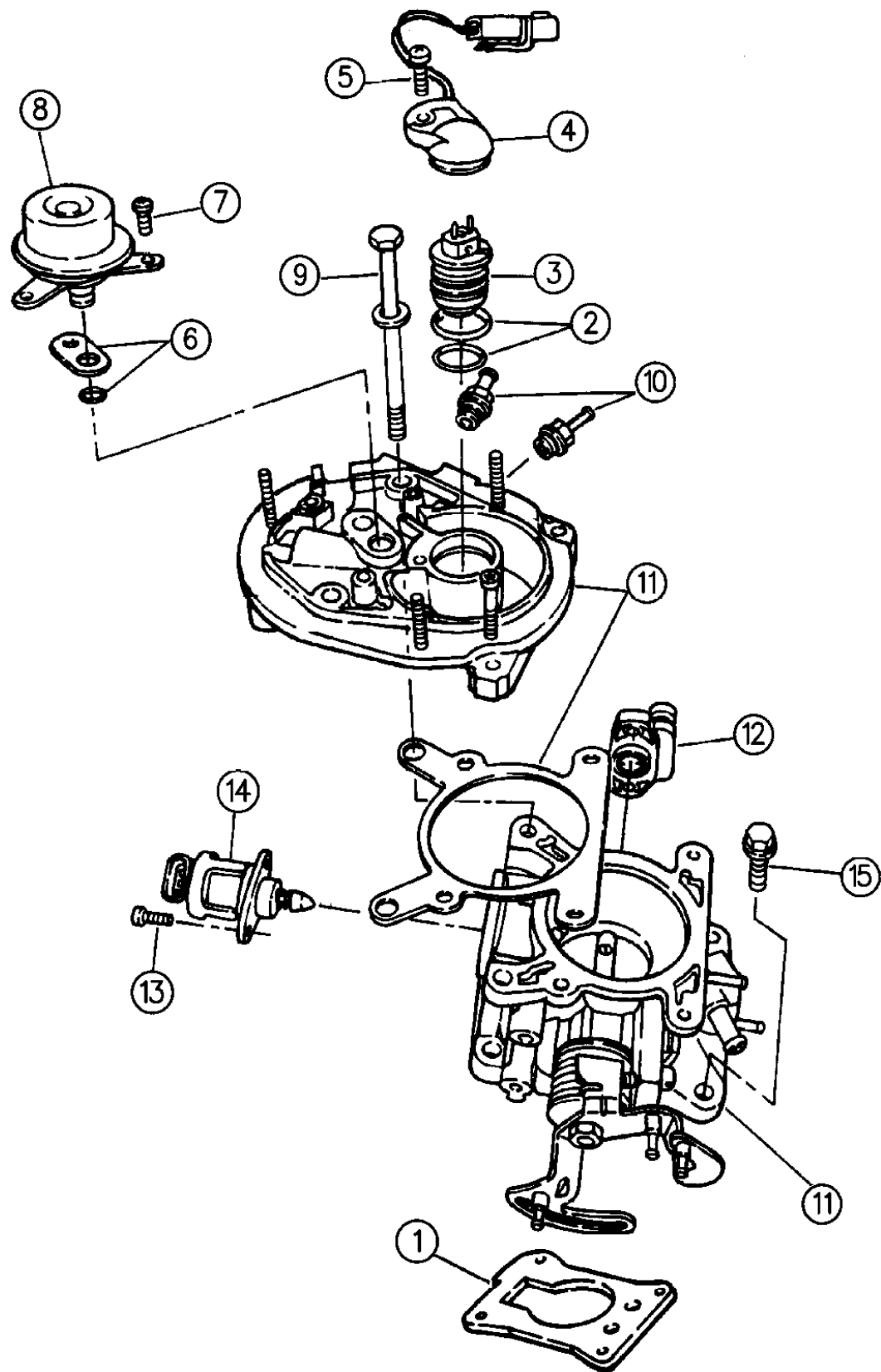
**BODY STYLES:**

21=2-Door Coupe 41=4-Door Sedan 12-52=FWD & AWD Van & Wgn Std W.B.  
 24=2-Door Hatchback 44=4-Door Hatchback 53=FWD & AWD Van & Wgn Ext. W.B.  
 27=2-Door Convertible

AR = Use as Required - = Non Illustrated Part P.A.R. = Paint as Required

THROTTLE BODY 2.2L - 2.5L ENGINE  
Figure 14-800

93114 800A



ITEM	PART NUMBER	QTY	BODY	MODEL	DESCRIPTION
1	4300 251	1			SENSOR, Temperature
2	4418 926	1			O-RING PACKAGE
3	4554 101	1			INJECTOR, w/O-Rings
4	4723 936	1			CAP, Injector w/O-Rings
5	4728 149	1			SCREW, Injector Cap Attaching
6	4723 937	1			O-RING and GASKET PACKAGE, Pressure Regulator
7	4418 155	3			SCREW, Pressure Regulator Attaching
8	4723 945	1			REGULATOR, Fuel Pressure
9	6501 581	2			SCREW and CONE WASHER, Throttle Body Attaching ***
10	5277 375	1			FITTING PACKAGE, Fuel Supply and Return
11					BODY, Throttle
	4723 942	1	P		2.2L Eng.
	4723 943	1	exc. S		2.5L Eng.
	4723 944	1	S		2.5L Eng.
12	5234 904	1			SENSOR, Throttle Position
13	4728 134	1			SCREW, Throttle Position Sensor
14	4300 255	1			O-RING, A.I.S. Motor
15	6500 564	2			SCREW, Throttle Body Mounting
16	4612 453	1			MOTOR, A.I.S. w/O-Ring
17	4728 136	1			SCREW PACKAGE, A.I.S Motor Attaching
18	4324 411	1			GASKET, Throttle Body to Intake Manifold
-	5277 575	1	S		ADAPTER, Throttle Body to Air Inlet

MODEL CODES:

A BODY=(C=LeBaron, D=Spirit, P=Acclaim/LaBaron(Landau),  
Saratoga)  
C BODY=(D=Dynasty, C=New Yorker/N.Y. Salon)  
G BODY=(V=Daytona/IROC, Chrysler Daytona)  
J BODY=(C=LeBaron, Chrysler LeBaron)  
P BODY=(P=Sundance, D=Shadow)

S BODY=(H=Voyager(H) FWD, K=Caravan(H) FWD,  
Y=Town & Country(H) FWD, P=Voyager(K) AWD,  
D=Caravan(K) AWD, C=Town & Country(K) AWD)  
Y BODY=(C=Imperial/5th Avenue)  
E-S BODY=(K=Chrysler Voyager(H) FWD, D=Chrysler  
Voyager(K) AWD)

BODY STYLES:

21=2-Door Coupe      41=4-Door Sedan      12-52=FWD & AWD Van & Wgn Std W.B.  
24=2-Door Hatchback      44=4-Door Hatchback      53=FWD & AWD Van & Wgn Ext. W.B.  
27=2-Door Convertible

94114 610

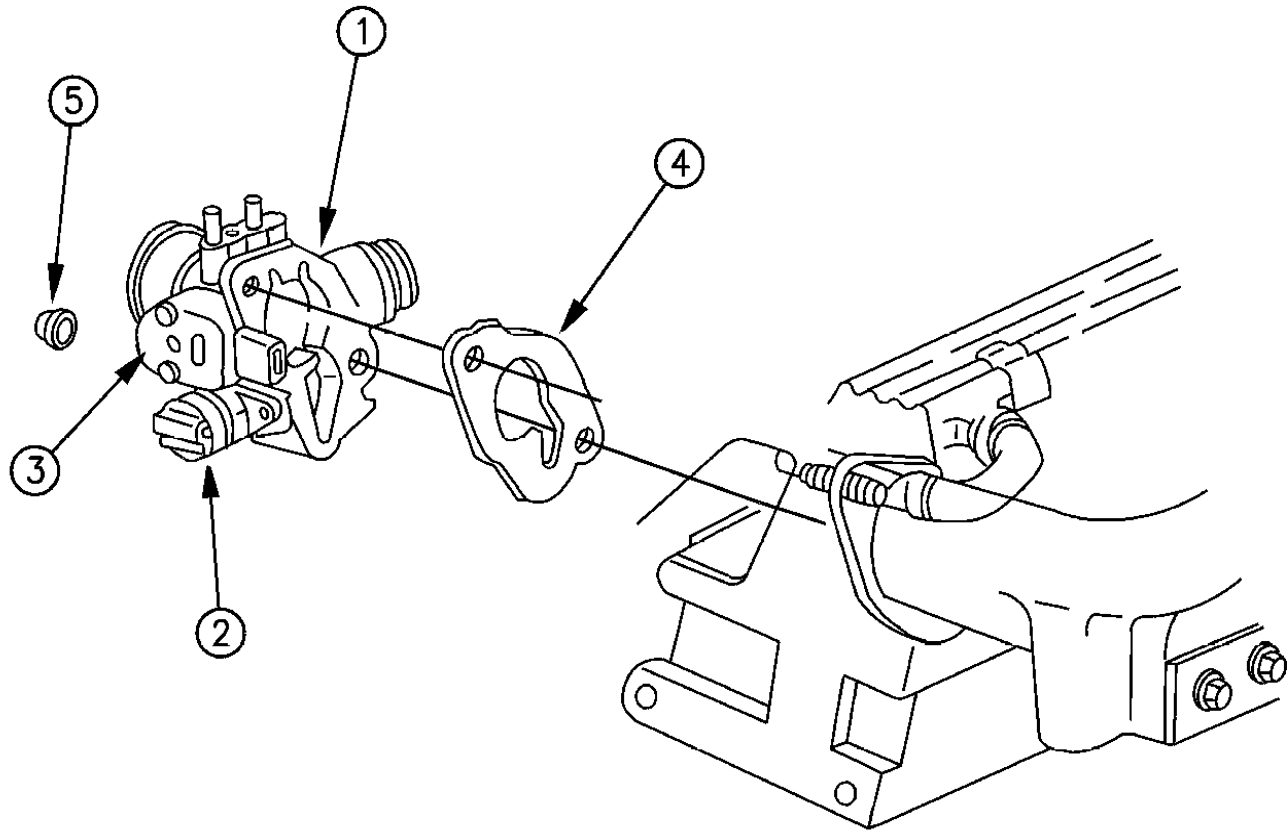
AR = Use as Required - = Non Illustrated Part P.A.R. = Paint as Required



**THROTTLE BODY 2.5L ENGINE (FLEX FUEL) A BODY**  
**Figure 14-850**

93114 850A

ITEM	PART NUMBER	QTY	BODY	MODEL	DESCRIPTION
1	4669 104	1			THROTTLE BODY, Assy. ***
2	4300 494	1			MOTOR, A.I.S. (Auto, Idle, Speed)
3	5234 901	1			SENSOR, Throttle Postion
4	4324 426	1			GASKET, Throttle Body To Manifold
5	6101 445	2			NUT, W/Washer



**MODEL CODES:**

A BODY=(C=LeBaron, D=Spirit, P=Acclaim/LaBaron(Landau, Saratoga)  
 C BODY=(D=Dynasty, C=New Yorker/N.Y. Salon)  
 G BODY=(V=Daytona/IROC, Chrysler Daytona)  
 J BODY=(C=LeBaron, Chrysler LeBaron)  
 P BODY=(P=Sundance, D=Shadow)

S BODY=(H=Voyager(H) FWD, K=Caravan(H) FWD,  
 Y=Town & Country(H) FWD, P=Voyager(K) AWD,  
 D=Caravan(K) AWD, C=Town & Country(K) AWD)  
 Y BODY=(C=Imperial/5th Avenue)  
 E-S BODY=(K=Chrysler Voyager(H) FWD, D=Chrysler  
 Voyager(K) AWD)

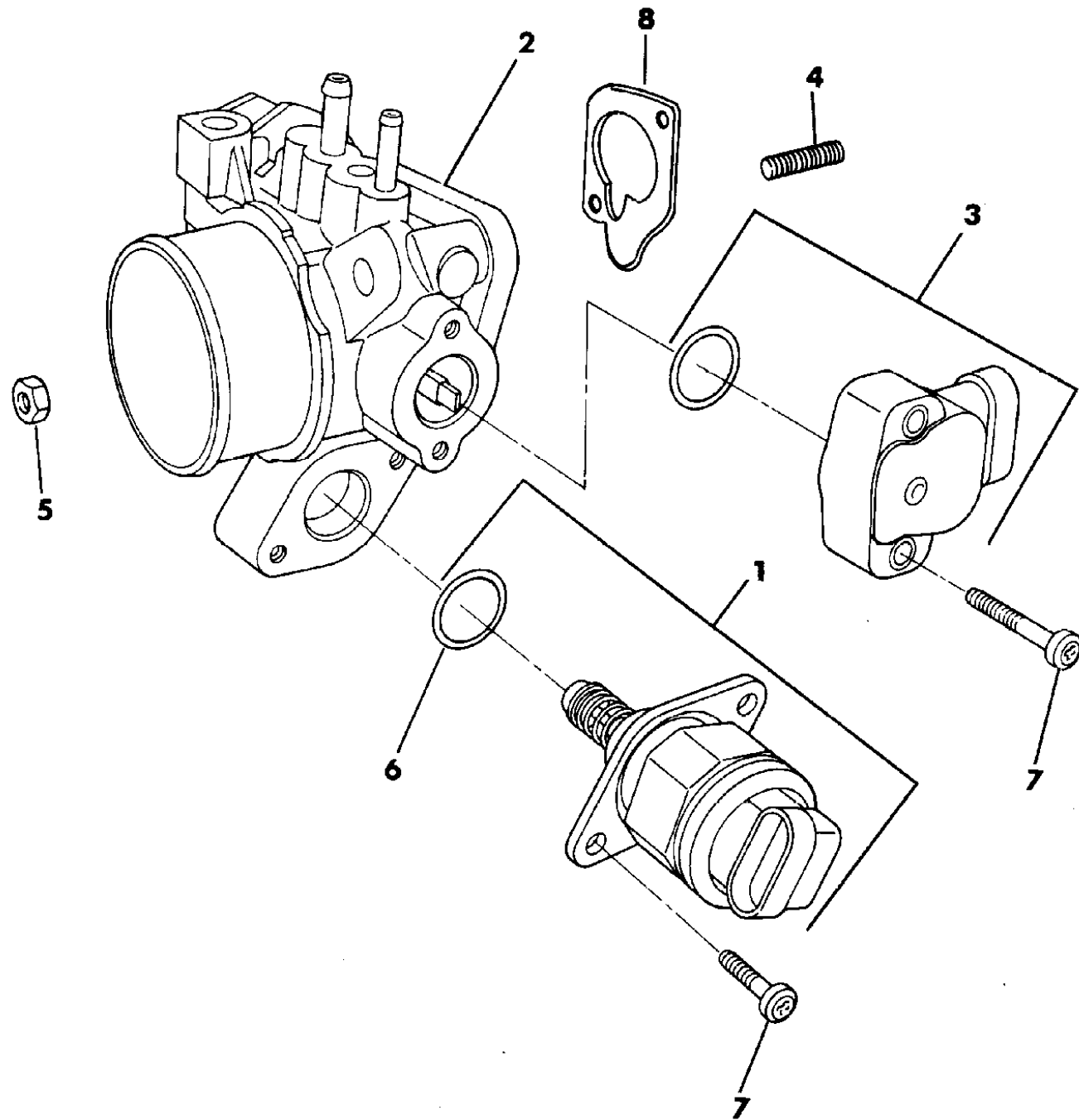
**BODY STYLES:**

21=2-Door Coupe      41=4-Door Sedan      12-52=FWD & AWD Van & Wgn Std W.B.  
 24=2-Door Hatchback    44=4-Door Hatchback    53=FWD & AWD Van & Wgn Ext. W.B.  
 27=2-Door Convertible

AR = Use as Required - = Non Illustrated Part P.A.R. = Paint as Required

THROTTLE BODY 2.2L ENGINE 16 VALVE ENGINE 3.0L - 3.3L - 3.8L ENGINE  
Figure 14-900

93114 900



ITEM	PART NUMBER	QTY	BODY	MODEL	DESCRIPTION
1					MOTOR, A.I.S.
	5277 839	1			2.2L Eng. 16 Valve
	4612 453	1			3.0L Eng.
	5277 513	1			3.3L, 3.8L Eng.
2					BODY, Throttle
	5283 297	1			2.2L Eng. 16 Valve
	5283 296	1			3.0L Eng.
	5283 394	1	C,Y		3.3L, 3.8L Eng.
	4612 179	1	S		3.3L Eng.
3					POTENTIOMETER, Throttle
	5234 901	1			2.2L Eng. 16 Valve
	5234 902	1			3.0L Eng.
	5234 901	1			3.3L and 3.8L Eng.
4					STUD, Throttle Body Attaching
	MS40 1337	1			3.0L Eng.
	6501 951	1			3.3L, 3.8L Eng.
5	6101 445	2			NUT, Throttle Body Attaching
6	4300 255	1			O-RING, A.I.S. Motor
7					SCREW
	4713 115	AR			w/Potentiometer
	4713 116	AR			w/A.I.S. Motor
8					GASKET, Throttle Body to Intake Manifold
	4300 071	1			2.2L Eng. 16 Valve
	4324 426	1			3.0L Eng.
	4300 071	1			3.3, 3.8L Eng.

**MODEL CODES:**

A BODY=(C=LeBaron, D=Spirit, P=Acclaim/LaBaron(Landau),  
Saratoga)  
C BODY=(D=Dynasty, C=New Yorker/N.Y. Salon)  
G BODY=(V=Daytona/IROC, Chrysler Daytona)  
J BODY=(C=LeBaron, Chrysler LeBaron)  
P BODY=(P=Sundance, D=Shadow)

S BODY=(H=Voyager(H) FWD, K=Caravan(H) FWD,  
Y=Town & Country(H) FWD, P=Voyager(K) AWD,  
D=Caravan(K) AWD, C=Town & Country(K) AWD)  
Y BODY=(C=Imperial/5th Avenue)  
E-S BODY=(K=Chrysler Voyager(H) FWD, D=Chrysler  
Voyager(K) AWD)

**BODY STYLES:**

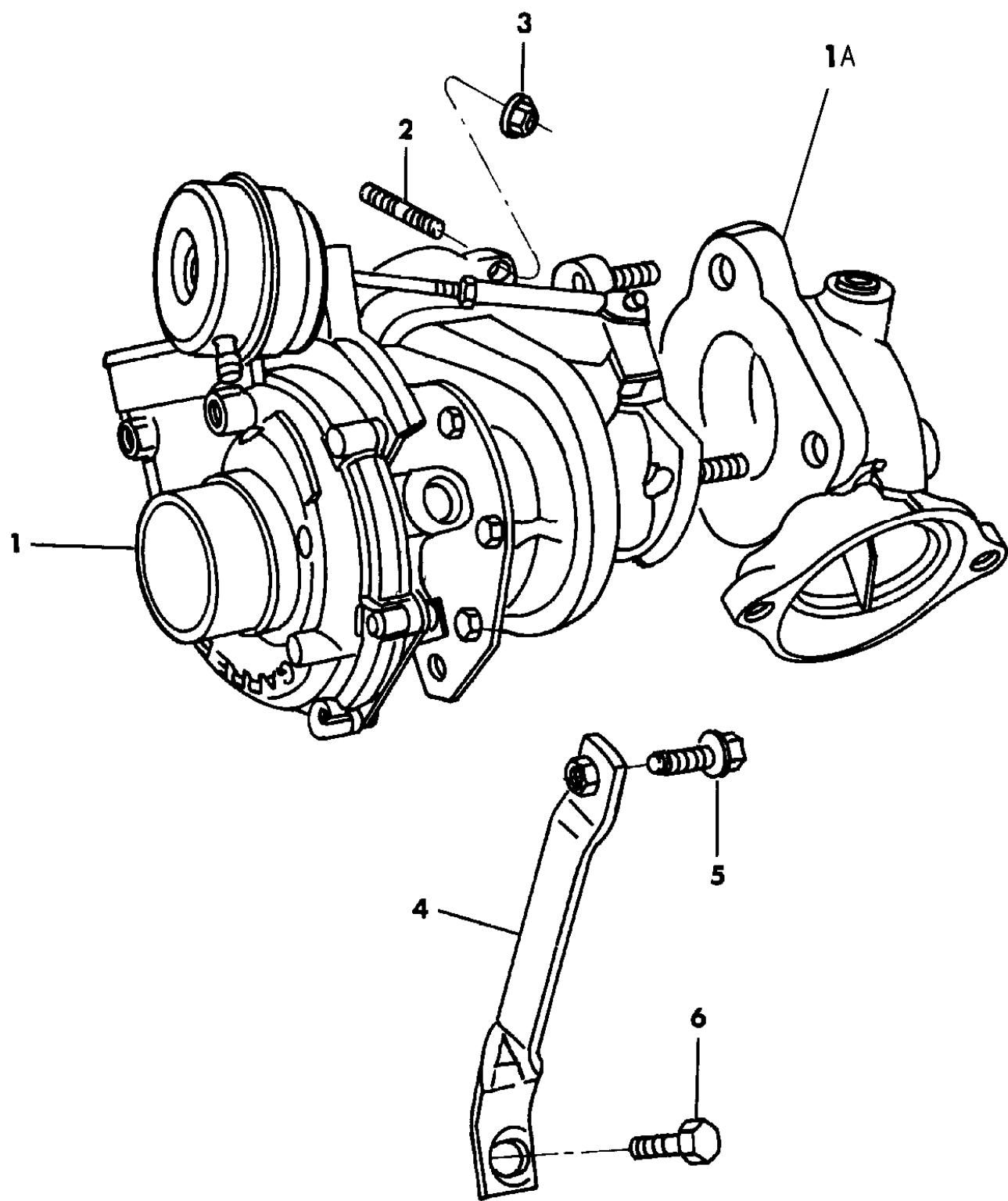
21=2-Door Coupe      41=4-Door Sedan      12-52=FWD & AWD Van & Wgn Std W.B.  
24=2-Door Hatchback      44=4-Door Hatchback      53=FWD & AWD Van & Wgn Ext. W.B.  
27=2-Door Convertible

AR = Use as Required - = Non Illustrated Part P.A.R. = Paint as Required

TURBO CHARGER 2.2L ENGINE 16 VALVE  
Figure 14-1000

93114 1000A

ITEM	PART NUMBER	QTY	BODY	MODEL	DESCRIPTION
1	4667 321	1			TURBO CHARGER ASSY, w/Out Elbow ***
1A	5281 143	1			ELBOW, Turbo Outlet
2	6500 830	4			STUD, M10x1.5x40-6
3	6500 680	4			NUT, Turbo Attach
4	4484 327	1			BRACKET, Turbo Support
5	6100 312	1			SCREW, w/Washer M8x20
6	6501 741	1			SCREW, w/Washer
-	4442 842	1			PIPE ASSEMBLY, Turbo Water Return ***



**MODEL CODES:**

A BODY=(C=LeBaron, D=Spirit, P=Acclaim/LaBaron(Landau), Saratoga) S BODY=(H=Voyager(H) FWD, K=Caravan(H) FWD, Y=Town & Country(H) FWD, P=Voyager(K) AWD, D=Caravan(K) AWD, C=Town & Country(K) AWD)  
 C BODY=(D=Dynasty, C=New Yorker/N.Y. Salon) Y BODY=(C=Imperial/5th Avenue)  
 G BODY=(V=Daytona/IROC, Chrysler Daytona) E-S BODY=(K=Chrysler Voyager(H) FWD, D=Chrysler Voyager(K) AWD)  
 J BODY=(C=LeBaron, Chrysler LeBaron) P BODY=(P=Sundance, D=Shadow)

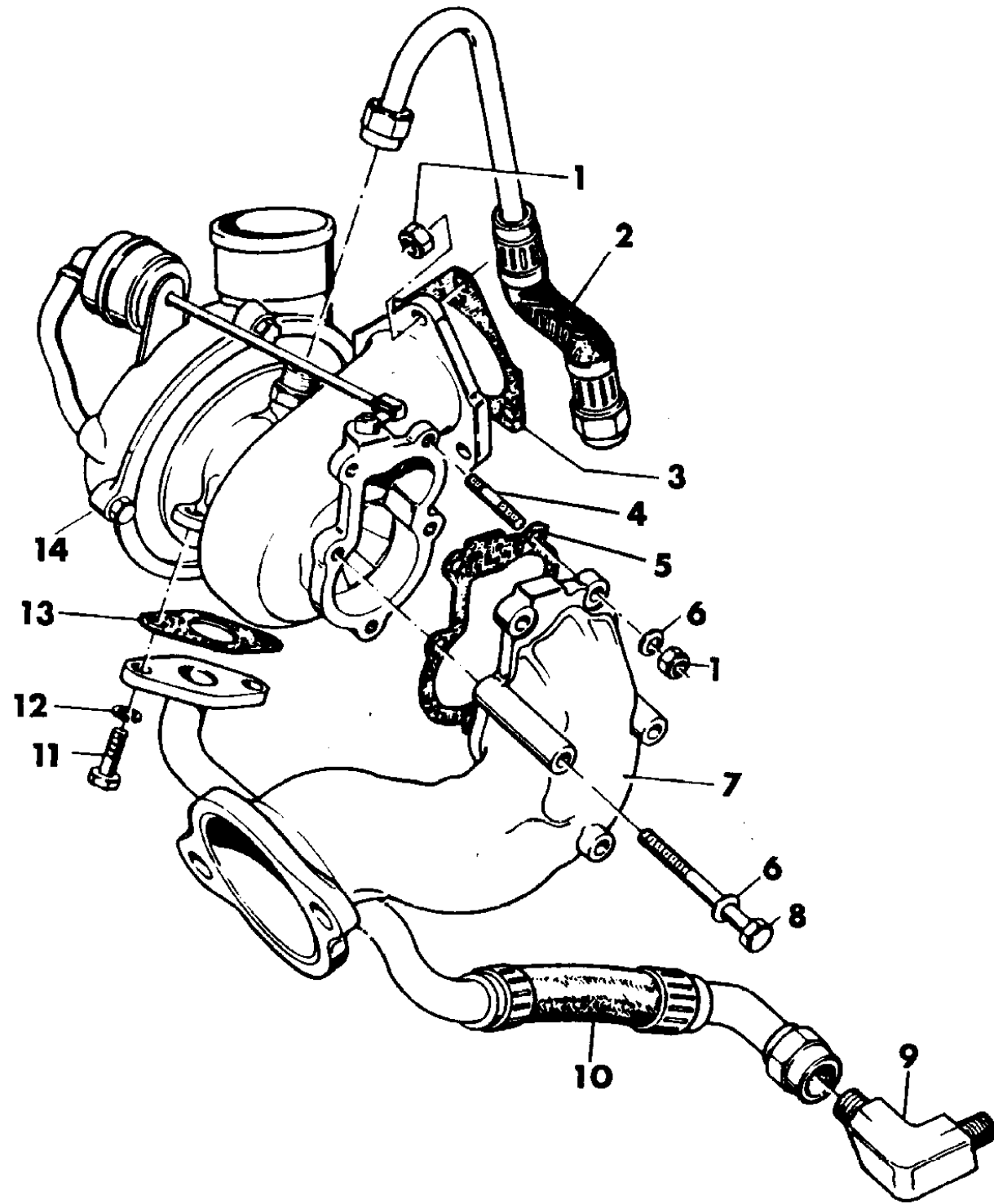
**BODY STYLES:**

21=2-Door Coupe      41=4-Door Sedan      12-52=FWD & AWD Van & Wgn Std W.B.  
 24=2-Door Hatchback      44=4-Door Hatchback      53=FWD & AWD Van & Wgn Ext. W.B.  
 27=2-Door Convertible

AR = Use as Required - = Non Illustrated Part P.A.R. = Paint as Required

**TURBO CHARGER AND ELBOW, 2.5L TURBO DIESEL ENGINE ES BODY**  
**Figure 14-1100**

93114 1100



ITEM	PART NUMBER	QTY	BODY	MODEL	DESCRIPTION
1	4720 428	AR			NUT
2	4723 219	1			TUBE, Oil Feed
3	4720 203	1			GASKET, Turbocharger to Manifold
4	4720 425	AR			STUD, Turbo Elbow, Attaching
5	4723 224	1			GASKET, Elbow to Turbo
6	4723 223	AR			WASHER, Elbow Bolt
7	4720 424	1			ELBOW, Exhaust Outlet Turbo
8	4720 427	2			BOLT, Elbow Attaching
9	4720 422	1			ADAPTOR, Turbo Oil Drain Pipe
10	4720 421	1			PIPE, Oil Drain
11	4728 186	2			BOLT, Oil Drain Pipe
12	4720 285	2			WASHER, Oil Drain Pipe
13	4720 423	1			GASKET, Oil Drain Pipe
14	4723 225	1			TURBOCHARGER ***

**MODEL CODES:**

A BODY=(C=LeBaron, D=Spirit, P=Acclaim/LaBaron(Landau),  
Saratoga)  
 C BODY=(D=Dynasty, C=New Yorker/N.Y. Salon)  
 G BODY=(V=Daytona/IROC, Chrysler Daytona)  
 J BODY=(C=LeBaron, Chrysler LeBaron)  
 P BODY=(P=Sundance, D=Shadow)

S BODY=(H=Voyager(H) FWD, K=Caravan(H) FWD,  
Y=Town & Country(H) FWD, P=Voyager(K) AWD,  
D=Caravan(K) AWD, C=Town & Country(K) AWD)  
 Y BODY=(C=Imperial/5th Avenue)  
 E-S BODY=(K=Chrysler Voyager(H) FWD, D=Chrysler  
Voyager(K) AWD)

**BODY STYLES:**

21=2-Door Coupe      41=4-Door Sedan      12-52=FWD & AWD Van & Wgn Std W.B.  
 24=2-Door Hatchback      44=4-Door Hatchback      53=FWD & AWD Van & Wgn Ext. W.B.  
 27=2-Door Convertible

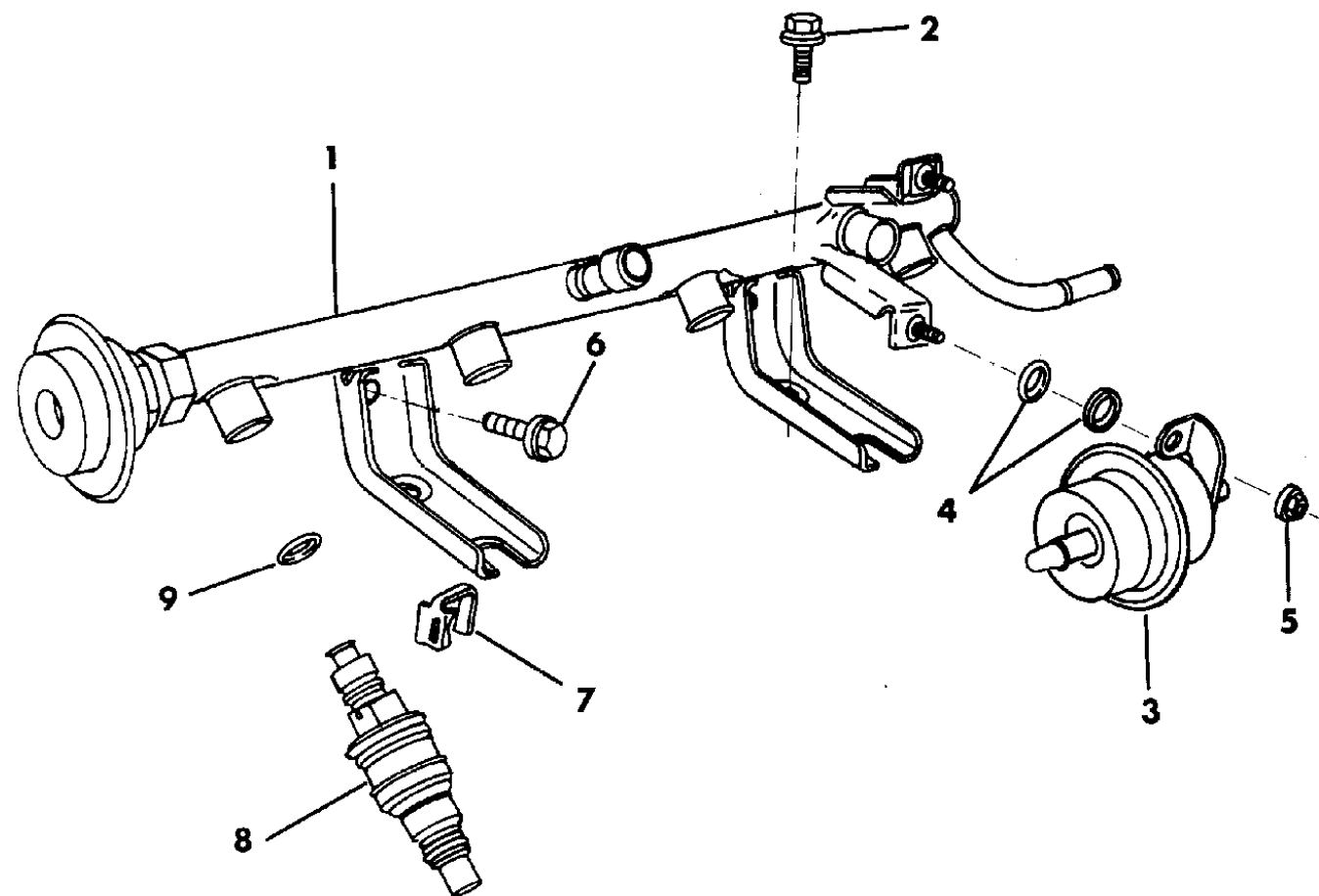
AR = Use as Required - = Non Illustrated Part P.A.R. = Paint as Required

FUEL RAIL AND RELATED PARTS 2.2L ENGINE 16 VALVE

Figure 14-1200

93114 1200

ITEM	PART NUMBER	QTY	BODY	MODEL	DESCRIPTION
1	5277 666	1			RAIL, Fuel
2	6101 452	4			SCREW, w/Washer
3	4306 015	1			REGULATOR, Fuel Pressure
4	5277 919	1			O-RING, Regulator to Rail
5	6501 140	2			NUT, Regulator to Fuel Rail
6	6501 764	2			SCREW, w/Washer
7	4418 257	4			CLIP, Fuel Injector
8	5277 895	4			INJECTOR, w/O-Rings
9	4504 348	AR			O-RING, Injector ( 2 O-Ring per Pkg.)



MODEL CODES:

A BODY=(C=LeBaron, D=Spirit, P=Acclaim/LaBaron(Landau), Saratoga) S BODY=(H=Voyager(H) FWD, K=Caravan(H) FWD, Y=Town & Country(H) FWD, P=Voyager(K) AWD, D=Caravan(K) AWD, C=Town & Country(K) AWD)  
 C BODY=(D=Dynasty, C=New Yorker/N.Y. Salon) Y BODY=(C=Imperial/5th Avenue)  
 G BODY=(V=Daytona/IROC, Chrysler Daytona) E-S BODY=(K=Chrysler Voyager(H) FWD, D=Chrysler Voyager(K) AWD)  
 J BODY=(C=LeBaron, Chrysler LeBaron)  
 P BODY=(P=Sundance, D=Shadow)

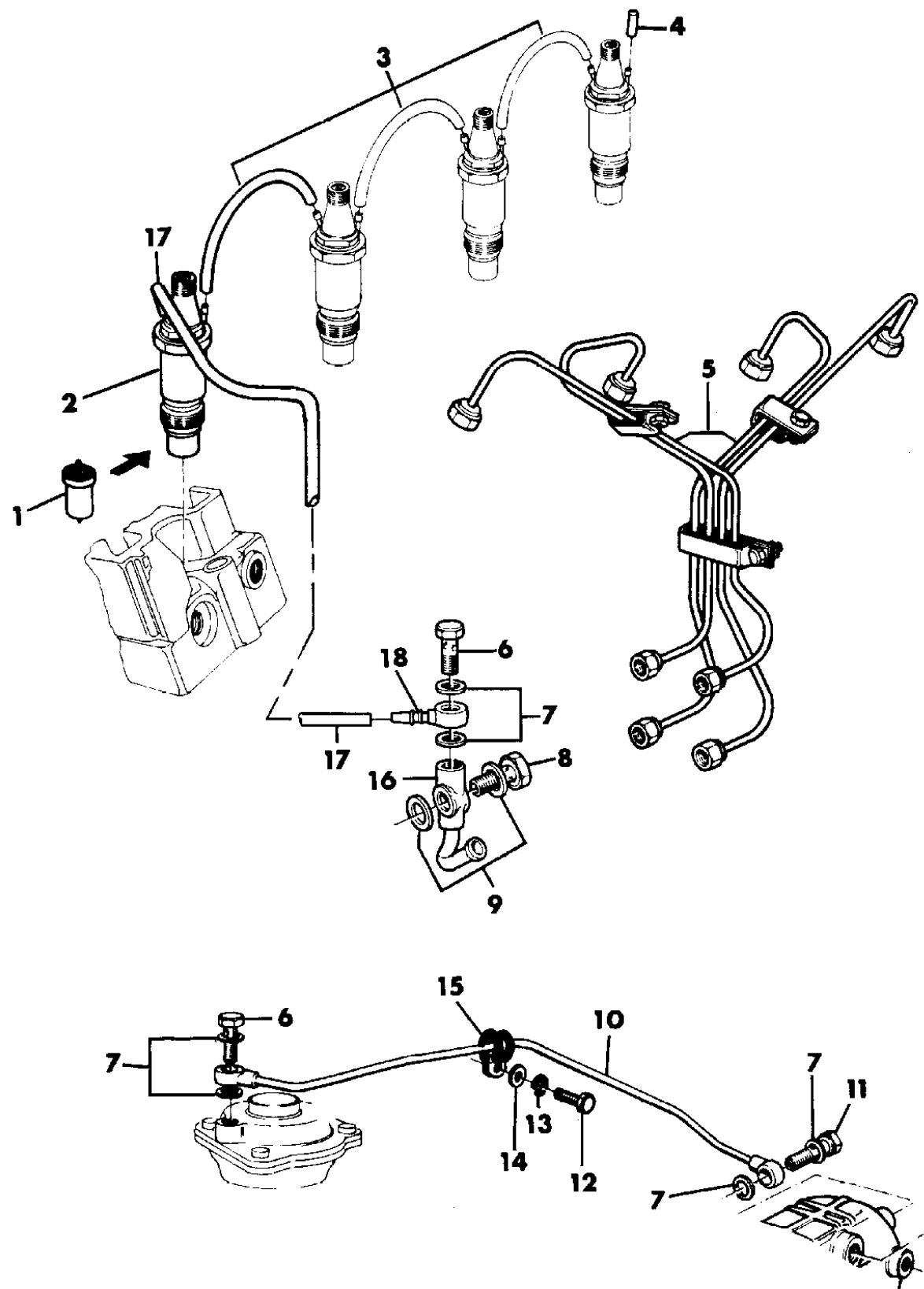
BODY STYLES:

21=2-Door Coupe      41=4-Door Sedan      12-52=FWD & AWD Van & Wgn Std W.B.  
 24=2-Door Hatchback      44=4-Door Hatchback      53=FWD & AWD Van & Wgn Ext. W.B.  
 27=2-Door Convertible

AR = Use as Required - = Non Illustrated Part P.A.R. = Paint as Required

**TURBO CHARGER AND ELBOW, 2.5L TURBO DIESEL ENGINE ES BODY**  
**Figure 14-1100**

93114 1300



ITEM	PART NUMBER	QTY	BODY	MODEL	DESCRIPTION
1	4723 346	4			NOZZLE, Injector
2	4720 171	4			INJECTOR, Fuel
3	4720 189	3			PIPE, Spill Return
4	4720 197	1			PLUG, Spill Return Pipe
5	4720 169	1			PIPE, Injector
6	4723 183	AR			BOLT
7	4720 554	AR			WASHER
8	4720 367	AR			BOLT, Banjo
9	4720 703	AR			WASHER
10	4723 194	1			PIPE, Fuel Booster
11	4720 358	AR			BOLT
12	4720 372	AR			BOLT
13	4720 702	AR			WASHER
14	4723 195	AR			WASHER
15	4723 184	1			CLAMP, Fuel Booster Pipe
16	4720 192	1			ADAPTOR, Spill Return Pump
17	4720 190	1			PIPE, Spill Return to Injector Pump
18	4723 268	1			CONNECTOR, Leak Pipe Assembly

**MODEL CODES:**

A BODY=(C=LeBaron, D=Spirit, P=Acclaim/LaBaron(Landau, Saratoga) S BODY=(H=Voyager(H) FWD, K=Caravan(H) FWD, Y=Town & Country(H) FWD, P=Voyager(K) AWD, D=Caravan(K) AWD, C=Town & Country(K) AWD)  
 C BODY=(D=Dynasty, C=New Yorker/N.Y. Salon)  
 G BODY=(V=Daytona/IROC, Chrysler Daytona)  
 J BODY=(C=LeBaron, Chrysler LeBaron)  
 P BODY=(P=Sundance, D=Shadow)  
 Y BODY=(C=Imperial/5th Avenue)  
 E-S BODY=(K=Chrysler Voyager(H) FWD, D=Chrysler Voyager(K) AWD)

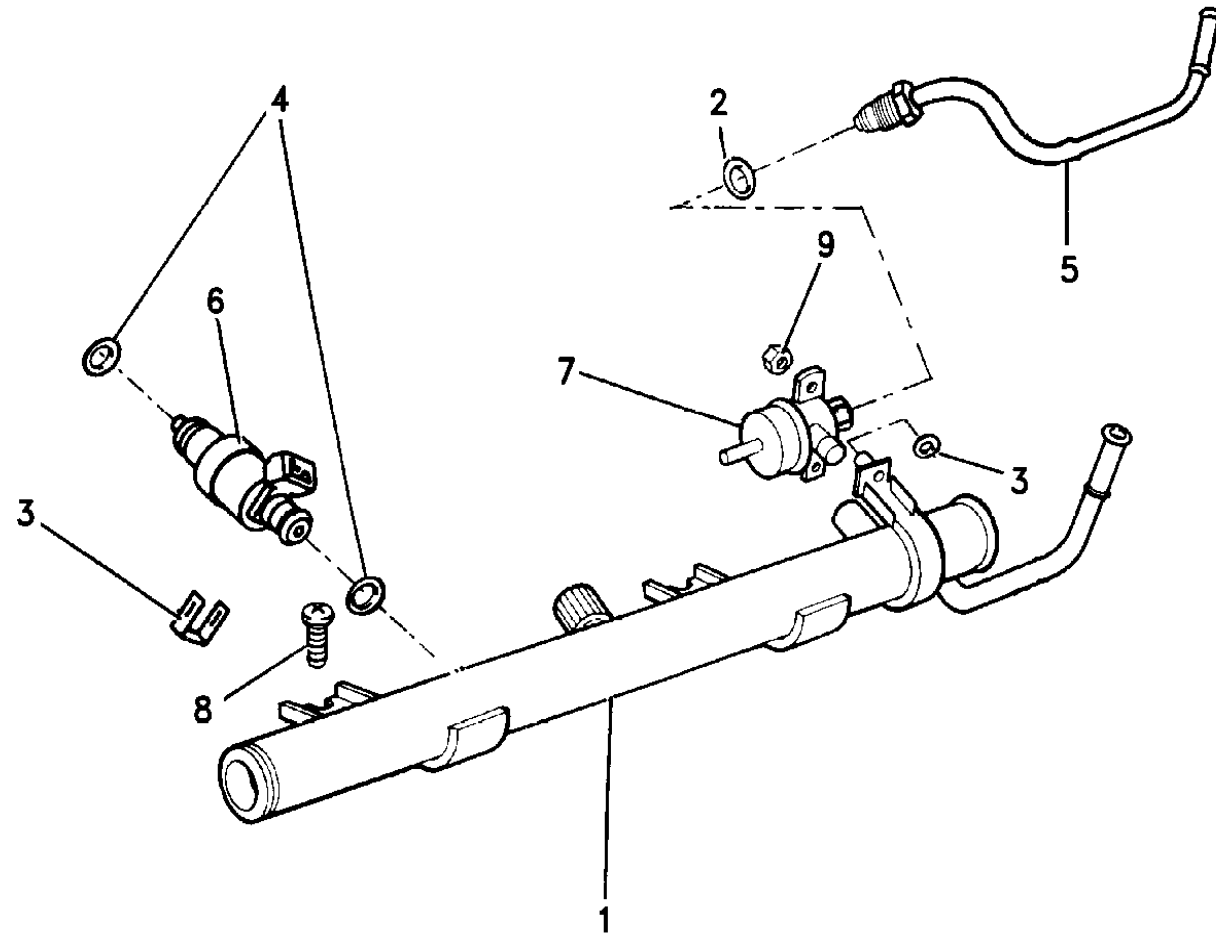
**BODY STYLES:**

21=2-Door Coupe      41=4-Door Sedan      12-52=FWD & AWD Van & Wgn Std W.B.  
 24=2-Door Hatchback      44=4-Door Hatchback      53=FWD & AWD Van & Wgn Ext. W.B.  
 27=2-Door Convertible

AR = Use as Required - = Non Illustrated Part P.A.R. = Paint as Required

FUEL RAIL AND RELATED PARTS 2.5L ENGINE (FLEX FUEL) A BODY  
Figure 14-1350

93114 1350



ITEM	PART NUMBER	QTY	BODY	MODEL	DESCRIPTION
1	4723 307	1			RAIL, Fuel
2	4669 021	1			O-RING, Regulator To Return
3	4723 629	1			O-RING, Fuel Pressure Regulator
4	4728 126	1			O-RING, Fuel Injector
5	5277 890	1			TUBE AND HOSE, Assy. Fuel Pressure Regulator Return ***
6	5277 896	1			INJECTOR ASSEMBLY, Flex Fuel ***
7	5277 901	1			REGULATOR, Fuel Pressure
8	6502 702	2			SCREW, M5x080x15 Fuel Rail
9	6502 703	2			NUT, Regulator To Fuel Rail

**MODEL CODES:**

A BODY=(C=LeBaron, D=Spirit, P=Acclaim/LaBaron(Landau),  
Saratoga)  
C BODY=(D=Dynasty, C=New Yorker/N.Y. Salon)  
G BODY=(V=Daytona/IROC, Chrysler Daytona)  
J BODY=(C=LeBaron, Chrysler LeBaron)  
P BODY=(P=Sundance, D=Shadow)

S BODY=(H=Voyager(H) FWD, K=Caravan(H) FWD,  
Y=Town & Country(H) FWD, P=Voyager(K) AWD,  
D=Caravan(K) AWD, C=Town & Country(K) AWD)  
Y BODY=(C=Imperial/5th Avenue)  
E-S BODY=(K=Chrysler Voyager(H) FWD, D=Chrysler  
Voyager(K) AWD)

**BODY STYLES:**

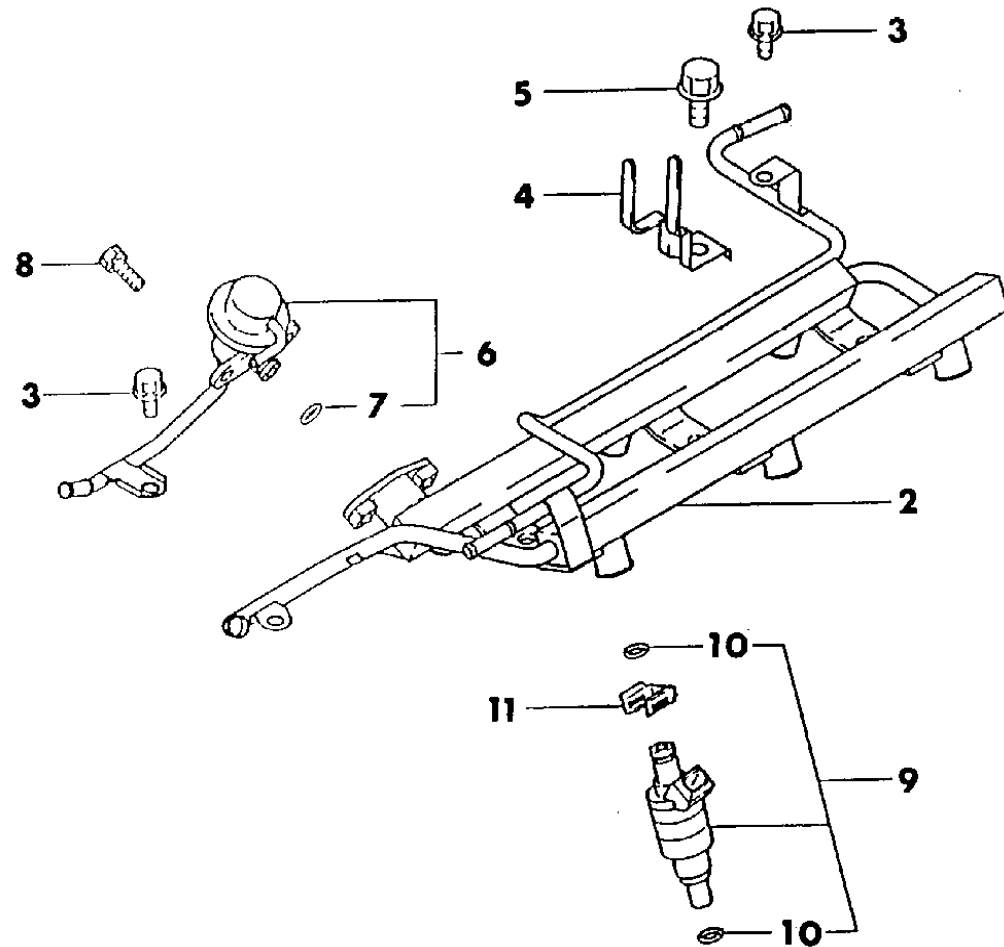
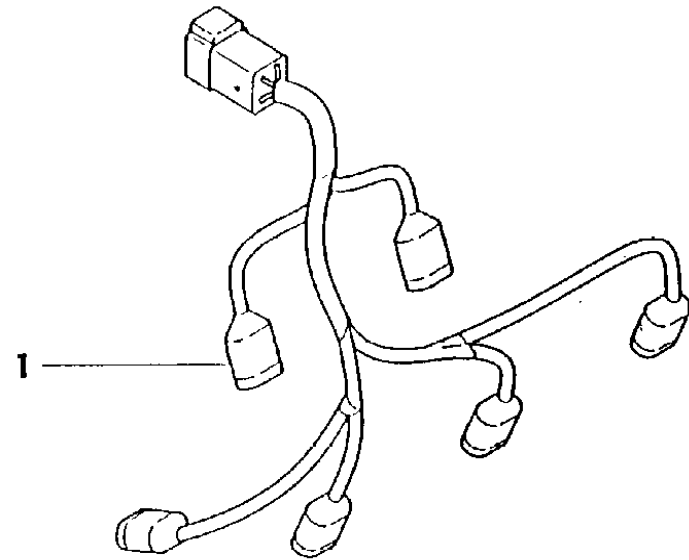
21=2-Door Coupe      41=4-Door Sedan      12-52=FWD & AWD Van & Wgn Std W.B.  
24=2-Door Hatchback      44=4-Door Hatchback      53=FWD & AWD Van & Wgn Ext. W.B.  
27=2-Door Convertible

AR = Use as Required - = Non Illustrated Part P.A.R. = Paint as Required

FUEL RAIL AND RELATED PARTS 3.0L ENGINE

Figure 14-1400

93114 1400



ITEM	PART NUMBER	QTY	BODY	MODEL	DESCRIPTION
1	MD16 2946	1			HARNESSES, w/Clips Fuel Injector Wiring
2	MD17 0065	1			PIPE, Fuel Delivery
3	MF24 1525	4			BOLT, Flange (6x16)
4	MD10 7721	1			CLIP
5	MF24 0651	3			BOLT, Flange (8x14)
6	MD17 8987	1			REGULATOR, Fuel Pressure
7	MD60 4688	1			O-RING, Fuel Pressure Regulator
8	MF24 1524	2			BOLT, w/Washer (6x14)
9					INJECTOR, Fuel
	MD15 8484	1			NIKK, Orange
	MD16 8410	1			BOSCH, Red
10					O-RING, Fuel Injector
	MD61 4822	AR			NIKK
	MD62 0064	12			BOSCH
11	MD08 9608	6			CLIP, Fuel Injector
-	5277 685	1			HOSE, Reg. To Vac. Source

MODEL CODES:

A BODY=(C=LeBaron, D=Spirit, P=Acclaim/LaBaron(Landau), Saratoga) S BODY=(H=Voyager(H) FWD, K=Caravan(H) FWD, Y=Town & Country(H) FWD, P=Voyager(K) AWD, D=Caravan(K) AWD, C=Town & Country(K) AWD)  
 C BODY=(D=Dynasty, C=New Yorker/N.Y. Salon) Y BODY=(C=Imperial/5th Avenue)  
 G BODY=(V=Daytona/IROC, Chrysler Daytona) E-S BODY=(K=Chrysler Voyager(H) FWD, D=Chrysler Voyager(K) AWD)  
 J BODY=(C=LeBaron, Chrysler LeBaron) P BODY=(P=Sundance, D=Shadow)

BODY STYLES:

21=2-Door Coupe 41=4-Door Sedan 12-52=FWD & AWD Van & Wgn Std W.B.  
 24=2-Door Hatchback 44=4-Door Hatchback 53=FWD & AWD Van & Wgn Ext. W.B.  
 27=2-Door Convertible

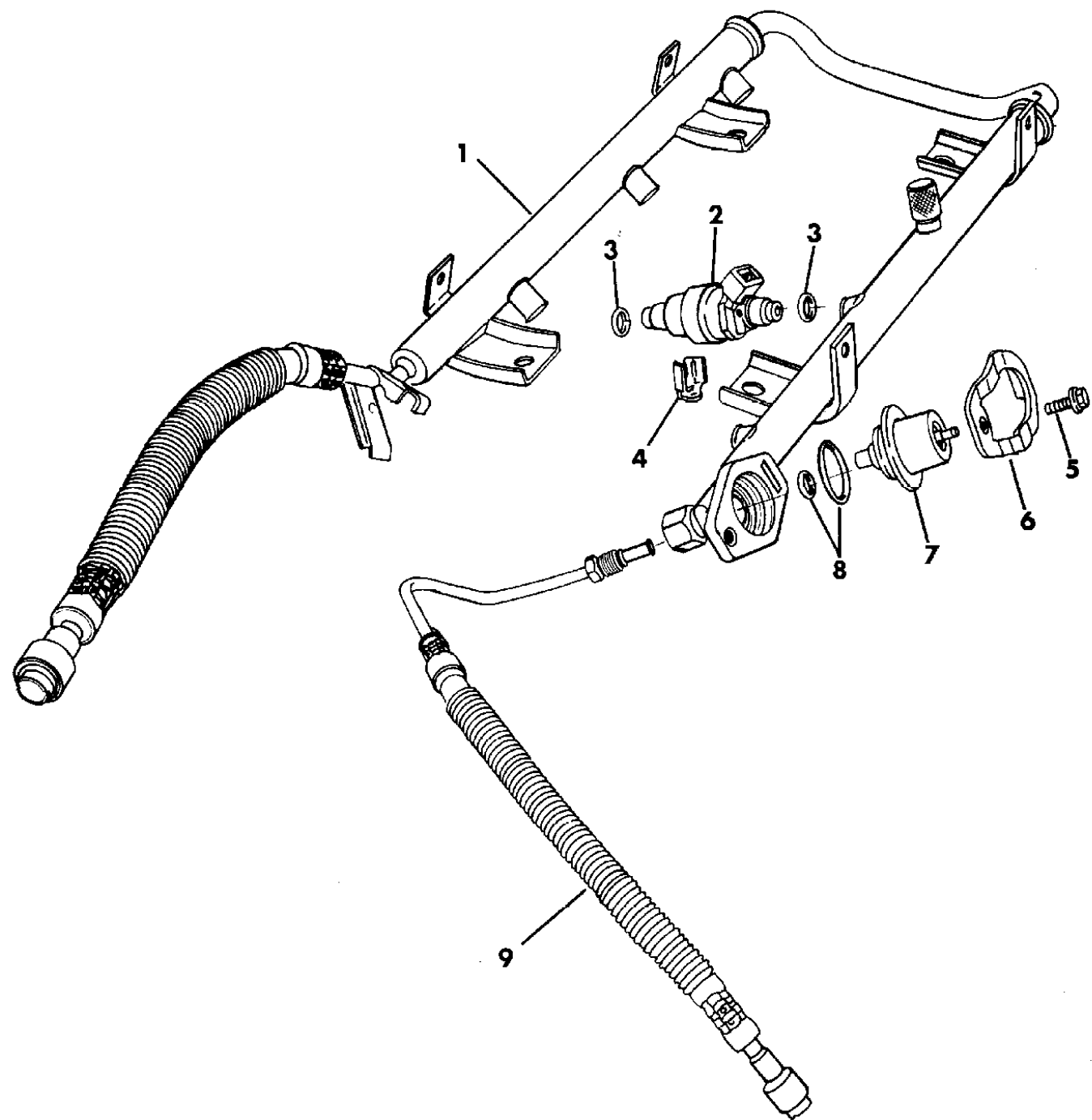
AR = Use as Required - = Non Illustrated Part P.A.R. = Paint as Required



FUEL RAIL AND RELATED PARTS 3.3L - 3.8L ENGINE

Figure 14-1500

93114 1500



ITEM	PART NUMBER	QTY	BODY	MODEL	DESCRIPTION
1	4554 108	1			RAIL, Fuel
2	4612 176	6			INJECTOR, Fuel 3.3L Eng.
	4612 177	6			3.8L Eng.
3					O-RING, Injector
	4504 348	AR			3.3L Eng. ( 2 O-Ring per Pkg.)
	5277 919	1			3.8L Eng.
4	4612 196	6			CLIP, Injector
5		1			SCREW (not serviced)
6	4418 897	1			CLIP, Presure Regulator
7	5277 829	1			REGULATOR, Fuel Pressure (Includes 2 O-Rings)
8	4418 903	1			O-RING PACKAGE, Pressure Regulator
9	4612 158	1			TUBE, Fuel Return w/Hose

MODEL CODES:

A BODY=(C=LeBaron, D=Spirit, P=Acclaim/LaBaron(Landau),  
Saratoga)

C BODY=(D=Dynasty, C=New Yorker/N.Y. Salon)

G BODY=(V=Daytona/IROC, Chrysler Daytona)

J BODY=(C=LeBaron, Chrysler LeBaron)

P BODY=(P=Sundance, D=Shadow)

S BODY=(H=Voyager(H) FWD, K=Caravan(H) FWD,

Y=Town & Country(H) FWD, P=Voyager(K) AWD,

D=Caravan(K) AWD, C=Town & Country(K) AWD)

Y BODY=(C=Imperial/5th Avenue)

E-S BODY=(K=Chrysler Voyager(H) FWD, D=Chrysler

Voyager(K) AWD)

BODY STYLES:

21=2-Door Coupe

41=4-Door Sedan

12-52=FWD & AWD Van & Wgn Std W.B.

24=2-Door Hatchback

44=4-Door Hatchback

53=FWD & AWD Van & Wgn Ext. W.B.

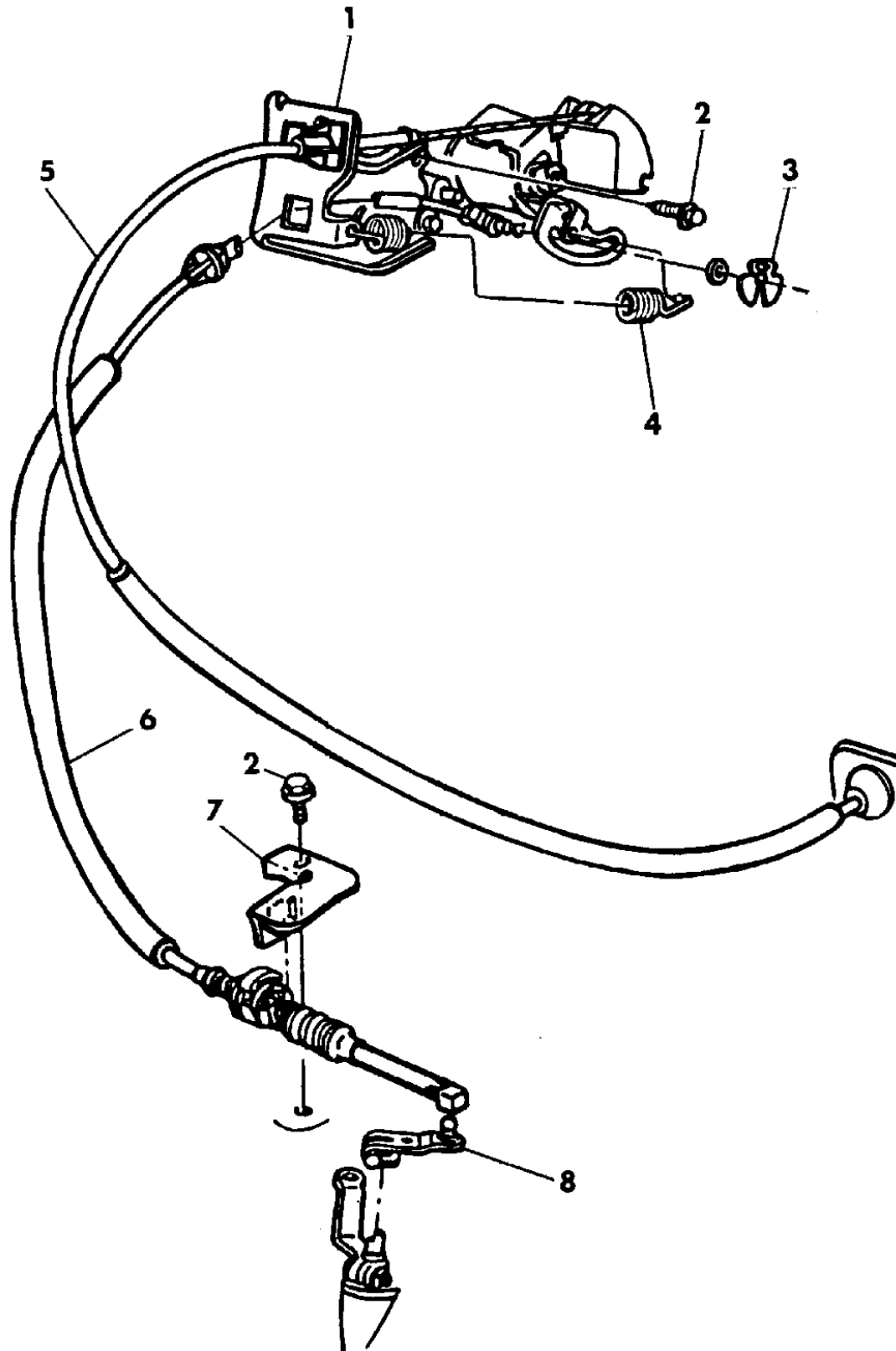
27=2-Door Convertible

AR = Use as Required - = Non Illustrated Part P.A.R. = Paint as Required

THROTTLE CONTROLS 2.2L - 2.5L ENGINE

Figure 14-1600

93114 1600



ITEM	PART NUMBER	QTY	BODY	MODEL	DESCRIPTION
1	4405 177	1			BRACKET, Cable Mounting
2	6501 755	2			SCREW, w/Washer
3	6033 504	2			CLIP
4					SPRING, Accelerator Return
	4458 765	1	P,A		w/Man Trans
	4459 084	1	G		w/Man Trans
	4458 111	1	S		w/Man Trans
	4459 084	1	S		w/Auto Trans
5	5277 832	1	P,A,J,G		CABLE, Throttle Control
	4669 240	1	C		
	5277 922	1	S		
6	4300 817	1			CABLE, Automatic Transmission
7	4300 982	1			BRACKET, Automatic Transmission Cable
8	5240 826	1			LEVER, Automatic Transmission Throttle Control

MODEL CODES:

A BODY=(C=LeBaron, D=Spirit, P=Acclaim/LaBaron(Landau), Saratoga) S BODY=(H=Voyager(H) FWD, K=Caravan(H) FWD, Y=Town & Country(H) FWD, P=Voyager(K) AWD, D=Caravan(K) AWD, C=Town & Country(K) AWD)  
 C BODY=(D=Dynasty, C=New Yorker/N.Y. Salon) Y BODY=(C=Imperial/5th Avenue)  
 G BODY=(V=Daytona/IROC, Chrysler Daytona) E-S BODY=(K=Chrysler Voyager(H) FWD, D=Chrysler Voyager(K) AWD)  
 J BODY=(C=LeBaron, Chrysler LeBaron)  
 P BODY=(P=Sundance, D=Shadow)

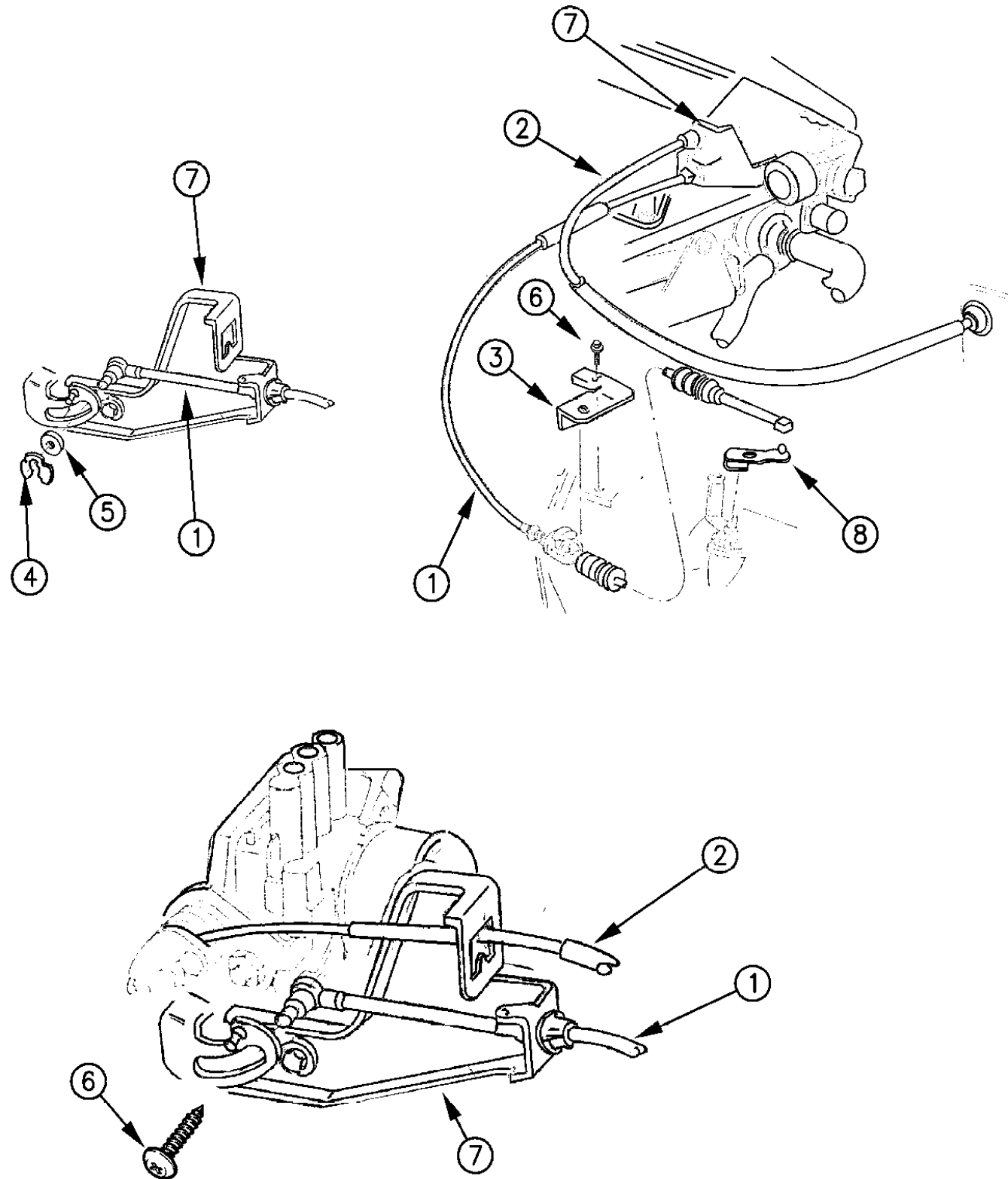
BODY STYLES:

21=2-Door Coupe 41=4-Door Sedan 12-52=FWD & AWD Van & Wgn Std W.B.  
 24=2-Door Hatchback 44=4-Door Hatchback 53=FWD & AWD Van & Wgn Ext. W.B.  
 27=2-Door Convertible

AR = Use as Required - = Non Illustrated Part P.A.R. = Paint as Required

THROTTLE CONTROLS 2.5L ENGINE (FLEX FUEL) A BODY  
Figure 14-1650

93114 1650A



ITEM	PART NUMBER	QTY	BODY	MODEL	DESCRIPTION
1	4306 578	1			CABLE, Throttle Body To Trans
2	5277 825	1			CABLE, Throttle To Accelerator
3	4300 982	1			BRACKET, Trans Cable Mounting
4	6033 504	1			CLIP, Trans Cable Mounting
5		1			WASHER (DNS)
6	6501 755	3			SCREW
7	4405 073	1			BRACKET, Cable Mtg.
8	5240 826	1			LEVER, Trans Control

**MODEL CODES:**

A BODY=(C=LeBaron, D=Spirit, P=Acclaim/LaBaron(Landau),  
Saratoga)  
C BODY=(D=Dynasty, C=New Yorker/N.Y. Salon)  
G BODY=(V=Daytona/IROC, Chrysler Daytona)  
J BODY=(C=LeBaron, Chrysler LeBaron)  
P BODY=(P=Sundance, D=Shadow)

S BODY=(H=Voyager(H) FWD, K=Caravan(H) FWD,  
Y=Town & Country(H) FWD, P=Voyager(K) AWD,  
D=Caravan(K) AWD, C=Town & Country(K) AWD)  
Y BODY=(C=Imperial/5th Avenue)  
E-S BODY=(K=Chrysler Voyager(H) FWD, D=Chrysler  
Voyager(K) AWD)

**BODY STYLES:**

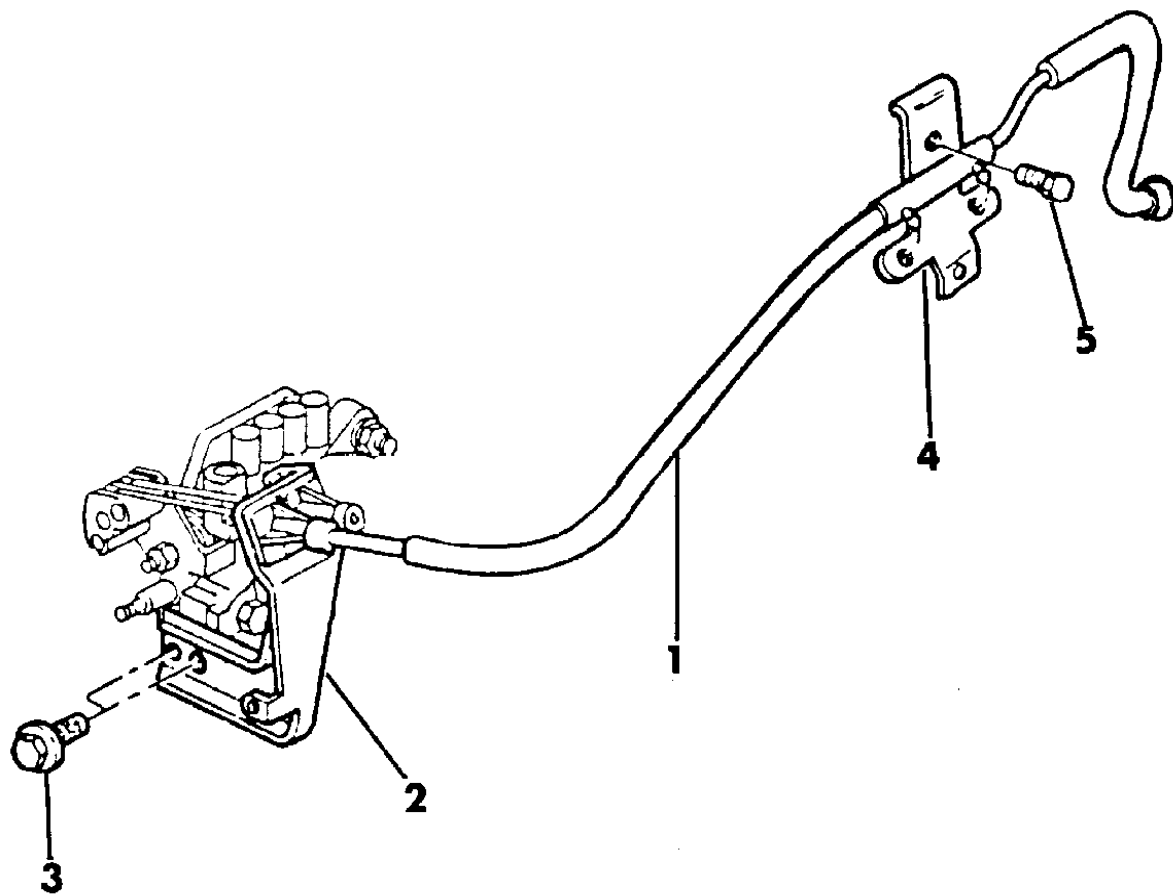
21=2-Door Coupe      41=4-Door Sedan      12-52=FWD & AWD Van & Wgn Std W.B.  
24=2-Door Hatchback      44=4-Door Hatchback      53=FWD & AWD Van & Wgn Ext. W.B.  
27=2-Door Convertible

AR = Use as Required - = Non Illustrated Part P.A.R. = Paint as Required

THROTTLE CONTROLS 2.2L ENGINE 16 VALVE  
Figure 14-1700

93114 1700

ITEM	PART NUMBER	QTY	BODY	MODEL	DESCRIPTION
1	4459 085	1			CABLE, Throttle Control
2	4459 057	1			BRACKET, Cable Mounting
3	6501 755	AR			SCREW, w/Washer
4	5277 773	1			BRACKET, Cable Routing
5		1			SCREW (not serviced)



**MODEL CODES:**

A BODY=(C=LeBaron, D=Spirit, P=Acclaim/LaBaron(Landau), Saratoga) S BODY=(H=Voyager(H) FWD, K=Caravan(H) FWD, Y=Town & Country(H) FWD, P=Voyager(K) AWD, D=Caravan(K) AWD, C=Town & Country(K) AWD)  
 C BODY=(D=Dynasty, C=New Yorker/N.Y. Salon) Y BODY=(C=Imperial/5th Avenue)  
 G BODY=(V=Daytona/IROC, Chrysler Daytona) E-S BODY=(K=Chrysler Voyager(H) FWD, D=Chrysler Voyager(K) AWD)  
 J BODY=(C=LeBaron, Chrysler LeBaron)  
 P BODY=(P=Sundance, D=Shadow)

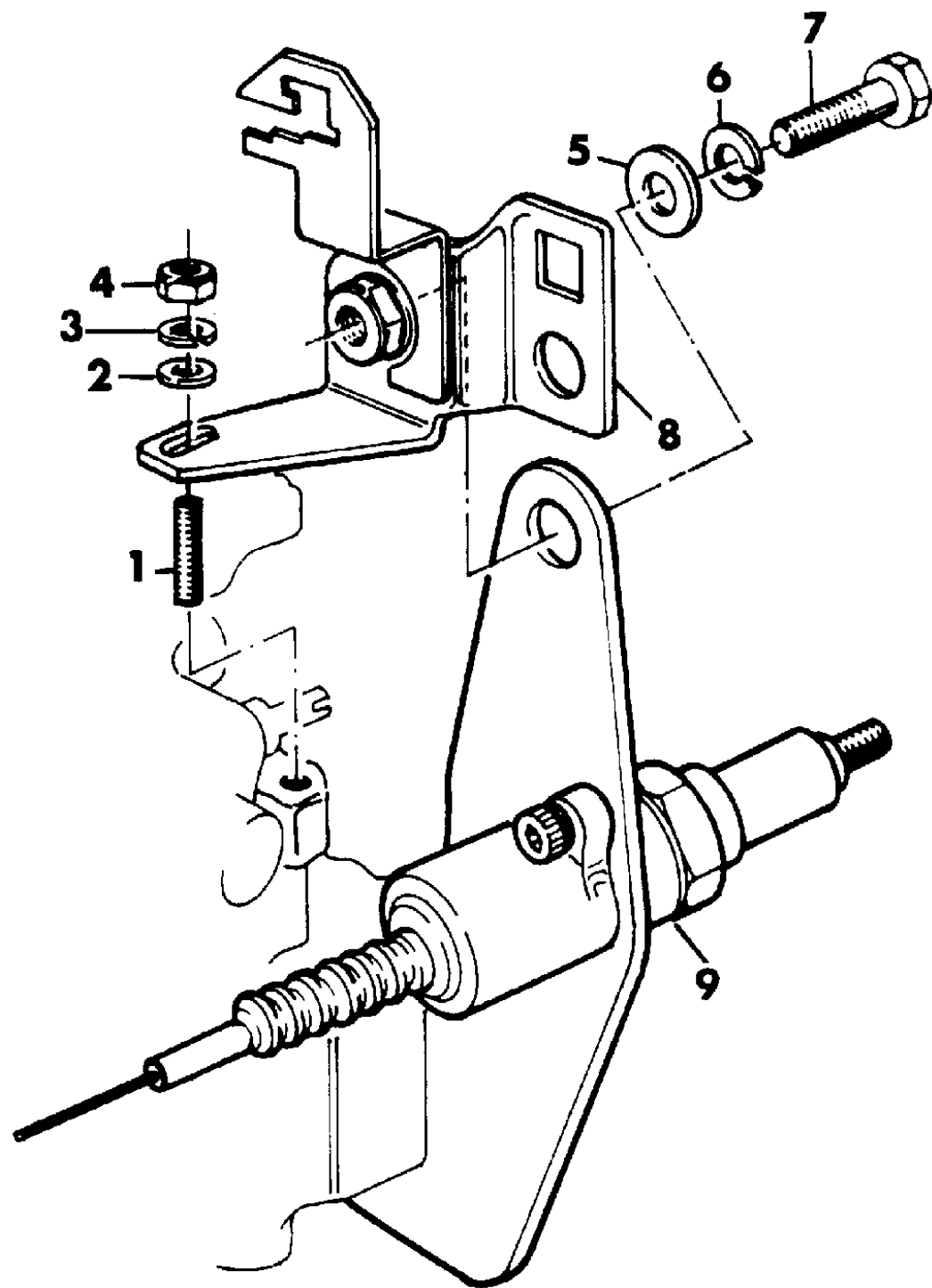
**BODY STYLES:**

21=2-Door Coupe      41=4-Door Sedan      12-52=FWD & AWD Van & Wgn Std W.B.  
 24=2-Door Hatchback      44=4-Door Hatchback      53=FWD & AWD Van & Wgn Ext. W.B.  
 27=2-Door Convertible

AR = Use as Required - = Non Illustrated Part P.A.R. = Paint as Required

THROTTLE CONTROLS, 2.5L TURBO DIESEL ENGINE ES BODY  
Figure 14-1800

93114 1800



ITEM	PART NUMBER	QTY	BODY	MODEL	DESCRIPTION
1	4723 263	1			SCREW, Throttle Cable Bracket
2	4720 661	AR			WASHER
3	4723 204	AR			WASHER
4	4723 262	1			NUT, Throttle Cable Bracket
5	4720 193	AR			WASHER
6	4723 165	AR			WASHER
7	4723 187	AR			BOLT
8	4723 261	1			BRACKET, Throttle Cable
9	4723 274	1			ADJUSTER, Idle Speed

**MODEL CODES:**

A BODY=(C=LeBaron, D=Spirit, P=Acclaim/LaBaron(Landau),  
Saratoga) S BODY=(H=Voyager(H) FWD, K=Caravan(H) FWD,  
Y=Town & Country(H) FWD, P=Voyager(K) AWD,  
D=Caravan(K) AWD, C=Town & Country(K) AWD)  
C BODY=(D=Dynasty, C=New Yorker/N.Y. Salon)  
G BODY=(V=Daytona/IROC, Chrysler Daytona) Y BODY=(C=Imperial/5th Avenue)  
J BODY=(C=LeBaron, Chrysler LeBaron) E-S BODY=(K=Chrysler Voyager(H) FWD, D=Chrysler  
P BODY=(P=Sundance, D=Shadow) Voyager(K) AWD)

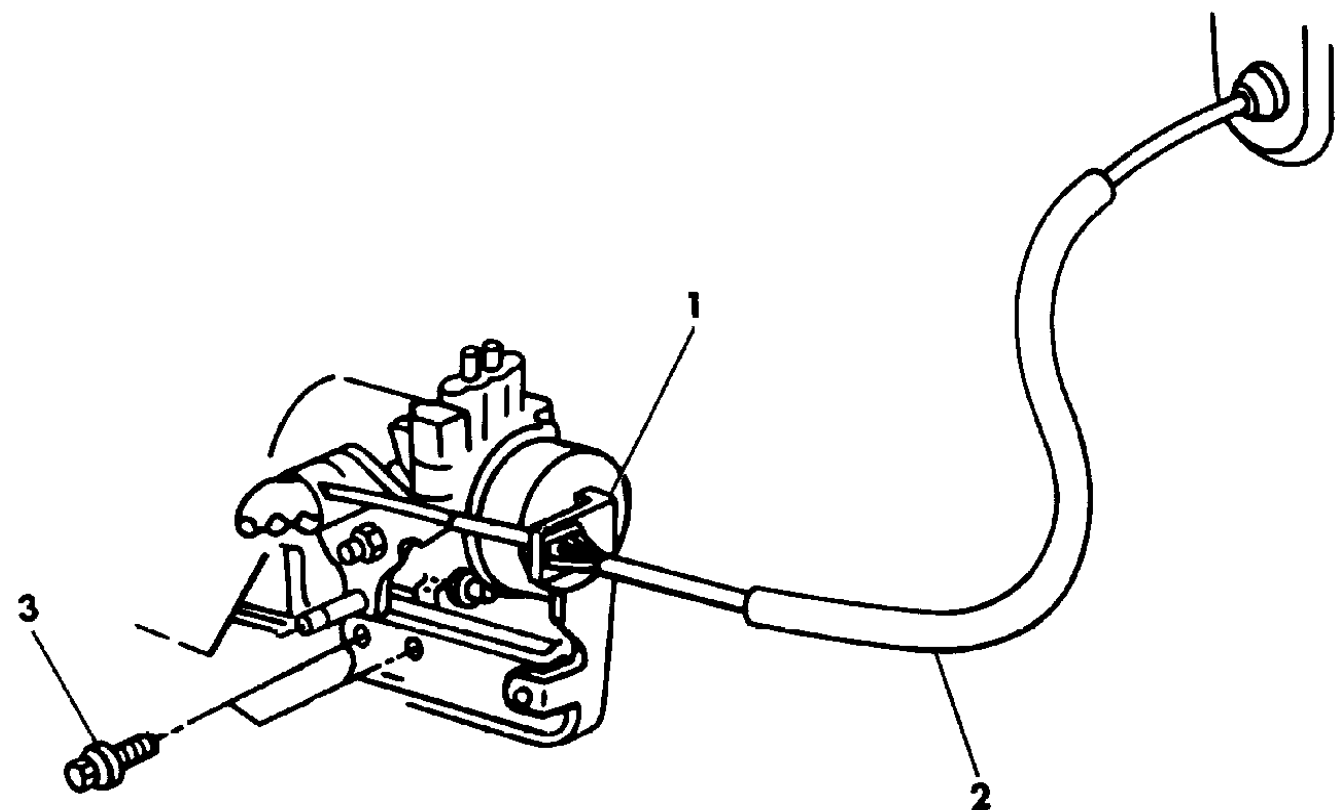
**BODY STYLES:**

21=2-Door Coupe 41=4-Door Sedan 12-52=FWD & AWD Van & Wgn Std W.B.  
24=2-Door Hatchback 44=4-Door Hatchback 53=FWD & AWD Van & Wgn Ext. W.B.  
27=2-Door Convertible

AR = Use as Required - = Non Illustrated Part P.A.R. = Paint as Required

THROTTLE CONTROLS 3.0L ENGINE W/4-SPEED AUTO, 5-SPEED MAN. TRANS. P,A,J,G,C,S BODY  
 Figure 14-1900

93114 1900



ITEM	PART NUMBER	QTY	BODY	MODEL	DESCRIPTION
1	4459 057	1	PAJGC		BRACKET, Throttle Control Cable Mounting
	4459 057	1	S		
2	4459 135	1	PAJGC		CABLE, Throttle Control
	4459 075	1	S		
3	6501 755	2			SCREW, w/Washer

**MODEL CODES:**

A BODY=(C=LeBaron, D=Spirit, P=Acclaim/LaBaron(Landau), Saratoga) S BODY=(H=Voyager(H) FWD, K=Caravan(H) FWD, Y=Town & Country(H) FWD, P=Voyager(K) AWD, D=Caravan(K) AWD, C=Town & Country(K) AWD)  
 C BODY=(D=Dynasty, C=New Yorker/N.Y. Salon) Y BODY=(C=Imperial/5th Avenue)  
 G BODY=(V=Daytona/IROC, Chrysler Daytona) E-S BODY=(K=Chrysler Voyager(H) FWD, D=Chrysler Voyager(K) AWD)  
 J BODY=(C=LeBaron, Chrysler LeBaron)  
 P BODY=(P=Sundance, D=Shadow)

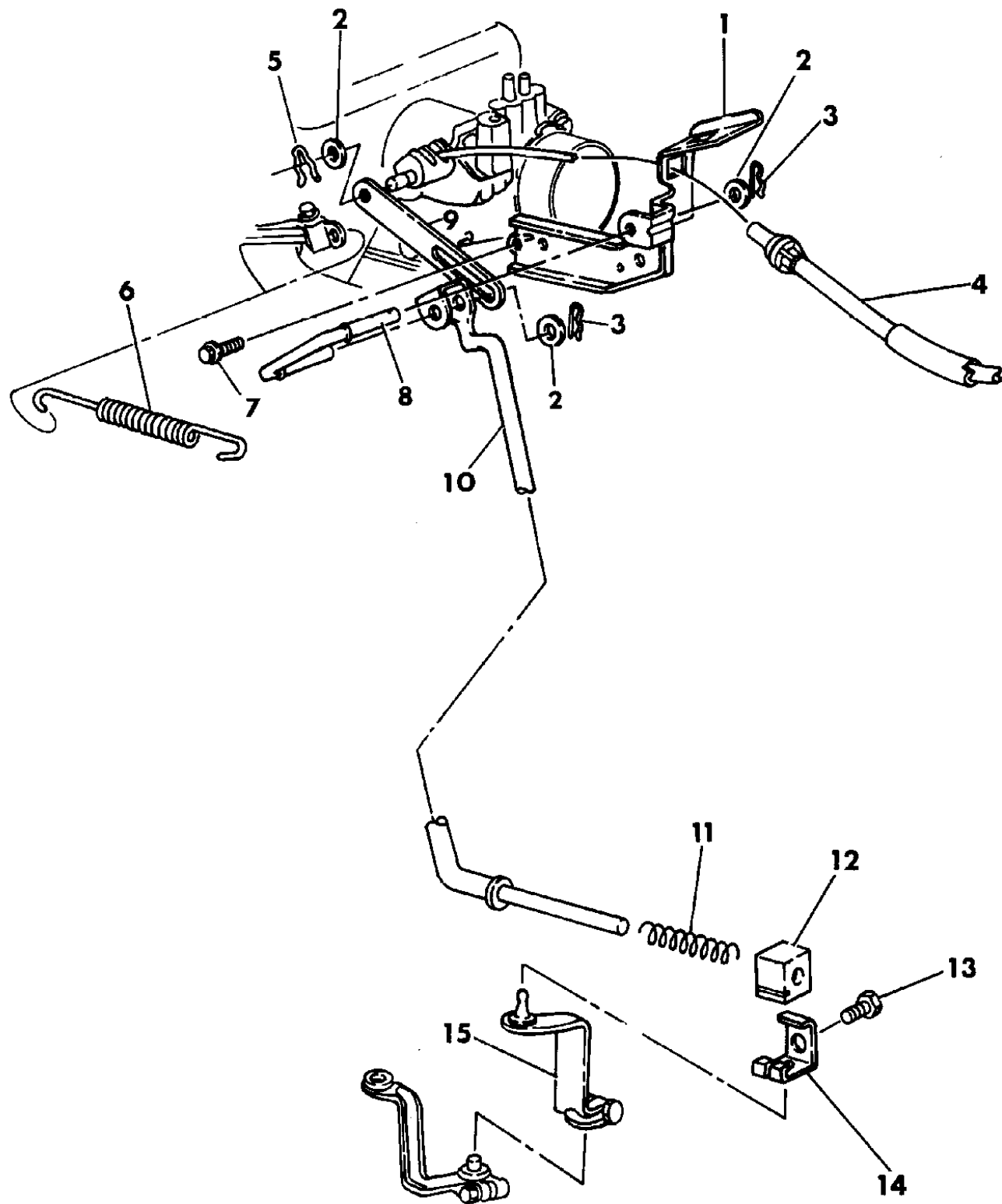
**BODY STYLES:**

21=2-Door Coupe      41=4-Door Sedan      12-52=FWD & AWD Van & Wgn Std W.B.  
 24=2-Door Hatchback      44=4-Door Hatchback      53=FWD & AWD Van & Wgn Ext. W.B.  
 27=2-Door Convertible

AR = Use as Required - = Non Illustrated Part P.A.R. = Paint as Required

THROTTLE CONTROLS 3.0L ENGINE W/3 SPEED TRANS. A,S BODY  
Figure 14-2000

93114 2000



ITEM	PART NUMBER	QTY	BODY	MODEL	DESCRIPTION
1	4459 079	1	A		BRACKET, Cable Mounting
	5277 682	1	S		
2		2			WASHER (not serviced)
3	6033 856	2			CLIP, Stabilizer Mounting
4	4459 135	1	A		CABLE, Throttle Control
	4459 075	1	S		
5	6026 776	1			CLIP
6	4288 094	1			SPRING, Rod Return
7	6501 755	2			SCREW, w/Washer
8	3418 807	1			STABILIZER, Trans. Rod
9	4307 574	1			LINK, Throttle Body to Trans. Rod
10	5277 904	1	A		ROD, Throttle Body to Trans.
	4288 098	1	S		
11	3769 198	1			SPRING, Trans. Rod
12	4307 570	1			SWIVEL, Trans. Rod
13	6101 468	1			SCREW
14	4307 569	1			CLIP, Trans. Swivel
15	5277 877	1	A		LEVER, Throttle Control Automatic Transmission
	4307 554	1	S		

MODEL CODES:

A BODY=(C=LeBaron, D=Spirit, P=Acclaim/LaBaron(Landau), Saratoga) S BODY=(H=Voyager(H) FWD, K=Caravan(H) FWD, Y=Town & Country(H) FWD, P=Voyager(K) AWD, D=Caravan(K) AWD, C=Town & Country(K) AWD)  
 C BODY=(D=Dynasty, C=New Yorker/N.Y. Salon) Y BODY=(C=Imperial/5th Avenue)  
 G BODY=(V=Daytona/IROC, Chrysler Daytona) E-S BODY=(K=Chrysler Voyager(H) FWD, D=Chrysler Voyager(K) AWD)  
 J BODY=(C=LeBaron, Chrysler LeBaron) P BODY=(P=Sundance, D=Shadow)

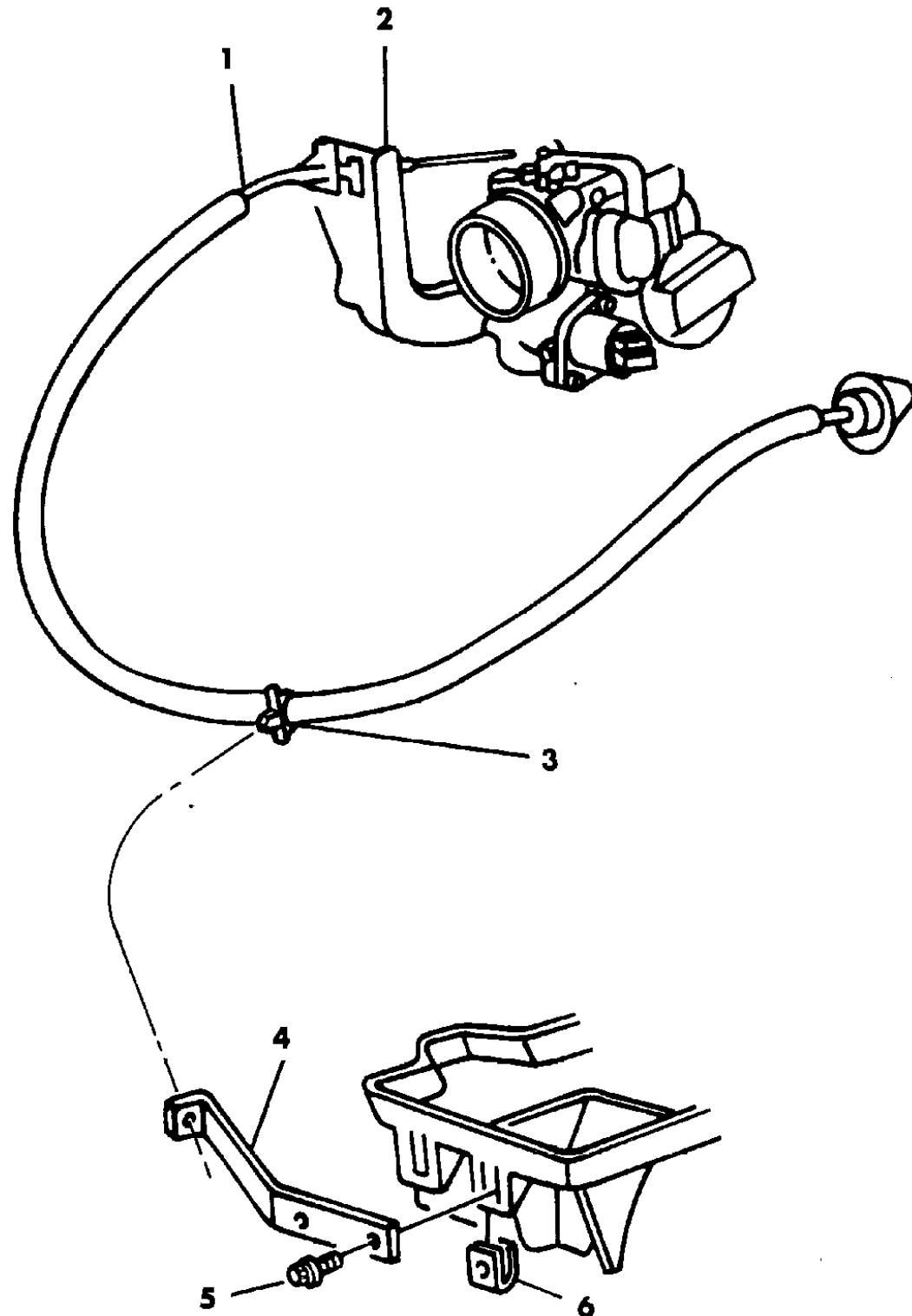
BODY STYLES:

21=2-Door Coupe 41=4-Door Sedan 12-52=FWD & AWD Van & Wgn Std W.B.  
 24=2-Door Hatchback 44=4-Door Hatchback 53=FWD & AWD Van & Wgn Ext. W.B.  
 27=2-Door Convertible

AR = Use as Required - = Non Illustrated Part P.A.R. = Paint as Required

THROTTLE CONTROLS 3.3L - 3.8L ENGINE  
Figure 14-2100

93114 2100



ITEM	PART NUMBER	QTY	BODY	MODEL	DESCRIPTION
1	4458 128	1	C,Y		CABLE, Throttle Control
	4300 850	1	S		
2	4324 372	1	C,Y		BRACKET, Cable Mounting
	4405 199	1	S		
3		AR			CLIP, Cable (not serviced)
4	4300 835	1	C		BRACKET, Throttle Cable Routing w/o Speed Control
5	6100 288	2			SCREW, w/Washer
6	6501 750	2			U-NUT

**MODEL CODES:**

A BODY=(C=LeBaron, D=Spirit, P=Acclaim/LaBaron(Landau),  
Saratoga)  
C BODY=(D=Dynasty, C=New Yorker/N.Y. Salon)  
G BODY=(V=Daytona/IROC, Chrysler Daytona)  
J BODY=(C=LeBaron, Chrysler LeBaron)  
P BODY=(P=Sundance, D=Shadow)

S BODY=(H=Voyager(H) FWD, K=Caravan(H) FWD,  
Y=Town & Country(H) FWD, P=Voyager(K) AWD,  
D=Caravan(K) AWD, C=Town & Country(K) AWD)  
Y BODY=(C=Imperial/5th Avenue)  
E-S BODY=(K=Chrysler Voyager(H) FWD, D=Chrysler  
Voyager(K) AWD)

**BODY STYLES:**

21=2-Door Coupe      41=4-Door Sedan      12-52=FWD & AWD Van & Wgn Std W.B.  
24=2-Door Hatchback      44=4-Door Hatchback      53=FWD & AWD Van & Wgn Ext. W.B.  
27=2-Door Convertible

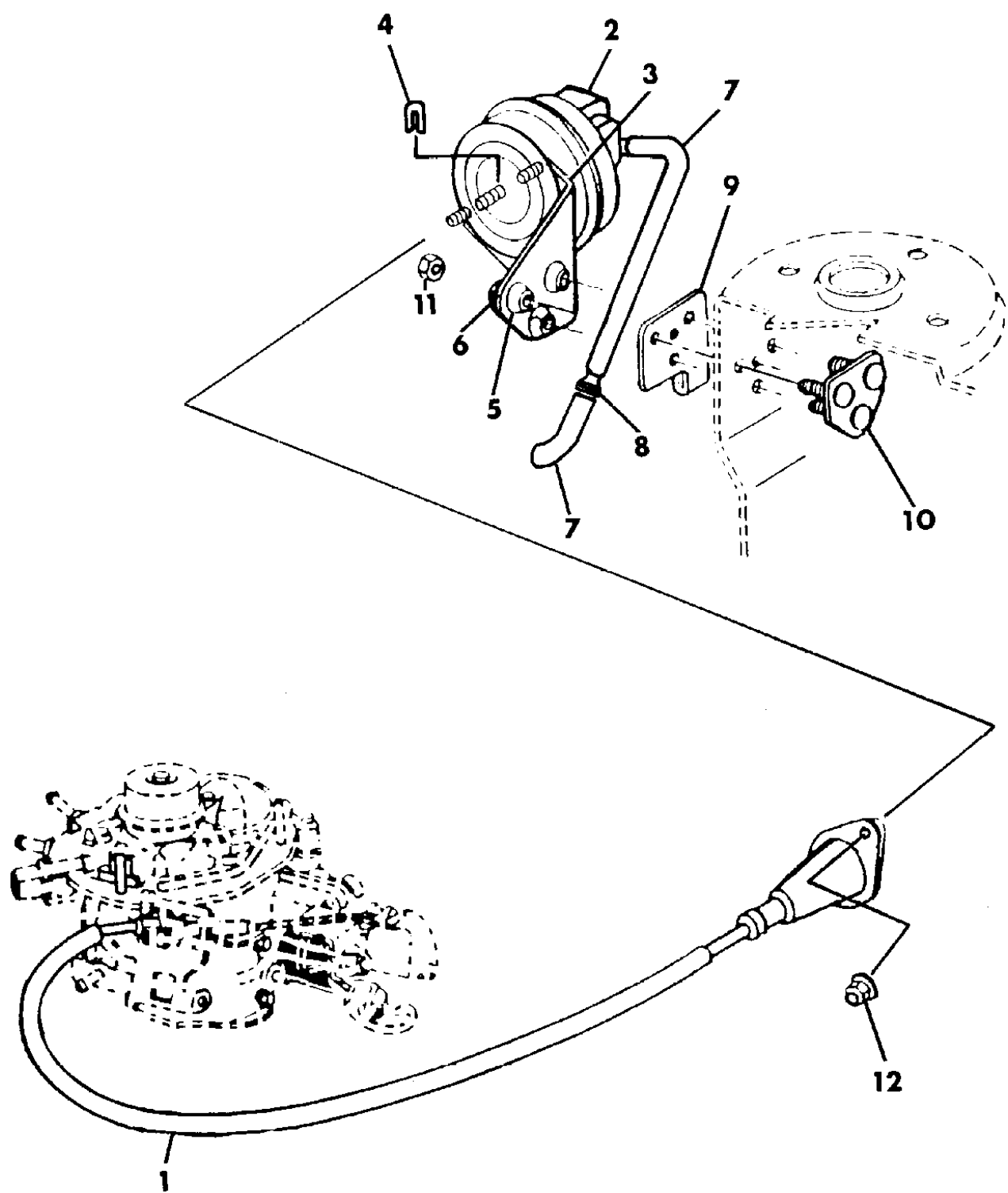
AR = Use as Required - = Non Illustrated Part P.A.R. = Paint as Required



**SPEED CONTROL 2.2L - 2.5L ENGINE P,A,J,G BODY**  
**Figure 14-2200**

93114 2200

ITEM	PART NUMBER	QTY	BODY	MODEL	DESCRIPTION
1	5277 811	1			CABLE, Speed Control
2	5277 659	1			SERVO, Speed Control
3	4458 759	1			BRACKET, Servo Mounting
4	6025 867	1			CLIP
5	6501 510	3			GROMMET, Servo Mounting Bracket
6	3502 916	3			SPACER, Servo Mounting Bracket
7	4104 272	AR			HOSE, Rubber 1/4" I.D. (serv. in 50 ft. roll)
8	4549 209	1			VALVE, Check
9		1			BRACKET, Clutch Cable Mounting (refer to grp. 6)
10	5277 863	1			PLATE, Servo Mounting
11	6500 274	3			NUT, w/Washer
12	6502 493	2			NUT



**MODEL CODES:**

A BODY=(C=LeBaron, D=Spirit, P=Acclaim/LaBaron(Landau), Saratoga)      S BODY=(H=Voyager(H) FWD, K=Caravan(H) FWD, Y=Town & Country(H) FWD, P=Voyager(K) AWD, D=Caravan(K) AWD, C=Town & Country(K) AWD)  
 C BODY=(D=Dynasty, C=New Yorker/N.Y. Salon)      Y BODY=(C=Imperial/5th Avenue)  
 G BODY=(V=Daytona/IROC, Chrysler Daytona)      E-S BODY=(K=Chrysler Voyager(H) FWD, D=Chrysler Voyager(K) AWD)  
 J BODY=(C=LeBaron, Chrysler LeBaron)  
 P BODY=(P=Sundance, D=Shadow)

**BODY STYLES:**

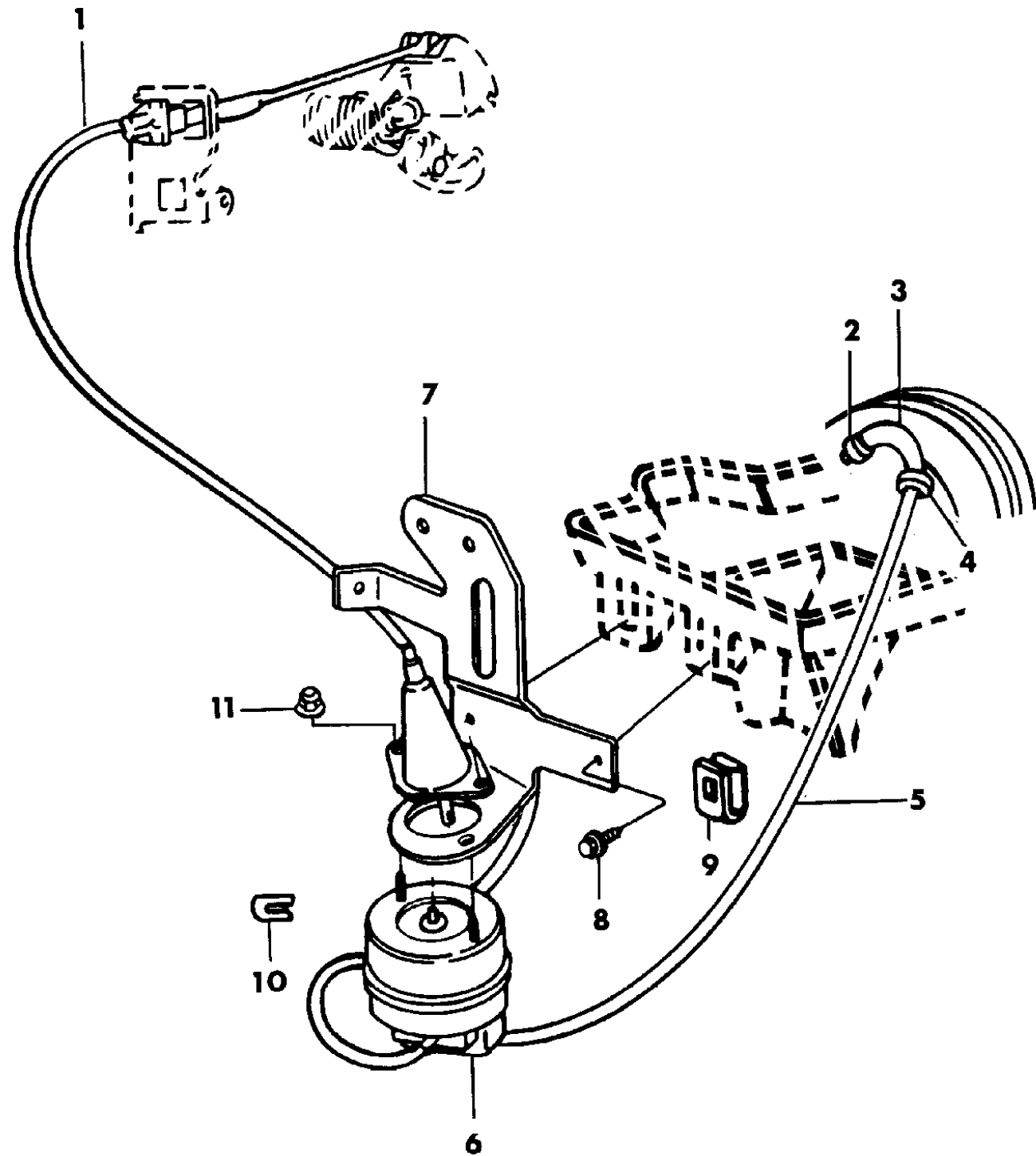
21=2-Door Coupe      41=4-Door Sedan      12-52=FWD & AWD Van & Wgn Std W.B.  
 24=2-Door Hatchback      44=4-Door Hatchback      53=FWD & AWD Van & Wgn Ext. W.B.  
 27=2-Door Convertible

AR = Use as Required - = Non Illustrated Part P.A.R. = Paint as Required

SPEED CONTROL 2.5L ENGINE C,S BODY

Figure 14-2300

93114 2300



ITEM	PART NUMBER	QTY	BODY	MODEL	DESCRIPTION
1	4459 149	1	C		CABLE, Speed Control
	5277 068	1	S		
2	2448 761	1			CLAMP
3	4104 272	AR			HOSE, Rubber 1/4" I.D. (serv. in 50 ft. roll)
4	4549 209	1			VALVE, Check
5	4104 272	AR			HOSE, Rubber 1.4" I.D. (serv. in 50 ft. roll)
6	5277 659	1			SERVO, Speed Control
7	4459 104	1	C		BRACKET, Servo Mounting
	4300 849	1	S		
8	6100 288	2	C		SCREW, w/Washer
9	6501 750	2			CLIP
10	6025 867	1			CLIP
11	6502 493	2			NUT, w/Washer

MODEL CODES:

A BODY=(C=LeBaron, D=Spirit, P=Acclaim/LaBaron(Landau),  
Saratoga)  
C BODY=(D=Dynasty, C=New Yorker/N.Y. Salon)  
G BODY=(V=Daytona/IROC, Chrysler Daytona)  
J BODY=(C=LeBaron, Chrysler LeBaron)  
P BODY=(P=Sundance, D=Shadow)

S BODY=(H=Voyager(H) FWD, K=Caravan(H) FWD,  
Y=Town & Country(H) FWD, P=Voyager(K) AWD,  
D=Caravan(K) AWD, C=Town & Country(K) AWD)  
Y BODY=(C=Imperial/5th Avenue)  
E-S BODY=(K=Chrysler Voyager(H) FWD, D=Chrysler  
Voyager(K) AWD)

BODY STYLES:

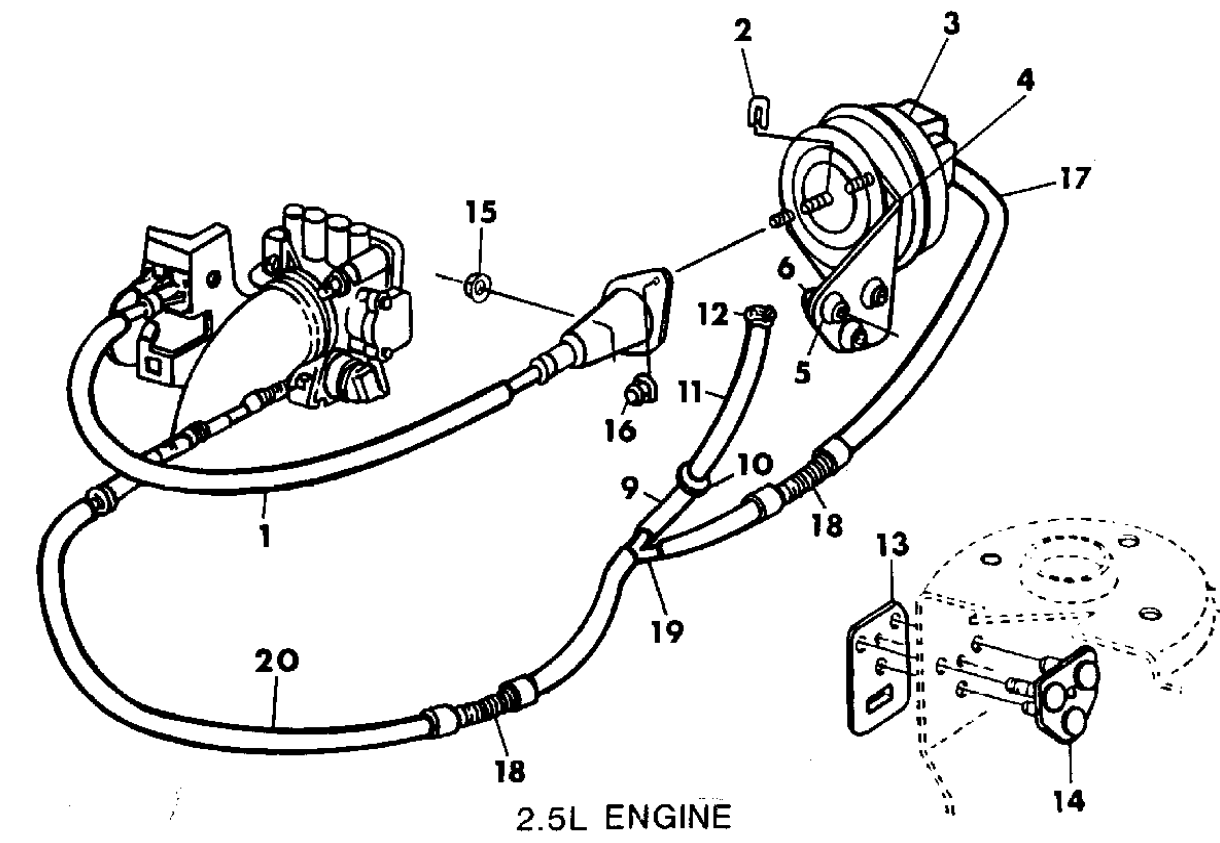
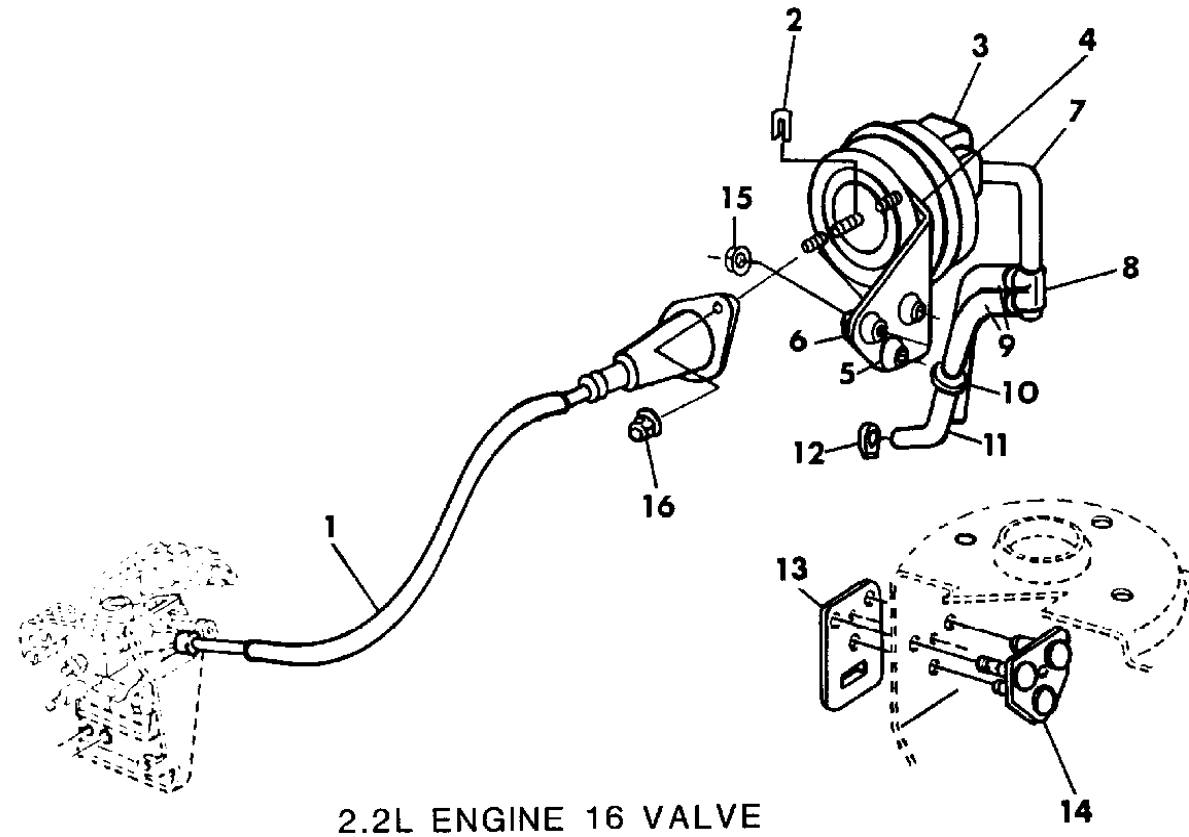
21=2-Door Coupe      41=4-Door Sedan      12-52=FWD & AWD Van & Wgn Std W.B.  
24=2-Door Hatchback      44=4-Door Hatchback      53=FWD & AWD Van & Wgn Ext. W.B.  
27=2-Door Convertible

AR = Use as Required - = Non Illustrated Part P.A.R. = Paint as Required

**SPEED CONTROL 2.2L ENGINE 16 VALVE G BODY**  
**Figure 14-2400**

93114 2400

ITEM	PART NUMBER	QTY	BODY	MODEL	DESCRIPTION
1	4555 154	1			CABLE, Speed Control
	4555 154	1			2.2L Eng. 16 Valve
2	6025 867	1			CLIP
3					SERVO, Speed Control
	4324 052	1			2.2L Eng.
4	4458 759				BRACKET, Servo Mounting
5	6501 510	3			GROMMET, Servo Mounting Bracket
6	3502 916	3			SPACER, Servo Mounting Bracket
7	5277 648	1			TUBE, Formed Vapor
8	4458 188	1			CONNECTOR, F
9	4104 272	AR			HOSE, Rubber 1/4" I.D. (serv.in 50 ft. roll)
10	4549 209	1			VALVE, Check
11	4669 110	1			TUBE, Formed Vapor
12	2448 761	1			CLAMP
13		1			BRACKET, Clutch Cable Mounting (refer to grp. 6)
14	5277 863	1			PLATE, Servo Mounting
15	6500 274	3			NUT, w/Washer
16	6502 493	2			NUT
17	5277 060	1			TUBE, Formed Vapor
18	4364 374	AR			TUBING, Convoluted 1/2" (serv. in 10 ft. roll)
19	4307 218	1			CONNECTOR, Y 1/4 x 1/4 x 1/4
20	5277 061	1			TUBE, Formed Vapor



**MODEL CODES:**

A BODY=(C=LeBaron, D=Spirit, P=Acclaim/LaBaron(Landau), Saratoga)      S BODY=(H=Voyager(H) FWD, K=Caravan(H) FWD, Y=Town & Country(H) FWD, P=Voyager(K) AWD, D=Caravan(K) AWD, C=Town & Country(K) AWD)  
 C BODY=(D=Dynasty, C=New Yorker/N.Y. Salon)  
 G BODY=(V=Daytona/IROC, Chrysler Daytona)  
 J BODY=(C=LeBaron, Chrysler LeBaron)  
 P BODY=(P=Sundance, D=Shadow)      Y BODY=(C=Imperial/5th Avenue)  
 E-S BODY=(K=Chrysler Voyager(H) FWD, D=Chrysler Voyager(K) AWD)

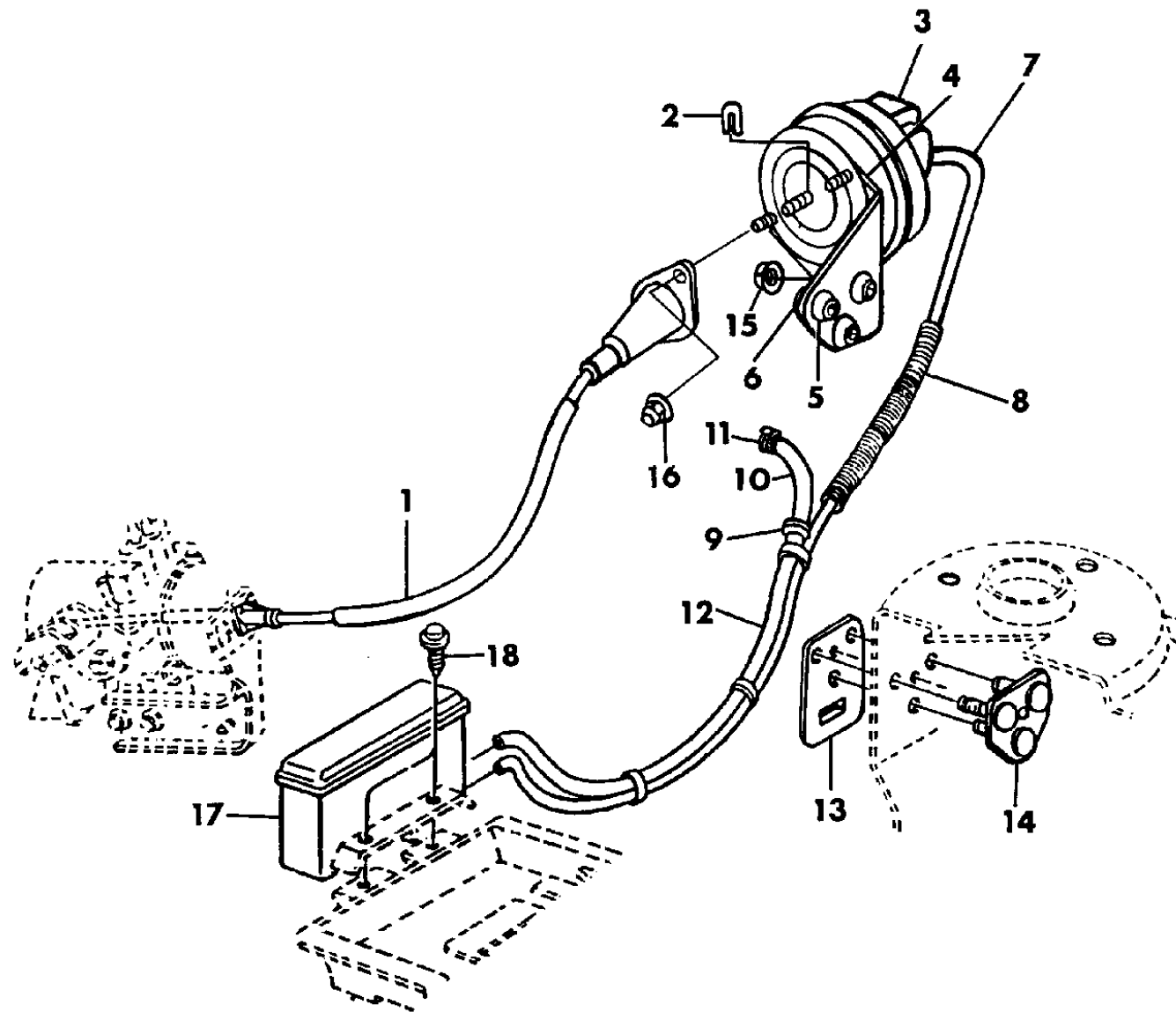
**BODY STYLES:**

21=2-Door Coupe      41=4-Door Sedan      12-52=FWD & AWD Van & Wgn Std W.B.  
 24=2-Door Hatchback      44=4-Door Hatchback      53=FWD & AWD Van & Wgn Ext. W.B.  
 27=2-Door Convertible

AR = Use as Required   - = Non Illustrated Part   P.A.R. = Paint as Required

**SPEED CONTROL 3.0L ENGINE P,A,J,G BODY**  
**Figure 14-2500**

93114 2500



ITEM	PART NUMBER	QTY	BODY	MODEL	DESCRIPTION
1	4459 078	1			CABLE, Speed Control
2	6025 867	1			CLIP
3	4324 052	1			SERVO, Speed Control
4	4458 759	1			BRACKET, Servo Mounting
5	6501 510	3			GROMMET, Servo Mounting Bracket
6	3502 916	3			SPACER, Servo Mounting Bracket
7	5277 062	1			TUBE, Formed - w/4-Speed Auto, 5-Speed Man. Trans.
	3780 508	AR	A		HOSE, Servo to Reservoir, w/3-Speed Auto Trans (Serv. in 50' Roll)
8	4364 375	AR			TUBING, Convoluted 3/8" (Serv. in 10' Roll)
9	4549 209	1			VALVE, Check
10	4405 119	1			TUBE, Formed
11	2448 761	1			CLAMP
12	5277 061	1			TUBE, Formed Vapor
13		1			BRACKET, Clutch Cable (Refer To Grp. 6)
14	5277 863	1			PLATE, Servo Mounting
15	6500 274	3			NUT, w/Washer
16	6502 493	2			NUT
17	4459 052	1			RESERVOIR, Speed Control
18		2			SCREW, (Not Serv.)

**MODEL CODES:**

A BODY=(C=LeBaron, D=Spirit, P=Acclaim/LaBaron(Landau), Saratoga) S BODY=(H=Voyager(H) FWD, K=Caravan(H) FWD, Y=Town & Country(H) FWD, P=Voyager(K) AWD, D=Caravan(K) AWD, C=Town & Country(K) AWD)  
 C BODY=(D=Dynasty, C=New Yorker/N.Y. Salon) Y BODY=(C=Imperial/5th Avenue)  
 G BODY=(V=Daytona/IROC, Chrysler Daytona) E-S BODY=(K=Chrysler Voyager(H) FWD, D=Chrysler Voyager(K) AWD)  
 J BODY=(C=LeBaron, Chrysler LeBaron) P BODY=(P=Sundance, D=Shadow)

**BODY STYLES:**

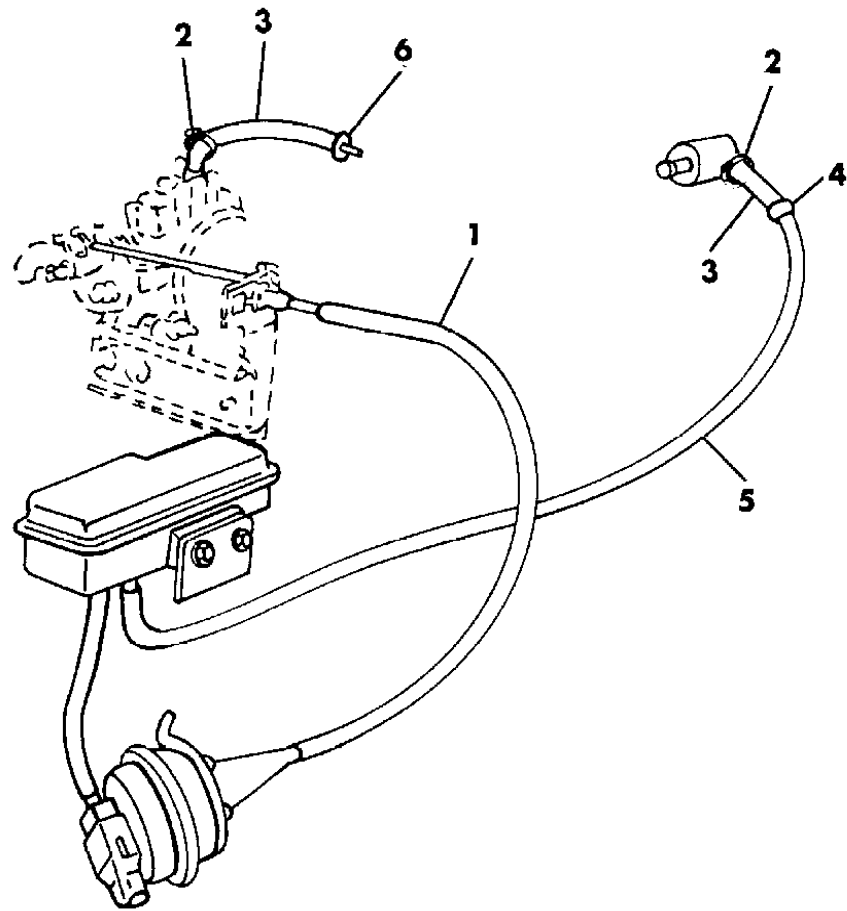
21=2-Door Coupe      41=4-Door Sedan      12-52=FWD & AWD Van & Wgn Std W.B.  
 24=2-Door Hatchback      44=4-Door Hatchback      53=FWD & AWD Van & Wgn Ext. W.B.  
 27=2-Door Convertible

AR = Use as Required - = Non Illustrated Part P.A.R. = Paint as Required

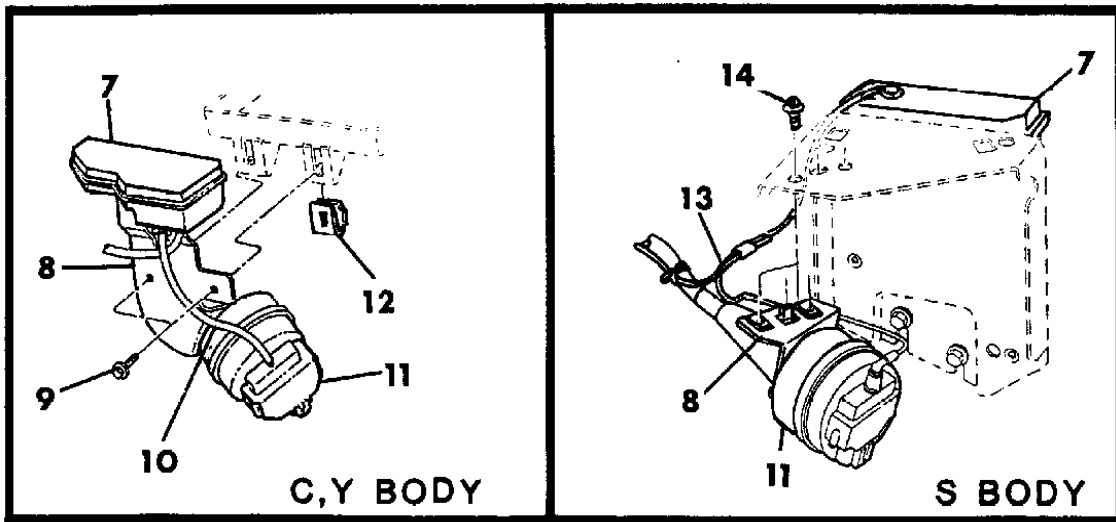
SPEED CONTROL 3.0L ENGINE C,Y,S BODY

Figure 14-2600

93114 2600



ITEM	PART NUMBER	QTY	BODY	MODEL	DESCRIPTION
1	4458 537	1	C,Y		CABLE, Speed Control
	4459 070	1	S		
2	2448 761	1	C,Y		CLAMP
3	4104 272	AR	C,Y		HOSE, Rubber 1/4" I.D. (Serv. in 50' Roll)
4	4549 209	1	C,Y		VALVE, Check
5	4458 360	1	C,Y		TUBE, Formed Vapor
6	4201 275	1	C,Y		CONNECTOR 1/4 x 1/4
7	5300 8013	1	C,Y		RESERVOIR, Speed Control
	5277 903	1	S		
8	4459 116	1	C,Y		BRACKET, Servo and Reservoir Mounting
	5277 683	1	S		
9	6100 288	2	C,Y		SCREW, w/Washer
10	4201 264	1	C,Y		TUBE, Vacuum
11	5277 659	1			SERVO, Speed Control
12	6501 750	2	C,Y		U-NUT
13	3780 508	AR	S		HOSE, Rubber 1/8" I.D. (Serv. in 50' Roll)
14	6501 714	2	S		SCREW, w/Washer



MODEL CODES:

A BODY=(C=LeBaron, D=Spirit, P=Acclaim/LaBaron(Landau),  
Saratoga)  
C BODY=(D=Dynasty, C=New Yorker/N.Y. Salon)  
G BODY=(V=Daytona/IROC, Chrysler Daytona)  
J BODY=(C=LeBaron, Chrysler LeBaron)  
P BODY=(P=Sundance, D=Shadow)

S BODY=(H=Voyager(H) FWD, K=Caravan(H) FWD,  
Y=Town & Country(H) FWD, P=Voyager(K) AWD,  
D=Caravan(K) AWD, C=Town & Country(K) AWD)  
Y BODY=(C=Imperial/5th Avenue)  
E-S BODY=(K=Chrysler Voyager(H) FWD, D=Chrysler  
Voyager(K) AWD)

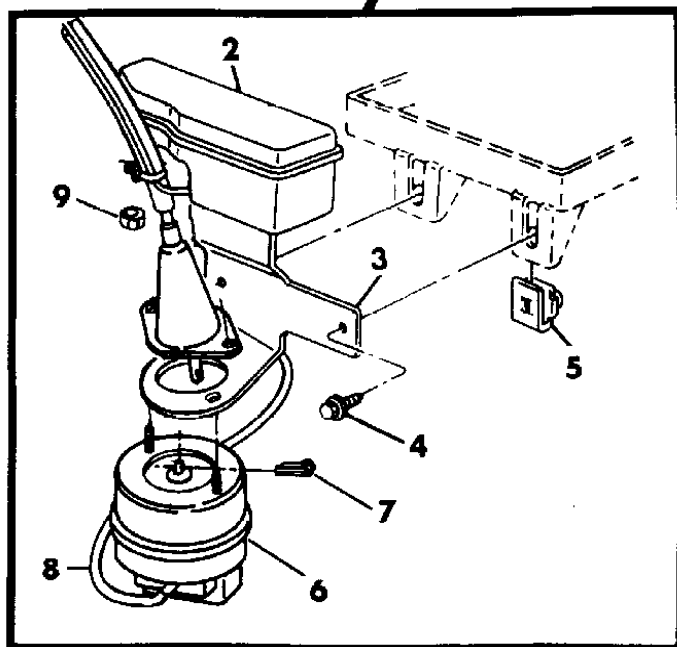
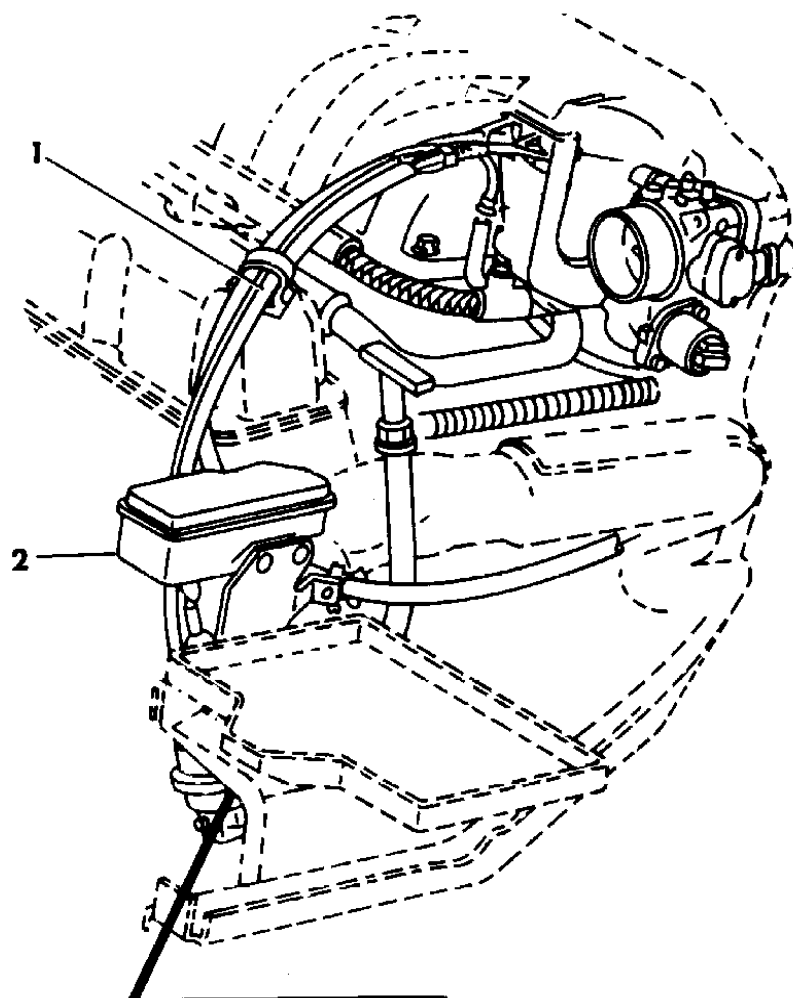
BODY STYLES:

21=2-Door Coupe      41=4-Door Sedan      12-52=FWD & AWD Van & Wgn Std W.B.  
24=2-Door Hatchback      44=4-Door Hatchback      53=FWD & AWD Van & Wgn Ext. W.B.  
27=2-Door Convertible

AR = Use as Required - = Non Illustrated Part P.A.R. = Paint as Required

**SPEED CONTROL 3.3L - 3.8L ENGINE C,Y,S BODY**  
**Figure 14-2700**

93114 2700



ITEM	PART NUMBER	QTY	BODY	MODEL	DESCRIPTION
1					CABLE, Speed Control
	4458 793	1	C,Y		
	4405 158	1	S		
2					RESERVOIR, Speed Control
	5300 8013	1	C,Y		
	5277 903	1	S		
3					BRACKET, Servo Mounting
	4459 104	1	C,Y		
	4300 849	1	S		
4					SCREW, w/Washer
	6100 288	2	C,Y		
	6501 714	2	S		
5					U-NUT
	6501 750	2	C,Y		
6					SERVO, Speed Control
	5277 659	1			
7					CLIP
	6025 867	1			
8					TUBE, Expanded End
	4306 571	1	C,Y		
	3780 508	AR	S		HOSE, Rubber 1/8" I.D.
9					NUT
	6502 493	2			

**MODEL CODES:**

A BODY=(C=LeBaron, D=Spirit, P=Acclaim/LaBaron(Landau), Saratoga)      S BODY=(H=Voyager(H) FWD, K=Caravan(H) FWD, Y=Town & Country(H) FWD, P=Voyager(K) AWD, D=Caravan(K) AWD, C=Town & Country(K) AWD)  
C BODY=(D=Dynasty, C=New Yorker/N.Y. Salon)  
G BODY=(V=Daytona/IROC, Chrysler Daytona)  
J BODY=(C=LeBaron, Chrysler LeBaron)  
P BODY=(P=Sundance, D=Shadow)

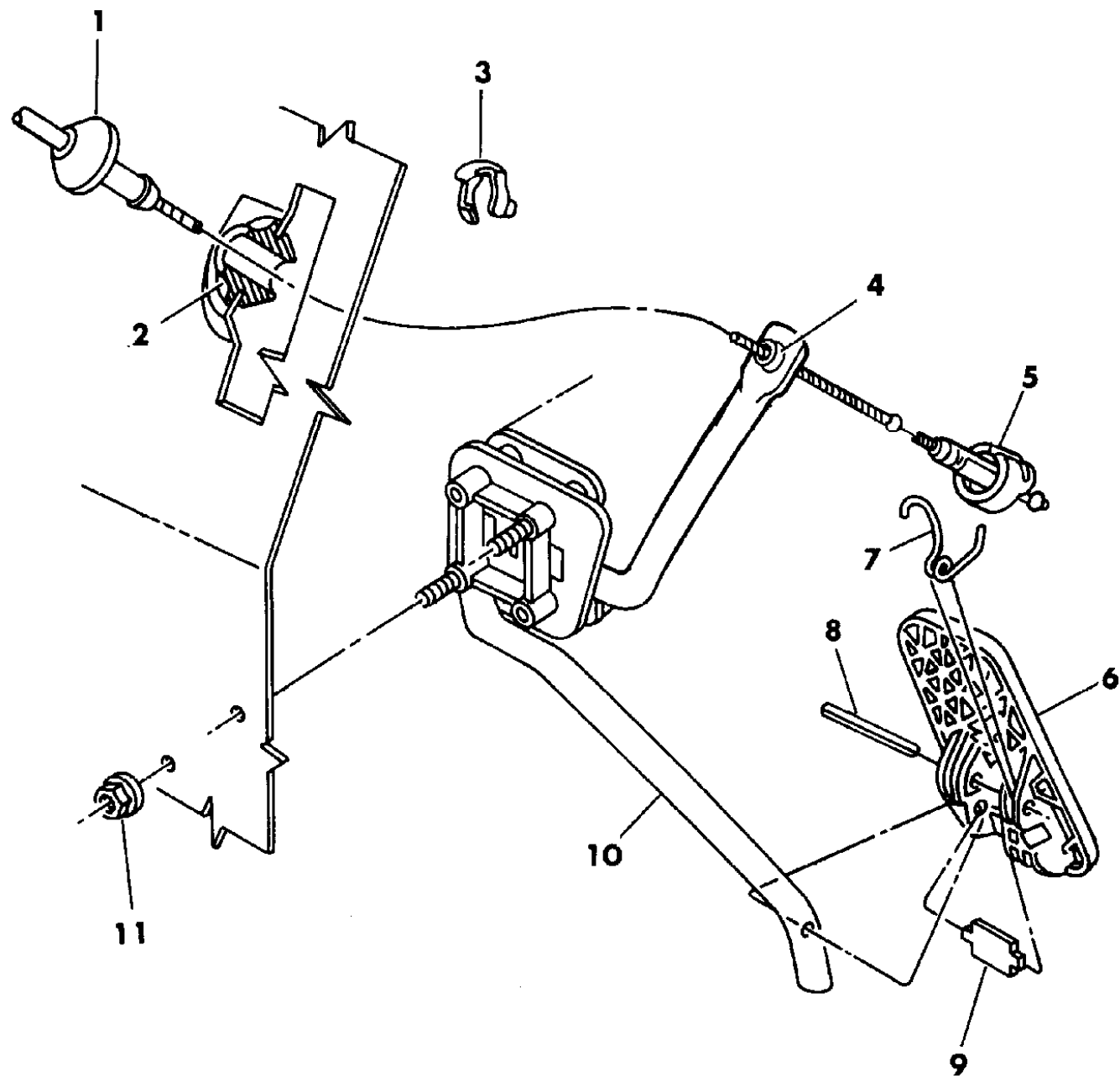
**BODY STYLES:**

21=2-Door Coupe      41=4-Door Sedan      12-52=FWD & AWD Van & Wgn Std W.B.  
24=2-Door Hatchback      44=4-Door Hatchback      53=FWD & AWD Van & Wgn Ext. W.B.  
27=2-Door Convertible

AR = Use as Required - = Non Illustrated Part P.A.R. = Paint as Required

**ACCELERATOR PEDAL P,A,G,J,C,Y,S BODY**  
**Figure 14-2800**

93114 2800



ITEM	PART NUMBER	QTY	BODY	MODEL	DESCRIPTION
1					CABLE, Throttle Control (Refer to Throttle Controls)
2	5214 416	1			GROMMET, Throttle Control Cable
3	5214 613	1			CLIP, Retainer
4	4306 150	1			ISOLATOR, Throttle Cable
5	4287 736	1			RETAINER, Throttle Control
6		1			PEDAL, Accelerator (Serv. in Item #10)
7		1			SPRING, Accelerator Pedal (Serv. in Item #10)
8		1			PIN, (Serv. in Item #10)
9		1			PAD, Accelerator Pedal (Serv. in Item #10)
10					BRACKET, Accelerator - Shaft and Pedal
	5277 923	1	P		2.2, 2.5L Eng.
	5277 599	1	P		3.0L Eng. w/Man. Trans.
	5277 923	1	P		3.0L Eng. w/Auto Trans.
	5277 599	1	A		w/Man. Trans.
	5277 923	1	A		w/Auto Trans.
	4459 117	1	J,G		w/Man. Trans.
	5277 925	1	J,G		w/Auto Trans.
	5277 555	1	C,Y		w/ABS Brakes
	4459 110	1	C,Y		w/o ABS Brakes
	4612 440	1	S		
11	6500 274	2			NUT, w/Washer

**MODEL CODES:**

A BODY=(C=LeBaron, D=Spirit, P=Acclaim/LaBaron(Landau), Saratoga)      S BODY=(H=Voyager(H) FWD, K=Caravan(H) FWD, Y=Town & Country(H) FWD, P=Voyager(K) AWD, D=Caravan(K) AWD, C=Town & Country(K) AWD)  
C BODY=(D=Dynasty, C=New Yorker/N.Y. Salon)      Y BODY=(C=Imperial/5th Avenue)  
G BODY=(V=Daytona/IROC, Chrysler Daytona)      E-S BODY=(K=Chrysler Voyager(H) FWD, D=Chrysler Voyager(K) AWD)  
J BODY=(C=LeBaron, Chrysler LeBaron)  
P BODY=(P=Sundance, D=Shadow)

**BODY STYLES:**

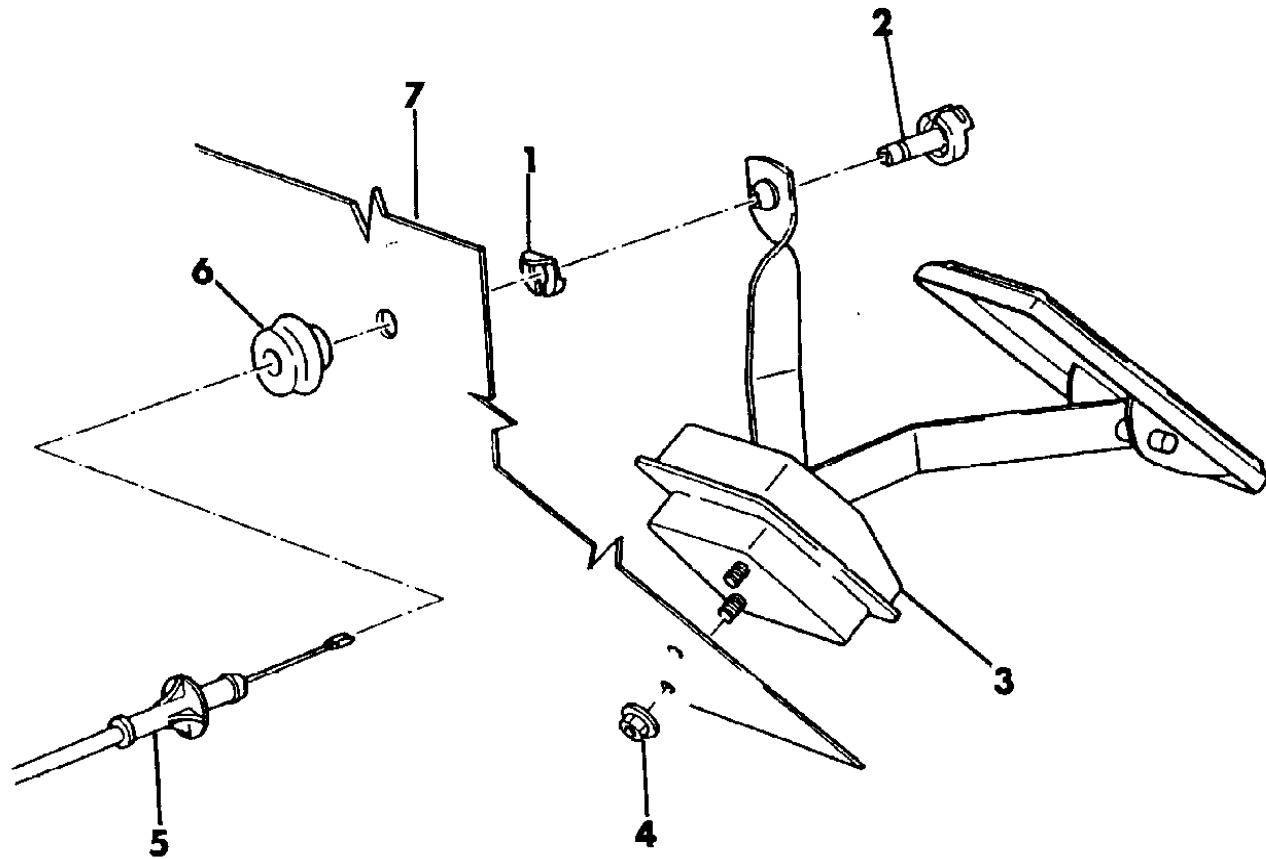
21=2-Door Coupe      41=4-Door Sedan      12-52=FWD & AWD Van & Wgn Std W.B.  
24=2-Door Hatchback      44=4-Door Hatchback      53=FWD & AWD Van & Wgn Ext. W.B.  
27=2-Door Convertible

AR = Use as Required - = Non Illustrated Part P.A.R. = Paint as Required

**ACCELERATOR PEDAL 2.5L TURBO DIESEL ENGINE ES BODY**  
**Figure 14-2900**

93114 2900

ITEM	PART NUMBER	QTY	BODY	MODEL	DESCRIPTION
1	5214 613	1			RETAINER, Clip (Throttle Control)
2	4287 736	1			RETAINER, Clip (To Throttle Cable)
3	4612 440	1			BRACKET ASSEMBLY,(Accelerator Shaft and Pedal) ***
4	6500 274	2			NUT AND BOLT, M6 ***
5	4669 095	1			CABLE, (To Throttle Control)
6	5214 416	1			GROMMET, Throttle Control Cable
7		1			DASH PENEL (Reference Only) ***



**MODEL CODES:**

A BODY=(C=LeBaron, D=Spirit, P=Acclaim/LaBaron(Landau), Saratoga)      S BODY=(H=Voyager(H) FWD, K=Caravan(H) FWD, Y=Town & Country(H) FWD, P=Voyager(K) AWD, D=Caravan(K) AWD, C=Town & Country(K) AWD)  
 C BODY=(D=Dynasty, C=New Yorker/N.Y. Salon)  
 G BODY=(V=Daytona/IROC, Chrysler Daytona)      Y BODY=(C=Imperial/5th Avenue)  
 J BODY=(C=LeBaron, Chrysler LeBaron)      E-S BODY=(K=Chrysler Voyager(H) FWD, D=Chrysler Voyager(K) AWD)  
 P BODY=(P=Sundance, D=Shadow)

**BODY STYLES:**

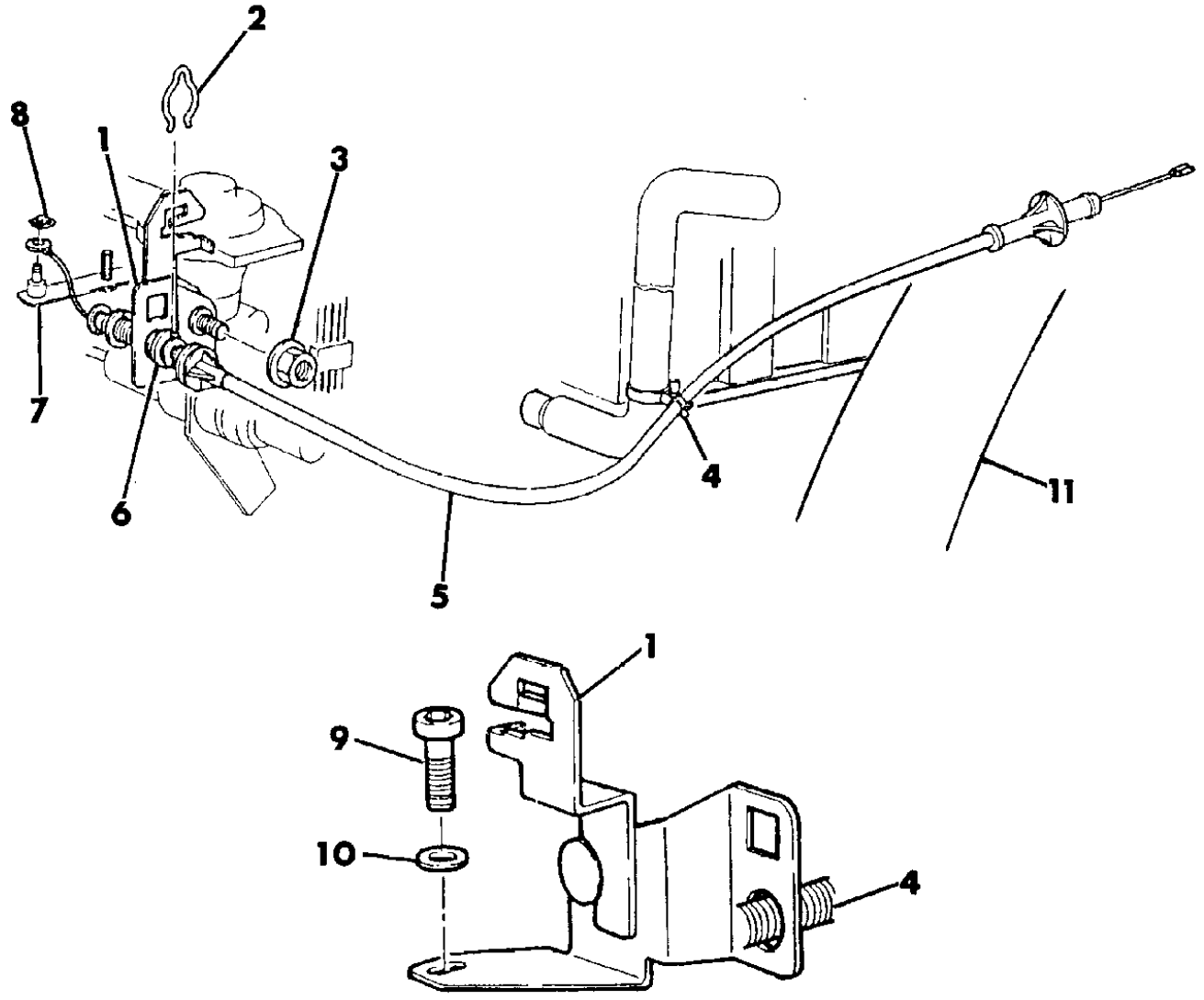
21=2-Door Coupe      41=4-Door Sedan      12-52=FWD & AWD Van & Wgn Std W.B.  
 24=2-Door Hatchback      44=4-Door Hatchback      53=FWD & AWD Van & Wgn Ext. W.B.  
 27=2-Door Convertible

AR = Use as Required - = Non Illustrated Part P.A.R. = Paint as Required



**ACCELERATOR CONTROLS 2.5L TURBO DIESEL ENGINE ES BODY**  
**Figure 14-3000**

93114 3000



ITEM	PART NUMBER	QTY	BODY	MODEL	DESCRIPTION
1					PLATE ASSEMBLY, Adapter, Injection Pump ***
2	J306 6295	1			CLIP, Retainer Accelerator Cable
3	6100 051	1			NUT AND WASHER, Front St/To Riser ***
4	4612 385	1			CLIP, Throttle Cable to Hose
5	4669 095	1			CABLE, Throttle Control
6	5300 1952	1			GROMMET, Cable Insulator
7					LEVEL ASSEMBLY, (Injection Pump) ***
8	4612 414	1			CLIP, Bayonet
9	6101 319	1			SCREW, Socket Head Cap (M6x20)
10		1			WASHER (Not Serviced)
11					HOSE, Intercooler to Flange (Reference)

**MODEL CODES:**

A BODY=(C=LeBaron, D=Spirit, P=Acclaim/LaBaron(Landau, Saratoga) S BODY=(H=Voyager(H) FWD, K=Caravan(H) FWD, Y=Town & Country(H) FWD, P=Voyager(K) AWD, D=Caravan(K) AWD, C=Town & Country(K) AWD)  
 C BODY=(D=Dynasty, C=New Yorker/N.Y. Salon)  
 G BODY=(V=Daytona/IROC, Chrysler Daytona)  
 J BODY=(C=LeBaron, Chrysler LeBaron)  
 P BODY=(P=Sundance, D=Shadow)  
 Y BODY=(C=Imperial/5th Avenue)  
 E-S BODY=(K=Chrysler Voyager(H) FWD, D=Chrysler Voyager(K) AWD)

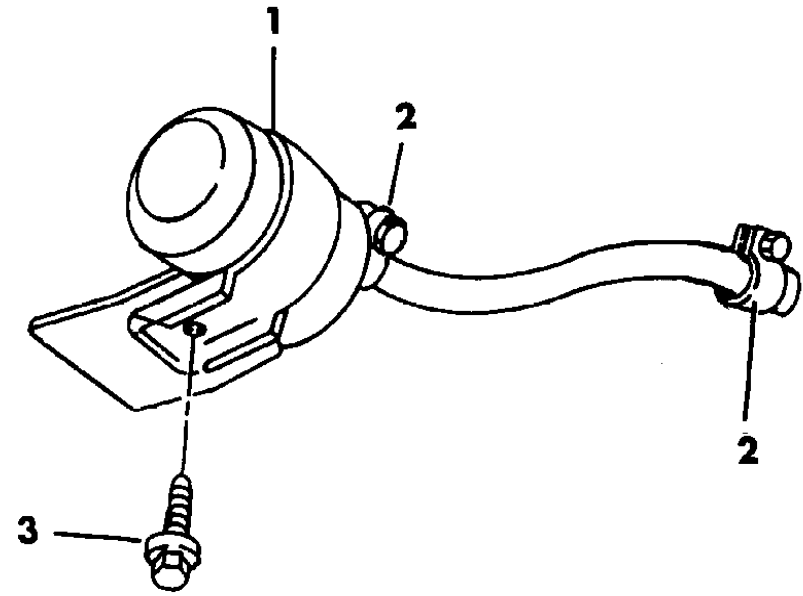
**BODY STYLES:**

21=2-Door Coupe      41=4-Door Sedan      12-52=FWD & AWD Van & Wgn Std W.B.  
 24=2-Door Hatchback      44=4-Door Hatchback      53=FWD & AWD Van & Wgn Ext. W.B.  
 27=2-Door Convertible

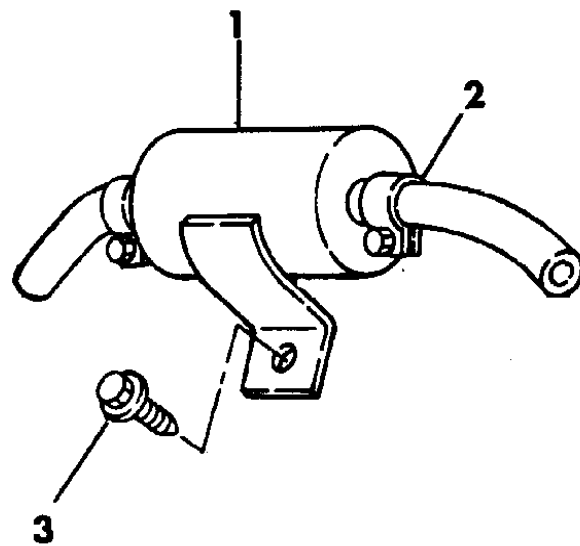
AR = Use as Required - = Non Illustrated Part P.A.R. = Paint as Required

FUEL FILTER P,A,G,J,C,Y,S BODY  
Figure 14-3100

93114 3100



P,A,J,G,C,Y BODY



S BODY

ITEM	PART NUMBER	QTY	BODY	MODEL	DESCRIPTION
1					FILTER, Fuel
	4495 662	1	P,J,G		
	4638 390	1	A,C,Y		
	4495 409	1	A		w/Flex Fuel System
	4443 463	1	S		
2	6500 651	AR			CLAMP
	4495 782	1			CLAMP, Stainless Steel
3		1			SCREW (DNS)

MODEL CODES:

A BODY=(C=LeBaron, D=Spirit, P=Acclaim/LaBaron(Landau),  
Saratoga)  
C BODY=(D=Dynasty, C=New Yorker/N.Y. Salon)  
G BODY=(V=Daytona/IROC, Chrysler Daytona)  
J BODY=(C=LeBaron, Chrysler LeBaron)  
P BODY=(P=Sundance, D=Shadow)

S BODY=(H=Voyager(H) FWD, K=Caravan(H) FWD,  
Y=Town & Country(H) FWD, P=Voyager(K) AWD,  
D=Caravan(K) AWD, C=Town & Country(K) AWD)  
Y BODY=(C=Imperial/5th Avenue)  
E-S BODY=(K=Chrysler Voyager(H) FWD, D=Chrysler  
Voyager(K) AWD)

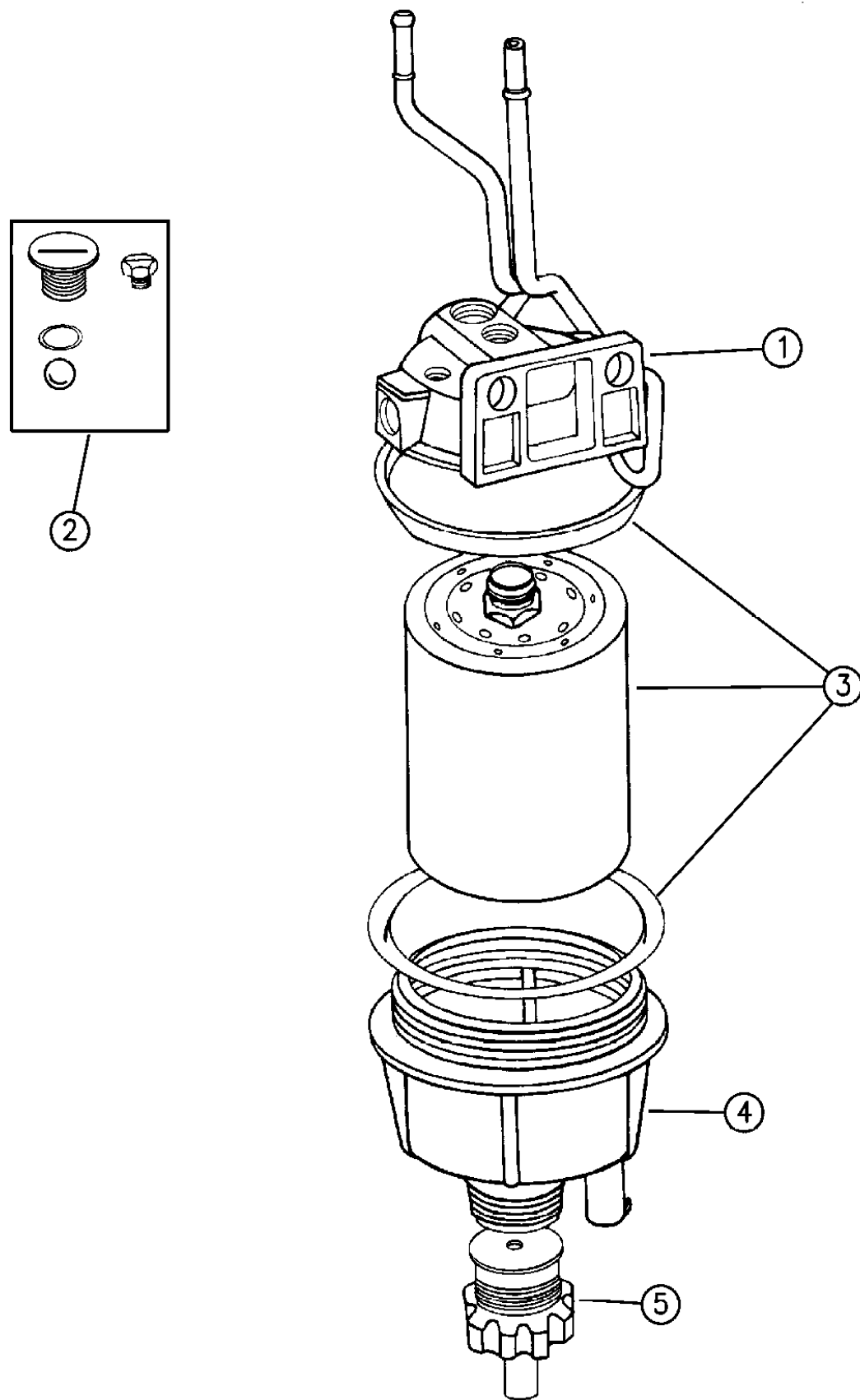
BODY STYLES:

21=2-Door Coupe      41=4-Door Sedan      12-52=FWD & AWD Van & Wgn Std W.B.  
24=2-Door Hatchback      44=4-Door Hatchback      53=FWD & AWD Van & Wgn Ext. W.B.  
27=2-Door Convertible

AR = Use as Required - = Non Illustrated Part P.A.R. = Paint as Required

**FUEL FILTER, 2.5L TURBO DIESEL ENGINE ES BODY**  
**Figure 14-3200**

93114 3200B



ITEM	PART NUMBER	QTY	BODY	MODEL	DESCRIPTION
1	4723 900	1			HEAD ASSEMBLY, Fuel Filter (Includes Check Valve Assembly) ***
2	4723 901	1			VALVE and PLUG PACKAGE, (Includes Check Ball, Check Ball Retainer, Plug w/Seal, Check Valve w/seals and Vent Plug w/ Seal) ***
3	4723 905	1			FILTER, Fuel Element (Includes Upper Gasket and Lower O-Ring)
4	4746 229	1			BOWL, Fuel Filter (Includes Heater) ***
5	4723 907	1			DRAIN, Plug (w/Seal) ***

**MODEL CODES:**

A BODY=(C=LeBaron, D=Spirit, P=Acclaim/LaBaron(Landau), Saratoga)      S BODY=(H=Voyager(H) FWD, K=Caravan(H) FWD, Y=Town & Country(H) FWD, P=Voyager(K) AWD, D=Caravan(K) AWD, C=Town & Country(K) AWD)  
 C BODY=(D=Dynasty, C=New Yorker/N.Y. Salon)      Y BODY=(C=Imperial/5th Avenue)  
 G BODY=(V=Daytona/IROC, Chrysler Daytona)      E-S BODY=(K=Chrysler Voyager(H) FWD, D=Chrysler Voyager(K) AWD)  
 J BODY=(C=LeBaron, Chrysler LeBaron)  
 P BODY=(P=Sundance, D=Shadow)

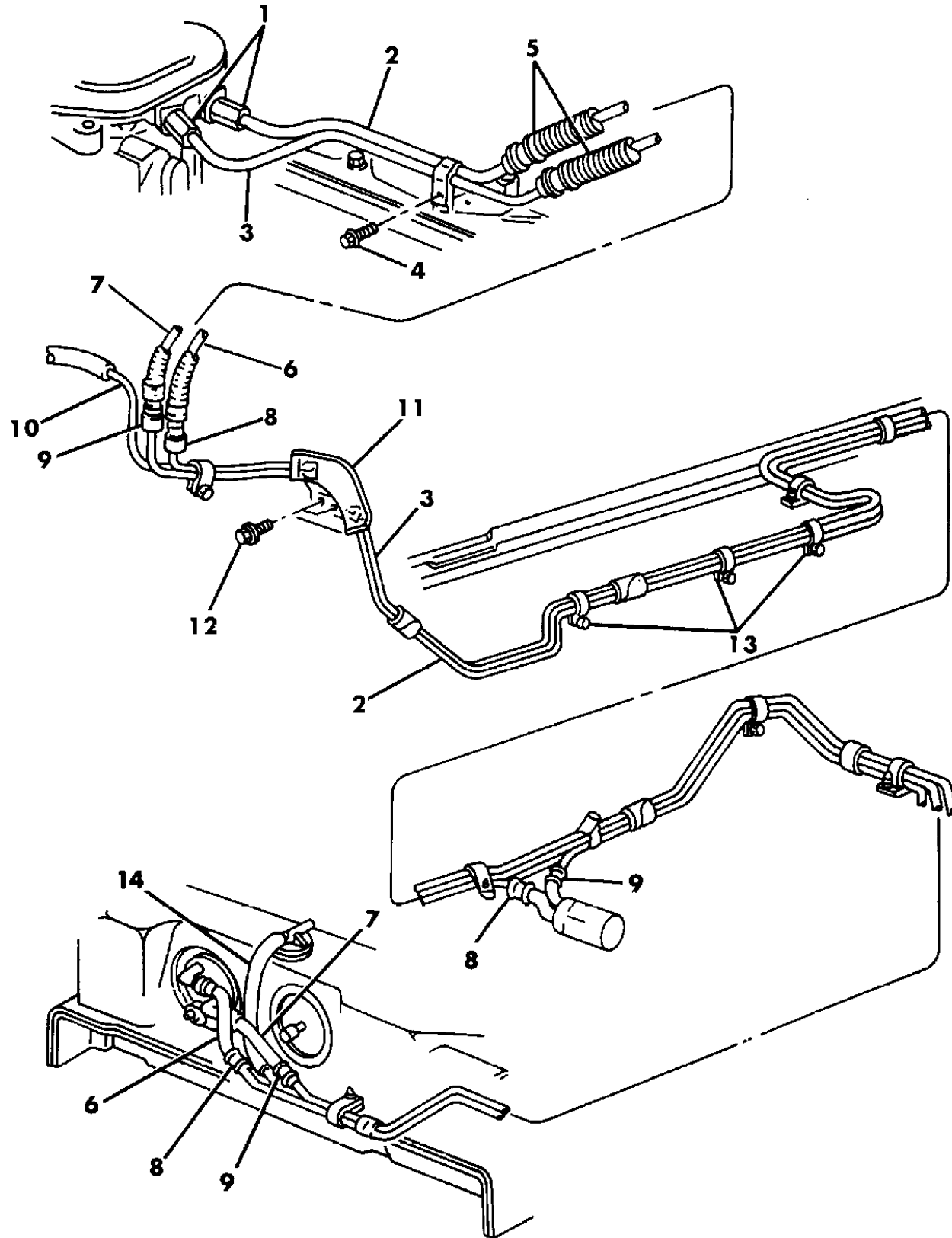
**BODY STYLES:**

21=2-Door Coupe      41=4-Door Sedan      12-52=FWD & AWD Van & Wgn Std W.B.  
 24=2-Door Hatchback      44=4-Door Hatchback      53=FWD & AWD Van & Wgn Ext. W.B.  
 27=2-Door Convertible

AR = Use as Required - = Non Illustrated Part P.A.R. = Paint as Required

FUEL LINES P,A,J,G,C,Y BODY  
Figure 14-3300

93114 3300



ITEM	PART NUMBER	QTY	BODY	MODEL	DESCRIPTION
1	5277 375	1			CONNECTOR, Fuel Supply and Return Tube - 2.2, 2.5L Eng.
2	4418 154	AR			TUBE, Fuel Supply 5/16" O.D. (Serv. in 25' Roll)
3	4418 153	AR			TUBE, Fuel Return 1/4" O.D. (Serv. in 25' Roll)
4		AR			SCREW, (Not Serv.)
5					TUBING, Convoluted (Serv. in 10' Roll)
	4364 374	AR			1/2" O.D.
	4364 392	AR			5/8" O.D.
6	4443 179	AR			HOSE, Fuel Return 1/4" I.D. (Serv. in 25' Roll)
7	4443 180	AR			HOSE, Fuel Supply 5/16" I.D. (Serv. in 25' Roll)
8	6500 650	AR			CLAMP, Fuel Return
9	6500 651	AR			CLAMP, Fuel Supply
10	1843 251	AR			TUBE, Fuel Vapor 3/16" O.D. (Serv. in 25' Roll)
11	4554 122	1			BLOCKER, Fuel Tube Bundle
-	4554 123	2			ISOLATOR, Blocker
12		2			SCREW, (Not Serv.)
13	4682 039	AR			CLIP
14	4443 177	AR			HOSE, Fuel Vapor 3/16" I.D. (Serv. in 25' Roll)

MODEL CODES:

A BODY=(C=LeBaron, D=Spirit, P=Acclaim/LaBaron(Landau),  
Saratoga)  
C BODY=(D=Dynasty, C=New Yorker/N.Y. Salon)  
G BODY=(V=Daytona/IROC, Chrysler Daytona)  
J BODY=(C=LeBaron, Chrysler LeBaron)  
P BODY=(P=Sundance, D=Shadow)

S BODY=(H=Voyager(H) FWD, K=Caravan(H) FWD,  
Y=Town & Country(H) FWD, P=Voyager(K) AWD,  
D=Caravan(K) AWD, C=Town & Country(K) AWD)  
Y BODY=(C=Imperial/5th Avenue)  
E-S BODY=(K=Chrysler Voyager(H) FWD, D=Chrysler  
Voyager(K) AWD)

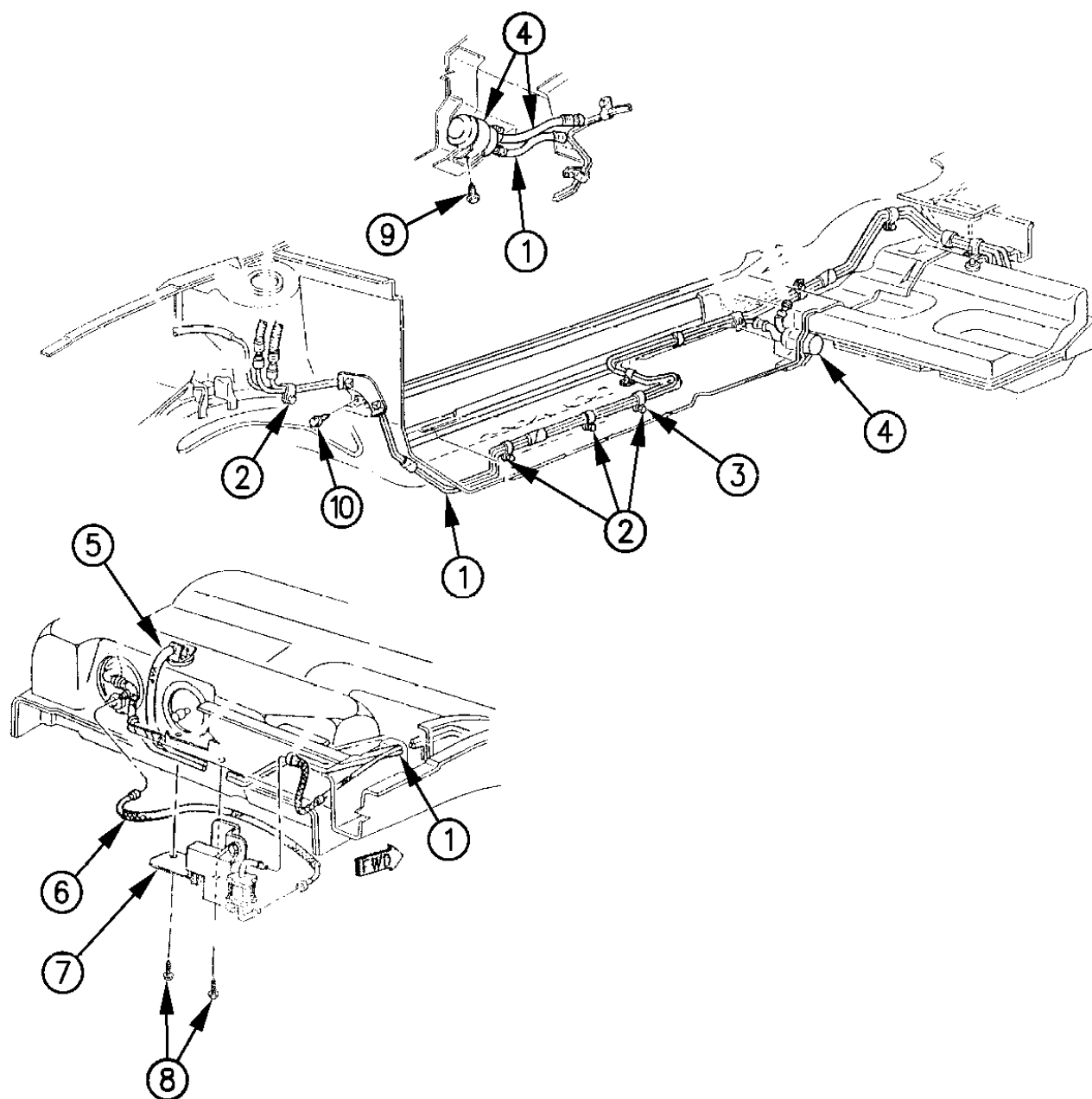
BODY STYLES:

21=2-Door Coupe      41=4-Door Sedan      12-52=FWD & AWD Van & Wgn Std W.B.  
24=2-Door Hatchback      44=4-Door Hatchback      53=FWD & AWD Van & Wgn Ext. W.B.  
27=2-Door Convertible

AR = Use as Required - = Non Illustrated Part P.A.R. = Paint as Required

FUEL LINES AND COMPONENTS FLEX FUEL A BODY  
Figure 14-3350

93114 3350



ITEM	PART NUMBER	QTY	BODY	MODEL	DESCRIPTION
1	4495 426	1			TUBE ASSEMBLY, Fuel Tank To Throttle Body ***
2	4682 246	AR			CLIP, Assy. Fuel Tube Bundle
3		AR			SCREW, .250-14x.500 (Not Serv.)
4	4495 409	1			FILTER ASSEMBLE, Flex Fuel ***
5	4682 358	1			HOSE, Fuel Vapor Tube To Rollover Valve
6	4682 232	1			HOSE, Fuel Braided w/Connector
7	4686 069	1			SENSOR, Assy. Methanol Concentration
8	6031 011	2			SCREW, Sensor Mtg.
9		1			SCREW, .312x18x.75 (Not Serv.)
10		AR			SCREW, .250-14X.500 (Not Serv.)

**MODEL CODES:**

A BODY=(C=LeBaron, D=Spirit, P=Acclaim/LaBaron(Landau, Saratoga)  
 C BODY=(D=Dynasty, C=New Yorker/N.Y. Salon)  
 G BODY=(V=Daytona/IROC, Chrysler Daytona)  
 J BODY=(C=LeBaron, Chrysler LeBaron)  
 P BODY=(P=Sundance, D=Shadow)

S BODY=(H=Voyager(H) FWD, K=Caravan(H) FWD, Y=Town & Country(H) FWD, P=Voyager(K) AWD, D=Caravan(K) AWD, C=Town & Country(K) AWD)  
 Y BODY=(C=Imperial/5th Avenue)  
 E-S BODY=(K=Chrysler Voyager(H) FWD, D=Chrysler Voyager(K) AWD)

**BODY STYLES:**

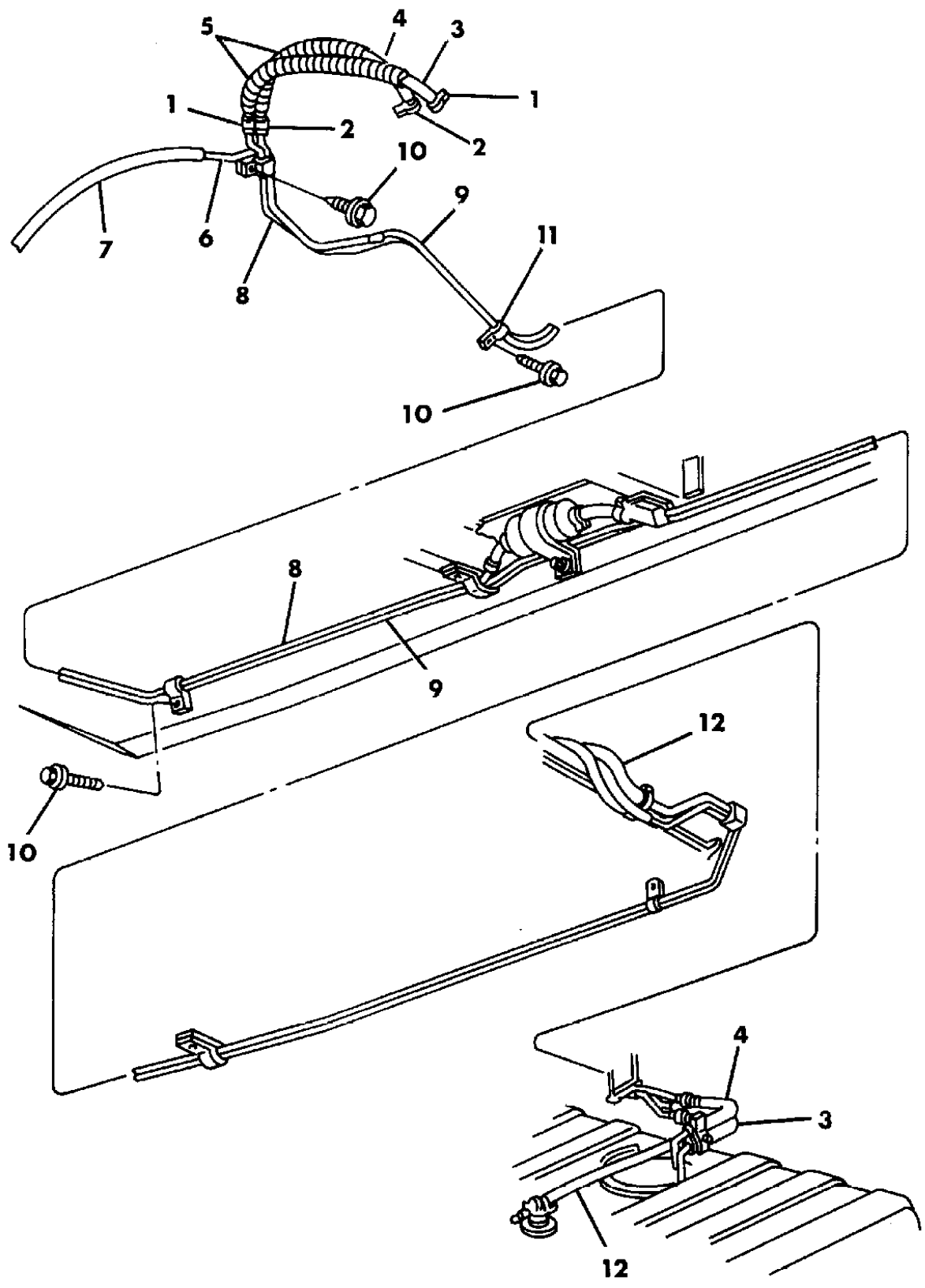
21=2-Door Coupe      41=4-Door Sedan      12-52=FWD & AWD Van & Wgn Std W.B.  
 24=2-Door Hatchback      44=4-Door Hatchback      53=FWD & AWD Van & Wgn Ext. W.B.  
 27=2-Door Convertible

AR = Use as Required - = Non Illustrated Part P.A.R. = Paint as Required

FUEL LINES S BODY  
Figure 14-3400

93114 3400

ITEM	PART NUMBER	QTY	BODY	MODEL	DESCRIPTION
1	6500 650	AR			CLAMP, Fuel Return
2	6500 651	AR			CLAMP, Fuel Supply
3	4443 179	AR			HOSE, Fuel Return 1/4" I.D. (Serv. in 25' Roll)
4	4443 180	AR			HOSE, Fuel Supply 5/16" I.D. (Serv. in 25' Roll)
5					TUBING, Convoluted (Serv. in 10' Roll)
	4364 374	AR			1/2" O.D.
	4364 392	AR			5/8" O.D.
6	1843 251	AR			TUBE, Fuel Vapor 3/16" O.D. (Serv. in 25' Roll)
7		AR			HOSE, Fuel Vapor - Expanded End (Refer to Group 25)
8	4418 153	AR			TUBE, Fuel Return 1/4" O.D. (Serv. in 25' Roll)
9	4418 154	AR			TUBE, Fuel Supply 5/16" O.D. (Serv. in 25' Roll)
10		AR			SCREW, (Not Serv.)
11	4682 039	3			CLIP, Fuel Tubes
12	4443 177	AR			HOSE, Fuel Vapor Tube 3/16" I.D. (Serv. in 25' Roll)



MODEL CODES:

A BODY=(C=LeBaron, D=Spirit, P=Acclaim/LaBaron(Landau),  
Saratoga)  
C BODY=(D=Dynasty, C=New Yorker/N.Y. Salon)  
G BODY=(V=Daytona/IROC, Chrysler Daytona)  
J BODY=(C=LeBaron, Chrysler LeBaron)  
P BODY=(P=Sundance, D=Shadow)

S BODY=(H=Voyager(H) FWD, K=Caravan(H) FWD,  
Y=Town & Country(H) FWD, P=Voyager(K) AWD,  
D=Caravan(K) AWD, C=Town & Country(K) AWD)  
Y BODY=(C=Imperial/5th Avenue)  
E-S BODY=(K=Chrysler Voyager(H) FWD, D=Chrysler  
Voyager(K) AWD)

BODY STYLES:

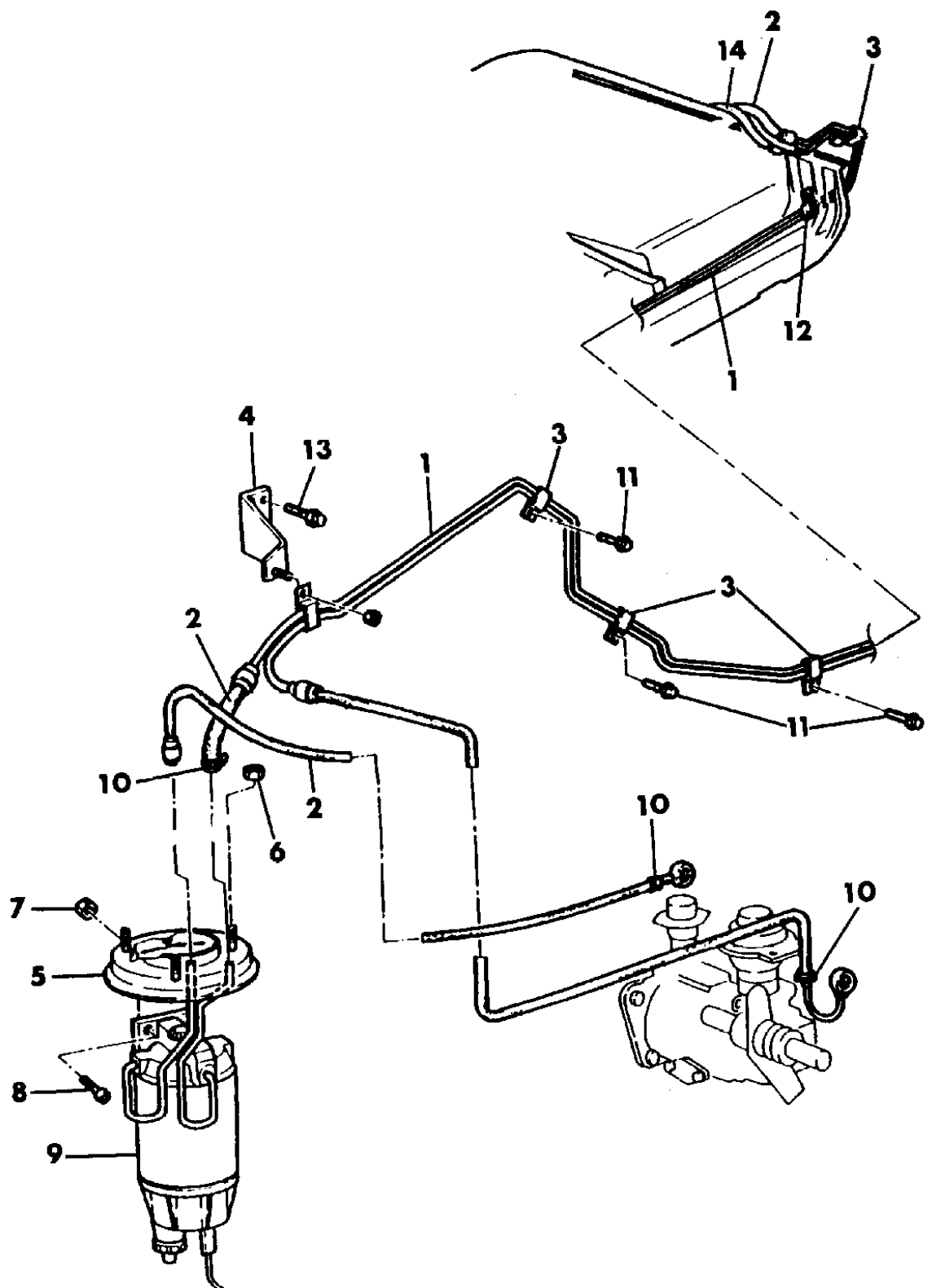
21=2-Door Coupe      41=4-Door Sedan      12-52=FWD & AWD Van & Wgn Std W.B.  
24=2-Door Hatchback      44=4-Door Hatchback      53=FWD & AWD Van & Wgn Ext. W.B.  
27=2-Door Convertible

AR = Use as Required - = Non Illustrated Part P.A.R. = Paint as Required

FUEL LINES 2.5L TURBO DIESEL ENGINE ES BODY  
Figure 14-3500

93114 3500

ITEM	PART NUMBER	QTY	BODY	MODEL	DESCRIPTION
1					TUBE ASSEMBLY, Fuel Supply and Return ***
	4682 205	1		52	
	4682 206	1		53	
2					HOSE, Fuel (5/16 or .31 I.D.), (Roll Stock)
	4443 180	AR			25' Roll
	4185 499	AR			50' Roll
-	4364 392	AR			SLEEVE, Convoluted, 5/8" O.D. (10' Roll)
3	3404 625	7			CLIP, Tube
4	4682 183	1			BRACKET ASSEMBLY, Fuel Lines ***
5	4682 186	1			BRACKET ASSEMBLY, Fuel Filter ***
6	6500 274	4			NUT, Bracket Attaching
7	6101 467	2			NUT, Filter Attaching (M8x35)
8		2			BOLT, M8x35 (Not Serv.)
9					FILTER ASSEMBLY, Fuel (Serv. in the following Compent) ***
-	4723 900	1			HEAD ASSEMBLY, (Consists of: Head, Check Valve, Plug and Upper Gskt.) ***
-	4723 901	1			VALVE PACKAGE, (Includes Check Valve and Seal, Check Ball and Retainer, Plug and Seal)
-	4723 905	1			FILTER PACKAGE, (Includes Filter Element, Upper Gskt. and Lower O-Ring)
-	4723 906	1			BOWL, Fuel Filter (Includes Bowl, Heater and Lower O-Ring) ***
-	4723 907	1			DRAIN, Fuel Filter Bowl ***
10	6500 651	AR			CLAMP, (open diameter - 15.50)
11		5			SCREW, Fuel Tube Bundle Clip, (not serviced, use 1/4-14x.500)
12	4682 246	2			CLIP ASSEMBLY, Fuel Tube ***
13	6032 451	2			SCREW, Bracket (used w/o air conditioning)
14	4682 180	1			HOSE and CONNECTOR ASSEMBLY, Fuel Return to Tank ***



MODEL CODES:

A BODY=(C=LeBaron, D=Spirit, P=Acclaim/LaBaron(Landau, Saratoga) S BODY=(H=Voyager(H) FWD, K=Caravan(H) FWD, Y=Town & Country(H) FWD, P=Voyager(K) AWD, D=Caravan(K) AWD, C=Town & Country(K) AWD)  
 C BODY=(D=Dynasty, C=New Yorker/N.Y. Salon)  
 G BODY=(V=Daytona/IROC, Chrysler Daytona)  
 J BODY=(C=LeBaron, Chrysler LeBaron)  
 P BODY=(P=Sundance, D=Shadow)  
 Y BODY=(C=Imperial/5th Avenue)  
 E-S BODY=(K=Chrysler Voyager(H) FWD, D=Chrysler Voyager(K) AWD)

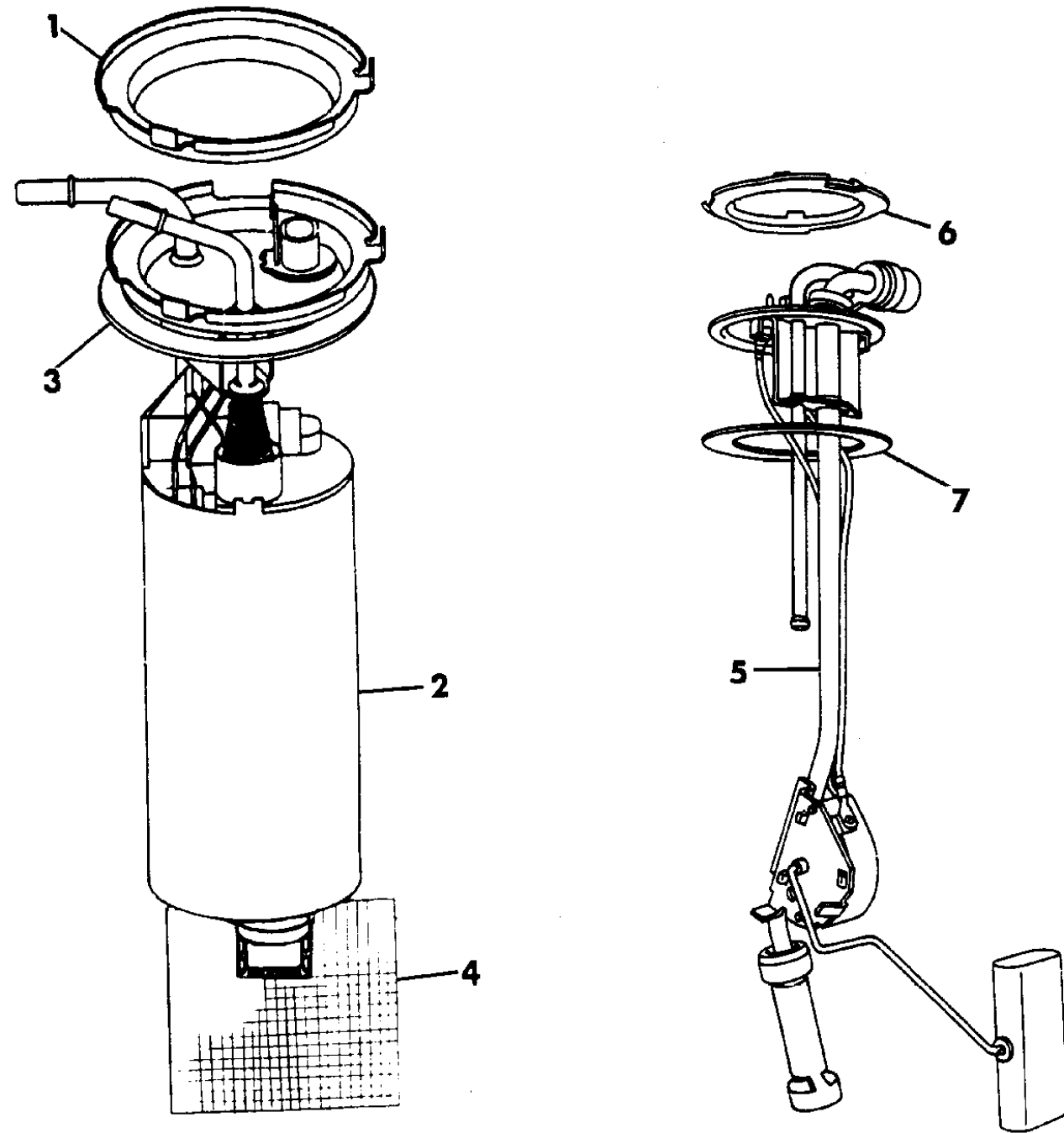
BODY STYLES:

21=2-Door Coupe      41=4-Door Sedan      12-52=FWD & AWD Van & Wgn Std W.B.  
 24=2-Door Hatchback      44=4-Door Hatchback      53=FWD & AWD Van & Wgn Ext. W.B.  
 27=2-Door Convertible

AR = Use as Required - = Non Illustrated Part P.A.R. = Paint as Required

FUEL PUMP AND LEVEL UNIT P,A,J,G,C,Y BODY  
Figure 14-3600

93114 3600



ITEM	PART NUMBER	QTY	BODY	MODEL	DESCRIPTION
1	4279 445	1			RETAINER, Fuel Pump Mounting
2	4682 087	1	PJGCY		PUMP, Fuel (Use Insul. 4419588)
	4682 088	1	A		2.2L Eng. 16 Valve (Use Insul. 4419588)
	4682 087	1	A		2.5L Eng. and 3.0L Eng. (Use Insul. 4419588)
	4495 391	1	A		w/Flex Fuel
3	6031 475	1			SEAL, Fuel Pump Mounting
	4495 395	1	A		w/Flex Fuel
4	4495 115	1			STRAINER PACKAGE, Fuel Pump ***
5	4723 105	1	PAJCY		LEVEL UNIT PACKAGE, Fuel Pump ***
	4495 388	1	A		2.5L Eng. w/Flex Fuel
	4723 105	1	G		2.2L Eng. 16 Valve
	4723 105	1	G		2.5L and 3.0L Eng. w/o 60 Liter Fuel Tank
	4495 375	1	G		w/60 Liter Fuel Tank
6	1730 095	1			RETAINER, Level Unit
7	1948 757	1			SEAL, Level Unit

MODEL CODES:

A BODY=(C=LeBaron, D=Spirit, P=Acclaim/LaBaron(Landau),  
Saratoga)  
C BODY=(D=Dynasty, C=New Yorker/N.Y. Salon)  
G BODY=(V=Daytona/IROC, Chrysler Daytona)  
J BODY=(C=LeBaron, Chrysler LeBaron)  
P BODY=(P=Sundance, D=Shadow)

S BODY=(H=Voyager(H) FWD, K=Caravan(H) FWD,  
Y=Town & Country(H) FWD, P=Voyager(K) AWD,  
D=Caravan(K) AWD, C=Town & Country(K) AWD)  
Y BODY=(C=Imperial/5th Avenue)  
E-S BODY=(K=Chrysler Voyager(H) FWD, D=Chrysler  
Voyager(K) AWD)

BODY STYLES:

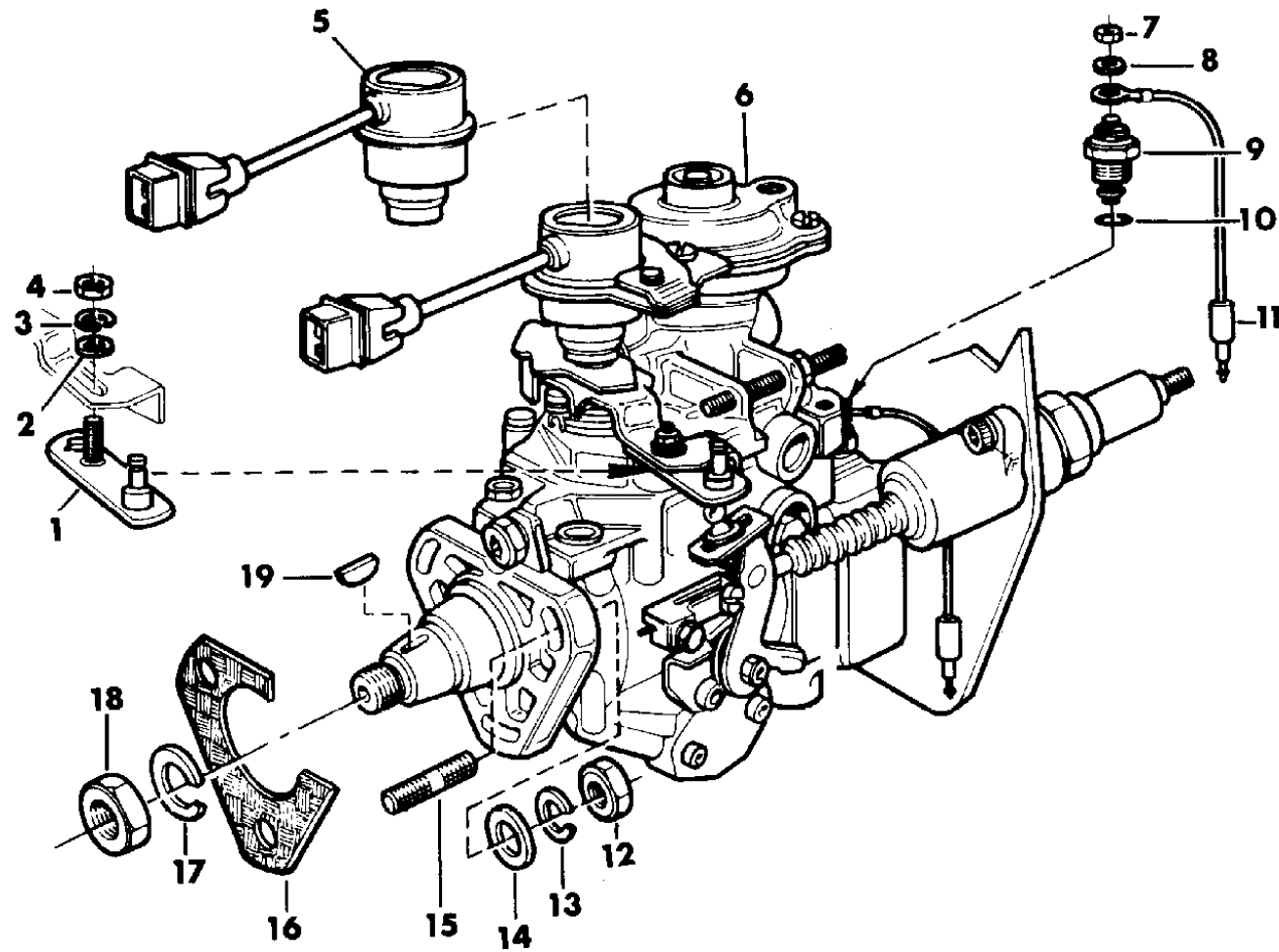
21=2-Door Coupe      41=4-Door Sedan      12-52=FWD & AWD Van & Wgn Std W.B.  
24=2-Door Hatchback      44=4-Door Hatchback      53=FWD & AWD Van & Wgn Ext. W.B.  
27=2-Door Convertible

AR = Use as Required - = Non Illustrated Part P.A.R. = Paint as Required



FUEL INJECTION PUMP 2.5L TURBO DIESEL ENGINE ES BODY  
Figure 14-3700

93114 3700



ITEM	PART NUMBER	QTY	BODY	MODEL	DESCRIPTION
1	4723 270	1			BRACKET, Wire Support
2	4720 661	AR			WASHER
3	4723 204	AR			WASHER
4	4723 262	AR			NUT
5	4723 269	1			POTENTIOMETER, Throttle
6	4720 170	1			PUMP, Injection
7	4723 167	AR			NUT
8	4723 168	AR			WASHER
9	4723 264	1			SOLENOID, Fuel Shut Off
10	4723 266	1			O-RING, Fuel Shut Off Solenoid
11	4723 265	1			WIRE, Solenoid
12	4720 552	AR			NUT
13	4723 165	AR			WASHER
14	4720 193	AR			WASHER
15	4723 273	AR			STUD
16	4720 196	1			GASKET, Injection Pump
17	4723 272	1			WASHER, Injection Pump
18	4723 271	1			NUT, Injection Pump
19	4720 198	1			KEY, Injection Pump

**MODEL CODES:**

A BODY=(C=LeBaron, D=Spirit, P=Acclaim/LaBaron(Landau),  
Saratoga)  
C BODY=(D=Dynasty, C=New Yorker/N.Y. Salon)  
G BODY=(V=Daytona/IROC, Chrysler Daytona)  
J BODY=(C=LeBaron, Chrysler LeBaron)  
P BODY=(P=Sundance, D=Shadow)

S BODY=(H=Voyager(H) FWD, K=Caravan(H) FWD,  
Y=Town & Country(H) FWD, P=Voyager(K) AWD,  
D=Caravan(K) AWD, C=Town & Country(K) AWD)  
Y BODY=(C=Imperial/5th Avenue)  
E-S BODY=(K=Chrysler Voyager(H) FWD, D=Chrysler  
Voyager(K) AWD)

**BODY STYLES:**

21=2-Door Coupe      41=4-Door Sedan      12-52=FWD & AWD Van & Wgn Std W.B.  
24=2-Door Hatchback      44=4-Door Hatchback      53=FWD & AWD Van & Wgn Ext. W.B.  
27=2-Door Convertible

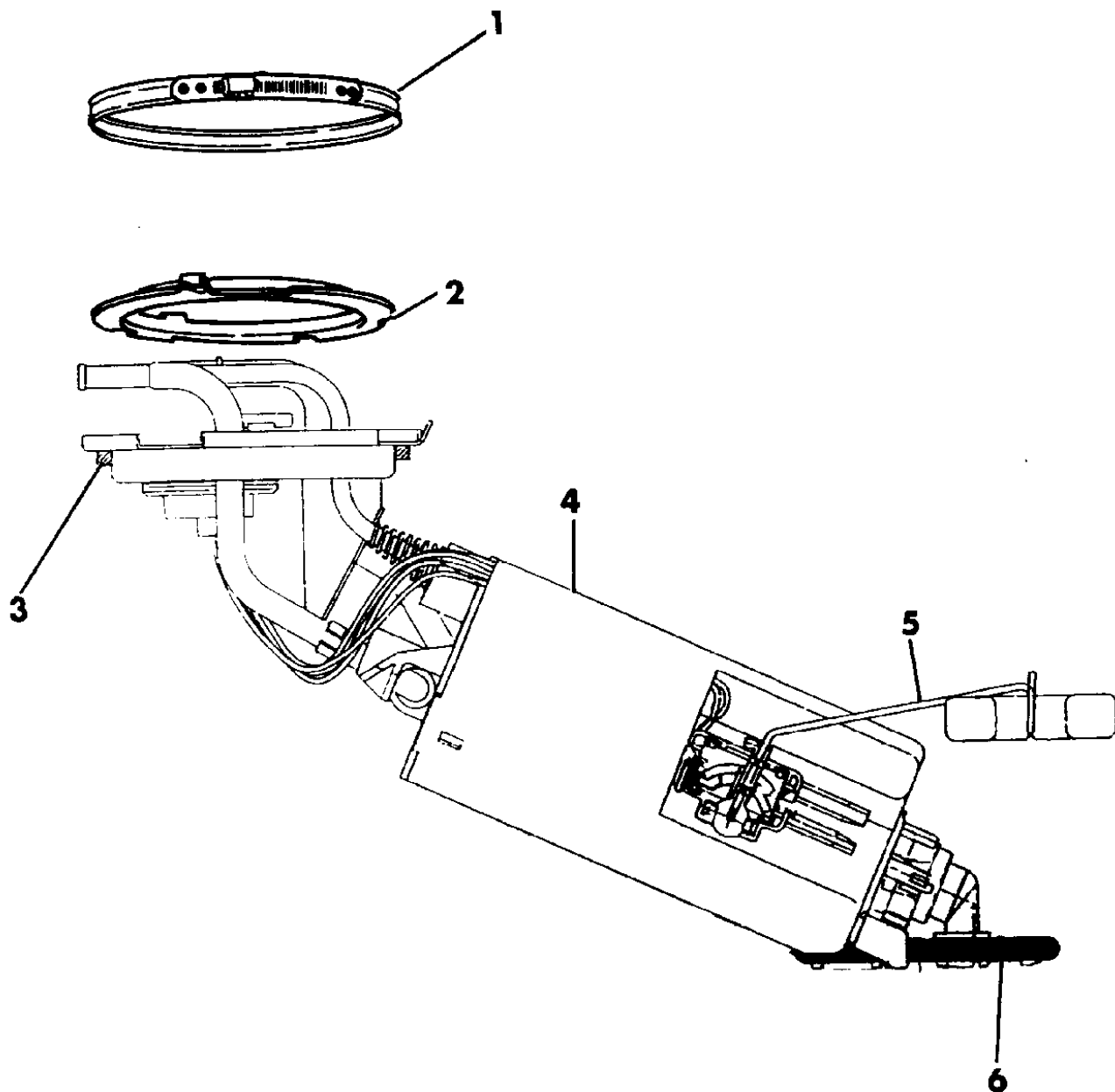
AR = Use as Required - = Non Illustrated Part P.A.R. = Paint as Required

FUEL PUMP AND LEVEL UNIT S BODY

Figure 14-3800

93114 3800

ITEM	PART NUMBER	QTY	BODY	MODEL	DESCRIPTION
1	5217 825	1			CLAMP, Fuel Pump Mtg.
2	4203 879	1			RETAINER, Fuel Pump Mtg.
3					SEAL, Fuel Pump Mounting
	6501 463	1			FWD
	5217 826	1			AWD
4					PUMP, Fuel
	4682 260	1			FWD
	4740 370	1			AWD
	4728 235	1		ES	w/o Level Unit, w/Diesel Eng.
	4761 646	1			w/Level Unit
					GROMMET
	4002 149	1			Filler Tube Vent
	5217 802	3			Fuel Pump
5					PACKAGE, Fuel Pump Level Unit
	4713 737	1			FWD
	4740 371	1			AWD
	4728 237	1		ES	w/Diesel Eng.
6					PACKAGE, Fuel Pump Strainer
	4495 118	1			FWD
	4740 286	1			AWD
	5200 4938	1			w/Diesel Eng.



MODEL CODES:

A BODY=(C=LeBaron, D=Spirit, P=Acclaim/LaBaron(Landau),  
Saratoga)  
C BODY=(D=Dynasty, C=New Yorker/N.Y. Salon)  
G BODY=(V=Daytona/IROC, Chrysler Daytona)  
J BODY=(C=LeBaron, Chrysler LeBaron)  
P BODY=(P=Sundance, D=Shadow)

S BODY=(H=Voyager(H) FWD, K=Caravan(H) FWD,  
Y=Town & Country(H) FWD, P=Voyager(K) AWD,  
D=Caravan(K) AWD, C=Town & Country(K) AWD)  
Y BODY=(C=Imperial/5th Avenue)  
E-S BODY=(K=Chrysler Voyager(H) FWD, D=Chrysler  
Voyager(K) AWD)

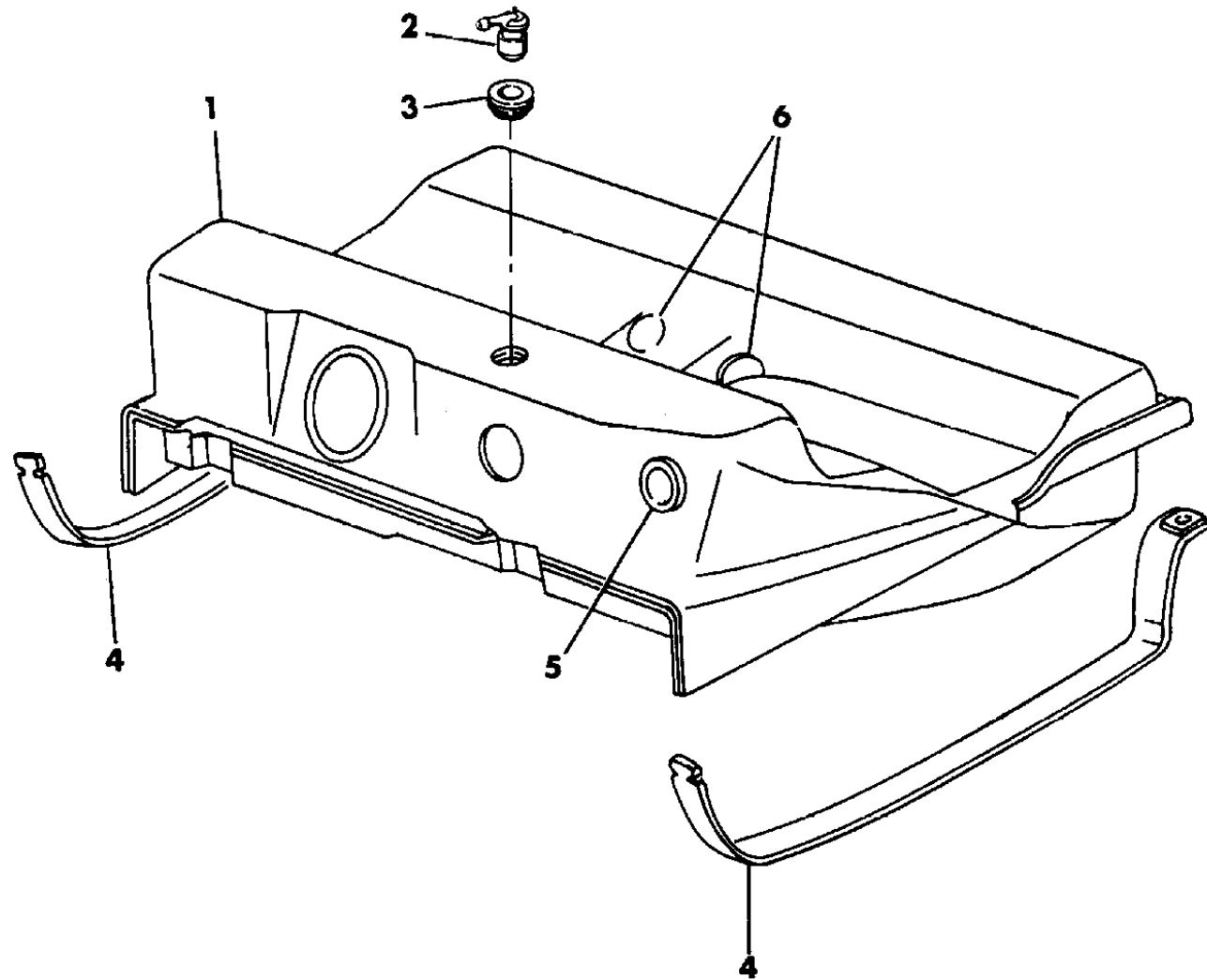
BODY STYLES:

21=2-Door Coupe      41=4-Door Sedan      12-52=FWD & AWD Van & Wgn Std W.B.  
24=2-Door Hatchback      44=4-Door Hatchback      53=FWD & AWD Van & Wgn Ext. W.B.  
27=2-Door Convertible

AR = Use as Required - = Non Illustrated Part P.A.R. = Paint as Required

FUEL TANK P,A,J,G,C,Y BODY  
Figure 14-3900

93114 3900



ITEM	PART NUMBER	QTY	BODY	MODEL	DESCRIPTION
1	4495 041	1	P,J		TANK, Fuel
	4495 041	1	G		2.2L Eng. 16 Valve
	4495 041	1	G		2.5L and 3.0L Eng. w/o 60 Liter Fuel Tank
	4495 198	1	G		w/60 Liter Fuel Tank
	4495 043	1	A,C,Y		
	4495 390	1	A		Plastic, w/Flex Fuel
2	4495 069	1			VALVE, Rollover
3	4002 149	1			GROMMET, Rollover Valve
	4582 728	1	A		w/Flex Fuel
4	4203 948-9	2	P,J,G		STRAP, Fuel Tank Support
	4203 964-5	2	A,C,Y		
	4495 209	1	A		Lt. w/Flex Fuel
	4495 210	1	A		Rt. w/Flex Fuel
5	5217 578	1			GROMMET, Fuel Tank Filler Tube
	4495 393	1	A		w/Flex Fuel
6	4185 506	1			PAD, Fuel Tank Positioning
-	4495 202	1	A		SHEILD, Fuel Tank w/Flex Fuel ***

**MODEL CODES:**

A BODY=(C=LeBaron, D=Spirit, P=Acclaim/LaBaron(Landau),  
Saratoga)  
C BODY=(D=Dynasty, C=New Yorker/N.Y. Salon)  
G BODY=(V=Daytona/IROC, Chrysler Daytona)  
J BODY=(C=LeBaron, Chrysler LeBaron)  
P BODY=(P=Sundance, D=Shadow)

S BODY=(H=Voyager(H) FWD, K=Caravan(H) FWD,  
Y=Town & Country(H) FWD, P=Voyager(K) AWD,  
D=Caravan(K) AWD, C=Town & Country(K) AWD)  
Y BODY=(C=Imperial/5th Avenue)  
E-S BODY=(K=Chrysler Voyager(H) FWD, D=Chrysler  
Voyager(K) AWD)

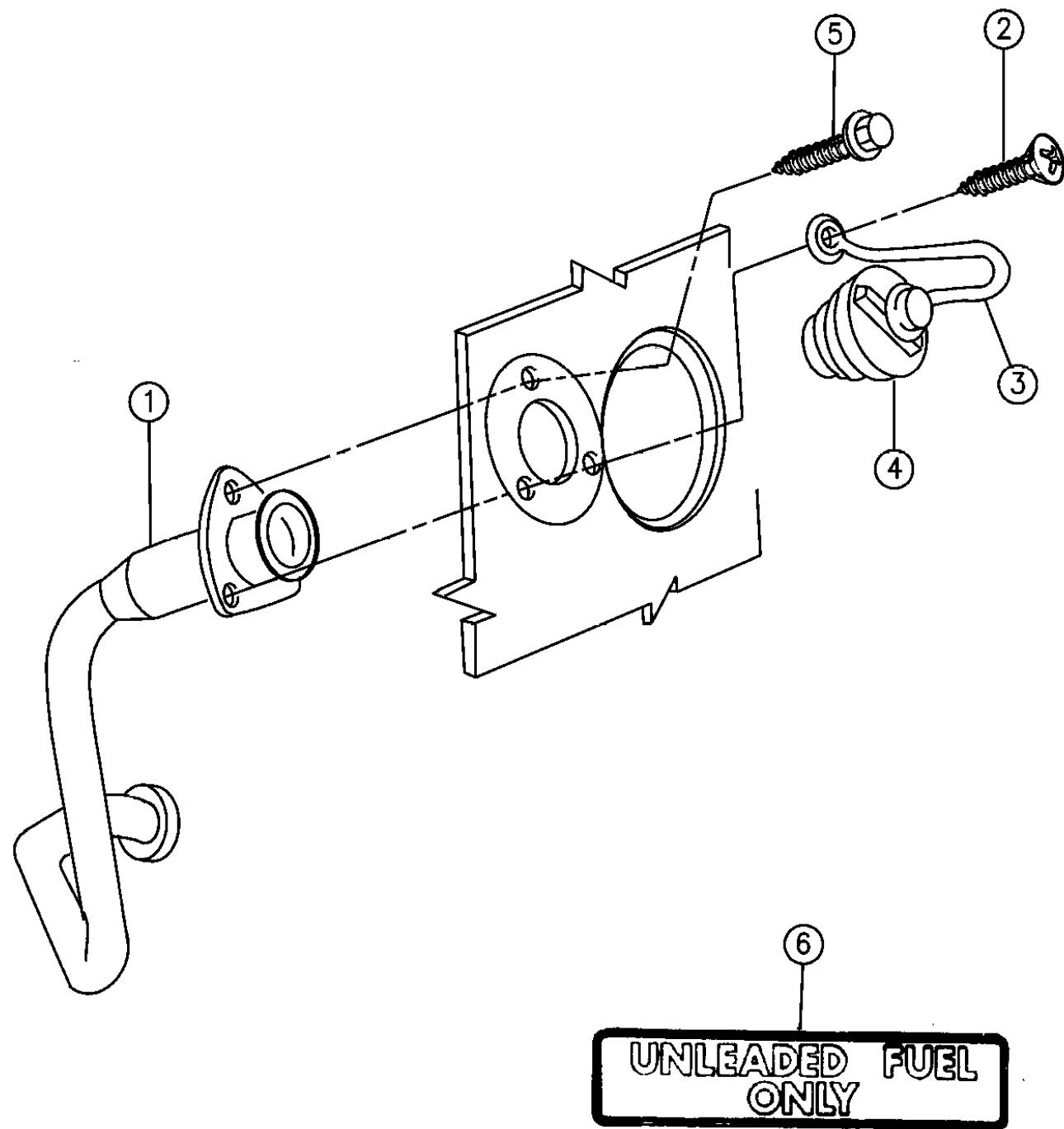
**BODY STYLES:**

21=2-Door Coupe      41=4-Door Sedan      12-52=FWD & AWD Van & Wgn Std W.B.  
24=2-Door Hatchback      44=4-Door Hatchback      53=FWD & AWD Van & Wgn Ext. W.B.  
27=2-Door Convertible

AR = Use as Required - = Non Illustrated Part P.A.R. = Paint as Required

FUEL TANK FILLER TUBES P,A,J,G,C,Y BODY  
Figure 14-4000

93114 4000A



ITEM	PART NUMBER	QTY	BODY	MODEL	DESCRIPTION
1	4203 626	1	P		TUBE, Fuel Tank Filler
	4495 061	1	A		U.S. and CANADA
	4495 068	1	A		LEADED FUEL
	4682 350	1	A		w/Flex Fuel, w/Hose Assy.
	4203 766	1	J		
	4279 131	1	G		
	4203 873	1	C,Y		U.S. and CANADA
	4203 874	1	C,Y		LEADED FUEL
-	4682 353	1			HOSE, Tank To Filler Tube
2		1			SCREW (not serviced)
3	4279 144	1			TETHER, Filler Cap
4		1			CAP, Filler
	4495 151	1			w/Tether
	4582 743	1	A		w/Tether, w/Flex Fuel
	4279 841	1			Locking
5		3			SCREW (not serviced)
6					LABEL, Unleaded Fuel Only
	4206 059	1			2.2L and 2.5L Eng.
	4304 718	1			2.2L Eng. 16 Valve
	4206 059	1			3.0L, 3.3L and 3.8L Eng.
	4696 350	1			"Flex Fuel"

MODEL CODES:

A BODY=(C=LeBaron, D=Spirit, P=Acclaim/LaBaron(Landau), Saratoga) S BODY=(H=Voyager(H) FWD, K=Caravan(H) FWD, Y=Town & Country(H) FWD, P=Voyager(K) AWD, D=Caravan(K) AWD, C=Town & Country(K) AWD)  
 C BODY=(D=Dynasty, C=New Yorker/N.Y. Salon) Y BODY=(C=Imperial/5th Avenue)  
 G BODY=(V=Daytona/IROC, Chrysler Daytona) E-S BODY=(K=Chrysler Voyager(H) FWD, D=Chrysler Voyager(K) AWD)  
 J BODY=(C=LeBaron, Chrysler LeBaron) P BODY=(P=Sundance, D=Shadow)

BODY STYLES:

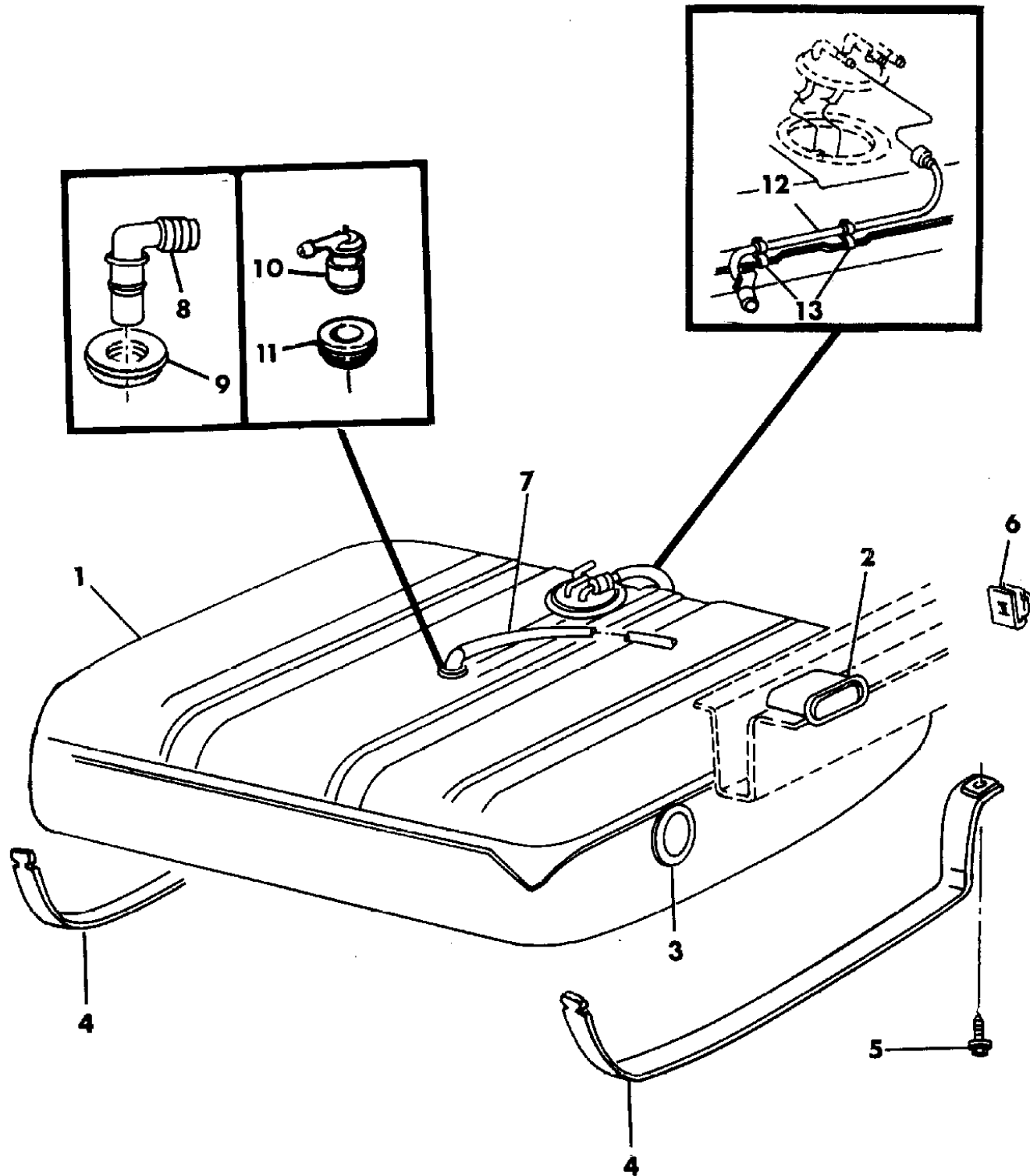
21=2-Door Coupe 41=4-Door Sedan 12-52=FWD & AWD Van & Wgn Std W.B.  
 24=2-Door Hatchback 44=4-Door Hatchback 53=FWD & AWD Van & Wgn Ext. W.B.  
 27=2-Door Convertible

AR = Use as Required - = Non Illustrated Part P.A.R. = Paint as Required

FUEL TANK S BODY - FWD  
Figure 14-4100

93114 4100

ITEM	PART NUMBER	QTY	BODY	MODEL	DESCRIPTION
1	5217 983	1			TANK, Fuel
2	4495 130	1			SLEEVE, Fuel Filler Vent Hose
3	5217 578	1			GROMMET, Fuel Filler Tube
4	4682 784	2			STRAP, Fuel Tank Mounting
5	6501 893	2			BOLT, Fuel Tank Strap
6	6101 340	2			U-NUT, Fuel Tank Strap
7	4279 278	1			TUBE, Fuel Filler Tube Vent
8	4279 274	1			NIPPLE, Fuel Tank Tube Vent
9	4279 279	1			GROMMET, Fuel Tank to Fuel Filler Vent Tube
10	4495 069	1			VALVE, Rollover
11	4002 149	1			GROMMET, Rollover Valve
12	4418 949	1			TUBE, Fuel Tank Drain
13	4418 098	2			CLIP, Fuel Drain Tube to Fuel Tank



MODEL CODES:

A BODY=(C=LeBaron, D=Spirit, P=Acclaim/LaBaron(Landau),  
Saratoga)  
C BODY=(D=Dynasty, C=New Yorker/N.Y. Salon)  
G BODY=(V=Daytona/IROC, Chrysler Daytona)  
J BODY=(C=LeBaron, Chrysler LeBaron)  
P BODY=(P=Sundance, D=Shadow)

S BODY=(H=Voyager(H) FWD, K=Caravan(H) FWD,  
Y=Town & Country(H) FWD, P=Voyager(K) AWD,  
D=Caravan(K) AWD, C=Town & Country(K) AWD)  
Y BODY=(C=Imperial/5th Avenue)  
E-S BODY=(K=Chrysler Voyager(H) FWD, D=Chrysler  
Voyager(K) AWD)

BODY STYLES:

21=2-Door Coupe      41=4-Door Sedan      12-52=FWD & AWD Van & Wgn Std W.B.  
24=2-Door Hatchback      44=4-Door Hatchback      53=FWD & AWD Van & Wgn Ext. W.B.  
27=2-Door Convertible

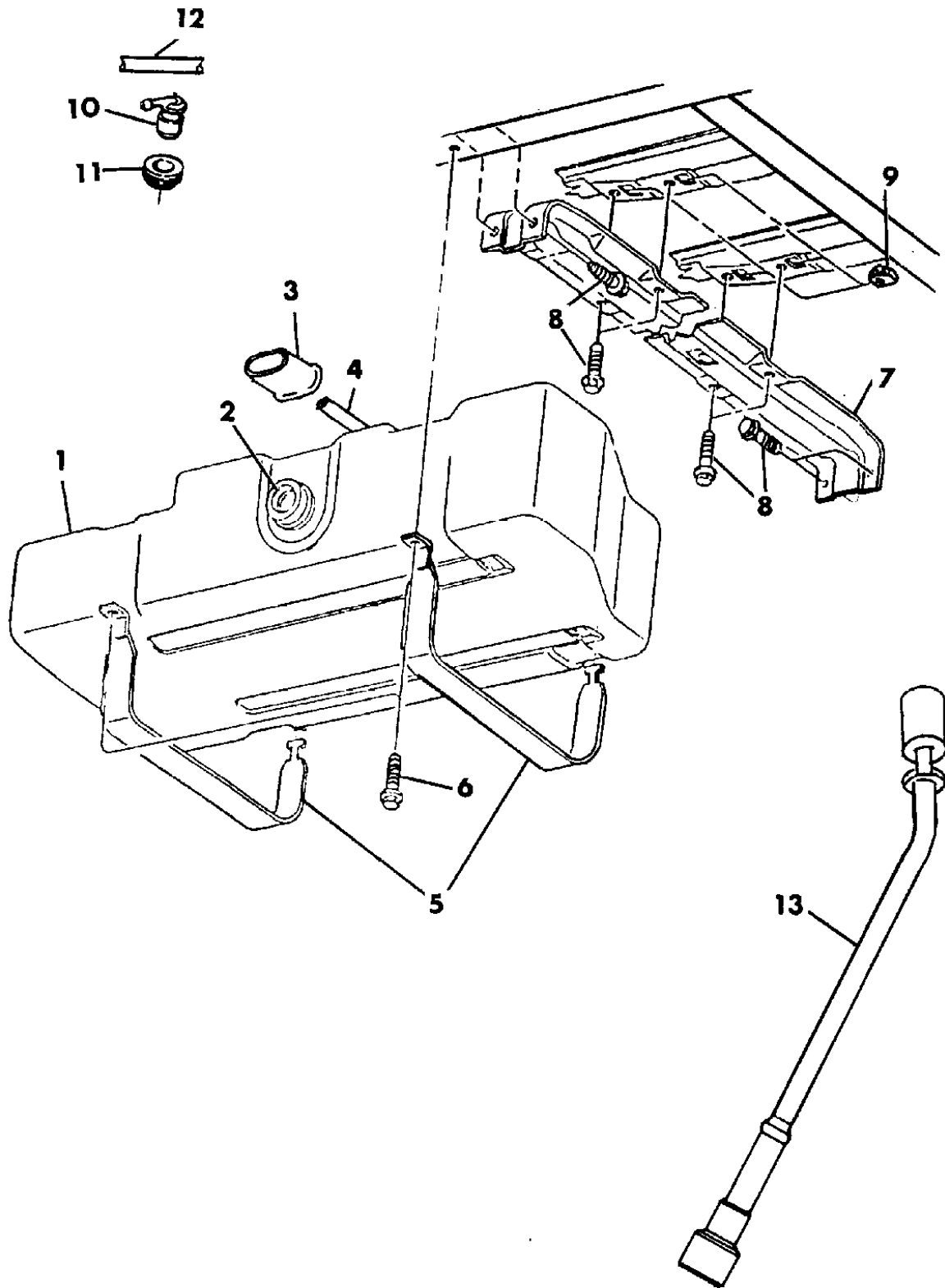
AR = Use as Required - = Non Illustrated Part P.A.R. = Paint as Required

FUEL TANK S BODY - AWD

Figure 14-4200

93114 4200

ITEM	PART NUMBER	QTY	BODY	MODEL	DESCRIPTION
1	4486 559	1			TANK, Fuel
2	5217 578	1			GROMMET, Fuel Tank to Filler Tube
3	4495 130	1			SLEEVE, Fuel Filler Vent Hose
4	4486 554	1			TUBE, Fuel Filler Tube Vent
5					STRAP, Fuel Tank Mounting
	4486 443	1			Front
	4486 444	1			Rear
6		2			SCREW (not serviced)
7	4486 445	1			CROSSMEMBER, Floor Pan Fuel Tank
8	6100 906	8			BOLT
9	6101 283	4			U-NUT
10	4495 069	1			VALVE, Rollover
11	4002 149	1			GROMMET, Rollover Valve
12	4443 175	AR			HOSE, Rubber 1/4" I.D. (serv. in 50 ft. roll)
13	4486 543	1			TUBE, Fuel Drain



MODEL CODES:

A BODY=(C=LeBaron, D=Spirit, P=Acclaim/LaBaron(Landau),  
Saratoga)  
C BODY=(D=Dynasty, C=New Yorker/N.Y. Salon)  
G BODY=(V=Daytona/IROC, Chrysler Daytona)  
J BODY=(C=LeBaron, Chrysler LeBaron)  
P BODY=(P=Sundance, D=Shadow)

S BODY=(H=Voyager(H) FWD, K=Caravan(H) FWD,  
Y=Town & Country(H) FWD, P=Voyager(K) AWD,  
D=Caravan(K) AWD, C=Town & Country(K) AWD)  
Y BODY=(C=Imperial/5th Avenue)  
E-S BODY=(K=Chrysler Voyager(H) FWD, D=Chrysler  
Voyager(K) AWD)

BODY STYLES:

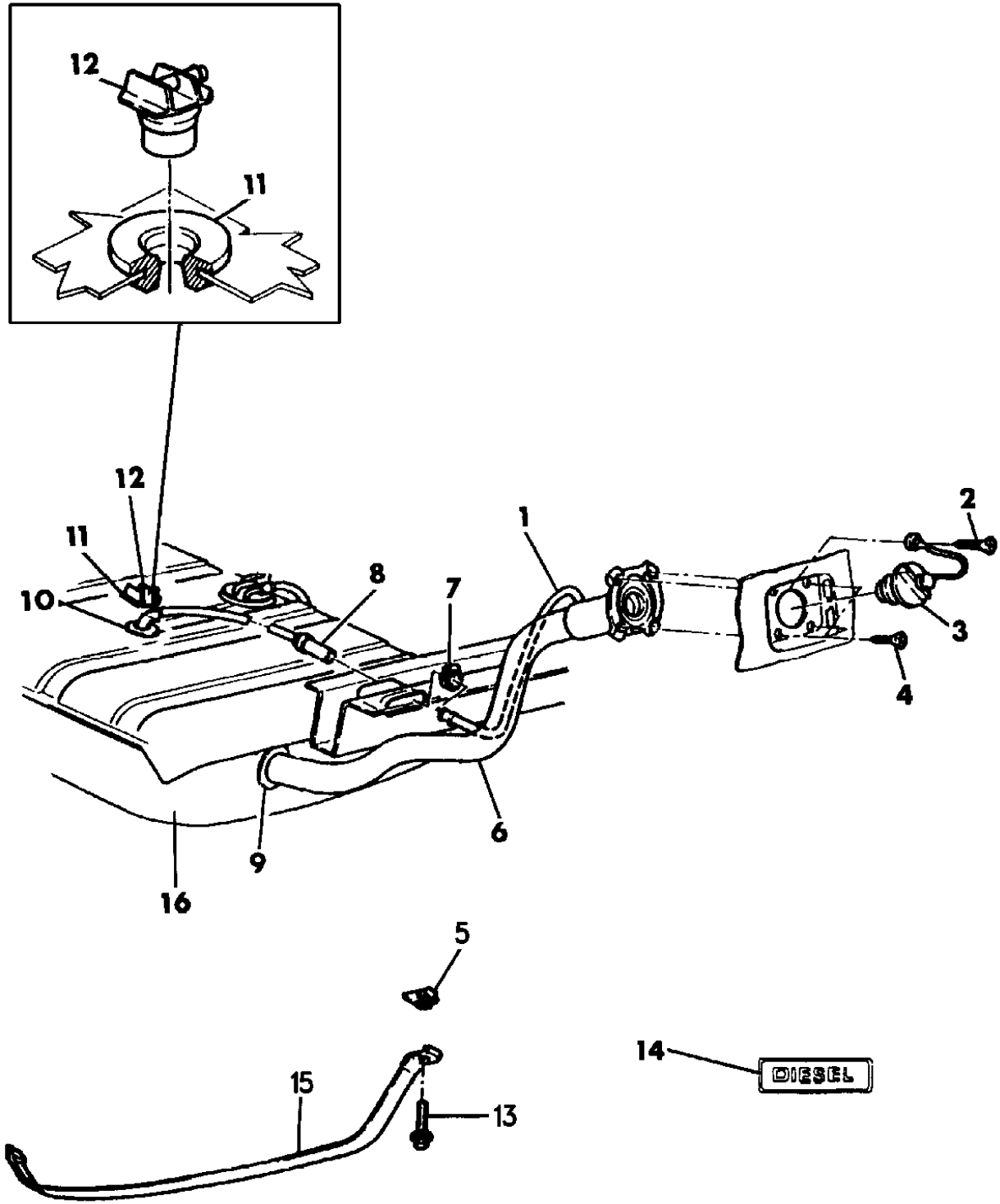
21=2-Door Coupe      41=4-Door Sedan      12-52=FWD & AWD Van & Wgn Std W.B.  
24=2-Door Hatchback      44=4-Door Hatchback      53=FWD & AWD Van & Wgn Ext. W.B.  
27=2-Door Convertible

AR = Use as Required - = Non Illustrated Part P.A.R. = Paint as Required

FUEL TANK 2.5L TURBO DIESEL ENGINE ES BODY  
Figure 14-4300

93114 4300A

ITEM	PART NUMBER	QTY	BODY	MODEL	DESCRIPTION
1		1			HOSE, Fuel Filler Vent, Sevised in #8
2		1			SCREW (DNS)
3	4495 151	1			CAP, w/Teather
4		3			SCREW (DNS)
5	6101 340	2			U-NUT
6	4495 049	1			TUBE, Fuel Filler
7	6032 147	1			CLAMP, Vent Tube
8	4279 278	1			TUBE, Fuel Filler Vent
9	5217 578	1			GROMMET, Fuel Tank Filler Tube
10	4279 279	1			GROMMET, Fuel Tank Filler Vent Tube
11	4002 149	1			GROMMET, Rollover Valve
12	4495 069	1			VALVE, Rollover and Pressure Relief
13	6501 893	2			BOLT
14	4682 204	1			LABEL, Diesel Fuel
15	4279 691	2			STRAP, Tank Support
16	5217 983	1			TANK, Fuel



MODEL CODES:

A BODY=(C=LeBaron, D=Spirit, P=Acclaim/LaBaron(Landau), Saratoga) S BODY=(H=Voyager(H) FWD, K=Caravan(H) FWD, Y=Town & Country(H) FWD, P=Voyager(K) AWD, D=Caravan(K) AWD, C=Town & Country(K) AWD)  
 C BODY=(D=Dynasty, C=New Yorker/N.Y. Salon)  
 G BODY=(V=Daytona/IROC, Chrysler Daytona)  
 J BODY=(C=LeBaron, Chrysler LeBaron)  
 P BODY=(P=Sundance, D=Shadow)  
 Y BODY=(C=Imperial/5th Avenue)  
 E-S BODY=(K=Chrysler Voyager(H) FWD, D=Chrysler Voyager(K) AWD)

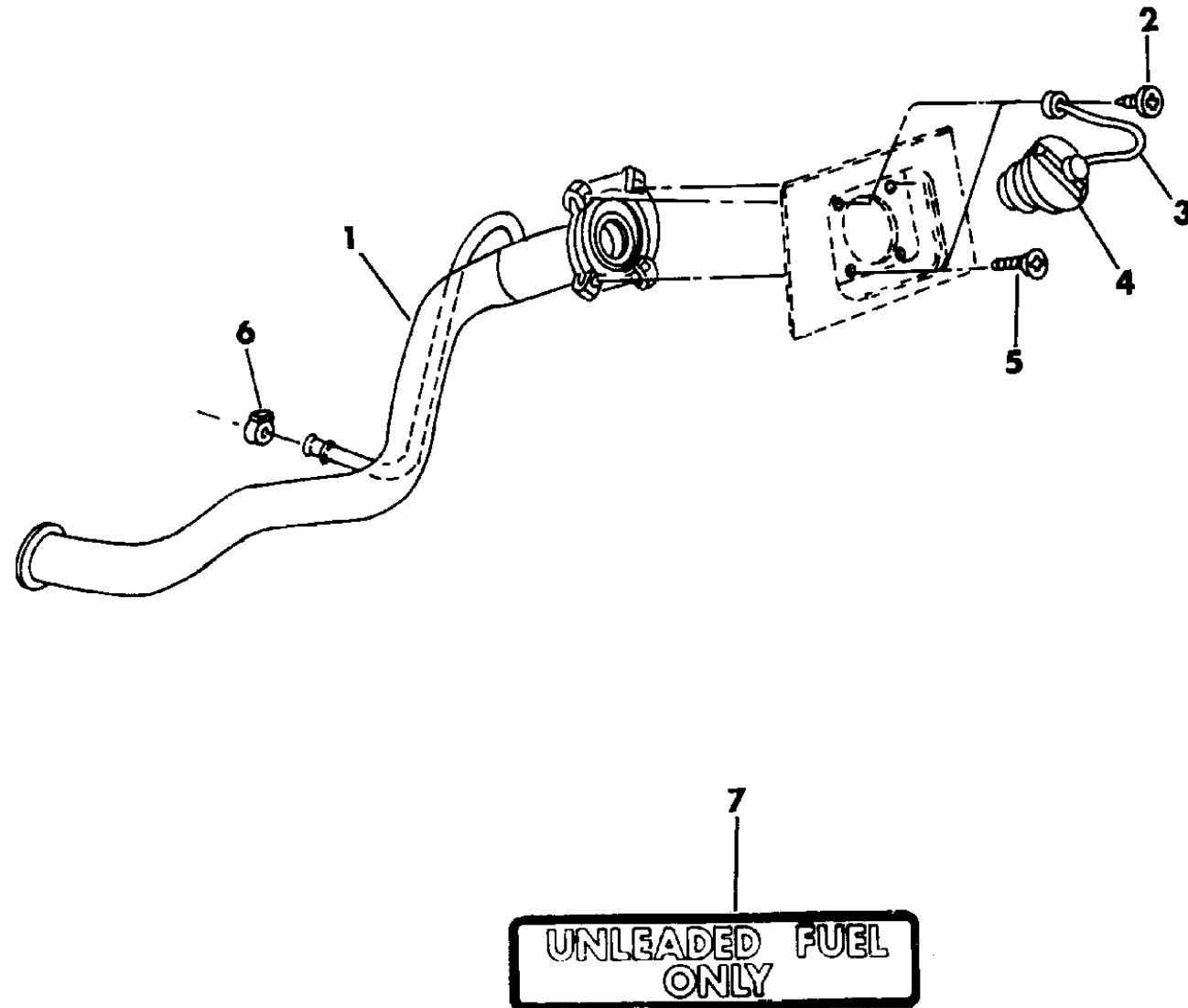
BODY STYLES:

21=2-Door Coupe      41=4-Door Sedan      12-52=FWD & AWD Van & Wgn Std W.B.  
 24=2-Door Hatchback      44=4-Door Hatchback      53=FWD & AWD Van & Wgn Ext. W.B.  
 27=2-Door Convertible

AR = Use as Required - = Non Illustrated Part P.A.R. = Paint as Required

FUEL TANK FILLER TUBES S BODY  
Figure 14-4400

93114 4400



ITEM	PART NUMBER	QTY	BODY	MODEL	DESCRIPTION
1	4495 048	1			TUBE, Filler
2		1			SCREW (not serviced)
3	4279 144	1			TETHER, Fuel Cap
4	4495 151	1			CAP, Filler
5		3			SCREW (not serviced)
6	6032 147	AR			CLAMP
7	4206 059	1			LABEL, Unleaded Fuel Only

MODEL CODES:

A BODY=(C=LeBaron, D=Spirit, P=Acclaim/LaBaron(Landau), Saratoga) S BODY=(H=Voyager(H) FWD, K=Caravan(H) FWD, Y=Town & Country(H) FWD, P=Voyager(K) AWD, D=Caravan(K) AWD, C=Town & Country(K) AWD)  
 C BODY=(D=Dynasty, C=New Yorker/N.Y. Salon)  
 G BODY=(V=Daytona/IROC, Chrysler Daytona)  
 J BODY=(C=LeBaron, Chrysler LeBaron)  
 P BODY=(P=Sundance, D=Shadow)  
 Y BODY=(C=Imperial/5th Avenue)  
 E-S BODY=(K=Chrysler Voyager(H) FWD, D=Chrysler Voyager(K) AWD)

BODY STYLES:

21=2-Door Coupe      41=4-Door Sedan      12-52=FWD & AWD Van & Wgn Std W.B.  
 24=2-Door Hatchback      44=4-Door Hatchback      53=FWD & AWD Van & Wgn Ext. W.B.  
 27=2-Door Convertible

AR = Use as Required - = Non Illustrated Part P.A.R. = Paint as Required



---

**GROUP 16 - PROP. SHAFT AND UNIVERSAL JOINT**

<b>ILLUSTRATION TITLE</b>	<b>GROUP-FIG. NO.</b>
PROPELLER SHAFT S BODY .....	Fig. 16-100

**ILLUSTRATION NOT AVAILABLE AT TIME OF PUBLICATION**

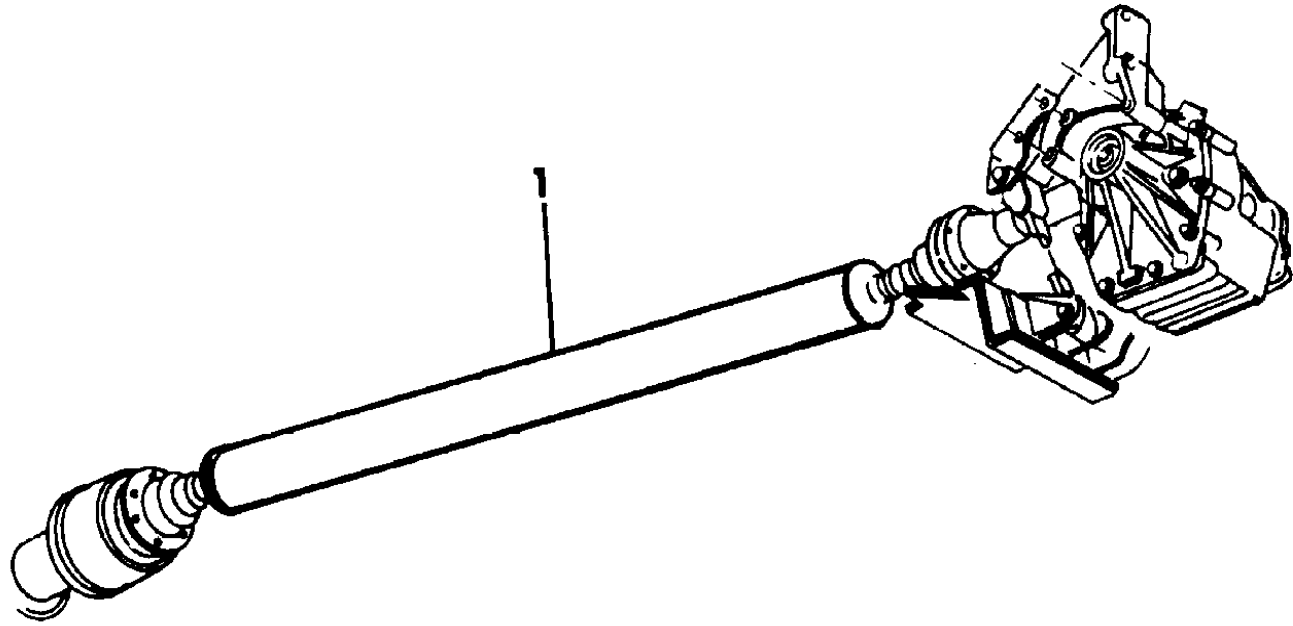
---

PROPELLER SHAFT S BODY  
Figure 16-100

93116 100

ITEM	PART NUMBER	QTY	BODY	MODEL	DESCRIPTION
------	-------------	-----	------	-------	-------------

1					SHAFT, Prop
	4641 094	1			Short Wheel Base
	4641 095	1			Long Wheel Base



**MODEL CODES:**

A BODY=(C=LeBaron, D=Spirit, P=Acclaim/LaBaron(Landau),  
Saratoga)  
C BODY=(D=Dynasty, C=New Yorker/N.Y. Salon)  
G BODY=(V=Daytona/IROC, Chrysler Daytona)  
J BODY=(C=LeBaron, Chrysler LeBaron)  
P BODY=(P=Sundance, D=Shadow)

S BODY=(H=Voyager(H) FWD, K=Caravan(H) FWD,  
Y=Town & Country(H) FWD, P=Voyager(K) AWD,  
D=Caravan(K) AWD, C=Town & Country(K) AWD)  
Y BODY=(C=Imperial/5th Avenue)  
E-S BODY=(K=Chrysler Voyager(H) FWD, D=Chrysler  
Voyager(K) AWD)

**BODY STYLES:**

21=2-Door Coupe      41=4-Door Sedan      12-52=FWD & AWD Van & Wgn Std W.B.  
24=2-Door Hatchback      44=4-Door Hatchback      53=FWD & AWD Van & Wgn Ext. W.B.  
27=2-Door Convertible

AR = Use as Required - = Non Illustrated Part P.A.R. = Paint as Required

---

**GROUP 17 - REAR SUSPENSION**

<b>ILLUSTRATION TITLE</b>	<b>GROUP-FIG. NO.</b>
<b>REAR SUSPENSION</b>	
SUSPENSION, REAR P BODY .....	Fig. 17-100
SUSPENSION, REAR A BODY .....	Fig. 17-200
SUSPENSION, REAR J BODY .....	Fig. 17-300
SUSPENSION, REAR G BODY .....	Fig. 17-400
SUSPENSION, REAR C BODY .....	Fig. 17-500
SUSPENSION, REAR Y BODY .....	Fig. 17-600
SUSPENSION, REAR S BODY, FWD .....	Fig. 17-700
SUSPENSION, REAR S BODY, AWD .....	Fig. 17-800
ELECTRONIC LEVELING AND AIR SUSPENION (SLA) COMPRESSOR AND LINES C,Y BODY .....	Fig. 17-900

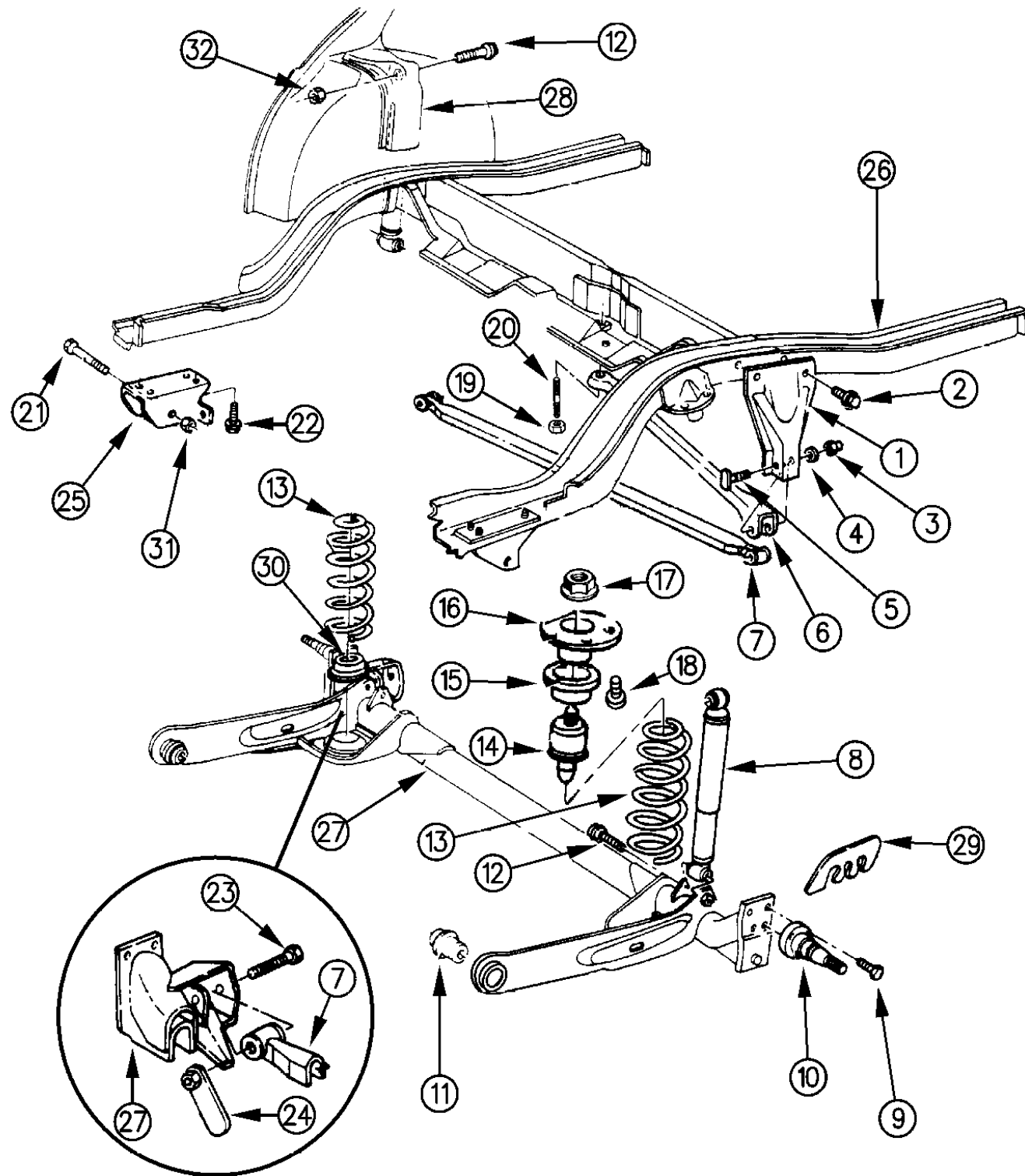
**ILLUSTRATION NOT AVAILABLE AT TIME OF PUBLICATION**

---

# SUSPENSION, REAR P BODY

Figure 17-100

93117 100



ITEM	PART NUMBER	QTY	BODY	MODEL	DESCRIPTION
1	5272 151	1			BRACKET, Track Bar Mtg.
2	6501 225	2			BOLT, Brkt.
3	6500 835	1			NUT, Pivot Bolt
4	6100 132	1			WASHER, Pivot Bolt
5	6500 415	1			PIVOT, BOLT
6	4421 161	1			BRACE, Track Bar Mtg.
7	4318 723	1			TRACK BAR, Rr. Susp.
	5272 151	1			BRACKET, Track Bar Mtg.
8					SHOCK ABSORBER & BUSHING
	4684 779	2			w/Firm Feel Susp. (SDC)
	4684 778	2			w/Special Sport Susp. (SDE)
9	6501 716	8			BOLT, Spindle
10	4228 117	2			SPINDLE, Rear Wheel Mtg.
11	4626 241	2			BUSHING, Cont. Arm Pivot, All Susp.
	4626 130	2			w/Specail Sport Susp.
12	6501 678	2			BOLT, Shock Mtg. Upper
	6101 272	2			Lower
13	4421 603	2	24		SPRING, Std., Rear
	4147 831	2	24		w/Specail Sport Susp.
	4421 604	2	44		w/Std.
	4147 832	2	44		w/Specail Sport Susp.
	4421 605	2	27		w/Std.
	4147 833	2	27		w/Specail Sport Susp.
14	4228 159	2			BUMPER, Jounce
15	4147 759	2			ISOLATOR, Spring Upper
16	4228 096	2			CUP, Jounce Bumper, w/One Notch Identification
	4228 440	2			w/Three Notch Identification
	4421 072	2			w/Special Sport Susp.
17	6502 337	2			NUT, Bumper
18	6031 011				SCREW
19	6500 691	1			NUT, Stud
20	6500 909	1			STUD, Brace
21	6100 432	1			BOLT, Hanger
22	6501 423	6			BOLT
23	6101 364	1			PIVOT BOLT, Track Bar
24	6501 906	1			NUT, Track Bar Pivot Bolt
25	4626 138-9	1			HANGER, Frt. Pivot
26					FRAME, (Ref.)

**MODEL CODES:**

A BODY=(C=LeBaron, D=Spirit, P=Acclaim/LaBaron(Landau, Saratoga)

C BODY=(D=Dynasty, C=New Yorker/N.Y. Salon)

G BODY=(V=Daytona/IROC, Chrysler Daytona)

J BODY=(C=LeBaron, Chrysler LeBaron)

P BODY=(P=Sundance, D=Shadow)

S BODY=(H=Voyager(H) FWD, K=Caravan(H) FWD,

Y=Town & Country(H) FWD, P=Voyager(K) AWD,

D=Caravan(K) AWD, C=Town & Country(K) AWD)

Y BODY=(C=Imperial/5th Avenue)

E-S BODY=(K=Chrysler Voyager(H) FWD, D=Chrysler

Voyager(K) AWD)

**BODY STYLES:**

21=2-Door Coupe

41=4-Door Sedan

12-52=FWD & AWD Van & Wgn Std W.B.

24=2-Door Hatchback

44=4-Door Hatchback

53=FWD & AWD Van & Wgn Ext. W.B.

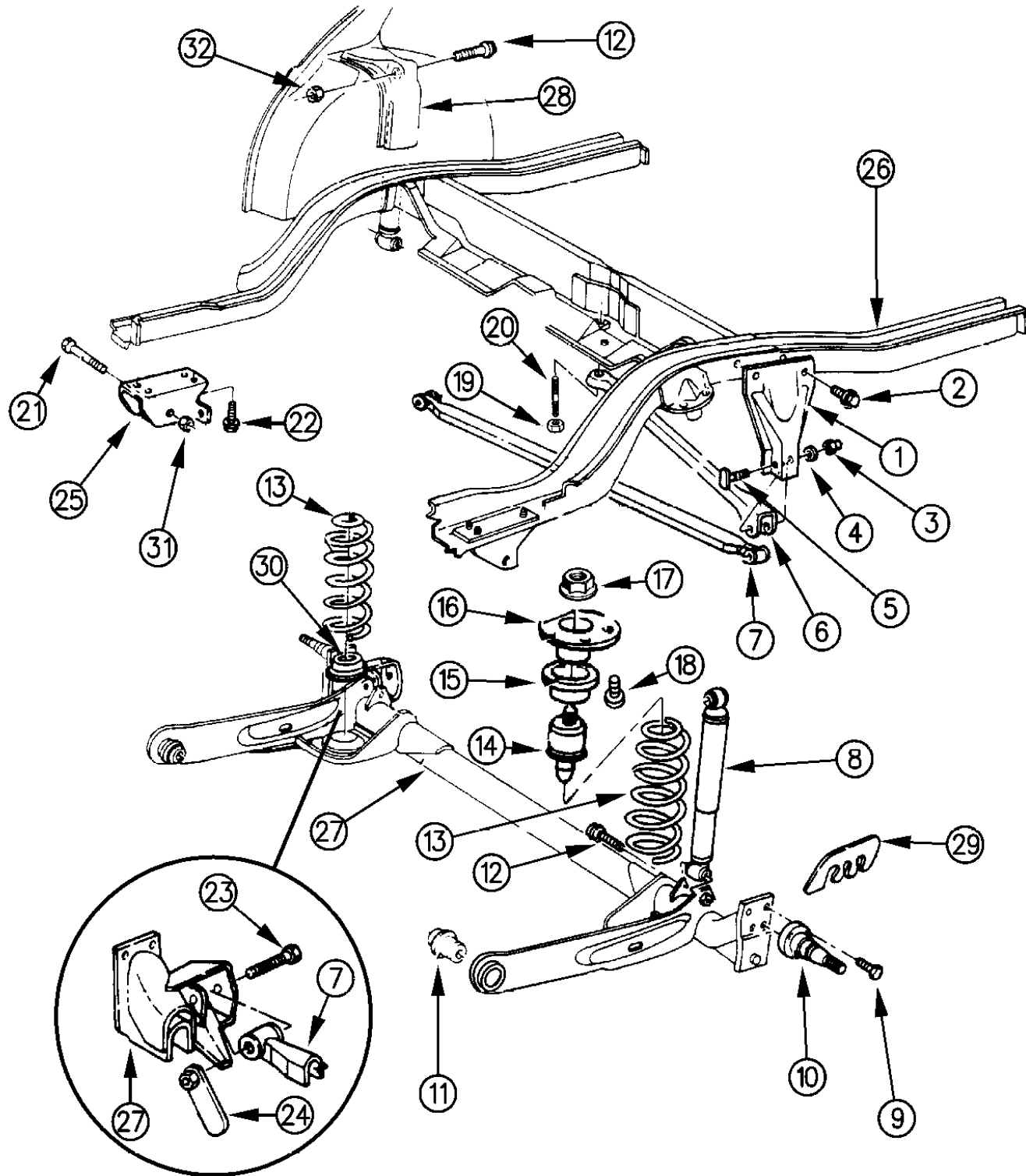
27=2-Door Convertible

AR = Use as Required - = Non Illustrated Part P.A.R. = Paint as Required

**SUSPENSION, REAR P BODY**  
Figure 17-100

93117 100

ITEM	PART NUMBER	QTY	BODY	MODEL	DESCRIPTION
27	4684 178	1			CROSSMEMBER, Rr. Susp. w/o P195/60 15 Tires
	4656 179	1			w/P195/60 15 Tires ***
28					REINFORCEMENT, w/House (Ref.)
29	4626 165	AR			SHIM, Rear Wheel Alignment
30	4228 799	2			ISOLATOR, Spring Lower
31	6501 101	2			NUT
32	6502 337	4			NUT



**MODEL CODES:**

A BODY=(C=LeBaron, D=Spirit, P=Acclaim/LaBaron(Landau),  
Saratoga) S BODY=(H=Voyager(H) FWD, K=Caravan(H) FWD,  
Y=Town & Country(H) FWD, P=Voyager(K) AWD,  
D=Caravan(K) AWD, C=Town & Country(K) AWD)  
C BODY=(D=Dynasty, C=New Yorker/N.Y. Salon)  
G BODY=(V=Daytona/IROC, Chrysler Daytona) Y BODY=(C=Imperial/5th Avenue)  
J BODY=(C=LeBaron, Chrysler LeBaron) E-S BODY=(K=Chrysler Voyager(H) FWD, D=Chrysler  
P BODY=(P=Sundance, D=Shadow) Voyager(K) AWD)

**BODY STYLES:**

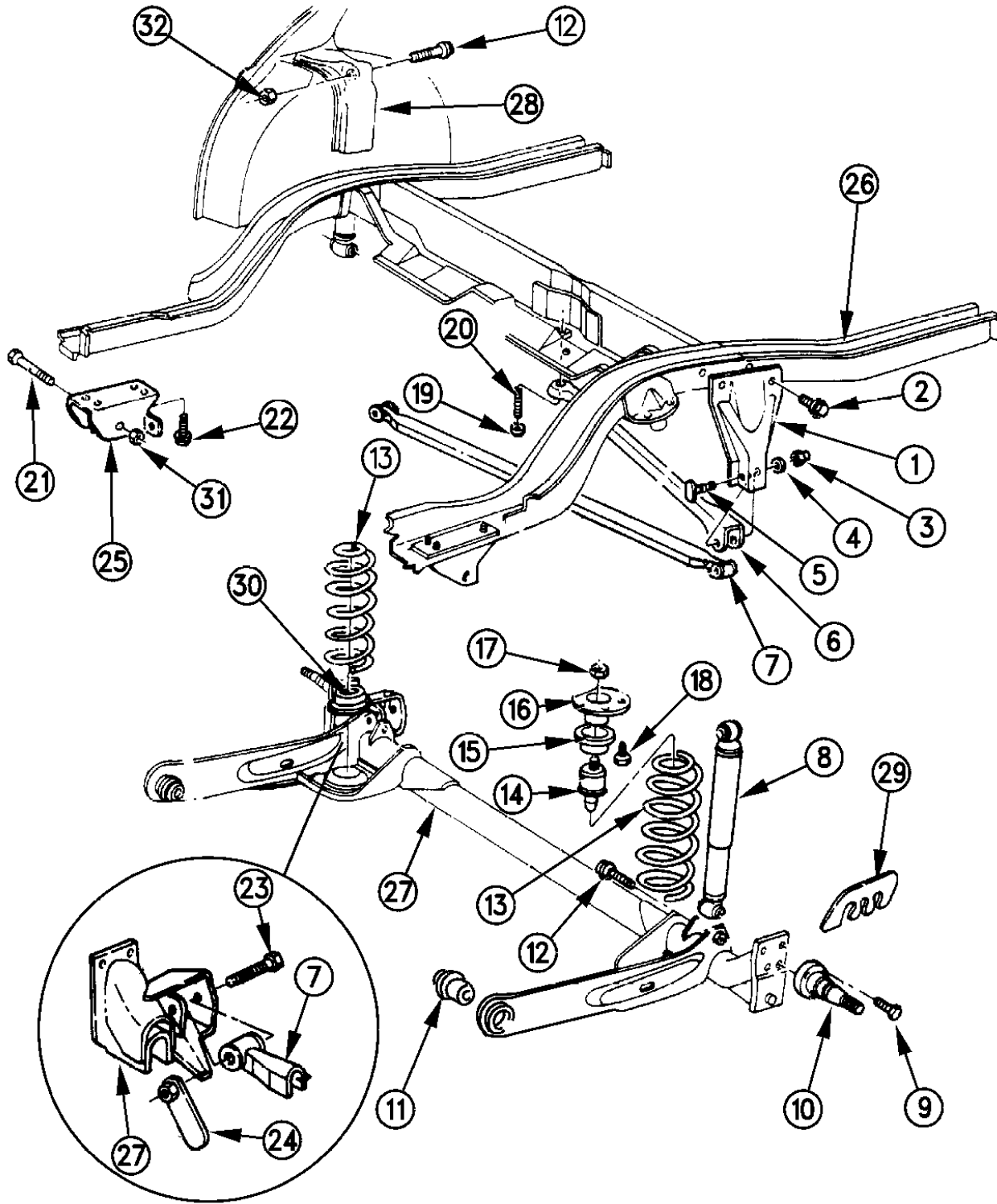
21=2-Door Coupe      41=4-Door Sedan      12-52=FWD & AWD Van & Wgn Std W.B.  
24=2-Door Hatchback      44=4-Door Hatchback      53=FWD & AWD Van & Wgn Ext. W.B.  
27=2-Door Convertible

AR = Use as Required - = Non Illustrated Part P.A.R. = Paint as Required

SUSPENSION, REAR A BODY

Figure 17-200

93117 200



ITEM	PART NUMBER	QTY	BODY	MODEL	DESCRIPTION
1	4421 142	1			BRACKET, Track Bar Mtg.
2	6501 225	2			BOLT, Brkt.
3	6500 835	1			NUT, Pivot Bolt
4	6100 132	1			WASHER, Pivot Bolt
5	6500 415	1			PIVOT, BOLT
6	4421 161	1			BRACE, Track Bar Mtg.
7	4228 256	1			TRACK BAR, Rr. Susp.
8	4684 770	2			SHOCK ABSORBER & BUSHING, w/Std. Susp. (SDA)
	4694 771	2			w/Firm Feel Susp. (SDC)
	5272 090	2			w/Special Sport (SDC)
	4694 773	2			EUROPEAN
9	6501 716	8			BOLT, Spindle
10	4228 117	2			SPINDLE, Rear Wheel Mtg.
11	4626 241	2			BUSHING, Cont. Arm Pivot
12	6501 678	4			BOLT, Shock Mtg. Upper
	6101 272	2			Lower
13	4421 606	2			SPRING, Rear
	4421 607	2		CP	
	4421 246	2		DS	
14	4228 159	2			BUMPER, Jounce
15	4147 759	2			ISOLATOR, Spring Upper
16	4228 096	2			CUP, Jounce Bumper, w/One Notch Identification
	4228 440	2			w/Three Notch Identification
17	6500 259	2			NUT, Bumper
18	6031 011	4			SCREW
19	6500 691	1			NUT, Stud
20	6500 909	1			STUD, Brace
21	6100 432	1			BOLT, Hanger
22	6501 423	6			BOLT
23	6101 364	1			PIVOT BOLT, Track Bar
24	6501 906	1			NUT, Track Bar Pivot Bolt
25	4626 132-3	1			HANGER, Frt. Pivot
26					FRAME, (Ref.)
27	4656 176				CROSSMEMBER, Rr. Susp. Control Arm & Axle Channel w/Std.
	4656 177	1			w/EUROPE
28					REINFORCEMENT, w/House (Ref.)
29	4626 165	AR			SHIM, Rear Wheel Alignment
30	4228 799	2			ISOLATOR, Spring Lower

MODEL CODES:

A BODY=(C=LeBaron, D=Spirit, P=Acclaim/LaBaron(Landau), Saratoga)

C BODY=(D=Dynasty, C=New Yorker/N.Y. Salon)

G BODY=(V=Daytona/IROC, Chrysler Daytona)

J BODY=(C=LeBaron, Chrysler LeBaron)

P BODY=(P=Sundance, D=Shadow)

S BODY=(H=Voyager(H) FWD, K=Caravan(H) FWD,

Y=Town & Country(H) FWD, P=Voyager(K) AWD,

D=Caravan(K) AWD, C=Town & Country(K) AWD)

Y BODY=(C=Imperial/5th Avenue)

E-S BODY=(K=Chrysler Voyager(H) FWD, D=Chrysler

Voyager(K) AWD)

BODY STYLES:

21=2-Door Coupe

41=4-Door Sedan

12-52=FWD & AWD Van & Wgn Std W.B.

24=2-Door Hatchback

44=4-Door Hatchback

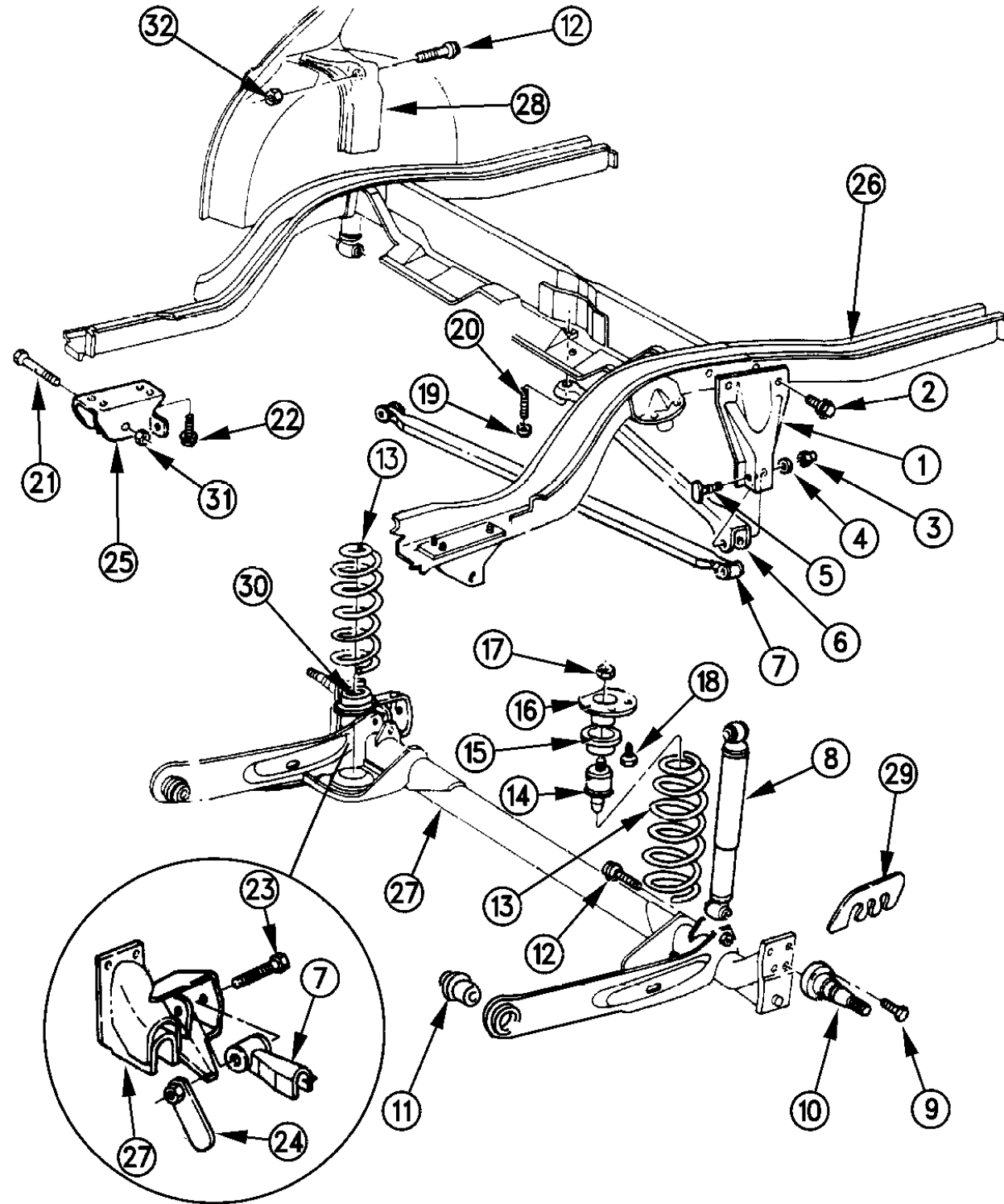
53=FWD & AWD Van & Wgn Ext. W.B.

27=2-Door Convertible

AR = Use as Required - = Non Illustrated Part P.A.R. = Paint as Required

SUSPENSION, REAR A BODY  
Figure 17-200

93117 200



ITEM	PART NUMBER	QTY	BODY	MODEL	DESCRIPTION
31	6501 101	2			NUT
32	6502 337	4			NUT

MODEL CODES:

A BODY=(C=LeBaron, D=Spirit, P=Acclaim/LaBaron(Landau, Saratoga)  
 C BODY=(D=Dynasty, C=New Yorker/N.Y. Salon)  
 G BODY=(V=Daytona/IROC, Chrysler Daytona)  
 J BODY=(C=LeBaron, Chrysler LeBaron)  
 P BODY=(P=Sundance, D=Shadow)  
 S BODY=(H=Voyager(H) FWD, K=Caravan(H) FWD, Y=Town & Country(H) FWD, P=Voyager(K) AWD, D=Caravan(K) AWD, C=Town & Country(K) AWD)  
 Y BODY=(C=Imperial/5th Avenue)  
 E-S BODY=(K=Chrysler Voyager(H) FWD, D=Chrysler Voyager(K) AWD)

BODY STYLES:

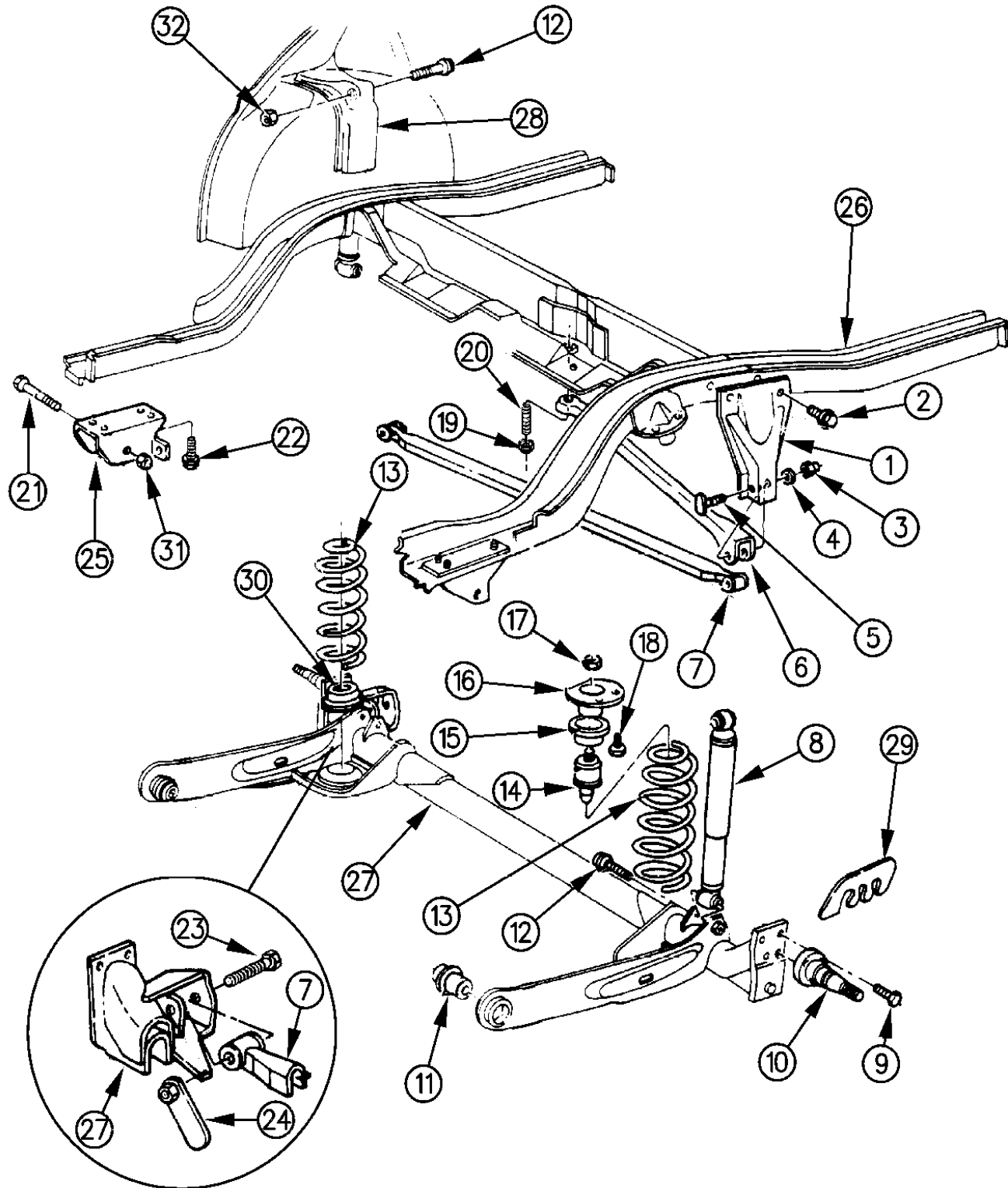
21=2-Door Coupe      41=4-Door Sedan      12-52=FWD & AWD Van & Wgn Std W.B.  
 24=2-Door Hatchback      44=4-Door Hatchback      53=FWD & AWD Van & Wgn Ext. W.B.  
 27=2-Door Convertible

AR = Use as Required - = Non Illustrated Part P.A.R. = Paint as Required

SUSPENSION, REAR J BODY

Figure 17-300

93117 300



ITEM	PART NUMBER	QTY	BODY	MODEL	DESCRIPTION
1	4421 142	1			BRACKET, Track Bar Mtg.
2	6501 225	2			BOLT, Brkt.
3	6500 835	1			NUT, Pivot Bolt
4	6100 132	1			WASHER, Pivot Bolt
5	6500 415	1			PIVOT, BOLT
6	4421 161	1			BRACE, Track Bar Mtg.
	4421 028	1			Damper
7	4318 723	1			TRACK BAR, Rr. Susp.
8	4684 777	2			SHOCK ABSORBER & BUSHING, w/Std. Susp. (SDA)
	4228 338	2		J	w/Heavy Duty Shocks
	4228 339	2		J	w/Premium Shocks
	4421 327	2			w/Special Sport, Firm Feel or EUROPEAN
9	6501 716	8			BOLT, Spindle
10	4228 117	2			SPINDLE, Rear Wheel Mtg.
-	4421 038-9	1			PLATE, Spindle Mtg.
11	4626 241	2			BUSHING, Cont. Arm Pivot
12	6501 678	2			BOLT, Shock Mtg. Upper
	6101 272	2			Lower
13	4421 606	2	21		SPRING, Rear w/Std. Susp.
	4421 605	2	21		w/Special Sport Susp.
	4421 607	2	27		w/Std. Susp.
	4421 606	2	27		w/Special Sport Susp.
14	4228 159	2			BUMPER, Jounce
15	4147 759	2			ISOLATOR, Spring Upper
16	4228 096	2			CUP, Jounce Bumper, w/One Notch Identification
	4228 440	2			w/Three Notch Identification
	4421 072	2			w/16" Wheels
17	6502 337	2			NUT, Bumper
18	6031 011	4			SCREW
19	6500 691	1			NUT, Stud
20	6500 909	1			STUD, Brace
21	6100 432	1			BOLT, Hanger
22	6501 423	6			BOLT
23	6101 364	1			PIVOT BOLT, Track Bar
24	6501 906	1			NUT, Track Bar Pivot Bolt
25	4626 134-5	1			HANGER, Frt. Pivot
26					FRAME, (Ref.)
27	4626 171				CROSSMEMBER, Rr. Susp. Control Arm & Axle Channel w/Std.

MODEL CODES:

A BODY=(C=LeBaron, D=Spirit, P=Acclaim/LaBaron(Landau), Saratoga)

C BODY=(D=Dynasty, C=New Yorker/N.Y. Salon)

G BODY=(V=Daytona/ROC, Chrysler Daytona)

J BODY=(C=LeBaron, Chrysler LeBaron)

P BODY=(P=Sundance, D=Shadow)

S BODY=(H=Voyager(H) FWD, K=Caravan(H) FWD,

Y=Town & Country(H) FWD, P=Voyager(K) AWD,

D=Caravan(K) AWD, C=Town & Country(K) AWD)

Y BODY=(C=Imperial/5th Avenue)

E-S BODY=(K=Chrysler Voyager(H) FWD, D=Chrysler

Voyager(K) AWD)

BODY STYLES:

21=2-Door Coupe

41=4-Door Sedan

12-52=FWD & AWD Van & Wgn Std W.B.

24=2-Door Hatchback

44=4-Door Hatchback

53=FWD & AWD Van & Wgn Ext. W.B.

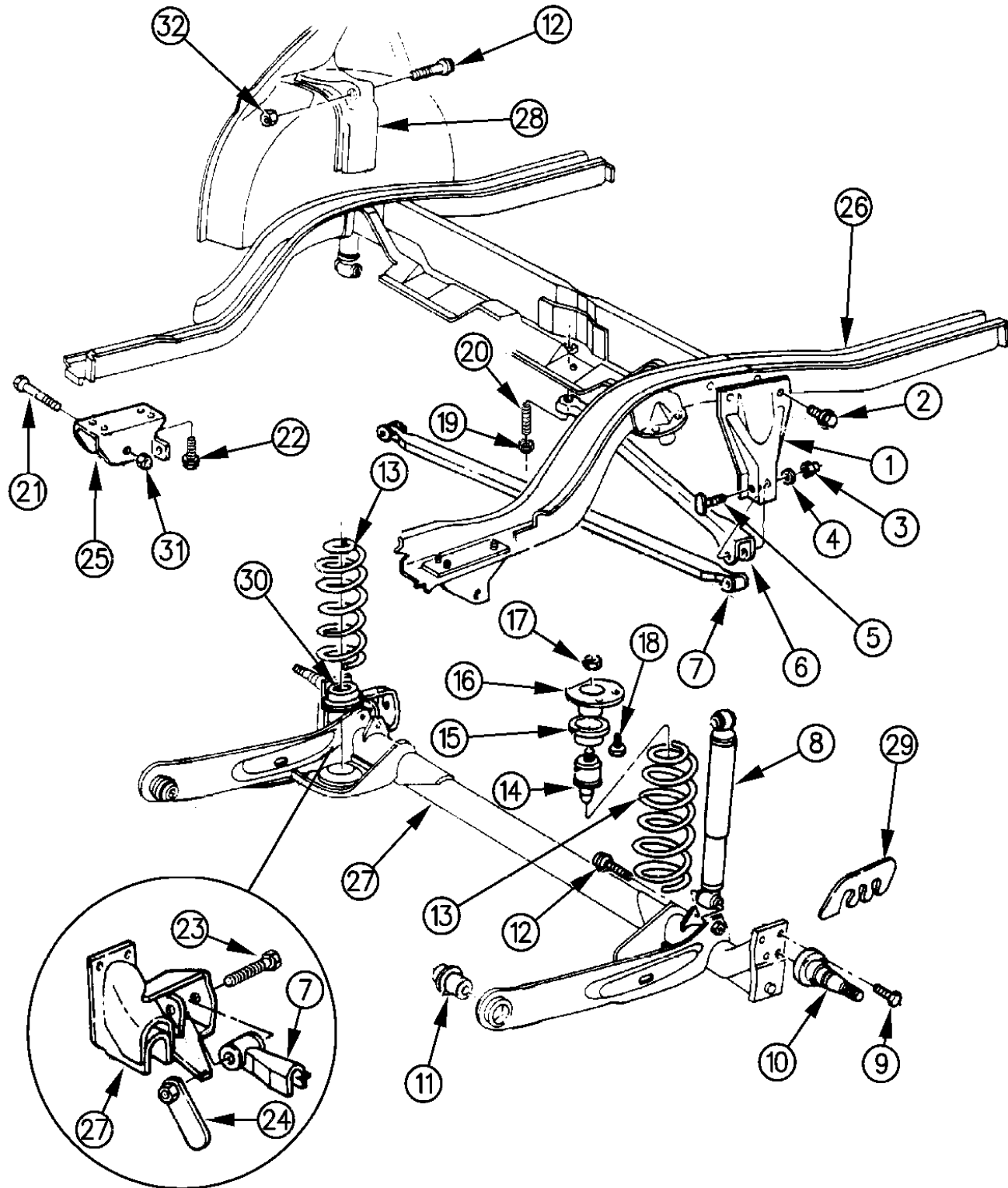
27=2-Door Convertible

AR = Use as Required - = Non Illustrated Part P.A.R. = Paint as Required



SUSPENSION, REAR J BODY  
Figure 17-300

93117 300



ITEM	PART NUMBER	QTY	BODY	MODEL	DESCRIPTION
	4626 174	1			w/Firm Feel, Special Sport Susp.
28					REINFORCEMENT, w/House (Ref.)
29	4626 165	AR			SHIM, Rear Wheel Alignment
30	4228 799	2			ISOLATOR, Spring Lower
31	6501 101	2			NUT
32	6502 337	4			NUT

MODEL CODES:

A BODY=(C=LeBaron, D=Spirit, P=Acclaim/LaBaron(Landau),  
Saratoga)  
C BODY=(D=Dynasty, C=New Yorker/N.Y. Salon)  
G BODY=(V=Daytona/IROC, Chrysler Daytona)  
J BODY=(C=LeBaron, Chrysler LeBaron)  
P BODY=(P=Sundance, D=Shadow)

S BODY=(H=Voyager(H) FWD, K=Caravan(H) FWD,  
Y=Town & Country(H) FWD, P=Voyager(K) AWD,  
D=Caravan(K) AWD, C=Town & Country(K) AWD)  
Y BODY=(C=Imperial/5th Avenue)  
E-S BODY=(K=Chrysler Voyager(H) FWD, D=Chrysler  
Voyager(K) AWD)

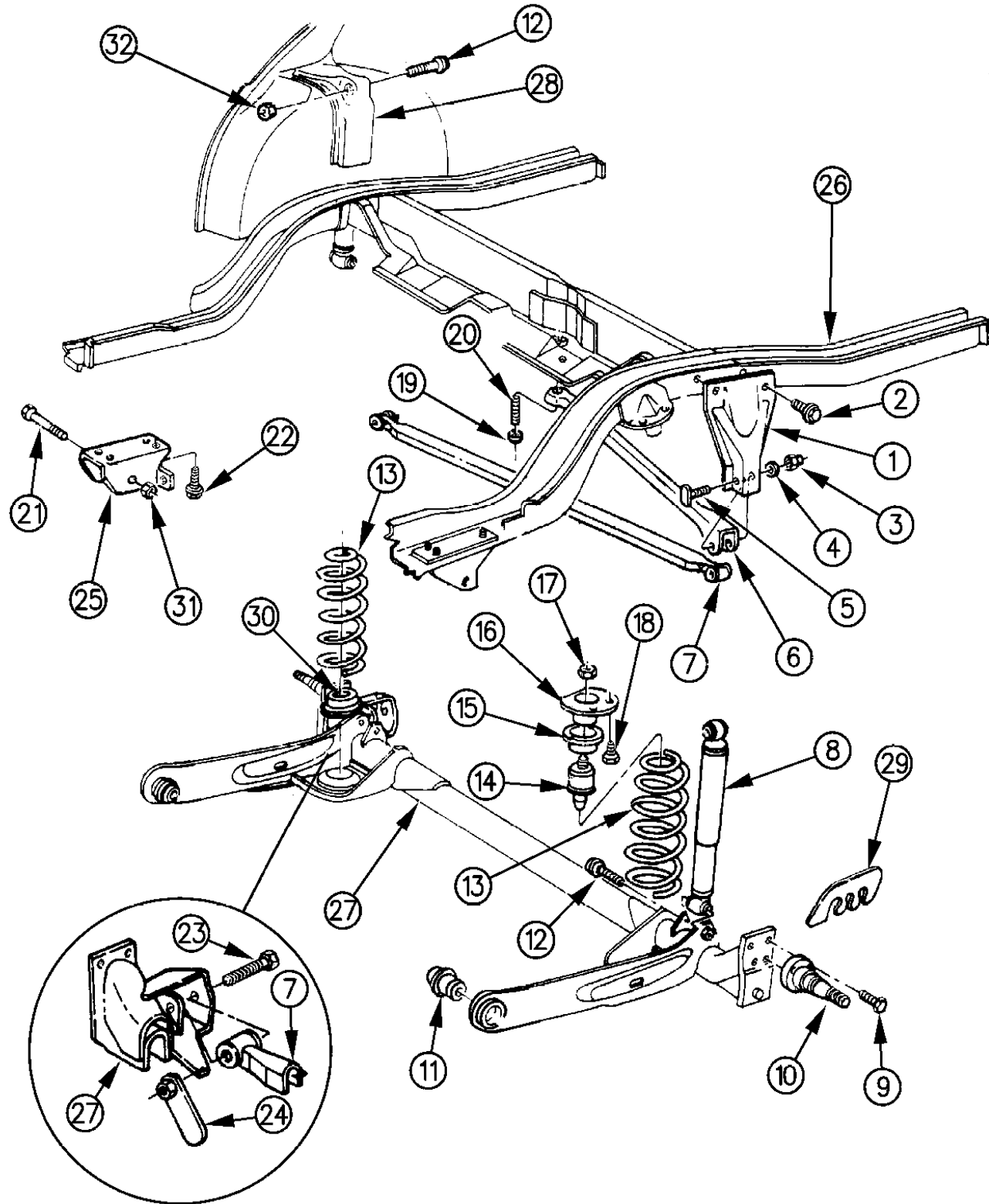
BODY STYLES:

21=2-Door Coupe      41=4-Door Sedan      12-52=FWD & AWD Van & Wgn Std W.B.  
24=2-Door Hatchback      44=4-Door Hatchback      53=FWD & AWD Van & Wgn Ext. W.B.  
27=2-Door Convertible

AR = Use as Required - = Non Illustrated Part P.A.R. = Paint as Required

**SUSPENSION, REAR G BODY**  
Figure 17-400

93117 400



ITEM	PART NUMBER	QTY	BODY	MODEL	DESCRIPTION
1	5272 151	1			BRACKET, Track Bar Mtg.
2	6501 225	2			BOLT, Brkt.
3	6500 835	1			NUT, Pivot Bolt
4	6100 132	1			WASHER, Pivot Bolt
5	6500 415	1			PIVOT, BOLT
6	4421 161	1			BRACE, Track Bar Mtg.
7	4421 028	1			Damper
7	4228 256	1			TRACK BAR, Rr. Susp.
8	5272 151	1			BRACKET, Track Bar Mtg.
8	4684 777	2			SHOCK ABSORBER & BUSHING, w/Std. Susp. (SDA)
	4421 327	2			w/Firm Feel Susp. (SDC)
	5272 091	2			w/Special Sport Susp. (SDE)
9	4684 776	2			w/16 Valve Eng.
9	6501 716	8			BOLT, Spindle
10	4228 117	2			SPINDLE, Rear Wheel Mtg.
-	4421 038-9	1			PLATE, Spindle Mtg.
11	4626 241	2			BUSHING, Cont. Arm Pivot
	4626 130	1			w/Specail Sport Susp.
12	6501 678	2			BOLT, Shock Mtg. Upper
	6101 272	2			Lower
13		2			SPRING, Rear
	4421 603	2			w/Std. Susp. w/185/R14, 205/R15 Tires
	4421 604	2			w/Std. Susp. w/205/R14 Tires
	4421 243	2			w/Firm Feel Susp.
	4147 893	2		VL,VX	w/Special Sport Susp.
	4656 022	2		VL,VH	w/16 Valve Eng.
	4656 023	2		VX	w/16 Valve Eng.
	4656 024	2		VS	w/16 Valve Eng.
14	4228 159	2			BUMPER, Jounce
15	4147 759	2			ISOLATOR, Spring Upper
16	4228 096	2			CUP, Jounce Bumper, w/One Notch Identification
	4228 440	2			w/Three Notch Identification
	4421 072	2			w/16" Wheel
17	6500 259	2			NUT, Bumper
18	6031 011	4			SCREW
19	6500 691	1			NUT, Stud
20	6500 909	1			STUD, Brace
21	6101 432	1			BOLT, Hanger

**MODEL CODES:**

A BODY=(C=LeBaron, D=Spirit, P=Acclaim/LaBaron(Landau), Saratoga)      S BODY=(H=Voyager(H) FWD, K=Caravan(H) FWD, Y=Town & Country(H) FWD, P=Voyager(K) AWD, D=Caravan(K) AWD, C=Town & Country(K) AWD)

C BODY=(D=Dynasty, C=New Yorker/N.Y. Salon)

G BODY=(V=Daytona/ROC, Chrysler Daytona)

J BODY=(C=LeBaron, Chrysler LeBaron)

P BODY=(P=Sundance, D=Shadow)

Y BODY=(C=Imperial/5th Avenue)

E-S BODY=(K=Chrysler Voyager(H) FWD, D=Chrysler Voyager(K) AWD)

**BODY STYLES:**

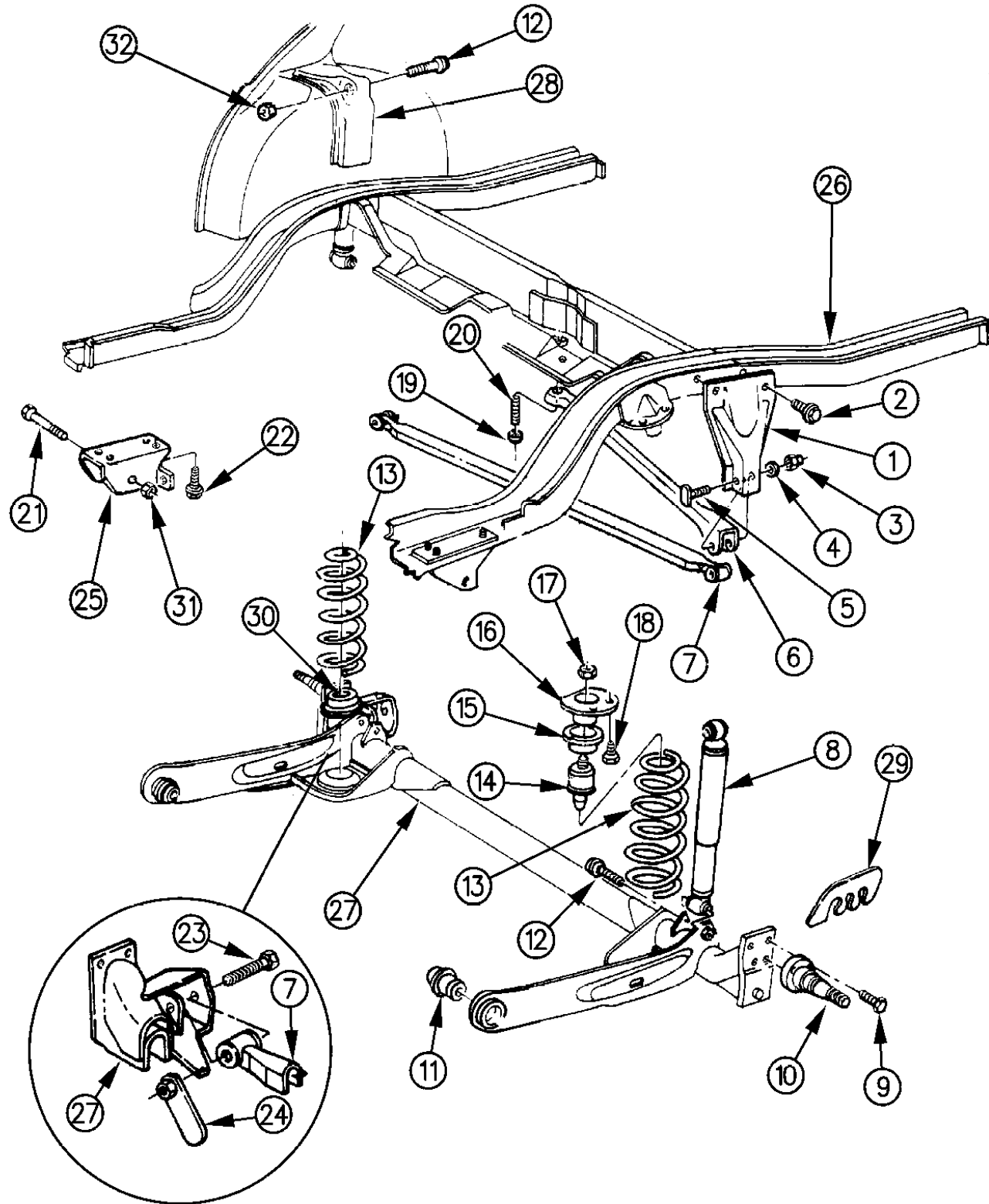
21=2-Door Coupe      41=4-Door Sedan      12-52=FWD & AWD Van & Wgn Std W.B.  
24=2-Door Hatchback      44=4-Door Hatchback      53=FWD & AWD Van & Wgn Ext. W.B.  
27=2-Door Convertible

AR = Use as Required - = Non Illustrated Part P.A.R. = Paint as Required

**SUSPENSION, REAR G BODY**  
Figure 17-400

93117 400

ITEM	PART NUMBER	QTY	BODY	MODEL	DESCRIPTION
22	6501 423	6			BOLT
23	6101 364	1			PIVOT BOLT, Track Bar
24	6501 906	1			NUT, Track Bar Pivot Bolt
25	4421 222-3	1			HANGER, Frt. Pivot
26					FRAME, (Ref.)
27					CROSSMEMBER, Rr. Susp. Control Arm & Axle Channel
	4626 171	1			w/Std. Duty Susp. (SDA)
	4626 013	1			w/Firm Feel Susp. (SDC)
	4626 011	1			w/Specail Sport Susp. (SDE)
28					REINFORCEMENT, w/House (Ref.)
29	4626 165	AR			SHIM, Rear Wheel Alignment
30	4228 799	2			ISOLATOR, Spring Lower
31	6501 101	2			NUT
32	6502 337	4			NUT



**MODEL CODES:**

A BODY=(C=LeBaron, D=Spirit, P=Acclaim/LaBaron(Landau), Saratoga)      S BODY=(H=Voyager(H) FWD, K=Caravan(H) FWD, Y=Town & Country(H) FWD, P=Voyager(K) AWD, D=Caravan(K) AWD, C=Town & Country(K) AWD)  
 C BODY=(D=Dynasty, C=New Yorker/N.Y. Salon)      Y BODY=(C=Imperial/5th Avenue)  
 G BODY=(V=Daytona/IROC, Chrysler Daytona)      E-S BODY=(K=Chrysler Voyager(H) FWD, D=Chrysler Voyager(K) AWD)  
 J BODY=(C=LeBaron, Chrysler LeBaron)  
 P BODY=(P=Sundance, D=Shadow)

**BODY STYLES:**

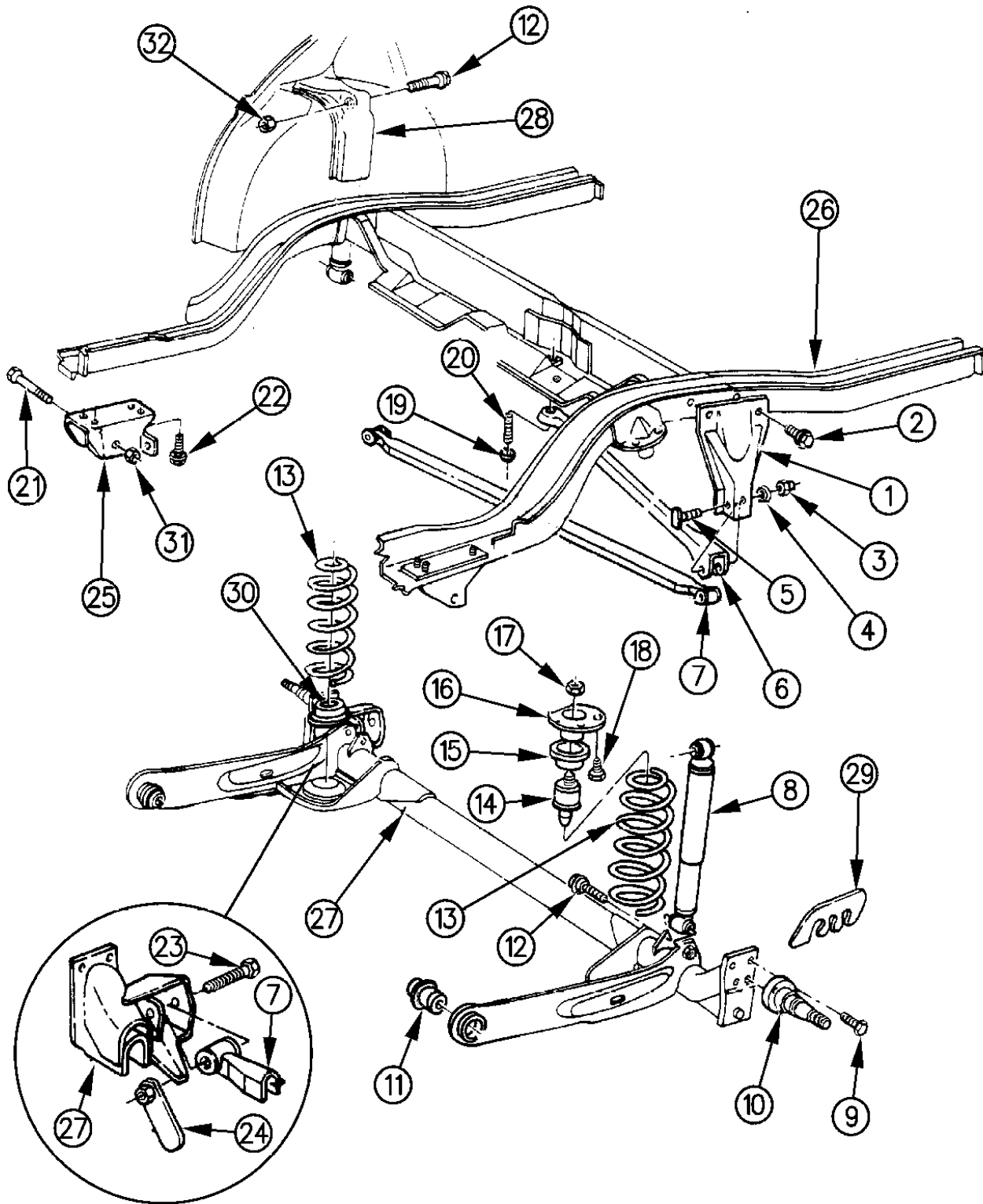
21=2-Door Coupe      41=4-Door Sedan      12-52=FWD & AWD Van & Wgn Std W.B.  
 24=2-Door Hatchback      44=4-Door Hatchback      53=FWD & AWD Van & Wgn Ext. W.B.  
 27=2-Door Convertible

AR = Use as Required    - = Non Illustrated Part    P.A.R. = Paint as Required

# SUSPENSION, REAR C BODY

Figure 17-500

93117 500



ITEM	PART NUMBER	QTY	BODY	MODEL	DESCRIPTION
1	4421 142	1			BRACKET, Track Bar Mtg.
2	6501 225	2			BOLT, Brkt.
3	6500 835	1			NUT, Pivot Bolt
4	6100 132	1			WASHER, Pivot Bolt
5	6500 415	1			PIVOT, BOLT
6	4421 161	1			BRACE, Track Bar Mtg.
7	4421 028	1			DAMPER
8	4228 256	1			TRACK BAR, Rr. Susp.
9	4694 774	2			SHOCK ABSORBER & BUSHING, w/Std. Susp. (SDA)
10	4694 775	2			w/Firm Feel Susp. (SDC)
11	4626 008-9	2			w/Air Load Leveling Shocks w/Std. Susp. (SDA)
12	4228 766-7	2			w/Air Load Leveling Shocks w/Firm Feel Susp. (SDC)
13	6502 146	8			BOLT, Spindle
14	4228 262	2			SPINDLE, Rear Wheel Mtg.
15	4626 026	2			BUSHING, Cont. Arm Pivot
16	6501 678	2			BOLT, Shock Mtg. Upper
17	6101 439	2			Lower
18	4228 635	2			SPRING, Rear
19	4228 636	2			w/Std. w/2.5L Eng.
20	4228 576	2			w/Std. w/3.0, 3.3L Eng.
21	4228 637	2	CS		w/Load Leveling System
22	4228 638	2	CS		w/Std.
23	4228 578	2			w/Load Leveling System
24	4228 159	2			BUMPER, Jounce
25	4147 759	2			ISOLATOR, Spring Upper
26	4421 228	2			CUP, Jounce Bumper
27	6500 259	2			NUT, Bumper
28	6501 423	4			SCREW
29	6500 691	1			NUT, Stud
30	6500 909	1			STUD, Brace
31	6100 432	1			BOLT, Hanger
32	6501 423	6			BOLT
33	6101 364	1			PIVOT BOLT, Track Bar
34	6501 906	1			NUT, Track Bar Pivot Bolt
35	4420 326-7	1			HANGER, Frt. Pivot
36	4228 653	1			CROSSMEMBER, Rr. Susp. Control Arm & Axle Channel (SDA, SDC)

**MODEL CODES:**

A BODY=(C=LeBaron, D=Spirit, P=Acclaim/LaBaron(Landau, Saratoga) S BODY=(H=Voyager(H) FWD, K=Caravan(H) FWD, Y=Town & Country(H) FWD, P=Voyager(K) AWD, D=Caravan(K) AWD, C=Town & Country(K) AWD)  
 C BODY=(D=Dynasty, C=New Yorker/N.Y. Salon)  
 G BODY=(V=Daytona/IROC, Chrysler Daytona)  
 J BODY=(C=LeBaron, Chrysler LeBaron)  
 P BODY=(P=Sundance, D=Shadow) E-S BODY=(K=Chrysler Voyager(H) FWD, D=Chrysler Voyager(K) AWD)

**BODY STYLES:**

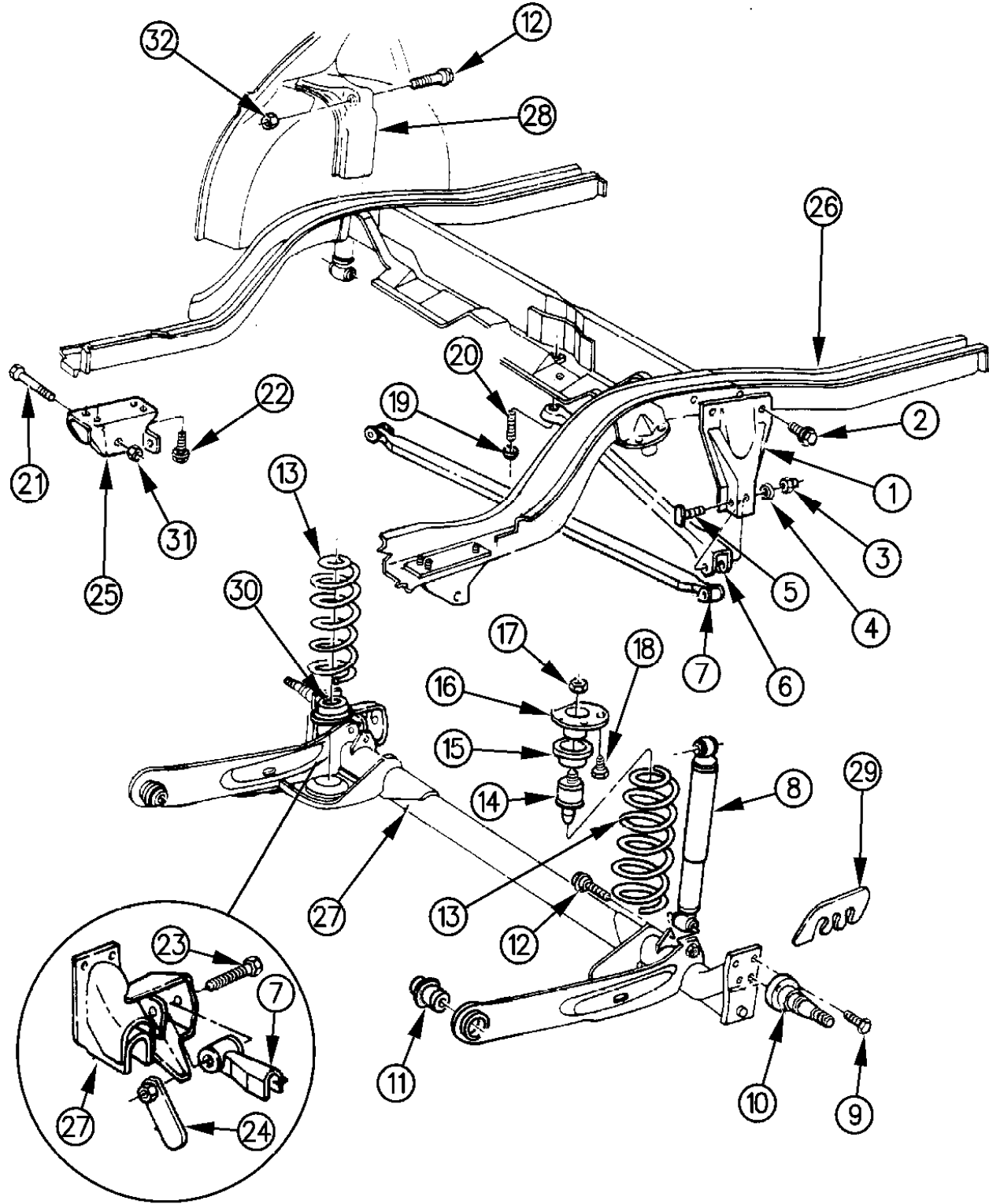
21=2-Door Coupe 41=4-Door Sedan 12-52=FWD & AWD Van & Wgn Std W.B.  
 24=2-Door Hatchback 44=4-Door Hatchback 53=FWD & AWD Van & Wgn Ext. W.B.  
 27=2-Door Convertible

AR = Use as Required - = Non Illustrated Part P.A.R. = Paint as Required

**SUSPENSION, REAR C BODY**  
Figure 17-500

93117 500

ITEM	PART NUMBER	QTY	BODY	MODEL	DESCRIPTION
-	4420 349	1			DAMPER, Torque Rod
28					REINFORCEMENT, w/House (Ref.)
29	4626 165	AR			SHIM, Rear Wheel Alignment
30	4228 799	2			ISOLATOR, Spring Lower
31	6501 101	2			NUT
32	6502 337	4			NUT



**MODEL CODES:**

A BODY=(C=LeBaron, D=Spirit, P=Acclaim/LaBaron(Landau),  
Saratoga) S BODY=(H=Voyager(H) FWD, K=Caravan(H) FWD,  
Y=Town & Country(H) FWD, P=Voyager(K) AWD,  
D=Caravan(K) AWD, C=Town & Country(K) AWD)  
C BODY=(D=Dynasty, C=New Yorker/N.Y. Salon)  
G BODY=(V=Daytona/IROC, Chrysler Daytona) Y BODY=(C=Imperial/5th Avenue)  
J BODY=(C=LeBaron, Chrysler LeBaron) E-S BODY=(K=Chrysler Voyager(H) FWD, D=Chrysler  
P BODY=(P=Sundance, D=Shadow) Voyager(K) AWD)

**BODY STYLES:**

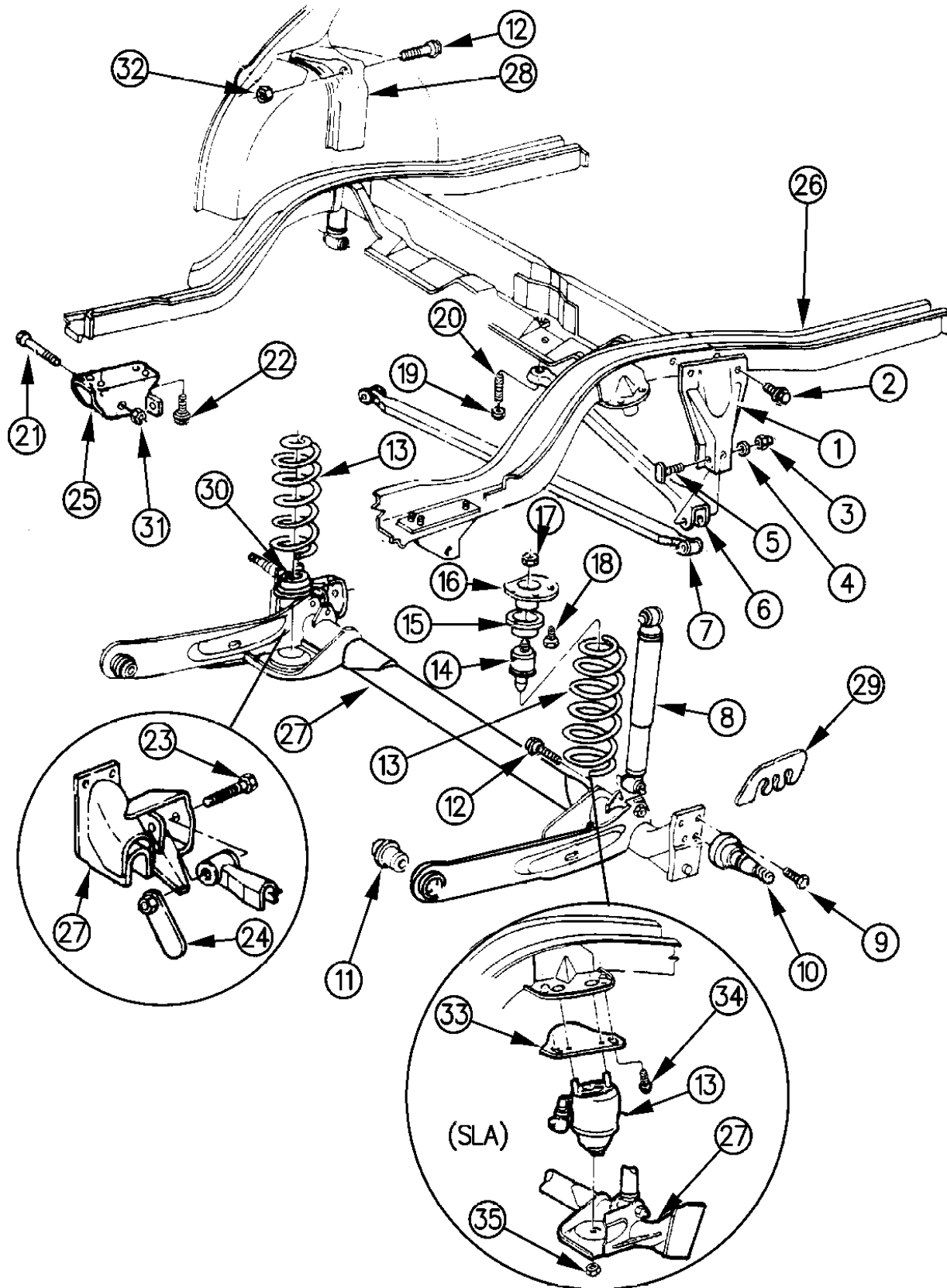
21=2-Door Coupe      41=4-Door Sedan      12-52=FWD & AWD Van & Wgn Std W.B.  
24=2-Door Hatchback      44=4-Door Hatchback      53=FWD & AWD Van & Wgn Ext. W.B.  
27=2-Door Convertible

AR = Use as Required - = Non Illustrated Part P.A.R. = Paint as Required

SUSPENSION, REAR Y BODY

Figure 17-600

93117 600



ITEM	PART NUMBER	QTY	BODY	MODEL	DESCRIPTION
1	4421 142	1			BRACKET, Track Bar Mtg.
2	6501 225	2			BOLT, Brkt.
3	6500 835	1			NUT, Pivot Bolt
4	6100 132	1			WASHER, Pivot Bolt
5	6500 415	1			PIVOT, BOLT
6	4421 161	1			BRACE, Track Bar Mtg.
7	4228 256	1			TRACK BAR, Rr. Susp.
8	4626 008-9	1			SHOCK ABSORBER & BUSHING, w/Std. Air Shocks, w/Coil Springs
	4421 012-3	1			w/Air Suspension (SLA), w/o Coil Springs
9	6502 146	8			BOLT, Spindle
10	4228 262	2			SPINDLE, Rear Wheel Mtg.
11	4626 026	2			BUSHING, Cont. Arm Pivot
12	6501 678	2			BOLT, Shock Mtg. Upper
	6101 439	2			Lower
13	4228 579	2			SPRING, Rear w/Std. Susp.
	4421 008-9	1			w/Air Suspension (SLA)
	4421 137	AR			Air Line Pkg. (Front Lines See 2-800)
14	4228 159	2			BUMPER, Jounce
15	4147 759	2			ISOLATOR, Spring Upper
16	4421 228	2			CUP, Jounce Bumper
17	6500 259	2			NUT, Bumper
	6026 648	2			Retainer
18	6031 011	4			SCREW
19	6500 691	1			NUT, Stud
20	6500 909	1			STUD, Brace
21	6100 432	1			BOLT, Hanger
22	6501 423	6			BOLT
23	6101 432	1			PIVOT BOLT, Track Bar
24	6501 906	1			NUT, Track Bar Pivot Bolt
25	4420 326-7	1			HANGER, Frt. Pivot
26					FRAME, (Ref.)
27	4228 653				CROSSMEMBER, Rr. Susp. Control Arm & Axle Channel w/Std. Susp.
	4421 255	1			w/Air Suspension (SLA)
-	4420 349	1			DAMPER, Torque Rod
28					REINFORCEMENT, w/House (Ref.)
29	4626 165	AR			SHIM, Rear Wheel Alignment

MODEL CODES:

A BODY=(C=LeBaron, D=Spirit, P=Acclaim/LaBaron(Landau), Saratoga)

C BODY=(D=Dynasty, C=New Yorker/N.Y. Salon)

G BODY=(V=Daytona/IROC, Chrysler Daytona)

J BODY=(C=LeBaron, Chrysler LeBaron)

P BODY=(P=Sundance, D=Shadow)

S BODY=(H=Voyager(H) FWD, K=Caravan(H) FWD,

Y=Town & Country(H) FWD, P=Voyager(K) AWD,

D=Caravan(K) AWD, C=Town & Country(K) AWD)

Y BODY=(C=Imperial/5th Avenue)

E-S BODY=(K=Chrysler Voyager(H) FWD, D=Chrysler

Voyager(K) AWD)

BODY STYLES:

21=2-Door Coupe

41=4-Door Sedan

12-52=FWD & AWD Van & Wgn Std W.B.

24=2-Door Hatchback

44=4-Door Hatchback

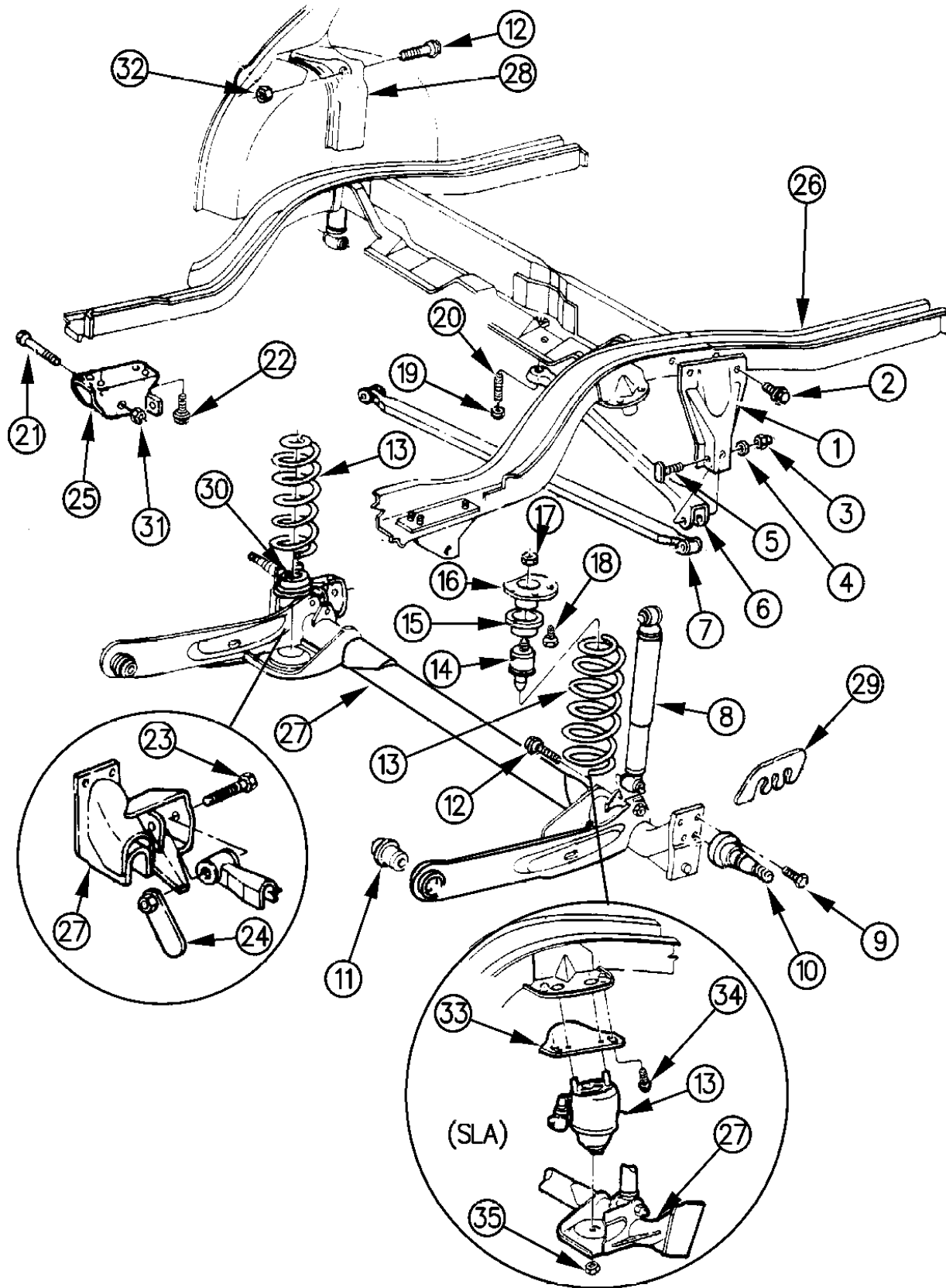
53=FWD & AWD Van & Wgn Ext. W.B.

27=2-Door Convertible

AR = Use as Required - = Non Illustrated Part P.A.R. = Paint as Required

SUSPENSION, REAR Y BODY  
Figure 17-600

93117 600



ITEM	PART NUMBER	QTY	BODY	MODEL	DESCRIPTION
30	4228 799	2			ISOLATOR, Spring Lower
31	6501 101	2			NUT
32	6502 337	4			NUT
33	4421 226-7	1			PLATE, Adj. w/Air Susp. (SLA)
34	6501 423	4			SCREW, w/Washer Plate Mtg.
35	6501 738	2			NUT, Air Spring Mtg.

MODEL CODES:

A BODY=(C=LeBaron, D=Spirit, P=Acclaim/LaBaron(Landau),  
Saratoga)  
C BODY=(D=Dynasty, C=New Yorker/N.Y. Salon)  
G BODY=(V=Daytona/IROC, Chrysler Daytona)  
J BODY=(C=LeBaron, Chrysler LeBaron)  
P BODY=(P=Sundance, D=Shadow)

S BODY=(H=Voyager(H) FWD, K=Caravan(H) FWD,  
Y=Town & Country(H) FWD, P=Voyager(K) AWD,  
D=Caravan(K) AWD, C=Town & Country(K) AWD)  
Y BODY=(C=Imperial/5th Avenue)  
E-S BODY=(K=Chrysler Voyager(H) FWD, D=Chrysler  
Voyager(K) AWD)

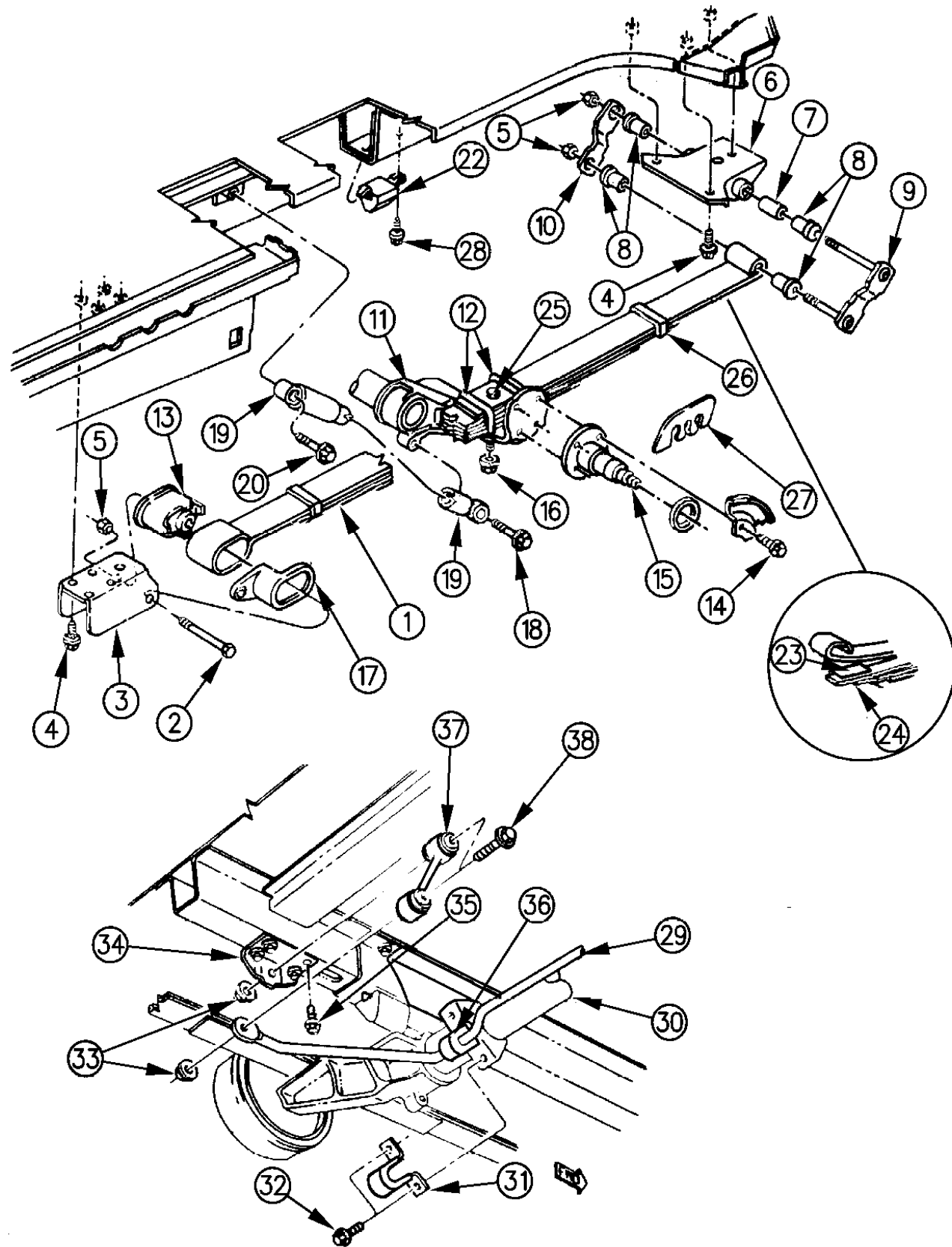
BODY STYLES:

21=2-Door Coupe      41=4-Door Sedan      12-52=FWD & AWD Van & Wgn Std W.B.  
24=2-Door Hatchback      44=4-Door Hatchback      53=FWD & AWD Van & Wgn Ext. W.B.  
27=2-Door Convertible

AR = Use as Required - = Non Illustrated Part P.A.R. = Paint as Required

**SUSPENSION, REAR S BODY, FWD**  
Figure 17-700

93117 700



ITEM	PART NUMBER	QTY	BODY	MODEL	DESCRIPTION
1					SPRING, Rear
	4420 334	2	12		w/Std. w/1200lb. Payload =(Z1A)
	4228 585	2	12		w/H.D. w/2000lb. Payload =(Z1C)
	4420 334	2	52		w/Std. Susp. w/5&6 Pass.
	4228 235	2	52		w/H.D. Susp. w/5&6 Pass.
	4420 336	2	52		w/Std. Susp. w/7 Pass.
	4228 236	2	52		w/H.D. Susp. w/7 Pass.
	4420 425	1	13		
	4420 406	2	53		w/Std. Susp.
	4420 416	2	53		w/H.D. Susp.
2	6501 600	2			PIVOT BOLT, Rr. Sprg. Frt. Bushing
3	4421 144	2			HANGER, Rr. Sprg. Frt.
4	6501 118	14			BOLT, Frt. & Rr. Hanger
5					NUT
	6501 706	2			Front
	0271 502	4			Rear
6	4147 927	2			HANGER, Rr. Sprg. Rr.
7	3722 073	2			INSERT, Rr. Sprg. Shackle Bushing
8	4228 564	8			BUSHING, Rr. Sprg. Shackle
9	4094 060	2			BUSHING PACKAGE, w/Shackle Rr. Spring
10	4014 703	2			PLATE, Rr. Sprg. Shackle - Loose
11	5272 558	1		12,52,53	TUBE, w/Axle Rear w/o Sway Bar
	5272 560	1		52,53	w/Sway Bar
	4228 720	1		12	w/H.D. Susp.
	4228 720	1		13	w/All
12	4228 565	4			CLIP, Rr. Spring
13	4228 492	2			BUSHING, Rr. Sprg. Frt. Pivot
14	6500 815	8			SCREW, w/Washer, Rr. Susp. Spindle Mtg.
15	4228 120	2			SPINDLE, Rr. Susp. w/4 Hole Flange
	4228 124	2			w/5 Hole Flange
16	6032 996	8			NUT, w/Washer
17	4383 245	1			BRACKET, Actuator
18	6101 364	2			SCREW, w/WASHER Rr. Shock Lwr.
19	4694 781	2		12,52	SHOCK ABSORBER, & Bushing Rr. w/Std. Susp.
	4694 783	2		12,52	w/H.D. Susp.
	4694 782	2		52,53	w/H.D. Trailer Tow
	4694 780	2		53	w/Std. Susp.
	5272 033	2		13,53	w/H.D. Susp.

**MODEL CODES:**

A BODY=(C=LeBaron, D=Spirit, P=Acclaim/LaBaron(Landau), Saratoga) S BODY=(H=Voyager(H) FWD, K=Caravan(H) FWD, Y=Town & Country(H) FWD, P=Voyager(K) AWD, D=Caravan(K) AWD, C=Town & Country(K) AWD)  
 C BODY=(D=Dynasty, C=New Yorker/N.Y. Salon) Y BODY=(C=Imperial/5th Avenue)  
 G BODY=(V=Daytona/IROC, Chrysler Daytona) E-S BODY=(K=Chrysler Voyager(H) FWD, D=Chrysler Voyager(K) AWD)  
 J BODY=(C=LeBaron, Chrysler LeBaron)  
 P BODY=(P=Sundance, D=Shadow)

**BODY STYLES:**

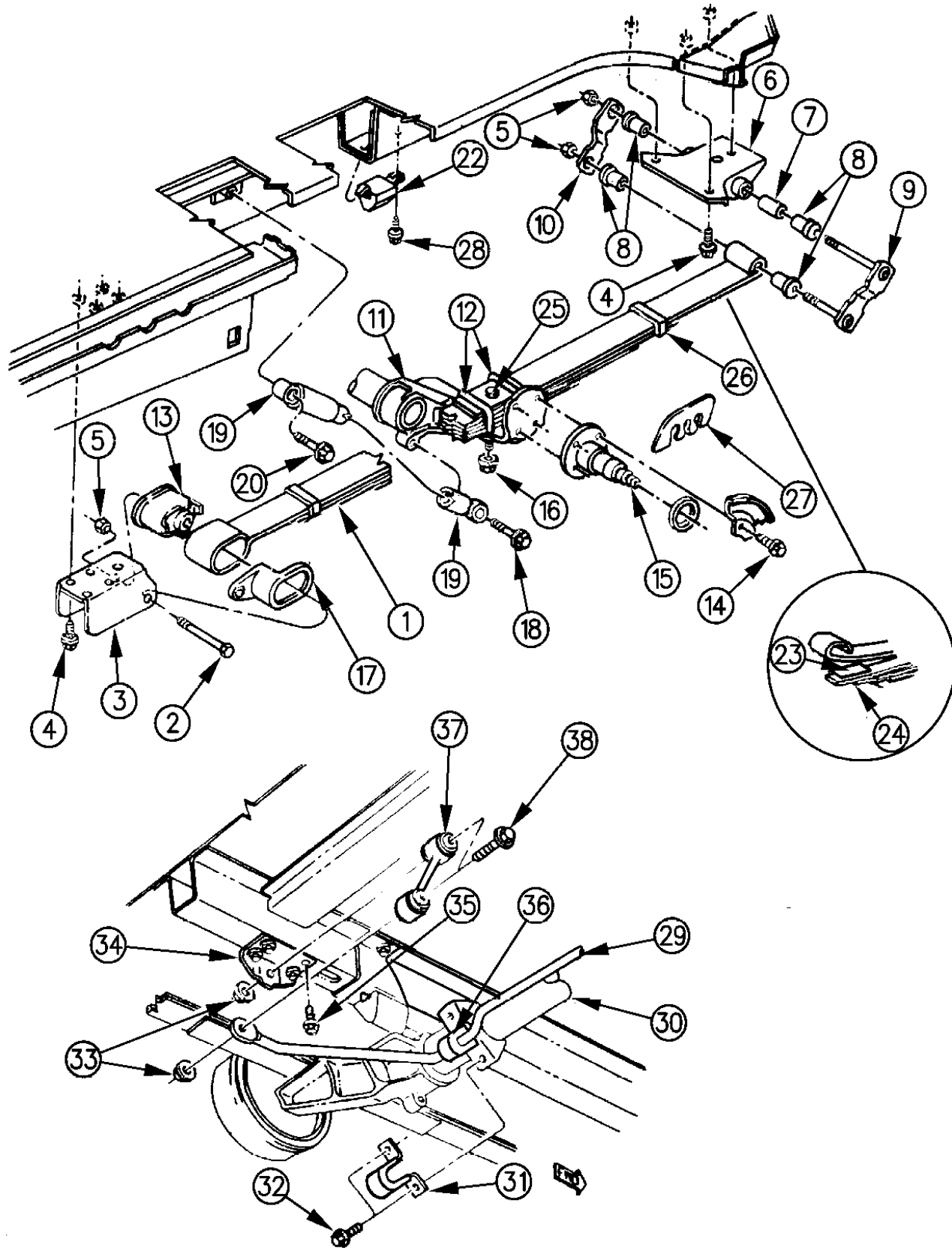
21=2-Door Coupe 41=4-Door Sedan 12-52=FWD & AWD Van & Wgn Std W.B.  
 24=2-Door Hatchback 44=4-Door Hatchback 53=FWD & AWD Van & Wgn Ext. W.B.  
 27=2-Door Convertible

AR = Use as Required - = Non Illustrated Part P.A.R. = Paint as Required



**SUSPENSION, REAR S BODY, FWD**  
Figure 17-700

93117 700



ITEM	PART NUMBER	QTY	BODY	MODEL	DESCRIPTION
	4694 782	2			w/EUROPEAN Market
20	6101 364	2			BOLT, w/Washer, Rr. Shock Abs. Upr. Mtg.
22	4228 689	2			BUMPER, Rr. Susp., Rr. Axle
23	3638 666	AR			INTERLINER, Leaf Spring - Std.
	4228 030	AR			H.D.
24	2539 512	AR			INTERLEAF, Leaf Spring
25	2953 358	2			BOLT, Rr. Spring Ctr. - Std.
	2961 234	2			H.D.
26	2808 399	4			CLAMP PACKAGE, w/Clip
					CONSIST OF:
					1---- Insulator
					1---- Clip
					1---- Clamp
	4228 129	2			SEAT, Rr. Spring Clip
27	4626 165	2			SHIM, Rr. Wheel Alignment
28	6501 441	2			SCREW, w/Washer
29	4228 784	1			SHAFT, Sway Bar
30		1			AXLE, Rear (Refer To Item 11)
31	4228 786	2			RETAINER, Bushing
32	6501 423	4			SCREW
33	6502 337	4			NUT
34	4228 790	2			BRACKET, Rear Sway Bar Link
35	6501 441	8			SCREW
36	4228 785	2			BUSHING, Rear Sway Bar
37	5272 190	2			LINK
38	6502 338	4			SCREW, w/Washer

**MODEL CODES:**

A BODY=(C=LeBaron, D=Spirit, P=Acclaim/LaBaron(Landau), Saratoga)      S BODY=(H=Voyager(H) FWD, K=Caravan(H) FWD, Y=Town & Country(H) FWD, P=Voyager(K) AWD, D=Caravan(K) AWD, C=Town & Country(K) AWD)  
 C BODY=(D=Dynasty, C=New Yorker/N.Y. Salon)      Y BODY=(C=Imperial/5th Avenue)  
 G BODY=(V=Daytona/IROC, Chrysler Daytona)      E-S BODY=(K=Chrysler Voyager(H) FWD, D=Chrysler Voyager(K) AWD)  
 J BODY=(C=LeBaron, Chrysler LeBaron)  
 P BODY=(P=Sundance, D=Shadow)

**BODY STYLES:**

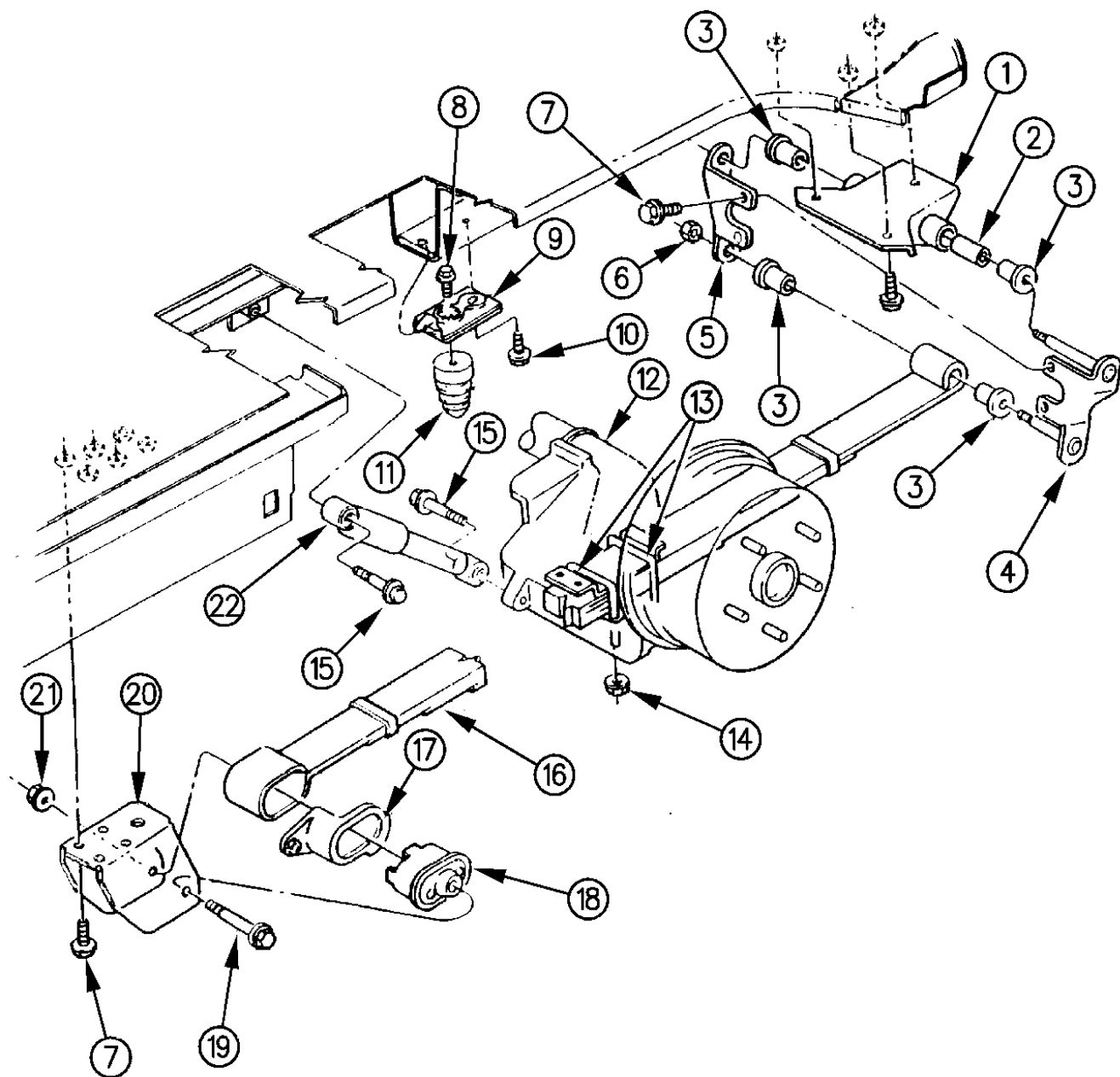
21=2-Door Coupe      41=4-Door Sedan      12-52=FWD & AWD Van & Wgn Std W.B.  
 24=2-Door Hatchback      44=4-Door Hatchback      53=FWD & AWD Van & Wgn Ext. W.B.  
 27=2-Door Convertible

AR = Use as Required - = Non Illustrated Part P.A.R. = Paint as Required

SUSPENSION, REAR S BODY, AWD

Figure 17-800

93117 800



ITEM	PART NUMBER	QTY	BODY	MODEL	DESCRIPTION
1	4486 900	2			HANGER, Spring Rear
2	4486 886	2			INSERT
3	4228 564	8			BUSHING
4					SHACKLE ASSEMBLY, w/Plate and Pin
	4518 403	1			Rt.
	4486 898	1			Lt.
5					PLATE, Rear Spring Shackle
	4518 402	1			Rt.
	4486 897	1			Lt.
6	0271 502	4			NUT
7	6501 118	18			BOLT
8	6100 384	2			BOLT, Bumper To Support
9	4684 063	2			SUPPORT, Bumper
10	6501 441	2			SCREW, w/Washer Support To Rail
11	4518 391	2			BUMPER
12	4518 372	1			AXLE, Assy.
13	4486 877	4			CLIP, Spring
14	6032 996	8			NUT, w/Washer Rear Clip
15	6101 364	4			SCREW, w/Washer Rear Shock Mtg.
16		2			SPRING, Rear
	4518 355	2		12	
	4518 356	2		52	
	4318 365	2		13	
	4518 367	2		53	
17	4383 245	1			BRACKET, Actuator
18	4228 492	2			BUSHING, Spring Front Pivot
19	6501 600	2			BOLT, Pivot
20	4486 801	2			HANGER, Rear Spring Front
21	6501 706	2			NUT, Pivot Bolt
22	5272 033	2			SHOCK ABSORBER, & Bushing Rr. w/Std.
	4626 032	2			w/H.D. Trailer Tow Pkg.

MODEL CODES:

A BODY=(C=LeBaron, D=Spirit, P=Acclaim/LaBaron(Landau), Saratoga) S BODY=(H=Voyager(H) FWD, K=Caravan(H) FWD, Y=Town & Country(H) FWD, P=Voyager(K) AWD, D=Caravan(K) AWD, C=Town & Country(K) AWD)  
 C BODY=(D=Dynasty, C=New Yorker/N.Y. Salon) Y BODY=(C=Imperial/5th Avenue)  
 G BODY=(V=Daytona/IROC, Chrysler Daytona) E-S BODY=(K=Chrysler Voyager(H) FWD, D=Chrysler Voyager(K) AWD)  
 J BODY=(C=LeBaron, Chrysler LeBaron) P BODY=(P=Sundance, D=Shadow)

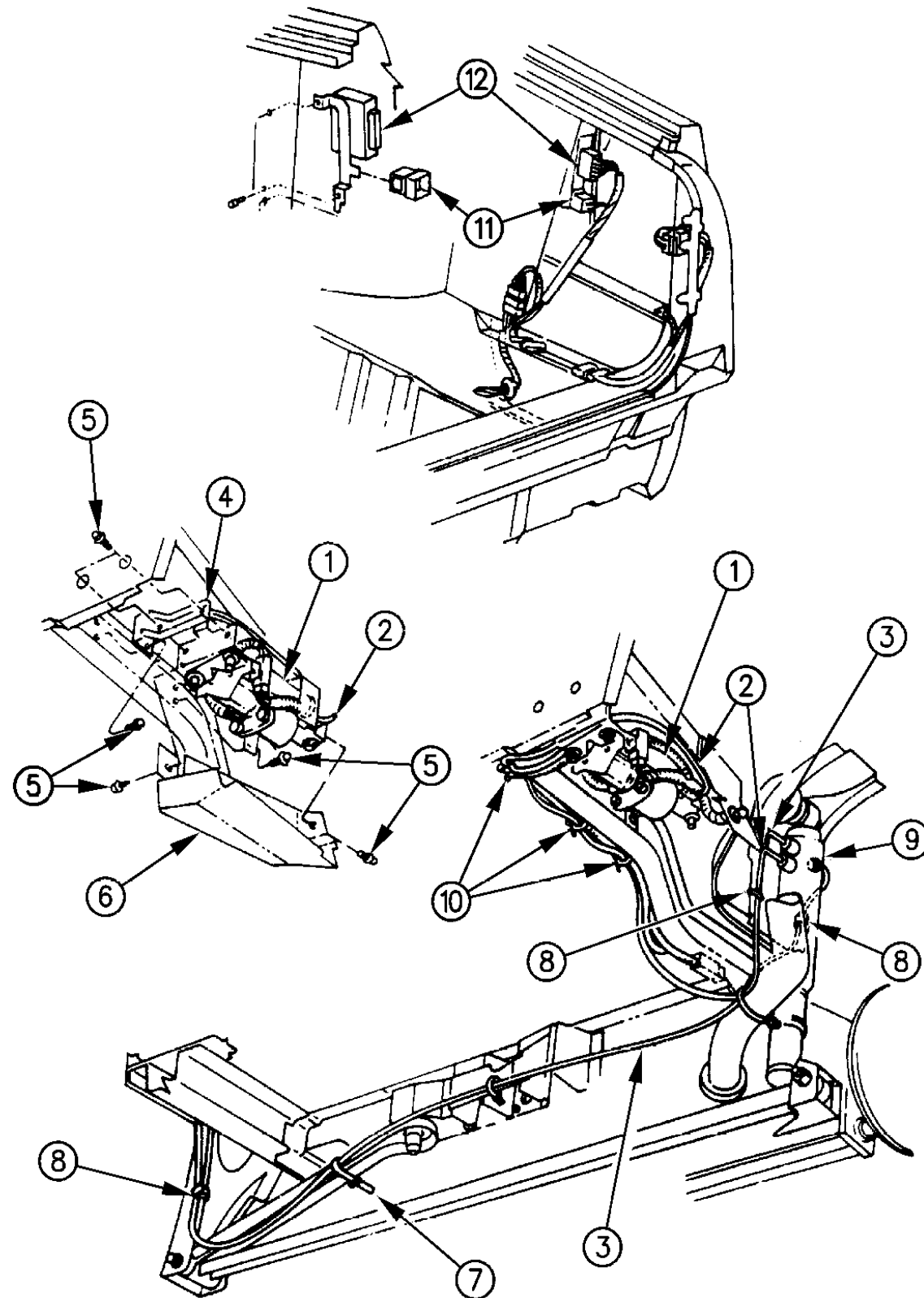
BODY STYLES:

21=2-Door Coupe 41=4-Door Sedan 12-52=FWD & AWD Van & Wgn Std W.B.  
 24=2-Door Hatchback 44=4-Door Hatchback 53=FWD & AWD Van & Wgn Ext. W.B.  
 27=2-Door Convertible

AR = Use as Required - = Non Illustrated Part P.A.R. = Paint as Required

**ELECTRONIC LEVELING AND AIR SUSPENSION (SLA) COMPRESSOR AND LINES C,Y BODY**  
**Figure 17-900**

93117 900



ITEM	PART NUMBER	QTY	BODY	MODEL	DESCRIPTION
1	4421 089	1	CY		COMPRESSOR, w/Fasteners w/Air Shocks (SER)
	4421 087	1	Y		w/Air Susp. (SLA)
2	4421 137	AR			LINE, Air, To Rear Shock (SER)
3	5272 199	1	Y		LINE, Air, Front To Rear, Air Spring Rt.(SLA)
	4421 150	1	Y		Lt. Front To Rear, Air Spring (SLA)
4	4421 083	1	C		BRACKET, Compressor Mtg.
	5272 141	1	Y		
	5272 146	4	Y		Spacer, Mtg.
5		8			SCREW, w/Washer (Not Serv.)
6	4421 088	1	C		COVER
	5272 138	1	Y		
7		3			STRAP, (Not Serv.)
8	6015 377	4			CLIP
9					SHOCK ABSORBER, Rear (See Rear Susp.)
10	6016 184	3			CLIP
11	4373 307	1			RELAY and BRACKET, w/Air Shocks (SER)
12	4374 570	1			MODULE, Level Control w/Air Shocks (SER)

**MODEL CODES:**

A BODY=(C=LeBaron, D=Spirit, P=Acclaim/LaBaron(Landau),  
Saratoga)  
 C BODY=(D=Dynasty, C=New Yorker/N.Y. Salon)  
 G BODY=(V=Daytona/IROC, Chrysler Daytona)  
 J BODY=(C=LeBaron, Chrysler LeBaron)  
 P BODY=(P=Sundance, D=Shadow)

S BODY=(H=Voyager(H) FWD, K=Caravan(H) FWD,  
Y=Town & Country(H) FWD, P=Voyager(K) AWD,  
D=Caravan(K) AWD, C=Town & Country(K) AWD)  
 Y BODY=(C=Imperial/5th Avenue)  
 E-S BODY=(K=Chrysler Voyager(H) FWD, D=Chrysler  
Voyager(K) AWD)

**BODY STYLES:**

21=2-Door Coupe      41=4-Door Sedan      12-52=FWD & AWD Van & Wgn Std W.B.  
 24=2-Door Hatchback      44=4-Door Hatchback      53=FWD & AWD Van & Wgn Ext. W.B.  
 27=2-Door Convertible

AR = Use as Required - = Non Illustrated Part P.A.R. = Paint as Required

---

**GROUP 18 - SERVICE BULLETINS**

<b>ILLUSTRATION TITLE</b>	<b>GROUP-FIG. NO.</b>
TECHNICAL SERVICE BULLETIN INDEX .....	Fig. 18-100
SERVICE BULLETINS GROUP 23 - BODY .....	Fig. 18-2300

**ILLUSTRATION NOT AVAILABLE AT TIME OF PUBLICATION**

---

**TECHNICAL SERVICE BULLETIN INDEX**  
**Figure 18-100**

ITEM	PART NUMBER	QTY	BODY	MODEL	DESCRIPTION
					N N N N
					GROUP 23 - BODY (see illustration 18-2300) N N N N
					N N N N
					CLOTH SEAT CLEANING PROCEDURE N N N N23-3-89
					Procedure for the Cleaning of Soiled Cloth Seat Upholstery. N
					N N N
					N N N N
					REAR SEAT SHOULDER BELT RETROFIT PACKAGE NS N
					N N23-21-89
					Addendum to TSB23-6-87 - Rear Seat Shoulder Belts Retrofit
					Package N N N N
					N N N N

ILLUSTRATION NOT AVAILABLE AT TIME OF PUBLICATION

**MODEL CODES:**

A BODY=(C=LeBaron, D=Spirit, P=Acclaim/LaBaron(Landau), Saratoga)	S BODY=(H=Voyager(H) FWD, K=Caravan(H) FWD, Y=Town & Country(H) FWD, P=Voyager(K) AWD, D=Caravan(K) AWD, C=Town & Country(K) AWD)
C BODY=(D=Dynasty, C=New Yorker/N.Y. Salon)	Y BODY=(C=Imperial/5th Avenue)
G BODY=(V=Daytona/IROC, Chrysler Daytona)	E-S BODY=(K=Chrysler Voyager(H) FWD, D=Chrysler Voyager(K) AWD)
J BODY=(C=LeBaron, Chrysler LeBaron)	
P BODY=(P=Sundance, D=Shadow)	

**BODY STYLES:**

21=2-Door Coupe	41=4-Door Sedan	12-52=FWD & AWD Van & Wgn Std W.B.
24=2-Door Hatchback	44=4-Door Hatchback	53=FWD & AWD Van & Wgn Ext. W.B.
27=2-Door Convertible		

AR = Use as Required - = Non Illustrated Part P.A.R. = Paint as Required

**SERVICE BULLETINS GROUP 23 - BODY**  
**Figure 18-2300**

ITEM	PART NUMBER	QTY	BODY	MODEL	DESCRIPTION
					Cloth Seat Cleaning Procedure!23-3-89 N N N N
	4549 601				SUPER KLEAN N N N4318015 Y4549601
	4318 019				TOTAL CLEAN N N N4318019 Y4318019 N N N N
					Rear Seat Shoulder Belt Retrofit Package!23-21-89 NS N N N
	4571 683				BELT PACKAGE, Rear Shoulder (1984 and Later) N N N N w/112" Wheelbase N N N4571683 Y4571683
	4571 687				w/119" Wheelbase N N N4571687 Y4571687 N N N N

ILLUSTRATION NOT AVAILABLE AT TIME OF PUBLICATION

**MODEL CODES:**

A BODY=(C=LeBaron, D=Spirit, P=Acclaim/LaBaron(Landau),  
Saratoga)  
 C BODY=(D=Dynasty, C=New Yorker/N.Y. Salon)  
 G BODY=(V=Daytona/ROC, Chrysler Daytona)  
 J BODY=(C=LeBaron, Chrysler LeBaron)  
 P BODY=(P=Sundance, D=Shadow)

S BODY=(H=Voyager(H) FWD, K=Caravan(H) FWD,  
Y=Town & Country(H) FWD, P=Voyager(K) AWD,  
D=Caravan(K) AWD, C=Town & Country(K) AWD)  
 Y BODY=(C=Imperial/5th Avenue)  
 E-S BODY=(K=Chrysler Voyager(H) FWD, D=Chrysler  
Voyager(K) AWD)

**BODY STYLES:**

21=2-Door Coupe      41=4-Door Sedan      12-52=FWD & AWD Van & Wgn Std W.B.  
 24=2-Door Hatchback      44=4-Door Hatchback      53=FWD & AWD Van & Wgn Ext. W.B.  
 27=2-Door Convertible

AR = Use as Required - = Non Illustrated Part P.A.R. = Paint as Required

---

**GROUP 19 - STEERING**

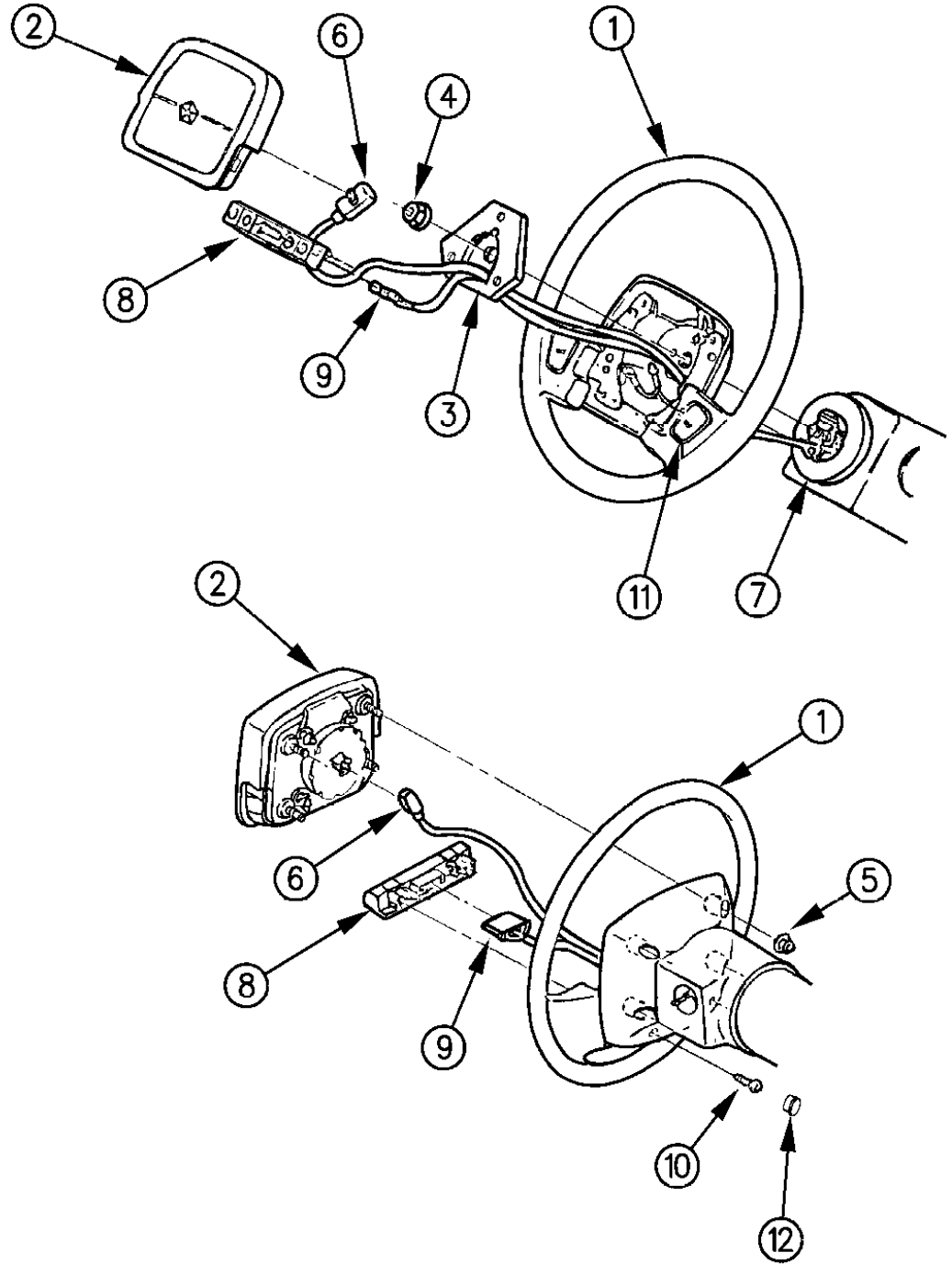
<b>ILLUSTRATION TITLE</b>	<b>GROUP-FIG. NO.</b>
<b>STEERING WHEELS</b>	
WHEEL, STEERING P BODY .....	Fig. 19-100
WHEEL, STEERING A BODY .....	Fig. 19-200
WHEEL, STEERING J BODY .....	Fig. 19-300
WHEEL, STEERING G BODY .....	Fig. 19-400
WHEEL, STEERING C BODY .....	Fig. 19-500
WHEEL, STEERING Y BODY .....	Fig. 19-600
WHEEL, STEERING S BODY .....	Fig. 19-700
<b>STEERING COLUMNS</b>	
COLUMN, STEERING, UPPER AND LOWER P BODY .....	Fig. 19-800
COLUMN, STEERING, UPPER AND LOWER A BODY .....	Fig. 19-900
COLUMN, STEERING, UPPER AND LOWER G,J BODY .....	Fig. 19-1000
COLUMN, STEERING, UPPER AND LOWER C,Y BODY .....	Fig. 19-1100
COLUMN, STEERING, UPPER AND LOWER S BODY .....	Fig. 19-1200
<b>POWER STEERING PUMPS</b>	
PUMP, ASSYS. & ATTACHING PARTS W/ 2.2, 2.5, 3.0, 3.3, 3.8L ENG. P,A,J,G,C,Y,S BODY .....	Fig. 19-1400
PUMP, ASSYS. & ATTACHING PARTS W/ 2.5L DIESEL ENGINE S BODY .....	Fig. 19-1500
PUMP, POWER STEERING COMPONENTS W/ 2.2, 2.5, 3.0, 3.3, 3.8L ENG. P,A,J,G,C,Y,S BODY .....	Fig. 19-1600
<b>POWER STEERING HOSES</b>	
HOSES, POWER STEERING P,A,J,G,C,Y,S BODY .....	Fig. 19-1700
HOSES, POWER STEERING W/ 2.5L DIESEL ENGINE S BODY .....	Fig. 19-1800
<b>POWER RACK AND PINION GEAR</b>	
GEAR, RACK & PINION, POWER AND ATTACHING PARTS P,A,J,G,C,Y,S BODY .....	Fig. 19-1900

**ILLUSTRATION NOT AVAILABLE AT TIME OF PUBLICATION**

---

**WHEEL, STEERING P BODY**  
Figure 19-100

93119 100



ITEM	PART NUMBER	QTY	BODY	MODEL	DESCRIPTION	
1	WM23 JD5	1			WHEEL, Steering (Quartz) w/o Leather Wrap	
	WM23 JM6	1			(Red) w/o Leather Wrap	
	WM23 JV8	1			(Tan) w/o Leather Wrap	
2					AIR BAG, Module ***	
	EC26 JD5	1			(Quartz)	
	EC26 LM6	1			(Red)	
	EC26 JV8	1			(Tan)	
					PAD, Horn w/o Air Bag (Export)	
					Steering Wheel Pad-Assy W/O Crystal, W/O Air Bag	
	P187 JC5	1			(Twilight Blue)	
	FK18 KD5	1			(Quartz)	
	FK18 LM6	1			(Red)	
	FK18 KV8	1			(Tan)	
	3	5274 274	1			DAMPER, Weight
	4	6500 906	1			NUT
5	6500 274	4			NUT, w/Washer	
6		1			CONTACT, (See ClockSpring Pkg.) ***	
7	4637 949	1			CLOCKSPRING PACKAGE, w/o Tilt (w/Speed Control Use 4637950) ***	
	4637 180	1			w/Tilt, w/o Speed Control	
	4637 950	1			w/Tilt, w/Speed Control	
	4504 368	1			w/o Tilt, w/o Air Bag (Export)	
	4504 380	1			w/Tilt, w/o Air Bag (Export)	
	4527 389	1			INSULATOR, 5-Way Repair	
	8	4470 022	1			BAR, Trim w/o Speed Control
					SWITCH, Speed Control	
	4565 265	1			w/Speed Control	
9		1			TERMINAL, (See Grp. 8)	
10		2			SCREW, (Not Serv.)	
11					BUTTON PACKAGE, Horn	
	P224 JD5	1			(Quartz)	
	P224 LM6	1			(Red)	
	P224 JV8	1			(Tan)	
					(Black)	
12					PLUG, Horn Pad Hole	
	WK94 JD5	AR			(Quartz)	
	WK94 JM6	AR			(Red)	
	WK94 JV8	AR			(Tan)	

**MODEL CODES:**

A BODY=(C=LeBaron, D=Spirit, P=Acclaim/LaBaron(Landau), Saratoga) S BODY=(H=Voyager(H) FWD, K=Caravan(H) FWD, Y=Town & Country(H) FWD, P=Voyager(K) AWD, D=Caravan(K) AWD, C=Town & Country(K) AWD)  
 C BODY=(D=Dynasty, C=New Yorker/N.Y. Salon)  
 G BODY=(V=Daytona/IROC, Chrysler Daytona)  
 J BODY=(C=LeBaron, Chrysler LeBaron)  
 P BODY=(P=Sundance, D=Shadow)  
 Y BODY=(C=Imperial/5th Avenue)  
 E-S BODY=(K=Chrysler Voyager(H) FWD, D=Chrysler Voyager(K) AWD)

**BODY STYLES:**

21=2-Door Coupe      41=4-Door Sedan      12-52=FWD & AWD Van & Wgn Std W.B.  
 24=2-Door Hatchback      44=4-Door Hatchback      53=FWD & AWD Van & Wgn Ext. W.B.  
 27=2-Door Convertible

AR = Use as Required - = Non Illustrated Part P.A.R. = Paint as Required



**WHEEL, STEERING A BODY**  
Figure 19-200

93119 200

ITEM	PART NUMBER	QTY	BODY	MODEL	DESCRIPTION
1					WHEEL, Steering
	WM23 KB7	1			(Dark Blue) w/o Leather Wrap
	WM23 JD5	1			(Quartz) w/o Leather Wrap
	WM23 JM6	1			(Red) w/o Leather Wrap
	WM23 JV8	1			(Tan) w/o Leather Wrap
	EL43 LB7	1			(Dark Blue) w/Leather Wrap
	EL43 LD6	1			(Quartz) w/Leather Wrap
	EL43 LMA	1			(Red) w/Leather Wrap
	EL43 LV9	1			(Tan) w/Leather Wrap
2					AIR BAG, Module ***
	EC26 KB7	1			(Dark Blue)
	EC26 JD5	1			(Quartz)
	EC26 LM6	1			(Red)
	EC26 JV8	1			(Tan)
	P187 JC5	1			Steering Wheel Pads W/O Chystal, W/O Air Bag (Blue)
	P187 JD5	1			(Quartz)
	P187 JM6	1			(Red)
	P187 JL7	1			(Taupe)
	P223 JC5	1			Steering Wheel Pads W/Chystal, W/O Air Bag (Blue)
	P223 JD5	1			(Quartz)
	P223 JR8	1			(Red)
	FK18 KB7	1			PAD,Horn w/o Air Bag (Export) (Blue) w/o Crystal
	FK18 KD5	1			(Quartz) w/o Crystal
	FK18 LM6	1			(Red) w/o Crystal
	FK18 KV8	1			(Tan) w/o Crystal
3	5274 274	1			DAMPER, Weight
4	6500 906	1			NUT
5	6500 274	4			NUT, w/Washer
6		1			CONTACT, (See Clockspring Pkg.) ***
7					CLOCKSPRING PACKAGE ***
	4637 951	1			w/Air Bag, w/o Speed Control
	4637 952	1			w/Air Bag, w/Speed Control
	4504 368	1			w/o Air Bag, w/o Speed Control (Export)
	4504 380	1			w/o Air Bag, w/Speed Control (Export)
	4527 389	1			INSULATOR, 5-Way Repair
8					BAR, Trim w/o Speed Control

**MODEL CODES:**

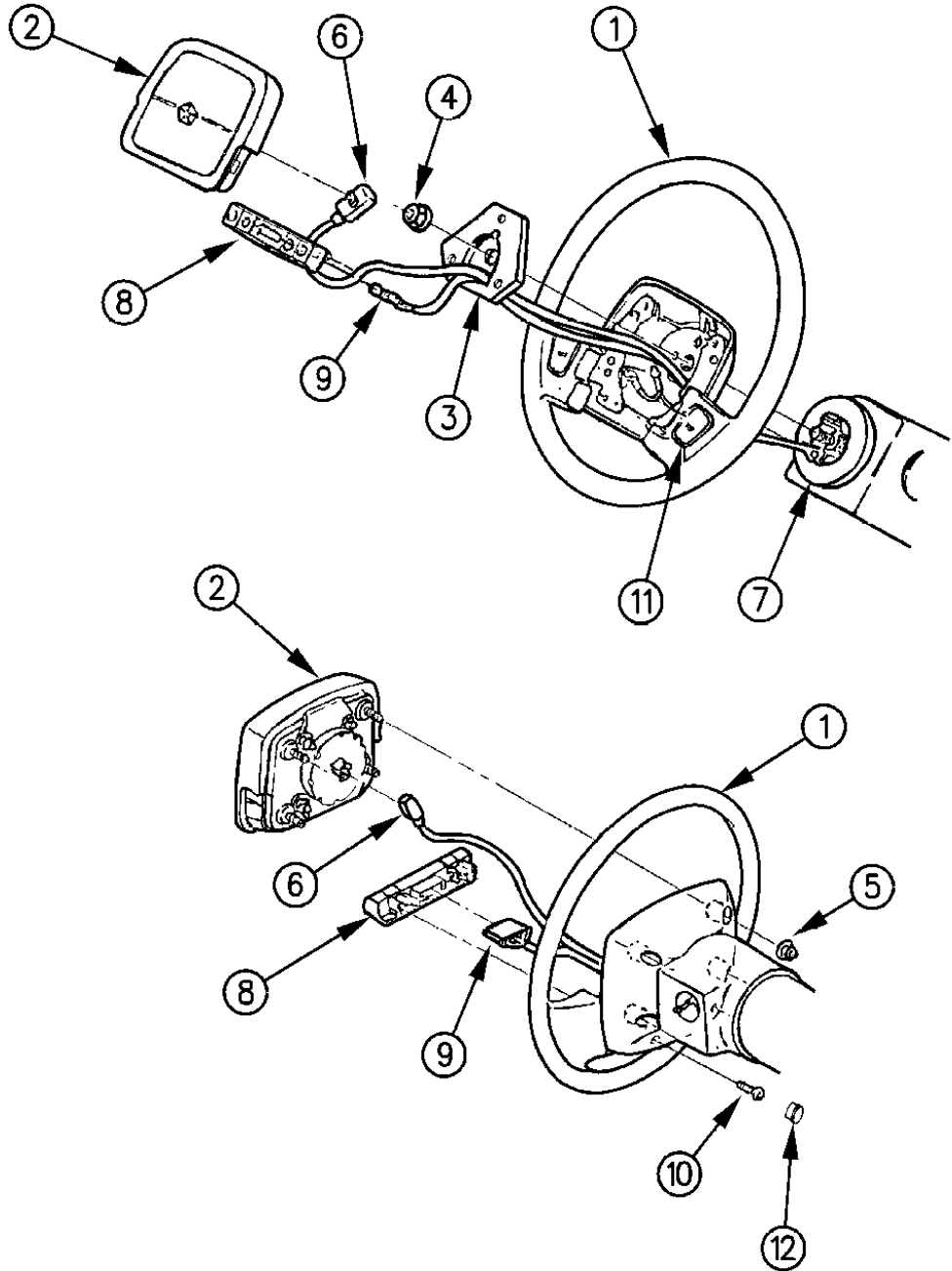
A BODY=(C=LeBaron, D=Spirit, P=Acclaim/LaBaron(Landau),  
Saratoga)  
C BODY=(D=Dynasty, C=New Yorker/N.Y. Salon)  
G BODY=(V=Daytona/ROC, Chrysler Daytona)  
J BODY=(C=LeBaron, Chrysler LeBaron)  
P BODY=(P=Sundance, D=Shadow)

S BODY=(H=Voyager(H) FWD, K=Caravan(H) FWD,  
Y=Town & Country(H) FWD, P=Voyager(K) AWD,  
D=Caravan(K) AWD, C=Town & Country(K) AWD)  
Y BODY=(C=Imperial/5th Avenue)  
E-S BODY=(K=Chrysler Voyager(H) FWD, D=Chrysler  
Voyager(K) AWD)

**BODY STYLES:**

21=2-Door Coupe      41=4-Door Sedan      12-52=FWD & AWD Van & Wgn Std W.B.  
24=2-Door Hatchback      44=4-Door Hatchback      53=FWD & AWD Van & Wgn Ext. W.B.  
27=2-Door Convertible

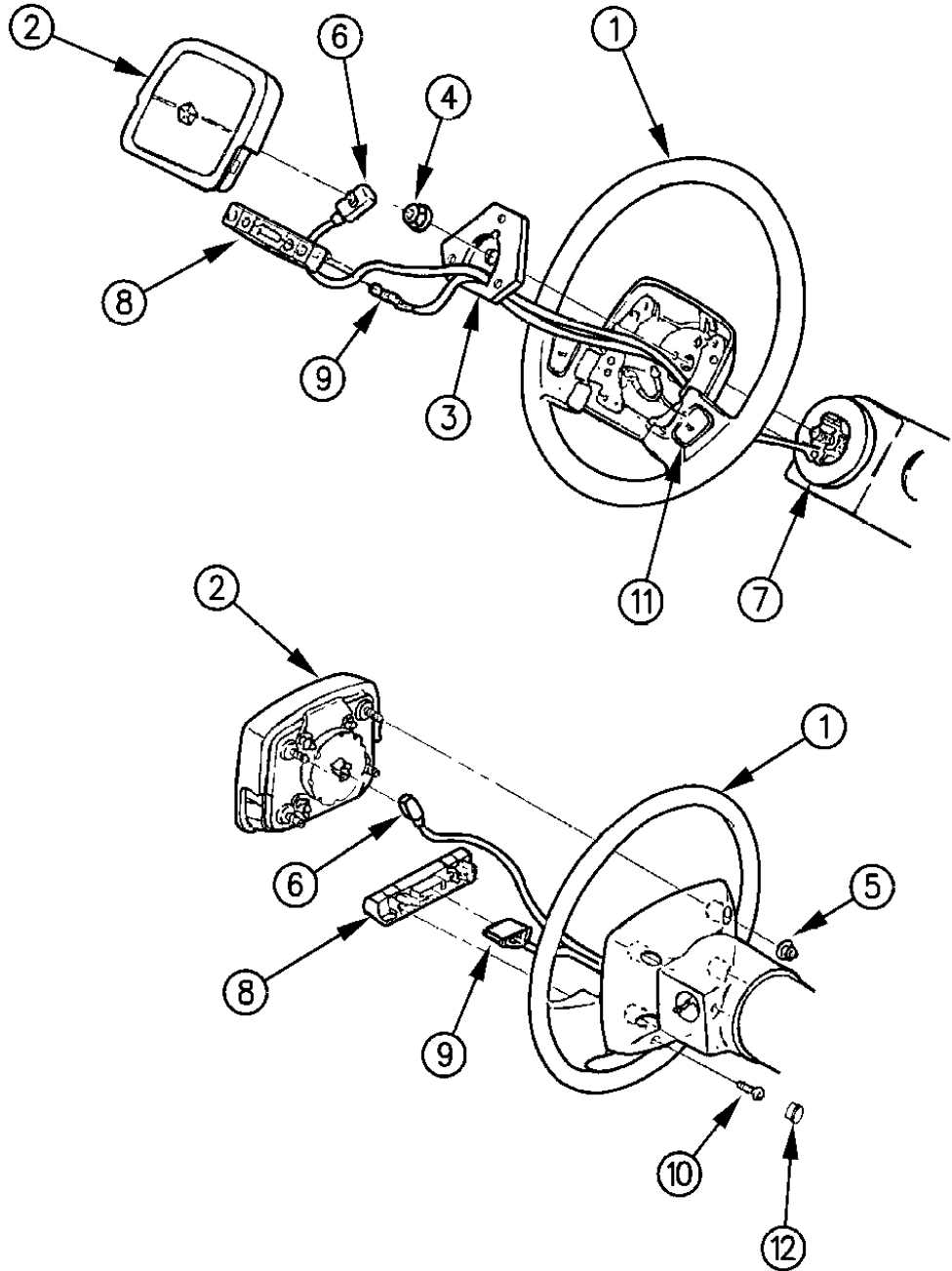
AR = Use as Required - = Non Illustrated Part P.A.R. = Paint as Required



**WHEEL, STEERING A BODY**  
Figure 19-200

93119 200

ITEM	PART NUMBER	QTY	BODY	MODEL	DESCRIPTION
	4470 022	1			w/o Speed Control
					SWITCH, w/Speed Control
	4565 265	1			w/Speed Control
	4565 264	1			w/Speed Control EUROPE
9		1			TERMINAL, (See Grp. 8)
10		2			SCREW, (Not Serv.)
11	P224 KB7	1			BUTTON PACKAGE, Horn (Dark Blue)
	P224 JD5	1			(Quartz)
	P224 LMA	1			(Red)
	P224 LV9	1			(Tan)
12	WK94 LB7	AR			PLUG, Horn Pad Hole (Dark Blue)
	WK94 LD6	AR			(Quartz)
	WK94 LMA	AR			(Red)
	WK94 LV9	AR			(Tan)



**MODEL CODES:**

A BODY=(C=LeBaron, D=Spirit, P=Acclaim/LaBaron(Landau, Saratoga) S BODY=(H=Voyager(H) FWD, K=Caravan(H) FWD, Y=Town & Country(H) FWD, P=Voyager(K) AWD, D=Caravan(K) AWD, C=Town & Country(K) AWD)  
 C BODY=(D=Dynasty, C=New Yorker/N.Y. Salon)  
 G BODY=(V=Daytona/IROC, Chrysler Daytona)  
 J BODY=(C=LeBaron, Chrysler LeBaron)  
 P BODY=(P=Sundance, D=Shadow)  
 Y BODY=(C=Imperial/5th Avenue)  
 E-S BODY=(K=Chrysler Voyager(H) FWD, D=Chrysler Voyager(K) AWD)

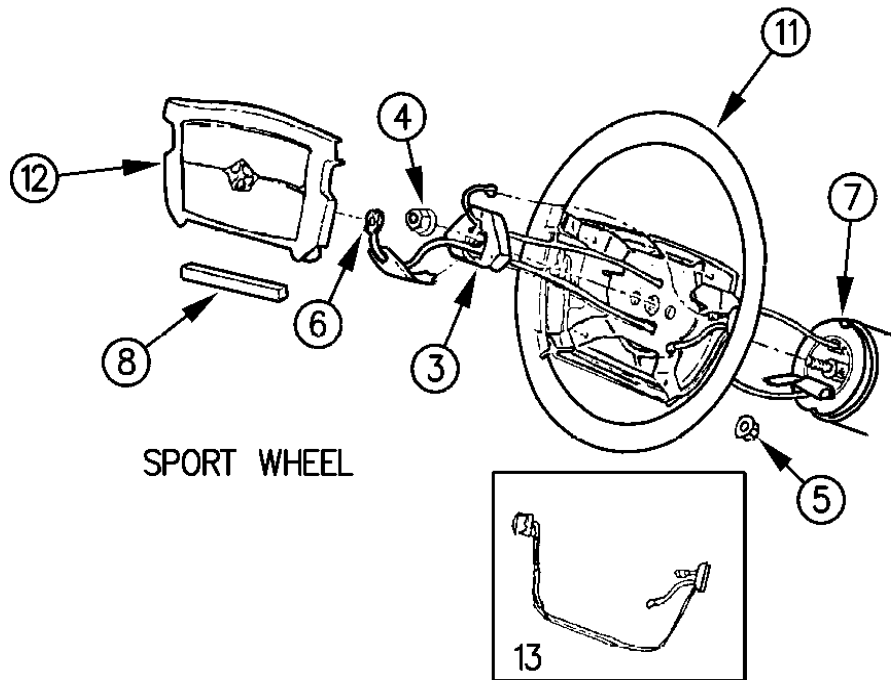
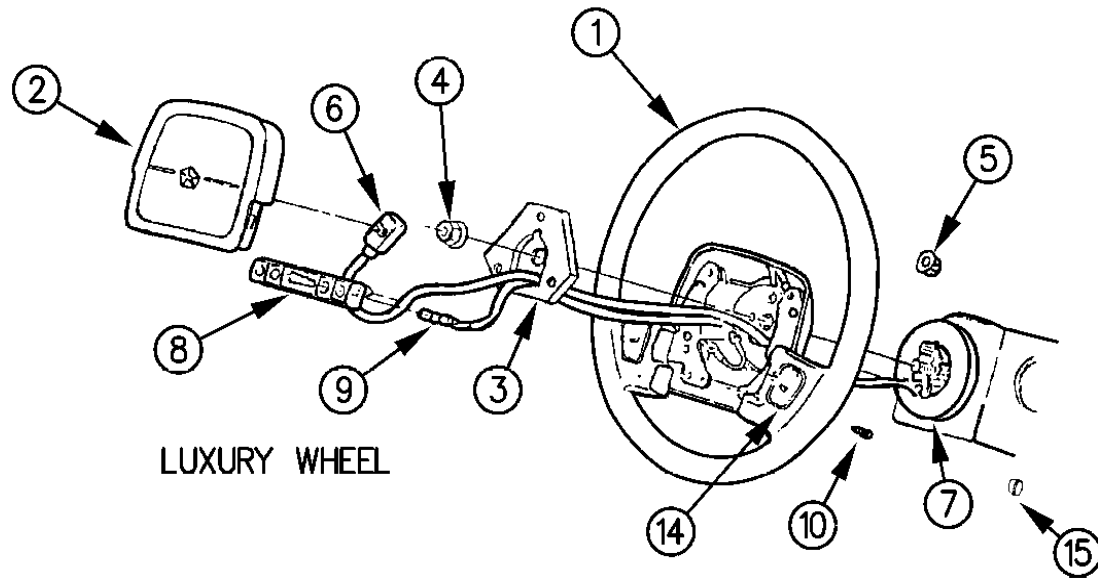
**BODY STYLES:**

21=2-Door Coupe      41=4-Door Sedan      12-52=FWD & AWD Van & Wgn Std W.B.  
 24=2-Door Hatchback      44=4-Door Hatchback      53=FWD & AWD Van & Wgn Ext. W.B.  
 27=2-Door Convertible

AR = Use as Required - = Non Illustrated Part P.A.R. = Paint as Required

**WHEEL, STEERING J BODY**  
**Figure 19-300**

93119 300



ITEM	PART NUMBER	QTY	BODY	MODEL	DESCRIPTION
1					WHEEL, Steering (Luxury)
	WM23 LAZ	1			(Agate) w/o Leather Wrap
	WM23 JM6	1			(Red) w/o Leather Wrap
	WM23 JB9	1			(Dark Blue) w/o Leather Wrap
	WM23 JV8	1			(Tan) w/o Leather Wrap
	EL43 LAZ	1			(Agate) w/Leather Wrap
	EL43 LMA	1			(Red) w/Leather Wrap
	EL43 LB9	1			(Dark Blue) w/Leather Wrap
	EL43 LV9	1			(Tan) w/Leather Wrap
2					AIR BAG, Module (Luxury) ***
	EC26 LAZ	1			(Agate)
	EC26 LM6	1			(Red)
	EC26 JB9	1			(Dark Blue)
	EC26 JV8	1			(Tan)
	P187 JD5	1			Steering Wheel Pad, W/O Crystal, W/O Air Bag (Quartz)
	P187 JR8	1			(Red)
	P187 JB9	1			(Blue)
	P187 JV8	1			(Champagne/Tan)
	DH67 JD5	1			PAD HORN (Sport, W/Sp-Control, W/O Air Bag) (Quartz)
	DH67 JR8	1			(Red)
	DH67 JB9	1			(Dark Blue)
	DH67 JV8	1			(Champagne)
					PAD, Horn w/o Air Bag (Export)
	FK18 LAZ	1			(Agate)
	FK18 LM6	1			(Red)
	FK18 LB9	1			(Dark Blue)
	FK18 KV8	1			(Tan)
3	5274 274	1			DAMPER, Weight
4	6500 906	1			NUT
5	6500 274	4			NUT, w/Washer
6		1			CONTACT, (See Clockspring Pkg.) ***
7					CLOCKSPRING PACKAGE ***
	4637 951	1			w/Air Bag, w/o Tilt
	4637 952	1			w/Air Bag, w/Tilt
	4504 368	1			w/o Air Bag, w/o Tilt (Export)
	4504 380	1			w/o Air Bag, w/Tilt (Export)
	4527 389	1			INSULATOR, 5-Way Repair

**MODEL CODES:**

A BODY=(C=LeBaron, D=Spirit, P=Acclaim/LaBaron(Landau), Saratoga)

C BODY=(D=Dynasty, C=New Yorker/N.Y. Salon)

G BODY=(V=Daytona/IROC, Chrysler Daytona)

J BODY=(C=LeBaron, Chrysler LeBaron)

P BODY=(P=Sundance, D=Shadow)

S BODY=(H=Voyager(H) FWD, K=Caravan(H) FWD,

Y=Town & Country(H) FWD, P=Voyager(K) AWD,

D=Caravan(K) AWD, C=Town & Country(K) AWD)

Y BODY=(C=Imperial/5th Avenue)

E-S BODY=(K=Chrysler Voyager(H) FWD, D=Chrysler

Voyager(K) AWD)

**BODY STYLES:**

21=2-Door Coupe

41=4-Door Sedan

12-52=FWD & AWD Van & Wgn Std W.B.

24=2-Door Hatchback

44=4-Door Hatchback

53=FWD & AWD Van & Wgn Ext. W.B.

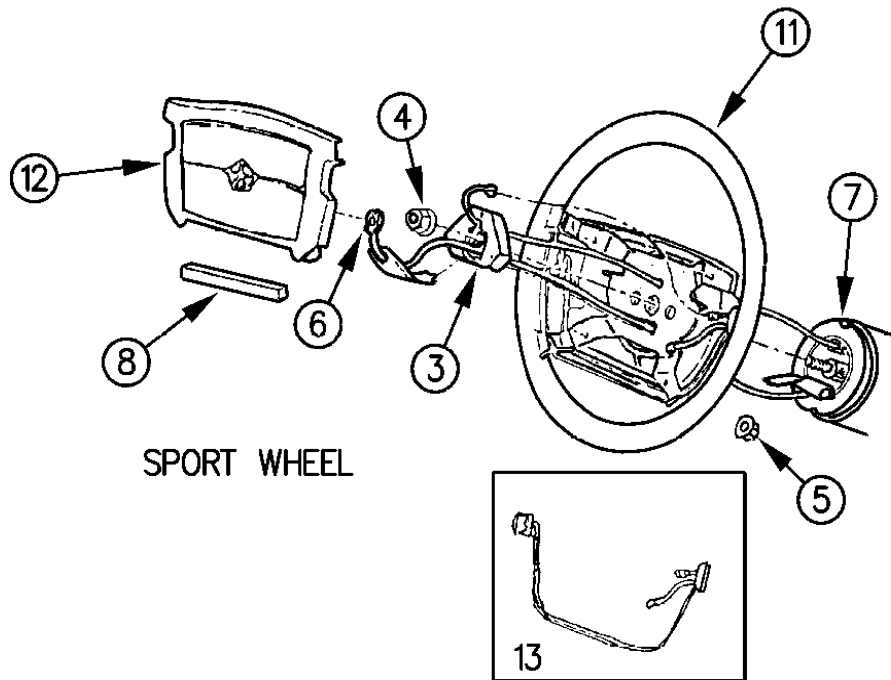
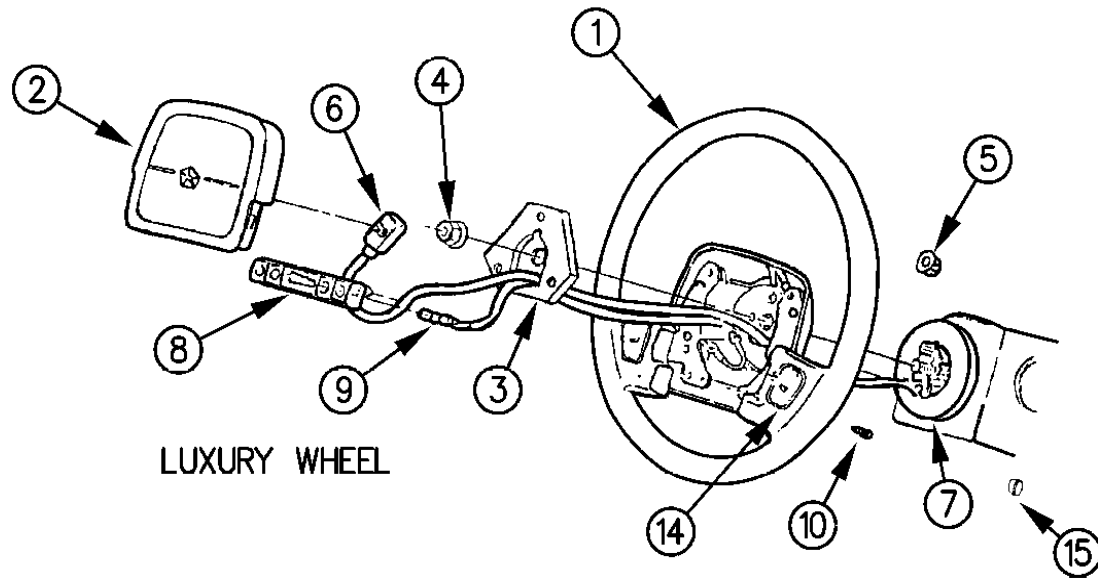
27=2-Door Convertible

AR = Use as Required - = Non Illustrated Part P.A.R. = Paint as Required

# WHEEL, STEERING J BODY

## Figure 19-300

93119 300



ITEM	PART NUMBER	QTY	BODY	MODEL	DESCRIPTION
8					BAR, Trim
	4470 022	1			w/o Speed Control SWITCH, Speed Control
	4565 265	1			w/Luxury Wheel
	4565 264	1			w/Luxury Wheel EUROPE
	5269 275	1			w/Sport Wheel
	5269 276	1			w/Sport Wheel EUROPE
9		1			TERMINAL, (See Grp. 14)
10		2			SCREW, (Not Serv.)
11					WHEEL, Steering (Sport)
	WM17 JBX	1			(Dark Blue) w/Leather Wrap
	WM17 LMX	1			(Red) w/Leather Wrap
	WM17 LAX	1			(Agate) w/Leather Wrap
	WM17 JVX	1			(Tan) w/Leather Wrap
12					AIR BAG, Module (Sport) ***
	EC27 JB9	1			(Dark Blue)
	EC27 LM6	1			(Red)
	EC27 LAZ	1			(Agate)
	EC27 JV8	1			(Tan)
	DH67 LAZ	1			PAD, Horn w/o Air Bag (Export) (Agate)
	DH67 JB9	1			(Dark Blue)
	DH67 KM6	1			(Red)
	DH67 JV8	1			(Tan)
13	4470 350	1			BUTTON PACKAGE, Horn w/Sport Whl.
14	P224 LAZ	1			BUTTON PACKAGE, Horn (Luxury)(Agate)
	P224 LMA	1			(Red)
	P224 LB9	1			(Dark Blue)
	P224 LV9	1			(Tan)
15	WK94 LAZ	AR			PLUG, Horn Pad Hole (Agate)
	WK94 LMA	AR			(Red)
	WK94 LB9	AR			(Dark Blue)
	WK94 LV9	AR			(Tan)

**MODEL CODES:**

A BODY=(C=LeBaron, D=Spirit, P=Acclaim/LaBaron(Landau), Saratoga)  
 C BODY=(D=Dynasty, C=New Yorker/N.Y. Salon)  
 G BODY=(V=Daytona/IROC, Chrysler Daytona)  
 J BODY=(C=LeBaron, Chrysler LeBaron)  
 P BODY=(P=Sundance, D=Shadow)

S BODY=(H=Voyager(H) FWD, K=Caravan(H) FWD, Y=Town & Country(H) FWD, P=Voyager(K) AWD, D=Caravan(K) AWD, C=Town & Country(K) AWD)  
 Y BODY=(C=Imperial/5th Avenue)  
 E-S BODY=(K=Chrysler Voyager(H) FWD, D=Chrysler Voyager(K) AWD)

**BODY STYLES:**

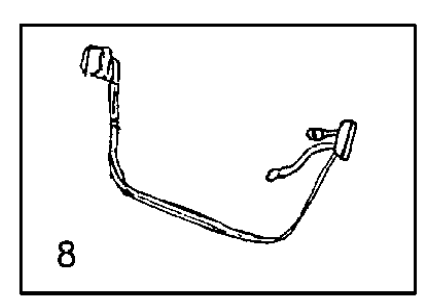
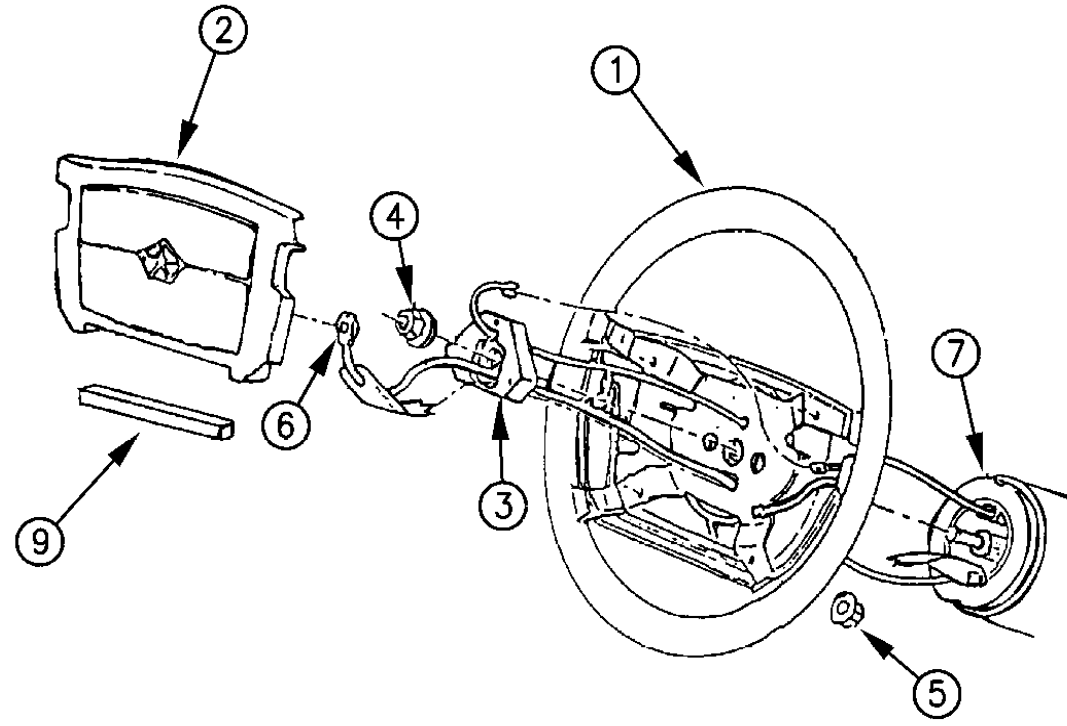
21=2-Door Coupe      41=4-Door Sedan      12-52=FWD & AWD Van & Wgn Std W.B.  
 24=2-Door Hatchback      44=4-Door Hatchback      53=FWD & AWD Van & Wgn Ext. W.B.  
 27=2-Door Convertible

AR = Use as Required    - = Non Illustrated Part    P.A.R. = Paint as Required

**WHEEL, STEERING G BODY**  
Figure 19-400

93119 400

ITEM	PART NUMBER	QTY	BODY	MODEL	DESCRIPTION
1					WHEEL, Steering
	WM15 JX8	1			(Black) w/o Leather Wrap
	WM17 JXX	1			(Black) w/Leather Wrap
2					AIR BAG, Module ***
	EC27 JX8	1			(Black)
					PAD, w/o Air Bag (Export)
	DH67 JX8	1			(Black)
3	5274 274	1			DAMPER, Weight
4	6500 906	1			NUT
5	6500 274	4			NUT, w/Washer
6		1			CONTACT, (See Clockspring Pkg.) ***
7					CLOCKSPRING PACKAGE ***
	4637 949	1			w/Air Bag, w/o Speed Control
	4637 950	1			w/Air Bag, w/Speed Control
	4504 368	1			w/o Air Bag, w/o Speed Control (Stamped 5274164)
	4504 380	1			w/o Air Bag, w/Speed Control (Export)
	4527 389	1			INSULATOR, 5-Way Repair
8	4470 350	1			BUTTON PACKAGE, Horn
9	4470 239	1			BAR, Trim w/o Speed Control
					SWITCH
	5269 275	1			w/Speed Control
	5269 276	1			w/Speed Control EUROPE



**MODEL CODES:**

A BODY=(C=LeBaron, D=Spirit, P=Acclaim/LaBaron(Landau), Saratoga)      S BODY=(H=Voyager(H) FWD, K=Caravan(H) FWD, Y=Town & Country(H) FWD, P=Voyager(K) AWD, D=Caravan(K) AWD, C=Town & Country(K) AWD)

C BODY=(D=Dynasty, C=New Yorker/N.Y. Salon)

G BODY=(V=Daytona/IROC, Chrysler Daytona)

J BODY=(C=LeBaron, Chrysler LeBaron)

P BODY=(P=Sundance, D=Shadow)

Y BODY=(C=Imperial/5th Avenue)

E-S BODY=(K=Chrysler Voyager(H) FWD, D=Chrysler Voyager(K) AWD)

**BODY STYLES:**

21=2-Door Coupe      41=4-Door Sedan      12-52=FWD & AWD Van & Wgn Std W.B.

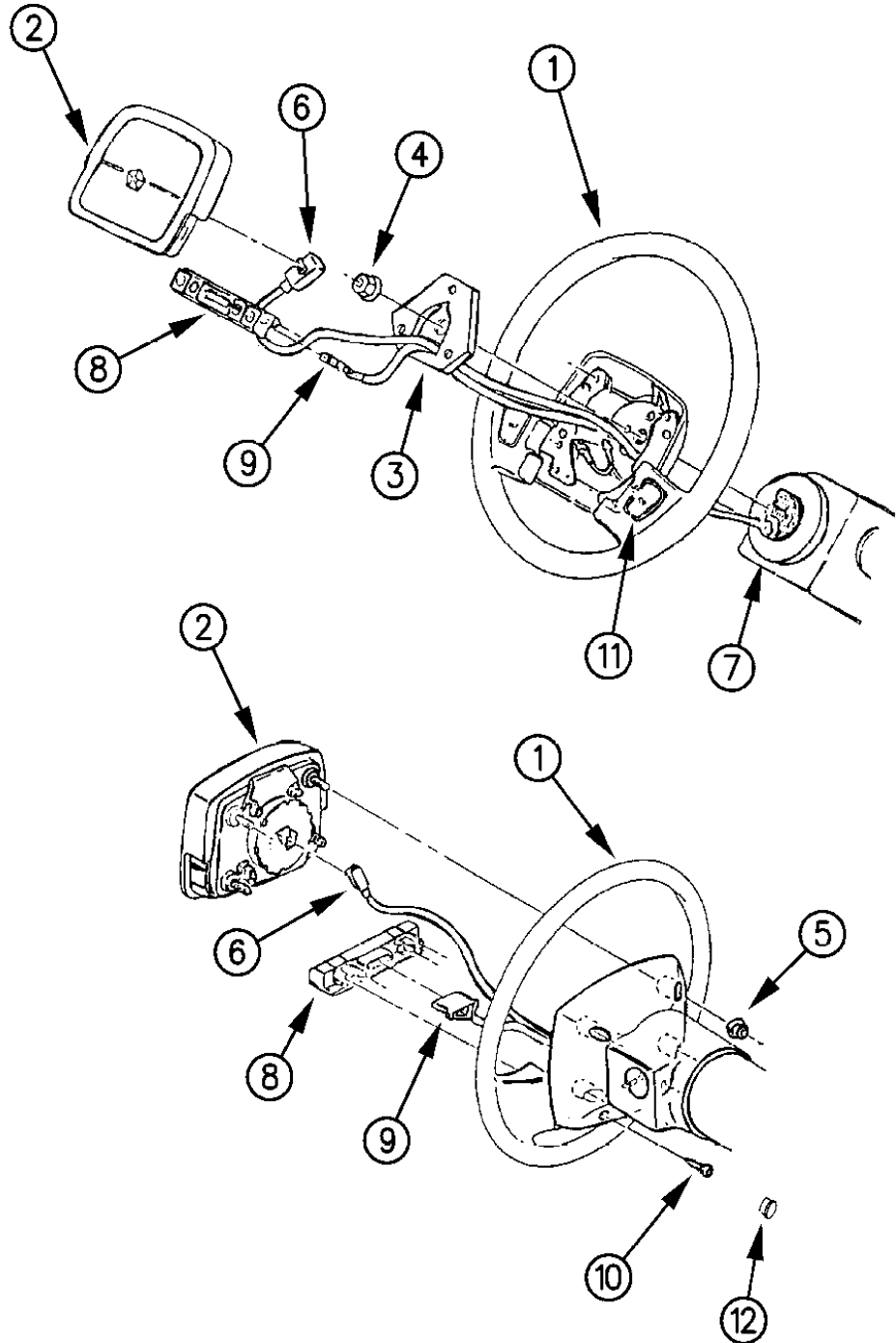
24=2-Door Hatchback      44=4-Door Hatchback      53=FWD & AWD Van & Wgn Ext. W.B.

27=2-Door Convertible

AR = Use as Required - = Non Illustrated Part P.A.R. = Paint as Required

**WHEEL, STEERING C BODY**  
Figure 19-500

93119 500



ITEM	PART NUMBER	QTY	BODY	MODEL	DESCRIPTION
1					WHEEL, Steering
	WM23 JM6	1			(Red) w/o Leather
	EL42 LMA	1			(Red) w/Leather
	WM23 LAZ	1			(Agate) w/o Leather
	EL42 LAZ	1			(Agate) w/Leather
	WM23 JB9	1			(Dark Blue) w/o Leather
	EL42 LB9	1			(Dark Blue) w/Leather
	WM23 JV8	1			(Tan) w/o Leather
	EL42 LV9	1			(Tan) w/Leather
2					AIR BAG, Module ***
	DZ39 LM6	1			(Red)
	DZ39 LAZ	1			(Agate)
	DZ39 JB9	1			(Dark Blue)
	DZ39 JV8	1			(Tan)
	P223 JR8	1			PAD, w/Crystal, w/o Air Bag (Bourdeau)
	P223 JB9	1			(Midnight Blue)
	P223 JV8	1			(Champagne/Tan)
	P223 JS8	1			(Charcoal)
	FK19 LM6	1			PAD, w/o Air Bag (Export) (Red)
	FK19 KV8	1			(Tan)
	FK19 LAZ	1			(Agate)
	FK19 KB9	1			(Dark Blue)
3	5274 274	1			DAMPER, Weight
4	6500 906	1			NUT
5	6500 274	4			NUT, w/Washer
6		1			CONTACT, (See Clockspring Pkg.) ***
7					CLOCKSPRING PACKAGE ***
	4637 333	1			w/Air Bag, w/o Tilt
	4637 334	1			w/Air Bag, w/Tilt
	4504 368	1			w/o Air Bag, w/o Tilt (Export)
	4504 380	1			w/o Air Bag, w/Tilt (Export)
	4527 389	1			INSULATOR, 5-Way Repair
8	4470 022	1			BAR, Trim w/o Speed Control
	4565 265	1			SWITCH, Speed Control
9		1			TERMINAL, (See Grp. 8)
10		2			SCREW, (Not Serv.)
11	P224 LMA	1			BUTTON PACKAGE, Horn (Red)

**MODEL CODES:**

A BODY=(C=LeBaron, D=Spirit, P=Acclaim/LaBaron(Landau),  
Saratoga)

C BODY=(D=Dynasty, C=New Yorker/N.Y. Salon)

G BODY=(V=Daytona/ROC, Chrysler Daytona)

J BODY=(C=LeBaron, Chrysler LeBaron)

P BODY=(P=Sundance, D=Shadow)

S BODY=(H=Voyager(H) FWD, K=Caravan(H) FWD,

Y=Town & Country(H) FWD, P=Voyager(K) AWD,

D=Caravan(K) AWD, C=Town & Country(K) AWD)

Y BODY=(C=Imperial/5th Avenue)

E-S BODY=(K=Chrysler Voyager(H) FWD, D=Chrysler

Voyager(K) AWD)

**BODY STYLES:**

21=2-Door Coupe

41=4-Door Sedan

12-52=FWD & AWD Van & Wgn Std W.B.

24=2-Door Hatchback

44=4-Door Hatchback

53=FWD & AWD Van & Wgn Ext. W.B.

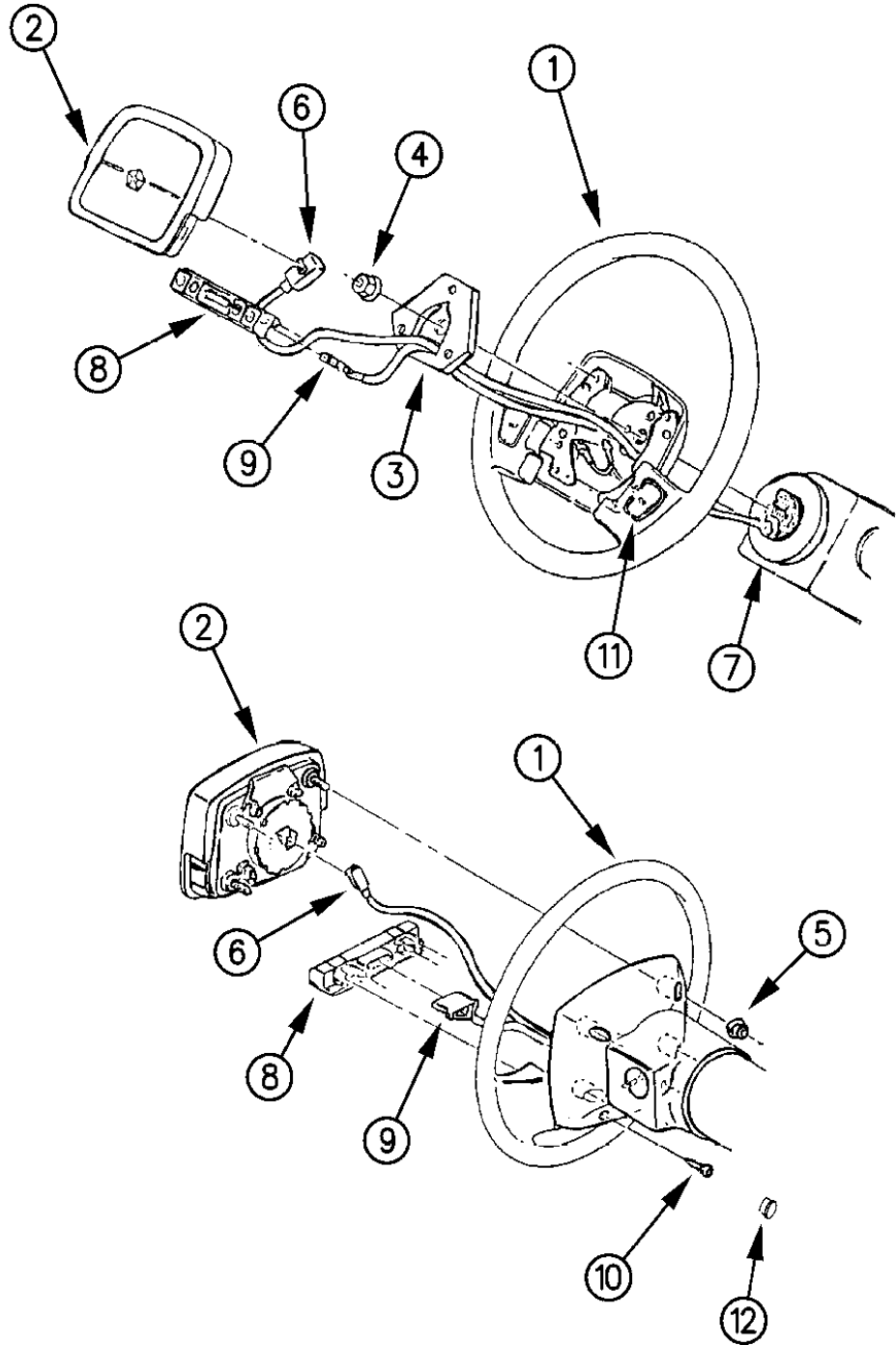
27=2-Door Convertible

AR = Use as Required - = Non Illustrated Part P.A.R. = Paint as Required

**WHEEL, STEERING C BODY**  
Figure 19-500

93119 500

ITEM	PART NUMBER	QTY	BODY	MODEL	DESCRIPTION
	P224 LB9	1			(Dark Blue)
	P224 LV9	1			(Tan)
	P224 LAZ	1			(Agate)
12	WK94 JM6	AR			PLUG, Horn Pad Hole (Red)
	WK94 LAZ	AR			(Agate)
	WK94 JB9	AR			(Dark Blue)
	WK94 JV8	AR			(Tan)



**MODEL CODES:**

A BODY=(C=LeBaron, D=Spirit, P=Acclaim/LaBaron(Landau),  
Saratoga)  
C BODY=(D=Dynasty, C=New Yorker/N.Y. Salon)  
G BODY=(V=Daytona/IROC, Chrysler Daytona)  
J BODY=(C=LeBaron, Chrysler LeBaron)  
P BODY=(P=Sundance, D=Shadow)

S BODY=(H=Voyager(H) FWD, K=Caravan(H) FWD,  
Y=Town & Country(H) FWD, P=Voyager(K) AWD,  
D=Caravan(K) AWD, C=Town & Country(K) AWD)  
Y BODY=(C=Imperial/5th Avenue)  
E-S BODY=(K=Chrysler Voyager(H) FWD, D=Chrysler  
Voyager(K) AWD)

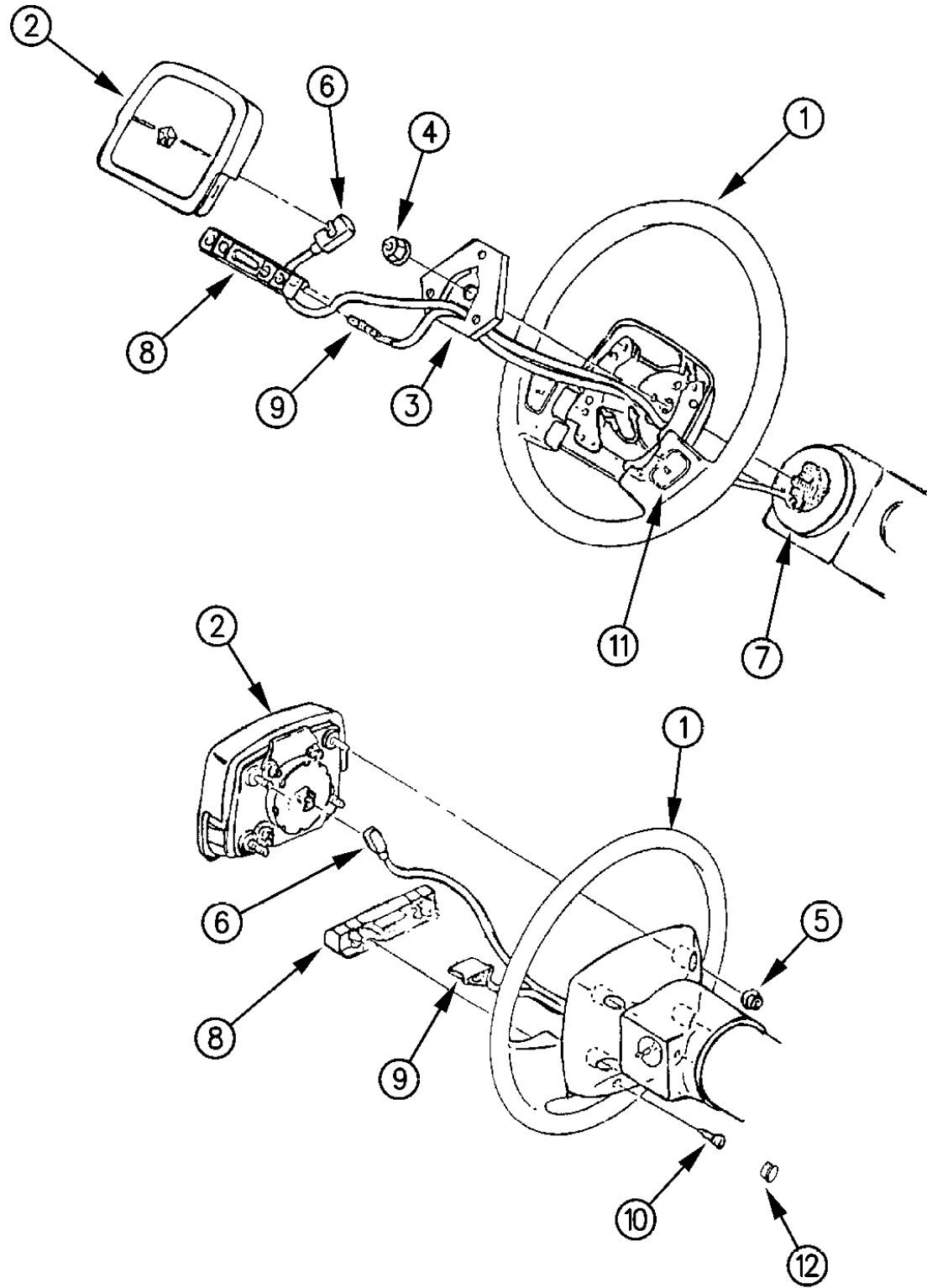
**BODY STYLES:**

21=2-Door Coupe      41=4-Door Sedan      12-52=FWD & AWD Van & Wgn Std W.B.  
24=2-Door Hatchback      44=4-Door Hatchback      53=FWD & AWD Van & Wgn Ext. W.B.  
27=2-Door Convertible

AR = Use as Required - = Non Illustrated Part P.A.R. = Paint as Required

**WHEEL, STEERING Y BODY**  
Figure 19-600

93119 600



ITEM	PART NUMBER	QTY	BODY	MODEL	DESCRIPTION
1					WHEEL, Steering
	EL42 LMA	1			(Red) w/Leather
	WM23 JM6	1			(Red) w/o Leather
	EL42 LAZ	1			(Agate) w/Leather
	WM23 LAZ	1			(Agate) w/o Leather
	EL42 LB9	1			(Dark Blue) w/Leather
	WM23 JB9	1			(Dark Blue) w/o Leather
	EL42 LV9	1			(Tan) w/Leather
	WM23 JV8	1			(Tan) w/o Leather
	EL42 LX9	1			(Black) w/Leather
	EL42 LH7	1			(Mahogany) w/Leather
2					AIR BAG, Module ***
	DZ39 LM6	1			(Red)
	DZ39 LAZ	1			(Agate)
	DZ39 JB9	1			(Dark Blue)
	DZ39 JV8	1			(Tan)
	DZ39 JX8	1			(Black)
	DZ39 JH7	1			(Mahogany)
					PAD, w/o Air Bag (Export)
	FK19 LM6	1			(Red)
	FK19 KV8	1			(Tan)
	FK19 LAZ	1			(Agate)
	FK19 KB9	1			(Dark Blue)
	FK19 KX9	1			(Black)
	FK19 KH7	1			(Mahogany)
3	5274 274	1			DAMPER, Weight
4	6500 906	1			NUT
5	6500 274	4			NUT, w/Washer
6		1			CONTACT, (See Clockspring Pkg.) ***
7	4637 334	1			CLOCKSPRING PACKAGE, w/Air Bag ***
	4504 380	1			w/o Air Bag (Export)
	4527 389	1			INSULATOR, 5-Way Repair
8	4565 265	1			SWITCH, Speed Control
9		1			TERMINAL, (See Grp. 8)
10		2			SCREW, (Not Serv.)
11	P224 LMA	1			BUTTON PACKAGE, Horn (Red)
	P224 LB9	1			(Dark Blue)
	P224 LV9	1			(Tan)
	P224 LAZ	1			(Agate)

**MODEL CODES:**

A BODY=(C=LeBaron, D=Spirit, P=Acclaim/LaBaron(Landau), Saratoga)

C BODY=(D=Dynasty, C=New Yorker/N.Y. Salon)

G BODY=(V=Daytona/ROC, Chrysler Daytona)

J BODY=(C=LeBaron, Chrysler LeBaron)

P BODY=(P=Sundance, D=Shadow)

S BODY=(H=Voyager(H) FWD, K=Caravan(H) FWD,

Y=Town & Country(H) FWD, P=Voyager(K) AWD,

D=Caravan(K) AWD, C=Town & Country(K) AWD)

Y BODY=(C=Imperial/5th Avenue)

E-S BODY=(K=Chrysler Voyager(H) FWD, D=Chrysler

Voyager(K) AWD)

**BODY STYLES:**

21=2-Door Coupe

41=4-Door Sedan

12-52=FWD & AWD Van & Wgn Std W.B.

24=2-Door Hatchback

44=4-Door Hatchback

53=FWD & AWD Van & Wgn Ext. W.B.

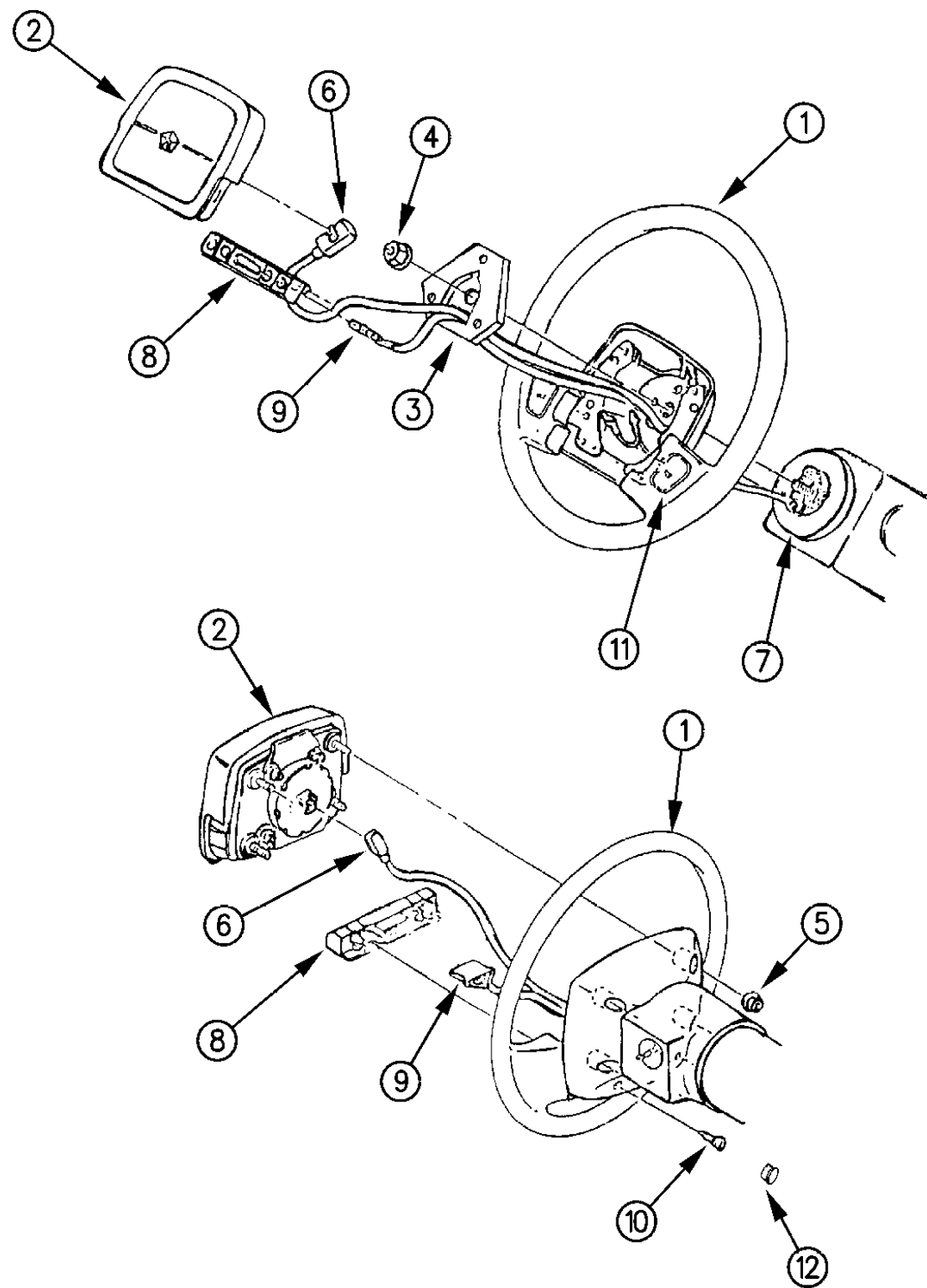
27=2-Door Convertible

AR = Use as Required - = Non Illustrated Part P.A.R. = Paint as Required



**WHEEL, STEERING Y BODY**  
Figure 19-600

93119 600



ITEM	PART NUMBER	QTY	BODY	MODEL	DESCRIPTION
	P224 LX9	1			(Black)
	P224 LH7	1			(Mahogany)
12	WK94 JM6	AR			PLUG, Horn Pad Hole (Red)
	WK94 LAZ	AR			(Agate)
	WK94 JB9	AR			(Dark Blue)
	WK94 JV8	AR			(Tan)
	WK94 JX9	AR			(Black)
	WK94 JH7	AR			(Mahogany)

**MODEL CODES:**

A BODY=(C=LeBaron, D=Spirit, P=Acclaim/LaBaron(Landau, Saratoga)  
 C BODY=(D=Dynasty, C=New Yorker/N.Y. Salon)  
 G BODY=(V=Daytona/IROC, Chrysler Daytona)  
 J BODY=(C=LeBaron, Chrysler LeBaron)  
 P BODY=(P=Sundance, D=Shadow)

S BODY=(H=Voyager(H) FWD, K=Caravan(H) FWD, Y=Town & Country(H) FWD, P=Voyager(K) AWD, D=Caravan(K) AWD, C=Town & Country(K) AWD)  
 Y BODY=(C=Imperial/5th Avenue)  
 E-S BODY=(K=Chrysler Voyager(H) FWD, D=Chrysler Voyager(K) AWD)

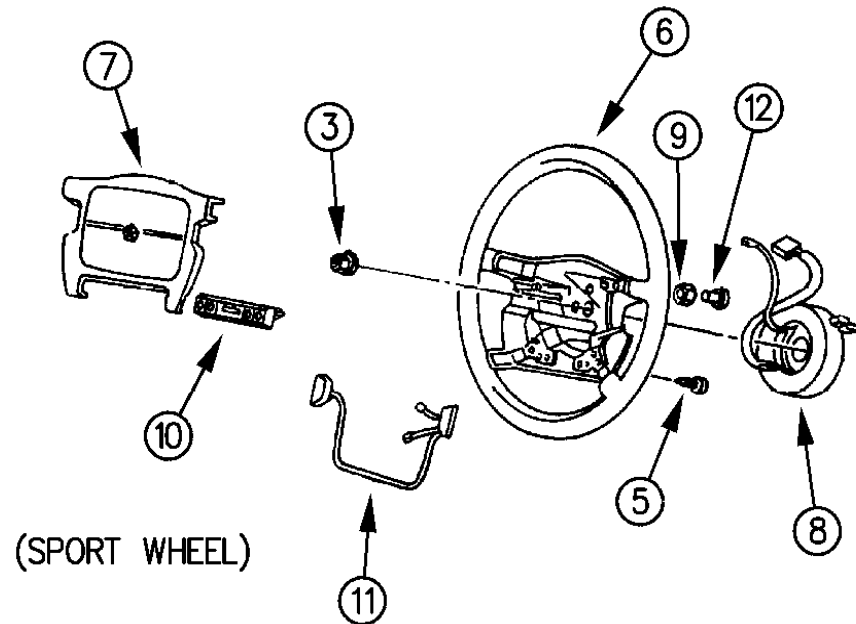
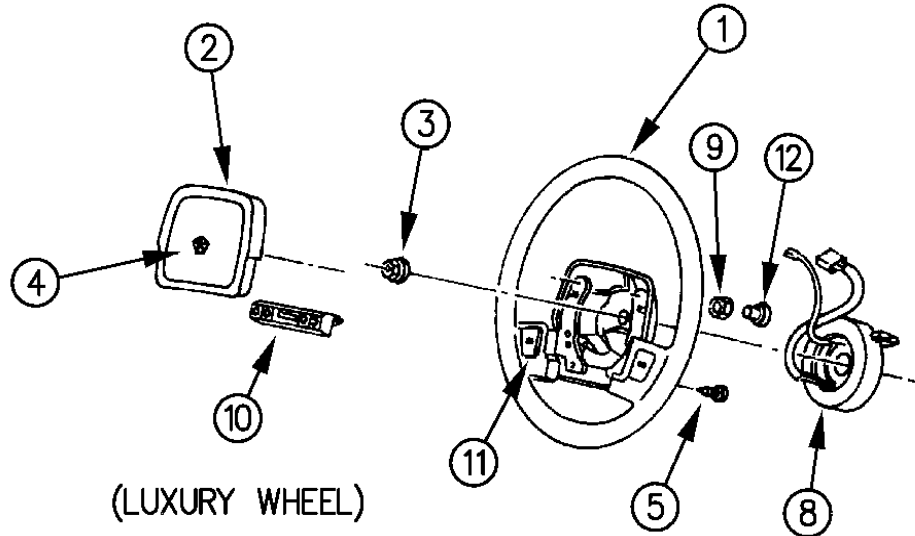
**BODY STYLES:**

21=2-Door Coupe      41=4-Door Sedan      12-52=FWD & AWD Van & Wgn Std W.B.  
 24=2-Door Hatchback      44=4-Door Hatchback      53=FWD & AWD Van & Wgn Ext. W.B.  
 27=2-Door Convertible

AR = Use as Required - = Non Illustrated Part P.A.R. = Paint as Required

**WHEEL, STEERING S BODY**  
Figure 19-700

93119 700



ITEM	PART NUMBER	QTY	BODY	MODEL	DESCRIPTION
1					WHEEL, Steering (Luxury)
	WM23 JV8	1			(Tan) w/o Leather Wrap
	EL43 LV9	1			(Tan) w/Leather Wrap
	WM23 JM6	1			(Red) w/o Leather Wrap
	WM23 KB7	1			(Blue) w/o Leather Wrap
	WM23 JD5	1			(Quartz) w/o Leather Wrap
	EL43 LD6	1			(Quartz) w/Leather Wrap
2	EL43 LB7	1			(BLUE) w/Leather Wrap
					AIR BAG, Module (Luxury) ***
	DZ39 JV8	1			(Tan)
	DZ39 LM6	1			(Red)
3	DZ39 KB7	1			(Blue)
	DZ39 JD5	1			(Quartz)
	6500 906	1			NUT
	4147 425	1			ORNAMENT, Crystal
5		2			SCREW, (Not Serv.)
					WHEEL, Steering (Sport)
6	WM15 KV8	1			(Tan)
	WM15 MM6	1			(Red)
	WM15 MB7	1			(Blue)
	WM15 JD5	1			(Quartz)
7					AIR BAG, Module (Sport) ***
	EL40 KV8	1			(Tan)
	EL40 MM6	1			(Red)
	EL40 MB7	1			(Blue)
8	EL40 KD5	1			(Quartz)
					CLOCKSPRING PACKAGE ***
9	4637 953	1			w/Air Bag, w/o Speed Control
	4637 954	1			w/Air Bag, w/Speed Control
10	6500 274	4			NUT, w/Washer
					BAR, Trim
11	4680 034	1			w/Luxury Wheel
	4680 033	1			w/Sport Wheel
	4685 094	1			SWITCH, w/Speed Control w/Sport Wheel
	4685 095	1			w/Luxury Wheel, w/Air Bag
12	4685 189	1			w/Luxury Wheel, w/Air Bag, EUROPE
	4470 350	1			BUTTON PACKAGE, w/Sport Wheel
	P224 LV9	1			(Tan) w/Luxury Wheel

**MODEL CODES:**

A BODY=(C=LeBaron, D=Spirit, P=Acclaim/LaBaron(Landau),  
Saratoga)  
C BODY=(D=Dynasty, C=New Yorker/N.Y. Salon)  
G BODY=(V=Daytona/ROC, Chrysler Daytona)  
J BODY=(C=LeBaron, Chrysler LeBaron)  
P BODY=(P=Sundance, D=Shadow)

S BODY=(H=Voyager(H) FWD, K=Caravan(H) FWD,  
Y=Town & Country(H) FWD, P=Voyager(K) AWD,  
D=Caravan(K) AWD, C=Town & Country(K) AWD)  
Y BODY=(C=Imperial/5th Avenue)  
E-S BODY=(K=Chrysler Voyager(H) FWD, D=Chrysler  
Voyager(K) AWD)

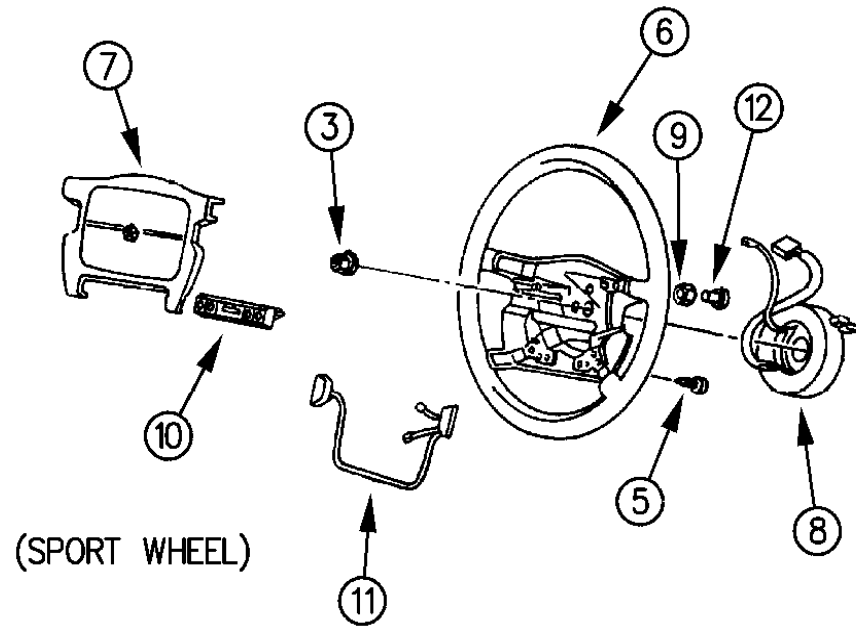
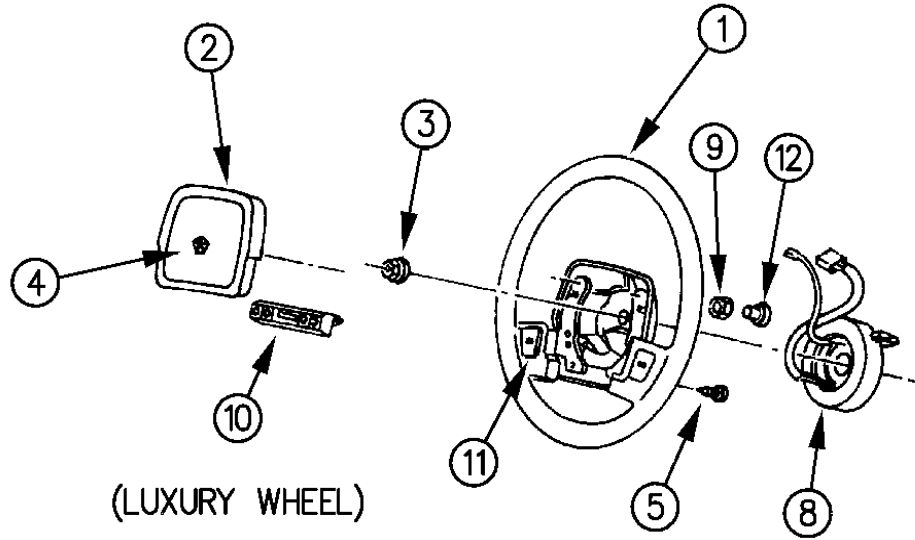
**BODY STYLES:**

21=2-Door Coupe      41=4-Door Sedan      12-52=FWD & AWD Van & Wgn Std W.B.  
24=2-Door Hatchback      44=4-Door Hatchback      53=FWD & AWD Van & Wgn Ext. W.B.  
27=2-Door Convertible

AR = Use as Required - = Non Illustrated Part P.A.R. = Paint as Required

WHEEL, STEERING S BODY  
Figure 19-700

93119 700



ITEM	PART NUMBER	QTY	BODY	MODEL	DESCRIPTION
	P224 JR8	1			(Red) w/Luxury Wheel
	P224 LB7	1			(Blue) w/Luxury Wheel
	P224 JD5	1			(Quartz) w/Luxury Wheel
12					PLUG, Horn Pad Hole
	WK94 LV9	AR			(Tan)
	WK94 JR8	AR			(Red)
	WK94 LB7	AR			(Blue)
	WK94 LD6	AR			(Quartz)

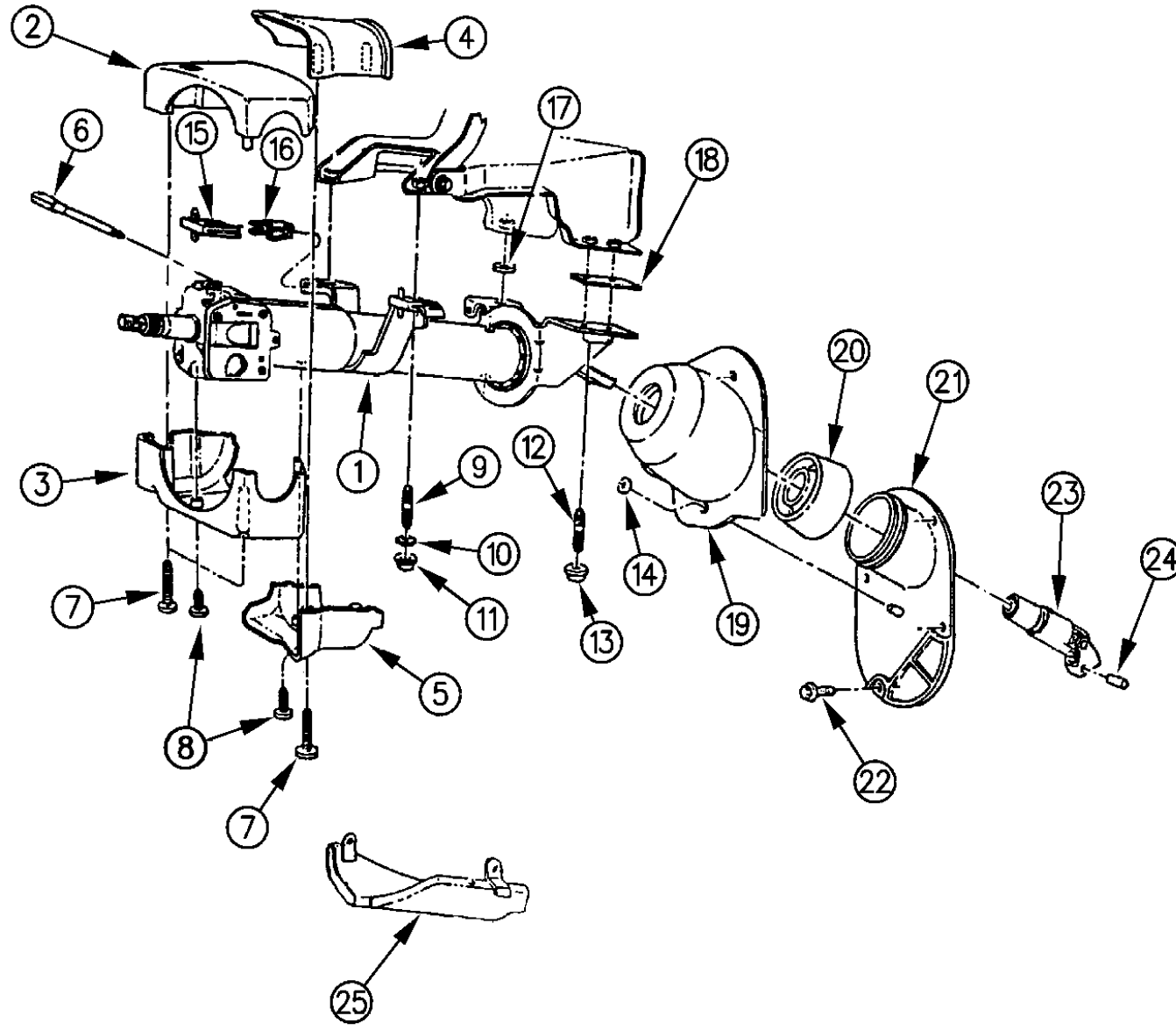
**MODEL CODES:**  
A BODY=(C=LeBaron, D=Spirit, P=Acclaim/LaBaron(Landau, Saratoga)  
C BODY=(D=Dynasty, C=New Yorker/N.Y. Salon)  
G BODY=(V=Daytona/IROC, Chrysler Daytona)  
J BODY=(C=LeBaron, Chrysler LeBaron)  
P BODY=(P=Sundance, D=Shadow)  
S BODY=(H=Voyager(H) FWD, K=Caravan(H) FWD, Y=Town & Country(H) FWD, P=Voyager(K) AWD, D=Caravan(K) AWD, C=Town & Country(K) AWD)  
Y BODY=(C=Imperial/5th Avenue)  
E-S BODY=(K=Chrysler Voyager(H) FWD, D=Chrysler Voyager(K) AWD)

**BODY STYLES:**  
21=2-Door Coupe      41=4-Door Sedan      12-52=FWD & AWD Van & Wgn Std W.B.  
24=2-Door Hatchback      44=4-Door Hatchback      53=FWD & AWD Van & Wgn Ext. W.B.  
27=2-Door Convertible

AR = Use as Required - = Non Illustrated Part P.A.R. = Paint as Required

**COLUMN, STEERING, UPPER AND LOWER P BODY**  
**Figure 19-800**

93119 800



ITEM	PART NUMBER	QTY	BODY	MODEL	DESCRIPTION
1					COLUMN, Sub-Assy. (w/o Shrouds and Switches)
	4723 958	1		24,44	w/o Tilt, w/o Deluxe Wipers
	4723 960	1		24,44	w/o Tilt, w/Deluxe Wipers
	4723 962	1		27	w/o Tilt, w/o Deluxe Wipers
	4723 961	1		27	w/o Tilt, w/Deluxe Wipers
	4723 949	1		24,44	w/Tilt, w/o Deluxe Wipers
	4723 948	1		24,44	w/Tilt, w/Deluxe Wipers
	4723 951	1		27	w/Tilt, w/o Deluxe Wipers
	4723 950	1		27	w/Tilt, w/Deluxe Wipers
-	4326 985	1			BRACKET, Column Lwr. Supt.
-		1			CABLE, Ignition Interlock (See Illus. 21A-2600)
2	4636 181	1			SHROUD PACKAGE, Upper w/o Tilt ***
	4636 190	1			w/Tilt
3	4636 190	1			SHROUD PACKAGE, Lower ***
4	BA64 KV8	1			SHROUD, Upper Rear (Paint As Req.)
5	BA67 KV8	1			SHROUD, Lower Rear (Paint As Req.)
6	4470 103	1			LEVER, Tilt
7	4470 105	4			SCREW
8		2			SCREW, (Not Serv.)
9	6502 015	2			STUD
10		2			WASHER, (Not Serv.)
11	6501 730	1			NUT
12	6501 912	3			STUD
13	6501 730	2			NUT
14		2			NUT, Zip On (Not Serv.)
15	4147 217	2			SPACER
16	4147 290	1			CLIP, Ground
17	4333 235	AR			SHIM
18	4333 231	AR			SHIM
19	4470 696	1			SILENCER
20	5274 013	1			SEAL
21	5274 028	1			COVER
22	6033 811	4			SCREW
23	4470 934	1			COUPLING, Upper (Also Use Bolt 6502413)
	4470 935	1			Lower
24	6500 148	1			PIN, Spring
25		1			THROUGH, Wiring (Not Serv.)

**MODEL CODES:**

A BODY=(C=LeBaron, D=Spirit, P=Acclaim/LaBaron(Landau), Saratoga)      S BODY=(H=Voyager(H) FWD, K=Caravan(H) FWD, Y=Town & Country(H) FWD, P=Voyager(K) AWD, D=Caravan(K) AWD, C=Town & Country(K) AWD)  
 C BODY=(D=Dynasty, C=New Yorker/N.Y. Salon)  
 G BODY=(V=Daytona/ROC, Chrysler Daytona)  
 J BODY=(C=LeBaron, Chrysler LeBaron)  
 P BODY=(P=Sundance, D=Shadow)      Y BODY=(C=Imperial/5th Avenue)  
 E-S BODY=(K=Chrysler Voyager(H) FWD, D=Chrysler Voyager(K) AWD)

**BODY STYLES:**

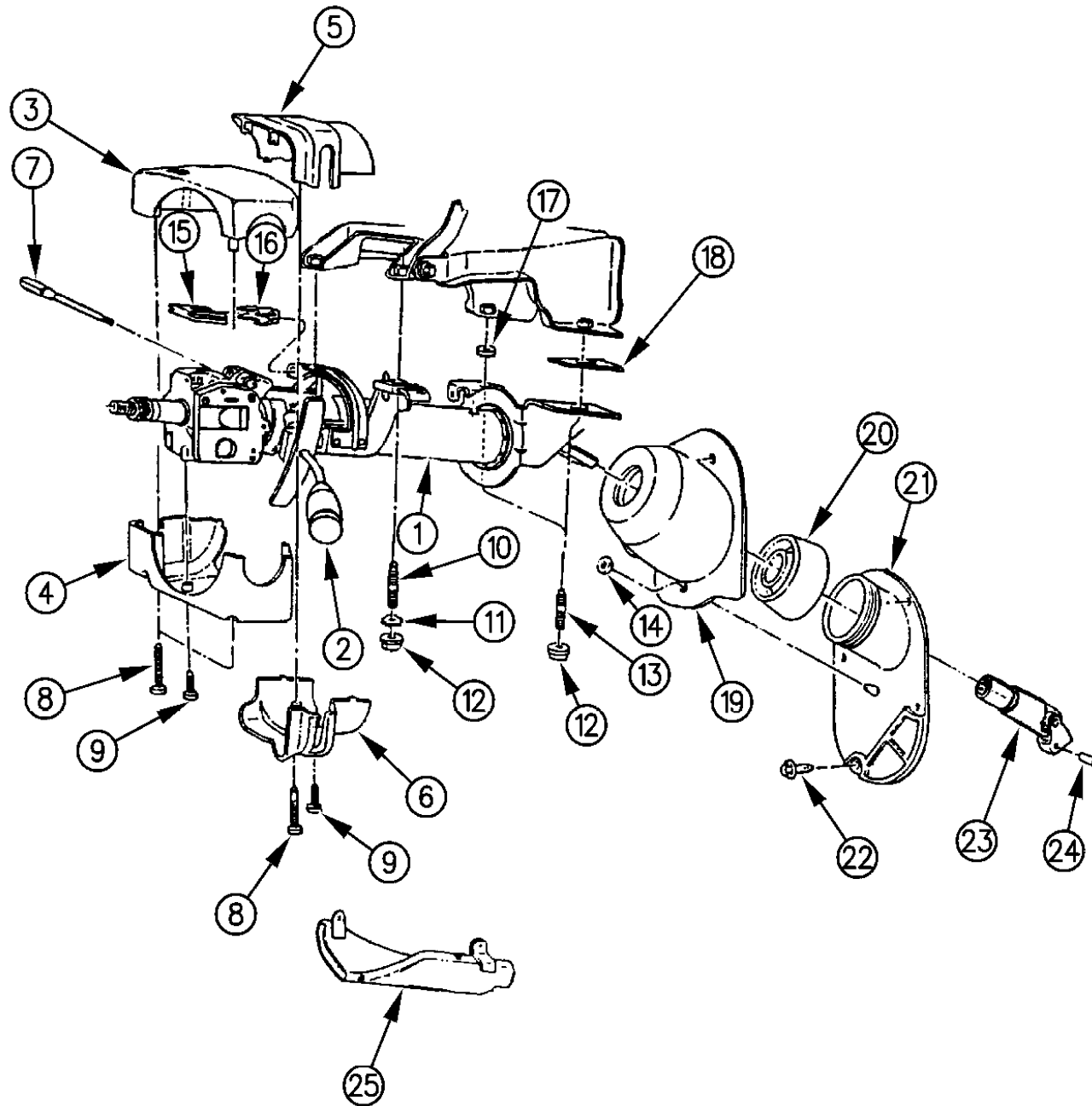
21=2-Door Coupe      41=4-Door Sedan      12-52=FWD & AWD Van & Wgn Std W.B.  
 24=2-Door Hatchback      44=4-Door Hatchback      53=FWD & AWD Van & Wgn Ext. W.B.  
 27=2-Door Convertible

AR = Use as Required - = Non Illustrated Part P.A.R. = Paint as Required

**COLUMN, STEERING, UPPER AND LOWER A BODY**  
**Figure 19-900**

93119 900

ITEM	PART NUMBER	QTY	BODY	MODEL	DESCRIPTION
1					COLUMN, Sub-Assy.(w/o Shrouds and Switches)
	4326 930	1			w/o Tilt, w/Column Shift
	4723 956	1			w/o Tilt, w/Floor Shift
	4690 011	1			w/Tilt, w/Column Shift
	4723 946	1			w/Tilt, w/Floor Shift
-	4326 818	1			BRACKET, Column Lwr. Supt.
-		1			CABLE, Ignition Interlock (See Illus. 21A-2600)
2	4326 936	1			LEVER, Pkg. w/Column Shift w/o Tilt
	4326 824	1			w/Tilt
-	4326 825	1			PRNDL, Pkg. w/Tilt ***
	4326 965	1			w/o Tilt
-	4470 108	1			HIDER, Lever Gap ***
-	4326 934	1			LINK PACKAGE, Column Lock
3	4636 181	1			SHROUD PACKAGE, Upper w/o Tilt ***
	4636 190	1			w/Tilt
4	4636 190	1			SHROUD PACKAGE, Lower ***
5	DL54 JV8	1			SHROUD, Upper w/Col. Shift (Paint As Req.)
	BA65 KV8	1			w/Floor Shift (Paint As Req.)
6	DL53 JC5	1			SHROUD, Lower w/Col. Shift (Paint As Req.)
	BA67 KV8	1			w/Floor Shift (Paint As Req.)
7	4470 103	1			LEVER, Tilt
8	4470 105	AR			SCREW
9		2			SCREW, (Not Serv.) #8-32 x 1"
10	6502 015	2			STUD
11		2			WASHER, (Not Serv.)
12	6501 730	5			NUT
13	6501 912	2			STUD
14		2			NUT, Zip On (Not Serv.)
15	4147 217	2			SPACER
16	4147 290	1			CLIP, Ground
17	4333 235	AR			SHIM
18	4333 231	AR			SHIM
19		1			SHELL, w/Silencer (Serv. in Carpet)
20	5274 013	1			SEAL
21	5274 028	1			COVER
22	6033 811	4			SCREW
23	4470 934	1			COUPLING, Upper (Also Use Bolt 6502413)
	4470 935	1			Lower
24	6500 148	1			PIN



**MODEL CODES:**

A BODY=(C=LeBaron, D=Spirit, P=Acclaim/LaBaron(Landau), Saratoga)  
 C BODY=(D=Dynasty, C=New Yorker/N.Y. Salon)  
 G BODY=(V=Daytona/IROC, Chrysler Daytona)  
 J BODY=(C=LeBaron, Chrysler LeBaron)  
 P BODY=(P=Sundance, D=Shadow)

S BODY=(H=Voyager(H) FWD, K=Caravan(H) FWD, Y=Town & Country(H) FWD, P=Voyager(K) AWD, D=Caravan(K) AWD, C=Town & Country(K) AWD)  
 Y BODY=(C=Imperial/5th Avenue)  
 E-S BODY=(K=Chrysler Voyager(H) FWD, D=Chrysler Voyager(K) AWD)

**BODY STYLES:**

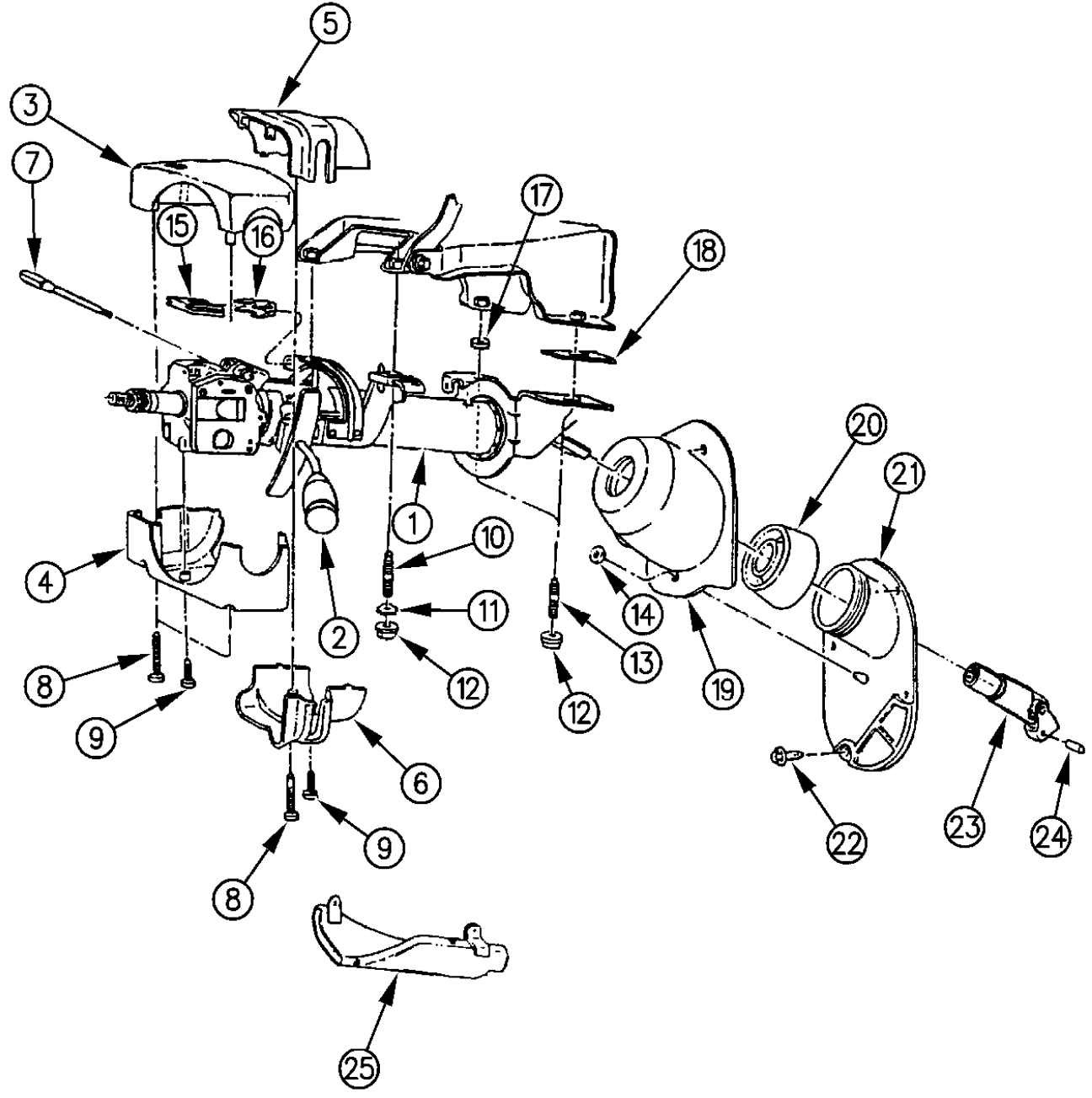
21=2-Door Coupe      41=4-Door Sedan      12-52=FWD & AWD Van & Wgn Std W.B.  
 24=2-Door Hatchback      44=4-Door Hatchback      53=FWD & AWD Van & Wgn Ext. W.B.  
 27=2-Door Convertible

AR = Use as Required - = Non Illustrated Part P.A.R. = Paint as Required

**COLUMN, STEERING, UPPER AND LOWER A BODY**  
**Figure 19-900**

93119 900

ITEM	PART NUMBER	QTY	BODY	MODEL	DESCRIPTION
25	4470 823	1			THROUGH, Wiring



**MODEL CODES:**

A BODY=(C=LeBaron, D=Spirit, P=Acclaim/LaBaron(Landau), Saratoga)	S BODY=(H=Voyager(H) FWD, K=Caravan(H) FWD, Y=Town & Country(H) FWD, P=Voyager(K) AWD, D=Caravan(K) AWD, C=Town & Country(K) AWD)
C BODY=(D=Dynasty, C=New Yorker/N.Y. Salon)	Y BODY=(C=Imperial/5th Avenue)
G BODY=(V=Daytona/IROC, Chrysler Daytona)	E-S BODY=(K=Chrysler Voyager(H) FWD, D=Chrysler Voyager(K) AWD)
J BODY=(C=LeBaron, Chrysler LeBaron)	
P BODY=(P=Sundance, D=Shadow)	

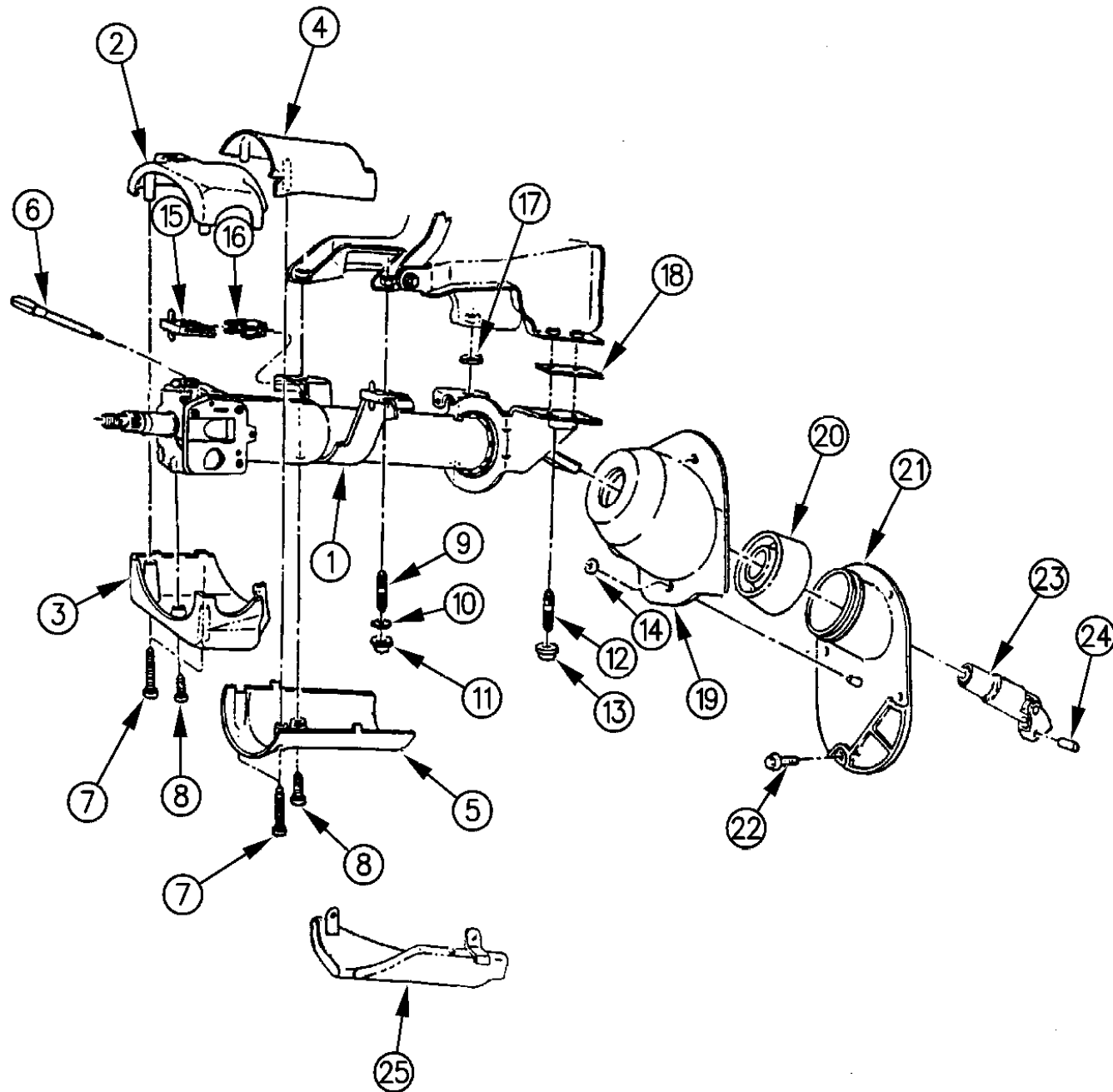
**BODY STYLES:**

21=2-Door Coupe	41=4-Door Sedan	12-52=FWD & AWD Van & Wgn Std W.B.
24=2-Door Hatchback	44=4-Door Hatchback	53=FWD & AWD Van & Wgn Ext. W.B.
27=2-Door Convertible		

AR = Use as Required - = Non Illustrated Part P.A.R. = Paint as Required

**COLUMN, STEERING, UPPER AND LOWER G,J BODY**  
**Figure 19-1000**

93119 1000



ITEM	PART NUMBER	QTY	BODY	MODEL	DESCRIPTION
1		1			COLUMN, Sub-Assy. (w/o Shrouds and Switches)
	4723 957	1			w/o Tilt
	4723 947	1			w/Tilt
-	4147 194	1			BRACKET, Column Lwr. Supt.
-		1			CABLE, Ignition Interlock (See Group 21A-2600)
2	P976 JV8	1			SHROUD, Upper w/o Tilt (Paint As Req.)
	P926 JV8	1			w/Tilt (Paint As Req.)
3	P925 JV8	1			SHROUD, Lower (Paint As Req.)
4	WN28 KV8	1			SHROUD, Upper (Paint As Req.)
5	WN29 KV8	1			SHROUD, Lower (Paint As Req.)
6	4470 103	1			LEVER, w/Tilt
7	4470 105	4			SCREW
8		2			SCREW, (Not Serv.) #8-32 x 1"
9	6502 015	2			STUD
10		2			WASHER, (Not Serv.)
11	6501 730	3			NUT
12	6501 912	3			STUD
13	6501 730	2			NUT
14		2			NUT, Zip On (Not Serv.)
15	4147 217	2			SPACER
16	4147 290	1			CLIP, Ground
17	4333 235	AR			SHIM
18	4333 231	AR			SHIM
19		1			SHELL, w/Silencer (Serv. in Carpet)
20	5274 013	1			SEAL
21	5274 028	1			COVER
22	6033 811	4			SCREW
23	4470 934	1			COUPLING, Upper (Also Use Bolt 6502413)
	4470 935	1			Lower
24	6500 148	1			PIN, Spring
25		1			THROUGH, Wiring (Not Serv.)

**MODEL CODES:**

A BODY=(C=LeBaron, D=Spirit, P=Acclaim/LaBaron(Landau),  
Saratoga)

C BODY=(D=Dynasty, C=New Yorker/N.Y. Salon)

G BODY=(V=Daytona/IROC, Chrysler Daytona)

J BODY=(C=LeBaron, Chrysler LeBaron)

P BODY=(P=Sundance, D=Shadow)

S BODY=(H=Voyager(H) FWD, K=Caravan(H) FWD,

Y=Town & Country(H) FWD, P=Voyager(K) AWD,

D=Caravan(K) AWD, C=Town & Country(K) AWD)

Y BODY=(C=Imperial/5th Avenue)

E-S BODY=(K=Chrysler Voyager(H) FWD, D=Chrysler

Voyager(K) AWD)

**BODY STYLES:**

21=2-Door Coupe

41=4-Door Sedan

12-52=FWD & AWD Van & Wgn Std W.B.

24=2-Door Hatchback

44=4-Door Hatchback

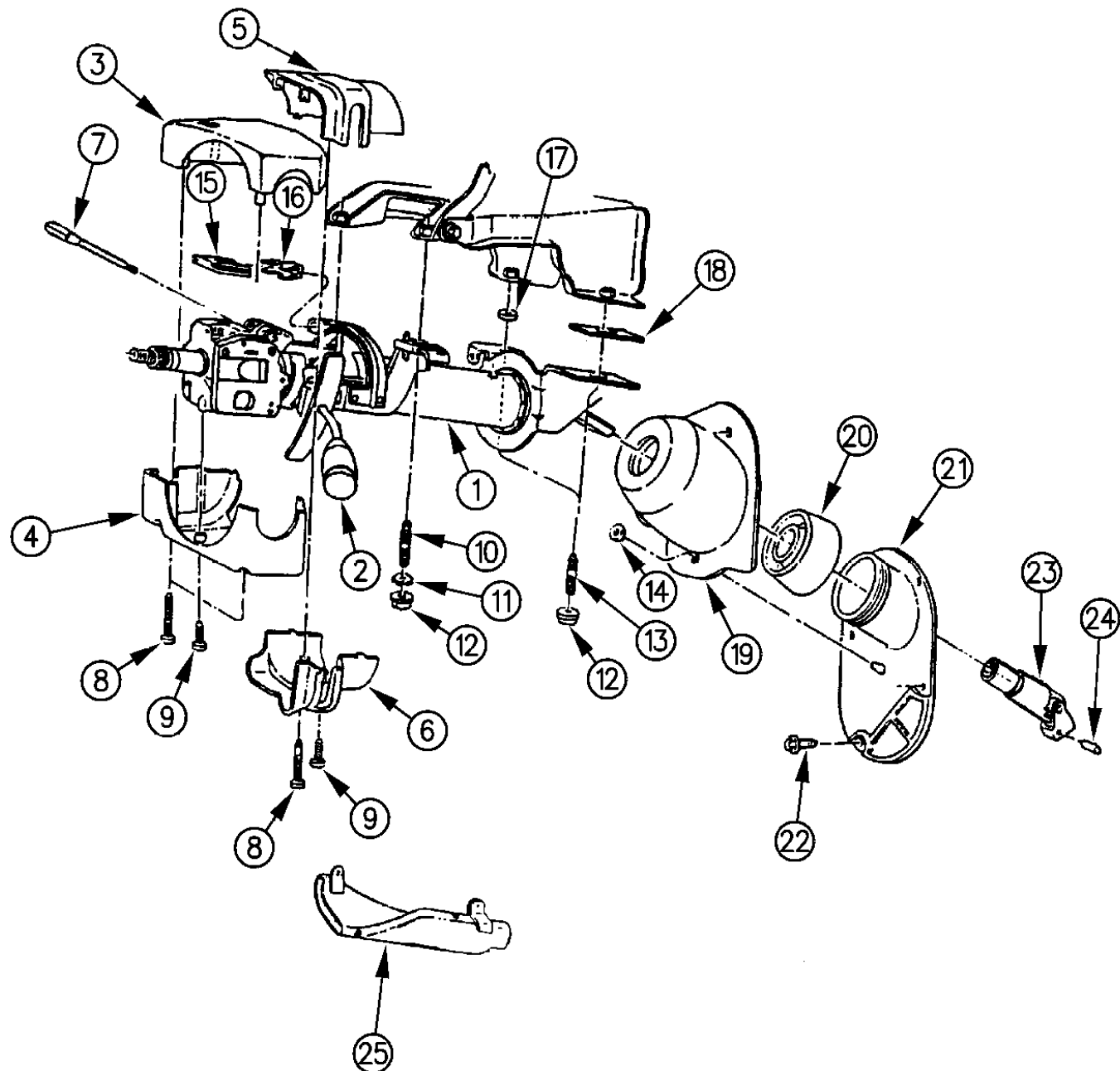
53=FWD & AWD Van & Wgn Ext. W.B.

27=2-Door Convertible

AR = Use as Required - = Non Illustrated Part P.A.R. = Paint as Required

**COLUMN, STEERING, UPPER AND LOWER C,Y BODY**  
**Figure 19-1100**

93119 1100



ITEM	PART NUMBER	QTY	BODY	MODEL	DESCRIPTION
1					COLUMN, Sub-Assy.(w/o Shrouds and Switches)
	4326 935	1			w/o Tilt
	4690 005	1			w/Tilt
	4470 670	1			BRACKET, Column Lwr. Supt. (Also Used With Plastic Adapter 4333479)
2	4326 936	1			LEVER, Pkg. w/o Tilt
	4326 823	1			w/Tilt
-	4326 825	1			PRNDL, Pkg. w/Tilt ***
	4326 965	1			w/o Tilt
-	4470 108	1			HIDER, Lever Gap ***
-	4326 934	1			LINK PACKAGE, Column Lock
-	4326 933	1			TILT ASSIST PACKAGE ***
3	4636 181	1			SHROUD PACKAGE, Upper w/o Tilt ***
	4636 190	1			w/Tilt
4	4636 190	1			SHROUD PACKAGE, Lower ***
5	DL54 JV8	1			SHROUD, Upper (Paint As Req.)
6	DL53 JC5	1			SHROUD, Lower (Paint As Req.)
7	4470 109	1			LEVER, Tilt
8	4470 105	AR			SCREW
9		2			SCREW, (Not Serv.) #8-32 x 1"
10	6502 015	2			STUD
11		2			WASHER, (Not Serv.)
12	6501 730	4			NUT
13	6501 912	2			STUD
14		2			NUT, Zip On (Not Serv.)
15	3748 492	1			SPACER
16	4147 290	1			CLIP, Ground
17	4333 235	AR			SHIM
18	4333 231	AR			SHIM
19		1			SHELL, w/Silencer (Serv. in Carpet)
20	5274 013	1			SEAL
21	5274 028	1			COVER
22	6033 811	4			SCREW
23	4470 934	1			COUPLING, Upper
	4470 935	1			Lower
24	6500 148	1			PIN
25		1			THROUGH, Wiring (Not Serv.)

**MODEL CODES:**

A BODY=(C=LeBaron, D=Spirit, P=Acclaim/LaBaron(Landau), Saratoga)

C BODY=(D=Dynasty, C=New Yorker/N.Y. Salon)

G BODY=(V=Daytona/ROC, Chrysler Daytona)

J BODY=(C=LeBaron, Chrysler LeBaron)

P BODY=(P=Sundance, D=Shadow)

S BODY=(H=Voyager(H) FWD, K=Caravan(H) FWD,

Y=Town & Country(H) FWD, P=Voyager(K) AWD,

D=Caravan(K) AWD, C=Town & Country(K) AWD)

Y BODY=(C=Imperial/5th Avenue)

E-S BODY=(K=Chrysler Voyager(H) FWD, D=Chrysler

Voyager(K) AWD)

**BODY STYLES:**

21=2-Door Coupe

41=4-Door Sedan

12-52=FWD & AWD Van & Wgn Std W.B.

24=2-Door Hatchback

44=4-Door Hatchback

53=FWD & AWD Van & Wgn Ext. W.B.

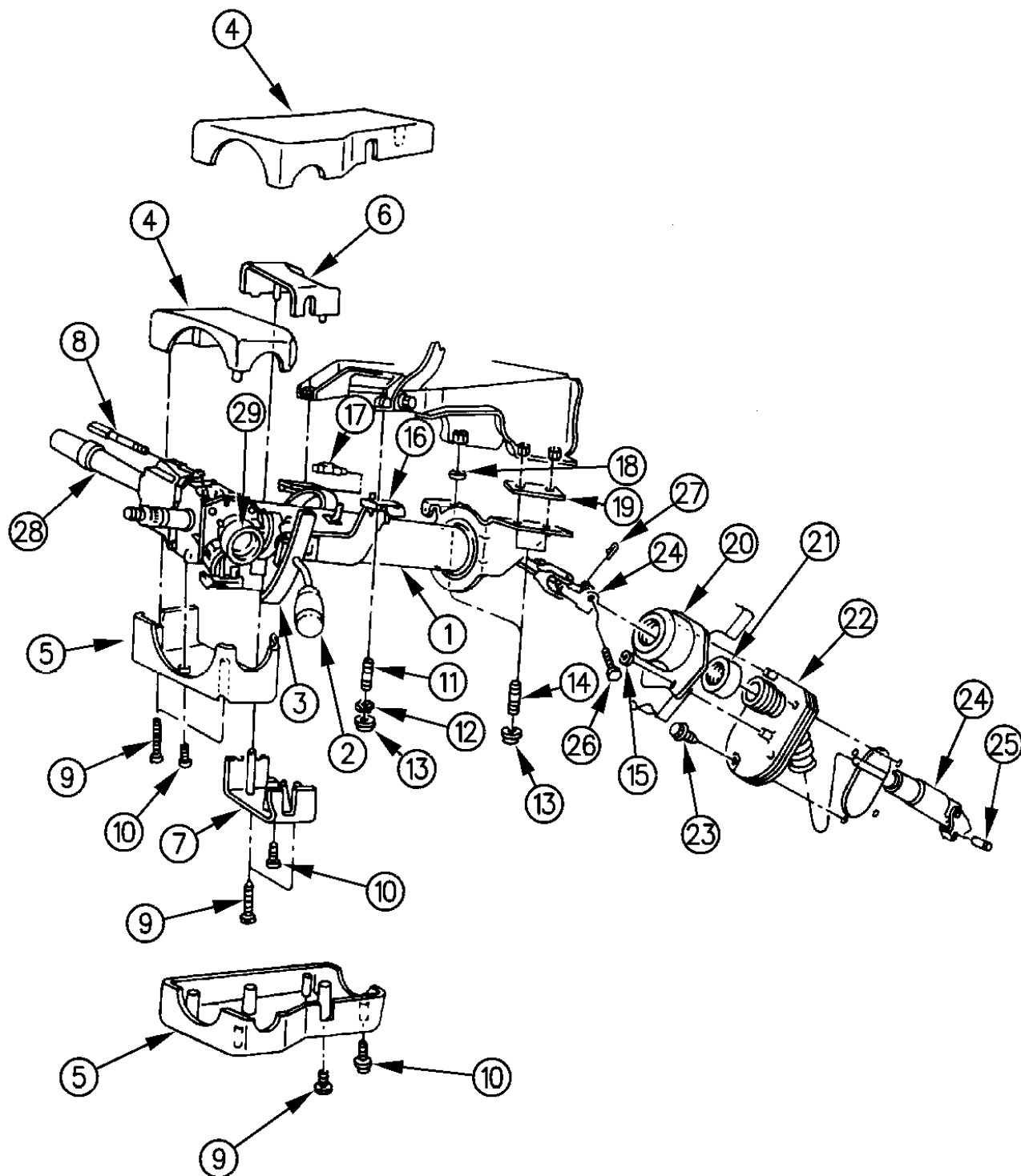
27=2-Door Convertible

AR = Use as Required - = Non Illustrated Part P.A.R. = Paint as Required



**COLUMN, STEERING, UPPER AND LOWER S BODY**  
**Figure 19-1200**

93119 1200



ITEM	PART NUMBER	QTY	BODY	MODEL	DESCRIPTION
1					COLUMN, Sub-Assy.(w/o Shrouds and Switches)
	4690 013	1			w/o Tilt, w/Floor Shift
	4690 014	1			w/o Tilt, w/Column Shift
	4723 953	1			w/Tilt, w/Floor Shift
	4723 954	1			w/Tilt, w/Column Shift
	4723 952	1	ES		w/Tilt, w/Column Shift, EUROPE
	4728 727	1	ES		w/o Tilt, w/Column Shift, EUROPE
	4723 951	1	ES		w/Tilt, Floor Shift, EUROPE
		1			BUSHING or BEARING, Steering Column above the U-Joint (4" Round Plastic) (Service in the Column) ***
2	4326 936	1			LEVER, Pkg.
	4326 965	1			PRNDL, Pkg. ***
	4326 934	1			LINK PACKAGE, Column Lock
3	4470 108	1			HIDER, Lever Gap ***
4					SHROUD PACKAGE, Upper (P.A.R.) ***
	WS38 KV8	1			w/o Tilt, w/Column Shift (Large One Piece)
	EY37 KV8	1			w/o Tilt, w/Floor Shift (Small, Front Section)
	EY34 KV8	1			w/Tilt, w/All (Small Front Section)
5					SHROUD PACKAGE, Lower (P.A.R.) ***
	ES73 LV8	1			w/o Tilt (Large One Piece)
	EY35 KV8	1			w/Tilt (Small, Front Section)
	EY36 KV8	1			w/o Tilt, EUROPE (Small Front Section)
6					SHROUD, Upper Fixed Rear (P.A.R.)
	WS41 KV8	1			w/Tilt
	WS29 KV8	1			w/o Tilt, w/Floor Shift
	WS41 KV8	1			w/o Tilt, w/Column Shift, EUROPE
7					SHROUD, Lower Fixed Rear (P.A.R.)
	ES75 LV8	1			w/Tilt
	ES80 LV8	1			w/o Tilt, w/Floor Shift
	ES75 LV8	1			w/o Tilt, w/Column Shift, EUROPE
	4680 014	1			INSERT, Foam
8	4326 927	1			LEVER, Tilt
	4690 012	1			SPRING, Tilt Assist Repair
9	4470 105	4			SCREW
10		2			SCREW, (Not Serv.) #8-32 x 1"
11	6502 390	2			STUD
12		2			WASHER, (Not Serv.)
13	6501 730	4			NUT
14	6501 912	2			STUD

**MODEL CODES:**

A BODY=(C=LeBaron, D=Spirit, P=Acclaim/LaBaron(Landau), Saratoga)      S BODY=(H=Voyager(H) FWD, K=Caravan(H) FWD, Y=Town & Country(H) FWD, P=Voyager(K) AWD, D=Caravan(K) AWD, C=Town & Country(K) AWD)  
 C BODY=(D=Dynasty, C=New Yorker/N.Y. Salon)  
 G BODY=(V=Daytona/ROC, Chrysler Daytona)  
 J BODY=(C=LeBaron, Chrysler LeBaron)  
 P BODY=(P=Sundance, D=Shadow)

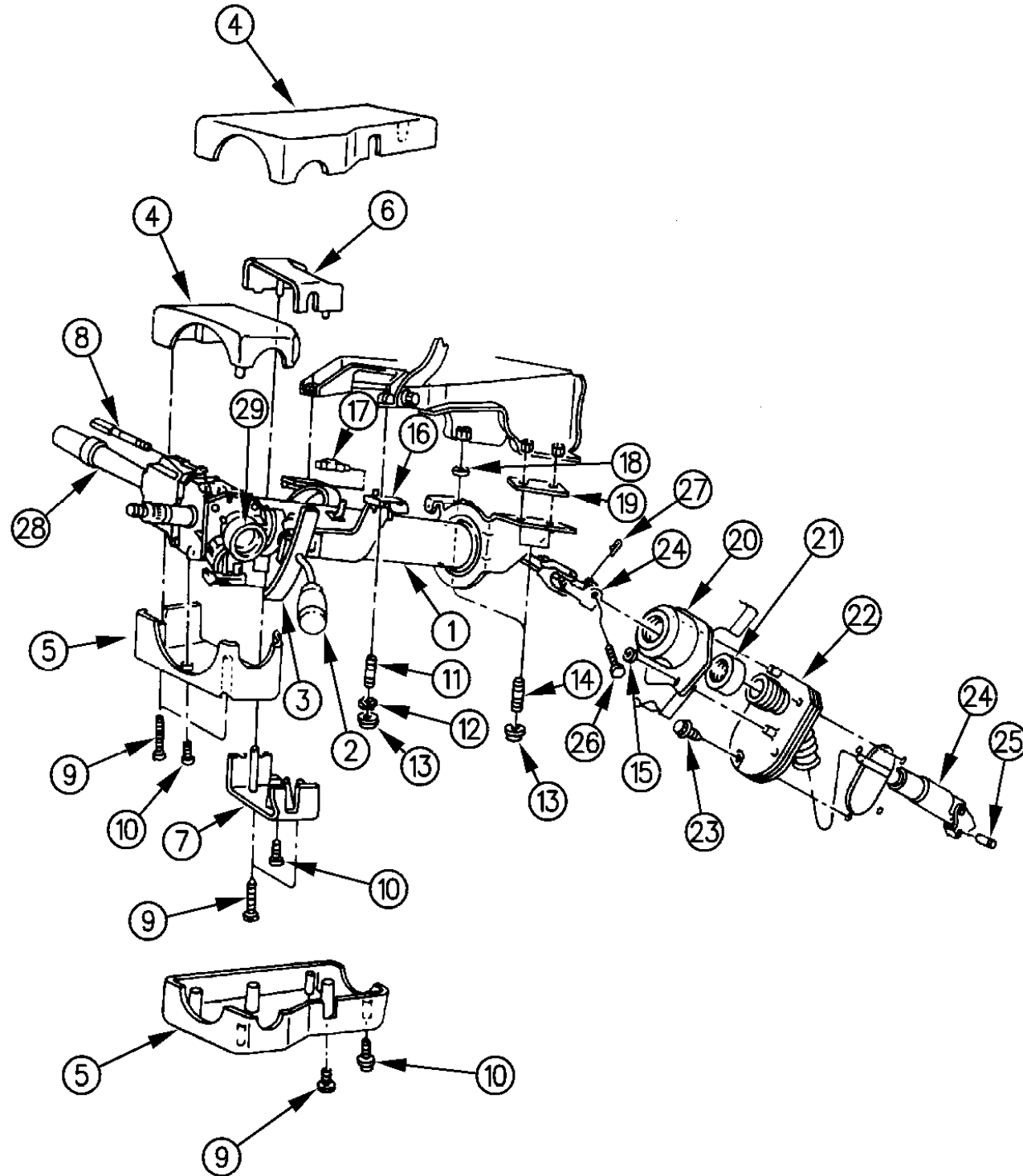
**BODY STYLES:**

21=2-Door Coupe      41=4-Door Sedan      12-52=FWD & AWD Van & Wgn Std W.B.  
 24=2-Door Hatchback      44=4-Door Hatchback      53=FWD & AWD Van & Wgn Ext. W.B.  
 27=2-Door Convertible

AR = Use as Required - = Non Illustrated Part P.A.R. = Paint as Required

**COLUMN, STEERING, UPPER AND LOWER S BODY**  
**Figure 19-1200**

93119 1200



ITEM	PART NUMBER	QTY	BODY	MODEL	DESCRIPTION
15		2			NUT, Zip On (Not Serv.)
16	3748 492	1			SPACER
17	4147 290	1			CLIP, Ground
18	4333 235	AR			SHIM
19	4333 231	AR			SHIM
20	5274 016	1			SHELL, w/Silencer
21	5274 013	1			SEAL
22	5274 232	1			COVER, w/FWD
	5274 019	1			w/AWD
23	6033 567	4			SCREW
24	4470 934	1			COUPLING, Upper (Also Use Bolt 6502413)
	4470 937	1			Lower w/FWD
	4470 938	1			Lower w/AWD
25	6500 148	1			PIN
26	6502 413	1			BOLT, Coupling Upper
27	6034 206	1			PIN, Coupling Upper Bolt
28		1			SWITCH, Turn/Sig. and Wiper (See Grp. 8)
29		1			SWITCH, Ing./Start (See Grp.8)

**MODEL CODES:**

A BODY=(C=LeBaron, D=Spirit, P=Acclaim/LaBaron(Landau),  
Saratoga)  
 C BODY=(D=Dynasty, C=New Yorker/N.Y. Salon)  
 G BODY=(V=Daytona/IROC, Chrysler Daytona)  
 J BODY=(C=LeBaron, Chrysler LeBaron)  
 P BODY=(P=Sundance, D=Shadow)

S BODY=(H=Voyager(H) FWD, K=Caravan(H) FWD,  
Y=Town & Country(H) FWD, P=Voyager(K) AWD,  
D=Caravan(K) AWD, C=Town & Country(K) AWD)  
 Y BODY=(C=Imperial/5th Avenue)  
 E-S BODY=(K=Chrysler Voyager(H) FWD, D=Chrysler  
Voyager(K) AWD)

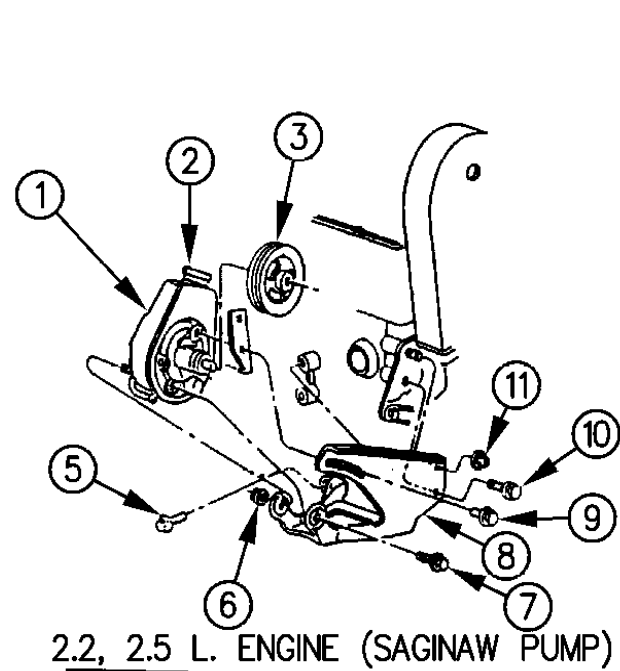
**BODY STYLES:**

21=2-Door Coupe      41=4-Door Sedan      12-52=FWD & AWD Van & Wgn Std W.B.  
 24=2-Door Hatchback      44=4-Door Hatchback      53=FWD & AWD Van & Wgn Ext. W.B.  
 27=2-Door Convertible

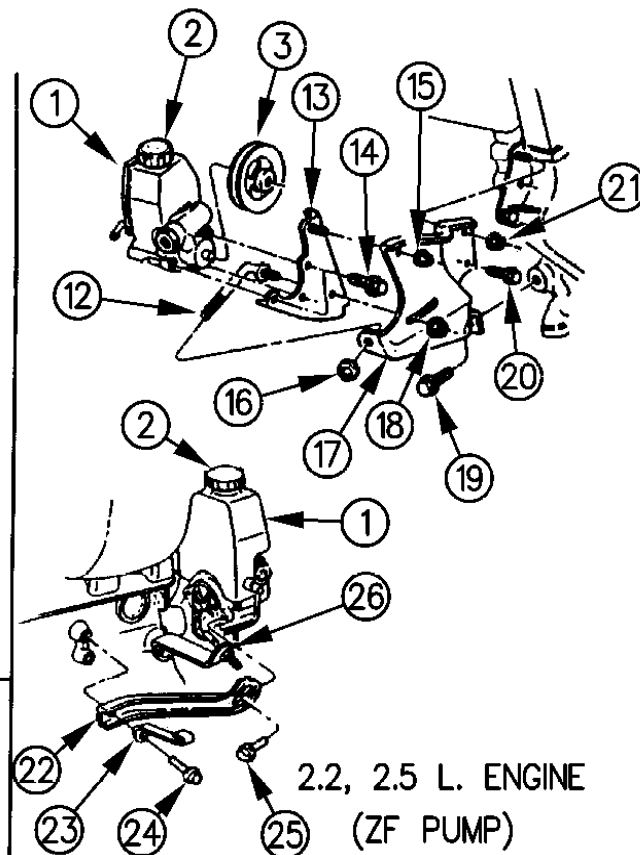
AR = Use as Required - = Non Illustrated Part P.A.R. = Paint as Required

PUMP, ASSYS. & ATTACHING PARTS W/ 2.2, 2.5, 3.0, 3.3, 3.8L ENG. P,A,J,G,C,Y,S BODY  
Figure 19-1400

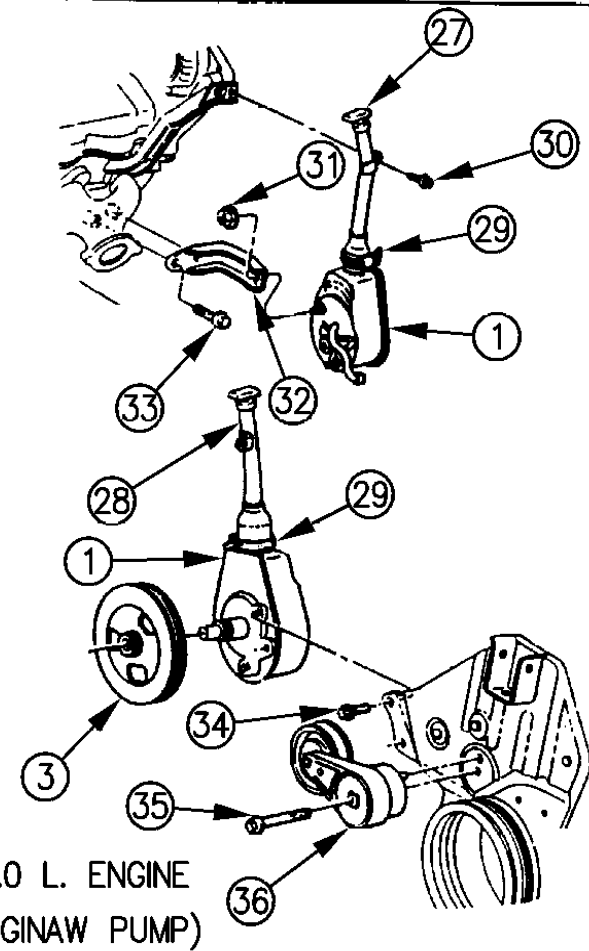
93119 1400



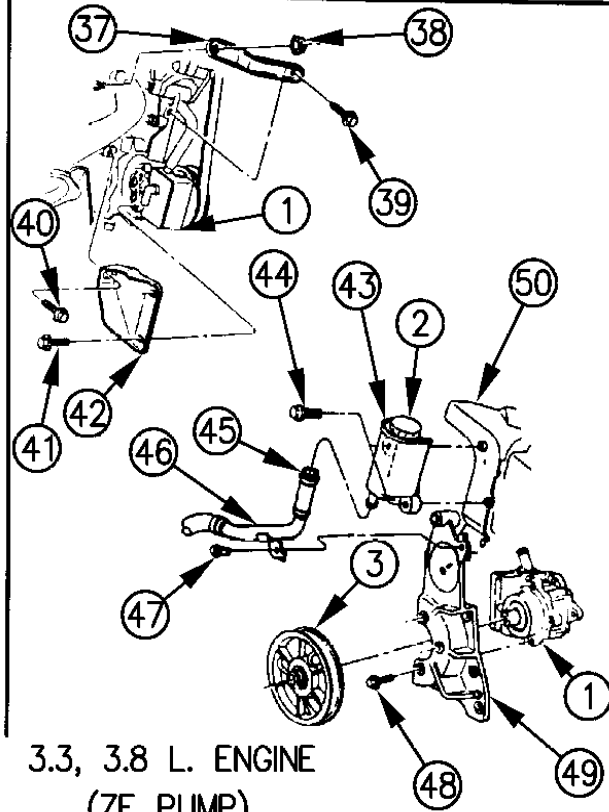
2.2, 2.5 L. ENGINE (SAGINAW PUMP)



2.2, 2.5 L. ENGINE  
(ZF PUMP)



3.0 L. ENGINE  
(SAGINAW PUMP)



3.3, 3.8 L. ENGINE  
(ZF PUMP)

ITEM	PART NUMBER	QTY	BODY	MODEL	DESCRIPTION
1					PUMP, Assy. Power Steering
	5274 131	1	P		w/All Strg.
	5274 131	1	A		w/Std. Strg. (SBA)
	5274 221	1	A		w/Firm Feel Strg. (SBB)
	5274 131	1	J		w/Std. Strg. (SBA)
	5274 221	1	J		w/Firm Feel (SBB)
	5274 131	1	G		w/Std. Strg. (SBA)
	5274 221	1	G		w/Firm Feel Strg. (SBB)
	5274 412	1	G		w/2.2L 16 Valve Eng.
	5274 131	1	CY		w/2.5, 3.0L Eng.
	5274 343	1	CY		w/Std. Strg. w/3.3, 3.8L Eng.
	5274 131	1	S		w/2.5, 3.0L Eng.
	5274 132	1	S		w/3.3L Eng.
2	4470 376	1	PAGJ		CAP, Pump w/2.2, 2.5, 3.0L Eng.
	5274 391	1	GS		w/3.3L Eng., 2.2L 16 Valve
	5274 346	1	CY		w/3.3, 3.8L Eng.
3	5214 734	1			PULLEY, w/2.2, 2.5L Eng.
	4536 153	1			w/3.0L Eng.
	4612 315	1	AG		w/2.2L 16 Valve Eng.
	4713 474	1	CY		w/3.3, 3.8L Eng.
	4483 220	1	S		w/3.3L Eng.
4	5203 743	1			BRACKET, Strg. Adj.
5	6500 399	1			SCREW
6	6101 448	1			NUT, w/Washer
7	6500 399	1			SCREW
8	5214 491	1			BRACKET
9	6500 157	1			SCREW, w/Washer
10	6500 399	1			SCREW
11	6101 448	1			NUT, w/Washer
12	6501 619	1			BOLT, Adj.
13	4315 446	1			BRACKET, Pump Pivot
14	6500 157	1			BOLT
15	6101 448	1			NUT
16	6100 051	1			SCREW, w/Washer
17	5214 491	1			BRACKET, Pump Mtg.
	4626 457	1	AG		w/2.2L w/16 Valve Eng. ***
18	6101 448	1			NUT
19	6101 051	1			BOLT
20	6500 157	1			BOLT

MODEL CODES:

A BODY=(C=LeBaron, D=Spirit, P=Acclaim/LaBaron(Landau), Saratoga)  
 C BODY=(D=Dynasty, C=New Yorker/N.Y. Salon)  
 G BODY=(V=Daytona/IROC, Chrysler Daytona)  
 J BODY=(C=LeBaron, Chrysler LeBaron)  
 P BODY=(P=Sundance, D=Shadow)

S BODY=(H=Voyager(H) FWD, K=Caravan(H) FWD, Y=Town & Country(H) FWD, P=Voyager(K) AWD, D=Caravan(K) AWD, C=Town & Country(K) AWD)  
 Y BODY=(C=Imperial/5th Avenue)  
 E-S BODY=(K=Chrysler Voyager(H) FWD, D=Chrysler Voyager(K) AWD)

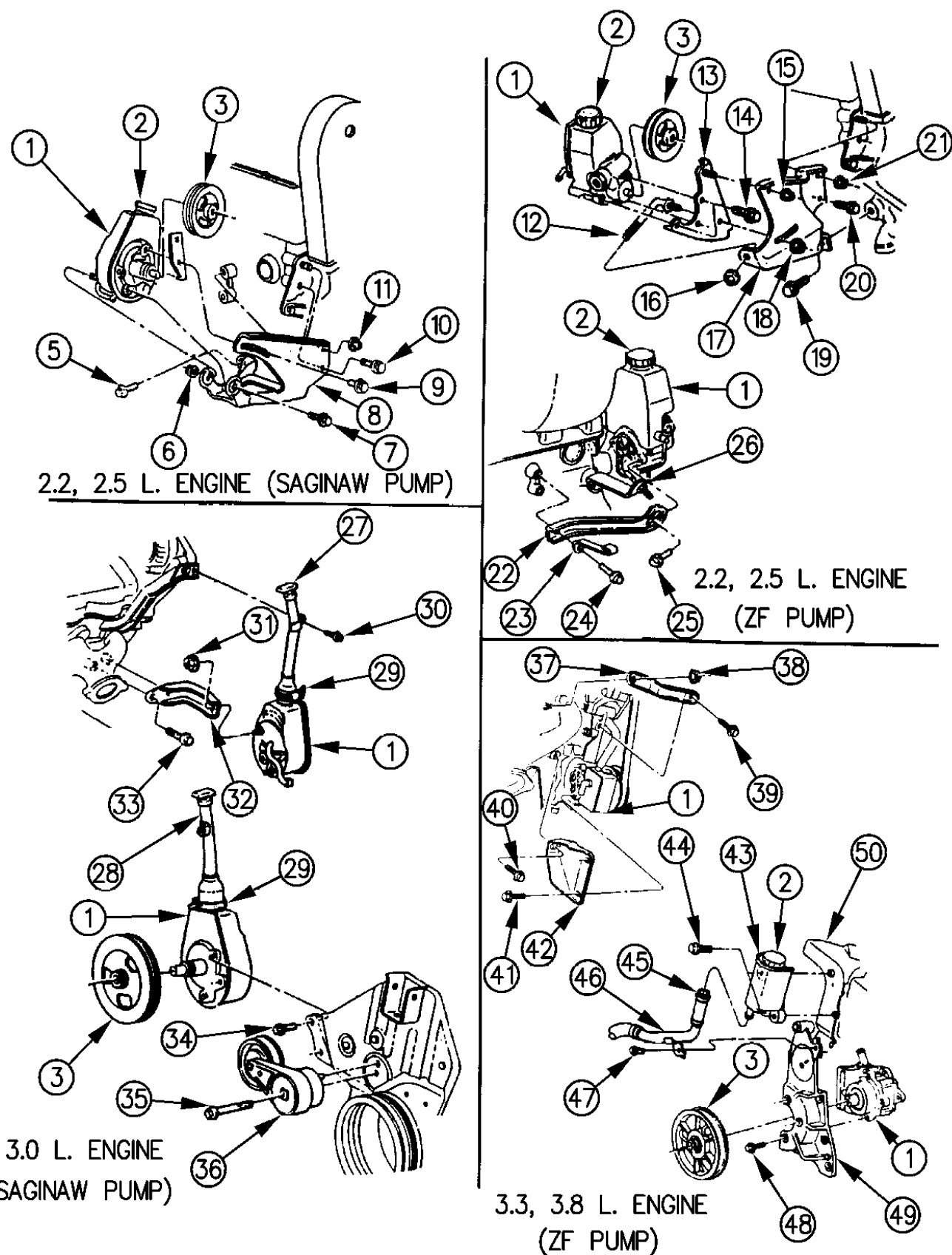
BODY STYLES:

21=2-Door Coupe 41=4-Door Sedan 12-52=FWD & AWD Van & Wgn Std W.B.  
 24=2-Door Hatchback 44=4-Door Hatchback 53=FWD & AWD Van & Wgn Ext. W.B.  
 27=2-Door Convertible

AR = Use as Required - = Non Illustrated Part P.A.R. = Paint as Required

PUMP, ASSYS. & ATTACHING PARTS W/ 2.2, 2.5, 3.0, 3.3, 3.8L ENG. P,A,J,G,C,Y,S BODY  
Figure 19-1400

93119 1400



ITEM	PART NUMBER	QTY	BODY	MODEL	DESCRIPTION
21	6101 448	1			NUT
22	4483 496	1			BRACKET, Rear
23		1			BRACKET, (See Grp. 7)
24	6101 051	1			BOLT
25	6100 296	4			BOLT, w/Washer
26		1			BRACKET, (See Item 17)
27	4470 944	1			DIP STICK, Oil
28	4470 943	1			TUBE
-	4333 475	1			BOOT
29	2448 763	1			CLAMP
30	6501 350	1			SCREW, w/Washer
31	6100 518	1			NUT, Lock
32	4448 481	1			BRACKET, Rear
33	6500 399	1			BOLT
34	6500 399	1			BOLT
35	6101 431	1			BOLT, Mtg. Tensioner
36	4556 027	1	AJCY		TENSIONER, w/3.0L Eng.
	4536 154	1	GS		w/3.0L Eng.
	4483 214	1			w/3.3, 3.8L Eng.
37	4483 211	1			STRUT, Rear ***
38	6501 926	1			NUT, w/Washer
39		1			SCREW, w/Washer (Not Serv.)
40	6101 051	1			BOLT
41	6101 503	1			SCREW, w/Washer
42	5281 082	1			STRUT ***
43	4684 437	1	C,Y		RESERVOIR, Remote
	4470 267	1	S		
44	6501 937	2			SCREW
45	5274 345	1			HOSE
46	4684 400	1	C,Y		TUBE, Assy.
	4470 970	1	S		
47	6501 714	1			SCREW, w/Washer
48	6500 157	3			SCREW, w/Washer
49	5281 087	1	CY		BRACKET, Alt P/S and Tension Mtg (Front)
	4315 474	1	S		
	4315 443	1	S		STRUT, Eng Blk to P/S Pump (Rear) ***
	6501 926	2	S		NUT and WASHER, Eng Blk to P/S Pump Strut M10x1.50 (Rear)
50	5281 077	1	CYS		BRACKET, Alt. Upper Mtg.

**MODEL CODES:**  
A BODY=(C=LeBaron, D=Spirit, P=Acclaim/LaBaron(Landau), Saratoga) S BODY=(H=Voyager(H) FWD, K=Caravan(H) FWD, Y=Town & Country(H) FWD, P=Voyager(K) AWD, D=Caravan(K) AWD, C=Town & Country(K) AWD)  
C BODY=(D=Dynasty, C=New Yorker/N.Y. Salon) Y BODY=(C=Imperial/5th Avenue)  
G BODY=(V=Daytona/IROC, Chrysler Daytona) E-S BODY=(K=Chrysler Voyager(H) FWD, D=Chrysler Voyager(K) AWD)  
J BODY=(C=LeBaron, Chrysler LeBaron) P BODY=(P=Sundance, D=Shadow)

**BODY STYLES:**  
21=2-Door Coupe 41=4-Door Sedan 12-52=FWD & AWD Van & Wgn Std W.B.  
24=2-Door Hatchback 44=4-Door Hatchback 53=FWD & AWD Van & Wgn Ext. W.B.  
27=2-Door Convertible

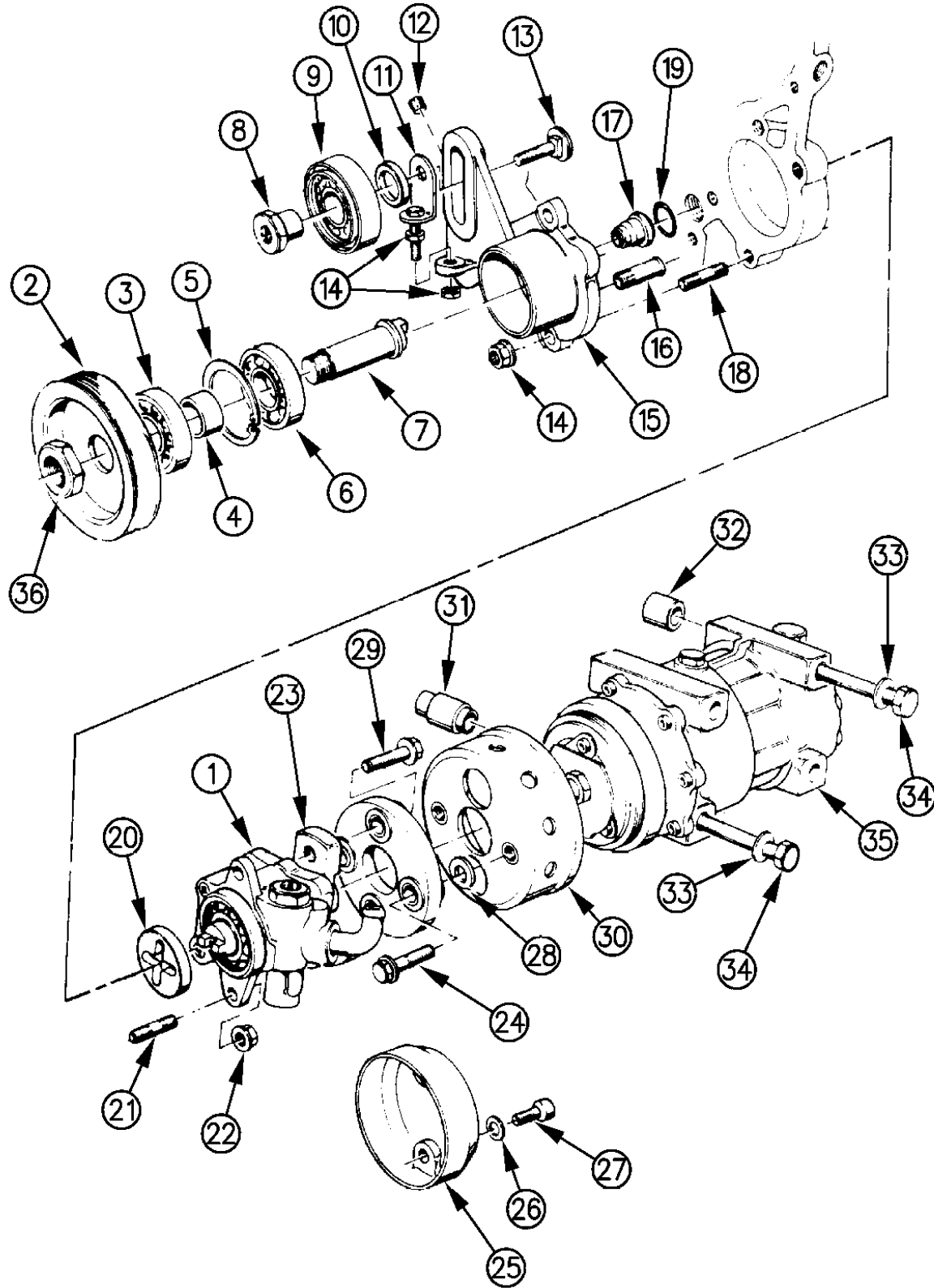
AR = Use as Required - = Non Illustrated Part P.A.R. = Paint as Required

PUMP, ASSYS. & ATTACHING PARTS W/ 2.5L DIESEL ENGINE S BODY

Figure 19-1500

93119 1500

ITEM	PART NUMBER	QTY	BODY	MODEL	DESCRIPTION
1	4723 317	1			PUMP, Assy.
2	4723 343	1			PULLEY, Power Steering
3	4723 339	1			BEARING
4	4723 342	1			SPACER
5	4723 341	1			SNAP RING
6	4723 339	1			BEARING
7	4723 340	1			SHAFT
8	4723 338	1			PIN, Tensioner
9	4723 298	1			BEARING, Idler
10	4723 301	1			SPACER, Idler
11	4723 337	1			ROD
12	4720 664	1			PLUG, w/Locktite
13	4723 336	1			SCREW
14	4720 699	1			NUT
15	4723 333	1			SUPPORT
16	4723 332	1			PIPE, Vacuum Pump
17	4723 335	1			VALVE
18	4723 331	1			STUD
19	4723 334	1			O-RING
20	4723 327	1			COUPLING
21	4723 331	1			STUD
22	4720 699	1			NUT
23	4723 325	1			COUPLING, Rubber
24	4723 326	1			BOLT
25	4723 330	1			COVER
26	4723 200	2			WASHER
27	4723 329	2			BOLT
28	4723 292	2			WASHER
29	4723 326	2			BOLT
30	4723 323	1			COUPLING, Rubber
31	4723 324	2			SPACER
32	4723 322	2			SPACER
33	4720 243	4			WASHER
34	4723 321	4			BOLT
35		1			COMPRESSOR, A/Cond. (See Grp. 24) ***
36	4723 344	1			NUT



MODEL CODES:

A BODY=(C=LeBaron, D=Spirit, P=Acclaim/LaBaron(Landau, Saratoga)  
 C BODY=(D=Dynasty, C=New Yorker/N.Y. Salon)  
 G BODY=(V=Daytona/ROC, Chrysler Daytona)  
 J BODY=(C=LeBaron, Chrysler LeBaron)  
 P BODY=(P=Sundance, D=Shadow)

S BODY=(H=Voyager(H) FWD, K=Caravan(H) FWD, Y=Town & Country(H) FWD, P=Voyager(K) AWD, D=Caravan(K) AWD, C=Town & Country(K) AWD)  
 Y BODY=(C=Imperial/5th Avenue)  
 E-S BODY=(K=Chrysler Voyager(H) FWD, D=Chrysler Voyager(K) AWD)

BODY STYLES:

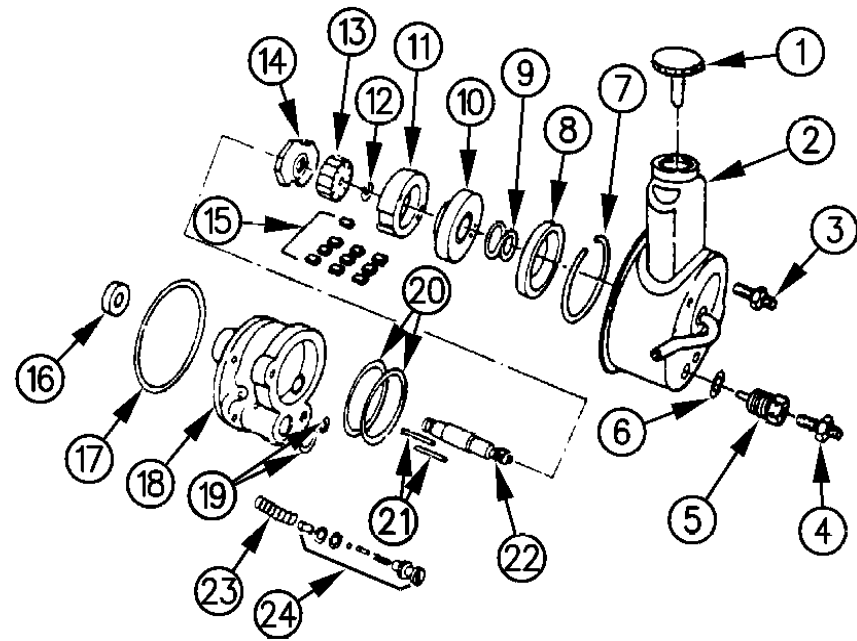
21=2-Door Coupe      41=4-Door Sedan      12-52=FWD & AWD Van & Wgn Std W.B.  
 24=2-Door Hatchback      44=4-Door Hatchback      53=FWD & AWD Van & Wgn Ext. W.B.  
 27=2-Door Convertible

AR = Use as Required - = Non Illustrated Part P.A.R. = Paint as Required

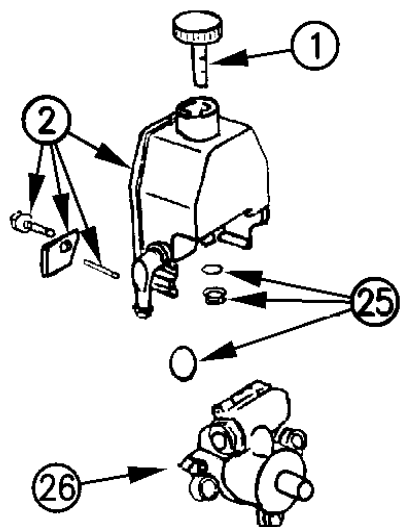
PUMP, POWER STEERING COMPONENTS W/ 2.2, 2.5, 3.0, 3.3, 3.8L ENG. P,A,J,G,C,Y,S BODY

Figure 19-1600

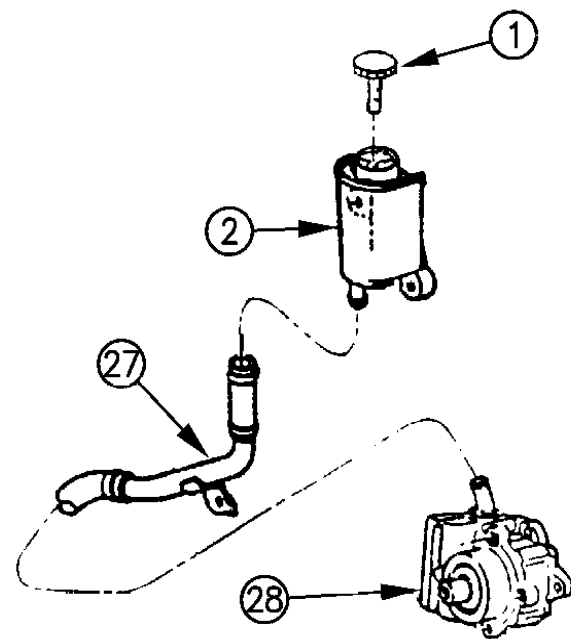
93119 1600



(SAGINAW) W/2.2, 2.5, 3.0 L. ENGINE



(ZF) W/2.2, 2.5 L ENGINE



(ZF) W/3.3 L. ENGINE

ITEM	PART NUMBER	QTY	BODY	MODEL	DESCRIPTION
1	4470 376	1			CAP, w/Dip Stick (Saginaw)
	5274 391	1			(ZF)
	5274 346	1	CY		(ZF)
2	3643 453	1			RESERVOIR PACKAGE, (Saginaw) ***
	4470 169	1			(ZF) w/o Remote
	4684 437	1	C,Y		(ZF) w/Remote
	4470 267	1	S		RESERVOR, w/Remote ***
	3643 453	1	S		RESERVOR PACKAGE, w/2.5, 3.0L Engine ***
	5274 183	1	S		RESERVOR PACKAGE, w/3.3, 3.8L Engine ***
	5274 184	1	G		(ZF) w/Turbo III (16 Valve)
	4425 088	1			SHEILD, Heat w/(ZF) Pump
3	3815 915	1			STUD
4	3815 915	1			STUD, Mtg.
5	5205 267	1			FITTING
6		1			SEAL, (Serv. In 4333377 Pkg.)
7	2537 823	1			RING, End Plate Retainer
8	2537 820	1			PLATE, Pump End
9	3815 966	1			SPRING, Pump Pressure Plate
10	3815 967	1			PLATE, Pump Pressure
11		1			RING, Pump (Serv. In 4031303 Pkg.)
12	3815 960	1			RING, Pump Drive Shaft Retaining
13		1			ROTOR, Pump (Serv. In 3815964 Pkg.)
14	3815 914	1			PLATE, Pump Thrust
15		1			VANE, (Serv. In 4031303 Pkg.)
16	2537 899	1			SEAL, Pump Shaft
17		1			SEAL, (Serv. In 4333377 Pkg.)
18		1			HOUSING, (Serv. In Pump Assy.)
19		1			SEAL, (Serv. In 4333377 Pkg.)
20		1			SEAL, (Serv. In 4333377 Pkg.)
21	2537 819	2			PIN, Pump Ring Dowel
22		1			SHAFT, (Serv. In 3815961 Pkg.)
23	2537 833	1			SPRING, Flow Control
24	3815 965	1			VALVE, w/Std. Steering (SBA)
	2891 695	1			w/Firm Feel Steering (SBB)
25	4470 292	1			SEAL PACKAGE
26		1			PUMP, (Serv. In Assy.)
27	4684 400	1	C,Y		TUBE, Assy. Reservoir To Pump
	4470 970	1	S		Reservoir To Pump
	5274 347	1			Gear To Reservoir

MODEL CODES:

A BODY=(C=LeBaron, D=Spirit, P=Acclaim/LaBaron(Landau), Saratoga) S BODY=(H=Voyager(H) FWD, K=Caravan(H) FWD, Y=Town & Country(H) FWD, P=Voyager(K) AWD, D=Caravan(K) AWD, C=Town & Country(K) AWD)  
 C BODY=(D=Dynasty, C=New Yorker/N.Y. Salon) Y BODY=(C=Imperial/5th Avenue)  
 G BODY=(V=Daytona/IROC, Chrysler Daytona) E-S BODY=(K=Chrysler Voyager(H) FWD, D=Chrysler Voyager(K) AWD)  
 J BODY=(C=LeBaron, Chrysler LeBaron) P BODY=(P=Sundance, D=Shadow)

BODY STYLES:

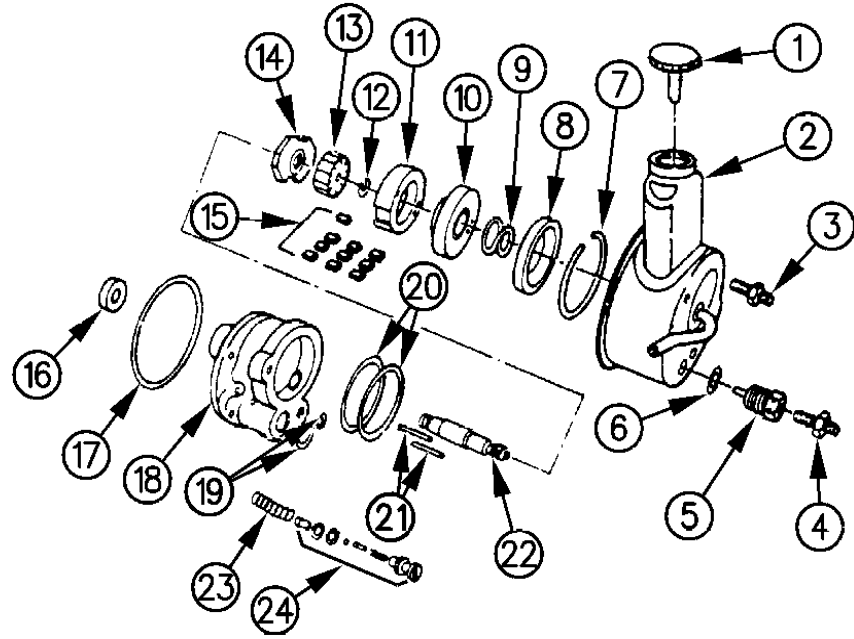
21=2-Door Coupe 41=4-Door Sedan 12-52=FWD & AWD Van & Wgn Std W.B.  
 24=2-Door Hatchback 44=4-Door Hatchback 53=FWD & AWD Van & Wgn Ext. W.B.  
 27=2-Door Convertible

AR = Use as Required - = Non Illustrated Part P.A.R. = Paint as Required

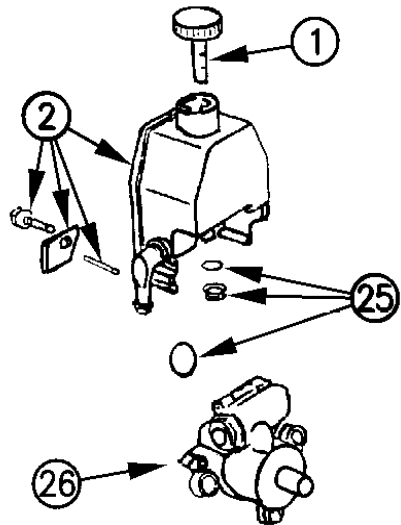
PUMP, POWER STEERING COMPONENTS W/ 2.2, 2.5, 3.0, 3.3, 3.8L ENG. P,A,J,G,C,Y,S BODY  
Figure 19-1600

93119 1600

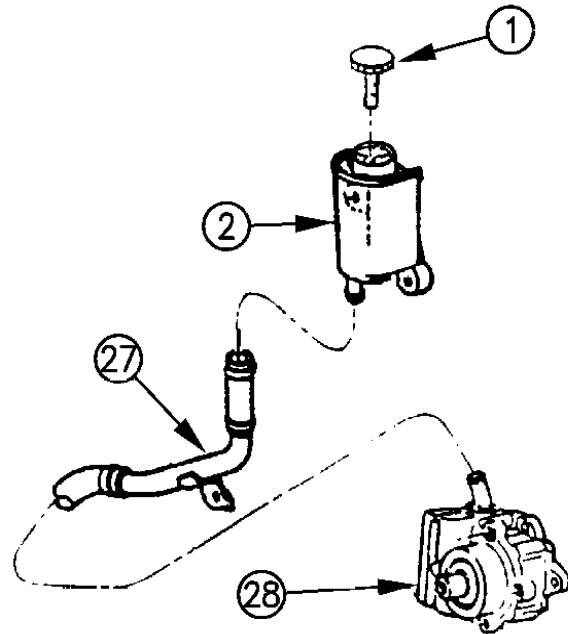
ITEM	PART NUMBER	QTY	BODY	MODEL	DESCRIPTION
28		1			PUMP, (Serv. In Assy.)



(SAGINAW) W/2.2, 2.5, 3.0 L. ENGINE



(ZF) W/2.2, 2.5 L ENGINE



(ZF) W/3.3 L. ENGINE

**MODEL CODES:**

A BODY=(C=LeBaron, D=Spirit, P=Acclaim/LaBaron(Landau),  
Saratoga)  
C BODY=(D=Dynasty, C=New Yorker/N.Y. Salon)  
G BODY=(V=Daytona/IROC, Chrysler Daytona)  
J BODY=(C=LeBaron, Chrysler LeBaron)  
P BODY=(P=Sundance, D=Shadow)

S BODY=(H=Voyager(H) FWD, K=Caravan(H) FWD,  
Y=Town & Country(H) FWD, P=Voyager(K) AWD,  
D=Caravan(K) AWD, C=Town & Country(K) AWD)  
Y BODY=(C=Imperial/5th Avenue)  
E-S BODY=(K=Chrysler Voyager(H) FWD, D=Chrysler  
Voyager(K) AWD)

**BODY STYLES:**

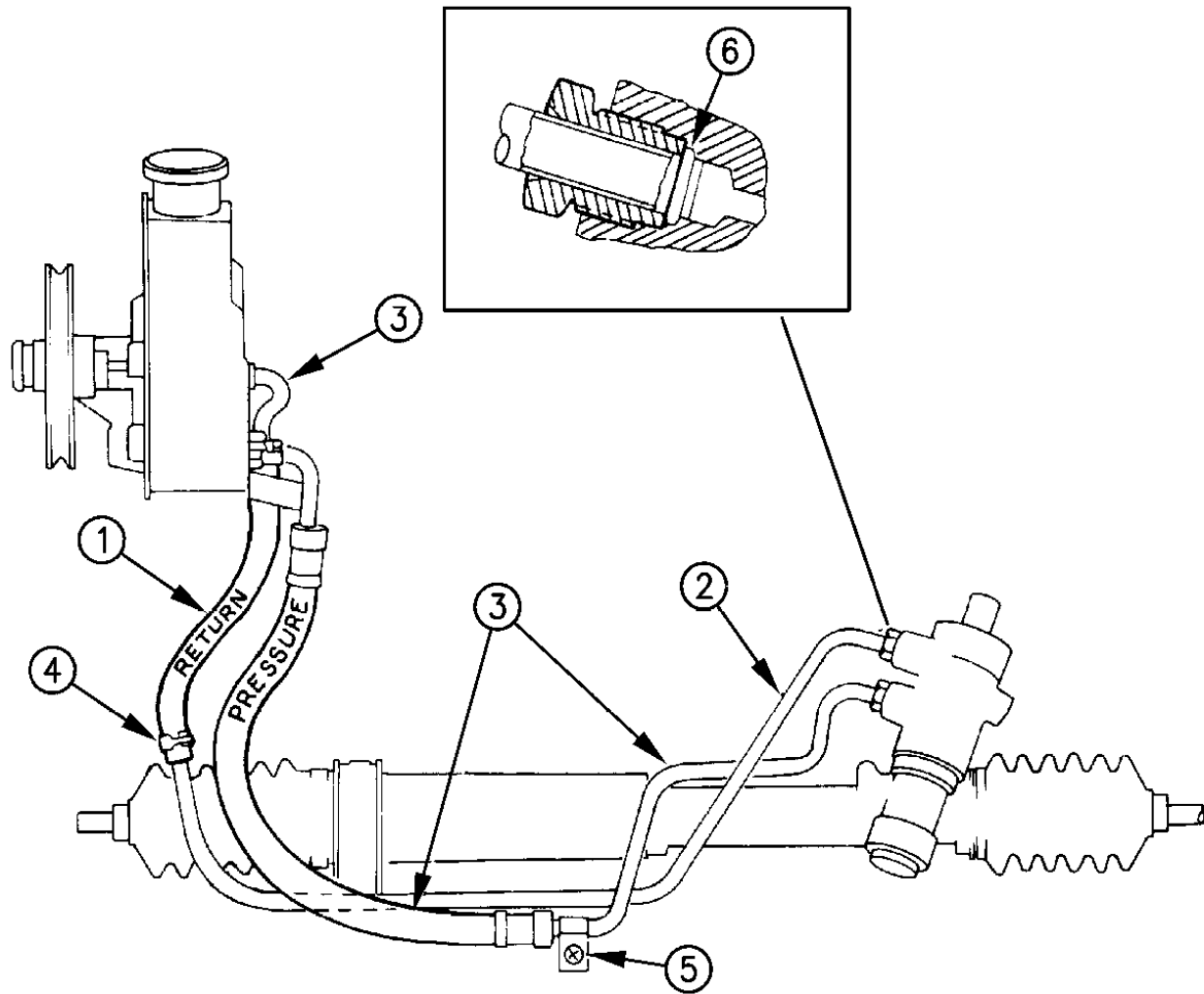
21=2-Door Coupe      41=4-Door Sedan      12-52=FWD & AWD Van & Wgn Std W.B.  
24=2-Door Hatchback      44=4-Door Hatchback      53=FWD & AWD Van & Wgn Ext. W.B.  
27=2-Door Convertible

AR = Use as Required - = Non Illustrated Part P.A.R. = Paint as Required

**HOSES, POWER STEERING P,A,J,G,C,Y,S BODY**  
**Figure 19-1700**

93119 1700

ITEM	PART NUMBER	QTY	BODY	MODEL	DESCRIPTION
NOTE 1: Part No. 3879925 Consists of a 50' Foot Roll use as required applications specified in this document.					
1		1			HOSE, Return, Power Strg. Pump (Cut to 11" From Part No. 3879925 See Note 1)
2					TUBE, w/Nut Power Strg. Pump Return Hose
	4333 779	1	S		w/2.5L Eng.
	4333 567	1	S		w/3.0L Eng.
	4470 463	1	PAJGC		w/2.2, 2.5L Eng.
	4333 456	1	PAJGCY		w/3.0L Eng.
	4470 649	1	CY		w/3.3, 3.8L Eng.
	4470 972	1	S		w/3.3L Eng. w/FWD
	5274 369	1	S		w/3.3L Eng. w/AWD
3					HOSE, Pressure
	4333 773	1	PAJGC		w/2.2, 2.5L Eng.
	4626 357	1	G		w/2.2L 16 Valve Eng.
	4684 107	1	PAJGCY		w/3.0L Eng. (Also Used w/Switch 4672011, O Ring 4741894)
	4333 778	1	S		w/2.5L Eng.
	4333 566	1	S		w/3.0L Eng.
	4684 100	1	CY		w/3.3, 3.8L Eng. (Also Use 4672011, O Ring 4741894)
	4470 971	1	S		w/3.3L Eng. w/FWD
	5274 368	1	S		w/3.3L Eng. w/AWD
	4470 768	1	AG		BOLT, Hose Conn. (Banjo Type)
	4684 475	1	ES		w/Diesel
			AG		FITTING, Hose Conn. (Banjo Type)(Serv. w/Pump)
	4626 358	1	AG		SEAL, w/Washer Hose Conn. (Banjo Type)
	4361 097	1	AG		O-RING, Hose Fitting (Banjo Type)
4	2448 761	2			CLAMP, Return Hose
5	4470 547	1	AJC		BRACKET, Hose To Frame w/2.5L Eng.
	4470 882	1	AG		w/2.2L 16 Valve Eng.
	4333 457	1	PAJGCY		w/3.0, 3.3, 3.8L Eng.
	4470 400	1	S		w/2.5L Eng.
	4333 775	1	S		w/3.0, 3.3L Eng. Pressure Line
	4333 568	1	S		w/3.0, 3.3L Eng. Return Line
	4486 273	1	S		w/3.3L Eng. w/AWD Pressure and Return
6	5205 254	1			O-RING



**MODEL CODES:**

A BODY=(C=LeBaron, D=Spirit, P=Acclaim/LaBaron(Landau, Saratoga)  
 C BODY=(D=Dynasty, C=New Yorker/N.Y. Salon)  
 G BODY=(V=Daytona/ROC, Chrysler Daytona)  
 J BODY=(C=LeBaron, Chrysler LeBaron)  
 P BODY=(P=Sundance, D=Shadow)

S BODY=(H=Voyager(H) FWD, K=Caravan(H) FWD, Y=Town & Country(H) FWD, P=Voyager(K) AWD, D=Caravan(K) AWD, C=Town & Country(K) AWD)  
 Y BODY=(C=Imperial/5th Avenue)  
 E-S BODY=(K=Chrysler Voyager(H) FWD, D=Chrysler Voyager(K) AWD)

**BODY STYLES:**

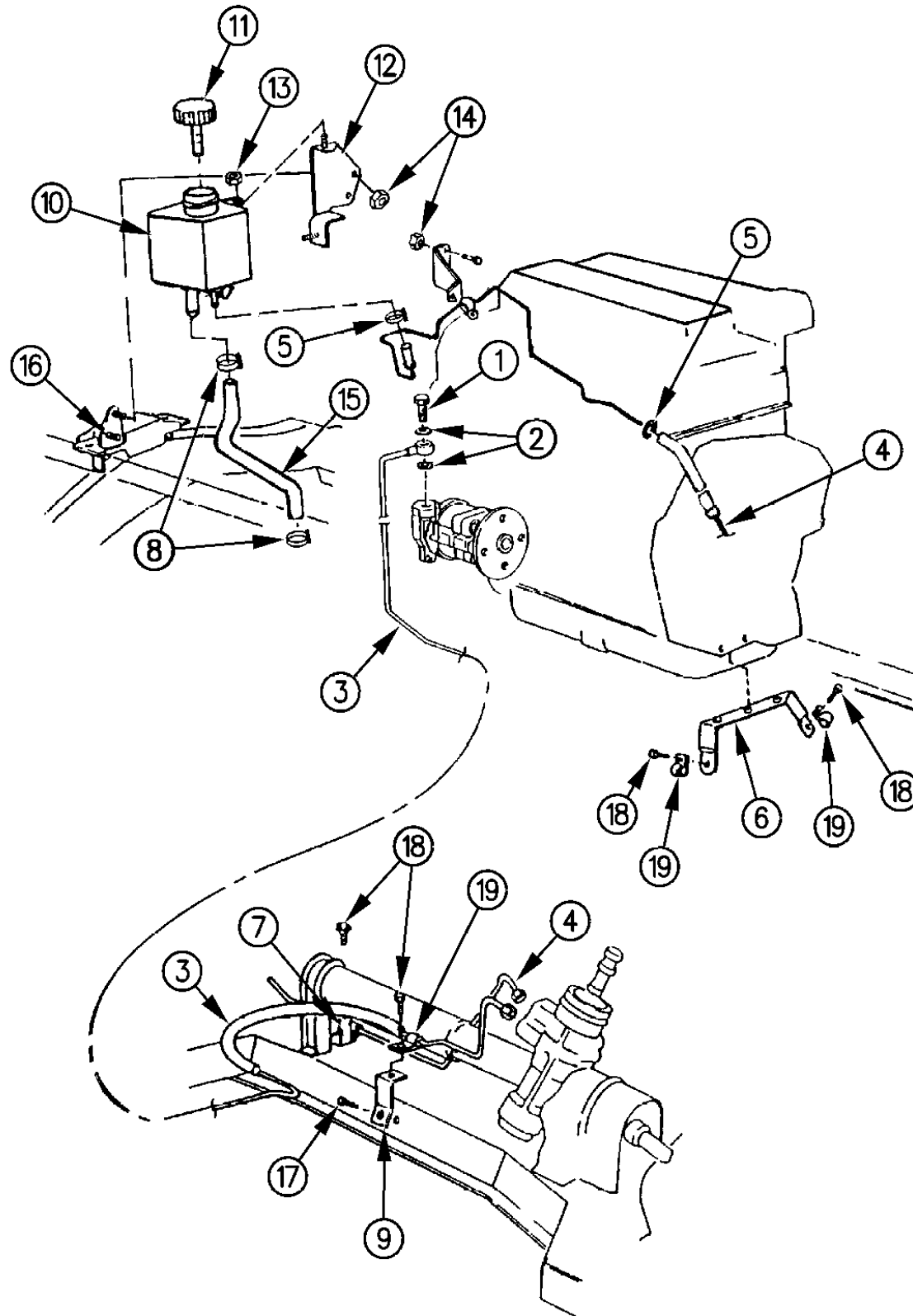
21=2-Door Coupe      41=4-Door Sedan      12-52=FWD & AWD Van & Wgn Std W.B.  
 24=2-Door Hatchback      44=4-Door Hatchback      53=FWD & AWD Van & Wgn Ext. W.B.  
 27=2-Door Convertible

AR = Use as Required - = Non Illustrated Part P.A.R. = Paint as Required



HOSES, POWER STEERING W/ 2.5L DIESEL ENGINE S BODY  
Figure 19-1800

93119 1800



ITEM	PART NUMBER	QTY	BODY	MODEL	DESCRIPTION
1	4684 475	1			SCREW, Hose Mounting
2	4684 397	2			SEAL, Rings
3	4684 865	1			HOSE, Pressure
4	4684 642	1			HOSE, Return
-	4684 655	1			TUBE, Return
-	4684 656	1			HOSE, Return To Reservoir
5	6026 873	3			CLAMP
6	4723 173	1			BRACKET, Oil Pan
7	4684 653	1			CLIP
-	4684 677	1			CLIP, Return Hose Secondary Tube
8	6502 017	2			CLAMP
9	4684 393	1			BRACKET
10	5200 6395	1			RESERVOIR, Assy.
11	4470 376	1			CAP, Reservoir
12	4684 052	1			BRACKET
13	6100 049	2			NUT, M6
14	6100 517	2			NUT, M8
15	4684 054	1			HOSE, Rubber Return (Up To 11-2-92)
	4694 710	1			(After 11-2-92)
16	4668 027	1			SUPPORT, Engine Mount
17	6501 087	1			SCREW, w/Washer M8x30
18	3420 1808	4			SCREW, M6x15
19	2207 919	3			CLIP, Pipe

**MODEL CODES:**

A BODY=(C=LeBaron, D=Spirit, P=Acclaim/LaBaron(Landau, Saratoga) S BODY=(H=Voyager(H) FWD, K=Caravan(H) FWD, Y=Town & Country(H) FWD, P=Voyager(K) AWD, D=Caravan(K) AWD, C=Town & Country(K) AWD)  
 C BODY=(D=Dynasty, C=New Yorker/N.Y. Salon)  
 G BODY=(V=Daytona/IROC, Chrysler Daytona)  
 J BODY=(C=LeBaron, Chrysler LeBaron)  
 P BODY=(P=Sundance, D=Shadow)  
 Y BODY=(C=Imperial/5th Avenue)  
 E-S BODY=(K=Chrysler Voyager(H) FWD, D=Chrysler Voyager(K) AWD)

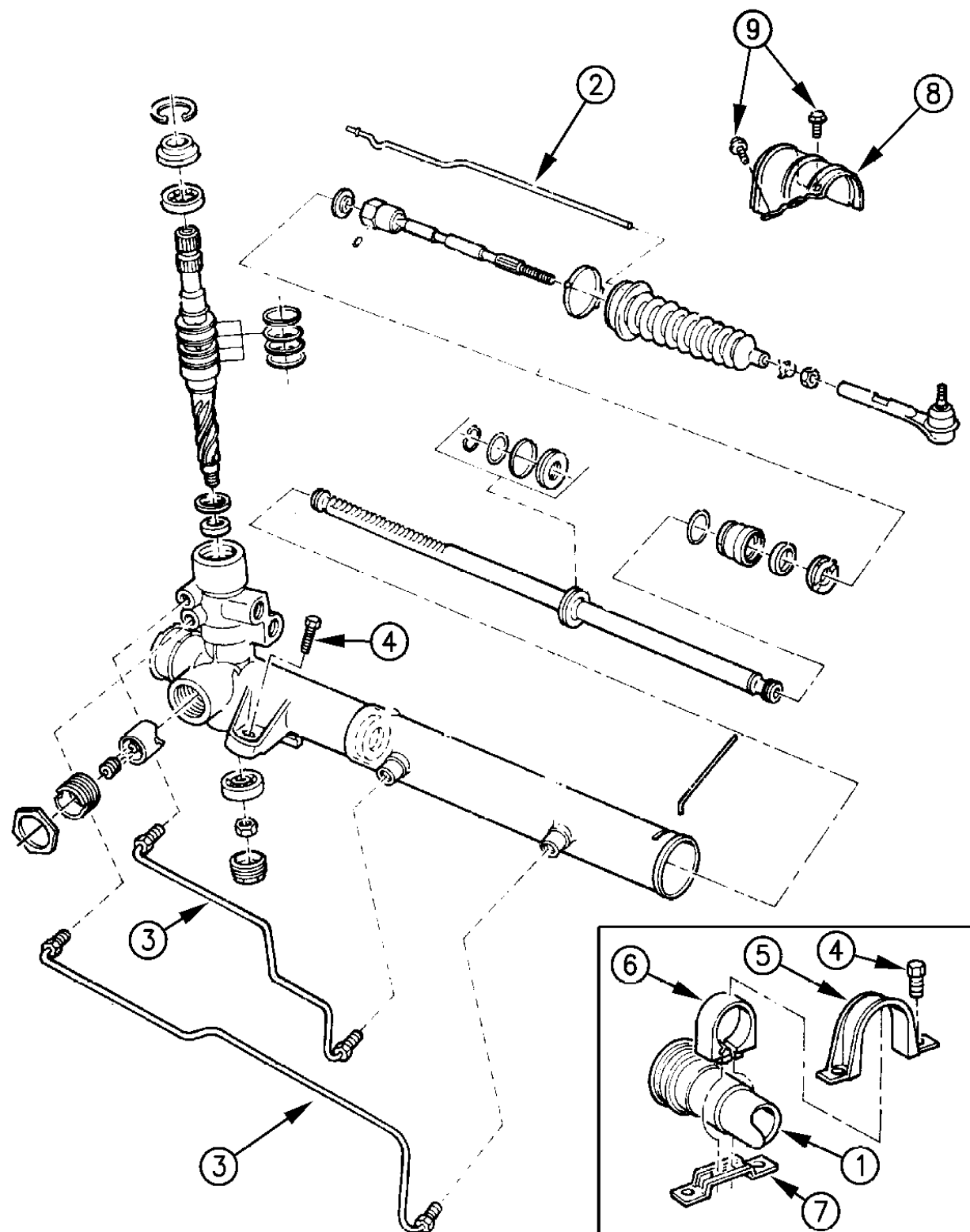
**BODY STYLES:**

21=2-Door Coupe      41=4-Door Sedan      12-52=FWD & AWD Van & Wgn Std W.B.  
 24=2-Door Hatchback      44=4-Door Hatchback      53=FWD & AWD Van & Wgn Ext. W.B.  
 27=2-Door Convertible

AR = Use as Required - = Non Illustrated Part P.A.R. = Paint as Required

**GEAR, RACK & PINION, POWER AND ATTACHING PARTS P,A,J,G,C,Y,S BODY**  
**Figure 19-1900**

93119 1900



ITEM	PART NUMBER	QTY	BODY	MODEL	DESCRIPTION
	5274 470	2	PAJGS		TIE ROD, Assy. Outer (6500121 Nut)
	4470 861	2	CY		
	4470 995	2	CY		BOOT PACKAGE, Hydraulic Steering Gear Rack
	4470 995	2	A	C	
1					GEAR, Rack And Pinion Assy. w/Tie Rod Ends
	5286 327	1	P		w/14" Wheels
	5286 437	1	P		w/15" Wheels
	5274 662	1	A	D,P	w/Std. (SBA) Strg., w/14" Wheels
	5274 788	1	A	C	w/Std. (SBA) Strg., w/14" Wheels
	5274 560	1	A	D,P	w/Std. (SBA) Strg. w/15" Tires
	5274 959	1	A		w/Firm Feel Quick Ratio (SBB) w/15" Tires, BUX
	5274 662	1	J		w/Std. (SBA) Strg. w/P195 R14 Tires w/Steel Wheels
	5274 560	1	J		w/Std. (SBA) Strg. w/P195 R14 Tires w/Alum. Wheels and w/
					P205/60 R15 w/Steel Wheels
	5274 959	1	J		w/Firm Feel Quick Ratio (SBB) Strg. w/15" Tires
	4626 722	1	J		w/Firm Feel Quick Ratio (SBB) Strg. w/16" Wheels
	5286 437	1	G		w/Std. (SBA) Strg. w/P185 R14 Tires
	5274 959	1	G		w/Firm Feel (SBB) Strg. w/P205 R14,15 Tires
	4626 722	1	G		w/Firm Feel (SBB) Strg. w/16" Wheels
	5274 529	1	CY		w/All
	4684 928	1	S		w/All
2	4147 342	1	S		BREATHER TUBE, Rack
3	4147 346	1	S		LINE, Cylinder, Left
	4147 351	1	S		Right
4	6501 866	4			BOLT, Rack and Pinion Power Strg. Gear Mounting
	6501 865	4	S		
5	4470 382	1			BRACKET, Rack and Pinion Power Strg. Gear Mounting, Outer Rt.
	4470 367	1	JCY		Rt.
	4470 369	1	JCY		Lt.
6	4684 035	1			BUSHING, Rack and Pinion Power Strg. Gear Mounting
	3643 422	1	JCY		Rt.
	3643 425	1	JCY		Lt.
7	4470 383	1			BRACKET, Rack and Pinion Power Strg. Gear Mounting, Inner RT.
	4470 366	1	JCY		Rt.
	4470 368	1	JCY		Lt.
8	4404 292	1	C		SHIELD, Boot Protector Rt.

**MODEL CODES:**

A BODY=(C=LeBaron, D=Spirit, P=Acclaim/LaBaron(Landau), Saratoga)  
 C BODY=(D=Dynasty, C=New Yorker/N.Y. Salon)  
 G BODY=(V=Daytona/IROC, Chrysler Daytona)  
 J BODY=(C=LeBaron, Chrysler LeBaron)  
 P BODY=(P=Sundance, D=Shadow)

S BODY=(H=Voyager(H) FWD, K=Caravan(H) FWD, Y=Town & Country(H) FWD, P=Voyager(K) AWD, D=Caravan(K) AWD, C=Town & Country(K) AWD)  
 Y BODY=(C=Imperial/5th Avenue)  
 E-S BODY=(K=Chrysler Voyager(H) FWD, D=Chrysler Voyager(K) AWD)

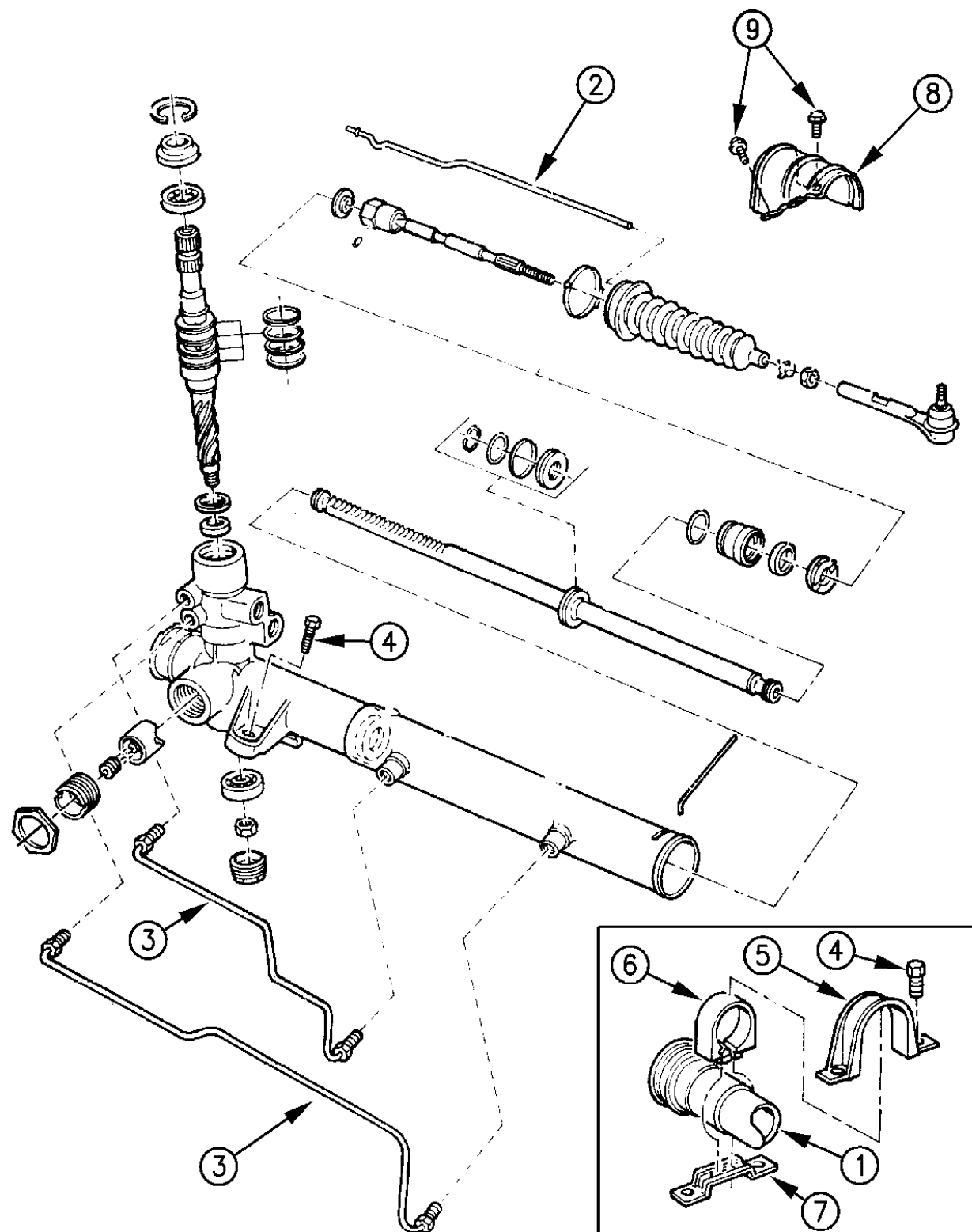
**BODY STYLES:**

21=2-Door Coupe      41=4-Door Sedan      12-52=FWD & AWD Van & Wgn Std W.B.  
 24=2-Door Hatchback      44=4-Door Hatchback      53=FWD & AWD Van & Wgn Ext. W.B.  
 27=2-Door Convertible

AR = Use as Required - = Non Illustrated Part P.A.R. = Paint as Required

**GEAR, RACK & PINION, POWER AND ATTACHING PARTS P,A,J,G,C,Y,S BODY**  
**Figure 19-1900**

93119 1900



ITEM	PART NUMBER	QTY	BODY	MODEL	DESCRIPTION
	4404 293	1	C		Lt.
9		6	C		SCREW, w/Washer (Not Serv.)

**MODEL CODES:**

A BODY=(C=LeBaron, D=Spirit, P=Acclaim/LaBaron(Landau),  
Saratoga)  
 C BODY=(D=Dynasty, C=New Yorker/N.Y. Salon)  
 G BODY=(V=Daytona/IROC, Chrysler Daytona)  
 J BODY=(C=LeBaron, Chrysler LeBaron)  
 P BODY=(P=Sundance, D=Shadow)

S BODY=(H=Voyager(H) FWD, K=Caravan(H) FWD,  
Y=Town & Country(H) FWD, P=Voyager(K) AWD,  
D=Caravan(K) AWD, C=Town & Country(K) AWD)  
 Y BODY=(C=Imperial/5th Avenue)  
 E-S BODY=(K=Chrysler Voyager(H) FWD, D=Chrysler  
Voyager(K) AWD)

**BODY STYLES:**

21=2-Door Coupe      41=4-Door Sedan      12-52=FWD & AWD Van & Wgn Std W.B.  
 24=2-Door Hatchback      44=4-Door Hatchback      53=FWD & AWD Van & Wgn Ext. W.B.  
 27=2-Door Convertible

AR = Use as Required - = Non Illustrated Part P.A.R. = Paint as Required

---

**GROUP 21M - TRANSMISSION, MANUAL & TRANSFER CASE**

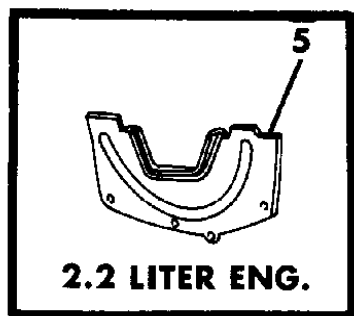
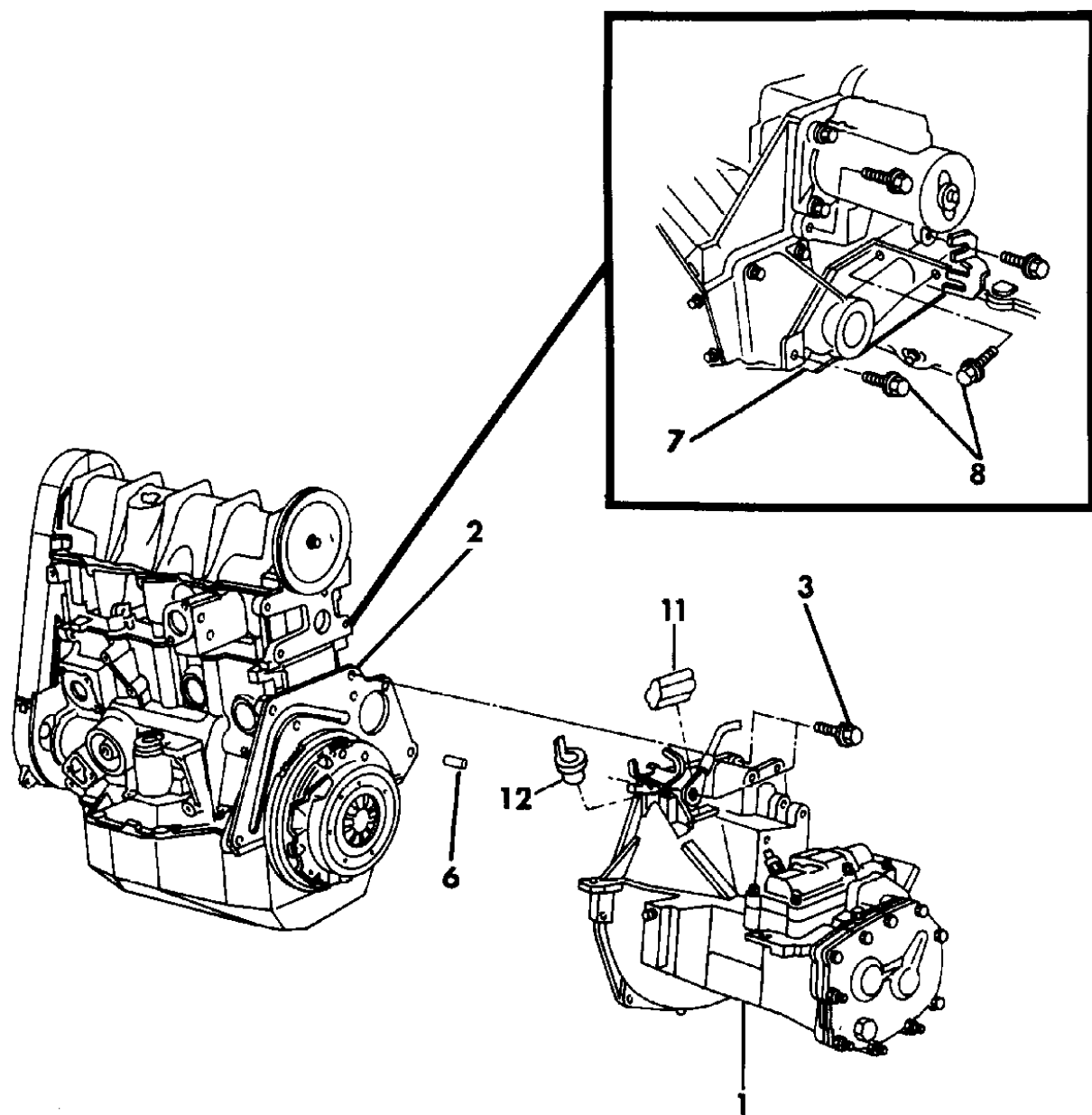
<b>ILLUSTRATION TITLE</b>	<b>GROUP-FIG. NO.</b>
<b>TRANSAXLES</b>	
TRANSAXLE ASSEMBLIES, AND MOUNTING A523, A543, A568 FIVESPEED MANUAL CHRYSLER .....	Fig. 21M-100
CASE, TRANSAXLE AND RELATED PARTS A523, A543, A568 FIVESPEED MANUAL CHRYSLER .....	Fig. 21M-200
GEAR TRAIN A523, A543, A568 FIVESPEED MANUAL TRANSAXLE .....	Fig. 21M-300
CONTROLS, INTERNAL A523, A543, A568 FIVESPEED MANUAL TRANSMISSION .....	Fig. 21M-400
CONTROL, SHIFT A523, A543, A568 FIVESPEED MANUAL TRANSMISSION .....	Fig. 21M-500
DIFFERENTIAL A523, A543, A568 FIVESPEED MANUAL TRANSAXLE .....	Fig. 21M-600
<b>GEARSHIFT CONTROLS</b>	
CONTROLS, GEARSHIFT A523, A568 FIVESPEED A,P BODY MANUAL TRANSAXLE .....	Fig. 21M-700
CONTROLS, GEARSHIFT A523, A543, A568 FIVESPEED G,J BODY MANUAL TRANSAXLE .....	Fig. 21M-800
CONTROLS, GEARSHIFT A523 FIVESPEED S BODY MANUAL TRANSAXLE .....	Fig. 21M-900
<b>SPEEDOMETER CABLES &amp; PINIONS</b>	
CABLES AND PINION, SPEEDOMETER MANUAL TRANSAXLE .....	Fig. 21M-1000

**ILLUSTRATION NOT AVAILABLE AT TIME OF PUBLICATION**

---

**TRANSAXLE ASSEMBLIES, AND MOUNTING A523, A543, A568 FIVESPEED MANUAL CHRYSLER  
Figure 21M-100**

93121 100



ITEM	PART NUMBER	QTY	BODY	MODEL	DESCRIPTION
1					TRANSAXLE, 5-SPEED Transmission
	4641 276	1	G,J,P		3.0L, Eng., w/A543 Trans.
	4641 275	1	A		2.5L E.F.I., w/A523 Trans.
	4641 275	1	G		2.5L E.F.I. Eng., w/A523 Trans.
	4641 278	1	A,G		2.2L 16 Valve Turbo III Eng., w/A568 Trans.
	4641 275	1	P		w/A523 Trans.
	4670 002	1	S		2.5L, Eng., w/A523 Trans.
	4670 759	1	ES		2.5L Turbo Diesel Eng., w/A568 Trans.
					TRANSAXLE ASSEMBLY CROSS REFERENCE
					PRODUCTION NUMBER: SERVICE NUMBER:
					4531 912 4641 276
					4531 914 4641 275
					4543 755 4641 278
					4670 988 4670 002
					4670 759 4670 759
2	4412 526	1			COVER, Case Upper
3	6501 164	3			SCREW, Transmission to Cylinder Block, (M12x1.75x50)
	6501 957	1	ES		2.5L Turbo Diesel M6x1x20
	4641 524	2	ES		2.5L Turbo Diesel Stud, Double Head M10-M8
	6500 585	1	ES		2.5L Turbo Diesel M12x1.75x35
	6501 164	4	ES		2.5L Turbo Diesel M12x1.75x50
	3759 944	1			RETAINER, Upper Cover, Special Screw, (M6x1x14)
5	4412 528	1			COVER, Case Lower
	4505 678	1			w/3.0L Engine
	6100 264	AR			SCREW, Case Cover, Without 2.5 Liter Engine, (M6x1x14)
6	5240 849	2			DOWEL, Cylinder Block To Clutch Housing
7	5224 214	1			STRUT, Transmission to Cylinder Block
	4348 954	1			w/3.0L Engine
8					SCREW, Strut To Case
	6501 741	AR			(M12x1.75x50)
	6501 164	1			Right, (M12x1.75x50)
	6100 344	1			With Turbo, (M12x1.75x40)
9					SCREW, (Not Serviced)
10	4412 528				SHIELD, Trans. Appearance
11	4431 448	1			COVER, Transmission Timing Window
12	4377 923	1			PLUG, Timing Probe Hole
-	4723 878	1	ES		STUD, Double Ended, on Trans. Case to Eng. Mtg. Brkt., M12x1.75x105mm Lg. (Not Shown)

**MODEL CODES:**

A BODY=(C=LeBaron, D=Spirit, P=Acclaim/LaBaron(Landau), Saratoga) S BODY=(H=Voyager(H) FWD, K=Caravan(H) FWD, Y=Town & Country(H) FWD, P=Voyager(K) AWD, D=Caravan(K) AWD, C=Town & Country(K) AWD)  
 C BODY=(D=Dynasty, C=New Yorker/N.Y. Salon) Y BODY=(C=Imperial/5th Avenue)  
 G BODY=(V=Daytona/ROC, Chrysler Daytona) E-S BODY=(K=Chrysler Voyager(H) FWD, D=Chrysler Voyager(K) AWD)  
 J BODY=(C=LeBaron, Chrysler LeBaron) P BODY=(P=Sundance, D=Shadow)

**BODY STYLES:**

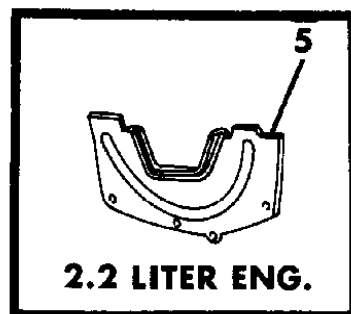
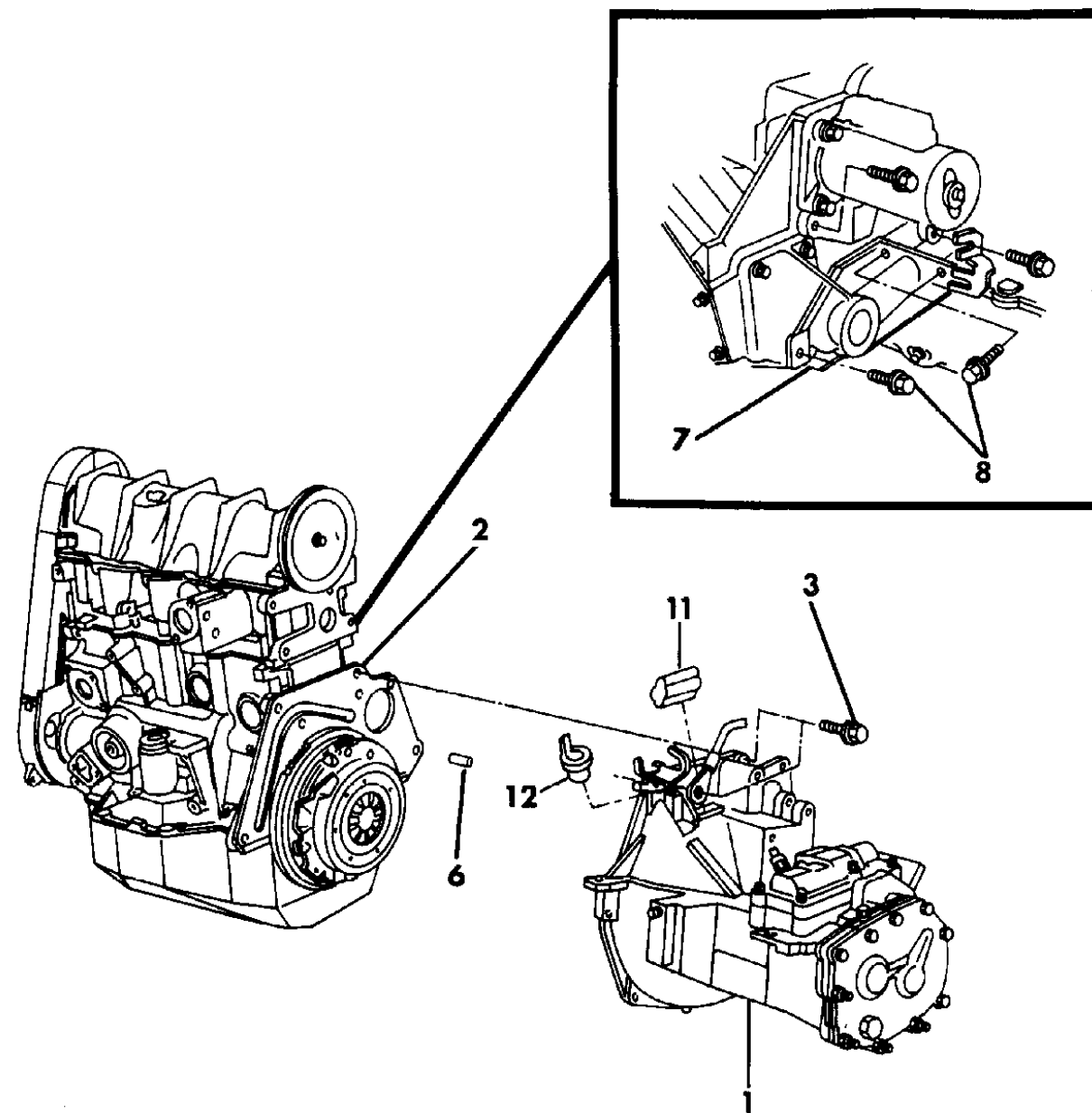
21=2-Door Coupe 41=4-Door Sedan 12-52=FWD & AWD Van & Wgn Std W.B.  
 24=2-Door Hatchback 44=4-Door Hatchback 53=FWD & AWD Van & Wgn Ext. W.B.  
 27=2-Door Convertible

AR = Use as Required - = Non Illustrated Part P.A.R. = Paint as Required

TRANSAXLE ASSEMBLIES, AND MOUNTING A523, A543, A568 FIVESPEED MANUAL CHRYSLER  
Figure 21M-100

93121 100

ITEM	PART NUMBER	QTY	BODY	MODEL	DESCRIPTION
-	4723 879	2	ES		M12x1.50x73mm Lg. (Not Shown)



**MODEL CODES:**

A BODY=(C=LeBaron, D=Spirit, P=Acclaim/LaBaron(Landau),  
Saratoga) S BODY=(H=Voyager(H) FWD, K=Caravan(H) FWD,  
Y=Town & Country(H) FWD, P=Voyager(K) AWD,  
D=Caravan(K) AWD, C=Town & Country(K) AWD)  
C BODY=(D=Dynasty, C=New Yorker/N.Y. Salon)  
G BODY=(V=Daytona/IROC, Chrysler Daytona) Y BODY=(C=Imperial/5th Avenue)  
J BODY=(C=LeBaron, Chrysler LeBaron) E-S BODY=(K=Chrysler Voyager(H) FWD, D=Chrysler  
P BODY=(P=Sundance, D=Shadow) Voyager(K) AWD)

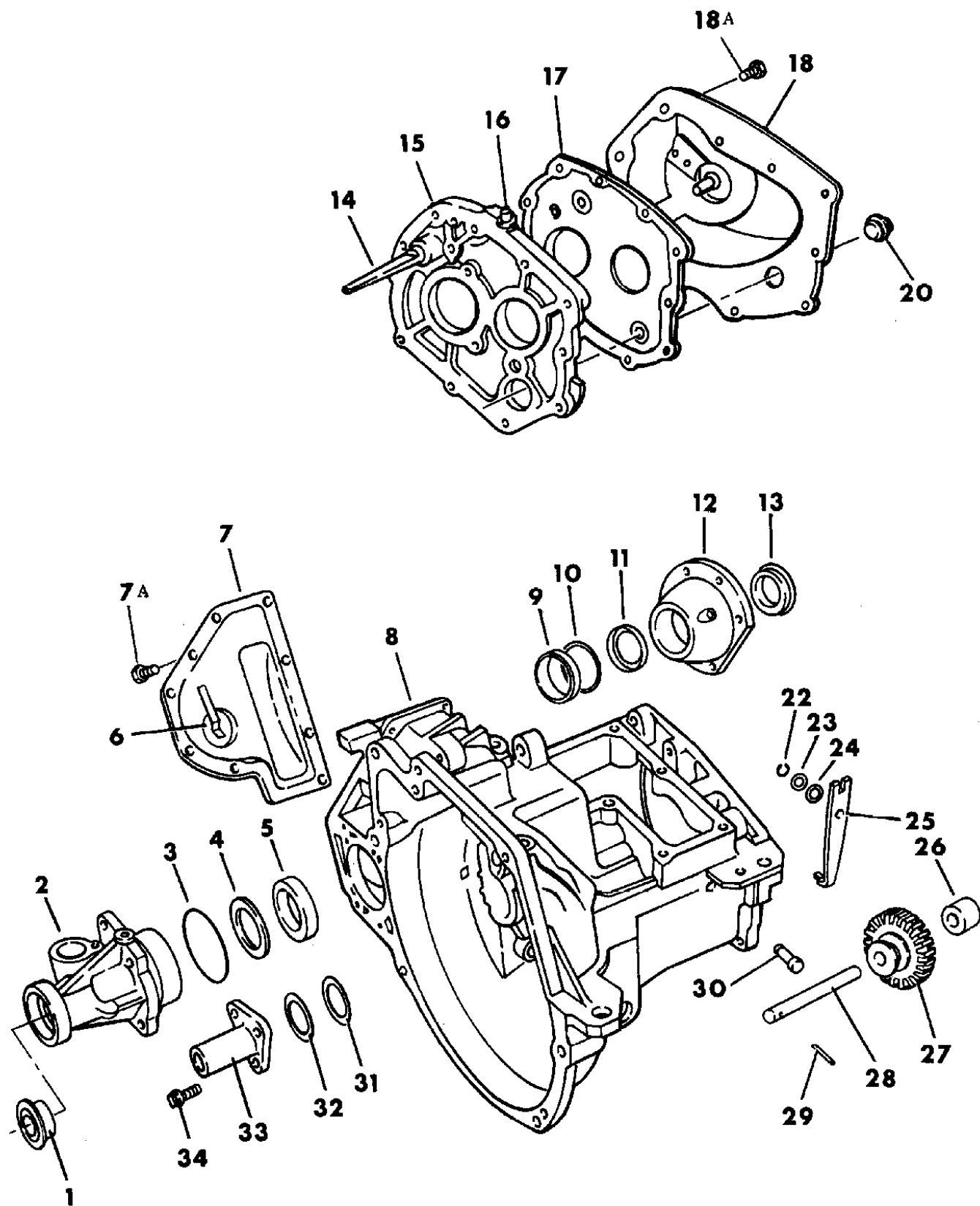
**BODY STYLES:**

21=2-Door Coupe 41=4-Door Sedan 12-52=FWD & AWD Van & Wgn Std W.B.  
24=2-Door Hatchback 44=4-Door Hatchback 53=FWD & AWD Van & Wgn Ext. W.B.  
27=2-Door Convertible

AR = Use as Required - = Non Illustrated Part P.A.R. = Paint as Required

CASE, TRANSAXLE AND RELATED PARTS A523, A543, A568 FIVESPEED MANUAL CHRYSLER  
Figure 21M-200

93121 200



ITEM	PART NUMBER	QTY	BODY	MODEL	DESCRIPTION
1	4412 522	1			SEAL, Transmission Extension
2	4531 362	1			EXTENSION, Without Bushing, Transaxle
3	6500 511	4			SCREW, Extension to Case, (M8x1.25x33)
3	6500 111	1			O-RING, Transmission Extension
4	5222 255	1			RETAINER, Transmission Extension Oil
5	4567 022	1			CUP, Retainer Differential Bearing
6	3681 601	1			MAGNET, Transmission Chip Collector
7					PAN, Transmission Differential Oil, (Serviced in Case with Differential Pan)
7A	6501 410	5			SCREW, Flange, (M8x1.25x14)
	6500 921	3			STUD, Oil Pan Oo Case, (M8x1.25x44)
	6501 411	2			STUD, Oil Pan To Case, (M8x1.25x41)
	6500 470	3			NUT, Oil Pan To Case Stud, (M8)
	6501 401	2			SCREW, Oil Pan To Case (M10x1.50x40)
	6501 400	4			(M10x1.50x65)
	6501 416	4			(M10x1.50x90)
8					CASE, Transaxle
	4531 924	1			With Transmission 4543755
	4431 868	1			With Transmissions: 4670988, 4531915, 4531914
	4431 869	1			With Transmission 4531912
	4431 875	4			BUSHING, Case, (16)
	4723 876	1	ES		with transmission 4670759
9	4567 022	1			CUP, Differential Retainer Bearing
10					SPACER, Transmission Final Drive
	5222 360	AR			1.10mm
	5222 361	AR			1.14mm
	5222 370	AR			1.50mm
	5222 371	AR			1.54mm
	5222 372	AR			1.58mm
	5222 373	AR			1.62mm
	5222 374	AR			1.66mm
	5222 375	AR			1.70mm
	5222 376	AR			1.74mm
	5222 377	AR			1.78mm
	5222 378	AR			1.82mm
11	5222 256	1			OIL RETAINER, Oil Feed ***
12	4377 671	1			RETAINER, Differential Bearing
	6501 371	8			SCREW, Differential Bearing Retainer, (M10x1.5x30)

MODEL CODES:

A BODY=(C=LeBaron, D=Spirit, P=Acclaim/LaBaron(Landau, Saratoga)

C BODY=(D=Dynasty, C=New Yorker/N.Y. Salon)

G BODY=(V=Daytona/IROC, Chrysler Daytona)

J BODY=(C=LeBaron, Chrysler LeBaron)

P BODY=(P=Sundance, D=Shadow)

S BODY=(H=Voyager(H) FWD, K=Caravan(H) FWD,

Y=Town & Country(H) FWD, P=Voyager(K) AWD,

D=Caravan(K) AWD, C=Town & Country(K) AWD)

Y BODY=(C=Imperial/5th Avenue)

E-S BODY=(K=Chrysler Voyager(H) FWD, D=Chrysler

Voyager(K) AWD)

BODY STYLES:

21=2-Door Coupe

41=4-Door Sedan

12-52=FWD & AWD Van & Wgn Std W.B.

24=2-Door Hatchback

44=4-Door Hatchback

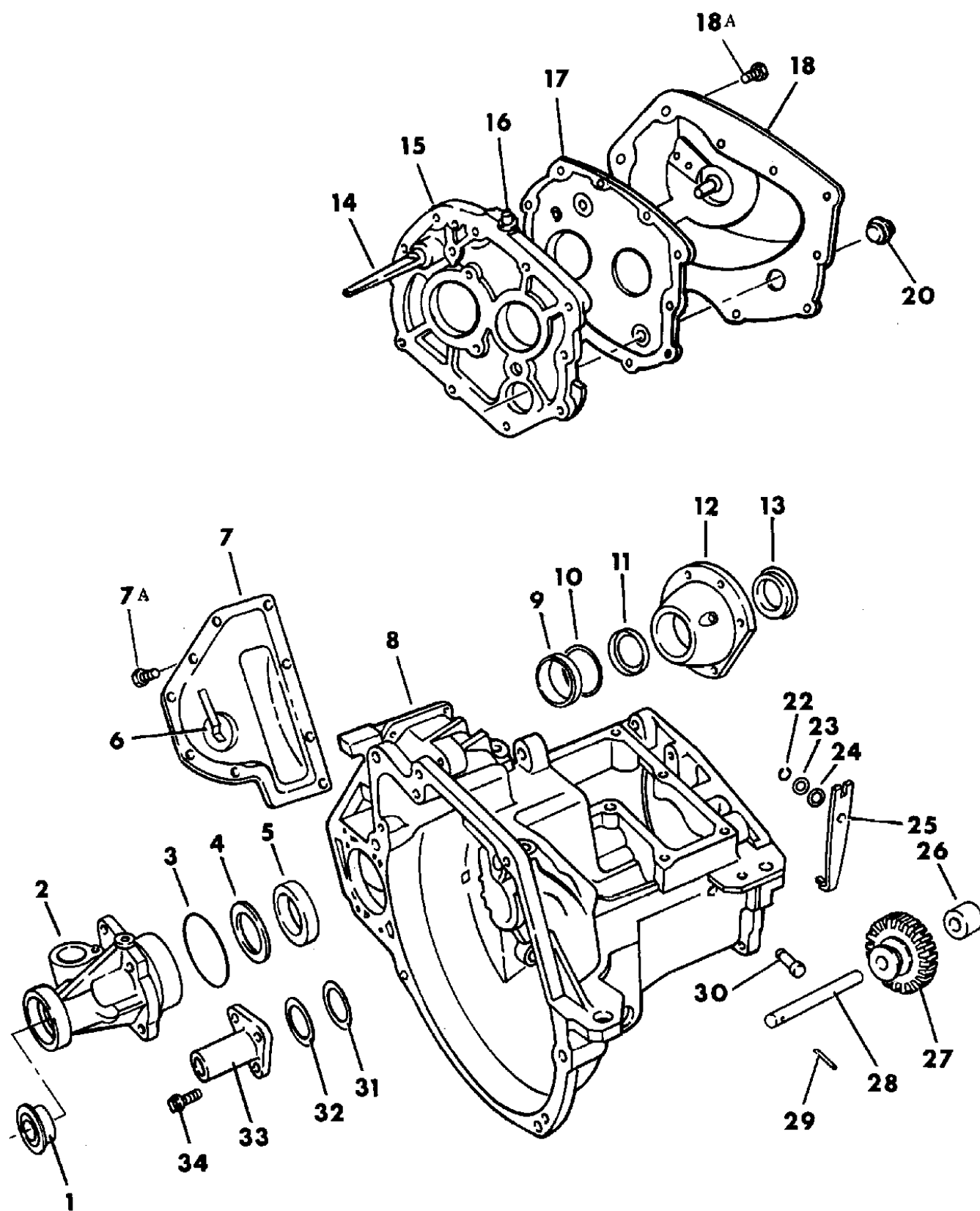
53=FWD & AWD Van & Wgn Ext. W.B.

27=2-Door Convertible

AR = Use as Required - = Non Illustrated Part P.A.R. = Paint as Required

CASE, TRANSAXLE AND RELATED PARTS A523, A543, A568 FIVESPEED MANUAL CHRYSLER  
Figure 21M-200

93121 200



ITEM	PART NUMBER	QTY	BODY	MODEL	DESCRIPTION
13	4412 522	1			SEAL, Bearing Retainer
14	4431 850	1			OIL SCOOP, Transmission Bearing Rear
15	4431 015	1			PLATE ASSEMBLY, Bearing Support ***
16	2124 715	1			VENT, Transmission
	4723 880	1	ES		2.5L Turbo Diesel
17	4431 057	1			PLATE, Transmission Bearing Back-Up
18	4446 041	1			COVER, Transmission Oil Feed
18A	3420 1819	10			SCREW, Cover, (M8x1.25x45)
	6501 370	10			w/ Trans. 4531912 ***
20	4348 325	1			PLUG, Drain and Fill, Rubber
22	6026 125	1			E-CLIP, Reverse Lever Pivot
23	0391 888	1			WASHER, Spring Wave
24	5205 609	1			WASHER, Reverse Lever Pivot
25	5222 656	1			LEVER, Gearshift Reverse
26	4471 823	1			SPACER, Reverse Idler
27	4531 540	1			GEAR, Reverse Idler
	4723 877	1	ES		2.5L Turbo Diesel
28	4531 543	1			SHAFT, Reverse Idler
	4471 822	2			RING, Reverse Idler Gear Silencer Stop, (19.50mmID)
29	6101 491	1			PIN, Reverse Idler, Slotted Spring, (4.20x18)
30	5205 625	1			PIN, Reverse Lever Clevis
31					SPACER, Input Shaft
	4202 751	1			0.62mm (.024")
	4202 301	1			0.66mm (.026")
	4202 302	1			0.70mm (.028")
	4202 303	1			0.74mm (.029")
	4202 304	1			0.78mm (.031")
	4202 305	1			0.82mm (.032")
	4202 306	1			0.86mm (.034")
	4202 307	1			0.90mm (.035")
	4202 308	1			0.94mm (.037")
	4202 309	1			0.98mm (.039")
	4202 310	1			1.02mm (.040")
	4202 311	1			1.06mm (.042")
	4202 312	1			1.10mm (.043")
	4202 313	1			1.14mm (.045")
	4202 314	1			1.18mm (.046")
	4202 315	1			1.22mm (.048")
	4202 316	1			1.26mm (.050")

MODEL CODES:

A BODY=(C=LeBaron, D=Spirit, P=Acclaim/LaBaron(Landau), Saratoga) S BODY=(H=Voyager(H) FWD, K=Caravan(H) FWD, Y=Town & Country(H) FWD, P=Voyager(K) AWD, D=Caravan(K) AWD, C=Town & Country(K) AWD)  
 C BODY=(D=Dynasty, C=New Yorker/N.Y. Salon)  
 G BODY=(V=Daytona/IROC, Chrysler Daytona)  
 J BODY=(C=LeBaron, Chrysler LeBaron)  
 P BODY=(P=Sundance, D=Shadow)  
 Y BODY=(C=Imperial/5th Avenue)  
 E-S BODY=(K=Chrysler Voyager(H) FWD, D=Chrysler Voyager(K) AWD)

BODY STYLES:

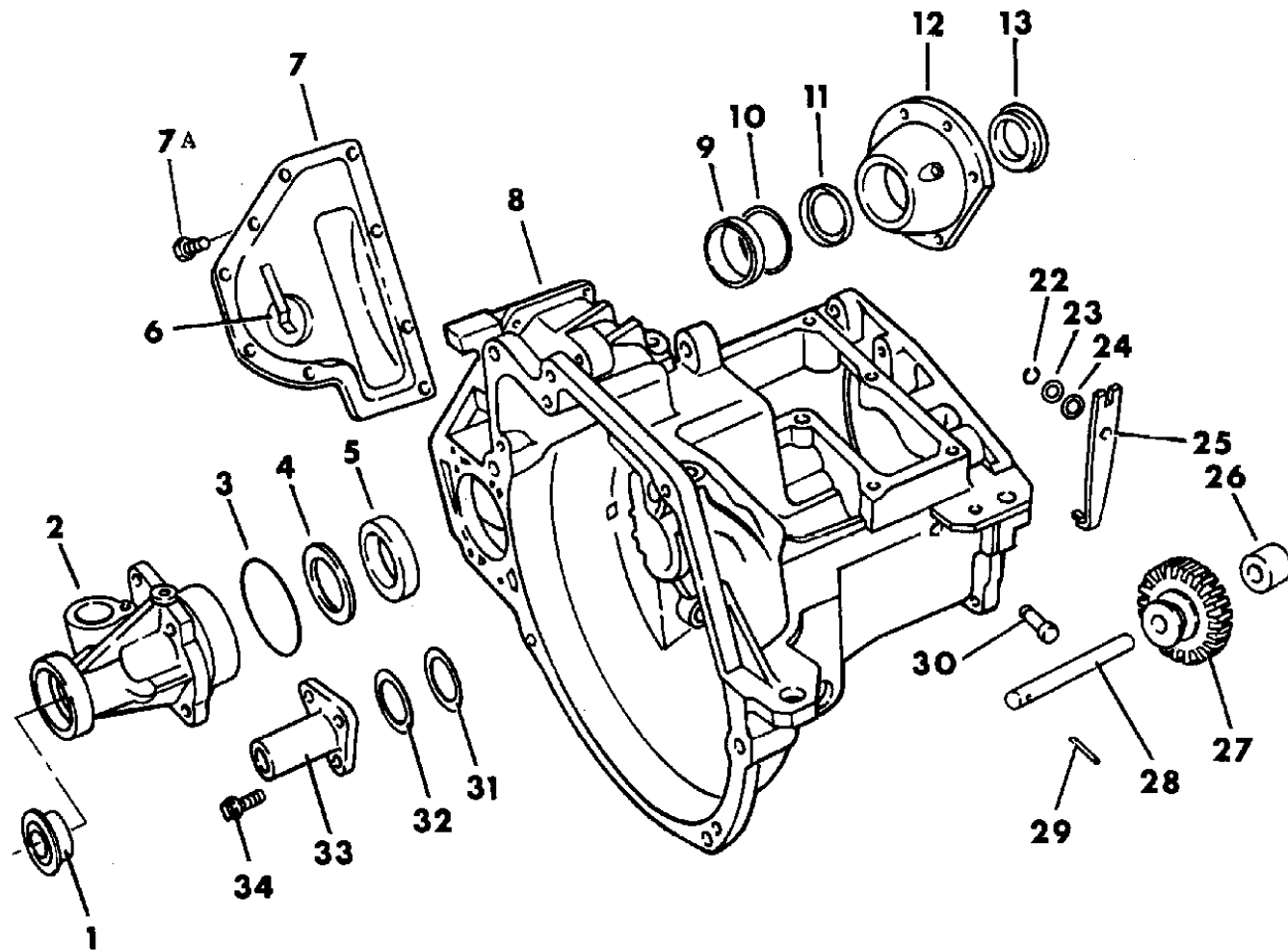
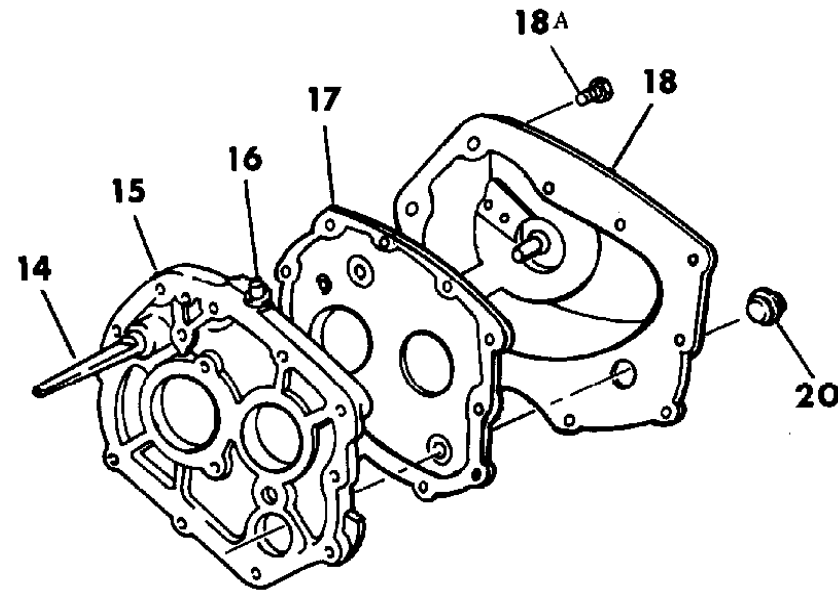
21=2-Door Coupe 41=4-Door Sedan 12-52=FWD & AWD Van & Wgn Std W.B.  
 24=2-Door Hatchback 44=4-Door Hatchback 53=FWD & AWD Van & Wgn Ext. W.B.  
 27=2-Door Convertible

AR = Use as Required - = Non Illustrated Part P.A.R. = Paint as Required



CASE, TRANSAXLE AND RELATED PARTS A523, A543, A568 FIVESPEED MANUAL CHRYSLER  
Figure 21M-200

93121 200



ITEM	PART NUMBER	QTY	BODY	MODEL	DESCRIPTION
	4202 317	1			1.30mm (.051")
	4202 318	1			1.34mm (.053")
	4202 319	1			1.38mm (.054")
	4202 320	1			1.42mm (.056")
	4202 321	1			1.46mm (.057")
	4202 322	1			1.50mm (.059")
	4202 323	1			1.54mm (.061")
	4202 324	1			1.58mm (.062")
	4202 325	1			1.62mm (.064")
	4202 326	1			1.66mm (.065")
	4419 650	1			1.70mm (.067")
	4202 753	1			1.74mm (.069")
	4202 754	1			1.78mm (.070")
32	5222 721	1			SEAL, Transmission Input Shaft
33	4531 847	1			RETAINER, Transmission Bearing Pilot and Seal
	4431 849	1			STRAP, Transmission Bearing Retainer, Flat
34	6500 318	3			BOLT, Retainer to Case, (M8x1.25x25)
	4431 448	1			COVER, Timing Window
	5222 757	2			DOWEL, Case to Bearing Retainer

MODEL CODES:

A BODY=(C=LeBaron, D=Spirit, P=Acclaim/LaBaron(Landau),  
Saratoga)  
C BODY=(D=Dynasty, C=New Yorker/N.Y. Salon)  
G BODY=(V=Daytona/IROC, Chrysler Daytona)  
J BODY=(C=LeBaron, Chrysler LeBaron)  
P BODY=(P=Sundance, D=Shadow)

S BODY=(H=Voyager(H) FWD, K=Caravan(H) FWD,  
Y=Town & Country(H) FWD, P=Voyager(K) AWD,  
D=Caravan(K) AWD, C=Town & Country(K) AWD)  
Y BODY=(C=Imperial/5th Avenue)  
E-S BODY=(K=Chrysler Voyager(H) FWD, D=Chrysler  
Voyager(K) AWD)

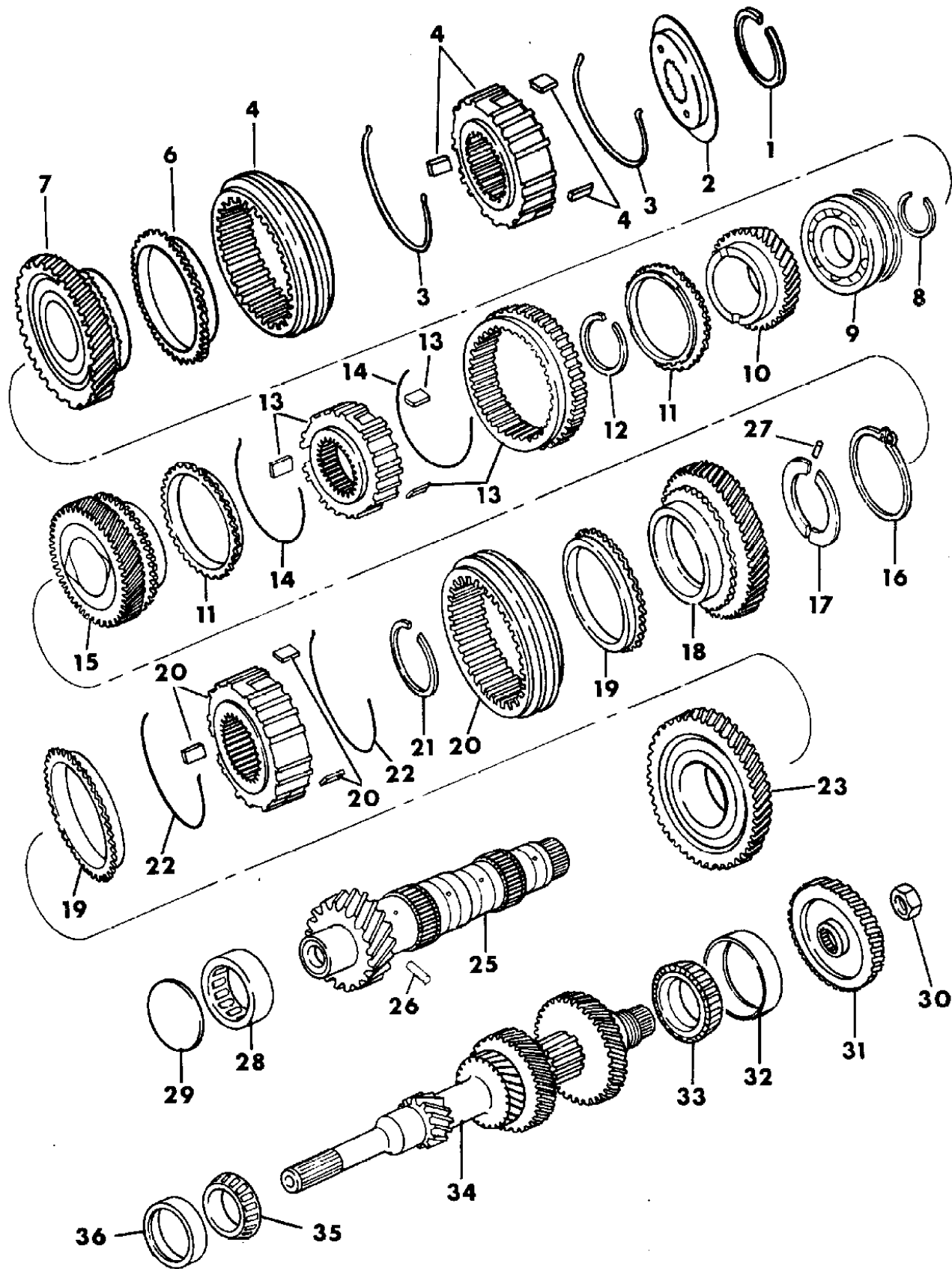
BODY STYLES:

21=2-Door Coupe      41=4-Door Sedan      12-52=FWD & AWD Van & Wgn Std W.B.  
24=2-Door Hatchback      44=4-Door Hatchback      53=FWD & AWD Van & Wgn Ext. W.B.  
27=2-Door Convertible

AR = Use as Required - = Non Illustrated Part P.A.R. = Paint as Required

**GEAR TRAIN A523, A543, A568 FIVESPEED MANUAL TRANSAXLE  
Figure 21M-300**

93121 300



ITEM	PART NUMBER	QTY	BODY	MODEL	DESCRIPTION
1		1			SNAP RING, Inter Shaft Fifth Speed
2	4531 358	1			PLATE, Fifth Speed Synchronizer Strut Retainer
3	4377 718	2			SPRING, Fifth Speed Synchronizer
4	4543 708	1			SYNCHRONIZER ASSEMBLY, Fifth Speed
6	4446 061	AR			RING, Fifth Speed Synchronizer Stop
7					GEAR, Fifth Speed
	4531 948	1			w/ Transmission 4531912,4531914,4670988 ***
	4543 760	1			w/ Transmission 4543755, 4670759 ***
8	6500 315	1			SNAP RING, Inter Shaft Inner
9					BEARING, Inter Shaft Rear
	4348 270	1			With Transmission 4531912, 4531914, 4670988
	4348 068	1			With Transmission 4543755, 4670759
10					GEAR, Fourth Speed, (34-48T)
	4531 946	1			With Transmission 4531912, 4531914, 4670988
	4531 816	1			With Transmission 4543755, 4670759
11	4446 061	AR			RING, 3rd & 4th Synchronizer Stop
12	6500 316	1			SNAP RING, Cluster Gear, 3rd & 4th Gear, Inner
13	4431 862	1			SYNCHRONIZER, 3rd & 4th Gear
14	4377 718	2			SPRING, 3rd & 4th Gear Synchronizer
15					GEAR, Third Speed
	4531 944	1			With Transmission 4531912, 4531914, 4670988
	4531 814	1			With Transmission 4543755, 4670759
16	4531 307	1			RETAINING RING, Solid 66mm O.D. ***
17	4504 577	1			SPLIT WASHER & RETAINING RING PACKAGE ***
	6032 705	1			PIN, Split Thrust Washer
18					GEAR, Second Speed
	4531 942	1			With Transmission 4531912, 4531914, 4670988
	4531 812	1			With Transmission 4543755, 4670759
19	4431 858	2			CONE ASSEMBLY, Consists of (Inner Cone, Middle Cone and Stop Ring) ***
20	4543 706	1			SYNCHRONIZER, 1st & 2nd Speed
21	6501 726	1			SNAP RING, Cluster Gear, 1st & 2nd Speed Gear, Inner
22	4377 716	2			SPRING, 1st & 2nd Speed Gear Synchronizer
23					GEAR, First Speed
	4531 940	1			With Transmission 4531912, 4531914, 4670988
	4641 280	1			With Transmission 4543755, 4670759
25					SHAFT, Intermediate
	4641 272	1			With Transmission 4531912, 4531914, 4670988
	4531 804	1			With Transmission 4543755, 4670759

**MODEL CODES:**

A BODY=(C=LeBaron, D=Spirit, P=Acclaim/LaBaron(Landau), Saratoga)  
 C BODY=(D=Dynasty, C=New Yorker/N.Y. Salon)  
 G BODY=(V=Daytona/IROC, Chrysler Daytona)  
 J BODY=(C=LeBaron, Chrysler LeBaron)  
 P BODY=(P=Sundance, D=Shadow)

S BODY=(H=Voyager(H) FWD, K=Caravan(H) FWD, Y=Town & Country(H) FWD, P=Voyager(K) AWD, D=Caravan(K) AWD, C=Town & Country(K) AWD)  
 Y BODY=(C=Imperial/5th Avenue)  
 E-S BODY=(K=Chrysler Voyager(H) FWD, D=Chrysler Voyager(K) AWD)

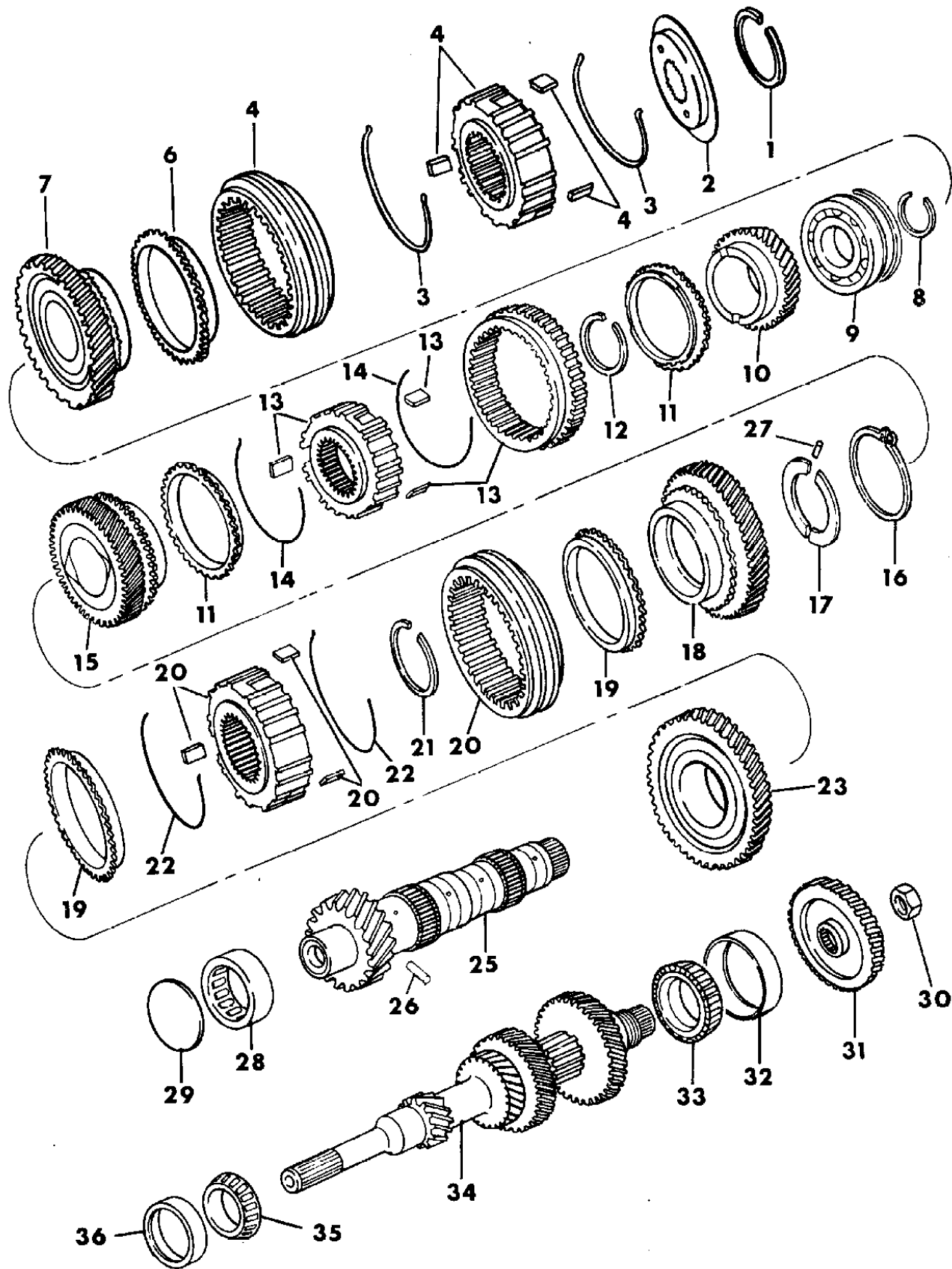
**BODY STYLES:**

21=2-Door Coupe      41=4-Door Sedan      12-52=FWD & AWD Van & Wgn Std W.B.  
 24=2-Door Hatchback      44=4-Door Hatchback      53=FWD & AWD Van & Wgn Ext. W.B.  
 27=2-Door Convertible

AR = Use as Required - = Non Illustrated Part P.A.R. = Paint as Required

**GEAR TRAIN A523, A543, A568 FIVESPEED MANUAL TRANSAXLE  
Figure 21M-300**

93121 300



ITEM	PART NUMBER	QTY	BODY	MODEL	DESCRIPTION
26	6032 705	1			PIN, First Gear Thrust Plate Driving
27	6032 705	1			PIN, Split Thrust Washer
28	4641 225	1			BEARING, Inter Shaft, Roller
	4531 529	1			BEARING, Inner Race Inter Shaft, Front, (43.70 OD)
29	4531 528	1			FEEDER, Inter Shaft Inner Oil
30	6501 487	1			NUT, Input Shaft Fifth Speed Gear
31					GEAR, Fifth Speed Input Shaft
	4531 950	1			w/ Transmission 4531912,4531914,4670988
	4543 762	1			w/ Transmission 4543755, 4670759
32	5205 567	1			CUP, Input Shaft Bearing - Rear
33	5205 568	1			CONE, Input Shaft Bearing - Rear
34					SHAFT, Transmission Input
	4531 952	1			With Transmission 4531912, 4531914, 4670988
	4641 282	1			With Transmission 4543755, 4670759
35	5205 565	1			CONE, Input Shaft Bearing Front
36	5205 564	1			CUP, Input Shaft Bearing Front

**MODEL CODES:**

A BODY=(C=LeBaron, D=Spirit, P=Acclaim/LaBaron(Landau),  
Saratoga)  
C BODY=(D=Dynasty, C=New Yorker/N.Y. Salon)  
G BODY=(V=Daytona/IROC, Chrysler Daytona)  
J BODY=(C=LeBaron, Chrysler LeBaron)  
P BODY=(P=Sundance, D=Shadow)

S BODY=(H=Voyager(H) FWD, K=Caravan(H) FWD,  
Y=Town & Country(H) FWD, P=Voyager(K) AWD,  
D=Caravan(K) AWD, C=Town & Country(K) AWD)  
Y BODY=(C=Imperial/5th Avenue)  
E-S BODY=(K=Chrysler Voyager(H) FWD, D=Chrysler  
Voyager(K) AWD)

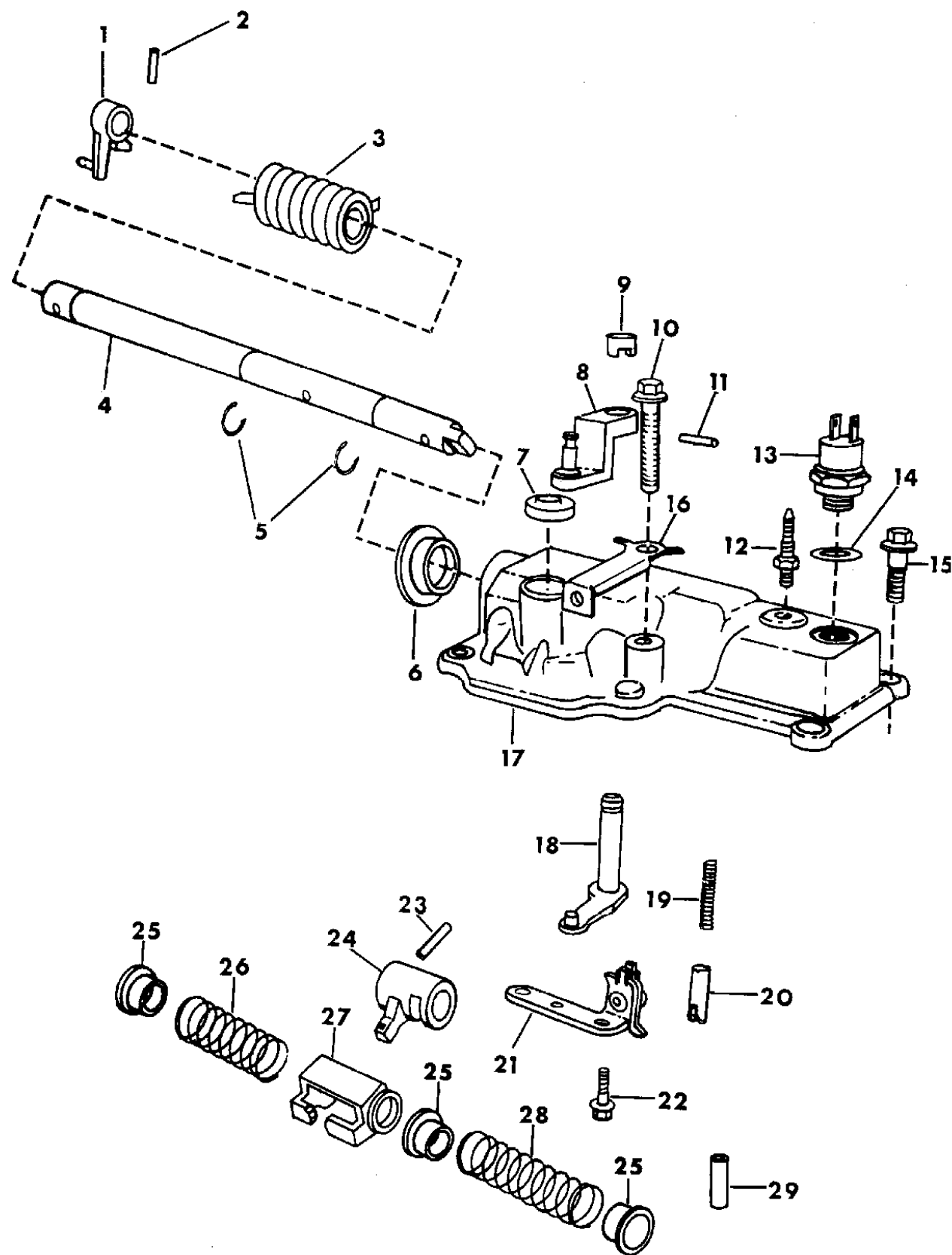
**BODY STYLES:**

21=2-Door Coupe      41=4-Door Sedan      12-52=FWD & AWD Van & Wgn Std W.B.  
24=2-Door Hatchback      44=4-Door Hatchback      53=FWD & AWD Van & Wgn Ext. W.B.  
27=2-Door Convertible

AR = Use as Required - = Non Illustrated Part P.A.R. = Paint as Required

CONTROLS, INTERNAL A523, A543, A568 FIVESPEED MANUAL TRANSMISSION  
Figure 21M-400

93121 400



ITEM	PART NUMBER	QTY	BODY	MODEL	DESCRIPTION
1	4471 348	1			LEVER ASSEMBLY, Select
2	6101 492	1			PIN, Select Lever Shaft, Roll
3	4471 358	1			SEAL, Shaft Housing Boot
4	4431 025	1			SHAFT, Selector
5	6501 468	2			SNAP RING, Selector Shaft
6	4505 691	1			SEAL ASSEMBLY, Selector Shaft Housing ***
7	4446 285	1			SEAL, Crossover Lever Shaft
8	4431 854	1			LEVER, Crossover
9	4471 824	1			CAP, Housing, Crossover Shaft Vent
10					BOLT, Housing
	6501 370	2			
	6500 417	2			(M8x1.25x45)
	6500 318	2			(M8x1.25x25)
11	6101 491	1			PIN, Crossover Lever, Roll
12	6501 438	1			STUD, Double Ended Hex, Dog Point
13	4373 814	1			SWITCH, Back-Up Light
14	1302 807	1			GASKET, Back-Up Light Switch
15	6502 049	2			BOLT, Housing, Shouldered, (M8x1.25x28)
16		1			STRAP,
17	4431 018	1			HOUSING, Gearshift Control
	4723 881	1	ES		2.5L Turbo Diesel
18	4543 751	1			SHAFT ASSEMBLY, Crossover, w/Air Vent Hole ***
19	4471 097	4			SPRING, Detent
20	4531 302	4			DETENT ASSEMBLY, Roller End ***
21	4431 028	1			BLOCKOUT ASSEMBLY, 5th and Reverse ***
22	6500 417	2			BOLT, Shouldered, Stop Plate to Fork ***
23	6101 492	1			PIN, Selector Lever Shaft, Roll ***
24	4531 886	1			SELECTOR ASSEMBLY ***
25	4531 889	3			SLEEVE, Selector Shaft
26	4431 023	1			SPRING, 1st & 2nd Shift, (Short) ***
27	4531 873	1			INHIBITOR, Selector ***
28	4431 024	1			SPRING, 5th & Reverse Shift, (Long)
29	4505 690	4			BUSHING, Detent, Case ***

MODEL CODES:

A BODY=(C=LeBaron, D=Spirit, P=Acclaim/LaBaron(Landau), Saratoga)

C BODY=(D=Dynasty, C=New Yorker/N.Y. Salon)

G BODY=(V=Daytona/IROC, Chrysler Daytona)

J BODY=(C=LeBaron, Chrysler LeBaron)

P BODY=(P=Sundance, D=Shadow)

S BODY=(H=Voyager(H) FWD, K=Caravan(H) FWD,

Y=Town & Country(H) FWD, P=Voyager(K) AWD,

D=Caravan(K) AWD, C=Town & Country(K) AWD)

Y BODY=(C=Imperial/5th Avenue)

E-S BODY=(K=Chrysler Voyager(H) FWD, D=Chrysler

Voyager(K) AWD)

BODY STYLES:

21=2-Door Coupe

41=4-Door Sedan

12-52=FWD & AWD Van & Wgn Std W.B.

24=2-Door Hatchback

44=4-Door Hatchback

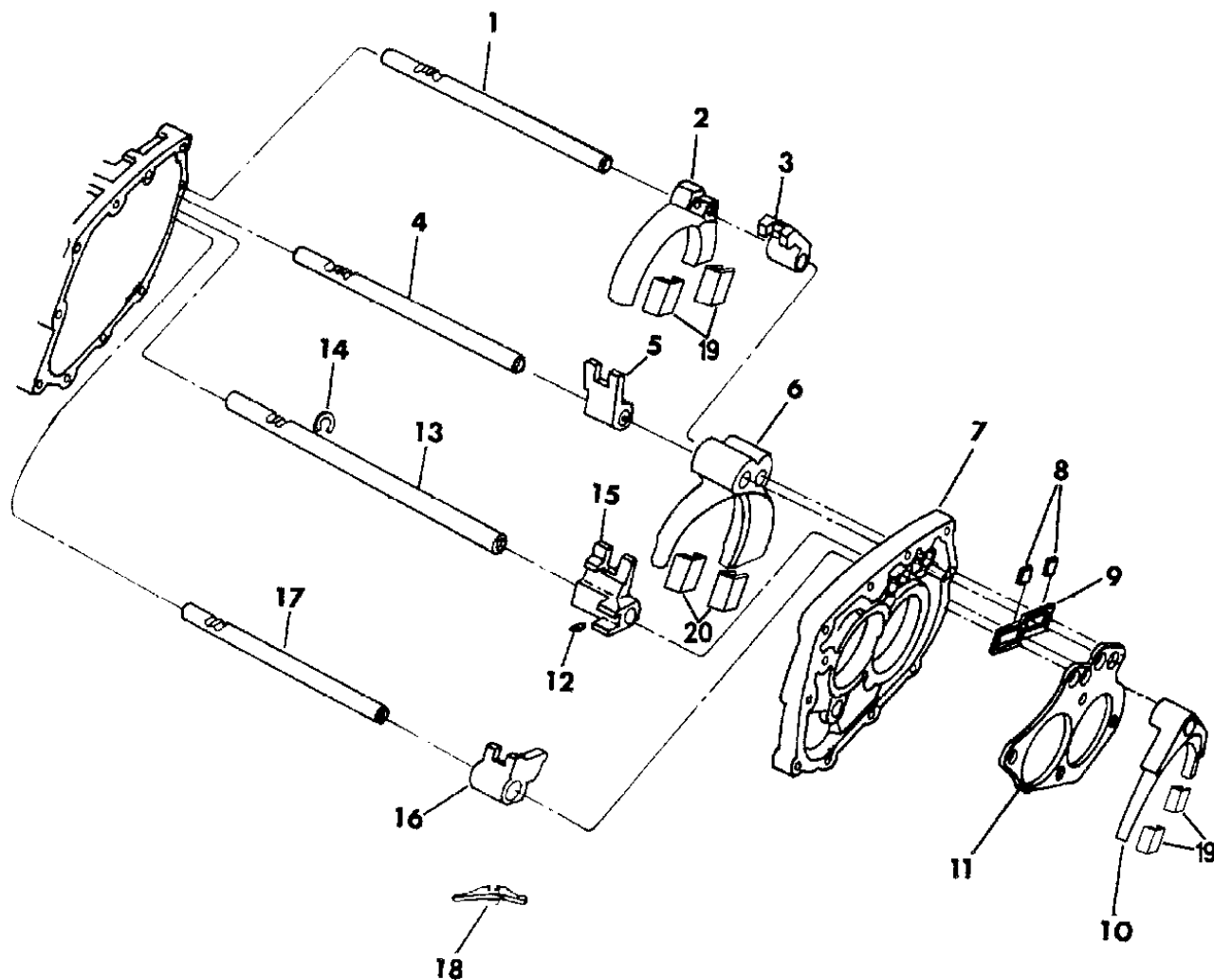
53=FWD & AWD Van & Wgn Ext. W.B.

27=2-Door Convertible

AR = Use as Required - = Non Illustrated Part P.A.R. = Paint as Required

**CONTROL, SHIFT A523, A543, A568 FIVESPEED MANUAL TRANSMISSION  
Figure 21M-500**

93121 500A



ITEM	PART NUMBER	QTY	BODY	MODEL	DESCRIPTION
1	4431 033	1			RAIL, 1st & 2nd Shift
2	4431 035	1			FORK ASSEMBLY, Transmission Gearshift, 1st and 2nd Shift
3	4531 875	1			LUG, 1st & 2nd Shift
4	4431 040	1			RAIL, 3rd & 4th Shift
5	4471 091	1			LUG, 3rd & 4th Shift
6	4543 713	1			FORK, 3rd & 4th Shift
7	4431 015	1			PLATE, Bearing Support
8	4471 015	2			SHUTTLES, Interlock ***
9	4471 014	1			PLATE, Interlock
10	4431 049	1			FORK, 5th Shift ***
11	4431 057	1			PLATE, Bearing Back-Up
12	4471 094	1			PIN, 5th and Reverse Interlock
	6101 475	6			ROLL PIN, Fork and Lug
13	4531 820	1			RAIL, 5th Shift ***
14	6501 862	1			C-RING, 5th Shift Rail ***
15	4531 888	1			LUG, 5th & Reverse Shift
16	4471 093	1			LUG, Reverse
17	4531 821	1			RAIL, Reverse Shift
18	4505 347	1			ARM, Reverse Pivot ***
19	4471 343	AR			PAD, 1st & 2nd & 5th Shift Fork
20	4543 715	2			PAD, 3rd & 4th Shift Fork

**MODEL CODES:**

A BODY=(C=LeBaron, D=Spirit, P=Acclaim/LaBaron(Landau), Saratoga)      S BODY=(H=Voyager(H) FWD, K=Caravan(H) FWD, Y=Town & Country(H) FWD, P=Voyager(K) AWD, D=Caravan(K) AWD, C=Town & Country(K) AWD)  
 C BODY=(D=Dynasty, C=New Yorker/N.Y. Salon)  
 G BODY=(V=Daytona/IROC, Chrysler Daytona)  
 J BODY=(C=LeBaron, Chrysler LeBaron)  
 P BODY=(P=Sundance, D=Shadow)      Y BODY=(C=Imperial/5th Avenue)  
 E-S BODY=(K=Chrysler Voyager(H) FWD, D=Chrysler Voyager(K) AWD)

**BODY STYLES:**

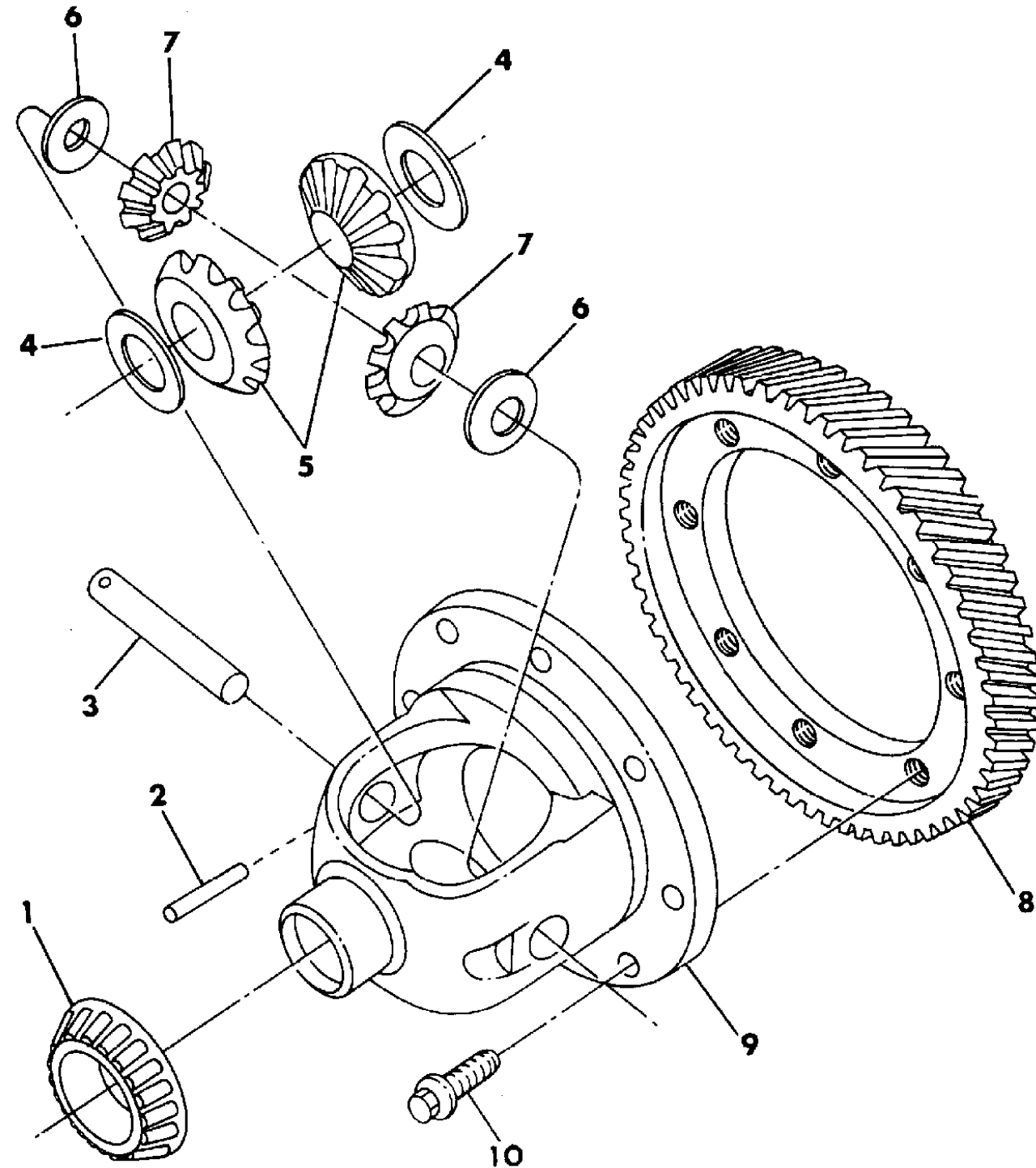
21=2-Door Coupe      41=4-Door Sedan      12-52=FWD & AWD Van & Wgn Std W.B.  
 24=2-Door Hatchback      44=4-Door Hatchback      53=FWD & AWD Van & Wgn Ext. W.B.  
 27=2-Door Convertible

AR = Use as Required    - = Non Illustrated Part    P.A.R. = Paint as Required

**DIFFERENTIAL A523, A543, A568 FIVESPEED MANUAL TRANSAXLE  
Figure 21M-600**

93121 600A

ITEM	PART NUMBER	QTY	BODY	MODEL	DESCRIPTION
1	4567 025	2			CONE, Differential Rear Bearing
2	6101 284	AR			PIN, Differential Roll
3					SHAFT, Differential Pinion
	4659 142	1			w/ Transmission 4531912,4531914,4670988, 4670759
	4348 084	1			w/ Transmission 4543755
	4348 077	1			RING, Pinion Shaft Retainer, w/ Transmission 4543755, 4670759 (not shown)
4	4504 568	1			WASHER PACKAGE, Differential Side Gear, Flat, (Consists of Thrust Washers .031" thru .048")
5	4348 619	2			GEAR, Differential Side
6	4137 024	2			WASHER, Pinion, Spherical
7					PINION, Differential
	4348 679	2			w/ Transmission 4531912,4531914,4670988
	4348 679	4			w/ Transmission 4543755, 4670759
8					GEAR, Final Drive
	4531 956	1			w/ Transmission 4531912,4531914,4670988
	4531 808	1			w/ Transmission 4543755, 4670759
9					CASE, Differential
	4348 634	1			w/ Transmission 4531912,4531914,4670988
	4348 080	1			w/ Transmission 4543755, 4670759
10					BOLT, Drive Gear to Case
	6501 240	12			w/ Transmission 4531912,4531914,4670988
	6501 103	12			w/ Transmission 4543755, 4670759



**MODEL CODES:**

A BODY=(C=LeBaron, D=Spirit, P=Acclaim/LaBaron(Landau), Saratoga) S BODY=(H=Voyager(H) FWD, K=Caravan(H) FWD, Y=Town & Country(H) FWD, P=Voyager(K) AWD, D=Caravan(K) AWD, C=Town & Country(K) AWD)  
 C BODY=(D=Dynasty, C=New Yorker/N.Y. Salon) Y BODY=(C=Imperial/5th Avenue)  
 G BODY=(V=Daytona/IROC, Chrysler Daytona) E-S BODY=(K=Chrysler Voyager(H) FWD, D=Chrysler Voyager(K) AWD)  
 J BODY=(C=LeBaron, Chrysler LeBaron) P BODY=(P=Sundance, D=Shadow)

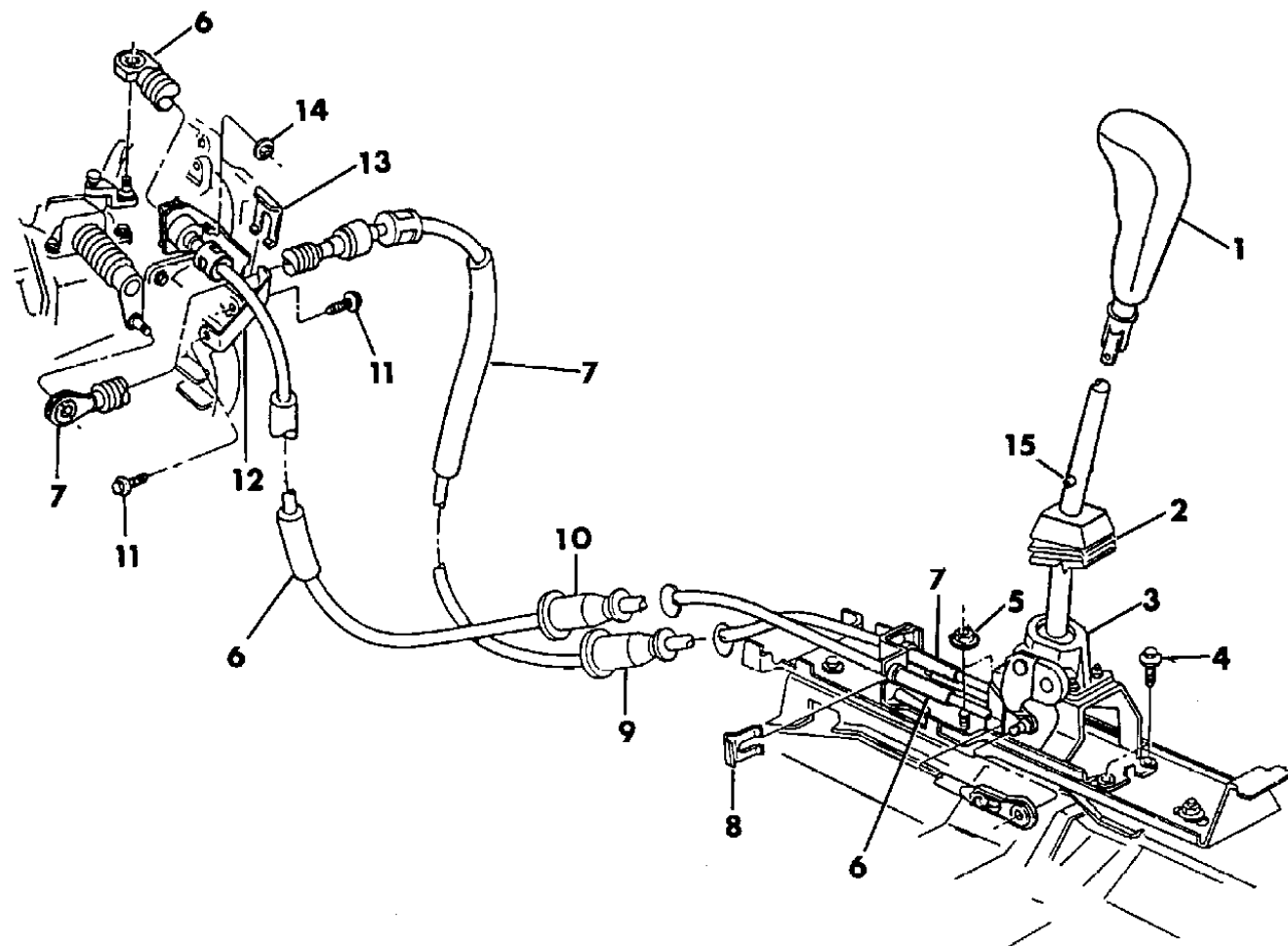
**BODY STYLES:**

21=2-Door Coupe 41=4-Door Sedan 12-52=FWD & AWD Van & Wgn Std W.B.  
 24=2-Door Hatchback 44=4-Door Hatchback 53=FWD & AWD Van & Wgn Ext. W.B.  
 27=2-Door Convertible

AR = Use as Required - = Non Illustrated Part P.A.R. = Paint as Required

**CONTROLS, GEARSHIFT A523, A568 FIVESPEED A,P BODY MANUAL TRANSAXLE**  
**Figure 21M-700**

93121 700



ITEM	PART NUMBER	QTY	BODY	MODEL	DESCRIPTION
1					KNOB ASSEMBLY, Gearshift Control Lever
	4446 987	1	A,P		With A Body Without 2.2 Liter 16 Valve Turbo III
	4471 213	1	A		Leather, A Body With 2.2 Liter Turbo III
2	4446 885	1	P		BOOT, With Plate, Gearshift Lever
	4471 169	1	P		PLATE, Gearshift Lever Boot
	4446 933	1	A		BOOT, With Bezel, Gearshift Lever
3					MECHANISM ASSEMBLY, Gearshift
	4641 249	1	A,P		Except A Body with 2.2 Turbo III
	4641 220	1	A		With 2.2 TURBO III
4		2			SCREW, Mechanism Mounting, (Not Serviced)
5	6501 483	2			NUT, With washer, Mechanism Mounting
6	4504 339	1			CABLE, Gearshift Control Crossover, (45.37"Long)
7					CABLE, Gearshift Control Selector, (52"long)
	4504 342	1	A,P		Except A Body With 2.2 TurboIII
	4641 221	1	A		With 2.2 Turbo III
8	6501 431	2			CLIP, Cable Attaching, Rear
9	4446 980	1			GROMMET, Selector Cable Dash, Gray
10	4446 981	1			GROMMET, Crossover Cable, Dash, Black
11	6100 296	2			SCREW, Bracket Mounting
12	4431 375	1			BRACKET, Cable Mounting
13	4269 830	2			CLIP, Cable Attaching, Front
14	6101 445	2			NUT, (M8x1.25)
15	6502 386	1			PIN, Lever Spring

**MODEL CODES:**

A BODY=(C=LeBaron, D=Spirit, P=Acclaim/LaBaron(Landau), Saratoga) S BODY=(H=Voyager(H) FWD, K=Caravan(H) FWD, Y=Town & Country(H) FWD, P=Voyager(K) AWD, D=Caravan(K) AWD, C=Town & Country(K) AWD)  
 C BODY=(D=Dynasty, C=New Yorker/N.Y. Salon)  
 G BODY=(V=Daytona/IROC, Chrysler Daytona)  
 J BODY=(C=LeBaron, Chrysler LeBaron)  
 P BODY=(P=Sundance, D=Shadow)  
 Y BODY=(C=Imperial/5th Avenue)  
 E-S BODY=(K=Chrysler Voyager(H) FWD, D=Chrysler Voyager(K) AWD)

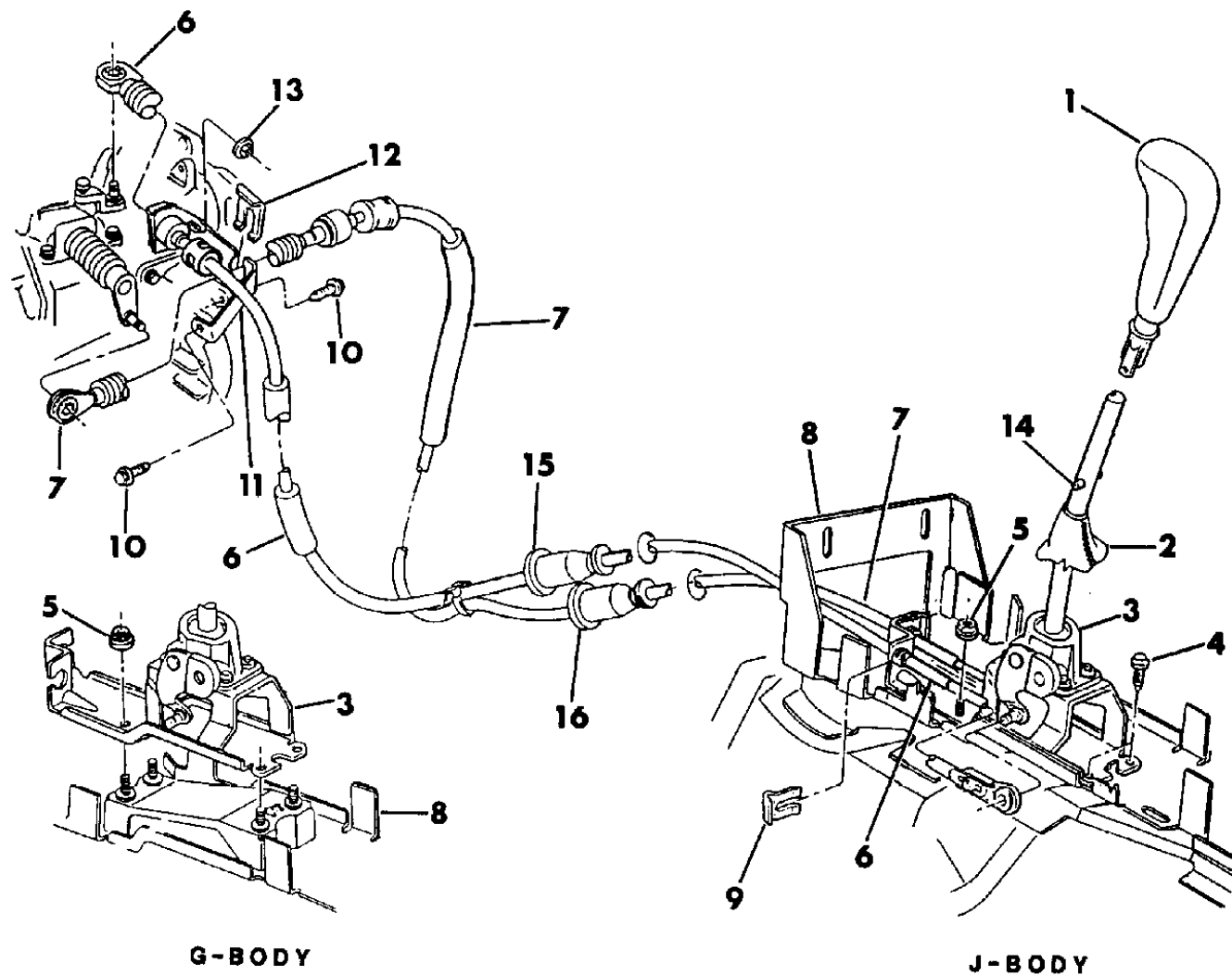
**BODY STYLES:**

21=2-Door Coupe      41=4-Door Sedan      12-52=FWD & AWD Van & Wgn Std W.B.  
 24=2-Door Hatchback      44=4-Door Hatchback      53=FWD & AWD Van & Wgn Ext. W.B.  
 27=2-Door Convertible

AR = Use as Required - = Non Illustrated Part P.A.R. = Paint as Required

**CONTROLS, GEARSHIFT A523, A543, A568 FIVESPEED G,J BODY MANUAL TRANSAXLE  
Figure 21M-800**

93121 800



**G-BODY  
SAME AS J-BODY  
EXCEPT AS SHOWN**

**J-BODY**

ITEM	PART NUMBER	QTY	BODY	MODEL	DESCRIPTION
1					KNOB, Gearshift Lever
	4446 987	1	G,J		Ergonomic
	4471 213	1	G,J		Leather Wrapped
2	4471 170	1	G,J		BOOT, Gearshift Lever
	4446 866	1	G,J		RING, Gearshift Lever Boot, (Not Shown)
3	4431 351	1			MECHANISM, Gearshift
4		2	J		SCREW, Mechanism Attaching, (Not Serviced)
5					NUT, Mechanical Attaching
	6101 362	5			Floor Upper Mounting to Floor Lower Mounting Bracket Attaching
	6101 362	2			Floor Upper Mounting Bracket to Instrument Panel Lower Bracket Attaching
6	4504 338	1			CABLE, Gearshift Crossover, (48.52")
7	4504 340	1			CABLE, Gearshift Selector, (55.00")
8		1			BRACKET, Front Console Mechanism Mounting, (Refer Group 8A)
9	6501 431	2			CLIP, Cable Holding
10	6100 296	2			SCREW, Bracket
11	4431 375	1			BRACKET, Cable Holding
12	4269 830	2			CLIP, Cable Holding, Front
13	6101 445	1			NUT, Bracket Mounting, (M8)
14	6502 386	1			PIN, Lever Spring
15	4446 981	1			GROMMET, Crossover Cable, Dash, Black
16	4446 980	1			GROMMET, Selector Cable, Dash, Gray

**MODEL CODES:**

A BODY=(C=LeBaron, D=Spirit, P=Acclaim/LaBaron(Landau), Saratoga)      S BODY=(H=Voyager(H) FWD, K=Caravan(H) FWD, Y=Town & Country(H) FWD, P=Voyager(K) AWD, D=Caravan(K) AWD, C=Town & Country(K) AWD)  
 C BODY=(D=Dynasty, C=New Yorker/N.Y. Salon)      Y BODY=(C=Imperial/5th Avenue)  
 G BODY=(V=Daytona/IROC, Chrysler Daytona)      E-S BODY=(K=Chrysler Voyager(H) FWD, D=Chrysler Voyager(K) AWD)  
 J BODY=(C=LeBaron, Chrysler LeBaron)  
 P BODY=(P=Sundance, D=Shadow)

**BODY STYLES:**

21=2-Door Coupe      41=4-Door Sedan      12-52=FWD & AWD Van & Wgn Std W.B.  
 24=2-Door Hatchback      44=4-Door Hatchback      53=FWD & AWD Van & Wgn Ext. W.B.  
 27=2-Door Convertible

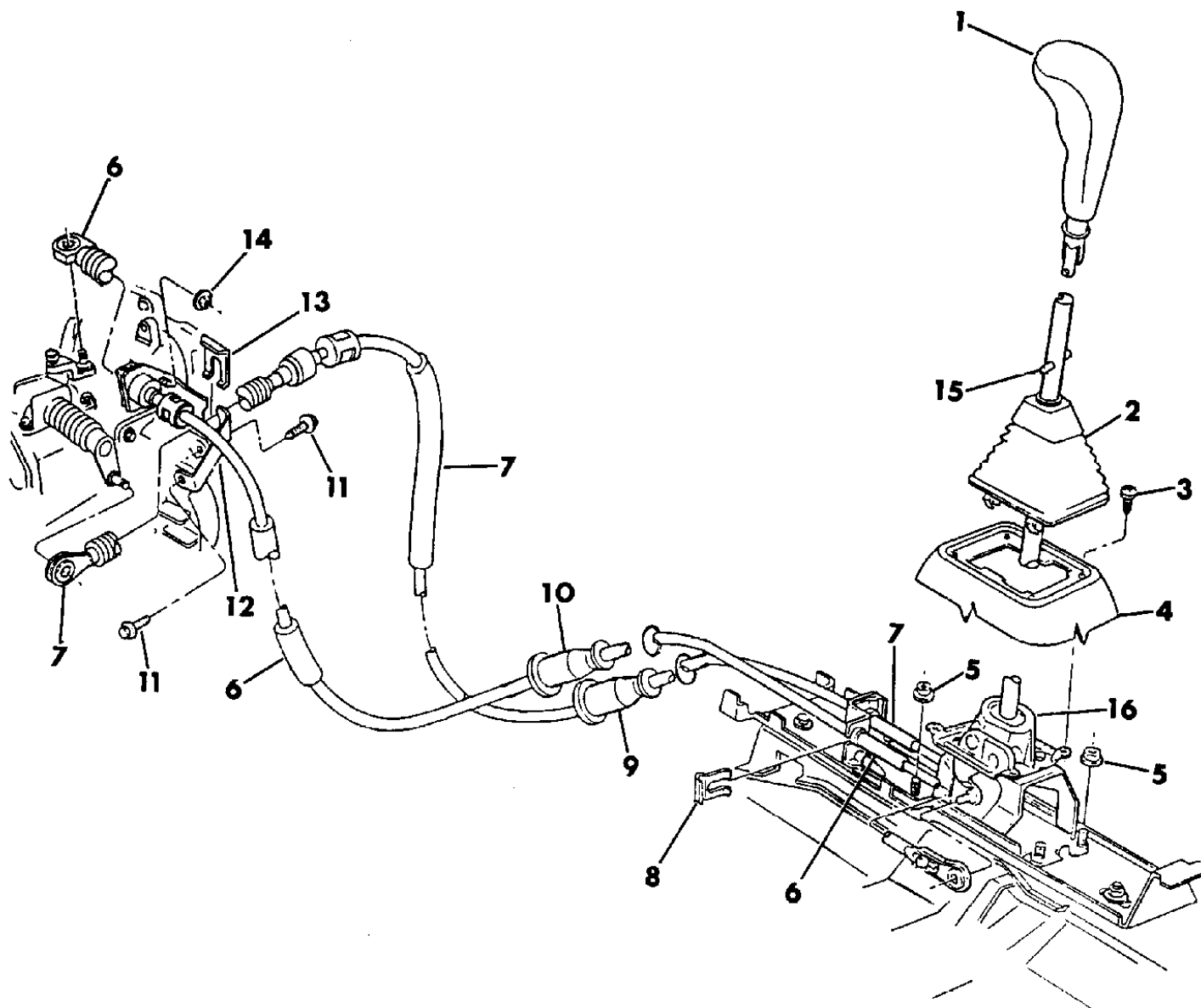
AR = Use as Required - = Non Illustrated Part P.A.R. = Paint as Required



**CONTROLS, GEARSHIFT A523 FIVESPEED S BODY MANUAL TRANSAXLE**  
**Figure 21M-900**

93121 900

ITEM	PART NUMBER	QTY	BODY	MODEL	DESCRIPTION
1	4446 987	1			KNOB, Gearshift Lever
2	4446 887	1			BOOT, Gearshift Lever
3		4			SCREW, Console Mounting, (Not Serviced)
4	V616 JK1	1			BASE, Gearshift Mechanism, Light Almond (Paint as required)
5	6501 483	4			NUT, With Washer, (M8x1.25)
6	4504 344	1			CABLE, Gearshift Crossover, (46.92" Lg)
7	4504 341	1			CABLE, Gearshift Selector, (51.25" Lg)
8	6501 431	2			CLIP, Cable to Brkt. Attaching, Rear
9	4446 980	1			GROMMET, Selector Cable, Dash, Gray
10	4446 981	1			CROSSOVER CABLE, Dash, Black ***
11	6100 296	2			SCREW, Bracket Mounting
12	4431 375	1			BRACKET, Cable Mounting, Front
13	4269 830	2			CLIP, Cable to Bracket Attaching
14	6101 445	1			NUT, Bracket Mounting, (M8x1.25)
15	6502 386	1			PIN, Lever Spring
16	4431 353	1			MECHANISM, Gearshift



**MODEL CODES:**

A BODY=(C=LeBaron, D=Spirit, P=Acclaim/LaBaron(Landau), Saratoga)      S BODY=(H=Voyager(H) FWD, K=Caravan(H) FWD, Y=Town & Country(H) FWD, P=Voyager(K) AWD, D=Caravan(K) AWD, C=Town & Country(K) AWD)  
 C BODY=(D=Dynasty, C=New Yorker/N.Y. Salon)      Y BODY=(C=Imperial/5th Avenue)  
 G BODY=(V=Daytona/IROC, Chrysler Daytona)      E-S BODY=(K=Chrysler Voyager(H) FWD, D=Chrysler Voyager(K) AWD)  
 J BODY=(C=LeBaron, Chrysler LeBaron)  
 P BODY=(P=Sundance, D=Shadow)

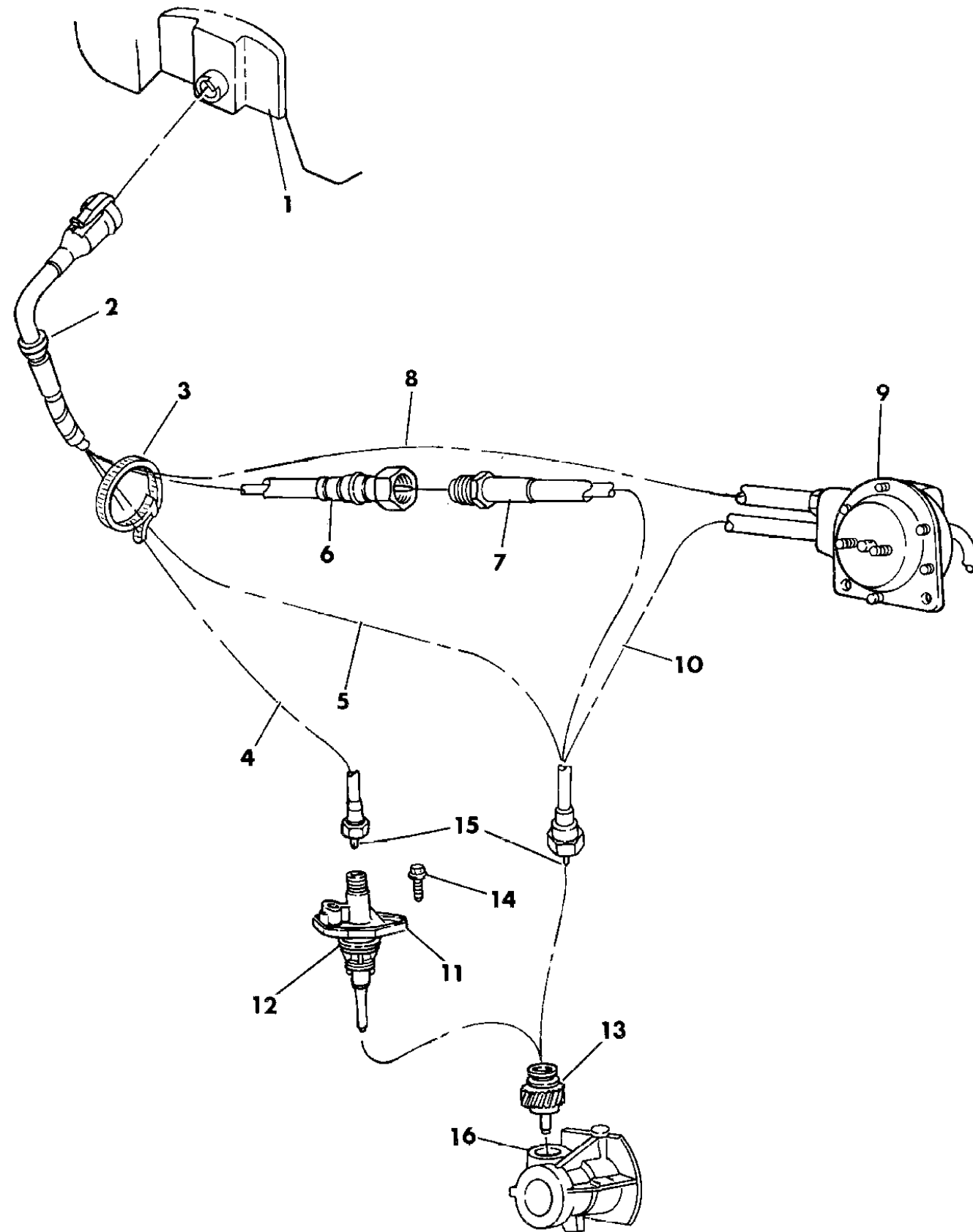
**BODY STYLES:**

21=2-Door Coupe      41=4-Door Sedan      12-52=FWD & AWD Van & Wgn Std W.B.  
 24=2-Door Hatchback      44=4-Door Hatchback      53=FWD & AWD Van & Wgn Ext. W.B.  
 27=2-Door Convertible

AR = Use as Required - = Non Illustrated Part P.A.R. = Paint as Required

**CABLES AND PINION, SPEEDOMETER MANUAL TRANSAXLE**  
**Figure 21M-1000**

93121 1000A



ITEM	PART NUMBER	QTY	BODY	MODEL	DESCRIPTION
1					SPEEDOMETER, (Reference)
2	4419 687	1			GROMMET, Speedometer Cable Dash, Bullet Type
	3445 939	1			PLUG, Speedometer Cable Dash Hole, With Electronic Instrument Panel
3	6015 756	1			STRAP, Gearshift Cable Retaining
4					CABLE, Speedometer To Transaxle
5	5268 018	1	S		CABLE, (44" Long, 1/2" Clip-On Upper, 5/8" Female Lower)
6	4374 769	1	P		CABLE, TWO PIECE, Speedometer To Transaxle, (44" Long, Upper, 1/2" Clip-On, 5/8" Female)
7	4437 092	1	P		CABLE, (24" Long, LOWER, 5/8" Male, 5/8" Female Lower)
8					CABLE, Speedometer to Speed Control (Not Required)
9					CONTROL, Speed (Reference)
10					CABLE, Speed Control To Transmission (Not Required)
11	5234 422	1			SENSOR, Distance
12	5212 152	1			O-RING, Sensor Oil Seal, 1-1/16" I.D.
13	4269 950	AR			PINION, Trans. Speedometer Drive
					19 Teeth, w/P185/75 R14 P/S WSW Misch. Tire, Color YELLOW
					19 Teeth, w/14",15",16" Tire, Color YELLOW
					20 Teeth, w/13",14",15" Tire, Color BLUE
			L,P		21 Teeth, w/P205/50VR15 SBR, LBL, Color White
			S		18 Teeth, w/All 195R15, (European)
14	6501 714	1			SCREW, Sensor Retaining, (M6x1.00x6G)
15	2448 294	1			SHAFT, Cable Drive, Universal Drive Type (80" Long)
16					EXTENSION, Transaxle (Reference)

**MODEL CODES:**

A BODY=(C=LeBaron, D=Spirit, P=Acclaim/LaBaron(Landau), Saratoga) S BODY=(H=Voyager(H) FWD, K=Caravan(H) FWD, Y=Town & Country(H) FWD, P=Voyager(K) AWD, D=Caravan(K) AWD, C=Town & Country(K) AWD)  
 C BODY=(D=Dynasty, C=New Yorker/N.Y. Salon)  
 G BODY=(V=Daytona/IROC, Chrysler Daytona)  
 J BODY=(C=LeBaron, Chrysler LeBaron)  
 P BODY=(P=Sundance, D=Shadow) Y BODY=(C=Imperial/5th Avenue)  
 E-S BODY=(K=Chrysler Voyager(H) FWD, D=Chrysler Voyager(K) AWD)

**BODY STYLES:**

21=2-Door Coupe      41=4-Door Sedan      12-52=FWD & AWD Van & Wgn Std W.B.  
 24=2-Door Hatchback      44=4-Door Hatchback      53=FWD & AWD Van & Wgn Ext. W.B.  
 27=2-Door Convertible

AR = Use as Required - = Non Illustrated Part P.A.R. = Paint as Required

---

**GROUP 21A - TRANSMISSION, AUTO.**

**ILLUSTRATION TITLE**

**GROUP-FIG. NO.**

**TRANSAXLES**

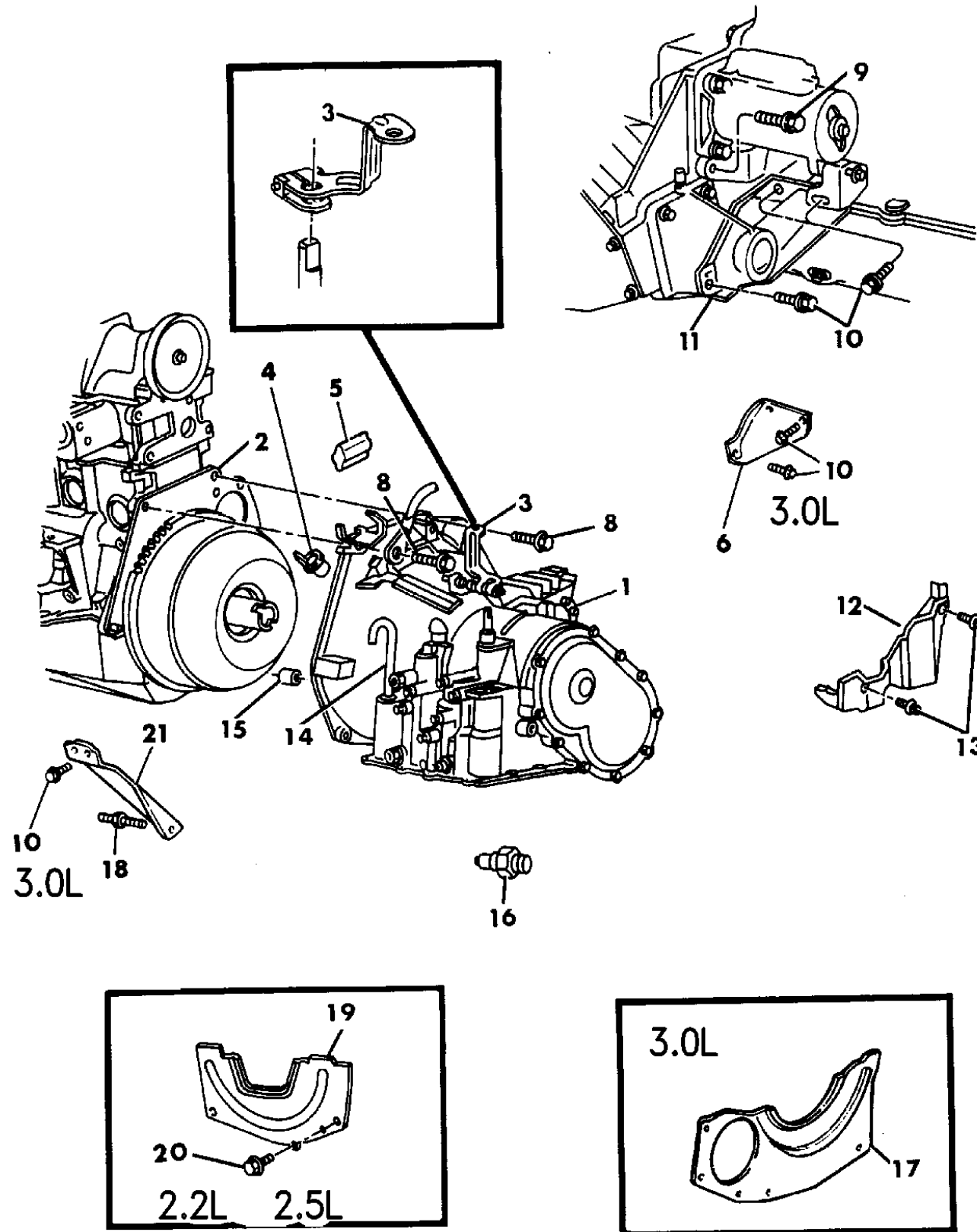
TRANSAXLE ASSEMBLIES AND MOUNTING AUTOMATIC CHRYSLER, MODEL 31TH .....	Fig. 21A-100
CASE, EXTENSION AND RETAINER AUTOMATIC TRANSAXLE, 31TH .....	Fig. 21A-200
PUMP, OIL WITH REACTION SHAFT AUTOMATIC TRANSAXLE, 31TH .....	Fig. 21A-300
GOVERNOR AUTOMATIC TRANSAXLE, 31TH .....	Fig. 21A-400
SERVOS, ACCUMULATOR PISTON AND SPRINGS AUTOMATIC TRANSAXLE, 31TH .....	Fig. 21A-500
BANDS, REVERSE AND KICKDOWN WITH PARKING SPRAG AUTOMATIC TRANSAXLE, 31TH .....	Fig. 21A-600
VALVE BODY AUTOMATIC TRANSAXLE, 31TH .....	Fig. 21A-700
SHAFT, TRANSFER AUTOMATIC TRANSAXLE, 31TH .....	Fig. 21A-800
CLUTCH, FRONT AUTOMATIC TRANSAXLE, 31TH .....	Fig. 21A-900
CLUTCH, REAR AND INPUT SHAFT AUTOMATIC TRANSAXLE, 31TH .....	Fig. 21A-1000
GEARS, FRONT ANNULUS AND SUN AUTOMATIC TRANSAXLE, 31TH .....	Fig. 21A-1100
SHAFT, OUTPUT, REAR CARRIER, REVERSE DRUM, AND OVERRUNNING CLUTCH AUTOMATIC TRANSAXLE, 31TH .....	Fig. 21A-1200
DIFFERENTIAL AUTOMATIC TRANSAXLE 31TH .....	Fig. 21A-1300
TRANSAXLE MOUNTING AND MISC. PARTS AUTOMATIC TRANSAXLE, 41AE,41TE 4 SPEED .....	Fig. 21A-1400
CASE, EXTENSION AND SOLENIOD AUTOMATIC TRANSAXLE, 41TE 4 SPEED .....	Fig. 21A-1500
PUMP, OIL WITH REACTION SHAFT AUTOMATIC TRANSAXLE, 41TE 4 SPEED .....	Fig. 21A-1600
ACCUMULATOR PISTON AND SPRINGS AUTOMATIC TRANSAXLE, 41TE 4 SPEED .....	Fig. 21A-1700
PARKING SPRAG AUTOMATIC TRANSAXLE, 41TE 4 SPEED .....	Fig. 21A-1800
VALVE BODY AUTOMATIC TRANSAXLE, 41TE 4 SPEED .....	Fig. 21A-1900
SHAFT, TRANSFER AUTOMATIC TRANSAXLE, 41TE 4 SPEED .....	Fig. 21A-2000
CLUTCH, INPUT SHAFT AUTOMATIC TRANSAXLE, 41TE 4 SPEED .....	Fig. 21A-2100
GEAR TRAIN AUTOMATIC TRANSAXLE, 41TE 4 SPEED .....	Fig. 21A-2200
DIFFERENTIAL AUTOMATIC TRANSAXLE, 41TE 4 SPEED .....	Fig. 21A-2300
POWER TRANSFER UNIT MOUNTING WITH 41AE AUTOMATIC TRANSAXLE S BODY, AWD .....	Fig. 21A-2400
POWER TRANSFER UNIT AND COMPONENTS WITH 41AE AUTOMATIC TRANSAXLE S BODY, AWD ...	Fig. 21A-2450
<b>GEARSHIFT CONTROLS</b>	
CONTROLS, GEARSHIFT, COLUMN SHIFT AUTOMATIC TRANSAXLE A,CY,S BODY .....	Fig. 21A-2500
CONTROLS, GEARSHIFT, FLOOR SHIFT AUTOMATIC TRANSAXLE P,A,J,G BODY .....	Fig. 21A-2600
LEVER, COLUMN SHIFT, AND INDICATOR AUTOMATIC TRANSMISSION A,C,Y,S BODY .....	Fig. 21A-2700
<b>SPEEDOMETER CABLES &amp; PINIONS</b>	
CABLES AND PINION, SPEEDOMETER AUTOMATIC TRANSMISSION .....	Fig. 21A-2800

**ILLUSTRATION NOT AVAILABLE AT TIME OF PUBLICATION**

**Fig. 21A-100**

TRANSAXLE ASSEMBLIES AND MOUNTING AUTOMATIC CHRYSLER, MODEL 31TH  
Figure 21A-100

93151 100



ITEM	PART NUMBER	QTY	BODY	MODEL	DESCRIPTION
1					TRANSAXLE ASSEMBLY, 3 Speed Automatic
	4567 059	1	P		w/2.2L, EFI Eng., w/3.02 Overall Ratio, w/LU, 31TH
	4567 059	1	P,A,J,G		w/2.5L, EFI Eng., w/3.02 Overall Ratio, w/LU, 31TH
	4567 059	1	C	D-H41	w/2.5L, EFI Eng., w/3.02 Overall Ratio, w/LU, 31TH
	4567 055	1	S		w/2.5L, EFI Eng., w/3.22 Overall Ratio, w/LU, 31TH
	4567 061	1	A		w/3.0L Eng., w/3.02 Overall Ratio, w/LU, 31TH
	4626 745	1	A		w/3.0L Eng., w/2.80 Overall Ratio, w/LU, 31TH, 1993
	4567 061	1	S		w/3.0L Eng., w/3.02 Overall Ratio, w/LU, 31TH
					TRANSAXLE ASSEMBLY, 4 Speed Automatic
					41TE 4 Speed Automatic, (Refer to Illus. No. 1400)
					TRANSAXLE ASSY. CROSS REFERENCE
					PRODUCTION NO. SERVICE NO.
					4567841 4567059
					4567843 4567055
					4567840 4567061
					4659852 4626745
	4419 616	1			GASKET PACKAGE, Seals, Rings, O-Rings, Gaskets, Transaxle Major Repair, 31TH Trans.
2	4412 526	1			COVER, Case Upper, w/2.2L,2.5L Eng.
	3759 944	1			RETAINER, Cover, Special Screw M6x1x14
3	4670 344	1			LEVER, Manual Control, w/3 Speed Trans., Except A Body w/3. 0L Eng.
	4641 234	1			w/3 Speed Trans., 31TH, A Body, w/3.0L Eng.
	4670 123	1			w/4 Speed Auto.
	5240 826	1			Throttle Control, Except w/3.0L Eng.
	5277 877	1	A		w/3.0L Eng.
	4307 554	1	S		w/3.0L Eng.
	6101 626	1			BOLT, M6x1.00x35
	5212 384	1			NUT, Lever Bolt, M6x1.00
4	4377 923	1			PLUG, Timing Probe Hole, Except 3.0L Eng.
5	4431 448	1			COVER, Trans. Timing Window, Except 3.0L Eng.
6	4348 954	1	S		STRUT, Trans. to Cyl. Block, Rear, w/3.0L Eng.
8	6501 741	AR			SCREW, w/Washer, Case to Block M12x1.75x30
	6501 164	3			M12 x 1.75 x 50
9					SCREW, (Refer To Item No. 8)
10	6501 741	AR			SCREW, w/Washer, Strut to Block, M12x1.75x30, w/2.2L,2.5L Eng.
11	5224 214	1			STRUT, Trans. Hsg. To Cyl. Block, Rear, Except S Body w/3.0L Eng.

MODEL CODES:

A BODY=(C=LeBaron, D=Spirit, P=Acclaim/LaBaron(Landau),  
Saratoga)  
C BODY=(D=Dynasty, C=New Yorker/N.Y. Salon)  
G BODY=(V=Daytona/IROC, Chrysler Daytona)  
J BODY=(C=LeBaron, Chrysler LeBaron)  
P BODY=(P=Sundance, D=Shadow)

S BODY=(H=Voyager(H) FWD, K=Caravan(H) FWD,  
Y=Town & Country(H) FWD, P=Voyager(K) AWD,  
D=Caravan(K) AWD, C=Town & Country(K) AWD)  
Y BODY=(C=Imperial/5th Avenue)  
E-S BODY=(K=Chrysler Voyager(H) FWD, D=Chrysler  
Voyager(K) AWD)

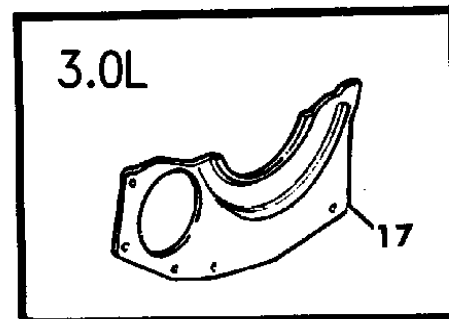
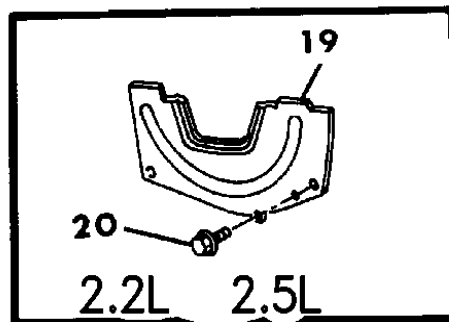
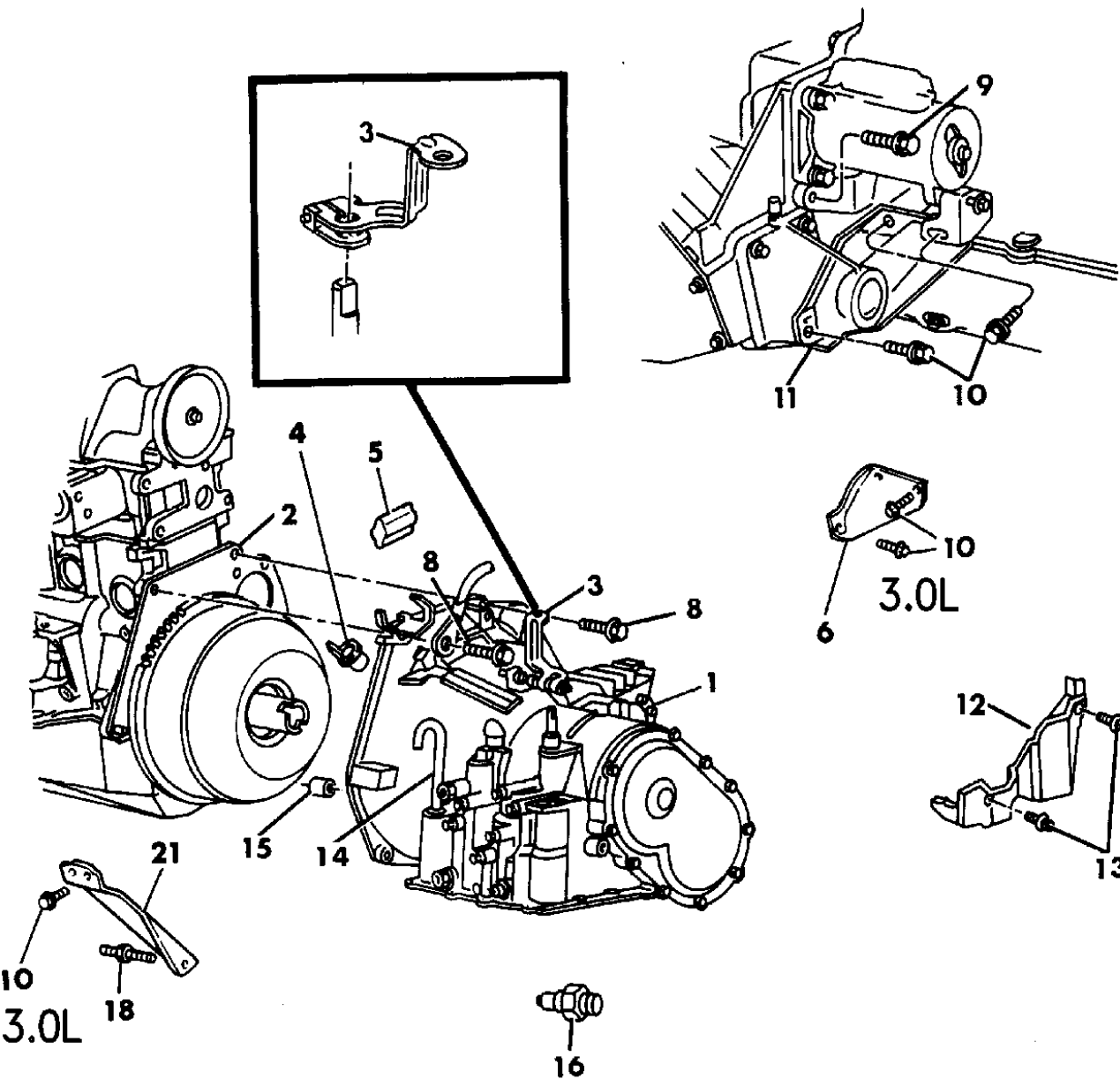
BODY STYLES:

21=2-Door Coupe      41=4-Door Sedan      12-52=FWD & AWD Van & Wgn Std W.B.  
24=2-Door Hatchback      44=4-Door Hatchback      53=FWD & AWD Van & Wgn Ext. W.B.  
27=2-Door Convertible

AR = Use as Required - = Non Illustrated Part P.A.R. = Paint as Required

TRANSAXLE ASSEMBLIES AND MOUNTING AUTOMATIC CHRYSLER, MODEL 31TH  
Figure 21A-100

93151 100



ITEM	PART NUMBER	QTY	BODY	MODEL	DESCRIPTION
12		1			SHIELD, Trans. Appearance, Left
	4655 121	1	P,A,J,G		
	4534 559	1	C		
		1	C		(Refer to Group 13 Illus. 300)
	4490 539	1	S		
13					SCREW, w/Washer (Not Serviced)
14	4567 532	1			INDICATOR, Trans. Fluid (Original Trans. Indicator O-Ring, 18.6mm O.D.)
	4856 444	1			(Replacement Trans. Indicator O-Ring, 19.93mm O.D.)
15	5240 849	2			DOWEL, Trans. To Eng. Alignment
16	3747 361	1			SWITCH, Neutral Starter and Back-Up Light (Use Wrg. Pkg. 4209695)
	2408 143	1			WASHER, Neutral Starter and Back-Up Light Switch
17	4505 678	1	S		COVER, Case Lower, w/3.0L Eng.
18	6501 514	1	S		STUD, Strut Front, w/3.0L Eng. (Also Shown on 9B-1000)
19	4412 528	1			COVER, Case Lower, w/2.2L,2.5L Eng.
20	6500 136	1			SCREW, Case Cover, Lower, M6x1.00x14, Except 2.5L,3.0L Eng.
	4412 430	1			RETAINER, Case Cover Lower, Special Screw
21	4348 953	1	S		STRUT, Trans. to Cyl. Block, Front, w/3.0L Eng.

MODEL CODES:

A BODY=(C=LeBaron, D=Spirit, P=Acclaim/LaBaron(Landau), Saratoga) S BODY=(H=Voyager(H) FWD, K=Caravan(H) FWD, Y=Town & Country(H) FWD, P=Voyager(K) AWD, D=Caravan(K) AWD, C=Town & Country(K) AWD)  
 C BODY=(D=Dynasty, C=New Yorker/N.Y. Salon)  
 G BODY=(V=Daytona/IROC, Chrysler Daytona)  
 J BODY=(C=LeBaron, Chrysler LeBaron)  
 P BODY=(P=Sundance, D=Shadow)  
 Y BODY=(C=Imperial/5th Avenue)  
 E-S BODY=(K=Chrysler Voyager(H) FWD, D=Chrysler Voyager(K) AWD)

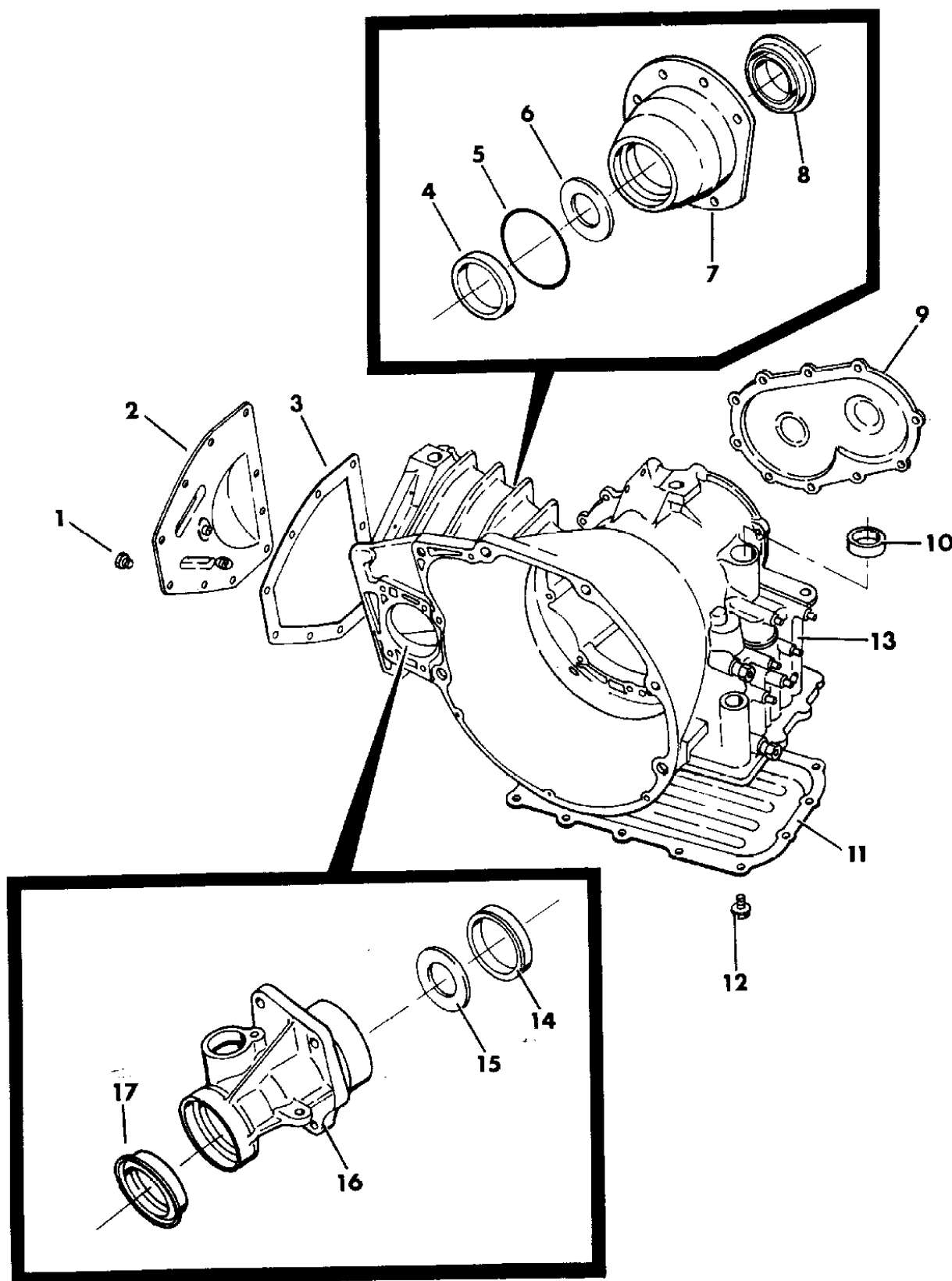
BODY STYLES:

21=2-Door Coupe 41=4-Door Sedan 12-52=FWD & AWD Van & Wgn Std W.B.  
 24=2-Door Hatchback 44=4-Door Hatchback 53=FWD & AWD Van & Wgn Ext. W.B.  
 27=2-Door Convertible

AR = Use as Required - = Non Illustrated Part P.A.R. = Paint as Required

CASE, EXTENSION AND RETAINER AUTOMATIC TRANSAXLE, 31TH  
Figure 21A-200

93151 200



ITEM	PART NUMBER	QTY	BODY	MODEL	DESCRIPTION
1	6501 474	10			SCREW, w/Washer Diff. Oil Pan To Case, M8x1.25x16
	6501 411	2			STUD, Anti-Lock Pump Motor to Diff. Cover M8x1.25x41
2	4471 574	1			PAN, Transaxle Diff. Oil
3		1			GASKET, Trans. Diff. Oil Pan (Use Silicone Adhesive)
4	4567 022	1			CUP, Differential, 63mm O.D.
5					SPACER, Trans. Final Drive
	4207 134	AR			0.50mm(.020")
	4207 135	AR			0.55mm(.022")
	4207 136	AR			0.60mm(.024")
	4207 137	AR			0.65mm(.026")
	4207 138	AR			0.70mm(.027")
	4207 139	AR			0.75mm(.029")
	4207 140	AR			0.80mm(.031")
	4207 141	AR			0.85mm(.033")
	4207 142	AR			0.90mm(.035")
	4207 143	AR			0.95mm(.037")
	4207 144	AR			1.00mm(.039")
	4207 145	AR			1.05mm(.041")
6	4269 787	1			RETAINER, Trans. Diff. Oil
7	4329 829	1			RETAINER, Trans. Diff. Bearing
	6500 368	6			SCREW, Diff. Brg. Retainer, M8x1.25x23
8	4412 522	1			SEAL, Trans. Diff. Brg. Retainer, Rubber and Metal
9	4471 572	1			COVER, Trans. End, Rear
					GASKET, (Use Silicone Adhesive)
	6501 474	10			SCREW, w/Washer, End Cover M8x1.25x16
10	3878 447	1			SEAL, Manual Valve Lever Shaft
11	4471 573	1			PAN, Transaxle Oil
	4446 728	1			MAGNET, Case Chip Collector
					GASKET, (Use Silicone Adhesive)
12	6501 474	12			SCREW, w/Washer Trans. Oil Pan To Case, M8x1.25x16
	6101 285	1			M6x1x16, w/2.5L Eng.
13					CASE, Transaxle
	4531 127	1			w/2.2L,2.5L Eng.
	4531 128	1			w/3.0L Eng.
	6100 994	1			PIN, Dowel
	6030 035	7			PLUG, Pressure Check, 1/16-27
	6034 135	1			w/4 Wheel Disc Brakes (Anti-Lock)
	4531 202	2			FITTING, Trans. Oil Cooler Line, w/Tapered Pipe Thread
14	4567 022	1			CUP, Extension, 63mm O.D.

MODEL CODES:

A BODY=(C=LeBaron, D=Spirit, P=Acclaim/LaBaron(Landau), Saratoga) S BODY=(H=Voyager(H) FWD, K=Caravan(H) FWD, Y=Town & Country(H) FWD, P=Voyager(K) AWD, D=Caravan(K) AWD, C=Town & Country(K) AWD)  
 C BODY=(D=Dynasty, C=New Yorker/N.Y. Salon)  
 G BODY=(V=Daytona/ROC, Chrysler Daytona)  
 J BODY=(C=LeBaron, Chrysler LeBaron)  
 P BODY=(P=Sundance, D=Shadow)  
 Y BODY=(C=Imperial/5th Avenue)  
 E-S BODY=(K=Chrysler Voyager(H) FWD, D=Chrysler Voyager(K) AWD)

BODY STYLES:

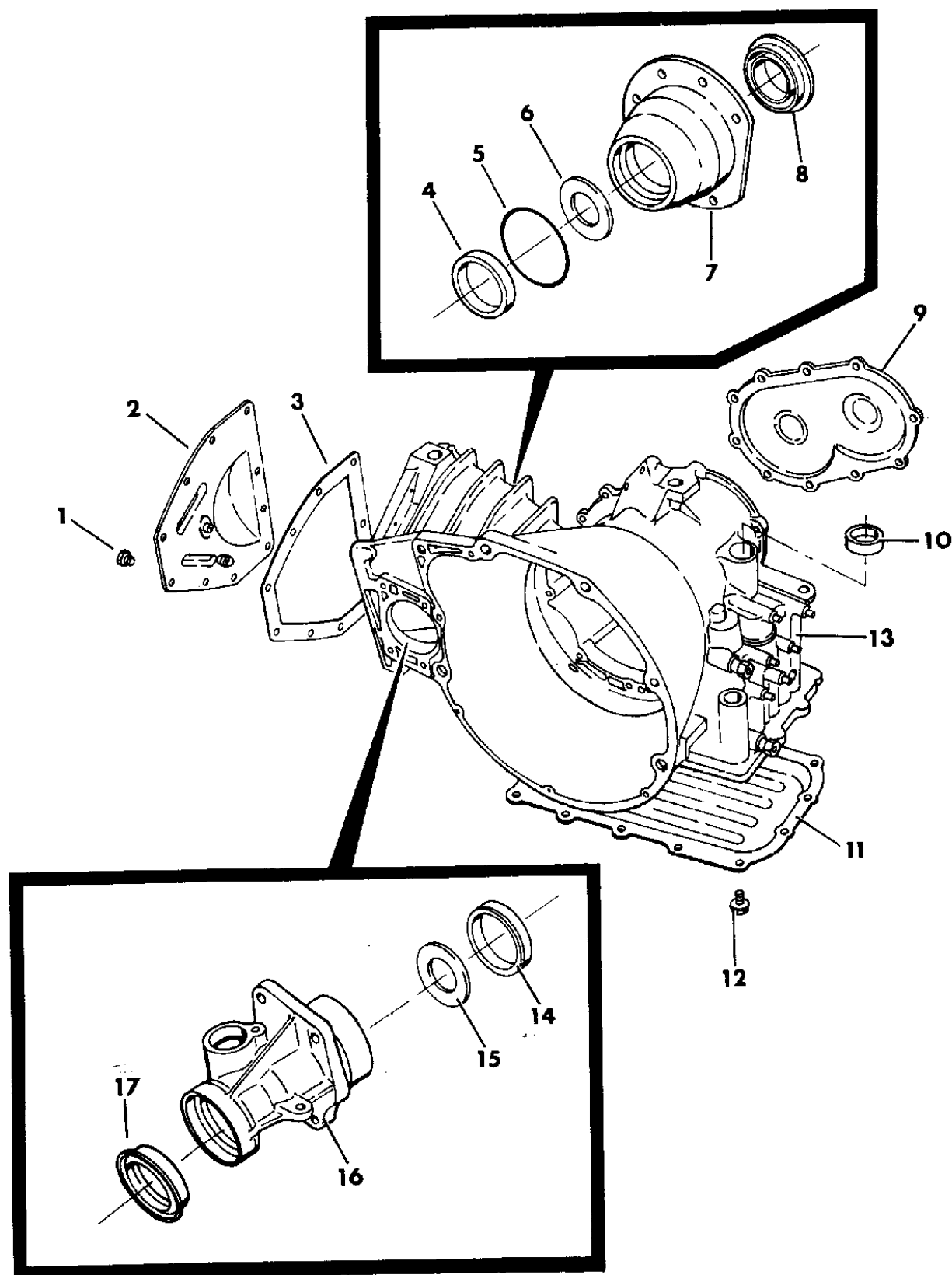
21=2-Door Coupe 41=4-Door Sedan 12-52=FWD & AWD Van & Wgn Std W.B.  
 24=2-Door Hatchback 44=4-Door Hatchback 53=FWD & AWD Van & Wgn Ext. W.B.  
 27=2-Door Convertible

AR = Use as Required - = Non Illustrated Part P.A.R. = Paint as Required

CASE, EXTENSION AND RETAINER AUTOMATIC TRANSAXLE, 31TH  
Figure 21A-200

93151 200

ITEM	PART NUMBER	QTY	BODY	MODEL	DESCRIPTION
15	5222 255	1			RETAINER, Trans. Extension Oil
16	4549 219	1			EXTENSION PACKAGE, Transaxle ***
	6500 511	4			SCREW, Ext. to Case, M8x1.25x33
17	4412 522	1			SEAL, Trans. Extension, Rubber and Metal



**MODEL CODES:**

A BODY=(C=LeBaron, D=Spirit, P=Acclaim/LaBaron(Landau), Saratoga) S BODY=(H=Voyager(H) FWD, K=Caravan(H) FWD, Y=Town & Country(H) FWD, P=Voyager(K) AWD, D=Caravan(K) AWD, C=Town & Country(K) AWD)  
 C BODY=(D=Dynasty, C=New Yorker/N.Y. Salon) Y BODY=(C=Imperial/5th Avenue)  
 G BODY=(V=Daytona/IROC, Chrysler Daytona) E-S BODY=(K=Chrysler Voyager(H) FWD, D=Chrysler Voyager(K) AWD)  
 J BODY=(C=LeBaron, Chrysler LeBaron) P BODY=(P=Sundance, D=Shadow)

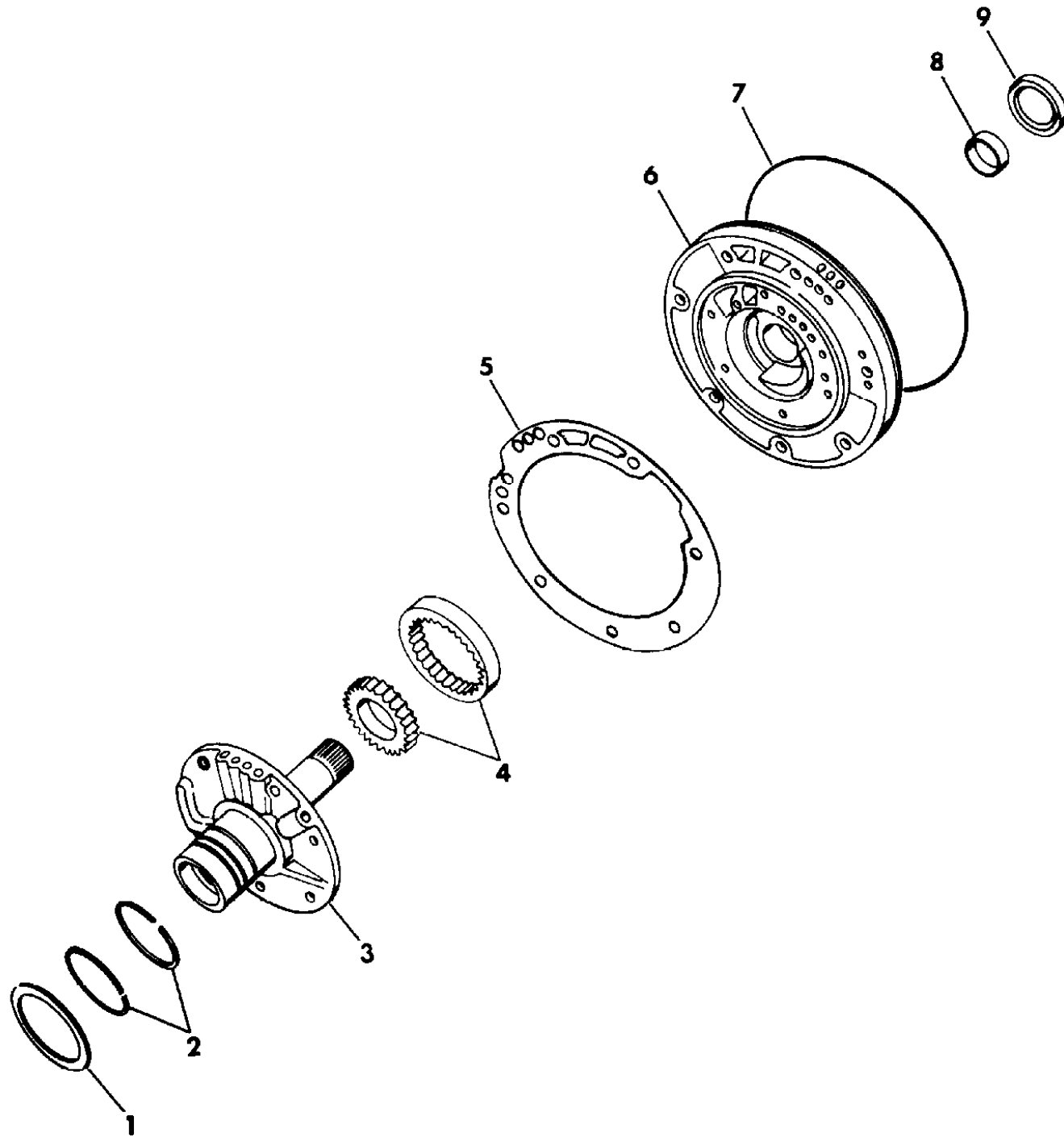
**BODY STYLES:**

21=2-Door Coupe 41=4-Door Sedan 12-52=FWD & AWD Van & Wgn Std W.B.  
 24=2-Door Hatchback 44=4-Door Hatchback 53=FWD & AWD Van & Wgn Ext. W.B.  
 27=2-Door Convertible

AR = Use as Required - = Non Illustrated Part P.A.R. = Paint as Required

**PUMP, OIL WITH REACTION SHAFT AUTOMATIC TRANSAXLE, 31TH**  
**Figure 21A-300**

93151 300



ITEM	PART NUMBER	QTY	BODY	MODEL	DESCRIPTION
NOTE: There is no SEAL and GASKET PACKAGE for the FRONT PUMP, Order Individual Parts. applications specified in this document.					
	4412 525	1			PUMP ASSEMBLY, Trans. Oil (w/o Seals)
1	4567 026	1			WASHER, Frt. Clutch Thrust, Frt., Plastic, 71.5 O.D.
2	5212 305	2			RING, Trans. Reaction Shaft Support Seal
3		1			SHAFT, w/Support and Bushing, Reaction, (Serviced in 4412525 Pump Assy.)
	6500 211	6			BOLT, M8x1.25x19
4		1			GEAR and ROTOR, (Serviced in 4412525 Pump Assy.)
5	4269 661	1			GASKET, Transaxle Oil Pump Housing
6		1			HOUSING, w/Bushing and Rotor, (Serviced in 4412525 Pump Assy.)
	6501 106	7			SCREW, w/Washer, Oil Pump to Case, M8x1.25x25
7	5205 660	1			SEAL, Trans. Oil Pump Housing, Rubber
8		1			BUSHING, Oil Pump Housing (Serviced in 4412525 Pump Assy.)
9	4412 475	1			SEAL, Torque Converter Impeller Hub, 57.25mm O.D.

**MODEL CODES:**

A BODY=(C=LeBaron, D=Spirit, P=Acclaim/LaBaron(Landau), Saratoga)      S BODY=(H=Voyager(H) FWD, K=Caravan(H) FWD, Y=Town & Country(H) FWD, P=Voyager(K) AWD, D=Caravan(K) AWD, C=Town & Country(K) AWD)  
 C BODY=(D=Dynasty, C=New Yorker/N.Y. Salon)  
 G BODY=(V=Daytona/IROC, Chrysler Daytona)  
 J BODY=(C=LeBaron, Chrysler LeBaron)  
 P BODY=(P=Sundance, D=Shadow)      Y BODY=(C=Imperial/5th Avenue)  
 E-S BODY=(K=Chrysler Voyager(H) FWD, D=Chrysler Voyager(K) AWD)

**BODY STYLES:**

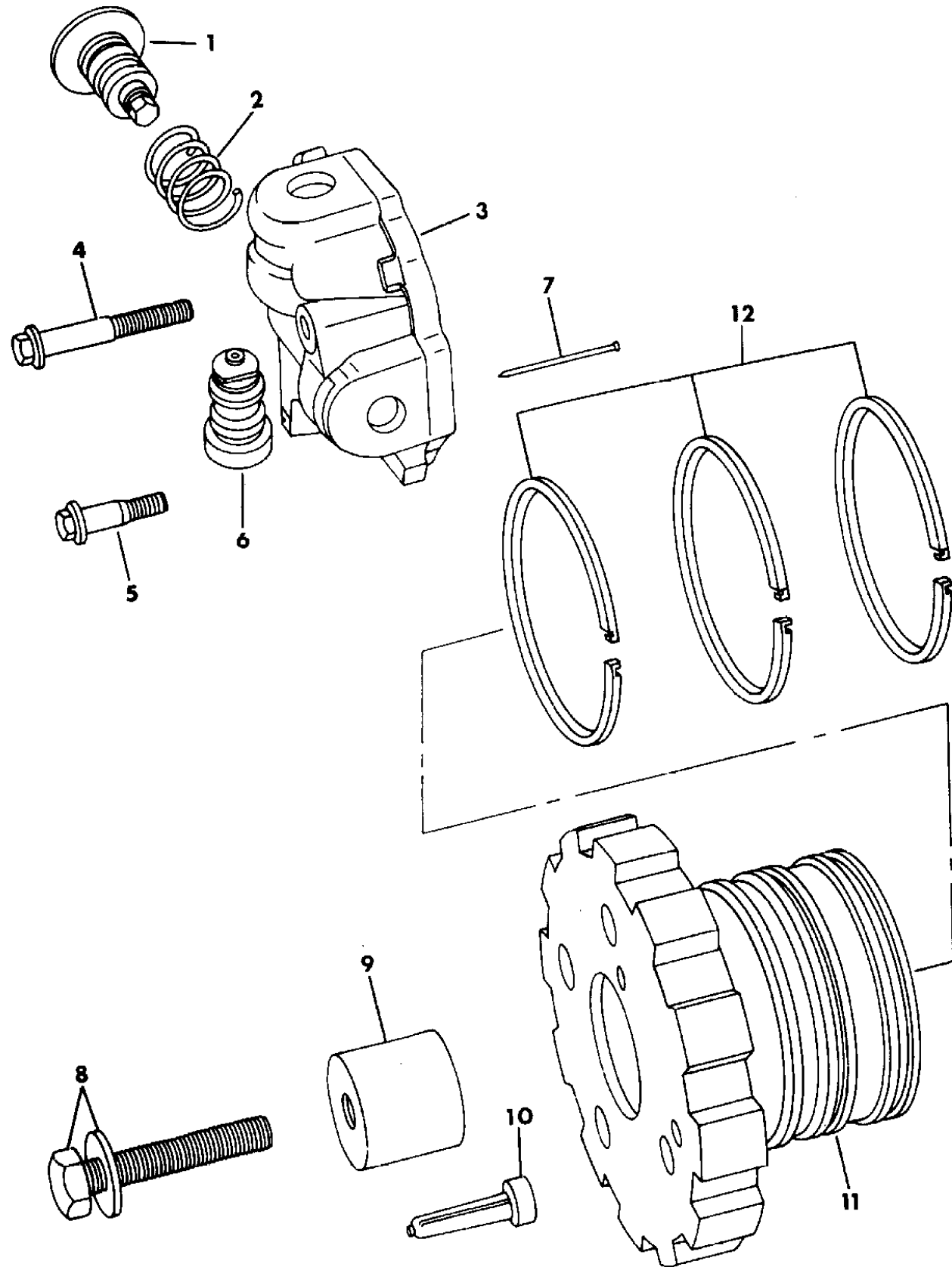
21=2-Door Coupe      41=4-Door Sedan      12-52=FWD & AWD Van & Wgn Std W.B.  
 24=2-Door Hatchback      44=4-Door Hatchback      53=FWD & AWD Van & Wgn Ext. W.B.  
 27=2-Door Convertible

AR = Use as Required - = Non Illustrated Part P.A.R. = Paint as Required



**GOVERNOR AUTOMATIC TRANSAXLE, 31TH**  
**Figure 21A-400**

93151 400



ITEM	PART NUMBER	QTY	BODY	MODEL	DESCRIPTION
1	4295 956	1			VALVE, Gov. Secondary
2	4207 193	1			SPRING, Gov. Valve w/4567055,059 Trans.
	4471 512	1			w/4567061,4626745 Trans.
3	4207 055	1			BODY, Governor
4	6500 209	1			SCREW, Gov. Body, M5x0.8x37
5	6500 208	2			SCREW, Gov. Body, M5x0.8x20
6	4207 186	1			VALVE, Gov. Primary w/4626745 Trans.
	4295 955	1			Except 4626745 Trans.
7		1			PIN, Gov. Weight Retaining, 3D Finishing Nail 1-1/4" Lg. (Not Serviced)
8	6100 306	1			SCREW, Counterweight to Gov. Support
9	5212 265	1			WEIGHT, Counter Gov.
10	5205 839	1			FILTER, Transaxle Governor
11	4431 504	1			SUPPORT, Governor
12	4269 594	3			RING, Gov. Support Seal

**MODEL CODES:**

A BODY=(C=LeBaron, D=Spirit, P=Acclaim/LaBaron(Landau), Saratoga)      S BODY=(H=Voyager(H) FWD, K=Caravan(H) FWD, Y=Town & Country(H) FWD, P=Voyager(K) AWD, D=Caravan(K) AWD, C=Town & Country(K) AWD)  
 C BODY=(D=Dynasty, C=New Yorker/N.Y. Salon)  
 G BODY=(V=Daytona/IROC, Chrysler Daytona)  
 J BODY=(C=LeBaron, Chrysler LeBaron)  
 P BODY=(P=Sundance, D=Shadow)      Y BODY=(C=Imperial/5th Avenue)  
 E-S BODY=(K=Chrysler Voyager(H) FWD, D=Chrysler Voyager(K) AWD)

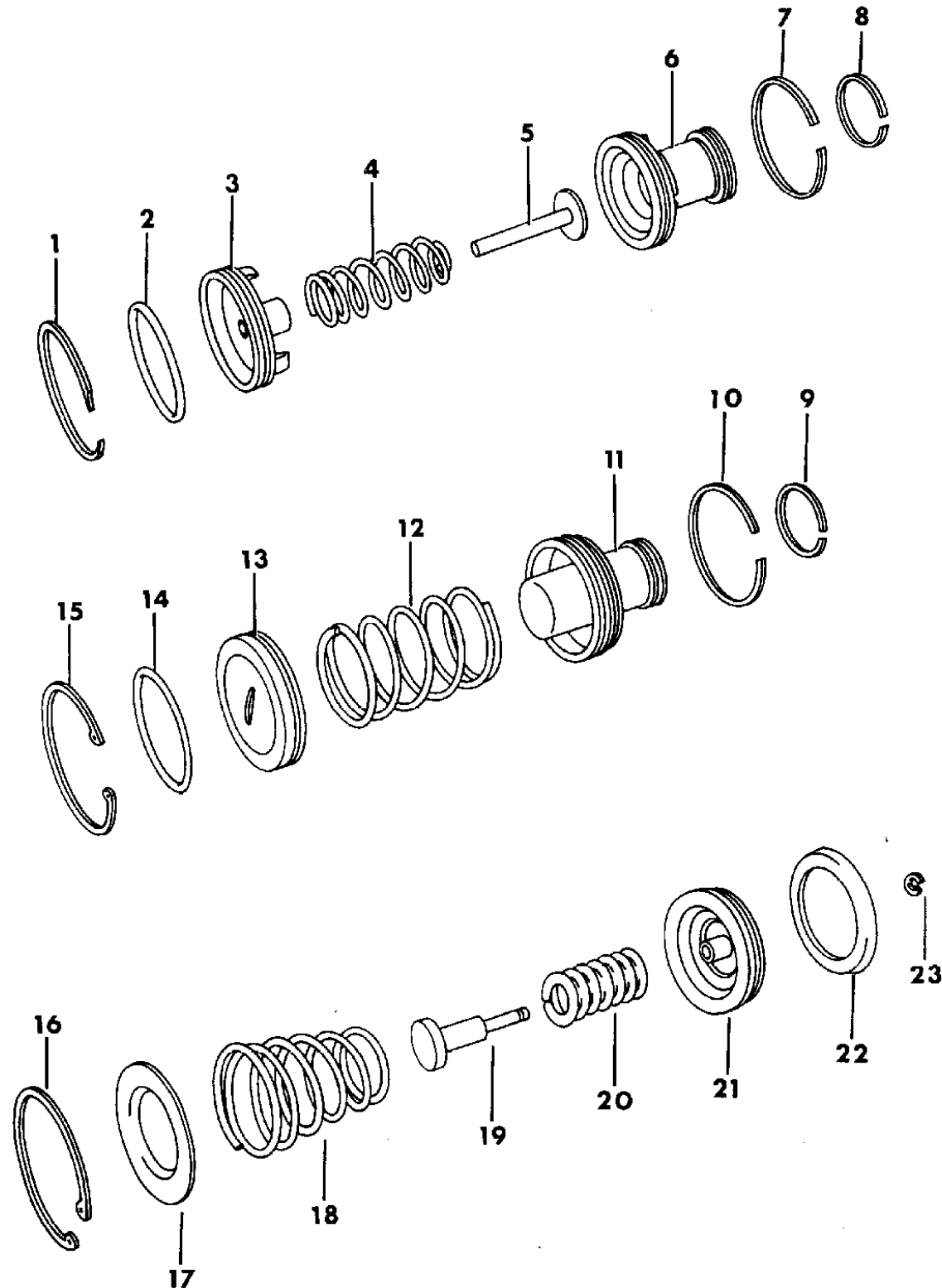
**BODY STYLES:**

21=2-Door Coupe      41=4-Door Sedan      12-52=FWD & AWD Van & Wgn Std W.B.  
 24=2-Door Hatchback      44=4-Door Hatchback      53=FWD & AWD Van & Wgn Ext. W.B.  
 27=2-Door Convertible

AR = Use as Required - = Non Illustrated Part P.A.R. = Paint as Required

**SERVOS, ACCUMULATOR PISTON AND SPRINGS AUTOMATIC TRANSAXLE, 31TH**  
**Figure 21A-500**

93151 500



ITEM	PART NUMBER	QTY	BODY	MODEL	DESCRIPTION
1	6031 765	1			SNAP RING, Kickdown Servo
2	6031 545	1			RING, Kickdown Servo Piston, Seal
3	5224 344	1			GUIDE, Kickdown Servo
4	4207 229	1			SPRING, Kickdown Servo Piston, Use w/4567055,059 Trans.
	4269 559	1			w/4567061,4626745 Trans.
5	4058 943	1			ROD, Kickdown Servo Piston
6	4269 524	1			PISTON, Kickdown Servo
	6025 031	1			SNAP RING, Inner
	6031 410	1			SEAL, Kickdown Servo Inner Piston
7	3743 014	1			RING, Kickdown Servo Piston Seal, Large
8	3743 033	1			RING, Kickdown Servo Piston Seal, Small
9	3743 010	1			RING, Accumulator Piston Seal, Small
10	3743 013	1			RING, Accumulator Piston Seal, Large
11	3743 650	1			PISTON, Accumulator
12	4207 211	1			SPRING, Accumulator, Use w/4567055,059 Trans.
	4412 577	1			w/4567061,4626745 Trans.
13	4205 857	1			PLATE, Accumulator
14	6031 545	1			RING, Seal Accumulator Plate
15	5212 252	1			SNAP RING, Accumulator
	4762 713	1			REVERSE SERVO PACKAGE, Consists Of Items 16,17,18,19, 20,22,23
16	6031 909	1			SNAP RING, Reverse Servo Piston Spring Retainer
17		1			RETAINER, Reverse Servo Piston Spring (Serv. in Pkg.)
18	3681 434	1			SPRING, Reverse Servo Piston
19	4269 707	1			PLUG, Reverse Servo Piston
20		1			SPRING, Reverse Servo Cushion (Serv. in Pkg.)
21	3743 898	1			PISTON, Reverse Servo
22	4269 736	1			SEAL, Reverse Servo Piston, Rubber
23	1638 461	1			E-RING, Reverse Servo Plug

**MODEL CODES:**

A BODY=(C=LeBaron, D=Spirit, P=Acclaim/LaBaron(Landau), Saratoga)      S BODY=(H=Voyager(H) FWD, K=Caravan(H) FWD, Y=Town & Country(H) FWD, P=Voyager(K) AWD, D=Caravan(K) AWD, C=Town & Country(K) AWD)  
 C BODY=(D=Dynasty, C=New Yorker/N.Y. Salon)  
 G BODY=(V=Daytona/IROC, Chrysler Daytona)  
 J BODY=(C=LeBaron, Chrysler LeBaron)  
 P BODY=(P=Sundance, D=Shadow)

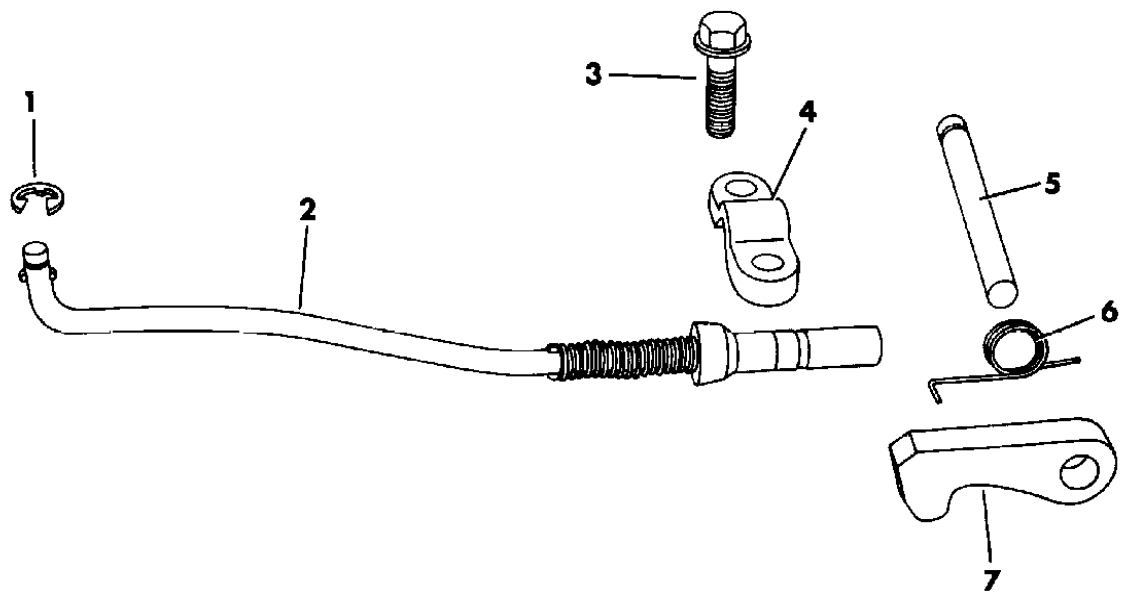
**BODY STYLES:**

21=2-Door Coupe      41=4-Door Sedan      12-52=FWD & AWD Van & Wgn Std W.B.  
 24=2-Door Hatchback      44=4-Door Hatchback      53=FWD & AWD Van & Wgn Ext. W.B.  
 27=2-Door Convertible

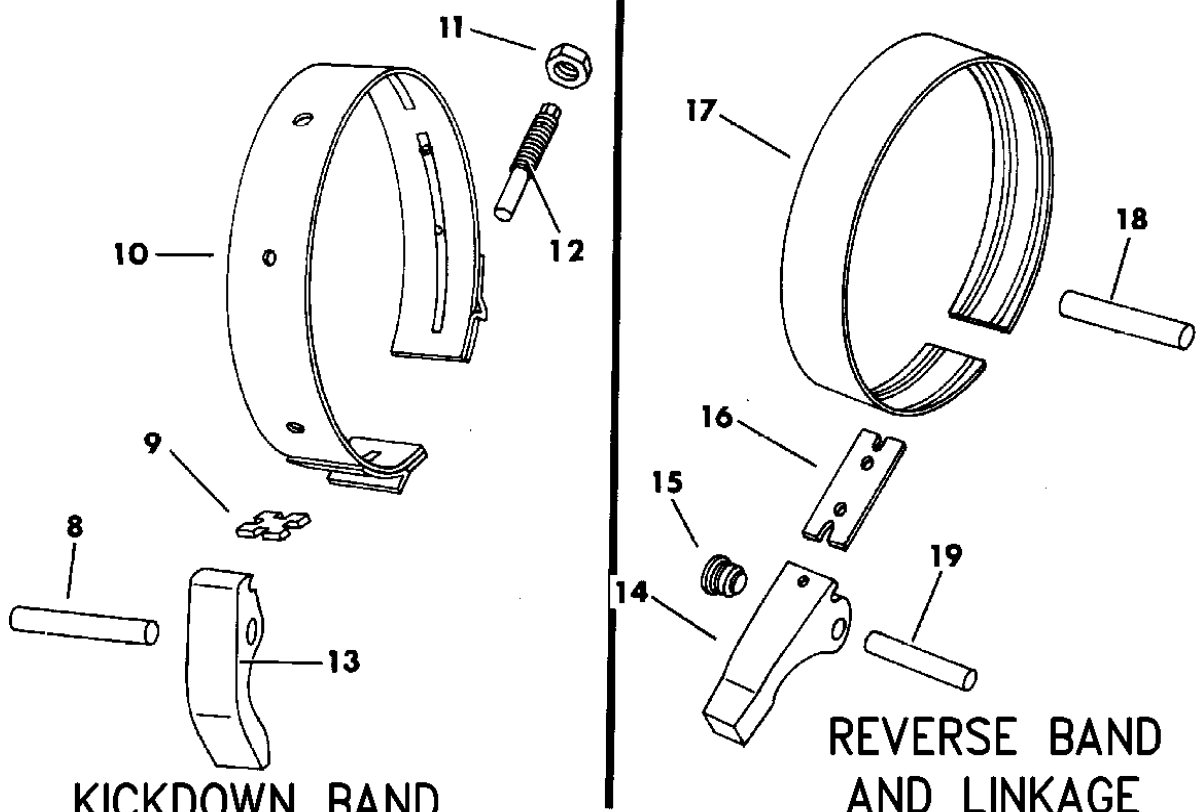
AR = Use as Required - = Non Illustrated Part P.A.R. = Paint as Required

**BANDS, REVERSE AND KICKDOWN WITH PARKING SPRAG AUTOMATIC TRANSAXLE, 31TH**  
**Figure 21A-600**

93151 600



**PARKING SPRAG**



**KICKDOWN BAND AND LINKAGE**

**REVERSE BAND AND LINKAGE**

ITEM	PART NUMBER	QTY	BODY	MODEL	DESCRIPTION
1	1626 749	1			E-RING, Parking Sprag Rod Retainer
2	4431 530	1			ROD, w/Spring, Sleeve And End, Parking Sprag
3	6500 368	2			BOLT, Parking Sprag Support Attaching
4	5212 296	1			SUPPORT, Parking Sprag Rod
5	5212 010	1			SHAFT, Parking Sprag
6	5222 244	1			SPRING, Parking Sprag Pawl
7	5224 468	1			PAWL, Parking Sprag
8	4412 466	1			SHAFT, Kickdown Band Lever
9	5212 343	1			STRUT, Kickdown Band
10	4567 888	1			BAND, Transaxle Kickdown
11	5212 206	1			NUT, Kickdown Band Adj. Screw Lock, M12x1.75
12	5212 255	1			SCREW, Kickdown Band Adjusting, M12x1.75
13	4207 009	1			LEVER, w/Pin, Kickdown Band, 3.0 Ratio, Use w/4567055,059
					Trans.
	4348 857	1			3.4 Ratio, w/4567061,4626745 Trans.
14	4504 554	1			LEVER, w/Pin and Stem, Reverse Band, Short
	4207 182	1			INTERGAL
15		1			PLUG, Trans. Pipe 1/4"-18 (Not Serviced)
16	5224 264	1			STRUT, Reverse Band
17	4531 138	1			BAND, Transaxle Reverse
	5224 140	1			SCREW, Reverse Band Adjusting, M8x1.25
18	5212 344	1			ANCHOR, Reverse Band
19	5222 090	1			SHAFT, Reverse Band Lever

**MODEL CODES:**

A BODY=(C=LeBaron, D=Spirit, P=Acclaim/LaBaron(Landau), Saratoga)      S BODY=(H=Voyager(H) FWD, K=Caravan(H) FWD, Y=Town & Country(H) FWD, P=Voyager(K) AWD, D=Caravan(K) AWD, C=Town & Country(K) AWD)

C BODY=(D=Dynasty, C=New Yorker/N.Y. Salon)

G BODY=(V=Daytona/IROC, Chrysler Daytona)

J BODY=(C=LeBaron, Chrysler LeBaron)

P BODY=(P=Sundance, D=Shadow)

Y BODY=(C=Imperial/5th Avenue)

E-S BODY=(K=Chrysler Voyager(H) FWD, D=Chrysler Voyager(K) AWD)

**BODY STYLES:**

21=2-Door Coupe      41=4-Door Sedan      12-52=FWD & AWD Van & Wgn Std W.B.

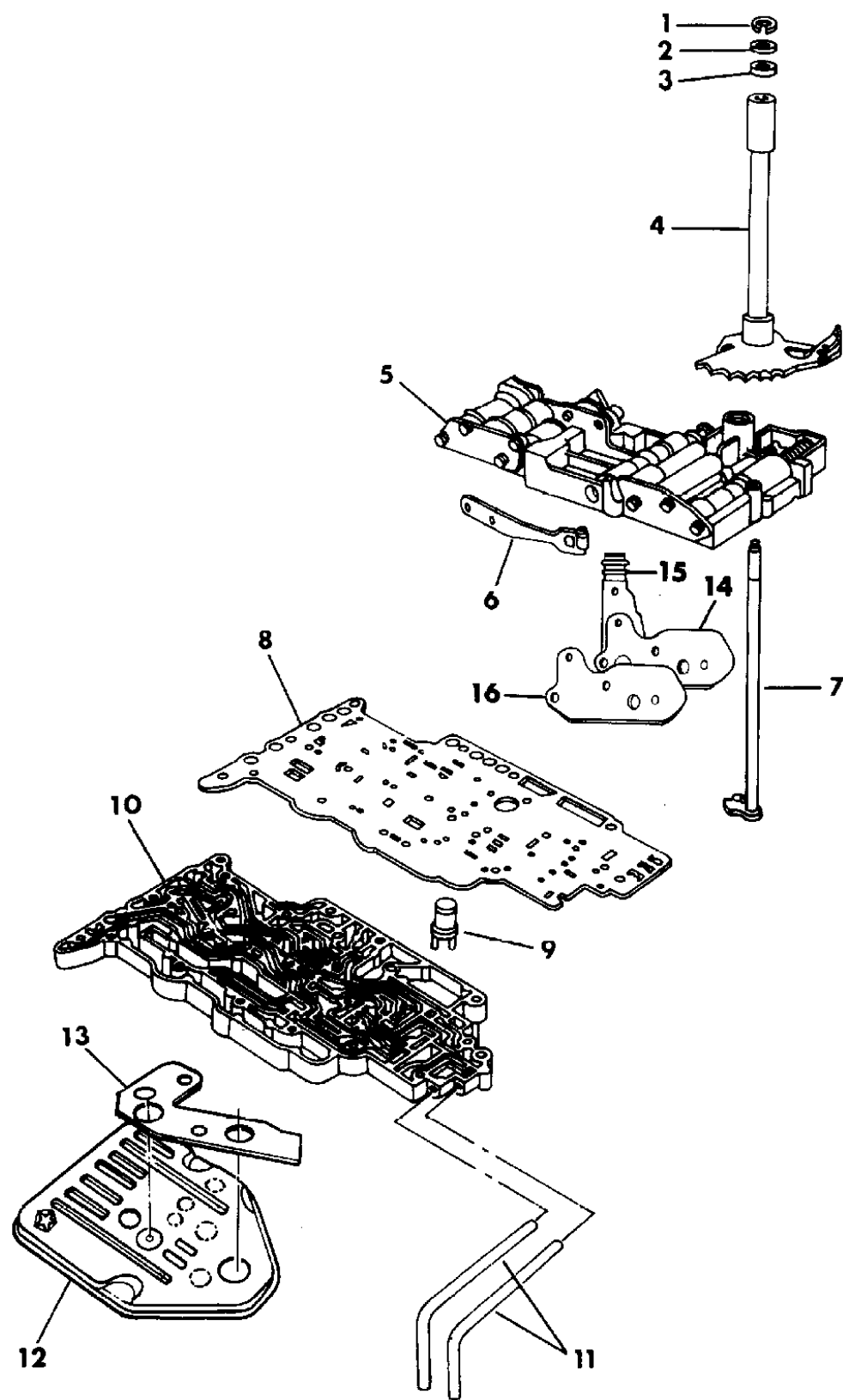
24=2-Door Hatchback      44=4-Door Hatchback      53=FWD & AWD Van & Wgn Ext. W.B.

27=2-Door Convertible

AR = Use as Required - = Non Illustrated Part P.A.R. = Paint as Required

VALVE BODY AUTOMATIC TRANSAXLE, 31TH  
Figure 21A-700

93151 700



ITEM	PART NUMBER	QTY	BODY	MODEL	DESCRIPTION
1	6025 857	1			SNAP RING, Throttle Valve Lever Shaft
2	2538 062	1			WASHER, Throttle Valve Lever Shaft
3	2466 548	1			SEAL, Throttle Shaft
4	6500 207	1			SCREW, Throttle Pressure Adjusting, M8x0.8x44
4	4269 555	1			LEVER, w/Insulator, Manual Valve
5					VALVE BODY, w/Transfer Plate, Transaxle
	4412 407	1			w/4567055,059 Trans.
	4412 408				w/4567061,4626745 Trans.
	6100 994	1			PIN, Valve Body to Case Dowel, 5.88x16
	6100 994	1			PIN, Detent Spring to Valve Body
	4329 873	1			VALVE, Valve Body Throttle, (Not Shown)
6	4269 584	1			DETENT ASSEMBLY, Manual Valve Lever
7	5212 244	1			SHAFT ASSEMBLY, Throttle Valve Lever
8	4377 121	1			PLATE, w/4412407 Valve Body Assy.
	4412 412	1			w/4412408 Valve Body Assy.
	6500 214	AR			SCREW, w/Washer, M5x0.8x11
	6500 215	15			SCREW, w/Washer, Valve Body to T/Plate, M5x0.8x25
9	3878 313	1			SCREEN, Regulator Valve
10		1			PLATE, Transfer (Serviced in Valve Body)
	6100 155	7			SCREW, Transfer Plate to Case, M6x1.00x30
11	5222 020	2			TUBE, Governor Oil
12	4269 649	1			FILTER, Transaxle Oil
	6500 216	2			SCREW, Oil Filter to Valve Body, M5x0.8x30
13	4269 671	1			GASKET, Oil Filter
14	4377 005	1			SOLENOID ASSEMBLY, T/C Lock-Up
15	6030 608	2			O-RING, Solenoid Seal, T/C Lock-Up
16	4412 305	1			GASKET, Solenoid T/C Lock-Up

MODEL CODES:

A BODY=(C=LeBaron, D=Spirit, P=Acclaim/LaBaron(Landau),  
Saratoga)  
C BODY=(D=Dynasty, C=New Yorker/N.Y. Salon)  
G BODY=(V=Daytona/IROC, Chrysler Daytona)  
J BODY=(C=LeBaron, Chrysler LeBaron)  
P BODY=(P=Sundance, D=Shadow)

S BODY=(H=Voyager(H) FWD, K=Caravan(H) FWD,  
Y=Town & Country(H) FWD, P=Voyager(K) AWD,  
D=Caravan(K) AWD, C=Town & Country(K) AWD)  
Y BODY=(C=Imperial/5th Avenue)  
E-S BODY=(K=Chrysler Voyager(H) FWD, D=Chrysler  
Voyager(K) AWD)

BODY STYLES:

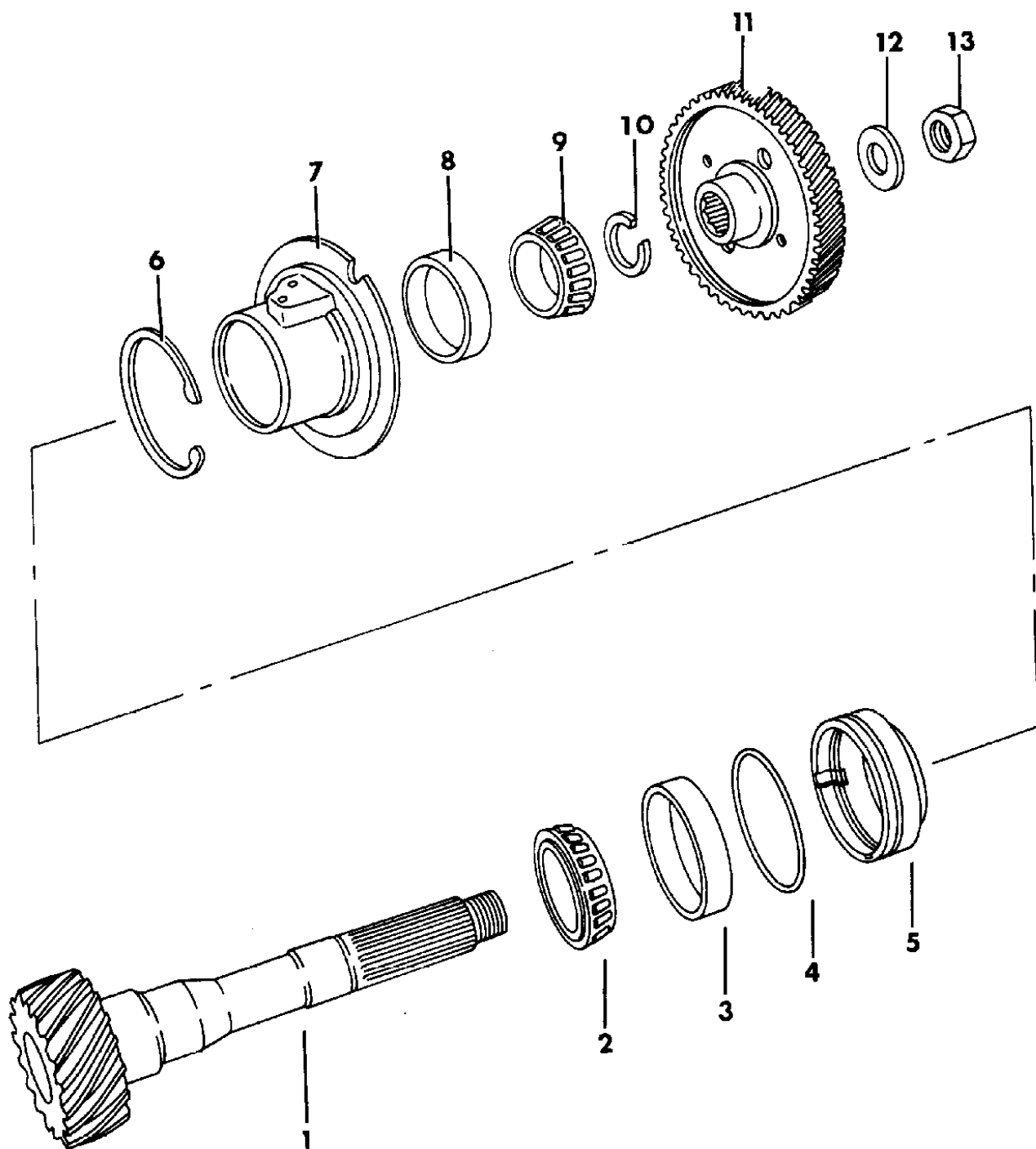
21=2-Door Coupe      41=4-Door Sedan      12-52=FWD & AWD Van & Wgn Std W.B.  
24=2-Door Hatchback      44=4-Door Hatchback      53=FWD & AWD Van & Wgn Ext. W.B.  
27=2-Door Convertible

AR = Use as Required - = Non Illustrated Part P.A.R. = Paint as Required

**SHAFT, TRANSFER AUTOMATIC TRANSAXLE, 31TH**  
**Figure 21A-800**

93151 800

ITEM	PART NUMBER	QTY	BODY	MODEL	DESCRIPTION
1					SHAFT, Transfer, Transaxle
	4567 252	1			w/4626745,4567055 Trans., 21T
	4567 251	1			w/4567059,061 Trans., 21T
2	4567 025	1			CONE, Transfer Shaft
3	4567 022	1			CUP, Transfer Shaft, 63mm O.D.
4	6500 169	1			O-RING, Transfer Shaft Brg. Retainer
5	4269 688	1			RETAINER PACKAGE, Transfer Shaft Bearing
6	5212 353	1			SNAP RING, Transfer Shaft Brg. Retainer
7	5212 371	1			RETAINER, Trans. Governor Support
8	4567 022	1			CUP, Transfer Shaft Gear, 63mm O.D.
9	4567 025	1			CONE, Transfer Shaft Gear
10					SPACER, Transfer Shaft Brg.
	4207 166	AR			0.94mm(.037")
	4207 167	AR			0.99mm(.039")
	4207 168	AR			1.04mm(.041")
	4207 169	AR			1.09mm(.043")
	4207 170	AR			1.14mm(.045")
	4207 171	AR			1.19mm(.047")
	4207 172	AR			1.24mm(.051")
	4207 173	AR			1.29mm
	4207 174	AR			1.34mm(.053")
	4207 175	AR			1.39mm(.055")
	4207 176	AR			1.84mm(.072")
	4207 177	AR			2.29mm(.090")
11	4443 182	1			GEAR SET, Transfer Shaft and Output Shaft, 56T-53T, Use w/ 4567055,059,061 Trans.
	4443 181	1			56T-53T, w/4626745 Trans.
12	5222 010	1			WASHER, Transfer Shaft Nut
13	5222 009	1			NUT, Transfer Shaft Gear M20x1.5



**MODEL CODES:**

A BODY=(C=LeBaron, D=Spirit, P=Acclaim/LaBaron(Landau), Saratoga)      S BODY=(H=Voyager(H) FWD, K=Caravan(H) FWD, Y=Town & Country(H) FWD, P=Voyager(K) AWD, D=Caravan(K) AWD, C=Town & Country(K) AWD)  
C BODY=(D=Dynasty, C=New Yorker/N.Y. Salon)      Y BODY=(C=Imperial/5th Avenue)  
G BODY=(V=Daytona/IROC, Chrysler Daytona)      E-S BODY=(K=Chrysler Voyager(H) FWD, D=Chrysler Voyager(K) AWD)  
J BODY=(C=LeBaron, Chrysler LeBaron)  
P BODY=(P=Sundance, D=Shadow)

**BODY STYLES:**

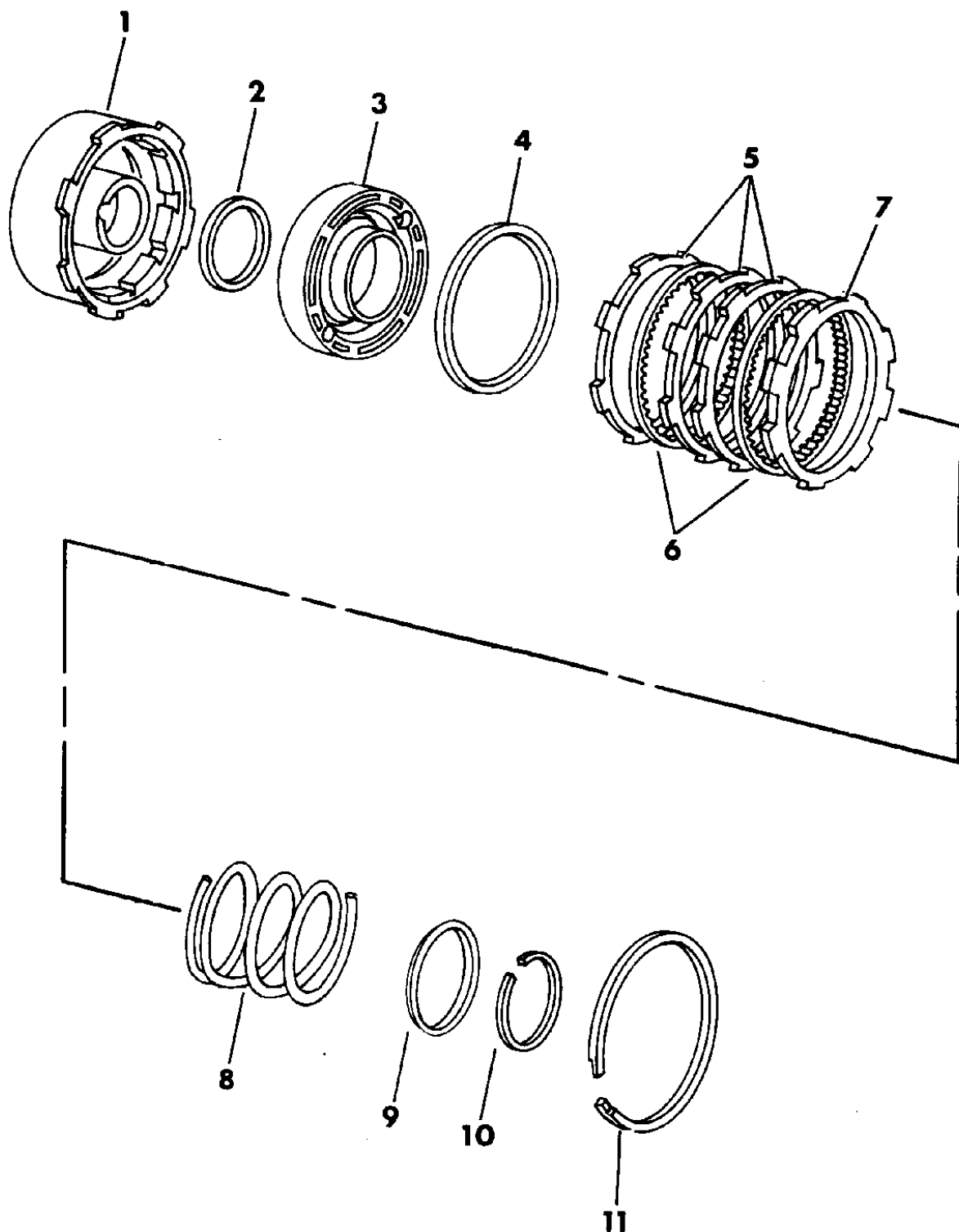
21=2-Door Coupe      41=4-Door Sedan      12-52=FWD & AWD Van & Wgn Std W.B.  
24=2-Door Hatchback      44=4-Door Hatchback      53=FWD & AWD Van & Wgn Ext. W.B.  
27=2-Door Convertible

AR = Use as Required - = Non Illustrated Part P.A.R. = Paint as Required

**CLUTCH, FRONT AUTOMATIC TRANSAXLE, 31TH**  
**Figure 21A-900**

93151 900

ITEM	PART NUMBER	QTY	BODY	MODEL	DESCRIPTION
1	4348 911	1			RETAINER, w/Bushing, Front Clutch, Use w/4567055,059 Trans.
	4348 854	1			w/4567061,4626745 Trans.
	0147 483	1			BALL, Frt. Clutch Ret. Check Valve, 3/16" Dia.
2	5205 670	1			SEAL, Frt. Clutch Piston, Inner
3	4348 855	1			PISTON, Frt. Clutch
4	4058 487	1			SEAL, Frt. Clutch Piston, Outer
5	4207 208	3			PLATE, Frt. Clutch, 1/10" Thk., Use w/4567055,059 Trans.
	4207 208	4			w/4567061,4626745 Trans.
6	4549 996	3			DISC, Frt. Clutch, Use w/4567055,059 Trans.
	4549 996	4			w/4567061,4626745 Trans.
7	4348 888	1			PLATE, Frt. Clutch Reaction, 1/5" Thk.
8	5224 144	1			SPRING, Frt. Clutch Piston, Use w/4567055,059 Trans.
	4207 227	1			w/4567061,4626745 Trans.
9	5205 673	1			RETAINER, Frt. Clutch Spring
10	5205 674	1			SNAP RING, Frt. Clutch, Inner
11	4567 194	1			SNAP RING, Frt. Clutch, Outer, Steel



**MODEL CODES:**

A BODY=(C=LeBaron, D=Spirit, P=Acclaim/LaBaron(Landau), Saratoga)      S BODY=(H=Voyager(H) FWD, K=Caravan(H) FWD, Y=Town & Country(H) FWD, P=Voyager(K) AWD, D=Caravan(K) AWD, C=Town & Country(K) AWD)  
 C BODY=(D=Dynasty, C=New Yorker/N.Y. Salon)  
 G BODY=(V=Daytona/ROC, Chrysler Daytona)  
 J BODY=(C=LeBaron, Chrysler LeBaron)  
 P BODY=(P=Sundance, D=Shadow)

**BODY STYLES:**

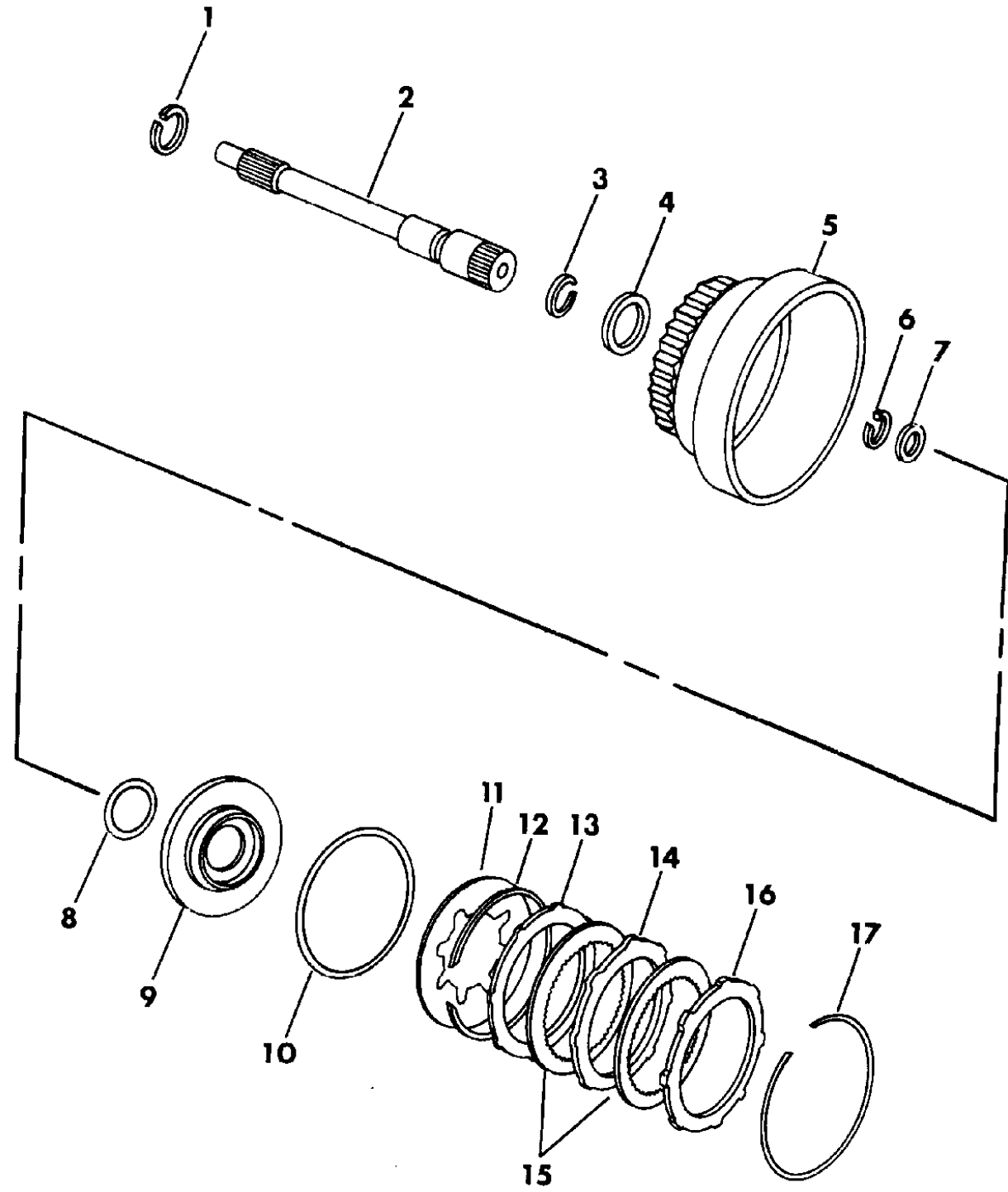
21=2-Door Coupe      41=4-Door Sedan      12-52=FWD & AWD Van & Wgn Std W.B.  
 24=2-Door Hatchback      44=4-Door Hatchback      53=FWD & AWD Van & Wgn Ext. W.B.  
 27=2-Door Convertible

AR = Use as Required - = Non Illustrated Part P.A.R. = Paint as Required

**CLUTCH, REAR AND INPUT SHAFT AUTOMATIC TRANSAXLE, 31TH**  
**Figure 21A-1000**

93151 1000

ITEM	PART NUMBER	QTY	BODY	MODEL	DESCRIPTION
1	4377 047	3			SEAL RING, Input Shaft, 1" I.D.
2	4348 397	1			SHAFT, Input
3	4269 593	1			SEAL, Ring, Rr. Clutch Retainer, 1-3/4" O.D., Nylon
4	5205 680	1			WASHER, Frt. Cl. Thrust, Rr., Nylon, 2-1/2" O.D.
5	4348 916	1			RETAINER, Rear Clutch, Use w/4567059 Trans.
	4348 856	1			w/4567055,061,4626745 Trans.
6	5205 691	1			SNAP RING, Input Shaft, 7/8" I.D.
7	5224 039	1			WASHER, Output Shaft Thrust 1.98-2.03
	5224 040	1			2.16-2.21
	5224 041	1			2.34-2.39
8	5212 373	1			SEAL, Rr. Cl. Piston, Inner, Rubber
9	4207 202	1			PISTON, Rr. Clutch
	0147 483	1			BALL, Rr. Clutch Piston Check Valve, 3/16" Dia.
10	5205 701	1			SEAL, Rr. Cl. Piston, Outer, Rubber
11	4207 246	1			SPRING, Rr. Clutch Piston, Use w/4567059 Trans.
	4269 623	1			w/4567055,061,4626745 Trans.
12	4207 265	1			SPRING, Rr. Clutch Wave
13	4269 618	1			PLATE, Rr. Clutch Pressure w/Lip, 3/8" Thk.
14	5224 073	2			PLATE, Rear Clutch Plate, 1/16" Thk., Use w/4567059 Trans.
	5224 073	3			w/4567055,061,4626745 Trans.
15	4531 024	3			DISC, Rear Clutch, Use w/4567059 Trans.
	4531 024	4			w/4567055,061,4626745 Trans.
16	4269 619	1			PLATE, Rr. Clutch Reaction, 1/5" Thk.
17					SNAP RING, Rr. Clutch Retainer
	4269 670	AR			.048 - .050" Thk.
	1942 421	AR			.060 - .062" Thk.
	4130 774	AR			.074 - .076" Thk.
	4130 775	AR			.087 - .089" Thk.



**MODEL CODES:**

A BODY=(C=LeBaron, D=Spirit, P=Acclaim/LaBaron(Landau, Saratoga) S BODY=(H=Voyager(H) FWD, K=Caravan(H) FWD, Y=Town & Country(H) FWD, P=Voyager(K) AWD, D=Caravan(K) AWD, C=Town & Country(K) AWD)  
 C BODY=(D=Dynasty, C=New Yorker/N.Y. Salon)  
 G BODY=(V=Daytona/IROC, Chrysler Daytona)  
 J BODY=(C=LeBaron, Chrysler LeBaron)  
 P BODY=(P=Sundance, D=Shadow) E-S BODY=(K=Chrysler Voyager(H) FWD, D=Chrysler Voyager(K) AWD)

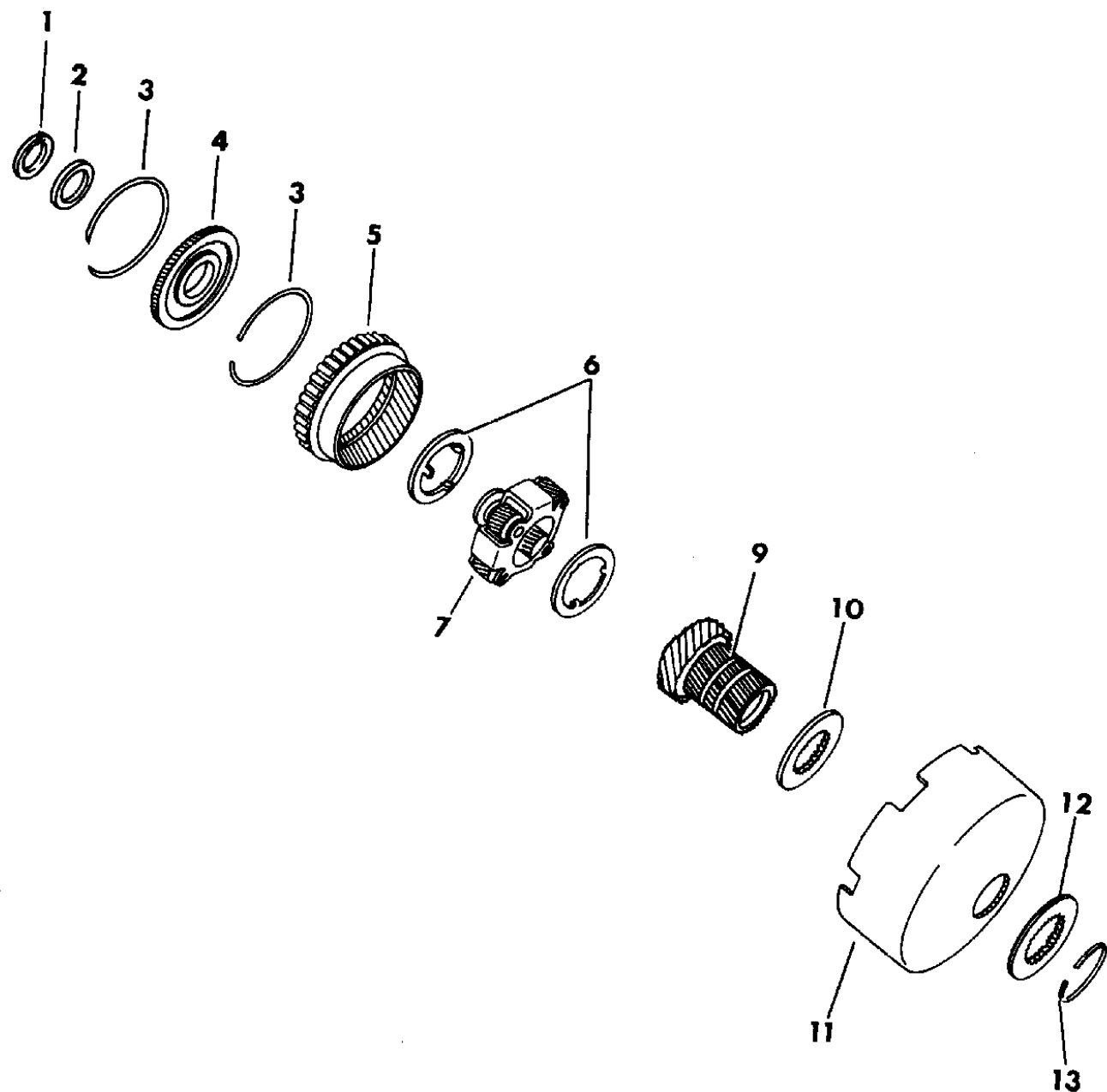
**BODY STYLES:**

21=2-Door Coupe      41=4-Door Sedan      12-52=FWD & AWD Van & Wgn Std W.B.  
 24=2-Door Hatchback      44=4-Door Hatchback      53=FWD & AWD Van & Wgn Ext. W.B.  
 27=2-Door Convertible

AR = Use as Required - = Non Illustrated Part P.A.R. = Paint as Required

**GEARS, FRONT ANNULUS AND SUN AUTOMATIC TRANSAXLE, 31TH**  
**Figure 21A-1100**

93151 1100



ITEM	PART NUMBER	QTY	BODY	MODEL	DESCRIPTION
1	5222 022	1			SNAP RING, Frt. Annulus, Inner, 1-1/8" I.D.
2	5222 493	1			WASHER, Frt. Annulus Gear Thrust
3	5224 079	2			SNAP RING, Frt. Annulus, Outer
4	5224 070	1			SUPPORT, w/Bushing, Frt. Annulus Gear
5	4269 620	1			GEAR, Transaxle Frt. Annulus
6	5224 066	2			WASHER, Frt. Planet Pinion Carrier Thrust
7	4567 210	1			CARRIER ASSEMBLY, Front Planet Pinion, 4 Pinion
9	4567 133	1			GEAR, w/Bushing, Sun
10	5224 236	1			SPACER, Sun Gear Plate
11	4207 195	1			SHELL, Sun Gear Driving
12	5205 737	1			PLATE, Sun Gear Driving Shell Thrust
13	5205 739	1			LOCK RING, Sun Gear Driving Shell

**MODEL CODES:**

A BODY=(C=LeBaron, D=Spirit, P=Acclaim/LaBaron(Landau), Saratoga)      S BODY=(H=Voyager(H) FWD, K=Caravan(H) FWD, Y=Town & Country(H) FWD, P=Voyager(K) AWD, D=Caravan(K) AWD, C=Town & Country(K) AWD)  
 C BODY=(D=Dynasty, C=New Yorker/N.Y. Salon)  
 G BODY=(V=Daytona/IROC, Chrysler Daytona)  
 J BODY=(C=LeBaron, Chrysler LeBaron)  
 P BODY=(P=Sundance, D=Shadow)      Y BODY=(C=Imperial/5th Avenue)  
 E-S BODY=(K=Chrysler Voyager(H) FWD, D=Chrysler Voyager(K) AWD)

**BODY STYLES:**

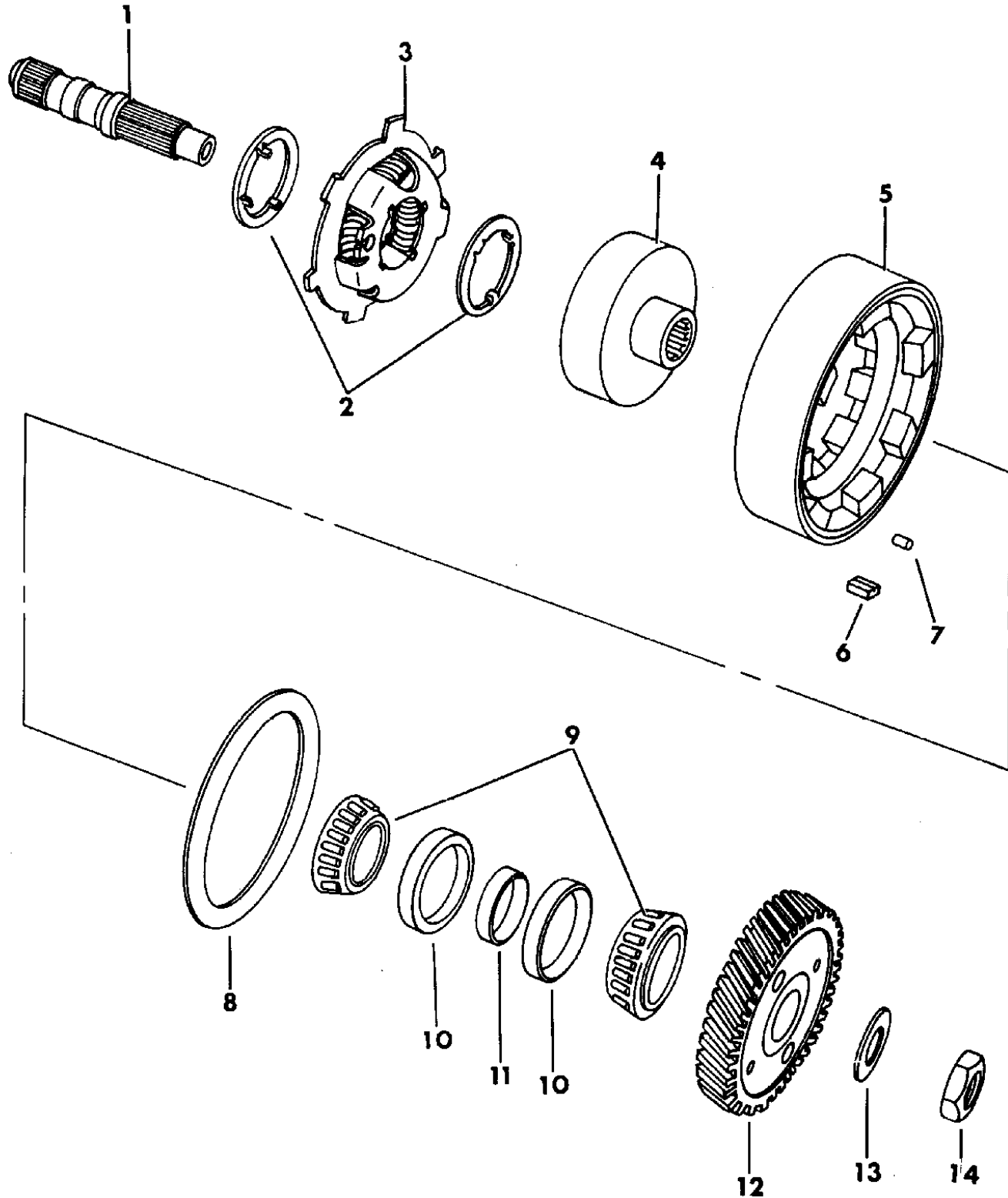
21=2-Door Coupe      41=4-Door Sedan      12-52=FWD & AWD Van & Wgn Std W.B.  
 24=2-Door Hatchback      44=4-Door Hatchback      53=FWD & AWD Van & Wgn Ext. W.B.  
 27=2-Door Convertible

AR = Use as Required - = Non Illustrated Part P.A.R. = Paint as Required



**SHAFT, OUTPUT, REAR CARRIER, REVERSE DRUM, AND OVERRUNNING CLUTCH AUTOMATIC TRANSAXLE, 31TH**  
**Figure 21A-1200**

93151 1200



ITEM	PART NUMBER	QTY	BODY	MODEL	DESCRIPTION
1	4348 932	1			SHAFT, Transaxle Output
	5205 691	1			SNAP RING, Output Shaft, 7/8" I.D.
2	5205 724	2			WASHER, Rr. Planet Pinion Carrier
3	4269 942	1			CARRIER ASSEMBLY, Rear Planet Pinion, 4 Pinion Consists of:
	4269 937	64			ROLLER, Planet Pinion Carrier, Rear
	4269 938	4			PINION, Planet Pinion Carrier, Rear
	4269 940	8			WASHER, Planet Pinion Carrier Roller Thrust, Rear Steel
	4269 921	8			WASHER, Planet Pinion Carrier Roller Thrust, Rear Bronze
		4			PINS, Planet Pinion Carrier, Rear, Welded (Serv. in Carrier Assy.)
4	5222 047	1			GEAR, Rear Annulus
5	4207 117	1			DRUM, w/Cam, Low and Reverse
	5222 137	1			BUSHING, Low and Reverse Drum
6	4186 886	1			SPRING and ROLLER PACKAGE, "O" Running Clutch
7					ROLLER, "O" Running Clutch Serviced in Spring and Roller Package
8	5205 772	1			WASHER, "O" Running Clutch Cam Thrust
9	5224 300	2			CONE, Output Shaft
10	5224 299	2			CUP PACKAGE, Output Shaft, 63mm O.D.
11					SPACER, Output Shaft Brg.
	4207 162	AR			12.65
	4207 163	AR			13.15
	4207 164	AR			13.65
	5224 152	AR			14.99
12	4443 182	1			GEAR SET, Output Shaft and Transfer Shaft, 53T-56T, Use w/ 4567055,059,061 Trans.
	4443 181	1			53T-56T, w/4626745 Trans.
13	5222 010	1			WASHER, Output Shaft Gear Nut
14	5222 009	1			NUT, Output Shaft Gear M20x1.5

**MODEL CODES:**

A BODY=(C=LeBaron, D=Spirit, P=Acclaim/LaBaron(Landau), Saratoga) S BODY=(H=Voyager(H) FWD, K=Caravan(H) FWD, Y=Town & Country(H) FWD, P=Voyager(K) AWD, D=Caravan(K) AWD, C=Town & Country(K) AWD)  
 C BODY=(D=Dynasty, C=New Yorker/N.Y. Salon)  
 G BODY=(V=Daytona/IROC, Chrysler Daytona)  
 J BODY=(C=LeBaron, Chrysler LeBaron)  
 P BODY=(P=Sundance, D=Shadow)  
 Y BODY=(C=Imperial/5th Avenue)  
 E-S BODY=(K=Chrysler Voyager(H) FWD, D=Chrysler Voyager(K) AWD)

**BODY STYLES:**

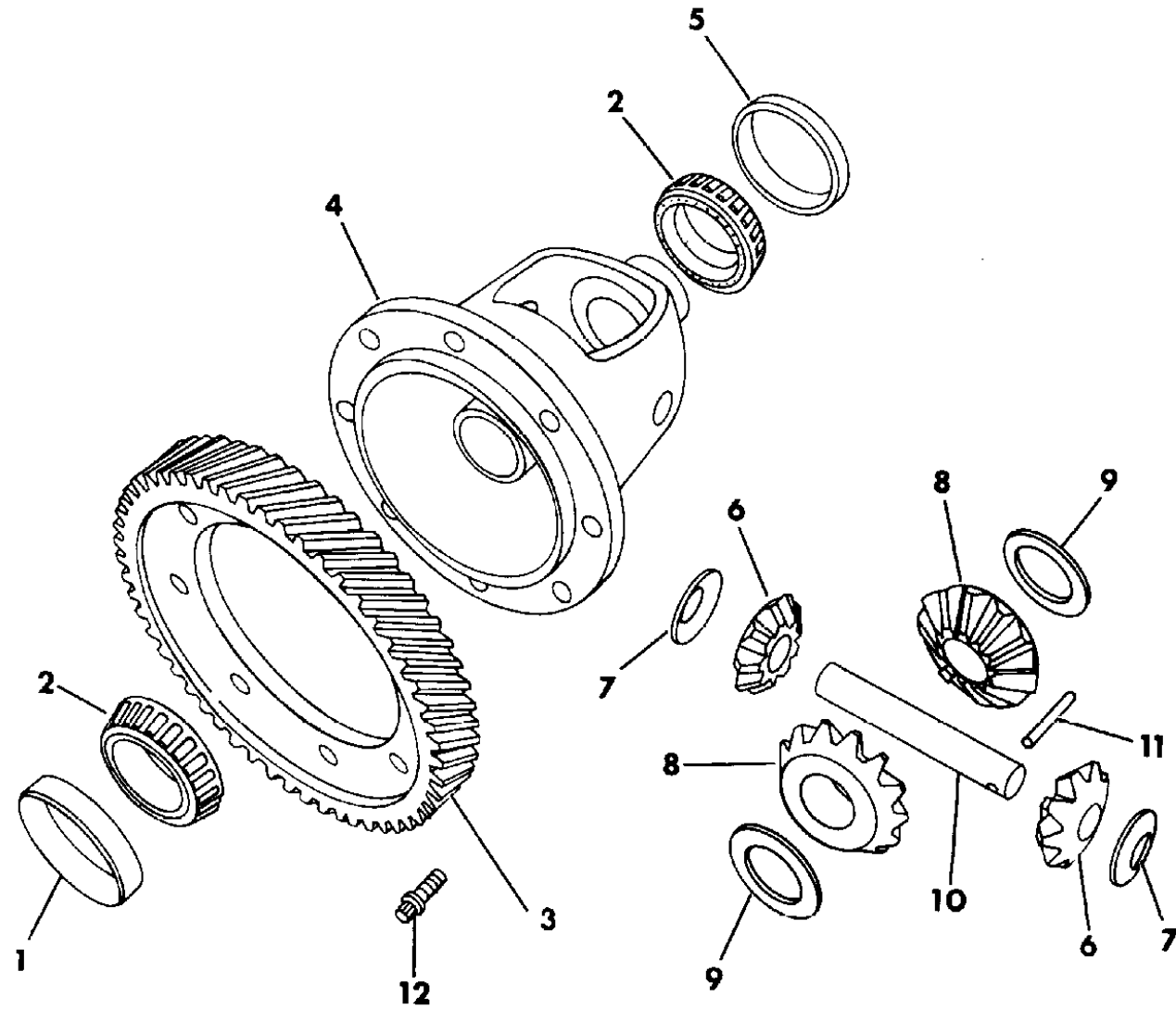
21=2-Door Coupe      41=4-Door Sedan      12-52=FWD & AWD Van & Wgn Std W.B.  
 24=2-Door Hatchback      44=4-Door Hatchback      53=FWD & AWD Van & Wgn Ext. W.B.  
 27=2-Door Convertible

AR = Use as Required - = Non Illustrated Part P.A.R. = Paint as Required

**DIFFERENTIAL AUTOMATIC TRANSAXLE 31TH**  
**Figure 21A-1300**

93151 1300

ITEM	PART NUMBER	QTY	BODY	MODEL	DESCRIPTION
1	4567 022	1			CUP, Transaxle Extension, 63mm O.D.
2	4567 025	2			CONE, Transaxle Differential
3	4348 922	1			GEAR, Final Drive, Use w/4567055,4626745 Trans., 61T
	4348 921	1			w/4567059,061 Trans., 60T
4	4348 662	1			CASE, Transaxle Differential
5	4567 022	1			CUP, Differential
6	4348 679	2			PINION, Differential
7	4412 521	2			WASHER, Diff. Pinion Thrust, Spherical w/Tab, 0.79-0.84" Thk.
8	4531 093	2			GEAR, Differential Side
9	4504 568	1			WASHER PACKAGE, Diff. Side Gear Thrust, Flat
					Consists Of:
		2			WASHER, .026 - .028" Thk.
		2			.031 - .033" Thk.
		2			.036 - .038" Thk.
		2			.041 - .043" Thk.
		2			.046 - .048" Thk.
10	4659 142	1			SHAFT, Differential
11	6101 284	1			PIN, Diff. Shaft, Roll M5x35
12	6501 240	12			SCREW, Diff. Ring Gear to Diff., M10x1.5x25



**MODEL CODES:**

A BODY=(C=LeBaron, D=Spirit, P=Acclaim/LaBaron(Landau),  
Saratoga)  
 C BODY=(D=Dynasty, C=New Yorker/N.Y. Salon)  
 G BODY=(V=Daytona/IROC, Chrysler Daytona)  
 J BODY=(C=LeBaron, Chrysler LeBaron)  
 P BODY=(P=Sundance, D=Shadow)

S BODY=(H=Voyager(H) FWD, K=Caravan(H) FWD,  
Y=Town & Country(H) FWD, P=Voyager(K) AWD,  
D=Caravan(K) AWD, C=Town & Country(K) AWD)  
 Y BODY=(C=Imperial/5th Avenue)  
 E-S BODY=(K=Chrysler Voyager(H) FWD, D=Chrysler  
Voyager(K) AWD)

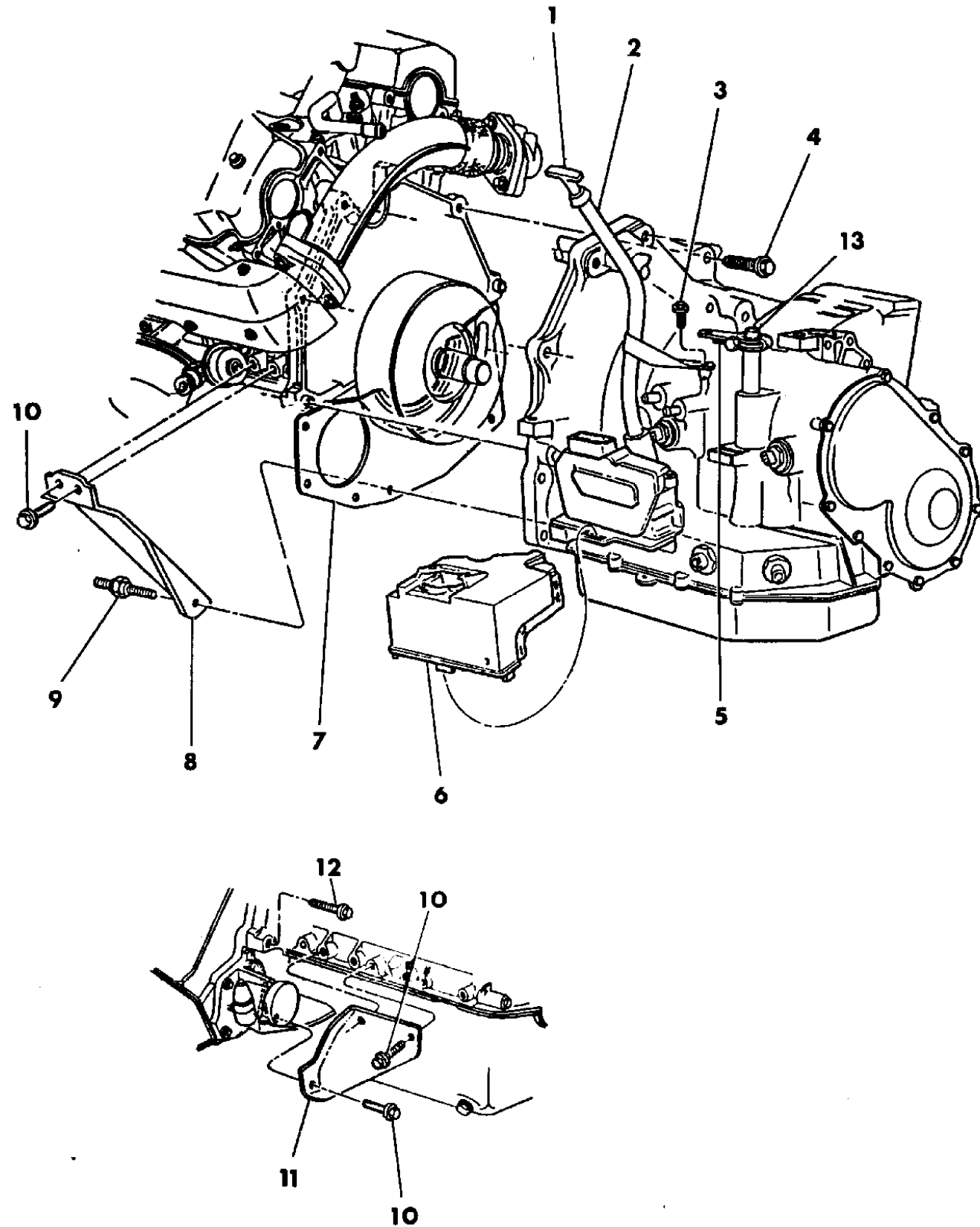
**BODY STYLES:**

21=2-Door Coupe      41=4-Door Sedan      12-52=FWD & AWD Van & Wgn Std W.B.  
 24=2-Door Hatchback      44=4-Door Hatchback      53=FWD & AWD Van & Wgn Ext. W.B.  
 27=2-Door Convertible

AR = Use as Required - = Non Illustrated Part P.A.R. = Paint as Required

**TRANSAXLE MOUNTING AND MISC. PARTS AUTOMATIC TRANSAXLE, 41AE,41TE 4 SPEED**  
**Figure 21A-1400**

93151 1400



ITEM	PART NUMBER	QTY	BODY	MODEL	DESCRIPTION
	4713 487	1	PAJGCYS		TRANSAXLE ASSEMBLY, 41TE, w/2.49 OTGR, w/3.0L Eng.
	4713 488	1	C,Y,S		3.3L Eng., 2.49 O.T.G. Ratio
	4713 486	1	Y		3.8L Eng., 2.19 O.T.G. Ratio
	4567 989	1	S	AWD	3.3L Eng., 2.49 O.T.G. Ratio
					TRANSAXLE ASSY. CROSS REFERENCE
					PRODUCTION NO. SERVICE NO.
					4567646 4713487
					4567647 4713488
					4567645 4713486
					4567989 4567989
	4762 533	1			SEAL and GASKET PACKAGE, 41TE Transaxle Complete ***
					Consists Of:
					1 - 4412269 SNAP RING, Low & Rev. Cl., Tapered
					2 - 4412522 SEAL, Ext. & Diff. Brg. Retainer
					1 - 4431649 GASKET, Low & Rev. Piston Retainer
					2 - 4431798 GASKET, Trans. Solenoid
					1 - 4446612 CUP, Parking Sprag Shaft
					1 - 6030608 SEAL, Oil Filler Tube
					1 - 6501657 O-RING, Speed Sensor (22mm)
					1 - 6501658 O-RING, Speed Sensor (24mm)
					1 - 6501768 T/Shaft Brg. Retainer
					1 - 4412245 SEAL, 2nd & 4th Cl. Piston, Outer
					1 - 4412246 SEAL, 2nd & 4th Cl. Piston, Inner
					1 - 4412257 SEAL, Low & Rev. Cl., Outer
					1 - 4412258 SEAL, Low & Rev. Cl., Inner
					1 - 4412475 SEAL, T/Conv. Impeller Hub
					1 - 4412844 GASKET, Oil Pump Hsg.
					3 - 4446543 SEAL RING, Input Shaft
					4 - 4471874 SEAL RING, Reaction Shaft Support
					1 - 5205660 SEAL, Oil Pump Hsg.
					1 - 4531408 SEAL, U/Drive Piston, Outer
					1 - 4377174 SEAL, U/Drive Piston, Inner
					2 - 4412875 SEAL, O/Drive Piston, Outer
					1 - 4431612 RETAINER, w/Seal, U/Drive Spring
					1 - 4567602 SNAP RING, U/Drive Cl., Tapered
					1 - 6033158 O-RING, Rev. & O/D Cl. Piston, Inner
					1 - 6501702 SNAP RING, Inner Shaft
					1 - 6501715 SNAP RING, U/Drive Piston Spring Ret.
					1 - 6502269 O-RING, Input Cl. Hub, Small

**MODEL CODES:**

A BODY=(C=LeBaron, D=Spirit, P=Acclaim/LaBaron(Landau), Saratoga)  
 C BODY=(D=Dynasty, C=New Yorker/N.Y. Salon)  
 G BODY=(V=Daytona/IROC, Chrysler Daytona)  
 J BODY=(C=LeBaron, Chrysler LeBaron)  
 P BODY=(P=Sundance, D=Shadow)

S BODY=(H=Voyager(H) FWD, K=Caravan(H) FWD, Y=Town & Country(H) FWD, P=Voyager(K) AWD, D=Caravan(K) AWD, C=Town & Country(K) AWD)  
 Y BODY=(C=Imperial/5th Avenue)  
 E-S BODY=(K=Chrysler Voyager(H) FWD, D=Chrysler Voyager(K) AWD)

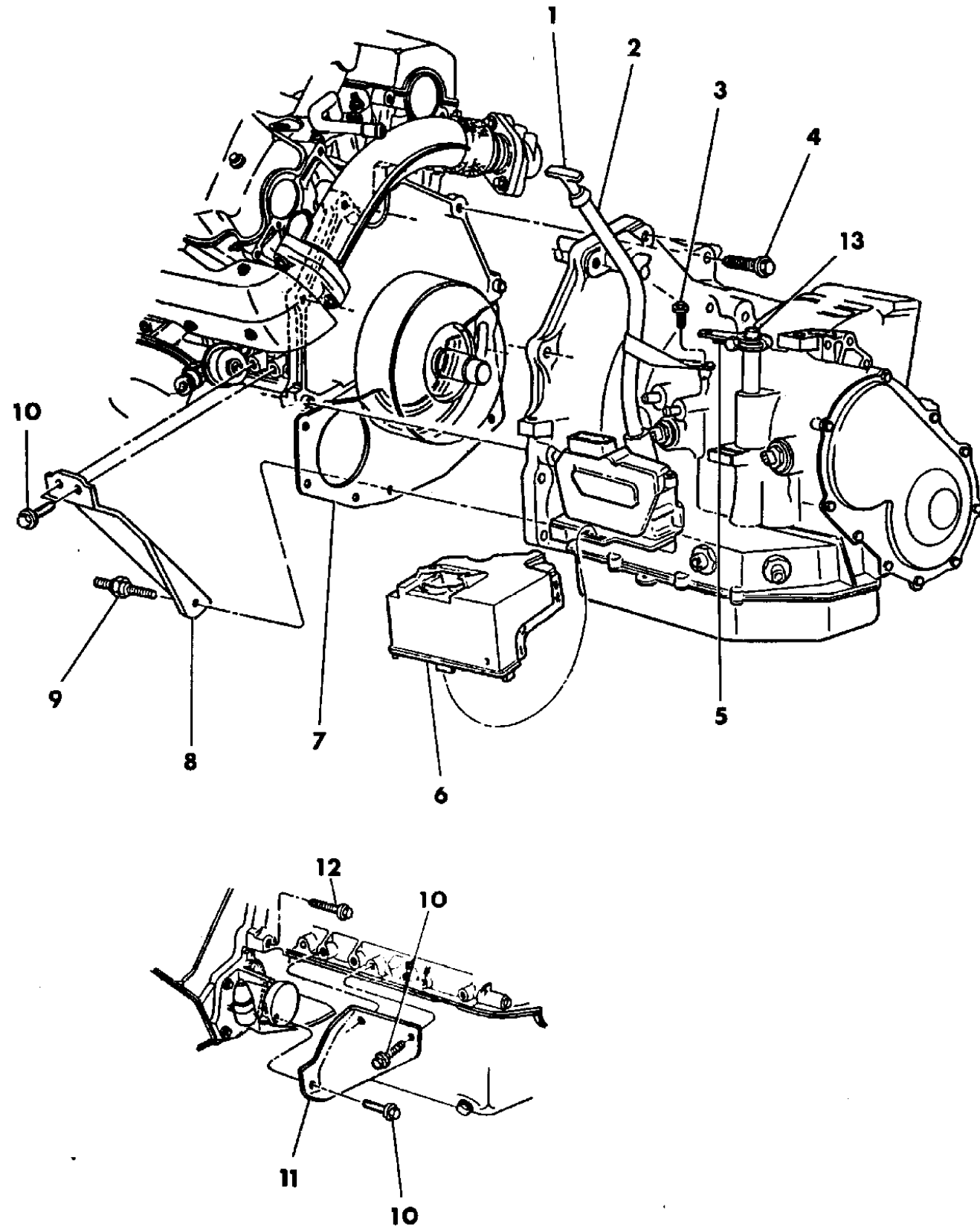
**BODY STYLES:**

21=2-Door Coupe      41=4-Door Sedan      12-52=FWD & AWD Van & Wgn Std W.B.  
 24=2-Door Hatchback      44=4-Door Hatchback      53=FWD & AWD Van & Wgn Ext. W.B.  
 27=2-Door Convertible

AR = Use as Required - = Non Illustrated Part P.A.R. = Paint as Required

**TRANSAXLE MOUNTING AND MISC. PARTS AUTOMATIC TRANSAXLE, 41AE,41TE 4 SPEED**  
**Figure 21A-1400**

93151 1400



ITEM	PART NUMBER	QTY	BODY	MODEL	DESCRIPTION
					1 - 6502271 O-RING, Input Cl. Hub, Large
					1 - 3878313 SCREEN, Regulator Valve
					1 - 4412291 SEAL, 2nd & 4th Feed
					1 - 4412836 SEAL, Manual Valve Lever
					1 - 4431722 FILTER, Trans. Oil
					8 - 4446544 SEAL RING, Accumulator
					1 - 6032780 O-RING, Filter
					1 - 6501549 O-RING, Accumulator Cover
1	4567 531	1			INDICATOR, Trans. Oil Level
2	4446 537	1	A,J,G,S		TUBE, Trans. Oil Indicator
	4505 593	1	C,Y		
	6030 608	1			O-RING, Oil Indicator Tube
3		1			SCREW, Oil Indicator Tube Mtg., (Not Serviced)
4	6501 164	4			SCREW, w/Washer Trans. to Cyl. Block, M12x1.75x50
5	4670 123	1			LEVER ASSEMBLY, Trans. Manual Control
	6101 626	1			BOLT, Manual Lever, M6x1.00x35
	5212 384	1			NUT, Manual Lever Bolt, M6x1.00
6	4505 589	1			SHIELD ASSEMBLY, Trans. Solenoid Sound
7	4505 678	1			COVER, Trans. Case, Lower, w/3.0L Eng.
	4641 497	1			3.3L,3.8L Eng.
8	4348 953	1			STRUT, Trans. to Cyl. Block, Front
9	6501 514	1			STUD, Collared
10	6501 741	5			SCREW, w/Washer M12x1.75x30
11					STRUT, Trans. to Cyl. Block, Rear
	4348 954	1			3.0L Eng.
	4641 496	1			3.3L,3.8L Eng.
	4531 633	1			Horizontal, 3.3L,3.8L Eng.
12	6501 740	2			SCREW, w/Washer, Trans. to Cyl. Block Dowel M12x1.75x60
13		1			VENT, Air Breather (Refer to Illus. 1900)
					SHIELD, Trans. Appearance, Left (Not Shown)
	4534 297	1	P		
	5256 403	1	A,J,G		
	4534 559	1	C,Y		
		1	C		Shield, (Refer to Group 13 Illus. 300)
	4490 539	1	S		

**MODEL CODES:**

A BODY=(C=LeBaron, D=Spirit, P=Acclaim/LaBaron(Landau), Saratoga)  
 C BODY=(D=Dynasty, C=New Yorker/N.Y. Salon)  
 G BODY=(V=Daytona/IROC, Chrysler Daytona)  
 J BODY=(C=LeBaron, Chrysler LeBaron)  
 P BODY=(P=Sundance, D=Shadow)

S BODY=(H=Voyager(H) FWD, K=Caravan(H) FWD, Y=Town & Country(H) FWD, P=Voyager(K) AWD, D=Caravan(K) AWD, C=Town & Country(K) AWD)  
 Y BODY=(C=Imperial/5th Avenue)  
 E-S BODY=(K=Chrysler Voyager(H) FWD, D=Chrysler Voyager(K) AWD)

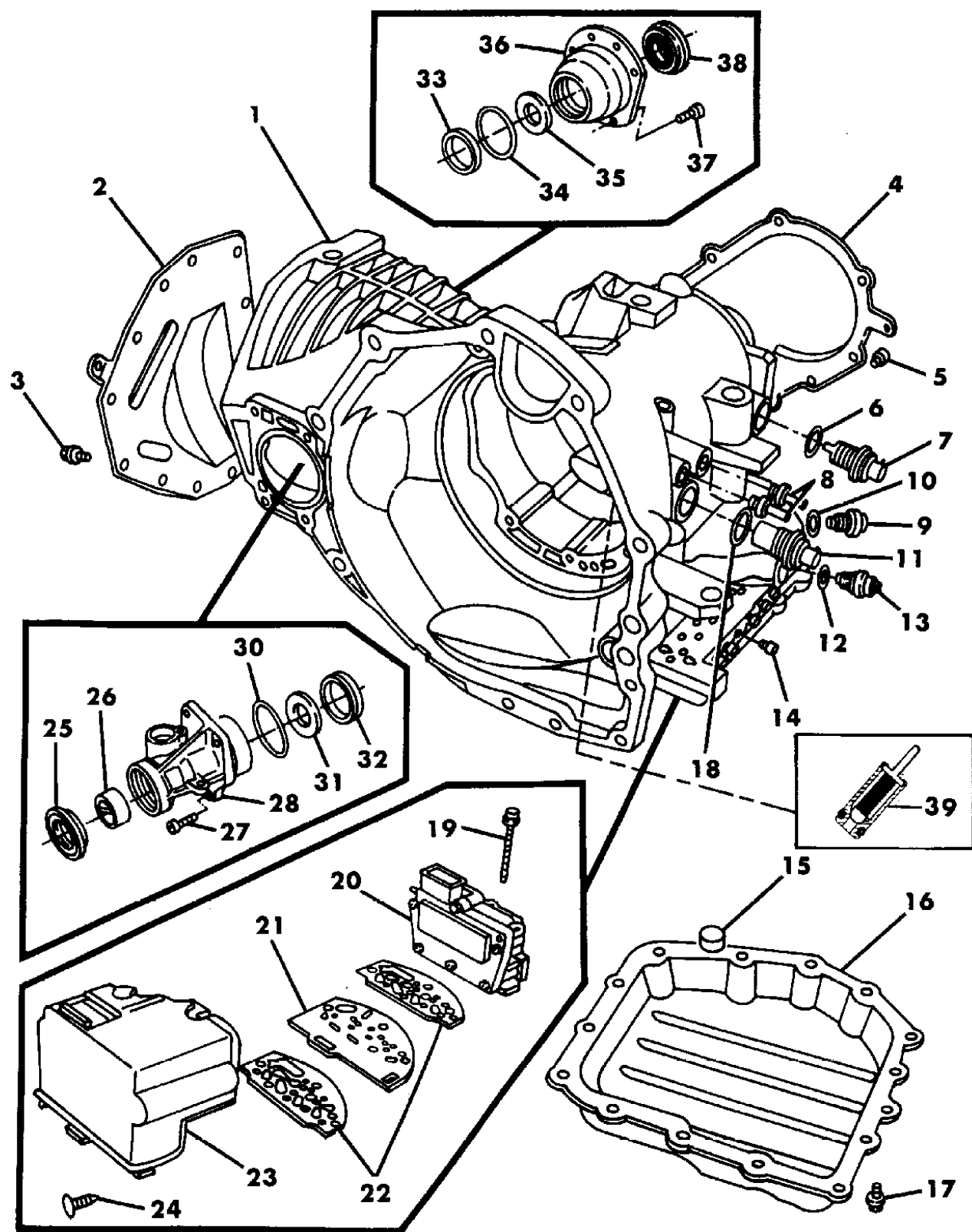
**BODY STYLES:**

21=2-Door Coupe      41=4-Door Sedan      12-52=FWD & AWD Van & Wgn Std W.B.  
 24=2-Door Hatchback      44=4-Door Hatchback      53=FWD & AWD Van & Wgn Ext. W.B.  
 27=2-Door Convertible

AR = Use as Required - = Non Illustrated Part P.A.R. = Paint as Required

**CASE, EXTENSION AND SOLENIOD AUTOMATIC TRANSAXLE, 41TE 4 SPEED**  
**Figure 21A-1500**

93151 1500



ITEM	PART NUMBER	QTY	BODY	MODEL	DESCRIPTION
1					CASE ASSEMBLY, w/Cooler Bypass Valve
	4567 018	1			3.0L Eng.
	4567 019	1			3.3L,3.8L Eng.
	4431 448	1			COVER, Trans. Timing Window
2	4377 169	1			PAN, Trans. Differential Oil
3	6501 474	12			SCREW, w/Washer, Trans. Differential Oil Pan to Case, M8x1.25x16
4	4567 255	1			COVER, Trans. End
5	6501 474	10			SCREW, w/Washer, Trans. End Cover, M8x1.25x16
6	6501 701	1			O-RING, Trans. Speed Sensor (24mm)
7	4412 879	1			SENSOR, Trans. Output (24mm), (Use Insul. Pkg. 4419478)
8	4446 725	2			FITTING, Trans. Oil Cooler Line, Trans. End
9	4671 017	1			SWITCH, Neutral Start, Rear Corner of Case (Use Insul. Pkg. 4638996)
10	2408 143	1			WASHER, Back-Up Light Switch
11	4412 878	1			SENSOR, Input Turbin, Front of Case (22mm), (Use Insul. Pkg. 4419478)
12	5234 023	1			WASHER, (PRNODL) Switch
13	4671 019	1			SWITCH, (PRNODL) (Use Insul. Pkg. 4638996)
14	6030 035	6			PLUG
15	4446 728	1			MAGNET, Trans. Case Chip Collector
16	4431 997	1			PAN, Trans. Oil
17	6501 474	14			SCREW, w/Washer, Oil Pan to Case, M8x1.25x16
18	6501 700	1			O-RING, Trans. Speed Sensor (22mm)
19	6501 968	3			SCREW, Solenoid, Hex Head, M6x1.0x93.5
20	4504 570	1			SOLENOID SWITCH ASSEMBLY, 8 Prong Connector, (Use Insul. Pkg. 4419476) ***
21	4504 569	1			PLATE and GASKET PACKAGE, Solenoid Spacer
22	4431 798	2			GASKET, Trans. Solenoid
23	4505 589	1			SHIELD ASSEMBLY, Solenoid Sound
24	6033 840	1			RETAINER, Solenoid Sound Shield
25	4412 522	1			SEAL, Trans. Extension, Rubber and Metal
26		1			BUSHING, Trans. Extension (Not Required)
27	6500 511	4			SCREW, Extension to Case (M8x1.25x33)
28	4567 413	1			EXTENSION, Transaxle, w/o Air Vent Hole
30	6500 111	1			O-RING, Trans. Extension
31	5222 255	1			RETAINER, Trans. Extension, Oil
32	4446 689	1			CUP, Extension
33	4446 689	1			CUP, Differential

**MODEL CODES:**

A BODY=(C=LeBaron, D=Spirit, P=Acclaim/LaBaron(Landau, Saratoga) S BODY=(H=Voyager(H) FWD, K=Caravan(H) FWD, Y=Town & Country(H) FWD, P=Voyager(K) AWD, D=Caravan(K) AWD, C=Town & Country(K) AWD)  
 C BODY=(D=Dynasty, C=New Yorker/N.Y. Salon)  
 G BODY=(V=Daytona/IROC, Chrysler Daytona)  
 J BODY=(C=LeBaron, Chrysler LeBaron)  
 P BODY=(P=Sundance, D=Shadow)  
 Y BODY=(C=Imperial/5th Avenue)  
 E-S BODY=(K=Chrysler Voyager(H) FWD, D=Chrysler Voyager(K) AWD)

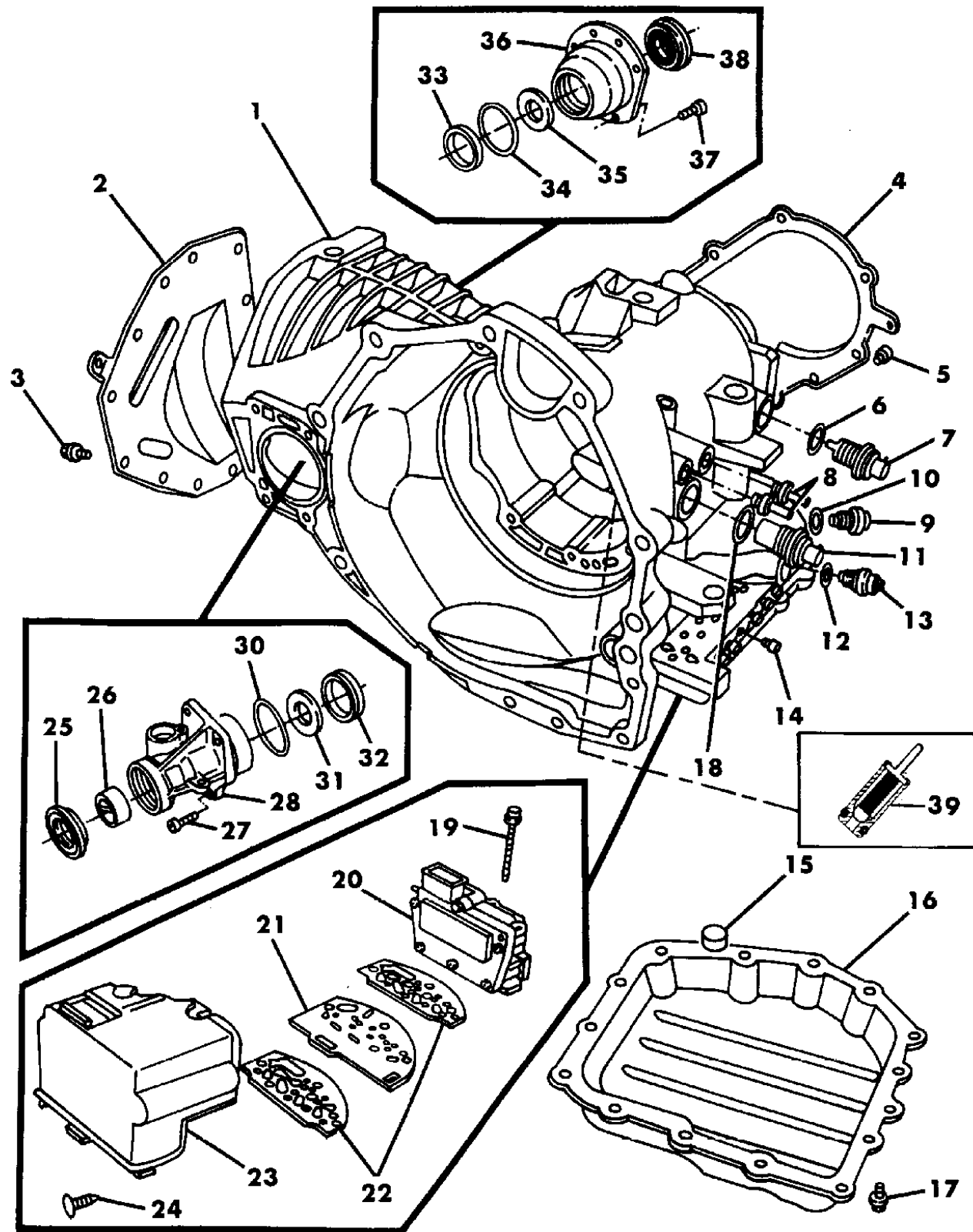
**BODY STYLES:**

21=2-Door Coupe      41=4-Door Sedan      12-52=FWD & AWD Van & Wgn Std W.B.  
 24=2-Door Hatchback      44=4-Door Hatchback      53=FWD & AWD Van & Wgn Ext. W.B.  
 27=2-Door Convertible

AR = Use as Required - = Non Illustrated Part P.A.R. = Paint as Required

**CASE, EXTENSION AND SOLENIOD AUTOMATIC TRANSAXLE, 41TE 4 SPEED**  
**Figure 21A-1500**

93151 1500



ITEM	PART NUMBER	QTY	BODY	MODEL	DESCRIPTION
34					SPACER, Trans. Final Drive, Selective
	4207 134	AR			0.50mm (.020")
	4207 135	AR			0.55mm (.022")
	4207 136	AR			0.60mm (.024")
	4207 137	AR			0.65mm (.026")
	4207 138	AR			0.70mm (.027")
	4207 139	AR			0.75mm (.029")
	4207 140	AR			0.80mm (.031")
	4207 141	AR			0.85mm (.033")
	4207 142	AR			0.90mm (.035")
	4207 143	AR			0.95mm (.037")
	4207 144	AR			1.00mm (.039")
	4207 145	AR			1.05mm (.041")
35	4269 787	1			RETAINER, Trans. Differential, Oil
36	4329 829	1			RETAINER, Trans. Differential Bearing
37	6500 368	6			SCREW, Differential Bearing Retainer M8x1.25x23
38	4412 522	1			SEAL, Trans. Diff. Brg. Retainer, Rubber and Metal
39	4539 880	1			VALVE, Cooler Bypass

**MODEL CODES:**

A BODY=(C=LeBaron, D=Spirit, P=Acclaim/LaBaron(Landau), Saratoga)      S BODY=(H=Voyager(H) FWD, K=Caravan(H) FWD, Y=Town & Country(H) FWD, P=Voyager(K) AWD, D=Caravan(K) AWD, C=Town & Country(K) AWD)  
 C BODY=(D=Dynasty, C=New Yorker/N.Y. Salon)  
 G BODY=(V=Daytona/IROC, Chrysler Daytona)  
 J BODY=(C=LeBaron, Chrysler LeBaron)  
 P BODY=(P=Sundance, D=Shadow)  
 Y BODY=(C=Imperial/5th Avenue)  
 E-S BODY=(K=Chrysler Voyager(H) FWD, D=Chrysler Voyager(K) AWD)

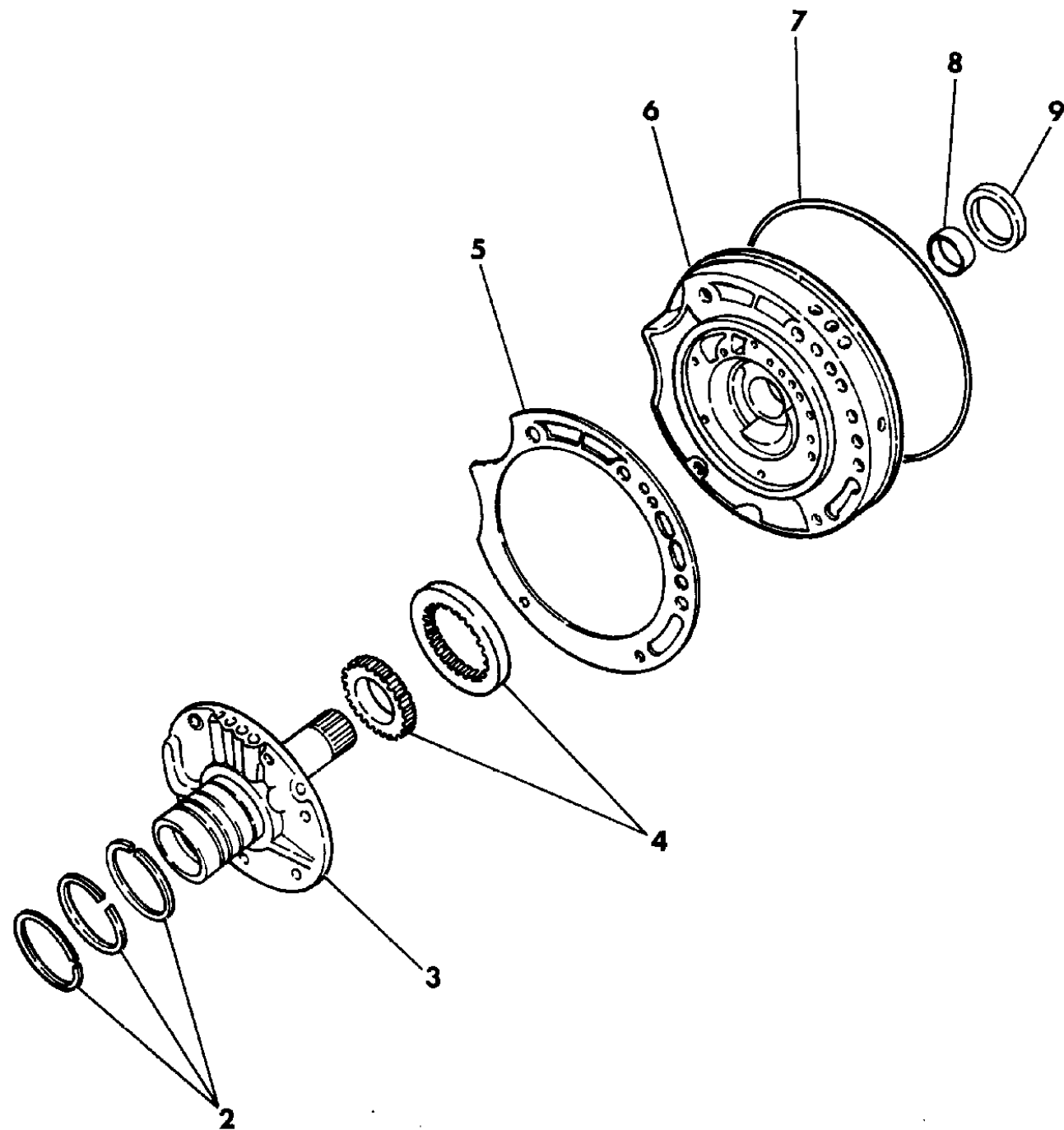
**BODY STYLES:**

21=2-Door Coupe      41=4-Door Sedan      12-52=FWD & AWD Van & Wgn Std W.B.  
 24=2-Door Hatchback      44=4-Door Hatchback      53=FWD & AWD Van & Wgn Ext. W.B.  
 27=2-Door Convertible

AR = Use as Required - = Non Illustrated Part P.A.R. = Paint as Required

**PUMP, OIL WITH REACTION SHAFT AUTOMATIC TRANSAXLE, 41TE 4 SPEED**  
**Figure 21A-1600**

93151 1600



ITEM	PART NUMBER	QTY	BODY	MODEL	DESCRIPTION
	4567 869	1			PUMP ASSEMBLY, w/o Seals, Trans. Oil
2	4471 874	4			SEAL RING, Reaction Shaft Support
3		1			SHAFT, w/Support and Bushing, Reaction (Serviced in 4531621 Oil Pump Assy.)
	4446 616	1			BALL, Support Check (Not Shown)
	6500 211	6			BOLT, Suppt. to Hsg., M8x1.25x19
4		1			GEAR and ROTOR, Oil Pump (Serviced in Assy.)
5	4412 844	1			GASKET, Oil Pump Housing
6		1			HOUSING, w/Bushing and Rotor (Serviced in 4567869 Oil Pump Assy.)
	6501 106	5			SCREW, w/Washer, Oil Pump to Case, M8x1.25x25
7	5205 660	1			SEAL, Oil Pump Housing, Rubber
8		1			BUSHING, Oil Pump Housing (Serviced in Assy.)
9	4412 475	1			SEAL, Torque Converter Impeller Hub, 57.25mm O.D.

**MODEL CODES:**

A BODY=(C=LeBaron, D=Spirit, P=Acclaim/LaBaron(Landau), Saratoga)      S BODY=(H=Voyager(H) FWD, K=Caravan(H) FWD, Y=Town & Country(H) FWD, P=Voyager(K) AWD, D=Caravan(K) AWD, C=Town & Country(K) AWD)  
 C BODY=(D=Dynasty, C=New Yorker/N.Y. Salon)  
 G BODY=(V=Daytona/IROC, Chrysler Daytona)  
 J BODY=(C=LeBaron, Chrysler LeBaron)  
 P BODY=(P=Sundance, D=Shadow)      Y BODY=(C=Imperial/5th Avenue)  
 E-S BODY=(K=Chrysler Voyager(H) FWD, D=Chrysler Voyager(K) AWD)

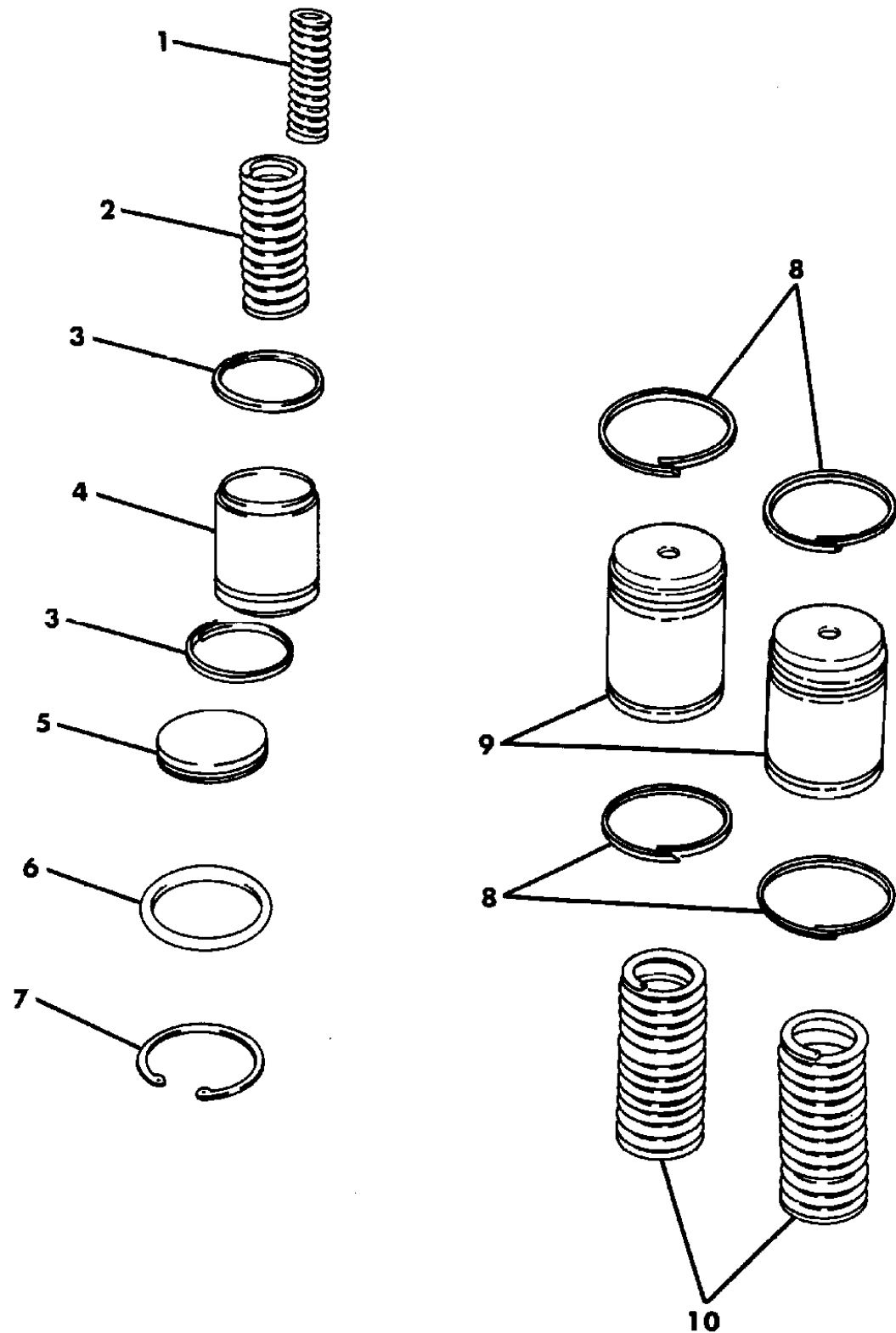
**BODY STYLES:**

21=2-Door Coupe      41=4-Door Sedan      12-52=FWD & AWD Van & Wgn Std W.B.  
 24=2-Door Hatchback      44=4-Door Hatchback      53=FWD & AWD Van & Wgn Ext. W.B.  
 27=2-Door Convertible

AR = Use as Required - = Non Illustrated Part P.A.R. = Paint as Required

**ACCUMULATOR PISTON AND SPRINGS AUTOMATIC TRANSAXLE, 41TE 4 SPEED**  
**Figure 21A-1700**

93151 1700



ITEM	PART NUMBER	QTY	BODY	MODEL	DESCRIPTION
1	4567 575	1			SPRING, Trans. Accumulator, Low and Reverse, Inner
2	4471 880	1			SPRING, Trans. Accumulator
3	4446 544	2			SEAL RING, Trans. Accumulator
4	4446 620	1			PISTON, Trans. Accumulator
5	4431 617	1			COVER, Trans. Accumulator
6	6501 549	1			O-RING, Trans. Accumulator
7	6501 695	1			SNAP RING, Trans. Accumulator
8	4446 544	4			SEAL RING, Trans. Accumulator
9	4446 620	2			PISTON, Trans. Accumulator
10	4471 880	1			SPRING, Trans. Accumulator

**MODEL CODES:**

A BODY=(C=LeBaron, D=Spirit, P=Acclaim/LaBaron(Landau), Saratoga)      S BODY=(H=Voyager(H) FWD, K=Caravan(H) FWD, Y=Town & Country(H) FWD, P=Voyager(K) AWD, D=Caravan(K) AWD, C=Town & Country(K) AWD)  
 C BODY=(D=Dynasty, C=New Yorker/N.Y. Salon)  
 G BODY=(V=Daytona/IROC, Chrysler Daytona)  
 J BODY=(C=LeBaron, Chrysler LeBaron)  
 P BODY=(P=Sundance, D=Shadow)      Y BODY=(C=Imperial/5th Avenue)  
 E-S BODY=(K=Chrysler Voyager(H) FWD, D=Chrysler Voyager(K) AWD)

**BODY STYLES:**

21=2-Door Coupe      41=4-Door Sedan      12-52=FWD & AWD Van & Wgn Std W.B.  
 24=2-Door Hatchback      44=4-Door Hatchback      53=FWD & AWD Van & Wgn Ext. W.B.  
 27=2-Door Convertible

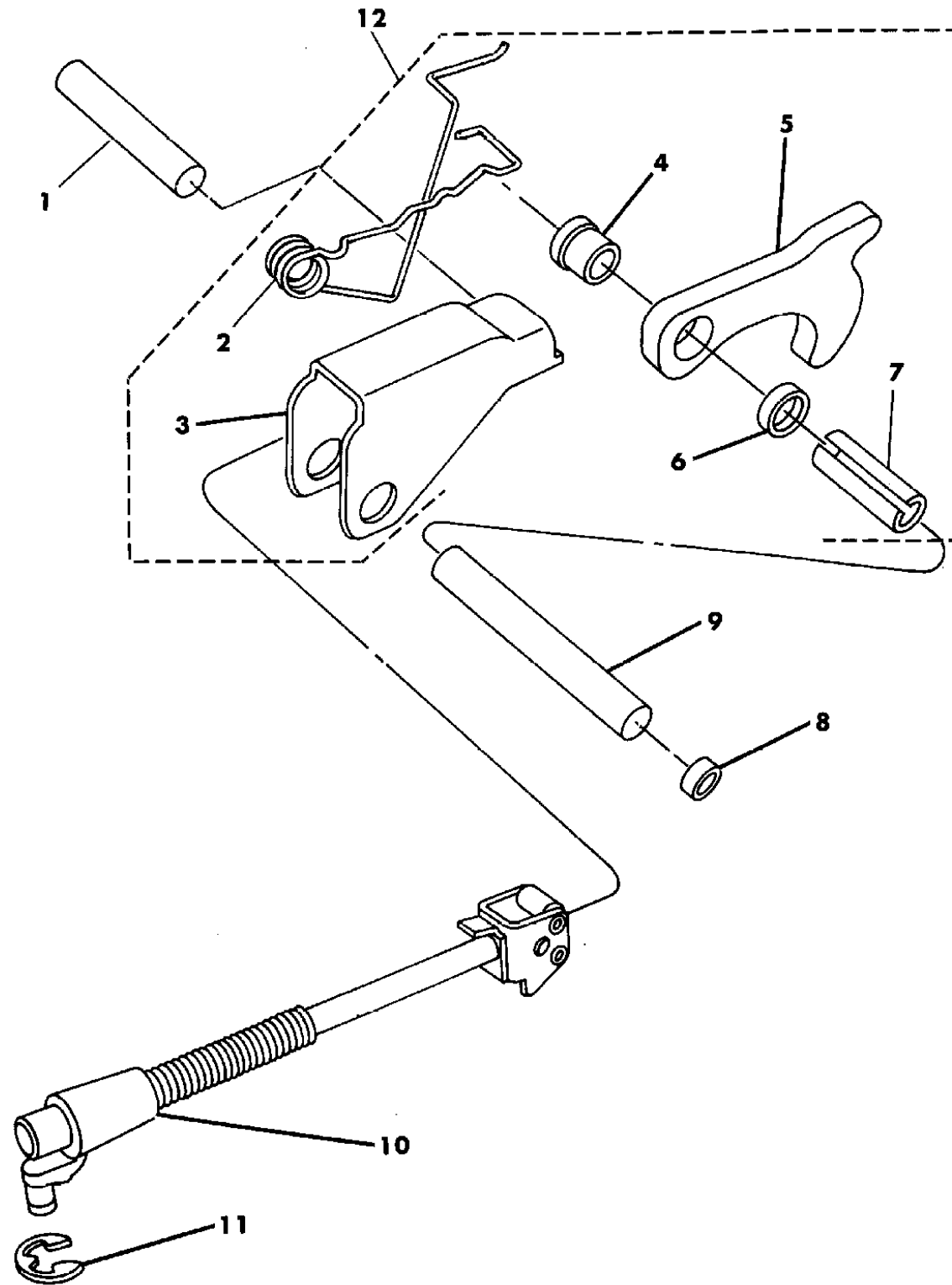
AR = Use as Required - = Non Illustrated Part P.A.R. = Paint as Required



PARKING SPRAG AUTOMATIC TRANSAXLE, 41TE 4 SPEED

Figure 21A-1800

93151 1800



ITEM	PART NUMBER	QTY	BODY	MODEL	DESCRIPTION
1	4431 999	1			SHAFT, Parking Sprag Anchor (9.5x52)
2	4431 653	1			SPRING, Park Sprag Pawl Return
3		1			BRACKET, Park Sprag, Guide (Serviced in 4740234 Assy.)
4		1			SPACER, Park Sprag Pawl (Serviced in 4740234 Assy.)
5		1			PAWL, Park Sprag (Serviced in 4740234 Assy.)
6		1			SPACER, Park Sprag Pawl (Serviced in 4740234 Assy.)
7		1			SLEEVE, Park Sprag Pawl (Serviced in 4740234 Assy.)
8	4446 612	1			CUP, Park Sprag Shaft
9	4412 289	1			SHAFT, Park Sprag (8.68x67)
10	4431 634	1			ROD ASSEMBLY, Trans. Parking Sprag
11	1626 749	1			E-RING, Parking Sprag Rod Retainer
12	4740 234	1			BRACKET ASSEMBLY, Trans. Parking Sprag Pawl Guide

MODEL CODES:

A BODY=(C=LeBaron, D=Spirit, P=Acclaim/LaBaron(Landau),  
Saratoga)  
C BODY=(D=Dynasty, C=New Yorker/N.Y. Salon)  
G BODY=(V=Daytona/IROC, Chrysler Daytona)  
J BODY=(C=LeBaron, Chrysler LeBaron)  
P BODY=(P=Sundance, D=Shadow)

S BODY=(H=Voyager(H) FWD, K=Caravan(H) FWD,  
Y=Town & Country(H) FWD, P=Voyager(K) AWD,  
D=Caravan(K) AWD, C=Town & Country(K) AWD)  
Y BODY=(C=Imperial/5th Avenue)  
E-S BODY=(K=Chrysler Voyager(H) FWD, D=Chrysler  
Voyager(K) AWD)

BODY STYLES:

21=2-Door Coupe      41=4-Door Sedan      12-52=FWD & AWD Van & Wgn Std W.B.  
24=2-Door Hatchback      44=4-Door Hatchback      53=FWD & AWD Van & Wgn Ext. W.B.  
27=2-Door Convertible

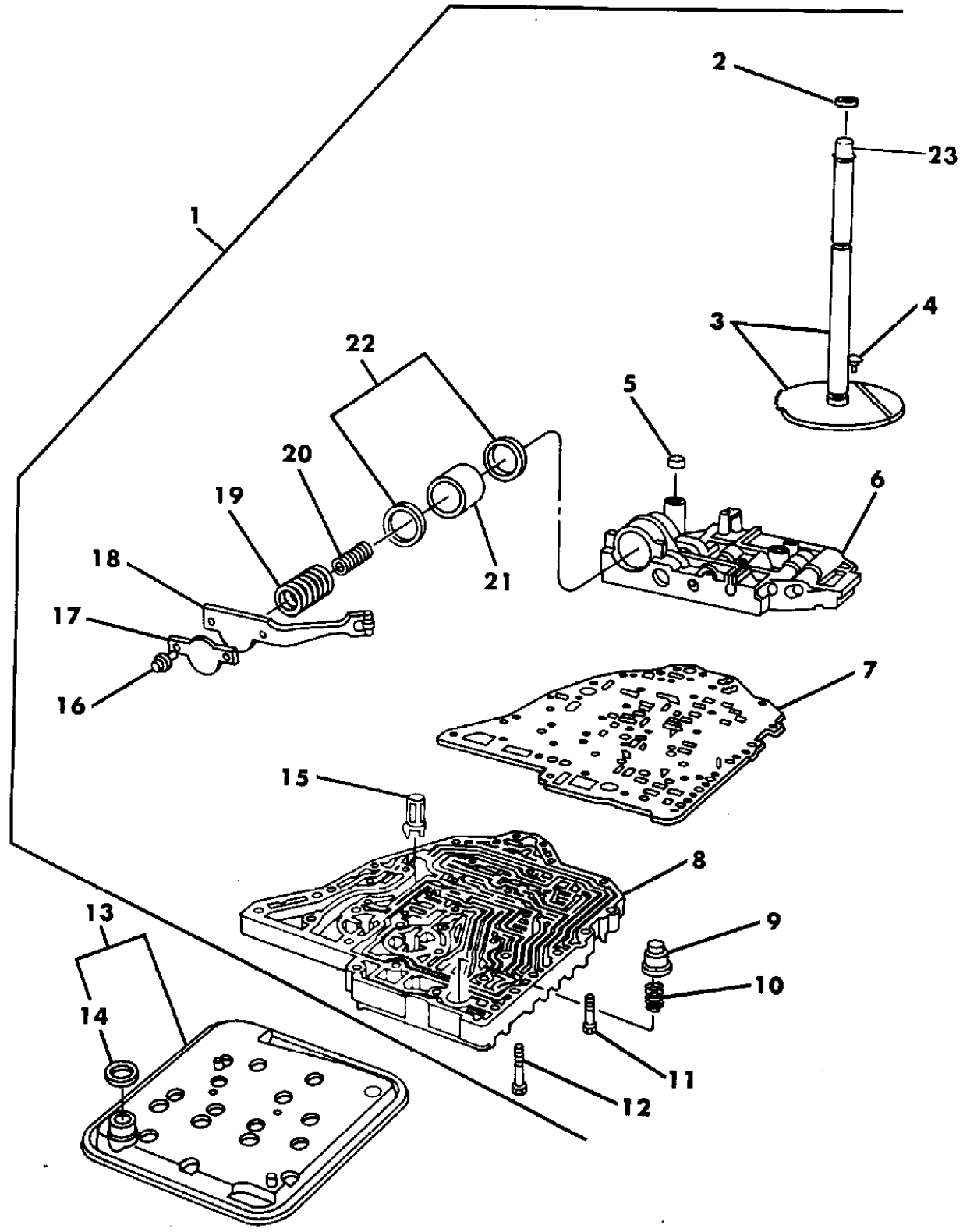
AR = Use as Required - = Non Illustrated Part P.A.R. = Paint as Required

VALVE BODY AUTOMATIC TRANSAXLE, 41TE 4 SPEED

Figure 21A-1900

93151 1900

ITEM	PART NUMBER	QTY	BODY	MODEL	DESCRIPTION
1	4567 908	1			BODY ASSEMBLY, Transfer Plate & Valve ***
2	4412 836	1			SEAL, Manual Valve Lever
3	4431 705	1			LEVER ASSEMBLY, Manual Valve
4	6501 710	1			SCREW, Lever Retaining, Special Shouldred
5	4412 291	1			SEAL, 2nd & 4th Clutch Feed
6		1			BODY, Valve (Serviced in Assy.)
7	4567 996	1			PLATE, Valve Body
8		1			PLATE, (Serviced in Assy.)
9		1			VALVE, Check w/O-Ring (Serviced in Assy.)
10		1			SPRING, Ball Check Valve (Serviced in Assy.)
11	6500 215	23			SCREW, Valve Body to Transfer Plate
12	6100 155	18			SCREW, Transfer Plate to Case
13	4504 048	1			FILTER PACKAGE, w/O-Ring, Trans. Oil
14	6032 780	1			O-RING, Trans. Oil Filter
15	3878 313	1			SCREEN, Regulator Valve
16	6500 214	3			SCREW, Retainer
17	4431 711	1			RETAINER, 2nd & 4th Accumulator Spring
18	4431 710	1			DETENT ASSEMBLY, Manual Valve Lever
19	4471 880	1			SPRING, 2nd & 4th Accumulator, Outer
20	4567 575	1			SPRING, 2nd & 4th Accumulator, Inner
20	4567 575	1			SPRING, Accumulator, Inner
21	4446 620	1			PISTON, 2nd & 4th Accumulator
22	4446 544	2			SEAL RING, Trans. Accumulator
23	4505 557	1			VENT, Air Breather
	4567 334	1			PLUG, Lock-Up Control Valve
	4531 654	1			PISTON, Lock-Up Accumulator



MODEL CODES:

A BODY=(C=LeBaron, D=Spirit, P=Acclaim/LaBaron(Landau), Saratoga) S BODY=(H=Voyager(H) FWD, K=Caravan(H) FWD, Y=Town & Country(H) FWD, P=Voyager(K) AWD, D=Caravan(K) AWD, C=Town & Country(K) AWD)  
 C BODY=(D=Dynasty, C=New Yorker/N.Y. Salon) Y BODY=(C=Imperial/5th Avenue)  
 G BODY=(V=Daytona/IROC, Chrysler Daytona) E-S BODY=(K=Chrysler Voyager(H) FWD, D=Chrysler Voyager(K) AWD)  
 J BODY=(C=LeBaron, Chrysler LeBaron) P BODY=(P=Sundance, D=Shadow)

BODY STYLES:

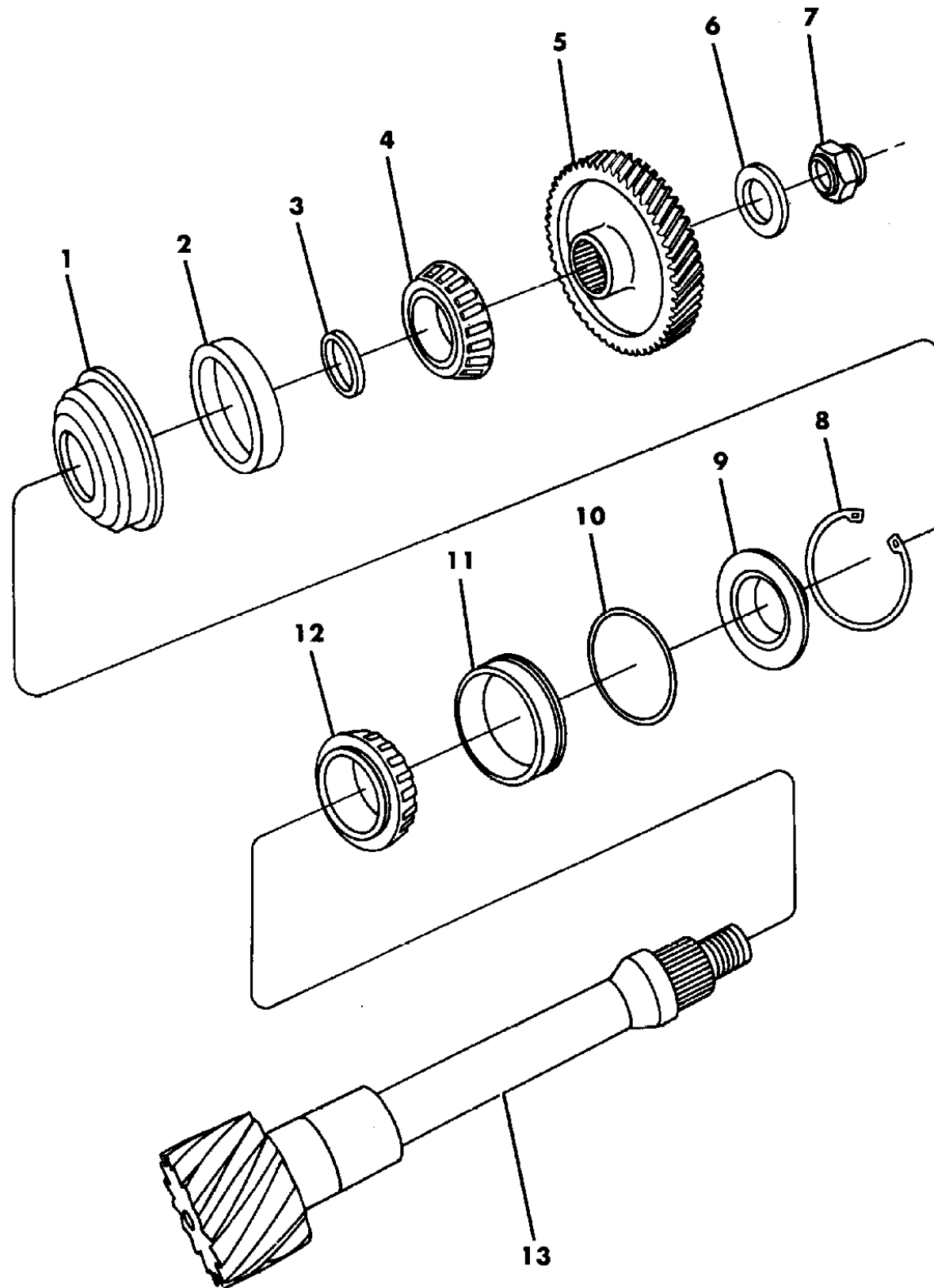
21=2-Door Coupe 41=4-Door Sedan 12-52=FWD & AWD Van & Wgn Std W.B.  
 24=2-Door Hatchback 44=4-Door Hatchback 53=FWD & AWD Van & Wgn Ext. W.B.  
 27=2-Door Convertible

AR = Use as Required - = Non Illustrated Part P.A.R. = Paint as Required

SHAFT, TRANSFER AUTOMATIC TRANSAXLE, 41TE 4 SPEED

Figure 21A-2000

93151 2000



ITEM	PART NUMBER	QTY	BODY	MODEL	DESCRIPTION
1	4412 273	1			RETAINER, Transfer Gear Bearing
2	4504 041	1			CUP, T/Shaft Gear Bearing, 73.44mm O.D.
3					SPACER, T/Shaft Bearing, 38.50mm O.D., Selective
	4505 570	AR			3.22mm Thk.
	4412 801	AR			3.26mm Thk.
	4412 802	AR			3.30mm Thk.
	4412 803	AR			3.34mm Thk.
	4412 804	AR			3.38mm Thk.
	4412 806	AR			3.46mm Thk.
	4412 807	AR			3.50mm Thk.
	4412 808	AR			3.54mm Thk.
	4412 809	AR			3.58mm Thk.
	4412 810	AR			3.62mm Thk.
	4412 811	AR			3.66mm Thk.
	4412 812	AR			3.70mm Thk.
	4412 813	AR			3.74mm Thk.
	4412 814	AR			3.78mm Thk.
	4412 815	AR			3.82mm Thk.
	4412 816	AR			3.86mm Thk.
	4412 817	AR			3.90mm Thk.
	4412 818	AR			3.94mm Thk.
	4412 819	AR			3.98mm Thk.
	4412 820	AR			4.02mm Thk.
	4412 821	AR			4.06mm Thk.
	4412 822	AR			4.10mm Thk.
	4412 823	AR			4.14mm Thk.
	4412 824	AR			4.18mm Thk.
	4412 825	AR			4.22mm Thk.
	4412 826	AR			4.26mm Thk.
	4412 827	AR			4.30mm Thk.
	4412 828	AR			4.34mm Thk.
	4412 829	AR			4.38mm Thk.
	4412 830	AR			4.42mm Thk.
	4412 831	AR			4.46mm Thk.
	4412 832	AR			4.50mm Thk.
	4412 833	AR			4.54mm Thk.
	4412 835	AR			4.62mm Thk.
	4505 588	AR			4.66mm Thk.
4	4504 042	1			CONE, T/Shaft Gear Bearing

MODEL CODES:

A BODY=(C=LeBaron, D=Spirit, P=Acclaim/LaBaron(Landau), Saratoga)  
 C BODY=(D=Dynasty, C=New Yorker/N.Y. Salon)  
 G BODY=(V=Daytona/ROC, Chrysler Daytona)  
 J BODY=(C=LeBaron, Chrysler LeBaron)  
 P BODY=(P=Sundance, D=Shadow)

S BODY=(H=Voyager(H) FWD, K=Caravan(H) FWD, Y=Town & Country(H) FWD, P=Voyager(K) AWD, D=Caravan(K) AWD, C=Town & Country(K) AWD)  
 Y BODY=(C=Imperial/5th Avenue)  
 E-S BODY=(K=Chrysler Voyager(H) FWD, D=Chrysler Voyager(K) AWD)

BODY STYLES:

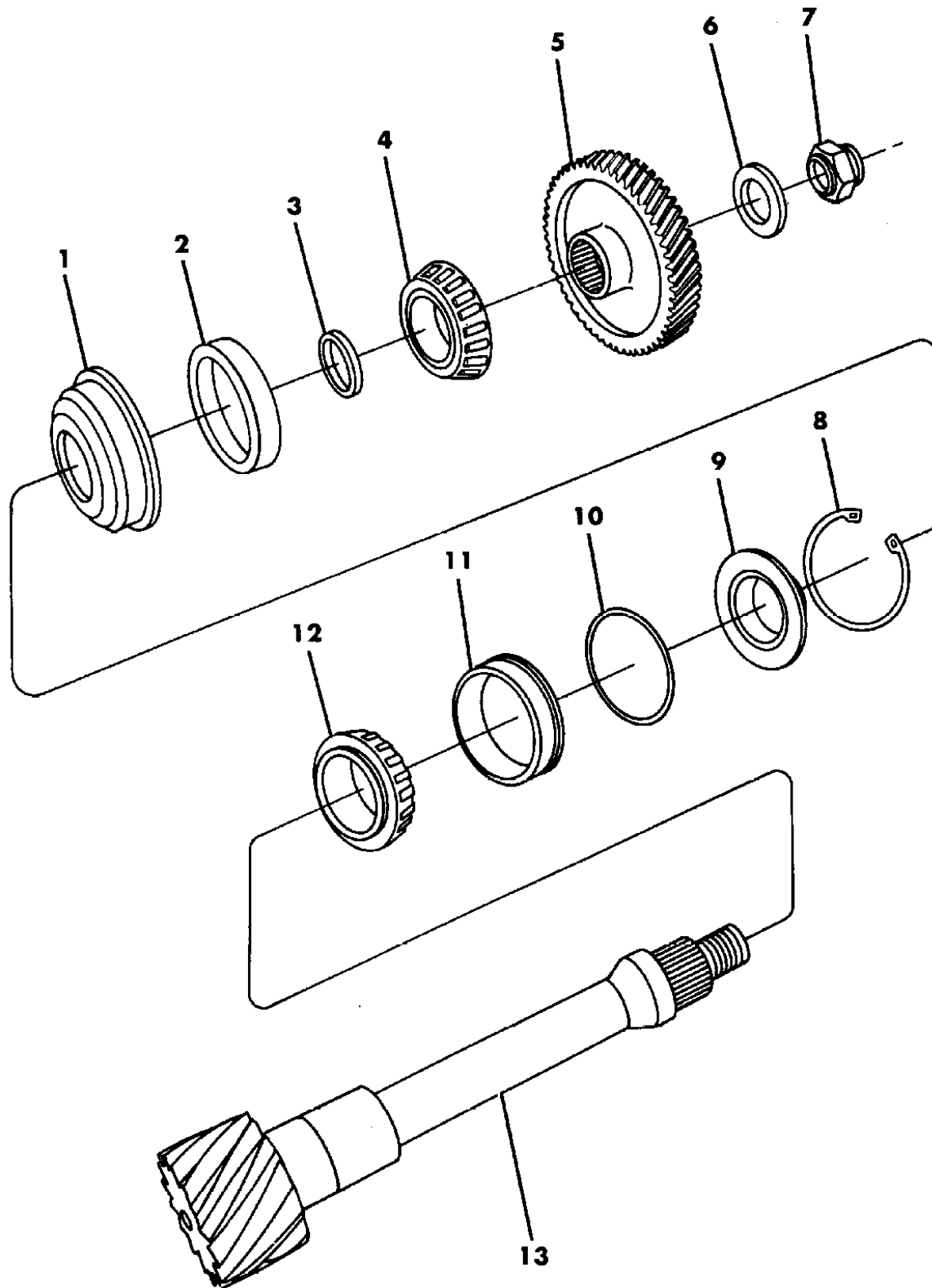
21=2-Door Coupe      41=4-Door Sedan      12-52=FWD & AWD Van & Wgn Std W.B.  
 24=2-Door Hatchback      44=4-Door Hatchback      53=FWD & AWD Van & Wgn Ext. W.B.  
 27=2-Door Convertible

AR = Use as Required - = Non Illustrated Part P.A.R. = Paint as Required

SHAFT, TRANSFER AUTOMATIC TRANSAXLE, 41TE 4 SPEED

Figure 21A-2000

93151 2000



ITEM	PART NUMBER	QTY	BODY	MODEL	DESCRIPTION
5	4713 444	1			GEAR PACKAGE, Gear Transfer Shaft 49T and Gear Output Shaft 47T, Use w/Trans. Production No. 4567646,647,989 *** Consists Of: 1 - 4713144 GEAR & BEARING, O/P Shaft, 32 Degree Helix Angle 1 - 4713143 GEAR & BEARING, T/Shaft, 32 Degree Helix Angle 1 - 6502607 BOLT, O/P Shaft 1 - 6502611 LOCKNUT, T/Shaft
	4713 443	1			1 - 6501832 WASHER, O/P Shaft Thrust 1 - 6501833 WASHER, T/Shaft Thrust Gear Transfer Shaft 46T and Gear Output Shaft 50T, Use w/ Trans. Production No. 4567645 Consists Of: 1 - 4713141 GEAR & BEARING, O/P Shaft, 32 Degree Helix Angle 1 - 4713142 GEAR & BEARING, T/Shaft, 32 Degree Helix Angle 1 - 6502607 BOLT, O/P Shaft 1 - 6502611 LOCKNUT, T/Shaft 1 - 6501832 WASHER, O/P Shaft, Thrust 1 - 6501833 WASHER, T/Shaft, Thrust
6	6501 833	1			WASHER, T/Shaft, Coned
7	6502 611	1			NUT, T/Shaft Gear Retaining, M22x1.50
8	6501 936	1			SNAP RING, T/Shaft Bearing
9	4471 869	1			BAFFLE, T/Shaft
10	6501 768	1			O-RING, T/Shaft Bearing Retainer
11	4856 911	1			BEARING PACKAGE, Cup & Cone, T/Shaft Bearing, Cup 69mm O.D. ***
12	4856 911	1			BEARING PACKAGE, Cone & Cup, Transfer Shaft Bearing ***
13	4531 978	1			SHAFT, Transfer, 17T, Except 4567989 Trans.
	4531 976	1	S	AWD	16T, w/4567989 Trans.

MODEL CODES:

A BODY=(C=LeBaron, D=Spirit, P=Acclaim/LaBaron(Landau), Saratoga)  
C BODY=(D=Dynasty, C=New Yorker/N.Y. Salon)  
G BODY=(V=Daytona/IROC, Chrysler Daytona)  
J BODY=(C=LeBaron, Chrysler LeBaron)  
P BODY=(P=Sundance, D=Shadow)

S BODY=(H=Voyager(H) FWD, K=Caravan(H) FWD, Y=Town & Country(H) FWD, P=Voyager(K) AWD, D=Caravan(K) AWD, C=Town & Country(K) AWD)  
Y BODY=(C=Imperial/5th Avenue)  
E-S BODY=(K=Chrysler Voyager(H) FWD, D=Chrysler Voyager(K) AWD)

BODY STYLES:

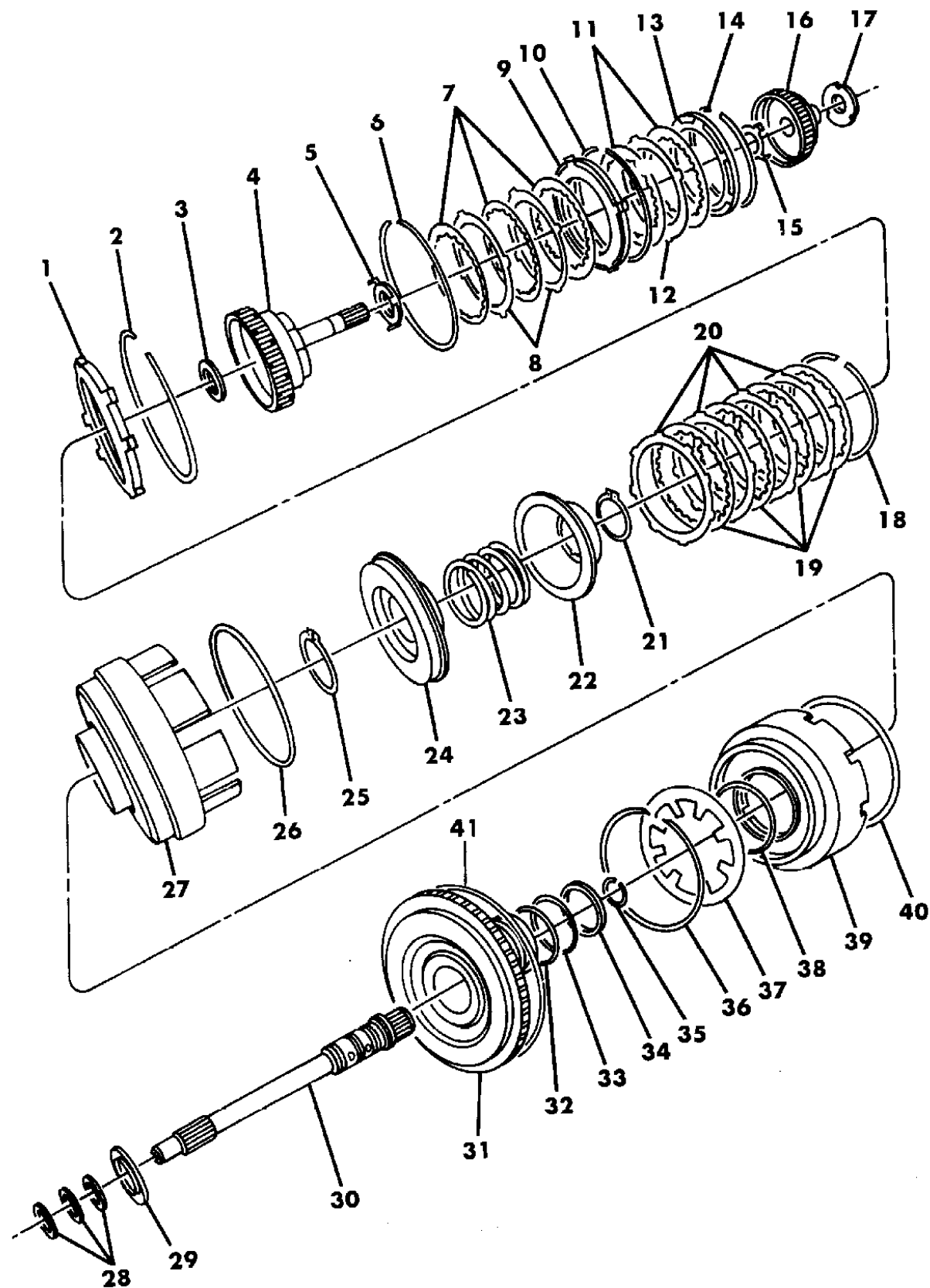
21=2-Door Coupe      41=4-Door Sedan      12-52=FWD & AWD Van & Wgn Std W.B.  
24=2-Door Hatchback      44=4-Door Hatchback      53=FWD & AWD Van & Wgn Ext. W.B.  
27=2-Door Convertible

AR = Use as Required - = Non Illustrated Part P.A.R. = Paint as Required

CLUTCH, INPUT SHAFT AUTOMATIC TRANSAXLE, 41TE 4 SPEED

Figure 21A-2100

93151 2100



ITEM	PART NUMBER	QTY	BODY	MODEL	DESCRIPTION
	4762 565	1			SEAL and GASKET PACKAGE, Front Clutch Assy. *** Consists Of: 2 - 4412875 SEAL, O/Drive Piston, Outer 1 - 4531408 SEAL, U/Drive Piston, Outer 1 - 6033158 O-RING, Rev. & O/Drive Cl. Piston, Inner
					1 - 6502271 O-RING, Input Cl. Hub, Large 1 - 6502269 O-RING, Input Cl. Hub, Small 1 - 4431612 RETAINER & SEAL Assy., U/Drive Spring 1 - 4377174 SEAL, U/Drive Piston, Inner
					1 - 6501715 SNAP RING, U/Drive Piston Spring Retainer 1 - 6501702 SNAP RING, Input Shaft 1 - 4567602 SNAP RING, U/Drive Tapered
1					PLATE, U/Drive Clutch Reaction, Selective
	4723 684	AR			5.47 - 5.57mm Thk.
	4723 683	AR			5.96 - 6.06mm Thk.
	4723 682	AR			6.45 - 6.55mm Thk.
	4723 681	AR			6.94 - 7.04mm Thk.
2	4567 602	1			SNAP RING, U/Drive Clutch, Tapered
3	4431 962	1			BEARING, Input Clutch Hub, Thrust
4	4431 615	1			HUB, w/Shaft, U/Drive Clutch
5	4471 855	1			WASHER, U/Drive Clutch Hub, w/5 Tabs, Thrust
6	4505 621	1			SNAP RING, Rev. & O/Drive Cl. Pressure Plate, Wave
7	4531 678	4			DISC, Overdrive Clutch
8	4567 909	3			PLATE, Overdrive Clutch
9	4531 556	1			PLATE, Rev. & O/Drive Clutch Pressure, 4 Lug
10	4505 622	1			SNAP RING, Rev. & O/Drive Pressure Plate, Flat
11	4531 678	2			DISC, Reverse Clutch
12	4567 909	1			PLATE, Reverse Clutch
13	4531 925	1			PLATE, Reverse Clutch Reaction
14					SNAP RING, Rev. Cl. Reaction Plate, Selective
	4377 195	AR			1.53 - 1.58mm Thk.
	4412 871	AR			1.77 - 1.83mm Thk.
	4412 872	AR			2.02 - 2.07mm Thk.
	4412 873	AR			2.27 - 2.32mm Thk.
15	4431 973	1			PLATE, O/Drive Cl. Hub Thrust, 3 Tabs
16	4431 619	1			HUB, w/Shaft, O/Drive Clutch
17					PLATE, O/Drive Cl. Hub Thrust, Selective
	4431 662	AR			0.81 - 1.03mm Thk.
	4431 663	AR			1.03 - 1.25mm Thk.

MODEL CODES:

A BODY=(C=LeBaron, D=Spirit, P=Acclaim/LaBaron(Landau), Saratoga)

C BODY=(D=Dynasty, C=New Yorker/N.Y. Salon)

G BODY=(V=Daytona/IROC, Chrysler Daytona)

J BODY=(C=LeBaron, Chrysler LeBaron)

P BODY=(P=Sundance, D=Shadow)

S BODY=(H=Voyager(H) FWD, K=Caravan(H) FWD,

Y=Town & Country(H) FWD, P=Voyager(K) AWD,

D=Caravan(K) AWD, C=Town & Country(K) AWD)

Y BODY=(C=Imperial/5th Avenue)

E-S BODY=(K=Chrysler Voyager(H) FWD, D=Chrysler

Voyager(K) AWD)

BODY STYLES:

21=2-Door Coupe

41=4-Door Sedan

12-52=FWD & AWD Van & Wgn Std W.B.

24=2-Door Hatchback

44=4-Door Hatchback

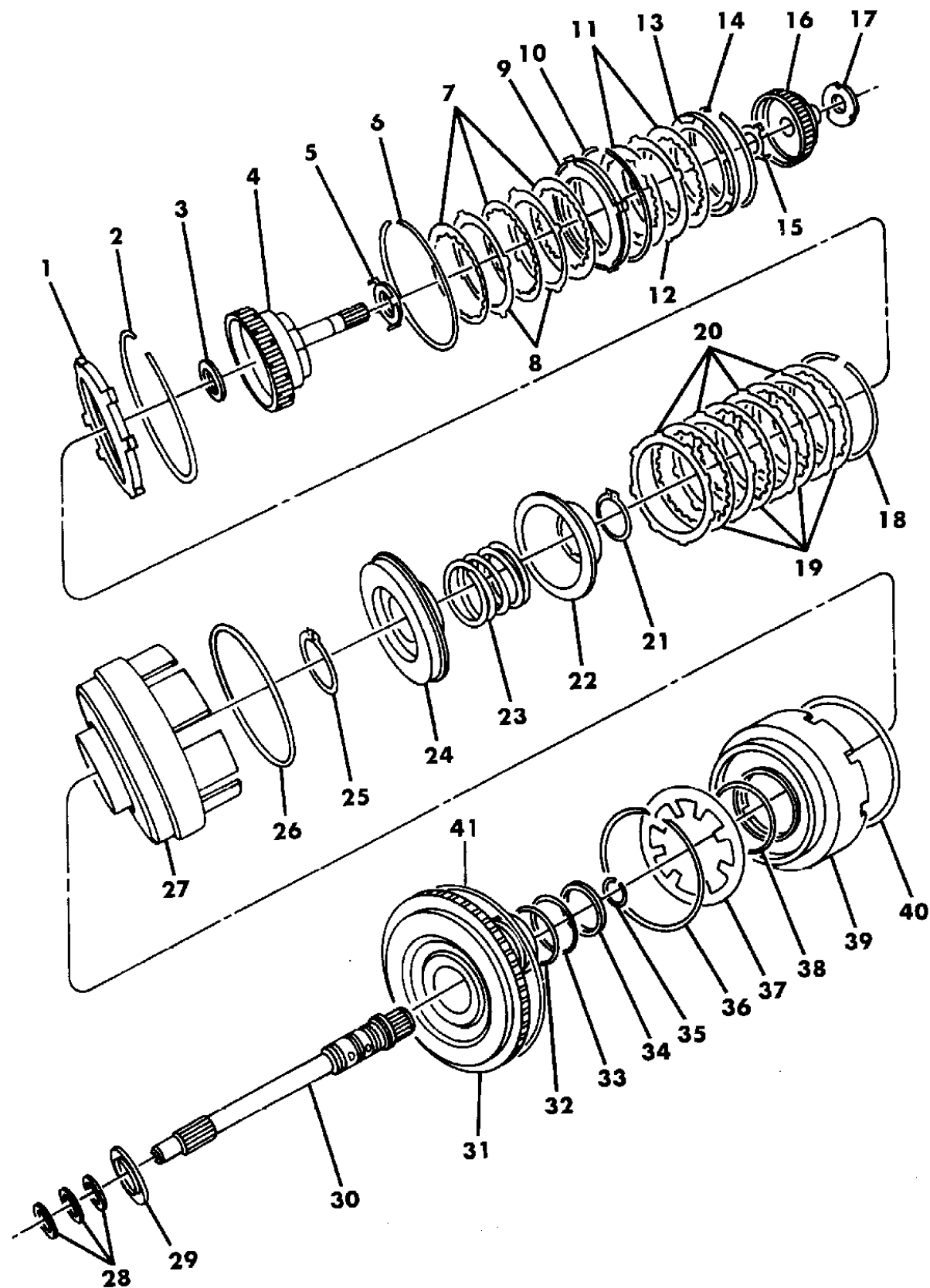
53=FWD & AWD Van & Wgn Ext. W.B.

27=2-Door Convertible

AR = Use as Required - = Non Illustrated Part P.A.R. = Paint as Required

**CLUTCH, INPUT SHAFT AUTOMATIC TRANSAXLE, 41TE 4 SPEED**  
**Figure 21A-2100**

93151 2100



ITEM	PART NUMBER	QTY	BODY	MODEL	DESCRIPTION
	4431 664	AR			1.25 - 1.47mm Thk.
	4431 665	AR			1.47 - 1.69mm Thk.
	4431 666	AR			1.69 - 1.91mm Thk.
	3836 237	AR			1.70 - 1.77mm Thk.
	4431 667	AR			1.91 - 2.13mm Thk.
	3836 238	AR			1.92 - 1.99mm Thk.
	4431 668	AR			2.13 - 2.35mm Thk.
	3836 239	AR			2.14 - 2.21mm Thk.
	4431 669	AR			2.35 - 2.57mm Thk.
	3836 240	AR			2.36 - 2.43mm Thk.
	4446 670	AR			2.57 - 2.79mm Thk.
	3836 241	AR			2.58 - 2.65mm Thk.
	4446 671	AR			2.79 - 3.01mm Thk.
	4446 672	AR			3.01 - 3.23mm Thk.
	4446 601	AR			3.23 - 3.45mm Thk.
18	4412 307	1			SNAP RING, U/Drive, Flat 1.53 - 1.58mm Thk.
19	4531 678	4			DISC, U/Drive Clutch
20	4531 905	4			PLATE, U/Drive Clutch
21	6501 715	1			SNAP RING, U/Drive Piston Spring Retainer
22	4431 612	1			RETAINER, w/Seal, U/Drive Spring
23	4377 177	1			SPRING, U/Drive Piston Return
24	4431 610	1			PISTON, Underdrive
25	6501 812	1			SNAP RING, Input Cl. Retainer to Hub
26	4531 408	1			SEAL, U/Drive Piston, Outer, 140mm O.D.
27	4505 623	1			RETAINER, Input Clutch
28	4446 543	3			SEAL RING, Input Shaft, Teflon
29	4412 209	1			BEARING, Suppt. to Input Cl. Hub, Needle Thrust
30	4549 223	1			SHAFT, Input, 22T
31	4531 637	1			HUB, Input Clutch
32	6502 271	1			O-RING, Input Cl. Hub, Large, Front Blue .103" Thk.
33	6502 269	1			O-RING, Input Cl. Hub, Small, Rear Red .103" Thk.
34	4377 174	1			SEAL, U/Drive Piston, Inner, 45mm O.D.
35	6501 702	1			SNAP RING, Input Shaft
36	4412 203	1			SNAP RING, Rev. & O/Drive Piston Return Spring
37	4412 202	1			SPRING, Rev. & O/Drive Piston Return
38	6033 158	1			O-RING, Rev. & O/Drive Cl. Piston, Inner
39	4531 910	1			PISTON, w/Screen Filter, Rev. & O/Drive Clutch, 4 Lug
	4566 310	1			PISTON & PLATE PACKAGE, Rev. & O/Drive Clutch, 4 Lug ***
	4531 903	1			FILTER, Rev. & O/Drive Clutch Piston

**MODEL CODES:**

A BODY=(C=LeBaron, D=Spirit, P=Acclaim/LaBaron(Landau), Saratoga)      S BODY=(H=Voyager(H) FWD, K=Caravan(H) FWD, Y=Town & Country(H) FWD, P=Voyager(K) AWD, D=Caravan(K) AWD, C=Town & Country(K) AWD)  
 C BODY=(D=Dynasty, C=New Yorker/N.Y. Salon)  
 G BODY=(V=Daytona/IROC, Chrysler Daytona)  
 J BODY=(C=LeBaron, Chrysler LeBaron)  
 P BODY=(P=Sundance, D=Shadow)      E-S BODY=(K=Chrysler Voyager(H) FWD, D=Chrysler Voyager(K) AWD)

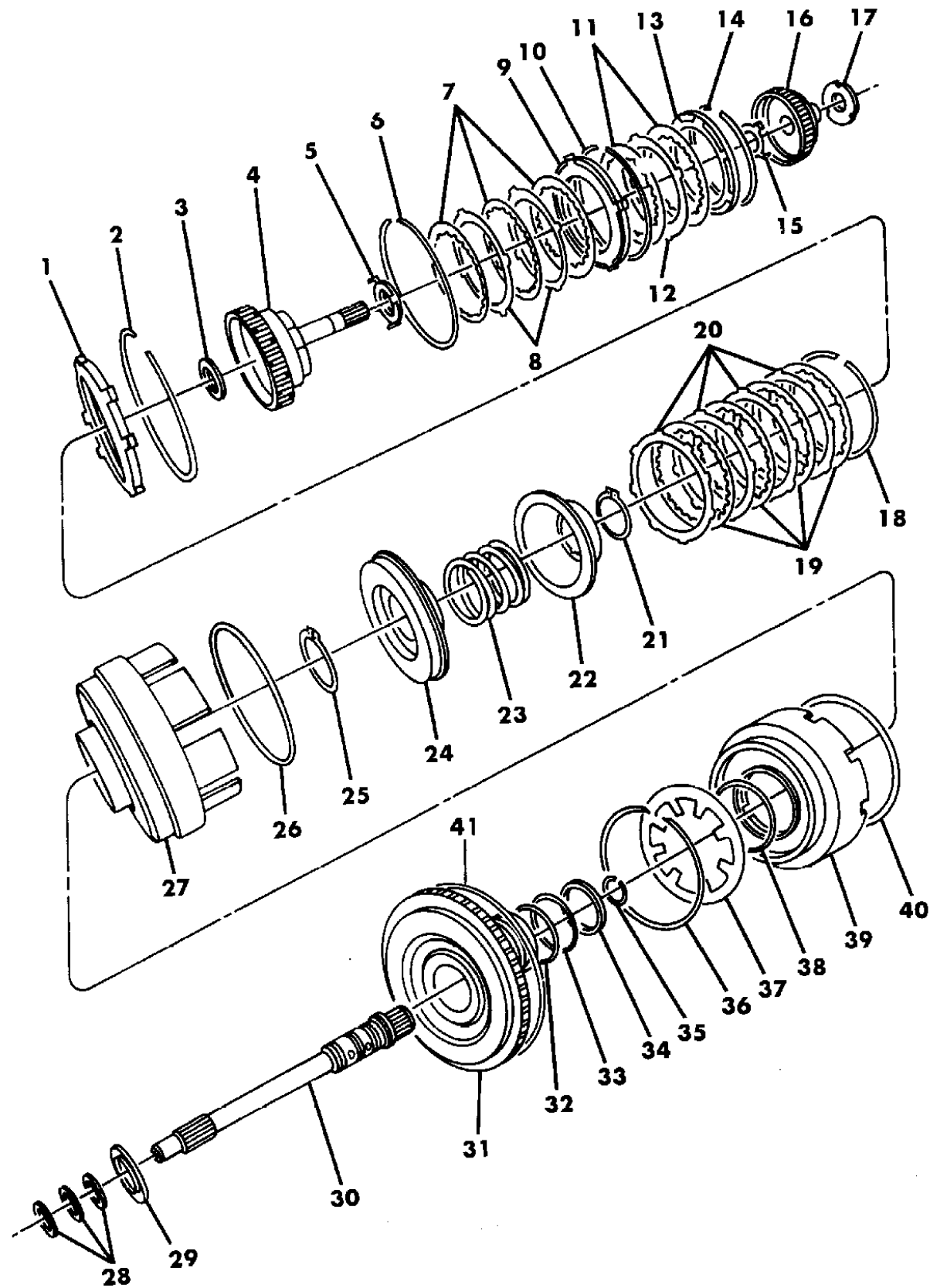
**BODY STYLES:**

21=2-Door Coupe      41=4-Door Sedan      12-52=FWD & AWD Van & Wgn Std W.B.  
 24=2-Door Hatchback      44=4-Door Hatchback      53=FWD & AWD Van & Wgn Ext. W.B.  
 27=2-Door Convertible

AR = Use as Required    - = Non Illustrated Part    P.A.R. = Paint as Required

**CLUTCH, INPUT SHAFT AUTOMATIC TRANSAXLE, 41TE 4 SPEED**  
**Figure 21A-2100**

93151 2100



ITEM	PART NUMBER	QTY	BODY	MODEL	DESCRIPTION
------	-------------	-----	------	-------	-------------

40	4412 875	1			SEAL, Reverse Clutch, Outer, 160mm O.D.
41	4412 875	1			SEAL, Input Clutch, Outer, 160mm O.D.

**MODEL CODES:**

A BODY=(C=LeBaron, D=Spirit, P=Acclaim/LaBaron(Landau), Saratoga)      S BODY=(H=Voyager(H) FWD, K=Caravan(H) FWD, Y=Town & Country(H) FWD, P=Voyager(K) AWD, D=Caravan(K) AWD, C=Town & Country(K) AWD)  
 C BODY=(D=Dynasty, C=New Yorker/N.Y. Salon)  
 G BODY=(V=Daytona/IROC, Chrysler Daytona)  
 J BODY=(C=LeBaron, Chrysler LeBaron)  
 P BODY=(P=Sundance, D=Shadow)      Y BODY=(C=Imperial/5th Avenue)  
 E-S BODY=(K=Chrysler Voyager(H) FWD, D=Chrysler Voyager(K) AWD)

**BODY STYLES:**

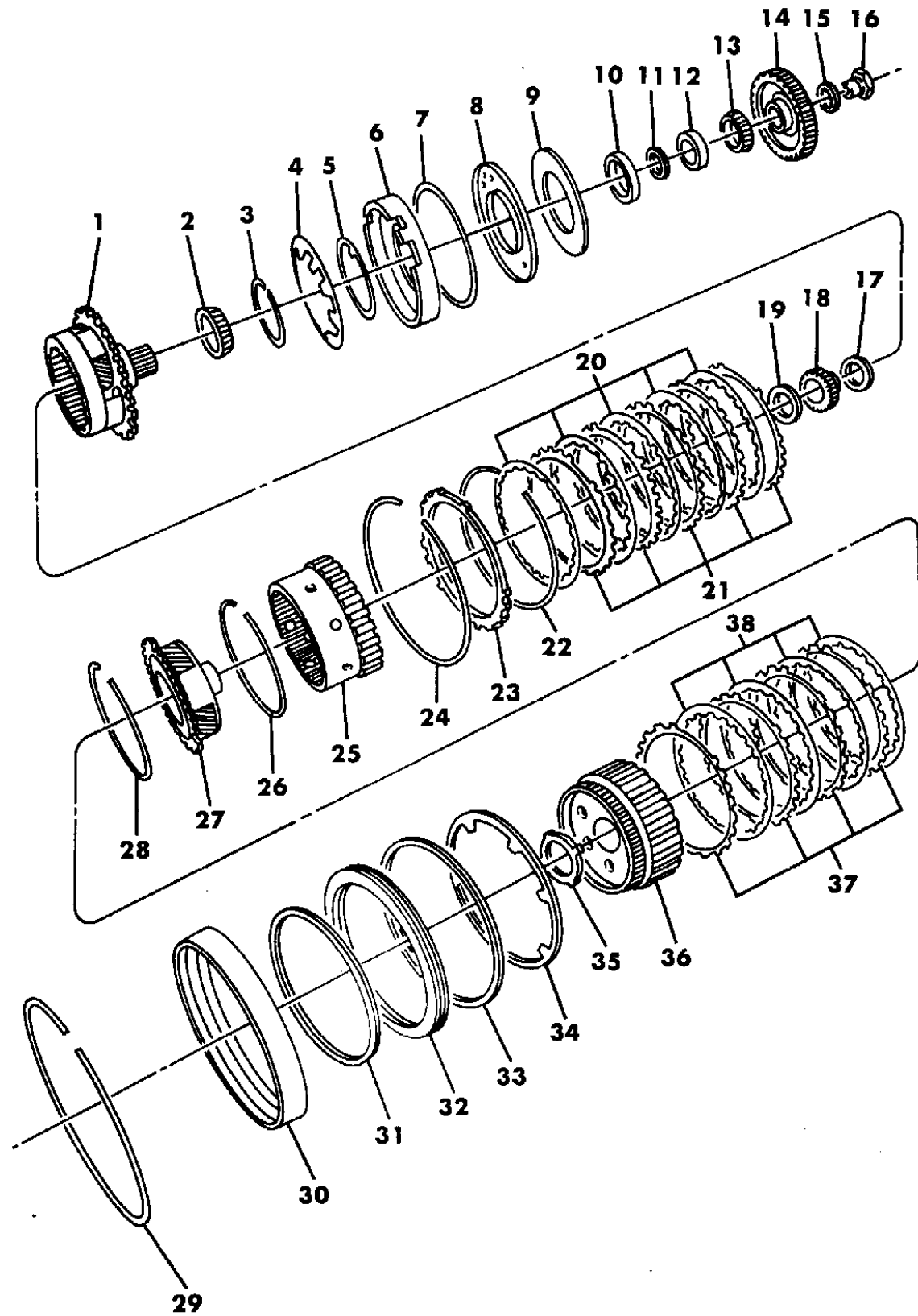
21=2-Door Coupe      41=4-Door Sedan      12-52=FWD & AWD Van & Wgn Std W.B.  
 24=2-Door Hatchback      44=4-Door Hatchback      53=FWD & AWD Van & Wgn Ext. W.B.  
 27=2-Door Convertible

AR = Use as Required - = Non Illustrated Part P.A.R. = Paint as Required

GEAR TRAIN AUTOMATIC TRANSAXLE, 41TE 4 SPEED

Figure 21A-2200

93151 2200



ITEM	PART NUMBER	QTY	BODY	MODEL	DESCRIPTION
1	4723 680	1			CARRIER & BEARING, w/Bushing. Rear Planet Pinion ***
2	4446 610	1			CONE, Output Shaft Bearing
3	6501 853	1			SNAP RING, Low & Rev. Clutch Piston
4	4412 261	1			SPRING, Low & Rev. Clutch Piston Return
5	4778 883	1			SEAL PACKAGE, Low & Rev. Cl. Piston, Inner 3-3/8" O.D., Outer 6" O.D. (D-Ring)
6	4431 672	1			PISTON ASSEMBLY, Low & Rev. Clutch
7	4778 883	1			SEAL PACKAGE, Low & Rev. Cl. Piston, Outer 6" O.D., Inner 3-3/8" O.D. (D-Ring)
8	4431 648	1			RETAINER, Low & Rev. Clutch Piston
	6501 819	3			SCREW, w/Washer Piston Retainer
9	4431 649	1			GASKET, Low & Rev. Clutch Piston Retainer
10	4446 689	1			CUP, Rear Carrier Bearing, 63mm O.D.
11					SPACER, Output Shaft Bearing, Selective
	4412 807	AR			3.50mm Thk.
	4412 809	AR			3.58mm Thk.
	4412 811	AR			3.66mm Thk.
	4412 812	AR			3.70mm Thk.
	4412 813	AR			3.74mm Thk.
	4412 814	AR			3.78mm Thk.
	4412 815	AR			3.82mm Thk.
	4412 816	AR			3.86mm Thk.
	4412 817	AR			3.90mm Thk.
	4412 818	AR			3.94mm Thk.
	4412 819	AR			3.98mm Thk.
	4412 820	AR			4.02mm Thk.
	4412 821	AR			4.06mm Thk.
	4412 822	AR			4.10mm Thk.
	4412 823	AR			4.14mm Thk.
	4412 824	AR			4.18mm Thk.
	4412 825	AR			4.22mm Thk.
	4412 826	AR			4.26mm Thk.
	4412 827	AR			4.30mm Thk.
	4412 828	AR			4.34mm Thk.
	4412 829	AR			4.38mm Thk.
	4412 830	AR			4.42mm Thk.
12	4412 234	1			CUP, Output Shaft Gear Bearing, 68mm O.D.
13	4412 235	1			CONE, Output Shaft Gear, Bearing

MODEL CODES:

A BODY=(C=LeBaron, D=Spirit, P=Acclaim/LaBaron(Landau), Saratoga)

C BODY=(D=Dynasty, C=New Yorker/N.Y. Salon)

G BODY=(V=Daytona/IROC, Chrysler Daytona)

J BODY=(C=LeBaron, Chrysler LeBaron)

P BODY=(P=Sundance, D=Shadow)

S BODY=(H=Voyager(H) FWD, K=Caravan(H) FWD,

Y=Town & Country(H) FWD, P=Voyager(K) AWD,

D=Caravan(K) AWD, C=Town & Country(K) AWD)

Y BODY=(C=Imperial/5th Avenue)

E-S BODY=(K=Chrysler Voyager(H) FWD, D=Chrysler

Voyager(K) AWD)

BODY STYLES:

21=2-Door Coupe

41=4-Door Sedan

12-52=FWD & AWD Van & Wgn Std W.B.

24=2-Door Hatchback

44=4-Door Hatchback

53=FWD & AWD Van & Wgn Ext. W.B.

27=2-Door Convertible

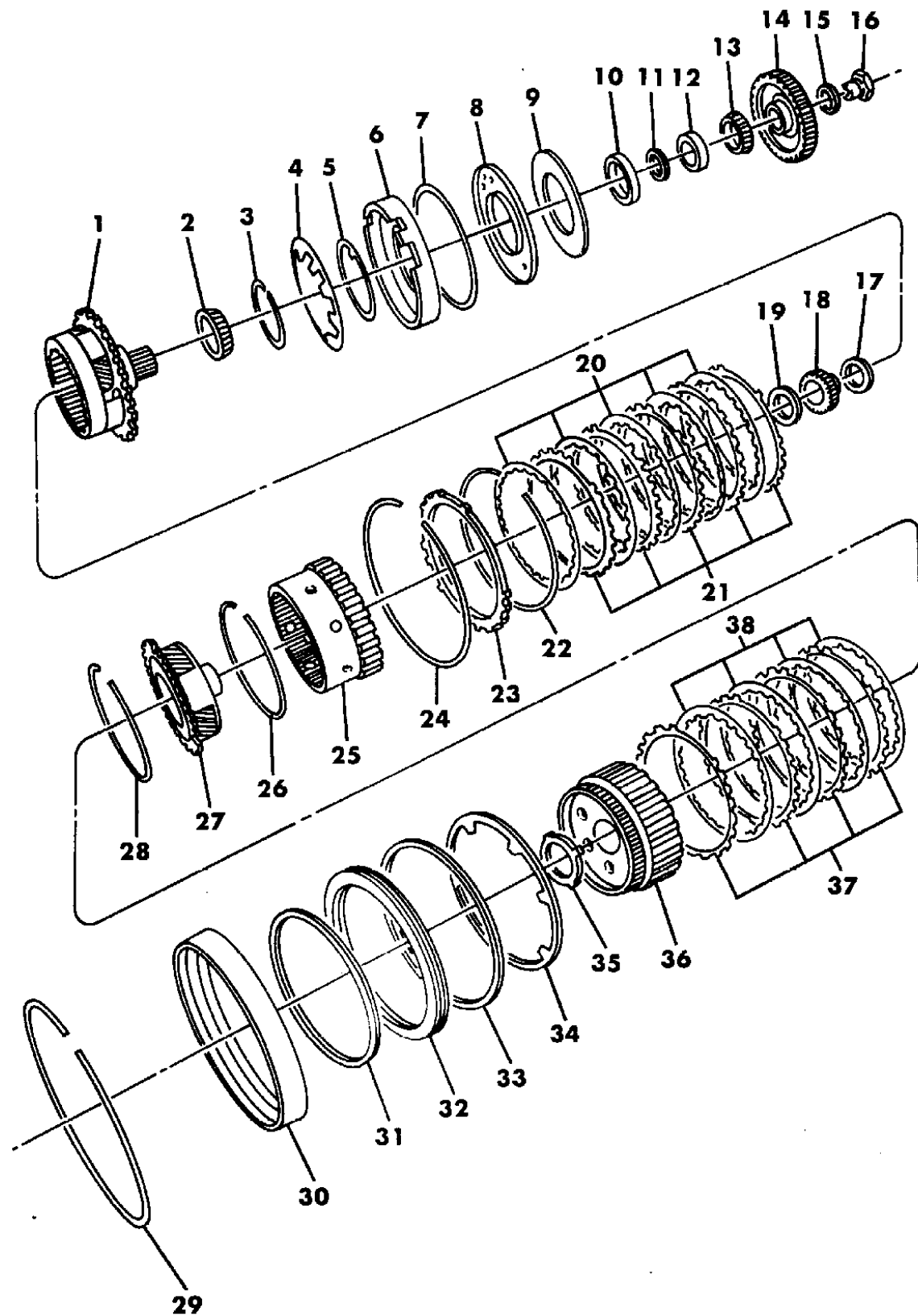
AR = Use as Required - = Non Illustrated Part P.A.R. = Paint as Required



GEAR TRAIN AUTOMATIC TRANSAXLE, 41TE 4 SPEED

Figure 21A-2200

93151 2200



ITEM	PART NUMBER	QTY	BODY	MODEL	DESCRIPTION
14	4713 444	1			GEAR PACKAGE, Gear Output Shaft 47T and Gear Transfer Shaft 49T, Use w/Trans. Production No. 4567646,647,989 ***
	4713 443	1			Gear Output Shaft 50T and Gear Transfer Shaft 46T, Use w/Trans. Production No. 4567645
15	6501 832	1			WASHER, Output Shaft
16	6502 607	1			BOLT, Output Shaft Gear, M18x1.50x34
17	4412 209	1			BEARING, Rear Sun Gear Thrust, 1-3/4" O.D.
18	4377 080	1			GEAR, Rear Sun, 38T
19	4412 229	1			BEARING, Rear Sun Gear Front, Needle Thrust
20	4377 134	5			DISC, Low & Rev. Clutch
21	4567 911	5			PLATE, Low & Rev. Clutch
22	4412 395	1			SNAP RING, Low & Rev. Clutch, 6-1/2" O.D.
23					PLATE, Low & Rev. Clutch, Selective
	4567 894	AR			5.23 - 5.49mm Thk.
	4567 895	AR			5.49 - 5.75mm Thk.
	4567 896	AR			5.75 - 6.01mm Thk.
	4567 897	AR			6.01 - 6.27mm Thk.
	4567 898	AR			6.27 - 6.53mm Thk.
	4567 899	AR			6.53 - 6.79mm Thk.
	4567 893	AR			6.79 - 7.05mm Thk.
24	4412 269	1			SNAP RING, Low & Rev. Clutch, Tapered 7" O.D.
25	4567 632	1			GEAR, Rear Annulus
26	4130 513	1			SNAP RING, Rear Annulus Gear, 4-5/8" O.D.
27	4505 597	1			CARRIER ASSEMBLY, w/Thrust Bearing, Front Planet Pinion BEARING, Front Planet Pinion Carrier, Thrust (Not Shown)
28	4130 513	1			SNAP RING, Rear Annulus Gear, 4-5/8" O.D.
29	4505 591	1			SNAP RING, 2nd & 4th Clutch Piston Retainer
30	4431 650	1			RETAINER, 2nd & 4th Clutch Piston
31	4504 050	1			SEAL PACKAGE, 2nd & 4th Clutch Piston, Inner and Outer Seal, 145mm O.D.
32	4431 647	1			PISTON, 2nd & 4th Clutch
33	4504 050	1			SEAL PACKAGE, 2nd & 4th Clutch Piston, Outer and Inner Seal, 150mm O.D.
34	4412 248	1			SPRING, 2nd & 4th Clutch Piston Return
35	4412 216	1			WASHER, O/Drive Clutch Hub, Thrust, 4 Tabs
36	4431 622	1			HUB and GEAR ASSEMBLY, w/Bushings, 2nd & 4th Clutch
37	4567 910	4			PLATE, 2nd & 4th Clutch
38	4567 212	4			DISC, 2nd & 4th Clutch

MODEL CODES:

A BODY=(C=LeBaron, D=Spirit, P=Acclaim/LaBaron(Landau), Saratoga)

C BODY=(D=Dynasty, C=New Yorker/N.Y. Salon)

G BODY=(V=Daytona/IROC, Chrysler Daytona)

J BODY=(C=LeBaron, Chrysler LeBaron)

P BODY=(P=Sundance, D=Shadow)

S BODY=(H=Voyager(H) FWD, K=Caravan(H) FWD,

Y=Town & Country(H) FWD, P=Voyager(K) AWD,

D=Caravan(K) AWD, C=Town & Country(K) AWD)

Y BODY=(C=Imperial/5th Avenue)

E-S BODY=(K=Chrysler Voyager(H) FWD, D=Chrysler

Voyager(K) AWD)

BODY STYLES:

21=2-Door Coupe

41=4-Door Sedan

12-52=FWD & AWD Van & Wgn Std W.B.

24=2-Door Hatchback

44=4-Door Hatchback

53=FWD & AWD Van & Wgn Ext. W.B.

27=2-Door Convertible

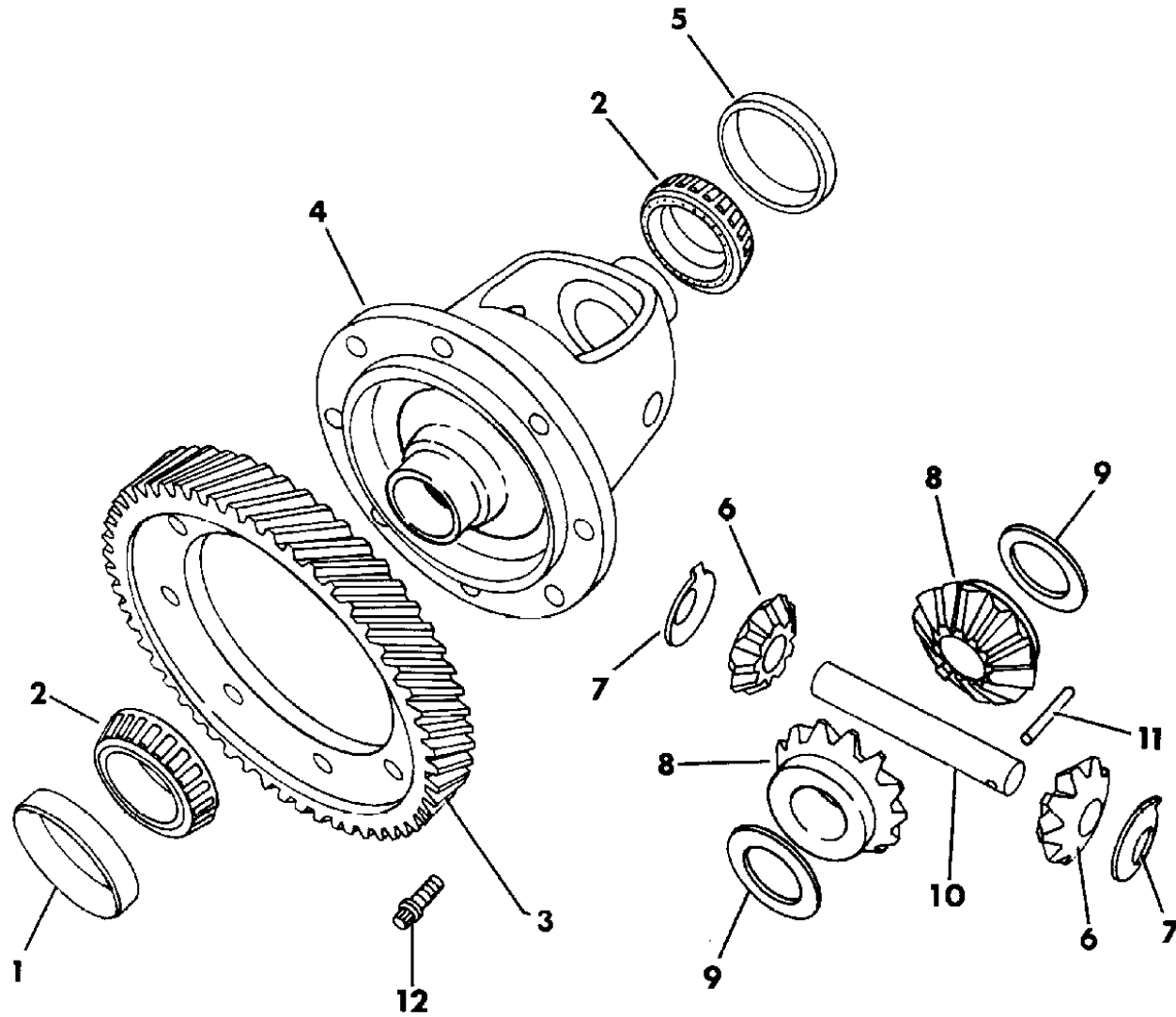
AR = Use as Required - = Non Illustrated Part P.A.R. = Paint as Required

DIFFERENTIAL AUTOMATIC TRANSAXLE, 41TE 4 SPEED

Figure 21A-2300

93151 2300

ITEM	PART NUMBER	QTY	BODY	MODEL	DESCRIPTION
1	4446 689	1			CUP, Differential, 63mm O.D.
2	4446 610	2			CONE, Differential, Except 4567989 Trans.
	4446 610	1	S	AWD	Left, 36mm I.D., Use w/4567989 Trans.
	4486 096	1	S	AWD	Right, 46mm I.D., Use w/4567989 Trans.
3	4431 659	1			GEAR, Final Drive, 59T, Except 4567989 Trans.
	4431 660	1	S	AWD	60T, Use w/4567989 Trans.
4	4432 000	1			CASE, Transaxle Differential, Except 4567989 Trans.
	4518 186	1	S	AWD	Use w/4567989 Trans.
5	4446 689	1			CUP, Transaxle Extension, 63mm O.D., Except 4567989 Trans.
	4518 188	1	S	AWD	RETAINER PLATE, w/Bearing Cup, Use w/4567989 Trans. (Shown on Illus. 2450) ***
6	4348 679	2			PINION, Differential
7	4412 521	2			WASHER, Diff. Pinion Thrust, Spherical w/Tab, 0.79-0.84" Thk.
8	4348 619	2			GEAR, Differential Side
9	4504 568	1			WASHER PACKAGE, Diff. Side Gear Thrust, Flat
					Consists of:
		2			.026 - .028" Thk.
		2			.031 - .033" Thk.
		2			.036 - .038" Thk.
		2			.041 - .043" Thk.
		2			.046 - .048" Thk.
10	4348 687	1			SHAFT, Differential
11	6101 284	1			PIN, Diff. Shaft, Roll M5x35
12	6501 240	12			SCREW, Diff. Ring Gear to Diff., M10x1.0x25



MODEL CODES:

A BODY=(C=LeBaron, D=Spirit, P=Acclaim/LaBaron(Landau),  
Saratoga)  
C BODY=(D=Dynasty, C=New Yorker/N.Y. Salon)  
G BODY=(V=Daytona/IROC, Chrysler Daytona)  
J BODY=(C=LeBaron, Chrysler LeBaron)  
P BODY=(P=Sundance, D=Shadow)

S BODY=(H=Voyager(H) FWD, K=Caravan(H) FWD,  
Y=Town & Country(H) FWD, P=Voyager(K) AWD,  
D=Caravan(K) AWD, C=Town & Country(K) AWD)  
Y BODY=(C=Imperial/5th Avenue)  
E-S BODY=(K=Chrysler Voyager(H) FWD, D=Chrysler  
Voyager(K) AWD)

BODY STYLES:

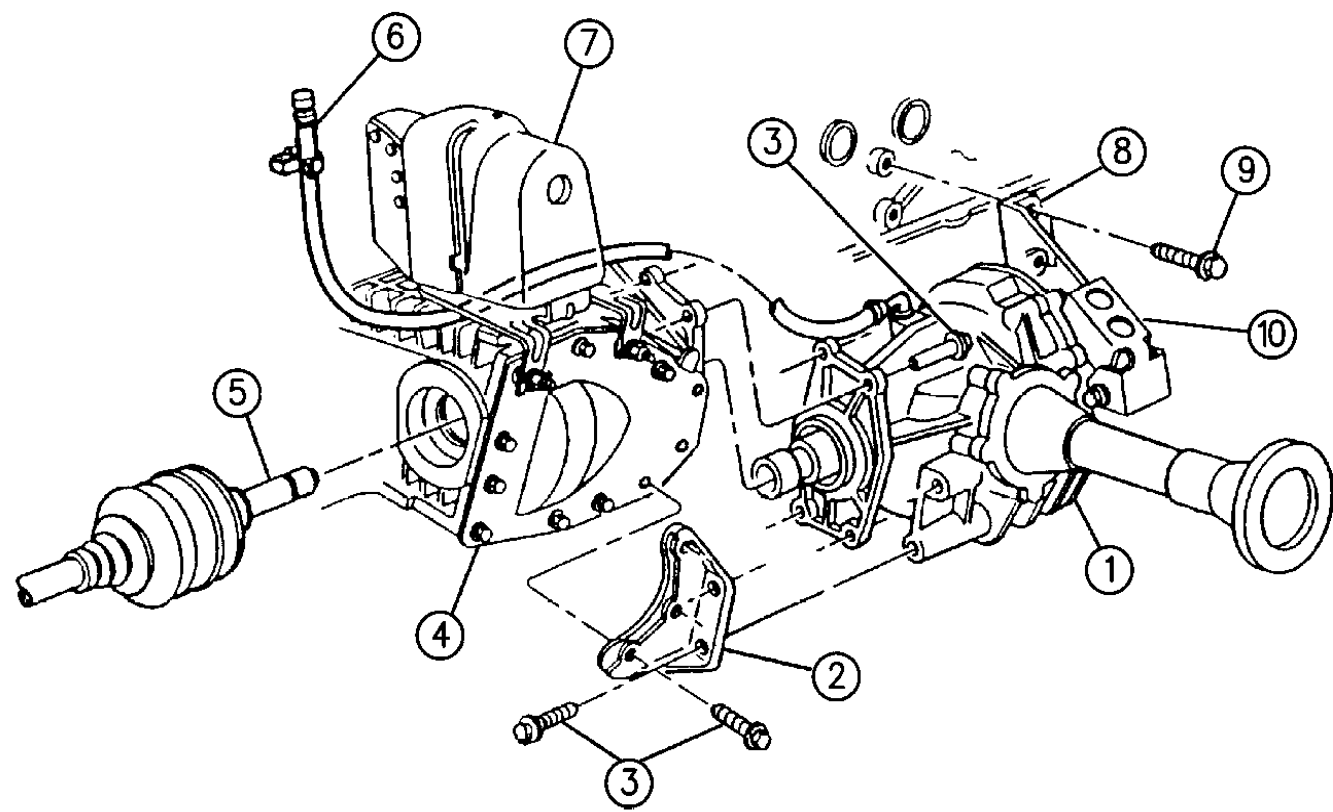
21=2-Door Coupe      41=4-Door Sedan      12-52=FWD & AWD Van & Wgn Std W.B.  
24=2-Door Hatchback      44=4-Door Hatchback      53=FWD & AWD Van & Wgn Ext. W.B.  
27=2-Door Convertible

AR = Use as Required - = Non Illustrated Part P.A.R. = Paint as Required

**POWER TRANSFER UNIT MOUNTING WITH 41AE AUTOMATIC TRANSAXLE S BODY, AWD**  
**Figure 21A-2400**

93151 2400A

ITEM	PART NUMBER	QTY	BODY	MODEL	DESCRIPTION
1					POWER TRANSFER UNIT, ASSEMBLY (Refer to Illus. 2450) ***
2	4518 738	1			BRACKET, PTU to Trans. Case
3	6101 321	9			BOLT, M8x1.25x30
4					TRANSAXLE ASSEMBLY, (Reference)
5					SHAFT ASSEMBLY, Front Wheel Drive, Left (Reference)
6	4641 217	1			VENT, Hose PTU Case
7					PUMP & MOTOR ASSEMBLY, Anti-Lock Brake (Reference) ***
8	4518 754	1			BRACKET, PTU to Engine Block
9	6100 940	2			BOLT, PTU Brkt. to Eng. Block, M10x1.50x50
	6100 934	1			BOLT, PTU Brkt. to Case End Cover, M8x1.25x70
10	4612 182	1			BRACKET, PTU to Eng, Roll Strut



**MODEL CODES:**

A BODY=(C=LeBaron, D=Spirit, P=Acclaim/LaBaron(Landau), Saratoga)      S BODY=(H=Voyager(H) FWD, K=Caravan(H) FWD, Y=Town & Country(H) FWD, P=Voyager(K) AWD, D=Caravan(K) AWD, C=Town & Country(K) AWD)  
 C BODY=(D=Dynasty, C=New Yorker/N.Y. Salon)  
 G BODY=(V=Daytona/IROC, Chrysler Daytona)  
 J BODY=(C=LeBaron, Chrysler LeBaron)  
 P BODY=(P=Sundance, D=Shadow)

**BODY STYLES:**

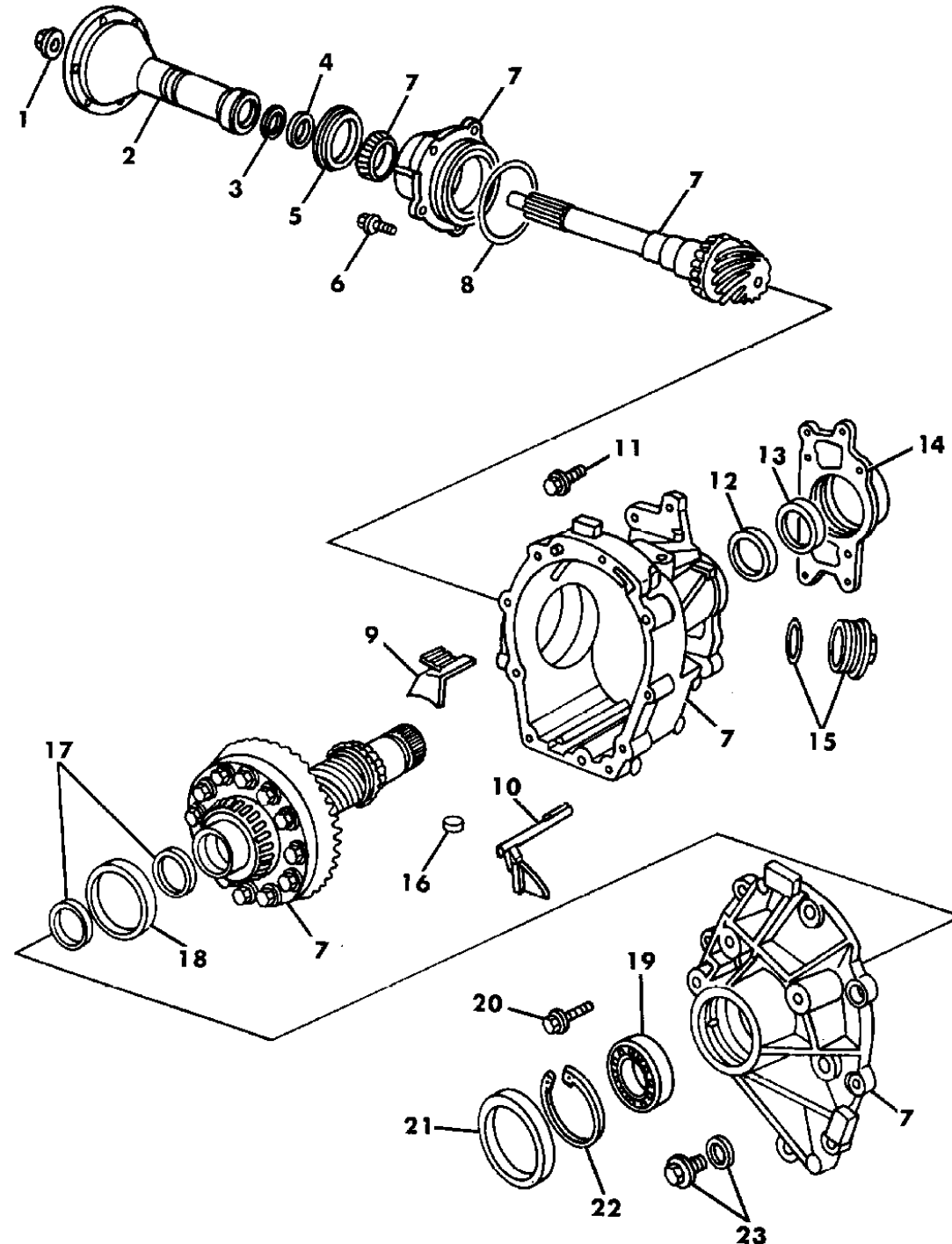
21=2-Door Coupe      41=4-Door Sedan      12-52=FWD & AWD Van & Wgn Std W.B.  
 24=2-Door Hatchback      44=4-Door Hatchback      53=FWD & AWD Van & Wgn Ext. W.B.  
 27=2-Door Convertible

AR = Use as Required - = Non Illustrated Part P.A.R. = Paint as Required

POWER TRANSFER UNIT AND COMPONENTS WITH 41AE AUTOMATIC TRANSAXLE S BODY, AWD

Figure 21A-2450

93151 2450A



ITEM	PART NUMBER	QTY	BODY	MODEL	DESCRIPTION
NOTE: Not all Component Parts of PTU are Serviced, Refer to Service Numbers Listed Below applications specified in this document.					
	4641 510	1			POWER TRANSFER UNIT, Assembly ***
1	4518 903	1			NUT, Pinion Flange Lock
2	4518 917	1			FLANGE, Output Shaft Tube ***
	6500 517	6			SCREW, Flange to P/Shaft, M8x1.25x27 (Not Shown)
3	4486 070	1			O-RING, Output Shaft Flange Tube
4					SHIM, Output Shaft Flange to Drive Pinion, 30.2mm I.D. ***
	4641 430	AR			5.12 - 5.15mm Thk.
	4641 431	AR			5.16 - 5.19mm Thk.
	4641 432	AR			5.20 - 5.23mm Thk.
	4641 433	AR			5.24 - 5.27mm Thk.
	4641 434	AR			5.28 - 5.31mm Thk.
	4641 435	AR			5.32 - 5.35mm Thk.
	4641 436	AR			5.36 - 5.39mm Thk.
	4641 437	AR			5.40 - 5.43mm Thk.
	4641 438	AR			5.44 - 5.47mm Thk.
	4641 439	AR			5.48 - 5.51mm Thk.
5	4486 111	1			SEAL, Output Shaft Oil
6	6101 321	5			SCREW, Cover Case Rear, M8x1.25x30
7					COVER, (All Items Illustrated No. 7 Are all Serviced in PTU Assy.)
8	4486 077	1			O-RING, Case Rear Cover
9	4486 796	1			TROUGH, Case Right ***
10		1			TROUGH, Case Left (Not Serviced) ***
11	6101 321	4			SCREW, Case to Retainer Plate, M8x1.25x30
12	4486 042	1			SEAL, Bearing Retainer Plate Oil
13	4486 042	1			SEAL, Bearing Retainer Plate Oil
14	4518 188	1			RETAINER PLATE, w/Bearing Cup, To Transaxle ***
	6500 111	1			O-RING, Retainer Plate (Not Shown)
15	4637 108	1			PLUG, w/O-Ring, Fill & Inspection Oil, Large 2-1/2" O.D.
16	4486 046	1			MAGNET, Case End Cover
17	4486 709	2			SEAL, Half Shaft Cover Inner Oil
18	4486 769	1			SEAL, Input Shaft End Oil
19	4486 065	1			BEARING, Outer Half Drive Shaft Roller
20	6500 511	9			SCREW, End Cover to Case, M8x1.25x33
21	4641 263	1			SEAL, Outer Half Shaft Oil
22	4486 754	1			SNAP RING, Bearing Retaining
23	4293 859	1			PLUG, w/Gasket, Fill & Drain, Small

MODEL CODES:

A BODY=(C=LeBaron, D=Spirit, P=Acclaim/LaBaron(Landau), Saratoga)  
 C BODY=(D=Dynasty, C=New Yorker/N.Y. Salon)  
 G BODY=(V=Daytona/IROC, Chrysler Daytona)  
 J BODY=(C=LeBaron, Chrysler LeBaron)  
 P BODY=(P=Sundance, D=Shadow)

S BODY=(H=Voyager(H) FWD, K=Caravan(H) FWD, Y=Town & Country(H) FWD, P=Voyager(K) AWD, D=Caravan(K) AWD, C=Town & Country(K) AWD)  
 Y BODY=(C=Imperial/5th Avenue)  
 E-S BODY=(K=Chrysler Voyager(H) FWD, D=Chrysler Voyager(K) AWD)

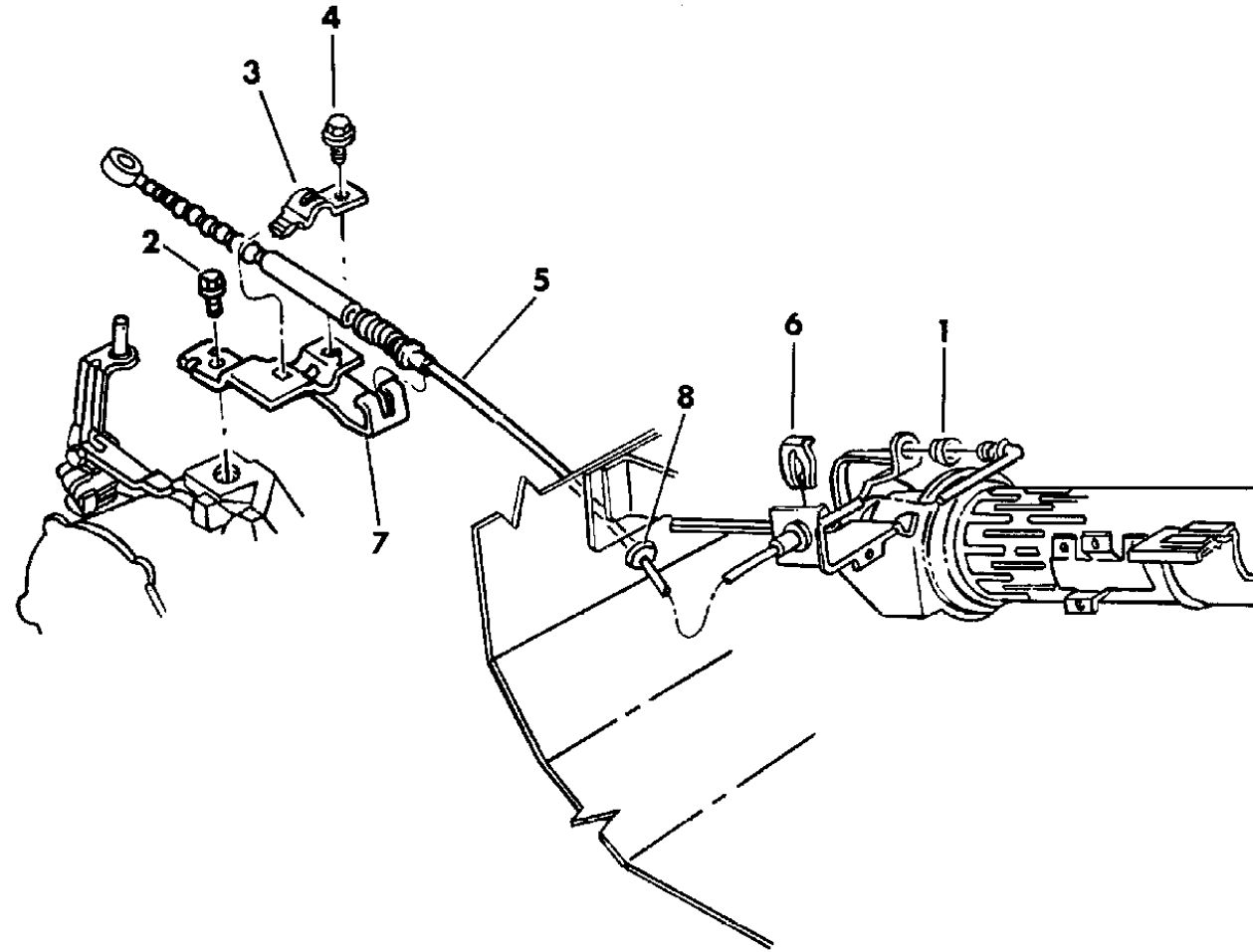
BODY STYLES:

21=2-Door Coupe      41=4-Door Sedan      12-52=FWD & AWD Van & Wgn Std W.B.  
 24=2-Door Hatchback      44=4-Door Hatchback      53=FWD & AWD Van & Wgn Ext. W.B.  
 27=2-Door Convertible

AR = Use as Required - = Non Illustrated Part P.A.R. = Paint as Required

CONTROLS, GEARSHIFT, COLUMN SHIFT AUTOMATIC TRANSAXLE A,CY,S BODY  
Figure 21A-2500

93151 2500A



ITEM	PART NUMBER	QTY	BODY	MODEL	DESCRIPTION
1	3575 333	2			GROMMET
2	6101 453	1			SCREW, Bracket Mounting Front, M8x1.25x30
3	4471 151	1			CLAMP, Control Cable Mounting Front
4	6100 560	1			BOLT, Cable Mounting Clamp, M6x1.00x35
5					CABLE, Gearshift Control
	4670 136	1	A,C,Y		42.13" Lg.
	4670 135	1	S		42.13" Lg.
6	6501 326	1			CLIP, G/Shift Control Cable
7	4471 155	1			BRACKET, Cable Mounting, Front, Use w/3 Speed A413
	4641 794	1	A		w/3 Speed A670, w/3.0L Eng.
	4471 154	1	A,C,Y,S		w/4 Speed Auto.
8	4641 014	1			GROMMET, G/Shift Cable to Dash Panel, Bullet Type
	4295 314	1			GROMMET, G/Shift Control Cable

**MODEL CODES:**

A BODY=(C=LeBaron, D=Spirit, P=Acclaim/LaBaron(Landau),  
Saratoga)  
C BODY=(D=Dynasty, C=New Yorker/N.Y. Salon)  
G BODY=(V=Daytona/IROC, Chrysler Daytona)  
J BODY=(C=LeBaron, Chrysler LeBaron)  
P BODY=(P=Sundance, D=Shadow)

S BODY=(H=Voyager(H) FWD, K=Caravan(H) FWD,  
Y=Town & Country(H) FWD, P=Voyager(K) AWD,  
D=Caravan(K) AWD, C=Town & Country(K) AWD)  
Y BODY=(C=Imperial/5th Avenue)  
E-S BODY=(K=Chrysler Voyager(H) FWD, D=Chrysler  
Voyager(K) AWD)

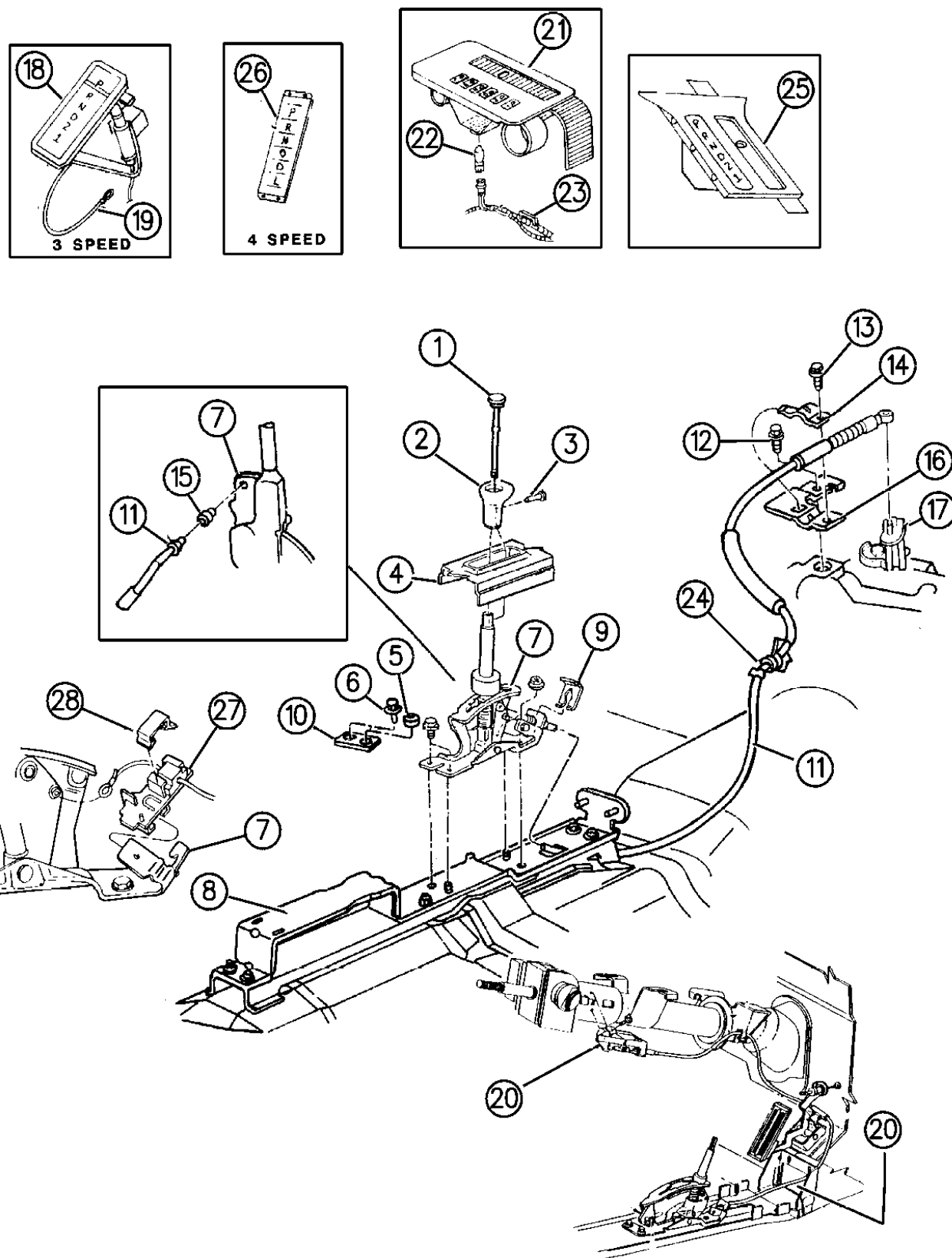
**BODY STYLES:**

21=2-Door Coupe      41=4-Door Sedan      12-52=FWD & AWD Van & Wgn Std W.B.  
24=2-Door Hatchback      44=4-Door Hatchback      53=FWD & AWD Van & Wgn Ext. W.B.  
27=2-Door Convertible

AR = Use as Required - = Non Illustrated Part P.A.R. = Paint as Required

**CONTROLS, GEARSHIFT, FLOOR SHIFT AUTOMATIC TRANSAXLE P,A,J,G BODY**  
**Figure 21A-2600**

93151 2600C



ITEM	PART NUMBER	QTY	BODY	MODEL	DESCRIPTION
1	4670 037	1	P,A,J,G		BUTTON, w/Rod, G/Shift Knob
2	4670 045	1	P,A,J,G		KNOB, G/Shift Control Selector Lever
	4746 841	1			KNOB PACKAGE, Knob and Button, G/Shift Control Selector Lever ***
3	6034 163	1	P,A,J,G		SCREW, Knob To Selector Lever
4		1			CONSOLE, (Refer to Group 8A)
5	6501 483	2			NUT, Actuator Mtg., M8x1.25
6		2			SCREW, Actuator Mtg.
7	4641 253	1	P		ACTUATOR, Gearshift Control
	4641 251	1	A		
	4641 252	1	J,G		
8		1			BRACKET, Rr. Floor Console (Refer to Group 8A)
9	4295 369	1			CLIP, Cable Mounting
10	4471 176	2	P,A		SPACER, G/Shift Control Actuator
11	4670 134	1	P,A		CABLE, Gearshift Control, 56.10" Lg., 31TH,41TE Trans.
	4670 134	1	A		56.10" Lg., w/3 Speed Auto., w/3.0L Eng.
	4641 010	1	J,G		59.13" Lg.
12	6101 453	1			SCREW, w/Washer, M8x1.25x30
13	6100 560	1			SCREW, w/Washer, M6x1.00x35
14		1			CLAMP, Cable Mtg. (Serviced w/Brkt.)
	4641 279	1	A		w/3 Speed Auto., w/3.0L Eng.
15	3575 333	2			GROMMET, Cable End
16	4471 155	1	S		BRACKET, and Clamp, Cable Mtg., Front, Use w/3 Speed Auto., Except Console
	4641 794	1	A		w/3 Speed Auto., Except Console, w/3.0L Eng.
	4471 156	1	P,A,J,G		w/3 Speed Auto., w/Console
	4641 795	1	A		w/3 Speed Auto., w/Console, 3.0L Eng.
	4471 154	1	A,S		w/4 Speed Auto., Except Full Length Console
	4471 153	1	P,A,J,G		w/4 Speed Auto., w/Full Length Console
17	4670 344	1			LEVER, Manual Control, w/3 Speed Auto.
	4641 234	1	A		w/3 Speed Auto., w/3.0L Eng. ***
	4670 123	1			w/4 Speed Auto.
18		1	J,G		LAMP ASSEMBLY, Console G/Shift Selector Indicator
	4565 363	1			w/3 Speed Auto.
	4565 364	1			w/4 Speed Auto.
19	4373 320	1	J,G		CABLE, Console Selector Indicator Lamp
20	4543 027	1	P,A,J,G		CABLE, ATX Shifter Ignition Interlock
21	4565 313	1	P		BEZEL, w/Lamp, Console G/Shift Selector Indicator, w/3 Speed Auto. Trans.

**MODEL CODES:**

A BODY=(C=LeBaron, D=Spirit, P=Acclaim/LaBaron(Landau), Saratoga)

C BODY=(D=Dynasty, C=New Yorker/N.Y. Salon)

G BODY=(V=Daytona/IROC, Chrysler Daytona)

J BODY=(C=LeBaron, Chrysler LeBaron)

P BODY=(P=Sundance, D=Shadow)

S BODY=(H=Voyager(H) FWD, K=Caravan(H) FWD,

Y=Town & Country(H) FWD, P=Voyager(K) AWD,

D=Caravan(K) AWD, C=Town & Country(K) AWD)

Y BODY=(C=Imperial/5th Avenue)

E-S BODY=(K=Chrysler Voyager(H) FWD, D=Chrysler

Voyager(K) AWD)

**BODY STYLES:**

21=2-Door Coupe

41=4-Door Sedan

12-52=FWD & AWD Van & Wgn Std W.B.

24=2-Door Hatchback

44=4-Door Hatchback

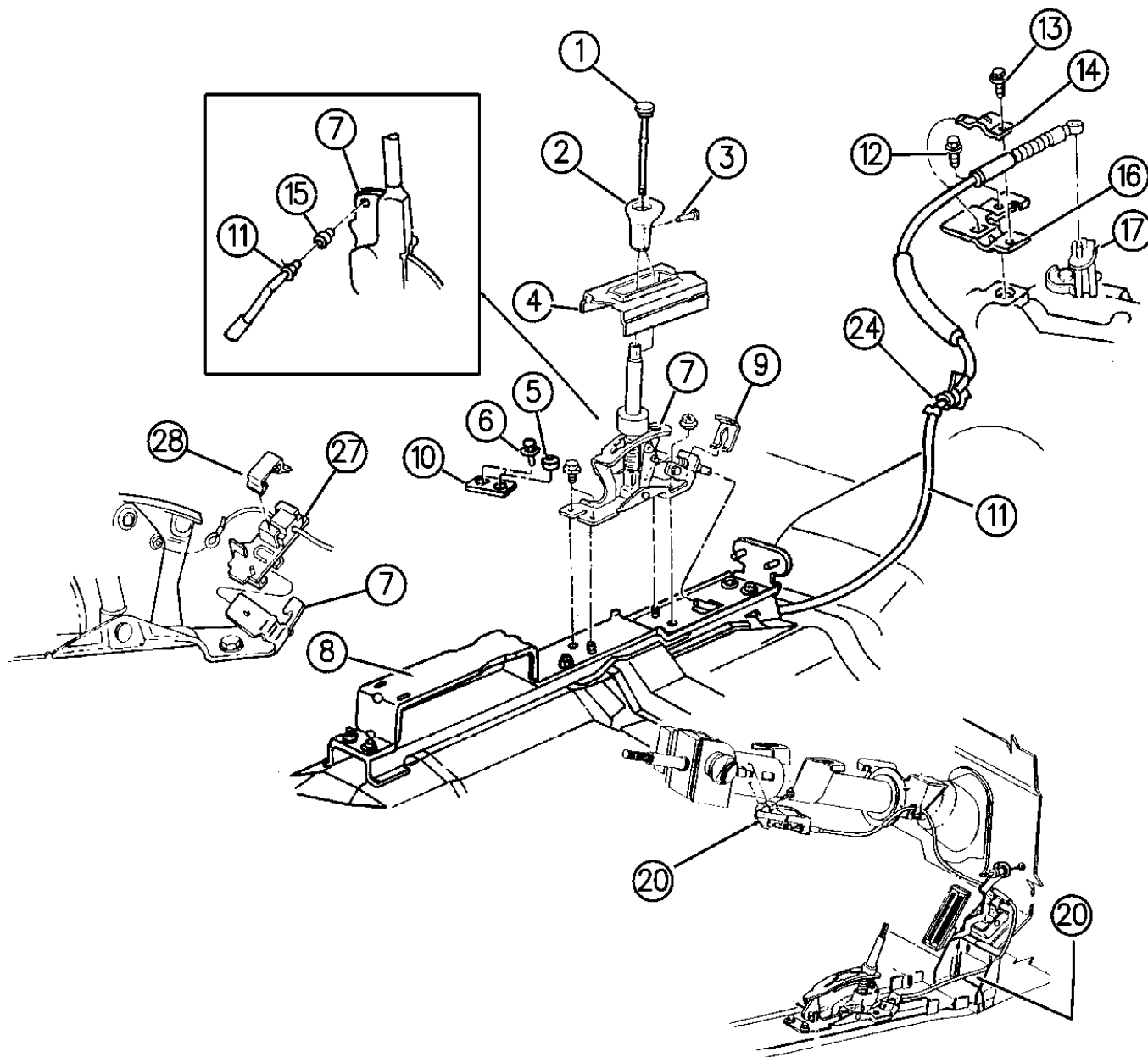
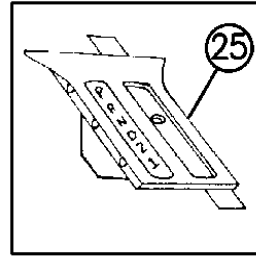
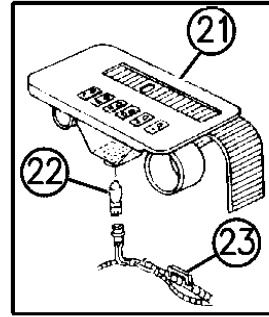
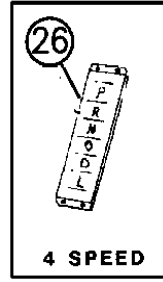
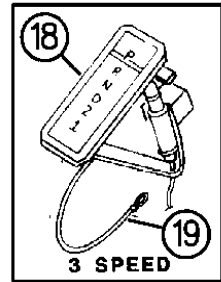
53=FWD & AWD Van & Wgn Ext. W.B.

27=2-Door Convertible

AR = Use as Required - = Non Illustrated Part P.A.R. = Paint as Required

**CONTROLS, GEARSHIFT, FLOOR SHIFT AUTOMATIC TRANSAXLE P,A,J,G BODY**  
**Figure 21A-2600**

93151 2600C



ITEM	PART NUMBER	QTY	BODY	MODEL	DESCRIPTION
22	9415 969	1	J,G		BULB, Console Lamp (#158)
	9421 330	1	P,A		(#194)
23		1			WIRING, Console G/Shift Indicator (Refer to Body Wiring)
24		1			GROMMET, G/Shift Control Cable To Dash Panel, Bullet Type, (Serviced in Cable Assy.)
25					BEZEL, Console G/Shift Selector Indicator,w/3 Speed Auto. Trans.
	WT25 HD7	1	A		Quartz
	WT25 KB9	1	A		Midnight Blue
	WT25 KJ9	1	A		Dark Tundra
	WT25 LM8	1	A		Dark Crimson
					w/4 Speed Automatic Trans. ***
	EE23 KD7	1	A		Quartz
	EE23 KB9	1	A		Dark Blue
	EE23 LM8	1	A		Dark Crimson
	EE23 KJ9	1	A		Taupe
	5269 354	1	P		w/4 Speed Auto. Trans., w/3.0L Eng.
26		1	J,G		LAMP ASSEMBLY, Console G/Shift Selector Indicator
	4565 363	1			w/3 Speed Auto.
	4565 364	1			w/4 Speed Auto.
27	4373 313	1	J,G		ADJUSTER, Indicator Lamp Cable
28	6502 391	1	J,G		CLIP, Indicator Lamp Adjuster Cable

**MODEL CODES:**

A BODY=(C=LeBaron, D=Spirit, P=Acclaim/LaBaron(Landau), Saratoga) S BODY=(H=Voyager(H) FWD, K=Caravan(H) FWD, Y=Town & Country(H) FWD, P=Voyager(K) AWD, D=Caravan(K) AWD, C=Town & Country(K) AWD)  
 C BODY=(D=Dynasty, C=New Yorker/N.Y. Salon) Y BODY=(C=Imperial/5th Avenue)  
 G BODY=(V=Daytona/IROC, Chrysler Daytona) E-S BODY=(K=Chrysler Voyager(H) FWD, D=Chrysler Voyager(K) AWD)  
 J BODY=(C=LeBaron, Chrysler LeBaron) P BODY=(P=Sundance, D=Shadow)

**BODY STYLES:**

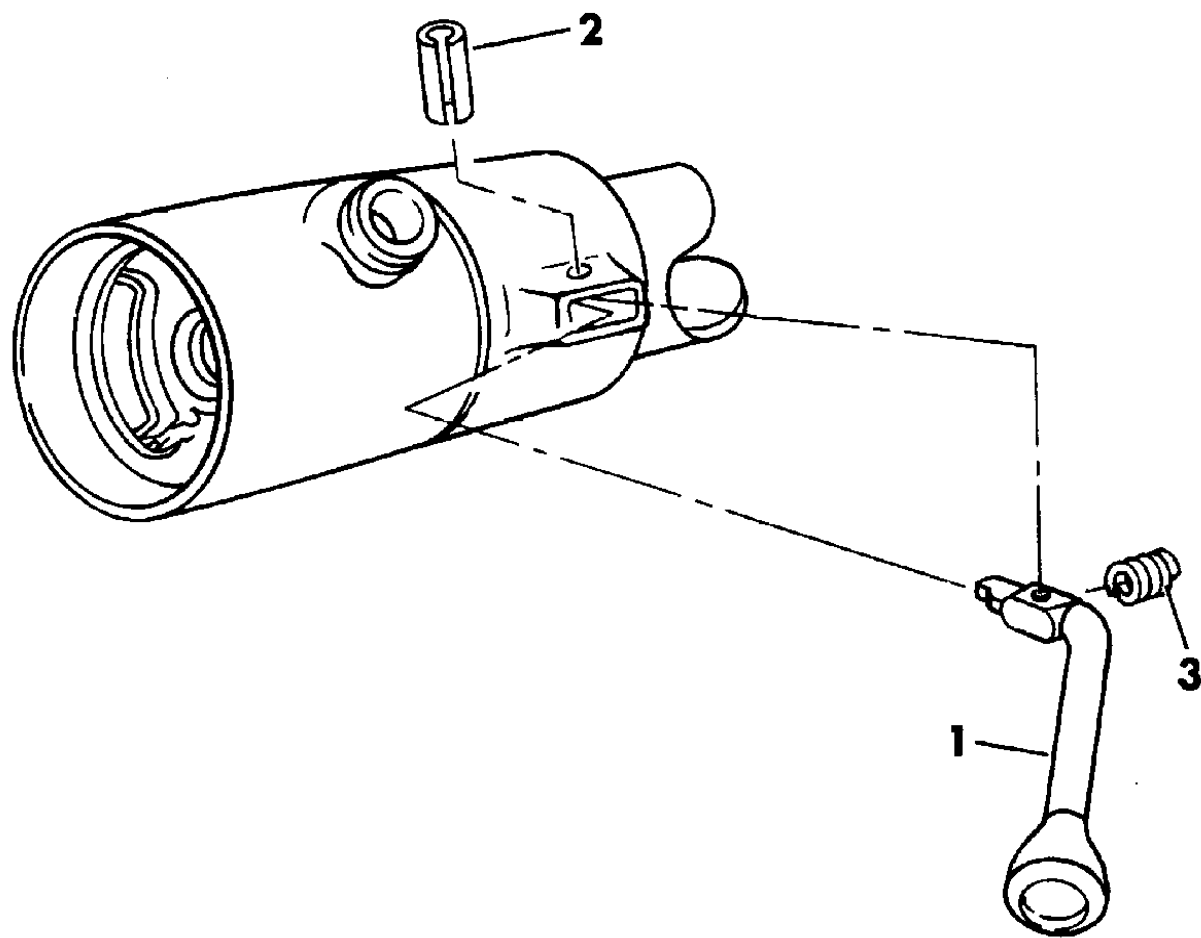
21=2-Door Coupe 41=4-Door Sedan 12-52=FWD & AWD Van & Wgn Std W.B.  
 24=2-Door Hatchback 44=4-Door Hatchback 53=FWD & AWD Van & Wgn Ext. W.B.  
 27=2-Door Convertible

AR = Use as Required - = Non Illustrated Part P.A.R. = Paint as Required

LEVER, COLUMN SHIFT, AND INDICATOR AUTOMATIC TRANSMISSION A,C,Y,S BODY  
Figure 21A-2700

93151 2700A

ITEM	PART NUMBER	QTY	BODY	MODEL	DESCRIPTION
			A,C,Y,S		INDICATOR ASSEMBLY, w/Cable (See Group 8A)
1					LEVER, w/Knob, Column Gearshift
	4470 101	1	A		With and w/o Tilt Column, Black Finish
	4470 455	1	A,C,Y		With and w/o Tilt Column, Bright Finish
	4326 824	1	A,C,Y		LEVER PACKAGE, With and w/o Tilt Column, Black Knob ***
	4326 936	1	S		LEVER PACKAGE, With and w/o Tilt Column ***
2		1			PIN, G/Shift Lever
3		1			SPRING, Gearshift Lever (Serviced in Lever Pkg.)



**MODEL CODES:**

A BODY=(C=LeBaron, D=Spirit, P=Acclaim/LaBaron(Landau, Saratoga)  
 C BODY=(D=Dynasty, C=New Yorker/N.Y. Salon)  
 G BODY=(V=Daytona/IROC, Chrysler Daytona)  
 J BODY=(C=LeBaron, Chrysler LeBaron)  
 P BODY=(P=Sundance, D=Shadow)

S BODY=(H=Voyager(H) FWD, K=Caravan(H) FWD, Y=Town & Country(H) FWD, P=Voyager(K) AWD, D=Caravan(K) AWD, C=Town & Country(K) AWD)  
 Y BODY=(C=Imperial/5th Avenue)  
 E-S BODY=(K=Chrysler Voyager(H) FWD, D=Chrysler Voyager(K) AWD)

**BODY STYLES:**

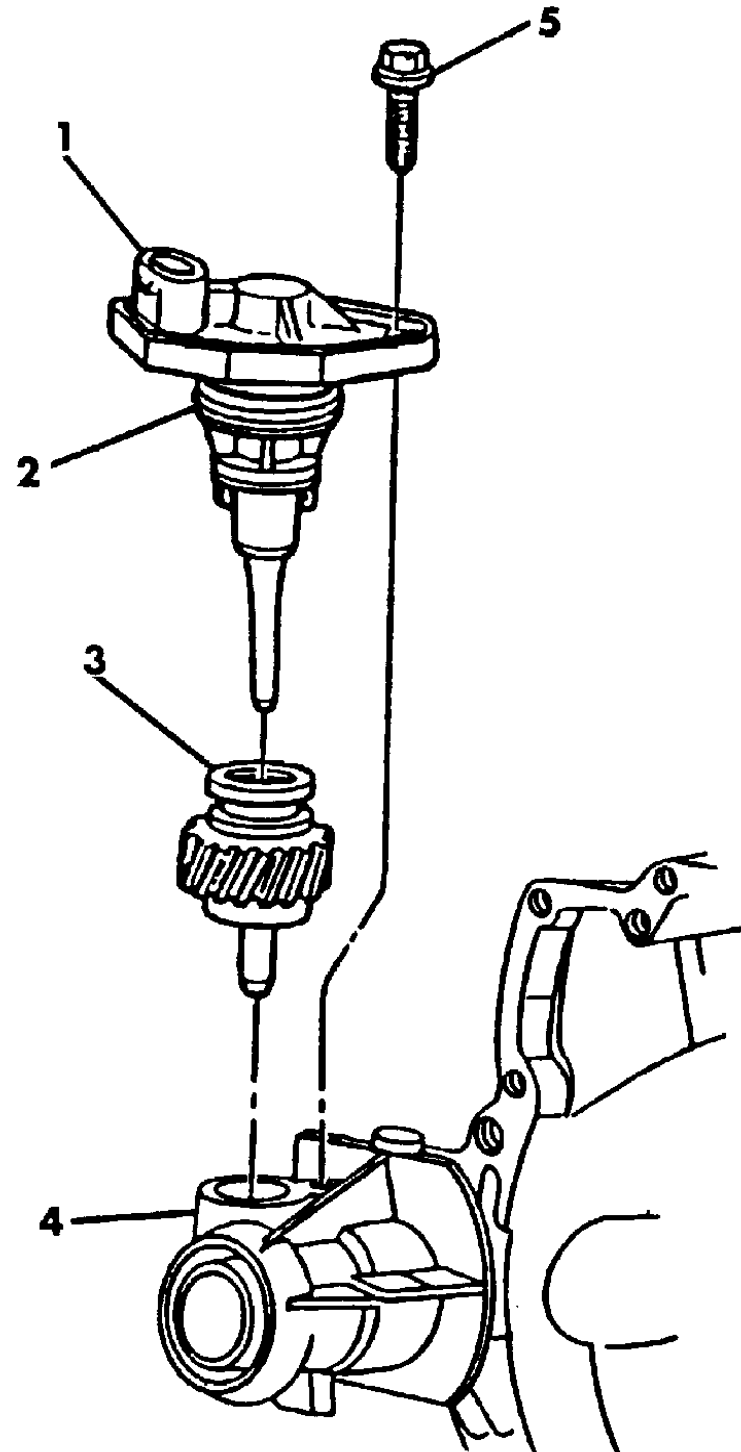
21=2-Door Coupe      41=4-Door Sedan      12-52=FWD & AWD Van & Wgn Std W.B.  
 24=2-Door Hatchback      44=4-Door Hatchback      53=FWD & AWD Van & Wgn Ext. W.B.  
 27=2-Door Convertible

AR = Use as Required - = Non Illustrated Part P.A.R. = Paint as Required



**CABLES AND PINION, SPEEDOMETER AUTOMATIC TRANSMISSION**  
**Figure 21A-2800**

93151 2800B



ITEM	PART NUMBER	QTY	BODY	MODEL	DESCRIPTION
1	5227 897	1	A,J,G,S		SENSOR PACKAGE, Distance, Used w/o Speedometer Cable, w/2 Male Terminal Connectors ***
	5234 422	1			3 Male Terminal Connectors
2	5212 152	1			O-RING, Sensor Oil Seal, 1-1/16" I.D.
3					PINION, Trans. Speedometer Drive
	4567 880	AR			19 Teeth w/P185/75 R14 P/S W.S.W. Michelin, Color Yellow
	4567 880	AR			19 Teeth, w/14",15",16" Tire, Color Yellow
	4567 881	AR			20 Teeth, w/14",15" Tire, Color BLUE
	5222 388	AR	P		21 Teeth, w/P205/50VR15 SBR, LBL, Color White
	4567 883	AR	S		18 Teeth, w/All 195R15, (EUROPEAN)
	4567 883	AR	S		18 Teeth, w/P205/70R15 Eagle GT, LBL (EUROPEAN)
4					TRANSAXLE, or Extension (Reference) ***
5	6501 714	1			SCREW, Pinion Sensor Retaining, M6x1.00x6G

**MODEL CODES:**

A BODY=(C=LeBaron, D=Spirit, P=Acclaim/LaBaron(Landau), Saratoga)  
 C BODY=(D=Dynasty, C=New Yorker/N.Y. Salon)  
 G BODY=(V=Daytona/IROC, Chrysler Daytona)  
 J BODY=(C=LeBaron, Chrysler LeBaron)  
 P BODY=(P=Sundance, D=Shadow)

S BODY=(H=Voyager(H) FWD, K=Caravan(H) FWD, Y=Town & Country(H) FWD, P=Voyager(K) AWD, D=Caravan(K) AWD, C=Town & Country(K) AWD)  
 Y BODY=(C=Imperial/5th Avenue)  
 E-S BODY=(K=Chrysler Voyager(H) FWD, D=Chrysler Voyager(K) AWD)

**BODY STYLES:**

21=2-Door Coupe      41=4-Door Sedan      12-52=FWD & AWD Van & Wgn Std W.B.  
 24=2-Door Hatchback      44=4-Door Hatchback      53=FWD & AWD Van & Wgn Ext. W.B.  
 27=2-Door Convertible

AR = Use as Required - = Non Illustrated Part P.A.R. = Paint as Required

**GROUP 22 - WHEELS & JACKS**

**ILLUSTRATION TITLE** **GROUP-FIG. NO.**

**WHEELS AND COVERS**

WHEELS, CAPS AND NUTS P BODY ..... Fig. 22-100  
COVERS, WHEEL P BODY ..... Fig. 22-150  
WHEELS, CAPS AND NUTS A BODY ..... Fig. 22-200  
COVERS, WHEEL A BODY ..... Fig. 22-250  
WHEELS, CAPS AND NUTS J BODY ..... Fig. 22-300  
COVERS, WHEEL J BODY ..... Fig. 22-350  
WHEELS, CAPS AND NUTS G BODY ..... Fig. 22-400  
COVERS, WHEEL G BODY ..... Fig. 22-450  
WHEELS, CAPS AND NUTS C,Y BODY ..... Fig. 22-500  
COVERS, WHEEL C,Y BODY ..... Fig. 22-550  
WHEELS, CAPS AND NUTS S BODY ..... Fig. 22-600  
COVERS, WHEEL S BODY ..... Fig. 22-650

**JACK AND SPARE TIRE STOWAGE**

JACK AND SPARE TIRE STOWAGE P BODY ..... Fig. 22-700  
JACK AND SPARE TIRE STOWAGE A BODY ..... Fig. 22-800  
JACK AND SPARE TIRE STOWAGE J BODY - C-27 ..... Fig. 22-900  
JACK AND SPARE TIRE STOWAGE J BODY - C-21 ..... Fig. 22-1000  
JACK AND SPARE TIRE STOWAGE G BODY ..... Fig. 22-1100  
JACK AND SPARE TIRE STOWAGE C,Y BODY ..... Fig. 22-1200  
JACK STOWAGE S BODY ..... Fig. 22-1300  
SPARE TIRE STOWAGE OUTSIDE S BODY ..... Fig. 22-1400  
SPARE TIRE STOWAGE INSIDE S BODY ..... Fig. 22-1500

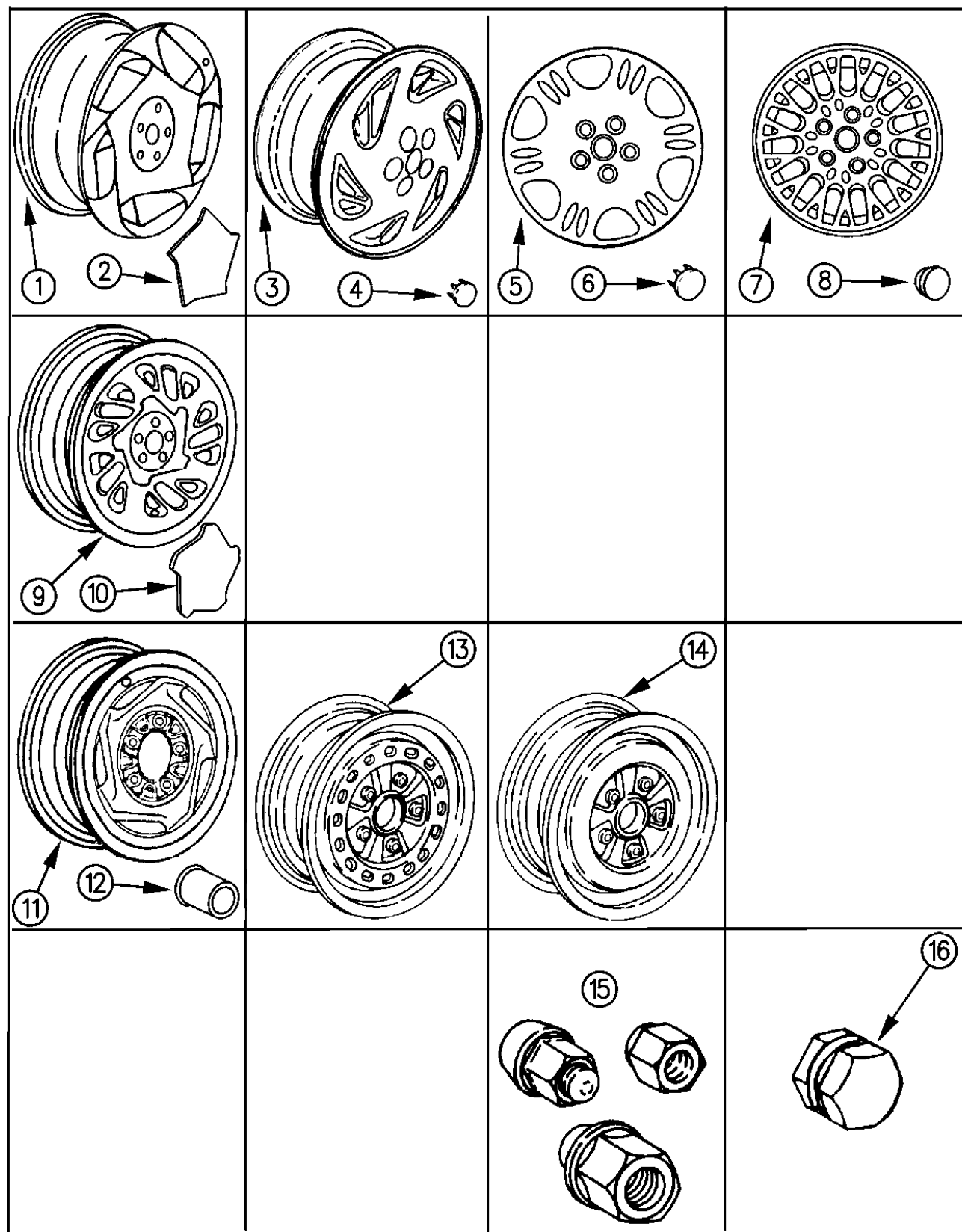
**WHEEL MISCELLANEOUS PARTS**

WHEEL MISCELLANEOUS ALL BODY ..... Fig. 22-1600

**ILLUSTRATION NOT AVAILABLE AT TIME OF PUBLICATION**

**WHEELS, CAPS AND NUTS P BODY**  
Figure 22-100

93122 100B



ITEM	PART NUMBER	QTY	BODY	MODEL	DESCRIPTION
1	HL48 MD1	4			WHEEL, 15x6.0 Cast Aluminum, Light Quartz/Platinum, Turbostar (WJY)
2	HL48 MW7	4			Bright White
	DN29 LD1	4			CAP, Light Quartz/Platinum
3	DN29 LW7	4			Bright White
	AY67 JD1	4			European
4	Y038 JA4	4			WHEEL, 14x6.0 Cast Aluminum, Argent, Teardrop (WHK)
	Y038 LY2	4			Gold Metallic, (Spring Special), After 1-13-92
5	4284 004	4			CAP
6	EL58 MD8	4			WHEEL, 14x6.0 Cast Aluminum, Dark Quartz Gray, Bullet (WHM)
7	4284 994	4			CAP
8	EL59 MD2	4			WHEEL, 15x6.0 Cast Aluminum, Med. Quartz, Cathedral (WJF)
	EL59 MY2	4			Gold Metallic (WJF) (WJ2 is Wheel Color I.D.)
9	GW08 MW7	4			Bright White (WJE), Painted Version of (WJF)
	4284 004	4			CAP, Use With (WJF) Wheel
10	AY70 MW7	4			White, Use With (WJE) Wheel
	DP99 LW7	4			WHEEL, 15x6.0 Cast Aluminum, White, Eurocast II (WJP)
11	HA41 MW7	4			CAP, Bright White, Use With (WJP) Wheel
12	4472 423	4			WHEEL, 14x6.0 Steel, 5x100mm B.C. (WBD)
13	4472 436	4			CAP, Black (Approx. 5" Dia.)
	4626 105	4			ADAPTER CUP, Center Cap, Black 2-3/4" Dia. (Not Shown) ***
14	4284 991	4			WHEEL, 14x5.5, Black (WBB)
	4472 297	4			15x6.0, Black (WCF), Spring Special, After 1-13-92
15	4284 991	1			WHEEL, Conventional Spare Black, 14x5.5
	4284 373	1			WHEEL, Compact Spare, 14x4.0
16	6502 738	AR			NUT, Wheel Mounting Stud w/Chrome Cap, M12x1.5
	6500 092	AR			w/o Cap, M12x1.5
	6500 526	AR			Standard, M12x1.5
17	5204 250	AR			CAP, Wheel Nut (Black)
	2073 355	AR			STEM, Wheel Valve, 1-1/4" Long, Rubber Stem (Not Shown)

**MODEL CODES:**

A BODY=(C=LeBaron, D=Spirit, P=Acclaim/LaBaron(Landau), Saratoga) S BODY=(H=Voyager(H) FWD, K=Caravan(H) FWD, Y=Town & Country(H) FWD, P=Voyager(K) AWD, D=Caravan(K) AWD, C=Town & Country(K) AWD)  
 C BODY=(D=Dynasty, C=New Yorker/N.Y. Salon) Y BODY=(C=Imperial/5th Avenue)  
 G BODY=(V=Daytona/IROC, Chrysler Daytona) E-S BODY=(K=Chrysler Voyager(H) FWD, D=Chrysler Voyager(K) AWD)  
 J BODY=(C=LeBaron, Chrysler LeBaron) P BODY=(P=Sundance, D=Shadow)

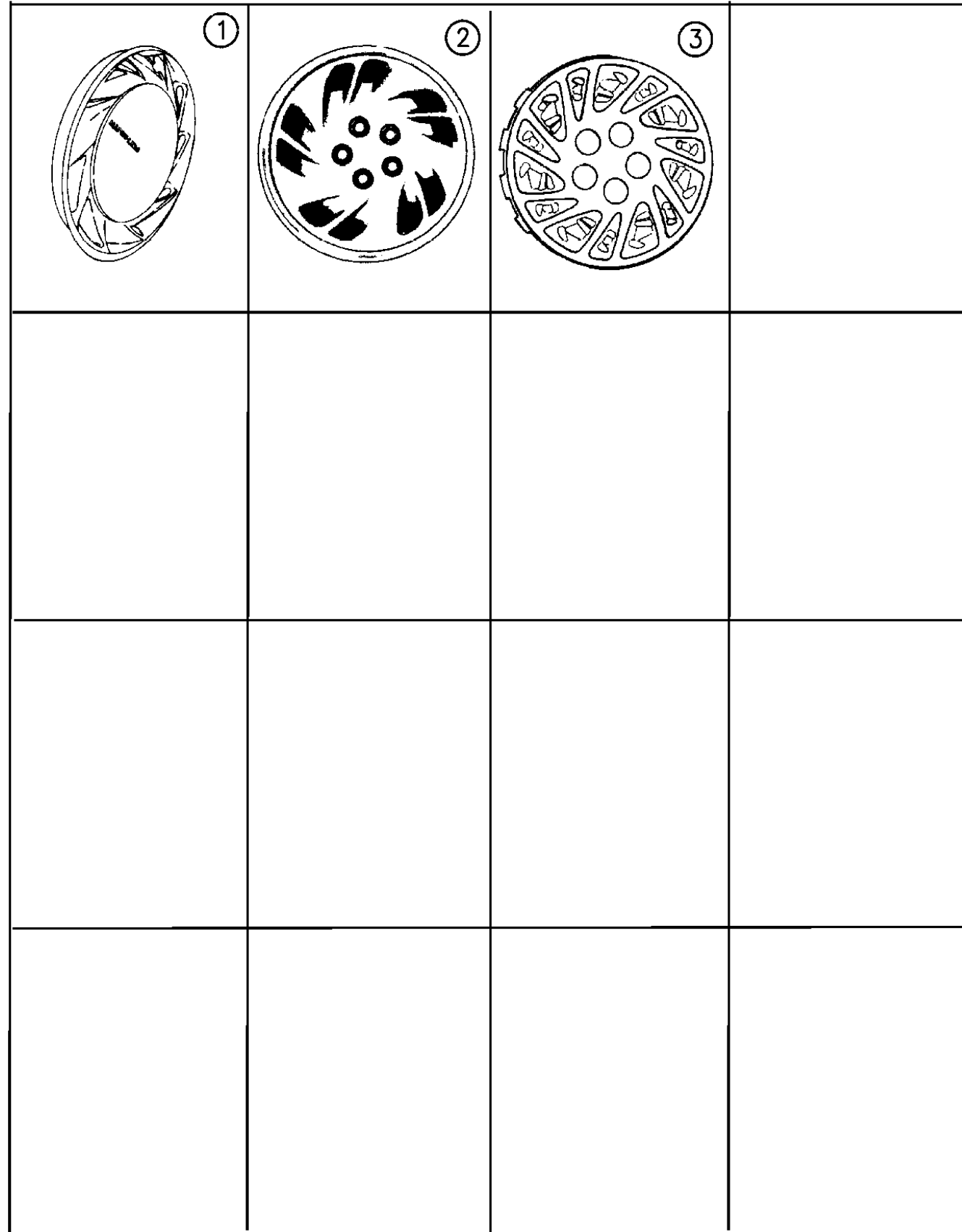
**BODY STYLES:**

21=2-Door Coupe 41=4-Door Sedan 12-52=FWD & AWD Van & Wgn Std W.B.  
 24=2-Door Hatchback 44=4-Door Hatchback 53=FWD & AWD Van & Wgn Ext. W.B.  
 27=2-Door Convertible

AR = Use as Required - = Non Illustrated Part P.A.R. = Paint as Required

**COVERS, WHEEL P BODY**  
Figure 22-150

93122 150



ITEM	PART NUMBER	QTY	BODY	MODEL	DESCRIPTION
1	4472 246	4			COVER, Full Wheel, 14" (W4X)
2	4472 532	4			COVER, Full Wheel, 14" (W4G)
3					COVER, Full Wheel, 15"
	4472 525	4			White (W5U)
	4472 527	4			Gold (W5V)
	4684 061	4			Dark Quartz (W5T)

**MODEL CODES:**

A BODY=(C=LeBaron, D=Spirit, P=Acclaim/LaBaron(Landau), Saratoga)      S BODY=(H=Voyager(H) FWD, K=Caravan(H) FWD, Y=Town & Country(H) FWD, P=Voyager(K) AWD, D=Caravan(K) AWD, C=Town & Country(K) AWD)  
 C BODY=(D=Dynasty, C=New Yorker/N.Y. Salon)  
 G BODY=(V=Daytona/IROC, Chrysler Daytona)  
 J BODY=(C=LeBaron, Chrysler LeBaron)  
 P BODY=(P=Sundance, D=Shadow)

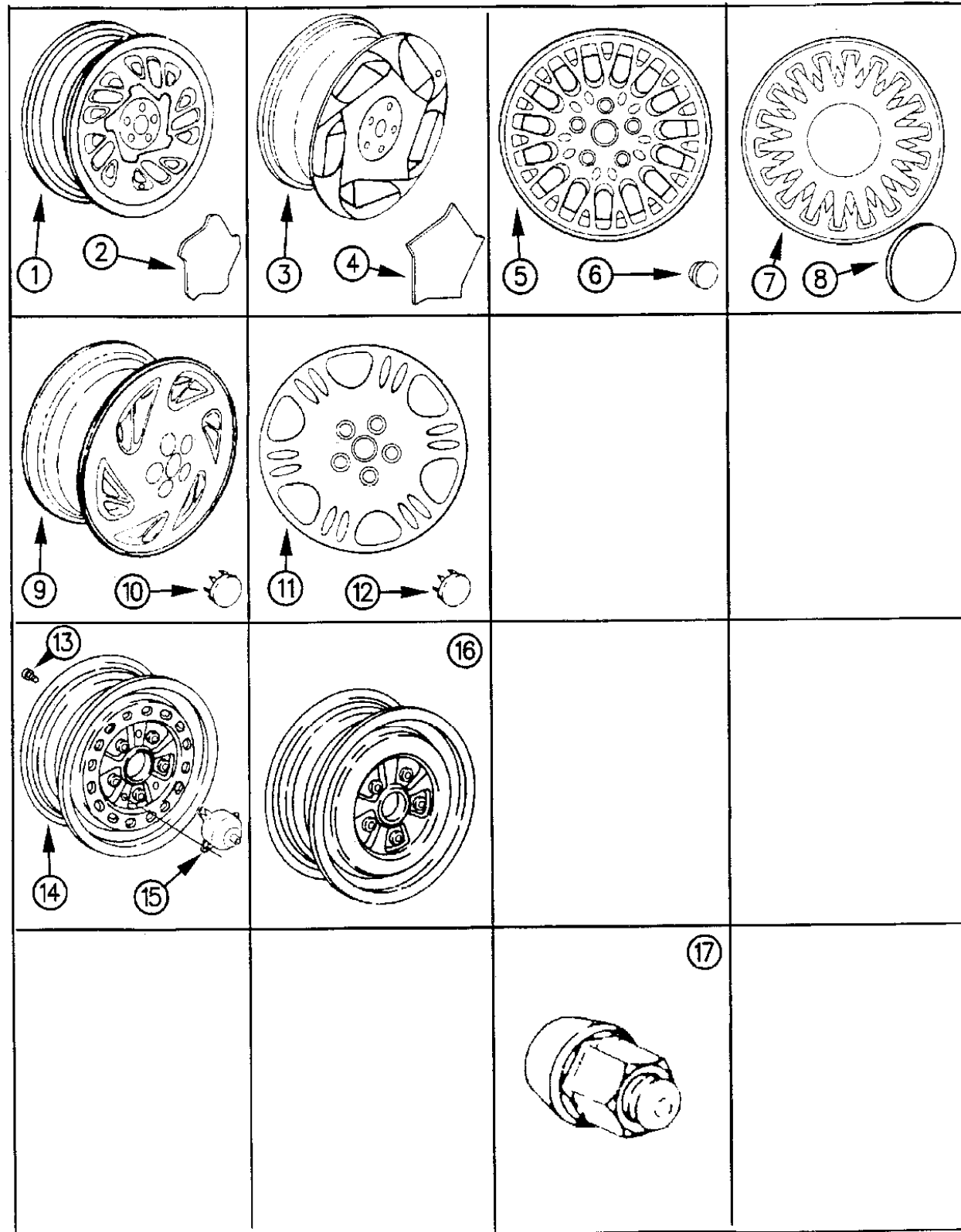
**BODY STYLES:**

21=2-Door Coupe      41=4-Door Sedan      12-52=FWD & AWD Van & Wgn Std W.B.  
 24=2-Door Hatchback      44=4-Door Hatchback      53=FWD & AWD Van & Wgn Ext. W.B.  
 27=2-Door Convertible

AR = Use as Required - = Non Illustrated Part P.A.R. = Paint as Required

**WHEELS, CAPS AND NUTS A BODY**  
Figure 22-200

93122 200B



ITEM	PART NUMBER	QTY	BODY	MODEL	DESCRIPTION
1	DN04 LA4	4			WHEEL, 15x6.0 Cast Aluminum, Silver, 5x100mm B.C., Eurocast 11 (WJ4)
	DN04 LRB	4			Radiant Fire
	DP99 LW7	4			WHEEL, 15x6.0 Cast Aluminum, Bright White, 5x100mm B.C., Eurocast 11 (WJP)
2	DP99 LD1	4			Light Quartz/Gray
	4472 520	4			CAP, Bright Aluminum
	HA41 MW7	4			Bright White
3	DN02 LD1	4			WHEEL, 15x6.0 Cast Aluminum, Light Quartz/Platinum, 5x100mm B.C., Turbostar (WJY)
	DN02 LW7	4			Bright White
4	DN29 LD1	4			CAP ASSEMBLY, Light Quartz/Platinum ***
	DN29 LW7	4			Bright White
	EL59 MD2	4			WHEEL, 15x6.0 Cast Aluminum, Medium Quartz, 5x100mm B.C., (WJF)
6	4284 004	4			CAP, Machined Finish Aluminum
7	EL61 KA4	4			WHEEL, 15x6.0 Cast Aluminum, Silver, 5x100mm B.C., (WJG)
8	4284 997	4			CAP
9					WHEEL, 14x6.0 Cast Aluminum, 5x100mm B.C., Teardrop
	Y038 JA4	4			Silver or Charcoal, Spring Special After 11-16-92 (WHK)
	Y038 LY2	4			Gold Metallic, Spring Special After 11-16-92 (WH1)
10	4284 004	4			CAP, Machine Finish Aluminum, Used w/(WH1),(WHK) Wheel
11					WHEEL, 14x6.0 Cast Aluminum, 5x100mm B.C., Bullet
	EL58 MD8	4			Dk. Quartz Gray, Spring Special, After 11-16-92 (WHM)
	EL58 MY2	4			Gold Metallic, Spring Special, After 11-16-92 (WH2)
12	4284 994	4			CAP, Used w/(WH2),(WHM) Wheel
13	6033 631	3			SCREW, Bracket, 1/4-20 x 5/8"
14	4284 991	4			WHEEL, 14x5.5 Black
	4472 297	4			WHEEL, 15x6.0 Black
	4284 991	1			WHEEL, Conventional Spare Black, 14x5.5
15	4472 240	4			BRACKET, Stud Type Center Retainer
16					WHEEL, Compact Spare w/Decal, 5x100mm B.C.
	4284 373	1			14x4.0
	4284 894	1			15x4.0 T
17					NUT, Wheel Mounting Stud
	6502 738	AR			w/Chrome Cap, M12x1.5
	6500 526	AR			Standard, M12x1.5
	2073 355	AR			STEM, Wheel Valve, 1-1/4" Long, Rubber Stem (Not Shown)

**MODEL CODES:**

A BODY=(C=LeBaron, D=Spirit, P=Acclaim/LaBaron(Landau), Saratoga) S BODY=(H=Voyager(H) FWD, K=Caravan(H) FWD, Y=Town & Country(H) FWD, P=Voyager(K) AWD, D=Caravan(K) AWD, C=Town & Country(K) AWD)  
 C BODY=(D=Dynasty, C=New Yorker/N.Y. Salon)  
 G BODY=(V=Daytona/ROC, Chrysler Daytona)  
 J BODY=(C=LeBaron, Chrysler LeBaron)  
 P BODY=(P=Sundance, D=Shadow)  
 Y BODY=(C=Imperial/5th Avenue)  
 E-S BODY=(K=Chrysler Voyager(H) FWD, D=Chrysler Voyager(K) AWD)

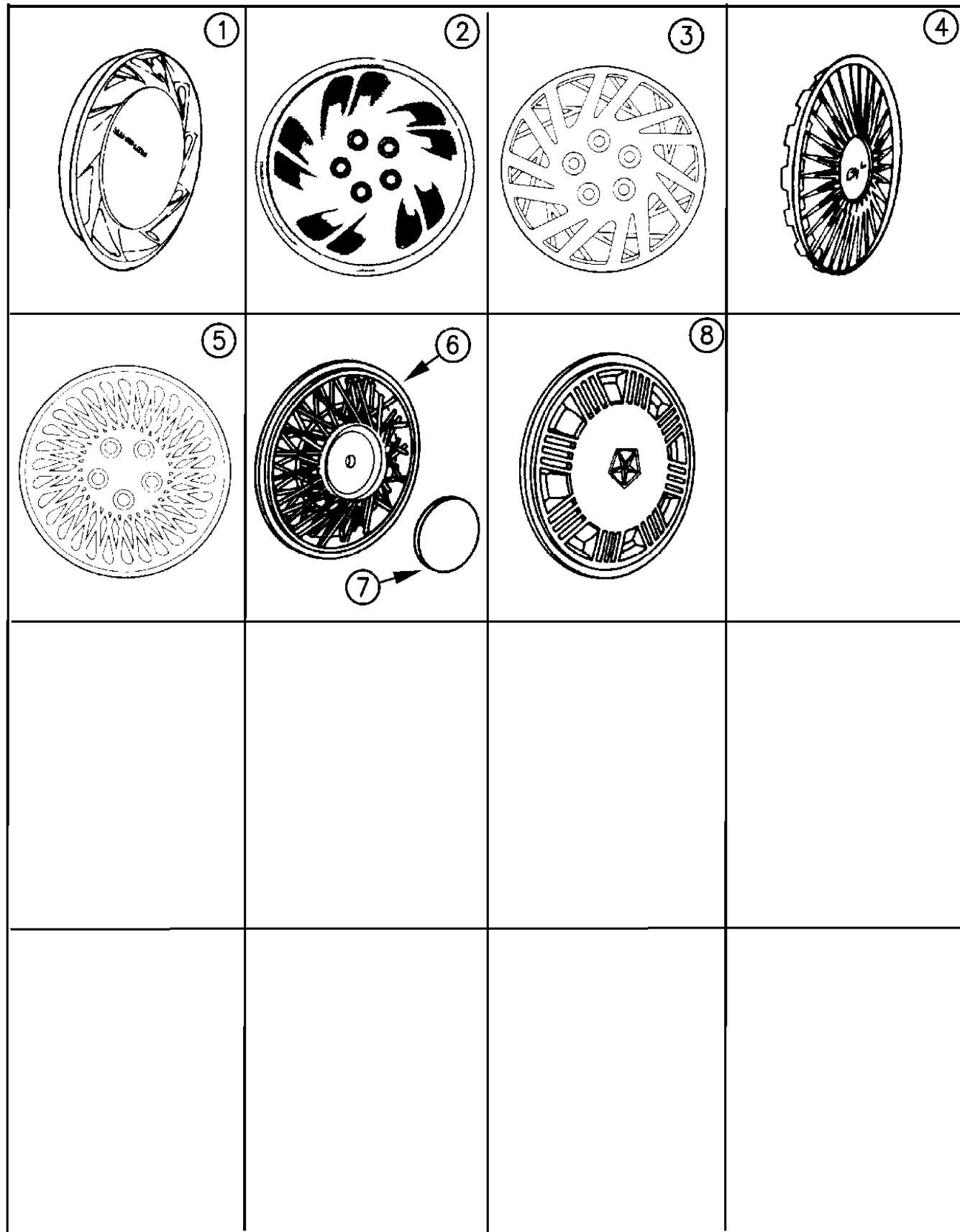
**BODY STYLES:**

21=2-Door Coupe      41=4-Door Sedan      12-52=FWD & AWD Van & Wgn Std W.B.  
 24=2-Door Hatchback      44=4-Door Hatchback      53=FWD & AWD Van & Wgn Ext. W.B.  
 27=2-Door Convertible

AR = Use as Required - = Non Illustrated Part P.A.R. = Paint as Required

**COVERS, WHEEL A BODY**  
Figure 22-250

93122 250B



ITEM	PART NUMBER	QTY	BODY	MODEL	DESCRIPTION
1	4626 230	4			COVER, Full Wheel, 14" (W4X) (Used on PLYMOUTH)
2	4472 532	4			COVER, Full Wheel, 14" (W4G)
3	4684 061	4			COVER, Full Wheel, 15" (W4T) Dark Quartz
	4472 525	4			White
	4472 527	4			Gold
4	4472 018	4			COVER, Full Wheel, 14" (W4M)
5	4626 089	4			COVER, Full Wheel, 14" (W4F)
6	4472 241	4			COVER, Wire Wheel Crossed Spoke, 14", w/o Medallion (W4L)
7	4626 062	4			MEDALLION, Center Cap, Acrylic, Chrysler
8	4284 677	4			COVER, Full Wheel, 14" (W4V)

**MODEL CODES:**

A BODY=(C=LeBaron, D=Spirit, P=Acclaim/LaBaron(Landau), Saratoga)      S BODY=(H=Voyager(H) FWD, K=Caravan(H) FWD, Y=Town & Country(H) FWD, P=Voyager(K) AWD, D=Caravan(K) AWD, C=Town & Country(K) AWD)  
 C BODY=(D=Dynasty, C=New Yorker/N.Y. Salon)  
 G BODY=(V=Daytona/IROC, Chrysler Daytona)  
 J BODY=(C=LeBaron, Chrysler LeBaron)  
 P BODY=(P=Sundance, D=Shadow)      Y BODY=(C=Imperial/5th Avenue)  
 E-S BODY=(K=Chrysler Voyager(H) FWD, D=Chrysler Voyager(K) AWD)

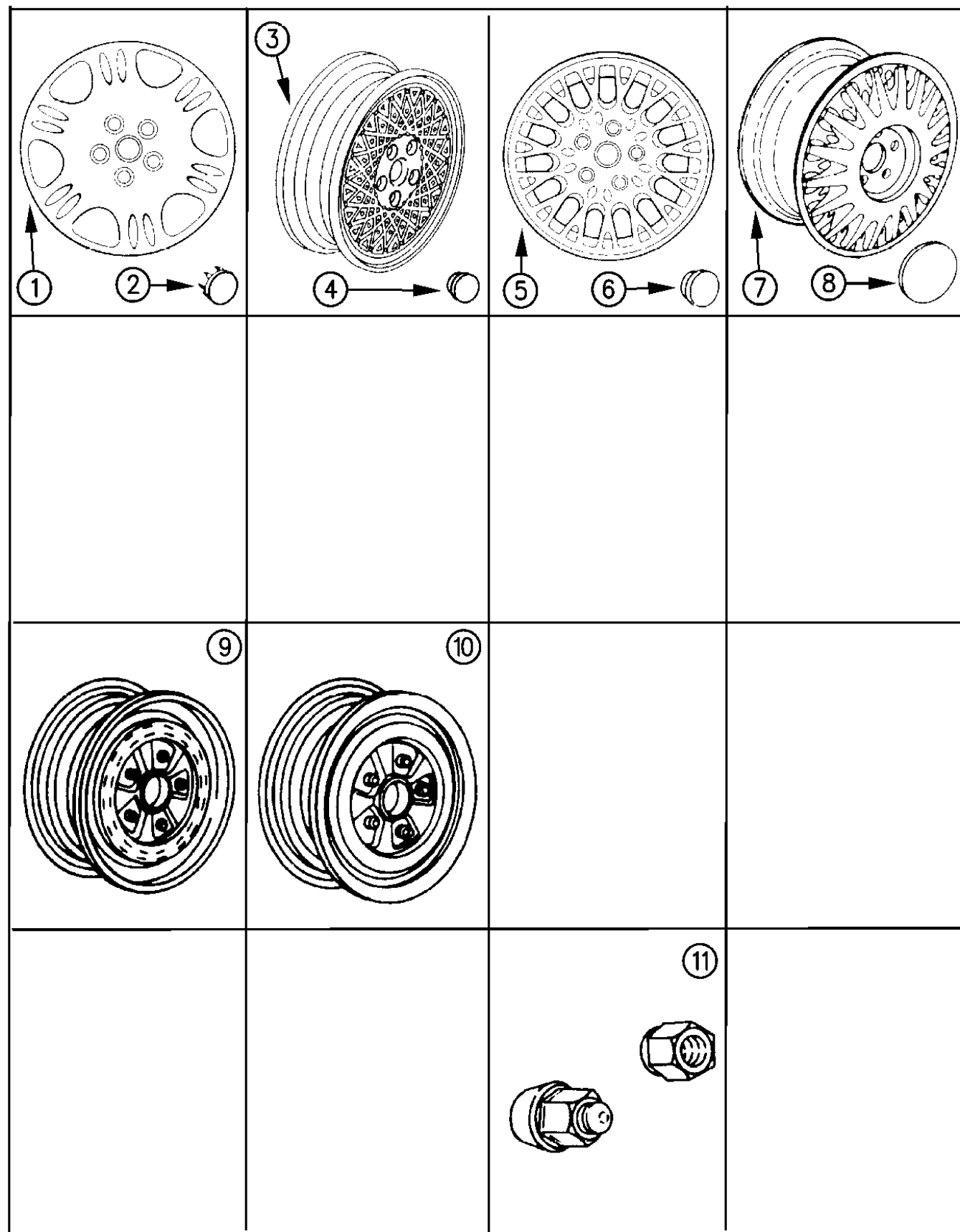
**BODY STYLES:**

21=2-Door Coupe      41=4-Door Sedan      12-52=FWD & AWD Van & Wgn Std W.B.  
 24=2-Door Hatchback      44=4-Door Hatchback      53=FWD & AWD Van & Wgn Ext. W.B.  
 27=2-Door Convertible

AR = Use as Required - = Non Illustrated Part P.A.R. = Paint as Required

**WHEELS, CAPS AND NUTS J BODY**  
Figure 22-300

93122 300A



ITEM	PART NUMBER	QTY	BODY	MODEL	DESCRIPTION
1	EL58 MD8	4			WHEEL, 14x6.0 Cast Aluminum, Dark Quartz/Gray, Bullet (WHM)
2	4284 994	4			CAP
3	AL95 LD2	4			WHEEL, 16x6.0 Spiral Cast Aluminum, Med. Quartz, 5x100mm B.C., Spiralcast (WNH)
	AL95 LW7	4			Bright White
	AL95 MY2	4			Gold Metallic
4	DM97 LD2	4			CAP, Medium Quartz
	DM97 LW7	4			Bright White
	DM97 MY2	4			Gold Metallic
5	EL59 MD2	4			WHEEL, 15x6.0 Cast Aluminum, Med. Quartz, 5x100mm B.C., Cathedral (WJF)
	EL59 MY2	4			Gold Metallic (WJF) (WJ2 is Wheel Color I.D.)
	GW08 MW7	4			Bright White (WJE), Painted Version of (WJF)
6	4284 004	4			CAP, Use With (WJF),(WJ2) Wheel
	AY70 MW7	4			White, Use With (WJE) Wheel
7	EL61 KA4	4			WHEEL, 15x6.0 Cast Aluminum, Silver, 5x100mm B.C., Equalizer (WJG)
8	4284 997	4			CAP
9					WHEEL, Conventional, 5x100mm B.C.
	4284 991	4			14x5.5, Black
	4472 297	4			15x6.0, Stamped Black
10					WHEEL, Compact Spare w/Decal, 5x100mm B.C.
	4284 373	1			14x4.0
	4284 894	1			15x4.0 "T" w/Decal
11					NUT, Wheel Mounting Stud
	6502 738	AR			w/Chrome Cap, M12x1.5
	6500 526	AR			Standard, M12x1.5
	6500 092	AR			w/o Cap, M12x1.5
	2073 355	AR			STEM, Wheel Valve, 1-1/4" Long, Rubber Stem (Not Shown)

**MODEL CODES:**

A BODY=(C=LeBaron, D=Spirit, P=Acclaim/LaBaron(Landau), Saratoga) S BODY=(H=Voyager(H) FWD, K=Caravan(H) FWD, Y=Town & Country(H) FWD, P=Voyager(K) AWD, D=Caravan(K) AWD, C=Town & Country(K) AWD)

C BODY=(D=Dynasty, C=New Yorker/N.Y. Salon) Y BODY=(C=Imperial/5th Avenue)

G BODY=(V=Daytona/IROC, Chrysler Daytona) E-S BODY=(K=Chrysler Voyager(H) FWD, D=Chrysler Voyager(K) AWD)

J BODY=(C=LeBaron, Chrysler LeBaron) P BODY=(P=Sundance, D=Shadow)

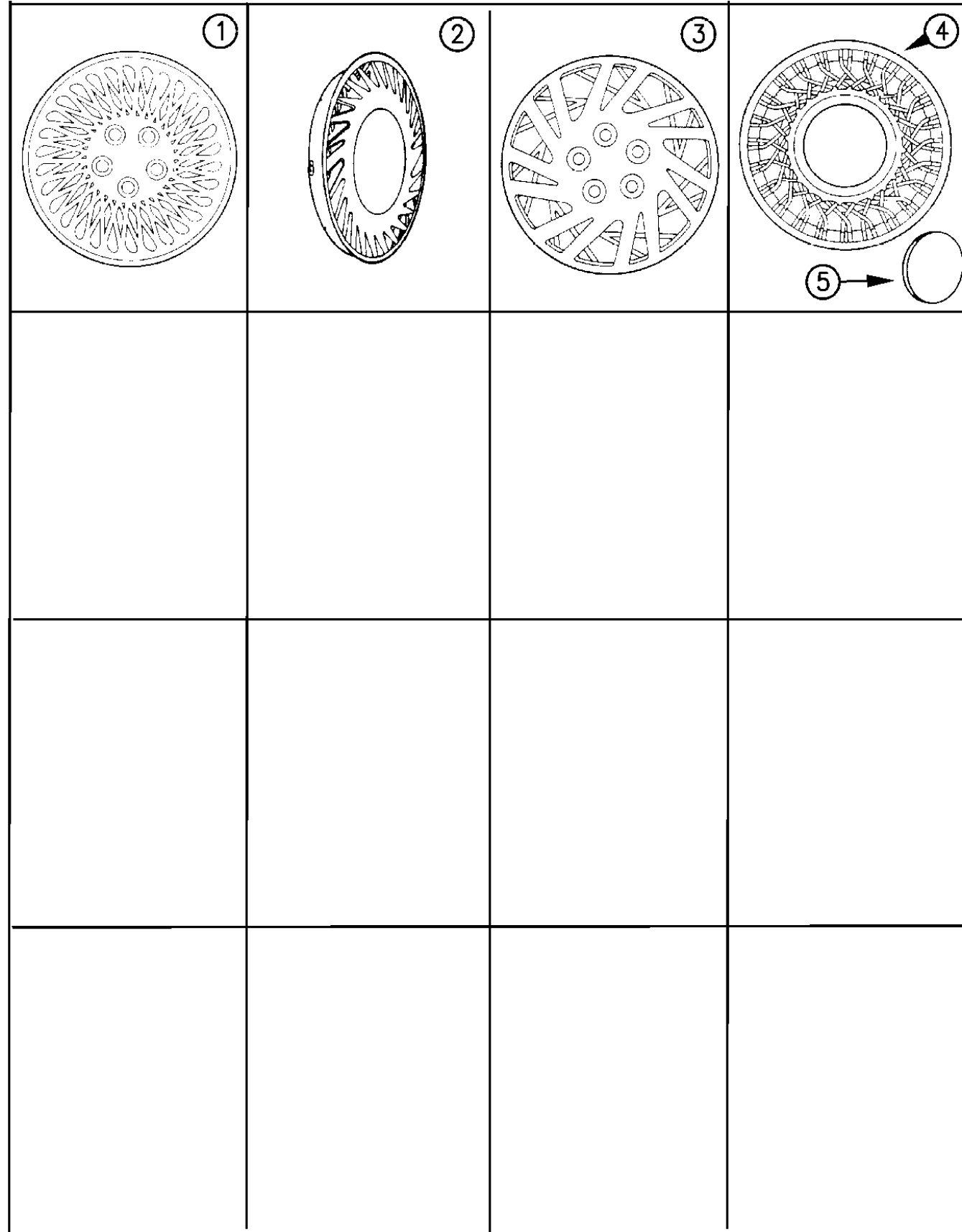
**BODY STYLES:**

21=2-Door Coupe 41=4-Door Sedan 12-52=FWD & AWD Van & Wgn Std W.B.  
24=2-Door Hatchback 44=4-Door Hatchback 53=FWD & AWD Van & Wgn Ext. W.B.  
27=2-Door Convertible

AR = Use as Required - = Non Illustrated Part P.A.R. = Paint as Required

**COVERS, WHEEL J BODY**  
Figure 22-350

93122 350



ITEM	PART NUMBER	QTY	BODY	MODEL	DESCRIPTION
1	4626 089	4			COVER, Full Wheel, 14" (W4F)
2	4472 024	4			COVER, Full Wheel, 15" (W5F)
3	4684 061	4			COVER, Full Wheel, 15" Dark Quartz (W5T)
	4472 525	4			White (W5U)
	4472 527	4			Gold (W5V)
4	4472 241	4			COVER, Wire Wheel Crossed Spoke, 14", w/o Medallion (W4L)
5	4626 062	4			MEDALLION, Center Cap, Acrylic, Chrysler

**MODEL CODES:**

A BODY=(C=LeBaron, D=Spirit, P=Acclaim/LaBaron(Landau), Saratoga)      S BODY=(H=Voyager(H) FWD, K=Caravan(H) FWD, Y=Town & Country(H) FWD, P=Voyager(K) AWD, D=Caravan(K) AWD, C=Town & Country(K) AWD)  
 C BODY=(D=Dynasty, C=New Yorker/N.Y. Salon)  
 G BODY=(V=Daytona/IROC, Chrysler Daytona)      Y BODY=(C=Imperial/5th Avenue)  
 J BODY=(C=LeBaron, Chrysler LeBaron)      E-S BODY=(K=Chrysler Voyager(H) FWD, D=Chrysler Voyager(K) AWD)  
 P BODY=(P=Sundance, D=Shadow)

**BODY STYLES:**

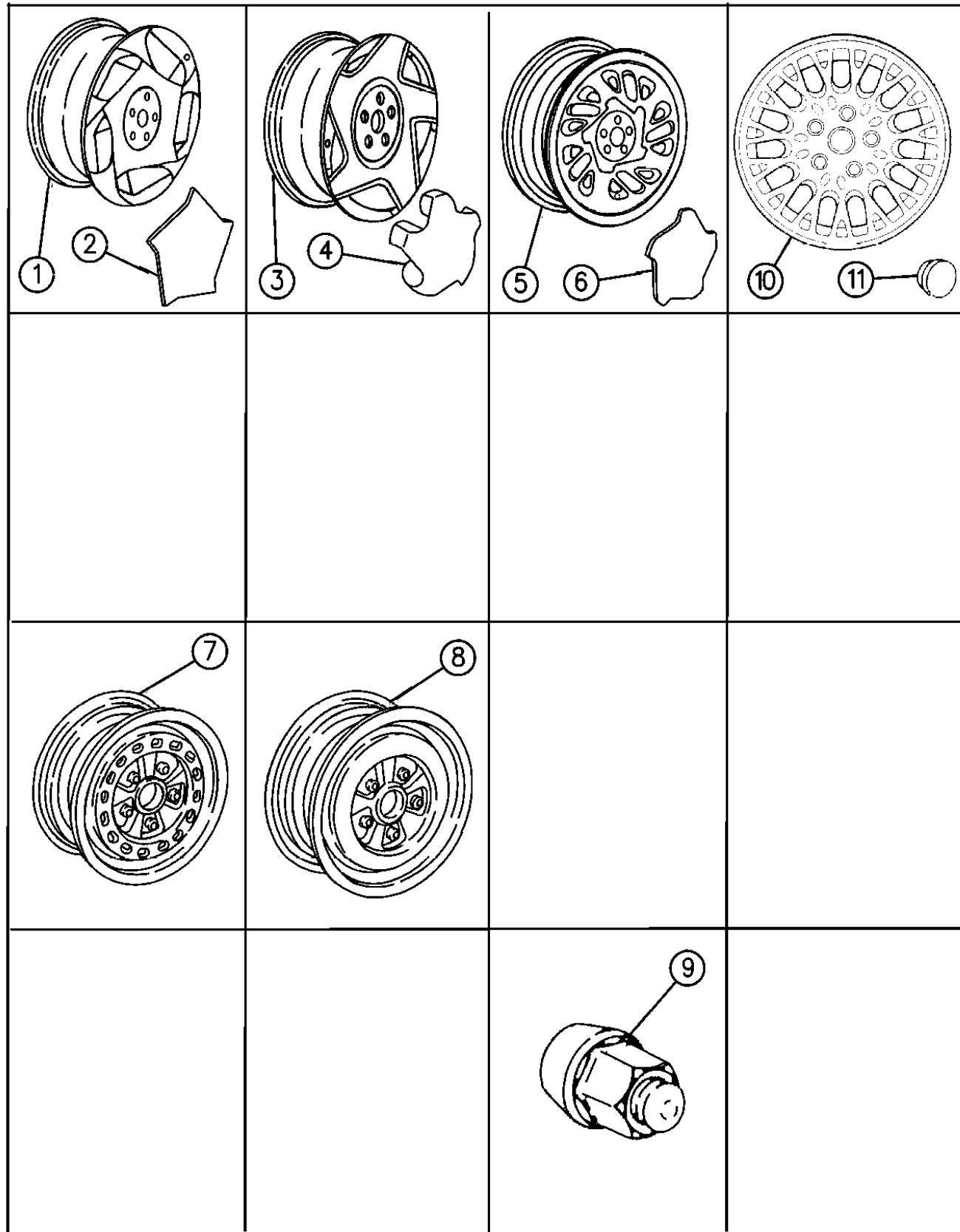
21=2-Door Coupe      41=4-Door Sedan      12-52=FWD & AWD Van & Wgn Std W.B.  
 24=2-Door Hatchback      44=4-Door Hatchback      53=FWD & AWD Van & Wgn Ext. W.B.  
 27=2-Door Convertible

AR = Use as Required - = Non Illustrated Part P.A.R. = Paint as Required



**WHEELS, CAPS AND NUTS G BODY**  
Figure 22-400

93122 400C



ITEM	PART NUMBER	QTY	BODY	MODEL	DESCRIPTION
1	HL48 MD1	4			WHEEL, 15x6.0 Cast Aluminum, Turbostar (WJY) Light Quartz/Platinum
	HL48 MW7	4			Bright White
	DN29 LD1	4			CAP, Light Quartz/Platinum
	DN29 LW7	4			Bright White
3	AL96 LDD	2			WHEEL, 16x6.0 Cast Aluminum, 5x100mm B.C., Ninja (WNF) Right, Medium Quartz/Dark Quartz
	AL96 LWD	2			Right, Bright White/Medium Quartz
	GN18 LD8	2			(Machine Faced) Right, Dark Quartz, Gray, w/IROC or IROC R/T (WNM)
	AL97 LDD	2			Left, Medium Quartz/Dark Quartz
	AL97 LWD	2			Left, Bright White/Medium Quartz
	GN19 LD8	2			(Machine Faced) Left, Dark Quartz, Gray, w/IROC or IROC R/T
4	4472 330	2			CAP, Center, Dark Quartz Right
	4472 330	2			Right, w/IROC or IROC R/T
	4472 331	2			Left
	4472 331	2			Left, w/IROC or IROC R/T
5	DN04 LA4	4			WHEEL, 15x6.0 Cast Aluminum, Silver or Charcoal, Eurocast II (WJ4)
6	4472 520	4			CAP, Bright Aluminum
7	4284 991	4			WHEEL, Conventional or Spare 14x5.5
	4472 297	4			15x6.0
	4284 991	1			14x5.5 Conventional Spare
8	4284 373	1			WHEEL, Compact Spare 14x4.0
	4284 894	1			15x4.0 w/Decal also use w/16" Wheels
9	6502 738	AR			NUT, Wheel Mounting Stud w/Chrome Cap, M12x1.5
	6500 092	AR			w/o Cap, M12x1.5
	2073 355	AR			STEM, Wheel Valve, 1-1/4" Long, Rubber Stem (Not Shown)
10	EL59 MD2	4			WHEEL, Cast Aluminum (15 x 6) Medium Quartz (WJF)
	EL59 MY2	4			Gold (WJ2)
	4284 004	4			CAP, Wheel (WJF,WJ2)

**MODEL CODES:**

A BODY=(C=LeBaron, D=Spirit, P=Acclaim/LaBaron(Landau), Saratoga)

C BODY=(D=Dynasty, C=New Yorker/N.Y. Salon)

G BODY=(V=Daytona/IROC, Chrysler Daytona)

J BODY=(C=LeBaron, Chrysler LeBaron)

P BODY=(P=Sundance, D=Shadow)

S BODY=(H=Voyager(H) FWD, K=Caravan(H) FWD,

Y=Town & Country(H) FWD, P=Voyager(K) AWD,

D=Caravan(K) AWD, C=Town & Country(K) AWD)

Y BODY=(C=Imperial/5th Avenue)

E-S BODY=(K=Chrysler Voyager(H) FWD, D=Chrysler

Voyager(K) AWD)

**BODY STYLES:**

21=2-Door Coupe

41=4-Door Sedan

12-52=FWD & AWD Van & Wgn Std W.B.

24=2-Door Hatchback

44=4-Door Hatchback

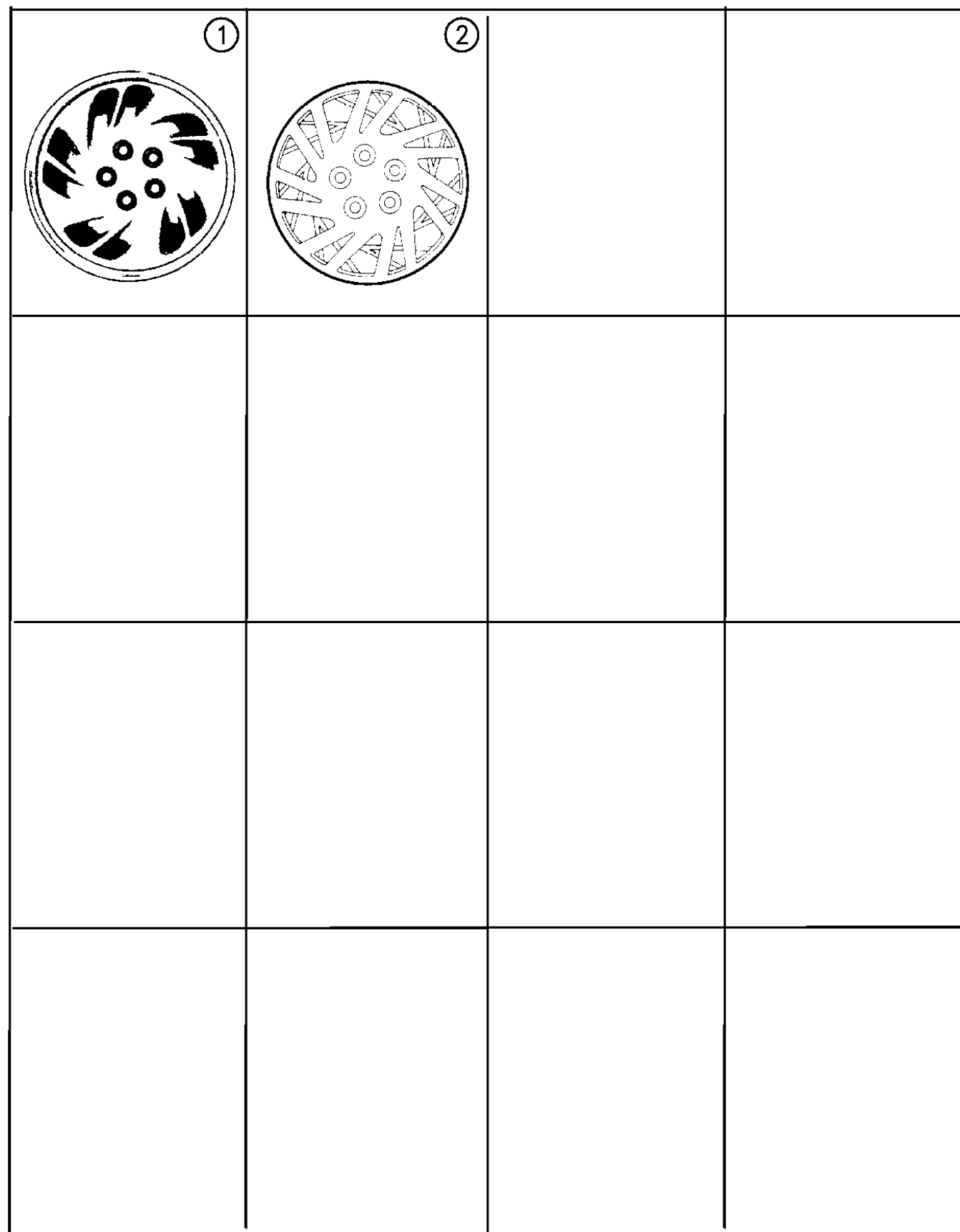
53=FWD & AWD Van & Wgn Ext. W.B.

27=2-Door Convertible

AR = Use as Required - = Non Illustrated Part P.A.R. = Paint as Required

**COVERS, WHEEL G BODY**  
Figure 22-450

93122 450



ITEM	PART NUMBER	QTY	BODY	MODEL	DESCRIPTION
1	4472 532	4			COVER, Full Wheel, 14", (W4G)
2					COVER, Full Wheel, 15"
	4684 061	4			Dark Silver (W5T)
	4472 527	4			Gold (W5T)
	4472 525	4			White (W5U)

**MODEL CODES:**

A BODY=(C=LeBaron, D=Spirit, P=Acclaim/LaBaron(Landau), Saratoga) C BODY=(D=Dynasty, C=New Yorker/N.Y. Salon) G BODY=(V=Daytona/ROC, Chrysler Daytona) J BODY=(C=LeBaron, Chrysler LeBaron) P BODY=(P=Sundance, D=Shadow)	S BODY=(H=Voyager(H) FWD, K=Caravan(H) FWD, Y=Town & Country(H) FWD, P=Voyager(K) AWD, D=Caravan(K) AWD, C=Town & Country(K) AWD) Y BODY=(C=Imperial/5th Avenue) E-S BODY=(K=Chrysler Voyager(H) FWD, D=Chrysler Voyager(K) AWD)
--	---

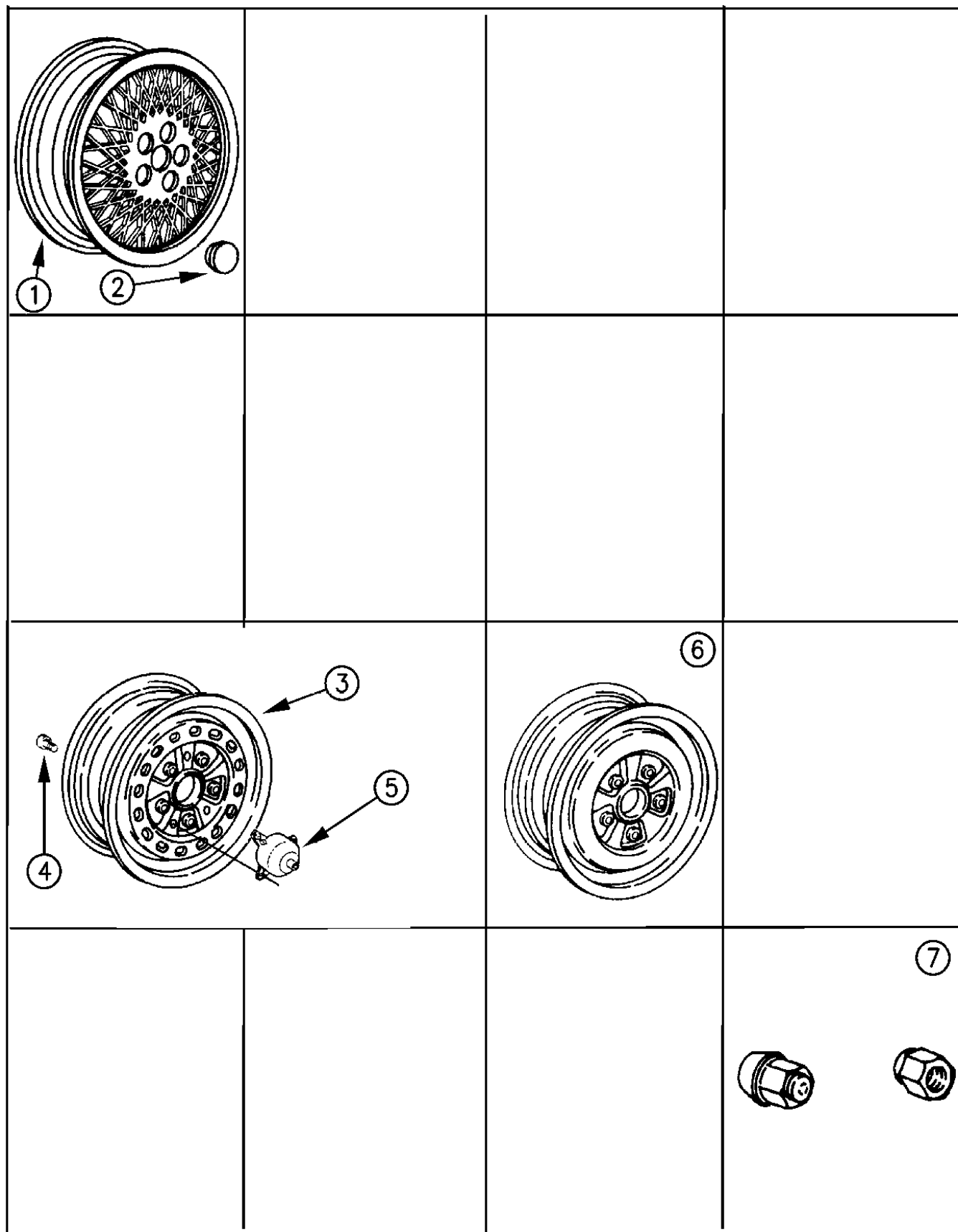
**BODY STYLES:**

21=2-Door Coupe	41=4-Door Sedan	12-52=FWD & AWD Van & Wgn Std W.B.
24=2-Door Hatchback	44=4-Door Hatchback	53=FWD & AWD Van & Wgn Ext. W.B.
27=2-Door Convertible		

AR = Use as Required - = Non Illustrated Part P.A.R. = Paint as Required

**WHEELS, CAPS AND NUTS C,Y BODY**  
**Figure 22-500**

93122 500A



ITEM	PART NUMBER	QTY	BODY	MODEL	DESCRIPTION
1	Y043 JA4	4			WHEEL, 14x5.5, Cast Aluminum, Argent, Lace (WHE)
2	4284 004	4			CAP
3	4284 929	4			WHEEL, 14x5.5, Steel 5x100mm B.C., Black
	4284 929	1			WHEEL, 14x5.5 Conventional Spare, Black
4	6033 631	AR			SCREW, Bracket 1/4-20 x 5/8"
5	4472 240	4			BRACKET, Stud Type Center (Ret. Wire Cover)
6	4284 435	1			WHEEL, 15x4.0 Compact Spare With Decal, Steel 5x100mm B.C.
7					NUT, Wheel Mounting Stud
	6502 738	AR			w/Chrome Cap, M12x1.5
	6500 526	AR			Standard, M12x1.5
	2073 355	AR			STEM, Wheel Valve, 1-1/4" Long, Rubber Stem (Not Shown)

**MODEL CODES:**

A BODY=(C=LeBaron, D=Spirit, P=Acclaim/LaBaron(Landau), Saratoga)      S BODY=(H=Voyager(H) FWD, K=Caravan(H) FWD, Y=Town & Country(H) FWD, P=Voyager(K) AWD, D=Caravan(K) AWD, C=Town & Country(K) AWD)  
 C BODY=(D=Dynasty, C=New Yorker/N.Y. Salon)  
 G BODY=(V=Daytona/IROC, Chrysler Daytona)  
 J BODY=(C=LeBaron, Chrysler LeBaron)  
 P BODY=(P=Sundance, D=Shadow)

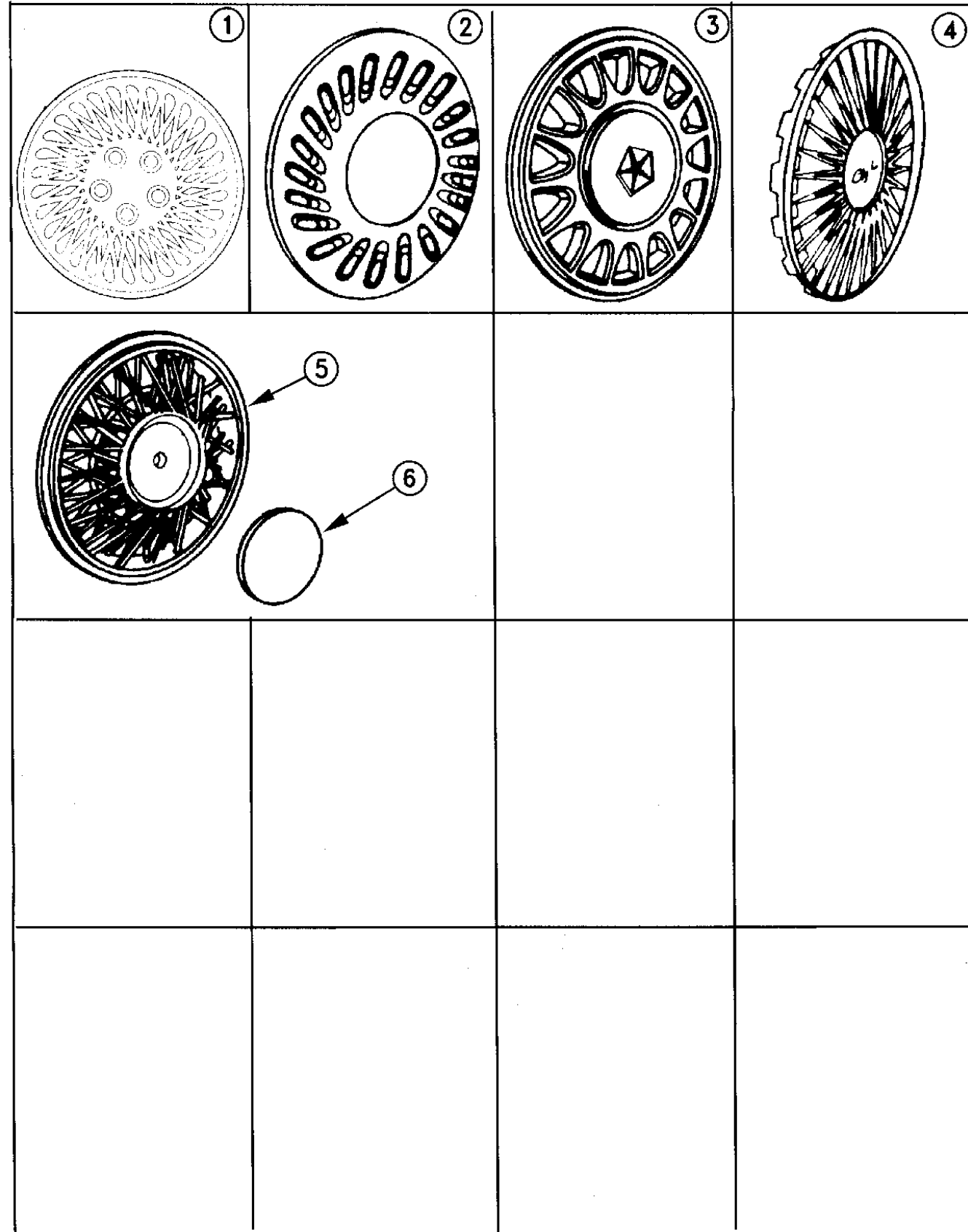
**BODY STYLES:**

21=2-Door Coupe      41=4-Door Sedan      12-52=FWD & AWD Van & Wgn Std W.B.  
 24=2-Door Hatchback      44=4-Door Hatchback      53=FWD & AWD Van & Wgn Ext. W.B.  
 27=2-Door Convertible

AR = Use as Required - = Non Illustrated Part P.A.R. = Paint as Required

**COVERS, WHEEL C,Y BODY**  
Figure 22-550

93122 550



ITEM	PART NUMBER	QTY	BODY	MODEL	DESCRIPTION
1	4626 089	4	C		COVER, Full Wheel, 14" (W4F)
2	4472 454	4	Y		COVER, Full Wheel, 14" (W4H)
3	4284 605	4	C		COVER, Full Wheel, 14" (W4K)
4	4472 018	4	C		COVER, Full Wheel, 14" (W4M)
5	4472 241	4			COVER, Wire Wheel Crossed Spoke, 14", w/o Medallion (W4L)
6	4284 920	4	Y		MEDALLION, Center Cap, Acrylic, Imperial
	4626 062	4			Chrysler
	4472 308	4			Dodge

**MODEL CODES:**

A BODY=(C=LeBaron, D=Spirit, P=Acclaim/LaBaron(Landau), Saratoga)      S BODY=(H=Voyager(H) FWD, K=Caravan(H) FWD, Y=Town & Country(H) FWD, P=Voyager(K) AWD, D=Caravan(K) AWD, C=Town & Country(K) AWD)  
 C BODY=(D=Dynasty, C=New Yorker/N.Y. Salon)  
 G BODY=(V=Daytona/IROC, Chrysler Daytona)  
 J BODY=(C=LeBaron, Chrysler LeBaron)  
 P BODY=(P=Sundance, D=Shadow)

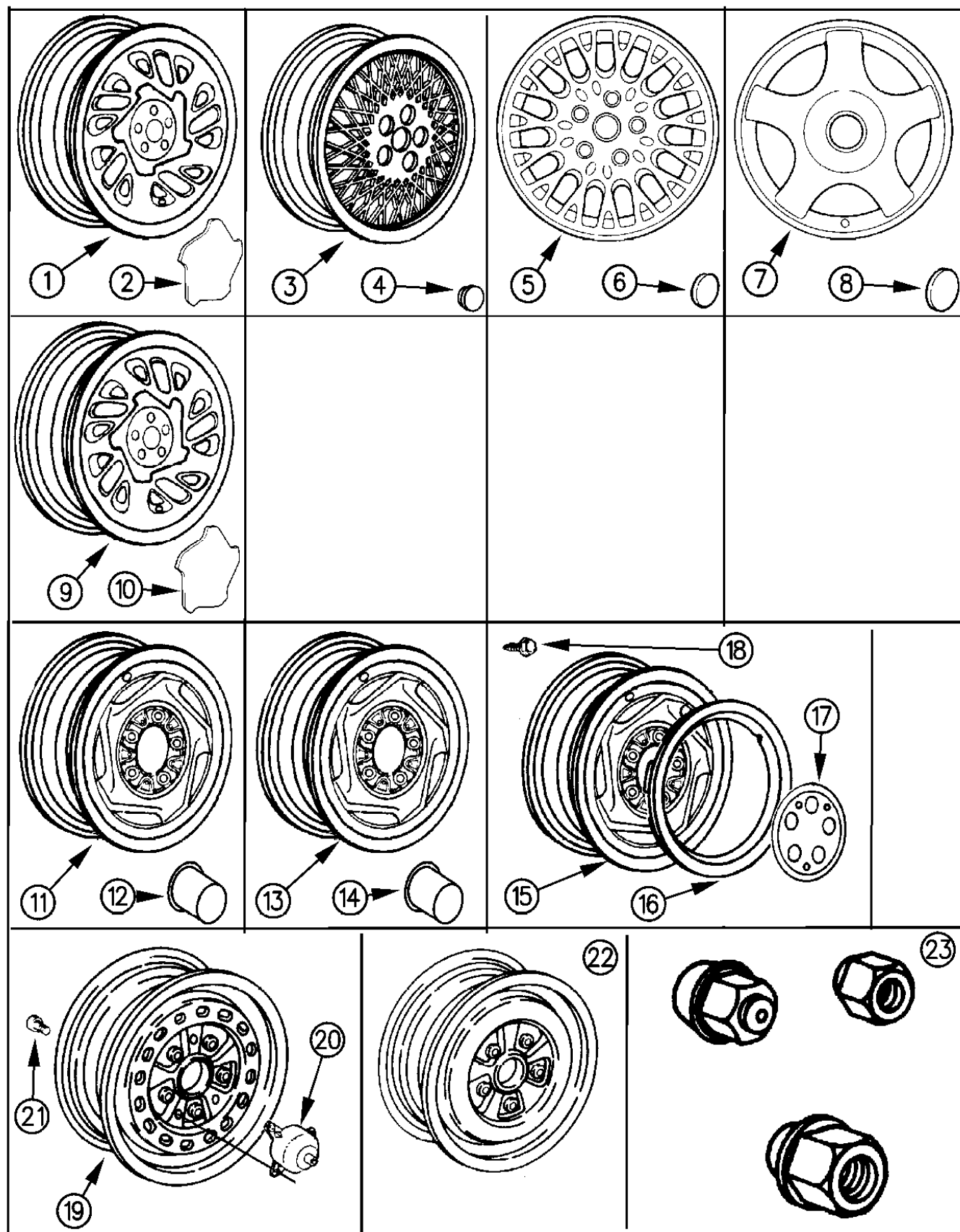
**BODY STYLES:**

21=2-Door Coupe      41=4-Door Sedan      12-52=FWD & AWD Van & Wgn Std W.B.  
 24=2-Door Hatchback      44=4-Door Hatchback      53=FWD & AWD Van & Wgn Ext. W.B.  
 27=2-Door Convertible

AR = Use as Required - = Non Illustrated Part P.A.R. = Paint as Required

**WHEELS, CAPS AND NUTS S BODY**  
Figure 22-600

93122 600A



ITEM	PART NUMBER	QTY	BODY	MODEL	DESCRIPTION
1	DN05 LD2	4			WHEEL, 15x6.0 Cast Bright Aluminum/Med. Quartz, 5x114.3mm B.C., Eurocast 11 (WJV)
	DN05 LY2	4			Gold Metallic
	EL62 LD2	4			WHEEL, 15x6.0 Cast Aluminum/Med. Quartz, 5x114.3mm B.C. (WJV), EUROPE
2	4472 520	4			CAP, Bright Finish
	4472 418	4			EUROPE, Bright Finish
3	Y044 LY2	4			WHEEL, 15x6.0, Cast Aluminum, Gold Metallic, 5x114.3mm B.C., Lace (WJU)
4	X086 LY2	4			CAP, Gold Metallic
5	EL60 MD2	4			WHEEL, 15x6.0 Cast Aluminum, Med. Quartz, 5x114.3mm B.C., Cathedral (WJF)
	EL60 MY2	4			Gold Metallic (WJZ)
	ET26 MW7	4			Bright White (WJE)
6	4284 004	4			CAP, Use With (WJF),(WJZ) Wheel
	AY70 MW7	4			White, Use With (WJE) Wheel
7	GS14 MD2	4			WHEEL, 15x6.0 Cast Aluminum Med. Quartz, 5x114.3mm B.C., 5 Spoke (WJN), After 9-1-92
8	GS15 MX8	4			CAP, Center Black, After 9-1-92 Stamped 4472515
9	EC29 LW7	4			WHEEL, 15x6.0, Cast Aluminum 5x114.3mm B.C., White, Eurocast 11 (WJ3)
10	HA41 MW7	4			CAP, Bright White
11	4472 423	4			WHEEL, 14x6.0, Steel, 5x100mm B.C. (WBD)
12	5204 001	4			CAP, Domed Black
13	4472 435	4			WHEEL, 15x6.0, Steel, 5x114.3mm B.C. (WJK)
14	4284 483	4			CAP, Domed Black
15	4472 435	4			WHEEL, 15x6.0, Steel, 5x114.3mm B.C.
16	5200 6025	4			RING, Trim, 15", Chrome
17	4626 103	4			DOME, Stamped
18	6033 631	AR			SCREW, 1/4-20 x 5/8
19					WHEEL, or CONVENTIONAL SPARE
	4284 929	4			WHEEL, 14x5.5, Heavy Duty, Black, 5x100mm B.C.
	4684 217	4			WHEEL, 15x6.0, Black, 5x114.3mm B.C., (WCF)
20	4472 337	4			BRACKET, Stud Type Center (Ret. For 15" Wire Cover)
21	6033 631	AR			SCREW, Bracket 1/4-20 x 5/8"
22					CONVENTIONAL and COMPACT SPARE
	4284 929	1			WHEEL, 14x5.5 Heavy Duty, Black, 5x100mm B.C.
	4284 435	1			WHEEL, Compact Spare w/Decal 15x4.0, 5x100mm B.C.

**MODEL CODES:**

A BODY=(C=LeBaron, D=Spirit, P=Acclaim/LaBaron(Landau), Saratoga)      S BODY=(H=Voyager(H) FWD, K=Caravan(H) FWD, Y=Town & Country(H) FWD, P=Voyager(K) AWD, D=Caravan(K) AWD, C=Town & Country(K) AWD)

C BODY=(D=Dynasty, C=New Yorker/N.Y. Salon)      Y BODY=(C=Imperial/5th Avenue)

G BODY=(V=Daytona/IROC, Chrysler Daytona)      E-S BODY=(K=Chrysler Voyager(H) FWD, D=Chrysler Voyager(K) AWD)

J BODY=(C=LeBaron, Chrysler LeBaron)

P BODY=(P=Sundance, D=Shadow)

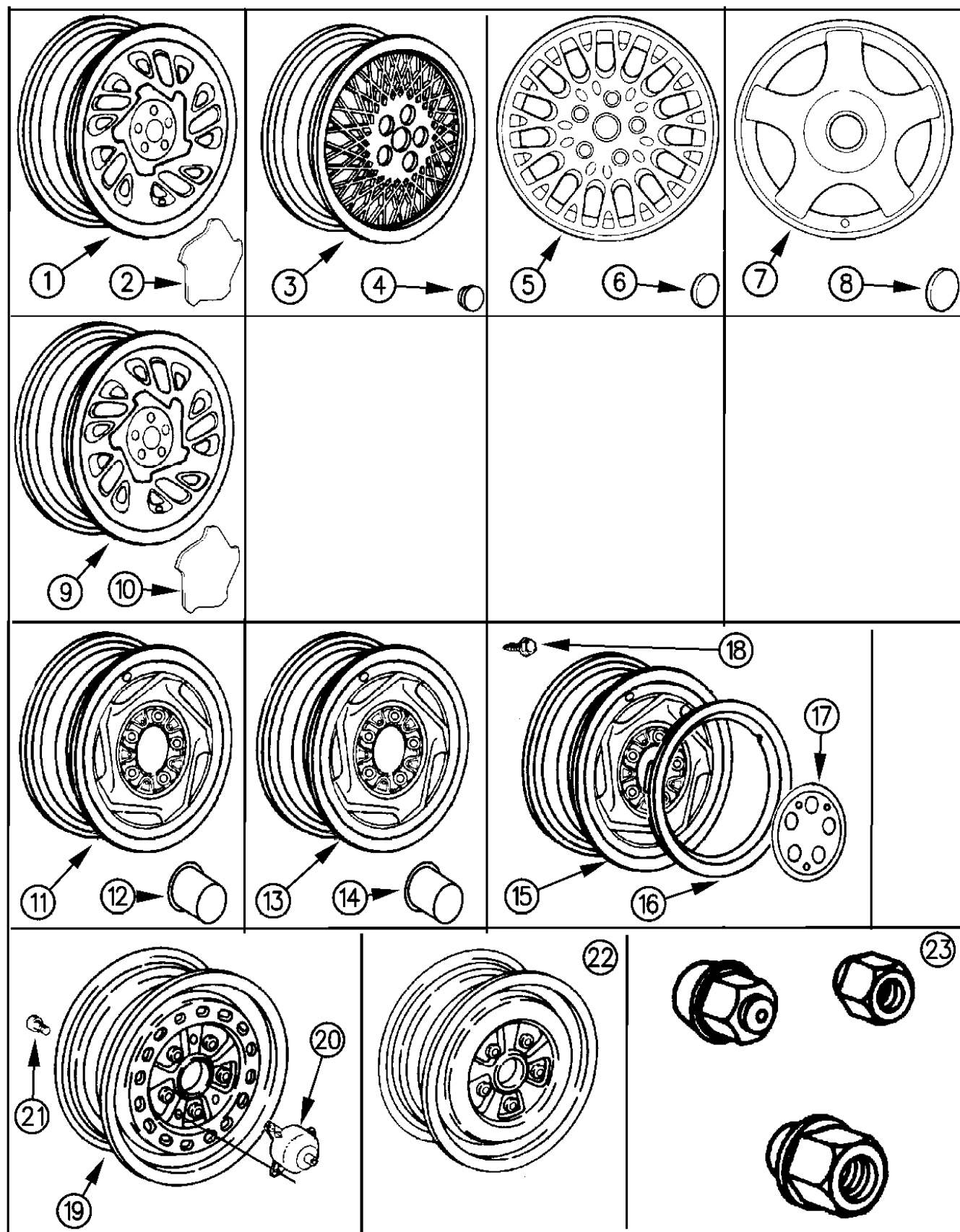
**BODY STYLES:**

21=2-Door Coupe      41=4-Door Sedan      12-52=FWD & AWD Van & Wgn Std W.B.  
24=2-Door Hatchback      44=4-Door Hatchback      53=FWD & AWD Van & Wgn Ext. W.B.  
27=2-Door Convertible

AR = Use as Required   - = Non Illustrated Part   P.A.R. = Paint as Required

**WHEELS, CAPS AND NUTS S BODY**  
Figure 22-600

93122 600A



ITEM	PART NUMBER	QTY	BODY	MODEL	DESCRIPTION
	4284 899	1			16x4.0, 5x114.3mm B.C.
23					NUT, Wheel Mounting Stud
	6502 738	AR			w/Chrome Cap, M12x1.5
	6500 092	AR			w/o Cap, M12x1.5
	6500 526	AR			Standard, M12x1.5
	2073 355	AR			STEM, Wheel Valve, 1-1/4" Long, Rubber Stem (Not Shown)

**MODEL CODES:**

A BODY=(C=LeBaron, D=Spirit, P=Acclaim/LaBaron(Landau), Saratoga)      S BODY=(H=Voyager(H) FWD, K=Caravan(H) FWD, Y=Town & Country(H) FWD, P=Voyager(K) AWD, D=Caravan(K) AWD, C=Town & Country(K) AWD)  
 C BODY=(D=Dynasty, C=New Yorker/N.Y. Salon)      Y BODY=(C=Imperial/5th Avenue)  
 G BODY=(V=Daytona/IROC, Chrysler Daytona)      E-S BODY=(K=Chrysler Voyager(H) FWD, D=Chrysler Voyager(K) AWD)  
 J BODY=(C=LeBaron, Chrysler LeBaron)  
 P BODY=(P=Sundance, D=Shadow)

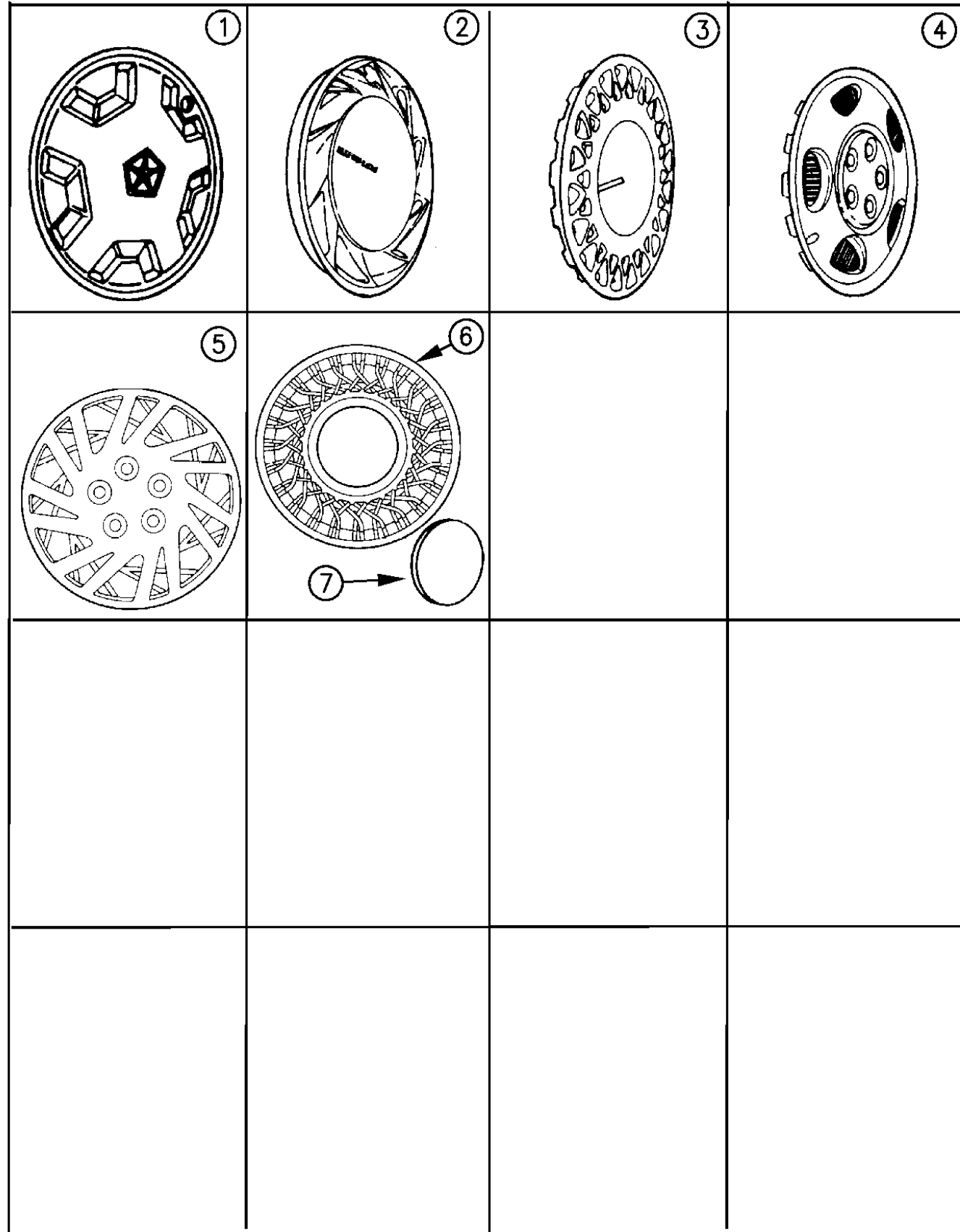
**BODY STYLES:**

21=2-Door Coupe      41=4-Door Sedan      12-52=FWD & AWD Van & Wgn Std W.B.  
 24=2-Door Hatchback      44=4-Door Hatchback      53=FWD & AWD Van & Wgn Ext. W.B.  
 27=2-Door Convertible

AR = Use as Required - = Non Illustrated Part P.A.R. = Paint as Required

**COVERS, WHEEL S BODY**  
Figure 22-650

93122 650



ITEM	PART NUMBER	QTY	BODY	MODEL	DESCRIPTION
1	4284 674	4			COVER, Full Wheel, 14" (W4D) (Used on DODGE)
2	4626 230	4			COVER, Full Wheel, 14" (W4X) (Used on PLYMOUTH)
3	4684 026	4			COVER, Full Wheel, 14" (W4E)
	4684 028	4			15" (W5G) (Used on PLYMOUTH)
4	4472 013	4			COVER, Full Wheel, 14" (W4W)
	4472 032	4			15" (W5K) (Used on DODGE)
5	4684 061	4			COVER, Full Wheel, 15" (W5T)
6	4472 612	4			COVER, Wire Wheel, Crossed Spoke, 15", w/o Medallion (W5P), (W5R)
7	4472 309	4			MEDALLION, Center Cap, Acrylic, Plymouth
	4472 308	4			Dodge

**MODEL CODES:**

A BODY=(C=LeBaron, D=Spirit, P=Acclaim/LaBaron(Landau), Saratoga) S BODY=(H=Voyager(H) FWD, K=Caravan(H) FWD, Y=Town & Country(H) FWD, P=Voyager(K) AWD, D=Caravan(K) AWD, C=Town & Country(K) AWD)  
 C BODY=(D=Dynasty, C=New Yorker/N.Y. Salon) Y BODY=(C=Imperial/5th Avenue)  
 G BODY=(V=Daytona/IROC, Chrysler Daytona) E-S BODY=(K=Chrysler Voyager(H) FWD, D=Chrysler Voyager(K) AWD)  
 J BODY=(C=LeBaron, Chrysler LeBaron)  
 P BODY=(P=Sundance, D=Shadow)

**BODY STYLES:**

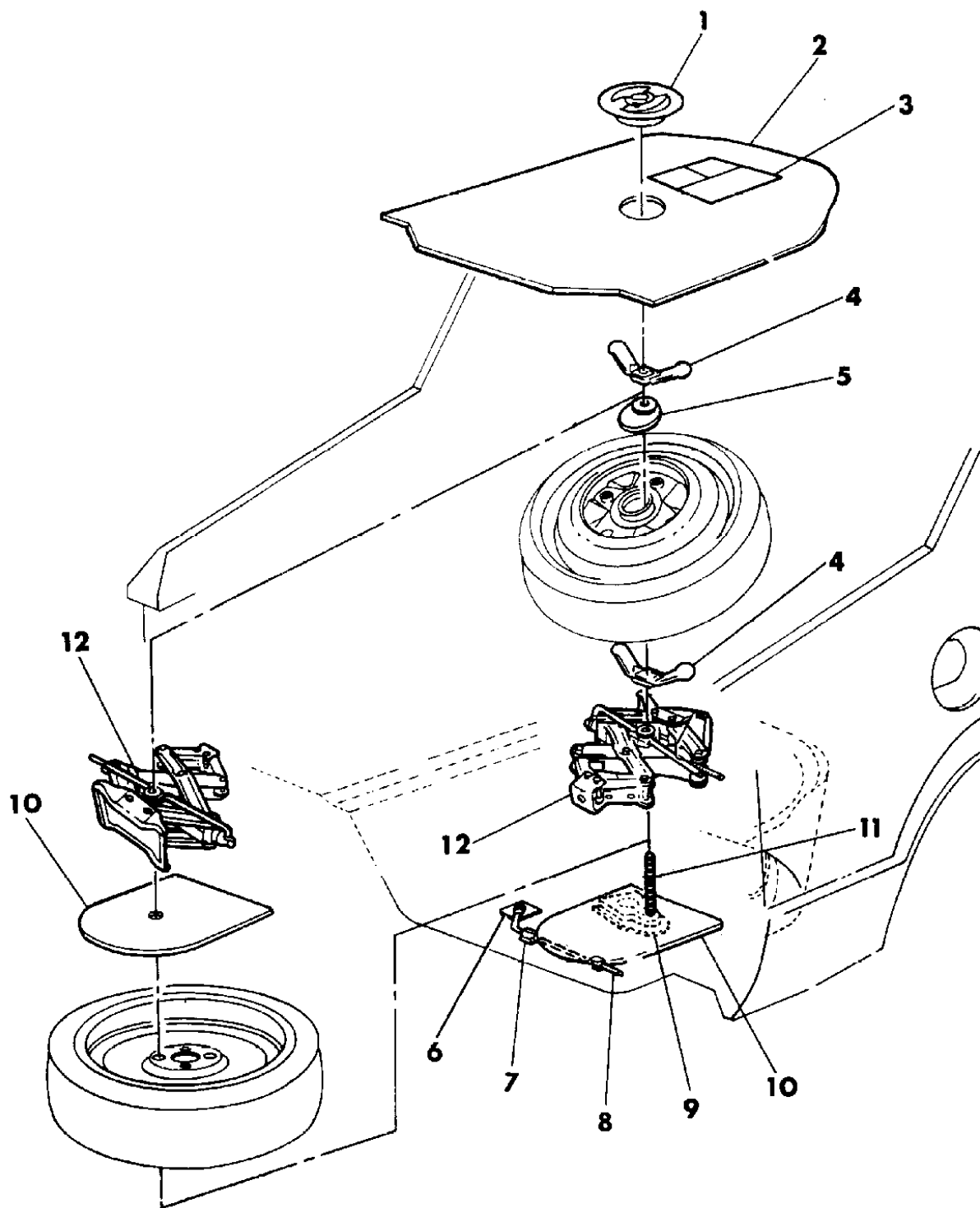
21=2-Door Coupe      41=4-Door Sedan      12-52=FWD & AWD Van & Wgn Std W.B.  
 24=2-Door Hatchback      44=4-Door Hatchback      53=FWD & AWD Van & Wgn Ext. W.B.  
 27=2-Door Convertible

AR = Use as Required - = Non Illustrated Part P.A.R. = Paint as Required

JACK AND SPARE TIRE STORAGE P BODY

Figure 22-700

93122 700



CONVENTIONAL TIRE

ITEM	PART NUMBER	QTY	BODY	MODEL	DESCRIPTION
1	4371 785	1			PLATE
2	4248 913	1			COVER
3	4341 578	1			LABEL
4	6032 619	2			WING NUT, 3/8-16
5	4314 899	1			PLATE
6	4337 798	1			PAD
7	4548 139	1			CLIP
8	4341 716	1			WRENCH, Wheel Lug
9		1			BRACKET, (Serviced in 23A)
10	4475 487	1			PAD
11	6032 790	1			BOLT, 3/8-16x9-1/2"
12	5252 411	1			JACK, Scissor

MODEL CODES:

A BODY=(C=LeBaron, D=Spirit, P=Acclaim/LaBaron(Landau),  
Saratoga)  
C BODY=(D=Dynasty, C=New Yorker/N.Y. Salon)  
G BODY=(V=Daytona/IROC, Chrysler Daytona)  
J BODY=(C=LeBaron, Chrysler LeBaron)  
P BODY=(P=Sundance, D=Shadow)

S BODY=(H=Voyager(H) FWD, K=Caravan(H) FWD,  
Y=Town & Country(H) FWD, P=Voyager(K) AWD,  
D=Caravan(K) AWD, C=Town & Country(K) AWD)  
Y BODY=(C=Imperial/5th Avenue)  
E-S BODY=(K=Chrysler Voyager(H) FWD, D=Chrysler  
Voyager(K) AWD)

BODY STYLES:

21=2-Door Coupe      41=4-Door Sedan      12-52=FWD & AWD Van & Wgn Std W.B.  
24=2-Door Hatchback      44=4-Door Hatchback      53=FWD & AWD Van & Wgn Ext. W.B.  
27=2-Door Convertible

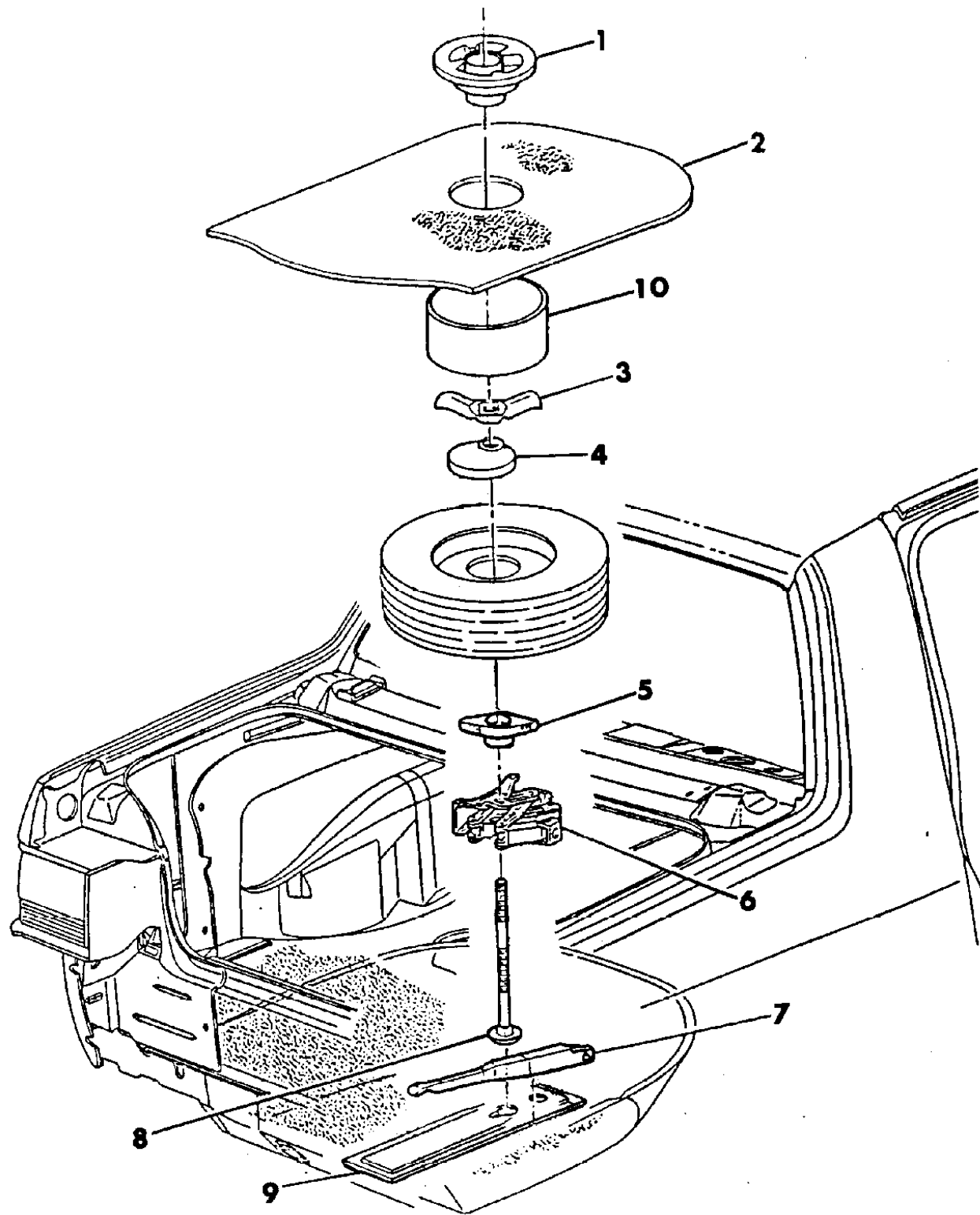
AR = Use as Required - = Non Illustrated Part P.A.R. = Paint as Required



JACK AND SPARE TIRE STOWAGE A BODY

Figure 22-800

93122 800



ITEM	PART NUMBER	QTY	BODY	MODEL	DESCRIPTION
1	4475 373	1			PLATE, Spare Tire Cover Hold Down
2	4547 515	1			COVER, Spare Tire
3	6033 720	1			WING NUT, 5/16-18
4	4314 899	1			PLATE, Spare Tire Hold Down Retainer
5	4512 493	1			WING NUT
6	5252 411	1			JACK, SCISSOR
7	4341 383	1			WRENCH, Wheel Lug
8	6033 989	1			BOLT, Spare Tire Hold Down, 5/16-18x8-1/4"
9	4206 247	1			BRACKET, Spare Wheel Anchor Bolt
10	4548 377	1			SUPPORT, Spare Tire Cover
	5253 821	1			LABEL, Jack and Spare Tire Stowage

MODEL CODES:

A BODY=(C=LeBaron, D=Spirit, P=Acclaim/LaBaron(Landau),  
Saratoga)  
C BODY=(D=Dynasty, C=New Yorker/N.Y. Salon)  
G BODY=(V=Daytona/IROC, Chrysler Daytona)  
J BODY=(C=LeBaron, Chrysler LeBaron)  
P BODY=(P=Sundance, D=Shadow)

S BODY=(H=Voyager(H) FWD, K=Caravan(H) FWD,  
Y=Town & Country(H) FWD, P=Voyager(K) AWD,  
D=Caravan(K) AWD, C=Town & Country(K) AWD)  
Y BODY=(C=Imperial/5th Avenue)  
E-S BODY=(K=Chrysler Voyager(H) FWD, D=Chrysler  
Voyager(K) AWD)

BODY STYLES:

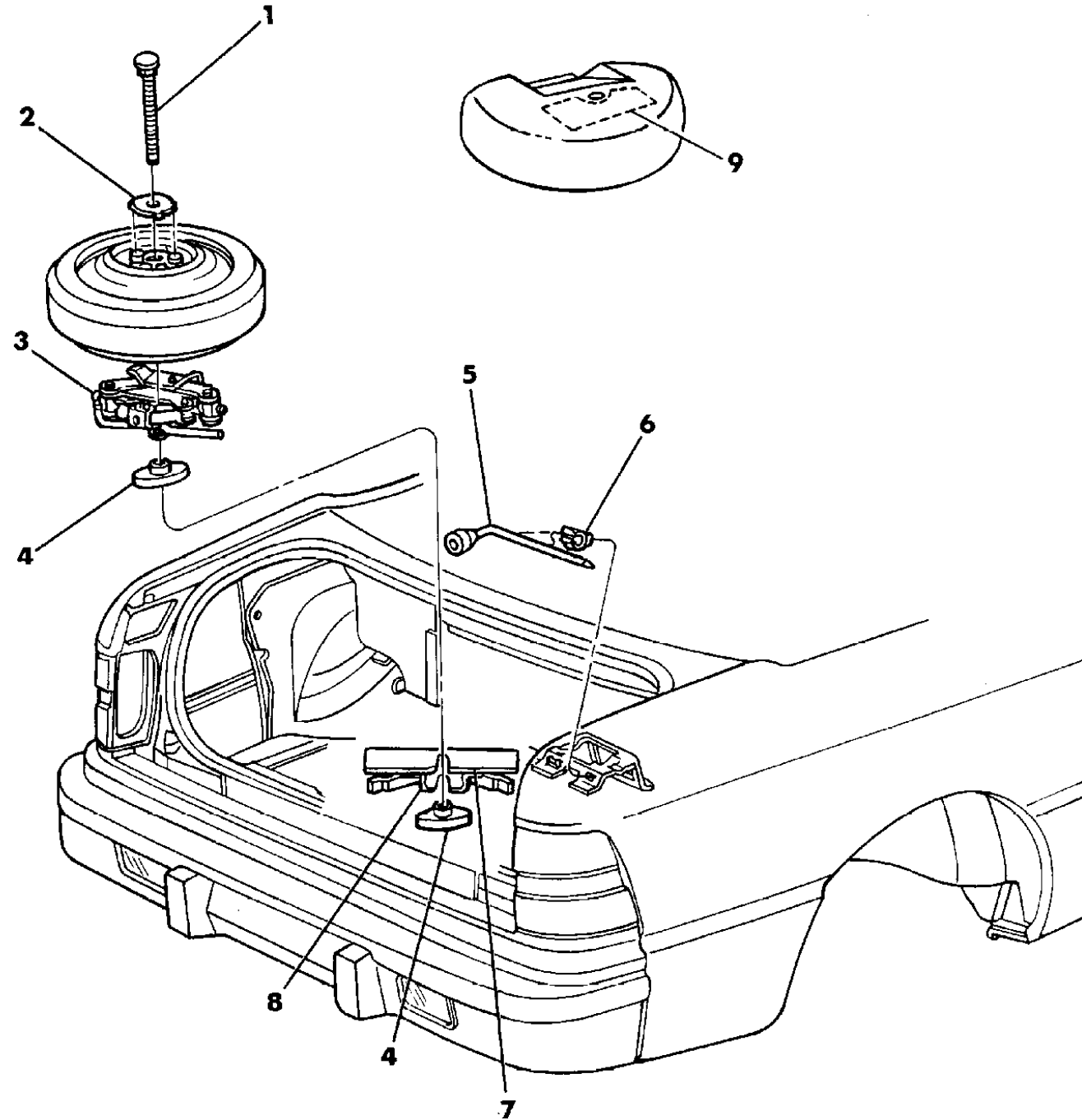
21=2-Door Coupe      41=4-Door Sedan      12-52=FWD & AWD Van & Wgn Std W.B.  
24=2-Door Hatchback      44=4-Door Hatchback      53=FWD & AWD Van & Wgn Ext. W.B.  
27=2-Door Convertible

AR = Use as Required - = Non Illustrated Part P.A.R. = Paint as Required

JACK AND SPARE TIRE STOWAGE J BODY - C-27

Figure 22-900

93122 900



ITEM	PART NUMBER	QTY	BODY	MODEL	DESCRIPTION
1	6032 744	1			BOLT, Spare Tire and Jack, 3/8-16x8-1/2"
2	5256 783	1			PLATE, Spare Tire Hold Down Retainer
3	5252 411	1			JACK, Scissor
4	4512 493	1			WING NUT, Underbody Spare
5	4341 716	1			WRENCH, Wheel Lug
6	4416 086	2			CLIP, Retaining Rear Floor Pan
7	4475 957	1			BRACKET, Compact Spare and Jack Storage
8		1			REINFORCEMENT, Compact Spare and Jack Stowage Bracket (Serviced in 4475957)
9	4490 917	1			LABEL, Jack and Spare Tire Stowage
	4206 247	1			BRACKET, Spare Wheel Anchor Bolt

MODEL CODES:

A BODY=(C=LeBaron, D=Spirit, P=Acclaim/LaBaron(Landau),  
Saratoga) S BODY=(H=Voyager(H) FWD, K=Caravan(H) FWD,  
Y=Town & Country(H) FWD, P=Voyager(K) AWD,  
D=Caravan(K) AWD, C=Town & Country(K) AWD)  
C BODY=(D=Dynasty, C=New Yorker/N.Y. Salon)  
G BODY=(V=Daytona/IROC, Chrysler Daytona) Y BODY=(C=Imperial/5th Avenue)  
J BODY=(C=LeBaron, Chrysler LeBaron) E-S BODY=(K=Chrysler Voyager(H) FWD, D=Chrysler  
P BODY=(P=Sundance, D=Shadow) Voyager(K) AWD)

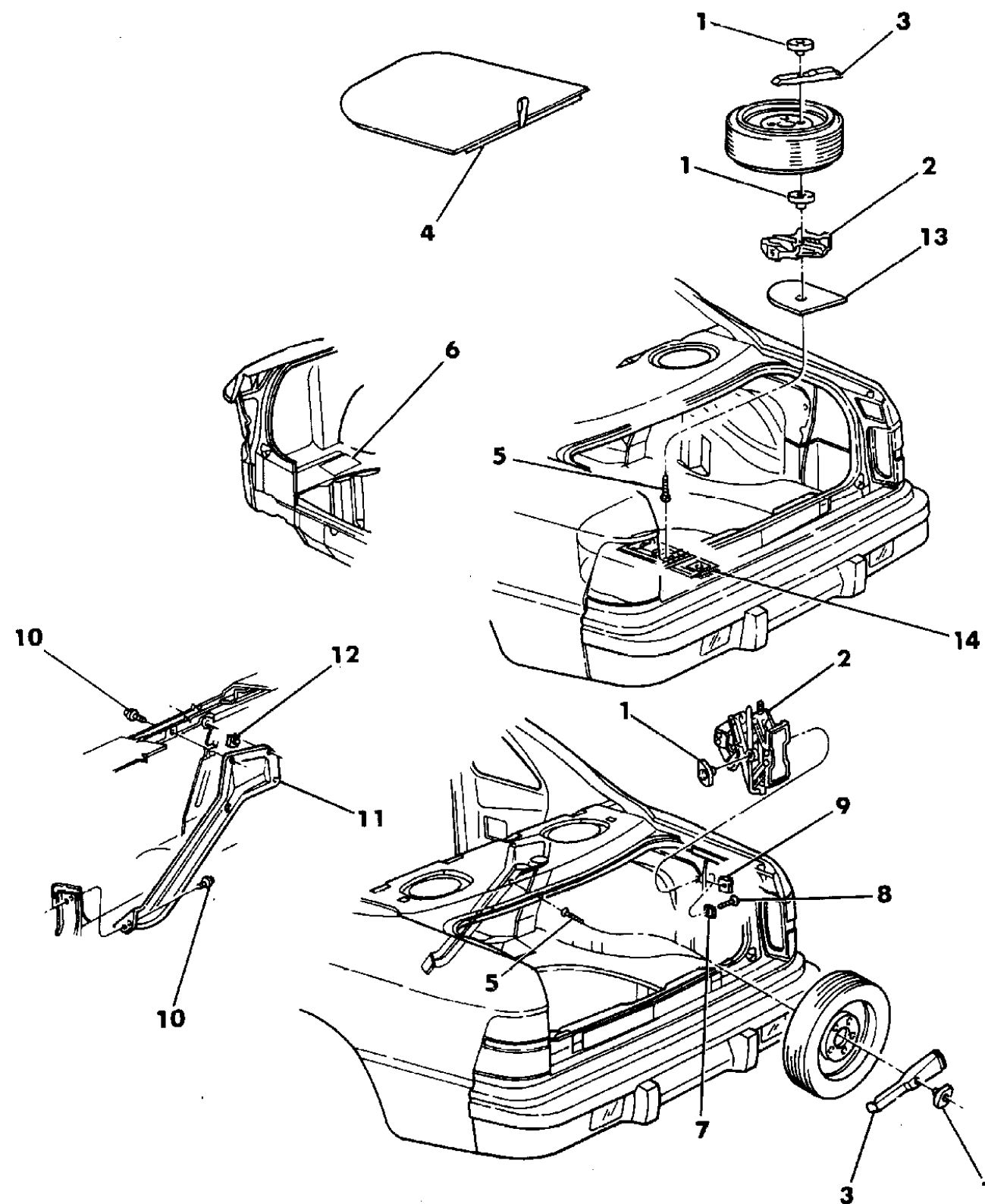
BODY STYLES:

21=2-Door Coupe 41=4-Door Sedan 12-52=FWD & AWD Van & Wgn Std W.B.  
24=2-Door Hatchback 44=4-Door Hatchback 53=FWD & AWD Van & Wgn Ext. W.B.  
27=2-Door Convertible

AR = Use as Required - = Non Illustrated Part P.A.R. = Paint as Required

JACK AND SPARE TIRE STOWAGE J BODY - C-21  
Figure 22-1000

93122 1000



ITEM	PART NUMBER	QTY	BODY	MODEL	DESCRIPTION
1	4512 493	1			WING NUT
2	5252 411	1			JACK, Scissor
3	4341 716	1			WRENCH, Wheel Lug
4	4409 902	1			COVER, Spare Tire Carpet Support
5	6032 744	1			BOLT, 3/8-16x8-1/2"
6	4440 264	1			LABEL, Jack and Spare Tire Stowage
7	4440 052	1			BRACKET, Jack Stowage Bolt
8	6033 599	1			BOLT, 3/8-16x3-3/4"
9	4440 051	1			CLIP
10	6501 185	1			SCREW, w/Washer
11	4386 645	1			BRACKET, Shelf Panel Spare Tire Stowage
12	6101 283	1			U-NUT
13	4475 487	1			PAD, Jack and Wheel Anti-Rattle
14	4206 247	1			BRACKET, Spare Wheel Anchor Bolt

MODEL CODES:

A BODY=(C=LeBaron, D=Spirit, P=Acclaim/LaBaron(Landau),  
Saratoga)  
C BODY=(D=Dynasty, C=New Yorker/N.Y. Salon)  
G BODY=(V=Daytona/IROC, Chrysler Daytona)  
J BODY=(C=LeBaron, Chrysler LeBaron)  
P BODY=(P=Sundance, D=Shadow)

S BODY=(H=Voyager(H) FWD, K=Caravan(H) FWD,  
Y=Town & Country(H) FWD, P=Voyager(K) AWD,  
D=Caravan(K) AWD, C=Town & Country(K) AWD)  
Y BODY=(C=Imperial/5th Avenue)  
E-S BODY=(K=Chrysler Voyager(H) FWD, D=Chrysler  
Voyager(K) AWD)

BODY STYLES:

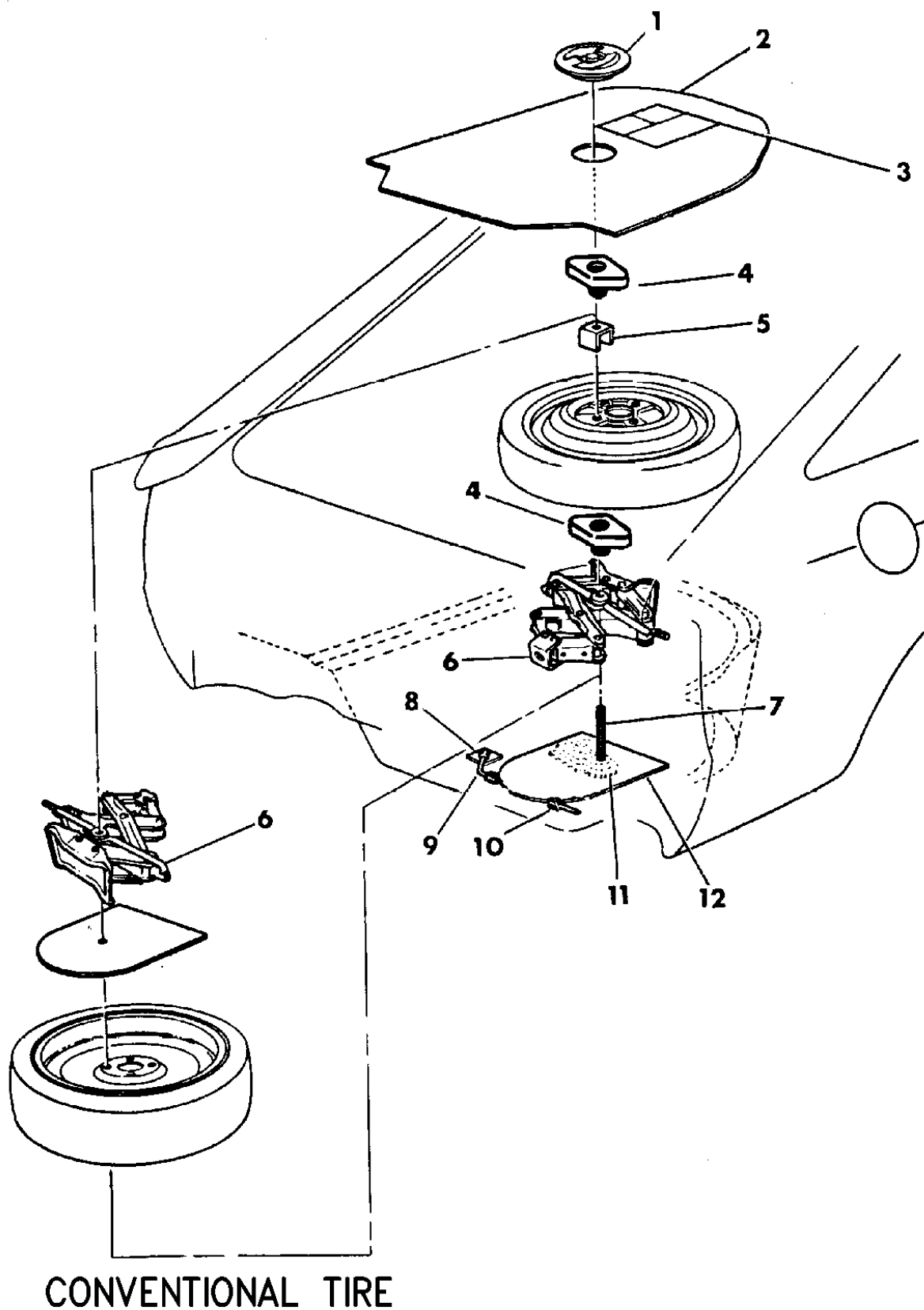
21=2-Door Coupe      41=4-Door Sedan      12-52=FWD & AWD Van & Wgn Std W.B.  
24=2-Door Hatchback      44=4-Door Hatchback      53=FWD & AWD Van & Wgn Ext. W.B.  
27=2-Door Convertible

AR = Use as Required - = Non Illustrated Part P.A.R. = Paint as Required

**JACK AND SPARE TIRE STOWAGE G BODY**  
**Figure 22-1100**

93122 1100

ITEM	PART NUMBER	QTY	BODY	MODEL	DESCRIPTION
1	4371 785	1			PLATE
2	4248 912	1			COVER
3	4674 231	1			LABEL, Jack and Spare Tire Stowage
4	4512 493	1			WING NUT
5	4337 984	1			SPACER
6	5252 411	1			JACK, Scissor
7	6032 790	1			BOLT, 3/8-16x9-1/2"
8	4337 798	1			PAD
9	4341 716	1			WRENCH, Wheel Lug
10	4548 139	1			CLIP
11		1			BRACKET, (Service in 23C)
12	4475 487	1			PAD



**MODEL CODES:**

A BODY=(C=LeBaron, D=Spirit, P=Acclaim/LaBaron(Landau), Saratoga)      S BODY=(H=Voyager(H) FWD, K=Caravan(H) FWD, Y=Town & Country(H) FWD, P=Voyager(K) AWD, D=Caravan(K) AWD, C=Town & Country(K) AWD)  
 C BODY=(D=Dynasty, C=New Yorker/N.Y. Salon)  
 G BODY=(V=Daytona/IROC, Chrysler Daytona)  
 J BODY=(C=LeBaron, Chrysler LeBaron)  
 P BODY=(P=Sundance, D=Shadow)

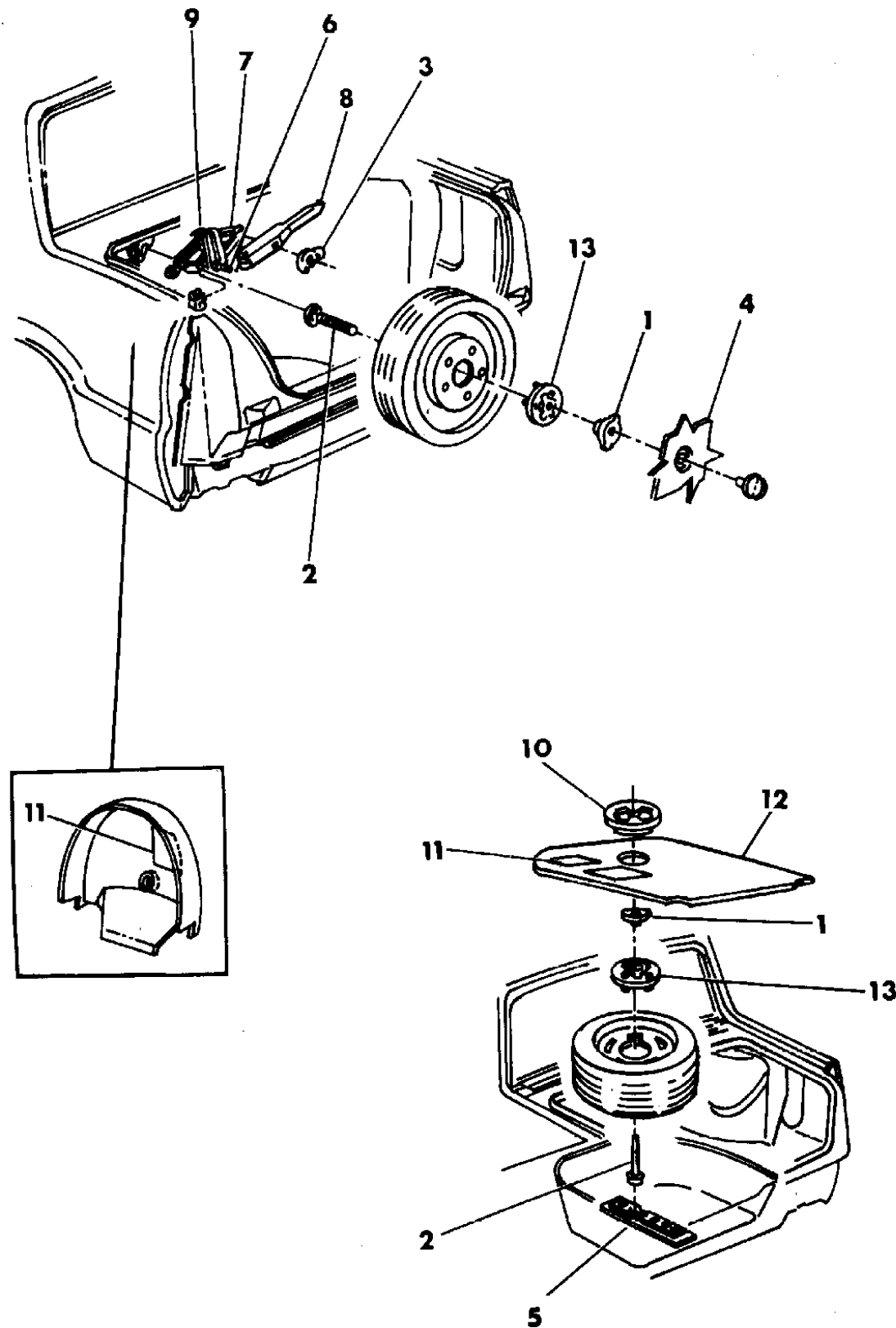
**BODY STYLES:**

21=2-Door Coupe      41=4-Door Sedan      12-52=FWD & AWD Van & Wgn Std W.B.  
 24=2-Door Hatchback      44=4-Door Hatchback      53=FWD & AWD Van & Wgn Ext. W.B.  
 27=2-Door Convertible

AR = Use as Required - = Non Illustrated Part P.A.R. = Paint as Required

**JACK AND SPARE TIRE STOWAGE C,Y BODY**  
**Figure 22-1200**

93122 1200



ITEM	PART NUMBER	QTY	BODY	MODEL	DESCRIPTION
1	4512 493	1			WING NUT, Spare Wheel
2	6033 739	1			BOLT, Spare Tire Hold Down Compact Spare, 3/8-16x4"
	6032 744	1			Conventional Spare, 3/8-16x8-1/2"
3		1			WING NUT, (Not Serviced)
4	4314 899	1			RETAINER, Spare Tire
5	4206 247	1			BRACKET, Spare Wheel Anchor Bolt
6	6033 349	1			BOLT, Round Head Short Square Neck
7	5253 842	1			JACK, Scissor
8	4341 383	1			WRENCH, Wheel Lug
9	4416 559	1			BRACKET, Jack Mounting
10	4371 785	1			PLATE, Spare Tire Cover Hold Down
11	4440 132	1			LABEL, Jack and Spare Tire Stowage
12	4453 473	1			COVER, Spare Tire Well
13	4314 899	AR			RETAINER, Spare Tire

**MODEL CODES:**

A BODY=(C=LeBaron, D=Spirit, P=Acclaim/LaBaron(Landau),  
Saratoga) S BODY=(H=Voyager(H) FWD, K=Caravan(H) FWD,  
Y=Town & Country(H) FWD, P=Voyager(K) AWD,  
D=Caravan(K) AWD, C=Town & Country(K) AWD)  
C BODY=(D=Dynasty, C=New Yorker/N.Y. Salon)  
G BODY=(V=Daytona/IROC, Chrysler Daytona)  
Y BODY=(C=Imperial/5th Avenue)  
J BODY=(C=LeBaron, Chrysler LeBaron)  
E-S BODY=(K=Chrysler Voyager(H) FWD, D=Chrysler  
Voyager(K) AWD)  
P BODY=(P=Sundance, D=Shadow)

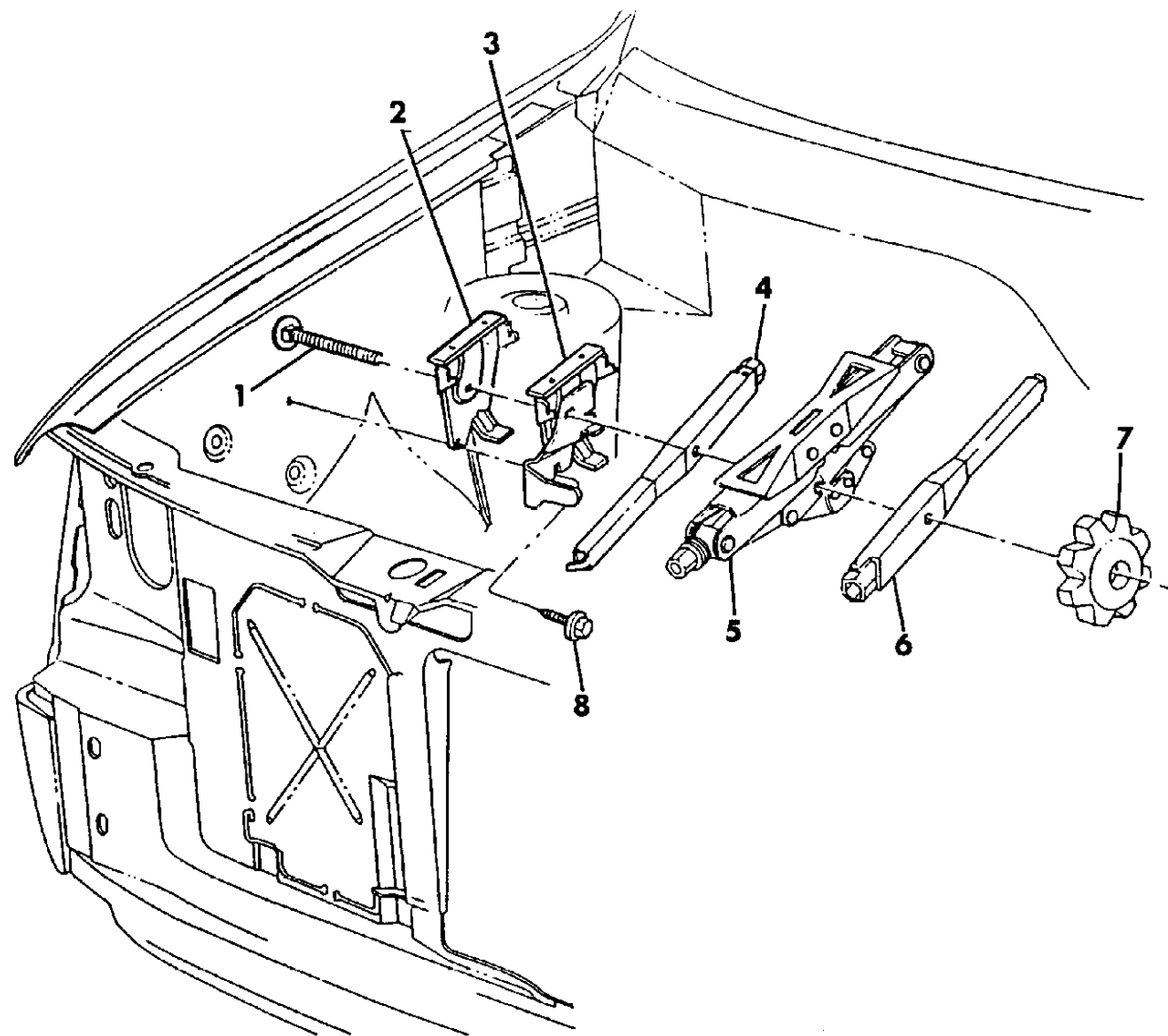
**BODY STYLES:**

21=2-Door Coupe      41=4-Door Sedan      12-52=FWD & AWD Van & Wgn Std W.B.  
24=2-Door Hatchback      44=4-Door Hatchback      53=FWD & AWD Van & Wgn Ext. W.B.  
27=2-Door Convertible

AR = Use as Required - = Non Illustrated Part P.A.R. = Paint as Required

**JACK STOWAGE S BODY**  
Figure 22-1300

93122 1300



ITEM	PART NUMBER	QTY	BODY	MODEL	DESCRIPTION
1					BOLT, (Not Serviced)
2	4534 532	1			BRACKET, Jack Stowage Mtg., Except (CGT), Restraint System - Active w/Driver Air Bag
3	5255 684	1			w/(CGT) Code
4	4341 383	1			WRENCH, Wheel Lug, w/(CGT) Code For Mtg. Location
5	4534 331	1			JACK, Scissor
6	4341 383	1			WRENCH, Wheel Lug, Except (CGT) Code For Mtg. Location
7	5255 686	1			KNOB, Jack Stowage Attaching
8	6101 716	1			SCREW, w/Washer M6x1.0x40
	5255 689	1		13,53	LABEL, Jack & Tire Stowage, (English) (Not Shown)
	5255 691	1		12,52	

**MODEL CODES:**

A BODY=(C=LeBaron, D=Spirit, P=Acclaim/LaBaron(Landau), Saratoga)      S BODY=(H=Voyager(H) FWD, K=Caravan(H) FWD, Y=Town & Country(H) FWD, P=Voyager(K) AWD, D=Caravan(K) AWD, C=Town & Country(K) AWD)  
 C BODY=(D=Dynasty, C=New Yorker/N.Y. Salon)  
 G BODY=(V=Daytona/IROC, Chrysler Daytona)  
 J BODY=(C=LeBaron, Chrysler LeBaron)  
 P BODY=(P=Sundance, D=Shadow)

**BODY STYLES:**

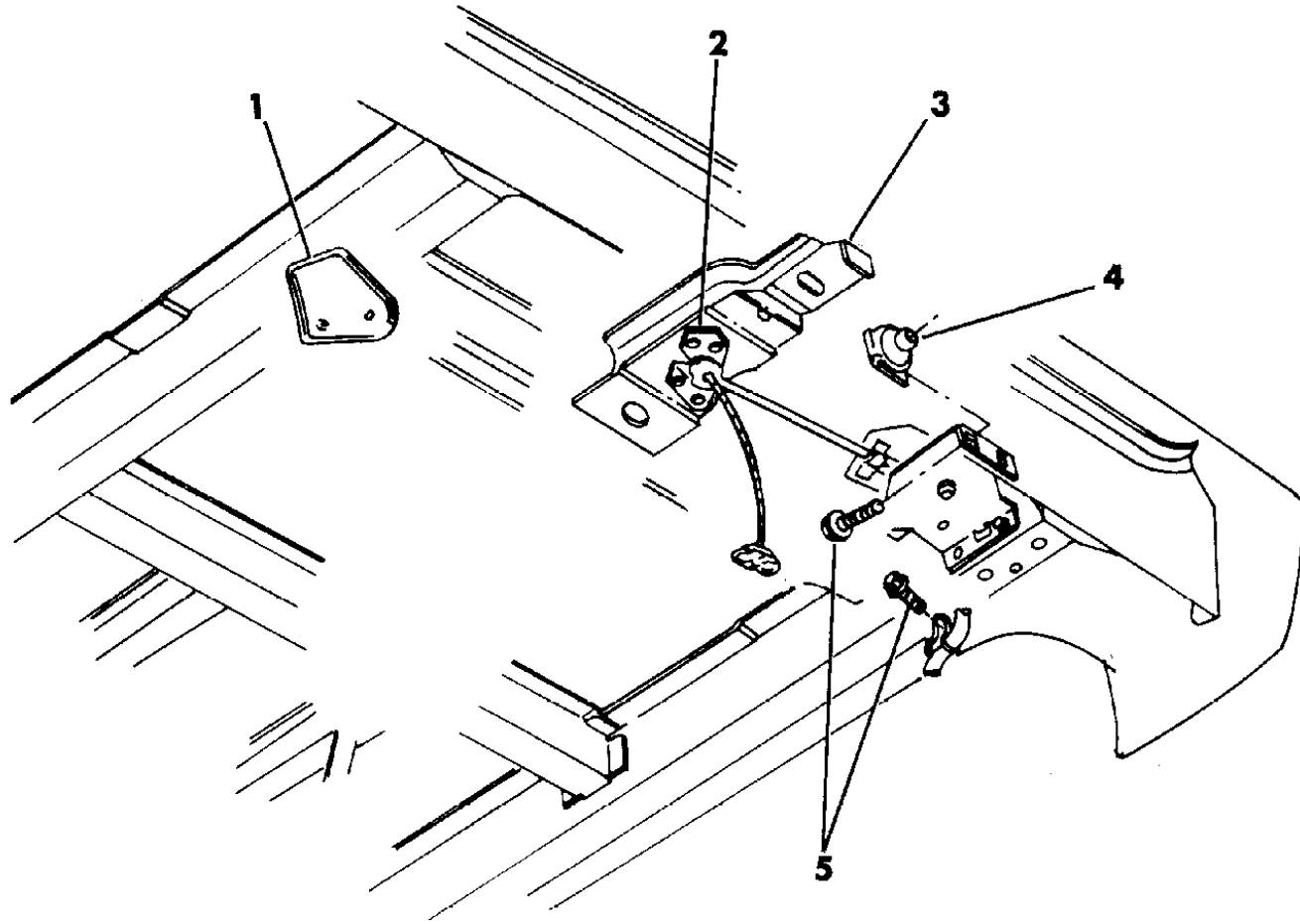
21=2-Door Coupe      41=4-Door Sedan      12-52=FWD & AWD Van & Wgn Std W.B.  
 24=2-Door Hatchback      44=4-Door Hatchback      53=FWD & AWD Van & Wgn Ext. W.B.  
 27=2-Door Convertible

AR = Use as Required - = Non Illustrated Part P.A.R. = Paint as Required

**SPARE TIRE STOWAGE OUTSIDE S BODY**  
**Figure 22-1400**

93122 1400

ITEM	PART NUMBER	QTY	BODY	MODEL	DESCRIPTION
1	4512 488	1			BRACKET, Rear Floor Pan, Right
	4512 489	1			BRACKET, Rear Floor Pan, Left
2	4798 617	1			WINCH, Spare Tire Mtg., U-Slung
3	4512 037	1			SUPPORT, w/Reinforcement Spare Tire Rear
4	6101 283	1			U-NUT, M8x1.25
5	6100 584	1			SCREW w/WASHER ***



**MODEL CODES:**

A BODY=(C=LeBaron, D=Spirit, P=Acclaim/LaBaron(Landau), Saratoga)      S BODY=(H=Voyager(H) FWD, K=Caravan(H) FWD, Y=Town & Country(H) FWD, P=Voyager(K) AWD, D=Caravan(K) AWD, C=Town & Country(K) AWD)  
 C BODY=(D=Dynasty, C=New Yorker/N.Y. Salon)  
 G BODY=(V=Daytona/IROC, Chrysler Daytona)  
 J BODY=(C=LeBaron, Chrysler LeBaron)  
 P BODY=(P=Sundance, D=Shadow)

**BODY STYLES:**

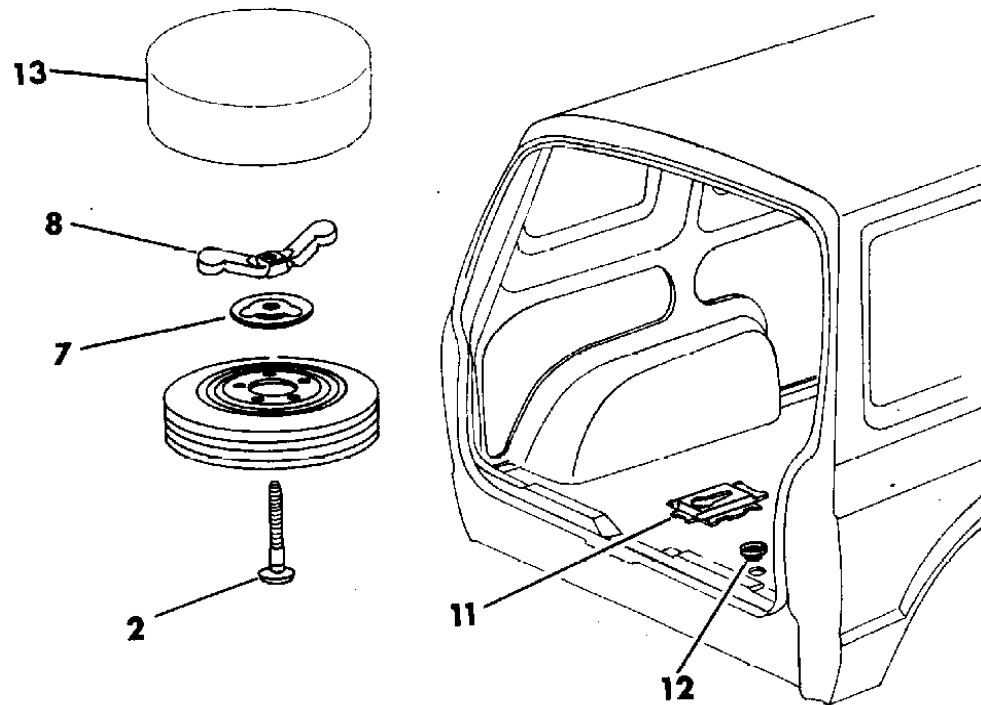
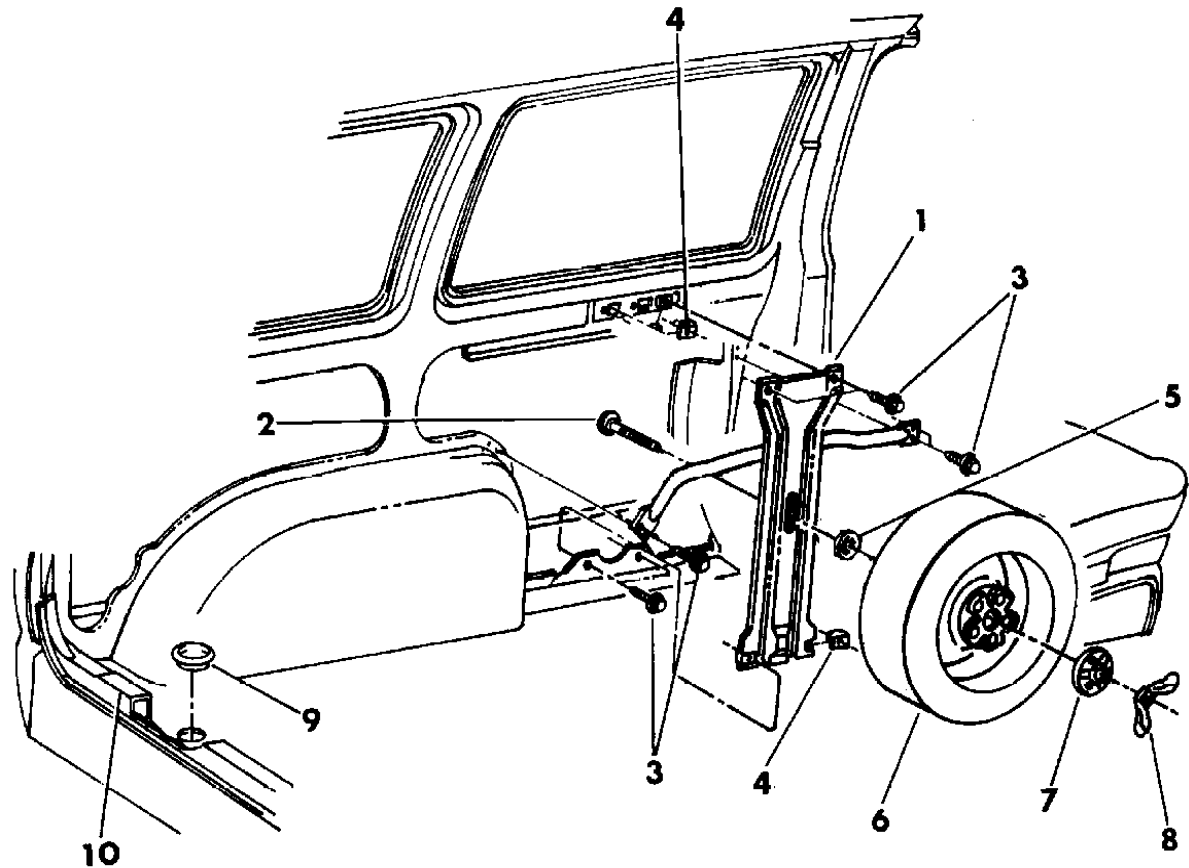
21=2-Door Coupe      41=4-Door Sedan      12-52=FWD & AWD Van & Wgn Std W.B.  
 24=2-Door Hatchback      44=4-Door Hatchback      53=FWD & AWD Van & Wgn Ext. W.B.  
 27=2-Door Convertible

AR = Use as Required - = Non Illustrated Part P.A.R. = Paint as Required

SPARE TIRE STOWAGE INSIDE S BODY

Figure 22-1500

93122 1500



ITEM	PART NUMBER	QTY	BODY	MODEL	DESCRIPTION
1	4416 526	1			SUPPORT, Spare Wheel Mounting, w/Standard Wheel Base
	4416 528	1			w/Extended Wheel Base
2	6033 371	1			BOLT, 3/8-16x3-3/4"
3					SCREW, (Not Serviced)
4					U-NUT, (Not Serviced)
5	6026 648	1			RETAINER, Push On
6					WHEEL (Reference Only)
7	4440 366	1			RETAINER, Spare Wheel I/S Mtg. w/14" Wheels
	4440 366	1			w/15" Wheels
8	6032 619	1			WING NUT, Spare Wheel, 3/8-16
9	4512 495	1			PLUG, Floor Pan Spare Tire Mounting Hole
10	4296 964	1			LABEL, Tire Stowage
11	4512 044	1			BRACKET, Rear Floor Pan Spare Wheel Anchor
12	4512 495	1			PLUG
	4507 913	1			BAG, Stowage Spare Tire (European)
13					COVER, Spare Tire
	FW50 LC5	1			Blue
	FW50 LD5	1			Quartz
	FW50 LR8	1			Bordeaux
	FW50 LV8	1			Champagne
	FW50 MB7	1			Slate Blue
	FW50 MM6	1			Crimson Red

MODEL CODES:

A BODY=(C=LeBaron, D=Spirit, P=Acclaim/LaBaron(Landau),  
Saratoga)  
C BODY=(D=Dynasty, C=New Yorker/N.Y. Salon)  
G BODY=(V=Daytona/IROC, Chrysler Daytona)  
J BODY=(C=LeBaron, Chrysler LeBaron)  
P BODY=(P=Sundance, D=Shadow)

S BODY=(H=Voyager(H) FWD, K=Caravan(H) FWD,  
Y=Town & Country(H) FWD, P=Voyager(K) AWD,  
D=Caravan(K) AWD, C=Town & Country(K) AWD)  
Y BODY=(C=Imperial/5th Avenue)  
E-S BODY=(K=Chrysler Voyager(H) FWD, D=Chrysler  
Voyager(K) AWD)

BODY STYLES:

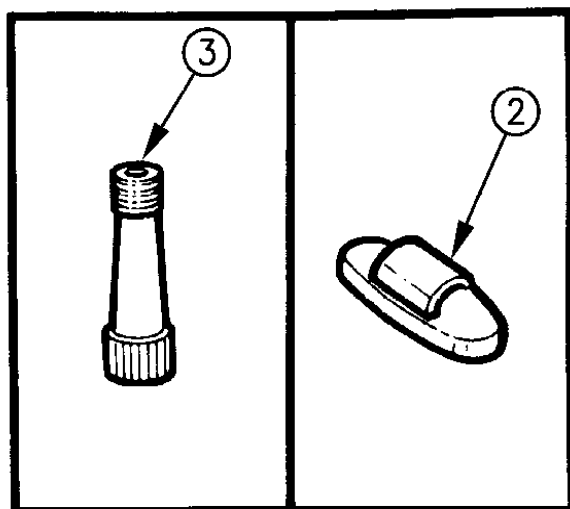
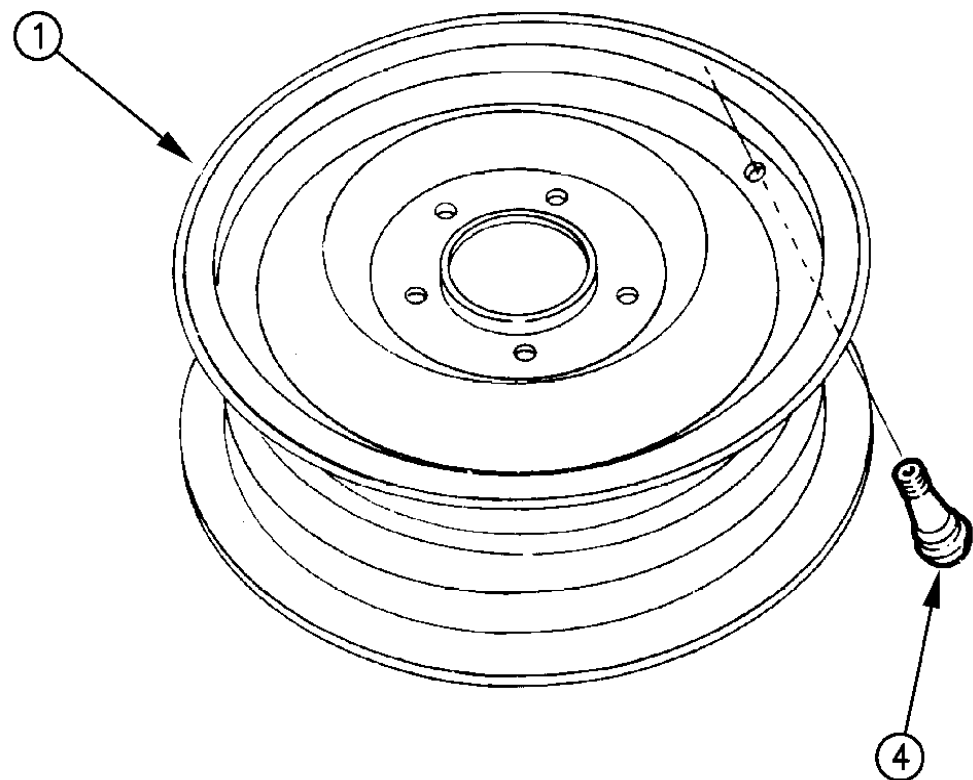
21=2-Door Coupe      41=4-Door Sedan      12-52=FWD & AWD Van & Wgn Std W.B.  
24=2-Door Hatchback      44=4-Door Hatchback      53=FWD & AWD Van & Wgn Ext. W.B.  
27=2-Door Convertible

AR = Use as Required - = Non Illustrated Part P.A.R. = Paint as Required



**WHEEL MISCELLANEOUS ALL BODY**  
**Figure 22-1600**

93122 1600A



ITEM	PART NUMBER	QTY	BODY	MODEL	DESCRIPTION
1					WHEEL, (See Wheels And Covers)
2					WEIGHT, 3 oz. (Not Serviced)
	1615 350	AR			1 Oz. (CANADA)
	1615 354	AR			3 Oz. (CANADA)
					WEIGHT (Nylon Coated For Aluminum Wheels CANADA)
	4284 628	AR			1/2 Oz.
	4284 630	AR			1 Oz.
	4284 632	AR			1-1/2 Oz.
	4284 634	AR			2 Oz.
	4284 636	AR			2-1/2 Oz.
	4284 638	AR			3 Oz.
3					EXTENSION PACKAGE
	2401 840	1			3/4" Long
	3461 079	1			1" Long
	2401 841	AR			1-1/4" Long
4					STEM, Valve
	2073 355	5			STEM, Valve 1-1/4" Long

**MODEL CODES:**

A BODY=(C=LeBaron, D=Spirit, P=Acclaim/LaBaron(Landau), Saratoga)      S BODY=(H=Voyager(H) FWD, K=Caravan(H) FWD, Y=Town & Country(H) FWD, P=Voyager(K) AWD, D=Caravan(K) AWD, C=Town & Country(K) AWD)

C BODY=(D=Dynasty, C=New Yorker/N.Y. Salon)      Y BODY=(C=Imperial/5th Avenue)

G BODY=(V=Daytona/IROC, Chrysler Daytona)      E-S BODY=(K=Chrysler Voyager(H) FWD, D=Chrysler Voyager(K) AWD)

J BODY=(C=LeBaron, Chrysler LeBaron)

P BODY=(P=Sundance, D=Shadow)

**BODY STYLES:**

21=2-Door Coupe      41=4-Door Sedan      12-52=FWD & AWD Van & Wgn Std W.B.  
 24=2-Door Hatchback      44=4-Door Hatchback      53=FWD & AWD Van & Wgn Ext. W.B.  
 27=2-Door Convertible

AR = Use as Required - = Non Illustrated Part P.A.R. = Paint as Required

**GROUP 23 - BODY - EXTERIOR ORNAMENTATION**

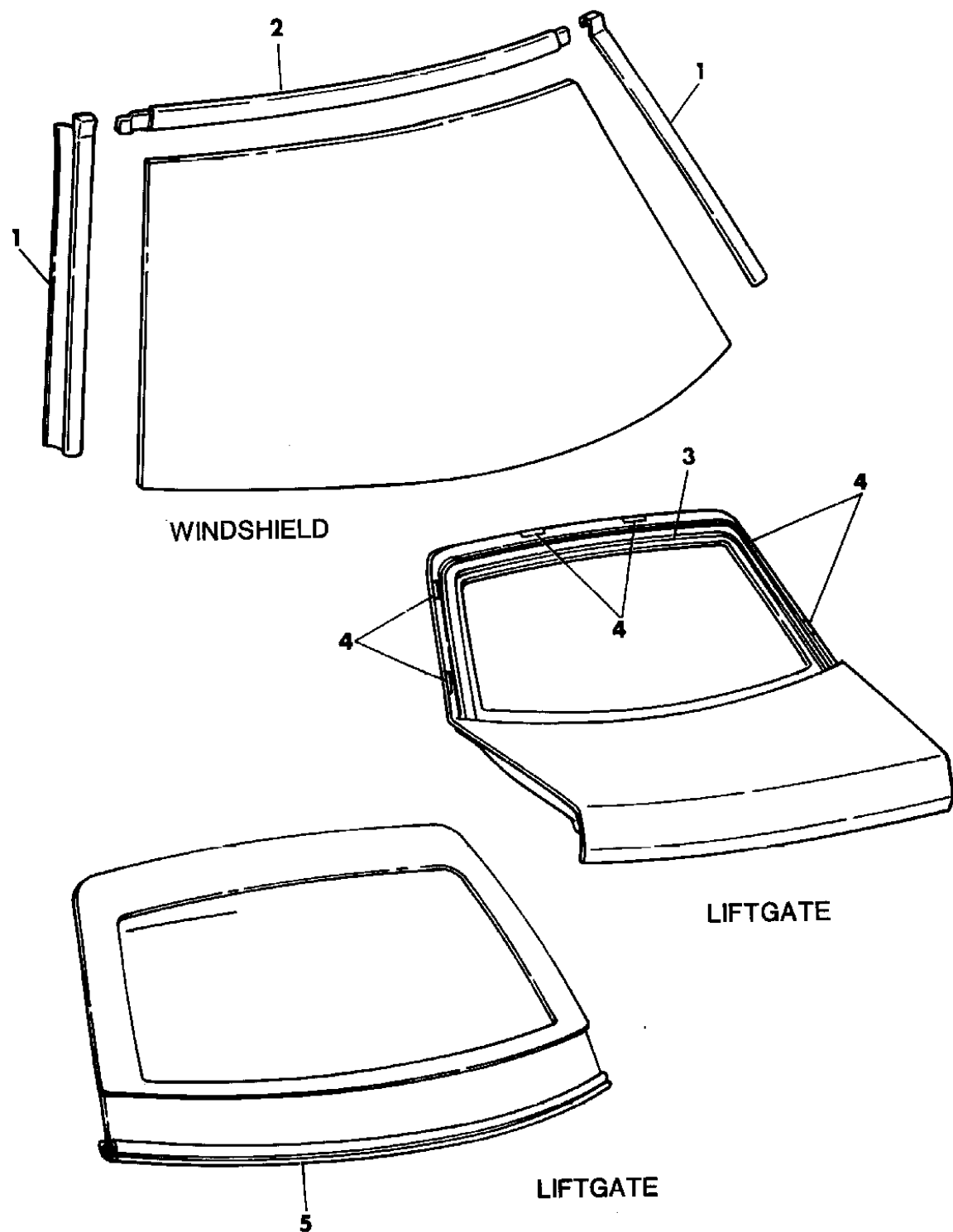
ILLUSTRATION TITLE	GROUP-FIG. NO.
<b>P BODY, P,D</b>	
MOULDINGS, WINDSHIELD AND REAR WINDOW - P BODY - 24, 44 .....	Fig. 23-100
MOULDINGS AND ORNAMENTATION - P BODY - 24, 27 .....	Fig. 23-200
MOULDINGS AND ORNAMENTATION - P BODY - 44 .....	Fig. 23-300
MOULDINGS, UNIQUE TO CONVERTIBLE - P BODY - 27 .....	Fig. 23-400
TAPESTRIPES, DECALS, NAMEPLATES AND REAR SPOILER -P BODY .....	Fig. 23-500
<b>A BODY, P,D,C</b>	
MOULDINGS - A BODY .....	Fig. 23-600
NAMEPLATES, DECALS, TAPES AND ORNAMENTS - A BODY .....	Fig. 23-700
VINYL ROOF TRIM AND DECK LID SPOILER - A BODY .....	Fig. 23-800
<b>J BODY, C</b>	
MOULDINGS, WINDSHIELD AND REAR WINDOW - J BODY .....	Fig. 23-900
MOULDINGS DECALS AND ORNAMENTATION - J BODY .....	Fig. 23-1000
<b>G BODY, V</b>	
MOULDINGS - G BODY .....	Fig. 23-1100
DECALS AND MEDALLIONS - G BODY .....	Fig. 23-1200
GROUND EFFECTS PACKAGE - G BODY .....	Fig. 23-1300
<b>C BODY, D,C</b>	
MOULDINGS, WINDSHIELD AND REAR WINDOW - C BODY .....	Fig. 23-1400
MOULDINGS AND ORNAMENTATION - C BODY - DODGE DYNASTY .....	Fig. 23-1500
MOULDINGS AND ORNAMENTATION - C BODY - CHRYSLER NEW YORKER SALON .....	Fig. 23-1600
<b>Y BODY, C</b>	
VINYL ROOF, PADDED LANDAU - C BODY - CHRYSLER NEW YORKER SALON - DODGE BROUGHAM ..	Fig. 23-1700
MOULDINGS AND ORNAMENTATION - Y BODY - NEW YORKER 5TH AVENUE .....	Fig. 23-1800
MOULDINGS AND ORNAMENTATION - Y BODY - IMPERIAL .....	Fig. 23-1900
<b>S BODY</b>	
MOULDINGS S BODY .....	Fig. 23-2000
MOULDINGS AND OVERLAY - WOODGRAIN - S BODY .....	Fig. 23-2100
APPLIQUES AND BRACKETS - S BODY .....	Fig. 23-2200
NAMEPLATES, ORNAMENTS, OVERLAY AND TAPES - S BODY .....	Fig. 23-2300

ILLUSTRATION NOT AVAILABLE AT TIME OF PUBLICATION

**MOULDINGS, WINDSHIELD AND REAR WINDOW - P BODY - 24, 44**  
**Figure 23-100**

93168 100

ITEM	PART NUMBER	QTY	BODY	MODEL	DESCRIPTION
1	4454 752-3	1			MOULDING, Windshield, Side, Black
2	4491 298	1			MOULDING, Windshield, Upper
3	4365 804	1			MOULDING, Liftgate Glass, Upper, Black
4	4365 806	6			SPACER, Liftgate Glass Support, Upper and Sides
5	4396 302	1			MOULDING and SPACER, Liftgate Glass Lower, Black
-	4365 807	1			SPACER, Liftgate Glass, Lower



**MODEL CODES:**

A BODY=(C=LeBaron, D=Spirit, P=Acclaim/LaBaron(Landau), Saratoga)      S BODY=(H=Voyager(H) FWD, K=Caravan(H) FWD, Y=Town & Country(H) FWD, P=Voyager(K) AWD, D=Caravan(K) AWD, C=Town & Country(K) AWD)  
 C BODY=(D=Dynasty, C=New Yorker/N.Y. Salon)  
 G BODY=(V=Daytona/IROC, Chrysler Daytona)  
 J BODY=(C=LeBaron, Chrysler LeBaron)  
 P BODY=(P=Sundance, D=Shadow)      Y BODY=(C=Imperial/5th Avenue)  
 E-S BODY=(K=Chrysler Voyager(H) FWD, D=Chrysler Voyager(K) AWD)

**BODY STYLES:**

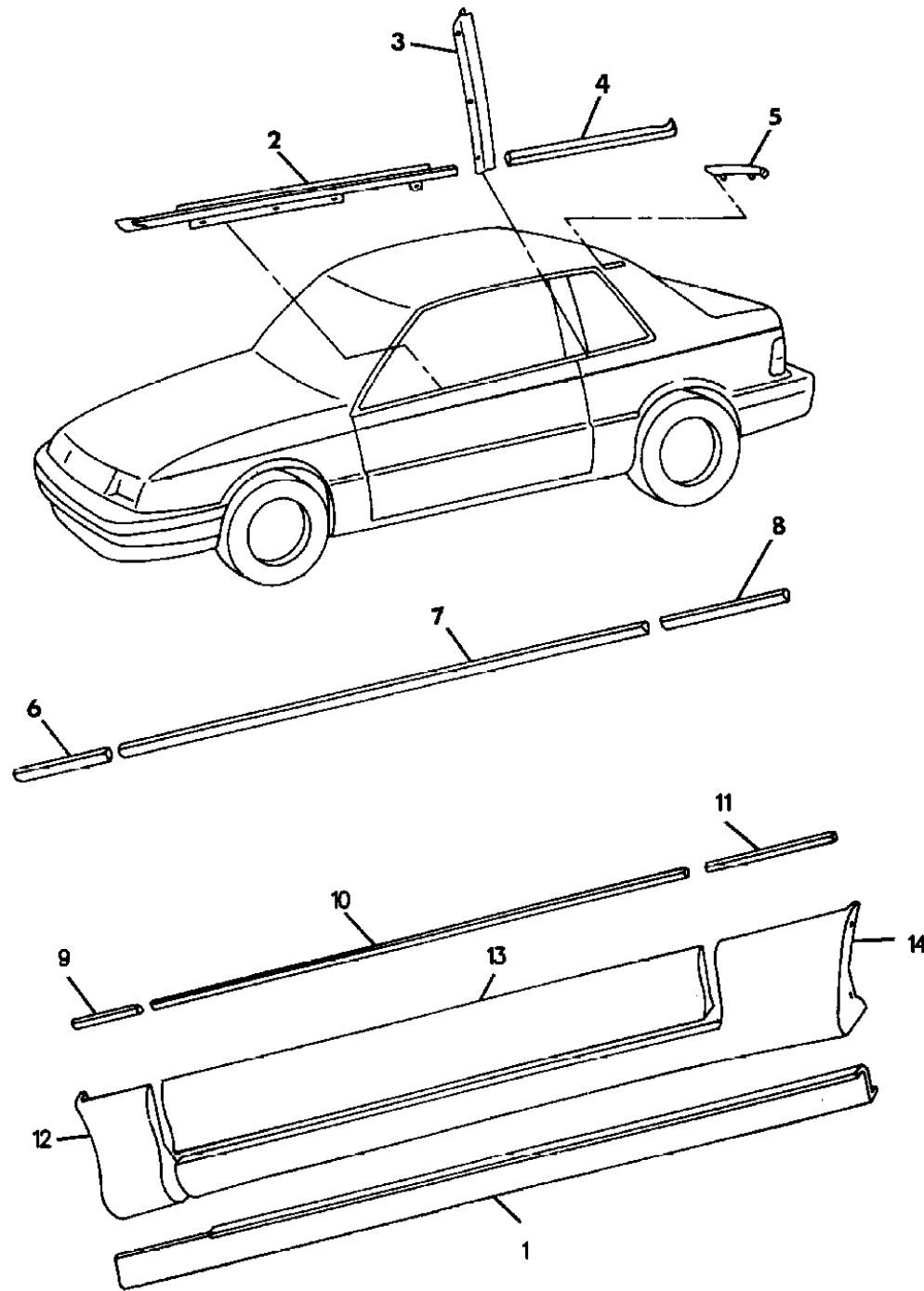
21=2-Door Coupe      41=4-Door Sedan      12-52=FWD & AWD Van & Wgn Std W.B.  
 24=2-Door Hatchback      44=4-Door Hatchback      53=FWD & AWD Van & Wgn Ext. W.B.  
 27=2-Door Convertible

AR = Use as Required - = Non Illustrated Part P.A.R. = Paint as Required

MOULDINGS AND ORNAMENTATION - P BODY - 24, 27

Figure 23-200

93168 200



ITEM	PART NUMBER	QTY	BODY	MODEL	DESCRIPTION
1	5261 860-1	1		D-S	BRACKET, Side Sill and Quarter Applique Lower
-	0153 341	2			SCREW, Lower Bracket Attaching
-	6031 115	10			RIVET, Lower Bracket Attaching
2	5303 032-3	1			MOULDING and WEATHERSTRIP ASSEMBLY, Door Belt ***
-	4396 294	2			STABILIZER, (also included in the moulding and weatherstrip assembly)
-	6003 985	2			RETAINER, Belt Moulding
3	4443 836-7	1			APPLIQUE PACKAGE, B Pillar
-		3			SCREW, Applique Attaching, (serviced in package)
4	5261 768-9	1			MOULDING ASSEMBLY, Quarter Window
-	4057 555	AR			RETAINER PACKAGE, (includes 6 retainers)
5					MOULDING, Roof To Bodyside Aperture Panel
	4386 082-3	1			Standard Repair
	4386 084-5	1			Wide Repair
	4440 494-5	1			Narrow Repair
-		2			NUT, Moulding to Panel (not serviced, used w/.156 diameter stud)
6					MOULDING, Fender Rear
	X060-1 EX9	1		D,P-L	Black (low gloss)
	GN50-1 MX8	1		D,P-H	Black (high gloss)
	GN50-1 MM3	1			Raspberry
	GN50-1 MMB	1			Wildberry
	GN50-1 MRB	1			Indy Red or Radiant Fire
	GN50-1 MFA	1			Light Driftwood
	GN50-1 MGF	1			Emerald Green
	GN50-1 MQE	1			Aqua
	GN50-1 MC3	1			Electric Blue
	GN50-1 MW7	1			Bright White
7					MOULDING, Door
	X062-3 EX9	1		D,P-L	Black (low gloss)
	GN48-9 MX8	1		D,P-H	Black (high gloss)
	GN48-9 MM3	1			Raspberry
	GN48-9 MMB	1			Wildberry
	GN48-9 MRB	1			Indy Red or Radiant Fire
	GN48-9 MFA	1			Light Driftwood
	GN48-9 MGF	1			Emerald Green
	GN48-9 MQE	1			Aqua
	GN48-9 MC3	1			Electric Blue
	GN48-9 MW7	1			Bright White
8		1			MOULDING, Quarter Front

MODEL CODES:

A BODY=(C=LeBaron, D=Spirit, P=Acclaim/LaBaron(Landau), Saratoga) S BODY=(H=Voyager(H) FWD, K=Caravan(H) FWD, Y=Town & Country(H) FWD, P=Voyager(K) AWD, D=Caravan(K) AWD, C=Town & Country(K) AWD)  
 C BODY=(D=Dynasty, C=New Yorker/N.Y. Salon) Y BODY=(C=Imperial/5th Avenue)  
 G BODY=(V=Daytona/IROC, Chrysler Daytona) E-S BODY=(K=Chrysler Voyager(H) FWD, D=Chrysler Voyager(K) AWD)  
 J BODY=(C=LeBaron, Chrysler LeBaron)  
 P BODY=(P=Sundance, D=Shadow)

BODY STYLES:

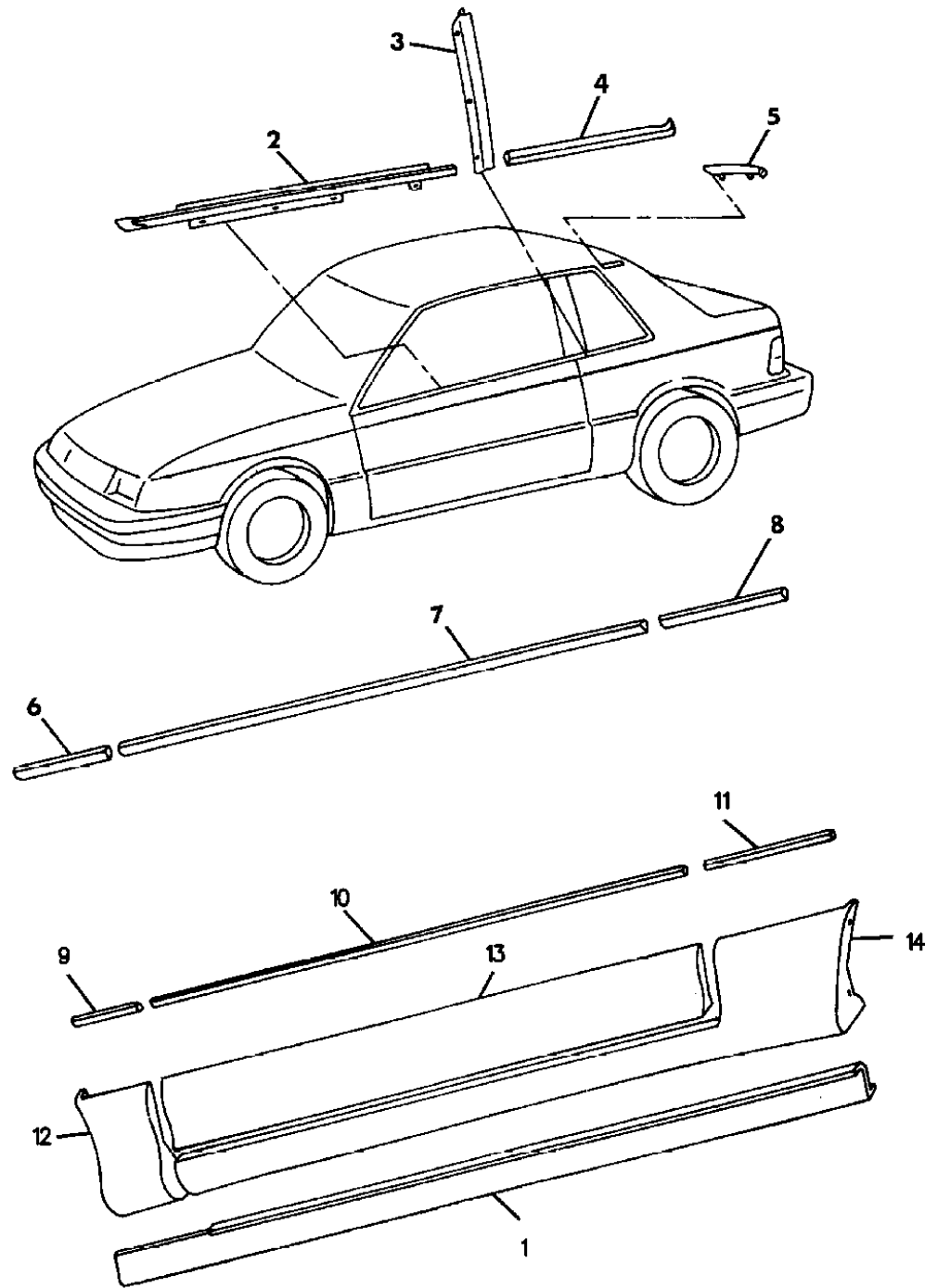
21=2-Door Coupe 41=4-Door Sedan 12-52=FWD & AWD Van & Wgn Std W.B.  
 24=2-Door Hatchback 44=4-Door Hatchback 53=FWD & AWD Van & Wgn Ext. W.B.  
 27=2-Door Convertible

AR = Use as Required - = Non Illustrated Part P.A.R. = Paint as Required

MOULDINGS AND ORNAMENTATION - P BODY - 24, 27

Figure 23-200

93168 200



ITEM	PART NUMBER	QTY	BODY	MODEL	DESCRIPTION
	X064-5 EX9	1		D,P-L	Black (low gloss)
	GN36-7 MX8	1		D,P-H	Black (high gloss)
	GN36-7 MM3	1			Raspberry
	GN36-7 MMB	1			Wildberry
	GN36-7 MRB	1			Indy Red or Radiant Fire
	GN36-7 MFA	1			Light Driftwood
	GN36-7 MGF	1			Emerald Green
	GN36-7 MQE	1			Aqua
	GN36-7 MC3	1			Electric Blue
	GN36-7 MW7	1			Bright White
9	4491 114	2		D-S	BRACKET, Fender Rear Applique Upper
-	6032 731	4			RIVET, Upper Bracket Attaching
10	4491 115	2		D-S	BRACKET, Door Applique Upper
-	6032 731	14			RIVET, Upper Bracket Attaching
11	4491 116-7	2		D-S	BRACKET, Quarter Panel Applique Upper
-	6032 731	4			RIVET, Upper Bracket Attaching
12				D-S	APPLIQUE, Fender Rear
	X630-1 MMB	1			Wildberry
	X630-1 JW7	1			White
	X630-1 LGF	1			Emerald Green
	X630-1 LRB	1			Indy Red or Radiant Fire
	X630-1 JD2	1			Medium Quartz
	X630-1 MX8	1			Black
	X630-1 MQE	1			Aqua
-					RETAINER, Fender Applique (w/14mm head)
-	AG27 MMB	4			Wildberry
-	AG27 HW7	4			White
-	AG27 LRB	4			Indy Red or Radiant Fire
-	AG27 LGF	4			Emerald Green
-	AG27 JD2	4			Medium Quartz
-	AG27 MX8	4			Black
-	AG27 MQE	4			Aqua
13				D-S	APPLIQUE, Door Lower
	X638-9 MMB	1			Wildberry
	X638-9 JW7	1			White
	X638-9 LGF	1			Emerald Green
	X638-9 LRB	1			Indy Red or Radiant Fire
	X638-9 JD2	1			Medium Quartz
	X638-9 MX8	1			Black

MODEL CODES:

A BODY=(C=LeBaron, D=Spirit, P=Acclaim/LaBaron(Landau), Saratoga) S BODY=(H=Voyager(H) FWD, K=Caravan(H) FWD, Y=Town & Country(H) FWD, P=Voyager(K) AWD, D=Caravan(K) AWD, C=Town & Country(K) AWD)  
 C BODY=(D=Dynasty, C=New Yorker/N.Y. Salon) Y BODY=(C=Imperial/5th Avenue)  
 G BODY=(V=Daytona/IROC, Chrysler Daytona) E-S BODY=(K=Chrysler Voyager(H) FWD, D=Chrysler Voyager(K) AWD)  
 J BODY=(C=LeBaron, Chrysler LeBaron) P BODY=(P=Sundance, D=Shadow)

BODY STYLES:

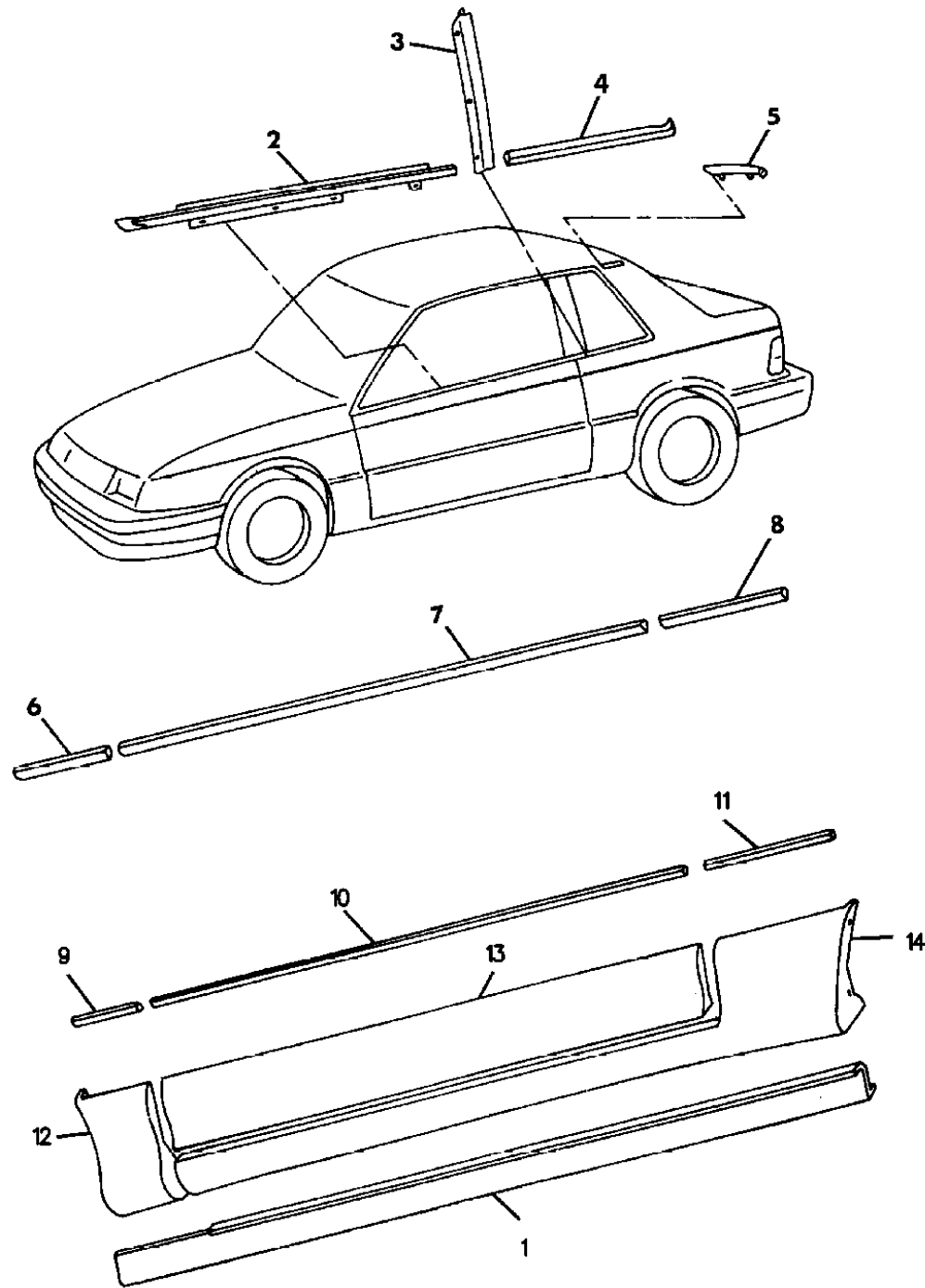
21=2-Door Coupe 41=4-Door Sedan 12-52=FWD & AWD Van & Wgn Std W.B.  
 24=2-Door Hatchback 44=4-Door Hatchback 53=FWD & AWD Van & Wgn Ext. W.B.  
 27=2-Door Convertible

AR = Use as Required - = Non Illustrated Part P.A.R. = Paint as Required

MOULDINGS AND ORNAMENTATION - P BODY - 24, 27

Figure 23-200

93168 200



ITEM	PART NUMBER	QTY	BODY	MODEL	DESCRIPTION
	X638-9 MQE	1			Aqua
-	6032 856	18			RIVET, Applique
14			D-S		APPLIQUE, Body Side Sill and Quarter
	X632-3 MMB	1			Wildberry
	X632-3 JW7	1			White
	X632-3 LRB	1			Indy Red or Radiant Fire
	X632-3 LGF	1			Emerald Green
	X632-3 JD2	1			Medium Quartz
	X632-3 MX8	1			Black
	X632-3 MQE	1			Aqua
-					RETAINER, Body Side Sill and Quarter Applique (w/14mm head)
-	AG27 MMB	32			Wildberry
-	AG27 HW7	32			White
-	AG27 LGF	32			Emerald Green
-	AG27 LRB	32			Indy Red or Radiant Fire
-	AG27 JD2	32			Medium Quartz
-	AG27 MX8	32			Black
-	AG27 MQE	32			Aqua

MODEL CODES:

A BODY=(C=LeBaron, D=Spirit, P=Acclaim/LaBaron(Landau),  
Saratoga)  
C BODY=(D=Dynasty, C=New Yorker/N.Y. Salon)  
G BODY=(V=Daytona/IROC, Chrysler Daytona)  
J BODY=(C=LeBaron, Chrysler LeBaron)  
P BODY=(P=Sundance, D=Shadow)

S BODY=(H=Voyager(H) FWD, K=Caravan(H) FWD,  
Y=Town & Country(H) FWD, P=Voyager(K) AWD,  
D=Caravan(K) AWD, C=Town & Country(K) AWD)  
Y BODY=(C=Imperial/5th Avenue)  
E-S BODY=(K=Chrysler Voyager(H) FWD, D=Chrysler  
Voyager(K) AWD)

BODY STYLES:

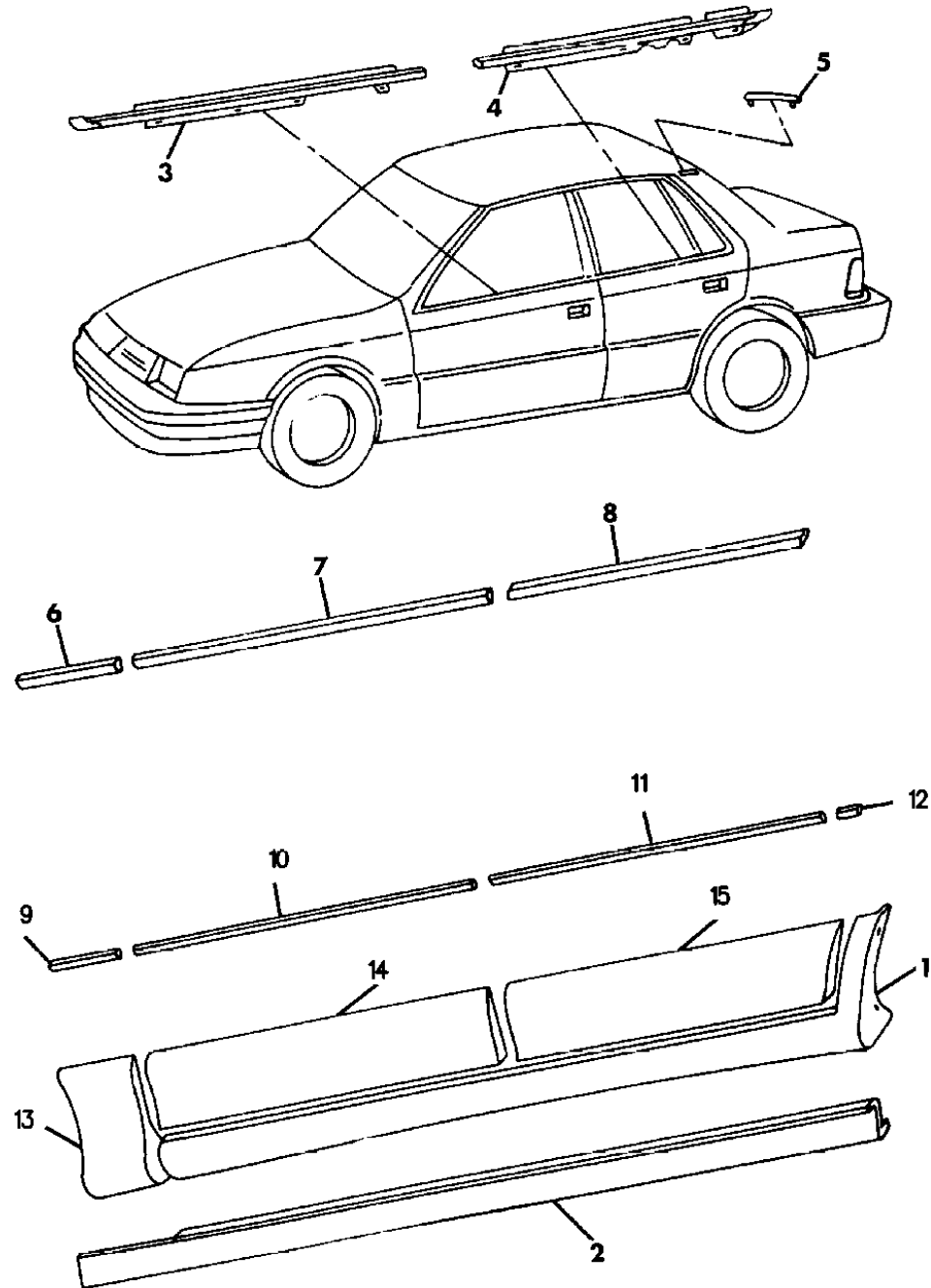
21=2-Door Coupe      41=4-Door Sedan      12-52=FWD & AWD Van & Wgn Std W.B.  
24=2-Door Hatchback      44=4-Door Hatchback      53=FWD & AWD Van & Wgn Ext. W.B.  
27=2-Door Convertible

AR = Use as Required - = Non Illustrated Part P.A.R. = Paint as Required

MOULDINGS AND ORNAMENTATION - P BODY - 44

Figure 23-300

93168 300



ITEM	PART NUMBER	QTY	BODY	MODEL	DESCRIPTION
1				D-S	APPLIQUE, Bodyside Sill and Quarter
	X636-7 JD2	1			Medium Quartz
	X636-7 MRB	1			Indy Red or Radiant Fire
	X636-7 MW7	1			Bright White
	X636-7 MX8	1			Black
	X636-7 MMB	1			Wildberry
	X636-7 MGF	1			Emerald Green
	X636-7 MQE	1			Aqua
-					RETAINER, Applique (w/14mm head)
-	AG27 JD2	34			Medium Quartz
-	AG27 LRB	34			Indy Red or Radiant Fire
-	AG27 HW7	34			Bright White
-	AG27 MX8	34			Black
-	AG27 MMB	34			Wildberry
-	AG27 LGF	34			Emerald Green
-	AG27 MQE	34			Aqua
2	5261 860-1	1		D-S	BRACKET, Bodyside Sill and Quarter Applique Lower
-	0153 341	2			SCREW, Lower Bracket Attaching
-	6031 115	10			RIVET, Lower Bracket Attaching
3	5303 028-9	1			MOULDING and WEATHERSTRIP, Door Belt (includes stabilizer)
-	4396 294	2			STABILIZER, Moulding and Weatherstrip)
-	6003 985	2			RETAINER, Belt Moulding
4	5303 030-1	1			MOULDING and WEATHERSTRIP, Rear Door Belt
-	6003 985	2			RETAINER
5					MOULDING, Roof to Bodyside Aperture Joint
	4386 078-9	1			Standard Repair
	4386 080-1	1			Wide Repair
	4440 270-1	1			Narrow Repair
6					MOULDING, Fender Rear
	X060-1 EX9	1		D,P-L	Black (low gloss)
	GN50-1 MX8	1		D,P-H	Black (high gloss)
	GN50-1 MM3	1			Raspberry
	GN50-1 MMB	1			Wildberry
	GN50-1 MRB	1			Indy Red or Radiant Fire
	GN50-1 MFA	1			Light Driftwood
	GN50-1 MGF	1			Emerald Green
	GN50-1 MQE	1			Aqua
	GN50-1 MC3	1			Electric Blue
	GN50-1 MW7	1			Bright White

MODEL CODES:

A BODY=(C=LeBaron, D=Spirit, P=Acclaim/LaBaron(Landau), Saratoga)

C BODY=(D=Dynasty, C=New Yorker/N.Y. Salon)

G BODY=(V=Daytona/ROC, Chrysler Daytona)

J BODY=(C=LeBaron, Chrysler LeBaron)

P BODY=(P=Sundance, D=Shadow)

S BODY=(H=Voyager(H) FWD, K=Caravan(H) FWD,

Y=Town & Country(H) FWD, P=Voyager(K) AWD,

D=Caravan(K) AWD, C=Town & Country(K) AWD)

Y BODY=(C=Imperial/5th Avenue)

E-S BODY=(K=Chrysler Voyager(H) FWD, D=Chrysler

Voyager(K) AWD)

BODY STYLES:

21=2-Door Coupe

41=4-Door Sedan

12-52=FWD & AWD Van & Wgn Std W.B.

24=2-Door Hatchback

44=4-Door Hatchback

53=FWD & AWD Van & Wgn Ext. W.B.

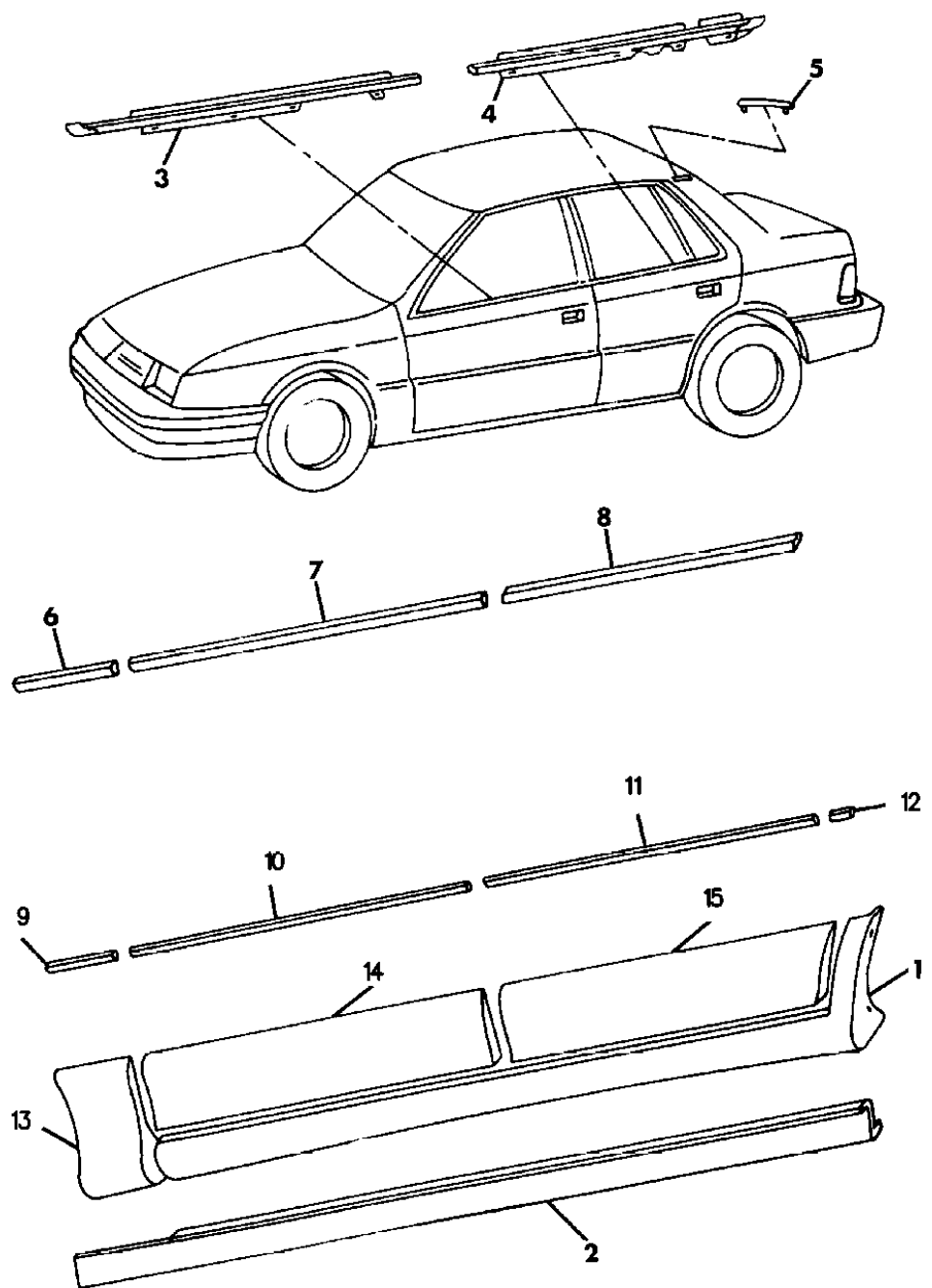
27=2-Door Convertible

AR = Use as Required - = Non Illustrated Part P.A.R. = Paint as Required

MOULDINGS AND ORNAMENTATION - P BODY - 44

Figure 23-300

93168 300



ITEM	PART NUMBER	QTY	BODY	MODEL	DESCRIPTION
7					MOULDING, Door Front
	X066-7 EX9	1		D,P-L	Black (low gloss)
	GN34-5 MX8	1		D,P-H	Black (high gloss)
	GN34-5 MM3	1			Raspberry
	GN34-5 MMB	1			Wildberry
	GN34-5 MRB	1			Indy Red or Radiant Fire
	GN34-5 MFA	1			Light Driftwood
	GN34-5 MGF	1			Emerald Green
	GN34-5 MQE	1			Aqua
	GN34-5 MC3	1			Electric Blue
	GN34-5 MW7	1			Bright White
8					MOULDING, Rear Door
	X068-9 EX9	1		P,D-L	Black (low gloss)
	GN32-3 MX8	1		D,P-H	Black (high gloss)
	GN32-3 MMB	1			Wildberry
	GN32-3 MM3	1			Raspberry
	GN32-3 MRB	1			Indy Red or Radiant Fire
	GN32-3 MFA	1			Light Driftwood
	GN32-3 MGF	1			Emerald Green
	GN32-3 MQE	1			Aqua
	GN32-3 MC3	1			Electric Blue
	GN32-3 MW7	1			Bright White
9	4491 114	2		D-S	BRACKET, Fender Rear Applique Uppper
-	6032 731	4			RIVET, Upper Bracket Attaching
10	4491 117	2		D-S	BRACKET, Front Door Applique Upper
-	6032 731	10			RIVET, Upper Bracket Attaching
11	4491 118	2		D-S	BRACKET, Rear Door Applique Upper
-	6032 731	6			RIVET, Upper Bracket Attaching
12	4491 119	2		D-S	BRACKET, Quarter Panel Applique Upper
-	6032 731	4			RIVET, Upper, Bracket Attaching
13				D-S	APPLIQUE, Fender
	X630-1 JD2	1			Medium Quartz
	X630-1 LRB	1			Indy Red or Radiant Fire
	X630-1 JW7	1			Bright White
	X630-1 MX8	1			Black
	X630-1 MMB	1			Wildberry
	X630-1 LGF	1			Emerald Green
	X630-1 MQE	1			Aqua
-					RETAINER, (w/14mm head)

MODEL CODES:

A BODY=(C=LeBaron, D=Spirit, P=Acclaim/LaBaron(Landau), Saratoga) S BODY=(H=Voyager(H) FWD, K=Caravan(H) FWD, Y=Town & Country(H) FWD, P=Voyager(K) AWD, D=Caravan(K) AWD, C=Town & Country(K) AWD)  
 C BODY=(D=Dynasty, C=New Yorker/N.Y. Salon) Y BODY=(C=Imperial/5th Avenue)  
 G BODY=(V=Daytona/IROC, Chrysler Daytona) E-S BODY=(K=Chrysler Voyager(H) FWD, D=Chrysler Voyager(K) AWD)  
 J BODY=(C=LeBaron, Chrysler LeBaron) P BODY=(P=Sundance, D=Shadow)

BODY STYLES:

21=2-Door Coupe 41=4-Door Sedan 12-52=FWD & AWD Van & Wgn Std W.B.  
 24=2-Door Hatchback 44=4-Door Hatchback 53=FWD & AWD Van & Wgn Ext. W.B.  
 27=2-Door Convertible

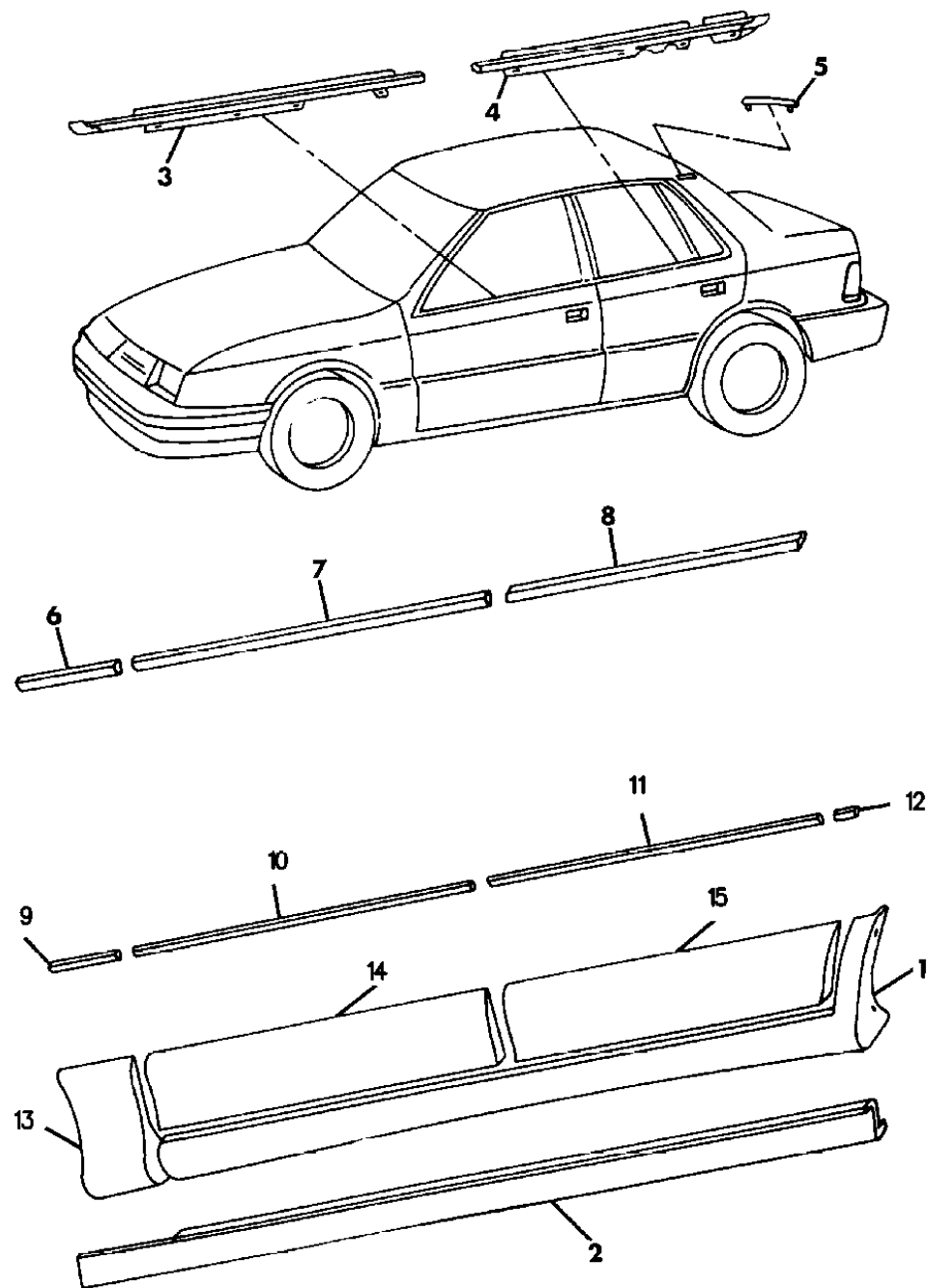
AR = Use as Required - = Non Illustrated Part P.A.R. = Paint as Required



MOULDINGS AND ORNAMENTATION - P BODY - 44

Figure 23-300

93168 300



ITEM	PART NUMBER	QTY	BODY	MODEL	DESCRIPTION
-	AG27 JD2	4			Medium Quartz
-	AG27 LRB	4			Indy Red or Radiant Fire
-	AG27 HW7	4			Bright White
-	AG27 MX8	4			Black
-	AG27 MMB	4			Wildberry
-	AG27 LGF	4			Emerald Green
-	AG27 MQE	4			Aqua
14				D-S	APPLIQUE, Front Door Lower
	X640-1 JD2	1			Medium Quartz
	X640-1 MRB	1			Indy Red or Radiant Fire
	X640-1 MW7	1			Bright White
	X640-1 MX8	1			Black
	X640-1 MMB	1			Wildberry
	X640-1 MGF	1			Emerald Green
	X640-1 MQE	1			Aqua
-	6032 856	14			RIVET, Applique Attaching
15				D-S	APPLIQUE, Rear Door Lower
	X642-3 JD2	1			Medium Quartz
	X642-3 MRB	1			Indy Red or Radiant Fire
	X642-3 MW7	1			Bright White
	X642-3 MX8	1			Black
	X642-3 MMB	1			Wildberry
	X642-3 MGF	1			Emerald Green
	X642-3 MQE	1			Aqua
-	6032 856	8			RIVET, Applique Attaching

MODEL CODES:

A BODY=(C=LeBaron, D=Spirit, P=Acclaim/LaBaron(Landau), Saratoga)

C BODY=(D=Dynasty, C=New Yorker/N.Y. Salon)

G BODY=(V=Daytona/IROC, Chrysler Daytona)

J BODY=(C=LeBaron, Chrysler LeBaron)

P BODY=(P=Sundance, D=Shadow)

S BODY=(H=Voyager(H) FWD, K=Caravan(H) FWD,

Y=Town & Country(H) FWD, P=Voyager(K) AWD,

D=Caravan(K) AWD, C=Town & Country(K) AWD)

Y BODY=(C=Imperial/5th Avenue)

E-S BODY=(K=Chrysler Voyager(H) FWD, D=Chrysler

Voyager(K) AWD)

BODY STYLES:

21=2-Door Coupe

41=4-Door Sedan

12-52=FWD & AWD Van & Wgn Std W.B.

24=2-Door Hatchback

44=4-Door Hatchback

53=FWD & AWD Van & Wgn Ext. W.B.

27=2-Door Convertible

AR = Use as Required - = Non Illustrated Part P.A.R. = Paint as Required

**MOULDINGS, UNIQUE TO CONVERTIBLE - P BODY - 27**  
**Figure 23-400**

93168 400

ITEM	PART NUMBER	QTY	BODY	MODEL	DESCRIPTION
1	5241 812	1			MOULDING, Windshield Header, Primed
	5242 216	1			ISOLATOR (Seal moulding to glass) ***
-	5242 096-7	1			SEAL, Header Moulding Corner Close Out, (modification may be required)
2					RETAINER, Header Moulding Attaching
	5241 458	1			Center Position of Moulding
	5241 457	8			Except Center Position of Moulding
3	5241 785	9			NUT
4					MOULDING, Door, Upper "A" Pillar (includes seal)
	5242 184-5	1			White
	5242 186-7	1			Black
	5242 188-9	1			Indy Red or Radiant Fire
	5242 190-1	1			Raspberry
	5242 194-5	1			Electric Blue or Banzai Blue
	5242 122-3	1			Jet Stream Blue or Light Blue Satin
	5242 120-1	1			Aqua Pearl
	5242 178-9	1			Wildberry
	5242 180-1	1			Light Driftwood
	5242 258-9	1			Emerald Green
-	5242 264-5	1			SEAL, Moulding (also included in above moulding)
-	5242 142	1			RIVET, Moulding Attaching
-	5242 128-9	1			CUP SEAL PACKAGE, ("A" pillar water leak repair, see TSB 23 08 91) ***
5	5242 092	2			SCREW
6	5241 814-5	1			MOULDING ASSEMBLY, Door Belt, P.A.R.
7	5241 460-1	1			MOULDING ASSYEMBLY, Black Door Belt Rolled Rt. and Lt. ***
	6003 985	1			RETAINER, Door Belt w/Weatherstrip
8					NUT, (not serviced)
9	5241 816-7	1			MOULDING ASSEMBLY, Quarter Belt, P.A.R.
10	5241 462	2			MOULDING ASSEMBLY, Quarter Belt, Rolled, Black
11					SCREW, (not serviced)
12	5241 649	AR			NUT
13	5241 808	AR			CAP
14	5242 176	1			MOULDING, Back Belt, P.A.R.
15	5242 080	AR			NUT
16	5242 080	AR			NUT
17	5241 806	AR			SCREW
18	6030 441	1			RETAINER
19	5241 466-7	1		H	MOULDING, Rocker Panel Front

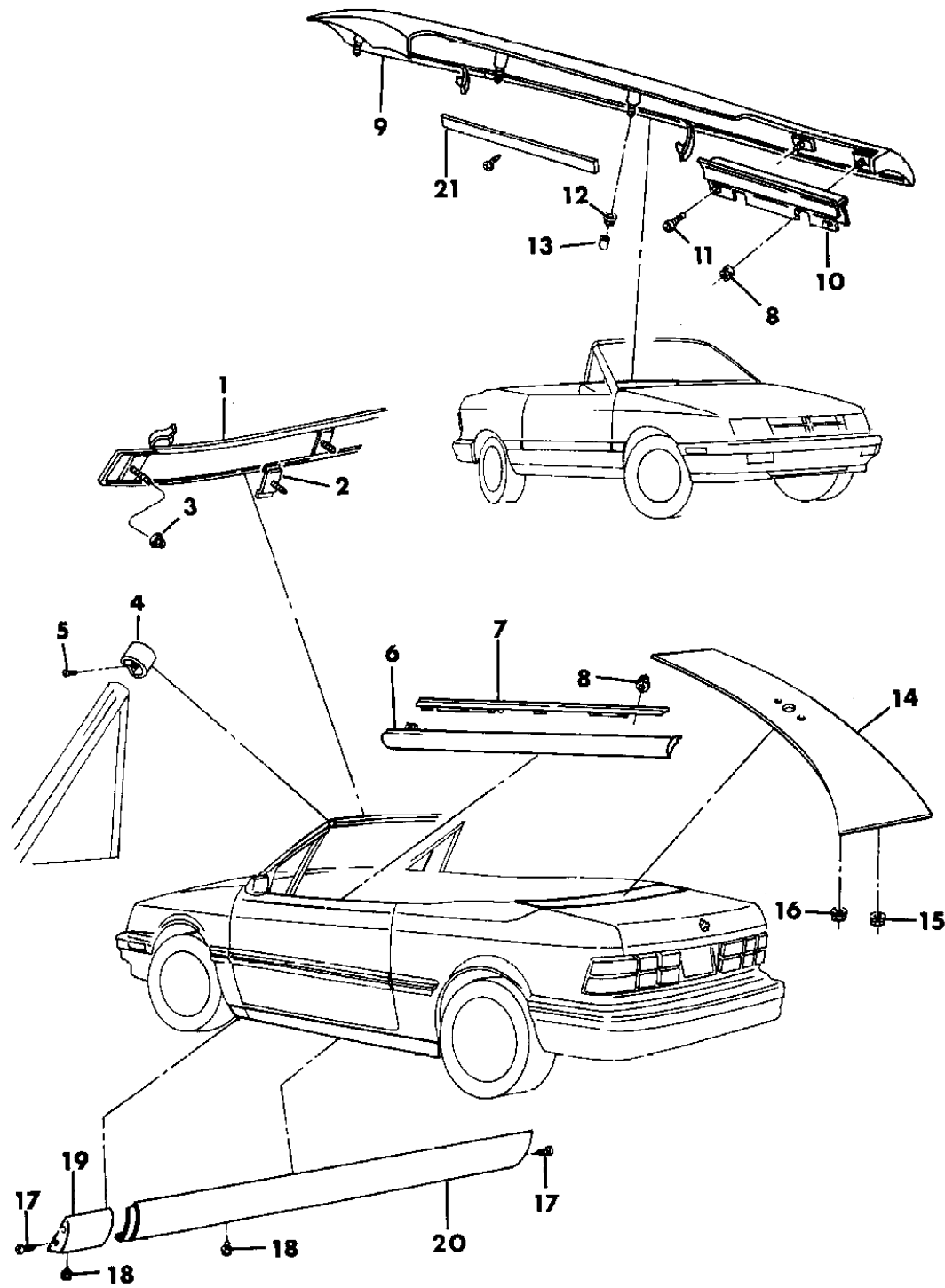
**MODEL CODES:**

A BODY=(C=LeBaron, D=Spirit, P=Acclaim/LaBaron(Landau), Saratoga) S BODY=(H=Voyager(H) FWD, K=Caravan(H) FWD, Y=Town & Country(H) FWD, P=Voyager(K) AWD, D=Caravan(K) AWD, C=Town & Country(K) AWD)  
 C BODY=(D=Dynasty, C=New Yorker/N.Y. Salon) Y BODY=(C=Imperial/5th Avenue)  
 G BODY=(V=Daytona/IROC, Chrysler Daytona) E-S BODY=(K=Chrysler Voyager(H) FWD, D=Chrysler Voyager(K) AWD)  
 J BODY=(C=LeBaron, Chrysler LeBaron) P BODY=(P=Sundance, D=Shadow)

**BODY STYLES:**

21=2-Door Coupe 41=4-Door Sedan 12-52=FWD & AWD Van & Wgn Std W.B.  
 24=2-Door Hatchback 44=4-Door Hatchback 53=FWD & AWD Van & Wgn Ext. W.B.  
 27=2-Door Convertible

AR = Use as Required - = Non Illustrated Part P.A.R. = Paint as Required

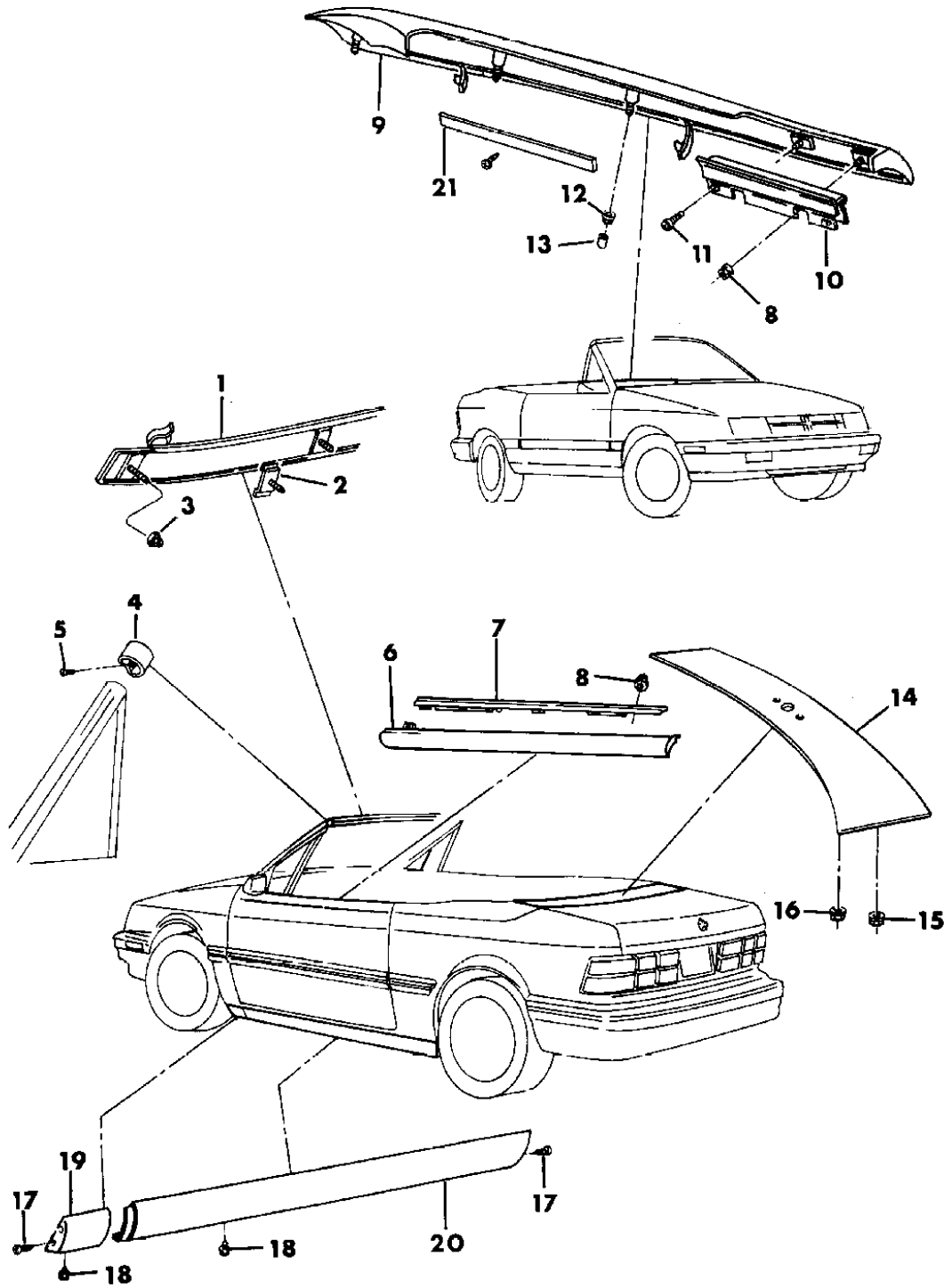


MOULDINGS, UNIQUE TO CONVERTIBLE - P BODY - 27

Figure 23-400

93168 400

ITEM	PART NUMBER	QTY	BODY	MODEL	DESCRIPTION
20	5241 464-5	1		H	MOULDING, Rocker Panel
21	5242 061	2			RETAINER, Quarter Belt Moulding (w/velcro loop)



**MODEL CODES:**

A BODY=(C=LeBaron, D=Spirit, P=Acclaim/LaBaron(Landau), Saratoga) S BODY=(H=Voyager(H) FWD, K=Caravan(H) FWD, Y=Town & Country(H) FWD, P=Voyager(K) AWD, D=Caravan(K) AWD, C=Town & Country(K) AWD)  
 C BODY=(D=Dynasty, C=New Yorker/N.Y. Salon)  
 G BODY=(V=Daytona/IROC, Chrysler Daytona)  
 J BODY=(C=LeBaron, Chrysler LeBaron)  
 P BODY=(P=Sundance, D=Shadow)  
 Y BODY=(C=Imperial/5th Avenue)  
 E-S BODY=(K=Chrysler Voyager(H) FWD, D=Chrysler Voyager(K) AWD)

**BODY STYLES:**

21=2-Door Coupe 41=4-Door Sedan 12-52=FWD & AWD Van & Wgn Std W.B.  
 24=2-Door Hatchback 44=4-Door Hatchback 53=FWD & AWD Van & Wgn Ext. W.B.  
 27=2-Door Convertible

AR = Use as Required - = Non Illustrated Part P.A.R. = Paint as Required

**TAPESTRIPES, DECALS, NAMEPLATES AND REAR SPOILER -P BODY**  
**Figure 23-500**

93168 500

ITEM	PART NUMBER	QTY	BODY	MODEL	DESCRIPTION	
1					DECAL, Door, "SHADOW ES"	
	ED48 KD4	2		D-S	Medium Quartz	
	ED48 LB2	2		D-S	Bright Blue	
	ED48 LY2	2		D-S	Gold	
	ED48 K4R	2		D-S	Bright Red	
2	ED48 LX9	2		D-S	Black	
					DECAL or NAMEPLATE, Liftgate, Right ***	
					DECAL, "SHADOW ES"	
	EG18 K4R	1		D-S	Bright Red	
	EG18 KD4	1		D-S	Medium Quartz	
	EG18 LB2	1		D-S	Bright Blue	
	EG18 LX8	1		D-S	Black	
	EG18 LY2	1		D-S	Gold Metallic	
	GP28 LY2	1		P-S	DECAL, "DUSTER" Gold Metallic, (monotone)	
	GF98 LDC	1		P-S	Iris/Light Quartz	
	GF98 LHD	1		P-S	Magenta/Light Quartz	
	4366 746	1		P-L,H	NAMEPLATE, "SUNDANCE"	
	4366 749	1		D-L,H	NAMEPLATE, "SHADOW"	
3					DECAL or NAMEPLATE, Liftgate, Left ***	
					DECAL, "DODGE"	
	AH65 J4R	1		D-S	Bright Red	
	AH65 JD4	1		D-S	Medium Quartz	
	AH65 LB2	1		D-S	Bright Blue	
	AH65 LX9	1		D-S	Black	
	AH65 LY2	1		D-S	Gold Metallic	
	EB71 LY2	1		P-S	DECAL, "PLYMOUTH" Gold Metallic	
	EB71 LC3	1		P-S	Iris/Quartz	
	EB71 LH5	1		P-S	Magenta/Quartz	
					DECAL, "DODGE"	
	4398 688	1		D-L,H	NAMEPLATE, "DODGE"	
	4398 689	1		P-L,H	NAMEPLATE, "PLYMOUTH"	
	4					DECAL, Hood Bulge
						"V6 3.0 OHC"
EZ28 KR4		1			Bright Red	
EZ28 LC2		1			Light Blue	
EZ28 LD1		1			Light Quartz	
	EZ28 LY2	1			Gold	

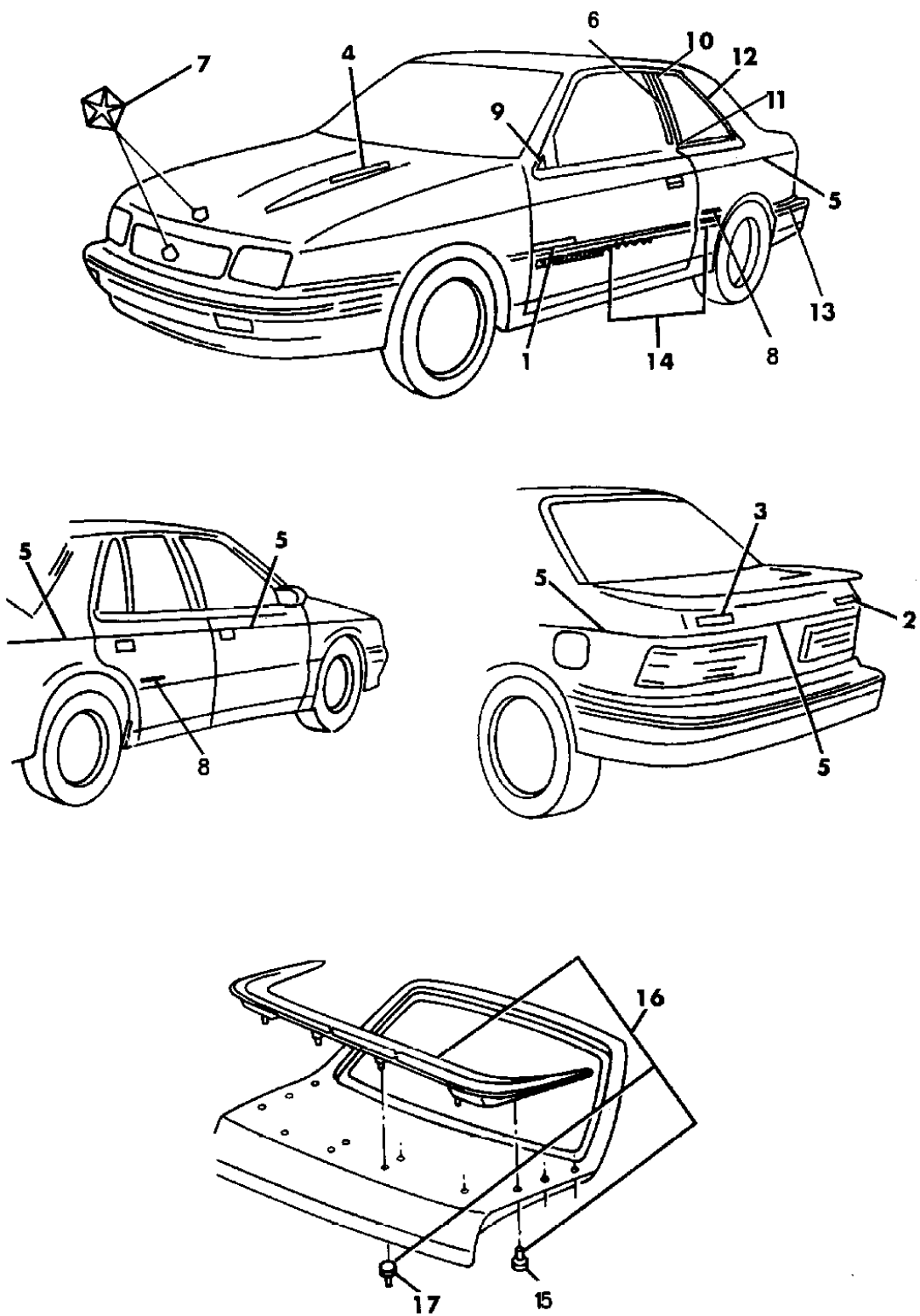
**MODEL CODES:**

A BODY=(C=LeBaron, D=Spirit, P=Acclaim/LaBaron(Landau), Saratoga)      S BODY=(H=Voyager(H) FWD, K=Caravan(H) FWD, Y=Town & Country(H) FWD, P=Voyager(K) AWD, D=Caravan(K) AWD, C=Town & Country(K) AWD)  
C BODY=(D=Dynasty, C=New Yorker/N.Y. Salon)  
G BODY=(V=Daytona/IROC, Chrysler Daytona)  
J BODY=(C=LeBaron, Chrysler LeBaron)  
P BODY=(P=Sundance, D=Shadow)      Y BODY=(C=Imperial/5th Avenue)  
E-S BODY=(K=Chrysler Voyager(H) FWD, D=Chrysler Voyager(K) AWD)

**BODY STYLES:**

21=2-Door Coupe      41=4-Door Sedan      12-52=FWD & AWD Van & Wgn Std W.B.  
24=2-Door Hatchback      44=4-Door Hatchback      53=FWD & AWD Van & Wgn Ext. W.B.  
27=2-Door Convertible

AR = Use as Required - = Non Illustrated Part P.A.R. = Paint as Required



**TAPESTRIPES, DECALS, NAMEPLATES AND REAR SPOILER -P BODY**  
**Figure 23-500**

93168 500

ITEM	PART NUMBER	QTY	BODY	MODEL	DESCRIPTION
	EZ28 LX9	1			Flat Black
5					PAINT STRIPE, Bodyside and Liftgate, P.A.R. ***
6	4366 396-7	1		24	DECAL, Door, Black
7					MEDALLION, Pentastar Grille Location
	4451 522	1		P	Bright, (chrome)
	HR15 LGF	1		P	Emerald Green
	HR15 LQE	1		P	Aqua
	HR15 LRB	1		P	Indy Red or Radiant Fire
	HR15 LW7	1		P	Bright White
	HR15 MMB	1		P	Wildberry
-	6100 840	1			NUT, Pentastar to Radiator Grille Hood Location
	5261 331	1		D	Bright, (chrome)
	DG03 MMB	1		D	Wildberry
	DG03 MM3	1		D	Raspberry
	DG03 JX8	1		D	Black
	DG03 JW7	1		D	White
	DG03 LQE	1		D	Aqua
	DG03 KC3	1		D	Electric Blue
	DG03 KRB	1		D	Indy Red or Radiant Fire
	DG03 LGF	1		D	Emerald Green
	DG03 MFA	1		D	Light Driftwood
8					DECAL, "DUSTER", Quarter Panel or Rear Door
	GP29 LY2	2		P-S	Gold, (monotone)
	GF15 LDC	2		P-S	Iris/Light Quartz
	GF15 LHD	2		P-S	Magenta/Light Quartz
9					TAPE, Blackout, Mirror/Belt
	5261 750	1		24	Right
	5261 749	1		24	Left
10	5261 751	2		24	TAPE, Black Out, Quarter Window Upper Front
11	5261 752	2		24	TAPE, Blackout, Quarter Window Lower Front
12	5261 754-5	1		24	TAPE, Blackout, Quarter Window Lower Rear
13					TAPE, Rear Fascia Side
	HL50-1 MR4	1		D-S	Red
	HL50-1 MY2	1		D-S	Gold
	HL50-1 MD4	1		D-S	Medium Quartz
	HL50-1 MX9	1		D-S	Black
14					TAPE, Bodyside

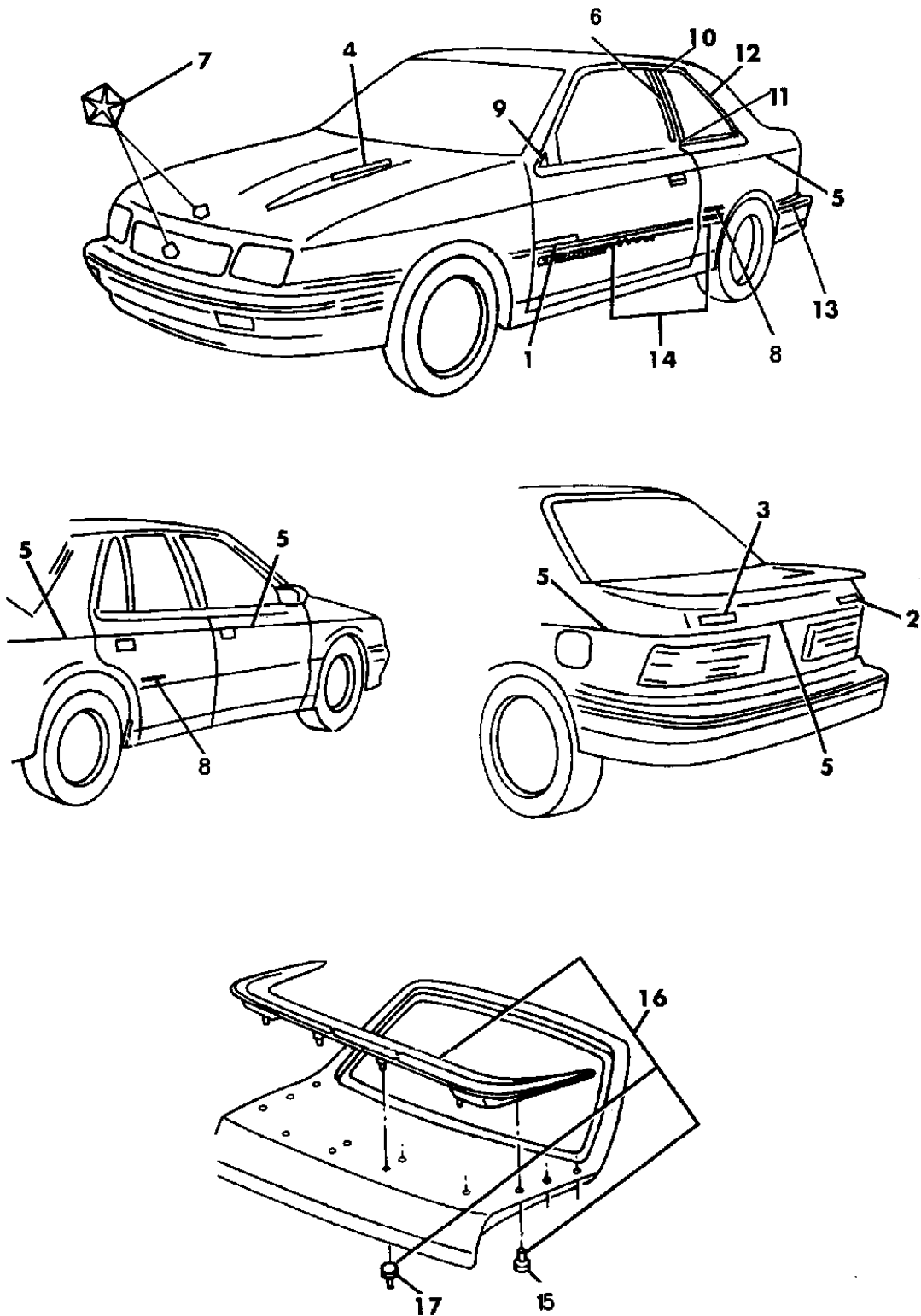
**MODEL CODES:**

A BODY=(C=LeBaron, D=Spirit, P=Acclaim/LaBaron(Landau),  
Saratoga) S BODY=(H=Voyager(H) FWD, K=Caravan(H) FWD,  
Y=Town & Country(H) FWD, P=Voyager(K) AWD,  
D=Caravan(K) AWD, C=Town & Country(K) AWD)  
C BODY=(D=Dynasty, C=New Yorker/N.Y. Salon)  
G BODY=(V=Daytona/IROC, Chrysler Daytona) Y BODY=(C=Imperial/5th Avenue)  
J BODY=(C=LeBaron, Chrysler LeBaron) E-S BODY=(K=Chrysler Voyager(H) FWD, D=Chrysler  
P BODY=(P=Sundance, D=Shadow) Voyager(K) AWD)

**BODY STYLES:**

21=2-Door Coupe 41=4-Door Sedan 12-52=FWD & AWD Van & Wgn Std W.B.  
24=2-Door Hatchback 44=4-Door Hatchback 53=FWD & AWD Van & Wgn Ext. W.B.  
27=2-Door Convertible

AR = Use as Required - = Non Illustrated Part P.A.R. = Paint as Required



**TAPESTRIPES, DECALS, NAMEPLATES AND REAR SPOILER -P BODY**  
**Figure 23-500**

93168 500

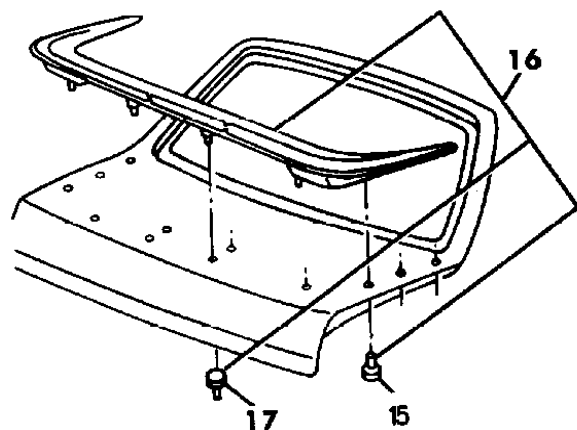
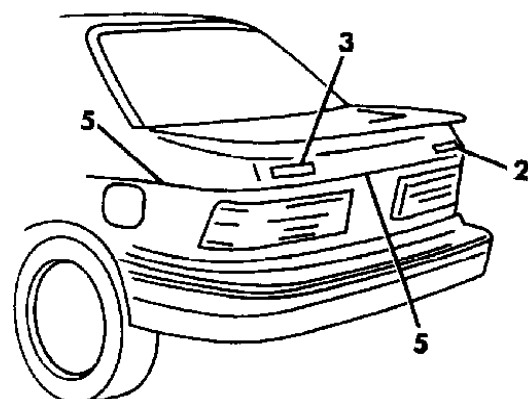
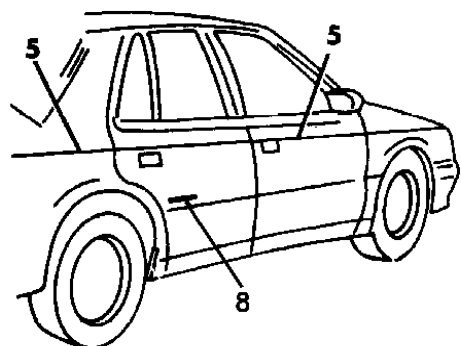
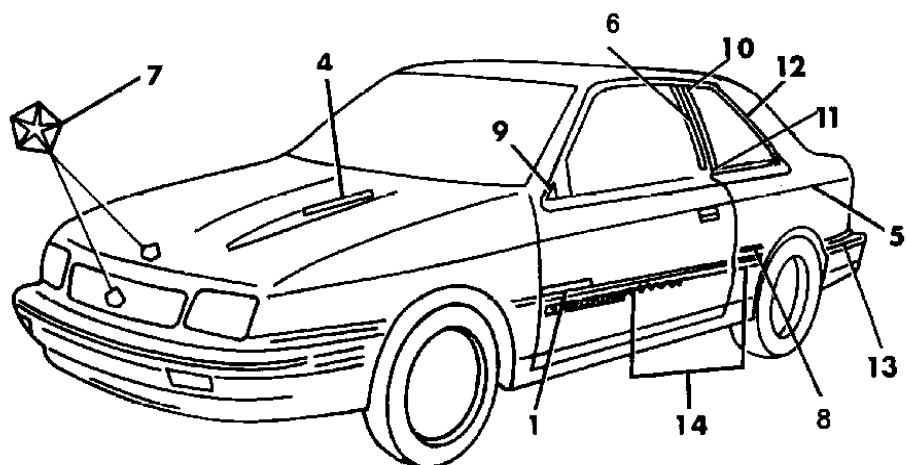
ITEM	PART NUMBER	QTY	BODY	MODEL	DESCRIPTION
------	-------------	-----	------	-------	-------------

NOTE: This tape is used on door and quarter front of 2 door vehicles. applications specified in this document.

					Right, "ES SHADOW"
	DV18 JR4	1		D-S,24,27	Red
	DV18 LY2	1		D-S,24,27	Gold
	DV18 LD4	1		D-S,24,27	Medium Quartz
	DV18 MX9	1		D-S,24,27	Black
					Left, "SHADOW ES"
	DV19 JR4	1		D-S,24,27	Red
	DV19 LY2	1		D-S,24,27	Gold
	DV19 LD4	1		D-S,24,27	Medium Quartz
	DV19 MX9	1		D-S,24,27	Black

NOTE: This tape is used on front and rear door of 4 door vehicles. applications specified in this document.

					Right, "ES SHADOW"
	HL08 MR4	1		D-S,44	Red
	HL08 MY2	1		D-S,44	Gold
	HL08 MD4	1		D-S,44	Medium Quartz
					Left, "SHADOW ES"
	HL09 MR4	1		D-S,44	Red
	HL09 MY2	1		D-S,44	Gold
	HL09 MD4	1		D-S,44	Medium Quartz
15	6033 672	6			SCREW
16	4504 128	1			SPOILER PACKAGE, (includes items 17 & 15)
17	6032 943	6			NUT
-	4422 231	2			DECAL, Door, Driver Education and Pentastar



**MODEL CODES:**

A BODY=(C=LeBaron, D=Spirit, P=Acclaim/LaBaron(Landau), Saratoga) S BODY=(H=Voyager(H) FWD, K=Caravan(H) FWD, Y=Town & Country(H) FWD, P=Voyager(K) AWD, D=Caravan(K) AWD, C=Town & Country(K) AWD)  
 C BODY=(D=Dynasty, C=New Yorker/N.Y. Salon) Y BODY=(C=Imperial/5th Avenue)  
 G BODY=(V=Daytona/IROC, Chrysler Daytona) E-S BODY=(K=Chrysler Voyager(H) FWD, D=Chrysler Voyager(K) AWD)  
 J BODY=(C=LeBaron, Chrysler LeBaron) P BODY=(P=Sundance, D=Shadow)

**BODY STYLES:**

21=2-Door Coupe 41=4-Door Sedan 12-52=FWD & AWD Van & Wgn Std W.B.  
 24=2-Door Hatchback 44=4-Door Hatchback 53=FWD & AWD Van & Wgn Ext. W.B.  
 27=2-Door Convertible

AR = Use as Required - = Non Illustrated Part P.A.R. = Paint as Required

**MOULDINGS - A BODY**  
**Figure 23-600**

93168 600A

ITEM	PART NUMBER	QTY	BODY	MODEL	DESCRIPTION
1	4491 298	1			MOULDING, Windshield Upper, Black
2	5261 112-3	1			MOULDING, Windshield, Side, Black
3	4676 234-5	1			MOULDING, Front Door Upper, Bright
4	4398 588-9	1			MOULDING, Mirror Surround, Bright
-	6033 303	AR			SCREW
5	4676 238	1			MOULDING and WEATHERSTRIP, Front Door Belt, Bright Right
	5261 721	1			Left
6	5261 716-7	1			MOULDING and WEATHERSTRIP, Rear Door Belt, Bright used w/o vinyl roof
	5261 726-7	1		C-P	used w/vinyl roof
7	4676 258-9	1			MOULDING, Rear Door Upper, Bright used w/o vinyl roof
	4676 252-3	1		C-P	used w/vinyl roof
8					MOULDING ASSEMBLY, Rear Door Modular Channel and Glass Assembly. See group 23C.
9					MOULDING, Roof Panel to Bodyside Aperture Joint
	4386 518-9	1			Standard Width
	4440 624-5	1			Wide Repair
	4440 258-9	1			Narrow Repair
10		4			NUT, (not serviced, used w/.156 diameter stud)
For moulding, rear window glass see group 23A applications specified in this document.					
11			C-M,P		MOULDING, Fender, Bodyside (7/8" wide)
	X660-1 KBF	1			Medium Water Blue
	X660-1 KBD	1			Light Blue
	X660-1 HX8	1			Black
	X660-1 LP5	1			Teal
	X660-1 HW7	1			White
	X660-1 LQE	1			Aqua
	X660-1 MFA	1			Light Driftwood
	X660-1 MRF	1			Radiant Red Metallic
	X660-1 MMB	1			Wildberry
	X660-1 MGF	1			Emerald Green
12			C-M,P		MOULDING, Front Door, Bodyside (7/8" wide)
	X662 KBF	2			Medium Water Blue
	X662 KBD	2			Light Blue
	X662 HX8	2			Black
	X662 LP5	2			Teal
	X662 HW7	2			White

**MODEL CODES:**

A BODY=(C=LeBaron, D=Spirit, P=Acclaim/LaBaron(Landau), Saratoga)

C BODY=(D=Dynasty, C=New Yorker/N.Y. Salon)

G BODY=(V=Daytona/IROC, Chrysler Daytona)

J BODY=(C=LeBaron, Chrysler LeBaron)

P BODY=(P=Sundance, D=Shadow)

S BODY=(H=Voyager(H) FWD, K=Caravan(H) FWD,

Y=Town & Country(H) FWD, P=Voyager(K) AWD,

D=Caravan(K) AWD, C=Town & Country(K) AWD)

Y BODY=(C=Imperial/5th Avenue)

E-S BODY=(K=Chrysler Voyager(H) FWD, D=Chrysler

Voyager(K) AWD)

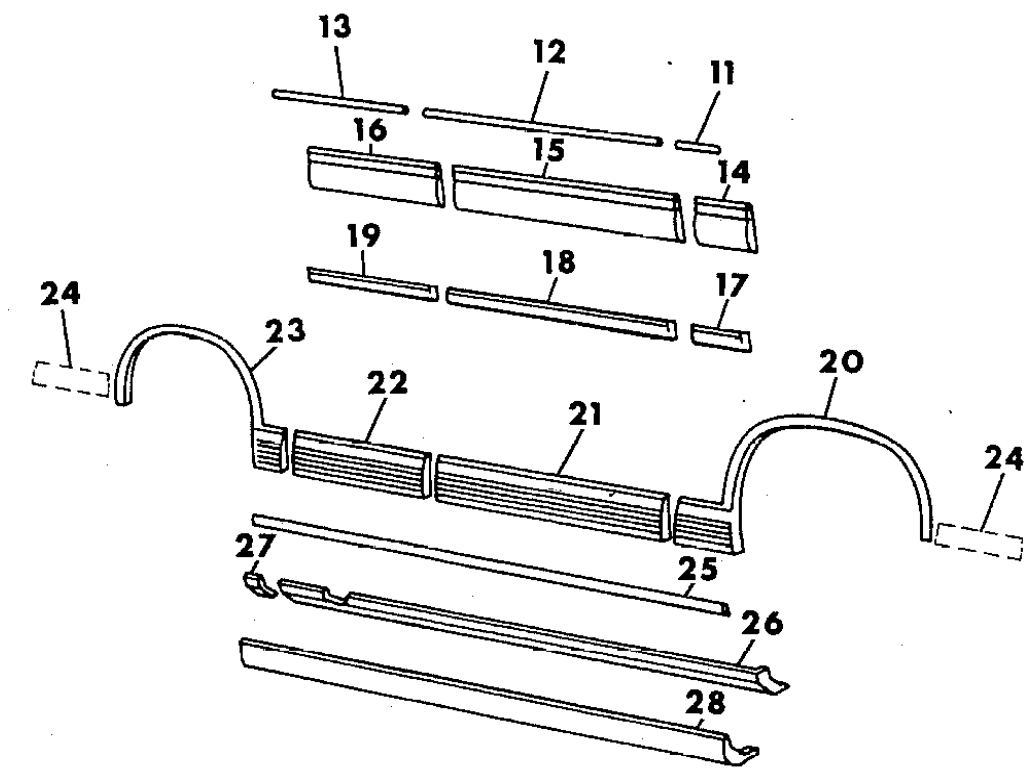
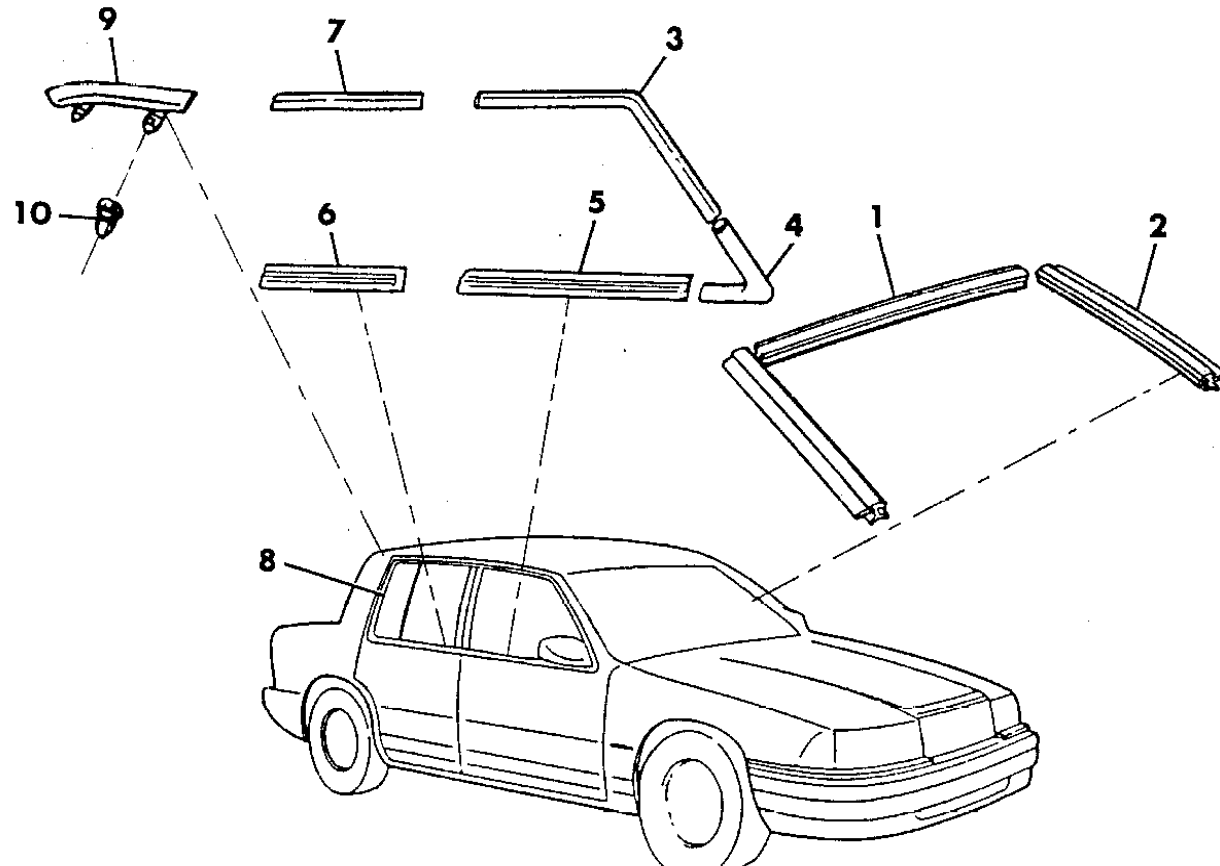
**BODY STYLES:**

21=2-Door Coupe                      41=4-Door Sedan                      12-52=FWD & AWD Van & Wgn Std W.B.

24=2-Door Hatchback                44=4-Door Hatchback                53=FWD & AWD Van & Wgn Ext. W.B.

27=2-Door Convertible

AR = Use as Required   - = Non Illustrated Part   P.A.R. = Paint as Required



**MOULDINGS - A BODY**  
Figure 23-600

93168 600A

ITEM	PART NUMBER	QTY	BODY	MODEL	DESCRIPTION
	X662 LQE	2			Aqua
	X662 MFA	2			Light Driftwood
	X662 MRF	2			Radiant Red Metallic
	X662 MMB	2			Wildberry
	X662 MGF	2			Emerald Green
13				C-M,P	MOULDING, Rear Door, Bodyside (7/8" wide")
	X664-5 KBF	1			Medium Water Blue
	X664-5 KBD	1			Light Blue
	X664-5 HX8	1			Black
	X664-5 LP5	1			Teal
	X664-5 HW7	1			White
	X664-5 LQE	1			Aqua
	X664-5 MFA	1			Light Driftwood
	X664-5 MRF	1			Radiant Red Metallic
	X664-5 MMB	1			Wildberry
	X664-5 MGF	1			Emerald Green
14				D-P	MOULDING, Fender, Bodyside (3" wide w/bright insert and black trim)
	X412-3 KBF	1			Medium Water Blue
	X412-3 HX8	1			Black
	X412-3 LRB	1			Indy Red or Radiant Fire
	X412-3 HW7	1			White
	X412-3 MMB	1			Wildberry
	X412-3 MFA	1			Light Driftwood
	X412-3 MGF	1			Emerald Green
15				D-P	MOULDING, Front Door, Bodyside (3" wide w/bright insert and black trim)
	X414-5 KBF	1			Medium Water Blue
	X414-5 HX8	1			Black
	X414-5 LRB	1			Indy Red or Radiant Fire
	X414-5 HW7	1			White
	X414-5 MMB	1			Wildberry
	X414-5 MFA	1			Light Driftwood
	X414-5 MGF	1			Emerald Green
16				D-P	MOULDING, Rear Door, Bodyside (3" wide w/bright insert and black trim)
	GN00-1 LBF	1			Medium Water Blue
	GN00-1 LX8	1			Black
	GN00-1 LRB	1			Indy Red or Radiant Fire

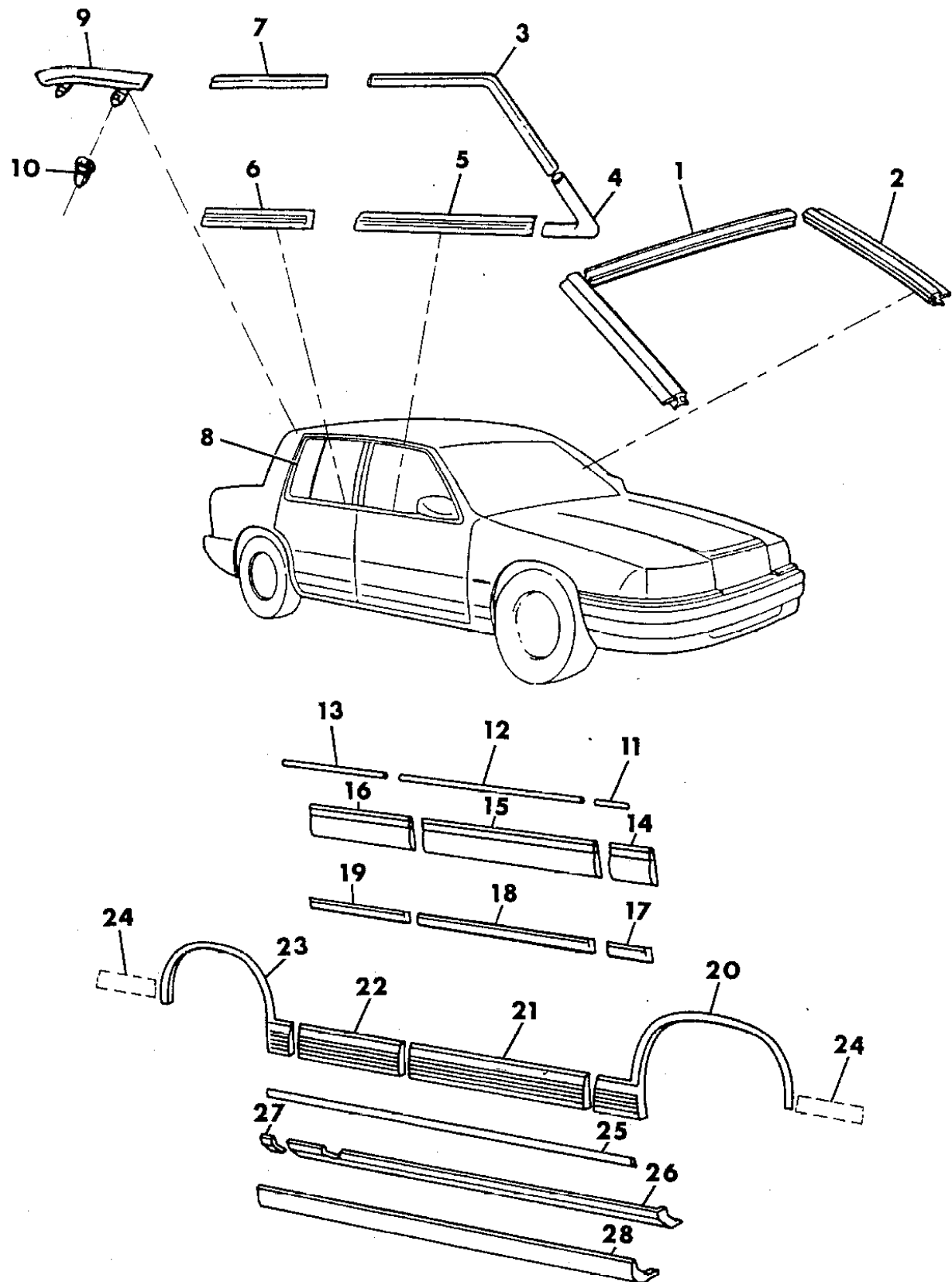
**MODEL CODES:**

A BODY=(C=LeBaron, D=Spirit, P=Acclaim/LaBaron(Landau), Saratoga) S BODY=(H=Voyager(H) FWD, K=Caravan(H) FWD, Y=Town & Country(H) FWD, P=Voyager(K) AWD, D=Caravan(K) AWD, C=Town & Country(K) AWD)  
 C BODY=(D=Dynasty, C=New Yorker/N.Y. Salon) Y BODY=(C=Imperial/5th Avenue)  
 G BODY=(V=Daytona/IROC, Chrysler Daytona) E-S BODY=(K=Chrysler Voyager(H) FWD, D=Chrysler Voyager(K) AWD)  
 J BODY=(C=LeBaron, Chrysler LeBaron) P BODY=(P=Sundance, D=Shadow)

**BODY STYLES:**

21=2-Door Coupe 41=4-Door Sedan 12-52=FWD & AWD Van & Wgn Std W.B.  
 24=2-Door Hatchback 44=4-Door Hatchback 53=FWD & AWD Van & Wgn Ext. W.B.  
 27=2-Door Convertible

AR = Use as Required - = Non Illustrated Part P.A.R. = Paint as Required

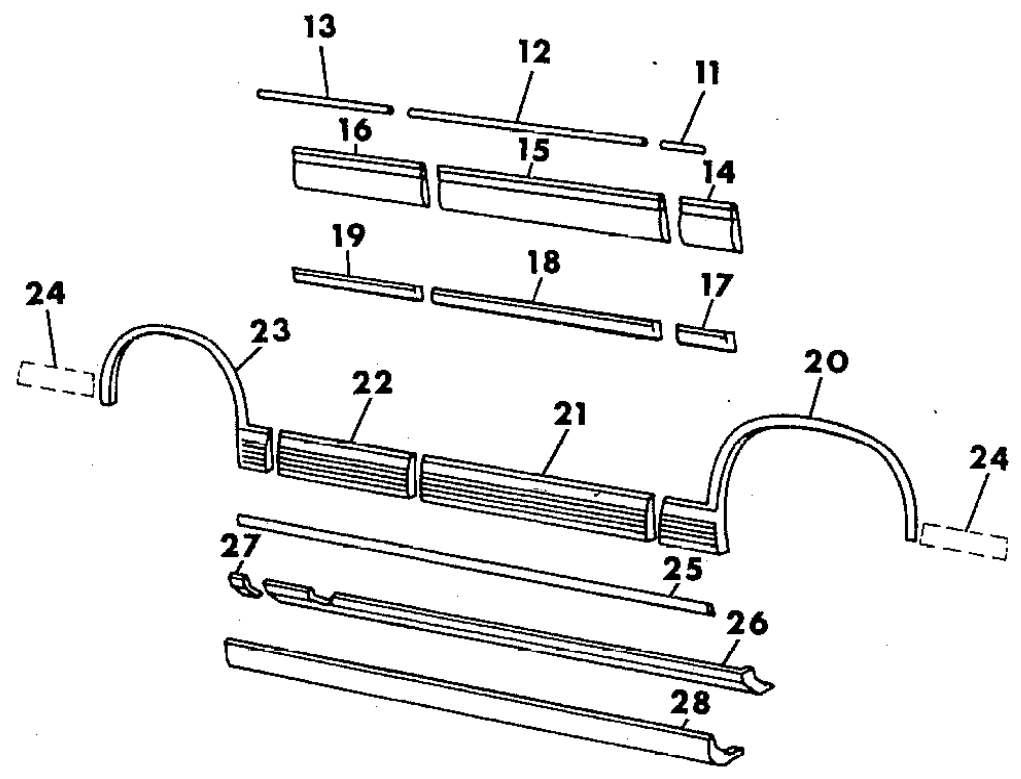
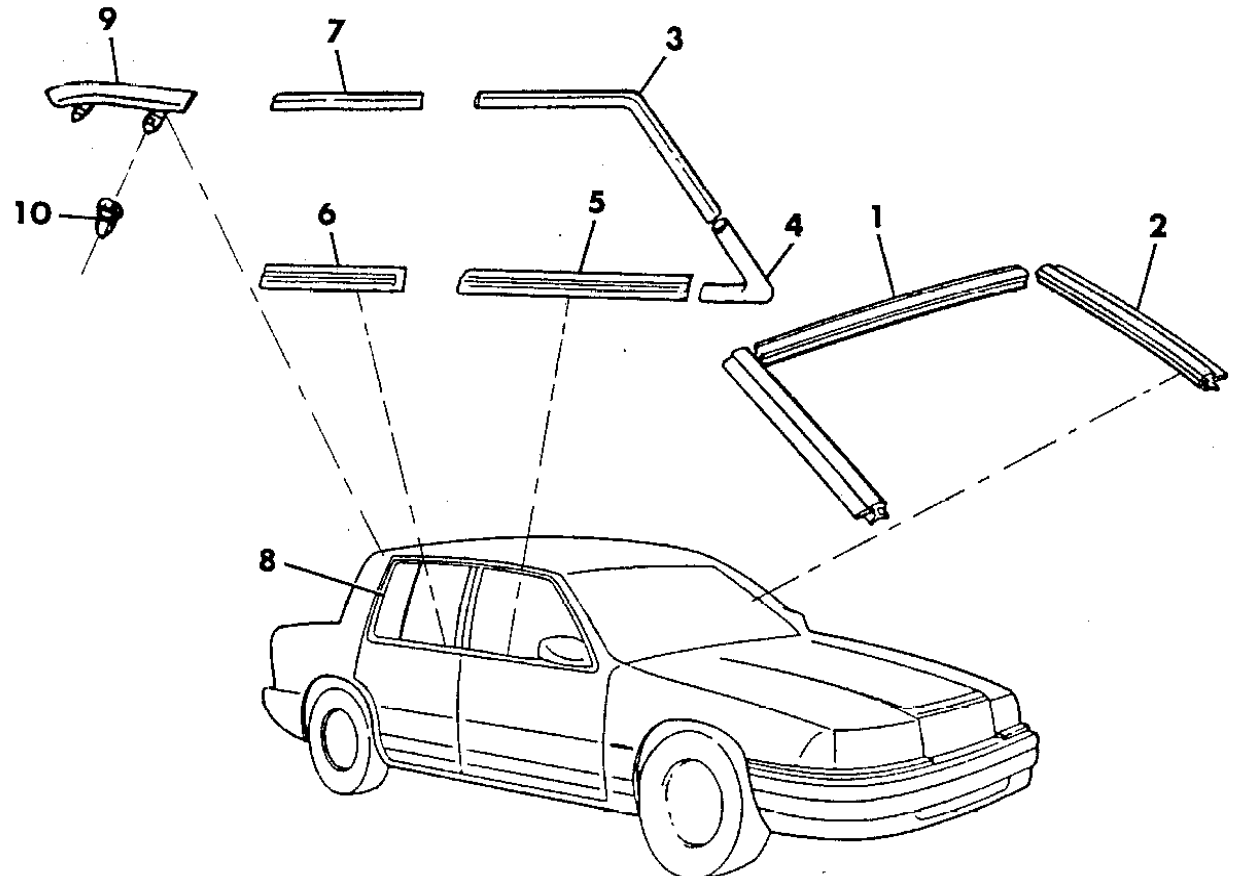




**MOULDINGS - A BODY**  
Figure 23-600

93168 600A

ITEM	PART NUMBER	QTY	BODY	MODEL	DESCRIPTION
	GN00-1 LW7	1			White
	GN00-1 MMB	1			Wildberry
	GN00-1 MFA	1			Light Driftwood
	GN00-1 MGF	1			Emerald Green
17				D-H,P-H	MOULDING, Fender, Bodyside (1-7/8" wide)
					w/Bright Insert
	DL88-9 KBF	1			Medium Water Blue
	DL88-9 KBD	1			Light Blue
	DL88-9 LQE	1			Aqua
	DL88-9 KW7	1			White
	DL88-9 KX8	1			Black
	DL88-9 MFA	1			Light Driftwood
	DL88-9 MRF	1			Radiant Red Metallic
	DL88-9 MMB	1			Wildberry
	DL88-9 MRB	1			Indy Red or Radiant Fire
	DL88-9 MGF	1			Emerald Green
					w/Gold Insert
	JC66-7 MGY	1			Emerald Green
	JC66-7 MMY	1			Wildberry
	JC66-7 MRY	1			Poppy Red
	JC66-7 MWY	1			White
18				D-H,P-H	MOULDING, Front Door, Bodyside (1-7/8" wide)
					w/Bright Insert
	DL90-1 KBF	1			Medium Water Blue
	DL90-1 KBD	1			Light Blue
	DL90-1 LQE	1			Aqua
	DL90-1 KW7	1			White
	DL90-1 KX8	1			Black
	DL90-1 MFA	1			Light Driftwood
	DL90-1 MRF	1			Radiant Red Metallic
	DL90-1 MMB	1			Wildberry
	DL90-1 LRB	1			Indy Red or Radiant Fire
	DL90-1 MGF	1			Emerald Green
					w/Gold Insert
	JC64-5 MGY	1			Emerald Green
	JC64-5 MMY	1			Wildberry
	JC64-5 MRY	1			Poppy Red
	JC64-5 MWY	1			White



**MODEL CODES:**

A BODY=(C=LeBaron, D=Spirit, P=Acclaim/LaBaron(Landau), Saratoga) S BODY=(H=Voyager(H) FWD, K=Caravan(H) FWD, Y=Town & Country(H) FWD, P=Voyager(K) AWD, D=Caravan(K) AWD, C=Town & Country(K) AWD)  
 C BODY=(D=Dynasty, C=New Yorker/N.Y. Salon) Y BODY=(C=Imperial/5th Avenue)  
 G BODY=(V=Daytona/IROC, Chrysler Daytona) E-S BODY=(K=Chrysler Voyager(H) FWD, D=Chrysler Voyager(K) AWD)  
 J BODY=(C=LeBaron, Chrysler LeBaron) P BODY=(P=Sundance, D=Shadow)

**BODY STYLES:**

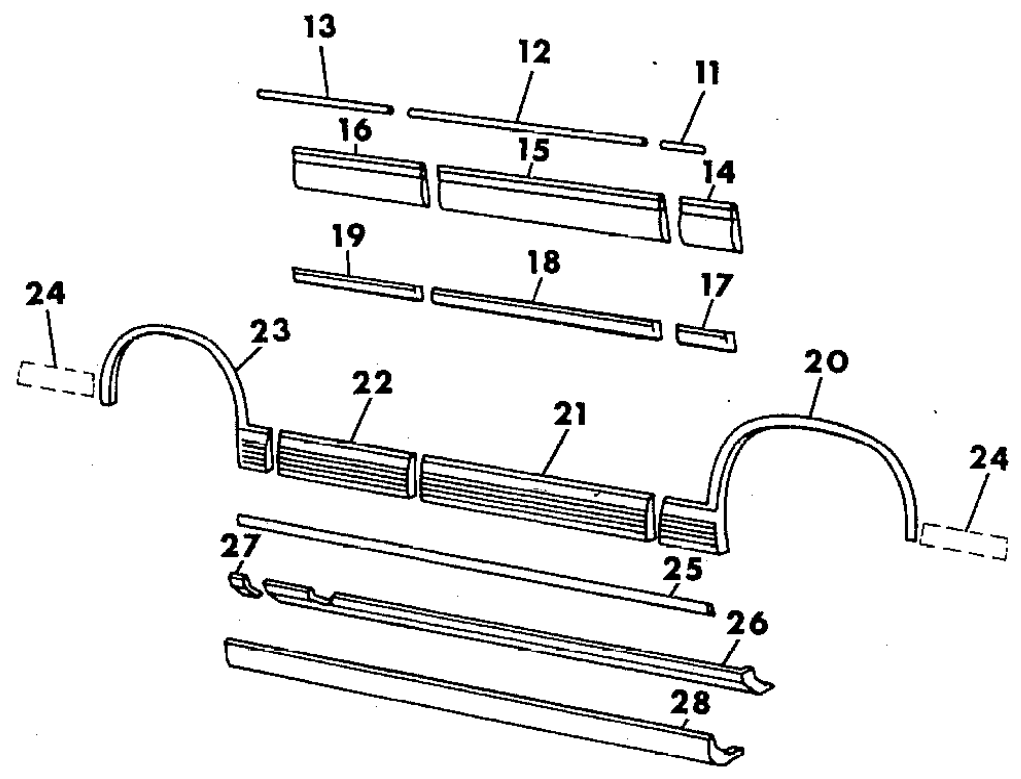
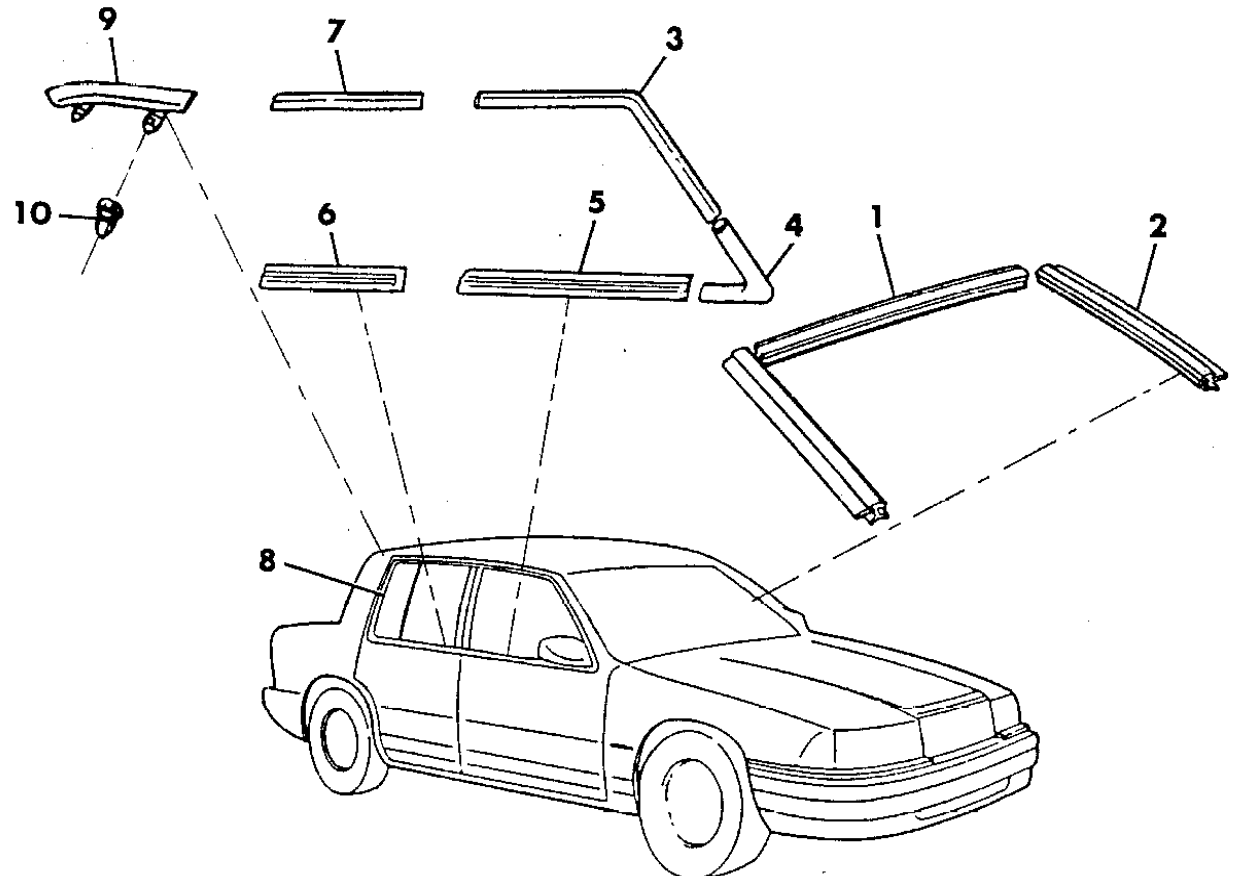
21=2-Door Coupe 41=4-Door Sedan 12-52=FWD & AWD Van & Wgn Std W.B.  
 24=2-Door Hatchback 44=4-Door Hatchback 53=FWD & AWD Van & Wgn Ext. W.B.  
 27=2-Door Convertible

AR = Use as Required - = Non Illustrated Part P.A.R. = Paint as Required

**MOULDINGS - A BODY**  
**Figure 23-600**

93168 600A

ITEM	PART NUMBER	QTY	BODY	MODEL	DESCRIPTION
	JC64-5 MXY	1			Black
19				D-H,P-H	MOULDING, Rear Door, Bodyside (1-7/8" wide) w/Bright Insert
	DL92-3 KBF	1			Medium Water Blue
	DL92-3 KBD	1			Light Blue
	DL92-3 LQE	1			Aqua
	DL92-3 KW7	1			White
	DL92-3 KX8	1			Black
	DL92-3 MFA	1			Light Driftwood
	DL92-3 MRF	1			Radiant Red Metallic
	DL92-3 MMB	1			Wildberry
	DL92-3 LRB	1			Indy Red or Radiant Fire
	DL92-3 MGF	1			Emerald Green
	JC62-3 MGY	1			w/Gold Insert Emerald Green
	JC62-3 MMY	1			Wildberry
	JC62-3 MRV	1			Poppy Red
	JC62-3 MWY	1			White
	JC62-3 MXY	1			Black
20	WT08-9 JD2	1		C-M,P	MOULDING ASSEMBLY, Fender Wheel Opening
-	4057 555	AR			RETAINER PACKAGE, wheel opening, contains 6 retainers
-	6004 112	2			RETAINER, moulding to fender
-	4293 616	1			SCREW PACKAGE
21	4494 772-3	1		C-M,P	MOULDING, Front Door Lower
-	6004 112	AR			RETAINER
22	4494 774-5	1		C-M,P	MOULDING, Rear Door Lower
-	6004 112	AR			RETAINER
23	WT10-1 JD2	1		C-M,P	MOULDING ASSEMBLY, Quarter Panel Wheel Opening
-	4057 555	AR			RETAINER PACKAGE, wheel opening, contains 6 retainers
-	6004 112	2			RETAINER, moulding to quarter panel front
-	4293 616	1			SCREW PACKAGE
24					NERF EXTENSION, See Group 13
25	4454 794-5	1		D-P	BRACKET, Bodyside Sill Applique
26	4538 412-3	1		C	APPLIQUE ASSEMBLY, Bodyside Sill (Blackout) ***
27	4491 166-7	1		C	CAP, Sill Blackout Applique End
28	X420-1 HW7	1		D-P	APPLIQUE, Bodyside Sill, P.A.R.



**MODEL CODES:**

A BODY=(C=LeBaron, D=Spirit, P=Acclaim/LaBaron(Landau),  
Saratoga)  
C BODY=(D=Dynasty, C=New Yorker/N.Y. Salon)  
G BODY=(V=Daytona/IROC, Chrysler Daytona)  
J BODY=(C=LeBaron, Chrysler LeBaron)  
P BODY=(P=Sundance, D=Shadow)

S BODY=(H=Voyager(H) FWD, K=Caravan(H) FWD,  
Y=Town & Country(H) FWD, P=Voyager(K) AWD,  
D=Caravan(K) AWD, C=Town & Country(K) AWD)  
Y BODY=(C=Imperial/5th Avenue)  
E-S BODY=(K=Chrysler Voyager(H) FWD, D=Chrysler  
Voyager(K) AWD)

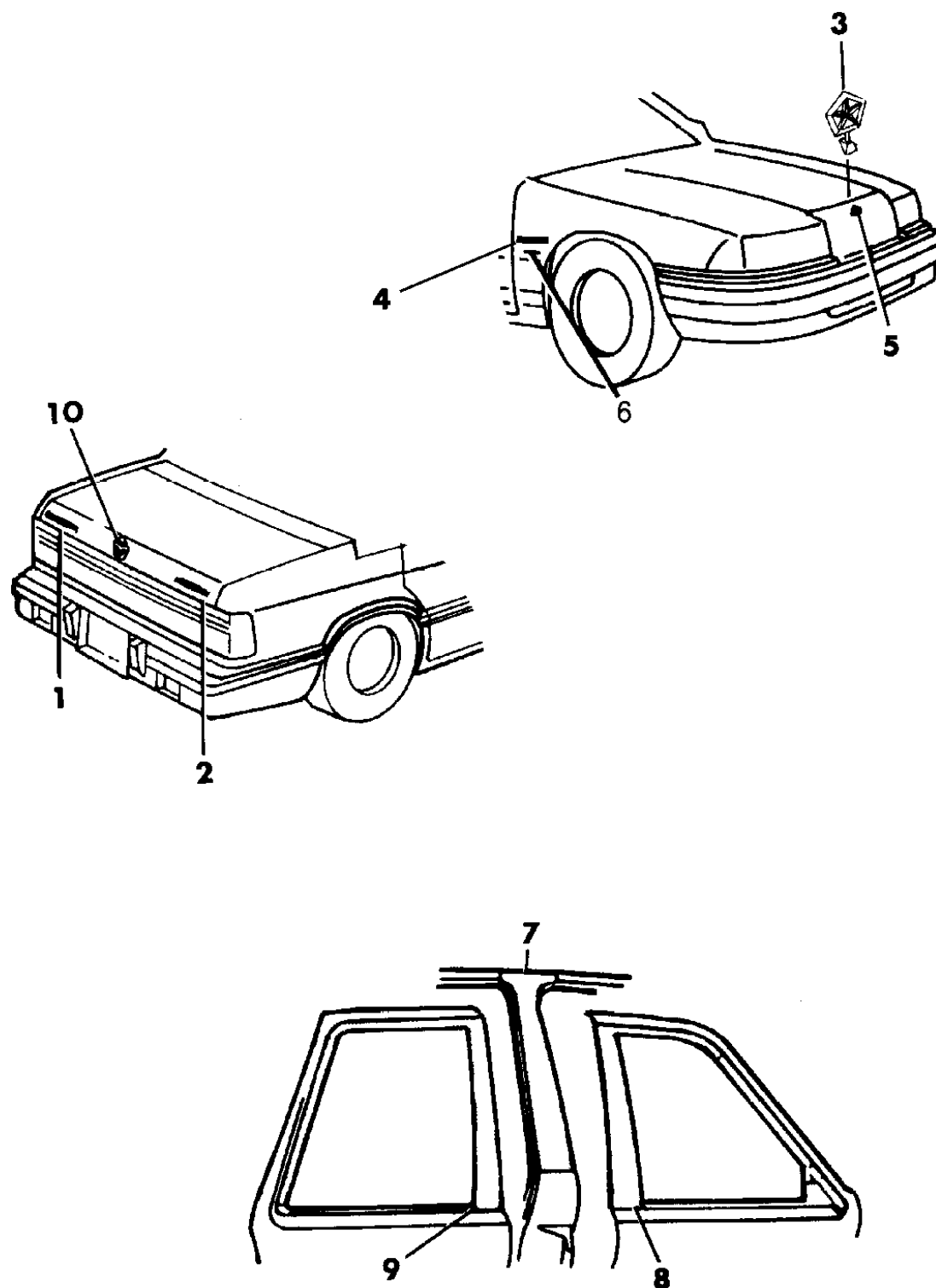
**BODY STYLES:**

21=2-Door Coupe      41=4-Door Sedan      12-52=FWD & AWD Van & Wgn Std W.B.  
24=2-Door Hatchback      44=4-Door Hatchback      53=FWD & AWD Van & Wgn Ext. W.B.  
27=2-Door Convertible

AR = Use as Required - = Non Illustrated Part P.A.R. = Paint as Required

**NAMEPLATES, DECALS, TAPES AND ORNAMENTS - A BODY**  
**Figure 23-700**

93168 700A



ITEM	PART NUMBER	QTY	BODY	MODEL	DESCRIPTION
1					NAMEPLATE or DECAL or BADGE, Deck Lid, Left ***
	4576 432	1			RAM BADGE, (medallion-bright ram's head on black base)
	4398 688	1			"DODGE", (nameplate)
	4422 432	1			"CHRYSLER", (nameplate)
					"DODGE w/Ram Badge", (decal)
	GS70 MA1	1			Light Quartz
	GS70 MFC	1			Medium Driftwood (dark)
	GS70 MRC	1			Red
	GS70 MA7	1			Dark Quartz
	GS70 MT3	1			Tan (light)
	GS70 MY2	1			Gold
	JD10 MY2	1			"Spirit" Gold
	JD11 MY2	1			"Acclaim" Gold
	JD12 MY2	1			"Plymouth" Gold
	4398 689	1			"Plymouth" (nameplate)
2					NAMEPLATE or DECAL, Deck Lid, Right ***
	4491 538	1			"LEBARON", (nameplate)
	4576 149	1			"LE", (nameplate)
	4422 783	1			"ACCLAIM", (nameplate)
	4491 907	1			"ACCLAIM LX", (nameplate), MIDDLE EAST
	4502 092	1			"SPIRIT", Nameplate
	4491 904	1			"SPIRIT LE", (nameplate)
					"SPIRIT ES", (decal)
	GS67 MA1	1			Light Quartz
	GS67 MFC	1			Medium Driftwood (dark)
	GS67 MRC	1			Red
	GS67 MA7	1			Dark Quartz
	GS67 MT3	1			Tan (light)
	5261 245	1			"SARATOGA", (nameplate), EUROPE
3					ORNAMENT ASSEMBLY, Hood ***
					Consists Of
-	4270 563	1			Ornament
-	3672 672	1			Spring
-	3672 780	1			Retainer
-	4454 899	1			Base
-	4454 900	1			Spacer
-	4454 901	1			Gasket
-	6030 435	1			NUT
4					NAMEPLATE or DECAL, Fender ***

**MODEL CODES:**

A BODY=(C=LeBaron, D=Spirit, P=Acclaim/LaBaron(Landau), Saratoga) S BODY=(H=Voyager(H) FWD, K=Caravan(H) FWD, Y=Town & Country(H) FWD, P=Voyager(K) AWD, D=Caravan(K) AWD, C=Town & Country(K) AWD)  
 C BODY=(D=Dynasty, C=New Yorker/N.Y. Salon) Y BODY=(C=Imperial/5th Avenue)  
 G BODY=(V=Daytona/IROC, Chrysler Daytona) E-S BODY=(K=Chrysler Voyager(H) FWD, D=Chrysler Voyager(K) AWD)  
 J BODY=(C=LeBaron, Chrysler LeBaron) P BODY=(P=Sundance, D=Shadow)

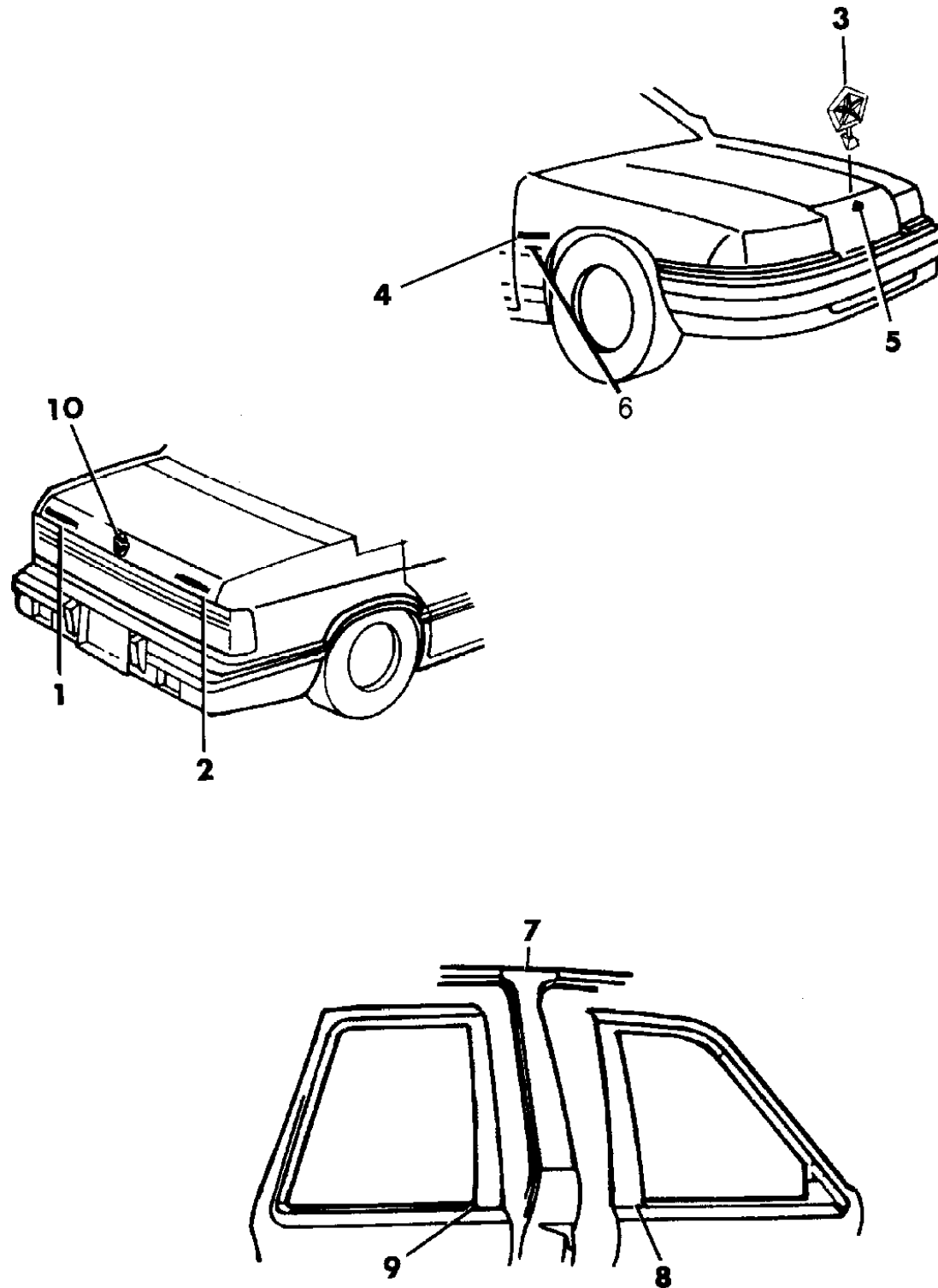
**BODY STYLES:**

21=2-Door Coupe 41=4-Door Sedan 12-52=FWD & AWD Van & Wgn Std W.B.  
 24=2-Door Hatchback 44=4-Door Hatchback 53=FWD & AWD Van & Wgn Ext. W.B.  
 27=2-Door Convertible

AR = Use as Required - = Non Illustrated Part P.A.R. = Paint as Required

**NAMEPLATES, DECALS, TAPES AND ORNAMENTS - A BODY**  
**Figure 23-700**

93168 700A



ITEM	PART NUMBER	QTY	BODY	MODEL	DESCRIPTION
	4491 999	2			"V6 3.0 Litre", (nameplate)
	HJ92 MGY	2			"FLEX FUEL VEHICLE", (Decal)
					"V6 3.0 Litre", (decal)
	AT34 JA1	2			Light Quartz
	AT34 MFC	2			Medium Driftwood (dark)
	AT34 MRC	2			Red
	AT34 JA7	2			Dark Quartz
	AT34 MT3	2			Tan (light)
5					MEDALLION, Radiator Grille
	4576 414	1			Pentastar, Bright
	4576 234	1			Dodge Ram (Medallion)
	4676 397	1			Dodge Ram (Decal)Gold
6	4630 238	1			ORNAMENT, Right Fender (makers mark - pentastar)
7	4491 386-7	1			TAPE, Pillar Blackout
8	4454 008-9	1			TAPE, Blackout, Front Door Rear
9	4454 010-1	1			TAPE, Blackout, Rear Door Front
10	4576 572	1			MEDALLION, Deck Lid Pentastar
-	4422 231	2			DECAL, Door, Driver Education and Pentastar

**MODEL CODES:**

A BODY=(C=LeBaron, D=Spirit, P=Acclaim/LaBaron(Landau), Saratoga)      S BODY=(H=Voyager(H) FWD, K=Caravan(H) FWD, Y=Town & Country(H) FWD, P=Voyager(K) AWD, D=Caravan(K) AWD, C=Town & Country(K) AWD)

C BODY=(D=Dynasty, C=New Yorker/N.Y. Salon)      Y BODY=(C=Imperial/5th Avenue)

G BODY=(V=Daytona/IROC, Chrysler Daytona)      E-S BODY=(K=Chrysler Voyager(H) FWD, D=Chrysler Voyager(K) AWD)

J BODY=(C=LeBaron, Chrysler LeBaron)

P BODY=(P=Sundance, D=Shadow)

**BODY STYLES:**

21=2-Door Coupe      41=4-Door Sedan      12-52=FWD & AWD Van & Wgn Std W.B.  
 24=2-Door Hatchback      44=4-Door Hatchback      53=FWD & AWD Van & Wgn Ext. W.B.  
 27=2-Door Convertible

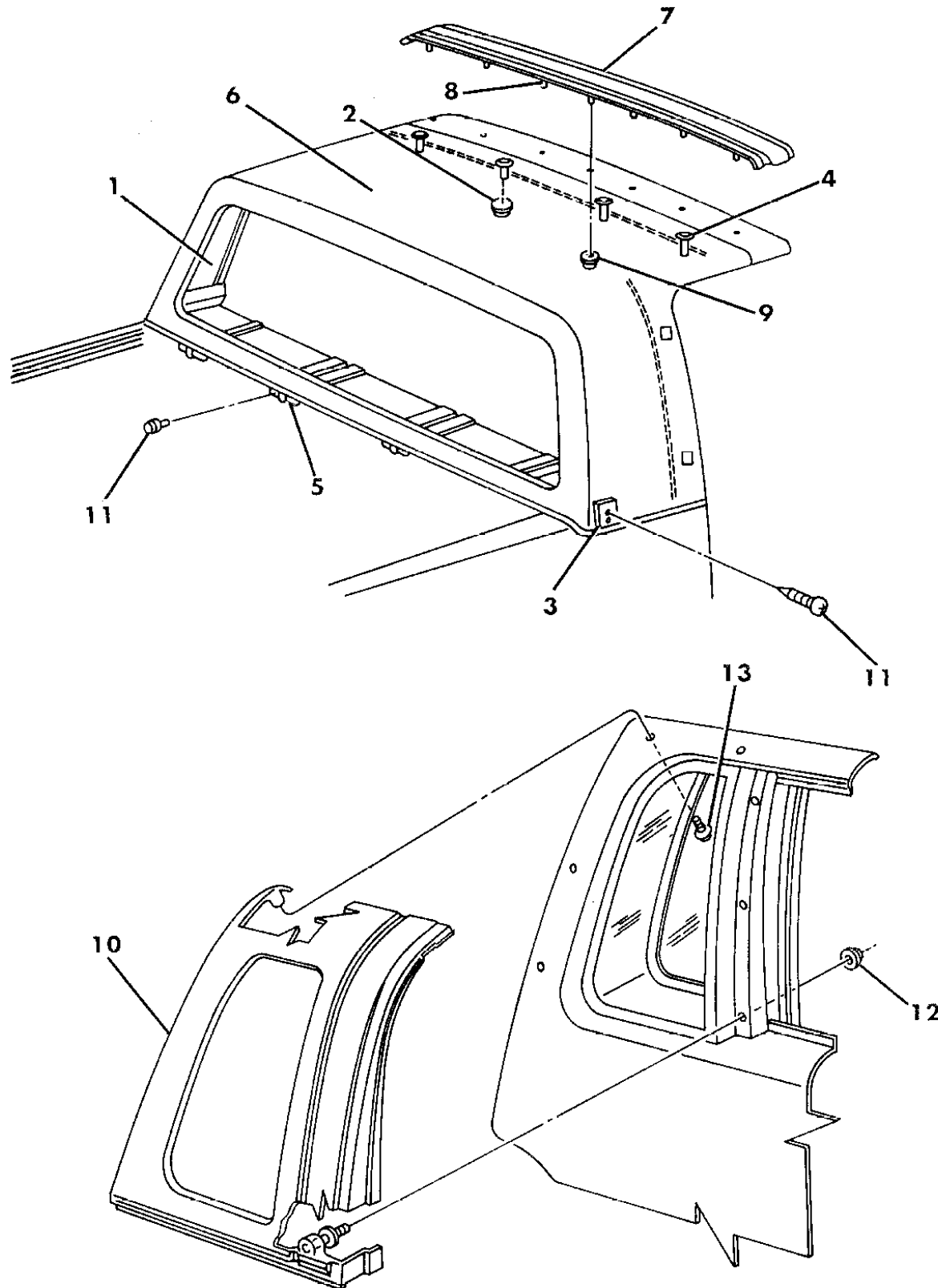
AR = Use as Required - = Non Illustrated Part P.A.R. = Paint as Required

# VINYL ROOF TRIM AND DECK LID SPOILER - A BODY

Figure 23-800

93168 800

ITEM	PART NUMBER	QTY	BODY	MODEL	DESCRIPTION
1	5261 476	1			CAP ASSEMBLY, Roof
2	6032 389	8			NUT, Roof Cap Retaining Stud, (stamped nut w/seal)
3	4491 566	2			RETAINER, Bodyside aperture to roof cap
4	4422 877	8			STUD, Roof Cap Mounting
5	4576 555	3			RETAINER, Lower valance mounting
6					COVER, PAD AND WELT ASSEMBLY, Roof
	5252 131	1			White
	5252 128	1			Black
	4636 408	1			Medium Water Blue
	4638 204	1			Teal
	4636 132	1			Wildberry
	4636 133	1			Emerald Green
	4636 136	1			Light Driftwood
7	4422 767	1		C-P	MOULDING ASSEMBLY, Roof Transverse
8	6003 784	7			RETAINER and STUD, (also serviced in the above moulding assembly)
9	6033 742	7			NUT, roof moulding mounting
10				C-P	COVER ASSEMBLY, Rear Door Fixed Glass, includes moulding
	DT28-9 JW7	1			White
	DT28-9 JX9	1			Black
	DT28-9 KBF	1			Medium Water Blue
	DT28-9 LP5	1			Teal
	DT28-9 MMB	1			Wildberry
	DT28-9 MGF	1			Emerald Green
	DT28-9 MFA	1			Light Driftwood
11		AR			SCREW, Retainer Mounting (not serviced)
12	6025 002	6			NUT
13		6			SCREW, (not serviced, use .190-16x500)



**MODEL CODES:**

A BODY=(C=LeBaron, D=Spirit, P=Acclaim/LaBaron(Landau, Saratoga) S BODY=(H=Voyager(H) FWD, K=Caravan(H) FWD, Y=Town & Country(H) FWD, P=Voyager(K) AWD, D=Caravan(K) AWD, C=Town & Country(K) AWD)  
 C BODY=(D=Dynasty, C=New Yorker/N.Y. Salon)  
 G BODY=(V=Daytona/IROC, Chrysler Daytona)  
 J BODY=(C=LeBaron, Chrysler LeBaron)  
 P BODY=(P=Sundance, D=Shadow)  
 Y BODY=(C=Imperial/5th Avenue)  
 E-S BODY=(K=Chrysler Voyager(H) FWD, D=Chrysler Voyager(K) AWD)

**BODY STYLES:**

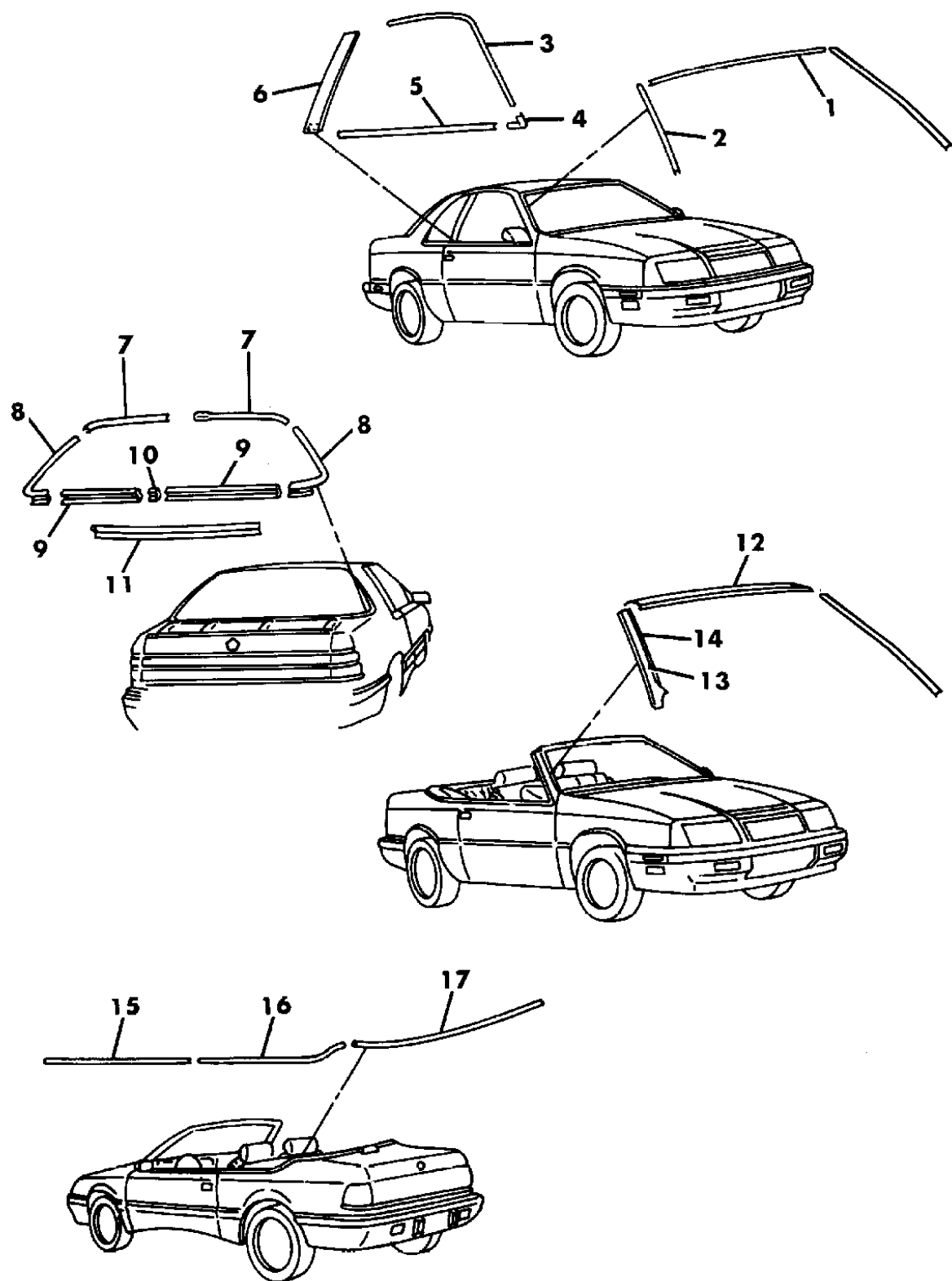
21=2-Door Coupe      41=4-Door Sedan      12-52=FWD & AWD Van & Wgn Std W.B.  
 24=2-Door Hatchback      44=4-Door Hatchback      53=FWD & AWD Van & Wgn Ext. W.B.  
 27=2-Door Convertible

AR = Use as Required - = Non Illustrated Part P.A.R. = Paint as Required

# MOULDINGS, WINDSHIELD AND REAR WINDOW - J BODY

## Figure 23-900

93168 900A



ITEM	PART NUMBER	QTY	BODY	MODEL	DESCRIPTION
1	4454 729	1		21	MOULDING, Windshield Upper, Black
2	5261 310-1	1		21	MOULDING, Windshield Side, Black
3					MOULDING ASSEMBLY, Door Frame Upper
	4454 812-3	1		21	Bright
	BE24-5 KX8	1		21	Black
-	6033 605	AR			SCREW
4					MOULDING ASSEMBLY, Door Mirror Base
	4491 876-7	1		21	Bright
	BE22-3 KX8	1		21	Black
-	4365 854	2		21	SPACER, Door Mirror Base Moulding
-	6033 605	AR			SCREW
5					MOULDING and WEATHERSTRIP ASSEMBLY, Door Belt ***
	4494 980-1	1		21	Bright
	BE26-7 KX8	1		21	Black
-	4398 566-7	1		21	WEATHERSTRIP, Moulding (also included in the above moulding assemblies)
-	6032 456	AR			SCREW
6	4366 888-9	1		21	APPLIQUE ASSEMBLY, Door Frame, Flat Black ***
	4057 555	AR			RETAINER PACKAGE
7					MOULDING, ASSEMBLY, Rear Window, Upper
	4538 388-9	1		21	Bright
	BE14-5 KX8	1		21	Black
-	6004 114	AR			RETAINER
8					MOULDING ASSEMBLY, Rear Window, Side
	4538 392-3	1		21	Bright
	BE16-7 KX8	1		21	Black
-	6004 111	AR			RETAINER
9					MOULDING ASSEMBLY, Rear Window Lower
	4538 396-7	1		21	Bright
	BE18-9 KX8	1		21	Black
-	6003 969	AR			RETAINER
10					CAP, Rear Window Moulding, Lower
	4454 916	1		21	Bright
	BE20 KX8	1		21	Black
-	6003 969	AR		21	RETAINER
11	4454 580	1		21	FILLER, Rear Window Moulding to Deck Lid
-	6004 039	2			RETAINER, Filler
12	4491 274-5	1		27	MOULDING ASSEMBLY, Windshield Upper, Bright
13	5261 590-1	1		27	MOULDING ASSEMBLY, A Pillar Outer

### MODEL CODES:

A BODY=(C=LeBaron, D=Spirit, P=Acclaim/LaBaron(Landau), Saratoga)

C BODY=(D=Dynasty, C=New Yorker/N.Y. Salon)

G BODY=(V=Daytona/IROC, Chrysler Daytona)

J BODY=(C=LeBaron, Chrysler LeBaron)

P BODY=(P=Sundance, D=Shadow)

S BODY=(H=Voyager(H) FWD, K=Caravan(H) FWD,

Y=Town & Country(H) FWD, P=Voyager(K) AWD,

D=Caravan(K) AWD, C=Town & Country(K) AWD)

Y BODY=(C=Imperial/5th Avenue)

E-S BODY=(K=Chrysler Voyager(H) FWD, D=Chrysler

Voyager(K) AWD)

### BODY STYLES:

21=2-Door Coupe

41=4-Door Sedan

12-52=FWD & AWD Van & Wgn Std W.B.

24=2-Door Hatchback

44=4-Door Hatchback

53=FWD & AWD Van & Wgn Ext. W.B.

27=2-Door Convertible

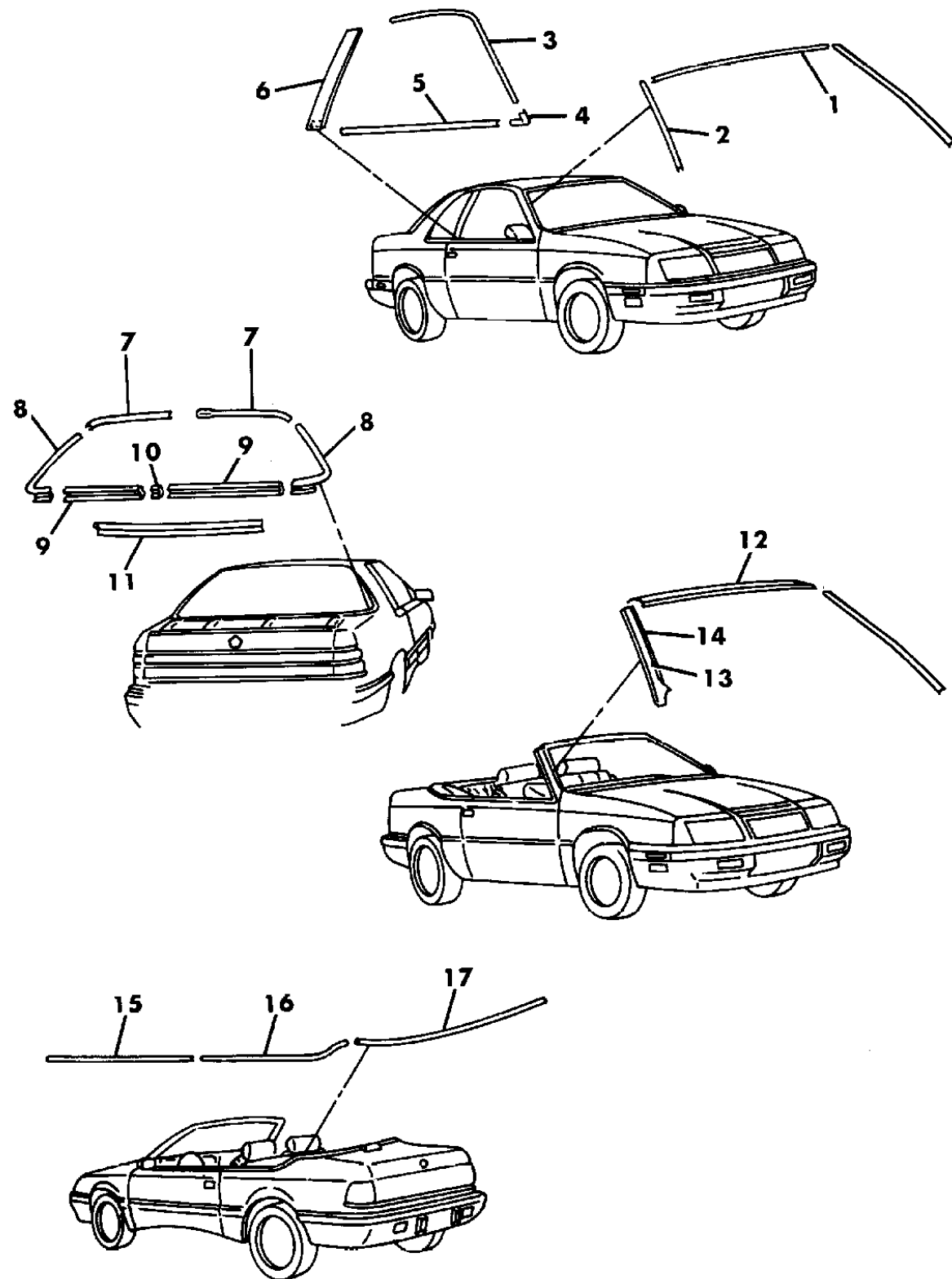
AR = Use as Required - = Non Illustrated Part P.A.R. = Paint as Required

MOULDINGS, WINDSHIELD AND REAR WINDOW - J BODY

Figure 23-900

93168 900A

ITEM	PART NUMBER	QTY	BODY	MODEL	DESCRIPTION
-					SCREW, not serviced
14	4454 976-7	1		27	MOULDING, Windshield Pillar Inner
-	6004 036	AR			RETAINER
15	5261 656-7	1		27	MOULDING and WEATHERSTRIP ASSEMBLY, Belt, Bright ***
-	4422 622-3	1		27	SEAL, Moulding, (also included in the above moulding assembly)
-	4365 664	1		27	WEATHERSTRIP, Moulding (also included in the above moulding assembly)
-	6100 045	AR			NUT, Belt Moulding
16	4538 802-3	1		27	MOULDING ASSEMBLY, Quarter Belt
-	6100 045	AR			NUT
17	5261 725	1		27	MOULDING ASSEMBLY, Upper Deck Lid
-	4398 828-9	1		27	CAP, Moulding End, also included in 5261725
-	6100 045	9		27	NUT, Deck Moulding
-	4422 231	2			DECAL, Door, Driver Education and Pentastar



MODEL CODES:

A BODY=(C=LeBaron, D=Spirit, P=Acclaim/LaBaron(Landau), Saratoga) S BODY=(H=Voyager(H) FWD, K=Caravan(H) FWD, Y=Town & Country(H) FWD, P=Voyager(K) AWD, D=Caravan(K) AWD, C=Town & Country(K) AWD)  
 C BODY=(D=Dynasty, C=New Yorker/N.Y. Salon)  
 G BODY=(V=Daytona/IROC, Chrysler Daytona)  
 J BODY=(C=LeBaron, Chrysler LeBaron)  
 P BODY=(P=Sundance, D=Shadow)  
 Y BODY=(C=Imperial/5th Avenue)  
 E-S BODY=(K=Chrysler Voyager(H) FWD, D=Chrysler Voyager(K) AWD)

BODY STYLES:

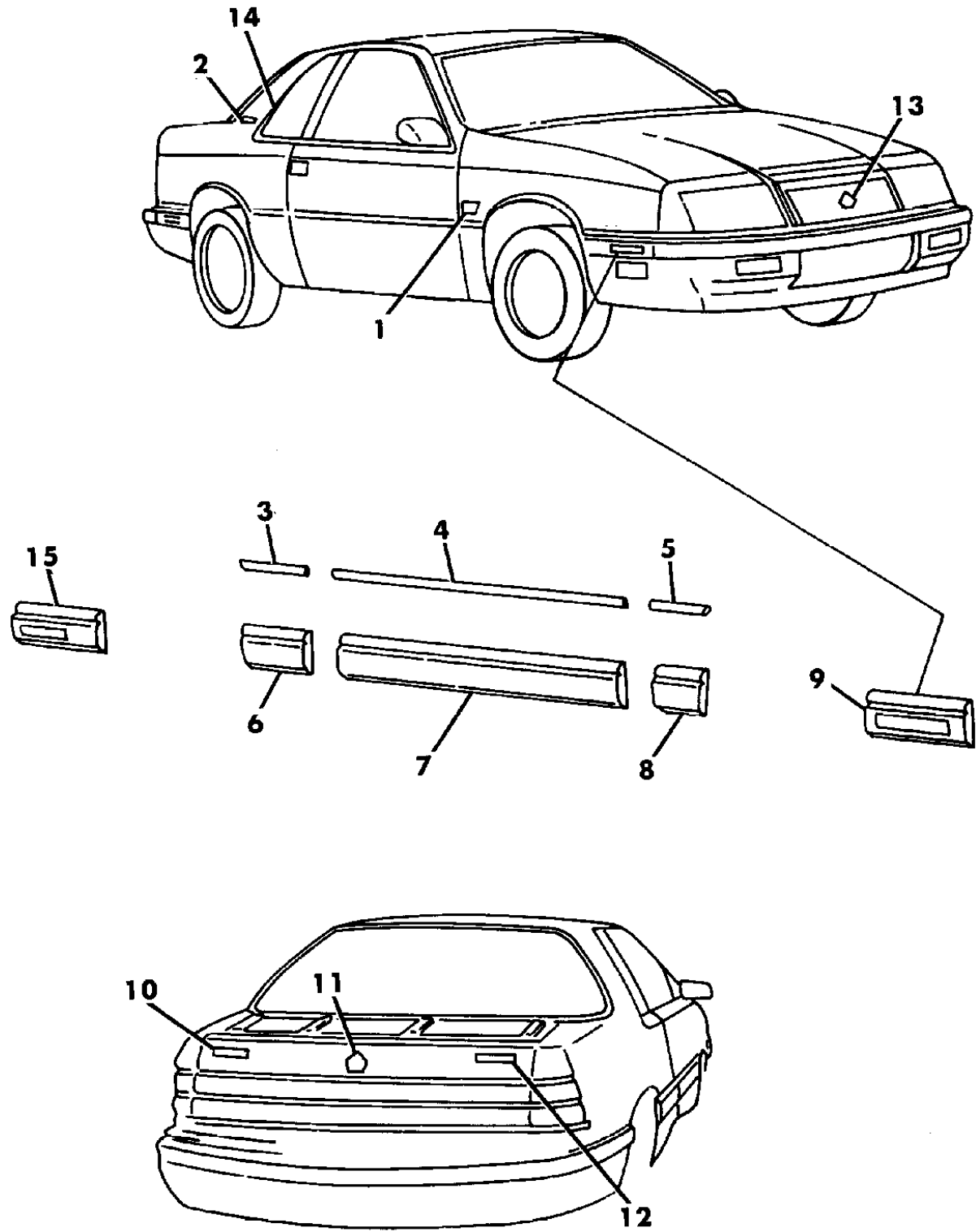
21=2-Door Coupe      41=4-Door Sedan      12-52=FWD & AWD Van & Wgn Std W.B.  
 24=2-Door Hatchback      44=4-Door Hatchback      53=FWD & AWD Van & Wgn Ext. W.B.  
 27=2-Door Convertible

AR = Use as Required - = Non Illustrated Part P.A.R. = Paint as Required

**MOULDINGS DECALS AND ORNAMENTATION - J BODY**  
**Figure 23-1000**

93168 1000A

ITEM	PART NUMBER	QTY	BODY	MODEL	DESCRIPTION
1	4491 999	2			NAMEPLATE, Fender, "V6 3.0 LITER"
2	4534 334-5	1			MOULDING, Roof to Bodyside Aperture
-	4440 698	4			GASKET, Aperture Joint Moulding
-		4			NUT, (not serviced, use w/.164-32 stud)
3					MOULDING, Quarter Front
	EC40-1 KX9	1			Black
	EC40-1 KRB	1			Indy Red or Radiant Fire
	EC40-1 KW7	1			White
	EC40-1 LQE	1			Aqua
	EC40-1 MGF	1			Emerald Green
4					MOULDING, Door
	EC31 KX9	2			Black
	EC31 KRB	2			Indy Red or Radiant Fire
	EC31 KW7	2			White
	EC31 LQE	2			Aqua
	EC31 MGF	2			Emerald Green
5					MOULDING, Fender
	EC38-9 KX9	1			Black
	EC38-9 KRB	1			Indy Red or Radiant Fire
	EC38-9 KW7	1			White
	EC38-9 LQE	1			Aqua
	EC38-9 MGF	1			Emerald Green
6					MOULDING ASSEMBLY, Quarter Front
	AE80-1 KWX	1			White/Black
	AE80-1 KRX	1			Indy Red or Radiant Fire/Black
	AE80-1 JXD	1			Black/Dark Quartz
	AE80-1 LQX	1			Aqua/Black
	AE80-1 MGY	1			Emerald Green/Gold
	AE80-1 MMY	1			Wildberry/Gold
	X654-5 HX9	1			Black/Bright
7					MOULDING, Door
	EA46-7 LWX	1			w/LEBARON GTC Graphics White/Black
	EA46-7 LRX	1			Indy Red or Radiant Fire/Black
	EA46-7 LXD	1			Black/Dark Quartz
	EA46-7 LQX	1			Aqua/Black
	EA46-7 MGY	1			Emerald Green/Gold
	EA46-7 MMY	1			Wildberry/Gold w/o Graphics



**MODEL CODES:**

A BODY=(C=LeBaron, D=Spirit, P=Acclaim/LaBaron(Landau, Saratoga)  
 C BODY=(D=Dynasty, C=New Yorker/N.Y. Salon)  
 G BODY=(V=Daytona/IROC, Chrysler Daytona)  
 J BODY=(C=LeBaron, Chrysler LeBaron)  
 P BODY=(P=Sundance, D=Shadow)

S BODY=(H=Voyager(H) FWD, K=Caravan(H) FWD, Y=Town & Country(H) FWD, P=Voyager(K) AWD, D=Caravan(K) AWD, C=Town & Country(K) AWD)  
 Y BODY=(C=Imperial/5th Avenue)  
 E-S BODY=(K=Chrysler Voyager(H) FWD, D=Chrysler Voyager(K) AWD)

**BODY STYLES:**

21=2-Door Coupe      41=4-Door Sedan      12-52=FWD & AWD Van & Wgn Std W.B.  
 24=2-Door Hatchback      44=4-Door Hatchback      53=FWD & AWD Van & Wgn Ext. W.B.  
 27=2-Door Convertible

AR = Use as Required - = Non Illustrated Part P.A.R. = Paint as Required



**MOULDINGS DECALS AND ORNAMENTATION - J BODY**  
**Figure 23-1000**

93168 1000A

ITEM	PART NUMBER	QTY	BODY	MODEL	DESCRIPTION
	EE40-1 KWX	1			White/Black
	EE40-1 KRX	1			Indy Red or Radiant Fire/Black
	EE40-1 KXD	1			Black/Dark Quartz
	EE40-1 LQX	1			Aqua/Black
	EE40-1 MGY	1			Emerald Green/Gold
	EE40-1 MMY	1			Wildberry/Gold
8	AE88-9 JX9	1			Black/Bright
					MOULDING ASSEMBLY, Fender, Rear
	AE82-3 KWX	1			White/Black
	AE82-3 KRX	1			Indy Red or Radiant Fire/Black
	AE82-3 JXD	1			Black/Dark Quartz
	AE82-3 LQX	1			Aqua/Black
	AE82-3 MGY	1			Emerald Green/Gold
9	X650-1 HX9	1			Black/Bright
					LAMP or COVER ASSEMBLY, Front Nerf Extension ***
					LAMP, (moulding w/lamp)
	AE84-5 KW7	1			White/Black
	AE84-5 KRB	1			Indy Red or Radiant Fire/Black
	AE84-5 JX8	1			Black/Dark Quartz
	AE84-5 MMY	1			Wildberry/Gold
	AE84-5 LQE	1			Aqua/Black
	AE84-5 MGF	1			Emerald Green/Gold
	X074-5 HX9	1			Black/Bright
	AT28-9 JX9	1			COVER, (moulding w/cover), Black, EUROPE
-	6032 389	4			NUT, Cap, Lamp or Cover Attaching
10					NAMEPLATE or DECAL, "CHRYSLER" ***
	4422 432	1			Bright, (nameplate)
	DL12 LD8	1			Dark Quartz Gray, (decal)
	DL12 LX9	1			Black, (decal)
	DL12 LA1	1			Silver, (decal)
	DL12 MT3	1			Tan, (decal)
	DL12 MY2	1			Gold Metallic, (decal)
11					MEDALLION, Deck Lid Pentastar
	4366 993	1			Bright
	X201 KW7	1			White
	X201 KRB	1			Indy Red or Radiant Fire
	X201 KX8	1			Black
	X201 LQE	1			Aqua
	X201 MGF	1			Emerald Green

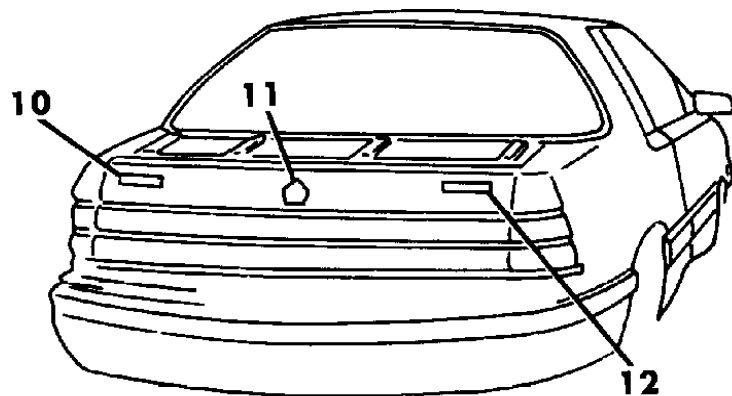
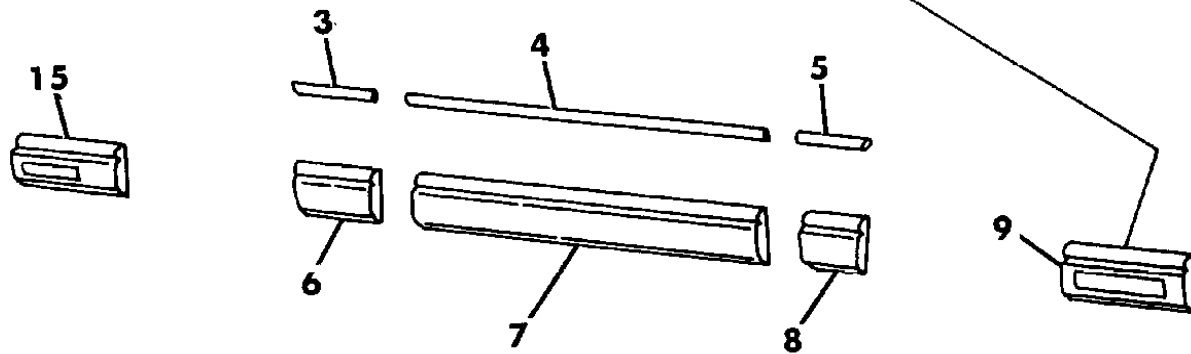
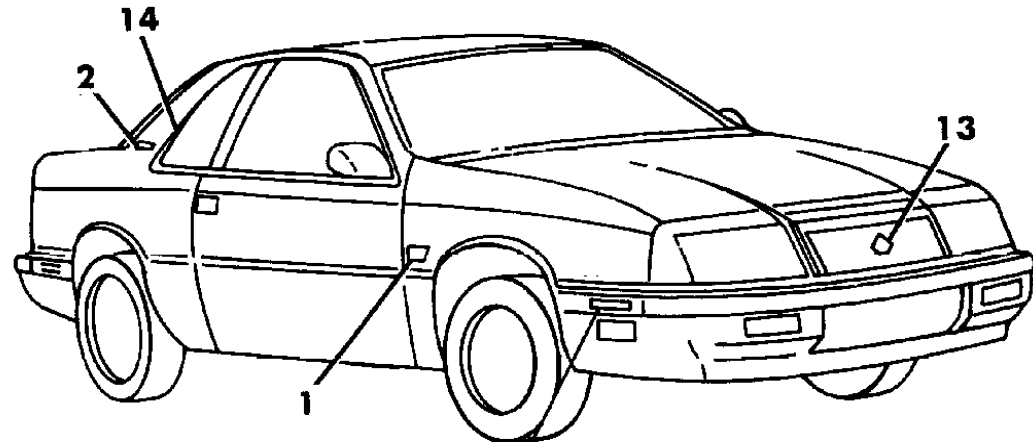
**MODEL CODES:**

A BODY=(C=LeBaron, D=Spirit, P=Acclaim/LaBaron(Landau), Saratoga) S BODY=(H=Voyager(H) FWD, K=Caravan(H) FWD, Y=Town & Country(H) FWD, P=Voyager(K) AWD, D=Caravan(K) AWD, C=Town & Country(K) AWD)  
 C BODY=(D=Dynasty, C=New Yorker/N.Y. Salon) Y BODY=(C=Imperial/5th Avenue)  
 G BODY=(V=Daytona/ROC, Chrysler Daytona) E-S BODY=(K=Chrysler Voyager(H) FWD, D=Chrysler Voyager(K) AWD)  
 J BODY=(C=LeBaron, Chrysler LeBaron) P BODY=(P=Sundance, D=Shadow)

**BODY STYLES:**

21=2-Door Coupe      41=4-Door Sedan      12-52=FWD & AWD Van & Wgn Std W.B.  
 24=2-Door Hatchback      44=4-Door Hatchback      53=FWD & AWD Van & Wgn Ext. W.B.  
 27=2-Door Convertible

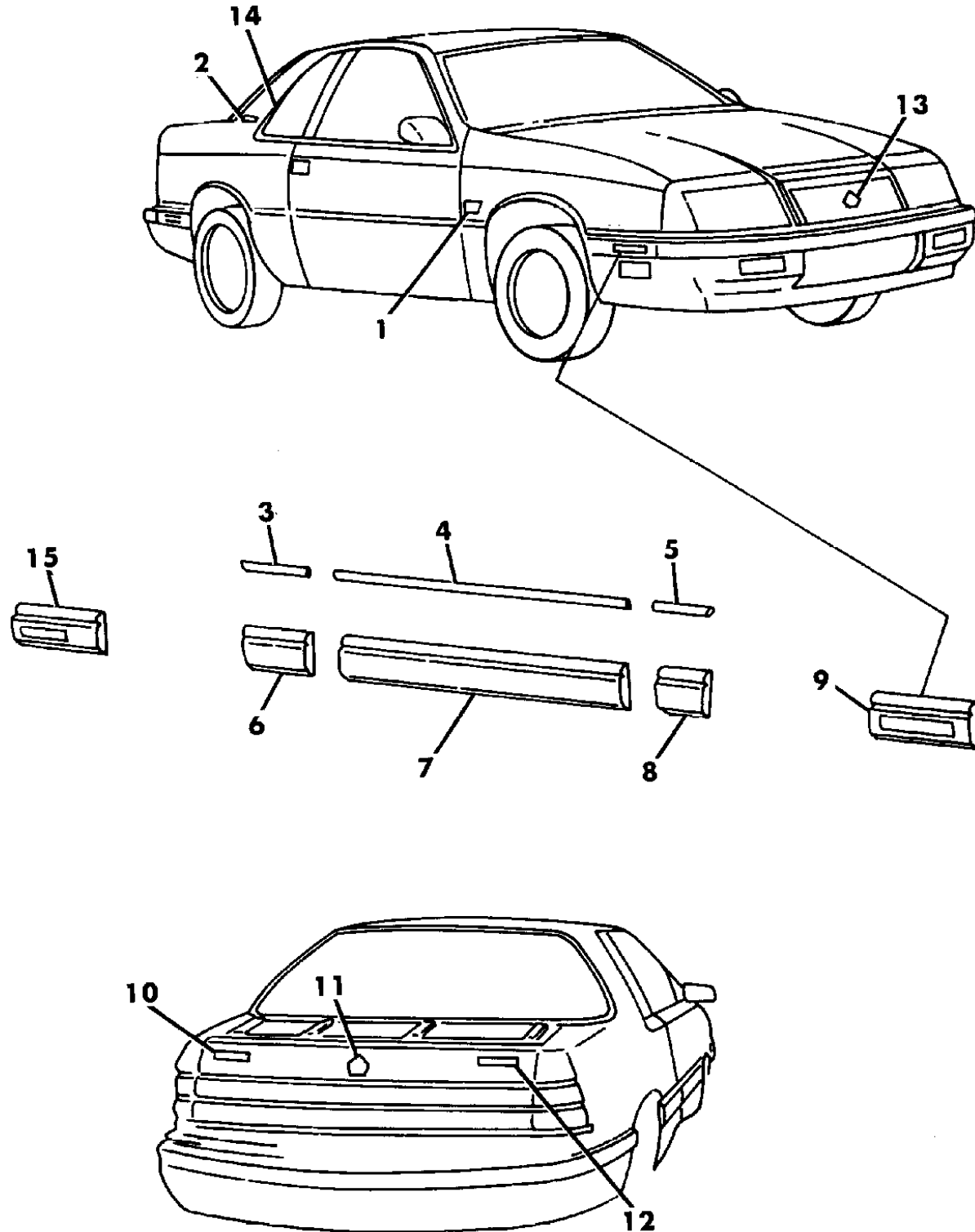
AR = Use as Required - = Non Illustrated Part P.A.R. = Paint as Required



**MOULDINGS DECALS AND ORNAMENTATION - J BODY**  
**Figure 23-1000**

93168 1000A

ITEM	PART NUMBER	QTY	BODY	MODEL	DESCRIPTION
12					NAMEPLATE or DECAL, Deck Lid ***
	5261 911	1			"LEBARON LX", Bright, (nameplate)
	DL11 LD8	1			"LEBARON GTC", Dark Quartz, (decal)
	DL11 LX9	1			"LEBARON GTC", Black, (decal)
	DL11 MY2	1			"LEBARON GTC", Gold Metallic, (decal)
	FU45 LD8	1			"LEBARON", Dark Quartz Gray, (decal)
	FU45 LX9	1			"LEBARON", Black, (decal)
	FU45 LA1	1			"LEBARON", Silver, (decal)
	FU45 MT3	1			"LEBARON", Tan, (decal)
	FU45 MY2	1			"LEBARON", Gold Metallic, (decal)
13					PENTASTAR, Radiator Grille
	4270 611	1			Bright
	4388 038	1			Painted, P.A.R.
-	6100 840	1			NUT, Medallion Attaching
14					MOULDING, Quarter Window, serviced w/glass see 23A
15					LAMP or COVER ASSEMBLY, Rear Nerf Extension ***
					LAMP, (moulding w/lamp)
	AE86-7 KW7	1			White/Black
	AE86-7 KRB	1			Indy Red or Radiant Fire/Black
	AE86-7 JX8	1			Black/Dark Quartz
	AE86-7 MMY	1			Wildberry/Gold
	AE86-7 LQE	1			Aqua/Black
	AE86-7 MGF	1			Emerald Green/Gold
	X076-7 HX9	1			Black/Bright
	AT30-1 JX9	1			COVER, (moulding w/cover), Black, EUROPE
-	6032 389	2			NUT, Cap, Lamp or Cover Attaching
-					NUT, Stamped, Not Serviced



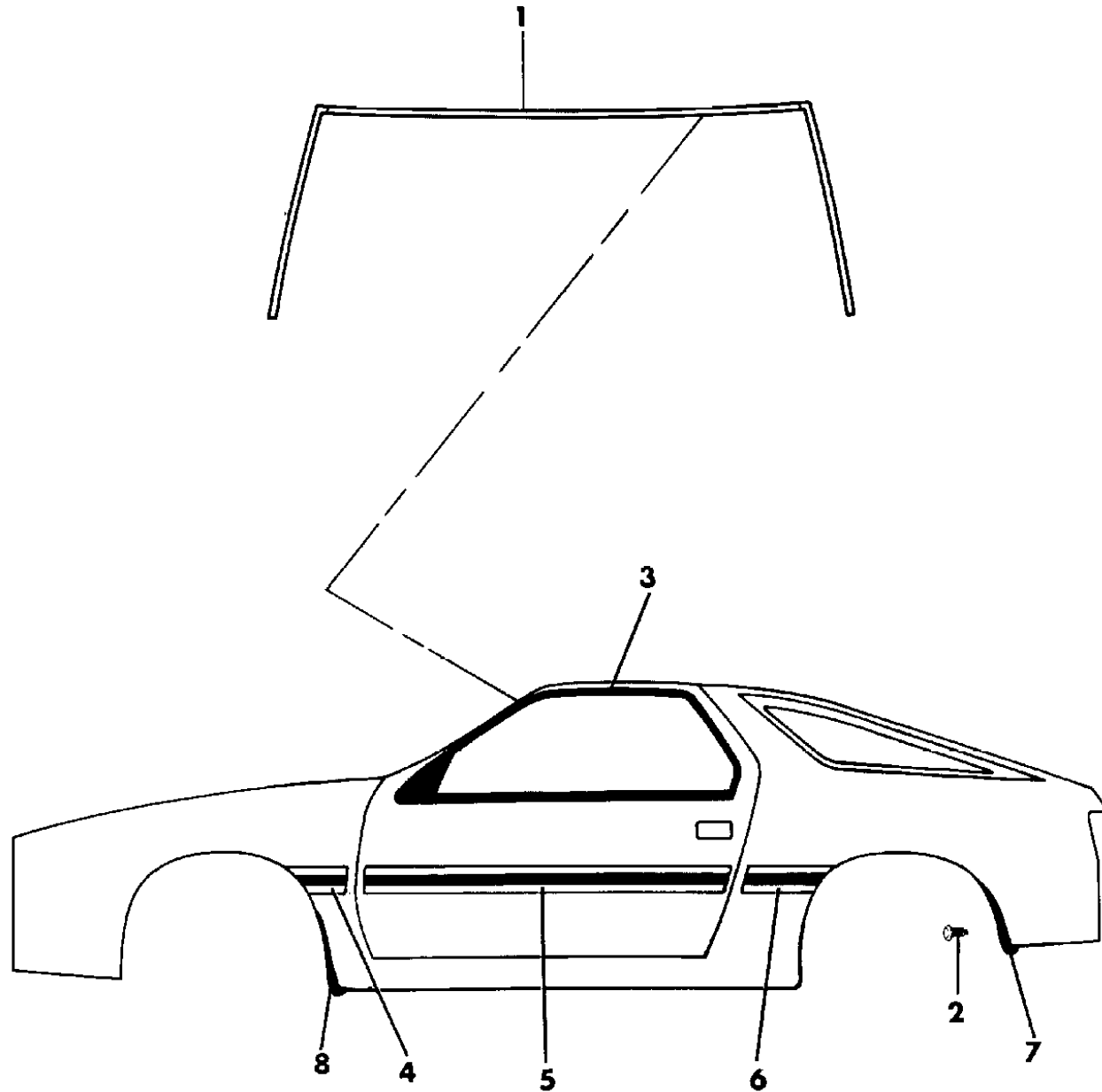
**MODEL CODES:**  
A BODY=(C=LeBaron, D=Spirit, P=Acclaim/LaBaron(Landau), Saratoga) S BODY=(H=Voyager(H) FWD, K=Caravan(H) FWD, Y=Town & Country(H) FWD, P=Voyager(K) AWD, D=Caravan(K) AWD, C=Town & Country(K) AWD)  
C BODY=(D=Dynasty, C=New Yorker/N.Y. Salon) Y BODY=(C=Imperial/5th Avenue)  
G BODY=(V=Daytona/IROC, Chrysler Daytona) E-S BODY=(K=Chrysler Voyager(H) FWD, D=Chrysler Voyager(K) AWD)  
J BODY=(C=LeBaron, Chrysler LeBaron) P BODY=(P=Sundance, D=Shadow)

**BODY STYLES:**  
21=2-Door Coupe 41=4-Door Sedan 12-52=FWD & AWD Van & Wgn Std W.B.  
24=2-Door Hatchback 44=4-Door Hatchback 53=FWD & AWD Van & Wgn Ext. W.B.  
27=2-Door Convertible

AR = Use as Required - = Non Illustrated Part P.A.R. = Paint as Required

**MOULDINGS - G BODY**  
**Figure 23-1100**

93168 1100



ITEM	PART NUMBER	QTY	BODY	MODEL	DESCRIPTION
1	5303 017	1			MOULDING, Windshield, (sides and top - 1 piece)
2	6031 390	AR			RETAINER, (use 3 per splash guard)
3	4658 252-3	1			MOULDING ASSEMBLY, w/Clips, Door Window Surround, Black
4					MOULDING, Fender, Body Color w/Black Accent
	AX36-7 LC3	1			Electric Blue
	AX36-7 LQE	1			Aqua
	AX36-7 LRB	1			Indy Red or Radiant Fire
	AX36-7 LM3	1			Raspberry
	AX36-7 LW7	1			Bright White
	AX36-7 MGF	1			Emerald Green
-	6031 390	2			RETAINER, Moulding
5					MOULDING, Door, Body color w/Black Accent
	AX38-9 LC3	1			Electric Blue
	AX38-9 LQE	1			Aqua
	AX38-9 LRB	1			Indy Red or Radiant Fire
	AX38-9 LM3	1			Raspberry
	AX38-9 LW7	1			Bright White
	AX38-9 MGF	1			Emerald Green
6					MOULDING, Quarter Panel, Body Color w/Black Accent
	AX40-1 LC3	1			Electric Blue
	AX40-1 LQE	1			Aqua
	AX40-1 LRB	1			Indy Red or Radiant Fire
	AX40-1 LM3	1			Raspberry
	AX40-1 LW7	1			Bright White
	AX40-1 MGF	1			Emerald Green
-	6031 390	2			RETAINER, Moulding
7	5261 980-1	1			SPLASH GUARD, Quarter Panel, EUROPE ***
8	5261 978-9	1			SPLASH GUARD, Fender, EUROPE ***

Splash Guards are also serviced in the Accessories Catalog. applications specified in this document.

**MODEL CODES:**

A BODY=(C=LeBaron, D=Spirit, P=Acclaim/LaBaron(Landau), Saratoga) S BODY=(H=Voyager(H) FWD, K=Caravan(H) FWD, Y=Town & Country(H) FWD, P=Voyager(K) AWD, D=Caravan(K) AWD, C=Town & Country(K) AWD)  
 C BODY=(D=Dynasty, C=New Yorker/N.Y. Salon) Y BODY=(C=Imperial/5th Avenue)  
 G BODY=(V=Daytona/IROC, Chrysler Daytona) E-S BODY=(K=Chrysler Voyager(H) FWD, D=Chrysler Voyager(K) AWD)  
 J BODY=(C=LeBaron, Chrysler LeBaron)  
 P BODY=(P=Sundance, D=Shadow)

**BODY STYLES:**

21=2-Door Coupe      41=4-Door Sedan      12-52=FWD & AWD Van & Wgn Std W.B.  
 24=2-Door Hatchback      44=4-Door Hatchback      53=FWD & AWD Van & Wgn Ext. W.B.  
 27=2-Door Convertible

AR = Use as Required - = Non Illustrated Part P.A.R. = Paint as Required

DECALS AND MEDALLIONS - G BODY

Figure 23-1200

93168 1200

ITEM	PART NUMBER	QTY	BODY	MODEL	DESCRIPTION
1					DECAL, Hood
					"TURBO"
	DY87 LD1	2			Light Quartz
	DY87 LX9	2			Flat Black
	DY87 LR4	2			Graphic Red
	DY87 LK6	2			Yellow Orange
	DY87 LC2	2			Light Blue
	DY87 MGG	2			Bright Green
					"3.0 V6 OHC"
	EZ28 KR4	2			Graphic Red
	EZ28 KAN	2			Red/Black
	EZ28 LBF	2			Yellow Orange/Radiant Fire
	EZ28 LC2	2			Light Blue
	EZ28 LD1	2			Light Quartz
	EZ28 LX9	2			Flat Black
	EZ28 MGG	2			Bright Green
	EZ28 LY2	2			Metallic Gold
2					MEDALLION, Fender
	5261 943	2			"IROC R/T", USA, CANADA
	5303 096	2			"SHELBY R/T", EUROPE
3					DECAL, Front Facia
					(Ram's Head), USA
	EN04 LD1	1			Light Quartz, USA
	EN04 LX9	1			Flat Black, USA
	EN04 LR4	1			Graphic Red, USA
	EN04 LAN	1			Red/Black, USA
	EN04 LBF	1			Yellow Orange/Radiant Fire, USA
	EN04 LC2	1			Light Blue, USA
	EN04 MGG	1			Bright Green, USA
	EN04 MY2	1			Gold, U.S.A.
					(PENTASTAR), CANADA, EUROPE
	EN03 LD1	1			Light Quartz, CANADA, EUROPE
	EN03 LX9	1			Flat Black, CANADA, EUROPE
	EN03 LR4	1			Graphic Red, CANADA, EUROPE
	EN03 LK6	1			Yellow Orange, CANADA, EUROPE
	EN03 LC2	1			Light Blue, CANADA, EUROPE
	EN03 MGG	1			Bright Green, CANADA, EUROPE
4					DECAL, Liftgate Opening Lower Panel, Left
					Ram's Head & "DODGE", USA

MODEL CODES:

A BODY=(C=LeBaron, D=Spirit, P=Acclaim/LaBaron(Landau), Saratoga)

C BODY=(D=Dynasty, C=New Yorker/N.Y. Salon)

G BODY=(V=Daytona/IROC, Chrysler Daytona)

J BODY=(C=LeBaron, Chrysler LeBaron)

P BODY=(P=Sundance, D=Shadow)

S BODY=(H=Voyager(H) FWD, K=Caravan(H) FWD,

Y=Town & Country(H) FWD, P=Voyager(K) AWD,

D=Caravan(K) AWD, C=Town & Country(K) AWD)

Y BODY=(C=Imperial/5th Avenue)

E-S BODY=(K=Chrysler Voyager(H) FWD, D=Chrysler

Voyager(K) AWD)

BODY STYLES:

21=2-Door Coupe

41=4-Door Sedan

12-52=FWD & AWD Van & Wgn Std W.B.

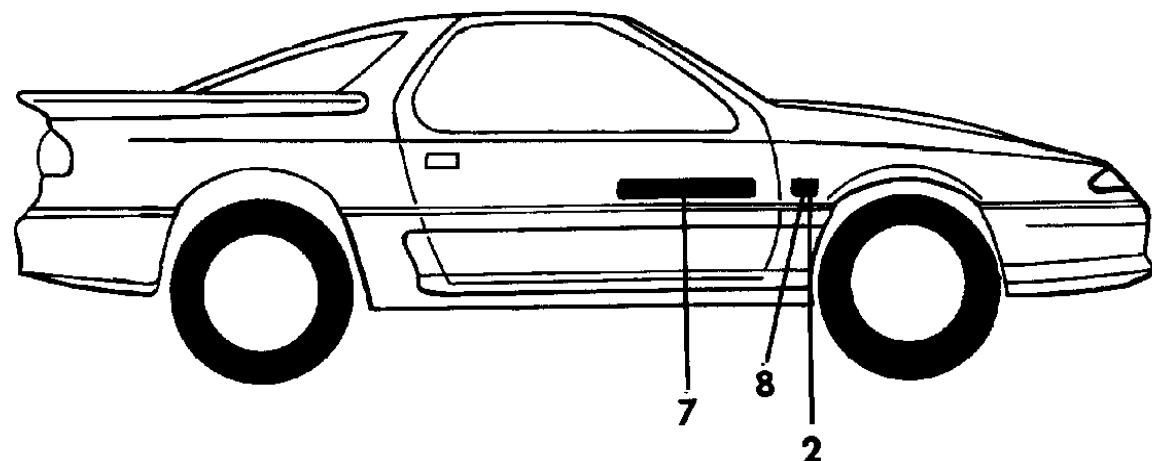
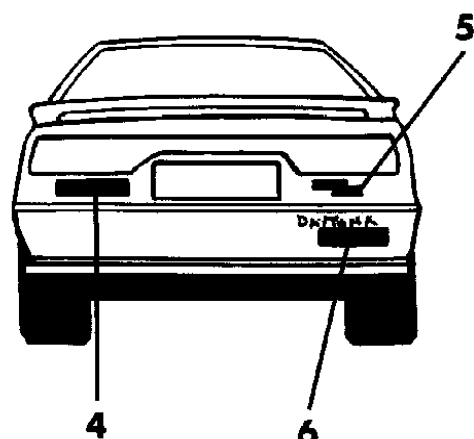
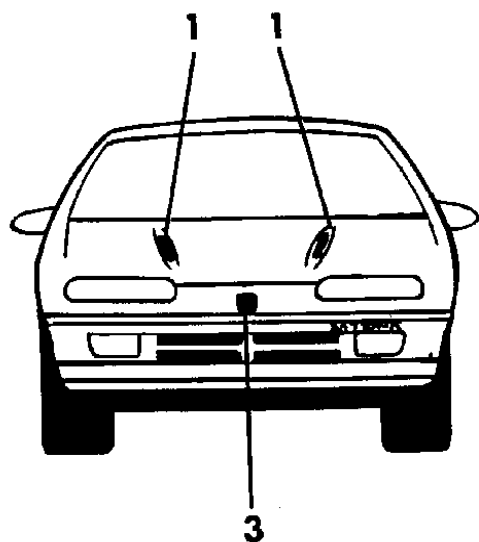
24=2-Door Hatchback

44=4-Door Hatchback

53=FWD & AWD Van & Wgn Ext. W.B.

27=2-Door Convertible

AR = Use as Required - = Non Illustrated Part P.A.R. = Paint as Required



DECALS AND MEDALLIONS - G BODY  
Figure 23-1200

93168 1200

ITEM	PART NUMBER	QTY	BODY	MODEL	DESCRIPTION
	EN05 LD1	1			Light Quartz (solid lettering), USA
	FP37 LD1	1			Light Quartz (outlined lettering), USA
	EN05 LX9	1			Flat Black, USA
	EN05 LR4	1			Graphic Red, USA
	ENO5 LAN	1			Red/Black, USA
	EN05 LBF	1			Yellow Orange/Radiant Fire, USA
	EN05 LC2	1			Light Blue, USA
	EN05 MGG	1			Bright Green, USA
	EN05 MY2	1			Gold Metallic, USA
	DY89 LD1	1			"CHRYSLER", CANADA, EUROPE Light Quartz, CANADA, EUROPE
	DY89 LX9	1			Flat Black, CANADA, EUROPE
	DY89 LR4	1			Graphic Red, CANADA, EUROPE
	DY89 LK6	1			Yellow Orange, CANADA, EUROPE
	DY89 LC2	1			Light Blue, CANADA, EUROPE
	DY89 MGG	1			Bright Green, CANADA, EUROPE
5					DECAL, Liftgate Opening Lower Panel, Right "IROC R/T", USA, CANADA
	FP39 LDR	1			Light Quartz/Red, USA, CANADA
	FP39 LD1	1			Light Quartz, USA, CANADA "SHELBY R/T", EUROPE
	HC95 MDR	1			Light Quartz/Red, EUROPE
	HC95 MD1	1			Light Quartz, EUROPE
6					DECAL, Rear Facia, Lower Right "ES"
	DY93 LD1	1			Light Quartz
	DY93 LX9	1			Black
	DY93 LR4	1			Graphic Red
	DY93 LK6	1			Yellow Orange
	DY93 LC2	1			Light Blue
	DY93 MGG	1			Bright Green
	EZ31 LR4	1			"IROC", USA, CANADA Graphic Red, USA, CANADA
	EZ31 LK6	1			Yellow Orange, USA, CANADA
	EZ31 LC2	1			Light Blue, USA, CANADA
	EZ31 MGG	1			Bright Green, USA, CANADA "SHELBY"
	EZ33 LR4	1			Graphic Red
	EZ33 LK6	1			Yellow Orange

MODEL CODES:

A BODY=(C=LeBaron, D=Spirit, P=Acclaim/LaBaron(Landau), Saratoga)

C BODY=(D=Dynasty, C=New Yorker/N.Y. Salon)

G BODY=(V=Daytona/IROC, Chrysler Daytona)

J BODY=(C=LeBaron, Chrysler LeBaron)

P BODY=(P=Sundance, D=Shadow)

S BODY=(H=Voyager(H) FWD, K=Caravan(H) FWD,

Y=Town & Country(H) FWD, P=Voyager(K) AWD,

D=Caravan(K) AWD, C=Town & Country(K) AWD)

Y BODY=(C=Imperial/5th Avenue)

E-S BODY=(K=Chrysler Voyager(H) FWD, D=Chrysler

Voyager(K) AWD)

BODY STYLES:

21=2-Door Coupe

41=4-Door Sedan

12-52=FWD & AWD Van & Wgn Std W.B.

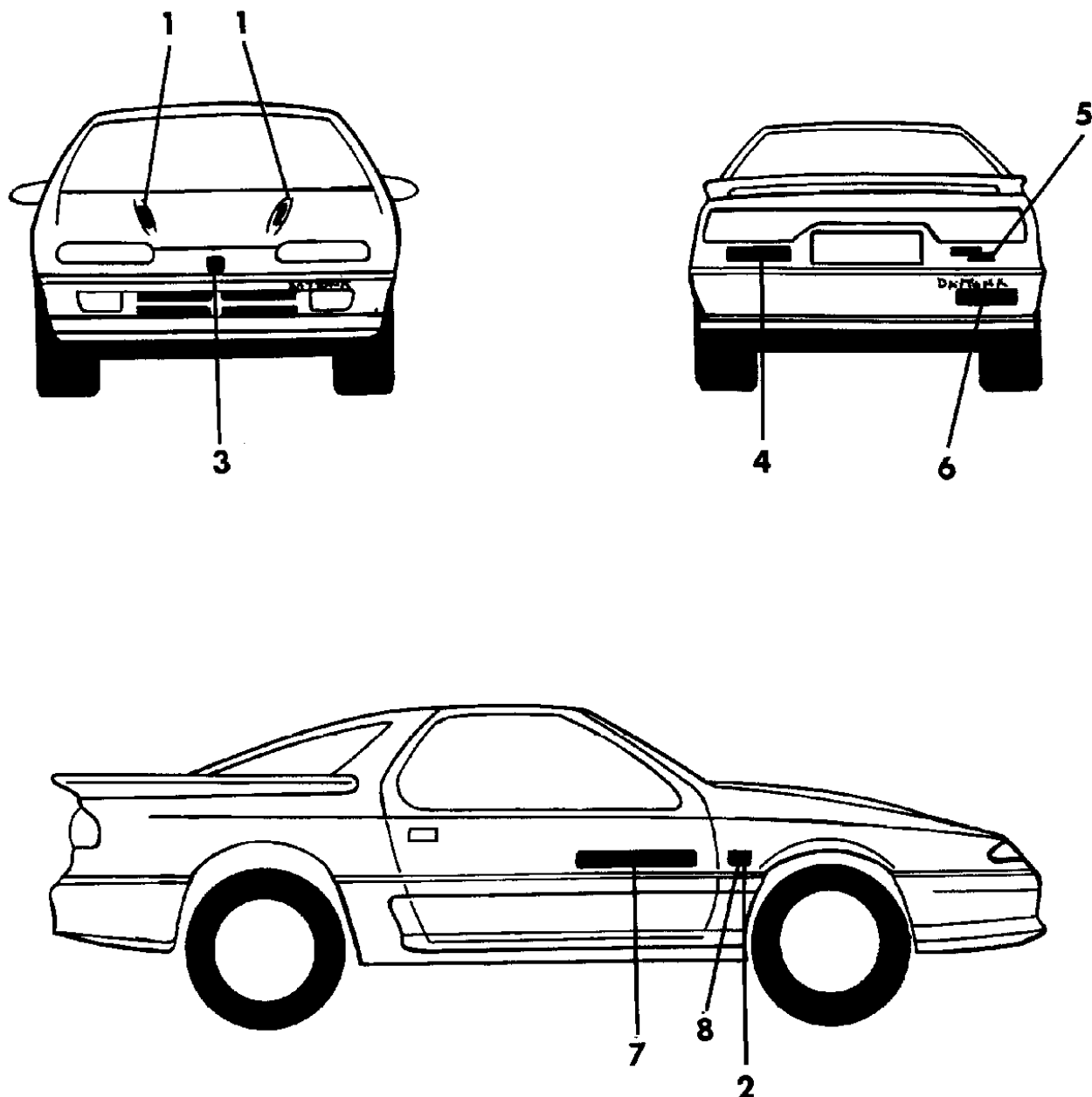
24=2-Door Hatchback

44=4-Door Hatchback

53=FWD & AWD Van & Wgn Ext. W.B.

27=2-Door Convertible

AR = Use as Required - = Non Illustrated Part P.A.R. = Paint as Required

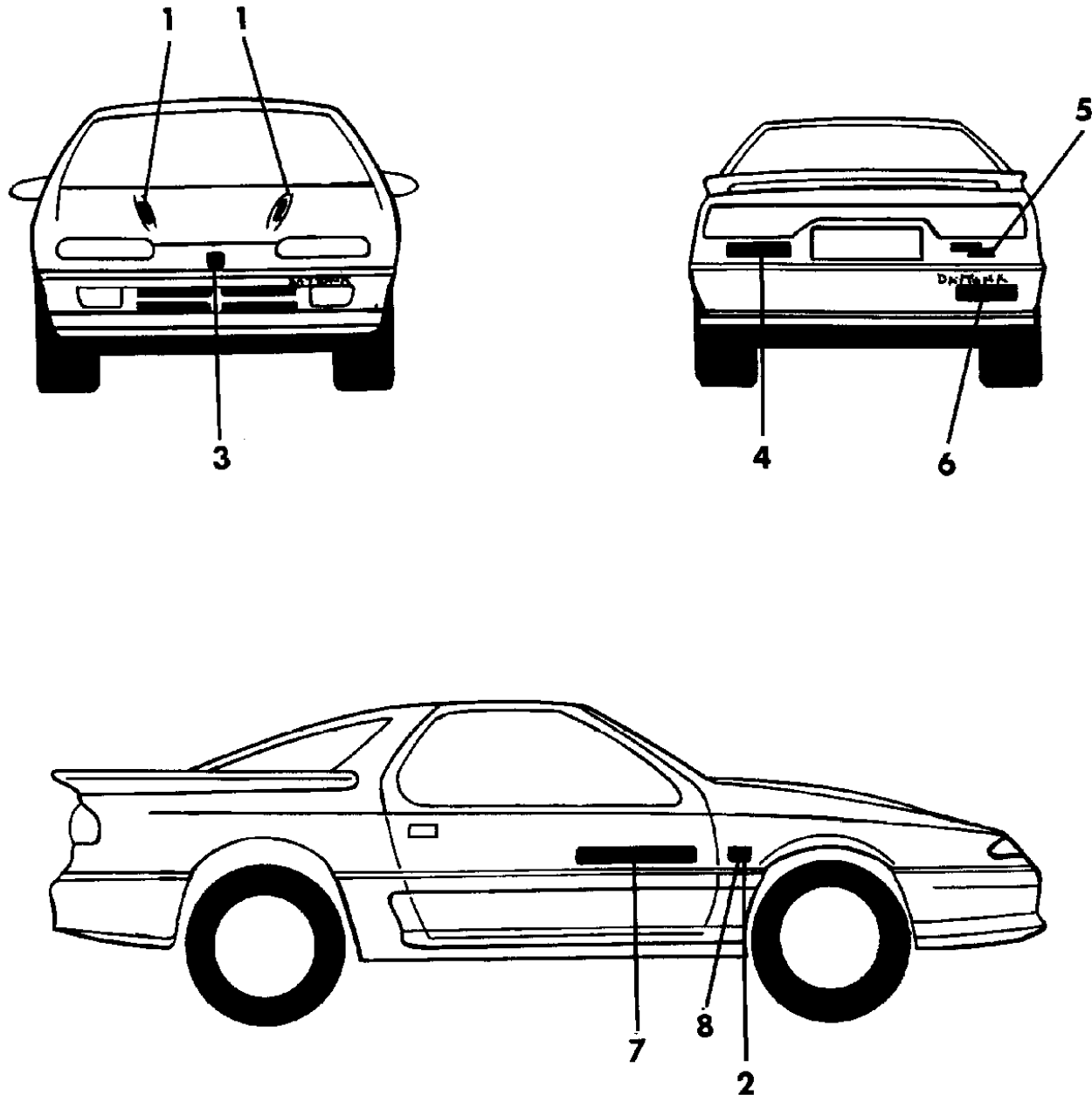


DECALS AND MEDALLIONS - G BODY

Figure 23-1200

93168 1200

ITEM	PART NUMBER	QTY	BODY	MODEL	DESCRIPTION
	EZ33 LC2	1			Light Blue
	EZ33 MGG	1			Bright Green
7	GY41 LR4	2			DECAL, Door, "IROC DAYTONA", USA, CANADA
	GY41 LK6	2			Graphic Red, USA, CANADA
	GY41 LC2	2			Yellow Orange, USA, CANADA
	GY41 LC2	2			Light Blue, USA, CANADA
	GY41 MGG	2			Bright Green, USA, CANADA
8					DECAL, Fender Side
					DECAL, "V6 3.0 LITRE"
	DY97 LD1	2			Light Quartz
	DY97 LX9	2			Flat Black
	DY97 LR4	2			Graphic Red
	DY97 LAN	2			Red/Black
	DY97 LBF	2			Yellow Orange/Radiant Fire
	DY97 LC2	2			Light Blue
	DY97 MGG	2			Bright Green
					DECAL, "SHELBY", EUROPE
	EZ34 LR4	2			Graphic Red, EUROPE
	EZ34 LK6	2			Yellow Orange, EUROPE
	EZ34 LC2	2			Bright Blue, EUROPE
	EZ34 MGG	2			Bright Green, EUROPE
-	4422 231	2			DECAL, Driver Education and Pentastar



MODEL CODES:

A BODY=(C=LeBaron, D=Spirit, P=Acclaim/LaBaron(Landau), Saratoga)  
 C BODY=(D=Dynasty, C=New Yorker/N.Y. Salon)  
 G BODY=(V=Daytona/IROC, Chrysler Daytona)  
 J BODY=(C=LeBaron, Chrysler LeBaron)  
 P BODY=(P=Sundance, D=Shadow)

S BODY=(H=Voyager(H) FWD, K=Caravan(H) FWD, Y=Town & Country(H) FWD, P=Voyager(K) AWD, D=Caravan(K) AWD, C=Town & Country(K) AWD)  
 Y BODY=(C=Imperial/5th Avenue)  
 E-S BODY=(K=Chrysler Voyager(H) FWD, D=Chrysler Voyager(K) AWD)

BODY STYLES:

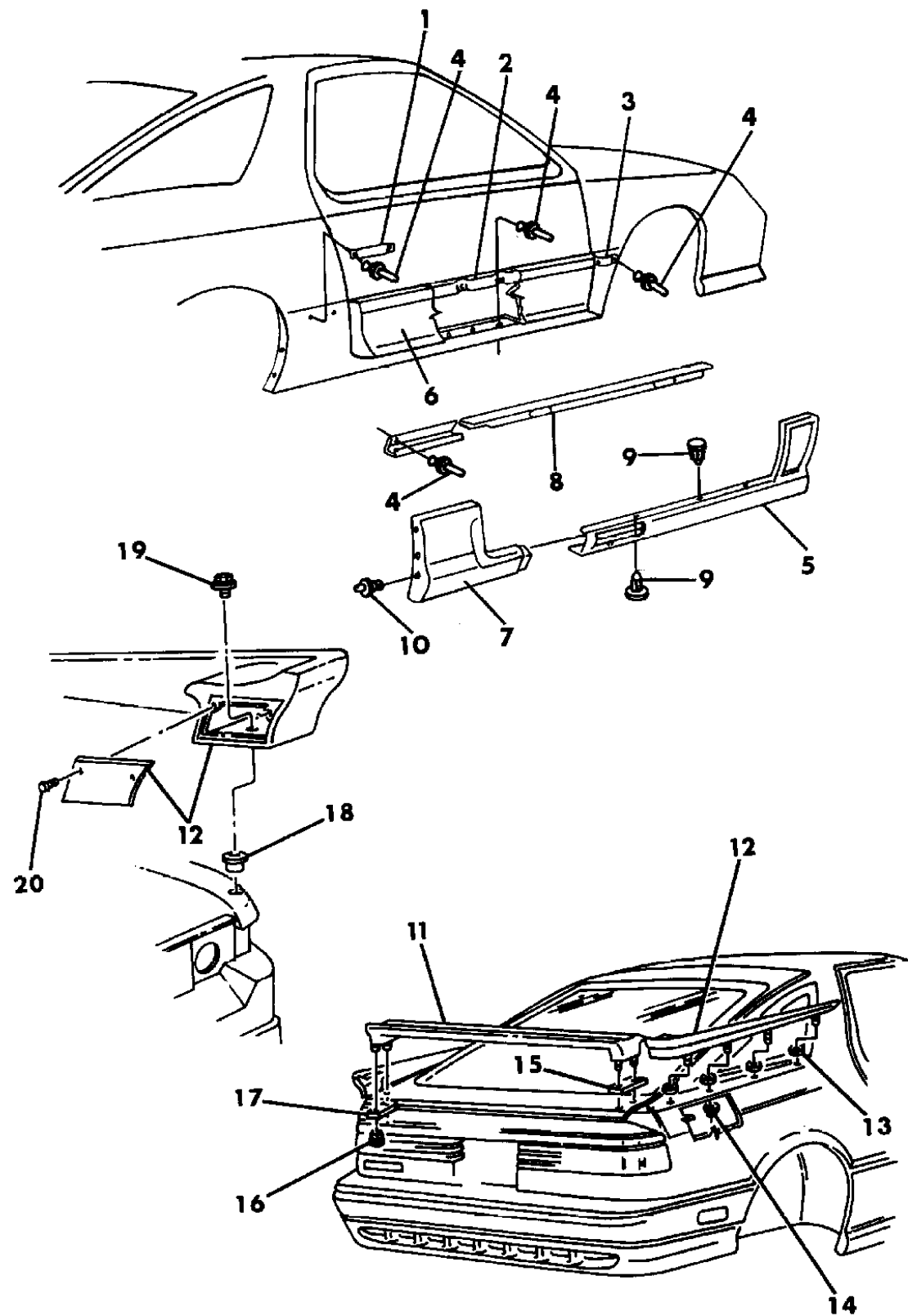
21=2-Door Coupe      41=4-Door Sedan      12-52=FWD & AWD Van & Wgn Std W.B.  
 24=2-Door Hatchback      44=4-Door Hatchback      53=FWD & AWD Van & Wgn Ext. W.B.  
 27=2-Door Convertible

AR = Use as Required - = Non Illustrated Part P.A.R. = Paint as Required

GROUND EFFECTS PACKAGE - G BODY

Figure 23-1300

93168 1300



ITEM	PART NUMBER	QTY	BODY	MODEL	DESCRIPTION
1	5261 320	2			BRACKET, Applique Attaching, Quarter Panel Upper
2	5261 492-3	1			BRACKET, Applique Attaching, Door Upper
3	5261 318	2			BRACKET, Applique Attaching, Fender Upper
4					RIVET
	6032 731	20			For Attaching Upper Applique Bracket
	6502 689	16			For Attaching Door Applique
	6031 115	14			For Attaching Lower Bracket to Side Sill
5	5261 964-5	1			APPLIQUE, Fender Rear and Sill, P.A.R. (front section w/ stamping #4538192-3)
6					APPLIQUE, Door, P.A.R.
	5261 966	1			Right, For vehicle built up to 11/29/92
	4728 421	1			Left, For vehicles built up to 11/29/92
	4741 448-9	1			For vehicles built 11/30/92 and after
7	5261 968-9	1			APPLIQUE, Sill and Quarter Front (rear section w/stamping #4538196-7)
8	5261 324-5	1			BRACKET, Applique, Fender, Sill and Quarter Lower
9	6501 067	32			RETAINER, Applique to Bracket
10	6031 390	12			RETAINER, Applique to Wheel Opening
11	4451 394	1			SPOILER ASSEMBLY, Liftgate
12	4451 416-7	1			SPOILER ASSEMBLY, Aperture Panel
13		8			WASHER, not serviced
14	6025 002	8			NUT
15	4451 449	2			GASKET, Spoiler to Liftgate
16	6032 538	4			NUT
17	4451 434	2			REINFORCEMENT, Liftgate, (for attaching spoiler)
18		2			NUT, 6033333 not serviced
19		2			SCREW, 154036 not serviced
20		2			SCREW, (152304 not serviced, use .164-18x.500)

MODEL CODES:

A BODY=(C=LeBaron, D=Spirit, P=Acclaim/LaBaron(Landau), Saratoga)  
 C BODY=(D=Dynasty, C=New Yorker/N.Y. Salon)  
 G BODY=(V=Daytona/IROC, Chrysler Daytona)  
 J BODY=(C=LeBaron, Chrysler LeBaron)  
 P BODY=(P=Sundance, D=Shadow)

S BODY=(H=Voyager(H) FWD, K=Caravan(H) FWD, Y=Town & Country(H) FWD, P=Voyager(K) AWD, D=Caravan(K) AWD, C=Town & Country(K) AWD)  
 Y BODY=(C=Imperial/5th Avenue)  
 E-S BODY=(K=Chrysler Voyager(H) FWD, D=Chrysler Voyager(K) AWD)

BODY STYLES:

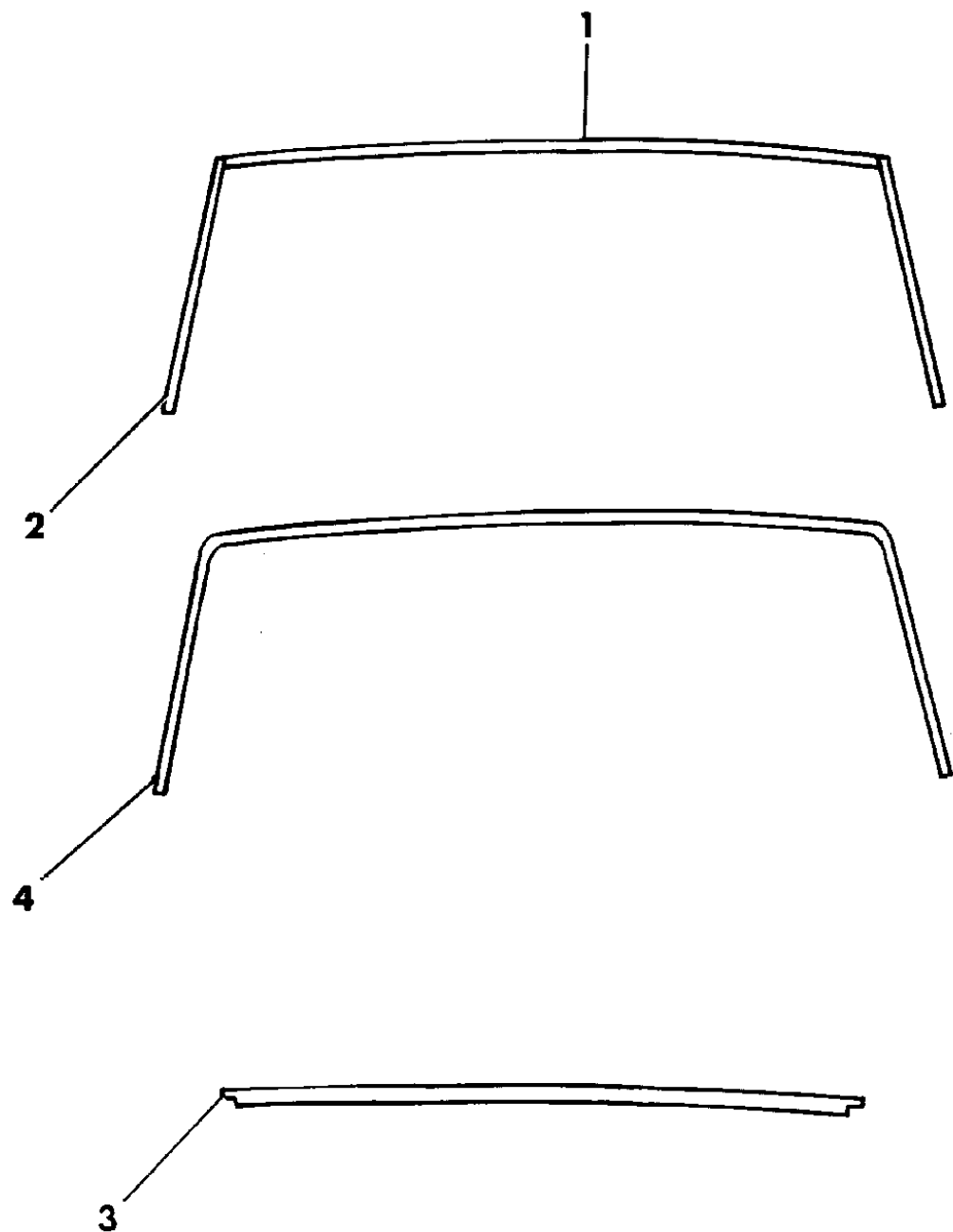
21=2-Door Coupe      41=4-Door Sedan      12-52=FWD & AWD Van & Wgn Std W.B.  
 24=2-Door Hatchback      44=4-Door Hatchback      53=FWD & AWD Van & Wgn Ext. W.B.  
 27=2-Door Convertible

AR = Use as Required - = Non Illustrated Part P.A.R. = Paint as Required

**MOULDINGS, WINDSHIELD AND REAR WINDOW - C BODY**  
**Figure 23-1400**

93168 1400

ITEM	PART NUMBER	QTY	BODY	MODEL	DESCRIPTION
1					MOULDING, Windshield Upper
	4398 469	1	D		Black
	4398 021	1	C		Bright
2					MOULDING, Windshield Side
	5261 624-5	1	D		Black
	5261 622-3	1	C		Bright
3	4676 218	1			MOULDING, Rear Window Lower, Black (not used w/vinyl roof)
-	6004 206	4			RETAINER, Lower Moulding
4	5261 651	1			MOULDING, Rear Window Glass, Black (approximately 5 feet long)



**MODEL CODES:**

A BODY=(C=LeBaron, D=Spirit, P=Acclaim/LaBaron(Landau), Saratoga) S BODY=(H=Voyager(H) FWD, K=Caravan(H) FWD, Y=Town & Country(H) FWD, P=Voyager(K) AWD, D=Caravan(K) AWD, C=Town & Country(K) AWD)  
 C BODY=(D=Dynasty, C=New Yorker/N.Y. Salon) Y BODY=(C=Imperial/5th Avenue)  
 G BODY=(V=Daytona/IROC, Chrysler Daytona) E-S BODY=(K=Chrysler Voyager(H) FWD, D=Chrysler Voyager(K) AWD)  
 J BODY=(C=LeBaron, Chrysler LeBaron)  
 P BODY=(P=Sundance, D=Shadow)

**BODY STYLES:**

21=2-Door Coupe      41=4-Door Sedan      12-52=FWD & AWD Van & Wgn Std W.B.  
 24=2-Door Hatchback      44=4-Door Hatchback      53=FWD & AWD Van & Wgn Ext. W.B.  
 27=2-Door Convertible

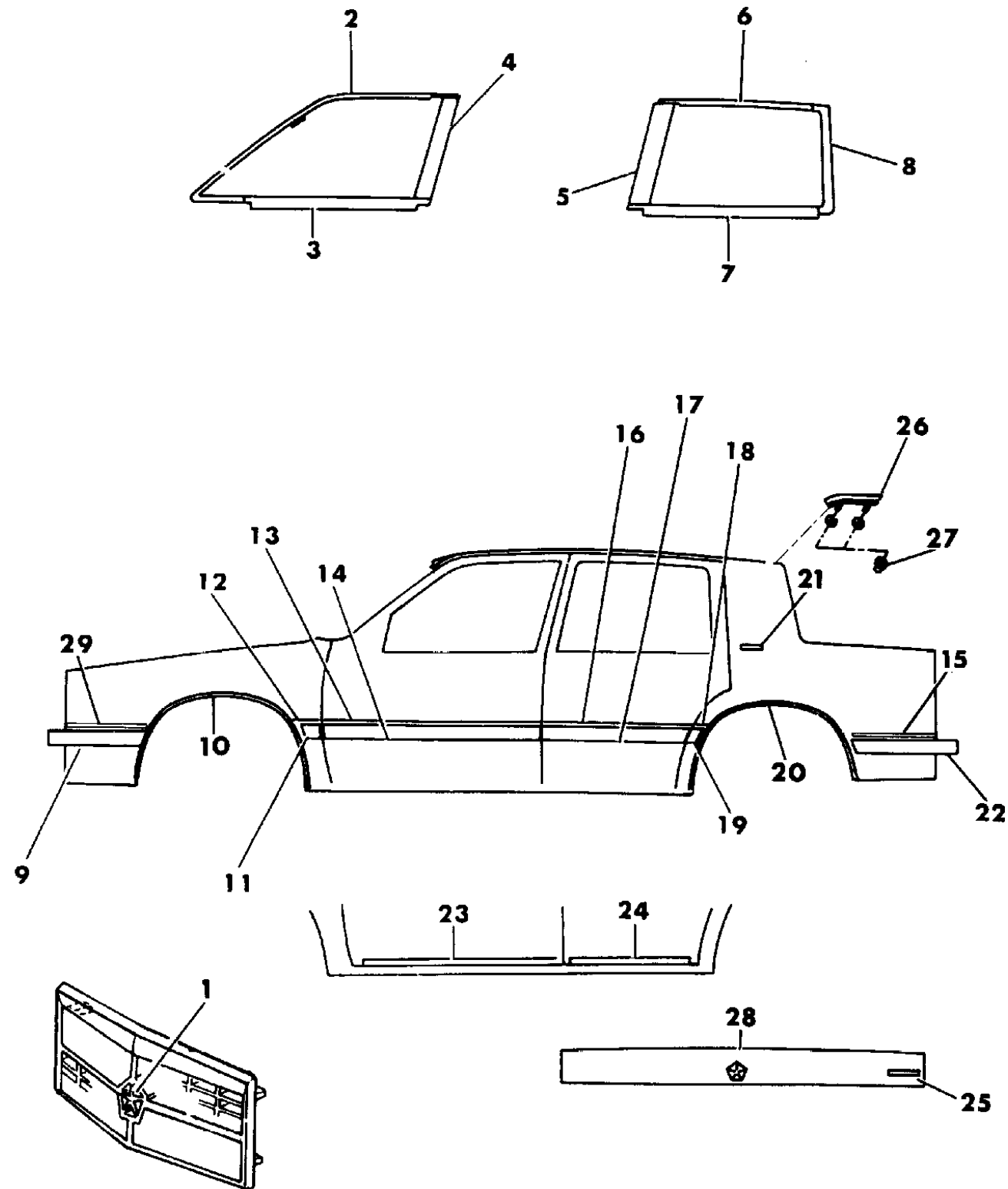
AR = Use as Required - = Non Illustrated Part P.A.R. = Paint as Required



MOULDINGS AND ORNAMENTATION - C BODY - DODGE DYNASTY

Figure 23-1500

93168 1500



ITEM	PART NUMBER	QTY	BODY	MODEL	DESCRIPTION
1	4388 753	1			PENTASTAR, Radiator Grille
-		1			NUT, Pentastar to Grille, not serviced
2	4538 708-9	1			MOULDING ASSEMBLY, Front Door Window Upper, Bright
-	6033 184	12			GROMMET
3	4636 076-7	1			MOULDING PACKAGE, Door Belt/Mirror Surround, Bright
-	6033 184	6			GROMMET
4	4494 294-5	1			APPLIQUE PACKAGE, Front Door Rear, Gloss Black
-	6033 184	6			GROMMET
-	6033 303	6			SCREW
-	4057 555	1			RETAINER PACKAGE, Barrel Nut
5	4443 804-5	1			APPLIQUE PACKAGE, Rear Door Front, Gloss Black
-	6033 184	6			GROMMET
-	6033 303	6			SCREW
-	4057 555	1			RETAINER PACKAGE, Barrel Nut
6	4538 720-1	1			MOULDING ASSEMBLY, Rear Door Window Upper, Bright
-	6033 184	8			GROMMET
7	4538 716-7	1			MOULDING ASSEMBLY, Rear Door Belt, Bright
8	4538 738-9	1			MOULDING, Rear Door Window Rear, Bright
-	6033 184	6			GROMMET
9	4388 826-7	1			MOULDING, Nerf Extension, Black
10	4443 794-5	1			MOULDING PACKAGE, Wheel Opening, Bright/Black
-	4293 616	1			SCREW PACKAGE
11	5261 158-9	1		P	MOULDING, Fender Rear
12	4576 418-9	1		H	MOULDING, Fender Rear
13	4576 420-1	1		H	MOULDING, Front Door
14	5261 160-1	1		P	MOULDING, Front Door
15	4451 232-3	1			MOULDING, Quarter Rear, Bright
-	4293 616	1			SCREW PACKAGE
16	4576 422-3	1		H	MOULDING, Rear Door
17	5261 162-3	1		P	MOULDING, Rear Door
18	4576 424-5	1		H	MOULDING, Quarter Front
19	5261 164-5	1		P	MOULDING, Quarter Front
20	4494 738-9	1			MOULDING PACKAGE, Wheel Opening, Bright/Black
-	4293 616	1			SCREW PACKAGE
21	4576 048	2			NAMEPLATE, "C" Pillar, "DYNASTY"
22	4451 240-1	1			MOULDING, Nerf Extension, Black
23	4443 818	2			MOULDING PACKAGE, Sill Inner Front Door
24	4443 819	2			MOULDING PACKAGE, Sill Inner Rear Door
25					NAMEPLATE, Deck Lid

MODEL CODES:

A BODY=(C=LeBaron, D=Spirit, P=Acclaim/LaBaron(Landau), Saratoga)

C BODY=(D=Dynasty, C=New Yorker/N.Y. Salon)

G BODY=(V=Daytona/IROC, Chrysler Daytona)

J BODY=(C=LeBaron, Chrysler LeBaron)

P BODY=(P=Sundance, D=Shadow)

S BODY=(H=Voyager(H) FWD, K=Caravan(H) FWD,

Y=Town & Country(H) FWD, P=Voyager(K) AWD,

D=Caravan(K) AWD, C=Town & Country(K) AWD)

Y BODY=(C=Imperial/5th Avenue)

E-S BODY=(K=Chrysler Voyager(H) FWD, D=Chrysler

Voyager(K) AWD)

BODY STYLES:

21=2-Door Coupe

41=4-Door Sedan

12-52=FWD & AWD Van & Wgn Std W.B.

24=2-Door Hatchback

44=4-Door Hatchback

53=FWD & AWD Van & Wgn Ext. W.B.

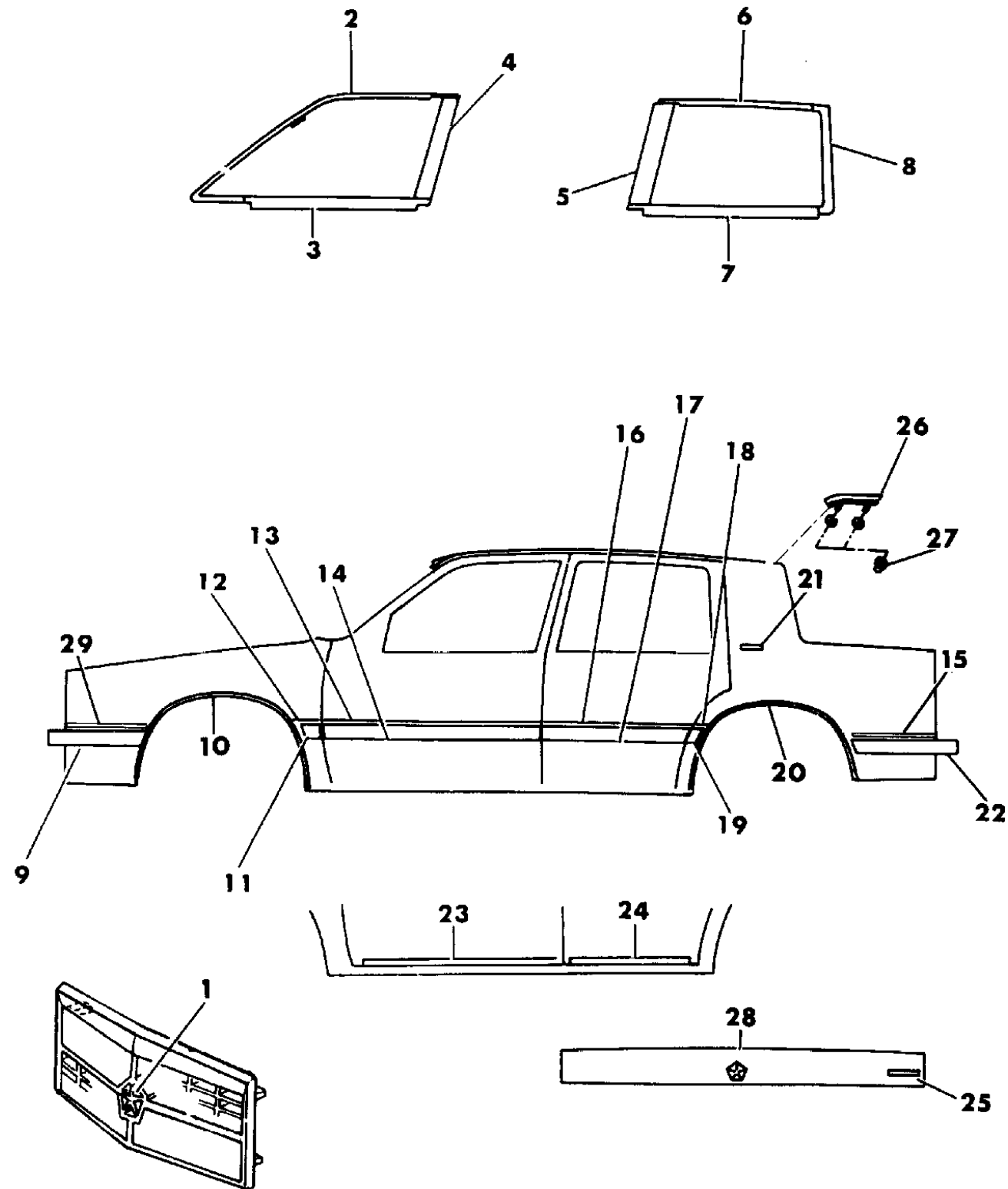
27=2-Door Convertible

AR = Use as Required - = Non Illustrated Part P.A.R. = Paint as Required

MOULDINGS AND ORNAMENTATION - C BODY - DODGE DYNASTY

Figure 23-1500

93168 1500



ITEM	PART NUMBER	QTY	BODY	MODEL	DESCRIPTION
	4576 045	1		H	"DYNASTY"
	4576 049	1		P	"DYNASTY LE"
26					MOULDING, Roof Joint (filler between between roof and bodyside aperture panel)
	4440 534-5	1			12.5mm wide
	4386 548-9	1			13.5mm wide
	4440 140-1	1			14.5mm wide
27	6032 792	4			NUT AND WASHER, for attaching roof joint moulding ***
28					MEDALLION, Deck Lid Lock Cylinder
	BD88 KC1	1			Diamond Blue
	BD88 JB8	1			Midnight Blue
	BD88 JM9	1			Black Cherry
	BD88 JV3	1			Light Champagne
	BD88 LDA	1			Bright Silver Quartz
	BD88 LD8	1			Dark Quartz Gray
	BD88 JX8	1			Black
	BD88 JM7	1			Dusty Rose
	BD88 LG6	1			Beryl Green
	BD88 LM4	1			Claret Red
	BD88 JW7	1			White
-	4491 827	1			GASKET, Medallion
29	4451 230-1	1			MOULDING, Fender Front, Bright

MODEL CODES:

A BODY=(C=LeBaron, D=Spirit, P=Acclaim/LaBaron(Landau), Saratoga)

C BODY=(D=Dynasty, C=New Yorker/N.Y. Salon)

G BODY=(V=Daytona/IROC, Chrysler Daytona)

J BODY=(C=LeBaron, Chrysler LeBaron)

P BODY=(P=Sundance, D=Shadow)

S BODY=(H=Voyager(H) FWD, K=Caravan(H) FWD,

Y=Town & Country(H) FWD, P=Voyager(K) AWD,

D=Caravan(K) AWD, C=Town & Country(K) AWD)

Y BODY=(C=Imperial/5th Avenue)

E-S BODY=(K=Chrysler Voyager(H) FWD, D=Chrysler

Voyager(K) AWD)

BODY STYLES:

21=2-Door Coupe

41=4-Door Sedan

12-52=FWD & AWD Van & Wgn Std W.B.

24=2-Door Hatchback

44=4-Door Hatchback

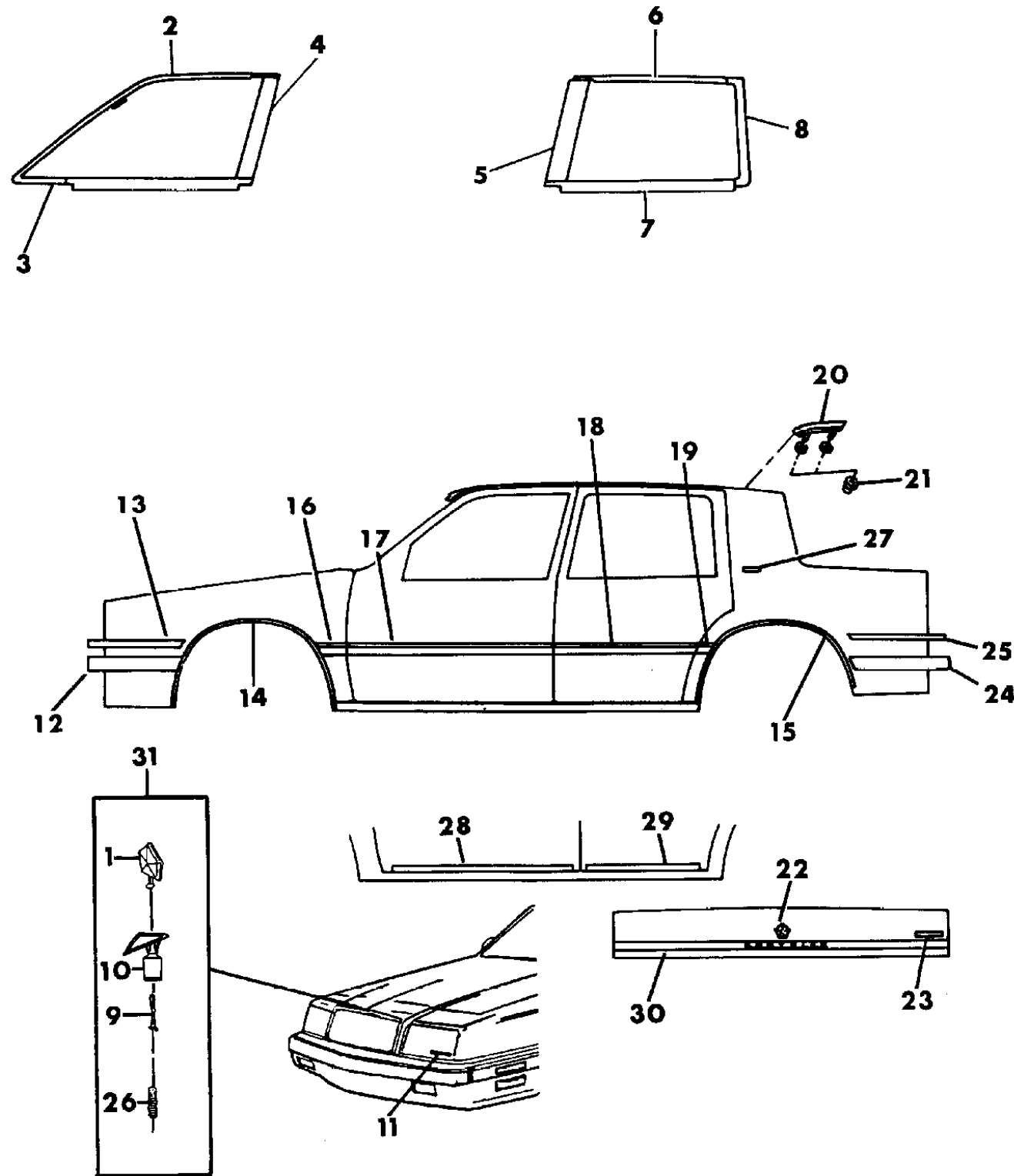
53=FWD & AWD Van & Wgn Ext. W.B.

27=2-Door Convertible

AR = Use as Required - = Non Illustrated Part P.A.R. = Paint as Required

**MOULDINGS AND ORNAMENTATION - C BODY - CHRYSLER NEW YORKER SALON**  
**Figure 23-1600**

93168 1600



ITEM	PART NUMBER	QTY	BODY	MODEL	DESCRIPTION
1	4270 563	1			ORNAMENT, Radiator Grille Header
2	4538 708-9	1			MOULDING ASSEMBLY, Front Door Window Upper, Bright
-	6033 303	12			SCREW, for moulding attaching
-	6033 184	12			GROMMET, for moulding attaching
3	4636 076-7	1			MOULDING PACKAGE, Door Belt/Mirror Surround, Bright
-	6033 184	6			GROMMET
4	4494 294-5	1			APPLIQUE PACKAGE, Front Door Rear, Gloss Black
-	6033 184	6			GROMMET
-	6033 303	6			SCREW
-	4057 555	1			RETAINER PACKAGE, Barrel Nut
5	4443 804-5	1			APPLIQUE PACKAGE, Rear Door Front, Gloss Black
-	6033 184	6			GROMMET
-	6033 303	6			SCREW
-	4057 555	1			RETAINER PACKAGE, Barrel Nut
6	4538 720-1	1			MOULDING ASSEMBLY, Rear Door Window Upper, Bright
-	6033 184	8			GROMMET
7	4538 716-7	1			MOULDING ASSEMBLY, Rear Door Belt
8	4538 738-9	1			MOULDING, Rear Door Window Rear, Bright
-	6033 184	8			GROMMET
9	3672 780	1			RETAINER, Ornament
10		1			BASE, (only serviced in 5263240 ornament assy)
11	4538 582	1			NAMEPLATE, Headlamp Door, "CHRYSLER"
12					MOULDING, Fascia Side, (see group 13-fascia front)
13	4538 572-3	1			MOULDING ASSEMBLY, (above fascia, between wheel opening and grille opening)
-	9420 294	4			NUT, Moulding
14	4538 558-9	1			MOULDING ASSEMBLY, Wheel Opening
-	4293 616	1			SCREW PACKAGE
15	4538 560-1	1			MOULDING, Quarter Wheel Opening
-	4293 616	1			SCREW PACKAGE
16					MOULDING, Fender Upper Rear
	BC22-3 LM9	1			Black Cherry
	BC22-3 LM4	1			Claret Red
	BC22-3 LV3	1			Light Champagne
	BC22-3 LG6	1			Beryl Green
	BC22-3 LB8	1			Midnight Blue
	BC22-3 LC1	1			Diamond Blue
	BC22-3 LX8	1			Black
	BC22-3 LD8	1			Dark Quartz Gray

**MODEL CODES:**

A BODY=(C=LeBaron, D=Spirit, P=Acclaim/LaBaron(Landau), Saratoga)  
 C BODY=(D=Dynasty, C=New Yorker/N.Y. Salon)  
 G BODY=(V=Daytona/IROC, Chrysler Daytona)  
 J BODY=(C=LeBaron, Chrysler LeBaron)  
 P BODY=(P=Sundance, D=Shadow)

S BODY=(H=Voyager(H) FWD, K=Caravan(H) FWD, Y=Town & Country(H) FWD, P=Voyager(K) AWD, D=Caravan(K) AWD, C=Town & Country(K) AWD)  
 Y BODY=(C=Imperial/5th Avenue)  
 E-S BODY=(K=Chrysler Voyager(H) FWD, D=Chrysler Voyager(K) AWD)

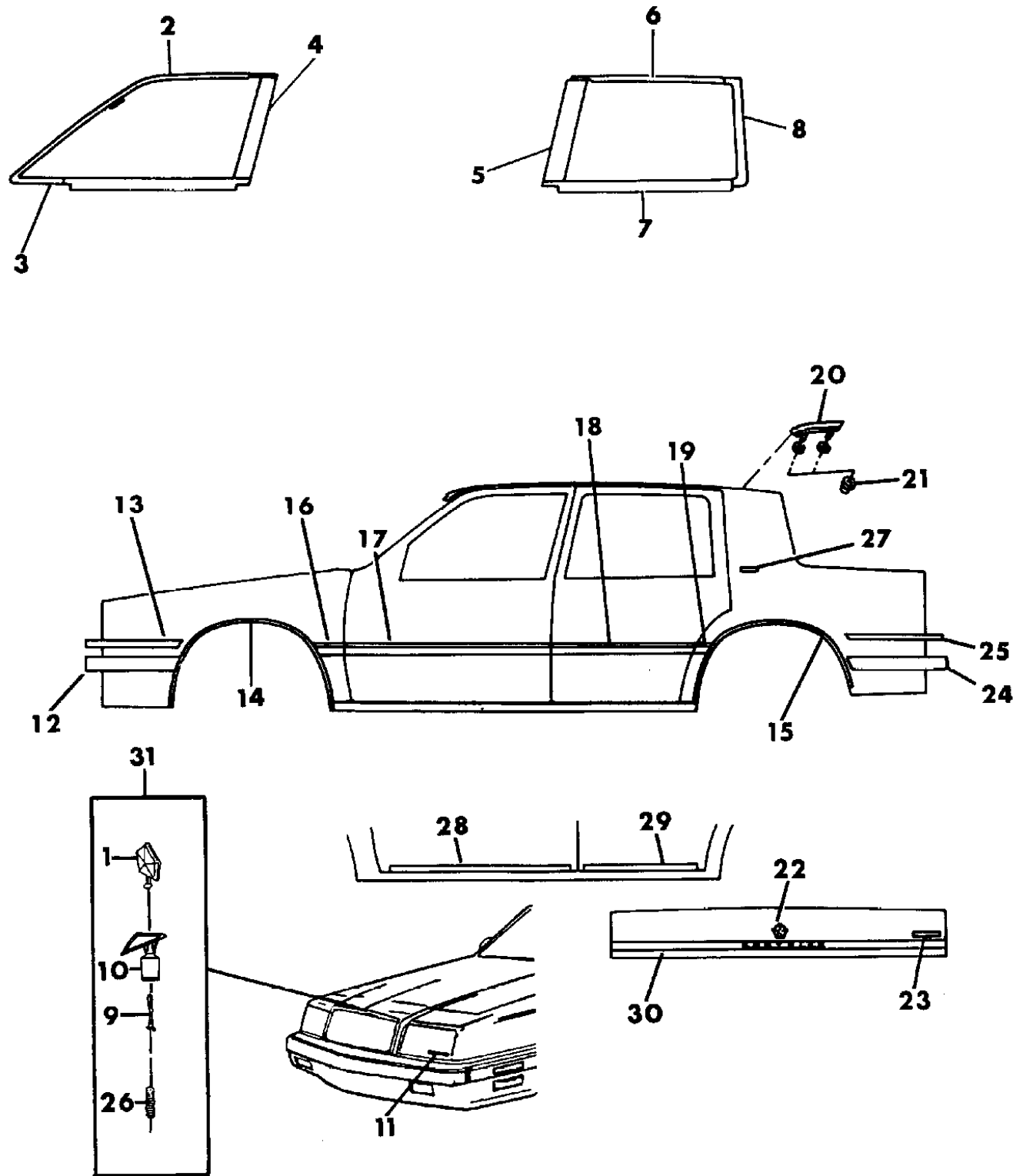
**BODY STYLES:**

21=2-Door Coupe      41=4-Door Sedan      12-52=FWD & AWD Van & Wgn Std W.B.  
 24=2-Door Hatchback      44=4-Door Hatchback      53=FWD & AWD Van & Wgn Ext. W.B.  
 27=2-Door Convertible

AR = Use as Required - = Non Illustrated Part P.A.R. = Paint as Required

**MOULDINGS AND ORNAMENTATION - C BODY - CHRYSLER NEW YORKER SALON**  
**Figure 23-1600**

93168 1600



ITEM	PART NUMBER	QTY	BODY	MODEL	DESCRIPTION
	BC22-3 LDA	1			Bright Silver Quartz
	BC22-3 LW7	1			Bright White
-	6034 636	2			SCREW, and WASHER, Moulding (at wheel opening)
17					MOULDING, Front Door
	BC24-5 LM9	1			Black Cherry
	BC24-5 LM4	1			Claret Red
	BC24-5 LV3	1			Light Champagne
	BC24-5 LG6	1			Beryl Green
	BC24-5 LB8	1			Midnight Blue
	BC24-5 LC1	1			Diamond Blue
	BC24-5 LX8	1			Black
	BC24-5 LD8	1			Dark Quartz Gray
	BC24-5 LDA	1			Bright Silver Quartz
18					MOULDING, Rear Door
	BC26-7 LM9	1			Black Cherry
	BC26-7 LM4	1			Claret Red
	BC26-7 LV3	1			Light Champagne
	BC26-7 LG6	1			Beryl Green
	BC26-7 LB8	1			Midnight Blue
	BC26-7 LC1	1			Diamond Blue
	BC26-7 LX8	1			Black
	BC26-7 LD8	1			Dark Quartz Gray
	BC26-7 LDA	1			Bright Silver Quartz
	BC26-7 LW7	1			Bright White
19					MOULDING, Quarter Panel Front
	BC44-5 LM9	1			Black Cherry
	BC44-5 LM4	1			Claret Red
	BC44-5 LV3	1			Light Champagne
	BC44-5 LG6	1			Beryl Green
	BC44-5 LB8	1			Midnight Blue
	BC44-5 LC1	1			Diamond Blue
	BC44-5 LX8	1			Black
	BC44-5 LD8	1			Dark Quartz Gray
	BC44-5 LDA	1			Bright Silver Quartz
	BC44-5 LW7	1			Bright White
-	6034 636	2			SCREW and WASHER, Moulding (at wheel opening)
20					MOULDING, Roof Joint (filler between roof and bodyside aperture panel)

**MODEL CODES:**

A BODY=(C=LeBaron, D=Spirit, P=Acclaim/LaBaron(Landau), Saratoga) S BODY=(H=Voyager(H) FWD, K=Caravan(H) FWD, Y=Town & Country(H) FWD, P=Voyager(K) AWD, D=Caravan(K) AWD, C=Town & Country(K) AWD)  
 C BODY=(D=Dynasty, C=New Yorker/N.Y. Salon)  
 G BODY=(V=Daytona/IROC, Chrysler Daytona)  
 J BODY=(C=LeBaron, Chrysler LeBaron)  
 P BODY=(P=Sundance, D=Shadow) E-S BODY=(K=Chrysler Voyager(H) FWD, D=Chrysler Voyager(K) AWD)

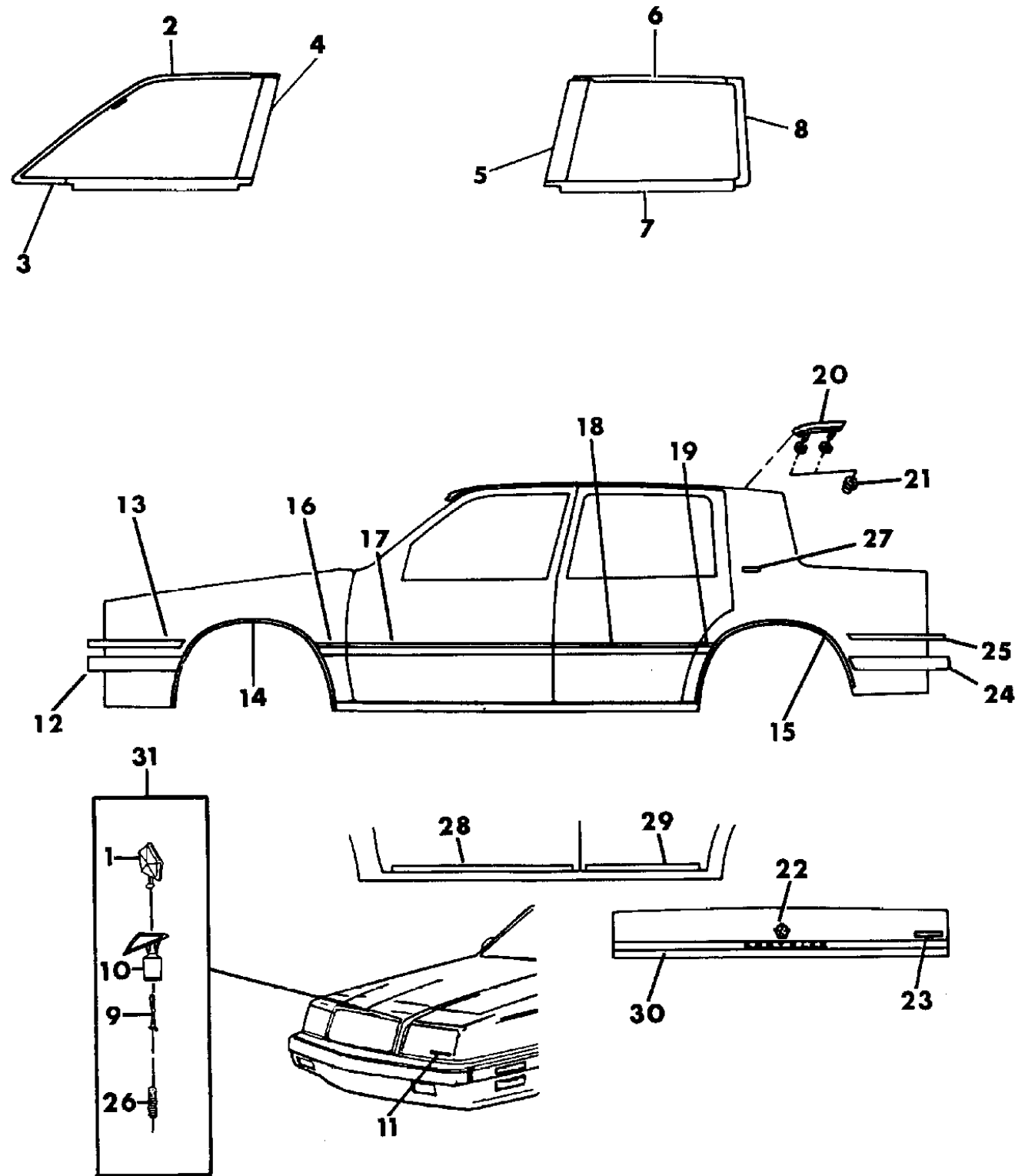
**BODY STYLES:**

21=2-Door Coupe 41=4-Door Sedan 12-52=FWD & AWD Van & Wgn Std W.B.  
 24=2-Door Hatchback 44=4-Door Hatchback 53=FWD & AWD Van & Wgn Ext. W.B.  
 27=2-Door Convertible

AR = Use as Required - = Non Illustrated Part P.A.R. = Paint as Required

**MOULDINGS AND ORNAMENTATION - C BODY - CHRYSLER NEW YORKER SALON**  
**Figure 23-1600**

93168 1600



ITEM	PART NUMBER	QTY	BODY	MODEL	DESCRIPTION
	4440 534-5	1			w/o vinyl roof, 12.5mm wide
	4386 548-9	1			w/o vinyl roof, 13.5mm wide
	4440 140-1	1			w/o vinyl roof, 14.5mm wide
21	6032 792	4			NUT and WASHER, Roof Joint Moulding
22					MEDALLION, Deck Lid Lock Cylinder
	BD88 JM9	1			Black Cherry
	BD88 LM4	1			Claret Red
	BD88 JV3	1			Light Champagne
	BD88 LG6	1			Beryl Green
	BD88 JB8	1			Midnight Blue
	BD88 KC1	1			Diamond Blue
	BD88 JX8	1			Black
	BD88 JM7	1			Dusty Rose
	BD88 LD8	1			Dark Quartz Gray
	BD88 LDA	1			Bright Silver Quartz
	BD88 JW7	1			Bright White
-	4491 827	1			GASKET, Medallion
23	4422 175	1			NAMEPLATE, Deck Lid, "NEW YORKER"
24					MOULDING, Fascia Side, (see group 13-fascia rear)
25	5261 674-5	1			MOULDING, Quarter Extension To Taillamp
-	6032 792	2			NUT, Moulding Attaching
26	3672 672	1			SPRING, Ornament
27	4538 784	2			NAMEPLATE, "SALON"
28	4443 818	2			MOULDING PACKAGE, Sill Inner Front Door
29	4443 819	2			MOULDING PACKAGE, Sill Inner Rear Door
30	4538 580	1			MOULDING ASSEMBLY, Deck Lid Lower
-	6004 205	5			RETAINER, Moulding to Deck Lid
-		2			NUT, Moulding Stud to Deck Lid, not serviced
31	5263 240	1			ORNAMENT ASSEMBLY (mounting nut not included) ***
-	6030 435	1			NUT, Pentastar Ornament Mounting

**MODEL CODES:**

A BODY=(C=LeBaron, D=Spirit, P=Acclaim/LaBaron(Landau), Saratoga) S BODY=(H=Voyager(H) FWD, K=Caravan(H) FWD, Y=Town & Country(H) FWD, P=Voyager(K) AWD, D=Caravan(K) AWD, C=Town & Country(K) AWD)  
 C BODY=(D=Dynasty, C=New Yorker/N.Y. Salon) Y BODY=(C=Imperial/5th Avenue)  
 G BODY=(V=Daytona/IROC, Chrysler Daytona) E-S BODY=(K=Chrysler Voyager(H) FWD, D=Chrysler Voyager(K) AWD)  
 J BODY=(C=LeBaron, Chrysler LeBaron) P BODY=(P=Sundance, D=Shadow)

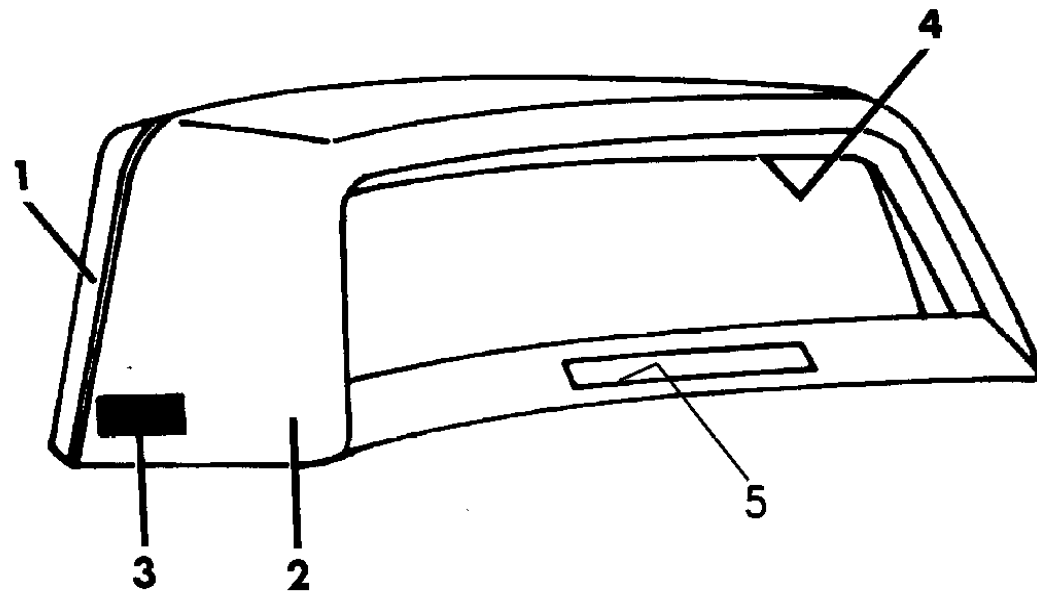
**BODY STYLES:**

21=2-Door Coupe 41=4-Door Sedan 12-52=FWD & AWD Van & Wgn Std W.B.  
 24=2-Door Hatchback 44=4-Door Hatchback 53=FWD & AWD Van & Wgn Ext. W.B.  
 27=2-Door Convertible

AR = Use as Required - = Non Illustrated Part P.A.R. = Paint as Required

VINYL ROOF, PADDED LANDAU - C BODY - CHRYSLER NEW YORKER SALON - DODGE BROUGHAM  
Figure 23-1700

93168 1700A



ITEM	PART NUMBER	QTY	BODY	MODEL	DESCRIPTION
1					MOULDING ASSEMBLY, Top Band Complete
	4638 569	1			Claret Red
	4638 568	1			Light Champagne
	4638 570	1			Diamond Blue
	4638 567	1			Bright White
2					COVER, PAD and WELT PACKAGE
	4638 565	1			Claret Red
	4638 564	1			Light Champagne
	4638 566	1			Diamond Blue
	4638 563	1			Bright White
3					NAMEPLATE PACKAGE, Vinyl Roof ***
	4720 506	2			"SALON"
	4720 497	2			"BROUGHAM"
4					CAP ASSEMBLY, Roof (includes brackets, reinforcement retainers and foam stop)
	5261 627	1			Chrysler Salon
	4576 223	1			Dodge Brougham
-	4576 580	2			RETAINER, Roof Cap-Bodyside
-		2			RETAINER, Roof Cap-Cap Side (serviced only in the cap assembly)
-	6032 389	8			NUT, Roof Cap Retaining Stud (stamped nut w/seal)
5	5261 643	1			COVER, (Bezel, Roof Cap/Stop Lamp), P.A.R.

**MODEL CODES:**

A BODY=(C=LeBaron, D=Spirit, P=Acclaim/LaBaron(Landau), Saratoga) S BODY=(H=Voyager(H) FWD, K=Caravan(H) FWD, Y=Town & Country(H) FWD, P=Voyager(K) AWD, D=Caravan(K) AWD, C=Town & Country(K) AWD)  
 C BODY=(D=Dynasty, C=New Yorker/N.Y. Salon) Y BODY=(C=Imperial/5th Avenue)  
 G BODY=(V=Daytona/IROC, Chrysler Daytona) E-S BODY=(K=Chrysler Voyager(H) FWD, D=Chrysler Voyager(K) AWD)  
 J BODY=(C=LeBaron, Chrysler LeBaron)  
 P BODY=(P=Sundance, D=Shadow)

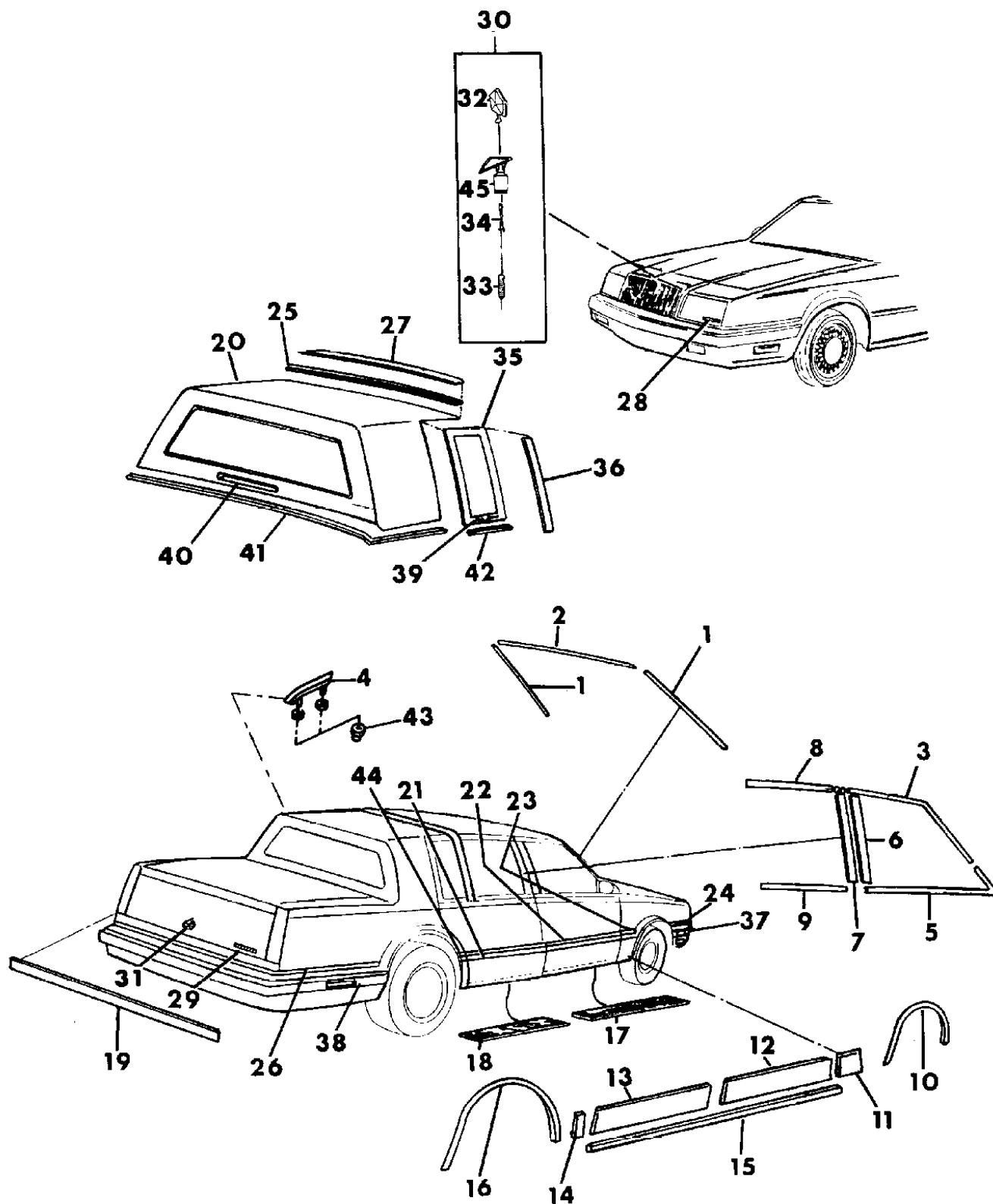
**BODY STYLES:**

21=2-Door Coupe 41=4-Door Sedan 12-52=FWD & AWD Van & Wgn Std W.B.  
 24=2-Door Hatchback 44=4-Door Hatchback 53=FWD & AWD Van & Wgn Ext. W.B.  
 27=2-Door Convertible

AR = Use as Required - = Non Illustrated Part P.A.R. = Paint as Required

**MOULDINGS AND ORNAMENTATION - Y BODY - NEW YORKER 5TH AVENUE**  
**Figure 23-1800**

93168 1800



ITEM	PART NUMBER	QTY	BODY	MODEL	DESCRIPTION
1	5261 622-3	1			MOULDING, Windshield Side
2	4398 021	1			MOULDING, Windshield Upper
3	4538 708-9	1			MOULDING, Front Door Window Upper
-	6033 303	12			SCREW, moulding attaching
-	6033 184	12			GROMMET, moulding attaching
4	DZ06-7 KW7	1			MOULDING, Roof Joint, P.A.R.
5	4636 076-7	1			MOULDING PACKAGE, Door Belt Mirror Surround
-	6033 184	6			GROMMET
6	4494 294-5	1			APPLIQUE PACKAGE, Front Door Rear
-	6033 184	6			GROMMET
-	4057 555	1			RETAINER PACKAGE
7	4443 804-5	1			MOULDING PACKAGE, Applique Rear Door Front
-	6033 303	AR			SCREW
-	6033 184	AR			GROMMET
8	4538 726-7	1			MOULDING, Rear Door Window Upper
-	6033 303	AR			SCREW
-	6033 184	AR			GROMMET
9	4491 586-7	1			MOULDING, Rear Door Belt
-					SCREW, (Not Serv.)
10	4538 558-9	1			MOULDING, Fender Wheel Opening
-	4293 616	1			SCREW PACKAGE
11					MOULDING, Fender Rear Lower
	EE26-7 LD2	1			Medium Quartz
	EE26-7 LV7	1			Medium Champagne
-	6034 636	4			SCREW and WASHER, Moulding (at wheel opening)
12					MOULDING, Front Door Lower
	EE28-9 LD2	1			Medium Quartz
	EE28-9 LV7	1			Medium Champagne
13					MOULDING, Rear Door Lower
	EE32-3 LD2	1			Medium Quartz
	EE32-3 LV7	1			Medium Champagne
14					MOULDING, Quarter Front Lower
	EE34-5 LD2	1			Medium Quartz
	EE34-5 LV7	1			Medium Champagne
-	6034 636	4			SCREW and WASHER, Moulding (at wheel opening)
15	4494 730-1	1			MOULDING PACKAGE, Body Side Sill
-	6004 002	AR			RETAINER
16	4538 560-1	1			MOULDING, Quarter Wheel Opening
-	4293 616	1			SCREW PACKAGE

**MODEL CODES:**

A BODY=(C=LeBaron, D=Spirit, P=Acclaim/LaBaron(Landau, Saratoga)  
 C BODY=(D=Dynasty, C=New Yorker/N.Y. Salon)  
 G BODY=(V=Daytona/IROC, Chrysler Daytona)  
 J BODY=(C=LeBaron, Chrysler LeBaron)  
 P BODY=(P=Sundance, D=Shadow)

S BODY=(H=Voyager(H) FWD, K=Caravan(H) FWD, Y=Town & Country(H) FWD, P=Voyager(K) AWD, D=Caravan(K) AWD, C=Town & Country(K) AWD)  
 Y BODY=(C=Imperial/5th Avenue)  
 E-S BODY=(K=Chrysler Voyager(H) FWD, D=Chrysler Voyager(K) AWD)

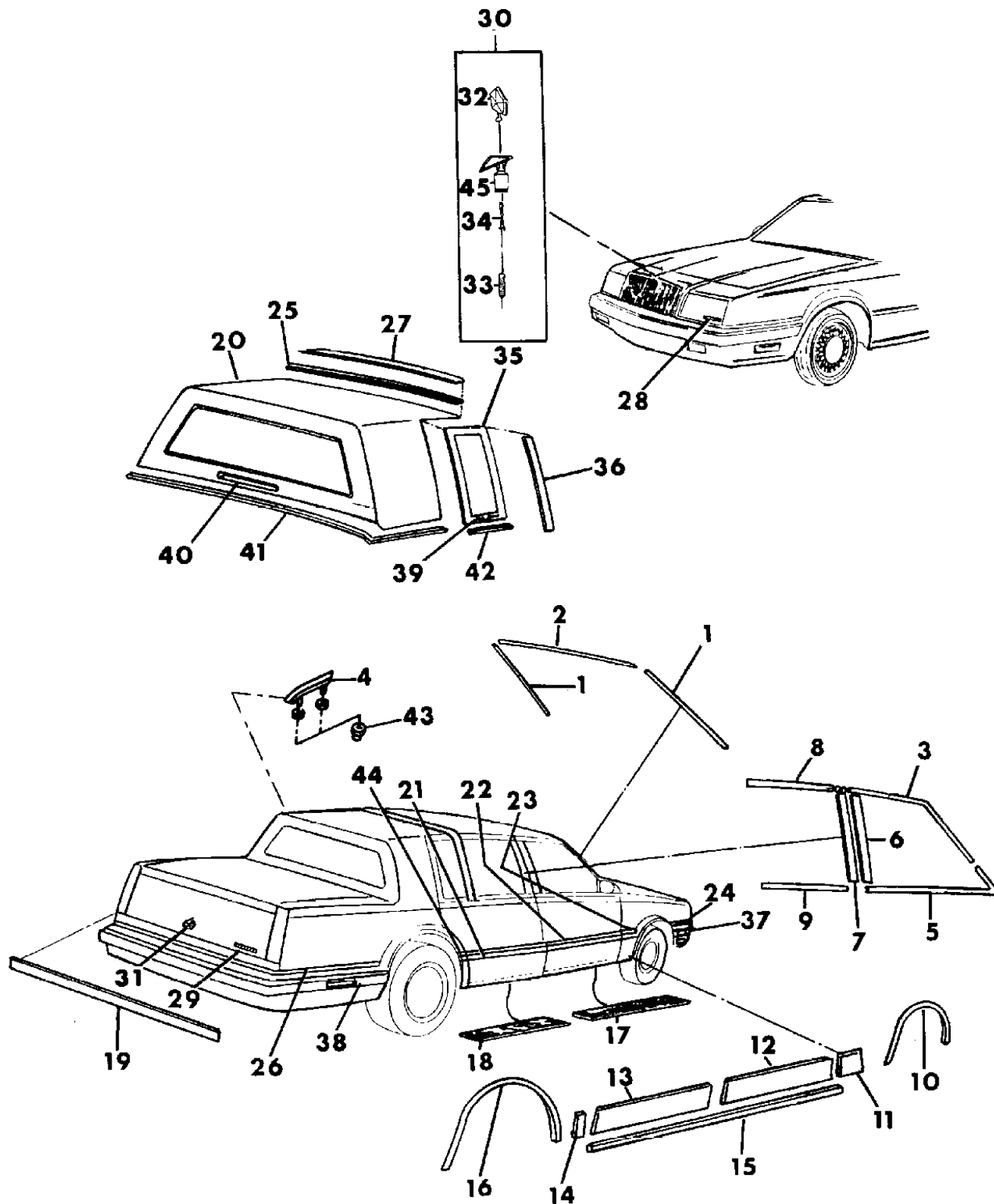
**BODY STYLES:**

21=2-Door Coupe                      41=4-Door Sedan                      12-52=FWD & AWD Van & Wgn Std W.B.  
 24=2-Door Hatchback              44=4-Door Hatchback              53=FWD & AWD Van & Wgn Ext. W.B.  
 27=2-Door Convertible

AR = Use as Required - = Non Illustrated Part P.A.R. = Paint as Required

**MOULDINGS AND ORNAMENTATION - Y BODY - NEW YORKER 5TH AVENUE**  
**Figure 23-1800**

93168 1800



ITEM	PART NUMBER	QTY	BODY	MODEL	DESCRIPTION
17	4443 818	2			MOULDING PACKAGE, Sill Inner Front Door
18	4422 704	2			MOULDING, Sill Inner Rear Door
19	4538 580	1			MOULDING ASSEMBLY, Deck Lid Lower
-	6004 205	5			RETAINER, Moulding to Deck Lid
-		2			NUT, Moulding Stud to Deck Lid, not serviced
20					CAP ASSEMBLY or COVER ASSEMBLY ***
-	4576 577	1			CAP ASSEMBLY
-	5261 495	2			RETAINER, bodyside aperture panel to roof cap
-	4422 877	10			STUD, Roof Cap Retaining
-	6032 389	10			NUT, Roof Cap Retaining Stud, (stamped nut w/seal)
					COVER ASSEMBLY, includes pad and welt
	T970 HM9	1			Black Cherry
	T970 LM4	1			Claret Red
	T970 HV3	1			Light Champagne
	T970 LG6	1			Beryl Green
	T970 HB8	1			Midnight Blue
	T970 KC1	1			Diamond Blue
	T970 HX9	1			Black
	T970 LD8	1			Dark Quartz Gray
	T970 LDA	1			Bright Silver Quartz
	T970 HW7	1			Bright White
21					MOULDING, Rear Door
	BC28-9 LM9	1			Black Cherry
	BC28-9 LM4	1			Claret Red
	BC28-9 LV3	1			Light Champagne
	BC28-9 LG6	1			Beryl Green
	BC28-9 LB8	1			Midnight Blue
	BC28-9 LC1	1			Diamond Blue
	BC28-9 LX8	1			Black
	BC28-9 LD8	1			Dark Quartz Gray
	BC28-9 LDA	1			Bright Silver Quartz
	BC28-9 LW7	1			Bright White
22					MOULDING, Front Door
	BC24-5 LM9	1			Black Cherry
	BC24-5 LM4	1			Claret Red
	BC24-5 LV3	1			Light Champagne
	BC24-5 LG6	1			Beryl Green
	BC24-5 LB8	1			Midnight Blue
	BC24-5 LC1	1			Diamond Blue

**MODEL CODES:**

A BODY=(C=LeBaron, D=Spirit, P=Acclaim/LaBaron(Landau, Saratoga)  
 C BODY=(D=Dynasty, C=New Yorker/N.Y. Salon)  
 G BODY=(V=Daytona/IROC, Chrysler Daytona)  
 J BODY=(C=LeBaron, Chrysler LeBaron)  
 P BODY=(P=Sundance, D=Shadow)

S BODY=(H=Voyager(H) FWD, K=Caravan(H) FWD, Y=Town & Country(H) FWD, P=Voyager(K) AWD, D=Caravan(K) AWD, C=Town & Country(K) AWD)  
 Y BODY=(C=Imperial/5th Avenue)  
 E-S BODY=(K=Chrysler Voyager(H) FWD, D=Chrysler Voyager(K) AWD)

**BODY STYLES:**

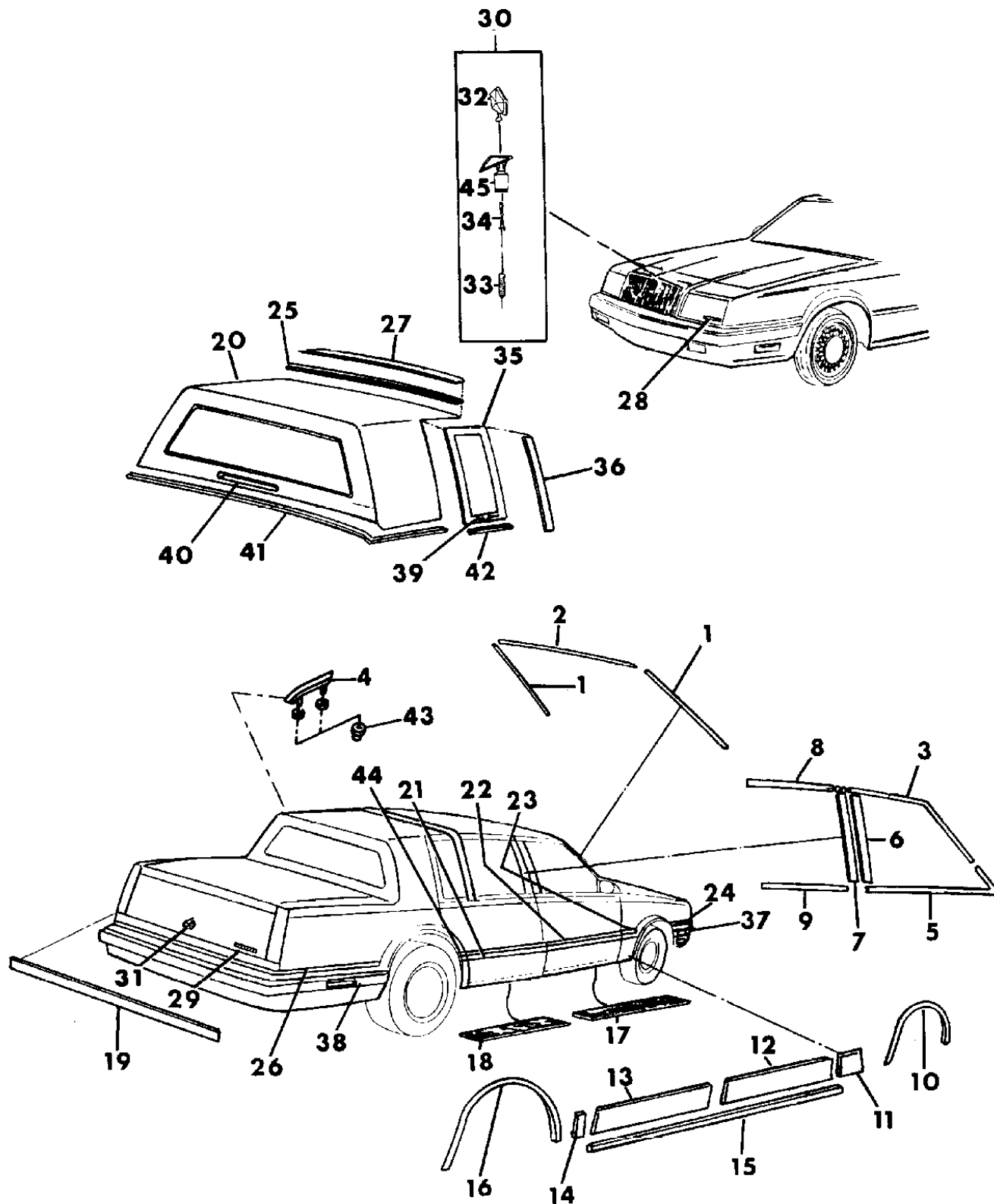
21=2-Door Coupe      41=4-Door Sedan      12-52=FWD & AWD Van & Wgn Std W.B.  
 24=2-Door Hatchback      44=4-Door Hatchback      53=FWD & AWD Van & Wgn Ext. W.B.  
 27=2-Door Convertible

AR = Use as Required - = Non Illustrated Part P.A.R. = Paint as Required



**MOULDINGS AND ORNAMENTATION - Y BODY - NEW YORKER 5TH AVENUE**  
**Figure 23-1800**

93168 1800



ITEM	PART NUMBER	QTY	BODY	MODEL	DESCRIPTION
	BC24-5 LX8	1			Black
	BC24-5 LD8	1			Dark Quartz Gray
	BC24-5 LDA	1			Bright Silver Quartz
	BC24-5 LW7	1			Bright White
23		1			MOULDING, Fender Rear
	BC22-3 LM9	1			Black Cherry
	BC22-3 LM4	1			Claret Red
	BC22-3 LV3	1			Light Champagne
	BC22-3 LG6	1			Beryl Green
	BC22-3 LB8	1			Midnight Blue
	BC22-3 LC1	1			Diamond Blue
	BC22-3 LX8	1			Black
	BC22-3 LD8	1			Dark Quartz Gray
	BC22-3 LDA	1			Bright Silver Quartz
	BC22-3 LW7	1			Bright White
-	6034 636	2			SCREW and WASHER, Moulding, (at wheel opening)
24	4538 572-3	1			MOULDING ASSEMBLY, (above fascia, between wheel opening and grille opening)
-	9420 294	4			NUT
25		1			WELT, serviced w/item 27, Moulding Assembly, roof
26	5261 674-5	1			MOULDING, Quarter Extension to Taillamp
-	6033 742	2			NUT, Moulding Attaching
27					MOULDING ASSEMBLY, Transverse
	HG35 LM9	1			Black Cherry
	HG35 LM4	1			Claret Red
	HG35 LV3	1			Light Champagne
	HG35 LG6	1			Beryl Green
	HG35 LB8	1			Midnight Blue
	HG35 LC1	1			Diamond Blue
	HG35 LX9	1			Black
	HG35 LD8	1			Dark Quartz Gray
	HG35 LDA	1			Bright Silver Quartz
	HG35 LW7	1			Bright White
-	6033 742	6			NUT
28	4538 582	1			NAMEPLATE, Headlamp Door, "CHRYSLER"
29	4422 175	1			NAMEPLATE, Deck Lid, "NEW YORKER"
30	5263 240	1			ORNAMENT ASSEMBLY, (mounting nut not included) ***
-	6030 435	1			NUT, Pentastar Ornament Mounting
31					MEDALLION, Deck Lid Lock Cylinder

**MODEL CODES:**

A BODY=(C=LeBaron, D=Spirit, P=Acclaim/LaBaron(Landau), Saratoga) S BODY=(H=Voyager(H) FWD, K=Caravan(H) FWD, Y=Town & Country(H) FWD, P=Voyager(K) AWD, D=Caravan(K) AWD, C=Town & Country(K) AWD)  
 C BODY=(D=Dynasty, C=New Yorker/N.Y. Salon) Y BODY=(C=Imperial/5th Avenue)  
 G BODY=(V=Daytona/ROC, Chrysler Daytona) E-S BODY=(K=Chrysler Voyager(H) FWD, D=Chrysler Voyager(K) AWD)  
 J BODY=(C=LeBaron, Chrysler LeBaron) P BODY=(P=Sundance, D=Shadow)

**BODY STYLES:**

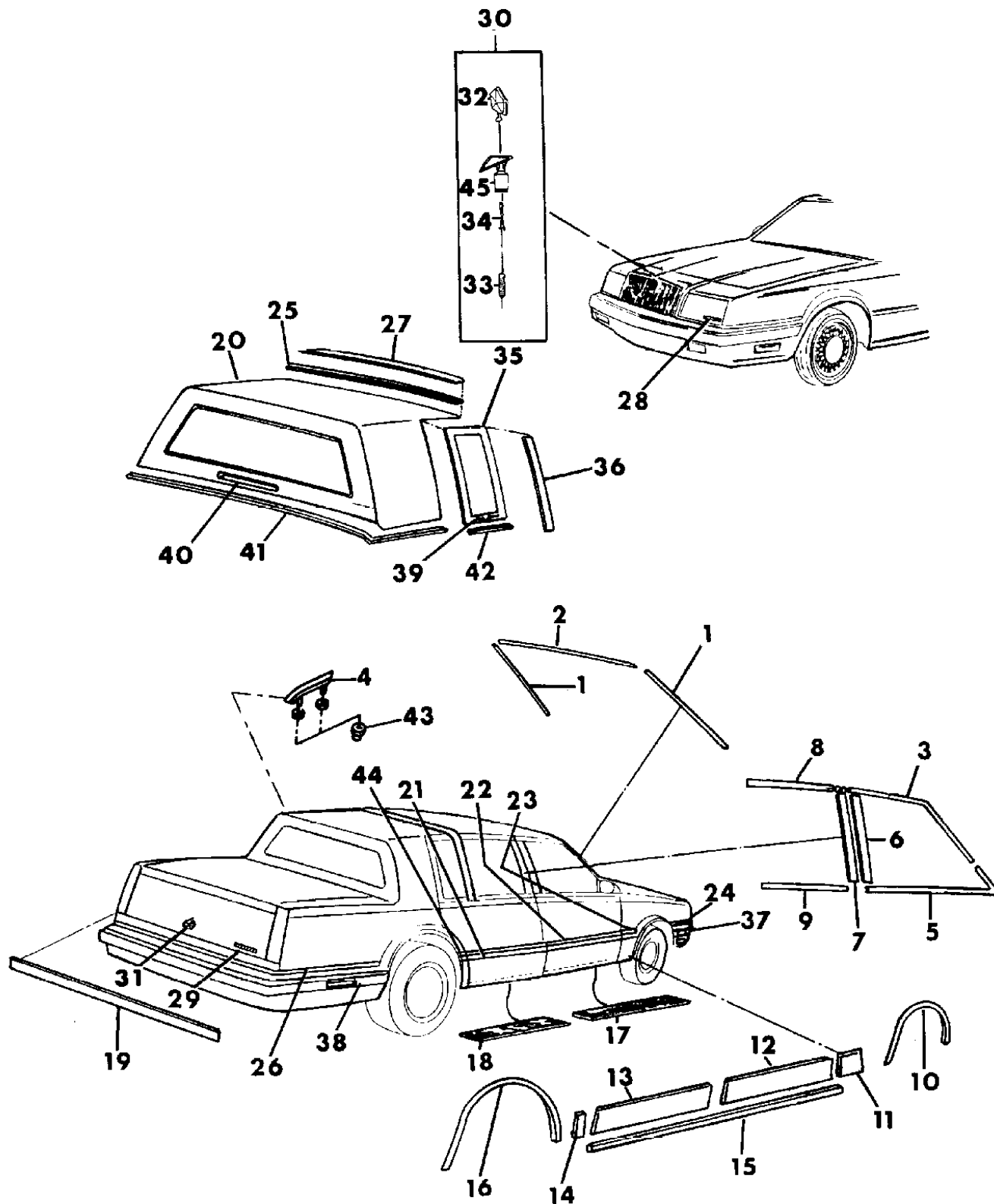
21=2-Door Coupe 41=4-Door Sedan 12-52=FWD & AWD Van & Wgn Std W.B.  
 24=2-Door Hatchback 44=4-Door Hatchback 53=FWD & AWD Van & Wgn Ext. W.B.  
 27=2-Door Convertible

AR = Use as Required - = Non Illustrated Part P.A.R. = Paint as Required

MOULDINGS AND ORNAMENTATION - Y BODY - NEW YORKER 5TH AVENUE

Figure 23-1800

93168 1800



ITEM	PART NUMBER	QTY	BODY	MODEL	DESCRIPTION
	BD88 JM9	1			Black Cherry
	BD88 LM4	1			Claret Red
	BD88 JV3	1			Light Champagne
	BD88 LG6	1			Beryl Green
	BD88 JM7	1			Dusty Rose
	BD88 JB8	1			Midnight Blue
	BD88 KC1	1			Diamond Blue
	BD88 JX8	1			Black
	BD88 LD8	1			Dark Quartz Gray
	BD88 LDA	1			Bright Silver Quartz
	BD88 JW7	1			White
-	4491 827	1			GASKET, Medallion
32	4270 563	1			ORNAMENT, Hood, Pentastar
33	3672 672	1			SPRING
34	3672 780	1			RETAINER
35					COVER ASSEMBLY, Rear Door Outer (w/nameplate)
	DG14-5 JM9	1			Black Cherry
	DG14-5 LM4	1			Claret Red
	DG14-5 JV3	1			Light Champagne
	DG14-5 LG6	1			Beryl Green
	DG14-5 JB8	1			Midnight Blue
	DG14-5 KC1	1			Diamond Blue
	DG14-5 JX9	1			Black
	DG14-5 LD8	1			Dark Quartz Gray
	DG14-5 LDA	1			Bright Silver Quartz
	DG14-5 JW7	1			Bright White
36					MOULDING , Rear Door Outer Quarter Cover, Serviced in COVER ASSEMBLY, item 35
37					MOULDING, Fascia Side, (see group 13-fascia front, this is actually a moulded part of the fascia)
38					MOULDING, Fascia Side, (see group 13, fascia rear, this is actually a moulded part of the fascia)
39	4494 965	2			NAMEPLATE, PACKAGE, Fixed Glass Outer Cover, "FIFTH AVENUE"
40	4422 764	1			BEZEL, Roof Cap CHMSL, P.A.R.
41					WELT, serviced w/item 20, Cover Assembly, roof
42					WELT, serviced with item 35, Cover Assembly, door
43	6032 792	4			NUT AND WASHER, for attaching roof joint moulding ***
44					MOULDING, Quarter Panel Front

MODEL CODES:

A BODY=(C=LeBaron, D=Spirit, P=Acclaim/LaBaron(Landau), Saratoga)  
 C BODY=(D=Dynasty, C=New Yorker/N.Y. Salon)  
 G BODY=(V=Daytona/IROC, Chrysler Daytona)  
 J BODY=(C=LeBaron, Chrysler LeBaron)  
 P BODY=(P=Sundance, D=Shadow)

S BODY=(H=Voyager(H) FWD, K=Caravan(H) FWD, Y=Town & Country(H) FWD, P=Voyager(K) AWD, D=Caravan(K) AWD, C=Town & Country(K) AWD)  
 Y BODY=(C=Imperial/5th Avenue)  
 E-S BODY=(K=Chrysler Voyager(H) FWD, D=Chrysler Voyager(K) AWD)

BODY STYLES:

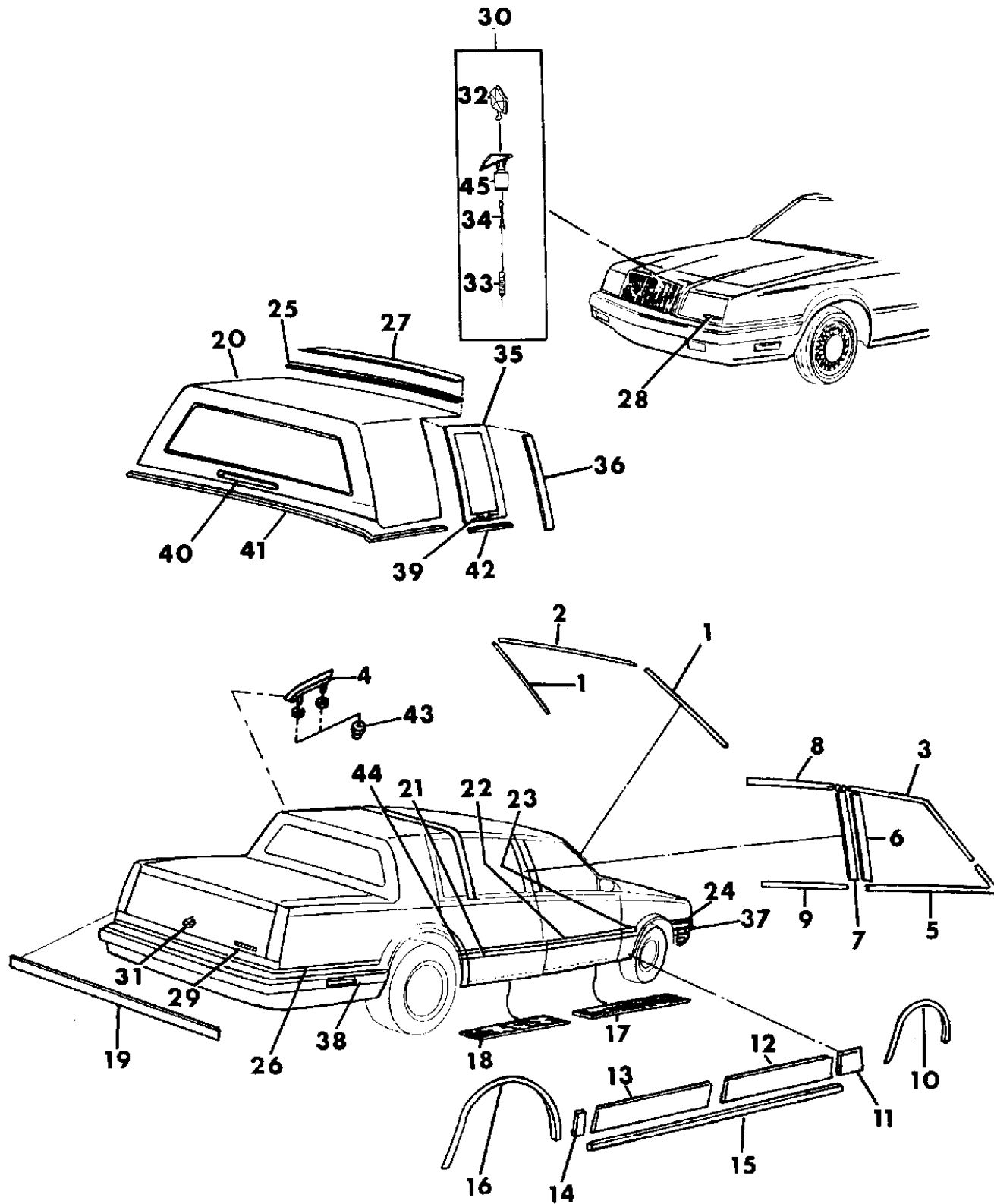
21=2-Door Coupe  
 24=2-Door Hatchback  
 27=2-Door Convertible  
 41=4-Door Sedan  
 44=4-Door Hatchback  
 12-52=FWD & AWD Van & Wgn Std W.B.  
 53=FWD & AWD Van & Wgn Ext. W.B.

AR = Use as Required - = Non Illustrated Part P.A.R. = Paint as Required

MOULDINGS AND ORNAMENTATION - Y BODY - NEW YORKER 5TH AVENUE  
Figure 23-1800

93168 1800

ITEM	PART NUMBER	QTY	BODY	MODEL	DESCRIPTION
	BC44-5 LM9	1			Black Cherry
	BC44-5 LM4	1			Claret Red
	BC44-5 LV3	1			Light Champagne
	BC44-5 LG6	1			Beryl Green
	BC44-5 LB8	1			Midnight Blue
	BC44-5 LC1	1			Diamond Blue
	BC44-5 LX8	1			Black
	BC44-5 LD8	1			Dark Quartz Gray
	BC44-5 LDA	1			Bright Silver Quartz
	BC44-5 LW7	1			Bright White
-	6034 636	2			SCREW and WASHER, Moulding (at wheel opening)
45					BASE, (only serviced in 5263240 ornament assembly)



MODEL CODES:

A BODY=(C=LeBaron, D=Spirit, P=Acclaim/LaBaron(Landau), Saratoga) S BODY=(H=Voyager(H) FWD, K=Caravan(H) FWD, Y=Town & Country(H) FWD, P=Voyager(K) AWD, D=Caravan(K) AWD, C=Town & Country(K) AWD)  
 C BODY=(D=Dynasty, C=New Yorker/N.Y. Salon) Y BODY=(C=Imperial/5th Avenue)  
 G BODY=(V=Daytona/IROC, Chrysler Daytona) E-S BODY=(K=Chrysler Voyager(H) FWD, D=Chrysler Voyager(K) AWD)  
 J BODY=(C=LeBaron, Chrysler LeBaron) P BODY=(P=Sundance, D=Shadow)

BODY STYLES:

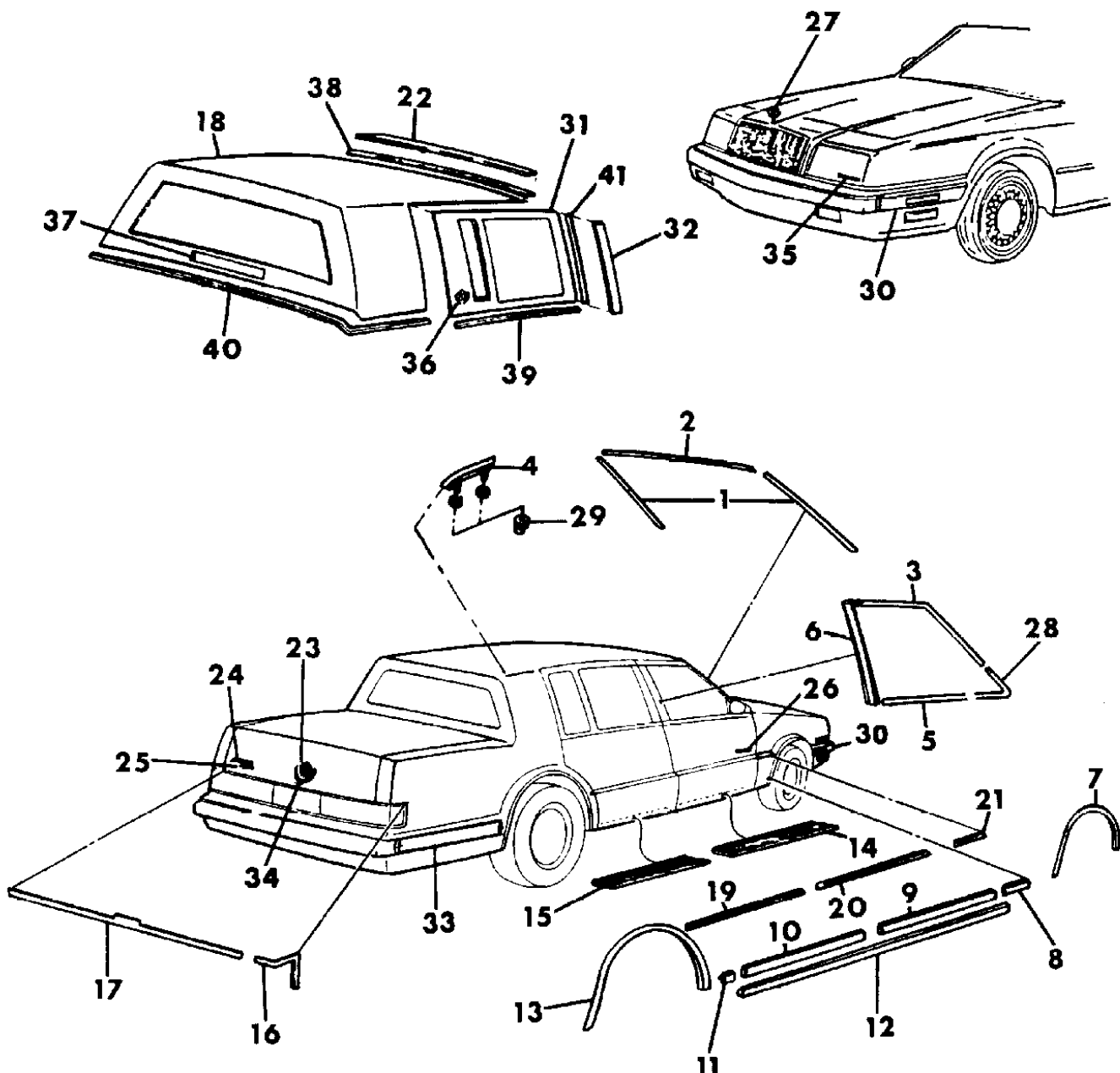
21=2-Door Coupe 41=4-Door Sedan 12-52=FWD & AWD Van & Wgn Std W.B.  
 24=2-Door Hatchback 44=4-Door Hatchback 53=FWD & AWD Van & Wgn Ext. W.B.  
 27=2-Door Convertible

AR = Use as Required - = Non Illustrated Part P.A.R. = Paint as Required

MOULDINGS AND ORNAMENTATION - Y BODY - IMPERIAL

Figure 23-1900

93168 1900



ITEM	PART NUMBER	QTY	BODY	MODEL	DESCRIPTION
1	5261 622-3	1			MOULDING, Windshield Side
2	4398 021	1			MOULDING, Windshield Upper
3	4494 688-9	1			MOULDING PACKAGE, Front Door Window Upper
-	6033 184	14			GROMMET, moulding attaching
-	6033 303	14			SCREW, moulding attaching
4	DZ06-7 KW7	1			MOULDING, Roof Joint, P.A.R.
5	4422 722-3	1			MOULDING, Front Door Belt
-	6033 184	AR			GROMMET
-	6033 303	AR			SCREW
6					APPLIQUE, Front Door Rear
	X840-1 HM9	1			Black Cherry
	X840-1 HM4	1			Claret Red
	X840-1 KV4	1			Light Champagne
	X840-1 LG6	1			Beryl Green
	X840-1 HB8	1			Midnight Blue
	X840-1 KC1	1			Diamond Blue
	X840-1 HX8	1			Black
	X840-1 HD8	1			Dark Quartz Gray
	X840-1 LDA	1			Bright Silver Quartz
	X840-1 HW7	1			Bright White
	X840-1 JH6	1			Light Mahogany
-	4454 164	8			RETAINER, applique attaching
7	4491 218-9	1			MOULDING, Fender Wheel Opening
-	4293 616	1			SCREW PACKAGE
8	4494 768-9	1			MOULDING PACKAGE, Fender Rear Lower
-	6004 003	1			RETAINER
-	4293 616	1			SCREW PACKAGE
9	4411 890-1	1			MOULDING PACKAGE, Front Door Lower
-	6004 003	5			RETAINER
-	4293 616	1			SCREW PACKAGE
10	4494 684-5	1			MOULDING PACKAGE, Rear Door Lower
-	6004 003	4			RETAINER
-	4293 616	1			SCREW PACKAGE
11	4494 770-1	1			MOULDING PACKAGE, Quarter Front Lower
-	6004 003	1			RETAINER
-	4293 616	1			SCREW PACKAGE
12	4494 730-1	1			MOULDING PACKAGE, Body Side Sill
-	6004 002	AR			RETAINER
-	4057 555	1			RETAINER PACKAGE, (barrel nut)

MODEL CODES:

A BODY=(C=LeBaron, D=Spirit, P=Acclaim/LaBaron(Landau), Saratoga) S BODY=(H=Voyager(H) FWD, K=Caravan(H) FWD, Y=Town & Country(H) FWD, P=Voyager(K) AWD, D=Caravan(K) AWD, C=Town & Country(K) AWD)  
 C BODY=(D=Dynasty, C=New Yorker/N.Y. Salon)  
 G BODY=(V=Daytona/IROC, Chrysler Daytona)  
 J BODY=(C=LeBaron, Chrysler LeBaron)  
 P BODY=(P=Sundance, D=Shadow)  
 E-S BODY=(K=Chrysler Voyager(H) FWD, D=Chrysler Voyager(K) AWD)

BODY STYLES:

21=2-Door Coupe 41=4-Door Sedan 12-52=FWD & AWD Van & Wgn Std W.B.  
 24=2-Door Hatchback 44=4-Door Hatchback 53=FWD & AWD Van & Wgn Ext. W.B.  
 27=2-Door Convertible

AR = Use as Required - = Non Illustrated Part P.A.R. = Paint as Required

MOULDINGS AND ORNAMENTATION - Y BODY - IMPERIAL

Figure 23-1900

93168 1900

ITEM	PART NUMBER	QTY	BODY	MODEL	DESCRIPTION
-	4293 616	1			SCREW PACKAGE
13	4454 864-5	1			MOULDING, Quarter Wheel Opening
-	4293 616	1			SCREW PACKAGE
14	4443 818	2			MOULDING PACKAGE, Side Sill Inner Front Door
15	4422 704	2			MOULDING, Side Sill Inner Rear Door
16	5261 466-7	1			MOULDING, Quarter Extension
-	4293 616	1			SCREW PACKAGE
17	4422 700	1			MOULDING ASSEMBLY, Deck Lid Lower
-	6004 205	5			RETAINER, Moulding to Deck Lid
-		AR			NUT, Moulding to Deck Lid, not serviced
18					CAP ASSEMBLY or COVER ASSEMBLY ***
-	4422 761	1			CAP ASSEMBLY
-	4422 877	14			STUD, Roof Cap Retaining
-	6032 389	14			NUT, Roof Cap Retaining Stud (stamped nut w/seal)
-	5261 495	2			RETAINER, bodyside aperture to roof cap COVER ASSEMBLY, includes pad and welt
	T971 HM9	1			Black Cherry
	T971 LM4	1			Claret Red
	T971 HV3	1			Light Champagne
	T971 LG6	1			Beryl Green
	T971 HB8	1			Midnight Blue
	T971 KC1	1			Diamond Blue
	T971 HX9	1			Black
	T971 LD8	1			Dark Quartz Gray
	T971 LDA	1			Bright Silver Quartz
	T971 HW7	1			Bright White
	T971 JH6	1			Light Mahogany
-					SCREW, not serviced
-					NUT, not serviced
19					MOULDING, Rear Door
	X384-5 HM9	1			Black Cherry
	X384-5 HM4	1			Claret Red
	X384-5 HV3	1			Light Champagne
	X384-5 LG6	1			Beryl Green
	X384-5 HB8	1			Midnight Blue
	X384-5 KC1	1			Diamond Blue
	X384-5 HX8	1			Black
	X384-5 HD8	1			Dark Quartz Gray
	X384-5 LDA	1			Bright Silver Quartz

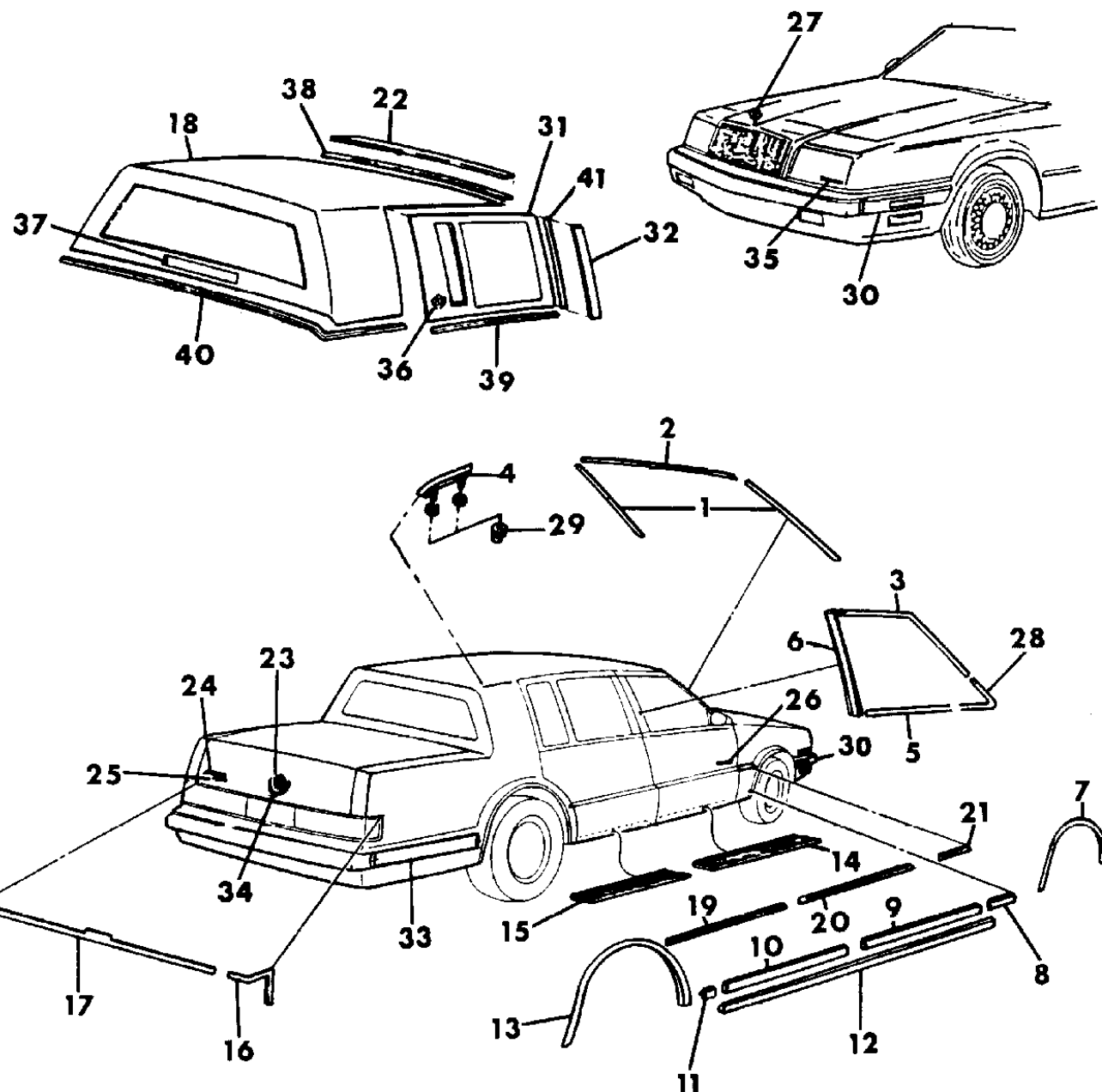
MODEL CODES:

A BODY=(C=LeBaron, D=Spirit, P=Acclaim/LaBaron(Landau), Saratoga) S BODY=(H=Voyager(H) FWD, K=Caravan(H) FWD, Y=Town & Country(H) FWD, P=Voyager(K) AWD, D=Caravan(K) AWD, C=Town & Country(K) AWD)  
 C BODY=(D=Dynasty, C=New Yorker/N.Y. Salon)  
 G BODY=(V=Daytona/ROC, Chrysler Daytona)  
 J BODY=(C=LeBaron, Chrysler LeBaron)  
 P BODY=(P=Sundance, D=Shadow)  
 Y BODY=(C=Imperial/5th Avenue)  
 E-S BODY=(K=Chrysler Voyager(H) FWD, D=Chrysler Voyager(K) AWD)

BODY STYLES:

21=2-Door Coupe 41=4-Door Sedan 12-52=FWD & AWD Van & Wgn Std W.B.  
 24=2-Door Hatchback 44=4-Door Hatchback 53=FWD & AWD Van & Wgn Ext. W.B.  
 27=2-Door Convertible

AR = Use as Required - = Non Illustrated Part P.A.R. = Paint as Required

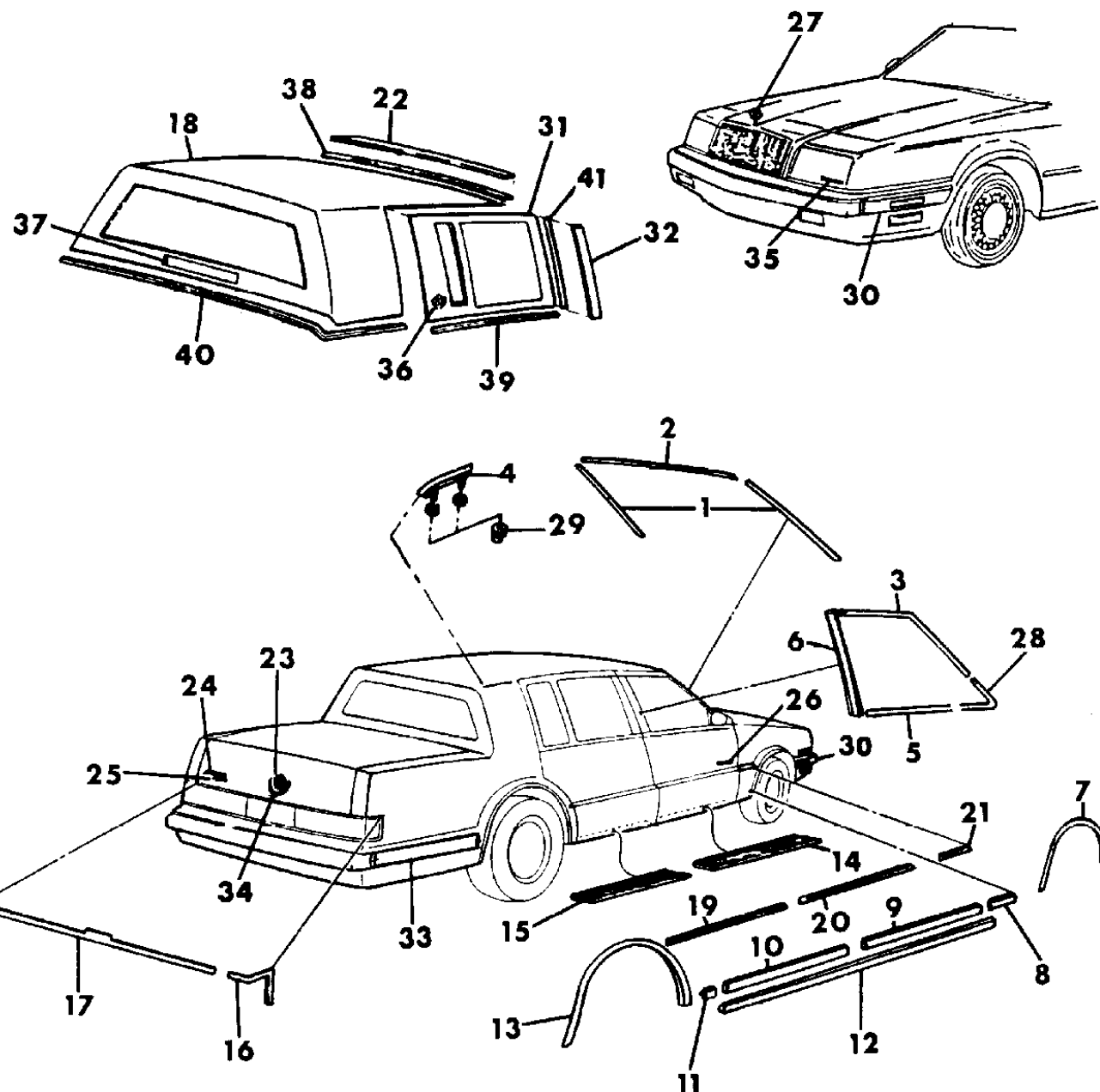


MOULDINGS AND ORNAMENTATION - Y BODY - IMPERIAL

Figure 23-1900

93168 1900

ITEM	PART NUMBER	QTY	BODY	MODEL	DESCRIPTION
	X384-5 HW7	1			Bright White
	X384-5 JH6	1			Light Mahogany
20	X178-9 GM9	1			MOULDING, Front Door Black Cherry
	X178-9 GM4	1			Claret Red
	X178-9 HV3	1			Light Champagne
	X178-9 LG6	1			Beryl Green
	X178-9 HB8	1			Midnight Blue
	X178-9 KC1	1			Diamond Blue
	X178-9 HX8	1			Black
	X178-9 HD8	1			Dark Quartz Gray
	X178-9 LDA	1			Bright Silver Quartz
	X178-9 GW7	1			Bright White
21	X178-9 JH6	1			MOULDING, Fender Rear Light Mahogany
	X972-3 GM9	1			Black Cherry
	X972-3 GM4	1			Claret Red
	X972-3 HV3	1			Light Champagne
	X972-3 LG6	1			Beryl Green
	X972-3 HB8	1			Midnight Blue
	X972-3 KC1	1			Diamond Blue
	X972-3 HX8	1			Black
	X972-3 HD8	1			Dark Quartz Gray
	X972-3 LDA	1			Bright Silver Quartz
	X972-3 GW7	1			Bright White
22	X972-3 JH6	1			MOULDING ASSEMBLY, Roof Transverse, includes welt Light Mahogany
	DN87 JM9	1			Black Cherry
	DN87 LM4	1			Claret Red
	DN87 JV3	1			Light Champagne
	DN87 LG6	1			Beryl Green
	DN87 JB8	1			Midnight Blue
	DN87 KC1	1			Diamond Blue
	DN87 JX9	1			Black
	DN87 LD8	1			Dark Quartz Gray
	DN87 LDA	1			Bright Silver Quartz
	DN87 JW7	1			Bright White
	DN87 JH6	1			Light Mahogany



MODEL CODES:

A BODY=(C=LeBaron, D=Spirit, P=Acclaim/LaBaron(Landau), Saratoga) S BODY=(H=Voyager(H) FWD, K=Caravan(H) FWD, Y=Town & Country(H) FWD, P=Voyager(K) AWD, D=Caravan(K) AWD, C=Town & Country(K) AWD)  
 C BODY=(D=Dynasty, C=New Yorker/N.Y. Salon) Y BODY=(C=Imperial/5th Avenue)  
 G BODY=(V=Daytona/ROC, Chrysler Daytona) E-S BODY=(K=Chrysler Voyager(H) FWD, D=Chrysler Voyager(K) AWD)  
 J BODY=(C=LeBaron, Chrysler LeBaron) P BODY=(P=Sundance, D=Shadow)

BODY STYLES:

21=2-Door Coupe 41=4-Door Sedan 12-52=FWD & AWD Van & Wgn Std W.B.  
 24=2-Door Hatchback 44=4-Door Hatchback 53=FWD & AWD Van & Wgn Ext. W.B.  
 27=2-Door Convertible

AR = Use as Required - = Non Illustrated Part P.A.R. = Paint as Required

MOULDINGS AND ORNAMENTATION - Y BODY - IMPERIAL

Figure 23-1900

93168 1900

ITEM	PART NUMBER	QTY	BODY	MODEL	DESCRIPTION
-	5261 474	1			REINFORCEMENT, Roof, between headliner and roof to transverse moulding
-	6033 742	AR			NUT, Roof Transverse Moulding
23	4676 014				MEDALLION, Deck Lid Lock Cylinder
-	4491 827	1			GASKET, Medallion
24	4454 245	1			NAMEPLATE, Deck Lid, "CHRYSLER"
25	4676 001				NAMEPLATE, Deck Lid, "ABS"
26	4454 995	2			NAMEPLATE, Front Door, "IMPERIAL"
27	5263 319	1			ORNAMENT, Pentastar
-	4451 196	1			RETAINER, Ornament to Grille Header
-	4451 195	1			SPRING, Ornament to Grille Header
-	6030 435	1			NUT, Ornament to Grille Header
28	4494 696-7	1			MOULDING PACKAGE, Mirror Surround
-	6033 184	6			GROMMET, Moulding Attaching
-	6033 303	2			SCREW, Moulding Attaching
29	6032 792	1			NUT and WASHER, for attaching roof joint moulding
30	4451 064-5	1			MOULDING ASSEMBLY, Front Fender
31					COVER ASSEMBLY, Rear Door Outer
	DG16-7 JM9	1			Black Cherry
	DG16-7 LM4	1			Claret Red
	DG16-7 JV3	1			Light Champagne
	DG16-7 LG6	1			Beryl Green
	DG16-7 JB8	1			Midnight Blue
	DG16-7 KC1	1			Diamond Blue
	DG16-7 JX9	1			Black
	DG16-7 LD8	1			Dark Quartz Gray
	DG16-7 LDA	1			Bright Silver Quartz
	DG16-7 JW7	1			White
	DG16-7 JH6	1			Light Mahogany
32					MOULDING, Rear Door Outer Quarter Cover
	X240-1 JM9	1			Black Cherry
	X240-1 LM4	1			Claret Red
	X240-1 JV3	1			Light Champagne
	X240-1 LG6	1			Beryl Green
	X240-1 JB8	1			Midnight Blue
	X240-1 KC1	1			Diamond Blue
	X240-1 JX9	1			Black
	X240-1 LD8	1			Dark Quartz Gray
	X240-1 LDA	1			Bright Silver Quartz

MODEL CODES:

A BODY=(C=LeBaron, D=Spirit, P=Acclaim/LaBaron(Landau), Saratoga)

C BODY=(D=Dynasty, C=New Yorker/N.Y. Salon)

G BODY=(V=Daytona/ROC, Chrysler Daytona)

J BODY=(C=LeBaron, Chrysler LeBaron)

P BODY=(P=Sundance, D=Shadow)

S BODY=(H=Voyager(H) FWD, K=Caravan(H) FWD,

Y=Town & Country(H) FWD, P=Voyager(K) AWD,

D=Caravan(K) AWD, C=Town & Country(K) AWD)

Y BODY=(C=Imperial/5th Avenue)

E-S BODY=(K=Chrysler Voyager(H) FWD, D=Chrysler

Voyager(K) AWD)

BODY STYLES:

21=2-Door Coupe

41=4-Door Sedan

12-52=FWD & AWD Van & Wgn Std W.B.

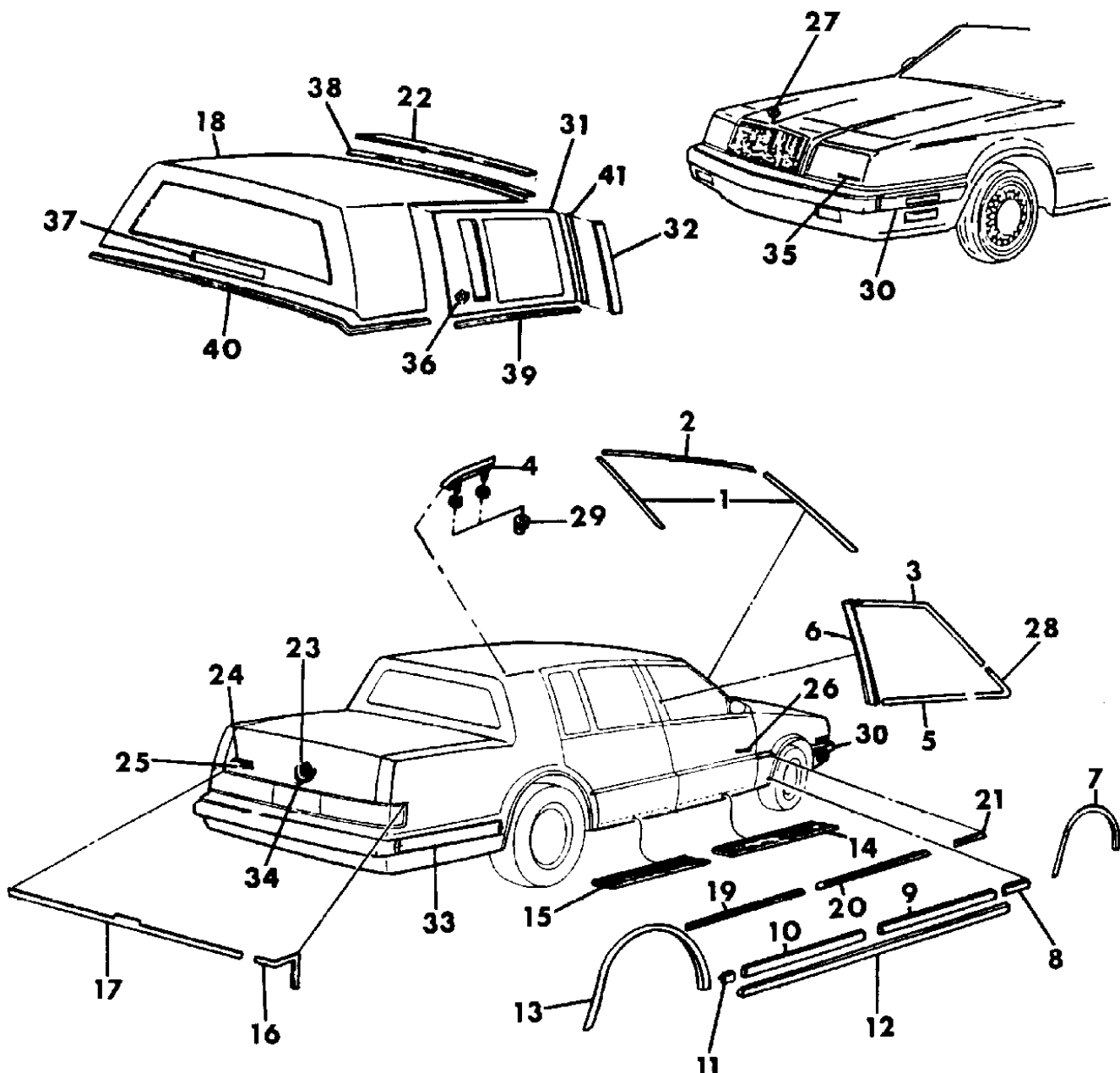
24=2-Door Hatchback

44=4-Door Hatchback

53=FWD & AWD Van & Wgn Ext. W.B.

27=2-Door Convertible

AR = Use as Required - = Non Illustrated Part P.A.R. = Paint as Required

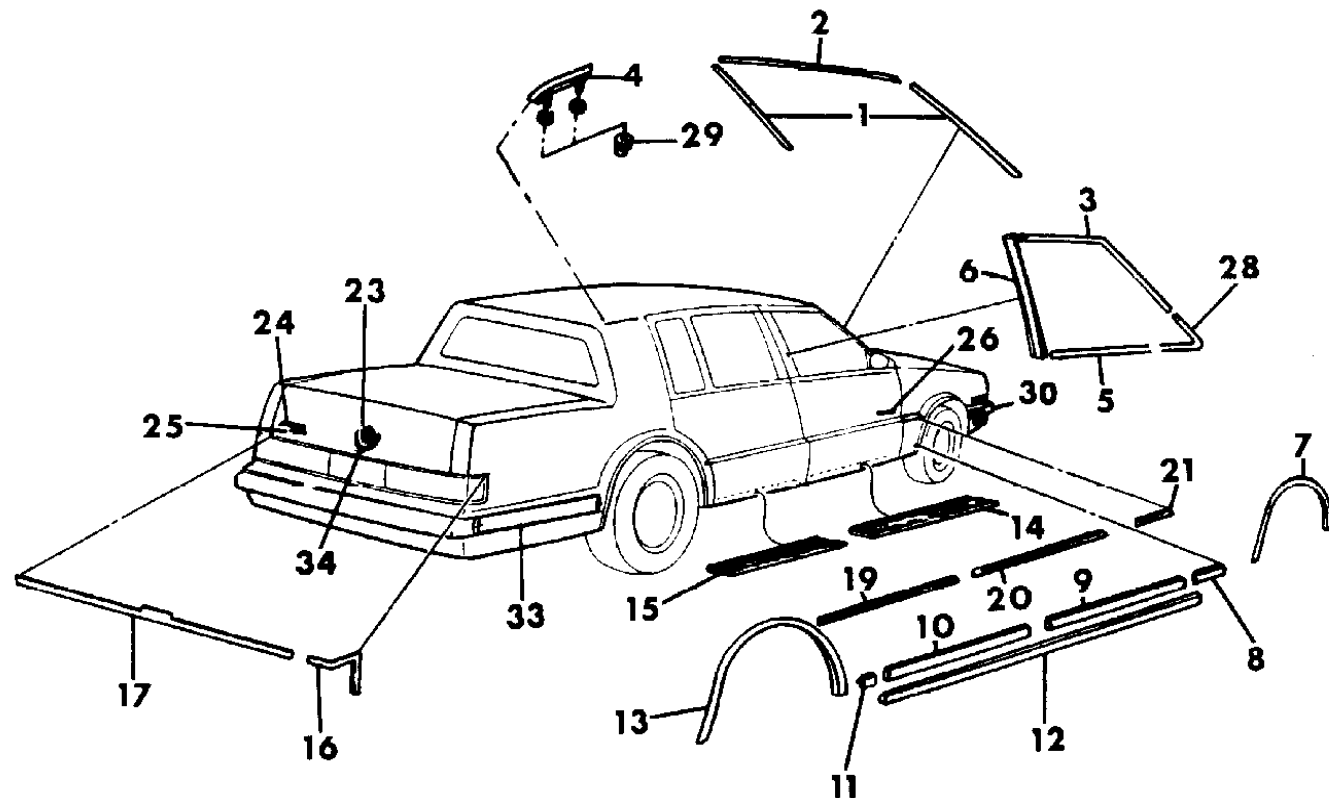
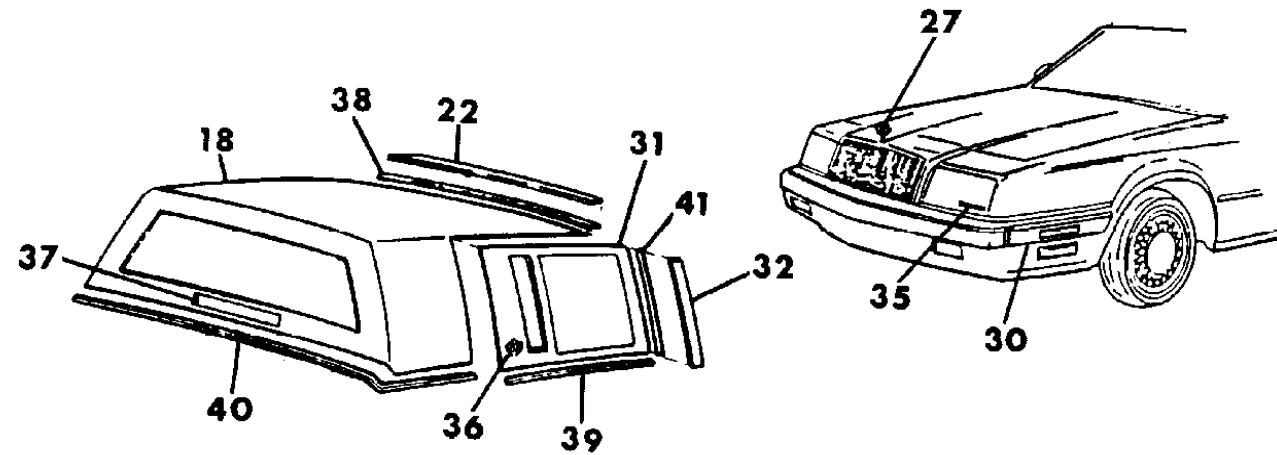


MOULDINGS AND ORNAMENTATION - Y BODY - IMPERIAL

Figure 23-1900

93168 1900

ITEM	PART NUMBER	QTY	BODY	MODEL	DESCRIPTION
	X240-1 JW7	1			White
	X240-1 JH6	1			Light Mahogany
-	4057 555	AR			RETAINER PACKAGE, for attaching moulding to cover
33	4451 116-7	1			MOULDING, Rear Aperture
34	4454 996	1			MEDALLION, Wheat Design
35	4451 201	1			NAMEPLATE, Imperial, headlamp door
-	9420 862	2			NUT, Nameplate Mounting
36	4520 062	2			MEDALLION
		6			NUT, not serviced
37	4422 764	1			BEZEL, Roof Cap, CHMSL, P.A.R.
38					WELT, serviced w/item 22 Moulding Assembly, roof
39					WELT, serviced w/item 31 Cover Assembly, door
40					WELT, serviced w/item 18 Cover Assembly, roof
41					WELT, serviced w/item 32, Moulding Assembly, door cover



MODEL CODES:

A BODY=(C=LeBaron, D=Spirit, P=Acclaim/LaBaron(Landau), Saratoga) S BODY=(H=Voyager(H) FWD, K=Caravan(H) FWD, Y=Town & Country(H) FWD, P=Voyager(K) AWD, D=Caravan(K) AWD, C=Town & Country(K) AWD)  
 C BODY=(D=Dynasty, C=New Yorker/N.Y. Salon)  
 G BODY=(V=Daytona/IROC, Chrysler Daytona)  
 J BODY=(C=LeBaron, Chrysler LeBaron)  
 P BODY=(P=Sundance, D=Shadow)

BODY STYLES:

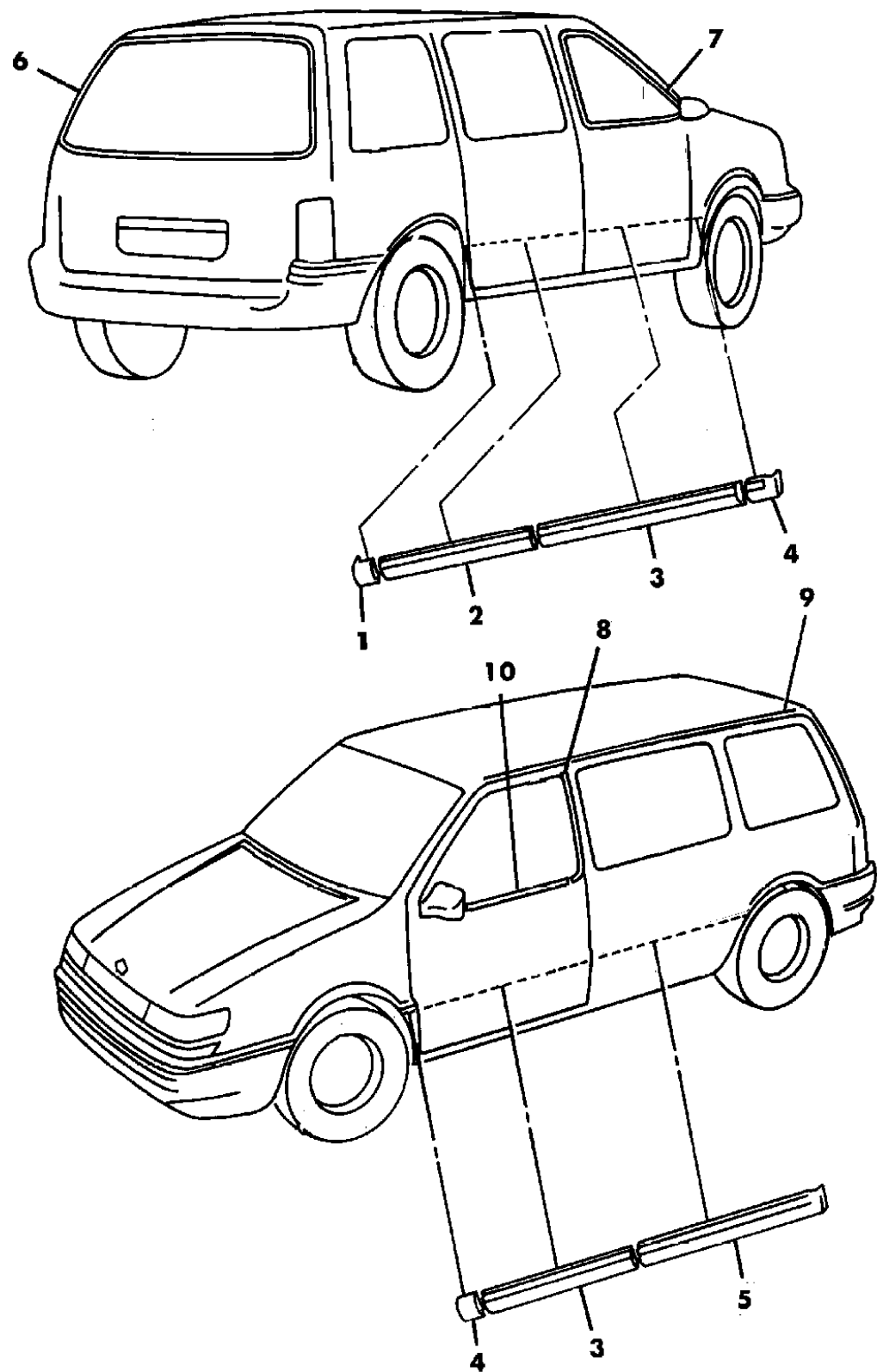
21=2-Door Coupe 41=4-Door Sedan 12-52=FWD & AWD Van & Wgn Std W.B.  
 24=2-Door Hatchback 44=4-Door Hatchback 53=FWD & AWD Van & Wgn Ext. W.B.  
 27=2-Door Convertible

AR = Use as Required - = Non Illustrated Part P.A.R. = Paint as Required



**MOULDINGS S BODY**  
**Figure 23-2000**

93168 2000



ITEM	PART NUMBER	QTY	BODY	MODEL	DESCRIPTION
1					MOULDING, Quarter Front, Right
					w/Short Wheel Base
	X864 MBC	1		52	Light Royal Blue
	X864 MC9	1		52	Deep Blue or Jewel Blue
	X864 LP5	1		52	Teal
	X864 MMB	1		52	Wildberry
	X864 MR4	1		52	Flame Red or Poppy Red
	X864 LW7	1		52	Bright White
	X864 LG5	1		52	Hunter Green
	X864 LFA	1		52	Light Driftwood
	X864 KD8	1		52	Dark Quartz Gray
	FX08 LSK	1		52	Medium Quartz

NOTE: For the right quarter moulding only model 53 has an insert. applications specified in this document.

					w/Long Wheel Base and Bright Insert
	X966 MBC	1		53	Light Royal Blue/Bright
	X966 MC9	1		53	Deep Blue or Jewel Blue/Bright
	X966 LP5	1		53	Teal/Bright
	X966 MMB	1		53	Wildberry/Bright
	X966 MRF	1		53	Radiant Red Metallic/Bright
	X966 LW7	1		53	Bright White/Bright
	X966 LG5	1		53	Hunter Green/Bright
	X966 LFA	1		53	Light Driftwood/Bright
	X966 KD8	1		53	Dark Quartz Gray/Bright
					w/Long Wheelbase and Black insert w/Gold Stripe
	X866 MG5	1		53	Hunter Green/Black/Gold
	X866 MW7	1		53	Bright White/Black/Gold
	X866 MRF	1		53	Radiant Red Metallic/Black/Gold
	X866 MC9	1		53	Deep Blue or Jewel Blue/Black/Gold
					w/Long Wheelbase and Black Insert
	FX10 MSX	1		53	Medium Quartz/Black
	FX10 LSK	1		53	Medium Quartz w/Red
-	4576 426	1		53	RETAINER

2					MOULDING ASSEMBLY, Sliding Door
					w/Bright Insert
	HU52 MBC	1			Light Royal Blue/Bright
	HU52 MC9	1			Deep Blue or Jewel Blue/Bright
	HU52 MP5	1			Teal/Bright
	HU52 MMB	1			Wildberry/Bright
	HU52 MRF	1			Radiant Red Metallic/Bright

**MODEL CODES:**

A BODY=(C=LeBaron, D=Spirit, P=Acclaim/LaBaron(Landau), Saratoga) S BODY=(H=Voyager(H) FWD, K=Caravan(H) FWD, Y=Town & Country(H) FWD, P=Voyager(K) AWD, D=Caravan(K) AWD, C=Town & Country(K) AWD)  
 C BODY=(D=Dynasty, C=New Yorker/N.Y. Salon) Y BODY=(C=Imperial/5th Avenue)  
 G BODY=(V=Daytona/ROC, Chrysler Daytona) E-S BODY=(K=Chrysler Voyager(H) FWD, D=Chrysler Voyager(K) AWD)  
 J BODY=(C=LeBaron, Chrysler LeBaron) P BODY=(P=Sundance, D=Shadow)

**BODY STYLES:**

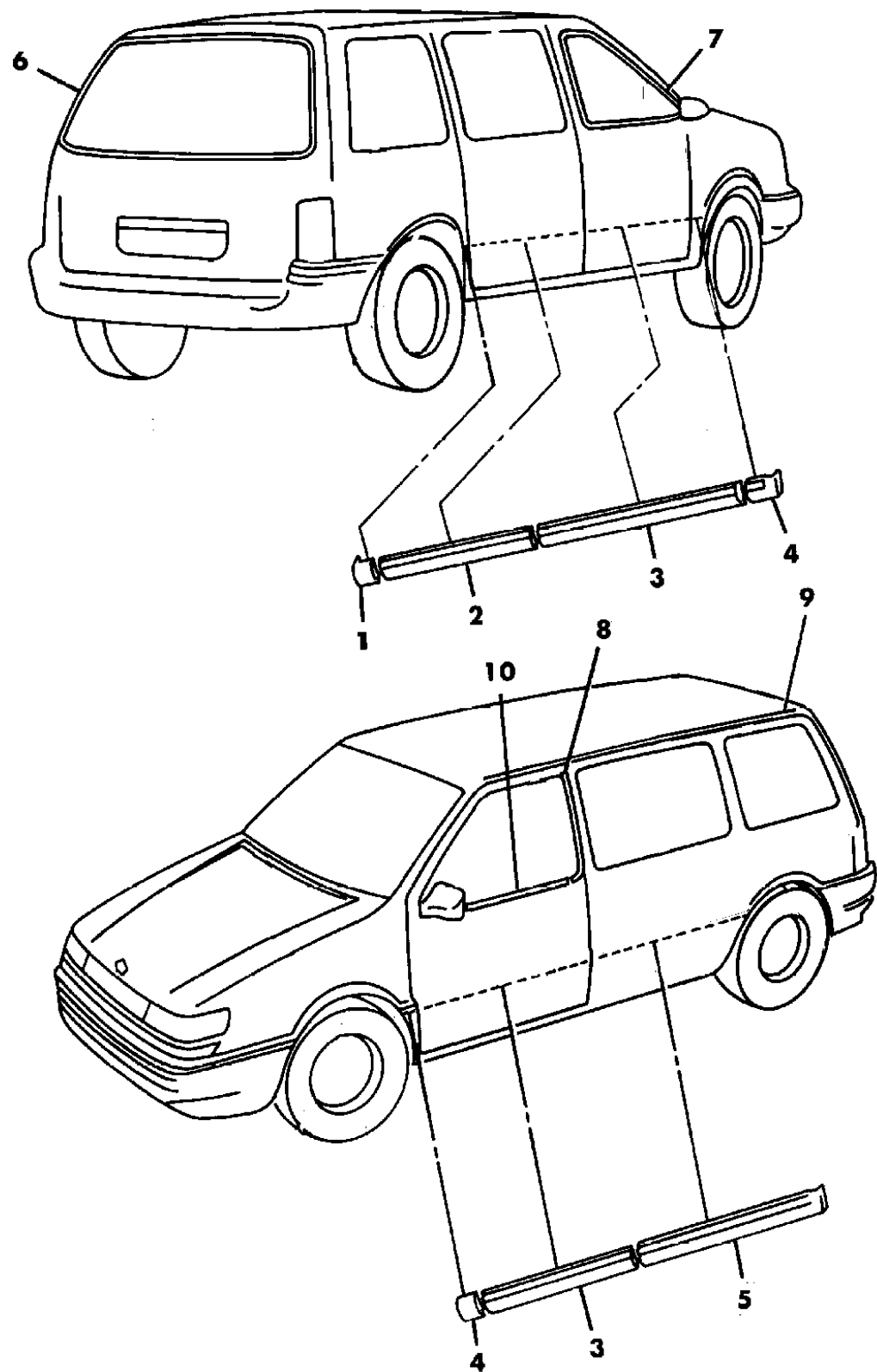
21=2-Door Coupe 41=4-Door Sedan 12-52=FWD & AWD Van & Wgn Std W.B.  
 24=2-Door Hatchback 44=4-Door Hatchback 53=FWD & AWD Van & Wgn Ext. W.B.  
 27=2-Door Convertible

AR = Use as Required - = Non Illustrated Part P.A.R. = Paint as Required

MOULDINGS S BODY

Figure 23-2000

93168 2000



ITEM	PART NUMBER	QTY	BODY	MODEL	DESCRIPTION
	HU52 MR4	1			Flame Red or Poppy Red/Bright
	HU52 MW7	1			Bright White/Bright
	HU52 MG5	1			Hunter Green/Bright
	HU52 MFA	1			Light Driftwood/Bright
	HU52 MD8	1			Dark Quartz Gray/Bright
					w/Black Insert and Gold Stripe
	HU56 MG5	1			Hunter Green/Black/Gold
	HU56 MR4	1			Flame Red or Poppy Red/Black/Gold
	HU56 MW7	1			Bright White/Black/Gold
	HU56 MRF	1			Radiant Red Metallic/Black/Gold
	HU56 MC9	1			Deep Blue or Jewel Blue/Black/Gold w/Black Insert
	HU50 MSX	1			Medium Quartz/Black
	FX06 LSK	1			Medium Quartz w/Red
-	4576 426	6			RETAINER
3					MOULDING ASSEMBLY, Front Door w/Bright Insert
	HU46-7 MBC	1			Light Royal Blue/Bright
	HU46-7 MC9	1			Deep Blue or Jewel Blue/Bright
	HU46-7 MP5	1			Teal/Bright
	HU46-7 MMB	1			Wildberry/Bright
	HU46-7 MRF	1			Radiant Red Metallic/Bright
	HU46-7 MR4	1			Flame Red or Poppy Red/Bright
	HU46-7 MW7	1			Bright White/Bright
	HU46-7 MG5	1			Hunter Green/Bright
	HU46-7 MFA	1			Light Driftwood/Bright
	HU46-7 MD8	1			Dark Quartz Gray/Bright
					w/Black Insert and Gold Stripe
	HU54-5 MG5	1			Hunter Green/Black/Gold
	HU54-5 MR4	1			Flame Red or Poppy Red/Black/Gold
	HU54-5 MW7	1			Bright White/Black/Gold
	HU54-5 MRF	1			Radiant Red Metallic/Black/Gold
	HU54-5 MC9	1			Deep Blue or Jewel Blue/Black/Gold w/Black Insert
	HU44-5 MSX	1			Medium Quartz/Black
	FX04 LSK	1			Medium Quartz w/Red, Right
	FX05 LSK	1			Medium Quartz w/Red, Left
-	4576 426	10			RETAINER
4					MOULDING ASSEMBLY, Fender Rear

MODEL CODES:

A BODY=(C=LeBaron, D=Spirit, P=Acclaim/LaBaron(Landau), Saratoga)

C BODY=(D=Dynasty, C=New Yorker/N.Y. Salon)

G BODY=(V=Daytona/IROC, Chrysler Daytona)

J BODY=(C=LeBaron, Chrysler LeBaron)

P BODY=(P=Sundance, D=Shadow)

S BODY=(H=Voyager(H) FWD, K=Caravan(H) FWD,

Y=Town & Country(H) FWD, P=Voyager(K) AWD,

D=Caravan(K) AWD, C=Town & Country(K) AWD)

Y BODY=(C=Imperial/5th Avenue)

E-S BODY=(K=Chrysler Voyager(H) FWD, D=Chrysler

Voyager(K) AWD)

BODY STYLES:

21=2-Door Coupe

41=4-Door Sedan

12-52=FWD & AWD Van & Wgn Std W.B.

24=2-Door Hatchback

44=4-Door Hatchback

53=FWD & AWD Van & Wgn Ext. W.B.

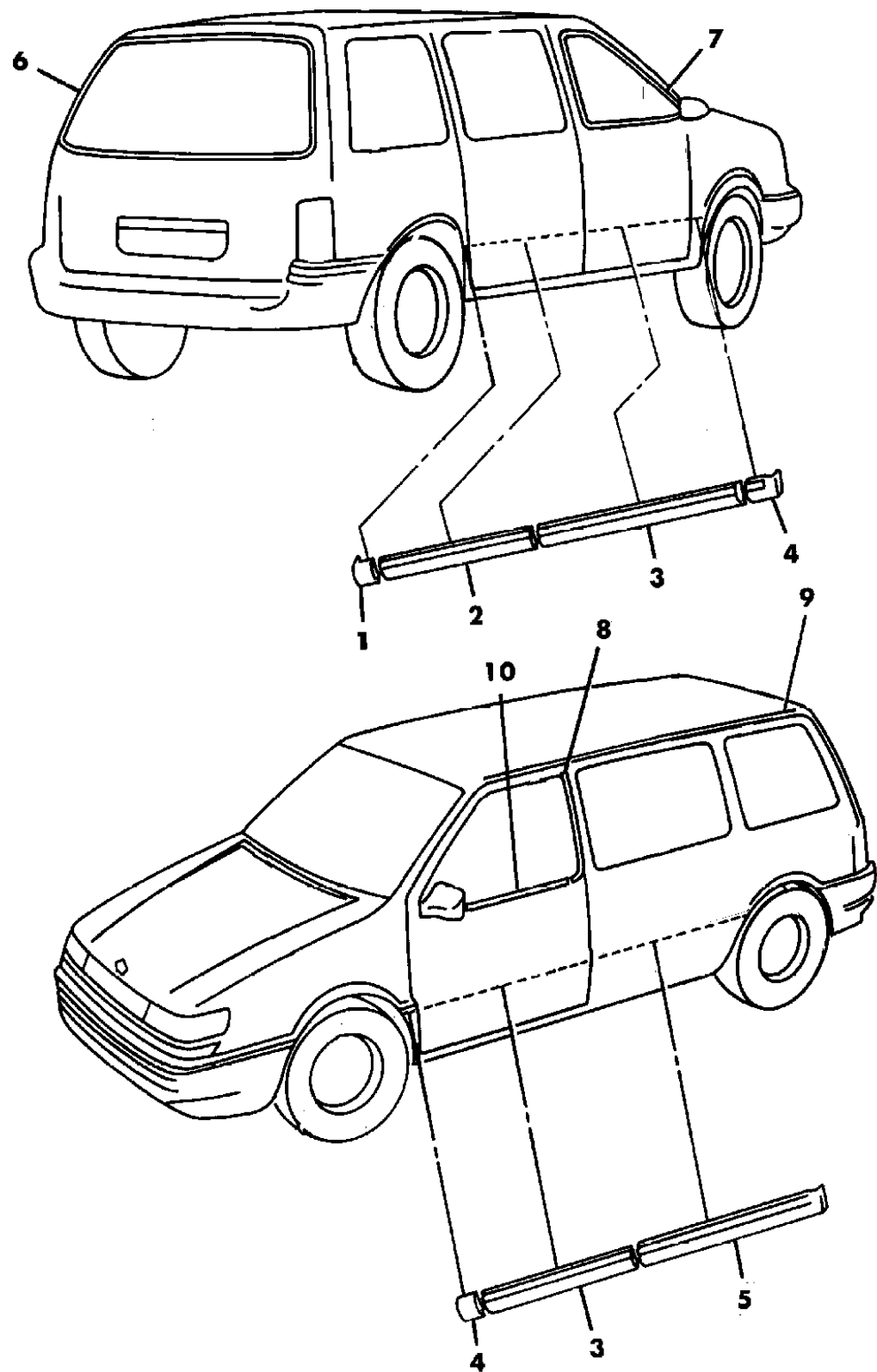
27=2-Door Convertible

AR = Use as Required - = Non Illustrated Part P.A.R. = Paint as Required

MOULDINGS S BODY

Figure 23-2000

93168 2000



ITEM	PART NUMBER	QTY	BODY	MODEL	DESCRIPTION
					w/Bright Insert
	EP88-9 MBC	1			Light Royal Blue/Bright
	EP88-9 MC9	1			Deep Blue or Jewel Blue/Bright
	EP88-9 LP5	1			Teal/Bright
	EP88-9 MMB	1			Wildberry/Bright
	EP88-9 MRF	1			Radiant Red Metallic/Bright
	EP88-9 MR4	1			Flame Red or Poppy Red/Bright
	EP88-9 LW7	1			Bright White/Bright
	EP88-9 LG5	1			Hunter Green/Bright
	EP88-9 LFA	1			Light Driftwood/Bright
	EP88-9 KD8	1			Dark Quartz Gray/Bright
					w/Black Insert an Gold Stripe
	EP90-1 MG5	1			Hunter Green/Black/Gold
	EP90-1 MR4	1			Flame Red or Poppy Red/Black/Gold
	EP90-1 MW7	1			Bright White/Black/Gold
	EP90-1 MRF	1			Radiant Red Metallic/Black/Gold
	EP90-1 MC9	1			Deep Blue or Jewel Blue/Black/Gold
					w/Black Insert
	FX02-3 MSX	1			Medium Quartz/Black
	FX02-3 LSK	1		53	Medium Quartz w/Red
-	6004 215	AR			RETAINER, (also included in the moulding assembly)
5					MOULDING ASSEMBLY, Quarter Panel, Left
					w/Short Wheelbase and Bright Insert
	X965 MBC	1		52	Light Royal Blue/Bright
	X965 MC9	1		52	Deep Blue or Twilight Blue/Bright
	X965 LP5	1		52	Teal/Bright
	X965 MMB	1		52	Wildberry/Bright
	X965 MR4	1		52	Flame Red or Poppy Red/Bright
	X965 PRF	1		52	Radiant Red
	X965 LW7	1		52	Bright White/Bright
	X965 LG5	1		52	Hunter Green/Bright
	X965 LFA	1		52	Light Driftwood/Bright
	X965 KD8	1		52	Dark Quartz Gray/Bright
					w/Short Wheelbase and Black Insert w/Gold Stripe
	X865 MG5	1		52	Hunter Green/Black/Gold
	X865 MR4	1		52	Flame Red or Poppy Red/Black/Gold
	X865 MW7	1		52	Bright White/Black/Gold
					w/Short Wheelbase and Black Insert
	FW97 MSX	1		52	Medium Quartz/Black

MODEL CODES:

A BODY=(C=LeBaron, D=Spirit, P=Acclaim/LaBaron(Landau), Saratoga)

C BODY=(D=Dynasty, C=New Yorker/N.Y. Salon)

G BODY=(V=Daytona/IROC, Chrysler Daytona)

J BODY=(C=LeBaron, Chrysler LeBaron)

P BODY=(P=Sundance, D=Shadow)

S BODY=(H=Voyager(H) FWD, K=Caravan(H) FWD,

Y=Town & Country(H) FWD, P=Voyager(K) AWD,

D=Caravan(K) AWD, C=Town & Country(K) AWD)

Y BODY=(C=Imperial/5th Avenue)

E-S BODY=(K=Chrysler Voyager(H) FWD, D=Chrysler

Voyager(K) AWD)

BODY STYLES:

21=2-Door Coupe

41=4-Door Sedan

12-52=FWD & AWD Van & Wgn Std W.B.

24=2-Door Hatchback

44=4-Door Hatchback

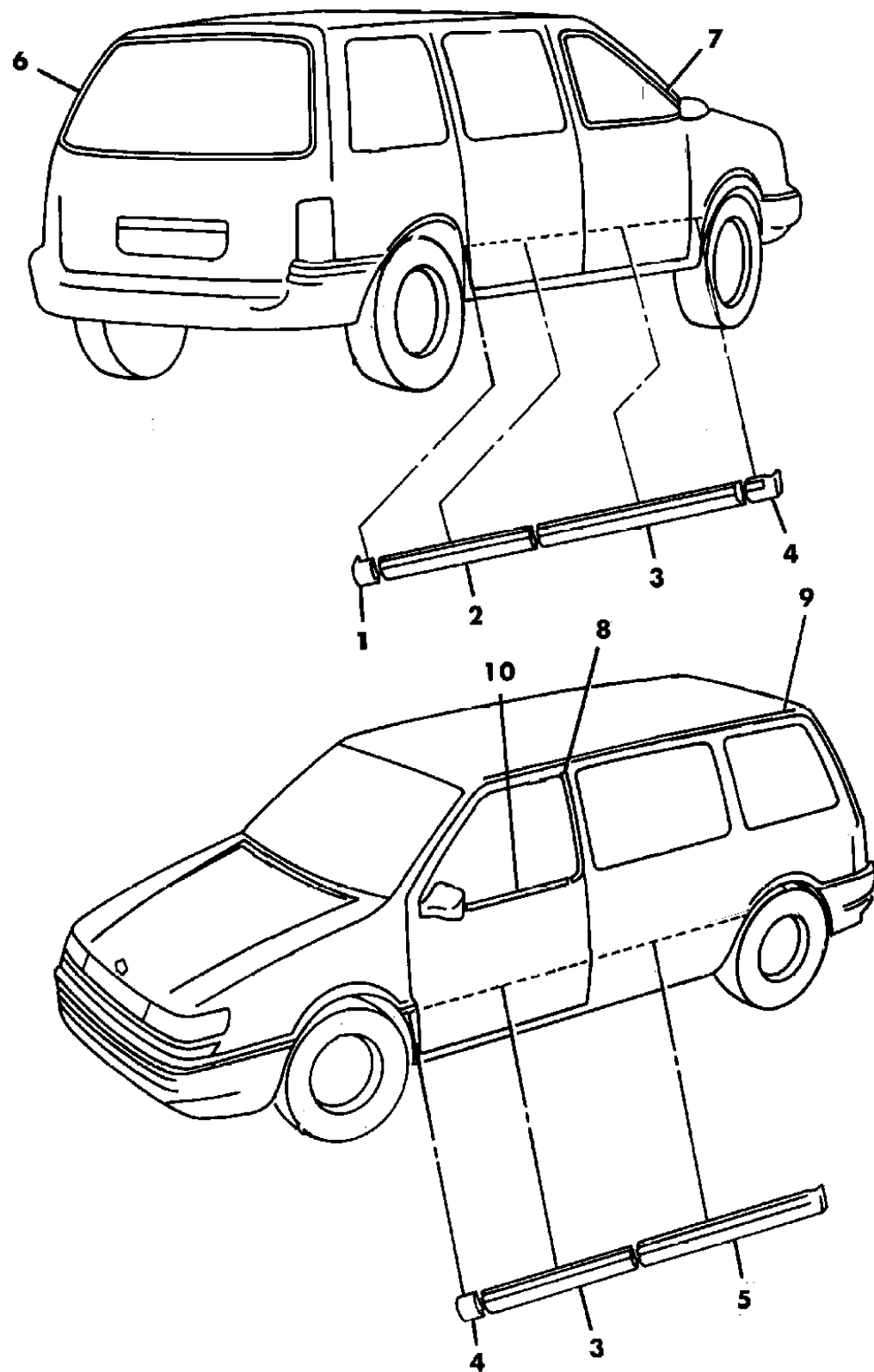
53=FWD & AWD Van & Wgn Ext. W.B.

27=2-Door Convertible

AR = Use as Required - = Non Illustrated Part P.A.R. = Paint as Required

**MOULDINGS S BODY**  
**Figure 23-2000**

93168 2000



ITEM	PART NUMBER	QTY	BODY	MODEL	DESCRIPTION
					w/Long Wheelbase and Bright Insert
	X967 MBC	1		53	Light Royal Blue/Bright
	X967 MC9	1		53	Deep Blue or Jewel Blue/Bright
	X967 LP5	1		53	Teal/Bright
	X967 MMB	1		53	Wildberry/Bright
	X967 MRF	1		53	Radiant Red Metallic/Bright
	X967 LW7	1		53	Bright White/Bright
	X967 LG5	1		53	Hunter Green/Bright
	X967 LFA	1		53	Light Driftwood/Bright
	X967 KD8	1		53	Dark Quartz Gray/Bright w/Long Wheelbase and Black Insert w/Gold Stripe
	X867 MG5	1		53	Hunter Green/Black/Gold
	X867 MW7	1		53	Bright White/Black/Gold
	X867 MRF	1		53	Radiant Red Metallic/Black/Gold
	X867 MC9	1		53	Deep Blue or Jewel Blue/Black/Gold w/Black Insert
	FW99 MSX	1		53	Medium Quartz/Black
	FW99 LSK	1		53	Medium Quartz w/Red
-	4576 426	6			RETAINER
6	4719 323	1			MOULDING, Liftgate Glass, Black (rubberband type)
-	4674 330	2			SPACER, Moulding to Lower Glass
7	4675 418-9	1			MOULDING ASSEMBLY, (surround type), includes weatherstrip)
-	4615 352-3	1			WEATHERSTRIP, Window Surround Moulding
-	4615 714	2			SEAL, Surround Moulding Lower
-	4480 813	16			CLIP, Surround Moulding
8	4675 484-5	1			MOULDING ASSEMBLY, Front Door at "B" Pillar (not used w/ surround type moulding)
-	4480 812	6			CLIP, "B" Pillar Moulding
9					MOULDING, Roof Side Drain Through
	4457 044-5	1		12,52	
	4538 170-1	1		13,53	
10	4480 796-7	1			MOULDING ASSEMBLY, Door Belt (includes weatherstrip), (not used w/surround type moulding)
-		5			SCREW, Belt Moulding Attaching (not serviced, use .164-18x.375)

**MODEL CODES:**

A BODY=(C=LeBaron, D=Spirit, P=Acclaim/LaBaron(Landau), Saratoga) S BODY=(H=Voyager(H) FWD, K=Caravan(H) FWD, Y=Town & Country(H) FWD, P=Voyager(K) AWD, D=Caravan(K) AWD, C=Town & Country(K) AWD)  
 C BODY=(D=Dynasty, C=New Yorker/N.Y. Salon) Y BODY=(C=Imperial/5th Avenue)  
 G BODY=(V=Daytona/IROC, Chrysler Daytona) E-S BODY=(K=Chrysler Voyager(H) FWD, D=Chrysler Voyager(K) AWD)  
 J BODY=(C=LeBaron, Chrysler LeBaron) P BODY=(P=Sundance, D=Shadow)

**BODY STYLES:**

21=2-Door Coupe      41=4-Door Sedan      12-52=FWD & AWD Van & Wgn Std W.B.  
 24=2-Door Hatchback      44=4-Door Hatchback      53=FWD & AWD Van & Wgn Ext. W.B.  
 27=2-Door Convertible

AR = Use as Required - = Non Illustrated Part P.A.R. = Paint as Required

**MOULDINGS AND OVERLAY - WOODGRAIN - S BODY**  
**Figure 23-2100**

93168 2100A

ITEM	PART NUMBER	QTY	BODY	MODEL	DESCRIPTION
1					MOULDING PACKAGE, Sliding Door Track Cover (includes retainers)
	4636 309	1		K,D,H,P-52	w/Short Wheelbase
	4636 326	1		K,D,H,P-53	w/Long Wheelbase
	4636 401	1		C,Y	Town & Country
-	4057 555	1			RETAINER PACKAGE, Barrel Nut
2		1			MOULDING, Sliding Door Upper
	4676 200	1		K,D,H,P	Moulding, (order retainers separately)
	4636 400	1		C,Y	Moulding Package, (includes retainers)
-	6004 162	5			RETAINER
3		1			MOULDING, Front Door Upper
	4676 198-9	1		K,D,H,P	Moulding, (order retainers separately)
	4636 404-5	1		C,Y	Moulding Package, (includes retainers)
-	6004 162	10			RETAINER, (5 per side)
4		1			MOULDING, Fender Upper
	4636 330-1	1		K,D,H,P	Moulding Package, (includes retainers)
	5261 372-3	1		C,Y	Moulding, (order retainers separately)
-	4057 555	2			RETAINER PACKAGE, Barrel Nut (1 package per side)
5		1			MOULDING, Wheel Opening, Right Quarter (used w/Town & Country appliques)
	5261 186	1		C,Y	
-		4			SCREW, (not serviced)
6		1			MOULDING ASSEMBLY, Wheel Opening and Quarter, Right
	4491 458	1		K,D,H,P-52	w/Short Wheelbase
	4491 460	1		K,D,H,P-53	w/Long Wheelbase
7		1			MOULDING ASSEMBLY, Sliding Door Lower
	4491 456	1		K,D,H,P	
-	6003 855	6			RETAINER
8		1			MOULDING ASSEMBLY, Front Door Lower
	4491 478-9	1		K,D,H,P	
-	6003 855	10			RETAINER, (5 per side)
9		1			MOULDING ASSEMBLY, Fender Lower and Wheel Opening
	5261 776-7	1		K,D,H,P	
-		AR			SCREW, Wheel Opening (not serviced)
-	4057 555	1			RETAINER PACKAGE, Barrel Nut
10		1			MOULDING, Fender Wheel Opening, (used w/Town & Country appliques)
	5261 184-5	1		C,Y	
11		1			MOULDING, Quarter Panel Upper Left
	4676 201	1		K,D,H,P-52	Moulding Assembly, (order retainers separately)
	4676 203	1		K,D,H,P-53	Moulding Assembly, (order retainers separately)
	4636 402	1		C,Y	Moulding Package, (includes retainers)
-	6004 162	AR			RETAINER, (bullhorn type, qty=10 SWB or 12 LWB)
-	4057 555	1			RETAINER PACKAGE, Barrel Nut

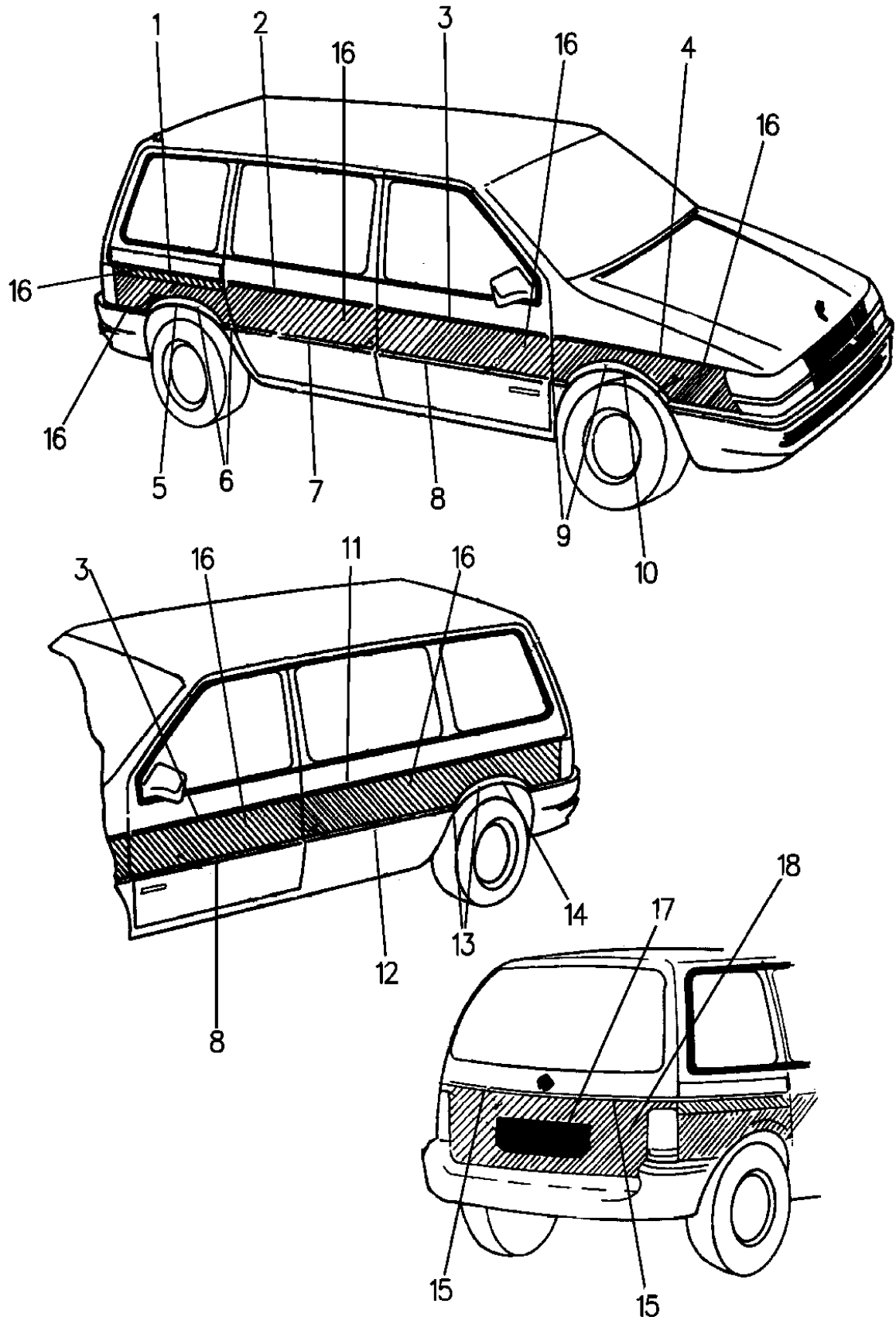
**MODEL CODES:**

A BODY=(C=LeBaron, D=Spirit, P=Acclaim/LaBaron(Landau), Saratoga) S BODY=(H=Voyager(H) FWD, K=Caravan(H) FWD, Y=Town & Country(H) FWD, P=Voyager(K) AWD, D=Caravan(K) AWD, C=Town & Country(K) AWD)  
 C BODY=(D=Dynasty, C=New Yorker/N.Y. Salon) Y BODY=(C=Imperial/5th Avenue)  
 G BODY=(V=Daytona/IROC, Chrysler Daytona) E-S BODY=(K=Chrysler Voyager(H) FWD, D=Chrysler Voyager(K) AWD)  
 J BODY=(C=LeBaron, Chrysler LeBaron)  
 P BODY=(P=Sundance, D=Shadow)

**BODY STYLES:**

21=2-Door Coupe 41=4-Door Sedan 12-52=FWD & AWD Van & Wgn Std W.B.  
 24=2-Door Hatchback 44=4-Door Hatchback 53=FWD & AWD Van & Wgn Ext. W.B.  
 27=2-Door Convertible

AR = Use as Required - = Non Illustrated Part P.A.R. = Paint as Required

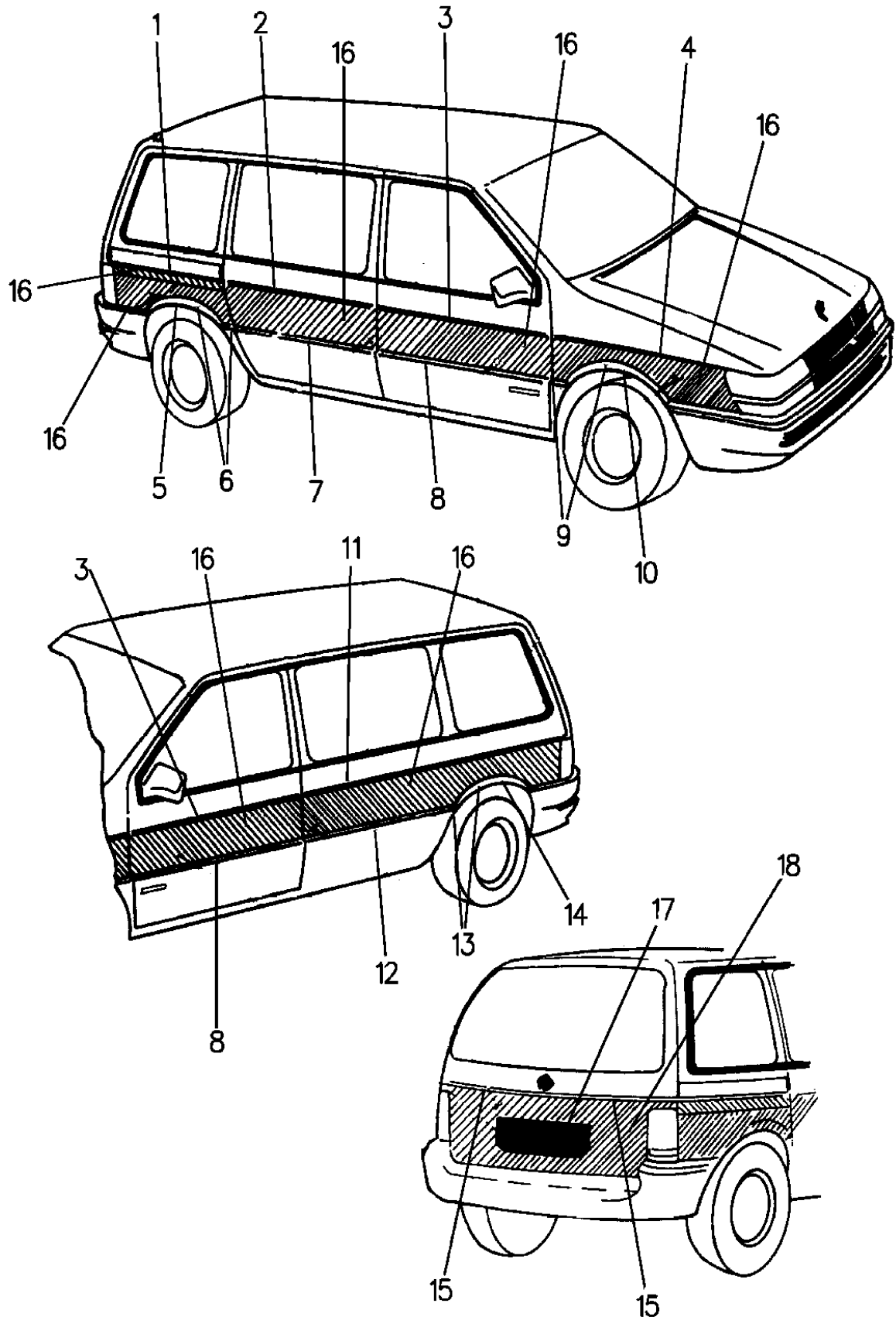


MOULDINGS AND OVERLAY - WOODGRAIN - S BODY

Figure 23-2100

93168 2100A

ITEM	PART NUMBER	QTY	BODY	MODEL	DESCRIPTION
12					MOULDING, Quarter Lower Left - Front Section
	4491 491	1		K,D,H,P-52	Moulding Assembly, (retainers not included)
	4538 181	1		K,D,H,P-53	Moulding Assembly, (retainers not included)
-	6003 855	AR			RETAINER, (bullhorn type, qty. = 5 SWB or 6 LWB)
13	4491 483	1		K,D,H,P	MOULDING ASSEMBLY, Quarter Lower Left and Wheel Opening
-		AR			SCREW, (not serviced)
13	5261 181	1		C,Y	MOULDING, Quarter Left Wheel Opening
-		4			SCREW, (not serviced)
15					MOULDING, Liftgate Upper
	4636 340-1	1		K,D,H,P	(includes retainers)
	4636 398-9	1		C,Y	(includes retainers)
-		AR			RETAINER, (only serviced in moulding package)
-		2			NUT, (not serviced)
16	5261 575	AR			OVERLAY, Marine Teak
This overlay is large enough to service any panel on the bodyside, (14/ 1/8" x 94 1/8"), cut to fit. applications specified in this document.					
17	5261 733	1			OVERLAY, License Plate Depression
18	5261 569	1			OVERLAY, Liftgate



MODEL CODES:

A BODY=(C=LeBaron, D=Spirit, P=Acclaim/LaBaron(Landau),  
Saratoga)  
C BODY=(D=Dynasty, C=New Yorker/N.Y. Salon)  
G BODY=(V=Daytona/IROC, Chrysler Daytona)  
J BODY=(C=LeBaron, Chrysler LeBaron)  
P BODY=(P=Sundance, D=Shadow)

S BODY=(H=Voyager(H) FWD, K=Caravan(H) FWD,  
Y=Town & Country(H) FWD, P=Voyager(K) AWD,  
D=Caravan(K) AWD, C=Town & Country(K) AWD)  
Y BODY=(C=Imperial/5th Avenue)  
E-S BODY=(K=Chrysler Voyager(H) FWD, D=Chrysler  
Voyager(K) AWD)

BODY STYLES:

21=2-Door Coupe      41=4-Door Sedan      12=52=FWD & AWD Van & Wgn Std W.B.  
24=2-Door Hatchback      44=4-Door Hatchback      53=FWD & AWD Van & Wgn Ext. W.B.  
27=2-Door Convertible

AR = Use as Required - = Non Illustrated Part P.A.R. = Paint as Required

**APPLIQUES AND BRACKETS - S BODY**  
Figure 23-2200

93168 2200

ITEM	PART NUMBER	QTY	BODY	MODEL	DESCRIPTION
1					APPLIQUE ASSEMBLY, Rear Sill, Right ***
					DODGE, w/Short Wheel Base
	X944 LP5	1		K,D-52	Teal
	X944 MR4	1		K,D-52	Flame Red or Poppy Red
	X944 KW7	1		K,D-52	Bright White
	X944 KD8	1		K,D-52	Dark Quartz
	FW98 LSK	1		K,D-52	Medium Quartz Low Gloss
					DODGE, w/Long Wheel Base
	DL56 LP5	1		K,D-53	Teal w/Red Tapestripe
	DL56 LW7	1		K,D-53	Bright White w/Red Tapestripe
	DL56 MRF	1		K,D-53	Radiant Red Metallic w/Black Tapestripe
	GV38 LSK	1		K,D-53	Medium Quartz Low Glass, w/Black Insert
					PLYMOUTH, w/Short Wheel Base
	X936 MCD	1		H,P-52	Deep Blue or Jewel Blue
	X936 KDD	1		H,P-52	Dark Quartz Gray
	X936 MMD	1		H,P-52	Wildberry
	X936 KWD	1		H,P-52	Bright White
	FW88 LSK	1		H,P-52	Medium Quartz Low Gloss
					PLYMOUTH, w/Long Wheel Base
	FW90 LSK	1		H,P-53	Medium Quartz Low Gloss
					CHRYSLER, w/Long Wheel Base (includes gold tape stripe)
	WN00 MD8	1		C,Y	Dark Quartz Gray
	WN00 MFA	1		C,Y	Light Driftwood
	WN00 MG5	1		C,Y	Hunter Green Metallic
	WN00 MMB	1		C,Y	Wildberry
	WN00 KW7	1		C,Y	Bright White
-	EC35 KY3	1		C,Y	TAPE STRIPE, Applique, Gold, (modification required)
					CHRYSLER, w/Short Wheel Base, EUROPE
	FW98 LSK	1		K,D-52	Medium Quartz Low Gloss, EUROPE
-	6004 212	AR			RIVET, Applique (use 15 for model 52 and 16 formo del 53)
2					APPLIQUE ASSEMBLY, Sliding Door ***
					DODGE
	X942 LP5	1		K,D	Teal w/Red Tapestripe
	X942 KD8	1		K,D	Dark Quartz w/Red Tapestripe
	X942 MR4	1		K,D-52	Flame Red or Poppy Red w/Black Tapestripe
	X942 MRF	1		K,D-53	Radiant Red Metallic w/Black Tapestripe
	X942 KW7	1		K,D	Bright White w/Red Stripe
	GV32 LSK	1		K,D	Medium Quartz Low Gloss, w/Black Insert
					PLYMOUTH

**MODEL CODES:**

A BODY=(C=LeBaron, D=Spirit, P=Acclaim/LaBaron(Landau), Saratoga)

C BODY=(D=Dynasty, C=New Yorker/N.Y. Salon)

G BODY=(V=Daytona/IROC, Chrysler Daytona)

J BODY=(C=LeBaron, Chrysler LeBaron)

P BODY=(P=Sundance, D=Shadow)

S BODY=(H=Voyager(H) FWD, K=Caravan(H) FWD,

Y=Town & Country(H) FWD, P=Voyager(K) AWD,

D=Caravan(K) AWD, C=Town & Country(K) AWD)

Y BODY=(C=Imperial/5th Avenue)

E-S BODY=(K=Chrysler Voyager(H) FWD, D=Chrysler

Voyager(K) AWD)

**BODY STYLES:**

21=2-Door Coupe

41=4-Door Sedan

12-52=FWD & AWD Van & Wgn Std W.B.

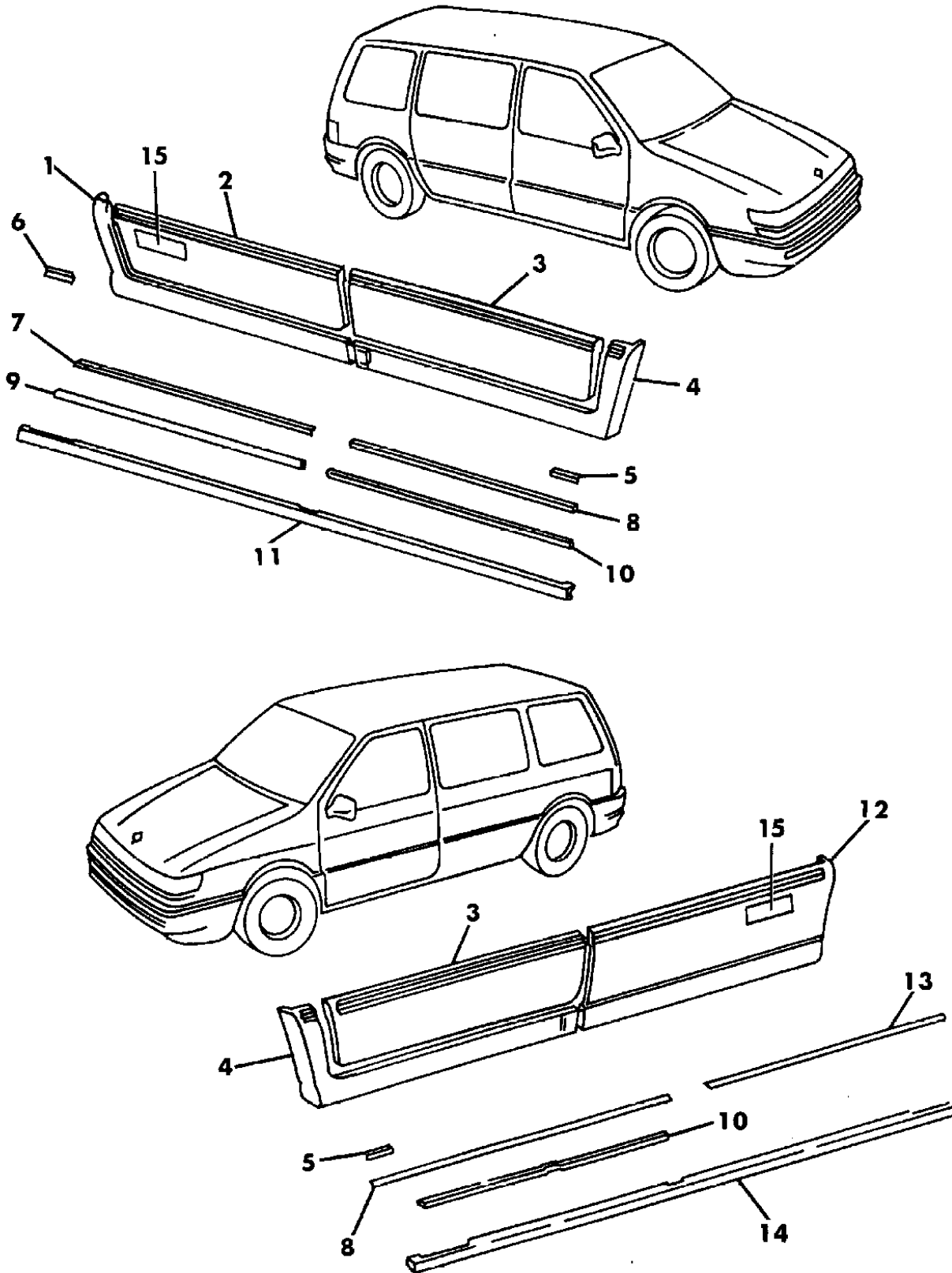
24=2-Door Hatchback

44=4-Door Hatchback

53=FWD & AWD Van & Wgn Ext. W.B.

27=2-Door Convertible

AR = Use as Required - = Non Illustrated Part P.A.R. = Paint as Required



**APPLIQUES AND BRACKETS - S BODY**  
Figure 23-2200

93168 2200

ITEM	PART NUMBER	QTY	BODY	MODEL	DESCRIPTION
	X934 MC9	1		H,P	Deep Blue or Jewel Blue
	X934 KD8	1		H,P	Dark Quartz Gray
	X934 MMB	1		H,P	Wildberry
	X934 KW7	1		H,P	Bright White
	FW86 LSK	1		H,P	Medium Quartz Low Gloss
					CHRYSLER (includes gold tape stripe)
	DL73 MD8	1		C,Y	Dark Quartz Gray
	DL73 MFA	1		C,Y	Light Driftwood
	DL73 MG5	1		C,Y	Hunter Green Metallic
	DL73 MMB	1		C,Y	Wildberry
	DL73 KW7	1		C,Y	Bright White
-	EC35 KY3	1		C,Y	TAPE STRIPE, Applique, Gold, (modification required)
					CHRYSLER, EUROPE
	GX08 LSK	1		K,D-52	Medium Quartz Low Gloss, w/Black Insert, EUROPE (includes Chrysler nameplate)
-	6004 212	6			RIVET, Applique
3					APPLIQUE ASSEMBLY, Front Door ***
					DODGE
	X940-1 LP5	1		K,D	Teal w/Red Tapestripe
	X940-1 KD8	1		K,D	Dark Quartz w/Red Tapestripe
	X940-1 MR4	1		K,D-52	Flame Red or Poppy Red w/Black Tapestripe
	X940-1 MRF	1		K,D-53	Radiant Red Metallic w/Black Tapestripe
	X940-1 KW7	1		K,D	Bright White w/Red Tapestripe
	GV34-5 LSK	1		K,D	Medium Quartz Low Gloss, w/Black Insert
					PLYMOUTH
	X932-3 MC9	1		H,P	Deep Blue or Jewel Blue
	X932-3 KD8	1		H,P	Dark Quartz Gray
	X932-3 MMB	1		H,P	Wildberry
	X932-3 KW7	1		H,P	Bright White
	FW84-5 LSK	1		H,P	Medium Quartz Low Gloss
					CHRYSLER (includes gold tape stripe)
	DL80-1 MD8	1		C,Y	Dark Quartz Gray
	DL80-1 MFA	1		C,Y	Light Driftwood
	DL80-1 MG5	1		C,Y	Hunter Green Metallic
	DL80-1 MMB	1		C,Y	Wildberry
	DL80-1 KW7	1		C,Y	Bright White
	4491 042	1			INSERT, Cladding, Right
	4491 043	1			INSERT, Cladding, Left
-	EC35 KY3	1		C,Y	TAPE STRIPE, Applique, Gold, (modification required)

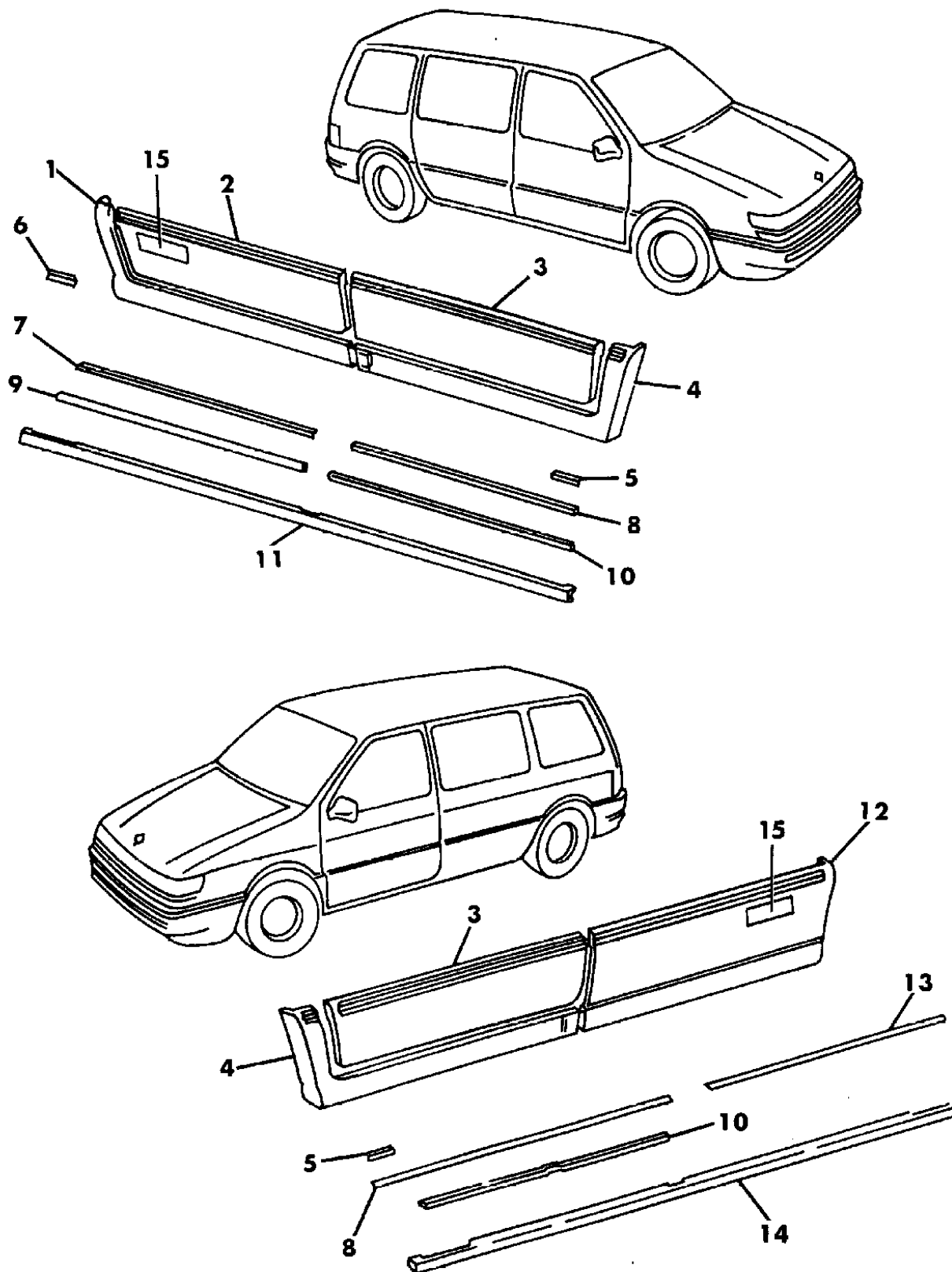
**MODEL CODES:**

A BODY=(C=LeBaron, D=Spirit, P=Acclaim/LaBaron(Landau, Saratoga) S BODY=(H=Voyager(H) FWD, K=Caravan(H) FWD, Y=Town & Country(H) FWD, P=Voyager(K) AWD, D=Caravan(K) AWD, C=Town & Country(K) AWD)  
 C BODY=(D=Dynasty, C=New Yorker/N.Y. Salon) Y BODY=(C=Imperial/5th Avenue)  
 G BODY=(V=Daytona/IROC, Chrysler Daytona) E-S BODY=(K=Chrysler Voyager(H) FWD, D=Chrysler Voyager(K) AWD)  
 J BODY=(C=LeBaron, Chrysler LeBaron) P BODY=(P=Sundance, D=Shadow)

**BODY STYLES:**

21=2-Door Coupe 41=4-Door Sedan 12-52=FWD & AWD Van & Wgn Std W.B.  
 24=2-Door Hatchback 44=4-Door Hatchback 53=FWD & AWD Van & Wgn Ext. W.B.  
 27=2-Door Convertible

AR = Use as Required - = Non Illustrated Part P.A.R. = Paint as Required





**APPLIQUES AND BRACKETS - S BODY**  
**Figure 23-2200**

93168 2200

ITEM	PART NUMBER	QTY	BODY	MODEL	DESCRIPTION
					CHRYSLER, EUROPE
-	GV34-5 LSK	1		K,D	Medium Quartz Low Gloss, w/Black Insert, EUROPE
-	6004 212	12			RIVET, Applique
4					APPLIQUE ASSEMBLY, Front Sill ***
					DODGE
	X938-9 LP5	1		K,D	Teal w/Red Tapestripe
	X938-9 KD8	1		K,D	Dark Quartz
	X938-9 MR4	1		K,D-52	Flame Red or Poppy Red w/Black Tapestripe
	X938-9 MRF	1		K,D-53	Radiant Red Metallic w/Black Tapestripe
	X938-9 KW7	1		K,D	Bright White w/Red Tapestripe
	GV36-7 LSK	1		K,D	Medium Quartz Low Gloss, w/Black Insert
					PLYMOUTH
	X930-1 MCD	1		H,P	Deep Blue or Jewel Blue
	X930-1 KDD	1		H,P	Dark Quartz Gray
	X930-1 MMD	1		H,P	Wildberry
	X930-1 KWD	1		H,P	Bright White
	FW82-3 LSK	1		H,P	Medium Quartz Low Gloss
					CHRYSLER (includes gold tapestripe)
	DL76-7 MD8	1		C,Y	Dark Quartz Gray
	DL76-7 MFA	1		C,Y	Light Driftwood
	DL76-7 MG5	1		C,Y	Hunter Green Metallic
	DL76-7 MMB	1		C,Y	Wildberry
	DL76-7 KW7	1		C,Y	Bright White
-	EC35 KY3	1		C,Y	TAPE STRIPE, Applique, Gold, (modification required)
					CHRYSLER, EUROPE
-	GV36-7 LSK	1		K,D	Medium Quartz Low Gloss, w/Black Insert, EUROPE
-	6004 212	AR			RIVET, Applique
5	4491 063	2			BRACKET, Upper Front, Applique to Fender
-	6033 173	AR			RIVET
6	5261 180	1		53	BRACKET, Upper, Rear Applique to Quarter Panel, Right (long wheelbase only)
-	6033 173	AR			RIVET
7	4491 440	1			BRACKET, Upper, Applique to Sliding Door
-	6033 173	AR			RIVET
8	4491 438	2			BRACKET, Upper, Applique to Front Door
-	6033 173	AR			RIVET
9	4491 445	1			BRACKET, Lower, Applique to Sliding Door
-	6033 173	AR			RIVET
-					SCREW, not serviced

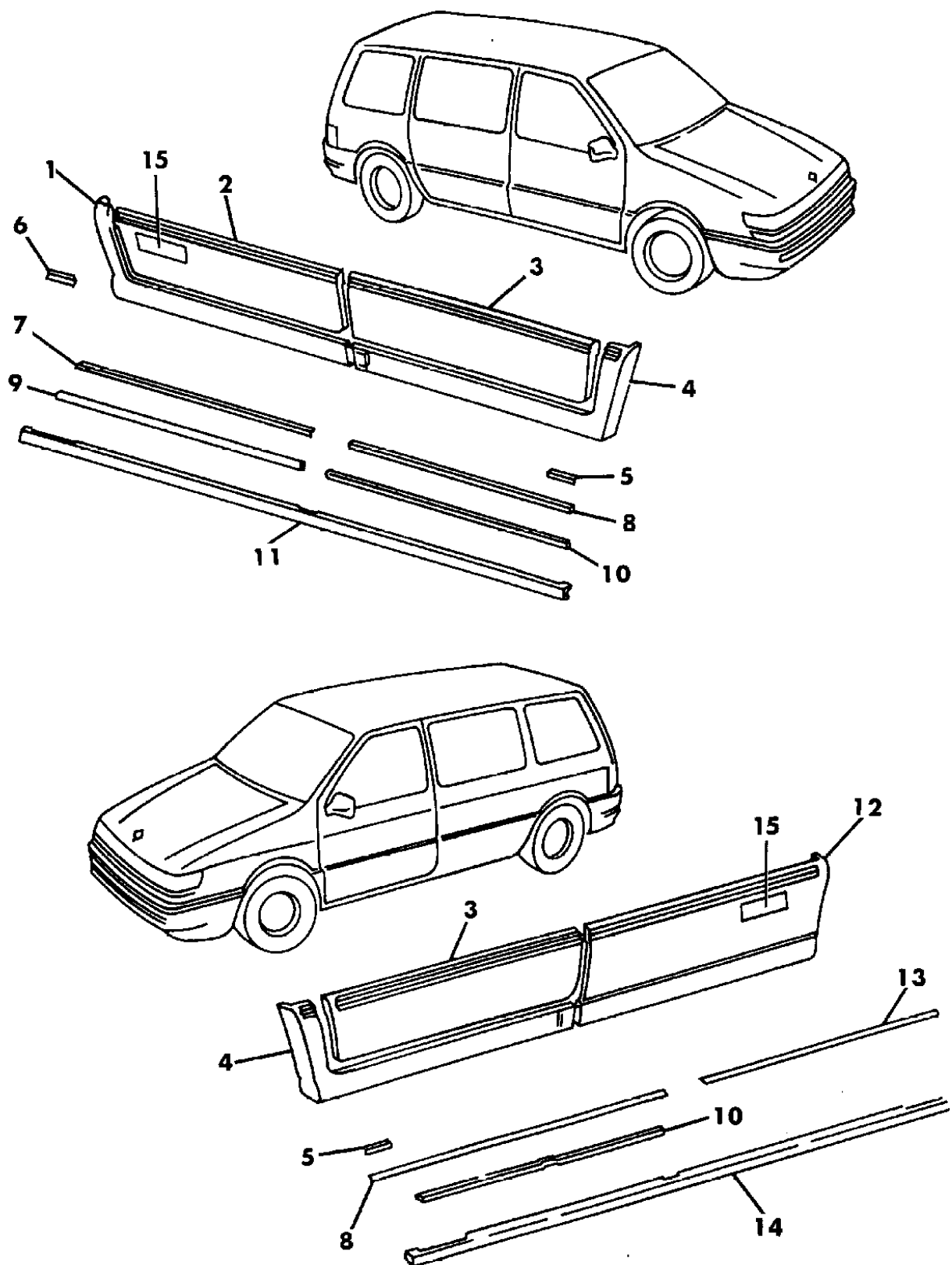
**MODEL CODES:**

A BODY=(C=LeBaron, D=Spirit, P=Acclaim/LaBaron(Landau, Saratoga) S BODY=(H=Voyager(H) FWD, K=Caravan(H) FWD, Y=Town & Country(H) FWD, P=Voyager(K) AWD, D=Caravan(K) AWD, C=Town & Country(K) AWD)  
 C BODY=(D=Dynasty, C=New Yorker/N.Y. Salon) Y BODY=(C=Imperial/5th Avenue)  
 G BODY=(V=Daytona/IROC, Chrysler Daytona) E-S BODY=(K=Chrysler Voyager(H) FWD, D=Chrysler Voyager(K) AWD)  
 J BODY=(C=LeBaron, Chrysler LeBaron) P BODY=(P=Sundance, D=Shadow)

**BODY STYLES:**

21=2-Door Coupe      41=4-Door Sedan      12-52=FWD & AWD Van & Wgn Std W.B.  
 24=2-Door Hatchback      44=4-Door Hatchback      53=FWD & AWD Van & Wgn Ext. W.B.  
 27=2-Door Convertible

AR = Use as Required - = Non Illustrated Part P.A.R. = Paint as Required



**APPLIQUES AND BRACKETS - S BODY**  
Figure 23-2200

93168 2200

ITEM	PART NUMBER	QTY	BODY	MODEL	DESCRIPTION
10	4491 439	2			BRACKET, Lower, Applique to Front Door
-	6033 173	AR			RIVET
-	4293 616	1			SCREW PACKAGE, Moulding Repair
11	4491 444	1		52	BRACKET, Applique to Sill, Right w/short wheel base
	4576 076	1		53	w/long wheel base
-	6033 173	AR			RIVET
-	4293 616	1			SCREW PACKAGE, Moulding Repair
12					APPLIQUE ASSEMBLY, Rear, Left ***
					DODGE, w/Short Wheel Base
	X945 LP5	1		K,D-52	Teal w/Red Tapestripe
	X945 MR4	1		K,D-52	Flame Red or Poppy Red w/Black Tapestripe
	X945 KW7	1		K,D-52	Bright White w/Red Tapestripe
	X945 KD8	1		K,D-52	Dark Quartz
	GV29 LSK	1		K,D-52	Medium Quartz Low Gloss, w/Black Insert
					DODGE, w/Long Wheel Base
	DL57 LP5	1		K,D-53	Teal w/Red Tapestripe
	DL57 LW7	1		K,D-53	Bright White w/Red Tapestripe
	DL57 MRF	1		K,D-53	Radiant Red Metallic w/Black Tapestripe
	GV33 LSK	1		K,D-53	Medium Quartz Low Gloss, w/Black Insert
					PLYMOUTH
	X937 MCD	1		H,P-52	Deep Blue or Jewel Blue
	X937 KDD	1		H,P-52	Dark Quartz Gray
	X937 MMD	1		H,P-52	Wildberry
	X937 KWD	1		H,P-52	Bright White
	FW81 LSK	1		H,P-52	Medium Quartz Low Gloss
	FW87 LSK	1		H,P-53	Medium Quartz Low Gloss
					Chrysler, w/Long Wheelbase (includes gold tape stripe)
	WM99 MD8	1		C,Y	Dark Quartz Gray
	WM99 MFA	1		C,Y	Light Driftwood
	WM99 MG5	1		C,Y	Hunter Green Metallic
	WM99 MMB	1		C,Y	Wildberry
	WM99 KW7	1		C,Y	Bright White
-	EC35 KY3	1		C,Y	TAPE STRIPE, Applique, Gold, (modification required) CHRYSLER, w/Short Wheel Base, EUROPE
	GX07 LSK	1		K,D	Medium Quartz Low Gloss, EUROPE (includes Chrysler nameplate)
-	6004 212	AR			RIVET
13					BRACKET, Upper, Applique to Quarter Panel, Left

**MODEL CODES:**

A BODY=(C=LeBaron, D=Spirit, P=Acclaim/LaBaron(Landau), Saratoga)

C BODY=(D=Dynasty, C=New Yorker/N.Y. Salon)

G BODY=(V=Daytona/IROC, Chrysler Daytona)

J BODY=(C=LeBaron, Chrysler LeBaron)

P BODY=(P=Sundance, D=Shadow)

S BODY=(H=Voyager(H) FWD, K=Caravan(H) FWD,

Y=Town & Country(H) FWD, P=Voyager(K) AWD,

D=Caravan(K) AWD, C=Town & Country(K) AWD)

Y BODY=(C=Imperial/5th Avenue)

E-S BODY=(K=Chrysler Voyager(H) FWD, D=Chrysler

Voyager(K) AWD)

**BODY STYLES:**

21=2-Door Coupe

41=4-Door Sedan

12-52=FWD & AWD Van & Wgn Std W.B.

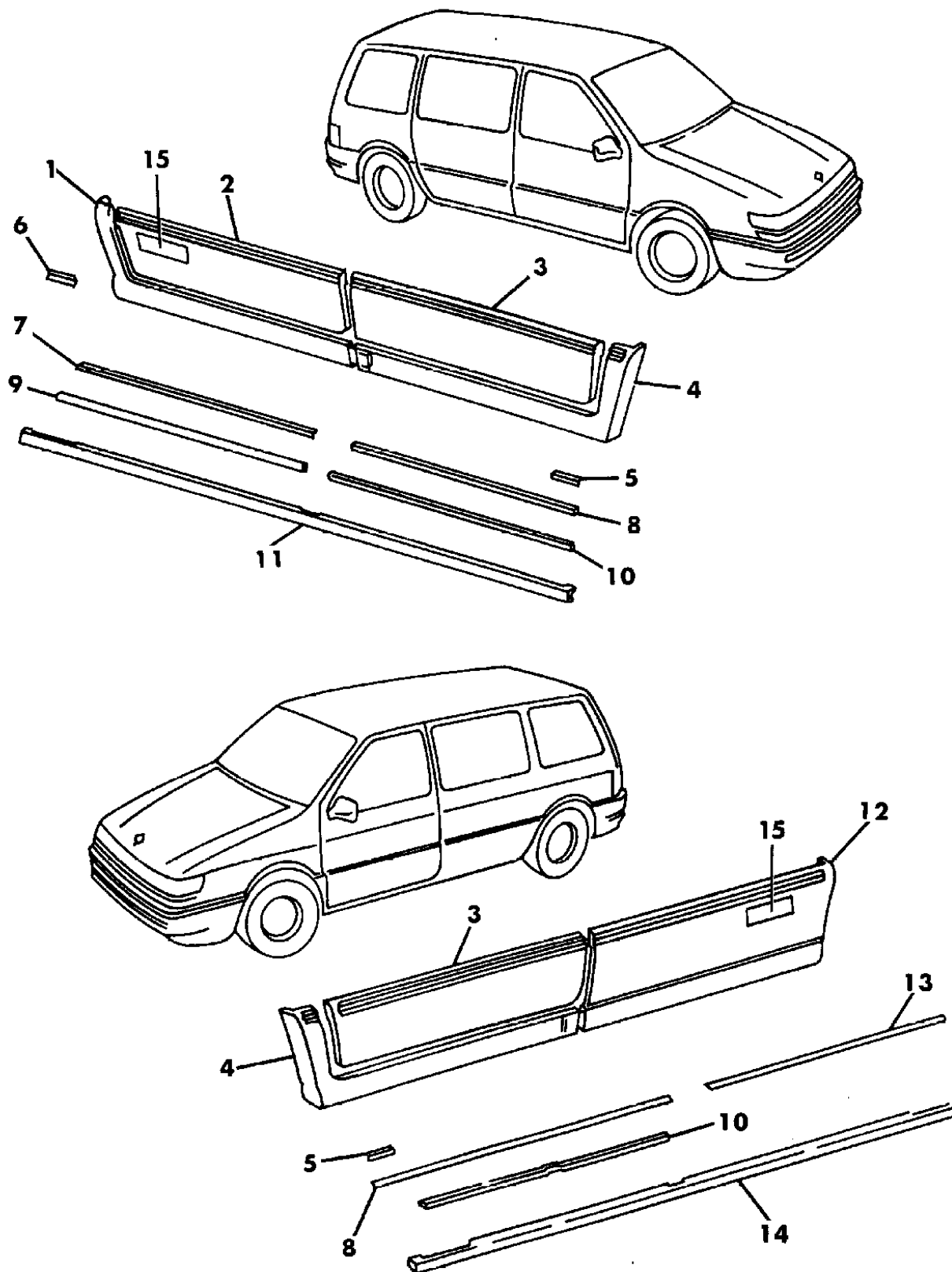
24=2-Door Hatchback

44=4-Door Hatchback

53=FWD & AWD Van & Wgn Ext. W.B.

27=2-Door Convertible

AR = Use as Required - = Non Illustrated Part P.A.R. = Paint as Required



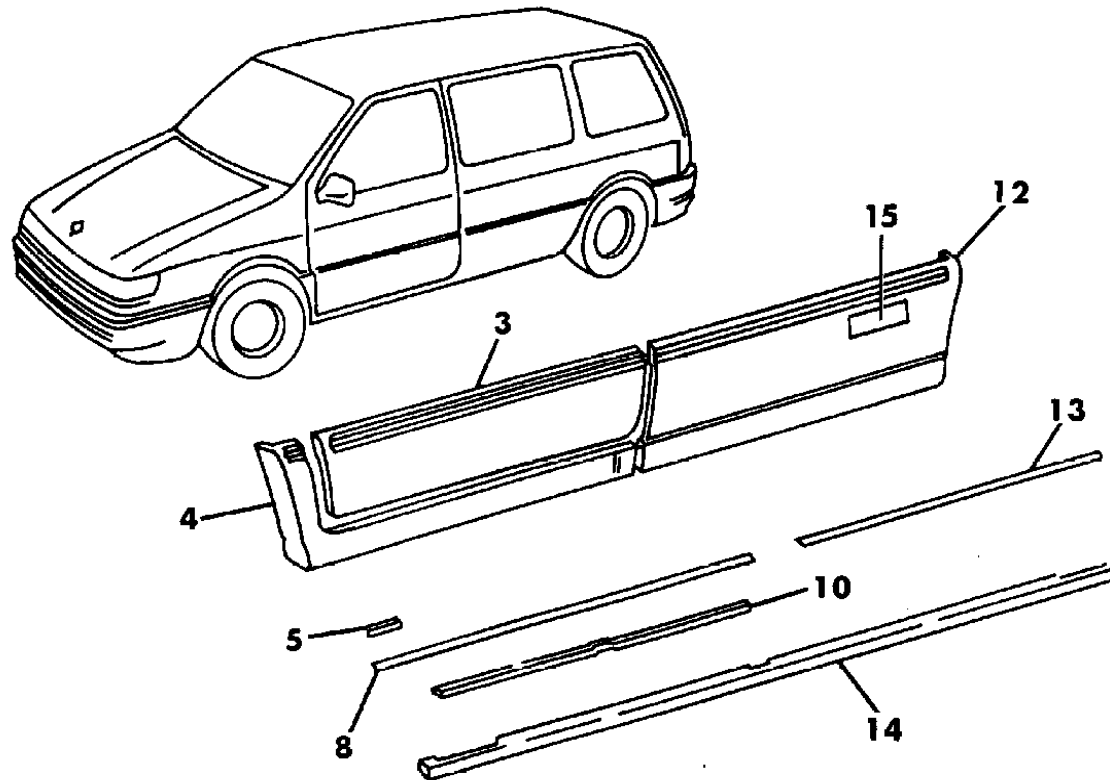
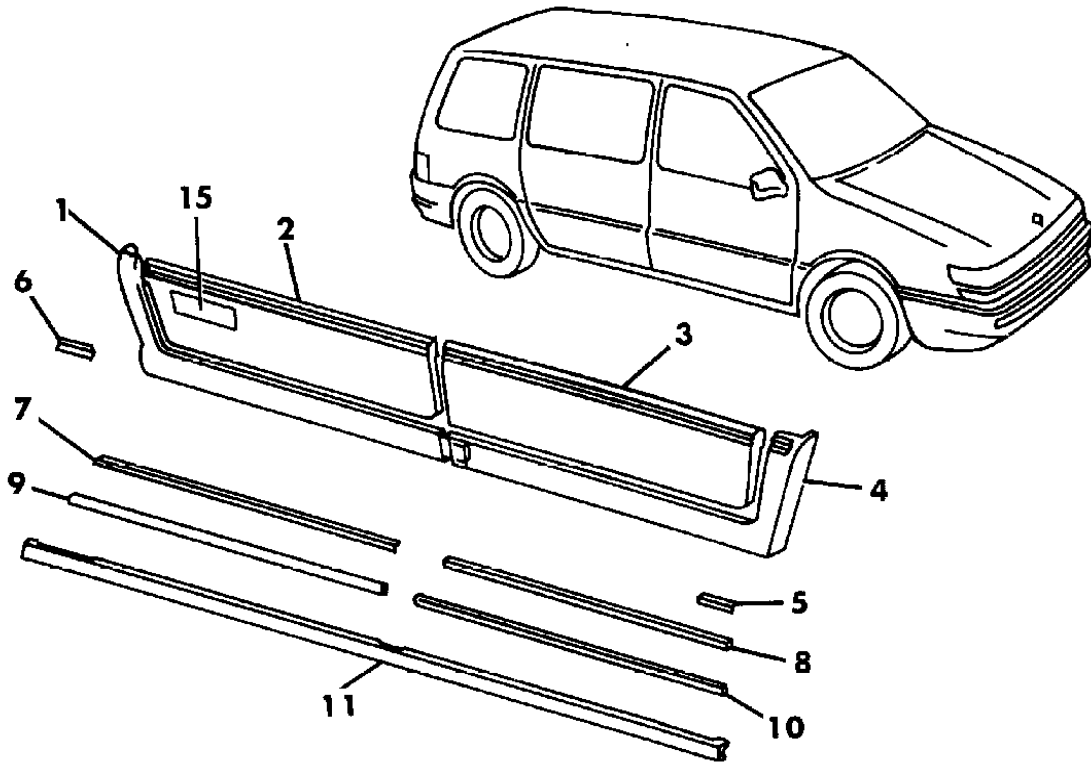
APPLIQUES AND BRACKETS - S BODY

Figure 23-2200

93168 2200

ITEM	PART NUMBER	QTY	BODY	MODEL	DESCRIPTION
	4491 440	1		52	w/short wheelbase
	5261 179	1		53	w/long wheel base
-	6033 173	AR			RIVET
14					BRACKET, Applique to Sill, Left
	4491 443	1		52	w/short wheel base
	4576 073	1		53	w/long wheel base
-	6033 173	AR			RIVET
-	4293 616	1			SCREW PACKAGE, Moulding Repair
15					NAMEPLATE, "CHRYSLER", Sliding Door and Quarter Panel
					Applique, EUROPE
	FZ86 LSK	2		K,D-52	Medium Quartz Low Gloss, EUROPE

THIS ILLUSTRATION REPRESENTS 3 STYLES OF APPLIQUES applications specified in this document.



MODEL CODES:

A BODY=(C=LeBaron, D=Spirit, P=Acclaim/LaBaron(Landau),  
Saratoga)  
C BODY=(D=Dynasty, C=New Yorker/N.Y. Salon)  
G BODY=(V=Daytona/IROC, Chrysler Daytona)  
J BODY=(C=LeBaron, Chrysler LeBaron)  
P BODY=(P=Sundance, D=Shadow)

S BODY=(H=Voyager(H) FWD, K=Caravan(H) FWD,  
Y=Town & Country(H) FWD, P=Voyager(K) AWD,  
D=Caravan(K) AWD, C=Town & Country(K) AWD)  
Y BODY=(C=Imperial/5th Avenue)  
E-S BODY=(K=Chrysler Voyager(H) FWD, D=Chrysler  
Voyager(K) AWD)

BODY STYLES:

21=2-Door Coupe      41=4-Door Sedan      12-52=FWD & AWD Van & Wgn Std W.B.  
24=2-Door Hatchback      44=4-Door Hatchback      53=FWD & AWD Van & Wgn Ext. W.B.  
27=2-Door Convertible

AR = Use as Required - = Non Illustrated Part P.A.R. = Paint as Required

**NAMEPLATES, ORNAMENTS, OVERLAY AND TAPES - S BODY**  
**Figure 23-2300**

93168 2300

ITEM	PART NUMBER	QTY	BODY	MODEL	DESCRIPTION	
1					MEDALLION, Liftgate	
	4422 930	1			Bright, USA, CANADA	
	4576 152	1			Bright, EUROPE	
	GU01 MP5	1			Teal	
	GU01 MR4	1			Flame Red or Poppy Red	
	GU01 MRF	1			Radiant Red Metallic	
	GU01 MW7	1			Bright White	
	GU01 MX8	1			Black	
GU01 MSK	1			Medium Quartz		
2					NAMEPLATE or DECAL, Liftgate ***	
					"DODGE" (nameplate)	
	4398 688	1			Bright Letters	
	ED95 KR4	1			Red Letters	
	GV77 MY2	1			"DODGE" (decals), Gold Metallic	
	4576 147	1			"CHRYSLER" (nameplate), Bright	
	5261 002	1			"PLYMOUTH" (nameplate), Bright	
	GV76 MY2	1			"PLYMOUTH" (decals), Gold Metallic	
	3	5261 193	1			NAMEPLATE, Liftgate, "TOWN & COUNTRY"
		4				NAMEPLATE or DECAL, Liftgate ***
			5261 003	1		
						"VOYAGER SE" (decals)
		HG04 MD2	1			Medium Quartz
		HG04 MY2	1			Gold Metallic
		HG04 MD8	1			Dark Quartz Gray
					"CARAVAN" (nameplate)	
	5261 005	1			Bright Letters	
	ED97 KR4	1			Red Letters	
					"CARAVAN SE" (decals)	
	HH00 MD2	1			Medium Quartz	
	HH00 MY2	1			Gold Metallic	
	HH00 MD8	1			Dark Quartz Gray	
	5261 014	1			"GRAND VOYAGER" (nameplate)	
					"GRAND VOYAGER SE" (decals)	
	HH06 MD2	1			Medium Quartz	
	HH06 MY2	1			Gold Metallic	
	HH06 MD8	1			Dark Quartz Gray	
					"GRAND CARAVAN" (nameplate)	
	5261 013	1			Bright Letters	
	FS44 LR4	1			Red Letters	

**MODEL CODES:**

A BODY=(C=LeBaron, D=Spirit, P=Acclaim/LaBaron(Landau), Saratoga)      S BODY=(H=Voyager(H) FWD, K=Caravan(H) FWD, Y=Town & Country(H) FWD, P=Voyager(K) AWD, D=Caravan(K) AWD, C=Town & Country(K) AWD)

C BODY=(D=Dynasty, C=New Yorker/N.Y. Salon)

G BODY=(V=Daytona/ROC, Chrysler Daytona)

J BODY=(C=LeBaron, Chrysler LeBaron)

P BODY=(P=Sundance, D=Shadow)

Y BODY=(C=Imperial/5th Avenue)

E-S BODY=(K=Chrysler Voyager(H) FWD, D=Chrysler Voyager(K) AWD)

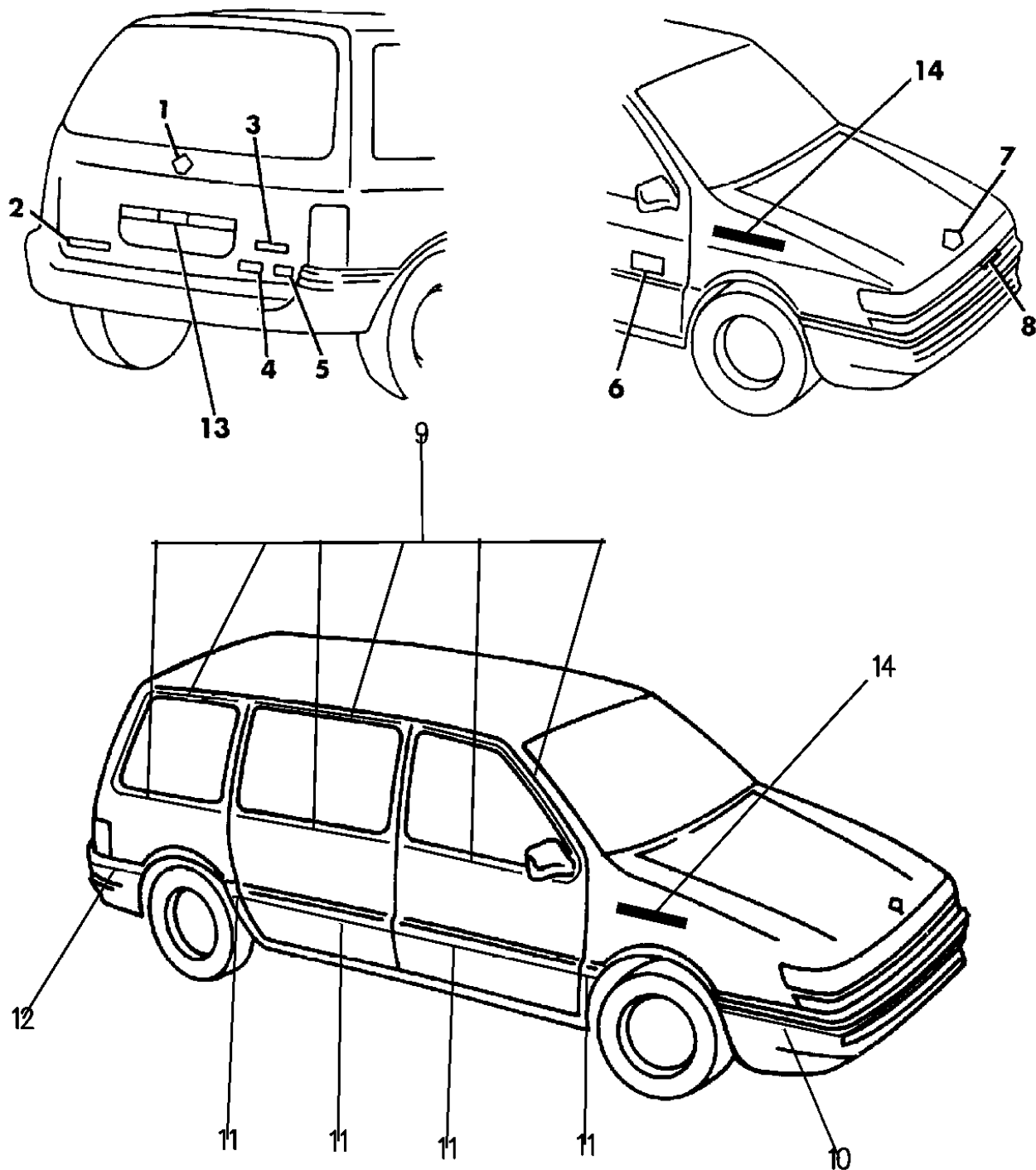
**BODY STYLES:**

21=2-Door Coupe      41=4-Door Sedan      12-52=FWD & AWD Van & Wgn Std W.B.

24=2-Door Hatchback      44=4-Door Hatchback      53=FWD & AWD Van & Wgn Ext. W.B.

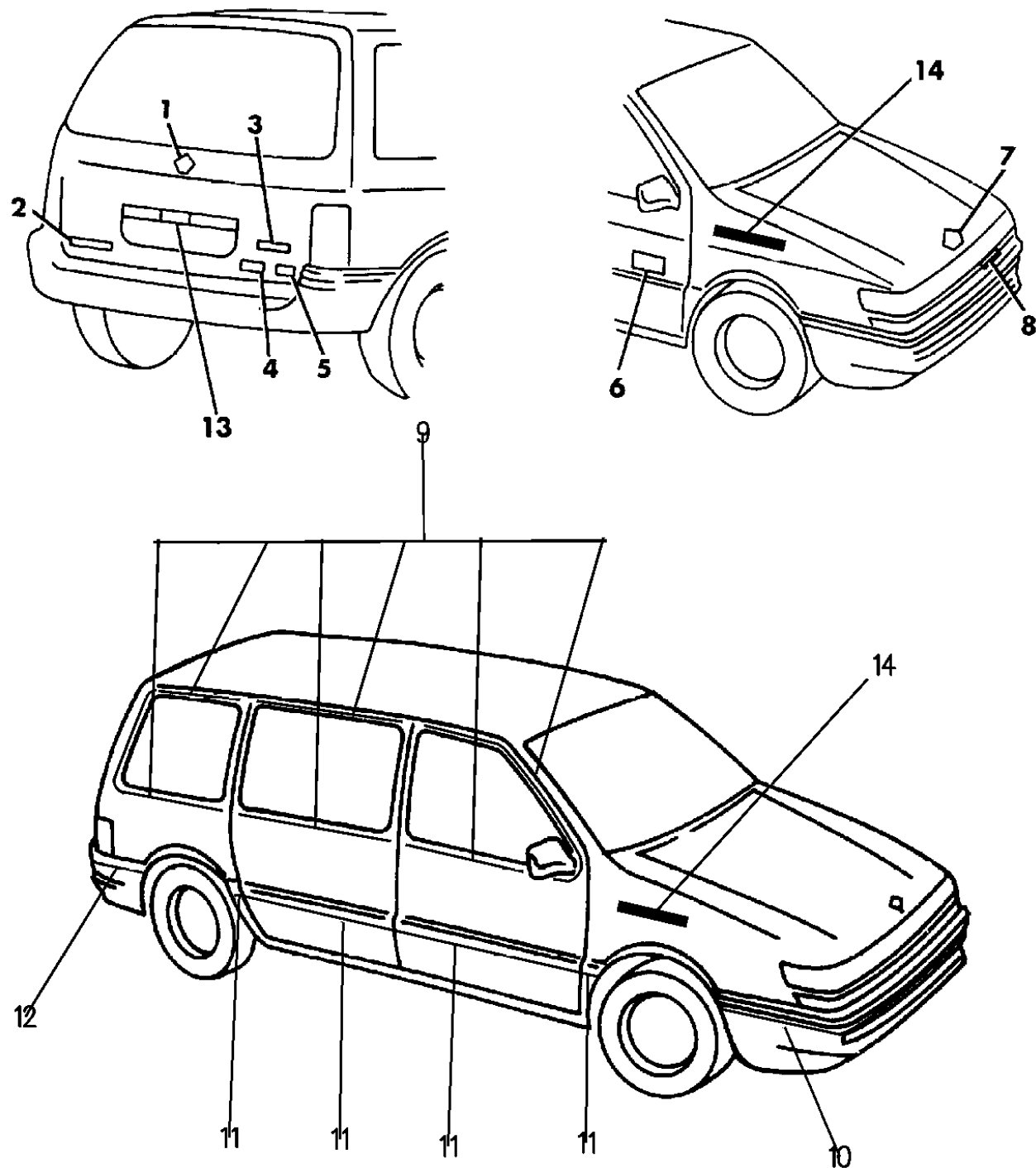
27=2-Door Convertible

AR = Use as Required - = Non Illustrated Part P.A.R. = Paint as Required



**NAMEPLATES, ORNAMENTS, OVERLAY AND TAPES - S BODY**  
**Figure 23-2300**

93168 2300



ITEM	PART NUMBER	QTY	BODY	MODEL	DESCRIPTION
					"GRAND CARAVAN SE" (decal)
	HH01 MD2	1			Medium Quartz
	HH01 MY2	1			Gold Metallic
	HH01 MD8	1			Dark Quartz Gray
5					NAMEPLATE, Liftgate
	ED94 KR4	1			"ES", Red
	4576 149	1			"LE", Bright
	4576 151	1			"SE", Bright
	4491 369	1			"LX", Bright
6	4491 981	1			"CV", Bright DECAL, Door "AWD"
	HF83 MD2	2		C	Medium Quartz
	HF83 MD8	2		C	Dark Quartz
	HF83 MY2	2		C	Gold Metallic
	GU04 MD2	2		D,P	Medium Quartz
	GU04 MD8	2		D,P	Dark Quartz
	GU04 MY2	2		D,P	Gold Metallic
	GU04 MR4	2		D,P	Bright Red
	GU04 MAN	2		D,P	Bright Red/Black "SPORTWAGON"
7	JF57 MD2	2			Medium Quartz
	JF57 MD8	2			Dark Quartz
					ORNAMENT ASSEMBLY or MEDALLION ASSEMBLY, Hood *** ORNAMENT (stand up type)
	4576 119	1		D,H,K,P	
	4576 123	1		Y	
-	6030 435	1			NUT, Ornament
-	3672 672	1			SPRING, Hood Ornament
-	3672 780	1			RETAINER, Hood Ornament
					Retainer and spring are included in the ornament assembly. applications specified in this document.
					MEDALLION (lay down type), includes spacer ***
	FX92 LP5	1			Teal
	FX92 MR4	1			Flame Red or Poppy Red
	FX92 MRF	1			Radiant Red Metallic
	FX92 LW7	1			White
	FX92 MX8	1			Black
	FX92 MSK	1			Medium Quartz
	4576 153	1			Bright, EUROPE

**MODEL CODES:**

A BODY=(C=LeBaron, D=Spirit, P=Acclaim/LaBaron(Landau), Saratoga)      S BODY=(H=Voyager(H) FWD, K=Caravan(H) FWD, Y=Town & Country(H) FWD, P=Voyager(K) AWD, D=Caravan(K) AWD, C=Town & Country(K) AWD)  
 C BODY=(D=Dynasty, C=New Yorker/N.Y. Salon)  
 G BODY=(V=Daytona/ROC, Chrysler Daytona)  
 J BODY=(C=LeBaron, Chrysler LeBaron)  
 P BODY=(P=Sundance, D=Shadow)      Y BODY=(C=Imperial/5th Avenue)  
 E-S BODY=(K=Chrysler Voyager(H) FWD, D=Chrysler Voyager(K) AWD)

**BODY STYLES:**

21=2-Door Coupe      41=4-Door Sedan      12-52=FWD & AWD Van & Wgn Std W.B.  
 24=2-Door Hatchback      44=4-Door Hatchback      53=FWD & AWD Van & Wgn Ext. W.B.  
 27=2-Door Convertible

AR = Use as Required   - = Non Illustrated Part   P.A.R. = Paint as Required

**NAMEPLATES, ORNAMENTS, OVERLAY AND TAPES - S BODY**  
**Figure 23-2300**

93168 2300

ITEM	PART NUMBER	QTY	BODY	MODEL	DESCRIPTION
-	6030 435	1			NUT, Medallion
8					NAMEPLATE, Grille
	5263 527	1		D,K-E-L-H	"DODGE", Bright
	4451 678	1		D,K-P	"DODGE", Red
	4451 691	1		Y	"CHRYSLER"
	5263 441	1		D,K	"CHRYSLER", EUROPE
	4451 675	1			"PLYMOUTH"
-	6032 559	2			CLIP, Nameplate
9					TAPE PACKAGE, Window Surround
					Dual Stripe (one color w/void between stripes)
	4637 416-7	1		52	Medium Quartz
	4720 522-3	1		52	Gold Metallic
	4637 412-3	1		53	Medium Quartz
	4720 524-5	1		53	Gold Metallic
					Triple Stripe (two colors)
	4626 372-3	1		52	Black, Quartz, Black
	4626 374-5	1		52	Black, Red, Black
	4626 382-3	1		53	Black, Quartz, Black
	4626 384-5	1		53	Black, Red, Black
	4723 652-3	1		53	Gold, Black, Gold
10	EC35 KY3	1		C,Y	TAPE STRIPE, Front Fascia, Gold (dual pinstripe)
11	EC35 KY3	AR		C,Y	TAPE STRIPE, Applique Gold, (service with the front fascia tape stripe - modification is required)
12	EC42-3 KY3	1		C,Y	TAPE STRIPE, Rear Fascia, Gold (dual pinstripe)
13					DECAL or NAMEPLATE, Liftgate Handle ***
					"AWD", (decal) (w/o All Wheel Drive Appearance Package
	EZ64 KD2	1			Medium Quartz
	EZ64 KR4	1			Red
	EZ64 KD8	1			Dark Quartz
	EZ64 KRX	1			Red/Black
	EZ64 LY2	1			Gold Metallic
					"AWD" (decal) (w/All Wheel Drive Appearance Package)
	GU71 MD2	1			Medium Quartz
	GU71 MD8	1			Dark Quartz
					"DODGE" (nameplate)
	GU53 MD2	1			Medium Quartz
	GU53 MP5	1			Teal
	GU53 MR4	1			Flame Red or Poppy Red
	GU53 MW7	1			Bright White

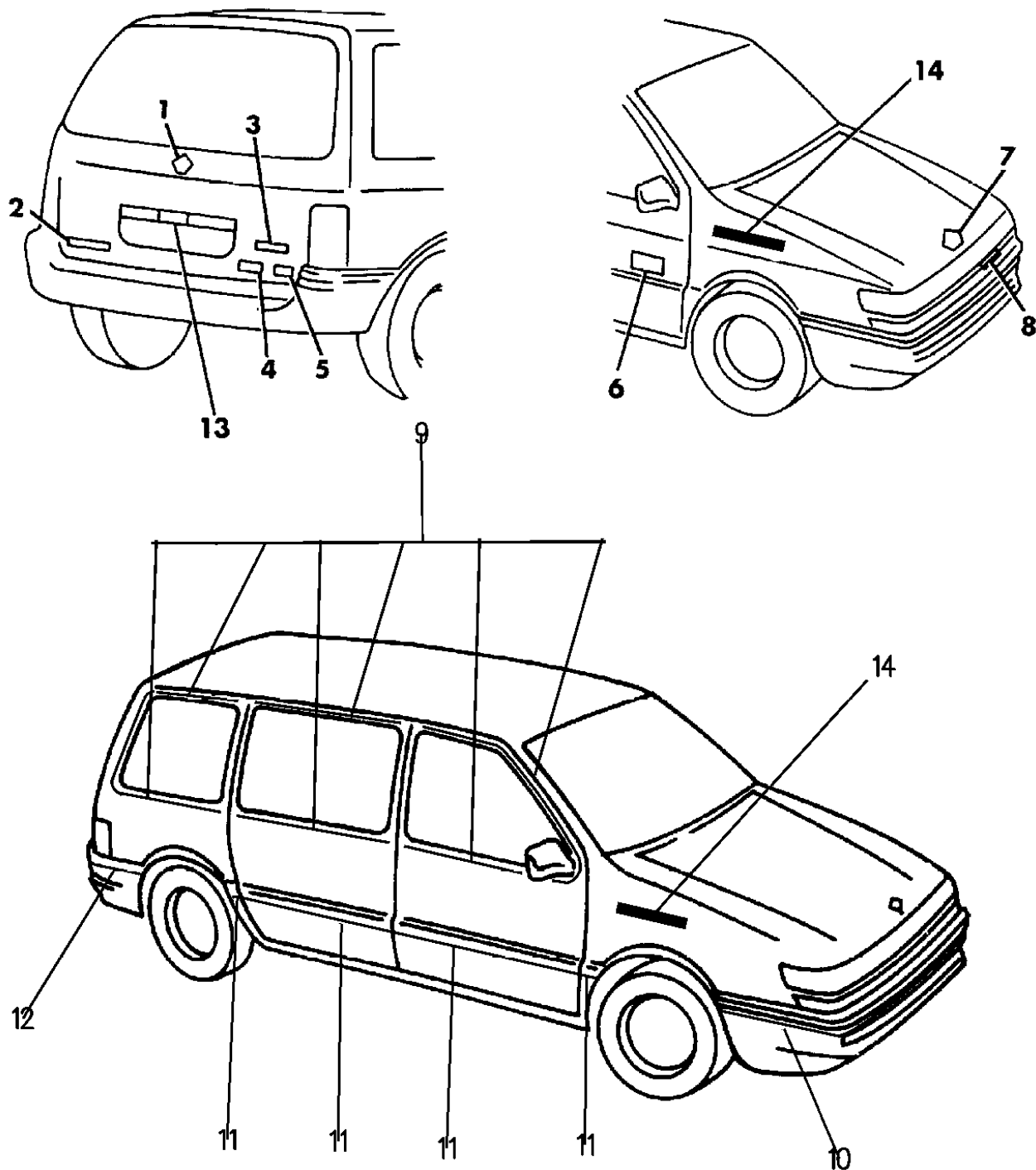
**MODEL CODES:**

A BODY=(C=LeBaron, D=Spirit, P=Acclaim/LaBaron(Landau), Saratoga) S BODY=(H=Voyager(H) FWD, K=Caravan(H) FWD, Y=Town & Country(H) FWD, P=Voyager(K) AWD, D=Caravan(K) AWD, C=Town & Country(K) AWD)  
 C BODY=(D=Dynasty, C=New Yorker/N.Y. Salon) Y BODY=(C=Imperial/5th Avenue)  
 G BODY=(V=Daytona/ROC, Chrysler Daytona) E-S BODY=(K=Chrysler Voyager(H) FWD, D=Chrysler Voyager(K) AWD)  
 J BODY=(C=LeBaron, Chrysler LeBaron) P BODY=(P=Sundance, D=Shadow)

**BODY STYLES:**

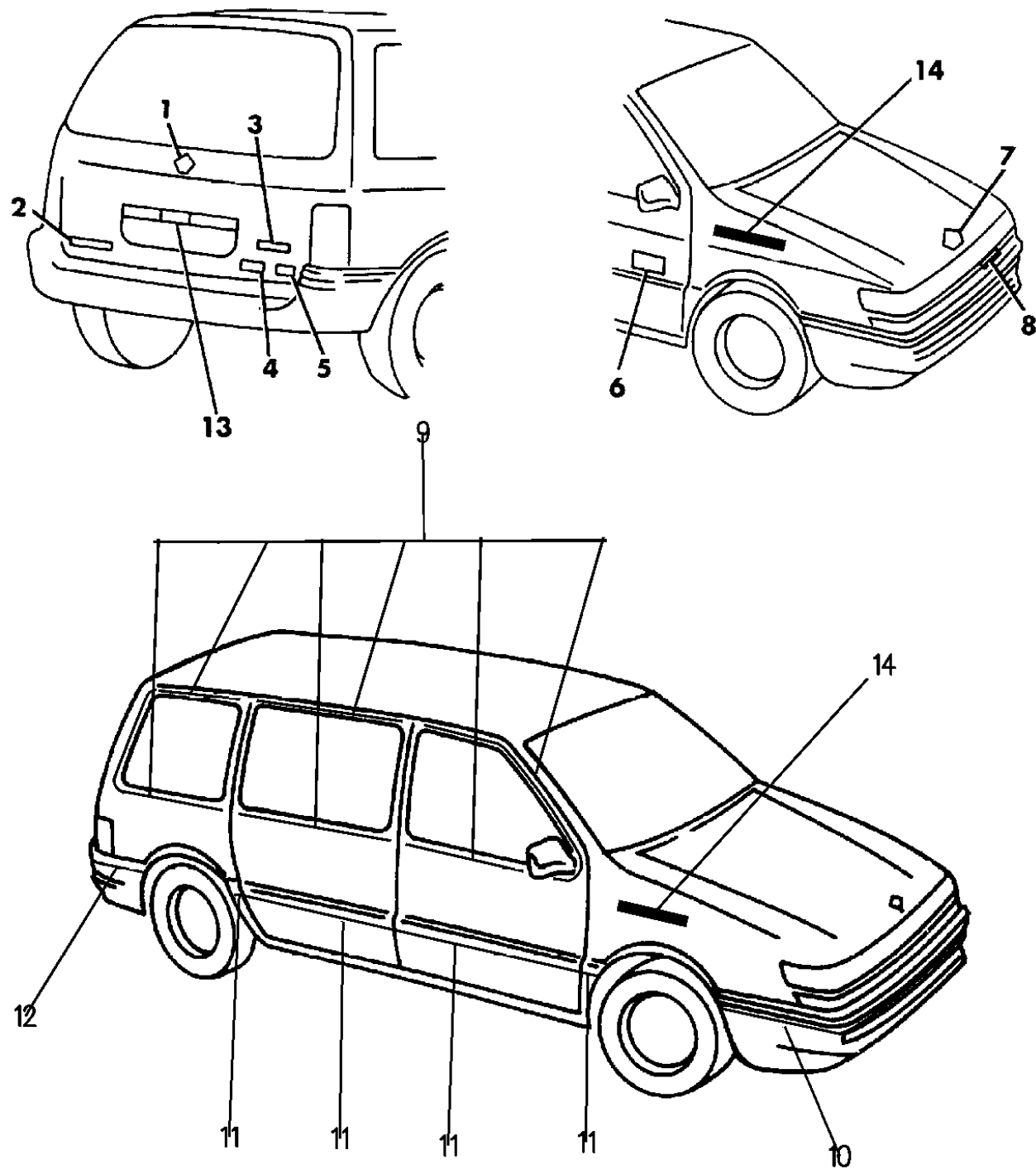
21=2-Door Coupe 41=4-Door Sedan 12-52=FWD & AWD Van & Wgn Std W.B.  
 24=2-Door Hatchback 44=4-Door Hatchback 53=FWD & AWD Van & Wgn Ext. W.B.  
 27=2-Door Convertible

AR = Use as Required - = Non Illustrated Part P.A.R. = Paint as Required



NAMEPLATES, ORNAMENTS, OVERLAY AND TAPES - S BODY  
Figure 23-2300

93168 2300



ITEM	PART NUMBER	QTY	BODY	MODEL	DESCRIPTION
	GU53 MX8	1			Black
	GU53 MD8	1			Dark Quartz Gray "PLYMOUTH" (nameplate)
	GU54 MD2	1			Medium Quartz
	GU54 MP5	1			Teal
	GU54 MR4	1			Flame Red or Poppy Red
	GU54 MW7	1			Bright White
	GU54 MX8	1			Black
	GU54 MD8	1			Dark Quartz Gray
14	4576 810	1		ES	"TURBO DIESEL" (nameplate), EUROPE
	GV16 MY2	2		C,Y	DECAL, Fender "Town & Country", Gold Metallic "Limited", EUROPE
	FZ76 LD2	2		D,K-P	Medium Quartz, EUROPE
	FZ76 LD8	2		D,K-P	Dark Quartz Gray, EUROPE

MODEL CODES:

A BODY=(C=LeBaron, D=Spirit, P=Acclaim/LaBaron(Landau), Saratoga) S BODY=(H=Voyager(H) FWD, K=Caravan(H) FWD, Y=Town & Country(H) FWD, P=Voyager(K) AWD, D=Caravan(K) AWD, C=Town & Country(K) AWD)  
 C BODY=(D=Dynasty, C=New Yorker/N.Y. Salon)  
 G BODY=(V=Daytona/IROC, Chrysler Daytona)  
 J BODY=(C=LeBaron, Chrysler LeBaron)  
 P BODY=(P=Sundance, D=Shadow)  
 Y BODY=(C=Imperial/5th Avenue)  
 E-S BODY=(K=Chrysler Voyager(H) FWD, D=Chrysler Voyager(K) AWD)

BODY STYLES:

21=2-Door Coupe      41=4-Door Sedan      12-52=FWD & AWD Van & Wgn Std W.B.  
 24=2-Door Hatchback      44=4-Door Hatchback      53=FWD & AWD Van & Wgn Ext. W.B.  
 27=2-Door Convertible

AR = Use as Required - = Non Illustrated Part P.A.R. = Paint as Required

**GROUP 23A - BODY - SHEET METAL EXCEPT DOORS**

ILLUSTRATION TITLE	GROUP-FIG. NO.
<b>BODY PARTIAL</b>	
BODY CONSTRUCTION PARTIAL LIST OF BODY PANEL .....	Fig. 23A-100
<b>P BODY</b>	
FLOOR PAN FRONT P BODY 24,27,44 .....	Fig. 23A-200
FLOOR PAN REINFORCEMENT P BODY 27 .....	Fig. 23A-300
ROCKER OUTER REINFORCEMENT P BODY 27 .....	Fig. 23A-400
PLUGS FRONT FLOOR PAN P BODY 24,27,44 .....	Fig. 23A-500
FLOOR PAN REAR P BODY 24,27,44 .....	Fig. 23A-600
FENDER AND SHIELD P BODY 24,27,44 .....	Fig. 23A-700
HOOD AND HOOD RELEASE P BODY 24,27,44 .....	Fig. 23A-800
COWL AND DASH PANEL P BODY 24,27,44 .....	Fig. 23A-900
BRACKET AND PLUGS COWL P BODY 24,27,44 .....	Fig. 23A-1000
GLASS WINDSHIELD AND MIRROR P BODY 24,27,44 .....	Fig. 23A-1100
BODY FRONT PILLAR P BODY 24,27,44 .....	Fig. 23A-1200
APERATURE PANEL P BODY 24,44 .....	Fig. 23A-1300
QUARTER PANEL P BODY 24,27,44 .....	Fig. 23A-1400
QUARTER PANEL AND "B" PILLAR REINFORCEMENT P BODY 27 .....	Fig. 23A-1500
QUARTER PANEL BRACES P BODY 27 .....	Fig. 23A-1600
GLASS QUARTER WINDOW P BODY 24 .....	Fig. 23A-1700
GLASS QUARTER WINDOW P BODY 27 .....	Fig. 23A-1800
MAIN PIVOT BRACKET ASSEMBLY P BODY 27 .....	Fig. 23A-1850
ROOF PANEL P BODY 24,27,44 .....	Fig. 23A-1900
SUNROOF P BODY 24,44 .....	Fig. 23A-2000
CONVERTIBLE TOP P BODY 27 .....	Fig. 23A-2100
RAIL, HEADER AND LATCH ASSEMBLY P BODY 27 .....	Fig. 23A-2200
BOOTWELL ASSEMBLY, CONVERTIBLE P BODY 27 .....	Fig. 23A-2250
GLASS LIFTGATE P BODY 24,44 .....	Fig. 23A-2300
DECK LID RACK P BODY 24,44 .....	Fig. 23A-2400
LIFTGATE PANEL AND FUEL FILLER DOOR P BODY 24,44 .....	Fig. 23A-2500
LIFTGATE OPENING PANEL P BODY 24,27,44 .....	Fig. 23A-2600
LIFTGATE RELEASE P BODY 24,44 .....	Fig. 23A-2700
DECK LID P BODY 27 .....	Fig. 23A-2800
DECK LID OPENING P BODY 27 .....	Fig. 23A-2900
<b>A BODY</b>	
FLOOR PAN FRONT A BODY 41 .....	Fig. 23A-3000
FLOOR PAN REAR A BODY 41 .....	Fig. 23A-3100
PLUGS FLOOR PAN AND PILLAR A BODY 41 .....	Fig. 23A-3200

ILLUSTRATION NOT AVAILABLE AT TIME OF PUBLICATION



**GROUP 23A - BODY - SHEET METAL EXCEPT DOORS**

**GROUP 23A - BODY - SHEET METAL EXCEPT DOORS**

**ILLUSTRATION TITLE**

**GROUP-FIG. NO.**

**ILLUSTRATION TITLE**

**GROUP-FIG. NO.**

**A BODY (Continued)**

PLUGS FLOOR PAN AND PILLAR A BODY 41 .....  
 SHIELD AND SCREEN A BODY 41 .....  
 FENDER AND FENDER BRACE A BODY 41 .....  
 HOOD AND HOOD RELEASE A BODY 41 .....  
 COWL AND DASH PANEL A BODY 41 .....  
 PLUGS DASH A BODY 41 .....  
 GLASS WINDSHIELD AND MIRROR A BODY 41 .....  
 APERTURE PANEL A BODY 41 .....  
 PILLAR FRONT AND CENTER A BODY 41 .....  
 QUARTER PANEL A BODY 41 .....  
 ROOF PANEL A BODY 41 .....  
 GLASS REAR WINDOW A BODY 41 .....  
 DECK LID RACK A BODY 41 .....  
 DECK LID AND LOWER PANEL, FUEL FILLER DOOR A BODY 41 .....  
 DECK LID UPPER PANEL A BODY 41 .....  
 DECK LID RELEASE A BODY 41 .....

Fig. 23A-3200  
 Fig. 23A-3300  
 Fig. 23A-3400  
 Fig. 23A-3500  
 Fig. 23A-3600  
 Fig. 23A-3700  
 Fig. 23A-3800  
 Fig. 23A-3900  
 Fig. 23A-4000  
 Fig. 23A-4100  
 Fig. 23A-4200  
 Fig. 23A-4400  
 Fig. 23A-4500  
 Fig. 23A-4600  
 Fig. 23A-4700  
 Fig. 23A-4800

**J BODY**

FLOOR PAN J BODY 21,27 .....  
 FLOOR PAN TUNNEL J BODY 27 .....  
 PLUGS FLOOR PAN J BODY 21, 27 .....  
 FENDER AND SHIELD J BODY 21,27 .....  
 HOOD AND HOOD RELEASE J BODY 21,27 .....  
 COWL AND DASH PANEL J BODY 21,27 .....  
 PLUGS DASH PANEL J BODY 21,27 .....  
 GLASS WINDSHIELD AND MIRROR J BODY 21,27 .....  
 APERTURE PANEL AND FRONT PILLAR J BODY 21 .....  
 APERTURE PANEL AND FRONT PILLAR J BODY 27 .....  
 QUARTER PANEL J BODY 21 .....  
 QUARTER PANEL J BODY 27 .....  
 GLASS QUARTER WINDOW J BODY 21,27 .....  
 ROOF PANEL AND WINDSHIELD FRAME J BODY 21,27 .....  
 CONVERTIBLE TOP J BODY 27 .....  
 RAIL, HEADER AND LATCH ASSEMBLY J BODY 27 .....  
 CONVERTIBLE MOTOR AND UPPER WEATHERSTRIP J BODY 27 .....  
 GLASS LIFTGATE J BODY .....  
 DECK LID RACK J BODY .....  
 LIFTGATE PANEL AND FUEL FILLER DOOR J BODY 21,27 .....

Fig. 23A-4900  
 Fig. 23A-5000  
 Fig. 23A-5100  
 Fig. 23A-5200  
 Fig. 23A-5300  
 Fig. 23A-5400  
 Fig. 23A-5500  
 Fig. 23A-5600  
 Fig. 23A-5800  
 Fig. 23A-5900  
 Fig. 23A-6000  
 Fig. 23A-6100  
 Fig. 23A-6200  
 Fig. 23A-6300  
 Fig. 23A-6500  
 Fig. 23A-6600  
 Fig. 23A-6700  
 Fig. 23A-6800  
 Fig. 23A-6900  
 Fig. 23A-7000

**J BODY (Continued)**

LIFTGATE PANEL AND FUEL FILLER DOOR J BODY 21,27 .....  
 LIFTGATE RELEASE J BODY 21,27 .....  
**G BODY**  
 FLOOR PAN FRONT G BODY 24 .....  
 FLOOR PAN REAR G BODY 24 .....  
 FENDER AND SHIELD G BODY 24 .....  
 HOOD AND HOOD RELEASE G BODY 24 .....  
 COWL AND DASH PANEL G BODY 24 .....  
 GLASS WINDSHIELD AND MIRROR G BODY 24 .....  
 BODY FRONT PILLAR AND ROOF PANEL G BODY 24 .....  
 APERTURE PANEL G BODY 24 .....  
 QUARTER PANEL AND FUEL FILLER DOOR G BODY 24 .....  
 GLASS QUARTER WINDOW G BODY 24 .....  
 ROOF PANEL G BODY 24 .....  
 SUNROOF G BODY 24 .....  
 GLASS LIFTGATE G BODY 24 .....  
 LIFTGATE PANEL G BODY 24 .....  
 LIFTGATE OPENING PANEL G BODY 24 .....  
 FUEL FILLER AND LIFTGATE RELEASE G BODY 24 .....

Fig. 23A-7000  
 Fig. 23A-7100  
 Fig. 23A-7200  
 Fig. 23A-7300  
 Fig. 23A-7400  
 Fig. 23A-7500  
 Fig. 23A-7600  
 Fig. 23A-7700  
 Fig. 23A-7800  
 Fig. 23A-7900  
 Fig. 23A-8000  
 Fig. 23A-8100  
 Fig. 23A-8200  
 Fig. 23A-8300  
 Fig. 23A-8400  
 Fig. 23A-8500  
 Fig. 23A-8600  
 Fig. 23A-8700

**C BODY**

FLOOR PAN C BODY .....  
 FLOOR PAN PLUGS C BODY .....  
 FENDER AND SHIELD C BODY .....  
 COWL SCREEN AND ENGINE SHIELD C BODY .....  
 TOWER AND SHIELD C BODY .....  
 HOOD AND HOOD RELEASE C BODY .....  
 COWL AND DASH PANEL C BODY .....  
 DASH PANEL PLUGS C BODY .....  
 BRACE DASH PANEL TO COWL C BODY .....  
 GLASS WINDSHIELD AND MIRROR C BODY .....  
 PILLAR FRONT AND CENTER C BODY .....  
 APERTURE PANEL C BODY .....  
 BODY SIDE AND QUARTER PANEL C BODY .....  
 SUNROOF AND ROOF PANEL C BODY .....  
 SUNROOF COMPONENT PARTS C BODY .....  
 DECK LID RACK C BODY .....

Fig. 23A-8800  
 Fig. 23A-8900  
 Fig. 23A-9000  
 Fig. 23A-9100  
 Fig. 23A-9200  
 Fig. 23A-9300  
 Fig. 23A-9400  
 Fig. 23A-9500  
 Fig. 23A-9600  
 Fig. 23A-9700  
 Fig. 23A-9800  
 Fig. 23A-9900  
 Fig. 23A-10000  
 Fig. 23A-10100  
 Fig. 23A-10200  
 Fig. 23A-10300

**GROUP 23A - BODY - SHEET METAL EXCEPT DOORS**

**GROUP 23A - BODY - SHEET METAL EXCEPT DOORS**

**ILLUSTRATION TITLE**

**GROUP-FIG. NO.**

**ILLUSTRATION TITLE**

**GROUP-FIG. NO.**

**C BODY (Continued)**

DECK LID RACK C BODY .....  
 GLASS REAR WINDOW C BODY .....  
 DECK OPENING PANEL C BODY .....  
 DECK LID AND FUEL FILLER DOOR C BODY .....  
 DECK LID POWER PULL DOWN C BODY .....  
 DECK LID SHELF AND BAR C BODY .....

Fig. 23A-10300  
 Fig. 23A-10400  
 Fig. 23A-10500  
 Fig. 23A-10600  
 Fig. 23A-10700  
 Fig. 23A-10800

**S BODY (Continued)**

BODY FRONT PILLAR AND APERTURE PANEL S BODY .....  
 QUARTER PANEL (RIGHT) S BODY .....  
 QUARTER PANEL (RIGHT) SLIDING TRACK S BODY .....  
 QUARTER PANEL (LEFT) AND FUEL FILLER DOOR S BODY .....  
 ROOF PANEL S BODY .....  
 LUGGAGE RACK S BODY .....  
 GLASS LIFTGATE S BODY .....  
 GLASS BODY SIDE APERTURE MANUAL S BODY .....  
 WINDOW VENT ELECTRIC QUARTER S BODY .....  
 LIFTGATE PANEL S BODY .....  
 LIFTGATE OPENING PANEL S BODY .....  
 FUEL FILLER RELEASE S BODY .....

Fig. 23A-13800  
 Fig. 23A-13900  
 Fig. 23A-14000  
 Fig. 23A-14100  
 Fig. 23A-14200  
 Fig. 23A-14300  
 Fig. 23A-14400  
 Fig. 23A-14500  
 Fig. 23A-14600  
 Fig. 23A-15000  
 Fig. 23A-15200  
 Fig. 23A-15300

**Y BODY**

FLOOR PAN Y BODY .....  
 FLOOR PAN PLUGS Y BODY .....  
 FENDER AND SHIELD Y BODY .....  
 COWL SCREEN AND ENGINE SHIELD Y BODY .....  
 TOWER AND SHIELD Y BODY .....  
 HOOD AND HOOD RELEASE Y BODY .....  
 COWL AND DASH PANEL Y BODY .....  
 DASH PANEL PLUGS Y BODY .....  
 BRACE DASH PANEL TO COWL Y BODY .....  
 GLASS WINDSHIELD AND MIRROR Y BODY .....  
 PILLAR FRONT AND CENTER Y BODY .....  
 APERTURE PANEL Y BODY .....  
 BODY SIDE AND QUARTER PANEL Y BODY .....  
 SUNROOF AND ROOF PANEL Y BODY .....  
 SUNROOF COMPONENT PARTS Y BODY .....  
 DECK LID RACK Y BODY .....  
 GLASS REAR WINDOW Y BODY .....  
 DECK OPENING PANEL Y BODY .....  
 DECK LID AND FUEL FILLER DOOR Y BODY .....  
 DECK LID POWER PULL DOWN Y BODY .....  
 DECK OPENING PANEL Y BODY .....  
 DECK LID SHELF AND BAR Y BODY .....

Fig. 23A-11000  
 Fig. 23A-11100  
 Fig. 23A-11200  
 Fig. 23A-11300  
 Fig. 23A-11400  
 Fig. 23A-11500  
 Fig. 23A-11600  
 Fig. 23A-11700  
 Fig. 23A-11800  
 Fig. 23A-11900  
 Fig. 23A-12000  
 Fig. 23A-12100  
 Fig. 23A-12200  
 Fig. 23A-12300  
 Fig. 23A-12400  
 Fig. 23A-12500  
 Fig. 23A-12600  
 Fig. 23A-12700  
 Fig. 23A-12800  
 Fig. 23A-12900  
 Fig. 23A-13000  
 Fig. 23A-13100

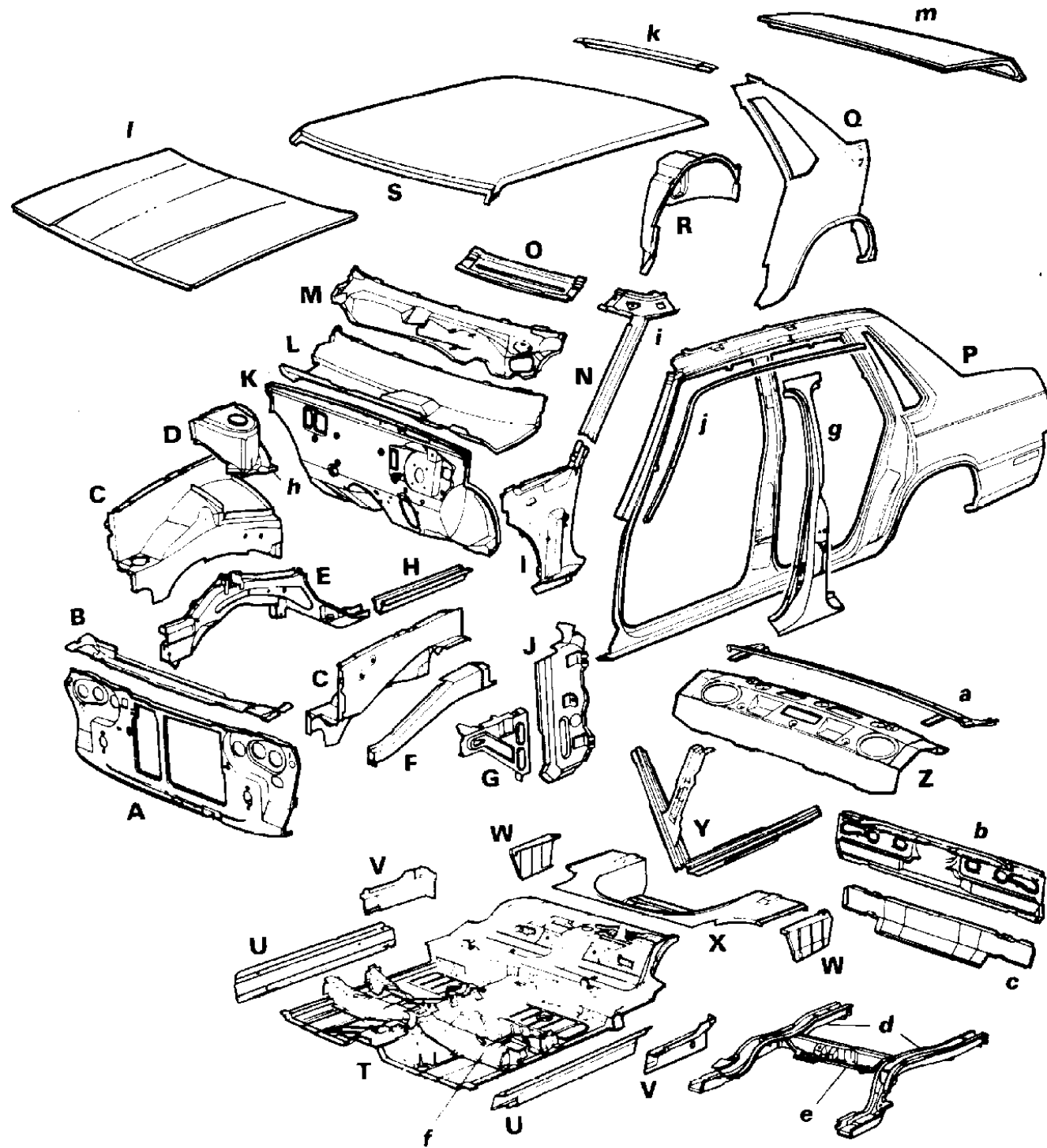
**S BODY**

FLOOR PAN S BODY .....  
 FENDER AND SHIELD S BODY .....  
 HOOD AND HOOD RELEASE S BODY .....  
 COWL AND DASH PANEL S BODY .....  
 GLASS WINDSHIELD AND MIRROR S BODY .....  
 BODY FRONT PILLAR AND APERTURE PANEL S BODY .....

Fig. 23A-13300  
 Fig. 23A-13400  
 Fig. 23A-13500  
 Fig. 23A-13600  
 Fig. 23A-13700  
 Fig. 23A-13800

**BODY CONSTRUCTION PARTIAL LIST OF BODY PANEL**  
**Figure 23A-100**

93169 100



ITEM	PART NUMBER	QTY	BODY	MODEL	DESCRIPTION
A					Radiator Support ( In Group 7)
B					Tie Bar Panel ( In Group 7)
C					Fender Inner Shield
D					Strut Tower Reinforcement
E					Front Side Rail
F					Upper Splash Shield Beam
G					Hinge Pillar Extension
H					Front Side Rail Extension
I					Cowl Side Panel
J					Front Hinge Pillar
K					Dash Panel
L					Cowl Plenum
M					Cowl Top
N					Pillar Reinforcement
O					Center Windshield Frame
P					Side Aperture
Q					Inner Quarter/Outer Wheelhouse
R					Inner Wheelhouse
S					Roof Panel
T					Front Side Floor Pan
U					Inner Sill Panel
V					Side Sill Panel Extension
W					Floor Pan Side Extension
X					Rear Floor Pan
Y					Brace Shelf Panel To Floor
Z					Shelf Panel
a					Upper Panel Drain Through
b					Tail Panel
c					Lower Tail Panel
d					Rear Side Rail (In Group 13)
e					Rear Side Rail Crossmember (In Group 13)
f					Front Floor Pan Crossmember, Seat Mount
g					Center Pillar Outer
h					Strut Tower Extension To Dash
i					Upper Windshield Pillar
j					Drip Rail
k					Rear Roof Brace
l					Hood
m					Deck Lid Or Liftgate

**MODEL CODES:**

A BODY=(C=LeBaron, D=Spirit, P=Acclaim/LaBaron(Landau), Saratoga)

C BODY=(D=Dynasty, C=New Yorker/N.Y. Salon)

G BODY=(V=Daytona/IROC, Chrysler Daytona)

J BODY=(C=LeBaron, Chrysler LeBaron)

P BODY=(P=Sundance, D=Shadow)

S BODY=(H=Voyager(H) FWD, K=Caravan(H) FWD,

Y=Town & Country(H) FWD, P=Voyager(K) AWD,

D=Caravan(K) AWD, C=Town & Country(K) AWD)

Y BODY=(C=Imperial/5th Avenue)

E-S BODY=(K=Chrysler Voyager(H) FWD, D=Chrysler

Voyager(K) AWD)

**BODY STYLES:**

21=2-Door Coupe

41=4-Door Sedan

12-52=FWD & AWD Van & Wgn Std W.B.

24=2-Door Hatchback

44=4-Door Hatchback

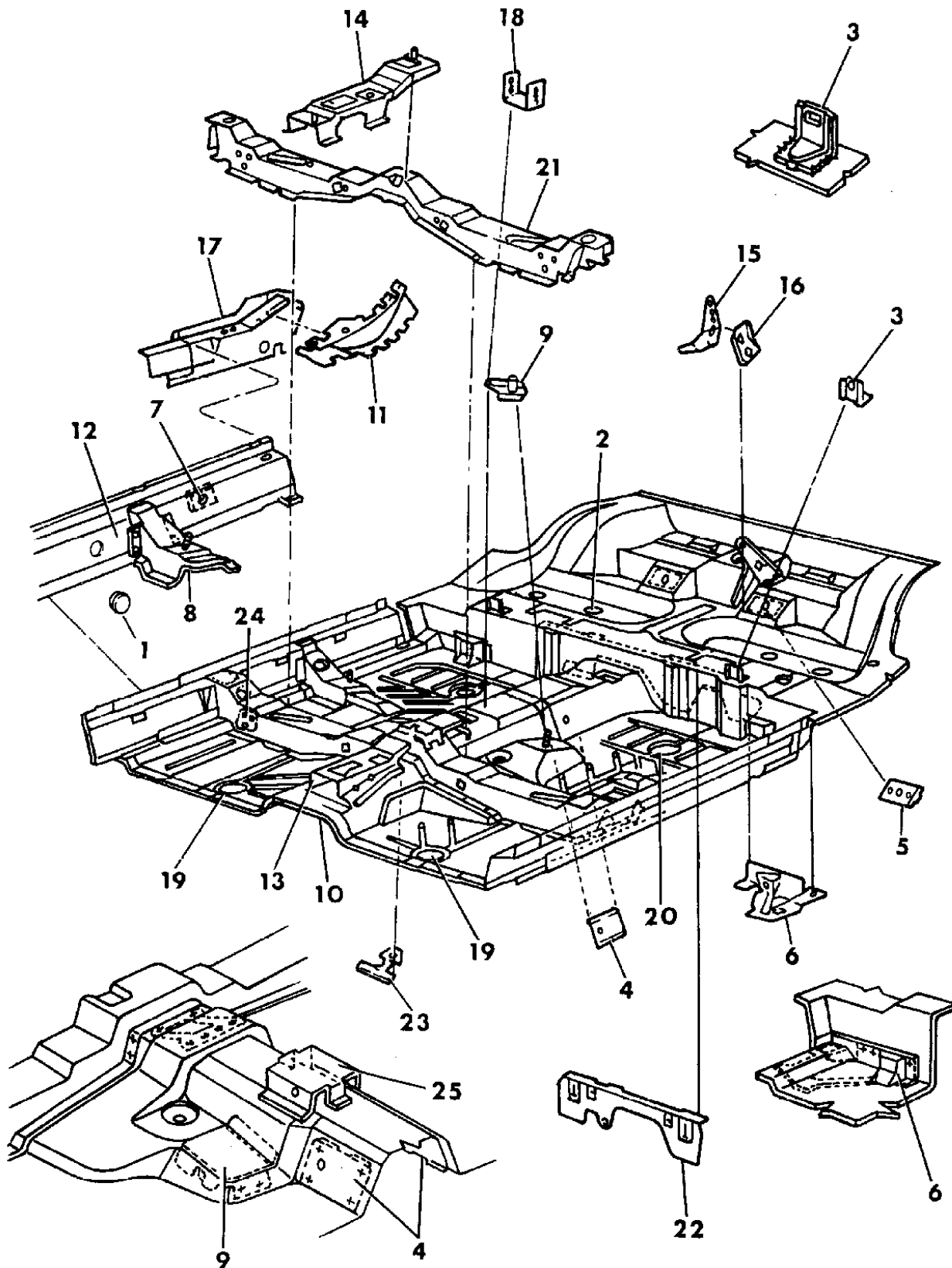
53=FWD & AWD Van & Wgn Ext. W.B.

27=2-Door Convertible

AR = Use as Required - = Non Illustrated Part P.A.R. = Paint as Required

FLOOR PAN FRONT P BODY 24,27,44  
Figure 23A-200

93169 200



ITEM	PART NUMBER	QTY	BODY	MODEL	DESCRIPTION
1	3794 032	2			SEAL, Side Sill Inner Panel Drain Hole
2	4512 495	2			PLUG, 1.50" Dia./38.1 mm
3	4371 289	2			RETAINER, Front Floor Pan Rear Seat Cushion
4	4314 260	2			REINFORCEMENT, Front Floor Pan Front Seat Belt Inner
5	4314 260	2			REINFORCEMENT, Front Floor Pan Rear Seat Belt Inner
6	5256 108-9	1			BRACKET, Front Floor Pan Lift Hoisting
7		2			NUT PLATE, Front Seat Belt Outer Anchor (Serviced in Assembly) ***
8	5253 916-7	1			REINFORCEMENT, Front Floor Pan Front Seat Rear Outer
9	4655 158-9	1			REINFORCEMENT, Front Floor Pan Front Seat Rear Inner
10	4674 343	1			PAN, Front Floor
11	5256 040-1	1			REINFORCEMENT, Front Floor Pan Rear Seat Belt Outer
12		1			PANEL, Body Side Sill Inner
	5253 914-5			24,44	
	4548 398-9			27	
13	5253 790	1			BRACKET, Console Gear Sel. To Floor Pan
14	5253 790	1			BRACKET, Console Gear Sel. To Floor Pan
15	4519 946	2			BRACKET, Rear Seat Back Pivot Outer
16	4519 947	1			BRACKET, Front Floor Pan Rear Seat Back Center Pivot Left
17	4512 516-7	1			EXTENSION, Sill Inner Rear
18		2			BRACKET, Front Floor Pan Center Seat Not Serviced
19		2			TUBE, 2.75" Dia./69.9 mm Not Serviced
20	2424 864	2			PLUG, 1.75" Dia./44.5 mm
21	4548 486	1			CROSSMEMBER, Front Floor Pan Seat
22	4416 135	1			PLATE, Front Floor Fuel Tank Strap Front Hanger
23	4416 060	1			BRACKET, Front Floor Pan Park Brake Cable
24		1			REINFORCEMENT, Floor Pan Front Seat Crossmember Inner & Outer Serviced in 4548486
25	4371 655	1			BRACKET, Floor Pan Center Arm Rest Support

MODEL CODES:

A BODY=(C=LeBaron, D=Spirit, P=Acclaim/LaBaron(Landau), Saratoga)

C BODY=(D=Dynasty, C=New Yorker/N.Y. Salon)

G BODY=(V=Daytona/IROC, Chrysler Daytona)

J BODY=(C=LeBaron, Chrysler LeBaron)

P BODY=(P=Sundance, D=Shadow)

S BODY=(H=Voyager(H) FWD, K=Caravan(H) FWD,

Y=Town & Country(H) FWD, P=Voyager(K) AWD,

D=Caravan(K) AWD, C=Town & Country(K) AWD)

Y BODY=(C=Imperial/5th Avenue)

E-S BODY=(K=Chrysler Voyager(H) FWD, D=Chrysler

Voyager(K) AWD)

BODY STYLES:

21=2-Door Coupe

41=4-Door Sedan

12-52=FWD & AWD Van & Wgn Std W.B.

24=2-Door Hatchback

44=4-Door Hatchback

53=FWD & AWD Van & Wgn Ext. W.B.

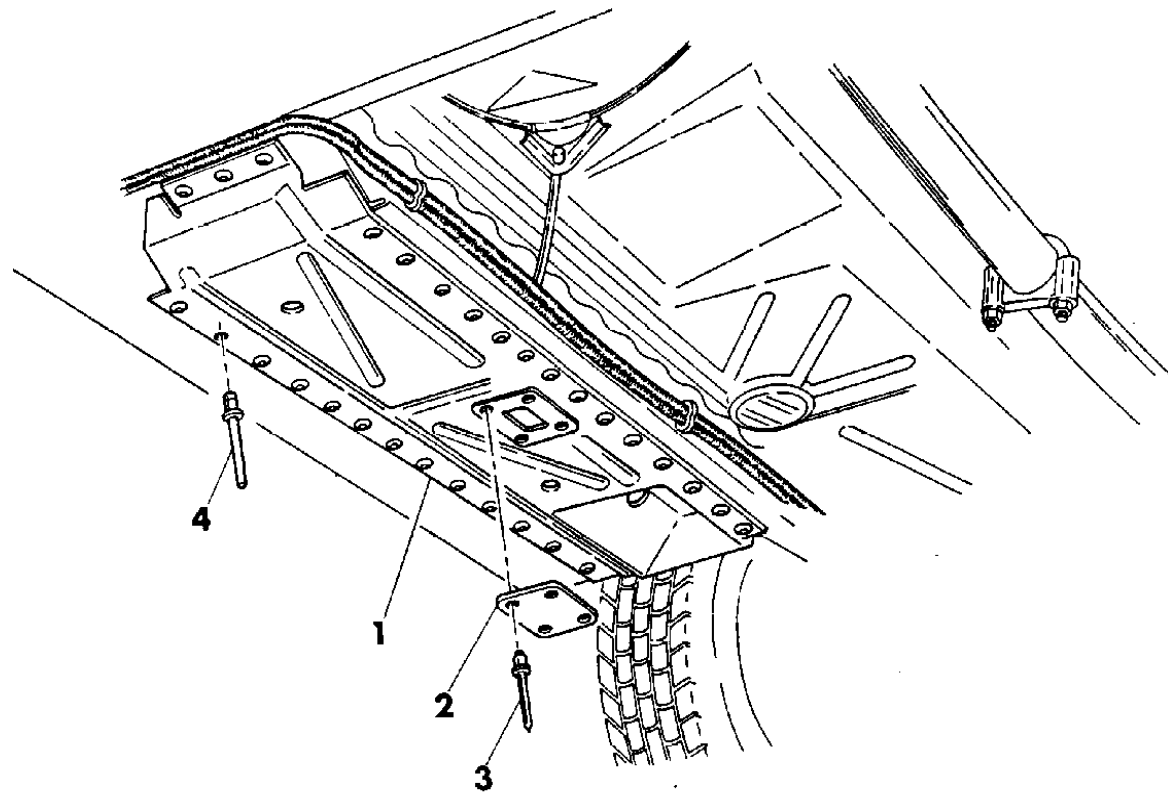
27=2-Door Convertible

AR = Use as Required - = Non Illustrated Part P.A.R. = Paint as Required

FLOOR PAN REINFORCEMENT P BODY 27  
Figure 23A-300

93169 300

ITEM	PART NUMBER	QTY	BODY	MODEL	DESCRIPTION
1		1			REINFORCEMENT ASSEMBLY, Torque Box
	5241 152				Right
	5241 151				Left
2		1			COVER, Hand Brake Access (Serviced in Reinforcement Assembly)
3		AR			RIVET (3/16 x .250) Not Serviced ***
4		AR			RIVET (.25 x .625) Not Serviced ***



**MODEL CODES:**

A BODY=(C=LeBaron, D=Spirit, P=Acclaim/LaBaron(Landau),  
Saratoga)  
C BODY=(D=Dynasty, C=New Yorker/N.Y. Salon)  
G BODY=(V=Daytona/IROC, Chrysler Daytona)  
J BODY=(C=LeBaron, Chrysler LeBaron)  
P BODY=(P=Sundance, D=Shadow)

S BODY=(H=Voyager(H) FWD, K=Caravan(H) FWD,  
Y=Town & Country(H) FWD, P=Voyager(K) AWD,  
D=Caravan(K) AWD, C=Town & Country(K) AWD)  
Y BODY=(C=Imperial/5th Avenue)  
E-S BODY=(K=Chrysler Voyager(H) FWD, D=Chrysler  
Voyager(K) AWD)

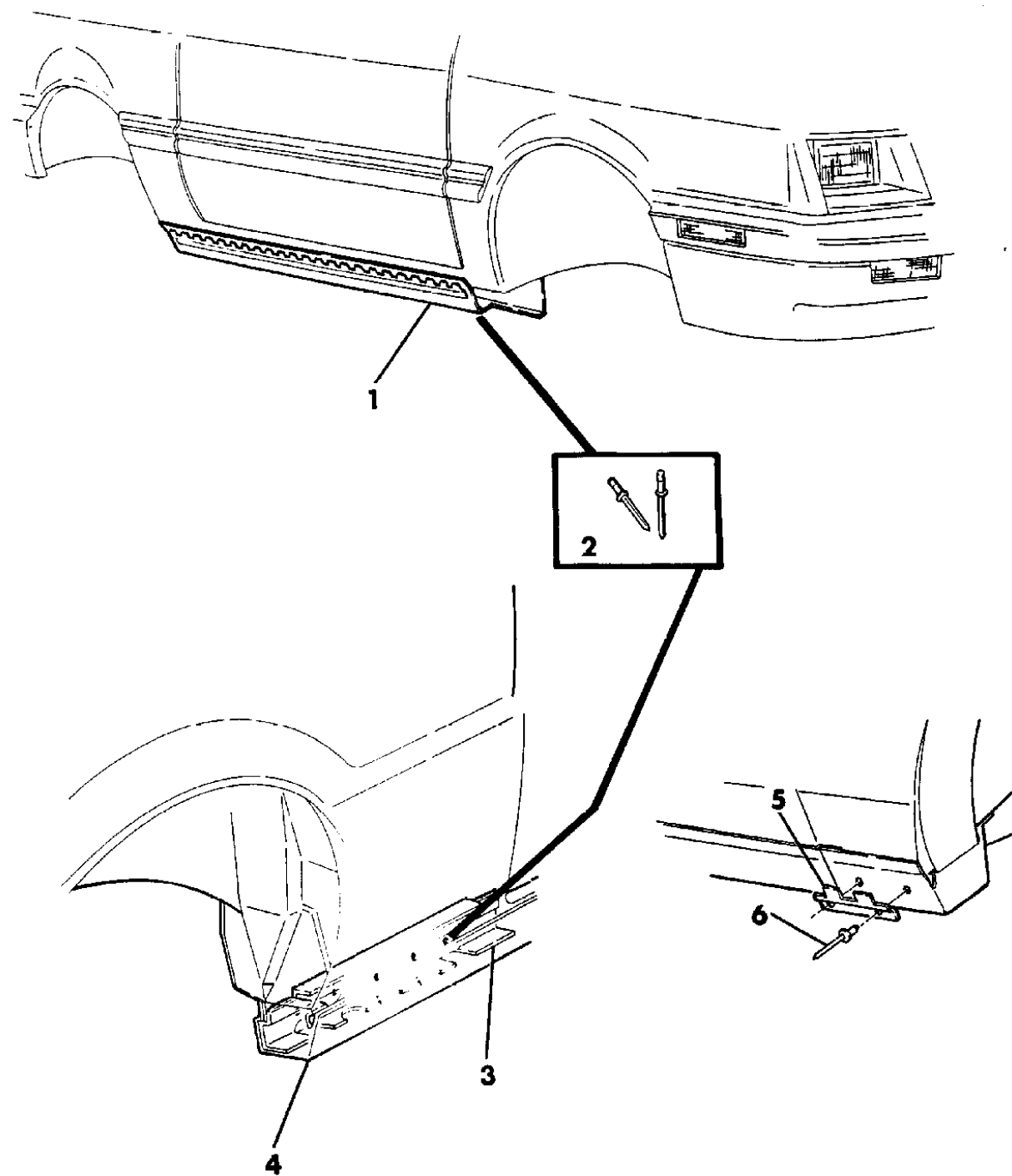
**BODY STYLES:**

21=2-Door Coupe      41=4-Door Sedan      12-52=FWD & AWD Van & Wgn Std W.B.  
24=2-Door Hatchback      44=4-Door Hatchback      53=FWD & AWD Van & Wgn Ext. W.B.  
27=2-Door Convertible

AR = Use as Required - = Non Illustrated Part P.A.R. = Paint as Required

**ROCKER OUTER REINFORCEMENT P BODY 27**  
**Figure 23A-400**

93169 400



ITEM	PART NUMBER	QTY	BODY	MODEL	DESCRIPTION
1		1			REINFORCEMENT ASSEMBLY, ROCKER OUTER
	5241 156-7				
	5241 164-5				ES
2		AR			RIVET (.25 x .625) Not Serviced ***
3	5241 173	1			BRACKET, Rocker Quarter Reinforcement, Rear Mounting
4	5241 170-1	1			REINFORCEMENT, Rocker Outer Fender
5	5241 172	1			RETAINER, Moulding Fender Extension
6	5241 161	AR			RIVET (.187 x .250) ***

**MODEL CODES:**

A BODY=(C=LeBaron, D=Spirit, P=Acclaim/LaBaron(Landau), Saratoga)      S BODY=(H=Voyager(H) FWD, K=Caravan(H) FWD, Y=Town & Country(H) FWD, P=Voyager(K) AWD, D=Caravan(K) AWD, C=Town & Country(K) AWD)  
 C BODY=(D=Dynasty, C=New Yorker/N.Y. Salon)  
 G BODY=(V=Daytona/IROC, Chrysler Daytona)  
 J BODY=(C=LeBaron, Chrysler LeBaron)  
 P BODY=(P=Sundance, D=Shadow)

**BODY STYLES:**

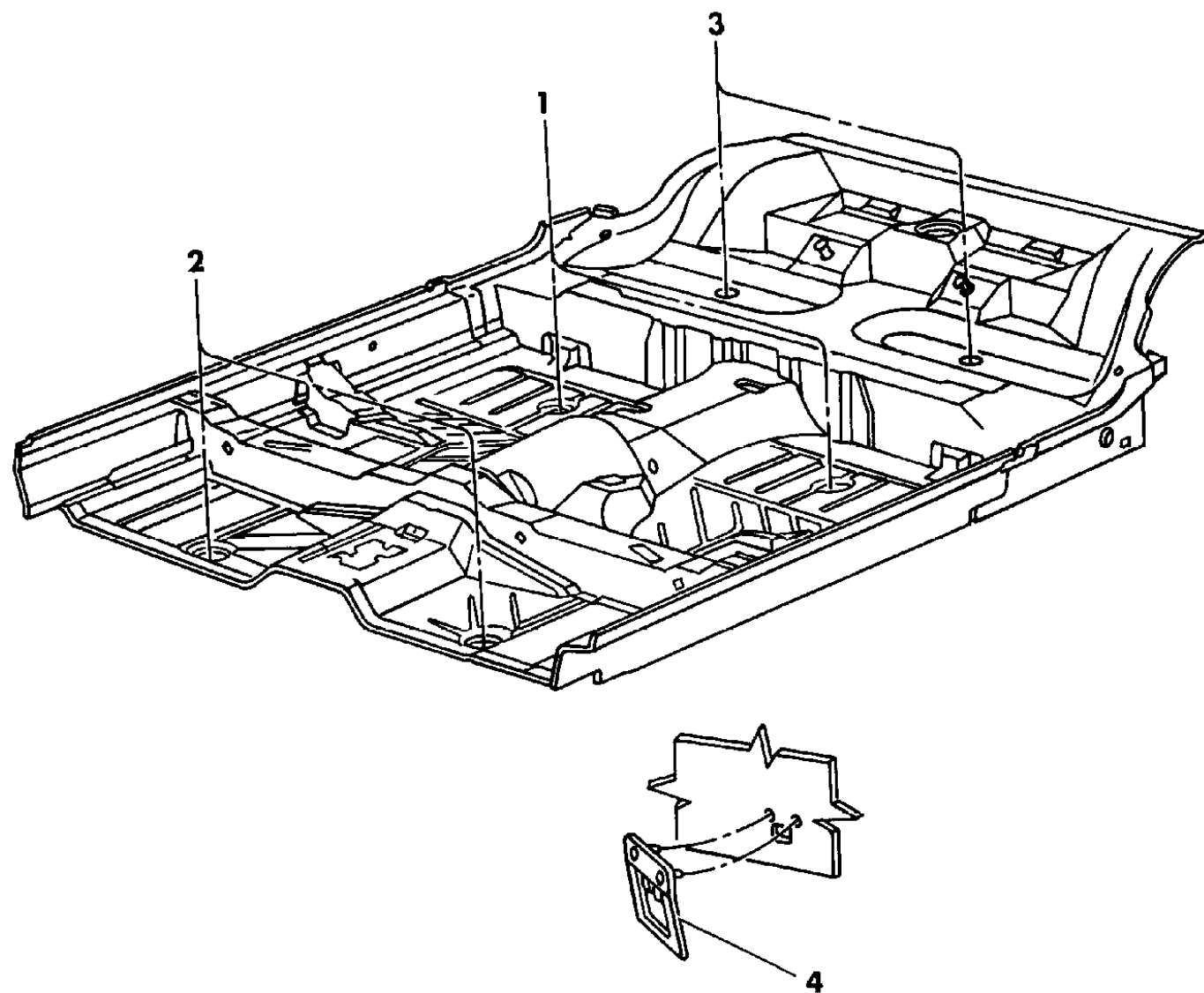
21=2-Door Coupe      41=4-Door Sedan      12-52=FWD & AWD Van & Wgn Std W.B.  
 24=2-Door Hatchback      44=4-Door Hatchback      53=FWD & AWD Van & Wgn Ext. W.B.  
 27=2-Door Convertible

AR = Use as Required - = Non Illustrated Part P.A.R. = Paint as Required

PLUGS FRONT FLOOR PAN P BODY 24,27,44  
Figure 23A-500

93169 500

ITEM	PART NUMBER	QTY	BODY	MODEL	DESCRIPTION
1	2424 864	2			PLUG
2	4512 494	2			PLUG
3	4512 495	1			PLUG, 1.50" Dia./38 mm
4	3794 032	AR			SEAL, Side Sill Inner



**MODEL CODES:**

A BODY=(C=LeBaron, D=Spirit, P=Acclaim/LaBaron(Landau),  
Saratoga)  
C BODY=(D=Dynasty, C=New Yorker/N.Y. Salon)  
G BODY=(V=Daytona/ROC, Chrysler Daytona)  
J BODY=(C=LeBaron, Chrysler LeBaron)  
P BODY=(P=Sundance, D=Shadow)

S BODY=(H=Voyager(H) FWD, K=Caravan(H) FWD,  
Y=Town & Country(H) FWD, P=Voyager(K) AWD,  
D=Caravan(K) AWD, C=Town & Country(K) AWD)  
Y BODY=(C=Imperial/5th Avenue)  
E-S BODY=(K=Chrysler Voyager(H) FWD, D=Chrysler  
Voyager(K) AWD)

**BODY STYLES:**

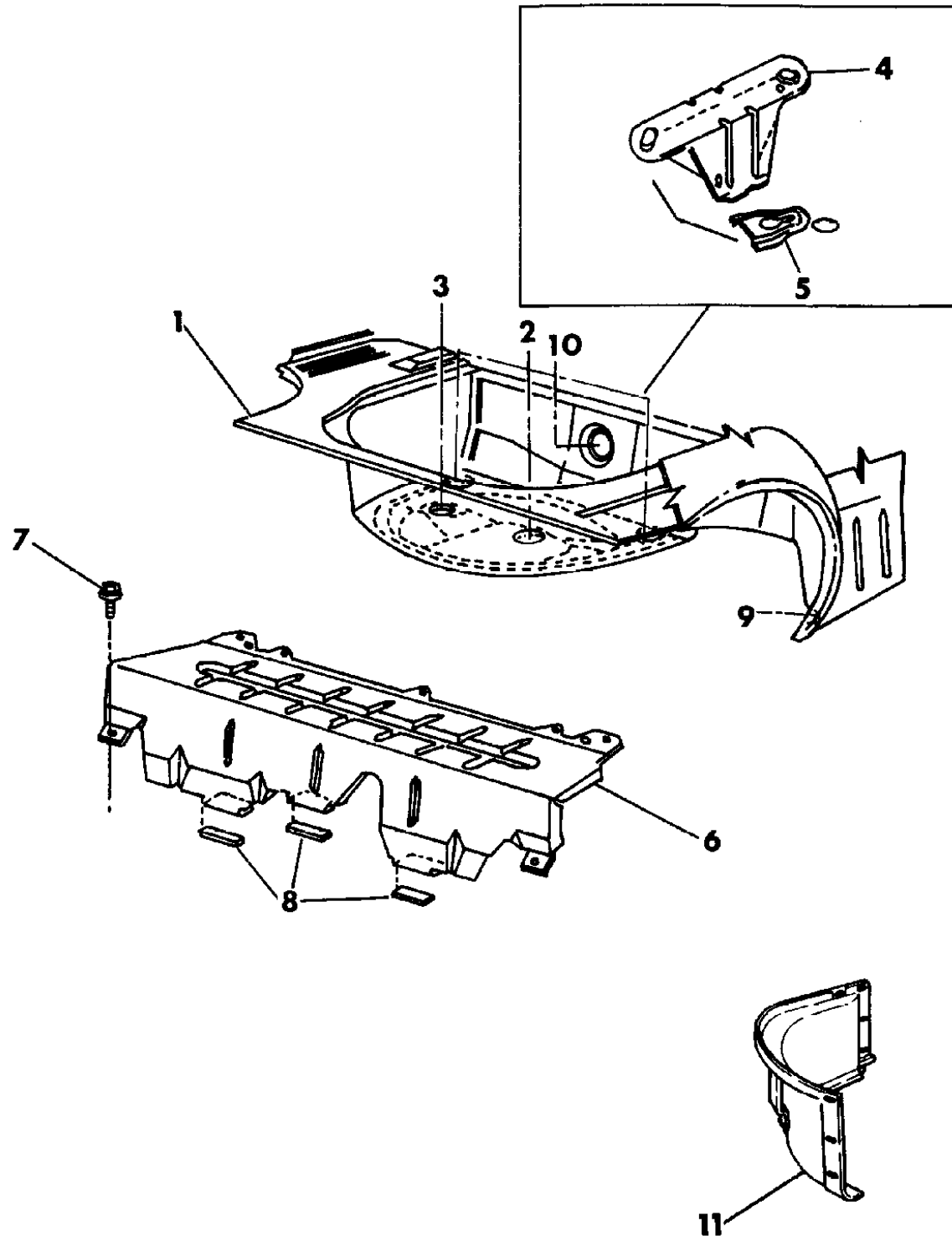
21=2-Door Coupe      41=4-Door Sedan      12-52=FWD & AWD Van & Wgn Std W.B.  
24=2-Door Hatchback      44=4-Door Hatchback      53=FWD & AWD Van & Wgn Ext. W.B.  
27=2-Door Convertible

AR = Use as Required - = Non Illustrated Part P.A.R. = Paint as Required

FLOOR PAN REAR P BODY 24,27,44  
Figure 23A-600

93169 600

ITEM	PART NUMBER	QTY	BODY	MODEL	DESCRIPTION
1	4548 244	1			PAN, Rear Floor
2	2424 864	3			PLUG, 1.75" Dia./44.5 mm
3	6030 773	1			PLUG, 2.25" Dia./57 mm
4	4337 550	1			SUPPORT, Rear Floor Pan Spare Tire
5	4206 922	1			BRACKET, Rear Floor Pan Spare Tire Anchor Bolt
6	4674 155	1			PANEL, Rear Seat To Floor Pan Filler
7		7			SCREW, 8-18 x .500" Not Serviced
8		3			TAPE, Floor Pan Filler Anti-Squeak Not Serviced
9	4512 495	2			PLUG, 1.50" Dia./38 mm
10	4512 494	1			PLUG
11	5253 492	1		27	REINFORCEMENT ASSEMBLY, Rear Floor Pan



**MODEL CODES:**

A BODY=(C=LeBaron, D=Spirit, P=Acclaim/LaBaron(Landau),  
Saratoga)  
C BODY=(D=Dynasty, C=New Yorker/N.Y. Salon)  
G BODY=(V=Daytona/IROC, Chrysler Daytona)  
J BODY=(C=LeBaron, Chrysler LeBaron)  
P BODY=(P=Sundance, D=Shadow)

S BODY=(H=Voyager(H) FWD, K=Caravan(H) FWD,  
Y=Town & Country(H) FWD, P=Voyager(K) AWD,  
D=Caravan(K) AWD, C=Town & Country(K) AWD)  
Y BODY=(C=Imperial/5th Avenue)  
E-S BODY=(K=Chrysler Voyager(H) FWD, D=Chrysler  
Voyager(K) AWD)

**BODY STYLES:**

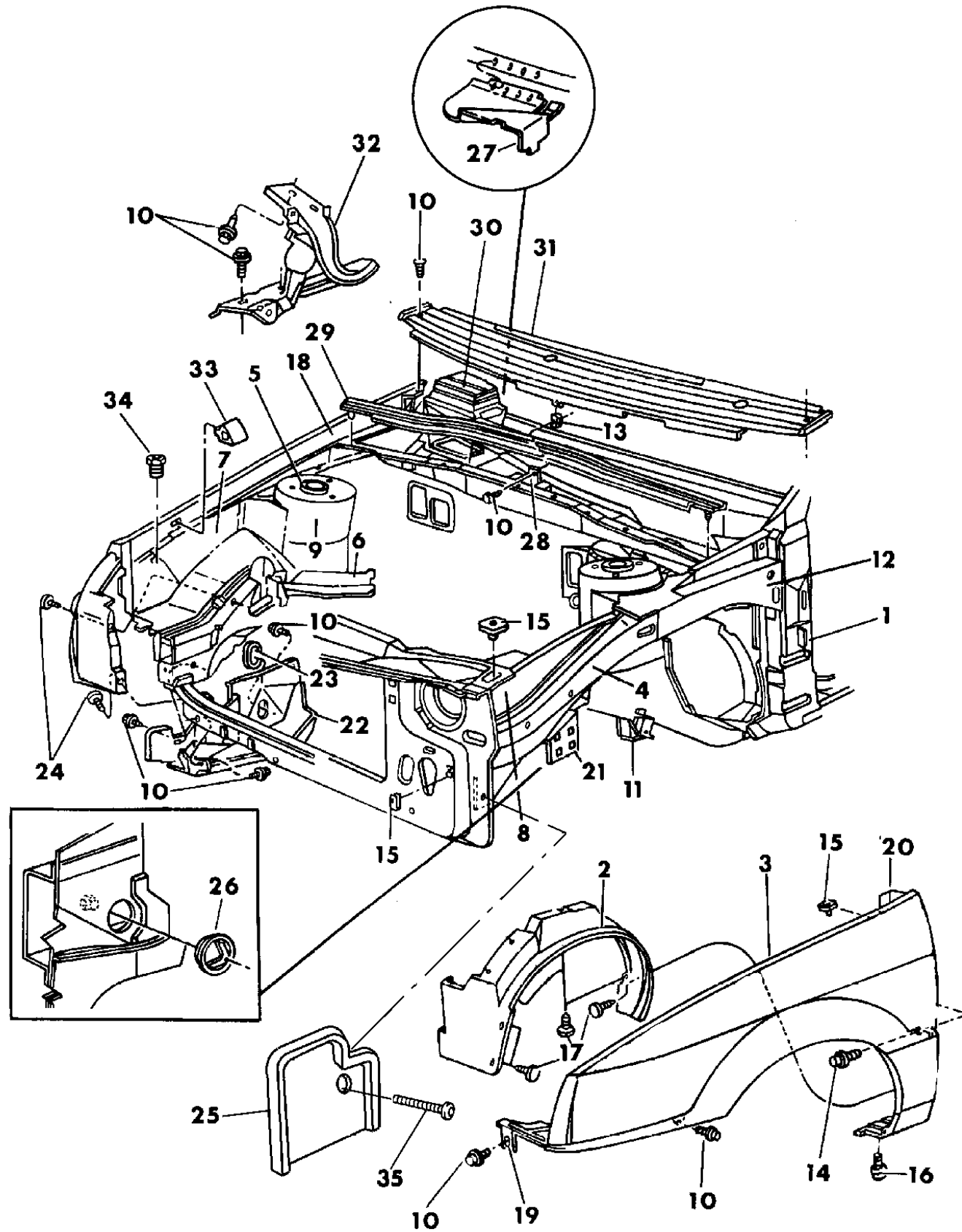
21=2-Door Coupe      41=4-Door Sedan      12-52=FWD & AWD Van & Wgn Std W.B.  
24=2-Door Hatchback      44=4-Door Hatchback      53=FWD & AWD Van & Wgn Ext. W.B.  
27=2-Door Convertible

AR = Use as Required - = Non Illustrated Part P.A.R. = Paint as Required



FENDER AND SHIELD P BODY 24,27,44  
Figure 23A-700

93169 700A



ITEM	PART NUMBER	QTY	BODY	MODEL	DESCRIPTION
1	4512 139	2			SUPPORT, Front Hinge Pillar To Fender
2	4637 580	1			SHIELD, Fender Wheelhouse Splash
	5255 245				Right (Package Included Item # 22)
					Left
3	4504 952-3	1			FENDER
4	4440 068-9	1			BEAM, Front Fender Shield To Front Hinge Pillar Load
5	4741 222-3	1			TOWER, Front Suspension Iso-Strut
6	4534 256-7	1			EXTENSION, Iso-Strut Tower To Dash Panel
7		1			PANEL, Front Fender Shield
	5253 860				Right
	5253 865				Left
8	4512 495	1			PLUG, Front Fender Side Shield Lt.
9	4386 178	2			PLUG, Front Suspension Iso-Strut Tower Sealer
10	6100 568	AR			SCREW
11		1			REINFORCEMENT, Fender Shield Panel Battery Tray (Serviced In Item #7)
12	4534 088-9	1			EXTENSION, Front Fender Shield Load Beam Rear
13		AR			J-NUT, Not Serviced
14		2			SCREW and WASHER, Not Serviced
15	1150 3714	AR			U-NUT
16		4			SCREW and WASHER, Not Serviced
17	6030 441	AR			RETAINER
18	4222 739	1			PLUG, Fender Antenna Hole
19		1			REINFORCEMENT, Front Fender Panel (Serviced In Assy.)
20		1			SUPPORT, Cowl Plenum Grill Not Serviced
21	4341 786-7	1			SUPPORT, Fender Side Shield To Fender Bumper Fascia
22	4637 580	1			SHIELD, Acc. Pulley Splash Rt. (Package Included Item # 2 Rt.)
23	2811 825	1			PLUG, Acc. Pulley Rt.
24	6030 441	24			RETAINER
25	4655 121	1			COVER, Front Side Rail Access (Left)
26	4512 495	1			PLUG, Front Fender Panel
27	4462 276	1			SHIELD, Air Intake (Right)
28	4371 623	1			SUPPORT, Cowl Plenum to Cowl
29	4658 167	1			SEAL, Dash Panel To Hood
30	5256 369	1			SCREEN, Cowl Plenum A/C Intlet
31	4416 118	1			PANEL, Plenum Grille
32	4440 824-5	1			HINGE, Hood
33	4296 227	2			BUMPER, Fender Hood Side
34	4103 165	2			BUMPER, Crossmember To Hood Adj.

MODEL CODES:

A BODY=(C=LeBaron, D=Spirit, P=Acclaim/LaBaron(Landau), Saratoga)

C BODY=(D=Dynasty, C=New Yorker/N.Y. Salon)

G BODY=(V=Daytona/IROC, Chrysler Daytona)

J BODY=(C=LeBaron, Chrysler LeBaron)

P BODY=(P=Sundance, D=Shadow)

S BODY=(H=Voyager(H) FWD, K=Caravan(H) FWD,

Y=Town & Country(H) FWD, P=Voyager(K) AWD,

D=Caravan(K) AWD, C=Town & Country(K) AWD)

Y BODY=(C=Imperial/5th Avenue)

E-S BODY=(K=Chrysler Voyager(H) FWD, D=Chrysler

Voyager(K) AWD)

BODY STYLES:

21=2-Door Coupe 41=4-Door Sedan 12-52=FWD & AWD Van & Wgn Std W.B.

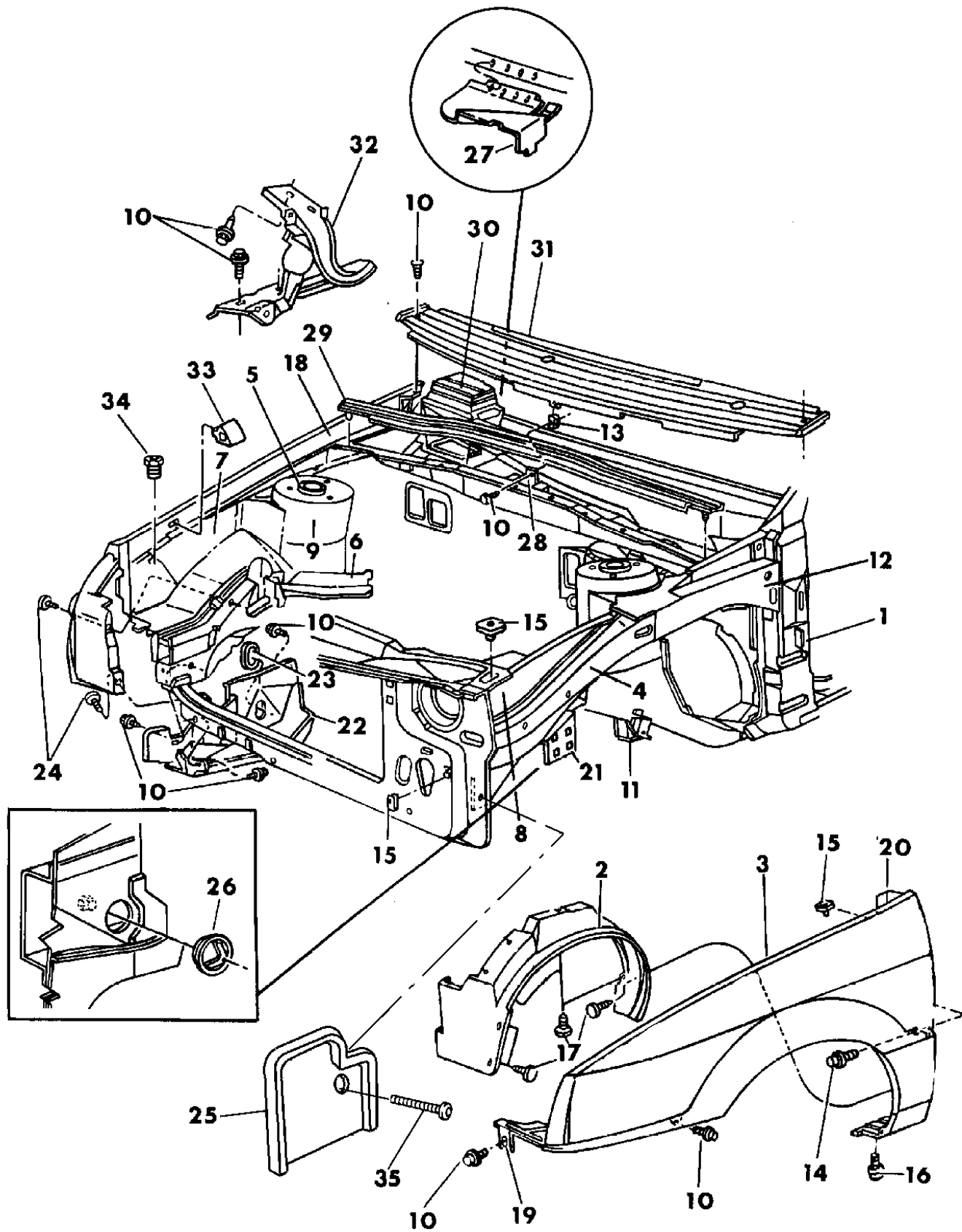
24=2-Door Hatchback 44=4-Door Hatchback 53=FWD & AWD Van & Wgn Ext. W.B.

27=2-Door Convertible

AR = Use as Required - = Non Illustrated Part P.A.R. = Paint as Required

FENDER AND SHIELD P BODY 24,27,44  
Figure 23A-700

93169 700A



ITEM	PART NUMBER	QTY	BODY	MODEL	DESCRIPTION
35	6031 012	AR			SCREW

MODEL CODES:

A BODY=(C=LeBaron, D=Spirit, P=Acclaim/LaBaron(Landau),  
Saratoga) S BODY=(H=Voyager(H) FWD, K=Caravan(H) FWD,  
Y=Town & Country(H) FWD, P=Voyager(K) AWD,  
D=Caravan(K) AWD, C=Town & Country(K) AWD)  
C BODY=(D=Dynasty, C=New Yorker/N.Y. Salon)  
G BODY=(V=Daytona/IROC, Chrysler Daytona)  
J BODY=(C=LeBaron, Chrysler LeBaron)  
P BODY=(P=Sundance, D=Shadow) Y BODY=(C=Imperial/5th Avenue)  
E-S BODY=(K=Chrysler Voyager(H) FWD, D=Chrysler  
Voyager(K) AWD)

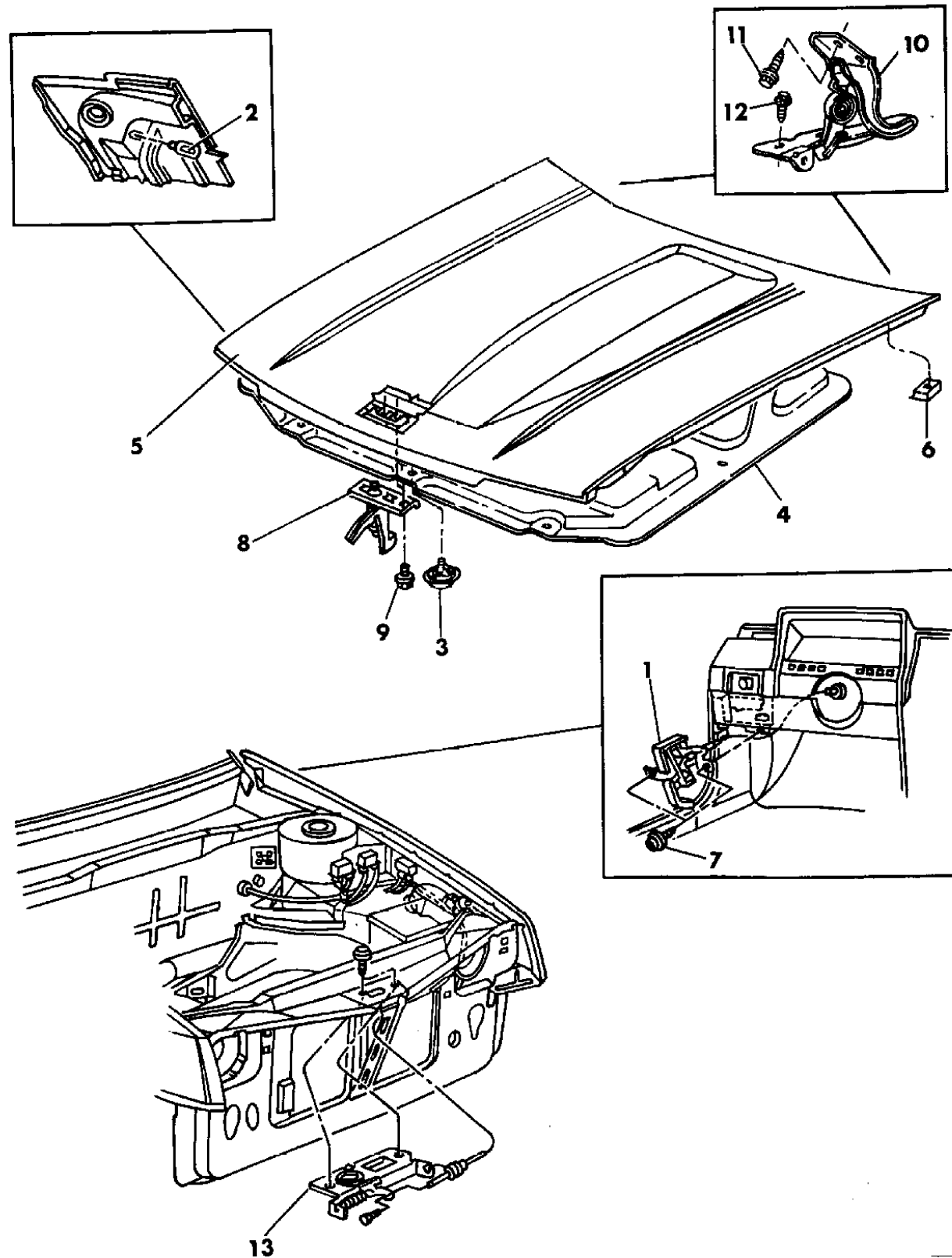
BODY STYLES:

21=2-Door Coupe 41=4-Door Sedan 12-52=FWD & AWD Van & Wgn Std W.B.  
24=2-Door Hatchback 44=4-Door Hatchback 53=FWD & AWD Van & Wgn Ext. W.B.  
27=2-Door Convertible

AR = Use as Required - = Non Illustrated Part P.A.R. = Paint as Required

**HOOD AND HOOD RELEASE P BODY 24,27,44**  
**Figure 23A-800**

93169 800



ITEM	PART NUMBER	QTY	BODY	MODEL	DESCRIPTION
1	4534 670	1			HANDLE, Hood Latch Release w/Cable
2	2895 126	4			PLUG, Hood Inner Panel Sealing
3	4341 060	16			FASTENER, Hood Panel Silencer
4	4655 408	1			SILENCER MATERIAL, Hood Panel Cut To Fit
	4655 705				4 Cyl.
	4655 705				6 Cyl.
5	4655 571				HOOD
	4534 366			DP-HL	w/3.0L Engine (w/Bulge in Hood)
	4534 367			DP-S	w/2.2L & 2.5L Eng.
6	4615 980	2			SEAL, Hood To Fender Ledge
7		4			SCREW, Not Serviced
8	5257 227	1			STRIKER, Safety Catch Hood
9	6501 501	2			SCREW and WASHER
10	4440 824-5	1			HINGE, Hood
11		4			SCREW and WASHER, Not Serviced
12		4			SCREW and WASHER, Not Serviced
13	4615 955	1			LATCH, Hood w/Locator Plate
-	4490 702	1			LABEL, Airbag

**MODEL CODES:**

A BODY=(C=LeBaron, D=Spirit, P=Acclaim/LaBaron(Landau), Saratoga)      S BODY=(H=Voyager(H) FWD, K=Caravan(H) FWD, Y=Town & Country(H) FWD, P=Voyager(K) AWD, D=Caravan(K) AWD, C=Town & Country(K) AWD)

C BODY=(D=Dynasty, C=New Yorker/N.Y. Salon)

G BODY=(V=Daytona/IROC, Chrysler Daytona)

J BODY=(C=LeBaron, Chrysler LeBaron)

P BODY=(P=Sundance, D=Shadow)

Y BODY=(C=Imperial/5th Avenue)

E-S BODY=(K=Chrysler Voyager(H) FWD, D=Chrysler Voyager(K) AWD)

**BODY STYLES:**

21=2-Door Coupe      41=4-Door Sedan      12-52=FWD & AWD Van & Wgn Std W.B.

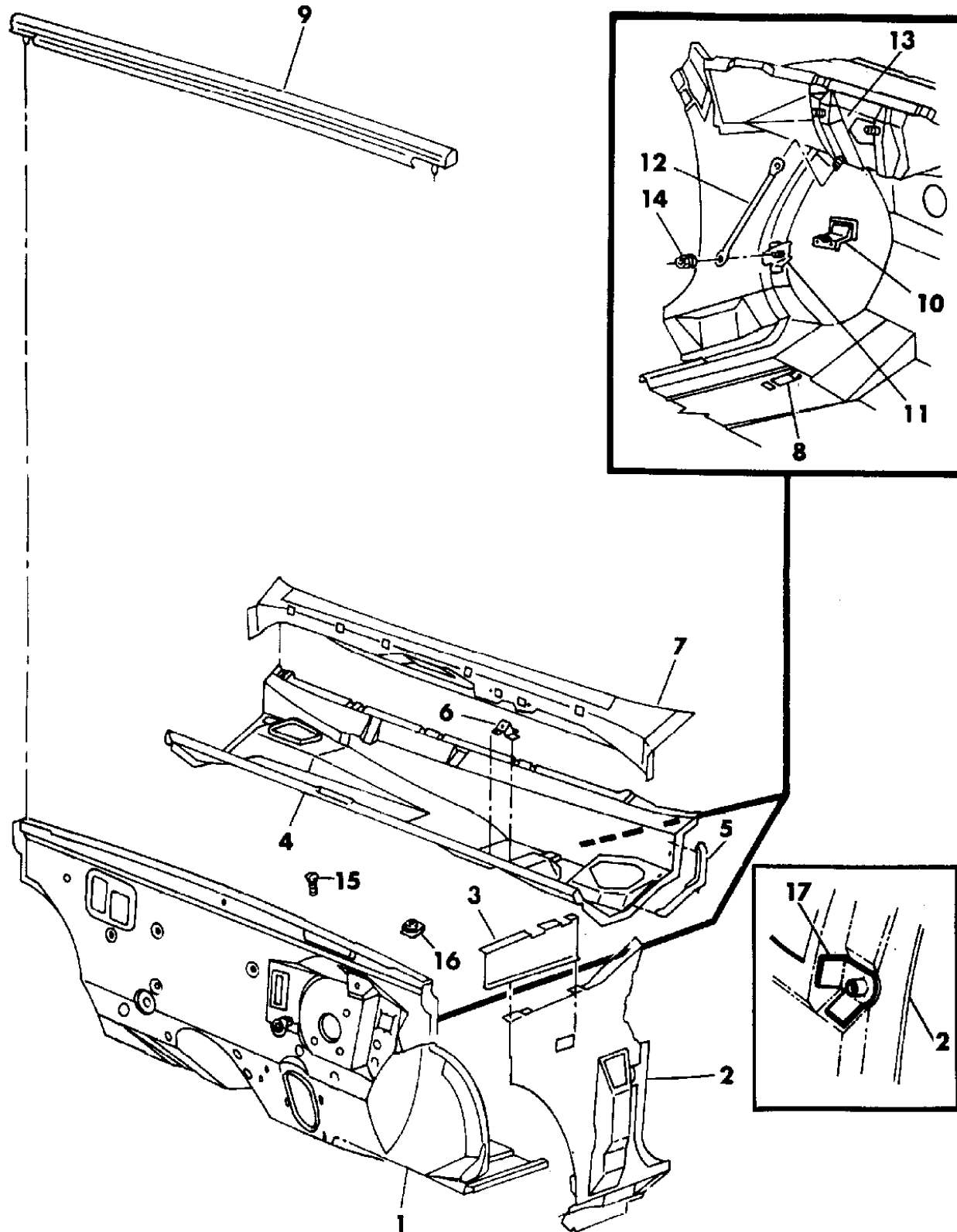
24=2-Door Hatchback      44=4-Door Hatchback      53=FWD & AWD Van & Wgn Ext. W.B.

27=2-Door Convertible

AR = Use as Required - = Non Illustrated Part P.A.R. = Paint as Required

**COWL AND DASH PANEL P BODY 24,27,44**  
**Figure 23A-900**

93169 900



ITEM	PART NUMBER	QTY	BODY	MODEL	DESCRIPTION
1	5253 812	1			PANEL, Dash
2	4475 942-3	1			PANEL, Cowl Side
3		1			SILENCER, Cowl Plenum Not Serviced
4	4475 364	1			REINFORCEMENT, Cowl Side Panel Hood Hinge (Serviced in Assembly)
5		1			PANEL, Cowl Plenum
6	4337 931	1			SEAL, w/Retainer Cowl Plenum To Cowl Side Left
7	4337 930	1			SEAL, w/Retainer Cowl Plenum To Cowl Side Right
8	4416 229	1			BRACKET, Cowl Plenum Panel Wiper Motor
9		1		24,44	REINFORCEMENT, Cowl Plenum Panel
10	5253 734			27	
11	5253 170				
12	5200 384	1			SEAL, Parking Brake Cable
13	4658 167	1			SEAL, Dash Panel To Hood
14	4371 655	1			BRACKET, Floor Panel Footrest Upper
15	4206 641	1			BRACKET, Dash To Plenum Panel Brace Lt.
16	4371 203	1			BRACE, Dash To Plenum Panel Lt.
17	4371 203	1			SUPPORT, Cowl Plenum Steering Column Bracket Serviced In Assy.
18	6500 532	2			NUT and WASHER
19	3759 944	6			RETAINER, Plenum To Cowl Side Seal
20	4371 786	AR			RETAINER, To Dash Panel Hood Side
21		1			REINFORCEMENT, Cowl Side (Serviced In Item #2)

**MODEL CODES:**

A BODY=(C=LeBaron, D=Spirit, P=Acclaim/LaBaron(Landau), Saratoga)      S BODY=(H=Voyager(H) FWD, K=Caravan(H) FWD, Y=Town & Country(H) FWD, P=Voyager(K) AWD, D=Caravan(K) AWD, C=Town & Country(K) AWD)  
 C BODY=(D=Dynasty, C=New Yorker/N.Y. Salon)      Y BODY=(C=Imperial/5th Avenue)  
 G BODY=(V=Daytona/IROC, Chrysler Daytona)      E-S BODY=(K=Chrysler Voyager(H) FWD, D=Chrysler Voyager(K) AWD)  
 J BODY=(C=LeBaron, Chrysler LeBaron)  
 P BODY=(P=Sundance, D=Shadow)

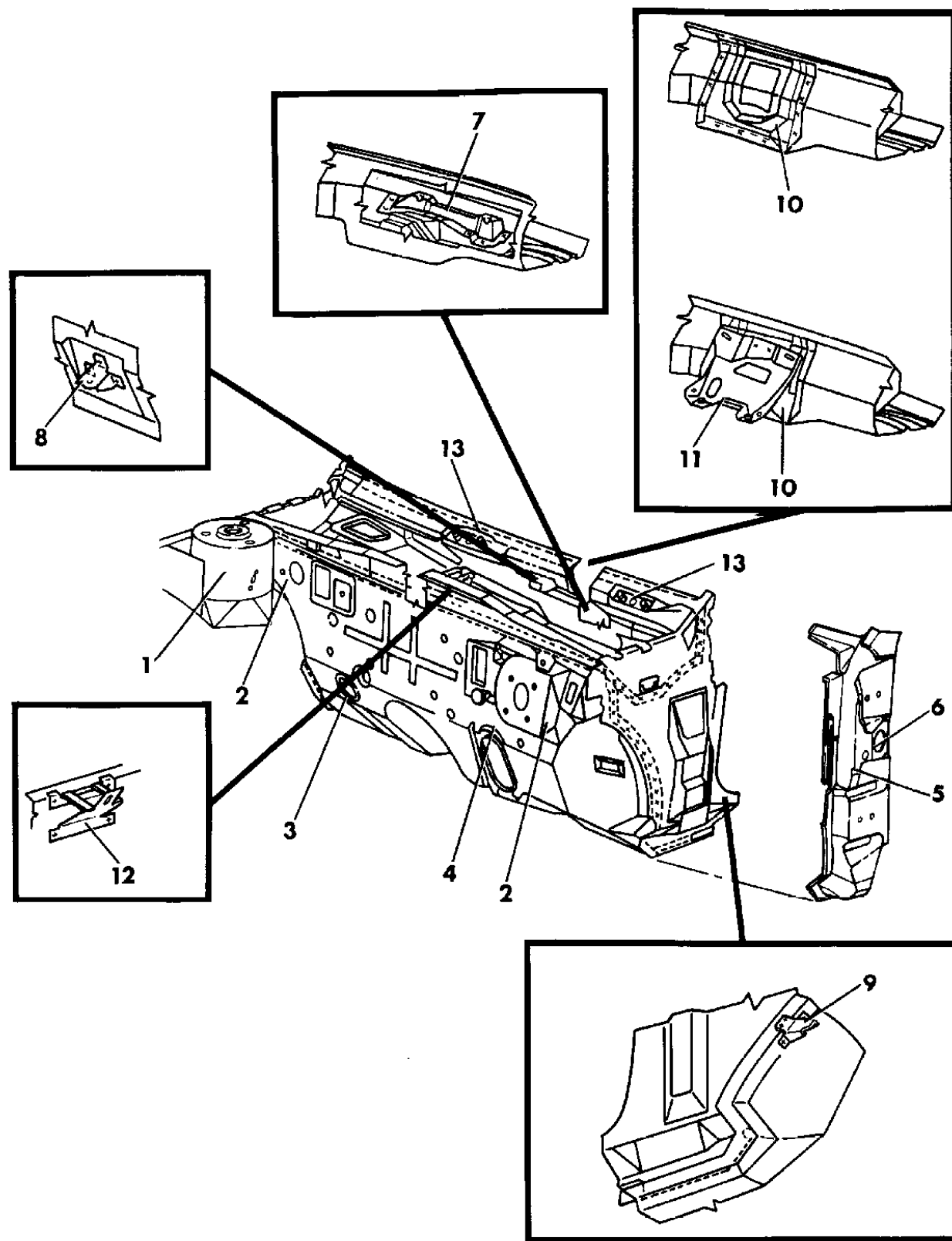
**BODY STYLES:**

21=2-Door Coupe      41=4-Door Sedan      12-52=FWD & AWD Van & Wgn Std W.B.  
 24=2-Door Hatchback      44=4-Door Hatchback      53=FWD & AWD Van & Wgn Ext. W.B.  
 27=2-Door Convertible

AR = Use as Required - = Non Illustrated Part P.A.R. = Paint as Required

**BRACKET AND PLUGS COWL P BODY 24,27,44**  
**Figure 23A-1000**

93169 1000



ITEM	PART NUMBER	QTY	BODY	MODEL	DESCRIPTION
1	4386 178	1			PLUG
2	2483 571	2			PLUG, 2.50" Dig./63 mm
3	4512 494	1			PLUG
4	3445 939	1			PLUG
5	2860 332	1			PLUG, 0.75" Dig.
6		2			PLUG (Not Serviced) ***
7	4416 229	1			BRACKET, Cowl Plenum w/Wiper Motor
8	5256 065	1			BRACKET, Cowl Plenum Reinf. w/Wiper Motor
9	4206 641	2			BRACKET, Dash Panel To Plenum Brace Lt.
10	4337 643	1			SUPPORT, Cowl Plenum Strg. Col. Bracket
11	4294 429	1			SUPPORT, Brake Pedal To Plenum
12	4371 623	1			SUPPORT, Cowl Plenum Grille
13	4371 464	1			PLATE, Weld Stud Cowl Plenum Panel Reinf. w/Wiper Pivot

**MODEL CODES:**

A BODY=(C=LeBaron, D=Spirit, P=Acclaim/LaBaron(Landau), Saratoga)      S BODY=(H=Voyager(H) FWD, K=Caravan(H) FWD, Y=Town & Country(H) FWD, P=Voyager(K) AWD, D=Caravan(K) AWD, C=Town & Country(K) AWD)  
 C BODY=(D=Dynasty, C=New Yorker/N.Y. Salon)  
 G BODY=(V=Daytona/IROC, Chrysler Daytona)  
 J BODY=(C=LeBaron, Chrysler LeBaron)  
 P BODY=(P=Sundance, D=Shadow)      Y BODY=(C=Imperial/5th Avenue)  
 E-S BODY=(K=Chrysler Voyager(H) FWD, D=Chrysler Voyager(K) AWD)

**BODY STYLES:**

21=2-Door Coupe      41=4-Door Sedan      12-52=FWD & AWD Van & Wgn Std W.B.  
 24=2-Door Hatchback      44=4-Door Hatchback      53=FWD & AWD Van & Wgn Ext. W.B.  
 27=2-Door Convertible

AR = Use as Required - = Non Illustrated Part P.A.R. = Paint as Required

**GLASS WINDSHIELD AND MIRROR P BODY 24,27,44**  
**Figure 23A-1100**

93169 1100

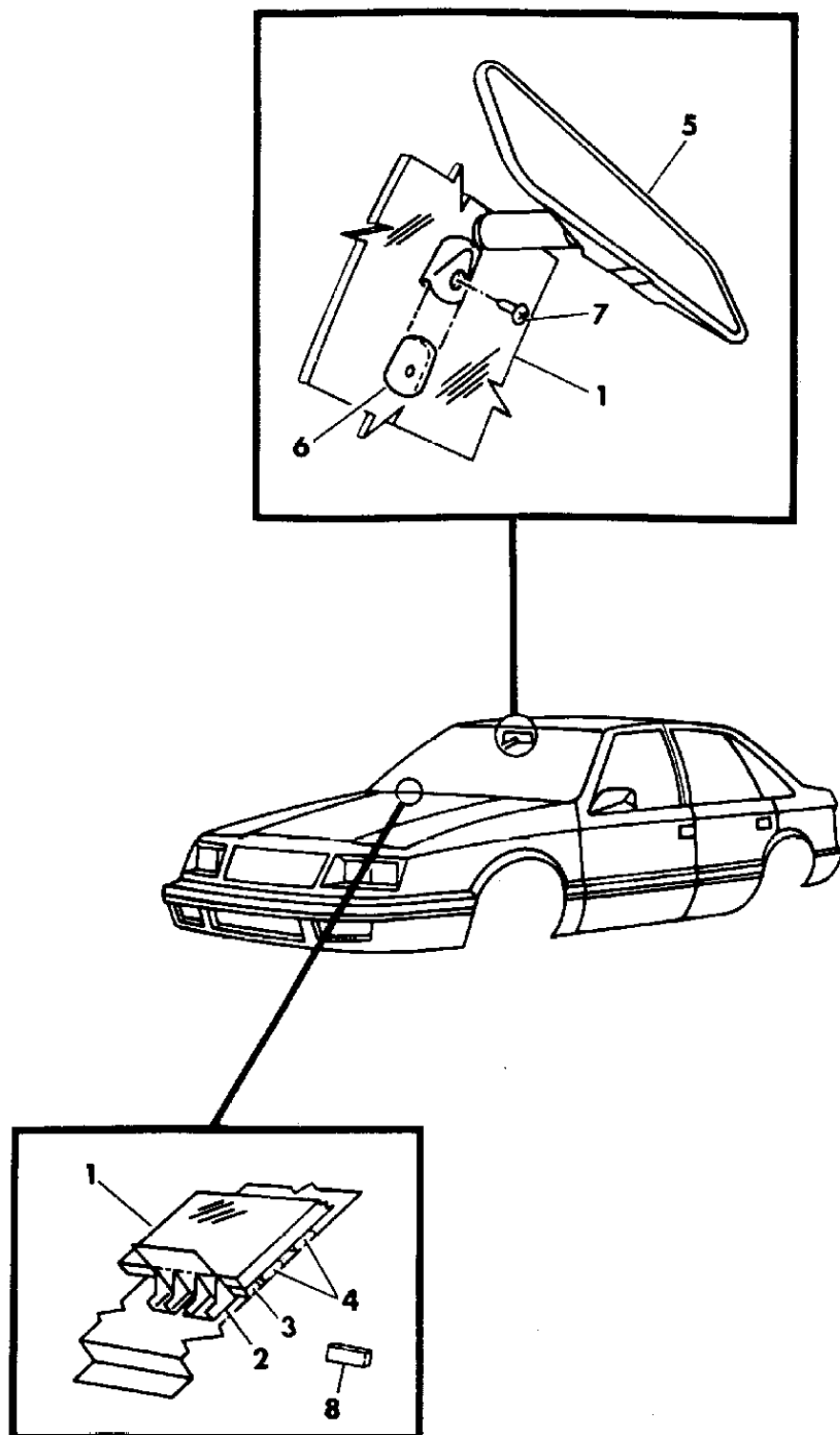
ITEM	PART NUMBER	QTY	BODY	MODEL	DESCRIPTION
------	-------------	-----	------	-------	-------------

NOTE: GLASS, WINDSHIELD - ORDER FROM YOUR LOCAL "MOPAR" GLASS DISTRIBUTOR applications specified in this document.

1	4475 006	1			GLASS, Windshield Tinted
	4475 001	1			GLASS, Windshield Clear
2	5255 110	2			SPACER, Windshield Glass Lower
3		AR			SPACER, Windshield Glass Support Not Serviced
4		1			POLYURETHANE, Windshield (Serviced In Package 4267906)
5	4299 321	1			MIRROR, Rear View
6	4054 098	1			BUTTON, Inside Rear View Mounting
	4293 039	1			ADHESIVE PACKAGE, Includes Adhesive & Instructions
7	6031 094	1			SCREW
8	3767 767	AR			SHIM, Windshield .07

NOTE: The following items are not shown on illustration. applications specified in this document.

PKG A	4267 906	1			REPAIR PACKAGE, Windshield & Rear Window
Consists of:					
					1- ----- Polyurethane, 11.5oz.
					1- ----- Fence Primer, 1oz.
					1- ----- Glass Wiper-Off Primer, 1 oz.
					1- ----- Glass Wiper-Out Primer, 1 oz.
					1- ----- Dabbers
					1- ----- Nozzle



**MODEL CODES:**

A BODY=(C=LeBaron, D=Spirit, P=Acclaim/LaBaron(Landau), Saratoga) S BODY=(H=Voyager(H) FWD, K=Caravan(H) FWD, Y=Town & Country(H) FWD, P=Voyager(K) AWD, D=Caravan(K) AWD, C=Town & Country(K) AWD)  
 C BODY=(D=Dynasty, C=New Yorker/N.Y. Salon)  
 G BODY=(V=Daytona/IROC, Chrysler Daytona)  
 J BODY=(C=LeBaron, Chrysler LeBaron)  
 P BODY=(P=Sundance, D=Shadow) Y BODY=(C=Imperial/5th Avenue)  
 E-S BODY=(K=Chrysler Voyager(H) FWD, D=Chrysler Voyager(K) AWD)

**BODY STYLES:**

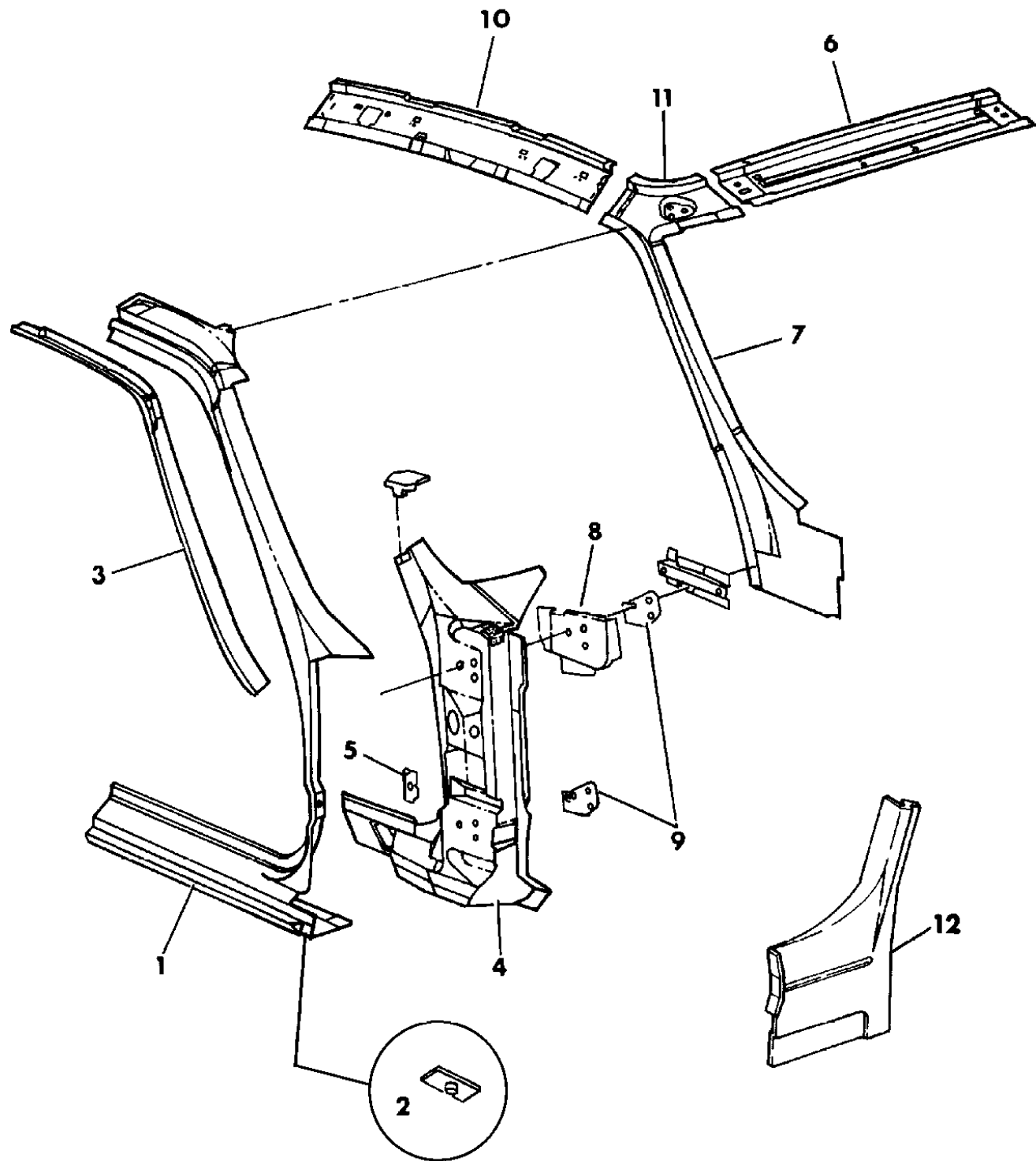
21=2-Door Coupe 41=4-Door Sedan 12-52=FWD & AWD Van & Wgn Std W.B.  
 24=2-Door Hatchback 44=4-Door Hatchback 53=FWD & AWD Van & Wgn Ext. W.B.  
 27=2-Door Convertible

AR = Use as Required - = Non Illustrated Part P.A.R. = Paint as Required

BODY FRONT PILLAR P BODY 24,27,44

Figure 23A-1200

93169 1200A



ITEM	PART NUMBER	QTY	BODY	MODEL	DESCRIPTION
1	5255 334-5	1		24,44,27	PANEL, Body Side Aperture Front (Model 27 Modify to Fit)
2	4314 277	2			PLATE, Body Side Aperture Jack Locator
3	4296 518-9	1	44		TROUGH, Roof Side Drain
	4341 140-1	1	24		
4	4475 038-9	1			PILLAR, Body Front Hinge
5	4512 139	2			SUPPORT, Front Hinge Pillar To Fender
6	4416 339	1			FRAME, Windshield Opening Upper
7	4512 384-5	1			FRAME, Windshield Opening Side Outer
8	4475 028	1			REINFORCEMENT, Body Front Hinge Pillar Upper Rt.
	4416 687	1			REINFORCEMENT, Body Front Hinge Pillar Upper Lt.
9	4314 558-9	2			PLATE, Body Front Hinge Pillar Hinge
10	5255 092-3	1	44		RAIL, Roof Side Inner
	5255 326-7	1	24		
11	4416 700-1	1			FRAME, Windshield Opening Side Inner
12	4548 396-7	1	27		BRACE, "A" Pillar to Belt

MODEL CODES:

A BODY=(C=LeBaron, D=Spirit, P=Acclaim/LaBaron(Landau), Saratoga) S BODY=(H=Voyager(H) FWD, K=Caravan(H) FWD, Y=Town & Country(H) FWD, P=Voyager(K) AWD, D=Caravan(K) AWD, C=Town & Country(K) AWD)  
 C BODY=(D=Dynasty, C=New Yorker/N.Y. Salon) Y BODY=(C=Imperial/5th Avenue)  
 G BODY=(V=Daytona/IROC, Chrysler Daytona) E-S BODY=(K=Chrysler Voyager(H) FWD, D=Chrysler Voyager(K) AWD)  
 J BODY=(C=LeBaron, Chrysler LeBaron)  
 P BODY=(P=Sundance, D=Shadow)

BODY STYLES:

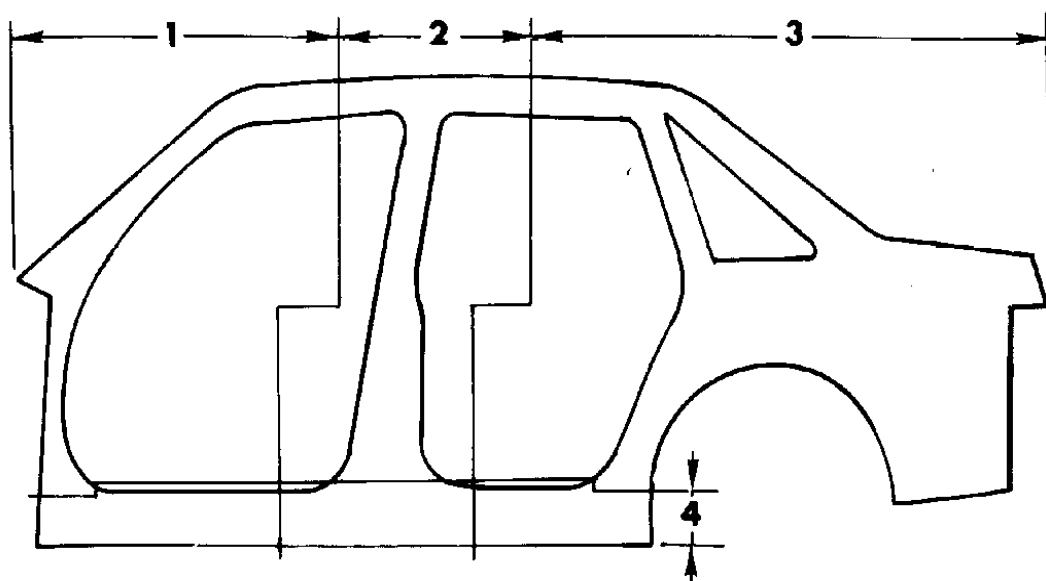
21=2-Door Coupe 41=4-Door Sedan 12-52=FWD & AWD Van & Wgn Std W.B.  
 24=2-Door Hatchback 44=4-Door Hatchback 53=FWD & AWD Van & Wgn Ext. W.B.  
 27=2-Door Convertible

AR = Use as Required - = Non Illustrated Part P.A.R. = Paint as Required

APERATURE PANEL P BODY 24,44  
Figure 23A-1300

93169 1300

ITEM	PART NUMBER	QTY	BODY	MODEL	DESCRIPTION
1	5255 334-5	1		24,44	PANEL, Body Side Aperture Front
2	4371 678-9	1		44	PANEL, Body Side Aperture Center
3	4548 108-9	1		44	PANEL, Body Side Aperture Rear
	4548 106-7	1		24	
4	4371 686-7	1		44	PANEL, Body Side Aperture Sill Outer
	4371 684-5	1		24	



**MODEL CODES:**

A BODY=(C=LeBaron, D=Spirit, P=Acclaim/LaBaron(Landau), Saratoga) S BODY=(H=Voyager(H) FWD, K=Caravan(H) FWD, Y=Town & Country(H) FWD, P=Voyager(K) AWD, D=Caravan(K) AWD, C=Town & Country(K) AWD)  
 C BODY=(D=Dynasty, C=New Yorker/N.Y. Salon) Y BODY=(C=Imperial/5th Avenue)  
 G BODY=(V=Daytona/IROC, Chrysler Daytona) E-S BODY=(K=Chrysler Voyager(H) FWD, D=Chrysler Voyager(K) AWD)  
 J BODY=(C=LeBaron, Chrysler LeBaron)  
 P BODY=(P=Sundance, D=Shadow)

**BODY STYLES:**

21=2-Door Coupe      41=4-Door Sedan      12-52=FWD & AWD Van & Wgn Std W.B.  
 24=2-Door Hatchback      44=4-Door Hatchback      53=FWD & AWD Van & Wgn Ext. W.B.  
 27=2-Door Convertible

AR = Use as Required - = Non Illustrated Part P.A.R. = Paint as Required



QUARTER PANEL P BODY 24,27,44  
Figure 23A-1400

93169 1400A

ITEM	PART NUMBER	QTY	BODY	MODEL	DESCRIPTION
1		1			PANEL, Body Side Aperture Rear
	4548 108-9			44	
	4548 106-7			24,27	(Model 27 Modify to Fit) ***
2	4371 678-9	1		44	PANEL, Body Side Aperture Center
3	4548 096-7	1		44	PILLAR, Body Center Outer
4	4296 518-9	1		44	TROUGH, Roof Side Drain
	4341 140-1	1		24,27	
5	4337 978-9	2		44	REINFORCEMENT, Body Side Seat Belt Anchor Upper
6	4371 370-1	2		44	REINFORCEMENT, Body Side Aperture Seat Belt Anchor Lower
7	4337 048	2		44	T-PLATE, Rear Door Upper Hinge
8	4416 542	2		24,27,44	T-PLATE, Rear Door Lower Hinge
9	4134 972	2		24,27,44	RETAINER, Body Center Outer Pillar Door Latch Striker T-Plate
10	4314 743	2		24,27,44	T-PLATE, Front Door Latch Striker
11	5255 286-7	1		44	REINFORCEMENT, w/Retainer Body Side Aperture Rear Door Latch Striker (Includes Item #12)
	4371 088-9	1		24,27	REINFORCEMENT, Body Side Aperture Door Latch Striker (Includes Item #12)
12		2			RETAINER, Body Side Aperture Rear Door Latch Striker T-Plate (Serviced In Item #11)
13	4314 743	2		24,27,44	T-PLATE, Door Latch Striker
14	4314 277	2		24,27,44	PLATE, Body Side Aperture Jack Locator
15		1			PANEL, Quarter Inner and Wheelhouse Outer
	5255 090-1			44	
	5255 322-3			24,27	
16	4296 726-7	1		24,27,44	SUPPORT, Quarter Inner Panel Sill Jacking
17		2		24,27,44	PLUG, 1.50" Dia./38 mm (Not Serviced)
18	5255 092-3	1		44	RAIL, Roof Side Inner
	5255 326-7	1		24	
19	4134 686-7	1		24,44	REINFORCEMENT, Wheelhouse Inner Panel
20	4534 586-7	1		24,44	PANEL, Rear Wheelhouse Inner
21	4490 798-9	1		24,44	GUSSET, Rear Wheelhouse Inner To Rear Seat Back Pivot Lower
22	4341 636-7	1		24,44	GUSSET, Rear Wheelhouse Inner To Rear Seat Back Pivot Upper
23	2480 957	2		24,44	PLUG, 1.00" Dia./25.4 mm
	6025 871	2		44	Plug Center Pillar Switch Hole ***
	4337 950	4			Plug Front and Rear Door Ajar Switch ***
24	4534 084-5	1		24,44	BRACKET, Rear Seat Back Striker & Radio Speaker Mtg.
25	4314 962-3	1		24,44	SUPPORT, Quarter Inner w/House Quarter Panel

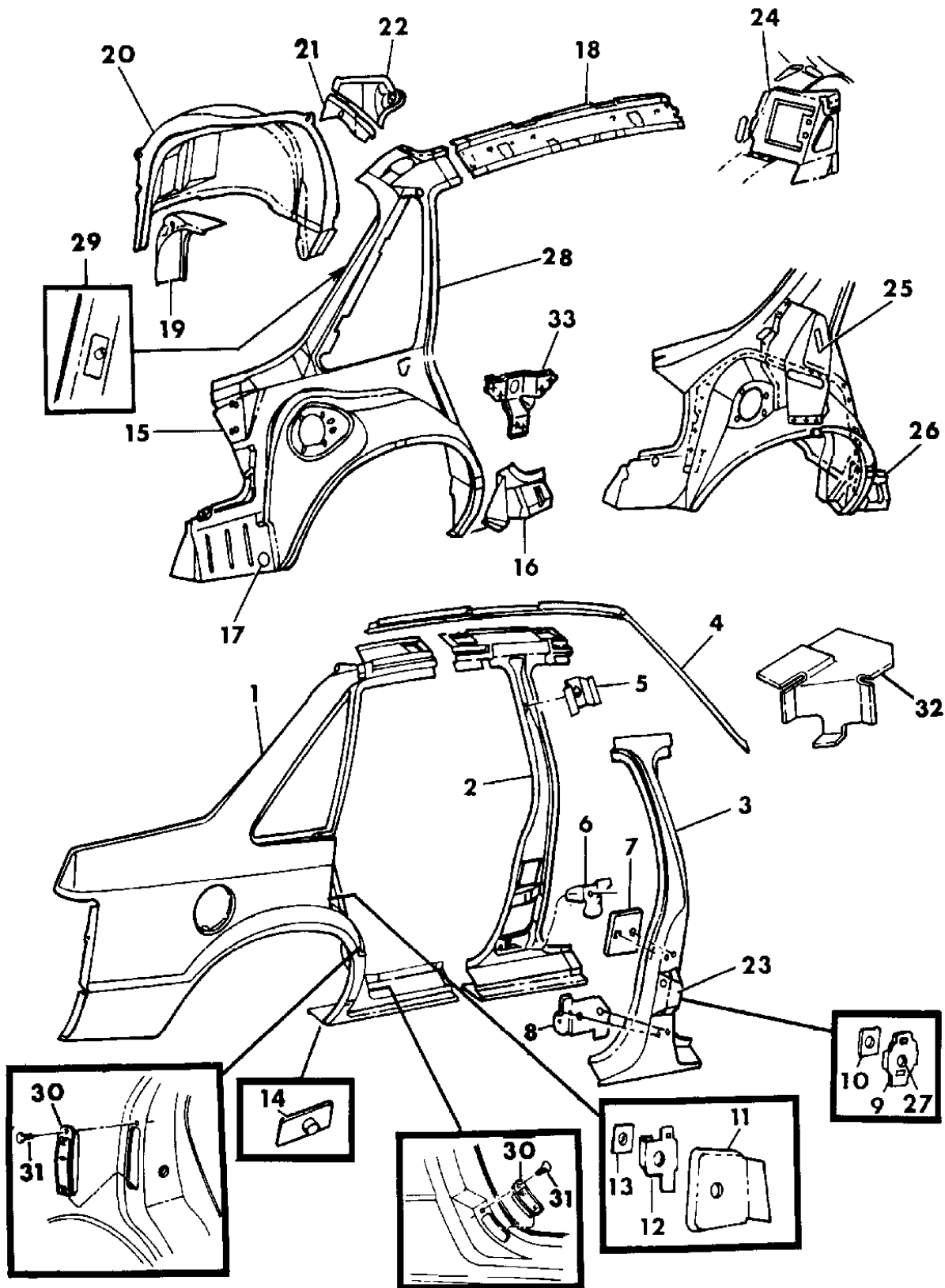
MODEL CODES:

A BODY=(C=LeBaron, D=Spirit, P=Acclaim/LaBaron(Landau), Saratoga) S BODY=(H=Voyager(H) FWD, K=Caravan(H) FWD, Y=Town & Country(H) FWD, P=Voyager(K) AWD, D=Caravan(K) AWD, C=Town & Country(K) AWD)  
 C BODY=(D=Dynasty, C=New Yorker/N.Y. Salon) Y BODY=(C=Imperial/5th Avenue)  
 G BODY=(V=Daytona/IROC, Chrysler Daytona) E-S BODY=(K=Chrysler Voyager(H) FWD, D=Chrysler Voyager(K) AWD)  
 J BODY=(C=LeBaron, Chrysler LeBaron)  
 P BODY=(P=Sundance, D=Shadow)

BODY STYLES:

21=2-Door Coupe 41=4-Door Sedan 12-52=FWD & AWD Van & Wgn Std W.B.  
 24=2-Door Hatchback 44=4-Door Hatchback 53=FWD & AWD Van & Wgn Ext. W.B.  
 27=2-Door Convertible

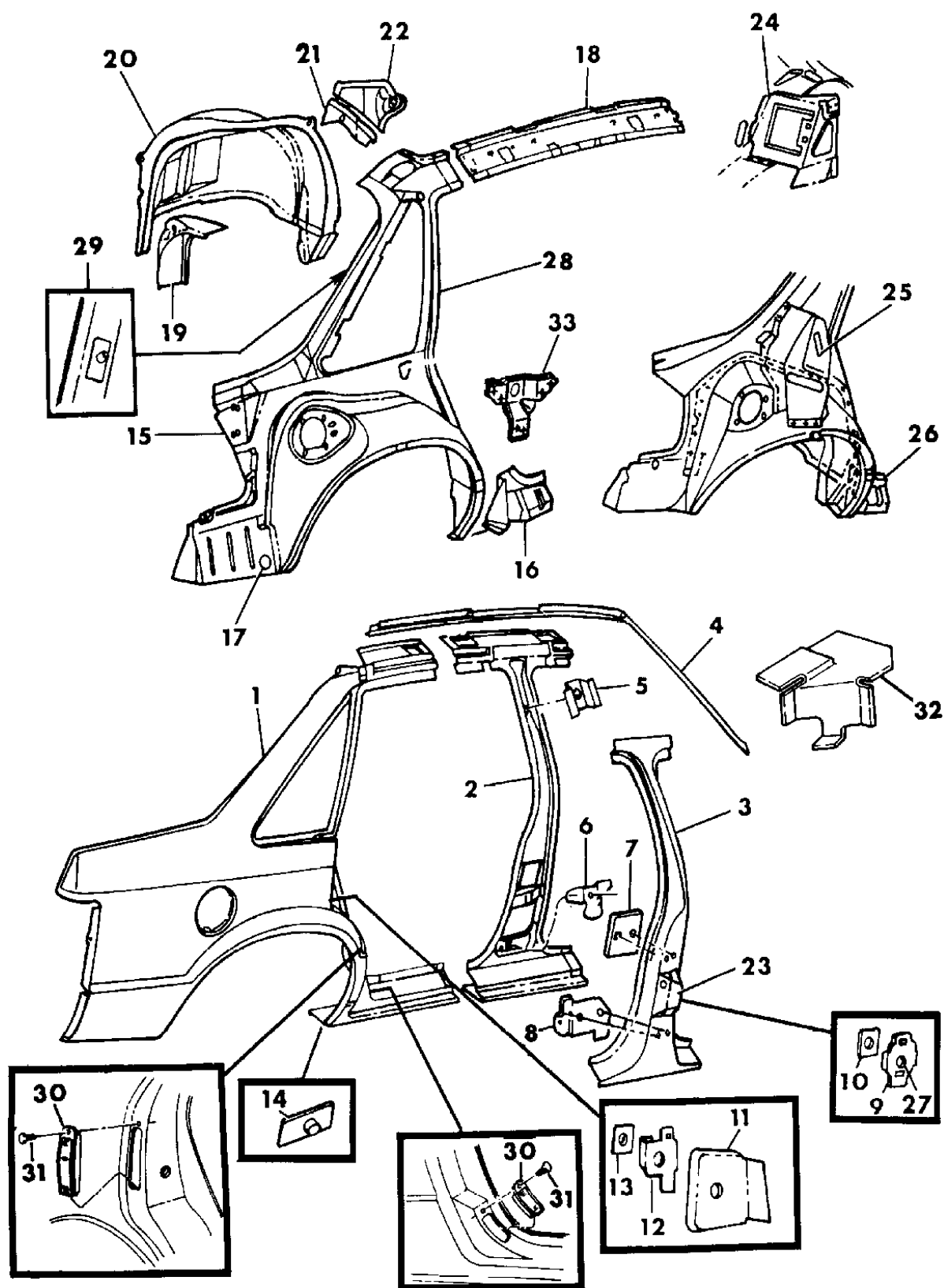
AR = Use as Required - = Non Illustrated Part P.A.R. = Paint as Required



QUARTER PANEL P BODY 24,27,44  
Figure 23A-1400

93169 1400A

ITEM	PART NUMBER	QTY	BODY	MODEL	DESCRIPTION
26	4296 726-7	1		24,44	SUPPORT, Quarter Inside Panel Sill Jacking
27	6500 483	2			NUT, Body Center Outer Latch Striker Pillar
28	5255 324-5	1		24,27	REINFORCEMENT, Quarter Inner and Wheelhouse Outer To Aperture
29		2		24,44	NUT and PLATE, Rear Shoulder Belt Upper (Not Serviced) ***
30					EXHAUSTER
	4512 052-3	1		24,27	
	5255 288-9	1		44	
31	6502 328	AR			RIVET
32	4548 402-3	1		27	BRACE, "B" Pillar Reinforcement to Sill
33	4341 496	2		24,27	REINFORCEMENT, Quarter Inner & Wheelhouse Outer Seat Belt Anchor



MODEL CODES:

A BODY=(C=LeBaron, D=Spirit, P=Acclaim/LaBaron(Landau, Saratoga)  
C BODY=(D=Dynasty, C=New Yorker/N.Y. Salon)  
G BODY=(V=Daytona/IROC, Chrysler Daytona)  
J BODY=(C=LeBaron, Chrysler LeBaron)  
P BODY=(P=Sundance, D=Shadow)

S BODY=(H=Voyager(H) FWD, K=Caravan(H) FWD, Y=Town & Country(H) FWD, P=Voyager(K) AWD, D=Caravan(K) AWD, C=Town & Country(K) AWD)  
Y BODY=(C=Imperial/5th Avenue)  
E-S BODY=(K=Chrysler Voyager(H) FWD, D=Chrysler Voyager(K) AWD)

BODY STYLES:

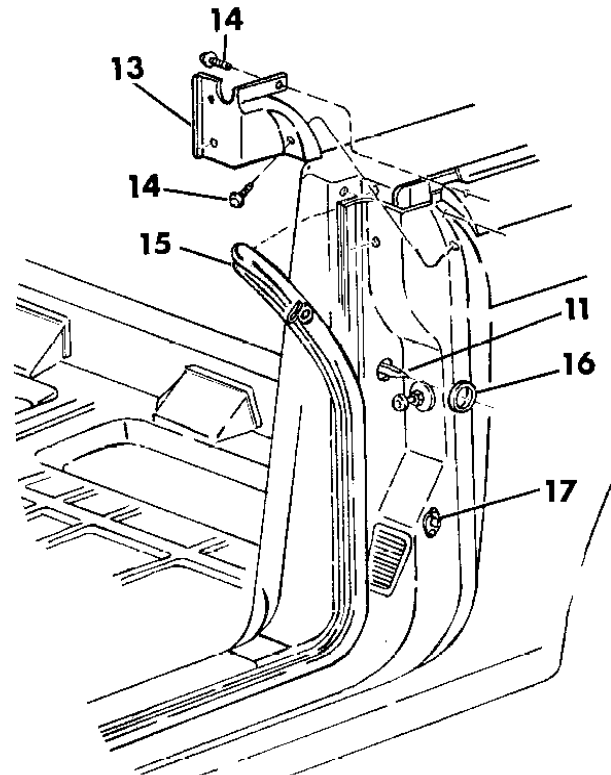
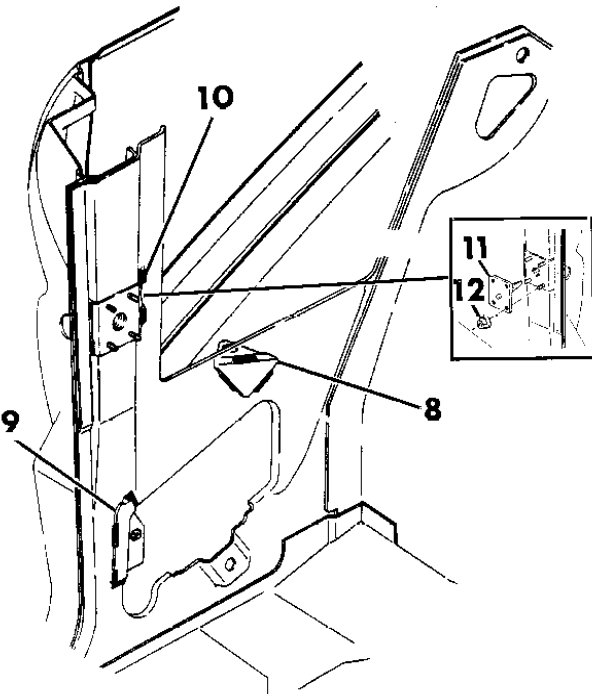
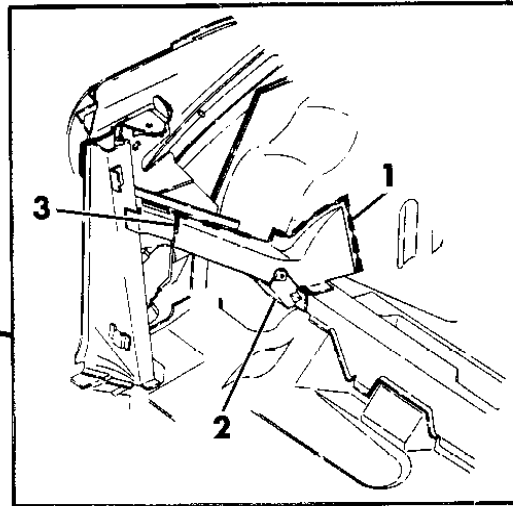
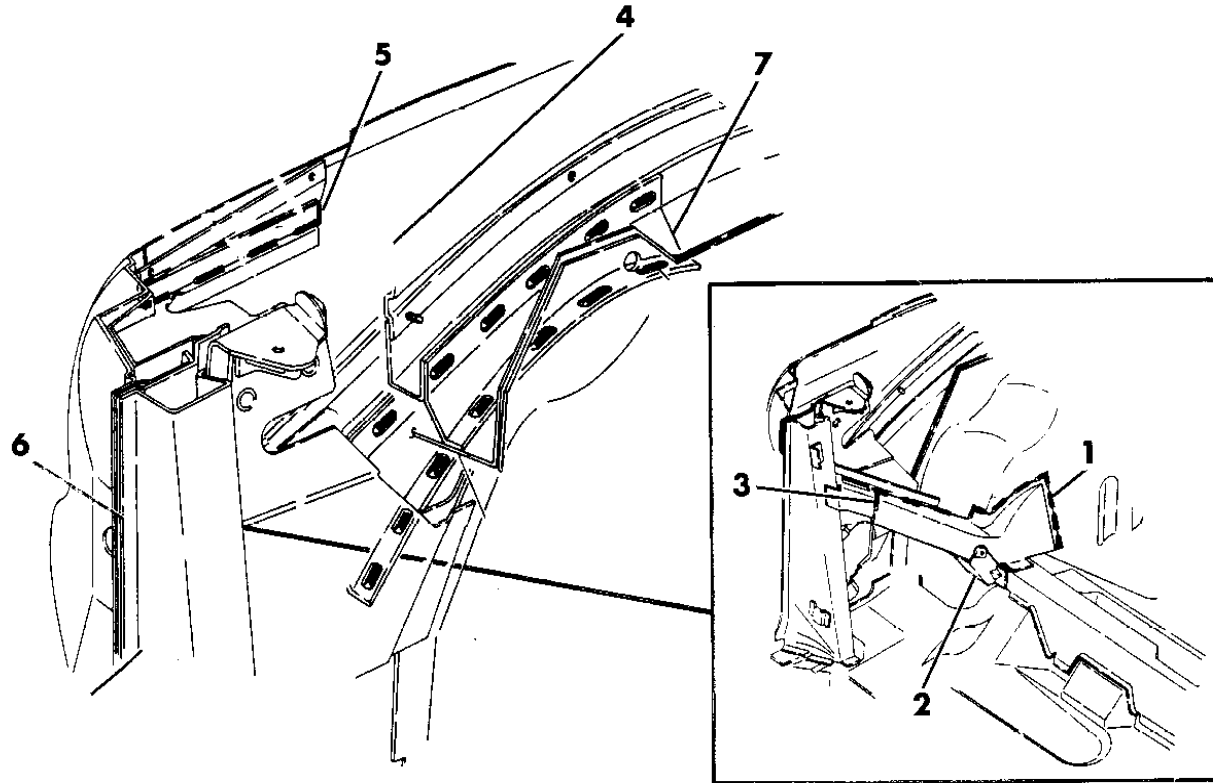
21=2-Door Coupe      41=4-Door Sedan      12-52=FWD & AWD Van & Wgn Std W.B.  
24=2-Door Hatchback      44=4-Door Hatchback      53=FWD & AWD Van & Wgn Ext. W.B.  
27=2-Door Convertible

AR = Use as Required - = Non Illustrated Part P.A.R. = Paint as Required

QUARTER PANEL AND "B" PILLAR REINFORCEMENT P BODY 27  
Figure 23A-1500

93169 1500

ITEM	PART NUMBER	QTY	BODY	MODEL	DESCRIPTION
1	5241 238-9	1			BRACE, Wheelhouse to Auxiliary Brace
2	5241 240-1	1			REINFORCEMENT, Wheelhouse Brace To Seat Belt Bracket
3	5241 236-7	1			BRACE, Auxiliary "B" Pillar To Wheelhouse
4	5242 126-7	1			PANEL ASSEMBLY, Quarter Inner
5	5242 094-5	1			REINFORCEMENT ASSEMBLY, Lock Pillar Quarter Belt
6	5241 280-1	1			REINFORCEMENT ASSEMBLY, "B" Pillar
7	5241 206-7	1			REINFORCEMENT, Corner Drain to Wheelhouse
8	5241 232	1			BRACKET ASSEMBLY, Down Stop ***
9	5241 218-9	1			BRACKET ASSEMBLY, Gas Cylinder Mounting ***
10	5241 356-7	1			BRACKET ASSEMBLY, Pin Assembly to Quarter Inner ***
11	5241 350	1			PIN ASSEMBLY, Side Front Door Guide ***
12		AR			NUT and WASHER (Not Serviced) ***
13	5241 446-7	1			MUCKET, "B" Pillar ***
-	5241 771	AR			SCREW
14	5241 771	AR			SCREW (M4.2 x 1.41 x 13.0) ***
15	5241 448-9	1			WEATHERSTRIP ASSEMBLY, Door Primary ***
16	5241 773	1			GROMMET
17	4337 950	1			PLUG, w/o Door Ajar Switch



**MODEL CODES:**

A BODY=(C=LeBaron, D=Spirit, P=Acclaim/LaBaron(Landau),  
Saratoga)  
C BODY=(D=Dynasty, C=New Yorker/N.Y. Salon)  
G BODY=(V=Daytona/IROC, Chrysler Daytona)  
J BODY=(C=LeBaron, Chrysler LeBaron)  
P BODY=(P=Sundance, D=Shadow)

S BODY=(H=Voyager(H) FWD, K=Caravan(H) FWD,  
Y=Town & Country(H) FWD, P=Voyager(K) AWD,  
D=Caravan(K) AWD, C=Town & Country(K) AWD)  
Y BODY=(C=Imperial/5th Avenue)  
E-S BODY=(K=Chrysler Voyager(H) FWD, D=Chrysler  
Voyager(K) AWD)

**BODY STYLES:**

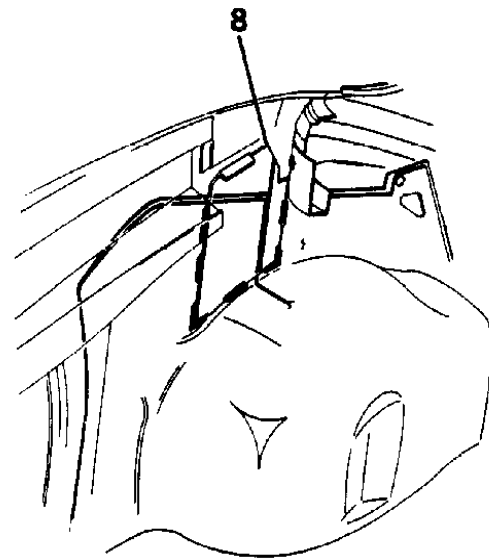
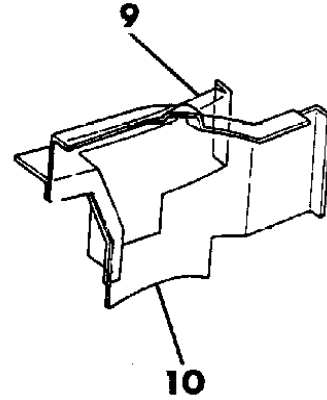
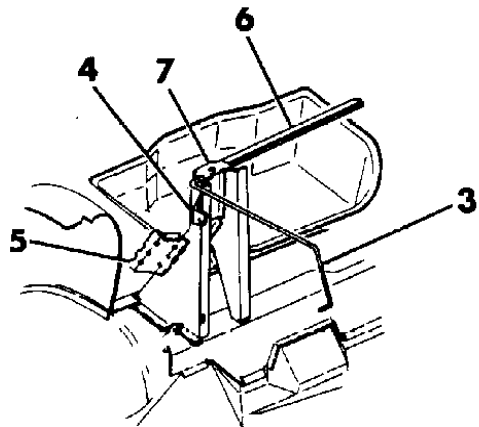
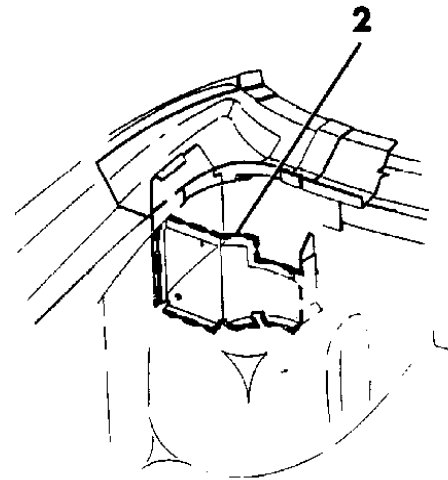
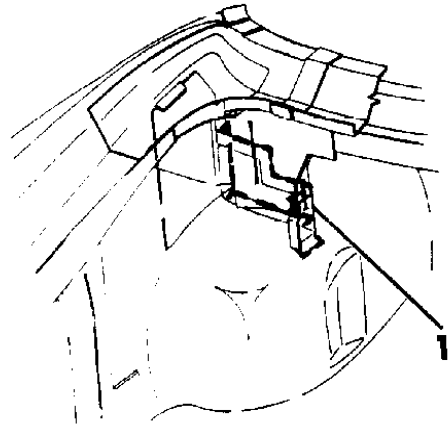
21=2-Door Coupe      41=4-Door Sedan      12-52=FWD & AWD Van & Wgn Std W.B.  
24=2-Door Hatchback      44=4-Door Hatchback      53=FWD & AWD Van & Wgn Ext. W.B.  
27=2-Door Convertible

AR = Use as Required - = Non Illustrated Part P.A.R. = Paint as Required

QUARTER PANEL BRACES P BODY 27  
Figure 23A-1600

93169 1600

ITEM	PART NUMBER	QTY	BODY	MODEL	DESCRIPTION
1	5241 212-3	1			BRACE, Trough to Wheelhouse, Lower Front
2	5241 214-5	1			BRACE, Trough to Wheelhouse Lower Rear
3	5241 288-9	1			SUPPORT, Bootwell Side
4	5241 258-9	1			REINFORCEMENT ASSEMBLY, Rear Seat Back Shoulder Rest ***
5	5241 272-3	1			BRACE, Seat Back to Wheelhouse
6	5241 290	1			SUPPORT, Bootwell Center
7	5241 268	1			BRACKET ASSEMBLY, "D" Ring Mounting ***
8	5241 216-7	1			REINFORCEMENT, Trough to Wheelhouse
9	5241 208-9	1			BRACE, Trough to Wheelhouse Upper Front
10	5241 210-1	1			BRACE, Trough to Wheelhouse Upper Rear



**MODEL CODES:**

A BODY=(C=LeBaron, D=Spirit, P=Acclaim/LaBaron(Landau), Saratoga) S BODY=(H=Voyager(H) FWD, K=Caravan(H) FWD, Y=Town & Country(H) FWD, P=Voyager(K) AWD, D=Caravan(K) AWD, C=Town & Country(K) AWD)  
 C BODY=(D=Dynasty, C=New Yorker/N.Y. Salon) Y BODY=(C=Imperial/5th Avenue)  
 G BODY=(V=Daytona/IROC, Chrysler Daytona) E-S BODY=(K=Chrysler Voyager(H) FWD, D=Chrysler Voyager(K) AWD)  
 J BODY=(C=LeBaron, Chrysler LeBaron)  
 P BODY=(P=Sundance, D=Shadow)

**BODY STYLES:**

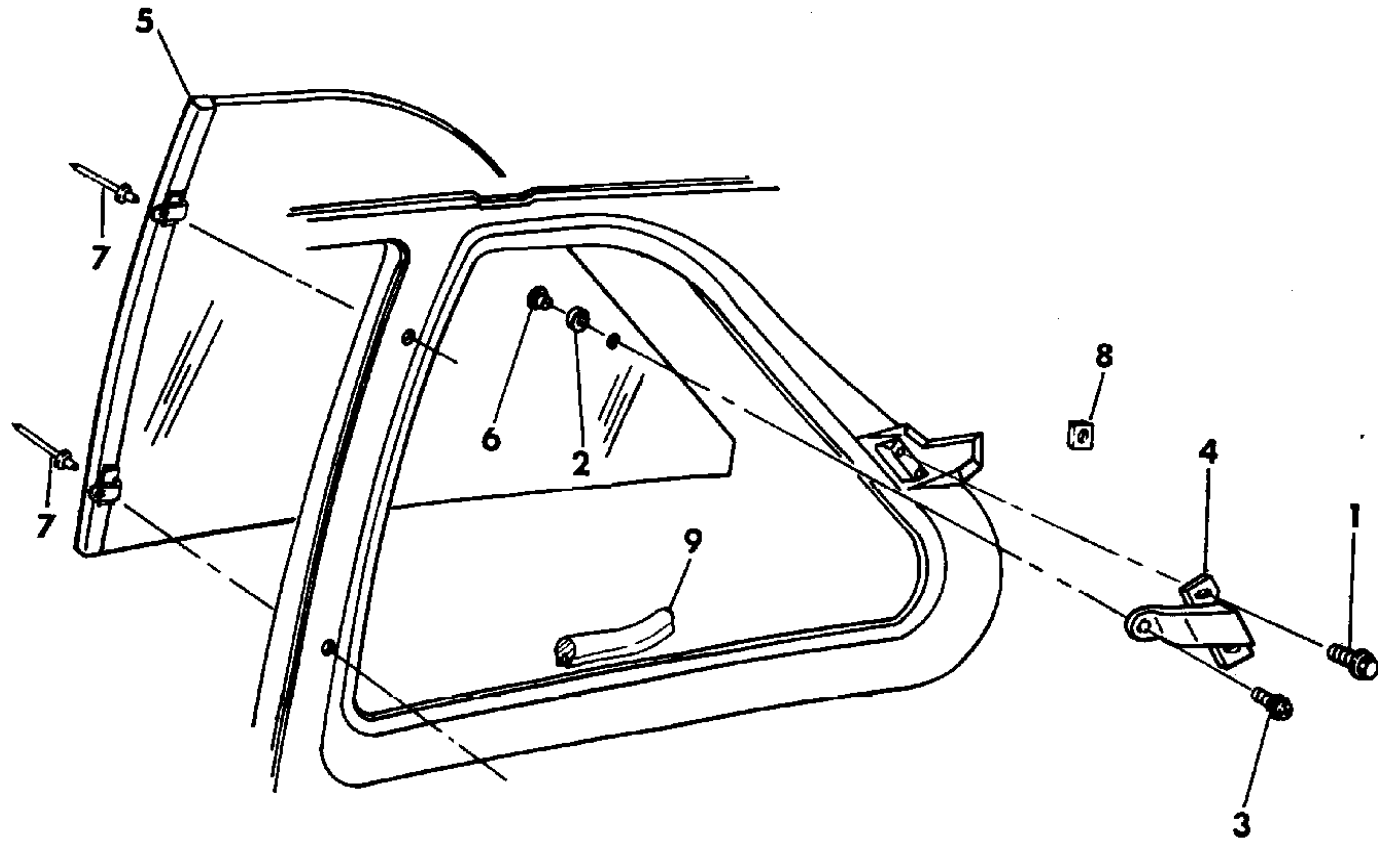
21=2-Door Coupe      41=4-Door Sedan      12-52=FWD & AWD Van & Wgn Std W.B.  
 24=2-Door Hatchback      44=4-Door Hatchback      53=FWD & AWD Van & Wgn Ext. W.B.  
 27=2-Door Convertible

AR = Use as Required - = Non Illustrated Part P.A.R. = Paint as Required

GLASS QUARTER WINDOW P BODY 24

Figure 23A-1700

93169 1700



ITEM	PART NUMBER	QTY	BODY	MODEL	DESCRIPTION
1	6502 052	6			SCREW and WASHER
2	4371 717	2			GASKET
3	6033 040	2			SCREW
4	4416 088-9	1			BRACKET
5	4512 676-7	1			FRAME and GLASS ASSEMBLY
6	4339 313	2			RETAINER
7	6033 688	4			RIVET (4 Required-2/Side) ***
8	4341 494-5	1			T-PLATE, Quarter Window
9	4512 190-1	1			WEATHERSTRIP

MODEL CODES:

A BODY=(C=LeBaron, D=Spirit, P=Acclaim/LaBaron(Landau),  
Saratoga)  
C BODY=(D=Dynasty, C=New Yorker/N.Y. Salon)  
G BODY=(V=Daytona/IROC, Chrysler Daytona)  
J BODY=(C=LeBaron, Chrysler LeBaron)  
P BODY=(P=Sundance, D=Shadow)

S BODY=(H=Voyager(H) FWD, K=Caravan(H) FWD,  
Y=Town & Country(H) FWD, P=Voyager(K) AWD,  
D=Caravan(K) AWD, C=Town & Country(K) AWD)  
Y BODY=(C=Imperial/5th Avenue)  
E-S BODY=(K=Chrysler Voyager(H) FWD, D=Chrysler  
Voyager(K) AWD)

BODY STYLES:

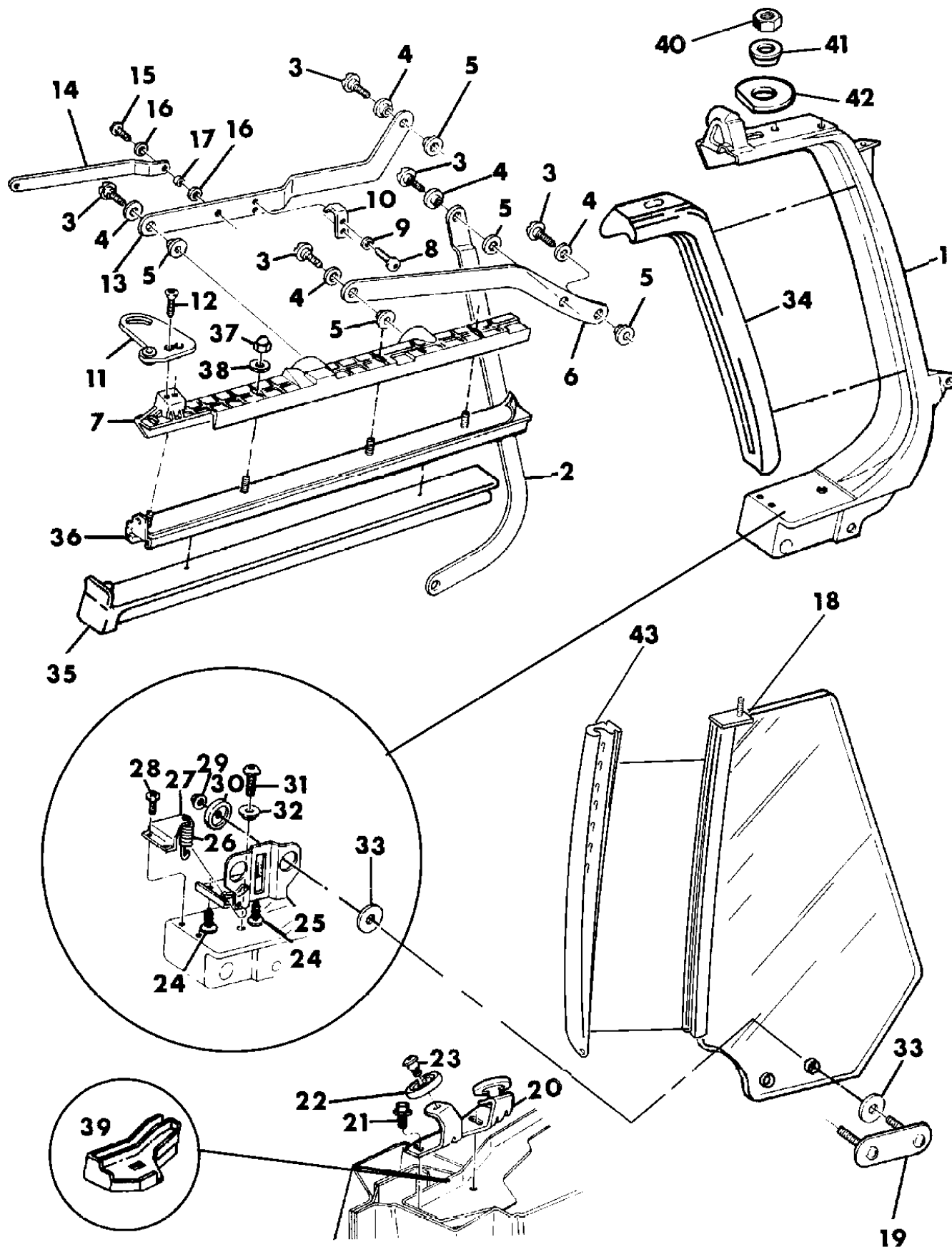
21=2-Door Coupe      41=4-Door Sedan      12-52=FWD & AWD Van & Wgn Std W.B.  
24=2-Door Hatchback      44=4-Door Hatchback      53=FWD & AWD Van & Wgn Ext. W.B.  
27=2-Door Convertible

AR = Use as Required - = Non Illustrated Part P.A.R. = Paint as Required

GLASS QUARTER WINDOW P BODY 27

Figure 23A-1800

93169 1800B



ITEM	PART NUMBER	QTY	BODY	MODEL	DESCRIPTION
1	5242 230-1	1			RAIL, Rear
2		2			LINK, Balance (Serviced In Item #36)
3	5242 099	AR			BOLT M8 x 1.25 x 23.4 ***
4		AR			WASHER (Serviced in Rail Pkg. 5241850) ***
5		AR			BUSHING (Serviced in Rail Assembly Pkg. 5241850) ***
6		1			LINK, Control (Serviced In Item #36)
7		2			RAIL, Side (Serviced In Assembly)
8		AR			SCREW 8-32 x .50 (Serviced in Downstop Pkg. 5241851) ***
9	0138 530	AR			WASHER (Serviced in Downstop Pkg. 5241851) ***
10		1			DOWNSTOP, Side Rail (Serviced in Downstop Pkg. 5241851) ***
11	5241 182-3	1			BRACKET ASSEMBLY, Side Rail Pivot ***
12		AR			SCREW 14-20 x 1.0 (Serviced in Item #36) ***
13		2			LINK, Side Rail Center (Serviced in Item #36)
14	5241 847	1			LINK, Bow # 2
15-17		1			(Serviced in Item # 14) ***
18	5241 490-1	1			GLASS ASSEMBLY w/Channel ***
19		1			PLATE ASSEMBLY w/Stud (Serviced in Assembly) ***
20	5241 866-7	1			ROLLER BRACKET ***
21	4710 063	AR			SCREW and WASHER ASSEMBLY (M6 x 1.0 x 17.0) ***
22	5241 868	AR			ROLLER
23		AR			BOLT M5 x 0.8 x 11.5 (Not Serviced) ***
24		AR			SCREW (Not Serviced) ***
25		2			BRACKET (Serviced In Assembly) ***
26	5241 864	1			SPRING
27	5241 862	1			SPRING BRACKET ***
28		2			SCREW M4 x 0.7 x 13.0 (Not Serviced) ***
29		AR			NUT (Not Serviced) ***
30		AR			WASHER (Not Serviced) ***
31		AR			SCREW M8 x 1.25 x 20.0 (Not Serviced) ***
32	5241 865	AR			BUSHING
33		AR			WASHER (Not Serviced) ***
34	4741 170-1	1			WEATHERSTRIP ASSEMBLY, Rear Rail ***
35	5242 262-3	1			WEATHERSTRIP ASSEMBLY, Front Rail ***
36	5241 444-5	1			RETAINER ASSEMBLY
37	5241 780	AR			NUT
38	5241 781	AR			WASHER
39	5242 056-7	1			TROUGH ASSEMBLY, Lock Pillar Drain ***
40		1			NUT (Not Serviced) ***
41	5241 933	1			WASHER

MODEL CODES:

A BODY=(C=LeBaron, D=Spirit, P=Acclaim/LaBaron(Landau), Saratoga)

C BODY=(D=Dynasty, C=New Yorker/N.Y. Salon)

G BODY=(V=Daytona/IROC, Chrysler Daytona)

J BODY=(C=LeBaron, Chrysler LeBaron)

P BODY=(P=Sundance, D=Shadow)

S BODY=(H=Voyager(H) FWD, K=Caravan(H) FWD,

Y=Town & Country(H) FWD, P=Voyager(K) AWD,

D=Caravan(K) AWD, C=Town & Country(K) AWD)

Y BODY=(C=Imperial/5th Avenue)

E-S BODY=(K=Chrysler Voyager(H) FWD, D=Chrysler

Voyager(K) AWD)

BODY STYLES:

21=2-Door Coupe

41=4-Door Sedan

12-52=FWD & AWD Van & Wgn Std W.B.

24=2-Door Hatchback

44=4-Door Hatchback

53=FWD & AWD Van & Wgn Ext. W.B.

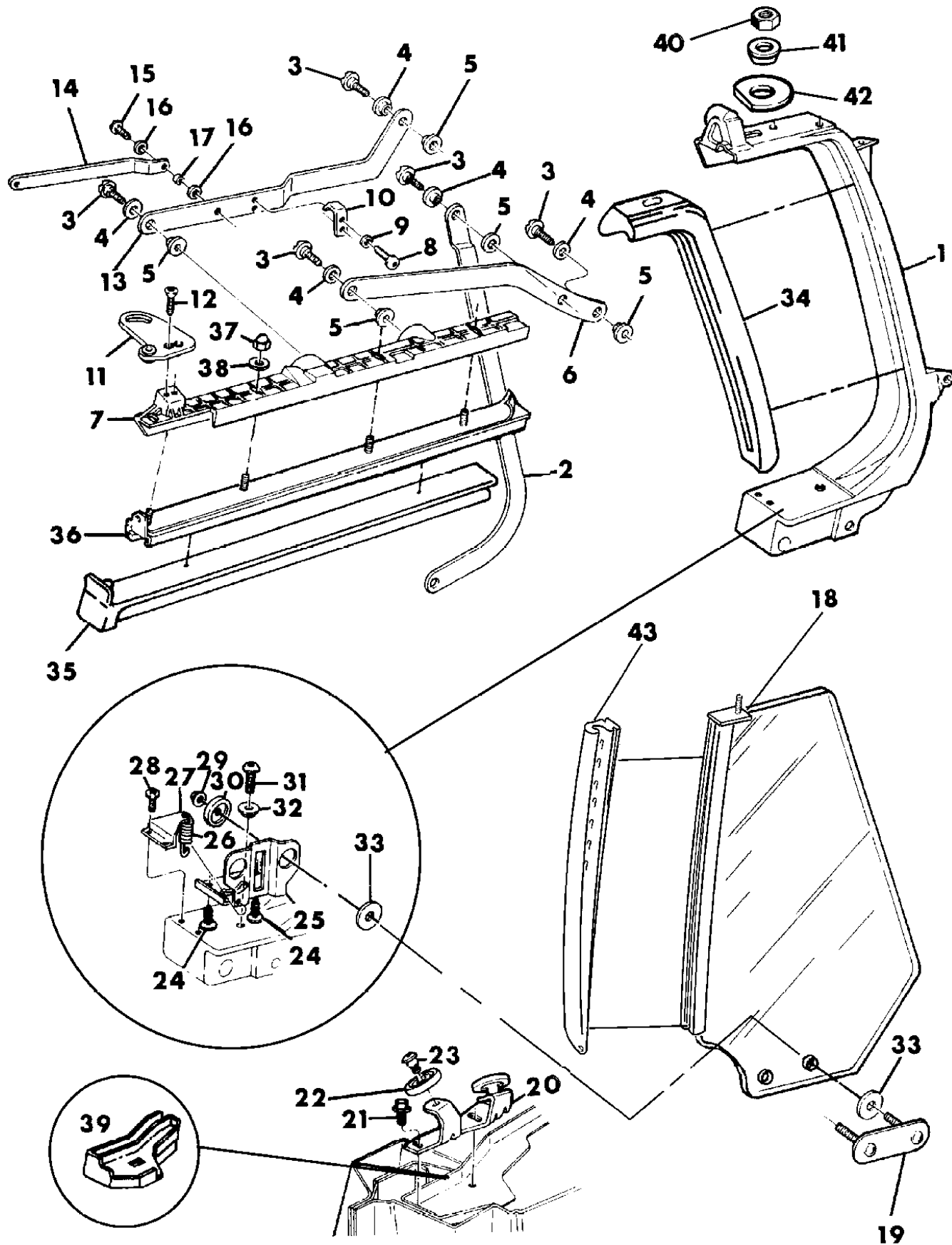
27=2-Door Convertible

AR = Use as Required - = Non Illustrated Part P.A.R. = Paint as Required

GLASS QUARTER WINDOW P BODY 27

Figure 23A-1800

93169 1800B



ITEM	PART NUMBER	QTY	BODY	MODEL	DESCRIPTION
------	-------------	-----	------	-------	-------------

42	5241 482	1			PLATE, Quarter Window Adjust
43	5241 496-7	1			WEATHERSTRIP ASSEMBLY, Quarter Glass Front ***

MODEL CODES:

A BODY=(C=LeBaron, D=Spirit, P=Acclaim/LaBaron(Landau),  
Saratoga)  
C BODY=(D=Dynasty, C=New Yorker/N.Y. Salon)  
G BODY=(V=Daytona/IROC, Chrysler Daytona)  
J BODY=(C=LeBaron, Chrysler LeBaron)  
P BODY=(P=Sundance, D=Shadow)

S BODY=(H=Voyager(H) FWD, K=Caravan(H) FWD,  
Y=Town & Country(H) FWD, P=Voyager(K) AWD,  
D=Caravan(K) AWD, C=Town & Country(K) AWD)  
Y BODY=(C=Imperial/5th Avenue)  
E-S BODY=(K=Chrysler Voyager(H) FWD, D=Chrysler  
Voyager(K) AWD)

BODY STYLES:

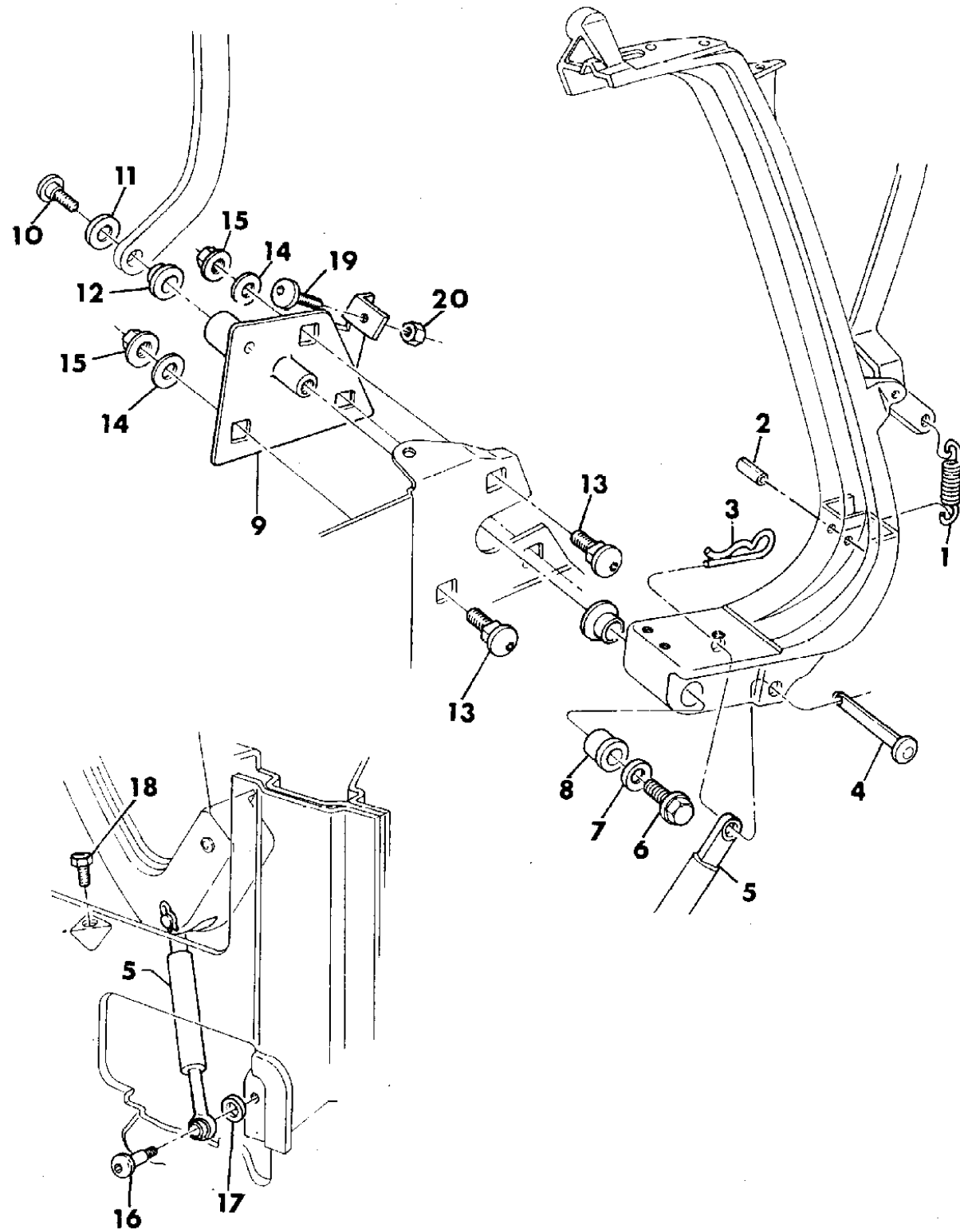
21=2-Door Coupe      41=4-Door Sedan      12-52=FWD & AWD Van & Wgn Std W.B.  
24=2-Door Hatchback      44=4-Door Hatchback      53=FWD & AWD Van & Wgn Ext. W.B.  
27=2-Door Convertible

AR = Use as Required - = Non Illustrated Part P.A.R. = Paint as Required

**MAIN PIVOT BRACKET ASSEMBLY P BODY 27**  
Figure 23A-1850

93169 1850

ITEM	PART NUMBER	QTY	BODY	MODEL	DESCRIPTION
1	5241 525	1			SPRING, No. 4 Bow Tensioning
2	5241 838	1			PIN
3		1			PIN, Cotte (Serviced in Package A)
4		1			PIN, Clevis (Serviced in Package A)
5		1			CYLINDER (Serviced in Package A) ***
6		AR			BOLT (Serviced in Package B) ***
7		AR			WASHER (serviced in Package B) ***
8		AR			BEARING (Serviced in Package B) ***
9	5241 486-7	1			BRACKET ASSEMBLY, Main Pivot ***
10		AR			BOLT (M8 x 1.25 x23.4) Not Serviced ***
11		AR			WASHER (Not Serviced) ***
12		AR			BUSHING (Not Serviced) ***
13		AR			BOLT (Serviced in Package C) ***
14		AR			WASHER (Serviced in Package C) ***
15		AR			NUT (Not Serviced) ***
16		AR			BOLT (Serviced in Package A) ***
17		AR			WASHER (Serviced in Package A) ***
18	4103 165	AR			BUMPER, Down Stop
19		AR			SCREW (Not Serviced) ***
20		AR			NUT (Not Serviced) ***
PKG A	5242 228	1			CYLINDER TOP STACK GAS ASSIST ***
PKG B	5241 853	1			REAR RAIL to MAIN PIVOT BRACKET ***
PKG C	5241 852	1			ATTACH TOP STACK to VEHICLE ***



**MODEL CODES:**

A BODY=(C=LeBaron, D=Spirit, P=Acclaim/LaBaron(Landau), Saratoga) S BODY=(H=Voyager(H) FWD, K=Caravan(H) FWD, Y=Town & Country(H) FWD, P=Voyager(K) AWD, D=Caravan(K) AWD, C=Town & Country(K) AWD)  
 C BODY=(D=Dynasty, C=New Yorker/N.Y. Salon) Y BODY=(C=Imperial/5th Avenue)  
 G BODY=(V=Daytona/IROC, Chrysler Daytona) E-S BODY=(K=Chrysler Voyager(H) FWD, D=Chrysler Voyager(K) AWD)  
 J BODY=(C=LeBaron, Chrysler LeBaron) P BODY=(P=Sundance, D=Shadow)

**BODY STYLES:**

21=2-Door Coupe      41=4-Door Sedan      12-52=FWD & AWD Van & Wgn Std W.B.  
 24=2-Door Hatchback      44=4-Door Hatchback      53=FWD & AWD Van & Wgn Ext. W.B.  
 27=2-Door Convertible

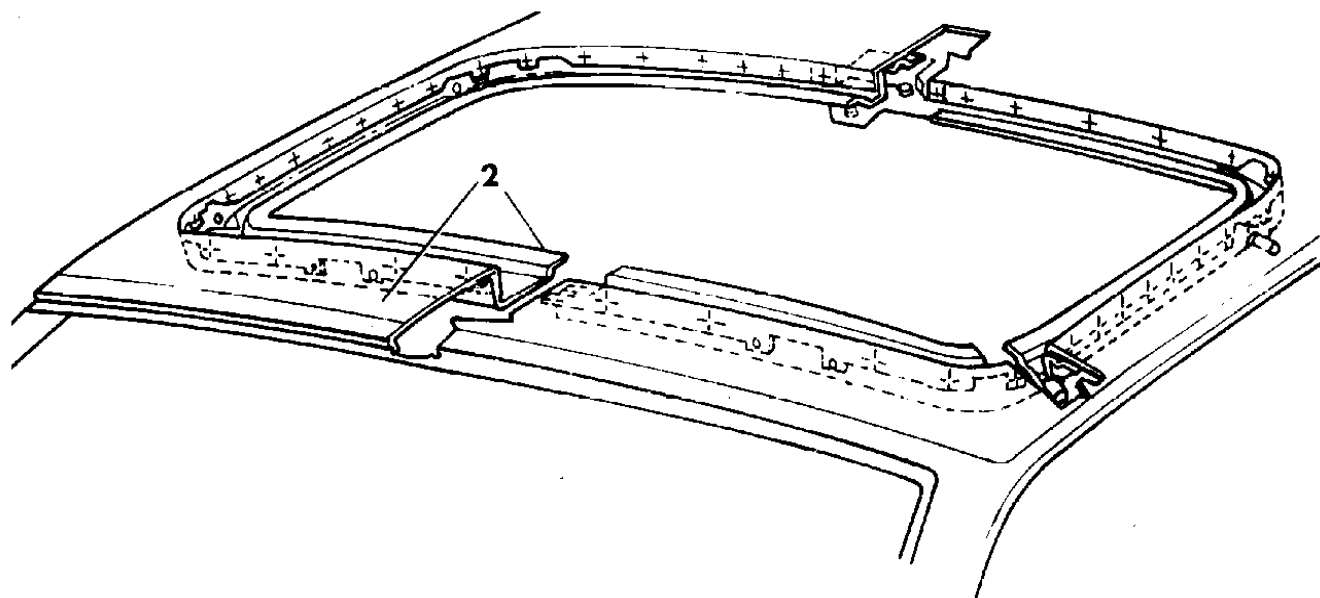
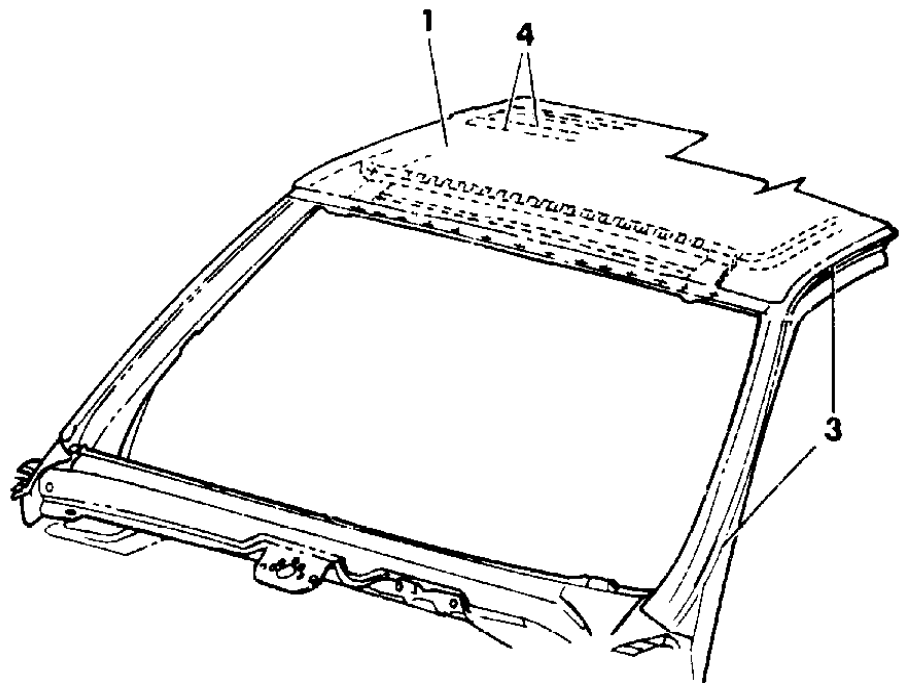
AR = Use as Required - = Non Illustrated Part P.A.R. = Paint as Required



ROOF PANEL P BODY 24,27,44  
Figure 23A-1900

93169 1900

ITEM	PART NUMBER	QTY	BODY	MODEL	DESCRIPTION
1	4296 525	1		44	PANEL, Roof Outer w/o Sunroof
	4341 138	1		24,27	
2	4386 333	1	44		PANEL and TROUGH, Outer w/Sunroof
	4386 332	1	24		
3	4296 518-9	1	44		TROUGH, Roof Side Drain
	4341 140-1	1		24,27	
4	5255 273	2			BOW, Roof



**MODEL CODES:**

A BODY=(C=LeBaron, D=Spirit, P=Acclaim/LaBaron(Landau), Saratoga) S BODY=(H=Voyager(H) FWD, K=Caravan(H) FWD, Y=Town & Country(H) FWD, P=Voyager(K) AWD, D=Caravan(K) AWD, C=Town & Country(K) AWD)  
 C BODY=(D=Dynasty, C=New Yorker/N.Y. Salon) Y BODY=(C=Imperial/5th Avenue)  
 G BODY=(V=Daytona/IROC, Chrysler Daytona) E-S BODY=(K=Chrysler Voyager(H) FWD, D=Chrysler Voyager(K) AWD)  
 J BODY=(C=LeBaron, Chrysler LeBaron)  
 P BODY=(P=Sundance, D=Shadow)

**BODY STYLES:**

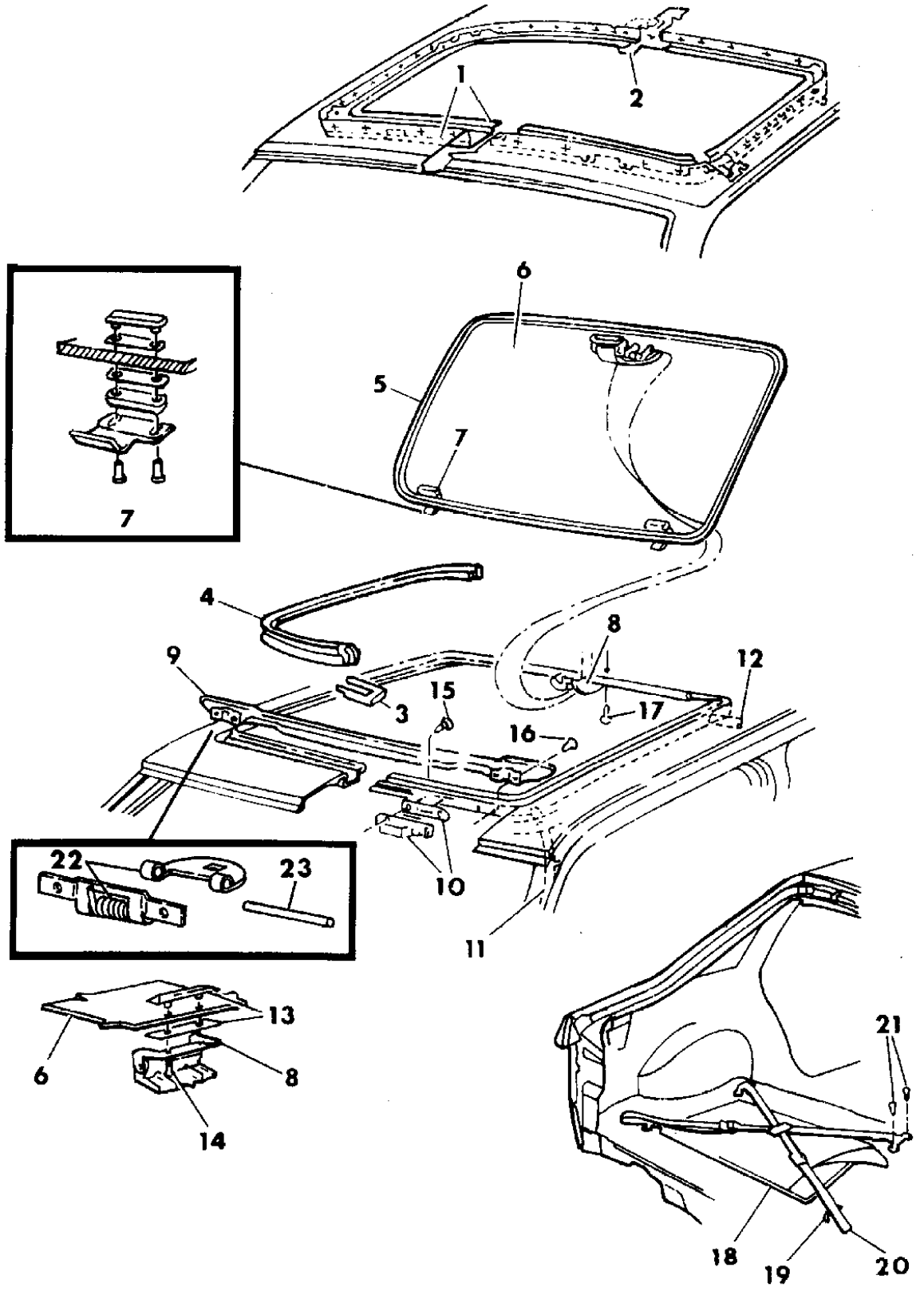
21=2-Door Coupe      41=4-Door Sedan      12-52=FWD & AWD Van & Wgn Std W.B.  
 24=2-Door Hatchback      44=4-Door Hatchback      53=FWD & AWD Van & Wgn Ext. W.B.  
 27=2-Door Convertible

AR = Use as Required - = Non Illustrated Part P.A.R. = Paint as Required

SUNROOF P BODY 24,44  
Figure 23A-2000

93169 2000

ITEM	PART NUMBER	QTY	BODY	MODEL	DESCRIPTION
1	4386 333	1		44	PANEL and TROUGH, Roof Outer w/Sunroof
	4386 332	1		24	
2	5253 784	1			SUPPORT, Sunroof Drain Trough Reinforcement To Roof Bow
3		1			WELT, Headline Panel Sunroof (See Group 23T)
4	4341 860	1			SEAL, Sunroof Primary (On Trough)
5	5255 652	1			SEAL, Sunroof Secondary (On Glass Panel)
6	4386 104	1			GLASS and PANEL, Sunroof
7	4467 211	1			HINGE PACKAGE ***
8	4341 532	1			HANDLE and BASE, Sunroof
-	4246 149	1			PLATE, Sunroof Glass Panel Latch w/Studs
9	4341 295	1			DEFLECTOR, Sunroof Air
	4467 212	2			CAP, NUT and SCREW (Package)
10	4341 402-3	1			RETAINER, Sunroof Panel Hinge
11	4026 151	2			HOSE, Sunroof Drain Serviced In Roll Stock
12	4026 151	2			HOSE, Sunroof Drain Serviced In Roll Stock
13	4341 418	1			T-PLATE, Sunroof Latch Handle
14		AR			SCREW, Not Serviced
15	6502 752	4			SCREW, Sunroof Hinge Retainer
16		4			SCREW, Not Serviced
17		3			SCREW, Not Serviced
18	H609 DX7	1			BAG, Stowage (Black)
19	4248 818	4			ANCHOR, Tie Down Strap To Floor Pan
20	H349 CX9	2			STRAP, Sunroof Panel Stowage Tie Down
21		8			SCREW, Not Serviced
22	4341 530-1	1			HINGE
23	6501 111	2			PIN



MODEL CODES:

A BODY=(C=LeBaron, D=Spirit, P=Acclaim/LaBaron(Landau), Saratoga) S BODY=(H=Voyager(H) FWD, K=Caravan(H) FWD, Y=Town & Country(H) FWD, P=Voyager(K) AWD, D=Caravan(K) AWD, C=Town & Country(K) AWD)  
 C BODY=(D=Dynasty, C=New Yorker/N.Y. Salon)  
 G BODY=(V=Daytona/IROC, Chrysler Daytona)  
 J BODY=(C=LeBaron, Chrysler LeBaron)  
 P BODY=(P=Sundance, D=Shadow)  
 Y BODY=(C=Imperial/5th Avenue)  
 E-S BODY=(K=Chrysler Voyager(H) FWD, D=Chrysler Voyager(K) AWD)

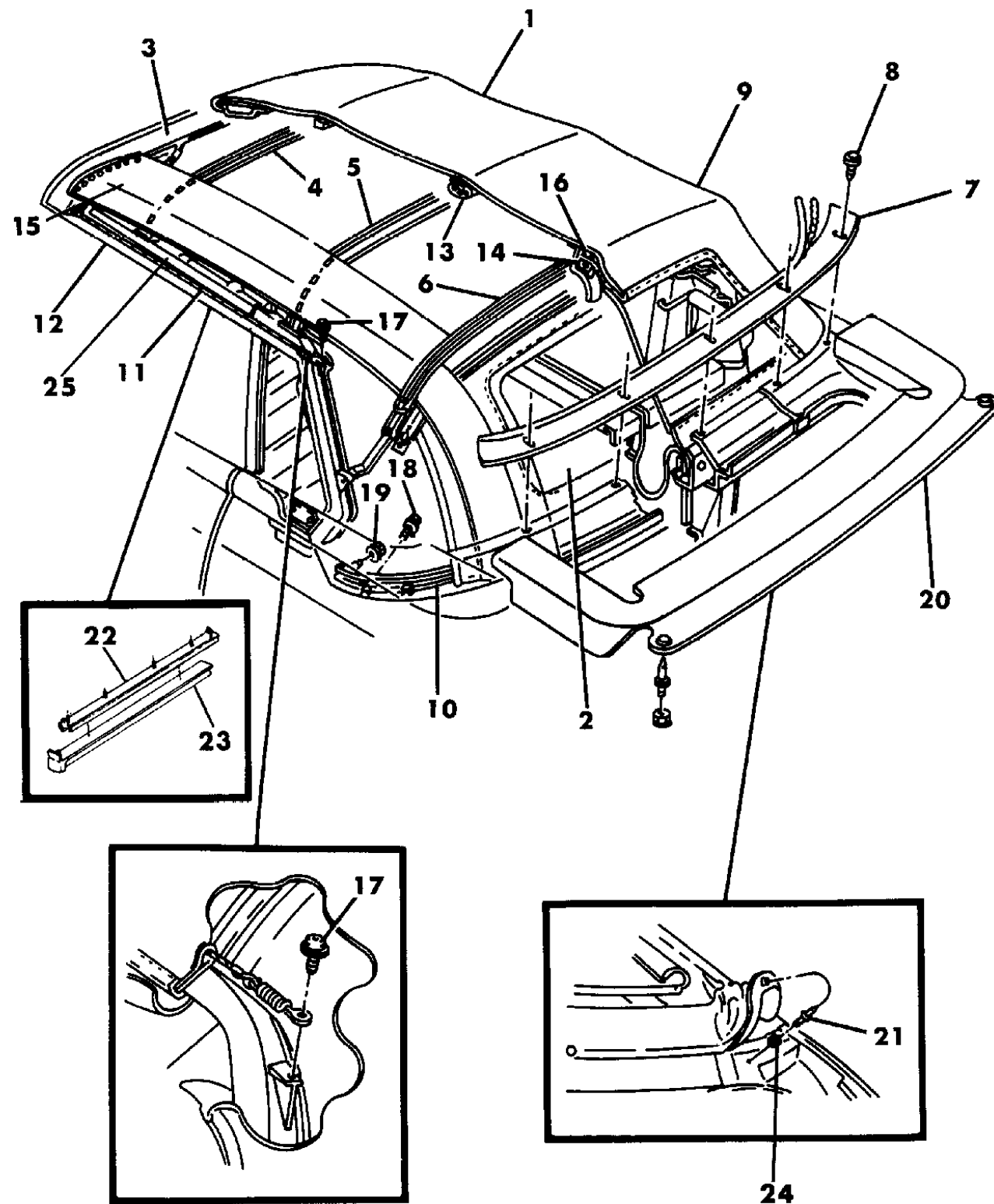
BODY STYLES:

21=2-Door Coupe 41=4-Door Sedan 12-52=FWD & AWD Van & Wgn Std W.B.  
 24=2-Door Hatchback 44=4-Door Hatchback 53=FWD & AWD Van & Wgn Ext. W.B.  
 27=2-Door Convertible

AR = Use as Required - = Non Illustrated Part P.A.R. = Paint as Required

CONVERTIBLE TOP P BODY 27  
Figure 23A-2100

93169 2100



ITEM	PART NUMBER	QTY	BODY	MODEL	DESCRIPTION
1		1			COVER ASSEMBLY
	5242 239				Quartz
	5242 240				White
	5242 241				Black
	5242 238				Buckskin
	5241 972				Blue
2		1			BACKLITE ASSEMBLY ***
	5242 244				Quartz
	5242 245				White
	5242 246				Black
	5242 243				Buckskin
	5241 978				Blue
3		1			#1 BOW ASSEMBLY ***
	5241 471				Up To 01/01/91
	5242 090				After 01/01/91
-	5242 083	AR			BUMPER, #1 Bow
4	5241 476	1			#2 BOW ASSEMBLY ***
5	5241 485	1			#3 BOW ASSEMBLY ***
6	5241 484	1			#4 BOW ASSEMBLY ***
-	5241 841	AR			BOLT, Bow to Rail
7	5241 514	1			PLATE ASSEMBLY, Top Tensioner ***
8	5242 283	AR			SCREW
9	5241 856-7	1			STAY, Rear
10	5241 513	1			TACK STRIP ASSEMBLY, Rear ***
11	5241 510	2			CABLE ASSEMBLY, Side Retention
12	5241 511	1			RETAINER, Cover Assembly Top Front
13	5241 509	1			RETAINER, Cover Assembly Top (#3 Bow)
14	5242 232	1			RETAINER, Inner Outer (#4 Bow)
15	5241 504	2			STAY, Side Pad
16	5241 507	1			INSERT, Retainer (#4 Bow)
17	5241 818	AR			SCREW and WASHER Assembly ***
18		AR			SCREW (M6 x 1.0 x 25.0) Not Serviced ***
19		AR			NUT (Not Serviced) ***
20		1			BOOT ASSEMBLY ***
	5242 108				Crimson Red
	5242 151				Quartz
	5242 150				Chanpagne
	5242 152				Slate Blue
21	5241 189	AR			RIVET (1/8 x .125) ***

MODEL CODES:

A BODY=(C=LeBaron, D=Spirit, P=Acclaim/LaBaron(Landau), Saratoga)

C BODY=(D=Dynasty, C=New Yorker/N.Y. Salon)

G BODY=(V=Daytona/IROC, Chrysler Daytona)

J BODY=(C=LeBaron, Chrysler LeBaron)

P BODY=(P=Sundance, D=Shadow)

S BODY=(H=Voyager(H) FWD, K=Caravan(H) FWD,

Y=Town & Country(H) FWD, P=Voyager(K) AWD,

D=Caravan(K) AWD, C=Town & Country(K) AWD)

Y BODY=(C=Imperial/5th Avenue)

E-S BODY=(K=Chrysler Voyager(H) FWD, D=Chrysler

Voyager(K) AWD)

BODY STYLES:

21=2-Door Coupe

41=4-Door Sedan

12-52=FWD & AWD Van & Wgn Std W.B.

24=2-Door Hatchback

44=4-Door Hatchback

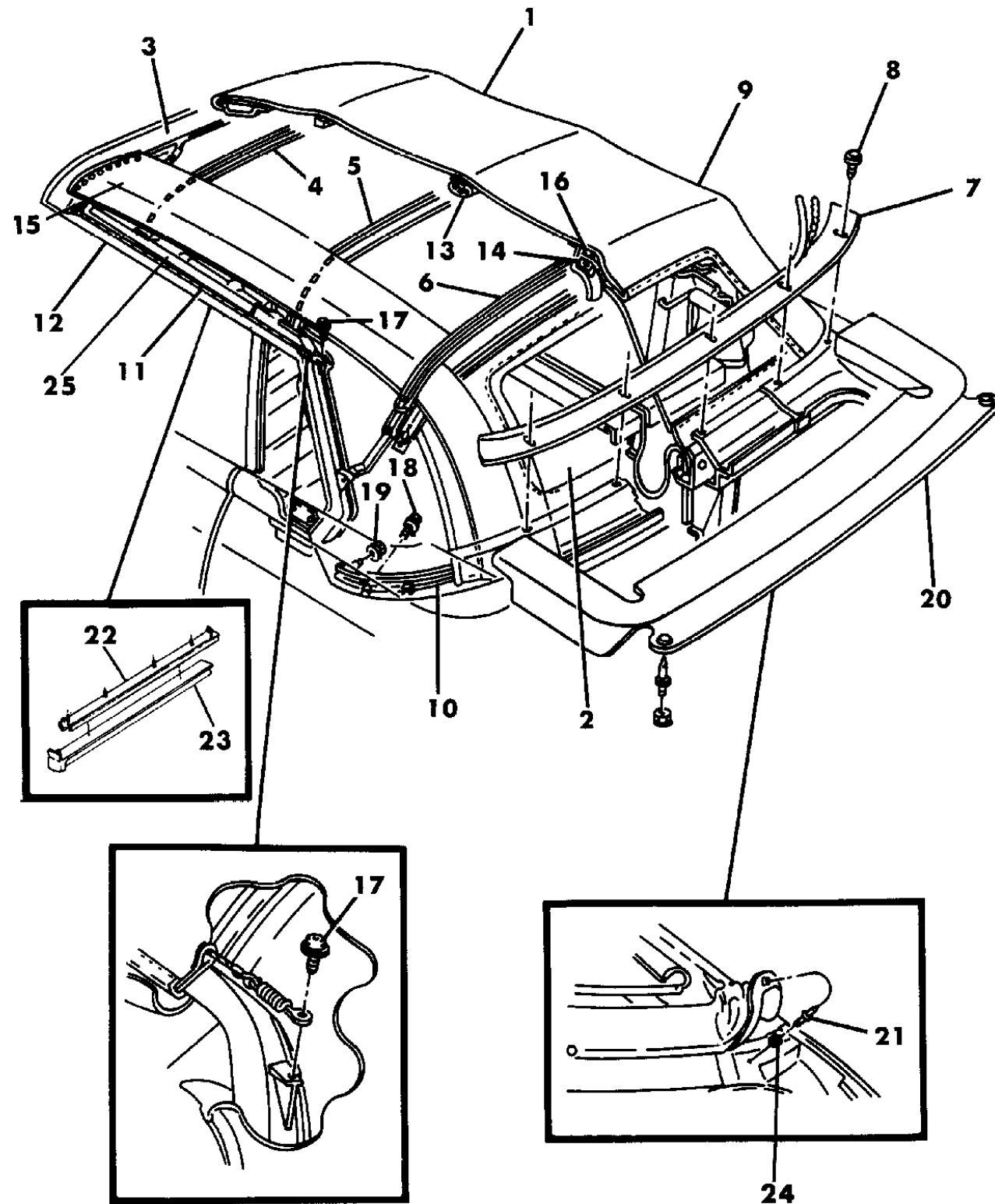
53=FWD & AWD Van & Wgn Ext. W.B.

27=2-Door Convertible

AR = Use as Required - = Non Illustrated Part P.A.R. = Paint as Required

CONVERTIBLE TOP P BODY 27  
Figure 23A-2100

93169 2100



ITEM	PART NUMBER	QTY	BODY	MODEL	DESCRIPTION
22	5241 444-5	1			RETAINER ASSEMBLY
23	5242 262-3	1			WEATHERSTRIP ASSEMBLY, Front Door Glass ***
24	5241 925	AR			STUD
25	5242 226-7	1			SIDE RAIL, (See Illustration 1800 Item 2,6,7,8,9,10,11,12,13,14,15,16) ***

MODEL CODES:

A BODY=(C=LeBaron, D=Spirit, P=Acclaim/LaBaron(Landau),  
Saratoga)  
C BODY=(D=Dynasty, C=New Yorker/N.Y. Salon)  
G BODY=(V=Daytona/IROC, Chrysler Daytona)  
J BODY=(C=LeBaron, Chrysler LeBaron)  
P BODY=(P=Sundance, D=Shadow)

S BODY=(H=Voyager(H) FWD, K=Caravan(H) FWD,  
Y=Town & Country(H) FWD, P=Voyager(K) AWD,  
D=Caravan(K) AWD, C=Town & Country(K) AWD)  
Y BODY=(C=Imperial/5th Avenue)  
E-S BODY=(K=Chrysler Voyager(H) FWD, D=Chrysler  
Voyager(K) AWD)

BODY STYLES:

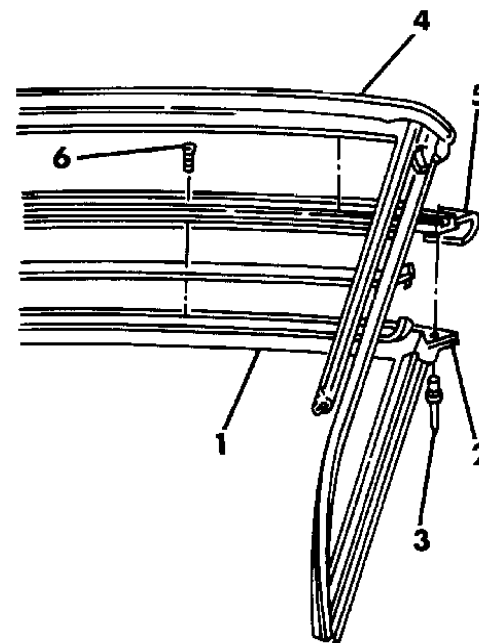
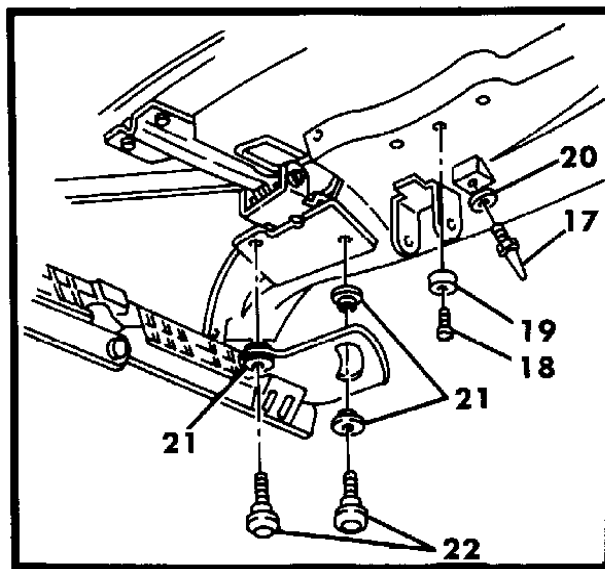
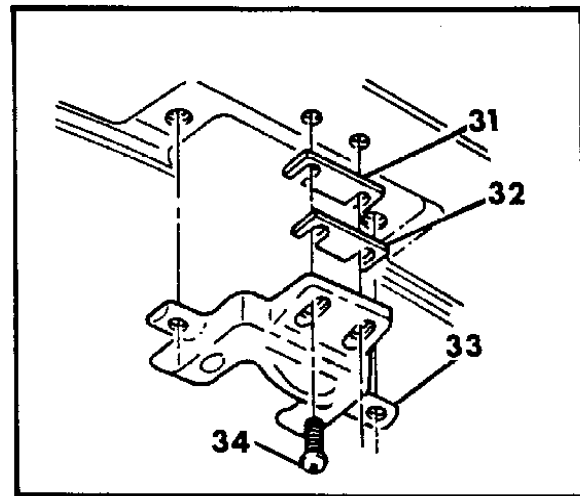
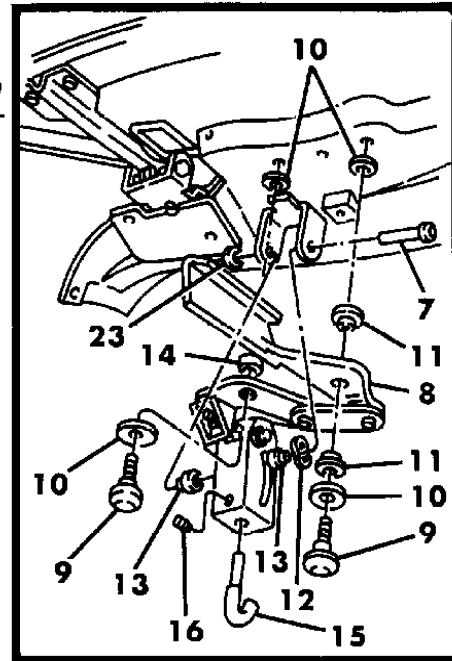
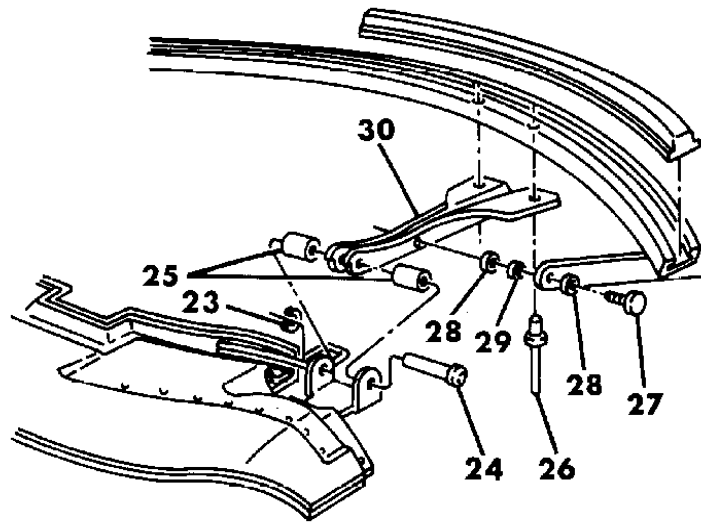
21=2-Door Coupe      41=4-Door Sedan      12-52=FWD & AWD Van & Wgn Std W.B.  
24=2-Door Hatchback      44=4-Door Hatchback      53=FWD & AWD Van & Wgn Ext. W.B.  
27=2-Door Convertible

AR = Use as Required - = Non Illustrated Part P.A.R. = Paint as Required

RAIL, HEADER AND LATCH ASSEMBLY P BODY 27  
Figure 23A-2200

93169 2200

ITEM	PART NUMBER	QTY	BODY	MODEL	DESCRIPTION
1	5241 317	1			REINFORCEMENT, Roof Header Outer ***
2	5241 314	1			RINFORCEMENT ASSEMBLY, Roof Header ***
3	5241 189	AR			RIVET (1/8 x .125) ***
4	5241 420	1			WEATHERSTRIP ASSEMBLY, Front Header and "A" Pillar ***
5	5241 318	AR			RETAINER ASSEMBLY
6		AR			SCREW (18 x .375) Not Serviced ***
7	5241 832	1			PIN
8	5242 222-3	1			LATCH ASSEMBLY, Header Complete
9	5241 946	2			BOLT
10		AR			WASHER (Not Serviced) ***
11	5241 809	AR			BUSHING
12		1			WASHER (Not Serviced) ***
13	5241 828	AR			SPACER
14	5241 831	AR			SPACER
15	5241 825	1			LATCH CLAMP ***
16	5241 824	1			SCREW (1/4-20) ***
17	8350 1670	1			DOWL PIN ***
18		AR			SCREW M6.3 x 1.81 x 20.0 (Not Serviced) ***
19	5242 072	1			SPACER
20		AR			WASHER (Not Serviced) ***
21					SPACER (Serviced in Package # 5241846) ***
22		AR			SCREW M8 x 1.25 x 19.7 (Serviced in Package in 5241846) ***
23	5241 833	1			CLIP
23-26					PIVOT LINK (Serviced in Package # 5241848) ***
27-29		1			Serviced in Package # 5241847 ***
30		1			(Serviced in Bow Assembly # 1) ***
31	5241 322	AR			SHIM, Header Latch Plate
32	5241 323	AR			SHIM, Header Latch Plate
33	5241 320-1	1			PLATE, Housing Header Latch
34		AR			SCREW (M4.2 x 1.41 20.0) Not Serviced ***



MODEL CODES:

A BODY=(C=LeBaron, D=Spirit, P=Acclaim/LaBaron(Landau), Saratoga)  
C BODY=(D=Dynasty, C=New Yorker/N.Y. Salon)  
G BODY=(V=Daytona/IROC, Chrysler Daytona)  
J BODY=(C=LeBaron, Chrysler LeBaron)  
P BODY=(P=Sundance, D=Shadow)

S BODY=(H=Voyager(H) FWD, K=Caravan(H) FWD, Y=Town & Country(H) FWD, P=Voyager(K) AWD, D=Caravan(K) AWD, C=Town & Country(K) AWD)  
Y BODY=(C=Imperial/5th Avenue)  
E-S BODY=(K=Chrysler Voyager(H) FWD, D=Chrysler Voyager(K) AWD)

BODY STYLES:

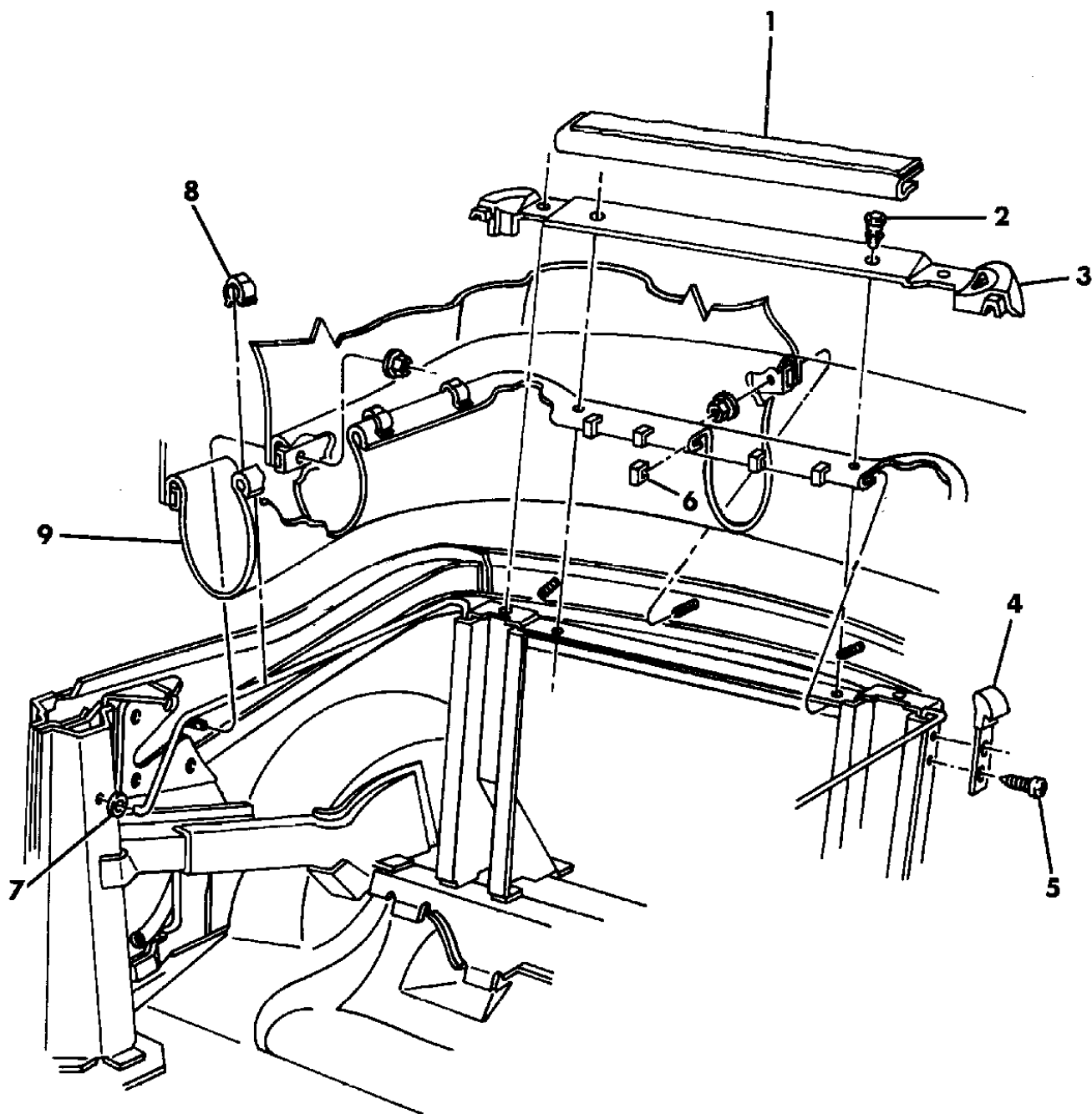
21=2-Door Coupe      41=4-Door Sedan      12-52=FWD & AWD Van & Wgn Std W.B.  
24=2-Door Hatchback      44=4-Door Hatchback      53=FWD & AWD Van & Wgn Ext. W.B.  
27=2-Door Convertible

AR = Use as Required - = Non Illustrated Part P.A.R. = Paint as Required

**BOOTWELL ASSEMBLY, CONVERTIBLE P BODY 27**  
Figure 23A-2250

93169 2250

ITEM	PART NUMBER	QTY	BODY	MODEL	DESCRIPTION
1	5241 336	1			EDGE CLIP ASSEMBLY ***
2	5241 770	2			RETAINER
3	5241 875	1			PANEL ASSEMBLY, Rear Center Trim
4	5241 800	2			CATCH, Top Stack Hold Down
5		4			SCREW, 8-18x.38 (Not Serviced)
6	5241 769	2			CLIP
7	5241 195	2			GROMMET
8	5241 768	AR			CLIP
9	5241 503	1			WELL ASSEMBLY, Folding Top ***



**MODEL CODES:**

A BODY=(C=LeBaron, D=Spirit, P=Acclaim/LaBaron(Landau), Saratoga)      S BODY=(H=Voyager(H) FWD, K=Caravan(H) FWD, Y=Town & Country(H) FWD, P=Voyager(K) AWD, D=Caravan(K) AWD, C=Town & Country(K) AWD)  
 C BODY=(D=Dynasty, C=New Yorker/N.Y. Salon)  
 G BODY=(V=Daytona/IROC, Chrysler Daytona)  
 J BODY=(C=LeBaron, Chrysler LeBaron)  
 P BODY=(P=Sundance, D=Shadow)      Y BODY=(C=Imperial/5th Avenue)  
 E-S BODY=(K=Chrysler Voyager(H) FWD, D=Chrysler Voyager(K) AWD)

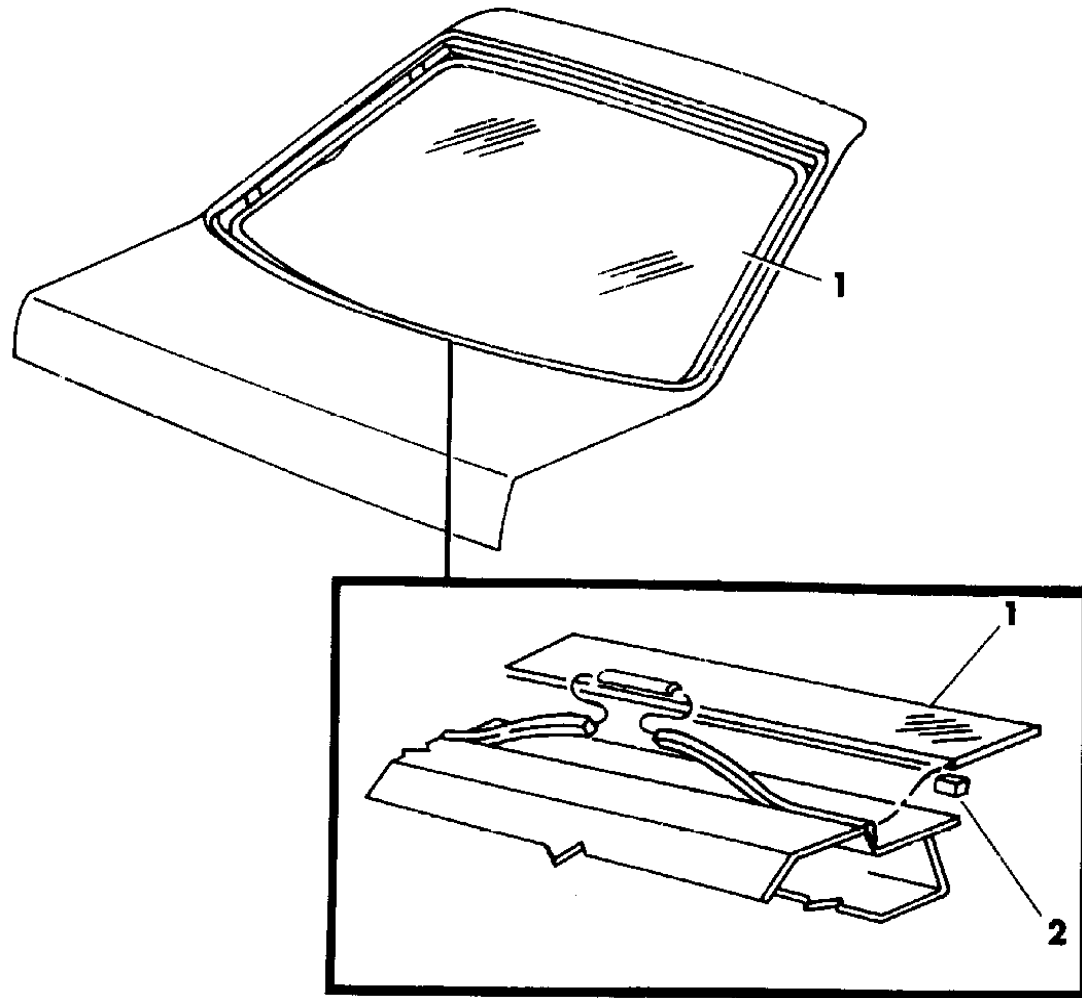
**BODY STYLES:**

21=2-Door Coupe      41=4-Door Sedan      12-52=FWD & AWD Van & Wgn Std W.B.  
 24=2-Door Hatchback      44=4-Door Hatchback      53=FWD & AWD Van & Wgn Ext. W.B.  
 27=2-Door Convertible

AR = Use as Required - = Non Illustrated Part P.A.R. = Paint as Required

GLASS LIFTGATE P BODY 24,44  
Figure 23A-2300

93169 2300



ITEM	PART NUMBER	QTY	BODY	MODEL	DESCRIPTION
1	4655 441	1			GLASS, Liftgate Tinted
	4655 441	1			GLASS, Liftgate Tinted (EUROPEAN)
	5264 616	1			Tinted & Heated
	5264 616	1			Tinted & Heated (EUROPEAN)
2	4365 806	AR			SPACER, Liftgate Glass Support
		1			MOULDING, Liftgate Pinch Weld
	H702 HD5				Quartz
	H702 LM6				Red
	H702 KJ9			Champagne	

NOTE: The following items are not shown on illustration. applications specified in this document.

PKG A	4267 906	1			REPAIR PACKAGE, Windshield & Rear Window
Consists of:					
1- ----- Polyurethane, 11.5oz.					
1- ----- Fence Primer, 1oz.					
1- ----- Glass Wipe-Off Primer, 1oz.					
1- ----- Glass Wipe-Out Primer, 1oz.					
1- ----- Dabbers					
1- ----- Nozzle					

**MODEL CODES:**

A BODY=(C=LeBaron, D=Spirit, P=Acclaim/LaBaron(Landau),  
Saratoga)  
C BODY=(D=Dynasty, C=New Yorker/N.Y. Salon)  
G BODY=(V=Daytona/IROC, Chrysler Daytona)  
J BODY=(C=LeBaron, Chrysler LeBaron)  
P BODY=(P=Sundance, D=Shadow)

S BODY=(H=Voyager(H) FWD, K=Caravan(H) FWD,  
Y=Town & Country(H) FWD, P=Voyager(K) AWD,  
D=Caravan(K) AWD, C=Town & Country(K) AWD)  
Y BODY=(C=Imperial/5th Avenue)  
E-S BODY=(K=Chrysler Voyager(H) FWD, D=Chrysler  
Voyager(K) AWD)

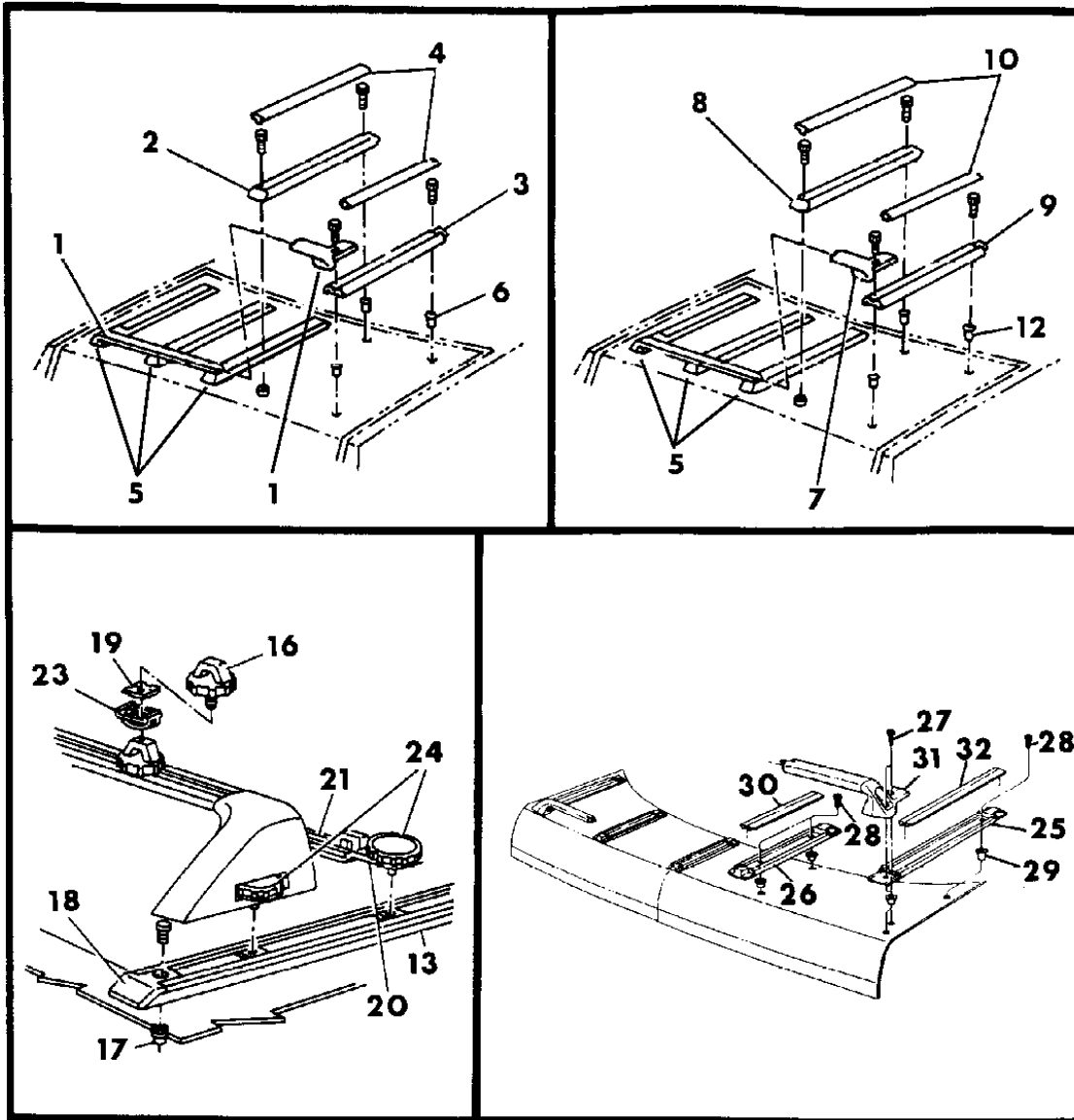
**BODY STYLES:**

21=2-Door Coupe      41=4-Door Sedan      12-52=FWD & AWD Van & Wgn Std W.B.  
24=2-Door Hatchback      44=4-Door Hatchback      53=FWD & AWD Van & Wgn Ext. W.B.  
27=2-Door Convertible

AR = Use as Required - = Non Illustrated Part P.A.R. = Paint as Required

DECK LID RACK P BODY 24,44  
Figure 23A-2400

93169 2400A



ITEM	PART NUMBER	QTY	BODY	MODEL	DESCRIPTION
1-6	4504 826	1			DECK LID RACK, (Bright) Low Profile
1	4504 827	AR			BAR, Cross
2	4504 828	AR			SKID STRIP, Inner
3	4504 829	AR			SKID STRIP, Outer
4	4443 302	AR			INSERT, Inner and Outer
5	4276 629	AR			CAP, Skid Strip End
6	6026 292	AR			RIVET, Nut 10-32
7-12	4504 822	1			DECK LID RACK, (Black) Low Profile ***
7	4504 823	AR			BAR, Cross
8	4504 824	AR			SKID STRIP, Inner
9	4504 825	AR			SKID STRIP, Outer
10	4443 302	AR			INSERT, Inner and Outer
11	4276 629	AR			CAP, Skid Strip End
12	6026 292	AR			RIVET, Nut 10-32
13-24	4419 081	1			LUGGAGE RACK ***
13	4467 227	AR			SKID STRIP, Outer
14	4467 228	AR			SLAT CROSS
15	4467 229	AR			BAR, Cross
16	4229 334	AR			LOOP, Tie Down
17	6033 705	AR			RIVET, 1/4-20
18	4467 230	AR			CAP, Skid Strip End
19	4229 321	AR			T-PLATE, Skid Strip Cross Bar
20	4467 231	AR			PLUG, Cross Slat End
21	4467 232	AR			INTERT, Cross Slat
22	4467 234-5	2			SUPPORT, Cross Bar (Front and Rear)
23	4229 322	AR			RETAINER, T-Plate
24	4229 320	AR			KNOB, End Support
25-32	4422 885	1	RS		LUGGAGE RACK (RS ONLY) ***
25	4422 895	2	RS		STRIP ASSEMBLY, Outer ***
26	4504 828	3	RS		STRIP ASSEMBLY, Inner ***
27		4	RS		SCREW (Not Serviced) ***
28		8	RS		SCREW (Not Serviced) ***
29	6026 292	12	RS		NUT
30	4443 302	3	RS		INSERT, Skid Strip Inner
31	4422 886	1	RS		BAR ASSEMBLY, Cross ***
32	4443 302	2	RS		INSERT, Skid Strip Outer

MODEL CODES:

A BODY=(C=LeBaron, D=Spirit, P=Acclaim/LaBaron(Landau), Saratoga)

C BODY=(D=Dynasty, C=New Yorker/N.Y. Salon)

G BODY=(V=Daytona/IROC, Chrysler Daytona)

J BODY=(C=LeBaron, Chrysler LeBaron)

P BODY=(P=Sundance, D=Shadow)

S BODY=(H=Voyager(H) FWD, K=Caravan(H) FWD,

Y=Town & Country(H) FWD, P=Voyager(K) AWD,

D=Caravan(K) AWD, C=Town & Country(K) AWD)

Y BODY=(C=Imperial/5th Avenue)

E-S BODY=(K=Chrysler Voyager(H) FWD, D=Chrysler

Voyager(K) AWD)

BODY STYLES:

21=2-Door Coupe

41=4-Door Sedan

12-52=FWD & AWD Van & Wgn Std W.B.

24=2-Door Hatchback

44=4-Door Hatchback

53=FWD & AWD Van & Wgn Ext. W.B.

27=2-Door Convertible

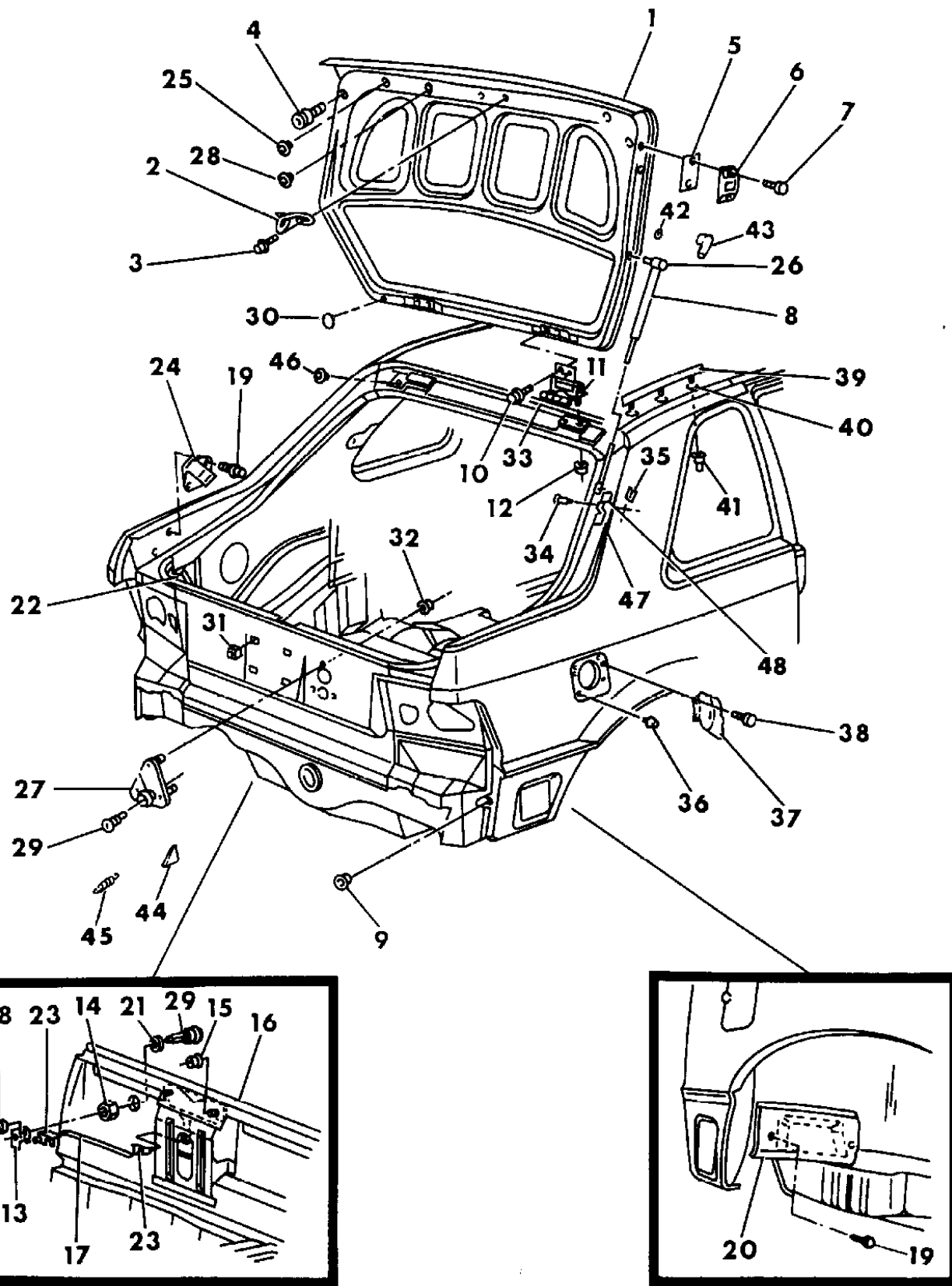
AR = Use as Required - = Non Illustrated Part P.A.R. = Paint as Required



# LIFTGATE PANEL AND FUEL FILLER DOOR P BODY 24,44

Figure 23A-2500

93169 2500



ITEM	PART NUMBER	QTY	BODY	MODEL	DESCRIPTION
1	5255 379	1			LIFTGATE, Assembly
2	4378 047	1			STRIKER, Liftgate Latch
3	6100 592	2			SCREW, Liftgate Latch Striker
4	4396 304	2			BUMPER, Liftgate Inner Panel Overslam
5	4378 374	AR			SPACER, Liftgate Opening Stabilizer Wedge
6	4246 860	2			STRIKER, Liftgate Opening Stabilizer
7		4			SCREW, Not Serviced
8	4658 383	2			PROP, Liftgate
	4658 384	2			PROP, Liftgate w/Spoiler
9	1774 076	4			PLUG, Liftgate Inner Panel Drain Hole
	1774 076	1			PLUG, Liftgate Drain Trough Rt.
10	6100 275	4			SCREW, Liftgate Hinge To Liftgate
11	4378 384-5	1			HINGE, Liftgate
	4246 832	AR			SHIM, Liftgate Hinge (Gate Half)
12	6501 859	4			NUT and WASHER, Liftgate Hinge To Body
13	4520 852	1			LEVER, Liftgate Lock Cylinder
14	4054 202	1			NUT, Liftgate Lock Cylinder
15	6501 569	2			NUT and WASHER, Liftgate Latch
16	4378 496	1			LATCH ASSEMBLY, Liftgate w/ Latch Cable Release
	4615 406	1			w/o Latch Cable Release
17	4378 490	1			LINK, Liftgate Lock Cylinder To Latch
18	6032 107	1			CLIP, Liftgate Lock Cylinder To Latch Link
19		4			SCREW, Not Serviced
20	4337 182	1			SHIELD, w/House Fuel Filler Tube
21	4246 980	1			SEAL
22	4440 560	1			WEATHERSTRIP, Liftgate Opening
23	5257 479	2			CLIP
24	4520 809	2			WEDGE, Liftgate Opening Stabilizer Wedge
25	6029 939	2			PLUG, Liftgate Drain Hole
26	6500 142	4			SCREW, Liftgate Prop
27		1			BRACKET, (See Group 23D)
28	2895 126	2			PLUG, Liftgate Lower
29		1			CYLINDER and BRACKET, (See Group 23D)
30	2480 957	1			PLUG, Liftgate Upper
31	6501 842	4			NUT, License Plate
	5230 376	AR			BUMPER, License
32	6501 859	AR			NUT
33		AR			SCREW, Not Serviced
34	4246 123	2			PIN

**MODEL CODES:**

A BODY=(C=LeBaron, D=Spirit, P=Acclaim/LaBaron(Landau), Saratoga) S BODY=(H=Voyager(H) FWD, K=Caravan(H) FWD, Y=Town & Country(H) FWD, P=Voyager(K) AWD, D=Caravan(K) AWD, C=Town & Country(K) AWD)  
 C BODY=(D=Dynasty, C=New Yorker/N.Y. Salon) Y BODY=(C=Imperial/5th Avenue)  
 G BODY=(V=Daytona/IROC, Chrysler Daytona) E-S BODY=(K=Chrysler Voyager(H) FWD, D=Chrysler Voyager(K) AWD)  
 J BODY=(C=LeBaron, Chrysler LeBaron) P BODY=(P=Sundance, D=Shadow)

**BODY STYLES:**

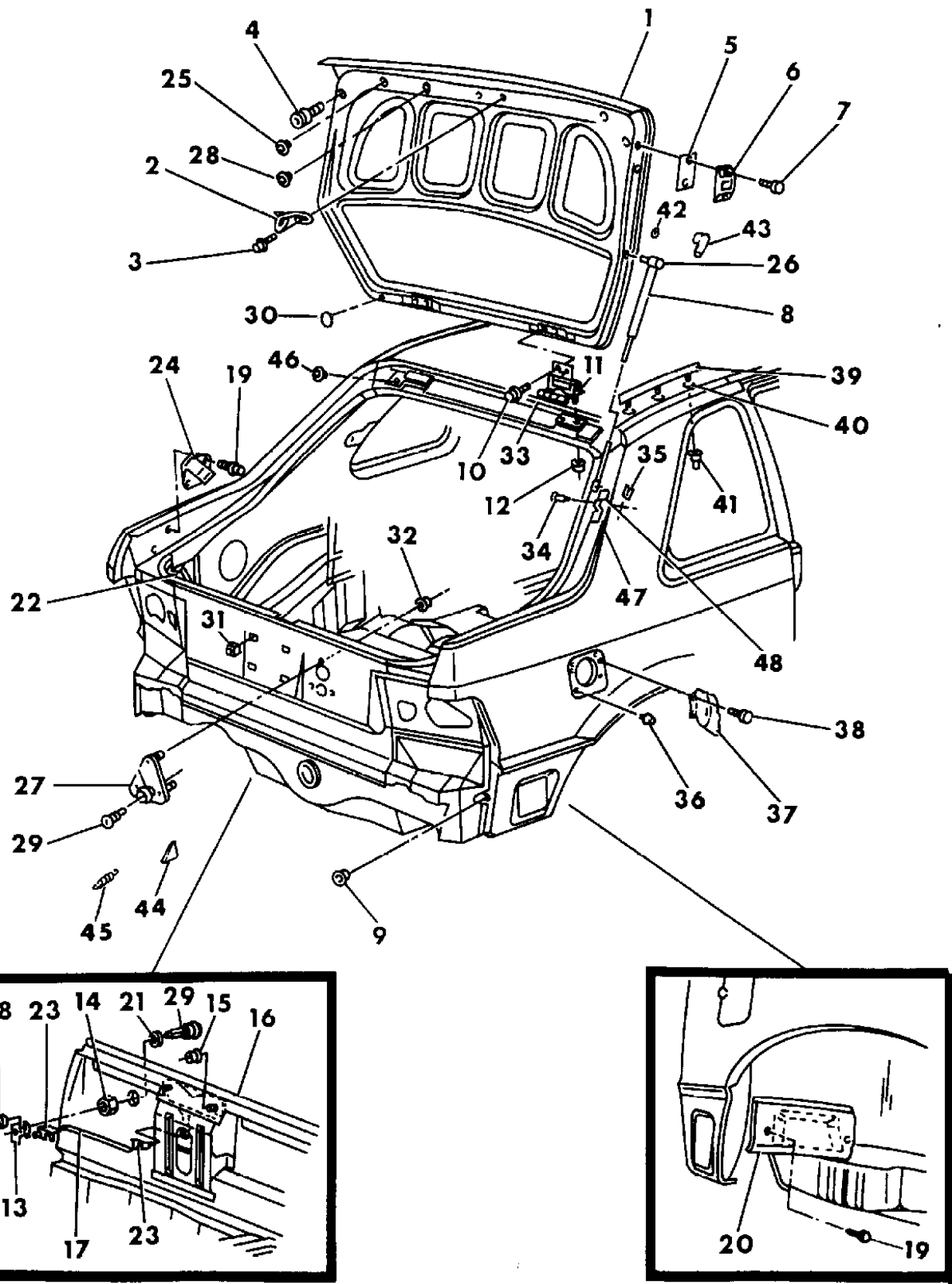
21=2-Door Coupe 41=4-Door Sedan 12-52=FWD & AWD Van & Wgn Std W.B.  
 24=2-Door Hatchback 44=4-Door Hatchback 53=FWD & AWD Van & Wgn Ext. W.B.  
 27=2-Door Convertible

AR = Use as Required - = Non Illustrated Part P.A.R. = Paint as Required

LIFTGATE PANEL AND FUEL FILLER DOOR P BODY 24,44

Figure 23A-2500

93169 2500



ITEM	PART NUMBER	QTY	BODY	MODEL	DESCRIPTION
35	6032 029	1			CLIP
36	4416 985	1			BUMPER
37	4548 231	1			DOOR, Fuel Filler
38		2			SCREW, Not Serviced
39		1			MOULDING, Roof (See Group 23)
40		2			GASKET, (See Group 23)
41		AR			NUT, (See Group 23)
42	4246 676	4			WASHER, Liftgate Prop Clevis
43	4445 368	2			BRACKET
44	4378 011	1			COVER, Liftgate Latch Non Override Lever (Plastic)
45	4172 592	1			SPRING, Liftgate Latch Pawl
46	6031 044-5	1			CAP, Liftgate Upper
47	4658 406	2			BRACKET, Opening Side Trough Prop
48	4378 088	2			BOOT, Liftgate Prop

MODEL CODES:

A BODY=(C=LeBaron, D=Spirit, P=Acclaim/LaBaron(Landau),  
Saratoga)  
C BODY=(D=Dynasty, C=New Yorker/N.Y. Salon)  
G BODY=(V=Daytona/IROC, Chrysler Daytona)  
J BODY=(C=LeBaron, Chrysler LeBaron)  
P BODY=(P=Sundance, D=Shadow)

S BODY=(H=Voyager(H) FWD, K=Caravan(H) FWD,  
Y=Town & Country(H) FWD, P=Voyager(K) AWD,  
D=Caravan(K) AWD, C=Town & Country(K) AWD)  
Y BODY=(C=Imperial/5th Avenue)  
E-S BODY=(K=Chrysler Voyager(H) FWD, D=Chrysler  
Voyager(K) AWD)

BODY STYLES:

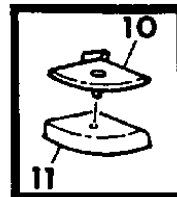
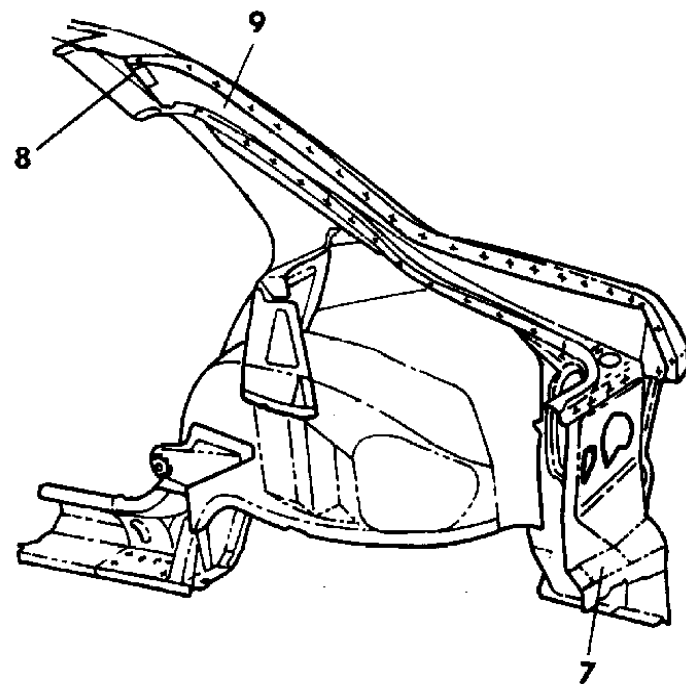
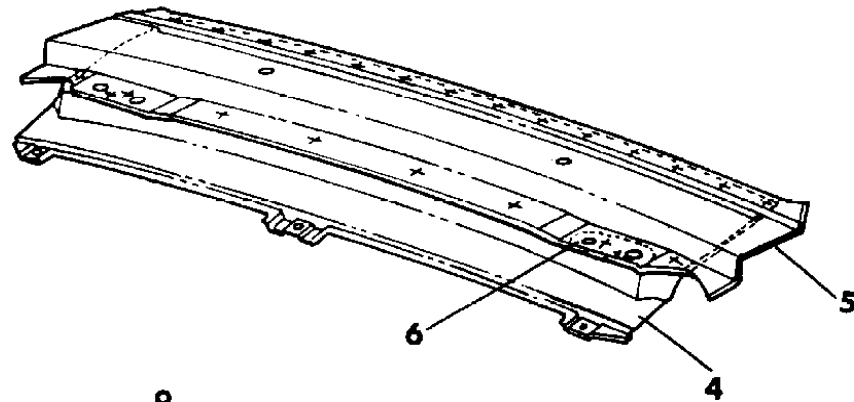
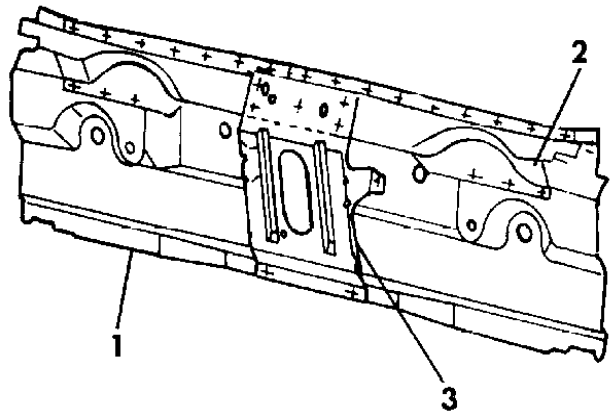
21=2-Door Coupe      41=4-Door Sedan      12-52=FWD & AWD Van & Wgn Std W.B.  
24=2-Door Hatchback      44=4-Door Hatchback      53=FWD & AWD Van & Wgn Ext. W.B.  
27=2-Door Convertible

AR = Use as Required - = Non Illustrated Part P.A.R. = Paint as Required

LIFTGATE OPENING PANEL P BODY 24,27,44  
Figure 23A-2600

93169 2600

ITEM	PART NUMBER	QTY	BODY	MODEL	DESCRIPTION
1	4440 488	1			PANEL, Liftgate Opening Lower
2	4296 521	1			REINFORCEMENT, Liftgate Opening Lower Panel
3	4490 017	1			SUPPORT, Liftgate Opening Lower Panel Latch
4	4296 512	1			FRAME, Liftgate Opening Upper
5	4296 524	1			REINFORCEMENT, Liftgate Opening Upper Frame
6	4386 050	2			REINFORCEMENT, Liftgate Opening Upper Frame Hinge
7	4341 264-5	1			EXTENSION, Liftgate Opening Lower Panel Lower
8	4490 074-5	1			TROUGH, Liftgate Opening Side Drain
9	4658 406	2			BRACKET, Opening Side Trough Prop
10	4341 262-3	1			EXTENSION, Liftgate Opening Lower Panel Upper
11	4386 398-9	1			SEAL, w/Shield Liftgate Opening Lower Panel Upper Extension



**MODEL CODES:**

A BODY=(C=LeBaron, D=Spirit, P=Acclaim/LaBaron(Landau),  
Saratoga)  
C BODY=(D=Dynasty, C=New Yorker/N.Y. Salon)  
G BODY=(V=Daytona/IROC, Chrysler Daytona)  
J BODY=(C=LeBaron, Chrysler LeBaron)  
P BODY=(P=Sundance, D=Shadow)

S BODY=(H=Voyager(H) FWD, K=Caravan(H) FWD,  
Y=Town & Country(H) FWD, P=Voyager(K) AWD,  
D=Caravan(K) AWD, C=Town & Country(K) AWD)  
Y BODY=(C=Imperial/5th Avenue)  
E-S BODY=(K=Chrysler Voyager(H) FWD, D=Chrysler  
Voyager(K) AWD)

**BODY STYLES:**

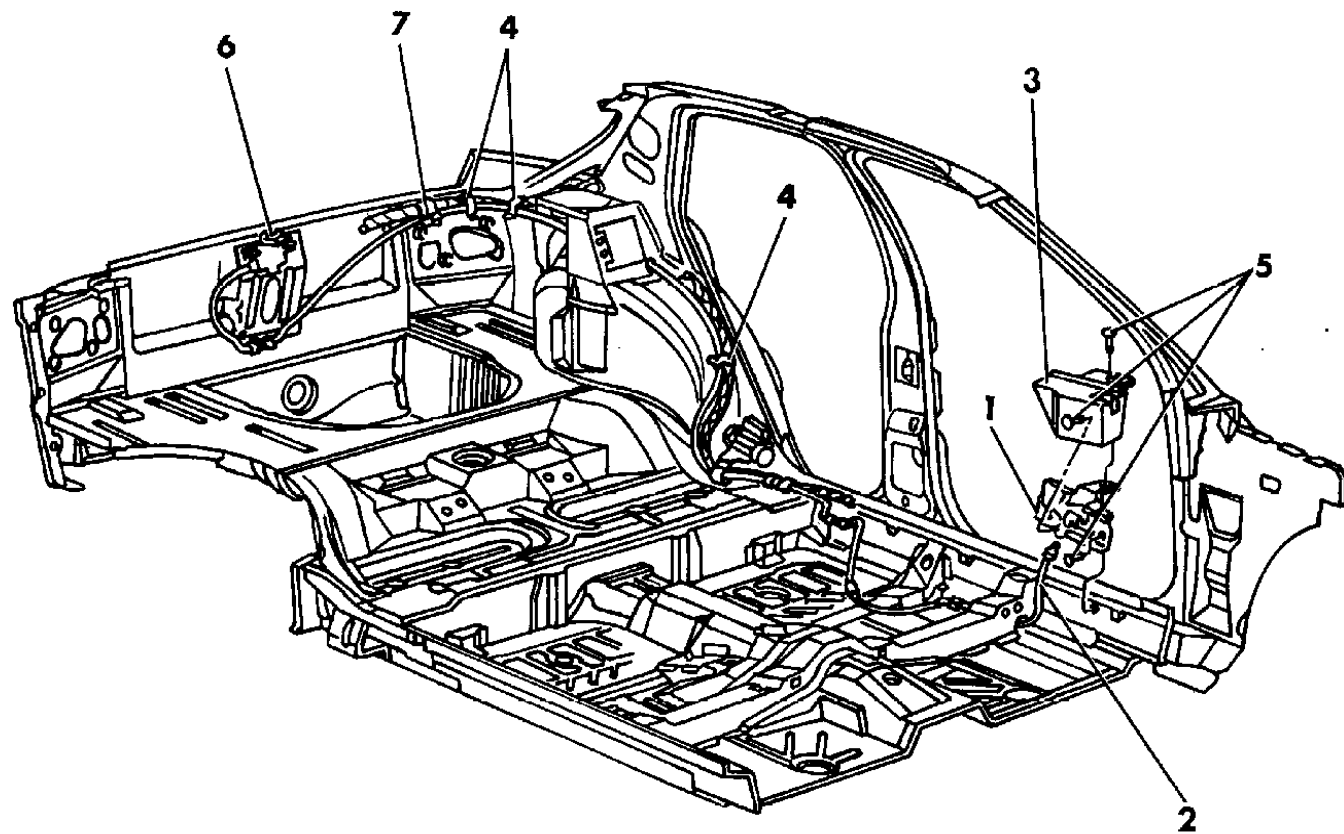
21=2-Door Coupe      41=4-Door Sedan      12-52=FWD & AWD Van & Wgn Std W.B.  
24=2-Door Hatchback      44=4-Door Hatchback      53=FWD & AWD Van & Wgn Ext. W.B.  
27=2-Door Convertible

AR = Use as Required - = Non Illustrated Part P.A.R. = Paint as Required

LIFTGATE RELEASE P BODY 24,44  
Figure 23A-2700

93169 2700

ITEM	PART NUMBER	QTY	BODY	MODEL	DESCRIPTION
1	4337 180	1			HANDLE, Liftgate Remote Release
2	4475 026	1			CABLE, Liftgate Remote Release
3					COVER, Liftgate Release Handle
	H127 HD5	1			Quartz
	H127 LM6	1			Red
	H127 JV8	1			Champagne
4	6015 756	3			STRAP
5	6032 456	3			SCREW
6	4378 496	1			LATCH ASSEMBLY, Liftgate
7		2			CLIP, Not Serviced



**MODEL CODES:**

A BODY=(C=LeBaron, D=Spirit, P=Acclaim/LaBaron(Landau),  
Saratoga)  
C BODY=(D=Dynasty, C=New Yorker/N.Y. Salon)  
G BODY=(V=Daytona/IROC, Chrysler Daytona)  
J BODY=(C=LeBaron, Chrysler LeBaron)  
P BODY=(P=Sundance, D=Shadow)

S BODY=(H=Voyager(H) FWD, K=Caravan(H) FWD,  
Y=Town & Country(H) FWD, P=Voyager(K) AWD,  
D=Caravan(K) AWD, C=Town & Country(K) AWD)  
Y BODY=(C=Imperial/5th Avenue)  
E-S BODY=(K=Chrysler Voyager(H) FWD, D=Chrysler  
Voyager(K) AWD)

**BODY STYLES:**

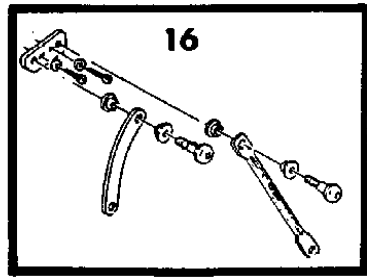
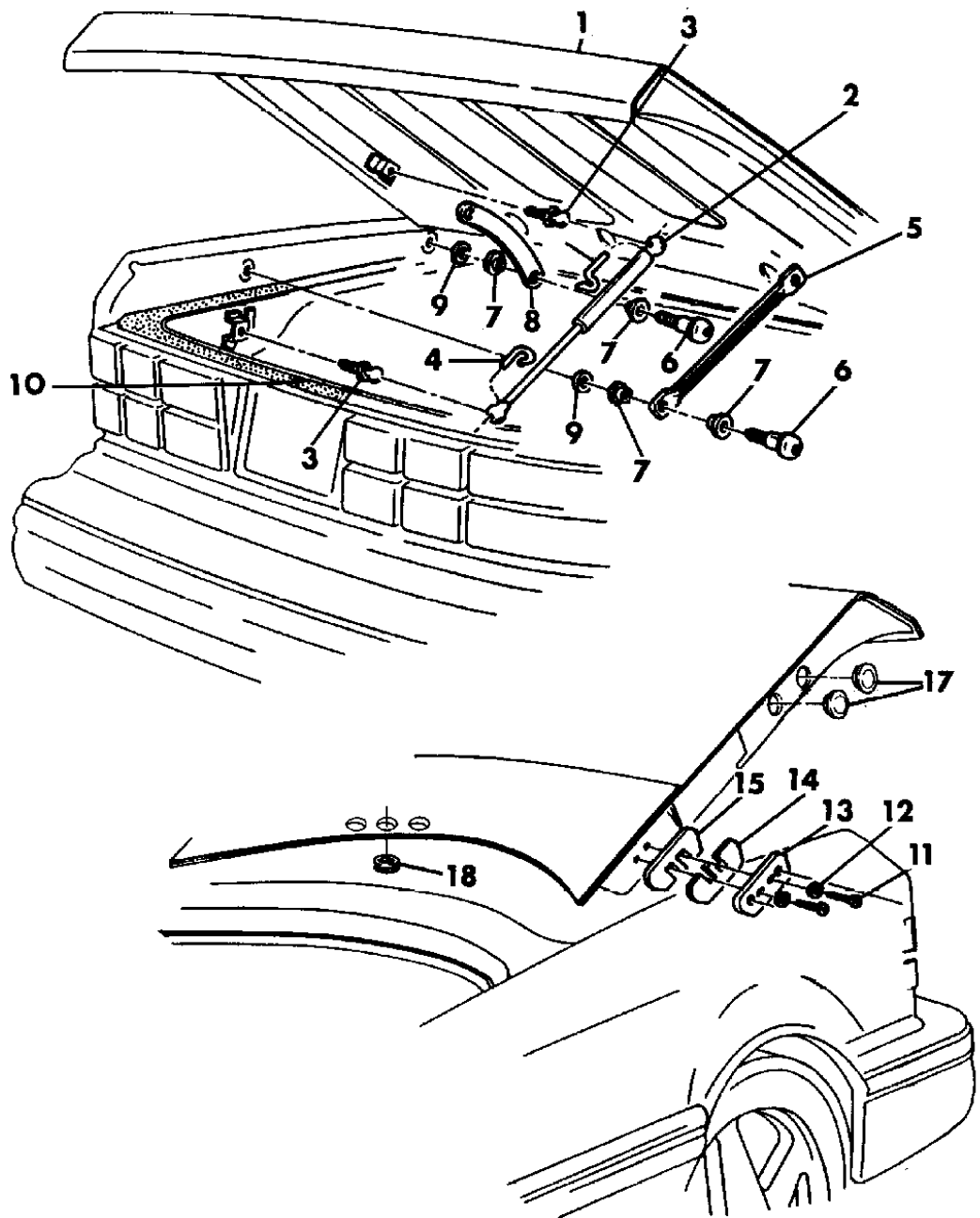
21=2-Door Coupe      41=4-Door Sedan      12-52=FWD & AWD Van & Wgn Std W.B.  
24=2-Door Hatchback      44=4-Door Hatchback      53=FWD & AWD Van & Wgn Ext. W.B.  
27=2-Door Convertible

AR = Use as Required - = Non Illustrated Part P.A.R. = Paint as Required

DECK LID P BODY 27  
Figure 23A-2800

93169 2800

ITEM	PART NUMBER	QTY	BODY	MODEL	DESCRIPTION
1	5253 136	1			DECK LID ASSEMBLY ***
2	5241 308	2			GAS STRUT ASSEMBLY ***
3	5241 333	4			STUD, Ball
4	5241 927	AR			CLIP, Ball Stud
5		2			LINK, Rear (Serviced in Hinge Assembly)
6	5242 099	AR			BOLT (M8 x 1.25 x 20.0) ***
7	5241 809	AR			BUSHING
8		2			LINK, Front (Serviced in Hinge Assembly)
9	5242 218	AR			WASHER
10	5241 454	1			WEATHERSTRIP, Deck Lid
11	5241 255	AR			SCREW (M8 x 1.25 x 20.0) ***
12	5241 252	AR			WASHER
13		AR			BLOCK (Serviced in Hinge Assembly) ***
14	5241 301	AR			SHIM
15	5241 300	AR			PROTECTOR, Deck Lid Hinge Mount
16	5242 220-1	1			HINGE ASSEMBLY
-	5241 217	4			WASHER, Deck Lid Hinge Attach
17	5241 257	AR			PLUG
18	5241 235	1			GROMMET



MODEL CODES:

A BODY=(C=LeBaron, D=Spirit, P=Acclaim/LaBaron(Landau), Saratoga) S BODY=(H=Voyager(H) FWD, K=Caravan(H) FWD, Y=Town & Country(H) FWD, P=Voyager(K) AWD, D=Caravan(K) AWD, C=Town & Country(K) AWD)  
 C BODY=(D=Dynasty, C=New Yorker/N.Y. Salon) Y BODY=(C=Imperial/5th Avenue)  
 G BODY=(V=Daytona/IROC, Chrysler Daytona) E-S BODY=(K=Chrysler Voyager(H) FWD, D=Chrysler Voyager(K) AWD)  
 J BODY=(C=LeBaron, Chrysler LeBaron) P BODY=(P=Sundance, D=Shadow)

BODY STYLES:

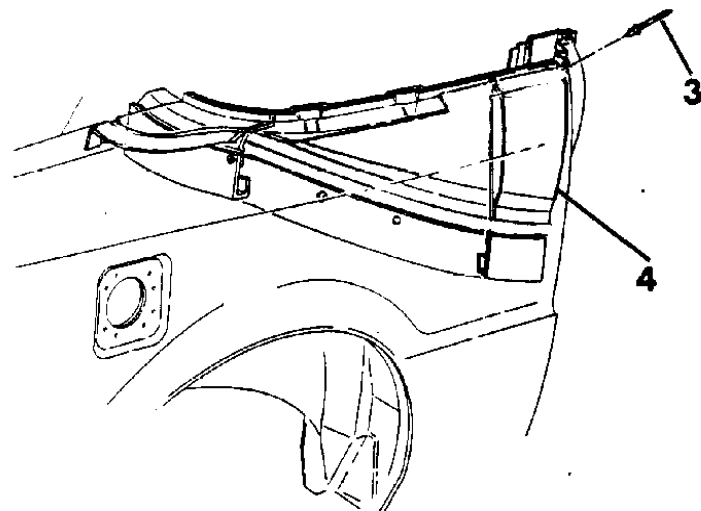
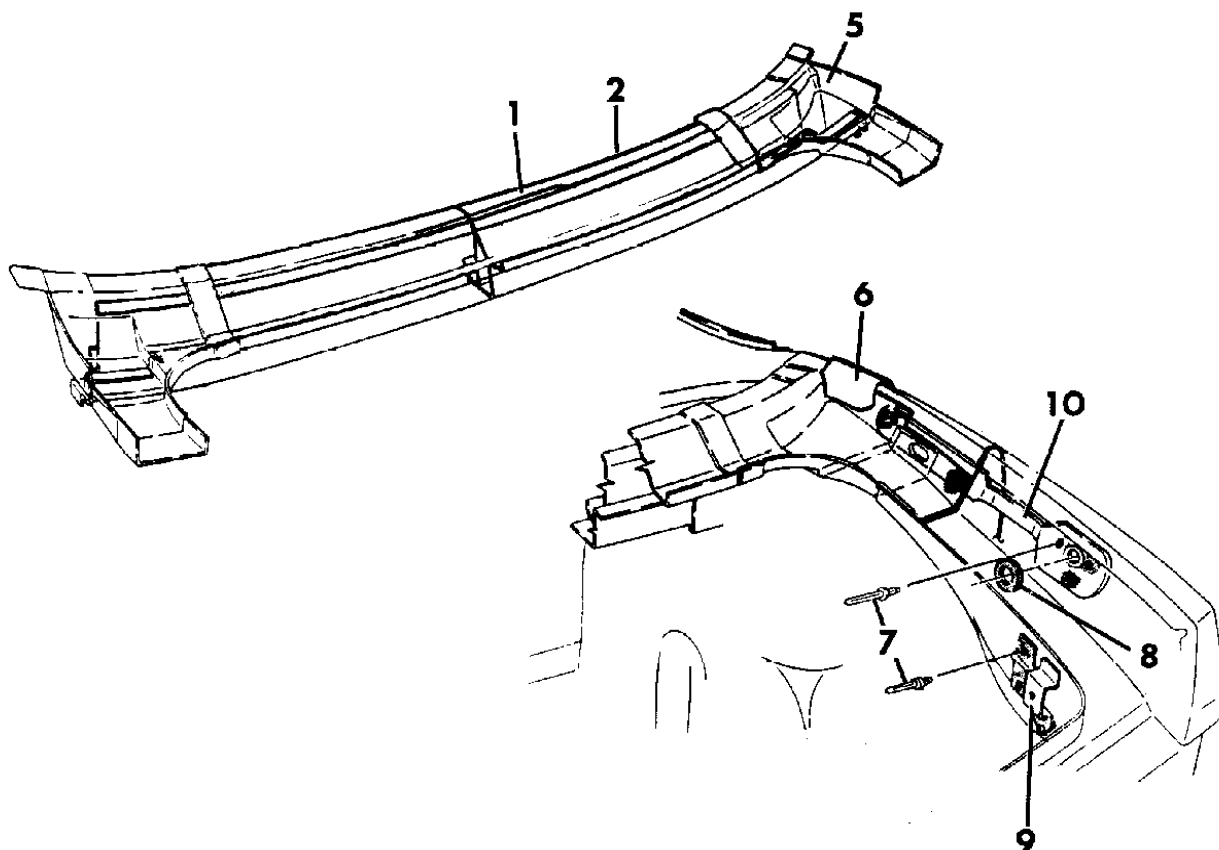
21=2-Door Coupe 41=4-Door Sedan 12-52=FWD & AWD Van & Wgn Std W.B.  
 24=2-Door Hatchback 44=4-Door Hatchback 53=FWD & AWD Van & Wgn Ext. W.B.  
 27=2-Door Convertible

AR = Use as Required - = Non Illustrated Part P.A.R. = Paint as Required

DECK LID OPENING P BODY 27  
Figure 23A-2900

93169 2900

ITEM	PART NUMBER	QTY	BODY	MODEL	DESCRIPTION
1	5241 175	1			TROUGH and REAR DRAIN, Deck Lid ***
2	5241 181	1			TROUGH, Deck Lid Center
3	5241 189	AR			RIVET
4	5241 198-9	1			REINFORCEMENT ASSEMBLY, Quarter Belt
5	5241 180	1			REINFORCEMENT, Upper Back Panel ***
6	5241 468-9	1			COVER, Quarter Filler
7	5241 779	AR			RIVET
8	5241 309	AR			SEAL, Hinge Mounting Bracket
9	5241 310-1	1			BRACKET ASSEMBLY, Strut Mounting ***
10	5241 304-5	1			BRACKET ASSEMBLY, Deck Lid Mounting ***



MODEL CODES:

A BODY=(C=LeBaron, D=Spirit, P=Acclaim/LaBaron(Landau),  
Saratoga)  
C BODY=(D=Dynasty, C=New Yorker/N.Y. Salon)  
G BODY=(V=Daytona/IROC, Chrysler Daytona)  
J BODY=(C=LeBaron, Chrysler LeBaron)  
P BODY=(P=Sundance, D=Shadow)

S BODY=(H=Voyager(H) FWD, K=Caravan(H) FWD,  
Y=Town & Country(H) FWD, P=Voyager(K) AWD,  
D=Caravan(K) AWD, C=Town & Country(K) AWD)  
Y BODY=(C=Imperial/5th Avenue)  
E-S BODY=(K=Chrysler Voyager(H) FWD, D=Chrysler  
Voyager(K) AWD)

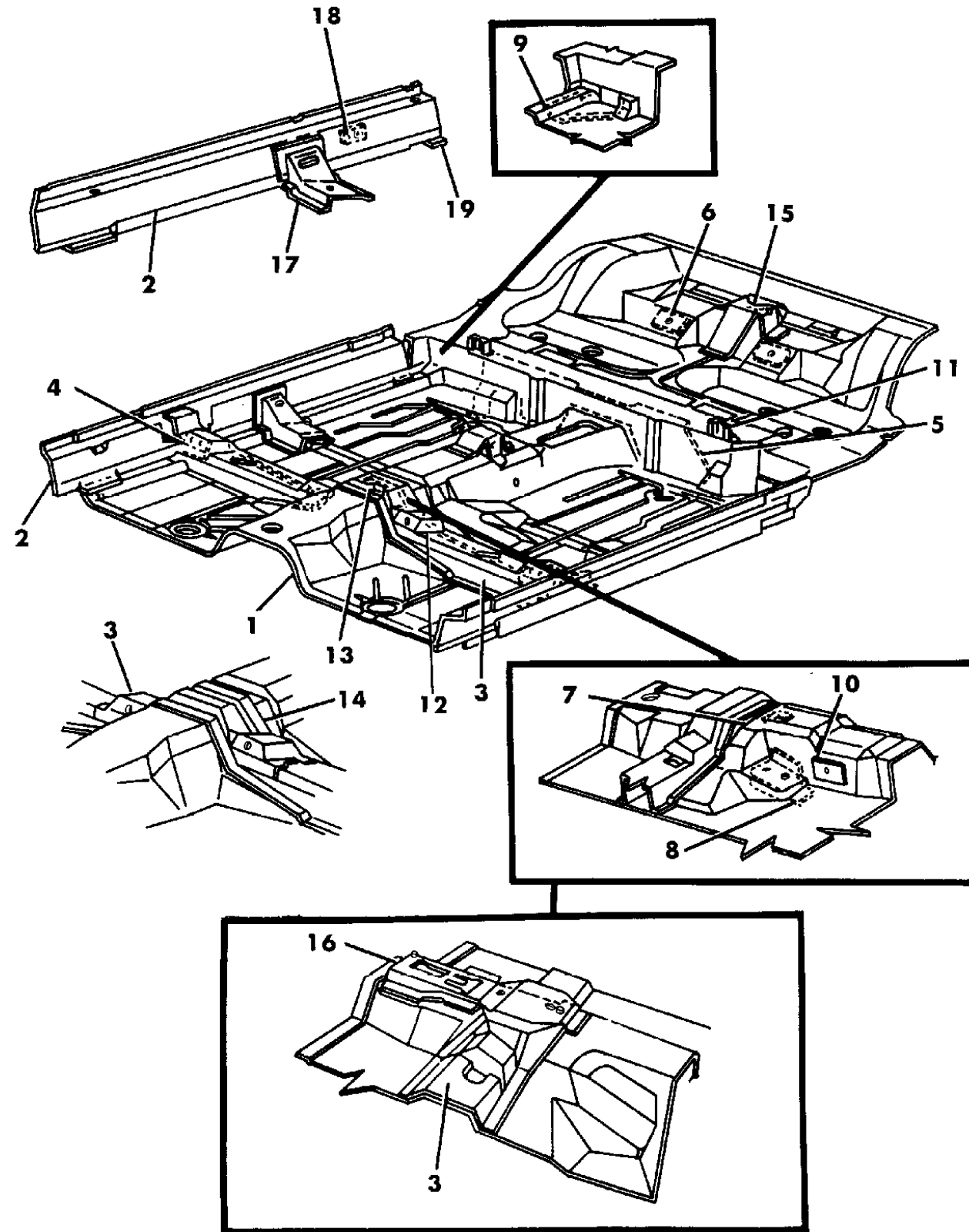
BODY STYLES:

21=2-Door Coupe      41=4-Door Sedan      12-52=FWD & AWD Van & Wgn Std W.B.  
24=2-Door Hatchback      44=4-Door Hatchback      53=FWD & AWD Van & Wgn Ext. W.B.  
27=2-Door Convertible

AR = Use as Required - = Non Illustrated Part P.A.R. = Paint as Required

FLOOR PAN FRONT A BODY 41  
Figure 23A-3000

93169 3000



ITEM	PART NUMBER	QTY	BODY	MODEL	DESCRIPTION
1	4674 353	1			PAN, Floor Front
2	4674 164-5	1			PANEL ASSEMBLY, Side Sill Inner
3		1			CROSSMEMBER, Front Floor Pan Seat Track (Serviced in Item # 14)
4	4416 915	2			REINFORCEMENT, Front Floor Pan Front Seat Crossmember Qtr.
5	4416 135	1			PLATE, Front Floor Fuel Hanger
6	4314 260	2			REINFORCEMENT, Front Floor Pan Rear Seat and Seat Belt Inner
7	4416 060	1			BRACKET, Front Floor Pan Parking Brake Guide
8	4655 158-9	1			REINFORCEMENT, Front Floor Pan Front Seat Rear Inner
9	5256 108-9	1			BRACKET, Front Floor Pan Lift Hoisting
10	4314 260	2			REINFORCEMENT, Front Floor Pan Front Seat Belt
11	4206 904	2			RETAINER, Front Floor Pan Rear Seat Cushion
12	4416 494	1			BRACKET, Floor Pan Center Armrest Support
13		1			REINFORCEMENT, Front Floor Pan Front Seat Crossmember Center (Service In Item #14)
14	4548 486	1			CROSSMEMBER
15	4548 051	1			BRACKET, Front Floor Pan Rear Seat Center Pivot
16	5253 790	1			BRACKET, Front Console To Floor Pan
17	5253 916-7	1			REINFORCEMENT, Front Pan Front Seat Rear Qtr.
18		2			PLATE, Front Seat Belt Qtr. Anchor Not Serviced
19	5256 364-5	1			PANEL, Side Sill Inner

MODEL CODES:

A BODY=(C=LeBaron, D=Spirit, P=Acclaim/LaBaron(Landau), Saratoga)  
C BODY=(D=Dynasty, C=New Yorker/N.Y. Salon)  
G BODY=(V=Daytona/IROC, Chrysler Daytona)  
J BODY=(C=LeBaron, Chrysler LeBaron)  
P BODY=(P=Sundance, D=Shadow)

S BODY=(H=Voyager(H) FWD, K=Caravan(H) FWD, Y=Town & Country(H) FWD, P=Voyager(K) AWD, D=Caravan(K) AWD, C=Town & Country(K) AWD)  
Y BODY=(C=Imperial/5th Avenue)  
E-S BODY=(K=Chrysler Voyager(H) FWD, D=Chrysler Voyager(K) AWD)

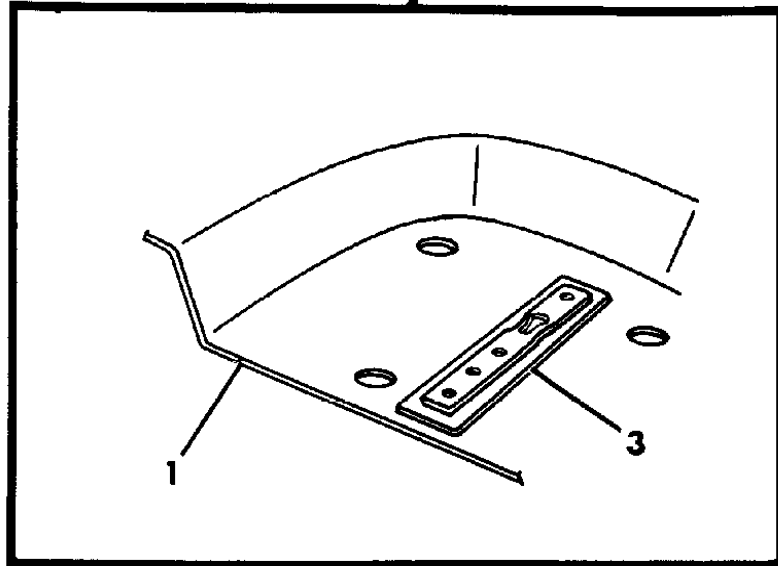
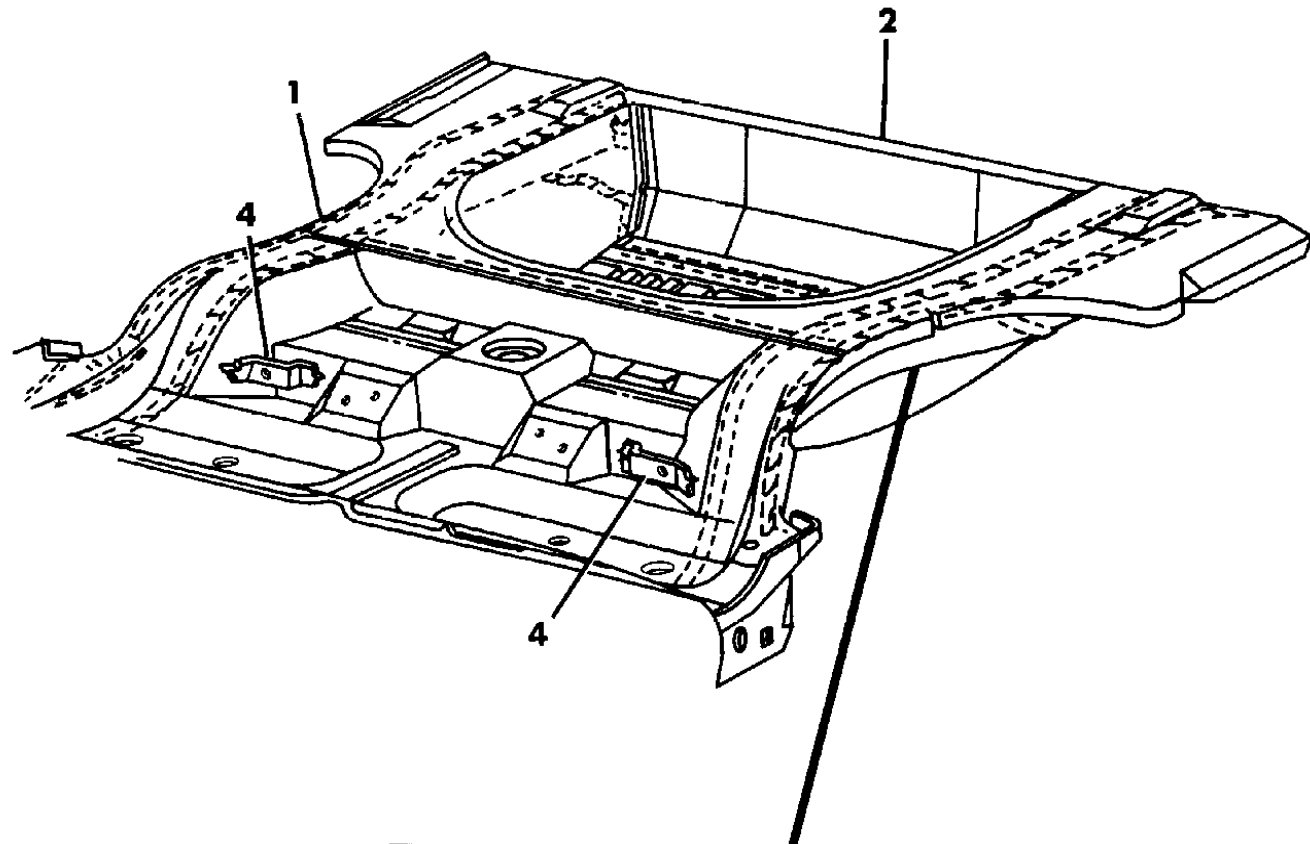
BODY STYLES:

21=2-Door Coupe      41=4-Door Sedan      12-52=FWD & AWD Van & Wgn Std W.B.  
24=2-Door Hatchback      44=4-Door Hatchback      53=FWD & AWD Van & Wgn Ext. W.B.  
27=2-Door Convertible

AR = Use as Required - = Non Illustrated Part P.A.R. = Paint as Required

FLOOR PAN REAR A BODY 41  
Figure 23A-3100

93169 3100



ITEM	PART NUMBER	QTY	BODY	MODEL	DESCRIPTION
1	4512 462	1			PAN, Floor Rear
2	4674 197	1			CROSSMEMBER, Rear Floor Pan Rear
3	4206 247	1			BRACKET, Rear Floor Pan Wheel Anchor
4	4134 938-9	1			BRACKET, Front Floor Pan Rear Seat Back

**MODEL CODES:**

A BODY=(C=LeBaron, D=Spirit, P=Acclaim/LaBaron(Landau), Saratoga) S BODY=(H=Voyager(H) FWD, K=Caravan(H) FWD, Y=Town & Country(H) FWD, P=Voyager(K) AWD, D=Caravan(K) AWD, C=Town & Country(K) AWD)  
 C BODY=(D=Dynasty, C=New Yorker/N.Y. Salon) Y BODY=(C=Imperial/5th Avenue)  
 G BODY=(V=Daytona/IROC, Chrysler Daytona) E-S BODY=(K=Chrysler Voyager(H) FWD, D=Chrysler Voyager(K) AWD)  
 J BODY=(C=LeBaron, Chrysler LeBaron)  
 P BODY=(P=Sundance, D=Shadow)

**BODY STYLES:**

21=2-Door Coupe 41=4-Door Sedan 12-52=FWD & AWD Van & Wgn Std W.B.  
 24=2-Door Hatchback 44=4-Door Hatchback 53=FWD & AWD Van & Wgn Ext. W.B.  
 27=2-Door Convertible

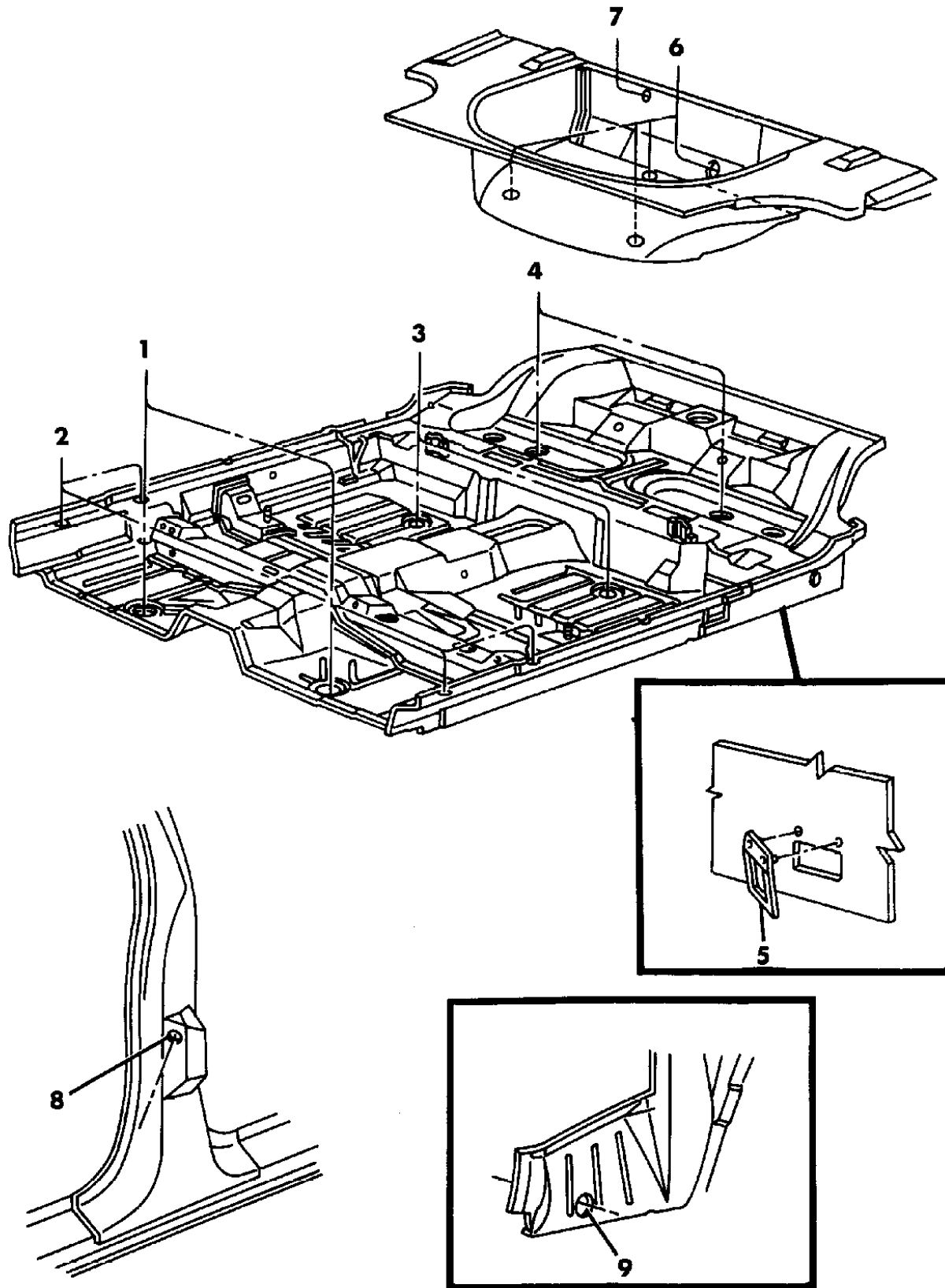
AR = Use as Required - = Non Illustrated Part P.A.R. = Paint as Required



PLUGS FLOOR PAN AND PILLAR A BODY 41  
Figure 23A-3200

93169 3200

ITEM	PART NUMBER	QTY	BODY	MODEL	DESCRIPTION
1	4512 494	2			PLUG, Floor Pan
2	2860 332	4			PLUG
3	2424 864	2			PLUG
4	4512 495	2			PLUG
5	3794 032	1			SEAL, Body Side Sill Inner
6	6030 773	4			PLUG
7	4512 495	1			PLUG
8	2480 957	2			PLUG
9	4512 495	2			PLUG



**MODEL CODES:**

A BODY=(C=LeBaron, D=Spirit, P=Acclaim/LaBaron(Landau),  
Saratoga)  
C BODY=(D=Dynasty, C=New Yorker/N.Y. Salon)  
G BODY=(V=Daytona/IROC, Chrysler Daytona)  
J BODY=(C=LeBaron, Chrysler LeBaron)  
P BODY=(P=Sundance, D=Shadow)

S BODY=(H=Voyager(H) FWD, K=Caravan(H) FWD,  
Y=Town & Country(H) FWD, P=Voyager(K) AWD,  
D=Caravan(K) AWD, C=Town & Country(K) AWD)  
Y BODY=(C=Imperial/5th Avenue)  
E-S BODY=(K=Chrysler Voyager(H) FWD, D=Chrysler  
Voyager(K) AWD)

**BODY STYLES:**

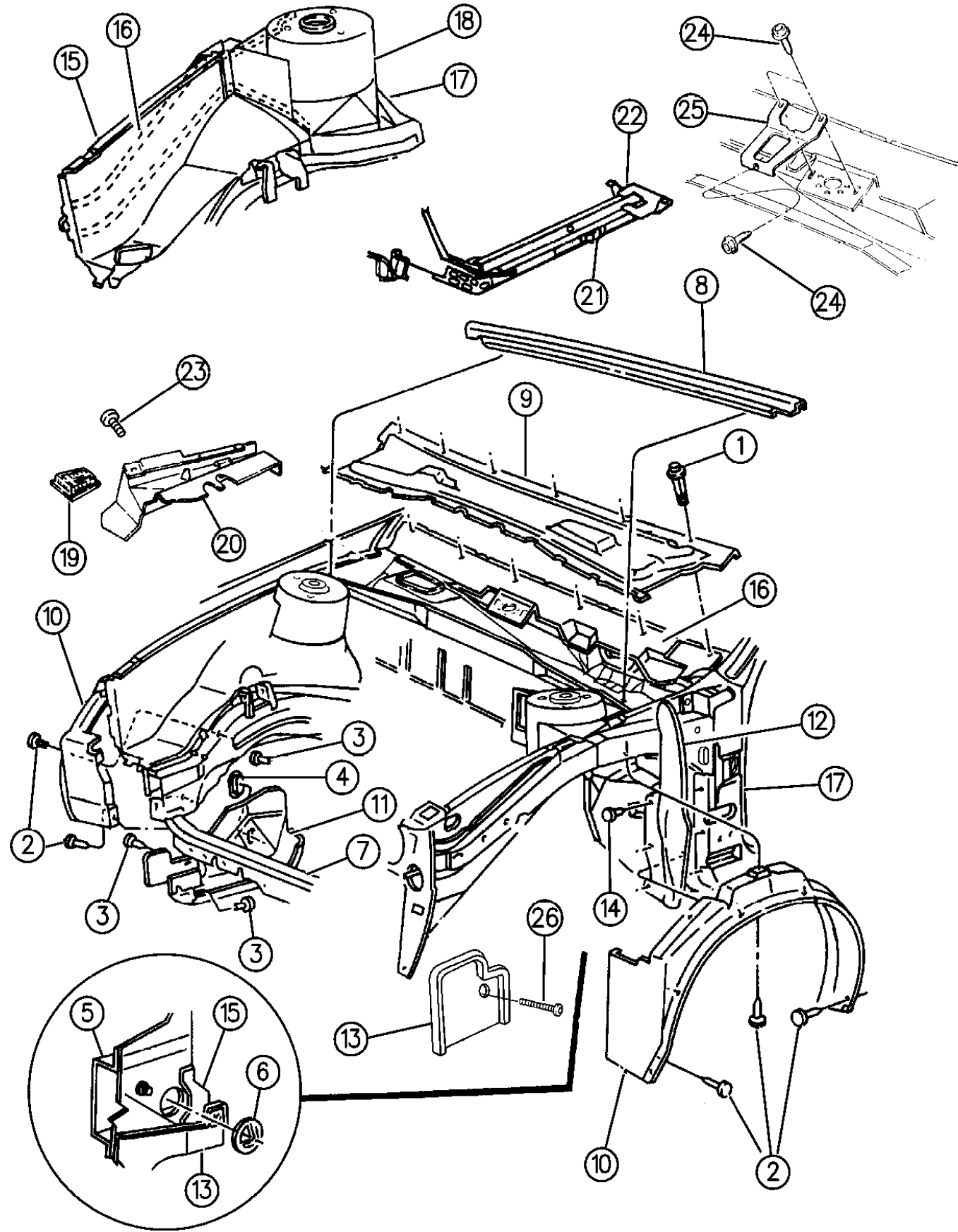
21=2-Door Coupe      41=4-Door Sedan      12-52=FWD & AWD Van & Wgn Std W.B.  
24=2-Door Hatchback      44=4-Door Hatchback      53=FWD & AWD Van & Wgn Ext. W.B.  
27=2-Door Convertible

AR = Use as Required - = Non Illustrated Part P.A.R. = Paint as Required

SHIELD AND SCREEN A BODY 41

Figure 23A-3300

93169 3300A



ITEM	PART NUMBER	QTY	BODY	MODEL	DESCRIPTION
1	6501 852	6			FASTENER, Cowl Top Screen
2	6030 441	26			RETAINER
3		5			SCREW, Not Serviced
4		2			PLUG, Not Serviced
5		1			RAIL, Front Side Rail Front Lt. (Service In Frame Group)
6	6031 488	1			PLUG, (Oval Shape)
7		1			CROSSMEMBER, Front Side Rail Front (Service In Frame Group)
8	4548 222	1			SEAL, Dash Panel To Hood
9	4674 263	1			SCREEN, Cowl Top
10	4386 326-7	1			SHIELD, Fender Wheel House Splash
11	4637 580	1			SHIELD PACKAGE ***
12		1			BAFFLE, Body Front Housing Pillar To Fender Not Serviced
13	4655 121	1			SHIELD, Trans. Lt.
14	4341 060	3			FASTENER
15	4655 182-3	1			PANEL, Front Fender Shield
16	4440 068-9	1			BEAM, Front Fender Shield Upper Load Path Front
17	4534 256-7	1			EXTENSION, Iso Strut Tower To Dash Panel
18	4741 222-3	1			TOWER, Front Support Iso Strut
19	5256 369	1			SCREEN, Cowl Plenum A/C Inlet
20	5256 173	1			SHIELD, Cowl Plenum Support
21	4296 417	1			BRACKET, Side Rail Rear Bracket Cable
22		1			SHIELD, Front Floor Pan
	4475 744				For Fuel line, Right Side
	4475 745				For Brake Line, Right Side
23	6031 012	1			SCREW
24	6502 064	3			SCREW and WASHER
25	4371 907	1			SUPPORT, Dash to Cowl Screen
26					SCREW, (Not Serv.)

MODEL CODES:

A BODY=(C=LeBaron, D=Spirit, P=Acclaim/LaBaron(Landau),  
Saratoga)  
C BODY=(D=Dynasty, C=New Yorker/N.Y. Salon)  
G BODY=(V=Daytona/IROC, Chrysler Daytona)  
J BODY=(C=LeBaron, Chrysler LeBaron)  
P BODY=(P=Sundance, D=Shadow)

S BODY=(H=Voyager(H) FWD, K=Caravan(H) FWD,  
Y=Town & Country(H) FWD, P=Voyager(K) AWD,  
D=Caravan(K) AWD, C=Town & Country(K) AWD)  
Y BODY=(C=Imperial/5th Avenue)  
E-S BODY=(K=Chrysler Voyager(H) FWD, D=Chrysler  
Voyager(K) AWD)

BODY STYLES:

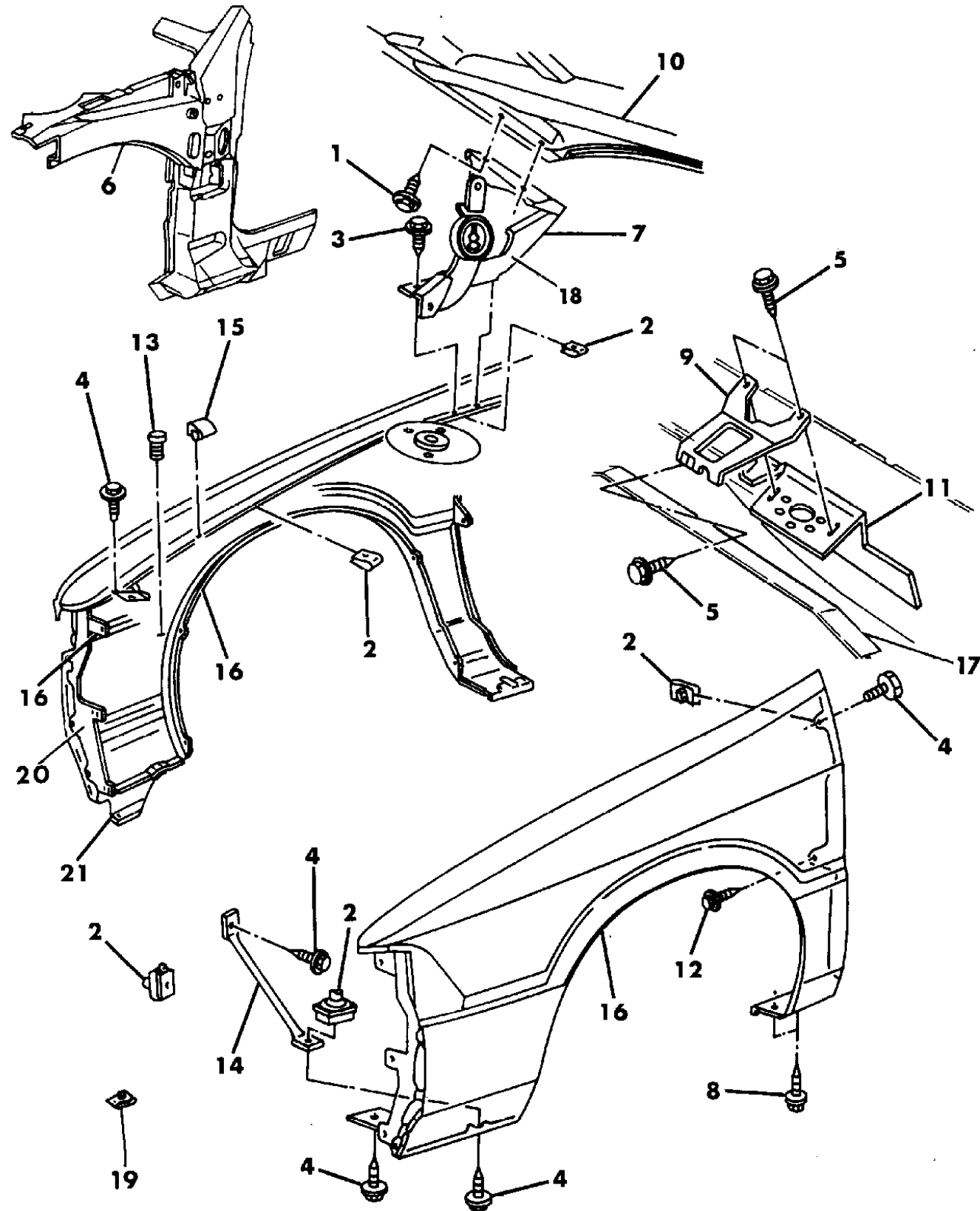
21=2-Door Coupe      41=4-Door Sedan      12-52=FWD & AWD Van & Wgn Std W.B.  
24=2-Door Hatchback      44=4-Door Hatchback      53=FWD & AWD Van & Wgn Ext. W.B.  
27=2-Door Convertible

AR = Use as Required - = Non Illustrated Part P.A.R. = Paint as Required

FENDER AND FENDER BRACE A BODY 41

Figure 23A-3400

93169 3400



ITEM	PART NUMBER	QTY	BODY	MODEL	DESCRIPTION
1		4			SCREW
2	1150 3714	26			NUT
3	6101 371	4			SCREW
4	6100 568	19			SCREW
5	6502 064	3			SCREW
6	4534 088-9	1			EXTENSION, Front Fender Shield
7	4534 726-7	1			HINGE, Hood
8		2			SCREW, Not Serviced
9	4371 907	1			SUPPORT, Cowl To Dash Panel Wiper Pivot
10		1			HOOD (Refer to Hood & Hood Release Illus.) ***
11		1			SUPPORT, Cowl Top Screen Not Serviced
12		2			SCREW, Not Serviced
13	4103 165	2			BUMPER, Crossmember To Hood
14	4440 434	2			BRACE, To Fender
15	4440 485	2			BUMPER, Fender To Hood Side
16	4411 946-7	1			FENDER
17		1			PANEL, Dash (See Dash Panel Illus.)
18		1			LUBRICATION, Not Serviced
19	6501 750	2			U-NUT
20		2			REINFORCEMENT, Fender To Rad. (Service w/Fender)
21	4490 440-1	1			REINFORCEMENT, Fender To Front Lower Crossmember

MODEL CODES:

A BODY=(C=LeBaron, D=Spirit, P=Acclaim/LaBaron(Landau),  
Saratoga)  
C BODY=(D=Dynasty, C=New Yorker/N.Y. Salon)  
G BODY=(V=Daytona/IROC, Chrysler Daytona)  
J BODY=(C=LeBaron, Chrysler LeBaron)  
P BODY=(P=Sundance, D=Shadow)

S BODY=(H=Voyager(H) FWD, K=Caravan(H) FWD,  
Y=Town & Country(H) FWD, P=Voyager(K) AWD,  
D=Caravan(K) AWD, C=Town & Country(K) AWD)  
Y BODY=(C=Imperial/5th Avenue)  
E-S BODY=(K=Chrysler Voyager(H) FWD, D=Chrysler  
Voyager(K) AWD)

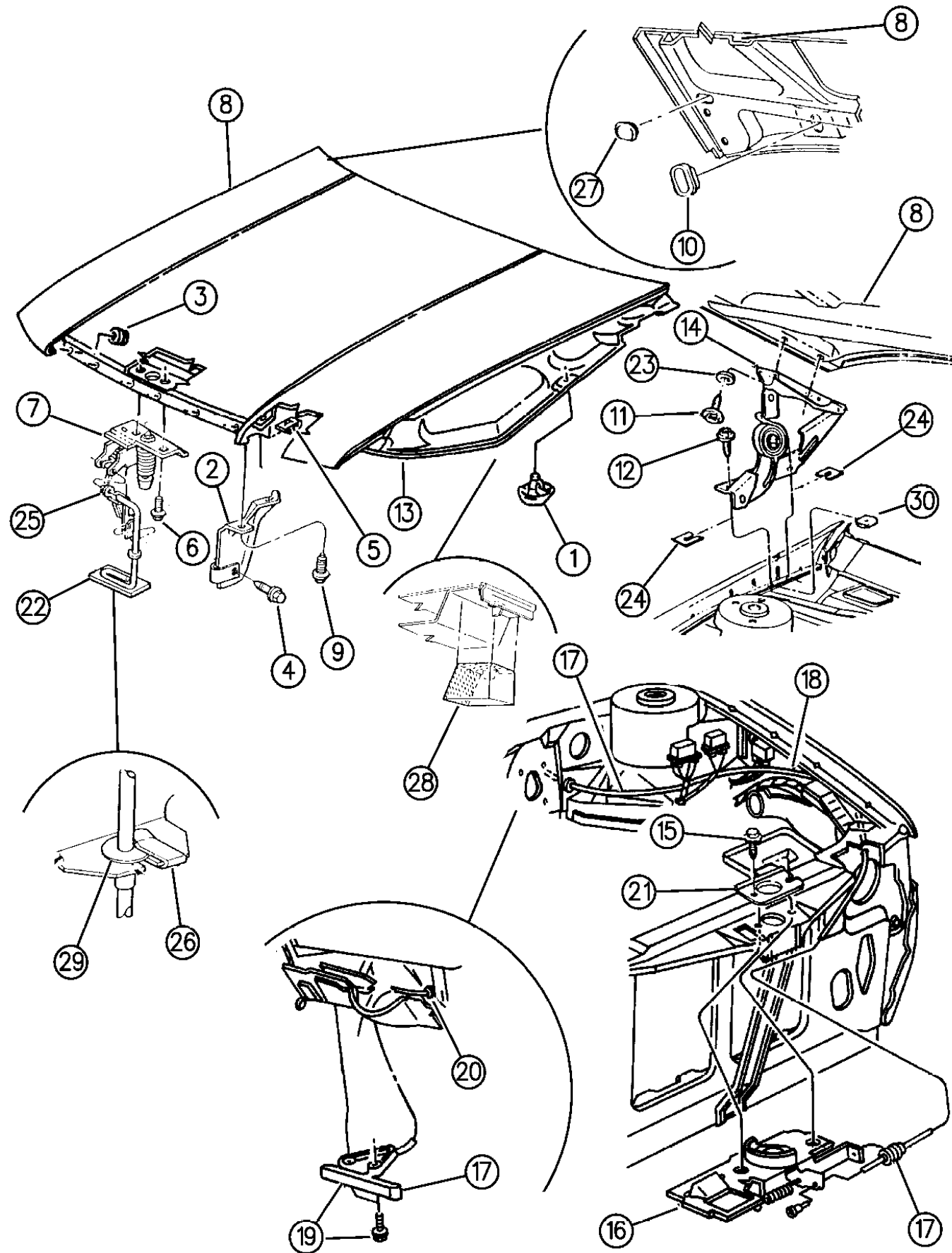
BODY STYLES:

21=2-Door Coupe      41=4-Door Sedan      12-52=FWD & AWD Van & Wgn Std W.B.  
24=2-Door Hatchback      44=4-Door Hatchback      53=FWD & AWD Van & Wgn Ext. W.B.  
27=2-Door Convertible

AR = Use as Required - = Non Illustrated Part P.A.R. = Paint as Required

**HOOD AND HOOD RELEASE A BODY 41**  
**Figure 23A-3500**

93169 3500A



ITEM	PART NUMBER	QTY	BODY	MODEL	DESCRIPTION
1	4341 060	10			FASTENER
2	4719 226-7	1		D-P	BRACKET
	4386 638-9			C	
	4386 638-9			C	EUROPE
3	6100 046	6			NUT & WASHER ***
4		AR			SCREW, M5x0.80x20.00, Not Serviced
5		AR			U-NUT, M5x0.80, Not Serviced
6	6501 728	AR			SCREW
7	4675 737	1			STRIKER, w/Safety Catch Assembly
-	5257 343	1			BUSHING, Safety Catch To Handle
8					HOOD
	4719 026	1			w/o Ornament
	4719 027	1			w/Ornament
-	5255 645	1			SEAL, Hood to Fender Ledge
9	6100 250	4			SCREW
10	2895 126	2			PLUG
11	6502 854	4			SCREW
12		4			SCREW, M6x1.00x30.xx, (Not Serviced)
13	5255 028	1			SILENCER
14	4534 726-7	1			HINGE
15	6501 728	2			SCREW
16	4534 290	1			LATCH ASSEMBLY, Hood
17	4534 670	1			HANDLE, Hood Release Latch
18		1			MODULE, (See Group 8)
19	9414 728	2			SCREW & WASHER ***
20		1			GROMMET, Not Serviced
21	4490 360	1			REINFORCEMENT, Crossmember Radiator Closure and Hood Latch
22	4675 739	1			ROD & HANDLE, Hood Latch Release Safety Catch ***
23		AR			WASHER, (Not Serviced)
24	4341 468	AR			SHIM
25	4719 054	1			RETAINER, Clip & Rod
26	4534 555	1			RETAINER ASSY., Hood Latch Safety Catch Handle Bushing ***
27	4440 486	3			PLUG, Hood Inner Drain Hole
28	5255 645	2			SEAL, Hood to Fender
29	4440 392	1			BUSHING, Release Rod Handle
30	1150 3714	1			U-NUT
-	4490 702	1			LABEL, Airbag

**MODEL CODES:**

A BODY=(C=LeBaron, D=Spirit, P=Acclaim/LaBaron(Landau), Saratoga)

C BODY=(D=Dynasty, C=New Yorker/N.Y. Salon)

G BODY=(V=Daytona/IROC, Chrysler Daytona)

J BODY=(C=LeBaron, Chrysler LeBaron)

P BODY=(P=Sundance, D=Shadow)

S BODY=(H=Voyager(H) FWD, K=Caravan(H) FWD,

Y=Town & Country(H) FWD, P=Voyager(K) AWD,

D=Caravan(K) AWD, C=Town & Country(K) AWD)

Y BODY=(C=Imperial/5th Avenue)

E-S BODY=(K=Chrysler Voyager(H) FWD, D=Chrysler

Voyager(K) AWD)

**BODY STYLES:**

21=2-Door Coupe      41=4-Door Sedan      12-52=FWD & AWD Van & Wgn Std W.B.

24=2-Door Hatchback      44=4-Door Hatchback      53=FWD & AWD Van & Wgn Ext. W.B.

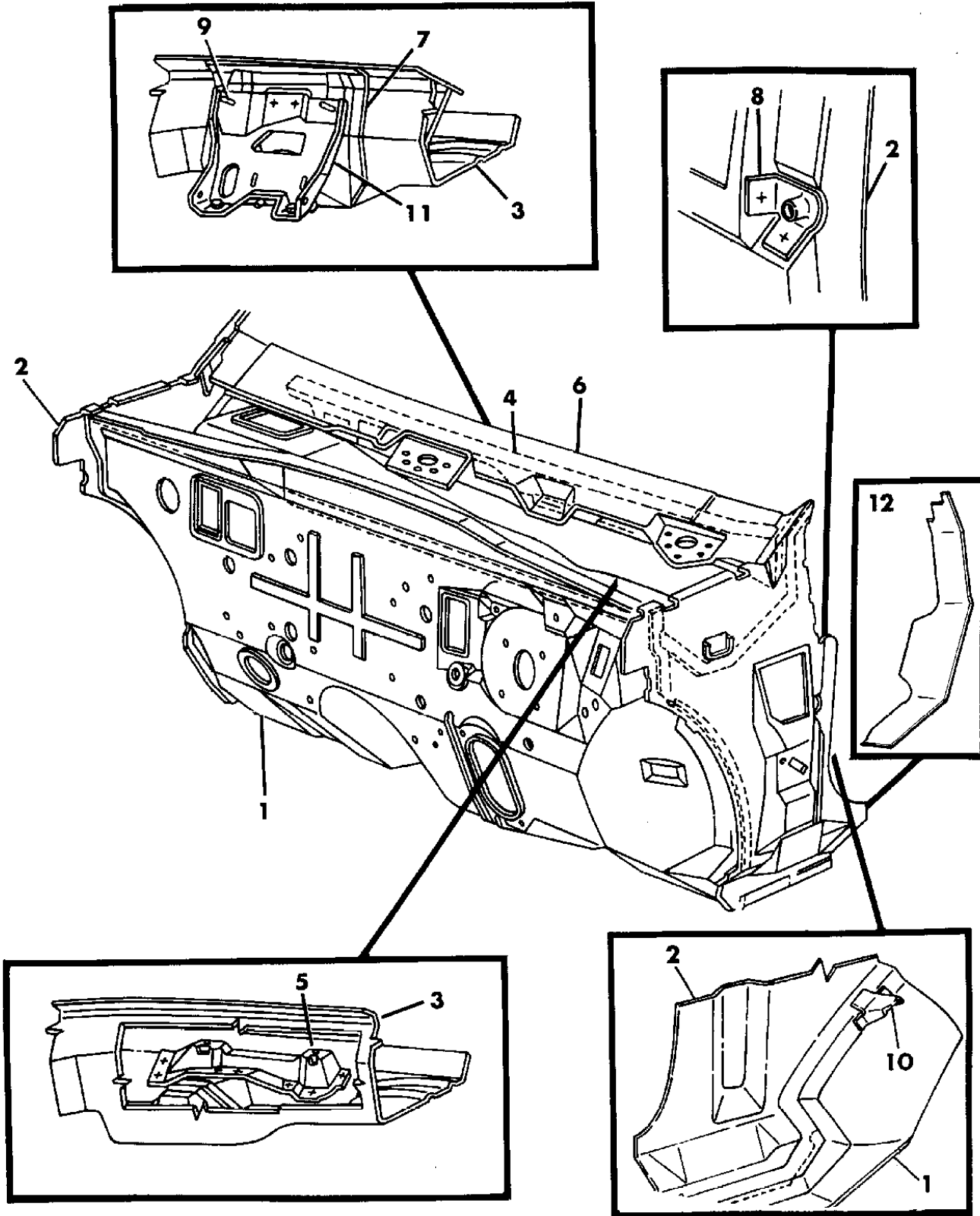
27=2-Door Convertible

AR = Use as Required   - = Non Illustrated Part   P.A.R. = Paint as Required

**COWL AND DASH PANEL A BODY 41**  
Figure 23A-3600

93169 3600

ITEM	PART NUMBER	QTY	BODY	MODEL	DESCRIPTION
1	5253 812	1			PANEL, Dash
2	4475 942-3	1			PANEL, Cowl Side
3	4475 364	1			PANEL, Cowl Plenum
4	4548 232	1			REINFORCEMENT, Cowl Plenum
5	4416 229	1			BRACKET, Cowl Plenum Wiper Motor
6	5256 359	1			SUPPORT, Cowl Top Screen
7	4674 340	1			SUPPORT, Cowl Plenum Strg.
8		1			REINFORCEMENT, Cowl Side (Serviced in Item #2)
9		5			STUD, Not Serviced
10	4206 641	1			BRACKET, Dash Panel
11		1			BRACKET, Brake (See Group 5)
12	4674 084-5	1			PLATE, Dash Panel Reinforcement



**MODEL CODES:**

A BODY=(C=LeBaron, D=Spirit, P=Acclaim/LaBaron(Landau), Saratoga)      S BODY=(H=Voyager(H) FWD, K=Caravan(H) FWD, Y=Town & Country(H) FWD, P=Voyager(K) AWD, D=Caravan(K) AWD, C=Town & Country(K) AWD)  
 C BODY=(D=Dynasty, C=New Yorker/N.Y. Salon)  
 G BODY=(V=Daytona/IROC, Chrysler Daytona)  
 J BODY=(C=LeBaron, Chrysler LeBaron)  
 P BODY=(P=Sundance, D=Shadow)      Y BODY=(C=Imperial/5th Avenue)  
 E-S BODY=(K=Chrysler Voyager(H) FWD, D=Chrysler Voyager(K) AWD)

**BODY STYLES:**

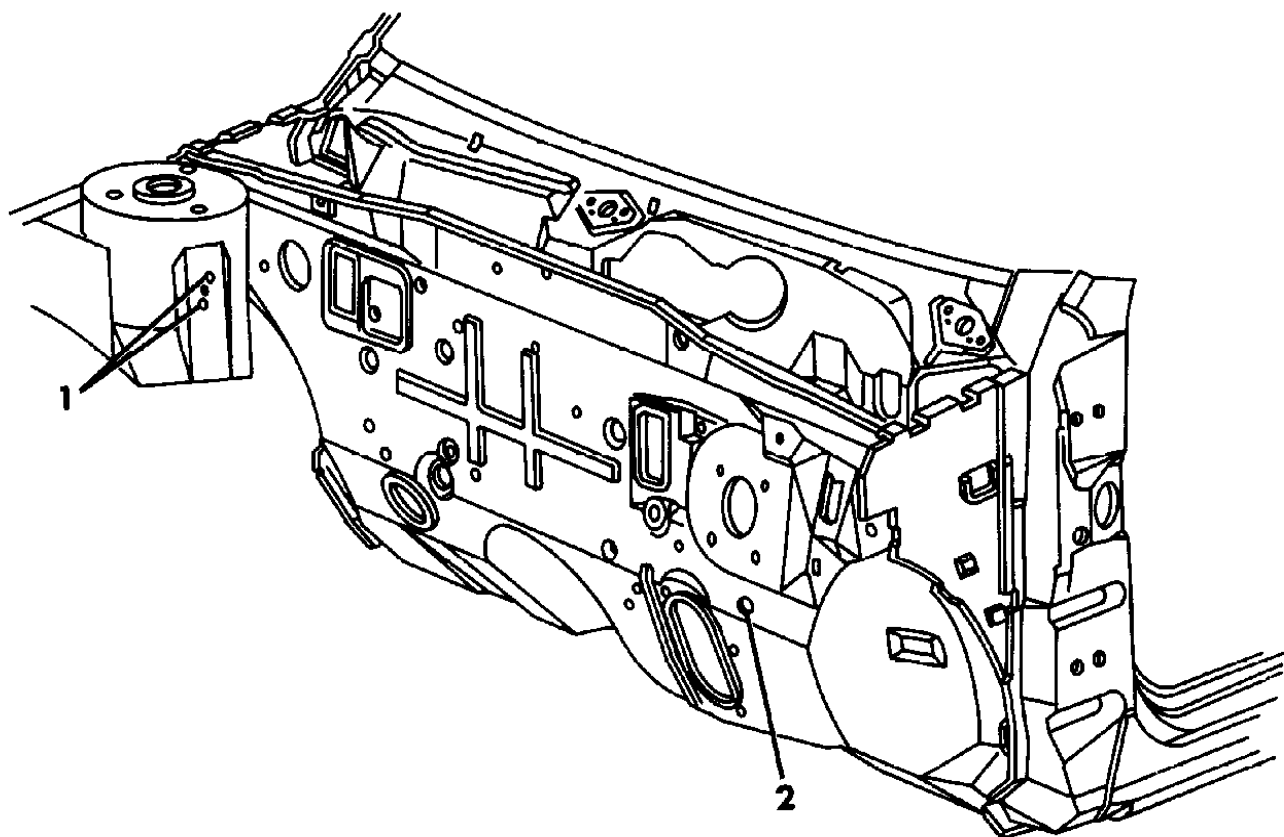
21=2-Door Coupe      41=4-Door Sedan      12-52=FWD & AWD Van & Wgn Std W.B.  
 24=2-Door Hatchback      44=4-Door Hatchback      53=FWD & AWD Van & Wgn Ext. W.B.  
 27=2-Door Convertible

AR = Use as Required - = Non Illustrated Part P.A.R. = Paint as Required

PLUGS DASH A BODY 41  
Figure 23A-3700

93169 3700

ITEM	PART NUMBER	QTY	BODY	MODEL	DESCRIPTION
1	4386 178	1			PLUG, a/Trans. Lt. Side
2	3445 939	1			PLUG, a/Trans. Shift



**MODEL CODES:**

A BODY=(C=LeBaron, D=Spirit, P=Acclaim/LaBaron(Landau), Saratoga) S BODY=(H=Voyager(H) FWD, K=Caravan(H) FWD, Y=Town & Country(H) FWD, P=Voyager(K) AWD, D=Caravan(K) AWD, C=Town & Country(K) AWD)  
 C BODY=(D=Dynasty, C=New Yorker/N.Y. Salon) Y BODY=(C=Imperial/5th Avenue)  
 G BODY=(V=Daytona/IROC, Chrysler Daytona) E-S BODY=(K=Chrysler Voyager(H) FWD, D=Chrysler Voyager(K) AWD)  
 J BODY=(C=LeBaron, Chrysler LeBaron)  
 P BODY=(P=Sundance, D=Shadow)

**BODY STYLES:**

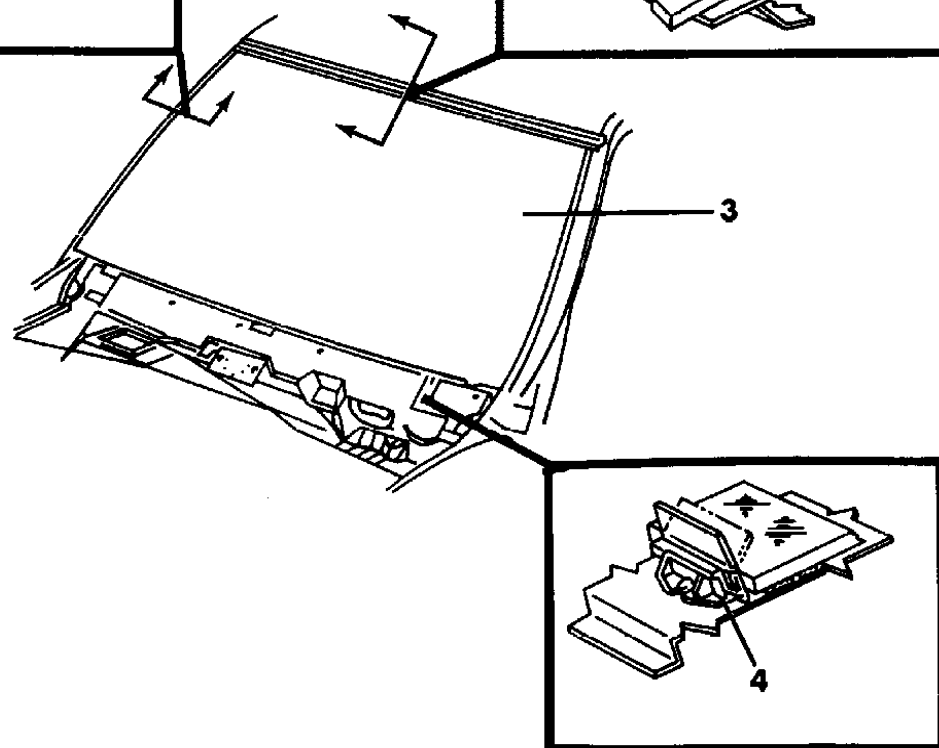
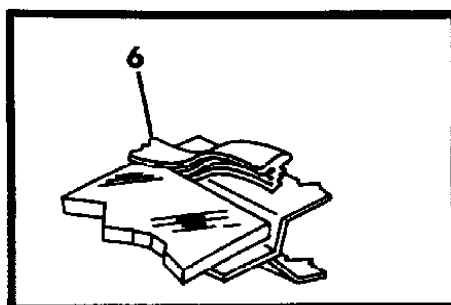
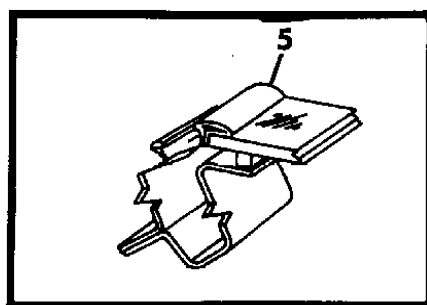
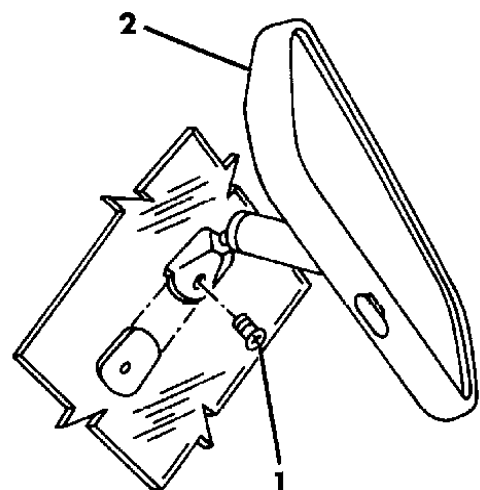
21=2-Door Coupe      41=4-Door Sedan      12-52=FWD & AWD Van & Wgn Std W.B.  
 24=2-Door Hatchback      44=4-Door Hatchback      53=FWD & AWD Van & Wgn Ext. W.B.  
 27=2-Door Convertible

AR = Use as Required - = Non Illustrated Part P.A.R. = Paint as Required

**GLASS WINDSHIELD AND MIRROR A BODY 41**  
**Figure 23A-3800**

93169 3800

ITEM	PART NUMBER	QTY	BODY	MODEL	DESCRIPTION
1		1			SCREW, Not Serviced
2	4299 321	1			MIRROR
3					GLASS, Windshield
	5255 071	1			Tinted
4	4416 497	2			SPACER, Support Bottom (Only)
	4416 238-9	1			BASE and SEAL, Windshield Side Frame
5	5261 112-3	1			MOULDING, Outside
6	4491 298	1			MOULDING, Outside Upper



**MODEL CODES:**

A BODY=(C=LeBaron, D=Spirit, P=Acclaim/LaBaron(Landau), Saratoga)      S BODY=(H=Voyager(H) FWD, K=Caravan(H) FWD, Y=Town & Country(H) FWD, P=Voyager(K) AWD, D=Caravan(K) AWD, C=Town & Country(K) AWD)  
 C BODY=(D=Dynasty, C=New Yorker/N.Y. Salon)      Y BODY=(C=Imperial/5th Avenue)  
 G BODY=(V=Daytona/IROC, Chrysler Daytona)      E-S BODY=(K=Chrysler Voyager(H) FWD, D=Chrysler Voyager(K) AWD)  
 J BODY=(C=LeBaron, Chrysler LeBaron)  
 P BODY=(P=Sundance, D=Shadow)

**BODY STYLES:**

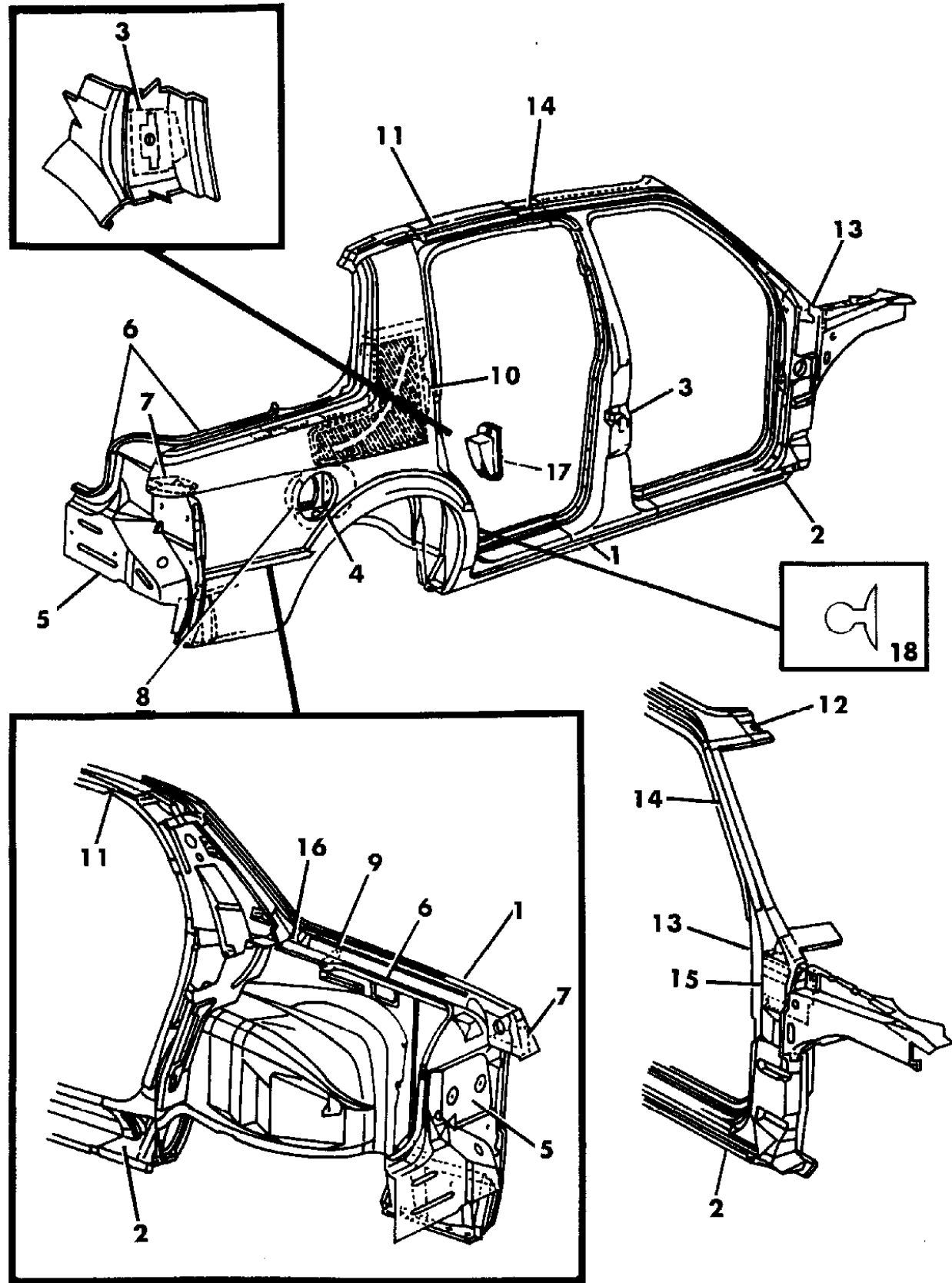
21=2-Door Coupe      41=4-Door Sedan      12-52=FWD & AWD Van & Wgn Std W.B.  
 24=2-Door Hatchback      44=4-Door Hatchback      53=FWD & AWD Van & Wgn Ext. W.B.  
 27=2-Door Convertible

AR = Use as Required - = Non Illustrated Part P.A.R. = Paint as Required

APERTURE PANEL A BODY 41

Figure 23A-3900

93169 3900



ITEM	PART NUMBER	QTY	BODY	MODEL	DESCRIPTION
1		1			PANEL, Aperture
	5255 334-5				Front, Outer
	4548 096-7				Center, Outer
	4416 622-3				Center, Inner
	4548 102-3				Rear, Outer
	4416 614-5				Sill Side Outer Panel
2	4314 277	4			PLATE, Bodyside Jack Locator
3		1			REINFORCEMENT, Rear Door Latch Stricker (Serviced in Assembly)
4	5255 352	1			ADESIVE, Fuel Filler ***
5	4386 492-3	1			EXTENSION, Deck Open Lower Panel
6	4475 726-7	1			TROUGH, Bodyside Aperture Drain
7	4386 494-5	1			EXTENSION, Deck Opening Lower Panel Upper
8	5255 207	1			REINFORCEMENT, Fuel Filler Door Opening
9		1			ADHESIVE, Not Serviced
10	5255 260-1	1			REINFORCEMENT, Seal Assy. Body Side Panel Adhesive
11	4440 696-7	1			RAIL, Roof Side Inner
12	4416 700-1	1			FRAME, Windshield Opening Side Inner
13	4512 384-5	1			FRAME, Windshield Side Outer
	4416 238-9	1			BASE and SEAL, w/Shield Side Frame
14	4386 522-3	1			TROUGH, Roof Side Drain
15	4371 690-1	1			REINFORCEMENT, Windshield Opening Side Inner Frame
16	4475 730-1	1			REINFORCEMENT, Lower Corner Opening
17	4416 244	2			EXHAUSTER, Body Side Panel
18	4337 950	2			PLUG, w/o Door Ajar Switch

MODEL CODES:

A BODY=(C=LeBaron, D=Spirit, P=Acclaim/LaBaron(Landau), Saratoga)  
 C BODY=(D=Dynasty, C=New Yorker/N.Y. Salon)  
 G BODY=(V=Daytona/IROC, Chrysler Daytona)  
 J BODY=(C=LeBaron, Chrysler LeBaron)  
 P BODY=(P=Sundance, D=Shadow)

S BODY=(H=Voyager(H) FWD, K=Caravan(H) FWD, Y=Town & Country(H) FWD, P=Voyager(K) AWD, D=Caravan(K) AWD, C=Town & Country(K) AWD)  
 Y BODY=(C=Imperial/5th Avenue)  
 E-S BODY=(K=Chrysler Voyager(H) FWD, D=Chrysler Voyager(K) AWD)

BODY STYLES:

21=2-Door Coupe      41=4-Door Sedan      12-52=FWD & AWD Van & Wgn Std W.B.  
 24=2-Door Hatchback      44=4-Door Hatchback      53=FWD & AWD Van & Wgn Ext. W.B.  
 27=2-Door Convertible

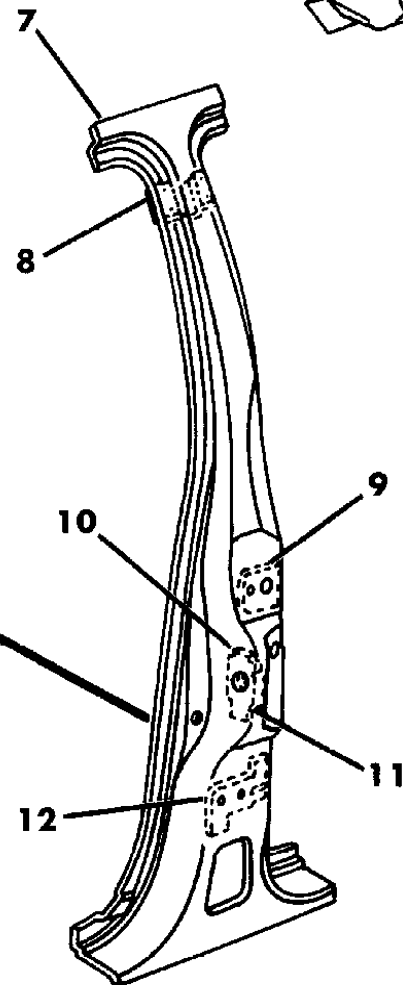
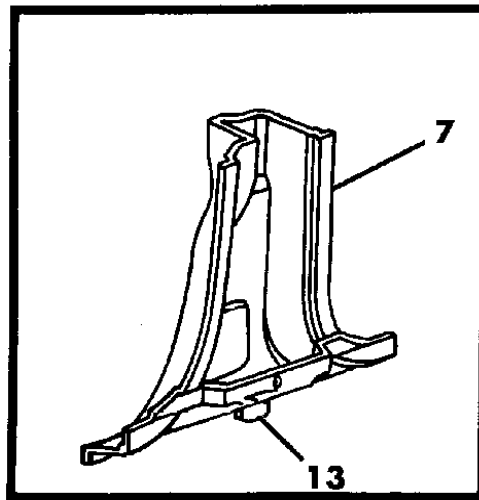
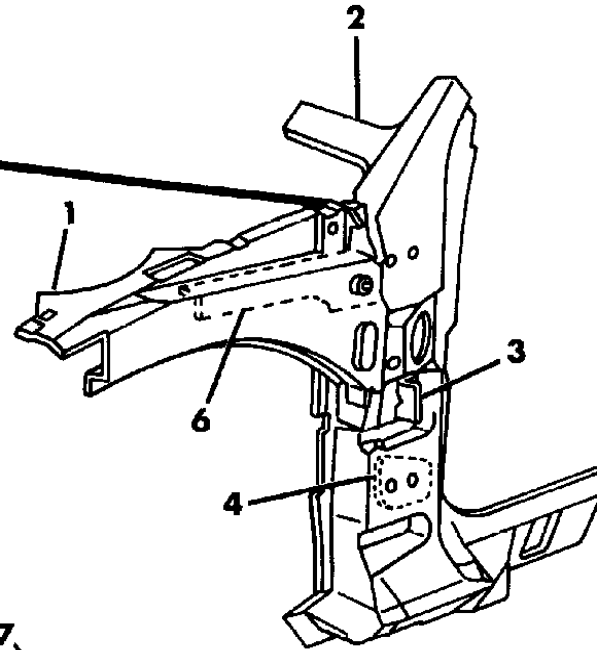
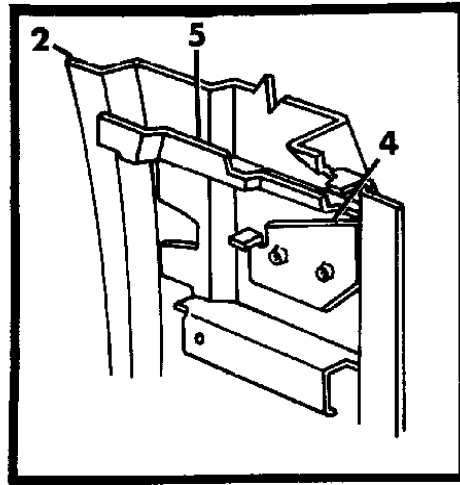
AR = Use as Required - = Non Illustrated Part P.A.R. = Paint as Required



PILLAR FRONT AND CENTER A BODY 41  
Figure 23A-4000

93169 4000

ITEM	PART NUMBER	QTY	BODY	MODEL	DESCRIPTION
1	4534 088-9	1			EXTENSION, Front Fender Shield
2	5255 204-5	1			PILLAR, Front Hinge
3	4512 139	2			SUPPORT, Body Front Hinge Pillar To Fender
4	4314 558-9	1			PLATE, Body Front Hinge Pillar Tapping
5		1			REINFORCEMENT, Body Front Hinge Pillar Upper
	4475 028				Right
	4416 687				Left
6		1			REINFORCEMENT, Front Fender Shield Load Beam Rear Extension Not Serviced
7	4548 096-7	1			PILLAR, Center, Outer
8					REINFORCEMENT, Seat Belt Anchor
	4337 978-9	1			
	5253 351	2			EUROPE
9	4337 048	2			T-PLATE, Center Upper Rear Door Hinge
10	4134 972	2			RETAINER, Panel Door Lock Stricker
11	4314 743	2			PLATE, Front Door Latch Striker Tap
12	4416 542	2			PLATE, Center Pillar Lower Door Hinge
13	4371 370-1	1			REINFORCEMENT, Seat Belt Anchor



**MODEL CODES:**

A BODY=(C=LeBaron, D=Spirit, P=Acclaim/LaBaron(Landau),  
Saratoga)  
C BODY=(D=Dynasty, C=New Yorker/N.Y. Salon)  
G BODY=(V=Daytona/IROC, Chrysler Daytona)  
J BODY=(C=LeBaron, Chrysler LeBaron)  
P BODY=(P=Sundance, D=Shadow)

S BODY=(H=Voyager(H) FWD, K=Caravan(H) FWD,  
Y=Town & Country(H) FWD, P=Voyager(K) AWD,  
D=Caravan(K) AWD, C=Town & Country(K) AWD)  
Y BODY=(C=Imperial/5th Avenue)  
E-S BODY=(K=Chrysler Voyager(H) FWD, D=Chrysler  
Voyager(K) AWD)

**BODY STYLES:**

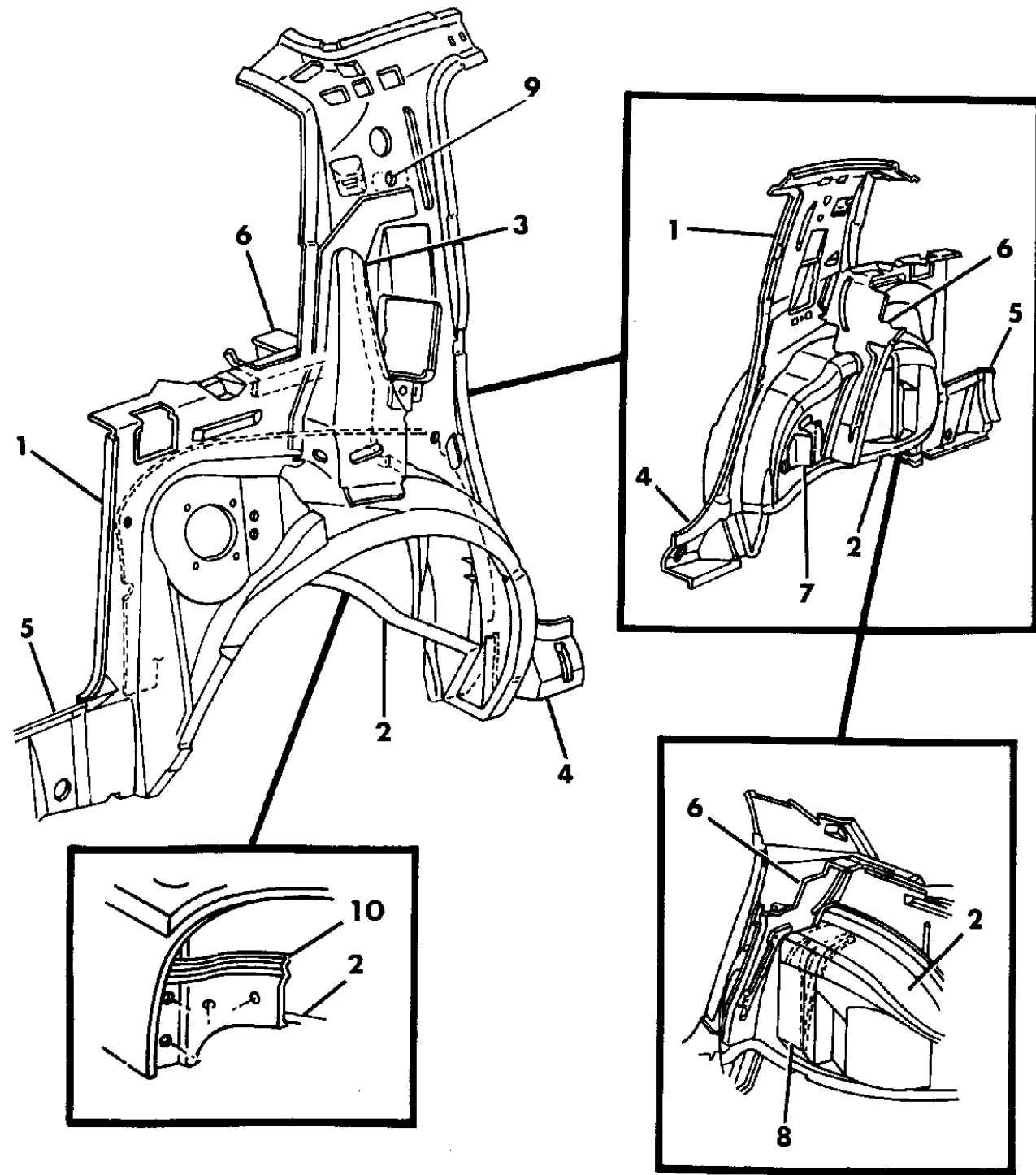
21=2-Door Coupe      41=4-Door Sedan      12-52=FWD & AWD Van & Wgn Std W.B.  
24=2-Door Hatchback      44=4-Door Hatchback      53=FWD & AWD Van & Wgn Ext. W.B.  
27=2-Door Convertible

AR = Use as Required - = Non Illustrated Part P.A.R. = Paint as Required

QUARTER PANEL A BODY 41  
Figure 23A-4100

93169 4100

ITEM	PART NUMBER	QTY	BODY	MODEL	DESCRIPTION
1	5255 370-1	1			PANEL, Quarter Inner Wheelhouse Outer
2	4534 212-3	1			PANEL, Rear Wheelhouse Inner
3	4674 334-5	1			SUPPORT, w/Reinforcement Quarter Inner Rear Shoulder Belt
4	4296 726-7	1			SUPPORT, Quarter Panel Sill Jacking
5	4386 596-7	1			EXTENSION, Quarter Inner Wheelhouse Outer
6		1			EXTENSION, Shelf Panel Not Serviced
7	4440 374-5	1			SUPPORT, Rear Seat Back Pivot Bracket
8	4134 686-7	1			REINFORCEMENT, Wheelhouse Inner Panel Shock
9		1			SUPPORT, Rear Shoulder Belt Loop (Serviced In Item #3)
10	4534 798-9	1			SHIELD, Wheelhouse Inner Panel



MODEL CODES:

A BODY=(C=LeBaron, D=Spirit, P=Acclaim/LaBaron(Landau), Saratoga) S BODY=(H=Voyager(H) FWD, K=Caravan(H) FWD, Y=Town & Country(H) FWD, P=Voyager(K) AWD, D=Caravan(K) AWD, C=Town & Country(K) AWD)  
 C BODY=(D=Dynasty, C=New Yorker/N.Y. Salon)  
 G BODY=(V=Daytona/IROC, Chrysler Daytona)  
 J BODY=(C=LeBaron, Chrysler LeBaron)  
 P BODY=(P=Sundance, D=Shadow)  
 Y BODY=(C=Imperial/5th Avenue)  
 E-S BODY=(K=Chrysler Voyager(H) FWD, D=Chrysler Voyager(K) AWD)

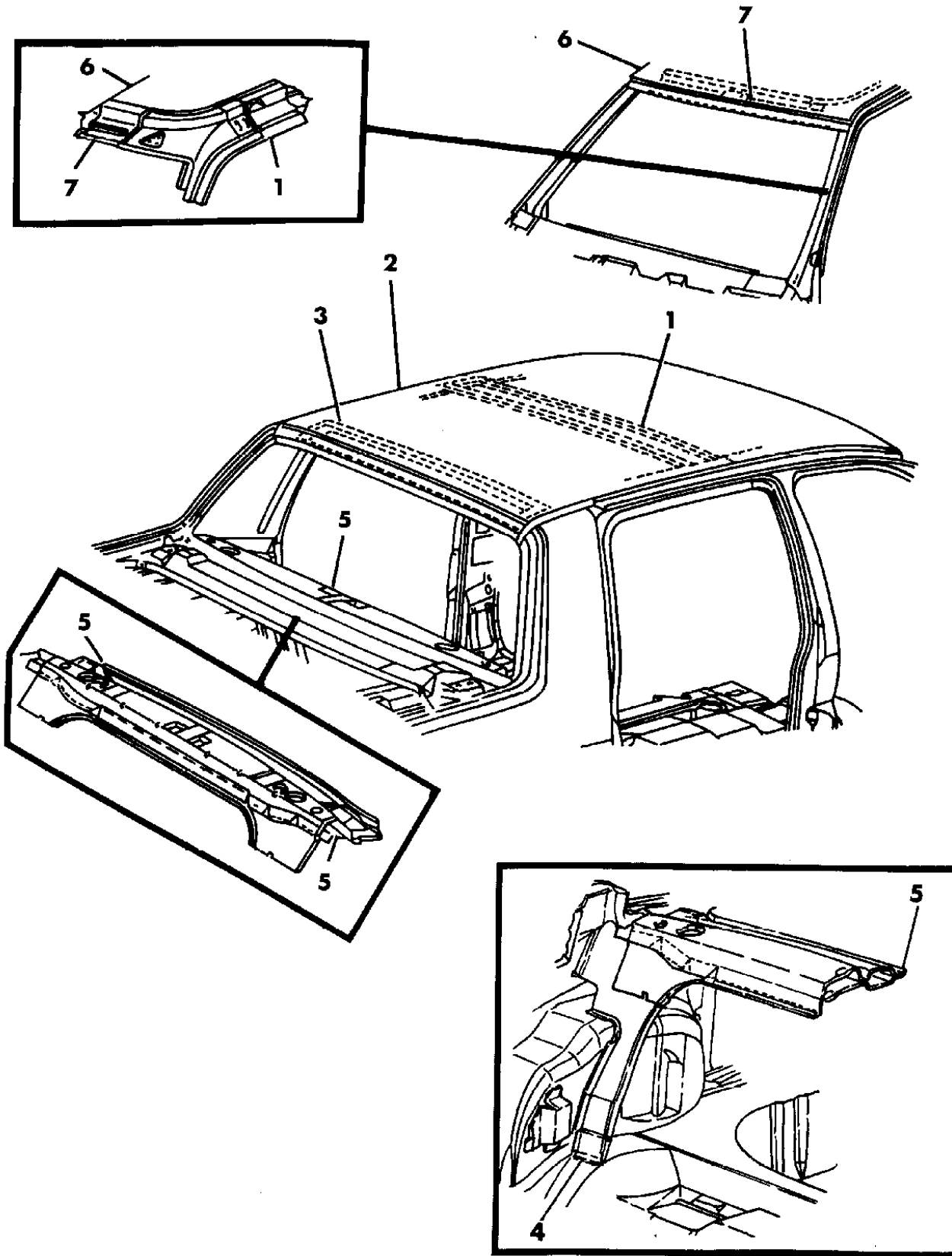
BODY STYLES:

21=2-Door Coupe      41=4-Door Sedan      12-52=FWD & AWD Van & Wgn Std W.B.  
 24=2-Door Hatchback      44=4-Door Hatchback      53=FWD & AWD Van & Wgn Ext. W.B.  
 27=2-Door Convertible

AR = Use as Required - = Non Illustrated Part P.A.R. = Paint as Required

ROOF PANEL A BODY 41  
Figure 23A-4200

93169 4200



ITEM	PART NUMBER	QTY	BODY	MODEL	DESCRIPTION
1	4534 620	1			BOW
2	4490 761				ROOF ***
3	4534 673	1			FRAME, Rear Window Opening Upper
4		1			GUSSET, Shelf Panel Extinsion To Floor Pan Not Serviced
5		1			PANEL, Shelf Not Serviced
6	4416 339	1			FRAME, Windshield Opening Upper
7		1			ADHESIVE, w/Shield Opening Upper Frame Not Serviced

MODEL CODES:

A BODY=(C=LeBaron, D=Spirit, P=Acclaim/LaBaron(Landau), Saratoga) S BODY=(H=Voyager(H) FWD, K=Caravan(H) FWD, Y=Town & Country(H) FWD, P=Voyager(K) AWD, D=Caravan(K) AWD, C=Town & Country(K) AWD)  
 C BODY=(D=Dynasty, C=New Yorker/N.Y. Salon) Y BODY=(C=Imperial/5th Avenue)  
 G BODY=(V=Daytona/IROC, Chrysler Daytona) E-S BODY=(K=Chrysler Voyager(H) FWD, D=Chrysler Voyager(K) AWD)  
 J BODY=(C=LeBaron, Chrysler LeBaron)  
 P BODY=(P=Sundance, D=Shadow)

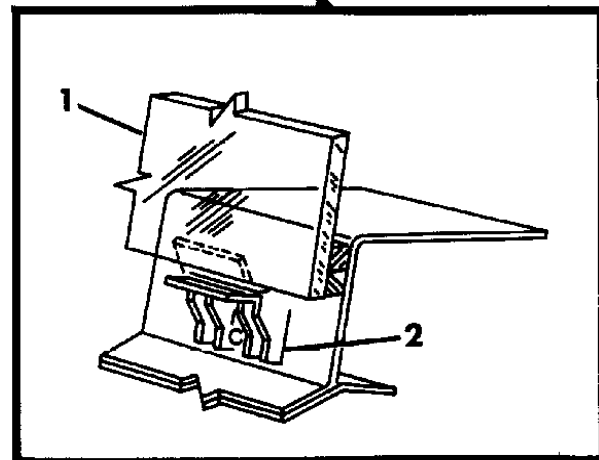
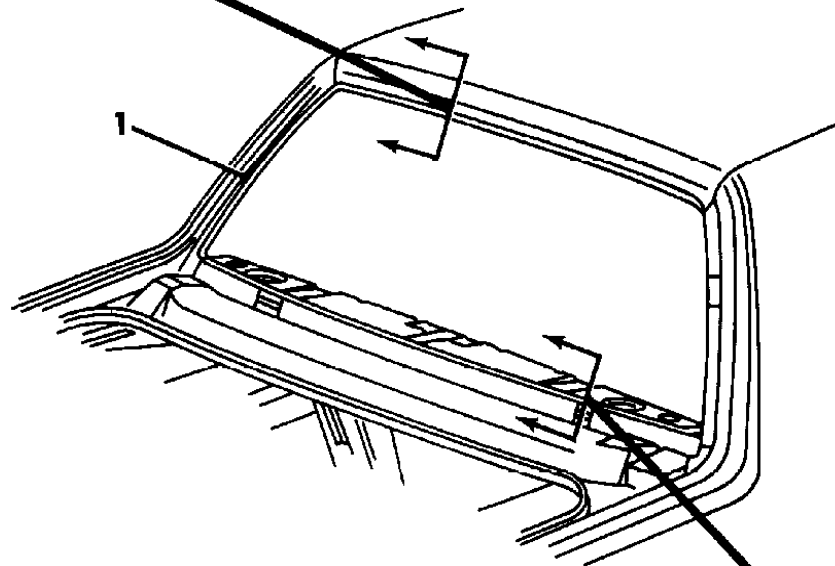
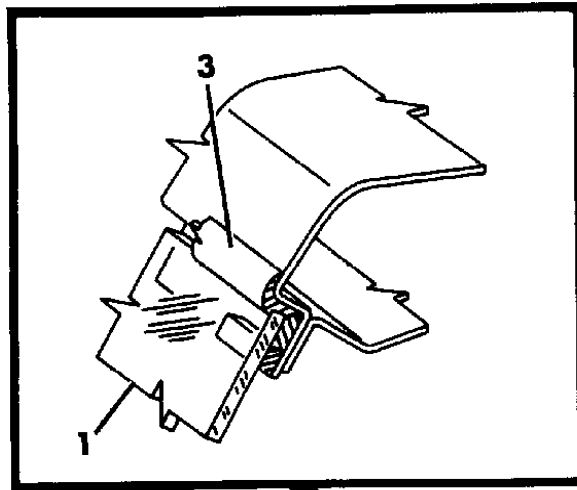
BODY STYLES:

21=2-Door Coupe      41=4-Door Sedan      12-52=FWD & AWD Van & Wgn Std W.B.  
 24=2-Door Hatchback      44=4-Door Hatchback      53=FWD & AWD Van & Wgn Ext. W.B.  
 27=2-Door Convertible

AR = Use as Required - = Non Illustrated Part P.A.R. = Paint as Required

GLASS REAR WINDOW A BODY 41  
Figure 23A-4400

93169 4400



ITEM	PART NUMBER	QTY	BODY	MODEL	DESCRIPTION
1		1			GLASS
	4548 080			C	Tinted and Heated w/Landau Top
	4416 756			C	Tinted and Heated w/o Landau Top
	4416 756			D-P	Tinted and Heated
	4416 168			D-P	Tinted
2	5255 110	2			SUPPORT, Spacer
3	5261 651	1			MOULDING

**MODEL CODES:**

A BODY=(C=LeBaron, D=Spirit, P=Acclaim/LaBaron(Landau),  
Saratoga)  
C BODY=(D=Dynasty, C=New Yorker/N.Y. Salon)  
G BODY=(V=Daytona/IROC, Chrysler Daytona)  
J BODY=(C=LeBaron, Chrysler LeBaron)  
P BODY=(P=Sundance, D=Shadow)

S BODY=(H=Voyager(H) FWD, K=Caravan(H) FWD,  
Y=Town & Country(H) FWD, P=Voyager(K) AWD,  
D=Caravan(K) AWD, C=Town & Country(K) AWD)  
Y BODY=(C=Imperial/5th Avenue)  
E-S BODY=(K=Chrysler Voyager(H) FWD, D=Chrysler  
Voyager(K) AWD)

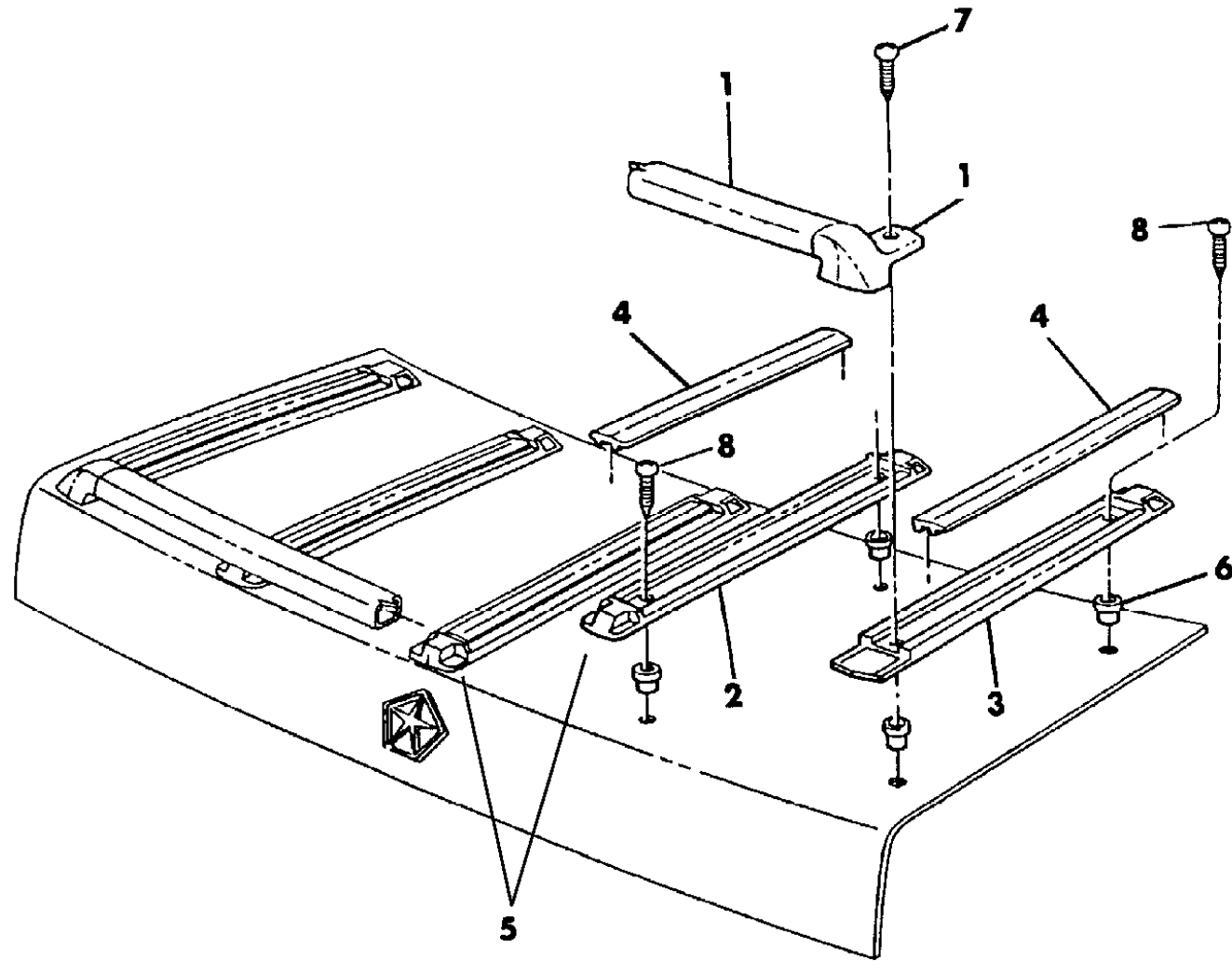
**BODY STYLES:**

21=2-Door Coupe      41=4-Door Sedan      12-52=FWD & AWD Van & Wgn Std W.B.  
24=2-Door Hatchback      44=4-Door Hatchback      53=FWD & AWD Van & Wgn Ext. W.B.  
27=2-Door Convertible

AR = Use as Required - = Non Illustrated Part P.A.R. = Paint as Required

DECK LID RACK A BODY 41  
Figure 23A-4500

93169 4500A



ITEM	PART NUMBER	QTY	BODY	MODEL	DESCRIPTION
1-6	4491 272	1			DECK LID RACK ASSEMBLY ***
1	4454 785	AR			BAR, Cross
2	4454 776	AR			SKID STRIP, Inner
3	4454 781	AR			SKID STRIP, Outer
4	4443 302	AR			INSERT, Inner and Outer
5	4276 629	AR			CAP, Front and Rear End
6	6026 292	AR			RIVET
7		2			SCREW, (Not Serviced)
8		8			SCREW, (Not Serviced)

MODEL CODES:

A BODY=(C=LeBaron, D=Spirit, P=Acclaim/LaBaron(Landau),  
Saratoga)  
C BODY=(D=Dynasty, C=New Yorker/N.Y. Salon)  
G BODY=(V=Daytona/IROC, Chrysler Daytona)  
J BODY=(C=LeBaron, Chrysler LeBaron)  
P BODY=(P=Sundance, D=Shadow)

S BODY=(H=Voyager(H) FWD, K=Caravan(H) FWD,  
Y=Town & Country(H) FWD, P=Voyager(K) AWD,  
D=Caravan(K) AWD, C=Town & Country(K) AWD)  
Y BODY=(C=Imperial/5th Avenue)  
E-S BODY=(K=Chrysler Voyager(H) FWD, D=Chrysler  
Voyager(K) AWD)

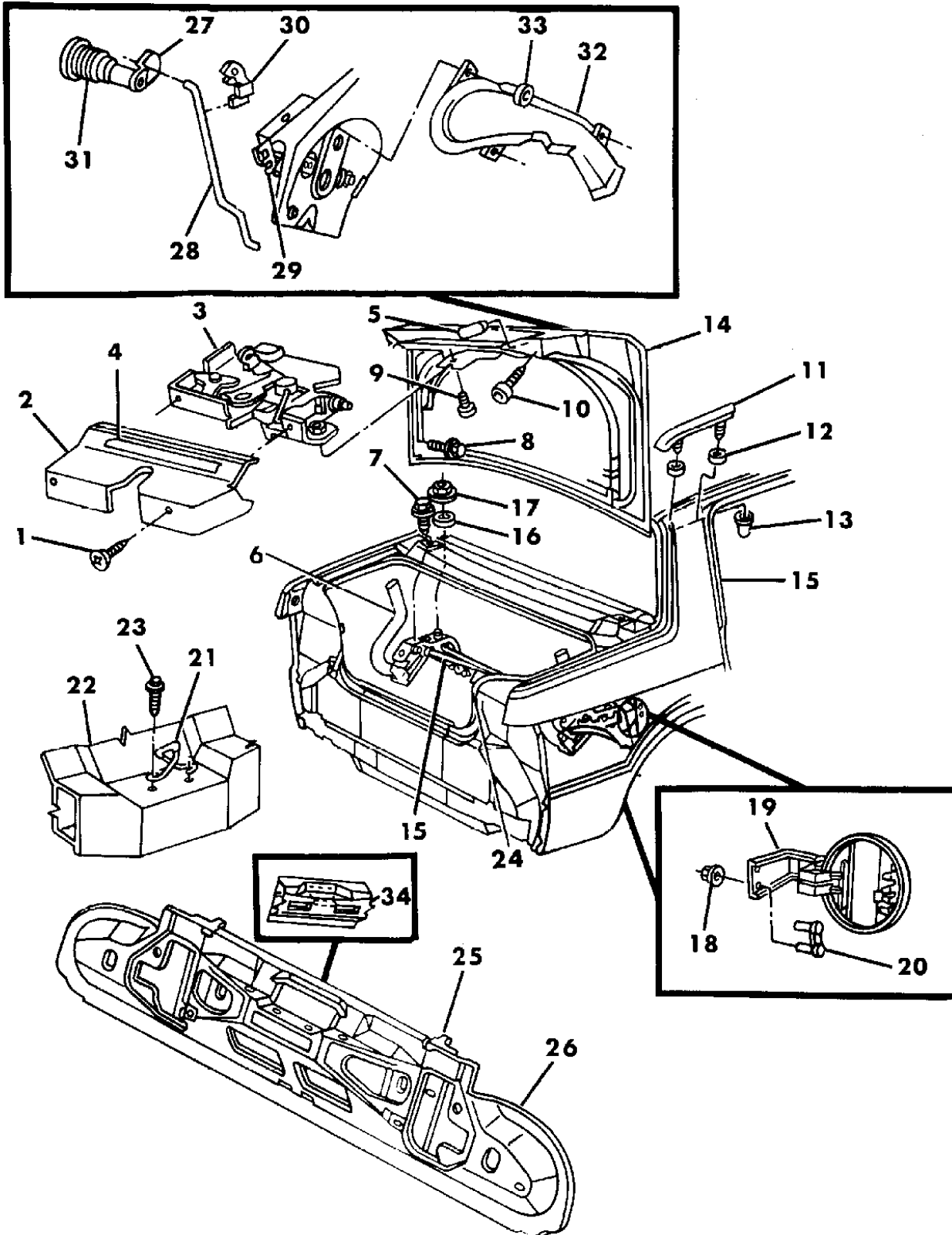
BODY STYLES:

21=2-Door Coupe      41=4-Door Sedan      12-52=FWD & AWD Van & Wgn Std W.B.  
24=2-Door Hatchback      44=4-Door Hatchback      53=FWD & AWD Van & Wgn Ext. W.B.  
27=2-Door Convertible

AR = Use as Required - = Non Illustrated Part P.A.R. = Paint as Required

DECK LID AND LOWER PANEL, FUEL FILLER DOOR A BODY 41  
Figure 23A-4600

93169 4600



ITEM	PART NUMBER	QTY	BODY	MODEL	DESCRIPTION
1		2			SCREW, Not Serviced
2	4378 397	1			COVER, Deck Lid
3		1			LATCH, Deck Lid
	4378 822				w/ Cable Release Up to 9-8-92
	4658 432				After 9-8-92
	4658 433				w/o Cable Release
4		1			LABEL, (Serviced In Item #3)
5	2895 126	2			PLUG
6	5255 198-9	1			HINGE
	4265 379	2			BUMPER, Deck Lid Hinge Support Up-Stop
	4134 807	2			PIN, Deck Lid Hinge Pivot
7		6			SCREW, Not Serviced
8	6501 305	4			SCREW And WASHER ***
9		2			SCREW, Not Serviced
10	5256 088	2			BUMPER, Deck Lid Overslam
	6023 531	2			SCREW, Deck Lid Inner Overslam
11		1			MOULDING, (See External Group)
12		4			SEAL, (See External Group)
13		4			SEALER, (See External Group)
14					PANEL, Deck Lid
	4719 200				w/Lock Cylinder in Center
	4674 150				w/ Lock Cylinder on Right Side
15	4371 694-5	1			BAR, Deck Lid Hinge
16		2			NUT, Push Not Serviced
17	6100 051	2			NUT
18		2			NUT, Not Serviced
19	4719 076	1			DOOR ASSEMBLY, Fuel Filler Body Side ***
	4416 406	1			BUMPER, Fuel Filler Door
-	4696 350	1			LABEL, w/Flex Fuel (English)
	4696 351	1			w/Flex Fuel, (English and French)
20	4719 008	1			PLATE, Door Fuel Filler
21	4378 393	1			STRIKER
22		1			REINFORCEMENT, Deck Opening Lower (Serviced In Item #26)
23		2			SCREW, Not Serviced
24	5255 642	1			WEATHERSTRIP, Deck Lid Opening
25	4386 273	1			PANEL, Deck Lid Opening Lower
26	4386 496	1			REINFORCEMENT, Deck Lid Opening Lower Front
27	4378 857	1			LEVER and CLIP

MODEL CODES:

A BODY=(C=LeBaron, D=Spirit, P=Acclaim/LaBaron(Landau, Saratoga)

C BODY=(D=Dynasty, C=New Yorker/N.Y. Salon)

G BODY=(V=Daytona/ROC, Chrysler Daytona)

J BODY=(C=LeBaron, Chrysler LeBaron)

P BODY=(P=Sundance, D=Shadow)

S BODY=(H=Voyager(H) FWD, K=Caravan(H) FWD,

Y=Town & Country(H) FWD, P=Voyager(K) AWD,

D=Caravan(K) AWD, C=Town & Country(K) AWD)

Y BODY=(C=Imperial/5th Avenue)

E-S BODY=(K=Chrysler Voyager(H) FWD, D=Chrysler

Voyager(K) AWD)

BODY STYLES:

21=2-Door Coupe

41=4-Door Sedan

12-52=FWD & AWD Van & Wgn Std W.B.

24=2-Door Hatchback

44=4-Door Hatchback

53=FWD & AWD Van & Wgn Ext. W.B.

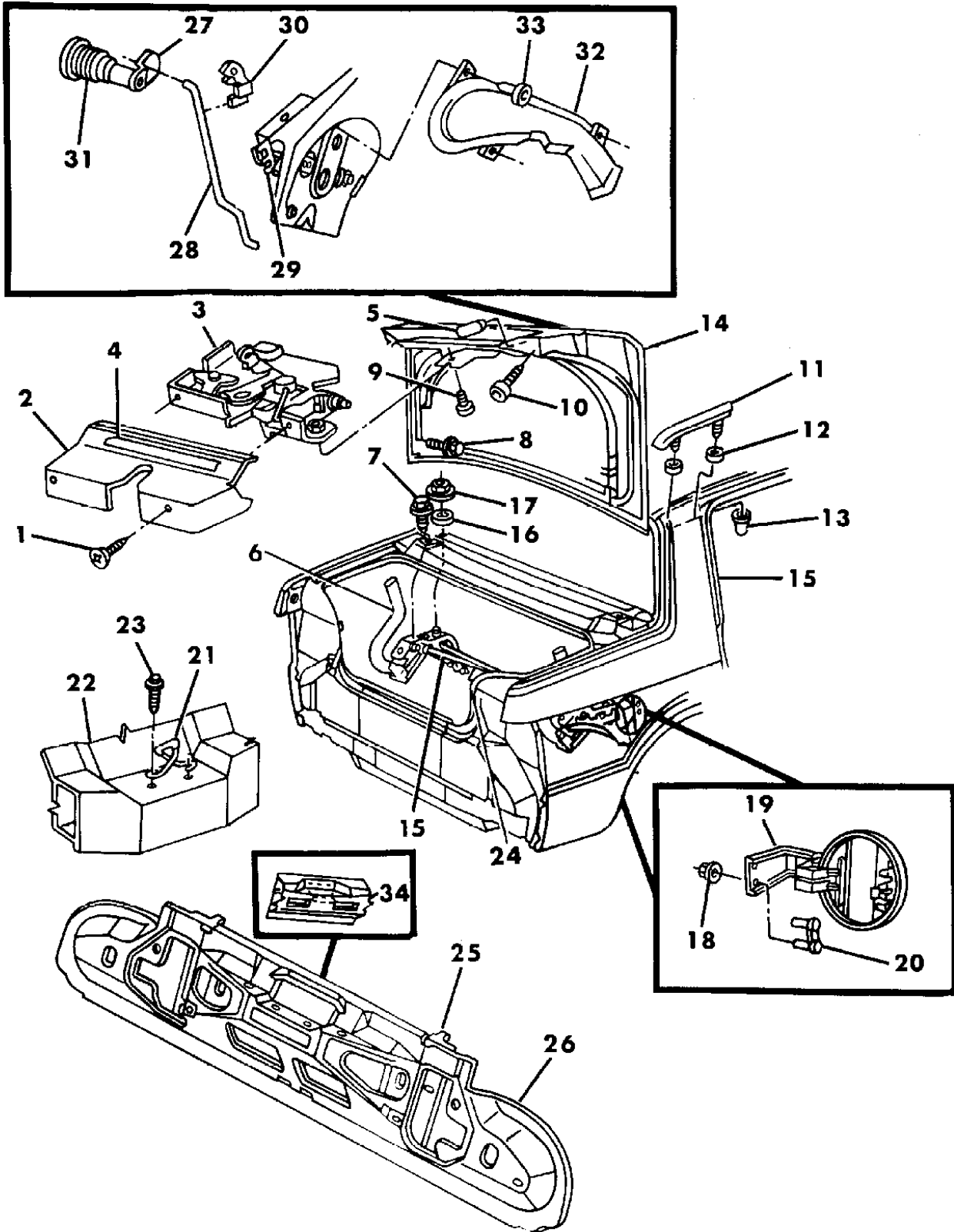
27=2-Door Convertible

AR = Use as Required - = Non Illustrated Part P.A.R. = Paint as Required

DECK LID AND LOWER PANEL, FUEL FILLER DOOR A BODY 41  
Figure 23A-4600

93169 4600

ITEM	PART NUMBER	QTY	BODY	MODEL	DESCRIPTION
28		1			LINK
	4378 656			P	
	4723 493			C,D	Shaft Lock Cyl.Deck Lid ***
29	4658 677	1			CLIP
30		1			CLIP, Not Serviced
31		1			CYLINDER, Lock (See Group 23D)
32	4378 350	1			COVER
33		3			SCREW, Not Serviced
34	4386 086	1			REINFORCEMENT, Deck Opening Lower Panel Striker



**MODEL CODES:**

A BODY=(C=LeBaron, D=Spirit, P=Acclaim/LaBaron(Landau), Saratoga) S BODY=(H=Voyager(H) FWD, K=Caravan(H) FWD, Y=Town & Country(H) FWD, P=Voyager(K) AWD, D=Caravan(K) AWD, C=Town & Country(K) AWD)  
 C BODY=(D=Dynasty, C=New Yorker/N.Y. Salon) Y BODY=(C=Imperial/5th Avenue)  
 G BODY=(V=Daytona/IROC, Chrysler Daytona) E-S BODY=(K=Chrysler Voyager(H) FWD, D=Chrysler Voyager(K) AWD)  
 J BODY=(C=LeBaron, Chrysler LeBaron)  
 P BODY=(P=Sundance, D=Shadow)

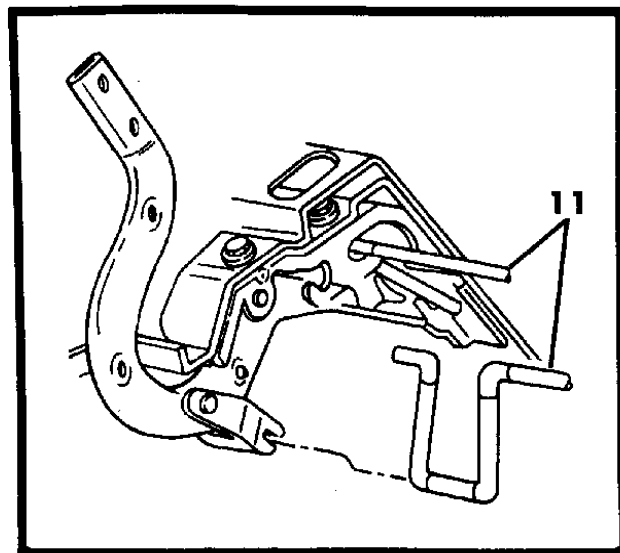
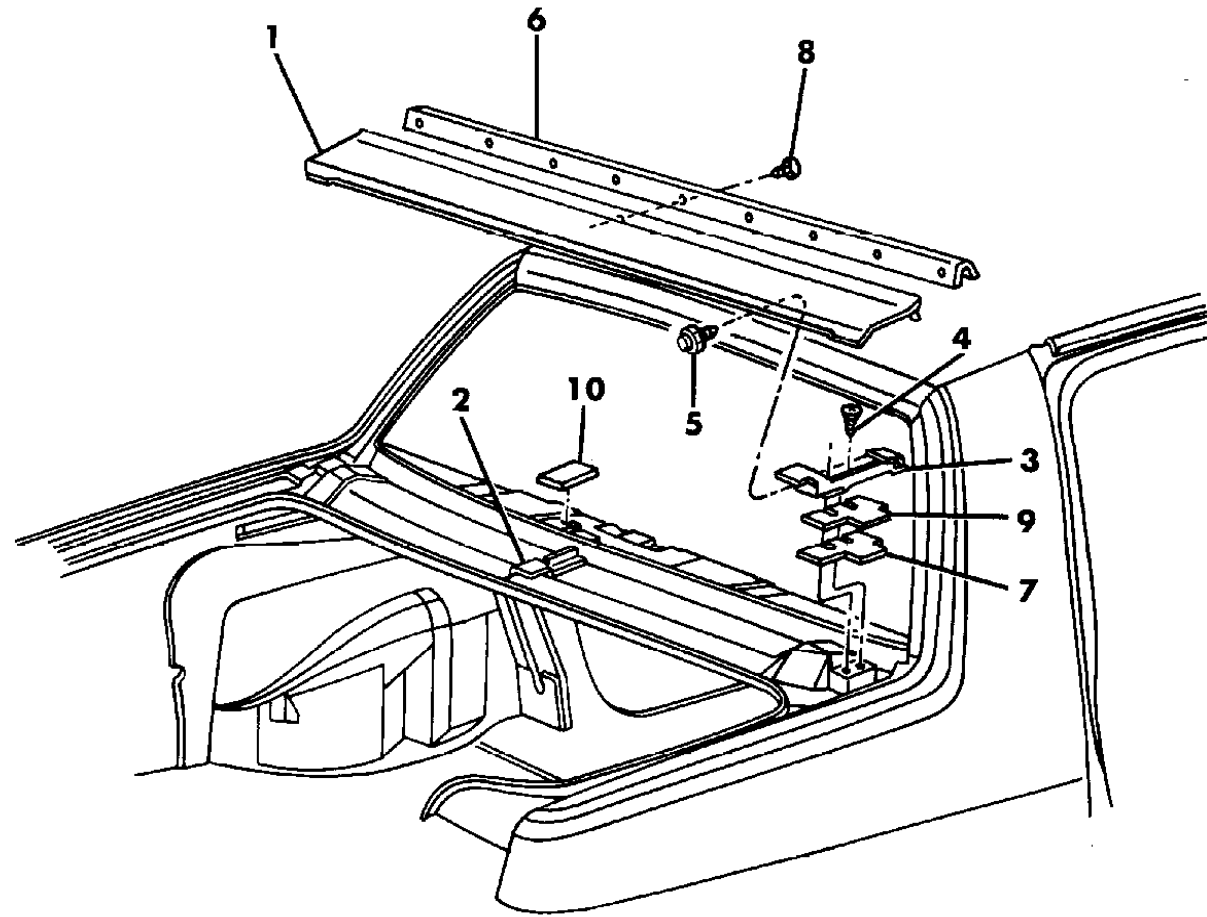
**BODY STYLES:**

21=2-Door Coupe 41=4-Door Sedan 12-52=FWD & AWD Van & Wgn Std W.B.  
 24=2-Door Hatchback 44=4-Door Hatchback 53=FWD & AWD Van & Wgn Ext. W.B.  
 27=2-Door Convertible

AR = Use as Required - = Non Illustrated Part P.A.R. = Paint as Required

DECK LID UPPER PANEL A BODY 41  
Figure 23A-4700

93169 4700



ITEM	PART NUMBER	QTY	BODY	MODEL	DESCRIPTION
1	4490 482	1			PANEL, Deck Opening Upper
2	4440 266	1			RETAINER, Deck Opening Upper Panel Center
3	4490 484-5	1			RETAINER, Deck Opening Upper Panel Outer
4		1			SCREW, Not Serviced
5	6032 986	3			SCREW
6	4490 831	1			FILLER, Deck Lid Opening Upper Panel To Backlite
7		3			SHIM, Not Serviced
8	6501 948	9			RETAINER
9		2			SHIM, Not Serviced
10		3			ISOLATOR, Deck Lid Opening Not Serviced
11	4371 694-5	1			BAR, Deck Lid Hinge

**MODEL CODES:**

A BODY=(C=LeBaron, D=Spirit, P=Acclaim/LaBaron(Landau),  
Saratoga)  
C BODY=(D=Dynasty, C=New Yorker/N.Y. Salon)  
G BODY=(V=Daytona/IROC, Chrysler Daytona)  
J BODY=(C=LeBaron, Chrysler LeBaron)  
P BODY=(P=Sundance, D=Shadow)

S BODY=(H=Voyager(H) FWD, K=Caravan(H) FWD,  
Y=Town & Country(H) FWD, P=Voyager(K) AWD,  
D=Caravan(K) AWD, C=Town & Country(K) AWD)  
Y BODY=(C=Imperial/5th Avenue)  
E-S BODY=(K=Chrysler Voyager(H) FWD, D=Chrysler  
Voyager(K) AWD)

**BODY STYLES:**

21=2-Door Coupe      41=4-Door Sedan      12-52=FWD & AWD Van & Wgn Std W.B.  
24=2-Door Hatchback      44=4-Door Hatchback      53=FWD & AWD Van & Wgn Ext. W.B.  
27=2-Door Convertible

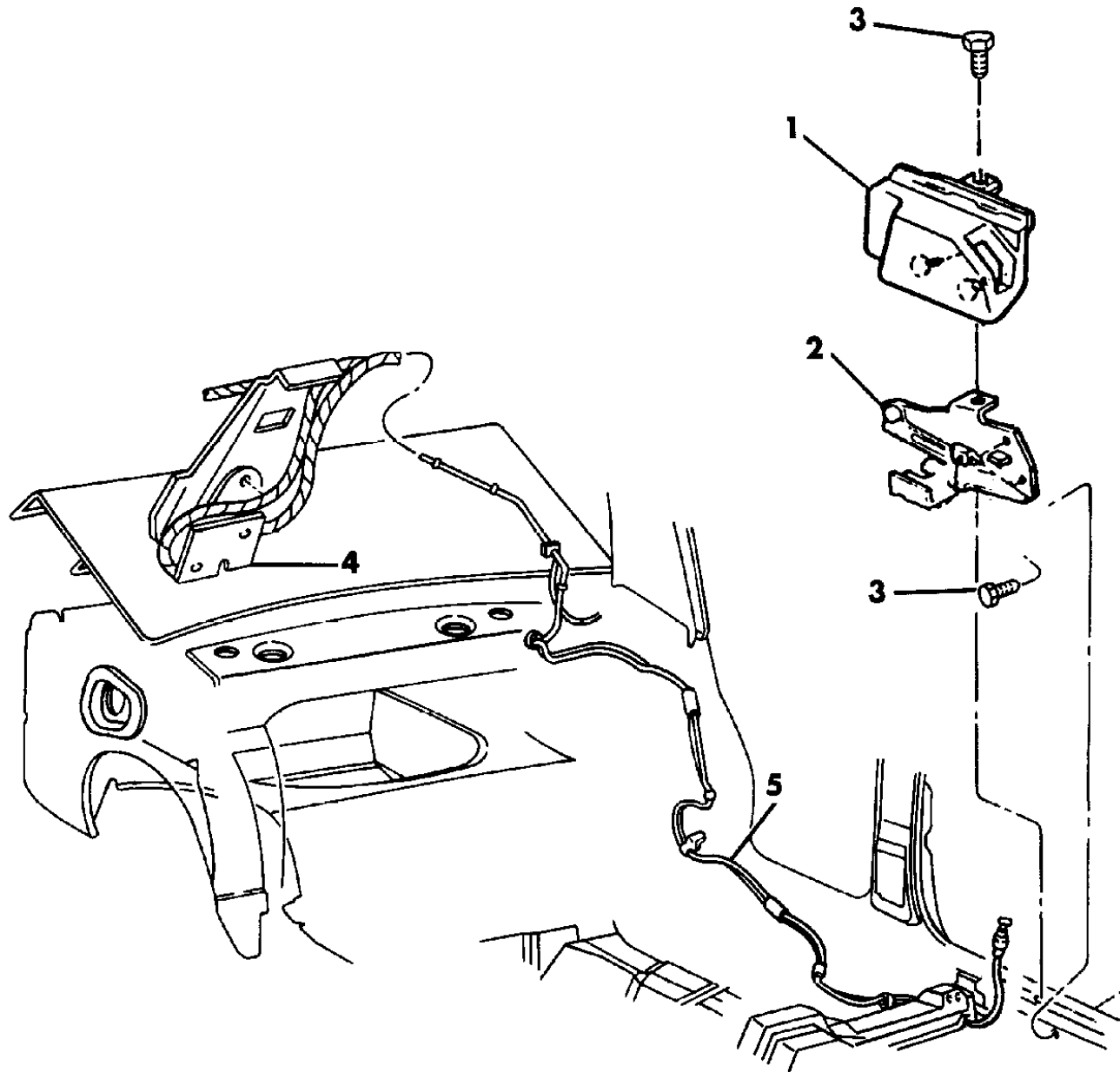
AR = Use as Required - = Non Illustrated Part P.A.R. = Paint as Required



DECK LID RELEASE A BODY 41  
Figure 23A-4800

93169 4800A

ITEM	PART NUMBER	QTY	BODY	MODEL	DESCRIPTION
1		1			COVER
	DC40 KD5				Quartz
	DC40 KB7				Blue
	DC40 LM6				Red
	DC40 KV8				Brown
2	5257 801	1			HANDLE
3		4			SCREW, Not Serviced
4		1			LATCH, Deck Lid
	4378 822				Up to 9-8-92
	4658 432				After 9-8-92
5	5257 812	1			CABLE, Assy., Deck Lid



**MODEL CODES:**

A BODY=(C=LeBaron, D=Spirit, P=Acclaim/LaBaron(Landau),  
Saratoga)  
C BODY=(D=Dynasty, C=New Yorker/N.Y. Salon)  
G BODY=(V=Daytona/IROC, Chrysler Daytona)  
J BODY=(C=LeBaron, Chrysler LeBaron)  
P BODY=(P=Sundance, D=Shadow)

S BODY=(H=Voyager(H) FWD, K=Caravan(H) FWD,  
Y=Town & Country(H) FWD, P=Voyager(K) AWD,  
D=Caravan(K) AWD, C=Town & Country(K) AWD)  
Y BODY=(C=Imperial/5th Avenue)  
E-S BODY=(K=Chrysler Voyager(H) FWD, D=Chrysler  
Voyager(K) AWD)

**BODY STYLES:**

21=2-Door Coupe      41=4-Door Sedan      12-52=FWD & AWD Van & Wgn Std W.B.  
24=2-Door Hatchback      44=4-Door Hatchback      53=FWD & AWD Van & Wgn Ext. W.B.  
27=2-Door Convertible

AR = Use as Required - = Non Illustrated Part P.A.R. = Paint as Required

FLOOR PAN J BODY 21,27  
Figure 23A-4900

93169 4900 A

ITEM	PART NUMBER	QTY	BODY	MODEL	DESCRIPTION
1	4674 352	1			PAN, Front Floor
2	4674 328	1			BRACKET, Front Console
	4371 939	1			PLATE & WELD, Front Console To Floor Bracket
	4475 987	1			PLATE, Front Console
3	4416 915	1			REINFORCEMENT, Pan Crossmember
4	4548 486	1			CROSSMEMBER, Front Floor Pan Seat Track Mounting
5		1			CROSSMEMBER, Seat Track (Serviced In Item #4)
6	4134 647	1			RETAINER, Rear Seat
7	4134 938-9	1			BRACKET, Seat
8	4314 260	2			REINFORCEMENT, Rear Seat Belt
9	4371 278	1		21	SUPPORT, Front Floor Pan Rear Seat Center Pivot and Spare Tire Stowage Brace Inner
10	4371 279	1		21	SUPPORT, Front Floor Pan Rear Seat Center Pivot and Spare Tire Stowage Brace Outer
11	4416 135	1			PLATE, Fuel Tank Hanger
12		1			REINFORCEMENT, Front Seat Crossmember Inner (Serviced in Item 4)
13	5256 108-9	1			BRACKET, Lift Hoisting
14	4416 060	1			BRACKET, Brake Cable Guide
15	4314 260	2			REINFORCEMENT, Front Seat Belt
16	4655 158-9	1			REINFORCEMENT, Front Floor Pan Front Seat Rear Inner
17	5253 910-1	1			PANEL, Side Sill Inner
	4512 754-5	1			Outer
18	5253 916-7	1			REINFORCEMENT
19	4512 462	1			PAN, Rear Floor
20	4206 247	1			BRACKET, Spare Wheel
21	4674 197	1			CROSSMEMBER, Rear Floor
22		7			SCREW, Not Serviced
23	4371 275	1			PANEL, Rear Seat
24		1			SEAL, Rear Seat Not Serviced
25		2			SEAL, Rear Seat Not Serviced
26	4548 236-7	1		27	SUPPORT ASSEMBLY, Body Side Aperture, Panel Sill Reinforcement (Included Items 17 & 27) ***
27	4475 690-1	1		27	REINFORCEMENT, Sill to Upper Body

MODEL CODES:

A BODY=(C=LeBaron, D=Spirit, P=Acclaim/LaBaron(Landau),  
Saratoga)

C BODY=(D=Dynasty, C=New Yorker/N.Y. Salon)

G BODY=(V=Daytona/IROC, Chrysler Daytona)

J BODY=(C=LeBaron, Chrysler LeBaron)

P BODY=(P=Sundance, D=Shadow)

S BODY=(H=Voyager(H) FWD, K=Caravan(H) FWD,

Y=Town & Country(H) FWD, P=Voyager(K) AWD,

D=Caravan(K) AWD, C=Town & Country(K) AWD)

Y BODY=(C=Imperial/5th Avenue)

E-S BODY=(K=Chrysler Voyager(H) FWD, D=Chrysler

Voyager(K) AWD)

BODY STYLES:

21=2-Door Coupe

41=4-Door Sedan

12-52=FWD & AWD Van & Wgn Std W.B.

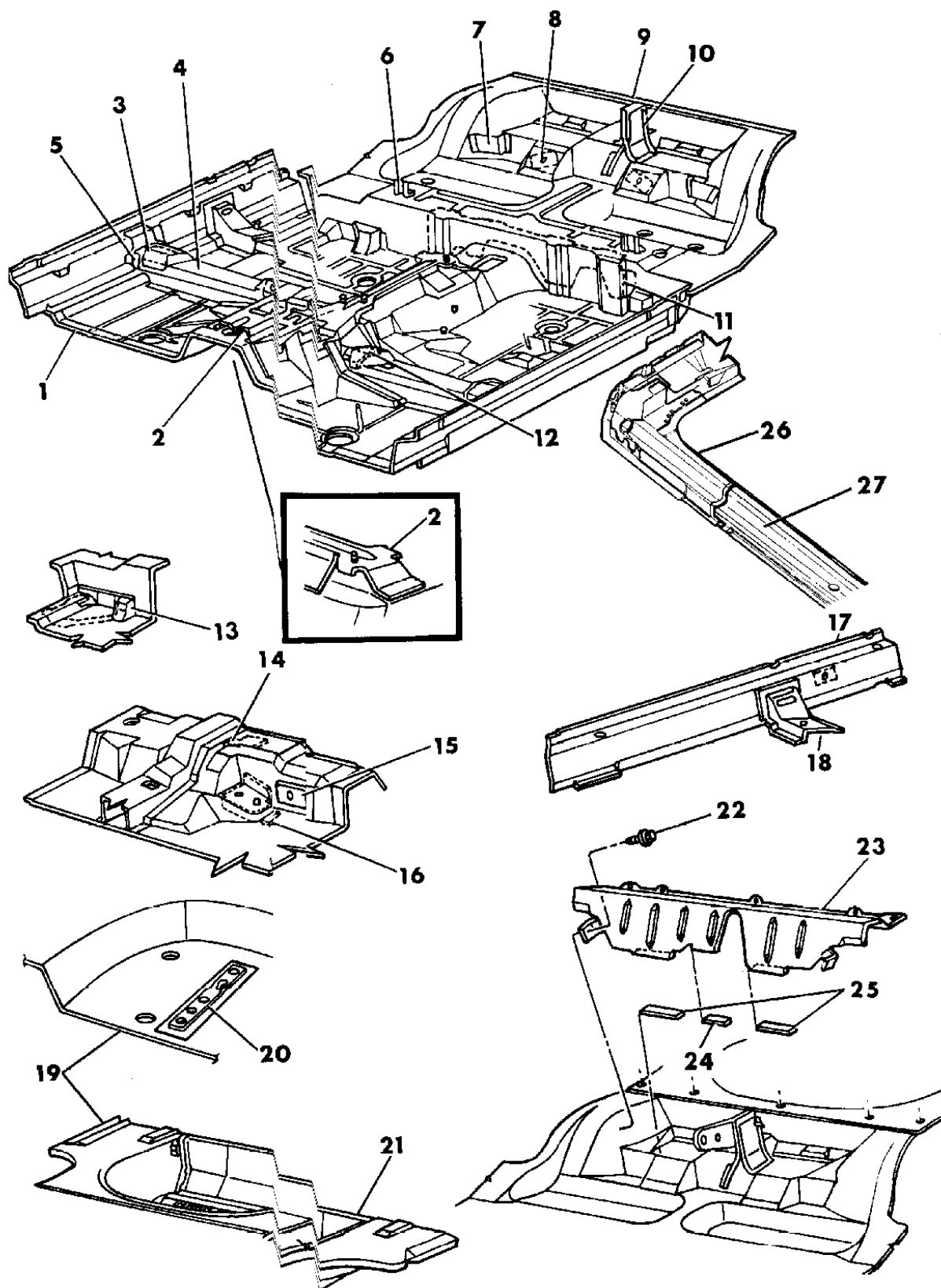
24=2-Door Hatchback

44=4-Door Hatchback

53=FWD & AWD Van & Wgn Ext. W.B.

27=2-Door Convertible

AR = Use as Required - = Non Illustrated Part P.A.R. = Paint as Required

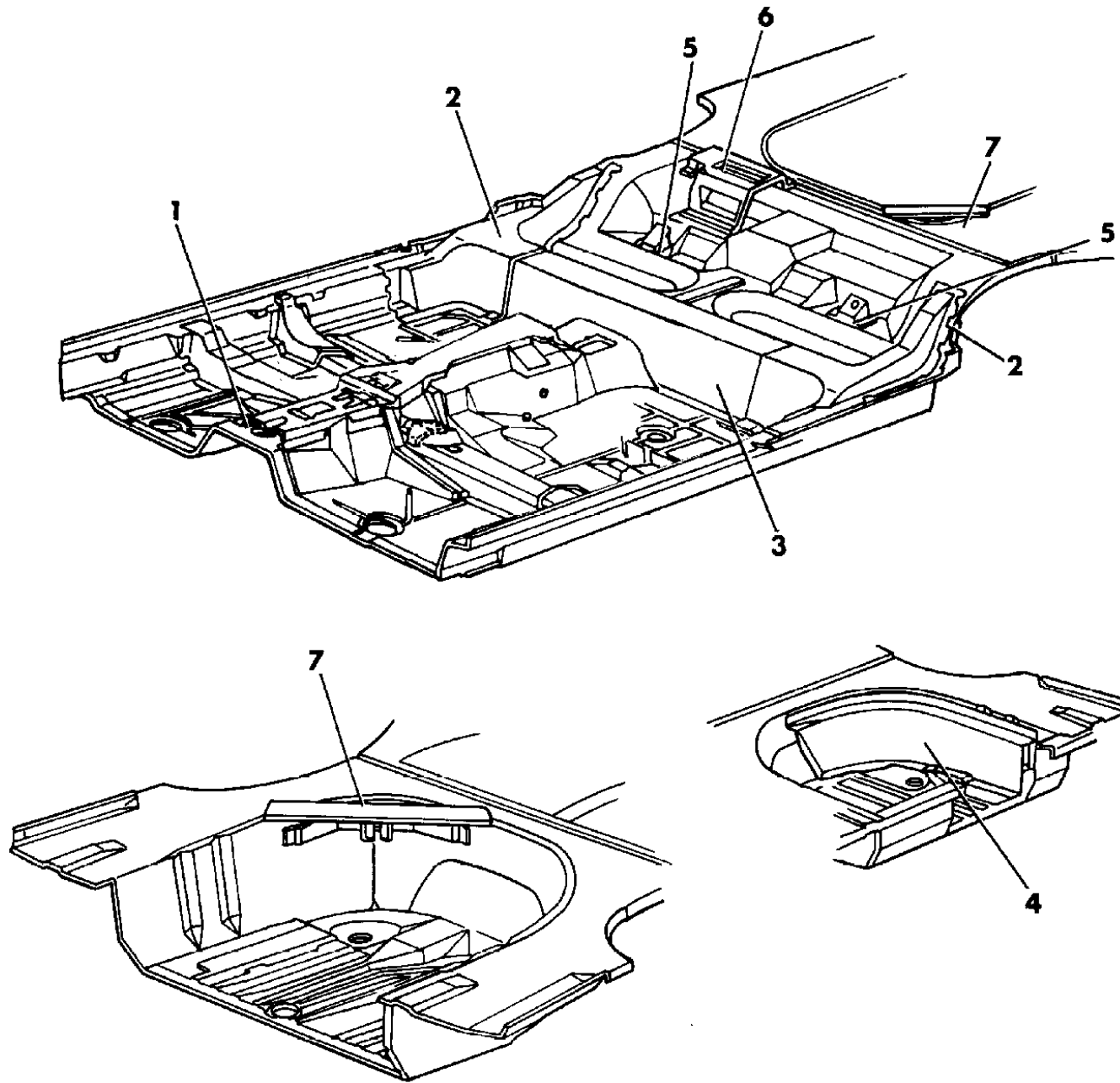


FLOOR PAN TUNNEL J BODY 27

Figure 23A-5000

93169 5000

ITEM	PART NUMBER	QTY	BODY	MODEL	DESCRIPTION
1		1			PANEL, Tunnel Assembly (Serviced in Assembly)
2	4655 186-7	1			REINFORCEMENT, Floor Pan Outer Rear
3	4512 248	1			REINFORCEMENT, Front Floor Pan Tunnel Rear
4	4416 424	1			REINFORCEMENT, Rear Floor Pan
5	4371 894	2			BRACKET, Rear Seat Inner
6	4371 731	1			BRACKET, Folding Top Hyd. Motor Mtg.
7	4475 957	1			BRACKET, Spare Tire



MODEL CODES:

A BODY=(C=LeBaron, D=Spirit, P=Acclaim/LaBaron(Landau),  
Saratoga)  
C BODY=(D=Dynasty, C=New Yorker/N.Y. Salon)  
G BODY=(V=Daytona/IROC, Chrysler Daytona)  
J BODY=(C=LeBaron, Chrysler LeBaron)  
P BODY=(P=Sundance, D=Shadow)

S BODY=(H=Voyager(H) FWD, K=Caravan(H) FWD,  
Y=Town & Country(H) FWD, P=Voyager(K) AWD,  
D=Caravan(K) AWD, C=Town & Country(K) AWD)  
Y BODY=(C=Imperial/5th Avenue)  
E-S BODY=(K=Chrysler Voyager(H) FWD, D=Chrysler  
Voyager(K) AWD)

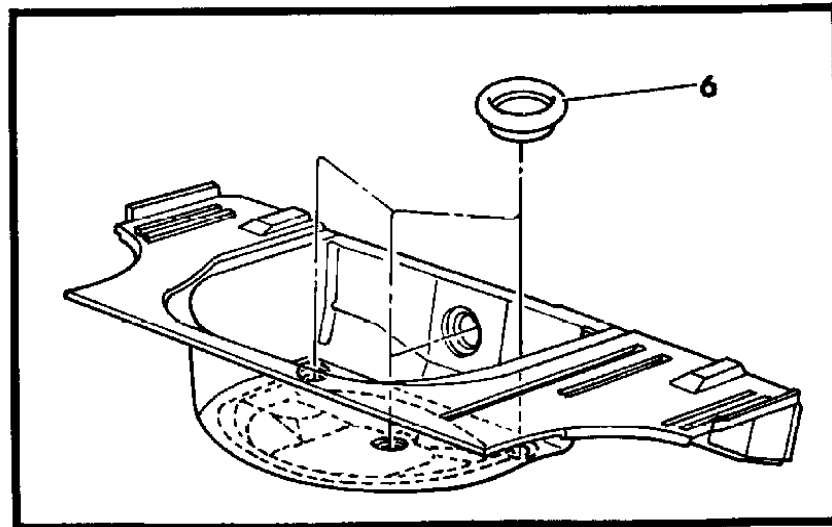
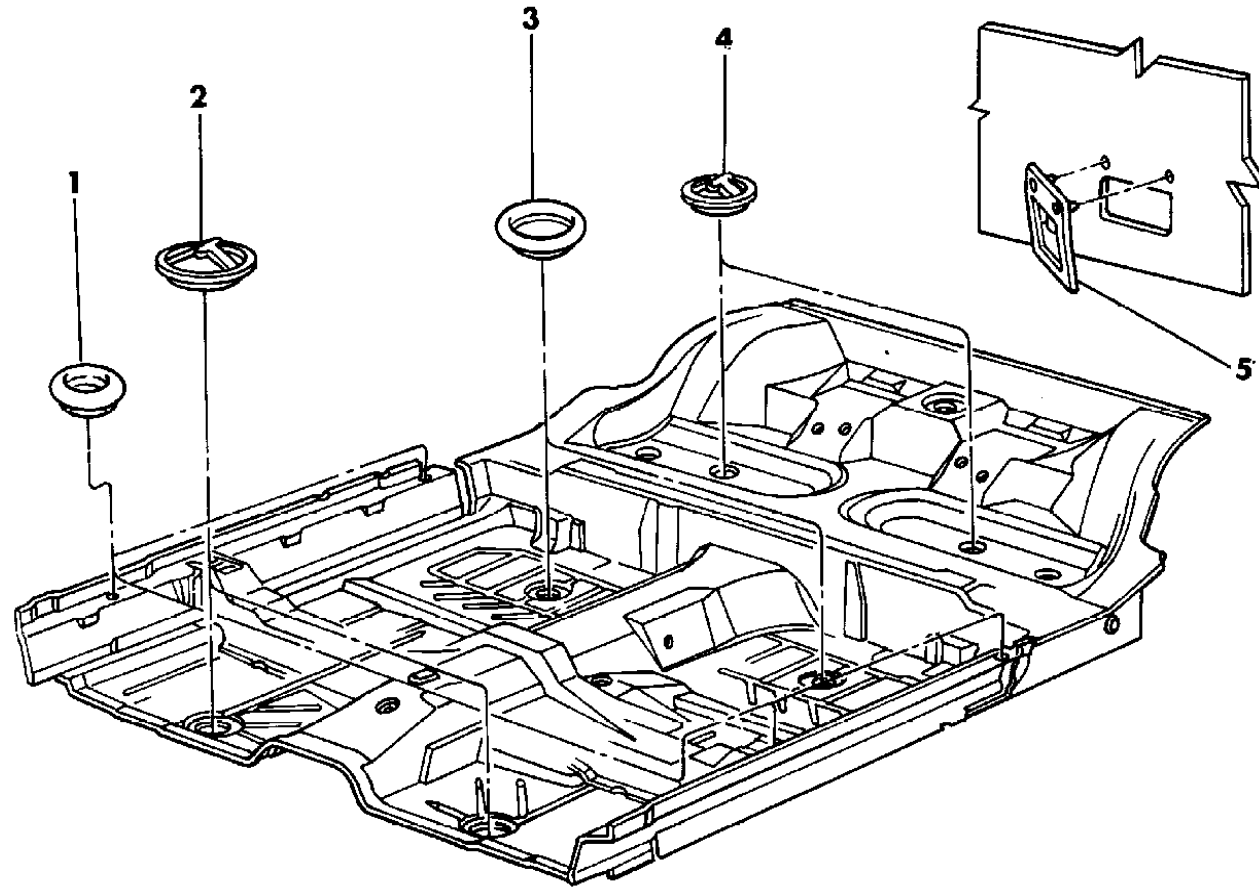
BODY STYLES:

21=2-Door Coupe      41=4-Door Sedan      12-52=FWD & AWD Van & Wgn Std W.B.  
24=2-Door Hatchback      44=4-Door Hatchback      53=FWD & AWD Van & Wgn Ext. W.B.  
27=2-Door Convertible

AR = Use as Required - = Non Illustrated Part P.A.R. = Paint as Required

PLUGS FLOOR PAN J BODY 21, 27  
Figure 23A-5100

93169 5100



ITEM	PART NUMBER	QTY	BODY	MODEL	DESCRIPTION
1	2860 332	AR			PLUG, 0.75" Dig.
2	4512 494	AR			PLUG
3	2424 864	AR			PLUG
4	4512 495	AR			PLUG, 1.50" Dia./38 mm
5	3794 032	AR			SEAL
6	6030 773	AR			PLUG

**MODEL CODES:**

A BODY=(C=LeBaron, D=Spirit, P=Acclaim/LaBaron(Landau),  
Saratoga)  
C BODY=(D=Dynasty, C=New Yorker/N.Y. Salon)  
G BODY=(V=Daytona/IROC, Chrysler Daytona)  
J BODY=(C=LeBaron, Chrysler LeBaron)  
P BODY=(P=Sundance, D=Shadow)

S BODY=(H=Voyager(H) FWD, K=Caravan(H) FWD,  
Y=Town & Country(H) FWD, P=Voyager(K) AWD,  
D=Caravan(K) AWD, C=Town & Country(K) AWD)  
Y BODY=(C=Imperial/5th Avenue)  
E-S BODY=(K=Chrysler Voyager(H) FWD, D=Chrysler  
Voyager(K) AWD)

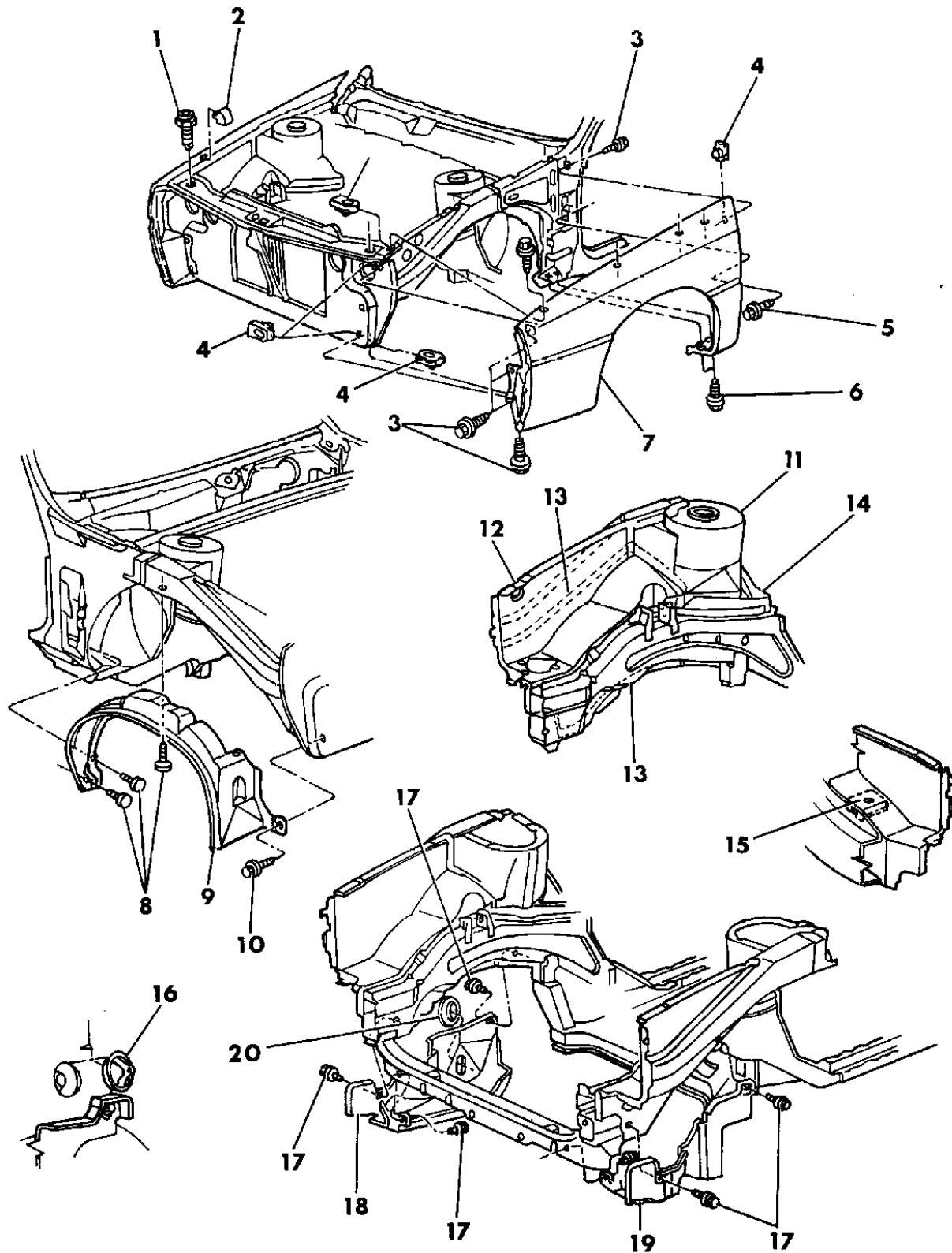
**BODY STYLES:**

21=2-Door Coupe      41=4-Door Sedan      12-52=FWD & AWD Van & Wgn Std W.B.  
24=2-Door Hatchback      44=4-Door Hatchback      53=FWD & AWD Van & Wgn Ext. W.B.  
27=2-Door Convertible

AR = Use as Required - = Non Illustrated Part P.A.R. = Paint as Required

FENDER AND SHIELD J BODY 21,27  
Figure 23A-5200

93169 5200



ITEM	PART NUMBER	QTY	BODY	MODEL	DESCRIPTION
1	4103 165	2			BUMPER
2	4296 227	2			BUMPER
3	6100 568	20			SCREW
4	1150 3714	18			U-NUT
5	6501 212	8			SCREW
6		4			SCREW, Not Serviced
7	5252 172-3	1			FENDER
8	6030 441	40			RETAINER
9					SHIELD
	4534 330	1			Right
	4534 561	1			Left
10	6030 012	6			SCREW
11	4741 222-3	1			TOWER, Front Suspension Iso-Strut
-					Extension and Reinforcement Assembly *** Strut Tower to Body (Ref. See 23A 4900 #15) ***
12		1			PANEL, Front Fender Shield
	5253 858				Right
	5253 863				Left
13	4440 580-1	1			BEAM, Front Fender Shield
14	4534 256-7	1			EXTENSION, Iso Strut Tower To Dash Panel
15		AR			REINFORCEMENT, Battery Tray Not Serviced
16	4512 495	1			PLUG
17		6			SCREW, Not Serviced
18	4637 580	1			SHIELD PACKAGE ***
19	4655 121	1			SHIELD, Trans. Appearance
20	2811 825	1			PLUG

MODEL CODES:

A BODY=(C=LeBaron, D=Spirit, P=Acclaim/LaBaron(Landau),  
Saratoga)  
C BODY=(D=Dynasty, C=New Yorker/N.Y. Salon)  
G BODY=(V=Daytona/IROC, Chrysler Daytona)  
J BODY=(C=LeBaron, Chrysler LeBaron)  
P BODY=(P=Sundance, D=Shadow)

S BODY=(H=Voyager(H) FWD, K=Caravan(H) FWD,  
Y=Town & Country(H) FWD, P=Voyager(K) AWD,  
D=Caravan(K) AWD, C=Town & Country(K) AWD)  
Y BODY=(C=Imperial/5th Avenue)  
E-S BODY=(K=Chrysler Voyager(H) FWD, D=Chrysler  
Voyager(K) AWD)

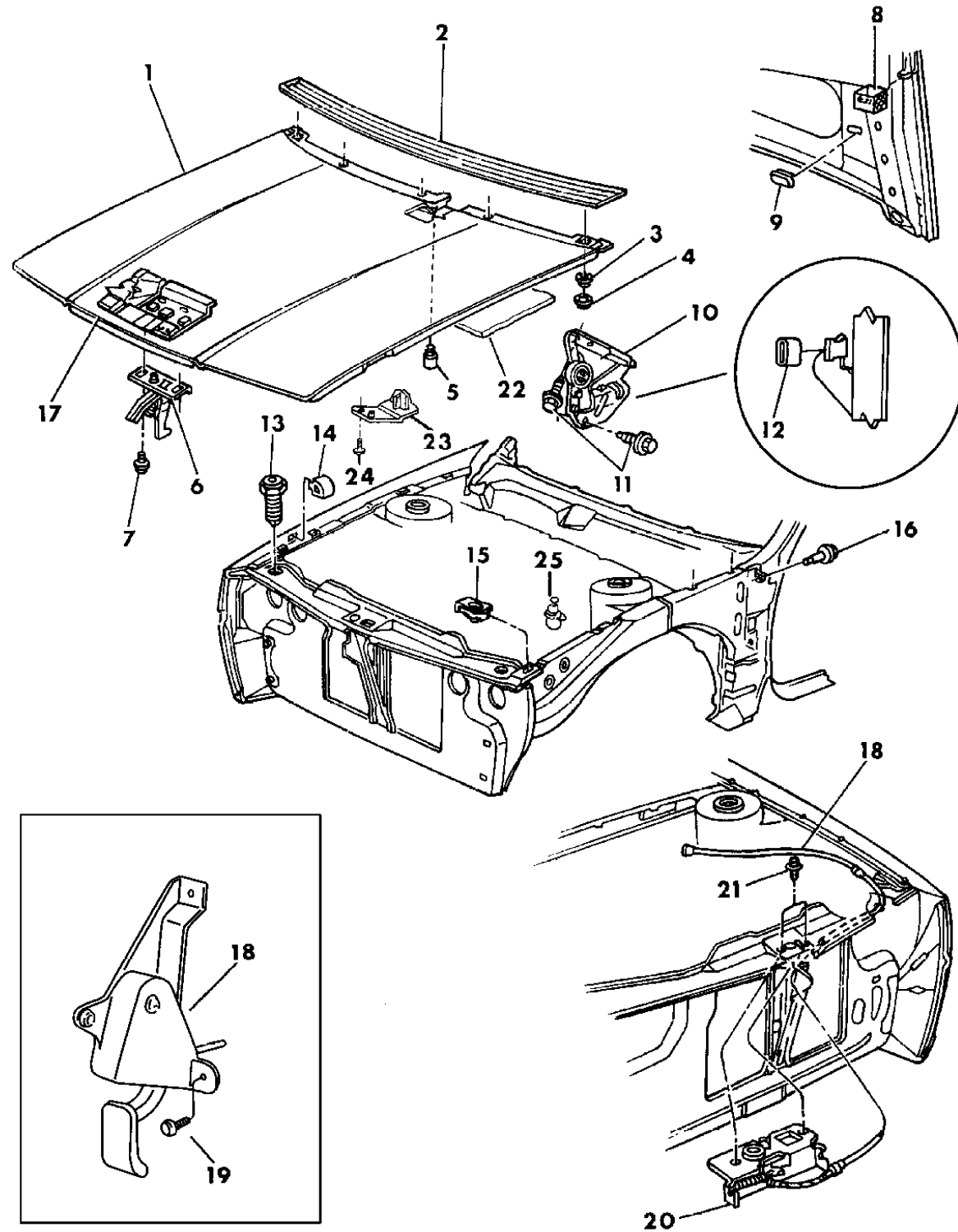
BODY STYLES:

21=2-Door Coupe      41=4-Door Sedan      12-52=FWD & AWD Van & Wgn Std W.B.  
24=2-Door Hatchback      44=4-Door Hatchback      53=FWD & AWD Van & Wgn Ext. W.B.  
27=2-Door Convertible

AR = Use as Required - = Non Illustrated Part P.A.R. = Paint as Required

**HOOD AND HOOD RELEASE J BODY 21,27**  
**Figure 23A-5300**

93169 5300A



ITEM	PART NUMBER	QTY	BODY	MODEL	DESCRIPTION
1	5253 839	1			HOOD
2	4440 552	1			APPLIQUE, Hood Panel
3		5			NUT, Not Serviced
4		5			PLUG, Not Serviced
5		AR			SPACER, Hood Not Serviced
6	4534 177	1			STRIKER, Hood Safety Catch
7	6501 728	2			SCREW
8	5253 749	2			SEAL, Hood
9	6029 939	2			PLUG, Hood
10	4655 202-3	1			HINGE, Hood
	6033 321	2			SCREW, Thumb Adjustment Serviced w/Hinge
11	6501 212	8			SCREW
12	4296 105	2			BUMPER
13	4103 165	2			BUMPER
14	4296 227	2			BUMPER
15	1150 3714	18			U-NUT
16	6100 568	20			SCREW
17		1			REINFORCEMENT, Hood Inner Panel Not Serviced
18	5257 511	1			HANDLE and BRACKET, Release Latch
19		2			SCREW, Not Serviced
20	4534 288	1			LATCH ASSEMBLY, Hood
21		2			SCREW, Not Serviced
22	4490 659	1			SILENCER, Hood Panel Inner
	4341 060	AR			FASTENER
23	4373 519	1			STRIKER, Security Alarm
24		2			SCREW (Not Serviced) ***
25	5252 559	1			SWITCH, Security Alarm
-	4490 702	1			LABEL, Airbag

**MODEL CODES:**

A BODY=(C=LeBaron, D=Spirit, P=Acclaim/LaBaron(Landau), Saratoga)      S BODY=(H=Voyager(H) FWD, K=Caravan(H) FWD, Y=Town & Country(H) FWD, P=Voyager(K) AWD, D=Caravan(K) AWD, C=Town & Country(K) AWD)  
 C BODY=(D=Dynasty, C=New Yorker/N.Y. Salon)  
 G BODY=(V=Daytona/IROC, Chrysler Daytona)  
 J BODY=(C=LeBaron, Chrysler LeBaron)  
 P BODY=(P=Sundance, D=Shadow)      Y BODY=(C=Imperial/5th Avenue)  
 E-S BODY=(K=Chrysler Voyager(H) FWD, D=Chrysler Voyager(K) AWD)

**BODY STYLES:**

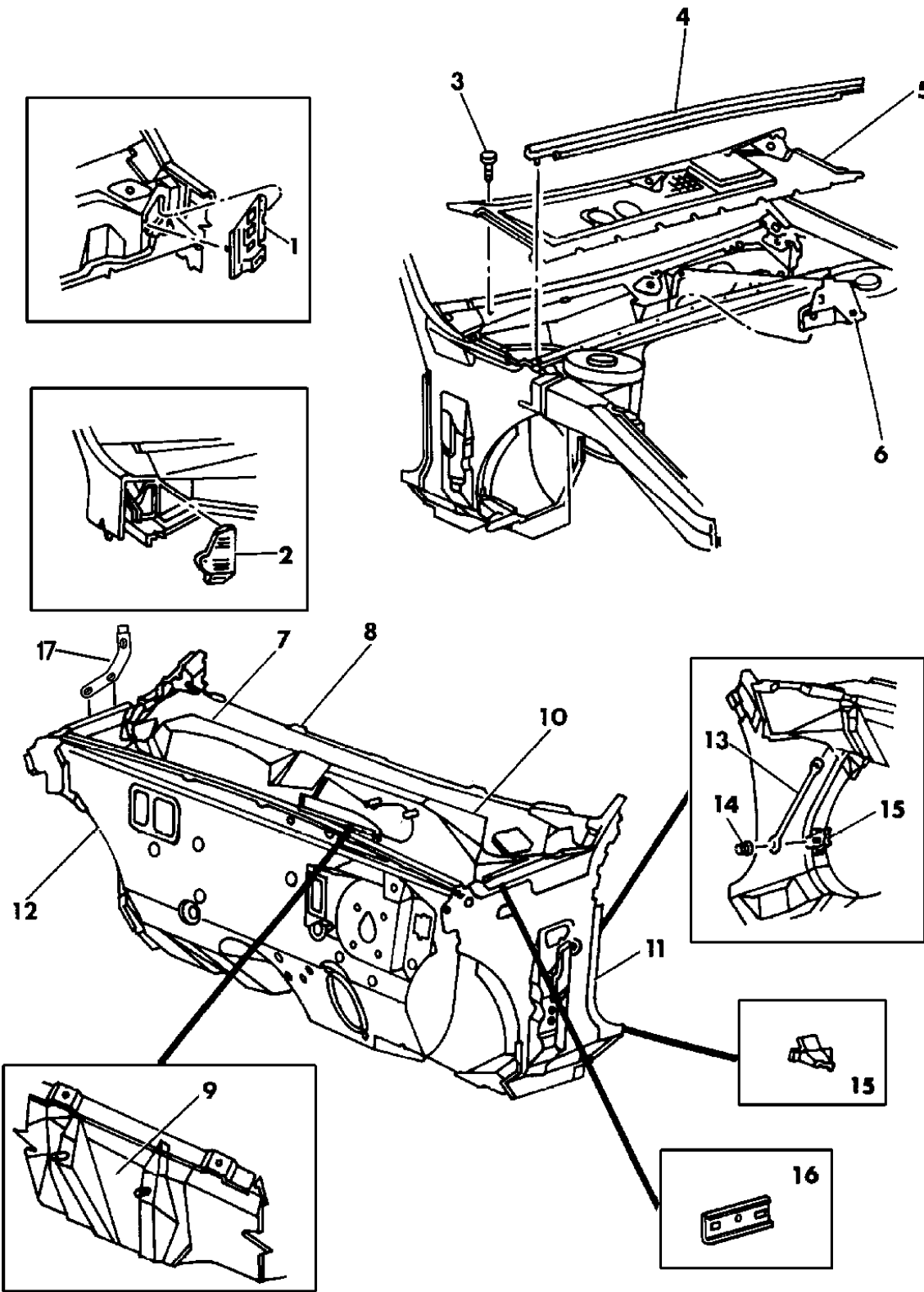
21=2-Door Coupe      41=4-Door Sedan      12-52=FWD & AWD Van & Wgn Std W.B.  
 24=2-Door Hatchback      44=4-Door Hatchback      53=FWD & AWD Van & Wgn Ext. W.B.  
 27=2-Door Convertible

AR = Use as Required - = Non Illustrated Part P.A.R. = Paint as Required

**COWL AND DASH PANEL J BODY 21,27**  
**Figure 23A-5400**

93169 5400A

ITEM	PART NUMBER	QTY	BODY	MODEL	DESCRIPTION
1	4314 477	1			SCREEN, Cowl Top Lt.
2	4314 476	1			SCREEN, Cowl Top Rt.
3	6030 441	40			RETAINER
4	4548 223	1			SEAL, Dash Panel To Hood
5	4416 472	1			SCREEN ASSEMBLY, w/Rt. & Lt. Shield w/Part # 4416470 & 4416471
6	4314 475	1			SCREEN, Cowl Top Center
7	4371 358	1			PANEL, Cowl Top
8	4371 794	1			PANEL, Cowl Plenum
9	5256 076	1			REINFORCEMENT, Cowl Top w/Shield Wiper Motor
10	4512 492	1			SUPPORT, Plenum Panel Strg.
11	5253 706-7	1			PANEL, Cowl Side
12	5253 812	1			PANEL, Dash
13	4314 879	1			BRACE, Dash To Plenum Panel Lt.
14	6500 532	2			NUT and WASHER
15	4206 641	1			BRACKET, Dash Panel To Plenum Panel Brace Lt.
16	4386 741	2			REINFORCEMENT, Cowl Side Hood Hinge
17		1			SEAL, w/Retainer Cowl Plenum to Cowl Side
	4337 341				Left
	4337 342				Right



**MODEL CODES:**

A BODY=(C=LeBaron, D=Spirit, P=Acclaim/LaBaron(Landau), Saratoga)      S BODY=(H=Voyager(H) FWD, K=Caravan(H) FWD, Y=Town & Country(H) FWD, P=Voyager(K) AWD, D=Caravan(K) AWD, C=Town & Country(K) AWD)  
 C BODY=(D=Dynasty, C=New Yorker/N.Y. Salon)  
 G BODY=(V=Daytona/IROC, Chrysler Daytona)  
 J BODY=(C=LeBaron, Chrysler LeBaron)  
 P BODY=(P=Sundance, D=Shadow)      Y BODY=(C=Imperial/5th Avenue)  
 E-S BODY=(K=Chrysler Voyager(H) FWD, D=Chrysler Voyager(K) AWD)

**BODY STYLES:**

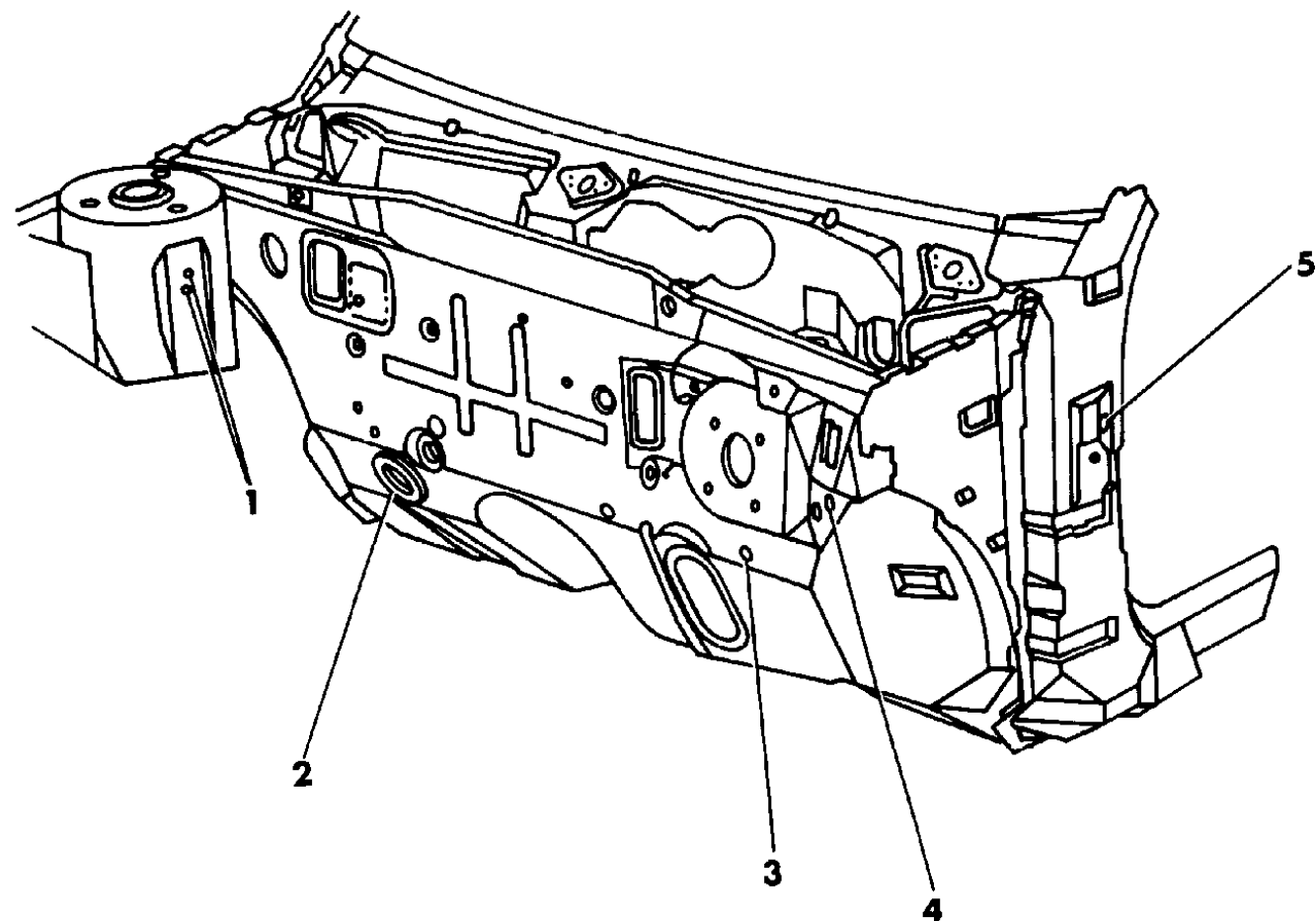
21=2-Door Coupe      41=4-Door Sedan      12-52=FWD & AWD Van & Wgn Std W.B.  
 24=2-Door Hatchback      44=4-Door Hatchback      53=FWD & AWD Van & Wgn Ext. W.B.  
 27=2-Door Convertible

AR = Use as Required - = Non Illustrated Part P.A.R. = Paint as Required

**PLUGS DASH PANEL J BODY 21,27**  
**Figure 23A-5500**

93169 5500

ITEM	PART NUMBER	QTY	BODY	MODEL	DESCRIPTION
1	4386 178	AR			PLUG
2	4512 494	AR			PLUG
3	3445 939	AR			PLUG
4	3445 939	AR			PLUG
5	4400 049	AR			PLUG



**MODEL CODES:**

A BODY=(C=LeBaron, D=Spirit, P=Acclaim/LaBaron(Landau), Saratoga)      S BODY=(H=Voyager(H) FWD, K=Caravan(H) FWD, Y=Town & Country(H) FWD, P=Voyager(K) AWD, D=Caravan(K) AWD, C=Town & Country(K) AWD)  
 C BODY=(D=Dynasty, C=New Yorker/N.Y. Salon)  
 G BODY=(V=Daytona/IROC, Chrysler Daytona)      Y BODY=(C=Imperial/5th Avenue)  
 J BODY=(C=LeBaron, Chrysler LeBaron)      E-S BODY=(K=Chrysler Voyager(H) FWD, D=Chrysler Voyager(K) AWD)  
 P BODY=(P=Sundance, D=Shadow)

**BODY STYLES:**

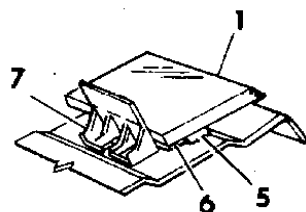
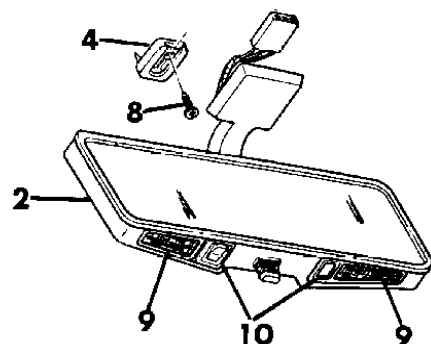
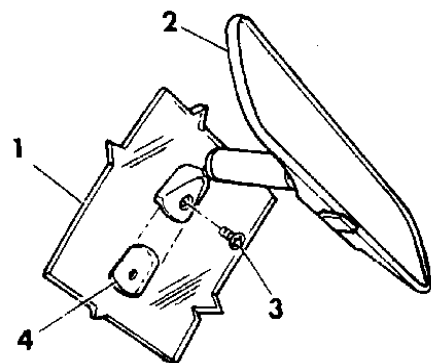
21=2-Door Coupe      41=4-Door Sedan      12-52=FWD & AWD Van & Wgn Std W.B.  
 24=2-Door Hatchback      44=4-Door Hatchback      53=FWD & AWD Van & Wgn Ext. W.B.  
 27=2-Door Convertible

AR = Use as Required - = Non Illustrated Part P.A.R. = Paint as Required



**GLASS WINDSHIELD AND MIRROR J BODY 21,27**  
**Figure 23A-5600**

93169 5600



ITEM	PART NUMBER	QTY	BODY	MODEL	DESCRIPTION
------	-------------	-----	------	-------	-------------

NOTE: GLASS, WINDSHIELD - ORDER FROM YOUR LOCAL "MOPER" GLASS DISTRIBUTOR applications specified in this document.

1	5253 221	1		21	GLASS, Windshield Tinted E-Marked
	5253 220			27	
2	4520 336	1		21	MIRROR, Rear View Prismatic View
	4724 199	1		27	Lighted
3	6031 094	1			SCREW, Rear View Mirror
4		1			BUTTON, Rear View Mirror Mounting
	4054 098			21	Prismatic View
	4655 273			27	Lighted
	4293 039	1			ADHESIVE PACKAGE, Rear View Mirror Button
5		1			POLYURETHANE, (Serviced In Package 4267906)
6		10			SPACER, Not Serviced
7	5255 110	2			SPACER, Windshield Glass Lower
8		1		27	SCREW (Do Not Serviced) ***
9	4299 770-1	1		27	LENS and HOUSING
10	4299 768	1		27	SWITCH
-	4416 977	2		27	SPACER, Windshield Support

NOTE: The Following Item Are Not Shown On Illustration. applications specified in this document.

PKG A	4267 906	1			REPAIR PACKAGE, Windshield & Rear Window
					Consists Of
					1- ----- Polyurethane, 11.5oz.
					1- ----- Fence Primer, 1oz.
					1- ----- Glass Wipe-off Primer, 1oz.
					1- ----- Glass Black-Out Primer, 1oz.
					3- ----- Dabbers
					1- ----- Nozzle

**MODEL CODES:**

A BODY=(C=LeBaron, D=Spirit, P=Acclaim/LaBaron(Landau), Saratoga)

C BODY=(D=Dynasty, C=New Yorker/N.Y. Salon)

G BODY=(V=Daytona/IROC, Chrysler Daytona)

J BODY=(C=LeBaron, Chrysler LeBaron)

P BODY=(P=Sundance, D=Shadow)

S BODY=(H=Voyager(H) FWD, K=Caravan(H) FWD,

Y=Town & Country(H) FWD, P=Voyager(K) AWD,

D=Caravan(K) AWD, C=Town & Country(K) AWD)

Y BODY=(C=Imperial/5th Avenue)

E-S BODY=(K=Chrysler Voyager(H) FWD, D=Chrysler

Voyager(K) AWD)

**BODY STYLES:**

21=2-Door Coupe

41=4-Door Sedan

12-52=FWD & AWD Van & Wgn Std W.B.

24=2-Door Hatchback

44=4-Door Hatchback

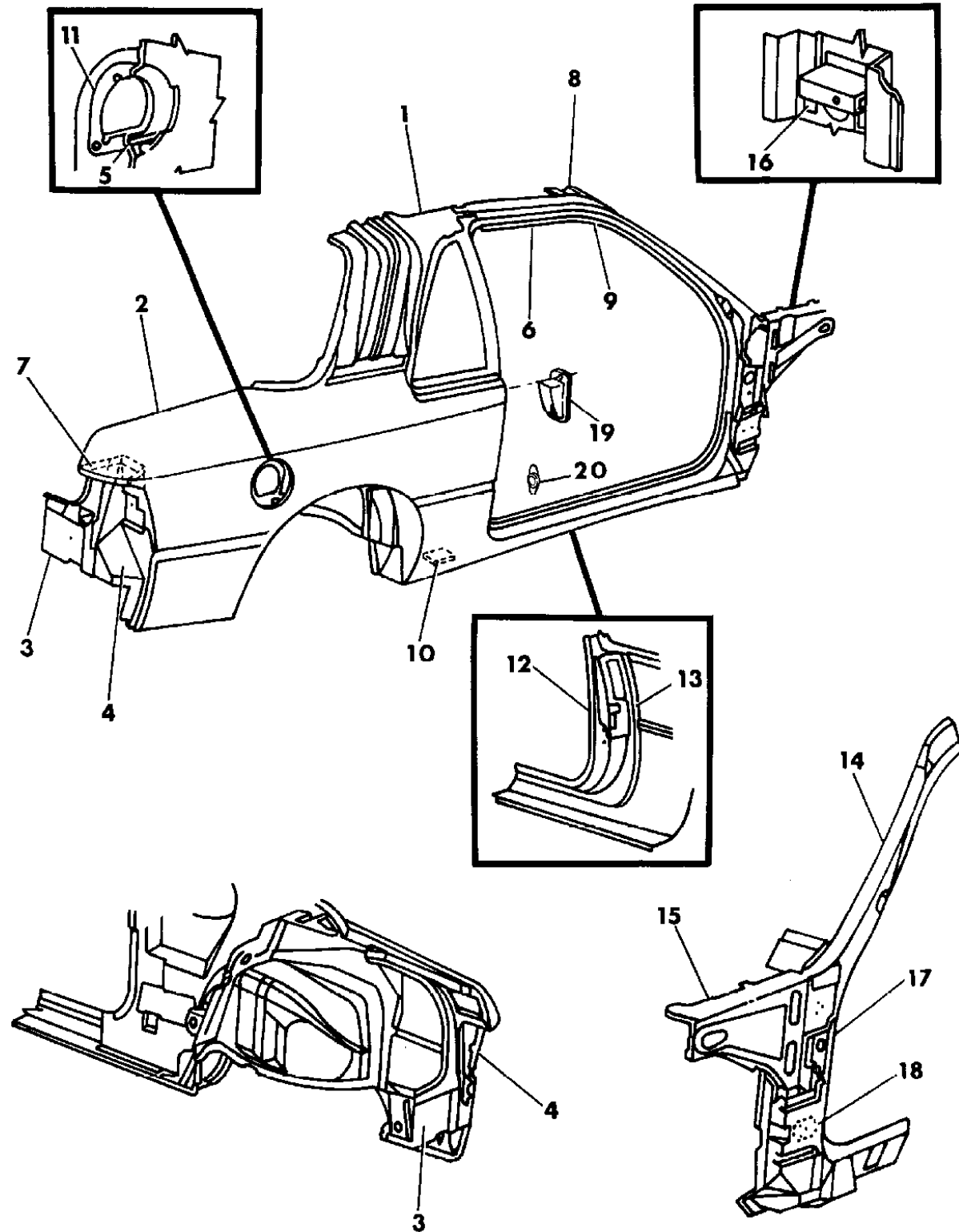
53=FWD & AWD Van & Wgn Ext. W.B.

27=2-Door Convertible

AR = Use as Required - = Non Illustrated Part P.A.R. = Paint as Required

**APERTURE PANEL AND FRONT PILLAR J BODY 21**  
**Figure 23A-5800**

93169 5800



ITEM	PART NUMBER	QTY	BODY	MODEL	DESCRIPTION
1	4728 526-7	1			PANEL, Body Side Aperture Front
2	5253 532-3	1			PANEL, Body Side Aperture Rear
3	4512 296-7	1			TROUGH, Body Side
4	4490 392-3	1			EXTENSION, Deck Opening Lower Panel
5	4655 611	1			REINFORCEMENT
6	4655 718-9	1			RAIL, Roof Side Inner
7	4341 684-5	1			EXTENSION, Deck Opening Lower Panel Upper
8	4416 652-3	1			FRAME, w/Shield Opening Side
9	4416 954-5	1			RETAINER, Body Side Aperture Secondary Seal
10	4314 277	4			PLATE, Jack Locator
11	4615 969	1			ADHESIVE, Fuel Filler Door
12	4371 944-5	1			REINFORCEMENT, Door Latch Striker
13	4134 972	2			RETAINER, Door Lock Striker
14	5253 570-1	1			PILLAR, Front Hinge
-	5253 345	1			Reinforcement Assy., Center Pillar Shoulder Belt Harness ***
15					EXTENSION
	4490 150	1			Right, w/Reinforcement
	4490 149	1			Left
16					REINFORCEMENT, Body Front Hinge To w/Shield Frame
	4206 876	1			Right
	4278 599	1			Left
17	4512 139	2			SUPPORT, Front Hinge
18	4314 086	4			PLATE, Front Hinge
19	4371 974-5	1			EXHAUSTER, Body Side Aperture
	6500 787	AR			Rivet
20		2			PLUG, Door Ajar Switch (Not Serviced)

**MODEL CODES:**

A BODY=(C=LeBaron, D=Spirit, P=Acclaim/LaBaron(Landau), Saratoga)      S BODY=(H=Voyager(H) FWD, K=Caravan(H) FWD, Y=Town & Country(H) FWD, P=Voyager(K) AWD, D=Caravan(K) AWD, C=Town & Country(K) AWD)  
 C BODY=(D=Dynasty, C=New Yorker/N.Y. Salon)  
 G BODY=(V=Daytona/IROC, Chrysler Daytona)  
 J BODY=(C=LeBaron, Chrysler LeBaron)  
 P BODY=(P=Sundance, D=Shadow)      Y BODY=(C=Imperial/5th Avenue)  
 E-S BODY=(K=Chrysler Voyager(H) FWD, D=Chrysler Voyager(K) AWD)

**BODY STYLES:**

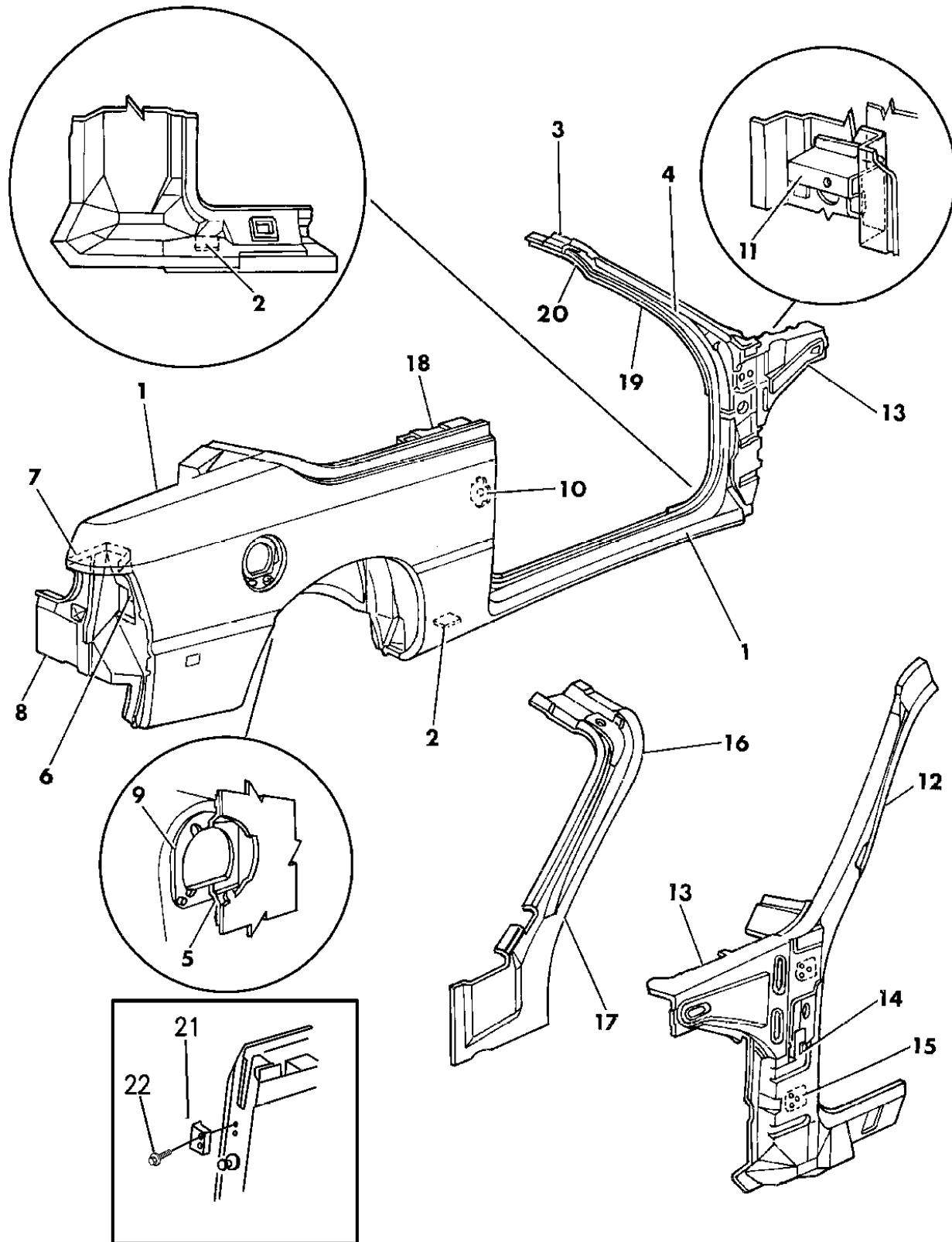
21=2-Door Coupe      41=4-Door Sedan      12-52=FWD & AWD Van & Wgn Std W.B.  
 24=2-Door Hatchback      44=4-Door Hatchback      53=FWD & AWD Van & Wgn Ext. W.B.  
 27=2-Door Convertible

AR = Use as Required - = Non Illustrated Part P.A.R. = Paint as Required

**APERTURE PANEL AND FRONT PILLAR J BODY 27**  
**Figure 23A-5900**

93169 5900A

ITEM	PART NUMBER	QTY	BODY	MODEL	DESCRIPTION
1	5253 500-1	1			PANEL, Body Side Aperture Rear
	4728 530-1	1			PANEL, Body Side Aperture Front
2	4314 277	4			PLATE, Jack Locator
3	4371 658-9	1			FRAME, w/Shield Opening Side Outer
4	4371 660-1	1			EXTENSION, w/Shield Opening Outer
5	4655 611	1			REINFORCEMENT, Aperture Fuel Filler Door
6	4490 392-3	1			EXTENSION, Deck Opening Lower
7	4341 684-5	1			EXTENSION, Deck Opening Lower
8	4512 296-7	1			TROUGH, Body Side Drain
9	4615 969	1			ADHESIVE, Fuel Filler Door
10	4134 972	2			RETAINER, Door Latch Striker
11	4206 876	1			REINFORCEMENT, Body Front Hinge To w/Shield Frame Rt.
	4278 599	1			REINFORCEMENT, Body Front Hinge To w/Shield Frame Lt.
12	4655 666-7	1			PILLAR, Body Front Hinge
13					EXTENSION
	4490 150	1			Right, w/Reinforcement
	4490 149	1			Left
14	4512 139	2			SUPPORT, Body Front Hinge
15	4314 086	2			PLATE, Body Front Hinge Plate Tapping
16	4475 684-5	1			FRAME, w/Shield Opening Side Inner
17	4475 684-5	1			FRAME, w/Shield Opening Side Inner
18	4534 044-5	1			WEATHERSTRIP, Qtr. Window
19	4615 990-1	1			WEATHERSTRIP, Body Side Aperture Panel Door Opening
20	5253 936-7	1			RETAINER and SEAL, Body Front Hinge
21	4480 642-3	1			WEDGE (Body Half) ***
-	4445 978-9	1			WEDGE (Door Half) ***
22		AR			SCREW (Not Serviced) ***



**MODEL CODES:**

A BODY=(C=LeBaron, D=Spirit, P=Acclaim/LaBaron(Landau, Saratoga)  
 C BODY=(D=Dynasty, C=New Yorker/N.Y. Salon)  
 G BODY=(V=Daytona/IROC, Chrysler Daytona)  
 J BODY=(C=LeBaron, Chrysler LeBaron)  
 P BODY=(P=Sundance, D=Shadow)

S BODY=(H=Voyager(H) FWD, K=Caravan(H) FWD, Y=Town & Country(H) FWD, P=Voyager(K) AWD, D=Caravan(K) AWD, C=Town & Country(K) AWD)  
 Y BODY=(C=Imperial/5th Avenue)  
 E-S BODY=(K=Chrysler Voyager(H) FWD, D=Chrysler Voyager(K) AWD)

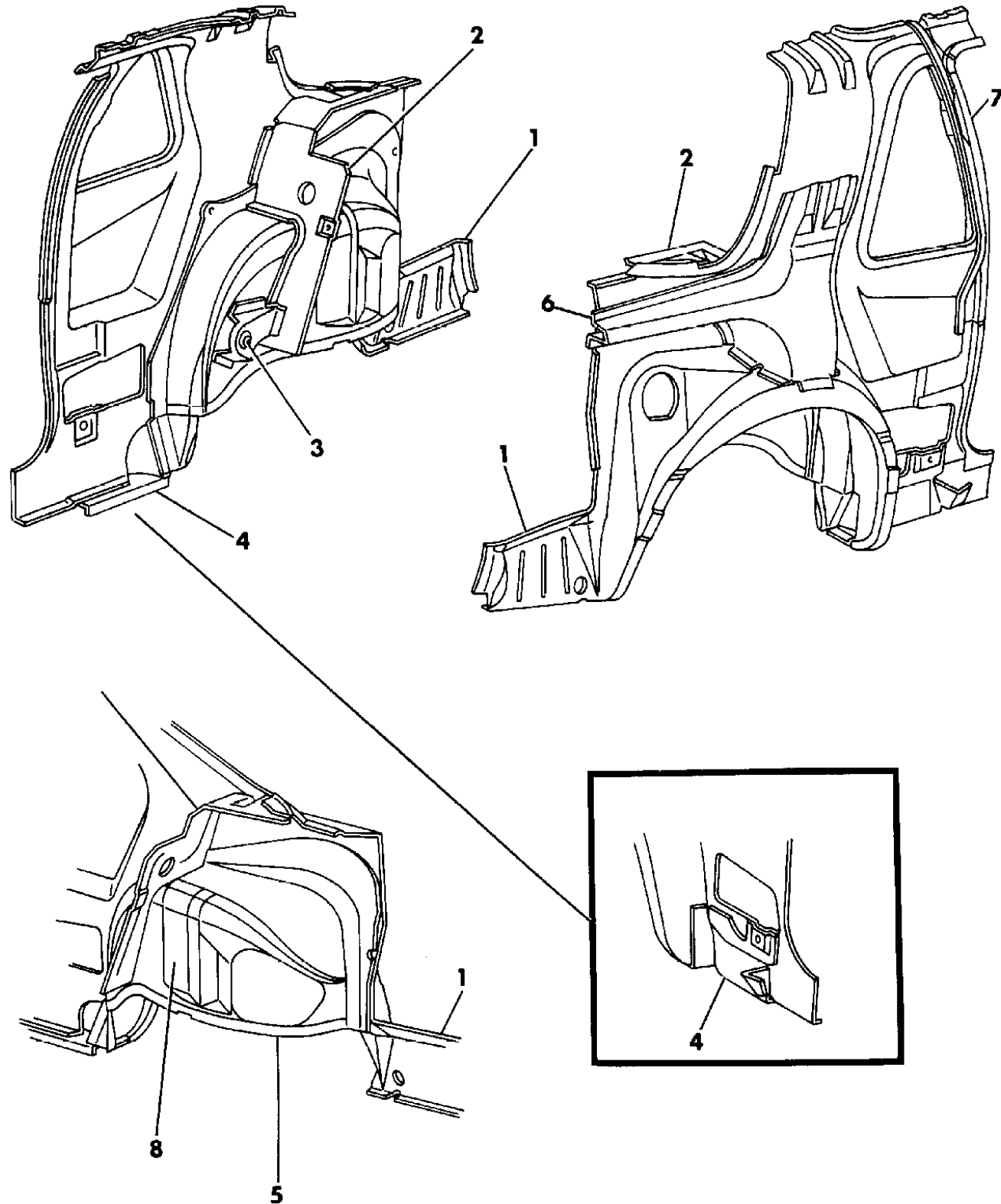
**BODY STYLES:**

21=2-Door Coupe      41=4-Door Sedan      12-52=FWD & AWD Van & Wgn Std W.B.  
 24=2-Door Hatchback      44=4-Door Hatchback      53=FWD & AWD Van & Wgn Ext. W.B.  
 27=2-Door Convertible

AR = Use as Required - = Non Illustrated Part P.A.R. = Paint as Required

QUARTER PANEL J BODY 21  
Figure 23A-6000

93169 6000 A



ITEM	PART NUMBER	QTY	BODY	MODEL	DESCRIPTION
1	4655 616-7	1			PANEL, Quarter Inner and Wheelhouse Outer
	4278 178	2			TAPE, Qtr. Inner w/House Outer
2	4490 050-1	1			PANEL, Shelf Extension Side
3	4386 168-9	1			BRACKET, Rear Seat Back Pivot
4	4440 802-3	1			REINFORCEMENT, Panel Sill Jack
5	4534 212-3	1			PANEL, Rear w/House Inner
6	5253 150-1	1			REINFORCEMENT, Body Side Aperture Tower
7	4341 694-5	1			REINFORCEMENT, Quarter Inner Panel Upper Front
8	4134 686-7	1			REINFORCEMENT, w/House Inner Panel Shock

MODEL CODES:

A BODY=(C=LeBaron, D=Spirit, P=Acclaim/LaBaron(Landau),  
Saratoga)  
C BODY=(D=Dynasty, C=New Yorker/N.Y. Salon)  
G BODY=(V=Daytona/ROC, Chrysler Daytona)  
J BODY=(C=LeBaron, Chrysler LeBaron)  
P BODY=(P=Sundance, D=Shadow)

S BODY=(H=Voyager(H) FWD, K=Caravan(H) FWD,  
Y=Town & Country(H) FWD, P=Voyager(K) AWD,  
D=Caravan(K) AWD, C=Town & Country(K) AWD)  
Y BODY=(C=Imperial/5th Avenue)  
E-S BODY=(K=Chrysler Voyager(H) FWD, D=Chrysler  
Voyager(K) AWD)

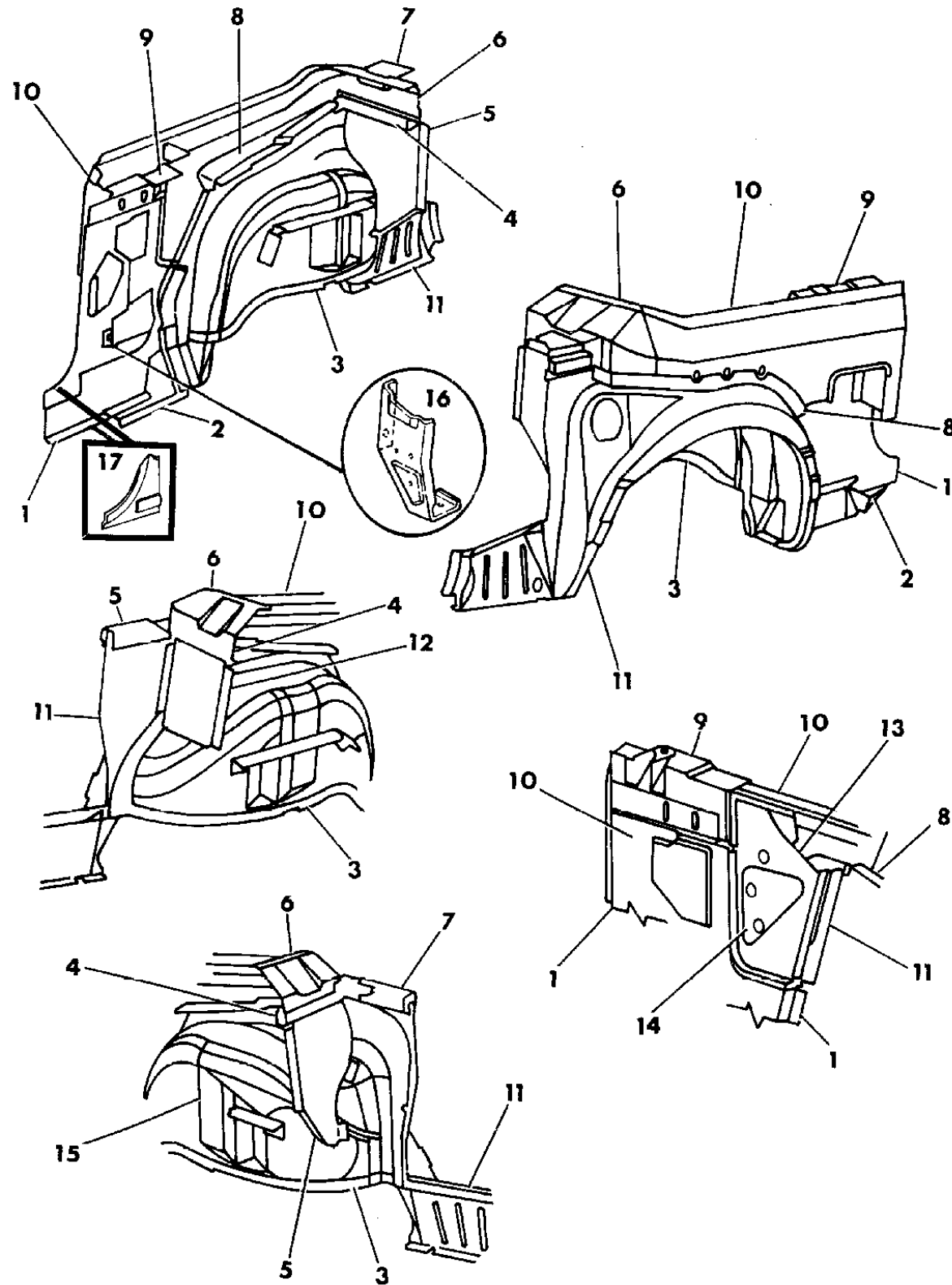
BODY STYLES:

21=2-Door Coupe      41=4-Door Sedan      12-52=FWD & AWD Van & Wgn Std W.B.  
24=2-Door Hatchback      44=4-Door Hatchback      53=FWD & AWD Van & Wgn Ext. W.B.  
27=2-Door Convertible

AR = Use as Required - = Non Illustrated Part P.A.R. = Paint as Required

QUARTER PANEL J BODY 27  
Figure 23A-6100

93169 6100



ITEM	PART NUMBER	QTY	BODY	MODEL	DESCRIPTION
1	4490 578-9	1			EXTENSION, Quarter Inner Panel
2	4490 580-1	1			REINFORCEMENT, Quarter Inner Panel Sill Jack
3	4534 212-3	1			PANEL, Rear w/House Inner
4	4386 058-9	1			EXTENSION, Deck Opening Panel Drain Trough Lower
5	4490 438	1			EXTENSION, Deck Opening Upper Closure Panel Rt.
6	4440 830-1	1			EXTENSION, Deck Opening Panel Drain Trough Upper
7	4371 032	1			BRACE, Quarter Inner Panel
8	4416 650-1	1			REINFORCEMENT, Belt Bar Lower
9	5253 370-1	1			BRACE, Belt Bar Reinforcement
10	4475 910-1	1			REINFORCEMENT, Belt Bar Upper
11	4655 614-5	1	27		PANEL, Quarter Inner and w/House Outer
12	4386 057	1			EXTENSION, Deck Opening Upper Closure Panel Lt.
13	5253 378-9	1			EXTENSION, Belt Reinforcement
14	4371 734	1			PLATE, Belt Bar Reinforcement To w/House
15	4134 686-7	1			REINFORCEMENT, Rear w/House Inner Panel
16	5253 488-9	1			BRACE, Quarter Inner Extension To Floor Rear Quarter Reinforcement
17	4475 696-7	1			BRACE ASSEMBLY, Upper Belt Reinforcement ***

MODEL CODES:

A BODY=(C=LeBaron, D=Spirit, P=Acclaim/LaBaron(Landau),  
Saratoga)  
C BODY=(D=Dynasty, C=New Yorker/N.Y. Salon)  
G BODY=(V=Daytona/IROC, Chrysler Daytona)  
J BODY=(C=LeBaron, Chrysler LeBaron)  
P BODY=(P=Sundance, D=Shadow)

S BODY=(H=Voyager(H) FWD, K=Caravan(H) FWD,  
Y=Town & Country(H) FWD, P=Voyager(K) AWD,  
D=Caravan(K) AWD, C=Town & Country(K) AWD)  
Y BODY=(C=Imperial/5th Avenue)  
E-S BODY=(K=Chrysler Voyager(H) FWD, D=Chrysler  
Voyager(K) AWD)

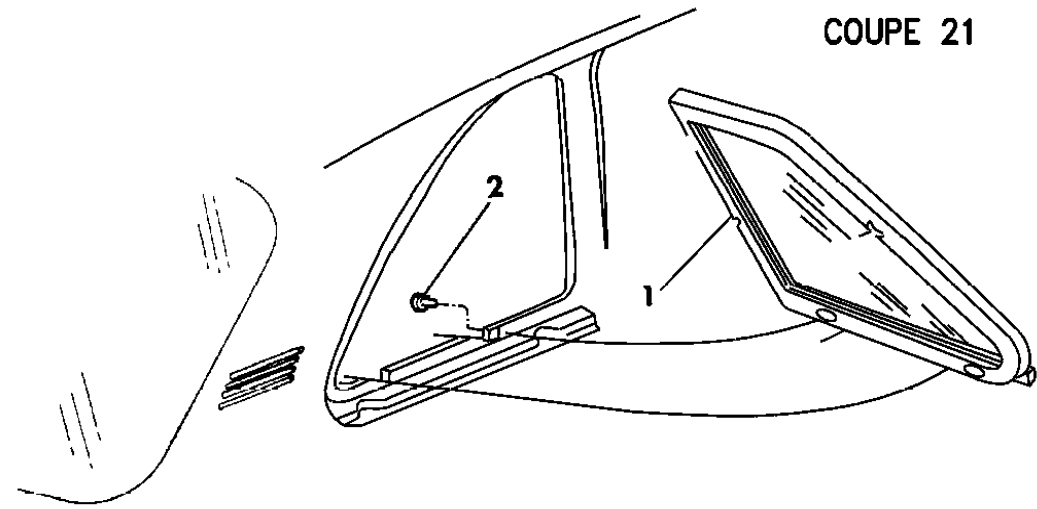
BODY STYLES:

21=2-Door Coupe      41=4-Door Sedan      12-52=FWD & AWD Van & Wgn Std W.B.  
24=2-Door Hatchback      44=4-Door Hatchback      53=FWD & AWD Van & Wgn Ext. W.B.  
27=2-Door Convertible

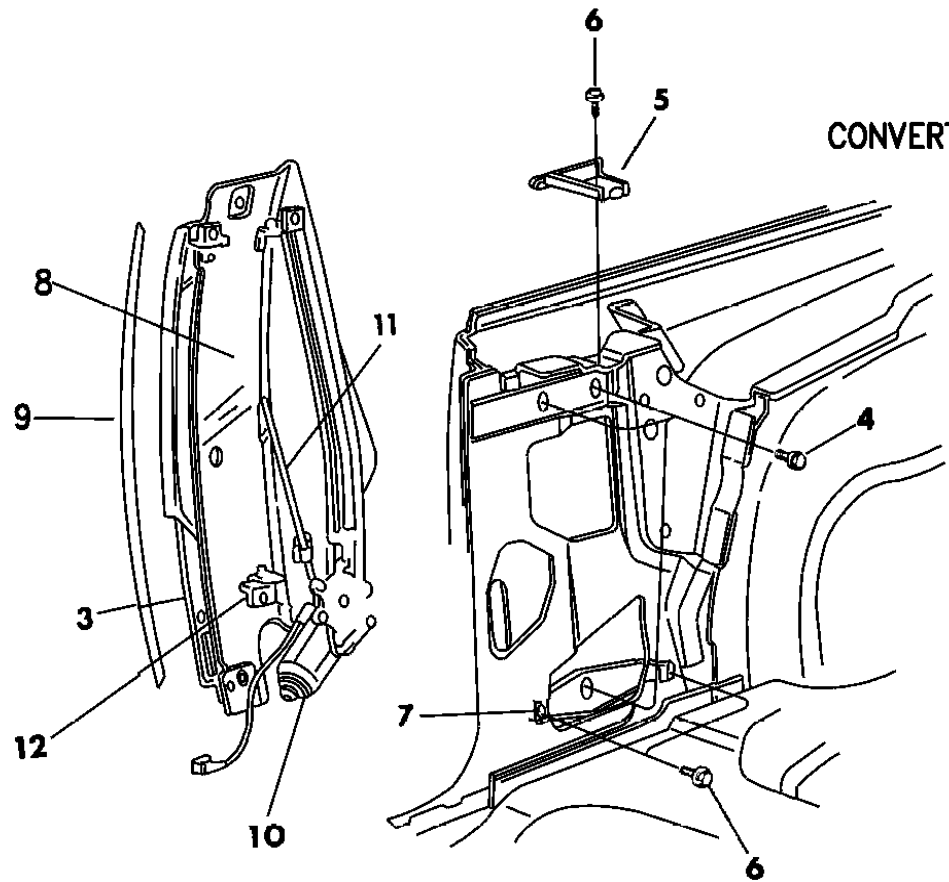
AR = Use as Required - = Non Illustrated Part P.A.R. = Paint as Required

**GLASS QUARTER WINDOW J BODY 21,27**  
**Figure 23A-6200**

93169 6200A



**COUPE 21**



**CONVERTIBLE 27**

ITEM	PART NUMBER	QTY	BODY	MODEL	DESCRIPTION
1		1		21	FRAME and GLASS ASSEMBLY, Tinted
	4512 366-7				Bright
	5253 290-1				Black
	4512 366-7	1		21	FRAME and GLASS ASSEMBLY, (EUROPEAN) E-Marked
2		4		21	SCREW, .164-18x.437, Not Serviced
3	4445 414-5	1		27	REGULATOR
4	6100 565	3		27	SCREW
5	4445 106	2		27	STABILIZER, Inner Belt Quarter Glass
6		3		27	SCREW, Not Serviced
7	4520 898-9	1		27	BRACE, Quarter Window
8		1			GLASS, Quarter Window, Tinted
	4658 420-1			27	w/Weatherstrip, (Item #9)
	4480 882-3			27	w/o Weatherstrip, (Item #9)
9	4658 422-3	1		27	WEATHERSTRIP, (Front Edge)
-	4415 086-7	1		27	RETAINER, (To Attach Weatherstrip)
10	4467 292-3	1		27	MOTOR, Quarter Window Regulator
11	4445 418	2		27	CABLE, (Upper and Lower)
12	4445 416-7	1		27	LIFTPLATE ASSEMBLY
					Consists Of:
		1			Plate Assy.
		1			Bolt
		1			Bolt
		2			Spacer, Male
		2			Washer, Spanner
		4			Gasket
		4			Washer
		2			Nut, Spanner
-	4415 944	4		27	Bushing Rear Quarter Glass Lift Plate

**MODEL CODES:**

A BODY=(C=LeBaron, D=Spirit, P=Acclaim/LaBaron(Landau),  
Saratoga)  
 C BODY=(D=Dynasty, C=New Yorker/N.Y. Salon)  
 G BODY=(V=Daytona/IROC, Chrysler Daytona)  
 J BODY=(C=LeBaron, Chrysler LeBaron)  
 P BODY=(P=Sundance, D=Shadow)

S BODY=(H=Voyager(H) FWD, K=Caravan(H) FWD,  
Y=Town & Country(H) FWD, P=Voyager(K) AWD,  
D=Caravan(K) AWD, C=Town & Country(K) AWD)  
 Y BODY=(C=Imperial/5th Avenue)  
 E-S BODY=(K=Chrysler Voyager(H) FWD, D=Chrysler  
Voyager(K) AWD)

**BODY STYLES:**

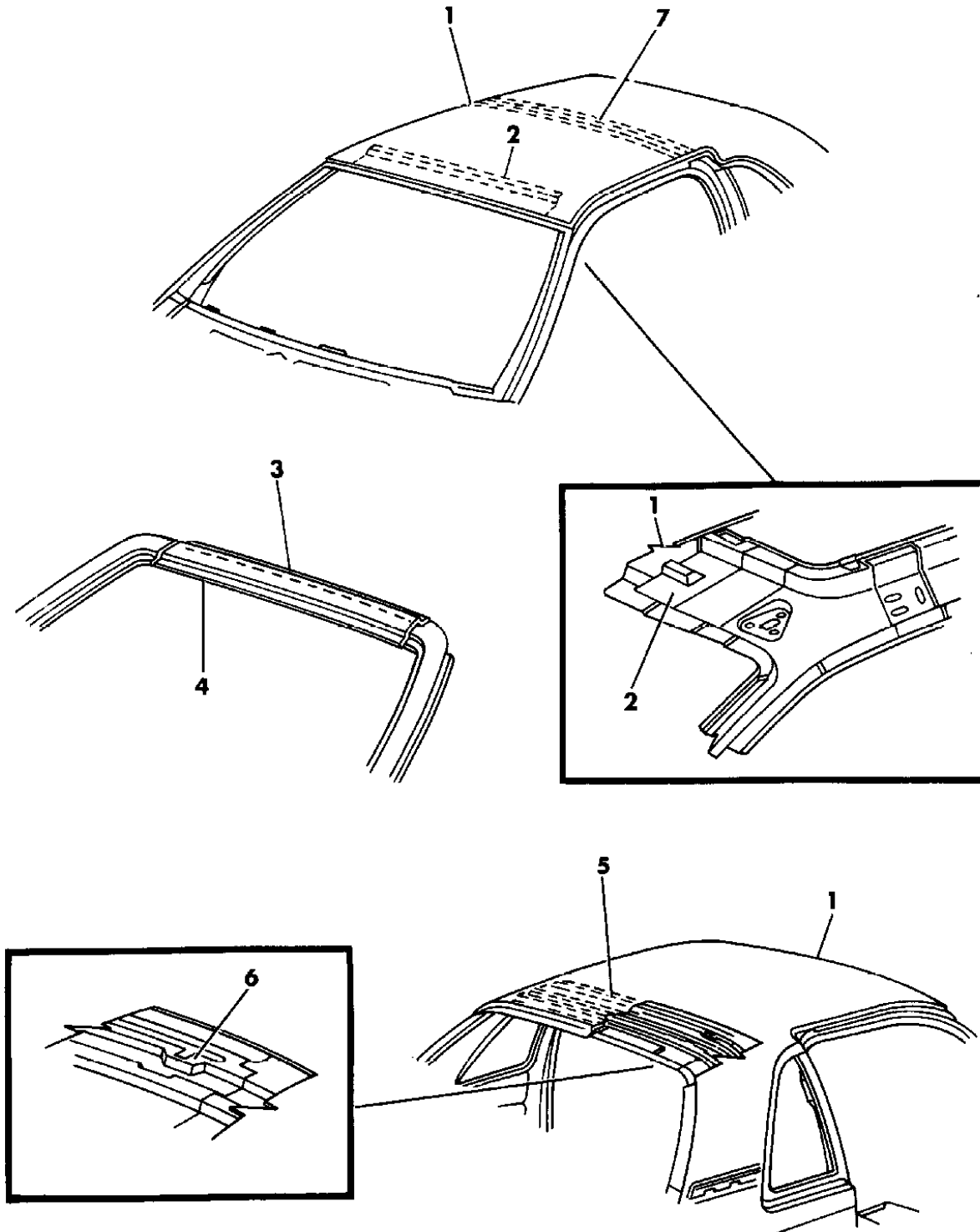
21=2-Door Coupe      41=4-Door Sedan      12-52=FWD & AWD Van & Wgn Std W.B.  
 24=2-Door Hatchback      44=4-Door Hatchback      53=FWD & AWD Van & Wgn Ext. W.B.  
 27=2-Door Convertible

AR = Use as Required - = Non Illustrated Part P.A.R. = Paint as Required

ROOF PANEL AND WINDSHIELD FRAME J BODY 21,27  
Figure 23A-6300

93169 6300

ITEM	PART NUMBER	QTY	BODY	MODEL	DESCRIPTION
1	4341 414	1		21	PANEL ROOF
2	4416 805	1		21	FRAME, w/Shield Opening Upper
3	4371 025	1		27	FRAME, w/Shield Header Outer
4	4655 779	1		27	FRAME, w/Shield Header Inner
5	4341 679	1		21	FRAME, Rear Window Opening Upper
6	6032 934	6		21	FASTENER
7	4490 715	1		21	BOW



**MODEL CODES:**

A BODY=(C=LeBaron, D=Spirit, P=Acclaim/LaBaron(Landau), Saratoga) S BODY=(H=Voyager(H) FWD, K=Caravan(H) FWD, Y=Town & Country(H) FWD, P=Voyager(K) AWD, D=Caravan(K) AWD, C=Town & Country(K) AWD)  
 C BODY=(D=Dynasty, C=New Yorker/N.Y. Salon) Y BODY=(C=Imperial/5th Avenue)  
 G BODY=(V=Daytona/IROC, Chrysler Daytona) E-S BODY=(K=Chrysler Voyager(H) FWD, D=Chrysler Voyager(K) AWD)  
 J BODY=(C=LeBaron, Chrysler LeBaron) P BODY=(P=Sundance, D=Shadow)

**BODY STYLES:**

21=2-Door Coupe 41=4-Door Sedan 12-52=FWD & AWD Van & Wgn Std W.B.  
 24=2-Door Hatchback 44=4-Door Hatchback 53=FWD & AWD Van & Wgn Ext. W.B.  
 27=2-Door Convertible

AR = Use as Required - = Non Illustrated Part P.A.R. = Paint as Required

CONVERTIBLE TOP J BODY 27

Figure 23A-6500

93169 6500

ITEM	PART NUMBER	QTY	BODY	MODEL	DESCRIPTION
1		1			COVER ASSEMBLY (w/Three Pockets) ***
	GY25 LB7				Blue
	GY25 LW7				White
	GY25 LV2				Champagne
	GY25 LX9				Black
2		1			BOW ASSEMBLY
	4490 133				#1 Bow
	4490 134				#2 Bow
	4490 135				#3 Bow
3		2			SCREW, Not Serviced
4	5253 965	1			HEADER and LATCH ASSEMBLY
5	4491 774	2			CAP, #3 Bow Moulding End
6	4097 784	1			PAD, Header
7	4549 193	2			STAY, Side
8	4713 440-1	1			RAIL ASSEMBLY, f/Top
9	4655 518	2			CABLE
	4305 011	2			Spring
10		1			WELT, f/Top Header
	GY34 LB7				Blue
	GY34 LV2				Champagne
	GY34 LW7				White
	GY34 LX9				Black
11		1			WINDOW, Rear f/Top Heated
	GY27 LB7				Blue
	GY27 LV2				Champagne
	GY27 LW7				White
	GY27 LX9				Black
12		1			BOOT, f/Top (See Rail and Header Illus.)
13		AR			SCREW, Not Serviced
14		2			NUT, Not Serviced
15	4491 698	2			CAP
16	4454 701	2			RETAINER PLUG
17					STAPLE, Not Serviced
18		1			COVER ASSEMBLY, Headliner
	FY74 LB9				Blue
	FY74 LV8				Champagne
	FY74 LM7				Red
	FY74 LAZ				Agate
	4114 785	4			FASTENER, Headliner

MODEL CODES:

A BODY=(C=LeBaron, D=Spirit, P=Acclaim/LaBaron(Landau), Saratoga)

C BODY=(D=Dynasty, C=New Yorker/N.Y. Salon)

G BODY=(V=Daytona/ROC, Chrysler Daytona)

J BODY=(C=LeBaron, Chrysler LeBaron)

P BODY=(P=Sundance, D=Shadow)

S BODY=(H=Voyager(H) FWD, K=Caravan(H) FWD,

Y=Town & Country(H) FWD, P=Voyager(K) AWD,

D=Caravan(K) AWD, C=Town & Country(K) AWD)

Y BODY=(C=Imperial/5th Avenue)

E-S BODY=(K=Chrysler Voyager(H) FWD, D=Chrysler

Voyager(K) AWD)

BODY STYLES:

21=2-Door Coupe

41=4-Door Sedan

12-52=FWD & AWD Van & Wgn Std W.B.

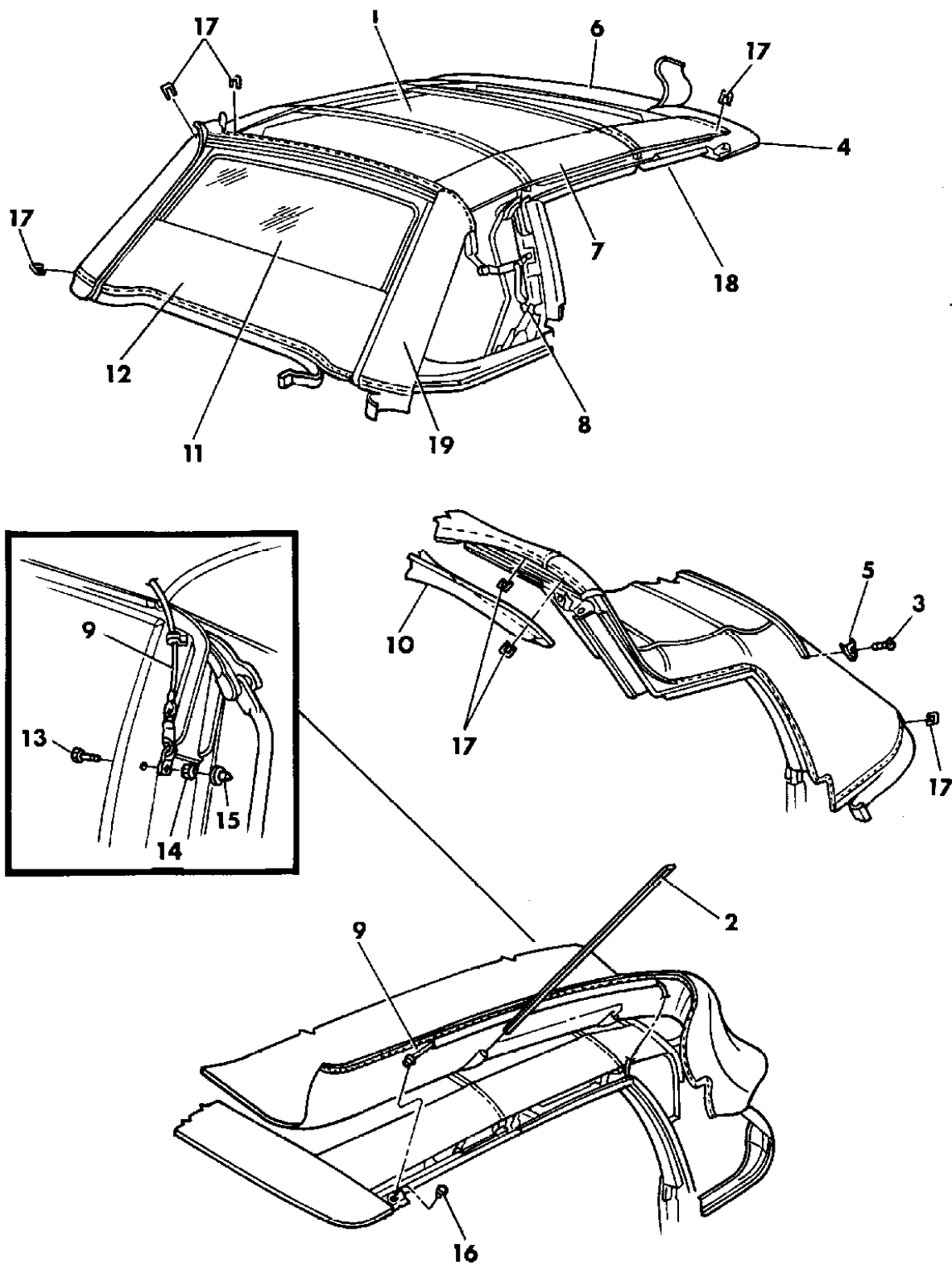
24=2-Door Hatchback

44=4-Door Hatchback

53=FWD & AWD Van & Wgn Ext. W.B.

27=2-Door Convertible

AR = Use as Required - = Non Illustrated Part P.A.R. = Paint as Required



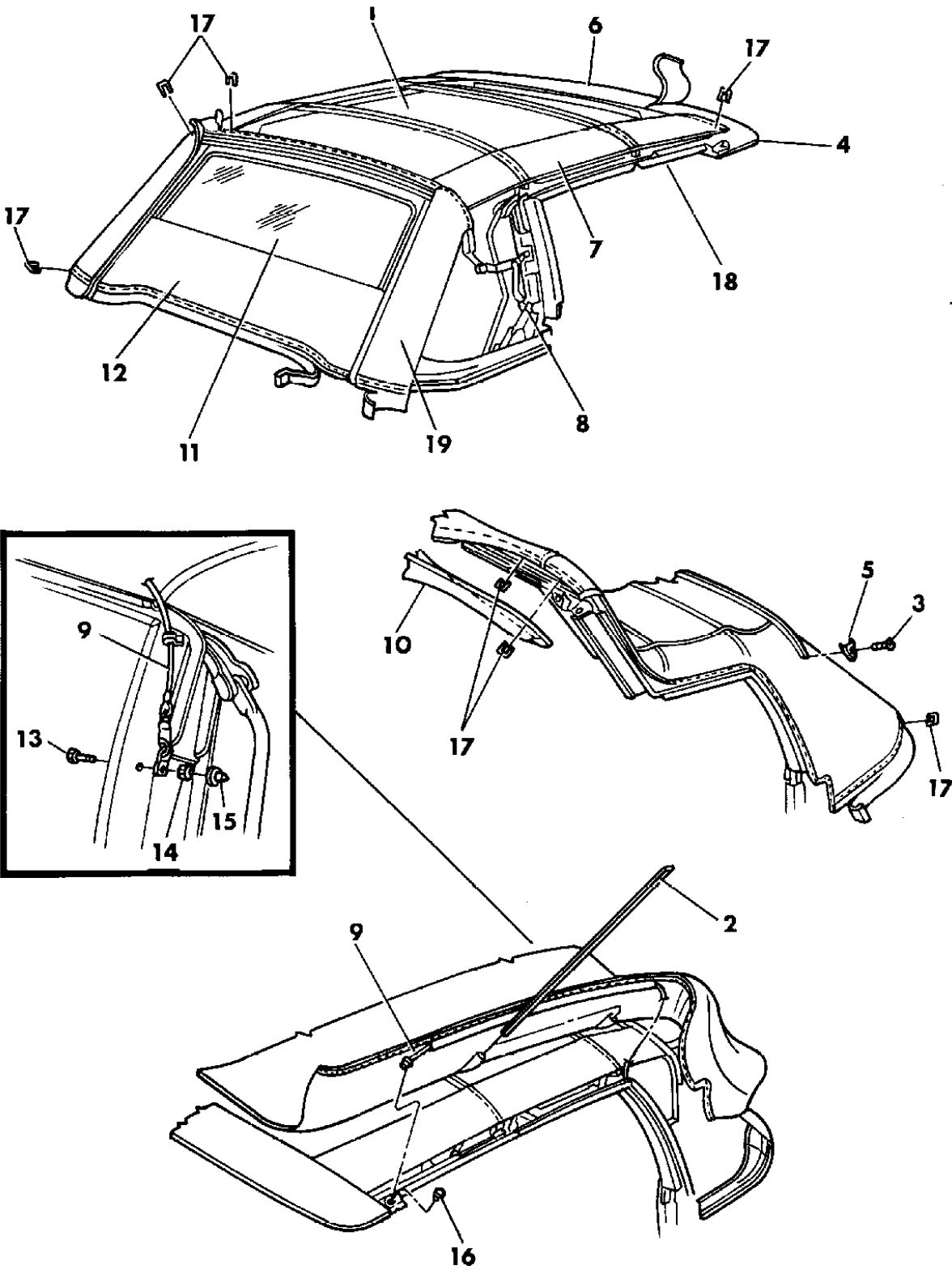


**CONVERTIBLE TOP J BODY 27**  
**Figure 23A-6500**

93169 6500

ITEM	PART NUMBER	QTY	BODY	MODEL	DESCRIPTION
------	-------------	-----	------	-------	-------------

19	4549 193	2			STAY, Rear



**MODEL CODES:**

- |  |   |
|--|---|
| A BODY=(C=LeBaron, D=Spirit, P=Acclaim/LaBaron(Landau),<br>Saratoga) | S BODY=(H=Voyager(H) FWD, K=Caravan(H) FWD,<br>Y=Town & Country(H) FWD, P=Voyager(K) AWD,<br>D=Caravan(K) AWD, C=Town & Country(K) AWD) |
| C BODY=(D=Dynasty, C=New Yorker/N.Y. Salon)                          | Y BODY=(C=Imperial/5th Avenue)  |
| G BODY=(V=Daytona/IROC, Chrysler Daytona)                            | E-S BODY=(K=Chrysler Voyager(H) FWD, D=Chrysler<br>Voyager(K) AWD)  |
| J BODY=(C=LeBaron, Chrysler LeBaron)                                 |   |
| P BODY=(P=Sundance, D=Shadow)  |   |

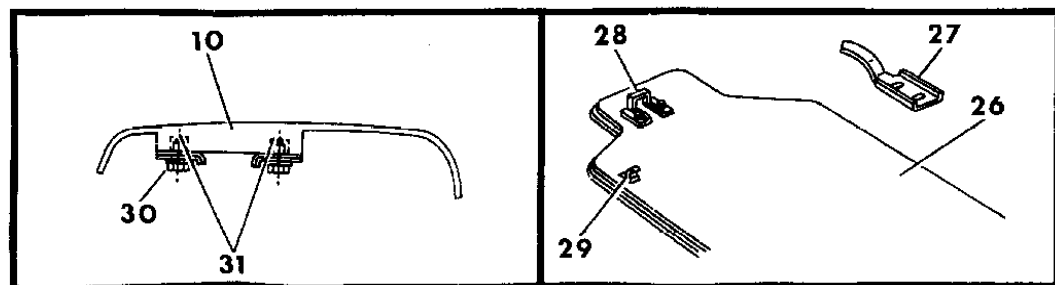
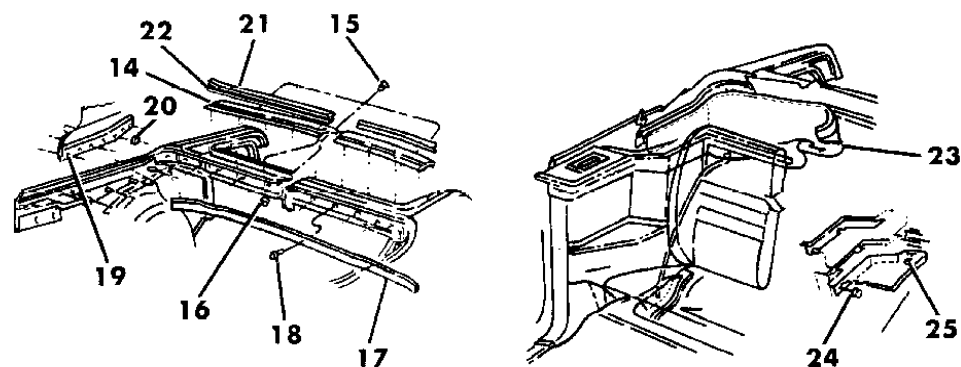
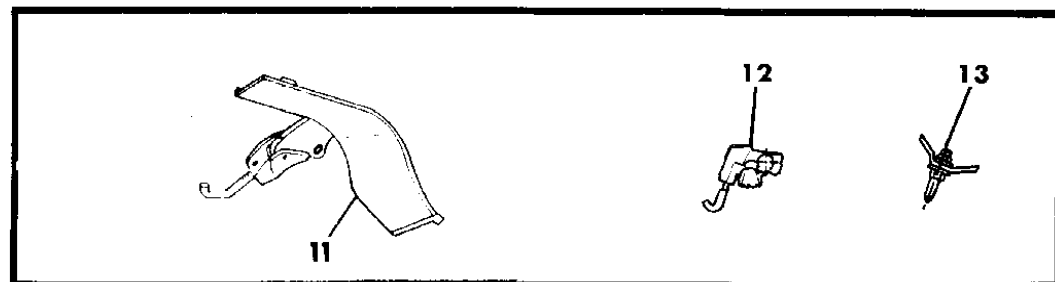
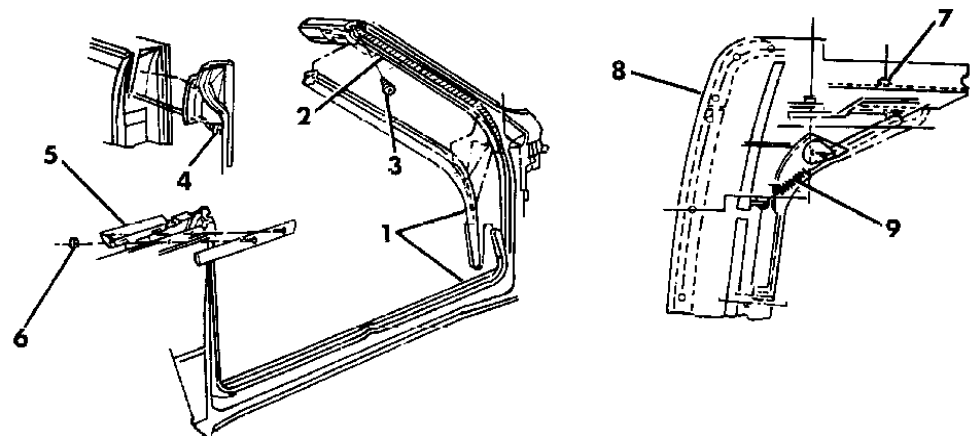
**BODY STYLES:**

- |                       |                     |                                    |
|-----------------------|---------------------|------------------------------------|
| 21=2-Door Coupe       | 41=4-Door Sedan     | 12-52=FWD & AWD Van & Wgn Std W.B. |
| 24=2-Door Hatchback   | 44=4-Door Hatchback | 53=FWD & AWD Van & Wgn Ext. W.B.   |
| 27=2-Door Convertible |                     |                                    |

AR = Use as Required - = Non Illustrated Part P.A.R. = Paint as Required

RAIL, HEADER AND LATCH ASSEMBLY J BODY 27  
Figure 23A-6600

93169 6600



ITEM	PART NUMBER	QTY	BODY	MODEL	DESCRIPTION
1	4615 990-1	1			WEATHERSTRIP, Body Side Aperture Panel Door Opening
2	5253 936-7	1			RETAINER and SEAL
3		5			SCREW, Not Serviced
4		8			SCREW, Not Serviced
5	4534 044-5	1			WEATHERSTRIP, Qtr. Window Belt
	4620 712-3	1			WEATHERSTRIP, Qtr. Top Inner Belt
6	6501 140	AR			NUT
7	4713 440-1	1			RAIL ASSEMBLY, f/Top
8	5253 965	1			HEADER and LATCH ASSEMBLY
	5253 141	1			SEAL, Hard Top Header w/Strip
9		2			SPRING (Serviced in Header Assembly) ***
10		1			FOUNDATION, f/Top Boot Service In Boot Assy.
11	5253 968-9	1			LATCH and HANDLE ***
12	5253 383	2			HOOK
13	5253 384	2			PIN, Locating
14	5253 361	1			FILLER, Deck Lid Opening Upper Panel To Backlite
15		3			SCREW, Not Serviced
16	6501 140	9			NUT and WASHER
17	4422 417	1			RETAINER and EXTENSION
18	6500 354	13			SCREW and WASHER
19	4422 420-1	1			EXTENSION, Body Aperture Belt Bar
20	6501 279	8			NUT and WASHER
21	5261 725	1			MOULDING, Deck Upper Panel
-	4491 698	AR			CAP, Protective, Rubber
22	5261 307	1			RETAINER, Deck Opening Upper Boot
23	4665 210	1			SLINGWELL
	4620 786	1			SILENCER, Slingwell
24	6025 002	6			NUT
25	6002 972	2			CLIP, Slingwell
26		1			BOOT, f/Top
	FF80 LV4				Lt. Champagne
	FF80 LB9				Midnight Blue
	FF80 LMA				Crimson Red
	FF80 LWC				Frost White
	FF80 LAZ				Agate
	6004 156-7	1			CLIP, f/Top Boot To Deck Opening Upper Panel Mldg.
27	4454 348-9	1			RETAINER, f/Top Boot Foundation
	4328 880	4			RETAINER, f/Top To Quarter Trim Moulding
28	4422 264	2			CATCH, f/Top Boot Front

MODEL CODES:

A BODY=(C=LeBaron, D=Spirit, P=Acclaim/LaBaron(Landau), Saratoga) S BODY=(H=Voyager(H) FWD, K=Caravan(H) FWD, Y=Town & Country(H) FWD, P=Voyager(K) AWD, D=Caravan(K) AWD, C=Town & Country(K) AWD)  
 C BODY=(D=Dynasty, C=New Yorker/N.Y. Salon)  
 G BODY=(V=Daytona/IROC, Chrysler Daytona)  
 J BODY=(C=LeBaron, Chrysler LeBaron)  
 P BODY=(P=Sundance, D=Shadow)  
 Y BODY=(C=Imperial/5th Avenue)  
 E-S BODY=(K=Chrysler Voyager(H) FWD, D=Chrysler Voyager(K) AWD)

BODY STYLES:

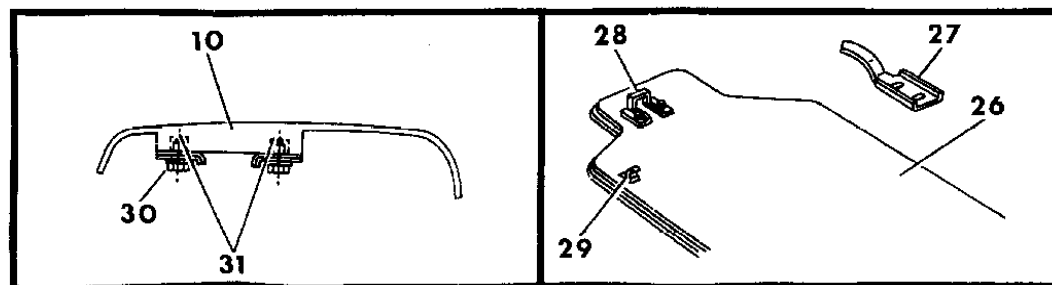
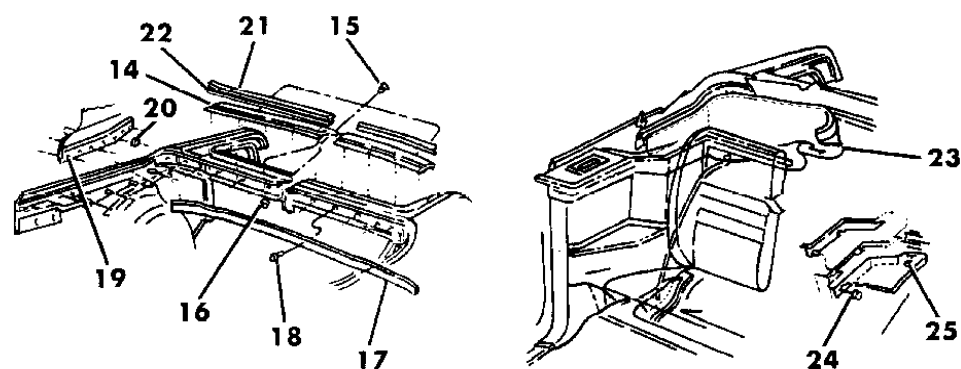
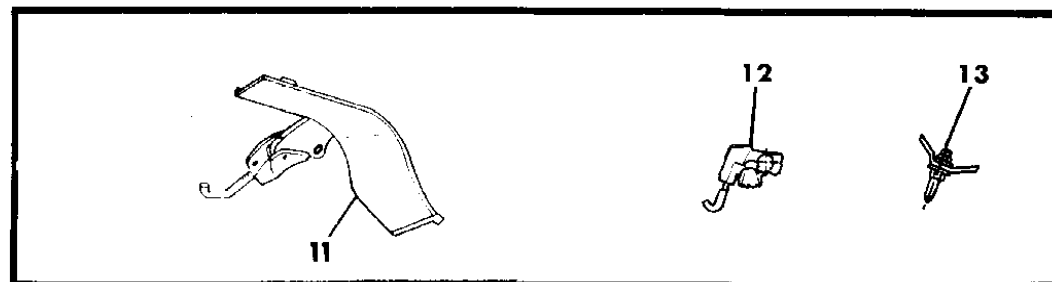
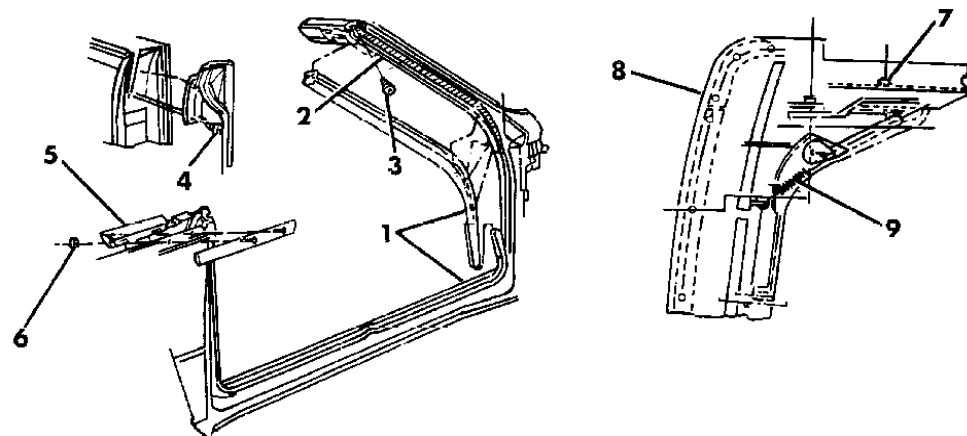
21=2-Door Coupe 41=4-Door Sedan 12-52=FWD & AWD Van & Wgn Std W.B.  
 24=2-Door Hatchback 44=4-Door Hatchback 53=FWD & AWD Van & Wgn Ext. W.B.  
 27=2-Door Convertible

AR = Use as Required - = Non Illustrated Part P.A.R. = Paint as Required

RAIL, HEADER AND LATCH ASSEMBLY J BODY 27  
Figure 23A-6600

93169 6600

ITEM	PART NUMBER	QTY	BODY	MODEL	DESCRIPTION
29	4422 571	6			LOCATOR, f/Top Boot To Quarter Belt Moulding
30	6101 254	8			SCREW and WASHER
31	6501 533	8			INSERT, f/Top Boot For Foundation



**MODEL CODES:**

A BODY=(C=LeBaron, D=Spirit, P=Acclaim/LaBaron(Landau), Saratoga) S BODY=(H=Voyager(H) FWD, K=Caravan(H) FWD, Y=Town & Country(H) FWD, P=Voyager(K) AWD, D=Caravan(K) AWD, C=Town & Country(K) AWD)  
 C BODY=(D=Dynasty, C=New Yorker/N.Y. Salon) Y BODY=(C=Imperial/5th Avenue)  
 G BODY=(V=Daytona/IROC, Chrysler Daytona) E-S BODY=(K=Chrysler Voyager(H) FWD, D=Chrysler Voyager(K) AWD)  
 J BODY=(C=LeBaron, Chrysler LeBaron) P BODY=(P=Sundance, D=Shadow)

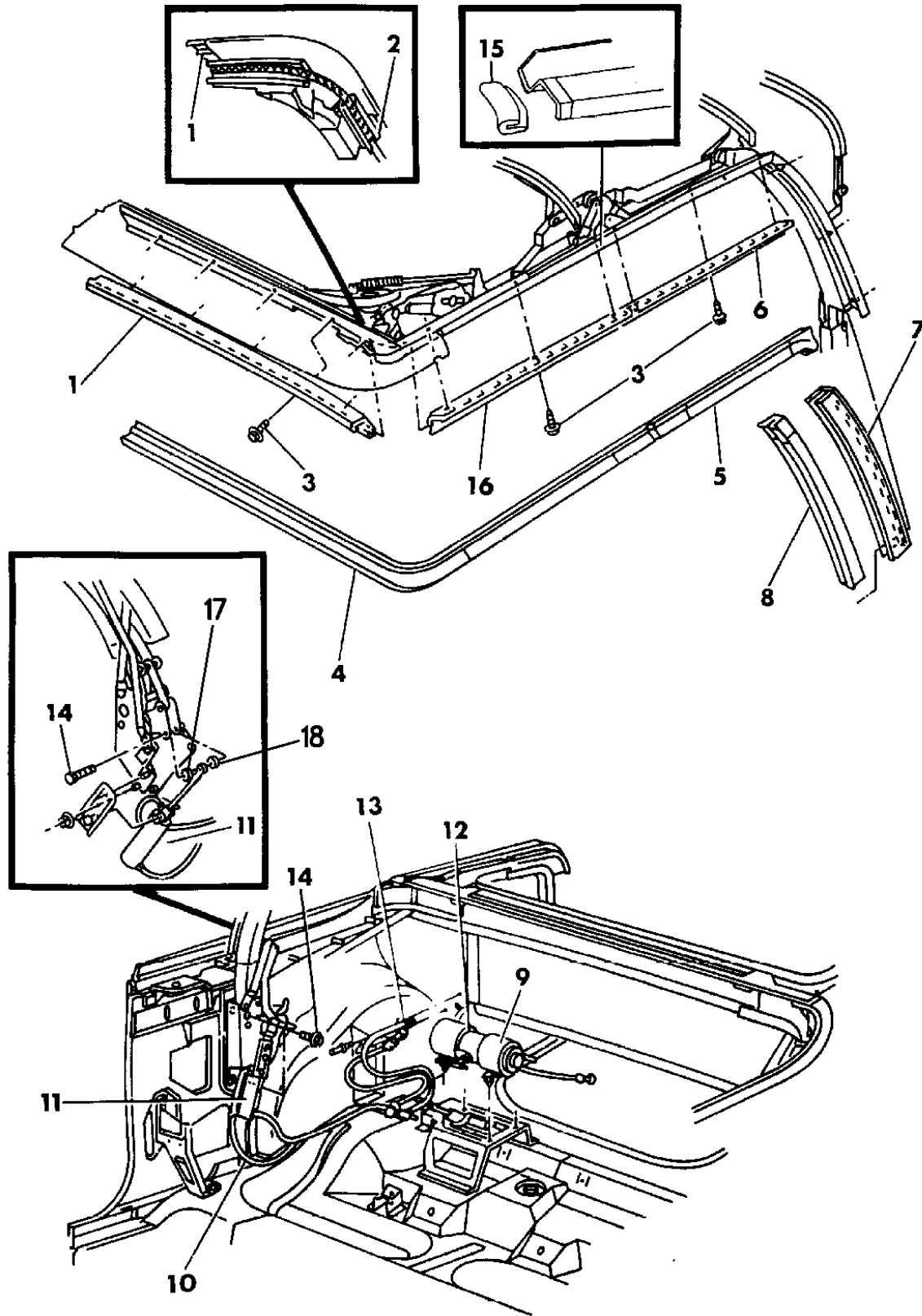
**BODY STYLES:**

21=2-Door Coupe 41=4-Door Sedan 12-52=FWD & AWD Van & Wgn Std W.B.  
 24=2-Door Hatchback 44=4-Door Hatchback 53=FWD & AWD Van & Wgn Ext. W.B.  
 27=2-Door Convertible

AR = Use as Required - = Non Illustrated Part P.A.R. = Paint as Required

CONVERTIBLE MOTOR AND UPPER WEATHERSTRIP J BODY 27  
Figure 23A-6700

93169 6700



ITEM	PART NUMBER	QTY	BODY	MODEL	DESCRIPTION
1	5253 933	1			RETAINER and SEAL, f/Top Header w/Strip
2	4396 308-9	1			RETAINER and SEAL, f/Top Side Rail Front w/Strip
3		29			SCREW, Not Serviced
	4491 698	AR			CAP, Screw Cover
4	4658 014	1			WEATHERSTRIP, f/Top Side Rail and Front Header
5	4658 020-1	1			WEATHERSTRIP, f/Top Side Rail Center End
6	4396 310-1	1			RETAINER and SEAL, f/Top Side Rail Center
7	4615 976-7	1			RETAINER and SEAL, f/Top Rail Rear
8	4615 972-3	1			WEATHERSTRIP, f/Top Side Rail Rear
9	4386 415	1			MOTOR and PUMP
	4097 654	2			SEAL, Motor and Pump
10	5253 338	1			HOSE and VALVE ASSEMBLY
	5252 882	2			HOSE, Upper & Lower
	4097 663	4			SEAL, Cyl. To Hose
11	4490 592	2			CYLINDER, f/Top
12	4490 593	1			PLUG, Motor
13	4490 351	1			KNOB, Valve Hose
14	6100 591	AR			SCREW and WASHER
		1			SPRING PACKAGE, Bow Return Part # C3940296
					Consists of:
	4490 766	2			Spring
	4490 558	2			Bracket
	6033 695	2			Spacer
	4490 767	2			Cover
15	4490 276	2			SEAL, Center To Front Side Rail Joint Sound
16	4396 308-9	1			RETAINER and SEAL, f/Top Side Rail w/Strip Frt.
17	4655 710	AR			WASHER
18	4655 709	AR			BUSHING

MODEL CODES:

A BODY=(C=LeBaron, D=Spirit, P=Acclaim/LaBaron(Landau),  
Saratoga)

C BODY=(D=Dynasty, C=New Yorker/N.Y. Salon)

G BODY=(V=Daytona/IROC, Chrysler Daytona)

J BODY=(C=LeBaron, Chrysler LeBaron)

P BODY=(P=Sundance, D=Shadow)

S BODY=(H=Voyager(H) FWD, K=Caravan(H) FWD,

Y=Town & Country(H) FWD, P=Voyager(K) AWD,

D=Caravan(K) AWD, C=Town & Country(K) AWD)

Y BODY=(C=Imperial/5th Avenue)

E-S BODY=(K=Chrysler Voyager(H) FWD, D=Chrysler

Voyager(K) AWD)

BODY STYLES:

21=2-Door Coupe

41=4-Door Sedan

12-52=FWD & AWD Van & Wgn Std W.B.

24=2-Door Hatchback

44=4-Door Hatchback

53=FWD & AWD Van & Wgn Ext. W.B.

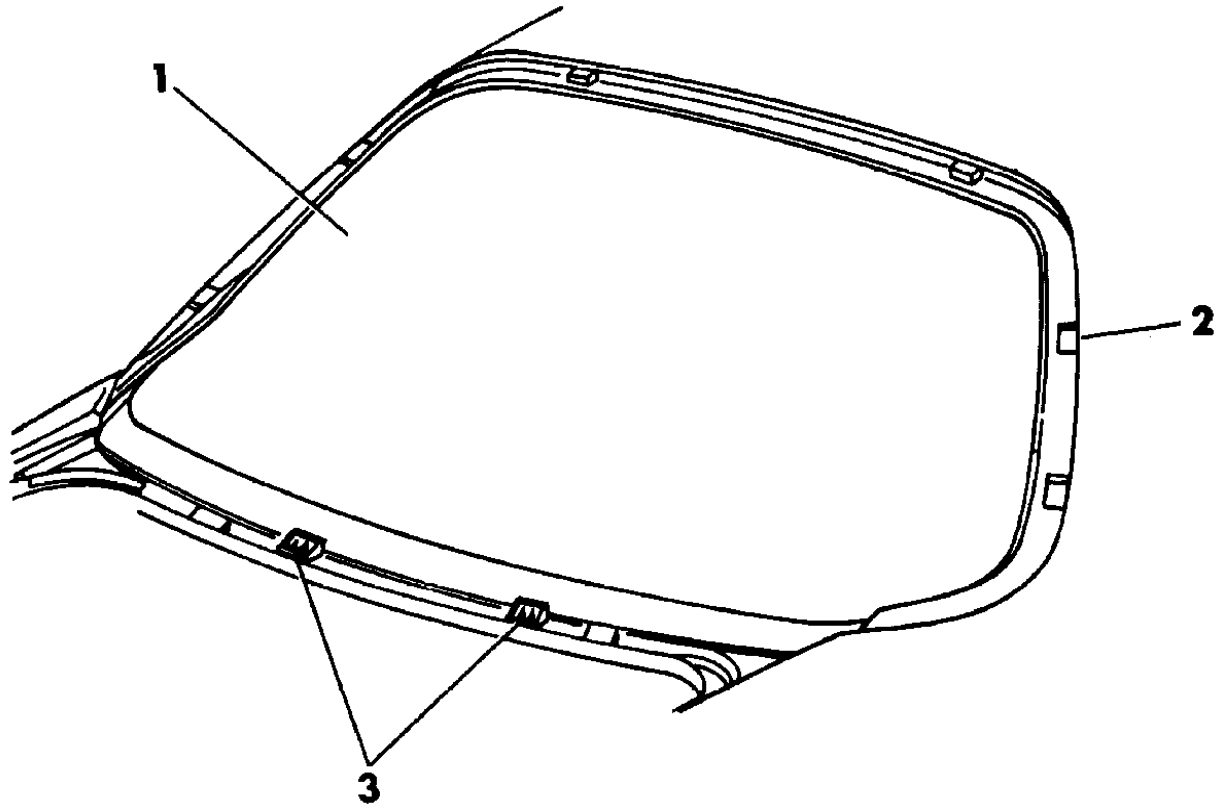
27=2-Door Convertible

AR = Use as Required - = Non Illustrated Part P.A.R. = Paint as Required

GLASS LIFTGATE J BODY  
Figure 23A-6800

93169 6800

ITEM	PART NUMBER	QTY	BODY	MODEL	DESCRIPTION
1		1			GLASS, Liftgate
	4371 166				Tinted and Heated
	4475 668	1			Tinted and Heated (EUROPEAN)
	4337 960				Tinted
2	4365 854	4			SPACER, Liftgate Glass Support
3	4416 112	2			SPACER



**MODEL CODES:**

A BODY=(C=LeBaron, D=Spirit, P=Acclaim/LaBaron(Landau),  
Saratoga)  
C BODY=(D=Dynasty, C=New Yorker/N.Y. Salon)  
G BODY=(V=Daytona/IROC, Chrysler Daytona)  
J BODY=(C=LeBaron, Chrysler LeBaron)  
P BODY=(P=Sundance, D=Shadow)

S BODY=(H=Voyager(H) FWD, K=Caravan(H) FWD,  
Y=Town & Country(H) FWD, P=Voyager(K) AWD,  
D=Caravan(K) AWD, C=Town & Country(K) AWD)  
Y BODY=(C=Imperial/5th Avenue)  
E-S BODY=(K=Chrysler Voyager(H) FWD, D=Chrysler  
Voyager(K) AWD)

**BODY STYLES:**

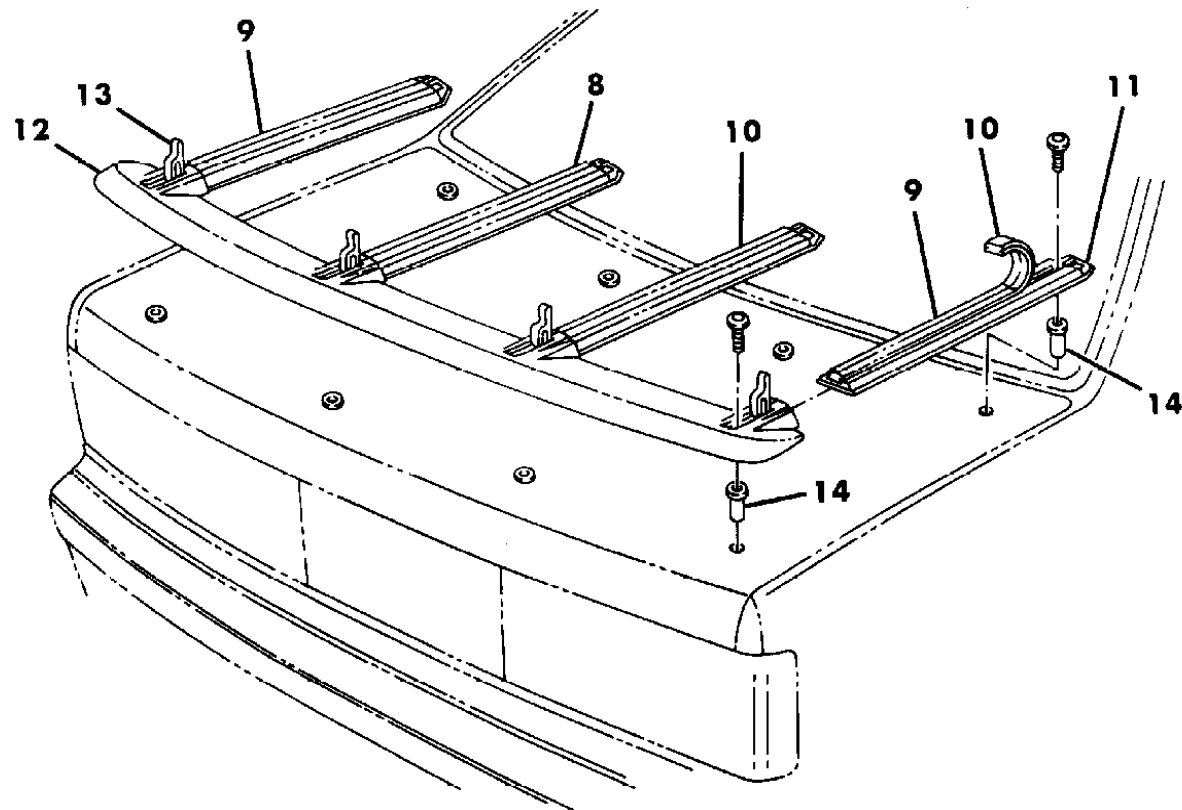
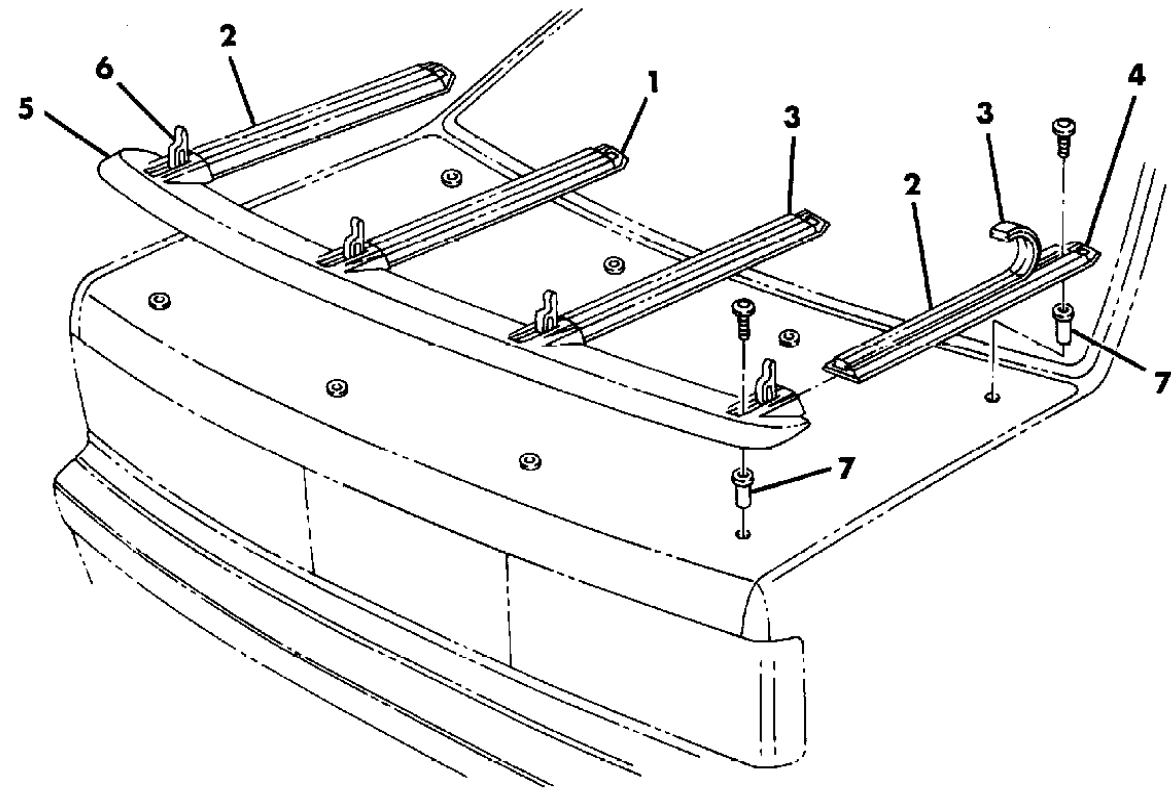
21=2-Door Coupe      41=4-Door Sedan      12-52=FWD & AWD Van & Wgn Std W.B.  
24=2-Door Hatchback      44=4-Door Hatchback      53=FWD & AWD Van & Wgn Ext. W.B.  
27=2-Door Convertible

AR = Use as Required - = Non Illustrated Part P.A.R. = Paint as Required

DECK LID RACK J BODY  
Figure 23A-6900

93169 6900

ITEM	PART NUMBER	QTY	BODY	MODEL	DESCRIPTION
1-7					DECK LID RACK (PEWTER) 4491315 Package DNS ***
1	4454 215	AR			SKID STRIP, Inner
2	4454 400	AR			SKID STRIP, Outer
3	4443 302	AR			INSERT, Inner and Outer
4	4454 395	AR			CAP, Skid Strip End
5	4454 216	AR			SPOILER ASSEMBLY
6	4454 222	AR			FLIPPER ASSEMBLY, Spoiler ***
7	6026 292	AR			RIVET
8-14	4443 272	1			DECK LID RACK (BLACK) ***
8	4443 306	AR			SKID STRIP, Inner
9	4443 307	AR			SKID STRIP, Outer
10	4443 302	AR			INSERT, Inner and Outer
11	4454 395	AR			CAP, Skid Strip End
12	4443 309	AR			SPOILER ASSEMBLY
13	4443 308	AR			FLIPPER ASSEMBLY, Spoiler
14	6026 292	AR			RIVET
					DECK LID RACK (Quartz) 4454215 Package DNS ***
	BE21 JD8	AR			SKID STRIP, Inner
	BE30 JD8	AR			SKID STRIP, Outer
	BE28 JD8	1			SPOILER ASSEMBLY ***



MODEL CODES:

A BODY=(C=LeBaron, D=Spirit, P=Acclaim/LaBaron(Landau),  
Saratoga)  
C BODY=(D=Dynasty, C=New Yorker/N.Y. Salon)  
G BODY=(V=Daytona/IROC, Chrysler Daytona)  
J BODY=(C=LeBaron, Chrysler LeBaron)  
P BODY=(P=Sundance, D=Shadow)

S BODY=(H=Voyager(H) FWD, K=Caravan(H) FWD,  
Y=Town & Country(H) FWD, P=Voyager(K) AWD,  
D=Caravan(K) AWD, C=Town & Country(K) AWD)  
Y BODY=(C=Imperial/5th Avenue)  
E-S BODY=(K=Chrysler Voyager(H) FWD, D=Chrysler  
Voyager(K) AWD)

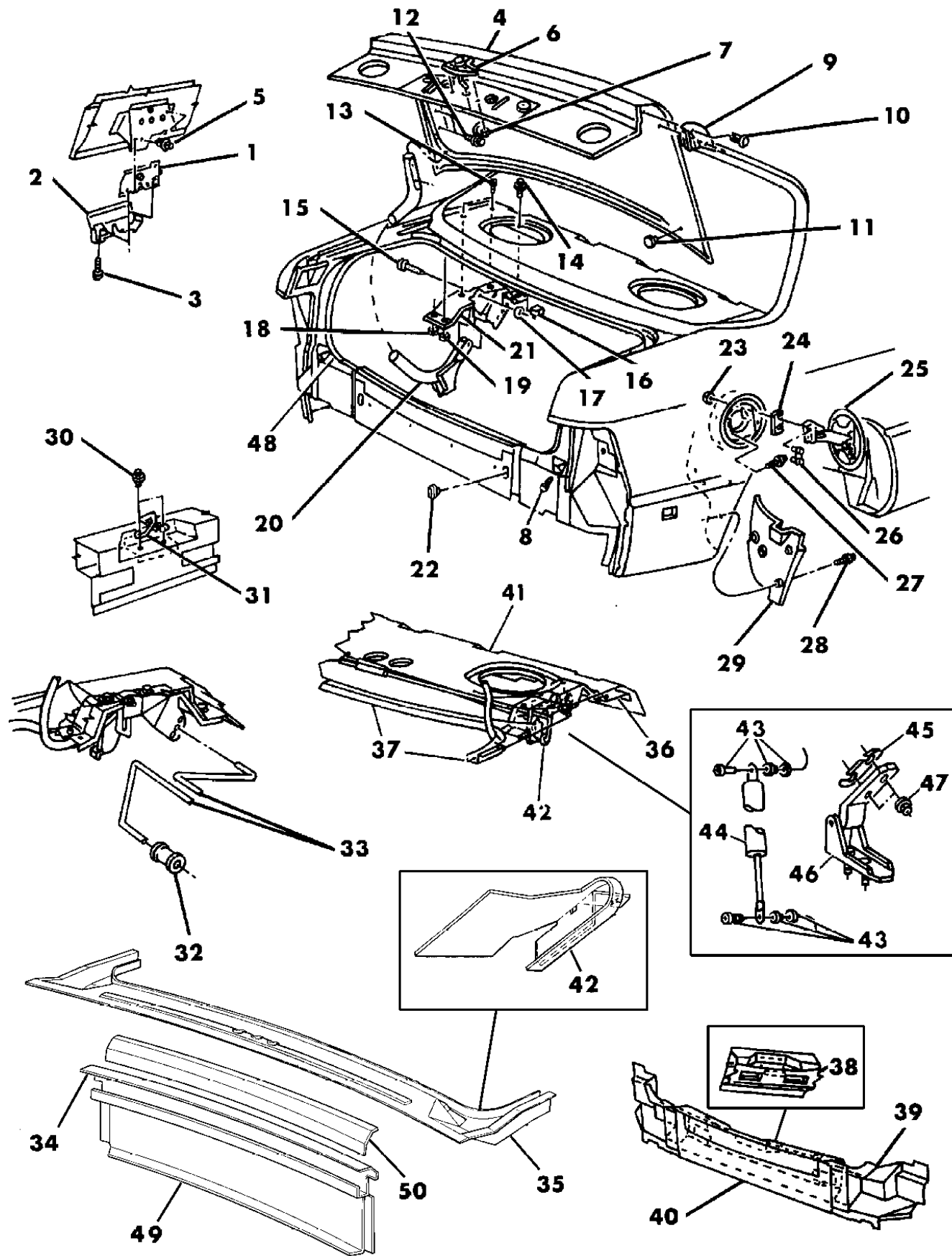
BODY STYLES:

21=2-Door Coupe      41=4-Door Sedan      12-52=FWD & AWD Van & Wgn Std W.B.  
24=2-Door Hatchback      44=4-Door Hatchback      53=FWD & AWD Van & Wgn Ext. W.B.  
27=2-Door Convertible

AR = Use as Required - = Non Illustrated Part P.A.R. = Paint as Required

LIFTGATE PANEL AND FUEL FILLER DOOR J BODY 21,27  
Figure 23A-7000

93169 7000A



ITEM	PART NUMBER	QTY	BODY	MODEL	DESCRIPTION
1		1			LATCH, Deck Lid
	4378 822				w/Cable Release
	4658 432				Up to 9-8-92
					After 9-8-92
					w/o Cable Release
	4615 305				Up to 9-8-92
	4658 433				After 9-8-92
2	5257 620	1			COVER, Deck Lid Latch
	4378 228	1			LABEL, Cover
3		AR			SCREW, Deck Lid Cover Not Serviced
4		1			PANEL, Deck Lid
	5253 813			21	
	5253 814	1		27	
	5253 361	1		27	FILLER, Deck Lid Opening Upper To Backlite
5	6100 312	2			SCREW and WASHER
6		1			CYLINDER and BRACKET, See Group 23D
7	6100 815	3			NUT
8	4512 587	2			BUMPER, Deck Lid Overslam
	6023 531	2			SCREW, Deck Lid Overslam
9	4416 766-7	1			COVER, Deck Lid Inner Panel Tail Lamp Filler
10	6501 477	4			RETAINER
11	6029 939	2			PLUG
12		4		21	SCREW, Not Serviced
13		4		21	SCREW, Not Serviced
14		2		21	SCREW, Not Serviced
15	4206 243	2		21	PIN, Deck Lid
16	6101 283	2		21	U-NUT
17	6022 149	2		21	NUT
18	4337 874	AR		21	BUMPER, Deck Lid
19	6101 445	2		21	NUT
20	4371 482-3	1		21	HINGE, Deck Lid
21	4490 046-7	1		21	SUPPORT, Deck Lid Hinge To Shelf Panel
22	4440 294	2			PLUG, Deck Opening Lower
23	6032 641	2			NUT and WASHER
24	4337 145	AR			SHIM
25	4655 612	1			DOOR, Fuel Filler
26	4719 008	AR			PLATE, Fuel Filler Door
27	4416 406	1			BUMPER
28		8			SCREW, Not Serviced

MODEL CODES:

A BODY=(C=LeBaron, D=Spirit, P=Acclaim/LaBaron(Landau), Saratoga)

C BODY=(D=Dynasty, C=New Yorker/N.Y. Salon)

G BODY=(V=Daytona/IROC, Chrysler Daytona)

J BODY=(C=LeBaron, Chrysler LeBaron)

P BODY=(P=Sundance, D=Shadow)

S BODY=(H=Voyager(H) FWD, K=Caravan(H) FWD,

Y=Town & Country(H) FWD, P=Voyager(K) AWD,

D=Caravan(K) AWD, C=Town & Country(K) AWD)

Y BODY=(C=Imperial/5th Avenue)

E-S BODY=(K=Chrysler Voyager(H) FWD, D=Chrysler

Voyager(K) AWD)

BODY STYLES:

21=2-Door Coupe 41=4-Door Sedan 12-52=FWD & AWD Van & Wgn Std W.B.

24=2-Door Hatchback 44=4-Door Hatchback 53=FWD & AWD Van & Wgn Ext. W.B.

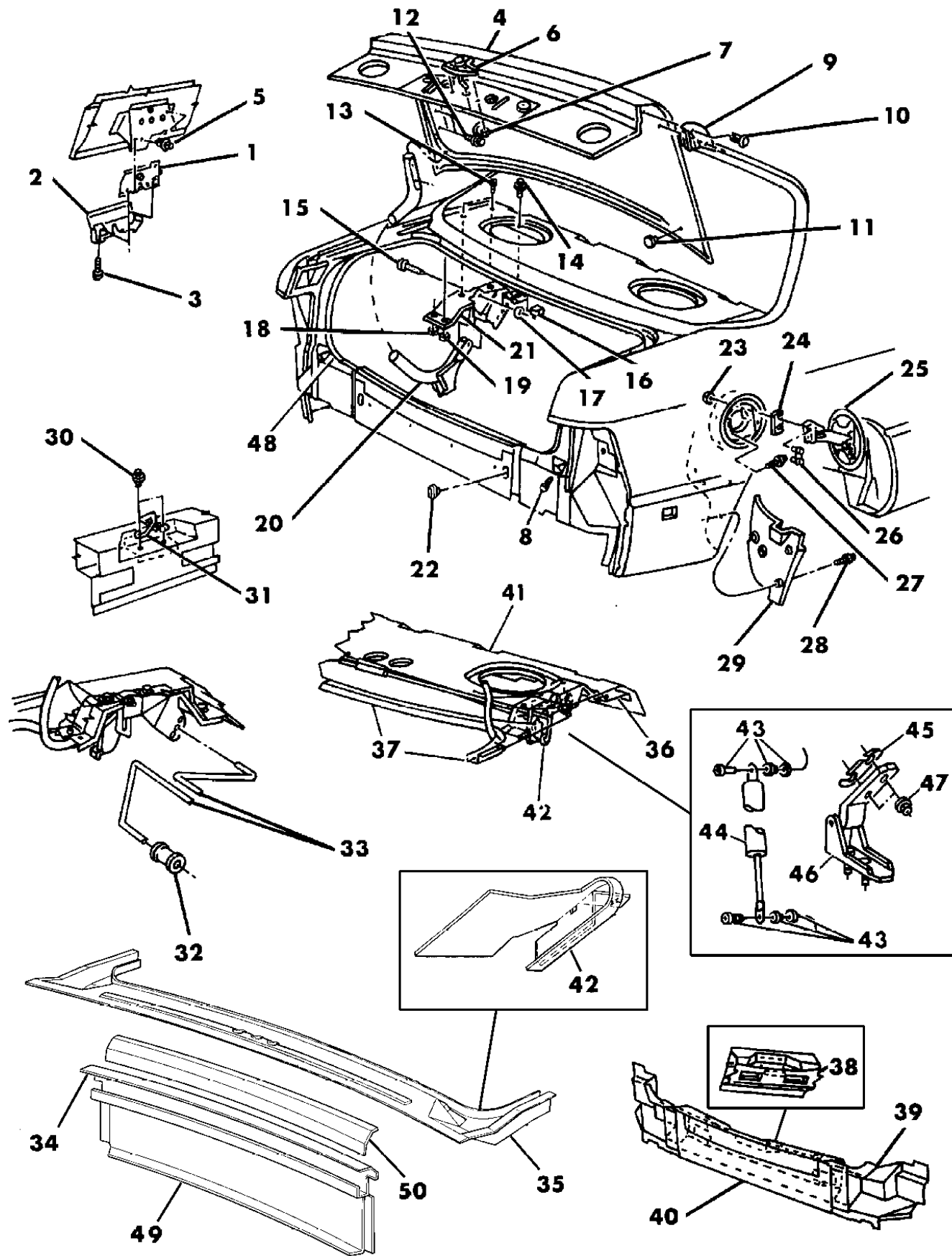
27=2-Door Convertible

AR = Use as Required - = Non Illustrated Part P.A.R. = Paint as Required

LIFTGATE PANEL AND FUEL FILLER DOOR J BODY 21,27

Figure 23A-7000

93169 7000A



ITEM	PART NUMBER	QTY	BODY	MODEL	DESCRIPTION
29	4371 598-9	1			SHIELD, Rear w/House Inner Panel
30		2			SCREW and WASHER, Not Serviced
31	4378 085	1			STRIKER, Deck Lid
32	4416 514	2			ROLLER, Deck Lid Torsion Bar
33	4512 432-3	1			BAR, Deck Lid Hinge Torsion
34	4341 774	1		27	TROUGH, Deck Opening Upper Panel Drain
35	5253 362	1		27	TROUGH, Deck Opening Upper Drain
36	4341 692	1			REINFORCEMENT, Shelf Panel Front
37	4440 474	1		21	TROUGH, Deck Opening Upper Drain
38	4386 086	1			REINFORCEMENT, Deck Opening Lower Panel Striker
39	4341 690	1			REINFORCEMENT, Opening Lower Panel
40	4341 681	1			PANEL, Deck Opening Lower
41		1			PANEL, Not Serviced
42	4440 260-1	1		27	BRACKET, Door Opening Upper Panel Prop
43		AR		27	SCREW and WASHER, Not Serviced
44	4416 914	2		27	PROP
45		AR		27	SHIM, Not Serviced
46	4416 156	2		27	HINGE ASSEMBLY
47	6500 284	4		27	NUT and WASHER
48	4490 801	1			WEATHERSTRIP, Deck Lid Opening
49	4440 332	1		27	PANEL, Deck Lid Opening Upper Rear
50	4440 152	1		27	BRACE, Deck Opening Drain Trough to Closure Panel

MODEL CODES:

A BODY=(C=LeBaron, D=Spirit, P=Acclaim/LaBaron(Landau),  
Saratoga)  
C BODY=(D=Dynasty, C=New Yorker/N.Y. Salon)  
G BODY=(V=Daytona/IROC, Chrysler Daytona)  
J BODY=(C=LeBaron, Chrysler LeBaron)  
P BODY=(P=Sundance, D=Shadow)

S BODY=(H=Voyager(H) FWD, K=Caravan(H) FWD,  
Y=Town & Country(H) FWD, P=Voyager(K) AWD,  
D=Caravan(K) AWD, C=Town & Country(K) AWD)  
Y BODY=(C=Imperial/5th Avenue)  
E-S BODY=(K=Chrysler Voyager(H) FWD, D=Chrysler  
Voyager(K) AWD)

BODY STYLES:

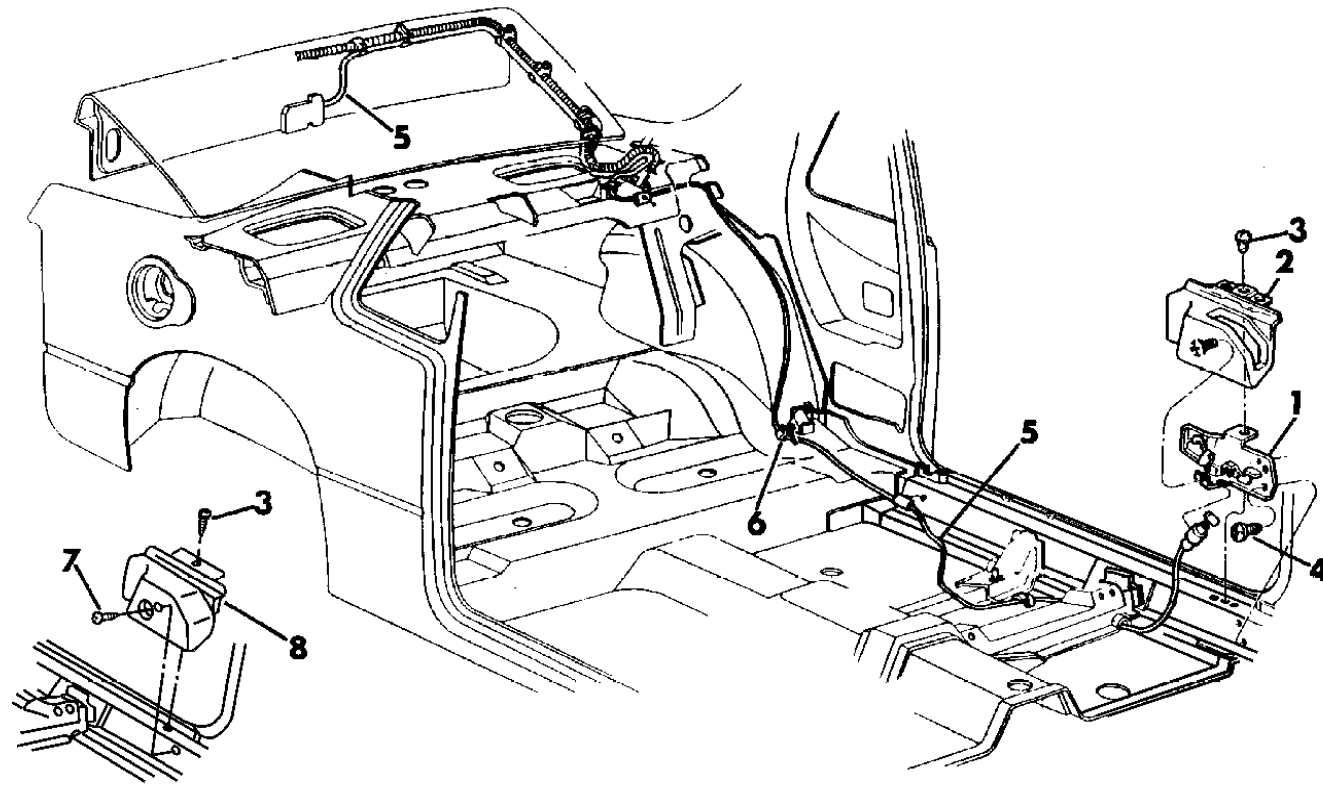
21=2-Door Coupe      41=4-Door Sedan      12-52=FWD & AWD Van & Wgn Std W.B.  
24=2-Door Hatchback      44=4-Door Hatchback      53=FWD & AWD Van & Wgn Ext. W.B.  
27=2-Door Convertible

AR = Use as Required - = Non Illustrated Part P.A.R. = Paint as Required



LIFTGATE RELEASE J BODY 21,27  
Figure 23A-7100

93169 7100A



ITEM	PART NUMBER	QTY	BODY	MODEL	DESCRIPTION
1	4615 803	1			HANDLE, Liftgate Remote Release
2		1			COVER, Deck Lid Remote Release
	DX04 LAZ				Agate
	DX04 LB9				Midnight Blue
	DX04 LD5				Medium Quartz
	DX04 LM6				Red
	DX04 LRC				Radiant Red
	DX04 LV8				Champagne
3					SCREW (Not Serviced) ***
4					SCREW (Not Serviced) ***
5		1			CABLE, Deck Latch Release
	4615 817	1	27		
	4615 818	1	21		
6					CLIP (Not Serviced) ***
7					SCREW (Not Serviced) ***
8		1			COVER, w/o Remote Release
	DX06 LAZ				Agate
	DX06 LB9				Midnight Blue
	DX06 LD5				Medium Quartz
	DX06 LM6				Red
	DX06 LRC				Radiant Red
	DX06 LV8				Champagne

**MODEL CODES:**

A BODY=(C=LeBaron, D=Spirit, P=Acclaim/LaBaron(Landau),  
Saratoga)  
C BODY=(D=Dynasty, C=New Yorker/N.Y. Salon)  
G BODY=(V=Daytona/IROC, Chrysler Daytona)  
J BODY=(C=LeBaron, Chrysler LeBaron)  
P BODY=(P=Sundance, D=Shadow)

S BODY=(H=Voyager(H) FWD, K=Caravan(H) FWD,  
Y=Town & Country(H) FWD, P=Voyager(K) AWD,  
D=Caravan(K) AWD, C=Town & Country(K) AWD)  
Y BODY=(C=Imperial/5th Avenue)  
E-S BODY=(K=Chrysler Voyager(H) FWD, D=Chrysler  
Voyager(K) AWD)

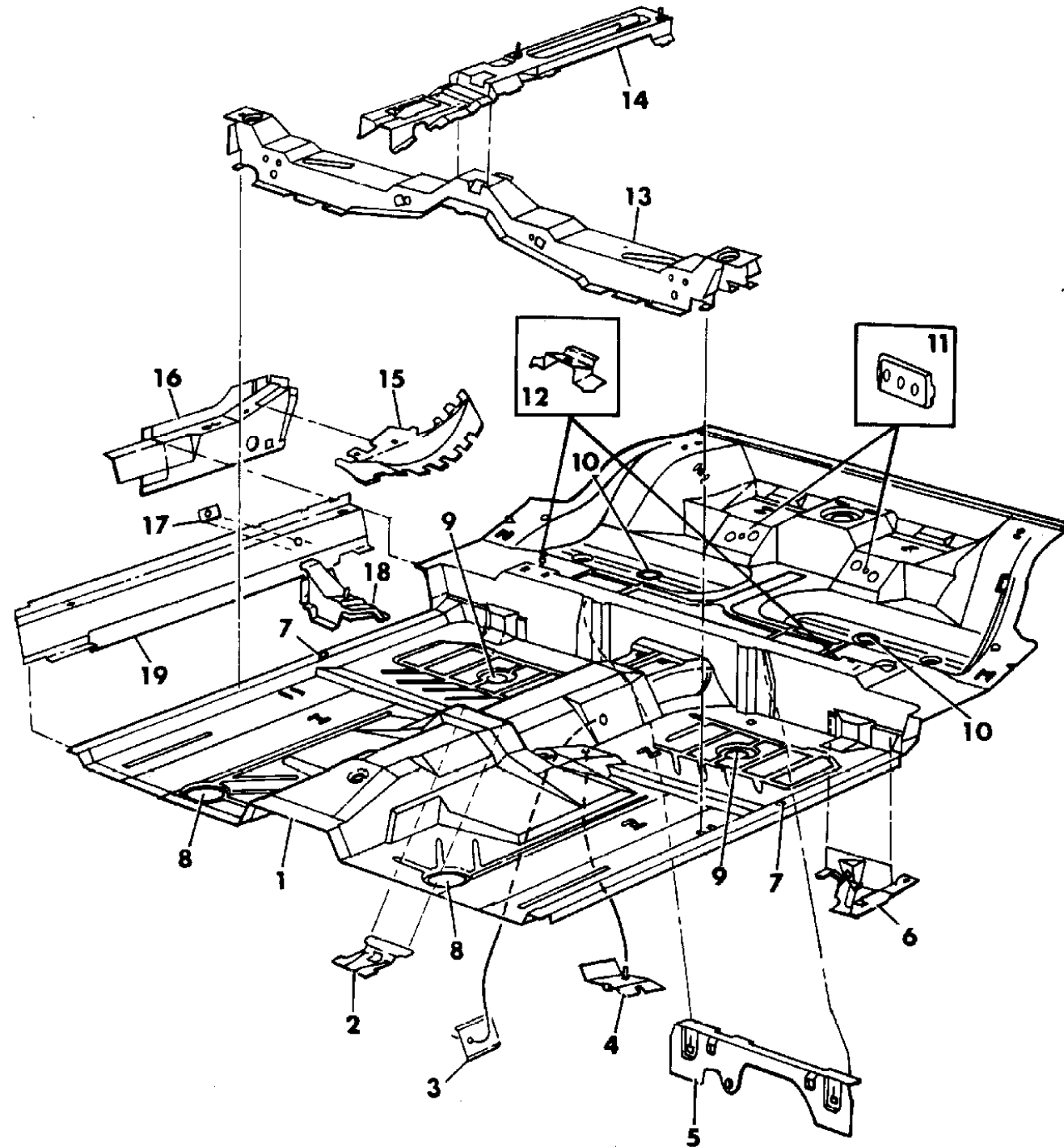
**BODY STYLES:**

21=2-Door Coupe      41=4-Door Sedan      12-52=FWD & AWD Van & Wgn Std W.B.  
24=2-Door Hatchback      44=4-Door Hatchback      53=FWD & AWD Van & Wgn Ext. W.B.  
27=2-Door Convertible

AR = Use as Required - = Non Illustrated Part P.A.R. = Paint as Required

FLOOR PAN FRONT G BODY 24  
Figure 23A-7200

93169 7200



ITEM	PART NUMBER	QTY	BODY	MODEL	DESCRIPTION
1	4674 343	1			PAN, Front Floor
2	4416 060	1			BRACKET, Front Floor Pan Park Brake Cable Guide
3	4314 260	2			REINFORCEMENT, Front Floor Pan Front Seat Belt Inner Mounting
4	4655 158-9	1			REINFORCEMENT, Front Floor Pan Front Seat Rear Inner
5		1			PLATE, Front Floor Pan Fuel Tank Strap & Exhaust Hanger Not Serviced
6	5256 108-9	1			BRACKET, Front Floor Pan Lift Hoisting
7	2574 792	2			PLUG, .75" Dia./19.5 mm
8	4512 494	2			PLUG, 2.75" Dia./70 mm
9	2424 864	2			PLUG, 1.75" Dia./44.5 mm
10	4073 475	2			PLUG, 1.50" Dia./38 mm
11	4314 260	2			REINFORCEMENT, Front Floor Pan Rear Seat & Seat Belt Inner Mounting
12	5200 388	2			RETAINER, Front Floor Pan Rear Seat Cushion
13	4548 484	1			CROSSMEMBER, Front Floor Pan Front Seat Track
14	4674 328	1			BRACKET, Front Console To Floor Pan
	4371 939	1			PLATE & WELD, Console To Floor Bracket
	4475 987	1			PLATE, Front Floor Console
15	5253 916-7	1			REINFORCEMENT, Front Floor Pan Rear Seat Belt Outer Mounting
16	4512 516-7	1			EXTENSION, Side Sill Inner Rear
17	4314 326	2			REINFORCEMENT, Front Seat Belt Outer
18	5253 916-7	1			REINFORCEMENT, Front Floor Pan Front Seat Rear Outer Mounting
19	5253 914-5	1			PANEL, Body Side Sill Inner

MODEL CODES:

A BODY=(C=LeBaron, D=Spirit, P=Acclaim/LaBaron(Landau), Saratoga)

C BODY=(D=Dynasty, C=New Yorker/N.Y. Salon)

G BODY=(V=Daytona/IROC, Chrysler Daytona)

J BODY=(C=LeBaron, Chrysler LeBaron)

P BODY=(P=Sundance, D=Shadow)

S BODY=(H=Voyager(H) FWD, K=Caravan(H) FWD,

Y=Town & Country(H) FWD, P=Voyager(K) AWD,

D=Caravan(K) AWD, C=Town & Country(K) AWD)

Y BODY=(C=Imperial/5th Avenue)

E-S BODY=(K=Chrysler Voyager(H) FWD, D=Chrysler

Voyager(K) AWD)

BODY STYLES:

21=2-Door Coupe

41=4-Door Sedan

12-52=FWD & AWD Van & Wgn Std W.B.

24=2-Door Hatchback

44=4-Door Hatchback

53=FWD & AWD Van & Wgn Ext. W.B.

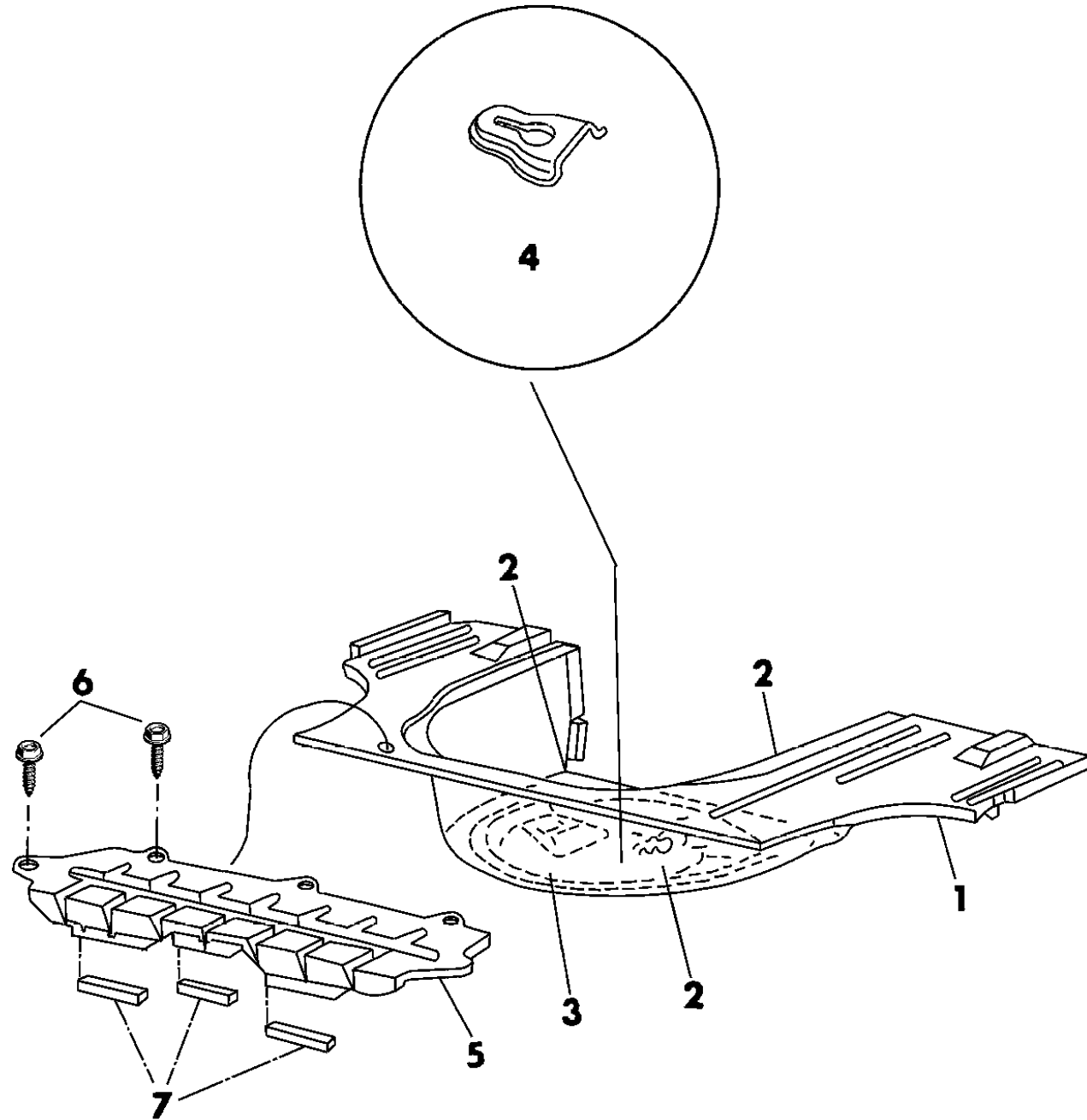
27=2-Door Convertible

AR = Use as Required - = Non Illustrated Part P.A.R. = Paint as Required

FLOOR PAN REAR G BODY 24  
Figure 23A-7300

93169 7300A

ITEM	PART NUMBER	QTY	BODY	MODEL	DESCRIPTION
1	4548 244	1			PAN, Rear Floor
2	2424 864	3			PLUG, 1.75" Dia./44.5 mm
3	6030 773	1			PLUG, 2.25" Dia./57 mm
4	4206 922	1			BRACKET, Rear Floor Pan Spare Tire Anchor Bolt
5		1			PANEL, Rear Seat To Floor Pan Filler
	4278 931				Up to 11-16-92
	4655 799				After 11-16-92
6		5			SCREW, #8-18 x .50" Not Serviced
7		3			TAPE, Floor Pan Filler Anti-Squeak Not Serviced



**MODEL CODES:**

A BODY=(C=LeBaron, D=Spirit, P=Acclaim/LaBaron(Landau), Saratoga) S BODY=(H=Voyager(H) FWD, K=Caravan(H) FWD, Y=Town & Country(H) FWD, P=Voyager(K) AWD, D=Caravan(K) AWD, C=Town & Country(K) AWD)  
 C BODY=(D=Dynasty, C=New Yorker/N.Y. Salon) Y BODY=(C=Imperial/5th Avenue)  
 G BODY=(V=Daytona/IROC, Chrysler Daytona) E-S BODY=(K=Chrysler Voyager(H) FWD, D=Chrysler Voyager(K) AWD)  
 J BODY=(C=LeBaron, Chrysler LeBaron)  
 P BODY=(P=Sundance, D=Shadow)

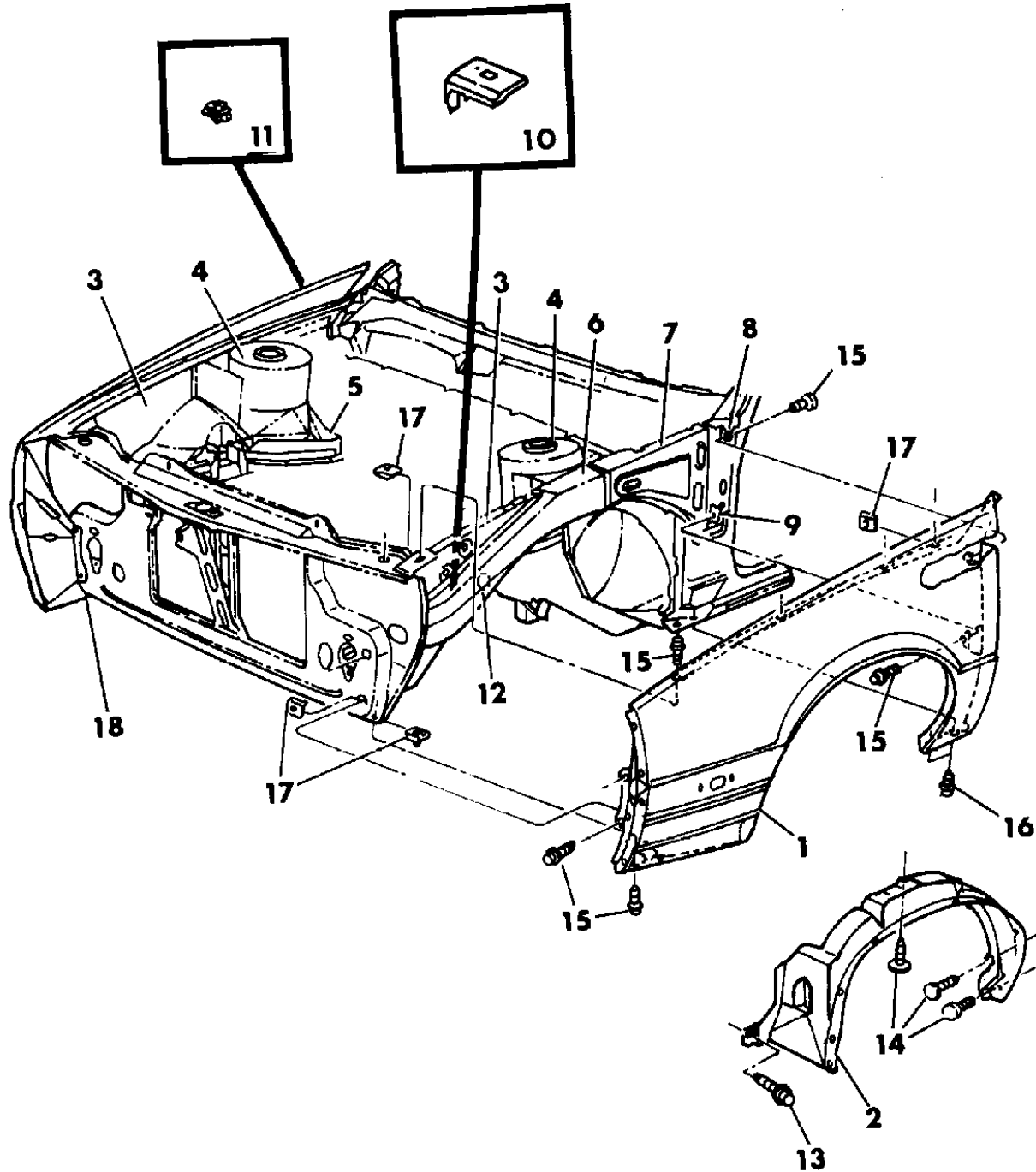
**BODY STYLES:**

21=2-Door Coupe      41=4-Door Sedan      12-52=FWD & AWD Van & Wgn Std W.B.  
 24=2-Door Hatchback      44=4-Door Hatchback      53=FWD & AWD Van & Wgn Ext. W.B.  
 27=2-Door Convertible

AR = Use as Required - = Non Illustrated Part P.A.R. = Paint as Required

FENDER AND SHIELD G BODY 24  
Figure 23A-7400

93169 7400



ITEM	PART NUMBER	QTY	BODY	MODEL	DESCRIPTION
1	4713 860-1	1			FENDER
	4882 694	1			FENDER, Contains The Following Dimensions: Lower Character Line Edge To Edge: 15.750. C/L Of Rear Hole Below Lower Character Line To Edge Of W/H: .625
	4882 695	1			FENDER, Contains The Following Dimensions: Lower Character Line Edge To Edge: 15.750. C/L Of Rear Hole Below Lower Character Line To Edge Of W/H: .625
2	4655 512-3	1			SHIELD, Fender Wheelhouse Splash
3		1			PANEL, Front Fender Shield
	5253 858	1			Right
	5253 863	1			Left
4	4741 222-3	1			TOWER, Front Suspension Iso-Strut
5	4534 256-7	1			EXTENSION, Iso-Strut Tower To Dash Panel
6	4440 580-1	1			BEAM, Front Fender Upper Load Path Front
7	4490 150	1			EXTENSION, w/Reinforcement Body Front Hinge Pillar To Strut Tower Rt.
	4490 149	1			EXTENSION, Body Front Hinge Pillar To Strut Tower Lt.
8		AR			TAB, Front Fender Upper Rear Mounting (Serviced In Panel, Body Side Aperture Front - See "Body, Front Pillar" Illustration)
9	4512 139	2			SUPPORT, Body Front Hinge Pillar To Fender
10		1			REINFORCEMENT, Front Fender Shield Battery Tray (Serviced In Item #3)
11	4222 731	1			PLUG, Fender Antenna Hole
12	4512 495	1			PLUG, 1.50" Dia./38 mm
13		2			SCREW, 1/4-14 x .875" Not Serviced
14	6030 441	25			RETAINER, Fender Splash Shield
15	6100 568	18			SCREW and WASHER
16		4			SCREW and WASHER, Not Serviced
17	1150 3714	18			U-NUT
18		1			REINFORCEMENT, Front Service w/Fender
-	6100 567	6			SCREW and WASHER, Front Fender Lower Ext. To Radiator Closure

MODEL CODES:

A BODY=(C=LeBaron, D=Spirit, P=Acclaim/LaBaron(Landau), Saratoga)  
C BODY=(D=Dynasty, C=New Yorker/N.Y. Salon)  
G BODY=(V=Daytona/IROC, Chrysler Daytona)  
J BODY=(C=LeBaron, Chrysler LeBaron)  
P BODY=(P=Sundance, D=Shadow)

S BODY=(H=Voyager(H) FWD, K=Caravan(H) FWD, Y=Town & Country(H) FWD, P=Voyager(K) AWD, D=Caravan(K) AWD, C=Town & Country(K) AWD)  
Y BODY=(C=Imperial/5th Avenue)  
E-S BODY=(K=Chrysler Voyager(H) FWD, D=Chrysler Voyager(K) AWD)

BODY STYLES:

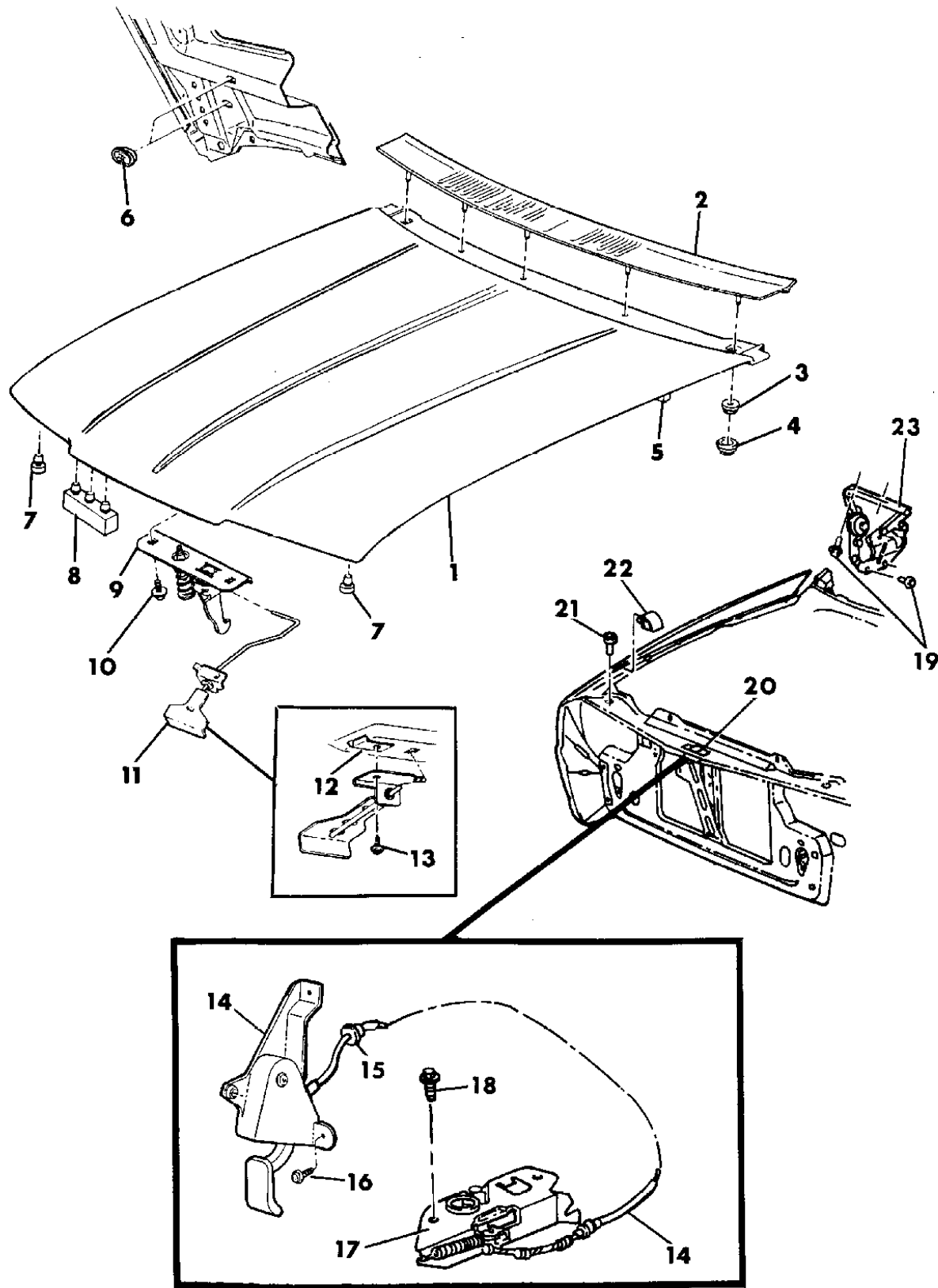
21=2-Door Coupe      41=4-Door Sedan      12-52=FWD & AWD Van & Wgn Std W.B.  
24=2-Door Hatchback      44=4-Door Hatchback      53=FWD & AWD Van & Wgn Ext. W.B.  
27=2-Door Convertible

AR = Use as Required - = Non Illustrated Part P.A.R. = Paint as Required

**HOOD AND HOOD RELEASE G BODY 24**  
Figure 23A-7500

93169 7500

ITEM	PART NUMBER	QTY	BODY	MODEL	DESCRIPTION
1	5253 225	1			HOOD
-	5253 191	1			SILENCER, Hood Panel
-	4341 060	15			FASTENER, Silencer Hood
2	5253 649	1			APPLIQUE ASSEMBLY, Hood Outer Panel Rear ***
3		5			NUT (Not Serviced) ***
4		5			PLUG (Not Serviced) ***
5	5253 906	AR			SEAL, Hood
6	2895 126	AR			PLUG, Seal
7	5253 192	2			BUMPER, Hood
8	5253 652	2			BUMPER, Hood
9	5257 604	1			STRIKER and SAFETY CATCH, Hood
10	6501 728	2			SCREW and WASHER
11	4658 431	1			HANDLE ASSEMBLY, Safety Latch/Catch Release
12	6034 182	1			SCREW and WASHER
13	6034 181	1			SCREW and WASHER
14	5257 511	1			HANDLE and BRACKET, Release Latch
15	5207 294	1			GROMMET , Dash Panel Hood Release Cable
16		2			SCREW (10-16 x 1.50") Not Serviced ***
17	4534 288	1			LATCH ASSEMBLY, Hood
18	6501 373	4			SCREW and WASHER
19	6501 212	AR			SCREW and WASHER
20	4534 388	1			CROSSMEMBER, Radiator Closure Panel Upper
21	4103 165	2			BUMPER, Crossmember to Hood Adjustable
22	5253 829	2			BUMPER, Fender Hood Side
23	4655 580-1	1			HINGE, Hood
-	4490 702	1			LABEL, Airbag



**MODEL CODES:**

A BODY=(C=LeBaron, D=Spirit, P=Acclaim/LaBaron(Landau), Saratoga)      S BODY=(H=Voyager(H) FWD, K=Caravan(H) FWD, Y=Town & Country(H) FWD, P=Voyager(K) AWD, D=Caravan(K) AWD, C=Town & Country(K) AWD)  
 C BODY=(D=Dynasty, C=New Yorker/N.Y. Salon)      Y BODY=(C=Imperial/5th Avenue)  
 G BODY=(V=Daytona/IROC, Chrysler Daytona)      E-S BODY=(K=Chrysler Voyager(H) FWD, D=Chrysler Voyager(K) AWD)  
 J BODY=(C=LeBaron, Chrysler LeBaron)  
 P BODY=(P=Sundance, D=Shadow)

**BODY STYLES:**

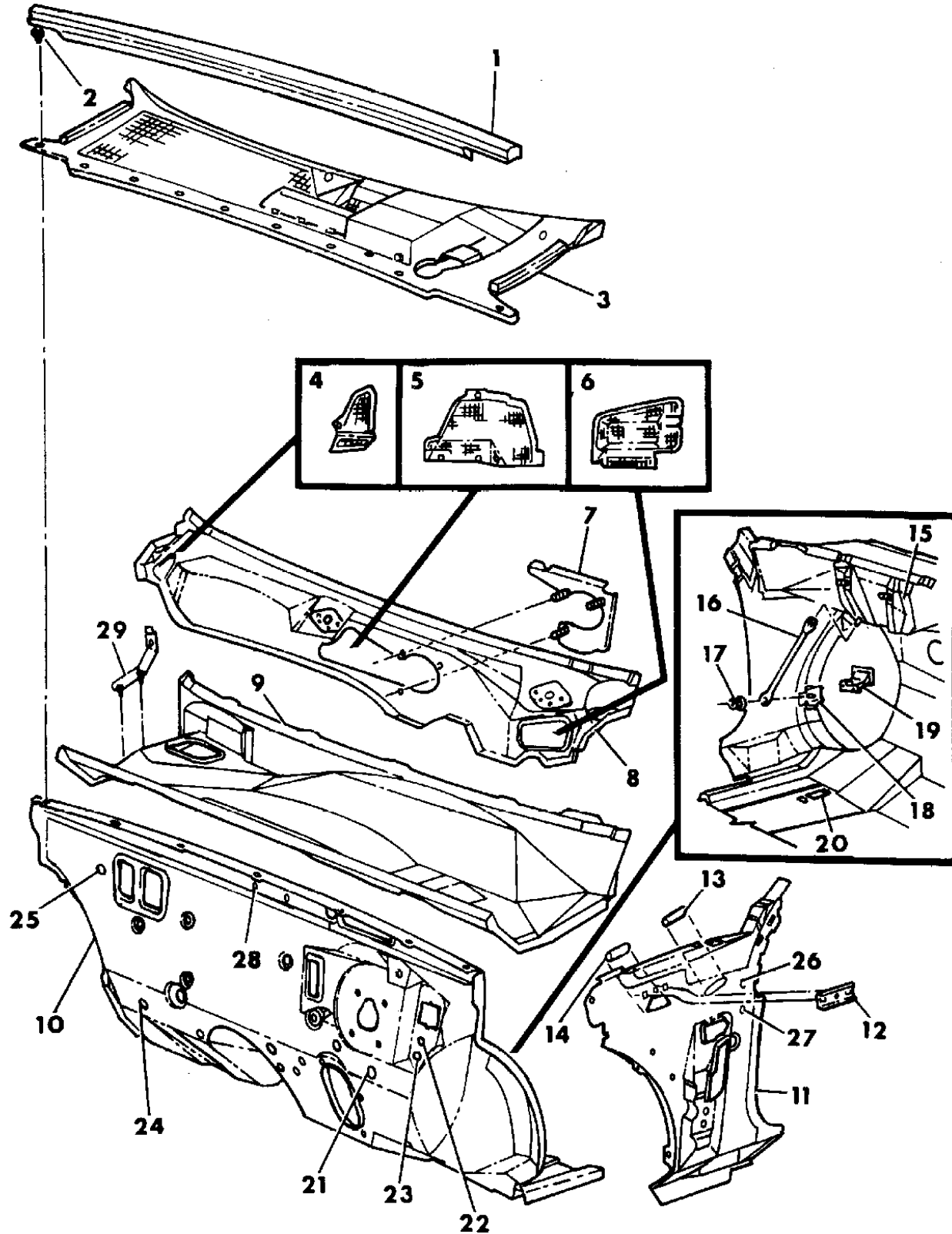
21=2-Door Coupe      41=4-Door Sedan      12-52=FWD & AWD Van & Wgn Std W.B.  
 24=2-Door Hatchback      44=4-Door Hatchback      53=FWD & AWD Van & Wgn Ext. W.B.  
 27=2-Door Convertible

AR = Use as Required - = Non Illustrated Part P.A.R. = Paint as Required

COWL AND DASH PANEL G BODY 24

Figure 23A-7600

93169 7600



ITEM	PART NUMBER	QTY	BODY	MODEL	DESCRIPTION
1	4548 223	1			SEAL, Dash Panel To Hood (Includes Item #2)
2	3759 944	11			RETAINER, Dash Panel To Hood Seal
3	4371 838	1			SCREEN, Cowl Plenum Water Deflector
4	4314 476	1			SCREEN, Cowl Plenum Rt.
5	4314 475	1			SCREEN, Cowl Plenum Center
6	4314 477	1			SCREEN, Cowl Plenum Lt.
7	5256 076	1			REINFORCEMENT, Cowl Top Wiper Motor
8	4371 358	1			PANEL, Cowl Top
9	4371 794	1			PANEL, Cowl Plenum
10	5253 812	1			PANEL, Dash
11	5253 706-7	1			PANEL, Cowl Side
12	4386 741	2			REINFORCEMENT, Cowl Side Hood Hinge
13		2			SEAL, Cowl Side To Cowl Plenum (Not Serviced)
14		2			SEAL, Cowl Plenum Lower Drain Hole Not Serviced
15	4512 492	1			SUPPORT, Cowl Plenum Steering Column Bracket
16	4314 879	1			BRACE, Dash To Plenum Panel Lt.
17	6500 532	2			NUT and WASHER
18	4206 641	1			BRACKET, Dash To Plenum Panel Brace Lt.
19	4410 559	1			BRACKET, Dash Panel Footrest Upper
	5256 171	1			BRACKET, Dash Panel Footrest Lower
20	5200 384	1			SEAL, Dash Panel Parking Brake Cable
21	3445 939	1			PLUG, .906" Dia./23 mm
22	3445 939	1			PLUG, .906" Dia./23 mm
23	2860 332	1			PLUG, .500" Dia./13 mm
24	4512 494	1			PLUG, 2.75" Dia./70 mm
25	2483 571	1			PLUG, 2.50" Dia./63 mm
26		2			PLUG, 1.62" Dia./41 mm Not Serviced
27	2860 332	1			PLUG, Right Side Only, .500" Dia./13 mm
28	4206 515	1			PLUG, Dash Panel Wiper Support Hole
-	5253 806	1			PLUG, Dash Panel Brake Cable Hole
29	4337 341	1			SEAL, w/Retainer Cowl Plenum To Cowl Side Lt.
	4337 342	1			SEAL, w/Retainer Cowl Plenum To Cowl Side Rt.

MODEL CODES:

A BODY=(C=LeBaron, D=Spirit, P=Acclaim/LaBaron(Landau), Saratoga)

C BODY=(D=Dynasty, C=New Yorker/N.Y. Salon)

G BODY=(V=Daytona/IROC, Chrysler Daytona)

J BODY=(C=LeBaron, Chrysler LeBaron)

P BODY=(P=Sundance, D=Shadow)

S BODY=(H=Voyager(H) FWD, K=Caravan(H) FWD,

Y=Town & Country(H) FWD, P=Voyager(K) AWD,

D=Caravan(K) AWD, C=Town & Country(K) AWD)

Y BODY=(C=Imperial/5th Avenue)

E-S BODY=(K=Chrysler Voyager(H) FWD, D=Chrysler

Voyager(K) AWD)

BODY STYLES:

21=2-Door Coupe

41=4-Door Sedan

12-52=FWD & AWD Van & Wgn Std W.B.

24=2-Door Hatchback

44=4-Door Hatchback

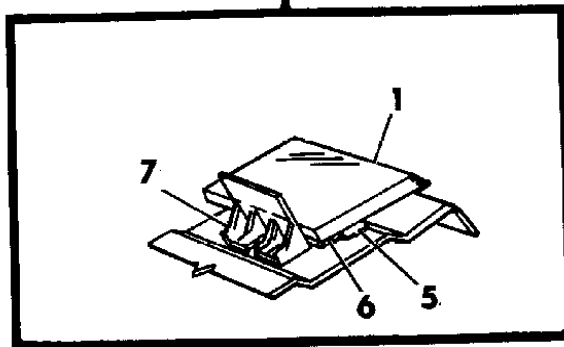
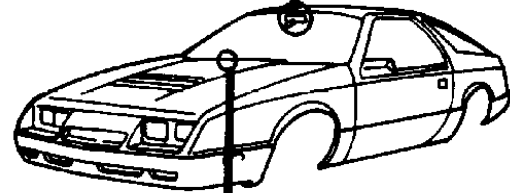
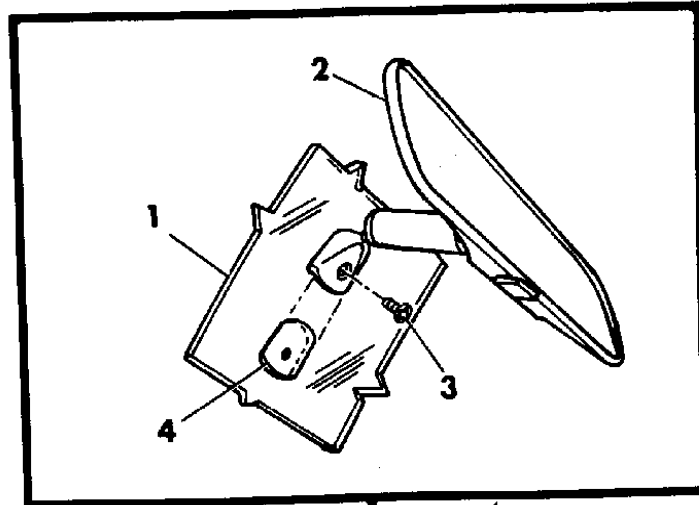
53=FWD & AWD Van & Wgn Ext. W.B.

27=2-Door Convertible

AR = Use as Required - = Non Illustrated Part P.A.R. = Paint as Required

**GLASS WINDSHIELD AND MIRROR G BODY 24**  
**Figure 23A-7700**

93169 7700



ITEM	PART NUMBER	QTY	BODY	MODEL	DESCRIPTION
------	-------------	-----	------	-------	-------------

NOTE: GLASS, WINDSHIELD - ORDER FROM YOUR LOCAL "MOPAR" GLASS DISTRIBUTOR applications specified in this document.

1	5253 224	1			GLASS, Windshield Tinted
2	4520 336	1			MIRROR, Rear View
3	6031 094	1			SCREW, Rear View Mirror
4	4054 098	1			BUTTON, Rear View Mirror Mounting
	4293 039	1			ADHESIVE PACKAGE, Rear View Mirror Button Mounting (Includes Adhesive & Instructions)
5		1			POLYURETHANE, Windshield (Serviced In Package #4267906)
6		10			SPACER, Windshield Glass Support Not Serviced
7	5255 110	2			SPACER, Windshield Glass Lower
NOTE: The following items are not shown on illustration. applications specified in this document.					
PKG A	4267 906	1			REPAIR PACKAGE, Windshield & Rear Window

Consists of:

- 1- ----- Polyurethane, 11.5 oz.
- 1- ----- Fence Primer, 1 oz.
- 1- ----- Glass Wipe-Off Primer, 1 oz.
- 1- ----- Glass Black-Out Primer, 1 oz.
- 3- ----- Dabbers
- 1- ----- Nozzle

**MODEL CODES:**

A BODY=(C=LeBaron, D=Spirit, P=Acclaim/LaBaron(Landau),  
Saratoga)  
C BODY=(D=Dynasty, C=New Yorker/N.Y. Salon)  
G BODY=(V=Daytona/IROC, Chrysler Daytona)  
J BODY=(C=LeBaron, Chrysler LeBaron)  
P BODY=(P=Sundance, D=Shadow)

S BODY=(H=Voyager(H) FWD, K=Caravan(H) FWD,  
Y=Town & Country(H) FWD, P=Voyager(K) AWD,  
D=Caravan(K) AWD, C=Town & Country(K) AWD)  
Y BODY=(C=Imperial/5th Avenue)  
E-S BODY=(K=Chrysler Voyager(H) FWD, D=Chrysler  
Voyager(K) AWD)

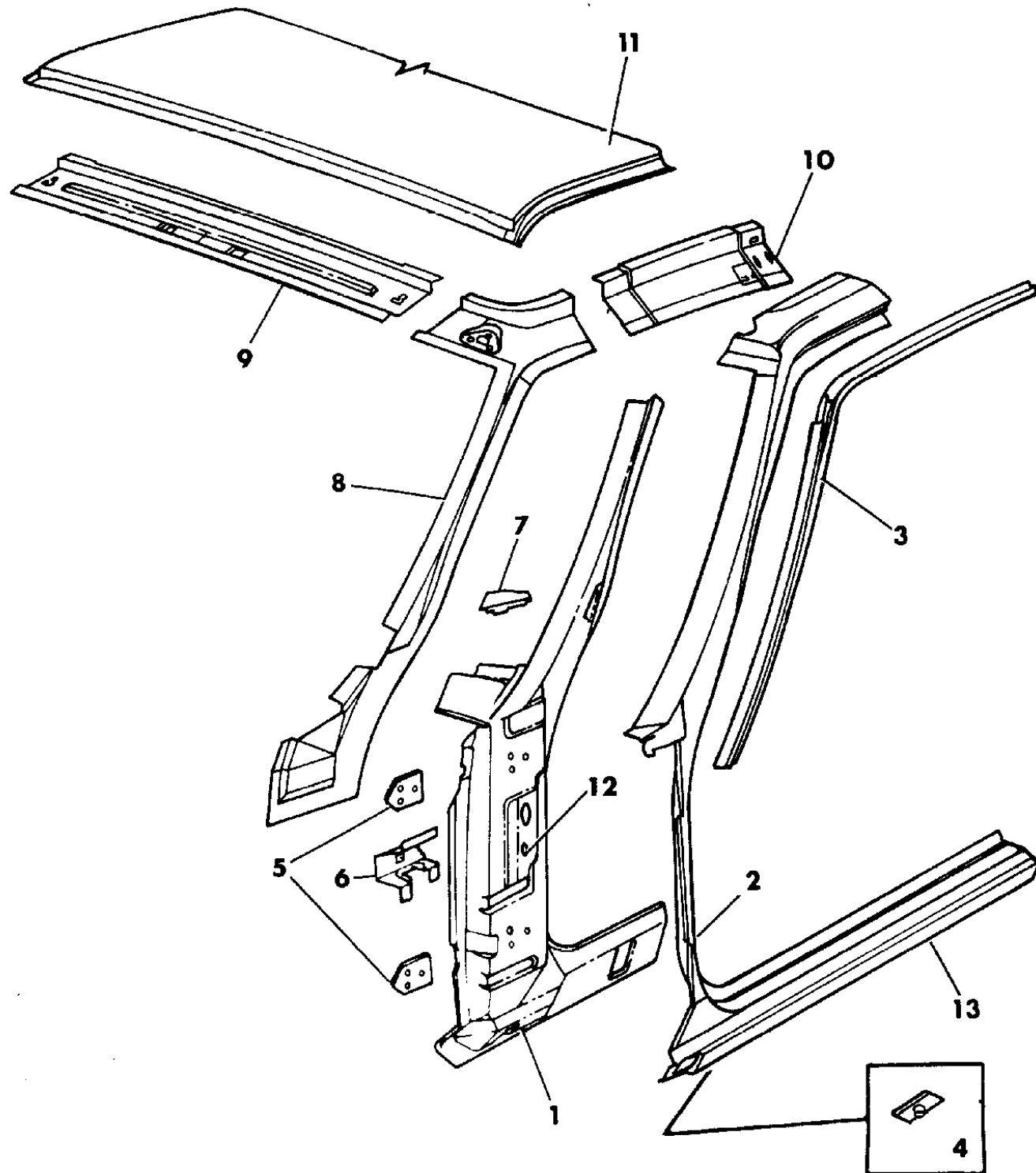
**BODY STYLES:**

21=2-Door Coupe	41=4-Door Sedan	12-52=FWD & AWD Van & Wgn Std W.B.
24=2-Door Hatchback	44=4-Door Hatchback	53=FWD & AWD Van & Wgn Ext. W.B.
27=2-Door Convertible		

AR = Use as Required - = Non Illustrated Part P.A.R. = Paint as Required

**BODY FRONT PILLAR AND ROOF PANEL G BODY 24**  
**Figure 23A-7800**

93169 7800



ITEM	PART NUMBER	QTY	BODY	MODEL	DESCRIPTION
1	5253 568-9	1			PILLAR, Body Front Hinge
2	4728 520-1	1			PANEL, Body Side Aperture Front
3	4206 824-5	1			RETAINER, Body Side Aperture Secondary Seal
4	4314 277	2			PLATE, Body Side Aperture Jack Locator
5	4314 086	4			PLATE, Body Front Hinge Pillar Door Hinge Tapping
6	4206 876	1			REINFORCEMENT, Hinge Pillar To Windshield Frame Rt.
	4278 599	1			REINFORCEMENT, Hinge Pillar To Windshield Frams Lt.
7		1			SEAL, Body Front Hinge Pillar To Windshield Opening Side Inner Frame Not Serviced
8	4371 068-9	1			FRAME, Windshield Opening Side Inner
9	4416 805	1			FRAME, Windshield Opening Upper
10	4655 244-5	1			RAIL, Roof Side Inner
11	4206 821	1			PANEL, Roof Outer w/o Sunroof
	4341 728	1			PANEL and TROUGH, Roof Outer w/Sunroof
12	2860 332	1			PLUG, Body Front Hinge Pillar Antenna Hole (Right Side Only)
13	4337 532-3	1			PANEL, Body Side Sill

**MODEL CODES:**

A BODY=(C=LeBaron, D=Spirit, P=Acclaim/LaBaron(Landau),  
Saratoga)  
 C BODY=(D=Dynasty, C=New Yorker/N.Y. Salon)  
 G BODY=(V=Daytona/IROC, Chrysler Daytona)  
 J BODY=(C=LeBaron, Chrysler LeBaron)  
 P BODY=(P=Sundance, D=Shadow)

S BODY=(H=Voyager(H) FWD, K=Caravan(H) FWD,  
Y=Town & Country(H) FWD, P=Voyager(K) AWD,  
D=Caravan(K) AWD, C=Town & Country(K) AWD)  
 Y BODY=(C=Imperial/5th Avenue)  
 E-S BODY=(K=Chrysler Voyager(H) FWD, D=Chrysler  
Voyager(K) AWD)

**BODY STYLES:**

21=2-Door Coupe      41=4-Door Sedan      12-52=FWD & AWD Van & Wgn Std W.B.  
 24=2-Door Hatchback      44=4-Door Hatchback      53=FWD & AWD Van & Wgn Ext. W.B.  
 27=2-Door Convertible

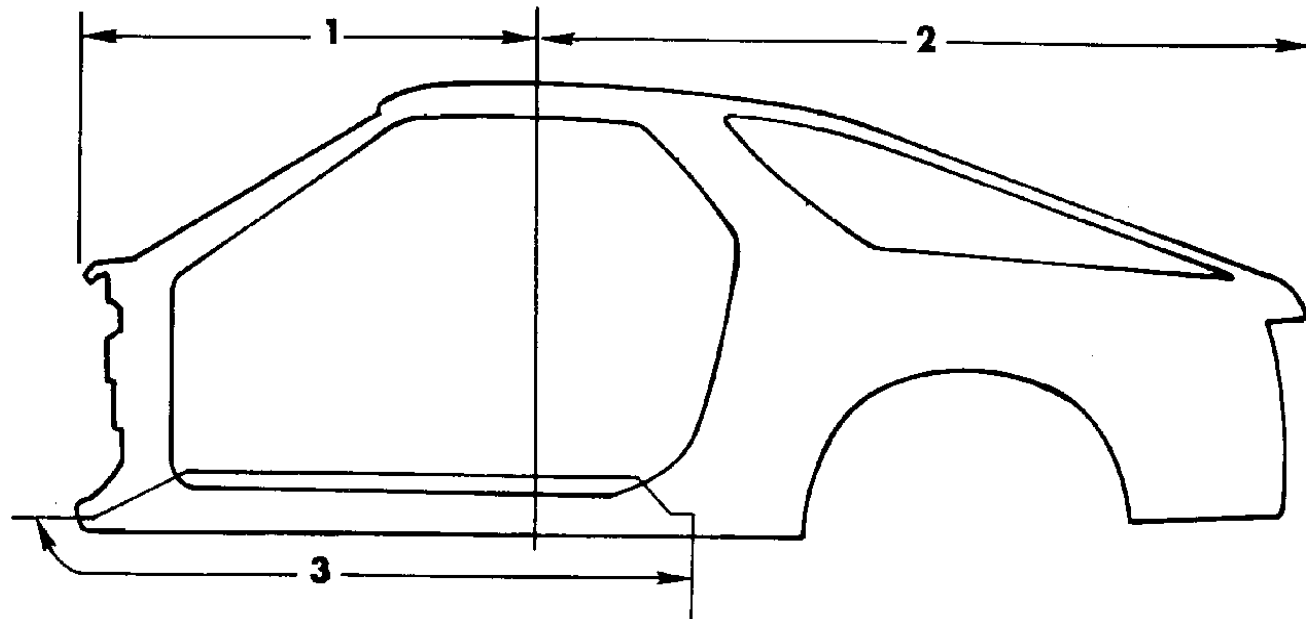
AR = Use as Required - = Non Illustrated Part P.A.R. = Paint as Required



APERATURE PANEL G BODY 24  
Figure 23A-7900

93169 7900

ITEM	PART NUMBER	QTY	BODY	MODEL	DESCRIPTION
1	4728 520-1	1			PANEL, Body Side Aperture Front
2	4655 276-7	1			PANEL, Body Side Aperture Rear w/ or w/o Hole
3	4337 532-3	1			PANEL, Body Side Sill



**MODEL CODES:**

A BODY=(C=LeBaron, D=Spirit, P=Acclaim/LaBaron(Landau), Saratoga) S BODY=(H=Voyager(H) FWD, K=Caravan(H) FWD, Y=Town & Country(H) FWD, P=Voyager(K) AWD, D=Caravan(K) AWD, C=Town & Country(K) AWD)  
 C BODY=(D=Dynasty, C=New Yorker/N.Y. Salon) Y BODY=(C=Imperial/5th Avenue)  
 G BODY=(V=Daytona/IROC, Chrysler Daytona) E-S BODY=(K=Chrysler Voyager(H) FWD, D=Chrysler Voyager(K) AWD)  
 J BODY=(C=LeBaron, Chrysler LeBaron)  
 P BODY=(P=Sundance, D=Shadow)

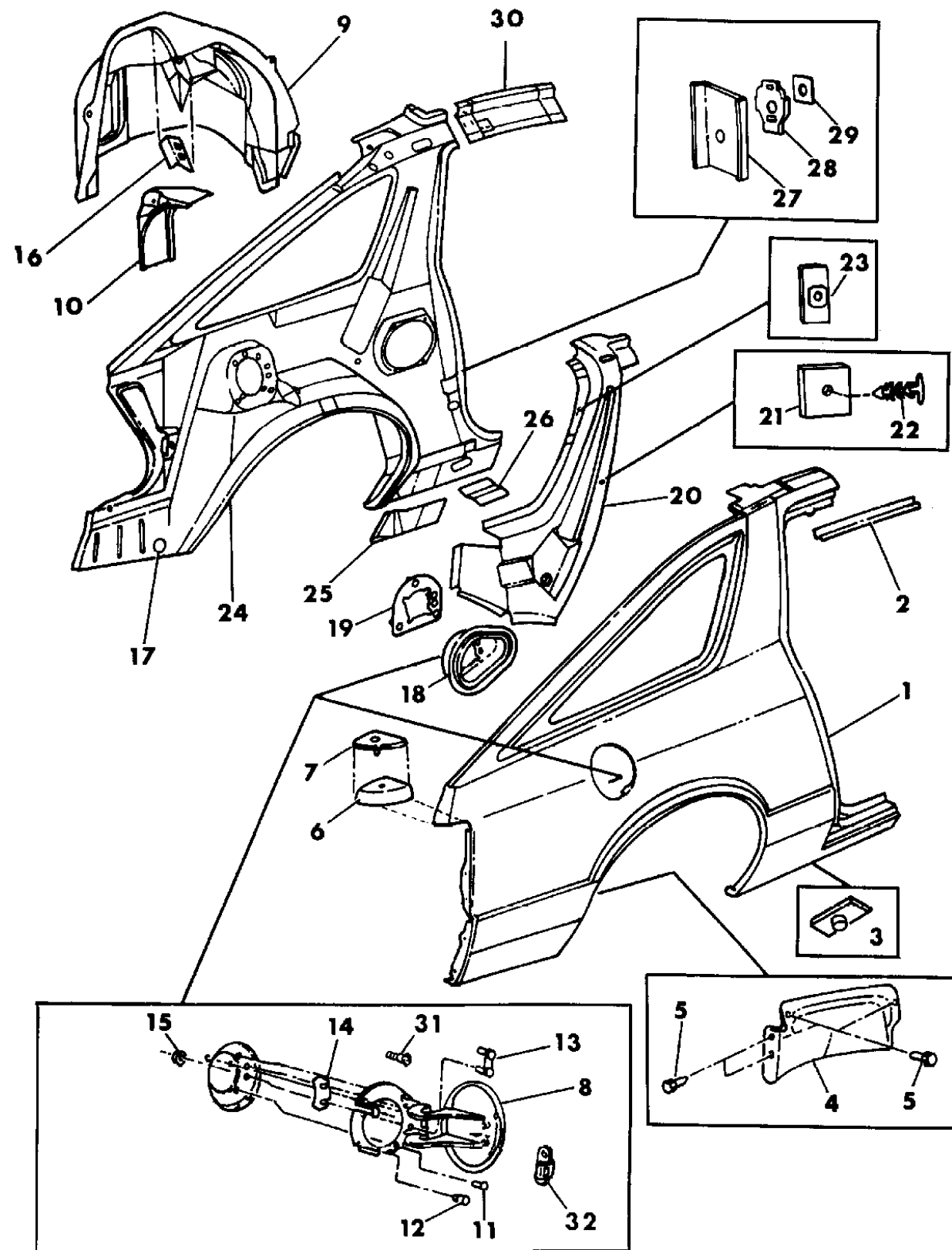
**BODY STYLES:**

21=2-Door Coupe      41=4-Door Sedan      12-52=FWD & AWD Van & Wgn Std W.B.  
 24=2-Door Hatchback      44=4-Door Hatchback      53=FWD & AWD Van & Wgn Ext. W.B.  
 27=2-Door Convertible

AR = Use as Required - = Non Illustrated Part P.A.R. = Paint as Required

QUARTER PANEL AND FUEL FILLER DOOR G BODY 24  
Figure 23A-8000

93169 8000



ITEM	PART NUMBER	QTY	BODY	MODEL	DESCRIPTION
1	5253 544-5	1			PANEL, Body Side Aperture Rear
-	5253 889	2			EXHUSTER ***
2	4206 824-5	1			RETAINER, Body Side Aperture Secondary Seal
3	4314 277	2			PLATE, Body Side Aperture Jack Locator
4	4314 104-5	1			SHIELD, Rear Wheelhouse Inner Panel Appearance
5		8			SCREW, #10-16 x .50" Not Serviced
6		1			EXTENSION, Liftgate Opening Lower Panel Upper Not Req.
7	4314 121	2			SEAL, Liftgate Opening Lower Panel Upper Extension
8	5253 780	1			DOOR ASSEMBLY, Body Side Aperture Fuel Filler ***
9	4534 214-5	1			PANEL, Rear Wheelhouse Inner
10	4134 686-7	1			REINFORCEMENT, Rear Wheelhouse Inner Panel Shock Absorber Mounting
11		3			SCREW, #10-16 x 1.00" Not Serviced
12	4015 682	2			BUMPER
13	4337 147	1			PLATE, Fuel Filler Door
14	4314 601	AR			SHIM
15	6032 641	2			NUT
16	4278 630	2			REINFORCEMENT, Wheelhouse Rear Seat Back Latch
17	4512 495	2			PLUG, 1.50" Dia./38 mm
18		1			REINFORCEMENT, Body Side Aperture Fuel Filler Door Opening
	4655 143				Up to 11/19/91
	4655 481				After 11/19/91
19	4615 970	1			ADHESIVE And FASTENER , Inside Fuel Filler Opening ***
20	4386 266-7	1			SUPPORT, Quarter Inner & Wheelhouse Outer To Aperture
21		2			SPACER, Quarter Inner Panel Support To Aperture Not Serviced
22	5208 743	2			RETAINER
23	4314 326	2			REINFORCEMENT, Quarter Inner Panel Upper Shoulder Harness
24	4655 482-3	1			PANEL, Quarter Inner and Wheelhouse Outer
25	4278 596-7	1			REINFORCEMENT, Quarter Inner Panel Sill Jacking
26	4278 573	2			REINFORCEMENT, Aperture To Quarter Inner & Wheelhouse Outer Panel
27	4512 368	2			REINFORCEMENT, w/Retainer Aperture Door Lock Striker(Includes Item #28)
28	4134 972	2			RETAINER, Aperture Door Lock Striker T-Plate
29	4314 743	2			T-PLATE, Aperture Door Lock Striker
30	4655 244-5	1			RAIL, Roof Side Inner
31	6032 280	1			SCREW, Shoulder Gas Cap Tether
32	4337 194	1			LATCH, Body Side Aperture Fuel Filler Door

MODEL CODES:

A BODY=(C=LeBaron, D=Spirit, P=Acclaim/LaBaron(Landau, Saratoga)  
C BODY=(D=Dynasty, C=New Yorker/N.Y. Salon)  
G BODY=(V=Daytona/IROC, Chrysler Daytona)  
J BODY=(C=LeBaron, Chrysler LeBaron)  
P BODY=(P=Sundance, D=Shadow)

S BODY=(H=Voyager(H) FWD, K=Caravan(H) FWD, Y=Town & Country(H) FWD, P=Voyager(K) AWD, D=Caravan(K) AWD, C=Town & Country(K) AWD)  
Y BODY=(C=Imperial/5th Avenue)  
E-S BODY=(K=Chrysler Voyager(H) FWD, D=Chrysler Voyager(K) AWD)

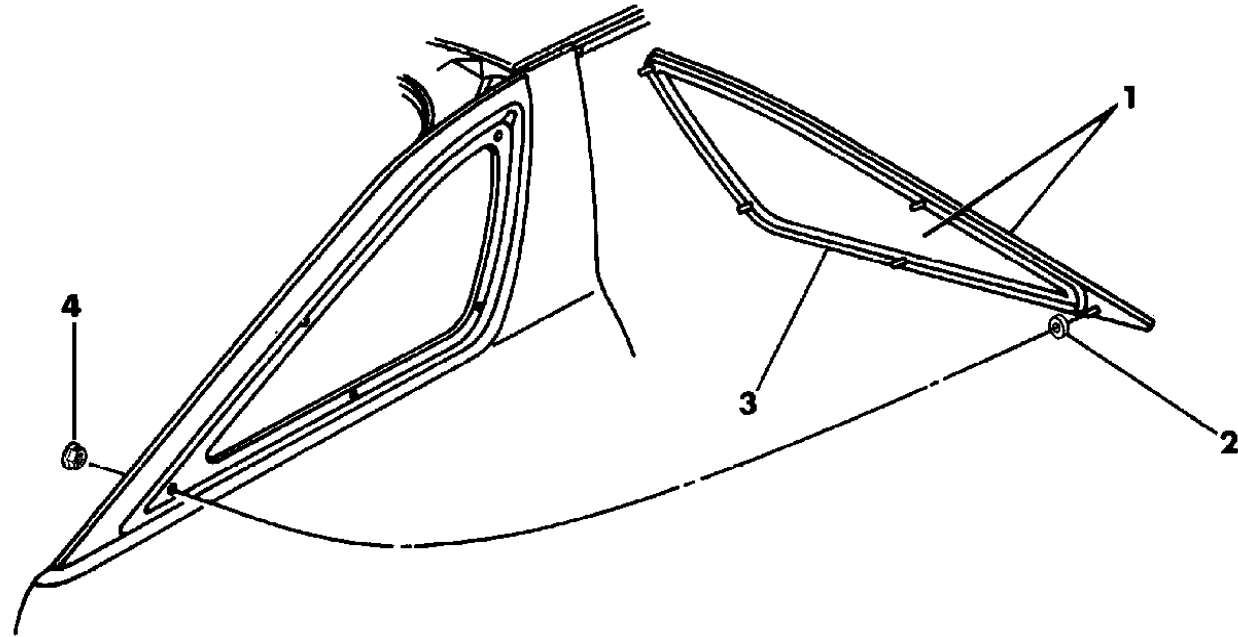
BODY STYLES:

21=2-Door Coupe  
24=2-Door Hatchback  
27=2-Door Convertible  
41=4-Door Sedan  
44=4-Door Hatchback  
53=FWD & AWD Van & Wgn Std W.B.  
53=FWD & AWD Van & Wgn Ext. W.B.

AR = Use as Required - = Non Illustrated Part P.A.R. = Paint as Required

**GLASS QUARTER WINDOW G BODY 24**  
**Figure 23A-8100**

93169 8100A



ITEM	PART NUMBER	QTY	BODY	MODEL	DESCRIPTION
1		1			FRAME and GLASS, Window
	4655 764-5				Tinted
	4655 766-7	1			Tinted, E Marked, Export
2		2			SEALING WASHER, Quarter Window Mounting Stud Not Serviced
3		AR			SEAL, Quarter Window (Butyl Tape (187") Serviced In Repair Pkg. 4057957
4	6501 903	8			NUT and WASHER
NOTE: The following items are not shown on illustration. applications specified in this document.					
PKG A	4057 957	1			FIXED GLASS REPAIR PACKAGE
					Consists of:
					1- ----- Tape, Butyl (171")
					1- ----- Primer, Glass (1 oz.)
					1- ----- Primer, Fence (2 oz.)
					2-Spacer, Rubber, 0.2"
					2-Spacer, Rubber 0.3"
	3767 767				2-Shim, 0.07"
					2- ----- Sponges, Disposable

**MODEL CODES:**

A BODY=(C=LeBaron, D=Spirit, P=Acclaim/LaBaron(Landau), Saratoga)      S BODY=(H=Voyager(H) FWD, K=Caravan(H) FWD, Y=Town & Country(H) FWD, P=Voyager(K) AWD, D=Caravan(K) AWD, C=Town & Country(K) AWD)

C BODY=(D=Dynasty, C=New Yorker/N.Y. Salon)

G BODY=(V=Daytona/IROC, Chrysler Daytona)

Y BODY=(C=Imperial/5th Avenue)

J BODY=(C=LeBaron, Chrysler LeBaron)

E-S BODY=(K=Chrysler Voyager(H) FWD, D=Chrysler Voyager(K) AWD)

P BODY=(P=Sundance, D=Shadow)

**BODY STYLES:**

21=2-Door Coupe      41=4-Door Sedan      12-52=FWD & AWD Van & Wgn Std W.B.

24=2-Door Hatchback      44=4-Door Hatchback      53=FWD & AWD Van & Wgn Ext. W.B.

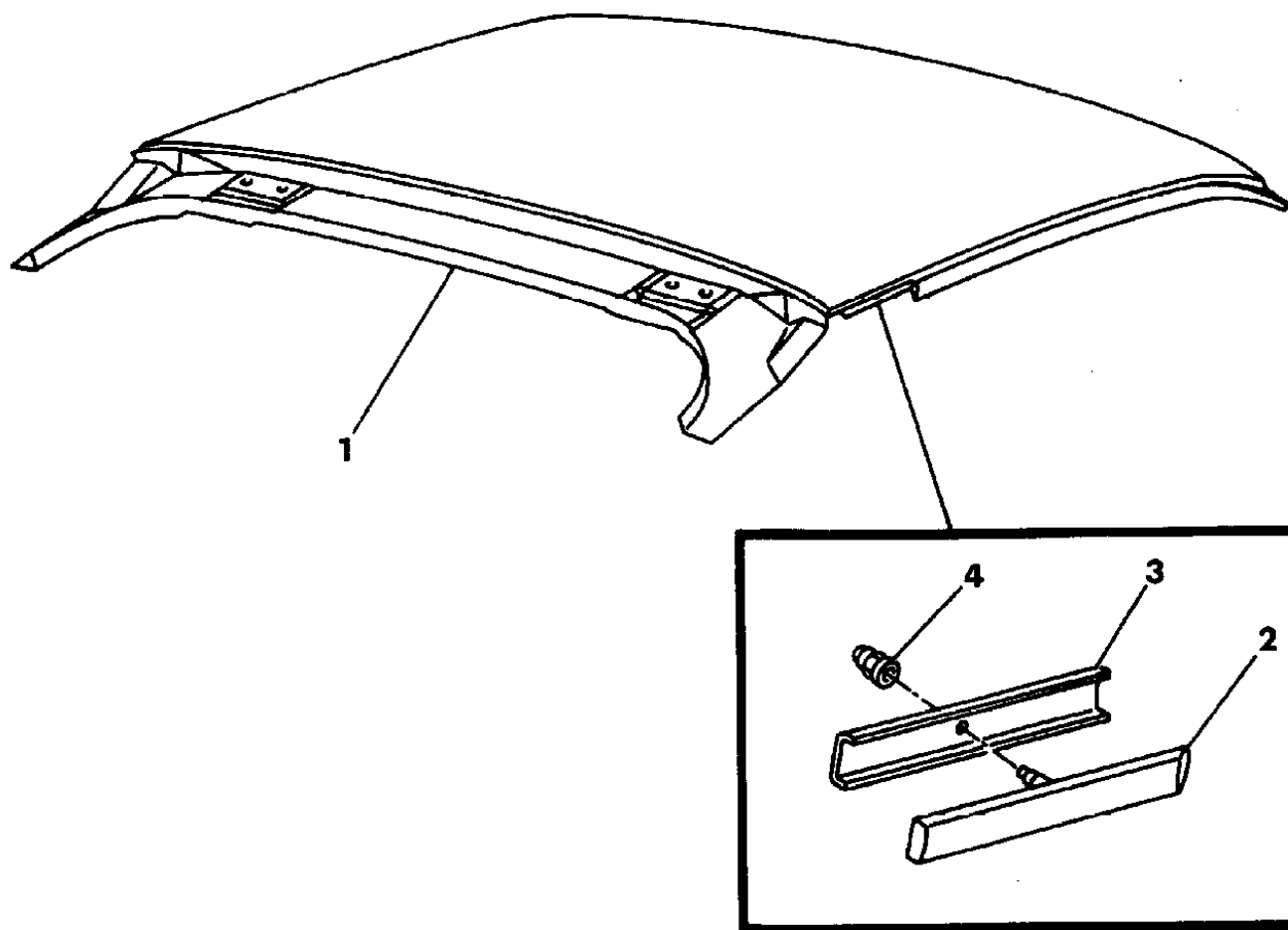
27=2-Door Convertible

AR = Use as Required - = Non Illustrated Part P.A.R. = Paint as Required

ROOF PANEL G BODY 24  
Figure 23A-8200

93169 8200

ITEM	PART NUMBER	QTY	BODY	MODEL	DESCRIPTION
1	4206 821	1			PANEL, Roof Outer w/o Sunroof
	4341 728	1			PANEL and TROUGH, Roof Outer w/Sunroof
2	4490 070-1	1			MOULDING, Roof To Body Side Aperture Joint (Includes Item #3-4)
3		2			GASKET, Roof Panel to Aperture Joint (Serviced In Item #2)
4	6033 284	2			NUT and SEAL



**MODEL CODES:**

A BODY=(C=LeBaron, D=Spirit, P=Acclaim/LaBaron(Landau), Saratoga) S BODY=(H=Voyager(H) FWD, K=Caravan(H) FWD, Y=Town & Country(H) FWD, P=Voyager(K) AWD, D=Caravan(K) AWD, C=Town & Country(K) AWD)  
 C BODY=(D=Dynasty, C=New Yorker/N.Y. Salon) Y BODY=(C=Imperial/5th Avenue)  
 G BODY=(V=Daytona/IROC, Chrysler Daytona) E-S BODY=(K=Chrysler Voyager(H) FWD, D=Chrysler Voyager(K) AWD)  
 J BODY=(C=LeBaron, Chrysler LeBaron)  
 P BODY=(P=Sundance, D=Shadow)

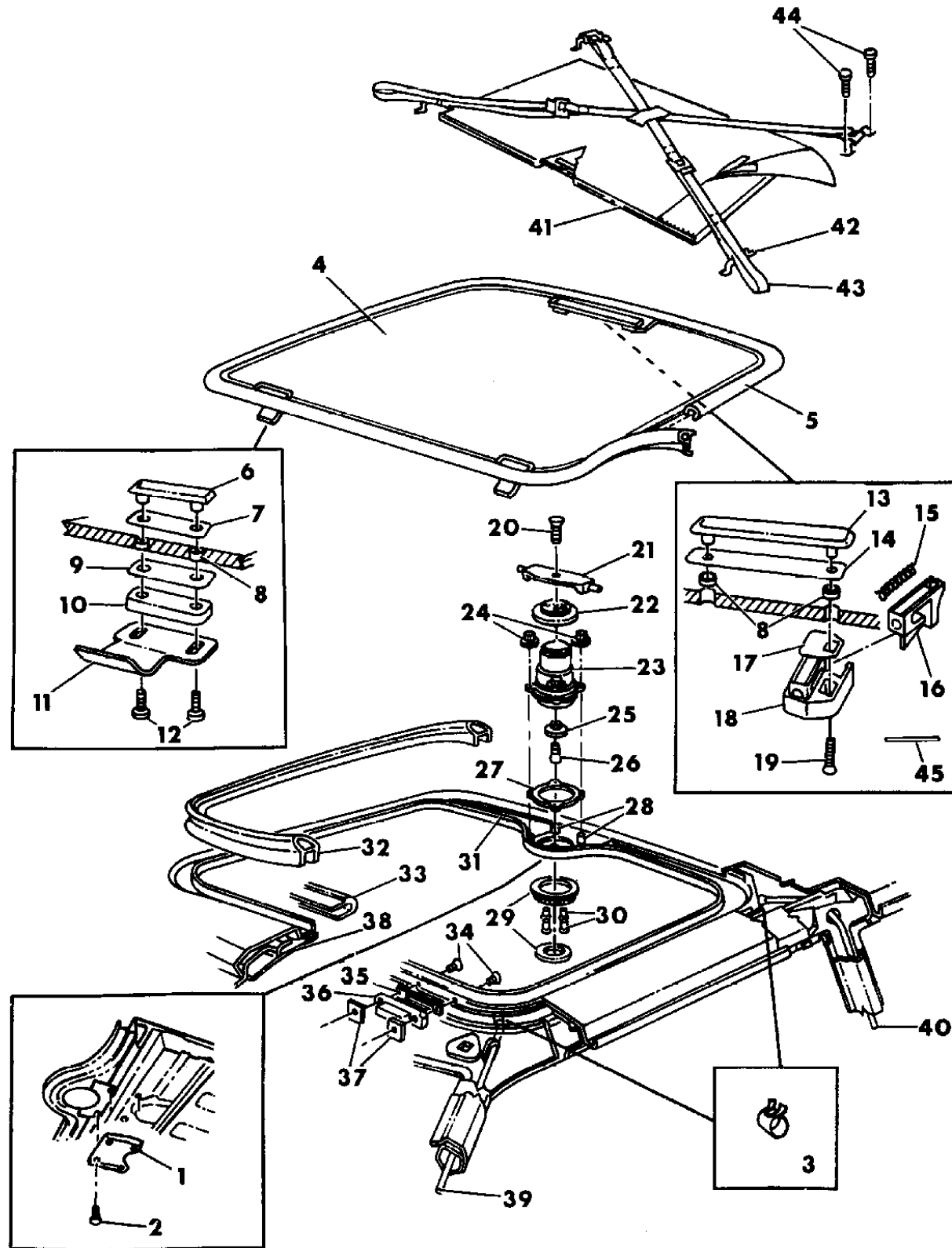
**BODY STYLES:**

21=2-Door Coupe      41=4-Door Sedan      12-52=FWD & AWD Van & Wgn Std W.B.  
 24=2-Door Hatchback      44=4-Door Hatchback      53=FWD & AWD Van & Wgn Ext. W.B.  
 27=2-Door Convertible

AR = Use as Required - = Non Illustrated Part P.A.R. = Paint as Required

SUNROOF G BODY 24  
Figure 23A-8300

93169 8300



ITEM	PART NUMBER	QTY	BODY	MODEL	DESCRIPTION
1	4278 794	1			SUPPORT, Sunroof Opening Drain Trough
2	9421 073	4			SCREW
3	2448 761	4			CLAMP, Drain Hose To Trough
4	4296 034	1			PANEL, Sunroof Glass w/Frame (Bonded)
5	4172 849	1			SEAL, Sunroof (Secondary)
6-12	4467 211	2			HINGE and T-PLATE, (Includes Item #6-12)
6		2			T-PLATE, Serviced In Package #4467211
7		2			GASKET, Serviced In Package #4467211
8		6			GROMMET, Serviced In Package #4467211
9		2			GASKET, Serviced In Package #4467211
10		2			SPACER, Serviced In Package #4467211
11		2			HINGE, Serviced In Package #4467211
12		4			SCREW, Serviced In Package #4467211
13	5207 322	1			T-PLATE, Latch
14	5207 368	1			GASKET, Latch T-Plate
15	4106 872-3	1			HOUSING and LATCH, Sun Roof (Includes Item #15-19)
15		2			SPRING, Serviced In Package #4106872-3
16		2			LATCH, Serviced In Package #4106872-3
17		2			GASKET, Serviced In Package #4106872-3
18		2			HOUSING, Serviced In Package #4106872-3
19		2			SCREW, Serviced In Package #4106872-3
20		1			SCREW, #10-16 x .75" Not Serviced
21	5207 327	1			STRIKER, Latch
22	4341 037	1			GASKET and RETAINER, Adjuster
23	4341 035	1			ADJUSTER, Latch (Includes Items #20-23 & 25-26)
24	6501 140	4			NUT
25	5232 094	1			WASHER, Latch Striker Stop
26		1			SCREW, #8-18 x .75" Not Serviced
27	5232 052	1			GASKET, Latch Adjuster To Trough
28		4			SCREW, Weld, M5 x 15mm (Serviced In Item #31)
29					HANDLE, Tilting Roof Pnl. Riser Control
	H808 LAZ	1			Agate
	H808 JD5	1			Quartz
	H808 LM6	1			Red
30	6031 171	4			SCREW
31	4341 728	1			PANEL and TROUGH, Outer w/Sunroof (Includes Item #28)
32	4440 798	1			SEAL, Sunroof (Primary)
33					WELT, Sunroof Headliner Opening
	H737 LAZ	1			Agate

MODEL CODES:

A BODY=(C=LeBaron, D=Spirit, P=Acclaim/LaBaron(Landau), Saratoga) S BODY=(H=Voyager(H) FWD, K=Caravan(H) FWD, Y=Town & Country(H) FWD, P=Voyager(K) AWD, D=Caravan(K) AWD, C=Town & Country(K) AWD)  
 C BODY=(D=Dynasty, C=New Yorker/N.Y. Salon) Y BODY=(C=Imperial/5th Avenue)  
 G BODY=(V=Daytona/IROC, Chrysler Daytona) E-S BODY=(K=Chrysler Voyager(H) FWD, D=Chrysler Voyager(K) AWD)  
 J BODY=(C=LeBaron, Chrysler LeBaron)  
 P BODY=(P=Sundance, D=Shadow)

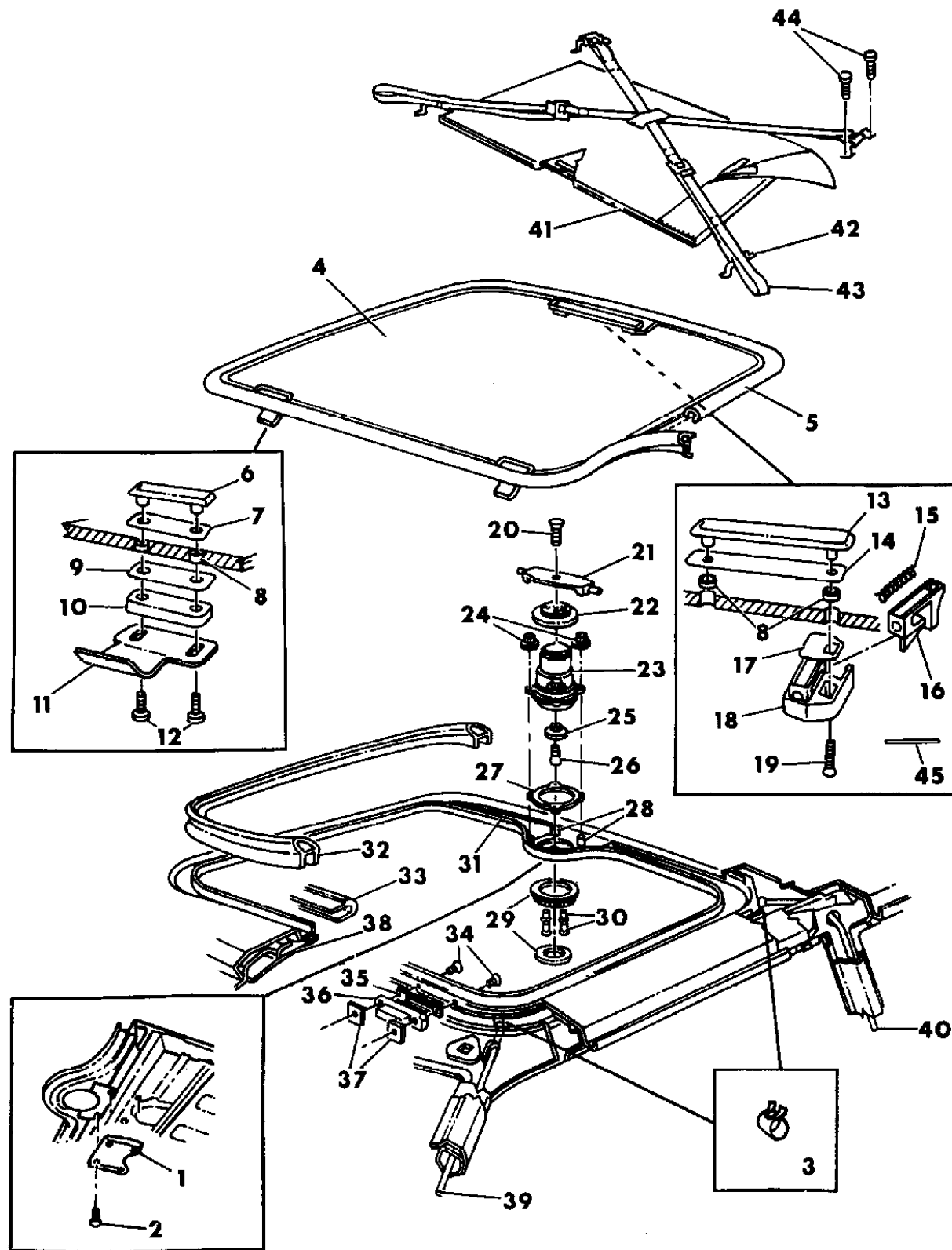
BODY STYLES:

21=2-Door Coupe 41=4-Door Sedan 12-52=FWD & AWD Van & Wgn Std W.B.  
 24=2-Door Hatchback 44=4-Door Hatchback 53=FWD & AWD Van & Wgn Ext. W.B.  
 27=2-Door Convertible

AR = Use as Required - = Non Illustrated Part P.A.R. = Paint as Required

SUNROOF G BODY 24  
Figure 23A-8300

93169 8300



ITEM	PART NUMBER	QTY	BODY	MODEL	DESCRIPTION
	H737 LM6	1			Red
	H737 JD5	1			Quartz
34	6101 127	4			SCREW
35	5232 050-1	1			GASKET, Hinge Receiver
36	4172 966-7	1			RECEIVER, Hinge (Includes Items #35 & 37)
37	5207 378	4			PLATE, Hinge Receiver
38		1			HEADLINER, (See Group 23)
39	4278 798	2			HOSE, Sunroof Drain Trough Front
40	4278 799	2			HOSE, Sunroof Drain Trough Rear
41	H608 CX7	1			BAG, Stowage (Black)
42	4248 818	4			ANCHOR, Tie-Down Strap To Floor Pan
43	H349 CX9	2			STRAP, Sunroof Stowage Tie-Down
44		8			SCREW, #8-18 x .75" Not Serviced
45	5207 474	2			PIN, Glass Frame Connecting

MODEL CODES:

A BODY=(C=LeBaron, D=Spirit, P=Acclaim/LaBaron(Landau), Saratoga) S BODY=(H=Voyager(H) FWD, K=Caravan(H) FWD, Y=Town & Country(H) FWD, P=Voyager(K) AWD, D=Caravan(K) AWD, C=Town & Country(K) AWD)  
 C BODY=(D=Dynasty, C=New Yorker/N.Y. Salon) Y BODY=(C=Imperial/5th Avenue)  
 G BODY=(V=Daytona/IROC, Chrysler Daytona) E-S BODY=(K=Chrysler Voyager(H) FWD, D=Chrysler Voyager(K) AWD)  
 J BODY=(C=LeBaron, Chrysler LeBaron) P BODY=(P=Sundance, D=Shadow)

BODY STYLES:

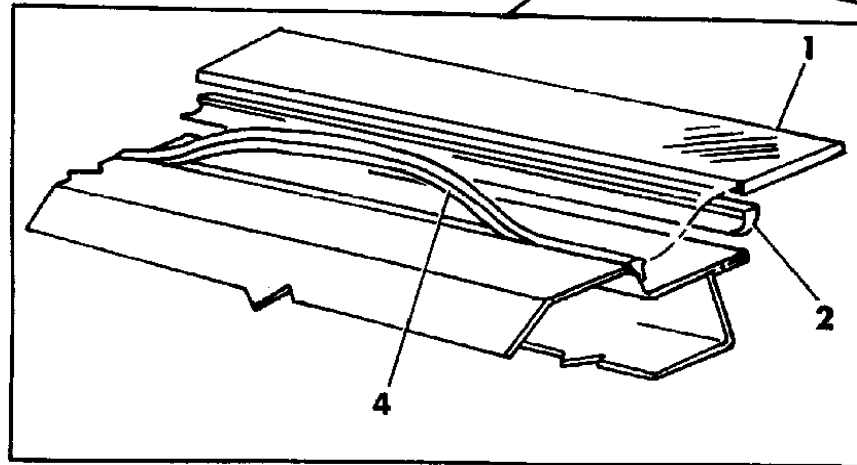
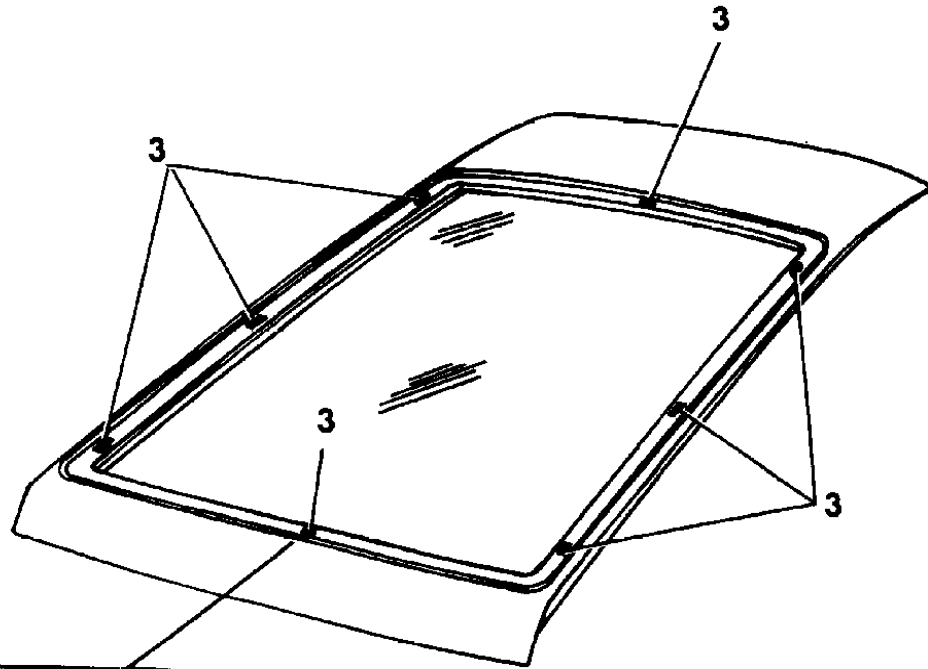
21=2-Door Coupe 41=4-Door Sedan 12-52=FWD & AWD Van & Wgn Std W.B.  
 24=2-Door Hatchback 44=4-Door Hatchback 53=FWD & AWD Van & Wgn Ext. W.B.  
 27=2-Door Convertible

AR = Use as Required - = Non Illustrated Part P.A.R. = Paint as Required

**GLASS LIFTGATE G BODY 24**  
**Figure 23A-8400**

93169 8400B

ITEM	PART NUMBER	QTY	BODY	MODEL	DESCRIPTION
1	4198 723	1			GLASS, Liftgate Tinted, w/o Liftgate Wiper, w/o Electric Heated
	5264 660	1			Tinted, w/o Liftgate Wiper w/Electric Heated
	5264 663	1			Tinted, Heated, E Marked, Export
	5264 661	1			Tinted, w/Liftgate Wiper w/Electric Heated
	5264 662	1			Tinted, Heated, Wiper, E Marked, Export
2		1			DAM, Glass Adhesive (119") Not Serviced
3	4365 854	8			SPACER, Liftgate Glass Support
4	4378 698	1			MOULDING, Liftgate Glass To Outer Pnl.
NOTE: The following items are not shown on illustration. applications specified in this document.					
PKG A	4267 906	1			REPAIR PACKAGE, Windshield & Rear Window Consists of: 1- ----- Polyurethane, 11.5 oz. 1- ----- Fence Primer, 1 oz. 1- ----- Glass Wipe-Off Primer, 1 oz. 1- ----- Glass Black-Out Primer, 1 oz. 3- ----- Dabbers 1- ----- Nozzle
PKG B	4267 922	1			REPAIR PACKAGE, Back Lite Grid & Pigtail Consists of: 1- ----- Cement, Cho-Bond, 1/2 oz. 1- ----- Instruction Sheet



**MODEL CODES:**

A BODY=(C=LeBaron, D=Spirit, P=Acclaim/LaBaron(Landau),  
 Saratoga)  
 C BODY=(D=Dynasty, C=New Yorker/N.Y. Salon)  
 G BODY=(V=Daytona/IROC, Chrysler Daytona)  
 J BODY=(C=LeBaron, Chrysler LeBaron)  
 P BODY=(P=Sundance, D=Shadow)

S BODY=(H=Voyager(H) FWD, K=Caravan(H) FWD,  
 Y=Town & Country(H) FWD, P=Voyager(K) AWD,  
 D=Caravan(K) AWD, C=Town & Country(K) AWD)  
 Y BODY=(C=Imperial/5th Avenue)  
 E-S BODY=(K=Chrysler Voyager(H) FWD, D=Chrysler  
 Voyager(K) AWD)

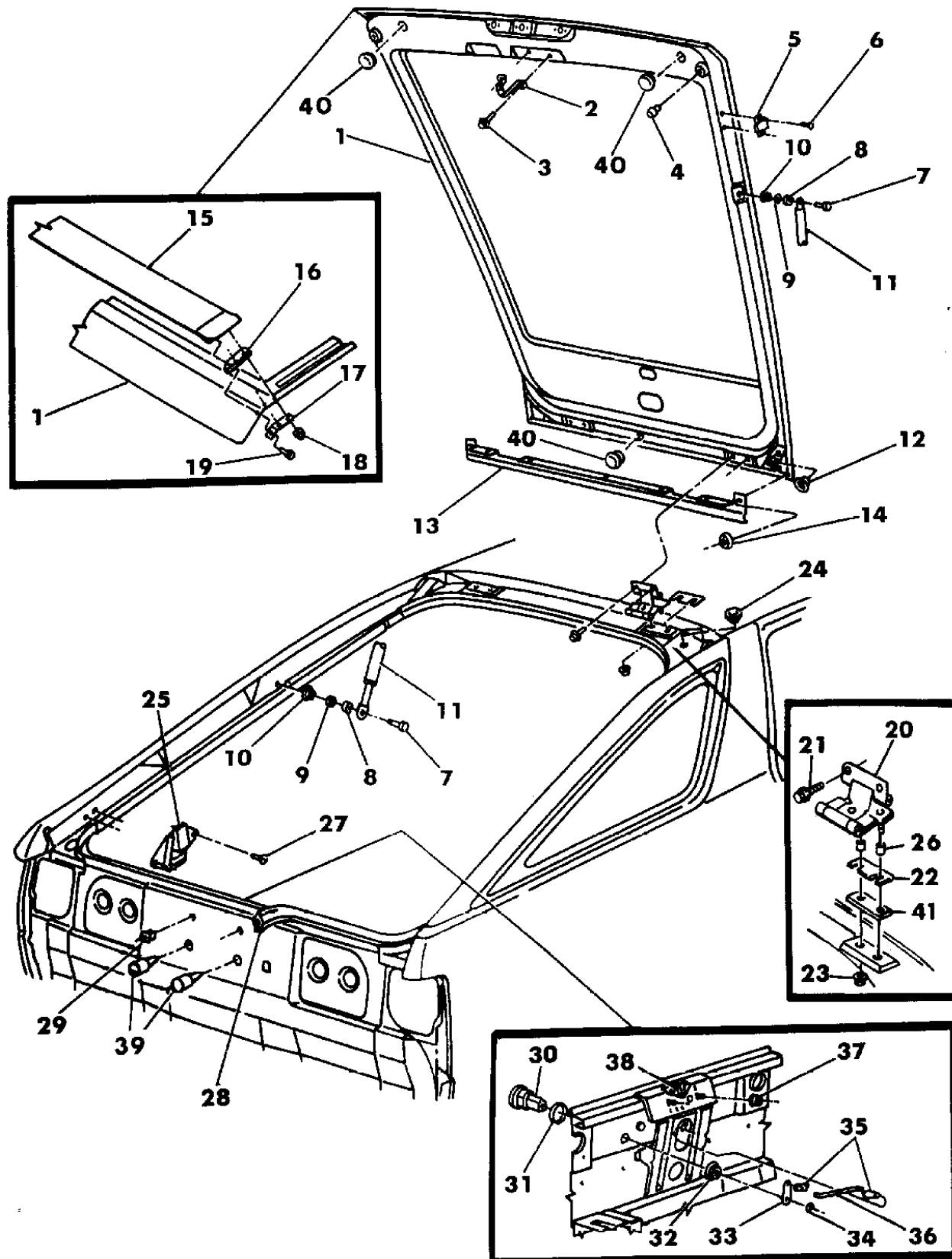
**BODY STYLES:**

21=2-Door Coupe      41=4-Door Sedan      12-52=FWD & AWD Van & Wgn Std W.B.  
 24=2-Door Hatchback      44=4-Door Hatchback      53=FWD & AWD Van & Wgn Ext. W.B.  
 27=2-Door Convertible

AR = Use as Required - = Non Illustrated Part P.A.R. = Paint as Required

LIFTGATE PANEL G BODY 24  
Figure 23A-8500

93169 8500



ITEM	PART NUMBER	QTY	BODY	MODEL	DESCRIPTION
1	4655 686	1			PANEL, Liftgate
2	4378 047	1			STRIKER, Liftgate Latch
3	6100 592	2			SCREW, w/Washer
4	4396 304	2			BUMPER, Liftgate Inside Panel Corner
5	4246 860	2			STRIKER, Liftgate Stabilizer
6		4			SCREW, #10-16 x .75" Not Serviced
7		4			SCREW, M8 x 1.25" (Serviced In Item #11)
8	4246 676	4			WASHER, Liftgate Prop Clevis
9		4			WASHER, (Serviced In Item #11)
10	6500 159	4			NUT and WASHER
11		2			PROP, Liftgate
	4246 673				w/Spoiler
	G000 4712				w/Louver
	4658 842				w/Spoiler & Wiper or Louvers
12	2574 792	1			PLUG, .75" Dia./19.5 mm
13	4280 831	1			WEATHERSTRIP, Liftgate Secondary
14	6025 160	7			RETAINER
15		1			SPOILER, Liftgate (See Group 23)
16		AR			GASKET, Liftgate Spoiler (See Group 23)
17		AR			REINFORCEMENT, Liftgate Spoiler (See Group 23)
18		AR			NUT, (See Group 23)
19		AR			SCREW, (See Group 23)
20	4378 407	2			HINGE, Liftgate
21	6100 275	4			SCREW and WASHER
22	4246 832	AR			SHIM, Liftgate Hinge
23	6501 569	4			NUT and WASHER
24	1774 076	1			PLUG, .630" Dia./16 mm
25	4520 809	2			WEDGE, Liftgate Opening Stabilizer
26	4337 900	4			WASHER, Liftgate Hinge To Body Sealing
27		4			SCREW, #10-16 x .50" (Not Serviced)
28	4198 930	1			WEATHERSTRIP, Liftgate Opening
29	6501 842	4			NUT, License Plate
30		1			CYLINDER and BRACKET, (See Group 23D)
31	3695 321	1			GASKET, Lock Cylinder
32	4054 202	1			NUT, Lock Cylinder
33		1			LEVER, Liftgate Lock Cylinder Not Serviced
34	6032 107	1			RETAINER, Lock Cylinder Lever
35	3454 220	2			CLIP, Lock To Latch Link
36	4378 458	1			LINK, Lock Cylinder To Latch

MODEL CODES:

A BODY=(C=LeBaron, D=Spirit, P=Acclaim/LaBaron(Landau), Saratoga)

C BODY=(D=Dynasty, C=New Yorker/N.Y. Salon)

G BODY=(V=Daytona/IROC, Chrysler Daytona)

J BODY=(C=LeBaron, Chrysler LeBaron)

P BODY=(P=Sundance, D=Shadow)

S BODY=(H=Voyager(H) FWD, K=Caravan(H) FWD,

Y=Town & Country(H) FWD, P=Voyager(K) AWD,

D=Caravan(K) AWD, C=Town & Country(K) AWD)

Y BODY=(C=Imperial/5th Avenue)

E-S BODY=(K=Chrysler Voyager(H) FWD, D=Chrysler

Voyager(K) AWD)

BODY STYLES:

21=2-Door Coupe

41=4-Door Sedan

12-52=FWD & AWD Van & Wgn Std W.B.

24=2-Door Hatchback

44=4-Door Hatchback

53=FWD & AWD Van & Wgn Ext. W.B.

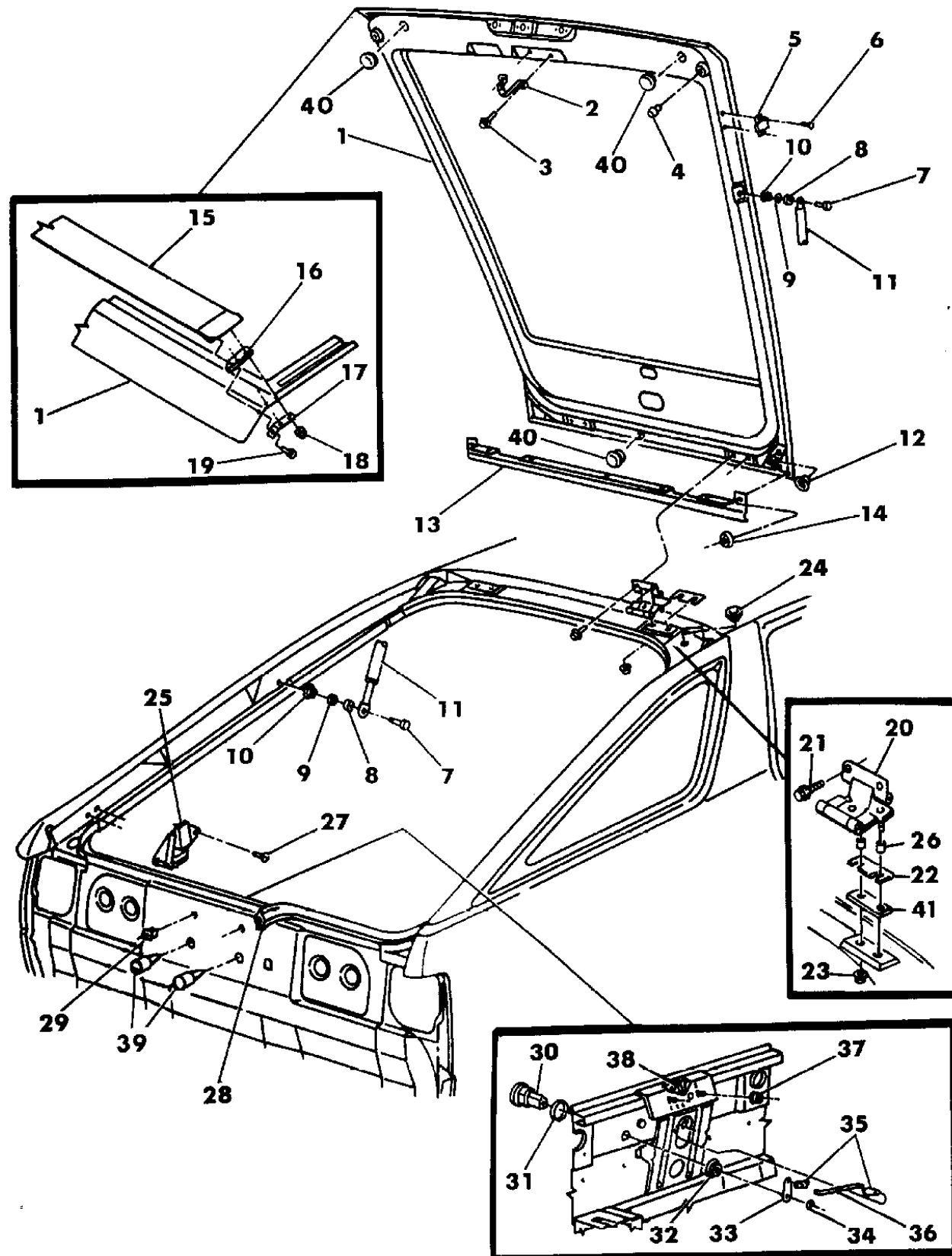
27=2-Door Convertible

AR = Use as Required - = Non Illustrated Part P.A.R. = Paint as Required



LIFTGATE PANEL G BODY 24  
Figure 23A-8500

93169 8500



ITEM	PART NUMBER	QTY	BODY	MODEL	DESCRIPTION
37	6501 569	2			NUT and WASHER
38	4378 493	1			LATCH, Liftgate
	4615 304				Cable Release Remote
39	4512 363	2			BUTTON, Liftgate Opening Lower Panel License Plate
40	2895 126	3			PLUG, Liftgate Inner Panel Hole
41	4365 698	2			GASKET, Liftgate Hinge To Body

MODEL CODES:

A BODY=(C=LeBaron, D=Spirit, P=Acclaim/LaBaron(Landau),  
Saratoga)  
C BODY=(D=Dynasty, C=New Yorker/N.Y. Salon)  
G BODY=(V=Daytona/IROC, Chrysler Daytona)  
J BODY=(C=LeBaron, Chrysler LeBaron)  
P BODY=(P=Sundance, D=Shadow)

S BODY=(H=Voyager(H) FWD, K=Caravan(H) FWD,  
Y=Town & Country(H) FWD, P=Voyager(K) AWD,  
D=Caravan(K) AWD, C=Town & Country(K) AWD)  
Y BODY=(C=Imperial/5th Avenue)  
E-S BODY=(K=Chrysler Voyager(H) FWD, D=Chrysler  
Voyager(K) AWD)

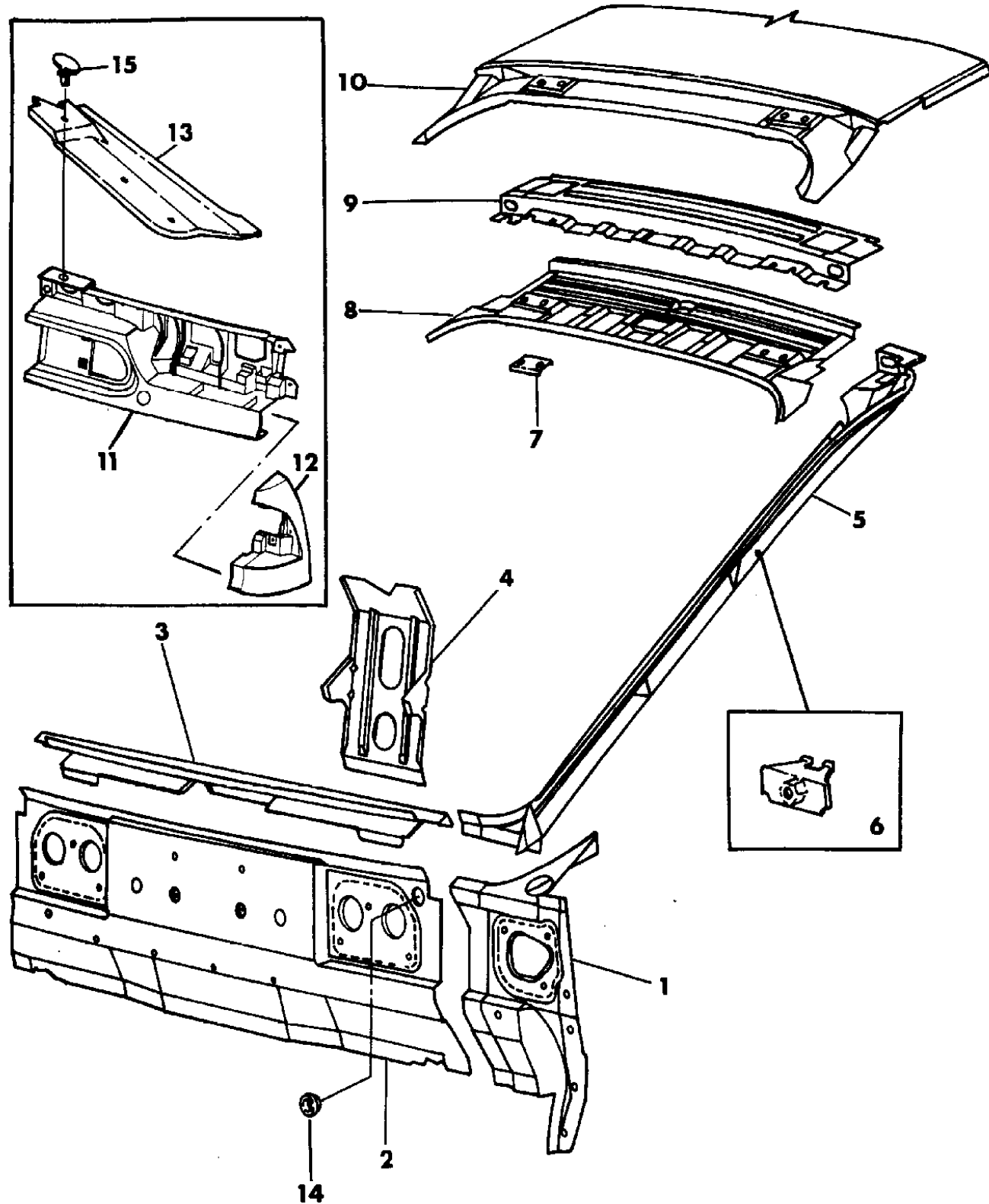
BODY STYLES:

21=2-Door Coupe      41=4-Door Sedan      12-52=FWD & AWD Van & Wgn Std W.B.  
24=2-Door Hatchback      44=4-Door Hatchback      53=FWD & AWD Van & Wgn Ext. W.B.  
27=2-Door Convertible

AR = Use as Required - = Non Illustrated Part P.A.R. = Paint as Required

LIFTGATE OPENING PANEL G BODY 24  
Figure 23A-8600

93169 8600



ITEM	PART NUMBER	QTY	BODY	MODEL	DESCRIPTION
1	4655 636-7	1			EXTENSION, Liftgate Opening Lower Panel
2	5253 635	1			PANEL, Liftgate Opening Lower
3	4655 480	1			REINFORCEMENT, Liftgate Opening Lower Panel
4	4365 712	1			SUPPORT, Liftgate Opening Lower Panel Latch Striker
5	4490 794-5	1			TROUGH, Liftgate Opening Side Drain
6	4336 398	2			REINFORCEMENT, Liftgate Opening Trough Prop
7	4206 976	2			REINFORCEMENT, Liftgate Opening Upper Frame Hinge Mounting
8	4655 248	1			FRAME, Liftgate Opening Upper
9	4206 917	1			REINFORCEMENT, Liftgate Opening Upper Frame
10	4206 821	1			PANEL, Roof Outer w/o Sunroof
	4341 728	1			PANEL and TROUGH, Roof Outer w/Sunroof
11	4723 589	1			PANEL, Liftgate Opening Lower Closure (Center)
12	4723 590-1	1			EXTENSION ASSEMBLY, Aperture and Rear Closure ***
13	4440 843	1			PLATE, Tail Lamp Scuff Plate
14	6023 925	4			NUT
15	6501 878	AR			RETAINER

MODEL CODES:

A BODY=(C=LeBaron, D=Spirit, P=Acclaim/LaBaron(Landau),  
Saratoga)  
C BODY=(D=Dynasty, C=New Yorker/N.Y. Salon)  
G BODY=(V=Daytona/IROC, Chrysler Daytona)  
J BODY=(C=LeBaron, Chrysler LeBaron)  
P BODY=(P=Sundance, D=Shadow)

S BODY=(H=Voyager(H) FWD, K=Caravan(H) FWD,  
Y=Town & Country(H) FWD, P=Voyager(K) AWD,  
D=Caravan(K) AWD, C=Town & Country(K) AWD)  
Y BODY=(C=Imperial/5th Avenue)  
E-S BODY=(K=Chrysler Voyager(H) FWD, D=Chrysler  
Voyager(K) AWD)

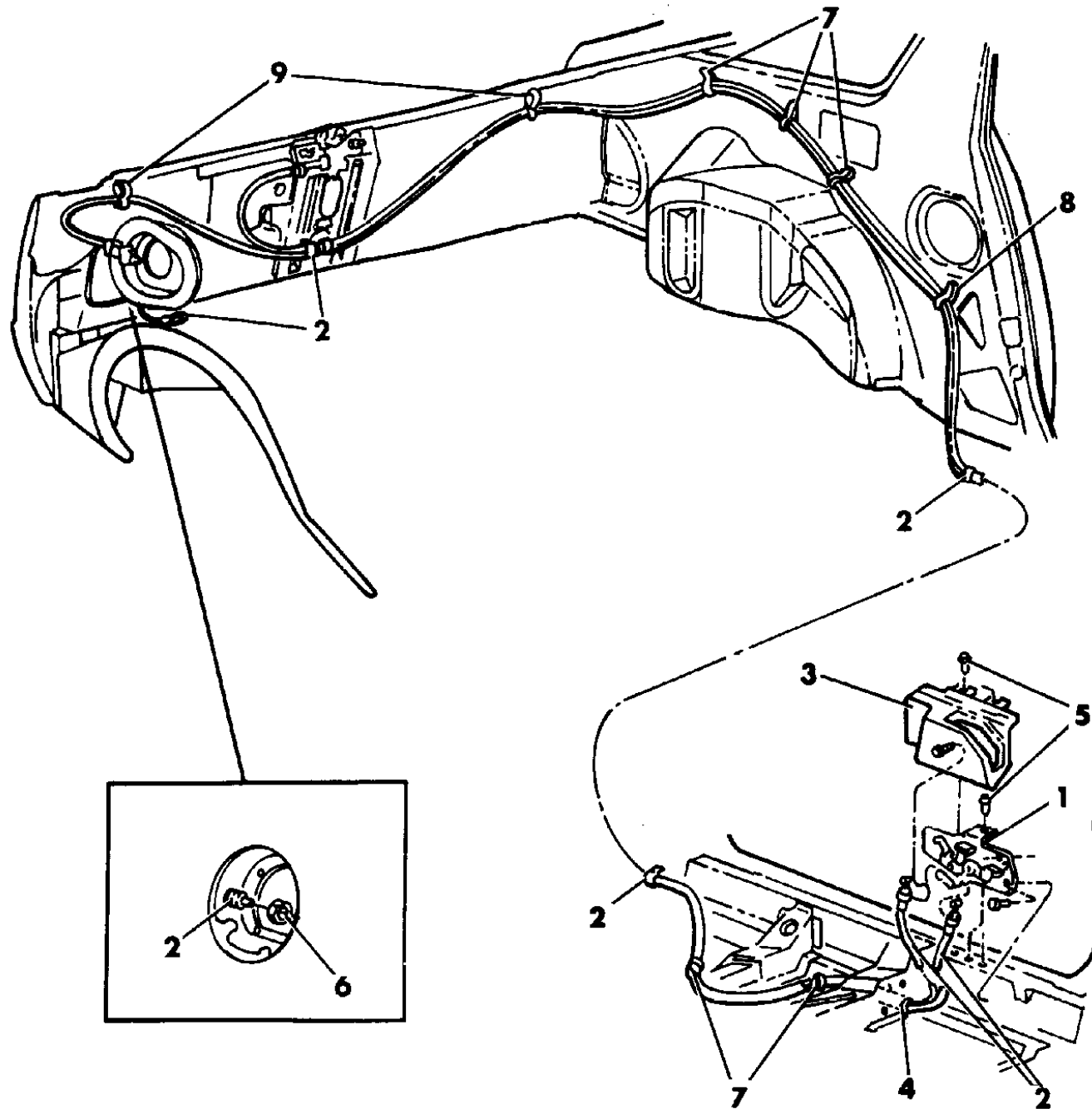
BODY STYLES:

21=2-Door Coupe      41=4-Door Sedan      12-52=FWD & AWD Van & Wgn Std W.B.  
24=2-Door Hatchback      44=4-Door Hatchback      53=FWD & AWD Van & Wgn Ext. W.B.  
27=2-Door Convertible

AR = Use as Required - = Non Illustrated Part P.A.R. = Paint as Required

FUEL FILLER AND LIFTGATE RELEASE G BODY 24  
Figure 23A-8700

93169 8700



ITEM	PART NUMBER	QTY	BODY	MODEL	DESCRIPTION
1	4337 180	1			HANDLE, LiftgateRemote Release
2	4475 026	1			CABLE, Liftgate Remote Release
3		1			COVER, Remote Release Handle
	H127 LM6				Red
	H127 HD5				Quartz
	H127 JV8				Champagne
	H127 LAZ	1			Agate
4		1			CONDUIT, Body Side Aperture Fuel Filler & Liftgate Remote Release Cable Not Serviced
5	6032 456	4			SCREW, Remote Release Cover and Handle To Sill
6		AR			NUT, Fuel Door Remote Release 6500993 Not Serviced
7		AR			CLIP, 6015237 Not Serviced
8		AR			CLIP, Wiring Not Serviced
9		AR			CLIP, Wiring Not Serviced

**MODEL CODES:**

A BODY=(C=LeBaron, D=Spirit, P=Acclaim/LaBaron(Landau), Saratoga) S BODY=(H=Voyager(H) FWD, K=Caravan(H) FWD, Y=Town & Country(H) FWD, P=Voyager(K) AWD, D=Caravan(K) AWD, C=Town & Country(K) AWD)  
 C BODY=(D=Dynasty, C=New Yorker/N.Y. Salon) Y BODY=(C=Imperial/5th Avenue)  
 G BODY=(V=Daytona/IROC, Chrysler Daytona) E-S BODY=(K=Chrysler Voyager(H) FWD, D=Chrysler Voyager(K) AWD)  
 J BODY=(C=LeBaron, Chrysler LeBaron)  
 P BODY=(P=Sundance, D=Shadow)

**BODY STYLES:**

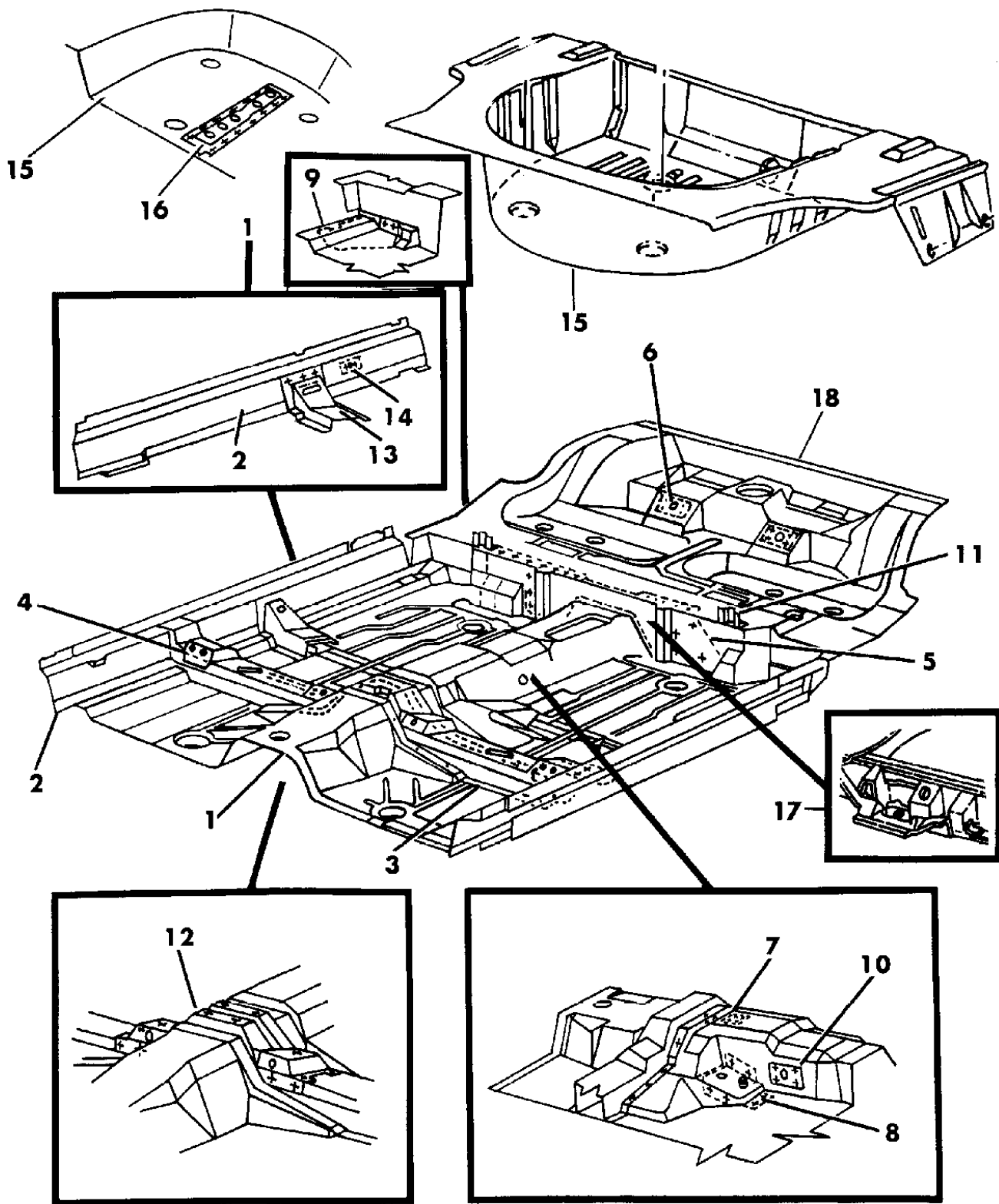
21=2-Door Coupe 41=4-Door Sedan 12-52=FWD & AWD Van & Wgn Std W.B.  
 24=2-Door Hatchback 44=4-Door Hatchback 53=FWD & AWD Van & Wgn Ext. W.B.  
 27=2-Door Convertible

AR = Use as Required - = Non Illustrated Part P.A.R. = Paint as Required

FLOOR PAN C BODY

Figure 23A-8800

93169 8800



ITEM	PART NUMBER	QTY	BODY	MODEL	DESCRIPTION
1	4674 353	1			PAN, Front Floor
2	5256 364-5	1			PANEL, Body Side Sill Inner
3	4548 486	1			CROSSMEMBER, Front Floor Pan
4	4416 915	2			REINFORCEMENT, Floor Pan Front Seat
5	4416 135	1			PLATE, Front Floor Pan Fuel Tank Hanger
6	4314 260	2			REINFORCEMENT, Front Floor Pan Rear Seat Belt Anchor Inner
7	4416 060	1			BRACKET, Front Floor Pan Park Brake Guide
8	4655 158-9	1			REINFORCEMENT, Front Floor Pan Front Seat Rear Inner
9	5256 108-9	1			BRACKET, Front Floor Pan Lift Hoisting
10	4314 260	2			REINFORCEMENT, Front Floor Pan Front Seat Belt Inner
11	4206 904	2			REINFORCEMENT, Front Floor Pan Rear Seat Cushion
-	4134 647	AR			RETAINER
12		1			REINFORCEMENT, Front Floor Pan (Serviced In Item #3)
13	5253 916-7	1			REINFORCEMENT, Front Floor Pan Front Seat Rear Qtr.
14		2			REINFORCEMENT, Front Seat Belt Qtr. Anchor Not Serviced
15	4371 932	1			PAN, Rear Floor
16	4206 247	1			BRACKET, Rear Floor Pan
17	4314 256	2			REINFORCEMENT, Front Floor Pan Fuel Tank Strap
18		1			Serviced In Assembly ***

MODEL CODES:

A BODY=(C=LeBaron, D=Spirit, P=Acclaim/LaBaron(Landau, Saratoga)  
 C BODY=(D=Dynasty, C=New Yorker/N.Y. Salon)  
 G BODY=(V=Daytona/IROC, Chrysler Daytona)  
 J BODY=(C=LeBaron, Chrysler LeBaron)  
 P BODY=(P=Sundance, D=Shadow)

S BODY=(H=Voyager(H) FWD, K=Caravan(H) FWD, Y=Town & Country(H) FWD, P=Voyager(K) AWD, D=Caravan(K) AWD, C=Town & Country(K) AWD)  
 Y BODY=(C=Imperial/5th Avenue)  
 E-S BODY=(K=Chrysler Voyager(H) FWD, D=Chrysler Voyager(K) AWD)

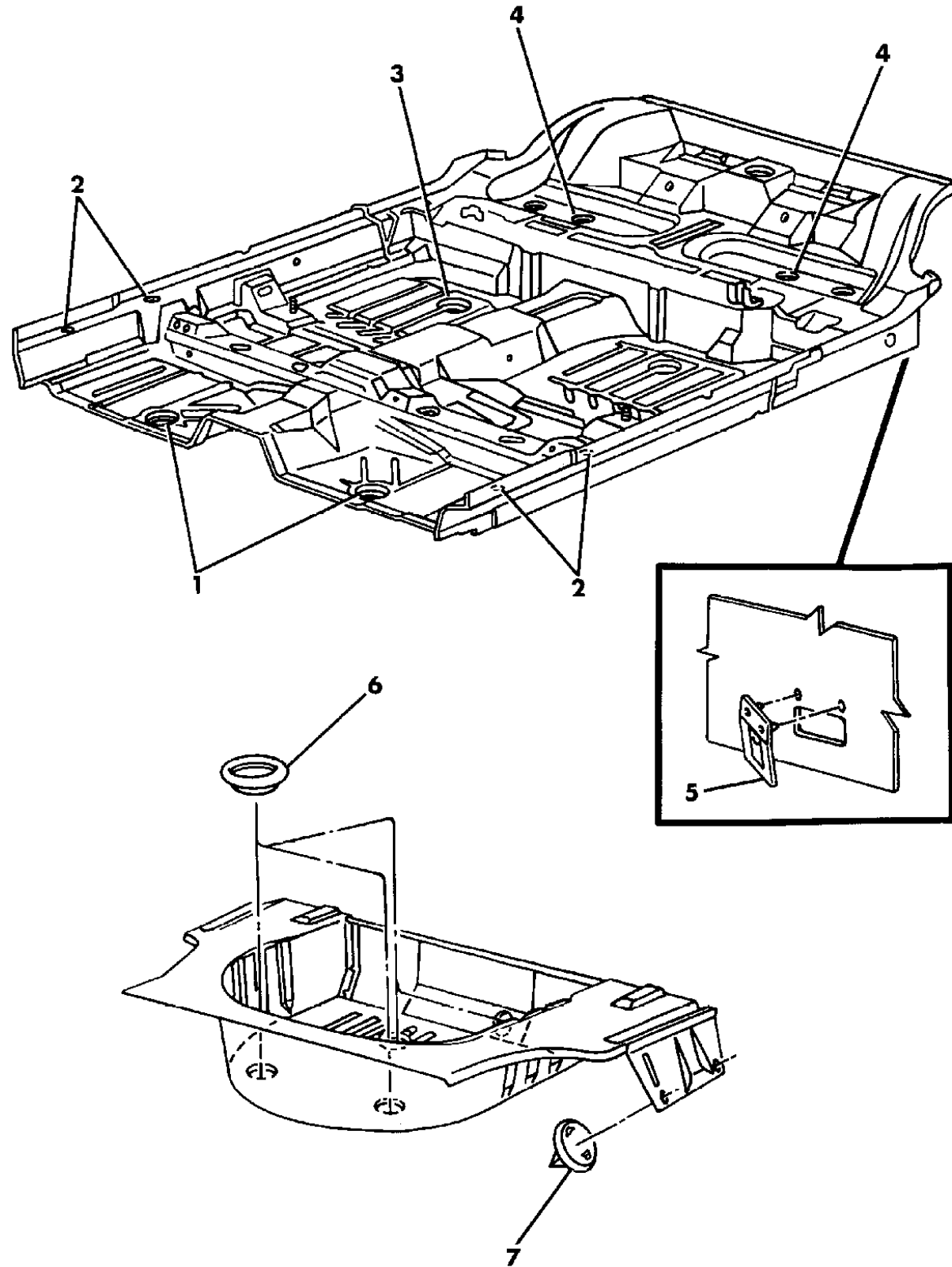
BODY STYLES:

21=2-Door Coupe      41=4-Door Sedan      12-52=FWD & AWD Van & Wgn Std W.B.  
 24=2-Door Hatchback      44=4-Door Hatchback      53=FWD & AWD Van & Wgn Ext. W.B.  
 27=2-Door Convertible

AR = Use as Required - = Non Illustrated Part P.A.R. = Paint as Required

FLOOR PAN PLUGS C BODY  
Figure 23A-8900

93169 8900



ITEM	PART NUMBER	QTY	BODY	MODEL	DESCRIPTION
1	4512 494	2			PLUG, 2.75" Dia./69.9 mm
2	2860 332	4			PLUG, 0.75" Dia.
3	2424 864	2			PLUG, 1.75" Dia./44.5 mm
4	4512 495	2			PLUG, 1.50" Dia./38.1 mm
5	3794 032	2			SEAL, Side Sill Inner
6	6030 773	4			PLUG, 57.2 mm
7	4512 495	4			PLUG, 1.50" Dia./38.1 mm

MODEL CODES:

A BODY=(C=LeBaron, D=Spirit, P=Acclaim/LaBaron(Landau),  
Saratoga)  
C BODY=(D=Dynasty, C=New Yorker/N.Y. Salon)  
G BODY=(V=Daytona/IROC, Chrysler Daytona)  
J BODY=(C=LeBaron, Chrysler LeBaron)  
P BODY=(P=Sundance, D=Shadow)

S BODY=(H=Voyager(H) FWD, K=Caravan(H) FWD,  
Y=Town & Country(H) FWD, P=Voyager(K) AWD,  
D=Caravan(K) AWD, C=Town & Country(K) AWD)  
Y BODY=(C=Imperial/5th Avenue)  
E-S BODY=(K=Chrysler Voyager(H) FWD, D=Chrysler  
Voyager(K) AWD)

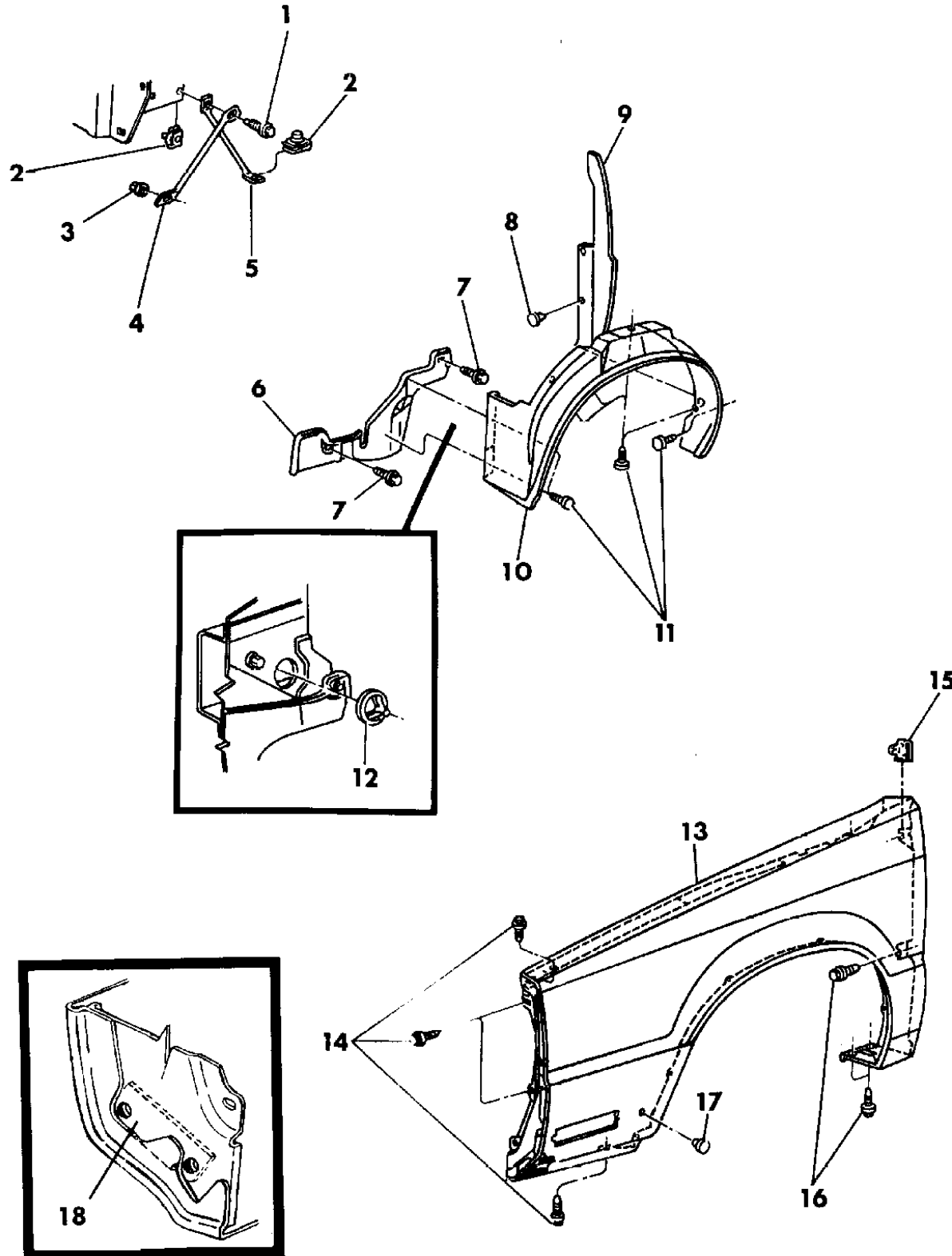
BODY STYLES:

21=2-Door Coupe      41=4-Door Sedan      12-52=FWD & AWD Van & Wgn Std W.B.  
24=2-Door Hatchback      44=4-Door Hatchback      53=FWD & AWD Van & Wgn Ext. W.B.  
27=2-Door Convertible

AR = Use as Required - = Non Illustrated Part P.A.R. = Paint as Required

FENDER AND SHIELD C BODY  
Figure 23A-9000

93169 9000



ITEM	PART NUMBER	QTY	BODY	MODEL	DESCRIPTION
1	6100 568	AR			SCREW and WASHER
2	1150 3714	AR			U-NUT
3	6500 284	2			NUT
4	4440 884-5	1		D	BRACE, Front Fender To Shield
5	4386 648	2			BRACE, Fender
6	4534 559	1			SHIELD, Trans. Lt.
7		AR			SCREW and WASHER, Not Serviced
8	4341 060	AR			FASTENER
9		2			BAFFLE, Body Front Not Serviced
10	4674 350-1	1			SHIELD, Fender w/House Splash
11	6030 441	26			RETAINER
12	4512 495	1			PLUG, Front Fender Panel Lt.
13		1			FENDER
	4411 928-9				w/Cornering Lamp
	5252 138-9				w/o Cornering
14	6501 501	9			SCREW and WASHER
15	6100 568	AR			SCREW and WASHER
16		AR			SCREW and WASHER, Not Serviced
17	6029 939	4			PLUG
18	4440 882	2			BRACKET, Fender Reinforcement To Side

MODEL CODES:

A BODY=(C=LeBaron, D=Spirit, P=Acclaim/LaBaron(Landau),  
Saratoga)  
C BODY=(D=Dynasty, C=New Yorker/N.Y. Salon)  
G BODY=(V=Daytona/IROC, Chrysler Daytona)  
J BODY=(C=LeBaron, Chrysler LeBaron)  
P BODY=(P=Sundance, D=Shadow)

S BODY=(H=Voyager(H) FWD, K=Caravan(H) FWD,  
Y=Town & Country(H) FWD, P=Voyager(K) AWD,  
D=Caravan(K) AWD, C=Town & Country(K) AWD)  
Y BODY=(C=Imperial/5th Avenue)  
E-S BODY=(K=Chrysler Voyager(H) FWD, D=Chrysler  
Voyager(K) AWD)

BODY STYLES:

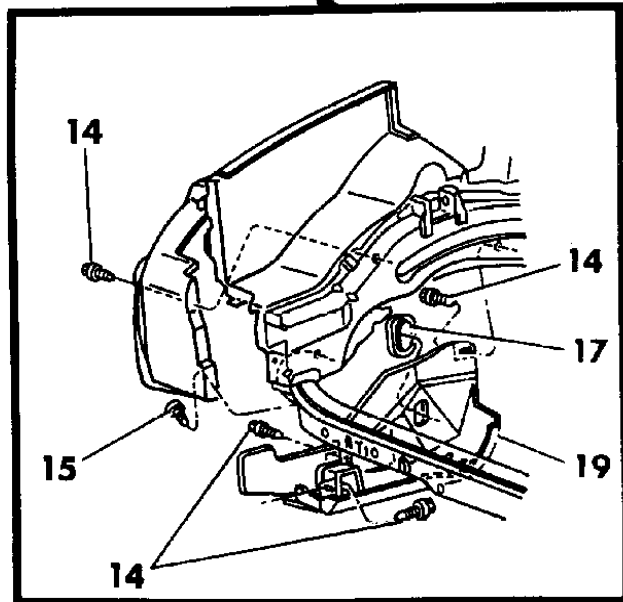
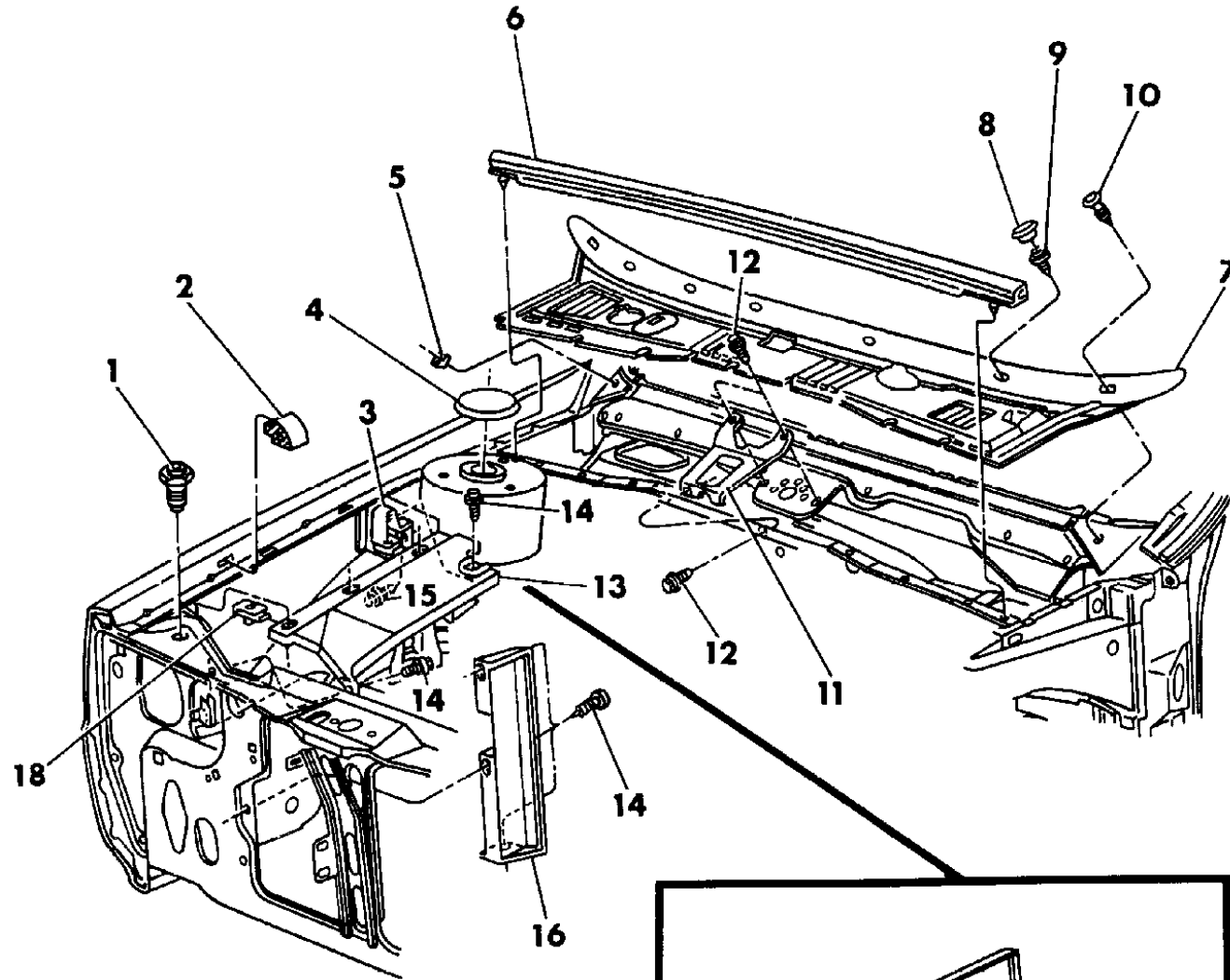
21=2-Door Coupe      41=4-Door Sedan      12-52=FWD & AWD Van & Wgn Std W.B.  
24=2-Door Hatchback      44=4-Door Hatchback      53=FWD & AWD Van & Wgn Ext. W.B.  
27=2-Door Convertible

AR = Use as Required - = Non Illustrated Part P.A.R. = Paint as Required

COWL SCREEN AND ENGINE SHIELD C BODY

Figure 23A-9100

93169 9100



ITEM	PART NUMBER	QTY	BODY	MODEL	DESCRIPTION
1	4103 165	2			BUMPER, Crossmember
2	4490 165	2			BUMPER, Fender Hood
3					SUPPORT, Appearance Shield To Iso-Tower, Not Serviced
4		2			CAP, Iso-Strut (Not Req.)
5		2			PLUG, Not Serviced
6	4658 167	1			SEAL, Dash Panel To Hood
7	4674 125	1			SCREEN, Cowl Top
8	6501 152	5			PLUG
9		AR			SCREW and WASHER, Not Serviced
10	6501 387	2			PIN, Cowl Top Screen
11	4371 136	1			SUPPORT, Cowl Top To Dash Panel Wiper
12	6501 728	3			SCREW and WASHER
13					SHIELD, Engine Compartment Appearance, Not Serviced
14		AR			SCREW and WASHER, Not Serviced
15	6030 441	26			RETAINER
16	4440 014	1			SHIELD, Closure Panel Rt.
17	2811 825	1			PLUG, Right Side
18	1150 3714	5			U-NUT
19	5256 434	1			SHIELD, Pulley Splash

MODEL CODES:

A BODY=(C=LeBaron, D=Spirit, P=Acclaim/LaBaron(Landau),  
Saratoga)  
C BODY=(D=Dynasty, C=New Yorker/N.Y. Salon)  
G BODY=(V=Daytona/IROC, Chrysler Daytona)  
J BODY=(C=LeBaron, Chrysler LeBaron)  
P BODY=(P=Sundance, D=Shadow)

S BODY=(H=Voyager(H) FWD, K=Caravan(H) FWD,  
Y=Town & Country(H) FWD, P=Voyager(K) AWD,  
D=Caravan(K) AWD, C=Town & Country(K) AWD)  
Y BODY=(C=Imperial/5th Avenue)  
E-S BODY=(K=Chrysler Voyager(H) FWD, D=Chrysler  
Voyager(K) AWD)

BODY STYLES:

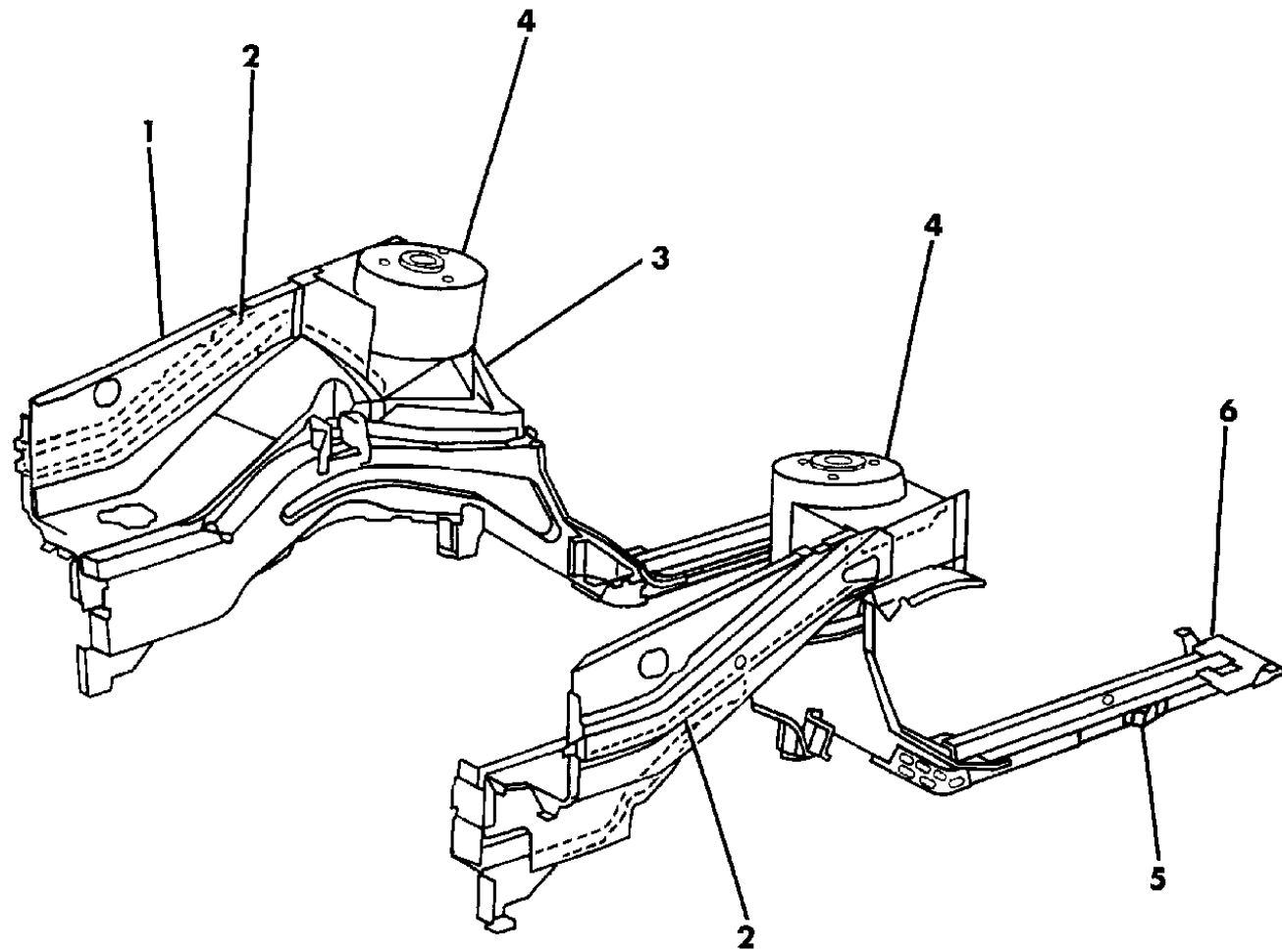
21=2-Door Coupe      41=4-Door Sedan      12-52=FWD & AWD Van & Wgn Std W.B.  
24=2-Door Hatchback      44=4-Door Hatchback      53=FWD & AWD Van & Wgn Ext. W.B.  
27=2-Door Convertible

AR = Use as Required - = Non Illustrated Part P.A.R. = Paint as Required

TOWER AND SHIELD C BODY  
Figure 23A-9200

93169 9200

ITEM	PART NUMBER	QTY	BODY	MODEL	DESCRIPTION
1	4655 584-5				SHIELD, Front Fender Panel
2	4534 052-3	1			BEAM, Front Fender Shield To Front Hanger
3	4534 256-7	1			EXTENSION, Iso-Strut Tower To Dash
4	4741 222-3	1			TOWER, Iso-Strut
5	4296 417	1			BRACKET, Side Rail Rear Bracket Cable
6	4475 744-5	1			SHIELD, Front Floor Pan Fuel Line
-	6031 488	AR			PLUG, Fende Shield



**MODEL CODES:**

A BODY=(C=LeBaron, D=Spirit, P=Acclaim/LaBaron(Landau),  
Saratoga)  
C BODY=(D=Dynasty, C=New Yorker/N.Y. Salon)  
G BODY=(V=Daytona/IROC, Chrysler Daytona)  
J BODY=(C=LeBaron, Chrysler LeBaron)  
P BODY=(P=Sundance, D=Shadow)

S BODY=(H=Voyager(H) FWD, K=Caravan(H) FWD,  
Y=Town & Country(H) FWD, P=Voyager(K) AWD,  
D=Caravan(K) AWD, C=Town & Country(K) AWD)  
Y BODY=(C=Imperial/5th Avenue)  
E-S BODY=(K=Chrysler Voyager(H) FWD, D=Chrysler  
Voyager(K) AWD)

**BODY STYLES:**

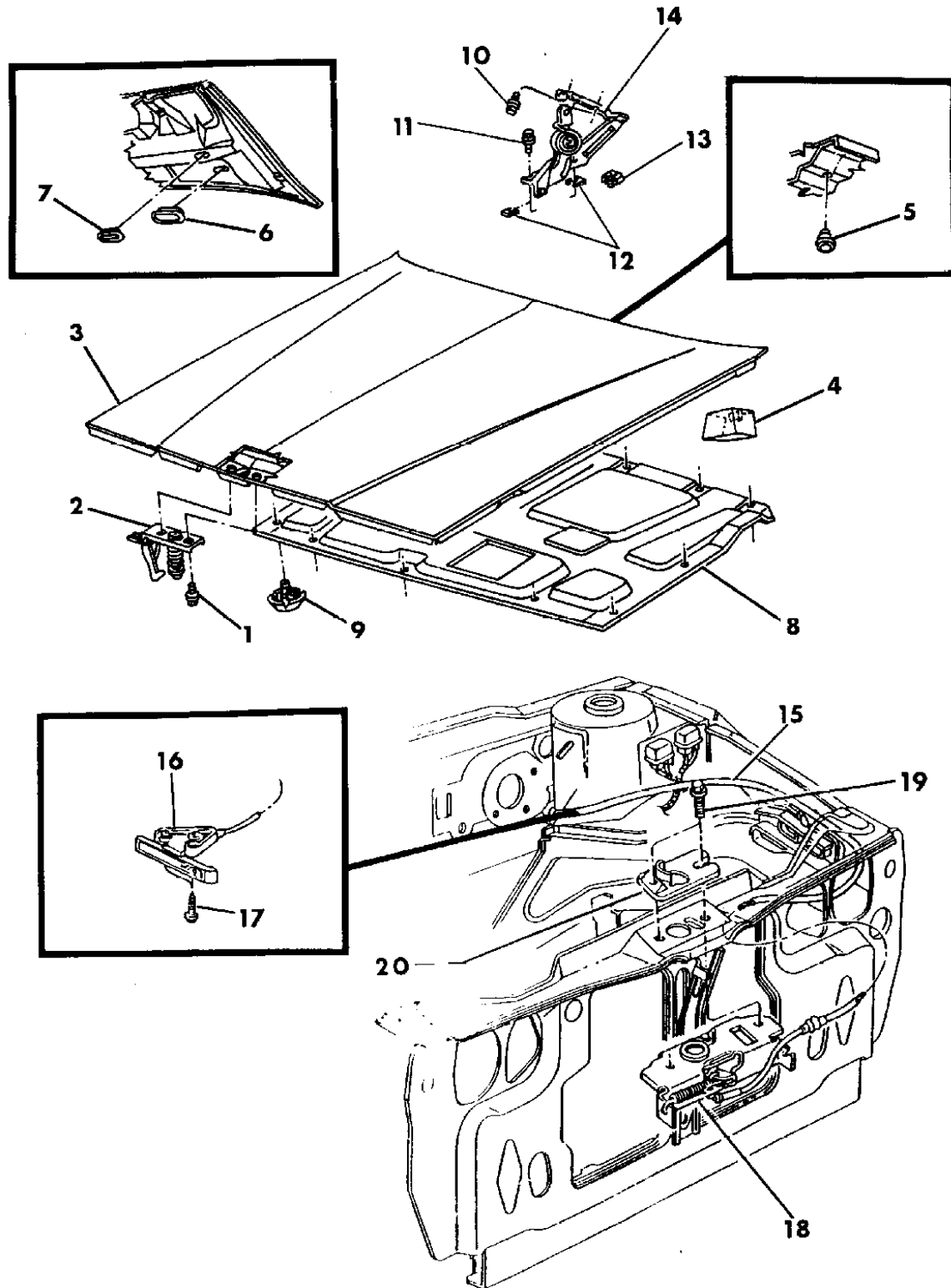
21=2-Door Coupe      41=4-Door Sedan      12-52=FWD & AWD Van & Wgn Std W.B.  
24=2-Door Hatchback      44=4-Door Hatchback      53=FWD & AWD Van & Wgn Ext. W.B.  
27=2-Door Convertible

AR = Use as Required - = Non Illustrated Part P.A.R. = Paint as Required



**HOOD AND HOOD RELEASE C BODY**  
Figure 23A-9300

93169 9300



ITEM	PART NUMBER	QTY	BODY	MODEL	DESCRIPTION
1	6501 728	2			SCREW and WASHER
2	4534 185	1			STRIKER and CATCH, (Safety)
3		1			HOOD
	4490 952			C	
	4490 950			D	
4	4655 128	2			SEAL, Hood Panel To Fender
5	4206 515	1			PLUG, Drain Hole
6	2895 126	2			PLUG
7		3			PLUG, Hood Inner Not Serviced
8	4534 094	1			SILENCER
9	4341 060	14			FASTENER
10		4			SCREW and WASHER, Not Serviced
11		2			SCREW and WASHER (Not Serviced) ***
12	4341 468	AR			SHIM
13	1150 3714	AR			U-NUT
14	5253 874-5	1			HINGE
15		1			CABLE, (Service In Item 16)
16	4761 236	1			HANDLE, Release Hood Latch
17		2			SCREW, Not Serviced
18	4534 289	1			LATCH, Release Hood
19		2			SCREW and WASHER, Not Serviced
20	4534 210	1			REINFORCEMENT, Hood Latch
-	4490 702	1			LABEL, Airbag

**MODEL CODES:**

A BODY=(C=LeBaron, D=Spirit, P=Acclaim/LaBaron(Landau),  
Saratoga)  
C BODY=(D=Dynasty, C=New Yorker/N.Y. Salon)  
G BODY=(V=Daytona/IROC, Chrysler Daytona)  
J BODY=(C=LeBaron, Chrysler LeBaron)  
P BODY=(P=Sundance, D=Shadow)

S BODY=(H=Voyager(H) FWD, K=Caravan(H) FWD,  
Y=Town & Country(H) FWD, P=Voyager(K) AWD,  
D=Caravan(K) AWD, C=Town & Country(K) AWD)  
Y BODY=(C=Imperial/5th Avenue)  
E-S BODY=(K=Chrysler Voyager(H) FWD, D=Chrysler  
Voyager(K) AWD)

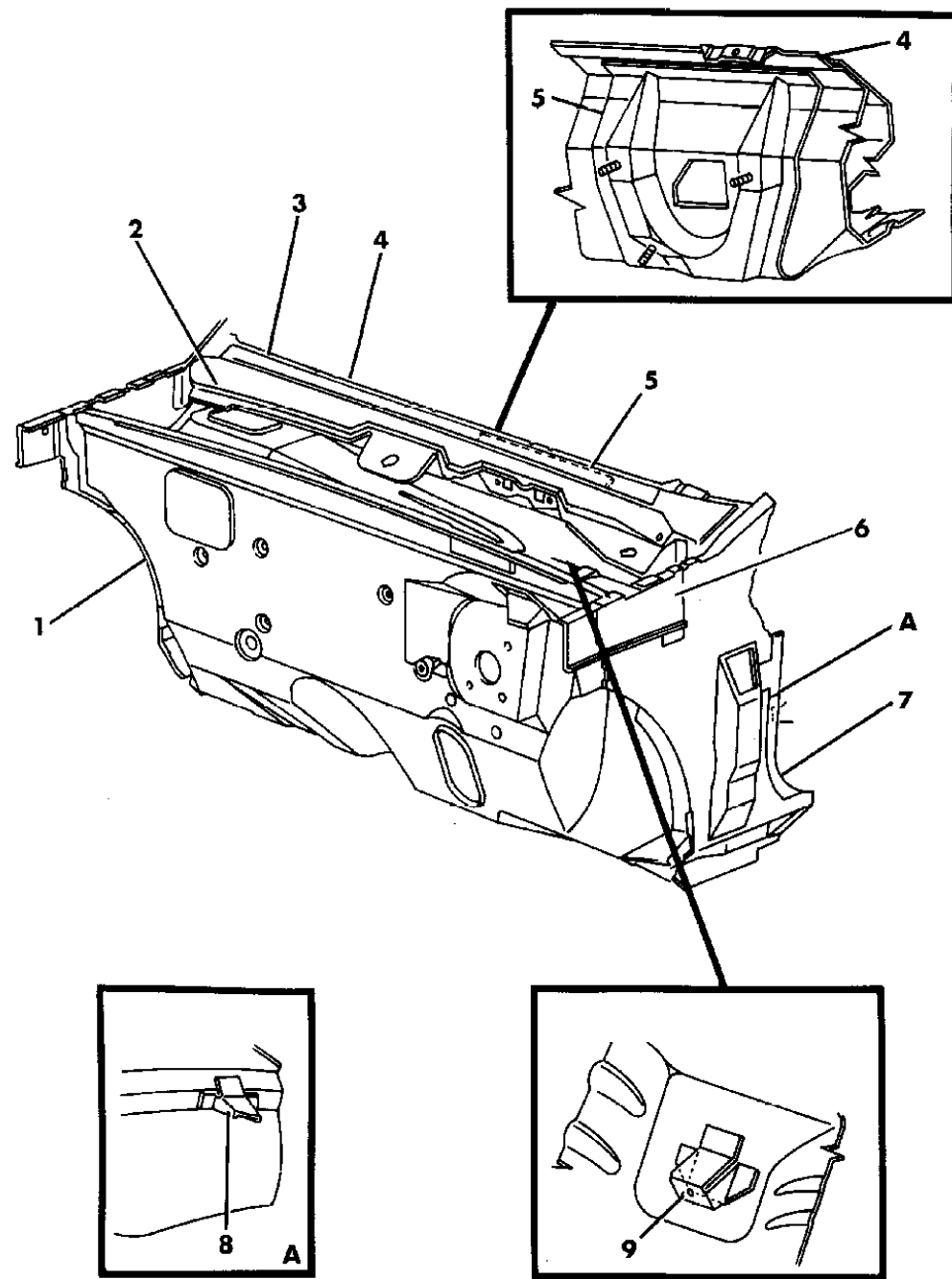
**BODY STYLES:**

21=2-Door Coupe      41=4-Door Sedan      12-52=FWD & AWD Van & Wgn Std W.B.  
24=2-Door Hatchback      44=4-Door Hatchback      53=FWD & AWD Van & Wgn Ext. W.B.  
27=2-Door Convertible

AR = Use as Required - = Non Illustrated Part P.A.R. = Paint as Required

**COWL AND DASH PANEL C BODY**  
Figure 23A-9400

93169 9400



ITEM	PART NUMBER	QTY	BODY	MODEL	DESCRIPTION
1	5253 812	1			PANEL, Dash
-	5256 444	1			Silencer Assembly
2	5256 101	1			SUPPORT, Cowl Top Screen
3	4512 959	1			REINFORCEMENT, Cowl Plenum Panel
4	4512 957	1			PANEL, Plenum Cowl
5	4278 979	1			SUPPORT, Cowl Plenum Panel Strg. Bracket
6	4314 546-7	1			REINFORCEMENT, Cowl Side Panel Hood Hinge
7		1			PANEL, Cowl Side
	5256 238				Right
	5256 241				Left
8	4206 641	1			BRACKET, Dash Panel To Plenum Panel To Brace Lt.
9	5256 064	1			BRACKET, Cowl Plenum Lower w/s Wiper Motor

**MODEL CODES:**

A BODY=(C=LeBaron, D=Spirit, P=Acclaim/LaBaron(Landau),  
Saratoga)  
C BODY=(D=Dynasty, C=New Yorker/N.Y. Salon)  
G BODY=(V=Daytona/IROC, Chrysler Daytona)  
J BODY=(C=LeBaron, Chrysler LeBaron)  
P BODY=(P=Sundance, D=Shadow)

S BODY=(H=Voyager(H) FWD, K=Caravan(H) FWD,  
Y=Town & Country(H) FWD, P=Voyager(K) AWD,  
D=Caravan(K) AWD, C=Town & Country(K) AWD)  
Y BODY=(C=Imperial/5th Avenue)  
E-S BODY=(K=Chrysler Voyager(H) FWD, D=Chrysler  
Voyager(K) AWD)

**BODY STYLES:**

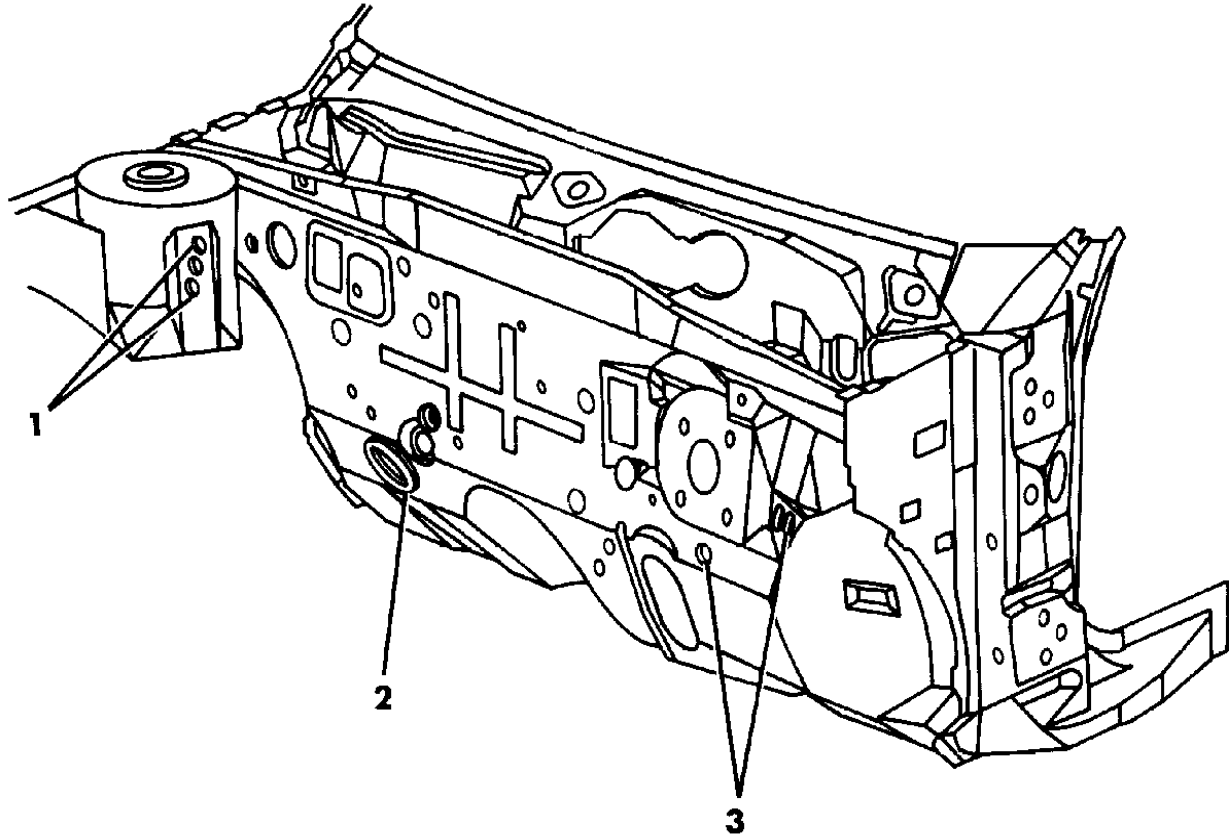
21=2-Door Coupe      41=4-Door Sedan      12-52=FWD & AWD Van & Wgn Std W.B.  
24=2-Door Hatchback      44=4-Door Hatchback      53=FWD & AWD Van & Wgn Ext. W.B.  
27=2-Door Convertible

AR = Use as Required - = Non Illustrated Part P.A.R. = Paint as Required

**DASH PANEL PLUGS C BODY**  
Figure 23A-9500

93169 9500

ITEM	PART NUMBER	QTY	BODY	MODEL	DESCRIPTION
1	4386 178	4			PLUG
2	4512 494	1			PLUG
3	3445 939	AR			PLUG



**MODEL CODES:**

A BODY=(C=LeBaron, D=Spirit, P=Acclaim/LaBaron(Landau), Saratoga)

C BODY=(D=Dynasty, C=New Yorker/N.Y. Salon)

G BODY=(V=Daytona/IROC, Chrysler Daytona)

J BODY=(C=LeBaron, Chrysler LeBaron)

P BODY=(P=Sundance, D=Shadow)

S BODY=(H=Voyager(H) FWD, K=Caravan(H) FWD, Y=Town & Country(H) FWD, P=Voyager(K) AWD, D=Caravan(K) AWD, C=Town & Country(K) AWD)

Y BODY=(C=Imperial/5th Avenue)

E-S BODY=(K=Chrysler Voyager(H) FWD, D=Chrysler Voyager(K) AWD)

**BODY STYLES:**

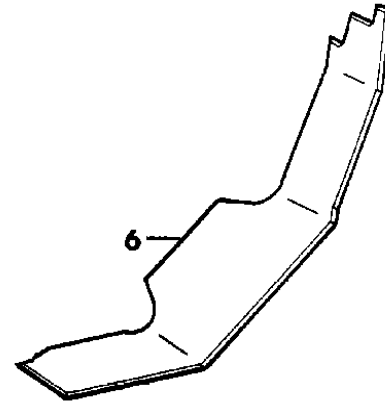
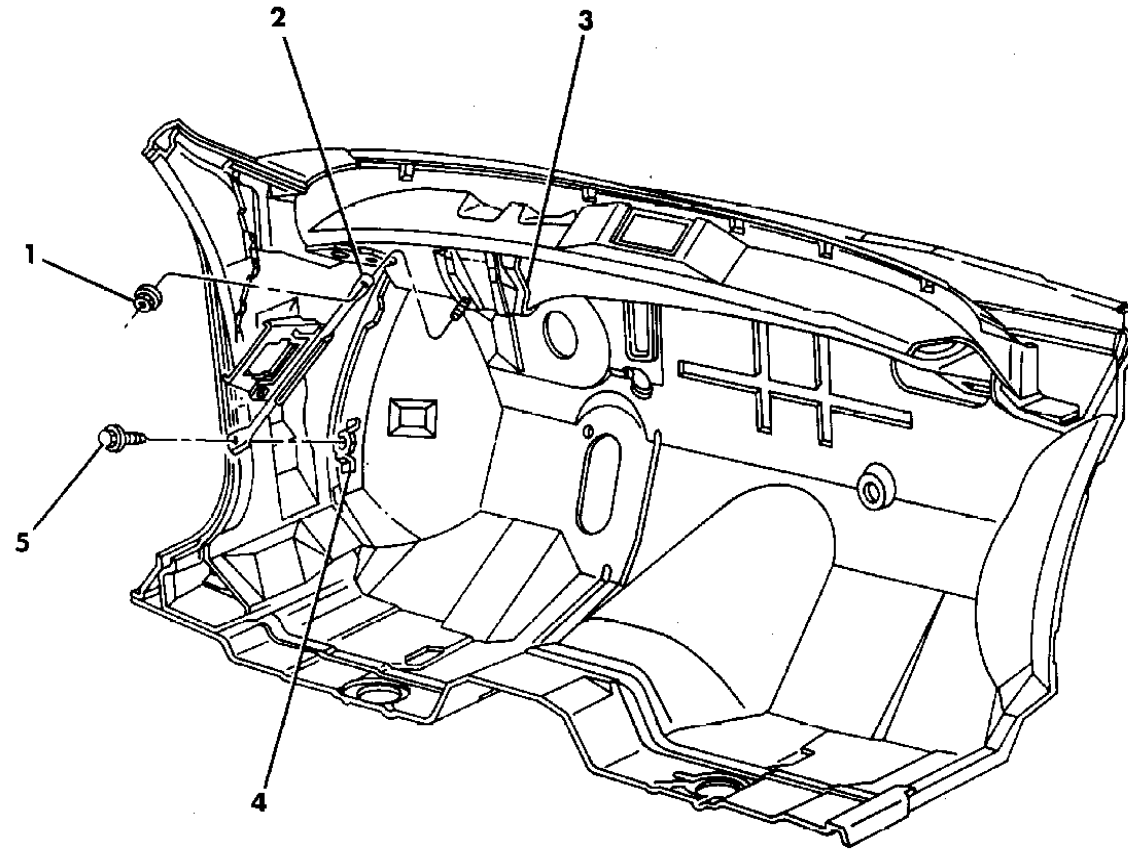
21=2-Door Coupe                      41=4-Door Sedan                      12-52=FWD & AWD Van & Wgn Std W.B.  
24=2-Door Hatchback                  44=4-Door Hatchback                  53=FWD & AWD Van & Wgn Ext. W.B.  
27=2-Door Convertible

AR = Use as Required - = Non Illustrated Part P.A.R. = Paint as Required

**BRACE DASH PANEL TO COWL C BODY**  
**Figure 23A-9600**

93169 9600

ITEM	PART NUMBER	QTY	BODY	MODEL	DESCRIPTION
1	6500 532	2			NUT
2	4548 414	1			BRACE
3		1			SUPPORT, (See Dash Illus.)
4		1			BRACKET, Lt. Not Serviced
5	6501 422	1			SCREW
6	4674 084-5	1			PLATE, Dash Panel Reinforcement



**MODEL CODES:**

A BODY=(C=LeBaron, D=Spirit, P=Acclaim/LaBaron(Landau),  
Saratoga) S BODY=(H=Voyager(H) FWD, K=Caravan(H) FWD,  
Y=Town & Country(H) FWD, P=Voyager(K) AWD,  
D=Caravan(K) AWD, C=Town & Country(K) AWD)  
C BODY=(D=Dynasty, C=New Yorker/N.Y. Salon)  
G BODY=(V=Daytona/IROC, Chrysler Daytona) Y BODY=(C=Imperial/5th Avenue)  
J BODY=(C=LeBaron, Chrysler LeBaron) E-S BODY=(K=Chrysler Voyager(H) FWD, D=Chrysler  
P BODY=(P=Sundance, D=Shadow) Voyager(K) AWD)

**BODY STYLES:**

21=2-Door Coupe      41=4-Door Sedan      12-52=FWD & AWD Van & Wgn Std W.B.  
24=2-Door Hatchback      44=4-Door Hatchback      53=FWD & AWD Van & Wgn Ext. W.B.  
27=2-Door Convertible

AR = Use as Required - = Non Illustrated Part P.A.R. = Paint as Required

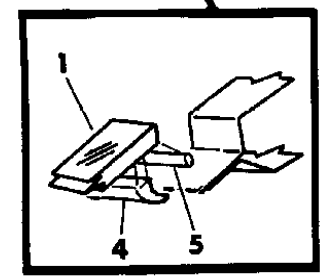
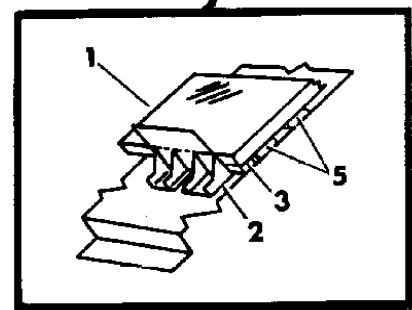
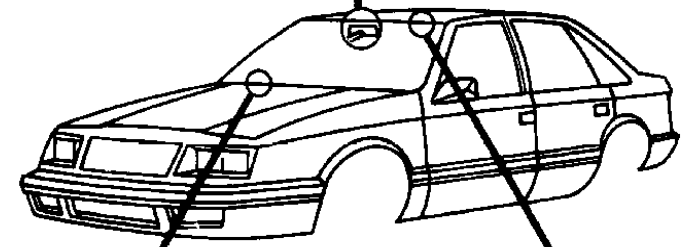
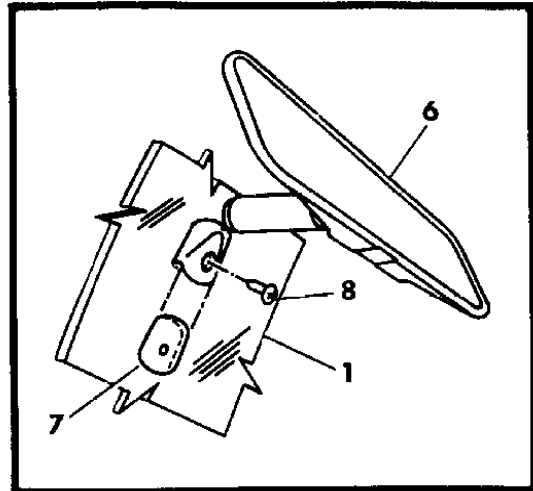
**GLASS WINDSHIELD AND MIRROR C BODY**  
**Figure 23A-9700**

93169 9700

ITEM	PART NUMBER	QTY	BODY	MODEL	DESCRIPTION
1	4475 956	1			GLASS, Windshield Tinted
2	4719 055	2			SPACER, Windshield Glass Lower
	4548 174	2			SPACER, Windshield Adjustable Upper
	4548 174	2			SPACER, Windshield Adjustable Lower
	3767 767	AR			SHIM, Windshield Glass Spacer Lower (.07")
3		6			SPACER, Not Serviced
4		AR			DAM, Windshield Glass Adhesive (119") Not Serviced
5		1			POLYURETHANE, Windshield (Serviced In Package #4267906)
6		1			MIRROR, Rear View
7	4520 380				Electrochromic, (w/Auto. D/N Adjust)
	4615 229				Ultra-Light, (w/Auto. D/N Adjust and Auto. Headlight Switch)
	4696 545				Prismatic, 10"
8	4054 098	1			BUTTON, Inside Rear View Mounting
	4293 039	1			ADHESIVE PACKAGE, Inside Rear View Mirror Button
8		1			SCREW, Not Serviced
PKG A	4267 906	1			REPAIR PACKAGE, Windshield and Rear Window

NOTE: The Following Item Are Not Shown On Illustration applications specified in this document.

- Consists of:
- 1- ----- Polyurethane, 11.5 oz
  - 1- ----- Fence Primer, 1 oz.
  - 1- ----- Glass Wipe-Off Primer, 1 oz.
  - 1- ----- Glass Black-Out Primer, 1 oz.
  - 3- ----- Dabbers
  - 1- ----- Nozzle



**MODEL CODES:**

A BODY=(C=LeBaron, D=Spirit, P=Acclaim/LaBaron(Landau), Saratoga)      S BODY=(H=Voyager(H) FWD, K=Caravan(H) FWD, Y=Town & Country(H) FWD, P=Voyager(K) AWD, D=Caravan(K) AWD, C=Town & Country(K) AWD)  
 C BODY=(D=Dynasty, C=New Yorker/N.Y. Salon)  
 G BODY=(V=Daytona/IROC, Chrysler Daytona)  
 J BODY=(C=LeBaron, Chrysler LeBaron)  
 P BODY=(P=Sundance, D=Shadow)      Y BODY=(C=Imperial/5th Avenue)  
 E-S BODY=(K=Chrysler Voyager(H) FWD, D=Chrysler Voyager(K) AWD)

**BODY STYLES:**

21=2-Door Coupe      41=4-Door Sedan      12-52=FWD & AWD Van & Wgn Std W.B.  
 24=2-Door Hatchback      44=4-Door Hatchback      53=FWD & AWD Van & Wgn Ext. W.B.  
 27=2-Door Convertible

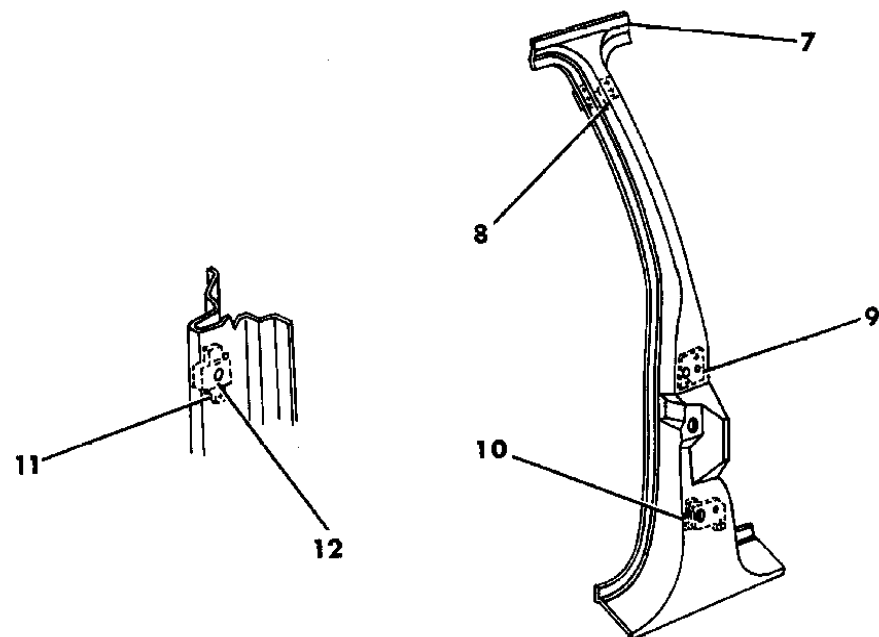
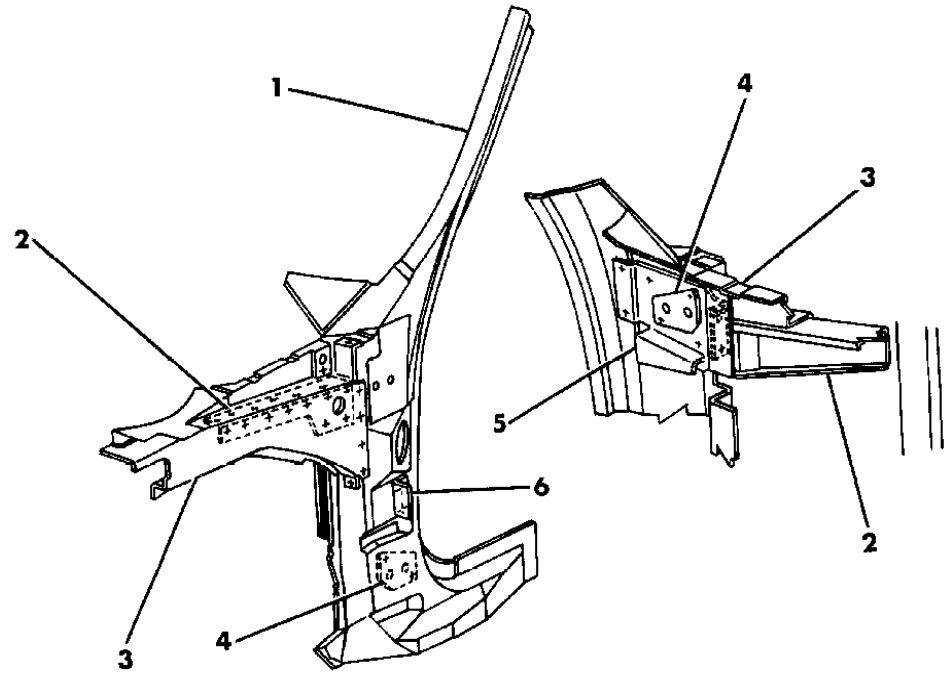
AR = Use as Required - = Non Illustrated Part P.A.R. = Paint as Required

PILLAR FRONT AND CENTER C BODY

Figure 23A-9800

93169 9800

ITEM	PART NUMBER	QTY	BODY	MODEL	DESCRIPTION
1	5256 082-3	1			PILLAR, Body Front
2	4386 666	1			REINFORCEMENT, Front Fender Load Beam Rear
3	4534 538-9	1			EXTENSION, Front Fender Load Beam Rear
4	4314 558-9	1			PLATE, Body Front Hinge
5		1			REINFORCEMENT, Hinge Pillar Upper
	4416 694				Right
	4416 697				Left
6	4512 139	2			SUPPORT, Body Front Hinge Pillar To Fender
7	4512 866-7	1			PILLAR, Body Center, Outer
8	4371 555	2			REINFORCEMENT, Seat Belt Anchor Upper
9	4314 762	2			PLATE, Door Hinge Tapping
10	4416 542	2			PLATE, Center Pillar Lower Pillar Hinge
11	4134 972	2			RETAINER, Latch Striker
12	4314 743	2			PLATE, Latch Striker



MODEL CODES:

A BODY=(C=LeBaron, D=Spirit, P=Acclaim/LaBaron(Landau),  
Saratoga)  
C BODY=(D=Dynasty, C=New Yorker/N.Y. Salon)  
G BODY=(V=Daytona/IROC, Chrysler Daytona)  
J BODY=(C=LeBaron, Chrysler LeBaron)  
P BODY=(P=Sundance, D=Shadow)

S BODY=(H=Voyager(H) FWD, K=Caravan(H) FWD,  
Y=Town & Country(H) FWD, P=Voyager(K) AWD,  
D=Caravan(K) AWD, C=Town & Country(K) AWD)  
Y BODY=(C=Imperial/5th Avenue)  
E-S BODY=(K=Chrysler Voyager(H) FWD, D=Chrysler  
Voyager(K) AWD)

BODY STYLES:

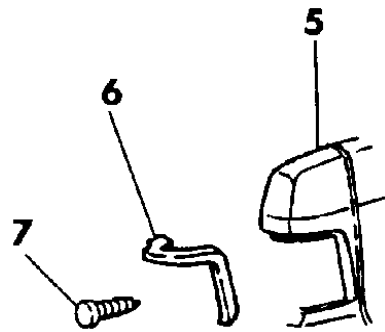
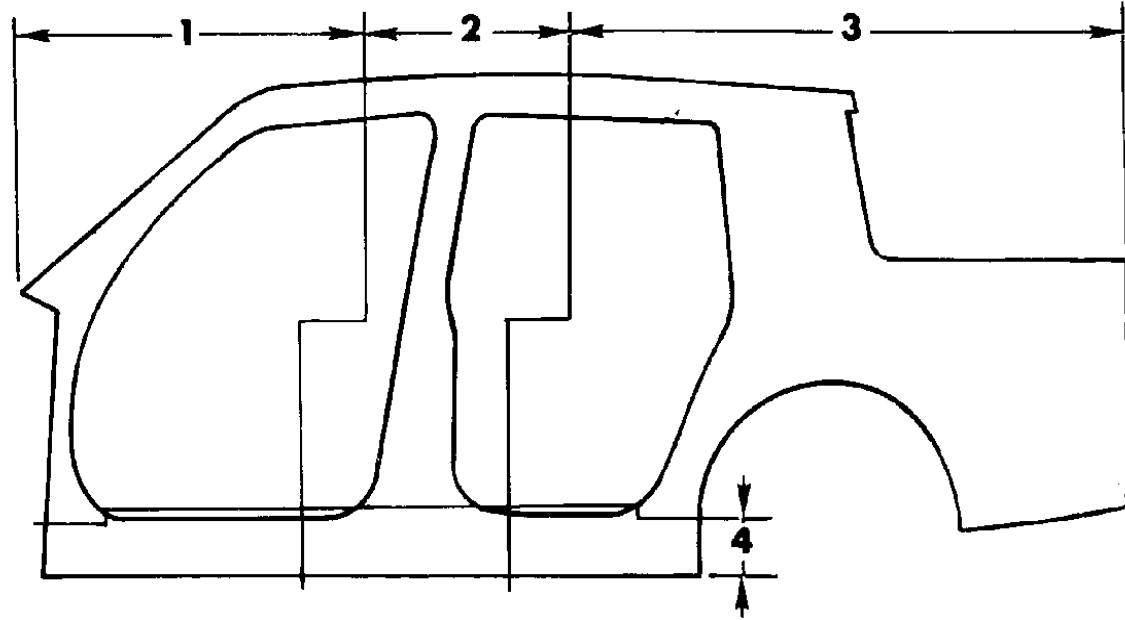
21=2-Door Coupe      41=4-Door Sedan      12-52=FWD & AWD Van & Wgn Std W.B.  
24=2-Door Hatchback      44=4-Door Hatchback      53=FWD & AWD Van & Wgn Ext. W.B.  
27=2-Door Convertible

AR = Use as Required - = Non Illustrated Part P.A.R. = Paint as Required

**APERTURE PANEL C BODY**  
Figure 23A-9900

92169 9900

ITEM	PART NUMBER	QTY	BODY	MODEL	DESCRIPTION
1	4416 610-1	1			PANEL, Body Side Aperture Front
2	4416 612-3	1			PANEL, Body Side Aperture Center, Inner
3	5253 716-7	1			PANEL, Body Side Aperture Rear
4	4416 606-7	1			PANEL, Body Side Sill Outer
5					EXTENSION, Body Side Aperture Panel Qtr. End
	4719 014-5		C		
	4416 152-3	1	D		
6	4475 664-5	1			WELT, Qtr. End Extension
7	6501 692	18			RETAINER



**MODEL CODES:**

A BODY=(C=LeBaron, D=Spirit, P=Acclaim/LaBaron(Landau), Saratoga)  
 C BODY=(D=Dynasty, C=New Yorker/N.Y. Salon)  
 G BODY=(V=Daytona/IROC, Chrysler Daytona)  
 J BODY=(C=LeBaron, Chrysler LeBaron)  
 P BODY=(P=Sundance, D=Shadow)

S BODY=(H=Voyager(H) FWD, K=Caravan(H) FWD, Y=Town & Country(H) FWD, P=Voyager(K) AWD, D=Caravan(K) AWD, C=Town & Country(K) AWD)  
 Y BODY=(C=Imperial/5th Avenue)  
 E-S BODY=(K=Chrysler Voyager(H) FWD, D=Chrysler Voyager(K) AWD)

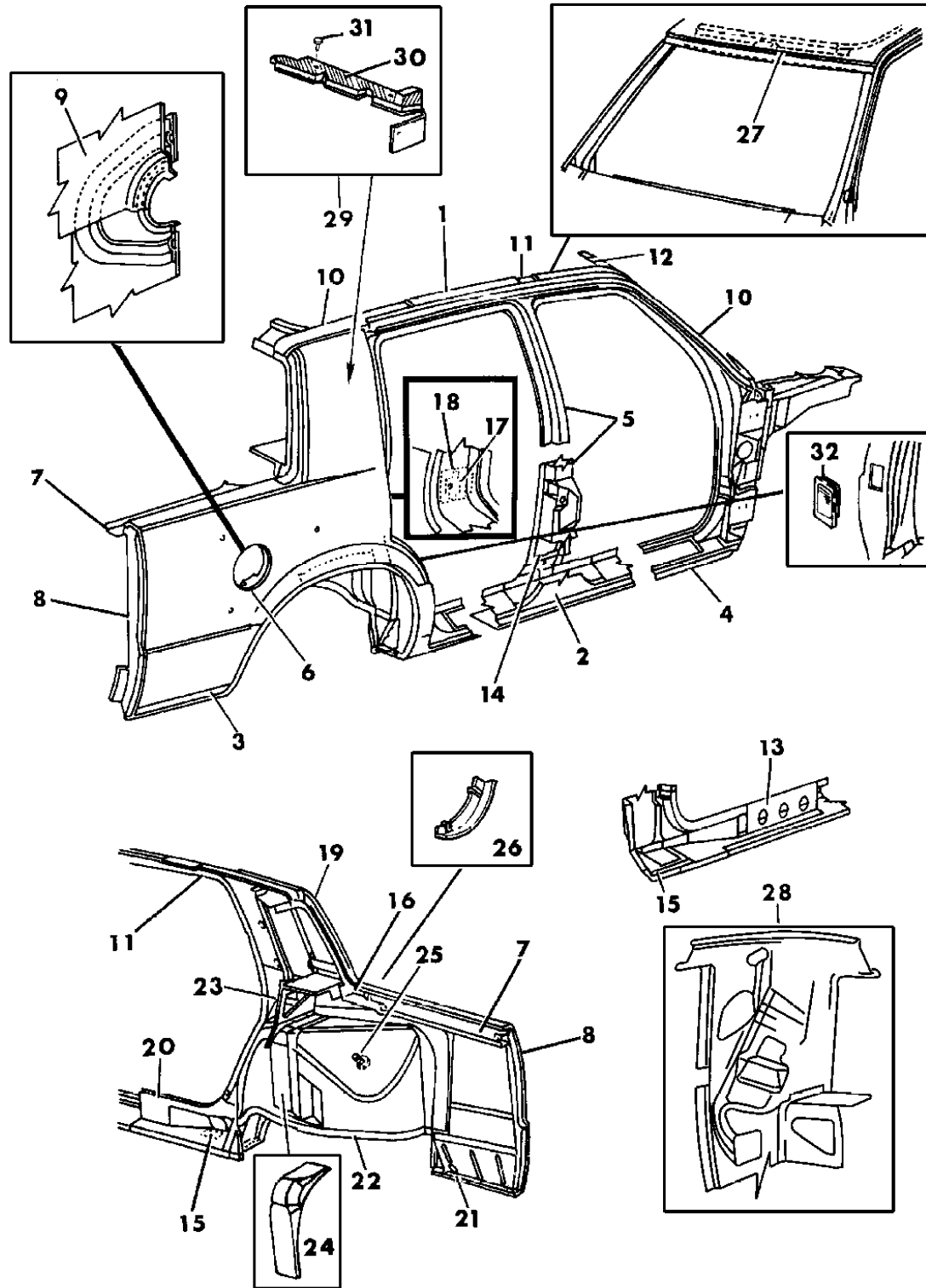
**BODY STYLES:**

21=2-Door Coupe      41=4-Door Sedan      12-52=FWD & AWD Van & Wgn Std W.B.  
 24=2-Door Hatchback      44=4-Door Hatchback      53=FWD & AWD Van & Wgn Ext. W.B.  
 27=2-Door Convertible

AR = Use as Required - = Non Illustrated Part P.A.R. = Paint as Required

**BODY SIDE AND QUARTER PANEL C BODY**  
Figure 23A-1000

93169 10000A



ITEM	PART NUMBER	QTY	BODY	MODEL	DESCRIPTION
1	4416 610-1	1			PANEL, Aperture Front
2	4416 612-3	1			PANEL, Aperture Center, Inner
3	5253 716-7	1			PANEL, Aperture Rear
-	4475 385	2			PLUG, Rear Side Marker Lamp Hole
4	4416 606-7	1			PANEL, Side Sill
5	4512 866-7	1			PILLAR, Body Center, Outer
6	4371 564	1			REINFORCEMENT, Body Side Aperture
7	5256 276-7	1			TROUGH, Deck Lid Drain
8	4371 802-3	1			EXTENSION, Aperture Panel End
9	4512 064	1			REINFORCEMENT, Fuel Filler
10	4490 590-1	1			TROUGH, Roof Side Drain
11	4341 756-7	1			RAIL, Roof Side Inner
12	4548 034-5	1			FRAME, Windshield Opening Inner
13	4371 556-7	1			REINFORCEMENT, Body Side Sill
14	4371 564	AR			REINFORCEMENT, Seat Belt Anchor Lower
15	4314 277	4			PLATE, Jack Locator
16	4475 944-5	1			REINFORCEMENT, Panel Lower Corner Backlite
17	4512 870	2			PLATE, Rear Door Latch Striker
18	4512 864-5	1			REINFORCEMENT, Rear Door Latch Striker
19	4674 116-7	1			PANEL, Quarter Inside w/House Outer
20	4416 556-7	1			REINFORCEMENT, Jacking Sill Inner Rear
21	4386 468-9	1			EXTENSION, Quarter Inner w/House Qtr. Panel
22	4341 754-5	1			PANEL, Rear w/House Inner
23		1			EXTENSION, Shelf Panel Not Serviced
24	4674 294-5	1			REINFORCEMENT, w/House Inner Panel Shock Abs.
25	4440 658	2			REINFORCEMENT, Deck Lid Hinge Brace
26		2			RETAINER and SEAL, Panel Lower Corner Backlite (Not Serviced)
27	4548 201	1			FRAME, Windshield Opening Upper
28	4674 260	1			REINFORCEMENT
	4674 260	1			Quarter Inner w/House Outer Retainer To Turning/Loop For Seat Belt
	4674 261	1			Upper Seat Belt
29		1			REINFORCEMENT, Body Side Panel (Serviced in Assembly)
30	4490 460	2			SEALER, Body Side Aperture Reinforcement Panel
31		4			FASTENER (Not Serviced) ***
32	4548 250-1	1			EXHAUSTER, Side Aperture Air

**MODEL CODES:**

A BODY=(C=LeBaron, D=Spirit, P=Acclaim/LaBaron(Landau), Saratoga)  
 C BODY=(D=Dynasty, C=New Yorker/N.Y. Salon)  
 G BODY=(V=Daytona/IROC, Chrysler Daytona)  
 J BODY=(C=LeBaron, Chrysler LeBaron)  
 P BODY=(P=Sundance, D=Shadow)

S BODY=(H=Voyager(H) FWD, K=Caravan(H) FWD, Y=Town & Country(H) FWD, P=Voyager(K) AWD, D=Caravan(K) AWD, C=Town & Country(K) AWD)  
 Y BODY=(C=Imperial/5th Avenue)  
 E-S BODY=(K=Chrysler Voyager(H) FWD, D=Chrysler Voyager(K) AWD)

**BODY STYLES:**

21=2-Door Coupe      41=4-Door Sedan      12-52=FWD & AWD Van & Wgn Std W.B.  
 24=2-Door Hatchback      44=4-Door Hatchback      53=FWD & AWD Van & Wgn Ext. W.B.  
 27=2-Door Convertible

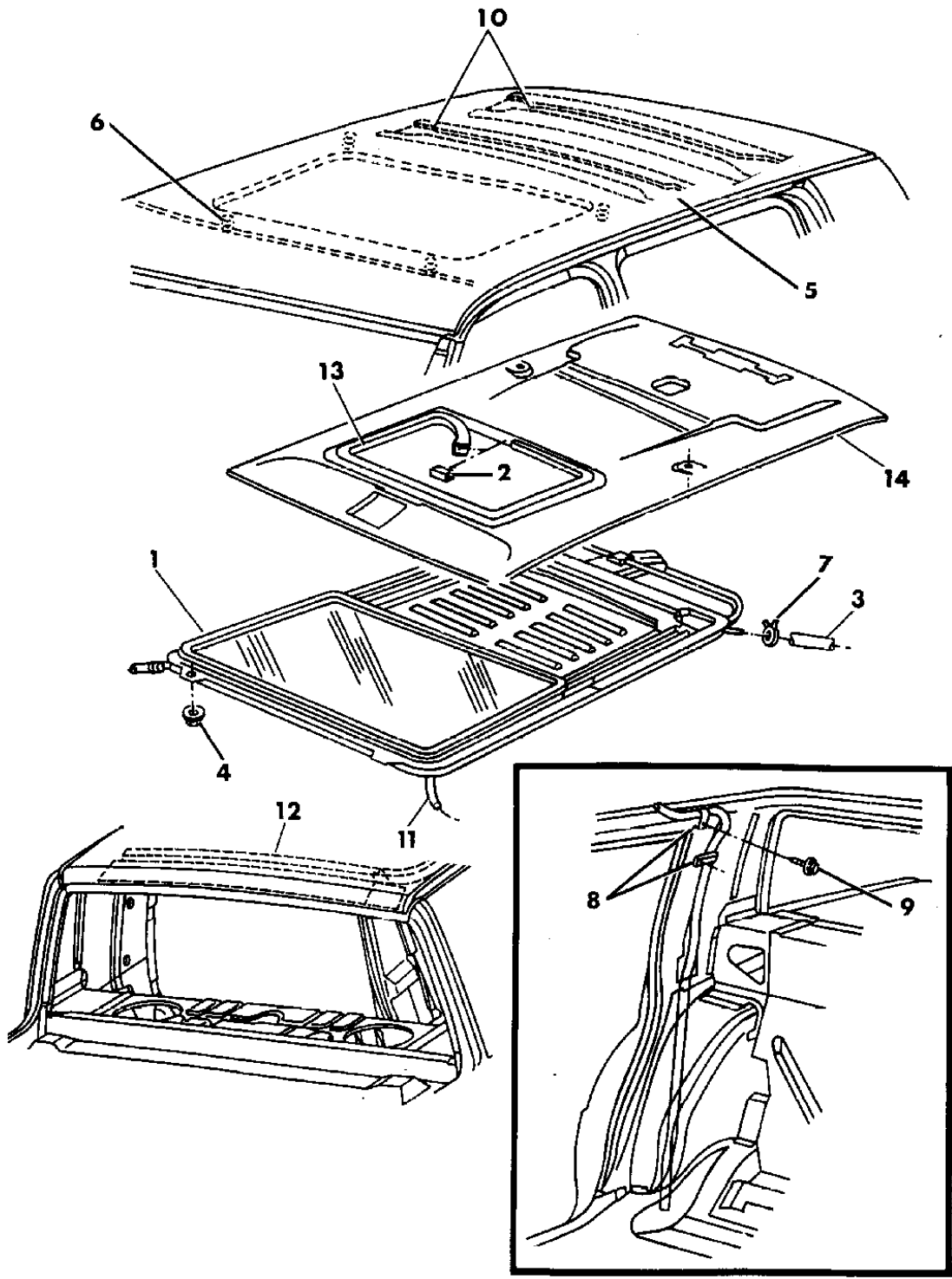
AR = Use as Required - = Non Illustrated Part P.A.R. = Paint as Required



**SUNROOF AND ROOF PANEL C BODY**  
Figure 23A-1010

93169 10100

ITEM	PART NUMBER	QTY	BODY	MODEL	DESCRIPTION
1		1			SUNROOF ASSEMBLY, Service By Component Parts
2	H626 LAZ	1			RETAINER, Sunroof Welt
	H626 HB9				Agate
	H626 LM6				Blue
	H626 HV4				Red
					Buckskin
3	4278 798	2			HOSE, Sunroof Drain Rear
4		8			NUT, Not Serviced
5		1			PANEL, Roof
	4341 743				w/o Sunroof
	4440 623				w/Sunroof
6		8			STUD, Not Serviced
7		4			CLAMP, Sunroof Hose To Spout Not Serviced
8		6			CLIP, Not Serviced
9		6			SCREW, Not Serviced
10	4341 744	2			BOW, Roof
11	4278 798	2			HOSE, Sunroof Drain Front
12	4341 745	1			FRAME, Rear Window Opening Upper
13		1			WELT, Headliner
	H484 LAZ				Agate
	H484 HB9				Blue
	H484 LMA				Red
	H484 HV4				Buckskin
14	4548 250-1	1			EXHAUSTER, Side Aperture Air



**MODEL CODES:**

A BODY=(C=LeBaron, D=Spirit, P=Acclaim/LaBaron(Landau),  
Saratoga)  
C BODY=(D=Dynasty, C=New Yorker/N.Y. Salon)  
G BODY=(V=Daytona/IROC, Chrysler Daytona)  
J BODY=(C=LeBaron, Chrysler LeBaron)  
P BODY=(P=Sundance, D=Shadow)

S BODY=(H=Voyager(H) FWD, K=Caravan(H) FWD,  
Y=Town & Country(H) FWD, P=Voyager(K) AWD,  
D=Caravan(K) AWD, C=Town & Country(K) AWD)  
Y BODY=(C=Imperial/5th Avenue)  
E-S BODY=(K=Chrysler Voyager(H) FWD, D=Chrysler  
Voyager(K) AWD)

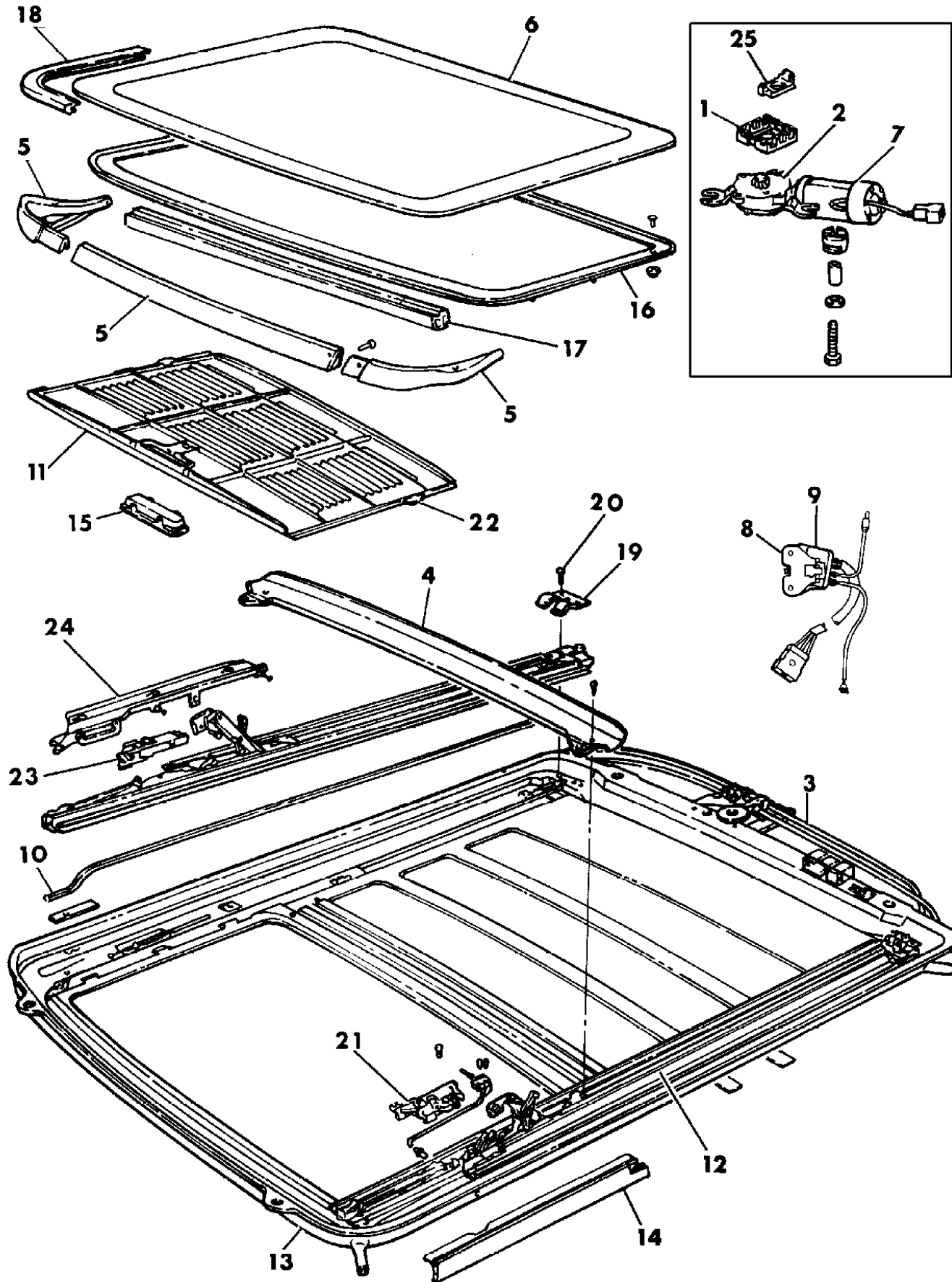
**BODY STYLES:**

21=2-Door Coupe      41=4-Door Sedan      12-52=FWD & AWD Van & Wgn Std W.B.  
24=2-Door Hatchback      44=4-Door Hatchback      53=FWD & AWD Van & Wgn Ext. W.B.  
27=2-Door Convertible

AR = Use as Required - = Non Illustrated Part P.A.R. = Paint as Required

**SUNROOF COMPONENT PARTS C BODY**  
Figure 23A-1020

93169 10200A



ITEM	PART NUMBER	QTY	BODY	MODEL	DESCRIPTION
1	4440 169	1			BRACKET
2		1			BRACKET, Drive Cable Service In Assy.
3	5253 735	1			CABLE ASSEMBLY, Drive
-	4728 173	1			BRACKET, Drive Cable and Tube Adjusting
4	4440 273	1			CHANNEL ASSEMBLY, Drain
5	4386 895	1			DEFLECTOR ASSEMBLY, Wind
6	5253 731	1			GLASS ASSEMBLY, w/Seal
	5256 024	6			NUT, Sunroof Glass
7	4386 890	1			MOTOR ASSEMBLY
	5256 019	3			SPACER, Motor Mounting
	5256 021	3			SCREW & WASHER, Motor Mounting ***
8	5256 025	1			RELAY, w/Bracket Wiring Harness Power
9					BRACKET, Relay Not Serviced (Serviced w/Relay)
10		1			SEAL, Drain Service In Assy.
11		1			SUNSHADE ASSEMBLY
	H695 LAZ				AGATE
	H695 HB9				Blue
	H695 LM6				Red
	H695 HV4				Buckskin
12	4386 884-5	1			TRACK ASSEMBLY
	5256 018	8			SCREW, Track Assembly Mounting
13	4549 351	1			TRAY ASSEMBLY
14	4440 164-5	1			COVER ASSEMBLY, Mechanism
15		1			HANDLE, Sunshade
	4494 580				Charcoal
	4494 581				Blue
	4494 582				Red
	4494 583				Taupe
	4494 584				Champagne
	4494 585				Midnight Blue
16		1			REINFORCEMENT, Glass Service In Assy.
17		1			SUPPORT, Glass Reinforcement Service In Assy.
18	4440 278	1			SEAL, Also Service w/Glass Assy.
19		2			BRACKET, Not Serviced
20		2			SCREW, Not Serviced
21	5256 029	1			LOCATOR, Drive Cable w/Switch Lt.
22	4440 277	2			CLIP, Sunshade Retainer
23	4440 480	1			LOCATOR, Drive Cable Rt.
24	4440 274-5	1			BRACKET ASSEMBLY, Side Adjusting

**MODEL CODES:**

A BODY=(C=LeBaron, D=Spirit, P=Acclaim/LaBaron(Landau), Saratoga)

C BODY=(D=Dynasty, C=New Yorker/N.Y. Salon)

G BODY=(V=Daytona/IROC, Chrysler Daytona)

J BODY=(C=LeBaron, Chrysler LeBaron)

P BODY=(P=Sundance, D=Shadow)

S BODY=(H=Voyager(H) FWD, K=Caravan(H) FWD,

Y=Town & Country(H) FWD, P=Voyager(K) AWD,

D=Caravan(K) AWD, C=Town & Country(K) AWD)

Y BODY=(C=Imperial/5th Avenue)

E-S BODY=(K=Chrysler Voyager(H) FWD, D=Chrysler

Voyager(K) AWD)

**BODY STYLES:**

21=2-Door Coupe

41=4-Door Sedan

12-52=FWD & AWD Van & Wgn Std W.B.

24=2-Door Hatchback

44=4-Door Hatchback

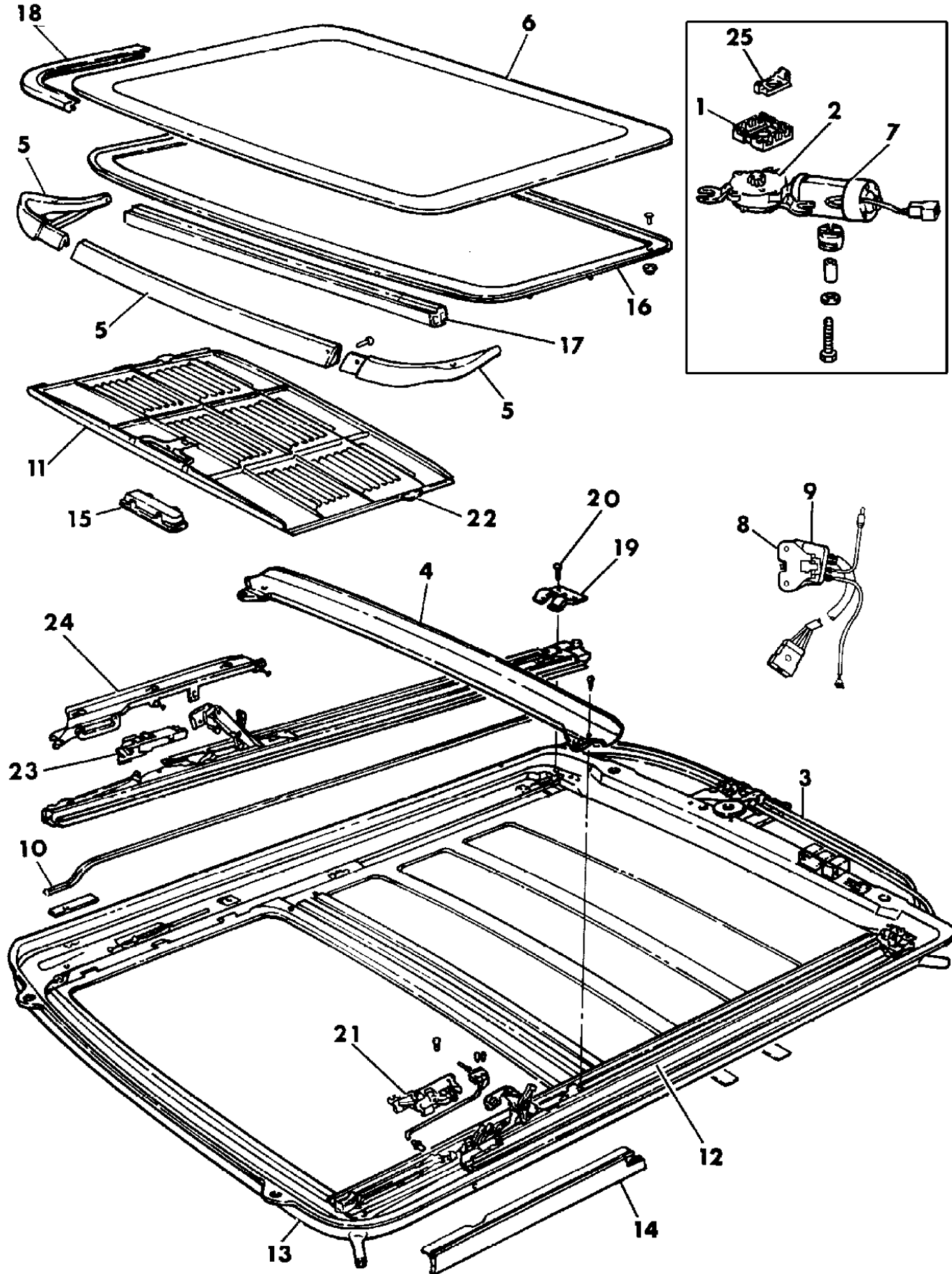
53=FWD & AWD Van & Wgn Ext. W.B.

27=2-Door Convertible

AR = Use as Required - = Non Illustrated Part P.A.R. = Paint as Required

SUNROOF COMPONENT PARTS C BODY  
Figure 23A-1020

93169 10200A



ITEM	PART NUMBER	QTY	BODY	MODEL	DESCRIPTION
------	-------------	-----	------	-------	-------------

	5256 034	2			SCREW, Side Adjusting Bracket
	5256 035	2			WASHER, Side Adjusting Bracket To Screw
25	4773 594	1			BRACKET, Clamping

**MODEL CODES:**

A BODY=(C=LeBaron, D=Spirit, P=Acclaim/LaBaron(Landau), Saratoga)

C BODY=(D=Dynasty, C=New Yorker/N.Y. Salon)

G BODY=(V=Daytona/ROC, Chrysler Daytona)

J BODY=(C=LeBaron, Chrysler LeBaron)

P BODY=(P=Sundance, D=Shadow)

S BODY=(H=Voyager(H) FWD, K=Caravan(H) FWD, Y=Town & Country(H) FWD, P=Voyager(K) AWD, D=Caravan(K) AWD, C=Town & Country(K) AWD)

Y BODY=(C=Imperial/5th Avenue)

E-S BODY=(K=Chrysler Voyager(H) FWD, D=Chrysler Voyager(K) AWD)

**BODY STYLES:**

21=2-Door Coupe      41=4-Door Sedan      12-52=FWD & AWD Van & Wgn Std W.B.

24=2-Door Hatchback      44=4-Door Hatchback      53=FWD & AWD Van & Wgn Ext. W.B.

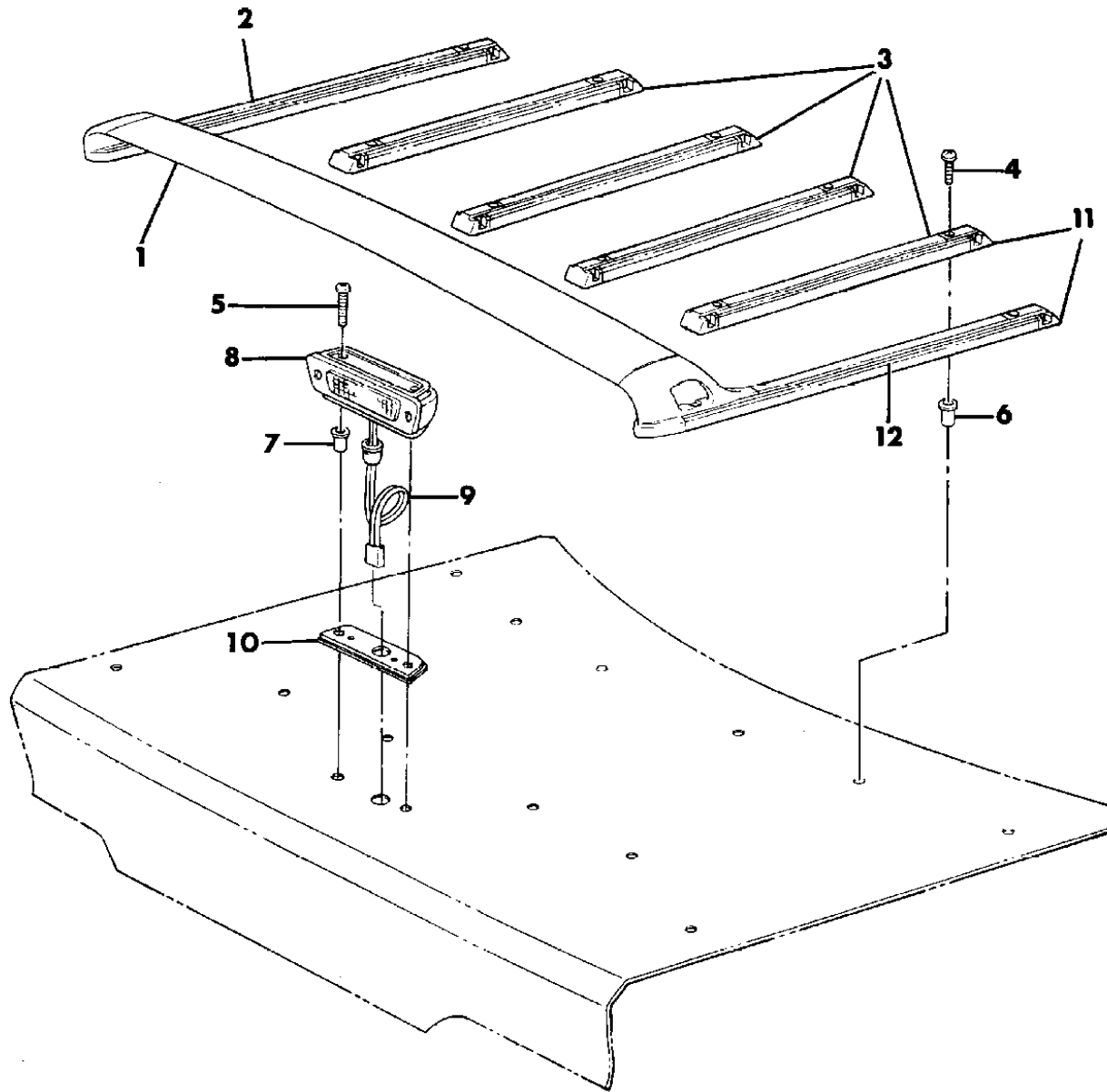
27=2-Door Convertible

AR = Use as Required - = Non Illustrated Part P.A.R. = Paint as Required

DECK LID RACK C BODY  
Figure 23A-1030

93169 10300

ITEM	PART NUMBER	QTY	BODY	MODEL	DESCRIPTION
1-12	4504 830	1			DECK LID RACK ASSEMBLY
1	4504 831	1			CROSSBAR
2	4504 832	2			SKID STRIP, Outer
3	4504 833	4			SKID STRIP, Inner
4		AR			SCREW, Not Serviced
5		AR			SCREW, NOT Serviced
6	6026 292	10			RIVNUT, 10-32 Aluminum
7		2			RIVNUT, 10-32 Aluminum Not Serviced
8	4504 836	1			LAMP ASSEMBLY
9		1			WIRING HARNESS, Not Serviced
10		1			GASKET, Not Serviced
11	4504 835	AR			CAP SKID STRIP END
12	4504 834	AR			INSERT, Inner and Outer



**MODEL CODES:**

A BODY=(C=LeBaron, D=Spirit, P=Acclaim/LaBaron(Landau),  
Saratoga)  
C BODY=(D=Dynasty, C=New Yorker/N.Y. Salon)  
G BODY=(V=Daytona/IROC, Chrysler Daytona)  
J BODY=(C=LeBaron, Chrysler LeBaron)  
P BODY=(P=Sundance, D=Shadow)

S BODY=(H=Voyager(H) FWD, K=Caravan(H) FWD,  
Y=Town & Country(H) FWD, P=Voyager(K) AWD,  
D=Caravan(K) AWD, C=Town & Country(K) AWD)  
Y BODY=(C=Imperial/5th Avenue)  
E-S BODY=(K=Chrysler Voyager(H) FWD, D=Chrysler  
Voyager(K) AWD)

**BODY STYLES:**

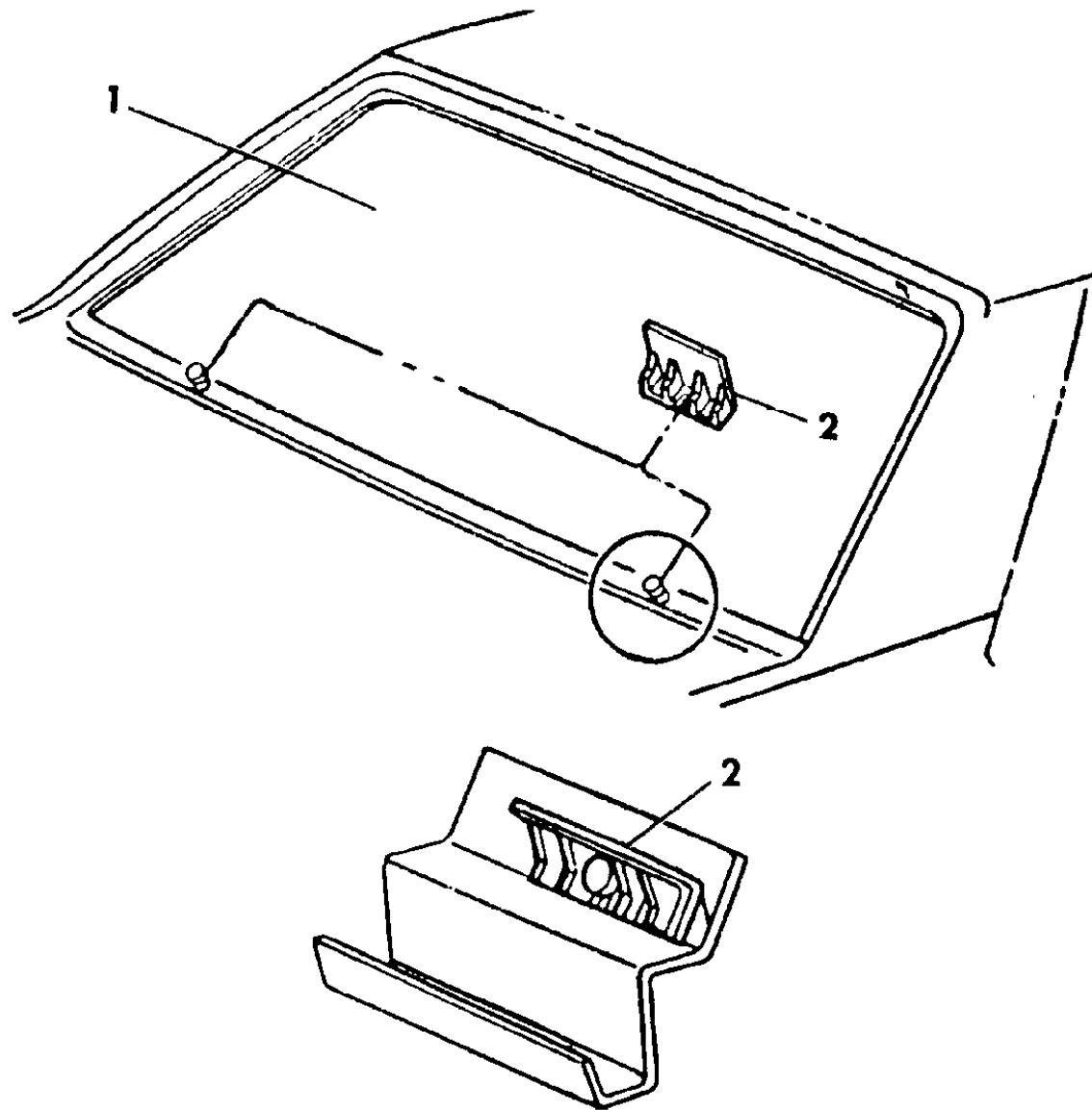
21=2-Door Coupe      41=4-Door Sedan      12-52=FWD & AWD Van & Wgn Std W.B.  
24=2-Door Hatchback      44=4-Door Hatchback      53=FWD & AWD Van & Wgn Ext. W.B.  
27=2-Door Convertible

AR = Use as Required - = Non Illustrated Part P.A.R. = Paint as Required

GLASS REAR WINDOW C BODY  
Figure 23A-1040

93169 10400

ITEM	PART NUMBER	QTY	BODY	MODEL	DESCRIPTION
1		1			GLASS
	4416 800			H,P	
	4416 800			S	W/Landau ***
2	4719 055	2			SPACER, Rear Window Glass Lower



**MODEL CODES:**

A BODY=(C=LeBaron, D=Spirit, P=Acclaim/LaBaron(Landau),  
Saratoga)  
C BODY=(D=Dynasty, C=New Yorker/N.Y. Salon)  
G BODY=(V=Daytona/IROC, Chrysler Daytona)  
J BODY=(C=LeBaron, Chrysler LeBaron)  
P BODY=(P=Sundance, D=Shadow)

S BODY=(H=Voyager(H) FWD, K=Caravan(H) FWD,  
Y=Town & Country(H) FWD, P=Voyager(K) AWD,  
D=Caravan(K) AWD, C=Town & Country(K) AWD)  
Y BODY=(C=Imperial/5th Avenue)  
E-S BODY=(K=Chrysler Voyager(H) FWD, D=Chrysler  
Voyager(K) AWD)

**BODY STYLES:**

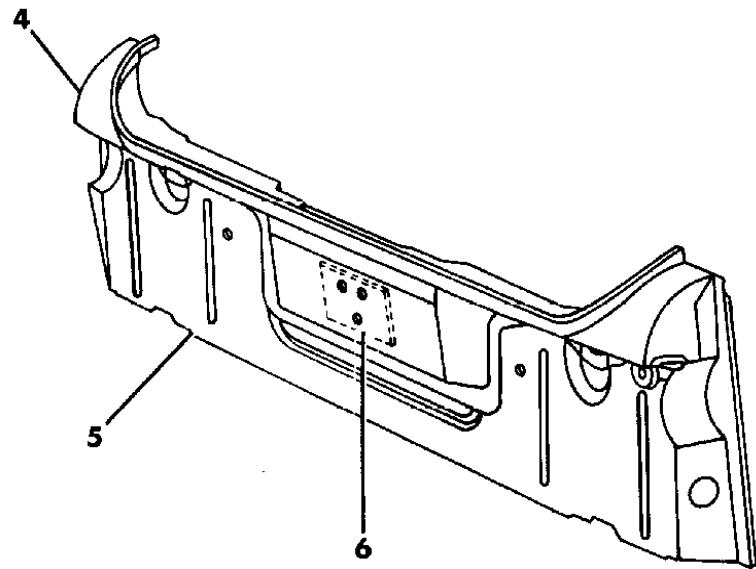
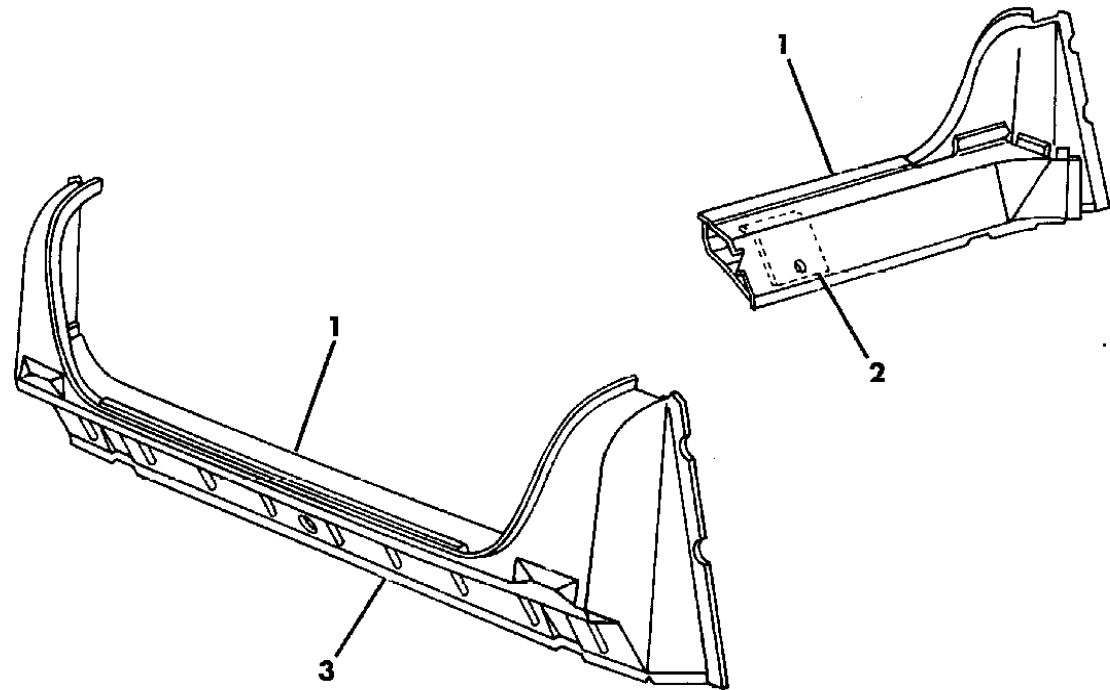
21=2-Door Coupe      41=4-Door Sedan      12-52=FWD & AWD Van & Wgn Std W.B.  
24=2-Door Hatchback      44=4-Door Hatchback      53=FWD & AWD Van & Wgn Ext. W.B.  
27=2-Door Convertible

AR = Use as Required - = Non Illustrated Part P.A.R. = Paint as Required

**DECK OPENING PANEL C BODY**  
Figure 23A-1050

93169 10500

ITEM	PART NUMBER	QTY	BODY	MODEL	DESCRIPTION
1	5256 257	1	C		REINFORCEMENT, Deck Opening Lower Panel
2	4386 680	1	C		T-PLATE, Deck Opening Lower Panel Latch Striker
3	4674 379	1	C		PANEL, Deck Opening Lower w/Drain Through
	4490 461	3			PLUG, Deck Opening Lower
4	4386 208	1	D		PANEL, Deck Opening Lower
5	5256 269	1	D		REINFORCEMENT, Deck Opening Lower Panel
6	4386 681	1	D		PLATE, Deck Opening Lower Panel Latch Striker



**MODEL CODES:**

A BODY=(C=LeBaron, D=Spirit, P=Acclaim/LaBaron(Landau),  
Saratoga)  
C BODY=(D=Dynasty, C=New Yorker/N.Y. Salon)  
G BODY=(V=Daytona/IROC, Chrysler Daytona)  
J BODY=(C=LeBaron, Chrysler LeBaron)  
P BODY=(P=Sundance, D=Shadow)

S BODY=(H=Voyager(H) FWD, K=Caravan(H) FWD,  
Y=Town & Country(H) FWD, P=Voyager(K) AWD,  
D=Caravan(K) AWD, C=Town & Country(K) AWD)  
Y BODY=(C=Imperial/5th Avenue)  
E-S BODY=(K=Chrysler Voyager(H) FWD, D=Chrysler  
Voyager(K) AWD)

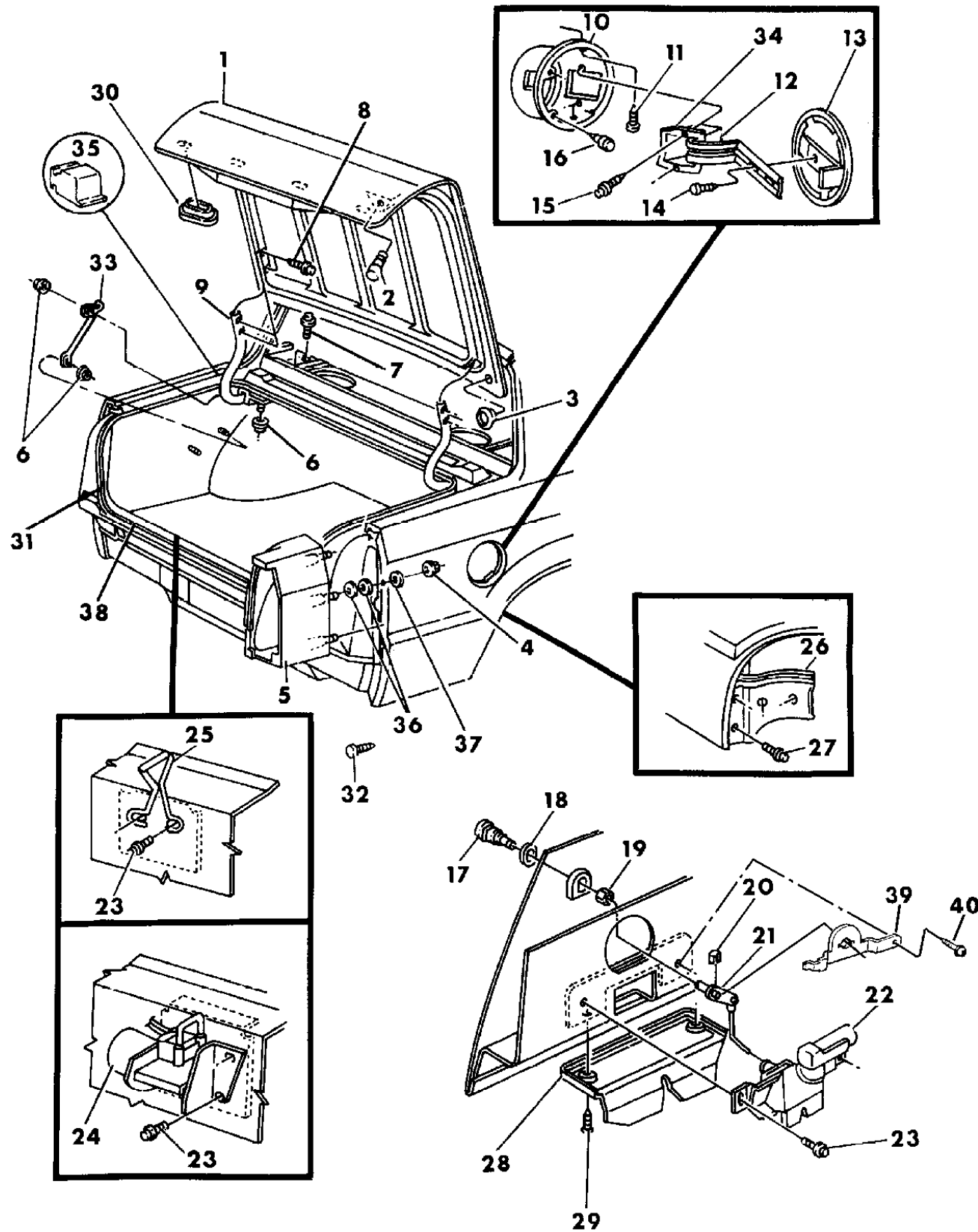
**BODY STYLES:**

21=2-Door Coupe      41=4-Door Sedan      12-52=FWD & AWD Van & Wgn Std W.B.  
24=2-Door Hatchback      44=4-Door Hatchback      53=FWD & AWD Van & Wgn Ext. W.B.  
27=2-Door Convertible

AR = Use as Required - = Non Illustrated Part P.A.R. = Paint as Required

**DECK LID AND FUEL FILLER DOOR C BODY**  
Figure 23A-1060

93169 10600A



ITEM	PART NUMBER	QTY	BODY	MODEL	DESCRIPTION
1	5256 048	1	C		PANEL, Deck Lid
	4655 117	1	D		PANEL, Deck Lid
2	4396 304	2			BUMPER, Deck Lid Inside Adjustable
-	5256 088	2			Bumper, Overslam
	6023 531	2			Screw
3	6029 939	2			PLUG
4		6			NUT, Not Serviced
5		1			EXTENSION, Body Side Aperture Panel Qtr. End
	4719 014-5	1	C		
	4416 152-3	1	D		
6	6101 445	6			NUT and WASHER
7	6101 479	4			SCREW and WASHER
8	6501 305	4			SCREW and WASHER
9	4719 002-3	1			HINGE
10	5253 795	1			HOUSING, Fuel Filler
11		3			SCREW, Not Serviced
12	4674 191	1			HINGE, Fuel Filler Door
13	5253 792	1			DOOR, Fuel Filler
14		2			SCREW, Not Serviced
15		2			SCREW, Not Serviced
16	4371 970	2			BUMPER, Fuel Filler Door
	4512 363	2			BUMPER, Fuel Filler Door Hinge
17		1			CYLINDER, See Group 23D
18	3695 321	1			GASKET
19	4054 202	1			NUT
20	6032 107	1			CLIP
21	5257 614	1			LINK
22	4615 120	1	D		LATCH, Deck Lid Electric Release
	4615 436	1	C	S	Quiet
23	6502 551	4			SCREW and WASHER
24	4378 724	1			MOTOR, Deck Lid Power Pull Down
25	4378 368	1			STRIKER, Deck Lid Latch Electric
26		1			SHIELD, w/House Inner Panel
	4534 560				Right
	4386 853				Left
27		4			SCREW and WASHER, Not Serviced
28					COVER, Deck Lid Pull Down Latch
	4378 360	1	D		COVER, Deck Lid Latch Electric

**MODEL CODES:**

A BODY=(C=LeBaron, D=Spirit, P=Acclaim/LaBaron(Landau), Saratoga)  
 C BODY=(D=Dynasty, C=New Yorker/N.Y. Salon)  
 G BODY=(V=Daytona/IROC, Chrysler Daytona)  
 J BODY=(C=LeBaron, Chrysler LeBaron)  
 P BODY=(P=Sundance, D=Shadow)

S BODY=(H=Voyager(H) FWD, K=Caravan(H) FWD, Y=Town & Country(H) FWD, P=Voyager(K) AWD, D=Caravan(K) AWD, C=Town & Country(K) AWD)  
 Y BODY=(C=Imperial/5th Avenue)  
 E-S BODY=(K=Chrysler Voyager(H) FWD, D=Chrysler Voyager(K) AWD)

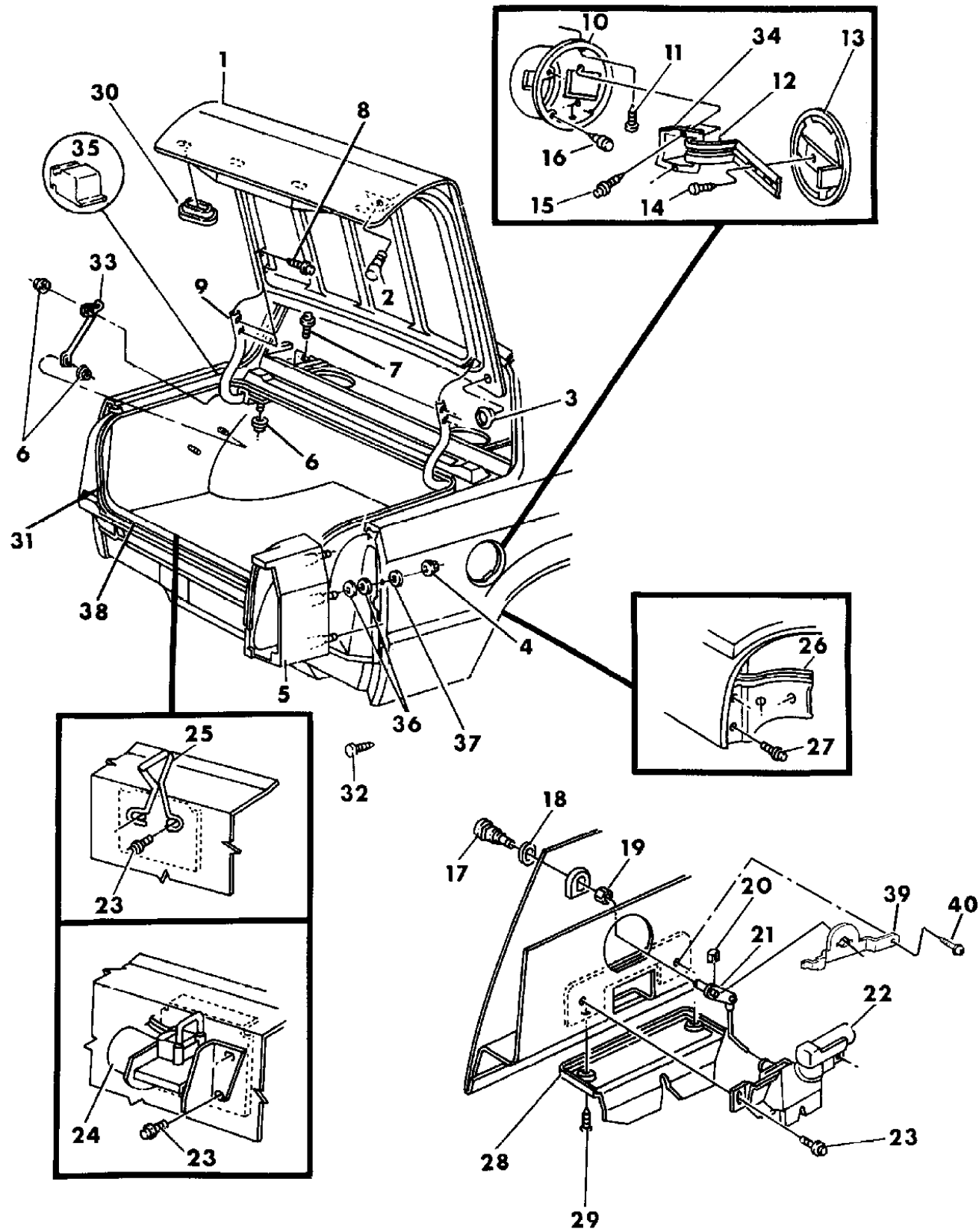
**BODY STYLES:**

21=2-Door Coupe      41=4-Door Sedan      12-52=FWD & AWD Van & Wgn Std W.B.  
 24=2-Door Hatchback      44=4-Door Hatchback      53=FWD & AWD Van & Wgn Ext. W.B.  
 27=2-Door Convertible

AR = Use as Required - = Non Illustrated Part P.A.R. = Paint as Required

DECK LID AND FUEL FILLER DOOR C BODY  
Figure 23A-1060

93169 10600A



ITEM	PART NUMBER	QTY	BODY	MODEL	DESCRIPTION
	4378 361	1	D		
	4378 363	1	C		
29		AR			SCREW, Not Serviced
30	2895 126	AR			PLUG, Deck Lid
31	4475 664-5	1		C,H-D,P,S	WELT, Qtr. End Extension
32	6501 692	18			RETAINER
33	4440 656-7	1			BRACE
34	4674 191	1			HINGE ASSEMBLY
35	4416 378	2			BUMPER, Deck Lid Hinge Support Stop
36		2			SPACER, Side Extension Not Serviced
37		4			WASHER, Not Serviced
38	4490 700	1	C	S,H	WEATHERSTRIP, Deck Opening
	4490 699	1	D	H,P	
39	5257 617	1			BRACKET, Deck Lid Lock Cylinder Release
40		AR			SCREW, Not Serviced

MODEL CODES:

A BODY=(C=LeBaron, D=Spirit, P=Acclaim/LaBaron(Landau), Saratoga) S BODY=(H=Voyager(H) FWD, K=Caravan(H) FWD, Y=Town & Country(H) FWD, P=Voyager(K) AWD, D=Caravan(K) AWD, C=Town & Country(K) AWD)  
 C BODY=(D=Dynasty, C=New Yorker/N.Y. Salon)  
 G BODY=(V=Daytona/IROC, Chrysler Daytona)  
 J BODY=(C=LeBaron, Chrysler LeBaron)  
 P BODY=(P=Sundance, D=Shadow)  
 Y BODY=(C=Imperial/5th Avenue)  
 E-S BODY=(K=Chrysler Voyager(H) FWD, D=Chrysler Voyager(K) AWD)

BODY STYLES:

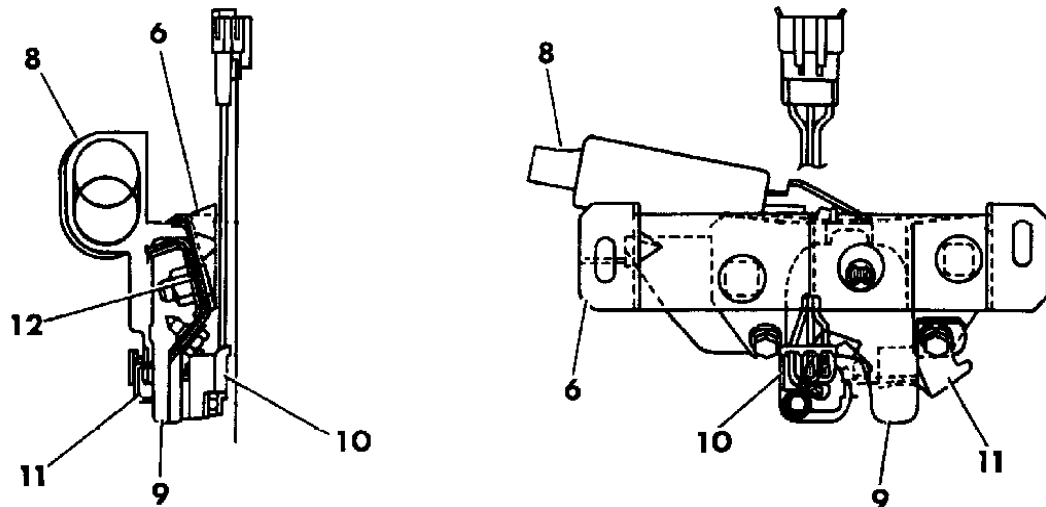
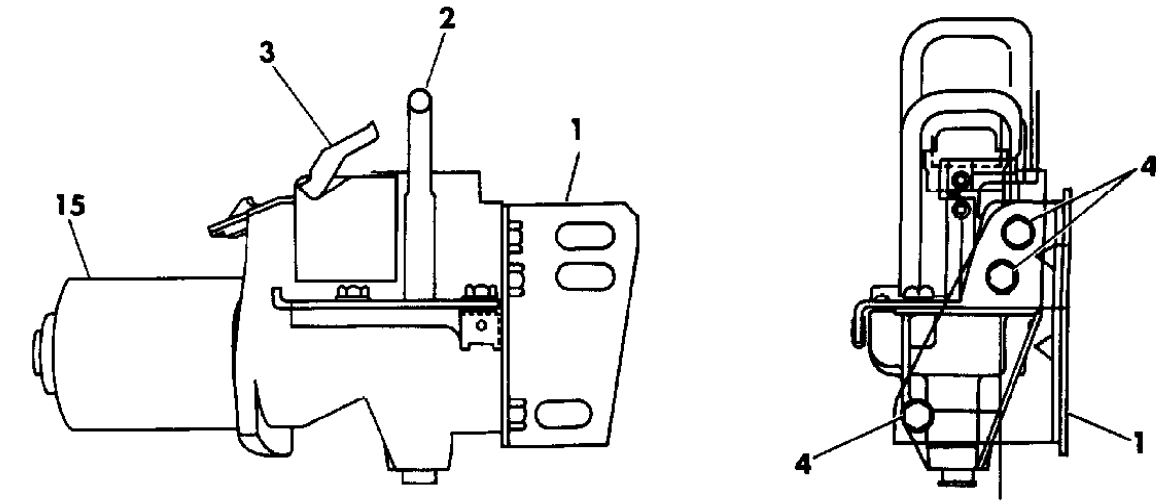
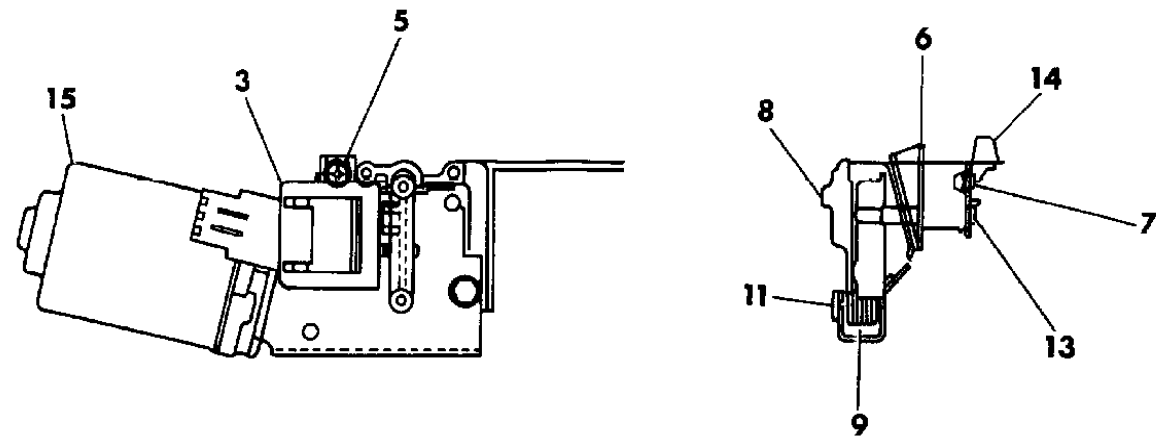
21=2-Door Coupe 41=4-Door Sedan 12-52=FWD & AWD Van & Wgn Std W.B.  
 24=2-Door Hatchback 44=4-Door Hatchback 53=FWD & AWD Van & Wgn Ext. W.B.  
 27=2-Door Convertible

AR = Use as Required - = Non Illustrated Part P.A.R. = Paint as Required



DECK LID POWER PULL DOWN C BODY  
Figure 23A-1070

93169 10700A



ITEM	PART NUMBER	QTY	BODY	MODEL	DESCRIPTION
1	4378 411	1			BRACKET, Striker Deck Lid Pull Down
2	4378 284	1			STRIKER ASSEMBLY, Deck Lid Pull Down
	4378 725	1			STRIKER and HOUSING, w/Gear
3	4373 225	1			SWITCH ASSEMBLY, Deck Lid Pull Down
4		3			SCREW, Not Serviced
5		1			SCREW, Not Serviced
6	4378 272	1	C	H,P	BRACKET ADAPTOR, Latch
	4378 121	1	C	S	BRACKET ADAPTOR, Latch
7	4467 249	1	C	S	LEVER and PIN, Latch
8	4378 280	1			SOLENOID ASSEMBLY, Latch
9	4378 281	1			LATCH ASSEMBLY
10	4373 224	1			SWITCH ASSEMBLY, Latch
11	4378 282	1			SPRING RETAINER ASSEMBLY, Latch
12	6100 051	2			NUT and WASHER
13	6032 107	2	C	S	CLIP, Pin Retainer
14	5257 478	1	C	S	CLIP, Rod Retainer
15	4378 724	1			MOTOR, Deck Lid Pull Down

MODEL CODES:

A BODY=(C=LeBaron, D=Spirit, P=Acclaim/LaBaron(Landau),  
Saratoga)  
C BODY=(D=Dynasty, C=New Yorker/N.Y. Salon)  
G BODY=(V=Daytona/IROC, Chrysler Daytona)  
J BODY=(C=LeBaron, Chrysler LeBaron)  
P BODY=(P=Sundance, D=Shadow)

S BODY=(H=Voyager(H) FWD, K=Caravan(H) FWD,  
Y=Town & Country(H) FWD, P=Voyager(K) AWD,  
D=Caravan(K) AWD, C=Town & Country(K) AWD)  
Y BODY=(C=Imperial/5th Avenue)  
E-S BODY=(K=Chrysler Voyager(H) FWD, D=Chrysler  
Voyager(K) AWD)

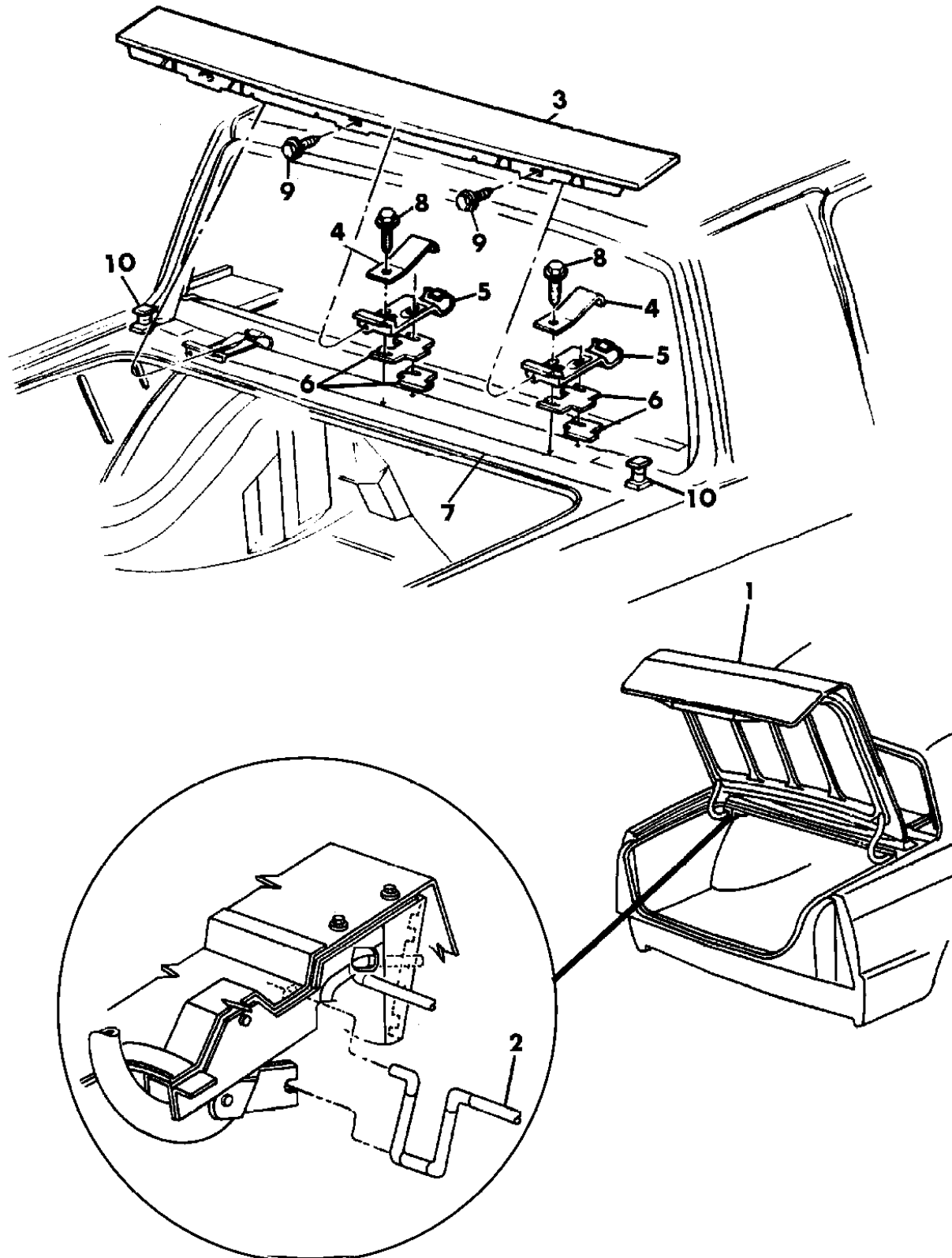
BODY STYLES:

21=2-Door Coupe      41=4-Door Sedan      12-52=FWD & AWD Van & Wgn Std W.B.  
24=2-Door Hatchback      44=4-Door Hatchback      53=FWD & AWD Van & Wgn Ext. W.B.  
27=2-Door Convertible

AR = Use as Required - = Non Illustrated Part P.A.R. = Paint as Required

**DECK LID SHELF AND BAR C BODY**  
Figure 23A-1080

93169 10800



ITEM	PART NUMBER	QTY	BODY	MODEL	DESCRIPTION
1					PANEL, Deck Lid
	5256 048		C		
	4655 117		D		
2					BAR and SLEEVE, Deck Lid Hinge Torsion (Bar and Sleeve With Right Side Only)
	4416 368-9	1	C		
	4416 784-5	1	D		
3		1			PANEL, Deck Opening Upper w/Vinyl Top
	4674 292				w/o Vinyl Top
4	5253 669				
	4719 005	3			SPRING, Deck Opening Upper Panel
5					RETAINER, Deck Opening Upper Panel
	5256 160	3	C	S	
	5256 298	3	C,D	H,P	
6		AR			SPACER, Not Serviced
7	4512 130	1			TROUGH, Deck Opening Upper Drain
8		6			SCREW, Not Serviced
9	6028 674	3			SCREW
10	4655 113	2			SCREW and NUT ASSEMBLY, Jack ***

**MODEL CODES:**

A BODY=(C=LeBaron, D=Spirit, P=Acclaim/LaBaron(Landau), Saratoga)  
 C BODY=(D=Dynasty, C=New Yorker/N.Y. Salon)  
 G BODY=(V=Daytona/IROC, Chrysler Daytona)  
 J BODY=(C=LeBaron, Chrysler LeBaron)  
 P BODY=(P=Sundance, D=Shadow)

S BODY=(H=Voyager(H) FWD, K=Caravan(H) FWD, Y=Town & Country(H) FWD, P=Voyager(K) AWD, D=Caravan(K) AWD, C=Town & Country(K) AWD)  
 Y BODY=(C=Imperial/5th Avenue)  
 E-S BODY=(K=Chrysler Voyager(H) FWD, D=Chrysler Voyager(K) AWD)

**BODY STYLES:**

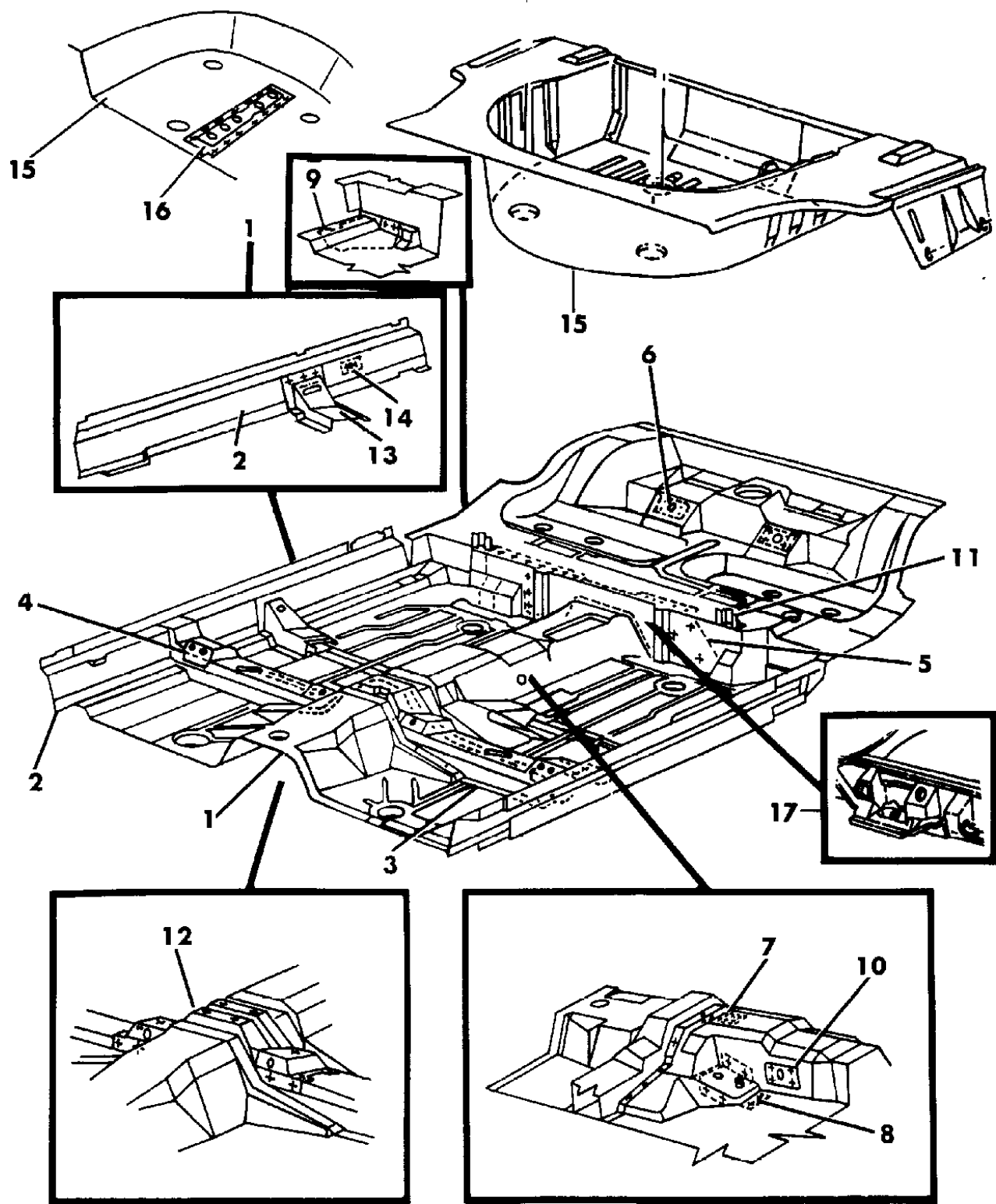
21=2-Door Coupe      41=4-Door Sedan      12-52=FWD & AWD Van & Wgn Std W.B.  
 24=2-Door Hatchback      44=4-Door Hatchback      53=FWD & AWD Van & Wgn Ext. W.B.  
 27=2-Door Convertible

AR = Use as Required - = Non Illustrated Part P.A.R. = Paint as Required

FLOOR PAN Y BODY  
Figure 23A-1100

93169 11000

ITEM	PART NUMBER	QTY	BODY	MODEL	DESCRIPTION
1	4674 354	1			PAN, Front Floor
2	5256 366-7	1			PANEL, Body Side Sill Inner
3	4548 486	1			CROSSMEMBER, Front Floor Pan
4	4416 915	2			REINFORCEMENT, Floor Pan Front Seat
5	4416 135	1			PLATE, Front Floor Pan Fuel Tank Hanger
6	4314 260	2			REINFORCEMENT, Front Floor Pan Rear Seat Belt Anchor Inner
7	4416 060	1			BRACKET, Front Floor Pan Park Brake Guide
8	4655 158-9	1			REINFORCEMENT, Front Floor Pan Front Seat Rear Inner
9	5256 108-9	1			BRACKET, Front Floor Pan Lift Hoisting
10	4314 260	2			REINFORCEMENT, Front Floor Pan Front Seat Belt Inner
11	4206 904	2			REINFORCEMENT, Front Floor Pan Rear Seat Cushion
	4134 647	2			Retainer
12		1			REINFORCEMENT, Front Floor Pan (Serviced In Item #3)
13	5253 916-7	1			REINFORCEMENT, Front Floor Pan Front Seat Rear Qtr.
14		2			REINFORCEMENT, Front Seat Belt Qtr. Anchor Not Serviced
15	4371 932	1			PAN, Rear Floor
16	4206 247	1			BRACKET, Rear Floor Pan
17	4314 256	2			REINFORCEMENT, Front Floor Pan Fuel Tank Strap



MODEL CODES:

A BODY=(C=LeBaron, D=Spirit, P=Acclaim/LaBaron(Landau),  
Saratoga)  
C BODY=(D=Dynasty, C=New Yorker/N.Y. Salon)  
G BODY=(V=Daytona/IROC, Chrysler Daytona)  
J BODY=(C=LeBaron, Chrysler LeBaron)  
P BODY=(P=Sundance, D=Shadow)

S BODY=(H=Voyager(H) FWD, K=Caravan(H) FWD,  
Y=Town & Country(H) FWD, P=Voyager(K) AWD,  
D=Caravan(K) AWD, C=Town & Country(K) AWD)  
Y BODY=(C=Imperial/5th Avenue)  
E-S BODY=(K=Chrysler Voyager(H) FWD, D=Chrysler  
Voyager(K) AWD)

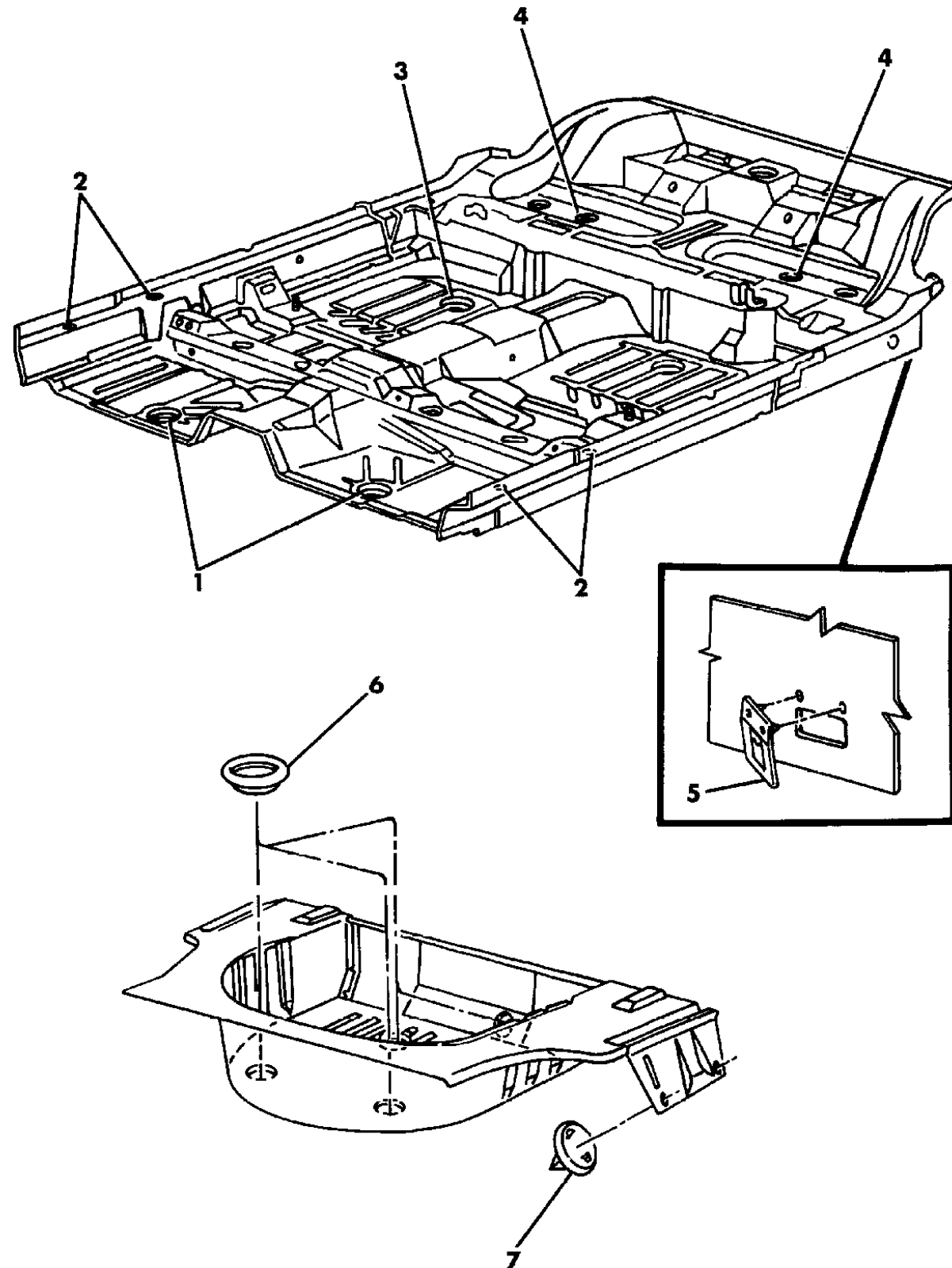
BODY STYLES:

21=2-Door Coupe      41=4-Door Sedan      12-52=FWD & AWD Van & Wgn Std W.B.  
24=2-Door Hatchback      44=4-Door Hatchback      53=FWD & AWD Van & Wgn Ext. W.B.  
27=2-Door Convertible

AR = Use as Required - = Non Illustrated Part P.A.R. = Paint as Required

FLOOR PAN PLUGS Y BODY  
Figure 23A-1110

93169 11100



ITEM	PART NUMBER	QTY	BODY	MODEL	DESCRIPTION
1	4512 494	2			PLUG, 2.75" Dia./69.9 mm
2	2860 332	4			PLUG, 0.75" Dia.
3	2424 864	2			PLUG, 1.75" Dia./44.5 mm
4	4512 495	2			PLUG, 1.50" Dia./38.1 mm
5	3794 032	2			SEAL, Side Sill Inner
6	6030 773	4			PLUG, 57.2 mm
7	4512 495	4			PLUG, 1.50" Dia./38.1 mm

**MODEL CODES:**

A BODY=(C=LeBaron, D=Spirit, P=Acclaim/LaBaron(Landau),  
Saratoga)  
C BODY=(D=Dynasty, C=New Yorker/N.Y. Salon)  
G BODY=(V=Daytona/IROC, Chrysler Daytona)  
J BODY=(C=LeBaron, Chrysler LeBaron)  
P BODY=(P=Sundance, D=Shadow)

S BODY=(H=Voyager(H) FWD, K=Caravan(H) FWD,  
Y=Town & Country(H) FWD, P=Voyager(K) AWD,  
D=Caravan(K) AWD, C=Town & Country(K) AWD)  
Y BODY=(C=Imperial/5th Avenue)  
E-S BODY=(K=Chrysler Voyager(H) FWD, D=Chrysler  
Voyager(K) AWD)

**BODY STYLES:**

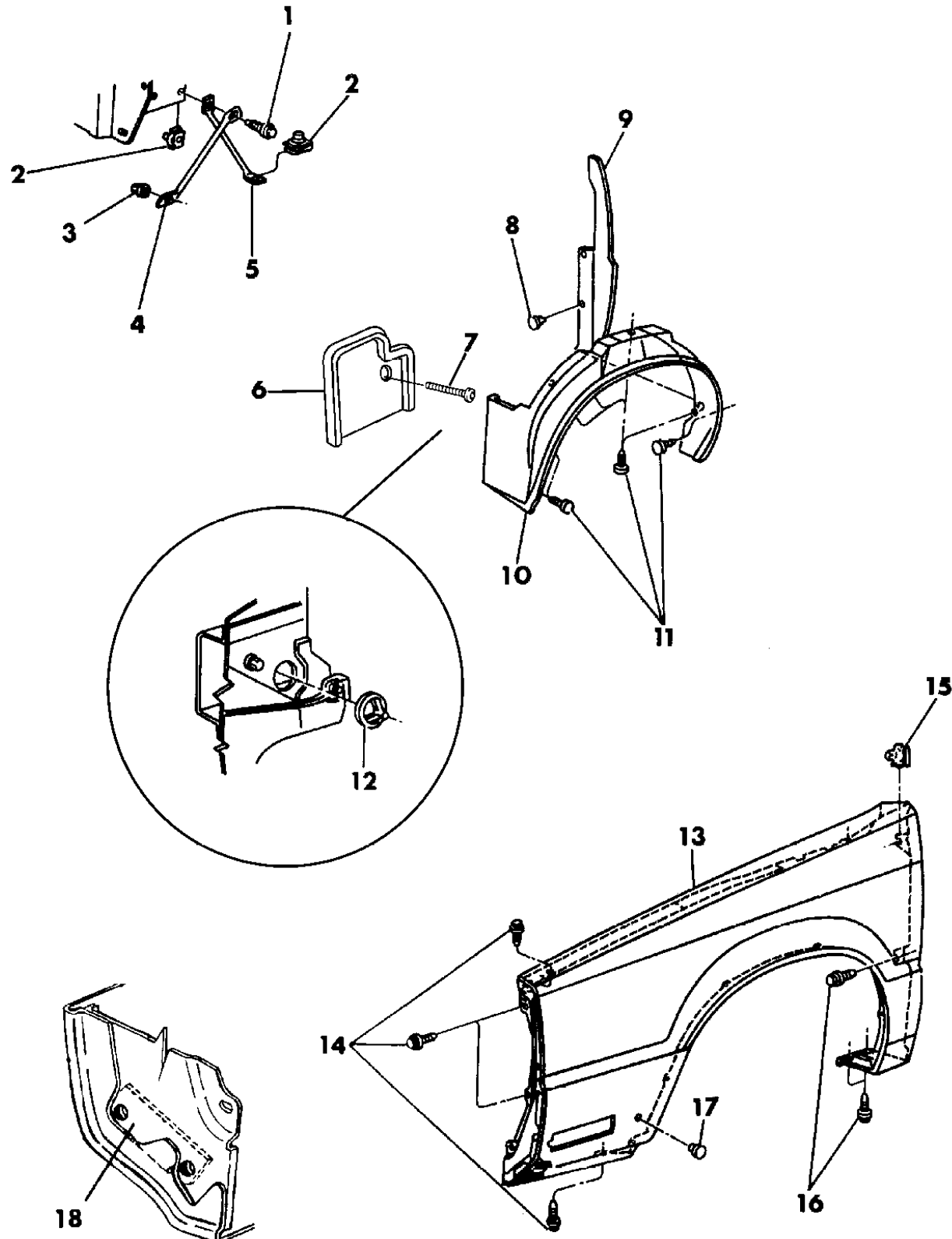
21=2-Door Coupe      41=4-Door Sedan      12-52=FWD & AWD Van & Wgn Std W.B.  
24=2-Door Hatchback      44=4-Door Hatchback      53=FWD & AWD Van & Wgn Ext. W.B.  
27=2-Door Convertible

AR = Use as Required - = Non Illustrated Part P.A.R. = Paint as Required

FENDER AND SHIELD Y BODY  
Figure 23A-1120

93169 11200A

ITEM	PART NUMBER	QTY	BODY	MODEL	DESCRIPTION
1	6100 568	AR			SCREW and WASHER
2	1150 3714	AR			U-NUT
3	6500 284	2			NUT
4	4440 884-5	1		P	BRACE, Front Fender Reinforcement To Side Shield Panel
5	4386 648	2			BRACE, Fender Panel To Fender Shield
6	4655 121	1			SHIELD, Trans. Lt.
7	6031 012	1			SCREW
8	4341 060	AR			FASTENER
9		1			BAFFLE, Body Front Hinge Piller To Fender (Not Serviced)
10	4674 350-1	1			SHIELD, Fender w/House Splash
11	6030 441	26			RETAINER
12	4512 495	1			PLUG, Front Fender Panel Lt.
13					FENDER
	4411 928-9	1			w/Cornering Lamp
	5252 138-9	1			w/o Cornering Lamp
14	6501 501	9			SCREW and WASHER
15	6100 568	AR			SCREW and WASHER
16		AR			SCREW and WASHER, Not Serviced
17	6029 939	4			PLUG
18	4440 882	2			BRACKET, Fender Front Reinforcement To Side Panel



MODEL CODES:

A BODY=(C=LeBaron, D=Spirit, P=Acclaim/LaBaron(Landau),  
Saratoga)  
C BODY=(D=Dynasty, C=New Yorker/N.Y. Salon)  
G BODY=(V=Daytona/IROC, Chrysler Daytona)  
J BODY=(C=LeBaron, Chrysler LeBaron)  
P BODY=(P=Sundance, D=Shadow)

S BODY=(H=Voyager(H) FWD, K=Caravan(H) FWD,  
Y=Town & Country(H) FWD, P=Voyager(K) AWD,  
D=Caravan(K) AWD, C=Town & Country(K) AWD)  
Y BODY=(C=Imperial/5th Avenue)  
E-S BODY=(K=Chrysler Voyager(H) FWD, D=Chrysler  
Voyager(K) AWD)

BODY STYLES:

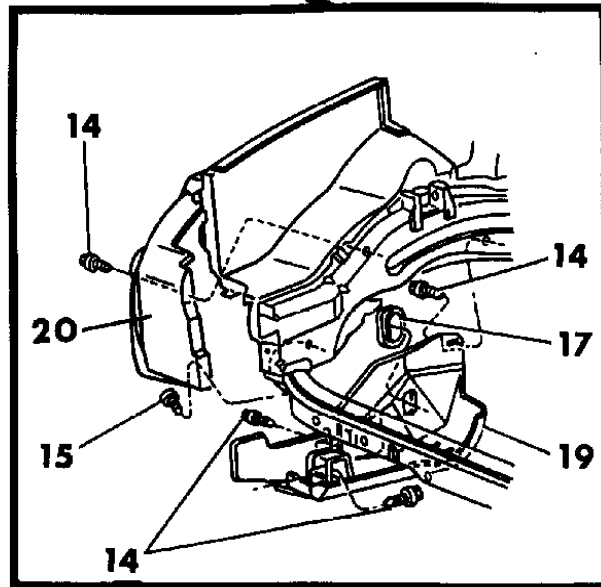
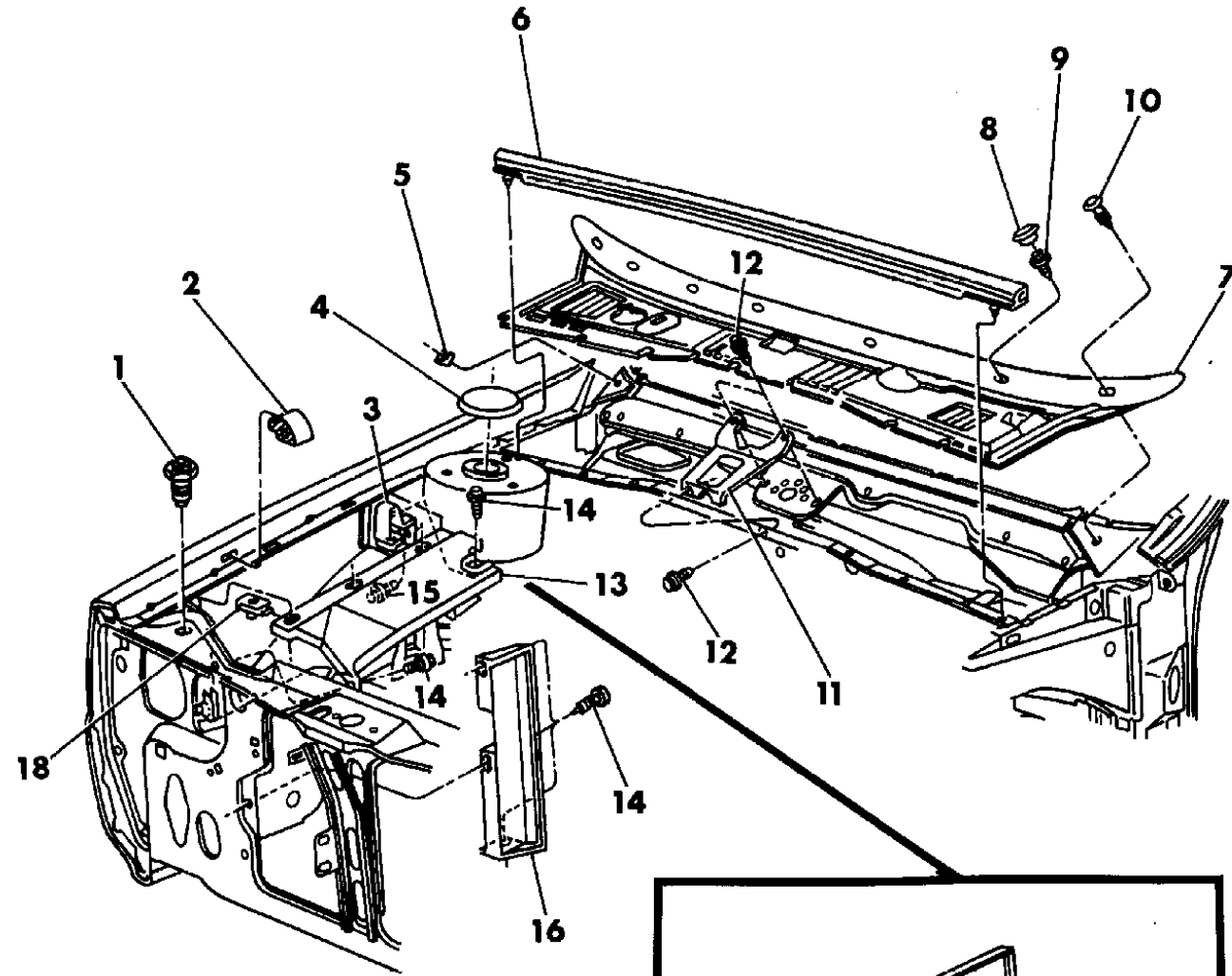
21=2-Door Coupe      41=4-Door Sedan      12-52=FWD & AWD Van & Wgn Std W.B.  
24=2-Door Hatchback      44=4-Door Hatchback      53=FWD & AWD Van & Wgn Ext. W.B.  
27=2-Door Convertible

AR = Use as Required - = Non Illustrated Part P.A.R. = Paint as Required

COWL SCREEN AND ENGINE SHIELD Y BODY

Figure 23A-1130

93169 11300



ITEM	PART NUMBER	QTY	BODY	MODEL	DESCRIPTION
1	4103 165	2			BUMPER, Crossmember
2	4490 165	2			BUMPER, Fender Hood
3		1			SUPPORT, Shield To Iso-Tower Not Req.
4		2			CAP, Iso-Strut Not Req.
5		2			PLUG, Not Serviced
6	4658 167	1			SEAL, Dash Panel To Hood
7	4674 125	1			SCREEN, Cowl Top
8	6501 152	5			PLUG
9		AR			SCREW and WASHER, Not Serviced
10	6501 387	2			PIN, Cowl Top Screen
11	4371 136	1			SUPPORT, Cowl Top To Dash Panel Wiper
12	6501 501	3			SCREW and WASHER
13		1			SHIELD, Engine Not Req.
14		AR			SCREW and WASHER, Not Serviced
15	6030 441	26			RETAINER
16	4440 014	1			SHIELD, Closure Panel Rt.
17	2811 825	1			PULG, Right Side
18	1150 3714	5			U-NUT
19	5256 434	1			SHIELD, Pulley Splash
20	4674 350-1	1			SHIELD, Fender Wheelhouse Splash

MODEL CODES:

A BODY=(C=LeBaron, D=Spirit, P=Acclaim/LaBaron(Landau), Saratoga)

C BODY=(D=Dynasty, C=New Yorker/N.Y. Salon)

G BODY=(V=Daytona/IROC, Chrysler Daytona)

J BODY=(C=LeBaron, Chrysler LeBaron)

P BODY=(P=Sundance, D=Shadow)

S BODY=(H=Voyager(H) FWD, K=Caravan(H) FWD,

Y=Town & Country(H) FWD, P=Voyager(K) AWD,

D=Caravan(K) AWD, C=Town & Country(K) AWD)

Y BODY=(C=Imperial/5th Avenue)

E-S BODY=(K=Chrysler Voyager(H) FWD, D=Chrysler Voyager(K) AWD)

BODY STYLES:

21=2-Door Coupe                      41=4-Door Sedan                      12-52=FWD & AWD Van & Wgn Std W.B.

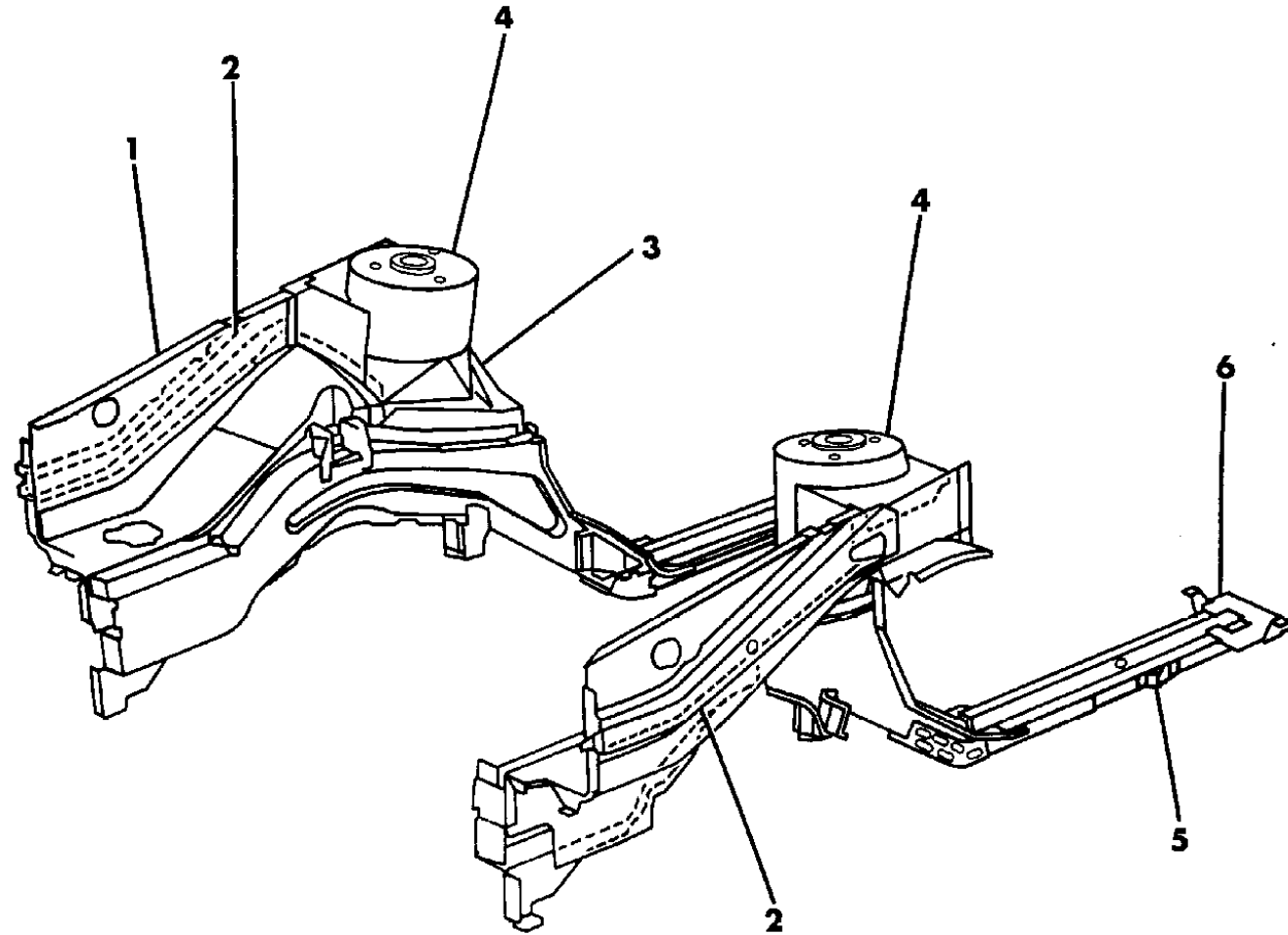
24=2-Door Hatchback                44=4-Door Hatchback                53=FWD & AWD Van & Wgn Ext. W.B.

27=2-Door Convertible

AR = Use as Required - = Non Illustrated Part P.A.R. = Paint as Required

TOWER AND SHIELD Y BODY  
Figure 23A-1140

93169 11400



ITEM	PART NUMBER	QTY	BODY	MODEL	DESCRIPTION
1	4655 584-5				SHIELD, Front Fender Panel
2	4534 052-3	1			BEAM, Front Fender Shield Load
3	4534 256-7	1			EXTENSION, Iso-Strut Tower To Dash
4	4741 222-3	1			TOWER, Iso-Strut
5	4296 417	1			BRACKET, Side Rail Rear Bracket Cable
6	4475 744-5	1			SHIELD, Front Floor Pan Fuel Line
-	6031 488	AR			PLUG, Fender Shield

**MODEL CODES:**

A BODY=(C=LeBaron, D=Spirit, P=Acclaim/LaBaron(Landau),  
Saratoga)  
C BODY=(D=Dynasty, C=New Yorker/N.Y. Salon)  
G BODY=(V=Daytona/IROC, Chrysler Daytona)  
J BODY=(C=LeBaron, Chrysler LeBaron)  
P BODY=(P=Sundance, D=Shadow)

S BODY=(H=Voyager(H) FWD, K=Caravan(H) FWD,  
Y=Town & Country(H) FWD, P=Voyager(K) AWD,  
D=Caravan(K) AWD, C=Town & Country(K) AWD)  
Y BODY=(C=Imperial/5th Avenue)  
E-S BODY=(K=Chrysler Voyager(H) FWD, D=Chrysler  
Voyager(K) AWD)

**BODY STYLES:**

21=2-Door Coupe      41=4-Door Sedan      12-52=FWD & AWD Van & Wgn Std W.B.  
24=2-Door Hatchback      44=4-Door Hatchback      53=FWD & AWD Van & Wgn Ext. W.B.  
27=2-Door Convertible

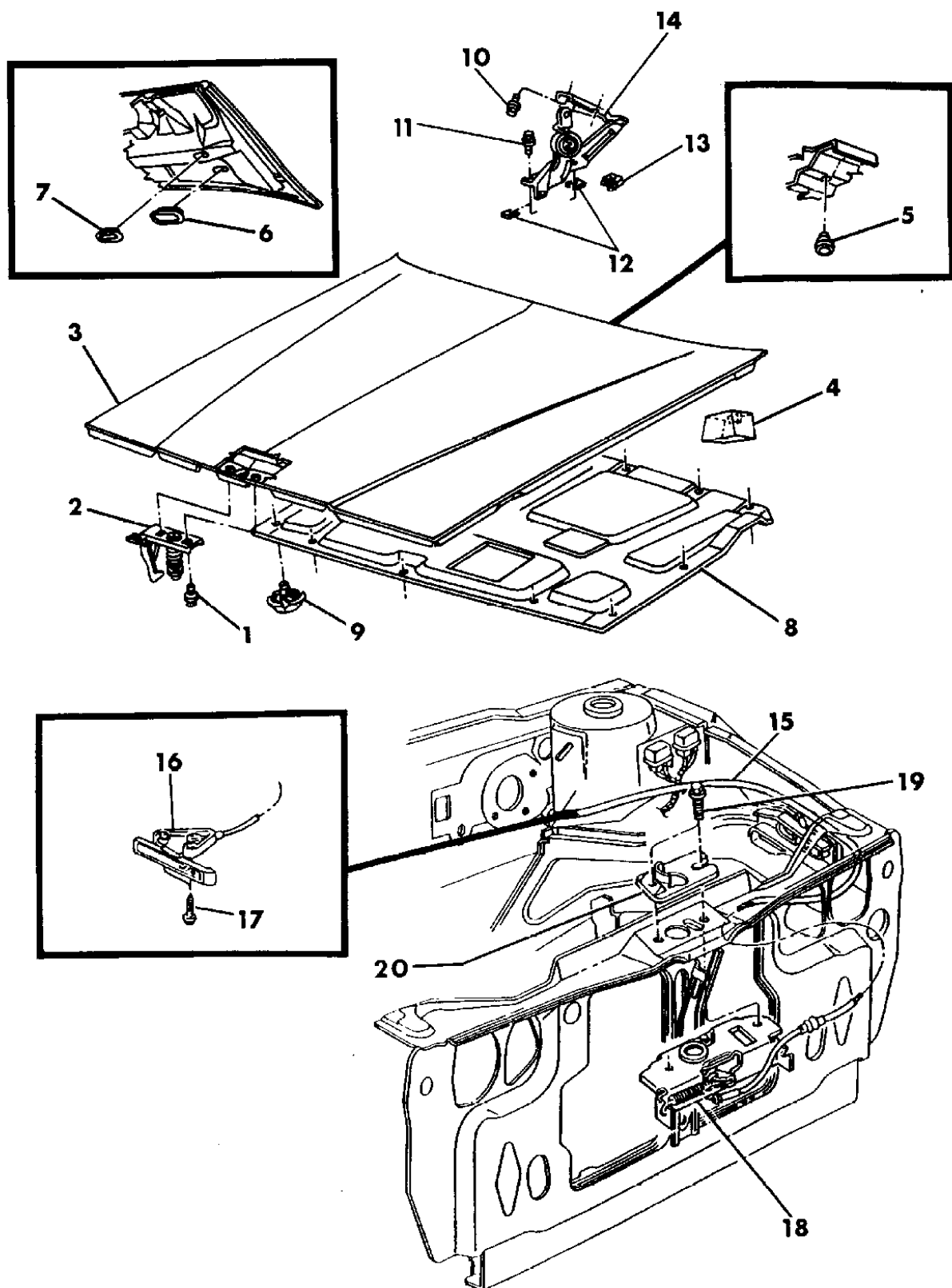
AR = Use as Required - = Non Illustrated Part P.A.R. = Paint as Required

# HOOD AND HOOD RELEASE Y BODY

Figure 23A-1150

93169 11500

ITEM	PART NUMBER	QTY	BODY	MODEL	DESCRIPTION
1	6501 501	2			SCREW and WASHER
2	4534 185	1			STRIKER and CATCH, (Safety)
3	4490 952	1		S,P	HOOD
4	4655 128	2			SEAL, Hood Panel To Fender
5	4206 515	1			PLUG, Drain Hole
6	2895 126	2			PLUG
7		3			PLUG, Hood Inner Not Serviced
8	4534 094	1			SILENCER
9	4341 060	14			FASTENER
10		4			SCREW and WASHER, Not Serviced
11		2			SCREW and WASHER (Not Serviced) ***
12	4341 468	AR			SHIM
13	1150 3714	AR			U-NUT
14	5253 874-5	1			HINGE
15		1			CABLE, (Service In Item 16)
16	4761 236	1			HANDLE, Release Hood Latch
17		2			SCREW, Not Serviced
18	4534 289	1			LATCH, Release Hood
19		2			SCREW and WASHER Not Serviced ***
20	4534 210	1			REINFORCEMENT, Hood Latch
-	4490 702	1			LABEL, Airbag



**MODEL CODES:**

A BODY=(C=LeBaron, D=Spirit, P=Acclaim/LaBaron(Landau), Saratoga)      S BODY=(H=Voyager(H) FWD, K=Caravan(H) FWD, Y=Town & Country(H) FWD, P=Voyager(K) AWD, D=Caravan(K) AWD, C=Town & Country(K) AWD)  
 C BODY=(D=Dynasty, C=New Yorker/N.Y. Salon)  
 G BODY=(V=Daytona/IROC, Chrysler Daytona)  
 J BODY=(C=LeBaron, Chrysler LeBaron)  
 P BODY=(P=Sundance, D=Shadow)  
 Y BODY=(C=Imperial/5th Avenue)  
 E-S BODY=(K=Chrysler Voyager(H) FWD, D=Chrysler Voyager(K) AWD)

**BODY STYLES:**

21=2-Door Coupe      41=4-Door Sedan      12-52=FWD & AWD Van & Wgn Std W.B.  
 24=2-Door Hatchback      44=4-Door Hatchback      53=FWD & AWD Van & Wgn Ext. W.B.  
 27=2-Door Convertible

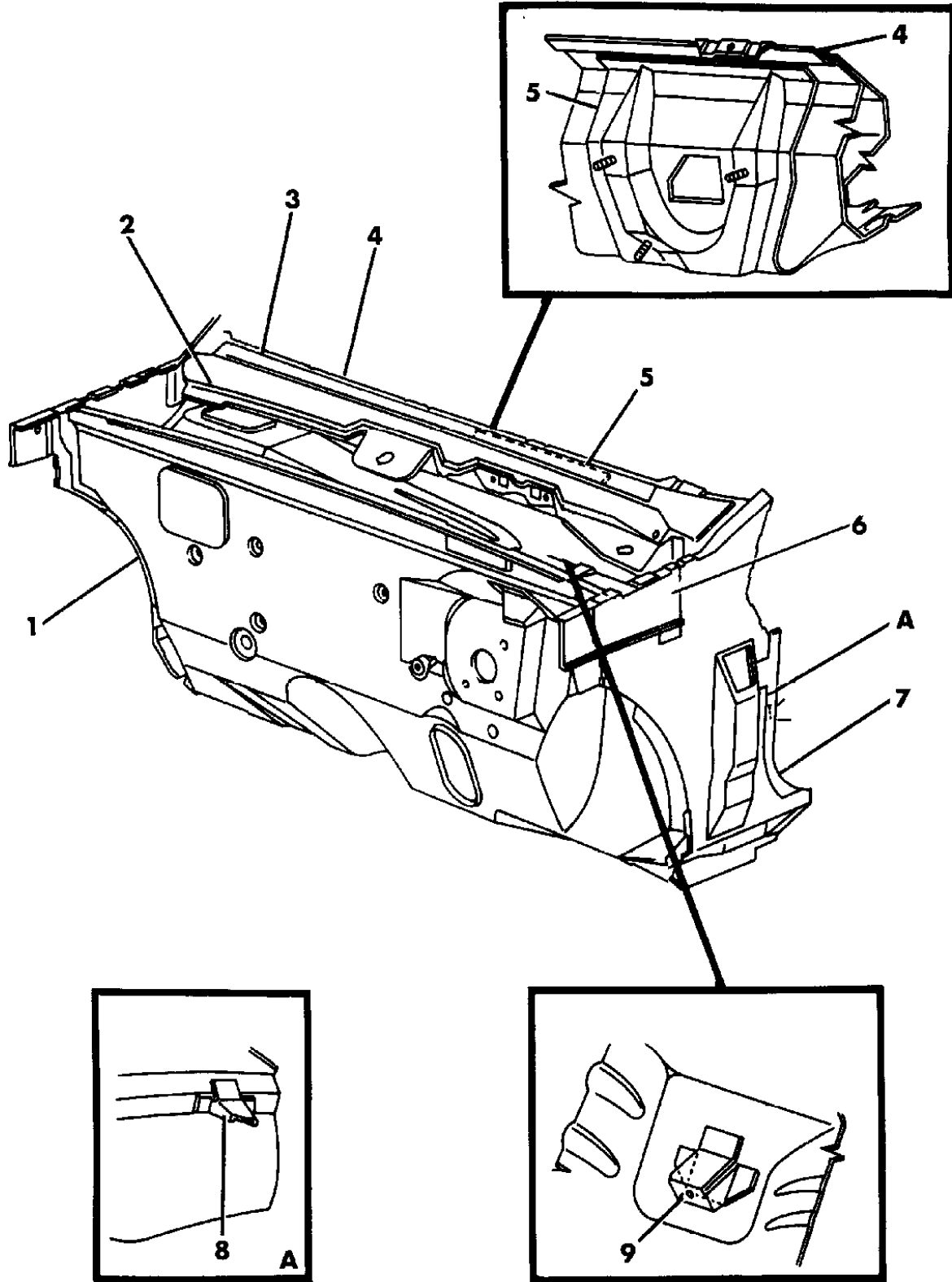
AR = Use as Required - = Non Illustrated Part P.A.R. = Paint as Required



**COWL AND DASH PANEL Y BODY**  
Figure 23A-1160

93169 11600

ITEM	PART NUMBER	QTY	BODY	MODEL	DESCRIPTION
1	5253 812	1			PANEL, Dash
-	5256 444	1			Silencer Assembly
2	5256 101	1			SUPPORT, Cowl Top Screen
3	4512 959	1			REINFORCEMENT, Cowl Plenum Panel
4	4512 957	1			PANEL, Plenum Cowl
5	4278 979	1			SUPPORT, Cowl Plenum Panel Strg. Bracket
6	4314 546-7	1			REINFORCEMENT, Cowl Side Panel Hood Hinge
7		1			PANEL, Cowl Side
	5256 238				Right
	5256 241				Left
8	4206 641	1			BRACKET, Dash Panel To Plenum Panel To Brace Lt.
9	5256 064	1			BRACKET, Cowl Plenum Lower w/s Wiper Motor



**MODEL CODES:**

A BODY=(C=LeBaron, D=Spirit, P=Acclaim/LaBaron(Landau), Saratoga)      S BODY=(H=Voyager(H) FWD, K=Caravan(H) FWD, Y=Town & Country(H) FWD, P=Voyager(K) AWD, D=Caravan(K) AWD, C=Town & Country(K) AWD)  
 C BODY=(D=Dynasty, C=New Yorker/N.Y. Salon)  
 G BODY=(V=Daytona/IROC, Chrysler Daytona)  
 J BODY=(C=LeBaron, Chrysler LeBaron)  
 P BODY=(P=Sundance, D=Shadow)      Y BODY=(C=Imperial/5th Avenue)  
 E-S BODY=(K=Chrysler Voyager(H) FWD, D=Chrysler Voyager(K) AWD)

**BODY STYLES:**

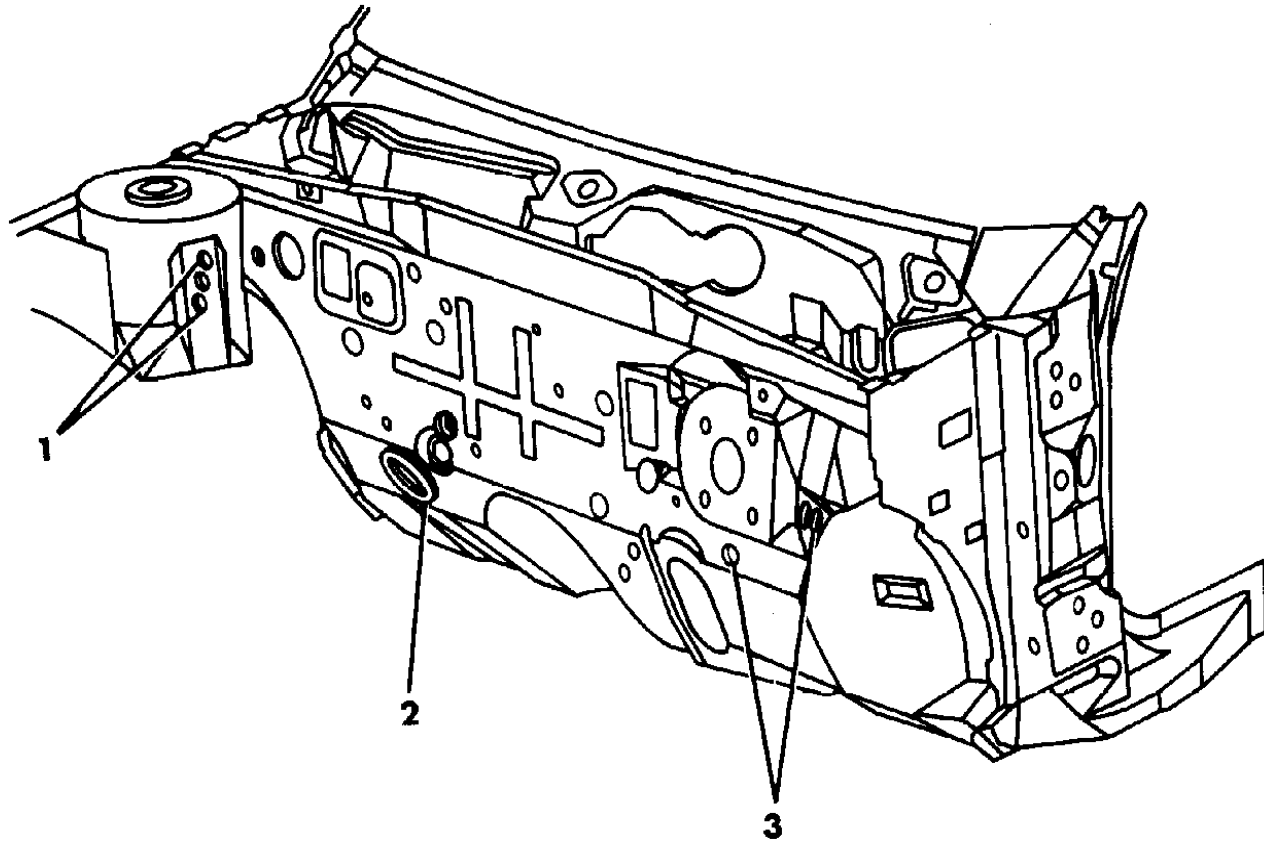
21=2-Door Coupe      41=4-Door Sedan      12-52=FWD & AWD Van & Wgn Std W.B.  
 24=2-Door Hatchback      44=4-Door Hatchback      53=FWD & AWD Van & Wgn Ext. W.B.  
 27=2-Door Convertible

AR = Use as Required - = Non Illustrated Part P.A.R. = Paint as Required

**DASH PANEL PLUGS Y BODY**  
Figure 23A-1170

93169 11700

ITEM	PART NUMBER	QTY	BODY	MODEL	DESCRIPTION
1	4386 178	4			PLUG
2	4512 494	1			PLUG
3	3445 939	AR			PLUG



**MODEL CODES:**

A BODY=(C=LeBaron, D=Spirit, P=Acclaim/LaBaron(Landau),  
Saratoga) S BODY=(H=Voyager(H) FWD, K=Caravan(H) FWD,  
Y=Town & Country(H) FWD, P=Voyager(K) AWD,  
D=Caravan(K) AWD, C=Town & Country(K) AWD)  
C BODY=(D=Dynasty, C=New Yorker/N.Y. Salon)  
G BODY=(V=Daytona/IROC, Chrysler Daytona) Y BODY=(C=Imperial/5th Avenue)  
J BODY=(C=LeBaron, Chrysler LeBaron) E-S BODY=(K=Chrysler Voyager(H) FWD, D=Chrysler  
P BODY=(P=Sundance, D=Shadow) Voyager(K) AWD)

**BODY STYLES:**

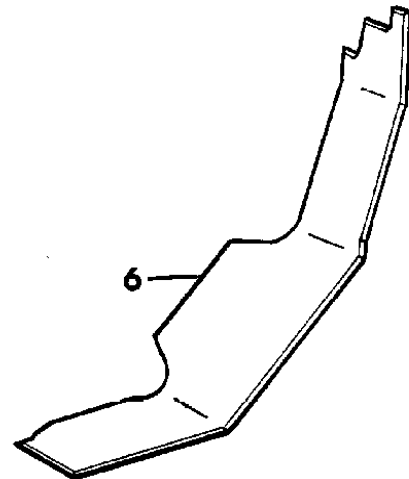
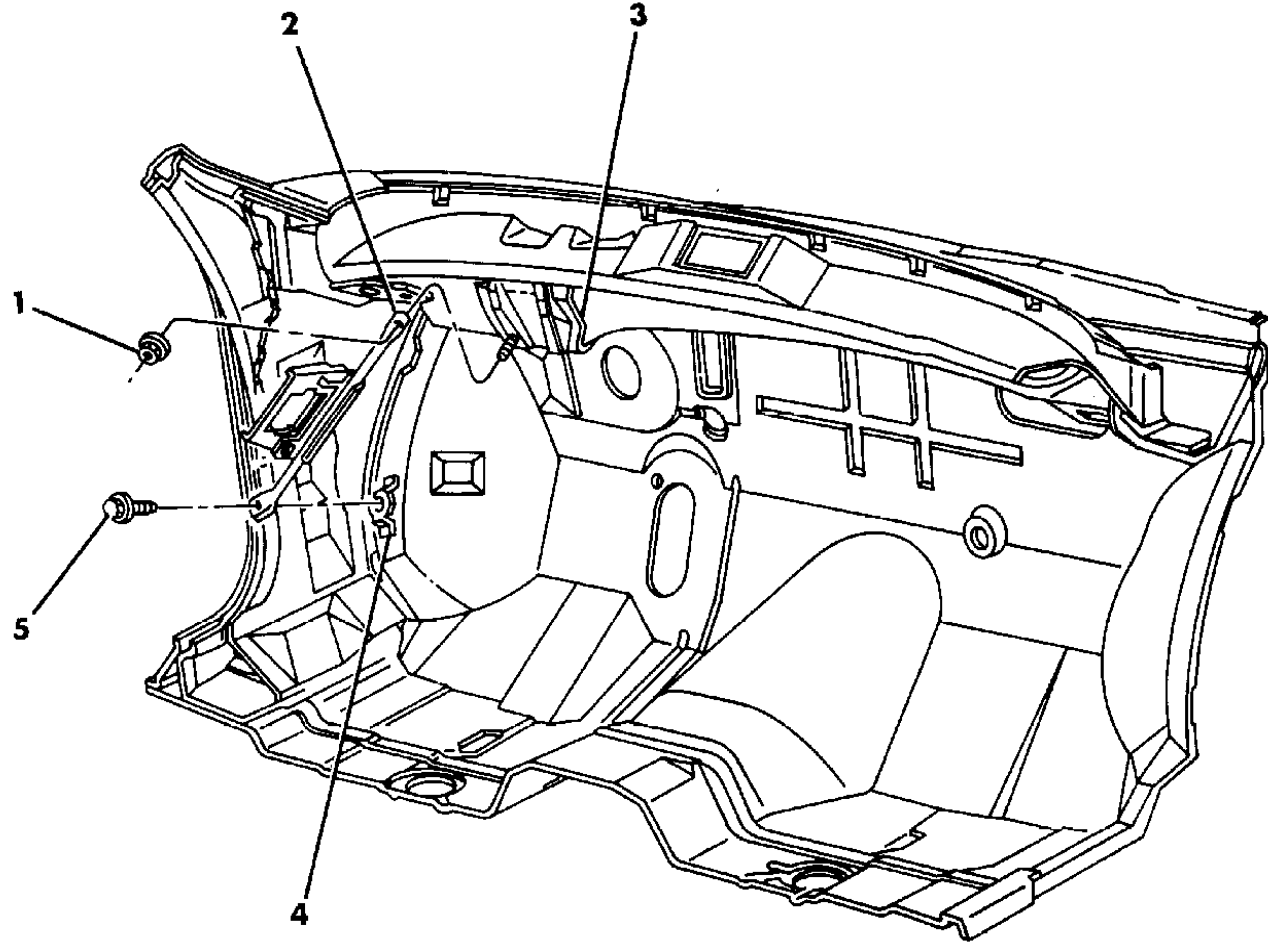
21=2-Door Coupe      41=4-Door Sedan      12-52=FWD & AWD Van & Wgn Std W.B.  
24=2-Door Hatchback      44=4-Door Hatchback      53=FWD & AWD Van & Wgn Ext. W.B.  
27=2-Door Convertible

AR = Use as Required - = Non Illustrated Part P.A.R. = Paint as Required

**BRACE DASH PANEL TO COWL Y BODY**  
Figure 23A-1180

93169 11800

ITEM	PART NUMBER	QTY	BODY	MODEL	DESCRIPTION
1	6500 532	2			NUT
2	4548 414	1			BRACE
3		1			SUPPORT, (See Dash Illus.)
4		1			BRACKET, Lt. Not Serviced
5	6501 422				SCREW
6	4674 084-5	1			PLATE, Dash Panel Reinforcement



**MODEL CODES:**

A BODY=(C=LeBaron, D=Spirit, P=Acclaim/LaBaron(Landau), Saratoga)      S BODY=(H=Voyager(H) FWD, K=Caravan(H) FWD, Y=Town & Country(H) FWD, P=Voyager(K) AWD, D=Caravan(K) AWD, C=Town & Country(K) AWD)  
 C BODY=(D=Dynasty, C=New Yorker/N.Y. Salon)  
 G BODY=(V=Daytona/IROC, Chrysler Daytona)  
 J BODY=(C=LeBaron, Chrysler LeBaron)  
 P BODY=(P=Sundance, D=Shadow)      Y BODY=(C=Imperial/5th Avenue)  
 E-S BODY=(K=Chrysler Voyager(H) FWD, D=Chrysler Voyager(K) AWD)

**BODY STYLES:**

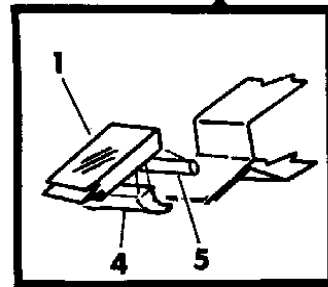
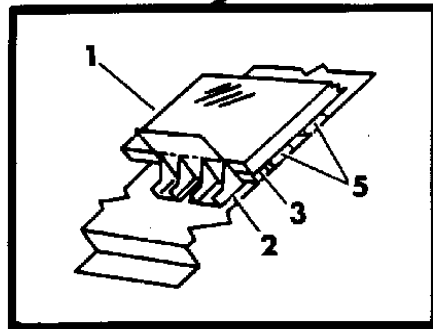
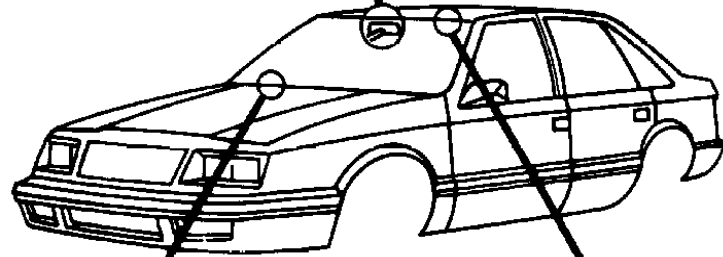
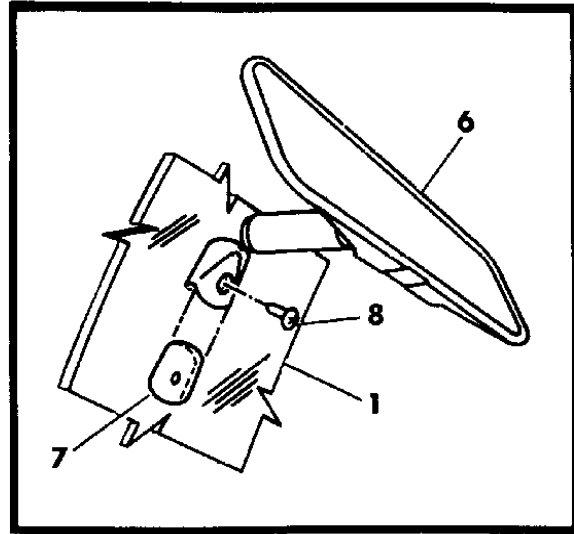
21=2-Door Coupe      41=4-Door Sedan      12-52=FWD & AWD Van & Wgn Std W.B.  
 24=2-Door Hatchback      44=4-Door Hatchback      53=FWD & AWD Van & Wgn Ext. W.B.  
 27=2-Door Convertible

AR = Use as Required - = Non Illustrated Part P.A.R. = Paint as Required

**GLASS WINDSHIELD AND MIRROR Y BODY**  
Figure 23A-1190

93169 11900

ITEM	PART NUMBER	QTY	BODY	MODEL	DESCRIPTION
1	4475 956	1			GLASS, Windshield Tinted
2	4719 055	2			SPACER, Windshield Glass Lower
	4548 174	2			SPACER, Windshield Adjustable Upper
	4548 174	2			SPACER, Windshield Adjustable Lower
	3767 767	AR			SHIM, Windshield Glass Spacer Lower (.07")
3		6			SPACER, Not Serviced
4		AR			DAM, Windshield Glass Adhesive (119") Not Serviced
5		1			POLYURETHANE, Windshield (Serviced In Package #4267906)
6		1			MIRROR, Rear View
	4520 336				Prismatic, 10"
	4615 229				Ultra-Light
7	4054 098	1			BUTTON, Inside Rear View Mounting
	4293 039	1			ADHESIVE PACKAGE, Inside Rear View Mirror Button
8		1			SCREW, Not Serviced
NOTE: The Following Item Are Not Shown On Illustration applications specified in this document.					
PKG A	4267 906	1			REPAIR PACKAGE, Windshield and Rear Window
Consists of:					
1- ----- Polyurethane, 11.5 oz					
1- ----- Fence Primer, 1 oz.					
1- ----- Glass Wipe-Off Primer, 1 oz.					
1- ----- Glass Black-Out Primer, 1 oz.					
3- ----- Dabbers					
1- ----- Nozzle					



**MODEL CODES:**

A BODY=(C=LeBaron, D=Spirit, P=Acclaim/LaBaron(Landau),  
Saratoga)  
C BODY=(D=Dynasty, C=New Yorker/N.Y. Salon)  
G BODY=(V=Daytona/IROC, Chrysler Daytona)  
J BODY=(C=LeBaron, Chrysler LeBaron)  
P BODY=(P=Sundance, D=Shadow)

S BODY=(H=Voyager(H) FWD, K=Caravan(H) FWD,  
Y=Town & Country(H) FWD, P=Voyager(K) AWD,  
D=Caravan(K) AWD, C=Town & Country(K) AWD)  
Y BODY=(C=Imperial/5th Avenue)  
E-S BODY=(K=Chrysler Voyager(H) FWD, D=Chrysler  
Voyager(K) AWD)

**BODY STYLES:**

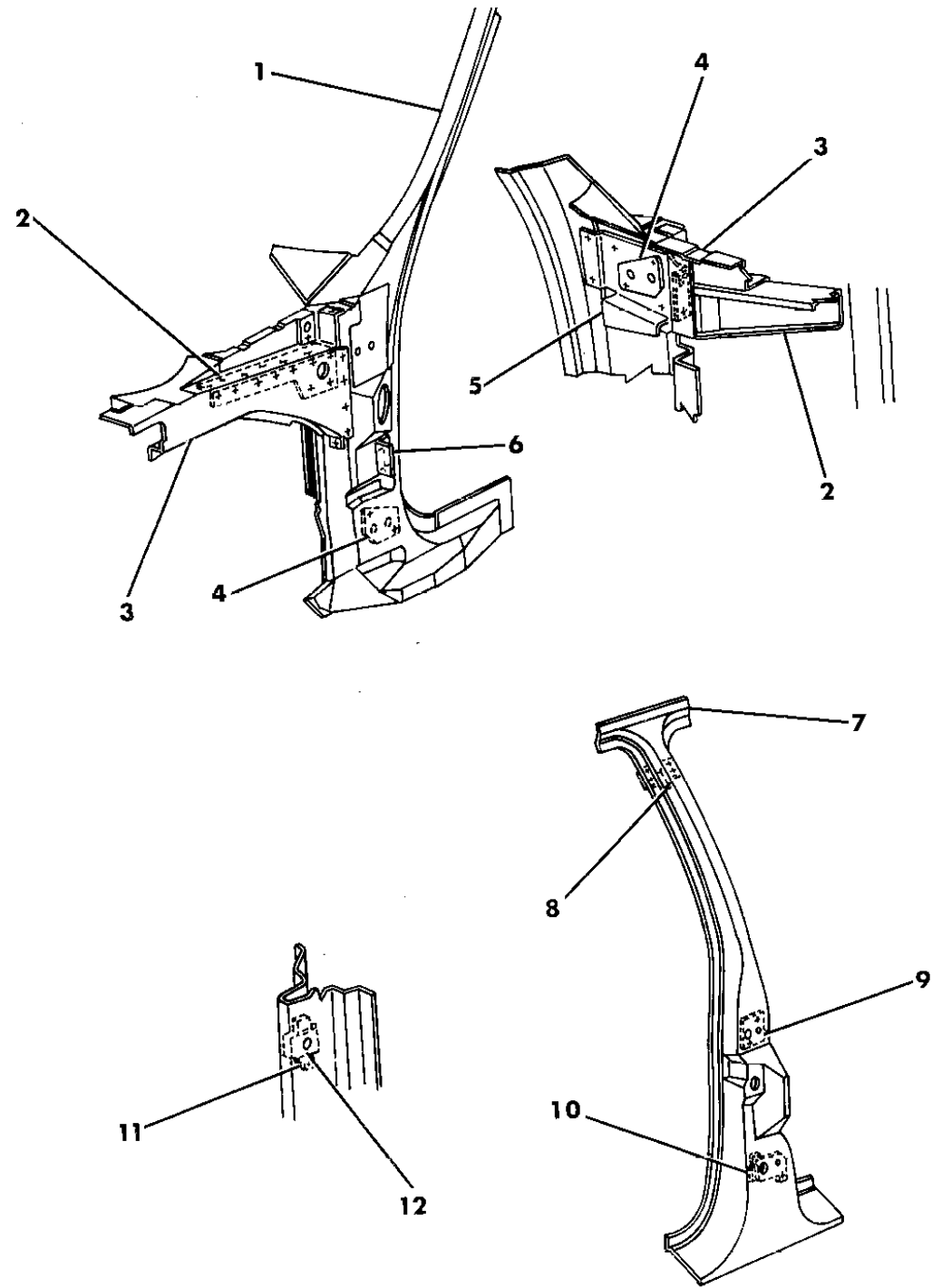
21=2-Door Coupe      41=4-Door Sedan      12-52=FWD & AWD Van & Wgn Std W.B.  
24=2-Door Hatchback      44=4-Door Hatchback      53=FWD & AWD Van & Wgn Ext. W.B.  
27=2-Door Convertible

AR = Use as Required - = Non Illustrated Part P.A.R. = Paint as Required

PILLAR FRONT AND CENTER Y BODY

Figure 23A-1200

93169 12000



ITEM	PART NUMBER	QTY	BODY	MODEL	DESCRIPTION
1	5256 082-3	1			PILLAR, Body Front
2	4386 666	1			REINFORCEMENT, Front Fender Load Beam Rear
3	4534 538-9	1			EXTENSION, Front Fender Load Beam Rear
4	4314 558-9	1			PLATE, Body Front Hinge
5		1			REINFORCEMENT, Hinge Pillar Upper
	4416 694				Right
	4416 697				Left
6	4512 139	2			SUPPORT, Body Front Hinge Pillar To Fender
7	4512 866-7	1			PILLAR, Body Center
8	4371 555	2			REINFORCEMENT, Seat Belt Anchor Upper
9	4314 762	2			PLATE, Door Hinge Tapping
10	4416 542	2			PLATE, Center Pillar Lower Pillar Hinge
11	4134 972	2			RETAINER, Latch Striker
12	4314 743	2			PLATE, Latch Striker

MODEL CODES:

A BODY=(C=LeBaron, D=Spirit, P=Acclaim/LaBaron(Landau), Saratoga) S BODY=(H=Voyager(H) FWD, K=Caravan(H) FWD, Y=Town & Country(H) FWD, P=Voyager(K) AWD, D=Caravan(K) AWD, C=Town & Country(K) AWD)  
 C BODY=(D=Dynasty, C=New Yorker/N.Y. Salon)  
 G BODY=(V=Daytona/ROC, Chrysler Daytona)  
 J BODY=(C=LeBaron, Chrysler LeBaron)  
 P BODY=(P=Sundance, D=Shadow)  
 Y BODY=(C=Imperial/5th Avenue)  
 E-S BODY=(K=Chrysler Voyager(H) FWD, D=Chrysler Voyager(K) AWD)

BODY STYLES:

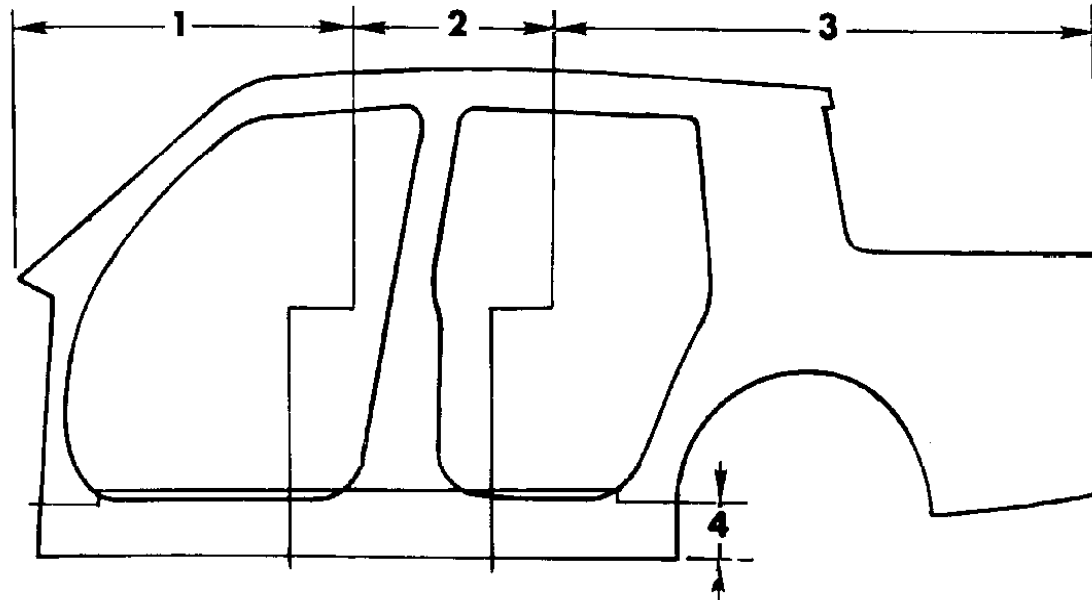
21=2-Door Coupe      41=4-Door Sedan      12-52=FWD & AWD Van & Wgn Std W.B.  
 24=2-Door Hatchback      44=4-Door Hatchback      53=FWD & AWD Van & Wgn Ext. W.B.  
 27=2-Door Convertible

AR = Use as Required - = Non Illustrated Part P.A.R. = Paint as Required

**APERTURE PANEL Y BODY**  
Figure 23A-1210

93169 12100

ITEM	PART NUMBER	QTY	BODY	MODEL	DESCRIPTION
1	4416 610-1	1			PANEL, Body Side Aperture Front
2	4416 612-3	1			PANEL, Body Side Aperture Center, inner
3	5253 720-1	1			PANEL, Body Side Aperture Rear
4	4416 722-3	1			PANEL, Body Side Sill Outer



**MODEL CODES:**

A BODY=(C=LeBaron, D=Spirit, P=Acclaim/LaBaron(Landau), Saratoga)      S BODY=(H=Voyager(H) FWD, K=Caravan(H) FWD, Y=Town & Country(H) FWD, P=Voyager(K) AWD, D=Caravan(K) AWD, C=Town & Country(K) AWD)  
 C BODY=(D=Dynasty, C=New Yorker/N.Y. Salon)  
 G BODY=(V=Daytona/IROC, Chrysler Daytona)  
 J BODY=(C=LeBaron, Chrysler LeBaron)  
 P BODY=(P=Sundance, D=Shadow)

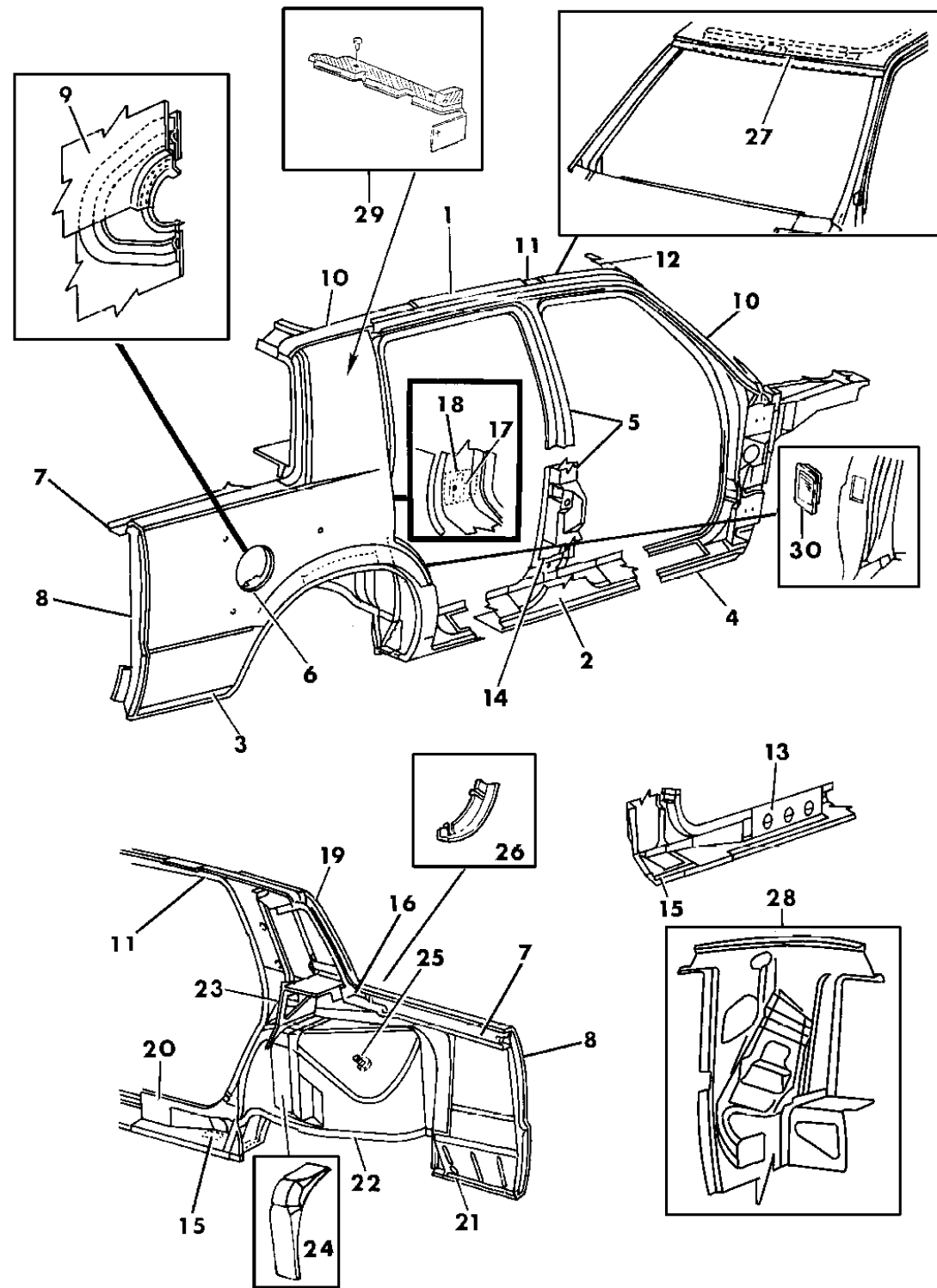
**BODY STYLES:**

21=2-Door Coupe      41=4-Door Sedan      12-52=FWD & AWD Van & Wgn Std W.B.  
 24=2-Door Hatchback      44=4-Door Hatchback      53=FWD & AWD Van & Wgn Ext. W.B.  
 27=2-Door Convertible

AR = Use as Required - = Non Illustrated Part P.A.R. = Paint as Required

**BODY SIDE AND QUARTER PANEL Y BODY**  
**Figure 23A-1220**

93169 12200A



ITEM	PART NUMBER	QTY	BODY	MODEL	DESCRIPTION
1	4416 610-1	1			PANEL, Aperture Front
2	4416 612-3	1			PANEL, Aperture Center, Inner
3	5253 720-1	1			PANEL, Aperture Rear
-	4475 385	2			PLUG, Rear Side Marker Lamp Hole
4	4416 722-3	1			PANEL, Side Sill
5	4512 866-7	1			PILLAR, Body Center
6					REINFORCEMENT, Body Side Aperture
	4490 456	1			Right
	4490 457	1			Left
7	5256 276-7	1			TROUGH, Deck Lid Drain
8	4371 802-3	1			EXTENSION, Aperture Panel End
9	4512 064	1			REINFORCEMENT, Fuel Filler
10	4440 314-5	1			TROUGH, Roof Side Drain
11	4440 308-9	1			RAIL, Roof Side Inner
12	4548 034-5	1			FRAME, Windshield Opening Inner
13	4416 580-1	1			REINFORCEMENT, Body Side Sill
14	4371 564	AR			REINFORCEMENT, Seat Belt Anchor Lower
15	4314 277	4			PLATE, Jack Locator
16	4475 944-5	1			REINFORCEMENT, Panel Lower Corner Backlite
17	4512 870	2			PLATE, Rear Door Latch Striker
18	4512 864-5	1			REINFORCEMENT, Rear Door Latch Striker
19	4674 116-7	1			PANEL, Quarter Inside w/House Outer
20	4416 556-7	1			REINFORCEMENT, Jacking Sill Inner Rear
21	4386 468-9	1			EXTENSION, Quarter Inner w/House Qtr. Panel
22	4341 754-5	1			PANEL, Rear w/House Inner
23		1			EXTENSION, Shelf Panel Not Serviced
24	4674 294-5	1			REINFORCEMENT, w/House Inner Panel Shock Abs.
25	4440 658	2			REINFORCEMENT, Deck Lid Hinge Brace
26		2			RETAINER and SEAL, Panel Lower Corner Backlite (Not Serviced)
27	4548 201	1			FRAME, Windshield Opening Upper
28	4674 260-1	1			REINFORCEMENT, Qtr. Inner w/House Outer Retainer To Trim Loop
29	4490 460	2			SEALER, Body Side Aperture Reinforment
-		4			FASTENER (Not Serviced) ***
30	4548 250-1	1			EXHAUSTER, Side Aperture Air

**MODEL CODES:**

A BODY=(C=LeBaron, D=Spirit, P=Acclaim/LaBaron(Landau), Saratoga)  
 C BODY=(D=Dynasty, C=New Yorker/N.Y. Salon)  
 G BODY=(V=Daytona/IROC, Chrysler Daytona)  
 J BODY=(C=LeBaron, Chrysler LeBaron)  
 P BODY=(P=Sundance, D=Shadow)

S BODY=(H=Voyager(H) FWD, K=Caravan(H) FWD, Y=Town & Country(H) FWD, P=Voyager(K) AWD, D=Caravan(K) AWD, C=Town & Country(K) AWD)  
 Y BODY=(C=Imperial/5th Avenue)  
 E-S BODY=(K=Chrysler Voyager(H) FWD, D=Chrysler Voyager(K) AWD)

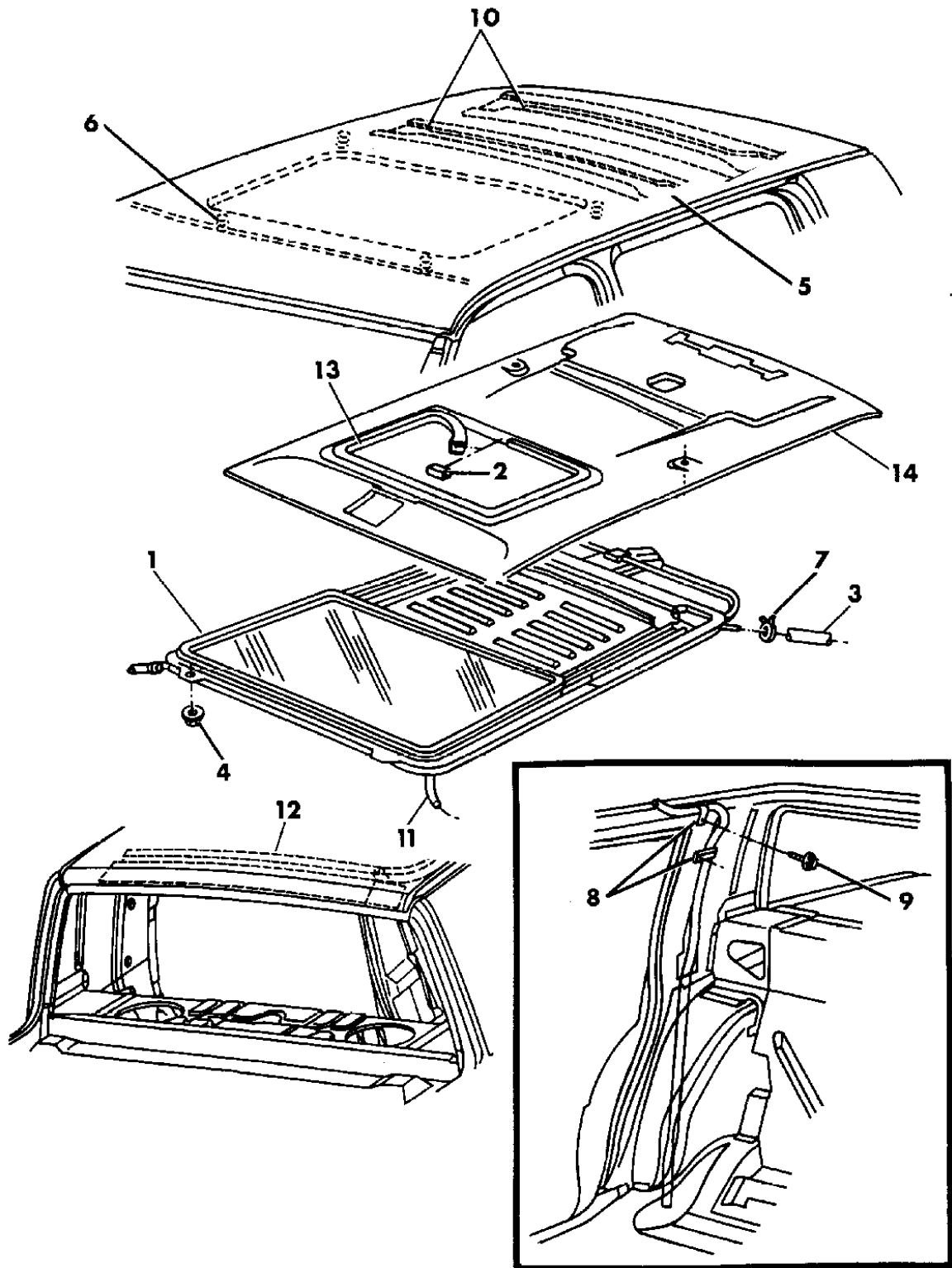
**BODY STYLES:**

21=2-Door Coupe                      41=4-Door Sedan                      12-52=FWD & AWD Van & Wgn Std W.B.  
 24=2-Door Hatchback              44=4-Door Hatchback              53=FWD & AWD Van & Wgn Ext. W.B.  
 27=2-Door Convertible

AR = Use as Required - = Non Illustrated Part P.A.R. = Paint as Required

**SUNROOF AND ROOF PANEL Y BODY**  
Figure 23A-1230

93169 12300



ITEM	PART NUMBER	QTY	BODY	MODEL	DESCRIPTION
1		1			SUNROOF ASSEMBLY, Service By Component Parts
2	H626 LAZ	1			RETAINER, Sunroof Welt
	H626 HB9				AGATE
	H626 LM6				Blue
	H626 HV4				Red
					Buckskin
3	4278 798	2			HOSE, Sunroof Drain Rear
4		8			NUT, Not Serviced
5		1			PANEL, Roof
	4440 188				w/o Sunroof
	4440 979				w/Sunroof
		1			SUPPORT, Sunroof Reinforcement Rear Serviced In Assembly
6		8			STUD, Not Serviced
7		4			CLAMP, Sunroof Hose To Spout Not Serviced
8		6			CLIP, Not Serviced
9		6			SCREW, Not Serviced
10	4341 744	2			BOW, Roof
11	4278 798	2			HOSE, Sunroof Drain Front
12	4341 745	1			FRAME, Rear Window Opening Upper
13		1			WELT, Headliner
	H484 LAZ				AGATE
	H484 HB9				Blue
	H484 LMA				Red
	H484 HV4				Buckskin
14	4548 250-1	1			EXHAUSTER, Side Aperture Air
-		1			HEADLINER, See Trim

**MODEL CODES:**

A BODY=(C=LeBaron, D=Spirit, P=Acclaim/LaBaron(Landau),  
Saratoga)  
C BODY=(D=Dynasty, C=New Yorker/N.Y. Salon)  
G BODY=(V=Daytona/IROC, Chrysler Daytona)  
J BODY=(C=LeBaron, Chrysler LeBaron)  
P BODY=(P=Sundance, D=Shadow)

S BODY=(H=Voyager(H) FWD, K=Caravan(H) FWD,  
Y=Town & Country(H) FWD, P=Voyager(K) AWD,  
D=Caravan(K) AWD, C=Town & Country(K) AWD)  
Y BODY=(C=Imperial/5th Avenue)  
E-S BODY=(K=Chrysler Voyager(H) FWD, D=Chrysler  
Voyager(K) AWD)

**BODY STYLES:**

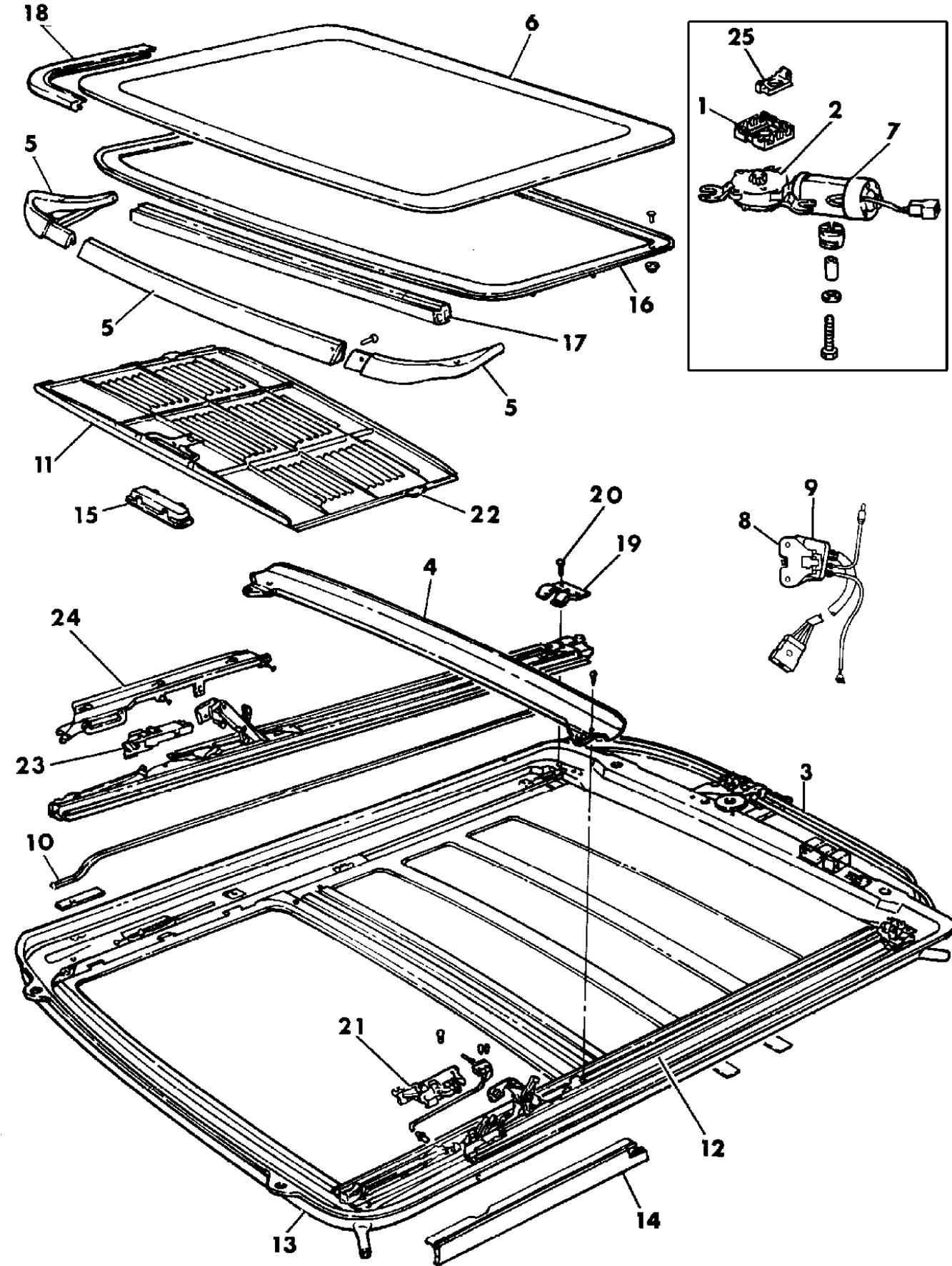
21=2-Door Coupe      41=4-Door Sedan      12-52=FWD & AWD Van & Wgn Std W.B.  
24=2-Door Hatchback      44=4-Door Hatchback      53=FWD & AWD Van & Wgn Ext. W.B.  
27=2-Door Convertible

AR = Use as Required - = Non Illustrated Part P.A.R. = Paint as Required



**SUNROOF COMPONENT PARTS Y BODY**  
Figure 23A-1240

93169 12400A



ITEM	PART NUMBER	QTY	BODY	MODEL	DESCRIPTION
1	4440 169	1			BRACKET
2		1			BRACKET, Drive Cable Service In Assy.
3	5253 735	1			CABLE ASSEMBLY, Drive
-	4728 173	1			BRACKET, Drive Cable and Tube Adjusting
4	4440 273	1			CHANNEL ASSEMBLY, Drain
5	4386 895	1			DEFLECTOR ASSEMBLY, Wind
6	5253 731	1			GLASS ASSEMBLY, w/Seal
	5256 024	6			NUT, Sunroof Glass
7	4386 890	1			MOTOR ASSEMBLY
	5256 019	3			SPACER, Motor Mounting
	5256 021	3			SCREW & WASHER, Motor Mounting
8	5256 025	1			RELAY, w/Bracket Wiring Harness Power
9		1			BRACKET, Relay Not Serviced (Service w/Relay)
10		1			SEAL, Drain Service In Assy.
11		1			SUNSHADE ASSEMBLY
	H695 LAZ				Charcoal
	H695 HB9				Blue
	H695 LM6				Red
	H695 HV4				Buckskin
12	4386 884-5	1			TRACK ASSEMBLY
	5256 018	8			SCREW, Track Assembly Mounting
13	4549 351	1			TRAY ASSEMBLY
14	4440 164-5	1			COVER ASSEMBLY, Mechanism
15		1			HANDLE
	4494 580				Charcoal
	4494 581				Blue
	4494 582				Red
	4494 583				Taupe
	4494 584				Champagne
	4494 585				Midnight Blue
16		1			REINFORCEMENT, Glass Service In Assy.
17		1			SUPPORT, Glass Reinforcement Service In Assy.
18	4440 278	1			SEAL, Also Service w/Glass Assy.
19		2			BRACKET, Not Serviced
20		2			SCREW, Not Serviced
21	5256 029	1			LOCATOR, Drive Cable w/Switch Lt.
22	4440 277	2			CLIP, Sunshade Retainer
23	4440 480	1			LOCATOR, Drive Cable Rt.
24	4440 274-5	1			BRACKET ASSEMBLY, Side Adjusting

**MODEL CODES:**

A BODY=(C=LeBaron, D=Spirit, P=Acclaim/LaBaron(Landau), Saratoga)  
 C BODY=(D=Dynasty, C=New Yorker/N.Y. Salon)  
 G BODY=(V=Daytona/IROC, Chrysler Daytona)  
 J BODY=(C=LeBaron, Chrysler LeBaron)  
 P BODY=(P=Sundance, D=Shadow)

S BODY=(H=Voyager(H) FWD, K=Caravan(H) FWD, Y=Town & Country(H) FWD, P=Voyager(K) AWD, D=Caravan(K) AWD, C=Town & Country(K) AWD)  
 Y BODY=(C=Imperial/5th Avenue)  
 E-S BODY=(K=Chrysler Voyager(H) FWD, D=Chrysler Voyager(K) AWD)

**BODY STYLES:**

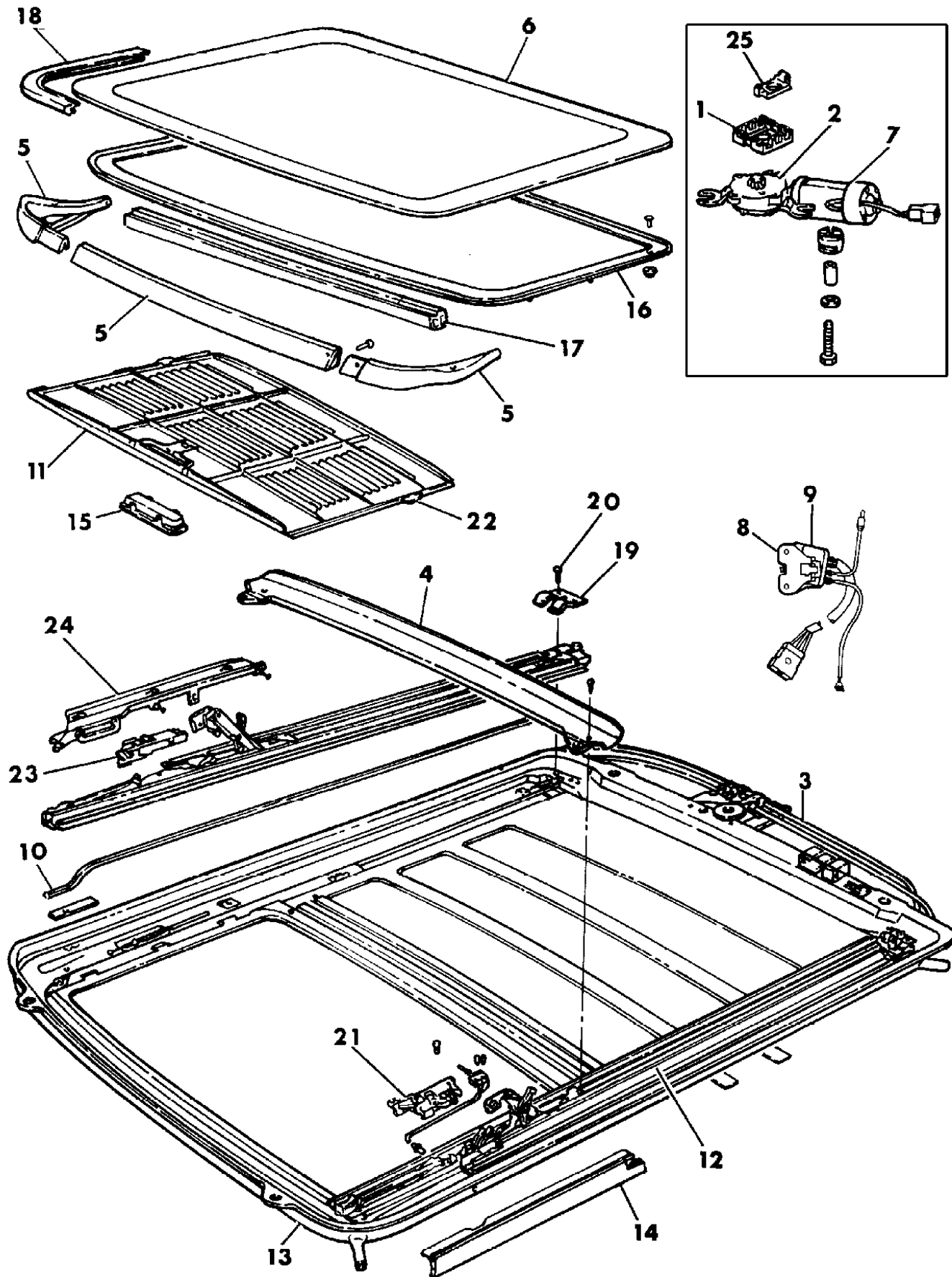
21=2-Door Coupe      41=4-Door Sedan      12-52=FWD & AWD Van & Wgn Std W.B.  
 24=2-Door Hatchback      44=4-Door Hatchback      53=FWD & AWD Van & Wgn Ext. W.B.  
 27=2-Door Convertible

AR = Use as Required - = Non Illustrated Part P.A.R. = Paint as Required

SUNROOF COMPONENT PARTS Y BODY

Figure 23A-1240

93169 12400A



ITEM	PART NUMBER	QTY	BODY	MODEL	DESCRIPTION
	5256 034	2			SCREW, Side Adjusting Bracket
	5256 035	2			WASHER, Side Adjusting Bracket To Screw
25	4773 594	1			BRACKET, Clamping

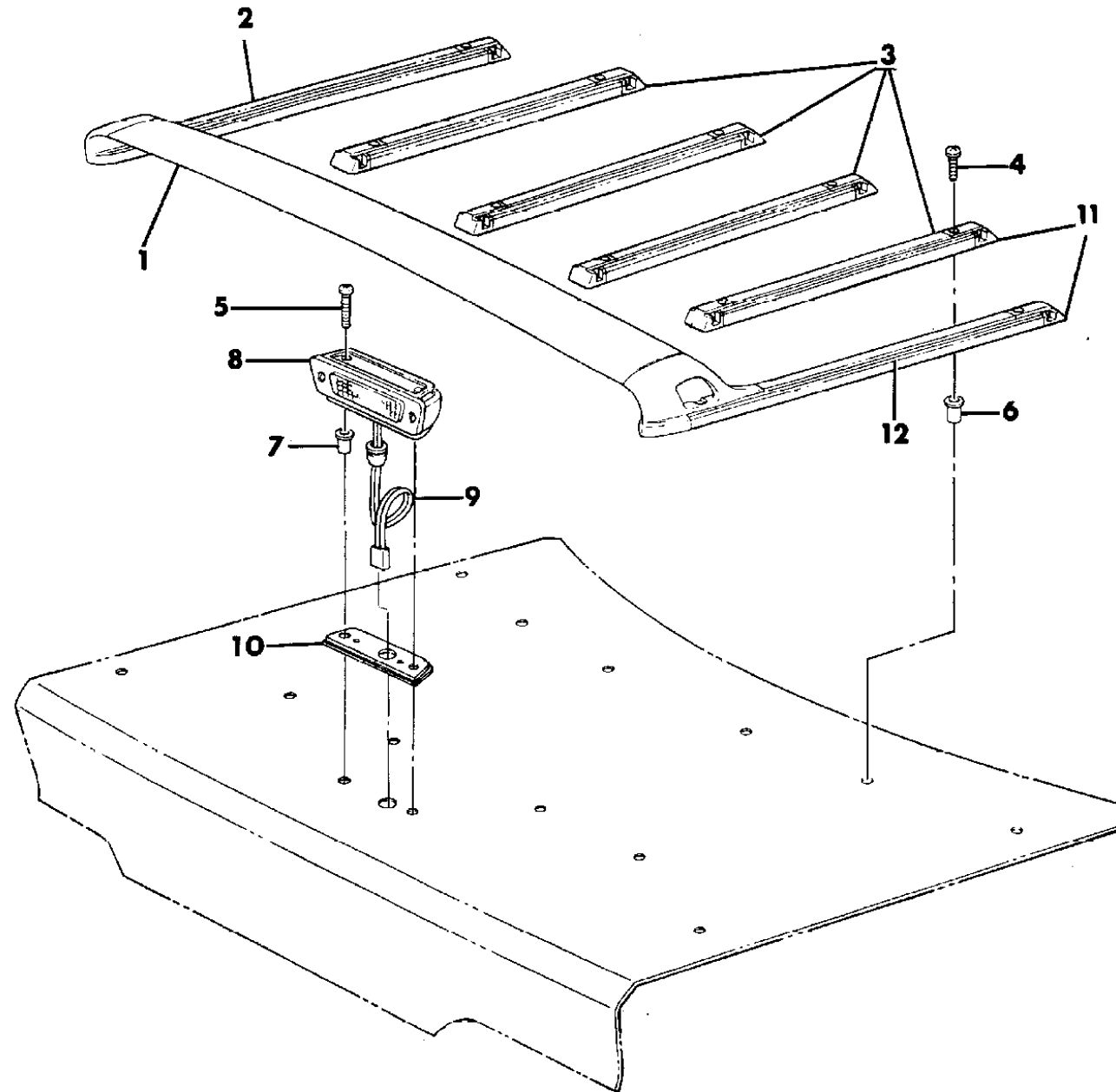
**MODEL CODES:**  
 A BODY=(C=LeBaron, D=Spirit, P=Acclaim/LaBaron(Landau), Saratoga) S BODY=(H=Voyager(H) FWD, K=Caravan(H) FWD, Y=Town & Country(H) FWD, P=Voyager(K) AWD, D=Caravan(K) AWD, C=Town & Country(K) AWD)  
 C BODY=(D=Dynasty, C=New Yorker/N.Y. Salon) Y BODY=(C=Imperial/5th Avenue)  
 G BODY=(V=Daytona/IROC, Chrysler Daytona) E-S BODY=(K=Chrysler Voyager(H) FWD, D=Chrysler Voyager(K) AWD)  
 J BODY=(C=LeBaron, Chrysler LeBaron)  
 P BODY=(P=Sundance, D=Shadow)

**BODY STYLES:**  
 21=2-Door Coupe      41=4-Door Sedan      12-52=FWD & AWD Van & Wgn Std W.B.  
 24=2-Door Hatchback      44=4-Door Hatchback      53=FWD & AWD Van & Wgn Ext. W.B.  
 27=2-Door Convertible

AR = Use as Required - = Non Illustrated Part P.A.R. = Paint as Required

DECK LID RACK Y BODY  
Figure 23A-1250

93169 12500



ITEM	PART NUMBER	QTY	BODY	MODEL	DESCRIPTION
1-12	4504 830	1			DECK LID RACK ASSEMBLY
1	4504 831	1			CROSSBAR
2	4504 832	2			SKID STRIP, Outer
3	4504 833	4			SKID STRIP, Inner
4		AR			SCREW, Not Serviced
5		AR			SCREW, NOT Serviced
6	6026 292	10			Rivnut, 10-32 Aluminum
7		2			RIVNUT, 10-32 Aluminum Not Serviced
8	4504 836	1			LAMP ASSEMBLY
9		1			WIRING HARNESS, Not Serviced
10		1			GASKET, Not Serviced
11	4504 835	AR			CAP SKID STRIP END
12	4504 834	AR			INSERT, Inner and Outer

MODEL CODES:

A BODY=(C=LeBaron, D=Spirit, P=Acclaim/LaBaron(Landau), Saratoga) S BODY=(H=Voyager(H) FWD, K=Caravan(H) FWD, Y=Town & Country(H) FWD, P=Voyager(K) AWD, D=Caravan(K) AWD, C=Town & Country(K) AWD)  
 C BODY=(D=Dynasty, C=New Yorker/N.Y. Salon) Y BODY=(C=Imperial/5th Avenue)  
 G BODY=(V=Daytona/IROC, Chrysler Daytona) E-S BODY=(K=Chrysler Voyager(H) FWD, D=Chrysler Voyager(K) AWD)  
 J BODY=(C=LeBaron, Chrysler LeBaron)  
 P BODY=(P=Sundance, D=Shadow)

BODY STYLES:

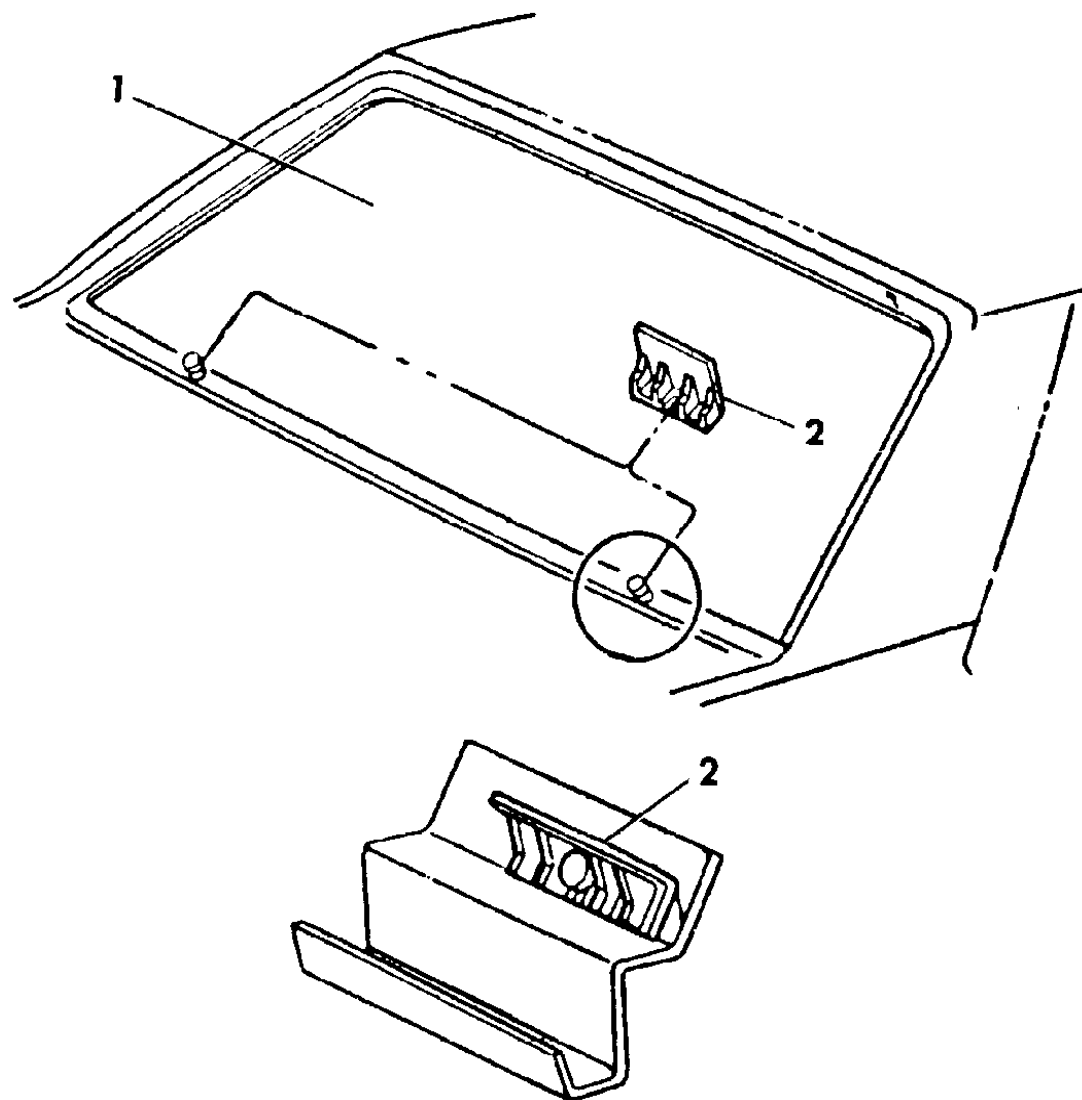
21=2-Door Coupe 41=4-Door Sedan 12-52=FWD & AWD Van & Wgn Std W.B.  
 24=2-Door Hatchback 44=4-Door Hatchback 53=FWD & AWD Van & Wgn Ext. W.B.  
 27=2-Door Convertible

AR = Use as Required - = Non Illustrated Part P.A.R. = Paint as Required

**GLASS REAR WINDOW Y BODY**  
Figure 23A-1260

93169 12600

ITEM	PART NUMBER	QTY	BODY	MODEL	DESCRIPTION
1		1			GLASS
	4475 851			P	
	4475 849			S	
2	4719 055	2			SPACER, Rear Window Glass Lower



**MODEL CODES:**

A BODY=(C=LeBaron, D=Spirit, P=Acclaim/LaBaron(Landau), Saratoga)      S BODY=(H=Voyager(H) FWD, K=Caravan(H) FWD, Y=Town & Country(H) FWD, P=Voyager(K) AWD, D=Caravan(K) AWD, C=Town & Country(K) AWD)

C BODY=(D=Dynasty, C=New Yorker/N.Y. Salon)      Y BODY=(C=Imperial/5th Avenue)

G BODY=(V=Daytona/IROC, Chrysler Daytona)      E-S BODY=(K=Chrysler Voyager(H) FWD, D=Chrysler Voyager(K) AWD)

J BODY=(C=LeBaron, Chrysler LeBaron)

P BODY=(P=Sundance, D=Shadow)

**BODY STYLES:**

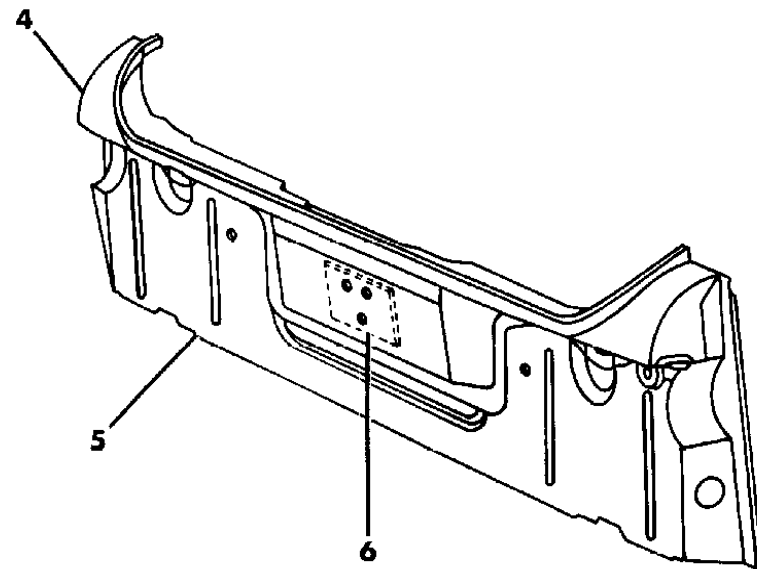
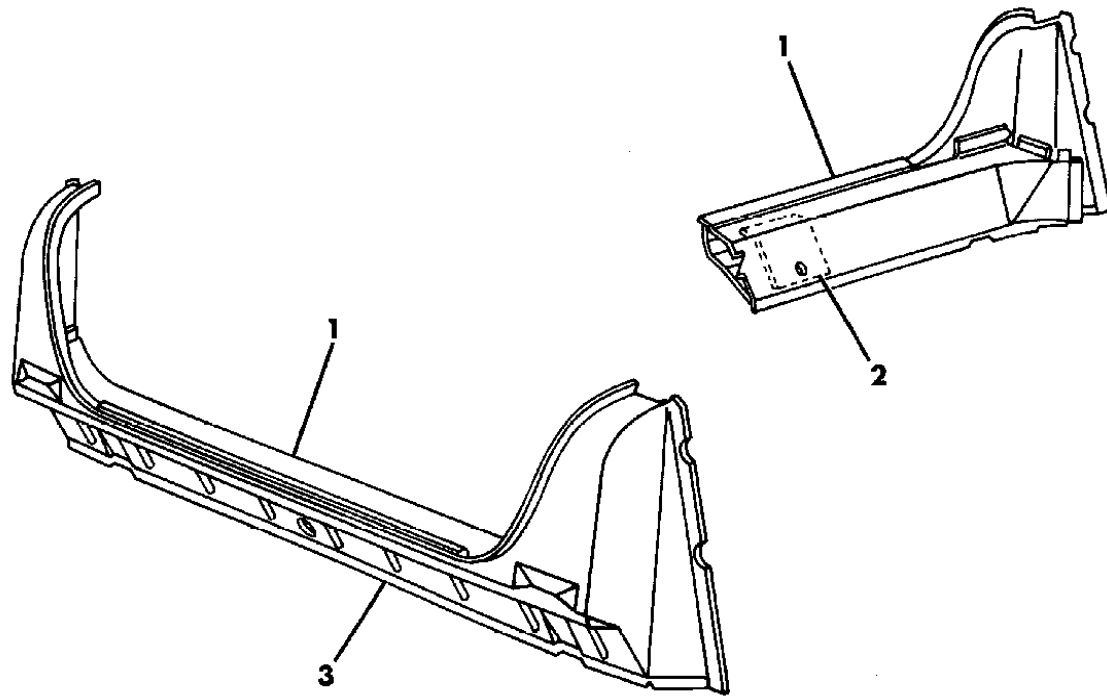
21=2-Door Coupe      41=4-Door Sedan      12-52=FWD & AWD Van & Wgn Std W.B.  
 24=2-Door Hatchback      44=4-Door Hatchback      53=FWD & AWD Van & Wgn Ext. W.B.  
 27=2-Door Convertible

AR = Use as Required - = Non Illustrated Part P.A.R. = Paint as Required

DECK OPENING PANEL Y BODY  
Figure 23A-1270

93169 12700

ITEM	PART NUMBER	QTY	BODY	MODEL	DESCRIPTION
1	5256 257	1		S	REINFORCEMENT, Deck Opening Lower Panel
2	4386 680	1		S	T-PLATE, Deck Opening Lower Panel Latch Striker
3	4674 379	1		S	PANEL, Deck Opening Lower
	4490 461	3			PLUG, Deck Opening Lower
4	4440 320	1		P	PANEL, Deck Opening Lower
5	4440 319	1		P	REINFORCEMENT, Deck Opening Lower Panel
6	4440 321	1		P	PLATE, Deck Opening Lower Panel Latch Striker



**MODEL CODES:**

A BODY=(C=LeBaron, D=Spirit, P=Acclaim/LaBaron(Landau),  
Saratoga)  
C BODY=(D=Dynasty, C=New Yorker/N.Y. Salon)  
G BODY=(V=Daytona/IROC, Chrysler Daytona)  
J BODY=(C=LeBaron, Chrysler LeBaron)  
P BODY=(P=Sundance, D=Shadow)

S BODY=(H=Voyager(H) FWD, K=Caravan(H) FWD,  
Y=Town & Country(H) FWD, P=Voyager(K) AWD,  
D=Caravan(K) AWD, C=Town & Country(K) AWD)  
Y BODY=(C=Imperial/5th Avenue)  
E-S BODY=(K=Chrysler Voyager(H) FWD, D=Chrysler  
Voyager(K) AWD)

**BODY STYLES:**

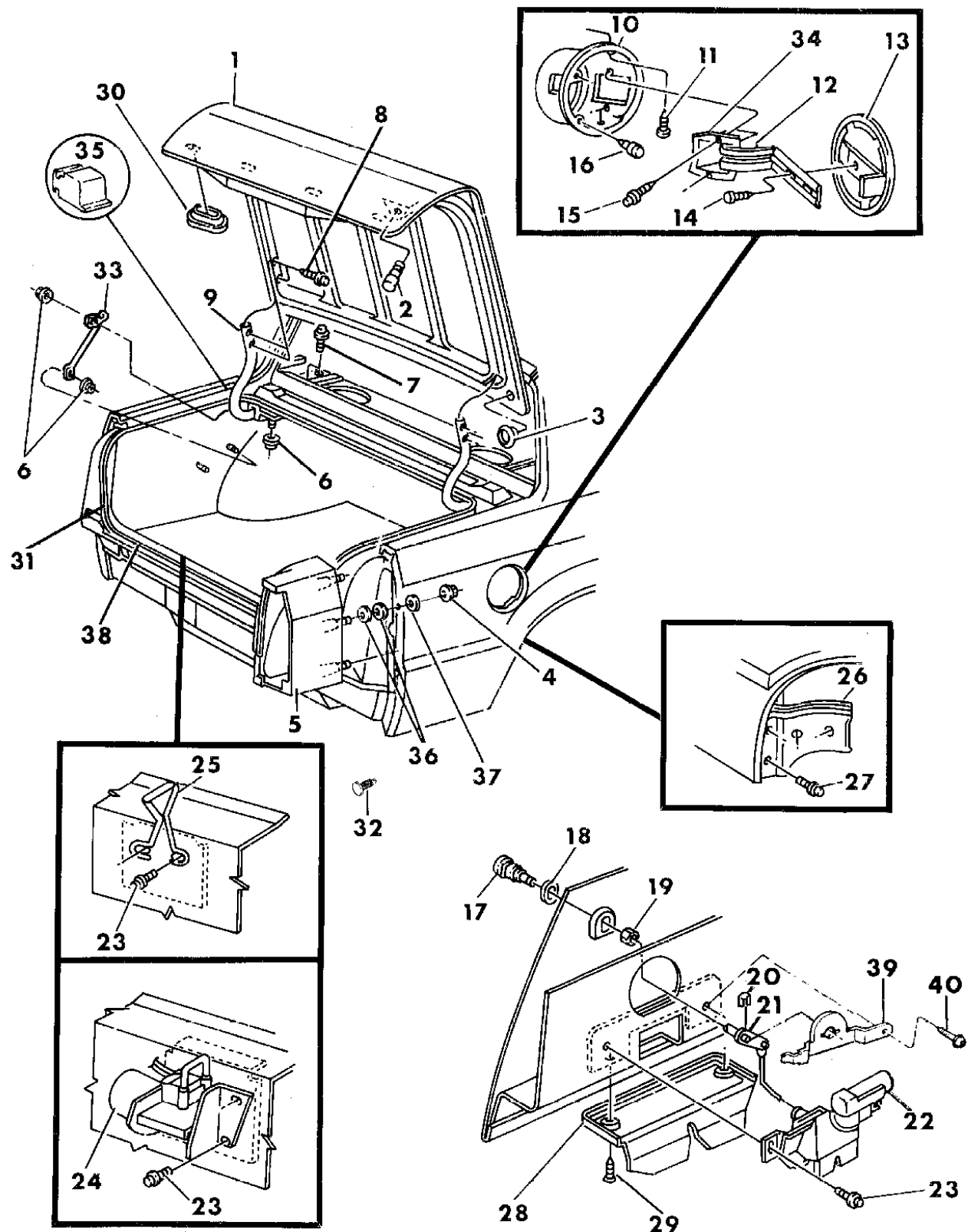
21=2-Door Coupe      41=4-Door Sedan      12-52=FWD & AWD Van & Wgn Std W.B.  
24=2-Door Hatchback      44=4-Door Hatchback      53=FWD & AWD Van & Wgn Ext. W.B.  
27=2-Door Convertible

AR = Use as Required - = Non Illustrated Part P.A.R. = Paint as Required

DECK LID AND FUEL FILLER DOOR Y BODY

Figure 23A-1280

93169 12800A



ITEM	PART NUMBER	QTY	BODY	MODEL	DESCRIPTION
1	5256 048	1		S	PANEL, Deck Lid
	4655 119	1		P	PANEL, Deck Lid
-	J400 5015	2			PLUG, Push in Type
2	4396 304	2			BUMPER, Deck Lid Inside Adjustable
	5256 088	2			Bumper, Overslam
	6023 531	2			Screw
3	6029 939	2			PLUG
4		6			NUT, Not Serviced
5	4719 018-9	1		S	EXTENSION, Body Side Aperture Panel Qtr. End
6	6101 445	6			NUT and WASHER
7	6101 479	4			SCREW and WASHER
8	6501 305	4			SCREW and WASHER
9	5256 106-7	1			HINGE
10	5253 795	1			HOUSING, Fuel Filler
11		3			SCREW, Not Serviced
12	4674 191	1			HINGE, Fuel Filler Door
13	5253 792	1			DOOR, Fuel Filler
14		2			SCREW, Not Serviced
15		2			SCREW, Not Serviced
16	4371 970	2			BUMPER, Fuel Filler Door
	4512 363	2			BUMPER, Fuel Filler Door Hinge
17		1			CYLINDER, (See Group 23D)
18	3695 321	1			GASKET
19	4054 202	1			NUT
20	6032 107	1			CLIP
21		1			LINK (Serviced in Cylinder) Group 23D ***
22	4615 436	1			LATCH, Deck Lid Electric Release
23	6502 551	4			SCREW and WASHER
24	4378 724	1			MOTOR, Deck Lid Power Pull Down
25	4378 368	1			STRIKER, Deck Lid Latch Electric
26	4534 560-1	1			SHIELD, w/House Inner Panel
27		4			SCREW and WASHER, Not Serviced
28					COVER, Deck Lid Pull Down Latch Not Req.
29		AR			SCREW, Not Serviced
30	4440 486	AR			PLUG, Deck Lid
31	4490 700	1			WEATHERSTRIP, Deck Opening
32	6501 692	18			RETAINER
33	4440 656-7	1			BRACE
34	5253 791	1			HINGE, Fuel Filler Door

MODEL CODES:

A BODY=(C=LeBaron, D=Spirit, P=Acclaim/LaBaron(Landau), Saratoga) S BODY=(H=Voyager(H) FWD, K=Caravan(H) FWD, Y=Town & Country(H) FWD, P=Voyager(K) AWD, D=Caravan(K) AWD, C=Town & Country(K) AWD)  
 C BODY=(D=Dynasty, C=New Yorker/N.Y. Salon)  
 G BODY=(V=Daytona/IROC, Chrysler Daytona)  
 J BODY=(C=LeBaron, Chrysler LeBaron)  
 P BODY=(P=Sundance, D=Shadow) E-S BODY=(K=Chrysler Voyager(H) FWD, D=Chrysler Voyager(K) AWD)

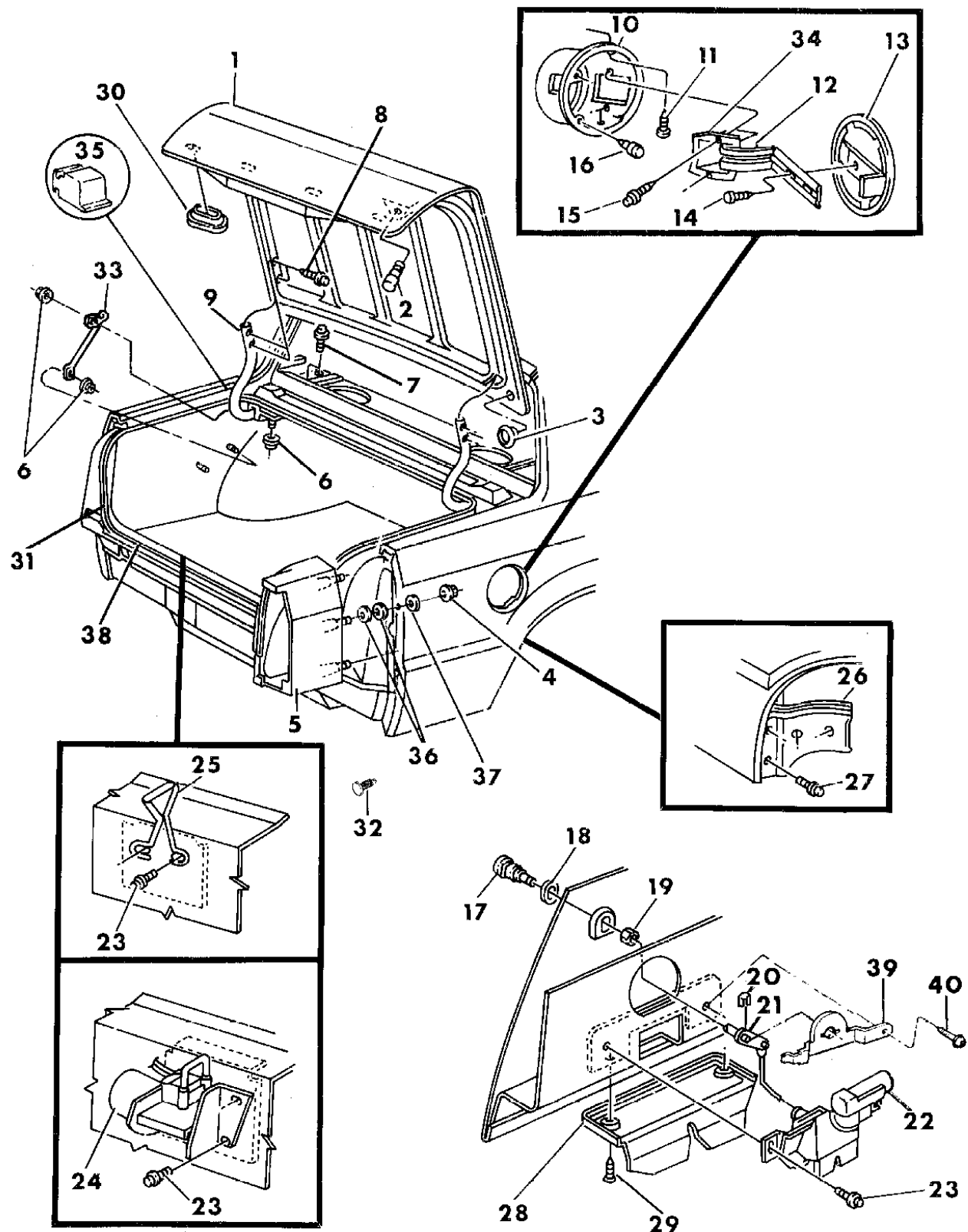
BODY STYLES:

21=2-Door Coupe      41=4-Door Sedan      12-52=FWD & AWD Van & Wgn Std W.B.  
 24=2-Door Hatchback      44=4-Door Hatchback      53=FWD & AWD Van & Wgn Ext. W.B.  
 27=2-Door Convertible

AR = Use as Required - = Non Illustrated Part P.A.R. = Paint as Required

DECK LID AND FUEL FILLER DOOR Y BODY  
Figure 23A-1280

93169 12800A



ITEM	PART NUMBER	QTY	BODY	MODEL	DESCRIPTION
35	4416 378	2			BUMPER, Deck Lid Hinge Support Stop
36		AR			WASHER, Not Serviced
37		4			WASHER, Not Serviced
38	4490 700	1			WEATHERSTRIP, Deck Lid Opening
39	5257 617	1			BRACKET, Deck Lid Lock Cylinder Release
40		AR			SCREW, .164-18x.375

MODEL CODES:

A BODY=(C=LeBaron, D=Spirit, P=Acclaim/LaBaron(Landau), Saratoga) S BODY=(H=Voyager(H) FWD, K=Caravan(H) FWD, Y=Town & Country(H) FWD, P=Voyager(K) AWD, D=Caravan(K) AWD, C=Town & Country(K) AWD)  
 C BODY=(D=Dynasty, C=New Yorker/N.Y. Salon)  
 G BODY=(V=Daytona/IROC, Chrysler Daytona)  
 J BODY=(C=LeBaron, Chrysler LeBaron)  
 P BODY=(P=Sundance, D=Shadow)  
 Y BODY=(C=Imperial/5th Avenue)  
 E-S BODY=(K=Chrysler Voyager(H) FWD, D=Chrysler Voyager(K) AWD)

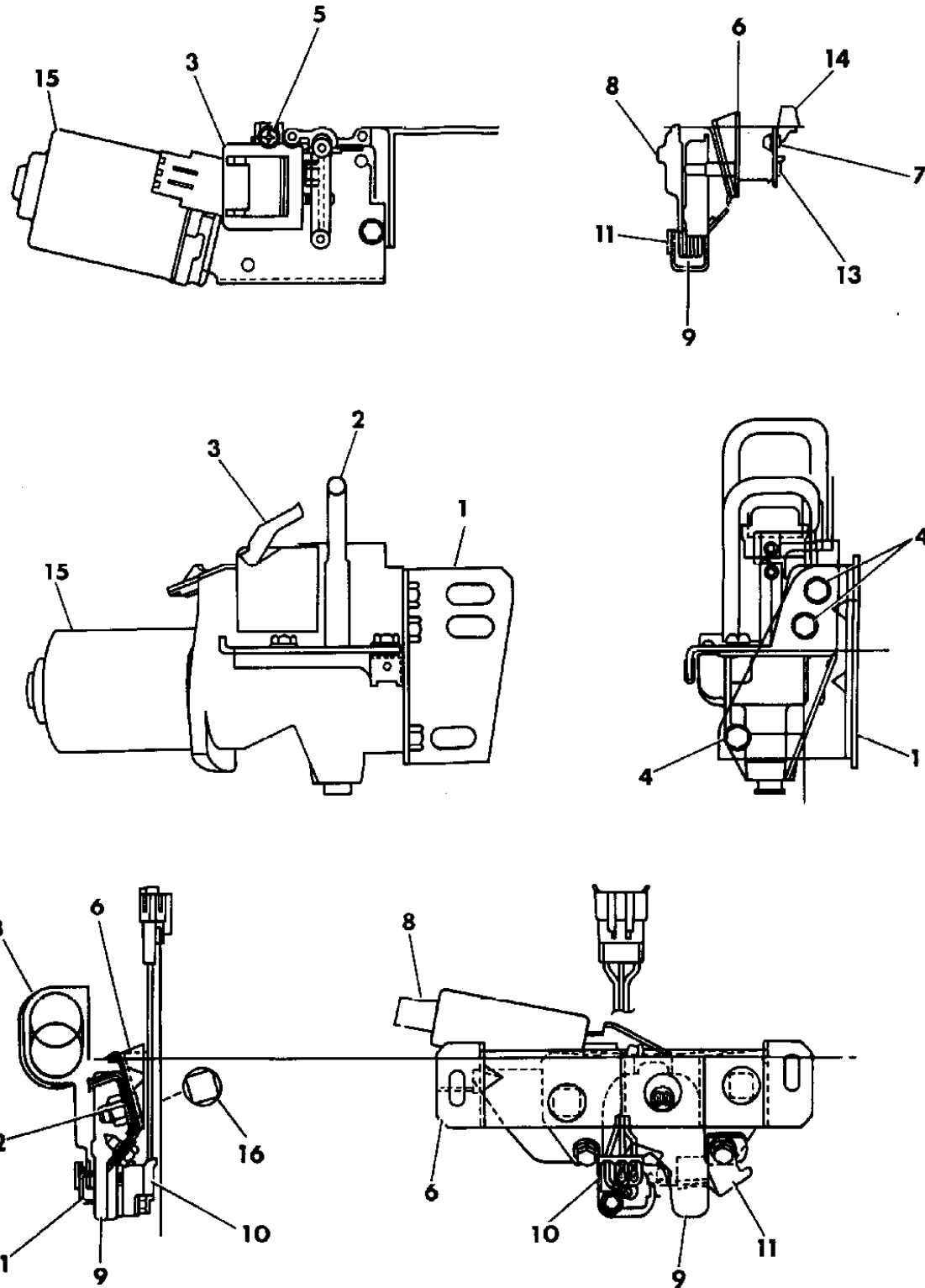
BODY STYLES:

21=2-Door Coupe 41=4-Door Sedan 12-52=FWD & AWD Van & Wgn Std W.B.  
 24=2-Door Hatchback 44=4-Door Hatchback 53=FWD & AWD Van & Wgn Ext. W.B.  
 27=2-Door Convertible

AR = Use as Required - = Non Illustrated Part P.A.R. = Paint as Required

DECK LID POWER PULL DOWN Y BODY  
Figure 23A-1290

93169 12900



ITEM	PART NUMBER	QTY	BODY	MODEL	DESCRIPTION
1	4378 411	1			BRACKET, Striker Deck Lid Pull Down
2	4378 284	1			STRIKER ASSEMBLY, Deck Lid Pull Down
	4378 725	1			STRIKER and (Clear) Housing, w/Gear ***
3	4373 225	1			SWITCH ASSEMBLY, Deck Lid Pull Down
4		3			SCREW, Not Serviced
5		1			SCREW, Not Serviced
6	4378 272	1		P	BRACKET ADAPTOR, Deck Lid Pull Down Latch Power
	4378 121	1		S	BRACKET ADAPTOR, Deck Lid Pull Down Latch Power
7	4467 249	1		S	LEVER and PIN, Latch
8	4378 280	1			SOLENOID ASSEMBLY, Latch
9	4378 281	1			LATCH ASSEMBLY
10	4373 224	1			SWITCH ASSEMBLY, Latch
11	4378 282	1			SPRING RETAINER ASSEMBLY, Latch
12	6100 051	2			NUT and WASHER
13	6032 107	2		S	CLIP, Pin Retainer
14	5257 478	1		S	CLIP, Rod Retainer
15	4378 724	1			MOTOR, Deck Lid Pull Down
16		2			BOLT, Bracket Adaptor 8x1.25x2 Not Serviced

MODEL CODES:

A BODY=(C=LeBaron, D=Spirit, P=Acclaim/LaBaron(Landau, Saratoga)  
C BODY=(D=Dynasty, C=New Yorker/N.Y. Salon)  
G BODY=(V=Daytona/IROC, Chrysler Daytona)  
J BODY=(C=LeBaron, Chrysler LeBaron)  
P BODY=(P=Sundance, D=Shadow)

S BODY=(H=Voyager(H) FWD, K=Caravan(H) FWD, Y=Town & Country(H) FWD, P=Voyager(K) AWD, D=Caravan(K) AWD, C=Town & Country(K) AWD)  
Y BODY=(C=Imperial/5th Avenue)  
E-S BODY=(K=Chrysler Voyager(H) FWD, D=Chrysler Voyager(K) AWD)

BODY STYLES:

21=2-Door Coupe      41=4-Door Sedan      12-52=FWD & AWD Van & Wgn Std W.B.  
24=2-Door Hatchback      44=4-Door Hatchback      53=FWD & AWD Van & Wgn Ext. W.B.  
27=2-Door Convertible

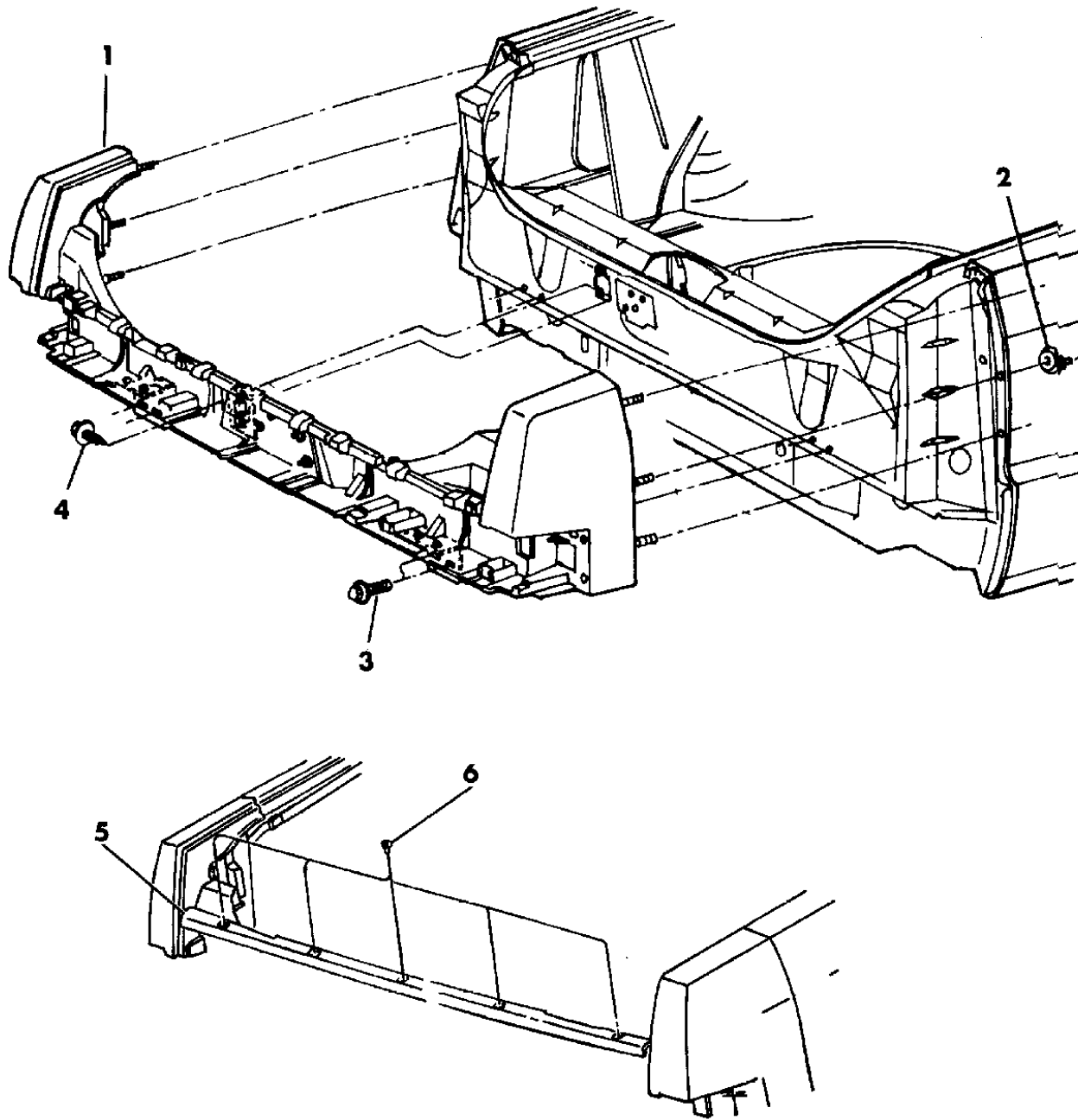
AR = Use as Required - = Non Illustrated Part P.A.R. = Paint as Required



DECK OPENING PANEL Y BODY  
Figure 23A-1270

93169 13000

ITEM	PART NUMBER	QTY	BODY	MODEL	DESCRIPTION
1	5262 266	1		P	CARRIER, Deck Opening Lower Panel
2	6033 024	3		P	NUT
3	6033 581	4		P	SCREW
4	0181 065	2		P	BOLT
5	4399 487	1			COVER, Lower Deck Opening, Tail Lamp
6		5			SCREW (Do Not Serviced) ***



MODEL CODES:

A BODY=(C=LeBaron, D=Spirit, P=Acclaim/LaBaron(Landau), Saratoga) S BODY=(H=Voyager(H) FWD, K=Caravan(H) FWD, Y=Town & Country(H) FWD, P=Voyager(K) AWD, D=Caravan(K) AWD, C=Town & Country(K) AWD)  
 C BODY=(D=Dynasty, C=New Yorker/N.Y. Salon)  
 G BODY=(V=Daytona/IROC, Chrysler Daytona)  
 J BODY=(C=LeBaron, Chrysler LeBaron)  
 P BODY=(P=Sundance, D=Shadow)

BODY STYLES:

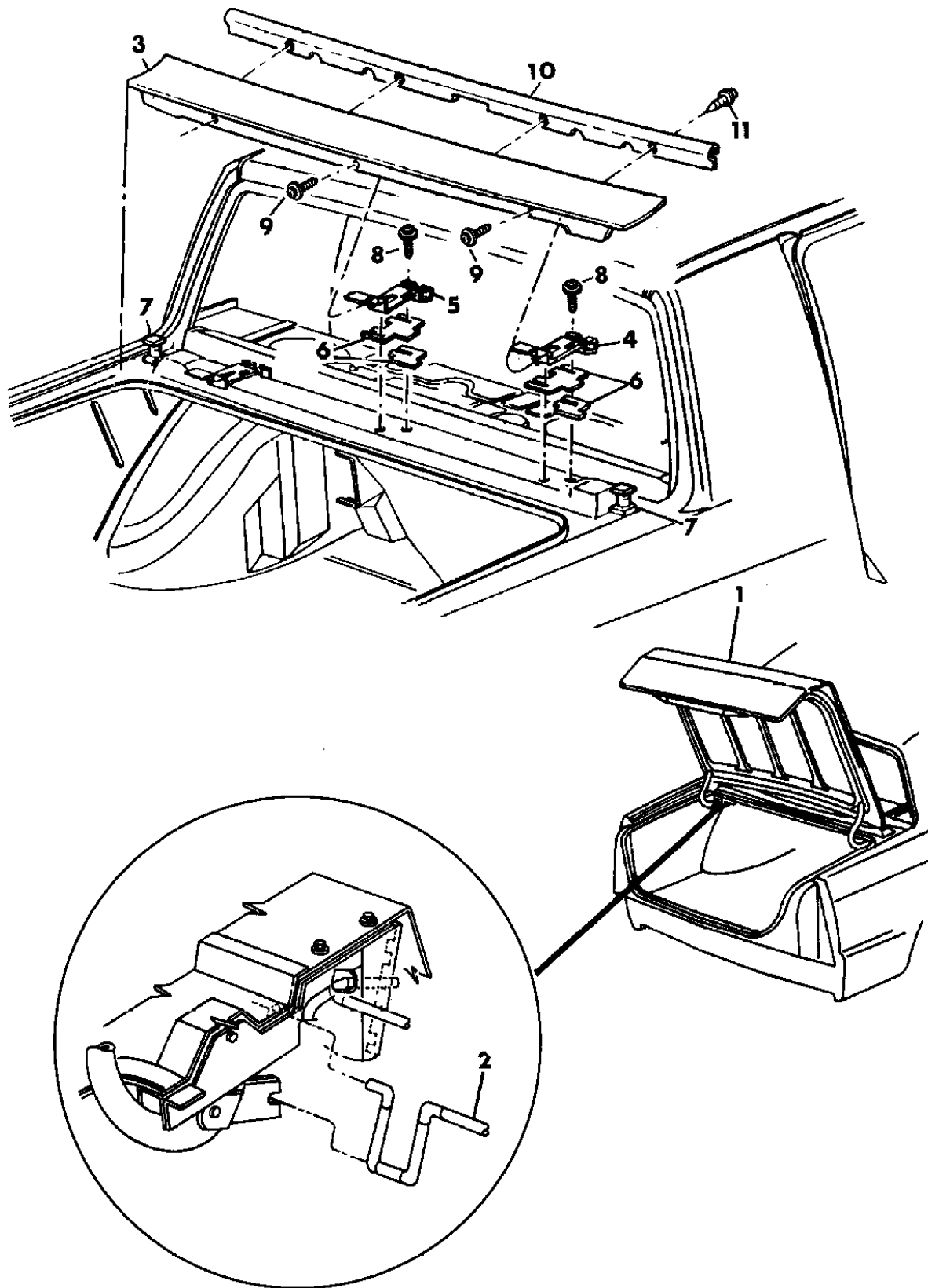
21=2-Door Coupe      41=4-Door Sedan      12-52=FWD & AWD Van & Wgn Std W.B.  
 24=2-Door Hatchback      44=4-Door Hatchback      53=FWD & AWD Van & Wgn Ext. W.B.  
 27=2-Door Convertible

AR = Use as Required - = Non Illustrated Part P.A.R. = Paint as Required

DECK LID SHELF AND BAR Y BODY  
Figure 23A-1310

93169 13100A

ITEM	PART NUMBER	QTY	BODY	MODEL	DESCRIPTION
1		1			PANEL, Deck Lid
	5256 048				
2	4416 368-9	1			BAR and SLEEVE, Deck Lid Hinge Torsion
3	5253 669	1			PANEL, Deck Opening Upper
4	5256 298	2			RETAINER, Deck Opening Upper Panel
5	5256 160	1			RETAINER, Deck Opening Upper Panel
6		AR			SPACER, Not Serviced
7	4655 113	2			SCREW and NUT ASSEMBLY, Jack ***
8		6			SCREW, Not Serviced
9	6028 674	AR			SCREW
10	4676 218	1			MOULDING, Backlite Lower
11	6004 206	4			RETAINER



**MODEL CODES:**

A BODY=(C=LeBaron, D=Spirit, P=Acclaim/LaBaron(Landau),  
Saratoga)  
C BODY=(D=Dynasty, C=New Yorker/N.Y. Salon)  
G BODY=(V=Daytona/IROC, Chrysler Daytona)  
J BODY=(C=LeBaron, Chrysler LeBaron)  
P BODY=(P=Sundance, D=Shadow)

S BODY=(H=Voyager(H) FWD, K=Caravan(H) FWD,  
Y=Town & Country(H) FWD, P=Voyager(K) AWD,  
D=Caravan(K) AWD, C=Town & Country(K) AWD)  
Y BODY=(C=Imperial/5th Avenue)  
E-S BODY=(K=Chrysler Voyager(H) FWD, D=Chrysler  
Voyager(K) AWD)

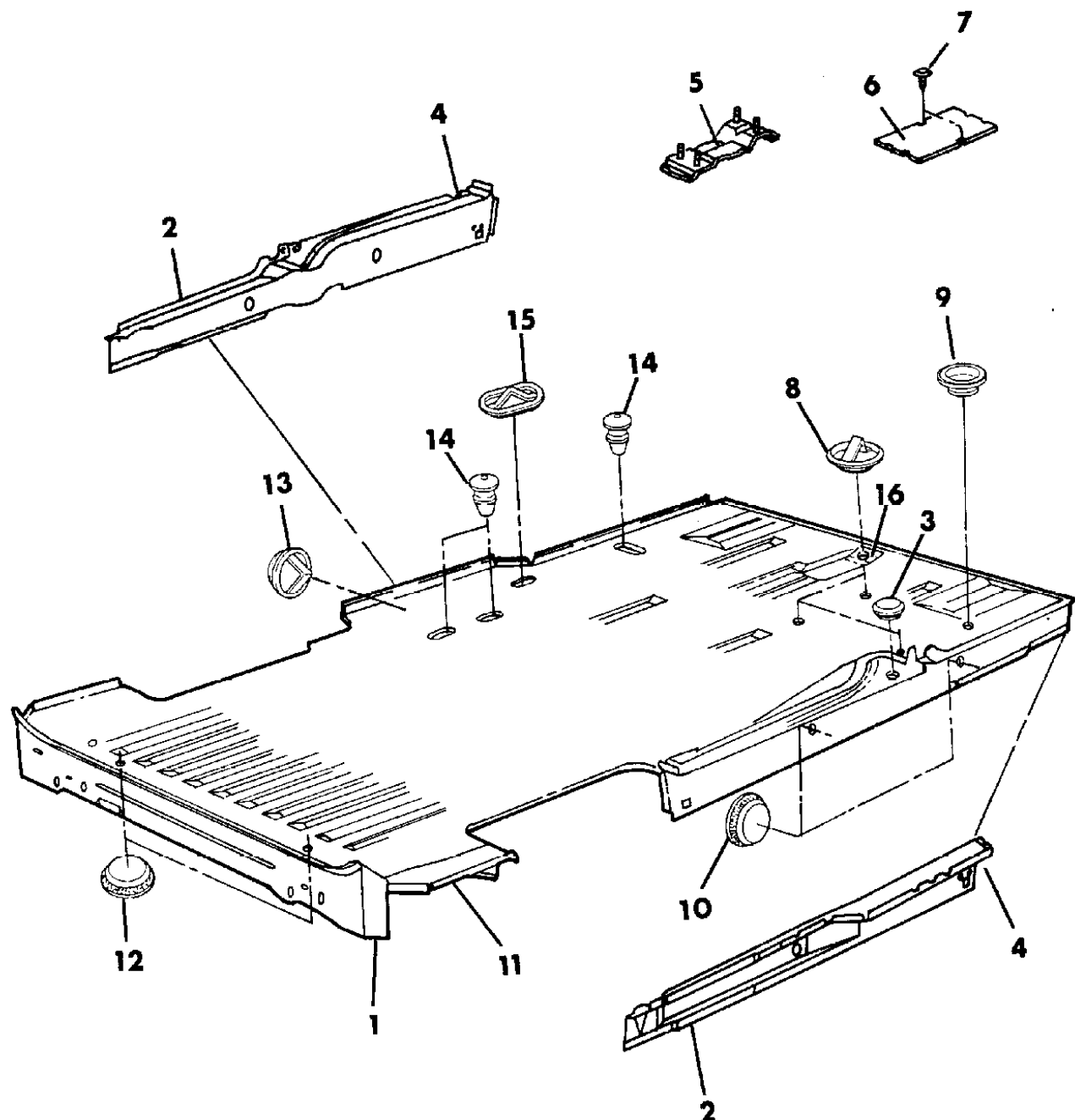
**BODY STYLES:**

21=2-Door Coupe      41=4-Door Sedan      12-52=FWD & AWD Van & Wgn Std W.B.  
24=2-Door Hatchback      44=4-Door Hatchback      53=FWD & AWD Van & Wgn Ext. W.B.  
27=2-Door Convertible

AR = Use as Required - = Non Illustrated Part P.A.R. = Paint as Required

FLOOR PAN S BODY  
Figure 23A-1330

93169 13300



ITEM	PART NUMBER	QTY	BODY	MODEL	DESCRIPTION
1		1			PAN, Floor
	4512 398			12	
	4475 085			52	
	4512 399			13	
	4475 086			53	
2		1			PANEL, Body Side Sill Inner
	4512 450-1			12,52	
	4512 452-3			13,53	
3	1950 477	1			PLUG, Body Side Seal Inner
4	3794 032	2			SEAL, Body Side Inner Panel
5	4371 819	1			BRACKET, Floor Pan Shifter Mounting
6		1			COVER, Floor Pan Side Rail Weld Access Not Serviced
7		4			SCREW, #10x.625 Not Serviced
8	4512 495	1			PLUG, Floor Pan Main Shaft Drain
9	1774 076	4			PLUG, Floor Pan Seat Mounting Holes
10	4512 495	2			PLUG, Side Sill Drain
11		1			BRACKET, Floor Pan Rear Suspension Hanger
	4512 918-9			12,52	
	5255 304-5			53	
-	4314 223	2			PLUG, Floor Pan Rear Hanger Front Bracket
12	4490 461	1			PLUG, Floor Pan Drain 2 Req. For Models 13,53
13	4512 495	1			PLUG, Side Sill Drain (One Req. For Left Side)
14		AR		52,53	PLUG, Floor Pan Drain, Do Not Service
15	4475 288	1		53	PLUG, Underbody Access Hole
16	4512 044	1			BRACKET, Rear Floor Pan, Spare Wheel Anchor
-	4512 488-9	1			BRACKET, Floor Pan Shipping Tie-Down RR

MODEL CODES:

A BODY=(C=LeBaron, D=Spirit, P=Acclaim/LaBaron(Landau), Saratoga) S BODY=(H=Voyager(H) FWD, K=Caravan(H) FWD, Y=Town & Country(H) FWD, P=Voyager(K) AWD, D=Caravan(K) AWD, C=Town & Country(K) AWD)  
 C BODY=(D=Dynasty, C=New Yorker/N.Y. Salon) Y BODY=(C=Imperial/5th Avenue)  
 G BODY=(V=Daytona/IROC, Chrysler Daytona) E-S BODY=(K=Chrysler Voyager(H) FWD, D=Chrysler Voyager(K) AWD)  
 J BODY=(C=LeBaron, Chrysler LeBaron) P BODY=(P=Sundance, D=Shadow)

BODY STYLES:

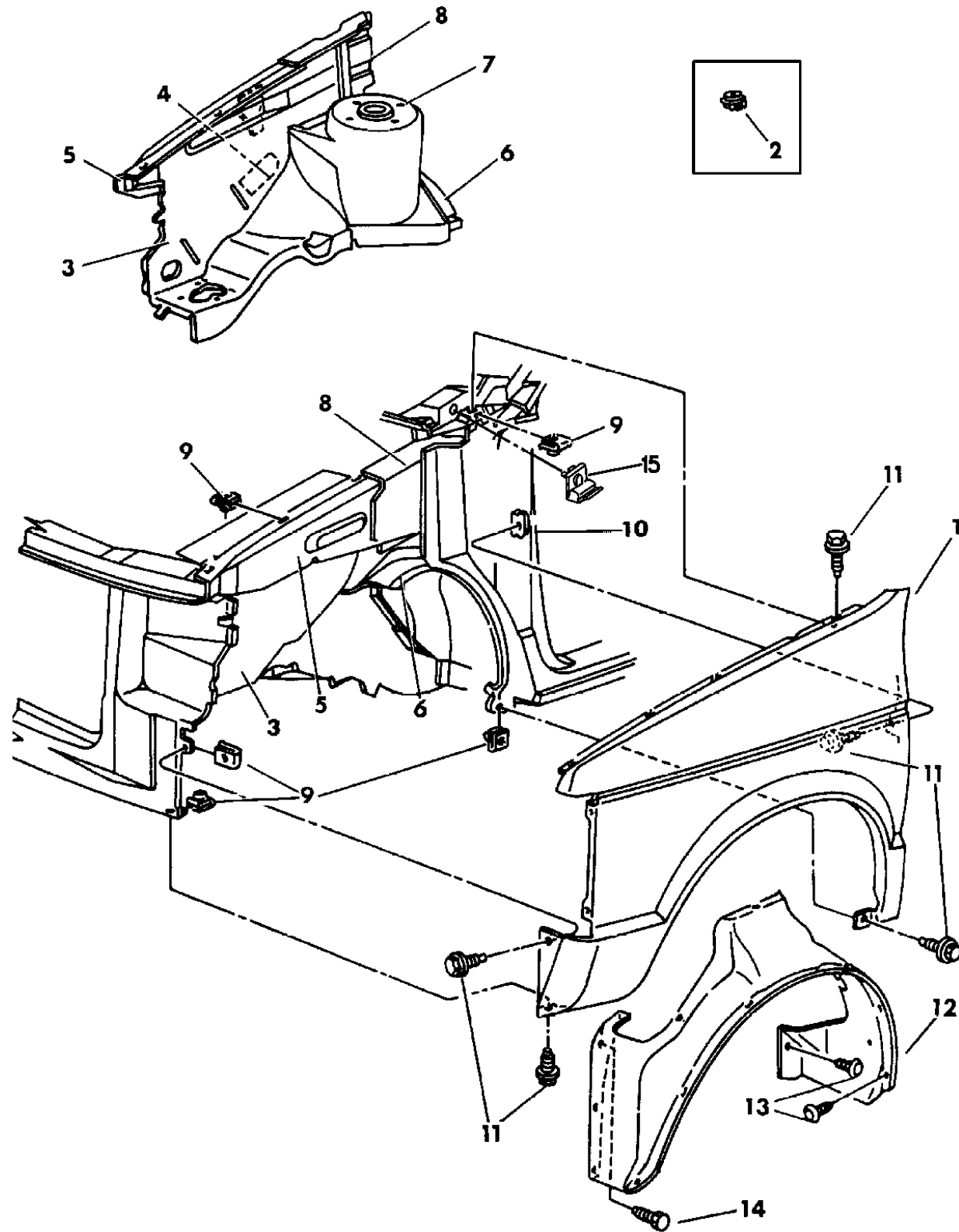
21=2-Door Coupe 41=4-Door Sedan 12-52=FWD & AWD Van & Wgn Std W.B.  
 24=2-Door Hatchback 44=4-Door Hatchback 53=FWD & AWD Van & Wgn Ext. W.B.  
 27=2-Door Convertible

AR = Use as Required - = Non Illustrated Part P.A.R. = Paint as Required

FENDER AND SHIELD S BODY

Figure 23A-1340

93169 13400A



ITEM	PART NUMBER	QTY	BODY	MODEL	DESCRIPTION
1	4636 480-1	1			FENDER
2	4222 739	1			PLUG Fender Antenna Hole
3	4674 306-7	1			PANEL ,Front Fender Side Sheild
4	4534 533	1			PLATE, Horn and Jack Stowage
5	4674 308-9	1			BEAM, Front Fender Shield
6	4674 360-1	1			EXTENSION, Iso-Strut Tower To Dash Panel
7	4534 076-7	1			TOWER, Isolator Strut
8	4674 226-7	1			EXTENSION, Body Side Aperture To Front Fender Shield Beam
9	6500 933	6			U-NUT
10	4314 093	2			BRACKET, Body Side Aperture Front To Fender Center
11	6501 212	17			SCREW and WASHER
12	4674 070-1	1			SHIELD, Fender Wheelhouse Splash
13	6030 441	22			RETAINER
14		6			SCREW 1/4"-14x.875" Not Serviced ***
15	4674 384	2			REINFORCEMENT, Body Side to Fender

MODEL CODES:

A BODY=(C=LeBaron, D=Spirit, P=Acclaim/LaBaron(Landau, Saratoga) S BODY=(H=Voyager(H) FWD, K=Caravan(H) FWD, Y=Town & Country(H) FWD, P=Voyager(K) AWD, D=Caravan(K) AWD, C=Town & Country(K) AWD)  
 C BODY=(D=Dynasty, C=New Yorker/N.Y. Salon) Y BODY=(C=Imperial/5th Avenue)  
 G BODY=(V=Daytona/ROC, Chrysler Daytona) E-S BODY=(K=Chrysler Voyager(H) FWD, D=Chrysler Voyager(K) AWD)  
 J BODY=(C=LeBaron, Chrysler LeBaron)  
 P BODY=(P=Sundance, D=Shadow)

BODY STYLES:

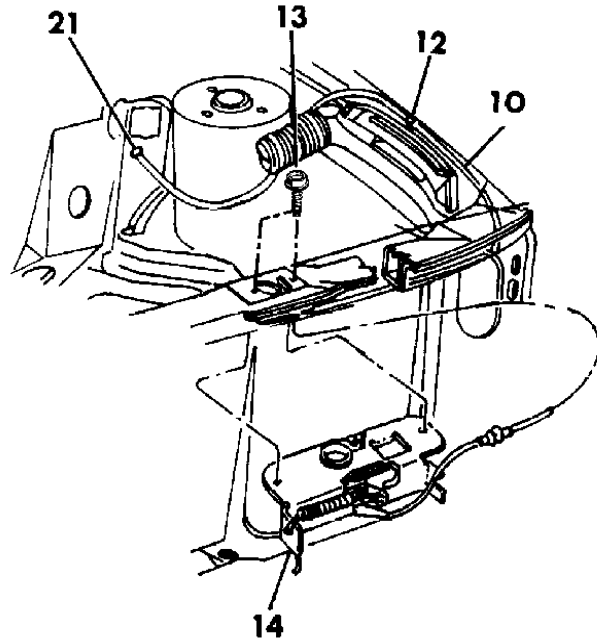
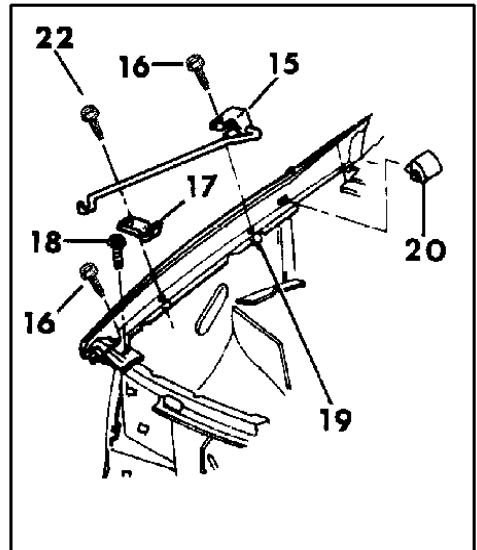
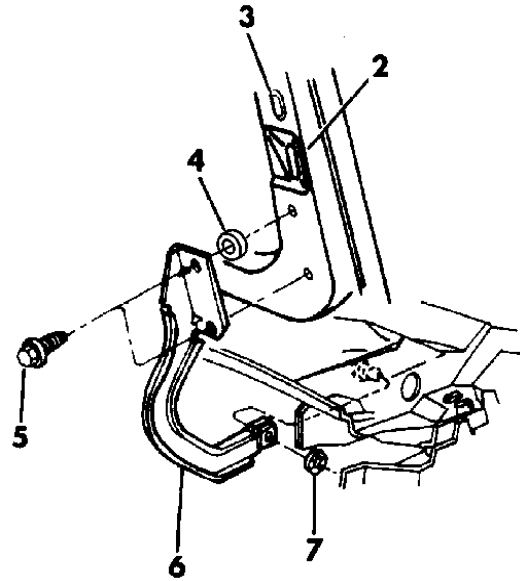
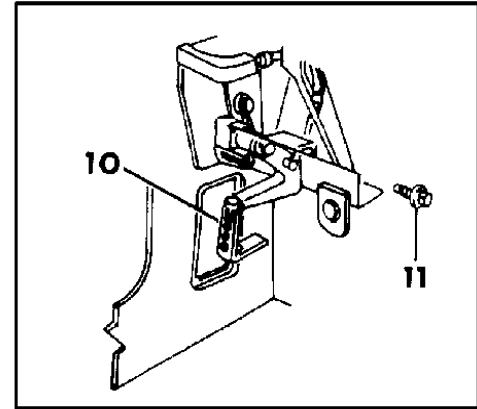
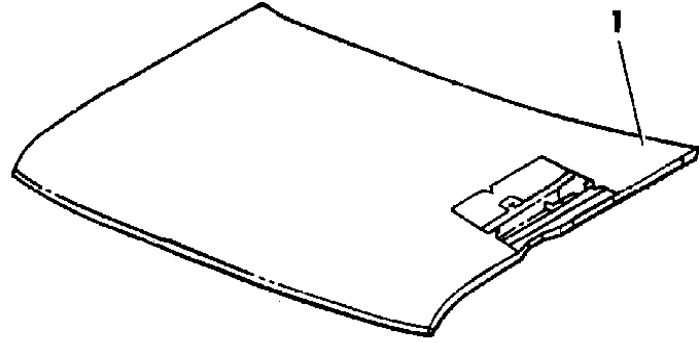
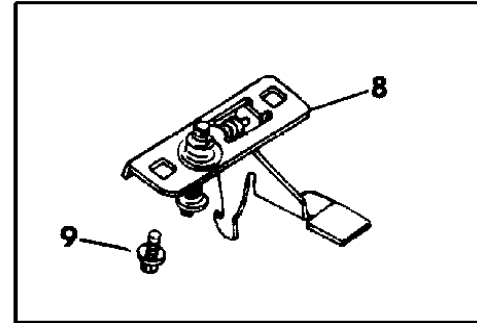
21=2-Door Coupe      41=4-Door Sedan      12-52=FWD & AWD Van & Wgn Std W.B.  
 24=2-Door Hatchback      44=4-Door Hatchback      53=FWD & AWD Van & Wgn Ext. W.B.  
 27=2-Door Convertible

AR = Use as Required - = Non Illustrated Part P.A.R. = Paint as Required

## HOOD AND HOOD RELEASE S BODY Figure 23A-1350

93169 13500B

ITEM	PART NUMBER	QTY	BODY	MODEL	DESCRIPTION
1	4719 040	1			HOOD
-	4674 140	1			LABEL, Airbag Warning (Under Hood)
		AR			SHIM, Washer Hood Not Serviced
2	4719 072	1			SILENCER , Hood Panel
3	6003 351	7			FASTENER, Hood Panel Silencer
4		2			SHIM, Hood Panel, Not Serviced
5	6502 674	2			SCREW and WASHER
6	4674 370-1	1			ARM ASSEMBLY, Hood Hinge ***
7	6034 227	2			NUT, Hood Hinge Arm Return Spring
8	4534 017	1			STRIKER AND SAFETY CATCH ASSEMBLY, Hood Half ***
9		2			SCREW and WASHER
	6501 728				Up to 1-25-93
	6503 208				After 1-25-93
10	4534 014	1			RELEASE ASSEMBLY, Inside Hood Latch
11	9421 073	3			SCREW, Hood Latch Release
12	6015 640	AR			CLIP, Inside Hood Latch
13		2			SCREW AND WASHER, Hood Latch, Not Serviced ***
14	4675 209	1			LATCH ASSEMBLY, Hood Half
15	5255 653	1			ROD AND ANCHOR BRACKET ASSEMBLY, Hood Prop ***
16	6501 212	AR			SCREW AND WASHER ***
17	4674 297	AR			CLIP, Hood Prop Rod Stowage
18	4103 165	2			BUMPER, Crossmember To Hood Adjustable
19	1150 3714	13			U-NUT
20	4296 227	2			BUMPER, Fender To Hood Side
21	5207 294	1			GROMMET, Hood Latch Release
22	6501 212	1			SCREW AND WASHER ***



**MODEL CODES:**

A BODY=(C=LeBaron, D=Spirit, P=Acclaim/LaBaron(Landau), Saratoga)      S BODY=(H=Voyager(H) FWD, K=Caravan(H) FWD, Y=Town & Country(H) FWD, P=Voyager(K) AWD, D=Caravan(K) AWD, C=Town & Country(K) AWD)  
 C BODY=(D=Dynasty, C=New Yorker/N.Y. Salon)  
 G BODY=(V=Daytona/IROC, Chrysler Daytona)  
 J BODY=(C=LeBaron, Chrysler LeBaron)  
 P BODY=(P=Sundance, D=Shadow)      Y BODY=(C=Imperial/5th Avenue)  
 E-S BODY=(K=Chrysler Voyager(H) FWD, D=Chrysler Voyager(K) AWD)

**BODY STYLES:**

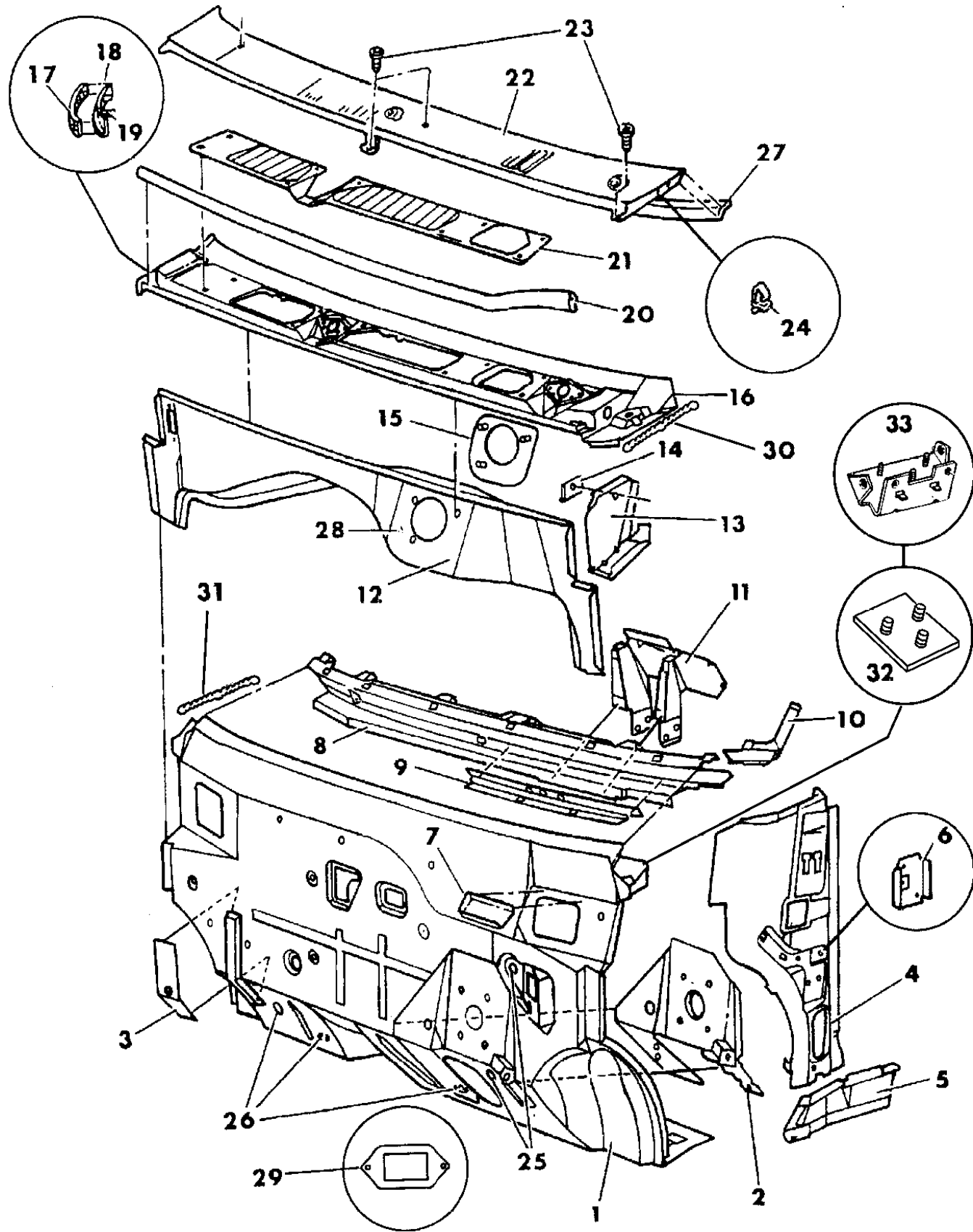
21=2-Door Coupe      41=4-Door Sedan      12-52=FWD & AWD Van & Wgn Std W.B.  
 24=2-Door Hatchback      44=4-Door Hatchback      53=FWD & AWD Van & Wgn Ext. W.B.  
 27=2-Door Convertible

AR = Use as Required - = Non Illustrated Part P.A.R. = Paint as Required

# COWL AND DASH PANEL S BODY

## Figure 23A-1360

93169 13600D



ITEM	PART NUMBER	QTY	BODY	MODEL	DESCRIPTION
1		1			PANEL, Dash
	4674 063				Up to 1-15-93
	4719 240				After 1-15-93
2	4475 641	1			REINFORCEMENT, Dash Panel Accelerator and Brake Pedal
3	4337 276	1			REINFORCEMENT, Dash Panel To Front Side Rail Upper Rt.
4	4674 222-3	1			PANEL and REINFORCEMENT Assembly, Cowl Side ***
-	4719 108-9	1			SILENCER ASSEMBLY, Cowl Side
-	6030 441	5			RETAINER
5	4674 118-9	1			EXTENSION, Body Side Sill Inner Panel
6	4278 733	1			REINFORCEMENT, Cowl Side Park Brake Bracket
7	4278 415	1			BRACKET, Cowl Plenum Water Deflector Lt.
8	4512 392	1			REINFORCEMENT, Dash Panel Belt
9	4512 899	1			SUPPORT, Dash Panel Belt Reinforcement Steering Column
10	4278 386-7	1			REINFORCEMENT, Dash Panel Belt To Windshield Frame Inner
11	4674 314	1			BRACKET, Dash Panel Steering Column Support
12	4512 565	1			PANEL, Cowl Plenum Lower Up
13	4674 224-5	1			PANEL, Cowl Plenum Side Inner
14	4512 478-9	1			REINFORCEMENT, w/Pin Cowl Plenum Side Inner Hood Hinge
15	4512 722	1			REINFORCEMENT, Cowl Lower Plenum Windshield Wiper Motor
16	4674 373	1			PANEL, Cowl Plenum Upper
17		2			SEAL, Cowl Top To Body Side Aperture Panel Not Serviced
18	4314 806-7	1			RETAINER, w/Fastener Cowl Top To Body Side Aperture Panel Seal (Includes Item #19)
19	6003 808	2			FASTENER
20	4475 738	1			SEAL, Cowl Plenum To Hood
21	4475 739	1			SCREEN, w/Seal Cowl Plenum Upper
22	4674 189	1			PANEL, Cowl Plenum Grille
23		6			SCREW, #8-18 x .625" Not Serviced
	6502 148	7			NUT, Cowl Plenum Grille
24	6502 148	7			NUT, Cowl Plenum Grille Attached
25	3445 939	1			PLUG, .906" Dia./23 mm
26	4512 494	3			PLUG, 2.75" Dia./70 mm
27		1			SEAL, Cowl Plenum Grille Panel To Windshield Not Serviced
28	6030 441	1			PLUG, Cowl Plenum Lower Windshield Wiper Motor P/Nut
29	4674 465	1			SEAL, Ram Air Opening Cover
30	4674 463	2			SEAL, Body Side to Dash Panel
31	4674 461	2			SEAL, Body Side to Cowl Side
32	4674 331	1			PLATE, Dash Panel Air Bag Module Bracket Mounting
33	4637 514	1			BRACKET, Airbag Mounting

**MODEL CODES:**

A BODY=(C=LeBaron, D=Spirit, P=Acclaim/LaBaron(Landau), Saratoga)

C BODY=(D=Dynasty, C=New Yorker/N.Y. Salon)

G BODY=(V=Daytona/IROC, Chrysler Daytona)

J BODY=(C=LeBaron, Chrysler LeBaron)

P BODY=(P=Sundance, D=Shadow)

S BODY=(H=Voyager(H) FWD, K=Caravan(H) FWD,

Y=Town & Country(H) FWD, P=Voyager(K) AWD,

D=Caravan(K) AWD, C=Town & Country(K) AWD)

Y BODY=(C=Imperial/5th Avenue)

E-S BODY=(K=Chrysler Voyager(H) FWD, D=Chrysler

Voyager(K) AWD)

**BODY STYLES:**

21=2-Door Coupe

41=4-Door Sedan

12-52=FWD & AWD Van & Wgn Std W.B.

24=2-Door Hatchback

44=4-Door Hatchback

53=FWD & AWD Van & Wgn Ext. W.B.

27=2-Door Convertible

AR = Use as Required - = Non Illustrated Part P.A.R. = Paint as Required

GLASS WINDSHIELD AND MIRROR S BODY  
Figure 23A-1370

93169 13700

ITEM	PART NUMBER	QTY	BODY	MODEL	DESCRIPTION
------	-------------	-----	------	-------	-------------

NOTE: GLASS, WINDSHIELD - ORDER FROM YOUR LOCAL "MOPAR" GLASS DISTRIBUTOR applications specified in this document.

1	5255 267	1			GLASS, Windshield Tinted
2	5255 110	2			SPACER, Windshield Lower
3		1			ADHESIVE, Windshield Polyurethane (Serviced in Package #4267906)
4		AR			DAM, Windshield Glass Adhesive (119") Not Serviced
5	4365 854	2			SPACER
6		2			SCREW, #8-18 x .375" Not Serviced
7		1			MOULDING, Windshield Glass Repair (108")
	5255 614				3 Barbs, Used if All Polyurethane is Cleaned Out of Trough
	4314 873				2 Barbs, Repair
8	4054 098	1			BUTTON, Inside Rear View Mirror Mounting
	4293 039	1			ADHESIVE PACKAGE, Rear View Mirror Button Mounting (Includes Adhesive & Instructions)
9	4520 336	1			MIRROR, Rear View
10	6031 094	1			SCREW
11	3767 767	AR			SHIM, Windshield Lower Spacer (.07)
	3767 196	AR			SHIM, Windshield Lower Spscer (.106)
	PKG A	4267 906	1		REPAIR PACKAGE, Windshield & Rear Window

NOTE: The following items are not shown on illustration. applications specified in this document.

- 1- ----- Polyurethane, 11.5 oz.
- 1- ----- Fence Primer, 1 oz.
- 1- ----- Glass Wipe-Off Primer, 1 oz.
- 1- ----- Glass Black-Out Primer, 1 oz.
- 1- ----- Nozzle

**MODEL CODES:**

A BODY=(C=LeBaron, D=Spirit, P=Acclaim/LaBaron(Landau, Saratoga) S BODY=(H=Voyager(H) FWD, K=Caravan(H) FWD, Y=Town & Country(H) FWD, P=Voyager(K) AWD, D=Caravan(K) AWD, C=Town & Country(K) AWD)

C BODY=(D=Dynasty, C=New Yorker/N.Y. Salon)

G BODY=(V=Daytona/IROC, Chrysler Daytona)

J BODY=(C=LeBaron, Chrysler LeBaron)

P BODY=(P=Sundance, D=Shadow)

E-S BODY=(K=Chrysler Voyager(H) FWD, D=Chrysler Voyager(K) AWD)

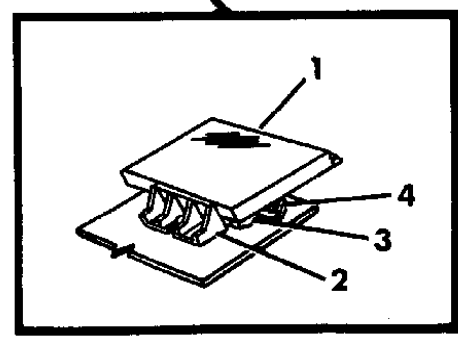
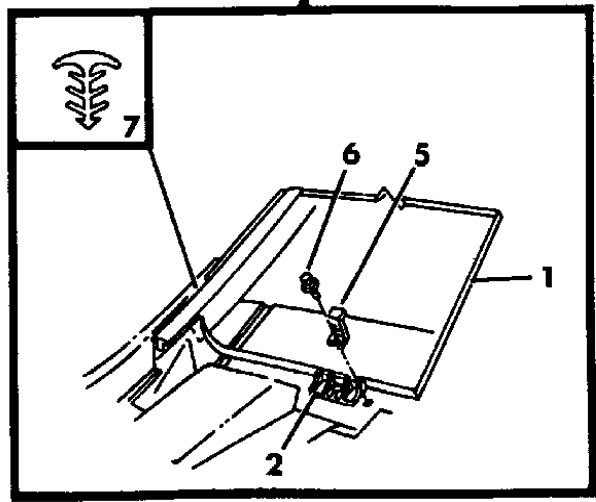
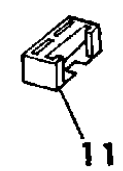
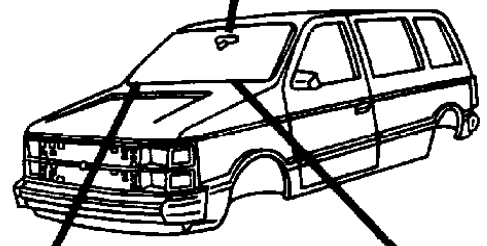
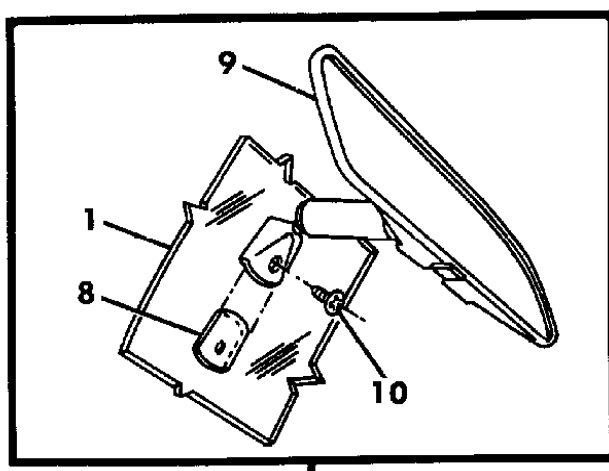
**BODY STYLES:**

21=2-Door Coupe      41=4-Door Sedan      12=52=FWD & AWD Van & Wgn Std W.B.

24=2-Door Hatchback      44=4-Door Hatchback      53=FWD & AWD Van & Wgn Ext. W.B.

27=2-Door Convertible

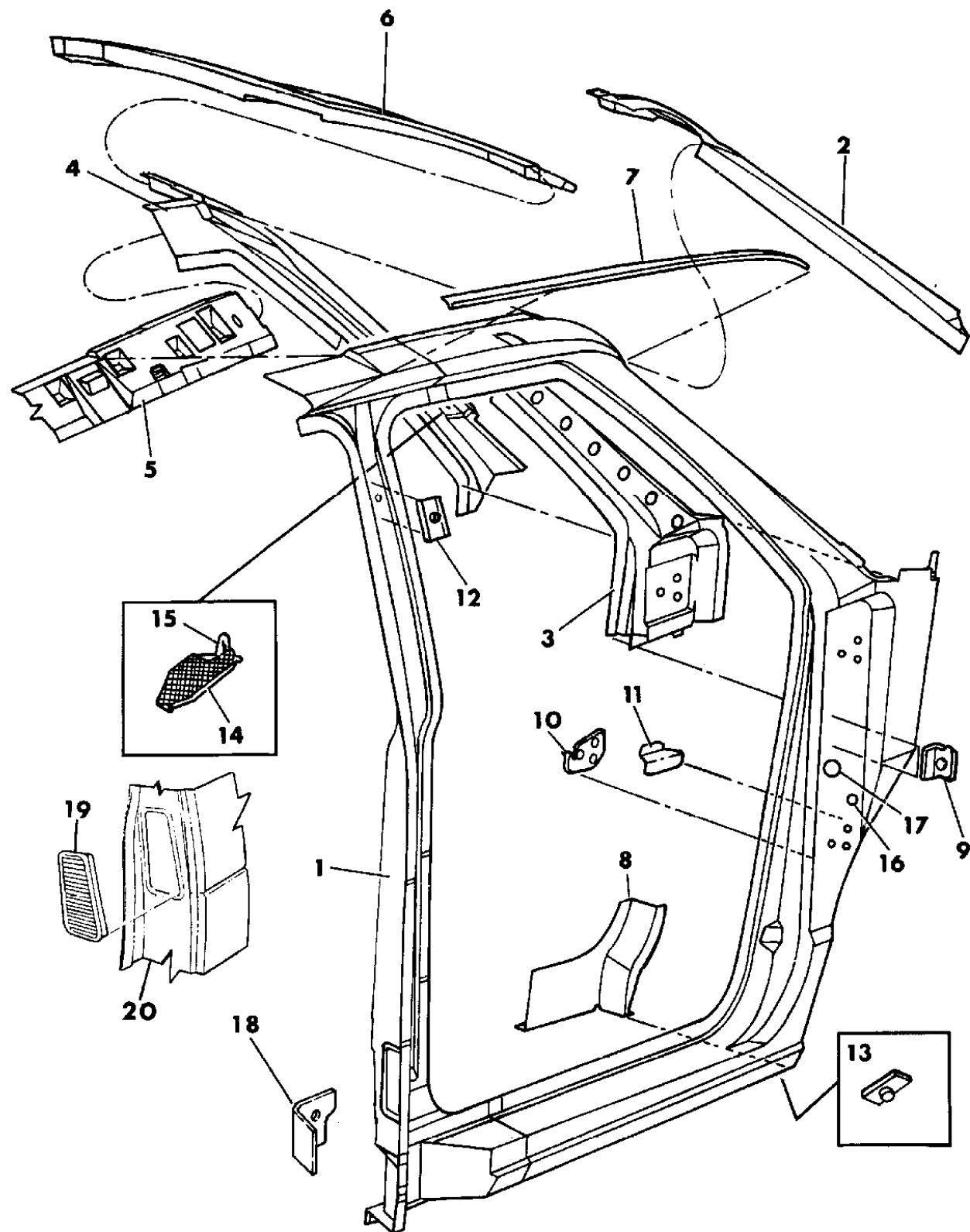
AR = Use as Required - = Non Illustrated Part P.A.R. = Paint as Required



## BODY FRONT PILLAR AND APERTURE PANEL S BODY

Figure 23A-1380

93169 13800



ITEM	PART NUMBER	QTY	BODY	MODEL	DESCRIPTION
1		1			PANEL, Body Side Aperture Front
	4674 406-7				Up to 2-18-93
	4719 314-5				After 2-18-93
-		1		ES	SILENCER, A Pillar Upper
	4678 437				Left, After 2-17-93
	4678 438				Right, After 2-17-93
-	1950 477	2			PLUG, Guide Access Hole
-	4337 950	AR			PLUG, Door Ajar
2	4719 162-3	1			PANEL, Windshield Opening Side
3	4674 236-7	1			FRAME, Windshield Side Outer
4	5255 348-9	1			FRAME, Windshield Side Inner
5	5255 346-7	1			RAIL, Roof Side Inner
6	4548 438	1			FRAME, Windshield Opening Upper
7	4278 006-7	1		12,52	TROUGH, Roof Side Drain
	4385 010-1	1		53	
8	4278 612-3	1			REINFORCEMENT, Jacking Pad Locator Front
9	4314 093	2			BRACKET, Body Side Aperture Front To Fender Center
10	4314 558-9	2			PLATE, Body Front Pillar Hinge Tapping
11	4278 408-9	1			REINFORCEMENT, Body Side Aperture Front Door Lower Hinge
12	4337 394	2			REINFORCEMENT, Body Side Aperture Front Shoulder Belt Rt.
-	5253 713	2			REINFORCEMENT ASSEMBLY, Lock Pillar Shoulder Belt
					Harness
13	4314 277	4			PLATE, Body Side Aperture Jack Locator
-	4512 146-7	1			PAD, Body Side Aperture Front Jack Hoisting
14	4337 388-9	1		52,53	SEAL, Windshield Side Frame Outer To Inner (Includes Item #15)
15		AR			FASTENER, Not Serviced
16	2860 332	1			PLUG, .500" Dia./13 mm
17	6030 773	2			PLUG, 2.25" Dia./57 mm
18	4416 231	1			REINFORCEMENT, Body Side Aperture Seat Belt
19	4475 320	1			EXHAUSTER ASSY, (Left Side Only) ***
20					PANEL, Body Side Aperture, Left (Reference Only)

**MODEL CODES:**

A BODY=(C=LeBaron, D=Spirit, P=Acclaim/LaBaron(Landau), Saratoga)      S BODY=(H=Voyager(H) FWD, K=Caravan(H) FWD, Y=Town & Country(H) FWD, P=Voyager(K) AWD, D=Caravan(K) AWD, C=Town & Country(K) AWD)

C BODY=(D=Dynasty, C=New Yorker/N.Y. Salon)      Y BODY=(C=Imperial/5th Avenue)

G BODY=(V=Daytona/ROC, Chrysler Daytona)      E-S BODY=(K=Chrysler Voyager(H) FWD, D=Chrysler Voyager(K) AWD)

J BODY=(C=LeBaron, Chrysler LeBaron)

P BODY=(P=Sundance, D=Shadow)

**BODY STYLES:**

21=2-Door Coupe      41=4-Door Sedan      12-52=FWD & AWD Van & Wgn Std W.B.

24=2-Door Hatchback      44=4-Door Hatchback      53=FWD & AWD Van & Wgn Ext. W.B.

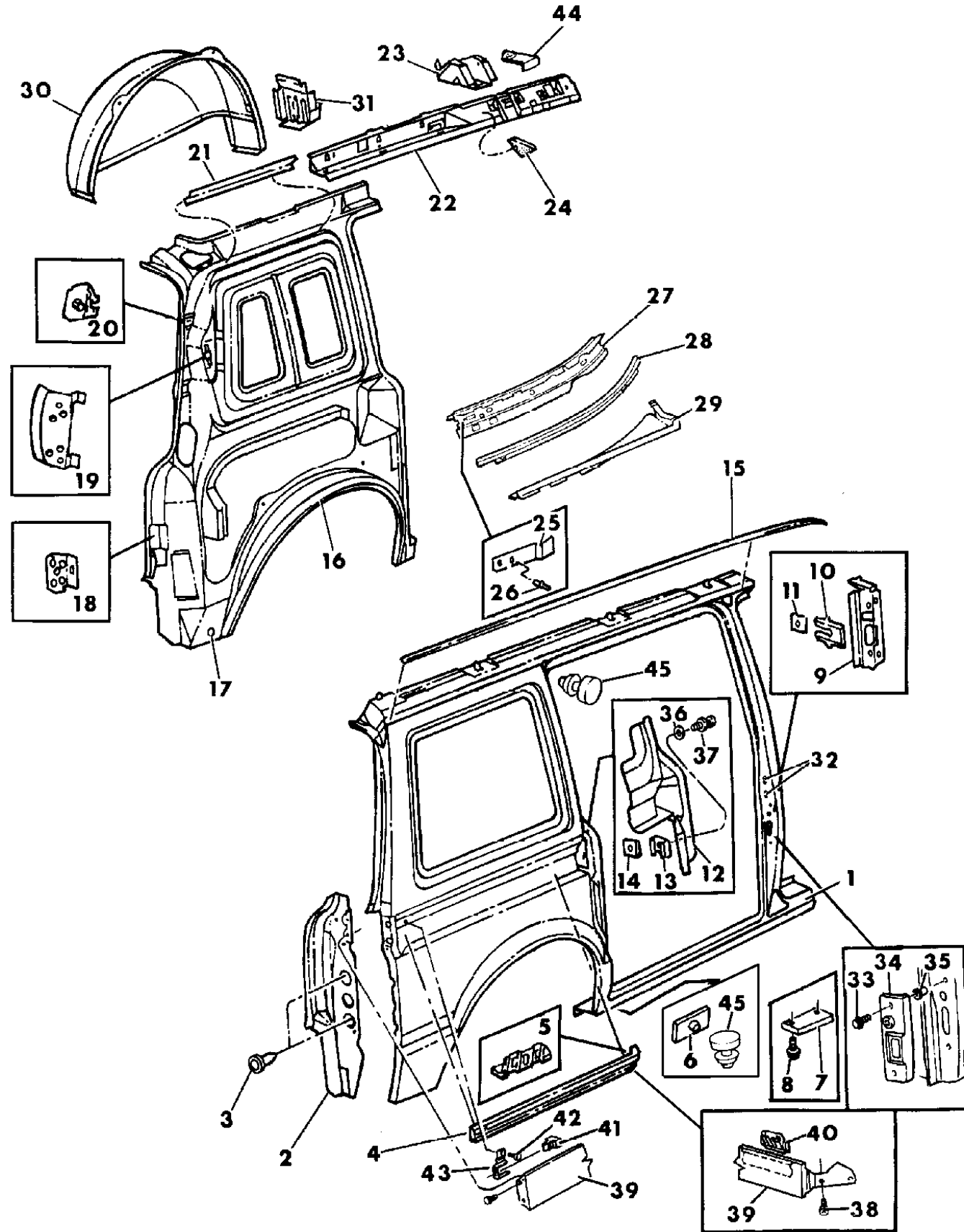
27=2-Door Convertible

AR = Use as Required - = Non Illustrated Part P.A.R. = Paint as Required



**QUARTER PANEL (RIGHT) S BODY**  
**Figure 23A-1390**

93169 13900B



ITEM	PART NUMBER	QTY	BODY	MODEL	DESCRIPTION
1		1			PANEL, Body Side Aperture Rear
	4674 742		12		w/o Windows
	4674 746		52		w/Windows
	4674 744		13		w/o Windows
	4674 748		53		w/Windows
2	4475 252	1			PANEL, Body Side Aperture Rear Extension
3	4314 044	2			CUP, w/Seal Body Side Aperture Rear Extension
4	4385 080	1			TRACK, Sliding Door Center
	4674 066	1			SEAL, Sliding Door Center Track Anti-Rattle
5	4314 609	1			BRACKET, Sliding Door Center Track Cover Front
	4341 977	AR			BRACKET, Sliding Door Upper Front
6	4314 277	4			PLATE, Body Side Aperture Jack Locator
7					PAD, Body Side Aperture Rear Hoisting Jack
	4337 365	2			w/o L.E DECOR PKG.
	4512 150-1				w/ L.E DECOR PKG.
8		2			SCREW and WASHER, Not Serviced
9	5255 016	1			REINFORCEMENT, Body Side Aperture Front Door Latch Striker
10	4512 906	1			RETAINER, Body Side Aperture Front Door Latch Striker T-Plate
11	4337 152	1			T-PLATE, Body Side Aperture Front Door Latch Striker
12	5255 022	1			REINFORCEMENT, Body Side Aperture Sliding Door Latch Striker
	4490 164	1			BRACE, Bodyside Aperture To Bodyside Sill inner
13	4337 153	1			RETAINER, Body Side Aperture Sliding Door Latch Striker T-Plate
14	4548 012	1			T-PLATE, Body Side Aperture Sliding Door Latch Striker
15	4278 006	1	12,52		TROUGH, Roof Side Drain
	4385 010	1	53		
16		1			PANEL, Quarter Inner & Wheelhouse Outer
	4674 390		12		
	4674 394		52		
	4674 392		13		
	4674 396		53		
-	4490 600	1	52,53		REINFORCEMENT, Quarter Panel Inner, Seat Belt Anchor
-	4490 835	2	52		REINFORCEMENT, Quarter Inner, Rear Shoulder Belt
-	4490 835	4	53		
17	4512 495	1			PLUG, 1.50" Dia./38 mm
18	4314 049	1			REINFORCEMENT, Quarter Inner Panel Liftgate Stabilizer
19	4490 954	1			T-PLATE, Rear Quarter Window Latch
20	4490 186	1			REINFORCEMENT, Quarter Inner Panel Liftgate Prop

**MODEL CODES:**

A BODY=(C=LeBaron, D=Spirit, P=Acclaim/LaBaron(Landau), Saratoga)	S BODY=(H=Voyager(H) FWD, K=Caravan(H) FWD, Y=Town & Country(H) FWD, P=Voyager(K) AWD, D=Caravan(K) AWD, C=Town & Country(K) AWD)
C BODY=(D=Dynasty, C=New Yorker/N.Y. Salon)	Y BODY=(C=Imperial/5th Avenue)
G BODY=(V=Daytona/IROC, Chrysler Daytona)	E-S BODY=(K=Chrysler Voyager(H) FWD, D=Chrysler Voyager(K) AWD)
J BODY=(C=LeBaron, Chrysler LeBaron)	
P BODY=(P=Sundance, D=Shadow)	

**BODY STYLES:**

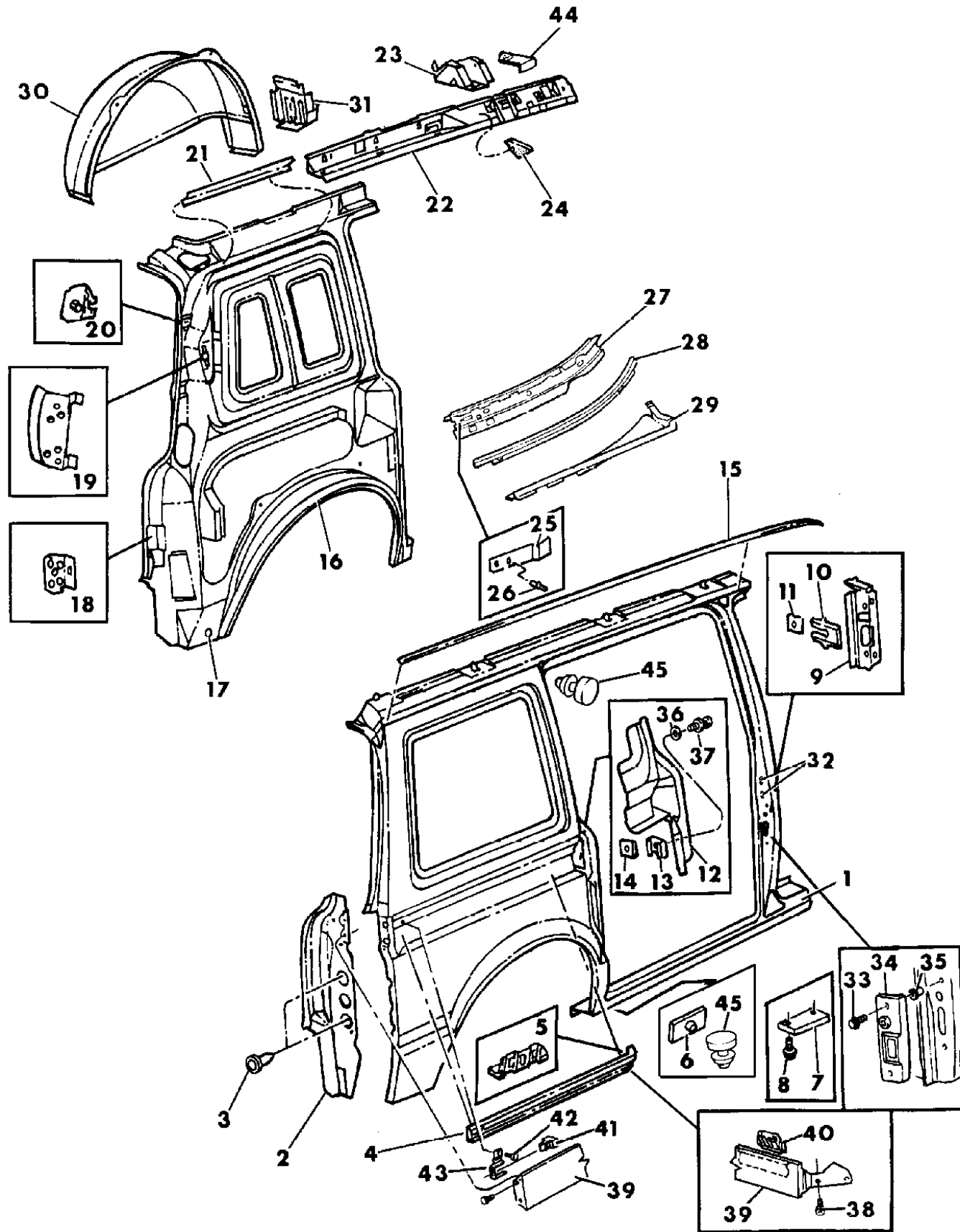
21=2-Door Coupe	41=4-Door Sedan	12-52=FWD & AWD Van & Wgn Std W.B.
24=2-Door Hatchback	44=4-Door Hatchback	53=FWD & AWD Van & Wgn Ext. W.B.
27=2-Door Convertible		

AR = Use as Required - = Non Illustrated Part P.A.R. = Paint as Required

QUARTER PANEL (RIGHT) S BODY

Figure 23A-1390

93169 13900B



ITEM	PART NUMBER	QTY	BODY	MODEL	DESCRIPTION
21	4475 790	1		12,13	REINFORCEMENT, Body Side Aperture To Quarter Inner Panel Rear
	4475 788	1		13	REINFORCEMENT, Body Side Aperture to Quarter Inner(Right)
22	5255 346	1			RAIL, Roof Side Inner
23	5255 336	1			SUPPORT, Roof Side Rail Inner To Sliding Door Upper Track
24	4314 508	1			SEAL, Body Side Aperture To Roof Side Rail Inner
25	4475 128	1			SPRING, Sliding Door Lower Stop Hold-Open
26		2			RIVET, 1/8" Dia. x 3/16" Grip Range Not Serviced
27	5255 579	1			REINFORCEMENT, Sliding Door Lower Track
28	4719 045	1			TRACK, Sliding Door Lower
29		1			SUPPORT, Sliding Door Lower Track
	4534 352				Up to 10-19-92
	4719 204				After 10-19-92
30	4490 122	1			PANEL, Wheelhouse Inner
31	4278 556	1			REINFORCEMENT, Wheelhouse Inner To Sill Inner
	4385 048	1			REINFORCEMENT, Body Side Aperture Jacking
32	6025 871	2			PLUG, Body Side Aperture Sliding Door Dome Lamp & Door Ajar Switch Holes
33	6101 453	2			SCREW and WASHER
34	4520 677	1			GUIDE, Stabilizer
		1			SEAL, Guide Bracket (Serviced in Assembly)
35		1			RIVET, Nut Not Serviced
36	4184 105	AR			SPACER, Striker
37	4336 826	1			STRIKER, Door
38		4			SCREW, Track Cover Not Serviced
39		1			PANEL, Body Side Aperture Sliding Door Track Cover
				12,52	Short Wheel Base w/Woodgrain
	4548 048				w/Woodgrain
	4548 283				w/o Woodgrain
				13,53	Long Wheel Base w/Woodgrain
	4548 046				Up to 6-7-93
	4719 527				After 6-7-93
					w/o Woodgrain
	4548 284				Up to 6-7-93
	4719 526				After 6-7-93
40	4512 667	4			RETAINER, Track Cover
41	4365 225	1			BUMPER, Over Travel Stop Bracket
42		1			SCREW, Not Serviced

MODEL CODES:

A BODY=(C=LeBaron, D=Spirit, P=Acclaim/LaBaron(Landau), Saratoga)

C BODY=(D=Dynasty, C=New Yorker/N.Y. Salon)

G BODY=(V=Daytona/IROC, Chrysler Daytona)

J BODY=(C=LeBaron, Chrysler LeBaron)

P BODY=(P=Sundance, D=Shadow)

S BODY=(H=Voyager(H) FWD, K=Caravan(H) FWD,

Y=Town & Country(H) FWD, P=Voyager(K) AWD,

D=Caravan(K) AWD, C=Town & Country(K) AWD)

Y BODY=(C=Imperial/5th Avenue)

E-S BODY=(K=Chrysler Voyager(H) FWD, D=Chrysler Voyager(K) AWD)

BODY STYLES:

21=2-Door Coupe

41=4-Door Sedan

12-52=FWD & AWD Van & Wgn Std W.B.

24=2-Door Hatchback

44=4-Door Hatchback

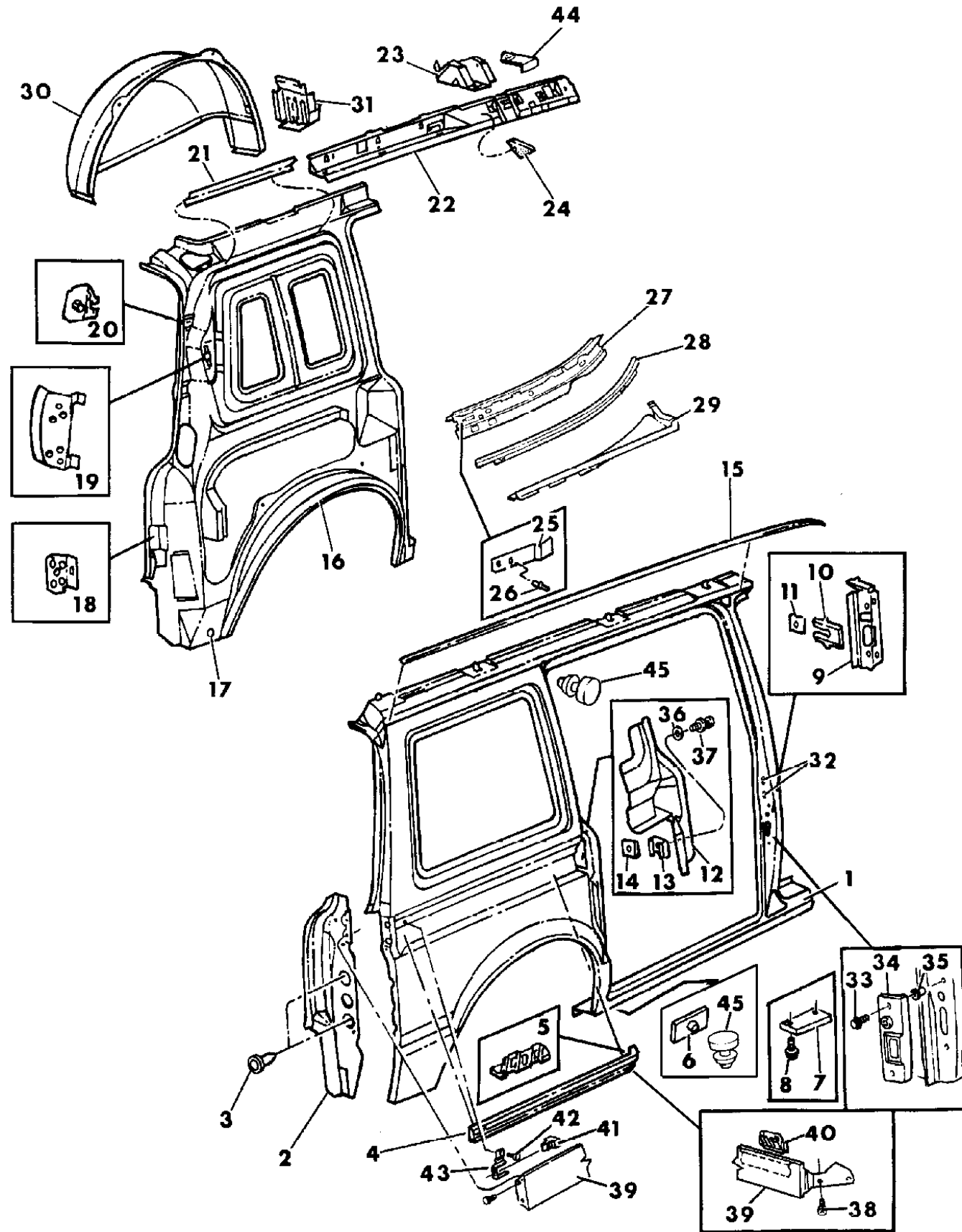
53=FWD & AWD Van & Wgn Ext. W.B.

27=2-Door Convertible

AR = Use as Required - = Non Illustrated Part P.A.R. = Paint as Required

QUARTER PANEL (RIGHT) S BODY  
Figure 23A-1390

93169 13900B



ITEM	PART NUMBER	QTY	BODY	MODEL	DESCRIPTION
43	4385 088	1			BRACKET, Over Travel Stop
44		1			BRACKET, Sliding Door Track To Rail (Serviced In Item #23)
-	4520 946	1			BUMPER, Sliding Door Aperture Panel, Upper Rear Corner

MODEL CODES:

A BODY=(C=LeBaron, D=Spirit, P=Acclaim/LaBaron(Landau),  
Saratoga)  
C BODY=(D=Dynasty, C=New Yorker/N.Y. Salon)  
G BODY=(V=Daytona/IROC, Chrysler Daytona)  
J BODY=(C=LeBaron, Chrysler LeBaron)  
P BODY=(P=Sundance, D=Shadow)

S BODY=(H=Voyager(H) FWD, K=Caravan(H) FWD,  
Y=Town & Country(H) FWD, P=Voyager(K) AWD,  
D=Caravan(K) AWD, C=Town & Country(K) AWD)  
Y BODY=(C=Imperial/5th Avenue)  
E-S BODY=(K=Chrysler Voyager(H) FWD, D=Chrysler  
Voyager(K) AWD)

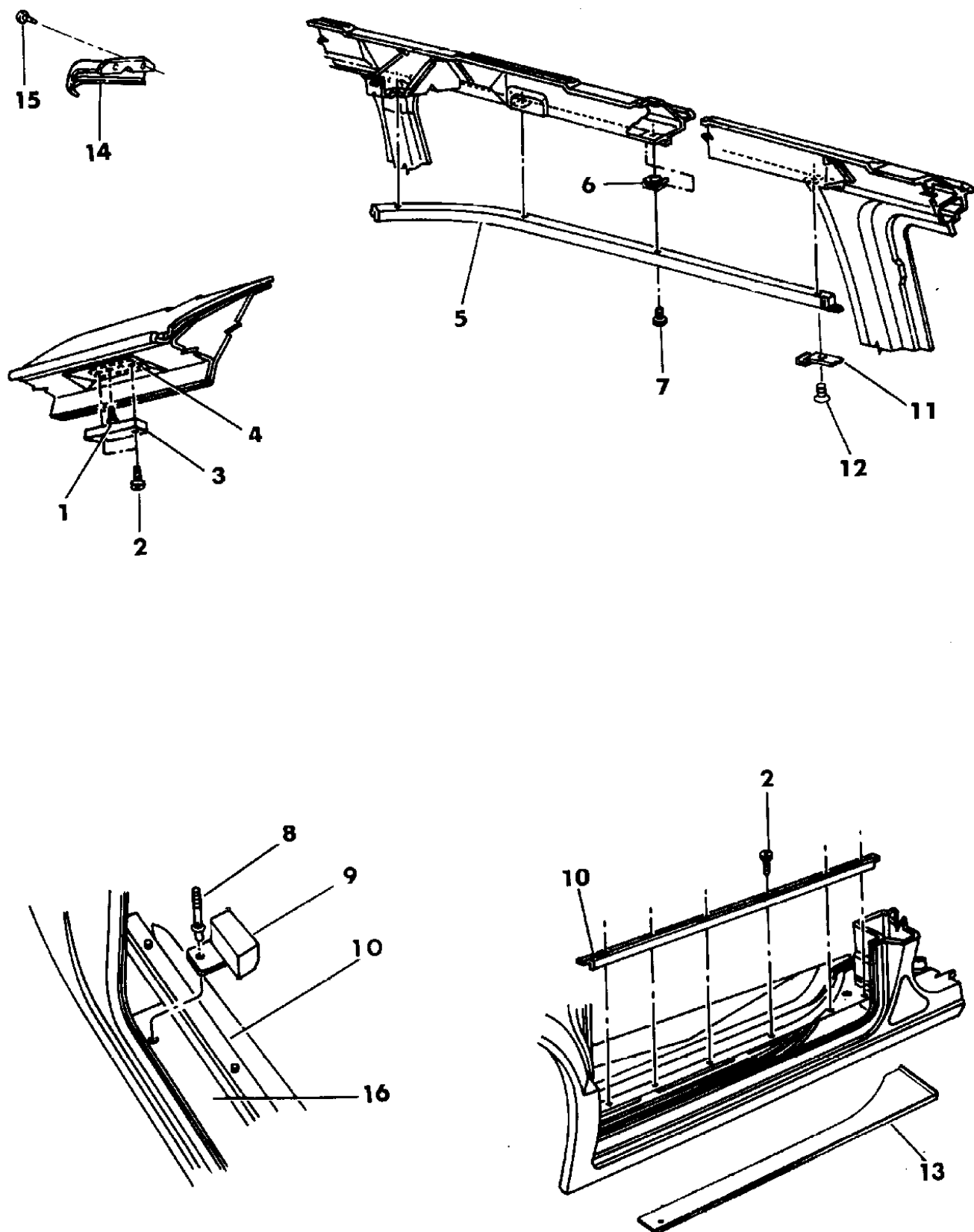
BODY STYLES:

21=2-Door Coupe      41=4-Door Sedan      12-52=FWD & AWD Van & Wgn Std W.B.  
24=2-Door Hatchback      44=4-Door Hatchback      53=FWD & AWD Van & Wgn Ext. W.B.  
27=2-Door Convertible

AR = Use as Required - = Non Illustrated Part P.A.R. = Paint as Required

QUARTER PANEL (RIGHT) SLIDING TRACK S BODY  
Figure 23A-1400

93169 14000



ITEM	PART NUMBER	QTY	BODY	MODEL	DESCRIPTION
1	4310 631	1			RETAINER
2		2			SCREW, Not Serviced
3	4520 040	1			STRIKER, Stabilizer
4	4445 436	1			T-PLATE, Stabilizer Striker
5	5253 036	1			TRACK, Upper
6	1150 3714	4			U-NUT
7		4			SCREW, Not Serviced
8		1			RIVET, Not Serviced
9	4280 964	1			STOP, Lower Hinge Arm
10	4278 762	1			REINFORCEMENT, Inner Panel
11	4615 438	1			BRACKET, Upper Hinge Over Travel Stop
	4615 437	1			BUMPER, Upper Hinge Over Travel Stop Bracket
12		1			SCREW, Bumper, Not Serviced
13	4615 350	1			HINGE MAT ***
14	4337 404	1			SHIELD, Upper Track Front
15		AR			SCREW, Not Serviced
16	4396 061	2			STRIP, Edge Protector
-	4741 923	1			BRACKET PACKAGE, Sliding Door ***
Consists of:					
1 4719498 Bracket					
1 6033813 Screw					
1 4719203 Hinge Mat					
1 4719496 Bumper					
1 4719201 Stop Assy.					
1 4719091 Hinge Arm Assy.					
1 Rivet					
1 153276 Screw					
2 6503172 Screw & Washer					
1 Lubricant					

MODEL CODES:

A BODY=(C=LeBaron, D=Spirit, P=Acclaim/LaBaron(Landau),  
Saratoga)  
C BODY=(D=Dynasty, C=New Yorker/N.Y. Salon)  
G BODY=(V=Daytona/IROC, Chrysler Daytona)  
J BODY=(C=LeBaron, Chrysler LeBaron)  
P BODY=(P=Sundance, D=Shadow)

S BODY=(H=Voyager(H) FWD, K=Caravan(H) FWD,  
Y=Town & Country(H) FWD, P=Voyager(K) AWD,  
D=Caravan(K) AWD, C=Town & Country(K) AWD)  
Y BODY=(C=Imperial/5th Avenue)  
E-S BODY=(K=Chrysler Voyager(H) FWD, D=Chrysler  
Voyager(K) AWD)

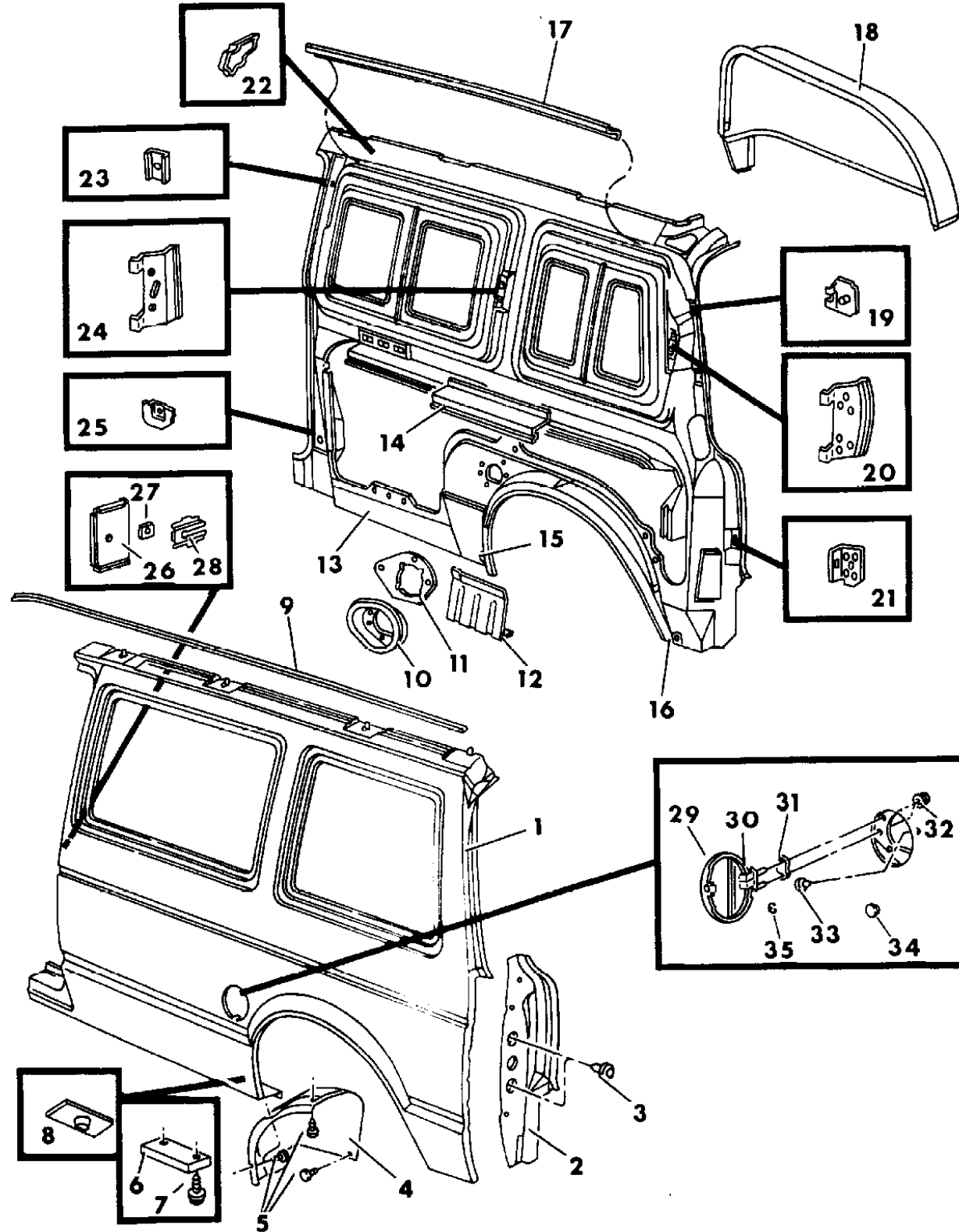
BODY STYLES:

21=2-Door Coupe      41=4-Door Sedan      12-52=FWD & AWD Van & Wgn Std W.B.  
24=2-Door Hatchback      44=4-Door Hatchback      53=FWD & AWD Van & Wgn Ext. W.B.  
27=2-Door Convertible

AR = Use as Required - = Non Illustrated Part P.A.R. = Paint as Required

QUARTER PANEL (LEFT) AND FUEL FILLER DOOR S BODY  
Figure 23A-1410

93169 14100



ITEM	PART NUMBER	QTY	BODY	MODEL	DESCRIPTION
1					PANEL, Body Side Aperture Rear w/o Windows
	4674 743	1		12	
	4774 745	1		13	
					w/Windows
	4475 075	1		12,52	
	4674 749	1		13,53	
2	4475 253	1			PANEL, Body Side Aperture Rear Extension
3	4314 044	2			CUP, w/Seal Body Side Aperture Rear Extension
4	4490 697	1			SHIELD, Rear Wheelhouse Front
5		4			SCREW, 1/4"-14 x .875" Not Serviced
6	4337 365	AR			PAD, Body Side Aperture Rear Hoisting
7		2			SCREW and WASHER, Not Serviced
8	4314 277	1			PLATE, Body Side Aperture Jack Locator
9	4278 007	1		12,52	TROUGH, Roof Side Drain
	4385 011	1		53	
10	4278 389	1			REINFORCEMENT, Body Side Aperture Fuel Filler Door Opening
11	5255 368	1			ADHESIVE, Inner To Fuel Filler
	6032 294	3			FASTENER, Adhesive Gasket
12	4278 553	1			REINFORCEMENT, Body Side Aperture Jacking Bracket
13		1			PANEL, Quarter Inner and Wheelhouse Outer
	4674 395	1		52	
	4674 391	1		12,52	
	4674 397	1		53	
	4674 393	1		13,53	
-	4490 835	2		52,53	REINFORCEMENT, Quarter Inner Rear, Shoulder Belt
14	4534 695	1			REINFORCEMENT, Quarter Inner & Wheelhouse Outer
15	4512 495	1			PLUG, 1.50" Dia./38 mm
16	4512 495	1			PLUG, 1.50" Dia./38 mm
17		1			REINFORCEMENT, Body Side Aperture Rear To Quarter Inner Panel
	4475 791			12	
18	4674 127	1			PANEL, Wheelhouse Inner
19	4490 187	1			REINFORCEMENT, Quarter Inner Panel Liftgate Prop
20	4341 063	1		52,53	T-PLATE, Rear Quarter Window Latch
21	4314 049	1			REINFORCEMENT, Quarter Inner Panel Liftgate Stabilizer
22	4337 111	1		52,53	SEAL, Body Side Aperture To Quarter Inner Panel
23	4337 394	1			REINFORCEMENT, Body Side Aperture Front Shoulder Belt
24	4341 061	1		52,53	T-PLATE, Front Quarter Window Latch

MODEL CODES:

A BODY=(C=LeBaron, D=Spirit, P=Acclaim/LaBaron(Landau),  
Saratoga)

C BODY=(D=Dynasty, C=New Yorker/N.Y. Salon)

G BODY=(V=Daytona/IROC, Chrysler Daytona)

J BODY=(C=LeBaron, Chrysler LeBaron)

P BODY=(P=Sundance, D=Shadow)

S BODY=(H=Voyager(H) FWD, K=Caravan(H) FWD,

Y=Town & Country(H) FWD, P=Voyager(K) AWD,

D=Caravan(K) AWD, C=Town & Country(K) AWD)

Y BODY=(C=Imperial/5th Avenue)

E-S BODY=(K=Chrysler Voyager(H) FWD, D=Chrysler

Voyager(K) AWD)

BODY STYLES:

21=2-Door Coupe

41=4-Door Sedan

12-52=FWD & AWD Van & Wgn Std W.B.

24=2-Door Hatchback

44=4-Door Hatchback

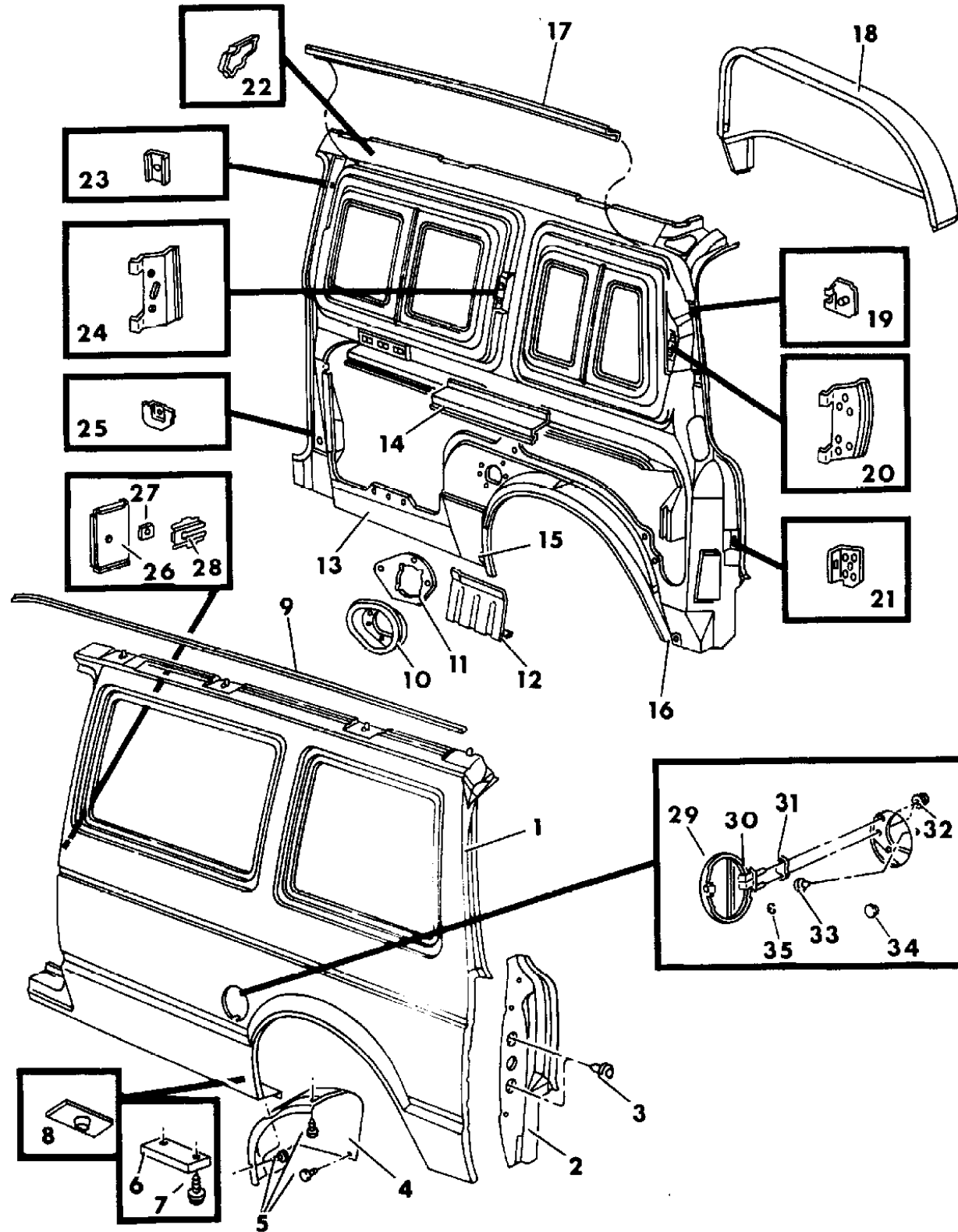
53=FWD & AWD Van & Wgn Ext. W.B.

27=2-Door Convertible

AR = Use as Required - = Non Illustrated Part P.A.R. = Paint as Required

QUARTER PANEL (LEFT) AND FUEL FILLER DOOR S BODY  
Figure 23A-1410

93169 14100



ITEM	PART NUMBER	QTY	BODY	MODEL	DESCRIPTION
25	4534 313	1			REINFORCEMENT, Body Side Aperture Front Shoulder Belt Retractor Lt.
26	4512 905	1			REINFORCEMENT, Body Side Aperture Front Door Striker
27	4548 012	1			T-PLATE, Body Side Aperture Front Door Striker
28	4512 906	1			RETAINER, Body Side Aperture Front Door Striker T-Plate
29	4719 051	1			DOOR and HINGE, Body Aperture Fuel Filler Manual Remote
	5255 634	1			
30	4337 155	1			PLATE, Body Side Aperture Fuel Filler Door
31		AR			SHIM, Body Side Aperture Fuel Filler Door Not Serviced
32	6032 641	2			NUT and WASHER
33	4314 923	1			BUMPER, Body Side Aperture Fuel Filler Door Remote
34	3760 482	1			PLUG, Fuel Filler Opening
35	1626 749	1			E-RING, (Clip) Fuel Filler Opening

MODEL CODES:

A BODY=(C=LeBaron, D=Spirit, P=Acclaim/LaBaron(Landau, Saratoga)  
C BODY=(D=Dynasty, C=New Yorker/N.Y. Salon)  
G BODY=(V=Daytona/IROC, Chrysler Daytona)  
J BODY=(C=LeBaron, Chrysler LeBaron)  
P BODY=(P=Sundance, D=Shadow)

S BODY=(H=Voyager(H) FWD, K=Caravan(H) FWD, Y=Town & Country(H) FWD, P=Voyager(K) AWD, D=Caravan(K) AWD, C=Town & Country(K) AWD)  
Y BODY=(C=Imperial/5th Avenue)  
E-S BODY=(K=Chrysler Voyager(H) FWD, D=Chrysler Voyager(K) AWD)

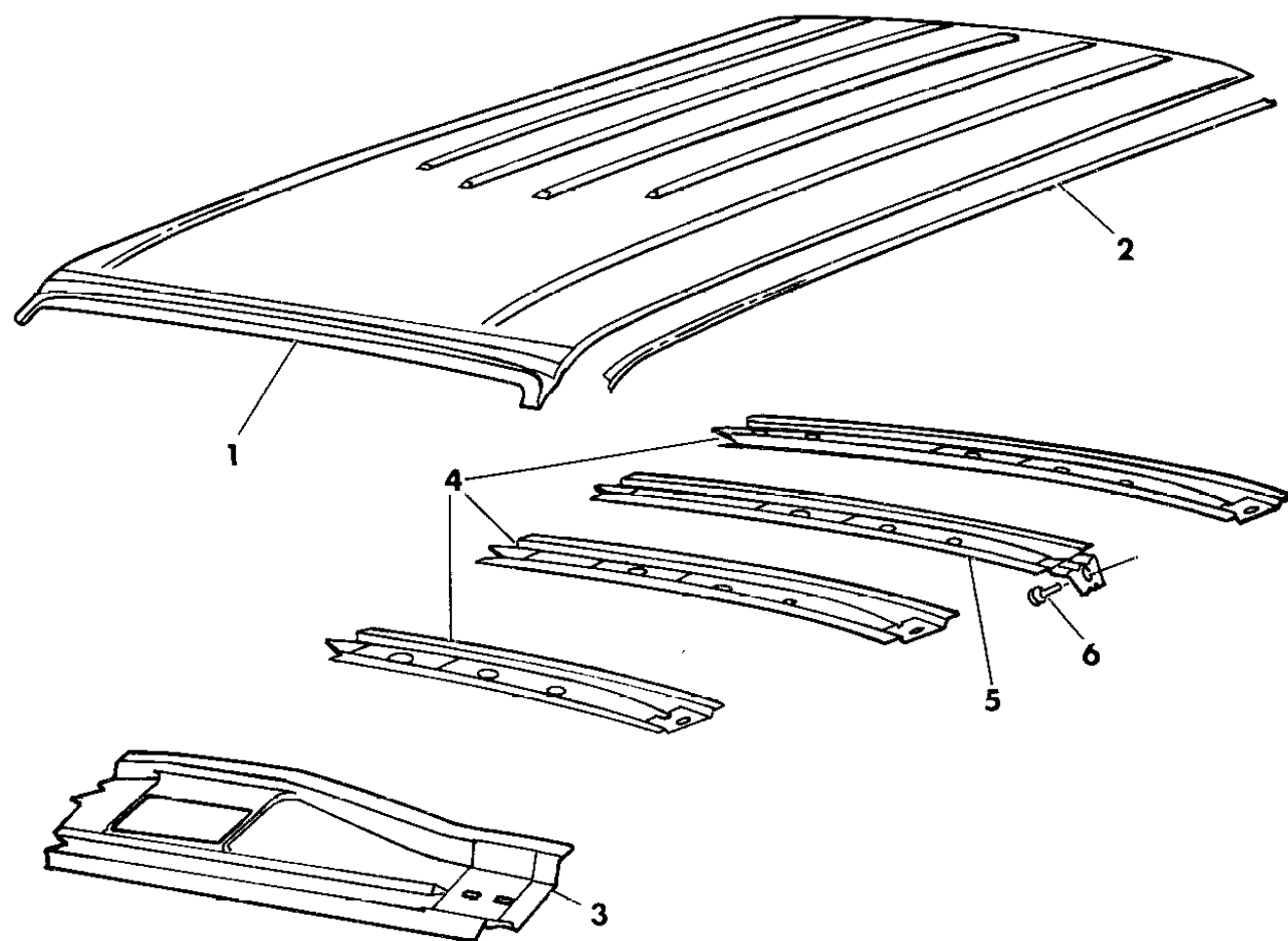
BODY STYLES:

21=2-Door Coupe      41=4-Door Sedan      12-52=FWD & AWD Van & Wgn Std W.B.  
24=2-Door Hatchback      44=4-Door Hatchback      53=FWD & AWD Van & Wgn Ext. W.B.  
27=2-Door Convertible

AR = Use as Required - = Non Illustrated Part P.A.R. = Paint as Required

ROOF PANEL S BODY  
Figure 23A-1420

93169 14200



ITEM	PART NUMBER	QTY	BODY	MODEL	DESCRIPTION
1	4490 127	1		12,52	PANEL, Roof Outer
	4490 128	1		53	
2	4278 006-7	1		12,52	TROUGH, Roof Side Drain
	4385 010-1	1		53	
3	4548 438	1			FRAME, Windshield Opening Upper
4	5255 337	3		12,52	BOW, Roof #1,2, & 4
	5255 337	3		53	BOW, Roof #1,3, & 5
5	4278 779	1		12,52	BOW, Roof #3
	4278 779	1		53	BOW, Roof #4
	5255 331	1		53	BOW, Roof #2
6		2			SCREW, #10-16 x .625" Not Serviced

**MODEL CODES:**

A BODY=(C=LeBaron, D=Spirit, P=Acclaim/LaBaron(Landau), Saratoga) S BODY=(H=Voyager(H) FWD, K=Caravan(H) FWD, Y=Town & Country(H) FWD, P=Voyager(K) AWD, D=Caravan(K) AWD, C=Town & Country(K) AWD)  
 C BODY=(D=Dynasty, C=New Yorker/N.Y. Salon) Y BODY=(C=Imperial/5th Avenue)  
 G BODY=(V=Daytona/IROC, Chrysler Daytona) E-S BODY=(K=Chrysler Voyager(H) FWD, D=Chrysler Voyager(K) AWD)  
 J BODY=(C=LeBaron, Chrysler LeBaron)  
 P BODY=(P=Sundance, D=Shadow)

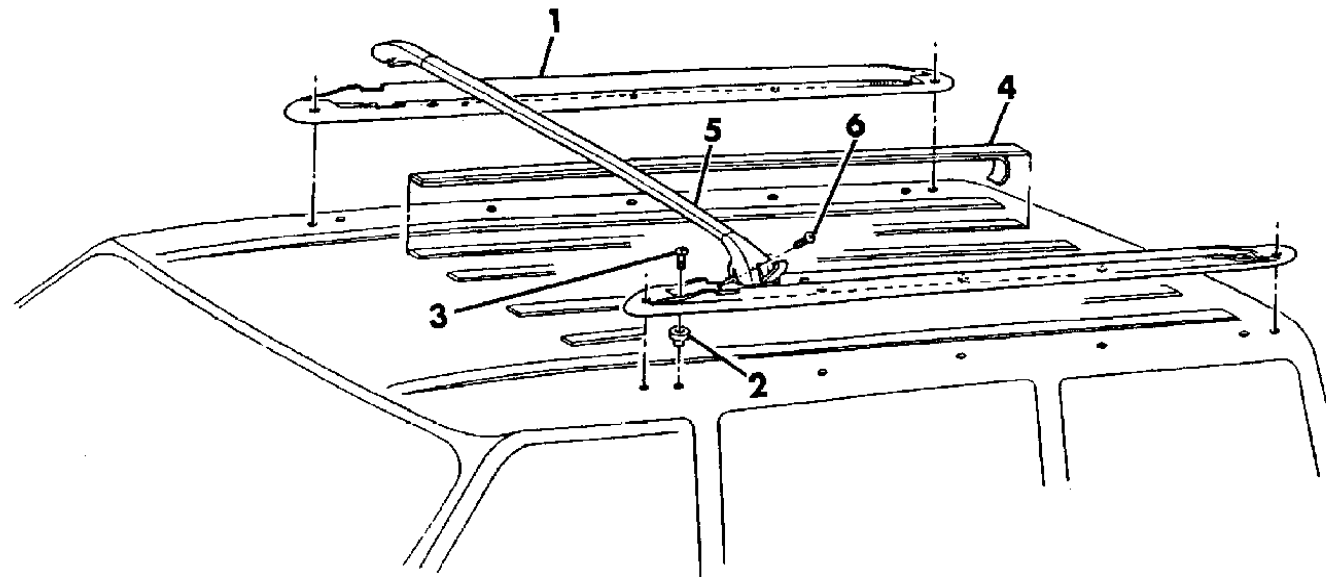
**BODY STYLES:**

21=2-Door Coupe 41=4-Door Sedan 12-52=FWD & AWD Van & Wgn Std W.B.  
 24=2-Door Hatchback 44=4-Door Hatchback 53=FWD & AWD Van & Wgn Ext. W.B.  
 27=2-Door Convertible

AR = Use as Required - = Non Illustrated Part P.A.R. = Paint as Required

LUGGAGE RACK S BODY  
Figure 23A-1430

93169 14300B



ITEM	PART NUMBER	QTY	BODY	MODEL	DESCRIPTION
1-6	8230 0070	1			LUGGAGE RACK PACKAGE
1	5261 762-3	1			RAIL, Rack Side
-	4720 867	4			SPACER, Urethane (Noisy Rattle T.S.B.)
2	6034 641	14			NUT, Side Rail to Roof
3	6034 640	14			SCREW, Side Rail
4	5261 154	4			STRIP, Skid
5		2			BAR and STANCHION ASSEMBLY, Cross ***
	4576 529				Up to 10-24-92
	4576 678				After 10-24-92
-	4576 684	1			DECAL, Cross Bar, "FRONT" ***
6	6034 463	4			SCREW

**MODEL CODES:**

A BODY=(C=LeBaron, D=Spirit, P=Acclaim/LaBaron(Landau), Saratoga) S BODY=(H=Voyager(H) FWD, K=Caravan(H) FWD, Y=Town & Country(H) FWD, P=Voyager(K) AWD, D=Caravan(K) AWD, C=Town & Country(K) AWD)  
 C BODY=(D=Dynasty, C=New Yorker/N.Y. Salon)  
 G BODY=(V=Daytona/IROC, Chrysler Daytona)  
 J BODY=(C=LeBaron, Chrysler LeBaron)  
 P BODY=(P=Sundance, D=Shadow)  
 Y BODY=(C=Imperial/5th Avenue)  
 E-S BODY=(K=Chrysler Voyager(H) FWD, D=Chrysler Voyager(K) AWD)

**BODY STYLES:**

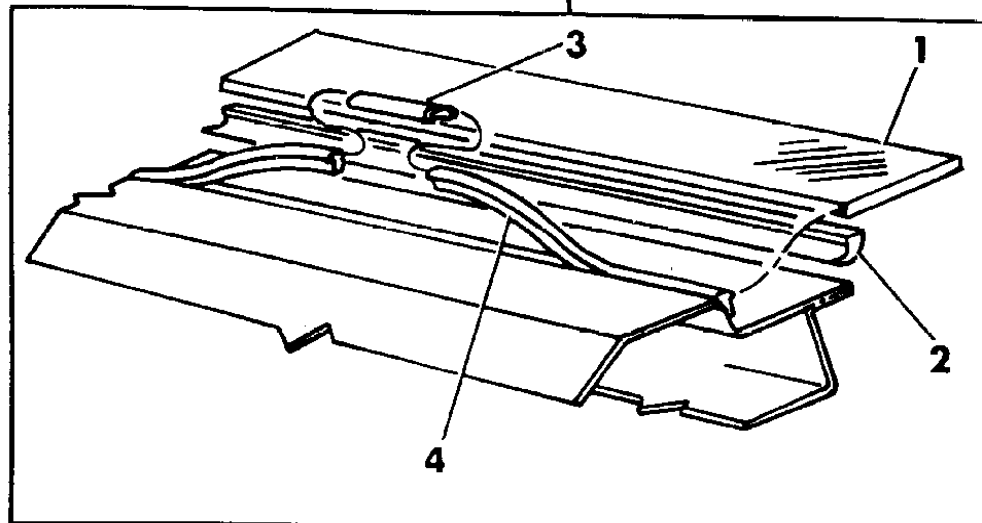
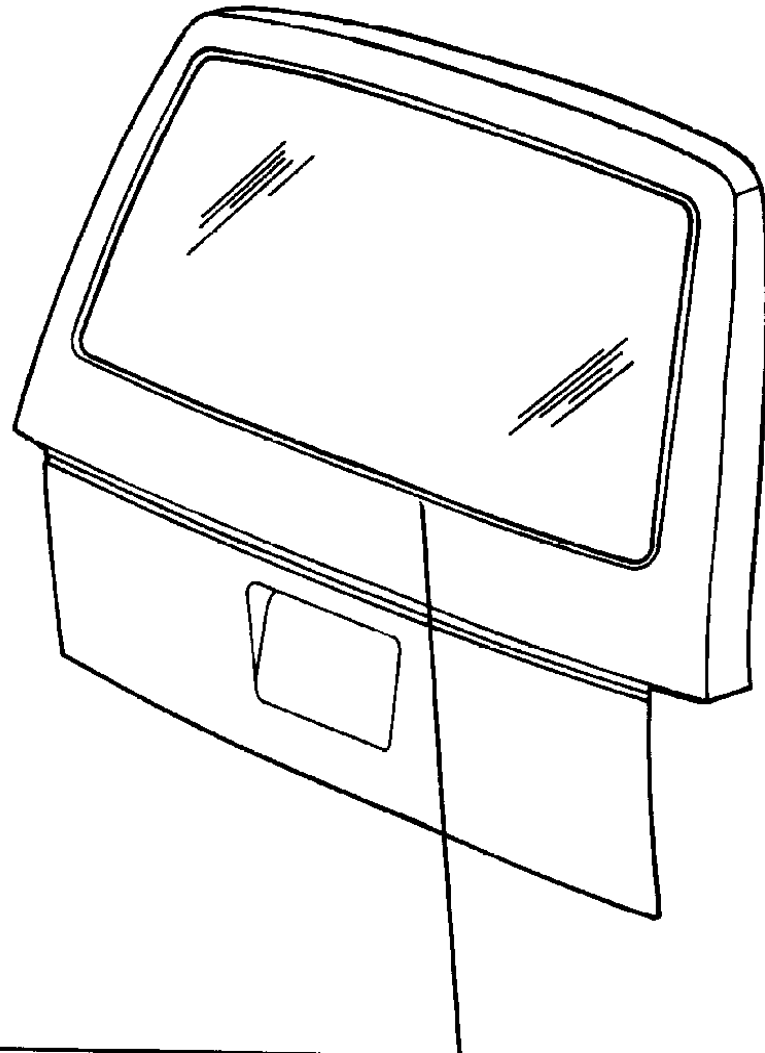
21=2-Door Coupe      41=4-Door Sedan      12-52=FWD & AWD Van & Wgn Std W.B.  
 24=2-Door Hatchback      44=4-Door Hatchback      53=FWD & AWD Van & Wgn Ext. W.B.  
 27=2-Door Convertible

AR = Use as Required - = Non Illustrated Part P.A.R. = Paint as Required



GLASS LIFTGATE S BODY  
Figure 23A-1440

93169 14400



ITEM	PART NUMBER	QTY	BODY	MODEL	DESCRIPTION
1		1			GLASS, Liftgate
	4674 246				Tinted, w/Wiper, Non-heated
	4677 089				Tinted, w/Wiper, Heated
	4677 098				Tinted, w/o Wiper, Heated
	4674 245				Tinted, w/o Wiper, Non-Heated
	4674 247				Solar, Non-Heated w/Wiper, Up to 10-19-92
	5255 398				Sunsceen, Non-Heated w/Wiper
	4677 091				Solar, Heated w/ Wiper, Up to 10-19-92
	5264 514				Sunscreen, Heated w/Wiper, After 10-19-92
					GLASS, Liftgate, EUROPE
	4677 096				Tinted, w/Wiper, Heated
2		AR			DAM, Glass Adhesive (119") Not serviced
3	4674 240	1			MOULDING, Liftgate Glass (Rubberband Type)
4	4719 323	1			MOULDING, Liftgate Glass To Outer Panel
					NOTE: The following items are not shown on illustration. applications specified in this document.
PKG A	4267 906	1			REPAIR PACKAGE, Windshield & Rear Window
					Consists of:
					1- ----- Polyurethane, 11.5 oz.
					1- ----- Fence Primer, 1 oz.
					1- ----- Glass Wipe-Off Primer, 1 oz.
					1- ----- Glass Black-Out Primer, 1 oz.
					3- ----- Dabbers
					1- ----- Nozzle
PKG B	4267 922	1			REPAIR PACKAGE, Back Lite Grid & Pigtail
					Consists of:
					1- ----- Cement, Cho-Bond, 1/2 oz.
					1- ----- Instruction Sheet

MODEL CODES:

A BODY=(C=LeBaron, D=Spirit, P=Acclaim/LaBaron(Landau, Saratoga)  
C BODY=(D=Dynasty, C=New Yorker/N.Y. Salon)  
G BODY=(V=Daytona/IROC, Chrysler Daytona)  
J BODY=(C=LeBaron, Chrysler LeBaron)  
P BODY=(P=Sundance, D=Shadow)

S BODY=(H=Voyager(H) FWD, K=Caravan(H) FWD, Y=Town & Country(H) FWD, P=Voyager(K) AWD, D=Caravan(K) AWD, C=Town & Country(K) AWD)  
Y BODY=(C=Imperial/5th Avenue)  
E-S BODY=(K=Chrysler Voyager(H) FWD, D=Chrysler Voyager(K) AWD)

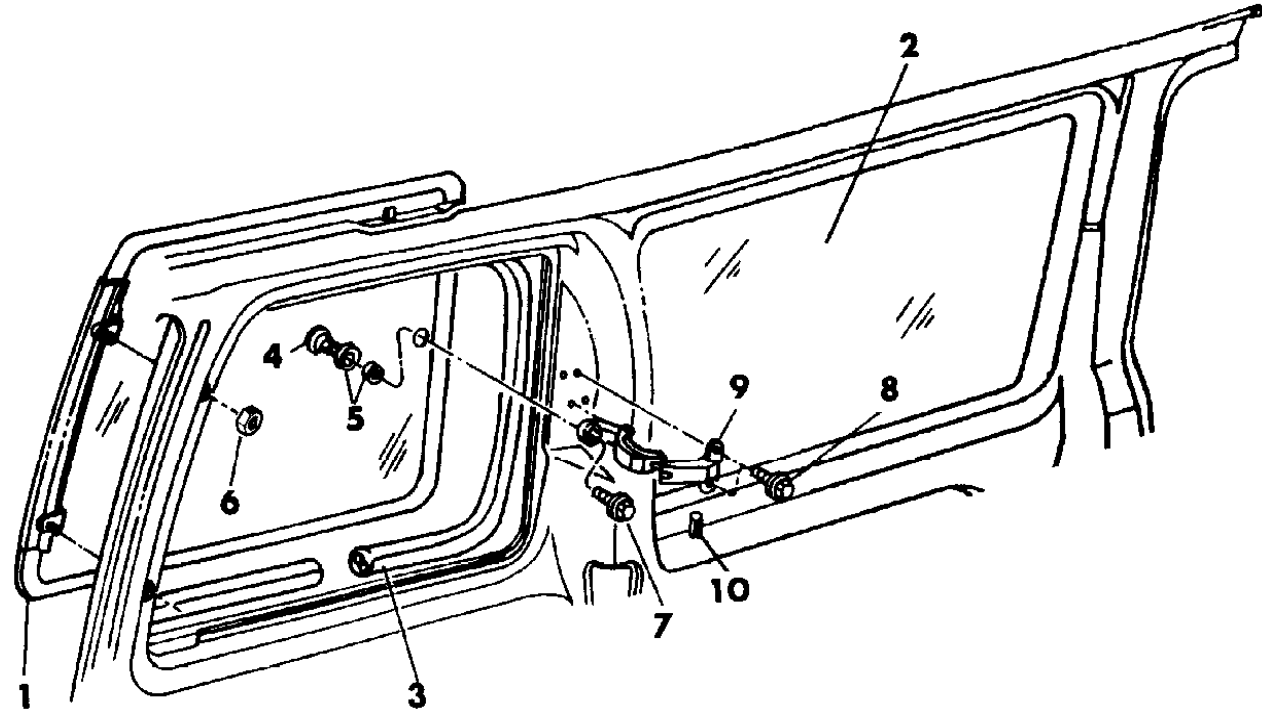
BODY STYLES:

21=2-Door Coupe      41=4-Door Sedan      12-52=FWD & AWD Van & Wgn Std W.B.  
24=2-Door Hatchback      44=4-Door Hatchback      53=FWD & AWD Van & Wgn Ext. W.B.  
27=2-Door Convertible

AR = Use as Required - = Non Illustrated Part P.A.R. = Paint as Required

**GLASS BODY SIDE APERTURE MANUAL S BODY**  
**Figure 23A-1450**

93169 14500B



ITEM	PART NUMBER	QTY	BODY	MODEL	DESCRIPTION
1		1			GLASS, FRAME and HINGE, Body Side Rear Quarter
	4675 094-5			52	Tinted
	4675 296-7			52	Solar, Up to 10-19-92
	4675 100-1			52	Sunscreen, After 10-19-92
	4675 118-9			53	Tinted
	4675 300-1			53	Solar, Up to 10-19-92
	4675 124-5			53	Sunscreen, After 10-19-92
					GLASS, HINGE and LATCH, Body Side Aperture Panel Rear Quarter
	4675 106-7			52	Tinted (EUROPEAN) E-Marked
	4675 130-1			53	Tinted (EUROPEAN) E-Marked
-	4615 802	1			SPACER, Vent Window
2		1			GLASS, Hinge and Frame, Front Quarter, Left
	4675 077				Tinted
	4675 291				Solar, Up to 10-19-92
	4675 083				Sunscreen, After 10-19-92
	4675 089				EUROPEAN (Tinted) E-Marked
3	4675 424-5	1		52	WEATHERSTRIP, Rear Quarter Window
	5257 271	1			WEATHERSTRIP, Body Side Window Opening Lt. (FRONT)
	4548 158-9	1		53	WEATHERSTRIP, Body Side Aperture Panel Rear Glass
	6501 038	6		52	NUT
	4184 688	2			PLUG, Sliding Door Vent Window
4-7	4339 313	3			RETAINER, Quarter Window Glass To Latch Includes Item 4-7
4		3			RETAINER, Quarter Window Glass (Serviced In Package #4339313)
5		3			SPACER and GASKET ASSEMBLY, Quarter Window Glass Retainer (Serviced in Package #4339313) ***
6	6501 038	6			NUT
7		3			SCREW, 1/4"-20 x .375" (Serviced In Package #4339313)
8	6502 052	6			SCREW and WASHER
9	4512 666	2			LATCH, Quarter Vent Window Manual
-	AL26 KV4	1			BEZEL, Manual Qtr. Window Latch
	4615 733	1			LATCH, Side Vent Window
10		2			SPRING PIN, Quarter Vent Window Actuator Handle To Link Not Serviced
-	4184 688	2		52	PLUG, Sliding Door Vent Window

**MODEL CODES:**

A BODY=(C=LeBaron, D=Spirit, P=Acclaim/LaBaron(Landau), Saratoga)  
 C BODY=(D=Dynasty, C=New Yorker/N.Y. Salon)  
 G BODY=(V=Daytona/ROC, Chrysler Daytona)  
 J BODY=(C=LeBaron, Chrysler LeBaron)  
 P BODY=(P=Sundance, D=Shadow)

S BODY=(H=Voyager(H) FWD, K=Caravan(H) FWD, Y=Town & Country(H) FWD, P=Voyager(K) AWD, D=Caravan(K) AWD, C=Town & Country(K) AWD)  
 Y BODY=(C=Imperial/5th Avenue)  
 E-S BODY=(K=Chrysler Voyager(H) FWD, D=Chrysler Voyager(K) AWD)

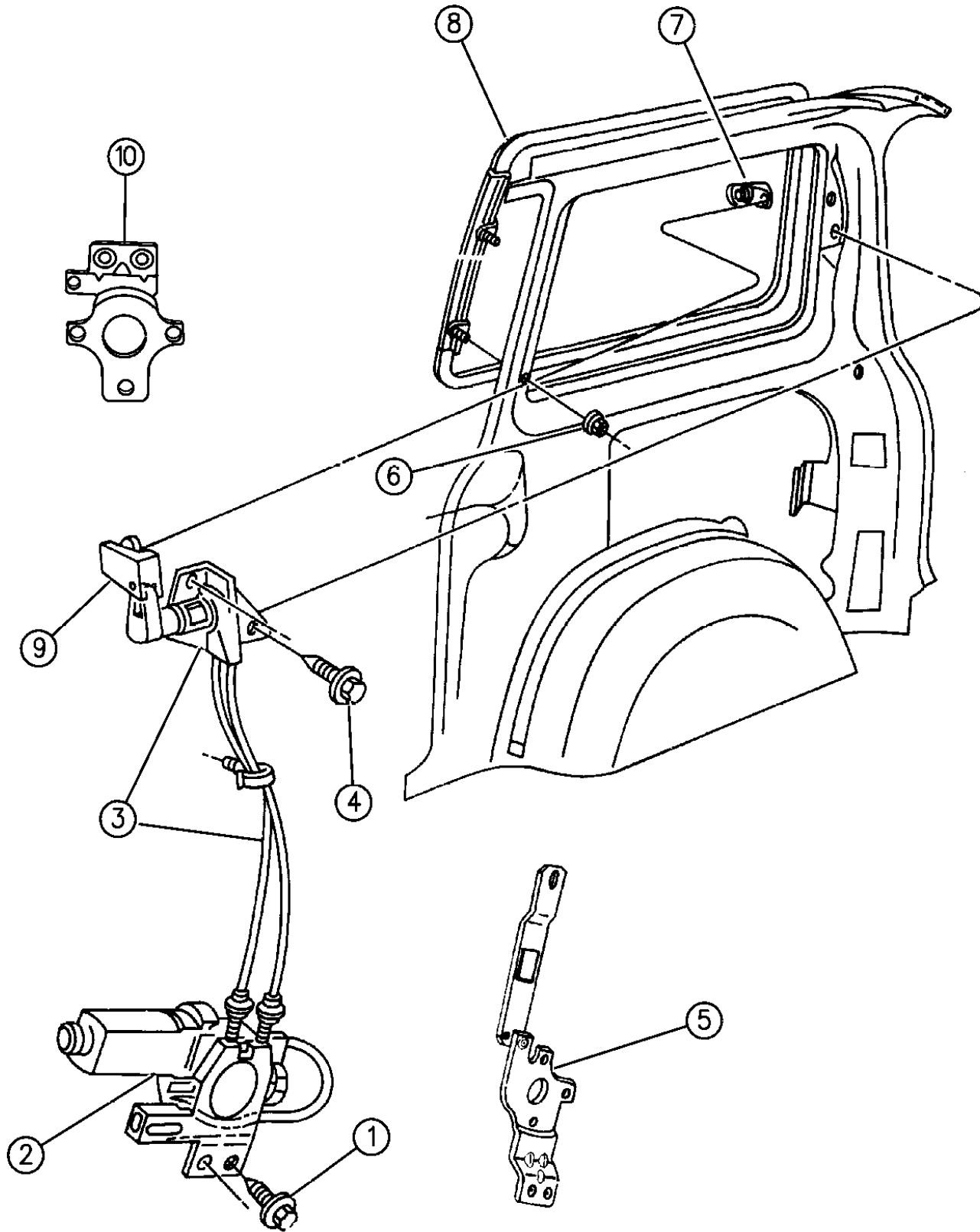
**BODY STYLES:**

21=2-Door Coupe      41=4-Door Sedan      12-52=FWD & AWD Van & Wgn Std W.B.  
 24=2-Door Hatchback      44=4-Door Hatchback      53=FWD & AWD Van & Wgn Ext. W.B.  
 27=2-Door Convertible

AR = Use as Required - = Non Illustrated Part P.A.R. = Paint as Required

**WINDOW VENT ELECTRIC QUARTER S BODY**  
**Figure 23A-1460**

93169 14600B



ITEM	PART NUMBER	QTY	BODY	MODEL	DESCRIPTION
1	6502 064	AR			SCREW
2	4615 274-5				MOTOR ASSEMBLY ***
Right or Left part may be stamped with either 4615272 or 4615273. applications specified in this document.					
3					ACTUATOR ASSEMBLY, w/Cable
	5257 818-9	1	52		
	5257 820-1		53		
-	6500 848	2			RETAINER, Actuator Control
-	4615 745	AR			SPACER, Qtr. Window Actuator
4	6502 052	AR			SCREW
5	4638 579	1			BRACKET and ISOLATOR ***
6	6501 038	AR			SCREW
7	4548 121	1			BRACKET ASSEMBLY, Quarter Vent Window Actuator Pivot ***
-	4339 313	2			RETAINER, Quarter Glass to Latch
-	6031 754	4			SCREW
8		1			GLASS, FRAME and HINGE, Body Side Rear
	4675 094-5		52		Tinted
	4675 296-7		52		Solar, Up to 10-19-92
	4675 100-1		52		Sunscreen, After 10-19-92
	4675 118-9		53		Tinted
	4675 300-1		53		Solar, Up to 10-19-92
	4675 124-5		53		Sunscreen, After 10-19-92
	4675 106-7		52		Tinted (EUROPEAN) E-Marked
	4675 130-1		53		Tinted (EUROPEAN) E-Marked
-	4615 802	1			SPACER, Vent Glass
-		1			WEATHERSTRIP
	5257 271				Body Side Left (FRONT)
	4548 156-7			52	Rear Quarter
	4548 158-9			53	Body Side Aperture Panel (REAR GLASS)
9	4520 174-5	1			CONTROL and LINK PACKAGE, Quarter Vent Window ***
-	6500 848	2			RETAINER, Actuator Control
10	5257 822	1			BRACKET, Quarter Window Vent
-	4615 802	AR			SPACER, Vent Glass (Round)

**MODEL CODES:**

A BODY=(C=LeBaron, D=Spirit, P=Acclaim/LaBaron(Landau, Saratoga)  
 C BODY=(D=Dynasty, C=New Yorker/N.Y. Salon)  
 G BODY=(V=Daytona/IROC, Chrysler Daytona)  
 J BODY=(C=LeBaron, Chrysler LeBaron)  
 P BODY=(P=Sundance, D=Shadow)

S BODY=(H=Voyager(H) FWD, K=Caravan(H) FWD, Y=Town & Country(H) FWD, P=Voyager(K) AWD, D=Caravan(K) AWD, C=Town & Country(K) AWD)  
 Y BODY=(C=Imperial/5th Avenue)  
 E-S BODY=(K=Chrysler Voyager(H) FWD, D=Chrysler Voyager(K) AWD)

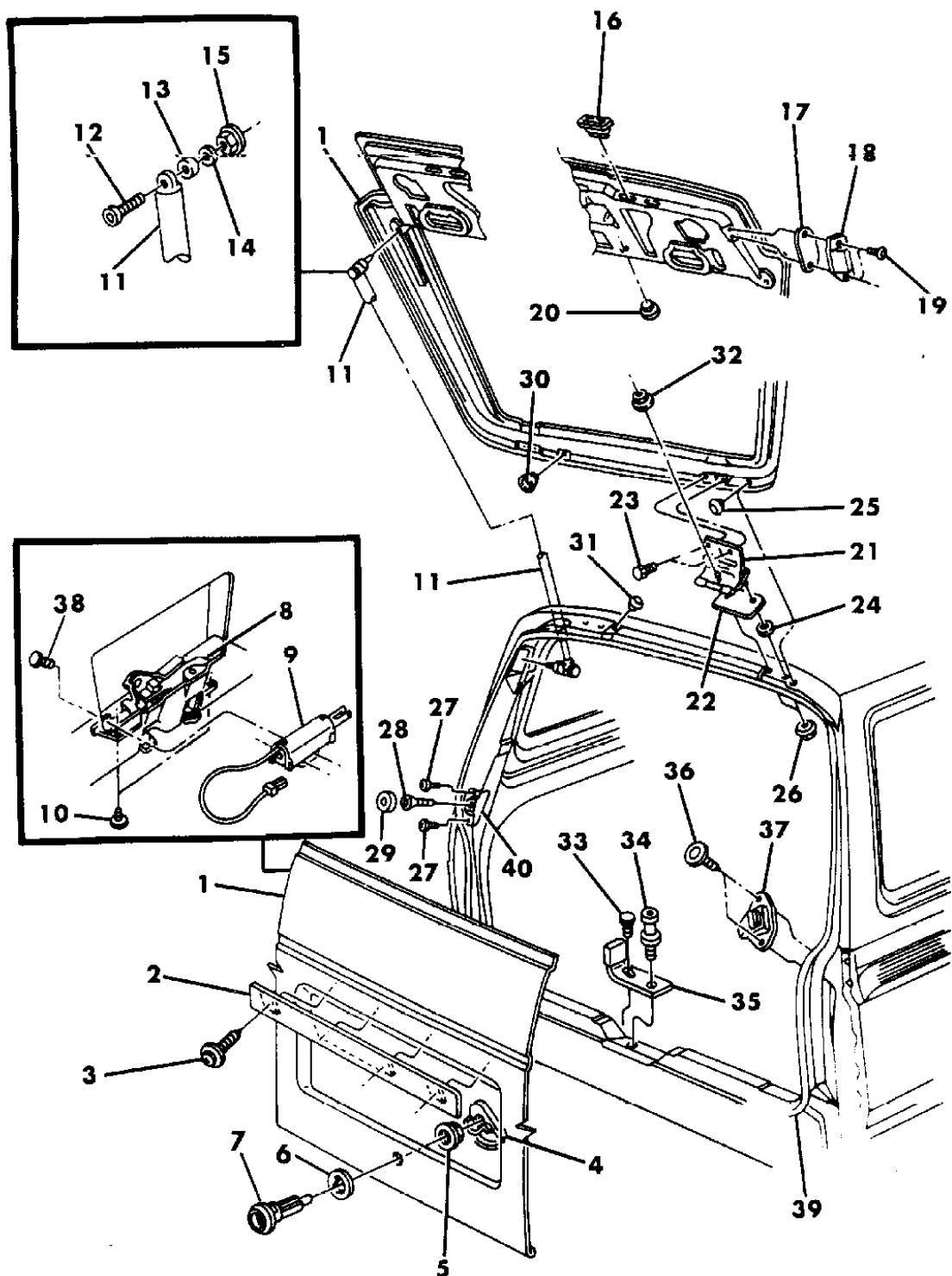
**BODY STYLES:**

21=2-Door Coupe      41=4-Door Sedan      12-52=FWD & AWD Van & Wgn Std W.B.  
 24=2-Door Hatchback      44=4-Door Hatchback      53=FWD & AWD Van & Wgn Ext. W.B.  
 27=2-Door Convertible

AR = Use as Required - = Non Illustrated Part P.A.R. = Paint as Required

LIFTGATE PANEL S BODY  
Figure 23A-1500

93169 15000



ITEM	PART NUMBER	QTY	BODY	MODEL	DESCRIPTION
1	4674 440	1			PANEL, Liftgate
-	4481 184	1			TROUGH, Liftgate Inner Panel, Lower Right
2		1			HANDLE, Liftgate
	4520 042				WOODGRAIN
	4378 578				w/o WOODGRAIN
	X503 LG5				Hunter Green
	X503 MBC				Royal Blue
	X503 MC9				Jewel Blue
	X503 MFA				Light Driftwood
	X503 MMB				Wildberry
3	6033 718	4			SCREW
4	4378 651	1			CAM, Liftgate Key Cylinder to Latch Lever ***
5	4054 202	4			NUT
6	3695 321	1			GASKET, Liftgate Lock
7		1			CYLINDER, Liftgate Lock (See Group 23D)
8	4675 171	1			LATCH ASSEMBLY
9	4615 121	1			SOLENOID AND BRACKET ASSEMBLY ***
10	6502 296	3			SCREW, Latch Mtg.
11		2			PROP, Liftgate
	4378 594				Standard
	4719 316				Heavy Duty w/Wiper and/or W/Stereo
12		4			SCREW, Serviced in #11
13	5207 281	4			BUMPER
14		4			WASHER, (Not Serv. - Standard)
15	6500 159	4			NUT and WASHER
16	4378 659	4			PLUG
17		AR			SHIM
	4378 218				1.50 mm
	4378 219				0.75
18	4378 200	2			STRIKER ASSEMBLY, Liftgate Stabilizer
19		4			SCREW
20	6501 842	4			NUT, License Plate
21	4378 662-3	1			HINGE ASSEMBLY
-	4378 670-1	1			T/PLATE, Liftgate Hinge ***
22		AR			SHIM
	4378 708				0.75 mm
	4378 709				1.50 mm
23	6100 304	4			SCREW and WASHER
24	6100 840	2			PUSH NUT

**MODEL CODES:**

A BODY=(C=LeBaron, D=Spirit, P=Acclaim/LaBaron(Landau), Saratoga) S BODY=(H=Voyager(H) FWD, K=Caravan(H) FWD, Y=Town & Country(H) FWD, P=Voyager(K) AWD, D=Caravan(K) AWD, C=Town & Country(K) AWD)  
 C BODY=(D=Dynasty, C=New Yorker/N.Y. Salon)  
 G BODY=(V=Daytona/ROC, Chrysler Daytona)  
 J BODY=(C=LeBaron, Chrysler LeBaron)  
 P BODY=(P=Sundance, D=Shadow)  
 Y BODY=(C=Imperial/5th Avenue)  
 E-S BODY=(K=Chrysler Voyager(H) FWD, D=Chrysler Voyager(K) AWD)

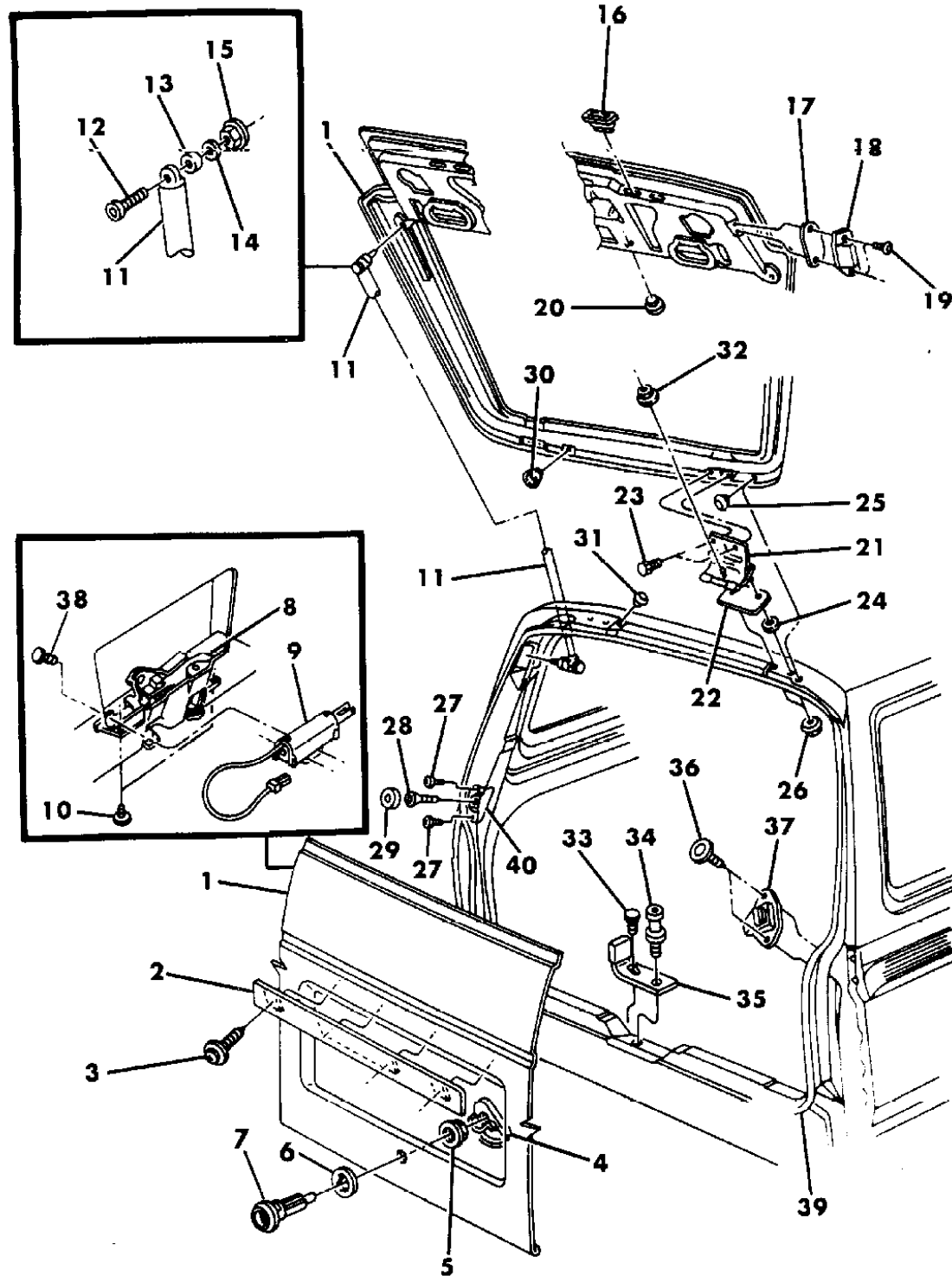
**BODY STYLES:**

21=2-Door Coupe 41=4-Door Sedan 12-52=FWD & AWD Van & Wgn Std W.B.  
 24=2-Door Hatchback 44=4-Door Hatchback 53=FWD & AWD Van & Wgn Ext. W.B.  
 27=2-Door Convertible

AR = Use as Required - = Non Illustrated Part P.A.R. = Paint as Required

LIFTGATE PANEL S BODY  
Figure 23A-1500

93169 15000



ITEM	PART NUMBER	QTY	BODY	MODEL	DESCRIPTION
25	2094 631	2			PLUG
26	6501 970	4			NUT and WASHER
27		4			SCREW, Not Service
28		2			SCREW
	6034 437				Up to 4-5-93
	6034 778				After 4-5-93
29	4336 077	2			BUMPER, Liftgate Overslam
30	2574 792	1			PLUG
31	1774 076	AR			PLUG
32	6501 859	2			NUT and WASHER
33	6501 807	1			SCREW, Liftgate Restrictor
34	4378 535	1			STRIKER, Liftgate Latch
35	5257 656	1			RESTRICTOR ASSEMBLY ***
36	6034 195	4			SCREW
37	4378 079	2			WEDGE ASSEMBLY ***
38	9421 073	2			SCREW, Solenoid and Bracket
39	4280 063	1			WEATHERSTRIP, Liftgate Opening
40	4534 316-7	1			BRACKET, Liftgate Overslam Bumper

MODEL CODES:

A BODY=(C=LeBaron, D=Spirit, P=Acclaim/LaBaron(Landau), Saratoga) S BODY=(H=Voyager(H) FWD, K=Caravan(H) FWD, Y=Town & Country(H) FWD, P=Voyager(K) AWD, D=Caravan(K) AWD, C=Town & Country(K) AWD)  
 C BODY=(D=Dynasty, C=New Yorker/N.Y. Salon) Y BODY=(C=Imperial/5th Avenue)  
 G BODY=(V=Daytona/IROC, Chrysler Daytona) E-S BODY=(K=Chrysler Voyager(H) FWD, D=Chrysler Voyager(K) AWD)  
 J BODY=(C=LeBaron, Chrysler LeBaron) P BODY=(P=Sundance, D=Shadow)

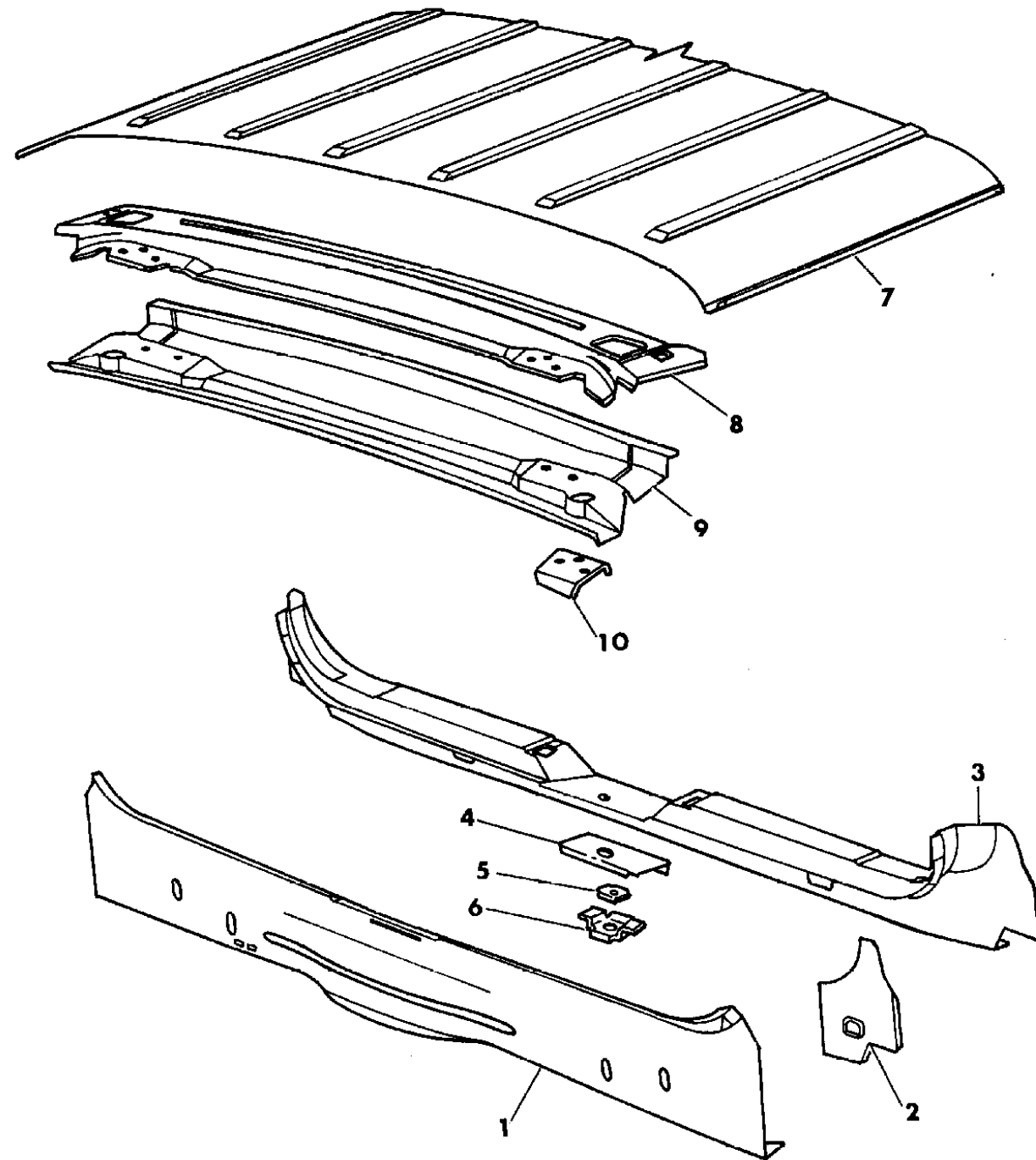
BODY STYLES:

21=2-Door Coupe 41=4-Door Sedan 12-52=FWD & AWD Van & Wgn Std W.B.  
 24=2-Door Hatchback 44=4-Door Hatchback 53=FWD & AWD Van & Wgn Ext. W.B.  
 27=2-Door Convertible

AR = Use as Required - = Non Illustrated Part P.A.R. = Paint as Required

LIFTGATE OPENING PANEL S BODY  
Figure 23A-1520

93169 15200



ITEM	PART NUMBER	QTY	BODY	MODEL	DESCRIPTION
1	4674 064	1			PANEL, Liftgate Opening Lower
2	4534 156-7	1		53	SUPPORT, Liftgate Opening Lower Reinforcement
	4534 154-5	1		12,52	
3	4490 927	1		12,52	REINFORCEMENT, Liftgate Opening Lower Panel
	4490 928	1		53	
4		1			REINFORCEMENT, Liftgate Opening Lower Panel Latch Striker (Serviced In 4490811, 4490812)
5		1			NUT, Liftgate Latch Striker (Serviced In 4490811)
6		1			RETAINER, Liftgate Latch Opening Lower Panel Striker Mounting Nut ( Serviced In Item 3 )
7		1			PANEL, Roof Outer ( See Roof Panel Illus.)
8	4490 126	1			REINFORCEMENT, Liftgate Opening Upper Frame
9	4490 125	1			FRAME, Liftgate Opening Upper
10	4490 750-1	1			REINFORCEMENT, Liftgate Opening Upper Frame Hinge

MODEL CODES:

A BODY=(C=LeBaron, D=Spirit, P=Acclaim/LaBaron(Landau),  
Saratoga)  
C BODY=(D=Dynasty, C=New Yorker/N.Y. Salon)  
G BODY=(V=Daytona/IROC, Chrysler Daytona)  
J BODY=(C=LeBaron, Chrysler LeBaron)  
P BODY=(P=Sundance, D=Shadow)

S BODY=(H=Voyager(H) FWD, K=Caravan(H) FWD,  
Y=Town & Country(H) FWD, P=Voyager(K) AWD,  
D=Caravan(K) AWD, C=Town & Country(K) AWD)  
Y BODY=(C=Imperial/5th Avenue)  
E-S BODY=(K=Chrysler Voyager(H) FWD, D=Chrysler  
Voyager(K) AWD)

BODY STYLES:

21=2-Door Coupe      41=4-Door Sedan      12-52=FWD & AWD Van & Wgn Std W.B.  
24=2-Door Hatchback      44=4-Door Hatchback      53=FWD & AWD Van & Wgn Ext. W.B.  
27=2-Door Convertible

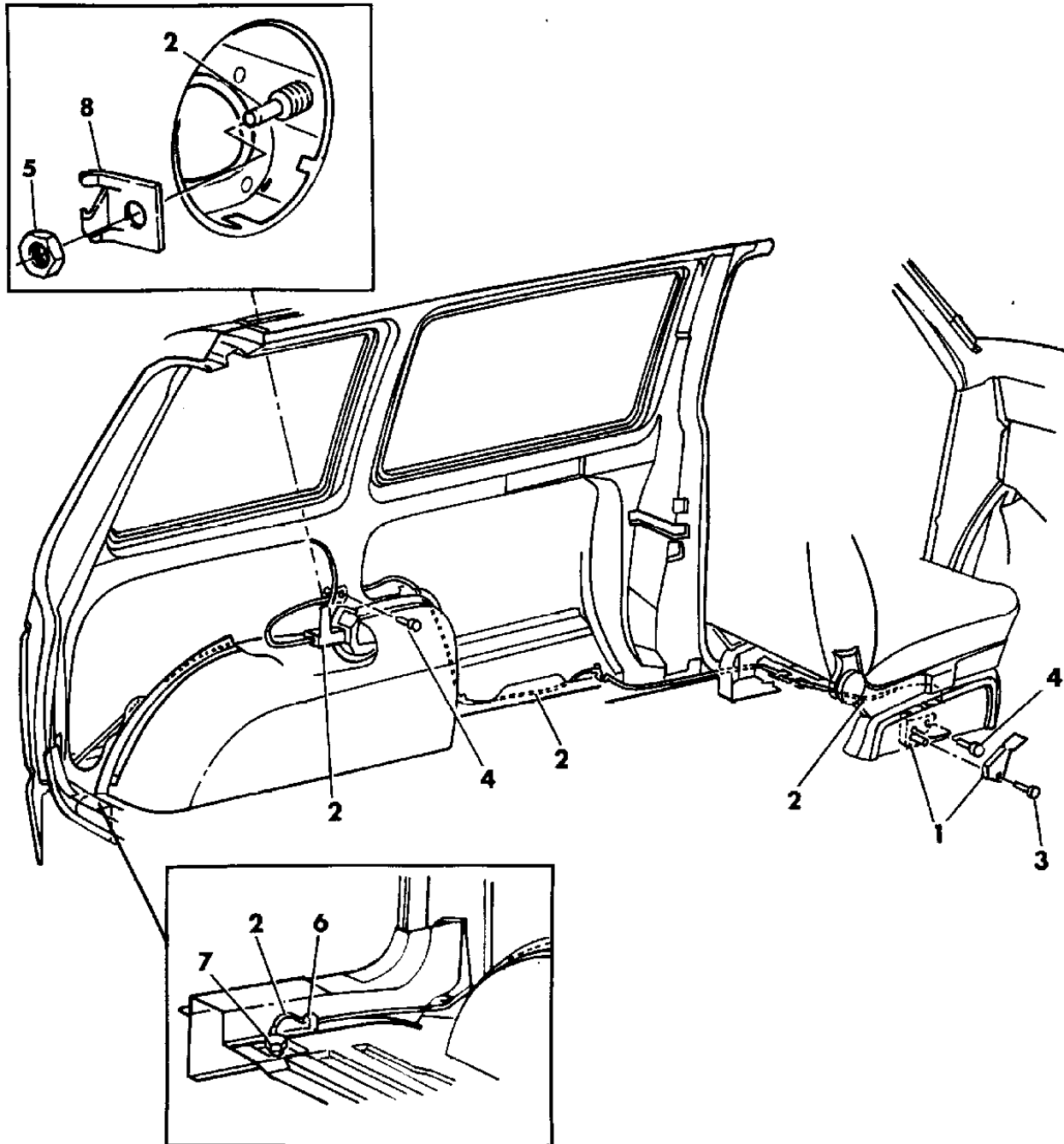
AR = Use as Required - = Non Illustrated Part P.A.R. = Paint as Required

FUEL FILLER RELEASE S BODY  
Figure 23A-1530

93169 15300

ITEM	PART NUMBER	QTY	BODY	MODEL	DESCRIPTION
1	4512 668	1			HANDLE, w/Bracket Body Side Aperture Remote Fuel Filler Door Release
2		1			CABLE, w/Bracket Body Side Aperture Remote Fuel Filler Door Release (Includes Auxilliary Release Cable)
	5257 758			12,52	
	5257 759			53	
3	6500 981	1			SCREW
4	6032 196	2			SCREW
5		1			NUT, M12 x 1.75" Not Serviced
6	6015 640	3			CLIP
7		1			BOLT, Spare Tire Winch (See Group 22)
8	4548 028	1			SPRING, Body Side Fuel Filler Door Remote

4548028 is a coil spring. For flat spring like illustrated use 4371896. applications specified in this document.



MODEL CODES:

A BODY=(C=LeBaron, D=Spirit, P=Acclaim/LaBaron(Landau), Saratoga) S BODY=(H=Voyager(H) FWD, K=Caravan(H) FWD, Y=Town & Country(H) FWD, P=Voyager(K) AWD, D=Caravan(K) AWD, C=Town & Country(K) AWD)  
 C BODY=(D=Dynasty, C=New Yorker/N.Y. Salon) Y BODY=(C=Imperial/5th Avenue)  
 G BODY=(V=Daytona/IROC, Chrysler Daytona) E-S BODY=(K=Chrysler Voyager(H) FWD, D=Chrysler Voyager(K) AWD)  
 J BODY=(C=LeBaron, Chrysler LeBaron)  
 P BODY=(P=Sundance, D=Shadow)

BODY STYLES:

21=2-Door Coupe 41=4-Door Sedan 12-52=FWD & AWD Van & Wgn Std W.B.  
 24=2-Door Hatchback 44=4-Door Hatchback 53=FWD & AWD Van & Wgn Ext. W.B.  
 27=2-Door Convertible

AR = Use as Required - = Non Illustrated Part P.A.R. = Paint as Required

---

**GROUP 23C - BODY - DOORS AND RELATED PARTS**

<b>ILLUSTRATION TITLE</b>	<b>GROUP-FIG. NO.</b>
<b>P BODY</b>	
DOOR, FRONT SHELL, HANDLES AND LOCKS P BODY 24, 27 .....	Fig. 23C-100
DOOR, FRONT GLASS, REGULATORS AND SPEAKERS P BODY 24, 27 .....	Fig. 23C-200
DOOR, FRONT P BODY 27 (1 OF 4 PECULIAR) .....	Fig. 23C-300
DOOR, FRONT P BODY 27 (2 OF 4 PECULIAR) .....	Fig. 23C-400
DOOR, FRONT P BODY 27 (3 OF 4 PECULIAR) .....	Fig. 23C-500
DOOR, FRONT P BODY 27 (4 OF 4 PECULIAR) .....	Fig. 23C-600
DOOR, FRONT SHELL, HANDLE AND LOCK P BODY 44 .....	Fig. 23C-700
DOOR, FRONT GLASS AND REGULATOR P BODY 44 .....	Fig. 23C-800
DOOR, REAR SHELL, HANDLE AND CONTROLS P BODY 44 .....	Fig. 23C-900
DOOR, REAR GLASS, REGULATOR AND LOCKS P BODY 44 .....	Fig. 23C-1000
DOOR, FRONT AND REAR WEATHERSTRIPS P BODY .....	Fig. 23C-1100
DOOR, FRONT AND REAR RUN AND SEALS P BODY .....	Fig. 23C-1200
MIRROR, EXTERIOR P BODY .....	Fig. 23C-1300
<b>A BODY</b>	
DOOR, FRONT SHELL, REGULATOR AND HINGES A BODY .....	Fig. 23C-1400
DOOR, FRONT GLASS, HANDLES AND CONTROLS A BODY .....	Fig. 23C-1500
DOOR, REAR SHELL, HINGES AND REMOTE CONTROL A BODY .....	Fig. 23C-1600
DOOR, REAR GLASS, HANDLES AND SPEAKER A BODY .....	Fig. 23C-1700
DOOR, FRONT AND REAR WEATHERSTRIPS, RUNS AND GUARDS A BODY .....	Fig. 23C-1800
MIRRORS, EXTERIOR A BODY .....	Fig. 23C-1900
<b>J BODY</b>	
DOOR, FRONT COMPLETE LESS WEATHERSTRIPS AND RUNS J BODY 21 .....	Fig. 23C-2000
DOOR, FRONT WEATHERSTRIPS AND RUNS J BODY 21 .....	Fig. 23C-2100
DOOR, FRONT COMPLETE LESS WEATHERSTRIPS AND RUNS J BODY 27 .....	Fig. 23C-2200
DOOR, FRONT WEATHERSTRIPS AND RUNS J BODY 27 .....	Fig. 23C-2300
MIRRORS, EXTERIOR J BODY .....	Fig. 23C-2400
<b>G BODY</b>	
DOOR, FRONT COMPLETE LESS WEATHERSTRIP AND RUN G BODY .....	Fig. 23C-2500
DOOR, FRONT WEATHERSTRIP AND RUN G BODY .....	Fig. 23C-2600
MIRROR, EXTERIOR G BODY .....	Fig. 23C-2700
<b>C BODY</b>	
DOOR, FRONT SHELL, HANDLES AND LOCKS C BODY .....	Fig. 23C-2800
DOOR, FRONT GLASS, REGULATOR AND SPEAKERS C BODY .....	Fig. 23C-2900
DOOR, REAR SHELL, HANDLES AND LOCKS C BODY .....	Fig. 23C-3000
DOOR, REAR GLASS, REGULATORS AND CONTROLS C BODY .....	Fig. 23C-3100

**ILLUSTRATION NOT AVAILABLE AT TIME OF PUBLICATION**



---

**GROUP 23C - BODY - DOORS AND RELATED PARTS**

**ILLUSTRATION TITLE**

**GROUP-FIG. NO.**

**C BODY (Continued)**

DOOR, REAR GLASS, REGULATORS AND CONTROLS C BODY .....	Fig. 23C-3100
DOOR, FRONT AND REAR WEATHERSTRIPS, RUNS, SEALS AND GUARDS C BODY .....	Fig. 23C-3200
MIRROR, EXTERIOR C BODY .....	Fig. 23C-3300

**Y BODY**

DOOR, FRONT SHELL, GLASS AND CONTROLS Y BODY .....	Fig. 23C-3400
DOOR, FRONT REGULATOR, SPEAKER AND BEZEL Y BODY .....	Fig. 23C-3500
DOOR, REAR SHELL, REGULATOR AND HINGES Y BODY .....	Fig. 23C-3600
DOOR, REAR GLASS, HANDLE AND BEZEL Y BODY .....	Fig. 23C-3700
DOOR, FRONT AND REAR WEATHERSTRIPS Y BODY .....	Fig. 23C-3800
DOOR, FRONT AND REAR SEALS AND RUNS Y BODY .....	Fig. 23C-3900
MIRROR, EXTERIOR Y BODY .....	Fig. 23C-4000

**S BODY**

DOOR, FRONT SHELL, HINGES AND HANDLES S BODY .....	Fig. 23C-4100
DOOR, FRONT GLASS, REGULATOR AND SPEAKER S BODY .....	Fig. 23C-4200
DOOR, SLIDING SHELL, GLASS AND CONTROLS S BODY .....	Fig. 23C-4300
DOOR, SLIDING EXTERIOR HANDLE AND LINKS S BODY .....	Fig. 23C-4400
DOOR, FRONT AND SIDE WEATHERSTRIPS AND SEALS S BODY .....	Fig. 23C-4600
MIRROR, EXTERIOR S BODY .....	Fig. 23C-4700

DOOR, FRONT SHELL, HANDLES AND LOCKS P BODY 24, 27  
Figure 23C-100

93171 100A

ITEM	PART NUMBER	QTY	BODY	MODEL	DESCRIPTION
1	4184 105	AR			SPACER, Striker
2	5507 4546	2			STRIKER
3					HANDLE, Exterior
	Y098-9 JW7	1			White
	Y098-9 LC3	1			Blue Met.
	Y098-9 LGF	1			Green
	Y098-9 LM3	1			Raspberry
	Y098-9 MMB	1			Wildberry
	Y098-9 LQE	1			Aqua
	Y098-9 LRB	1			Red
	Y098-9 LX8	1			Black
	4615 900-1	1			Flat Black
4	4365 194-5	1			LINK, Handle to Latch
5	4336 136	2			CLIP
6	4365 196-7	1			LINK, Cylinder to Latch
7					SCREW (DNS)
8	4396 902-3	1			BRACKET, Handle
9	6500 284	2			NUT
10		AR			SCREW (DNS)
11					CYLINDER, Lock, Refer to 23D
12					HINGE, Body Half
	4615 312	2			Upper
	4615 201	2			Lower
	4615 311	4			BUSHING, Hinge
	4615 216	4			BEARING, Hinge
	4280 726	4			BUSHING, Hinge, Body Half, Upper & Lower
13					HINGE, Door Half
	4280 730	2			Upper
	5257 788	2			Lower
14	4280 727	4			PIN, Hinge
15	6500 354	AR			SCREW
16					PLUG (DNS)
17	4443 644-5	1			SHELL, Door
	4520 954-5	1			SILENCER, Door
	4415 554-5	1			PANEL, Repair
18					PLUG (DNS)
19	6031 115	4			RIVET
20	4615 409	2			SOLENOID, Lock
21		2			CLIP, Solenoid, Serviced in 20

**MODEL CODES:**

A BODY=(C=LeBaron, D=Spirit, P=Acclaim/LaBaron(Landau), Saratoga) S BODY=(H=Voyager(H) FWD, K=Caravan(H) FWD, Y=Town & Country(H) FWD, P=Voyager(K) AWD, D=Caravan(K) AWD, C=Town & Country(K) AWD)

C BODY=(D=Dynasty, C=New Yorker/N.Y. Salon)

G BODY=(V=Daytona/IROC, Chrysler Daytona)

J BODY=(C=LeBaron, Chrysler LeBaron)

P BODY=(P=Sundance, D=Shadow)

Y BODY=(C=Imperial/5th Avenue)

E-S BODY=(K=Chrysler Voyager(H) FWD, D=Chrysler Voyager(K) AWD)

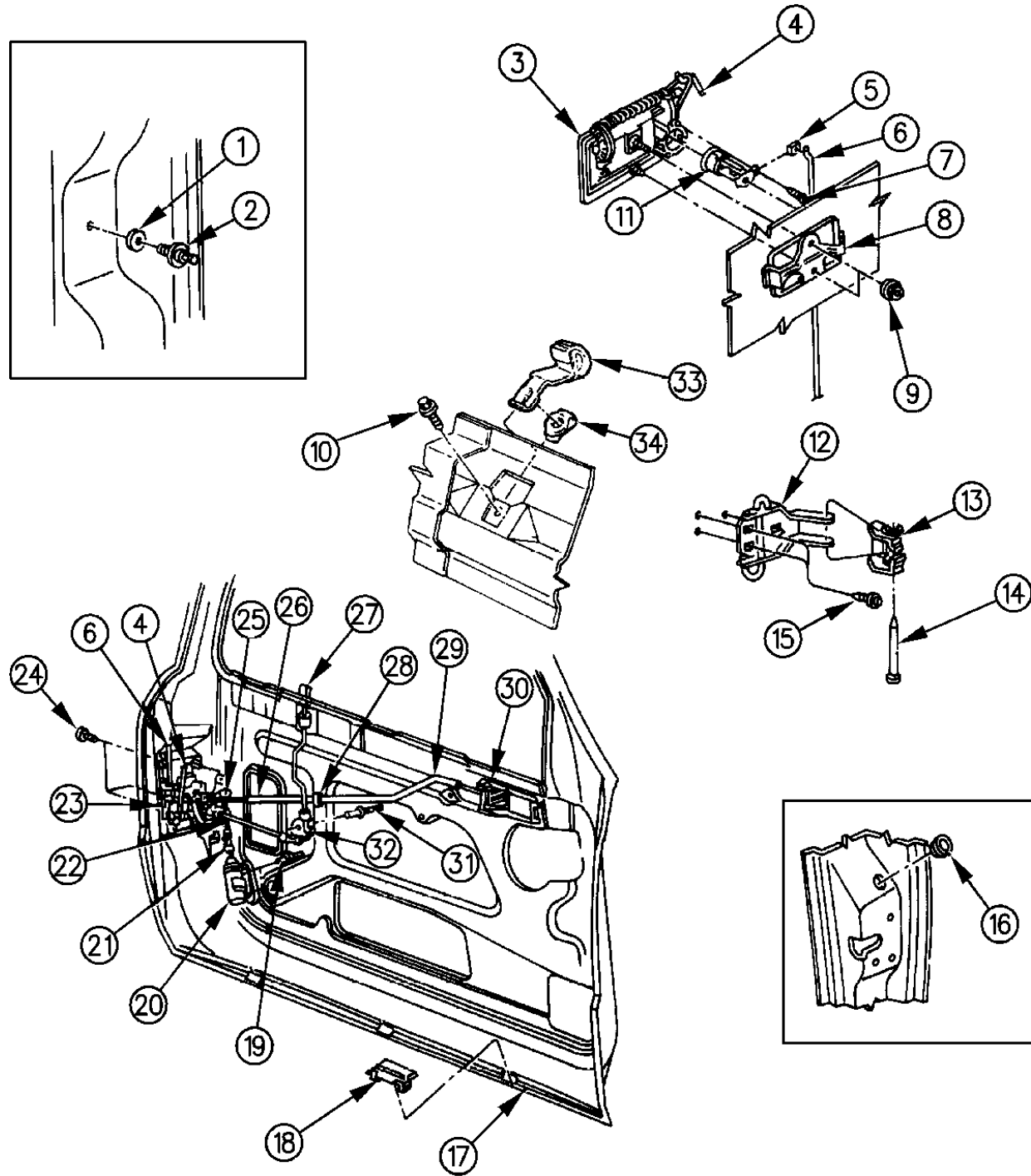
**BODY STYLES:**

21=2-Door Coupe      41=4-Door Sedan      12-52=FWD & AWD Van & Wgn Std W.B.

24=2-Door Hatchback      44=4-Door Hatchback      53=FWD & AWD Van & Wgn Ext. W.B.

27=2-Door Convertible

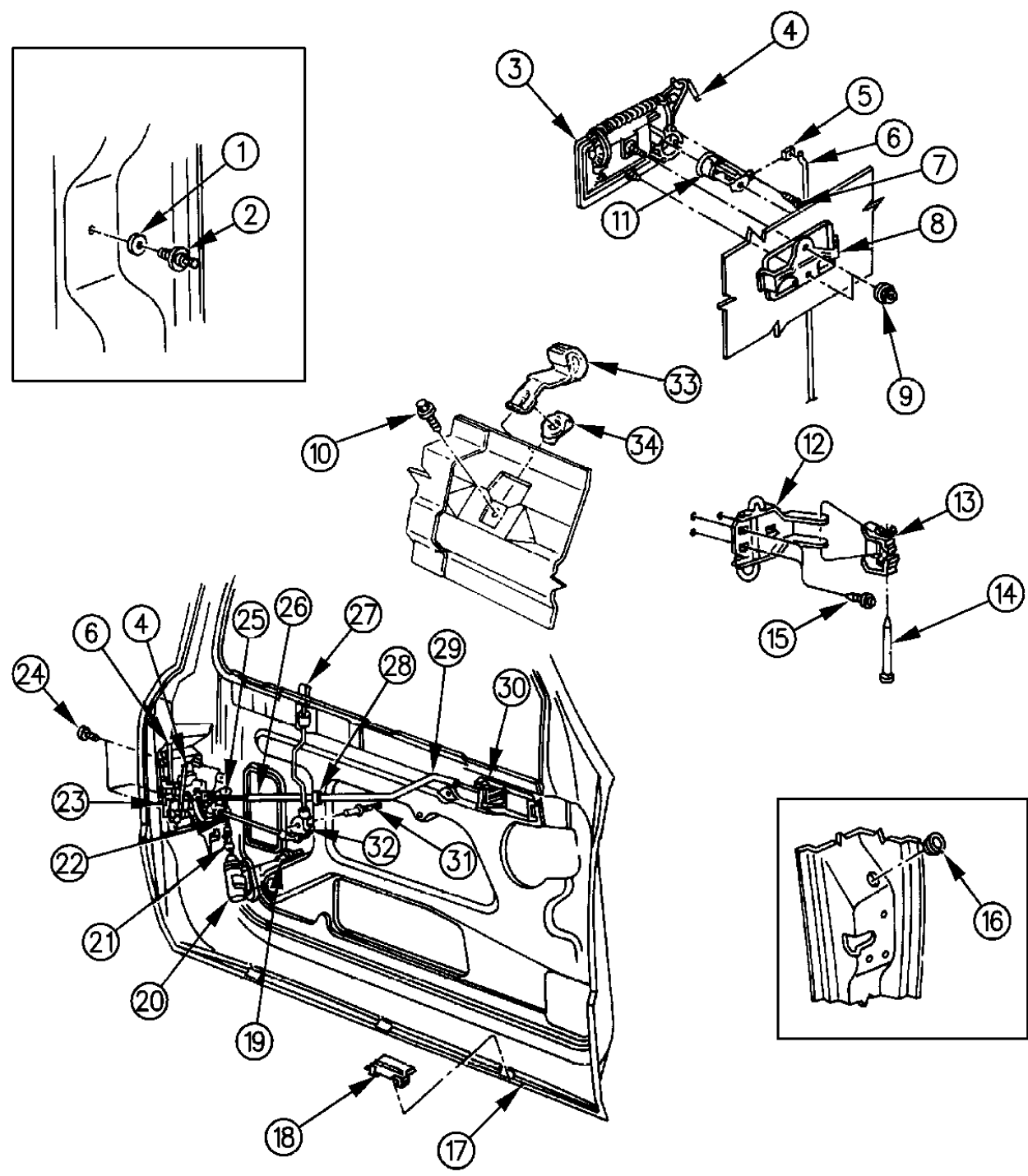
AR = Use as Required - = Non Illustrated Part P.A.R. = Paint as Required



DOOR, FRONT SHELL, HANDLES AND LOCKS P BODY 24, 27  
Figure 23C-100

93171 100A

ITEM	PART NUMBER	QTY	BODY	MODEL	DESCRIPTION
22	4520 832-3	1			LINK, Solenoid to Latch
23					LATCH, Door
	4336 377	1			Left
	4336 378	1			Right
	5231 110	2			PLUG, Latch Sight
24	6501 220	6			SCREW
25					CLIP
	4184 244	1			Left
	4184 245	1			Right
26	4365 694	2			LEVER, Latch Lock
27					KNOB and ROD, Locking
	D634 LM6	2			Red
	D634 HD5	2			Quartz
	D634 JV4	2			Champagne
28	3882 620	2			CLIP, Anti-Rattle
29	4365 184-5	1			LINK, R/Control Handle to Latch
30	4445 002-3	1			HOUSING, R/Control
31	6501 509	2			RIVET
32	4415 514-5	1			LEVER and CLIP, Latch to Lock
33	4445 058	2			STABILIZER, Glass Inner Belt
34	6100 041	2			U-NUT



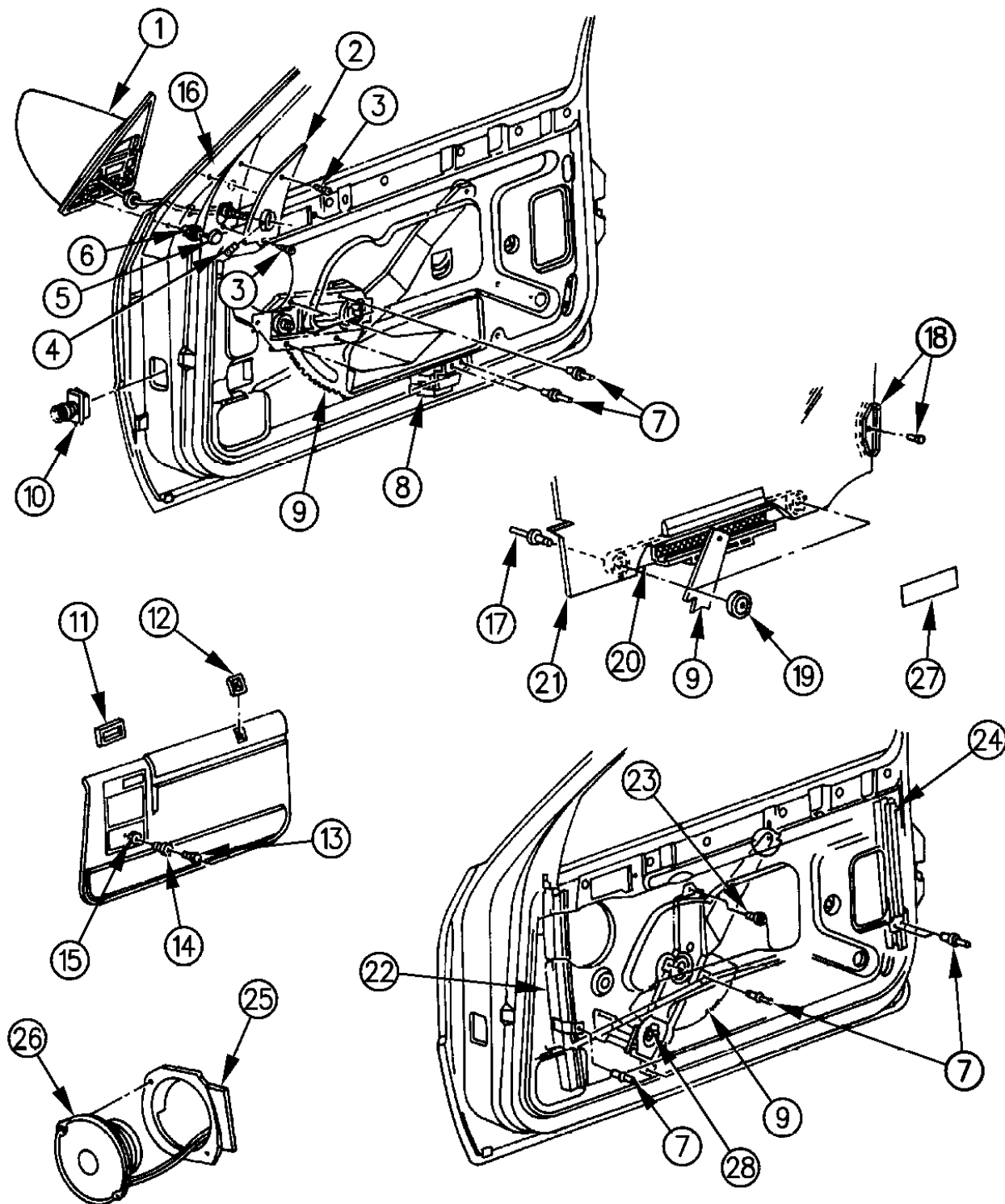
**MODEL CODES:**  
A BODY=(C=LeBaron, D=Spirit, P=Acclaim/LaBaron(Landau), Saratoga)      S BODY=(H=Voyager(H) FWD, K=Caravan(H) FWD, Y=Town & Country(H) FWD, P=Voyager(K) AWD, D=Caravan(K) AWD, C=Town & Country(K) AWD)  
C BODY=(D=Dynasty, C=New Yorker/N.Y. Salon)  
G BODY=(V=Daytona/IROC, Chrysler Daytona)  
J BODY=(C=LeBaron, Chrysler LeBaron)  
P BODY=(P=Sundance, D=Shadow)      Y BODY=(C=Imperial/5th Avenue)  
E-S BODY=(K=Chrysler Voyager(H) FWD, D=Chrysler Voyager(K) AWD)

**BODY STYLES:**  
21=2-Door Coupe      41=4-Door Sedan      12-52=FWD & AWD Van & Wgn Std W.B.  
24=2-Door Hatchback      44=4-Door Hatchback      53=FWD & AWD Van & Wgn Ext. W.B.  
27=2-Door Convertible

AR = Use as Required - = Non Illustrated Part P.A.R. = Paint as Required

DOOR, FRONT GLASS, REGULATORS AND SPEAKERS P BODY 24, 27  
Figure 23C-200

93171 200



ITEM	PART NUMBER	QTY	BODY	MODEL	DESCRIPTION
1-6					MIRROR, Refer to Mirror Illustration
7	6031 115	AR			RIVET
8	4415 572	2			DOWNSTOP, Glass
9					REGULATOR, Glass
	4658 380-1	1			Manual
	4415 510	1			Electric, Right
	4415 511	1			Electric, Left
	4396 699	2			SPRING, Manual Regulator Assist
	4415 184-5	1			PLATE, Electric Regulator
10					GROMMET, Serviced in Wiring
11	5507 5261	2			BEZEL, R/Control
12					BEZEL, Locking Knob
	D444 LM6	2			Red
	D444 HD5	2			Quartz
	D444 JV4	2			Champagne
13	6032 830	2			SCREW
14	4415 820	2			HANDLE, Window Regulator
	4415 824	2			COVER, Handle
	AP46 JV4	2			COVER, Regulator Handle Bezel
15	4445 993	2			SPACER, Regulator Handle
16	4396 730	1			BRACKET, Mirror
17	6031 115	AR			RIVET, Regulator Assy Att.
18	4339 372	2			SLIDE PACKAGE, Glass Edge
19	4396 734	4			GASKET and WASHER, Glass Att.
20					CHANNEL, Glass Lift
	4396 736	2		24	
	5241 390	2		27	
21					GLASS, Door
	4336 954-5	1			Clear
	4336 956-7	1			Tinted
22	4675 256-7	1			RETAINER, w/Bracket, Glass Run Lower Front
23	6100 557	2			SCREW
24	4336 970-1	1			RETAINER, w/Bracket, Glass Run Lower Rear
25	4469 060-1	1			ADAPTOR, Speaker
26					SPEAKER, Door
	4494 058	2			Standard
	4469 238	2			Premium
	4615 542	2			LINER, Speaker Opening
27	4365 683	1			DECAL, Seat Belt Safety

MODEL CODES:

A BODY=(C=LeBaron, D=Spirit, P=Acclaim/LaBaron(Landau), Saratoga) S BODY=(H=Voyager(H) FWD, K=Caravan(H) FWD, Y=Town & Country(H) FWD, P=Voyager(K) AWD, D=Caravan(K) AWD, C=Town & Country(K) AWD)  
C BODY=(D=Dynasty, C=New Yorker/N.Y. Salon) Y BODY=(C=Imperial/5th Avenue)  
G BODY=(V=Daytona/IROC, Chrysler Daytona) E-S BODY=(K=Chrysler Voyager(H) FWD, D=Chrysler Voyager(K) AWD)  
J BODY=(C=LeBaron, Chrysler LeBaron) P BODY=(P=Sundance, D=Shadow)

BODY STYLES:

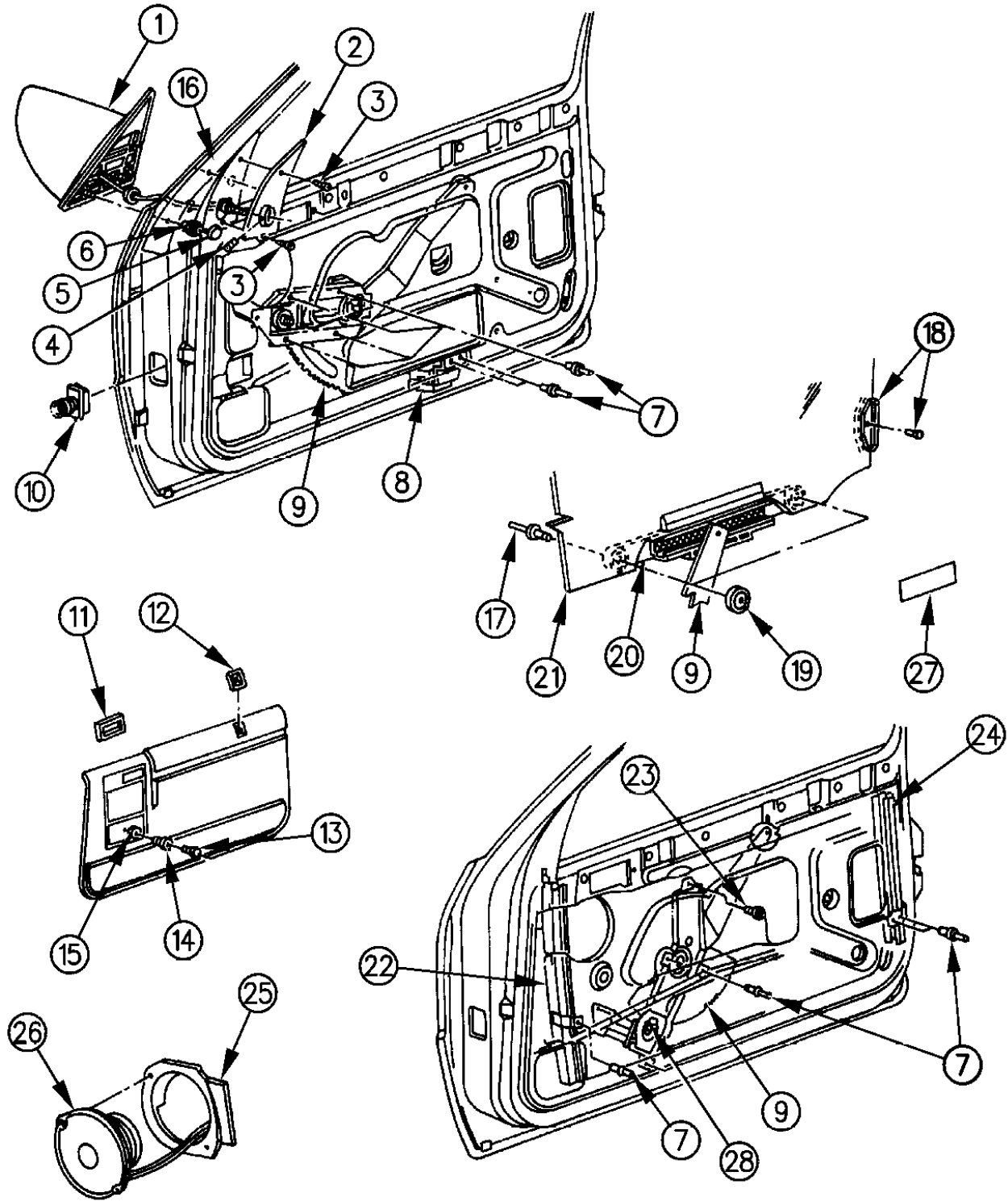
21=2-Door Coupe 41=4-Door Sedan 12-52=FWD & AWD Van & Wgn Std W.B.  
24=2-Door Hatchback 44=4-Door Hatchback 53=FWD & AWD Van & Wgn Ext. W.B.  
27=2-Door Convertible

AR = Use as Required - = Non Illustrated Part P.A.R. = Paint as Required

DOOR, FRONT GLASS, REGULATORS AND SPEAKERS P BODY 24, 27  
Figure 23C-200

93171 200

ITEM	PART NUMBER	QTY	BODY	MODEL	DESCRIPTION
28	4658 126-7	1			MOTOR and MECHANISM, Electric Regulator



**MODEL CODES:**

A BODY=(C=LeBaron, D=Spirit, P=Acclaim/LaBaron(Landau), Saratoga) S BODY=(H=Voyager(H) FWD, K=Caravan(H) FWD, Y=Town & Country(H) FWD, P=Voyager(K) AWD, D=Caravan(K) AWD, C=Town & Country(K) AWD)  
 C BODY=(D=Dynasty, C=New Yorker/N.Y. Salon) Y BODY=(C=Imperial/5th Avenue)  
 G BODY=(V=Daytona/IROC, Chrysler Daytona) E-S BODY=(K=Chrysler Voyager(H) FWD, D=Chrysler Voyager(K) AWD)  
 J BODY=(C=LeBaron, Chrysler LeBaron) P BODY=(P=Sundance, D=Shadow)

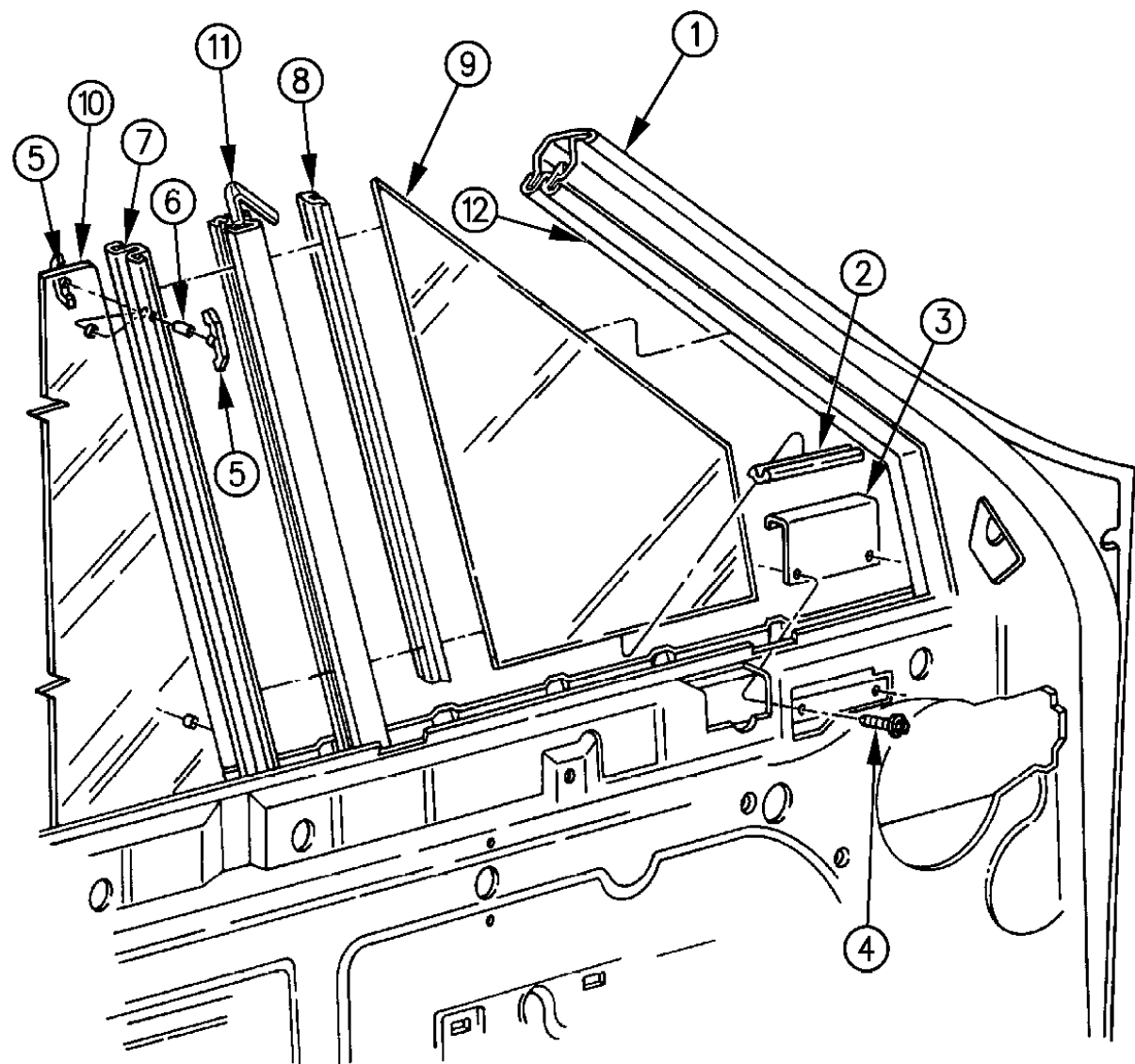
**BODY STYLES:**

21=2-Door Coupe 41=4-Door Sedan 12-52=FWD & AWD Van & Wgn Std W.B.  
 24=2-Door Hatchback 44=4-Door Hatchback 53=FWD & AWD Van & Wgn Ext. W.B.  
 27=2-Door Convertible

AR = Use as Required - = Non Illustrated Part P.A.R. = Paint as Required

DOOR, FRONT P BODY 27 (1 OF 4 PECULIAR)  
Figure 23C-300

93171 300



ITEM	PART NUMBER	QTY	BODY	MODEL	DESCRIPTION
1	5252 514-5	1			SHELL, Door
	4710 056-7	1			WATERSHIELD, Inner
2	4710 032	2			SEAL, Fixed Glass Lower
3	4710 029	2			BRACKET, Fixed Glass
4	5241 775	4			SCREW
5	4198 752	AR			RETAINER
6	2861 744	4			PIN
7	4710 040	2			WEATHERSTRIP, Division Channel
8	4710 033	2			SEAL, Fixed Glass
9	4710 016-7	1			GLASS, Fixed
10	5242 160-1	1			GLASS, Moveable
	5242 131	2			CLIP, Glass Anti-Rattle
11	4710 020-1	1			CHANNEL, Division
12	5241 776-7	1			SEAL, Fixed Glass
	5242 128-9	1			WEATHERSTRIP, Inner Seal

**MODEL CODES:**

A BODY=(C=LeBaron, D=Spirit, P=Acclaim/LaBaron(Landau), Saratoga) S BODY=(H=Voyager(H) FWD, K=Caravan(H) FWD, Y=Town & Country(H) FWD, P=Voyager(K) AWD, D=Caravan(K) AWD, C=Town & Country(K) AWD)  
 C BODY=(D=Dynasty, C=New Yorker/N.Y. Salon) Y BODY=(C=Imperial/5th Avenue)  
 G BODY=(V=Daytona/IROC, Chrysler Daytona) E-S BODY=(K=Chrysler Voyager(H) FWD, D=Chrysler Voyager(K) AWD)  
 J BODY=(C=LeBaron, Chrysler LeBaron)  
 P BODY=(P=Sundance, D=Shadow)

**BODY STYLES:**

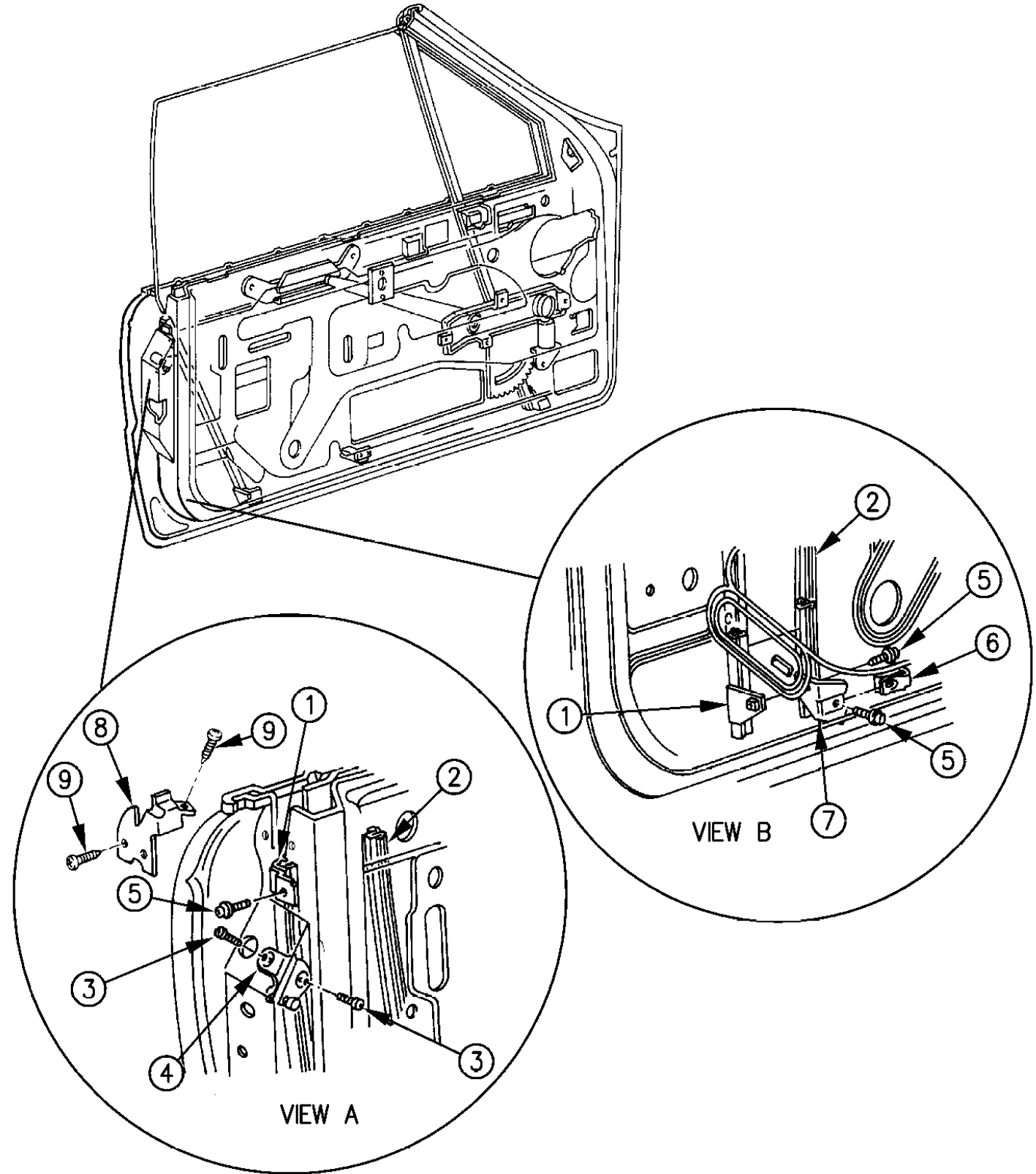
21=2-Door Coupe 41=4-Door Sedan 12-52=FWD & AWD Van & Wgn Std W.B.  
 24=2-Door Hatchback 44=4-Door Hatchback 53=FWD & AWD Van & Wgn Ext. W.B.  
 27=2-Door Convertible

AR = Use as Required - = Non Illustrated Part P.A.R. = Paint as Required

**DOOR, FRONT P BODY 27 (2 OF 4 PECULIAR)  
Figure 23C-400**

93171 400

ITEM	PART NUMBER	QTY	BODY	MODEL	DESCRIPTION
1	4710 022-3	1			GUIDE, Glass Rear
2	4710 059	2			SEAL, Guide
3	4710 036	4			SCREW
4	4710 034-5	1			LOCATOR, Guide ***
5	5241 775	AR			SCREW
6	6100 041	AR			NUT
7	4710 030-1	1			BRACKET, Glass Mtg.
8	5241 452-3	1			SEAL, Door Belt
9	5242 092	6			SCREW



---

---

---

---

---

---

---

---

---

---

---

---

---

---

---

---

---

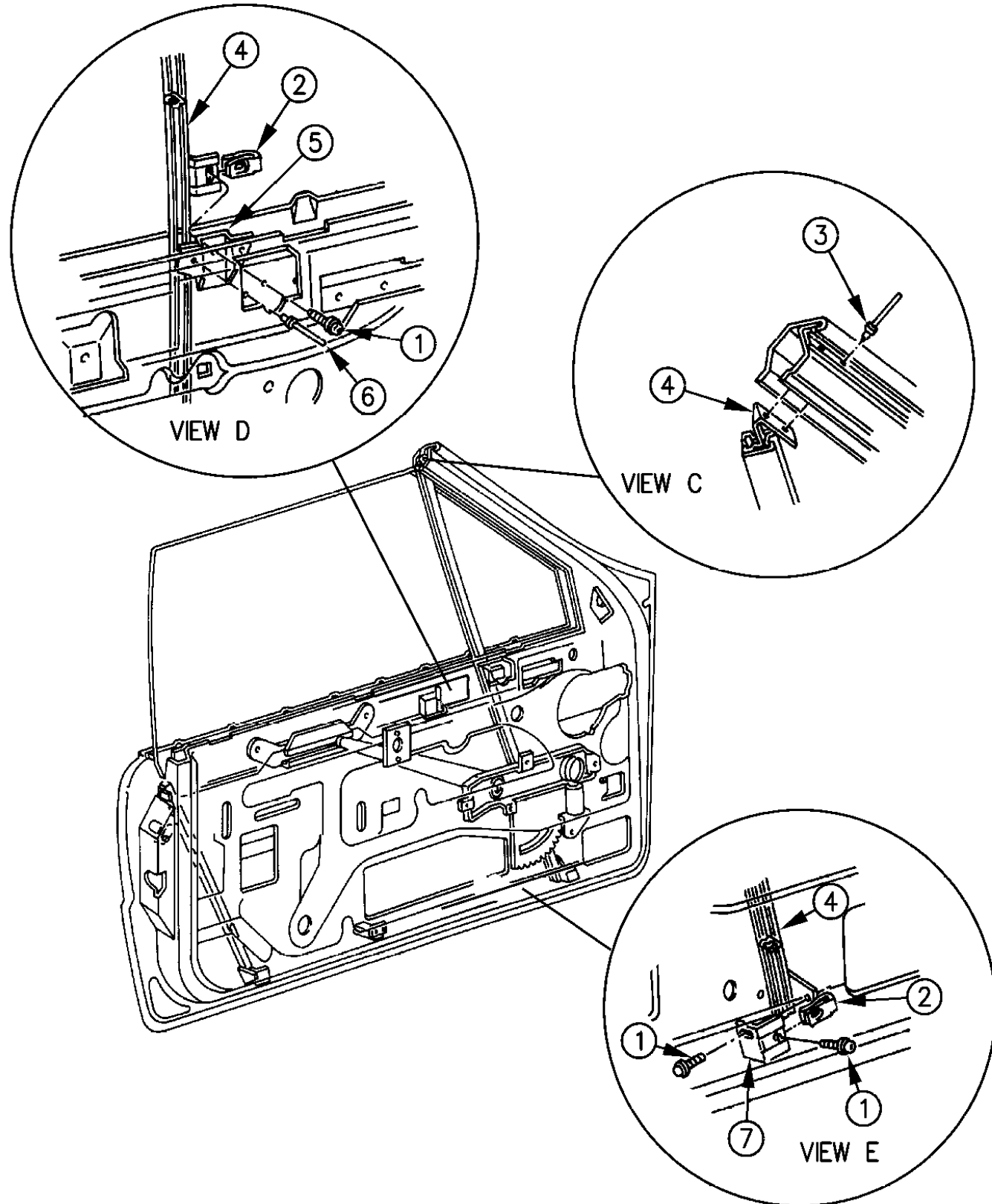
**MODEL CODES:**  
A BODY=(C=LeBaron, D=Spirit, P=Acclaim/LaBaron(Landau), Saratoga)  
C BODY=(D=Dynasty, C=New Yorker/N.Y. Salon)  
G BODY=(V=Daytona/ROC, Chrysler Daytona)  
J BODY=(C=LeBaron, Chrysler LeBaron)  
P BODY=(P=Sundance, D=Shadow)  
S BODY=(H=Voyager(H) FWD, K=Caravan(H) FWD, Y=Town & Country(H) FWD, P=Voyager(K) AWD, D=Caravan(K) AWD, C=Town & Country(K) AWD)  
Y BODY=(C=Imperial/5th Avenue)  
E-S BODY=(K=Chrysler Voyager(H) FWD, D=Chrysler Voyager(K) AWD)

**BODY STYLES:**  
21=2-Door Coupe      41=4-Door Sedan      12-52=FWD & AWD Van & Wgn Std W.B.  
24=2-Door Hatchback      44=4-Door Hatchback      53=FWD & AWD Van & Wgn Ext. W.B.  
27=2-Door Convertible

AR = Use as Required - = Non Illustrated Part P.A.R. = Paint as Required

DOOR, FRONT P BODY 27 (3 OF 4 PECULIAR)  
Figure 23C-500

93171 500



ITEM	PART NUMBER	QTY	BODY	MODEL	DESCRIPTION
1	5241 775	AR			SCREW
2	6100 041	AR			NUT
3	5241 929	4			RIVET
4	4710 020-1	1			CHANNEL, Glass
5	4710 026-7	1			REINFORCEMENT, Division Bar
6	5241 189	2			RIVET
7	4710 028	2			BRACKET, Division Bar Mtg.

**MODEL CODES:**

A BODY=(C=LeBaron, D=Spirit, P=Acclaim/LaBaron(Landau),  
Saratoga)  
C BODY=(D=Dynasty, C=New Yorker/N.Y. Salon)  
G BODY=(V=Daytona/IROC, Chrysler Daytona)  
J BODY=(C=LeBaron, Chrysler LeBaron)  
P BODY=(P=Sundance, D=Shadow)

S BODY=(H=Voyager(H) FWD, K=Caravan(H) FWD,  
Y=Town & Country(H) FWD, P=Voyager(K) AWD,  
D=Caravan(K) AWD, C=Town & Country(K) AWD)  
Y BODY=(C=Imperial/5th Avenue)  
E-S BODY=(K=Chrysler Voyager(H) FWD, D=Chrysler  
Voyager(K) AWD)

**BODY STYLES:**

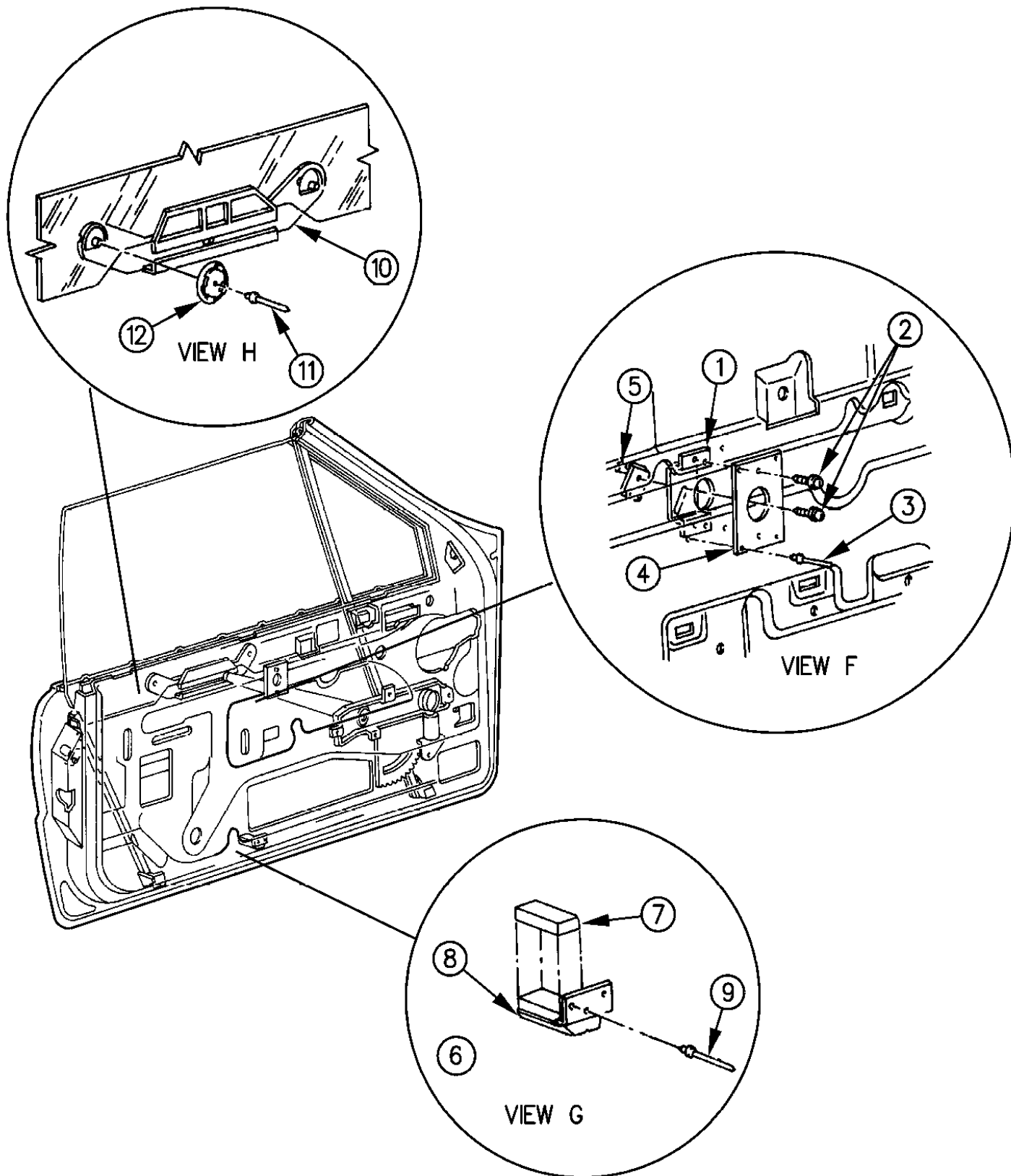
21=2-Door Coupe      41=4-Door Sedan      12-52=FWD & AWD Van & Wgn Std W.B.  
24=2-Door Hatchback      44=4-Door Hatchback      53=FWD & AWD Van & Wgn Ext. W.B.  
27=2-Door Convertible

AR = Use as Required - = Non Illustrated Part P.A.R. = Paint as Required



DOOR, FRONT P BODY 27 (4 OF 4 PECULIAR)  
Figure 23C-600

93171 600



ITEM	PART NUMBER	QTY	BODY	MODEL	DESCRIPTION
1	4710 024-5	1			BRACKET, Glass Upstop
2	5241 775	AR			SCREW
3	5241 189	AR			RIVET
4	5241 408	2			REINFORCEMENT, Glass
5	4710 011	2			BRACKET, Glass Adjusting
6	5242 143	2			DOWNSTOP ASSEMBLY, Glass ***
7	4740 366	2			SPACER, Downstop
8	4415 572	2			DOWNSTOP, Glass ***
9	6031 115	AR			RIVET
10	4710 042	2			CHANNEL, Glass Lift
11		AR			RIVET (DNS)
12	4549 555	2			GASKET

MODEL CODES:

A BODY=(C=LeBaron, D=Spirit, P=Acclaim/LaBaron(Landau),  
Saratoga)

C BODY=(D=Dynasty, C=New Yorker/N.Y. Salon)

G BODY=(V=Daytona/IROC, Chrysler Daytona)

J BODY=(C=LeBaron, Chrysler LeBaron)

P BODY=(P=Sundance, D=Shadow)

S BODY=(H=Voyager(H) FWD, K=Caravan(H) FWD,

Y=Town & Country(H) FWD, P=Voyager(K) AWD,

D=Caravan(K) AWD, C=Town & Country(K) AWD)

Y BODY=(C=Imperial/5th Avenue)

E-S BODY=(K=Chrysler Voyager(H) FWD, D=Chrysler

Voyager(K) AWD)

BODY STYLES:

21=2-Door Coupe

41=4-Door Sedan

12-52=FWD & AWD Van & Wgn Std W.B.

24=2-Door Hatchback

44=4-Door Hatchback

53=FWD & AWD Van & Wgn Ext. W.B.

27=2-Door Convertible

AR = Use as Required - = Non Illustrated Part P.A.R. = Paint as Required

DOOR, FRONT SHELL, HANDLE AND LOCK P BODY 44  
Figure 23C-700

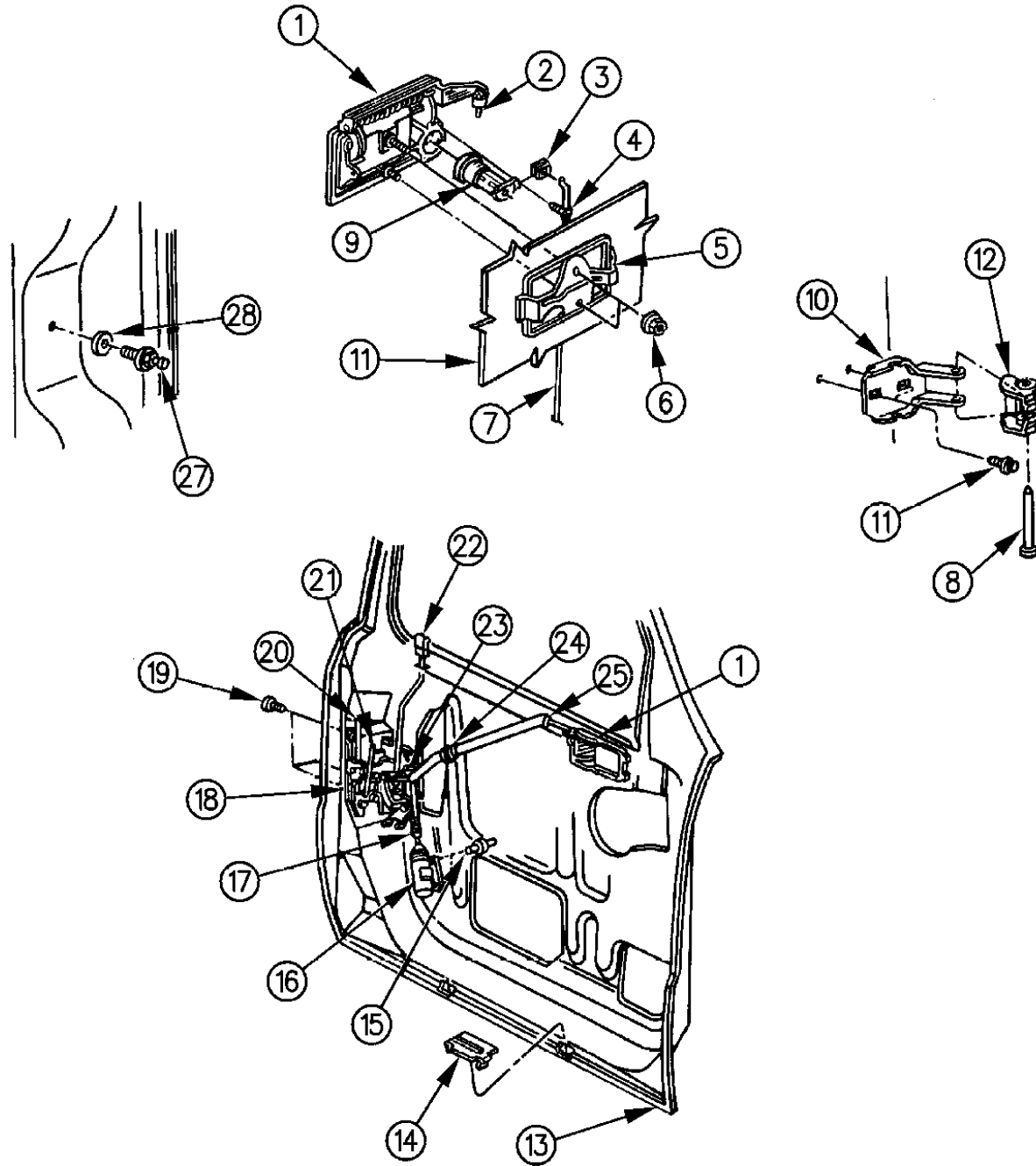
93171 700A

ITEM	PART NUMBER	QTY	BODY	MODEL	DESCRIPTION
1					HANDLE, Exterior
	4615 898-9	1			Flat Black
	X306-7 LC3	1			Blue Met.
	X306-7 LGF	1			Green
	X306-7 LM3	1			Raspberry
	X306-7 LQE	1			Aqua
	X306-7 KRB	1			Red
	X306-7 HW7	1			White
	X306-7 HX8	1			Black
	X306-7 MMB	1			Wildberry
2	4365 006-7	1			LINK, Handle to Latch
3	4336 136	2			CLIP, Lock Cylinder to Lever
4					SCREW (DNS)
5	4396 902-3	1			BRACKET and ISOLATOR, Handle
6	6500 284	4			SCREW
7	4365 004-5	1			LINK, Cylinder to Latch
8	4280 727	4			PIN, Hinge
9					CYLINDER, Lock, Refer to 23D
10					HINGE, Body Half
	4615 312	2			Upper
	4615 201	2			Lower
	4615 311	4			BUSHING, Hinge
	4615 216	4			BEARING, Hinge
	4280 726	10			BUSHING, Hinge, Body Half, Upper & Lower
11	6501 155	8			SCREW, Hinge
12					HINGE, Door Half
	4280 730	2			Upper
	5257 788	2			Lower
13	4638 202-3	1			SHELL, Door
	4415 560-1	1			PANEL, Repair
	4520 956-7	1			SILENCER, Door
14		4			PLUG, Drain (DNS)
15	6031 115	AR			RIVET
16	4615 409	2			SOLENOID, Locking
17		2			CLIP, Solenoid Serviced in 16
18					LATCH
	4336 377	1			Left
	4336 378	1			Right
19	6501 220	6			SCREW, Latch Mtg.

**MODEL CODES:**  
A BODY=(C=LeBaron, D=Spirit, P=Acclaim/LaBaron(Landau), Saratoga) S BODY=(H=Voyager(H) FWD, K=Caravan(H) FWD, Y=Town & Country(H) FWD, P=Voyager(K) AWD, D=Caravan(K) AWD, C=Town & Country(K) AWD)  
C BODY=(D=Dynasty, C=New Yorker/N.Y. Salon) Y BODY=(C=Imperial/5th Avenue)  
G BODY=(V=Daytona/ROC, Chrysler Daytona) E-S BODY=(K=Chrysler Voyager(H) FWD, D=Chrysler Voyager(K) AWD)  
J BODY=(C=LeBaron, Chrysler LeBaron) P BODY=(P=Sundance, D=Shadow)

**BODY STYLES:**  
21=2-Door Coupe 41=4-Door Sedan 12-52=FWD & AWD Van & Wgn Std W.B.  
24=2-Door Hatchback 44=4-Door Hatchback 53=FWD & AWD Van & Wgn Ext. W.B.  
27=2-Door Convertible

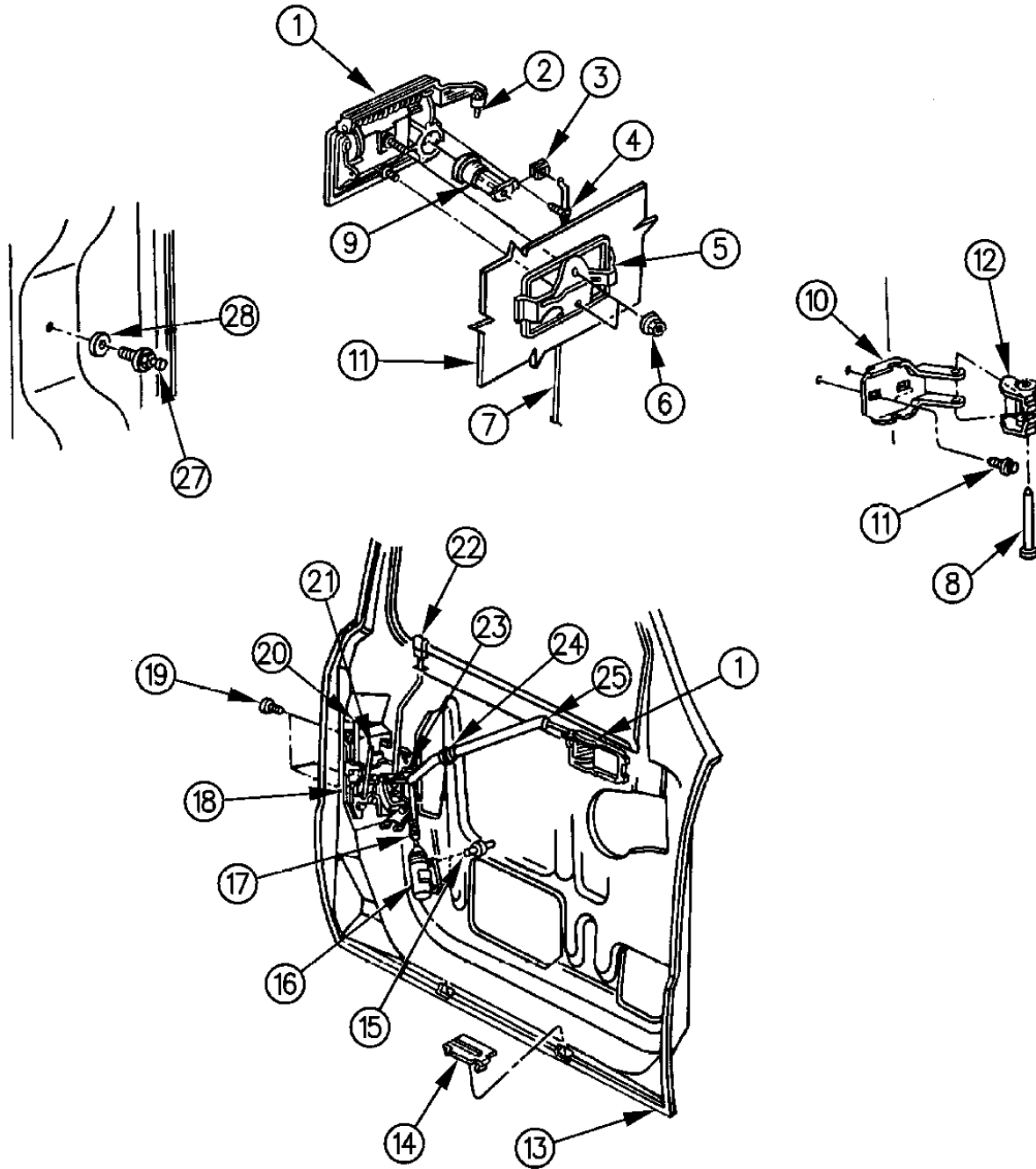
AR = Use as Required - = Non Illustrated Part P.A.R. = Paint as Required



DOOR, FRONT SHELL, HANDLE AND LOCK P BODY 44  
Figure 23C-700

93171 700A

ITEM	PART NUMBER	QTY	BODY	MODEL	DESCRIPTION
20	4365 004-5	1			LINK, Lock Cylinder to Latch
21	4365 006-7	1			LINK, Handle to Latch
22					KNOB and PUSHROD, Locking
	D632-3 LM6	1			Red
	D632-3 HD5	1			Quartz
	D632-3 JV4	1			Champagne
23	4184 244-5	1			CLIP
24	3882 620	2			CLIP, Anti-Rattle
25	4336 728-9	1			LINK, Remote Control Handle to Latch
26	4520 830-1	1			LINK, Solenoid to Latch
27	5507 4546	2			STRIKER, Door
28	4184 105	AR			SPACER, Door Striker



**MODEL CODES:**

A BODY=(C=LeBaron, D=Spirit, P=Acclaim/LaBaron(Landau), Saratoga) S BODY=(H=Voyager(H) FWD, K=Caravan(H) FWD, Y=Town & Country(H) FWD, P=Voyager(K) AWD, D=Caravan(K) AWD, C=Town & Country(K) AWD)  
 C BODY=(D=Dynasty, C=New Yorker/N.Y. Salon) Y BODY=(C=Imperial/5th Avenue)  
 G BODY=(V=Daytona/IROC, Chrysler Daytona) E-S BODY=(K=Chrysler Voyager(H) FWD, D=Chrysler Voyager(K) AWD)  
 J BODY=(C=LeBaron, Chrysler LeBaron) P BODY=(P=Sundance, D=Shadow)

**BODY STYLES:**

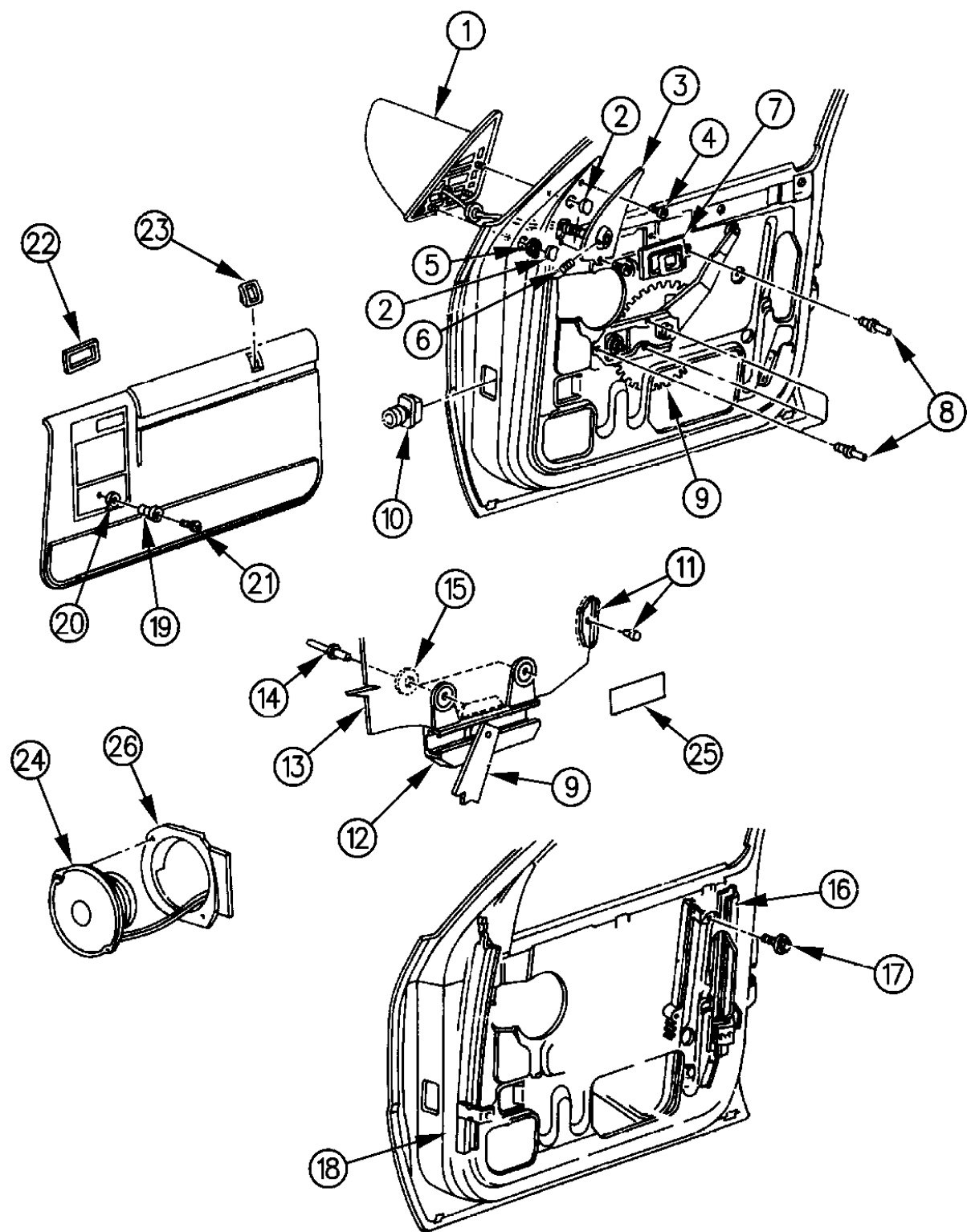
21=2-Door Coupe 41=4-Door Sedan 12-52=FWD & AWD Van & Wgn Std W.B.  
 24=2-Door Hatchback 44=4-Door Hatchback 53=FWD & AWD Van & Wgn Ext. W.B.  
 27=2-Door Convertible

AR = Use as Required - = Non Illustrated Part P.A.R. = Paint as Required

### DOOR, FRONT GLASS AND REGULATOR P BODY 44 Figure 23C-800

93171 800

ITEM	PART NUMBER	QTY	BODY	MODEL	DESCRIPTION
1-6					MIRROR, Exterior, Refer to Mirror Illustration
7	4445 002-3	1			HOUSING, Remote Control
8	6031 115	AR			RIVET
9					REGULATOR, Window
	4480 026-7	1			Manual
	4445 602-3	1			Electric
	4467 280-1	1			MOTOR and MECHANISM, Electric Regulator
	6501 230	10			SCREW, Electric Regulator Mtg.
10					GROMMET, Serviced in Wiring
11	4339 372	4			SLIDE PACKAGE, Glass
12	4396 688	2			CHANNEL, Glass Lift
13					GLASS, Door
	4445 328-9	1			Clear
	4445 330-1	1			Tinted
	4336 853	2			BUMPER, Glass Downstop
14		4			RIVET (DNS)
15	4310 149	4			GASKET
16	4336 866-7	1			RETAINER, w/Bracket, Glass Run
	4445 098	2			BUMPER, Glass Run Rear Retainer
17	6100 557	2			SCREW
18	4675 256-7	1			RETAINER, w/Bracket, Glass Run Lower Front
19	4415 820	2			HANDLE, Window Regulator
	4415 824	2			COVER, Handle
	AP46 JV4	2			COVER, Regulator Handle Bezel
20	4445 993	2			SPACER, Regulator Handle
21	6033 000	2			SCREW
22	5507 5261	2			BEZEL, Remote Control
23					BEZEL, Locking Knob
	D444 LM6	2			Red
	D444 HD5	2			Quartz
	D444 JV4	2			Champagne
24					SPEAKER, Door
	4494 058	2			Standard
	4469 238	2			Premium
	4615 542	2			LINER, Speaker Opening
25	4365 683	1			DECAL, Seat Belt Safety
26	4469 060-1	1			ADAPTOR, Speaker



**MODEL CODES:**

A BODY=(C=LeBaron, D=Spirit, P=Acclaim/LaBaron(Landau), Saratoga)  
 C BODY=(D=Dynasty, C=New Yorker/N.Y. Salon)  
 G BODY=(V=Daytona/IROC, Chrysler Daytona)  
 J BODY=(C=LeBaron, Chrysler LeBaron)  
 P BODY=(P=Sundance, D=Shadow)

S BODY=(H=Voyager(H) FWD, K=Caravan(H) FWD, Y=Town & Country(H) FWD, P=Voyager(K) AWD, D=Caravan(K) AWD, C=Town & Country(K) AWD)  
 Y BODY=(C=Imperial/5th Avenue)  
 E-S BODY=(K=Chrysler Voyager(H) FWD, D=Chrysler Voyager(K) AWD)

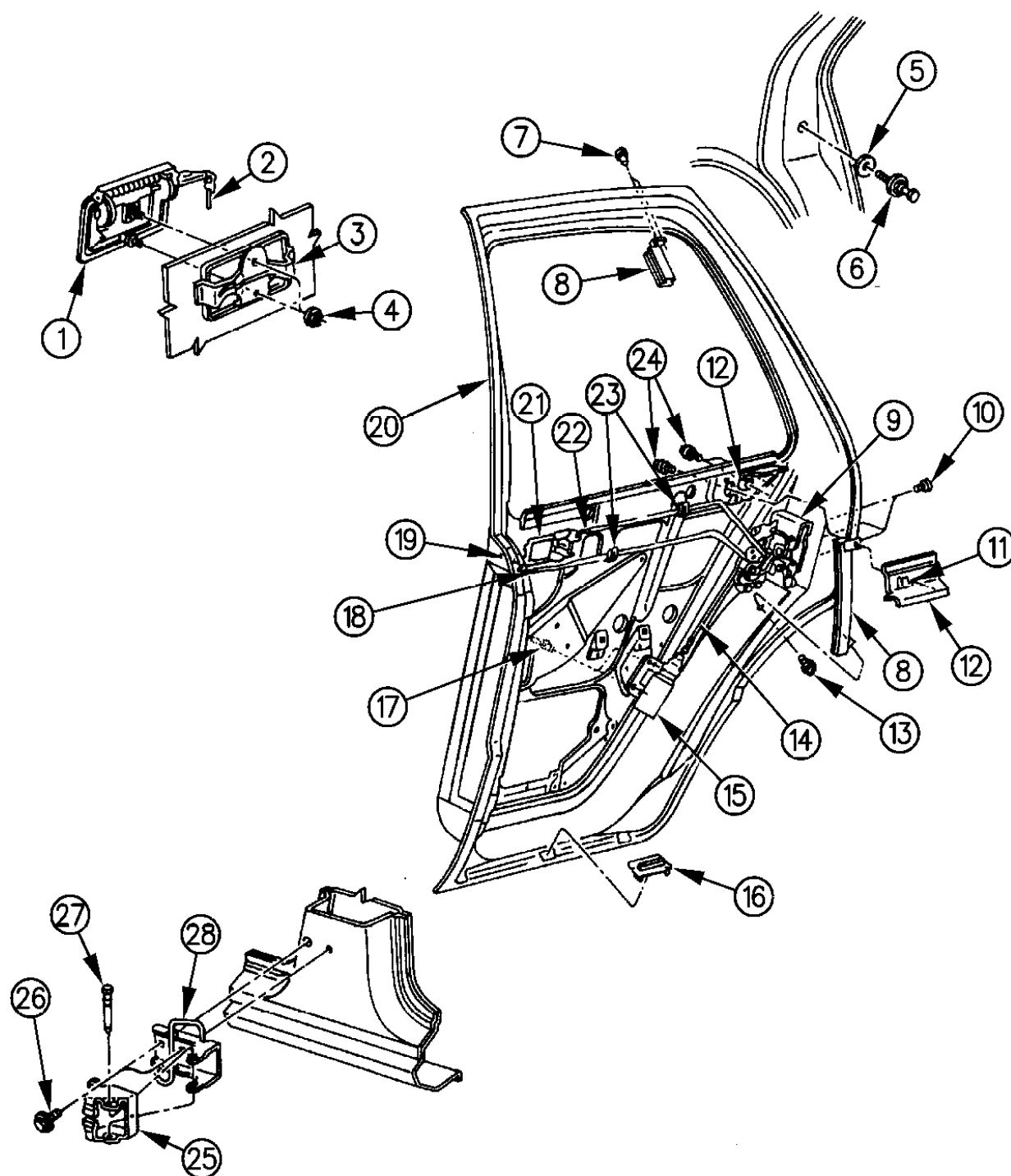
**BODY STYLES:**

21=2-Door Coupe      41=4-Door Sedan      12-52=FWD & AWD Van & Wgn Std W.B.  
 24=2-Door Hatchback      44=4-Door Hatchback      53=FWD & AWD Van & Wgn Ext. W.B.  
 27=2-Door Convertible

AR = Use as Required    - = Non Illustrated Part    P.A.R. = Paint as Required

**DOOR, REAR SHELL, HANDLE AND CONTROLS P BODY 44**  
**Figure 23C-900**

93171 900



ITEM	PART NUMBER	QTY	BODY	MODEL	DESCRIPTION
1					HANDLE, Exterior
	GL72-3 LC3	1			Blue Met.
	GL72-3 LGF	1			Green
	GL72-3 LM3	1			Raspberry
	GL72-3 LQE	1			Aqua
	GL72-3 LRB	1			Red
	GL72-3 LW7	1			White
	GL72-3 LX8	1			Black
	GL72-3 MMB	1			Wildberry
	4615 902-3	1			Flat Black
2	4336 386-7	1			LINK, Handle to Latch
3	4396 902-3	1			BRACKET and ISOLATOR, Handle
4	6500 284	4			NUT
5	4184 105	AR			SPACER, Striker
6	5507 4546	2			STRIKER, Door
7		2			SCREW (DNS)
8	4475 590-1	1			CHANNEL, w/Glass
9	5502 7888-9	1			LATCH
	4396 978	2			LABEL, Child Guard
10	6501 220	6			SCREW, Latch Mtg.
11	6100 041	2			U-NUT
12		2			REINFORCEMENT, Outer Panel Belt, Serviced in #20
13	6024 067	2			SCREW, Division Channel
14	4520 834-5	1			LINK, Solenoid to Latch
15	4615 409	2			SOLENOID, Locking
16		2			PLUG, Drain (DNS)
17	6031 115	AR			RIVET
18	4336 840-1	1			LINK, Latch Locking
19	4336 824-5	1			LEVER, Latch Locking
20	4397 468-9	1			SHELL, Door
	4415 566-7	1			PANEL, Repair
21	4445 002-3	1			HOUSING, Remote Control
22	4336 836-7	1			LINK, Remote Control
23	3882 620	4			CLIP, Anti Rattle
24	6100 567	AR			SCREW
25	4415 932	2			HINGE, Door Half, Lower
	4415 934	2			Upper
26	6500 300	AR			SCREW, Body Half Hinge
27	4280 727	4			PIN, Hinge

**MODEL CODES:**

A BODY=(C=LeBaron, D=Spirit, P=Acclaim/LaBaron(Landau, Saratoga)      S BODY=(H=Voyager(H) FWD, K=Caravan(H) FWD, Y=Town & Country(H) FWD, P=Voyager(K) AWD, D=Caravan(K) AWD, C=Town & Country(K) AWD)  
 C BODY=(D=Dynasty, C=New Yorker/N.Y. Salon)  
 G BODY=(V=Daytona/IROC, Chrysler Daytona)  
 J BODY=(C=LeBaron, Chrysler LeBaron)  
 P BODY=(P=Sundance, D=Shadow)      Y BODY=(C=Imperial/5th Avenue)  
 E-S BODY=(K=Chrysler Voyager(H) FWD, D=Chrysler Voyager(K) AWD)

**BODY STYLES:**

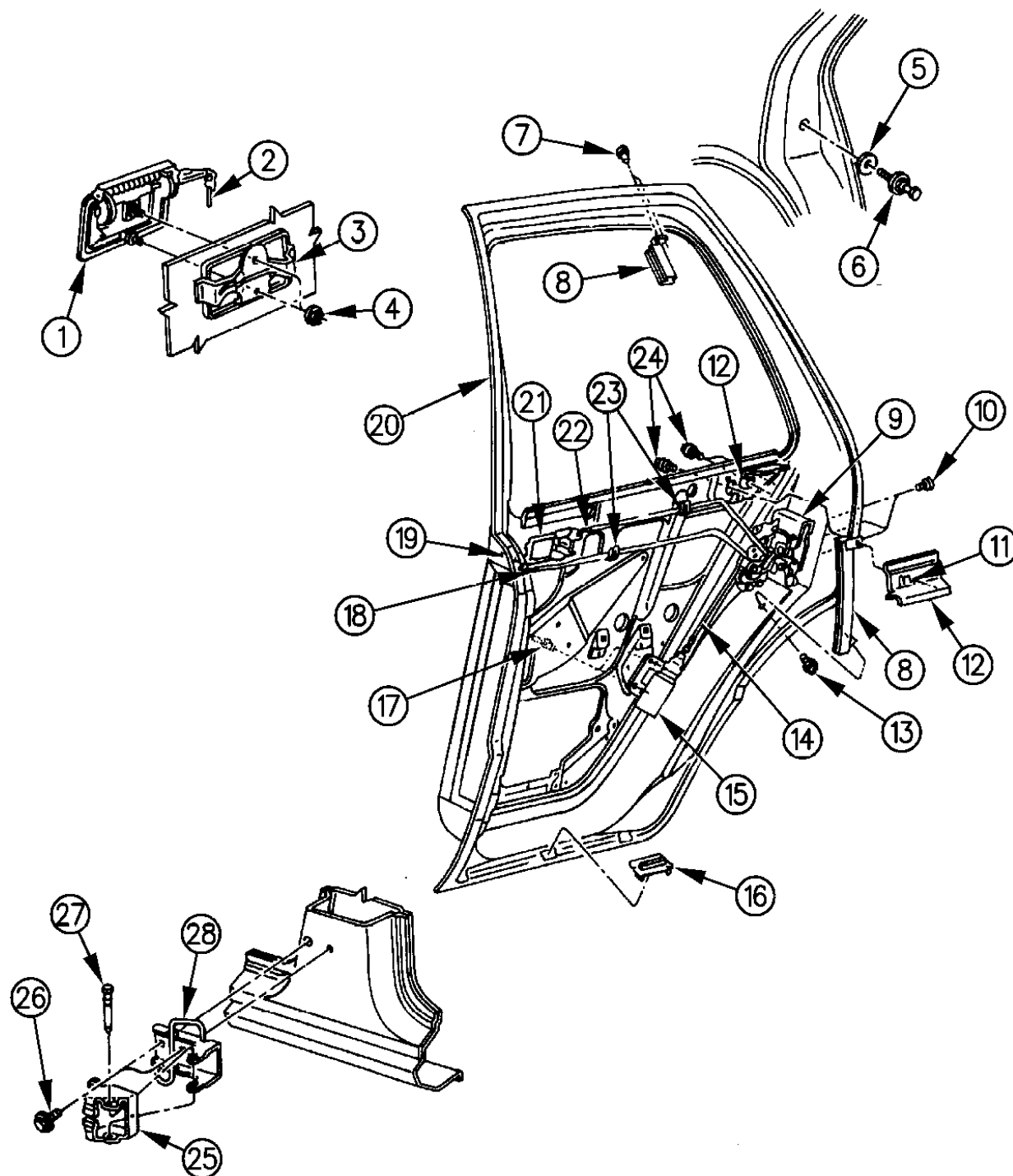
21=2-Door Coupe      41=4-Door Sedan      12-52=FWD & AWD Van & Wgn Std W.B.  
 24=2-Door Hatchback      44=4-Door Hatchback      53=FWD & AWD Van & Wgn Ext. W.B.  
 27=2-Door Convertible

AR = Use as Required   - = Non Illustrated Part   P.A.R. = Paint as Required

DOOR, REAR SHELL, HANDLE AND CONTROLS P BODY 44  
Figure 23C-900

93171 900

ITEM	PART NUMBER	QTY	BODY	MODEL	DESCRIPTION
28					HINGE, Body Half
	4615 314	2			Upper
	4615 214	2			Lower
	4615 311	4			BUSHING, Hinge
	4615 216	4			BEARING, Hinge



**MODEL CODES:**

A BODY=(C=LeBaron, D=Spirit, P=Acclaim/LaBaron(Landau), Saratoga) S BODY=(H=Voyager(H) FWD, K=Caravan(H) FWD, Y=Town & Country(H) FWD, P=Voyager(K) AWD, D=Caravan(K) AWD, C=Town & Country(K) AWD)  
 C BODY=(D=Dynasty, C=New Yorker/N.Y. Salon) Y BODY=(C=Imperial/5th Avenue)  
 G BODY=(V=Daytona/IROC, Chrysler Daytona) E-S BODY=(K=Chrysler Voyager(H) FWD, D=Chrysler Voyager(K) AWD)  
 J BODY=(C=LeBaron, Chrysler LeBaron) P BODY=(P=Sundance, D=Shadow)

**BODY STYLES:**

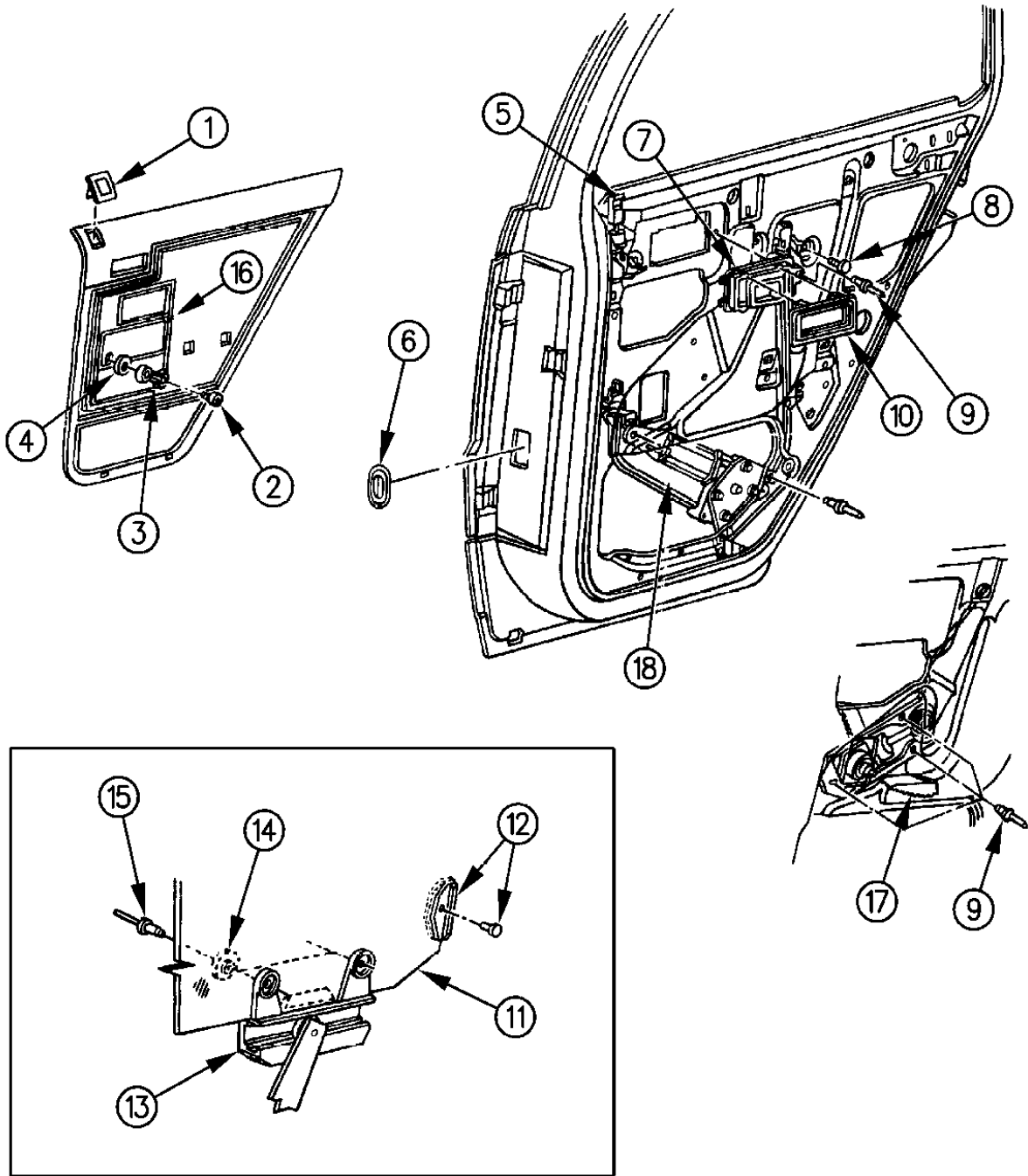
21=2-Door Coupe 41=4-Door Sedan 12-52=FWD & AWD Van & Wgn Std W.B.  
 24=2-Door Hatchback 44=4-Door Hatchback 53=FWD & AWD Van & Wgn Ext. W.B.  
 27=2-Door Convertible

AR = Use as Required - = Non Illustrated Part P.A.R. = Paint as Required

**DOOR, REAR GLASS, REGULATOR AND LOCKS P BODY 44**  
**Figure 23C-1000**

93171 1000A

ITEM	PART NUMBER	QTY	BODY	MODEL	DESCRIPTION
1	D444 LM6	2			BEZEL, Door Lock Knob Red
	D444 HD5	2			Quartz
	D444 JV4	2			Champagne
2	6032 830	2			SCREW, Window Regulator Handle
3	4415 820	2			HANDLE, Window Regulator
	4415 824	2			COVER, Handle
4	4445 993	2			SPACER, Window Regulator Handle
5					KNOB, Latch Locking
	D477 LD5	2			Quartz
	D477 LM6	2			Red
	D477 LV4	2			Champagne
	4336 843	2			PUSH ROD, Latch Locking
6	6031 488	2			PLUG, Hinge Pillar
7	4445 002-3	1			HOUSING, Remote Control
8	6100 557	2			SCREW, Regulator Att.
9	6031 115	AR			RIVET
10	4336 732	2			BEZEL, Remote Control
11					GLASS, Movable
	4480 008-9	1			Clear
	4480 010-1	1			Tinted
	4396 294	2			STABILIZER, Glass
12	4339 372	2			SLIDE PACKAGE, Glass
13	4336 997	2			CHANNEL, Glass Lift, w/Manual Regulator
	4336 896-7	1			LIFTARM, w/Electric Regulator
14	4310 149	4			GASKET, Lift Channel
15		4			RIVET (DNS)
16	D878-9 JV4	1			BEZEL, Trim Panel
17					REGULATOR, Window
	4480 028-9	1			Manual
	4396 208-9	1			Electric
18					MOTOR, w/Mechanism Regulator
	4467 363	1			Right
	4467 362	1			Left



**MODEL CODES:**

A BODY=(C=LeBaron, D=Spirit, P=Acclaim/LaBaron(Landau), Saratoga) S BODY=(H=Voyager(H) FWD, K=Caravan(H) FWD, Y=Town & Country(H) FWD, P=Voyager(K) AWD, D=Caravan(K) AWD, C=Town & Country(K) AWD)  
 C BODY=(D=Dynasty, C=New Yorker/N.Y. Salon) Y BODY=(C=Imperial/5th Avenue)  
 G BODY=(V=Daytona/IROC, Chrysler Daytona) E-S BODY=(K=Chrysler Voyager(H) FWD, D=Chrysler Voyager(K) AWD)  
 J BODY=(C=LeBaron, Chrysler LeBaron) P BODY=(P=Sundance, D=Shadow)

**BODY STYLES:**

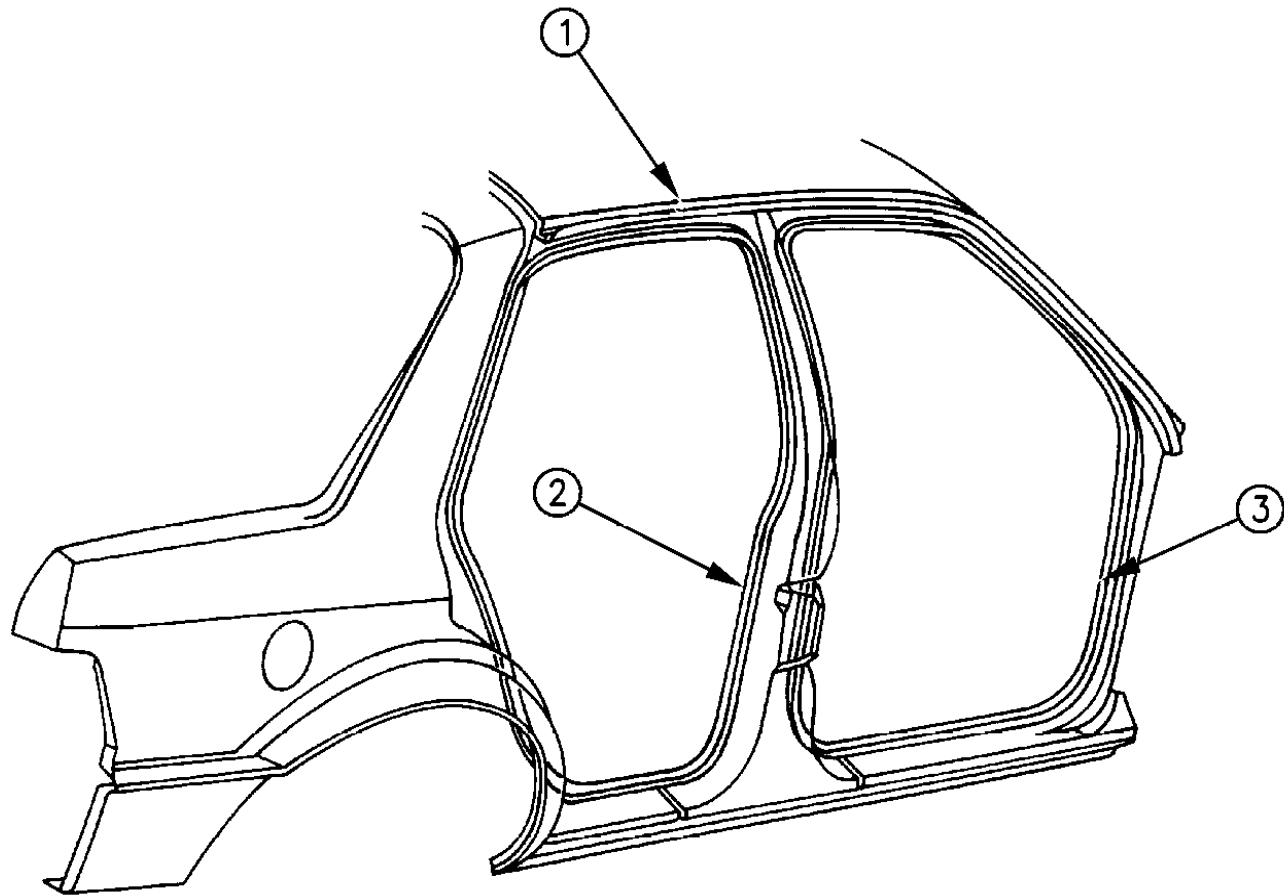
21=2-Door Coupe  
 24=2-Door Hatchback  
 27=2-Door Convertible  
 41=4-Door Sedan  
 44=4-Door Hatchback  
 12-52=FWD & AWD Van & Wgn Std W.B.  
 53=FWD & AWD Van & Wgn Ext. W.B.

AR = Use as Required - = Non Illustrated Part P.A.R. = Paint as Required

**DOOR, FRONT AND REAR WEATHERSTRIPS P BODY**  
**Figure 23C-1100**

93171 1100

ITEM	PART NUMBER	QTY	BODY	MODEL	DESCRIPTION
1	4445 952	2		44	WEATHERSTRIP, Front and Rear Door Drip Secondary
	4415 960-1	1		24	
2	5257 264-5	1			WEATHERSTRIP, Rear Door Opening
	4381 900-1	1			WEATHERSTRIP, Rear Door
3	5257 262-3	1		44	WEATHERSTRIP, Front Door Opening
	5257 260-1	1		24	



**MODEL CODES:**

A BODY=(C=LeBaron, D=Spirit, P=Acclaim/LaBaron(Landau), Saratoga)      S BODY=(H=Voyager(H) FWD, K=Caravan(H) FWD, Y=Town & Country(H) FWD, P=Voyager(K) AWD, D=Caravan(K) AWD, C=Town & Country(K) AWD)  
C BODY=(D=Dynasty, C=New Yorker/N.Y. Salon)  
G BODY=(V=Daytona/IROC, Chrysler Daytona)  
J BODY=(C=LeBaron, Chrysler LeBaron)  
P BODY=(P=Sundance, D=Shadow)

**BODY STYLES:**

21=2-Door Coupe      41=4-Door Sedan      12-52=FWD & AWD Van & Wgn Std W.B.  
24=2-Door Hatchback      44=4-Door Hatchback      53=FWD & AWD Van & Wgn Ext. W.B.  
27=2-Door Convertible

AR = Use as Required   - = Non Illustrated Part   P.A.R. = Paint as Required

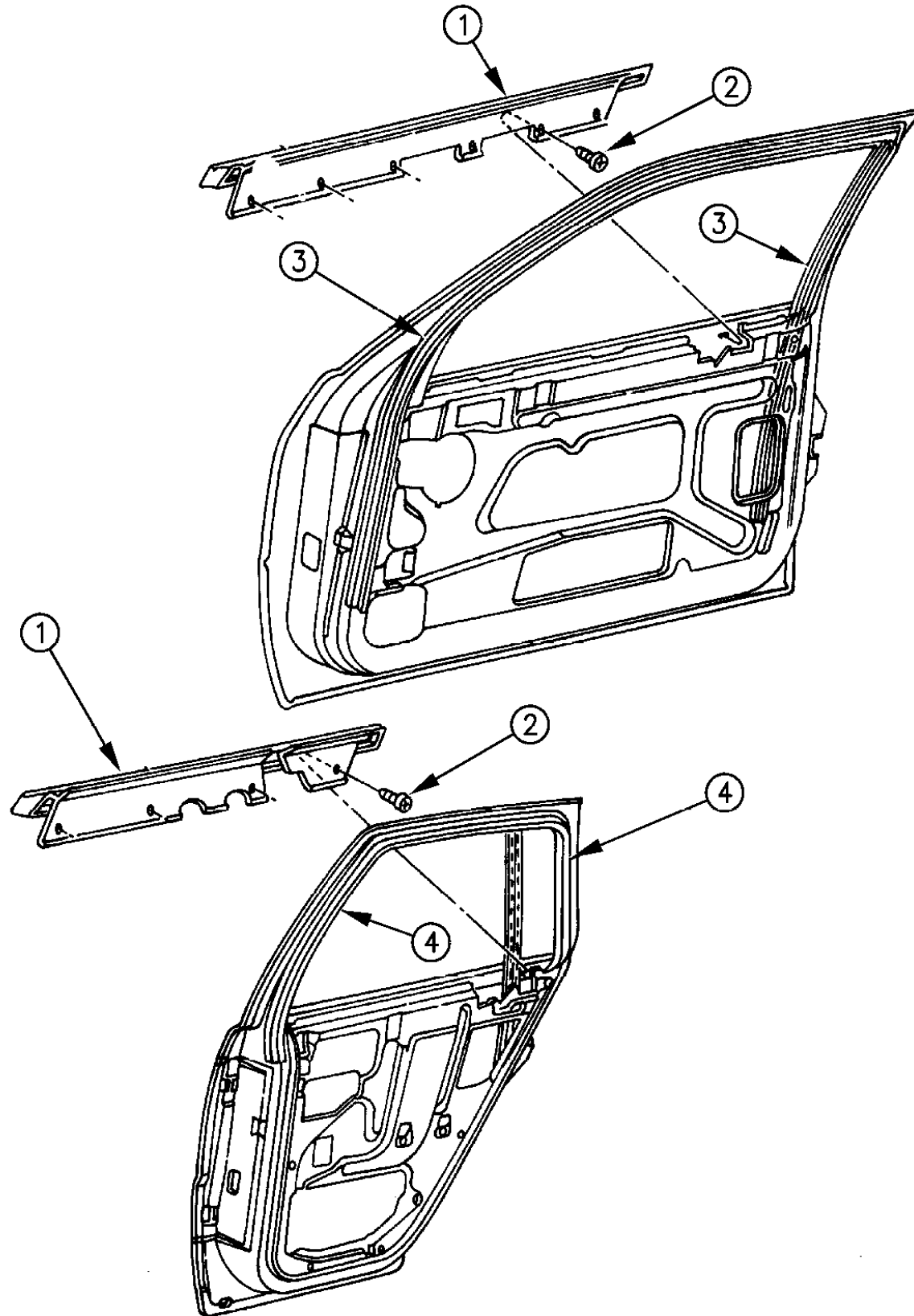


DOOR, FRONT AND REAR RUN AND SEALS P BODY

Figure 23C-1200

93171 1200

ITEM	PART NUMBER	QTY	BODY	MODEL	DESCRIPTION
1					MOULDING, w/Weatherstrip, See Exterior Ornamentation
2	6032 456	AR			SCREW
3					RUN, Front Door Glass
	4658 280-1	1		24	
	4615 890-1	1		44	
	4336 704-5	1		44	RETAINER, Front Door Glass Run Rear, Upper
4	4658 004-5	1		44	RUN, Rear Door Glass



MODEL CODES:

A BODY=(C=LeBaron, D=Spirit, P=Acclaim/LaBaron(Landau), Saratoga) S BODY=(H=Voyager(H) FWD, K=Caravan(H) FWD, Y=Town & Country(H) FWD, P=Voyager(K) AWD, D=Caravan(K) AWD, C=Town & Country(K) AWD)  
 C BODY=(D=Dynasty, C=New Yorker/N.Y. Salon) Y BODY=(C=Imperial/5th Avenue)  
 G BODY=(V=Daytona/IROC, Chrysler Daytona) E-S BODY=(K=Chrysler Voyager(H) FWD, D=Chrysler Voyager(K) AWD)  
 J BODY=(C=LeBaron, Chrysler LeBaron)  
 P BODY=(P=Sundance, D=Shadow)

BODY STYLES:

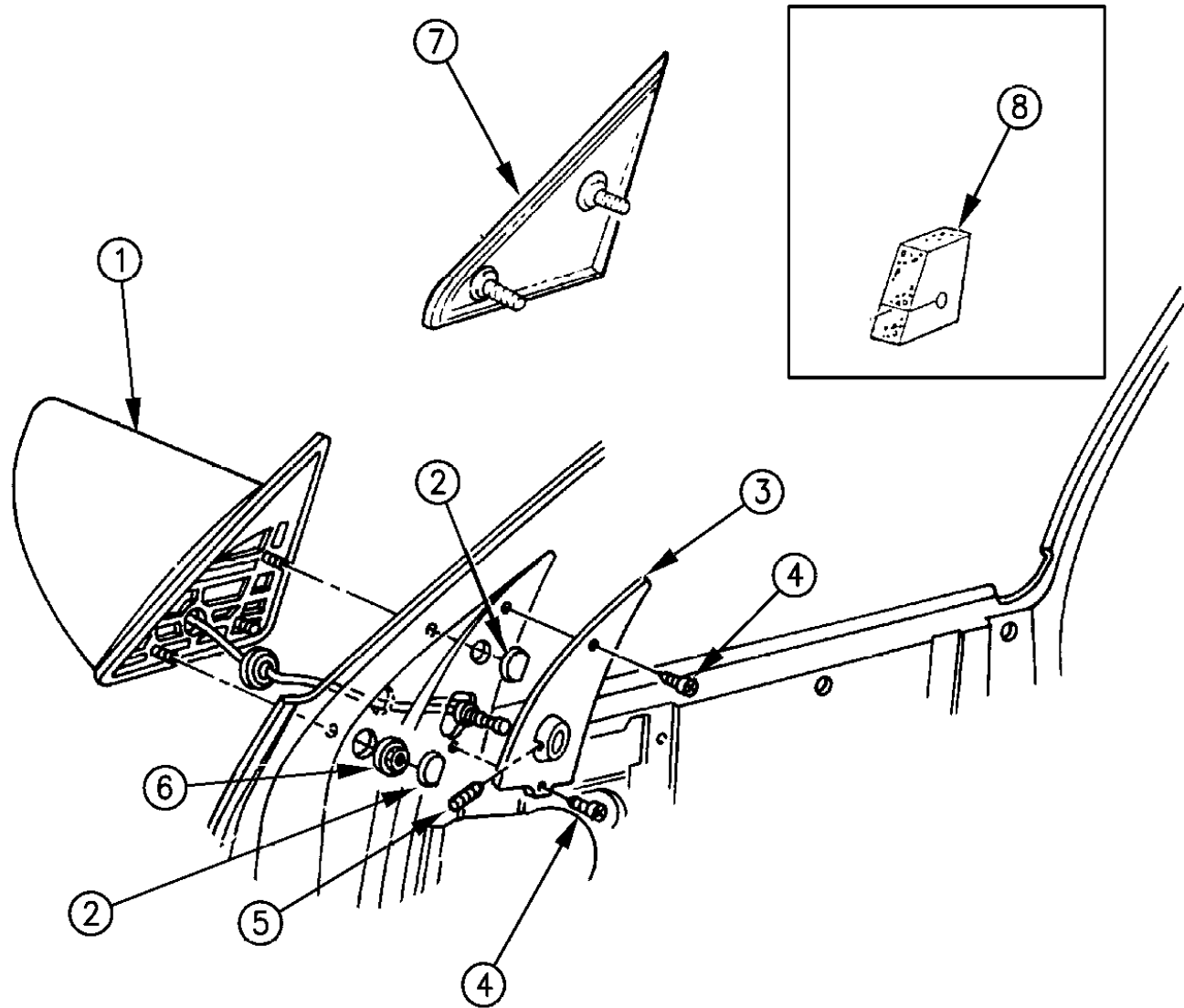
21=2-Door Coupe 41=4-Door Sedan 12-52=FWD & AWD Van & Wgn Std W.B.  
 24=2-Door Hatchback 44=4-Door Hatchback 53=FWD & AWD Van & Wgn Ext. W.B.  
 27=2-Door Convertible

AR = Use as Required - = Non Illustrated Part P.A.R. = Paint as Required

MIRROR, EXTERIOR P BODY  
Figure 23C-1300

93171 1300

ITEM	PART NUMBER	QTY	BODY	MODEL	DESCRIPTION
1					MIRROR, Exterior
	4299 924-5	1			Remote Control
	5252 572-3	1			Electric
	4339 360-1	1			GLASS, Mirror (Remote) Replacement
2	4415 888	2			PLUG, Mirror, Inside Att.
3					BEZEL, Inside
	4299 378-9	1			w/Remote Mirrors
	4299 380-1	1			w/Electric Mirrors
4		2			SCREW (DNS)
5		2			SCREW (DNS)
6		2			NUT (DNS)
7	4299 574	1			BEZEL, Outer Right
8	4299 916-7	1			SEAL, Mirror



**MODEL CODES:**

A BODY=(C=LeBaron, D=Spirit, P=Acclaim/LaBaron(Landau),  
Saratoga)  
C BODY=(D=Dynasty, C=New Yorker/N.Y. Salon)  
G BODY=(V=Daytona/IROC, Chrysler Daytona)  
J BODY=(C=LeBaron, Chrysler LeBaron)  
P BODY=(P=Sundance, D=Shadow)

S BODY=(H=Voyager(H) FWD, K=Caravan(H) FWD,  
Y=Town & Country(H) FWD, P=Voyager(K) AWD,  
D=Caravan(K) AWD, C=Town & Country(K) AWD)  
Y BODY=(C=Imperial/5th Avenue)  
E-S BODY=(K=Chrysler Voyager(H) FWD, D=Chrysler  
Voyager(K) AWD)

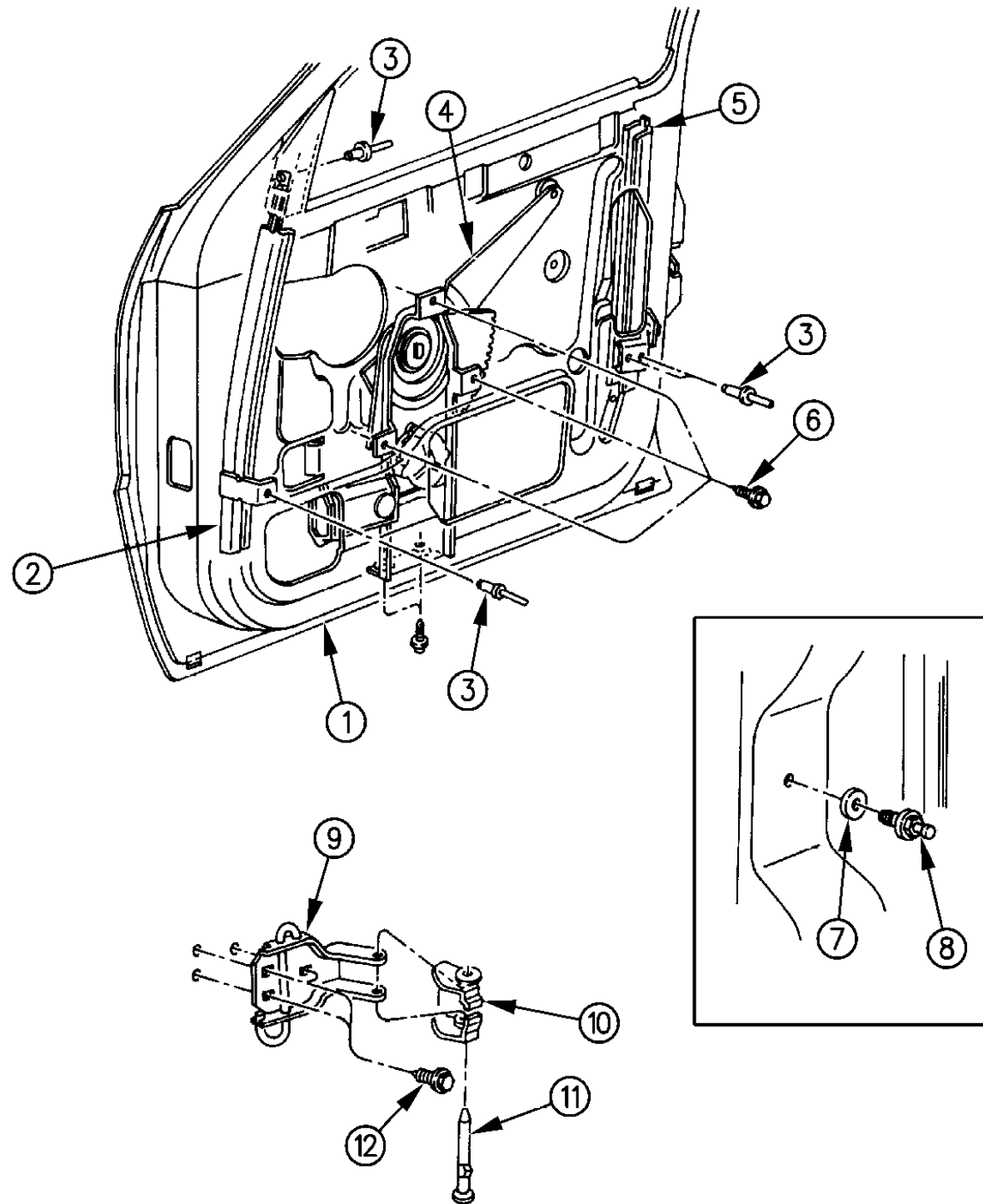
**BODY STYLES:**

21=2-Door Coupe      41=4-Door Sedan      12-52=FWD & AWD Van & Wgn Std W.B.  
24=2-Door Hatchback      44=4-Door Hatchback      53=FWD & AWD Van & Wgn Ext. W.B.  
27=2-Door Convertible

AR = Use as Required    - = Non Illustrated Part    P.A.R. = Paint as Required

**DOOR, FRONT SHELL, REGULATOR AND HINGES A BODY**  
**Figure 23C-1400**

93171 1400



ITEM	PART NUMBER	QTY	BODY	MODEL	DESCRIPTION
1	4638 756-7	1			SHELL, Door
	4396 196-7	1			PANEL, Repair
2	4675 250-1	1			BRACKET, Glass Run Lower Front
3	6031 115	AR			RIVET
4					REGULATOR, Glass
	4520 362-3	1			Manual
	4445 602-3	1			Electric
	4615 546-7	1			MOTOR, Regulator
5	4336 866-7	1			RETAINER, w/Bracket, Glass Run
6	6501 230	10			SCREW, Electric Regulator
7	4184 105	AR			SPACER, Striker
8	5507 4546	2			STRIKER, Door
9					HINGE, Body Half
	4615 312	2			Upper
	4615 201	2			Lower
	4615 311	4			BUSHING, Hinge
	4615 216	4			BEARING, Hinge
10					HINGE, Door Half
	4280 730	2			Upper
	5257 788	2			Lower
11	5507 5125	4			PIN, Hinge
12	6500 354	12			SCREW, Hinge

**MODEL CODES:**

A BODY=(C=LeBaron, D=Spirit, P=Acclaim/LaBaron(Landau), Saratoga)      S BODY=(H=Voyager(H) FWD, K=Caravan(H) FWD, Y=Town & Country(H) FWD, P=Voyager(K) AWD, D=Caravan(K) AWD, C=Town & Country(K) AWD)  
 C BODY=(D=Dynasty, C=New Yorker/N.Y. Salon)      Y BODY=(C=Imperial/5th Avenue)  
 G BODY=(V=Daytona/IROC, Chrysler Daytona)      E-S BODY=(K=Chrysler Voyager(H) FWD, D=Chrysler Voyager(K) AWD)  
 J BODY=(C=LeBaron, Chrysler LeBaron)  
 P BODY=(P=Sundance, D=Shadow)

**BODY STYLES:**

21=2-Door Coupe      41=4-Door Sedan      12-52=FWD & AWD Van & Wgn Std W.B.  
 24=2-Door Hatchback      44=4-Door Hatchback      53=FWD & AWD Van & Wgn Ext. W.B.  
 27=2-Door Convertible

AR = Use as Required    - = Non Illustrated Part    P.A.R. = Paint as Required

DOOR, FRONT GLASS, HANDLES AND CONTROLS A BODY  
Figure 23C-1500

93171 1500M

ITEM	PART NUMBER	QTY	BODY	MODEL	DESCRIPTION
1		4			RIVET (DNS)
2	4310 149	4			GASKET, Lift Channel
3	4339 372	4			SLIDE PACKAGE, Glass Edge
4	4396 688	2			CHANNEL, Glass Lift
5					GLASS, Door
6	4445 330-1	1			Tinted
	4475 566-7	1			(EUROPEAN)
					HANDLE, Exterior
	X306-7 KBD	1			Diamond Blue
	X306-7 KBF	1			Med. Blue
	X306-7 LDA	1			Silver
	X306-7 LQE	1			Aqua
	X306-7 KV4	1			Taupe
	X306-7 LP5	1			Teal
	X306-7 HW7	1			White
	X306-7 HX8	1			Black
	X306-7 KRB	1			Fire Red
7	X306-7 MFA	1			Driftwood
	X306-7 MMB	1			Wildberry
	X306-7 LGF	1			Emerald Gren
	4480 590-1	1			Flat Black
	4365 006-7	1			LINK, Handle to Latch
	4336 136	2			CLIP, Cylinder Lever
					CYLINDER, Lock Refer to 23D
	4396 902-3	1			BRACKET and ISOLATOR, Handle
	6500 284	4			NUT
	4365 004-5	1			LINK, Cylinder to Latch
	2895 126	4			PLUG, Drain
		6			RIVET (DNS)
	4615 409	2			SOLENOID, Locking
		2			CLIP, Solenoid Serviced in 15
4365 414-5	1			LATCH, Door	
6501 220	6			SCREW	
19					KNOB, w/Locking Link
	D858-9 KB7	1			Blue
	D858-9 KV4	1			Taupe
	D858-9 LM6	1			Red
	D858-9 HD5	1			Quartz
	D858-9 KW8	1			White

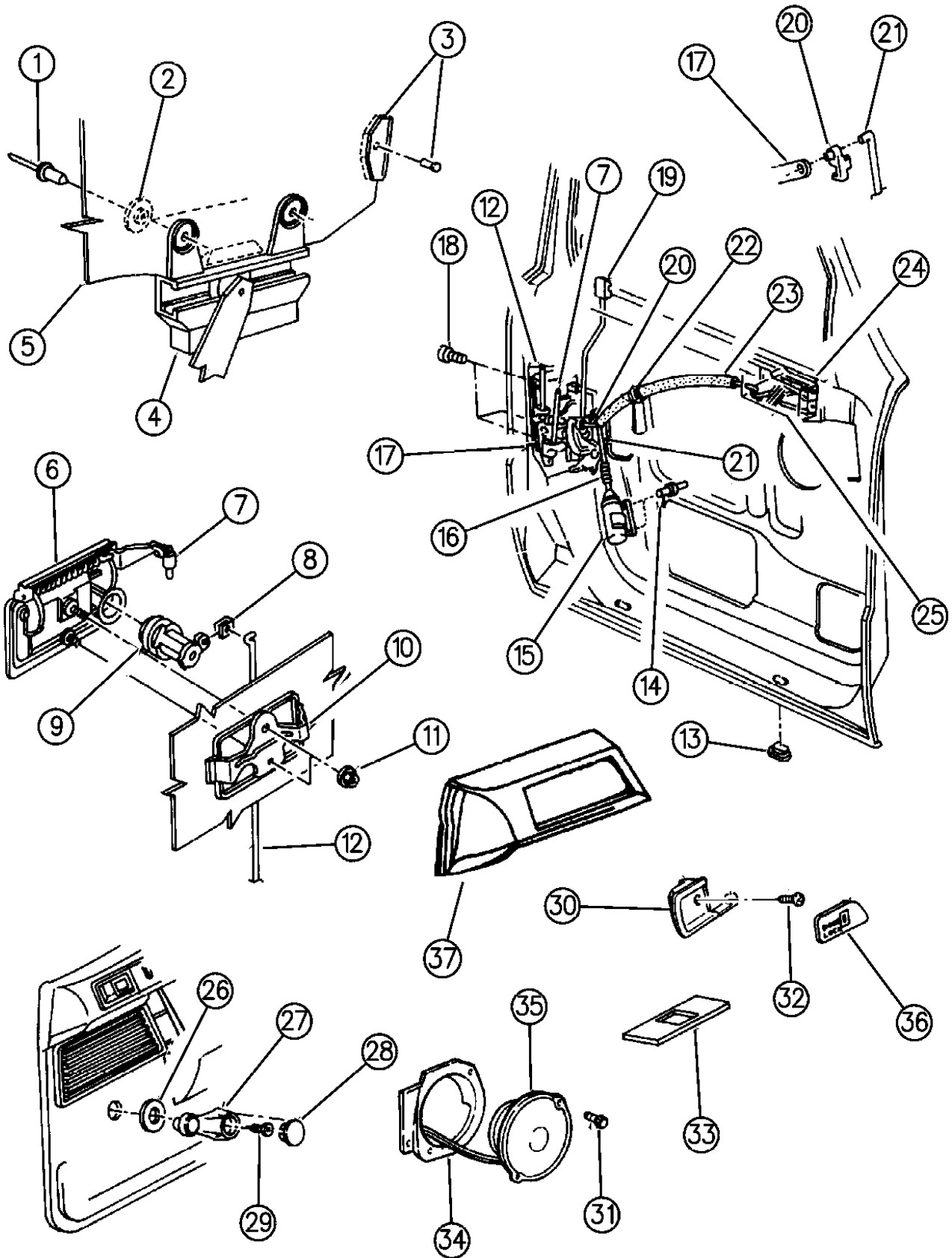
MODEL CODES:

A BODY=(C=LeBaron, D=Spirit, P=Acclaim/LaBaron(Landau), Saratoga) S BODY=(H=Voyager(H) FWD, K=Caravan(H) FWD, Y=Town & Country(H) FWD, P=Voyager(K) AWD, D=Caravan(K) AWD, C=Town & Country(K) AWD)  
C BODY=(D=Dynasty, C=New Yorker/N.Y. Salon) Y BODY=(C=Imperial/5th Avenue)  
G BODY=(V=Daytona/IROC, Chrysler Daytona) E-S BODY=(K=Chrysler Voyager(H) FWD, D=Chrysler Voyager(K) AWD)  
J BODY=(C=LeBaron, Chrysler LeBaron) P BODY=(P=Sundance, D=Shadow)

BODY STYLES:

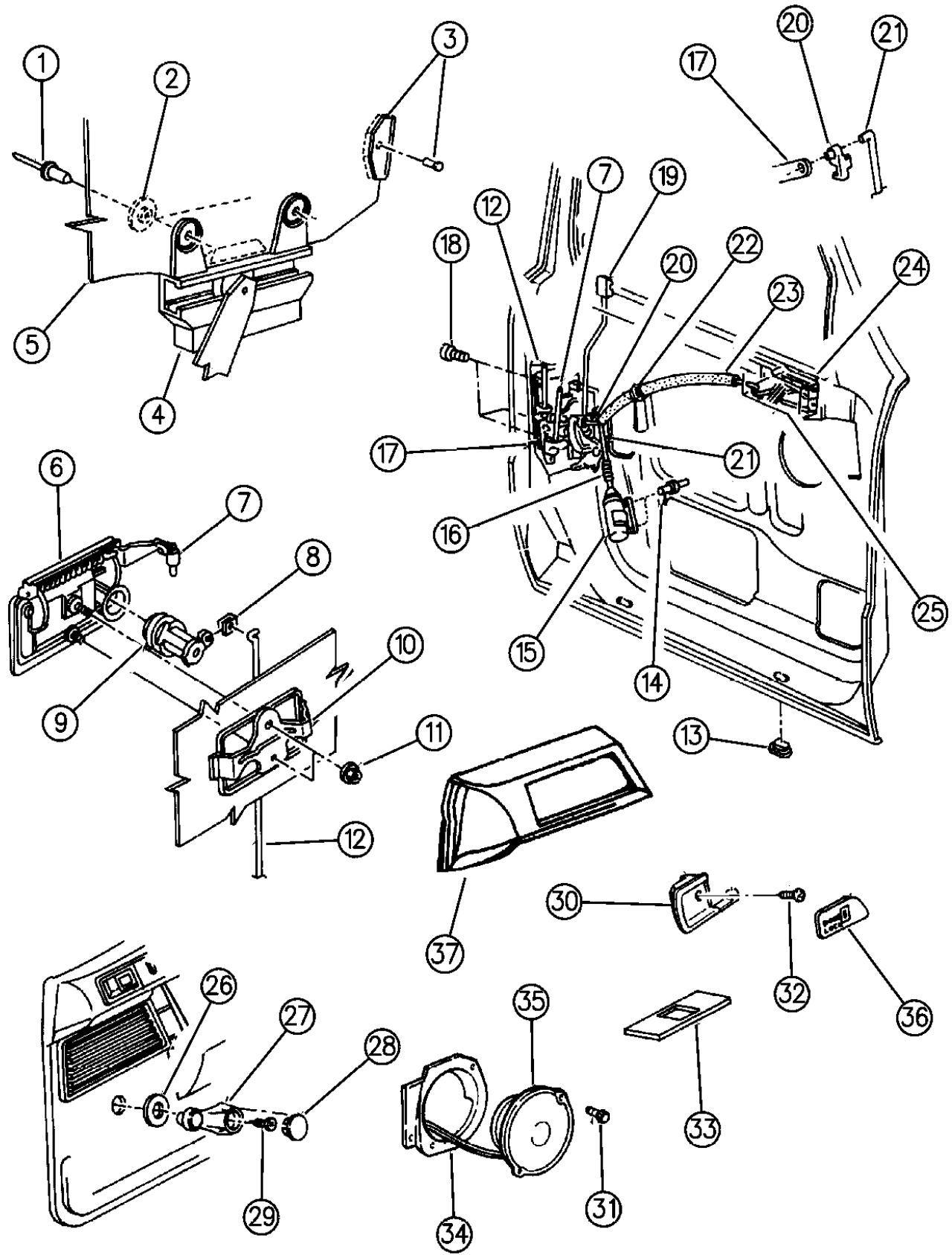
21=2-Door Coupe 41=4-Door Sedan 12-52=FWD & AWD Van & Wgn Std W.B.  
24=2-Door Hatchback 44=4-Door Hatchback 53=FWD & AWD Van & Wgn Ext. W.B.  
27=2-Door Convertible

AR = Use as Required - = Non Illustrated Part P.A.R. = Paint as Required



**DOOR, FRONT GLASS, HANDLES AND CONTROLS A BODY**  
**Figure 23C-1500**

93171 1500M



ITEM	PART NUMBER	QTY	BODY	MODEL	DESCRIPTION
					BEZEL, Locking Knob
	D932 HD5	2			Quartz
	D932 KB7	2			Blue
	D932 LMA	2			Red
	D932 KV4	2			Taupe
	4706 082-3	1			Woodgrain w/Power Locks
	4706 006-7	1			Woodgrain w/o Power Locks
20	4184 244-5	1			CLIP
21	4520 830-1	1			LINK, Solenoid to Latch
22	3882 620	2			CLIP, Anti Rattle
23	4415 736-7	1			LINK, Remote Control Handle to Latch
24	5257 416-7	1			REMOTE CONTROL, Door
25		1			SEAL, R/Control (DNS)
26	4445 993	2			SPACER, Regulator Handle
27					HANDLE, Regulator
	4415 820	2		D,P	
	4520 701	2		C	
28		2			COVER, Handle
	4520 378				Chrome
	4415 824				Black
29	6032 830	2			SCREW, Handle
30	5257 464-5	1			CUP, Remote Control Housing
31		2			SCREW (DNS)
32		6			SCREW (DNS)
33					BEZEL, Window Lift Switch
	EA58-9 KB7	1		D,P	Blue
	GY48-9 MB7	1		C	Blue
	EA58-9 KV8	1		D,P	Taupe
	GY48-9 MV8	1		C	Taupe
	EA58-9 LM6	1		D,P	Red
	GY48-9 MM6	1		C	Red
	EA58-9 KD5	1		D,P	Quartz
	GY48-9 MD5	1		C	Quartz
	4247 211	AR			CATCH, Bezel to T/Panel Att.
34	4469 060-1	1			ADAPTOR, Spaeker
35					SPEAKER
	4685 217	2			Premium
	4685 216	2			Name Brand
36					BEZEL

**MODEL CODES:**

A BODY=(C=LeBaron, D=Spirit, P=Acclaim/LaBaron(Landau), Saratoga)      S BODY=(H=Voyager(H) FWD, K=Caravan(H) FWD, Y=Town & Country(H) FWD, P=Voyager(K) AWD, D=Caravan(K) AWD, C=Town & Country(K) AWD)  
 C BODY=(D=Dynasty, C=New Yorker/N.Y. Salon)      Y BODY=(C=Imperial/5th Avenue)  
 G BODY=(V=Daytona/IROC, Chrysler Daytona)      E-S BODY=(K=Chrysler Voyager(H) FWD, D=Chrysler Voyager(K) AWD)  
 J BODY=(C=LeBaron, Chrysler LeBaron)  
 P BODY=(P=Sundance, D=Shadow)

**BODY STYLES:**

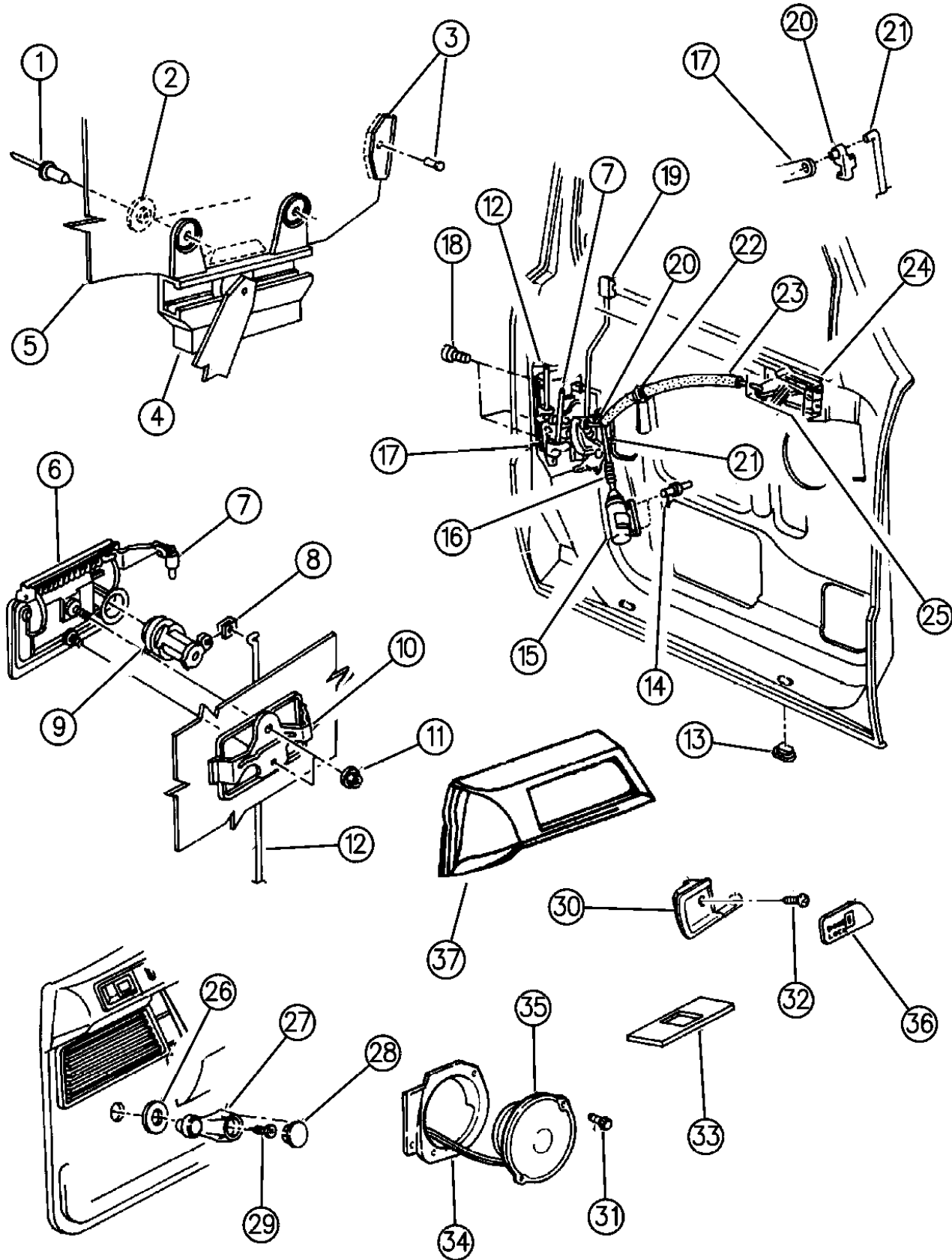
21=2-Door Coupe      41=4-Door Sedan      12-52=FWD & AWD Van & Wgn Std W.B.  
 24=2-Door Hatchback      44=4-Door Hatchback      53=FWD & AWD Van & Wgn Ext. W.B.  
 27=2-Door Convertible

AR = Use as Required - = Non Illustrated Part P.A.R. = Paint as Required

**DOOR, FRONT GLASS, HANDLES AND CONTROLS A BODY**  
Figure 23C-1500

93171 1500M

ITEM	PART NUMBER	QTY	BODY	MODEL	DESCRIPTION
	5259 428-9	1			Black, w/o Power Door Locks
	5259 422-3	1			Black, w/Power Door Locks
	4706 006-7	1			Woodgrain, w/o Power Door locks
	4706 008-9	1			Woodgrain, w/Power Door Locks
	6033 475	AR			CLIP, Bezel Att.
37					BEZEL, Front Door Trim Remote Handle
	WK80-1 KB7	1			Slate Blue
	WK80-1 KD5	1			Medium Quartz
	WK80-1 KV8	1			Medium Champagne
	WK80-1 KW8	1			Light Quartz
	WK80-1 LM6	1			Crimson Red



**MODEL CODES:**

A BODY=(C=LeBaron, D=Spirit, P=Acclaim/LaBaron(Landau),  
Saratoga)  
C BODY=(D=Dynasty, C=New Yorker/N.Y. Salon)  
G BODY=(V=Daytona/IROC, Chrysler Daytona)  
J BODY=(C=LeBaron, Chrysler LeBaron)  
P BODY=(P=Sundance, D=Shadow)

S BODY=(H=Voyager(H) FWD, K=Caravan(H) FWD,  
Y=Town & Country(H) FWD, P=Voyager(K) AWD,  
D=Caravan(K) AWD, C=Town & Country(K) AWD)  
Y BODY=(C=Imperial/5th Avenue)  
E-S BODY=(K=Chrysler Voyager(H) FWD, D=Chrysler  
Voyager(K) AWD)

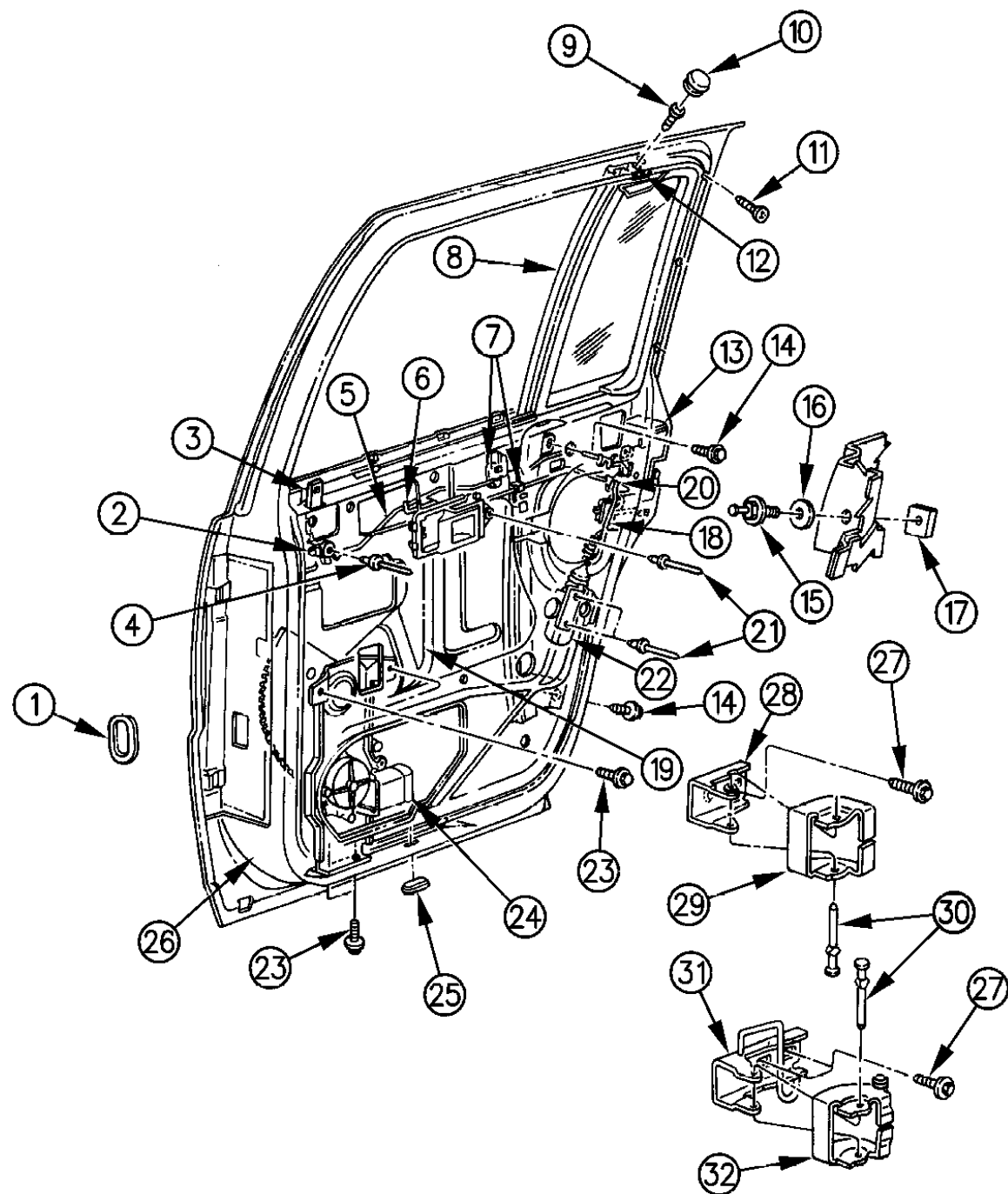
**BODY STYLES:**

21=2-Door Coupe      41=4-Door Sedan      12-52=FWD & AWD Van & Wgn Std W.B.  
24=2-Door Hatchback      44=4-Door Hatchback      53=FWD & AWD Van & Wgn Ext. W.B.  
27=2-Door Convertible

AR = Use as Required - = Non Illustrated Part P.A.R. = Paint as Required

**DOOR, REAR SHELL, HINGES AND REMOTE CONTROL A BODY**  
**Figure 23C-1600**

93171 1600



ITEM	PART NUMBER	QTY	BODY	MODEL	DESCRIPTION
1	6031 488	2			PLUG
2	4415 514-5	1			LEVER, Latch Locking
3					KNOB, w/Locking Link
	D860 KB7	2			Blue
	D860 KV4	2			Taupe
	D860 LM6	2			Red
	D860 HD5	2			Quartz
	D860 KW8	2			White
					BEZEL, Locking Knob
	D932 HD5	2			Quartz
	D932 KB7	2			Blue
	D932 LMA	2			Red
	D932 KV4	2			Taupe
	D932 KW8	2			White
	4706 082-3	1			Woodgrain w/Power Locks
	4706 006-7	1			Woodgrain w/o Power Locks
4	6501 509	2			RIVET
5	4415 774-5	1			LINK, Latch Locking
6	4415 768-9	1			LINK, Remote Control
7	4415 480	4			ISOLATOR, Anti Rattle
8					MODULE, Fixed Glass
	4675 262-3	1			w/o Vinyl Roof
	4475 556-7	1			w/Vinyl Roof
	4675 264-5	1			(EUROPEAN)
	6100 041	2			U-NUT, Channel
9		2			SCREW (DNS)
10	2517 675	2			PLUG
	4548 319	2			Foam Blocker
11		6			SCREW (DNS)
12		2			TAPE (DNS)
13	5502 7888-9	1			LATCH, Door
14		4			SCREW (DNS)
15	5507 4546	2			STRIKER, Door
16	4184 105	AR			SPACER, Striker
17	4314 743	2			PLATE, Striker
18	4520 836-7	1			LINK, Solenoid to Latch
19	4445 828-9	1			REMOTE CONTROL, Door
20	4184 244-5	1			CLIP
21		6			RIVET (DNS)

**MODEL CODES:**

A BODY=(C=LeBaron, D=Spirit, P=Acclaim/LaBaron(Landau), Saratoga) S BODY=(H=Voyager(H) FWD, K=Caravan(H) FWD, Y=Town & Country(H) FWD, P=Voyager(K) AWD, D=Caravan(K) AWD, C=Town & Country(K) AWD)  
 C BODY=(D=Dynasty, C=New Yorker/N.Y. Salon)  
 G BODY=(V=Daytona/IROC, Chrysler Daytona)  
 J BODY=(C=LeBaron, Chrysler LeBaron)  
 P BODY=(P=Sundance, D=Shadow)  
 Y BODY=(C=Imperial/5th Avenue)  
 E-S BODY=(K=Chrysler Voyager(H) FWD, D=Chrysler Voyager(K) AWD)

**BODY STYLES:**

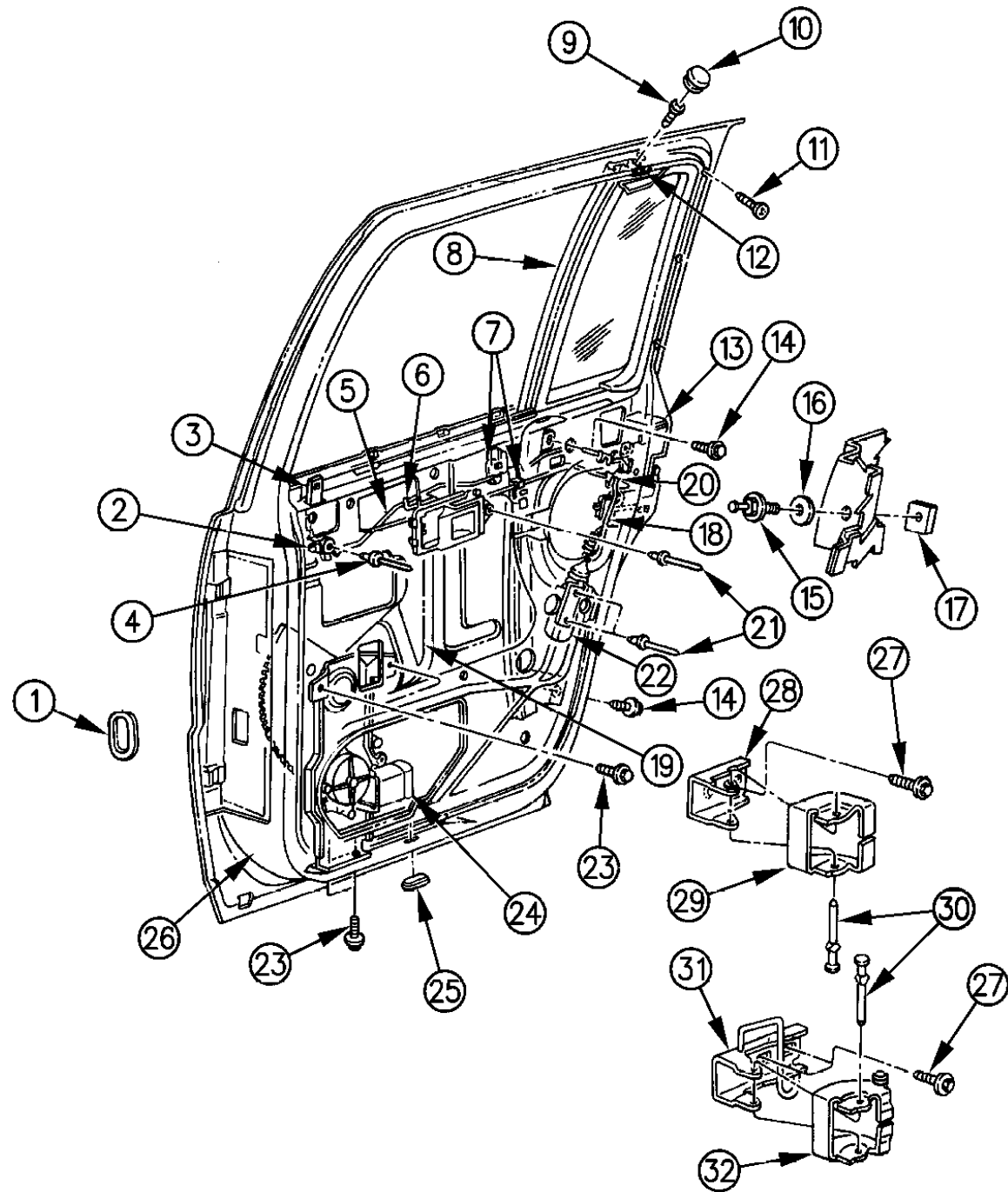
21=2-Door Coupe  
 24=2-Door Hatchback  
 27=2-Door Convertible  
 41=4-Door Sedan  
 44=4-Door Hatchback  
 12-52=FWD & AWD Van & Wgn Std W.B.  
 53=FWD & AWD Van & Wgn Ext. W.B.

AR = Use as Required - = Non Illustrated Part P.A.R. = Paint as Required

DOOR, REAR SHELL, HINGES AND REMOTE CONTROL A BODY

Figure 23C-1600

93171 1600



ITEM	PART NUMBER	QTY	BODY	MODEL	DESCRIPTION
22	4615 409	2			SOLENOID, Locking
23	6501 350	AR			SCREW
24					REGULATOR, Glass
	4520 392-3	1			Manual
	4615 184-5	1			Electric
					MOTOR, Regulator
	4520 069	1			Right
	4520 068	1			Left
25	2895 126	2			PLUG
26	4443 862-3	1			SHELL, Door
	4396 200-1	1			PANEL, Repair
27	6500 300	8			SCREW
28	4615 314	2			HINGE, Body Half, Upper
29	4415 934	2			HINGE, Door Half, Upper
30	5507 5125	4			PIN, Hinge
31	4615 214	2			HINGE, Body Half, Lower
	4615 311	4			BUSHING, Hinge
	4615 216	4			BEARING, Hinge
32	4415 932	2			HINGE, Door Half, Lower

MODEL CODES:

A BODY=(C=LeBaron, D=Spirit, P=Acclaim/LaBaron(Landau, Saratoga) S BODY=(H=Voyager(H) FWD, K=Caravan(H) FWD, Y=Town & Country(H) FWD, P=Voyager(K) AWD, D=Caravan(K) AWD, C=Town & Country(K) AWD)  
 C BODY=(D=Dynasty, C=New Yorker/N.Y. Salon) Y BODY=(C=Imperial/5th Avenue)  
 G BODY=(V=Daytona/IROC, Chrysler Daytona) E-S BODY=(K=Chrysler Voyager(H) FWD, D=Chrysler Voyager(K) AWD)  
 J BODY=(C=LeBaron, Chrysler LeBaron) P BODY=(P=Sundance, D=Shadow)

BODY STYLES:

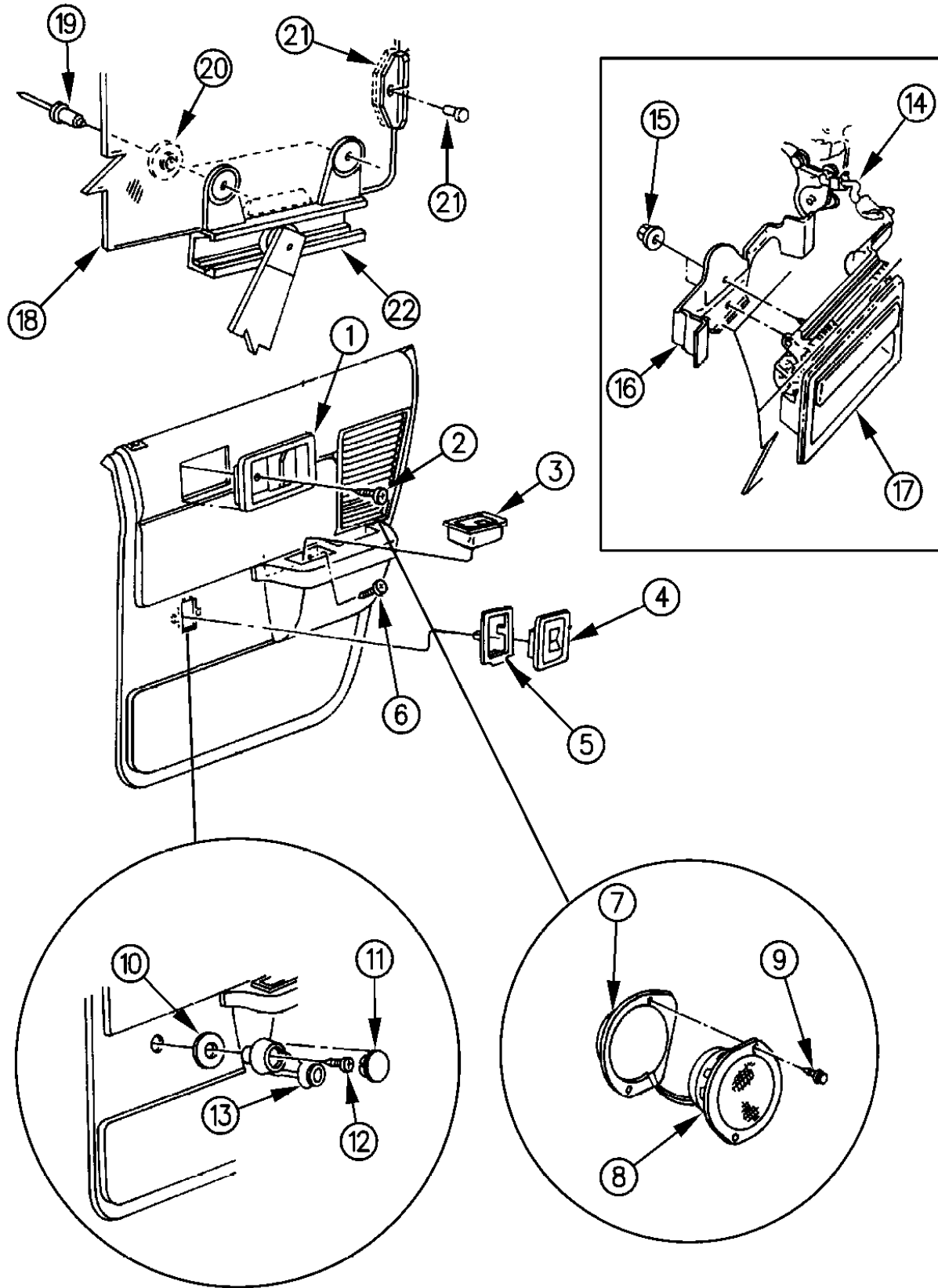
21=2-Door Coupe 41=4-Door Sedan 12-52=FWD & AWD Van & Wgn Std W.B.  
 24=2-Door Hatchback 44=4-Door Hatchback 53=FWD & AWD Van & Wgn Ext. W.B.  
 27=2-Door Convertible

AR = Use as Required - = Non Illustrated Part P.A.R. = Paint as Required



DOOR, REAR GLASS, HANDLES AND SPEAKER A BODY  
Figure 23C-1700

93171 1700



ITEM	PART NUMBER	QTY	BODY	MODEL	DESCRIPTION
1					BEZEL, Remote Control
	EC10 KB7	2			Blue
	EC10 KV4	2			Taupe
	EC10 LM6	2			Red
	EC10 KD5	2			Quartz
	EC10 KW8	2			White
2		2			SCREW (DNS)
3		2			RECEIVER, Ash See IT Section
4		2			SWITCH, w/Bezel, See Group 8
5	4221 907	2			RETAINER, Switch
6		2			SCREW (DNS)
7	4469 214-5	1			ADAPTER, Speaker
8					SPEAKER, Door
	4685 217	2			Premium
	4685 216	2			Name Brand
9		4			SCREW (DNS)
10	4445 993	2			SPACER, Handle
11		2			COVER, Handle
	4520 378				Chrome
	4415 824				Black
12	6032 830	2			SCREW
13	4520 701	2			HANDLE, Regulator
14	4415 744-5	1			LINK, Handle to Latch
15	6500 284	4			NUT
16	4396 902-3	1			BRACKET, w/Isolator, Handle
17					HANDLE, Exterior
	X340-1 KBD	1			Diamond Blue
	X340-1 KBF	1			Med. Blue
	X340-1 MFA	1			Driftwood
	X340-1 LQE	1			Aqua
	X340-1 LGF	1			Emerald Green
	X340-1 LP5	1			Teal
	X340-1 HW7	1			White
	X340-1 HX8	1			Black
	X340-1 KRB	1			Fire Red
	X340-1 MFA	1			Driftwood
	X340-1 MMB	1			Wildberry
	4675 380-1	1			Flat Black
18					GLASS, Door

**MODEL CODES:**

A BODY=(C=LeBaron, D=Spirit, P=Acclaim/LaBaron(Landau), Saratoga) S BODY=(H=Voyager(H) FWD, K=Caravan(H) FWD, Y=Town & Country(H) FWD, P=Voyager(K) AWD, D=Caravan(K) AWD, C=Town & Country(K) AWD)  
 C BODY=(D=Dynasty, C=New Yorker/N.Y. Salon) Y BODY=(C=Imperial/5th Avenue)  
 G BODY=(V=Daytona/IROC, Chrysler Daytona) E-S BODY=(K=Chrysler Voyager(H) FWD, D=Chrysler Voyager(K) AWD)  
 J BODY=(C=LeBaron, Chrysler LeBaron) P BODY=(P=Sundance, D=Shadow)

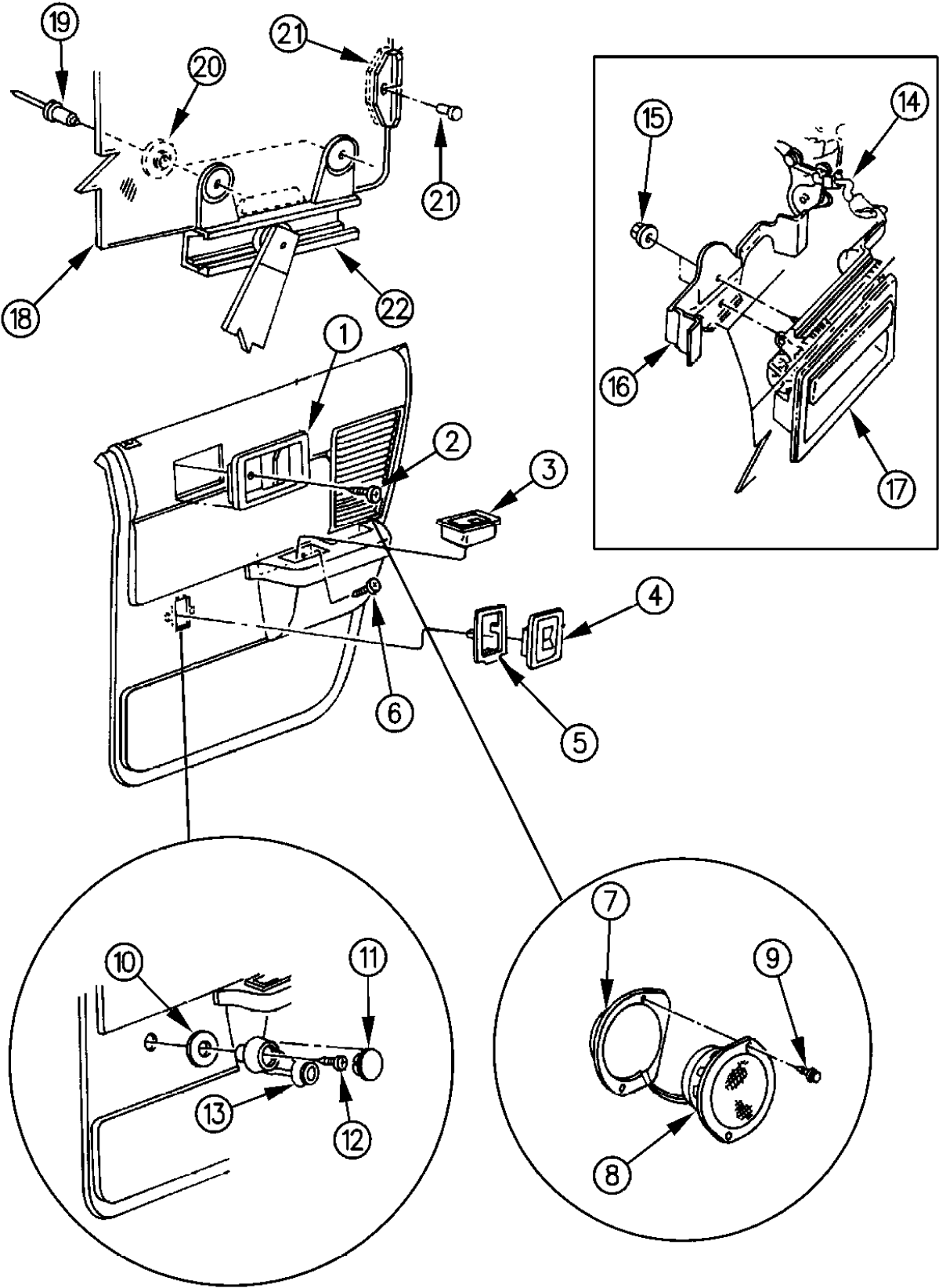
**BODY STYLES:**

21=2-Door Coupe 41=4-Door Sedan 12-52=FWD & AWD Van & Wgn Std W.B.  
 24=2-Door Hatchback 44=4-Door Hatchback 53=FWD & AWD Van & Wgn Ext. W.B.  
 27=2-Door Convertible

AR = Use as Required - = Non Illustrated Part P.A.R. = Paint as Required

**DOOR, REAR GLASS, HANDLES AND SPEAKER A BODY**  
**Figure 23C-1700**

93171 1700



ITEM	PART NUMBER	QTY	BODY	MODEL	DESCRIPTION
	4415 132-3	1			Tinted
	5257 216-7	1			(EUROPEAN)
19	4310 149	4			RIVET (DNS)
20	4339 372	2			GASKET, Lift Channel
21	4336 997	2			CHANNEL, Glass Lift

**MODEL CODES:**

A BODY=(C=LeBaron, D=Spirit, P=Acclaim/LaBaron(Landau), Saratoga)      S BODY=(H=Voyager(H) FWD, K=Caravan(H) FWD, Y=Town & Country(H) FWD, P=Voyager(K) AWD, D=Caravan(K) AWD, C=Town & Country(K) AWD)  
 C BODY=(D=Dynasty, C=New Yorker/N.Y. Salon)  
 G BODY=(V=Daytona/IROC, Chrysler Daytona)  
 J BODY=(C=LeBaron, Chrysler LeBaron)  
 P BODY=(P=Sundance, D=Shadow)

**BODY STYLES:**

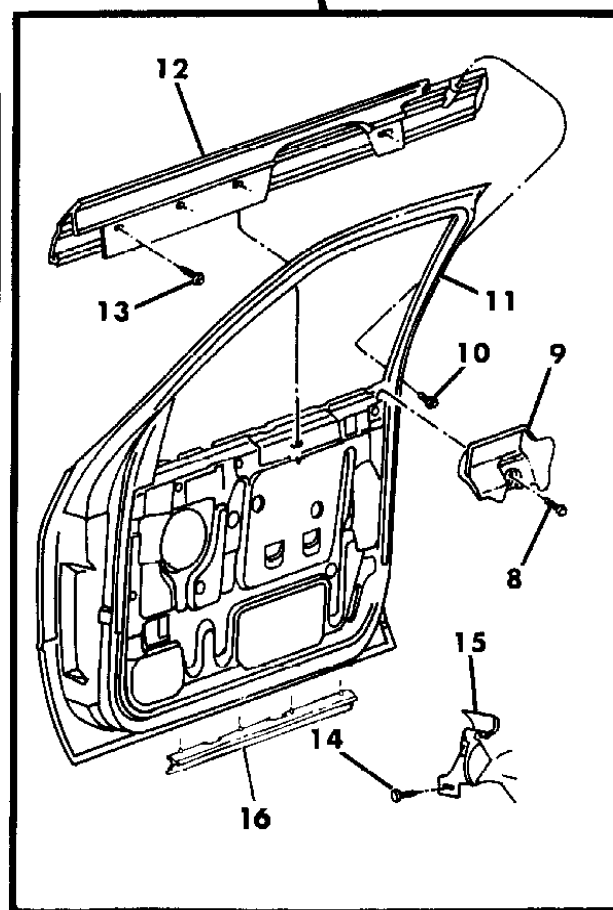
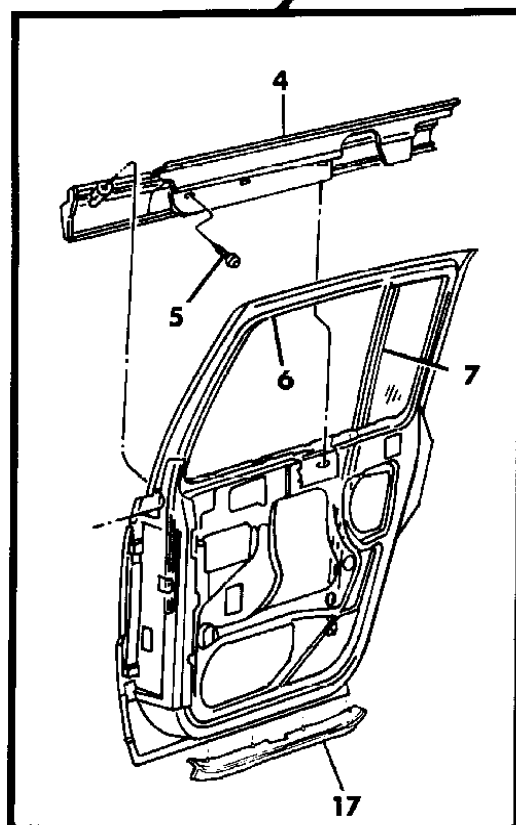
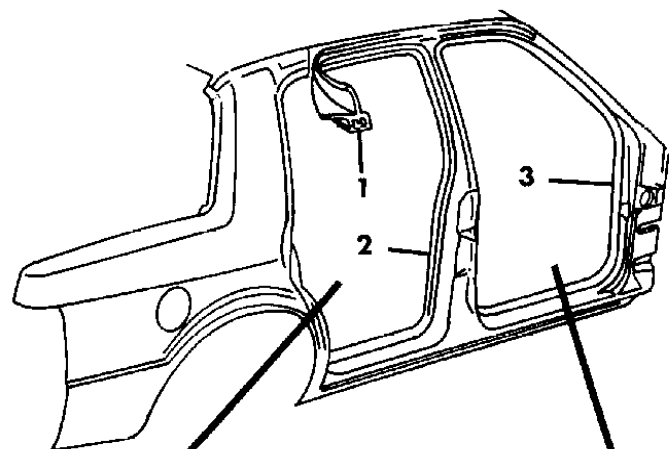
21=2-Door Coupe      41=4-Door Sedan      12-52=FWD & AWD Van & Wgn Std W.B.  
 24=2-Door Hatchback      44=4-Door Hatchback      53=FWD & AWD Van & Wgn Ext. W.B.  
 27=2-Door Convertible

AR = Use as Required - = Non Illustrated Part P.A.R. = Paint as Required

**DOOR, FRONT AND REAR WEATHERSTRIPS, RUNS AND GUARDS A BODY**  
Figure 23C-1800

93171 1800

ITEM	PART NUMBER	QTY	BODY	MODEL	DESCRIPTION
1	4520 906	2			WEATHERSTRIP, Front and Rear Door Drip
2	4520 968-9	1			WEATHERSTRIP, Rear Door Opening
3	4520 966-7	1			WEATHERSTRIP, Front Door Opening
4		1			MOULDING, See Exterior Ornamentation
5		8			SCREW (DNS)
6	5257 622-3	1			RUN, Rear Door Glass
7		2			SEAL, Fixed Glass, Serviced in Glass Module
8		4			SCREW (DNS)
9	5257 046-7	1			SEAL, Front Door Inside Panel, Rear
10		AR			SCREW (DNS)
11	4548 184-5	1			RUN, w/Channel, Door Glass
12		1			MOULDING, See Exterior Ornamentation
13		8			SCREW (DNS)
14		AR			SCREW (DNS)
15	4415 786-7	1			SEAL, Front Door Inside Panel, Front
16	4520 258-9	1			WEATHERSTRIP, Front Door Sill
17	4520 260-1	1			WEATHERSTRIP, Rear Door Sill



**MODEL CODES:**

A BODY=(C=LeBaron, D=Spirit, P=Acclaim/LaBaron(Landau), Saratoga)

C BODY=(D=Dynasty, C=New Yorker/N.Y. Salon)

G BODY=(V=Daytona/IROC, Chrysler Daytona)

J BODY=(C=LeBaron, Chrysler LeBaron)

P BODY=(P=Sundance, D=Shadow)

S BODY=(H=Voyager(H) FWD, K=Caravan(H) FWD,

Y=Town & Country(H) FWD, P=Voyager(K) AWD,

D=Caravan(K) AWD, C=Town & Country(K) AWD)

Y BODY=(C=Imperial/5th Avenue)

E-S BODY=(K=Chrysler Voyager(H) FWD, D=Chrysler

Voyager(K) AWD)

**BODY STYLES:**

21=2-Door Coupe

41=4-Door Sedan

12-52=FWD & AWD Van & Wgn Std W.B.

24=2-Door Hatchback

44=4-Door Hatchback

53=FWD & AWD Van & Wgn Ext. W.B.

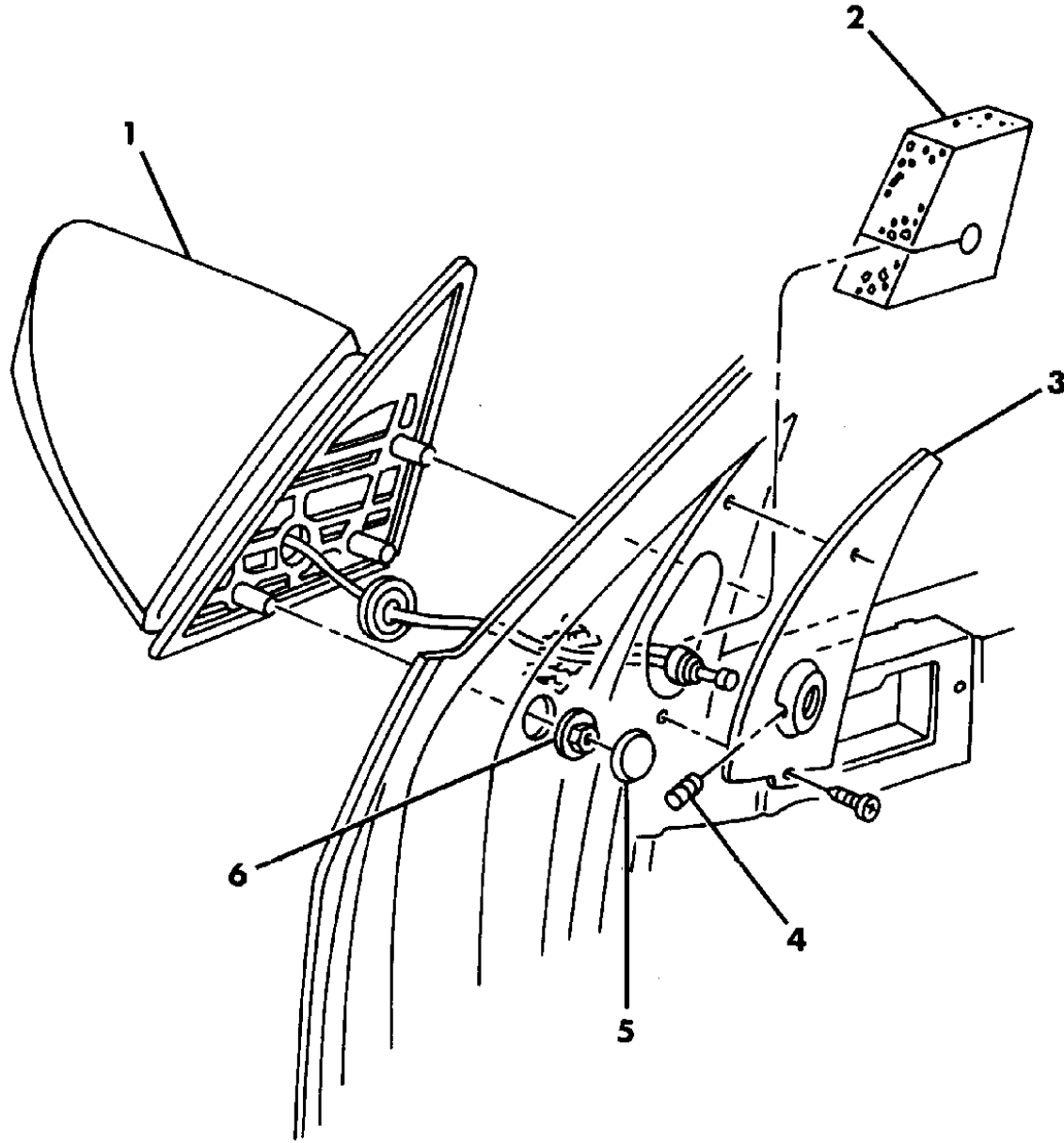
27=2-Door Convertible

AR = Use as Required - = Non Illustrated Part P.A.R. = Paint as Required

**MIRRORS, EXTERIOR A BODY**  
Figure 23C-1900

93171 1900

ITEM	PART NUMBER	QTY	BODY	MODEL	DESCRIPTION
1					MIRROR
	4299 714-5	1		D,P	Remote Control
	4615 302-3	1		C	Remote Control
	4299 716-7	1			Electric Heated, Black
	4615 300-1	1		C	Electric Heated, Bright
	4520 338-9	1			(EUROPEAN)
	4373 456	1			KNOB, Mirror
					GLASS, Mirror Replacement
	4339 360-1	1			Remote Mirror
	4467 256-7	1			Electric Mirror
	5257 224-5	1			(EUROPEAN)
2	4299 668	2			SEAL, Bezel
3					BEZEL, Mirror
	4299 596-7	1			w/Remote Mirror w/Electric Mirror
	4299 597	1			Left
	4299 316	1			Right
4		1			SCREW, Set (DNS)
5	4415 888	2			PLUG
6		AR			SCREW (DNS)



**MODEL CODES:**

A BODY=(C=LeBaron, D=Spirit, P=Acclaim/LaBaron(Landau, Saratoga)  
C BODY=(D=Dynasty, C=New Yorker/N.Y. Salon)  
G BODY=(V=Daytona/IROC, Chrysler Daytona)  
J BODY=(C=LeBaron, Chrysler LeBaron)  
P BODY=(P=Sundance, D=Shadow)

S BODY=(H=Voyager(H) FWD, K=Caravan(H) FWD, Y=Town & Country(H) FWD, P=Voyager(K) AWD, D=Caravan(K) AWD, C=Town & Country(K) AWD)  
Y BODY=(C=Imperial/5th Avenue)  
E-S BODY=(K=Chrysler Voyager(H) FWD, D=Chrysler Voyager(K) AWD)

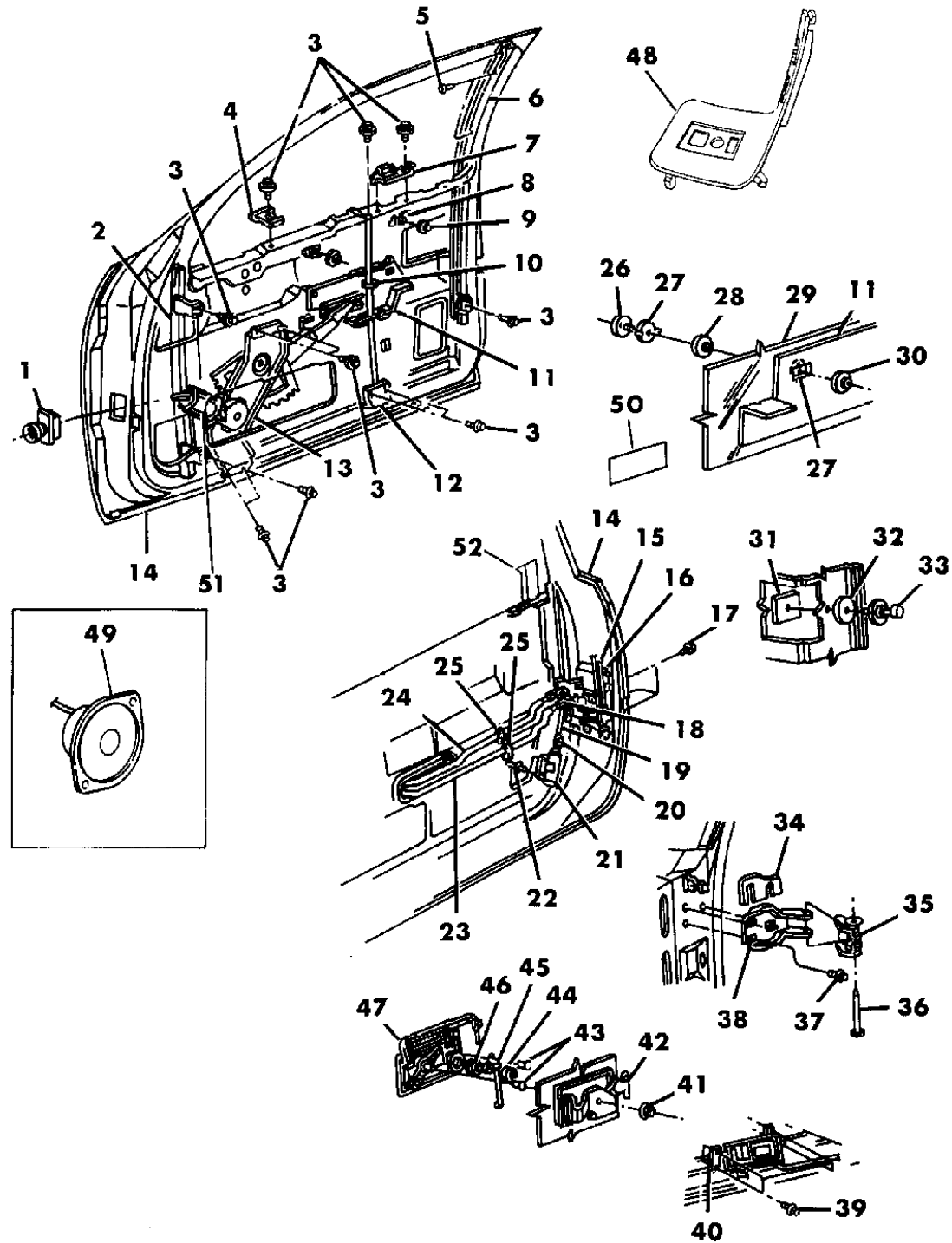
**BODY STYLES:**

21=2-Door Coupe      41=4-Door Sedan      12-52=FWD & AWD Van & Wgn Std W.B.  
24=2-Door Hatchback      44=4-Door Hatchback      53=FWD & AWD Van & Wgn Ext. W.B.  
27=2-Door Convertible

AR = Use as Required    - = Non Illustrated Part    P.A.R. = Paint as Required

DOOR, FRONT COMPLETE LESS WEATHERSTRIPS AND RUNS J BODY 21  
Figure 23C-2000

93171 2000



ITEM	PART NUMBER	QTY	BODY	MODEL	DESCRIPTION
1	4400 049	2			GROMMET, Door
2	4365 864-5	1			CHANNEL, w/Bracket, Glass, Front
3		AR			SCREW (DNS)
4	4365 862	2			STABILIZER, Glass
5	6032 456	2			SCREW
6	4445 172-3	1			CHANNEL, w/Bracket, Glass, Rear
7	4365 984-5	1			BRACKET, w/Liner, Glass Guide
8	4365 959	4			BRACKET, Upstop
9	6500 284	4			NUT
10	3788 079	2			SLEEVE, Guide Post
11	4475 396-7	1			PLATE, Glass Lift
	3788 272	2			GUIDE, Liftplate Lower
	3759 566	4			BUMPER, Liftplate Downstop
12	4365 916	2			GUIDE, w/Bracket
13	4415 878-9	1			REGULATOR, Glass
14	4549 104-5	1			SHELL, Door
	2895 126	4			PLUG, Drain
	4480 856-7	1			PANEL, Repair
15	4396 082-3	1			LINK, Cylinder to Latch
16					LATCH, Door
	4615 382	1			Right
	4396 249	1			Left
17	6501 220	6			SCREW
18	4184 244-5	1			CLIP, Lock Link Att.
19	4520 054-5	1			LINK, Solenoid to Latch
20		2			CLIP, Serviced 1n 21
21	4615 411	2			SOLENOID, Locking
22	6031 115	AR			RIVET
23	4445 624-5	1			LINK, w/Sleeve, Latch Locking
24					LINK, w/Sleeve, Latch R/Control
	4615 390	1			Right
	4445 623	1			Left
25	3882 620	4			CLIP, Antirattle
26	6029 998	6			WASHER, w/Stud, Glass
27	5231 769	12			GASKET, Glass Isolator
28	6028 587	6			T-NUT
29	4480 496-7	1			GLASS, w/Guide
	4658 096-7	1			(EUROPEAN)
30		2			NUT (DNS)

MODEL CODES:

A BODY=(C=LeBaron, D=Spirit, P=Acclaim/LaBaron(Landau), Saratoga) S BODY=(H=Voyager(H) FWD, K=Caravan(H) FWD, Y=Town & Country(H) FWD, P=Voyager(K) AWD, D=Caravan(K) AWD, C=Town & Country(K) AWD)  
 C BODY=(D=Dynasty, C=New Yorker/N.Y. Salon) Y BODY=(C=Imperial/5th Avenue)  
 G BODY=(V=Daytona/ROC, Chrysler Daytona) E-S BODY=(K=Chrysler Voyager(H) FWD, D=Chrysler Voyager(K) AWD)  
 J BODY=(C=LeBaron, Chrysler LeBaron)  
 P BODY=(P=Sundance, D=Shadow)

BODY STYLES:

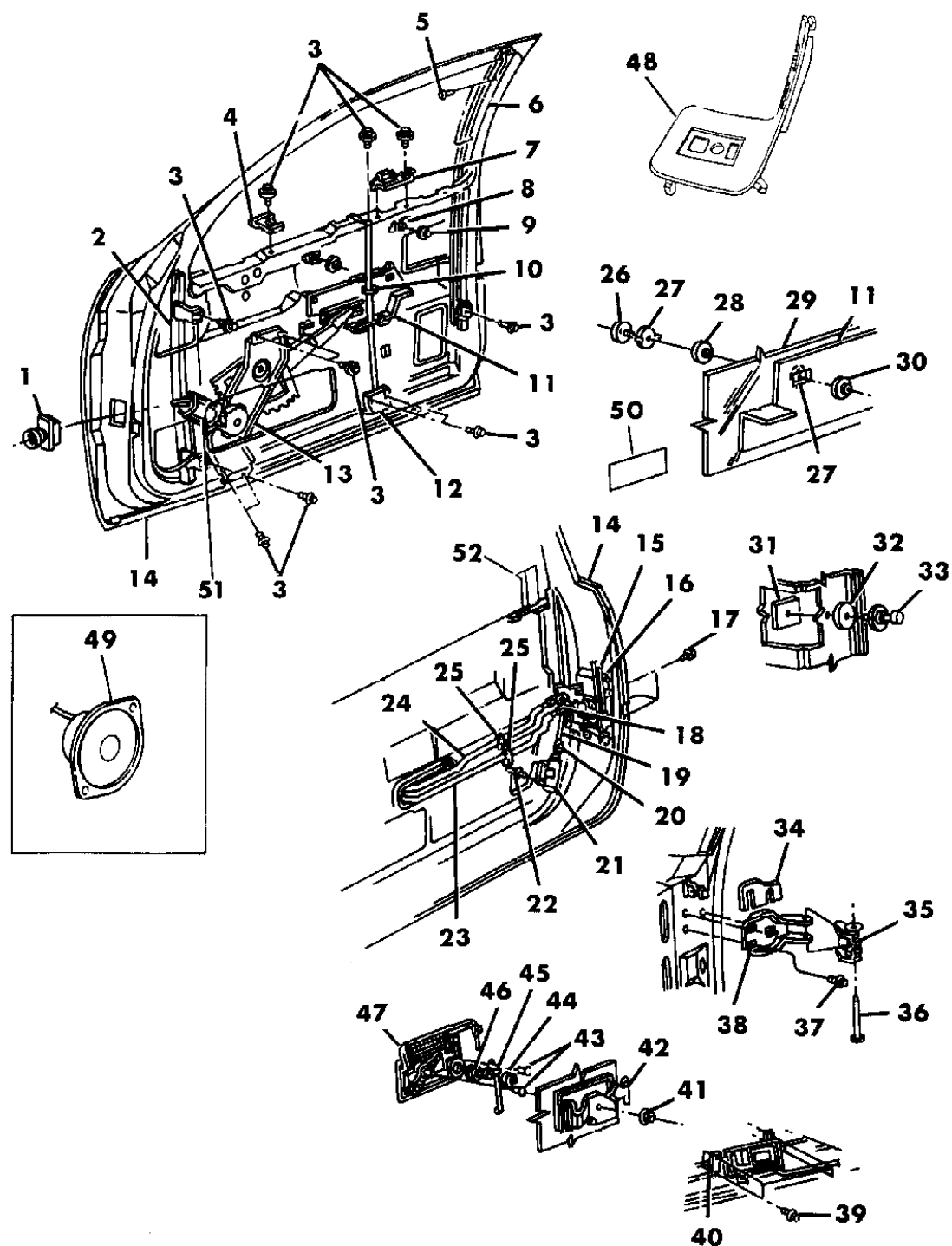
21=2-Door Coupe 41=4-Door Sedan 12-52=FWD & AWD Van & Wgn Std W.B.  
 24=2-Door Hatchback 44=4-Door Hatchback 53=FWD & AWD Van & Wgn Ext. W.B.  
 27=2-Door Convertible

AR = Use as Required - = Non Illustrated Part P.A.R. = Paint as Required

DOOR, FRONT COMPLETE LESS WEATHERSTRIPS AND RUNS J BODY 21

Figure 23C-2000

93171 2000



ITEM	PART NUMBER	QTY	BODY	MODEL	DESCRIPTION
31	4314 743	2			PLATE, Striker
32	4184 105	2			SPACER, Striker
33	5507 4546	2			STRIKER, Door
34	4336 288	AR			SHIM, Hinge
35					HINGE, Door Half
	4280 730	2			Upper
	4445 937	2			Lower
36	5507 5913	4			PIN, Hinge
37	6500 354	12			SCREW, Hinge
38					HINGE, Body Half
	4615 312	2			Upper
	4615 211	2			Lower
	4615 311	4			BUSHING, Hinge
	4615 216	4			BEARING, Hinge
39	6032 985	8			SCREW
40	4658 164	2			REMOTE CONTROL BEZEL, Remote Control
	4658 158-9	1			w/Door Locks
	4658 162	2			w/o Door Locks
41	6500 284	2			NUT
42	4615 430-1	1			BRACKET, w/Isolator
43		AR			SCREW (DNS)
44		1			RETAINER, Cylinder See 23D
45	4336 136	2			CLIP, Link to Cylinder
46		2			CYLINDER, Lock, See 23D
47					HANDLE, Exterior
	FK16-7 MMB	1			Wildberry
	FK16-7 LX8	1			Black
	FK16-7 LBD	1			Blue
	FK16-7 LDA	1			Quartz
	FK16-7 LQE	1			Aqua
	FK16-7 LRB	1			Red
	FK16-7 LV4	1			Champagne
	FK16-7 LW7	1			White
	FK16-7 MFA	1			Driftwood
48					BEZEL, Trim Panel
	4620 941	1			Left, w/Remote Mirror and Power Windows
	4620 943	1			Left, w/Electric Mirrors and Power Windows

MODEL CODES:

A BODY=(C=LeBaron, D=Spirit, P=Acclaim/LaBaron(Landau), Saratoga) S BODY=(H=Voyager(H) FWD, K=Caravan(H) FWD, Y=Town & Country(H) FWD, P=Voyager(K) AWD, D=Caravan(K) AWD, C=Town & Country(K) AWD)  
 C BODY=(D=Dynasty, C=New Yorker/N.Y. Salon) Y BODY=(C=Imperial/5th Avenue)  
 G BODY=(V=Daytona/IROC, Chrysler Daytona) E-S BODY=(K=Chrysler Voyager(H) FWD, D=Chrysler Voyager(K) AWD)  
 J BODY=(C=LeBaron, Chrysler LeBaron) P BODY=(P=Sundance, D=Shadow)

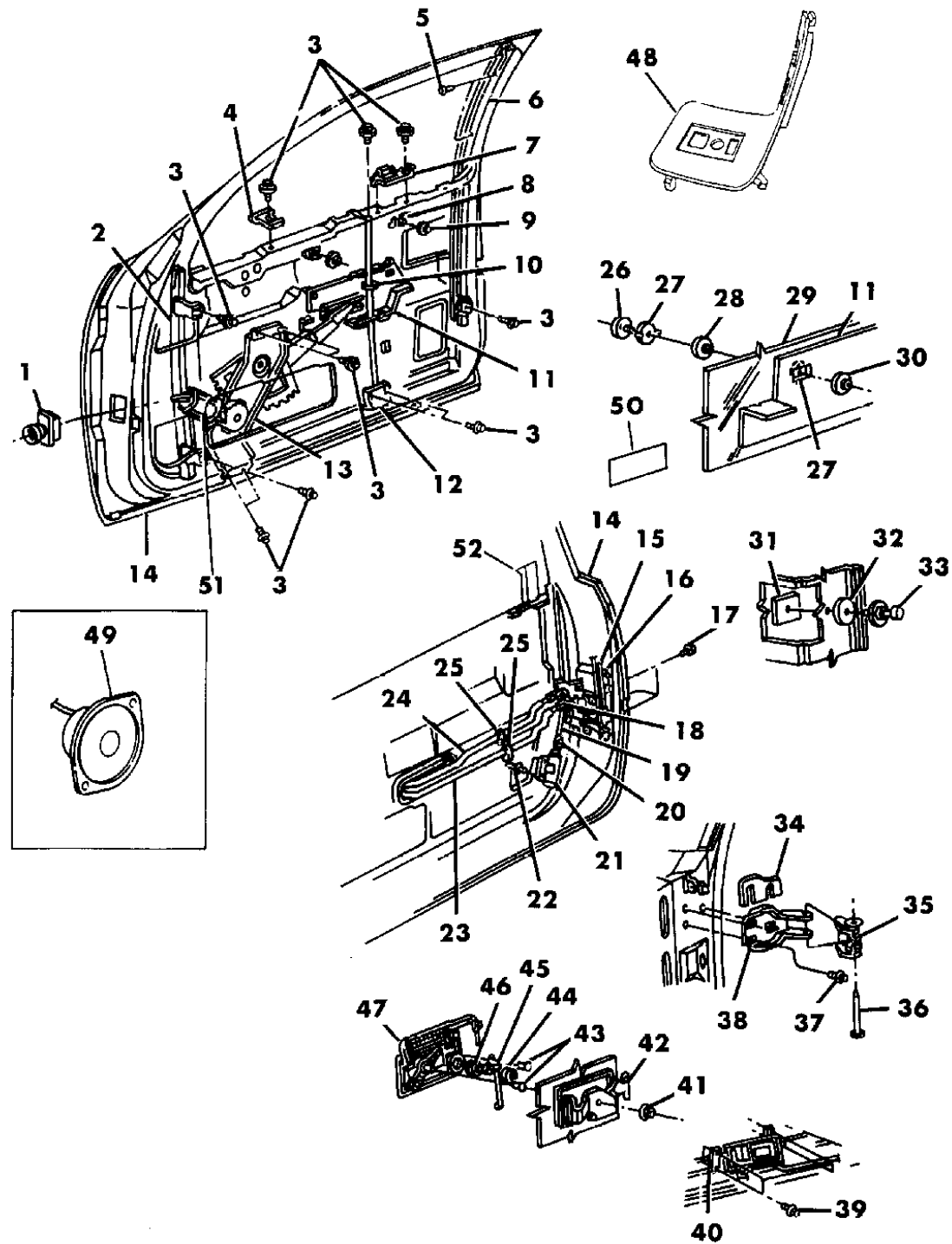
BODY STYLES:

21=2-Door Coupe 41=4-Door Sedan 12-52=FWD & AWD Van & Wgn Std W.B.  
 24=2-Door Hatchback 44=4-Door Hatchback 53=FWD & AWD Van & Wgn Ext. W.B.  
 27=2-Door Convertible

AR = Use as Required - = Non Illustrated Part P.A.R. = Paint as Required

**DOOR, FRONT COMPLETE LESS WEATHERSTRIPS AND RUNS J BODY 21**  
Figure 23C-2000

93171 2000



ITEM	PART NUMBER	QTY	BODY	MODEL	DESCRIPTION
	4620 945	1			Left, w/Electric Mirrors, Six Way Electric Seatan d Power Windows
	4620 937	1			Left, w/Electric Mirrors, Eight Way Electric Seat and Power Windows
	4620 932	1			Right, w/Electric Mirrors and Power Windows
	4620 930	1			Right, w/Remote Mirrors and Power Windows
49	4247 211	AR			CATCH, Bezel Att.
					SPEAKER, Door
	4608 052	2			Standard
	4608 055	2			Premium
50	4365 683	1			DECAL, Seat Belt Safety
51	4658 344-5	1			MOTOR, w/Mechanism, Regulator
52					KNOB, w/Rod, Locking
	D142 JB9	2			Blue
	D142 LM6	2			Red
	D142 LAZ	2			Agate
	D142 JV8	2			Champagne
	4415 514-5	1			LEVER and CLIP, Latch Locking
	6501 509	2			RIVET, Lever
					BEZEL, Locking Knob
	DG10 JB9	2			Blue
	DG10 LMA	2			Red
	DG10 LAZ	2			Agate
	DG10 JV8	2			Champagne

**MODEL CODES:**

A BODY=(C=LeBaron, D=Spirit, P=Acclaim/LaBaron(Landau), Saratoga)  
C BODY=(D=Dynasty, C=New Yorker/N.Y. Salon)  
G BODY=(V=Daytona/IROC, Chrysler Daytona)  
J BODY=(C=LeBaron, Chrysler LeBaron)  
P BODY=(P=Sundance, D=Shadow)

S BODY=(H=Voyager(H) FWD, K=Caravan(H) FWD, Y=Town & Country(H) FWD, P=Voyager(K) AWD, D=Caravan(K) AWD, C=Town & Country(K) AWD)  
Y BODY=(C=Imperial/5th Avenue)  
E-S BODY=(K=Chrysler Voyager(H) FWD, D=Chrysler Voyager(K) AWD)

**BODY STYLES:**

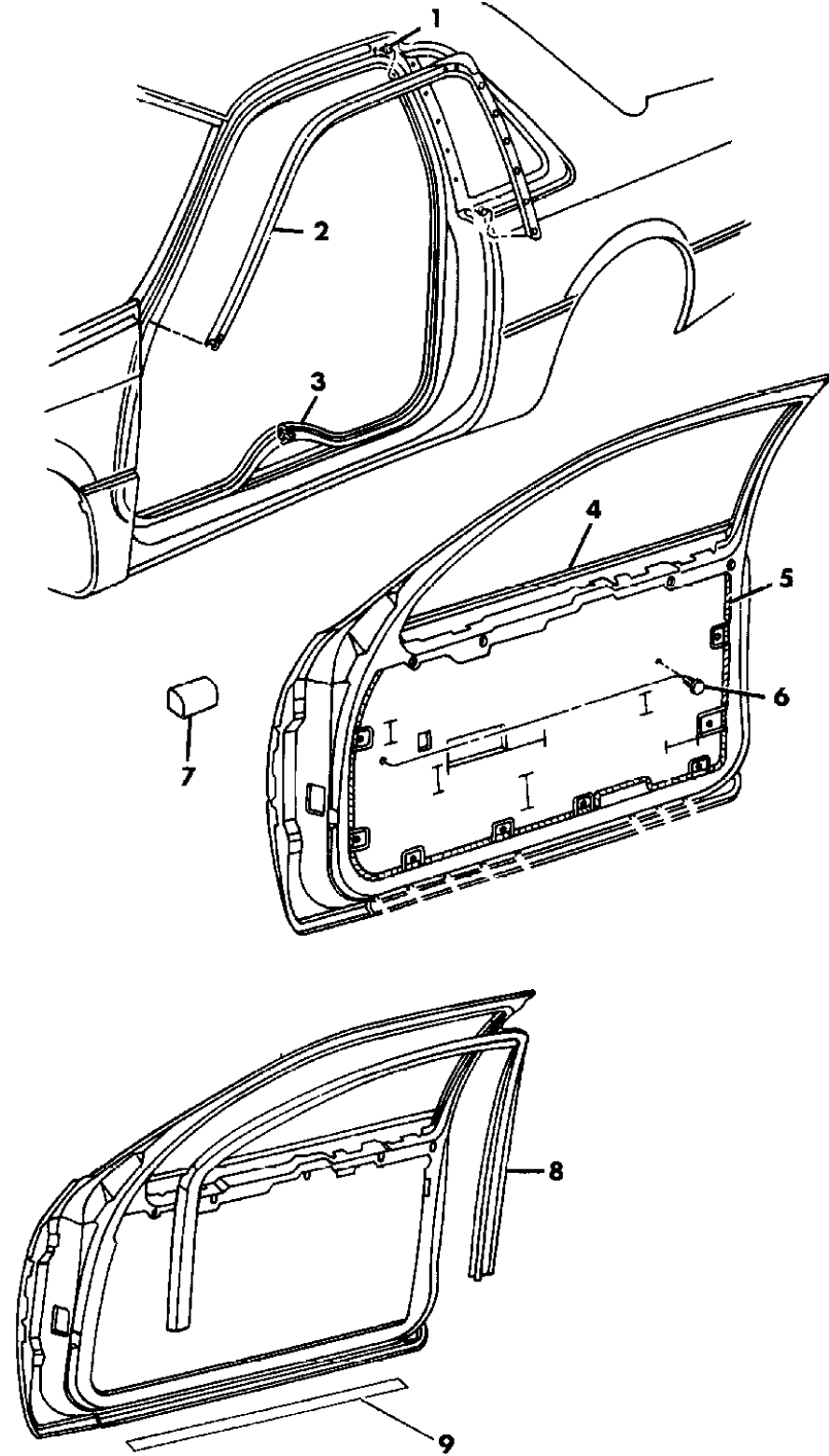
21=2-Door Coupe      41=4-Door Sedan      12-52=FWD & AWD Van & Wgn Std W.B.  
24=2-Door Hatchback      44=4-Door Hatchback      53=FWD & AWD Van & Wgn Ext. W.B.  
27=2-Door Convertible

AR = Use as Required   - = Non Illustrated Part   P.A.R. = Paint as Required

DOOR, FRONT WEATHERSTRIPS AND RUNS J BODY 21

Figure 23C-2100

93171 2100



ITEM	PART NUMBER	QTY	BODY	MODEL	DESCRIPTION
1	4057 555	1			RETAINER, Weatherstrip
2	4480 978-9	1			WEATHERSTRIP, Door Opening Drip
3	4658 246-7	1			WEATHERSTRIP, Door Opening
4	4398 566-7	1			WEATHERSTRIP, Outside Belt Moulding
5		2			LINER, Door (DNS)
6	6016 144	4			FASTENER, Liner
7	4396 374	2			SEAL, Belt, Rear
	4548 172	2			Front
8	4615 892-3	1			RUN, w/Weatherstrip
	4445 172-3	1			BRACKET, Glass Run Rear
9	4480 698-9	1			WEATHERSTRIP, Secondary

**MODEL CODES:**

A BODY=(C=LeBaron, D=Spirit, P=Acclaim/LaBaron(Landau),  
Saratoga)  
C BODY=(D=Dynasty, C=New Yorker/N.Y. Salon)  
G BODY=(V=Daytona/IROC, Chrysler Daytona)  
J BODY=(C=LeBaron, Chrysler LeBaron)  
P BODY=(P=Sundance, D=Shadow)

S BODY=(H=Voyager(H) FWD, K=Caravan(H) FWD,  
Y=Town & Country(H) FWD, P=Voyager(K) AWD,  
D=Caravan(K) AWD, C=Town & Country(K) AWD)  
Y BODY=(C=Imperial/5th Avenue)  
E-S BODY=(K=Chrysler Voyager(H) FWD, D=Chrysler  
Voyager(K) AWD)

**BODY STYLES:**

21=2-Door Coupe      41=4-Door Sedan      12-52=FWD & AWD Van & Wgn Std W.B.  
24=2-Door Hatchback      44=4-Door Hatchback      53=FWD & AWD Van & Wgn Ext. W.B.  
27=2-Door Convertible

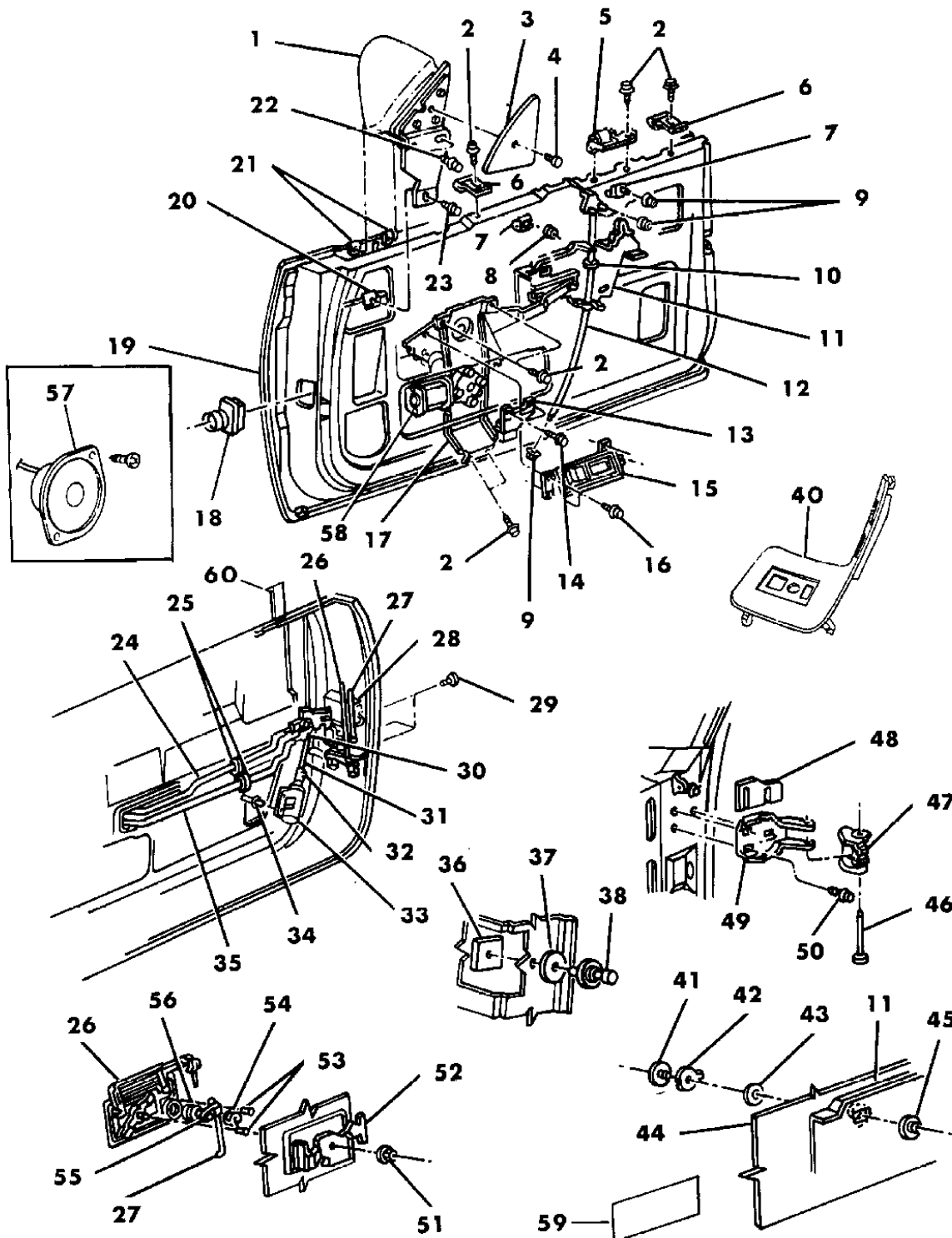
AR = Use as Required - = Non Illustrated Part P.A.R. = Paint as Required



**DOOR, FRONT COMPLETE LESS WEATHERSTRIPS AND RUNS J BODY 27**  
Figure 23C-2200

93171 2200

ITEM	PART NUMBER	QTY	BODY	MODEL	DESCRIPTION
1-4					MIRROR, Exterior, See Mirror Illus.
5	4365 984-5	1			BRACKET, Glass Guide Hook
6	4365 862	4			STABILIZER, Glass
7	4365 959	4			BRACKET, Upstop
8					SCREW (DNS)
9	6100 047	AR			NUT and WASHER
10	3788 079	2			SLEEVE, Post
11	4475 698-9	1			PLATE, Glass Lift
					GUIDE, Liftplate
	3788 272	2			Lower
	3696 433	2			Upper
12	4396 162-3	1			GUIDEPOST, Glass
13	4415 473	2			BRACKET, Downstop
14	6032 114	4			SCREW
15	4658 164	2			REMOTE CONTROL
					BEZEL, Remote Control
	4658 162	2			w/o Door Locks
	4658 158-9	1			w/Door Locks
16	6032 985	8			SCREW
17	4415 880-1	1			REGULATOR, Glass
	4365 888	2			SPRING, Regulator Assist
18	4400 049	2			GROMMET
19	4504 108-9	1			SHELL, Door
	2895 126	4			PLUG, Drain
	4365 564-5	1			PANEL, Repair
	4480 642-3	1			WEDGE, Plastic
20	6101 398	2			U-NUT
21					U-NUT (DNS)
22					SCREW (DNS)
23	6100 286	2			SCREW and WASHER
24					LINK and SLEEVE, Remote Control Latch
	4615 390	1			Right
	4445 623	1			Left
25	3882 620	4			CLIP, Antirattle
26					HANDLE, Exterior
	FK16-7 LX8	1			Black
	FK16-7 LBD	1			Blue
	FK16-7 LDA	1			Quartz
	FK16-7 LQE	1			Aqua



**MODEL CODES:**

A BODY=(C=LeBaron, D=Spirit, P=Acclaim/LaBaron(Landau), Saratoga)      S BODY=(H=Voyager(H) FWD, K=Caravan(H) FWD, Y=Town & Country(H) FWD, P=Voyager(K) AWD, D=Caravan(K) AWD, C=Town & Country(K) AWD)  
 C BODY=(D=Dynasty, C=New Yorker/N.Y. Salon)  
 G BODY=(V=Daytona/IROC, Chrysler Daytona)      Y BODY=(C=Imperial/5th Avenue)  
 J BODY=(C=LeBaron, Chrysler LeBaron)      E-S BODY=(K=Chrysler Voyager(H) FWD, D=Chrysler Voyager(K) AWD)  
 P BODY=(P=Sundance, D=Shadow)

**BODY STYLES:**

21=2-Door Coupe      41=4-Door Sedan      12-52=FWD & AWD Van & Wgn Std W.B.  
 24=2-Door Hatchback      44=4-Door Hatchback      53=FWD & AWD Van & Wgn Ext. W.B.  
 27=2-Door Convertible

AR = Use as Required - = Non Illustrated Part P.A.R. = Paint as Required

**DOOR, FRONT COMPLETE LESS WEATHERSTRIPS AND RUNS J BODY 27**  
**Figure 23C-2200**

93171 2200

ITEM	PART NUMBER	QTY	BODY	MODEL	DESCRIPTION
	FK16-7 LRB	1			Red
	FK16-7 LV4	1			Champagne
	FK16-7 LW7	1			White
	FK16-7 MFA	1			Driftwood
	FK16-7 MGF	1			Emerald Green
	FK16-7 MMB	1			Wildberry
27	4396 082-3	1			LINK, Lock Cylinder to Latch
28					LATCH, Door
	4396 249	1			Left
	4615 382	1			Right
29	6501 220	6			SCREW
30	4184 244-5	1			CLIP, Lock Link Att.
31	4520 054-5	1			LINK, Solenoid to Latch
32		1			CLIP, Serviced in 33
33	4615 411	2			SOLENOID, Locking
34	6031 115	AR			RIVET
35	4445 624-5	1			LINK and SLEEVE, Latch Locking
36	4314 743	2			PLATE, Striker
37	4184 105	AR			SPACER, Striker
38	5507 4546	2			STRIKER, Door
40					BEZEL, Trim Panel
	4620 931	1			Left, w/Remote Mirror and Power Windows
	4620 933	1			Left, w/Electric Mirrors and Power Windows
	4620 935	1			Left, w/Electric Mirrors, Six Way Electric Seat and Power Windows
	4620 939	1			Left, w/Electric Mirrors, Eight Way Electric Seat and Power Windows
	4620 932	1			Right, w/Electric Mirrors and Power Windows
	4620 930	1			Right, w/Remote Mirror and Power Windows
	4247 211	AR			CATCH, Bezel Att.
41	6029 998	6			STUD, Glass Liftplate Att.
42	5231 769	12			GASKET, Glass Isolator
43	6028 587	6			T-NUT
44	4396 110-1	1			GLASS, Door
45					NUT (DNS)
46	5507 5125	4			PIN, Hinge
47		4			HINGE, Door Half, Serviced in Door Shell
48	4336 288	AR			SHIM, Hinge
49					HINGE, Body Half

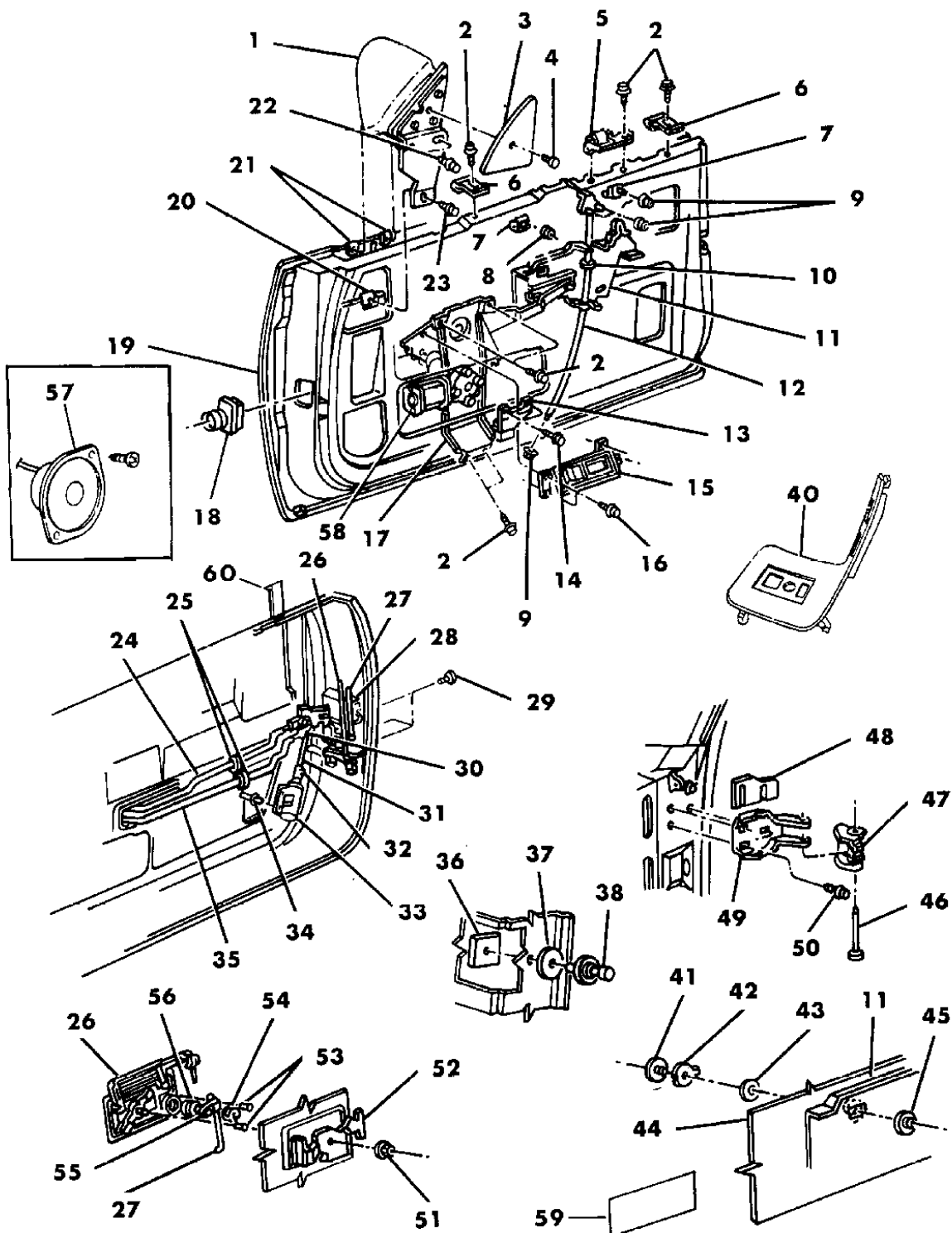
**MODEL CODES:**

A BODY=(C=LeBaron, D=Spirit, P=Acclaim/LaBaron(Landau, Saratoga) S BODY=(H=Voyager(H) FWD, K=Caravan(H) FWD, Y=Town & Country(H) FWD, P=Voyager(K) AWD, D=Caravan(K) AWD, C=Town & Country(K) AWD)  
 C BODY=(D=Dynasty, C=New Yorker/N.Y. Salon)  
 G BODY=(V=Daytona/IROC, Chrysler Daytona)  
 J BODY=(C=LeBaron, Chrysler LeBaron)  
 P BODY=(P=Sundance, D=Shadow)  
 Y BODY=(C=Imperial/5th Avenue)  
 E-S BODY=(K=Chrysler Voyager(H) FWD, D=Chrysler Voyager(K) AWD)

**BODY STYLES:**

21=2-Door Coupe      41=4-Door Sedan      12-52=FWD & AWD Van & Wgn Std W.B.  
 24=2-Door Hatchback      44=4-Door Hatchback      53=FWD & AWD Van & Wgn Ext. W.B.  
 27=2-Door Convertible

AR = Use as Required - = Non Illustrated Part P.A.R. = Paint as Required

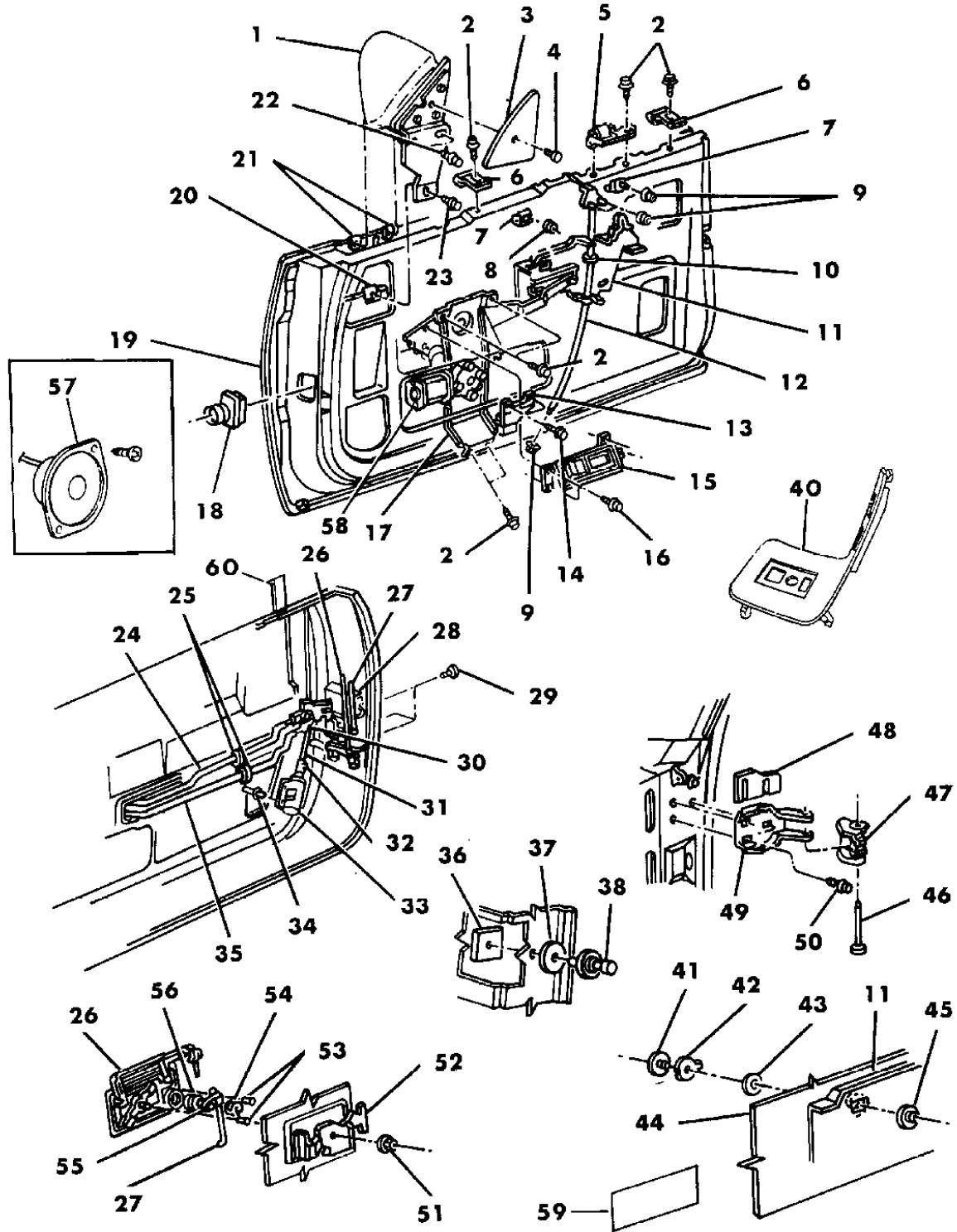


# DOOR, FRONT COMPLETE LESS WEATHERSTRIPS AND RUNS J BODY 27

## Figure 23C-2200

93171 2200

ITEM	PART NUMBER	QTY	BODY	MODEL	DESCRIPTION
	4615 312	2			Upper
	4615 211	2			Lower
	4615 311	4			BUSHING, Hinge
	4615 216	4			BEARING, Hinge
	4480 642-3	1			WEDGE, Body Half Hinge
	4396 495	AR			SHIM, Wedge
50	6500 354	12			BOLT
51	6031 029	2			NUT
52	4615 430-1	1			BRACKET, w/Isolator
53					SCREW (DNS)
54		1			RETAINER, Cylinder, See 23D
55	4336 136	2			CLIP, Link to Lock Cylinder
56					CYLINDER, Lock, Refer to 23D
57					SPEAKER, Door
	4608 052	2			Standard
	4608 055	2			Infinity
58	4467 290-1	1			MOTOR, w/Mechanism, Regulator
59	4365 683	1			DECAL, Seat Belt Safety
60					KNOB, w/Locking Link
	D142 JB9	2			Blue
	D142 LM6	2			Red
	D142 LAZ	2			Agate
	D142 JV8	2			Champagne
	4415 514-5	1			LEVER, w/Clip Locking
	6501 509	2			RIVET, Lever
					BEZEL, Locking Knob
	DG10 JB9	2			Blue
	DG10 LMA	2			Red
	DG10 LAZ	2			Agate
	DG10 JV8	2			Champagne



**MODEL CODES:**

A BODY=(C=LeBaron, D=Spirit, P=Acclaim/LaBaron(Landau),  
Saratoga)  
C BODY=(D=Dynasty, C=New Yorker/N.Y. Salon)  
G BODY=(V=Daytona/IROC, Chrysler Daytona)  
J BODY=(C=LeBaron, Chrysler LeBaron)  
P BODY=(P=Sundance, D=Shadow)

S BODY=(H=Voyager(H) FWD, K=Caravan(H) FWD,  
Y=Town & Country(H) FWD, P=Voyager(K) AWD,  
D=Caravan(K) AWD, C=Town & Country(K) AWD)  
Y BODY=(C=Imperial/5th Avenue)  
E-S BODY=(K=Chrysler Voyager(H) FWD, D=Chrysler  
Voyager(K) AWD)

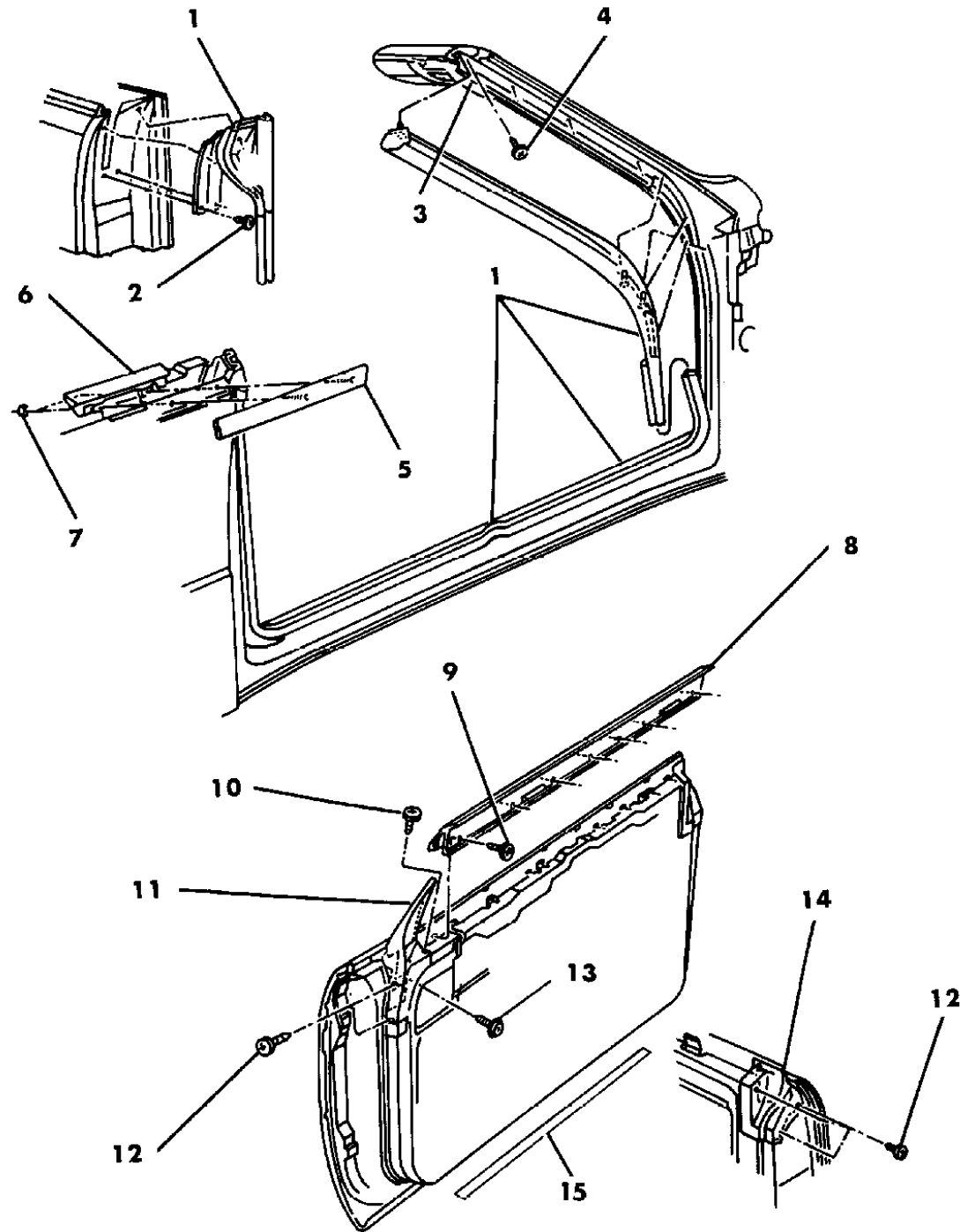
**BODY STYLES:**

21=2-Door Coupe	41=4-Door Sedan	12-52=FWD & AWD Van & Wgn Std W.B.
24=2-Door Hatchback	44=4-Door Hatchback	53=FWD & AWD Van & Wgn Ext. W.B.
27=2-Door Convertible		

AR = Use as Required - = Non Illustrated Part P.A.R. = Paint as Required

**DOOR, FRONT WEATHERSTRIPS AND RUNS J BODY 27**  
Figure 23C-2300

93171 2300



ITEM	PART NUMBER	QTY	BODY	MODEL	DESCRIPTION
1	4615 990-1	1			WEATHERSTRIP, Door Opening
2					SCREW (DNS)
3	5253 936-7	1			RETAINER, w/Seal, Weatherstrip
4					SCREW (DNS)
5					MOULDING, See Exterior Ornamentation
6	4534 044-5	1			WEATHERSTRIP, Quarter Window Belt
7					NUT (DNS)
8					MOULDING, See Exterior Ornamentation
9					SCREW, See Exterior Ornamentation
10					SCREW (DNS)
11	4615 978-9	1			SEAL, Hinge Pillar Belt
	5257 641	2			SEAL, Hinge Pillar Secondary, Upper
12					SCREW (DNS)
13					SCREW (DNS)
14	4615 596-7	1			SEAL, Lock Pillar Belt
15	4480 698-9	1			WEATHERSTRIP, Secondary

**MODEL CODES:**

A BODY=(C=LeBaron, D=Spirit, P=Acclaim/LaBaron(Landau),  
Saratoga)  
C BODY=(D=Dynasty, C=New Yorker/N.Y. Salon)  
G BODY=(V=Daytona/IROC, Chrysler Daytona)  
J BODY=(C=LeBaron, Chrysler LeBaron)  
P BODY=(P=Sundance, D=Shadow)

S BODY=(H=Voyager(H) FWD, K=Caravan(H) FWD,  
Y=Town & Country(H) FWD, P=Voyager(K) AWD,  
D=Caravan(K) AWD, C=Town & Country(K) AWD)  
Y BODY=(C=Imperial/5th Avenue)  
E-S BODY=(K=Chrysler Voyager(H) FWD, D=Chrysler  
Voyager(K) AWD)

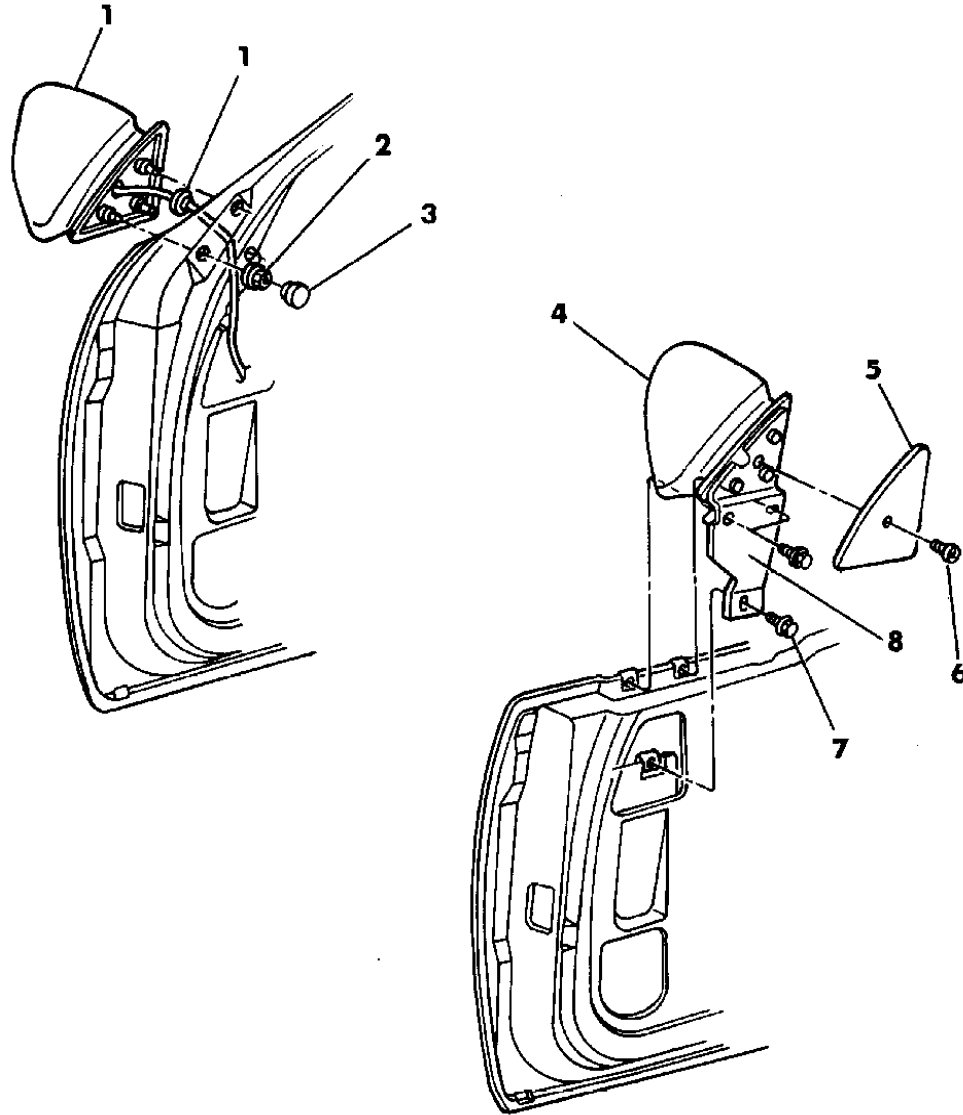
**BODY STYLES:**

21=2-Door Coupe                      41=4-Door Sedan                      12-52=FWD & AWD Van & Wgn Std W.B.  
24=2-Door Hatchback                44=4-Door Hatchback                53=FWD & AWD Van & Wgn Ext. W.B.  
27=2-Door Convertible

AR = Use as Required - = Non Illustrated Part P.A.R. = Paint as Required

MIRRORS, EXTERIOR J BODY  
Figure 23C-2400

93171 2400



ITEM	PART NUMBER	QTY	BODY	MODEL	DESCRIPTION
1					MIRROR
	4299 884-5	1	21		Remote Control Electric, Heated
	WN54-5 JW7	1	21		White
	WN54-5 KRB	1	21		Red
	4299 888-9	1	21		Black
	WN50-1 LQE	1	21		Aqua
	WN50-1 MGF	1	21		Emerald Green
	4520 342-3	1	21		Electric (EUROPEAN)
	4419 036-7	1			GLASS, Mirror (Remote) Replacement
2			21		NUT (DNS)
3	2860 332	AR	21		PLUG, Access Hole
4					MIRROR
	4299 898-9	1	27		Remote Control Electric, Heated
	WN56-7 JW7	1	27		White
	WN56-7 KRB	1	27		Red
	4299 902-3	1	27		Black
	WN52-3 LQE	1	27		Aqua
	WN52-3 MGF	1	27		Emerald Green
	4520 344	1	27		Right
	4658 769	1	27		Left
	4373 120	1			KNOB, Electric Mirror
5	4299 446-7	1	27		COVER, Mtg. Plate
6			27		SCREW (DNS)
7	6100 286	2	27		SCREW
8	4299 444-5	1	27		PLATE, Mirror Mtg.

MODEL CODES:

A BODY=(C=LeBaron, D=Spirit, P=Acclaim/LaBaron(Landau),  
Saratoga)

C BODY=(D=Dynasty, C=New Yorker/N.Y. Salon)

G BODY=(V=Daytona/IROC, Chrysler Daytona)

J BODY=(C=LeBaron, Chrysler LeBaron)

P BODY=(P=Sundance, D=Shadow)

S BODY=(H=Voyager(H) FWD, K=Caravan(H) FWD,

Y=Town & Country(H) FWD, P=Voyager(K) AWD,

D=Caravan(K) AWD, C=Town & Country(K) AWD)

Y BODY=(C=Imperial/5th Avenue)

E-S BODY=(K=Chrysler Voyager(H) FWD, D=Chrysler

Voyager(K) AWD)

BODY STYLES:

21=2-Door Coupe

41=4-Door Sedan

12-52=FWD & AWD Van & Wgn Std W.B.

24=2-Door Hatchback

44=4-Door Hatchback

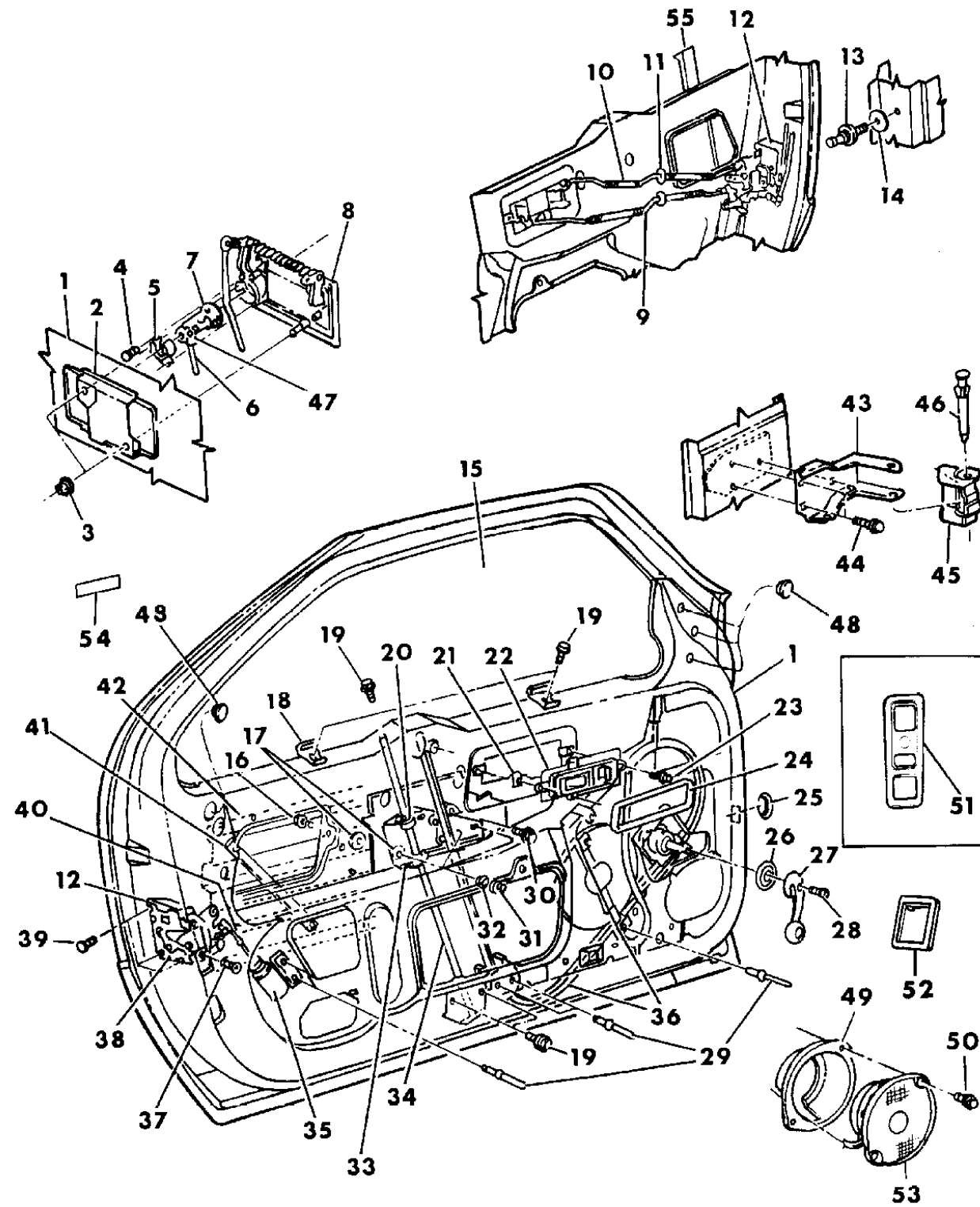
53=FWD & AWD Van & Wgn Ext. W.B.

27=2-Door Convertible

AR = Use as Required - = Non Illustrated Part P.A.R. = Paint as Required

**DOOR, FRONT COMPLETE LESS WEATHERSTRIP AND RUN G BODY**  
Figure 23C-2500

93171 2500



ITEM	PART NUMBER	QTY	BODY	MODEL	DESCRIPTION
1	4638 462-3	1			SHELL, Door
	4520 816-7	1			PANEL, Repair
2	4336 200-1	1			BRACKET, w/Isolator, Handle
3	6031 029	2			NUT, Exterior Handle Att.
4		2			SCREW (DNS)
5		1			RETAINER, Lock Cylinder, Refer to 23D
6	4520 794-5	1			LINK, Lock Cylinder to Latch
7		1			CYLINDER, See 23D
8					HANDLE, Exterior
					w/Illuminated Entry
	GS08-9 LC3	1			Blue
	GS08-9 LM3	1			Raspberry
	GS08-9 LQE	1			Aqua
	GS08-9 LRB	1			Red
	GS08-9 LW7	1			White
	GS08-9 LX8	1			Black
	GS08-9 MGF	1			Driftwood
					w/o Illuminated Entry
	4615 996-7	1			Black
	GS12-3 LC3	1			Blue
	GS12-3 LM3	1			Raspberry
	GS12-3 LQE	1			Aqua
	GS12-3 LRB	1			Red
	GS12-3 LW7	1			White
	GS12-3 LX8	1			Black
	GS12-3 MGF	1			Driftwood
9	4445 632-3	1			LINK, Latch Locking
10					LINK, Remote Control Latch
	4615 386	1			Right
	4445 631	1			Left
11	3882 620	2			CLIP, Anti-Rattle
12					LATCH, Door
	4396 249	1			Left
	4615 382	1			Right
	6501 220	AR			SCREW, Latch Att.
13	5507 4546	2			STRIKER, Door
14	4184 105	AR			SPACER, Striker
15	4198 682-3	1			GLASS, Door
	4280 192-3	1			(EUROPEAN)

**MODEL CODES:**

A BODY=(C=LeBaron, D=Spirit, P=Acclaim/LaBaron(Landau), Saratoga)

C BODY=(D=Dynasty, C=New Yorker/N.Y. Salon)

G BODY=(V=Daytona/IROC, Chrysler Daytona)

J BODY=(C=LeBaron, Chrysler LeBaron)

P BODY=(P=Sundance, D=Shadow)

S BODY=(H=Voyager(H) FWD, K=Caravan(H) FWD,

Y=Town & Country(H) FWD, P=Voyager(K) AWD,

D=Caravan(K) AWD, C=Town & Country(K) AWD)

Y BODY=(C=Imperial/5th Avenue)

E-S BODY=(K=Chrysler Voyager(H) FWD, D=Chrysler

Voyager(K) AWD)

**BODY STYLES:**

21=2-Door Coupe      41=4-Door Sedan      12-52=FWD & AWD Van & Wgn Std W.B.

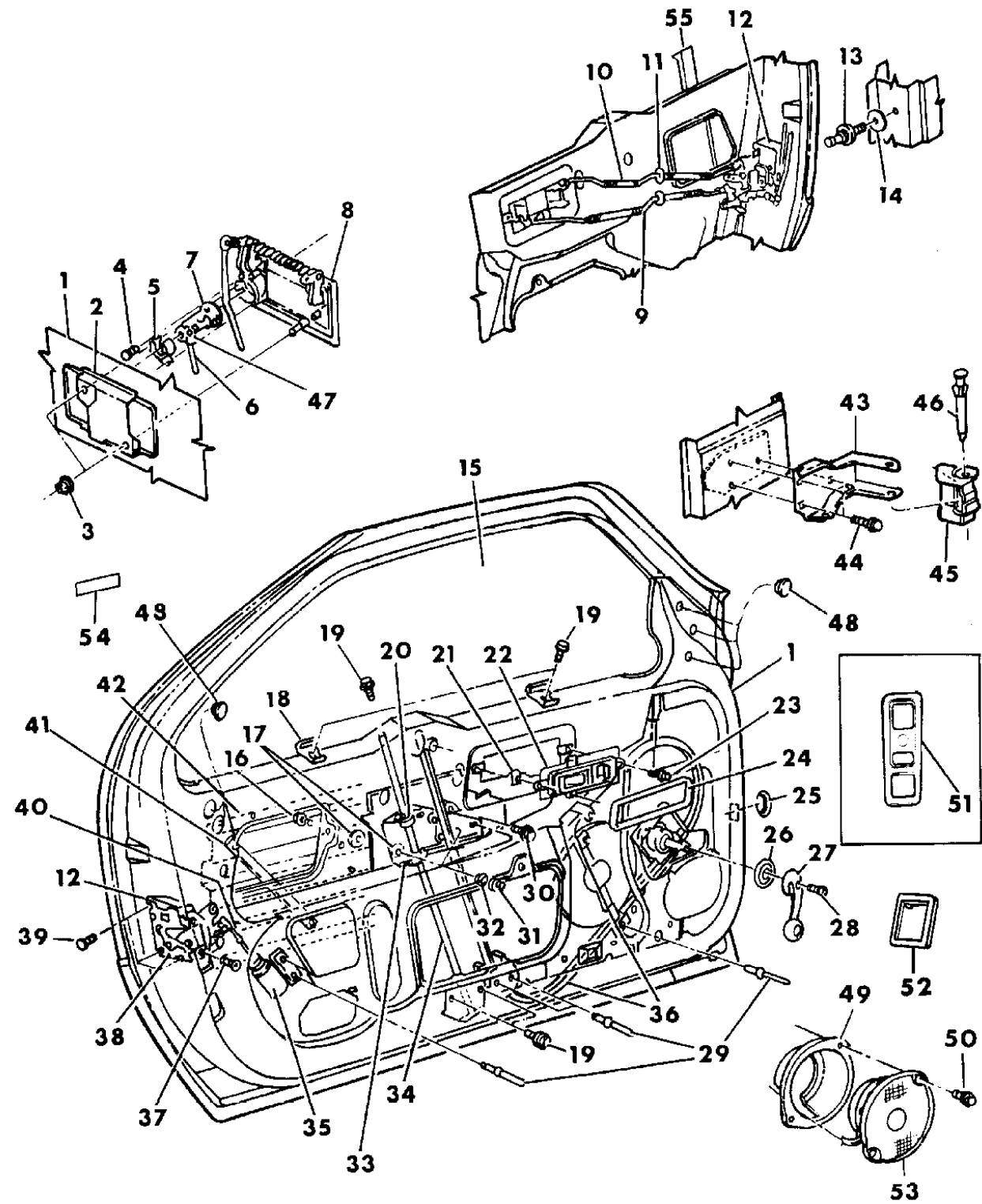
24=2-Door Hatchback      44=4-Door Hatchback      53=FWD & AWD Van & Wgn Ext. W.B.

27=2-Door Convertible

AR = Use as Required    - = Non Illustrated Part    P.A.R. = Paint as Required

**DOOR, FRONT COMPLETE LESS WEATHERSTRIP AND RUN G BODY**  
**Figure 23C-2500**

93171 2500



ITEM	PART NUMBER	QTY	BODY	MODEL	DESCRIPTION
16	6029 998	3			STUD, w/Washer
17	5231 769	2			GASKET
18	4365 862	4			STABILIZER, Glass GUIDE, Glass
	3788 273	2			Lower
	3696 433	2			Upper
19		AR			SCREW (DNS)
20	3788 080	2			SLEEVE, Glass Track Tube
21		6			U-NUT (DNS)
22	4658 164	2			REMOTE CONTROL
23		6			SCREW (DNS)
24					BEZEL, Remote Control Handle
	4658 158-9	1			w/Door Locks
	4658 162	2			w/o Door Locks
25	6031 488	2			PLUG, Hinge Pillar
26	4520 268-9	1			SPACER, Window Regulator Handle
27	4415 820	2			HANDLE, Window Regulator
	4415 824	2			COVER, Handle Screw
28	6031 644	2			SCREW
29	6031 115	AR			RIVET
30	6500 912	2			SCREW
31		6			NUT (DNS)
32	6028 587	6			T-NUT
33					PLATE, Glass Lift
	4445 862-3	1			Manual
	4198 676-7	1			Electric
34	4198 688-9	1			TRACK, Glass Guide
35	4615 411	2			SOLENOID, Locking
		2			CLIP, Solenoid Serviced in 35
36					REGULATOR, Window
	5257 536-7	1			Manual
	4336 444-5	1			Electric
	4467 364-5	1			MOTOR, w/Mechanism Regulator
	4184 410	2			BRACKET, Motor Mtg.
	4184 575	4			BUMPER, Regulator Downstop
37	6032 079	2			SCREW, Filler
38	4184 378-9	1			FILLER, Latch to Inner Panel
39	6501 220	3			SCREW
40	4520 056-7	1			LINK, Solenoid to Latch

**MODEL CODES:**

A BODY=(C=LeBaron, D=Spirit, P=Acclaim/LaBaron(Landau, Saratoga) S BODY=(H=Voyager(H) FWD, K=Caravan(H) FWD, Y=Town & Country(H) FWD, P=Voyager(K) AWD, D=Caravan(K) AWD, C=Town & Country(K) AWD)  
 C BODY=(D=Dynasty, C=New Yorker/N.Y. Salon) Y BODY=(C=Imperial/5th Avenue)  
 G BODY=(V=Daytona/IROC, Chrysler Daytona) E-S BODY=(K=Chrysler Voyager(H) FWD, D=Chrysler Voyager(K) AWD)  
 J BODY=(C=LeBaron, Chrysler LeBaron)  
 P BODY=(P=Sundance, D=Shadow)

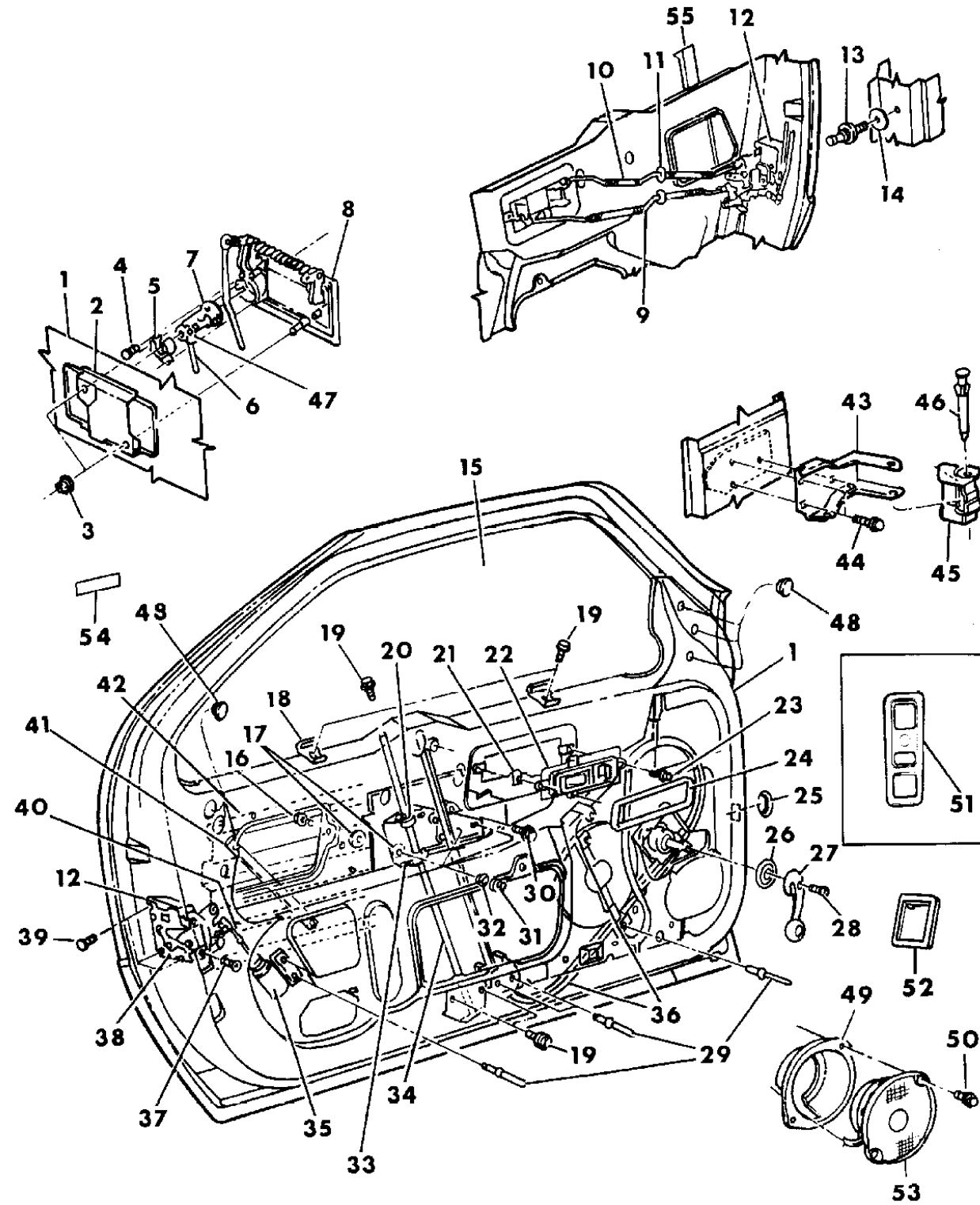
**BODY STYLES:**

21=2-Door Coupe 41=4-Door Sedan 12-52=FWD & AWD Van & Wgn Std W.B.  
 24=2-Door Hatchback 44=4-Door Hatchback 53=FWD & AWD Van & Wgn Ext. W.B.  
 27=2-Door Convertible

AR = Use as Required - = Non Illustrated Part P.A.R. = Paint as Required

**DOOR, FRONT COMPLETE LESS WEATHERSTRIP AND RUN G BODY**  
Figure 23C-2500

93171 2500



ITEM	PART NUMBER	QTY	BODY	MODEL	DESCRIPTION
41	5231 294	2			BUMPER, w/Retainer, Impact Bar
42		2			REINFORCEMENT, Impact Bar, Serviced in 1
43					HINGE, Body Half
	4615 312	2			Upper
	4615 211	2			Lower
	4615 311	4			BUSHING, Hinge
	4615 216	4			BEARING, Hinge
44	6500 300	AR			SCREW, Hinge
	4336 288	AR			SHIM, Hinge
45					HINGE, Door Half
	4280 730	2			Upper
	5502 7861	2			Lower
46	5507 5125	4			PIN, Hinge
47					CLIP, Door Latch Locking Lever to Key Cylinder Link
	3760 131	1			Right
	3760 130	1			Left
48	4184 688	AR			PLUG
49	4469 128-9	1			ADAPTOR, Speaker
50		4			SCREW (DNS)
51					BEZEL, Switch
	4565 252	1			Left, w/Electric Windows
	4565 258	1			Left, w/Six Way Electric Seat
	4565 254	1			Left, w/Electric Windows and Six Way Electric Seat
	4565 253	2			Left, w/Electric Windows and Eight Way Electric Seat
	4565 251	1			Left, w/o Openings
	4565 249	1			Right, w/Electric Windows
	4565 248	1			PLUG, Electric Window Switch, Right
52					BEZEL, Switch
	4620 053	1			Left, w/Electric Mirrors
	4620 084	2			w/Remote Mirrors
	4620 086	1			Right, Blank
53					SPEAKER, Door
	4469 282	2			Premium
	4469 284	2			Infinity
54	4365 683	1			DECAL, Seat Belt Safety
55					KNOB, w/Locking Link
	D142 LAZ	2			Agate
	D142 LM6	2			Red
	D142 JD5	2			Quartz

**MODEL CODES:**  
 A BODY=(C=LeBaron, D=Spirit, P=Acclaim/LaBaron(Landau, Saratoga)  
 C BODY=(D=Dynasty, C=New Yorker/N.Y. Salon)  
 G BODY=(V=Daytona/IROC, Chrysler Daytona)  
 J BODY=(C=LeBaron, Chrysler LeBaron)  
 P BODY=(P=Sundance, D=Shadow)  
 S BODY=(H=Voyager(H) FWD, K=Caravan(H) FWD, Y=Town & Country(H) FWD, P=Voyager(K) AWD, D=Caravan(K) AWD, C=Town & Country(K) AWD)  
 Y BODY=(C=Imperial/5th Avenue)  
 E-S BODY=(K=Chrysler Voyager(H) FWD, D=Chrysler Voyager(K) AWD)

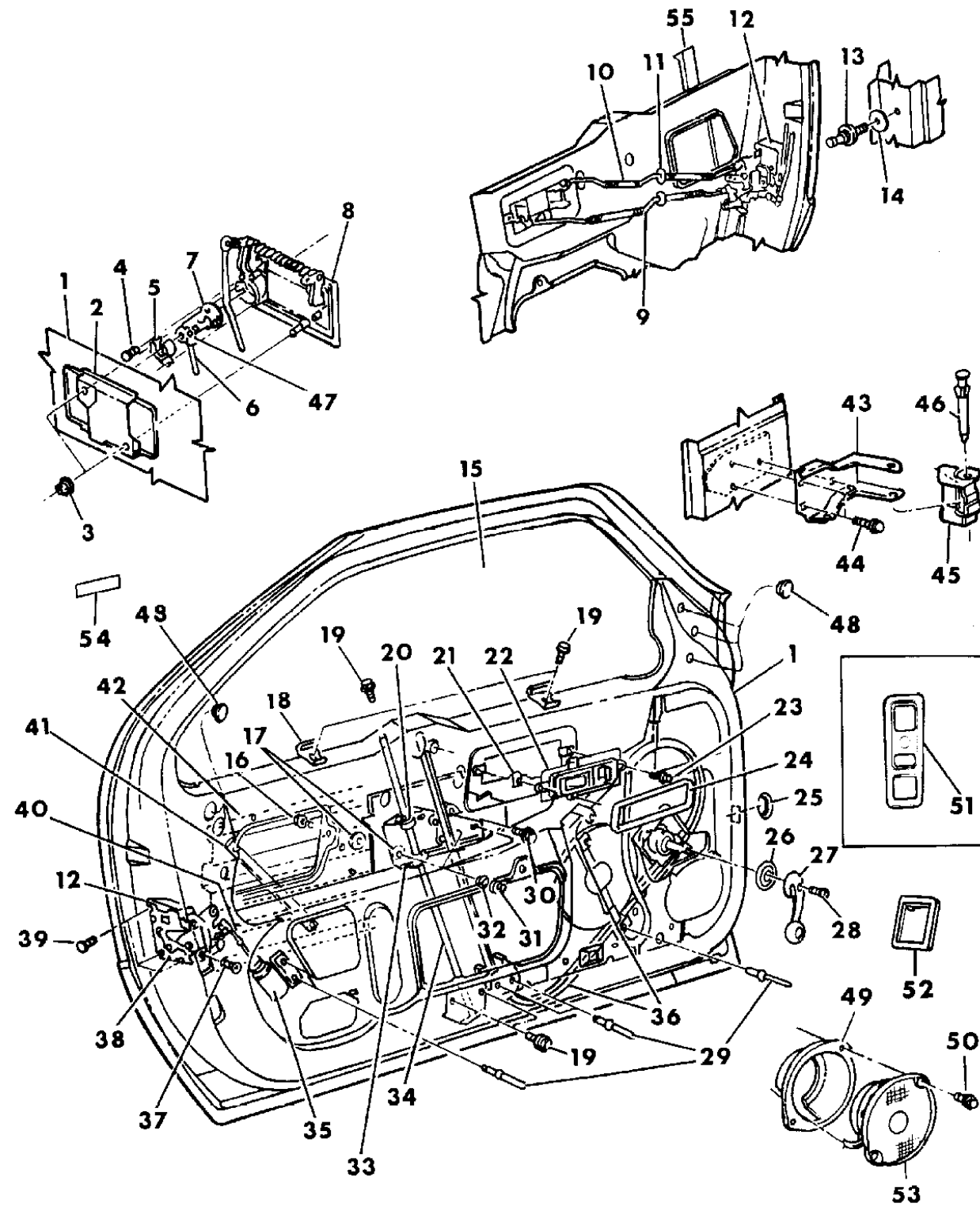
**BODY STYLES:**  
 21=2-Door Coupe      41=4-Door Sedan      12-52=FWD & AWD Van & Wgn Std W.B.  
 24=2-Door Hatchback      44=4-Door Hatchback      53=FWD & AWD Van & Wgn Ext. W.B.  
 27=2-Door Convertible

AR = Use as Required - = Non Illustrated Part P.A.R. = Paint as Required



**DOOR, FRONT COMPLETE LESS WEATHERSTRIP AND RUN G BODY**  
**Figure 23C-2500**

93171 2500



ITEM	PART NUMBER	QTY	BODY	MODEL	DESCRIPTION
					BEZEL, Locking Knob
	DG12 LAZ	2			Agate
	DG12 LMA	2			Red
	DG12 JD5	2			Quartz
	4415 514-5	1			LEVER and CLIP, Latch Locking
	6501 509	2			RIVET, Lever

**MODEL CODES:**

A BODY=(C=LeBaron, D=Spirit, P=Acclaim/LaBaron(Landau), Saratoga)      S BODY=(H=Voyager(H) FWD, K=Caravan(H) FWD, Y=Town & Country(H) FWD, P=Voyager(K) AWD, D=Caravan(K) AWD, C=Town & Country(K) AWD)  
 C BODY=(D=Dynasty, C=New Yorker/N.Y. Salon)  
 G BODY=(V=Daytona/IROC, Chrysler Daytona)  
 J BODY=(C=LeBaron, Chrysler LeBaron)  
 P BODY=(P=Sundance, D=Shadow)      Y BODY=(C=Imperial/5th Avenue)  
 E-S BODY=(K=Chrysler Voyager(H) FWD, D=Chrysler Voyager(K) AWD)

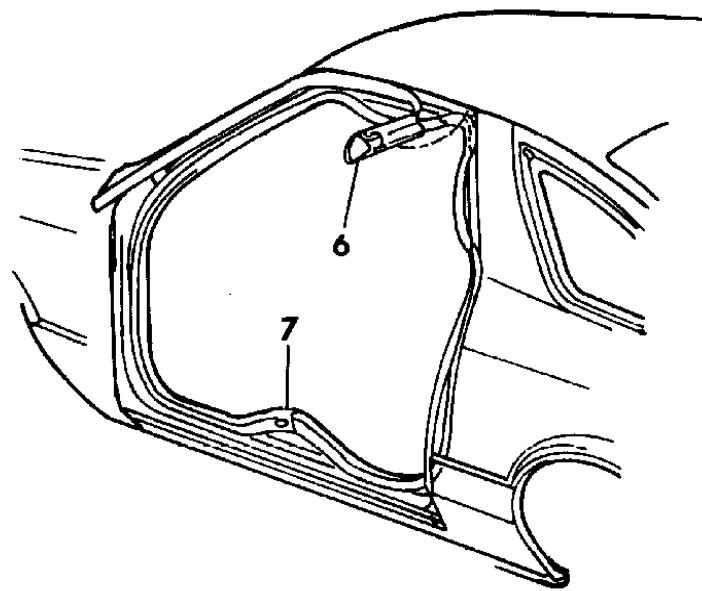
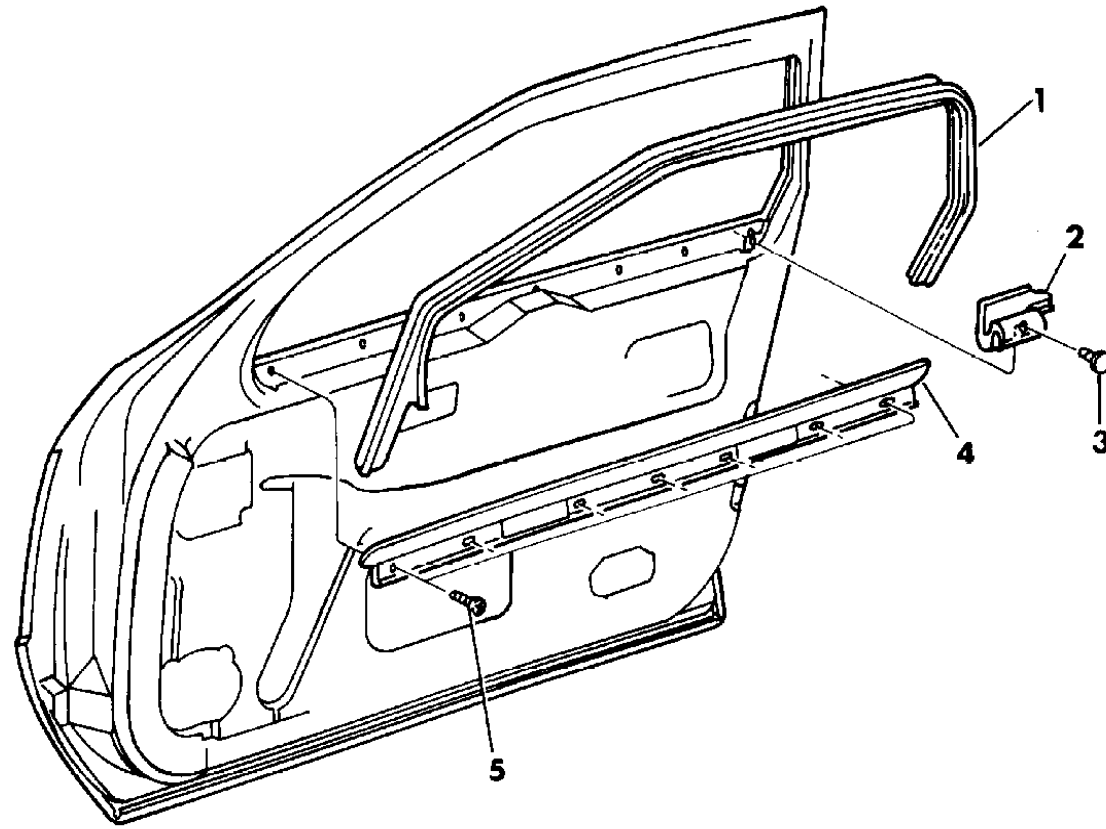
**BODY STYLES:**

21=2-Door Coupe      41=4-Door Sedan      12-52=FWD & AWD Van & Wgn Std W.B.  
 24=2-Door Hatchback      44=4-Door Hatchback      53=FWD & AWD Van & Wgn Ext. W.B.  
 27=2-Door Convertible

AR = Use as Required - = Non Illustrated Part P.A.R. = Paint as Required

**DOOR, FRONT WEATHERSTRIP AND RUN G BODY**  
**Figure 23C-2600**

93171 2600



ITEM	PART NUMBER	QTY	BODY	MODEL	DESCRIPTION
1	4658 330-1	1			RUN, Door Glass
	6033 751	1			CLIP, Att.
2	4198 910-1	1			SEAL, Belt Weatherstrip, Rear
3	4280 811	2			RETAINER, Seal
4					WEATHERSTRIP, Belt
	4658 326-7	1			Outer
	4280 142-3	1			BRACKET, Weatherstrip Retainer, Lower Rear
5	6032 456	14			SCREW, Belt Weatherstrip
6	4396 060	2			WEATHERSTRIP, Door Opening Drip
7	4520 734-5	1			WEATHERSTRIP, Door Opening

**MODEL CODES:**

A BODY=(C=LeBaron, D=Spirit, P=Acclaim/LaBaron(Landau), Saratoga) S BODY=(H=Voyager(H) FWD, K=Caravan(H) FWD, Y=Town & Country(H) FWD, P=Voyager(K) AWD, D=Caravan(K) AWD, C=Town & Country(K) AWD)  
 C BODY=(D=Dynasty, C=New Yorker/N.Y. Salon) Y BODY=(C=Imperial/5th Avenue)  
 G BODY=(V=Daytona/IROC, Chrysler Daytona) E-S BODY=(K=Chrysler Voyager(H) FWD, D=Chrysler Voyager(K) AWD)  
 J BODY=(C=LeBaron, Chrysler LeBaron)  
 P BODY=(P=Sundance, D=Shadow)

**BODY STYLES:**

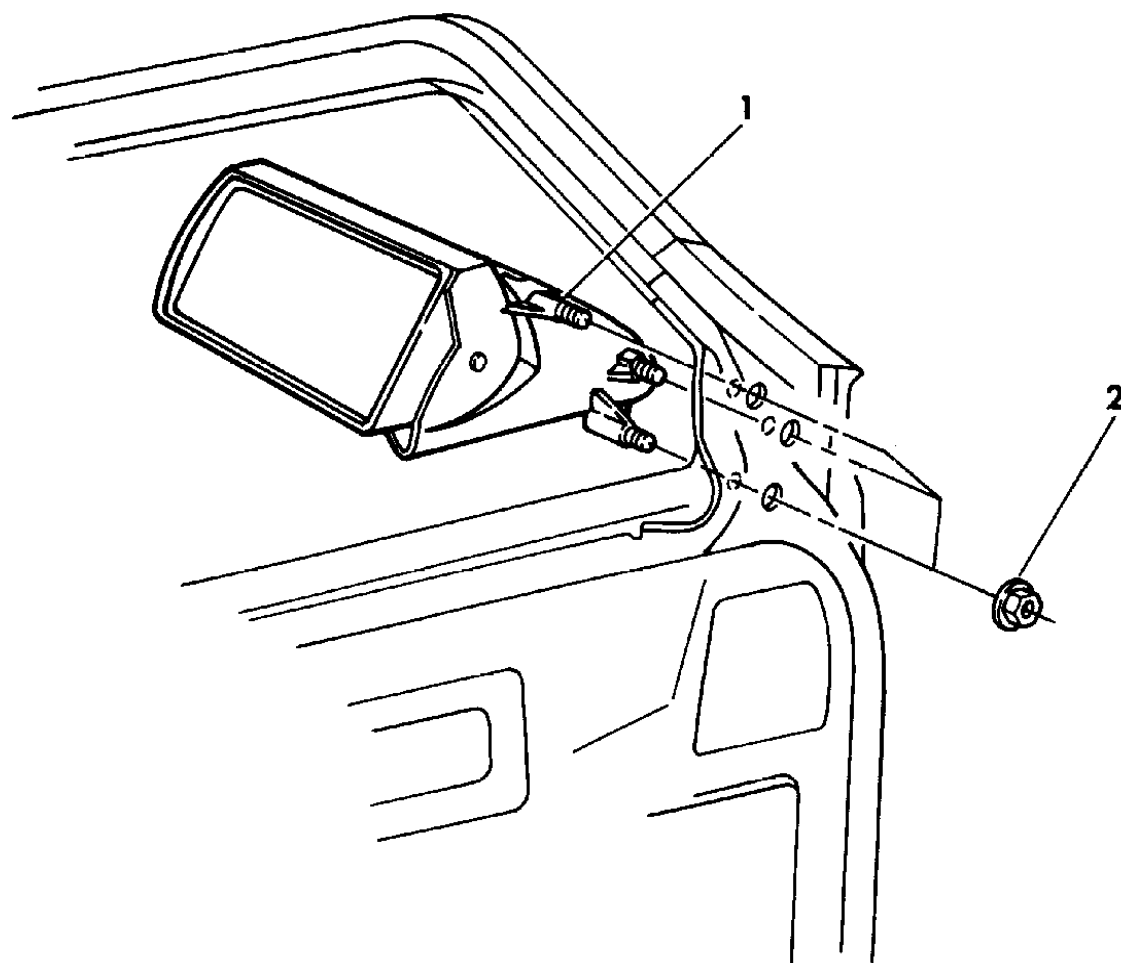
21=2-Door Coupe      41=4-Door Sedan      12-52=FWD & AWD Van & Wgn Std W.B.  
 24=2-Door Hatchback      44=4-Door Hatchback      53=FWD & AWD Van & Wgn Ext. W.B.  
 27=2-Door Convertible

AR = Use as Required - = Non Illustrated Part P.A.R. = Paint as Required

MIRROR, EXTERIOR G BODY  
Figure 23C-2700

93171 2700

ITEM	PART NUMBER	QTY	BODY	MODEL	DESCRIPTION
1					MIRROR PACKAGE
	4520 704-5	1			Black, Remote Control
	4520 710-1	1			Prime, Electric, Heated
	4520 708-9	1			Electric (EUROPEAN) Heated
	4419 082-3	1			GLASS (Electric) Replacement ***
2	6100 044	AR			NUT, Mirror Att.



**MODEL CODES:**

A BODY=(C=LeBaron, D=Spirit, P=Acclaim/LaBaron(Landau),  
Saratoga) S BODY=(H=Voyager(H) FWD, K=Caravan(H) FWD,  
Y=Town & Country(H) FWD, P=Voyager(K) AWD,  
D=Caravan(K) AWD, C=Town & Country(K) AWD)  
C BODY=(D=Dynasty, C=New Yorker/N.Y. Salon)  
G BODY=(V=Daytona/IROC, Chrysler Daytona) Y BODY=(C=Imperial/5th Avenue)  
J BODY=(C=LeBaron, Chrysler LeBaron) E-S BODY=(K=Chrysler Voyager(H) FWD, D=Chrysler  
P BODY=(P=Sundance, D=Shadow) Voyager(K) AWD)

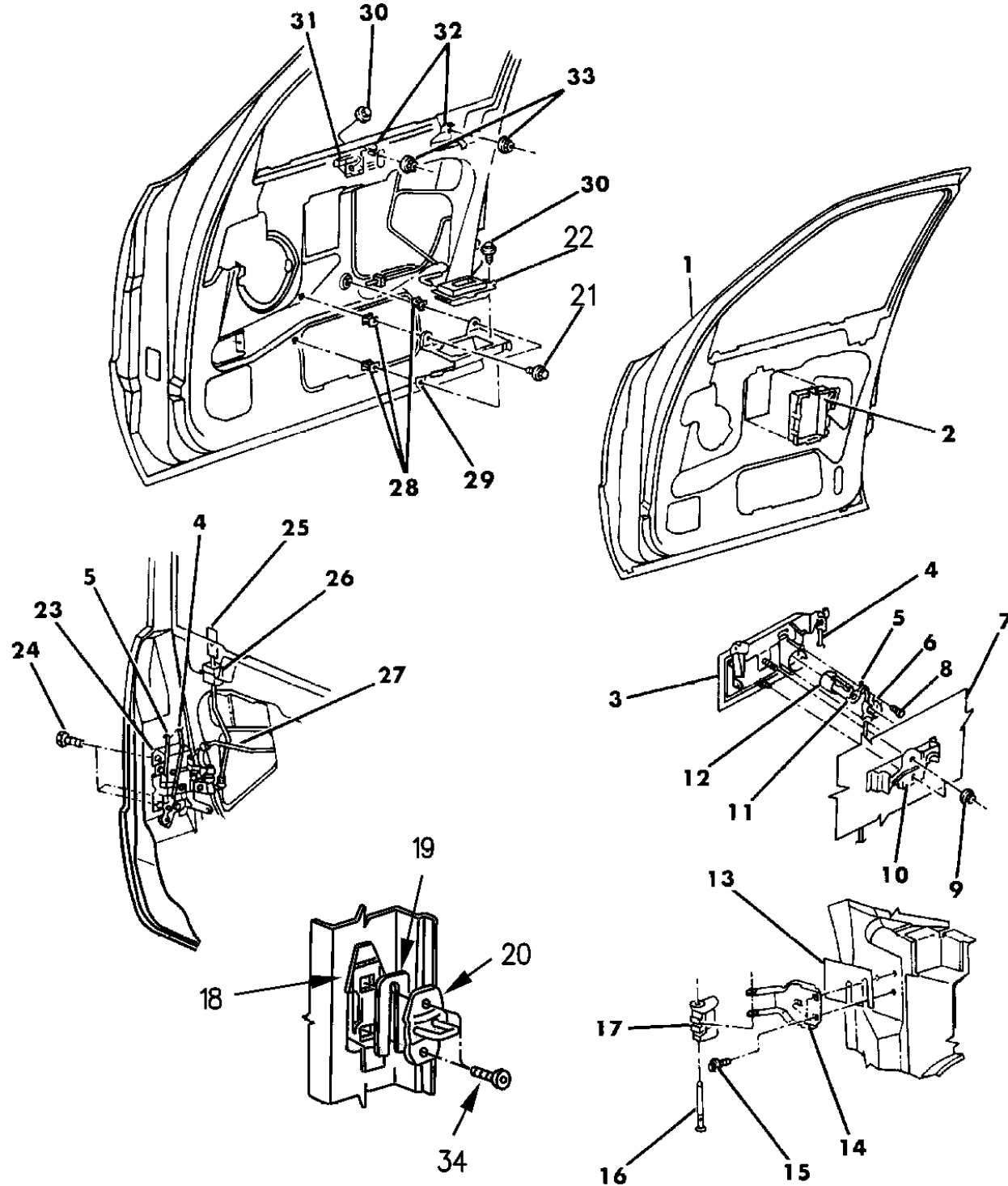
**BODY STYLES:**

21=2-Door Coupe 41=4-Door Sedan 12-52=FWD & AWD Van & Wgn Std W.B.  
24=2-Door Hatchback 44=4-Door Hatchback 53=FWD & AWD Van & Wgn Ext. W.B.  
27=2-Door Convertible

AR = Use as Required - = Non Illustrated Part P.A.R. = Paint as Required

**DOOR, FRONT SHELL, HANDLES AND LOCKS C BODY**  
**Figure 23C-2800**

93171 2800



ITEM	PART NUMBER	QTY	BODY	MODEL	DESCRIPTION
1	5252 182-3	1			SHELL, Door
2	4445 362-3	1			SHIELD, Power Seat Switch
3					HANDLE, Exterior
	FS06-7 LW7	1			White
	FS06-7 LX8	1			Black
	FS06-7 LB8	1			Midnight Blue
	FS06-7 LC1	1			Diamond Blue
	FS06-7 LDA	1			Quartz
	FS06-7 LG6	1			Green
	FS06-7 LM9	1			Black Cherry
	FS06-7 LV4	1			Champagne
	FS06-7 LM4	1			Claret Red
	FS06-7 LD8	1			Dark Quartz
4	5257 400-1	1			LINK, Handle to Latch
	4615 346-7	1			CLIP, Handle Link Att. Front
5	5257 346-7	1			LINK, Cylinder to Latch
	4336 136	2			CLIP, Cylinder to Latch Link
6	4520 262-3	1			RETAINER, Cylinder
7	4365 154-5	1			PANEL, Repair
8		2			SCREW (DNS)
9		5			NUT (DNS)
10	4520 750-1	1			BRACKET, Handle
11		1			LEVER, Cylinder to Latch, Serviced in 12
12		1			CYLINDER, Lock, See 23D
13	4336 288	AR			SHIM, Hinge
14					HINGE, Body Half
	4615 312	2			Upper
	4615 201	2			Lower
	4615 311	4			BUSHING, Hinge
	4615 216	4			BEARING, Hinge
15	6500 354	6			SCREW
16	5507 5125	2			PIN, Hinge
17					HINGE, Door Half
	4280 730	2			Upper
	4673 390	2			Lower
18	4512 871	2			RETAINER, Striker Tap Plate
19	4520 289	2			SPACER
20	4520 288	2			STRIKER, Latch
21		AR			SCREW (DNS)

**MODEL CODES:**

A BODY=(C=LeBaron, D=Spirit, P=Acclaim/LaBaron(Landau, Saratoga) S BODY=(H=Voyager(H) FWD, K=Caravan(H) FWD, Y=Town & Country(H) FWD, P=Voyager(K) AWD, D=Caravan(K) AWD, C=Town & Country(K) AWD)  
 C BODY=(D=Dynasty, C=New Yorker/N.Y. Salon)  
 G BODY=(V=Daytona/IROC, Chrysler Daytona)  
 J BODY=(C=LeBaron, Chrysler LeBaron)  
 P BODY=(P=Sundance, D=Shadow) E-S BODY=(K=Chrysler Voyager(H) FWD, D=Chrysler Voyager(K) AWD)

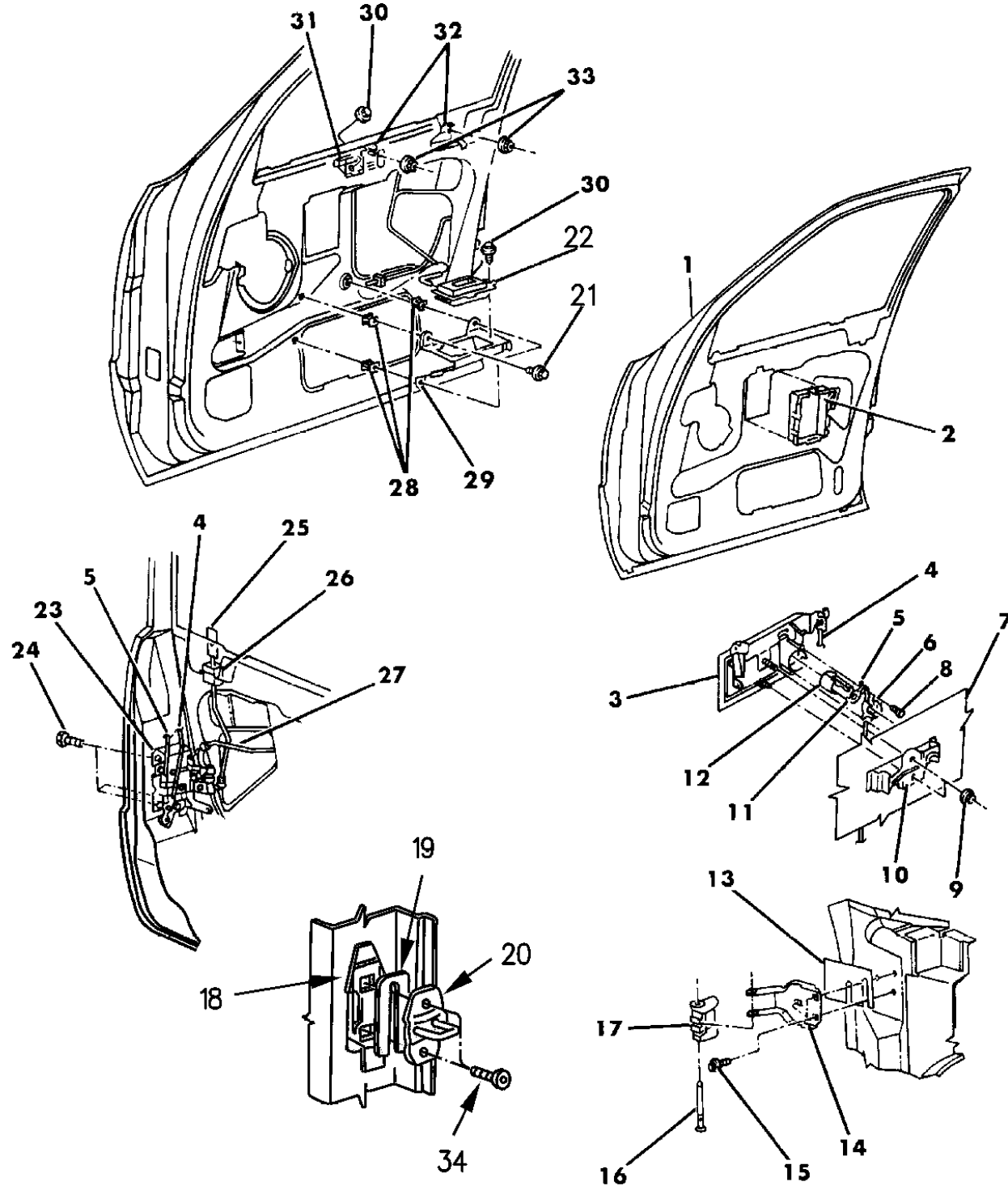
**BODY STYLES:**

21=2-Door Coupe 41=4-Door Sedan 12-52=FWD & AWD Van & Wgn Std W.B.  
 24=2-Door Hatchback 44=4-Door Hatchback 53=FWD & AWD Van & Wgn Ext. W.B.  
 27=2-Door Convertible

AR = Use as Required - = Non Illustrated Part P.A.R. = Paint as Required

**DOOR, FRONT SHELL, HANDLES AND LOCKS C BODY**  
**Figure 23C-2800**

93171 2800



ITEM	PART NUMBER	QTY	BODY	MODEL	DESCRIPTION
22	4396 860-1	1			HOUSING, Remote Control
23					LATCH, Door
	4445 922-3	1			w/o Door Lock Solenoid
	4675 394-5	1			w/Door Lock Solenoid
24	6033 876	3			SCREW
25					KNOB, w/Locking Link
	AD36-7 LAZ	1			Agate
	AD36-7 JB9	1			Blue
	AD36-7 LM6	1			Red
	AD36-7 JV4	1			Taupe
	BE38 JB9	2			Blue
	BE38 HV4	2			Taupe
	BE38 LMA	2			Red
	BE38 LAZ	2			Agate
26		2			SEAL, Serviced in 25
27	5257 372-3	1			LINK, w/Grommet, Remote to Latch
	4415 480	2			CLIP, Anti Rattle
28	6023 925	AR			NUT
29	4415 144-5	1			BRACKET, Handle Mtg.
30		AR			SCREW (DNS)
31	4396 628	2			STABILIZER, Glass
32	4396 642	2			UPSTOP, Glass
33		AR			SCREW (DNS)
34	6502 055	AR			SCREW

**MODEL CODES:**

A BODY=(C=LeBaron, D=Spirit, P=Acclaim/LaBaron(Landau), Saratoga)      S BODY=(H=Voyager(H) FWD, K=Caravan(H) FWD, Y=Town & Country(H) FWD, P=Voyager(K) AWD, D=Caravan(K) AWD, C=Town & Country(K) AWD)  
 C BODY=(D=Dynasty, C=New Yorker/N.Y. Salon)  
 G BODY=(V=Daytona/IROC, Chrysler Daytona)  
 J BODY=(C=LeBaron, Chrysler LeBaron)  
 P BODY=(P=Sundance, D=Shadow)      E-S BODY=(K=Chrysler Voyager(H) FWD, D=Chrysler Voyager(K) AWD)

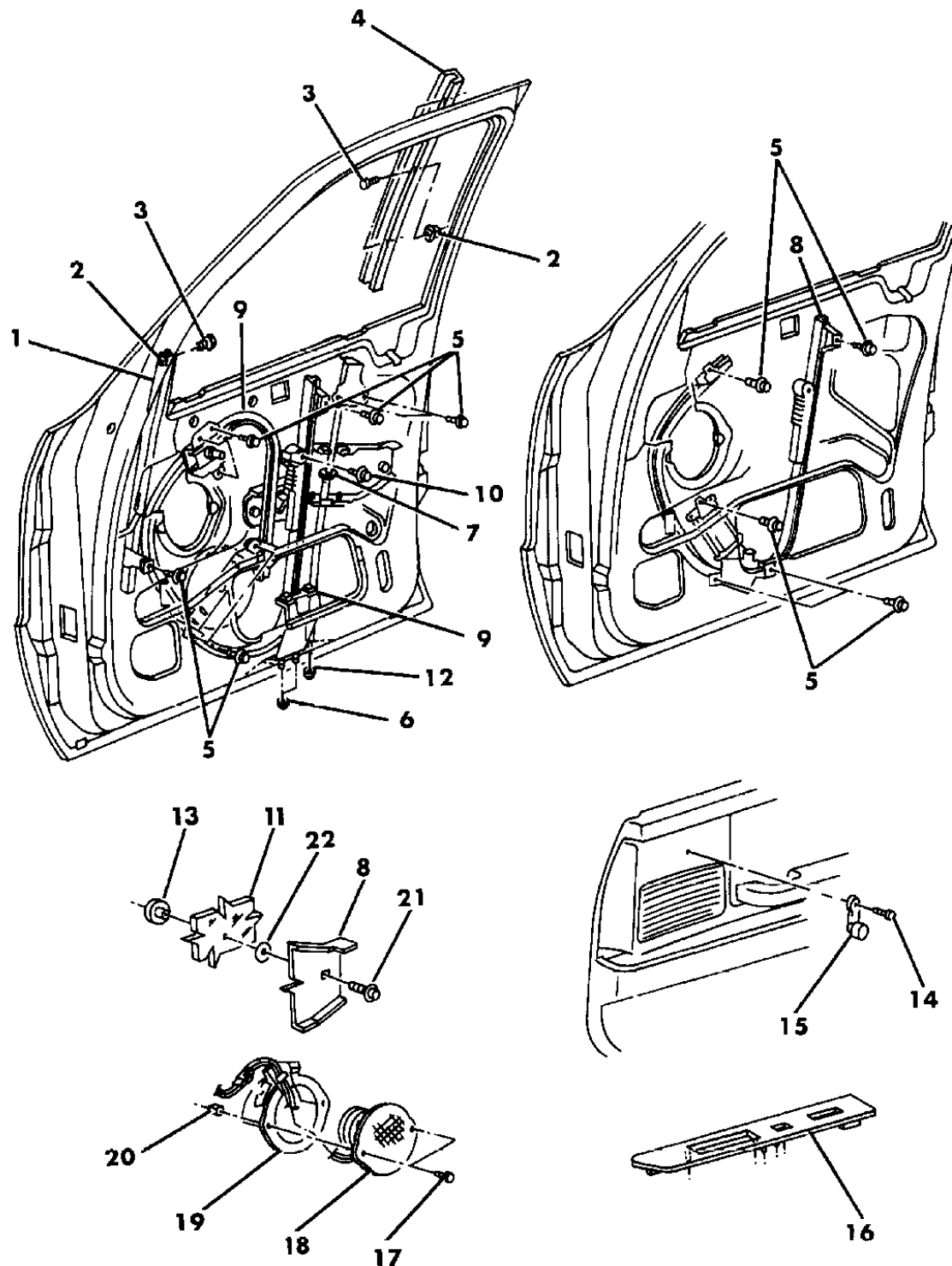
**BODY STYLES:**

21=2-Door Coupe      41=4-Door Sedan      12-52=FWD & AWD Van & Wgn Std W.B.  
 24=2-Door Hatchback      44=4-Door Hatchback      53=FWD & AWD Van & Wgn Ext. W.B.  
 27=2-Door Convertible

AR = Use as Required - = Non Illustrated Part P.A.R. = Paint as Required

**DOOR, FRONT GLASS, REGULATOR AND SPEAKERS C BODY**  
**Figure 23C-2900**

93171 2900



ITEM	PART NUMBER	QTY	BODY	MODEL	DESCRIPTION
1	4475 882-3	1			CHANNEL, w/Bracket
2	6033 184	2			GROMMET, Channel Att.
3	6032 456	4			SCREW
4	4675 412-3	1			CHANNEL, Glass Rear
5		AR			SCREW (DNS)
6		AR			NUT (DNS)
7	3788 079	2			SLEEVE, Glass Guide
8	4415 646-7	1			REGULATOR and GUIDE, w/Motor, Electric ***
	4675 180-1	1			MOTOR, Electric Regulator
9	4415 644-5	1			REGULATOR, Manual
10	6501 902	2			SCREW, Liftplate to Regulator
11	4719 068-9	1			GLASS, Door
12		AR			NUT (DNS)
13	4512 684	6			RETAINER, Glass
14	6032 830	4			SCREW
15	4520 701	2			HANDLE, Window Regulator
	4520 378	2			COVER, Handle
	4520 787	2			SPACER
16					BEZEL, Trim Panel
	4521 202-3	1			w/Time Delay Door Locks, w/Electric Windows
	4521 204-5	1			w/o Door Locks, w/o Electric Windows
	4521 206-7	1			w/o Door Locks, w/Electric Windows
	4521 208-9	1			w/Time Delay Door Locks, w/o Electric Windows
	6032 268	AR			CLIP, Bezel
17		AR			SCREW (DNS)
18					SPEAKER, Door
	4685 399	2			Premium
	4685 197	2			Name Brand
19	4469 216-7	1			ADAPTOR, Speaker
20	6031 964	4			NUT
21	6033 179	4			SCREW
22	4512 685	AR			BUSHING, Glass to Lift Plate Att.

**MODEL CODES:**

A BODY=(C=LeBaron, D=Spirit, P=Acclaim/LaBaron(Landau), Saratoga)      S BODY=(H=Voyager(H) FWD, K=Caravan(H) FWD, Y=Town & Country(H) FWD, P=Voyager(K) AWD, D=Caravan(K) AWD, C=Town & Country(K) AWD)

C BODY=(D=Dynasty, C=New Yorker/N.Y. Salon)      Y BODY=(C=Imperial/5th Avenue)

G BODY=(V=Daytona/IROC, Chrysler Daytona)      E-S BODY=(K=Chrysler Voyager(H) FWD, D=Chrysler Voyager(K) AWD)

J BODY=(C=LeBaron, Chrysler LeBaron)

P BODY=(P=Sundance, D=Shadow)

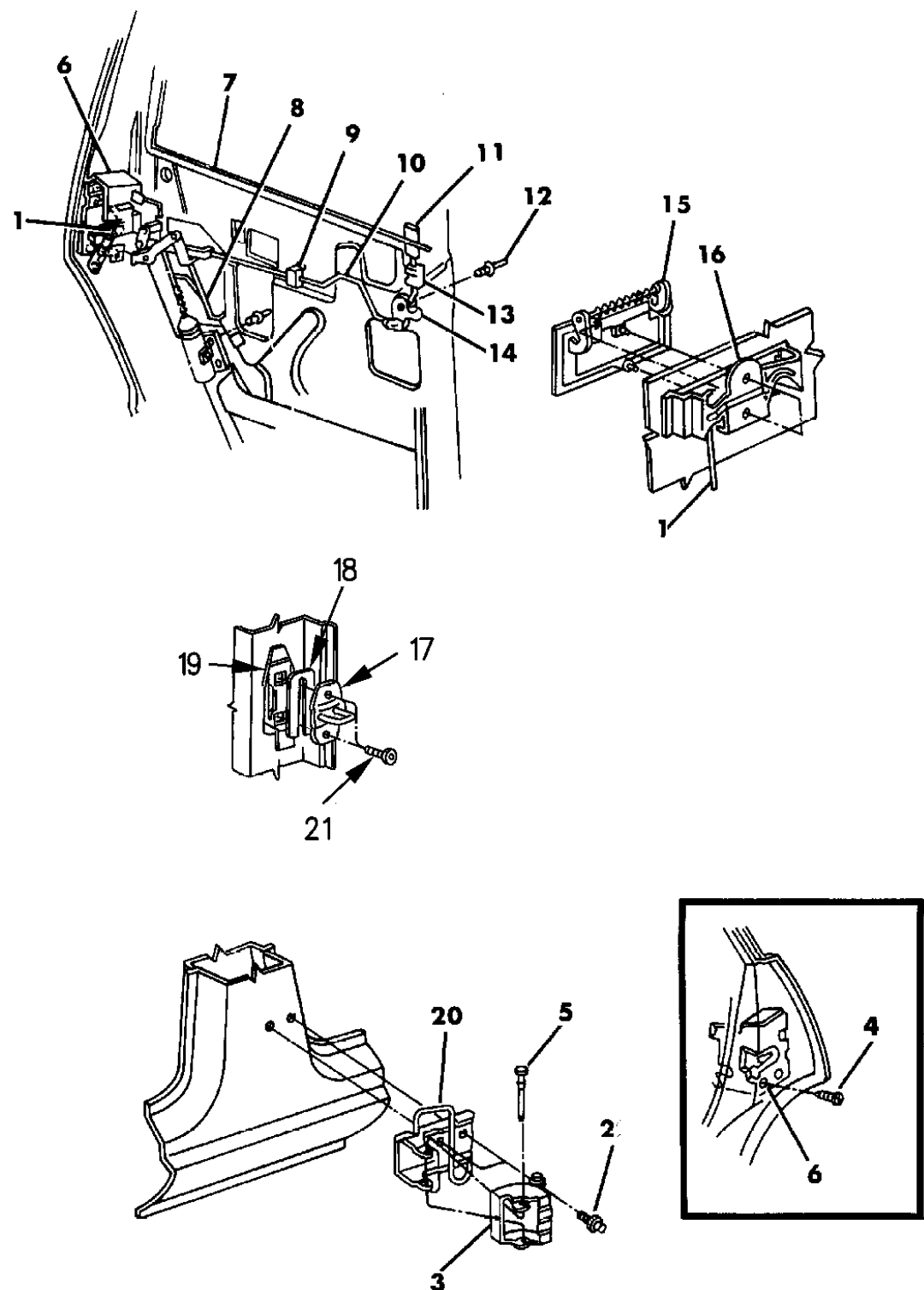
**BODY STYLES:**

21=2-Door Coupe      41=4-Door Sedan      12-52=FWD & AWD Van & Wgn Std W.B.  
 24=2-Door Hatchback      44=4-Door Hatchback      53=FWD & AWD Van & Wgn Ext. W.B.  
 27=2-Door Convertible

AR = Use as Required - = Non Illustrated Part P.A.R. = Paint as Required

**DOOR, REAR SHELL, HANDLES AND LOCKS C BODY**  
**Figure 23C-3000**

93171 3000



ITEM	PART NUMBER	QTY	BODY	MODEL	DESCRIPTION
1	4675 048-9	1			LINK, Latch to Handle
2	6502 055	AR			SCREW
3	4415 934	2			HINGE, Door Half Upper
	4415 932	2			Lower
4	6033 876	AR			SCREW
5	5507 5125	2			PIN, Hinge
6	4520 566-7	1			LATCH, Door w/o Door Locks
	4719 320-1	1			w/Door Locks
	4396 978	2			LABEL, Child Guard Glass
	4615 722	2			Door
7	5252 184-5	1			SHELL, Door
	4365 162-3	1			PANEL, Repair
8	5257 374-5	1			LINK, Remote Control to Latch
9	4415 480	2			CLIP, Anti Rattle
10	4719 062-3	1			LINK, Latch Locking Control
11	D682 LAZ	2			KNOB, w/Locking Link Agate
	D682 HB9	2			Blue
	D682 LM6	2			Red
	D682 HV4	2			Taupe
	BE38 JB9	2			BEZEL, Locking Knob Blue
	BE38 HV4	2			Taupe
	BE38 LMA	2			Red
	BE38 LAZ	2			Agate
12	6501 509	2			RIVET
13		2			SEAL, Serviced in 11
14	4520 320-1	1			LEVER, Latch Locking
15	FS08-9 LB8	1			HANDLE, Exterior Midnight Blue
	FS08-9 LC1	1			Diamond Blue
	FS08-9 LDA	1			Silver
	FS08-9 LD8	1			Quartz Grey
	FS08-9 LG6	1			Green
	FS08-9 LM4	1			Red
	FS08-9 LM9	1			Black Cherry

**MODEL CODES:**

A BODY=(C=LeBaron, D=Spirit, P=Acclaim/LaBaron(Landau, Saratoga) S BODY=(H=Voyager(H) FWD, K=Caravan(H) FWD, Y=Town & Country(H) FWD, P=Voyager(K) AWD, D=Caravan(K) AWD, C=Town & Country(K) AWD)  
 C BODY=(D=Dynasty, C=New Yorker/N.Y. Salon)  
 G BODY=(V=Daytona/IROC, Chrysler Daytona)  
 J BODY=(C=LeBaron, Chrysler LeBaron)  
 P BODY=(P=Sundance, D=Shadow) E-S BODY=(K=Chrysler Voyager(H) FWD, D=Chrysler Voyager(K) AWD)

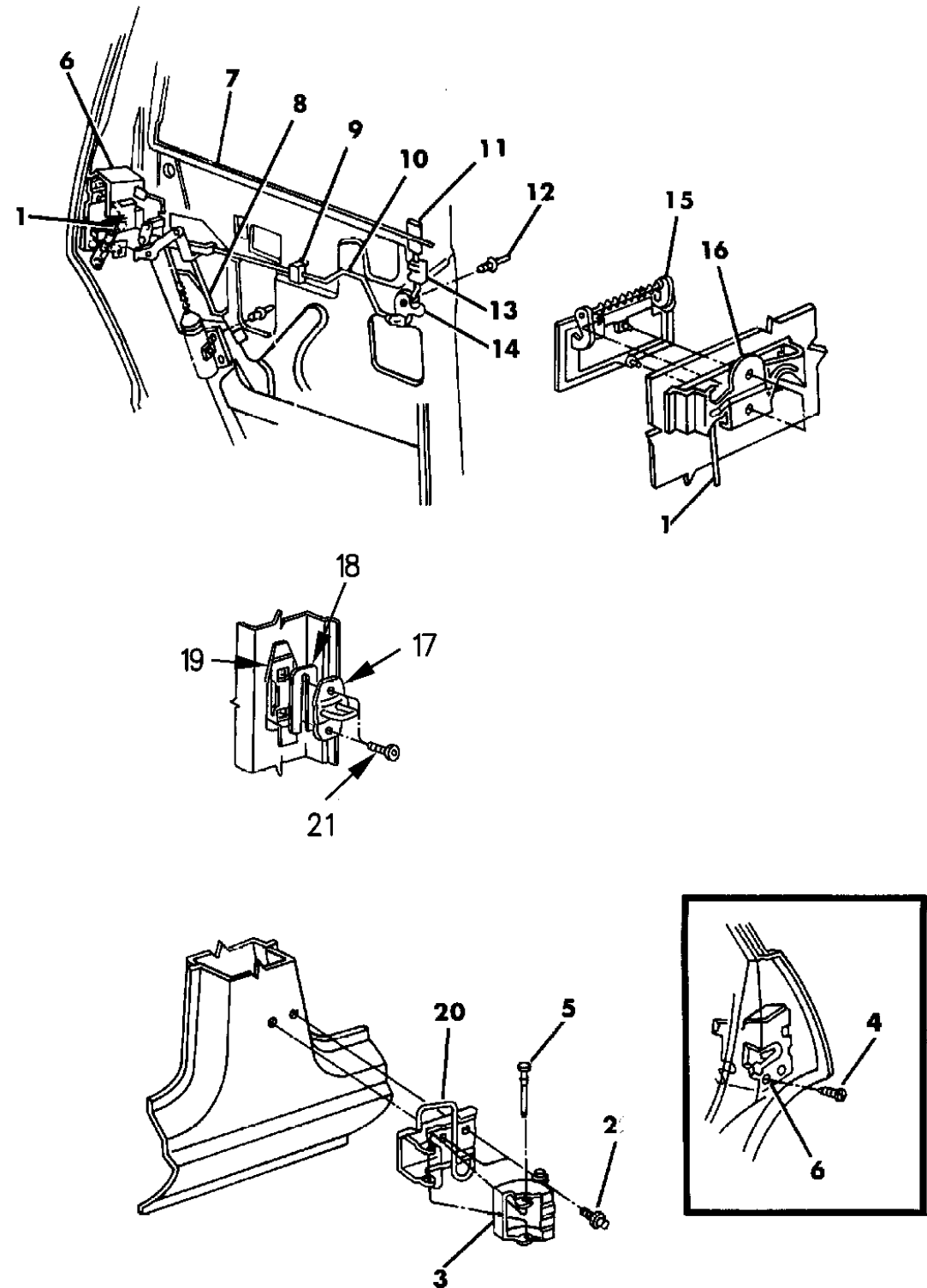
**BODY STYLES:**

21=2-Door Coupe 41=4-Door Sedan 12-52=FWD & AWD Van & Wgn Std W.B.  
 24=2-Door Hatchback 44=4-Door Hatchback 53=FWD & AWD Van & Wgn Ext. W.B.  
 27=2-Door Convertible

AR = Use as Required - = Non Illustrated Part P.A.R. = Paint as Required

**DOOR, REAR SHELL, HANDLES AND LOCKS C BODY**  
**Figure 23C-3000**

93171 3000



ITEM	PART NUMBER	QTY	BODY	MODEL	DESCRIPTION
	FS08-9 LV4	1			Champagne
	FS08-9 LW7	1			White
	FS08-9 LX8	1			Black
16	4520 750-1	1			BRACKET, Handle
17	4520 288	2			STRIKER, Latch
18	4520 289	AR			SPACER, Striker
19	4512 871	2			RETAINER, Striker Tap Plate
20					HINGE, Body Half
	4615 314	2			Upper
	4615 213	2			Lower
	4396 409	AR			SPACER, Upper Body Half Hinge
	4615 311	4			BUSHING, Hinge
	4615 216	4			BEARING, Hinge
21	6502 055	AR			SCREW

**MODEL CODES:**

A BODY=(C=LeBaron, D=Spirit, P=Acclaim/LaBaron(Landau), Saratoga)      S BODY=(H=Voyager(H) FWD, K=Caravan(H) FWD, Y=Town & Country(H) FWD, P=Voyager(K) AWD, D=Caravan(K) AWD, C=Town & Country(K) AWD)  
 C BODY=(D=Dynasty, C=New Yorker/N.Y. Salon)      Y BODY=(C=Imperial/5th Avenue)  
 G BODY=(V=Daytona/IROC, Chrysler Daytona)      E-S BODY=(K=Chrysler Voyager(H) FWD, D=Chrysler Voyager(K) AWD)  
 J BODY=(C=LeBaron, Chrysler LeBaron)  
 P BODY=(P=Sundance, D=Shadow)

**BODY STYLES:**

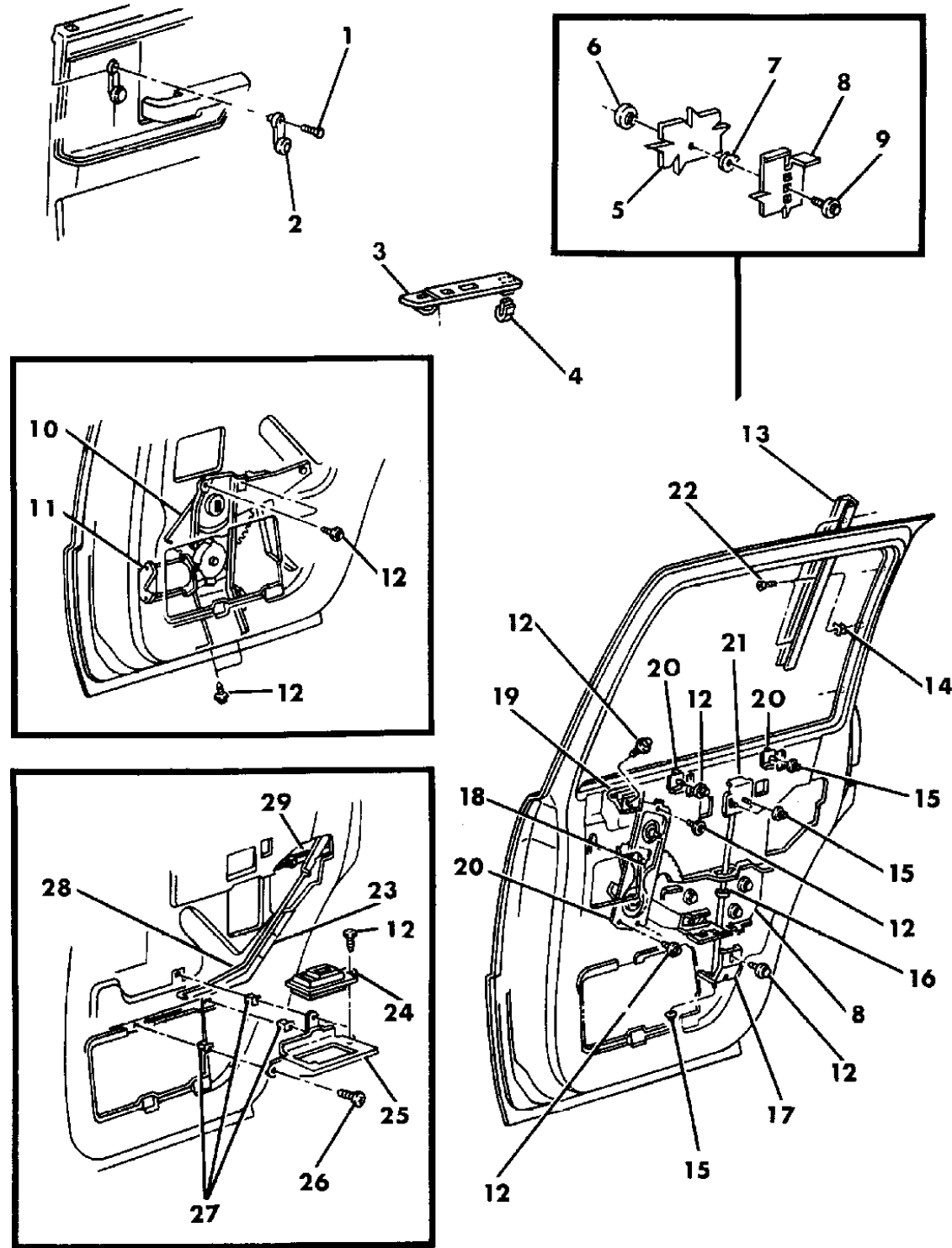
21=2-Door Coupe      41=4-Door Sedan      12-52=FWD & AWD Van & Wgn Std W.B.  
 24=2-Door Hatchback      44=4-Door Hatchback      53=FWD & AWD Van & Wgn Ext. W.B.  
 27=2-Door Convertible

AR = Use as Required - = Non Illustrated Part P.A.R. = Paint as Required



DOOR, REAR GLASS, REGULATORS AND CONTROLS C BODY  
Figure 23C-3100

93171 3100



ITEM	PART NUMBER	QTY	BODY	MODEL	DESCRIPTION
1	6032 830	2			SCREW, Regulator Handle
2	4520 701	2			HANDLE, Window Regulator
	4520 378	2			COVER, Handle
	4520 787	2			SPACER
3					BEZEL, Trim Panel
	4521 212-3	1		H,P	w/Electric Windows
	4521 210-1	1		CS	w/Electric Windows
	4521 214-5	1			w/o Electric Windows
4	6032 268	2			RETAINER, Bezel
5	4512 984-5	1			GLASS, Door
6	4512 684	AR			RETAINER, Lift Plate to Glass
7	4512 685	AR			BUSHING, Glass to Lift Plate
8	4512 702-3	1			LIFT PLATE, Glass
9		AR			SCREW (DNS)
10	4445 374-5	1			REGULATOR, Electric Window
	4445 378-9	1			BRACKET, Electric Regulator Downstop
	4445 380	2			BUMPER, Downstop
11	4615 618-9	1			MOTOR and MECHANISM, Regulator
12		AR			SCREW (DNS)
13	4415 316-7	1			CHANNEL, Glass, Rear
14	6033 184	AR			GROMMET, Channel Att.
15		AR			NUT (DNS)
16	3788 079	2			SLEEVE, Guide Post
17	4548 216	2			BRACKET, Guide Track Lower
18	4480 284-5	1			REGULATOR, Manual
	4396 749	2			SPRING, Regulator Assist
19	4396 628	2			STABILIZER, Glass
20	4396 642	2			UPSTOP, Glass
21	4548 210-1	1			TRACK, Guide
22		AR			SCREW (DNS)
23		2			PAD, Anti Rattle (DNS)
24	4396 860-1	1			HOUSING, Remote Control
25	4415 146-7	1			BRACKET, Remote Control
26	6033 179	AR			SCREW
27	6023 925	AR			NUT
28	4520 310-1	1			LINK, Latch Locking
29	5257 374-5	1			LINK, Latch Locking

MODEL CODES:

A BODY=(C=LeBaron, D=Spirit, P=Acclaim/LaBaron(Landau), Saratoga) S BODY=(H=Voyager(H) FWD, K=Caravan(H) FWD, Y=Town & Country(H) FWD, P=Voyager(K) AWD, D=Caravan(K) AWD, C=Town & Country(K) AWD)  
C BODY=(D=Dynasty, C=New Yorker/N.Y. Salon) Y BODY=(C=Imperial/5th Avenue)  
G BODY=(V=Daytona/IROC, Chrysler Daytona) E-S BODY=(K=Chrysler Voyager(H) FWD, D=Chrysler Voyager(K) AWD)  
J BODY=(C=LeBaron, Chrysler LeBaron) P BODY=(P=Sundance, D=Shadow)

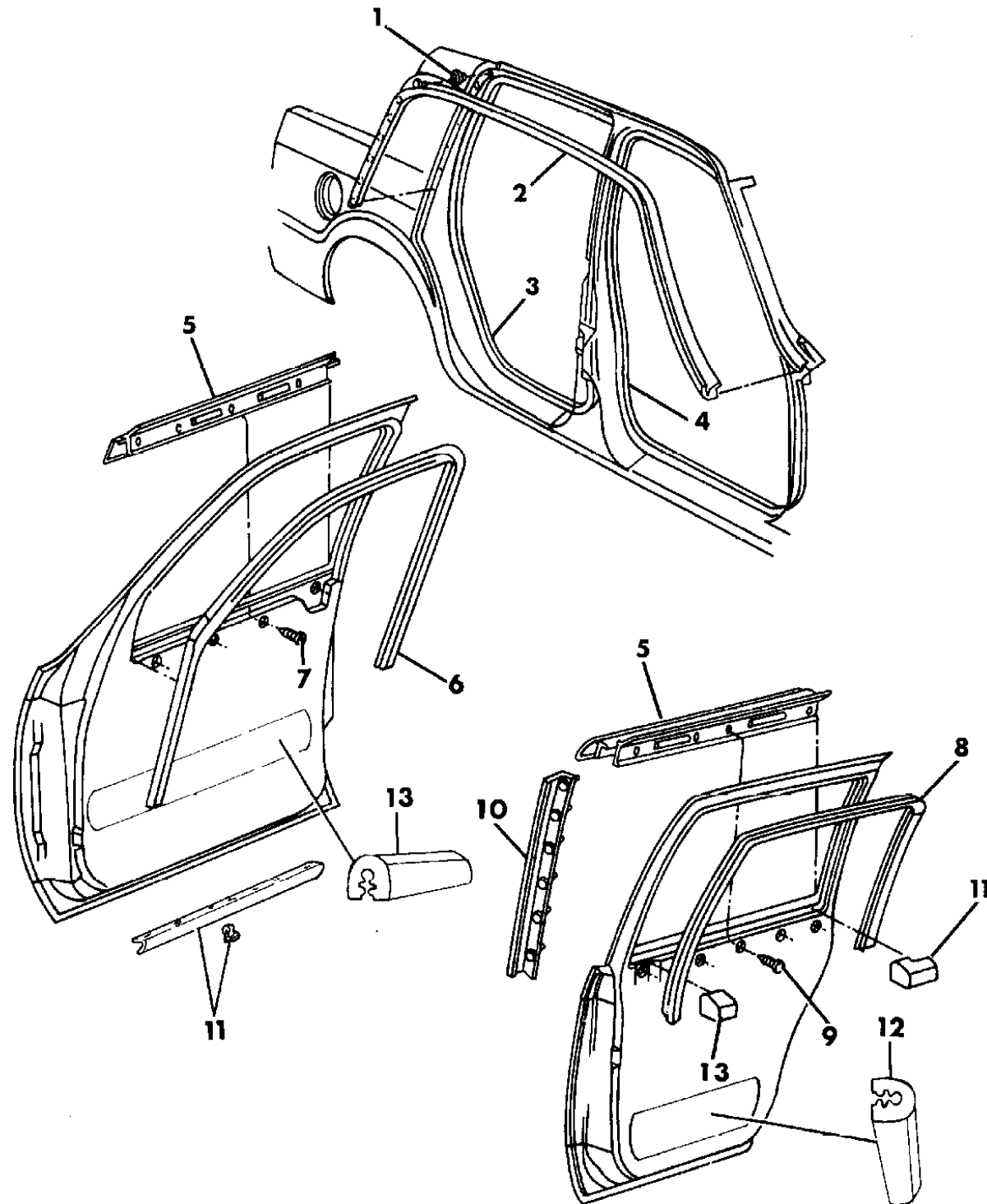
BODY STYLES:

21=2-Door Coupe 41=4-Door Sedan 12-52=FWD & AWD Van & Wgn Std W.B.  
24=2-Door Hatchback 44=4-Door Hatchback 53=FWD & AWD Van & Wgn Ext. W.B.  
27=2-Door Convertible

AR = Use as Required - = Non Illustrated Part P.A.R. = Paint as Required

DOOR, FRONT AND REAR WEATHERSTRIPS, RUNS, SEALS AND GUARDS C BODY  
Figure 23C-3200

93171 3200



ITEM	PART NUMBER	QTY	BODY	MODEL	DESCRIPTION
1	4057 555	1			RETAINER
2	4520 854-5	1			WEATHERSTRIP, Secondary Drip
3	4396 618-9	1			WEATHERSTRIP, Rear Door Opening
4	4675 276-7	1			WEATHERSTRIP, Front Door Opening
5					MOULDING, Refer to 23 Exterior
6					RUN, Front Door Glass
	DS30-1 LAZ	1			Agate
	DS30-1 JB9	1			Blue
	DS30-1 LM6	1			Red
	DS30-1 JV4	1			Champagne
7	6032 456	8			SCREW
8					RUN, Rear Door Glass
	DR74-5 LAZ	1			Agate
	DR74-5 JB9	1			Blue
	DR74-5 LM6	1			Red
	DR74-5 JV4	1			Champagne
9	6032 456	10			SCREW
10	4520 860-1	1			WEATHERSTRIP, Rear Door "B" Pillar
	6028 858	6			WASHER
	6501 544	6			CLIP
11	4480 906-7				WEATHERSTRIP, Front Sill
12-13	4520 913	1			GUARD, Power Window Regulator Anti-Rattle, Cut to Length

MODEL CODES:

A BODY=(C=LeBaron, D=Spirit, P=Acclaim/LaBaron(Landau), Saratoga)

C BODY=(D=Dynasty, C=New Yorker/N.Y. Salon)

G BODY=(V=Daytona/IROC, Chrysler Daytona)

J BODY=(C=LeBaron, Chrysler LeBaron)

P BODY=(P=Sundance, D=Shadow)

S BODY=(H=Voyager(H) FWD, K=Caravan(H) FWD,

Y=Town & Country(H) FWD, P=Voyager(K) AWD,

D=Caravan(K) AWD, C=Town & Country(K) AWD)

Y BODY=(C=Imperial/5th Avenue)

E-S BODY=(K=Chrysler Voyager(H) FWD, D=Chrysler

Voyager(K) AWD)

BODY STYLES:

21=2-Door Coupe

41=4-Door Sedan

12-52=FWD & AWD Van & Wgn Std W.B.

24=2-Door Hatchback

44=4-Door Hatchback

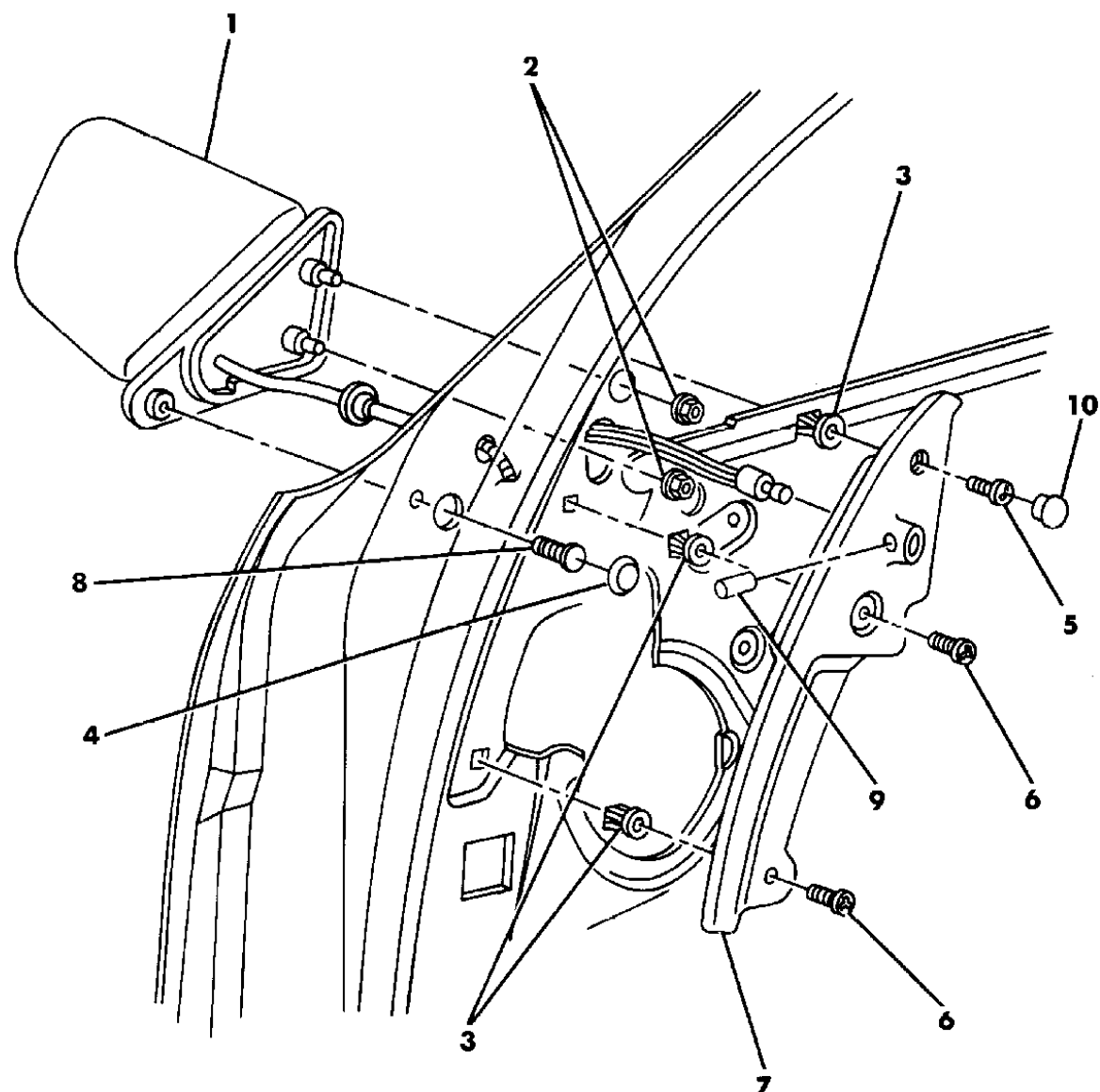
53=FWD & AWD Van & Wgn Ext. W.B.

27=2-Door Convertible

AR = Use as Required - = Non Illustrated Part P.A.R. = Paint as Required

MIRROR, EXTERIOR C BODY  
Figure 23C-3300

93171 3300



ITEM	PART NUMBER	QTY	BODY	MODEL	DESCRIPTION
1					MIRROR
	4299 632-3	1			Remote Control, Black
	4299 634-5	1			Electric (Heated) Bright
	4299 636-7	1			Electric (Heated) Black
	4299 772-3	1			Electric Memory (Heated) Bright
	4299 774-5	1			Electric Memory (Heated) Black
	4373 456	1			KNOB, Electric Mirror Control
	5257 574-5	1			SEAL, Mirror Base to Door
					GLASS, Replacement
	4467 206-7	1			w/Remote Control Mirrors
	4467 208-9	1			w/Electric Mirrors
	5267 649	2			CUP, Front Door, Mirror Wiring (Plastic)
2	6101 462	6			SCREW
3	6033 184	AR			GROMMET, Glass Channel Att.
4	4184 688	AR			PLUG
5	6032 456	4			SCREW
6		4			SCREW (DNS)
7					BEZEL, Inside
					w/Remote and Electric Mirrors, Left
	D843 LAZ	1			Agate
	D843 LM6	1			Red
	D843 JB9	1			Blue
	D843 HV4	1			Champagne
					w/Remote Mirror, Right
	D842 LAZ	1			Agate
	D842 LM6	1			Red
	D842 JB9	1			Blue
	D842 HV4	1			Champagne
					w/Electric Mirrors, Right
	D844 LAZ	1			Agate
	D844 LM6	1			Red
	D844 JB9	1			Blue
	D844 HV4	1			Champagne
8		1			SCREW (DNS)
9		1			SCREW, Set (DNS)
10	F245 LAZ	2			PLUG, Bezel Att.

MODEL CODES:

A BODY=(C=LeBaron, D=Spirit, P=Acclaim/LaBaron(Landau), Saratoga)

C BODY=(D=Dynasty, C=New Yorker/N.Y. Salon)

G BODY=(V=Daytona/ROC, Chrysler Daytona)

J BODY=(C=LeBaron, Chrysler LeBaron)

P BODY=(P=Sundance, D=Shadow)

S BODY=(H=Voyager(H) FWD, K=Caravan(H) FWD,

Y=Town & Country(H) FWD, P=Voyager(K) AWD,

D=Caravan(K) AWD, C=Town & Country(K) AWD)

Y BODY=(C=Imperial/5th Avenue)

E-S BODY=(K=Chrysler Voyager(H) FWD, D=Chrysler

Voyager(K) AWD)

BODY STYLES:

21=2-Door Coupe

41=4-Door Sedan

12-52=FWD & AWD Van & Wgn Std W.B.

24=2-Door Hatchback

44=4-Door Hatchback

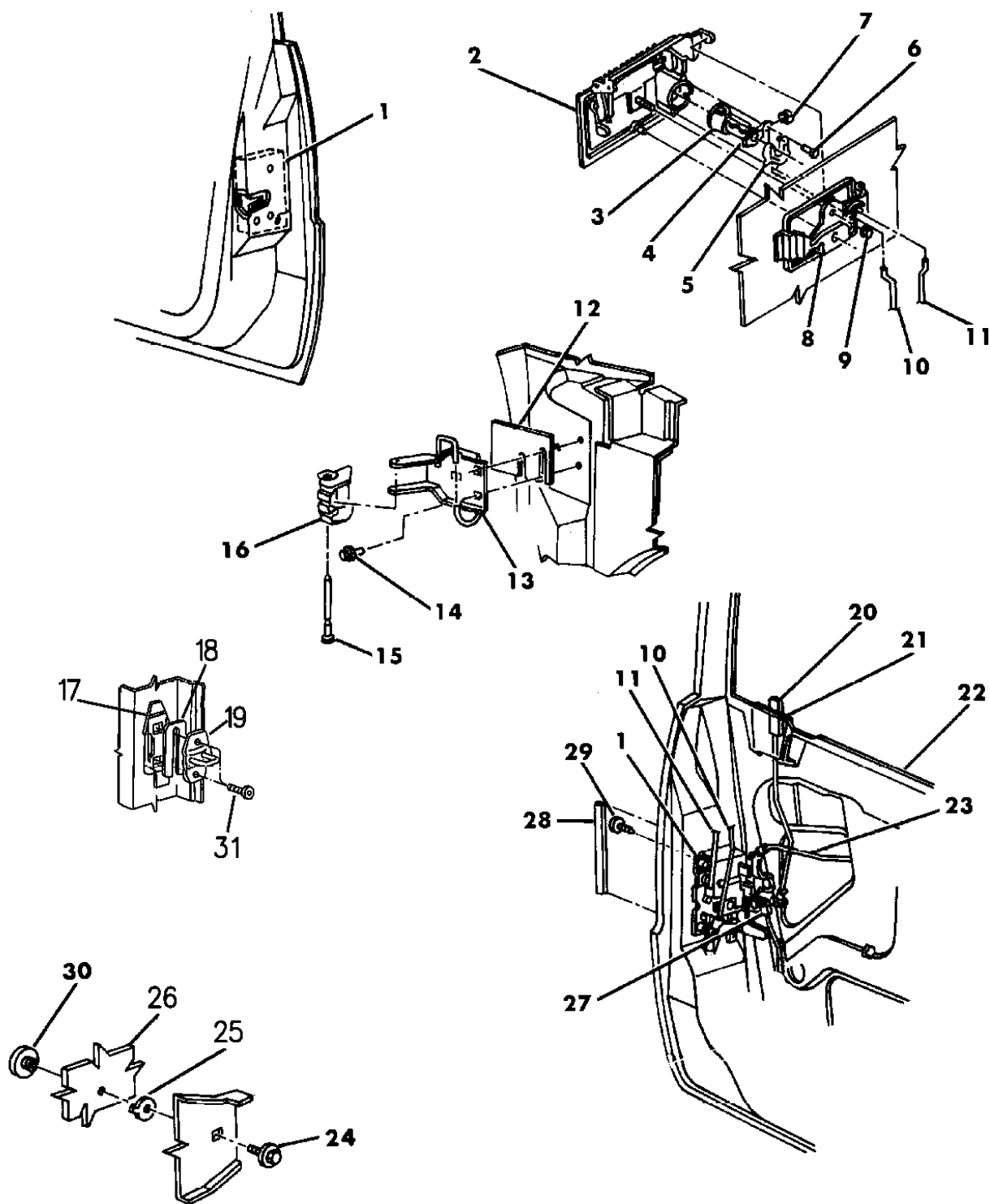
53=FWD & AWD Van & Wgn Ext. W.B.

27=2-Door Convertible

AR = Use as Required - = Non Illustrated Part P.A.R. = Paint as Required

DOOR, FRONT SHELL, GLASS AND CONTROLS Y BODY  
Figure 23C-3400

93171 3400



ITEM	PART NUMBER	QTY	BODY	MODEL	DESCRIPTION
1	4675 394-5	1			LATCH, w/Lock Solenoid
2					HANDLE, Exterior
	FS06-7 LB8	1			Midnight Blue
	FS06-7 LC1	1			Diamond Blue
	FS06-7 LDA	1			Silver Quartz
	FS06-7 LD8	1			Quartz Grey
	FS06-7 LG6	1			Green
	FS06-7 LH6	1			Light Mohogany
	FS06-7 LM4	1			Red
	FS06-7 LM9	1			Black Cherry
	FS06-7 LV4	1			Champagne
	FS06-7 LW7	1			White
	FS06-7 LX8	1			Black
3		2			CYLINDER, Lock See 23D
4		2			LEVER, Cylinder See 23D
5	4520 262-3	1			RETAINER, Handle to Cylinder
6		2			SCREW (DNS)
7	4336 136	2			CLIP
8	4520 750-1	1			BRACKET, Handle
9	6500 284	4			NUT
10	5257 400-1	1			LINK, Handle to Latch
11	5257 346-7	1			LINK, Cylinder to Latch
12	4336 288	AR			SHIM
13					HINGE, Body Half
	4615 312	2			Upper
	4615 201	2			Lower
	4615 311	4			BUSHING, Hinge
	4615 216	4			BEARING, Hinge
14	6500 354	AR			SCREW
15	5507 5125	4			PIN, Hinge
16					HINGE, Door Half
	4280 730	2			Lower
	4673 390	2			Upper
17	4512 871	2			RETAINER, Striker Tap Plate
18	4520 289	AR			SPACER
19	4520 288	2			STRIKER, Latch
20					KNOB, w/Locking Link
	AD36-7 LAZ	1			Agate
	AD36-7 JB9	1			Blue

MODEL CODES:

A BODY=(C=LeBaron, D=Spirit, P=Acclaim/LaBaron(Landau), Saratoga)

C BODY=(D=Dynasty, C=New Yorker/N.Y. Salon)

G BODY=(V=Daytona/IROC, Chrysler Daytona)

J BODY=(C=LeBaron, Chrysler LeBaron)

P BODY=(P=Sundance, D=Shadow)

S BODY=(H=Voyager(H) FWD, K=Caravan(H) FWD,

Y=Town & Country(H) FWD, P=Voyager(K) AWD,

D=Caravan(K) AWD, C=Town & Country(K) AWD)

Y BODY=(C=Imperial/5th Avenue)

E-S BODY=(K=Chrysler Voyager(H) FWD, D=Chrysler

Voyager(K) AWD)

BODY STYLES:

21=2-Door Coupe 41=4-Door Sedan 12-52=FWD & AWD Van & Wgn Std W.B.

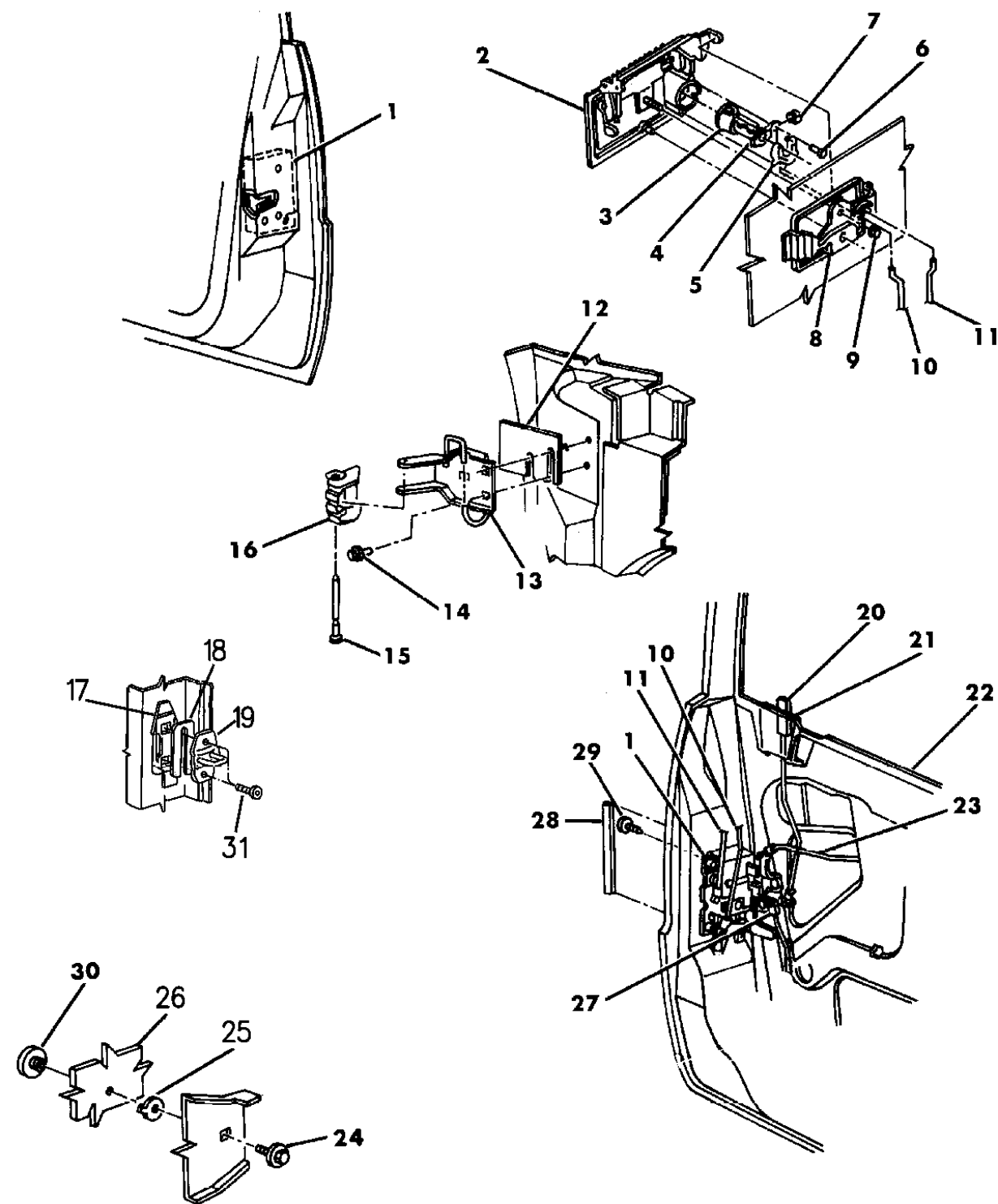
24=2-Door Hatchback 44=4-Door Hatchback 53=FWD & AWD Van & Wgn Ext. W.B.

27=2-Door Convertible

AR = Use as Required - = Non Illustrated Part P.A.R. = Paint as Required

DOOR, FRONT SHELL, GLASS AND CONTROLS Y BODY  
Figure 23C-3400

93171 3400



ITEM	PART NUMBER	QTY	BODY	MODEL	DESCRIPTION
	AD36-7 LM6	1			Red
	AD36-7 JV4	1			Champagne
	AD36-7 JX9	1			Black
	AD36-7 JW8	1			White
	AD36-7 JH7	1			Mahogany
	BE38 LAZ	2			BEZEL, Locking Knob
	BE38 JB9	2			Agate
	BE38 LMA	2			Blue
	BE38 HV4	2			Red
	BE38 JX9	2			Champagne
	BE38 JW8	2			Black
	BE38 JH7	2			White
	BE38 JH7	2			Mahogany
21	4480 550	2			SEAL
22	5252 192-3	1			SHELL, Door
	4520 248-9	1			PANEL, Repair
23					LINK, Remote to Latch
	5257 370-1	1		YP	
	5257 372-3	1		YS	
24		AR			SCREW (DNS)
25	4512 685	AR			BUSHING, Glass
26	4719 068-9	1			GLASS, Door
27	4512 684-5	AR			RETAINER, Glass to Liftplate
28		2			STRIP (DNS)
29	6502 055	3			SCREW
30	4512 684	AR			BUSHING, Glass
31	6502 055	AR			SCREW

MODEL CODES:

A BODY=(C=LeBaron, D=Spirit, P=Acclaim/LaBaron(Landau), Saratoga)  
 C BODY=(D=Dynasty, C=New Yorker/N.Y. Salon)  
 G BODY=(V=Daytona/ROC, Chrysler Daytona)  
 J BODY=(C=LeBaron, Chrysler LeBaron)  
 P BODY=(P=Sundance, D=Shadow)  
 S BODY=(H=Voyager(H) FWD, K=Caravan(H) FWD, Y=Town & Country(H) FWD, P=Voyager(K) AWD, D=Caravan(K) AWD, C=Town & Country(K) AWD)  
 Y BODY=(C=Imperial/5th Avenue)  
 E-S BODY=(K=Chrysler Voyager(H) FWD, D=Chrysler Voyager(K) AWD)

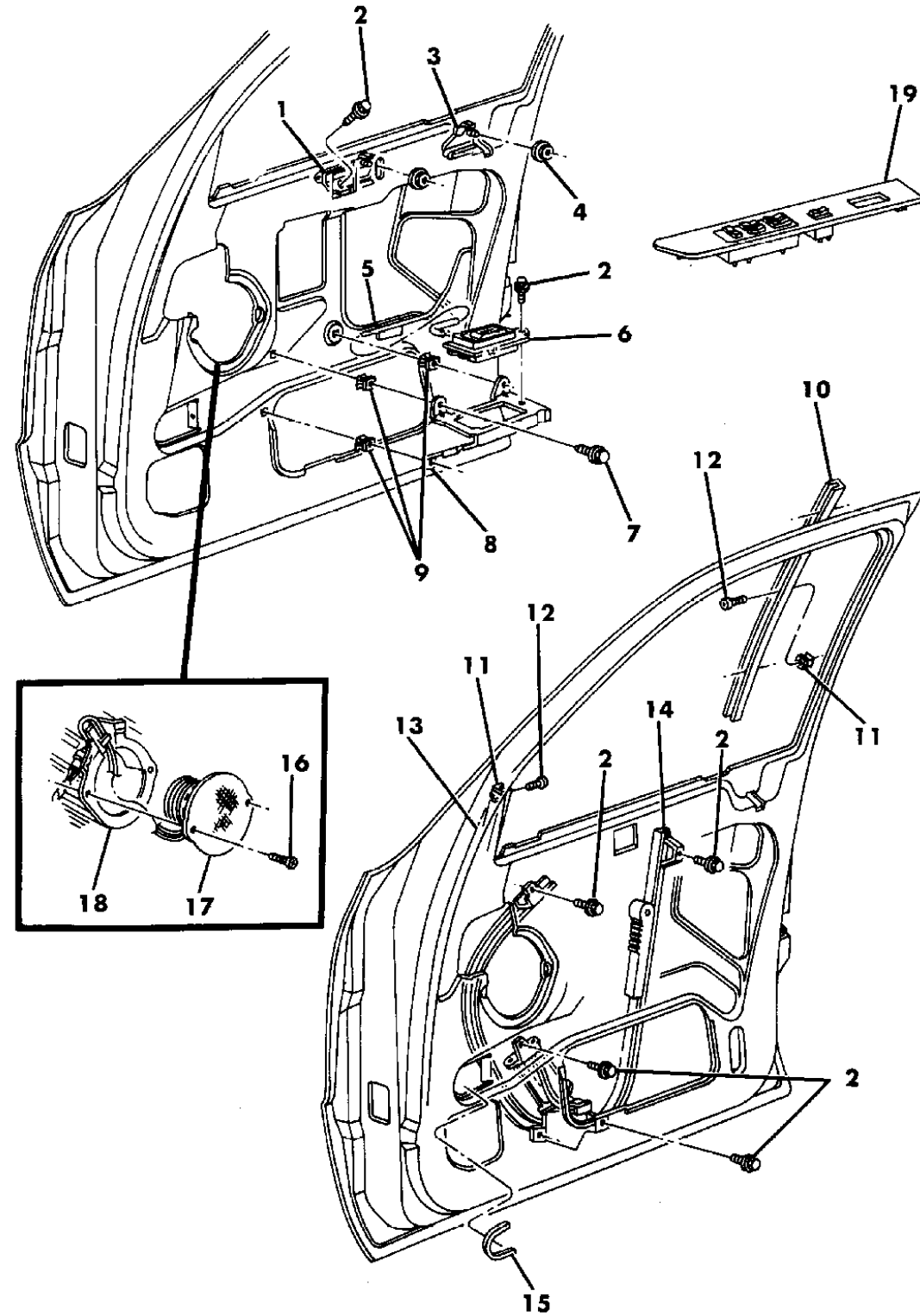
BODY STYLES:

21=2-Door Coupe      41=4-Door Sedan      12-52=FWD & AWD Van & Wgn Std W.B.  
 24=2-Door Hatchback      44=4-Door Hatchback      53=FWD & AWD Van & Wgn Ext. W.B.  
 27=2-Door Convertible

AR = Use as Required - = Non Illustrated Part P.A.R. = Paint as Required

DOOR, FRONT REGULATOR, SPEAKER AND BEZEL Y BODY  
Figure 23C-3500

93171 3500



ITEM	PART NUMBER	QTY	BODY	MODEL	DESCRIPTION
1	4396 628	2			STABILIZER, Glass
2	6501 350	AR			SCREW
3	4396 642	4			UPSTOP, Glass
4	6500 284	4			NUT
5		2			PAD, Link (DNS)
6	4396 860-1	1			HOUSING, Remote Control
7		6			SCREW (DNS)
8					BRACKET, R/Control Mtg.
	4445 686-7	1		YP	
	4415 144-5	1		YS	
9	6027 958	6			NUT
10	4675 412-3	1			CHANNEL, Glass Rear
11	6033 184	AR			GROMMET
12		AR			SCREW (DNS)
13	4475 882-3	1			CHANNEL, Glass, Front
14	4415 646-7	1			CABLE and GUIDE, w/Motor, Electric ***
	4675 180-1	1			MOTOR, Regulator
15	4520 913	2			GUARD, Wiring
16		4			SCREW (DNS)
17					SPEAKER, Door
	4685 399	1			Premium
	4685 197	2			Name Brand
18	4469 216-7	1			ADAPTOR, Speaker
19					BEZEL, Switch
	4521 200-1	1		YS	w/Door Locks and Electric Windows
	4611 654-5	1		YP	w/Door Locks and Electric Windows
	6032 268	AR			CLIP, Bezel

**MODEL CODES:**

A BODY=(C=LeBaron, D=Spirit, P=Acclaim/LaBaron(Landau), Saratoga) S BODY=(H=Voyager(H) FWD, K=Caravan(H) FWD, Y=Town & Country(H) FWD, P=Voyager(K) AWD, D=Caravan(K) AWD, C=Town & Country(K) AWD)  
 C BODY=(D=Dynasty, C=New Yorker/N.Y. Salon) Y BODY=(C=Imperial/5th Avenue)  
 G BODY=(V=Daytona/IROC, Chrysler Daytona) E-S BODY=(K=Chrysler Voyager(H) FWD, D=Chrysler Voyager(K) AWD)  
 J BODY=(C=LeBaron, Chrysler LeBaron) P BODY=(P=Sundance, D=Shadow)

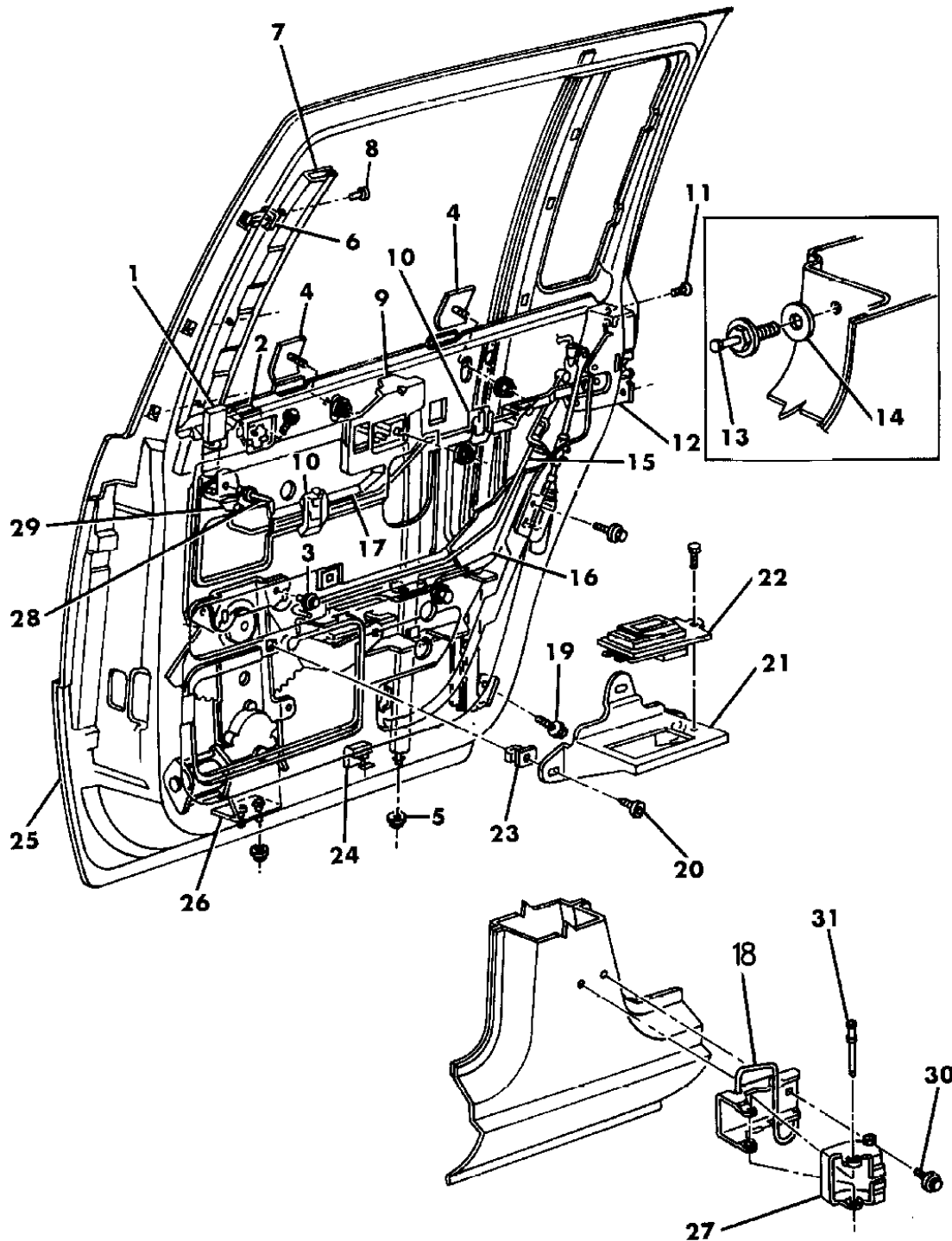
**BODY STYLES:**

21=2-Door Coupe 41=4-Door Sedan 12-52=FWD & AWD Van & Wgn Std W.B.  
 24=2-Door Hatchback 44=4-Door Hatchback 53=FWD & AWD Van & Wgn Ext. W.B.  
 27=2-Door Convertible

AR = Use as Required - = Non Illustrated Part P.A.R. = Paint as Required

DOOR, REAR SHELL, REGULATOR AND HINGES Y BODY  
Figure 23C-3600

93171 3600



ITEM	PART NUMBER	QTY	BODY	MODEL	DESCRIPTION
1	D682 LAZ	2			Agate
	D682 HB9	2			Blue
	D682 LM6	2			Red
	D682 HV4	2			Champagne
	D682 JX9	2			Black
	D682 HW8	2			White
	D682 JH7	2			Mahogany
					BEZEL, Locking Knob
	BE38 LMA	2			Red
	BE38 HV4	2			Champagne
	BE38 LAZ	2			Agate
	BE38 JB9	2			Blue
	BE38 JH7	2			Mahogney
	BE38 JW8	2			White
					Black
	4396 628	4			STABILIZER, Glass
3	6501 350	12			SCREW
4	4396 642	4			UPSTOP, Glass
5		AR			NUT (DNS)
6	6033 184	AR			GROMMET
7	4475 446-7	1		YP	CHANNEL, Glass, Front
8	6032 456	6		YP	SCREW
9	5257 252-3	1			TRACK, Glass Guide
10	4415 480	4			CLIP
11	6033 876	AR			SCREW, Latch
12	4719 320-1	1			LATCH, w/Lock Solenoid
					LABEL, Child Guard
					Glass
	4396 978	2			Door
13	4615 722	2			Door
	4520 288	2			STRIKER, Latch
14	4184 105	AR			SPACER, Striker
15					LINK, Remote Control
	4615 786-7	1		YP	
	4615 788-9	1		YS	
16		AR			PAD, Anti-Rattle (DNS)
17	4520 312-3	1			LINK, Locking
18					HINGE, Body Half
	4615 314	2			Upper

MODEL CODES:

A BODY=(C=LeBaron, D=Spirit, P=Acclaim/LaBaron(Landau),  
Saratoga)

C BODY=(D=Dynasty, C=New Yorker/N.Y. Salon)

G BODY=(V=Daytona/IROC, Chrysler Daytona)

J BODY=(C=LeBaron, Chrysler LeBaron)

P BODY=(P=Sundance, D=Shadow)

S BODY=(H=Voyager(H) FWD, K=Caravan(H) FWD,

Y=Town & Country(H) FWD, P=Voyager(K) AWD,

D=Caravan(K) AWD, C=Town & Country(K) AWD)

Y BODY=(C=Imperial/5th Avenue)

E-S BODY=(K=Chrysler Voyager(H) FWD, D=Chrysler

Voyager(K) AWD)

BODY STYLES:

21=2-Door Coupe 41=4-Door Sedan 12-52=FWD & AWD Van & Wgn Std W.B.

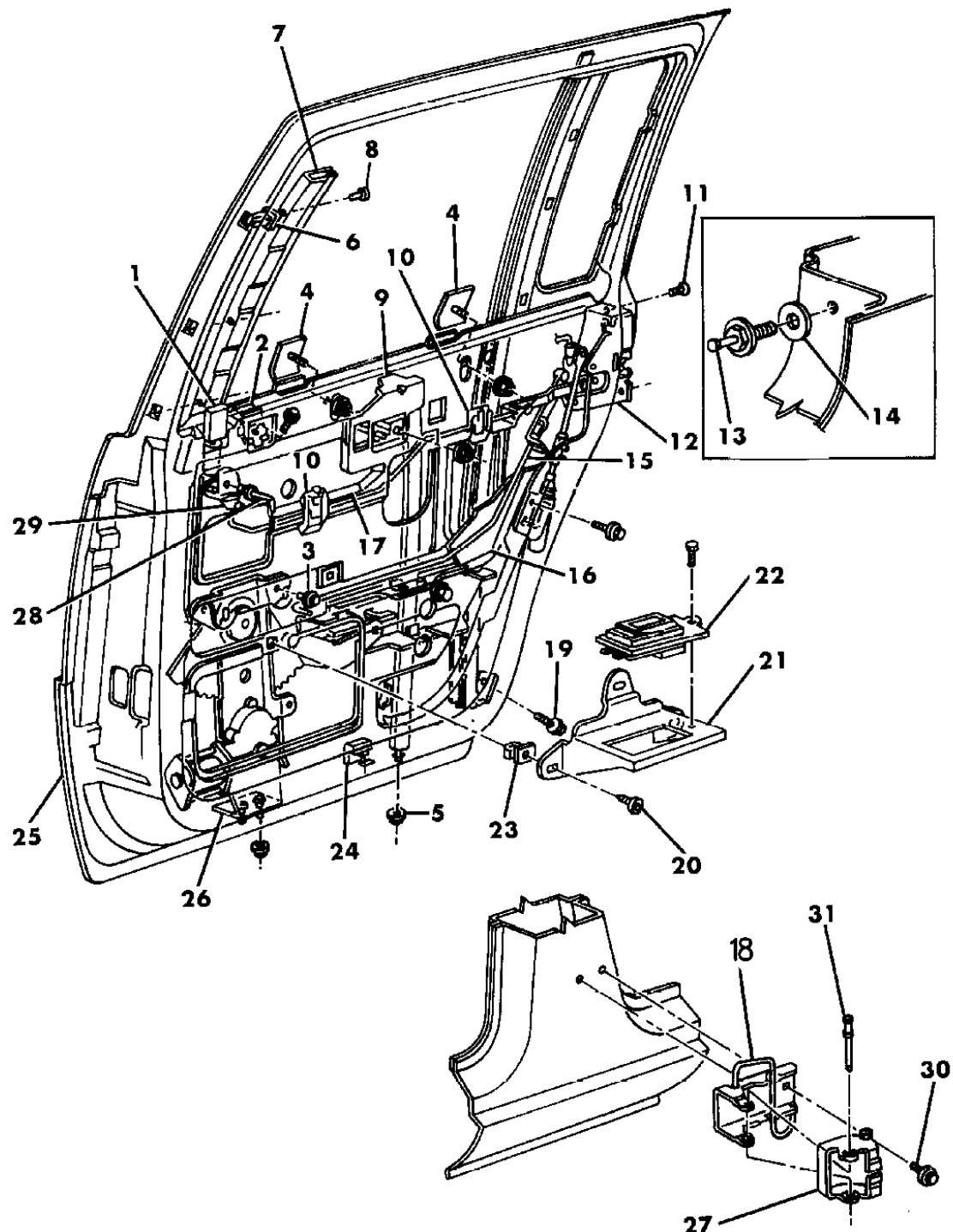
24=2-Door Hatchback 44=4-Door Hatchback 53=FWD & AWD Van & Wgn Ext. W.B.

27=2-Door Convertible

AR = Use as Required - = Non Illustrated Part P.A.R. = Paint as Required

**DOOR, REAR SHELL, REGULATOR AND HINGES Y BODY**  
**Figure 23C-3600**

93171 3600



ITEM	PART NUMBER	QTY	BODY	MODEL	DESCRIPTION
	4615 213	2			Lower
	4396 409	AR			SPACER, Upper Body Half Hinge
	4615 311	4			BUSHING, Hinge
	4615 216	4			BEARING, Hinge
19		2			SCREW (DNS)
20		6			SCREW (DNS)
21					BRACKET, R/Control
	4445 276-7	1		YP	
	4415 146-7	1		YS	
22	4396 860-1	1			HOUSING, Remote Control
23	6027 958	6			NUT
24	5257 800	2			BUMPER, Glass Downstop
25	5252 194-5	1			SHELL, Door
	4445 136-7	1			PANEL, Repair
26	4480 236-7	1			REGULATOR, Glass
	4467 290-1	1			MOTOR, Regulator
27					HINGE, Door Half
	4415 934	2			Upper
	5257 675	2			Lower
28	6501 509	2			RIVET
29	4520 320-1	1			LEVER, w/Clip, Locking
30	6500 300	8			SCREW
31	5507 5125	4			PIN, Hinge

**MODEL CODES:**

A BODY=(C=LeBaron, D=Spirit, P=Acclaim/LaBaron(Landau),  
Saratoga)  
C BODY=(D=Dynasty, C=New Yorker/N.Y. Salon)  
G BODY=(V=Daytona/IROC, Chrysler Daytona)  
J BODY=(C=LeBaron, Chrysler LeBaron)  
P BODY=(P=Sundance, D=Shadow)

S BODY=(H=Voyager(H) FWD, K=Caravan(H) FWD,  
Y=Town & Country(H) FWD, P=Voyager(K) AWD,  
D=Caravan(K) AWD, C=Town & Country(K) AWD)  
Y BODY=(C=Imperial/5th Avenue)  
E-S BODY=(K=Chrysler Voyager(H) FWD, D=Chrysler  
Voyager(K) AWD)

**BODY STYLES:**

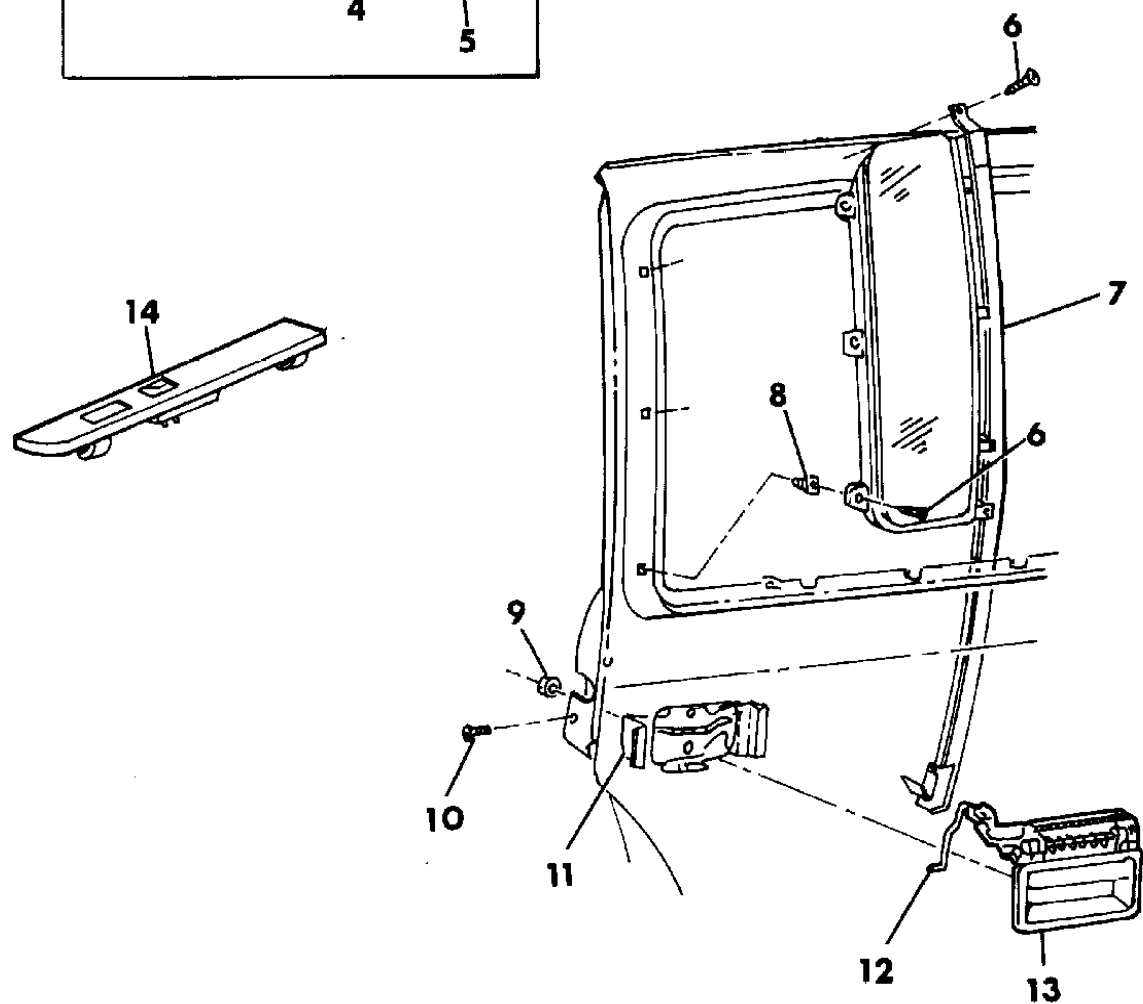
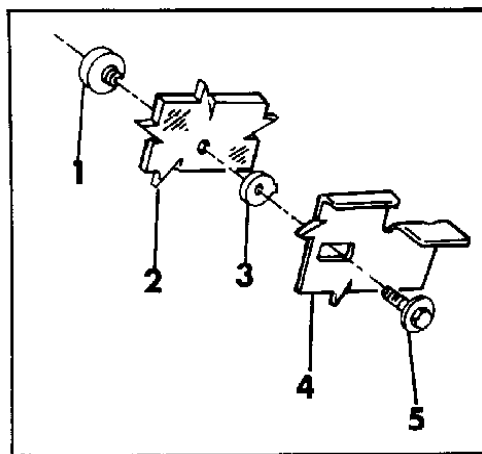
21=2-Door Coupe      41=4-Door Sedan      12-52=FWD & AWD Van & Wgn Std W.B.  
24=2-Door Hatchback      44=4-Door Hatchback      53=FWD & AWD Van & Wgn Ext. W.B.  
27=2-Door Convertible

AR = Use as Required    - = Non Illustrated Part    P.A.R. = Paint as Required



**DOOR, REAR GLASS, HANDLE AND BEZEL Y BODY**  
Figure 23C-3700

93171 3700



ITEM	PART NUMBER	QTY	BODY	MODEL	DESCRIPTION
1	4512 684	6			FASTENER, Liftplate to Glass
2	4480 266-7	1		YP	GLASS, w/Guide
	4445 878-9	1		YS	
3	4512 685	6			BUSHING, Liftplate to Glass
4	5257 874-5	1			PLATE, Glass Lift
5		6			SCREW (DNS)
6		AR			SCREW (DNS)
7					GLASS, w/Channel, Stationary
	4615 198-9	1		YP	
	4615 196-7	1		YS	
8	6033 184	16			GROMMET
9		22			NUT (DNS)
10	6502 055	6			SCREW, Latch
11	4520 750-1	1			BRACKET, Handle
12	4675 048-9	1			LINK, Handle
13					HANDLE, Exterior
	FS08-9 LB8	1			Midnight Blue
	FS08-9 LC1	1			Diamond Blue
	FS08-9 LDA	1			Silver Quartz
	FS08-9 LD8	1			Quartz Grey
	FS08-9 LG6	1			Green
	FS08-9 LH6	1			Light Mahogany
	FS08-9 LM4	1			Red
	FS08-9 LM9	1			Black Cherry
	FS08-9 LV4	1			Champagne
	FS08-9 LW7	1			White
	FS08-9 LX8	1			Black
14					BEZEL, Switch
	5259 644-5	1		YS	
	4611 546-7	1		YP	
	3004 190	2			ELEMENT, Heat Cigar
	3747 165	2			KNOB, Element
	3747 633	2			SHELL and CLAMP, Element ***

**MODEL CODES:**

A BODY=(C=LeBaron, D=Spirit, P=Acclaim/LaBaron(Landau), Saratoga) S BODY=(H=Voyager(H) FWD, K=Caravan(H) FWD, Y=Town & Country(H) FWD, P=Voyager(K) AWD, D=Caravan(K) AWD, C=Town & Country(K) AWD)

C BODY=(D=Dynasty, C=New Yorker/N.Y. Salon) Y BODY=(C=Imperial/5th Avenue)

G BODY=(V=Daytona/IROC, Chrysler Daytona) E-S BODY=(K=Chrysler Voyager(H) FWD, D=Chrysler Voyager(K) AWD)

J BODY=(C=LeBaron, Chrysler LeBaron) P BODY=(P=Sundance, D=Shadow)

**BODY STYLES:**

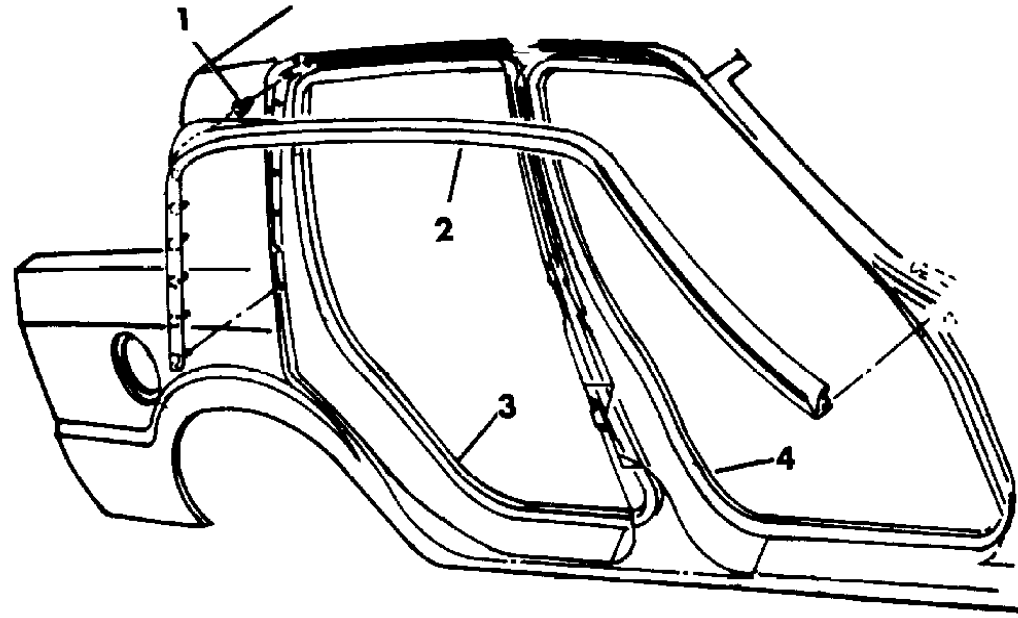
21=2-Door Coupe 41=4-Door Sedan 12-52=FWD & AWD Van & Wgn Std W.B.  
 24=2-Door Hatchback 44=4-Door Hatchback 53=FWD & AWD Van & Wgn Ext. W.B.  
 27=2-Door Convertible

AR = Use as Required - = Non Illustrated Part P.A.R. = Paint as Required

DOOR, FRONT AND REAR WEATHERSTRIPS Y BODY  
Figure 23C-3800

93171 3800

ITEM	PART NUMBER	QTY	BODY	MODEL	DESCRIPTION
1	4057 555	2			RETAINER
2	4615 186-7	1			WEATHERSTRIP, Secondary Drip
3	4480 570-1	1			WEATHERSTRIP, Rear Door Opening
	4615 354	2			ISOLATOR, Rear Door Weatherstrip Upper ***
4	4675 276-7	1			WEATHERSTRIP, Front Door Opening



MODEL CODES:

A BODY=(C=LeBaron, D=Spirit, P=Acclaim/LaBaron(Landau),  
Saratoga)  
C BODY=(D=Dynasty, C=New Yorker/N.Y. Salon)  
G BODY=(V=Daytona/IROC, Chrysler Daytona)  
J BODY=(C=LeBaron, Chrysler LeBaron)  
P BODY=(P=Sundance, D=Shadow)

S BODY=(H=Voyager(H) FWD, K=Caravan(H) FWD,  
Y=Town & Country(H) FWD, P=Voyager(K) AWD,  
D=Caravan(K) AWD, C=Town & Country(K) AWD)  
Y BODY=(C=Imperial/5th Avenue)  
E-S BODY=(K=Chrysler Voyager(H) FWD, D=Chrysler  
Voyager(K) AWD)

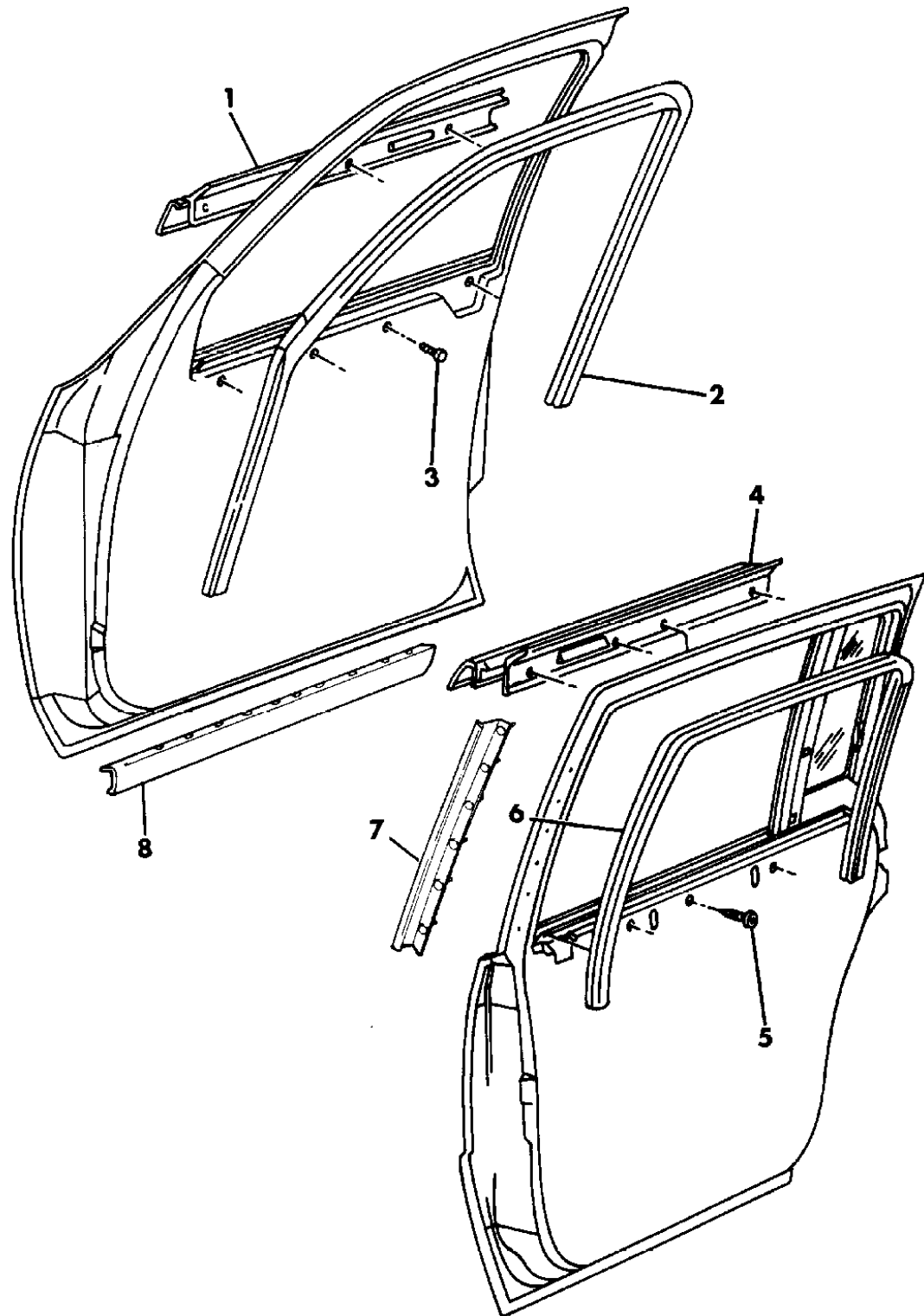
BODY STYLES:

21=2-Door Coupe      41=4-Door Sedan      12-52=FWD & AWD Van & Wgn Std W.B.  
24=2-Door Hatchback      44=4-Door Hatchback      53=FWD & AWD Van & Wgn Ext. W.B.  
27=2-Door Convertible

AR = Use as Required - = Non Illustrated Part P.A.R. = Paint as Required

**DOOR, FRONT AND REAR SEALS AND RUNS Y BODY**  
Figure 23C-3900

93171 3900



ITEM	PART NUMBER	QTY	BODY	MODEL	DESCRIPTION
1					MOULDING, See Exterior Ornamentation
2					RUN, w/Weatherstrip
	DS30-1 LAZ	1			Agate
	DS30-1 JB9	1			Blue
	DS30-1 LM6	1			Red
	DS30-1 JV4	1			Champagne
	DS30-1 JX9	1			Black
	DS30-1 JW8	1			Light Quartz
	DS30-1 JH7	1			Mahogany
3		8			SCREW (DNS)
4		1			MOULDING, See Exterior Ornamentation
5		8			SCREW (DNS)
6					RUN, w/Weatherstrip
	DK46-7 JB9	1	YP		Blue
	DK46-7 LM6	1	YP		Red
	DK46-7 JV4	1	YP		Champagne
	DK46-7 JX9	1	YP		Black
	DK46-7 JH7	1	YP		Mahogany
	DK46-7 JW8	1	YP		Light Quartz
	WM42-3 JB9	1	YS		Blue
	WM42-3 LAZ	1	YS		Agate
	WM42-3 LM6	1	YS		Red
	WM42-3 JV4	1	YS		Champagne
7	4520 860-1	1			WEATHERSTRIP, B Pillar
	6028 858	6			WASHER
	6502 155	6			Clip ***
8	4480 906-7	1			WEATHERSTRIP, Sill

**MODEL CODES:**

A BODY=(C=LeBaron, D=Spirit, P=Acclaim/LaBaron(Landau), Saratoga)      S BODY=(H=Voyager(H) FWD, K=Caravan(H) FWD, Y=Town & Country(H) FWD, P=Voyager(K) AWD, D=Caravan(K) AWD, C=Town & Country(K) AWD)

C BODY=(D=Dynasty, C=New Yorker/N.Y. Salon)

G BODY=(V=Daytona/IROC, Chrysler Daytona)

J BODY=(C=LeBaron, Chrysler LeBaron)

P BODY=(P=Sundance, D=Shadow)

Y BODY=(C=Imperial/5th Avenue)

E-S BODY=(K=Chrysler Voyager(H) FWD, D=Chrysler Voyager(K) AWD)

**BODY STYLES:**

21=2-Door Coupe      41=4-Door Sedan      12-52=FWD & AWD Van & Wgn Std W.B.

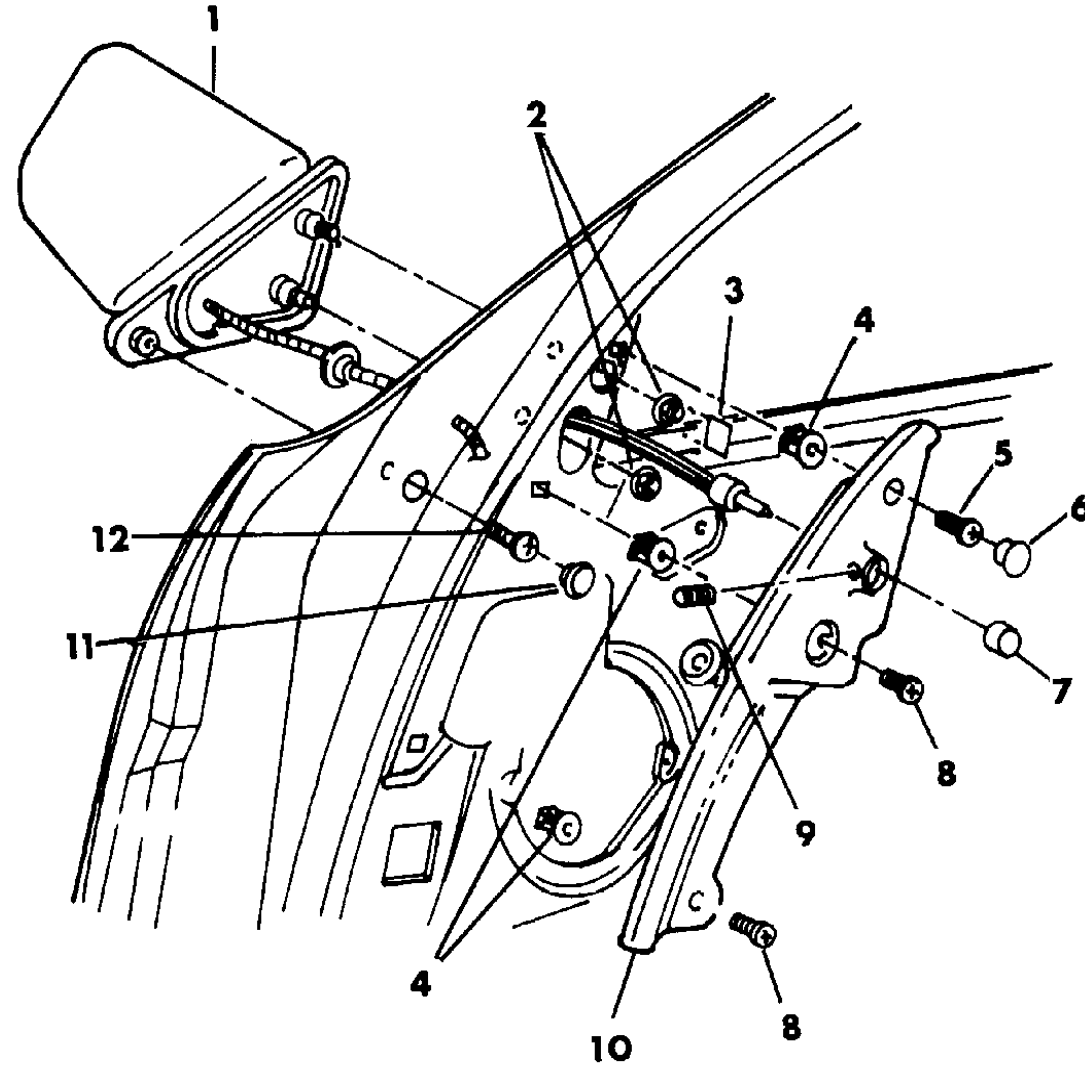
24=2-Door Hatchback      44=4-Door Hatchback      53=FWD & AWD Van & Wgn Ext. W.B.

27=2-Door Convertible

AR = Use as Required - = Non Illustrated Part P.A.R. = Paint as Required

MIRROR, EXTERIOR Y BODY  
Figure 23C-4000

93171 4000



ITEM	PART NUMBER	QTY	BODY	MODEL	DESCRIPTION
1					MIRROR
	4299 634-5	1			Electric (Heated) Bright
	4299 772-3	1			Electric Memory (Heated) Bright
					GLASS, Mirror
	4467 206	1			Right
	4467 207	1			Left
	4467 208	1			Right, Heated
	4467 209	1			Left, Heated
	5267 649	2			CUP, Front Door, Mirror Wiring (Plastic)
2		AR			NUT (DNS)
3		2			TAPE (DNS)
4	6033 184	AR			GROMMET
5	6032 456	2			SCREW
6	F245 LAZ	1			PLUG
7	4373 456	1			KNOB, Mirror
8		4			SCREW (DNS)
9		1			SCREW, Set, Serviced in 10
10					BEZEL, Inside
	D843 LAZ	1			Agate, Left
	D844 LAZ	1			Agate, Right
	D843 JB9	1			Blue, Left
	D844 JB9	1			Blue, Right
	D843 LM6	1			Red, Left
	D844 LM6	1			Red, Right
	D843 HV4	1			Champagne, Left
	D844 HV4	1			Champagne, Right
	D843 KH7	1			Mahogany, Left
	D844 KH7	1			Mahogany, Right
	D843 KX8	1			Black, Left
	D844 KX8	1			Black, Right
	D843 KW8	1			White, Left
	D844 KW8	1			White, Right
	5257 574-5	1			SEAL, Mirror Base
11	4184 688	AR			PLUG
12		1			SCREW (DNS)

**MODEL CODES:**

A BODY=(C=LeBaron, D=Spirit, P=Acclaim/LaBaron(Landau),  
Saratoga)

C BODY=(D=Dynasty, C=New Yorker/N.Y. Salon)

G BODY=(V=Daytona/ROC, Chrysler Daytona)

J BODY=(C=LeBaron, Chrysler LeBaron)

P BODY=(P=Sundance, D=Shadow)

S BODY=(H=Voyager(H) FWD, K=Caravan(H) FWD,  
Y=Town & Country(H) FWD, P=Voyager(K) AWD,  
D=Caravan(K) AWD, C=Town & Country(K) AWD)  
Y BODY=(C=Imperial/5th Avenue)  
E-S BODY=(K=Chrysler Voyager(H) FWD, D=Chrysler  
Voyager(K) AWD)

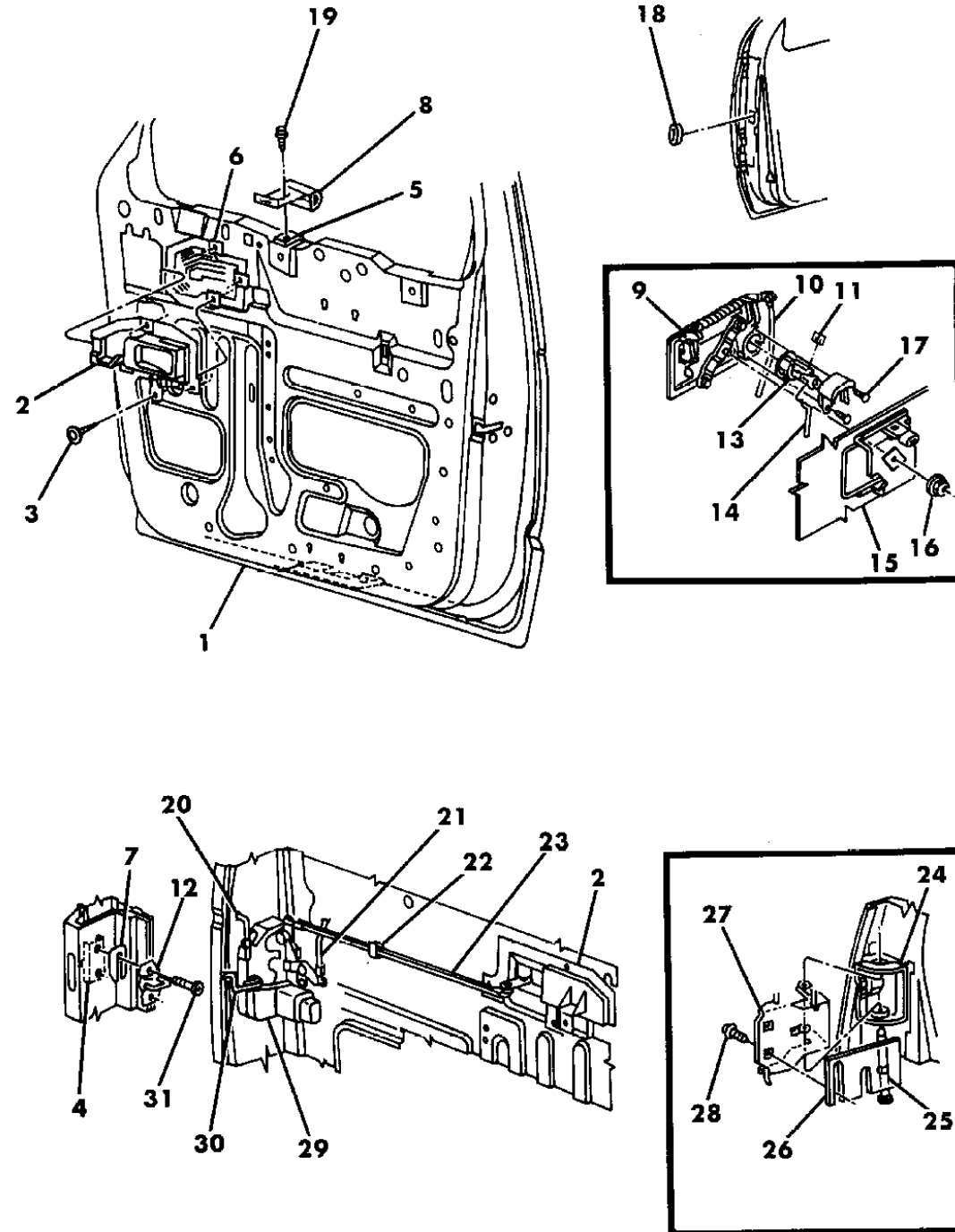
**BODY STYLES:**

21=2-Door Coupe      41=4-Door Sedan      12-52=FWD & AWD Van & Wgn Std W.B.  
24=2-Door Hatchback      44=4-Door Hatchback      53=FWD & AWD Van & Wgn Ext. W.B.  
27=2-Door Convertible

AR = Use as Required - = Non Illustrated Part P.A.R. = Paint as Required

DOOR, FRONT SHELL, HINGES AND HANDLES S BODY  
 Figure 23C-4100

93171 4100



ITEM	PART NUMBER	QTY	BODY	MODEL	DESCRIPTION
1	4773 208-9	1			SHELL, Door
	4719 278-9	1			SILENCER, Water Shield
	4675 758-9	1			LINER, Inner Belt
	4615 152-3	1			PANEL, Repair
	4480 782-3	1			HANDLE, w/Housing R/Control
3		6			SCREW (DNS)
4	4548 012	2			PLATE, Tapping
5-6	6100 041	2			U-NUT
7	4520 289	AR			SPACER
8	4365 862	2			STABILIZER, Glass
	4675 686-7	1			Black
9	JB00-1 LW7	1			White
	4615 020-1	1			LINK, Handle to Latch
11		2			CLIP, Link Lever
	3882 620				
	4336 136				
12	4675 694	2			STRIKER, Door
13		2			CYLINDER, Lock See 23D
14	4675 344-5	1			LINK, Cylinder to Latch
15	4719 074-5	1			BRACKET, Handle Att.
16		2			NUT (DNS)
		4			SCREW (DNS)
17		4			SCREW (DNS)
18	6031 488	2			PLUG
19	6501 501	2			SCREW
20	6502 055	4			SCREW
					KNOB, w/Locking Knob
21	D504-5 MM6	1			Red
	D504-5 KV4	1			Taupe
	D504-5 KD5	1			Quartz
	D504-5 MB7	1			Blue
	D504-5 MW8	1			White
					BEZEL, Locking Knob
	D883 MB7	2			Blue
	D883 KD5	2			Quartz
D883 MMA	2			Red	
D883 KV4	2			Taupe	
22	3882 620	2			CLIP, Anti Rattle
23	4480 772-3	1			LINK, R/Control to Latch

MODEL CODES:

A BODY=(C=LeBaron, D=Spirit, P=Acclaim/LaBaron(Landau), Saratoga)

C BODY=(D=Dynasty, C=New Yorker/N.Y. Salon)

G BODY=(V=Daytona/ROCC, Chrysler Daytona)

J BODY=(C=LeBaron, Chrysler LeBaron)

P BODY=(P=Sundance, D=Shadow)

S BODY=(H=Voyager(H) FWD, K=Caravan(H) FWD,

Y=Town & Country(H) FWD, P=Voyager(K) AWD,

D=Caravan(K) AWD, C=Town & Country(K) AWD)

Y BODY=(C=Imperial/5th Avenue)

E-S BODY=(K=Chrysler Voyager(H) FWD, D=Chrysler

Voyager(K) AWD)

BODY STYLES:

21=2-Door Coupe

41=4-Door Sedan

12-52=FWD & AWD Van & Wgn Std W.B.

24=2-Door Hatchback

44=4-Door Hatchback

53=FWD & AWD Van & Wgn Ext. W.B.

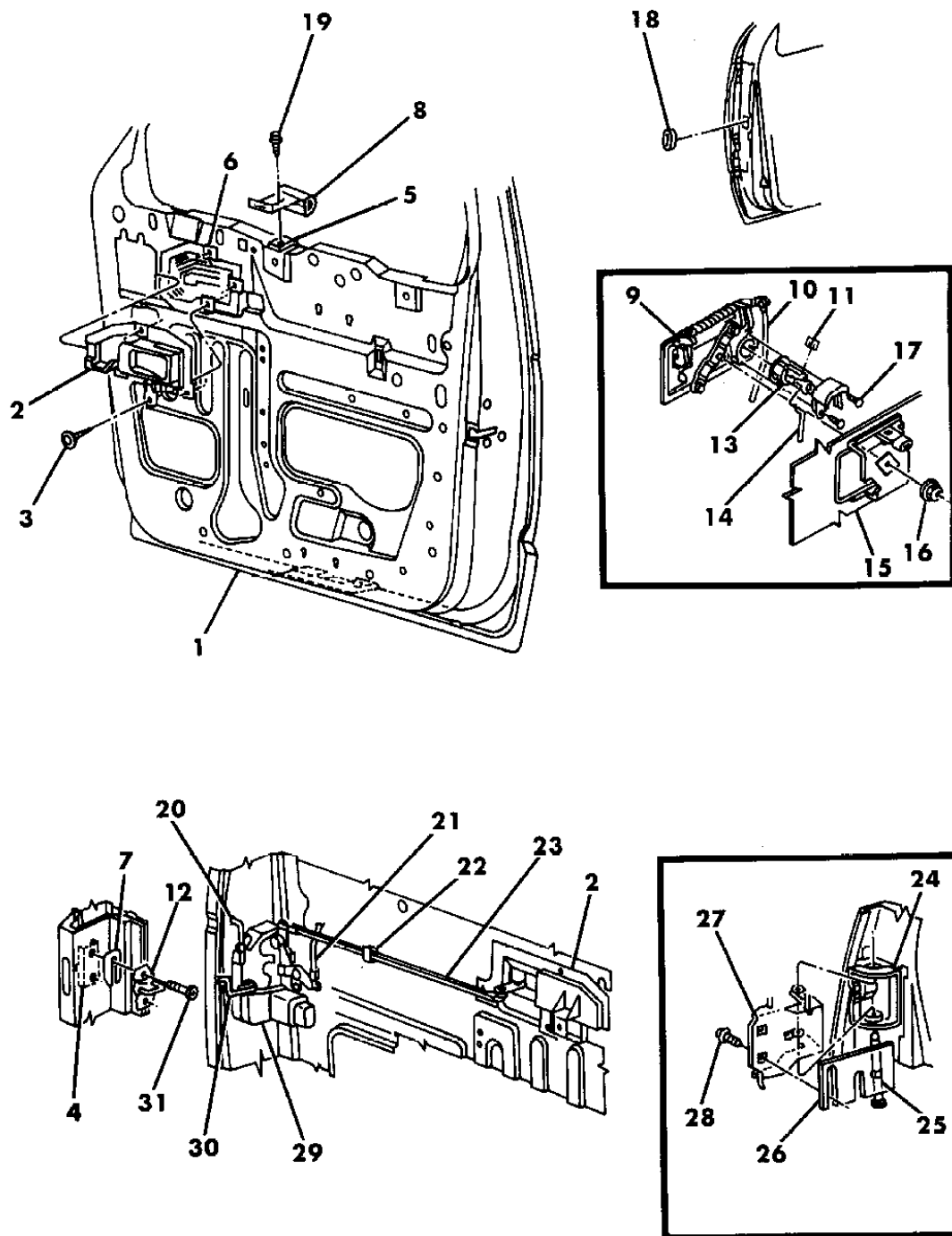
27=2-Door Convertible

AR = Use as Required - = Non Illustrated Part P.A.R. = Paint as Required

**DOOR, FRONT SHELL, HINGES AND HANDLES S BODY**  
Figure 23C-4100

93171 4100

ITEM	PART NUMBER	QTY	BODY	MODEL	DESCRIPTION
24					HINGE, Door Half
	4280 730	2			Upper
	5257 786	2			Lower
	4615 311	4			BUSHING, Hinge
	4615 216	4			BEARING, Hinge
25	5507 5125	4			PIN, Hinge
26	4336 288	AR			SHIM, Hinge
27					HINGE, Body Half
	4675 279	2			Upper
	4615 201	2			Lower
28	6500 354	12			SCREW
29					LATCH, Door
	4719 252-3	1			w/o Door Lock Solenoid
					w/Door Lock Solenoid
	4719 250-1	1			
	4719 146-7	1	ES		
	6033 876	6			SCREW, Latch
30	4675 344-5	1			LINK, Cylinder to Latch
31	6502 055	4			SCREW



**MODEL CODES:**

A BODY=(C=LeBaron, D=Spirit, P=Acclaim/LaBaron(Landau), Saratoga)      S BODY=(H=Voyager(H) FWD, K=Caravan(H) FWD, Y=Town & Country(H) FWD, P=Voyager(K) AWD, D=Caravan(K) AWD, C=Town & Country(K) AWD)  
 C BODY=(D=Dynasty, C=New Yorker/N.Y. Salon)      Y BODY=(C=Imperial/5th Avenue)  
 G BODY=(V=Daytona/IROC, Chrysler Daytona)      E-S BODY=(K=Chrysler Voyager(H) FWD, D=Chrysler Voyager(K) AWD)  
 J BODY=(C=LeBaron, Chrysler LeBaron)  
 P BODY=(P=Sundance, D=Shadow)

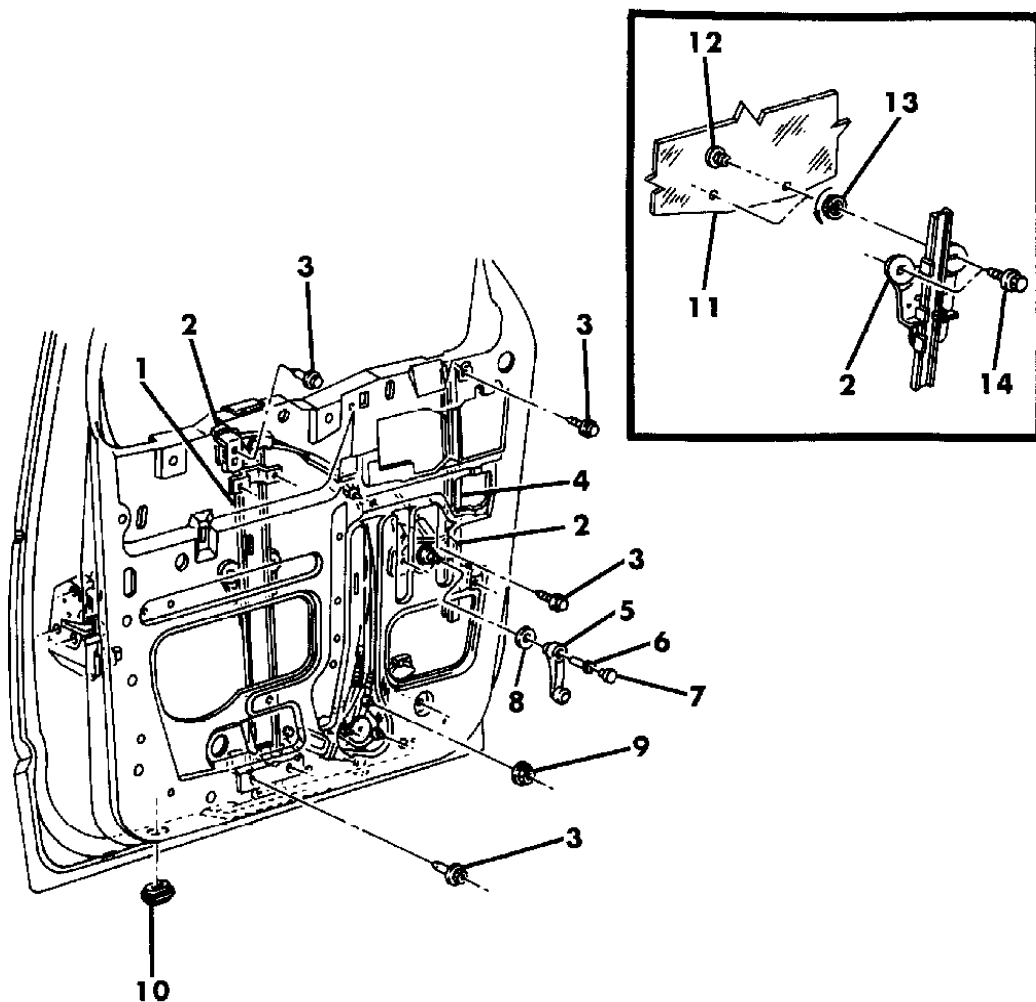
**BODY STYLES:**

21=2-Door Coupe      41=4-Door Sedan      12-52=FWD & AWD Van & Wgn Std W.B.  
 24=2-Door Hatchback      44=4-Door Hatchback      53=FWD & AWD Van & Wgn Ext. W.B.  
 27=2-Door Convertible

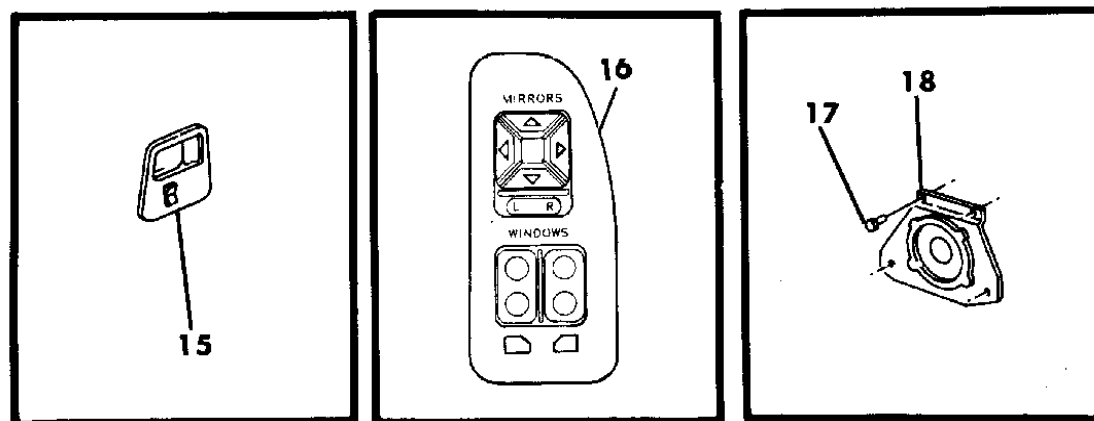
AR = Use as Required - = Non Illustrated Part P.A.R. = Paint as Required

**DOOR, FRONT GLASS, REGULATOR AND SPEAKER S BODY**  
Figure 23C-4200

93171 4200



ITEM	PART NUMBER	QTY	BODY	MODEL	DESCRIPTION
1	4480 014-5	1			REGULATOR, Manual
	4675 186-7	1			REGULATOR and Guide, Electric ***
	4675 180-1	1			MOTOR, Regulator
2		8			RIVET (DNS)
3	6501 350	AR			SCREW
4	4512 992-3	1			CHANNEL, w/Bracket, Glass Run
5	4415 820	2			HANDLE, Regulator
6	6032 830	2			SCREW
7	4415 824	2			COVER
8	4445 993	2			SPACER
9	6500 284	6			NUT
10	2895 126	4			PLUG, Drain
11	4280 046-7	1			GLASS, Door
	4475 582-3	1			(EUROPEAN)
12	4512 684	4			T-NUT
13	4512 685	4			BUSHING, Glass Att.
14		4			SCREW (DNS)
15					BEZEL, R/Control
	4480 788-9	1			w/o Door Locks
	4615 724-5	1			w/Door Locks
	4719 168-9	1			w/Door Locks, Woodgrain
	4615 726-7	1			w/Door Locks, Buckskin Burlwood
16					BEZEL, Switch
	4373 701	1			Left, w/Electric Mirrors
	4565 131	1			Left, w/Electric Windows and Electric Mirrors
	4688 229	1			Left, w/Electric Windows and Mirrors, Woodgrain
	4565 143	1			Left, w/Electric Windows and Mirrors, Buckskin Burlwood
	4565 133	1			Right, w/Electric Windows
	4688 228	1			Right, w/Electric Windows, Woodgrain
	4565 144	1			Right, w/Electric Windows, Buckskin Burlwood
17		AR			RIVET (DNS)
18	4469 181	2			SPEAKER
	4469 338-9	1			PLATE, Speaker Mtg.



**MODEL CODES:**

A BODY=(C=LeBaron, D=Spirit, P=Acclaim/LaBaron(Landau), Saratoga)      S BODY=(H=Voyager(H) FWD, K=Caravan(H) FWD, Y=Town & Country(H) FWD, P=Voyager(K) AWD, D=Caravan(K) AWD, C=Town & Country(K) AWD)  
 C BODY=(D=Dynasty, C=New Yorker/N.Y. Salon)  
 G BODY=(V=Daytona/IROC, Chrysler Daytona)  
 J BODY=(C=LeBaron, Chrysler LeBaron)  
 P BODY=(P=Sundance, D=Shadow)      Y BODY=(C=Imperial/5th Avenue)  
 E-S BODY=(K=Chrysler Voyager(H) FWD, D=Chrysler Voyager(K) AWD)

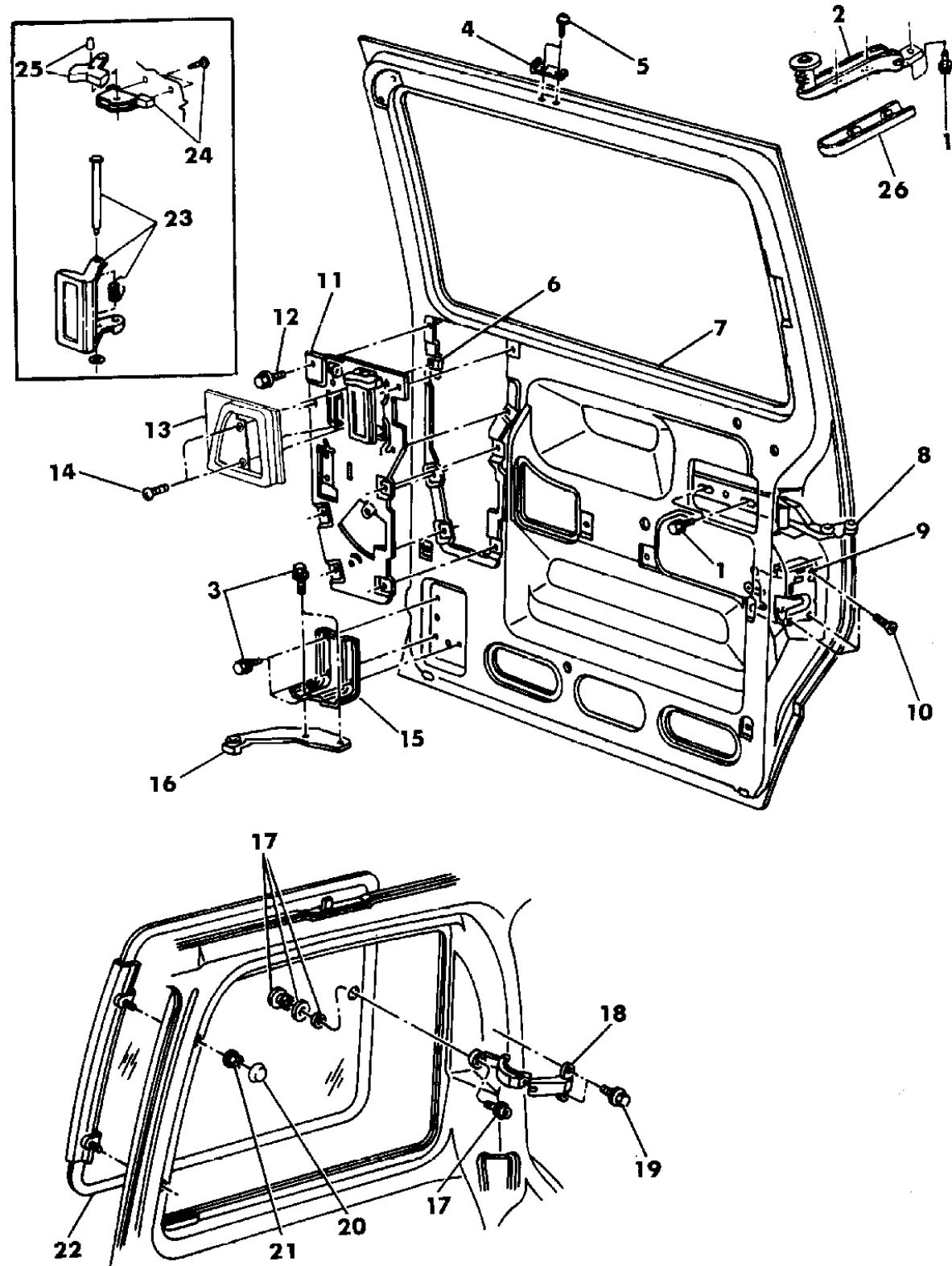
**BODY STYLES:**

21=2-Door Coupe      41=4-Door Sedan      12-52=FWD & AWD Van & Wgn Std W.B.  
 24=2-Door Hatchback      44=4-Door Hatchback      53=FWD & AWD Van & Wgn Ext. W.B.  
 27=2-Door Convertible

AR = Use as Required   - = Non Illustrated Part   P.A.R. = Paint as Required

DOOR, SLIDING SHELL, GLASS AND CONTROLS S BODY  
Figure 23C-4300

93171 4300



ITEM	PART NUMBER	QTY	BODY	MODEL	DESCRIPTION
1	6101 010	3			SCREW
2	4719 091	1			HINGE, Upper Body Half
3	6100 275	1			SCREW
4	4615 407	1			WEDGE, Door
5		2			SCREW (DNS)
6	6101 308	8			U-NUT
7					DOOR SHELL
	4723 569	1			w/o Window
	4723 435	1			w/Window
	4719 267	1			SILENCER, Sound Deadener
	4615 156	1			PANEL, Repair
	4615 160	1			w/o Window
					w/Window
8	4719 116	1			HINGE, Center BUSHING, Center Hinge, Serviced in Item #8
9	4339 358	1			LATCH, R/Control
10	6502 055	AR			SCREW, Latch Att.
11	4520 216	1			CONTROL, Remote and Locking
					CLIP
	4534 248	1			Latch Locking Knob
	3454 220	1			Outside Release Adjusting Lever, Red
	4184 244	1			Adjusting Lever, Orange
	4480 939	1			Cylinder Link to Control
	4480 939	1			Locking Knob Link
					LINK
	4480 684	1			Latch Remote Control Handle
	4520 182	1			Locking Knob to Actuator Lever
	4719 126	1			Locking Control Lever to Actuator
	6026 625	4			SCREW, Adjusting
12	6100 557	2			SCREW
13					BEZEL, R/Control
	4520 350	1		12,13	
	4480 674	1		52,53	
	5257 790	1		Y	(Buckskin Burlwood)
	4719 170	1		Y	(Dark Birchstar)
14	0152 748	2			SCREW
15	4719 066	1			SUPPORT, Lower Hinge Mtg.
16					HINGE, Door Body Half, Lower
	4445 039	1			Up to 2-22-93

MODEL CODES:

A BODY=(C=LeBaron, D=Spirit, P=Acclaim/LaBaron(Landau), Saratoga) S BODY=(H=Voyager(H) FWD, K=Caravan(H) FWD, Y=Town & Country(H) FWD, P=Voyager(K) AWD, D=Caravan(K) AWD, C=Town & Country(K) AWD)  
C BODY=(D=Dynasty, C=New Yorker/N.Y. Salon) Y BODY=(C=Imperial/5th Avenue)  
G BODY=(V=Daytona/IROC, Chrysler Daytona) E-S BODY=(K=Chrysler Voyager(H) FWD, D=Chrysler Voyager(K) AWD)  
J BODY=(C=LeBaron, Chrysler LeBaron)  
P BODY=(P=Sundance, D=Shadow)

BODY STYLES:

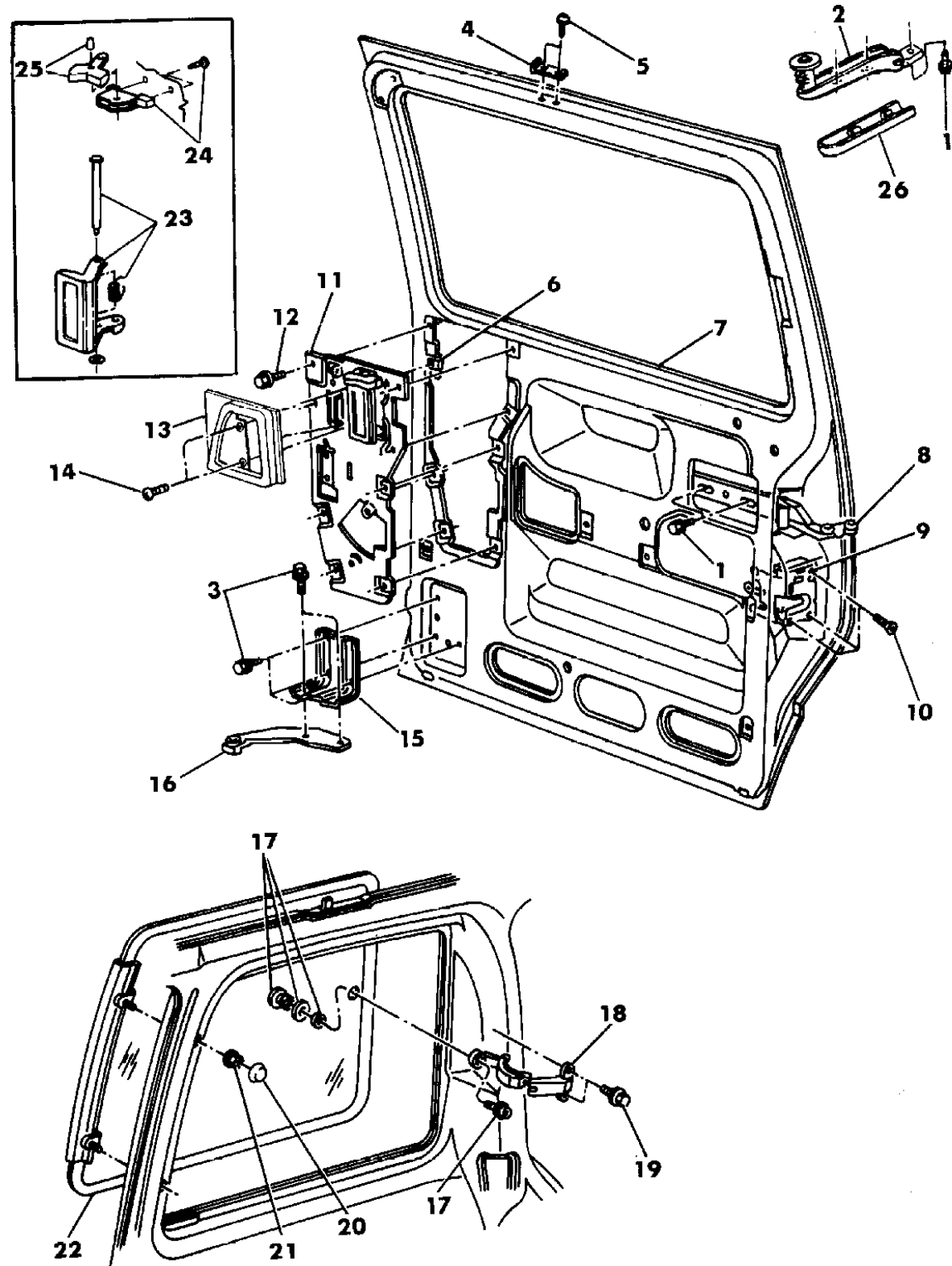
21=2-Door Coupe 41=4-Door Sedan 12-52=FWD & AWD Van & Wgn Std W.B.  
24=2-Door Hatchback 44=4-Door Hatchback 53=FWD & AWD Van & Wgn Ext. W.B.  
27=2-Door Convertible

AR = Use as Required - = Non Illustrated Part P.A.R. = Paint as Required



**DOOR, SLIDING SHELL, GLASS AND CONTROLS S BODY**  
**Figure 23C-4300**

93171 4300



ITEM	PART NUMBER	QTY	BODY	MODEL	DESCRIPTION
	4719 065	1			After 2-22-93
17	4339 313	1			PACKAGE, Vent and Stationary Glass Att.
18	4615 734	1			LATCH, Vent Window
	4365 801	1			GASKET, Vent Window Latch
19	6502 052	2			SCREW
20	4184 688	2			PLUG
21	6501 038	4			NUT
22					GLASS, Hinge and Frame
	4675 076	1			Tinted
					Sunscreen
	4675 290	1			Up to 10-19-92
	4675 082	1			After 10-19-92
	4675 088	1			(EUROPEAN)
	5257 274	1			WEATHERSTRIP, Glass
23	4520 218	1			HANDLE PACKAGE, Inside
24	4520 351	1			BLOCK PACKAGE, Locking Knob Mtg. ***
25	4520 352	1			KNOB, Locking
26					COVER, Arm
	F352 KD5	1			Quartz
	F352 MB7	1			Blue
	F352 MM6	1			Red
	F352 KV4	1			Taupe

**MODEL CODES:**

A BODY=(C=LeBaron, D=Spirit, P=Acclaim/LaBaron(Landau),  
Saratoga)  
 C BODY=(D=Dynasty, C=New Yorker/N.Y. Salon)  
 G BODY=(V=Daytona/IROC, Chrysler Daytona)  
 J BODY=(C=LeBaron, Chrysler LeBaron)  
 P BODY=(P=Sundance, D=Shadow)

S BODY=(H=Voyager(H) FWD, K=Caravan(H) FWD,  
Y=Town & Country(H) FWD, P=Voyager(K) AWD,  
D=Caravan(K) AWD, C=Town & Country(K) AWD)  
 Y BODY=(C=Imperial/5th Avenue)  
 E-S BODY=(K=Chrysler Voyager(H) FWD, D=Chrysler  
Voyager(K) AWD)

**BODY STYLES:**

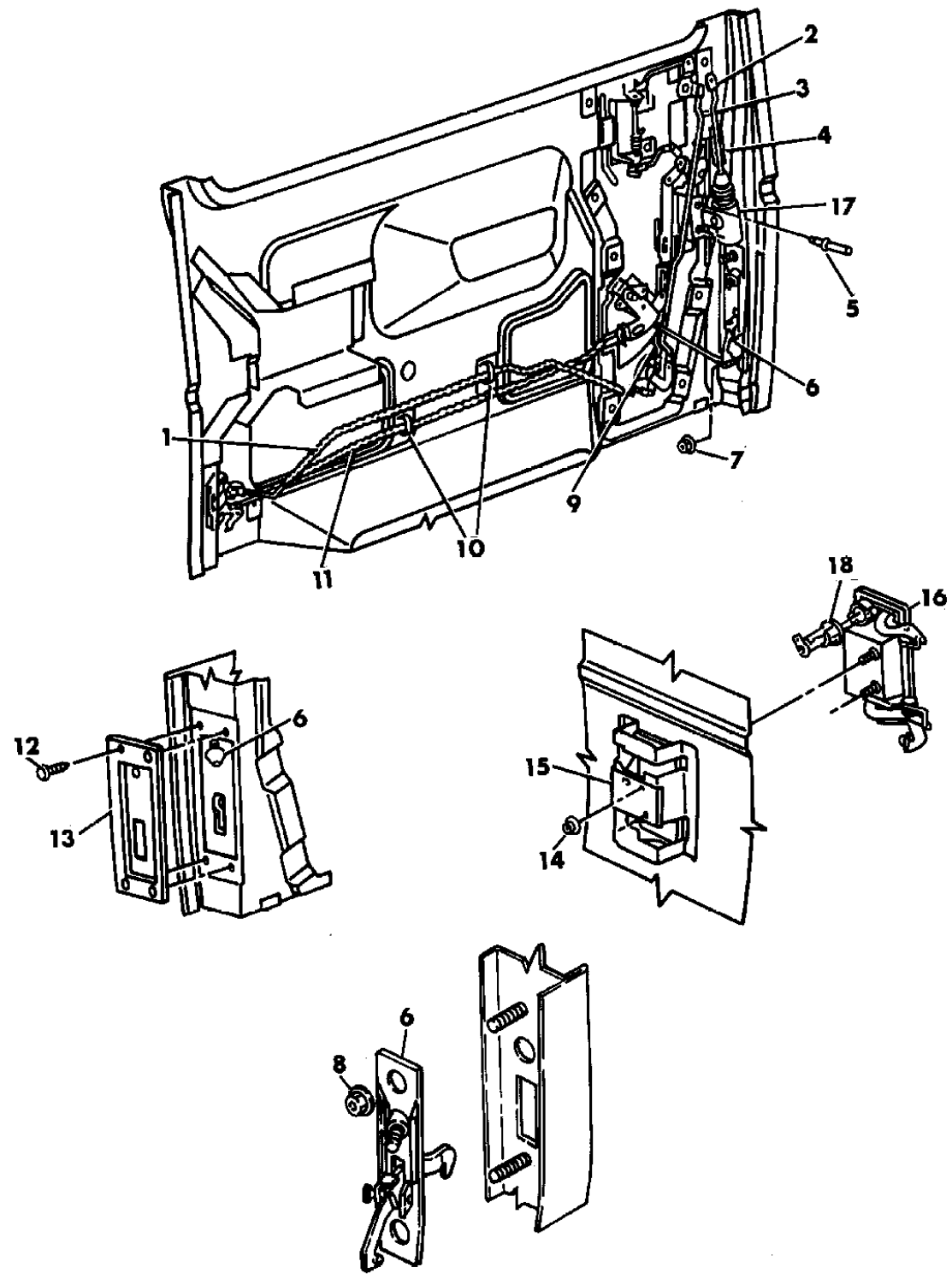
21=2-Door Coupe                      41=4-Door Sedan                      12-52=FWD & AWD Van & Wgn Std W.B.  
 24=2-Door Hatchback                44=4-Door Hatchback                53=FWD & AWD Van & Wgn Ext. W.B.  
 27=2-Door Convertible

AR = Use as Required   - = Non Illustrated Part   P.A.R. = Paint as Required

DOOR, SLIDING EXTERIOR HANDLE AND LINKS S BODY

Figure 23C-4400

93171 4400



ITEM	PART NUMBER	QTY	BODY	MODEL	DESCRIPTION
1	4365 616	1			LINK, Latch Locking
2	2945 108	1			CLIP
3	4520 357	1			LINK, Solenoid to Latch Locking Lever
4	2862 758	1			CLIP, Latch Locking Knob
5	6031 115	1			RIVET
6	4520 674	1			STABILIZER
	4520 727	1			BUMPER, Stabilizer Bracket
7	6100 051	2			NUT
8	6501 291	2			NUT
9	4615 024	1			LINK, Actuator to Lock Cylinder
10	3882 620	2			CLIP, Anti Rattle
11	4280 352	1			LINK and SLEEVE, Latch Release
12		4			RETAINER, Serviced in Item #13
13	4520 677	1			GUIDE, Stabilizer
14	6500 284	2			NUT
15	4615 400	1			PLATE, Exterior Handle
16					HANDLE, Exterio
	4675 690	1			Black
	GK44 LW7	1			White
	4615 400	1			BRACKET, Handle
17	4615 178	1			SOLENOID, Lock
18		1			CYLINDER, Lock, Refer to 23D

MODEL CODES:

A BODY=(C=LeBaron, D=Spirit, P=Acclaim/LaBaron(Landau), Saratoga)      S BODY=(H=Voyager(H) FWD, K=Caravan(H) FWD, Y=Town & Country(H) FWD, P=Voyager(K) AWD, D=Caravan(K) AWD, C=Town & Country(K) AWD)  
 C BODY=(D=Dynasty, C=New Yorker/N.Y. Salon)      Y BODY=(C=Imperial/5th Avenue)  
 G BODY=(V=Daytona/iROC, Chrysler Daytona)      E-S BODY=(K=Chrysler Voyager(H) FWD, D=Chrysler Voyager(K) AWD)  
 J BODY=(C=LeBaron, Chrysler LeBaron)  
 P BODY=(P=Sundance, D=Shadow)

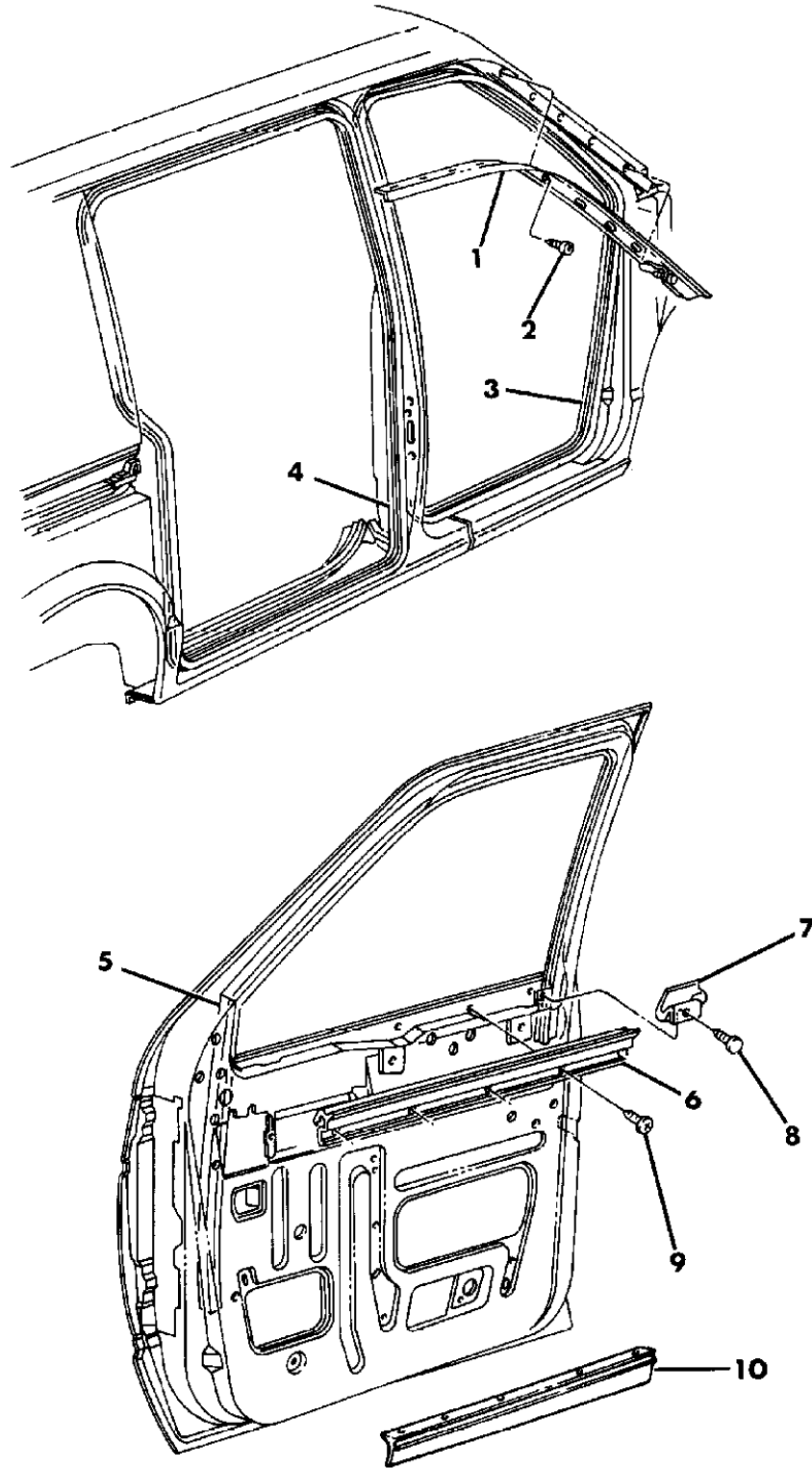
BODY STYLES:

21=2-Door Coupe      41=4-Door Sedan      12-52=FWD & AWD Van & Wgn Std W.B.  
 24=2-Door Hatchback      44=4-Door Hatchback      53=FWD & AWD Van & Wgn Ext. W.B.  
 27=2-Door Convertible

AR = Use as Required - = Non Illustrated Part P.A.R. = Paint as Required

DOOR, FRONT AND SIDE WEATHERSTRIPS AND SEALS S BODY  
Figure 23C-4600

93171 4600



ITEM	PART NUMBER	QTY	BODY	MODEL	DESCRIPTION
1	4719 036-7	1			WEATHERSTRIP, Front Pillar to Front Door
2		AR			SCREW (DNS)
3	4520 728-9	1			WEATHERSTRIP, Front Door Opening
4	4365 831	1			WEATHERSTRIP, Sliding Door Opening
5					RUN, Front Door Glass
	4675 414-5	1			w/Electric Mirrors
	4512 008-9	2			w/o Electric Mirrors
6					WEATHERSTRIP, Front Door Belt
	4480 796-7	1			Exterior
	4611 816-7	1			Interior
7					SEALS ***
	4675 008-9	1			Front Door Belt, Front
	4615 589	2			Front Door Inner Panel to Outer Panel A Pillar
	4615 591	2			Front Door Inner Panel to Outer Panel B Pillar
	4615 590	2			Front Door Inner Panel to Outer Panel Roof Rail
	4445 341	2			Rear Flag Area
8	9414 721	2			RETAINER
9		10			SCREW, Belt Weatherstrip (DNS)
10	4480 158-9	1			WEATHERSTRIP, Sill, w/Retainers
	6502 156	AR			RETAINER

**MODEL CODES:**

A BODY=(C=LeBaron, D=Spirit, P=Acclaim/LaBaron(Landau), Saratoga) S BODY=(H=Voyager(H) FWD, K=Caravan(H) FWD, Y=Town & Country(H) FWD, P=Voyager(K) AWD, D=Caravan(K) AWD, C=Town & Country(K) AWD)  
 C BODY=(D=Dynasty, C=New Yorker/N.Y. Salon) Y BODY=(C=Imperial/5th Avenue)  
 G BODY=(V=Daytona/IROC, Chrysler Daytona) E-S BODY=(K=Chrysler Voyager(H) FWD, D=Chrysler Voyager(K) AWD)  
 J BODY=(C=LeBaron, Chrysler LeBaron)  
 P BODY=(P=Sundance, D=Shadow)

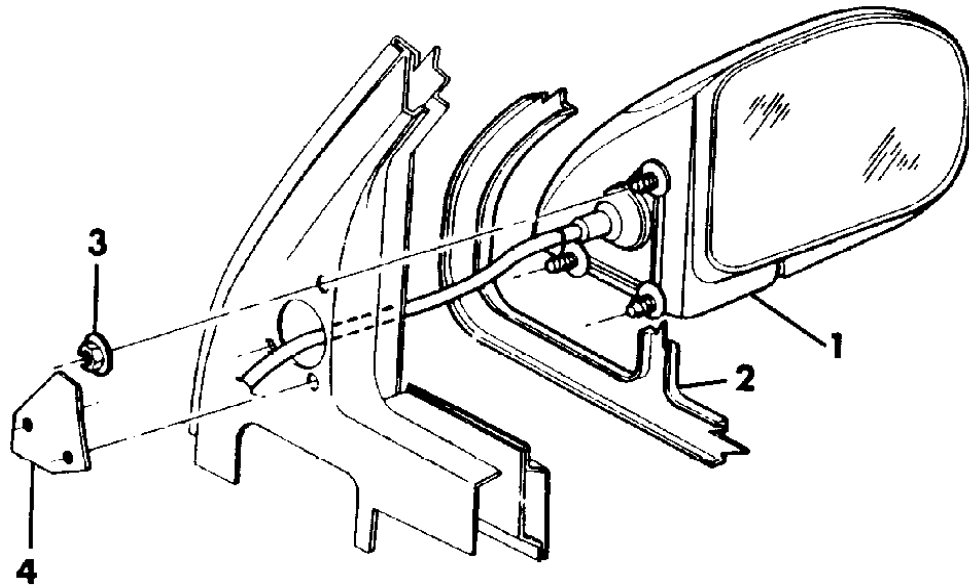
**BODY STYLES:**

21=2-Door Coupe 41=4-Door Sedan 12-52=FWD & AWD Van & Wgn Std W.B.  
 24=2-Door Hatchback 44=4-Door Hatchback 53=FWD & AWD Van & Wgn Ext. W.B.  
 27=2-Door Convertible

AR = Use as Required - = Non Illustrated Part P.A.R. = Paint as Required

MIRROR, EXTERIOR S BODY  
Figure 23C-4700

93171 4700



ITEM	PART NUMBER	QTY	BODY	MODEL	DESCRIPTION
1					MIRROR
	4299 926-7	1		AS	6x9 Manual
	4719 244-5	1		ES	6x9 Manual
	4615 706-7	1			Manual, Foldaway
	4713 468-9	1			Electric Foldaway
	4723 154	1			Electric Foldaway, Left, Grained Texture
	4723 153	1			Electric Foldaway, Right, Grained Texture
					ELECTRIC (HEATED) FOLDAWAY
	4713 558-9	1			White
	4713 560-1	1			Red
	4713 562-3	1			Quartz
	4713 566-7	1			Champagne
	4713 470-1	1			Black
	4675 408-9	1			(EUROPEAN) GRAINED TEXTURE
	GM92-3 LD8	1			Quartz
	GM92-3 LFA	1			Driftwood
	GM92-3 LG5	1			Green
	GM92-3 MMB	1			Wildberry
	GM92-3 LW7	1			White
	4723 155	1			Black, Left
	4723 156	1			Black, Right
	4675 408-9	1			(EUROPEAN) GLASS, Replacement
	4615 128-9	1			(EUROPEAN) Electric
	4615 366-7	1			w/Heated Mirror
	4498 154	1			Manual, Right
	4615 130-1	1			CASE, Mirror (EUROPEAN) ***
2		1			MOULDING, Refer to Exterior Ornamentation
3	6100 044	6			SCREW
4		2			SHIELD, Air (DNS)

**MODEL CODES:**

A BODY=(C=LeBaron, D=Spirit, P=Acclaim/LaBaron(Landau),  
Saratoga)  
C BODY=(D=Dynasty, C=New Yorker/N.Y. Salon)  
G BODY=(V=Daytona/IROC, Chrysler Daytona)  
J BODY=(C=LeBaron, Chrysler LeBaron)  
P BODY=(P=Sundance, D=Shadow)

S BODY=(H=Voyager(H) FWD, K=Caravan(H) FWD,  
Y=Town & Country(H) FWD, P=Voyager(K) AWD,  
D=Caravan(K) AWD, C=Town & Country(K) AWD)  
Y BODY=(C=Imperial/5th Avenue)  
E-S BODY=(K=Chrysler Voyager(H) FWD, D=Chrysler  
Voyager(K) AWD)

**BODY STYLES:**

21=2-Door Coupe  
24=2-Door Hatchback  
27=2-Door Convertible  
41=4-Door Sedan  
44=4-Door Hatchback  
53=FWD & AWD Van & Wgn Ext. W.B.

AR = Use as Required - = Non Illustrated Part P.A.R. = Paint as Required

---

**GROUP 23D - WIPER & WASHER AND CYLINDER & KEYS**

<b>ILLUSTRATION TITLE</b>	<b>GROUP-FIG. NO.</b>
LOCK CYLINDERS AND DOUBLE BITTED LOCK CYLINDER REPAIR COMPONENTS .....	Fig. 23D-100
<b>P BODY</b>	
WINDSHIELD WIPER AND WASHER SYSTEM P BODY .....	Fig. 23D-200
<b>A BODY</b>	
WINDSHIELD WIPER AND WASHER SYSTEM A BODY .....	Fig. 23D-300
<b>J BODY</b>	
WINDSHIELD WIPER AND WASHER SYSTEM J BODY .....	Fig. 23D-400
<b>G BODY</b>	
WINDSHIELD WIPER SYSTEM G BODY .....	Fig. 23D-500
WINDSHIELD WASHER SYSTEM G BODY .....	Fig. 23D-600
LIFTGATE WIPER AND WASHER SYSTEM G BODY .....	Fig. 23D-700
<b>C BODY</b>	
WINDSHIELD WIPER AND WASHER SYSTEM C BODY .....	Fig. 23D-800
<b>Y BODY</b>	
WINDSHIELD WIPER AND WASHER SYSTEM Y BODY .....	Fig. 23D-900
<b>S BODY</b>	
WINDSHIELD WIPER AND WASHER SYSTEM S BODY .....	Fig. 23D-1000
LIFTGATE WIPER AND WASHER SYSTEM S BODY .....	Fig. 23D-1100

**ILLUSTRATION NOT AVAILABLE AT TIME OF PUBLICATION**

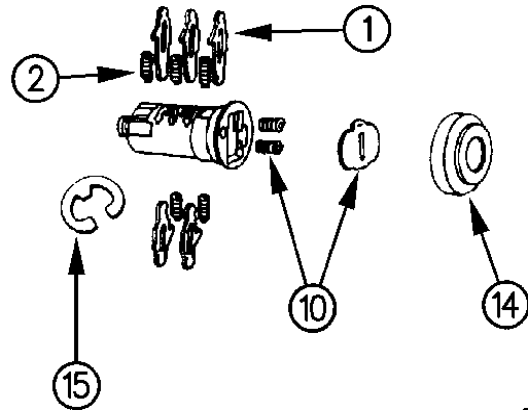
---

## LOCK CYLINDERS AND DOUBLE BITTED LOCK CYLINDER REPAIR COMPONENTS

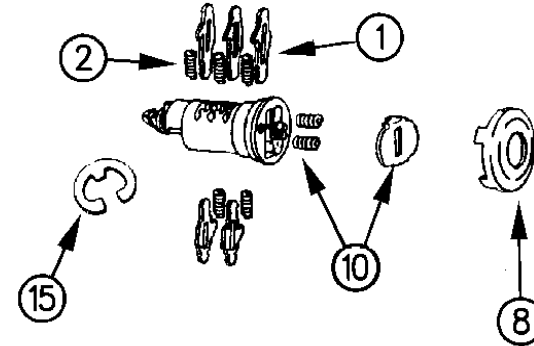
### Figure 23D-100

93172 100B

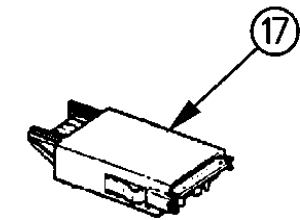
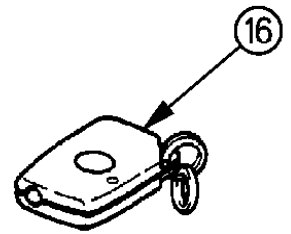
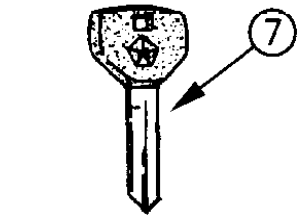
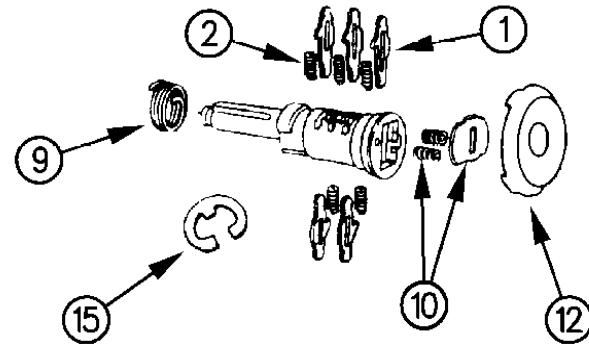
**A & P BODY DOOR LOCK  
SERVICE PACKAGE UNCODED**



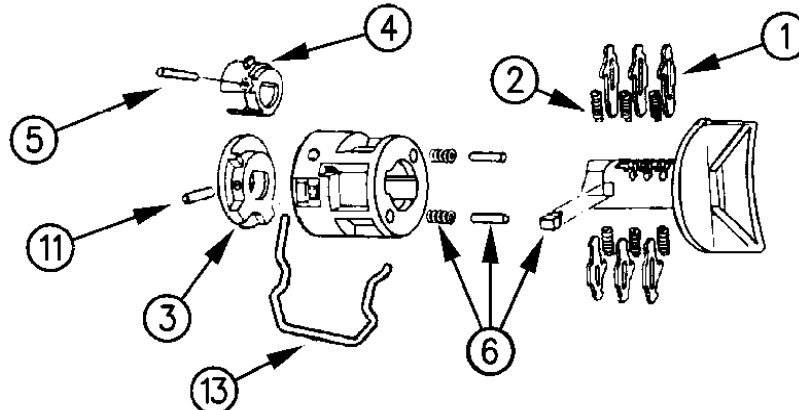
**ALL OTHER DOOR LOCK  
SERVICE PACKAGE UNCODED**



**L/GATE AND D/LID LOCK  
SERVICE PACKAGE UNCODED**



**PUSH TO LOCK (PTL)  
LOCK SERVICE PACKAGE UNCODED**



ITEM	PART NUMBER	QTY	BODY	MODEL	DESCRIPTION
------	-------------	-----	------	-------	-------------

NOTE: ALL LOCK CYLINDERS ARE UNCODED applications specified in this document.

ITEM	PART NUMBER	QTY	BODY	MODEL	DESCRIPTION
					P BODY - ----
	4723 289	1			Ignition Lock, Push to Lock
	4723 484				Door Lock
	4723 490	1			Lift Gate
	4723 497	1		27	Glove Box
					A BODY - ----
	4723 289	1			Ignition Lock, Push to Lock
	4723 483	1			Door Lock, w/Illuminated Entry
	4723 484	1			Door Lock
	4723 493	1		C,D,P	Shaft Lock Cyl.Deck Lid
	4723 489	1		C	Dual Cone w/Lever and Link (THREADED)
	4723 491	1		P-D	w/Shaft, (NOT THREADED)
	4378 857	1			Lever (Center Lock)
	4723 576	1			Glove Box
	4723 499	1			Seat Back
					J BODY - ----
	4723 289	1			Ignition Lock, Push to Lock
	4720 931	1			Door Lock
	4723 491	1			Deck Lid
	4723 576	1			Glove Box
	4723 499	1			Seat Back
					G BODY - ----
	4723 289	1			Ignition Lock, Push to Lock
	4720 931	1			Door Lock
	4723 576	1			Glove Box
	4723 491	1			Lift Gate
					C BODY - ----
	4723 482	1			Ignition Lock, Push to Lock
	4720 931	1			Door Lock
	4723 575	1			Glove Box
	4723 492	1			Deck Lid
					Y BODY - ---- ***
	4723 482	1			Ignition Lock, Push to Lock
	4720 931	1			Door Lock
	4723 575	1			Glove Box
	4723 492	1			Deck Lid
					S BODY - ----
	4723 289	1			Ignition Lock, Push to Lock

**MODEL CODES:**

A BODY=(C=LeBaron, D=Spirit, P=Acclaim/LaBaron(Landau, Saratoga)

C BODY=(D=Dynasty, C=New Yorker/N.Y. Salon)

G BODY=(V=Daytona/IROC, Chrysler Daytona)

J BODY=(C=LeBaron, Chrysler LeBaron)

P BODY=(P=Sundance, D=Shadow)

S BODY=(H=Voyager(H) FWD, K=Caravan(H) FWD,

Y=Town & Country(H) FWD, P=Voyager(K) AWD,

D=Caravan(K) AWD, C=Town & Country(K) AWD)

Y BODY=(C=Imperial/5th Avenue)

E-S BODY=(K=Chrysler Voyager(H) FWD, D=Chrysler

Voyager(K) AWD)

**BODY STYLES:**

21=2-Door Coupe

41=4-Door Sedan

12-52=FWD & AWD Van & Wgn Std W.B.

24=2-Door Hatchback

44=4-Door Hatchback

53=FWD & AWD Van & Wgn Ext. W.B.

27=2-Door Convertible

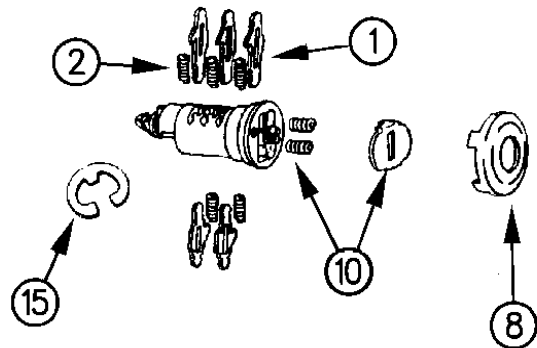
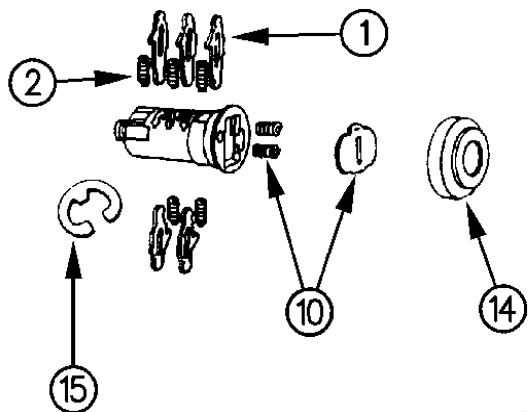
AR = Use as Required - = Non Illustrated Part P.A.R. = Paint as Required

**LOCK CYLINDERS AND DOUBLE BITTED LOCK CYLINDER REPAIR COMPONENTS**  
**Figure 23D-100**

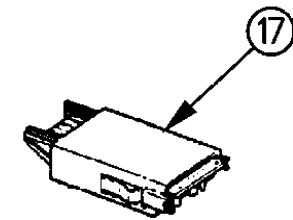
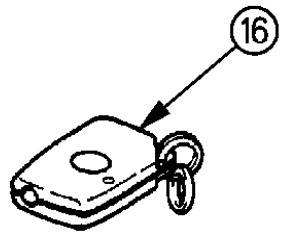
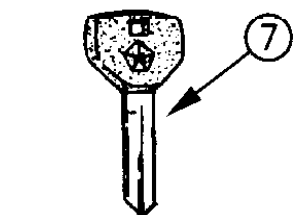
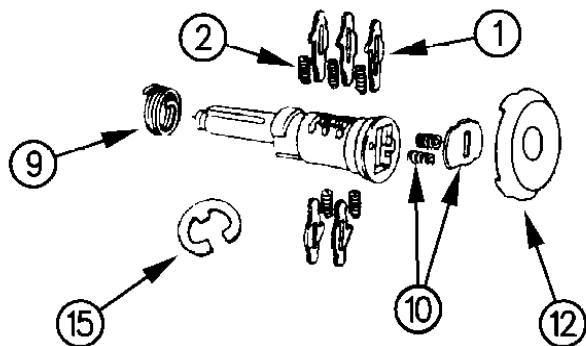
93172 100B

**A & P BODY DOOR LOCK SERVICE PACKAGE UNCODED**

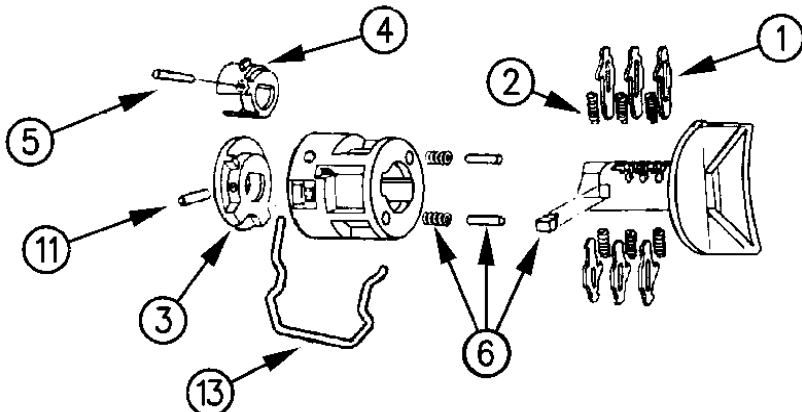
**ALL OTHER DOOR LOCK SERVICE PACKAGE UNCODED**



**L/GATE AND D/LID LOCK SERVICE PACKAGE UNCODED**



**PUSH TO LOCK (PTL) LOCK SERVICE PACKAGE UNCODED**



ITEM	PART NUMBER	QTY	BODY	MODEL	DESCRIPTION
	4723 484	2			Door Lock
	4723 486	2		ES	LEVER, Door Lock
	4723 485	1			Sliding Door
	4723 489	1			Lift Gate
	4723 575	1			Seat Compartment Storage Box
*****					
					LEVERS, Door Cylinder ***
	5257 155	AR	J		
	5257 153	AR	C,Y		
	5257 154	AR	G		
	4378 796	AR	AP		
	4713 608	AR	S		
	4615 351	1	S		Sliding Door
					BRACKET, D/Lid and L/Gate
	5257 165	AR	P		
	5257 166	AR	G		
	5257 167	AR	J		
	5257 168	AR	A		
					RETAINER, Door Lock Cylinder To Handle
	4520 262				Right
	4520 263				Left
					SHAFT, w/Lever, D/Lid and L/Gate Cylinder
	4378 467	AR	G		Lever
	4378 467	1	G		Shaft Actuator
	5257 269	1	Y		Shaft
	5257 268	1	C		Shaft
	5257 270	1	J		Shaft
	4378 346	1	A		SPACER, D/Lid Cylinder
	6026 125	1	AGJP		LEVER, Deck Lid Cylinder Retainer
	3695 321	AR			GASKET, D/Lid and L/Gate Cylinder
	4054 202	1			NUT, Deck Lid Lock Cylinder
	4740 757	1	A	CD	CAP, Ignition Cylinder
1					TUMBLER, Cylinder ***
	5257 132	AR			No.1
	5257 133	AR			No.2
	5257 134	AR			No.3
	5257 135	AR			No.4
2	4378 794	AR			SPRING, Tumbler
3	4378 785	AR			DRIVER, Ignition Lock Cylinder, Standard ***

**MODEL CODES:**

A BODY=(C=LeBaron, D=Spirit, P=Acclaim/LaBaron(Landau, Saratoga)  
 C BODY=(D=Dynasty, C=New Yorker/N.Y. Salon)  
 G BODY=(V=Daytona/IROC, Chrysler Daytona)  
 J BODY=(C=LeBaron, Chrysler LeBaron)  
 P BODY=(P=Sundance, D=Shadow)

S BODY=(H=Voyager(H) FWD, K=Caravan(H) FWD, Y=Town & Country(H) FWD, P=Voyager(K) AWD, D=Caravan(K) AWD, C=Town & Country(K) AWD)  
 Y BODY=(C=Imperial/5th Avenue)  
 E-S BODY=(K=Chrysler Voyager(H) FWD, D=Chrysler Voyager(K) AWD)

**BODY STYLES:**

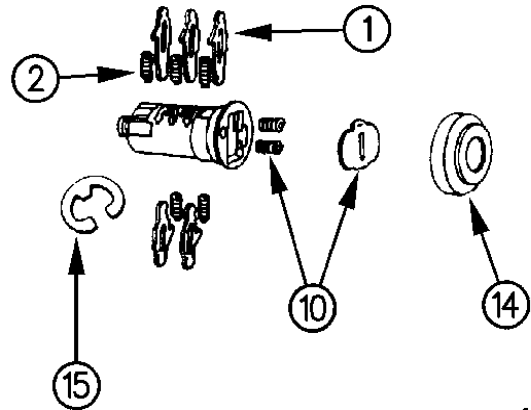
21=2-Door Coupe                    41=4-Door Sedan                    12-52=FWD & AWD Van & Wgn Std W.B.  
 24=2-Door Hatchback            44=4-Door Hatchback            53=FWD & AWD Van & Wgn Ext. W.B.  
 27=2-Door Convertible

AR = Use as Required - = Non Illustrated Part P.A.R. = Paint as Required

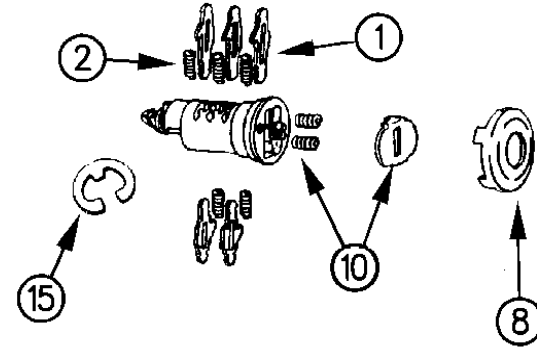
LOCK CYLINDERS AND DOUBLE BITTED LOCK CYLINDER REPAIR COMPONENTS  
Figure 23D-100

93172 100B

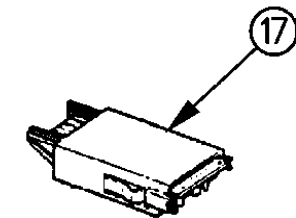
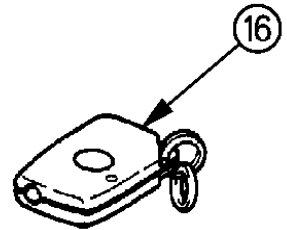
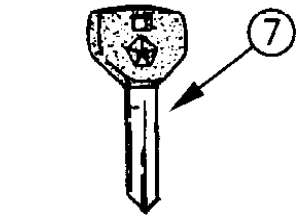
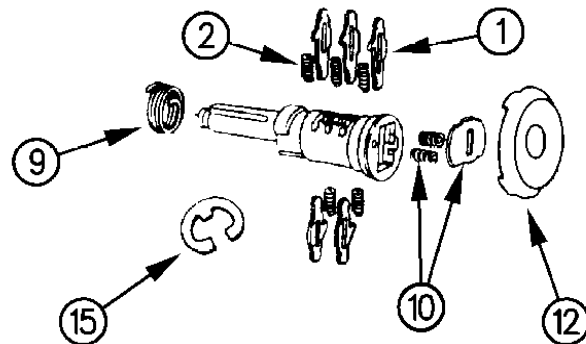
A & P BODY DOOR LOCK  
SERVICE PACKAGE UNCODED



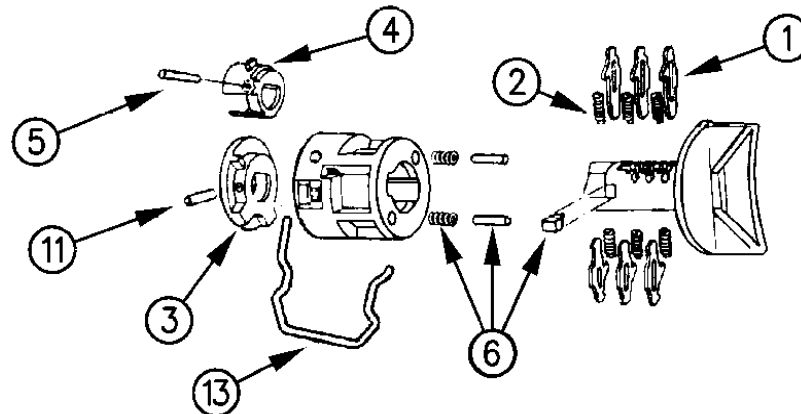
ALL OTHER DOOR LOCK  
SERVICE PACKAGE UNCODED



L/GATE AND D/LID LOCK  
SERVICE PACKAGE UNCODED



PUSH TO LOCK (PTL)  
LOCK SERVICE PACKAGE UNCODED



ITEM	PART NUMBER	QTY	BODY	MODEL	DESCRIPTION
4	5257 137	AR			DRIVER, Ignition Cylinder, Push to Lock ***
5	4378 787	AR			DRIVER, Ignition Cylinder, Spiral Pin ***
6	4378 786	AR			PRE-PACK, Ignition Cylinder ***
7					KEY
	4723 480	AR			Capsulated
	4723 479	AR			Valet
8					CAP, Door Cylinder
	4378 815	AR	APS		Bright
	5257 152	AR	JGKY		Bright
	4675 311	AR	A		Snap, Illuminated Lens
9	4378 793	AR			SPRING, Door Cylinder Return
10					SHUTTER, Door, D/Lid and L/Gate ***
	4378 816	AR			Bright
	4378 791	AR			Black
11	6101 638	AR			PIN, Spiral
12					CAP, D/Lid and L/Gate Cylinder
	5257 163	AR			Large, Bright
	4378 799	AR			Large, Black
	5257 148	AR			Small, Black
	5257 152	AR			Small, Chrome
13	4378 798	AR			SPRING, D/Lid and L/Gate Cylinder Return
14	4480 116	AR			RETAINER, Cylinder
15	5257 245	AR			SPRING, Return
16	4469 341	1			TRANSMITTER, Keyless Entry ***
	8350 4802	2			BATTERY, Transmitter (Stamp DL2016) ***
17	4469 340	1			MODULE, Keyless Entry

MODEL CODES:

A BODY=(C=LeBaron, D=Spirit, P=Acclaim/LaBaron(Landau),  
Saratoga)

C BODY=(D=Dynasty, C=New Yorker/N.Y. Salon)

G BODY=(V=Daytona/IROC, Chrysler Daytona)

J BODY=(C=LeBaron, Chrysler LeBaron)

P BODY=(P=Sundance, D=Shadow)

S BODY=(H=Voyager(H) FWD, K=Caravan(H) FWD,  
Y=Town & Country(H) FWD, P=Voyager(K) AWD,  
D=Caravan(K) AWD, C=Town & Country(K) AWD)  
Y BODY=(C=Imperial/5th Avenue)  
E-S BODY=(K=Chrysler Voyager(H) FWD, D=Chrysler  
Voyager(K) AWD)

BODY STYLES:

21=2-Door Coupe 41=4-Door Sedan 12-52=FWD & AWD Van & Wgn Std W.B.

24=2-Door Hatchback 44=4-Door Hatchback 53=FWD & AWD Van & Wgn Ext. W.B.

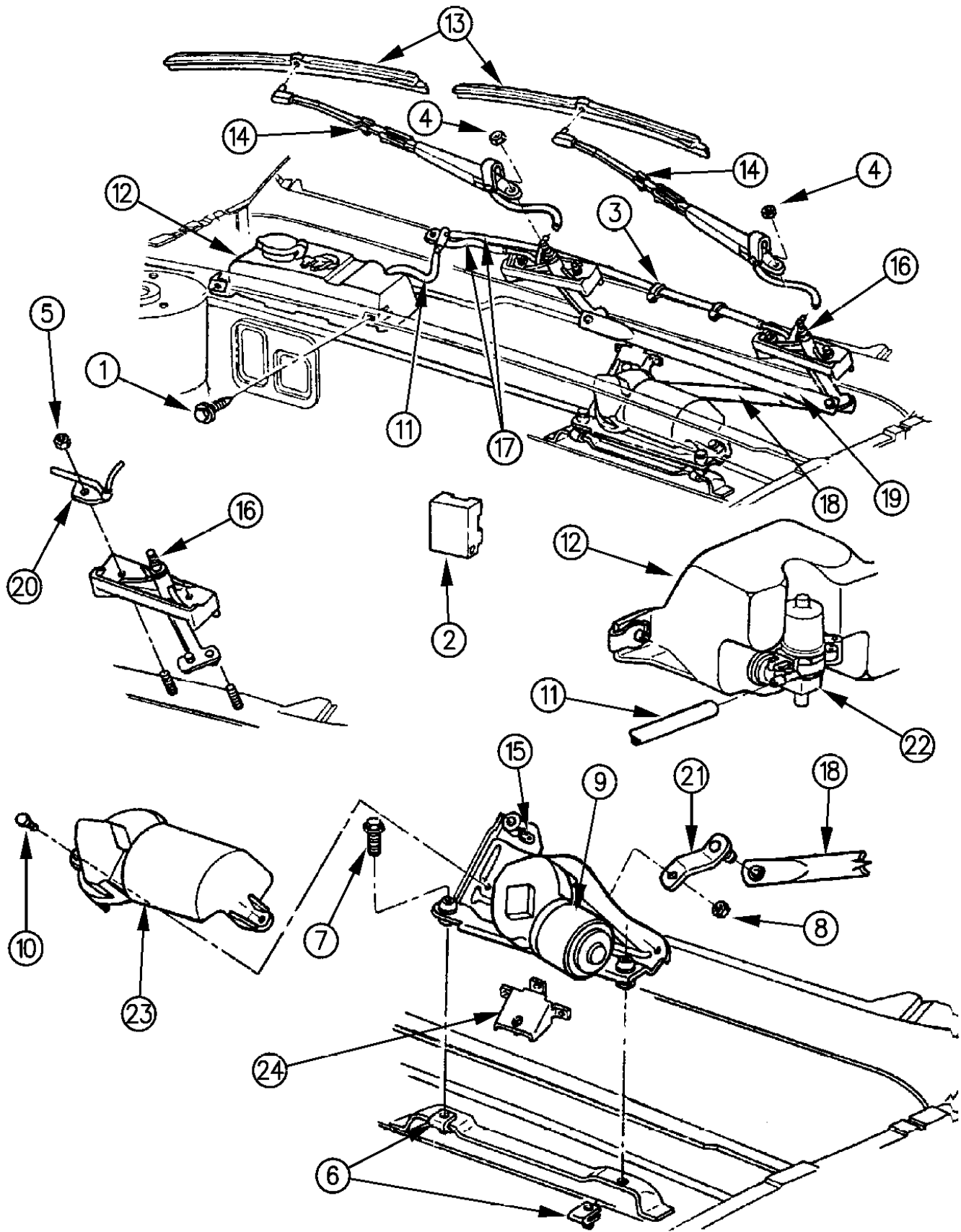
27=2-Door Convertible

AR = Use as Required - = Non Illustrated Part P.A.R. = Paint as Required



**WINDSHIELD WIPER AND WASHER SYSTEM P BODY  
Figure 23D-200**

93172 200B



ITEM	PART NUMBER	QTY	BODY	MODEL	DESCRIPTION
1		2			SCREW (DNS)
2		1			CONTROL, Intermittent Wipe, See Group 8
3	6015 776	2			CLIP, Hose Retaining
4	6500 165	2			NUT, Wiper Arm Mtg.
5	6500 165	4			NUT, Pivot Mtg.
6	6101 283	2			NUT, Wiper Motor Bracket Mtg.
7	6501 160	3			SCREW, Motor Bracket Mtg.
8	6031 096	1			NUT, Wiper Drive Crank Mtg.
9	4389 131	1			MOTOR, Wiper
10	6033 567	2			SCREW, Motor Cover Mtg.
11	4389 425	1			HOSE, Reservoir to Connector
12	4467 341	1			RESERVOIR, Washer
	4270 609	1			SENSOR, Fluid Level
	4462 276	1			SHIELD ASSEMBLY, Air Intake Right ***
	4389 110	1			CAP, Reservoir
13					BLADE, Wiper
	4389 350	2			Airfoil
	4389 428	2			Bosch REFILL, Blade
	4389 200	2			Airfoil
	4389 461	2			Bosch
14	4389 377	2			ARM, Wiper NOZZLE, Washer Upper Lower
	4389 357	2			Upper
	4389 358	2			Lower
	4026 130	AR			HOSE, Upper Washer GUARD, Hose Upper Lower
	4389 380	2			Upper
	4389 369	2			Lower
	4389 295	2			COVER, Head
15	4389 302	1			BRACKET, Motor Mtg.
16					PIVOT, Wiper Right Left
	4389 235	1			Right
	4389 115	1			Left
17	4439 002	AR			HOSE, Washer
18	4334 542	1			LINK, Drive
19	4334 540	1			LINK, Connecting
	4389 013	AR			BUSHING, Black
20	4389 425	2			CONNECTOR, w/Hose

**MODEL CODES:**

A BODY=(C=LeBaron, D=Spirit, P=Acclaim/LaBaron(Landau), Saratoga)      S BODY=(H=Voyager(H) FWD, K=Caravan(H) FWD, Y=Town & Country(H) FWD, P=Voyager(K) AWD, D=Caravan(K) AWD, C=Town & Country(K) AWD)  
 C BODY=(D=Dynasty, C=New Yorker/N.Y. Salon)  
 G BODY=(V=Daytona/IROC, Chrysler Daytona)      Y BODY=(C=Imperial/5th Avenue)  
 J BODY=(C=LeBaron, Chrysler LeBaron)      E-S BODY=(K=Chrysler Voyager(H) FWD, D=Chrysler Voyager(K) AWD)  
 P BODY=(P=Sundance, D=Shadow)

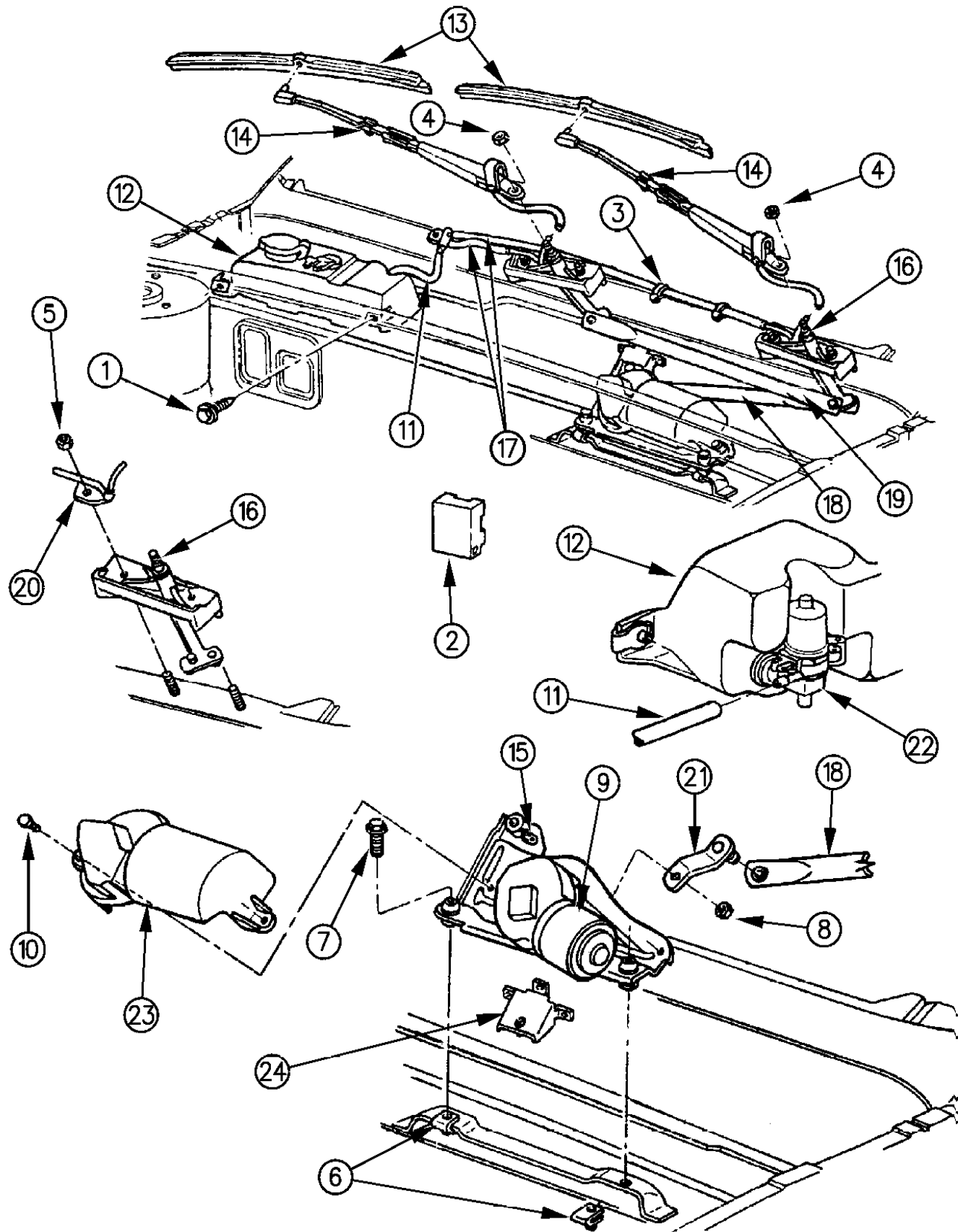
**BODY STYLES:**

21=2-Door Coupe      41=4-Door Sedan      12-52=FWD & AWD Van & Wgn Std W.B.  
 24=2-Door Hatchback      44=4-Door Hatchback      53=FWD & AWD Van & Wgn Ext. W.B.  
 27=2-Door Convertible

AR = Use as Required   - = Non Illustrated Part   P.A.R. = Paint as Required

**WINDSHIELD WIPER AND WASHER SYSTEM P BODY**  
**Figure 23D-200**

93172 200B



ITEM	PART NUMBER	QTY	BODY	MODEL	DESCRIPTION
21	4334 550	1			CRANK, w/Pin
22	4419 161	1			PUMP, Washer
23	4389 320	1			COVER, Motor
24	4389 302	1			BRACKET, Motor Mtg.

**MODEL CODES:**

A BODY=(C=LeBaron, D=Spirit, P=Acclaim/LaBaron(Landau), Saratoga)      S BODY=(H=Voyager(H) FWD, K=Caravan(H) FWD, Y=Town & Country(H) FWD, P=Voyager(K) AWD, D=Caravan(K) AWD, C=Town & Country(K) AWD)  
 C BODY=(D=Dynasty, C=New Yorker/N.Y. Salon)  
 G BODY=(V=Daytona/IROC, Chrysler Daytona)  
 J BODY=(C=LeBaron, Chrysler LeBaron)  
 P BODY=(P=Sundance, D=Shadow)      Y BODY=(C=Imperial/5th Avenue)  
 E-S BODY=(K=Chrysler Voyager(H) FWD, D=Chrysler Voyager(K) AWD)

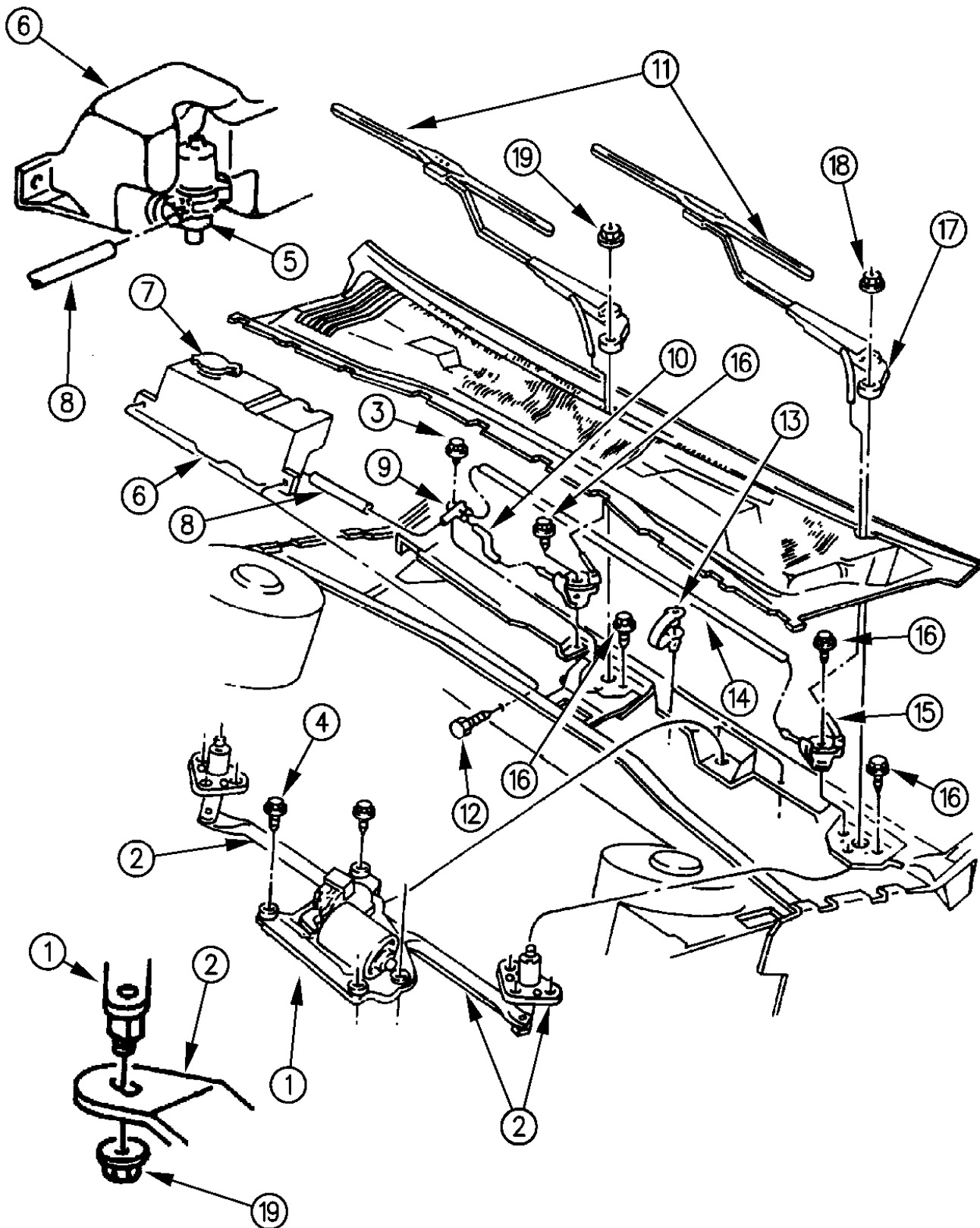
**BODY STYLES:**

21=2-Door Coupe      41=4-Door Sedan      12-52=FWD & AWD Van & Wgn Std W.B.  
 24=2-Door Hatchback      44=4-Door Hatchback      53=FWD & AWD Van & Wgn Ext. W.B.  
 27=2-Door Convertible

AR = Use as Required - = Non Illustrated Part P.A.R. = Paint as Required

**WINDSHIELD WIPER AND WASHER SYSTEM A BODY**  
**Figure 23D-300**

93172 300A



ITEM	PART NUMBER	QTY	BODY	MODEL	DESCRIPTION
1	4389 131	1			MOTOR, Wiper
	4637 973	1			BRACKET, Motor Mtg.
2	4389 319	1			LINK, w/Pivots
3		1			SCREW (DNS)
4	6501 160	2			SCREW
	6101 283	2			U-NUT
5	4419 161	1			PUMP, Washer
6	4467 341	1			RESERVOIR, Washer
	4270 609	1			SENSOR, Fluid
7	4389 110	1			CAP, Reservoir
8	4439 003	AR			HOSE
9	4334 274	1			CONNECTOR
10	4439 002	AR			HOSE
11	4389 350	2			BLADE, Wiper w/Air Foil
	4334 667	2			w/out Air Foil
	4389 461	2			REFILL, Blade
					NOZZLE, Washer
	4389 357	2			Upper
	4389 358	2			Lower
12		2			SCREW (DNS)
13	6015 776	2			CLIP
14	4439 002	AR			HOSE
15	4389 048	2			CONNECTOR
16	6031 754	6			SCREW
17	4389 371	2			ARM, Wiper
					GUARD, Hose
	4389 374	2			Upper
	4389 375	2			Lower
	4389 255	2			Head Cover, Wiper Arm
18	6500 363	2			NUT
19	6500 165	1			NUT

**MODEL CODES:**

A BODY=(C=LeBaron, D=Spirit, P=Acclaim/LaBaron(Landau),  
Saratoga)

C BODY=(D=Dynasty, C=New Yorker/N.Y. Salon)

G BODY=(V=Daytona/ROC, Chrysler Daytona)

J BODY=(C=LeBaron, Chrysler LeBaron)

P BODY=(P=Sundance, D=Shadow)

S BODY=(H=Voyager(H) FWD, K=Caravan(H) FWD,

Y=Town & Country(H) FWD, P=Voyager(K) AWD,

D=Caravan(K) AWD, C=Town & Country(K) AWD)

Y BODY=(C=Imperial/5th Avenue)

E-S BODY=(K=Chrysler Voyager(H) FWD, D=Chrysler

Voyager(K) AWD)

**BODY STYLES:**

21=2-Door Coupe

41=4-Door Sedan

12-52=FWD & AWD Van & Wgn Std W.B.

24=2-Door Hatchback

44=4-Door Hatchback

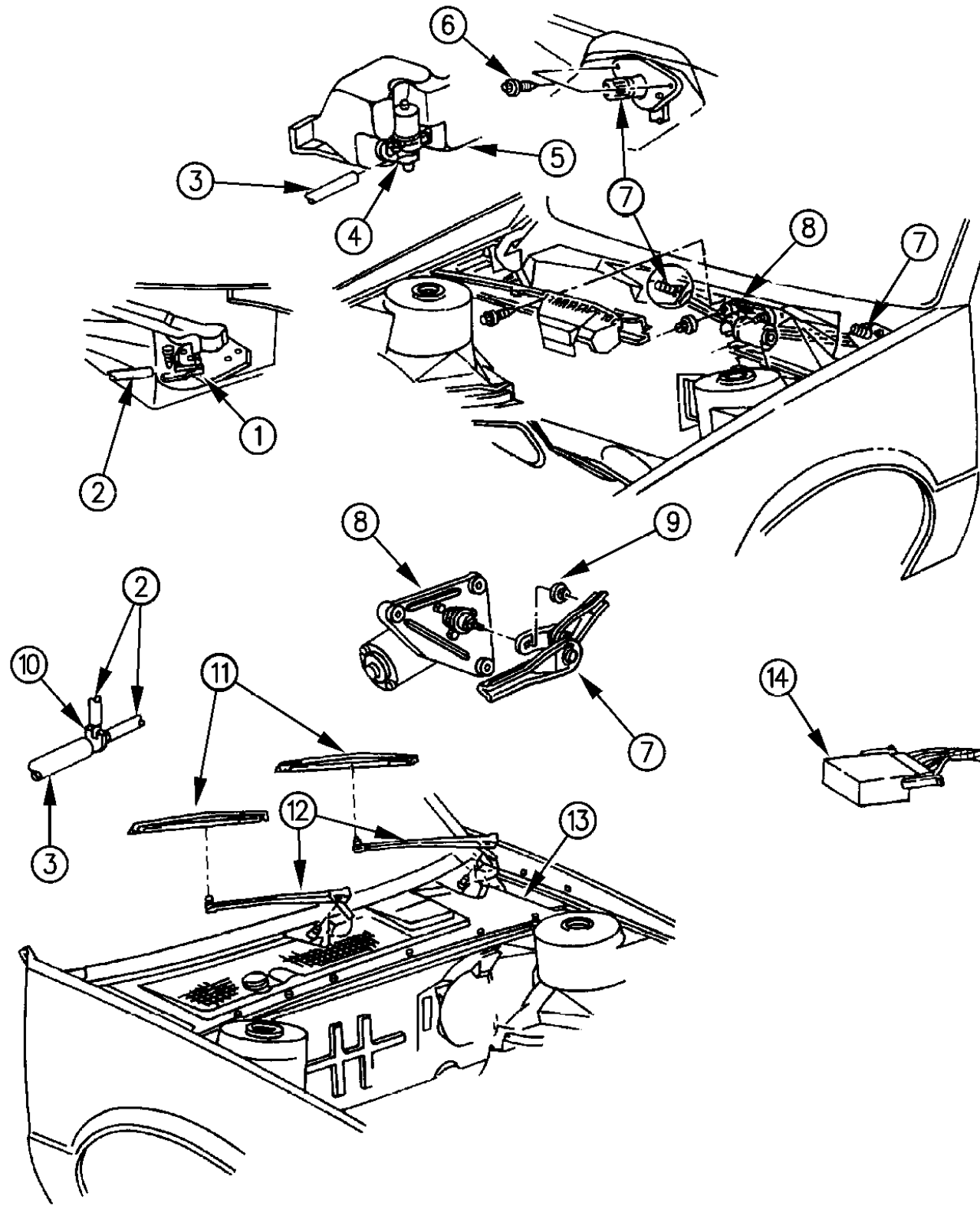
53=FWD & AWD Van & Wgn Ext. W.B.

27=2-Door Convertible

AR = Use as Required - = Non Illustrated Part P.A.R. = Paint as Required

**WINDSHIELD WIPER AND WASHER SYSTEM J BODY  
Figure 23D-400**

93172 400A



ITEM	PART NUMBER	QTY	BODY	MODEL	DESCRIPTION
1	4334 574	2			CONNECTOR, Washer Hose Elbow
2	4439 002	AR			HOSE, Tee Connector to Connector
3	4439 003	AR			HOSE, Reservoir to Tee Connector
4	4419 161	1			PUMP, Washer
5	4467 341	1			RESERVOIR, Washer
	4270 609	1			SENSOR, Reservoir
	4389 110	1			CAP, Reservoir
6	6031 754	4			SCREW, Pivot Mtg.
7	4467 330-1				PIVOT, Wiper
	3799 597	1			CRANK, w/Pin, Wiper
	3799 595	1			LINK, w/Bushing, Wiper
	3799 600	1			Right
	3799 600	1			Left
	3799 089	AR			BUSHING, Drive Link
8	4389 132	1			MOTOR, Wiper
	6500 502	3			NUT, Motor Mtg.
9	6031 096	1			NUT, Crank Arm Mtg.
10	4334 112	1			CONNECTOR, Washer Tee
11	5263 980	2			BLADE, Wiper w/Refill
	4389 461	2			REFILL, Blade
12	4389 366	2			ARM, Wiper
					NOZZLE, Washer
	4389 357	2			Upper
	4389 358	2			Lower
13					SCREEN, Water Deflector, See 23A
14		1			CONTROL, Intermittent Wiper, See Group 8

**MODEL CODES:**

A BODY=(C=LeBaron, D=Spirit, P=Acclaim/LaBaron(Landau),  
Saratoga)  
C BODY=(D=Dynasty, C=New Yorker/N.Y. Salon)  
G BODY=(V=Daytona/IROC, Chrysler Daytona)  
J BODY=(C=LeBaron, Chrysler LeBaron)  
P BODY=(P=Sundance, D=Shadow)

S BODY=(H=Voyager(H) FWD, K=Caravan(H) FWD,  
Y=Town & Country(H) FWD, P=Voyager(K) AWD,  
D=Caravan(K) AWD, C=Town & Country(K) AWD)  
Y BODY=(C=Imperial/5th Avenue)  
E-S BODY=(K=Chrysler Voyager(H) FWD, D=Chrysler  
Voyager(K) AWD)

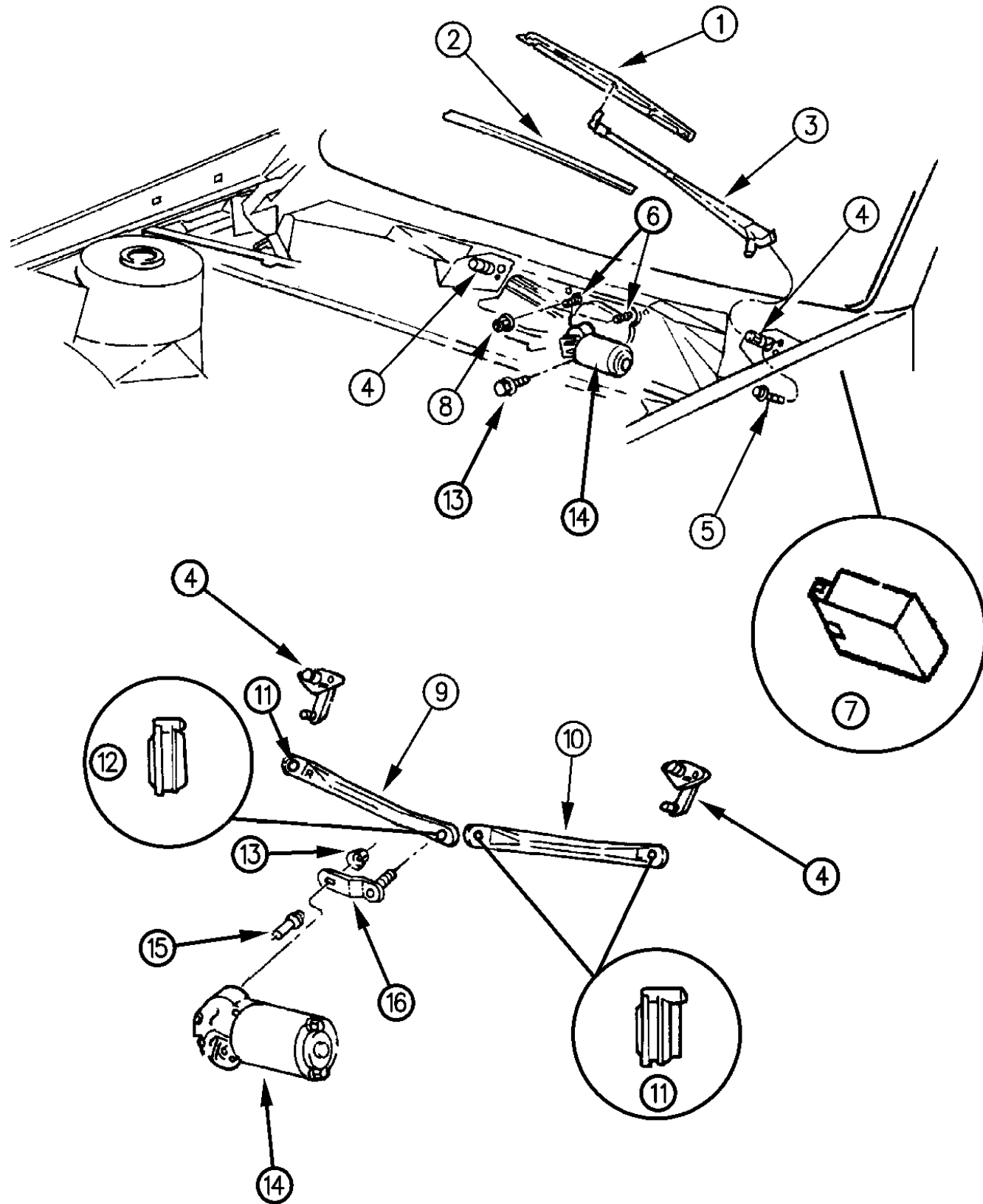
**BODY STYLES:**

21=2-Door Coupe      41=4-Door Sedan      12-52=FWD & AWD Van & Wgn Std W.B.  
24=2-Door Hatchback      44=4-Door Hatchback      53=FWD & AWD Van & Wgn Ext. W.B.  
27=2-Door Convertible

AR = Use as Required - = Non Illustrated Part P.A.R. = Paint as Required

**WINDSHIELD WIPER SYSTEM G BODY**  
Figure 23D-500

93172 500A



ITEM	PART NUMBER	QTY	BODY	MODEL	DESCRIPTION
1	4389 458	2			BLADE, Wiper
2	4389 461	2			REFILL, Wiper Blade
3	4389 366	2			ARM, Wiper
	4389 363	2			GUARD, Hose Upper
	4389 369	2			Lower
4	4467 330-1	1			PIVOT, Wiper
5	6031 754	4			SCREW
6	5256 076	1			REINFORCEMENT, Motor Mtg.
7		1			CONTROL, Intermittent Wipe, See Group 8
8	6500 502	2			NUT
9	3799 595	1			LINK, Wiper, Right
10	3799 600	1			LINK, Wiper, Left
11	3799 089	3			BUSHING, Wiper Link
12	5211 015	1			BUSHING, Wiper Link
13	6031 096	1			NUT, Drive Link
14	4389 132	1			MOTOR, Wiper
15		AR			BOLT (DNS)
	6500 502	3			NUT, Motor Mtg.
16	3799 597	1			CRANK, w/Pin, Drive

**MODEL CODES:**

A BODY=(C=LeBaron, D=Spirit, P=Acclaim/LaBaron(Landau), Saratoga)      S BODY=(H=Voyager(H) FWD, K=Caravan(H) FWD, Y=Town & Country(H) FWD, P=Voyager(K) AWD, D=Caravan(K) AWD, C=Town & Country(K) AWD)  
 C BODY=(D=Dynasty, C=New Yorker/N.Y. Salon)  
 G BODY=(V=Daytona/IROC, Chrysler Daytona)  
 J BODY=(C=LeBaron, Chrysler LeBaron)  
 P BODY=(P=Sundance, D=Shadow)      Y BODY=(C=Imperial/5th Avenue)  
 E-S BODY=(K=Chrysler Voyager(H) FWD, D=Chrysler Voyager(K) AWD)

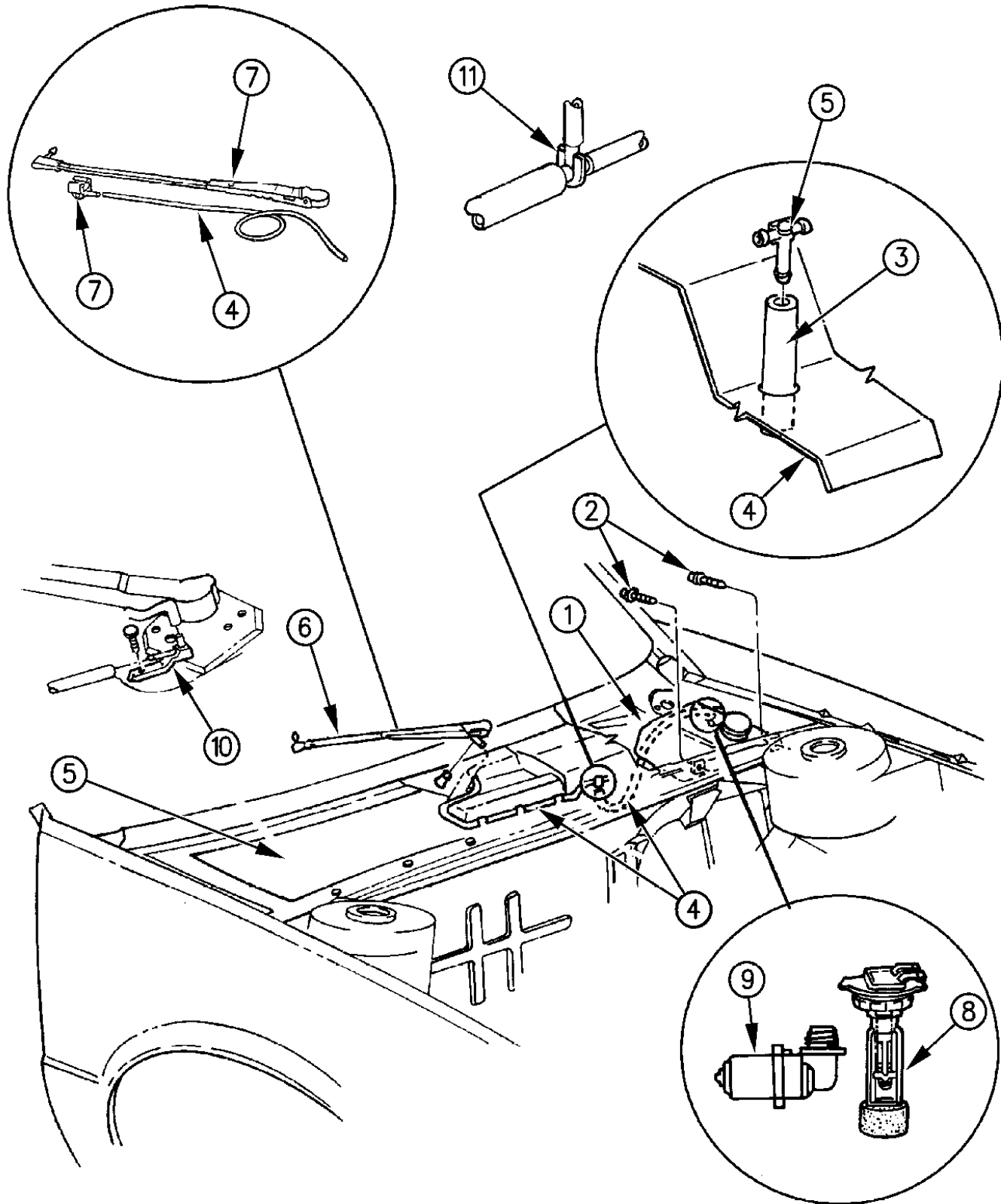
**BODY STYLES:**

21=2-Door Coupe      41=4-Door Sedan      12-52=FWD & AWD Van & Wgn Std W.B.  
 24=2-Door Hatchback      44=4-Door Hatchback      53=FWD & AWD Van & Wgn Ext. W.B.  
 27=2-Door Convertible

AR = Use as Required   - = Non Illustrated Part   P.A.R. = Paint as Required

**WINDSHIELD WASHER SYSTEM G BODY**  
**Figure 23D-600**

93172 600A



ITEM	PART NUMBER	QTY	BODY	MODEL	DESCRIPTION
1	4467 341	1			RESERVOIR, Washer
	4389 110	1			CAP, Reservoir
2	6031 954	2			SCREW
3	4026 130	AR			HOSE, Washer 3/32" I.D.
	4439 003	AR			5/32" I.D.
4	4371 838	1			SCREEN, Water Deflector
5	3799 721	1			CONNECTOR, Hose Tee
6					ARM, Wiper, Refer to Wiper Illus.
7					NOZZLE, Washer
	4389 357	2			Upper
	4389 358	2			Lower
8	4270 609	1			SENSOR, Fluid Level
9	4419 161	1			PUMP, Washer
10	4334 574	2			CONNECTOR, Washer Hose Elbow
11	4334 112	1			CONNECTOR, Washer Tee

**MODEL CODES:**

A BODY=(C=LeBaron, D=Spirit, P=Acclaim/LaBaron(Landau), Saratoga)      S BODY=(H=Voyager(H) FWD, K=Caravan(H) FWD, Y=Town & Country(H) FWD, P=Voyager(K) AWD, D=Caravan(K) AWD, C=Town & Country(K) AWD)  
 C BODY=(D=Dynasty, C=New Yorker/N.Y. Salon)      Y BODY=(C=Imperial/5th Avenue)  
 G BODY=(V=Daytona/IROC, Chrysler Daytona)      E-S BODY=(K=Chrysler Voyager(H) FWD, D=Chrysler Voyager(K) AWD)  
 J BODY=(C=LeBaron, Chrysler LeBaron)  
 P BODY=(P=Sundance, D=Shadow)

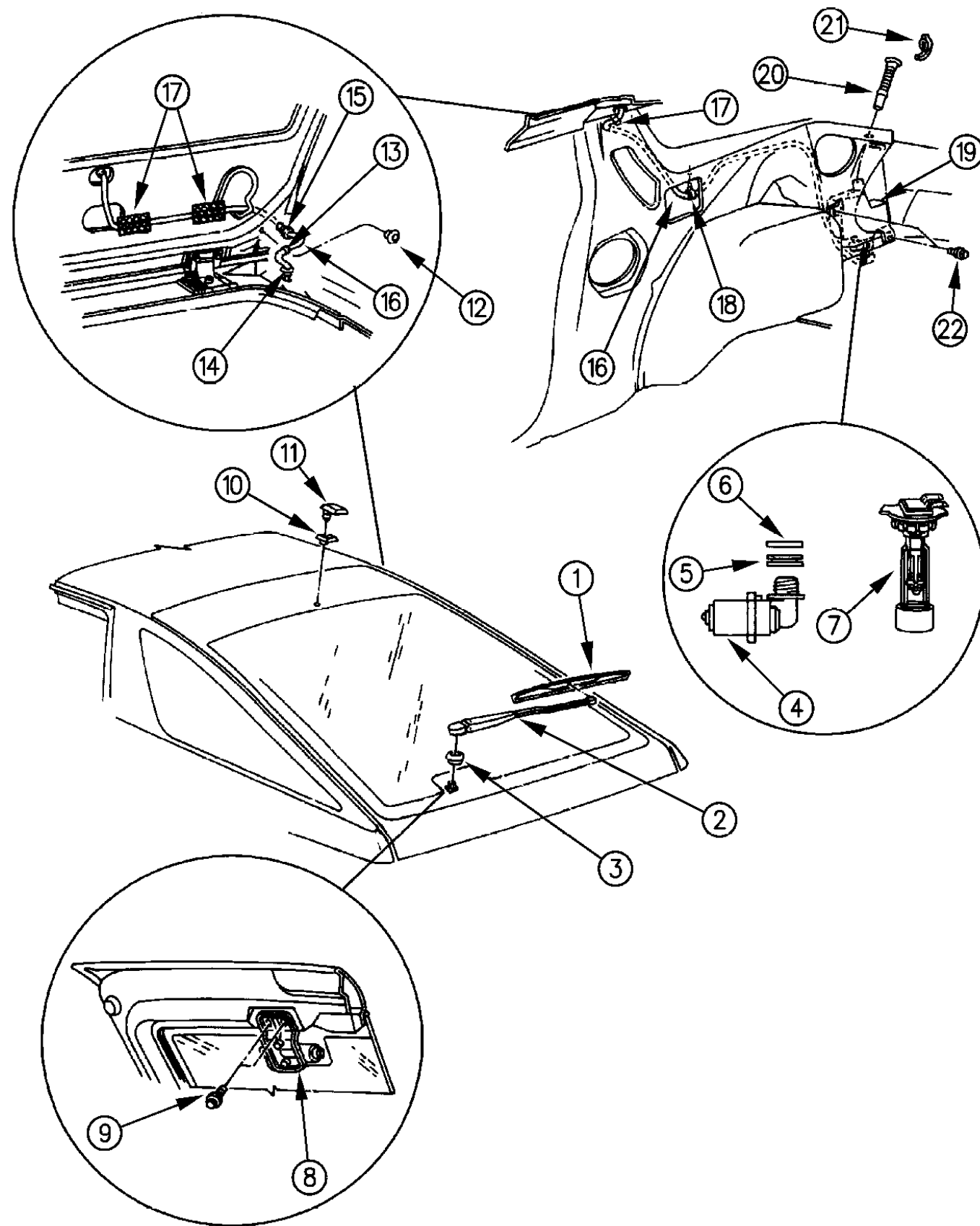
**BODY STYLES:**

21=2-Door Coupe      41=4-Door Sedan      12-52=FWD & AWD Van & Wgn Std W.B.  
 24=2-Door Hatchback      44=4-Door Hatchback      53=FWD & AWD Van & Wgn Ext. W.B.  
 27=2-Door Convertible

AR = Use as Required - = Non Illustrated Part P.A.R. = Paint as Required

LIFTGATE WIPER AND WASHER SYSTEM G BODY  
Figure 23D-700

93172 700A



ITEM	PART NUMBER	QTY	BODY	MODEL	DESCRIPTION
1	4389 062	1			BLADE, Wiper
	3799 335	1			REFILL, Wiper Blade
2	3799 766	1			ARM, Wiper
3	3799 824	1			GROMMET, Glass
4	4723 306	1			PUMP, Washer
	3431 975	1			FILTER, Pump
5		1			SEAL, Pump, Serviced in Item #4
6		1			WASHER, Pump (DNS)
7	3746 813	1			SENSOR, Fluid Level
8	3799 837	1			MOTOR, Wiper
9		2			SCREW (DNS)
10	3799 772	1			GROMMET, Nozzle
11	3799 682	1			NOZZLE, Washer
12	6031 044	1			PLUG
13		1			CLIP, Hose Routing (DNS)
14	3799 520	1			GROMMET, Hose to Body
15	5211 041	1			GROMMET, Hose to Liftgate
16	4439 003	AR			HOSE, Washer
17		AR			TAPE (DNS)
18	6015 776	1			CLIP, Hose Routing
19	4389 252	1			RESERVOIR, Washer
20	4389 010	1			TUBE, Filler
21	4389 011	1			CAP, Reservoir
22	6033 449	2			SCREW

**MODEL CODES:**

A BODY=(C=LeBaron, D=Spirit, P=Acclaim/LaBaron(Landau, Saratoga)  
 C BODY=(D=Dynasty, C=New Yorker/N.Y. Salon)  
 G BODY=(V=Daytona/IROC, Chrysler Daytona)  
 J BODY=(C=LeBaron, Chrysler LeBaron)  
 P BODY=(P=Sundance, D=Shadow)  
 S BODY=(H=Voyager(H) FWD, K=Caravan(H) FWD, Y=Town & Country(H) FWD, P=Voyager(K) AWD, D=Caravan(K) AWD, C=Town & Country(K) AWD)  
 Y BODY=(C=Imperial/5th Avenue)  
 E-S BODY=(K=Chrysler Voyager(H) FWD, D=Chrysler Voyager(K) AWD)

**BODY STYLES:**

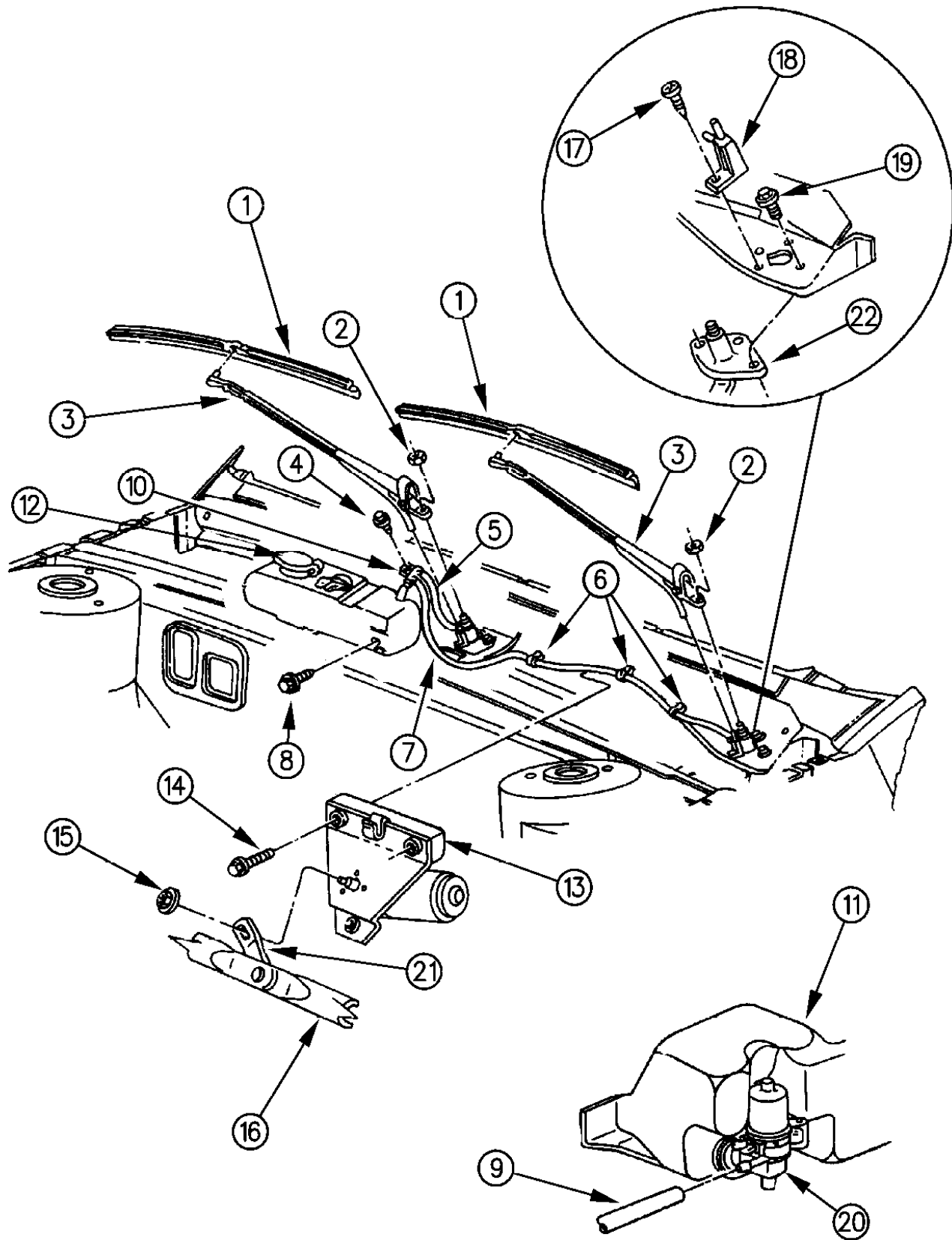
21=2-Door Coupe      41=4-Door Sedan      12-52=FWD & AWD Van & Wgn Std W.B.  
 24=2-Door Hatchback      44=4-Door Hatchback      53=FWD & AWD Van & Wgn Ext. W.B.  
 27=2-Door Convertible

AR = Use as Required - = Non Illustrated Part P.A.R. = Paint as Required

**WINDSHIELD WIPER AND WASHER SYSTEM C BODY**  
**Figure 23D-800**

93172 800A

ITEM	PART NUMBER	QTY	BODY	MODEL	DESCRIPTION
1	4389 428	2			BLADE, Wiper
					NOZZLE, Washer
	4389 357	2			Upper
	4389 358	2			Lower
	4389 461	2			REFILL, Blade
2	6500 165	2			NUT, Arm Mtg.
3	4389 382	2			ARM, Wiper
	4389 295	2			COVER, Wiper Arm
					GUARD, Hose
	4389 363	2			Upper
	4389 364	2			Lower
4		1			SCREW (DNS)
5	4439 002	AR			HOSE
6		2			CLIP (DNS)
7	4439 002	AR			HOSE
8		2			SCREW (DNS)
9	4439 003	AR			HOSE
10	4334 274	1			CONNECTOR
11	4467 341	1			RESERVOIR, Washer
	4270 609	1			SENSOR, Reservoir
12	4389 110	1			CAP, Reservoir
13	4389 131	1			MOTOR, Wiper
14	6501 160	3			SCREW, Motor Mtg.
15	6031 096	1			NUT, Crank Mtg.
16					LINK, Wiper
	4270 980	1			Right
	4270 976	1			Left
	3799 089	AR			BUSHING, Drive Link
17		2			SCREW (DNS)
18	4334 113	2			CONNECTOR, Elbow
19	6031 754	4			SCREW, Pivot Mtg.
20	4419 161	1			PUMP, Washer
21	4270 978	1			CRANK, w/Pin, Drive
22					PIVOT, Wiper
	4389 387	1			Right
	4389 389	1			Left



**MODEL CODES:**

A BODY=(C=LeBaron, D=Spirit, P=Acclaim/LaBaron(Landau),  
 Saratoga)  
 C BODY=(D=Dynasty, C=New Yorker/N.Y. Salon)  
 G BODY=(V=Daytona/IROC, Chrysler Daytona)  
 J BODY=(C=LeBaron, Chrysler LeBaron)  
 P BODY=(P=Sundance, D=Shadow)

S BODY=(H=Voyager(H) FWD, K=Caravan(H) FWD,  
 Y=Town & Country(H) FWD, P=Voyager(K) AWD,  
 D=Caravan(K) AWD, C=Town & Country(K) AWD)  
 Y BODY=(C=Imperial/5th Avenue)  
 E-S BODY=(K=Chrysler Voyager(H) FWD, D=Chrysler  
 Voyager(K) AWD)

**BODY STYLES:**

21=2-Door Coupe      41=4-Door Sedan      12-52=FWD & AWD Van & Wgn Std W.B.  
 24=2-Door Hatchback      44=4-Door Hatchback      53=FWD & AWD Van & Wgn Ext. W.B.  
 27=2-Door Convertible

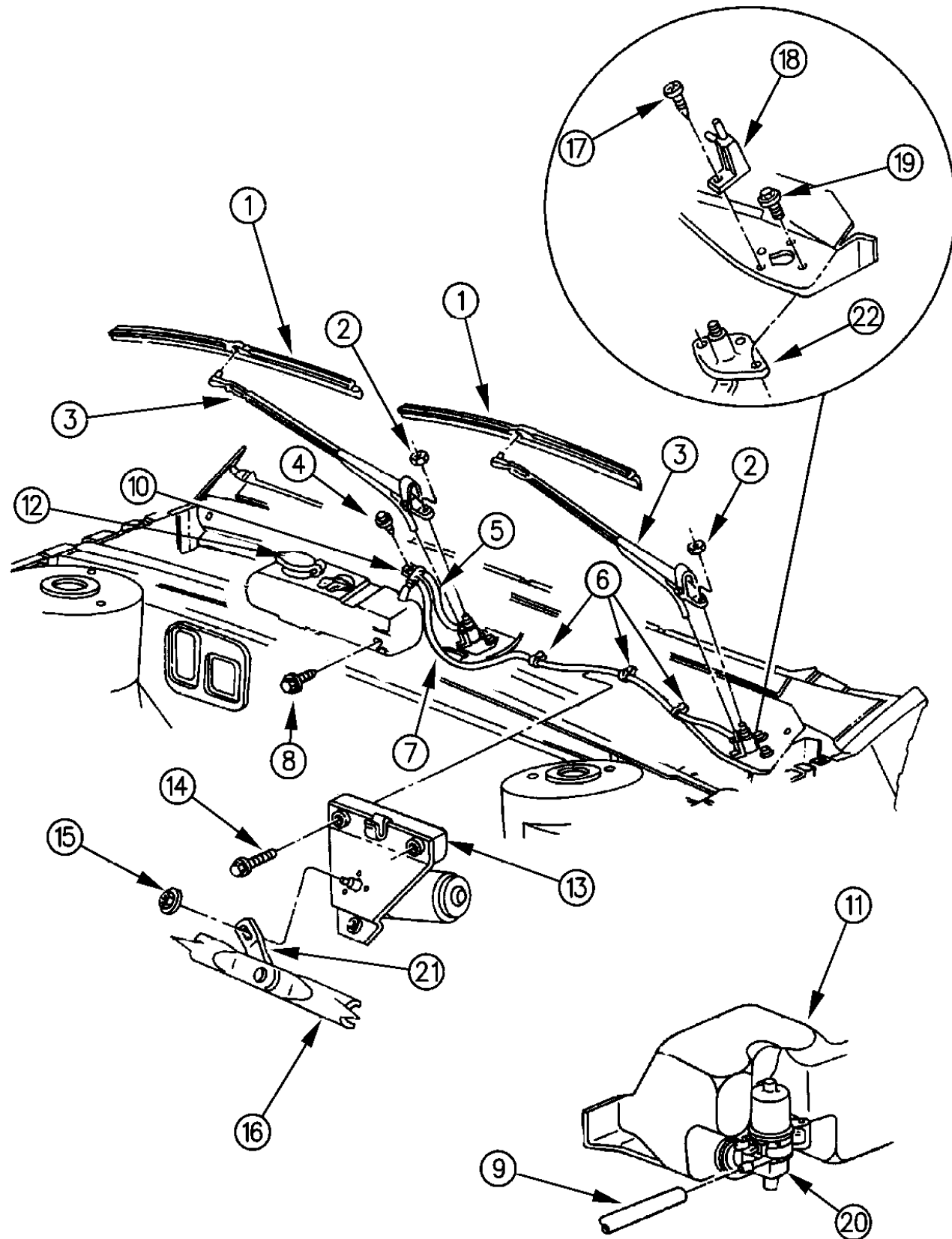
AR = Use as Required - = Non Illustrated Part P.A.R. = Paint as Required



### WINDSHIELD WIPER AND WASHER SYSTEM Y BODY Figure 23D-900

93172 900A

ITEM	PART NUMBER	QTY	BODY	MODEL	DESCRIPTION
1	4389 428	2			BLADE, Wiper
					NOZZLE, Washer
	4389 357	2			Upper
	4389 358	2			Lower
2	4389 461	2			REFILL, Blade
2	6500 165	2			NUT, Arm Mtg.
3	4389 382	2			ARM, Wiper
	4389 295	2			COVER, Wiper Arm GUARD, Hose
4	4389 363	2			Upper
	4389 364	2			Lower
4		1			SCREW (DNS)
5	4439 002	AR			HOSE
6		2			CLIP (DNS)
7	4439 002	AR			HOSE
8		2			SCREW (DNS)
9	4439 003	AR			HOSE
10	4334 274	1			CONNECTOR
11	4467 341	1			RESERVOIR, Washer
	4270 609	1			SENSOR, Reservoir
12	4389 110	1			CAP, Reservoir
13	4389 131	1			MOTOR, Wiper
14	6501 160	3			SCREW, Motor Mtg.
15	6031 096	1			NUT, Crank Mtg.
16					LINK, Wiper
	4270 980	1			Right
	4270 976	1			Left
	3799 089	AR			BUSHING, Drive Link
17		2			SCREW (DNS)
18	4334 113	2			CONNECTOR, Elbow
19	6031 754	4			SCREW, Pivot Mtg.
20	4419 161	1			PUMP, Washer
21	4270 978	1			CRANK, w/Pin, Drive
22					PIVOT, Wiper
	4389 387	1			Right
	4389 389	1			Left



**MODEL CODES:**

A BODY=(C=LeBaron, D=Spirit, P=Acclaim/LaBaron(Landau), Saratoga) S BODY=(H=Voyager(H) FWD, K=Caravan(H) FWD, Y=Town & Country(H) FWD, P=Voyager(K) AWD, D=Caravan(K) AWD, C=Town & Country(K) AWD)  
 C BODY=(D=Dynasty, C=New Yorker/N.Y. Salon)  
 G BODY=(V=Daytona/IROC, Chrysler Daytona)  
 J BODY=(C=LeBaron, Chrysler LeBaron)  
 P BODY=(P=Sundance, D=Shadow)  
 Y BODY=(C=Imperial/5th Avenue)  
 E-S BODY=(K=Chrysler Voyager(H) FWD, D=Chrysler Voyager(K) AWD)

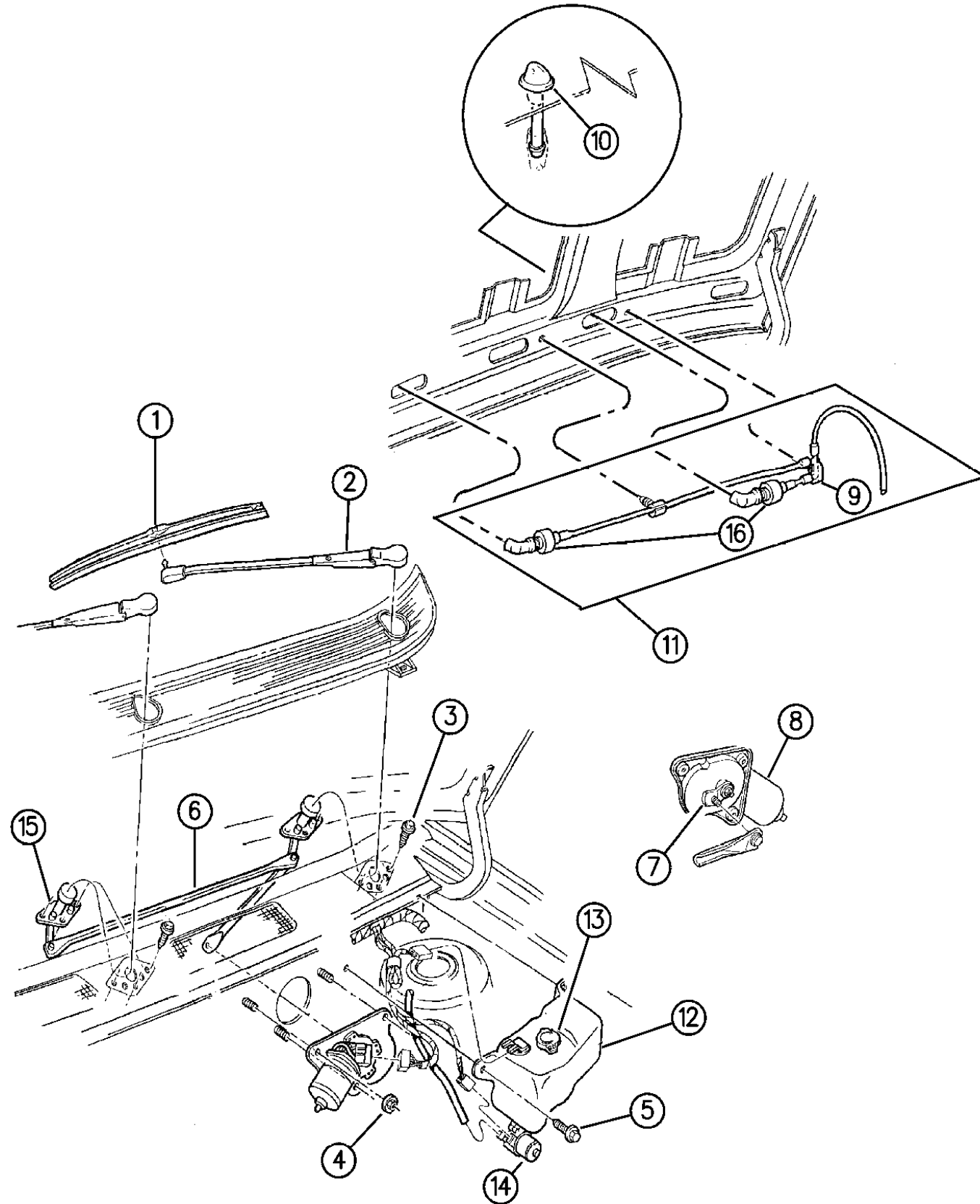
**BODY STYLES:**

21=2-Door Coupe      41=4-Door Sedan      12-52=FWD & AWD Van & Wgn Std W.B.  
 24=2-Door Hatchback      44=4-Door Hatchback      53=FWD & AWD Van & Wgn Ext. W.B.  
 27=2-Door Convertible

AR = Use as Required - = Non Illustrated Part P.A.R. = Paint as Required

**WINDSHIELD WIPER AND WASHER SYSTEM S BODY**  
**Figure 23D-1000**

93172 1000B



ITEM	PART NUMBER	QTY	BODY	MODEL	DESCRIPTION
1					BLADE, Wiper
	4389 350	2			Airfoil
	4389 439	1			Left (EUROPEAN)
	4389 428	1			Right (EUROPEAN)
					REFILL, Blade
	4389 200	2			Airfoil
	4389 461	2			(EUROPEAN)
2					ARM, Wiper
	4673 024	2			Trico Type
	4673 040-1	1			J-Hook Type
3	6031 754	6			SCREW
4	6500 502	3			NUT, Motor Mtg.
5	6034 261	2			SCREW
6					LINK, w/Bushing
	4270 414	1			Connecting
	4270 445	1			Drive
	5211 015	1			BUSHING
7	4389 151	1			CRANK, w/Pin, Drive
8	4389 132	1			MOTOR, Wiper
	4389 314	1			BRACKET, Motor
	4270 855	1			SEAL, Motor
9	4740 330	2			CONNECTOR
10	4673 023	2			NOZZLE, Washer
11	4673 028	1			Hose w/Connector ***
	4741 608	1			Connector ***
12	4389 322	1			RESERVOIR, Washer
	4373 489	1			SENSOR, Fluid
13	4389 109	1			CAP, Reservoir
14	4638 543	1			PUMP, Washer
	3431 975	1			FILTER, Reservoir
15					PIVOT, Wiper
	4389 432	1			Right
	4389 419	1			Left
16	4728 154	2			VALVE, Check

**MODEL CODES:**

A BODY=(C=LeBaron, D=Spirit, P=Acclaim/LaBaron(Landau, Saratoga)  
 C BODY=(D=Dynasty, C=New Yorker/N.Y. Salon)  
 G BODY=(V=Daytona/IROC, Chrysler Daytona)  
 J BODY=(C=LeBaron, Chrysler LeBaron)  
 P BODY=(P=Sundance, D=Shadow)

S BODY=(H=Voyager(H) FWD, K=Caravan(H) FWD, Y=Town & Country(H) FWD, P=Voyager(K) AWD, D=Caravan(K) AWD, C=Town & Country(K) AWD)  
 Y BODY=(C=Imperial/5th Avenue)  
 E-S BODY=(K=Chrysler Voyager(H) FWD, D=Chrysler Voyager(K) AWD)

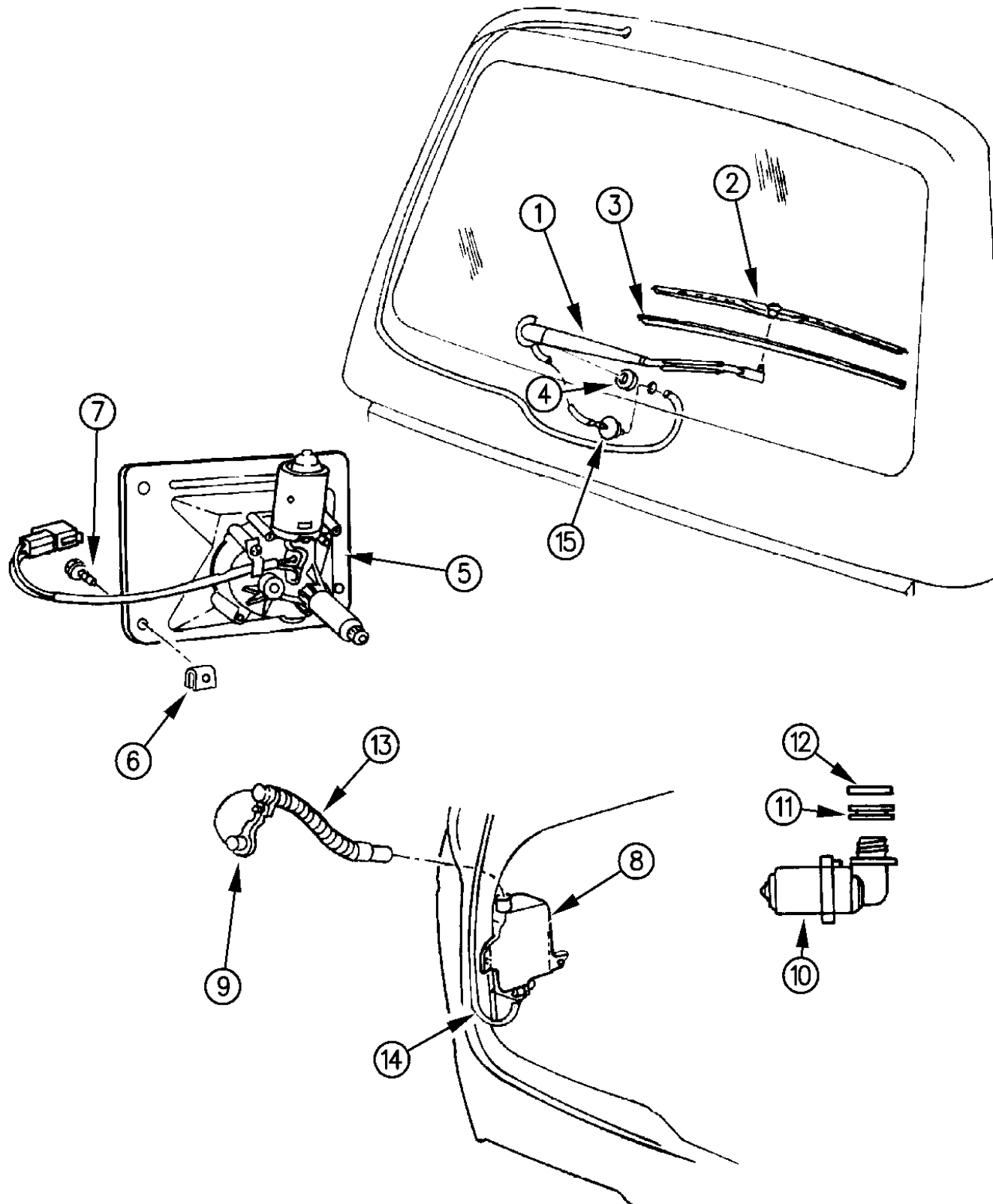
**BODY STYLES:**

21=2-Door Coupe      41=4-Door Sedan      12-52=FWD & AWD Van & Wgn Std W.B.  
 24=2-Door Hatchback      44=4-Door Hatchback      53=FWD & AWD Van & Wgn Ext. W.B.  
 27=2-Door Convertible

AR = Use as Required - = Non Illustrated Part P.A.R. = Paint as Required

LIFTGATE WIPER AND WASHER SYSTEM S BODY  
Figure 23D-1100

93172 1100A



ITEM	PART NUMBER	QTY	BODY	MODEL	DESCRIPTION
1	4673 032	1			ARM, Wiper
	4389 455	1			NOZZLE, Washer
2	4389 424	1			BLADE, Wiper
3	4638 751	1			REFILL, Wiper Blade
4	3799 824	1			GROMMET, Glass
5	4389 451	1			MOTOR, Wiper
6		4			NUT (DNS)
7		4			SCREW (DNS)
8	4389 193	1			RESERVOIR, Washer
	3431 975	1			FILTER, Reservoir
9	3799 726	1			CAP, Filler Tube
10	4638 543	1			PUMP, Washer
11		1			SEAL, Pump, Serviced in 10
12		1			WASHER (DNS)
13	3799 679	1			TUBE, Filler
14	4439 003	AR			HOSE, Washer
	3799 520	1			GROMMET, Hose to Reservoir
15	5211 041	1			GROMMET, Hose to Nozzle
	4389 460	1			CONNECTOR, Hose

**MODEL CODES:**

A BODY=(C=LeBaron, D=Spirit, P=Acclaim/LaBaron(Landau), Saratoga) S BODY=(H=Voyager(H) FWD, K=Caravan(H) FWD, Y=Town & Country(H) FWD, P=Voyager(K) AWD, D=Caravan(K) AWD, C=Town & Country(K) AWD)  
 C BODY=(D=Dynasty, C=New Yorker/N.Y. Salon) Y BODY=(C=Imperial/5th Avenue)  
 G BODY=(V=Daytona/IROC, Chrysler Daytona) E-S BODY=(K=Chrysler Voyager(H) FWD, D=Chrysler Voyager(K) AWD)  
 J BODY=(C=LeBaron, Chrysler LeBaron)  
 P BODY=(P=Sundance, D=Shadow)

**BODY STYLES:**

21=2-Door Coupe 41=4-Door Sedan 12-52=FWD & AWD Van & Wgn Std W.B.  
 24=2-Door Hatchback 44=4-Door Hatchback 53=FWD & AWD Van & Wgn Ext. W.B.  
 27=2-Door Convertible

AR = Use as Required - = Non Illustrated Part P.A.R. = Paint as Required

---

**GROUP 24 - HEATER & AIR COND.**

<b>ILLUSTRATION TITLE</b>	<b>GROUP-FIG. NO.</b>
<b>HEATER CONTROLS</b>	
CONTROLS, HEATER S BODY .....	Fig. 24-100
CONTROLS, HEATER P,A,J,G,C BODY .....	Fig. 24-200
<b>HEATER UNIT</b>	
HEATER UNIT P,A,J,G,C BODY .....	Fig. 24-300
HEATER UNIT S BODY .....	Fig. 24-400
<b>HEATER PLUMBING</b>	
PLUMBING, HEATER 2.5L E.F.I. J BODY .....	Fig. 24-600
PLUMBING, HEATER 3.0L ENGINE J,G BODY .....	Fig. 24-700
PLUMBING, HEATER 2.5L E.F.I. G BODY .....	Fig. 24-800
PLUMBING, HEATER 2.5L E.F.I. S BODY .....	Fig. 24-900
PLUMBING, HEATER 3.0L AND 3.3L ENGINE S BODY .....	Fig. 24-1000
PLUMBING, HEATER 2.5L DIESEL ENGINE S BODY .....	Fig. 24-1050
PLUMBING HEATER, AUXILIARY UNDERBODY S BODY .....	Fig. 24-1100
<b>AIR CONDITIONER CONTROLS</b>	
CONTROL, AIR CONDITIONER S BODY .....	Fig. 24-1200
CONTROL, AIR CONDITIONER A,P BODY .....	Fig. 24-1300
CONTROL, AIR CONDITIONER J,G,C,Y BODY .....	Fig. 24-1400
<b>AIR CONDITIONING AND HEATER UNIT</b>	
AIR CONDITIONING AND HEATER UNIT P,A,J,G,C,Y BODY .....	Fig. 24-1500
AIR CONDITIONING AND HEATER UNIT S BODY .....	Fig. 24-1600
REAR AIR CONDITIONING AND HEATER UNIT S BODY .....	Fig. 24-1700
<b>PLUMBING AIR CONDITIONING AND HEATER</b>	
PLUMBING, AIR CONDITIONING AND HEATER J BODY 2.5L ENGINE 1 OF 2 ILLUSTRATIONS .....	Fig. 24-1800
PLUMBING, AIR CONDITIONING AND HEATER J BODY 2.5L ENGINE 2 OF 2 ILLUSTRATIONS .....	Fig. 24-1900
PLUMBING, AIR CONDITIONING AND HEATER 3.0L ENGINE J BODY .....	Fig. 24-2000
PLUMBING, AIR CONDITIONING AND HEATER A BODY 2.5L ENGINE 1 OF 2 ILLUSTRATIONS .....	Fig. 24-2100
PLUMBING, AIR CONDITIONING AND HEATER A BODY 2.5L ENGINE 2 OF 2 ILLUSTRATIONS .....	Fig. 24-2200
PLUMBING, AIR CONDITIONING AND HEATER A BODY 3.0L ENGINE .....	Fig. 24-2300
PLUMBING, AIR CONDITIONING AND HEATER 16 VALVE ENGINE G BODY .....	Fig. 24-2400
PLUMBING, HEATER, AIR CONDITIONING AND HEATER P BODY .....	Fig. 24-2500
PLUMBING, AIR CONDITIONING AND HEATER G BODY 2.5L ENGINE 1 OF 2 ILLUSTRATIONS .....	Fig. 24-2600
PLUMBING, A/C AND HEATER G BODY 2.5L ENGINE 2 OF 2 ILLUSTRATIONS .....	Fig. 24-2700
PLUMBING, AIR CONDITIONING AND HEATER 3.0L ENGINE G BODY .....	Fig. 24-2800
PLUMBING, AIR CONDITIONING AND HEATER C BODY 2.5 LITER ENGINE .....	Fig. 24-2900

**ILLUSTRATION NOT AVAILABLE AT TIME OF PUBLICATION**

---

**GROUP 24 - HEATER & AIR COND.**

**ILLUSTRATION TITLE**

**GROUP-FIG. NO.**

**PLUMBING AIR CONDITIONING AND HEATER (Continued)**

PLUMBING, AIR CONDITIONING AND HEATER C BODY 2.5 LITER ENGINE .....	Fig. 24-2900
PLUMBING, AIR CONDITIONING AND HEATER 3.0L ENGINE C,Y BODY .....	Fig. 24-3000
PLUMBING, AIR CONDITIONING AND HEATER 3.3L, 3.8L ENGINE C,Y BODY .....	Fig. 24-3100
PLUMBING, AIR CONDITIONING AND HEATER 2.5L ENGINE E.F.I. S BODY .....	Fig. 24-3200
PLUMBING, AIR CONDITIONING 2.5L DIESEL ENGINE S BODY .....	Fig. 24-3250
PLUMBING, AIR CONDITIONING AND HEATER 3.0L ENGINE S BODY .....	Fig. 24-3300
PLUMBING, AIR CONDITIONING AND HEATER 3.3L ENGINE S BODY .....	Fig. 24-3400
PLUMBING, AUXILIARY UNDERBODY AIR CONDITIONER S BODY .....	Fig. 24-3500

**COMPRESSOR AND MOUNTING**

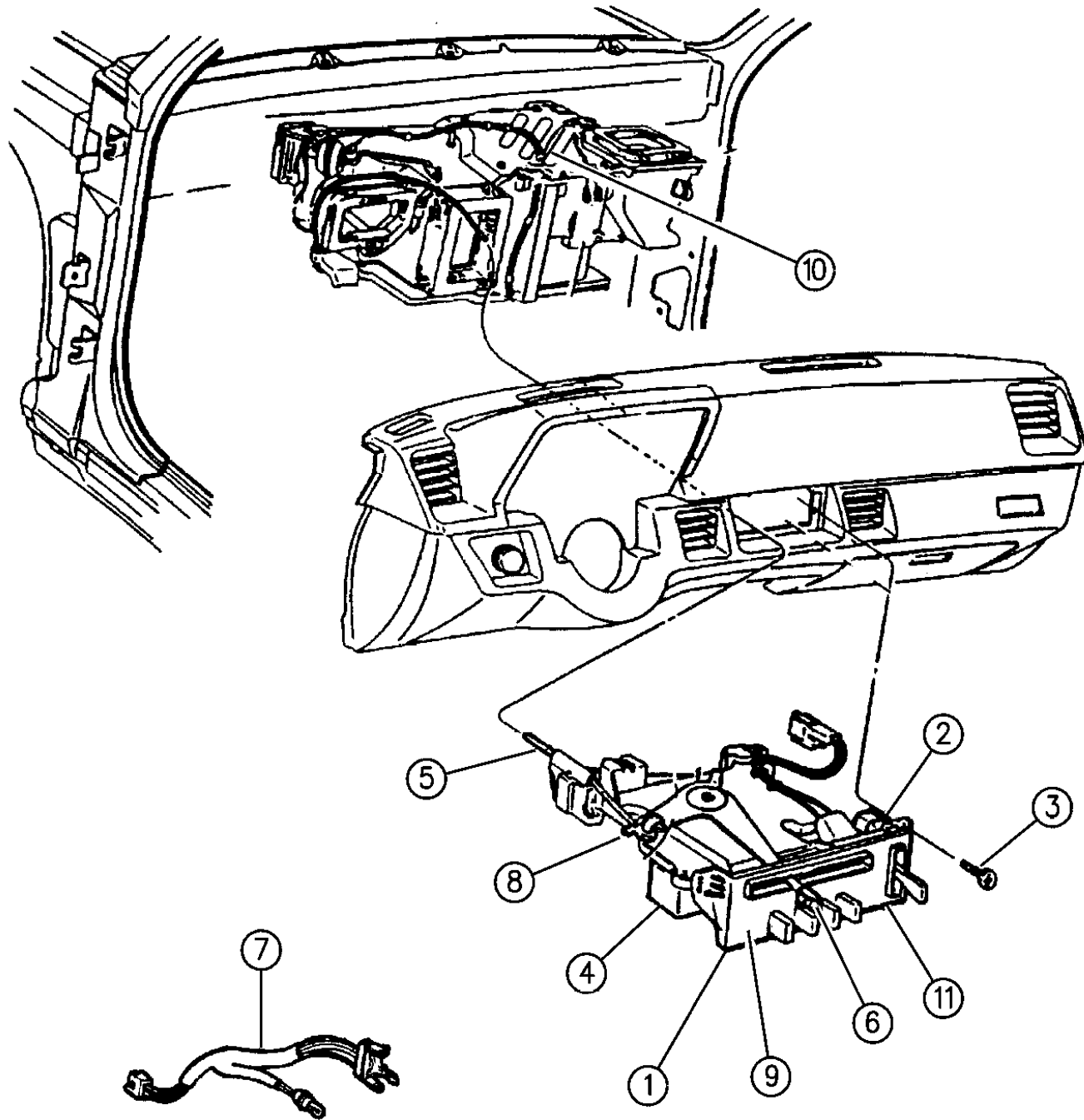
AIR CONDITIONING COMPRESSOR 2.2L - 2.5L ENGINE EXCEPT 16 VALVE .....	Fig. 24-3600
AIR CONDITIONING COMPRESSOR AND MOUNTING 2.5L DIESEL ENGINE S BODY .....	Fig. 24-3650
AIR CONDITIONING COMPRESSOR 3.0L, 3.3L, 3.8L .....	Fig. 24-3700
AIR CONDITIONING COMPRESSOR MOUNTING .....	Fig. 24-3800
AIR CONDITIONING COMPRESSOR 16 VALVE ENGINE G BODY .....	Fig. 24-3900

**AIR DUCTS, OUTLET AND LOUVER**

AIR DISTRIBUTION DUCTS, LOUVER, GRILLE C,Y BODY .....	Fig. 24-4000
DEMISTER, HOSE ADAPTER C,Y BODY .....	Fig. 24-4100
AIR DISTRIBUTION, DUCT, OUTLET, VENT HSG. P BODY P,D 22,44 .....	Fig. 24-4200
AIR DISTRIBUTION, DUCTS, OUTLET, HOUSING A BODY .....	Fig. 24-4400
DEMISTER, HOSE, ADAPTOR A BODY .....	Fig. 24-4500
AIR DISTRIBUTION DUCTS, OUTLETS J,G BODY .....	Fig. 24-4600
DEMISTER, HOSE, ADAPTER J,G BODY .....	Fig. 24-4700
AIR DISTRIBUTION DUCTS, OUTLETS, LOUVER S BODY .....	Fig. 24-4800
DEMISTER, HOSE, OUTLET, DUCT S BODY .....	Fig. 24-4900

**CONTROLS, HEATER S BODY**  
**Figure 24-100**

93124 100



ITEM	PART NUMBER	QTY	BODY	MODEL	DESCRIPTION
1		1			HOUSING, w/Lever (Serviced in Control Assembly)
2	3849 160	1			SWITCH, Blower Motor
3	6032 723	2			SCREW
4					SWITCH, Push Button (4)
	3849 161	1			2 Port
	3849 162	1			3 Port
5	4462 726	1			CABLE, Temperature Control
	6031 132	1			CLIP, Temp. Cable (Adj)
6	5264 349	1			KNOB
7	4373 255	1			SWITCH, Aux. Heater
	9421 330	1			BULB
	4443 134	1			SOCKET
	6006 041	2			SCREW
	3503 317	1			PIN, Heater Control (Bi-Level) Lever Pivot
	3849 122	1			CLIP, Heater Control Lever Return
8	4443 109	1			LEVER AND KNOB PACKAGE, Temperature Control ***
9	5264 350	1			FACE PLATE, w/Decal (Bi-Level)
10	5264 351	1			HARNESS ASSEMBLY, Heater Control, Vac.
11	4462 408	1			CONTROL, Heater Complete

**MODEL CODES:**

A BODY=(C=LeBaron, D=Spirit, P=Acclaim/LaBaron(Landau, Saratoga) S BODY=(H=Voyager(H) FWD, K=Caravan(H) FWD, Y=Town & Country(H) FWD, P=Voyager(K) AWD, D=Caravan(K) AWD, C=Town & Country(K) AWD)  
 C BODY=(D=Dynasty, C=New Yorker/N.Y. Salon)  
 G BODY=(V=Daytona/ROC, Chrysler Daytona) Y BODY=(C=Imperial/5th Avenue)  
 J BODY=(C=LeBaron, Chrysler LeBaron) E-S BODY=(K=Chrysler Voyager(H) FWD, D=Chrysler Voyager(K) AWD)  
 P BODY=(P=Sundance, D=Shadow)

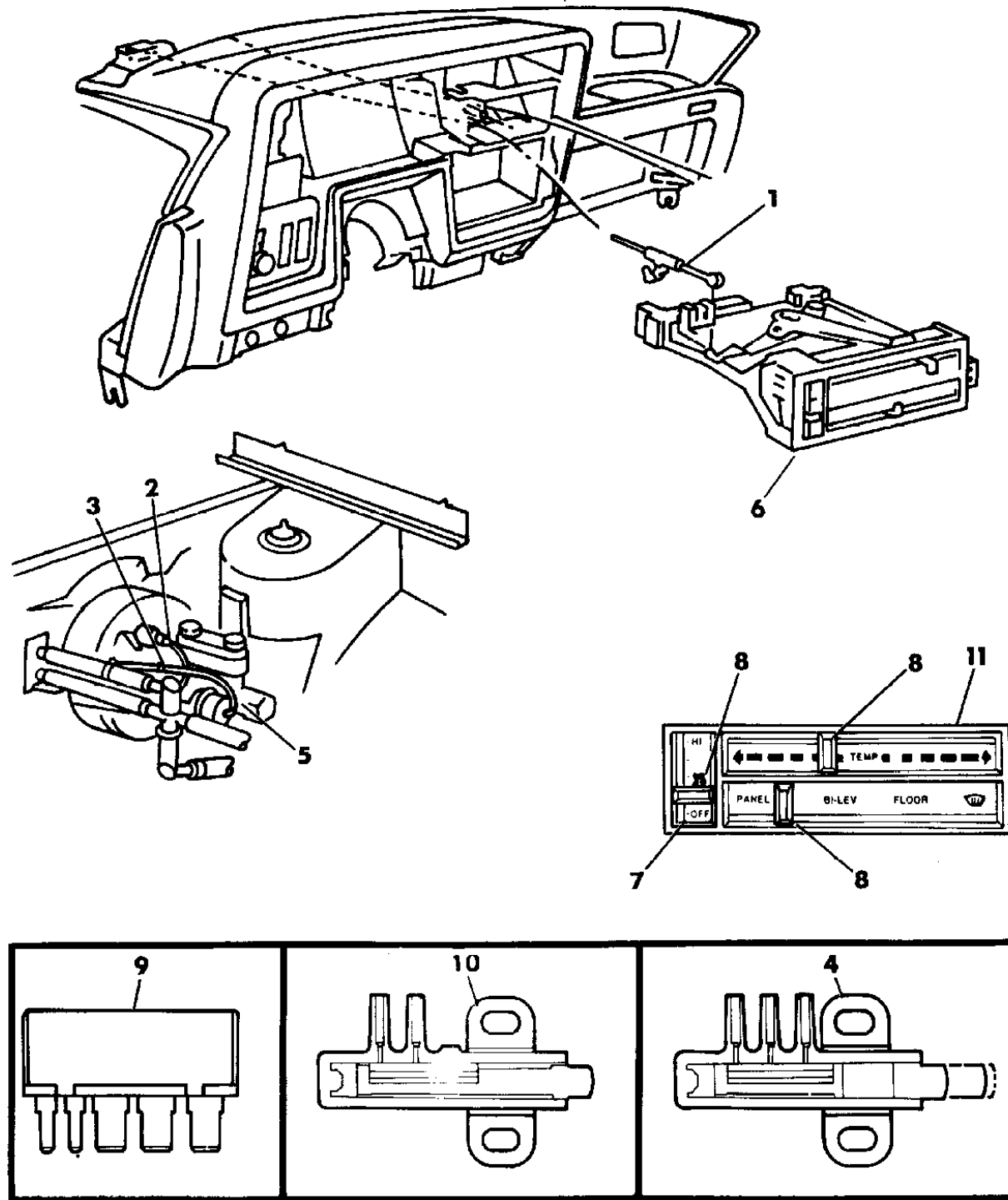
**BODY STYLES:**

21=2-Door Coupe 41=4-Door Sedan 12-52=FWD & AWD Van & Wgn Std W.B.  
 24=2-Door Hatchback 44=4-Door Hatchback 53=FWD & AWD Van & Wgn Ext. W.B.  
 27=2-Door Convertible

AR = Use as Required - = Non Illustrated Part P.A.R. = Paint as Required

CONTROLS, HEATER P,A,J,G,C BODY  
Figure 24-200

93124 200



ITEM	PART NUMBER	QTY	BODY	MODEL	DESCRIPTION
1					CABLE, Temperature Control
	3849 795	1	P,A,C		
	4462 658	1	J,G		
	3849 739	1			CLIP, Heater Control Temp. Cable (Adj.)
2	4677 204	1			CHECK VALVE, A/C Vacuum Harness
3	2837 876	1	P,A,J,G		CONNECTOR, Vacuum Line Extension To Water Valve
4	3849 162	1			SWITCH, Heater Control Vac. (3 Port)
5	3780 508	AR			HOSE, Htr. Vac. Line Ext. (Serv. in Roll)
6	3849 851	1			HOUSING, w/Lever, Heater Control
7	5264 350	1			PLATE and DECAL, Htr. Cont. Black
8	4540 343	1			KNOB, Heater Control
9	3849 160	1			SWITCH, Heater Control Fan
10	3849 161	1			SWITCH, Heater Control Vacuum (2 Port) Mode Lever
11	5264 008	1	C		CONTROL, Heater Complete (Black)
	5264 009	1	P,A,J,G		Bi-Level
	3849 163	1			SOCKET, Heater Control Lamp
	4540 083	1	J,G		HARNESS, Heater Control Vac. (Bi-Level)
	5264 351	1			HARNESS, Heater Control Bi-Level

MODEL CODES:

A BODY=(C=LeBaron, D=Spirit, P=Acclaim/LaBaron(Landau), Saratoga)  
C BODY=(D=Dynasty, C=New Yorker/N.Y. Salon)  
G BODY=(V=Daytona/IROC, Chrysler Daytona)  
J BODY=(C=LeBaron, Chrysler LeBaron)  
P BODY=(P=Sundance, D=Shadow)

S BODY=(H=Voyager(H) FWD, K=Caravan(H) FWD, Y=Town & Country(H) FWD, P=Voyager(K) AWD, D=Caravan(K) AWD, C=Town & Country(K) AWD)  
Y BODY=(C=Imperial/5th Avenue)  
E-S BODY=(K=Chrysler Voyager(H) FWD, D=Chrysler Voyager(K) AWD)

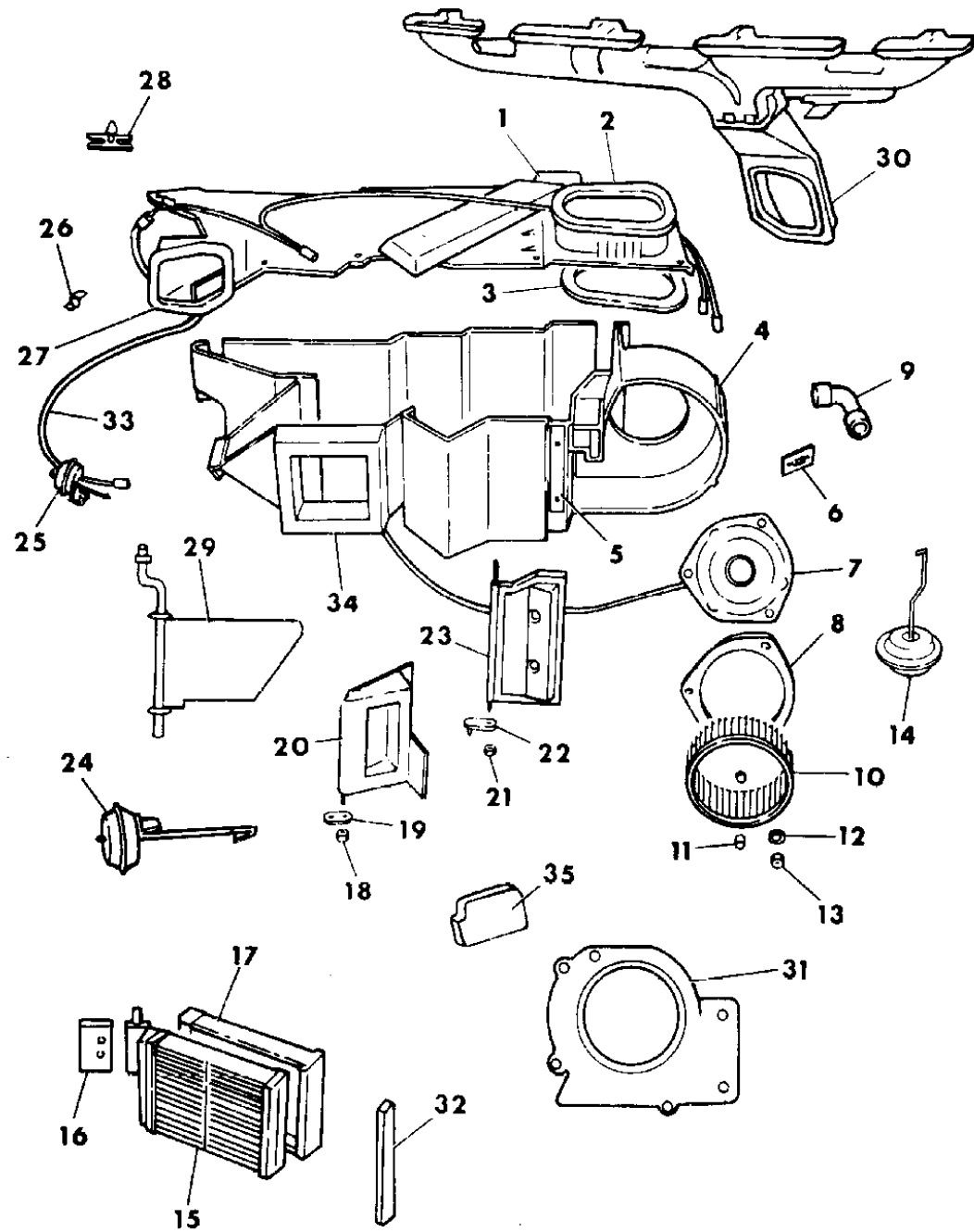
BODY STYLES:

21=2-Door Coupe      41=4-Door Sedan      12-52=FWD & AWD Van & Wgn Std W.B.  
24=2-Door Hatchback      44=4-Door Hatchback      53=FWD & AWD Van & Wgn Ext. W.B.  
27=2-Door Convertible

AR = Use as Required   - = Non Illustrated Part   P.A.R. = Paint as Required

HEATER UNIT P,A,J,G,C BODY  
Figure 24-300

93124 300



ITEM	PART NUMBER	QTY	BODY	MODEL	DESCRIPTION
1	4677 009	1			COVER, Heater Evaporator Housing
-	4540 334	1			SEAL, Heater Housing Cover
2	4462 372	1			SEAL, A/C. Heater Evaporator Cover To Plenum
3	3849 547	1			SEAL, Heater Evaporator Housing Mounting Center
4	4462 685	1			HOUSING, w/Stud Package Heater Evaporator Scroll
5	3848 238	1			BRACE, Heater Unit Mounting to Plenum Support
6	4462 840	1			RESISTOR, Heater Blower Motor
7	5264 068	1			MOTOR, Heater Blower
8	3847 476	1			SEAL, Heater Blower Motor Mounting To Scroll
9	5210 066	1			TUBE, Heater Blower Motor
10	4462 674	1			WHEEL, Heater Blower Motor
11	2837 680	1			CLAMP, Heater Blower Wheel Motor Mounting
12	6500 376	1			NUT, Heater Blower Motor J Type
13	6031 694	1			SCREW, w/Washer Heater Blower Motor Mounting
14	5210 111	1			ACTUATOR, Heater Recirculate & Fresh air Dr.
15	4644 228	1			CORE, Heater
16	5210 109	1			SEAL, Heater Unit To Dash At Core Tubes
17	3848 093	1			SEAL, Heater Core
18	0219 462	1			NUT, Door Shaft Lever
19	3847 858	1			LEVER, Mode Door Shaft
20	4462 687	1			DOOR, Heater Mode
	3847 853	1			SPRING, Heater Mode Door
21	0219 462	1			NUT, Door Shaft Lever
22	4462 673	1			LEVER, Heater Blend Air Door
	6006 324	AR			NUT, Spring, Push On
23	5264 406	1			DOOR, Heater Blend Door
24	4462 694	1			ACTUATOR, Heater Mode Door
25	5210 068	1			ACTUATOR, Heater Defroster Door
	6031 147	1			NUT, Defroster Actuator Rod Retaining
26	2521 336	2			CLIP, Heater Evaporator Housing Cover Mounting
27	3847 606	1			SEAL, Heater Unit to Defroster Duct
28	6015 288	2			CLIP, Heater Vacuum Hose Retaining
29	4462 696	1			DOOR and SHAFT, Heater Defroster
30	3848 486	1	C		DUCT, Heater Defroster
	5264 266	1	A		w/Adaptor
	3849 174	1	P		
	4462 880	1	J,G		
31	4462 691	1			HOUSING, Heater Inlet
32	3847 681	1			SEAL, Heater Core End

**MODEL CODES:**  
A BODY=(C=LeBaron, D=Spirit, P=Acclaim/LaBaron(Landau), Saratoga) S BODY=(H=Voyager(H) FWD, K=Caravan(H) FWD, Y=Town & Country(H) FWD, P=Voyager(K) AWD, D=Caravan(K) AWD, C=Town & Country(K) AWD)  
C BODY=(D=Dynasty, C=New Yorker/N.Y. Salon) Y BODY=(C=Imperial/5th Avenue)  
G BODY=(V=Daytona/ROC, Chrysler Daytona) E-S BODY=(K=Chrysler Voyager(H) FWD, D=Chrysler Voyager(K) AWD)  
J BODY=(C=LeBaron, Chrysler LeBaron) P BODY=(P=Sundance, D=Shadow)

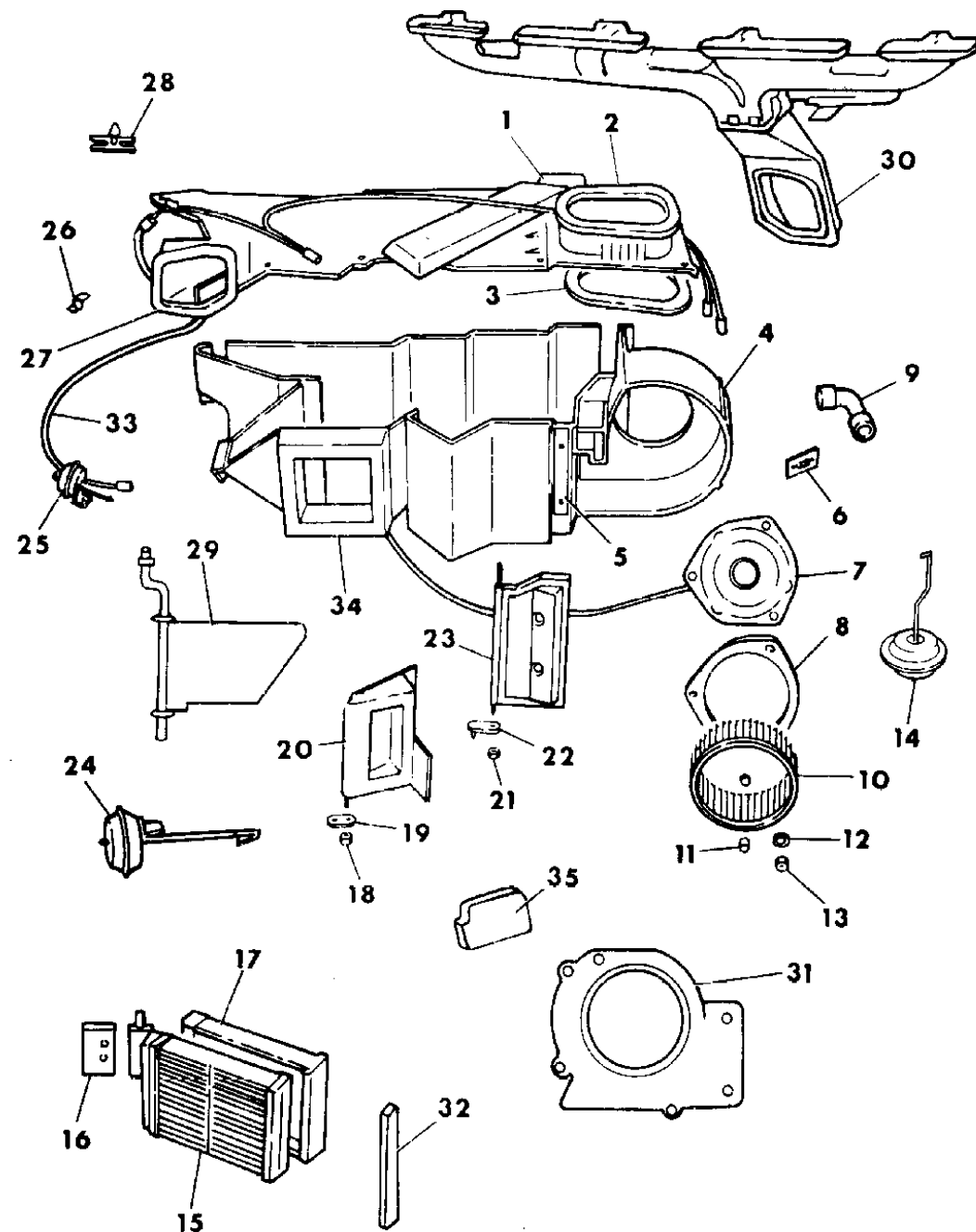
**BODY STYLES:**  
21=2-Door Coupe 41=4-Door Sedan 12=52=FWD & AWD Van & Wgn Std W.B.  
24=2-Door Hatchback 44=4-Door Hatchback 53=FWD & AWD Van & Wgn Ext. W.B.  
27=2-Door Convertible

AR = Use as Required - = Non Illustrated Part P.A.R. = Paint as Required



HEATER UNIT P,A,J,G,C BODY  
Figure 24-300

93124 300



ITEM	PART NUMBER	QTY	BODY	MODEL	DESCRIPTION
33	4644 203	1			HARNES, Heater Vacuum
	4677 204	1			VALVE, Heater Vacuum Hose Check
34	5210 336	1			SEAL, Heater Center Air Distribution Duct
35	4677 013	1			SEAL, Heater to Dash (Evap Hole)
	5264 032	1	P,A,J,G		INSULATOR, w/Bracket, Conn. Ret.

MODEL CODES:

A BODY=(C=LeBaron, D=Spirit, P=Acclaim/LaBaron(Landau),  
Saratoga) S BODY=(H=Voyager(H) FWD, K=Caravan(H) FWD,  
Y=Town & Country(H) FWD, P=Voyager(K) AWD,  
D=Caravan(K) AWD, C=Town & Country(K) AWD)  
C BODY=(D=Dynasty, C=New Yorker/N.Y. Salon)  
G BODY=(V=Daytona/IROC, Chrysler Daytona) Y BODY=(C=Imperial/5th Avenue)  
J BODY=(C=LeBaron, Chrysler LeBaron) E-S BODY=(K=Chrysler Voyager(H) FWD, D=Chrysler  
P BODY=(P=Sundance, D=Shadow) Voyager(K) AWD)

BODY STYLES:

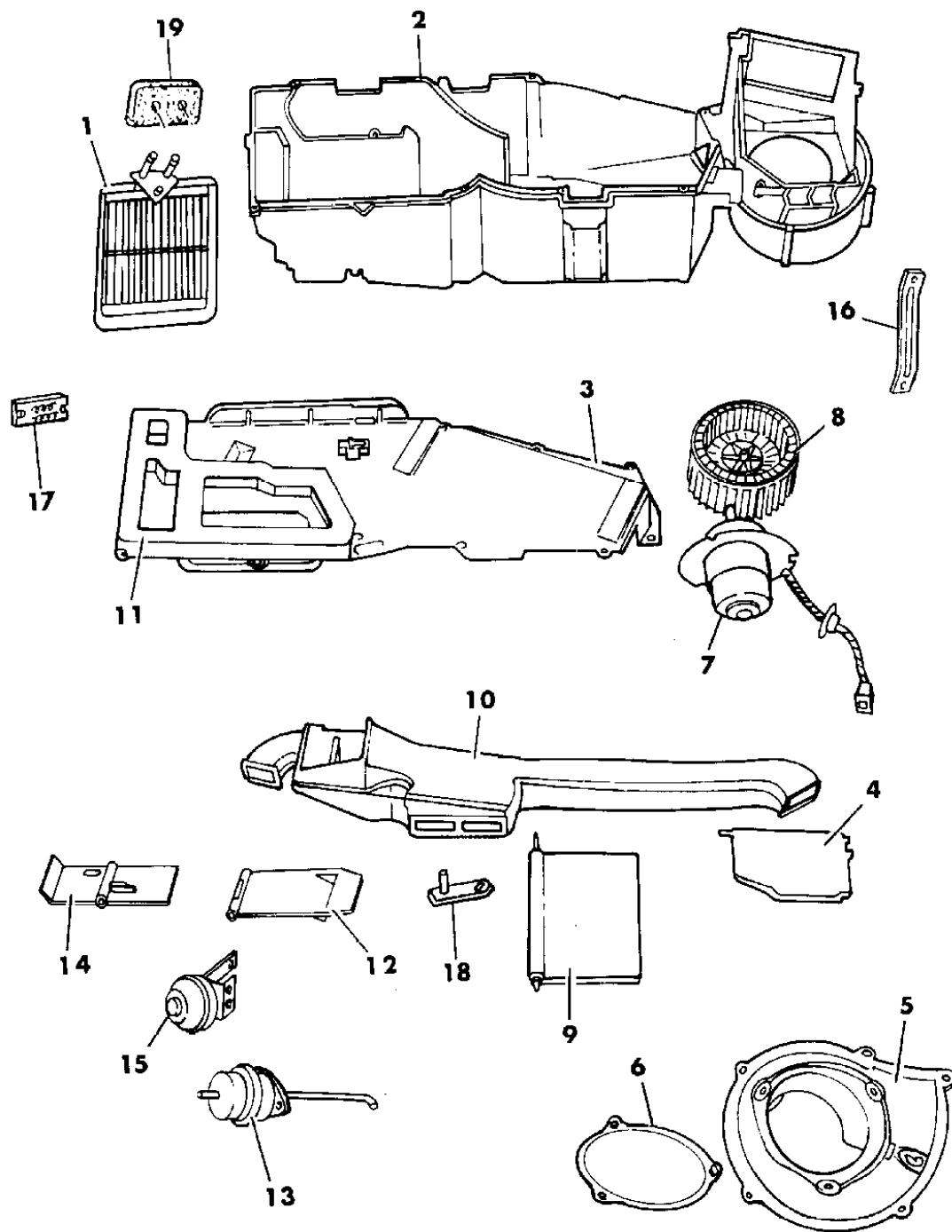
21=2-Door Coupe 41=4-Door Sedan 12-52=FWD & AWD Van & Wgn Std W.B.  
24=2-Door Hatchback 44=4-Door Hatchback 53=FWD & AWD Van & Wgn Ext. W.B.  
27=2-Door Convertible

AR = Use as Required - = Non Illustrated Part P.A.R. = Paint as Required

**HEATER UNIT S BODY**  
Figure 24-400

93124 400

ITEM	PART NUMBER	QTY	BODY	MODEL	DESCRIPTION
1	4644 393	1			CORE, Heater
2	4540 013	1			HOUSING, w/Cover, Heater
3	4644 387	1			COVER, Heater
4	4644 379	1			COVER, Heater Recirculate
5	4644 196	1			COVER, Heater Motor
6	3847 476	1			SEAL, Heater Blower Motor
7	5264 400	1			MOTOR, Heater Blower
	2837 680	1			CLAMP, Heater Blower Motor Wheel Mounting
	6031 694	1			SCREW, w/Washer, Heater Blower Motor Mounting
8	4723 026	1			WHEEL, Heater Motor
9	4644 396	1			DOOR, w/Seal, Heater Temperature
10	4462 541	1			DUCT, Heater Temperature Distribution
11	3848 266	1			SEAL, Heater Cover to Ducts
12	4644 377	1			DOOR, Heater Mode
	4644 376	1			Demister
	4644 380	1			SPRING, Demister to Mode Door
	6031 147	1			RETAINER, Heater Defroster Mode Door Shaft
13	3848 259	1			ACTUATOR, Mode Door
14	3848 227	1			DOOR, Heater Defroster
	4163 735	1			SHAFT, Heater Mode Door
	4163 735	1			SHAFT, Heater Defroster Door
15	3848 260	1			ACTUATOR, Heater, Defroster Door
16	4462 991	1			BRACE, Unit Heater
17	4462 979	1			RESISTOR, Heater Blower
18	4462 454	1			LEVER, Heater Temperature Door
	0219 462	1			NUT, Lever Mounting
19	3848 254	1			SEAL, Heater Core Tubes to Dash
	5264 485	1			SEAL, Heater Header Opng. (to Dash)
	4462 989	1			HARNES ASSEMBLY, Vacuum



**MODEL CODES:**

A BODY=(C=LeBaron, D=Spirit, P=Acclaim/LaBaron(Landau), Saratoga)      S BODY=(H=Voyager(H) FWD, K=Caravan(H) FWD, Y=Town & Country(H) FWD, P=Voyager(K) AWD, D=Caravan(K) AWD, C=Town & Country(K) AWD)  
 C BODY=(D=Dynasty, C=New Yorker/N.Y. Salon)  
 G BODY=(V=Daytona/IROC, Chrysler Daytona)  
 J BODY=(C=LeBaron, Chrysler LeBaron)  
 P BODY=(P=Sundance, D=Shadow)  
 Y BODY=(C=Imperial/5th Avenue)  
 E-S BODY=(K=Chrysler Voyager(H) FWD, D=Chrysler Voyager(K) AWD)

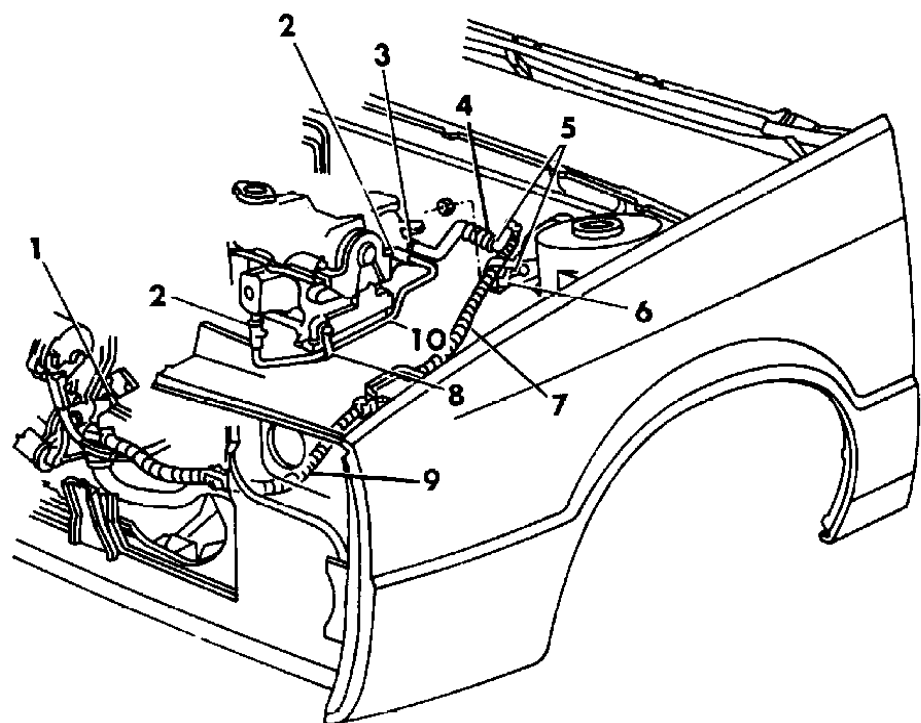
**BODY STYLES:**

21=2-Door Coupe      41=4-Door Sedan      12-52=FWD & AWD Van & Wgn Std W.B.  
 24=2-Door Hatchback      44=4-Door Hatchback      53=FWD & AWD Van & Wgn Ext. W.B.  
 27=2-Door Convertible

AR = Use as Required    - = Non Illustrated Part    P.A.R. = Paint as Required

PLUMBING, HEATER 2.5L E.F.I. J BODY  
Figure 24-600

93124 600



ITEM	PART NUMBER	QTY	BODY	MODEL	DESCRIPTION
1	6502 019	AR			CLAMP
2	0153 640	AR			CLAMP, Thermo, Hose
3	6502 018	AR			CLAMP
4	4540 123	1			HOSE, Heater Engine to Core
5	6502 017	AR			CLAMP
6	5264 243	1			CLIP, Heater Hose Mounting
7	4637 938	AR			SLEEVE, Heater Hose
8	5281 186	1			BRACKET, Water By-Pass
9	4540 119	1			HOSE, Heater Core to Pump
	4462 964	1			HOSE, Heater Core to Oil Cooler EUROPE
	4462 964	1			HOSE, Water Valve to Oil Cooler EUROPE
10	4273 486	1			TUBE, Thermostat Water By-Pass
	4273 488	1			HOSE, Water By-Pass Tube

**MODEL CODES:**

A BODY=(C=LeBaron, D=Spirit, P=Acclaim/LaBaron(Landau),  
Saratoga) S BODY=(H=Voyager(H) FWD, K=Caravan(H) FWD,  
Y=Town & Country(H) FWD, P=Voyager(K) AWD,  
D=Caravan(K) AWD, C=Town & Country(K) AWD)  
C BODY=(D=Dynasty, C=New Yorker/N.Y. Salon)  
G BODY=(V=Daytona/IROC, Chrysler Daytona)  
Y BODY=(C=Imperial/5th Avenue)  
J BODY=(C=LeBaron, Chrysler LeBaron)  
E-S BODY=(K=Chrysler Voyager(H) FWD, D=Chrysler  
Voyager(K) AWD)  
P BODY=(P=Sundance, D=Shadow)

**BODY STYLES:**

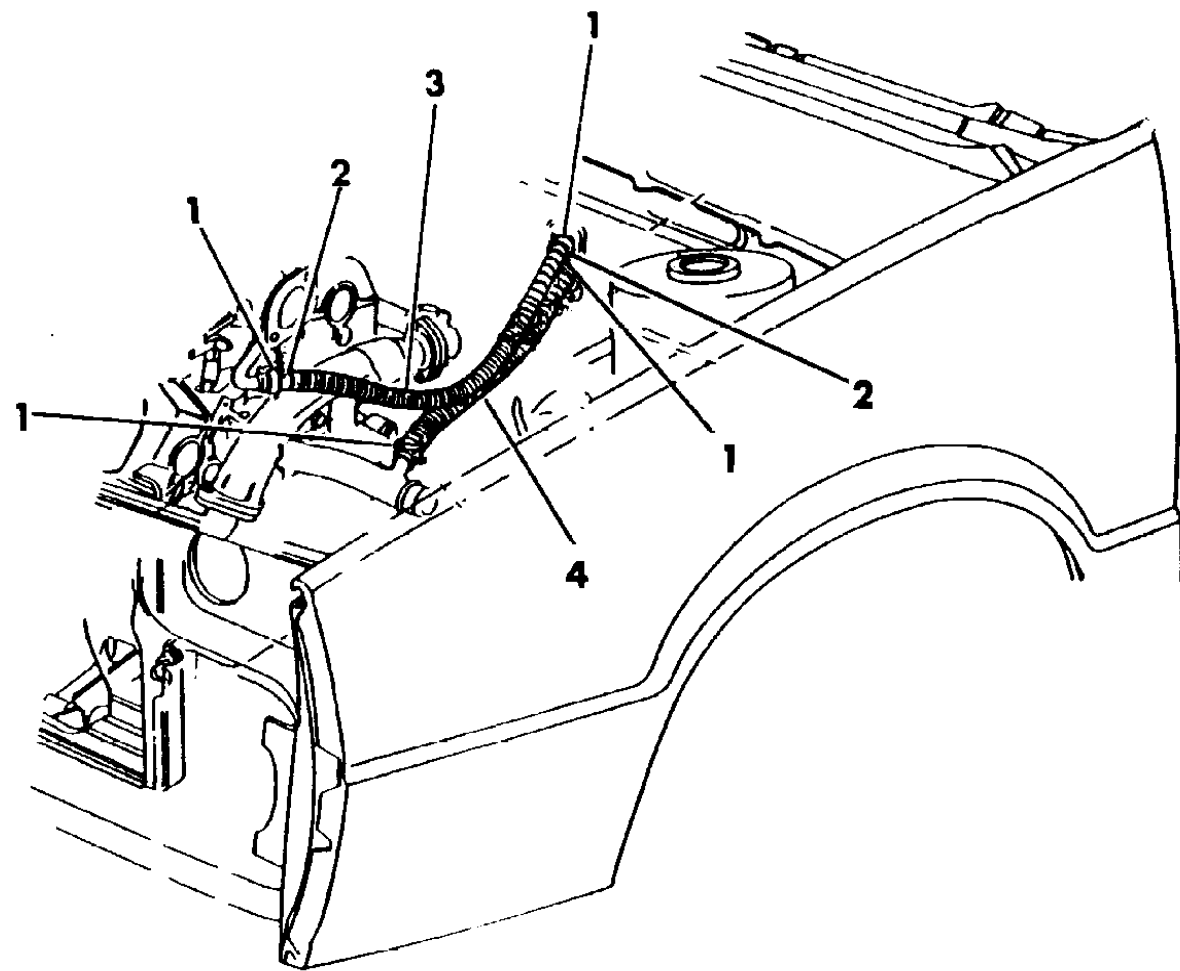
21=2-Door Coupe 41=4-Door Sedan 12-52=FWD & AWD Van & Wgn Std W.B.  
24=2-Door Hatchback 44=4-Door Hatchback 53=FWD & AWD Van & Wgn Ext. W.B.  
27=2-Door Convertible

AR = Use as Required - = Non Illustrated Part P.A.R. = Paint as Required

**PLUMBING, HEATER 3.0L ENGINE J,G BODY**  
**Figure 24-700**

93124 700

ITEM	PART NUMBER	QTY	BODY	MODEL	DESCRIPTION
1	6502 017	AR			CLAMP
2	4741 932	AR			HOSE, 5/8" I.D. 50 Ft. Roll
3	4637 938	AR			SLEEVE
4	4540 096	AR			HOSE, Heater Core to Pump
	4540 094	1			HOSE, Clamp, Htr. Eng. to Core



**MODEL CODES:**

A BODY=(C=LeBaron, D=Spirit, P=Acclaim/LaBaron(Landau), Saratoga)     S BODY=(H=Voyager(H) FWD, K=Caravan(H) FWD, Y=Town & Country(H) FWD, P=Voyager(K) AWD, D=Caravan(K) AWD, C=Town & Country(K) AWD)  
C BODY=(D=Dynasty, C=New Yorker/N.Y. Salon)  
G BODY=(V=Daytona/IROC, Chrysler Daytona)  
J BODY=(C=LeBaron, Chrysler LeBaron)  
P BODY=(P=Sundance, D=Shadow)     Y BODY=(C=Imperial/5th Avenue)  
E-S BODY=(K=Chrysler Voyager(H) FWD, D=Chrysler Voyager(K) AWD)

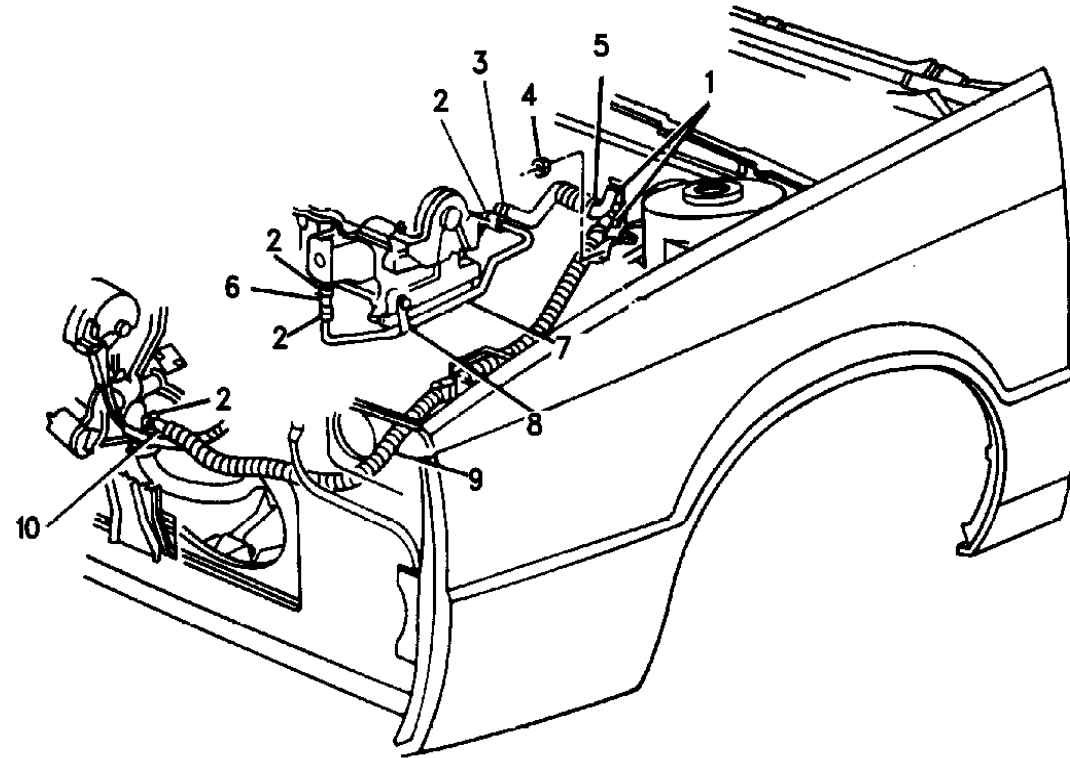
**BODY STYLES:**

21=2-Door Coupe     41=4-Door Sedan     12-52=FWD & AWD Van & Wgn Std W.B.  
24=2-Door Hatchback     44=4-Door Hatchback     53=FWD & AWD Van & Wgn Ext. W.B.  
27=2-Door Convertible

AR = Use as Required - = Non Illustrated Part P.A.R. = Paint as Required

PLUMBING, HEATER 2.5L E.F.I. G BODY  
Figure 24-800

93124 800



ITEM	PART NUMBER	QTY	BODY	MODEL	DESCRIPTION
1	6502 017	AR			CLAMP
2	0153 640	AR			CLAMP
3	6502 018	AR			CLAMP
4		AR			NUT (Not Serviced)
5	4540 123	AR			HOSE, Heater, Engine to Core
6	4273 488	1			HOSE, Water Pump By-Pass
7	4273 486	1			TUBE, Water By-Pass
8	5281 186	1			BRACKET, Water By-Pass Hose
9	4637 938	AR			SLEEVE, Hose
10	4540 119	1			HOSE, Heater, Core to Pump

**MODEL CODES:**

A BODY=(C=LeBaron, D=Spirit, P=Acclaim/LaBaron(Landau),  
Saratoga)  
C BODY=(D=Dynasty, C=New Yorker/N.Y. Salon)  
G BODY=(V=Daytona/IROC, Chrysler Daytona)  
J BODY=(C=LeBaron, Chrysler LeBaron)  
P BODY=(P=Sundance, D=Shadow)

S BODY=(H=Voyager(H) FWD, K=Caravan(H) FWD,  
Y=Town & Country(H) FWD, P=Voyager(K) AWD,  
D=Caravan(K) AWD, C=Town & Country(K) AWD)  
Y BODY=(C=Imperial/5th Avenue)  
E-S BODY=(K=Chrysler Voyager(H) FWD, D=Chrysler  
Voyager(K) AWD)

**BODY STYLES:**

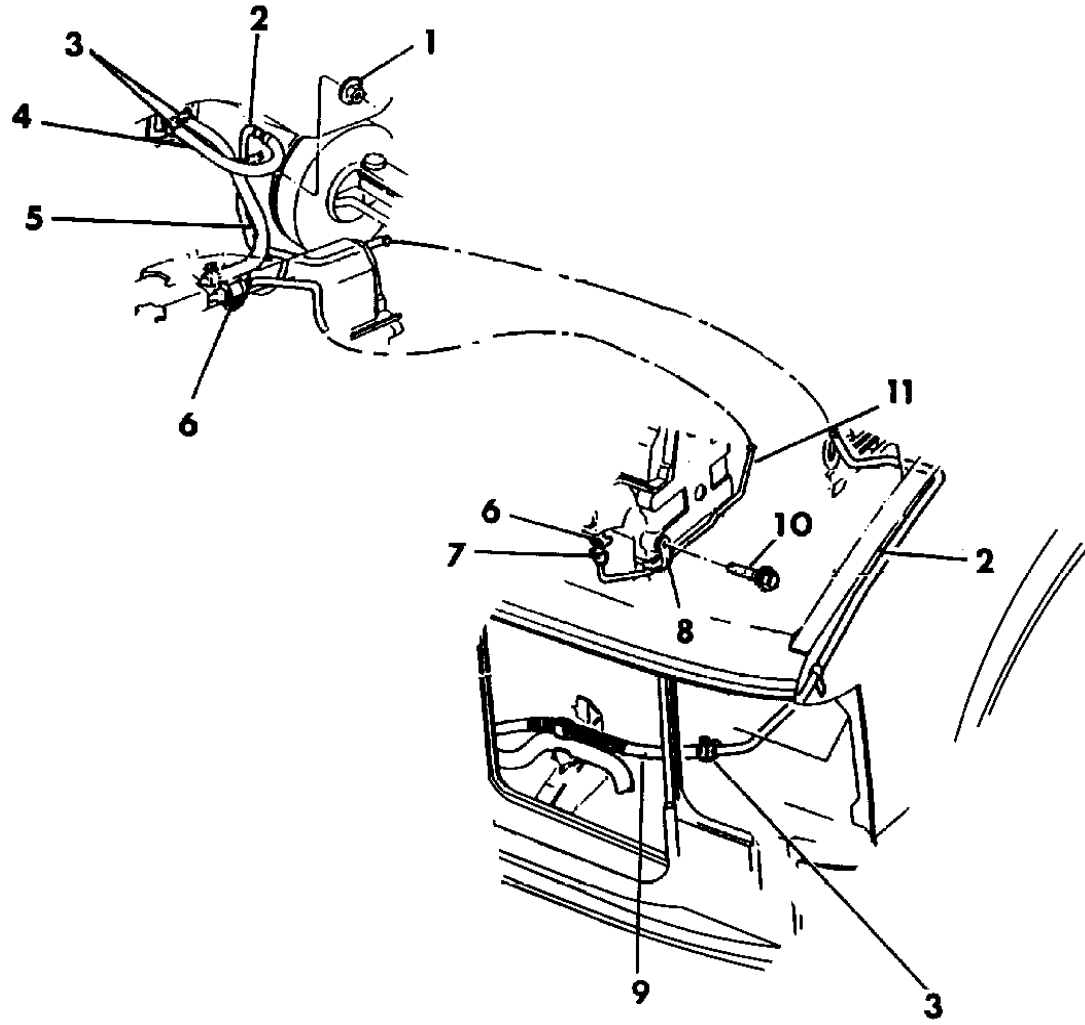
21=2-Door Coupe      41=4-Door Sedan      12-52=FWD & AWD Van & Wgn Std W.B.  
24=2-Door Hatchback      44=4-Door Hatchback      53=FWD & AWD Van & Wgn Ext. W.B.  
27=2-Door Convertible

AR = Use as Required - = Non Illustrated Part P.A.R. = Paint as Required

**PLUMBING, HEATER 2.5L E.F.I. S BODY**  
Figure 24-900

93124 900A

ITEM	PART NUMBER	QTY	BODY	MODEL	DESCRIPTION
1	0219 462	1			NUT, Heater Tube Mounting
2	4677 093	1			HOSE and TUBE ASSEMBLY, Return ***
3	6502 017	AR			CLAMP
4	4462 639	AR			HOSE
5	4540 182	1			HOSE, Engine to Core
	4637 938	1			SLEEVE
6	0153 640	AR			CLAMP
7	4273 488	2			HOSE, Water By-Pass Tube
8	5281 186	1			BRACKET, Water By-Pass Tube
9	3848 791	AR			HOSE, Heater Tube to Pump
10	6500 158	1			SCREW
11	4273 486	1			TUBE, Water By-Pass



**MODEL CODES:**

A BODY=(C=LeBaron, D=Spirit, P=Acclaim/LaBaron(Landau), Saratoga)      S BODY=(H=Voyager(H) FWD, K=Caravan(H) FWD, Y=Town & Country(H) FWD, P=Voyager(K) AWD, D=Caravan(K) AWD, C=Town & Country(K) AWD)  
 C BODY=(D=Dynasty, C=New Yorker/N.Y. Salon)  
 G BODY=(V=Daytona/IROC, Chrysler Daytona)  
 J BODY=(C=LeBaron, Chrysler LeBaron)  
 P BODY=(P=Sundance, D=Shadow)

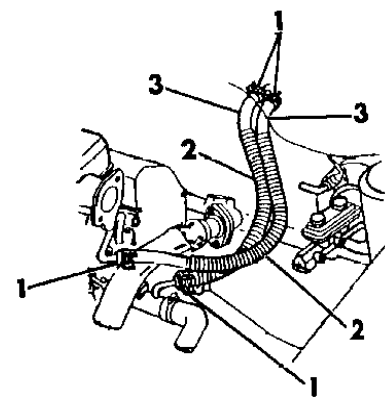
**BODY STYLES:**

21=2-Door Coupe      41=4-Door Sedan      12-52=FWD & AWD Van & Wgn Std W.B.  
 24=2-Door Hatchback      44=4-Door Hatchback      53=FWD & AWD Van & Wgn Ext. W.B.  
 27=2-Door Convertible

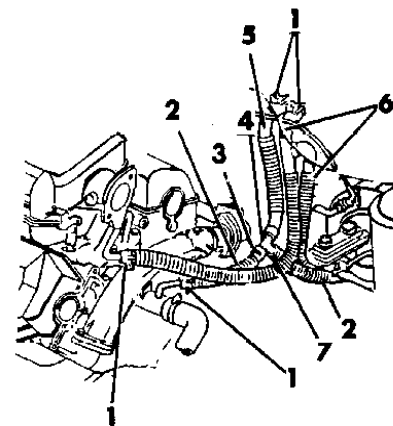
AR = Use as Required - = Non Illustrated Part P.A.R. = Paint as Required

**PLUMBING, HEATER 3.0L AND 3.3L ENGINE S BODY**  
Figure 24-1000

93124 1000

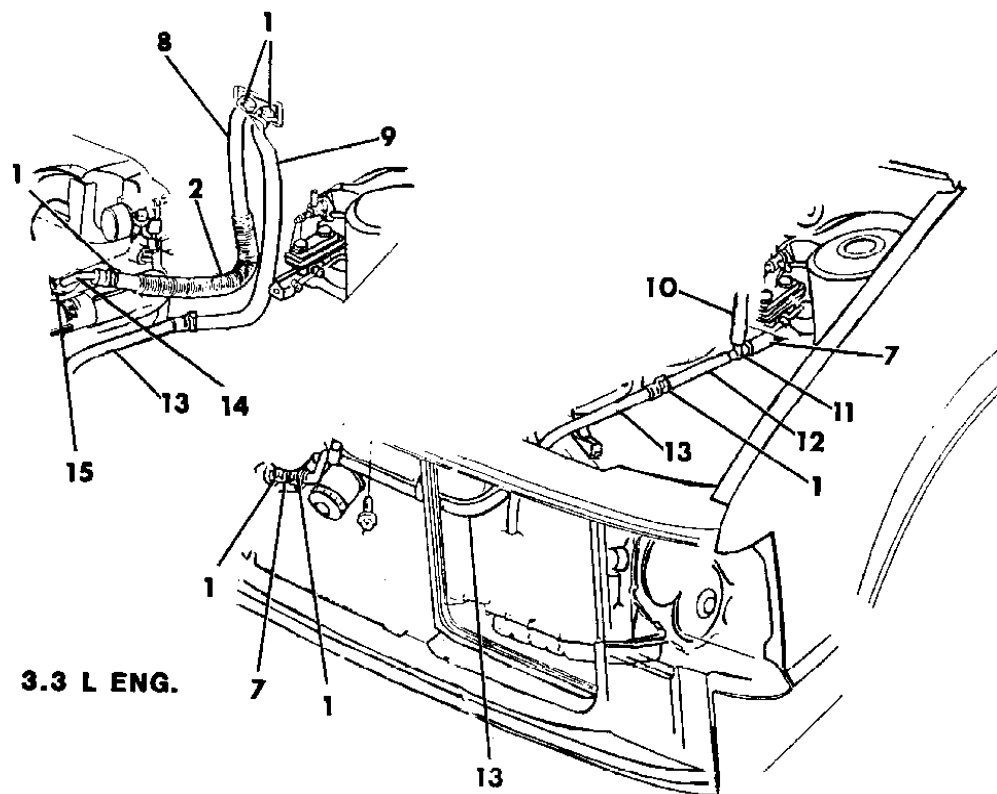


**W/O AUX. HTR.**



**W/AUX. HTR.**

**3.0 L ENG.**



**3.3 L ENG.**

ITEM	PART NUMBER	QTY	BODY	MODEL	DESCRIPTION
1	6502 017	AR			CLAMP
2	4637 938	AR			SLEEVE
3	5264 131	1			HOSE, Heater to W/Pump
4	4462 321	1			TEE
5	4462 031	1			HOSE, Heater to Tube to Core
6	4462 031	1			HOSE, w/Sleeve, Aux. Htr. Eng. to Core and Rear Tube
7	4741 932	AR			HOSE, 5/8" I.D. 50 Ft. Roll
8					HOSE, Heater Engine to Core
	5264 133	1			3.0L Eng.
	5264 157	1			3.3L Eng.
9	4540 269	1			HOSE, Heater Core to Tube
10	4540 282	1			HOSE, w/Aux. Heater
11	4462 321	1			TEE, w/Aux. Heater
12	4741 932	AR			HOSE, w/Aux. Heater, 5/8" I.D. 50 Ft Roll
13	5264 155	1			TUBE, Heater Return
	4677 241	1	ES		EUROPE
	5264 472	1			HOSE, Tube to Pump
14	4448 851	1			TUBE, Heater Hose
15	4448 852	1			GASKET, Int. Manif. to Htr. Hose Tube

**MODEL CODES:**

A BODY=(C=LeBaron, D=Spirit, P=Acclaim/LaBaron(Landau), Saratoga)  
C BODY=(D=Dynasty, C=New Yorker/N.Y. Salon)  
G BODY=(V=Daytona/IROC, Chrysler Daytona)  
J BODY=(C=LeBaron, Chrysler LeBaron)  
P BODY=(P=Sundance, D=Shadow)

S BODY=(H=Voyager(H) FWD, K=Caravan(H) FWD, Y=Town & Country(H) FWD, P=Voyager(K) AWD, D=Caravan(K) AWD, C=Town & Country(K) AWD)  
Y BODY=(C=Imperial/5th Avenue)  
E-S BODY=(K=Chrysler Voyager(H) FWD, D=Chrysler Voyager(K) AWD)

**BODY STYLES:**

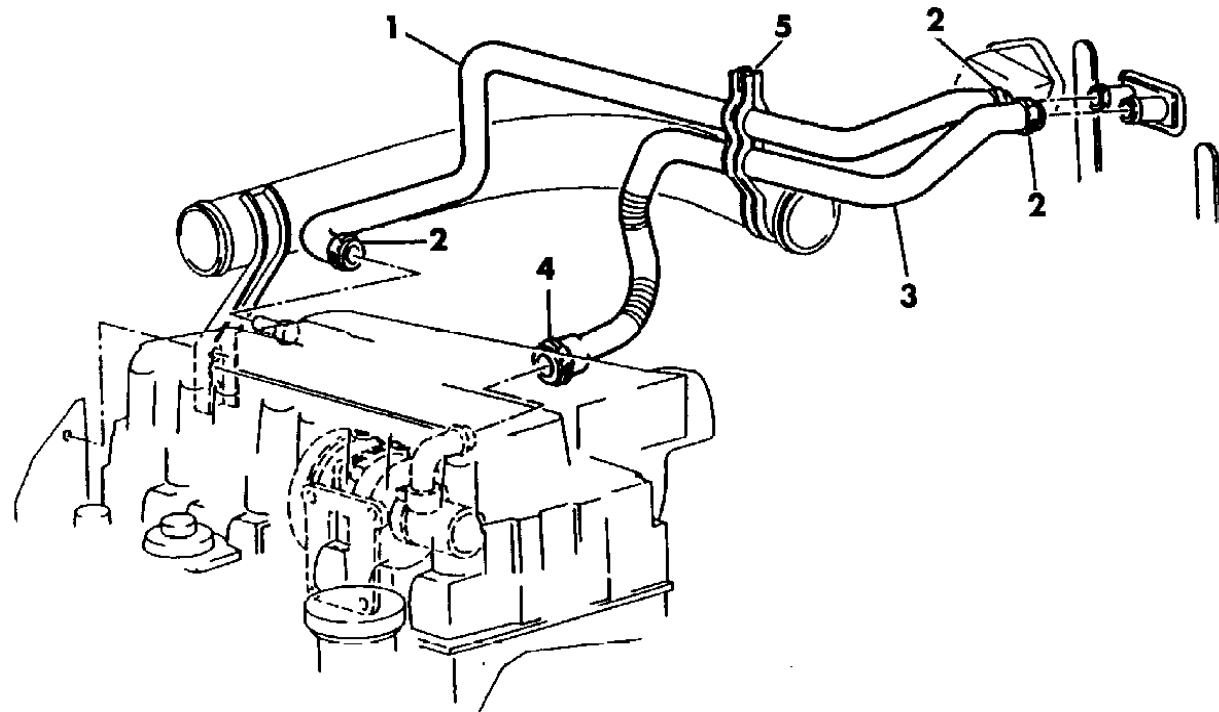
21=2-Door Coupe      41=4-Door Sedan      12-52=FWD & AWD Van & Wgn Std W.B.  
24=2-Door Hatchback      44=4-Door Hatchback      53=FWD & AWD Van & Wgn Ext. W.B.  
27=2-Door Convertible

AR = Use as Required - = Non Illustrated Part P.A.R. = Paint as Required

PLUMBING, HEATER 2.5L DIESEL ENGINE S BODY  
Figure 24-1050

93124 1050

ITEM	PART NUMBER	QTY	BODY	MODEL	DESCRIPTION
1	4682 130	1			HOSE, Head to Firewall
	4677 232	1			HOSE, Heater Feed, Tee to Heater Core
2	6502 017	3			CLAMP
3	4682 131	1			HOSE, Dash to Pump
4	6502 019	1			CLAMP
5	4682 320	1			BRACKET, Hose Mounting
-	4644 186	1			VALVE, Rear Expansion



**MODEL CODES:**

A BODY=(C=LeBaron, D=Spirit, P=Acclaim/LaBaron(Landau), Saratoga) S BODY=(H=Voyager(H) FWD, K=Caravan(H) FWD, Y=Town & Country(H) FWD, P=Voyager(K) AWD, D=Caravan(K) AWD, C=Town & Country(K) AWD)  
 C BODY=(D=Dynasty, C=New Yorker/N.Y. Salon) Y BODY=(C=Imperial/5th Avenue)  
 G BODY=(V=Daytona/IROC, Chrysler Daytona) E-S BODY=(K=Chrysler Voyager(H) FWD, D=Chrysler Voyager(K) AWD)  
 J BODY=(C=LeBaron, Chrysler LeBaron)  
 P BODY=(P=Sundance, D=Shadow)

**BODY STYLES:**

21=2-Door Coupe      41=4-Door Sedan      12-52=FWD & AWD Van & Wgn Std W.B.  
 24=2-Door Hatchback      44=4-Door Hatchback      53=FWD & AWD Van & Wgn Ext. W.B.  
 27=2-Door Convertible

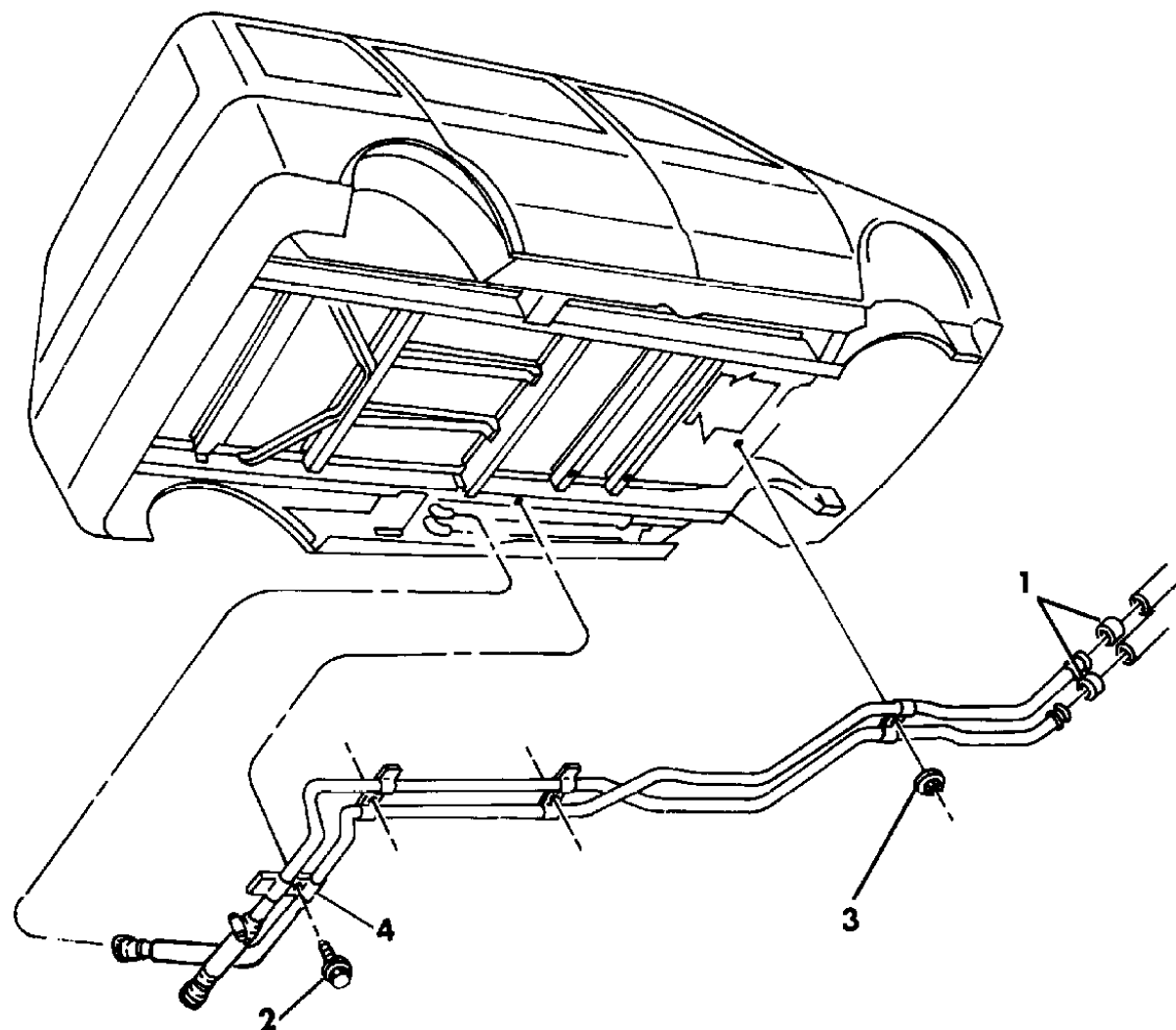
AR = Use as Required - = Non Illustrated Part P.A.R. = Paint as Required



**PLUMBING HEATER, AUXILIARY UNDERBODY S BODY**  
**Figure 24-1100**

93124 1100

ITEM	PART NUMBER	QTY	BODY	MODEL	DESCRIPTION
1	2448 770	AR			CLAMP
2	6031 011	3			SCREW and WASHER
3	0219 462	AR			NUT
4	3849 951	1			HOSE and TUBE, Aux. A/C, Heater, Front Hose to Heater Unit
-	4741 932	AR			HOSE, 5/8" I.D. 50 Ft. Roll



**MODEL CODES:**

A BODY=(C=LeBaron, D=Spirit, P=Acclaim/LaBaron(Landau), Saratoga)      S BODY=(H=Voyager(H) FWD, K=Caravan(H) FWD, Y=Town & Country(H) FWD, P=Voyager(K) AWD, D=Caravan(K) AWD, C=Town & Country(K) AWD)  
 C BODY=(D=Dynasty, C=New Yorker/N.Y. Salon)  
 G BODY=(V=Daytona/IROC, Chrysler Daytona)  
 J BODY=(C=LeBaron, Chrysler LeBaron)  
 P BODY=(P=Sundance, D=Shadow)      Y BODY=(C=Imperial/5th Avenue)  
 E-S BODY=(K=Chrysler Voyager(H) FWD, D=Chrysler Voyager(K) AWD)

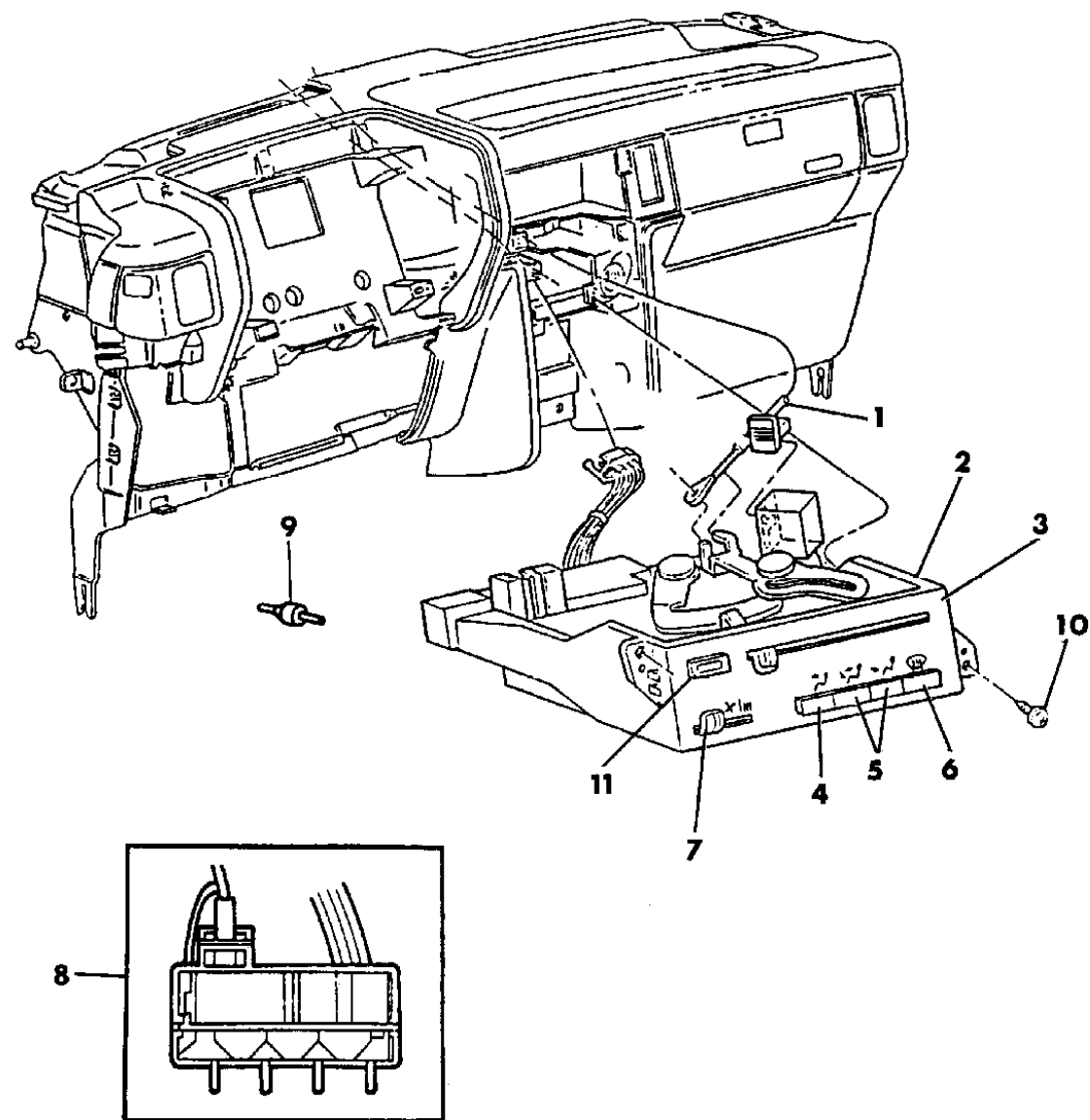
**BODY STYLES:**

21=2-Door Coupe      41=4-Door Sedan      12-52=FWD & AWD Van & Wgn Std W.B.  
 24=2-Door Hatchback      44=4-Door Hatchback      53=FWD & AWD Van & Wgn Ext. W.B.  
 27=2-Door Convertible

AR = Use as Required - = Non Illustrated Part P.A.R. = Paint as Required

**CONTROL, AIR CONDITIONER S BODY**  
**Figure 24-1200**

93124 1200



ITEM	PART NUMBER	QTY	BODY	MODEL	DESCRIPTION
1	4462 726	1			CABLE, A/C Temp. Control
2	4677 197	1			CONTROL, Complete
	4462 988	1			HARNESS ASSEMBLY, Vacuum
3	4540 339	1			FACE PLATE, w/Decal, Black
4	4540 349	1			CAP, Panel
5	4540 350	2			CAP, Floor/Bi-Level
6	4540 351	1			CAP, Defrost
7					SWITCH, A/C Blower Control (Serviced in Assembly)
8	4540 352	1			SWITCH, A/C Control Vacuum
9	4677 204	1			VALVE, Two Port Check
10	6032 723	2			SCREW, Control Mounting
11					SWITCH, A/C Control (Serviced in Assembly)

**MODEL CODES:**

A BODY=(C=LeBaron, D=Spirit, P=Acclaim/LaBaron(Landau), Saratoga)      S BODY=(H=Voyager(H) FWD, K=Caravan(H) FWD, Y=Town & Country(H) FWD, P=Voyager(K) AWD, D=Caravan(K) AWD, C=Town & Country(K) AWD)  
 C BODY=(D=Dynasty, C=New Yorker/N.Y. Salon)      Y BODY=(C=Imperial/5th Avenue)  
 G BODY=(V=Daytona/IROC, Chrysler Daytona)      E-S BODY=(K=Chrysler Voyager(H) FWD, D=Chrysler Voyager(K) AWD)  
 J BODY=(C=LeBaron, Chrysler LeBaron)  
 P BODY=(P=Sundance, D=Shadow)

**BODY STYLES:**

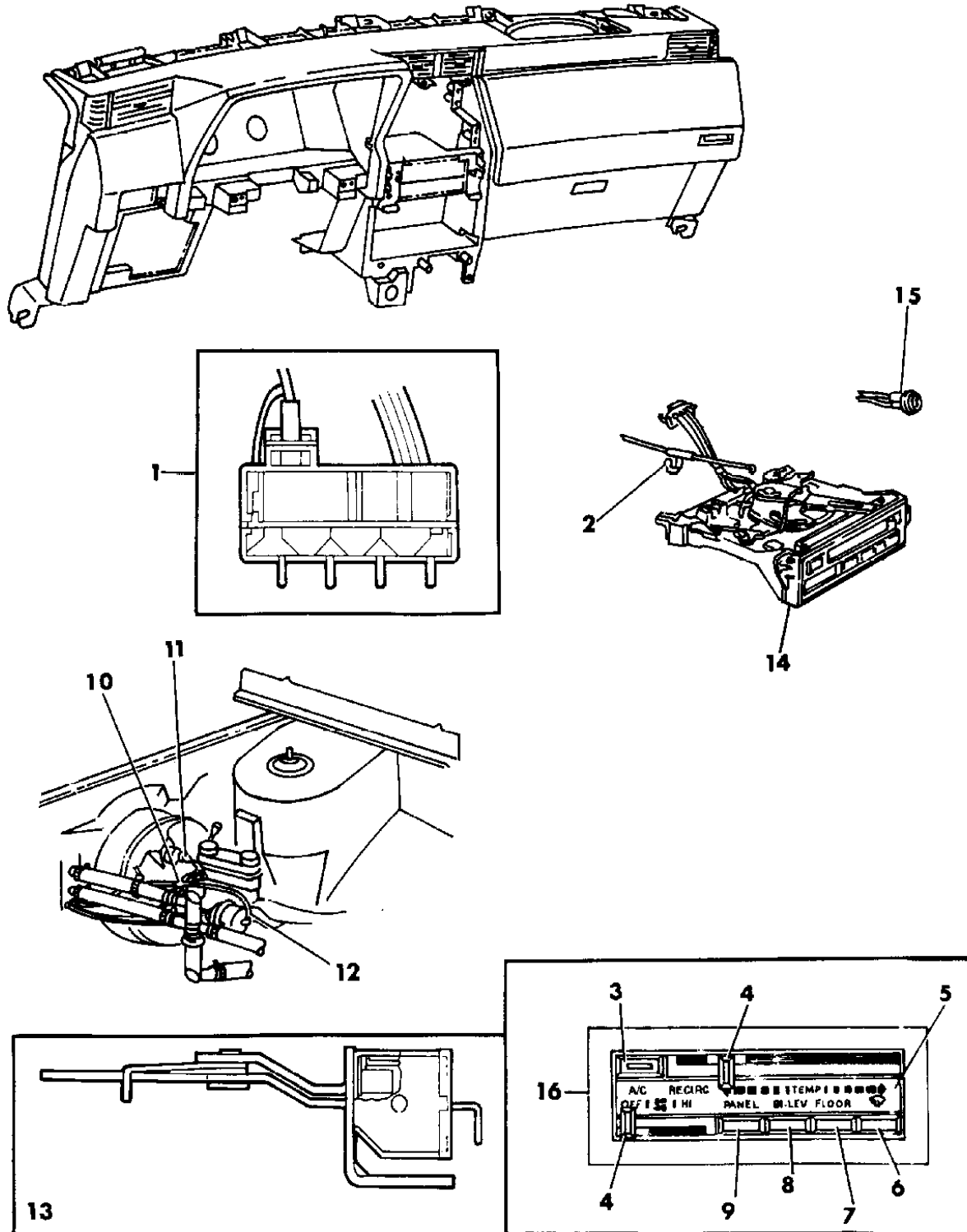
21=2-Door Coupe      41=4-Door Sedan      12-52=FWD & AWD Van & Wgn Std W.B.  
 24=2-Door Hatchback      44=4-Door Hatchback      53=FWD & AWD Van & Wgn Ext. W.B.  
 27=2-Door Convertible

AR = Use as Required - = Non Illustrated Part P.A.R. = Paint as Required

**CONTROL, AIR CONDITIONER A,P BODY**  
**Figure 24-1300**

93124 1300

ITEM	PART NUMBER	QTY	BODY	MODEL	DESCRIPTION
1					SWITCH, Control and Vacuum Hose (Serviced in Item #16)
2	3849 714	1			CABLE, Control Temp.
	3849 739	1			CLIP, Control Temp. Cable Self (Adj.)
3	5264 332	1			SWITCH, A/C. Control (Black)
	5264 339	1	A		Bright
4	4540 343	1			KNOB, A/C. Control (Black)
	5264 336	1	A		Bright
5	5264 331	1			FACE PLATE and DECAL, A/C. Control (Black)
6	5264 337	1	A		PUSH BUTTON, A/C. Control Defroster (Brt.)
	5264 333	1			Black
7	5264 338	1	A		PUSH BUTTON, A/C. Control Floor (Brt.)
	5264 334	1			Black
8	5264 338	1	A		PUSH BUTTON, A/C. Control Bi-Level (Brt.)
	5264 334	1			Black
9	5264 337	1	A		PUSH BUTTON, A/C. Control Panel (Brt.)
	5264 333	1			Black
10	2837 876	1			CONNECTOR, A/C. Vac. Line Ext. to Water Valve
11	4677 204	1			CHECK VALVE, A/C Vacuum Harness
	3848 714	1			CONNECTOR, Vac. Hose - Elbow
12	3780 508	1			HOSE, Vacuum Extension (Serviced in Roll Stock)
13		1			SWITCH, Control Fan (Serviced in Item 14)
14	5264 335	1			HOUSING, Switch and Lever
15	3849 141	1			LAMP, Socket A/C. Control
16	5264 556	1	A	C	CONTROL, Complete (Brt/Black)
	5264 557	1			CONTROL, Complete (Black)
	5264 340	1			HARNES ASSEMBLY, A/C Control Vacuum



**MODEL CODES:**

A BODY=(C=LeBaron, D=Spirit, P=Acclaim/LaBaron(Landau), Saratoga)      S BODY=(H=Voyager(H) FWD, K=Caravan(H) FWD, Y=Town & Country(H) FWD, P=Voyager(K) AWD, D=Caravan(K) AWD, C=Town & Country(K) AWD)  
 C BODY=(D=Dynasty, C=New Yorker/N.Y. Salon)      Y BODY=(C=Imperial/5th Avenue)  
 G BODY=(V=Daytona/IROC, Chrysler Daytona)      E-S BODY=(K=Chrysler Voyager(H) FWD, D=Chrysler Voyager(K) AWD)  
 J BODY=(C=LeBaron, Chrysler LeBaron)  
 P BODY=(P=Sundance, D=Shadow)

**BODY STYLES:**

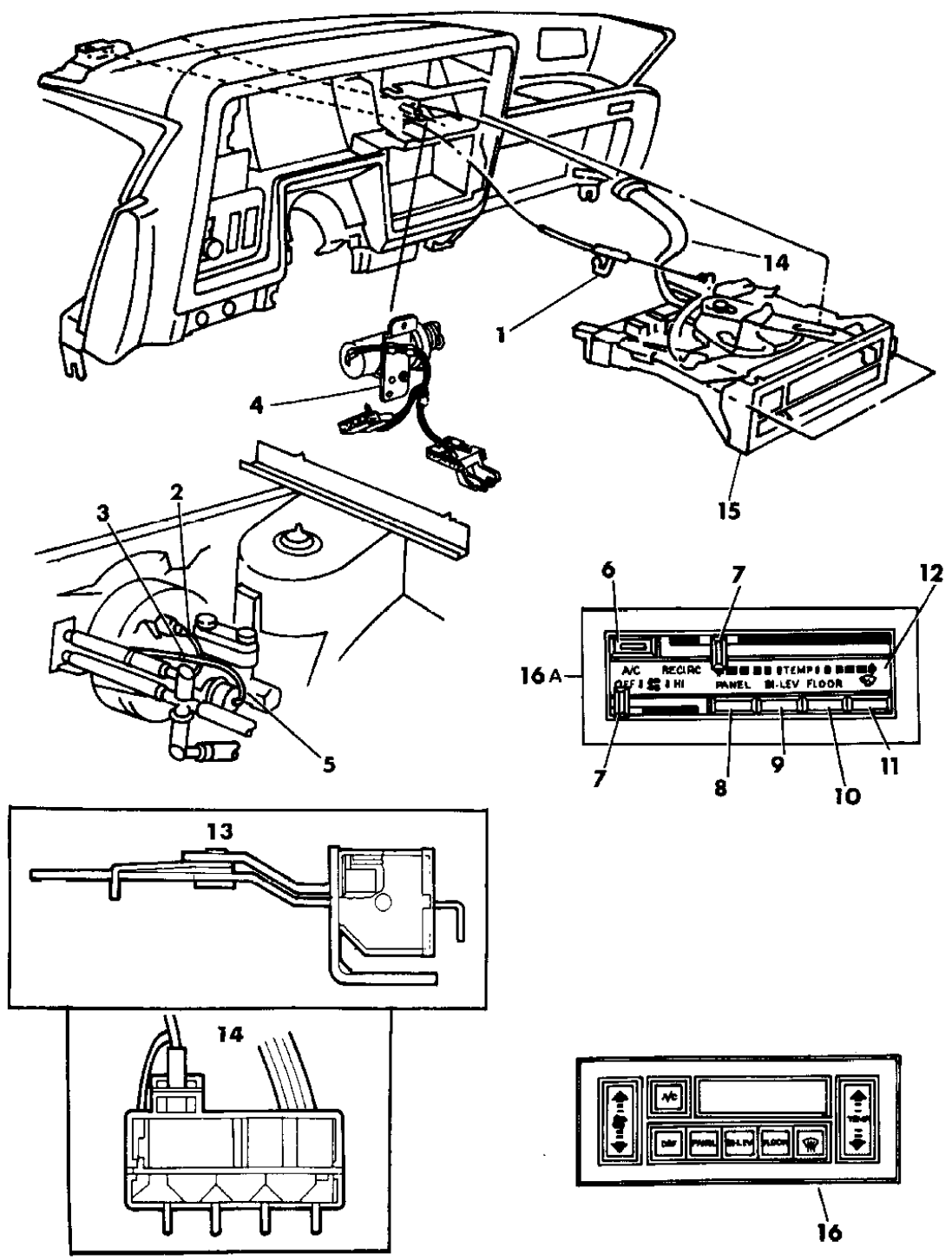
21=2-Door Coupe      41=4-Door Sedan      12-52=FWD & AWD Van & Wgn Std W.B.  
 24=2-Door Hatchback      44=4-Door Hatchback      53=FWD & AWD Van & Wgn Ext. W.B.  
 27=2-Door Convertible

AR = Use as Required - = Non Illustrated Part P.A.R. = Paint as Required

**CONTROL, AIR CONDITIONER J,G,C,Y BODY**  
**Figure 24-1400**

93124 1400

ITEM	PART NUMBER	QTY	BODY	MODEL	DESCRIPTION
1	3849 714	1	C,Y		CABLE, A/C. Temp. Control
	5264 490	1	J,G		
	3849 739	1			CLIP, A/C. Temp. Control Cable Adjusting
2	4677 204	1			CHECK VALVE ASSEMBLY, A/C Vac. Harness ***
3	2837 876	1	J,G		CONNECTOR, Vacuum Hose, In-Line
4	5264 293	1	C,Y		POWER ASPIRATOR, ATC in Car Sensor ***
5	3780 508	AR			HOSE, Vacuum Ext. (Serv. in Roll Stock 1/8)
6					SWITCH, A/C Control (Black) (Serviced in Control)
7					KNOB (Serviced in Control)
8					PUSH BUTTON, A/C Control Panel (Serviced in Control)
9			J,G,C,Y		PUSH BUTTON, A/C Bi-Level (Serviced in Control)
10			J,G,C,Y		PUSH BUTTON, A/C Control, Floor (Serviced in Control)
11			J,G,C,Y		PUSH BUTTON, A/C Control, Defroster (Serviced in Control)
12			Exc.Y		FACE PLATE, w/Decal, A/C Control (Serviced in Control)
13					SWITCH, Control Fan (Serviced in Control)
14					SWITCH, Control w/Vacuum Hose (Serviced in Control)
15		1			HOUSING, Switch and Lever, A/C Control (Serviced in Control)
16A	5264 557	1	J,G		CONTROL, Complete (Black)
	5264 496	1	C-D		
	5264 001	1	C-C,Y		
16		1			CONTROL, ATC Complete
	4677 081	1	C,Y		Black/Chrome
	6016 122	1	C,Y		CLIP, ATC Harness to Aspirator Brkt.
	6501 646	1	C,Y		CLIP, ATC Aspirator to Pnl.
	4437 661	1			LAMP, w/Socket



**MODEL CODES:**  
A BODY=(C=LeBaron, D=Spirit, P=Acclaim/LaBaron(Landau), Saratoga)      S BODY=(H=Voyager(H) FWD, K=Caravan(H) FWD, Y=Town & Country(H) FWD, P=Voyager(K) AWD, D=Caravan(K) AWD, C=Town & Country(K) AWD)  
C BODY=(D=Dynasty, C=New Yorker/N.Y. Salon)      Y BODY=(C=Imperial/5th Avenue)  
G BODY=(V=Daytona/IROC, Chrysler Daytona)      E-S BODY=(K=Chrysler Voyager(H) FWD, D=Chrysler Voyager(K) AWD)  
J BODY=(C=LeBaron, Chrysler LeBaron)  
P BODY=(P=Sundance, D=Shadow)

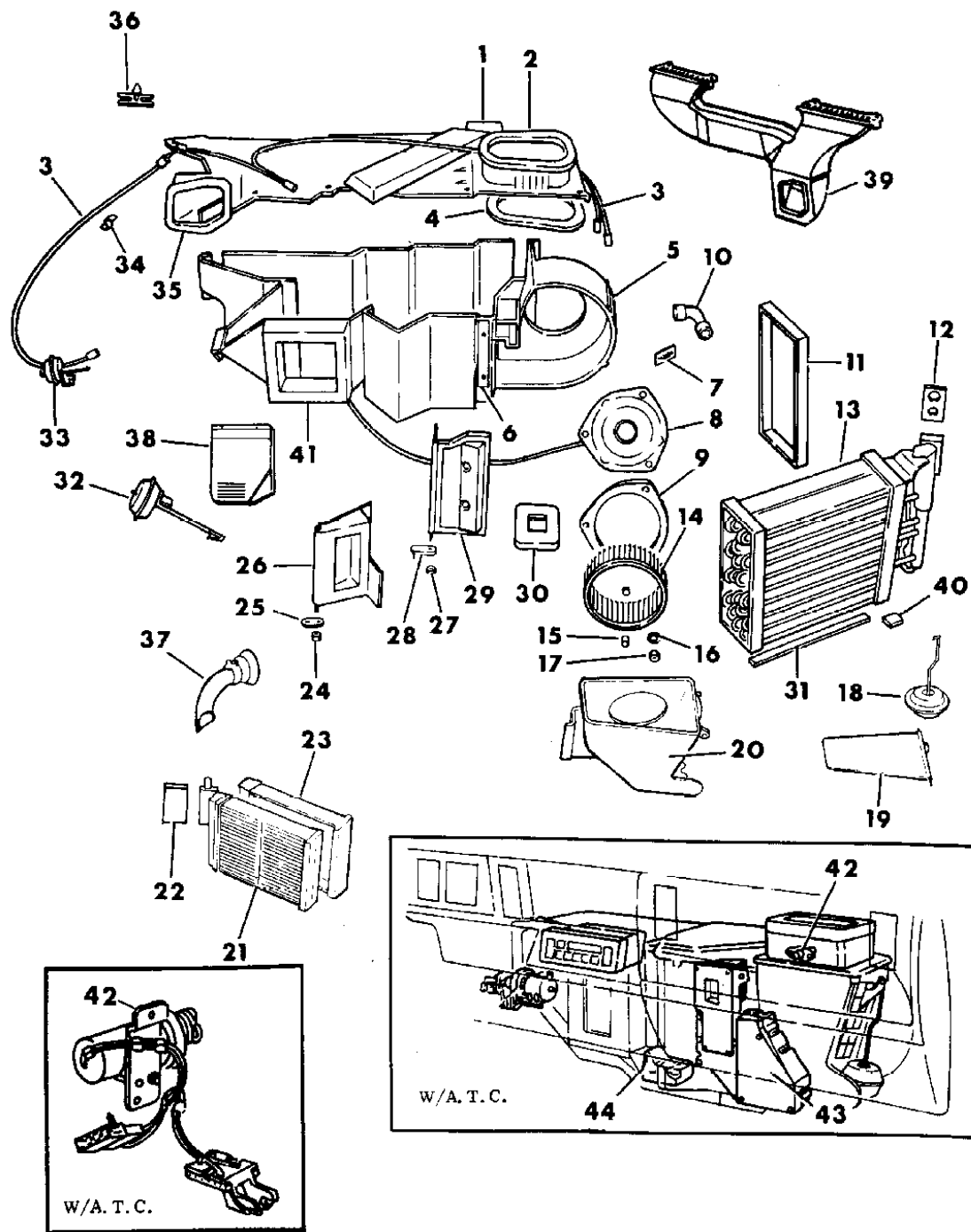
**BODY STYLES:**  
21=2-Door Coupe      41=4-Door Sedan      12-52=FWD & AWD Van & Wgn Std W.B.  
24=2-Door Hatchback      44=4-Door Hatchback      53=FWD & AWD Van & Wgn Ext. W.B.  
27=2-Door Convertible

AR = Use as Required - = Non Illustrated Part P.A.R. = Paint as Required

AIR CONDITIONING AND HEATER UNIT P,A,J,G,C,Y BODY  
Figure 24-1500

93124 1500

ITEM	PART NUMBER	QTY	BODY	MODEL	DESCRIPTION
1	4677 009	1			COVER, A/C. Evap. Housing
	4677 010	1	Y		w/ATC
2	4462 372	1			SEAL, A/C. Evap. Hsg. Cvr. (to Plenum)
3	4462 706	1			HOSE and CONNECTOR, A/C Vacuum
	3780 508	AR			HOSE, Vac. Ext. (Serviced in Roll)
	2837 876	1			CONNECTOR, Vac. Hose
4					SEAL, A/C. Evaporator Housing Cover Mounting
	3849 548	1			Right
	3847 721	1			Left
	3849 547	1			Center
	3848 841	1			Hair Pin End
5					HOUSING, w/Stud Pkg. A/C. Evap.
	4462 685	1	C,Y		A/C
	4462 686	1	A,G,J,P		A/C
	4644 050	1	Y		w/ATC
	4638 971	1	P,J,G,C		GASKET, Heater to Dash (Evaporator Hole)
	5264 499	1			w/ATC
	5264 393	1	C,Y		SEAL, Drain to Dash
	4644 104	2	C,Y		SEAL, End Plate
	4644 103	2	C,Y		SEAL, End Plate, Header End
6	3848 238	1			BRACE, A/C. Unit Mtg. to Plenum Support
	6033 560	1			NUT AND WASHER, Brace Mounting ***
7	4677 073	1	C,Y		RESISTOR, A/C. Blower Motor (use Insulator 4419568)
	4462 840	1	Exc. C		
8	5264 068	1			MOTOR, A/C. Blower (use Insulator 4419526)
9	3847 476	1			SEAL, A/C. Blower Motor Mtg. to Scroll
10	5210 066	1			TUBE, A/C. Blower Motor
11	4474 796	1			SEAL, A/C. Evap. Coil Header End
12	3846 836	1			GASKET, A/C. Evap. Valve Mtg.
13					COIL, A/C. Evap. Complete
	4462 678	1	A,G,J,P		
	4677 011	1	C,Y		
	5264 021	1			SWITCH, A/C Eltrc. Cycling Clutch (Fin Sensing)
	5264 032	1	P,A,J,G		INSULATOR with BRACKET, Conn. Ret. ***
14	4462 674	1			WHEEL, A/C. Blower Motor
15	2837 680	1			CLAMP, A/C. Blower Wheel Motor Mounting
16	6500 376	1			NUT, A/C. Blower Mtr. J Type
	4540 334	4			SEAL, A/C Mtg. Stud Silencer (to Dash)
17	6031 694	3			SCREW, Washer, A/C. Blower Motor Mounting



MODEL CODES:

A BODY=(C=LeBaron, D=Spirit, P=Acclaim/LaBaron(Landau),  
Saratoga)  
C BODY=(D=Dynasty, C=New Yorker/N.Y. Salon)  
G BODY=(V=Daytona/IROC, Chrysler Daytona)  
J BODY=(C=LeBaron, Chrysler LeBaron)  
P BODY=(P=Sundance, D=Shadow)

S BODY=(H=Voyager(H) FWD, K=Caravan(H) FWD,  
Y=Town & Country(H) FWD, P=Voyager(K) AWD,  
D=Caravan(K) AWD, C=Town & Country(K) AWD)  
Y BODY=(C=Imperial/5th Avenue)  
E-S BODY=(K=Chrysler Voyager(H) FWD, D=Chrysler  
Voyager(K) AWD)

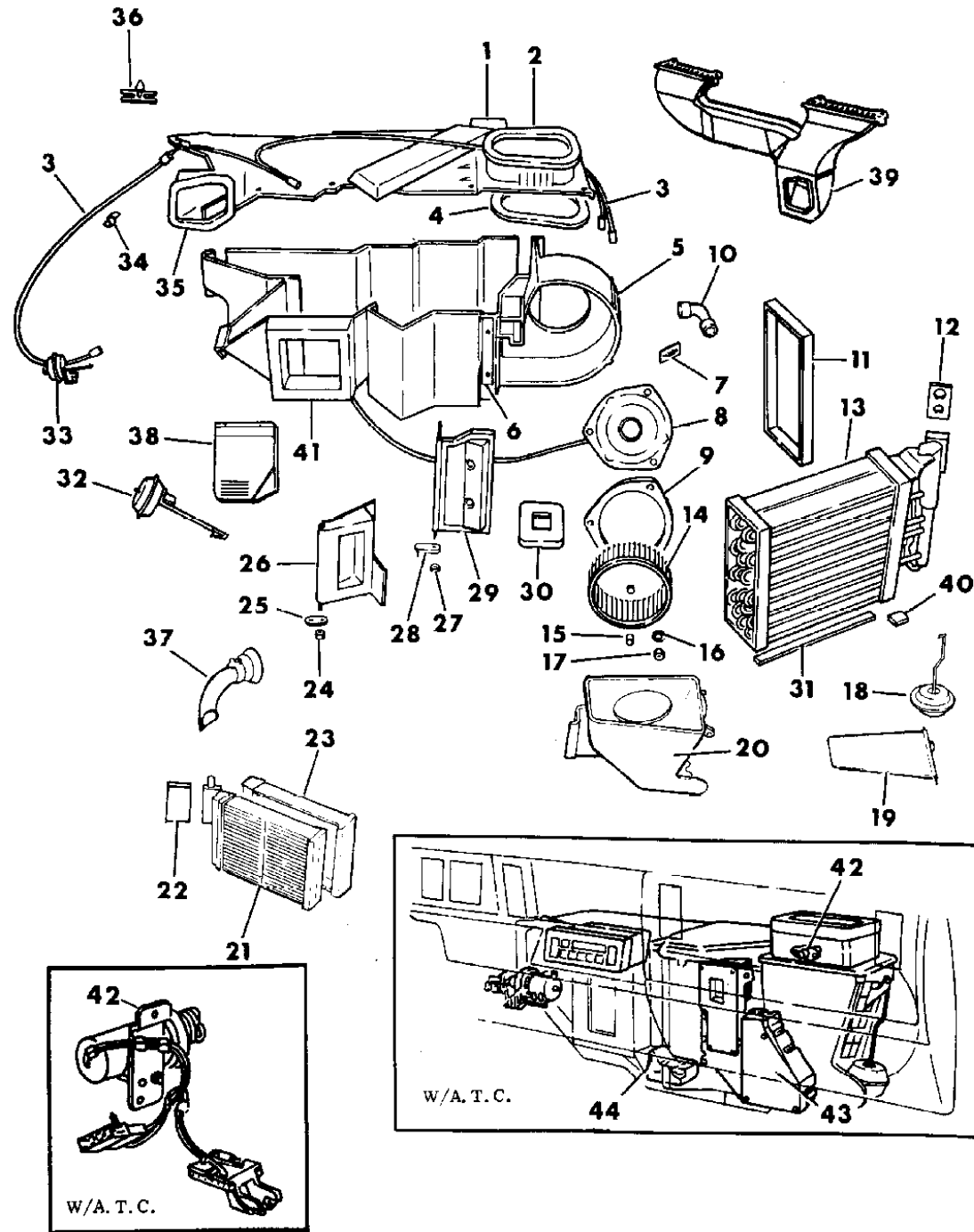
BODY STYLES:

21=2-Door Coupe      41=4-Door Sedan      12-52=FWD & AWD Van & Wgn Std W.B.  
24=2-Door Hatchback      44=4-Door Hatchback      53=FWD & AWD Van & Wgn Ext. W.B.  
27=2-Door Convertible

AR = Use as Required - = Non Illustrated Part P.A.R. = Paint as Required

**AIR CONDITIONING AND HEATER UNIT P,A,J,G,C,Y BODY**  
**Figure 24-1500**

93124 1500



ITEM	PART NUMBER	QTY	BODY	MODEL	DESCRIPTION
18	5210 111	1			ACTUATOR, A/C. Recirc. & Fresh Air Door
19	4644 423	1			DOOR, w/Seal A/C. Recirc. & Fresh Air
	5264 275	1	Y		ROD, Linkage, Recirc. Door, ATC
	4462 959	1	Y		MOTOR, Recirc. Door, ATC
20	4462 690	1			HOUSING, A/C. Recirc., w/Gasket
21	4644 228	1			CORE, A/C., Heater
	4462 697	1			w/ATC
	4540 087	1			SENSOR, Heater Core Temp.
22	5210 109	1			SEAL, A/C. Unit to Dash at Core Tubes
23	3848 093	1			SEAL, A/C., Htr. Core
24	0219 462	1			NUT, Door Shaft Lever
25	3847 858	1			LEVER, Mode Door Shaft
26	4462 687	1			DOOR, w/Seal A/C. Mode
	5264 273	1			LINKAGE ASSEMBLY, Mode Door, ATC ***
27	0219 462	1			NUT, Door Shaft Lever
28	4462 673	1			LEVER, A/C. Blend Air Door
	0219 462	1			NUT and WASHER, A/C. Blend Air Door Lever Mtg.
	6006 324	AR			NUT, Spring Push-on
29	5264 406	1			DOOR, A/C. Blend Air
	5264 405	1	Y		DOOR ASSEMBLY, Blend Air, ATC ***
	4474 547	1	Y		ACTUATOR, Blend Air Door
30	3847 602	1			SEAL, A/C. Unit to Dash at Coil Header
31	5210 073	2			SEAL, A/C. Evap. Coil to Hsg. Bottom
32	4462 694	1			ACTUATOR, A/C. Mode Door
	3847 853	1			SPRING, A/C Mode Door
33	5210 068	1			ACTUATOR, A/C. Htr. & Defroster Door
	6031 147	1			NUT, A/C. Defr. Actr. Rod Rtnng.
34	2521 336	2			CLIP, A/C. Evap. Hsg. Cover Mtg.
35	4462 372	1			SEAL, A/C. Evap. Hsg. Cover Defroster Duct
36	6015 288	1			CLIP, Retaining
37	5264 018	1			TUBE, A/C. Unit Drain
38	4462 696	1			DOOR, & Shaft A/C. Htr. Defroster
	5264 274	1	Y		LINKAGE, Defroster Door, ATC ***
39	3848 486	1	C,Y		DUCT, Defroster
	4462 880	1	J,G		
	3849 174	1	P		
	5264 266	1	A		
40	4192 019	1	C,Y		BUMPER, A/C. Condenser
41	5210 336	1			SEAL, A/C. Ctr. Air Distr. Duct

**MODEL CODES:**

A BODY=(C=LeBaron, D=Spirit, P=Acclaim/LaBaron(Landau), Saratoga) S BODY=(H=Voyager(H) FWD, K=Caravan(H) FWD, Y=Town & Country(H) FWD, P=Voyager(K) AWD, D=Caravan(K) AWD, C=Town & Country(K) AWD)  
 C BODY=(D=Dynasty, C=New Yorker/N.Y. Salon) Y BODY=(C=Imperial/5th Avenue)  
 G BODY=(V=Daytona/IROC, Chrysler Daytona) E-S BODY=(K=Chrysler Voyager(H) FWD, D=Chrysler Voyager(K) AWD)  
 J BODY=(C=LeBaron, Chrysler LeBaron) P BODY=(P=Sundance, D=Shadow)

**BODY STYLES:**

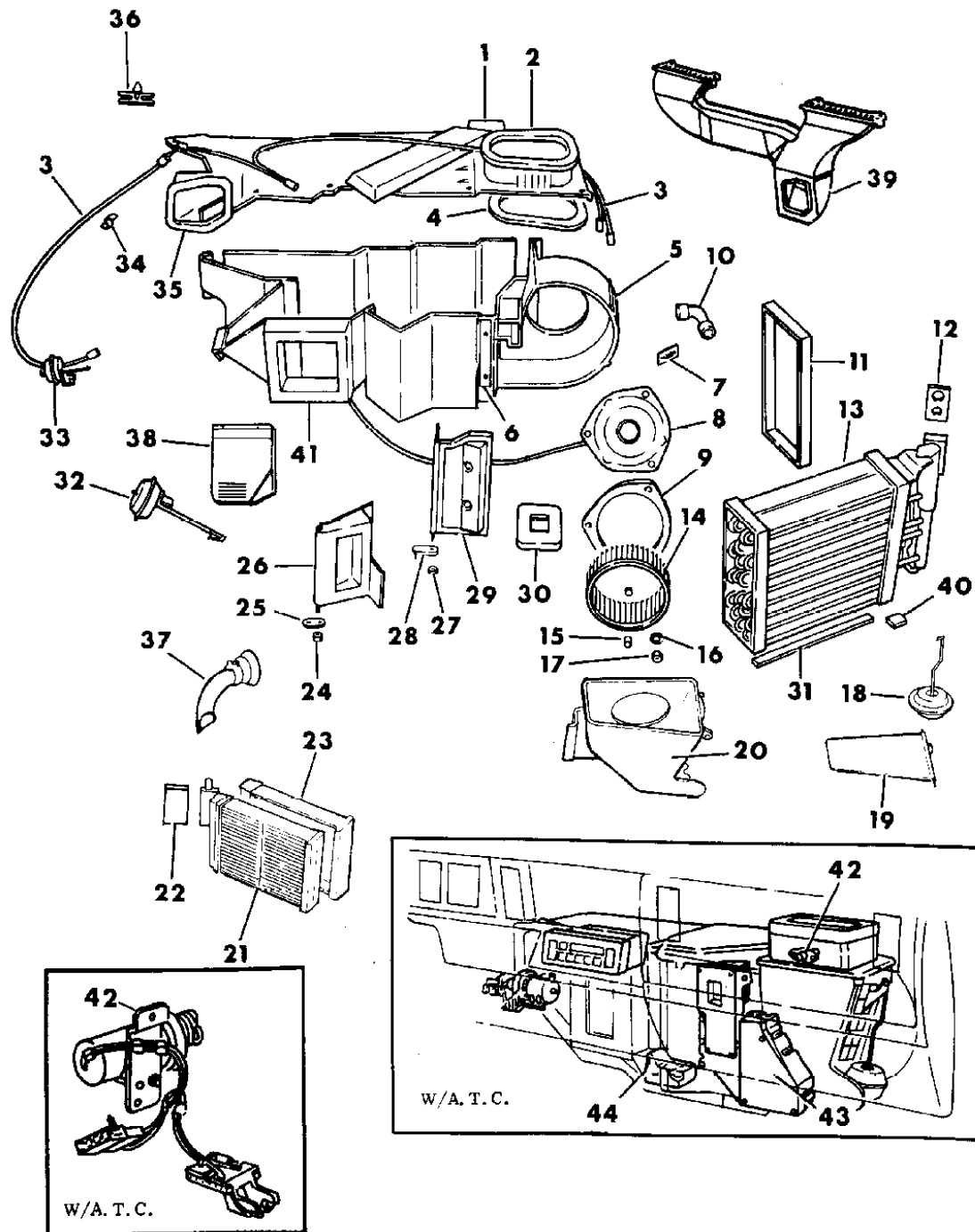
21=2-Door Coupe 41=4-Door Sedan 12-52=FWD & AWD Van & Wgn Std W.B.  
 24=2-Door Hatchback 44=4-Door Hatchback 53=FWD & AWD Van & Wgn Ext. W.B.  
 27=2-Door Convertible

AR = Use as Required - = Non Illustrated Part P.A.R. = Paint as Required

**AIR CONDITIONING AND HEATER UNIT P,A,J,G,C,Y BODY**  
**Figure 24-1500**

93124 1500

ITEM	PART NUMBER	QTY	BODY	MODEL	DESCRIPTION
42	5264 293	1	C,Y		SENSOR, ATC in Car Power Aspirator, without Aspirator Hose
	3849 924	1	C,Y		SENSOR, ATC Ambient
43	4540 293	1	C,Y		MODULE, ATC Power and Vacuum
44	4474 547	1	Y		MOTOR, ATC Blend Air Door
	4462 959	1	Y		MOTOR, ATC Recirc. Door
	4462 960	1	Y		MOTOR, ATC Mode Door
-	6501 646	1	J,C,Y		CLIP, Aspirator, Hose Ret.
-	6016 122	1	J,C,Y		CLIP, ATC Harness to Aspirator Brkt.
-	4474 780	1	C,Y		WIRING, ATC Control
	4644 202	1			HARNESSES, Vac. A/C
-	4677 204	1			VALVE, Check Vac. Harness
-	4462 691	1			HOUSING ASSEMBLY, Heater Air Inlet ***
-					DECAL, A/C System Spec.
	5264 443	1	A,G,J,P		
	5264 516	1	C,Y		



**MODEL CODES:**

A BODY=(C=LeBaron, D=Spirit, P=Acclaim/LaBaron(Landau),  
 Saratoga) S BODY=(H=Voyager(H) FWD, K=Caravan(H) FWD,  
 Y=Town & Country(H) FWD, P=Voyager(K) AWD,  
 D=Caravan(K) AWD, C=Town & Country(K) AWD)  
 C BODY=(D=Dynasty, C=New Yorker/N.Y. Salon)  
 G BODY=(V=Daytona/IROC, Chrysler Daytona)  
 Y BODY=(C=Imperial/5th Avenue)  
 J BODY=(C=LeBaron, Chrysler LeBaron)  
 E-S BODY=(K=Chrysler Voyager(H) FWD, D=Chrysler  
 Voyager(K) AWD)  
 P BODY=(P=Sundance, D=Shadow)

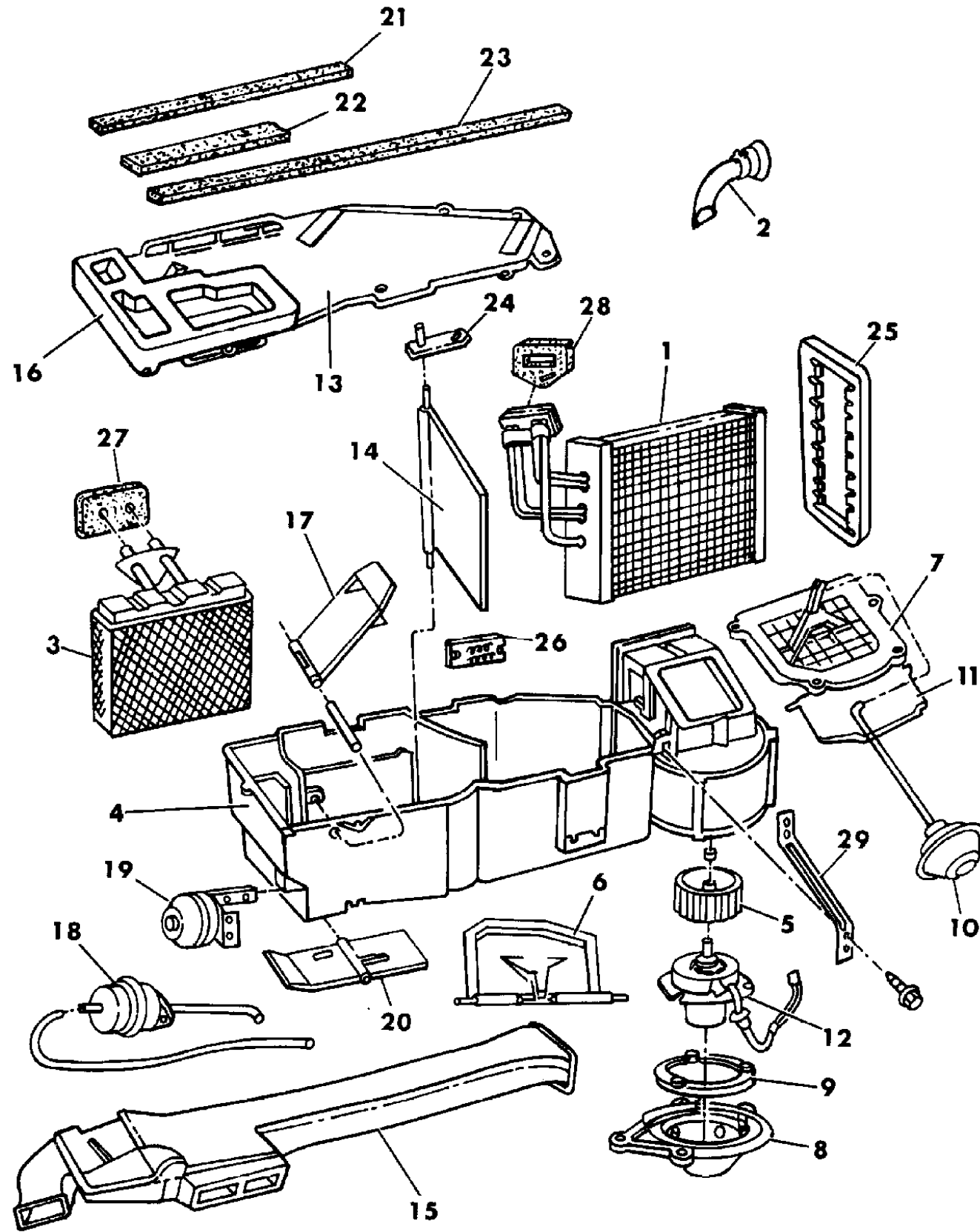
**BODY STYLES:**

21=2-Door Coupe      41=4-Door Sedan      12-52=FWD & AWD Van & Wgn Std W.B.  
 24=2-Door Hatchback      44=4-Door Hatchback      53=FWD & AWD Van & Wgn Ext. W.B.  
 27=2-Door Convertible

AR = Use as Required - = Non Illustrated Part P.A.R. = Paint as Required

**AIR CONDITIONING AND HEATER UNIT S BODY**  
Figure 24-1600

93124 1600A



ITEM	PART NUMBER	QTY	BODY	MODEL	DESCRIPTION
------	-------------	-----	------	-------	-------------

NOTE: Some 1993 "S" Body's were built with 1992 Evaporator Coils. If tubes are positioned differently use 1992 Coil 4723069. applications specified in this document.

1	4474 842	1			COIL, A/C. Evap. Coil Complete
2	5264 018	1			TUBE, A/C. Drain
3	4644 393	1			CORE, A/C.
4	4644 261	1			HOUSING, Stud A/C. Unit Evap.
5	4723 026	1			WHEEL, A/C. Motor
	2837 680	1			CLAMP, A/C., Blower Motor Wheel Mtg.
	6031 694	3			SCREW, w/Wash. A/C. Blower Mtr. Mtg.
6	4644 386	1			COVER, Heater Recirc.
7	3848 267	1			COVER, A/C. Recirc.
8	4462 910	1			COVER, Assy. A/C. Motor
9	3847 476	1			SEAL, A/C. Blwr. Motor to Cover
	5264 279	1			SEAL, Coil to Cover
	4540 072	1			SEAL, Air Inlet
10	4644 392	1			ACTUATOR, A/C. F/Air Door
	0116 000	2			NUT, F/Air Door Actr. Mtg.
11	3848 370	1			DOOR, A/C. F/Air w/o Seals
12	5264 400	1			MOTOR, A/C. Blower
	4414 061	1			WEDGE ***
13	4644 379	1			COVER, A/C. and Heater Evap.
14	4644 396	1			DOOR, A/C. Blend Air
15	4462 541	1			DUCT, A/C. Heat Distr.
16	3848 266	1			SEAL, A/C. Evap. Cover to Ducts
17	4644 377	1			DOOR, A/C. Mode
	4644 380	1			SPRING, Demister to Mode Door
	4163 735	1			SHAFT, A/C. Deifr. Mode Door
	6031 147	1			RETAINER, A/C. Mode Deifr. Door Shaft
18	3848 259	1			ACTUATOR, A/C. Mode Door
19	3848 260	1			ACTUATOR, A/C. Deifr. Door
20	3848 227	1			DOOR, Heater, Defroster
	4644 376	1			Demister
21	3846 756	1			SEAL, A/C. Evap. Coil Hsg. (Bottom)
22	3848 838	1			SEAL, A/C. Evap. Coil to Hdr. Tubes to Hsg.
23	3848 151	1			SEAL, A/C. Evap. Coil to Hsg. Hair Pin End
24	4462 454	1			LEVER, A/C. Temp. Door
25	3847 116	1			SEAL, Evap. Coil Header End
26	4462 978	1			RESISTOR, A/C. Blower Motor
27	3848 254	1			SEAL, A/C. Core Tubes to Dash

**MODEL CODES:**

A BODY=(C=LeBaron, D=Spirit, P=Acclaim/LaBaron(Landau), Saratoga)

C BODY=(D=Dynasty, C=New Yorker/N.Y. Salon)

G BODY=(V=Daytona/IROC, Chrysler Daytona)

J BODY=(C=LeBaron, Chrysler LeBaron)

P BODY=(P=Sundance, D=Shadow)

S BODY=(H=Voyager(H) FWD, K=Caravan(H) FWD,

Y=Town & Country(H) FWD, P=Voyager(K) AWD,

D=Caravan(K) AWD, C=Town & Country(K) AWD)

Y BODY=(C=Imperial/5th Avenue)

E-S BODY=(K=Chrysler Voyager(H) FWD, D=Chrysler

Voyager(K) AWD)

**BODY STYLES:**

21=2-Door Coupe

41=4-Door Sedan

12-52=FWD & AWD Van & Wgn Std W.B.

24=2-Door Hatchback

44=4-Door Hatchback

53=FWD & AWD Van & Wgn Ext. W.B.

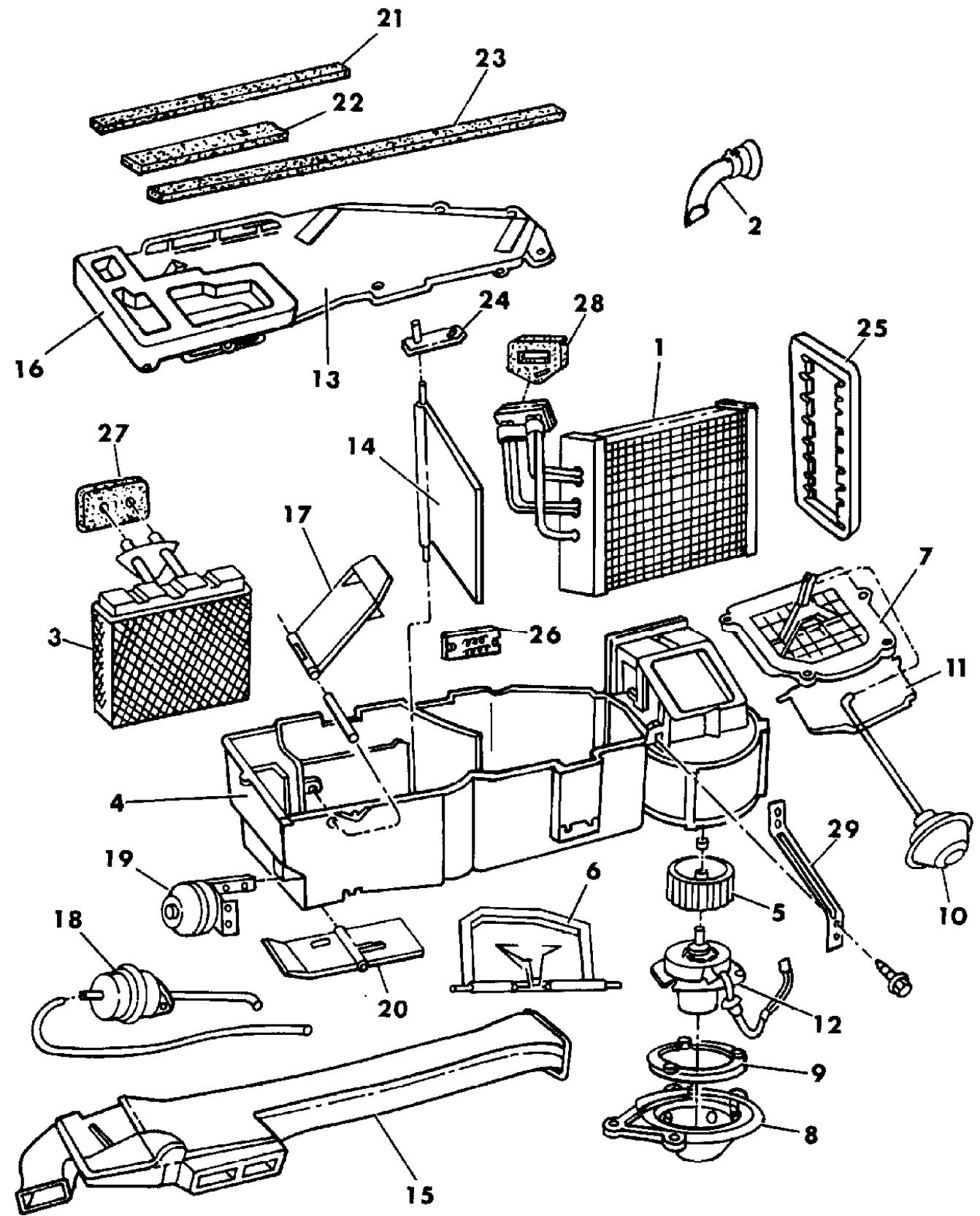
27=2-Door Convertible

AR = Use as Required - = Non Illustrated Part P.A.R. = Paint as Required



**AIR CONDITIONING AND HEATER UNIT S BODY**  
**Figure 24-1600**

93124 1600A



ITEM	PART NUMBER	QTY	BODY	MODEL	DESCRIPTION
28	5264 484	1			SEAL, A/C. Header (to Dash)
	5264 485	1			Header Opening to Dash
	4540 071	1			Drain
	4644 395	1			to Silencer Seal, Right
29	4462 991	1			BRACE, A/C. Unit Support
	4462 988	1			HOSE, A/C. Vacuum
	5264 307	1			VALVE, A/C Hose Check
	3780 508	AR			HOSE, A/C. Vac. Ext. (Serviced in Roll)
	4140 427	1			ISOLATOR, A/C Cond. Bottom Mounting
	5252 003	1			SWITCH, Ambient Temp. Sensing
	4720 826	1			WALL, Condensation Control ***
-	4677 114	1			DECAL, System Spec.

**MODEL CODES:**

A BODY=(C=LeBaron, D=Spirit, P=Acclaim/LaBaron(Landau, Saratoga) S BODY=(H=Voyager(H) FWD, K=Caravan(H) FWD, Y=Town & Country(H) FWD, P=Voyager(K) AWD, D=Caravan(K) AWD, C=Town & Country(K) AWD)  
 C BODY=(D=Dynasty, C=New Yorker/N.Y. Salon)  
 G BODY=(V=Daytona/IROC, Chrysler Daytona)  
 J BODY=(C=LeBaron, Chrysler LeBaron)  
 P BODY=(P=Sundance, D=Shadow)  
 Y BODY=(C=Imperial/5th Avenue)  
 E-S BODY=(K=Chrysler Voyager(H) FWD, D=Chrysler Voyager(K) AWD)

**BODY STYLES:**

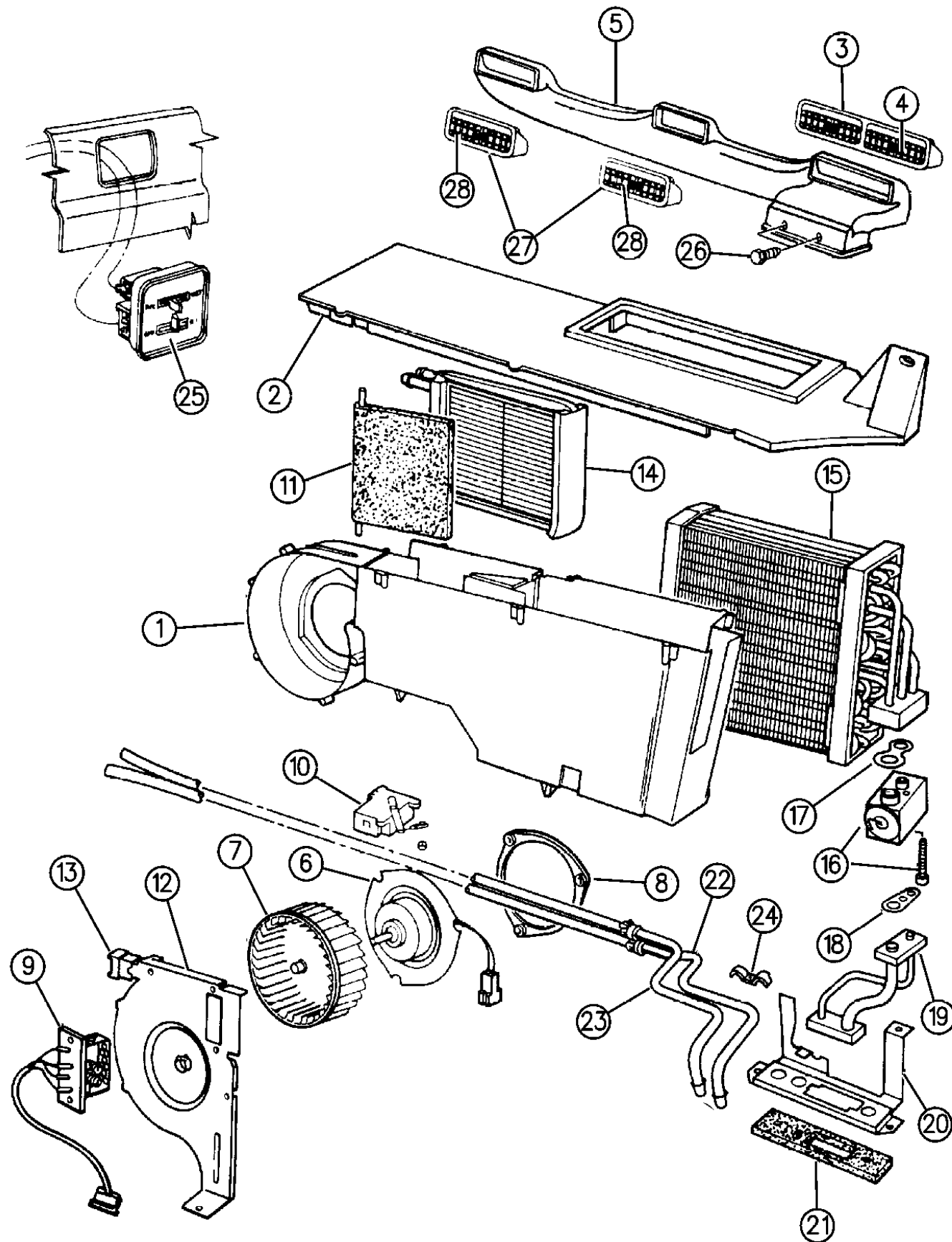
21=2-Door Coupe      41=4-Door Sedan      12-52=FWD & AWD Van & Wgn Std W.B.  
 24=2-Door Hatchback      44=4-Door Hatchback      53=FWD & AWD Van & Wgn Ext. W.B.  
 27=2-Door Convertible

AR = Use as Required - = Non Illustrated Part P.A.R. = Paint as Required

**REAR AIR CONDITIONING AND HEATER UNIT S BODY**

**Figure 24-1700**

93124 1700A



ITEM	PART NUMBER	QTY	BODY	MODEL	DESCRIPTION
1	4462 211	1			HOUSING
2	4540 088	1			COVER, Aux. A/C and Heater Housing
3	4540 090	2			HOUSING, Air Outlet, Front (Serviced in Item #4)
4					SEAL, Outlet, Front
					OUTLET ASSEMBLY, Front ***
	FE30 MM6	2			Red
	FE30 KD5	2			Quartz
	FE30 MB7	2			Slate Blue
	FE30 KV4	2			Champagne
5	4677 037	1			DUCT, Upper Distribution
	4462 635	1			DUCT, Lower Floor, (Stamped 4474451)
6	4494 319	1			MOTOR, Blower
7	5210 234	1			WHEEL, Blower Motor
	2837 680	1			CLAMP
8	3847 476	1			SEAL, Blower Motor to Scroll Mounting
9	4462 215	1			RESISTOR, Blower Motor
10	4462 218	1			SERVO, Mode Door
11	4462 219	1			DOOR, Mode
12	4462 210	1			COVER, Housing, Scroll
13	4373 109	1			RELAY, Control
14	4462 223	1			CORE, Heater and A/C
	4462 252	1			SEAL, Core
	4462 225	1			SEAL, Core, Front
	4462 224	1			SEAL, Core, Side
15	4462 220	1			COIL, Evaporator
	5210 073	1			SEAL, Evaporator Coil to Housing
	3848 151	1			SEAL, Evaporator Coil, End
	3847 116	1			SEAL, Evaporator Coil, Front
16	4644 186	1			VALVE ASSEMBLY, Expansion ***
17	3846 836	1			GASKET, Expansion Valve Mounting
18	3846 834	1			GASKET, Plumbing Extension to Expansion Valve
19	4462 229	1			EXTENSION, A/C Plumbing
20	4462 230	1			PLATE, Plumbing
21	4462 231	1			SEAL, PLumbing Plate
22	4462 234	1			TUBE, Hose Extension (In-Board)
23	4462 233	1			TUBE, Hose Extension (Out-Board)
24	4462 253	1			BRACKET, Mounting
	4540 089	1			WIRING, Aux. A/C, Heater (Tagged 4474473)
	4462 254	2			PAD, Isolator

**MODEL CODES:**

A BODY=(C=LeBaron, D=Spirit, P=Acclaim/LaBaron(Landau), Saratoga)     S BODY=(H=Voyager(H) FWD, K=Caravan(H) FWD, Y=Town & Country(H) FWD, P=Voyager(K) AWD, D=Caravan(K) AWD, C=Town & Country(K) AWD)

C BODY=(D=Dynasty, C=New Yorker/N.Y. Salon)

G BODY=(V=Daytona/ROC, Chrysler Daytona)

J BODY=(C=LeBaron, Chrysler LeBaron)

P BODY=(P=Sundance, D=Shadow)

**BODY STYLES:**

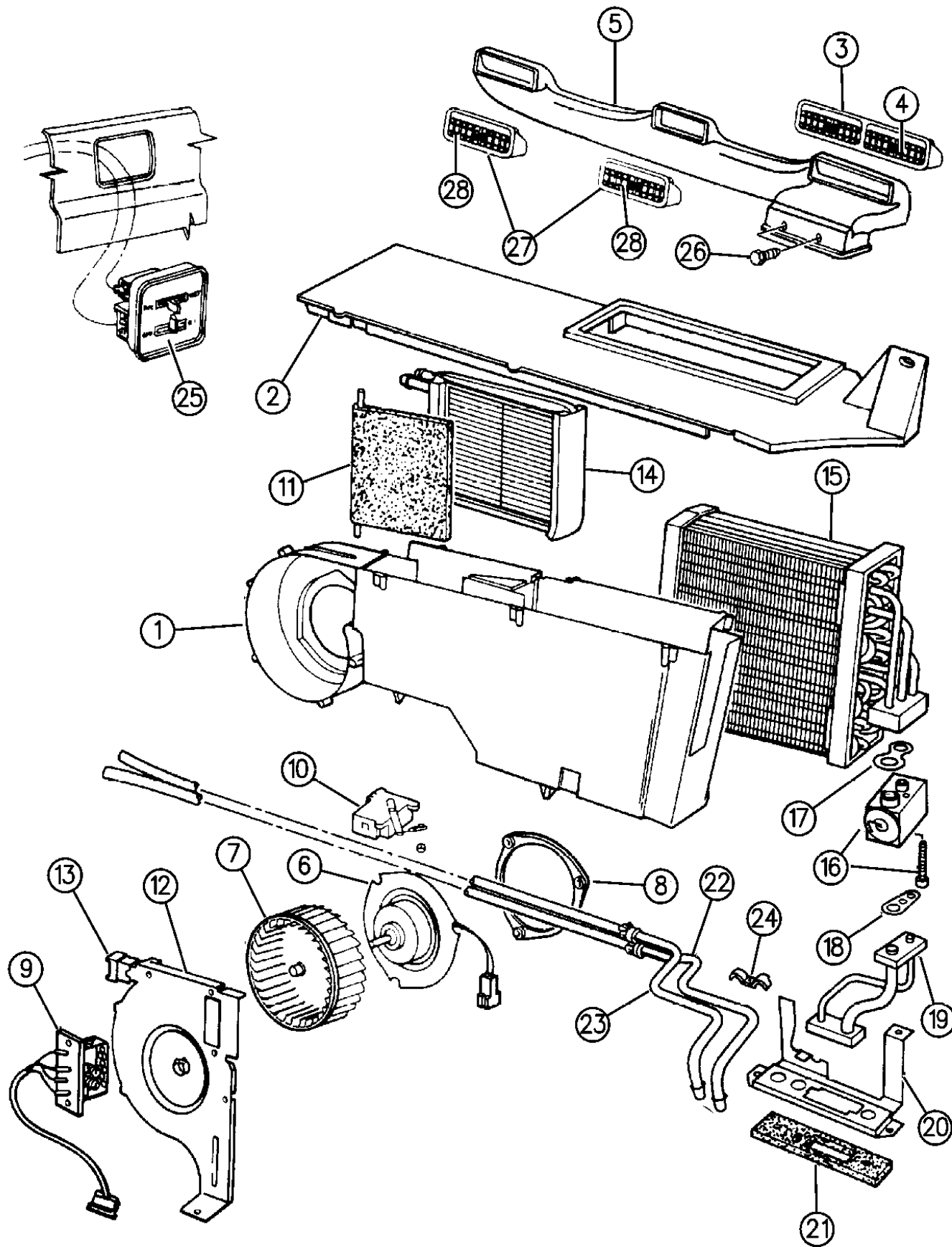
21=2-Door Coupe     41=4-Door Sedan     12-52=FWD & AWD Van & Wgn Std W.B.  
 24=2-Door Hatchback     44=4-Door Hatchback     53=FWD & AWD Van & Wgn Ext. W.B.  
 27=2-Door Convertible

AR = Use as Required   - = Non Illustrated Part   P.A.R. = Paint as Required

REAR AIR CONDITIONING AND HEATER UNIT S BODY

Figure 24-1700

93124 1700A



ITEM	PART NUMBER	QTY	BODY	MODEL	DESCRIPTION
	4462 226	2			PAD, Hose Isolator
25	4540 265	1			CONTROL
	4462 809	2			KNOB, Control
	4462 222	1			LAMP SOCKET, Aux. A/C and Heater Control
					SWITCH, Rear Blower (I/Pnl.) (Refer to Group 8)
-	8230 0387	1			BRACKET, Control Mounting
26	6032 468	2			SCREW
					HOSE, Heater Front to Heater Unit
	4462 255	1			Supply
	4462 256	1			Return
27		2			HOUSING, Air Outlet, Center and Rear (Serviced in Item #28)
	4540 091	2			SEAL, Outlet, Center and Rear
28					OUTLET ASSEMBLY, Center and Rear ***
	AC25 MM6	1			Red
	AC25 KD5	1			Quartz
	AC25 MB7	1			Slate Blue
	AC25 KV4	1			Champagne
					THE FOLLOWING PART NUMBERS ARE NOT ILLUSTRATED
					***
	4540 089	1			WIRING, Aux Htr, 3.3L
	4462 619	1			HOUSING, Aux Htr, 3.3L
	4462 621	1			BRACKET, Aux Htr Supt, 3.3L
	4462 622	1			PLATE, Aux Htr Plumbing, 3.3L
	4462 623	1			SEAL, Aux Htr, 3.3L
	4462 625	1			DECAL, Aux Htr Control, 3.3L
	4462 635	1			DUCT, Aux Htr Dist., 3.3L
	4462 808	1			CONTROL, Aux Htr, 3.3L
	4462 809	1			KNOB, Aux Htr Control, 3.3L
	6032 468	1			SCREW, Aux Htr Installation

**MODEL CODES:**

A BODY=(C=LeBaron, D=Spirit, P=Acclaim/LaBaron(Landau), Saratoga)      S BODY=(H=Voyager(H) FWD, K=Caravan(H) FWD, Y=Town & Country(H) FWD, P=Voyager(K) AWD, D=Caravan(K) AWD, C=Town & Country(K) AWD)

C BODY=(D=Dynasty, C=New Yorker/N.Y. Salon)

G BODY=(V=Daytona/IROC, Chrysler Daytona)

J BODY=(C=LeBaron, Chrysler LeBaron)

P BODY=(P=Sundance, D=Shadow)

Y BODY=(C=Imperial/5th Avenue)

E-S BODY=(K=Chrysler Voyager(H) FWD, D=Chrysler Voyager(K) AWD)

**BODY STYLES:**

21=2-Door Coupe      41=4-Door Sedan      12-52=FWD & AWD Van & Wgn Std W.B.

24=2-Door Hatchback      44=4-Door Hatchback      53=FWD & AWD Van & Wgn Ext. W.B.

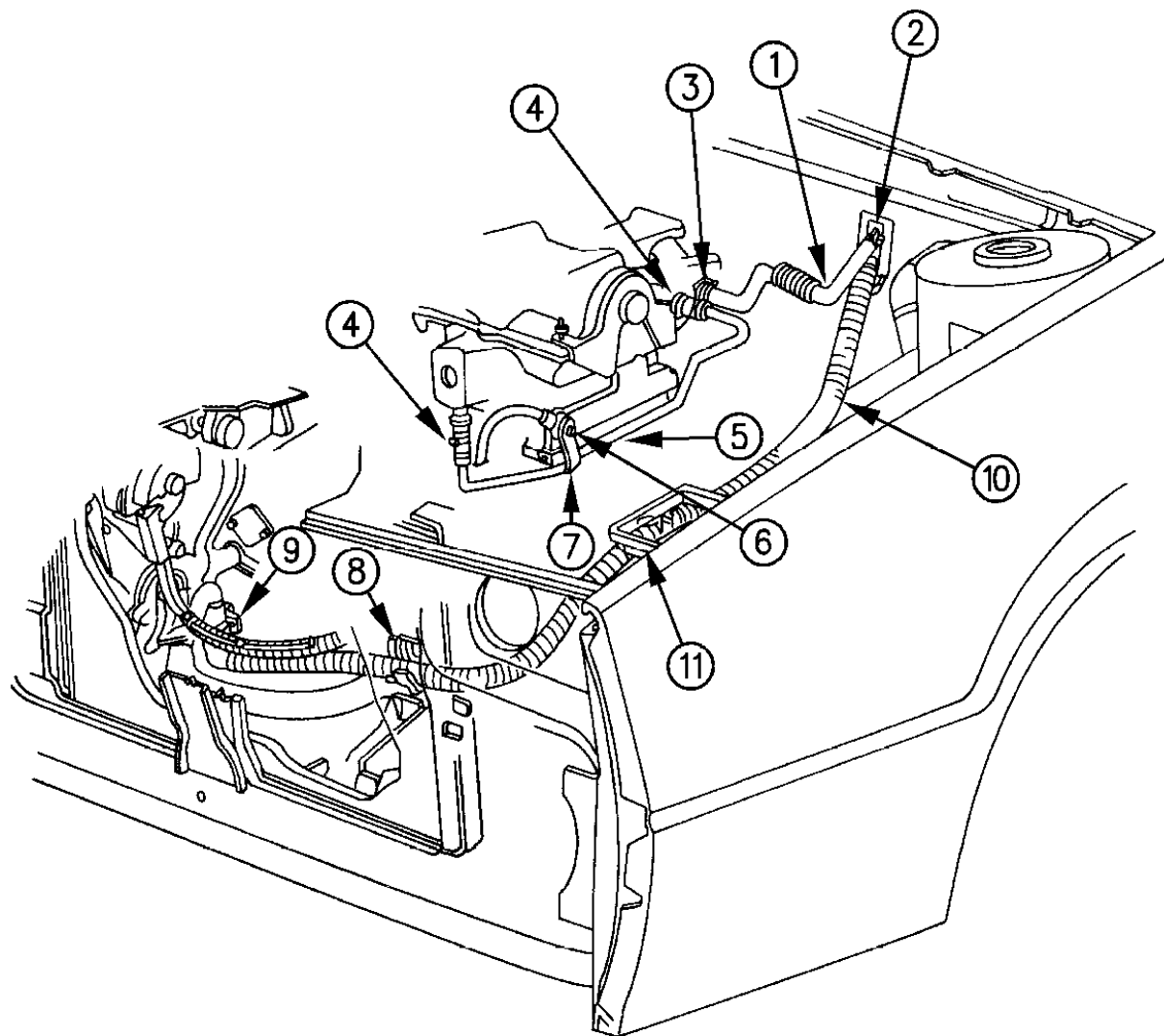
27=2-Door Convertible

AR = Use as Required - = Non Illustrated Part P.A.R. = Paint as Required

PLUMBING, AIR CONDITIONING AND HEATER J BODY 2.5L ENGINE 1 OF 2 ILLUSTRATIONS  
Figure 24-1800

93124 1800A

ITEM	PART NUMBER	QTY	BODY	MODEL	DESCRIPTION
1	4540 123	1			HOSE, Engine to Core
2	6502 017	2			CLAMP
3	6502 018	1			CLAMP
4	0153 640	2			CLAMP
5	4273 486	1			TUBE, Water By-Pass
	4273 488	1			HOSE, By-Pass Tube
6	6500 158	1			SCREW and WASHER
7	5281 186	1			BRACKET, By-Pass Tube
8	5264 243	1			CLIP, Hose
9	6502 019	1			CLAMP
10	4540 119	1			HOSE, Core to Pump
	4462 964	1			HOSE, Core to Cooler EXPORT
	4540 296	1			HOSE, Cooler to Pump EXPORT
11	5264 486	1			BRACKET, Hose Mounting



**MODEL CODES:**

A BODY=(C=LeBaron, D=Spirit, P=Acclaim/LaBaron(Landau),  
Saratoga) S BODY=(H=Voyager(H) FWD, K=Caravan(H) FWD,  
Y=Town & Country(H) FWD, P=Voyager(K) AWD,  
D=Caravan(K) AWD, C=Town & Country(K) AWD)  
C BODY=(D=Dynasty, C=New Yorker/N.Y. Salon)  
G BODY=(V=Daytona/IROC, Chrysler Daytona) Y BODY=(C=Imperial/5th Avenue)  
J BODY=(C=LeBaron, Chrysler LeBaron) E-S BODY=(K=Chrysler Voyager(H) FWD, D=Chrysler  
Voyager(K) AWD)  
P BODY=(P=Sundance, D=Shadow)

**BODY STYLES:**

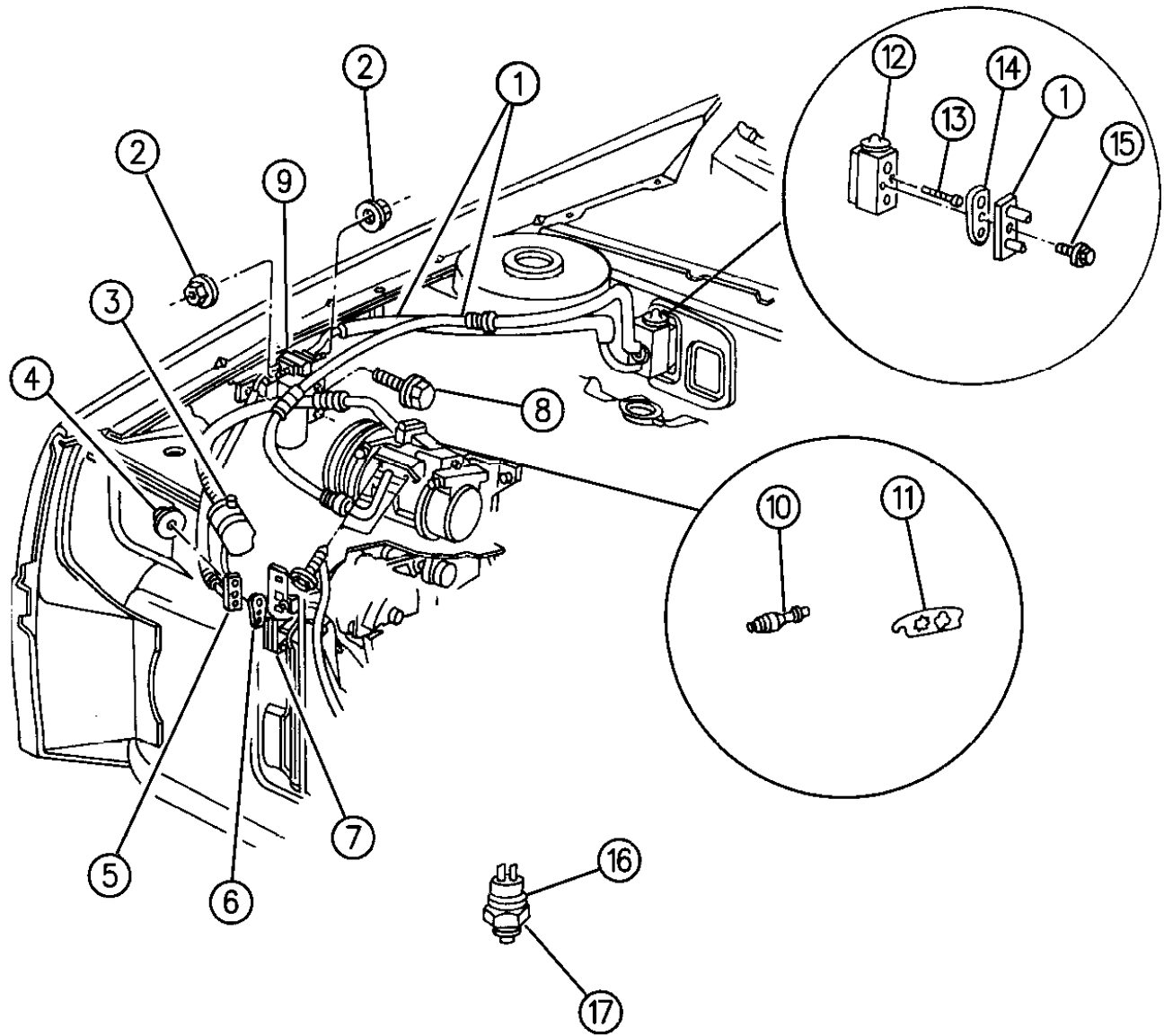
21=2-Door Coupe 41=4-Door Sedan 12-52=FWD & AWD Van & Wgn Std W.B.  
24=2-Door Hatchback 44=4-Door Hatchback 53=FWD & AWD Van & Wgn Ext. W.B.  
27=2-Door Convertible

AR = Use as Required - = Non Illustrated Part P.A.R. = Paint as Required

**PLUMBING, AIR CONDITIONING AND HEATER J BODY 2.5L ENGINE 2 OF 2 ILLUSTRATIONS**  
**Figure 24-1900**

93124 1900

ITEM	PART NUMBER	QTY	BODY	MODEL	DESCRIPTION
1	5264 500	1			LINE, Suction and Liquid
2	6033 562	2			NUT and WASHER
3	3848 585	1			CAP, Check Valve
4		1			NUT (Not Serviced)
5	4540 146	1			LINE, Discharge and Liquid
6	3846 835	1			GASKET
7	4638 126	1			CONDENSER
8	4728 738	2			ISOLATOR, Condenser Mounting
	6032 451	2			SCREW and WASHER
9	4540 160	1			DRIER, w/Bracket
10	3849 468	1			VALVE, Discharge Line Check
11	4540 157	1			GASKET, Discharge to Compressor
	4540 158	1			Suction Line to Compressor
12	4176 999	1			VALVE, Expansion
13	6032 572	1			SCREW
14	3846 834	1			GASKET, Suction Line to Exp. Valve
15	6101 453	1			SCREW
16	5210 377	1			SWITCH, Low Pressure
17	3441 105	1			SEAL, Switch



**MODEL CODES:**

A BODY=(C=LeBaron, D=Spirit, P=Acclaim/LaBaron(Landau), Saratoga)      S BODY=(H=Voyager(H) FWD, K=Caravan(H) FWD, Y=Town & Country(H) FWD, P=Voyager(K) AWD, D=Caravan(K) AWD, C=Town & Country(K) AWD)  
 C BODY=(D=Dynasty, C=New Yorker/N.Y. Salon)  
 G BODY=(V=Daytona/IROC, Chrysler Daytona)  
 J BODY=(C=LeBaron, Chrysler LeBaron)  
 P BODY=(P=Sundance, D=Shadow)      Y BODY=(C=Imperial/5th Avenue)  
 E-S BODY=(K=Chrysler Voyager(H) FWD, D=Chrysler Voyager(K) AWD)

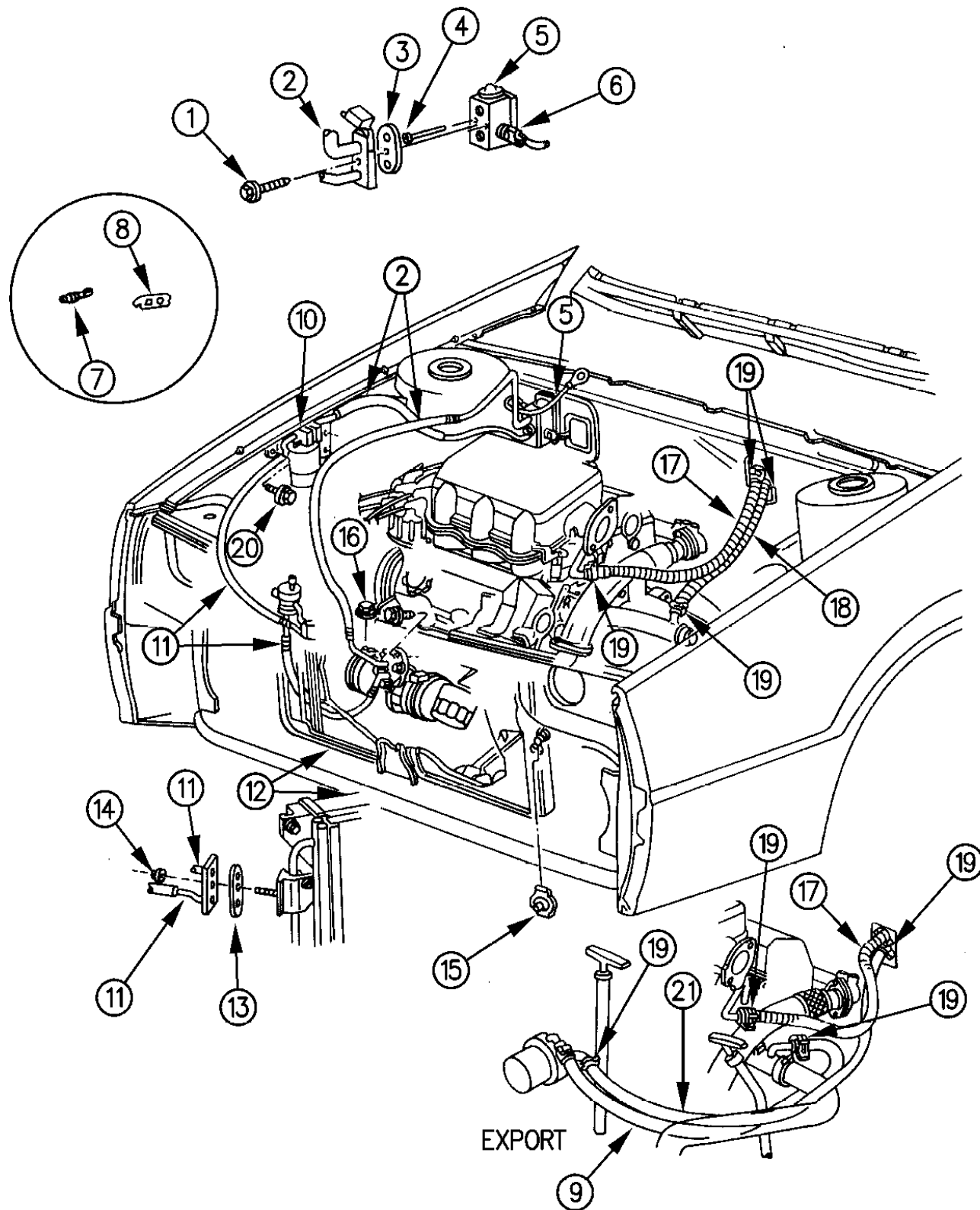
**BODY STYLES:**

21=2-Door Coupe      41=4-Door Sedan      12-52=FWD & AWD Van & Wgn Std W.B.  
 24=2-Door Hatchback      44=4-Door Hatchback      53=FWD & AWD Van & Wgn Ext. W.B.  
 27=2-Door Convertible

AR = Use as Required - = Non Illustrated Part P.A.R. = Paint as Required

**PLUMBING, AIR CONDITIONING AND HEATER 3.0L ENGINE J BODY**  
**Figure 24-2000**

93124 2000A



ITEM	PART NUMBER	QTY	BODY	MODEL	DESCRIPTION
1	6101 453	1			SCREW and WASHER, Suction Line
2	4540 156	1			LINE, Suction and Liquid
	5269 055	1			STRAP, Ground
3	3846 834	1			GASKET, Suction Line to H-Valve
4	6032 572	2			SCREW
5	4176 999	1			VALVE, Expansion
6	5210 377	1			SWITCH, Low Pressure Cut-Off
	5264 280	1			SWITCH, High Pressure Cut-Off
7	3849 468	1			VALVE, Check
8	4540 157	1			GASKET, Discharge Line to Compressor
	4540 158	1			GASKET, Suction Line to Compressor
9	5264 395	1			HOSE, Cooler to Pump
10	4540 160	1			DRIER, w/Bracket
11	4540 154	1			LINE, Discharge
12	4638 126	1			CONDENSER
13	3846 835	1			GASKET, Discharge Line to Condenser
14		1			NUT (Not Serviced)
15	4728 738	2			ISOLATOR, Condenser Mounting
16	3848 585	1			CAP
17	4540 094	1			HOSE, Engine to Core
	4397 809	1			SLEEVE
18	4540 096	1			HOSE, Core to Pump
19	6502 017	AR			CLAMP
20	6032 451	1			SCREW
21	4462 964	1			HOSE, Core to Cooler EXPORT

**MODEL CODES:**

A BODY=(C=LeBaron, D=Spirit, P=Acclaim/LaBaron(Landau), Saratoga)      S BODY=(H=Voyager(H) FWD, K=Caravan(H) FWD, Y=Town & Country(H) FWD, P=Voyager(K) AWD, D=Caravan(K) AWD, C=Town & Country(K) AWD)  
 C BODY=(D=Dynasty, C=New Yorker/N.Y. Salon)  
 G BODY=(V=Daytona/IROC, Chrysler Daytona)  
 J BODY=(C=LeBaron, Chrysler LeBaron)  
 P BODY=(P=Sundance, D=Shadow)      Y BODY=(C=Imperial/5th Avenue)  
 E-S BODY=(K=Chrysler Voyager(H) FWD, D=Chrysler Voyager(K) AWD)

**BODY STYLES:**

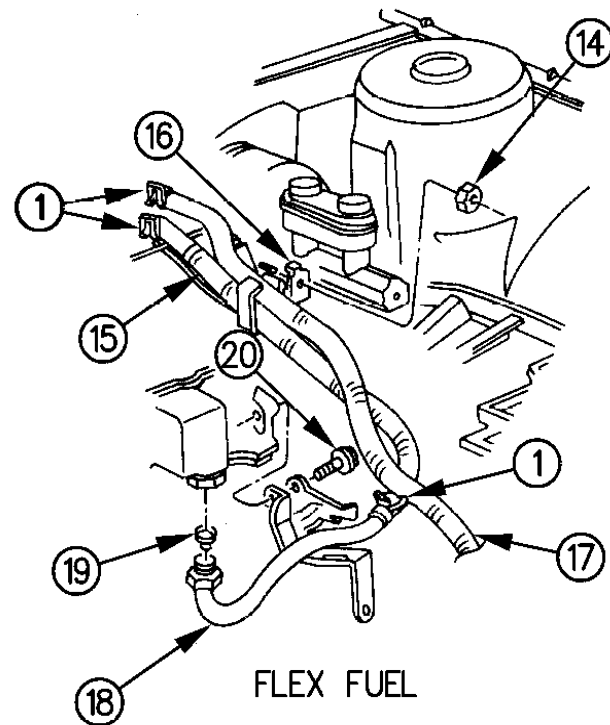
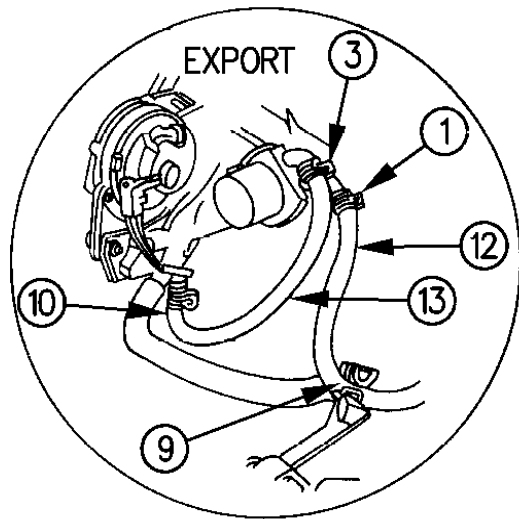
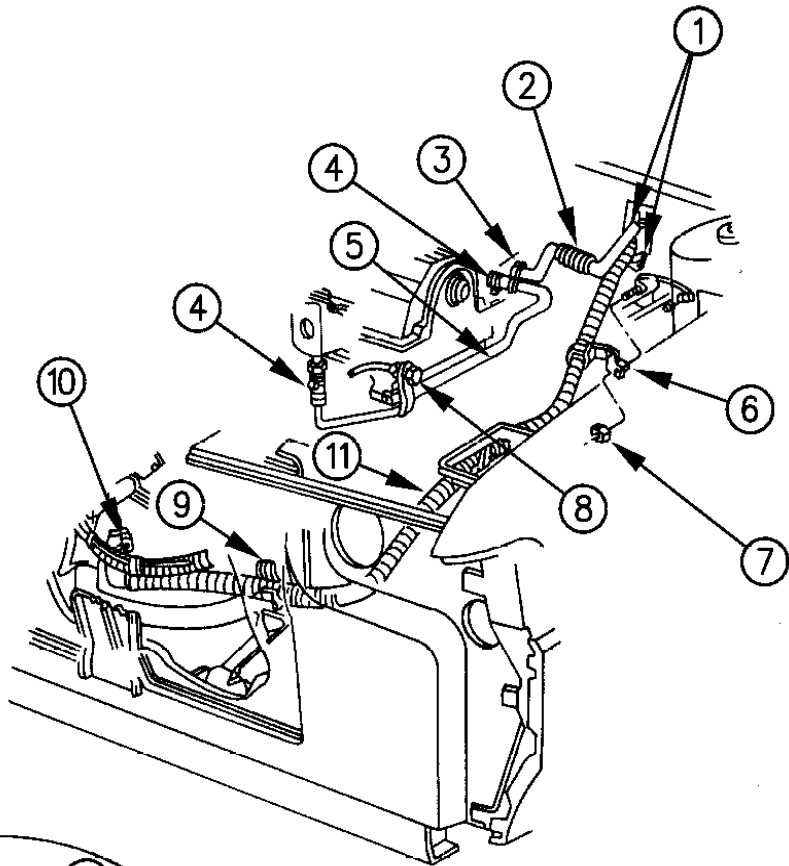
21=2-Door Coupe      41=4-Door Sedan      12-52=FWD & AWD Van & Wgn Std W.B.  
 24=2-Door Hatchback      44=4-Door Hatchback      53=FWD & AWD Van & Wgn Ext. W.B.  
 27=2-Door Convertible

AR = Use as Required    - = Non Illustrated Part    P.A.R. = Paint as Required

PLUMBING, AIR CONDITIONING AND HEATER A BODY 2.5L ENGINE 1 OF 2 ILLUSTRATIONS

Figure 24-2100

93124 2100



ITEM	PART NUMBER	QTY	BODY	MODEL	DESCRIPTION
1	6502 017	AR			CLAMP
2	4540 123	1			HOSE, Engine to Core
3	6502 018	AR			CLAMP
4	0153 640	1			CLAMP
5	4273 488	1			HOSE, By-Pass
	4273 486	1			TUBE, By-Pass
6	4462 077	1			CLIP, Hose
7					NUT (Not Serviced)
8	6500 158	1			SCREW and WASHER
9	5264 243	1			CLIP, Hose
10	6502 019	1			CLAMP
11	4540 119	1			HOSE, Core to Pump
12	4462 964	1			HOSE, Core to Oil Cooler EXPORT
13	4540 296	1			HOSE EXPORT
14					NUT (Not Serviced)
15	4677 500	1			HOSE, Tube to Core (Flex Fuel)
16	4462 083	1			BRACKET, Hose Mounting (Flex Fuel)
17	5264 323	1			HOSE, Core to Pump (Flex Fuel)
18	5264 502	1			TUBE, Engine to Hose (Flex Fuel)
19	3848 948	1			WASHER (Flex Fuel)
20	6500 158	1			SCREW and WASHER

MODEL CODES:

A BODY=(C=LeBaron, D=Spirit, P=Acclaim/LaBaron(Landau), Saratoga)  
 C BODY=(D=Dynasty, C=New Yorker/N.Y. Salon)  
 G BODY=(V=Daytona/IROC, Chrysler Daytona)  
 J BODY=(C=LeBaron, Chrysler LeBaron)  
 P BODY=(P=Sundance, D=Shadow)

S BODY=(H=Voyager(H) FWD, K=Caravan(H) FWD, Y=Town & Country(H) FWD, P=Voyager(K) AWD, D=Caravan(K) AWD, C=Town & Country(K) AWD)  
 Y BODY=(C=Imperial/5th Avenue)  
 E-S BODY=(K=Chrysler Voyager(H) FWD, D=Chrysler Voyager(K) AWD)

BODY STYLES:

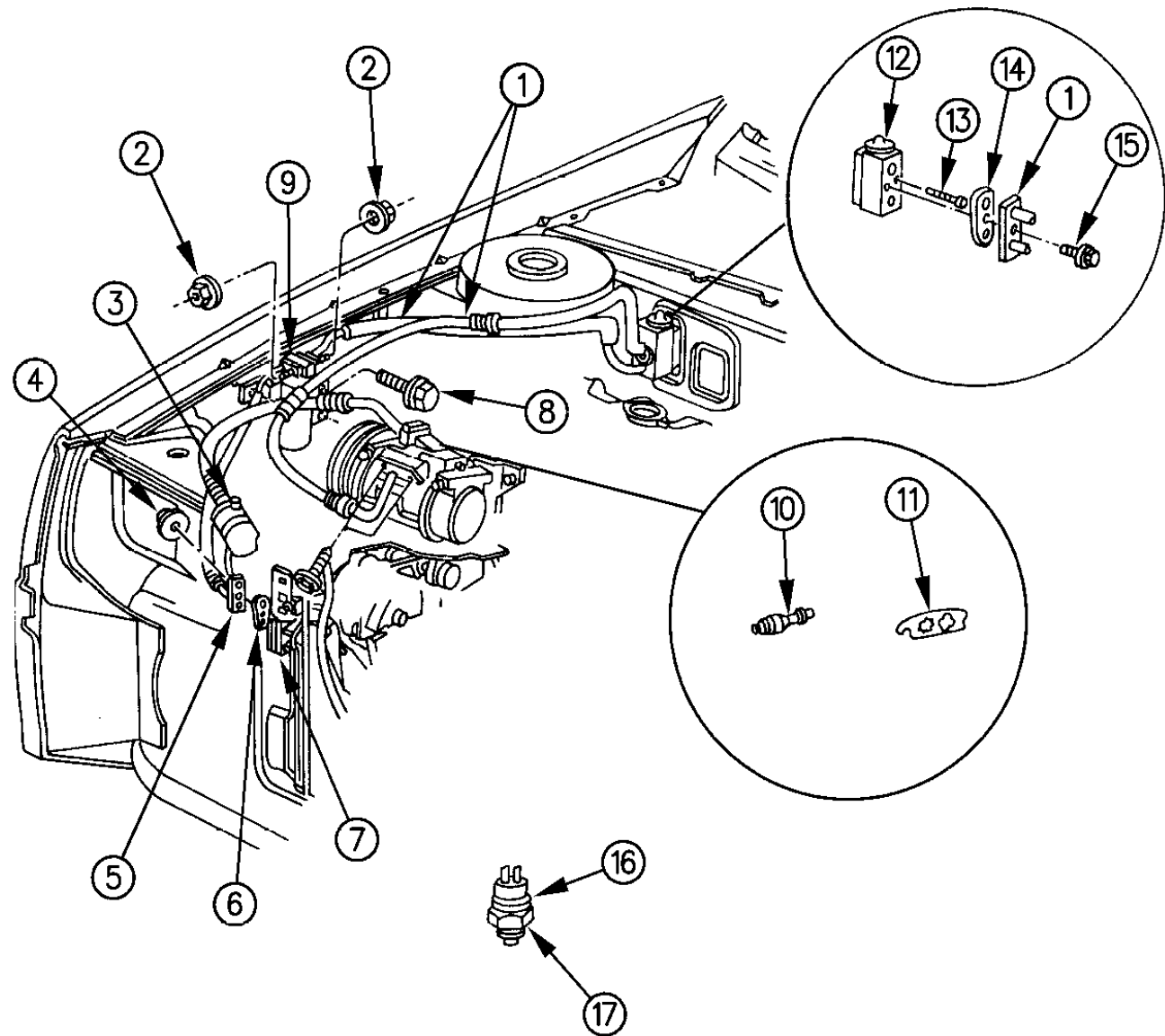
21=2-Door Coupe      41=4-Door Sedan      12-52=FWD & AWD Van & Wgn Std W.B.  
 24=2-Door Hatchback      44=4-Door Hatchback      53=FWD & AWD Van & Wgn Ext. W.B.  
 27=2-Door Convertible

AR = Use as Required - = Non Illustrated Part P.A.R. = Paint as Required

PLUMBING, AIR CONDITIONING AND HEATER A BODY 2.5L ENGINE 2 OF 2 ILLUSTRATIONS

Figure 24-2200

93124 2200



ITEM	PART NUMBER	QTY	BODY	MODEL	DESCRIPTION
1	5264 500	1			LINE, Suction and Liquid
2	6033 562	2			NUT and WASHER
3	3848 585	1			CAP, Check Valve
4		1			NUT (Not Serviced)
5	4540 146	1			LINE, Discharge and Liquid
6	3846 835	1			GASKET
7	4638 126	1			CONDENSER
8	4728 738	2			ISOLATOR, Condenser Mounting
	6032 451	2			SCREW and WASHER
9	4540 160	1			DRIER, w/Bracket
10	3849 468	1			VALVE, Discharge Line Check
11	4540 157	1			GASKET, Discharge to Compressor
	4540 158	1			Suction Line to Compressor
12	4176 999	1			VALVE, Expansion
13	6032 572	1			SCREW
14	3846 834	1			GASKET, Suction Line to Exp. Valve
15	6101 453	1			SCREW
16	5210 377	1			SWITCH, Low Pressure
17	3441 105	1			SEAL, Switch

**MODEL CODES:**

A BODY=(C=LeBaron, D=Spirit, P=Acclaim/LaBaron(Landau), Saratoga) S BODY=(H=Voyager(H) FWD, K=Caravan(H) FWD, Y=Town & Country(H) FWD, P=Voyager(K) AWD, D=Caravan(K) AWD, C=Town & Country(K) AWD)  
 C BODY=(D=Dynasty, C=New Yorker/N.Y. Salon) Y BODY=(C=Imperial/5th Avenue)  
 G BODY=(V=Daytona/IROC, Chrysler Daytona) E-S BODY=(K=Chrysler Voyager(H) FWD, D=Chrysler Voyager(K) AWD)  
 J BODY=(C=LeBaron, Chrysler LeBaron)  
 P BODY=(P=Sundance, D=Shadow)

**BODY STYLES:**

21=2-Door Coupe 41=4-Door Sedan 12-52=FWD & AWD Van & Wgn Std W.B.  
 24=2-Door Hatchback 44=4-Door Hatchback 53=FWD & AWD Van & Wgn Ext. W.B.  
 27=2-Door Convertible

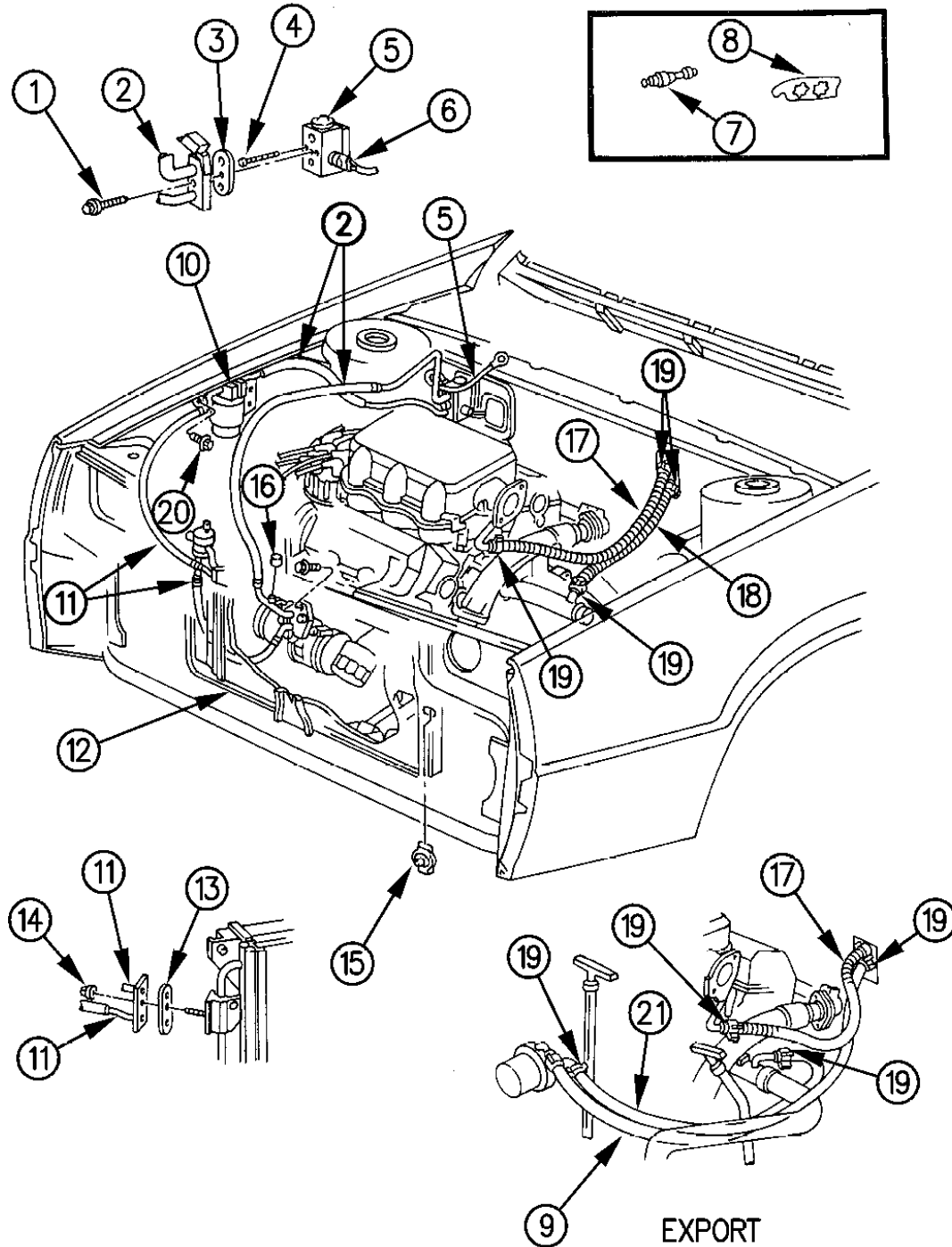
AR = Use as Required - = Non Illustrated Part P.A.R. = Paint as Required



PLUMBING, AIR CONDITIONING AND HEATER A BODY 3.0L ENGINE

Figure 24-2300

93124 2300A



ITEM	PART NUMBER	QTY	BODY	MODEL	DESCRIPTION
1	6101 453	1			SCREW and WASHER, Suction Line
2	4540 156	1			LINE, Suction and Liquid
	5269 055	1			STRAP, Ground
3	3846 834	1			GASKET, Suction Line to H-Valve
4	6032 572	2			SCREW
5	4176 999	1			VALVE, Expansion
6	5210 377	1			SWITCH, Low Pressure Cut-Off
	5264 280	1			SWITCH, High Pressure Cut-Off
7	3849 468	1			VALVE, Check
8	4540 157	1			GASKET, Discharge Line to Compressor
	4540 158	1			GASKET, Suction Line to Compressor
9	5264 395	1			HOSE, Cooler to Pump
10	4540 160	1			DRIER, w/Bracket
11	4540 154	1			LINE, Discharge
12	4638 126	1			CONDENSER
13	3846 835	1			GASKET, Discharge Line to Condenser
14		1			NUT (Not Serviced)
15	4728 738	2			ISOLATOR, Condenser Mounting
16	3848 585	1			CAP
17	4540 094	1			HOSE, Engine to Core
	4397 809	1			SLEEVE
18	4540 096	1			HOSE, Core to Pump
19	6502 017	AR			CLAMP
20	6032 451	1			SCREW
21	4462 964	1			HOSE, Core to Cooler EXPORT

MODEL CODES:

A BODY=(C=LeBaron, D=Spirit, P=Acclaim/LaBaron(Landau, Saratoga)  
 C BODY=(D=Dynasty, C=New Yorker/N.Y. Salon)  
 G BODY=(V=Daytona/IROC, Chrysler Daytona)  
 J BODY=(C=LeBaron, Chrysler LeBaron)  
 P BODY=(P=Sundance, D=Shadow)

S BODY=(H=Voyager(H) FWD, K=Caravan(H) FWD, Y=Town & Country(H) FWD, P=Voyager(K) AWD, D=Caravan(K) AWD, C=Town & Country(K) AWD)  
 Y BODY=(C=Imperial/5th Avenue)  
 E-S BODY=(K=Chrysler Voyager(H) FWD, D=Chrysler Voyager(K) AWD)

BODY STYLES:

21=2-Door Coupe      41=4-Door Sedan      12-52=FWD & AWD Van & Wgn Std W.B.  
 24=2-Door Hatchback      44=4-Door Hatchback      53=FWD & AWD Van & Wgn Ext. W.B.  
 27=2-Door Convertible

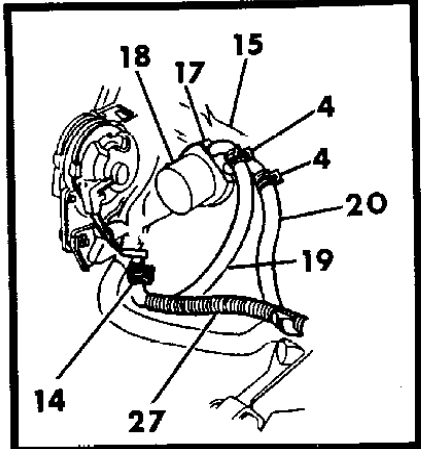
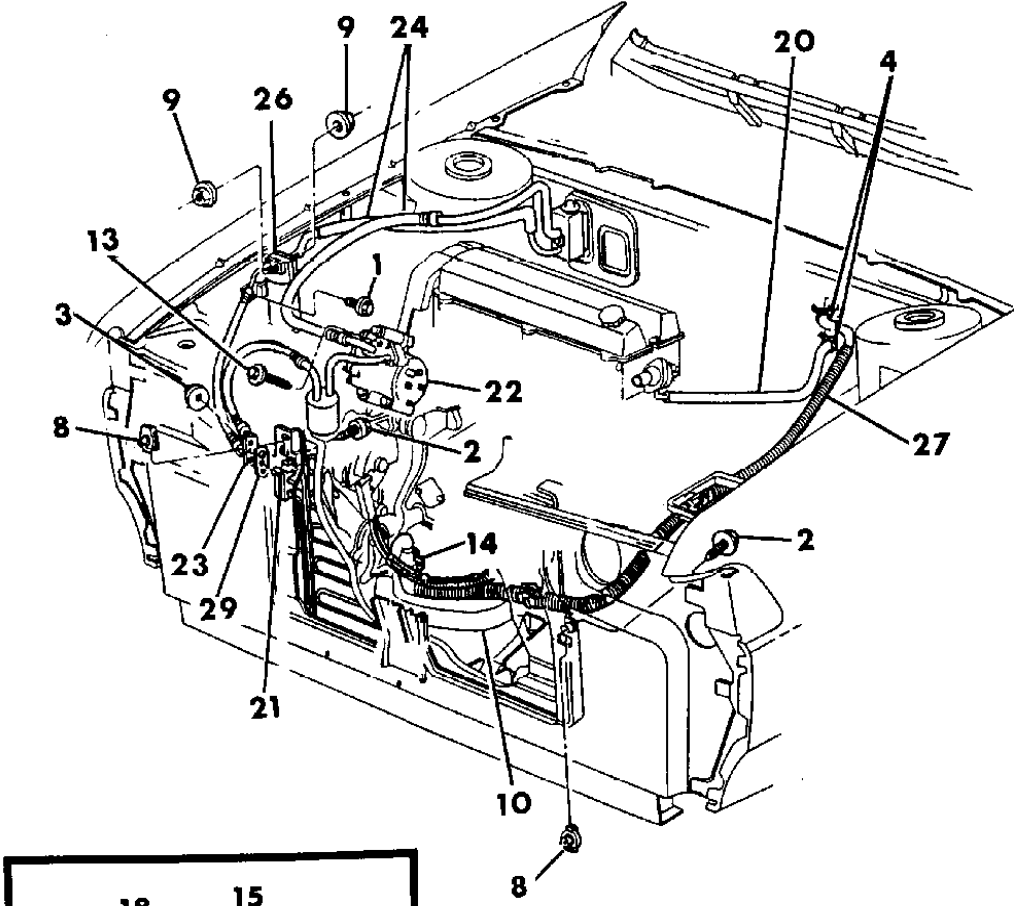
AR = Use as Required - = Non Illustrated Part P.A.R. = Paint as Required

PLUMBING, AIR CONDITIONING AND HEATER 16 VALVE ENGINE G BODY

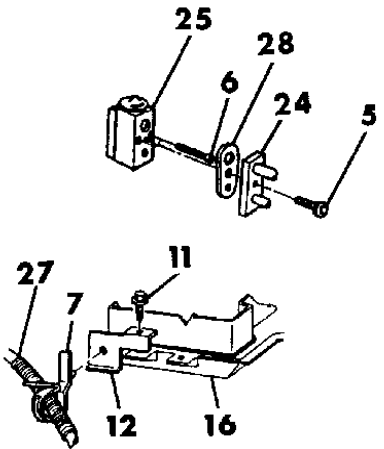
Figure 24-2400

93124 2400

ITEM	PART NUMBER	QTY	BODY	MODEL	DESCRIPTION
1		3			SCREW (Not Serviced)
2		AR			SCREW (Not Serviced)
3		1			NUT, Line to Condenser (Not Serviced)
4	6502 017	2			CLAMP, Heater Hose
5	6101 453	2			SCREW, Suction Line to H-Valve
6	6032 572	2			SCREW, Expansion Valve Mounting
7	3849 709	1			CLIP, A/C, Heater Hose Mounting
8	1150 3714	2			NUT, Condenser Mounting
9	6033 562	2			NUT, Liquid Line to Drier
10					HOSE, Radiator (Reference)
11	6100 288	2			SCREW AND WASHER, Heater Hose Clip ***
12					CAP, Check Valve (Reference)
13					SCREW, Compressor (Reference)
14	6502 019	1			CLAMP, Hose to Water Pump
15					ENGINE ASSEMBLY ***
16		1			PUMP, Water (Reference)
17		1			COOLER, Oil (Reference)
18		1			FILTER, Oil
19	4540 296	1			HOSE ASSEMBLY, Oil Cooler to Pump EUROPE ***
20	5264 398	1			HOSE ASSEMBLY, Engine to Core ***
21	4638 131	1			CONDENSER ASSEMBLY ***
22		1			COMPRESSOR (Refer to Illus. 4000)
23	5264 666	1			LINE, Discharge and Liquid(System Assembly)
24	5264 666	1			LINE, Suction and Liquid (System Assembly)
25	4176 999	1			VALVE, Expansion (H-Type)
26	4540 160	1			FILTER DRIER, w/Bracket
27	5290 201	1			HOSE, Core to Cooler
	5290 200	1			HOSE ASSEMBLY, Consists of Hose, Sleeve, Clip ***
28	3846 834	1			GASKET, Suction and Liquid Line to H-Valve
29	3846 835	1			GASKET, Discharge and Liquid to Condenser



EUROPE  
MID EAST



**MODEL CODES:**

A BODY=(C=LeBaron, D=Spirit, P=Acclaim/LaBaron(Landau), Saratoga)      S BODY=(H=Voyager(H) FWD, K=Caravan(H) FWD, Y=Town & Country(H) FWD, P=Voyager(K) AWD, D=Caravan(K) AWD, C=Town & Country(K) AWD)

C BODY=(D=Dynasty, C=New Yorker/N.Y. Salon)      Y BODY=(C=Imperial/5th Avenue)

G BODY=(V=Daytona/IROC, Chrysler Daytona)      E-S BODY=(K=Chrysler Voyager(H) FWD, D=Chrysler Voyager(K) AWD)

J BODY=(C=LeBaron, Chrysler LeBaron)

P BODY=(P=Sundance, D=Shadow)

**BODY STYLES:**

21=2-Door Coupe      41=4-Door Sedan      12-52=FWD & AWD Van & Wgn Std W.B.

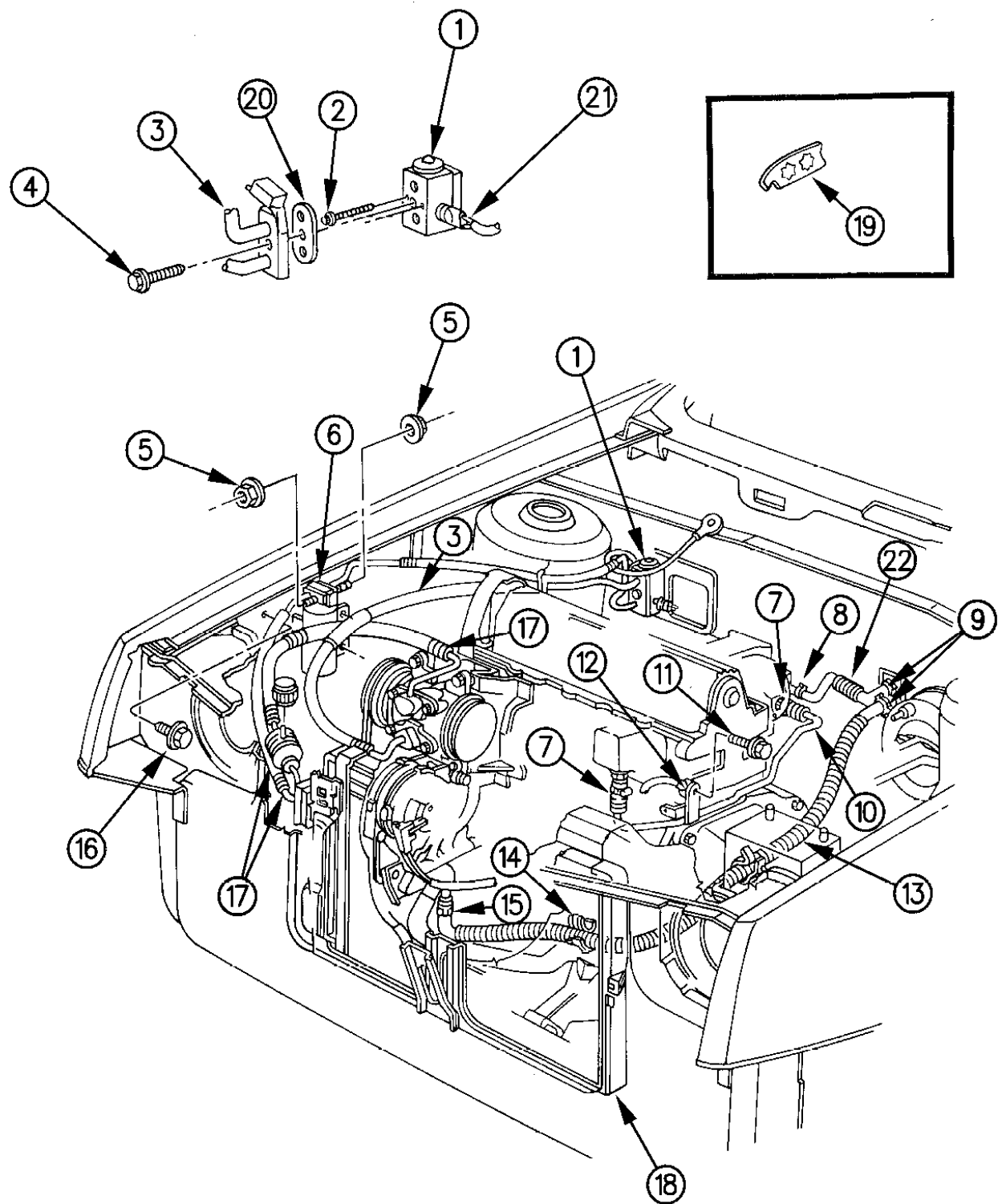
24=2-Door Hatchback      44=4-Door Hatchback      53=FWD & AWD Van & Wgn Ext. W.B.

27=2-Door Convertible

AR = Use as Required - = Non Illustrated Part P.A.R. = Paint as Required

PLUMBING, HEATER, AIR CONDITIONING AND HEATER P BODY  
Figure 24-2500

93124 2500



ITEM	PART NUMBER	QTY	BODY	MODEL	DESCRIPTION
1	4176 999	1			VALVE, Expansion
2	6032 572	1			SCREW
3	5264 500	1			LINE, Suction and Liquid
	4540 156	1			3.0L Engine
4	6101 453	1			SCREW and WASHER
5	6033 562	2			NUT
6	4540 160	1			FILTER DRIER, w/Bracket
7	0153 640	2			CLAMP
8	6502 018	1			CLAMP
9	6502 017	2			CLAMP
10	4273 488	1			HOSE, By-Pass
	4273 486	1			TUBE, By-Pass
11	6500 158	1			SCREW and WASHER
12	5281 186	1			BRACKET, By-Pass Tube
13	4540 119	1			HOSE, Core to Pump
	4540 097	1			3.0L Engine
14	5264 243	1			CLIP
15	6502 019	1			CLAMP
16	6032 451	1			SCREW and WASHER
17	4540 146	1			LINE, Discharge and Liquid
	4540 154	1			3.0L Engine
18	4638 126	1			CONDENSER
	4728 738	2			ISOLATOR, Condenser Mounting
19	4540 157	1			GASKET, Discharge Line to Compressor
20	3846 834	1			GASKET, Suction Line to Expansion Valve
	3846 835	1			GASKET, Suction Line to Condenser
	4540 158	1			GASKET, Suction Line to Compressor
	3847 083	1			GASKET, Suction Line to Drier
21	5210 377	1			SWITCH, Low Pressure Cut-Out
	5264 280	1			SWITCH, High Pressure Cut-out
22	4540 123	1			HOSE, Engine to Core
-	4540 094	1			3.0L Engine

MODEL CODES:

A BODY=(C=LeBaron, D=Spirit, P=Acclaim/LaBaron(Landau), Saratoga) S BODY=(H=Voyager(H) FWD, K=Caravan(H) FWD, Y=Town & Country(H) FWD, P=Voyager(K) AWD, D=Caravan(K) AWD, C=Town & Country(K) AWD)  
 C BODY=(D=Dynasty, C=New Yorker/N.Y. Salon) Y BODY=(C=Imperial/5th Avenue)  
 G BODY=(V=Daytona/IROC, Chrysler Daytona) E-S BODY=(K=Chrysler Voyager(H) FWD, D=Chrysler Voyager(K) AWD)  
 J BODY=(C=LeBaron, Chrysler LeBaron) P BODY=(P=Sundance, D=Shadow)

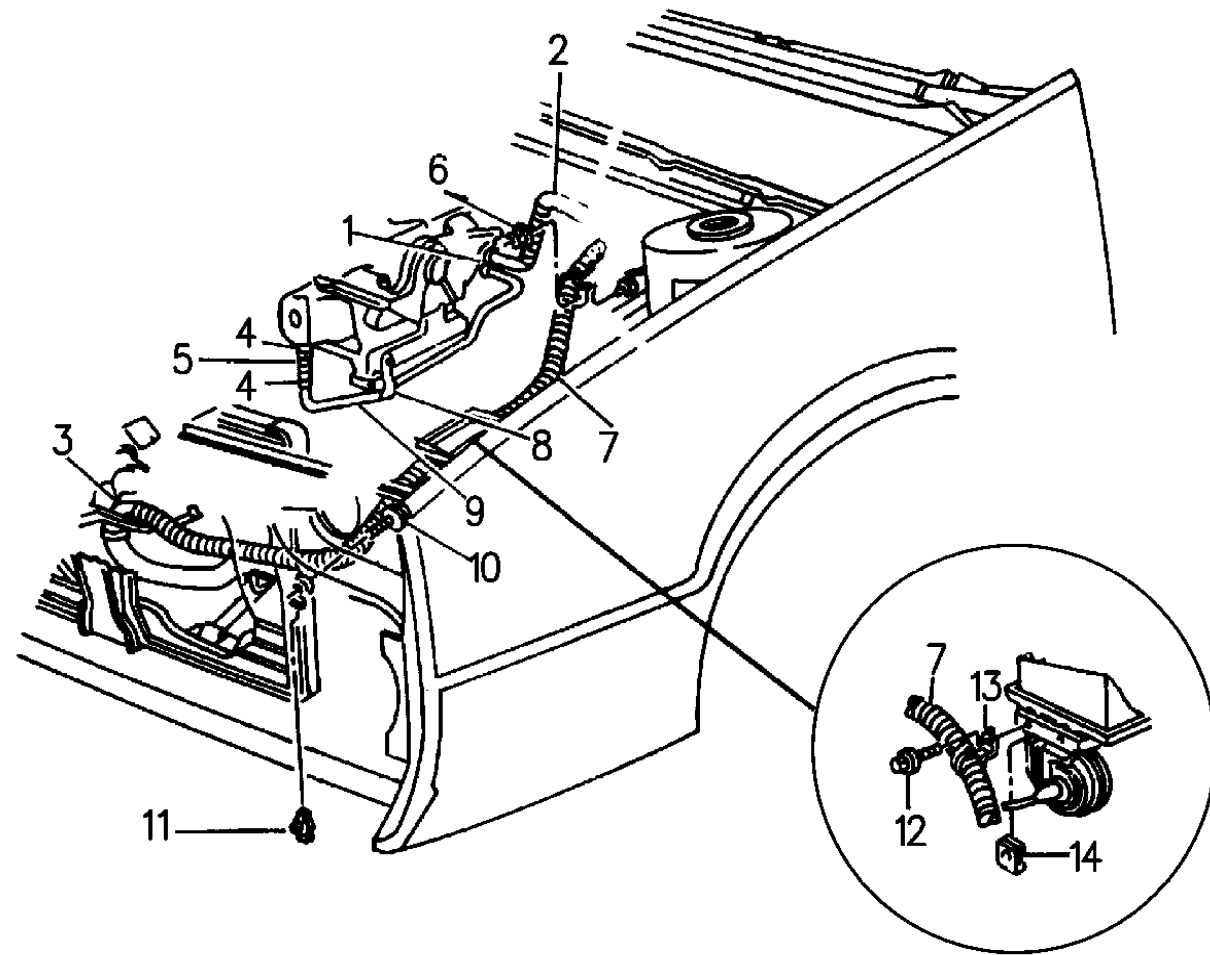
BODY STYLES:

21=2-Door Coupe 41=4-Door Sedan 12-52=FWD & AWD Van & Wgn Std W.B.  
 24=2-Door Hatchback 44=4-Door Hatchback 53=FWD & AWD Van & Wgn Ext. W.B.  
 27=2-Door Convertible

AR = Use as Required - = Non Illustrated Part P.A.R. = Paint as Required

PLUMBING, AIR CONDITIONING AND HEATER G BODY 2.5L ENGINE 1 OF 2 ILLUSTRATIONS  
Figure 24-2600

93124 2600A



ITEM	PART NUMBER	QTY	BODY	MODEL	DESCRIPTION
	2837 876	1			CONNECTOR, Vac. Hose (Inline)
1	6502 018	AR			CLAMP
2	4540 123	1			HOSE, Heater, Eng. to Core
3	6502 019	AR			CLAMP
4	0153 640	AR			CLAMP
5	4273 488	1			HOSE, Water By-Pass Tube
6		1			NUT (Not Serviced)
7	4540 119	1			HOSE, A/C Htr. Core to Pump
8	5281 186	1			BRACKET, Water By-Pass Tube
9	4273 486	1			TUBE, Water By-Pass
10	3502 915	AR			GROMMET, w/Spacer, A/C Cond. Mtg.
11	6101 442	AR			U-NUT
12	6100 288	1			SCREW
13	3849 709	1			CLIP, A/C Heater Hose Mtg.
14	6501 750	1			U-NUT

**MODEL CODES:**

A BODY=(C=LeBaron, D=Spirit, P=Acclaim/LaBaron(Landau),  
Saratoga)  
C BODY=(D=Dynasty, C=New Yorker/N.Y. Salon)  
G BODY=(V=Daytona/IROC, Chrysler Daytona)  
J BODY=(C=LeBaron, Chrysler LeBaron)  
P BODY=(P=Sundance, D=Shadow)

S BODY=(H=Voyager(H) FWD, K=Caravan(H) FWD,  
Y=Town & Country(H) FWD, P=Voyager(K) AWD,  
D=Caravan(K) AWD, C=Town & Country(K) AWD)  
Y BODY=(C=Imperial/5th Avenue)  
E-S BODY=(K=Chrysler Voyager(H) FWD, D=Chrysler  
Voyager(K) AWD)

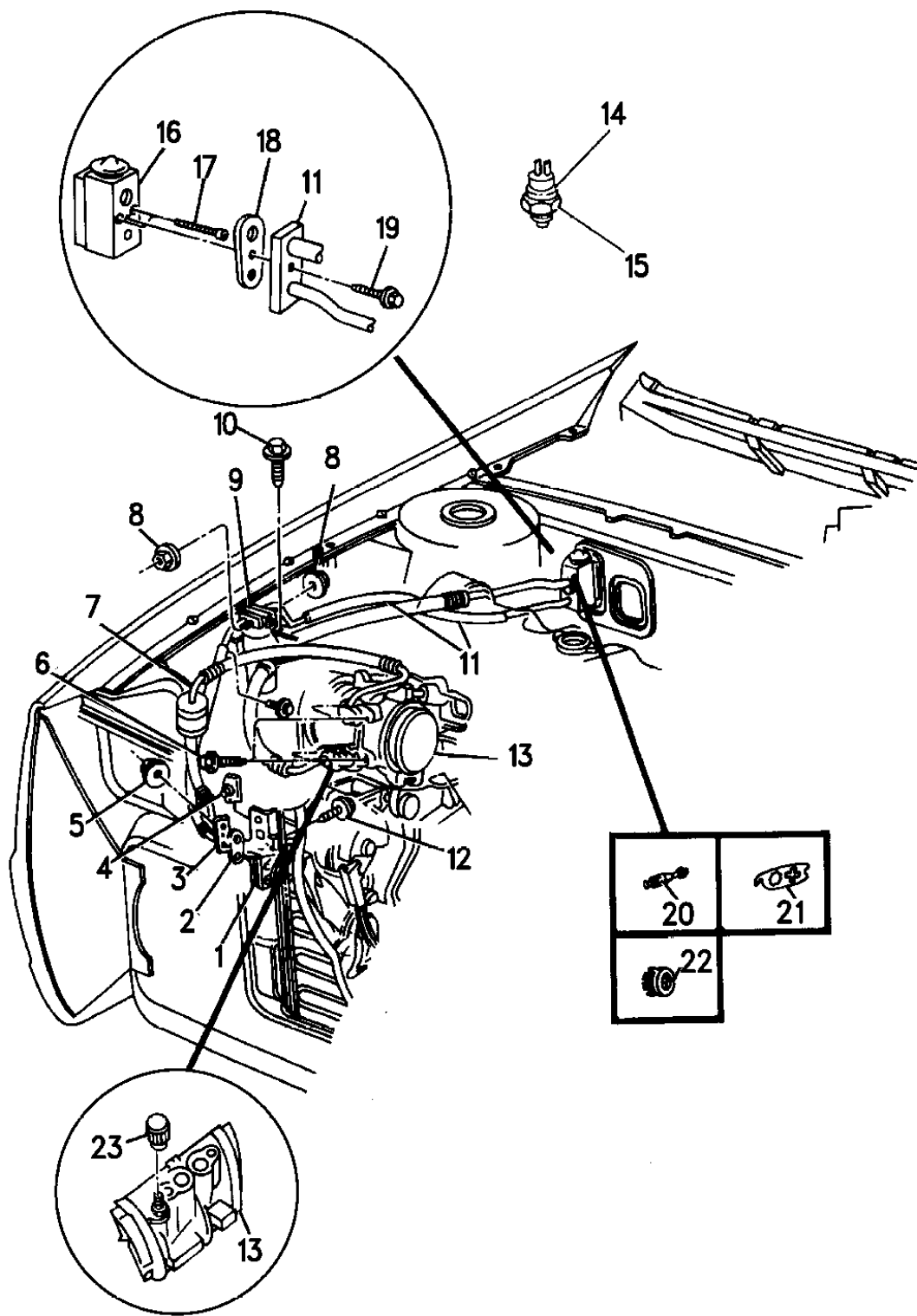
**BODY STYLES:**

21=2-Door Coupe      41=4-Door Sedan      12-52=FWD & AWD Van & Wgn Std W.B.  
24=2-Door Hatchback      44=4-Door Hatchback      53=FWD & AWD Van & Wgn Ext. W.B.  
27=2-Door Convertible

AR = Use as Required - = Non Illustrated Part P.A.R. = Paint as Required

PLUMBING, A/C AND HEATER G BODY 2.5L ENGINE 2 OF 2 ILLUSTRATIONS  
Figure 24-2700

93124 2700A



ITEM	PART NUMBER	QTY	BODY	MODEL	DESCRIPTION
1	4638 126	1			CONDENSER
	4728 738	2			ISOLATOR, Condenser Mtg. Lower
2	3846 835	1			GASKET, A/C Disch., Liquid Line Mtg. to Cond.
3	4540 146	1			LINE, Discharge and Liquid
-	4462 305	1			VALVE, A/C High Pressure Relief
-	4462 946	1			SEAL, High Pressure Relief Valve
4	6101 442	AR			U-NUT
5		AR			NUT (Not Serviced)
6	6500 517	AR			SCREW
7	3848 585	1			CAP, A/C Disch., Liquid Line Check Valve
8	6033 562	AR			NUT
9	4540 160	1			DRIER, w/Bracket
10	9423 951	AR			SCREW
11	5264 500	1			LINE, Suction and Liquid
12	3502 915	AR			GROMMET, w/Spacer, A/C Cond. Mtg.
13					COMPRESSOR (Refer to Illus. 3700)
14	5210 377	1			SWITCH, A/C Low Pressure Cut Off
15	3441 105	1			SEAL, A/C Low Pressure Cut Off Switch
16	4176 999	1			VALVE, Expansion H-Type
17	6032 572	AR			SCREW
18	3846 834	1			GASKET, A/C Suction and Liquid Line Mtg. to H-Valve
19	6101 453	AR			SCREW
20	3849 468	1			VALVE, Check
21	4540 157	1			GASKET, A/C Compressor
	4540 158	1			Discharge Line to Compressor
	4540 158	1			Suction Line to Compressor
22	3847 147	1			PILOT
23	3848 021	1			CAP, A/C Compressor Check Valve Fitting
	4540 296	1			HOSE, A/C, Htr. Oil Cooler to Pump EUROPE

MODEL CODES:

A BODY=(C=LeBaron, D=Spirit, P=Acclaim/LaBaron(Landau),  
Saratoga)

C BODY=(D=Dynasty, C=New Yorker/N.Y. Salon)

G BODY=(V=Daytona/IROC, Chrysler Daytona)

J BODY=(C=LeBaron, Chrysler LeBaron)

P BODY=(P=Sundance, D=Shadow)

S BODY=(H=Voyager(H) FWD, K=Caravan(H) FWD,

Y=Town & Country(H) FWD, P=Voyager(K) AWD,

D=Caravan(K) AWD, C=Town & Country(K) AWD)

Y BODY=(C=Imperial/5th Avenue)

E-S BODY=(K=Chrysler Voyager(H) FWD, D=Chrysler

Voyager(K) AWD)

BODY STYLES:

21=2-Door Coupe

41=4-Door Sedan

12-52=FWD & AWD Van & Wgn Std W.B.

24=2-Door Hatchback

44=4-Door Hatchback

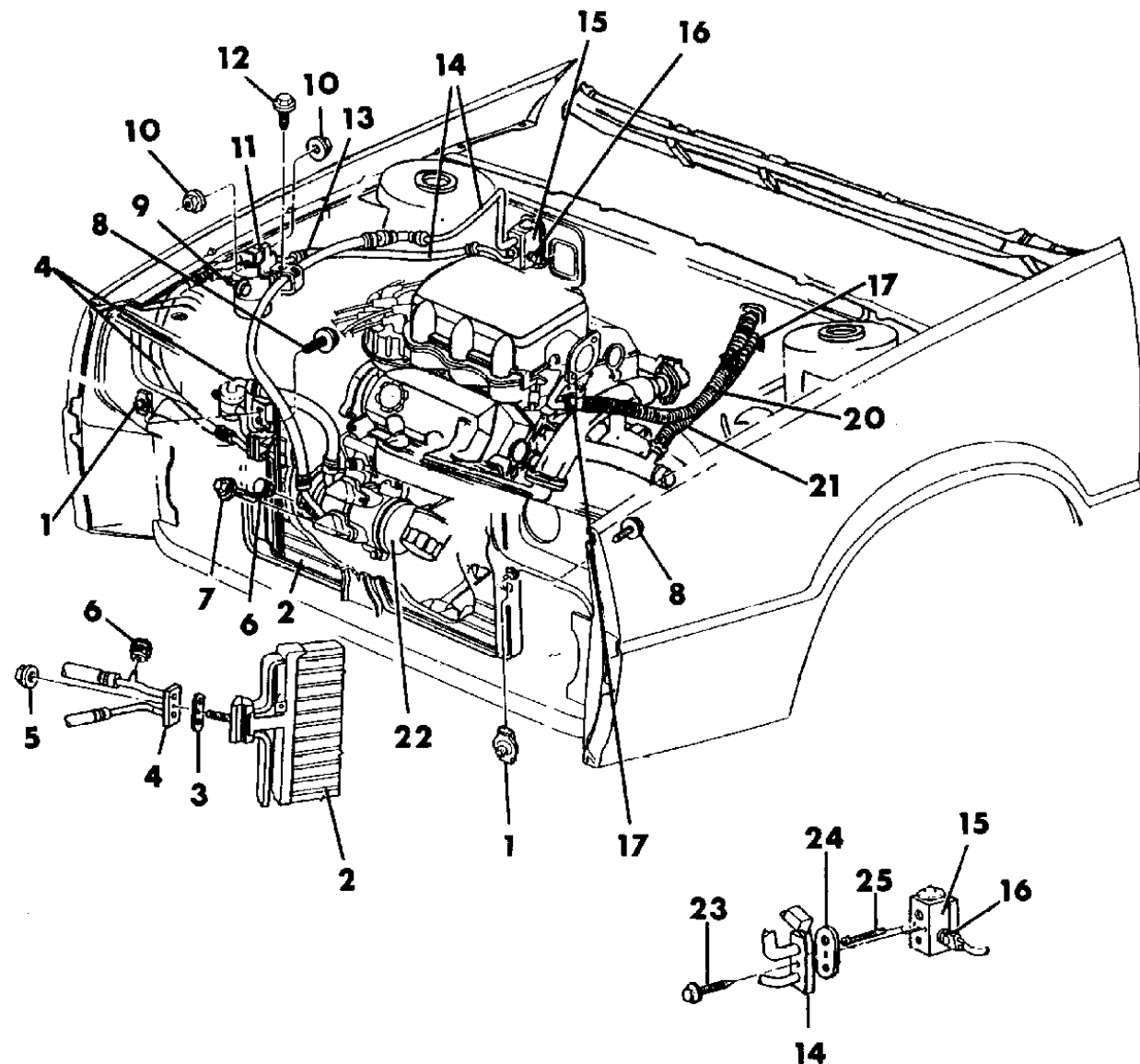
53=FWD & AWD Van & Wgn Ext. W.B.

27=2-Door Convertible

AR = Use as Required - = Non Illustrated Part P.A.R. = Paint as Required

**PLUMBING, AIR CONDITIONING AND HEATER 3.0L ENGINE G BODY**  
**Figure 24-2800**

93124 2800



ITEM	PART NUMBER	QTY	BODY	MODEL	DESCRIPTION
1	6101 442	1			U-NUT
2	4638 126	1			CONDENSER
	4728 738	2			ISOLATOR, Condenser Mtg., Lower
3	3846 835	1			GASKET, A/C Disch. Liq. Line Mtg. to Cond.
4	4540 154	1			LINE ASSEMBLY, A/C Discharge and Liquid ***
-	3849 468	1			VALVE, A/C Disch. & Suct. Line Check
-	3846 835	1			GASKET, A/C Disch. Liq. Line Mtg. to Cond.
-	4462 305	1			VALVE, A/C High Press Relief
-	4462 946	1			SEAL, Valve
-	3847 147	2			PILOT
-	4540 158	1			GASKET, A/C Compr. Suction & Disch. Line Mtg. to Compr.
-	3847 083	1			GASKET, A/C Disch. & Suction Liq. Line Mtg. to Drier
5		1			NUT (Not Serviced)
6	3848 585	1			CAP, Discharge and Liquid Line Check Valve
7	6500 517	4			SCREW
8		AR			SCREW (Not Serviced)
-	3502 915	2			GROMMET
9		AR			SCREW (Not Serviced)
10	6033 562	2			NUT
11	4540 160	1			DRIER, Filter
12		AR			SCREW (Not Serviced)
13					BRACKET, Drier Mounting (Serviced in Item 11)
14	4540 156	1			LINE, A/C Suction and Liquid
-	5269 055	1			STRAP, Ground
-	3846 834	1			GASKET, A/C Suction & Liq. Line to H-Valve
-	3847 147	1			PILOT
					GASKET, A/C Compressor
	4540 157	1			Discharge Line to Compressor
	4540 158	1			Suction Line to Compressor
-	3847 083	1			GASKET, A/C Disch. & Suction Liq. Line Mtg. to Drier
15	4176 999	1			VALVE, Expansion (H-Type)
16	5210 377	1			SWITCH, Low Pressure Cut-Off
	5264 280	1			SWITCH, High Pressure Cut Out
17	6502 017	1			CLAMP
20	4540 123	AR			HOSE, Engine to Core
21	4540 096	1			HOSE, A/C Htr. Core to Pump
	4397 809	1			SLEEVE
22					COMPRESSOR (Refer to Illus. 3800)
23	6101 453	1			SCREW

**MODEL CODES:**

A BODY=(C=LeBaron, D=Spirit, P=Acclaim/LaBaron(Landau), Saratoga) S BODY=(H=Voyager(H) FWD, K=Caravan(H) FWD, Y=Town & Country(H) FWD, P=Voyager(K) AWD, D=Caravan(K) AWD, C=Town & Country(K) AWD)  
 C BODY=(D=Dynasty, C=New Yorker/N.Y. Salon) Y BODY=(C=Imperial/5th Avenue)  
 G BODY=(V=Daytona/ROC, Chrysler Daytona) E-S BODY=(K=Chrysler Voyager(H) FWD, D=Chrysler Voyager(K) AWD)  
 J BODY=(C=LeBaron, Chrysler LeBaron) P BODY=(P=Sundance, D=Shadow)

**BODY STYLES:**

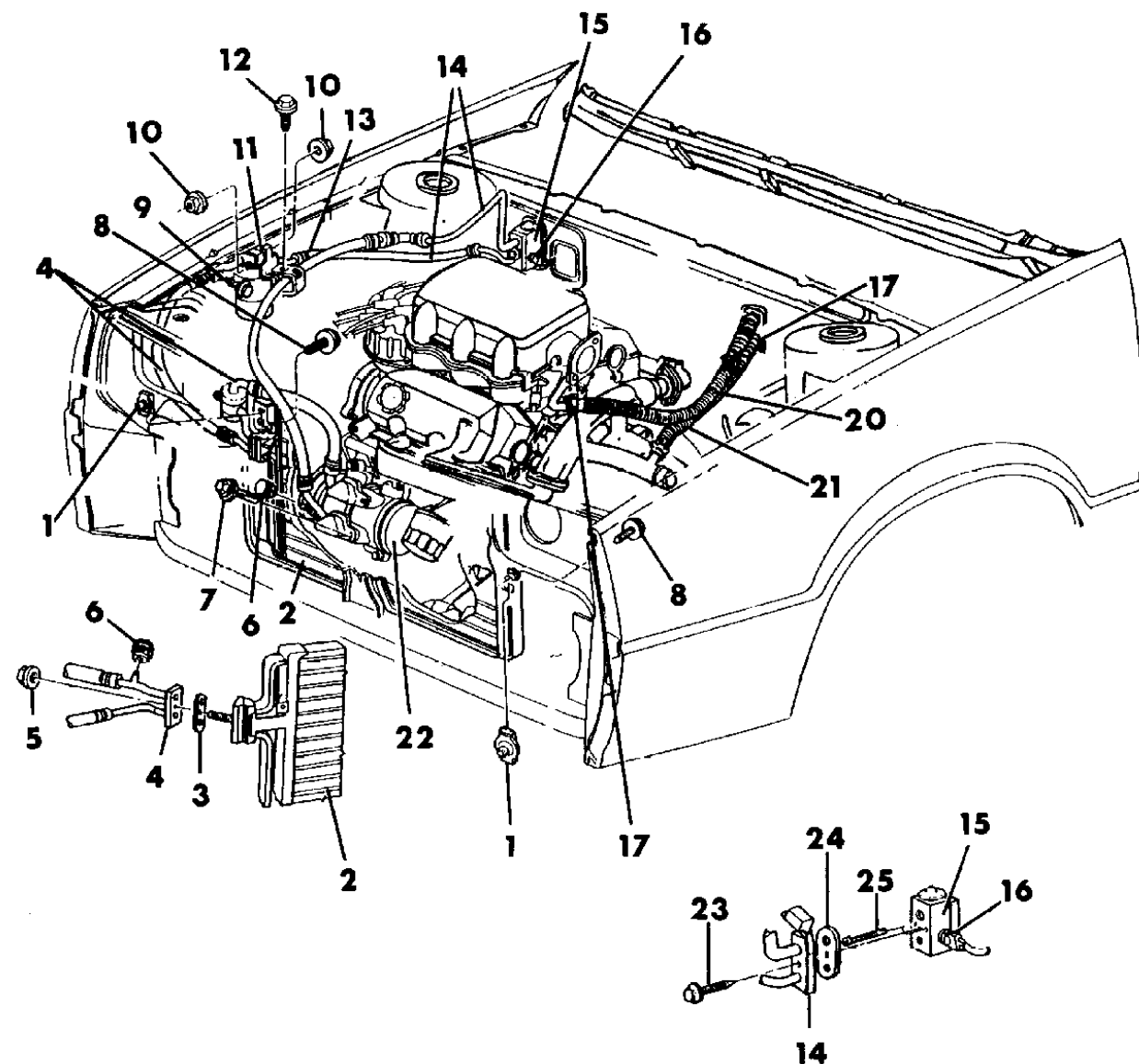
21=2-Door Coupe 41=4-Door Sedan 12-52=FWD & AWD Van & Wgn Std W.B.  
 24=2-Door Hatchback 44=4-Door Hatchback 53=FWD & AWD Van & Wgn Ext. W.B.  
 27=2-Door Convertible

AR = Use as Required - = Non Illustrated Part P.A.R. = Paint as Required

**PLUMBING, AIR CONDITIONING AND HEATER 3.0L ENGINE G BODY  
Figure 24-2800**

93124 2800

ITEM	PART NUMBER	QTY	BODY	MODEL	DESCRIPTION
24	3846 834	1			GASKET, A/C Suction & Liq. Line to H-Valve
25	6032 572	2			SCREW



**MODEL CODES:**

A BODY=(C=LeBaron, D=Spirit, P=Acclaim/LaBaron(Landau),  
Saratoga) S BODY=(H=Voyager(H) FWD, K=Caravan(H) FWD,  
Y=Town & Country(H) FWD, P=Voyager(K) AWD,  
D=Caravan(K) AWD, C=Town & Country(K) AWD)  
C BODY=(D=Dynasty, C=New Yorker/N.Y. Salon)  
G BODY=(V=Daytona/IROC, Chrysler Daytona) Y BODY=(C=Imperial/5th Avenue)  
J BODY=(C=LeBaron, Chrysler LeBaron) E-S BODY=(K=Chrysler Voyager(H) FWD, D=Chrysler  
P BODY=(P=Sundance, D=Shadow) Voyager(K) AWD)

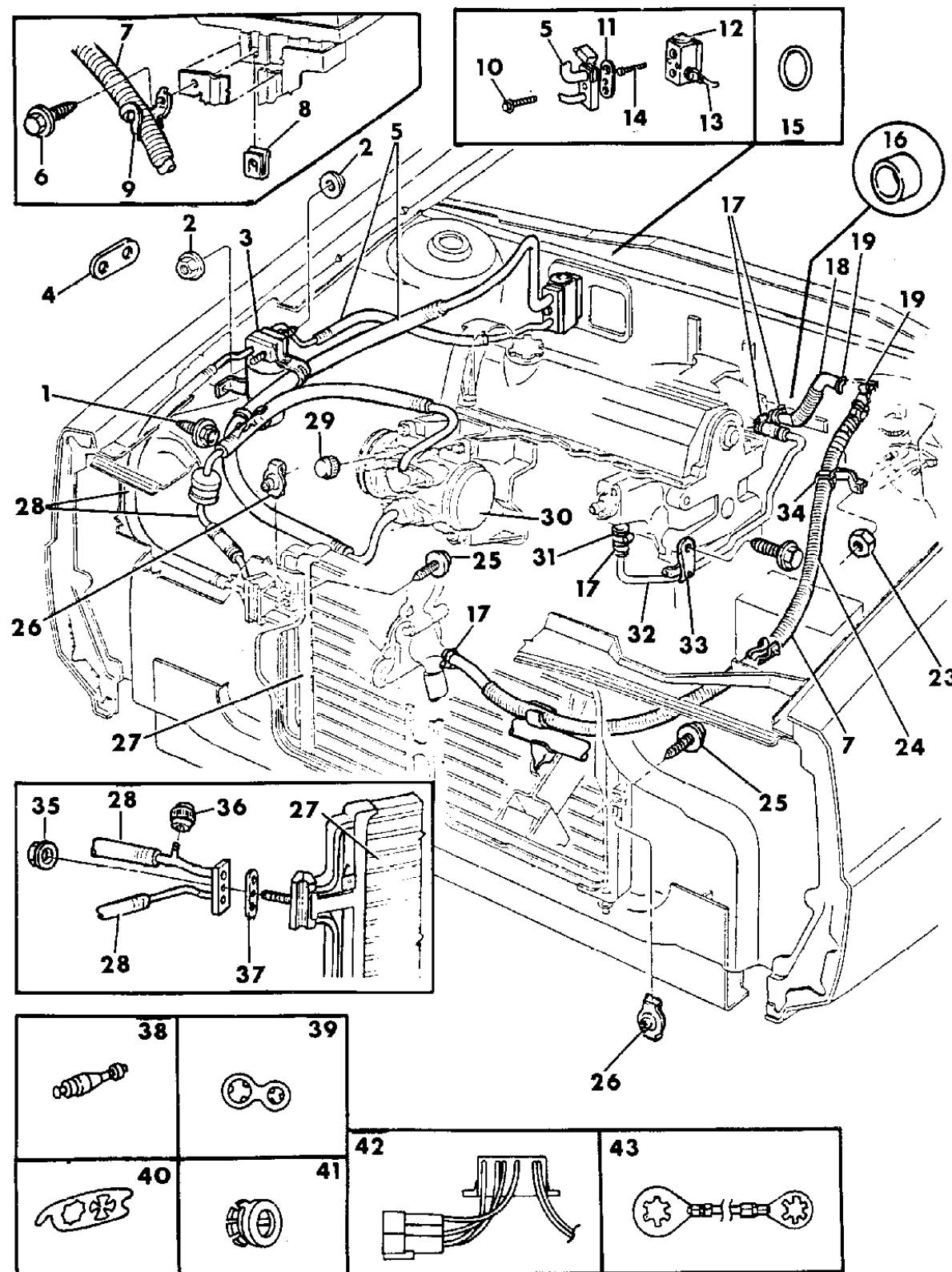
**BODY STYLES:**

21=2-Door Coupe      41=4-Door Sedan      12-52=FWD & AWD Van & Wgn Std W.B.  
24=2-Door Hatchback      44=4-Door Hatchback      53=FWD & AWD Van & Wgn Ext. W.B.  
27=2-Door Convertible

AR = Use as Required - = Non Illustrated Part P.A.R. = Paint as Required

**PLUMBING, AIR CONDITIONING AND HEATER C BODY 2.5 LITER ENGINE**  
Figure 24-2900

93124 2900



ITEM	PART NUMBER	QTY	BODY	MODEL	DESCRIPTION
1					SCREW, Filter Drier (Not Serviced)
2	6033 562	2			NUT and WASHER, Liquid Line Mtg. to Drier
3	4713 768	1			FILTER DRIER, with Bracket
4	3847 083	1			GASKET, A/C Suction, Discharge Line to Drier Mtg.
5	4713 767	1			LINE ASSEMBLY, Suction and Liquid ***
6	6100 288	1			SCREW and WASHER, Hose Clip Mounting
7	4540 119	1			HOSE, Core to Pump
8	6100 288	1			NUT, Hose Clip Mounting
9	3849 709	1			CLIP, Hose Mounting
10	6101 453	1			SCREW and WASHER, Suction Mtg. to H Valve
11	3846 834	1			GASKET, Sucton Liq. Line Mtg. to H Valve
12	4176 999	1			VALVE, A/C Expansion Switch, H Type
13	5210 377	1			SWITCH, A/C Low Pressure Cut Off
14	6032 572	2			SCREW, A/C Expansion Valve Mtg.
15	3441 105	1			SEAL, A/C Pressure Cut Off Switch
16	3880 050	1			MUFFLER, A/C Heater Hose to Valve
17	0153 640	AR			CLAMP
18	4540 123	1			HOSE, Heater Engine to Core
19	6502 017	AR			CLAMP
23					NUT, Heater Hose Clip Mtg. (Not Serviced)
24	4397 809	1			SLEEVE, A/C Heater Hose
25					SCREW and WASHER, A/C Cond. Mtg. (Not Serviced)
26	6101 442	2			NUT, A/C Condenser Mounting
27	4638 132	1			CONDENSER
	4728 738	2			ISOLATOR, Condenser Mounting, Lower
28	4713 766	1			LINE ASSEMBLY, Discharge and Liquid ***
	3849 468	1			VALVE, Disch. Line Check
29	3848 021	1			CAP, A/C or ATC Disch. Line Check
30					COMPRESSOR (Refer to Illus. 3700)
31	4273 488	1			HOSE, Water By Pass Tube
32	4273 486	1			TUBE, Thermo Water By Pass
33	5281 186	1			BRACKET, Water By Pass Tube Att.
34	4462 077	1			CLIP, Heater Dual Hose Mounting
35		1			NUT, Discharge and Liquid Line Mtg. to Cond. (Not Serviced)
36	3848 585	1			CAP, A/C Discharge Liq. Line Check Valve
37	3846 835	1			GASKET, Discharge and Liq. Line Mtg. to Cond.
38	3849 468	1			VALVE, A/C Pressure Switch Fitting
39	4677 045	1			GASKET, A/C Expansion Valve Mtg.
40					GASKET, A/C to Compressor

**MODEL CODES:**

A BODY=(C=LeBaron, D=Spirit, P=Acclaim/LaBaron(Landau), Saratoga)

C BODY=(D=Dynasty, C=New Yorker/N.Y. Salon)

G BODY=(V=Daytona/IROC, Chrysler Daytona)

J BODY=(C=LeBaron, Chrysler LeBaron)

P BODY=(P=Sundance, D=Shadow)

S BODY=(H=Voyager(H) FWD, K=Caravan(H) FWD,

Y=Town & Country(H) FWD, P=Voyager(K) AWD,

D=Caravan(K) AWD, C=Town & Country(K) AWD)

Y BODY=(C=Imperial/5th Avenue)

E-S BODY=(K=Chrysler Voyager(H) FWD, D=Chrysler

Voyager(K) AWD)

**BODY STYLES:**

21=2-Door Coupe      41=4-Door Sedan      12-52=FWD & AWD Van & Wgn Std W.B.

24=2-Door Hatchback      44=4-Door Hatchback      53=FWD & AWD Van & Wgn Ext. W.B.

27=2-Door Convertible

AR = Use as Required - = Non Illustrated Part P.A.R. = Paint as Required

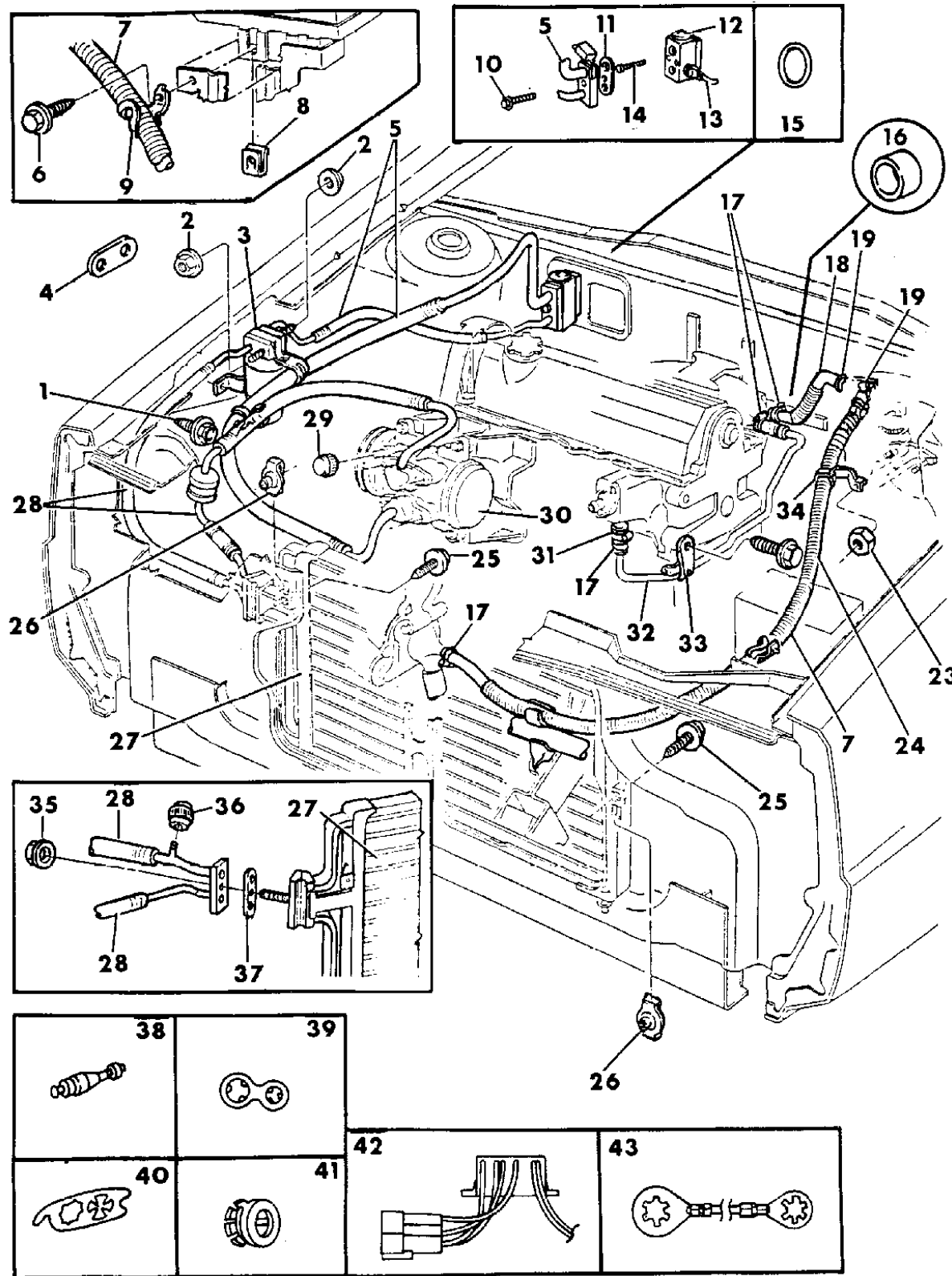


PLUMBING, AIR CONDITIONING AND HEATER C BODY 2.5 LITER ENGINE

Figure 24-2900

93124 2900

ITEM	PART NUMBER	QTY	BODY	MODEL	DESCRIPTION
	4540 157	1			Discharge Line to Compressor
	4540 158	1			Suction Line to Compressor
41	3847 147	1			PILOT, A/C Suction Liquid Line Mounting
42	4462 061	1			SWITCH, A/C Suction Temp. Sensing
43	5269 055	1			STRAP, Ground
-	4462 305	1			VALVE, A/C High Pressure Relief
-	4462 946	1			SEAL, A/C High Pressure Relief Valve



MODEL CODES:

A BODY=(C=LeBaron, D=Spirit, P=Acclaim/LaBaron(Landau), Saratoga) S BODY=(H=Voyager(H) FWD, K=Caravan(H) FWD, Y=Town & Country(H) FWD, P=Voyager(K) AWD, D=Caravan(K) AWD, C=Town & Country(K) AWD)  
 C BODY=(D=Dynasty, C=New Yorker/N.Y. Salon)  
 G BODY=(V=Daytona/IROC, Chrysler Daytona)  
 J BODY=(C=LeBaron, Chrysler LeBaron)  
 P BODY=(P=Sundance, D=Shadow)  
 Y BODY=(C=Imperial/5th Avenue)  
 E-S BODY=(K=Chrysler Voyager(H) FWD, D=Chrysler Voyager(K) AWD)

BODY STYLES:

21=2-Door Coupe 41=4-Door Sedan 12-52=FWD & AWD Van & Wgn Std W.B.  
 24=2-Door Hatchback 44=4-Door Hatchback 53=FWD & AWD Van & Wgn Ext. W.B.  
 27=2-Door Convertible

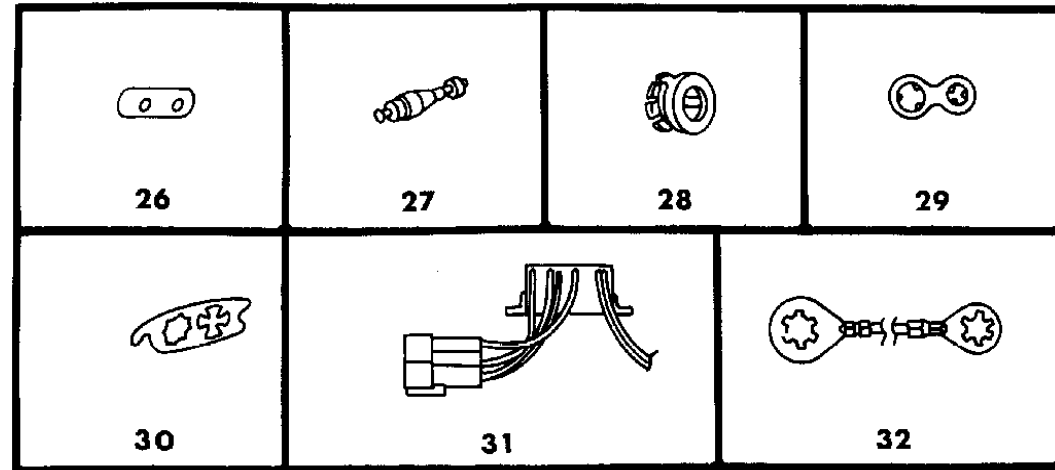
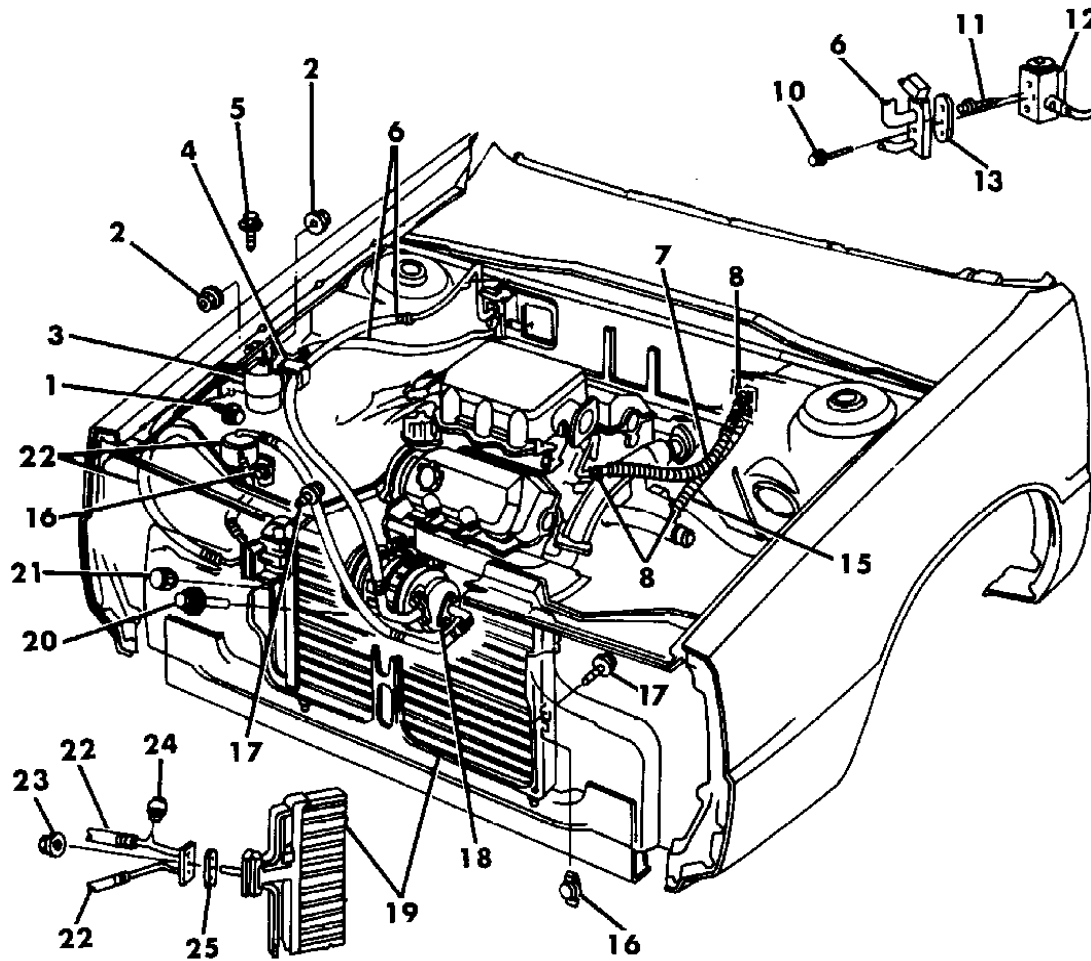
AR = Use as Required - = Non Illustrated Part P.A.R. = Paint as Required

PLUMBING, AIR CONDITIONING AND HEATER 3.0L ENGINE C,Y BODY

Figure 24-3000

93124 3000

ITEM	PART NUMBER	QTY	BODY	MODEL	DESCRIPTION
1					SCREW, Filter Drier Brkt. (Not Serviced)
2	6033 562	2			NUT and WASHER, Liquid Line Mtg.
3	5264 281	1			FILTER DRIER, w/Bracket
4	4462 974	1			BRACKET, A/C Suct. Line Support
5		1			SCREW, Disch. Line Support Brkt. (Not Serviced)
6	4540 131	1			LINE, Suction and Liquid
7	4540 094	1			HOSE, Htr., Eng. to Core
8		6			CLAMP (Not Serviced)
10	6101 453	1			SCREW and WASHER, H-Valve Mtg.
11	6032 572	2			SCREW, Exp. Valve Mtg.
12	4462 132	1			VALVE, A/C Exp. Switch (H-Valve) w/Low Pressure Switch
-	4462 134	1			SWITCH, A/C Diff. Pressure Cut Off
13	3846 834	1			GASKET, Suction and Liq. Line Mtg. to H-Valve
15	4540 119	AR			HOSE, Htr., Core to Pump
16	1150 3714	2			NUT, A/C Cond. Mounting
17					SCREW and WASHER (Not Serviced)
18					COMPRESSOR (Refer to Illus. 3800)
19	4638 132	1			CONDENSER, A/C Complete
	4728 738	2			ISOLATOR, A/C Cond. Btm. Mtg.
20	6500 517	4			SCREW
21	3848 021	1			CAP, A/C or ATC Disch. Line Check
22	4540 133	1			LINE, Disch. and Liquid
-	3849 784	1			SWITCH, A/C Cond. Fan
23		1			NUT, A/C, Discharge and Liquid Line to Cond. (Not Serviced)
24	3848 585	1			CAP, Disch. and Liq. Line Check Valve
25	3846 835	1			GASKET, Disch. and Liq. Line Mtg. to Cond.
26	3847 083	1			GASKET, A/C, Suct., Disch. Line to Drier Mtg.
27	3849 468	1			VALVE, A/C Pressure Switch Fitting
28	3847 147	1			PILOT, A/C, Suct., Liq. Line Mtg.
29	4677 045	1			GASKET, A/C, Exp. Valve Mtg.
30	3849 730	1			GASKET, A/C, Suct. Disch. Mtg. to Compr.
31	4462 061	1			SWITCH, A/C, Suction Line, Temp. Sensor
32	5269 055	1			STRAP, Ground
-	5210 377	1			SWITCH, Low Pressure Cut Off
-	3441 105	1			SEAL, A/C., Low Pressure Cut Off Switch
-	4397 809	1			SLEEVE, Heater Hose
-	5264 110	1			SEAL, A/C Cond. Fan Switch
-	4462 305	1			VALVE, A/C High Pressure Relief
-	4462 946	1			SEAL, A/C High Pressure Relief Valve



MODEL CODES:

A BODY=(C=LeBaron, D=Spirit, P=Acclaim/LaBaron(Landau), Saratoga)

C BODY=(D=Dynasty, C=New Yorker/N.Y. Salon)

G BODY=(V=Daytona/IROC, Chrysler Daytona)

J BODY=(C=LeBaron, Chrysler LeBaron)

P BODY=(P=Sundance, D=Shadow)

S BODY=(H=Voyager(H) FWD, K=Caravan(H) FWD,

Y=Town & Country(H) FWD, P=Voyager(K) AWD,

D=Caravan(K) AWD, C=Town & Country(K) AWD)

Y BODY=(C=Imperial/5th Avenue)

E-S BODY=(K=Chrysler Voyager(H) FWD, D=Chrysler

Voyager(K) AWD)

BODY STYLES:

21=2-Door Coupe

41=4-Door Sedan

12-52=FWD & AWD Van & Wgn Std W.B.

24=2-Door Hatchback

44=4-Door Hatchback

53=FWD & AWD Van & Wgn Ext. W.B.

27=2-Door Convertible

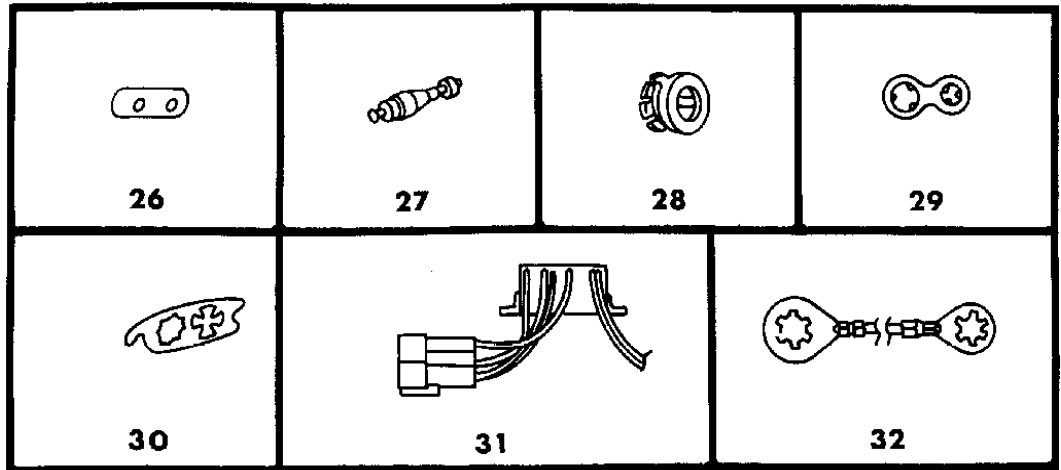
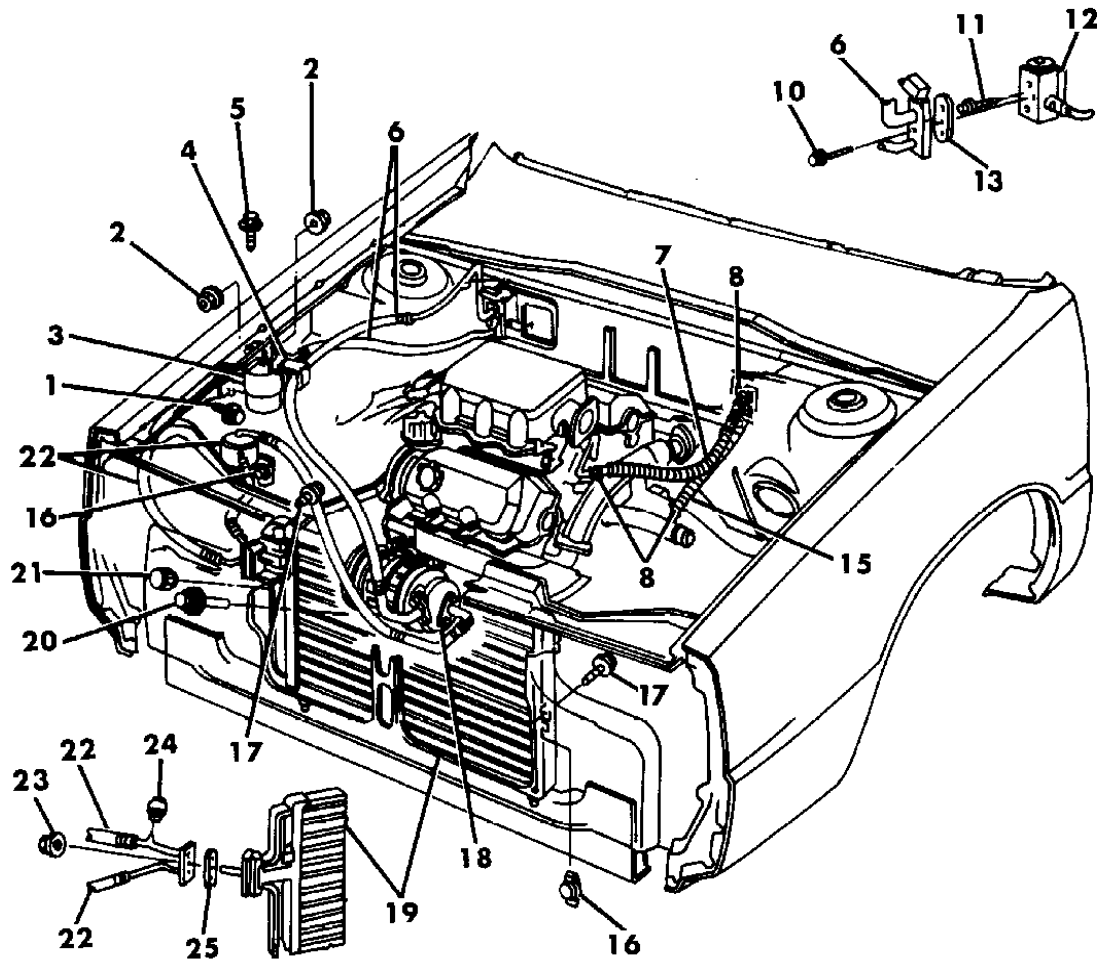
AR = Use as Required - = Non Illustrated Part P.A.R. = Paint as Required

**PLUMBING, AIR CONDITIONING AND HEATER 3.0L ENGINE C,Y BODY**  
**Figure 24-3000**

93124 3000

ITEM	PART NUMBER	QTY	BODY	MODEL	DESCRIPTION
------	-------------	-----	------	-------	-------------

-	3849 468	1			VALVE, Discharge Line, Check
-	4448 851	1			TUBE, Heater Hoae



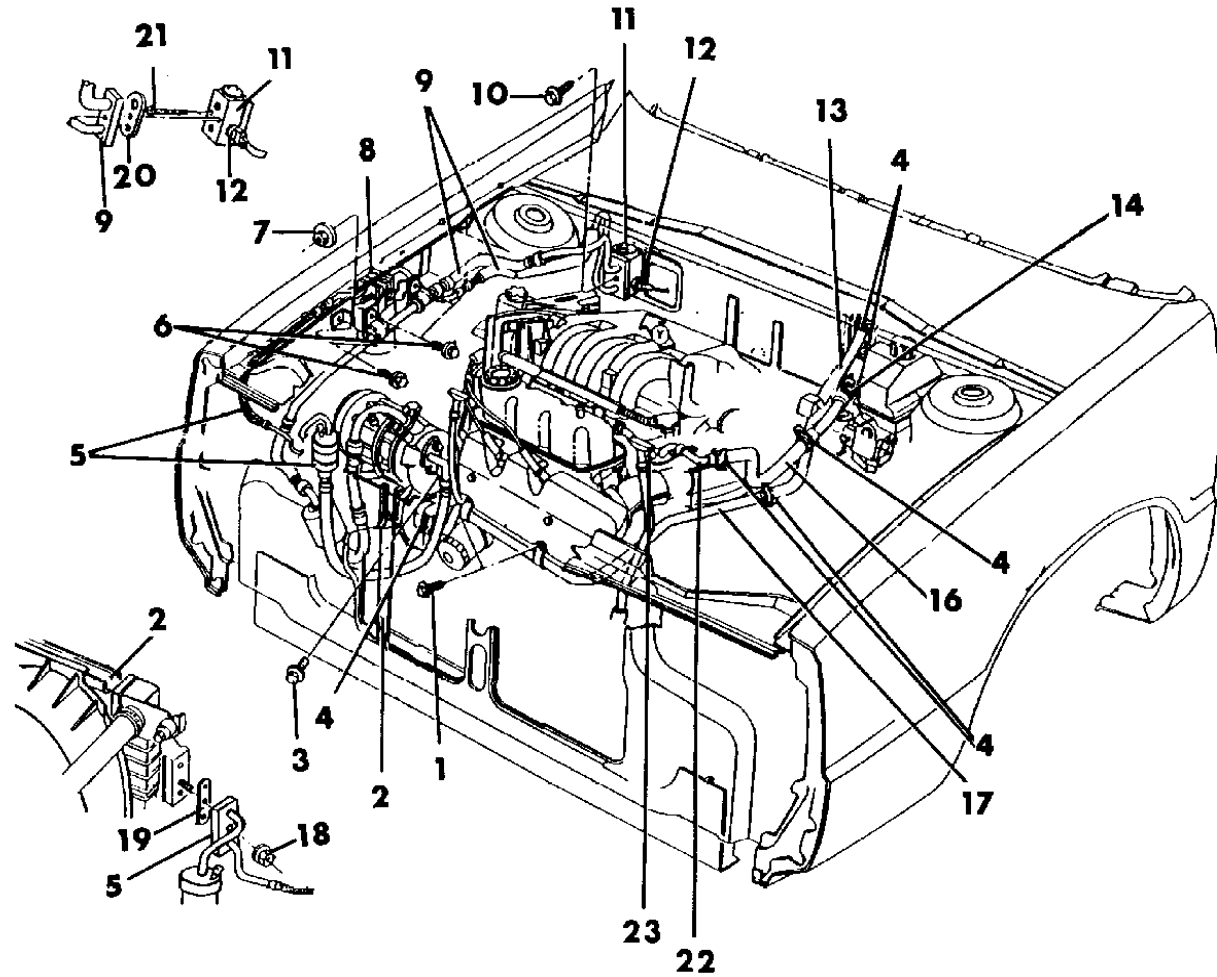
**MODEL CODES:**  
A BODY=(C=LeBaron, D=Spirit, P=Acclaim/LaBaron(Landau), Saratoga) S BODY=(H=Voyager(H) FWD, K=Caravan(H) FWD, Y=Town & Country(H) FWD, P=Voyager(K) AWD, D=Caravan(K) AWD, C=Town & Country(K) AWD)  
C BODY=(D=Dynasty, C=New Yorker/N.Y. Salon) Y BODY=(C=Imperial/5th Avenue)  
G BODY=(V=Daytona/IROC, Chrysler Daytona) E-S BODY=(K=Chrysler Voyager(H) FWD, D=Chrysler Voyager(K) AWD)  
J BODY=(C=LeBaron, Chrysler LeBaron) P BODY=(P=Sundance, D=Shadow)

**BODY STYLES:**  
21=2-Door Coupe                      41=4-Door Sedan                      12-52=FWD & AWD Van & Wgn Std W.B.  
24=2-Door Hatchback                44=4-Door Hatchback                53=FWD & AWD Van & Wgn Ext. W.B.  
27=2-Door Convertible

AR = Use as Required - = Non Illustrated Part P.A.R. = Paint as Required

PLUMBING, AIR CONDITIONING AND HEATER 3.3L, 3.8L ENGINE C,Y BODY  
Figure 24-3100

93124 3100



ITEM	PART NUMBER	QTY	BODY	MODEL	DESCRIPTION
1	6502 058	3			SCREW, w/Washer
2	4638 132	1			CONDENSER
	4728 738	2			ISOLATOR, Condenser Mounting, Lower
3		AR			SCREW, w/Washer (Not Serviced)
4	6502 017	AR			CLAMP
5	4713 743	1			LINE ASSEMBLY, A/C Discharge and Liquid ***
-	3849 784	1			SWITCH, A/C Cond. Fan
-	5264 110	1			SEAL, A/C Cond. Fan Switch
-	4638 189	1			GASKET, A/C Suction & Disch. Line Mtg. to Compr.
6		AR			SCREW (Not Serviced)
7	6033 562	2			NUT, w/Washer
8	4713 768	1			DRIER ASSEMBLY, Filter ***
	5264 110	2			O-RING, Lines to Drier
9	4713 745	1			LINE, A/C Suction and Liquid
Damper weight serviced on hose applications specified in this document.					
-	3848 021	1			CAP, A/C or ATC Disch. Line Check
-	3849 468	1			VALVE, Disch. Line Check
-	5269 055	1			STRAP, Ground
-	3847 083	1			GASKET, A/C Disch. & Suction Liq. Line Mtg. to Drier
10	6101 453	1			SCREW, w/Washer
11	4462 132	1			VALVE, Expansion (H-Type)
-	4677 045	1			GASKET, A/C Expn. Valve Mtg. to A/C Unit
	5252 225	1			SWITCH, Temp. Sensing (Elect. Cycling)
12	4462 134	1			SWITCH, Pressure Cut-Off
13	5264 265	1			HOSE, Core to Tube
14	4741 932	AR			HOSE, 5/8" I.D. 50 Ft. Roll
16	5264 358	1			HOSE, Heater, Engine to Core
17	5264 155	1			TUBE, Heater Return
	5264 472	1			HOSE, Return Tube to Pump
	4540 096	1			HOSE, Core to Pump
18		AR			NUT (Not Serviced)
19	3846 835	1			GASKET, Line Mounting to Condenser
20	3846 834	1			GASKET, Line Mounting to H-Valve
21	6032 572	2			SCREW, Expansion Valve Mounting
22	4448 851	1			TUBE, Heater Hose
23	4448 852	1			GASKET, Int. Mainf. to Htr. Hose Tube

MODEL CODES:

A BODY=(C=LeBaron, D=Spirit, P=Acclaim/LaBaron(Landau),  
Saratoga)  
C BODY=(D=Dynasty, C=New Yorker/N.Y. Salon)  
G BODY=(V=Daytona/ROC, Chrysler Daytona)  
J BODY=(C=LeBaron, Chrysler LeBaron)  
P BODY=(P=Sundance, D=Shadow)

S BODY=(H=Voyager(H) FWD, K=Caravan(H) FWD,  
Y=Town & Country(H) FWD, P=Voyager(K) AWD,  
D=Caravan(K) AWD, C=Town & Country(K) AWD)  
Y BODY=(C=Imperial/5th Avenue)  
E-S BODY=(K=Chrysler Voyager(H) FWD, D=Chrysler  
Voyager(K) AWD)

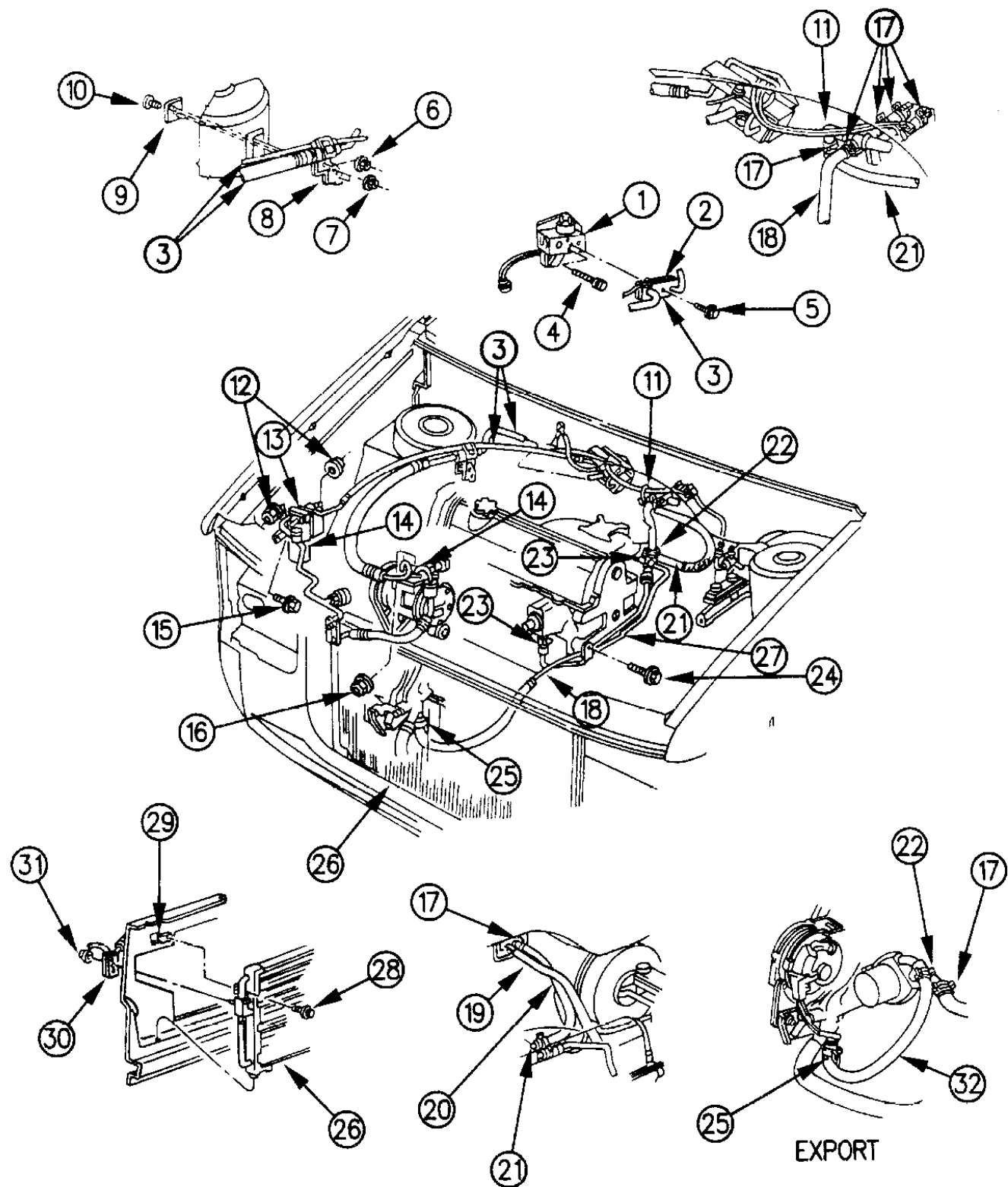
BODY STYLES:

21=2-Door Coupe  
24=2-Door Hatchback  
27=2-Door Convertible  
41=4-Door Sedan  
44=4-Door Hatchback  
53=FWD & AWD Van & Wgn Ext. W.B.  
12-52=FWD & AWD Van & Wgn Std W.B.

AR = Use as Required - = Non Illustrated Part P.A.R. = Paint as Required

**PLUMBING, AIR CONDITIONING AND HEATER 2.5L ENGINE E.F.I. S BODY**  
**Figure 24-3200**

93124 3200B



ITEM	PART NUMBER	QTY	BODY	MODEL	DESCRIPTION
1	4677 203	1			VALVE, Combo (Includes Low Pressure Cut-Off and Electronic Cycling Switch)
	5264 648	1			SWITCH, Low Pressure Cut-Off, Stamped 30505 0314
	4677 045	1			GASKET, Combo Valve
2	3846 834	1			GASKET, Suction Line to H-Valve
3	4677 130	1			LINE, Suction and Liquid, w/Switch
	4796 564	1			O-RING, Suction Line to Compressor
4	6032 572	2			SCREW, Valve Mounting
5	6101 453	1			SCREW and WASHER, Suction Line to Valve
6	6501 859	1			NUT and WASHER
7	6101 445	1			NUT and WASHER
8	4462 772	1			BRACKET, Suction Line Mounting
9	4188 101	1			PLATE ASSEMBLY, Suction Line
10	3759 944	1			RETAINER, Suction Line
11	3848 729	1			VALVE, Water
	4741 932	1			HOSE, 5/8" (Roll Stock)
12	6033 562	2			NUT and WASHER
13	4677 138	1			FILTER DRIER, w/Bracket
	4720 747	2			GASKET, Line to Drier
14	4677 131	1			LINE, Discharge and Suction
	4796 565	1			O-RING, Discharge Line to Compressor
	4720 750	1			VALVE, Charging
	4720 748	1			CAP, Valve
	4720 689	1			SWITCH, Temp. Sensing
	4720 749	1			O-RING, Switch
15	6032 451	3			SCREW, Drier Mounting
16	6500 517	4			SCREW
17	6502 017	AR			CLAMP
18	4677 074	1			HOSE and TUBE, Bypass
19	4677 075	1			HOSE and TUBE, Bypass, Heater
20	4540 182	1			HOSE, Engine to Core
	4637 938	1			SLEEVE
21	4540 181	1			HOSE, Engine to Valve
	4637 938	1			SLEEVE
	4546 298	2			CLAMP, Heater Supply
22	6502 018	AR			CLAMP
23	0153 640	AR			CLAMP
24	6500 158	1			SCREW and WASHER
25	6502 019	1			CLAMP

**MODEL CODES:**

A BODY=(C=LeBaron, D=Spirit, P=Acclaim/LaBaron(Landau), Saratoga) S BODY=(H=Voyager(H) FWD, K=Caravan(H) FWD, Y=Town & Country(H) FWD, P=Voyager(K) AWD, D=Caravan(K) AWD, C=Town & Country(K) AWD)  
 C BODY=(D=Dynasty, C=New Yorker/N.Y. Salon) Y BODY=(C=Imperial/5th Avenue)  
 G BODY=(V=Daytona/IROC, Chrysler Daytona) E-S BODY=(K=Chrysler Voyager(H) FWD, D=Chrysler Voyager(K) AWD)  
 J BODY=(C=LeBaron, Chrysler LeBaron) P BODY=(P=Sundance, D=Shadow)

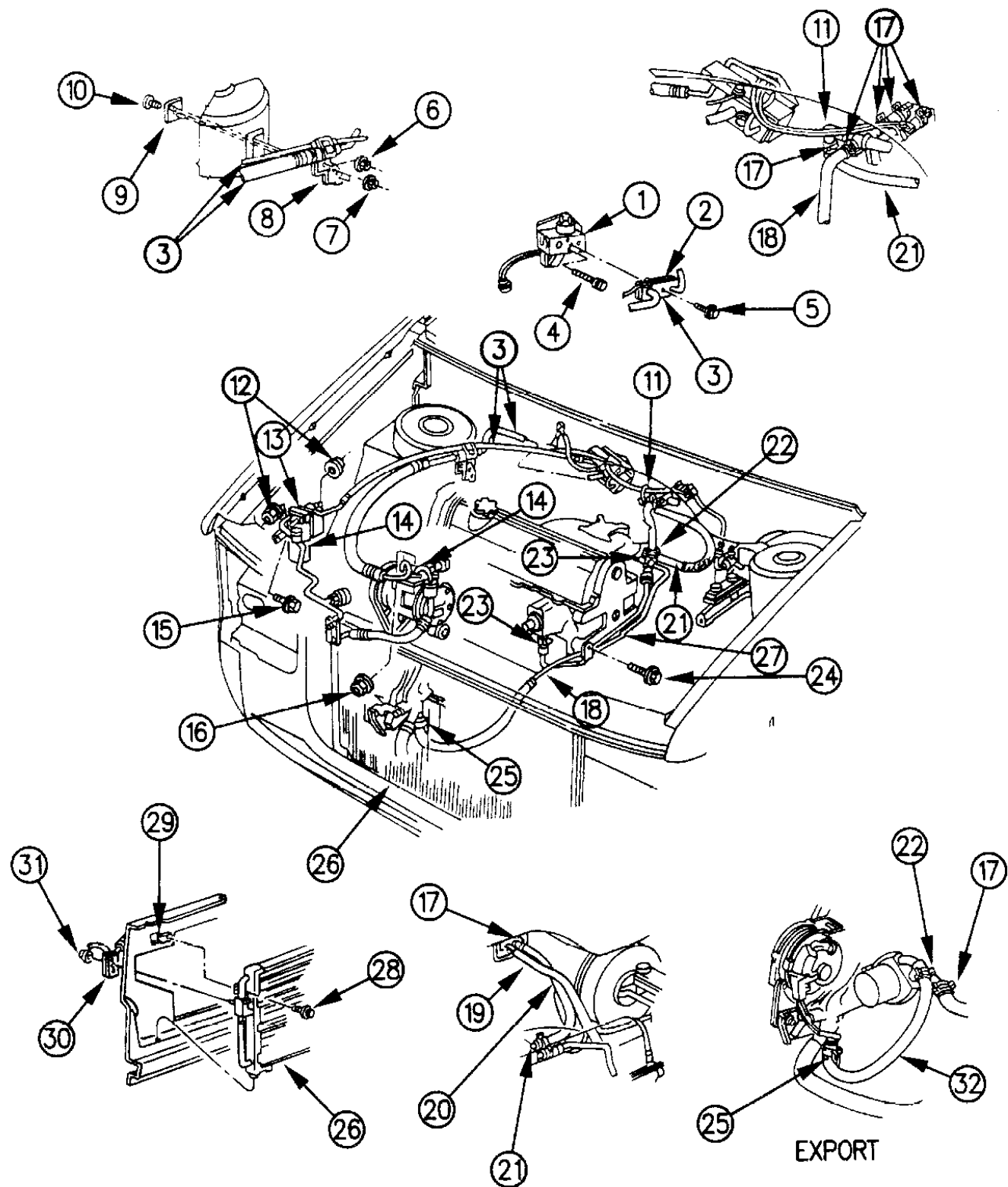
**BODY STYLES:**

21=2-Door Coupe 41=4-Door Sedan 12-52=FWD & AWD Van & Wgn Std W.B.  
 24=2-Door Hatchback 44=4-Door Hatchback 53=FWD & AWD Van & Wgn Ext. W.B.  
 27=2-Door Convertible

AR = Use as Required - = Non Illustrated Part P.A.R. = Paint as Required

**PLUMBING, AIR CONDITIONING AND HEATER 2.5L ENGINE E.F.I. S BODY**  
**Figure 24-3200**

93124 3200B



ITEM	PART NUMBER	QTY	BODY	MODEL	DESCRIPTION
26	4644 365	1			CONDENSER
					SEAL, Condenser
	5264 424	1			Top
	5264 425	1			Right
	5264 426	1			Left
	5264 427	1			Bottom
27	4677 092	1			TUBE AND HOSE ASSEMBLY, Return ***
28	5264 283	2			GROMMET
	3502 916	2			SPACER
29	6101 442	2			U-NUT, Condenser Mounting
30	3846 835	1			GASKET, Line to Condenser
31		1			NUT (Not Serviced)
32	4462 551	1			HOSE, Oil Cooler to Pump

**MODEL CODES:**

A BODY=(C=LeBaron, D=Spirit, P=Acclaim/LaBaron(Landau, Saratoga) S BODY=(H=Voyager(H) FWD, K=Caravan(H) FWD, Y=Town & Country(H) FWD, P=Voyager(K) AWD, D=Caravan(K) AWD, C=Town & Country(K) AWD)  
 C BODY=(D=Dynasty, C=New Yorker/N.Y. Salon)  
 G BODY=(V=Daytona/IROC, Chrysler Daytona)  
 J BODY=(C=LeBaron, Chrysler LeBaron)  
 P BODY=(P=Sundance, D=Shadow)  
 Y BODY=(C=Imperial/5th Avenue)  
 E-S BODY=(K=Chrysler Voyager(H) FWD, D=Chrysler Voyager(K) AWD)

**BODY STYLES:**

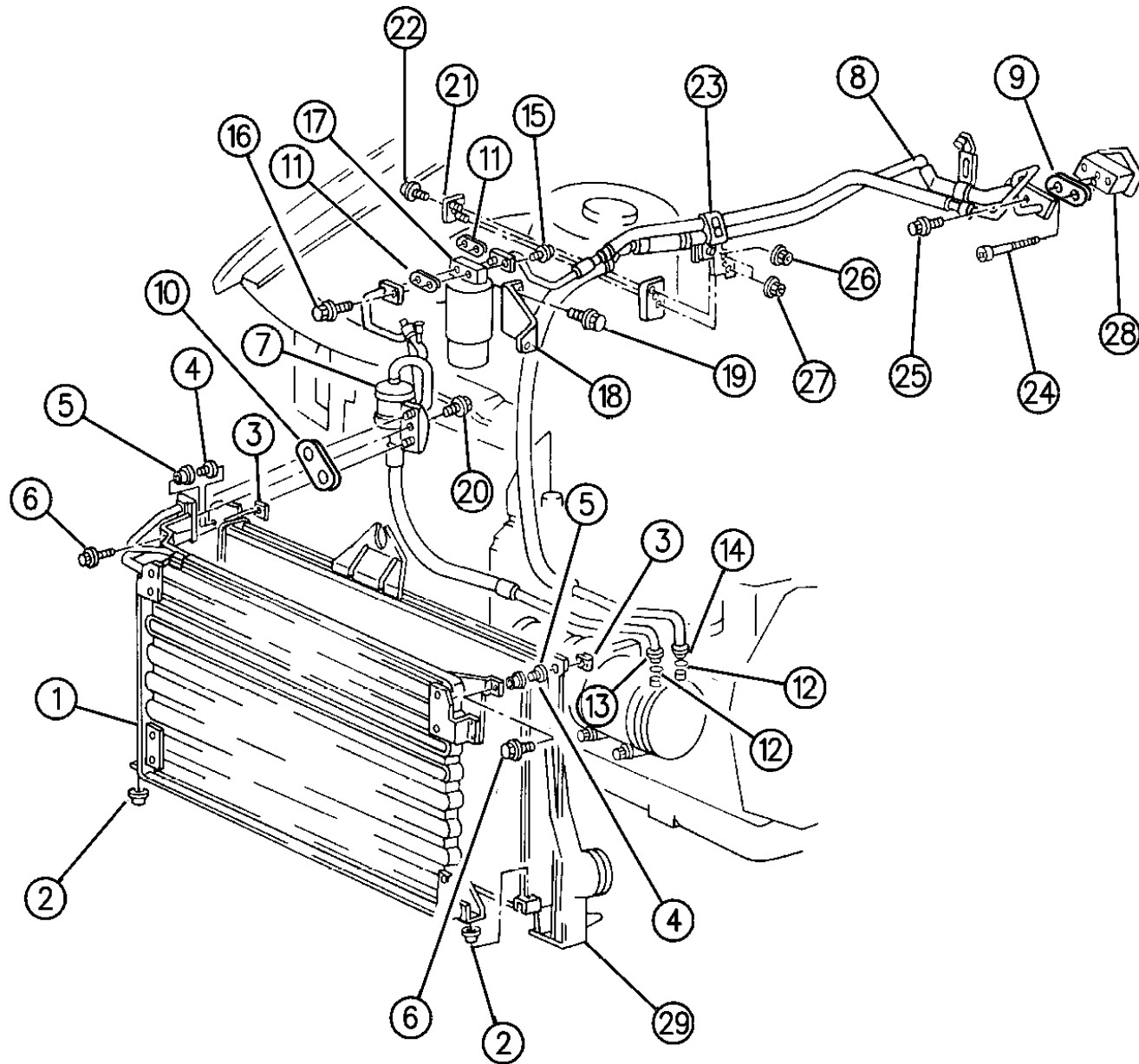
21=2-Door Coupe      41=4-Door Sedan      12-52=FWD & AWD Van & Wgn Std W.B.  
 24=2-Door Hatchback      44=4-Door Hatchback      53=FWD & AWD Van & Wgn Ext. W.B.  
 27=2-Door Convertible

AR = Use as Required - = Non Illustrated Part P.A.R. = Paint as Required

PLUMBING, AIR CONDITIONING 2.5L DIESEL ENGINE S BODY

Figure 24-3250

93124 3250A



ITEM	PART NUMBER	QTY	BODY	MODEL	DESCRIPTION
1	4677 209	1			CONDENSER
2		2			BUSHING, Rubber, Lower (Serviced on Condenser)
3	6101 308	2			U-NUT
4	3502 916	2			SPACER
5	4140 427	2			ISOLATOR
6	6100 560	2			SCREW and WASHER (6 x 35)
7	4677 506	1			LINE ASSEMBLY, Discharge and Liquid ***
8	4677 507	1			LINE ASSEMBLY, Suction and Liquid ***
NOTE: Early vehicles use 4677 206-7 Discharge and Suction Lines. These are now serviced with parts 4677 506-7 and should be replaced as assemblies. applications specified in this document.					
O-Rings for the 4677 206-7 lines are not serviced. applications specified in this document.					
9	3846 834	1			GASKET, H/Block
10	3846 835	1			GASKET, Condenser Mounting Block
11	3847 083	AR			GASKET, A/C Suction and Discharge Lines
12	4778 066	AR			O-RING, A/C Lines to Compressor
13		1			FLANGE ***
14		1			FLANGE ***
15		1			SCREW (M10 x 30) (Not Serviced)
16		1			SCREW (Not Serviced)
17	4677 138	1			DRIER
18	4682 183	1			BRACKET, Fuel Line
19	6032 451	3			SCREW and WASHER
20		1			NUT, Line to Condenser (Not Serviced)
21	4188 101	1			PLATE, Suction Line Bracket
22	3759 944	1			RETAINER, Plate Mounting
23	4462 772	1			BRACKET, Suction Line Support
24	6032 572	2			SCREW, Valve Mounting
25	6101 453	1			SCREW, Suction Line to Valve
26	6501 859	1			NUT
27	6101 445	2			NUT and WASHER
28	4677 203	1			VALVE, Expansion
29					INTERCOOLER ASSEMBLY (Reference Only) ***

MODEL CODES:

A BODY=(C=LeBaron, D=Spirit, P=Acclaim/LaBaron(Landau, Saratoga) S BODY=(H=Voyager(H) FWD, K=Caravan(H) FWD, Y=Town & Country(H) FWD, P=Voyager(K) AWD, D=Caravan(K) AWD, C=Town & Country(K) AWD)  
 C BODY=(D=Dynasty, C=New Yorker/N.Y. Salon)  
 G BODY=(V=Daytona/IROC, Chrysler Daytona)  
 J BODY=(C=LeBaron, Chrysler LeBaron)  
 P BODY=(P=Sundance, D=Shadow)  
 Y BODY=(C=Imperial/5th Avenue)  
 E-S BODY=(K=Chrysler Voyager(H) FWD, D=Chrysler Voyager(K) AWD)

BODY STYLES:

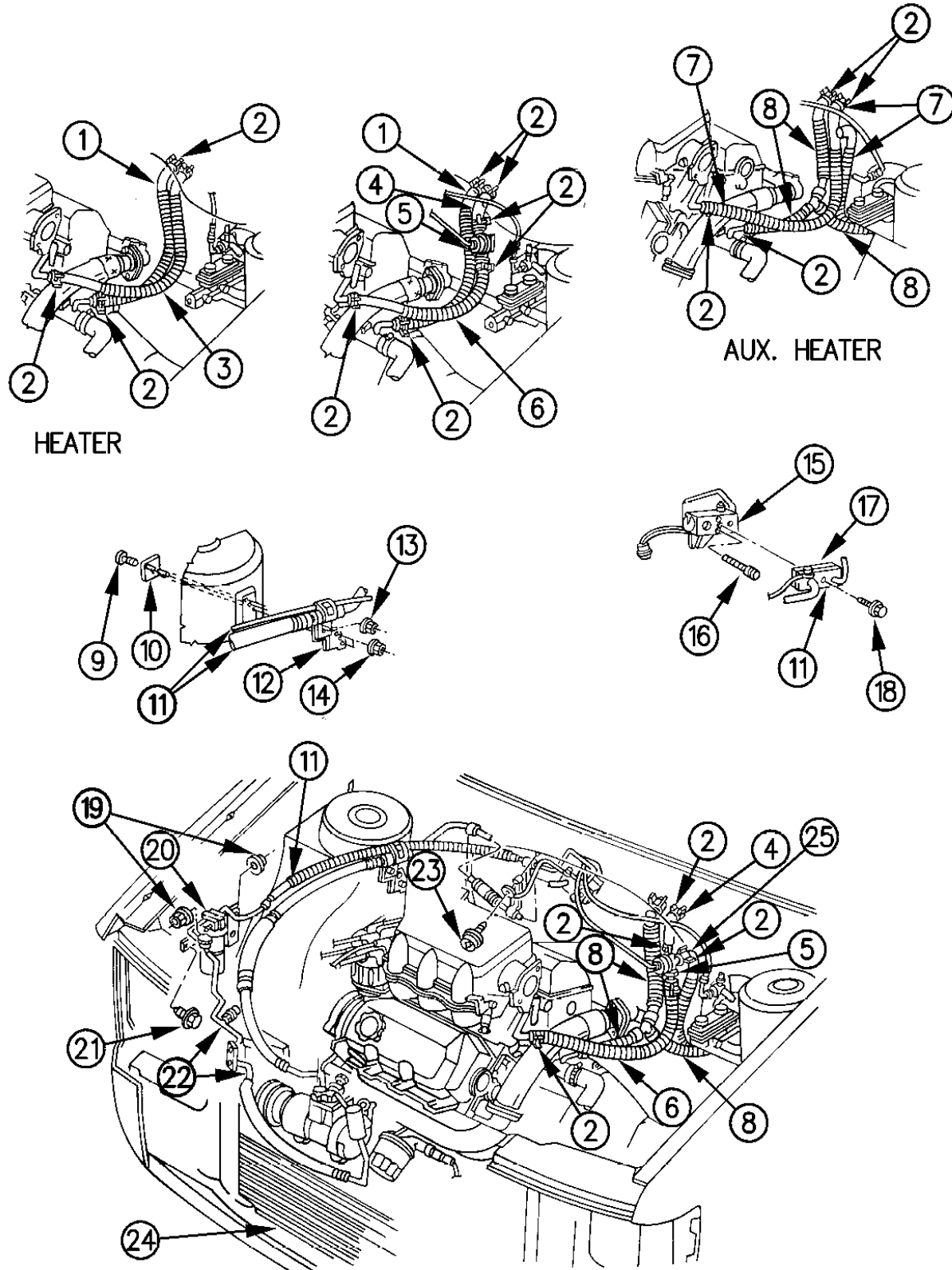
21=2-Door Coupe      41=4-Door Sedan      12-52=FWD & AWD Van & Wgn Std W.B.  
 24=2-Door Hatchback      44=4-Door Hatchback      53=FWD & AWD Van & Wgn Ext. W.B.  
 27=2-Door Convertible

AR = Use as Required - = Non Illustrated Part P.A.R. = Paint as Required

PLUMBING, AIR CONDITIONING AND HEATER 3.0L ENGINE S BODY

Figure 24-3300

93124 3300



ITEM	PART NUMBER	QTY	BODY	MODEL	DESCRIPTION
1	5264 131	1			HOSE, Core to Pump
2	6502 017	AR			CLAMP
3	5264 133	1			HOSE, Engine to Core
4	4540 272	1			HOSE, Valve to Core
5					VALVE, Water
	4339 457	1			Aux. Heater
	3849 321	1			
6					HOSE ASSEMBLY, Engine to Valve ***
-	4741 932	1			HOSE, 5/8" (Roll Stock)
-	4397 809	1			SLEEVE
-	6015 756	1			STRAP, Sleeve Retaining
7	4462 031	1			HOSE, Engine to Core, Aux.
8					HOSE and TEE ASSEMBLY ***
					Consists of:
	4462 321	1			TEE
	5264 139	1			HOSE ASSEMBLY, 21" and 4 1/2" Hose
	5264 141	1			HOSE 13"
	4397 809	AR			SLEEVE
	6015 756	1			STRAP
9	3759 944	1			RETAINER, Plate Mounting
10	4188 101	1			PLATE ASSEMBLY
11	4677 132	1			LINE ASSEMBLY, Suction and Liquid ***
-	4796 564	1			O-RING, Compressor
-	4761 568	1			LINE ASSEMBLY, Suction and Liquid, Aux. ***
-	4740 361	1			O-RING, Aux., Compressor
12	4462 772	1			BRACKET, Line Mounting
13	6501 859	1			NUT and WASHER
14	6101 445	2			NUT and WASHER
15	4677 203	1			VALVE, Combo Expansion (Includes Low Pressure Cut-off Switch and Electronic Cycling Switch)
-	4677 045	1			GASKET, Combo Valve
-	5264 648	1			SWITCH, Low Pressure Cut Off
16	6032 572	2			SCREW, Valve Mounting
17	3846 834	1			GASKET, Line to H-Valve
18	6101 453	1			SCREW, Line to H-Valve
19	0219 462	2			NUT and WASHER
20	4677 138	1			FILTER DRIER, w/Bracket
	4720 747	2			GASKET, Discharge and Suction Lines to Drier
21	6032 451	3			SCREW, Drier Mounting

MODEL CODES:

A BODY=(C=LeBaron, D=Spirit, P=Acclaim/LaBaron(Landau), Saratoga)

C BODY=(D=Dynasty, C=New Yorker/N.Y. Salon)

G BODY=(V=Daytona/ROC, Chrysler Daytona)

J BODY=(C=LeBaron, Chrysler LeBaron)

P BODY=(P=Sundance, D=Shadow)

S BODY=(H=Voyager(H) FWD, K=Caravan(H) FWD,

Y=Town & Country(H) FWD, P=Voyager(K) AWD,

D=Caravan(K) AWD, C=Town & Country(K) AWD)

Y BODY=(C=Imperial/5th Avenue)

E-S BODY=(K=Chrysler Voyager(H) FWD, D=Chrysler

Voyager(K) AWD)

BODY STYLES:

21=2-Door Coupe

41=4-Door Sedan

12-52=FWD & AWD Van & Wgn Std W.B.

24=2-Door Hatchback

44=4-Door Hatchback

53=FWD & AWD Van & Wgn Ext. W.B.

27=2-Door Convertible

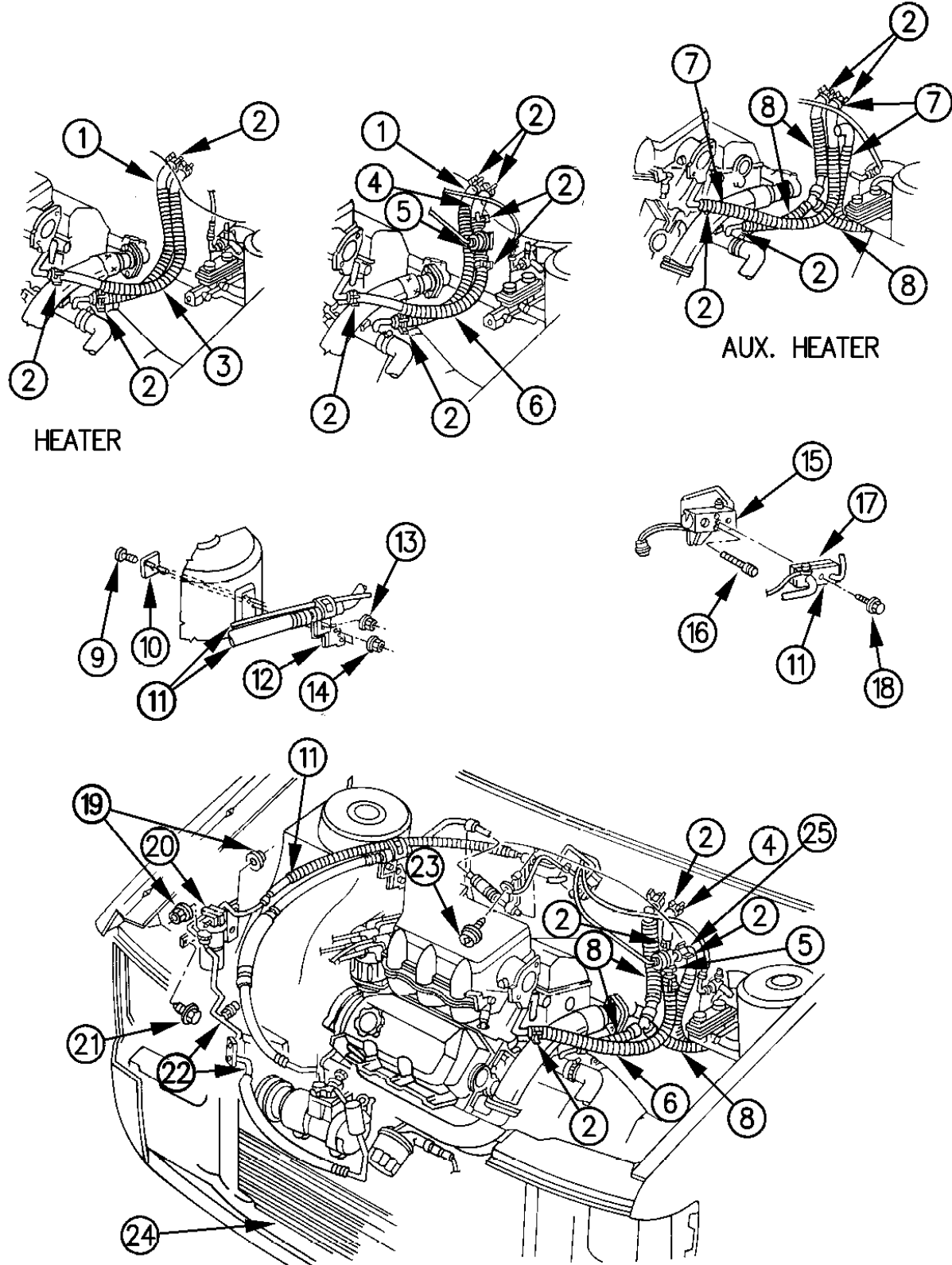
AR = Use as Required - = Non Illustrated Part P.A.R. = Paint as Required



PLUMBING, AIR CONDITIONING AND HEATER 3.0L ENGINE S BODY

Figure 24-3300

93124 3300



ITEM	PART NUMBER	QTY	BODY	MODEL	DESCRIPTION
22	4677 133	1			LINE, Discharge and Liquid, w/Switch
-	4796 565	1			O-RING, Discharge Line to Compressor
-	3846 835	1			O-RING, Discharge Line to Condenser
-	4720 689	1			SWITCH, Temp. Sensing (Black)
-	4720 746	1			SWITCH, H.P.C.O. (Gray)
-	4720 749	2			O-RING, Temp. Sensing and H.P.C.O. Switch
-	4720 750	1			VALVE, Charging
-	4720 748	1			CAP, Valve
23	6032 817	1			SCREW, Suction Line Mounting
24					CONDENSER
	4644 365	1			w/Aux. A/C
	4644 366	1			
25	5264 135	1			HOSE ASSEMBLY, Valve to Tube, Aux. ***

MODEL CODES:

A BODY=(C=LeBaron, D=Spirit, P=Acclaim/LaBaron(Landau),  
Saratoga)  
C BODY=(D=Dynasty, C=New Yorker/N.Y. Salon)  
G BODY=(V=Daytona/IROC, Chrysler Daytona)  
J BODY=(C=LeBaron, Chrysler LeBaron)  
P BODY=(P=Sundance, D=Shadow)

S BODY=(H=Voyager(H) FWD, K=Caravan(H) FWD,  
Y=Town & Country(H) FWD, P=Voyager(K) AWD,  
D=Caravan(K) AWD, C=Town & Country(K) AWD)  
Y BODY=(C=Imperial/5th Avenue)  
E-S BODY=(K=Chrysler Voyager(H) FWD, D=Chrysler  
Voyager(K) AWD)

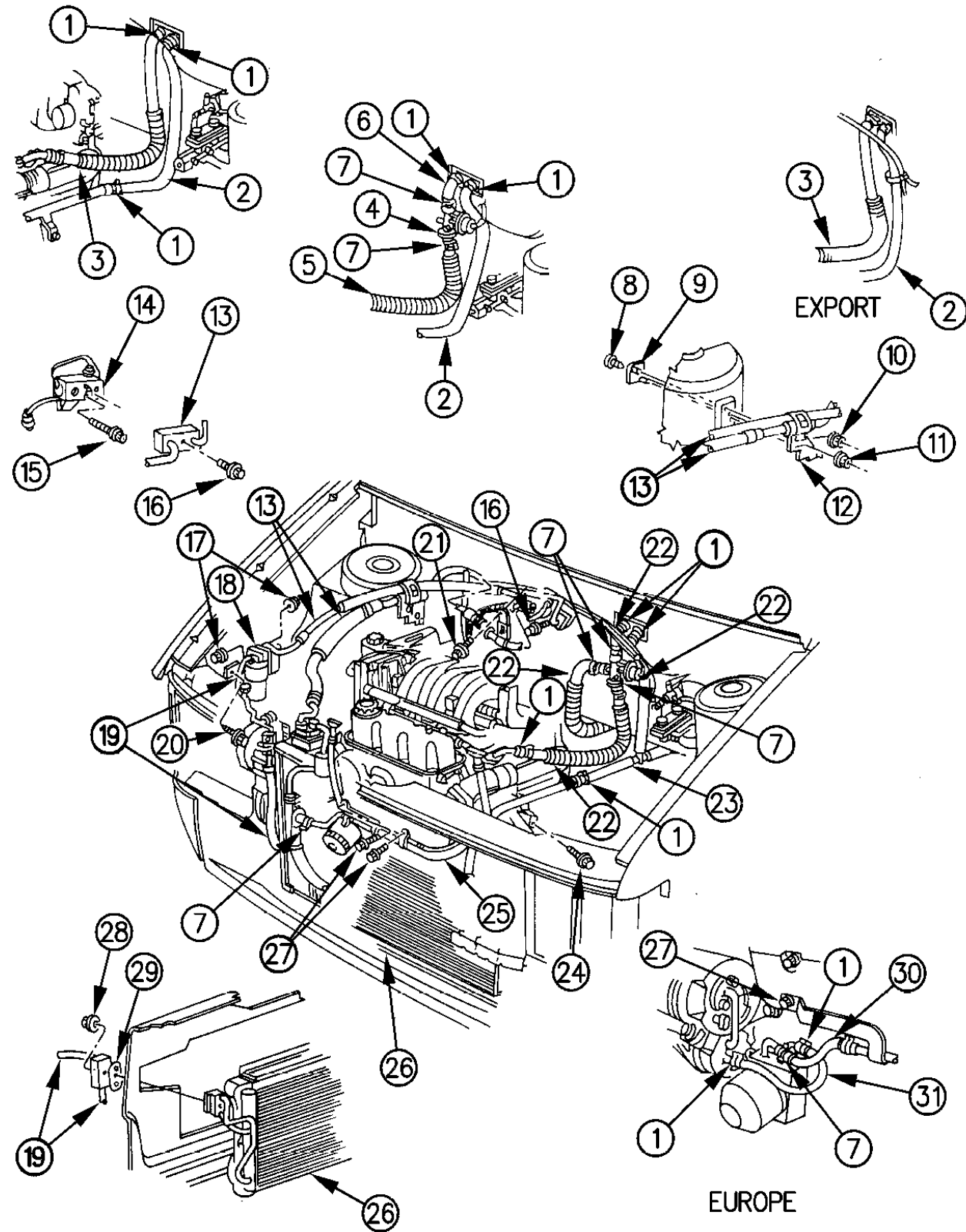
BODY STYLES:

21=2-Door Coupe      41=4-Door Sedan      12-52=FWD & AWD Van & Wgn Std W.B.  
24=2-Door Hatchback      44=4-Door Hatchback      53=FWD & AWD Van & Wgn Ext. W.B.  
27=2-Door Convertible

AR = Use as Required - = Non Illustrated Part P.A.R. = Paint as Required

PLUMBING, AIR CONDITIONING AND HEATER 3.3L ENGINE S BODY  
 Figure 24-3400

93124 3400



ITEM	PART NUMBER	QTY	BODY	MODEL	DESCRIPTION
1	6502 017	AR			CLAMP
2	4540 269	1			HOSE, Core to Tube
3	5264 157	1			HOSE, Engine to Core
4	4339 457	1			VALVE, Water
5	5264 148	1			HOSE, Engine to Valve
6	4540 272	1			HOSE, Valve to Core
7	6502 018	1			CLAMP
8	3759 944	1			RETAINER, Plate Mounting
9	4188 101	1			PLATE ASSEMBLY, Line Mounting
10	6501 859	1			NUT and WASHER
11	6101 445	2			NUT and WASHER
12	4462 772	1			BRACKET, Suction and Liquid Line Mounting
13					LINE ASSEMBLY, Suction and Liquid, Front ***
	4677 134	1			w/o Aux. Heater and A/C
	4677 136	1			Aux. Heater and A/C (Up To 3-5-93)
	4677 296	1			(Aft. 3-5-93)
	3846 834	1			GASKET, Suction Line to Combo Valve
	4796 564	1			O-RING, to Compressor
14	4677 203	1			VALVE, Expansion, Combo (Includes Low Pressure Cut-off Switch and Electronic Cycling Switch)
-	4677 045	1			GASKET, Combo Valve to Evap. Unit
-	5264 648	1			SWITCH, Low Pressure Cut-Off
15	6032 572	2			SCREW, Valve Mounting
16	6101 453	1			SCREW, Line to Valve
17	0219 462	2			NUT and WASHER
18	4677 138	1			FILTER DRIER, w/Bracket
	4720 747	2			GASKET, Suction and Discharge Line's to Drier
19	4677 135	1			LINE ASSEMBLY, Discharge and Liquid, w/Switch ***
	4796 565	1			O-RING, Discharge Line to Compressor
	4720 750	1			VALVE, Charging, w/Cap
	4720 748	1			CAP, Valve
	4720 689	1			SWITCH, Fan (Black)
	4720 746	1			SWITCH, H.P.C.O. (Gray)
	4720 749	2			O-RING, Temp. Sensing and H.P.C.O. Switch
20	6032 451	3			SCREW
21	6032 817	1			SCREW
22					HOSE and VALVE ASSEMBLY, Aux. Heat and A/C *** Consists of:

MODEL CODES:

A BODY=(C=LeBaron, D=Spirit, P=Acclaim/LaBaron(Landau),  
Saratoga)  
 C BODY=(D=Dynasty, C=New Yorker/N.Y. Salon)  
 G BODY=(V=Daytona/ROC, Chrysler Daytona)  
 J BODY=(C=LeBaron, Chrysler LeBaron)  
 P BODY=(P=Sundance, D=Shadow)

S BODY=(H=Voyager(H) FWD, K=Caravan(H) FWD,  
Y=Town & Country(H) FWD, P=Voyager(K) AWD,  
D=Caravan(K) AWD, C=Town & Country(K) AWD)  
 Y BODY=(C=Imperial/5th Avenue)  
 E-S BODY=(K=Chrysler Voyager(H) FWD, D=Chrysler  
Voyager(K) AWD)

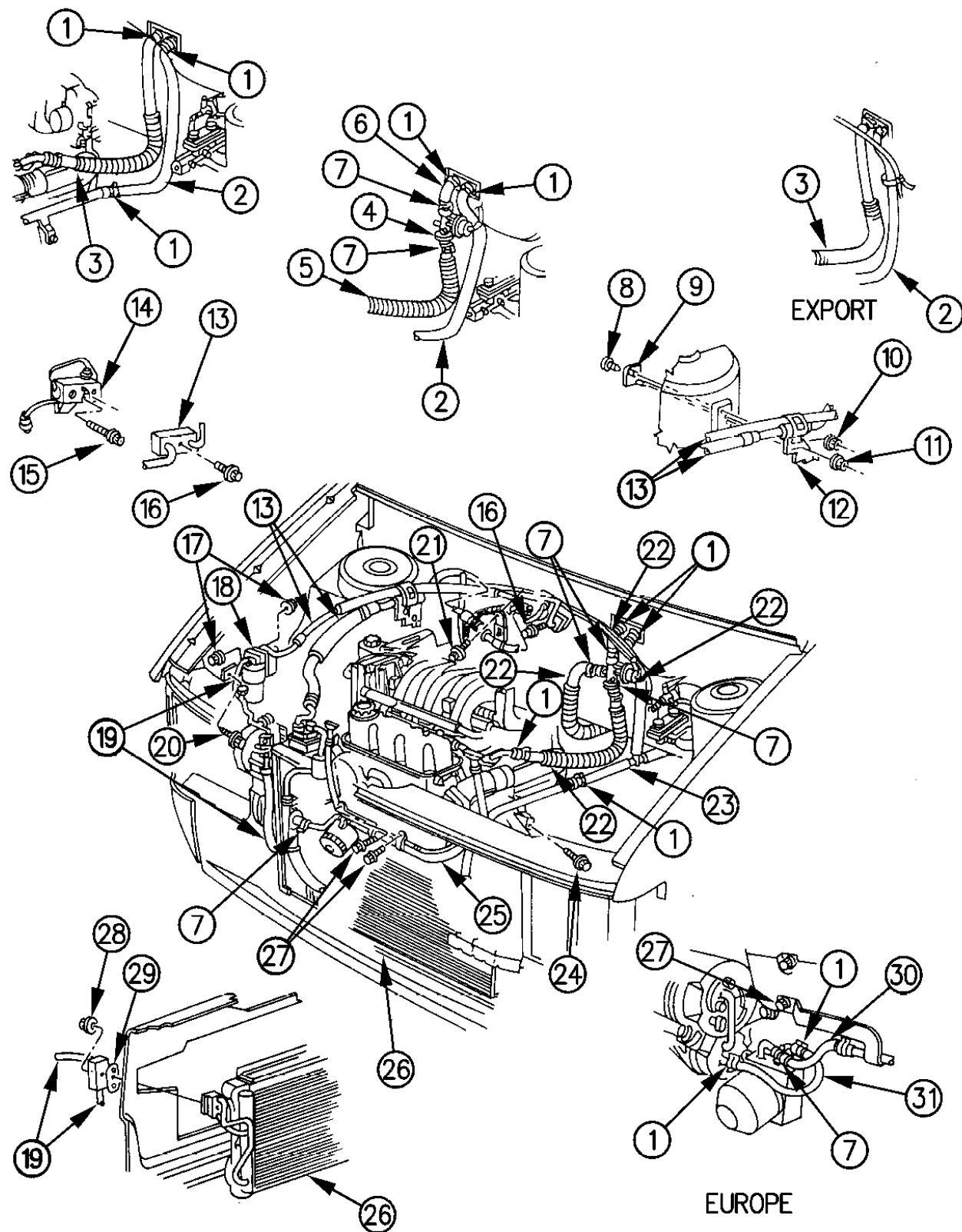
BODY STYLES:

21=2-Door Coupe      41=4-Door Sedan      12-52=FWD & AWD Van & Wgn Std W.B.  
 24=2-Door Hatchback      44=4-Door Hatchback      53=FWD & AWD Van & Wgn Ext. W.B.  
 27=2-Door Convertible

AR = Use as Required - = Non Illustrated Part P.A.R. = Paint as Required

PLUMBING, AIR CONDITIONING AND HEATER 3.3L ENGINE S BODY  
Figure 24-3400

93124 3400



ITEM	PART NUMBER	QTY	BODY	MODEL	DESCRIPTION
	3849 321	1			VALVE, Water, 3 Port
	4540 272	1			HOSE, Valve to Core
	4540 268	1			HOSE, Engine to Core
	4397 809	1			SLEEVE
	6015 756	1			STRAP
	5264 148	1			HOSE, Engine to Valve
	6502 017	3			CLAMP
23					HOSE and TEE ASSEMBLY *** Consists of:
	4462 321	1			TEE
	4540 282	1			HOSE, Core to Tee
	4741 932	AR			HOSE, Tee to Front and Rear Tube (Roll Stock)
	6502 017	1			CLAMP
24	6101 051	1			SCREW and WASHER
25					HOSE and TUBE ASSEMBLY *** Consists of:
	5264 155	1			TUBE, Heater Return
	5264 472	1			HOSE, Tube to Pump
	6502 017	2			CLAMP
26					CONDENSER
	4644 365	1			w/o Aux. Heat and A/C
	4644 366	1			Aux. Heat and A/C
27	6502 280	2			SCREW and WASHER
28		1			NUT (Not Serviced)
29	3846 835	1			GASKET, Line to Condenser
30	5264 154	1			HOSE, Heater to Oil Cooler
	5264 155	1			TUBE, Heater Return
31	5264 277	1			HOSE ASSEMBLY, Oil Cooler to Pump EUROPE ***

MODEL CODES:

A BODY=(C=LeBaron, D=Spirit, P=Acclaim/LaBaron(Landau),  
Saratoga)  
C BODY=(D=Dynasty, C=New Yorker/N.Y. Salon)  
G BODY=(V=Daytona/IROC, Chrysler Daytona)  
J BODY=(C=LeBaron, Chrysler LeBaron)  
P BODY=(P=Sundance, D=Shadow)

S BODY=(H=Voyager(H) FWD, K=Caravan(H) FWD,  
Y=Town & Country(H) FWD, P=Voyager(K) AWD,  
D=Caravan(K) AWD, C=Town & Country(K) AWD)  
Y BODY=(C=Imperial/5th Avenue)  
E-S BODY=(K=Chrysler Voyager(H) FWD, D=Chrysler  
Voyager(K) AWD)

BODY STYLES:

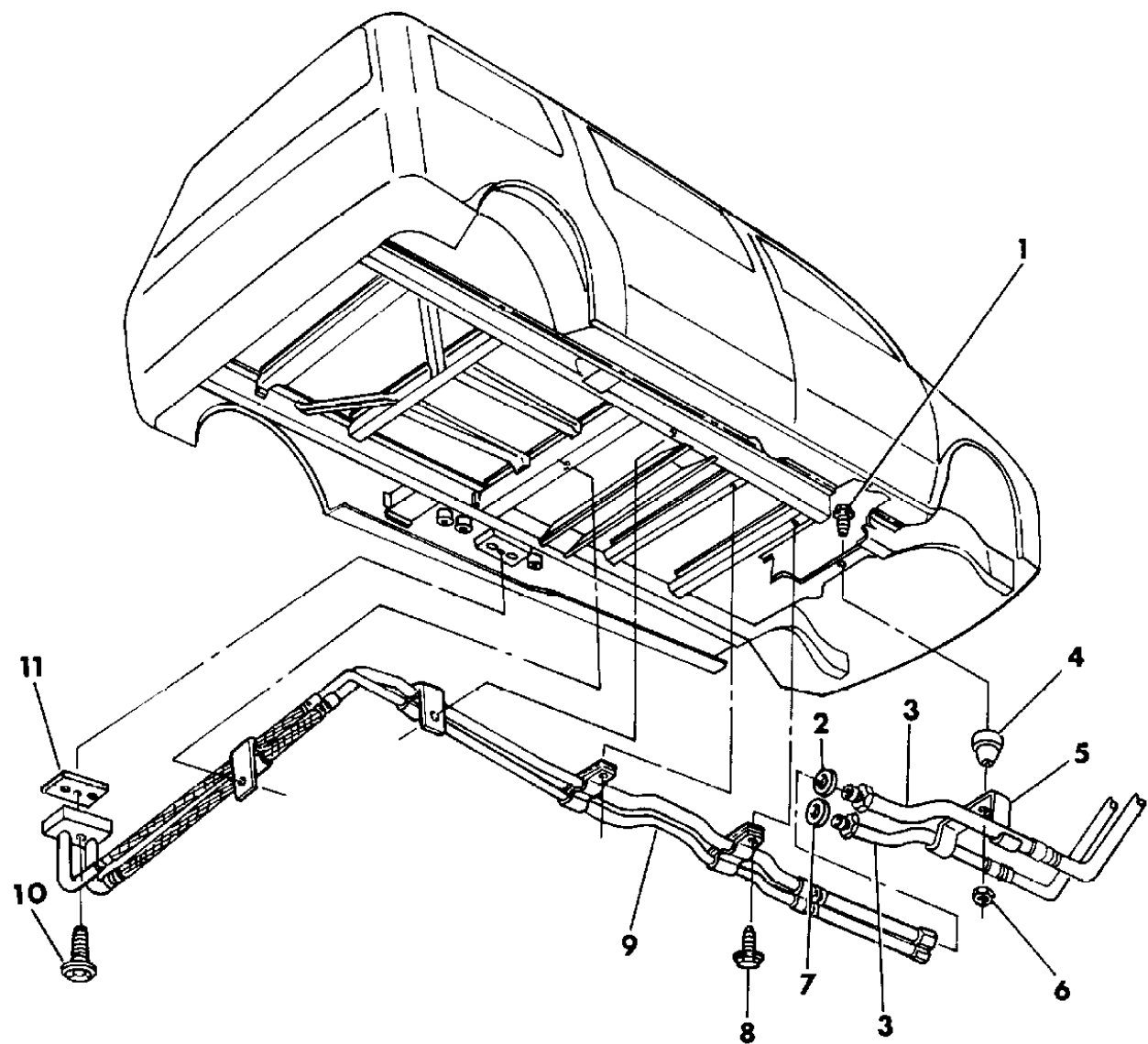
21=2-Door Coupe      41=4-Door Sedan      12-52=FWD & AWD Van & Wgn Std W.B.  
24=2-Door Hatchback      44=4-Door Hatchback      53=FWD & AWD Van & Wgn Ext. W.B.  
27=2-Door Convertible

AR = Use as Required - = Non Illustrated Part P.A.R. = Paint as Required

**PLUMBING, AUXILIARY UNDERBODY AIR CONDITIONER S BODY**  
**Figure 24-3500**

93124 3500

ITEM	PART NUMBER	QTY	BODY	MODEL	DESCRIPTION
1		AR			SCREW and WASHER (Not Serviced)
2	2219 385	2			O-RING, Aux. A/C Suction
3					LINE, Aux. A/C Suction and Liquid (Refer to Plumbing Illustration)
4	4140 427	1			GROMMET, Aux. A/C Suction Line Mounting to Underbody
5	4462 739	1			BRACKET, Aux. A/C Underbody
6	0219 462	1			NUT
7	5210 380	1			O-RING, Aux. A/C Liquid
8	6031 011	4			SCREW and WASHER
9	4773 387	1			HOSE, Aux. A/C Suction and Liquid Rear (Up To 3-5-93)
	4677 298				(Aft. 3-5-93)
10	6101 453	1			SCREW and WASHER
11	3846 834	1			GASKET, Aux. A/C and Plumbing Extension Expansion Valve



**MODEL CODES:**

A BODY=(C=LeBaron, D=Spirit, P=Acclaim/LaBaron(Landau), Saratoga)      S BODY=(H=Voyager(H) FWD, K=Caravan(H) FWD, Y=Town & Country(H) FWD, P=Voyager(K) AWD, D=Caravan(K) AWD, C=Town & Country(K) AWD)  
 C BODY=(D=Dynasty, C=New Yorker/N.Y. Salon)      Y BODY=(C=Imperial/5th Avenue)  
 G BODY=(V=Daytona/IROC, Chrysler Daytona)      E-S BODY=(K=Chrysler Voyager(H) FWD, D=Chrysler Voyager(K) AWD)  
 J BODY=(C=LeBaron, Chrysler LeBaron)  
 P BODY=(P=Sundance, D=Shadow)

**BODY STYLES:**

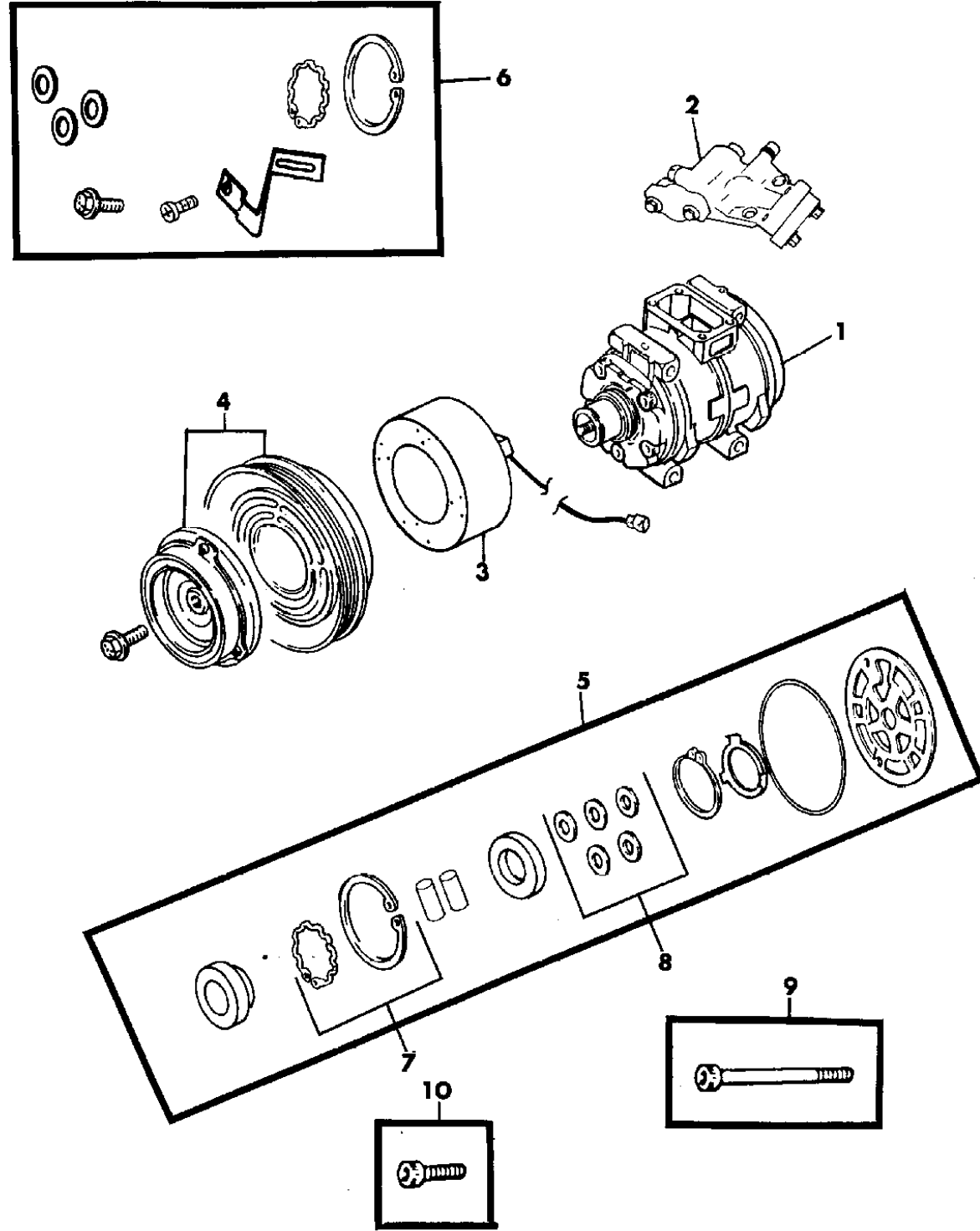
21=2-Door Coupe      41=4-Door Sedan      12-52=FWD & AWD Van & Wgn Std W.B.  
 24=2-Door Hatchback      44=4-Door Hatchback      53=FWD & AWD Van & Wgn Ext. W.B.  
 27=2-Door Convertible

AR = Use as Required - = Non Illustrated Part P.A.R. = Paint as Required

# AIR CONDITIONING COMPRESSOR 2.2L - 2.5L ENGINE EXCEPT 16 VALVE

Figure 24-3600

93124 3600



ITEM	PART NUMBER	QTY	BODY	MODEL	DESCRIPTION
1	4720 743	1	S		COMPRESSOR ASSEMBLY, w/o Clutch ***
	5264 453	1	PAGJCY		w/o Manifold & Clutch
2	5264 448	1	PAGJCY		MANIFOLD, w/O-Ring ***
	4740 027	1	S		
3	5264 450	1			COIL, Clutch
4	5264 451	1	PAGJCY		CLUTCH PACKAGE, (Contains: Pulley and Bearing) ***
	4723 014	1	S		HUB, Pulley, Compressor
5	5264 449	1			SEAL PACKAGE, Shaft
6	5264 452	1	PAGJCY		CLUTCH PACKAGE, Overhaul ***
	4740 032	1	S		BRACKET, Clutch Overhaul
7	5264 454	1			SNAP RING PACKAGE, Clutch ***
8	5264 455	1			WASHER PACKAGE, Housing Bolts ***
9	5264 456	1			BOLT PACKAGE, Housing
10	5264 457	1			BOLT PACKAGE, Manifold
	5264 533	1	PAGJCY		SWITCH, High Pressure Cut-Out
	4740 030	1	S		
		1	S		VALVE, Pressure Relief, w/O-Ring (Served in Manifold)
	5264 477	1	PAGJCY		SCREW, Plumbing Attaching
	4740 031	1	S		NUT, Comprssor Stud, Plumbing Attaching

**MODEL CODES:**

A BODY=(C=LeBaron, D=Spirit, P=Acclaim/LaBaron(Landau), Saratoga)  
 C BODY=(D=Dynasty, C=New Yorker/N.Y. Salon)  
 G BODY=(V=Daytona/IROC, Chrysler Daytona)  
 J BODY=(C=LeBaron, Chrysler LeBaron)  
 P BODY=(P=Sundance, D=Shadow)

S BODY=(H=Voyager(H) FWD, K=Caravan(H) FWD, Y=Town & Country(H) FWD, P=Voyager(K) AWD, D=Caravan(K) AWD, C=Town & Country(K) AWD)  
 Y BODY=(C=Imperial/5th Avenue)  
 E-S BODY=(K=Chrysler Voyager(H) FWD, D=Chrysler Voyager(K) AWD)

**BODY STYLES:**

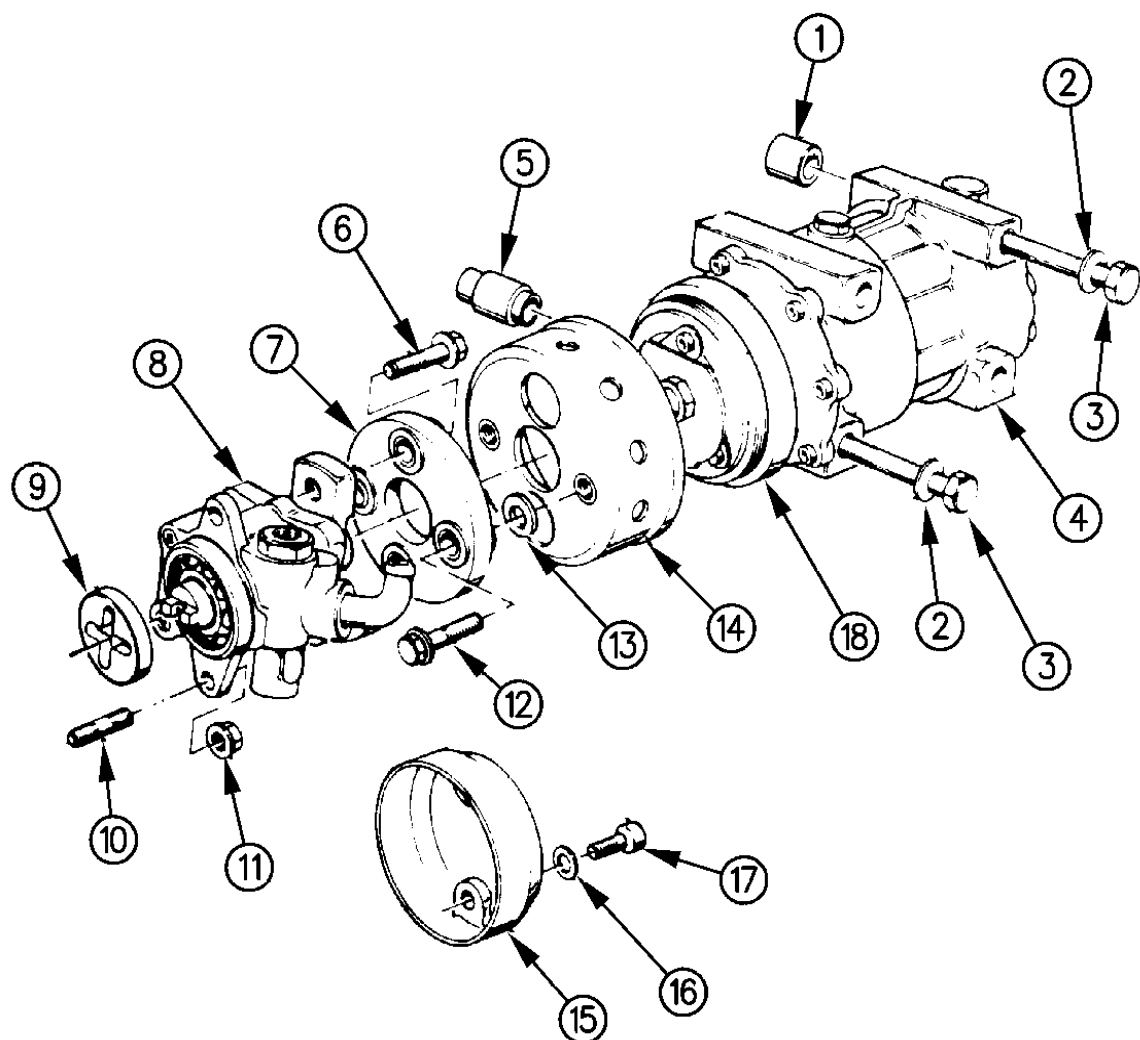
21=2-Door Coupe      41=4-Door Sedan      12-52=FWD & AWD Van & Wgn Std W.B.  
 24=2-Door Hatchback      44=4-Door Hatchback      53=FWD & AWD Van & Wgn Ext. W.B.  
 27=2-Door Convertible

AR = Use as Required    - = Non Illustrated Part    P.A.R. = Paint as Required

**AIR CONDITIONING COMPRESSOR AND MOUNTING 2.5L DIESEL ENGINE S BODY**  
**Figure 24-3650**

93124 3650

ITEM	PART NUMBER	QTY	BODY	MODEL	DESCRIPTION
1	4723 322	2			SPACER
	4728 202	1			SPACER, Compressor Mounting
2	4720 243	4			WASHER
3	4723 321	4			BOLT
4	4723 320	1			COMPRESSOR
5	4723 324	2			SPACER
6	4723 326	2			BOLT
7	4723 325	1			COUPLING, Rubber ***
8	4723 317	1			PUMP ASSEMBLY, Steering ***
9	4723 327	1			COUPLING ***
10	4723 331	1			STUD
11	4720 699	1			NUT
12	4723 326	1			BOLT
13	4723 292	2			WASHER
14	4723 323	1			COUPLING ***
15	4723 330	1			COVER
16	4723 200	2			WASHER
17	4723 329	2			BOLT
18	4728 225	1			CLUTCH, Compressor



**MODEL CODES:**

A BODY=(C=LeBaron, D=Spirit, P=Acclaim/LaBaron(Landau),  
Saratoga)  
 C BODY=(D=Dynasty, C=New Yorker/N.Y. Salon)  
 G BODY=(V=Daytona/IROC, Chrysler Daytona)  
 J BODY=(C=LeBaron, Chrysler LeBaron)  
 P BODY=(P=Sundance, D=Shadow)

S BODY=(H=Voyager(H) FWD, K=Caravan(H) FWD,  
Y=Town & Country(H) FWD, P=Voyager(K) AWD,  
D=Caravan(K) AWD, C=Town & Country(K) AWD)  
 Y BODY=(C=Imperial/5th Avenue)  
 E-S BODY=(K=Chrysler Voyager(H) FWD, D=Chrysler  
Voyager(K) AWD)

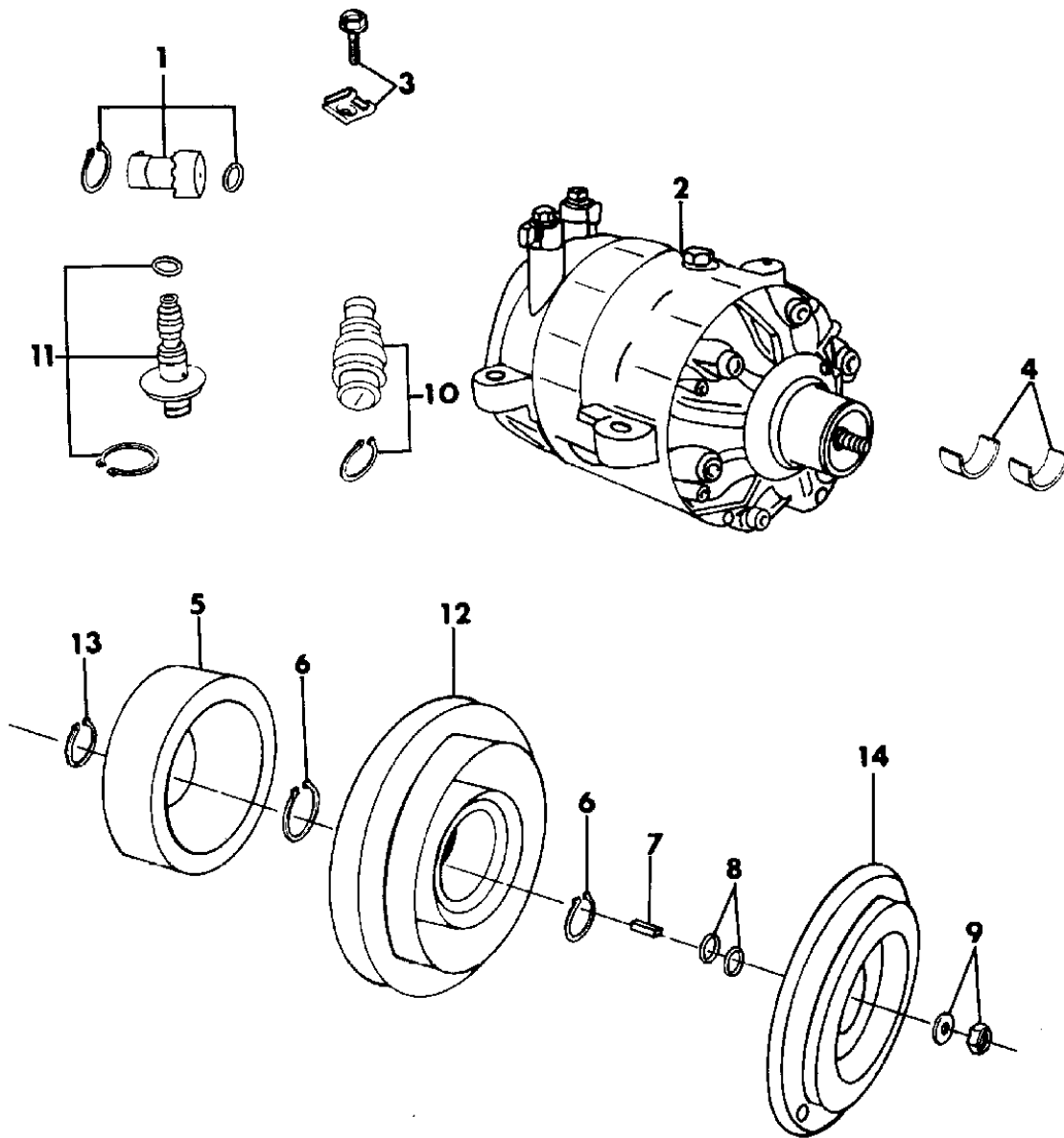
**BODY STYLES:**

21=2-Door Coupe      41=4-Door Sedan      12-52=FWD & AWD Van & Wgn Std W.B.  
 24=2-Door Hatchback      44=4-Door Hatchback      53=FWD & AWD Van & Wgn Ext. W.B.  
 27=2-Door Convertible

AR = Use as Required - = Non Illustrated Part P.A.R. = Paint as Required

**AIR CONDITIONING COMPRESSOR 3.0L, 3.3L, 3.8L**  
**Figure 24-3700**

93124 3700



ITEM	PART NUMBER	QTY	BODY	MODEL	DESCRIPTION
1					SWITCH PACKAGE, High Pressure Cut Off ***
	5264 533	1	C,Y		
	4740 030	1	S		
					Consists of:
					1 ----- High Pressure Switch Including O-Ring
					1 ----- O-Ring
					1 ----- Snap Ring D
	4720 848	1			VALVE, High Pressure Relief
		1	S		w/O-Ring (Serviced in Manifold)
2	4462 946	1			SEAL, High Pressure Relief Valve
	5264 542	1	C,Y		COMPRESSOR, Less Clutch, use w/Pulleys in Item #12
	5264 371	1	A,G,J,P		Less Clutch (Stamped 4462273)
	4720 744	1	S		3.0L Engine
	4723 903	1	S		3.0L Engine, w/Rear A/C
	4720 745	1	S		3.3L Engine
	4723 904	1	S		3.3L Engine, w/Rear A/C
					MANIFOLD, w/ O-Ring ***
	4740 028	1	S		3.0L Engine
	4740 029	1	S		3.3L Engine
	5264 457	1	S		BOLT PACKAGE, Manifold Attaching
3	4462 925	1			CLIP and SCREW PACKAGE, A/C Compressor Coil Wire Mtg. ***
					Consists of:
					1 ----- Clip
					1 ----- Screw
4	4462 931	1			OIL FELT and RETAINER, A/C Compressor Front Housing ***
5	4462 928	1	C,Y		COIL, A/C Compressor Clutch
	5264 450	1	A,S		3.0L - 3.3L Engine
	5264 454	1	S		SNAP RING PACKAGE, Coil & Rotor ***
6	4462 926	1			SNAP RING PACKAGE, A/C Compressor Clutch ***
					Consists of:
					1 ----- Snap Ring
					1 ----- Snap Ring
	5264 452	1	S		Contains: Snap Rings, Shims, Bolt & Clamp
	4740 032	1	S		BRACKET PACKAGE, Overhaul ***
7	4462 930	1			KEY, A/C Compressor Clutch Shaft
8	4462 924	1			SHIM PACKAGE, A/C Compressor Clutch
					Consists of:
					3 ----- Shim 0.1
					2 ----- Shim 0.3

**MODEL CODES:**

A BODY=(C=LeBaron, D=Spirit, P=Acclaim/LaBaron(Landau), Saratoga)      S BODY=(H=Voyager(H) FWD, K=Caravan(H) FWD, Y=Town & Country(H) FWD, P=Voyager(K) AWD, D=Caravan(K) AWD, C=Town & Country(K) AWD)  
 C BODY=(D=Dynasty, C=New Yorker/N.Y. Salon)  
 G BODY=(V=Daytona/ROC, Chrysler Daytona)  
 J BODY=(C=LeBaron, Chrysler LeBaron)  
 P BODY=(P=Sundance, D=Shadow)      Y BODY=(C=Imperial/5th Avenue)  
 E-S BODY=(K=Chrysler Voyager(H) FWD, D=Chrysler Voyager(K) AWD)

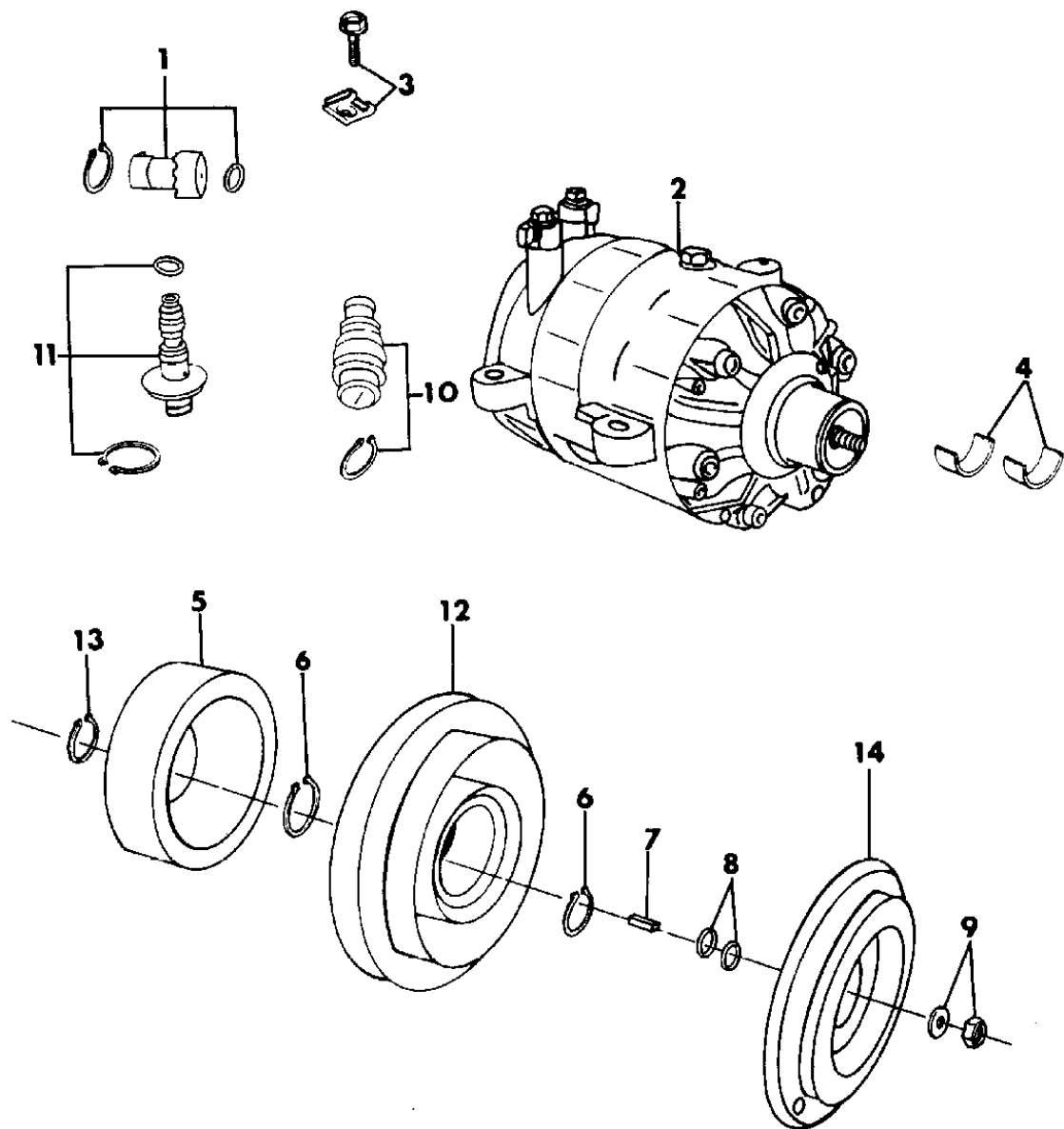
**BODY STYLES:**

21=2-Door Coupe      41=4-Door Sedan      12-52=FWD & AWD Van & Wgn Std W.B.  
 24=2-Door Hatchback      44=4-Door Hatchback      53=FWD & AWD Van & Wgn Ext. W.B.  
 27=2-Door Convertible

AR = Use as Required   - = Non Illustrated Part   P.A.R. = Paint as Required

**AIR CONDITIONING COMPRESSOR 3.0L, 3.3L, 3.8L  
Figure 24-3700**

93124 3700



ITEM	PART NUMBER	QTY	BODY	MODEL	DESCRIPTION
					1 ----- Shim 0.5
9	4462 923	1			NUT and WASHER PACKAGE, A/C Compressor Clutch *** Consists of: 1 ----- Nut 1 ----- Washer
10	5264 543	1			VALVE PACKAGE, Main Control *** Consists of: 1 ----- Main Control Valve Including O-Rings 1 ----- O-Ring
					1 ----- Ring O-Ring 1 ----- O-Ring 1 ----- Snap Ring B
11	4462 921	1			VALVE PACKAGE. Sub. Control *** Consists of: 1 ----- Sub. Control Valve Including O-Rings 1 ----- O-Ring 1 ----- O-Ring 1 ----- Snap Ring C
12	4462 927	1	C,Y,S		PULLEY and BEARING, A/C Compressor Clutch 3.0L Engine ***
	4540 370	1	C,Y		w/3.3, 3.8L Engine with Serpentine Belt
	5264 451	1			CLUTCH PKG., 2.5L - 3.0L except S Body 3.0L *** Contains: Pulley and Bearing HUB PACKAGE, Pulley, w/Armature ***
	4740 025	1	S		3.0L Engine
	4740 026	1	S		3.3L, 3.8L Engine
13	4462 919	1			SEAL PACKAGE, A/C Compressor Shaft Consists of: 1 ----- Shaft Seal Including O-Ring 1 ----- O-Ring 1 ----- Snap Ring A
14	4462 929	1	C,Y		ARMATURE, A/C Compressor Clutch ***
	4740 031	1	S		NUT, Compressor Stud, Plumbing Attaching

**MODEL CODES:**

A BODY=(C=LeBaron, D=Spirit, P=Acclaim/LaBaron(Landau), Saratoga)	S BODY=(H=Voyager(H) FWD, K=Caravan(H) FWD, Y=Town & Country(H) FWD, P=Voyager(K) AWD, D=Caravan(K) AWD, C=Town & Country(K) AWD)
C BODY=(D=Dynasty, C=New Yorker/N.Y. Salon)	Y BODY=(C=Imperial/5th Avenue)
G BODY=(V=Daytona/IROC, Chrysler Daytona)	E-S BODY=(K=Chrysler Voyager(H) FWD, D=Chrysler Voyager(K) AWD)
J BODY=(C=LeBaron, Chrysler LeBaron)	
P BODY=(P=Sundance, D=Shadow)	

**BODY STYLES:**

21=2-Door Coupe	41=4-Door Sedan	12-52=FWD & AWD Van & Wgn Std W.B.
24=2-Door Hatchback	44=4-Door Hatchback	53=FWD & AWD Van & Wgn Ext. W.B.
27=2-Door Convertible		

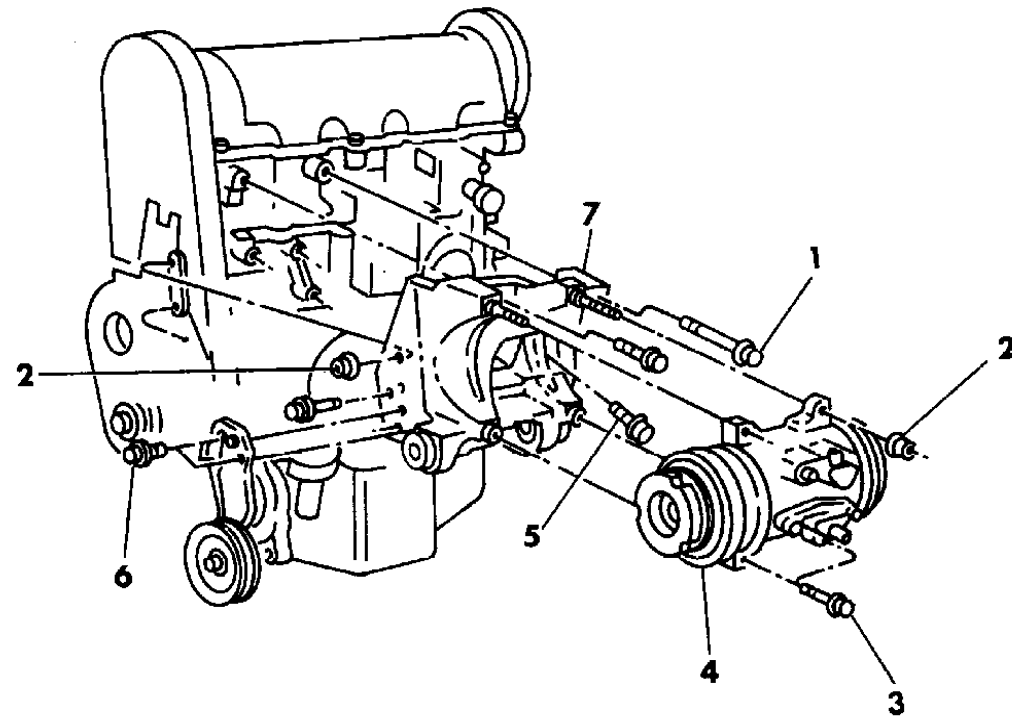
AR = Use as Required - = Non Illustrated Part P.A.R. = Paint as Required



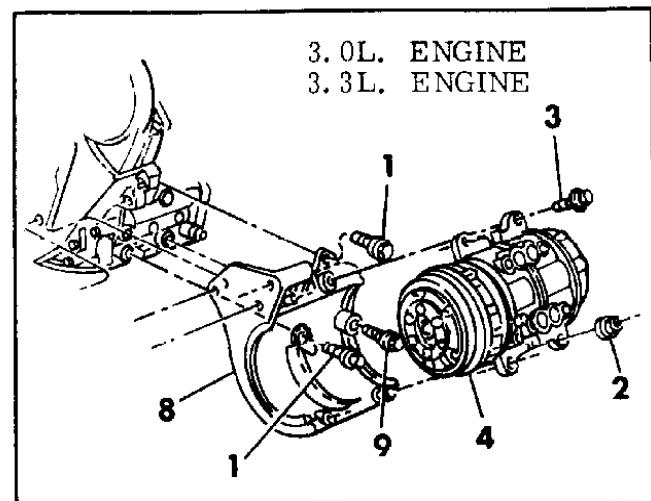
# AIR CONDITIONING COMPRESSOR MOUNTING

## Figure 24-3800

93124 3800



WITH 2.2, 2.5L. ENGINE



ITEM	PART NUMBER	QTY	BODY	MODEL	DESCRIPTION
1	6501 261	1			SCREW and WASHER, Adapter to Cylinder Head
2	6101 448	1			NUT, w/Washer, Engine Mount to Block m10x1.5
	6101 668	1			SCREW, w/Washer, Engine mount to Block m10x1.5x90
3	6502 425	4			SCREW and WASHER, Compressor to Adapter
4		1			COMPRESSOR, A/C
5	6501 261	3			SCREW, Adapter to Block Cylinder Head
6	6101 524	1			SCREW
7					ADAPTER, Altr. and A/C. Compressor Mounting, 2.2, 2.5 Eng.
	4668 058	1			
	4668 350	1	G		16 Valve
8					BRACKET, A/C. Compr. Mtg.
	4483 201	1	CSY		3.0L Engine
	4556 004	1	PAGJ		3.0L Engine
	4483 075	1			3.3L - 3.8L Engine
9	6101 012	AR			SCREW and WASHER
	4612 115	1			STRUT, A/C Compr. to Cyl. Head w/3.3 Engine ***
	6502 564	1			STUD, A/C Strut to Cylinder Head
	6101 445	1			NUT and WASHER, A/C Strut to Head

**MODEL CODES:**

A BODY=(C=LeBaron, D=Spirit, P=Acclaim/LaBaron(Landau),  
Saratoga)  
C BODY=(D=Dynasty, C=New Yorker/N.Y. Salon)  
G BODY=(V=Daytona/IROC, Chrysler Daytona)  
J BODY=(C=LeBaron, Chrysler LeBaron)  
P BODY=(P=Sundance, D=Shadow)

S BODY=(H=Voyager(H) FWD, K=Caravan(H) FWD,  
Y=Town & Country(H) FWD, P=Voyager(K) AWD,  
D=Caravan(K) AWD, C=Town & Country(K) AWD)  
Y BODY=(C=Imperial/5th Avenue)  
E-S BODY=(K=Chrysler Voyager(H) FWD, D=Chrysler  
Voyager(K) AWD)

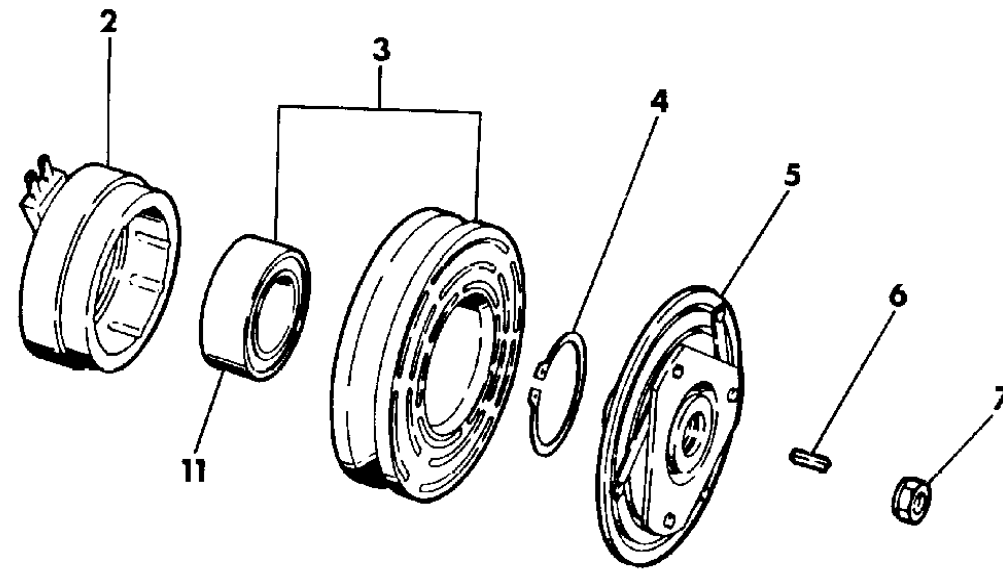
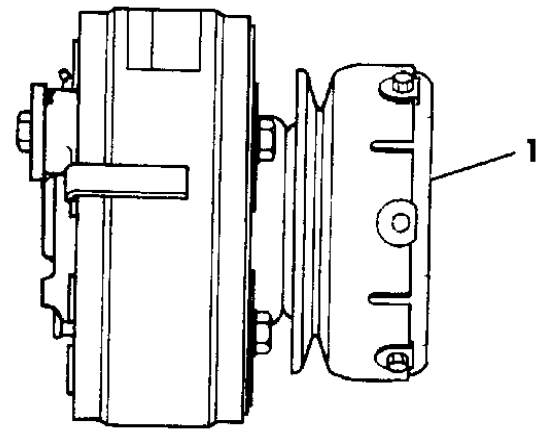
**BODY STYLES:**

21=2-Door Coupe      41=4-Door Sedan      12-52=FWD & AWD Van & Wgn Std W.B.  
24=2-Door Hatchback      44=4-Door Hatchback      53=FWD & AWD Van & Wgn Ext. W.B.  
27=2-Door Convertible

AR = Use as Required - = Non Illustrated Part P.A.R. = Paint as Required

**AIR CONDITIONING COMPRESSOR 16 VALVE ENGINE G BODY**  
**Figure 24-3900**

93124 3900



ITEM	PART NUMBER	QTY	BODY	MODEL	DESCRIPTION
1	5264 378	1			COMPRESSOR, (Less Clutch and Pulley)
	5264 381	1			BEARING, Shaft, Compressor
2	5264 380	1			COIL and HOUSING, A/C Compressor ***
3	5264 379	1			PULLEY and ARMATURE, Clutch ***
4	6031 416	1			RING, Retainer
5	4425 808	1			CLUTCH DRIVE, A/C Compressor
6	4425 809	1			KEY, Hub A/C Compressor
7	4425 810	1			NUT, Shaft A/C Compressor
8	4425 812	1			O-RING, A/C Compressor Pressure Relief Valve
9	4425 811	1			VALVE, A/C Compressor Pressure Relief
10	4425 813	2			O-RING, Discharge & Suction Line to Compressor (1 1/4")
	5264 382	1			O-RING PACKAGE, Compressor (Contains 2 O-Rings, 3/4" & 7/8") ***
11	4425 814	1			BEARING, A/C Compressor Rotor
	5264 384	1			SWITCH, Temperature Protector Package
	5264 386	1			SEAL PACKAGE, Shaft
	5264 387	1			CLAMP, Wire, w/Screw

**MODEL CODES:**

A BODY=(C=LeBaron, D=Spirit, P=Acclaim/LaBaron(Landau), Saratoga)      S BODY=(H=Voyager(H) FWD, K=Caravan(H) FWD, Y=Town & Country(H) FWD, P=Voyager(K) AWD, D=Caravan(K) AWD, C=Town & Country(K) AWD)  
 C BODY=(D=Dynasty, C=New Yorker/N.Y. Salon)      Y BODY=(C=Imperial/5th Avenue)  
 G BODY=(V=Daytona/IROC, Chrysler Daytona)      E-S BODY=(K=Chrysler Voyager(H) FWD, D=Chrysler Voyager(K) AWD)  
 J BODY=(C=LeBaron, Chrysler LeBaron)  
 P BODY=(P=Sundance, D=Shadow)

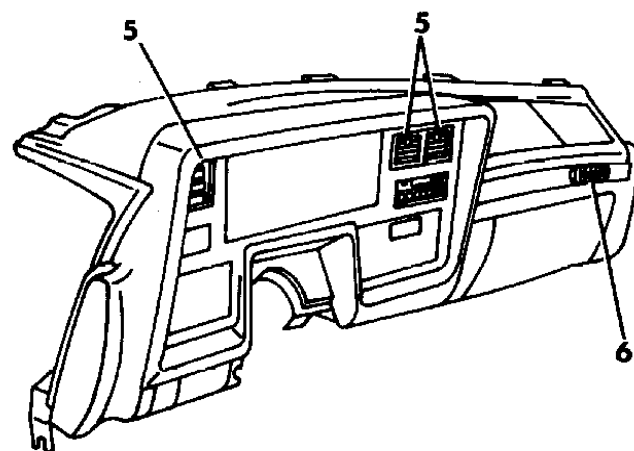
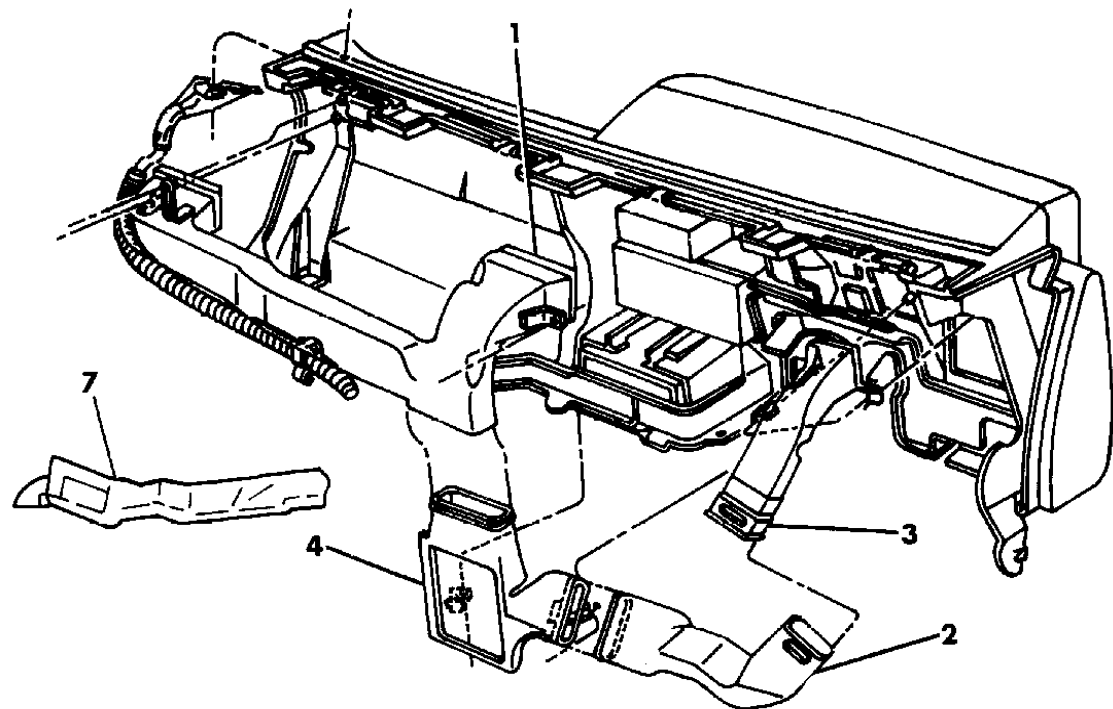
**BODY STYLES:**

21=2-Door Coupe      41=4-Door Sedan      12-52=FWD & AWD Van & Wgn Std W.B.  
 24=2-Door Hatchback      44=4-Door Hatchback      53=FWD & AWD Van & Wgn Ext. W.B.  
 27=2-Door Convertible

AR = Use as Required - = Non Illustrated Part P.A.R. = Paint as Required

**AIR DISTRIBUTION DUCTS, LOUVER, GRILLE C,Y BODY**  
**Figure 24-4000**

93124 4000



ITEM	PART NUMBER	QTY	BODY	MODEL	DESCRIPTION
1					DUCT, Air Outlet, Rt. Ctr.
	4462 360	1	C	P,S	
	4462 360	1	Y	S	
	4462 366	1	Y	P	
					Consists of:
					1 ----- Duct
					1 ----- Demister O/Let
					1 ----- Eyelet
					1 ----- Seal Rt.
					1 ----- Seal Lt.
					1 ----- Bracket
					1 ----- Bracket
					1 ----- Clip
2	3848 478	1			DUCT, Air Outlet over Steering Col.
3	3849 388	1			DUCT, Air Outlet, Left
4	4462 359	1			DUCT, Air Outlet Distribution
5	3849 536	3	C	S	LOUVER, Air Outlet, Left (Chrome)
	3849 536	3	Y	P,S	LOUVER, Air Outlet, Left (Chrome)
-	3848 504	3	C	H,P,S	LOUVER, Air Outlet, Left (Black)
6	3849 355	1	C	H,P	LOUVER, Air Outlet (Right)
-	3849 540	1	C	S	LOUVER, Air Outlet (Right)
-	3849 540	1	Y	P,S	LOUVER, Air Outlet (Right)
					GRILLE, ATC Sensor
	P493 LAZ	1			Agate
	P493 HB9	1			Blue Midnight
	P493 HV8	1			Medium Champagne
	P493 LM6	1			Red
	P493 JH7	1			Mohogany
	P493 JX8	1			Black
7	4462 677	1			DUCT, A/C., Heat Distribution with Deflector
					BEZEL, Air Outlet
	P534 JB9	1			Midnight Blue
	P534 JH7	1			Mahogany
	P534 LM6	1			Red
	P534 JV8	1			Medium Champagne
	P534 JX8	1			Black

**MODEL CODES:**

A BODY=(C=LeBaron, D=Spirit, P=Acclaim/LaBaron(Landau), Saratoga) S BODY=(H=Voyager(H) FWD, K=Caravan(H) FWD, Y=Town & Country(H) FWD, P=Voyager(K) AWD, D=Caravan(K) AWD, C=Town & Country(K) AWD)  
 C BODY=(D=Dynasty, C=New Yorker/N.Y. Salon) Y BODY=(C=Imperial/5th Avenue)  
 G BODY=(V=Daytona/IROC, Chrysler Daytona) E-S BODY=(K=Chrysler Voyager(H) FWD, D=Chrysler Voyager(K) AWD)  
 J BODY=(C=LeBaron, Chrysler LeBaron) P BODY=(P=Sundance, D=Shadow)

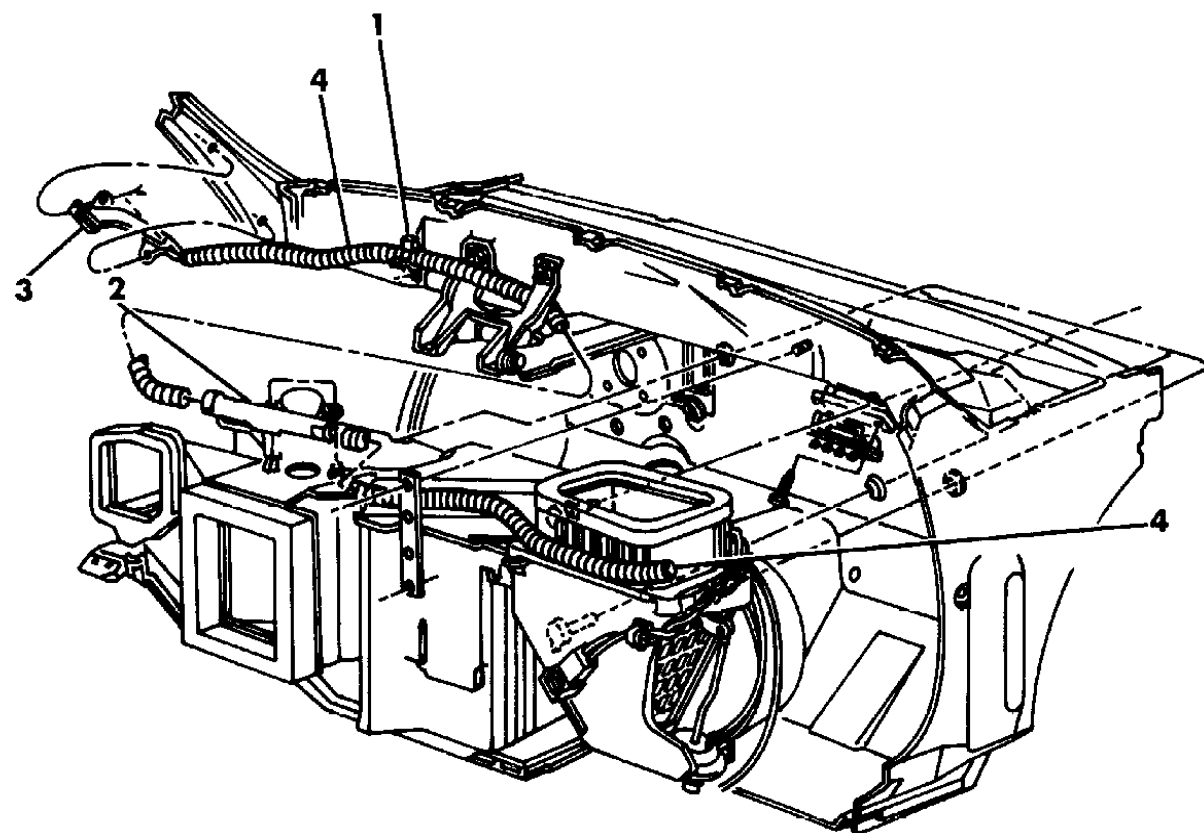
**BODY STYLES:**

21=2-Door Coupe      41=4-Door Sedan      12-52=FWD & AWD Van & Wgn Std W.B.  
 24=2-Door Hatchback      44=4-Door Hatchback      53=FWD & AWD Van & Wgn Ext. W.B.  
 27=2-Door Convertible

AR = Use as Required - = Non Illustrated Part P.A.R. = Paint as Required

**DEMISTER, HOSE ADAPTER C,Y BODY**  
**Figure 24-4100**

93124 4100



ITEM	PART NUMBER	QTY	BODY	MODEL	DESCRIPTION
1	6501 050	1			CLIP, Demister, Left
2	4462 352	1			ADAPTER, Demister Inlet
3	3849 416	1			DUCT, Demister Outlet, Left
	4462 355	1	C		Right
	4462 355	1	Y	S	
	4462 366	1	Y	P	Right and Center
4	4540 256				HOSE, Demister
	P536 JV8	1			GRILLE, Demister, Right Champagne, Med.
	P536 LM6	1			Red
	P536 JH7	1			Mahogany
	P536 JB9	1			Midnight Blue
	P536 JX8	1			Black

NOTE: Left Demister Grille serviced in left windshield side Moulding. applications specified in this document.

**MODEL CODES:**

A BODY=(C=LeBaron, D=Spirit, P=Acclaim/LaBaron(Landau), Saratoga) S BODY=(H=Voyager(H) FWD, K=Caravan(H) FWD, Y=Town & Country(H) FWD, P=Voyager(K) AWD, D=Caravan(K) AWD, C=Town & Country(K) AWD)  
 C BODY=(D=Dynasty, C=New Yorker/N.Y. Salon)  
 G BODY=(V=Daytona/IROC, Chrysler Daytona)  
 J BODY=(C=LeBaron, Chrysler LeBaron)  
 P BODY=(P=Sundance, D=Shadow)  
 Y BODY=(C=Imperial/5th Avenue)  
 E-S BODY=(K=Chrysler Voyager(H) FWD, D=Chrysler Voyager(K) AWD)

**BODY STYLES:**

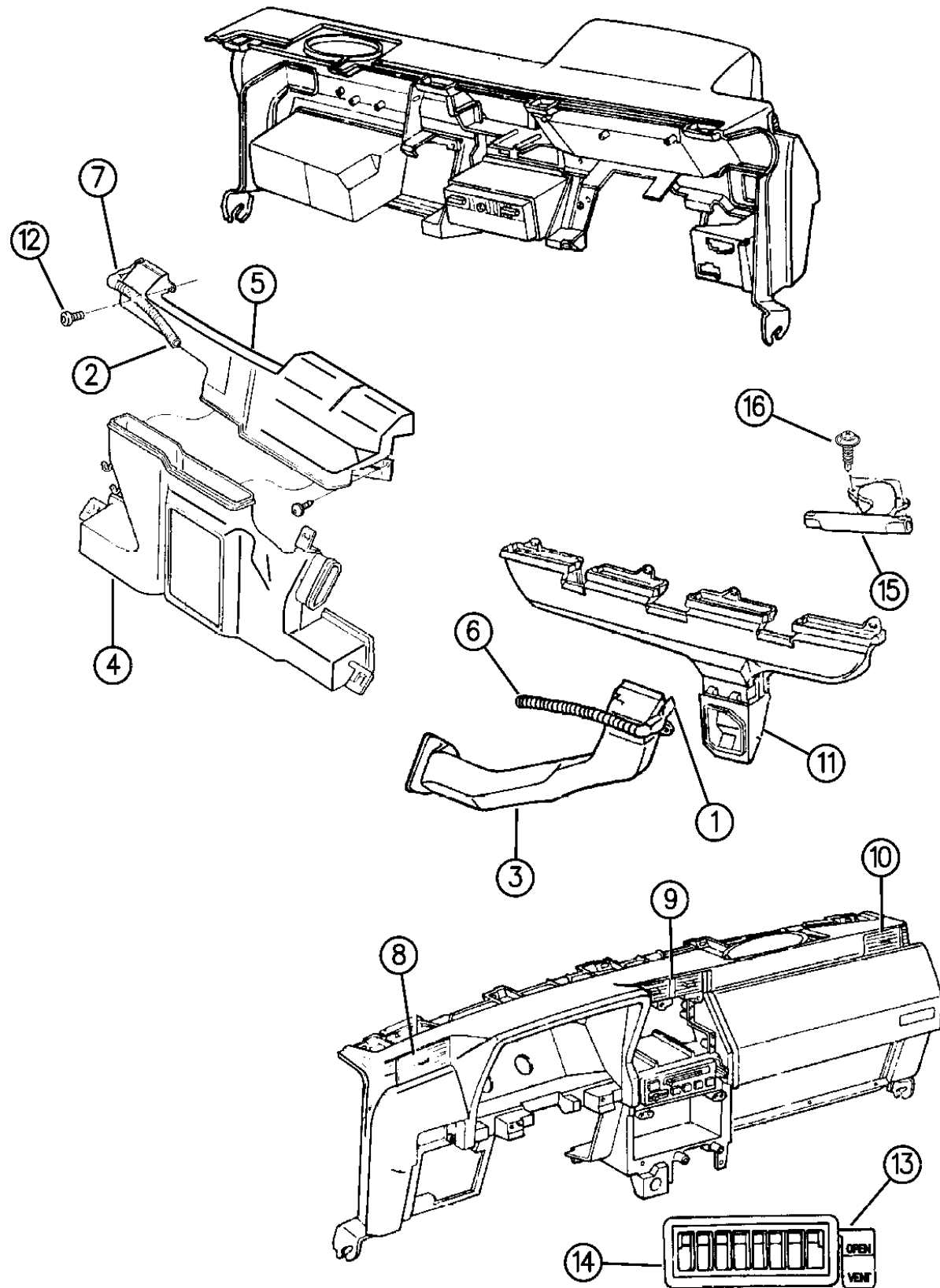
21=2-Door Coupe      41=4-Door Sedan      12-52=FWD & AWD Van & Wgn Std W.B.  
 24=2-Door Hatchback      44=4-Door Hatchback      53=FWD & AWD Van & Wgn Ext. W.B.  
 27=2-Door Convertible

AR = Use as Required - = Non Illustrated Part P.A.R. = Paint as Required

**AIR DISTRIBUTION, DUCT, OUTLET, VENT HSG. P BODY P,D 22,44**  
**Figure 24-4200**

93124 4200A

ITEM	PART NUMBER	QTY	BODY	MODEL	DESCRIPTION
1	3848 890-1	1			ADAPTOR, Demister
2	4540 256	1			HOSE, Demister, Left
3	3848 897	1			DUCT, Air Outlet Left
4	5264 117	1			DUCT, A/C. Air Outlet Dist.
	5264 119	1			DUCT, Heater Air Outlet Dist.
5	5264 121	1			DUCT, A/C. Air Outlet Ctr. Right
6	4540 256	1			HOSE, Demister, Right
7	3848 890	1			ADAPTOR, Demister Right
8	3849 874	1			OUTLET, A/C. Air, Left
9	3849 873	1			OUTLET, A/C. Air Center
10	3849 872	1			OUTLET, A/C., Right
11	3849 174	1			DUCT, A/C. Defroster
12	6032 723	AR			SCREW
13	4462 066-7	1			DOOR, Vent Outlet, w/Open Vent
14	4462 064-5	1			HOUSING, Forced Vent Outlet
15	4462 352	1			ADAPTER ASSEMBLY, Demister ***
16		1			SCREW (Not Serviced)



**MODEL CODES:**

A BODY=(C=LeBaron, D=Spirit, P=Acclaim/LaBaron(Landau, Saratoga) S BODY=(H=Voyager(H) FWD, K=Caravan(H) FWD, Y=Town & Country(H) FWD, P=Voyager(K) AWD, D=Caravan(K) AWD, C=Town & Country(K) AWD)  
 C BODY=(D=Dynasty, C=New Yorker/N.Y. Salon)  
 G BODY=(V=Daytona/IROC, Chrysler Daytona)  
 J BODY=(C=LeBaron, Chrysler LeBaron)  
 P BODY=(P=Sundance, D=Shadow)  
 Y BODY=(C=Imperial/5th Avenue)  
 E-S BODY=(K=Chrysler Voyager(H) FWD, D=Chrysler Voyager(K) AWD)

**BODY STYLES:**

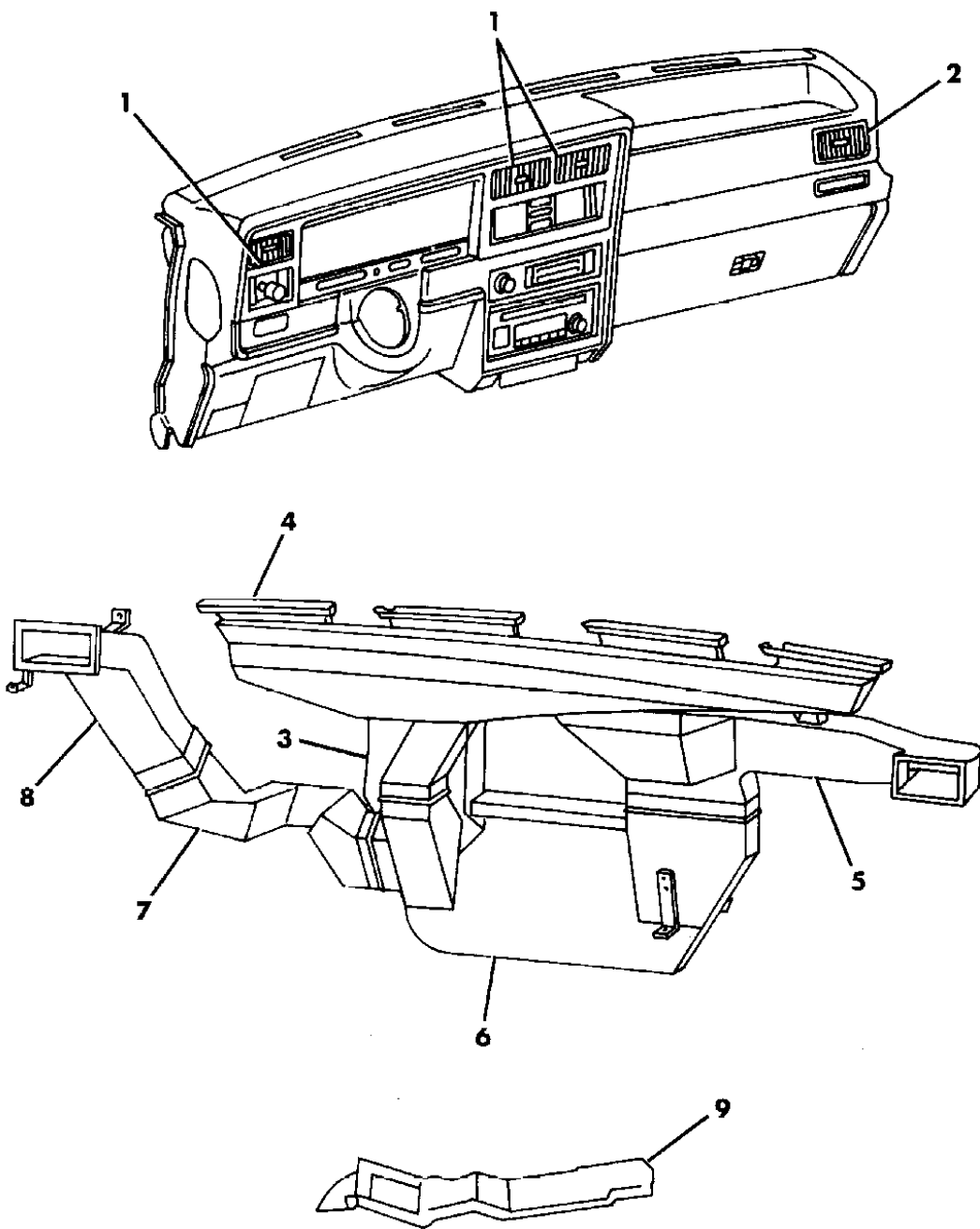
21=2-Door Coupe      41=4-Door Sedan      12-52=FWD & AWD Van & Wgn Std W.B.  
 24=2-Door Hatchback      44=4-Door Hatchback      53=FWD & AWD Van & Wgn Ext. W.B.  
 27=2-Door Convertible

AR = Use as Required - = Non Illustrated Part P.A.R. = Paint as Required

**AIR DISTRIBUTION, DUCTS, OUTLET, HOUSING A BODY**  
**Figure 24-4400**

93124 4400

ITEM	PART NUMBER	QTY	BODY	MODEL	DESCRIPTION
1					OUTLET, Air Center and Left
	4462 028	1		PD	
	4462 764	1		C	Black w/Bright Trim
	4494 329	1			OUTLET, Air Right (Paint as Required)
	4494 330	1			Quartz, Medium
	4494 331	1			Twilight Blue
	4494 332	1			Bordeaux
					Taupe
2					HOUSING, Air Outlet Right
	AF50 JD5	1		C	Quartz, Medium
	AF50 KB7	1		C	Slate Blue
	AF50 LM6	1		C	Red
	AF50 KV8	1		C	Medium Champaign
	AF50 KD5	1		C	Chrome
3	3849 655	1			DUCT, Air Outlet Center
					Consists Of:
					1 ----- Duct Air Outlet Center
					1 ----- Seal, Air Outlet Center
					1 ----- Bracket, Air Outlet Center Duct Left
					1 ----- Bracket, Air Outlet Center Duct, Right
4	5264 266	1			DUCT, Defroster
	5264 269	1			SEAL, Defroster to Inst. Pnl. (Center)
5	3849 658	1			DUCT, Air Outlet Center Right
					Consists Of:
					1 ----- Duct, Air Outlet Center and Right
					1 ----- Seal, Air Outlet Center and Right
					1 ----- Bracket, Air Outlet Duct Left
					1 ----- Bracket, Air Outlet Duct Right
6	3849 875	1			DUCT, Air Outlet Distribution
7	3849 654	1			DUCT, Air Outlet Over Column
8	4540 073	1			DUCT, Air Outlet Left
					Consists Of:
					1 ----- Duct, Air Outlet Left
					1 ----- Bracket, Air Outlet Left Duct Lower
					1 ----- Bracket, Air Outlet Left Duct Upper
					1 ----- Seal, Air Outlet Left Duct
9	3849 512	1			DUCT, A/C and Heater with Deflector



**MODEL CODES:**

A BODY=(C=LeBaron, D=Spirit, P=Acclaim/LaBaron(Landau), Saratoga) S BODY=(H=Voyager(H) FWD, K=Caravan(H) FWD, Y=Town & Country(H) FWD, P=Voyager(K) AWD, D=Caravan(K) AWD, C=Town & Country(K) AWD)  
 C BODY=(D=Dynasty, C=New Yorker/N.Y. Salon) Y BODY=(C=Imperial/5th Avenue)  
 G BODY=(V=Daytona/IROC, Chrysler Daytona) E-S BODY=(K=Chrysler Voyager(H) FWD, D=Chrysler Voyager(K) AWD)  
 J BODY=(C=LeBaron, Chrysler LeBaron) P BODY=(P=Sundance, D=Shadow)

**BODY STYLES:**

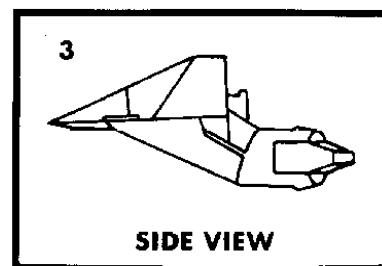
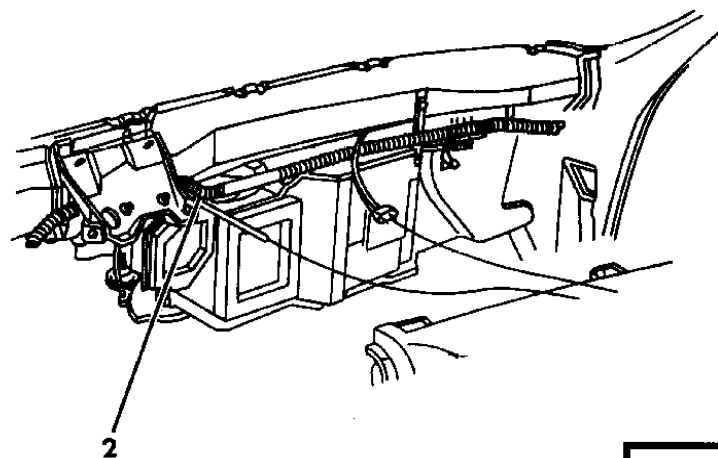
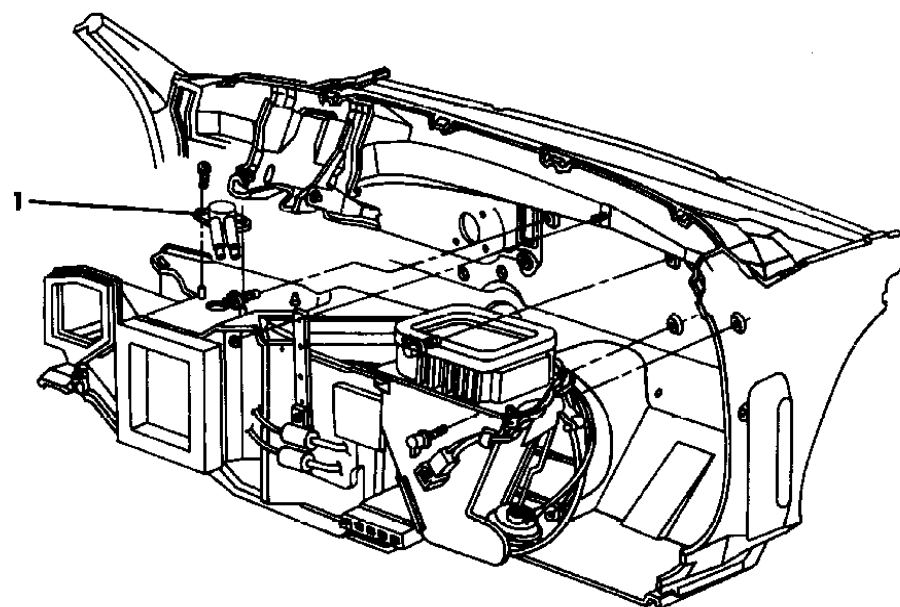
21=2-Door Coupe 41=4-Door Sedan 12-52=FWD & AWD Van & Wgn Std W.B.  
 24=2-Door Hatchback 44=4-Door Hatchback 53=FWD & AWD Van & Wgn Ext. W.B.  
 27=2-Door Convertible

AR = Use as Required - = Non Illustrated Part P.A.R. = Paint as Required

**DEMISTER, HOSE, ADAPTOR A BODY**  
**Figure 24-4500**

93124 4500

ITEM	PART NUMBER	QTY	BODY	MODEL	DESCRIPTION
1	3849 733	1			ADAPTOR, Demister
2	4540 256	2			HOSE, Demister Right and Left
3	3849 665	1			DUCT, Right Demister
-	AF52 JC5	1			GRILLE, Right Demister (Paint as Required)
-	AF53 JC5	1			GRILLE, Left Demister (Paint as Required)



**MODEL CODES:**

A BODY=(C=LeBaron, D=Spirit, P=Acclaim/LaBaron(Landau),  
Saratoga)      S BODY=(H=Voyager(H) FWD, K=Caravan(H) FWD,  
Y=Town & Country(H) FWD, P=Voyager(K) AWD,  
D=Caravan(K) AWD, C=Town & Country(K) AWD)

C BODY=(D=Dynasty, C=New Yorker/N.Y. Salon)

G BODY=(V=Daytona/IROC, Chrysler Daytona)

J BODY=(C=LeBaron, Chrysler LeBaron)

P BODY=(P=Sundance, D=Shadow)

Y BODY=(C=Imperial/5th Avenue)

E-S BODY=(K=Chrysler Voyager(H) FWD, D=Chrysler  
Voyager(K) AWD)

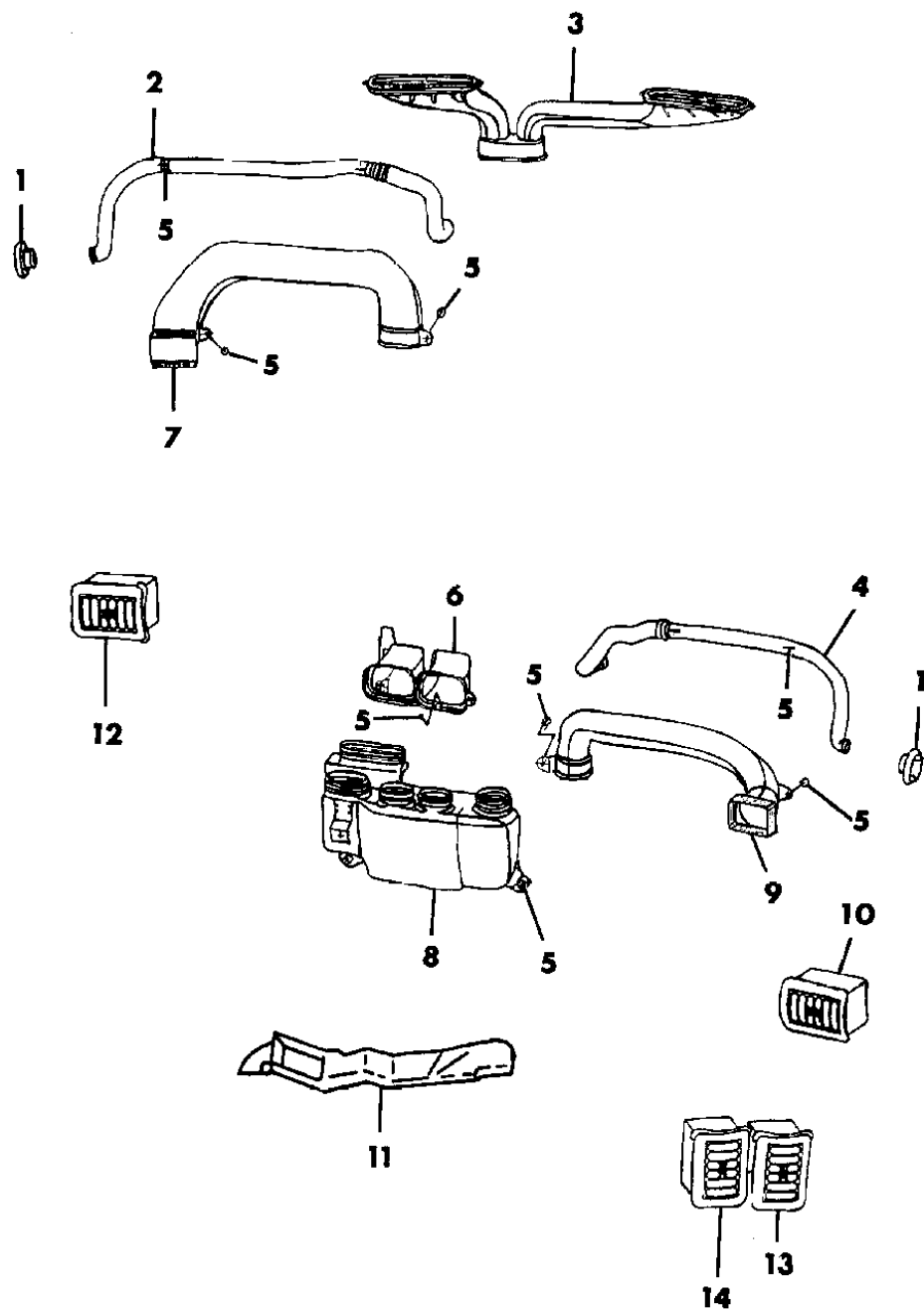
**BODY STYLES:**

21=2-Door Coupe      41=4-Door Sedan      12-52=FWD & AWD Van & Wgn Std W.B.  
 24=2-Door Hatchback      44=4-Door Hatchback      53=FWD & AWD Van & Wgn Ext. W.B.  
 27=2-Door Convertible

AR = Use as Required - = Non Illustrated Part P.A.R. = Paint as Required

**AIR DISTRIBUTION DUCTS, OUTLETS J,G BODY**  
**Figure 24-4600**

93124 4600



ITEM	PART NUMBER	QTY	BODY	MODEL	DESCRIPTION
1	4462 005	2			GROMMET, Demister
2	4540 031	1			HOSE, Demister Left
3	4462 880	1			DUCT, Defroster
4	4540 030	1			HOSE, Demister Right
5	4524 241	AR			SCREW
6	4540 032	1			DUCT, Air Outlet Center
7	3849 991	1			DUCT, Air Outlet Left
8	5264 065	1			DUCT, Air Outlet Distr. Defr. Adapter
9	3849 999	1			DUCT, Air Outlet Right
10					OUTLET, Air Right
	P280 JB9	1			Midnight Blue
	P280 LM6	1			Red
	P280 LAZ	1			Agate
	P280 JD5	1			Quartz, Medium
	P280 JV8	1			Champagne, Medium
11	4462 677	1			DUCT, A/C Heater Distr. w/Deflector
12					OUTLET, Air Left
	P281 JB9	1			Midnight Blue
	P281 LM6	1			Red
	P281 LAZ	1			Agate
	P281 JD5	1			Quartz, Medium
	P281 JV8	1			Champagne, Medium
13					OUTLET, Air Right Center
	P282 JB9	1			Midnight Blue
	P282 LAZ	1			Agate
	P282 LM6	1			Red
	P282 JV8	1			Champagne, Medium
	P282 KX8	1			Black
14					OUTLET, Air Left Center
	P283 JB9	1			Midnight Blue
	P283 LAZ	1			Agate
	P283 LM6	1			Red
	P283 JV8	1			Champagne, Medium
	P283 KX8	1			Black
	0152 490	2			CLIP, Air Distr. Duct

**MODEL CODES:**

A BODY=(C=LeBaron, D=Spirit, P=Acclaim/LaBaron(Landau), Saratoga)

C BODY=(D=Dynasty, C=New Yorker/N.Y. Salon)

G BODY=(V=Daytona/ROC, Chrysler Daytona)

J BODY=(C=LeBaron, Chrysler LeBaron)

P BODY=(P=Sundance, D=Shadow)

S BODY=(H=Voyager(H) FWD, K=Caravan(H) FWD,

Y=Town & Country(H) FWD, P=Voyager(K) AWD,

D=Caravan(K) AWD, C=Town & Country(K) AWD)

Y BODY=(C=Imperial/5th Avenue)

E-S BODY=(K=Chrysler Voyager(H) FWD, D=Chrysler

Voyager(K) AWD)

**BODY STYLES:**

21=2-Door Coupe

41=4-Door Sedan

12-52=FWD & AWD Van & Wgn Std W.B.

24=2-Door Hatchback

44=4-Door Hatchback

53=FWD & AWD Van & Wgn Ext. W.B.

27=2-Door Convertible

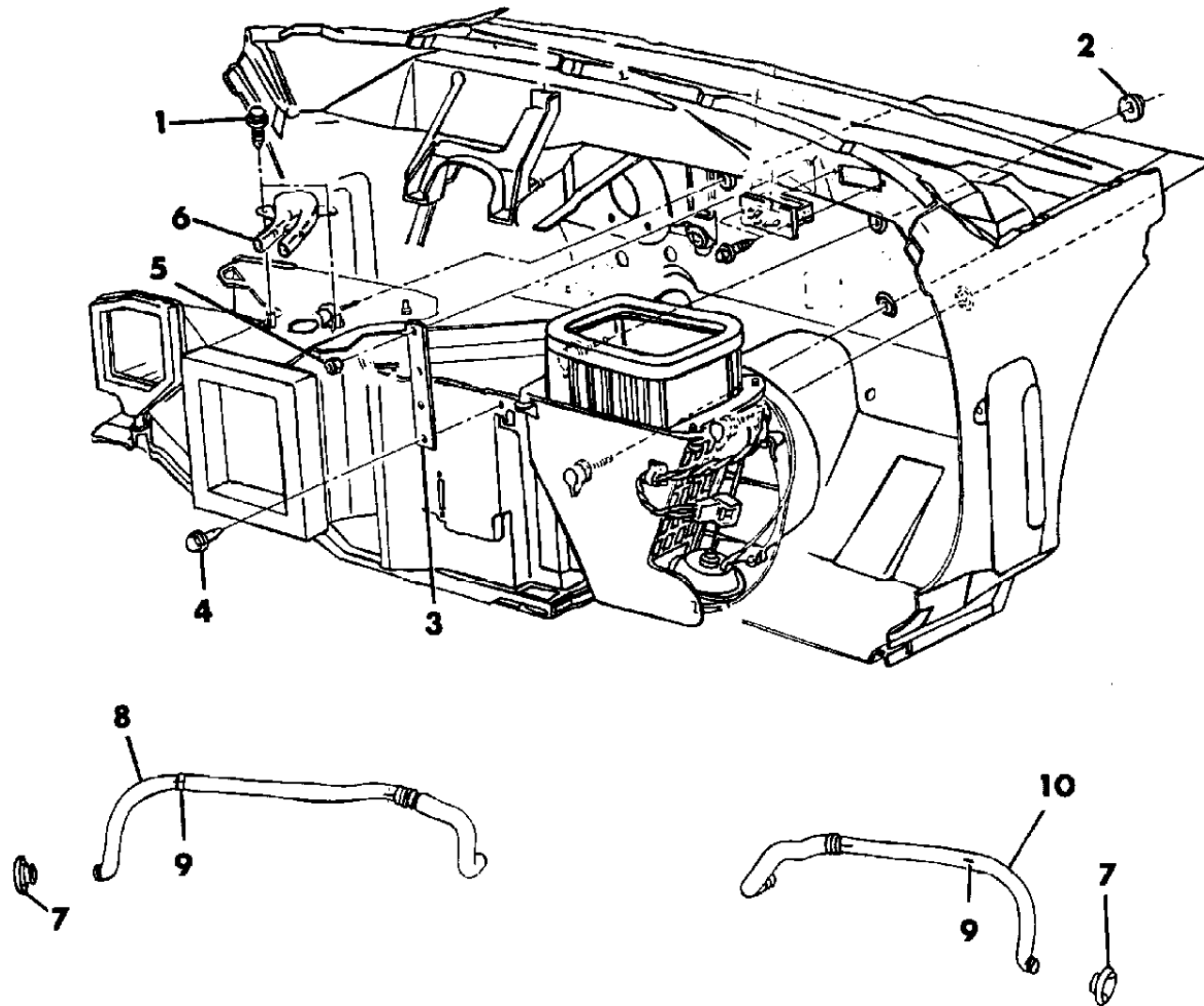
AR = Use as Required - = Non Illustrated Part P.A.R. = Paint as Required



DEMISTER, HOSE, ADAPTER J,G BODY  
Figure 24-4700

93124 4700

ITEM	PART NUMBER	QTY	BODY	MODEL	DESCRIPTION
1		AR			SCREW (not serviced)
2	0219 462	AR			NUT, Unit to Dash Mounting
3	3848 238	1			BRACE, Unit Mounting to Plenum
4	9423 951	AR			SCREW, Unit Brace Mounting to Unit
5					NUT, A/C Brace Mounting to Plenum (Not Serviced)
6	3849 733	1			ADAPTER, Demister
7	4462 005	2			GROMMET, Demister
8	4540 031	1			HOSE, Demister Left
	4540 030	1			Right
	4409 156-7	1	J		DUCT, Demister, Trim Panel
9	4524 241	AR			SCREW
10	4540 030	1			HOSE, Demister Right



**MODEL CODES:**

A BODY=(C=LeBaron, D=Spirit, P=Acclaim/LaBaron(Landau), Saratoga) S BODY=(H=Voyager(H) FWD, K=Caravan(H) FWD, Y=Town & Country(H) FWD, P=Voyager(K) AWD, D=Caravan(K) AWD, C=Town & Country(K) AWD)  
 C BODY=(D=Dynasty, C=New Yorker/N.Y. Salon) Y BODY=(C=Imperial/5th Avenue)  
 G BODY=(V=Daytona/IROC, Chrysler Daytona) E-S BODY=(K=Chrysler Voyager(H) FWD, D=Chrysler Voyager(K) AWD)  
 J BODY=(C=LeBaron, Chrysler LeBaron) P BODY=(P=Sundance, D=Shadow)

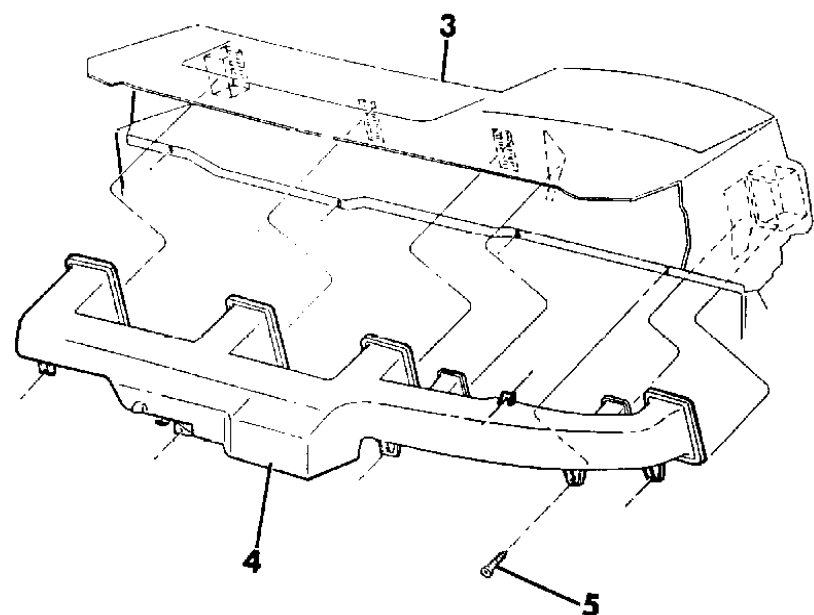
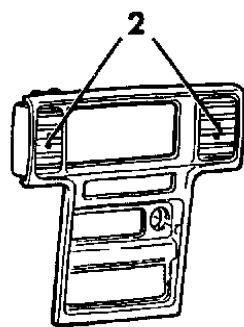
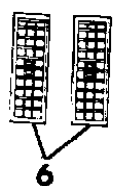
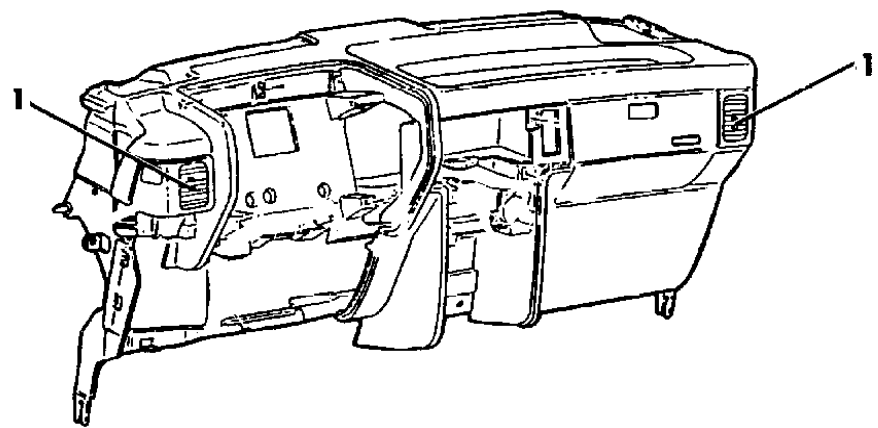
**BODY STYLES:**

21=2-Door Coupe 41=4-Door Sedan 12-52=FWD & AWD Van & Wgn Std W.B.  
 24=2-Door Hatchback 44=4-Door Hatchback 53=FWD & AWD Van & Wgn Ext. W.B.  
 27=2-Door Convertible

AR = Use as Required - = Non Illustrated Part P.A.R. = Paint as Required

**AIR DISTRIBUTION DUCTS, OUTLETS, LOUVER S BODY**  
**Figure 24-4800**

93124 4800



ITEM	PART NUMBER	QTY	BODY	MODEL	DESCRIPTION
1	4462 469	2			LOUVER ASSEMBLY, Air Outlet ***
2	4462 471	2			LOUVER ASSEMBLY, Air Outlet, Center ***
3					PANEL, Instrument (Reference)
4	4462 492	1			DUCT, Air Outlet
5	6032 723	6			SCREW
6	4462 470	2			LOUVER ASSEMBLY, Air Outlet, Lower ***

**MODEL CODES:**

A BODY=(C=LeBaron, D=Spirit, P=Acclaim/LaBaron(Landau),  
Saratoga)  
 C BODY=(D=Dynasty, C=New Yorker/N.Y. Salon)  
 G BODY=(V=Daytona/IROC, Chrysler Daytona)  
 J BODY=(C=LeBaron, Chrysler LeBaron)  
 P BODY=(P=Sundance, D=Shadow)

S BODY=(H=Voyager(H) FWD, K=Caravan(H) FWD,  
Y=Town & Country(H) FWD, P=Voyager(K) AWD,  
D=Caravan(K) AWD, C=Town & Country(K) AWD)  
 Y BODY=(C=Imperial/5th Avenue)  
 E-S BODY=(K=Chrysler Voyager(H) FWD, D=Chrysler  
Voyager(K) AWD)

**BODY STYLES:**

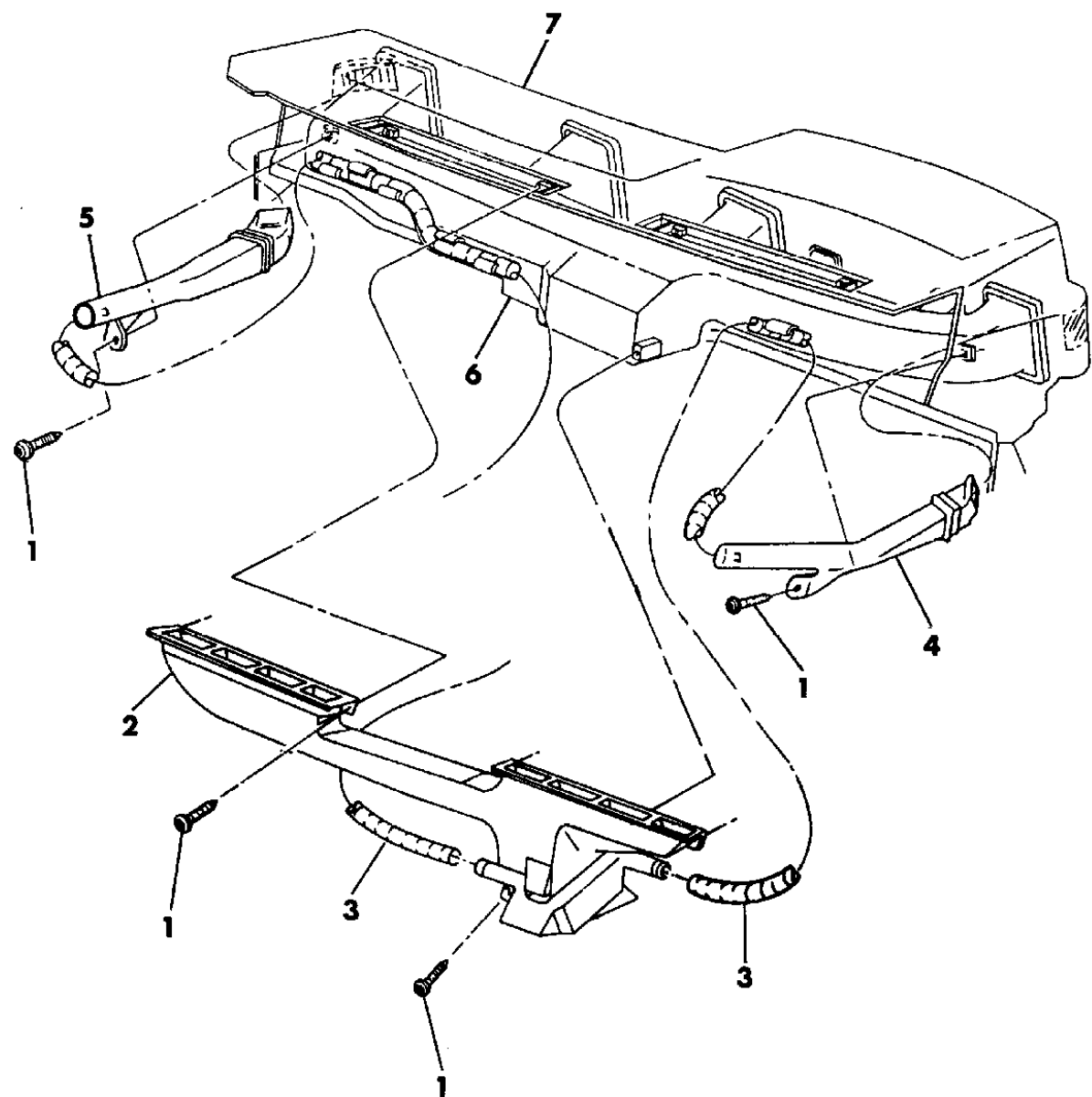
21=2-Door Coupe      41=4-Door Sedan      12-52=FWD & AWD Van & Wgn Std W.B.  
 24=2-Door Hatchback      44=4-Door Hatchback      53=FWD & AWD Van & Wgn Ext. W.B.  
 27=2-Door Convertible

AR = Use as Required - = Non Illustrated Part P.A.R. = Paint as Required

DEMISTER, HOSE, OUTLET, DUCT S BODY  
Figure 24-4900

93124 4900

ITEM	PART NUMBER	QTY	BODY	MODEL	DESCRIPTION
1	6032 723	7			SCREW
2	4462 490	1			DUCT, Defroster
3	4540 256	AR			HOSE, Heater, A/C. Demister
4	4462 902	4			OUTLET, Heater, A/C. Demister
5	4462 899	1			OUTLET, Heater, A/C Demister
6	4462 492	1			DUCT ASSEMBLY ***
7					PANEL, Instrument (Reference)



MODEL CODES:

A BODY=(C=LeBaron, D=Spirit, P=Acclaim/LaBaron(Landau), Saratoga) S BODY=(H=Voyager(H) FWD, K=Caravan(H) FWD, Y=Town & Country(H) FWD, P=Voyager(K) AWD, D=Caravan(K) AWD, C=Town & Country(K) AWD)  
 C BODY=(D=Dynasty, C=New Yorker/N.Y. Salon) Y BODY=(C=Imperial/5th Avenue)  
 G BODY=(V=Daytona/IROC, Chrysler Daytona) E-S BODY=(K=Chrysler Voyager(H) FWD, D=Chrysler Voyager(K) AWD)  
 J BODY=(C=LeBaron, Chrysler LeBaron)  
 P BODY=(P=Sundance, D=Shadow)

BODY STYLES:

21=2-Door Coupe      41=4-Door Sedan      12-52=FWD & AWD Van & Wgn Std W.B.  
 24=2-Door Hatchback      44=4-Door Hatchback      53=FWD & AWD Van & Wgn Ext. W.B.  
 27=2-Door Convertible

AR = Use as Required - = Non Illustrated Part P.A.R. = Paint as Required

---

**GROUP 25 - EMISSION SYSTEMS**

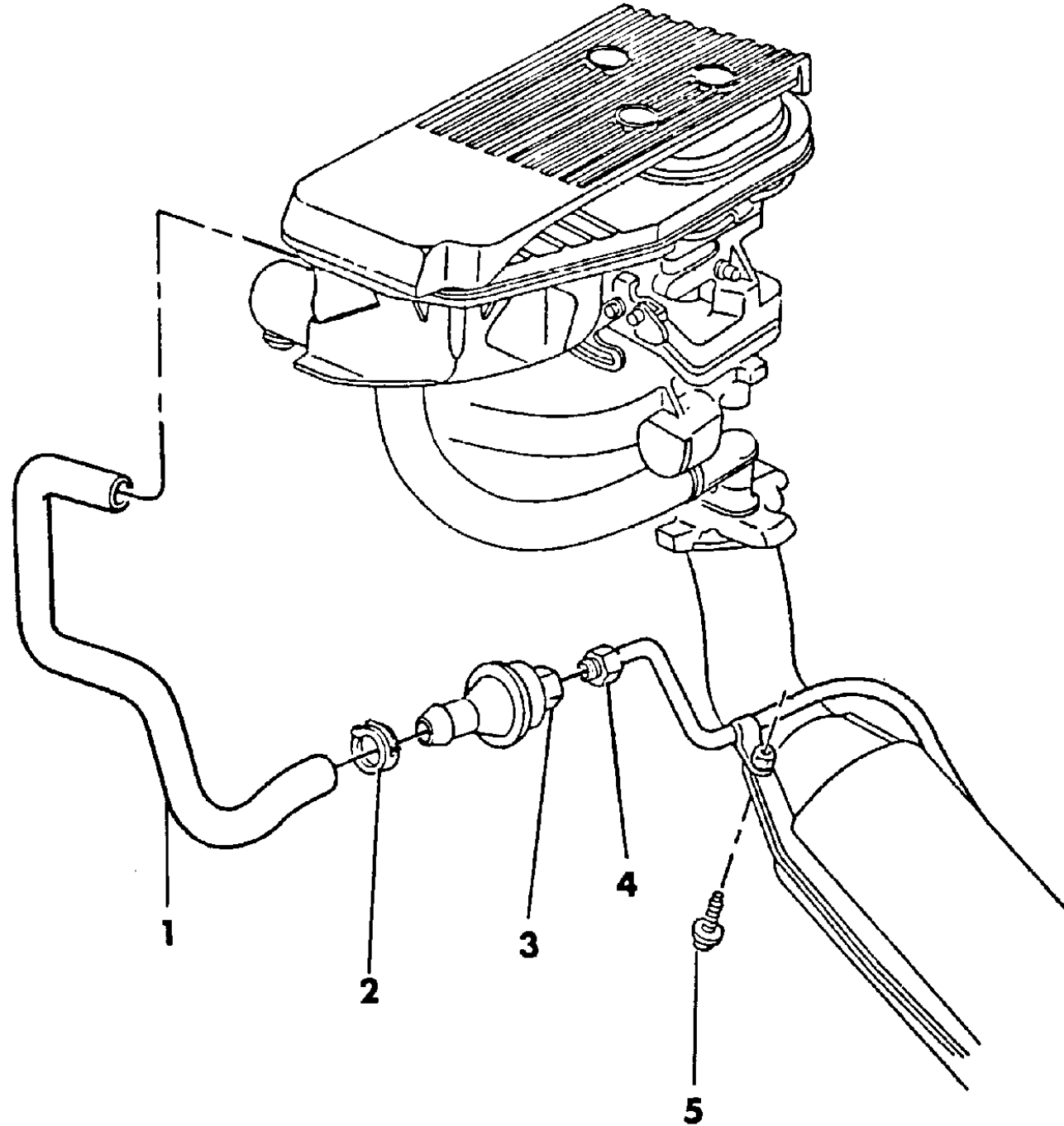
<b>ILLUSTRATION TITLE</b>	<b>GROUP-FIG. NO.</b>
<b>ASPIRATORS</b>	
ASPIRATOR P,A,G BODY .....	Fig. 25-100
<b>EGR SYSTEMS AND HOSE HARNESSSES</b>	
EGR SYSTEM 2.2L AND 2.5L ENGINES .....	Fig. 25-200
EMISSION HOSE HARNESS P,A,J,G,C BODY .....	Fig. 25-300
EMISSION HOSE HARNESS 2.5L ENGINE S BODY .....	Fig. 25-400
EGR SYSTEM 2.2L ENGINE 16 VALVE ENGINE G BODY .....	Fig. 25-500
EGR SYSTEM 2.5L DIESEL ENGINE S BODY .....	Fig. 25-600
SPEED CONTROL EJECTOR HARNESS 2.2L ENGINE 16 VALVE .....	Fig. 25-700
EMISSION HOSE HARNESS 3.0L ENGINE (FEDERAL AND HIGH ALTITUDE) .....	Fig. 25-800
EMISSION HOSE HARNESS 3.0L ENGINE (CALIFORNIA) .....	Fig. 25-900
EGR SYSTEM 3.0L,3.3L,3.8L ENGINES .....	Fig. 25-1000
<b>VAPOR CANISTERS AND HOSE HARNESSSES</b>	
VAPOR CANISTER .....	Fig. 25-1100
VAPOR CANISTER HOSE HARNESS 3.0L ENGINE .....	Fig. 25-1200
VAPOR CANISTER HOSE HARNESS 3.3L ENGINE .....	Fig. 25-1300
<b>OXYGEN SENSOR AND CHARGE TEMPERATURE SENSOR</b>	
OXYGEN SENSOR AND CHARGE TEMPERATURE SENSOR .....	Fig. 25-1400
<b>EMISSION LABELS</b>	
EMISSION LABELS .....	Fig. 25-1500

**ILLUSTRATION NOT AVAILABLE AT TIME OF PUBLICATION**

---

**ASPIRATOR P,A,G BODY**  
**Figure 25-100**

93125 100



ITEM	PART NUMBER	QTY	BODY	MODEL	DESCRIPTION
1	5277 871	1			HOSE, Air Cleaner to Silencer
2	2448 761	3			CLAMP
3	4300 376	1			VALVE, Aspirator
4	4268 930	1			TUBE, Downstream Aspirator
5	6100 557	1			SCREW and WASHER

**MODEL CODES:**

A BODY=(C=LeBaron, D=Spirit, P=Acclaim/LaBaron(Landau), Saratoga)      S BODY=(H=Voyager(H) FWD, K=Caravan(H) FWD, Y=Town & Country(H) FWD, P=Voyager(K) AWD, D=Caravan(K) AWD, C=Town & Country(K) AWD)  
 C BODY=(D=Dynasty, C=New Yorker/N.Y. Salon)  
 G BODY=(V=Daytona/IROC, Chrysler Daytona)  
 J BODY=(C=LeBaron, Chrysler LeBaron)  
 P BODY=(P=Sundance, D=Shadow)      Y BODY=(C=Imperial/5th Avenue)  
 E-S BODY=(K=Chrysler Voyager(H) FWD, D=Chrysler Voyager(K) AWD)

**BODY STYLES:**

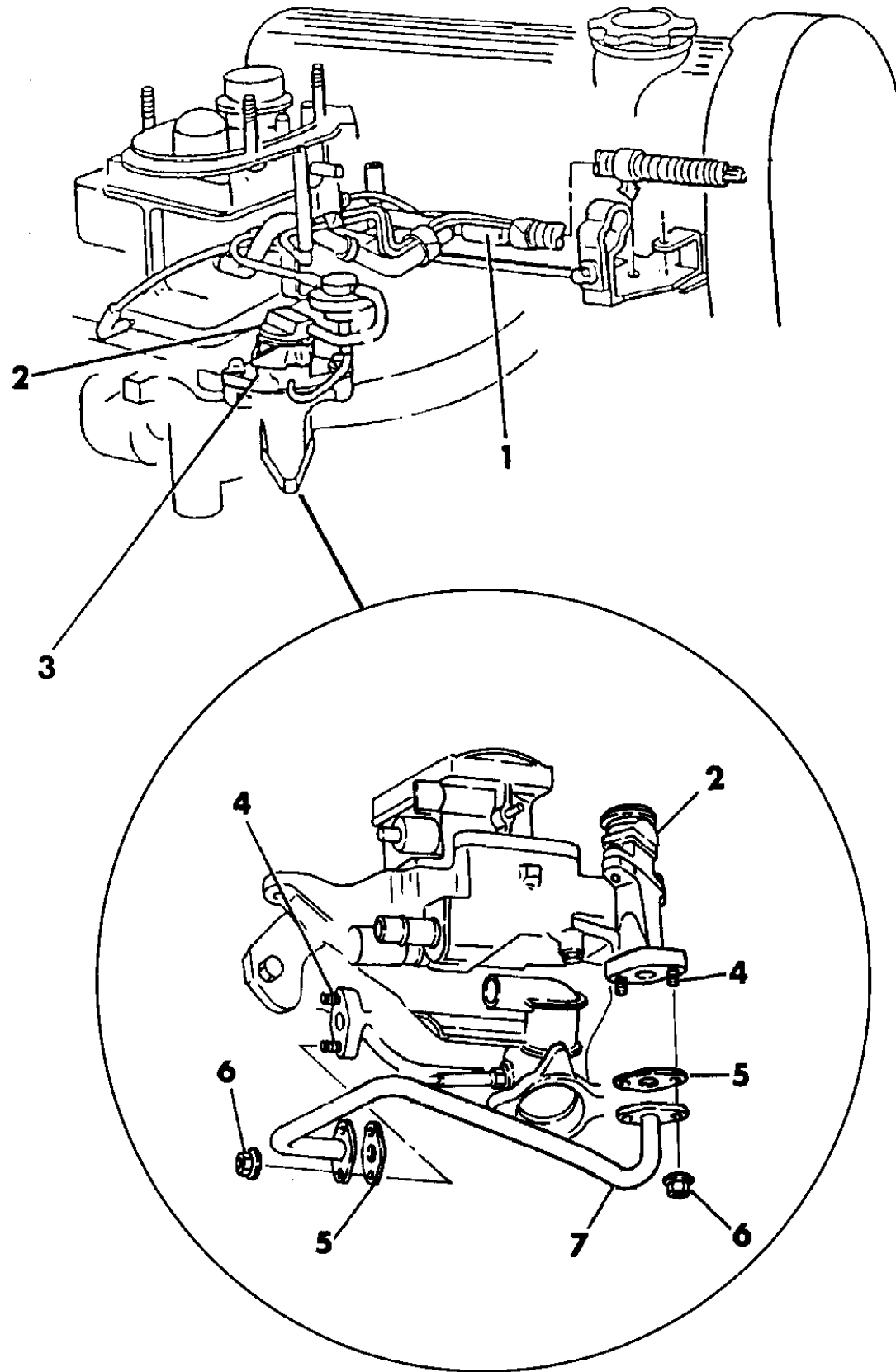
21=2-Door Coupe      41=4-Door Sedan      12-52=FWD & AWD Van & Wgn Std W.B.  
 24=2-Door Hatchback      44=4-Door Hatchback      53=FWD & AWD Van & Wgn Ext. W.B.  
 27=2-Door Convertible

AR = Use as Required - = Non Illustrated Part P.A.R. = Paint as Required

EGR SYSTEM 2.2L AND 2.5L ENGINES

Figure 25-200

93125 200A



ITEM	PART NUMBER	QTY	BODY	MODEL	DESCRIPTION
1		1			HARNES, Hose
2	4287 781	1			VALVE, EGR w/Transducer
3	4300 297	1			GASKET, EGR Valve Flange
4	6500 498	4			STUD
5	5277 731	2			GASKET, EGR Tube Flange
6	6500 182	4			NUT
7	4300 054	1			TUBE, EGR

MODEL CODES:

A BODY=(C=LeBaron, D=Spirit, P=Acclaim/LaBaron(Landau),  
Saratoga)  
C BODY=(D=Dynasty, C=New Yorker/N.Y. Salon)  
G BODY=(V=Daytona/IROC, Chrysler Daytona)  
J BODY=(C=LeBaron, Chrysler LeBaron)  
P BODY=(P=Sundance, D=Shadow)

S BODY=(H=Voyager(H) FWD, K=Caravan(H) FWD,  
Y=Town & Country(H) FWD, P=Voyager(K) AWD,  
D=Caravan(K) AWD, C=Town & Country(K) AWD)  
Y BODY=(C=Imperial/5th Avenue)  
E-S BODY=(K=Chrysler Voyager(H) FWD, D=Chrysler  
Voyager(K) AWD)

BODY STYLES:

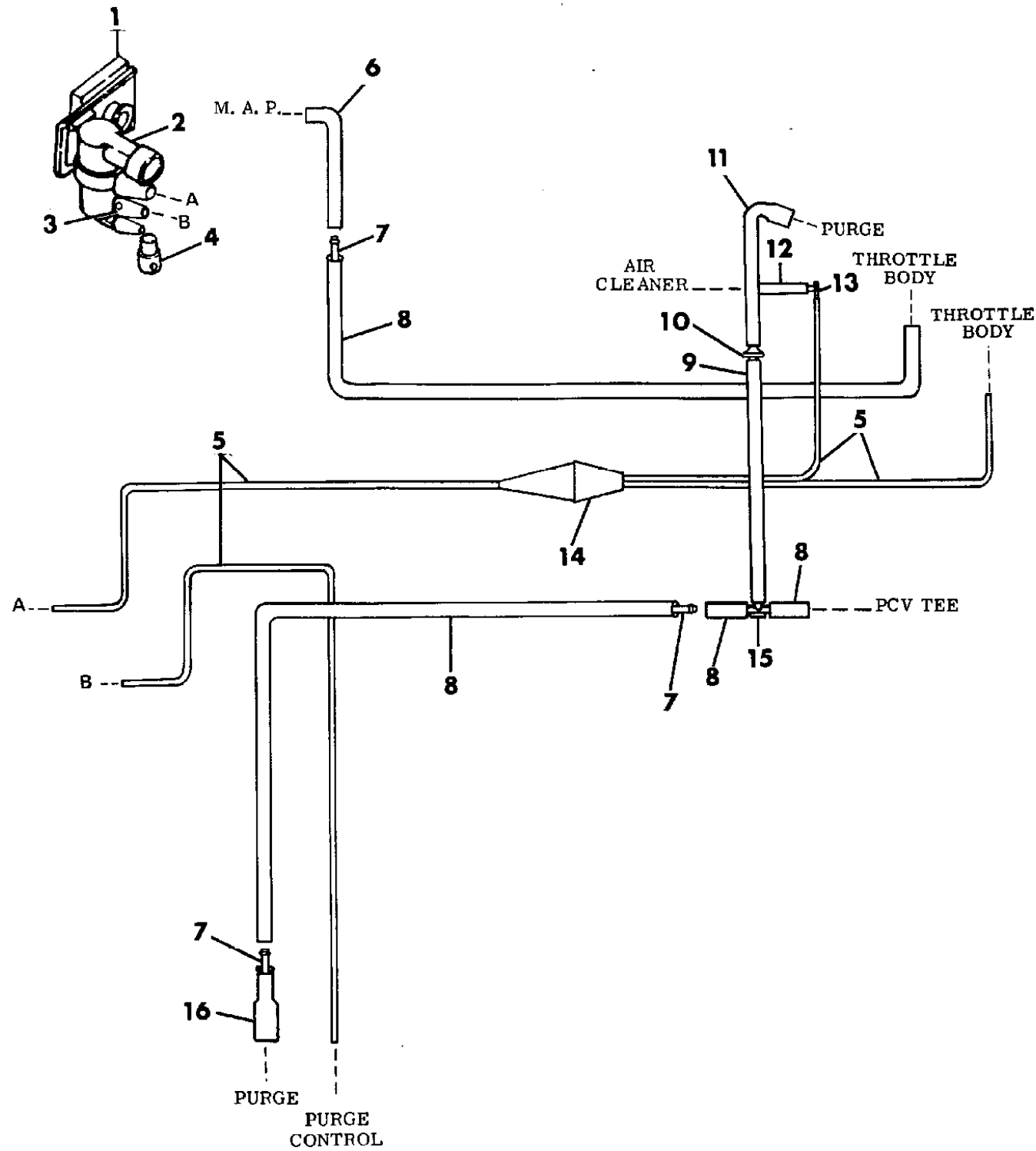
21=2-Door Coupe      41=4-Door Sedan      12-52=FWD & AWD Van & Wgn Std W.B.  
24=2-Door Hatchback      44=4-Door Hatchback      53=FWD & AWD Van & Wgn Ext. W.B.  
27=2-Door Convertible

AR = Use as Required - = Non Illustrated Part P.A.R. = Paint as Required

EMISSION HOSE HARNESS P,A,J,G,C BODY

Figure 25-300

93125 300



ITEM	PART NUMBER	QTY	BODY	MODEL	DESCRIPTION
					HARNESS, Hose (not serviced)
		1	P,A,G		2.2L and 2.5L Eng. - Federal, High Altitude - Man. Trans. (tagged 4669210)
		1	P,A,J,G		2.2L and 2.5L Eng. - Federal, High Altitude - Auto. Trans. (tagged 4669220)
		1	P		2.2L Eng. - Calif. - Auto. Trans. (tagged 4669220)
			P,A,J,G		2.5L Eng. - Calif. (tagged 4669210)
-	4669 014	1	A		2.5L Eng. - Flex Fuel Vacuum Control Tube
		1	C		2.5L Eng. - Federal, High Altitude (tagged 4669230)
					TUBING, Convoluted (serv. in 10 ft. roll)
	4364 375	AR			3/8"
	4364 392	AR			5/8"
1	4669 126	1			BRACKET, Solenoid Mtg.
	4746 230	1			2.5 Eng., Flex Fuel
2					SOLENOID, Duty Cycle Purge
	5227 635	1			Exc. 3.0L Engine, 3 Port
	4740 017	1			3.0L Engine, 2 Port
	4740 019	1			Flex Fuel
3	5277 577	1			CONNECTOR, 3 Port Solenoid
4	4458 158	1			FILTER
5	3780 508	AR			HOSE, Rubber 1/8" I.D. (serv. in 50 ft. roll)
-	4669 161	1			HOSE, Vapor 4.00" Lg.
6	4669 110	1			TUBE, Formed Vapor
7	4201 275	3			CONNECTOR 1/4 x 1/4
8	4104 272	AR			HOSE, Rubber 1/4" I.D. (serv. in 50 ft. roll)
9	4405 017	1			TUBE, Formed Vapor
10	5277 641	1			VALVE, Check
11	4405 016	1			TUBE, Formed Vapor
12	4026 511	AR			HOSE, Rubber 3/16" I.D. (serv. in 50 ft. roll)
13	4104 997	1			ELBOW 1/8 x 3/16
14	4405 433	1			CONNECTOR, Vacuum Harness
15	4306 994	1			TEE 1/4 x 1/4 x 1/4
16	4288 207	1			TUBE, Expanded End

MODEL CODES:

A BODY=(C=LeBaron, D=Spirit, P=Acclaim/LaBaron(Landau), Saratoga)  
 C BODY=(D=Dynasty, C=New Yorker/N.Y. Salon)  
 G BODY=(V=Daytona/IROC, Chrysler Daytona)  
 J BODY=(C=LeBaron, Chrysler LeBaron)  
 P BODY=(P=Sundance, D=Shadow)

S BODY=(H=Voyager(H) FWD, K=Caravan(H) FWD, Y=Town & Country(H) FWD, P=Voyager(K) AWD, D=Caravan(K) AWD, C=Town & Country(K) AWD)  
 Y BODY=(C=Imperial/5th Avenue)  
 E-S BODY=(K=Chrysler Voyager(H) FWD, D=Chrysler Voyager(K) AWD)

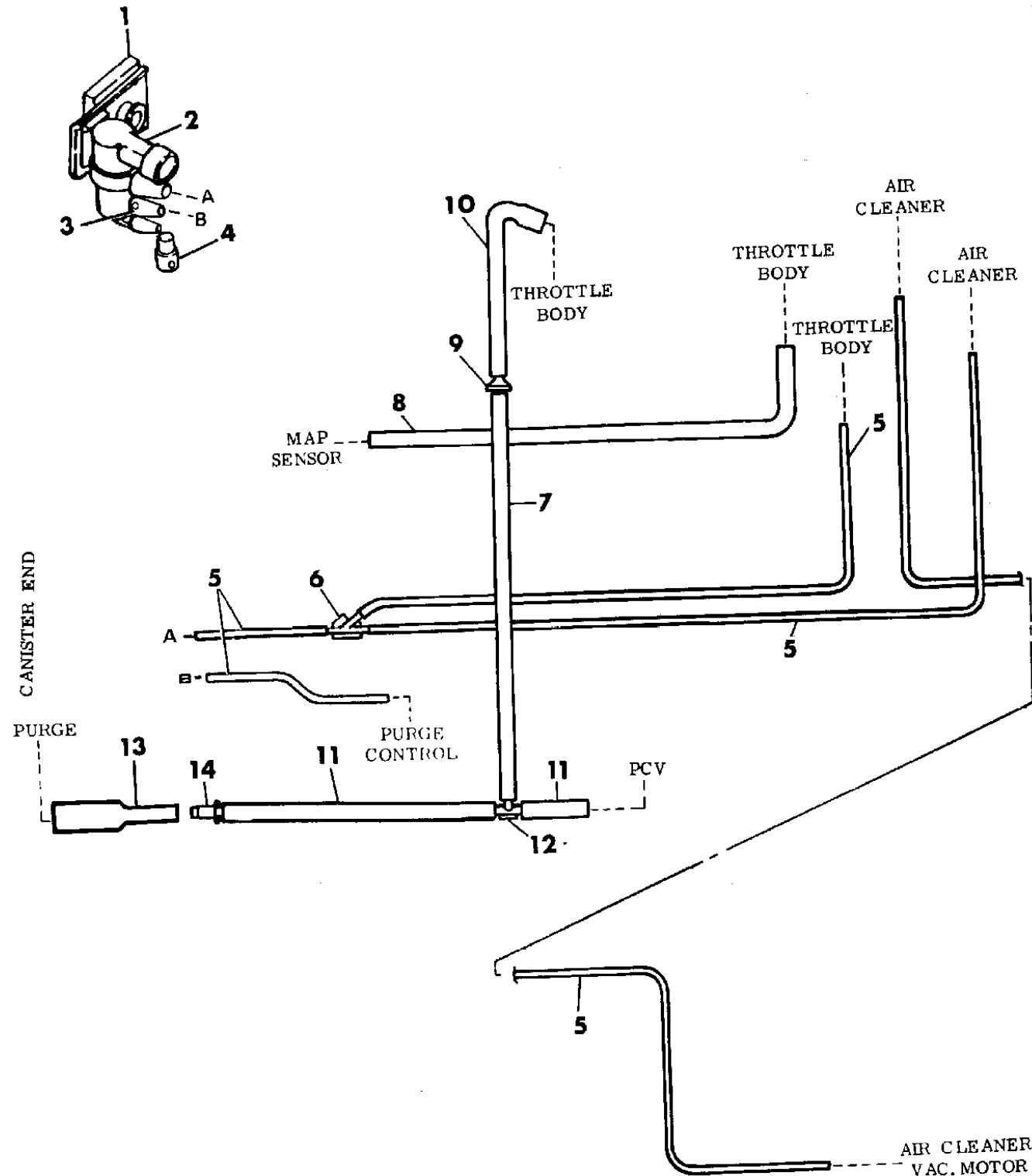
BODY STYLES:

21=2-Door Coupe      41=4-Door Sedan      12-52=FWD & AWD Van & Wgn Std W.B.  
 24=2-Door Hatchback      44=4-Door Hatchback      53=FWD & AWD Van & Wgn Ext. W.B.  
 27=2-Door Convertible

AR = Use as Required - = Non Illustrated Part P.A.R. = Paint as Required

**EMISSION HOSE HARNESS 2.5L ENGINE S BODY**  
**Figure 25-400**

93125 400



ITEM	PART NUMBER	QTY	BODY	MODEL	DESCRIPTION
					HARNESS, Hose (tagged 4459008 - not serviced)
					TUBING, Convoluted (serv. in 10 ft. roll)
	4364 393	AR			1/4"
	4364 375	AR			3/8"
1	5227 034	1			BRACKET, Vacuum Solenoid Mounting (INCLUDES ISOLATOR AND SPACER)
2	4300 461	1			SOLENOID, Duty Cycle Purge
3	5277 577	1			CONNECTOR
4	4458 158	1			FILTER
5	3780 508	AR			HOSE, Rubber 1/8" I.D. (serv. in 50 ft. roll)
6	4275 571	1			CONNECTOR, Y 3/16 x 3/16 x 3/16
7	4405 017	1			TUBE, Formed Vapor
8	4405 119	1			TUBE, Formed Vapor
9	5277 641	1			VALVE, Check
10	4405 016	1			TUBE, Formed Vapor
11	4104 272	AR			HOSE, Rubber 1/4" I.D. (serv. in 50 ft. roll)
12	4306 994	1			TEE 1/4 x 1/4 x 1/4
13	4288 207	1			TUBE, Expanded End
14	4179 643	1			CONNECTOR 1/4 x 5/16

**MODEL CODES:**

A BODY=(C=LeBaron, D=Spirit, P=Acclaim/LaBaron(Landau), Saratoga)      S BODY=(H=Voyager(H) FWD, K=Caravan(H) FWD, Y=Town & Country(H) FWD, P=Voyager(K) AWD, D=Caravan(K) AWD, C=Town & Country(K) AWD)  
 C BODY=(D=Dynasty, C=New Yorker/N.Y. Salon)      Y BODY=(C=Imperial/5th Avenue)  
 G BODY=(V=Daytona/IROC, Chrysler Daytona)      E-S BODY=(K=Chrysler Voyager(H) FWD, D=Chrysler Voyager(K) AWD)  
 J BODY=(C=LeBaron, Chrysler LeBaron)  
 P BODY=(P=Sundance, D=Shadow)

**BODY STYLES:**

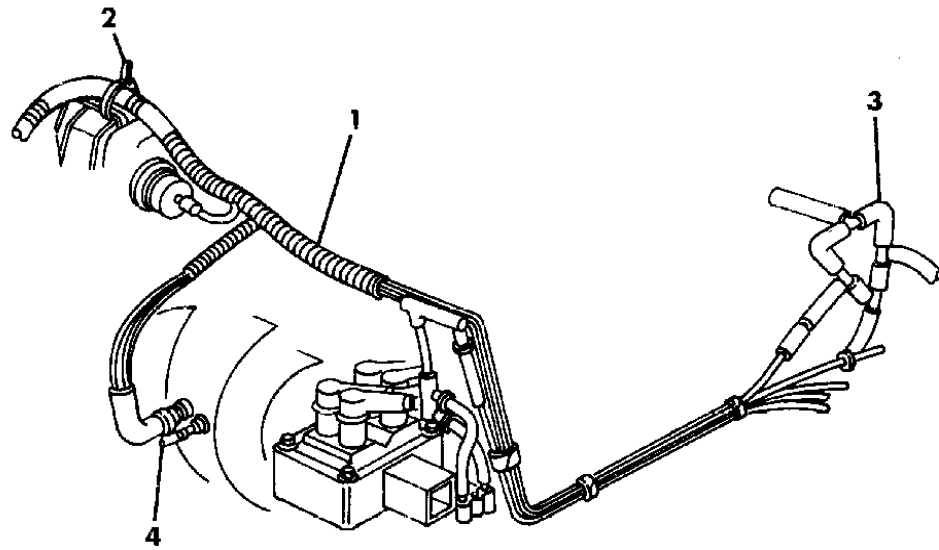
21=2-Door Coupe      41=4-Door Sedan      12-52=FWD & AWD Van & Wgn Std W.B.  
 24=2-Door Hatchback      44=4-Door Hatchback      53=FWD & AWD Van & Wgn Ext. W.B.  
 27=2-Door Convertible

AR = Use as Required - = Non Illustrated Part P.A.R. = Paint as Required

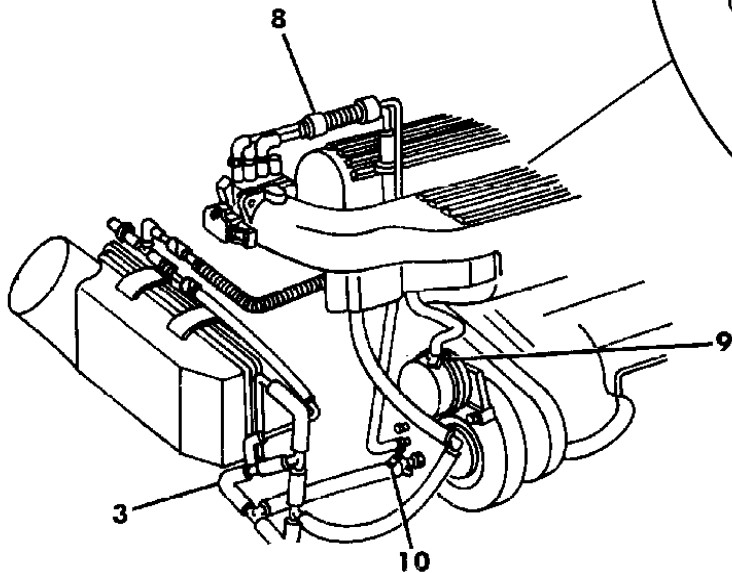
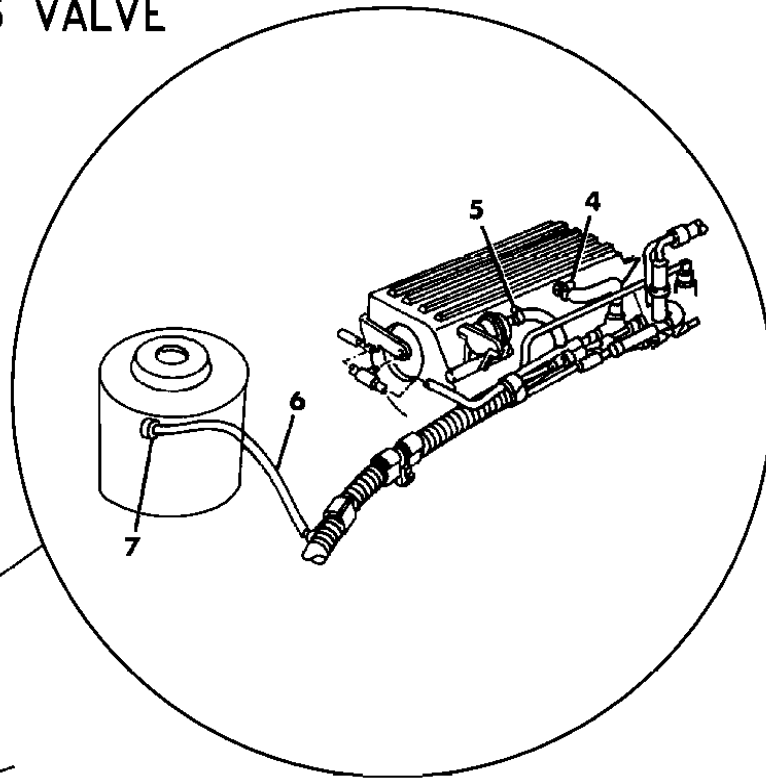


**EGR SYSTEM 2.2L ENGINE 16 VALVE ENGINE G BODY**  
**Figure 25-500**

93125 500A



**2.2L ENGINE 16 VALVE**



**2.5L ENGINE TURBO**

ITEM	PART NUMBER	QTY	BODY	MODEL	DESCRIPTION
1	4669 026	1			HARNES, Hose
2	6015 756	1			STRAP
3		1			HARNES, Speed Control Ejector (shown on Illus. 800, 900)
4	2448 770	1			CLAMP
5	6032 173	1			CLAMP
6	4405 115	1			HOSE, Boost Gauge
7	3593 446	1			GROMMET, Boost Gauge Hose
8		1			HARNES, Hose (not serviced)
9	3683 823	1			CLAMP
10	6502 745	1			CLAMP

**MODEL CODES:**

A BODY=(C=LeBaron, D=Spirit, P=Acclaim/LaBaron(Landau), Saratoga) S BODY=(H=Voyager(H) FWD, K=Caravan(H) FWD, Y=Town & Country(H) FWD, P=Voyager(K) AWD, D=Caravan(K) AWD, C=Town & Country(K) AWD)  
 C BODY=(D=Dynasty, C=New Yorker/N.Y. Salon)  
 G BODY=(V=Daytona/IROC, Chrysler Daytona)  
 J BODY=(C=LeBaron, Chrysler LeBaron)  
 P BODY=(P=Sundance, D=Shadow)

**BODY STYLES:**

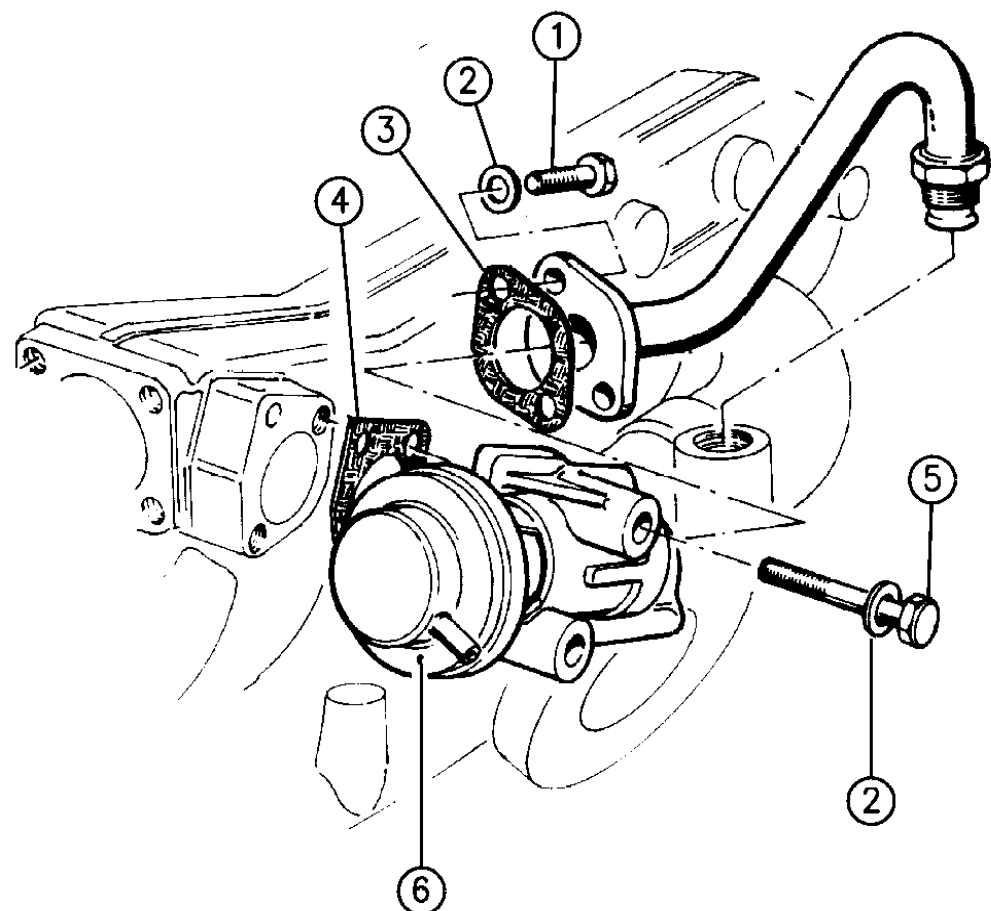
21=2-Door Coupe      41=4-Door Sedan      12-52=FWD & AWD Van & Wgn Std W.B.  
 24=2-Door Hatchback      44=4-Door Hatchback      53=FWD & AWD Van & Wgn Ext. W.B.  
 27=2-Door Convertible

AR = Use as Required - = Non Illustrated Part P.A.R. = Paint as Required

**EGR SYSTEM 2.5L DIESEL ENGINE S BODY**  
**Figure 25-600**

93125 600A

ITEM	PART NUMBER	QTY	BODY	MODEL	DESCRIPTION
1	4723 187	2			BOLT, E.G.R. Pipe Attaching
2	4723 165	AR			WASHER
3	4720 208	1			GASKET, Pipe to E.G.R. Valve
4	4720 205	1			GASKET, Manifold to E.G.R. Valve
5	4723 185	2			BOLT, E.G.R. Valve Mounting
6	4720 662	1			VALVE, Vacuum, E.G.R.
7	4720 202	1			PIPE, Connecting, E.G.R.



**MODEL CODES:**

A BODY=(C=LeBaron, D=Spirit, P=Acclaim/LaBaron(Landau),  
Saratoga) S BODY=(H=Voyager(H) FWD, K=Caravan(H) FWD,  
Y=Town & Country(H) FWD, P=Voyager(K) AWD,  
D=Caravan(K) AWD, C=Town & Country(K) AWD)  
C BODY=(D=Dynasty, C=New Yorker/N.Y. Salon)  
G BODY=(V=Daytona/IROC, Chrysler Daytona) Y BODY=(C=Imperial/5th Avenue)  
J BODY=(C=LeBaron, Chrysler LeBaron) E-S BODY=(K=Chrysler Voyager(H) FWD, D=Chrysler  
P BODY=(P=Sundance, D=Shadow) Voyager(K) AWD)

**BODY STYLES:**

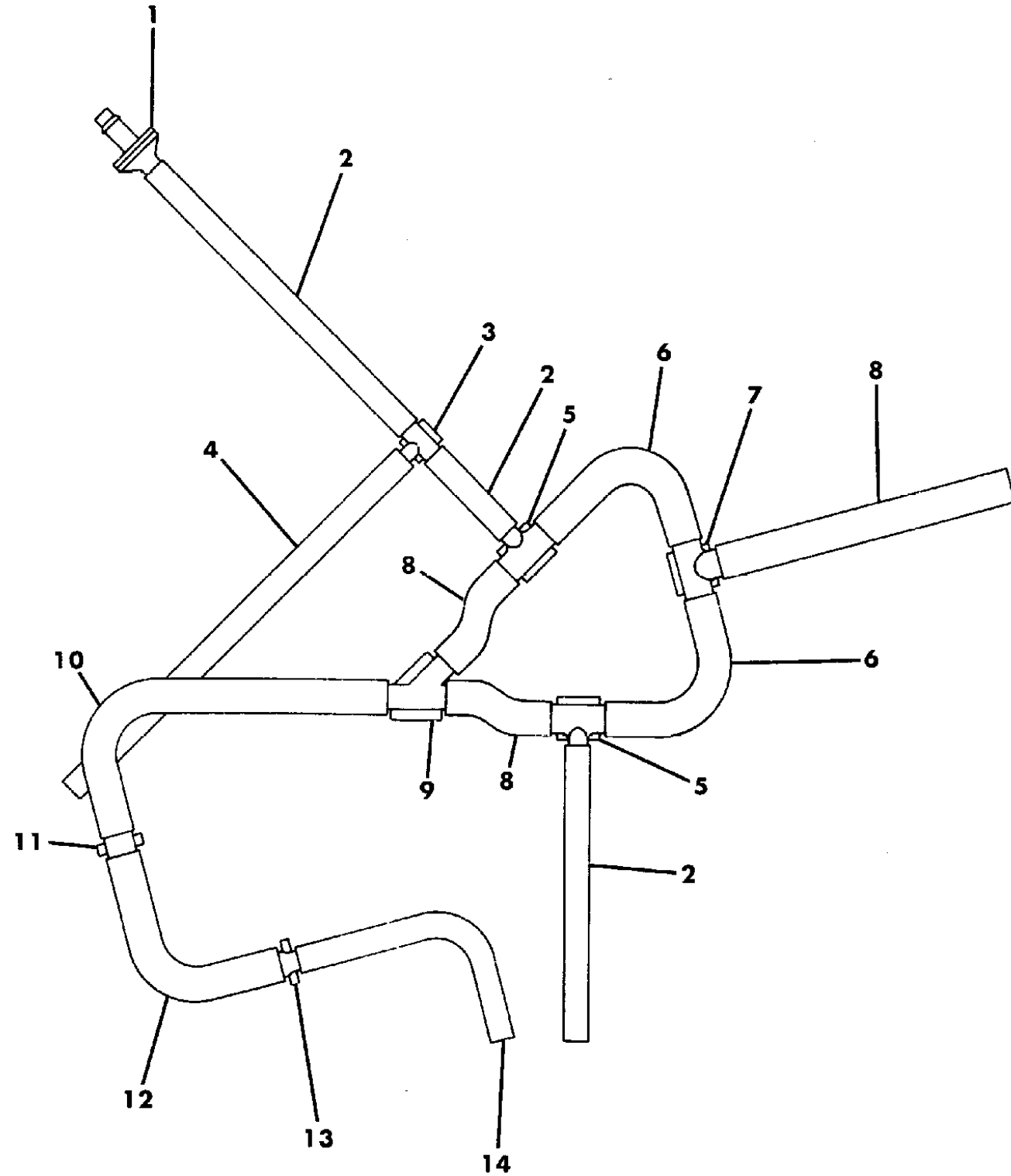
21=2-Door Coupe      41=4-Door Sedan      12-52=FWD & AWD Van & Wgn Std W.B.  
24=2-Door Hatchback      44=4-Door Hatchback      53=FWD & AWD Van & Wgn Ext. W.B.  
27=2-Door Convertible

AR = Use as Required - = Non Illustrated Part P.A.R. = Paint as Required

SPEED CONTROL EJECTOR HARNESS 2.2L ENGINE 16 VALVE

Figure 25-700

93125 700



ITEM	PART NUMBER	QTY	BODY	MODEL	DESCRIPTION
1	4549 209	1			VALVE, Check
2	4104 272	AR			HOSE, Rubber 1/4" I.D. (serv. in 50 ft. roll)
3	4458 155	1			TEE 1/4 x 3/16 x 1/4
4	4026 511	AR			HOSE, Rubber 3/16" I.D. (serv. in 50 ft. roll)
5	4669 013	2			EJECTOR, Vacuum ***
6	4241 846	2			TUBE, Formed
7	4275 638	1			TEE 3/8 x 3/8 x 3/8
8	4443 178	AR			HOSE, Rubber 3/8" I.D. (serv. in 25 ft. spool)
9	4275 553	1			CONNECTOR, Y 3/8 x 3/8 x 3/8
10	4241 846	1			TUBE, Formed
11	4201 198	1			CONNECTOR 3/8 x 3/8
12	5277 657	1			TUBE, Formed
13	4201 197	1			CONNECTOR 1/4 x 3/8
14	4669 110	1			TUBE, Formed

MODEL CODES:

A BODY=(C=LeBaron, D=Spirit, P=Acclaim/LaBaron(Landau),  
Saratoga)  
C BODY=(D=Dynasty, C=New Yorker/N.Y. Salon)  
G BODY=(V=Daytona/IROC, Chrysler Daytona)  
J BODY=(C=LeBaron, Chrysler LeBaron)  
P BODY=(P=Sundance, D=Shadow)

S BODY=(H=Voyager(H) FWD, K=Caravan(H) FWD,  
Y=Town & Country(H) FWD, P=Voyager(K) AWD,  
D=Caravan(K) AWD, C=Town & Country(K) AWD)  
Y BODY=(C=Imperial/5th Avenue)  
E-S BODY=(K=Chrysler Voyager(H) FWD, D=Chrysler  
Voyager(K) AWD)

BODY STYLES:

21=2-Door Coupe      41=4-Door Sedan      12-52=FWD & AWD Van & Wgn Std W.B.  
24=2-Door Hatchback      44=4-Door Hatchback      53=FWD & AWD Van & Wgn Ext. W.B.  
27=2-Door Convertible

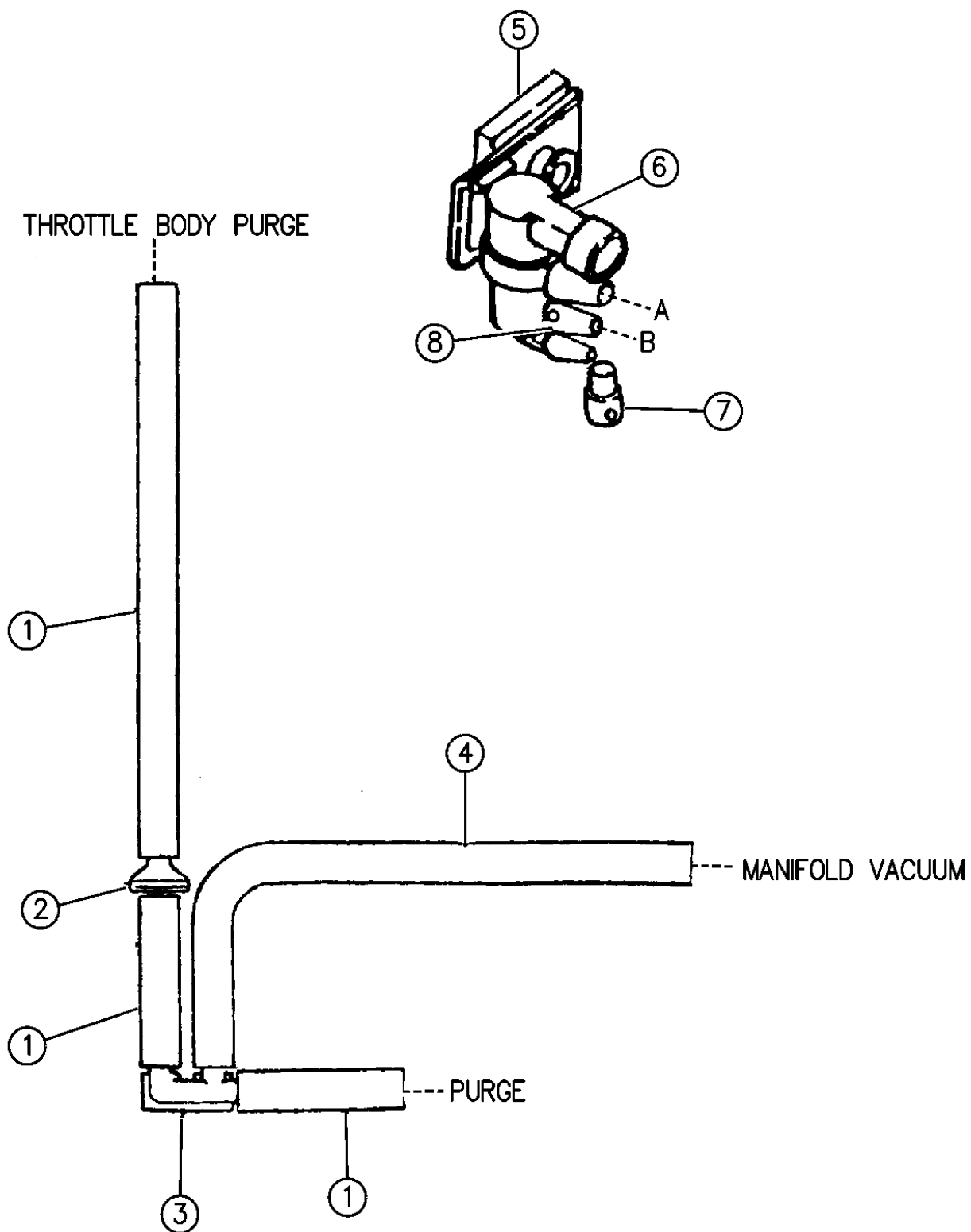
AR = Use as Required - = Non Illustrated Part P.A.R. = Paint as Required

EMISSION HOSE HARNESS 3.0L ENGINE (FEDERAL AND HIGH ALTITUDE)

Figure 25-800

93125 800A

ITEM	PART NUMBER	QTY	BODY	MODEL	DESCRIPTION
HARNES, Hose (tagged 4459019 - not serviced)					
1	4104 272	AR			HOSE, Rubber 1/4" I.D. (serv. in 50 ft. roll)
2	5277 641	1			VALVE, Check
3	4458 365	1			CONNECTOR, F
4	4405 482	1			TUBE, Formed Vapor
5					BRACKET, Purge Solenoid Mtg.
	4669 126	1			
	4746 231	1	S		
6	4740 017	1			SOLENOID, Purge
7	4458 158	1			FILTER, Solenoid
8	5277 577	1			CONNECTOR, Three Port



MODEL CODES:

A BODY=(C=LeBaron, D=Spirit, P=Acclaim/LaBaron(Landau), Saratoga)  
 C BODY=(D=Dynasty, C=New Yorker/N.Y. Salon)  
 G BODY=(V=Daytona/IROC, Chrysler Daytona)  
 J BODY=(C=LeBaron, Chrysler LeBaron)  
 P BODY=(P=Sundance, D=Shadow)

S BODY=(H=Voyager(H) FWD, K=Caravan(H) FWD, Y=Town & Country(H) FWD, P=Voyager(K) AWD, D=Caravan(K) AWD, C=Town & Country(K) AWD)  
 Y BODY=(C=Imperial/5th Avenue)  
 E-S BODY=(K=Chrysler Voyager(H) FWD, D=Chrysler Voyager(K) AWD)

BODY STYLES:

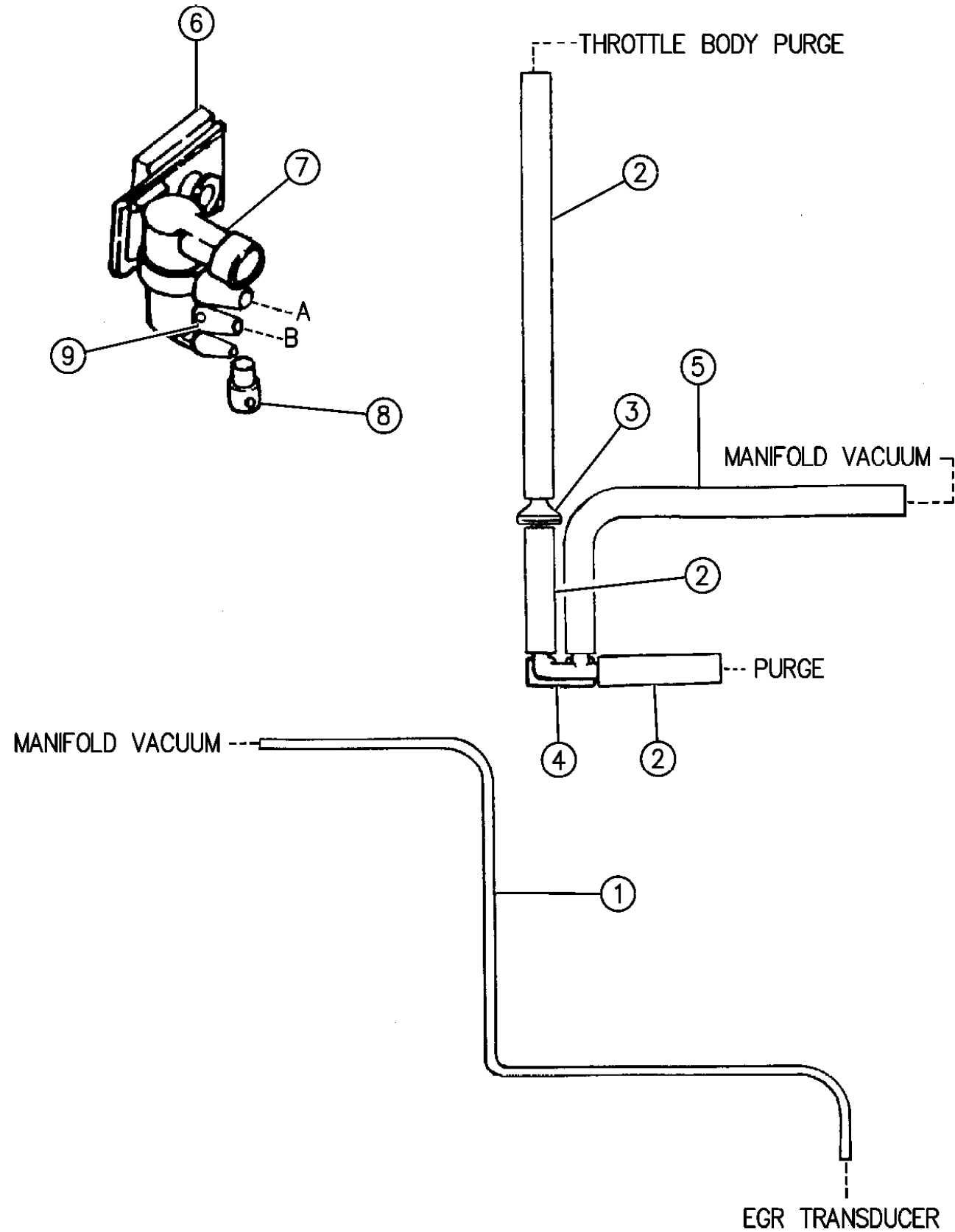
21=2-Door Coupe      41=4-Door Sedan      12-52=FWD & AWD Van & Wgn Std W.B.  
 24=2-Door Hatchback      44=4-Door Hatchback      53=FWD & AWD Van & Wgn Ext. W.B.  
 27=2-Door Convertible

AR = Use as Required - = Non Illustrated Part P.A.R. = Paint as Required

EMISSION HOSE HARNESS 3.0L ENGINE (CALIFORNIA)

Figure 25-900

93125 900A



ITEM	PART NUMBER	QTY	BODY	MODEL	DESCRIPTION
HARNESS, Hose (tagged 4459020 - not serviced)					
1	3780 508	AR			HOSE, Rubber 1/8" I.D. (serv. in 50 ft. roll)
2	4104 272	AR			HOSE, Rubber 1/4" I.D. (serv. in 50 ft. roll)
3	5277 641	1			VALVE, Check
4	4458 365	1			CONNECTOR, F
5	4405 482	1			TUBE, Formed Vapor
6	4669 126	1			BRACKET, Purge Solenoid Mtg.
7	4740 017	1			SOLENOID, Purge
8	4458 158	1			FILTER
9	5277 577	1			CONNECTOR, Three Port

MODEL CODES:

A BODY=(C=LeBaron, D=Spirit, P=Acclaim/LaBaron(Landau),  
Saratoga)  
C BODY=(D=Dynasty, C=New Yorker/N.Y. Salon)  
G BODY=(V=Daytona/IROC, Chrysler Daytona)  
J BODY=(C=LeBaron, Chrysler LeBaron)  
P BODY=(P=Sundance, D=Shadow)

S BODY=(H=Voyager(H) FWD, K=Caravan(H) FWD,  
Y=Town & Country(H) FWD, P=Voyager(K) AWD,  
D=Caravan(K) AWD, C=Town & Country(K) AWD)  
Y BODY=(C=Imperial/5th Avenue)  
E-S BODY=(K=Chrysler Voyager(H) FWD, D=Chrysler  
Voyager(K) AWD)

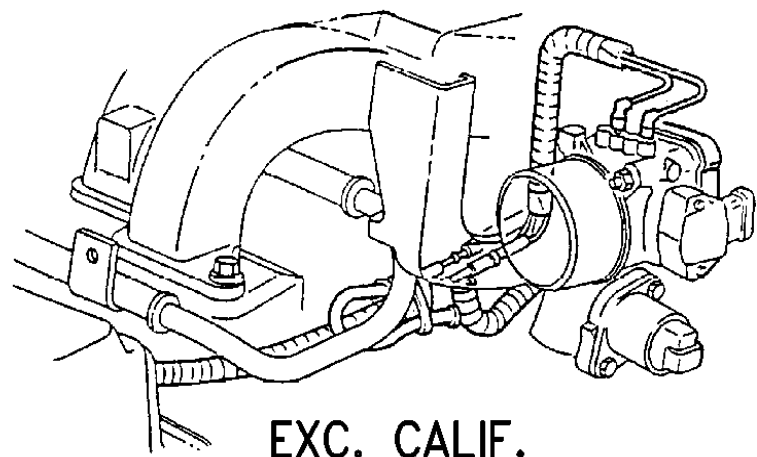
BODY STYLES:

21=2-Door Coupe      41=4-Door Sedan      12-52=FWD & AWD Van & Wgn Std W.B.  
24=2-Door Hatchback      44=4-Door Hatchback      53=FWD & AWD Van & Wgn Ext. W.B.  
27=2-Door Convertible

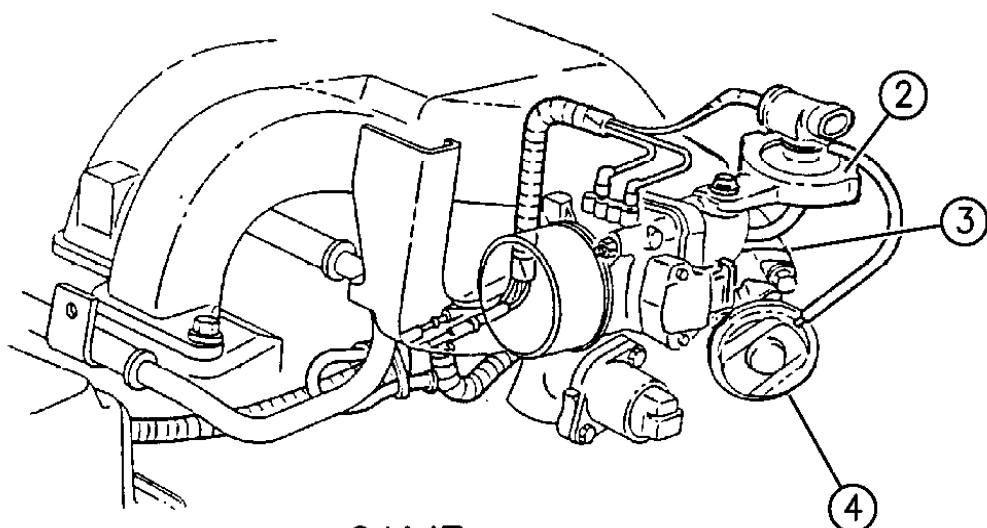
AR = Use as Required - = Non Illustrated Part P.A.R. = Paint as Required

**EGR SYSTEM 3.0L,3.3L,3.8L ENGINES**  
**Figure 25-1000**

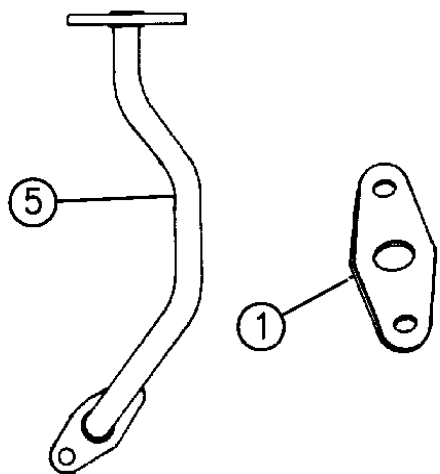
93125 1000A



**EXC. CALIF.**



**CALIF.**



ITEM	PART NUMBER	QTY	BODY	MODEL	DESCRIPTION
	5283 845	1			HARNES, Vacuum, 3.3L - 3.8L Engine
1	5277 723	1			GASKET
	4612 184	1			EGR Tube
	4458 178	1			Tube Flange
2	4458 178	1			CLIP, Transducer
3	4300 297	1			GASKET, EGR Valve
4					VALVE, EGR w/Transducer
	4287 780	1			3.0 Engine
	4287 179	1			3.3/3.8 Engine
	4201 264	1			HOSE, Expanded End
5	4287 395	1			TUBE, EGR
	5277 929	1			3.0 Engine

**MODEL CODES:**

A BODY=(C=LeBaron, D=Spirit, P=Acclaim/LaBaron(Landau), Saratoga) S BODY=(H=Voyager(H) FWD, K=Caravan(H) FWD, Y=Town & Country(H) FWD, P=Voyager(K) AWD, D=Caravan(K) AWD, C=Town & Country(K) AWD)  
 C BODY=(D=Dynasty, C=New Yorker/N.Y. Salon) Y BODY=(C=Imperial/5th Avenue)  
 G BODY=(V=Daytona/IROC, Chrysler Daytona) E-S BODY=(K=Chrysler Voyager(H) FWD, D=Chrysler Voyager(K) AWD)  
 J BODY=(C=LeBaron, Chrysler LeBaron) P BODY=(P=Sundance, D=Shadow)

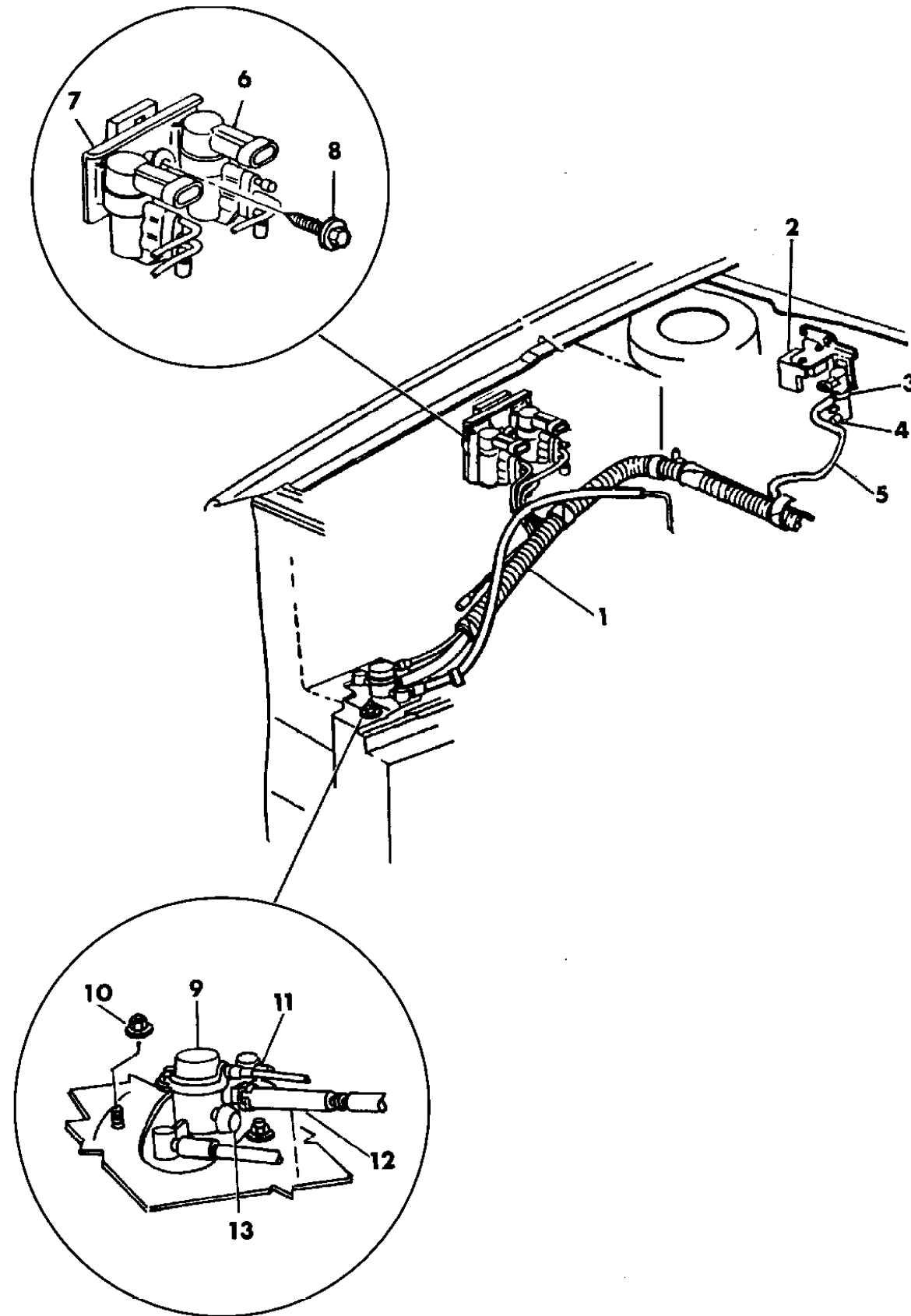
**BODY STYLES:**

21=2-Door Coupe      41=4-Door Sedan      12-52=FWD & AWD Van & Wgn Std W.B.  
 24=2-Door Hatchback      44=4-Door Hatchback      53=FWD & AWD Van & Wgn Ext. W.B.  
 27=2-Door Convertible

AR = Use as Required - = Non Illustrated Part P.A.R. = Paint as Required

VAPOR CANISTER  
Figure 25-1100

93125 1100A



ITEM	PART NUMBER	QTY	BODY	MODEL	DESCRIPTION
1		1			HARNES, Hose
-	4612 646	1			w/Flex Fuel 2.5L Engine
2		1			SENSOR, M.A.P. (refer to grp. 8)
3	5234 217	1			SOLENOID, Vacuum - 2.2L Eng. 16 Valve
	4669 222	1	A		w/Flex Fuel, Methanol Duty Cycle Purge
4	5234 283	1			FILTER - 2.2L Eng. 16 Valve
5	5234 329	2			HOSE, M.A.P. Sensor to Solenoid - 2.2L Eng. 16 Valve
	5234 318	1			3.0L Engine
6	4300 461	AR			SOLENOID, Duty Cycle Purge
	4746 231	1			BRACKET, Duty Cycle Purge Solenoid
7	5227 034	1			BRACKET, Vacuum Solenoid Mounting (INCLUDES ISOLATOR AND SPACER)
8		1			SCREW (not serviced)
9					CANISTER, Vapor
	4723 551	1	G,P		2.2L Engine
	4601 673	1	A		2.5L Flex-Fuel
	4723 550	1	S		2.5L Engine
	4723 551	1	ACGJP		2.5L Engine
	4601 673	1	S		3.0L Engine
	4713 272	1	ACGJPY		3.0L Engine
	4723 550	1	S		3.3L Engine
	4723 551	1	CY		3.3L Engine
	4723 551	1	Y		3.8L Engine
10	6033 561	3			NUT and WASHER
11	3733 285	1			CAP, Bowl Vent Nipple
12	4443 176	AR			HOSE, Rubber 5/16" I.D. (sev. in 50 ft. roll)
13	4192 074	1			CAP, Dust

MODEL CODES:

A BODY=(C=LeBaron, D=Spirit, P=Acclaim/LaBaron(Landau),  
Saratoga)  
C BODY=(D=Dynasty, C=New Yorker/N.Y. Salon)  
G BODY=(V=Daytona/IROC, Chrysler Daytona)  
J BODY=(C=LeBaron, Chrysler LeBaron)  
P BODY=(P=Sundance, D=Shadow)

S BODY=(H=Voyager(H) FWD, K=Caravan(H) FWD,  
Y=Town & Country(H) FWD, P=Voyager(K) AWD,  
D=Caravan(K) AWD, C=Town & Country(K) AWD)  
Y BODY=(C=Imperial/5th Avenue)  
E-S BODY=(K=Chrysler Voyager(H) FWD, D=Chrysler  
Voyager(K) AWD)

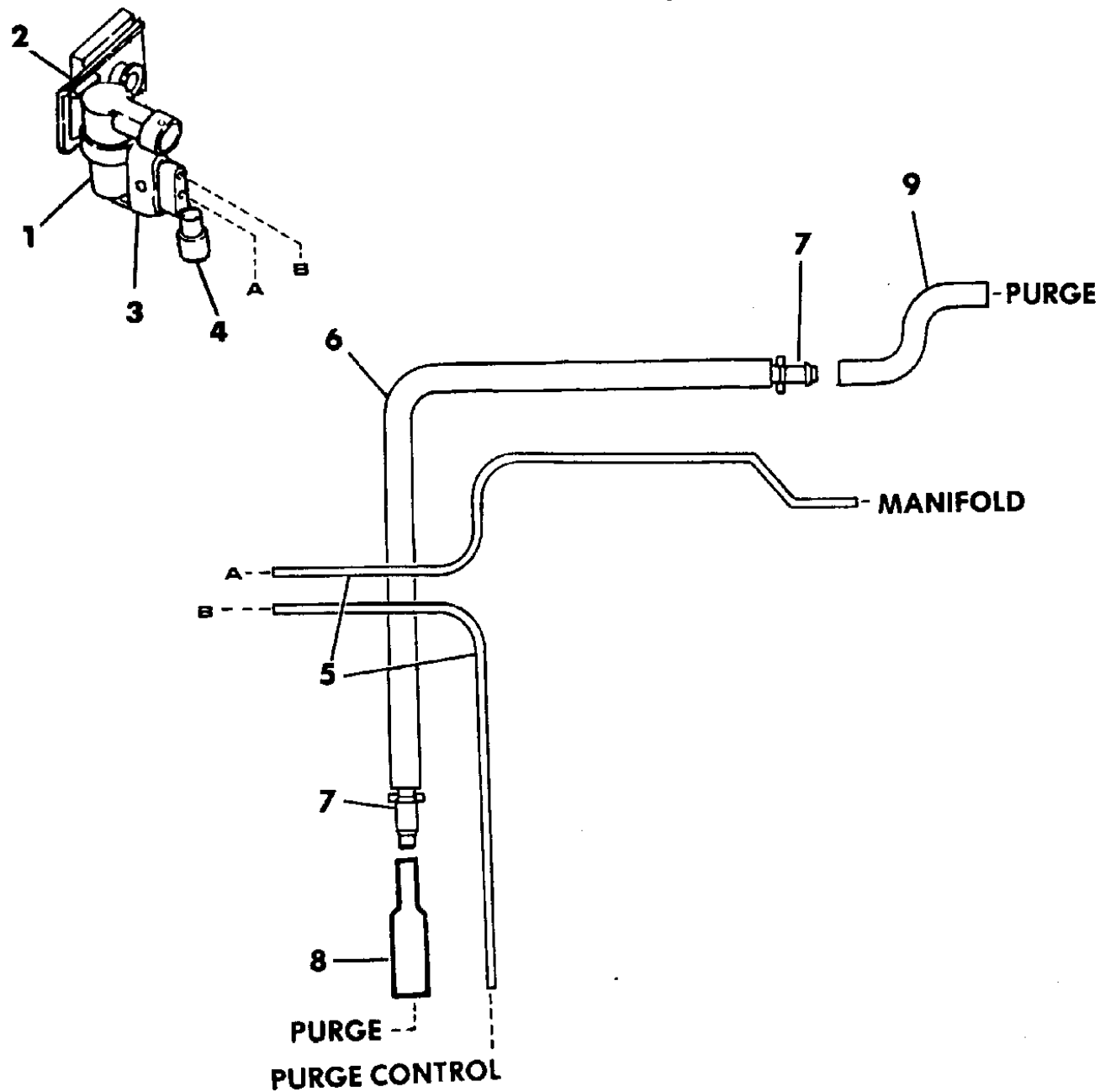
BODY STYLES:

21=2-Door Coupe      41=4-Door Sedan      12-52=FWD & AWD Van & Wgn Std W.B.  
24=2-Door Hatchback      44=4-Door Hatchback      53=FWD & AWD Van & Wgn Ext. W.B.  
27=2-Door Convertible

AR = Use as Required - = Non Illustrated Part P.A.R. = Paint as Required

VAPOR CANISTER HOSE HARNESS 3.0L ENGINE  
Figure 25-1200

93125 1200



ITEM	PART NUMBER	QTY	BODY	MODEL	DESCRIPTION
	5281 622	1	S		HARNES, Duty Cycle Purge
	4364 375	AR			TUBING, Convoluted 3/8" (serv. in 10 ft. roll)
1	4300 461	AR			SOLENOID, Duty Cycle Purge
2	5227 034	1			BRACKET, Vacuum Solenoid Mounting(INCLUDES ISOLATOR AND SPACER)
3	5277 577	1			CONNECTOR, 3 Port Solenoid
4	4458 158	1			FILTER
5	3780 508	AR			HOSE, Rubber 1/8" I.D. (serv. in 50 ft. roll)
6	4104 272	AR			HOSE, Rubber 1/4" I.D. (serv. in 50 ft. roll)
7	4179 643	2			CONNECTOR 1/4 x 5/16
8	4288 207	1			TUBE, Expanded End
9	4324 119	1			TUBE, Formed Vapor

**MODEL CODES:**

A BODY=(C=LeBaron, D=Spirit, P=Acclaim/LaBaron(Landau),  
Saratoga)  
C BODY=(D=Dynasty, C=New Yorker/N.Y. Salon)  
G BODY=(V=Daytona/IROC, Chrysler Daytona)  
J BODY=(C=LeBaron, Chrysler LeBaron)  
P BODY=(P=Sundance, D=Shadow)

S BODY=(H=Voyager(H) FWD, K=Caravan(H) FWD,  
Y=Town & Country(H) FWD, P=Voyager(K) AWD,  
D=Caravan(K) AWD, C=Town & Country(K) AWD)  
Y BODY=(C=Imperial/5th Avenue)  
E-S BODY=(K=Chrysler Voyager(H) FWD, D=Chrysler  
Voyager(K) AWD)

**BODY STYLES:**

21=2-Door Coupe      41=4-Door Sedan      12-52=FWD & AWD Van & Wgn Std W.B.  
24=2-Door Hatchback      44=4-Door Hatchback      53=FWD & AWD Van & Wgn Ext. W.B.  
27=2-Door Convertible

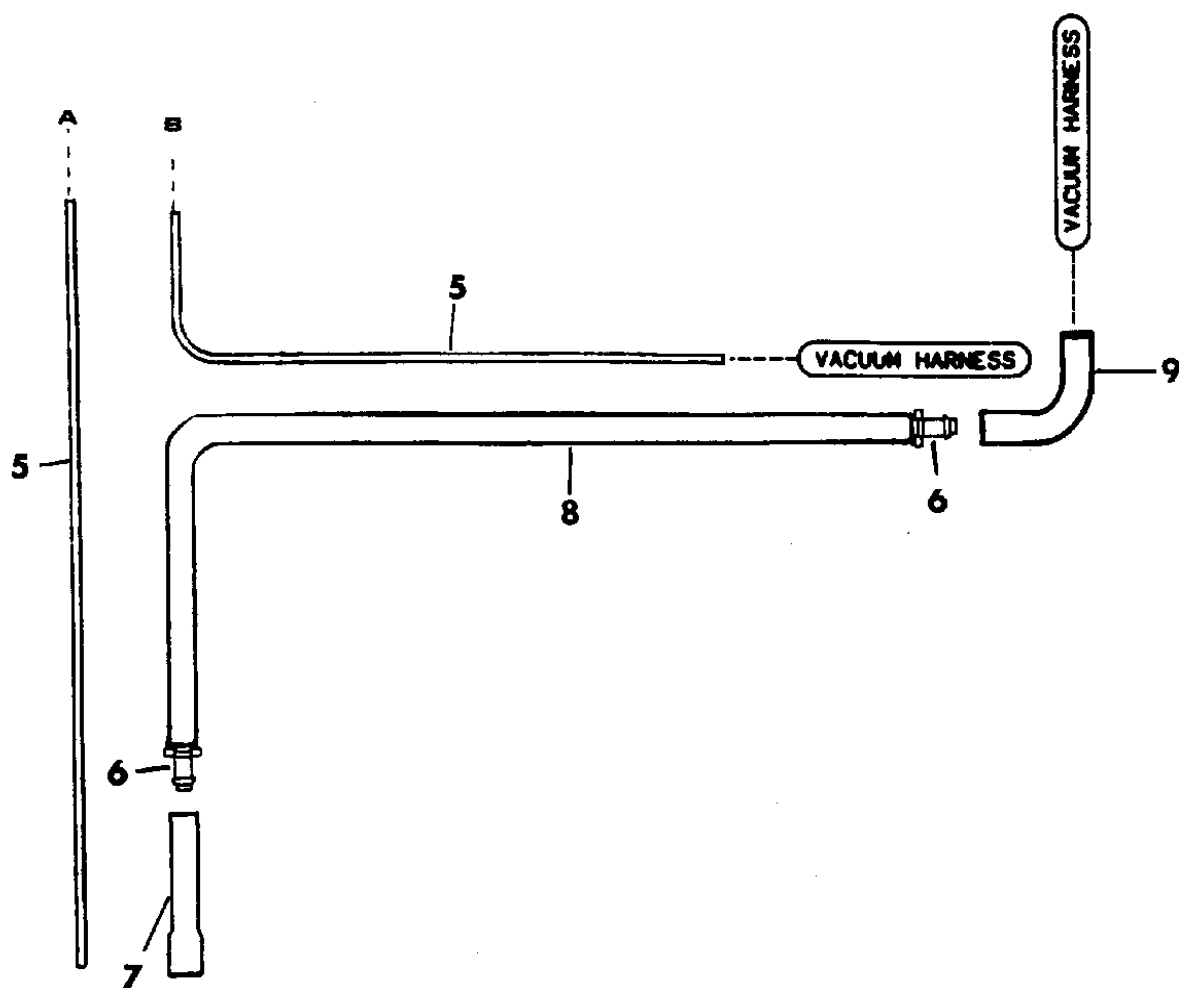
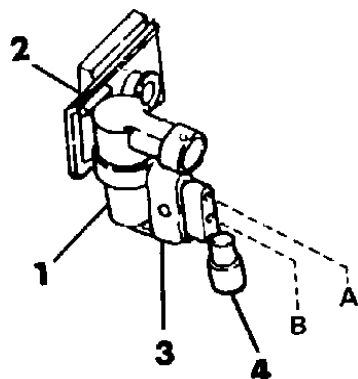
AR = Use as Required - = Non Illustrated Part P.A.R. = Paint as Required



VAPOR CANISTER HOSE HARNESS 3.3L ENGINE  
Figure 25-1300

93125 1300

ITEM	PART NUMBER	QTY	BODY	MODEL	DESCRIPTION
					HARNESS, Hose (tagged 4612883, 4405582 - not serviced)
	4364 375	AR			TUBING, Convoluted 3/8" (serv. in 10 ft. roll)
1	5227 635	1			SOLENOID, Canister Purge, 3 Port
2	5227 034	1			BRACKET, Solenoid Mounting (INCLUDES ISOLATOR AND SPACER)
3	5277 577	1			CONNECTOR, 3 Port Solenoid
4	4458 158	1			FILTER
5	3780 508	AR			HOSE, Rubber 1/8" I.D. (serv. in 50 ft. roll)
6	4201 275	2			CONNECTOR 1/4 x 1/4
7	4288 207	1			TUBE, Expanded End
8	4104 272	AR			HOSE, Rubber 1/4" I.D. (serv. in 50 ft. roll)
9	5277 911	1			TUBE, Formed Vapor



MODEL CODES:

A BODY=(C=LeBaron, D=Spirit, P=Acclaim/LaBaron(Landau), Saratoga) S BODY=(H=Voyager(H) FWD, K=Caravan(H) FWD, Y=Town & Country(H) FWD, P=Voyager(K) AWD, D=Caravan(K) AWD, C=Town & Country(K) AWD)  
 C BODY=(D=Dynasty, C=New Yorker/N.Y. Salon) Y BODY=(C=Imperial/5th Avenue)  
 G BODY=(V=Daytona/IROC, Chrysler Daytona) E-S BODY=(K=Chrysler Voyager(H) FWD, D=Chrysler Voyager(K) AWD)  
 J BODY=(C=LeBaron, Chrysler LeBaron) P BODY=(P=Sundance, D=Shadow)

BODY STYLES:

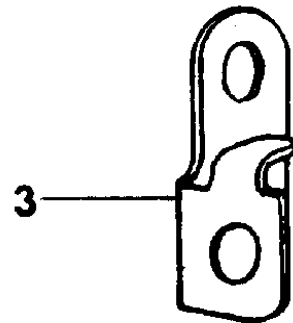
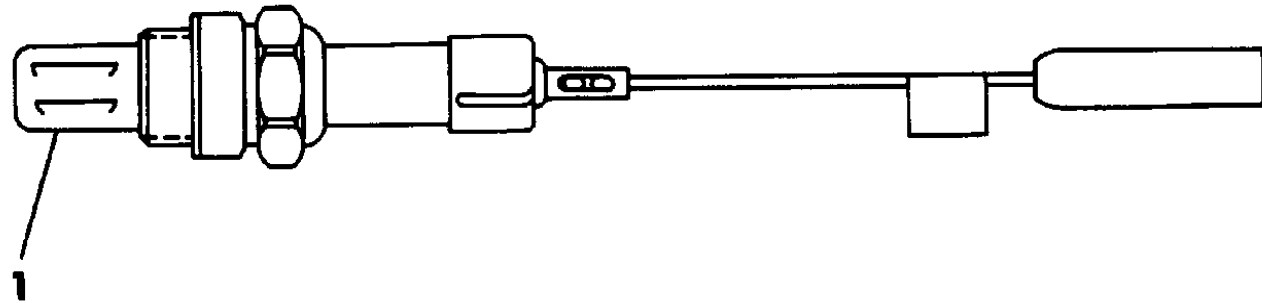
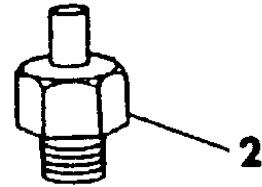
21=2-Door Coupe 41=4-Door Sedan 12-52=FWD & AWD Van & Wgn Std W.B.  
 24=2-Door Hatchback 44=4-Door Hatchback 53=FWD & AWD Van & Wgn Ext. W.B.  
 27=2-Door Convertible

AR = Use as Required - = Non Illustrated Part P.A.R. = Paint as Required

**OXYGEN SENSOR AND CHARGE TEMPERATURE SENSOR**  
**Figure 25-1400**

93125 1400

ITEM	PART NUMBER	QTY	BODY	MODEL	DESCRIPTION
1	5233 088	1			SENSOR, Oxygen
2	5227 805	1			SENSOR, Charge Temperature - 2.2L Eng. 16 Valve
3	5234 339	1	P,A,J,G		BRACKET, Oxygen Sensor Harness Support 2.2L Eng. 16 Valve
	5234 241	1	C,Y,S		3.3L and 3.8L Eng.



**MODEL CODES:**

A BODY=(C=LeBaron, D=Spirit, P=Acclaim/LaBaron(Landau),  
Saratoga)  
 C BODY=(D=Dynasty, C=New Yorker/N.Y. Salon)  
 G BODY=(V=Daytona/IROC, Chrysler Daytona)  
 J BODY=(C=LeBaron, Chrysler LeBaron)  
 P BODY=(P=Sundance, D=Shadow)

S BODY=(H=Voyager(H) FWD, K=Caravan(H) FWD,  
Y=Town & Country(H) FWD, P=Voyager(K) AWD,  
D=Caravan(K) AWD, C=Town & Country(K) AWD)  
 Y BODY=(C=Imperial/5th Avenue)  
 E-S BODY=(K=Chrysler Voyager(H) FWD, D=Chrysler  
Voyager(K) AWD)

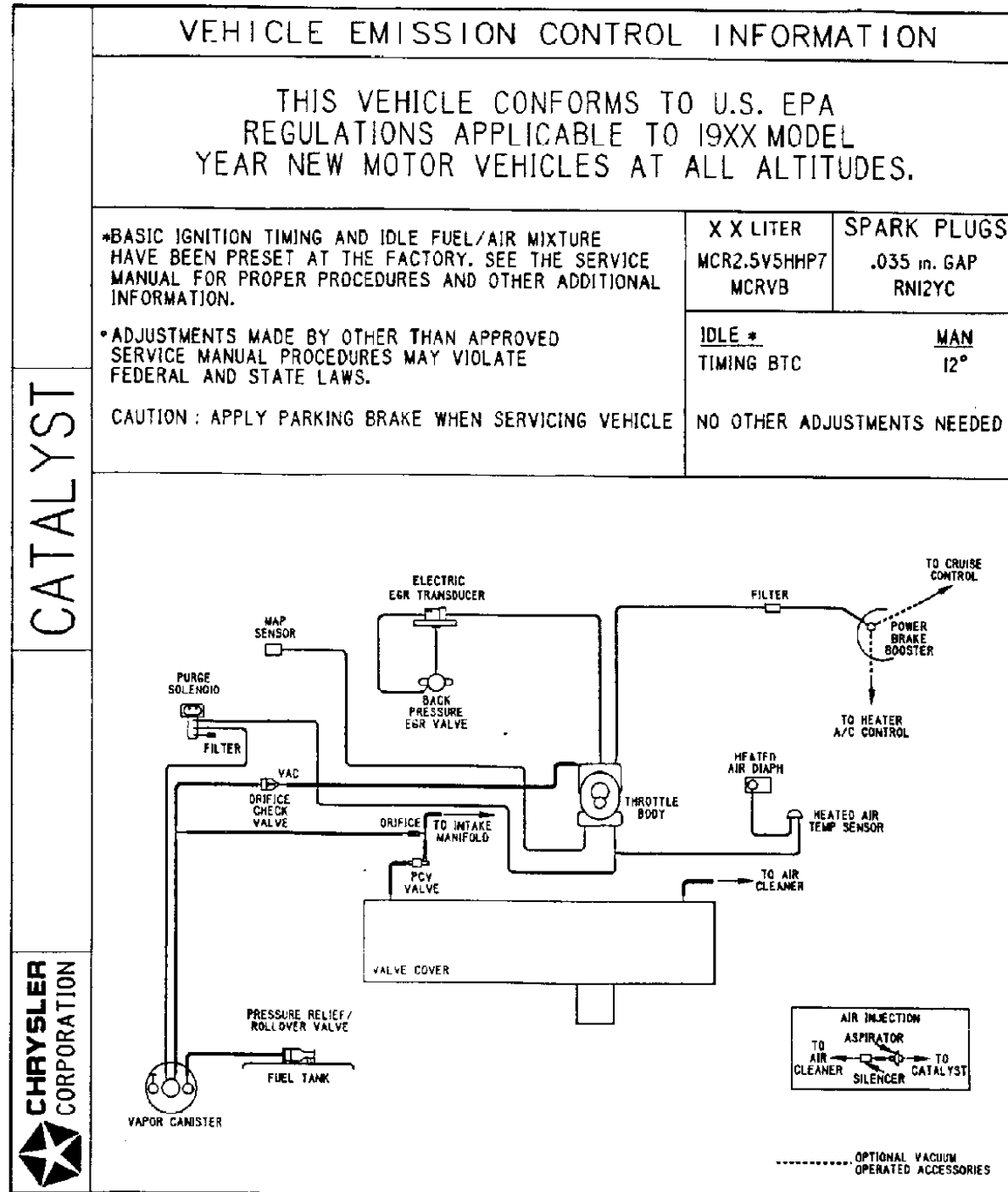
**BODY STYLES:**

21=2-Door Coupe      41=4-Door Sedan      12=52=FWD & AWD Van & Wgn Std W.B.  
 24=2-Door Hatchback      44=4-Door Hatchback      53=FWD & AWD Van & Wgn Ext. W.B.  
 27=2-Door Convertible

AR = Use as Required - = Non Illustrated Part P.A.R. = Paint as Required

EMISSION LABELS  
Figure 25-1500

93125 1500B



ITEM	PART NUMBER	QTY	BODY	MODEL	DESCRIPTION
LABEL, Emission Adjustment and Routing					
-- P BODY --					
	4612 566	1			3.0 Eng., California
	4612 569	1			3.0 Eng., Federal
	4612 570	1			3.0 Eng., Federal for California
	4669 501	1			2.2 Eng., Federal and High Altitude
	4669 502	1			2.2 Eng., Federal for California
	4669 504	1			2.2 Eng., High Altitude
	4669 505	1			2.2 Eng., California
	4669 510	1			2.5 Eng., Federal and High Altitude, Manual Tran.
	4669 511	1			2.5 Eng., Federal for California
	4669 513	1			2.5 Eng., High Altitude, Auto Trans.
	4669 514	1			2.5 Eng., California
-- A BODY --					
	4612 566	1			3.0 Eng., California
	4612 569	1			3.0 Eng., Federal
	4669 510	1			2.5 Eng., Federal and High Altitude, Manual Trans.
	4669 511	1			2.5 Eng., Federal for California
	4669 513	1			2.5 Eng., Federal, High Altitude, Auto Trans.
	4669 514	1			2.5 Eng., California
	4669 520	1			2.5 Eng., Federal and High Altitude, Flex Fuel
	4669 521	1			2.5 Eng., California, Flex Fuel
-- J BODY --					
	4612 566	1			3.0 Eng., California
	4612 569	1			3.0 Eng., Federal OR High Altitude
	4612 570	1			3.0 Eng., Federal for California
	4669 513	1			2.5 Eng., High Altitude
	4669 514	1			2.5 Eng., California
-- G BODY --					
	4612 566	1			3.0 Eng., California
	4612 569	1			3.0 Eng., Federal OR High Altitude
	4612 570	1			3.0 Eng., Federal for California
	4669 510	1			2.5 Eng., Federal and High Altitude
	4669 511	1			2.5 Eng., Federal for California
	4669 513	1			2.5 Eng., High Altitude
	4669 514	1			2.5 Eng., California
	4669 525	1			2.2 Turbo Eng., Federal and High Altitude
	4669 526	1			2.2 Turbo Eng., Federal for California
-- C BODY --					

**MODEL CODES:**

A BODY=(C=LeBaron, D=Spirit, P=Acclaim/LaBaron(Landau), Saratoga)      S BODY=(H=Voyager(H) FWD, K=Caravan(H) FWD, Y=Town & Country(H) FWD, P=Voyager(K) AWD, D=Caravan(K) AWD, C=Town & Country(K) AWD)

C BODY=(D=Dynasty, C=New Yorker/N.Y. Salon)

G BODY=(V=Daytona/IROC, Chrysler Daytona)

J BODY=(C=LeBaron, Chrysler LeBaron)

P BODY=(P=Sundance, D=Shadow)

E-S BODY=(K=Chrysler Voyager(H) FWD, D=Chrysler Voyager(K) AWD)

**BODY STYLES:**

21=2-Door Coupe      41=4-Door Sedan      12-52=FWD & AWD Van & Wgn Std W.B.  
24=2-Door Hatchback      44=4-Door Hatchback      53=FWD & AWD Van & Wgn Ext. W.B.  
27=2-Door Convertible

AR = Use as Required - = Non Illustrated Part P.A.R. = Paint as Required

EMISSION LABELS  
Figure 25-1500

93125 1500B

VEHICLE EMISSION CONTROL INFORMATION

THIS VEHICLE CONFORMS TO U.S. EPA REGULATIONS APPLICABLE TO 19XX MODEL YEAR NEW MOTOR VEHICLES AT ALL ALTITUDES.

<p>*BASIC IGNITION TIMING AND IDLE FUEL/AIR MIXTURE HAVE BEEN PRESET AT THE FACTORY. SEE THE SERVICE MANUAL FOR PROPER PROCEDURES AND OTHER ADDITIONAL INFORMATION.</p> <p>*ADJUSTMENTS MADE BY OTHER THAN APPROVED SERVICE MANUAL PROCEDURES MAY VIOLATE FEDERAL AND STATE LAWS.</p> <p>CAUTION: APPLY PARKING BRAKE WHEN SERVICING VEHICLE</p>	<p><b>X X LITER</b></p> <p>MCR2.5V5HHP7 MCRVB</p>	<p><b>SPARK PLUGS</b></p> <p>.035 in. GAP RNI2YC</p>
	<p><b>IDLE *</b></p> <p>TIMING BTC</p>	<p><b>MAN</b></p> <p>12°</p>
<p>NO OTHER ADJUSTMENTS NEEDED</p>		

ITEM	PART NUMBER	QTY	BODY	MODEL	DESCRIPTION
	4612 566	1			3.0 Eng., California
	4612 569	1			3.0 Eng., Federal
	4612 572	1			3.0 Eng., High Altitude
	4612 573	1			3.0 Eng., California
	4612 575	1			3.3/3.5/3.8 Eng., California
	4612 577	1			3.3/3.5/3.8 Eng., High Altitude and Federal
	4669 513	1			2.2/2.5 Eng., High Altitude -- Y BODY --
	4612 575	1			3.3 Eng., California
	4612 577	1			3.3 Eng., High Altitude and Federal
	4612 596	1			3.8 Eng., California
	4612 598	1			3.8 Eng., High Altitude -- S BODY --
	4612 588	1			3.0 Eng., Federal for California
	4612 591	1			3.3/3.5/3.8 Eng., California
	4612 592	1			3.3/3.5/3.8 Eng., Federal for California
	4612 593	1			3.0 Eng., California
	4612 594	1			3.3/3.5/3.8 Eng., High Altitude
	4612 595	1			3.0 Eng., Federal OR High Altitude
	4669 515	1			2.2/2.5 Eng., High Altitude
	4669 518	1			2.2/2.5 Eng., Federal for California

**MODEL CODES:**

A BODY=(C=LeBaron, D=Spirit, P=Acclaim/LaBaron(Landau, Saratoga) S BODY=(H=Voyager(H) FWD, K=Caravan(H) FWD, Y=Town & Country(H) FWD, P=Voyager(K) AWD, D=Caravan(K) AWD, C=Town & Country(K) AWD)

C BODY=(D=Dynasty, C=New Yorker/N.Y. Salon)

G BODY=(V=Daytona/IROC, Chrysler Daytona)

J BODY=(C=LeBaron, Chrysler LeBaron)

P BODY=(P=Sundance, D=Shadow)

**BODY STYLES:**

21=2-Door Coupe      41=4-Door Sedan      12-52=FWD & AWD Van & Wgn Std W.B.  
 24=2-Door Hatchback      44=4-Door Hatchback      53=FWD & AWD Van & Wgn Ext. W.B.  
 27=2-Door Convertible

AR = Use as Required - = Non Illustrated Part P.A.R. = Paint as Required

---

**GROUP INF - INTERIOR TRIM**

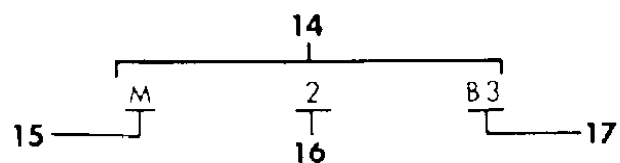
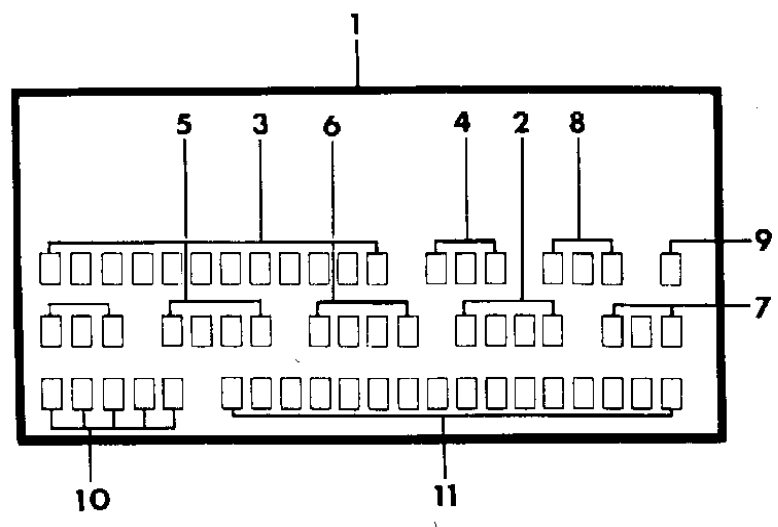
<b>ILLUSTRATION TITLE</b>	<b>GROUP-FIG. NO.</b>
TRIM CODE DEFINED .....	Fig. INF-100
TRIM INFORMATION .....	Fig. INF-200

**ILLUSTRATION NOT AVAILABLE AT TIME OF PUBLICATION**

---

**TRIM CODE DEFINED**  
**Figure INF-100**

93229 100A



18						
SALES CODE	CBA	CBB	CAD	CAC	CBC	CBD
CLOTH	1	3	7	5	9	F
VINYL	2	4	8	6	X	V
LEATHER	N	G	L	J	Y	P

ITEM	PART NUMBER	QTY	BODY	MODEL	DESCRIPTION
------	-------------	-----	------	-------	-------------

-1- BODY CODE PLATE applications specified in this document.

. . . . The Body Code plate includes the Trim Code, Paint Codes, Vinyl Roof code, Build Date, etc.. The plate is located under the hood on the left front fender side shield or wheel housing or the radiator support.

NOTE: For additional detailed information not listed below, see illustrated text inf. section front fender side shield or wheel housing or the radiator support.

-2- = Trim Code front fender side shield or wheel housing or the radiator support.

-3- = Vehicle Order Number front fender side shield or wheel housing or the radiator support.

-4- = Vinyl Roof Code/Door Combo Code (Pillette) front fender side shield or wheel housing or the radiator support.

-5- = Body Paint, Primary front fender side shield or wheel housing or the radiator support.

-6- = Body Paint, Secondary front fender side shield or wheel housing or the radiator support.

-7- = Engine code front fender side shield or wheel housing or the radiator support.

-8- = Transmission code front fender side shield or wheel housing or the radiator support.

-9- = Order: U = U.S.; C = Canada; I = International front fender side shield or wheel housing or the radiator support.

-10\_ = Model (includes Shell, Car Line, Price Class, Body Type) front fender side shield or wheel housing or the radiator support.

-11- = Vin (Vehicle Identification Number) front fender side shield or wheel housing or the radiator support.

\*\*\*\*\* front fender side shield or wheel housing or the radiator support.

-14- = TRIM CODE (typical) defined front fender side shield or wheel housing or the radiator support.

-15- = Series (1st element) front fender side shield or wheel housing or the radiator support.

-16- = Type & Material (see Chart #16 for application) front fender side shield or wheel housing or the radiator support.

-17- = Color & Shade (see Figure IT-30 for definition) front fender side shield or wheel housing or the radiator support.

\*\*\*\*\* front fender side shield or wheel housing or the radiator support.

-18- = Type & Material defined (2nd character of Trim Code) front fender side shield or wheel housing or the radiator support.

-19- = Seat Sales codes front fender side shield or wheel housing or the radiator support.

. . . . CBA = Straight Bench, Front w/solid fixed back front fender side shield or wheel housing or the radiator support.

. . . . CBB = Straight Bench, Front w/split hinged back front fender side shield or wheel housing or the radiator support.

. . . . CAC = Bucket, Front - Low Back front fender side shield or wheel housing or the radiator support.

. . . . CAD = Bucket, Front - High Back front fender side shield or wheel housing or the radiator support.

. . . . CBC = 60/40 Split Bench, Front - w/passenger side recliner front fender side shield or wheel housing or the radiator support.

. . . . CBD = 50/50 Split w/Dual Arm Rest front fender side shield or wheel housing or the radiator support.

-20- = Cloth material codes front fender side shield or wheel housing or the radiator support.

-21- = All Vinyl material codes front fender side shield or wheel housing or the radiator support.

-22- = Leather material codes front fender side shield or wheel housing or the radiator support.

front fender side shield or wheel housing or the radiator support.

**MODEL CODES:**

A BODY=(C=LeBaron, D=Spirit, P=Acclaim/LaBaron(Landau), Saratoga)      S BODY=(H=Voyager(H) FWD, K=Caravan(H) FWD, Y=Town & Country(H) FWD, P=Voyager(K) AWD, D=Caravan(K) AWD, C=Town & Country(K) AWD)  
 C BODY=(D=Dynasty, C=New Yorker/N.Y. Salon)      Y BODY=(C=Imperial/5th Avenue)  
 G BODY=(V=Daytona/IROC, Chrysler Daytona)      E-S BODY=(K=Chrysler Voyager(H) FWD, D=Chrysler Voyager(K) AWD)  
 J BODY=(C=LeBaron, Chrysler LeBaron)  
 P BODY=(P=Sundance, D=Shadow)

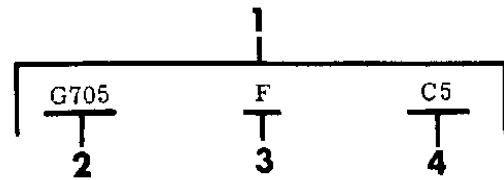
**BODY STYLES:**

21=2-Door Coupe      41=4-Door Sedan      12-52=FWD & AWD Van & Wgn Std W.B.  
 24=2-Door Hatchback      44=4-Door Hatchback      53=FWD & AWD Van & Wgn Ext. W.B.  
 27=2-Door Convertible

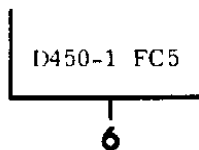
AR = Use as Required - = Non Illustrated Part P.A.R. = Paint as Required

TRIM INFORMATION  
Figure INF-200

93229 200A



	5 BODY							
	P	J		G	C	S	A	Y
	P D	C		V	D C	H K Y	P D	C
AZ AGATE		X		X	X			X
B9 Midnight Blue		X			X			X
B7 SLATE BLUE	X					X	X	
D5 Medium Quartz	X					X	X	
DW Med & Lt. Quartz				X			X	
H7 Mahogany								X
LW8 Light Quartz								X
M6 CRIMSON RED	X	X		X	X			X
RC RADIANT RED				X				
R8 Bordeaux Red						X		
V4 Champagne-Tan	X				X	X		X
V8 MEDIUM CHAMPAGNE							X	
VV Champagne		X						
WC FROST WHITE		X						
X7 Black								X



ITEM	PART NUMBER	QTY	BODY	MODEL	DESCRIPTION
------	-------------	-----	------	-------	-------------

- 1- = COLOR CODED PART NUMBER defined: front fender side shield or wheel housing or the radiator support.
- 2- = First element: Basic part number (1 alpha + 3 numerics) or (2 alpha + 2 numerics) front fender side shield or wheel housing or the radiator support.
- 3- = Second element: Series/1st model year color mastered (1 alpha) front fender side shield or wheel housing or the radiator support.
- 4- = Third element: Color & shade suffix (usually 1 alpha + 1 numeric) front fender side shield or wheel housing or the radiator support.
- ALPHA: front fender side shield or wheel housing or the radiator support.
  - .... AZ = Agate front fender side shield or wheel housing or the radiator support.
  - .... B = Medium Blue front fender side shield or wheel housing or the radiator support.
  - .... B7 = Slate Blue front fender side shield or wheel housing or the radiator support.
  - .... B9 = Midnight Blue front fender side shield or wheel housing or the radiator support.
  - .... D5 = Medium Quartz front fender side shield or wheel housing or the radiator support.
  - .... DW = Med. and Lt. Quartz front fender side shield or wheel housing or the radiator support.
  - .... H7 = Mahogany front fender side shield or wheel housing or the radiator support.
  - .... LW8 = Light Quartz front fender side shield or wheel housing or the radiator support.
  - .... M6 = Red front fender side shield or wheel housing or the radiator support.
  - .... R8 = Bordeaux Red front fender side shield or wheel housing or the radiator support.
  - .... RC = Radiant Red front fender side shield or wheel housing or the radiator support.
  - .... V4 = Champagne/Tan front fender side shield or wheel housing or the radiator support.
  - .... V8 = Medium Champagne front fender side shield or wheel housing or the radiator support.
  - .... VV = Champagne front fender side shield or wheel housing or the radiator support.
  - .... WC = Frost White front fender side shield or wheel housing or the radiator support.
  - .... X7 = Black front fender side shield or wheel housing or the radiator support.
- NUMERIC (on a scale from 1-9: 1= lightest shade; 9= darkest shade) front fender side shield or wheel housing or the radiator support.
  - .... 1 = very Light front fender side shield or wheel housing or the radiator support.
  - .... 2 = Light front fender side shield or wheel housing or the radiator support.
  - .... 3 = front fender side shield or wheel housing or the radiator support.
  - .... 4 = front fender side shield or wheel housing or the radiator support.
  - .... 5 = Medium front fender side shield or wheel housing or the radiator support.
  - .... 6 = Medium dark front fender side shield or wheel housing or the radiator support.
  - .... 7 = front fender side shield or wheel housing or the radiator support.
  - .... 8 = Dark front fender side shield or wheel housing or the radiator support.
  - .... 9 = very Dark front fender side shield or wheel housing or the radiator support.
- 5- = COLOR APPLICATION CHART (identifies vehicle usage) front fender side shield or wheel housing or the radiator support.
- 6- = COMBINED Part Number defined front fender side shield or wheel housing or the radiator support.
  - .... Right & Left part numbers are frequently combined on 1 line and are interpreted as: front fender side shield or wheel housing or the radiator support.

MODEL CODES:

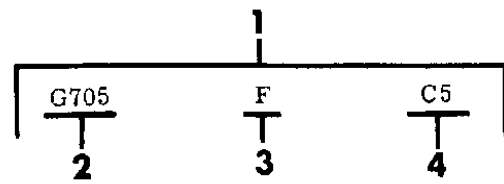
A BODY=(C=LeBaron, D=Spirit, P=Acclaim/LaBaron(Landau), Saratoga) S BODY=(H=Voyager(H) FWD, K=Caravan(H) FWD, Y=Town & Country(H) FWD, P=Voyager(K) AWD, D=Caravan(K) AWD, C=Town & Country(K) AWD)  
 C BODY=(D=Dynasty, C=New Yorker/N.Y. Salon) Y BODY=(C=Imperial/5th Avenue)  
 G BODY=(V=Daytona/IROC, Chrysler Daytona) E-S BODY=(K=Chrysler Voyager(H) FWD, D=Chrysler Voyager(K) AWD)  
 J BODY=(C=LeBaron, Chrysler LeBaron) P BODY=(P=Sundance, D=Shadow)

BODY STYLES:

21=2-Door Coupe 41=4-Door Sedan 12-52=FWD & AWD Van & Wgn Std W.B.  
 24=2-Door Hatchback 44=4-Door Hatchback 53=FWD & AWD Van & Wgn Ext. W.B.  
 27=2-Door Convertible

AR = Use as Required - = Non Illustrated Part P.A.R. = Paint as Required

93229 200A



5

	BODY							
	P	J		G	C	S	A	Y
	P D	C		V	D C	H K Y	P D	C
AZ AGATE		X		X	X			X
B9 Midnight Blue		X			X			X
B7 SLATE BLUE	X					X	X	
D5 Medium Quartz	X					X	X	
DW Med & Lt. Quartz				X			X	
H7 Mahogany								X
LW8 Light Quartz								X
M6 CRIMSON RED	X	X		X	X			X
RC RADIANT RED				X				
R8 Bordeaux Red						X		
V4 Champagne-Tan	X				X	X		X
V8 MEDIUM CHAMPAGNE							X	
VV Champagne		X						
WC FROST WHITE		X						
X7 Black								X

D450-1 FC5

6



**TRIM INFORMATION**  
**Figure INF-200**

ITEM	PART NUMBER	QTY	BODY	MODEL	DESCRIPTION
------	-------------	-----	------	-------	-------------

. . . . . D450PA4 = Right side application; D451PA4 = Left side application. front fender side shield or wheel housing or the radiator support.

. . . . . Right & Left sides are always determined by their relationship to the driver when normally seated and looking forward. front fender side shield or wheel housing or the radiator support.

\* \* \* \* \* HOW TO ORDER ROLL GOODS front fender side shield or wheel housing or the radiator support.

VINYL & CLOTH: Requirements must be ordered in the number of linear inches desired; e.g.: when 10 running inches of a particular part number is req'd., the order should specify a quantity of 10.

HIDE or LEATHER: Requirements must be ordered in the number of square feet desired; e.g.: when 2 square feet of a particular part number is req'd., the order should specify a quantity of 2.

\* \* \* \* \* CAUTION - SEAT COVERS vs ASSEMBLIES e order should specify a quantity of 2.

Extreme care must be exercised when ordering Seat Covers to insure it is ONLY the Cover and NOT a complete Cushion or Back. Complete Cushions and Backs ARE NOT RETURNABLE.  
s ARE NOT RETURNABLE.

**MODEL CODES:**  
 A BODY=(C=LeBaron, D=Spirit, P=Acclaim/LaBaron(Landau), Saratoga)      S BODY=(H=Voyager(H) FWD, K=Caravan(H) FWD, Y=Town & Country(H) FWD, P=Voyager(K) AWD, D=Caravan(K) AWD, C=Town & Country(K) AWD)  
 C BODY=(D=Dynasty, C=New Yorker/N.Y. Salon)  
 G BODY=(V=Daytona/IROC, Chrysler Daytona)      Y BODY=(C=Imperial/5th Avenue)  
 J BODY=(C=LeBaron, Chrysler LeBaron)      E-S BODY=(K=Chrysler Voyager(H) FWD, D=Chrysler Voyager(K) AWD)  
 P BODY=(P=Sundance, D=Shadow)

**BODY STYLES:**  
 21=2-Door Coupe      41=4-Door Sedan      12-52=FWD & AWD Van & Wgn Std W.B.  
 24=2-Door Hatchback      44=4-Door Hatchback      53=FWD & AWD Van & Wgn Ext. W.B.  
 27=2-Door Convertible

AR = Use as Required - = Non Illustrated Part P.A.R. = Paint as Required

---

**GROUP ITA - A BODY**

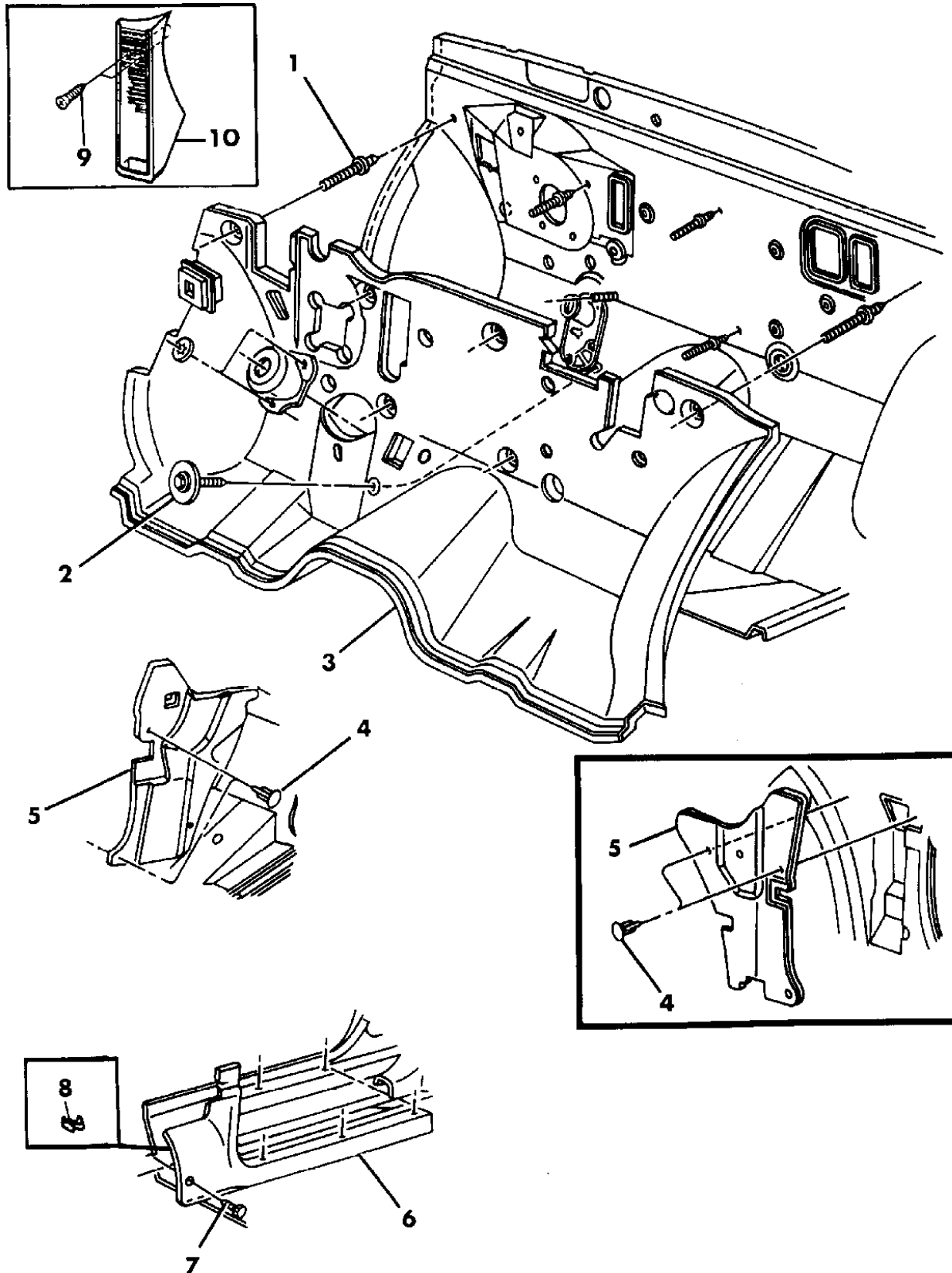
<b>ILLUSTRATION TITLE</b>	<b>GROUP-FIG. NO.</b>
COWL PANEL AND SILENCERS A BODY .....	Fig. ITA-100
HEADLINER VISOR AND SHELF PANEL A BODY .....	Fig. ITA-200
MOULDING--GARNISH A BODY .....	Fig. ITA-300
B PILLAR TRIM A BODY .....	Fig. ITA-400
PANEL QUARTER TRIM A BODY .....	Fig. ITA-500
CARPET AND SILENCERS A BODY .....	Fig. ITA-600
SILENCERS - REAR COMPARTMENT A BODY .....	Fig. ITA-700
SCUFF PLATES A BODY .....	Fig. ITA-800
DOOR TRIM--FRONT A BODY .....	Fig. ITA-900
DOOR TRIM PANEL--REAR A BODY .....	Fig. ITA-1000
SEAT--FRONT A BODY TRIM CODE B7,N7,G7,P7 .....	Fig. ITA-1100
SEAT--FRONT A BODY TRIM CODE BF,GF,NF,PF .....	Fig. ITA-1200
SEAT--FRONT A BODY TRIM CODE CF,CP,PL .....	Fig. ITA-1300
BELT--FRONT SEAT A BODY .....	Fig. ITA-1400
LUMBAR AND THIGH SUPPORT - MANUAL A BODY .....	Fig. ITA-1500
SEAT--RECLINING A BODY .....	Fig. ITA-1600
ADJUSTER - MANUAL AND COVERS A BODY .....	Fig. ITA-1700
ADJUSTER--ELECTRIC A BODY .....	Fig. ITA-1800
ADJUSTER - ELECTRIC AND COVERS A BODY .....	Fig. ITA-1900
SEAT--REAR A BODY TRIM CODES BF,B7,GF,G7,NF,N7,PF,P7 .....	Fig. ITA-2000
SEAT--REAR A BODY TRIM CODES CF,CP,PL .....	Fig. ITA-2100
BELT--REAR SEAT A BODY .....	Fig. ITA-2200
SEAT--REAR FOLD DOWN A BODY .....	Fig. ITA-2300

**ILLUSTRATION NOT AVAILABLE AT TIME OF PUBLICATION**

---

**COWL PANEL AND SILENCERS A BODY**  
Figure ITA-100

93235 100



ITEM	PART NUMBER	QTY	BODY	MODEL	DESCRIPTION
1	6032 020	6			STUD
2		AR			SCREW, (8-18x.75) (Not Serv.)
3	4674 088	1			LINER, Dash
4	6030 441	1			RETAINER, Cowl Side
5					SILENCER
	4416 798	1			Right
	4548 067	1			Left
6					PANEL, Cowl and Scuff Plate
					RIGHT
					Front
	WD24 HD5	1			Quartz
	WD24 KB7	1			Blue
	WD24 LMA	1			Red
	WD24 KV8	1			Champagne
					LEFT
					Front
	ES03 KD5	1			Quartz
	ES03 KB7	1			Blue
	ES03 LMA	1			Red
	ES03 KV8	1			Champagne
					Rear
	AQ50-1 HD5	1			Quartz
	AQ50-1 KB7	1			Blue
	AQ50-1 LM6	1			Bordeaux
	AQ50-1 KV8	1			Champagne
-					COVER, Cowl Side (Less Remote)
	EC18 LB7	1			Blue
	EC18 LD5	1			Quartz
	EC18 LM6	1			Red
	EC18 LV8	1			Champagne
7		AR			SCREW, (10x16) (Not Serv.)
8	4620 732	2			CLIP, Side Garnish To Cowl Attaching
9					SCREW, (Not Serv.)
10	4248 717	1			FOOTREST

**MODEL CODES:**

A BODY=(C=LeBaron, D=Spirit, P=Acclaim/LaBaron(Landau, Saratoga) S BODY=(H=Voyager(H) FWD, K=Caravan(H) FWD, Y=Town & Country(H) FWD, P=Voyager(K) AWD, D=Caravan(K) AWD, C=Town & Country(K) AWD)  
 C BODY=(D=Dynasty, C=New Yorker/N.Y. Salon)  
 G BODY=(V=Daytona/IROC, Chrysler Daytona)  
 J BODY=(C=LeBaron, Chrysler LeBaron)  
 P BODY=(P=Sundance, D=Shadow)  
 Y BODY=(C=Imperial/5th Avenue)  
 E-S BODY=(K=Chrysler Voyager(H) FWD, D=Chrysler Voyager(K) AWD)

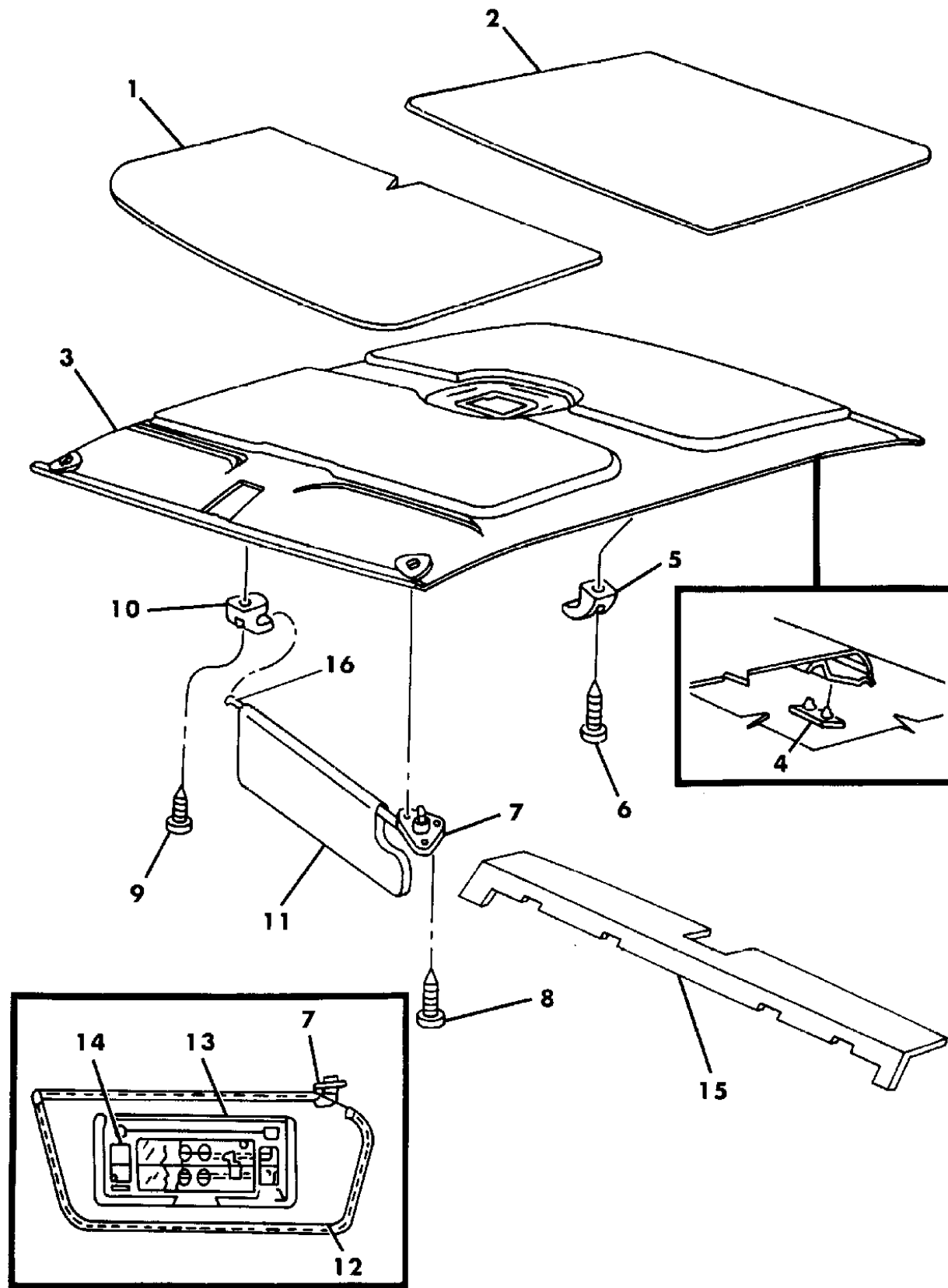
**BODY STYLES:**

21=2-Door Coupe      41=4-Door Sedan      12-52=FWD & AWD Van & Wgn Std W.B.  
 24=2-Door Hatchback      44=4-Door Hatchback      53=FWD & AWD Van & Wgn Ext. W.B.  
 27=2-Door Convertible

AR = Use as Required - = Non Illustrated Part P.A.R. = Paint as Required

**HEADLINER VISOR AND SHELF PANEL A BODY**  
Figure ITA-200

93235 200



ITEM	PART NUMBER	QTY	BODY	MODEL	DESCRIPTION
1	4681 344	1			SILENCER, Front Panel
2	4681 344	1			SILENCER, Rear Panel
3					HEADLINER
	HC83 MB7	1			Blue
	HC83 MD5	1			Quartz
	HC83 MMA	1			Red
	HC83 MV8	1			Champagne
4	4410 800	AR			RETAINER, Headliner
5					COAT HOOK
					w/Assist Handles
	H525 HD5	2			Quartz
	H525 KB7	2			Blue
	H525 LM6	2			Red
	H525 LV8	2			Champagne
					w/o Assist Handles
	H542 KB7	2			Blue
	H542 HD5	2			Quartz
	H542 LM6	2			Red
	H542 JV8	2			Champagne
6					SCREW, (Not Serv.)
7					ARM and BRACKET
	EH54-5 KB7	1			Blue
	EH54-5 KD5	1			Quartz
	EH54-5 LM6	1			Red
	EH54-5 KV8	1			Champagne
8	6032 584	6			SCREW
9					SCREW, (Not Serv.)
10					CLIP, Visor Retainer
	DF49 KD5	2			Quartz
	DF49 KB7	2			Blue
	DF49 LMA	2			Red
	DF49 KV8	2			Champagne
11					VISOR
					RIGHT, w/o Map Pocket w/Mirror
	EA22 KD5	1			Quartz
	EA22 KB7	1			Blue
	EA22 LMA	1			Red
	EA22 KV8	1			Champagne
					LEFT, w/Mirror and Sliding Door

**MODEL CODES:**

A BODY=(C=LeBaron, D=Spirit, P=Acclaim/LaBaron(Landau), Saratoga) S BODY=(H=Voyager(H) FWD, K=Caravan(H) FWD, Y=Town & Country(H) FWD, P=Voyager(K) AWD, D=Caravan(K) AWD, C=Town & Country(K) AWD)  
 C BODY=(D=Dynasty, C=New Yorker/N.Y. Salon) Y BODY=(C=Imperial/5th Avenue)  
 G BODY=(V=Daytona/IROC, Chrysler Daytona) E-S BODY=(K=Chrysler Voyager(H) FWD, D=Chrysler Voyager(K) AWD)  
 J BODY=(C=LeBaron, Chrysler LeBaron) P BODY=(P=Sundance, D=Shadow)

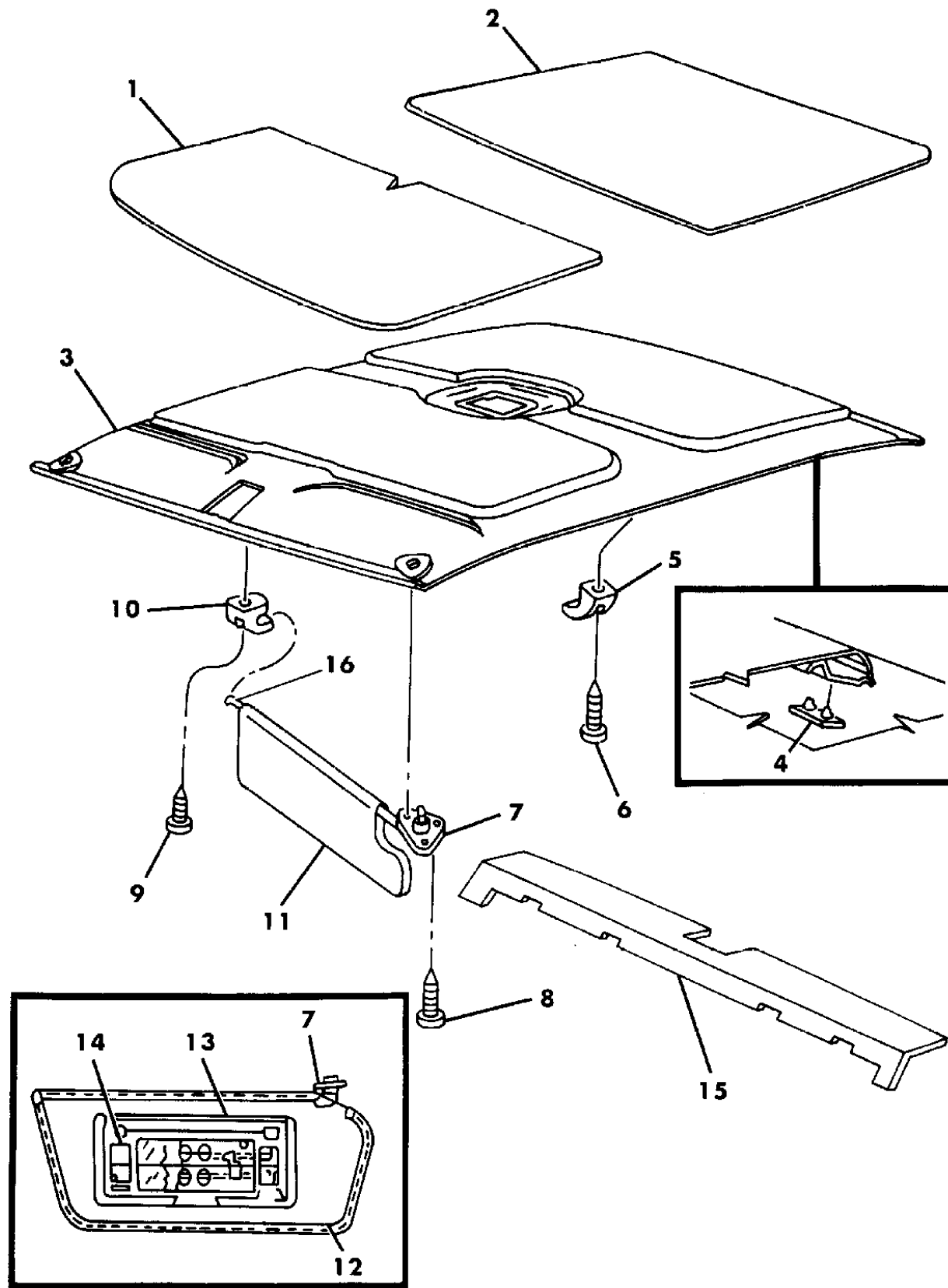
**BODY STYLES:**

21=2-Door Coupe 41=4-Door Sedan 12-52=FWD & AWD Van & Wgn Std W.B.  
 24=2-Door Hatchback 44=4-Door Hatchback 53=FWD & AWD Van & Wgn Ext. W.B.  
 27=2-Door Convertible

AR = Use as Required - = Non Illustrated Part P.A.R. = Paint as Required

**HEADLINER VISOR AND SHELF PANEL A BODY**  
Figure ITA-200

93235 200



ITEM	PART NUMBER	QTY	BODY	MODEL	DESCRIPTION
	GR85 MD5	1			Quartz
	GR85 MB7	1			Blue
	GR85 MMA	1			Red
	GR85 MV8	1			Champagne
	H322 KB7	1			Blue
	H322 KD5	1			Quartz
	H322 LM6	1			Red
	H322 KV8	1			Champagne
12					VISOR, w/Illuminated Vanity Mirror RIGHT
	H888 HD5	1			Quartz
	H888 KB7	1			Blue
	H888 LMA	1			Red
	H888 JV8	1			Champagne
	GR87 MD5	1			Quartz
	GR87 MB7	1			Blue
	GR87 MMA	1			Red
	GR87 MV8	1			Champagne
					Visor, Sub Assembly (w/Illuminated Mirror) LEFT
	H768 HD5	1			Quartz
	H768 KB7	1			Blue
	H768 LMA	1			Red
	H768 JV8	1			Champagne
	GR89 MD5	1			Quartz
	GR89 MB7	1			Blue
	GR89 MMA	1			Red
	GR89 MV8	1			Champagne
13					VANITY, Sub Assembly w/Illuminated Mirror LEFT
	H640 HD5	2			Quartz
	H640 KB7	2			Blue
	H640 LMA	2			Red
	H640 JV8	2			Champagne
14	4410 693	2			LENS
15					PANEL, Shelf Trim
	EM73 KD5	1		D-P	Quartz

**MODEL CODES:**

A BODY=(C=LeBaron, D=Spirit, P=Acclaim/LaBaron(Landau),  
Saratoga)  
C BODY=(D=Dynasty, C=New Yorker/N.Y. Salon)  
G BODY=(V=Daytona/IROC, Chrysler Daytona)  
J BODY=(C=LeBaron, Chrysler LeBaron)  
P BODY=(P=Sundance, D=Shadow)

S BODY=(H=Voyager(H) FWD, K=Caravan(H) FWD,  
Y=Town & Country(H) FWD, P=Voyager(K) AWD,  
D=Caravan(K) AWD, C=Town & Country(K) AWD)  
Y BODY=(C=Imperial/5th Avenue)  
E-S BODY=(K=Chrysler Voyager(H) FWD, D=Chrysler  
Voyager(K) AWD)

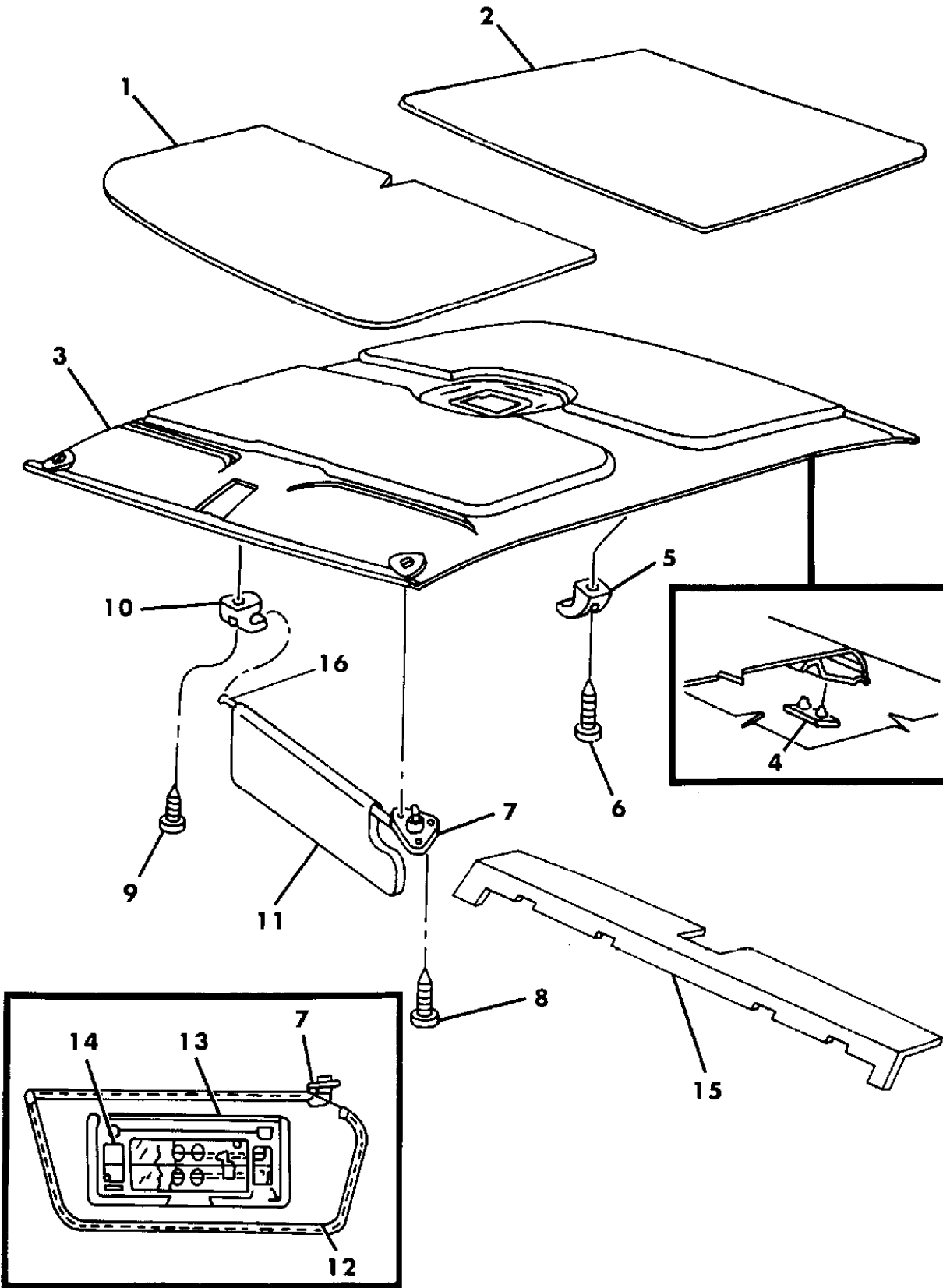
**BODY STYLES:**

21=2-Door Coupe      41=4-Door Sedan      12-52=FWD & AWD Van & Wgn Std W.B.  
24=2-Door Hatchback      44=4-Door Hatchback      53=FWD & AWD Van & Wgn Ext. W.B.  
27=2-Door Convertible

AR = Use as Required - = Non Illustrated Part P.A.R. = Paint as Required

**HEADLINER VISOR AND SHELF PANEL A BODY**  
Figure ITA-200

93235 200



ITEM	PART NUMBER	QTY	BODY	MODEL	DESCRIPTION
	EM73 KB7	1		D-P	Blue
	EM73 LM6	1		D-P	Red
	EM73 KV8	1		D-P	Champagne
	EM72 KD5	1		C	Quartz
	EM72 KB7	1		C	Blue
	EM72 LM6	1		C	Red
	EM72 KV8	1		C	Champagne
16	4507 170	1			TIP, Visor Support

**MODEL CODES:**

A BODY=(C=LeBaron, D=Spirit, P=Acclaim/LaBaron(Landau),  
Saratoga)  
C BODY=(D=Dynasty, C=New Yorker/N.Y. Salon)  
G BODY=(V=Daytona/IROC, Chrysler Daytona)  
J BODY=(C=LeBaron, Chrysler LeBaron)  
P BODY=(P=Sundance, D=Shadow)

S BODY=(H=Voyager(H) FWD, K=Caravan(H) FWD,  
Y=Town & Country(H) FWD, P=Voyager(K) AWD,  
D=Caravan(K) AWD, C=Town & Country(K) AWD)  
Y BODY=(C=Imperial/5th Avenue)  
E-S BODY=(K=Chrysler Voyager(H) FWD, D=Chrysler  
Voyager(K) AWD)

**BODY STYLES:**

21=2-Door Coupe      41=4-Door Sedan      12-52=FWD & AWD Van & Wgn Std W.B.  
24=2-Door Hatchback      44=4-Door Hatchback      53=FWD & AWD Van & Wgn Ext. W.B.  
27=2-Door Convertible

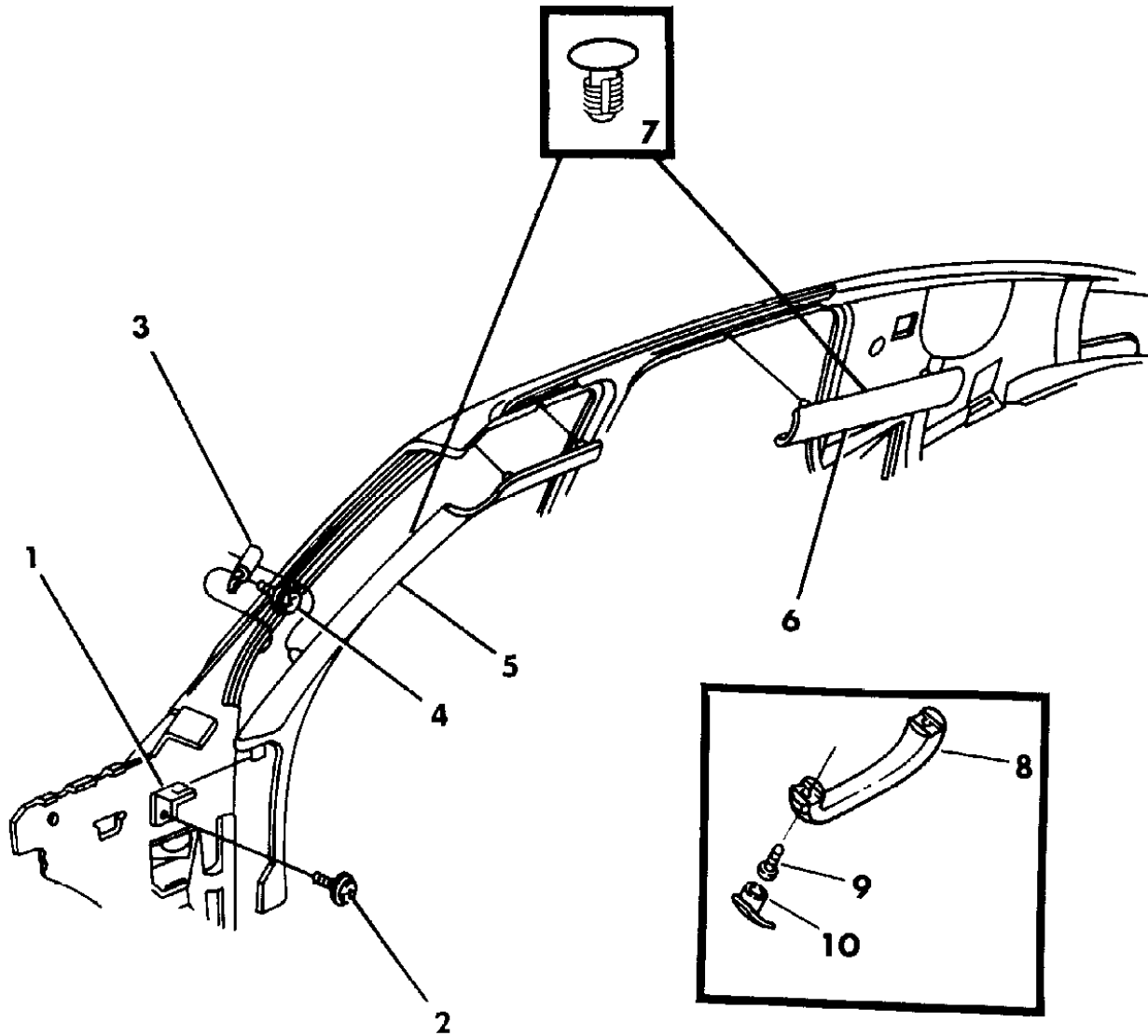
AR = Use as Required - = Non Illustrated Part P.A.R. = Paint as Required

**MOULDING--GARNISH A BODY**  
Figure ITA-300

93235 300

ITEM	PART NUMBER	QTY	BODY	MODEL	DESCRIPTION
1	4453 886-7	1			BRACKET
2		AR			SCREW, (Not Serv.)
3	4381 077	2			BRACKET
4		AR			SCREW, (10-16x1/2) (Not Serv.)
5	AT78-9 KV8	1			MOULDING, Side Garnish (P.A.R.)
6					MOULDING, Rear Door Garnish
	AK80-1 HD5	1			Quartz
	AK80-1 KB7	1			Blue
	AK80-1 LM6	1			Red
	AK80-1 KV8	1			Champagne
7	6501 351	AR			CLIP, Moulding (Front and Rear)
8					HANDLE-ROOF GRAB ***
	H784 KB7	3			Blue
	H784 HD5	3			Quartz
	H784 LM6	3			Red
	H784 LV8	3			Champagne
9	6032 584	6			SCREW
-	6031 160	6			U/NUT Grab Handle Attaching ***
10					PLUG, Handle
	H526 HD5	6			Quartz
	H526 KB7	6			Blue
	H526 KM6	6			Red
	H526 LV8	6			Champagne

NOTE: (P.A.R.) = Paint As Required



**MODEL CODES:**

A BODY=(C=LeBaron, D=Spirit, P=Acclaim/LaBaron(Landau), Saratoga)      S BODY=(H=Voyager(H) FWD, K=Caravan(H) FWD, Y=Town & Country(H) FWD, P=Voyager(K) AWD, D=Caravan(K) AWD, C=Town & Country(K) AWD)  
 C BODY=(D=Dynasty, C=New Yorker/N.Y. Salon)  
 G BODY=(V=Daytona/IROC, Chrysler Daytona)  
 J BODY=(C=LeBaron, Chrysler LeBaron)  
 P BODY=(P=Sundance, D=Shadow)      Y BODY=(C=Imperial/5th Avenue)  
 E-S BODY=(K=Chrysler Voyager(H) FWD, D=Chrysler Voyager(K) AWD)

**BODY STYLES:**

21=2-Door Coupe      41=4-Door Sedan      12-52=FWD & AWD Van & Wgn Std W.B.  
 24=2-Door Hatchback      44=4-Door Hatchback      53=FWD & AWD Van & Wgn Ext. W.B.  
 27=2-Door Convertible

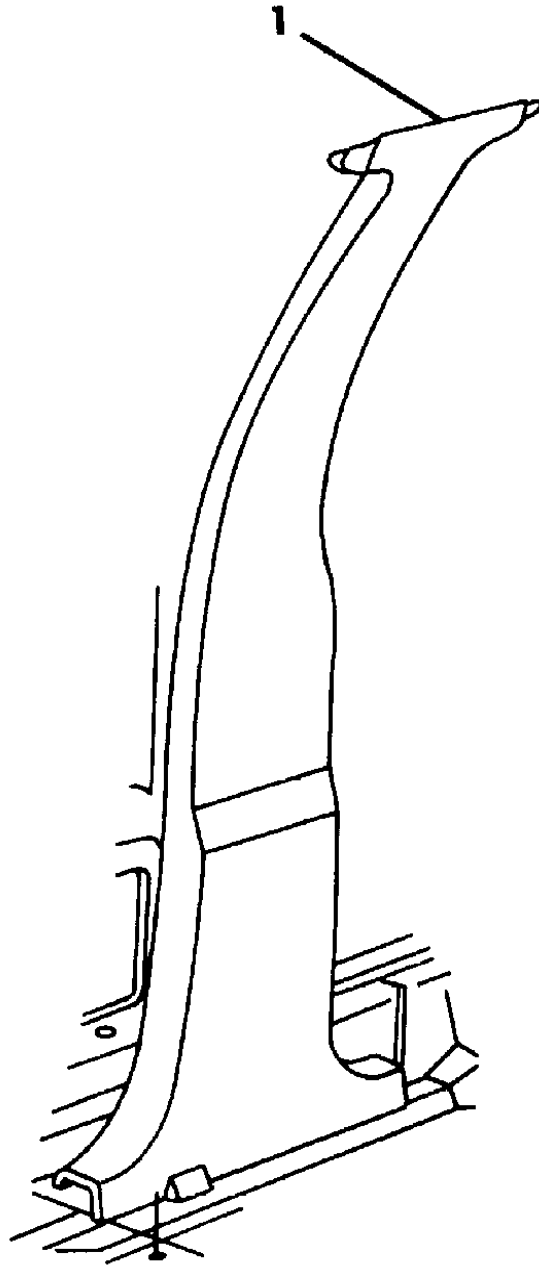
AR = Use as Required - = Non Illustrated Part P.A.R. = Paint as Required

**B PILLAR TRIM A BODY**  
**Figure ITA-400**

93235 400

ITEM	PART NUMBER	QTY	BODY	MODEL	DESCRIPTION
------	-------------	-----	------	-------	-------------

1	EC54-5 KV8	1			PANEL, Center Pillar (P.A.R.) NOTE: (P.A.R.) = Paint As Required
---	------------	---	--	--	---



**MODEL CODES:**

A BODY=(C=LeBaron, D=Spirit, P=Acclaim/LaBaron(Landau), Saratoga)	S BODY=(H=Voyager(H) FWD, K=Caravan(H) FWD, Y=Town & Country(H) FWD, P=Voyager(K) AWD, D=Caravan(K) AWD, C=Town & Country(K) AWD)
C BODY=(D=Dynasty, C=New Yorker/N.Y. Salon)	Y BODY=(C=Imperial/5th Avenue)
G BODY=(V=Daytona/IROC, Chrysler Daytona)	E-S BODY=(K=Chrysler Voyager(H) FWD, D=Chrysler Voyager(K) AWD)
J BODY=(C=LeBaron, Chrysler LeBaron)	
P BODY=(P=Sundance, D=Shadow)	

**BODY STYLES:**

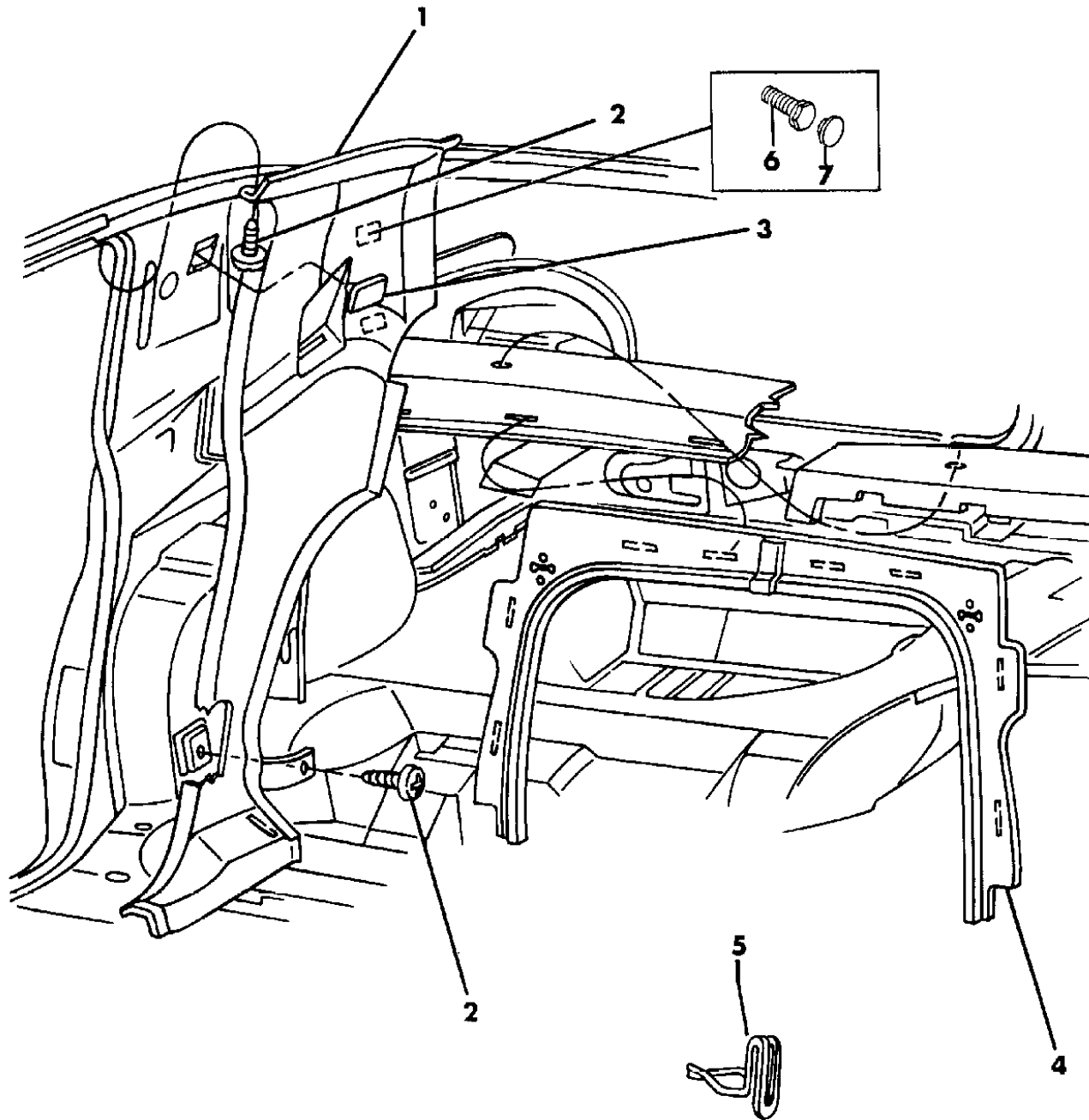
21=2-Door Coupe	41=4-Door Sedan	12-52=FWD & AWD Van & Wgn Std W.B.
24=2-Door Hatchback	44=4-Door Hatchback	53=FWD & AWD Van & Wgn Ext. W.B.
27=2-Door Convertible		

AR = Use as Required - = Non Illustrated Part P.A.R. = Paint as Required



PANEL QUARTER TRIM A BODY  
Figure ITA-500

93235 500



ITEM	PART NUMBER	QTY	BODY	MODEL	DESCRIPTION
1					PANEL, Quarter Trim (P.A.R.)
	GM22-3 LD5	1		D-P	P.A.R.
	GM22-3 LD5	1		C	P.A.R. (Medium Line)
	GM30-1 LV8	1		C	P.A.R. (NOTCHED)
2		AR			SCREW, (8-18x3/4) (Not Serv.)
3					FASTENER
	4453 881	2			Quarter Panel Attaching (Inner)
	4547 041	2			Push-In Type
4	AX60-1 KV8	1			PANEL, Quarter Trim Side Exit (P.A.R.)
5	6501 724	8			CLIP, Snap In Type
6		2			SCREW, (Not Serv.) (.164-15x.625)
7					PLUG, Quarter Trim
	F279 KB7	2			Blue
	F279 HD5	2			Quartz
	F279 LM6	2			Red
	F279 JV8	2			Champagne
					NOTE: (P.A.R.) = Paint As Required

MODEL CODES:

A BODY=(C=LeBaron, D=Spirit, P=Acclaim/LaBaron(Landau), Saratoga) S BODY=(H=Voyager(H) FWD, K=Caravan(H) FWD, Y=Town & Country(H) FWD, P=Voyager(K) AWD, D=Caravan(K) AWD, C=Town & Country(K) AWD)  
 C BODY=(D=Dynasty, C=New Yorker/N.Y. Salon) Y BODY=(C=Imperial/5th Avenue)  
 G BODY=(V=Daytona/IROC, Chrysler Daytona) E-S BODY=(K=Chrysler Voyager(H) FWD, D=Chrysler Voyager(K) AWD)  
 J BODY=(C=LeBaron, Chrysler LeBaron)  
 P BODY=(P=Sundance, D=Shadow)

BODY STYLES:

21=2-Door Coupe 41=4-Door Sedan 12-52=FWD & AWD Van & Wgn Std W.B.  
 24=2-Door Hatchback 44=4-Door Hatchback 53=FWD & AWD Van & Wgn Ext. W.B.  
 27=2-Door Convertible

AR = Use as Required - = Non Illustrated Part P.A.R. = Paint as Required

**CARPET AND SILENCERS A BODY**  
Figure ITA-600

93235 600

ITEM	PART NUMBER	QTY	BODY	MODEL	DESCRIPTION
1					CARPET, Floor
	EK55 LD5	1			Short Pile, (Class-1, 8 to 12 oz.) Quartz
	EK55 LB7	1			Blue
	EK55 LM6	1			Red
	EK55 LV8	1			Champagne
	EK58 LD5	1			Long Pile, (Class-2, 13 to 16 oz.) Quartz
	EK58 LB7	1			Blue
	EK58 LM6	1			Red
	EK58 LV8	1			Champagne w/Front Console
	EK56 LB7	1			Blue
	EK56 LD5	1			Quartz
	EK56 LM6	1			Red
	EK56 LV8	1			Champagne w/Front and Rear Console
	EK57 LB7	1			Blue
	EK57 LD5	1			Quartz
	EK57 LM6	1			Red
	EK57 LV8	1			Champagne
2					PAD, Silencer (Not Serv.) Baked On
3	4681 507	1			CARPET, Cargo Area Complete w/o Silencer (Fits Behind Rear Seat Up To Regular Carpet Area) Includes Carpeted Panel on The Seat Back
4					SILENCER, Front Floor Pan (Not Serv.)
5	4681 516	1			CARPET, Cargo Floor Complete w/Sliencer (w/o Seat Back Carpet)
6	4547 515	1			COVER, Spare Tire
7	6030 441	4			RETAINER, Luggage Carpet
8	6032 650	6			FASTENER
9					MAT, Carpet Protector FRONT
	FN88 LD5	1			Quartz
	FN88 LB7	1			Blue
	FN88 LM6	1			Red
	FN88 LV8	1			Champagne
					REAR
	FN93 LD5	1			Quartz

**MODEL CODES:**

A BODY=(C=LeBaron, D=Spirit, P=Acclaim/LaBaron(Landau), Saratoga)

C BODY=(D=Dynasty, C=New Yorker/N.Y. Salon)

G BODY=(V=Daytona/ROC, Chrysler Daytona)

J BODY=(C=LeBaron, Chrysler LeBaron)

P BODY=(P=Sundance, D=Shadow)

S BODY=(H=Voyager(H) FWD, K=Caravan(H) FWD,

Y=Town & Country(H) FWD, P=Voyager(K) AWD,

D=Caravan(K) AWD, C=Town & Country(K) AWD)

Y BODY=(C=Imperial/5th Avenue)

E-S BODY=(K=Chrysler Voyager(H) FWD, D=Chrysler

Voyager(K) AWD)

**BODY STYLES:**

21=2-Door Coupe

41=4-Door Sedan

12-52=FWD & AWD Van & Wgn Std W.B.

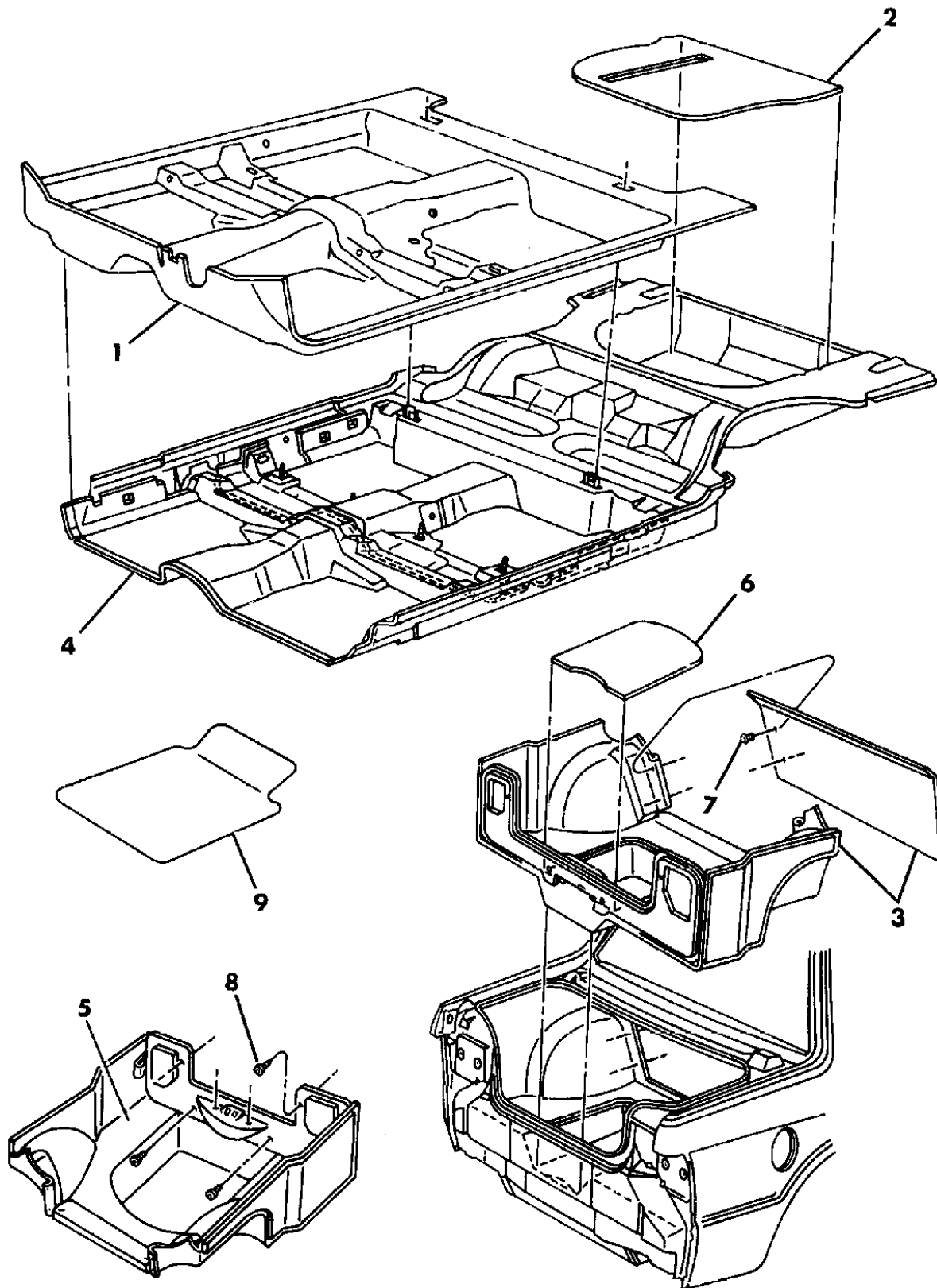
24=2-Door Hatchback

44=4-Door Hatchback

53=FWD & AWD Van & Wgn Ext. W.B.

27=2-Door Convertible

AR = Use as Required - = Non Illustrated Part P.A.R. = Paint as Required

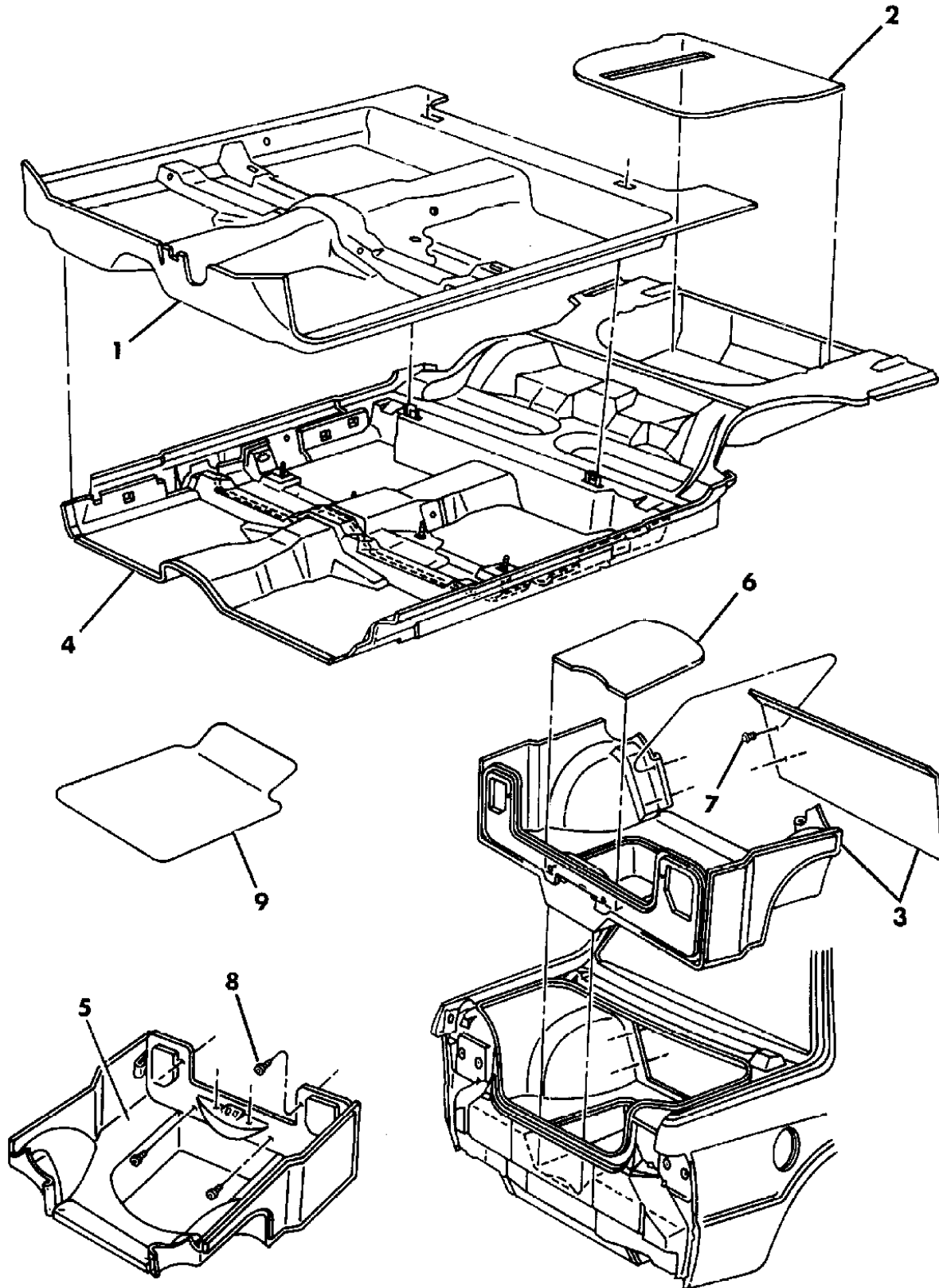


**CARPET AND SILENCERS A BODY**  
Figure ITA-600

93235 600

ITEM	PART NUMBER	QTY	BODY	MODEL	DESCRIPTION
------	-------------	-----	------	-------	-------------

	FN93 LB7	1			Blue
	FN93 LM6	1			Red
	FN93 LV8	1			Champagne



**MODEL CODES:**

A BODY=(C=LeBaron, D=Spirit, P=Acclaim/LaBaron(Landau, Saratoga) S BODY=(H=Voyager(H) FWD, K=Caravan(H) FWD, Y=Town & Country(H) FWD, P=Voyager(K) AWD, D=Caravan(K) AWD, C=Town & Country(K) AWD)  
 C BODY=(D=Dynasty, C=New Yorker/N.Y. Salon)  
 G BODY=(V=Daytona/IROC, Chrysler Daytona)  
 J BODY=(C=LeBaron, Chrysler LeBaron)  
 P BODY=(P=Sundance, D=Shadow)  
 Y BODY=(C=Imperial/5th Avenue)  
 E-S BODY=(K=Chrysler Voyager(H) FWD, D=Chrysler Voyager(K) AWD)

**BODY STYLES:**

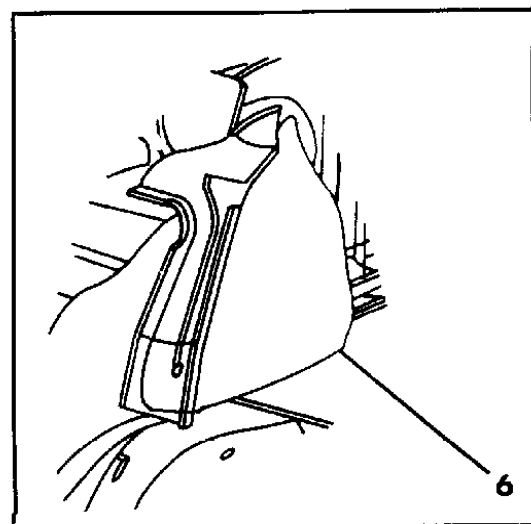
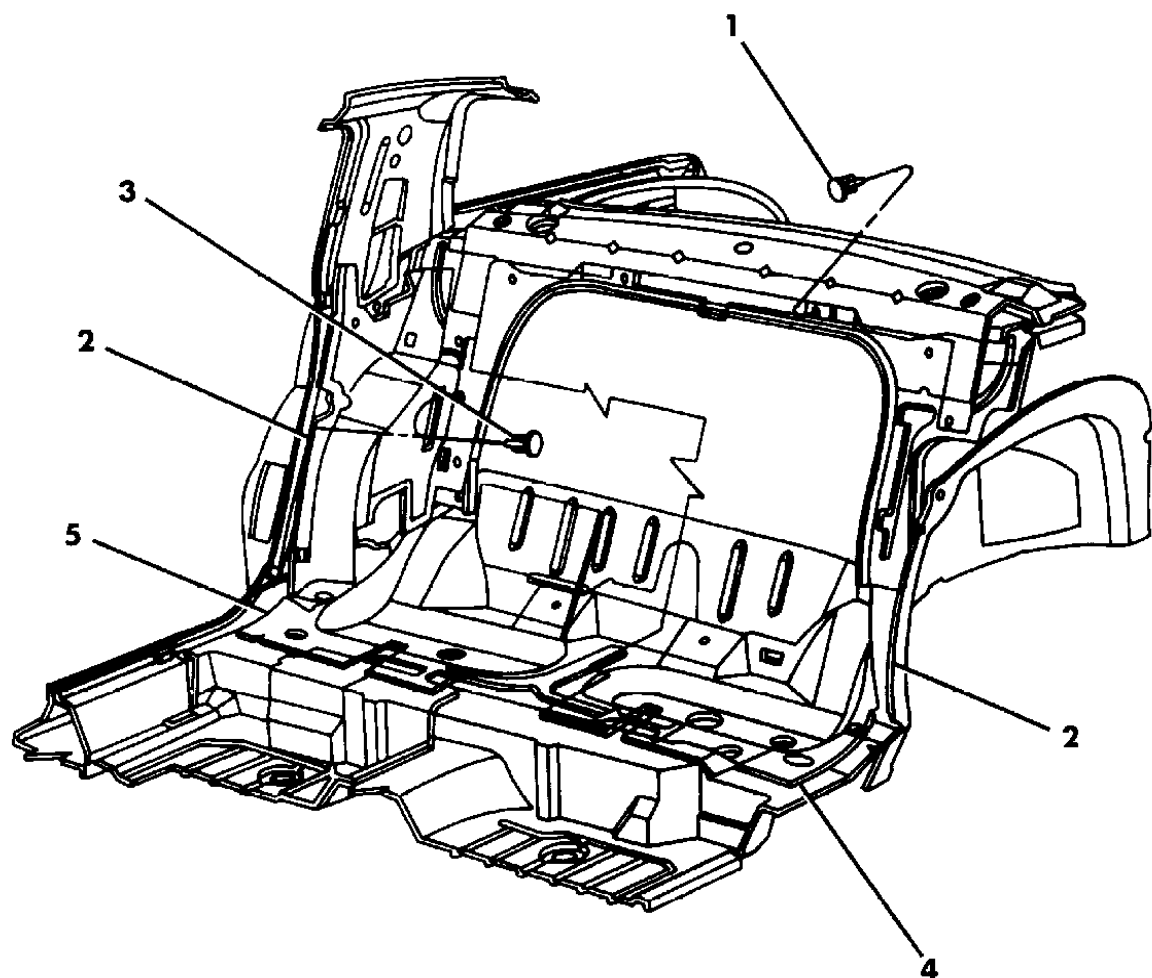
21=2-Door Coupe      41=4-Door Sedan      12-52=FWD & AWD Van & Wgn Std W.B.  
 24=2-Door Hatchback      44=4-Door Hatchback      53=FWD & AWD Van & Wgn Ext. W.B.  
 27=2-Door Convertible

AR = Use as Required - = Non Illustrated Part P.A.R. = Paint as Required

**SILENCERS - REAR COMPARTMENT A BODY**  
Figure ITA-700

93235 700

ITEM	PART NUMBER	QTY	BODY	MODEL	DESCRIPTION
1	6030 441	4			RETAINER
2	4473 526-7	1			SILENCER, WheelHouse (Moulded)
3	6033 840	6			FASTENER
4	5259 030	1			SILENCER, w/Fixed Bench Seat
5					SILENCER, w/Fold Down Rear Seat (Not Serv.)
6	4186 901	1			SILENCER, Rear Wheelhouse



**MODEL CODES:**

A BODY=(C=LeBaron, D=Spirit, P=Acclaim/LaBaron(Landau), Saratoga)      S BODY=(H=Voyager(H) FWD, K=Caravan(H) FWD, Y=Town & Country(H) FWD, P=Voyager(K) AWD, D=Caravan(K) AWD, C=Town & Country(K) AWD)  
 C BODY=(D=Dynasty, C=New Yorker/N.Y. Salon)  
 G BODY=(V=Daytona/IROC, Chrysler Daytona)  
 J BODY=(C=LeBaron, Chrysler LeBaron)  
 P BODY=(P=Sundance, D=Shadow)      Y BODY=(C=Imperial/5th Avenue)  
 E-S BODY=(K=Chrysler Voyager(H) FWD, D=Chrysler Voyager(K) AWD)

**BODY STYLES:**

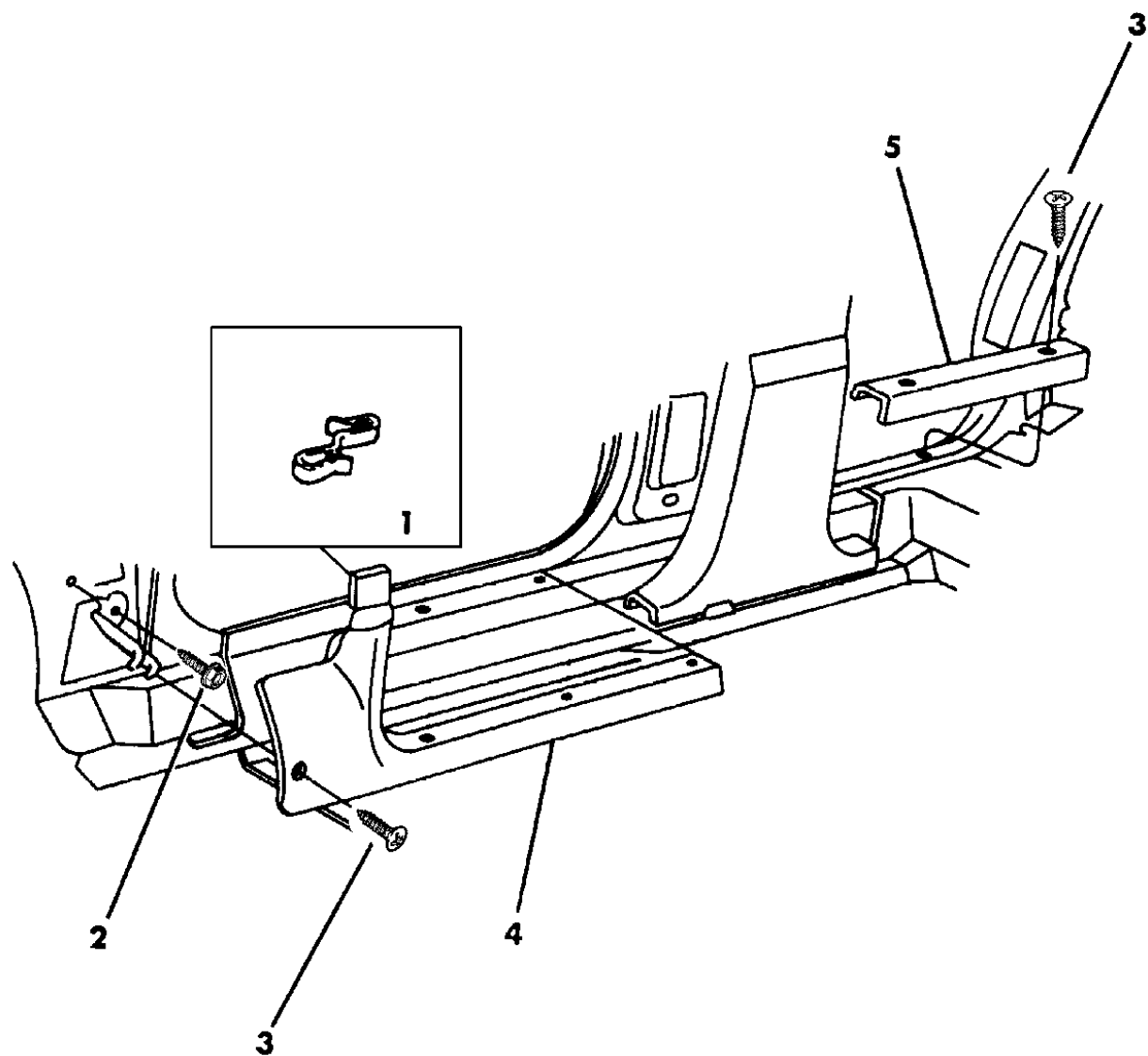
21=2-Door Coupe      41=4-Door Sedan      12-52=FWD & AWD Van & Wgn Std W.B.  
 24=2-Door Hatchback      44=4-Door Hatchback      53=FWD & AWD Van & Wgn Ext. W.B.  
 27=2-Door Convertible

AR = Use as Required - = Non Illustrated Part P.A.R. = Paint as Required

**SCUFF PLATES A BODY**  
Figure ITA-800

93235 800A

ITEM	PART NUMBER	QTY	BODY	MODEL	DESCRIPTION
1	4620 732	1			CLIP, Garnish to Cowl Attaching
2	6032 473	1			SCREW
3		AR			SCREW, (Not Serv.)
4					SCUFF PLATE RIGHT
					Front
	WD24 HD5	1			Quartz
	WD24 KB7	1			Blue
	WD24 LMA	1			Red
	WD24 KV8	1			Champagne
					LEFT
					Front
	ES03 KD5	1			Quartz
	ES03 KB7	1			Blue
	ES03 LMA	1			Red
	ES03 KV8	1			Champagne
5					SCUFF PLATE, Rear
	AQ50-1 HD5	1			Quartz
	AQ50-1 KB7	1			Blue
	AQ50-1 LM6	1			Red
	AQ50-1 KV8	1			Champagne



**MODEL CODES:**

A BODY=(C=LeBaron, D=Spirit, P=Acclaim/LaBaron(Landau), Saratoga)      S BODY=(H=Voyager(H) FWD, K=Caravan(H) FWD, Y=Town & Country(H) FWD, P=Voyager(K) AWD, D=Caravan(K) AWD, C=Town & Country(K) AWD)

C BODY=(D=Dynasty, C=New Yorker/N.Y. Salon)

G BODY=(V=Daytona/IROC, Chrysler Daytona)

J BODY=(C=LeBaron, Chrysler LeBaron)

P BODY=(P=Sundance, D=Shadow)

Y BODY=(C=Imperial/5th Avenue)

E-S BODY=(K=Chrysler Voyager(H) FWD, D=Chrysler Voyager(K) AWD)

**BODY STYLES:**

21=2-Door Coupe      41=4-Door Sedan      12-52=FWD & AWD Van & Wgn Std W.B.

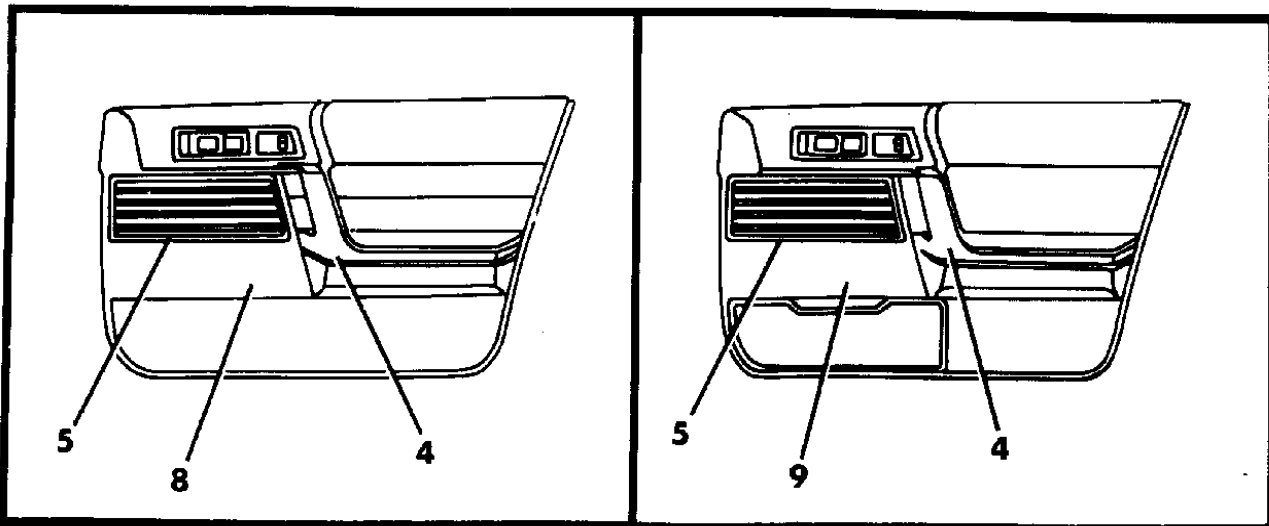
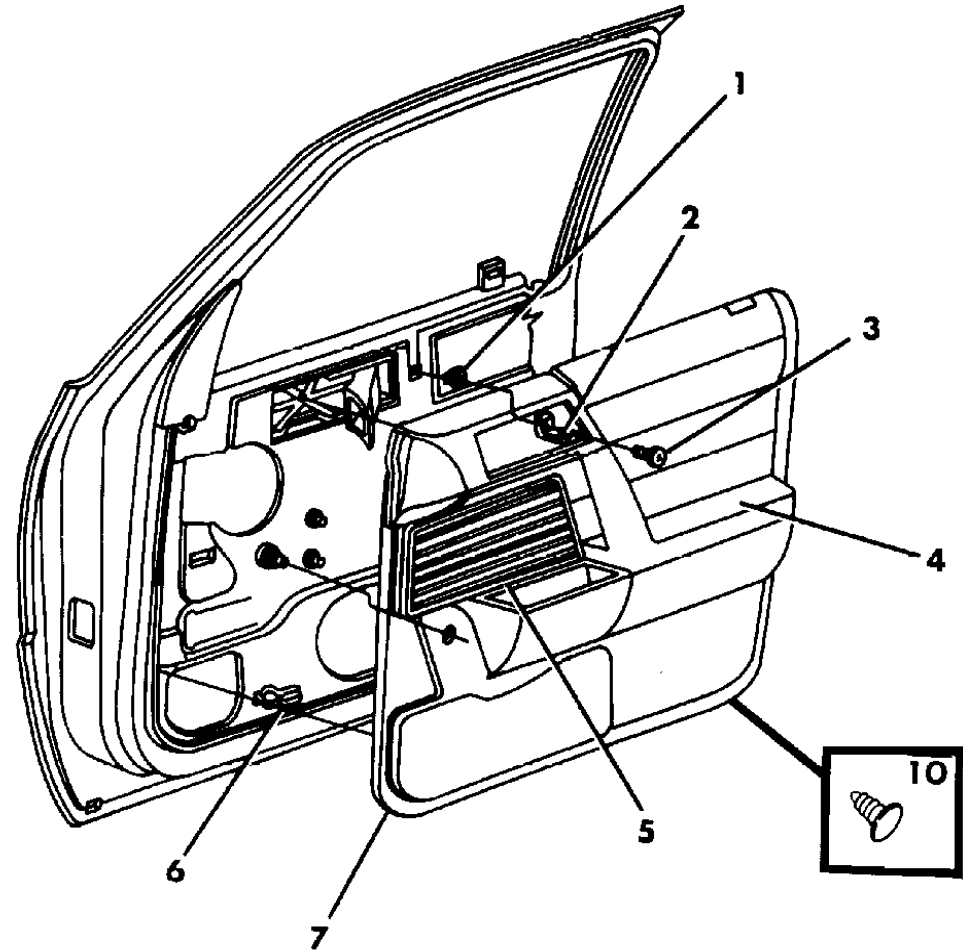
24=2-Door Hatchback      44=4-Door Hatchback      53=FWD & AWD Van & Wgn Ext. W.B.

27=2-Door Convertible

AR = Use as Required - = Non Illustrated Part P.A.R. = Paint as Required

**DOOR TRIM--FRONT A BODY**  
Figure ITA-900

93235 900



ITEM	PART NUMBER	QTY	BODY	MODEL	DESCRIPTION
1	6501 842	2			NUT
2	4611 192-3	1			BRACKET, Door Trim To Arm Rest
3		2			SCREW, (1/4x14x1.750) (Not Serv.)
4					ARMREST
	FR92-3 MD5	1			Quartz
	FR92-3 MB7	1			Blue
	FR92-3 MM6	1			Red
	FR92-3 MV8	1			Champagne
5	D944-5 GL7	1			GRILLE, Door Speaker (P.A.R.)
6	6033 892	AR			FASTENER
-	4410 666-7	1			WEATHER/STRIP, Door Panel Belt Inner ***
7					PANEL, Door w/Power Windows
	FS36-7 MDD	1			Quartz, (NFD,BFD,N7D,B7D)
	FS36-7 MBB	1			Blue, (NFB,BFB,N7B,B7B)
	FS36-7 MMA	1			Red, (NFM,BFM,N7M,B7M)
	FS36-7 MVV	1			Champagne, (NFV,BFV,N7V,B7V)
	FS38-9 MD5	1			Quartz, (P7D,PFD,G7D,PLD,GFD)
	FS38-9 MB7	1			Blue, (P7B,PFB,G7B,GFB)
	FS38-9 MMA	1			Red, (P7M,PFM,G7M,GFM)
	FS38-9 MVV	1			Champagne, (P7V,PFV,G7V,PLV,GFV)
	FS42-3 MD5	1			Quartz, (CFD)
	FS42-3 MB7	1			Blue, (CFB)
	FS42-3 MMA	1			Red, (CFM)
	FS42-3 MVV	1			Champagne, (CFV)
	FS16-7 MW8	1			Quartz, (CPDW)
	FS16-7 MB7	1			Blue, (CPB)
	FS16-7 MMA	1			Red, (CPM)
	FS16-7 MV4	1			Champagne, (CPV)
8					PANEL, Door w/o Power Windows
	FS30-1 MDD	1			Quartz, (N7D,B7D,NFD,BFD)
	FS30-1 MBB	1			Blue, (N7B,B7B,NFB,BFB)
	FS30-1 MMA	1			Red, (N7M,B7M,NFM,BFM)
	FS30-1 MVV	1			Champagne, (N7V,B7V,NFV,BFV)
9					PANEL, Door w/o Power Windows
	FS32-3 MD5	1			Quartz, (P7D,PFD,G7D,GFD,PLD)
	FS32-3 MB7	1			Blue, (P7B,PFB,G7B,GFB)
	FS32-3 MMA	1			Red, (P7M,PFM,G7M,GFM)
	FS32-3 MVV	1			Champagne, (P7V,PFV,G7V,GFV,PLV)
	FS14-5 MD5	1			Quartz, (CFD)

**MODEL CODES:**

A BODY=(C=LeBaron, D=Spirit, P=Acclaim/LaBaron(Landau, Saratoga) S BODY=(H=Voyager(H) FWD, K=Caravan(H) FWD, Y=Town & Country(H) FWD, P=Voyager(K) AWD, D=Caravan(K) AWD, C=Town & Country(K) AWD)  
 C BODY=(D=Dynasty, C=New Yorker/N.Y. Salon)  
 G BODY=(V=Daytona/IROC, Chrysler Daytona)  
 J BODY=(C=LeBaron, Chrysler LeBaron)  
 P BODY=(P=Sundance, D=Shadow)  
 Y BODY=(C=Imperial/5th Avenue)  
 E-S BODY=(K=Chrysler Voyager(H) FWD, D=Chrysler Voyager(K) AWD)

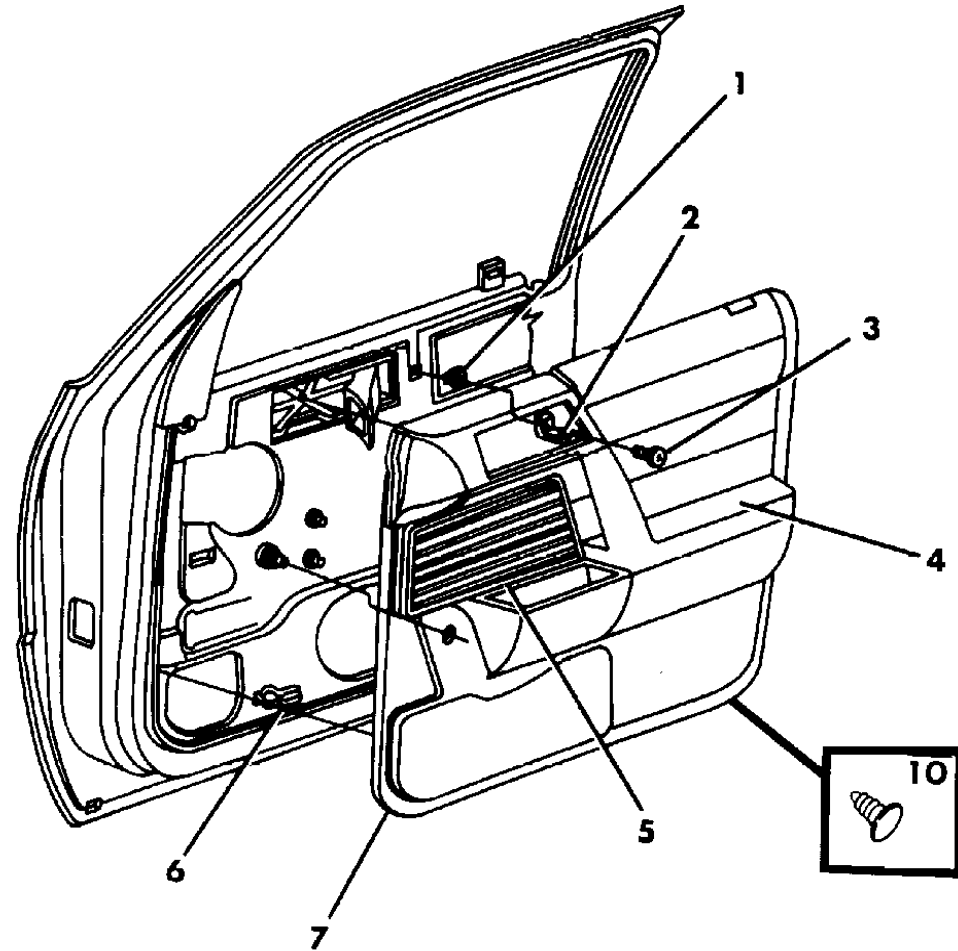
**BODY STYLES:**

21=2-Door Coupe      41=4-Door Sedan      12-52=FWD & AWD Van & Wgn Std W.B.  
 24=2-Door Hatchback      44=4-Door Hatchback      53=FWD & AWD Van & Wgn Ext. W.B.  
 27=2-Door Convertible

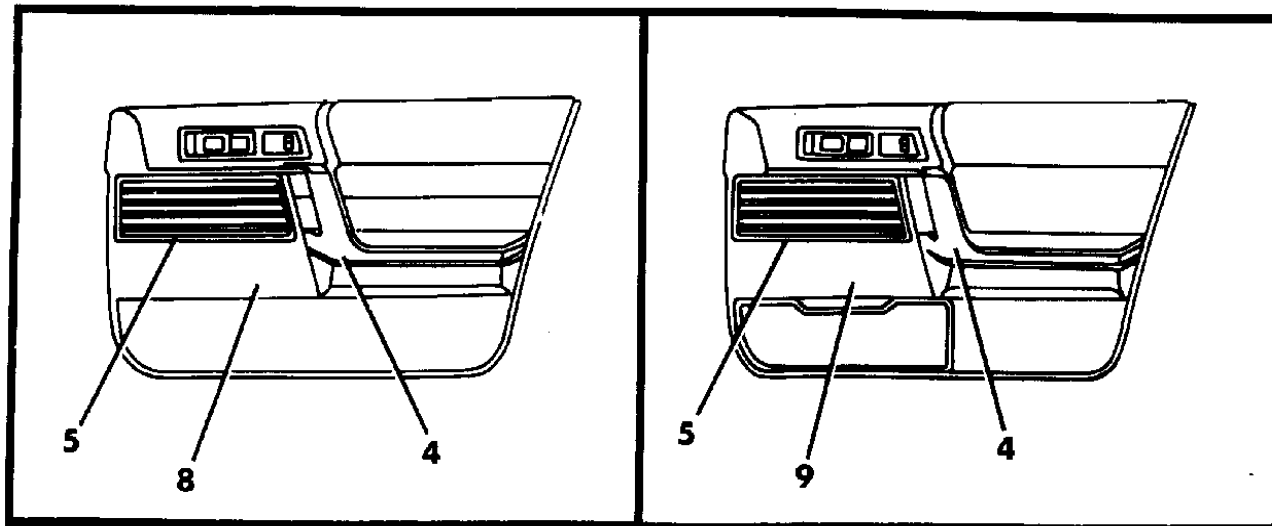
AR = Use as Required - = Non Illustrated Part P.A.R. = Paint as Required

DOOR TRIM--FRONT A BODY  
Figure ITA-900

93235 900



ITEM	PART NUMBER	QTY	BODY	MODEL	DESCRIPTION
	FS14-5 MB7	1			Blue, (CFB)
	FS14-5 MMA	1			Red, (CFM)
	FS14-5 MVV	1			Champagne, (CFV)
	FS18-9 MW8	1			Quartz, (CPDW)
	FS18-9 MB7	1			Blue, (CPB)
	FS18-9 MMA	1			Red, (CPM)
	FS18-9 MV4	1			Champagne, (CPV)
10					BUTTON, Door Panel Bolster
	S721 JD5	AR			Quartz, (CFD)
	S721 KB7	AR			Blue, (CFB)
	S721 LMA	AR			Red, (CFM)
	S721 HV4	AR			Champagne, (CFV)



**MODEL CODES:**

A BODY=(C=LeBaron, D=Spirit, P=Acclaim/LaBaron(Landau), Saratoga) S BODY=(H=Voyager(H) FWD, K=Caravan(H) FWD, Y=Town & Country(H) FWD, P=Voyager(K) AWD, D=Caravan(K) AWD, C=Town & Country(K) AWD)  
 C BODY=(D=Dynasty, C=New Yorker/N.Y. Salon) Y BODY=(C=Imperial/5th Avenue)  
 G BODY=(V=Daytona/IROC, Chrysler Daytona) E-S BODY=(K=Chrysler Voyager(H) FWD, D=Chrysler Voyager(K) AWD)  
 J BODY=(C=LeBaron, Chrysler LeBaron) P BODY=(P=Sundance, D=Shadow)

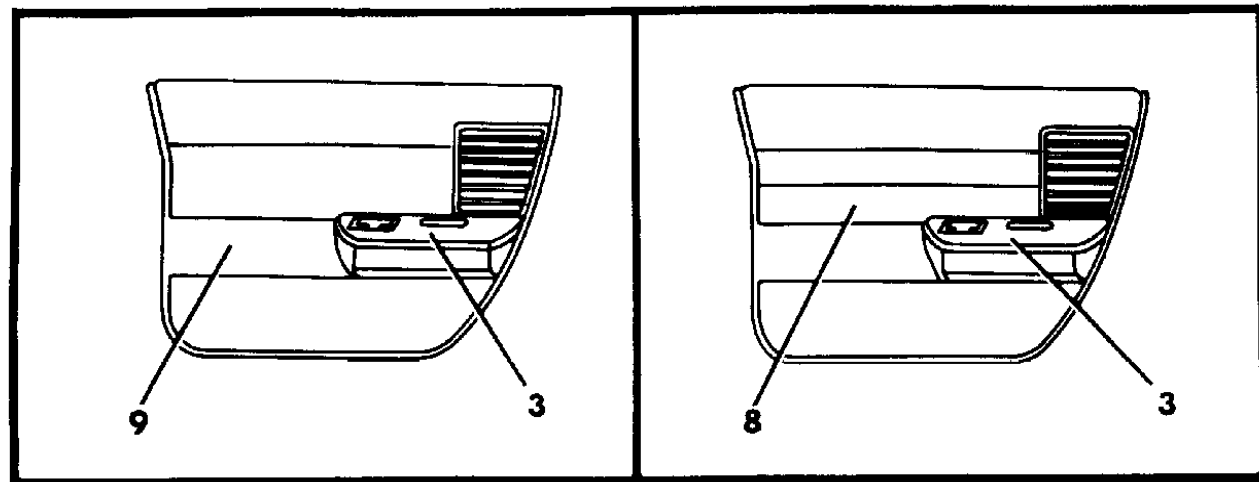
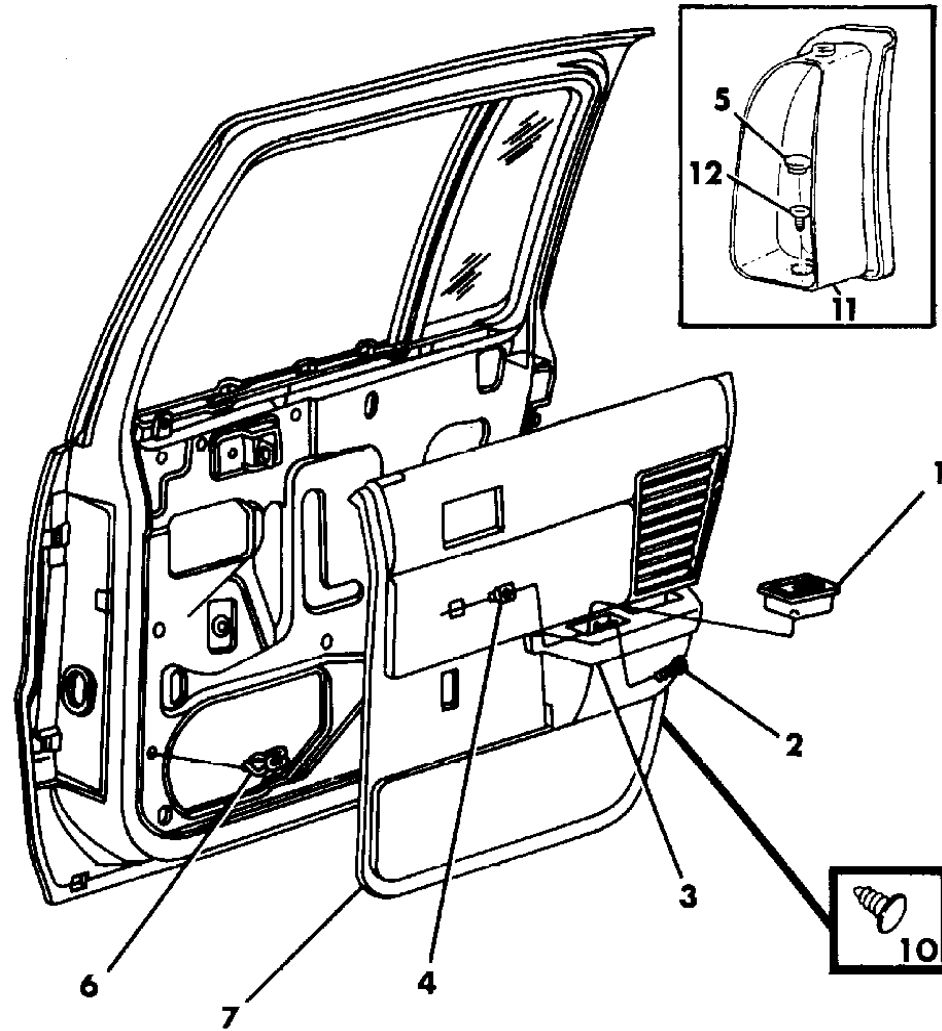
**BODY STYLES:**

21=2-Door Coupe 41=4-Door Sedan 12-52=FWD & AWD Van & Wgn Std W.B.  
 24=2-Door Hatchback 44=4-Door Hatchback 53=FWD & AWD Van & Wgn Ext. W.B.  
 27=2-Door Convertible

AR = Use as Required - = Non Illustrated Part P.A.R. = Paint as Required

DOOR TRIM PANEL--REAR A BODY  
Figure ITA-1000

93235 1000



ITEM	PART NUMBER	QTY	BODY	MODEL	DESCRIPTION
1					ASH RECEIVER
	D221 HD5	2			Quartz
	D221 KB7	2			Blue
	D221 LM6	2			Red
	D221 KV8	2			Champagne
2		2			SCREW, (1/4x14x1.750) (Not Serv.)
3					ARMREST
	D744-5 HD5	1			Quartz
	D744-5 KB7	1			Blue
	D744-5 LM6	1			Red
	D744-5 KV8	1			Champagne
4	6501 842	2			NUT
5					PLUG
	F324 LM6	4			Red
	F324 HD5	4			Quartz
	F324 KV8	4			Taupe
	F324 KB7	4			Blue
6	6033 892	AR			FASTENER
-	4453 480-1	1			WEATHER/STRIP, Door Panel ***
7-8-9					PANEL, Door Trim
	4549 154-5	1			Quartz, (N7D,B7D,NFD,BFD)
	4504 922-3	1			Blue, (N7B,B7B,NFB,BFB)
	4638 420-1	1			Red, (N7M,B7M,NFM,BFM)
	4504 924-5	1			Champagne, (N7V,B7V,NFV,BFV)
	FT28-9 MB7	1			Blue, (P7B,PFB,G7B,GFB)
	FT28-9 MD5	1			Quartz, (P7D,PFD,G7D,GFD,PLD)
	FT28-9 MMA	1			Red, (P7M,PFM,G7M,GFM)
	FT28-9 MVV	1			Champagne, (P7V,PFV,G7V,GFV,PLV)
	J684-5 JD5	1			Quartz, (CFD)
	J684-5 KB7	1			Blue, (CFB)
	J684-5 LMA	1			Red, (CFM)
	J684-5 KVV	1			Champagne, (CFV)
	J688-9 KW8	1			Quartz, (CPDW)
	J688-9 KB7	1			Blue, (CPB)
	J688-9 LMA	1			Red, (CPM)
	J688-9 KVV	1			Champagne, (CPV)
10					BUTTON, Door Panel Bolster
	S721 JD5	AR			Quartz, (CFD)
	S721 KB7	AR			Blue, (CFB)

MODEL CODES:

A BODY=(C=LeBaron, D=Spirit, P=Acclaim/LaBaron(Landau), Saratoga)

C BODY=(D=Dynasty, C=New Yorker/N.Y. Salon)

G BODY=(V=Daytona/ROC, Chrysler Daytona)

J BODY=(C=LeBaron, Chrysler LeBaron)

P BODY=(P=Sundance, D=Shadow)

S BODY=(H=Voyager(H) FWD, K=Caravan(H) FWD,

Y=Town & Country(H) FWD, P=Voyager(K) AWD,

D=Caravan(K) AWD, C=Town & Country(K) AWD)

Y BODY=(C=Imperial/5th Avenue)

E-S BODY=(K=Chrysler Voyager(H) FWD, D=Chrysler

Voyager(K) AWD)

BODY STYLES:

21=2-Door Coupe

41=4-Door Sedan

12-52=FWD & AWD Van & Wgn Std W.B.

24=2-Door Hatchback

44=4-Door Hatchback

53=FWD & AWD Van & Wgn Ext. W.B.

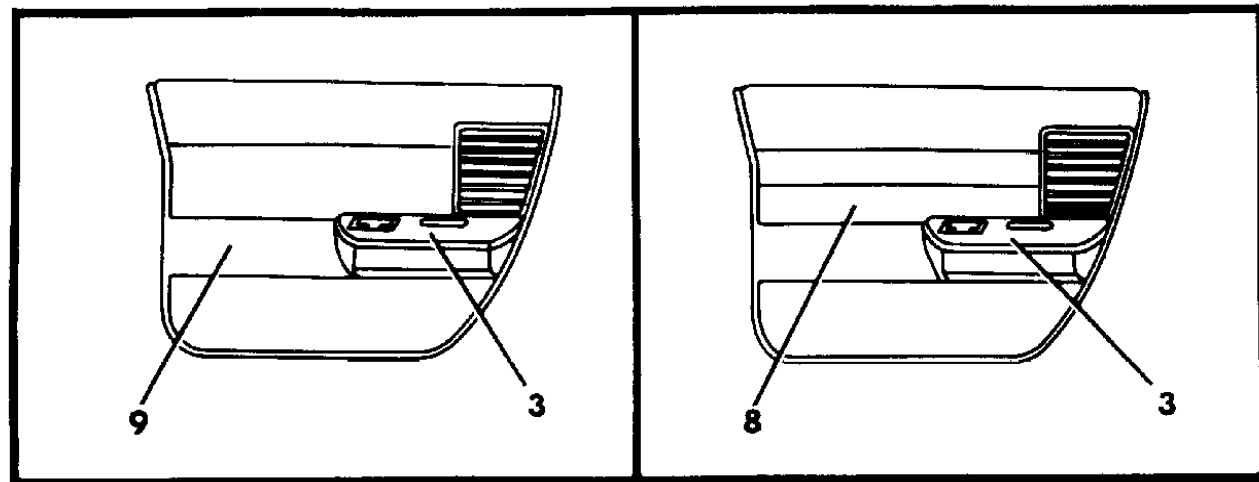
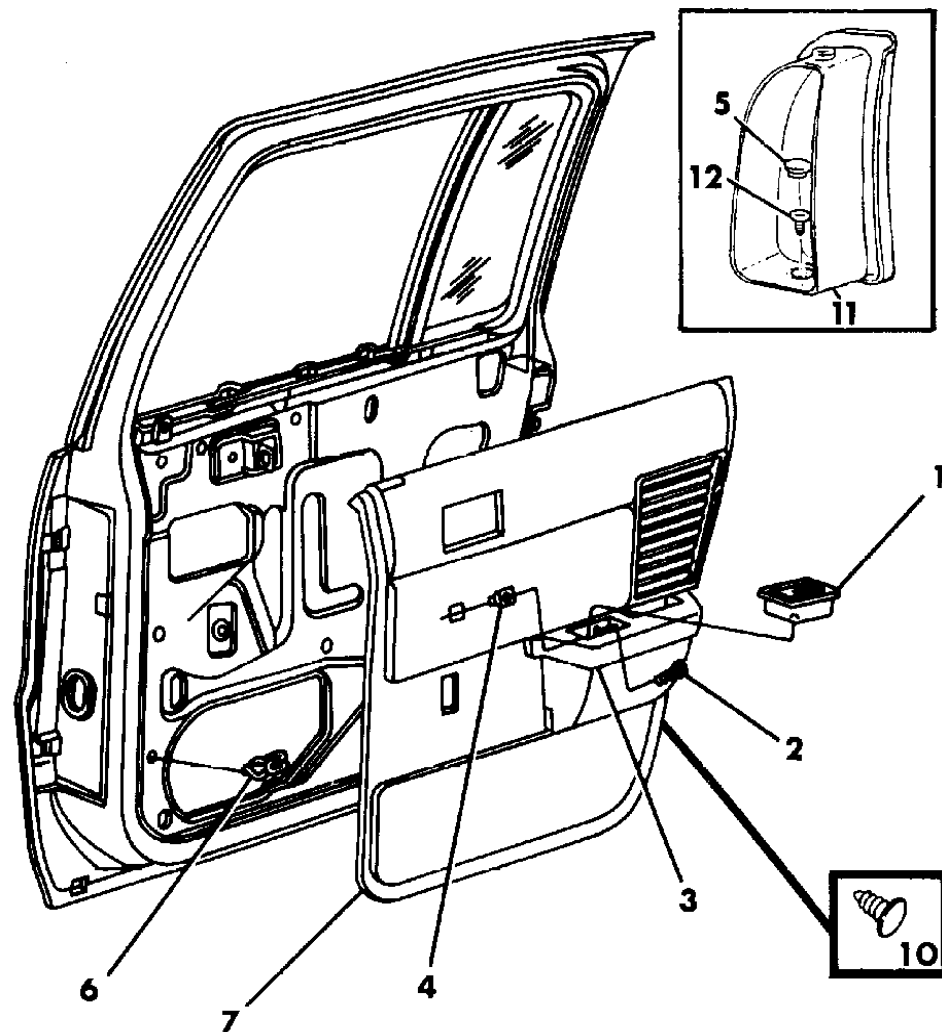
27=2-Door Convertible

AR = Use as Required - = Non Illustrated Part P.A.R. = Paint as Required



DOOR TRIM PANEL--REAR A BODY  
Figure ITA-1000

93235 1000



ITEM	PART NUMBER	QTY	BODY	MODEL	DESCRIPTION
	S721 LMA	AR			Red, (CFM)
	S721 HV4	AR			Champagne, (CFV)
11	DP50-1 LM6	1			COVER, Fixed Glass Inner Red
	DP50-1 JD5	1			Quartz
	DP50-1 KV8	1			Taupe
	DP50-1 KB7	1			Blue
12		4			SCREW, (Not Serv.)

MODEL CODES:

A BODY=(C=LeBaron, D=Spirit, P=Acclaim/LaBaron(Landau),  
Saratoga)  
C BODY=(D=Dynasty, C=New Yorker/N.Y. Salon)  
G BODY=(V=Daytona/IROC, Chrysler Daytona)  
J BODY=(C=LeBaron, Chrysler LeBaron)  
P BODY=(P=Sundance, D=Shadow)

S BODY=(H=Voyager(H) FWD, K=Caravan(H) FWD,  
Y=Town & Country(H) FWD, P=Voyager(K) AWD,  
D=Caravan(K) AWD, C=Town & Country(K) AWD)  
Y BODY=(C=Imperial/5th Avenue)  
E-S BODY=(K=Chrysler Voyager(H) FWD, D=Chrysler  
Voyager(K) AWD)

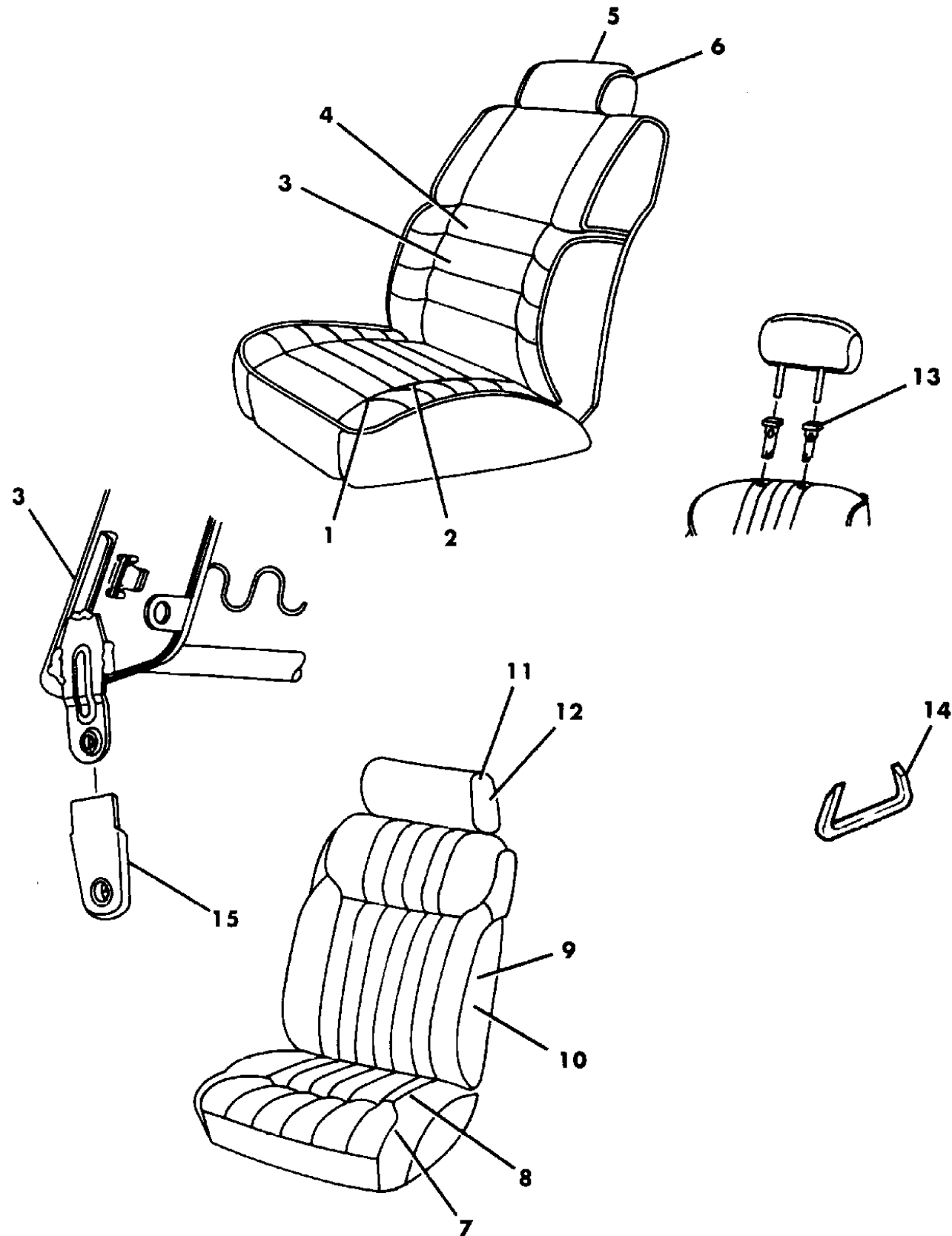
BODY STYLES:

21=2-Door Coupe      41=4-Door Sedan      12-52=FWD & AWD Van & Wgn Std W.B.  
24=2-Door Hatchback      44=4-Door Hatchback      53=FWD & AWD Van & Wgn Ext. W.B.  
27=2-Door Convertible

AR = Use as Required - = Non Illustrated Part P.A.R. = Paint as Required

SEAT--FRONT A BODY TRIM CODE B7,N7,G7,P7  
Figure ITA-1100

93235 1100



ITEM	PART NUMBER	QTY	BODY	MODEL	DESCRIPTION
1	CUSHION, w/Spring/Frame,Pad and Cover				
	GR36-7 MDD	1			Quartz, (N7D,B7D)
	GR36-7 MBB	1			Blue, (N7B,B7B)
	GR36-7 MMA	1			Red, (N7M,B7M)
	GR36-7 MVV	1			Champagne, (N7V,B7V)
	GR34-5 MDD	1			Quartz, (N7D,B7D) EUROPEAN
	GR34-5 MBB	1			Blue, (N7B,B7B) EUROPEAN
	GR34-5 MMA	1			Red, (N7M,B7M) EUROPEAN
GR34-5 MVV	1			Champagne, (N7V,B7V) EUROPEAN	
2	COVER, Cushion				
	GR48-9 MDD	1			Quartz, (N7D,B7D)
	GR48-9 MBB	1			Blue, (N7B,B7B)
	GR48-9 MMA	1			Red, (N7M,B7M)
GR48-9 MVV	1			Champagne, (N7V,B7V)	
3	BACK, w/Spring/Frame, Pad and Cover				
	GR38-9 MDD	1			Quartz, (N7D,B7D)
	GR38-9 MBB	1			Blue, (N7B,B7B)
	GR38-9 MMA	1			Red, (N7M,B7M)
GR38-9 MVV	1			Champagne, (N7V,B7V)	
4	COVER, Back				
	GR52-3 MDD	1			Quartz, (N7D,B7D)
	GR52-3 MBB	1			Blue, (N7B,B7B)
	GR52-3 MMA	1			Red, (N7M,B7M)
GR52-3 MVV	1			Champagne, (N7V,B7V)	
5	HEADREST and COVER				
	GP96 MDD	2			Quartz, (N7D,B7D)
	GP96 MBB	2			Blue, (N7B,B7B)
	GP96 MMA	2			Red, (N7M,B7M)
GP96 MVV	2			Champagne, (N7V,B7V)	
6	COVER, Headrest				
	GR08 MDD	2			Quartz, (N7D,B7D)
	GR08 MBB	2			Blue, (N7B,B7B)
	GR08 MMA	2			Red, (N7M,B7M)
GR08 MVV	2			Champagne, (N7V,B7V)	
7	CUSHION, w/Spring/Frame, Pad and Cover				
	FR52-3 MD5	1			Quartz, (G7D)
	FR52-3 MB7	1			Blue, (G7B)
	FR52-3 MVV	1			Champagne, (G7V)
FR52-3 MM6	1			Red, (G7M)	

MODEL CODES:

A BODY=(C=LeBaron, D=Spirit, P=Acclaim/LaBaron(Landau),  
Saratoga)  
C BODY=(D=Dynasty, C=New Yorker/N.Y. Salon)  
G BODY=(V=Daytona/ROC, Chrysler Daytona)  
J BODY=(C=LeBaron, Chrysler LeBaron)  
P BODY=(P=Sundance, D=Shadow)

S BODY=(H=Voyager(H) FWD, K=Caravan(H) FWD,  
Y=Town & Country(H) FWD, P=Voyager(K) AWD,  
D=Caravan(K) AWD, C=Town & Country(K) AWD)  
Y BODY=(C=Imperial/5th Avenue)  
E-S BODY=(K=Chrysler Voyager(H) FWD, D=Chrysler  
Voyager(K) AWD)

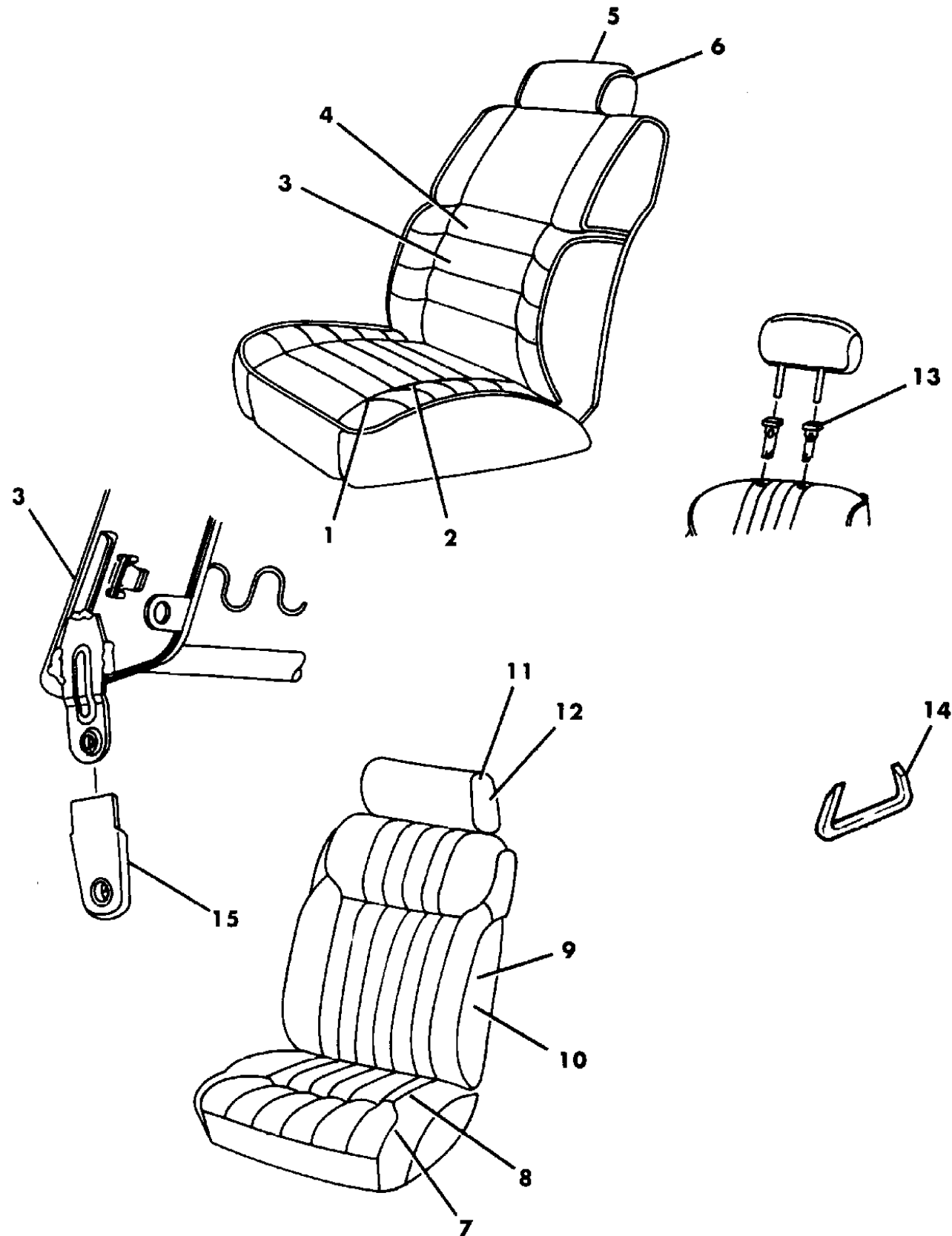
BODY STYLES:

21=2-Door Coupe      41=4-Door Sedan      12-52=FWD & AWD Van & Wgn Std W.B.  
24=2-Door Hatchback      44=4-Door Hatchback      53=FWD & AWD Van & Wgn Ext. W.B.  
27=2-Door Convertible

AR = Use as Required - = Non Illustrated Part P.A.R. = Paint as Required

SEAT--FRONT A BODY TRIM CODE B7,N7,G7,P7  
Figure ITA-1100

93235 1100



ITEM	PART NUMBER	QTY	BODY	MODEL	DESCRIPTION
	FR50-1 MB7	1			Blue, (P7B)
	FR50-1 MD5	1			Quartz, (P7D)
	FR50-1 MM6	1			Red, (P7M)
	FR50-1 MVV	1			Champagne, (P7V)
8					COVER, Cushion
	FV78-9 MD5	1			Quartz, (G7D)
	FV78-9 MB7	1			Blue, (G7B)
	FV78-9 MM6	1			Red, (G7M)
	FV78-9 MVV	1			Champagne, (G7V)
	FV74-5 MB7	1			Blue, (P7B)
	FV74-5 MD5	1			Quartz, (P7D)
	FV74-5 MM6	1			Red, (P7M)
	FV74-5 MVV	1			Champagne, (P7V)
9					BACK, w/Spring/Frame, Pad and Cover
	FR48-9 MD5	1			Quartz, (G7D)
	FR48-9 MB7	1			Blue, (G7B)
	FR48-9 MM6	1			Red, (G7M)
	FR48-9 MVV	1			Champagne, (G7V)
	FR66-7 MB7	1			Blue, (P7B)
	FR66-7 MD5	1			Quartz, (P7D)
	FR66-7 MM6	1			Red, (P7M)
	FR66-7 MVV	1			Champagne, (P7V)
10					COVER, Back
	FV66-7 MD5	1			Quartz, (G7D)
	FV66-7 MB7	1			Blue, (G7B)
	FV66-7 MM6	1			Red, (G7M)
	FV66-7 MVV	1			Champagne, (G7V)
	FV56-7 MB7	1			Blue, (P7B)
	FV56-7 MD5	1			Quartz, (P7D)
	FV56-7 MM6	1			Red, (P7M)
	FV56-7 MVV	1			Champagne, (P7V)
11					HEADREST and COVER
	FR42 MD5	2			Quartz, (G7D,P7D)
	FR42 MB7	2			Blue, (G7B,P7B)
	FR42 MM6	2			Red, (G7R,P7M)
	FR42 MVV	2			Champagne, (G7V,P7V)
12					COVER, Headrest
	FV72 MD5	2			Quartz, (G7D,P7D)
	FV72 MB7	2			Blue, (G7B,P7V)

MODEL CODES:

A BODY=(C=LeBaron, D=Spirit, P=Acclaim/LaBaron(Landau), Saratoga)

C BODY=(D=Dynasty, C=New Yorker/N.Y. Salon)

G BODY=(V=Daytona/IROC, Chrysler Daytona)

J BODY=(C=LeBaron, Chrysler LeBaron)

P BODY=(P=Sundance, D=Shadow)

S BODY=(H=Voyager(H) FWD, K=Caravan(H) FWD,

Y=Town & Country(H) FWD, P=Voyager(K) AWD,

D=Caravan(K) AWD, C=Town & Country(K) AWD)

Y BODY=(C=Imperial/5th Avenue)

E-S BODY=(K=Chrysler Voyager(H) FWD, D=Chrysler

Voyager(K) AWD)

BODY STYLES:

21=2-Door Coupe

41=4-Door Sedan

12-52=FWD & AWD Van & Wgn Std W.B.

24=2-Door Hatchback

44=4-Door Hatchback

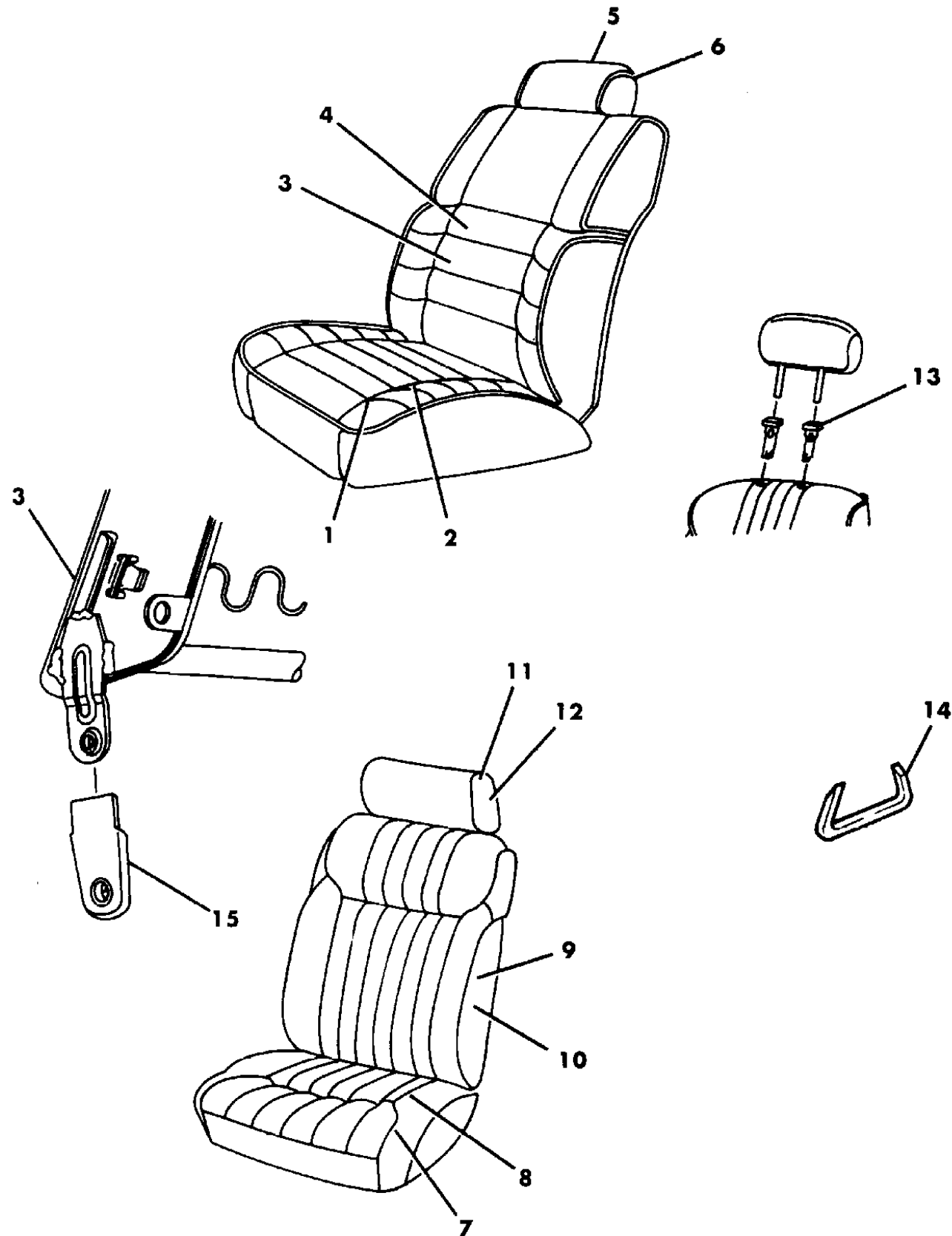
53=FWD & AWD Van & Wgn Ext. W.B.

27=2-Door Convertible

AR = Use as Required - = Non Illustrated Part P.A.R. = Paint as Required

SEAT--FRONT A BODY TRIM CODE B7,N7,G7,P7  
Figure ITA-1100

93235 1100



ITEM	PART NUMBER	QTY	BODY	MODEL	DESCRIPTION
	FV72 MM6	2			Red, (G7M,P7M)
	FV72 MVV	2			Champagne, (G7V,P7V)
13	S542 KV4	2			SLEEVE, Headrest (P.A.R.)
14					HOG RING, (Not Serv.)
15					COVER, Inner Pivot Hinge
	S530 HD5	2			Quartz
	S530 KB7	2			Blue
	S530 LMA	2			Red
	S530 KV4	2			Champagne

**MODEL CODES:**

A BODY=(C=LeBaron, D=Spirit, P=Acclaim/LaBaron(Landau, Saratoga)  
C BODY=(D=Dynasty, C=New Yorker/N.Y. Salon)  
G BODY=(V=Daytona/IROC, Chrysler Daytona)  
J BODY=(C=LeBaron, Chrysler LeBaron)  
P BODY=(P=Sundance, D=Shadow)

S BODY=(H=Voyager(H) FWD, K=Caravan(H) FWD, Y=Town & Country(H) FWD, P=Voyager(K) AWD, D=Caravan(K) AWD, C=Town & Country(K) AWD)  
Y BODY=(C=Imperial/5th Avenue)  
E-S BODY=(K=Chrysler Voyager(H) FWD, D=Chrysler Voyager(K) AWD)

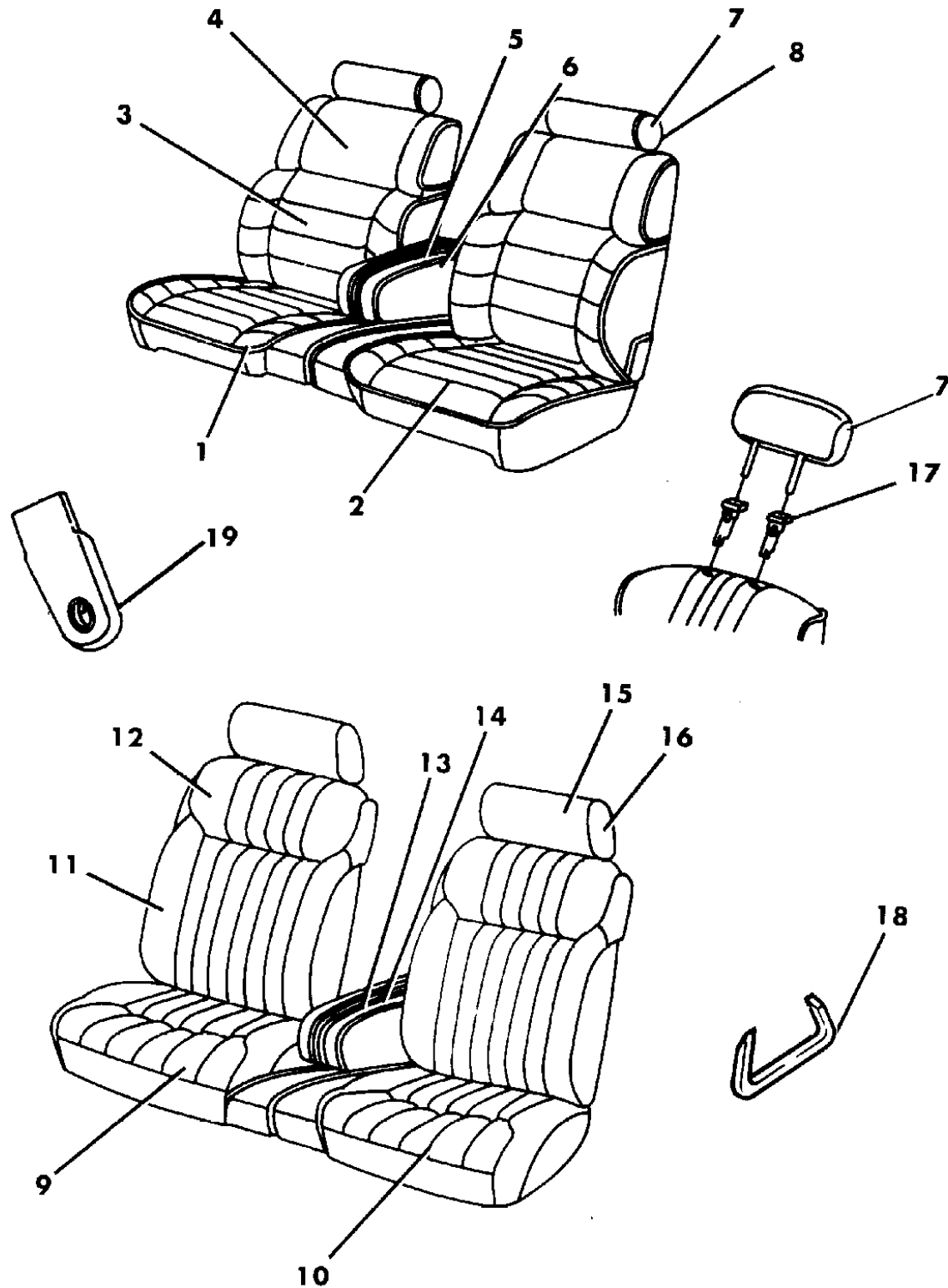
**BODY STYLES:**

21=2-Door Coupe      41=4-Door Sedan      12-52=FWD & AWD Van & Wgn Std W.B.  
24=2-Door Hatchback      44=4-Door Hatchback      53=FWD & AWD Van & Wgn Ext. W.B.  
27=2-Door Convertible

AR = Use as Required - = Non Illustrated Part P.A.R. = Paint as Required

SEAT--FRONT A BODY TRIM CODE BF,GF,NF,PF  
Figure ITA-1200

93235 1200



ITEM	PART NUMBER	QTY	BODY	MODEL	DESCRIPTION
1	GR32-3 MDD	1			CUSHION, w/Spring/Frame, Pad and Cover Quartz, (NFD,BFD)
	GR32-3 MBB	1			Blue, (NFB,BFB)
	GR32-3 MMA	1			Red, (NFM,BFM)
	GR32-3 MVV	1			Champagne, (NFV,BFV)
2	GR50-1 MDD	1			COVER, Cushion Quartz, (NFD,BFD)
	GR50-1 MBB	1			Blue, (NFB,BFB)
	GR50-1 MMA	1			Red, (NFM,BFM)
	GR50-1 MVV	1			Champagne, (NFV,BFV)
3	GR40-1 MDD	1			BACK, w/Spring/Frame, Pad and Cover Quartz, (NFD,BFD)
	GR40-1 MBB	1			Blue, (NFB,BFB)
	GR40-1 MMA	1			Red, (NFM,BFM)
	GR40-1 MVV	1			Champagne, (NFV,BFV)
4	GR54-5 MDD	1			COVER, Back Quartz, (NFD,BFD)
	GR54-5 MBB	1			Blue, (NFB,BFB)
	GR54-5 MMA	1			Red, (NFM,BFM)
	GR54-5 MVV	1			Champagne, (NFV,BFV)
5	GR26-7 MDD	1			ARMREST and COVER Quartz, (NFD,BFD)
	GR26-7 MBB	1			Blue, (NFB,BFB)
	GR26-7 MMA	1			Red, (NFM,BFM)
	GR26-7 MVV	1			Champagne, (NFV,BFV)
6	GR42-3 MDD	1			COVER, Armrest Quartz, (NFD,BFD)
	GR42-3 MBB	1			Blue, (NFB,BFB)
	GR42-3 MMA	1			Red, (NFM,BFM)
	GR42-3 MVV	1			Champagne, (NFV,BFV)
7	GP96 MDD	2			HEADREST and COVER Quartz, (NFR,BFR)
	GP96 MBB	2			Blue, (NFB,BFB)
	GP96 MMA	2			Red, (NFM,BFM)
	GP96 MVV	2			Champagne, (NFV,BFV)
8	GR08 MDD	2			COVER, Headrest Quartz, (NFD,BFD)
	GR08 MBB	2			Blue, (NFB,BFB)
	GR08 MMA	2			Red, (NFM,BFM)

MODEL CODES:

A BODY=(C=LeBaron, D=Spirit, P=Acclaim/LaBaron(Landau),  
Saratoga)

C BODY=(D=Dynasty, C=New Yorker/N.Y. Salon)

G BODY=(V=Daytona/IROC, Chrysler Daytona)

J BODY=(C=LeBaron, Chrysler LeBaron)

P BODY=(P=Sundance, D=Shadow)

S BODY=(H=Voyager(H) FWD, K=Caravan(H) FWD,

Y=Town & Country(H) FWD, P=Voyager(K) AWD,

D=Caravan(K) AWD, C=Town & Country(K) AWD)

Y BODY=(C=Imperial/5th Avenue)

E-S BODY=(K=Chrysler Voyager(H) FWD, D=Chrysler

Voyager(K) AWD)

BODY STYLES:

21=2-Door Coupe

41=4-Door Sedan

12-52=FWD & AWD Van & Wgn Std W.B.

24=2-Door Hatchback

44=4-Door Hatchback

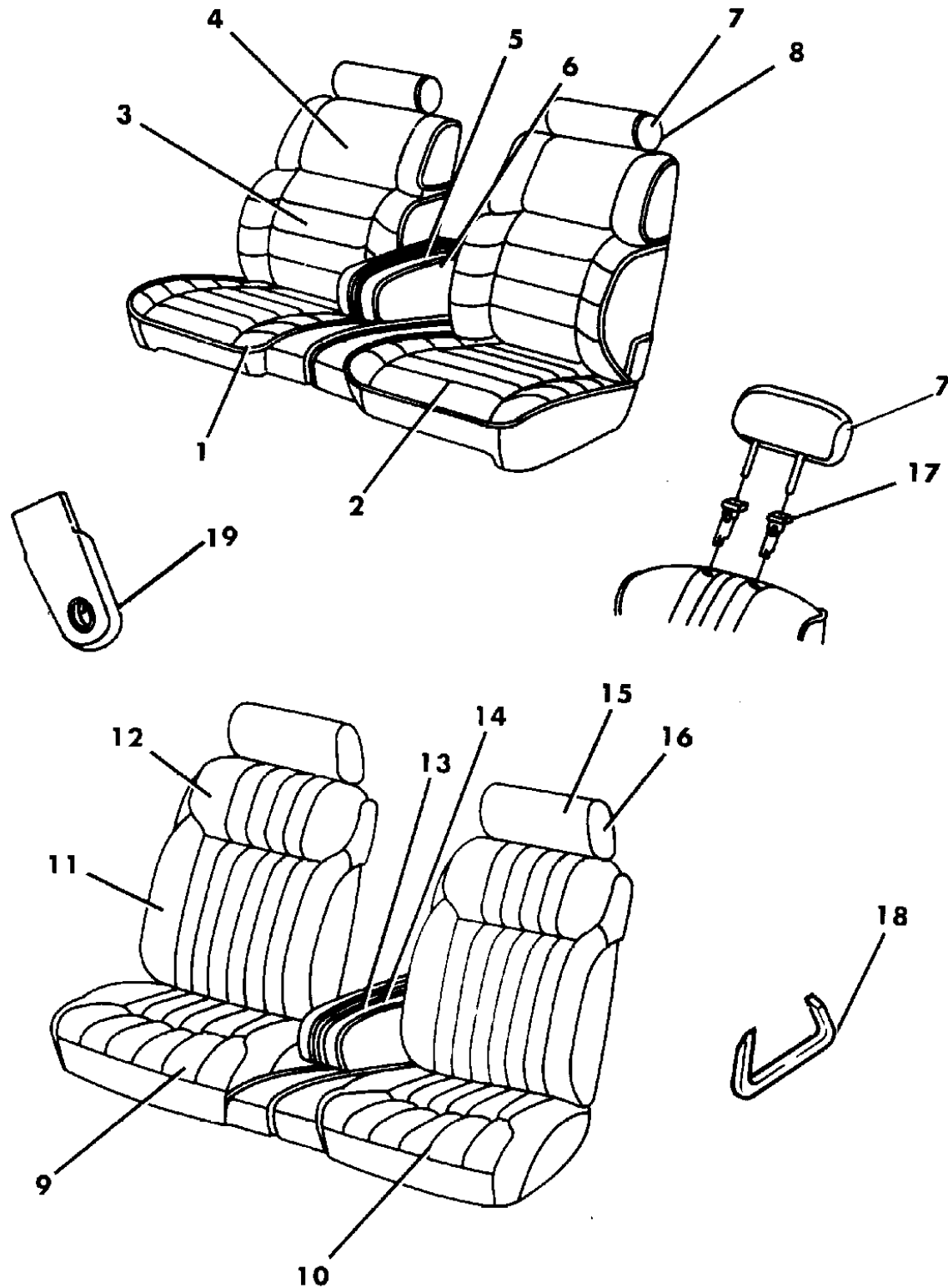
53=FWD & AWD Van & Wgn Ext. W.B.

27=2-Door Convertible

AR = Use as Required - = Non Illustrated Part P.A.R. = Paint as Required

SEAT--FRONT A BODY TRIM CODE BF,GF,NF,PF  
Figure ITA-1200

93235 1200



ITEM	PART NUMBER	QTY	BODY	MODEL	DESCRIPTION
	GR08 MVV	2			Champagne, (NFV,BFV)
9	FR40-1 MD5	1			CUSHION, w/Spring/Frame, Pad and Cover Quartz, (GFD)
	FR40-1 MB7	1			Blue, (GFB)
	FR40-1 MM6	1			Red, (GFM)
	FR40-1 MVV	1			Champagne, (GFV)
	FR38-9 MD5	1			Quartz, (PFD)
	FR38-9 MB7	1			Blue, (PFB)
	FR38-9 MM6	1			Red, (PFM)
	FR38-9 MVV	1			Champagne, (PFV)
10	FV84-5 MD5	1			COVER, Cushion Quartz, (GFD)
	FV84-5 MB7	1			Blue, (GFB)
	FV84-5 MM6	1			Red, (GFM)
	FV84-5 MVV	1			Champagne, (GFV)
	FV80-1 MD5	1			Quartz, (PFD)
	FV80-1 MB7	1			Blue, (PFB)
	FV80-1 MM6	1			Red, (PFM)
	FV80-1 MVV	1			Champagne, (PFV)
11	FR36-7 MD5	1			BACK, w/Spring/Frame, Pad and Cover Quartz, (GFD)
	FR36-7 MB7	1			Blue, (GFB)
	FR36-7 MM6	1			Red, (GFM)
	FR36-7 MVV	1			Champagne, (GFV)
	FR34-5 MD5	1			Quartz, (PFD)
	FR34-5 MB7	1			Blue, (PFB)
	FR34-5 MM6	1			Red, (PFM)
	FR34-5 MVV	1			Champagne, (PFV)
12	FV68-9 MD5	1			COVER, Back Quartz, (GFD)
	FV68-9 MB7	1			Blue, (GFB)
	FV68-9 MM6	1			Red, (GFM)
	FV68-9 MVV	1			Champagne, (GFV)
	FV54-5 MD5	1			Quartz, (PFD)
	FV54-5 MB7	1			Blue, (PFB)
	FV54-5 MM6	1			Red, (PFM)
	FV54-5 MVV	1			Champagne, (PFV)
13	FR56-7 MD5	1			ARMREST and COVER Quartz, (GFD)

MODEL CODES:

A BODY=(C=LeBaron, D=Spirit, P=Acclaim/LaBaron(Landau),  
Saratoga)

C BODY=(D=Dynasty, C=New Yorker/N.Y. Salon)

G BODY=(V=Daytona/IROC, Chrysler Daytona)

J BODY=(C=LeBaron, Chrysler LeBaron)

P BODY=(P=Sundance, D=Shadow)

S BODY=(H=Voyager(H) FWD, K=Caravan(H) FWD,

Y=Town & Country(H) FWD, P=Voyager(K) AWD,

D=Caravan(K) AWD, C=Town & Country(K) AWD)

Y BODY=(C=Imperial/5th Avenue)

E-S BODY=(K=Chrysler Voyager(H) FWD, D=Chrysler

Voyager(K) AWD)

BODY STYLES:

21=2-Door Coupe

41=4-Door Sedan

12-52=FWD & AWD Van & Wgn Std W.B.

24=2-Door Hatchback

44=4-Door Hatchback

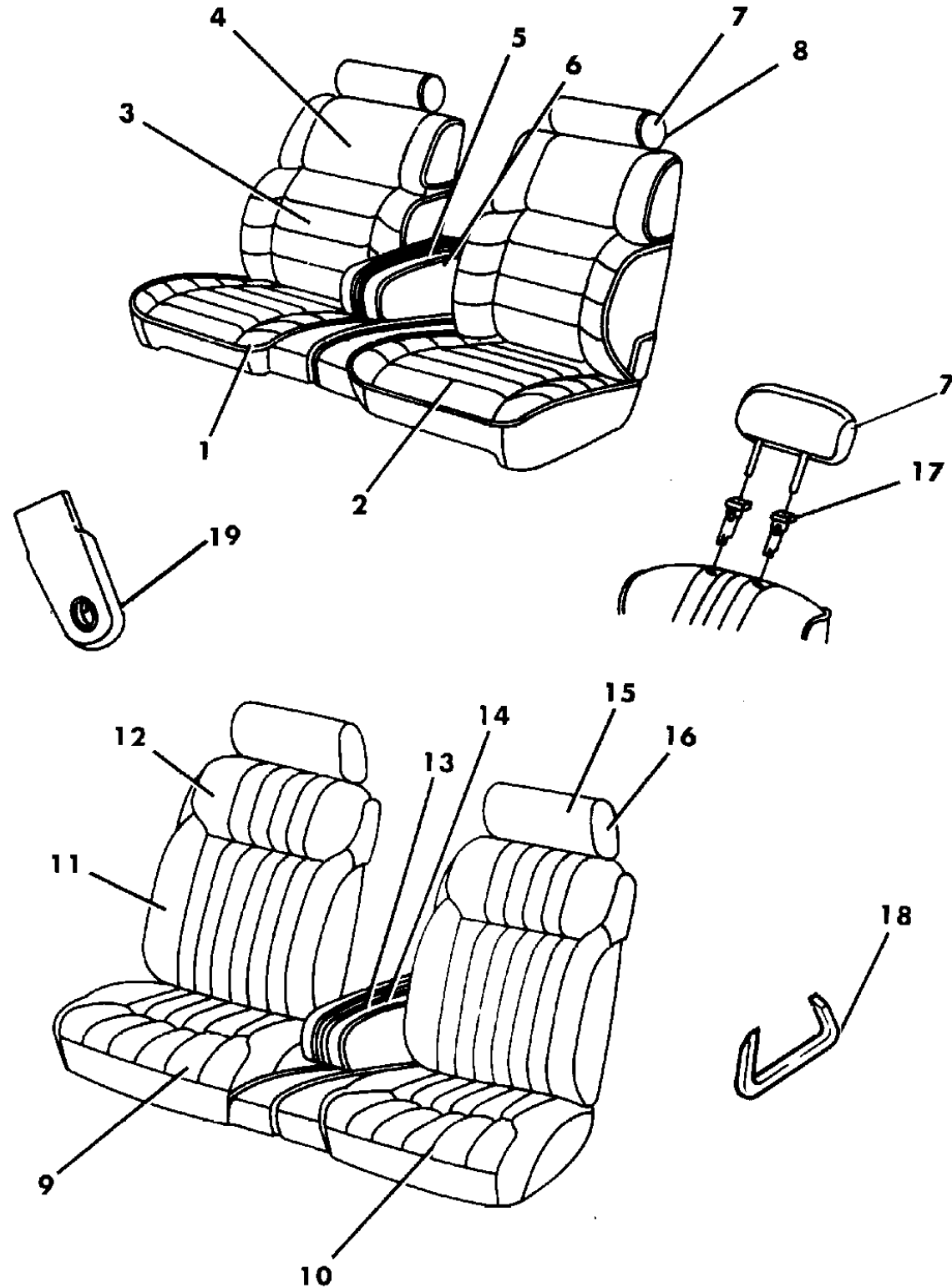
53=FWD & AWD Van & Wgn Ext. W.B.

27=2-Door Convertible

AR = Use as Required - = Non Illustrated Part P.A.R. = Paint as Required

SEAT--FRONT A BODY TRIM CODE BF,GF,NF,PF  
Figure ITA-1200

93235 1200



ITEM	PART NUMBER	QTY	BODY	MODEL	DESCRIPTION
	FR56-7 MB7	1			Blue, (GFB)
	FR56-7 MM6	1			Red, (GFM)
	FR56-7 MVV	1			Champagne, (GFV)
	FR46-7 MD5	1			Quartz, (PFD)
	FR46-7 MB7	1			Blue, (PFB)
	FR46-7 MM6	1			Red, (PFM)
	FR46-7 MVV	1			Champagne, (PFV)
14					COVER, Armrest
	FV76-7 MD5	1			Quartz, (GFD)
	FV76-7 MB7	1			Blue, (GFB)
	FV76-7 MM6	1			Red, (GFM)
	FV76-7 MVV	1			Champagne, (GFV)
	FV70-1 MB7	1			Blue, (PFB)
	FV70-1 MD5	1			Quartz, (PFD)
	FV70-1 MM6	1			Red, (PFM)
	FV70-1 MVV	1			Champagne, (PFV)
15					HEADREST and COVER
	FR42 MD5	2			Quartz (GFD,PFD)
	FR42 MB7	2			Blue, (GFB,PFB)
	FR42 MM6	2			Red, (GFM,PFM)
	FR42 MVV	2			Champagne, (GFV,PFV)
16					COVER, Headrest
	FV72 MD5	2			Quartz, (GFD,PFD)
	FV72 MB7	2			Blue, (GFB,PFB)
	FV72 MM6	2			Red, (GFM,PFM)
	FV72 MVV	2			Champagne, (GFV,PFV)
17	S542 KV4	2			SLEEVE, Headrest (P.A.R.)
18					HOG RING (Not Serv.)
19					COVER, Pivot Hinge
	S530 KB7	2			Blue
	S530 HD5	2			Quartz
	S530 LMA	2			Red
	S530 KV4	2			Champagne

MODEL CODES:

A BODY=(C=LeBaron, D=Spirit, P=Acclaim/LaBaron(Landau),  
Saratoga)  
C BODY=(D=Dynasty, C=New Yorker/N.Y. Salon)  
G BODY=(V=Daytona/IROC, Chrysler Daytona)  
J BODY=(C=LeBaron, Chrysler LeBaron)  
P BODY=(P=Sundance, D=Shadow)

S BODY=(H=Voyager(H) FWD, K=Caravan(H) FWD,  
Y=Town & Country(H) FWD, P=Voyager(K) AWD,  
D=Caravan(K) AWD, C=Town & Country(K) AWD)  
Y BODY=(C=Imperial/5th Avenue)  
E-S BODY=(K=Chrysler Voyager(H) FWD, D=Chrysler  
Voyager(K) AWD)

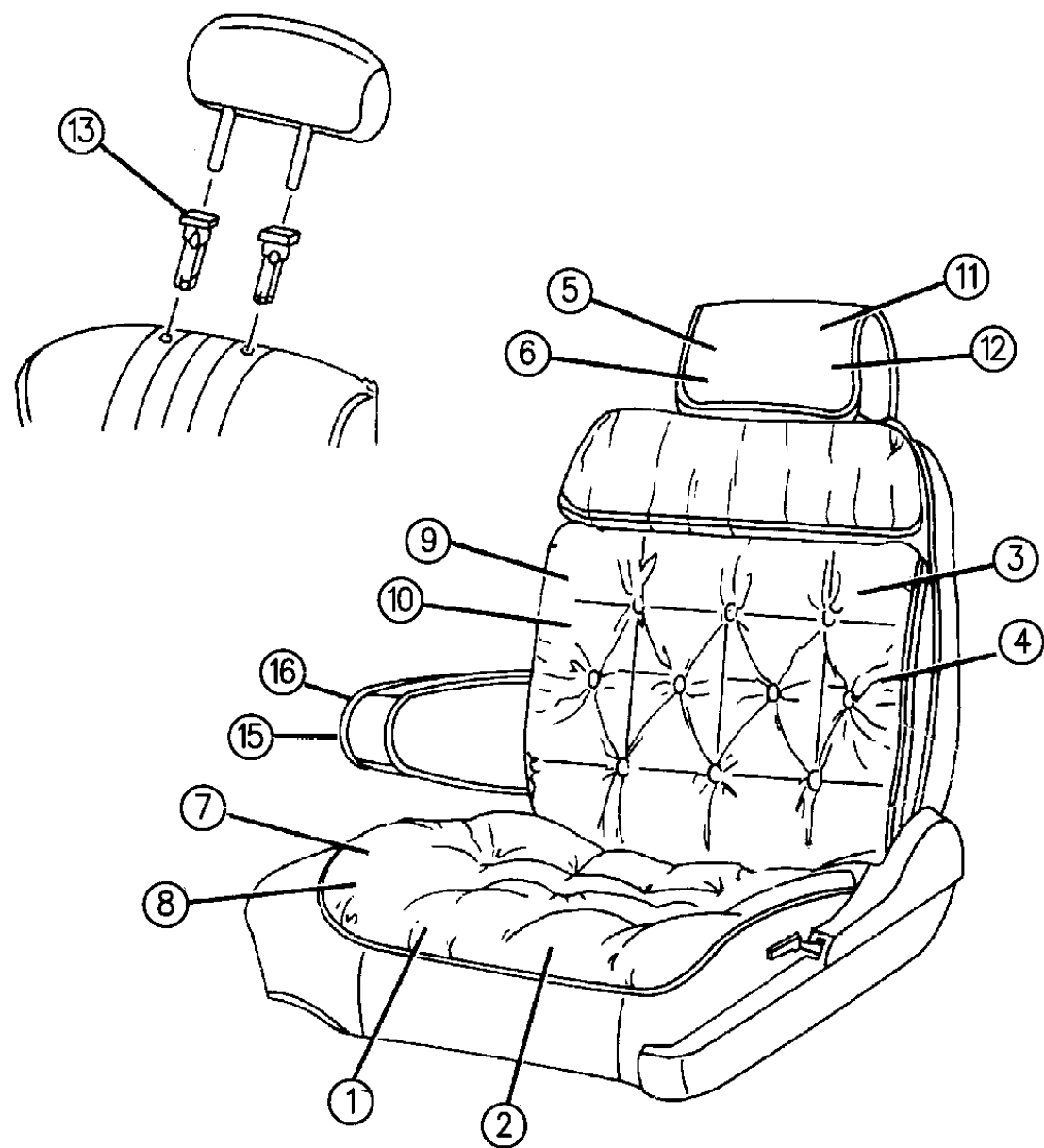
BODY STYLES:

21=2-Door Coupe      41=4-Door Sedan      12-52=FWD & AWD Van & Wgn Std W.B.  
24=2-Door Hatchback      44=4-Door Hatchback      53=FWD & AWD Van & Wgn Ext. W.B.  
27=2-Door Convertible

AR = Use as Required - = Non Illustrated Part P.A.R. = Paint as Required

SEAT--FRONT A BODY TRIM CODE CF,CP,PL  
Figure ITA-1300

93235 1300A



ITEM	PART NUMBER	QTY	BODY	MODEL	DESCRIPTION
1					CUSHION, w/Spring/Frame,Pad and Cover
	GR30-1 MW8	1			Quartz, (CPDW)
	GR30-1 MB7	1			Blue, (CPB)
	GR30-1 MMA	1			Red, (CPM)
	GR30-1 MV4	1			Champagne, (CPV)
2					COVER, Cushion
	FY06-7 MD5	1			Quartz, (PLD) EUROPEAN
	FY06-7 MVV	1			Champagne, (PLV) EUROPEAN
	GR44-5 MW8	1			Quartz, (CPDW)
	GR44-5 MB7	1			Blue, (CPB)
3					BACK, w/Spring/Frame, Pad and Cover
	GR44-5 MMA	1			Red, (CPM)
	GR44-5 MV4	1			Champagne, (CPV)
	FY10-1 MD5	1			Quartz, (PLD) EUROPEAN
	FY10-1 MVV	1			Champagne, (PLV) EUROPEAN
	FN40-1 LDW	1			Quartz, (CPD)
4					COVER, Back
	FN40-1 LB7	1			Blue, (CPB)
	FN40-1 LMA	1			Red, (CPM)
	FN40-1 LV4	1			Champagne, (CPV)
	FY04-5 MD5	1			Quartz, (PLD) EUROPEAN
	FY04-5 MVV	1			Champagne, (PLV) EUROPEAN
5					COVER, Back
	FN48-9 LDW	1			Quartz, (CPD)
	FN48-9 LB7	1			Blue, (CPB)
	FN48-9 LMA	1			Red, (CPM)
	FN48-9 LV4	1			Champagne, (CPV)
	FY08-9 MD5	1			Quartz, (PLD) EUROPEAN
6					HEADREST and COVER
	FY08-9 MVV	1			Champagne, (PLV) EUROPEAN
7					HEADREST and COVER
	WJ26 JDW	2			Quartz, (CPDW)
	WJ26 KB7	2			Blue, (CPB)
	WJ26 LM6	2			Red, (CPM)
	WJ26 KVV	2			Champagne, (CPV)
	FX94 MD5	2			Quartz, (PLD) EUROPEAN
8					COVER, Headrest
	FX94 MVV	2			Champagne, (PLV) EUROPEAN
	WJ28 JDW	2			Quartz, (CPDW)
9					COVER, Headrest
	WJ28 KB7	2			Blue, (CPB)
	WJ28 LM6	2			Red, (CPM)

MODEL CODES:

A BODY=(C=LeBaron, D=Spirit, P=Acclaim/LaBaron(Landau),  
Saratoga)  
C BODY=(D=Dynasty, C=New Yorker/N.Y. Salon)  
G BODY=(V=Daytona/ROC, Chrysler Daytona)  
J BODY=(C=LeBaron, Chrysler LeBaron)  
P BODY=(P=Sundance, D=Shadow)

S BODY=(H=Voyager(H) FWD, K=Caravan(H) FWD,  
Y=Town & Country(H) FWD, P=Voyager(K) AWD,  
D=Caravan(K) AWD, C=Town & Country(K) AWD)  
Y BODY=(C=Imperial/5th Avenue)  
E-S BODY=(K=Chrysler Voyager(H) FWD, D=Chrysler  
Voyager(K) AWD)

BODY STYLES:

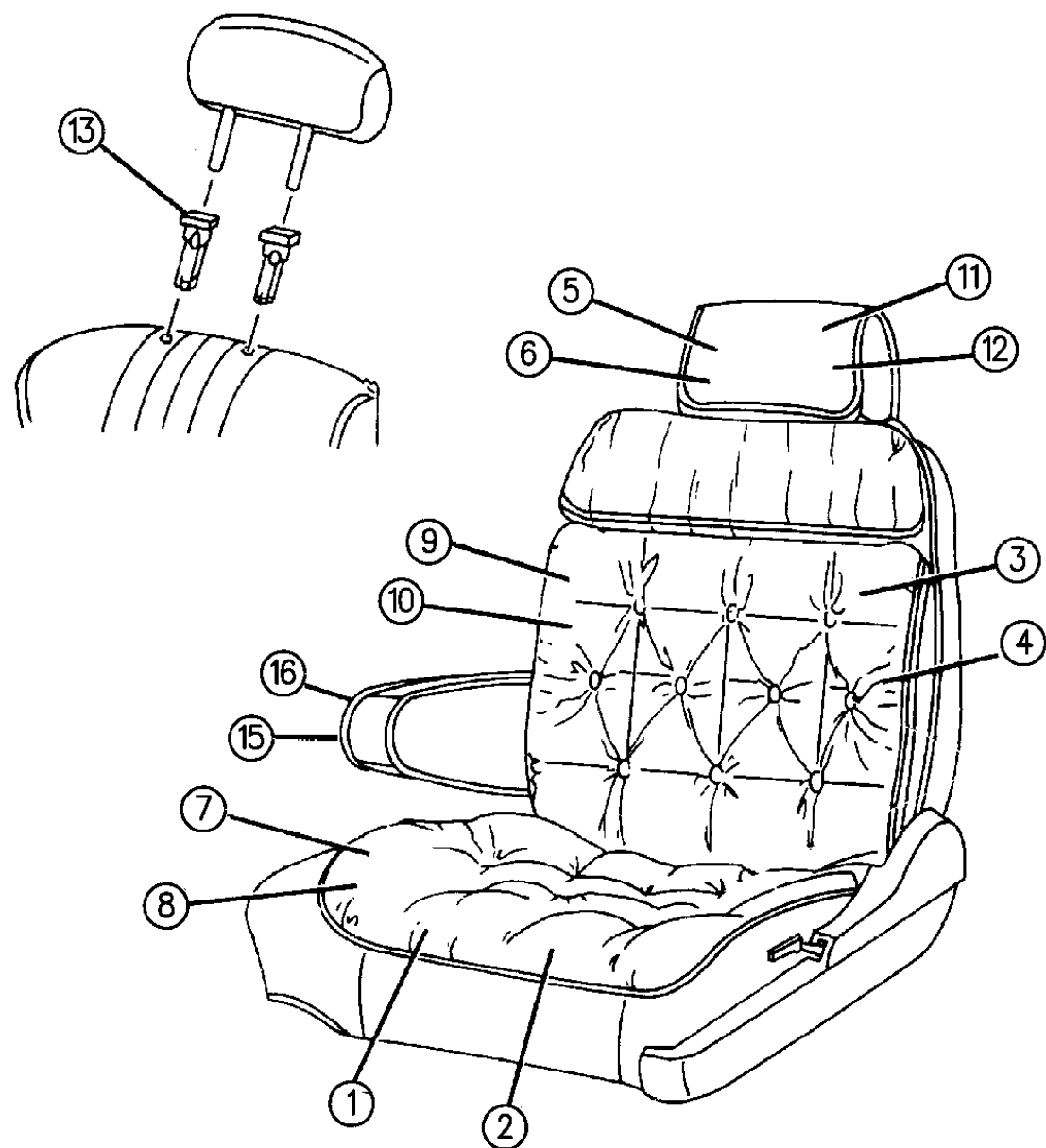
21=2-Door Coupe      41=4-Door Sedan      12-52=FWD & AWD Van & Wgn Std W.B.  
24=2-Door Hatchback      44=4-Door Hatchback      53=FWD & AWD Van & Wgn Ext. W.B.  
27=2-Door Convertible

AR = Use as Required - = Non Illustrated Part P.A.R. = Paint as Required



SEAT--FRONT A BODY TRIM CODE CF,CP,PL  
Figure ITA-1300

93235 1300A



ITEM	PART NUMBER	QTY	BODY	MODEL	DESCRIPTION
	WJ28 KVV	2			Champagne, (CPV)
	FX96 MD5	2			Quartz, (PLD) EUROPEAN
	FX96 MVV	2			Champagne, (PLV) EUROPEAN
7					CUSHION, w/Spring/Frame, Pad and Cover
	GR28-9 MD5	1			Quartz, (CFD)
	GR28-9 MB7	1			Blue, (CFB)
	GR28-9 MMA	1			Red, (CFM)
	GR28-9 MV4	1			Champagne, (CFV)
8					COVER, Cushion
	GR46-7 MD5	1			Quartz, (CFD)
	GR46-7 MB7	1			Blue, (CFB)
	GR46-7 MMA	1			Red, (CFM)
	GR46-7 MV4	1			Champagne, (CFV)
9					BACK, w/Spring/Frame, Pad and Cover
	FN42-3 LD5	1			Quartz, (CFD)
	FN42-3 LB7	1			Blue, (CFB)
	FN42-3 LMA	1			Red, (CFM)
	FN42-3 LV4	1			Champagne, (CFV)
10					COVER, Back
	FN52-3 LD5	1			Quartz, (CFD)
	FN52-3 LB7	1			Blue, (CFB)
	FN52-3 LMA	1			Red, (CFM)
	FN52-3 LV4	1			Champagne, (CFV)
11					HEADREST and COVER
	EE20 KD5	2			Quartz, (CFD)
	EE20 KB7	2			Blue, (CFB)
	EE20 LMA	2			Red, (CFM)
	EE20 KV4	2			Champagne, (CFV)
12					COVER, Headrest
	EE22 KD5	2			Quartz, (CFD)
	EE22 KB7	2			Blue, (CFB)
	EE22 LMA	2			Red, (CFM)
	EE22 KV4	2			Champagne, (CFV)
13	S542 KV4	2			SLEEVE, Headrest (P.A.R.)
14	6008 076	AR			HOG RING
15					ARMREST and COVER RIGHT
	C408 JDW	1			Quartz, (CPDW)
	C408 KB7	1			Blue, (CPB)

MODEL CODES:

A BODY=(C=LeBaron, D=Spirit, P=Acclaim/LaBaron(Landau),  
Saratoga)

C BODY=(D=Dynasty, C=New Yorker/N.Y. Salon)

G BODY=(V=Daytona/ROC, Chrysler Daytona)

J BODY=(C=LeBaron, Chrysler LeBaron)

P BODY=(P=Sundance, D=Shadow)

S BODY=(H=Voyager(H) FWD, K=Caravan(H) FWD,

Y=Town & Country(H) FWD, P=Voyager(K) AWD,

D=Caravan(K) AWD, C=Town & Country(K) AWD)

Y BODY=(C=Imperial/5th Avenue)

E-S BODY=(K=Chrysler Voyager(H) FWD, D=Chrysler

Voyager(K) AWD)

BODY STYLES:

21=2-Door Coupe

41=4-Door Sedan

12-52=FWD & AWD Van & Wgn Std W.B.

24=2-Door Hatchback

44=4-Door Hatchback

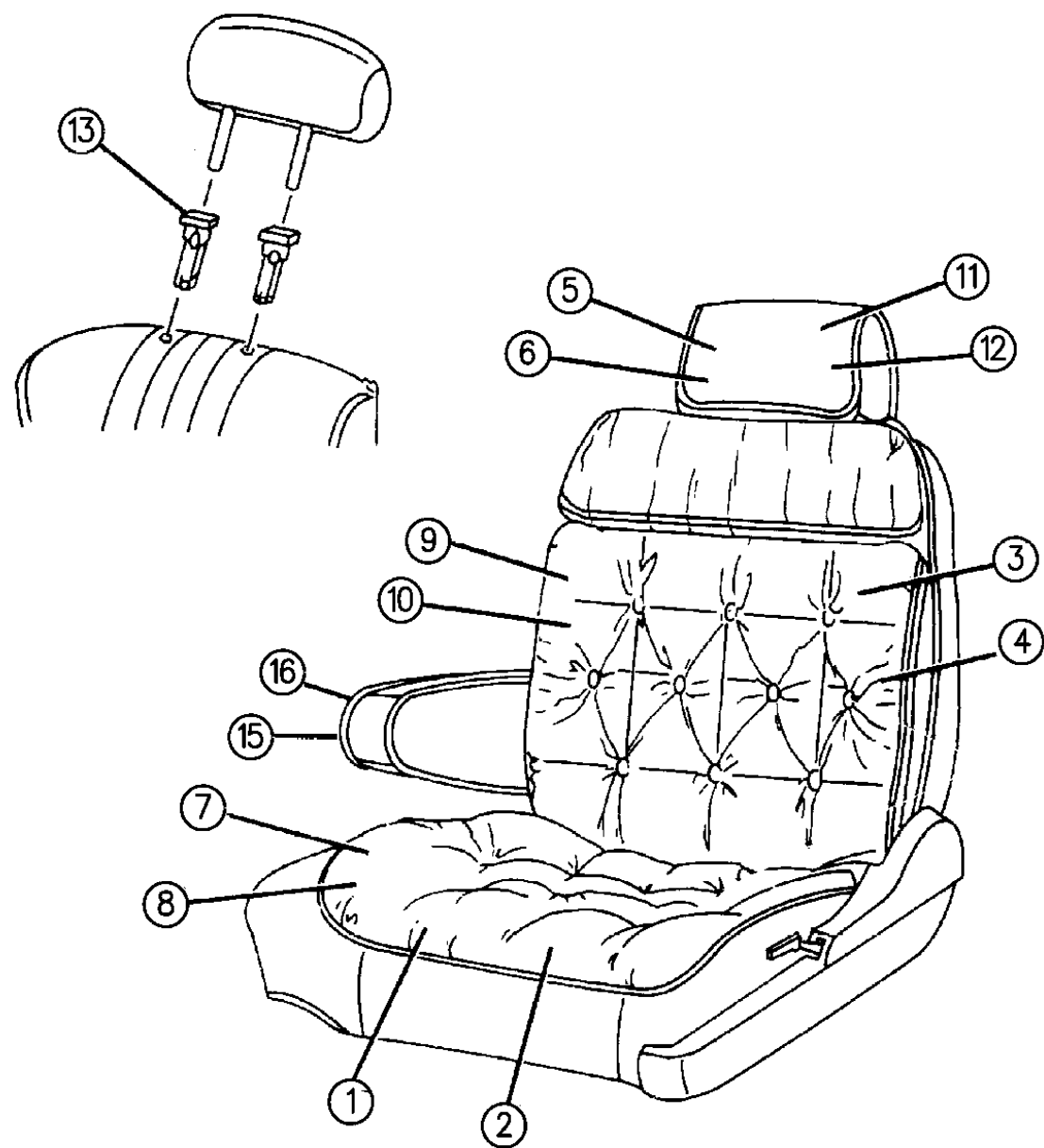
53=FWD & AWD Van & Wgn Ext. W.B.

27=2-Door Convertible

AR = Use as Required - = Non Illustrated Part P.A.R. = Paint as Required

SEAT--FRONT A BODY TRIM CODE CF,CP,PL  
Figure ITA-1300

93235 1300A



ITEM	PART NUMBER	QTY	BODY	MODEL	DESCRIPTION
	C408 LM6	1			Red, (CPM)
	C408 KVV	1			Champagne, (CPV)
	C392 JD5	1			Quartz, (CFD)
	C392 KB7	1			Blue, (CFB)
	C392 LMA	1			Red, (CFM)
	C392 KVV	1			Champagne, (CFV)
	WD09 JDW	1			Quartz, (CPDW)
	WD09 KB7	1			Blue, (CPB)
	WD09 LM6	1			Red, (CPM)
	WD09 KVV	1			Champagne, (CPV)
	WD11 JD5	1			Quartz, (CFD)
	WD11 KB7	1			Blue, (CFB)
	WD11 LMA	1			Red, (CFM)
	WD11 KVV	1			Champagne, (CFV)
16					COVER, Armrest
	WN26-7 JDW	1			Quartz, (CPDW)
	WN26-7 KB7	1			Blue, (CPB)
	WN26-7 LM6	1			Red, (CPM)
	WN26-7 KVV	1			Champagne, (CPV)
	C142-3 JD5	1			Quartz, (CFD)
	C142-3 KB7	1			Blue, (CFB)
	C142-3 LMA	1			Red, (CFM)
	C142-3 KVV	1			Champagne, (CFV)

MODEL CODES:

A BODY=(C=LeBaron, D=Spirit, P=Acclaim/LaBaron(Landau),  
Saratoga)  
C BODY=(D=Dynasty, C=New Yorker/N.Y. Salon)  
G BODY=(V=Daytona/IROC, Chrysler Daytona)  
J BODY=(C=LeBaron, Chrysler LeBaron)  
P BODY=(P=Sundance, D=Shadow)

S BODY=(H=Voyager(H) FWD, K=Caravan(H) FWD,  
Y=Town & Country(H) FWD, P=Voyager(K) AWD,  
D=Caravan(K) AWD, C=Town & Country(K) AWD)  
Y BODY=(C=Imperial/5th Avenue)  
E-S BODY=(K=Chrysler Voyager(H) FWD, D=Chrysler  
Voyager(K) AWD)

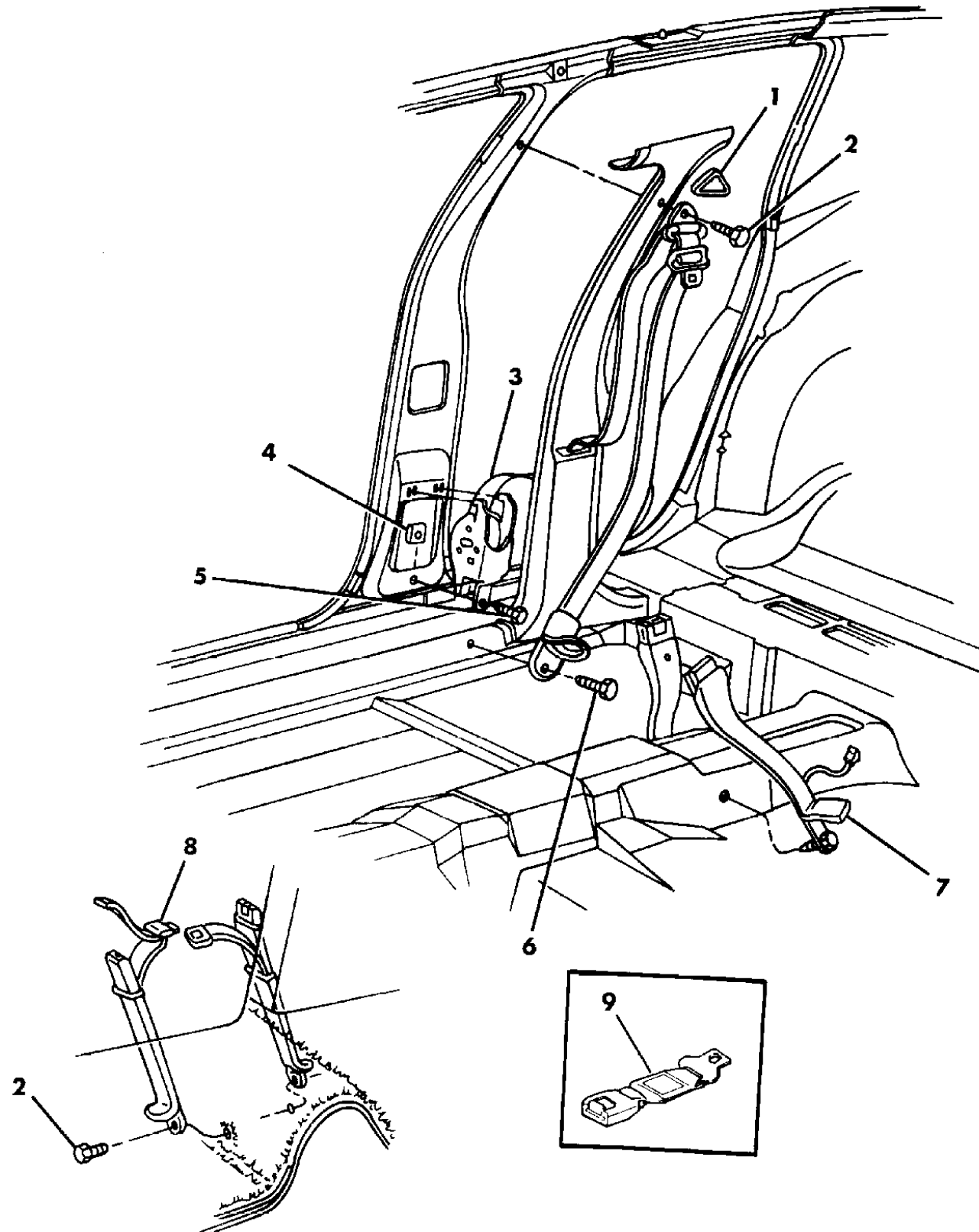
BODY STYLES:

21=2-Door Coupe      41=4-Door Sedan      12-52=FWD & AWD Van & Wgn Std W.B.  
24=2-Door Hatchback      44=4-Door Hatchback      53=FWD & AWD Van & Wgn Ext. W.B.  
27=2-Door Convertible

AR = Use as Required - = Non Illustrated Part P.A.R. = Paint as Required

**BELT--FRONT SEAT A BODY**  
Figure ITA-1400

93235 1400



ITEM	PART NUMBER	QTY	BODY	MODEL	DESCRIPTION
1	F877 JD5	2			COVER, Turning Loop Quartz
	F877 KB7	2			Blue
	F877 LMA	2			Red
	F877 JV8	2			Champagne
	EJ04 JD5	2			BEZEL, Adjustable T/Loop (EUROPEAN) Quartz, (EUROPEAN)
	EJ04 KB7	2			Blue, (EUROPEAN)
	EJ04 LM6	2			Red, (EUROPEAN)
	EJ04 KV8	2			Champagne, (EUROPEAN)
2	4614 862	4			BOLT
3					BELT, Outer LABEL NUMBER 4645192-3
	EL68-9 LD5	1			Quartz
	EL68-9 LB7	1			Blue
	EL68-9 LM6	1			Red
	EL68-9 LV8	1			Champagne
	4664 004-5	1			BELT, Outer (EUROPEAN)
	4	6032 353	2		NUT and RETAINER
	5	6031 484	2		BOLT, Retractor
6	6031 298	2		BOLT, Swivel	
7					BELT, Front Inner (Bucket Seat) LABEL NUMBER 4614130-1
	DK52-3 KD5	1			Quartz
	DK52-3 KB7	1			Blue
	DK52-3 LM6	1			Red
	DK52-3 KV8	1			Champagne
	4614 856	1			Right, (European)
4614 857	1			Left, (European)	
8					BELT, Inner (50/50 Seat) LABEL NUMBER 4680072-3
	FL80-1 KD5	1			Quartz
	FL80-1 KB7	1			Blue
	FL80-1 LM6	1			Red
	FL80-1 KV8	1			Champagne
	9	5260 606	1		EXTENDER BELT ***
-	4571 727	2			ADJUSTER, Front Seat Belt T/Loop Manual (EUROPEAN)
-	4571 559	2			BUTTON, Seat Belt T/Loop (EUROPEAN)
-	6502 339	2			NUT, Seat Belt Track (EUROPEAN)

**MODEL CODES:**

A BODY=(C=LeBaron, D=Spirit, P=Acclaim/LaBaron(Landau),  
Saratoga)  
C BODY=(D=Dynasty, C=New Yorker/N.Y. Salon)  
G BODY=(V=Daytona/IROC, Chrysler Daytona)  
J BODY=(C=LeBaron, Chrysler LeBaron)  
P BODY=(P=Sundance, D=Shadow)

S BODY=(H=Voyager(H) FWD, K=Caravan(H) FWD,  
Y=Town & Country(H) FWD, P=Voyager(K) AWD,  
D=Caravan(K) AWD, C=Town & Country(K) AWD)  
Y BODY=(C=Imperial/5th Avenue)  
E-S BODY=(K=Chrysler Voyager(H) FWD, D=Chrysler  
Voyager(K) AWD)

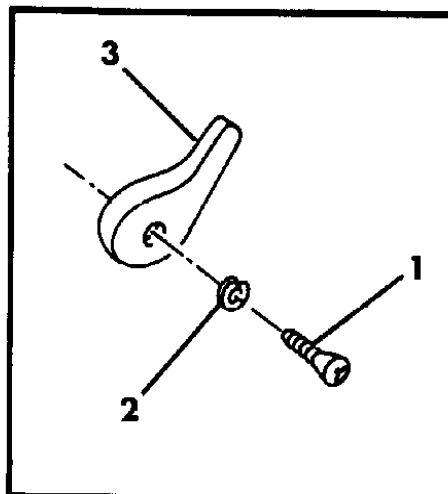
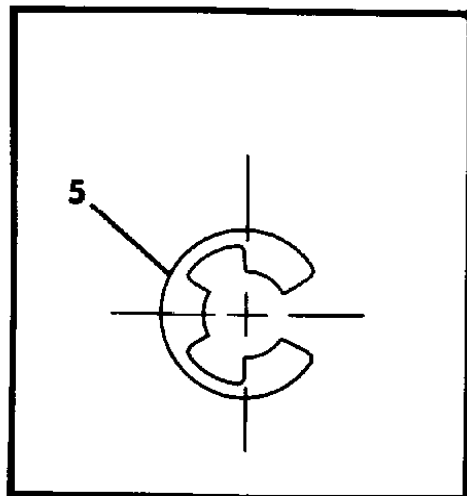
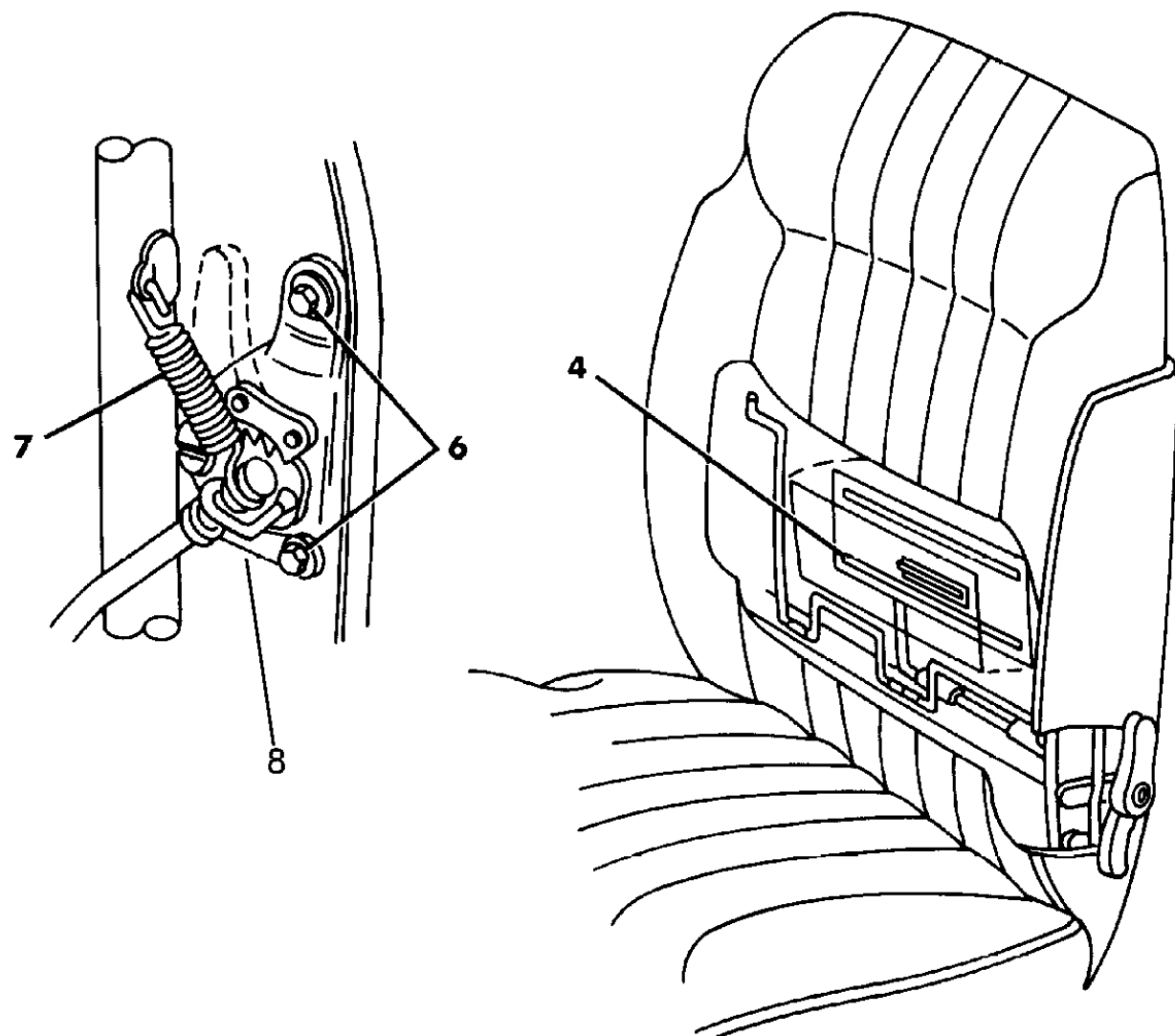
**BODY STYLES:**

21=2-Door Coupe      41=4-Door Sedan      12-52=FWD & AWD Van & Wgn Std W.B.  
24=2-Door Hatchback      44=4-Door Hatchback      53=FWD & AWD Van & Wgn Ext. W.B.  
27=2-Door Convertible

AR = Use as Required - = Non Illustrated Part P.A.R. = Paint as Required

LUMBAR AND THIGH SUPPORT - MANUAL A BODY  
Figure ITA-1500

93235 1500A



ITEM	PART NUMBER	QTY	BODY	MODEL	DESCRIPTION
1					SCREW, (m0.8x12.5) (Nor Serv.)
2					WASHER, (Not Serv.)
3	4420 701	1			LEVER
4					LUMBAR, (Serviced In Seat Back) ***
5	6501 145	1			SNAP RING
6	6101 010	2			BOLT
7					SPRING, (Serv. In Assy)
8	4402 499	1			LUMBAR, Actuator ***

NOTE: Used With Trim Codes CP,CF,GF,G7,PL,P7 \*\*\*

**MODEL CODES:**

A BODY=(C=LeBaron, D=Spirit, P=Acclaim/LaBaron(Landau), Saratoga) S BODY=(H=Voyager(H) FWD, K=Caravan(H) FWD, Y=Town & Country(H) FWD, P=Voyager(K) AWD, D=Caravan(K) AWD, C=Town & Country(K) AWD)  
 C BODY=(D=Dynasty, C=New Yorker/N.Y. Salon)  
 G BODY=(V=Daytona/IROC, Chrysler Daytona)  
 J BODY=(C=LeBaron, Chrysler LeBaron)  
 P BODY=(P=Sundance, D=Shadow)  
 Y BODY=(C=Imperial/5th Avenue)  
 E-S BODY=(K=Chrysler Voyager(H) FWD, D=Chrysler Voyager(K) AWD)

**BODY STYLES:**

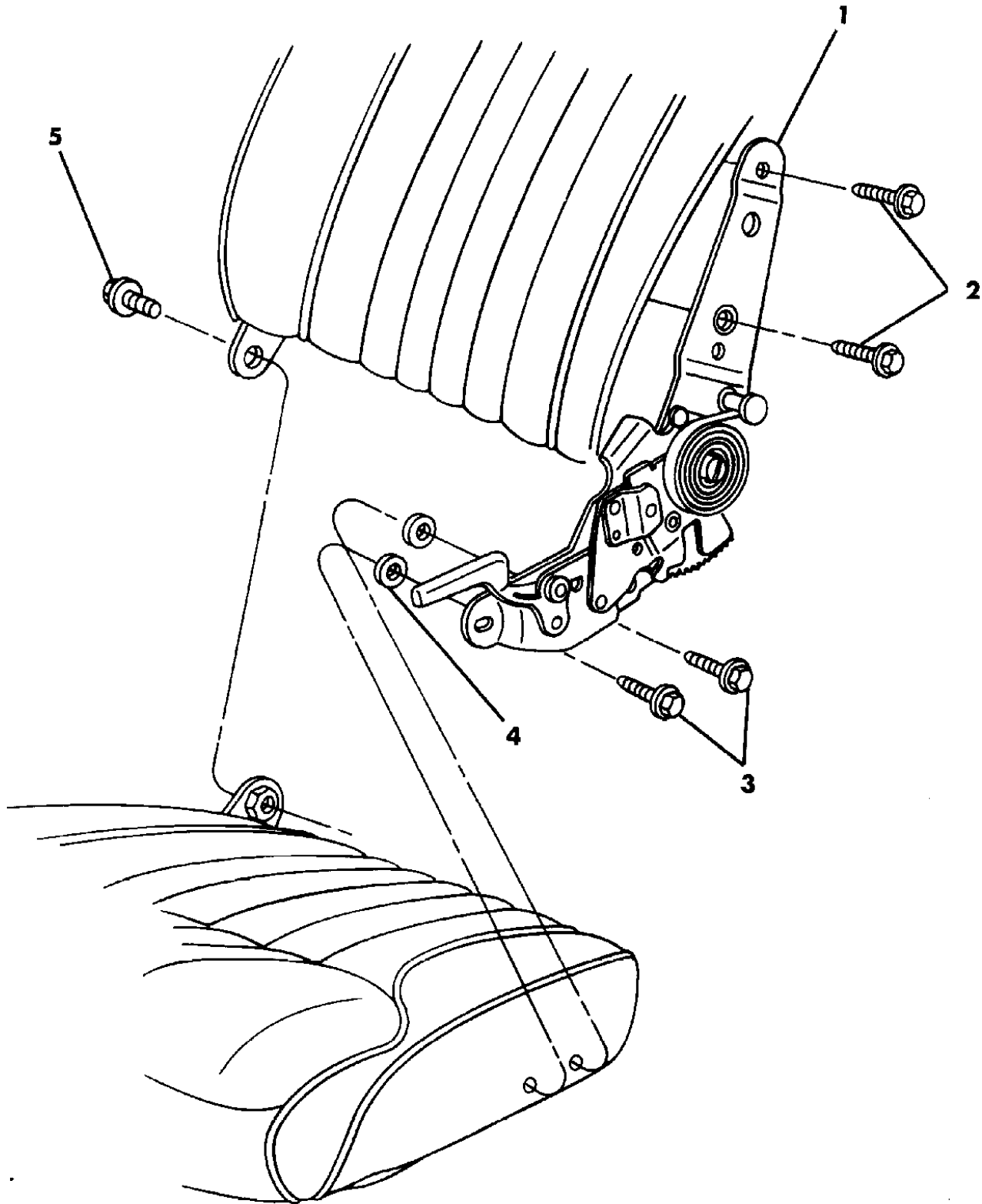
21=2-Door Coupe      41=4-Door Sedan      12-52=FWD & AWD Van & Wgn Std W.B.  
 24=2-Door Hatchback      44=4-Door Hatchback      53=FWD & AWD Van & Wgn Ext. W.B.  
 27=2-Door Convertible

AR = Use as Required - = Non Illustrated Part P.A.R. = Paint as Required

SEAT--RECLINING A BODY  
Figure ITA-1600

93235 1600

ITEM	PART NUMBER	QTY	BODY	MODEL	DESCRIPTION
1					RECLINER
	4402 190	1			Right
	4402 501	1			Left
2	0181 088	2			BOLT
3	6025 355	2			BOLT
4					SPACER, (Not Serv.)
5					SCREW and WASHER, (1/4-20x1/2) (Not Serv.)



**MODEL CODES:**

A BODY=(C=LeBaron, D=Spirit, P=Acclaim/LaBaron(Landau),  
Saratoga)  
C BODY=(D=Dynasty, C=New Yorker/N.Y. Salon)  
G BODY=(V=Daytona/IROC, Chrysler Daytona)  
J BODY=(C=LeBaron, Chrysler LeBaron)  
P BODY=(P=Sundance, D=Shadow)

S BODY=(H=Voyager(H) FWD, K=Caravan(H) FWD,  
Y=Town & Country(H) FWD, P=Voyager(K) AWD,  
D=Caravan(K) AWD, C=Town & Country(K) AWD)  
Y BODY=(C=Imperial/5th Avenue)  
E-S BODY=(K=Chrysler Voyager(H) FWD, D=Chrysler  
Voyager(K) AWD)

**BODY STYLES:**

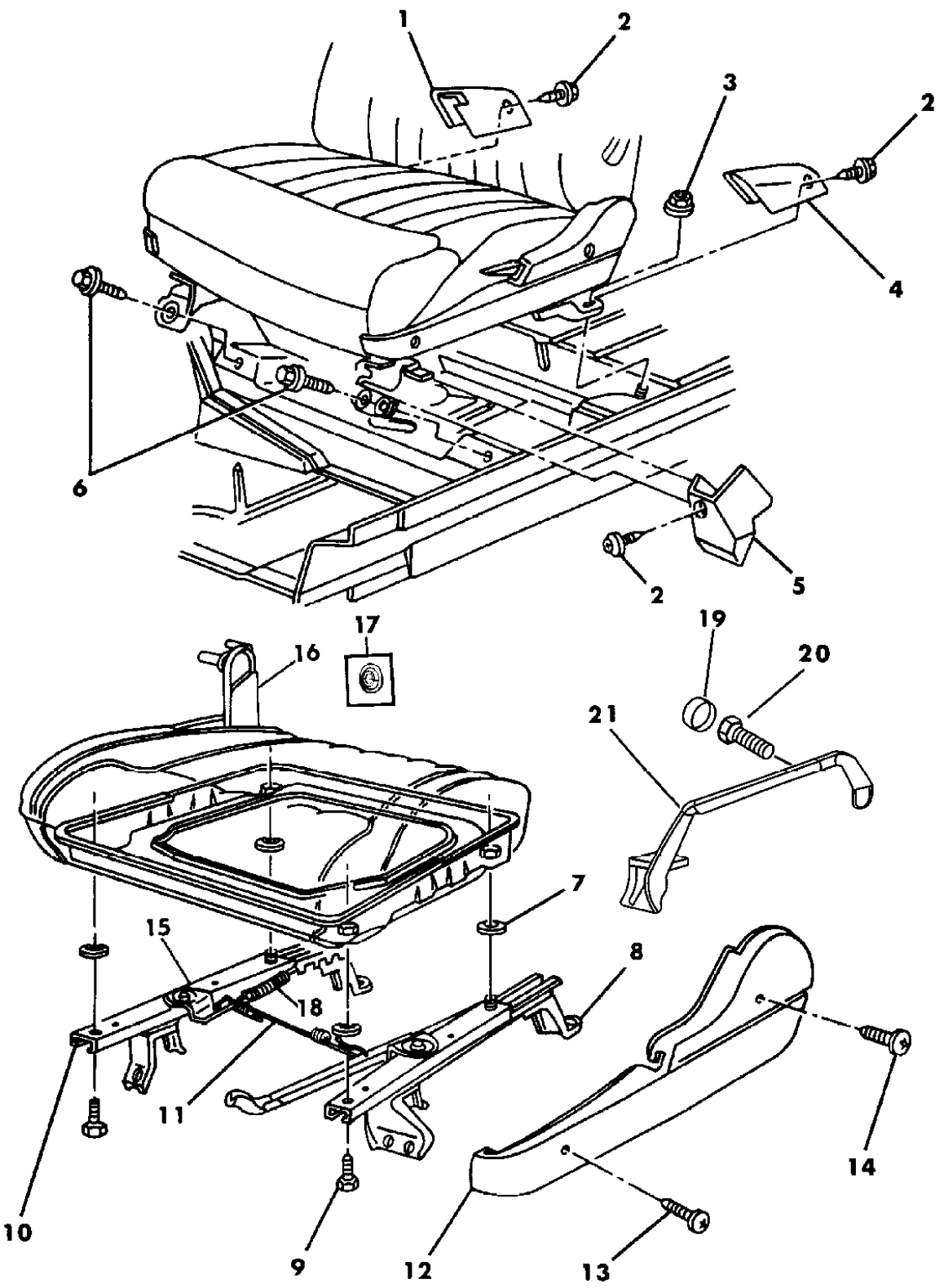
21=2-Door Coupe      41=4-Door Sedan      12-52=FWD & AWD Van & Wgn Std W.B.  
24=2-Door Hatchback      44=4-Door Hatchback      53=FWD & AWD Van & Wgn Ext. W.B.  
27=2-Door Convertible

AR = Use as Required - = Non Illustrated Part P.A.R. = Paint as Required

**ADJUSTER - MANUAL AND COVERS A BODY**  
Figure ITA-1700

93235 1700A

ITEM	PART NUMBER	QTY	BODY	MODEL	DESCRIPTION
1	WH92-3 KX9	1			COVER, Inboard Rear
2		AR			SCREW, (m8-10x3/4) (Not Serv.)
3	6501 279	2			NUT
4	WM44 KX9	2			COVER, Outboard (Rear)
5					COVER, Outboard (Front)
	EV08-9 KD5	1			Quartz
	EV08-9 KB7	1			Blue
	EV08-9 LMA	1			Red
	EV08-9 KV8	1			Champagne
6		AR			SCREW and WASHER, (Not Serv.)
7	6028 040	4			PUSH-NUT
8					ADJUSTER, Outboard
	4705 306	1			Right
	4705 307	1			Left
9	0181 088	4			BOLT
10					ADJUSTER, Inboard
	4705 304	1			Right
	4705 305	1			Left
11	4679 001	2			WIRE
12					SHIELD, Outboard
	S548-9 HD5	1			Quartz
	S548-9 KB7	1			Blue
	S548-9 LMA	1			Red
	S548-9 KV4	1			Champagne
	S548-9 JW8	1			Light Quartz
	S551 KV4	1			LEFT, Only w/Power (P.A.R.)
13		AR			SCREW, (10x5/8) (Not Serv.)
14		AR			SCREW, (x3/8) (Not Serv.)
15	0104 918	4			BEARING, Ball
16					COVER, Inner Pivot
	S530 HD5	2			Quartz
	S530 KB7	2			Blue
	S530 LMA	2			Red
	S530 KV4	2			Champagne
17	6026 430	2			PUSH-NUT ***
18	4679 340-1	1			SPRING, Latch Return
19	4614 862	2			COVER, (EUROPEAN)
20	6031 298	2			BOLT



**MODEL CODES:**

A BODY=(C=LeBaron, D=Spirit, P=Acclaim/LaBaron(Landau), Saratoga) S BODY=(H=Voyager(H) FWD, K=Caravan(H) FWD, Y=Town & Country(H) FWD, P=Voyager(K) AWD, D=Caravan(K) AWD, C=Town & Country(K) AWD)  
 C BODY=(D=Dynasty, C=New Yorker/N.Y. Salon) Y BODY=(C=Imperial/5th Avenue)  
 G BODY=(V=Daytona/IROC, Chrysler Daytona) E-S BODY=(K=Chrysler Voyager(H) FWD, D=Chrysler Voyager(K) AWD)  
 J BODY=(C=LeBaron, Chrysler LeBaron) P BODY=(P=Sundance, D=Shadow)

**BODY STYLES:**

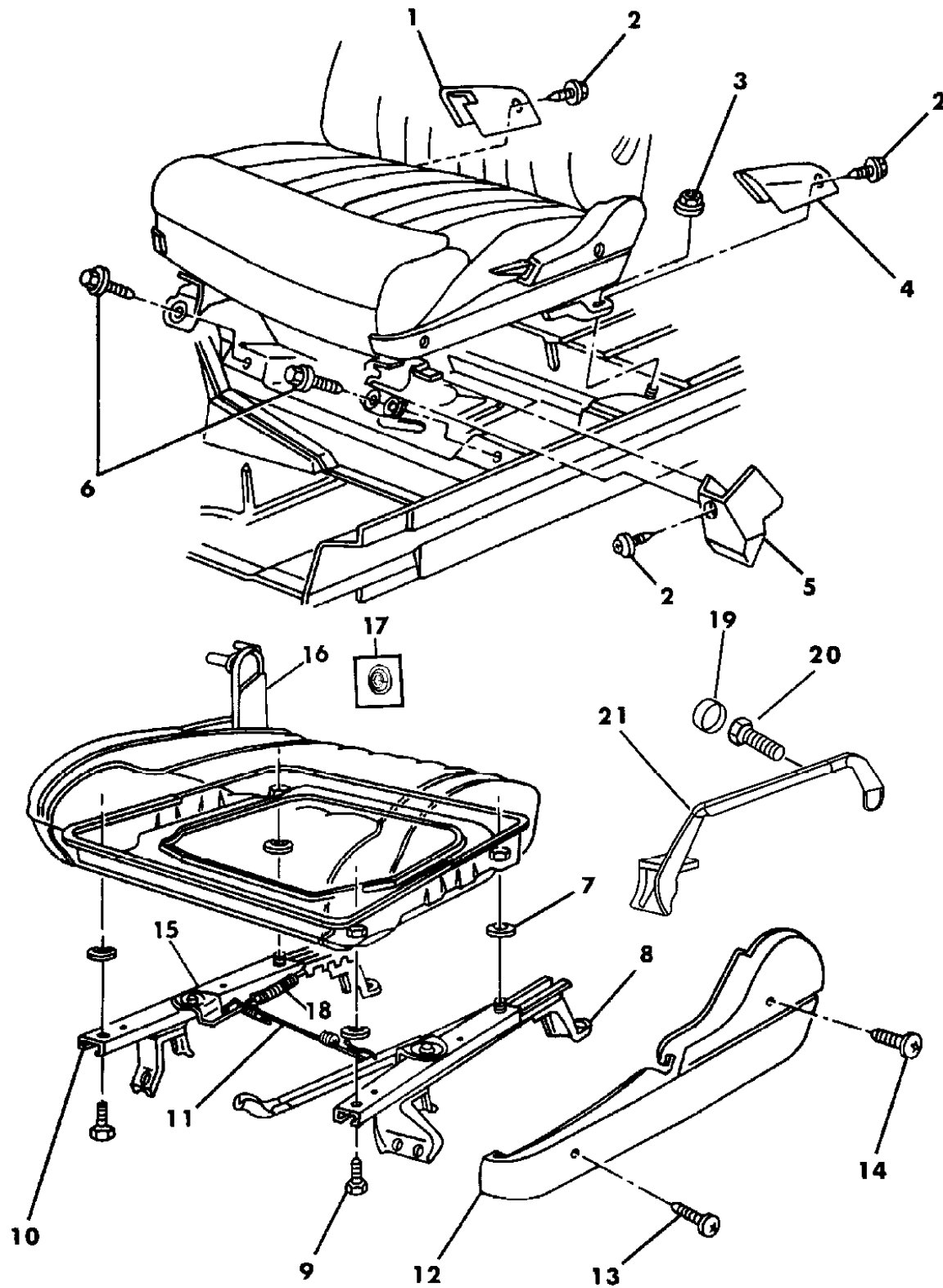
21=2-Door Coupe 41=4-Door Sedan 12-52=FWD & AWD Van & Wgn Std W.B.  
 24=2-Door Hatchback 44=4-Door Hatchback 53=FWD & AWD Van & Wgn Ext. W.B.  
 27=2-Door Convertible

AR = Use as Required - = Non Illustrated Part P.A.R. = Paint as Required

**ADJUSTER - MANUAL AND COVERS A BODY**  
Figure ITA-1700

93235 1700A

ITEM	PART NUMBER	QTY	BODY	MODEL	DESCRIPTION
21	4645 168-9	1			LOCK-BAR, Assy (EUROPEAN) ***



**MODEL CODES:**

A BODY=(C=LeBaron, D=Spirit, P=Acclaim/LaBaron(Landau),  
Saratoga)  
C BODY=(D=Dynasty, C=New Yorker/N.Y. Salon)  
G BODY=(V=Daytona/ROC, Chrysler Daytona)  
J BODY=(C=LeBaron, Chrysler LeBaron)  
P BODY=(P=Sundance, D=Shadow)

S BODY=(H=Voyager(H) FWD, K=Caravan(H) FWD,  
Y=Town & Country(H) FWD, P=Voyager(K) AWD,  
D=Caravan(K) AWD, C=Town & Country(K) AWD)  
Y BODY=(C=Imperial/5th Avenue)  
E-S BODY=(K=Chrysler Voyager(H) FWD, D=Chrysler  
Voyager(K) AWD)

**BODY STYLES:**

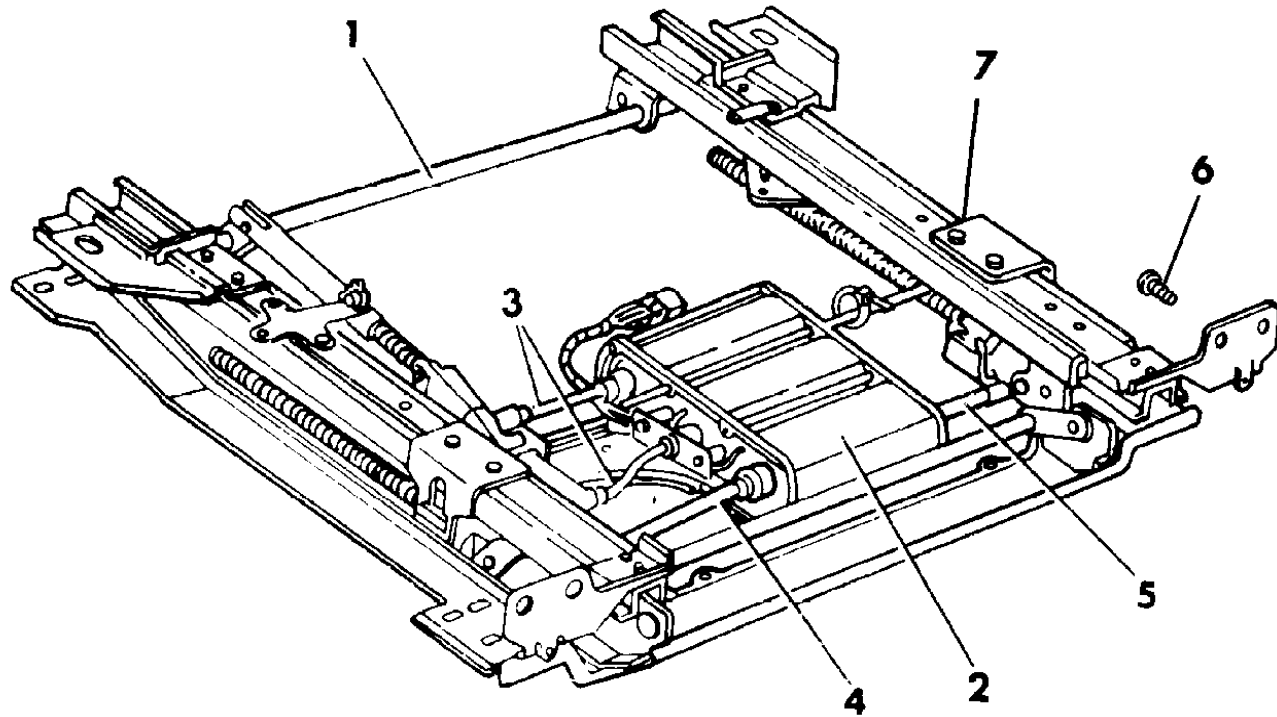
21=2-Door Coupe                          41=4-Door Sedan                          12-52=FWD & AWD Van & Wgn Std W.B.  
24=2-Door Hatchback                      44=4-Door Hatchback                      53=FWD & AWD Van & Wgn Ext. W.B.  
27=2-Door Convertible

AR = Use as Required - = Non Illustrated Part P.A.R. = Paint as Required

**ADJUSTER--ELECTRIC A BODY**  
**Figure ITA-1800**

93235 1800

ITEM	PART NUMBER	QTY	BODY	MODEL	DESCRIPTION
1					ADJUSTER
	4476 433	1			w/o Motor
	4402 511	1			w/Motor
2	4402 323	1			MOTOR, w/Tube Assembly
3					SHAFT
	4327 282	2			Flexible Shaft, (4.005")
	4402 997	1			Flexible Shaft, (3.86")
4	4477 899	1			CABLE, Outer
5	4477 901	1			CABLE, Inner
6	6033 077	4			SCREW, Adjuster to Seat
7	6028 040	4			RETAINER, Adjuster



**MODEL CODES:**

A BODY=(C=LeBaron, D=Spirit, P=Acclaim/LaBaron(Landau), Saratoga)      S BODY=(H=Voyager(H) FWD, K=Caravan(H) FWD, Y=Town & Country(H) FWD, P=Voyager(K) AWD, D=Caravan(K) AWD, C=Town & Country(K) AWD)  
C BODY=(D=Dynasty, C=New Yorker/N.Y. Salon)      Y BODY=(C=Imperial/5th Avenue)  
G BODY=(V=Daytona/IROC, Chrysler Daytona)      E-S BODY=(K=Chrysler Voyager(H) FWD, D=Chrysler Voyager(K) AWD)  
J BODY=(C=LeBaron, Chrysler LeBaron)  
P BODY=(P=Sundance, D=Shadow)

**BODY STYLES:**

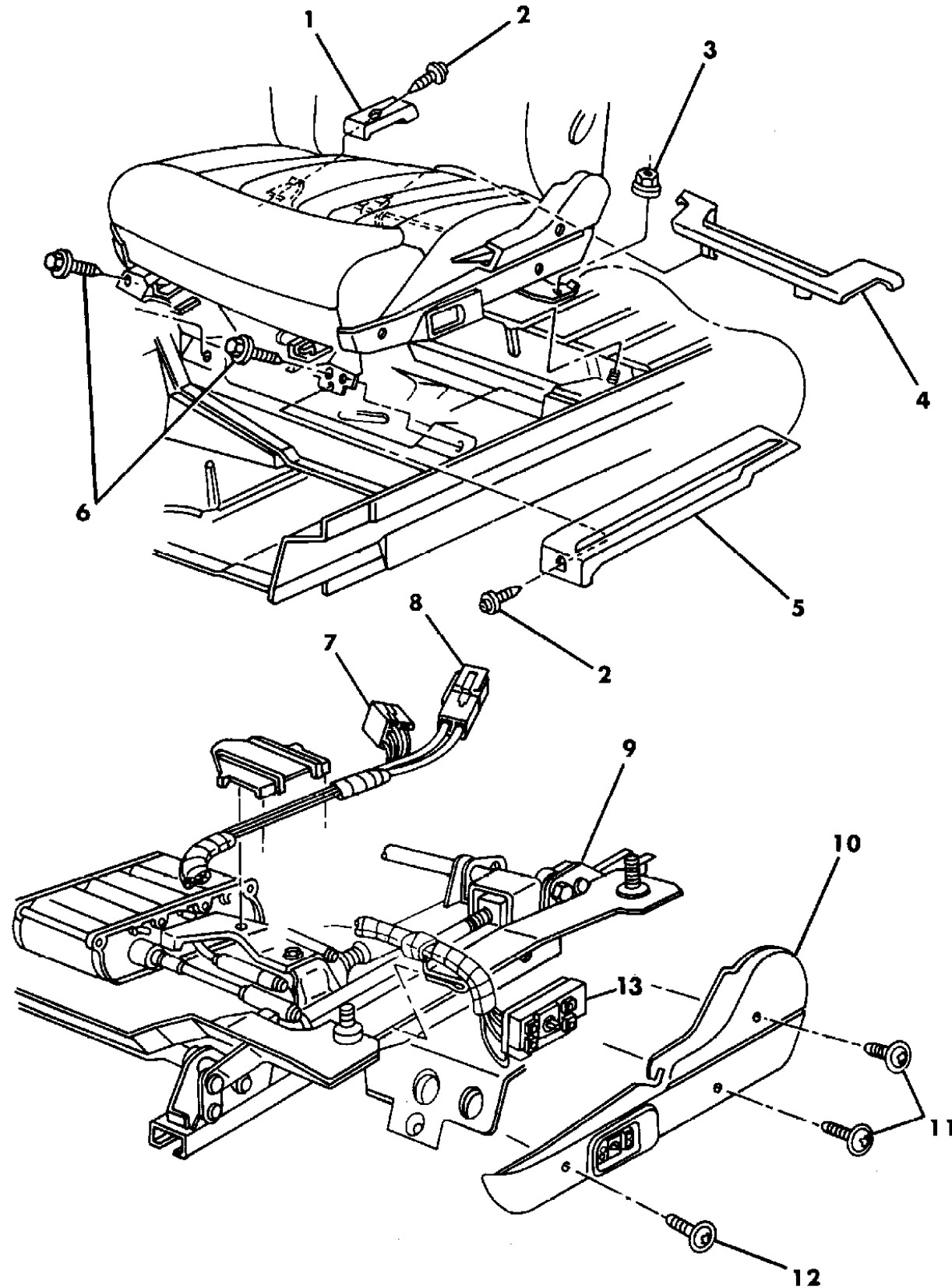
21=2-Door Coupe      41=4-Door Sedan      12-52=FWD & AWD Van & Wgn Std W.B.  
24=2-Door Hatchback      44=4-Door Hatchback      53=FWD & AWD Van & Wgn Ext. W.B.  
27=2-Door Convertible

AR = Use as Required - = Non Illustrated Part P.A.R. = Paint as Required



**ADJUSTER - ELECTRIC AND COVERS A BODY**  
Figure ITA-1900

93235 1900



ITEM	PART NUMBER	QTY	BODY	MODEL	DESCRIPTION
1	S978 HD5	1			COVER, Front Inboard (Right)
	S978 KB7	1			Quartz
	S978 LMA	1			Blue
	S978 HV8	1			Red
2		AR			SCREW, (m8-10x3/4) (Not Serv.)
3	6501 279	2			NUT
4					COVER, Adjuster (Rear)
	AC78 KD5	1			Quartz
	AC78 KB7	1			Blue
	AC78 LMA	1			Red
5					COVER, Adjuster Outboard (Left)
	AC78 KV8	1			Champagne
	S977 HD5	1			Quartz
	S977 KB7	1			Blue
6					SCREW and WASHER (Not Serv.)
	S977 LMA	1			Red
	S977 KV8	1			Champagne
	7	4477 394	1		
8	4414 170	1			WIRING, Adjuster
9	4476 433	1			ADJUSTER, (Less Motor)
10	S551 KV4	1			SHIELD, Cushion Side (Power Outboard Left) (P.A.R.)
11		AR			SCREW, (8x3/8) (Not Serv.)
12		AR			SCREW, (10x5/8) (Not Serv.)
13	4373 666	1			SWITCH, Power Seat Adjuster

NOTE: (P.A.R.) = Paint As Required

**MODEL CODES:**

A BODY=(C=LeBaron, D=Spirit, P=Acclaim/LaBaron(Landau, Saratoga) S BODY=(H=Voyager(H) FWD, K=Caravan(H) FWD, Y=Town & Country(H) FWD, P=Voyager(K) AWD, D=Caravan(K) AWD, C=Town & Country(K) AWD)  
 C BODY=(D=Dynasty, C=New Yorker/N.Y. Salon) Y BODY=(C=Imperial/5th Avenue)  
 G BODY=(V=Daytona/IROC, Chrysler Daytona) E-S BODY=(K=Chrysler Voyager(H) FWD, D=Chrysler Voyager(K) AWD)  
 J BODY=(C=LeBaron, Chrysler LeBaron) P BODY=(P=Sundance, D=Shadow)

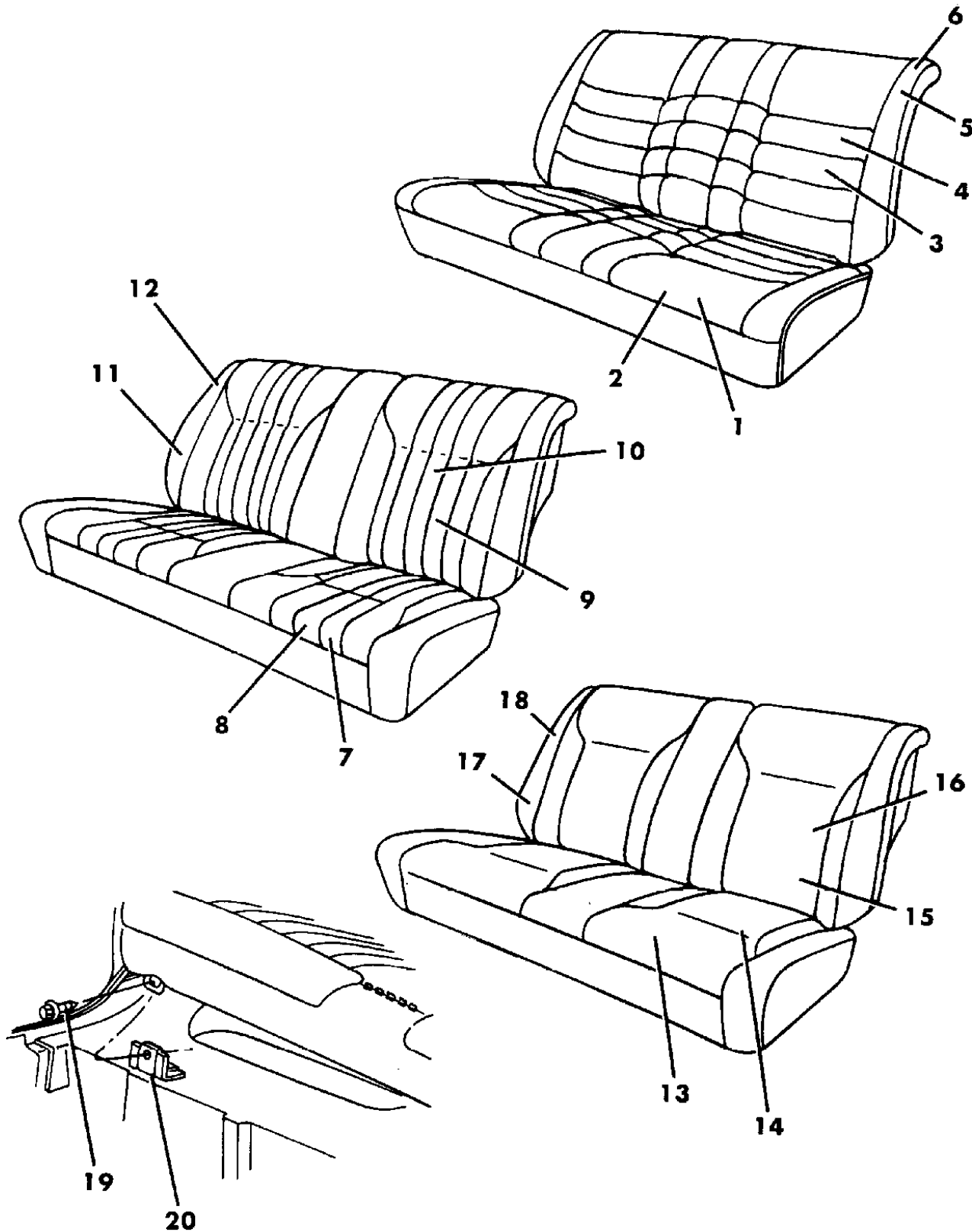
**BODY STYLES:**

21=2-Door Coupe      41=4-Door Sedan      12-52=FWD & AWD Van & Wgn Std W.B.  
 24=2-Door Hatchback      44=4-Door Hatchback      53=FWD & AWD Van & Wgn Ext. W.B.  
 27=2-Door Convertible

AR = Use as Required - = Non Illustrated Part P.A.R. = Paint as Required

**SEAT--REAR A BODY TRIM CODES BF,B7,GF,G7,NF,N7,PF,P7**  
**Figure ITA-2000**

93235 2000



ITEM	PART NUMBER	QTY	BODY	MODEL	DESCRIPTION
1	GP90 MDD	1			CUSHION, w/Spring/Frame, Pad and Cover Quartz, (NFD,BFD,N7D,B7D)
	GP90 MBB	1			Blue, (NFB,BFB,N7B,B7B)
	GP90 MMA	1			Red, (NFM,BFM,N7M,B7M)
	GP90 MVV	1			Champagne, (NFV,BFV,N7V,B7V)
2	GR02 MDD	1			COVER, Cushion Quartz, (NFD,BFD,N7D,B7D)
	GR02 MBB	1			Blue, (NFB,BFB,N7B,B7B)
	GR02 MMA	1			Red, (NFM,BFM,N7M,B7M)
	GR02 MVV	1			Champagne, (NFV,BFV,N7V,B7V)
3	C871 H7D	1			BACK, w/Spring/Frame, Pad and Cover Quartz, (BFD,B7D)
	C871 K7B	1			Blue, (BFB,B7B)
	C871 LMA	1			Red, (BFM,B7M)
	C871 K7V	1			Champagne, (BFV,B7V)
					FOLDING
	C872-3 H7D	1			Quartz, (NFD,N7D)
	C872-3 K7B	1			Blue, (NFB,N7B)
	C872-3 LMA	1			Red, (NFM,N7M)
4	C872-3 K7V	1			Champagne, (NFV,N7V)
					COVER, Back
	B417 H7D	1			Quartz, (B7D,BFD)
	B417 K7B	1			Blue, (B7B,BFB)
	B417 LMA	1			Red, (B7M,BFM)
	B417 K7V	1			Champagne, (B7V,BFV)
					FOLDING
	B412-3 H7D	1			Quartz, (N7D,NFD)
B412-3 K7B	1			Blue, (N7B,NFB)	
B412-3 L7M	1			Red, (N7M,NFM)	
5	B412-3 K7V	1			Champagne, (N7V,NFV)
					BOLSTER, Back
	C576-7 H7D	1			Quartz, (NFD,N7D)
	C576-7 K7B	1			Blue, (NFB,N7B)
6	C576-7 LMA	1			Red, (NFM,N7M)
	C576-7 K7V	1			Champagne, (NFV,N7V)
6					COVER, Bolster
	C954-5 H7D	1			Quartz, (N7D,NFD)
	C954-5 K7B	1			Blue, (N7B,NFB)
	C954-5 LMA	1			Red, (N7M,NFM)

**MODEL CODES:**

A BODY=(C=LeBaron, D=Spirit, P=Acclaim/LaBaron(Landau),  
Saratoga)

C BODY=(D=Dynasty, C=New Yorker/N.Y. Salon)

G BODY=(V=Daytona/IROC, Chrysler Daytona)

J BODY=(C=LeBaron, Chrysler LeBaron)

P BODY=(P=Sundance, D=Shadow)

S BODY=(H=Voyager(H) FWD, K=Caravan(H) FWD,

Y=Town & Country(H) FWD, P=Voyager(K) AWD,

D=Caravan(K) AWD, C=Town & Country(K) AWD)

Y BODY=(C=Imperial/5th Avenue)

E-S BODY=(K=Chrysler Voyager(H) FWD, D=Chrysler

Voyager(K) AWD)

**BODY STYLES:**

21=2-Door Coupe

41=4-Door Sedan

12-52=FWD & AWD Van & Wgn Std W.B.

24=2-Door Hatchback

44=4-Door Hatchback

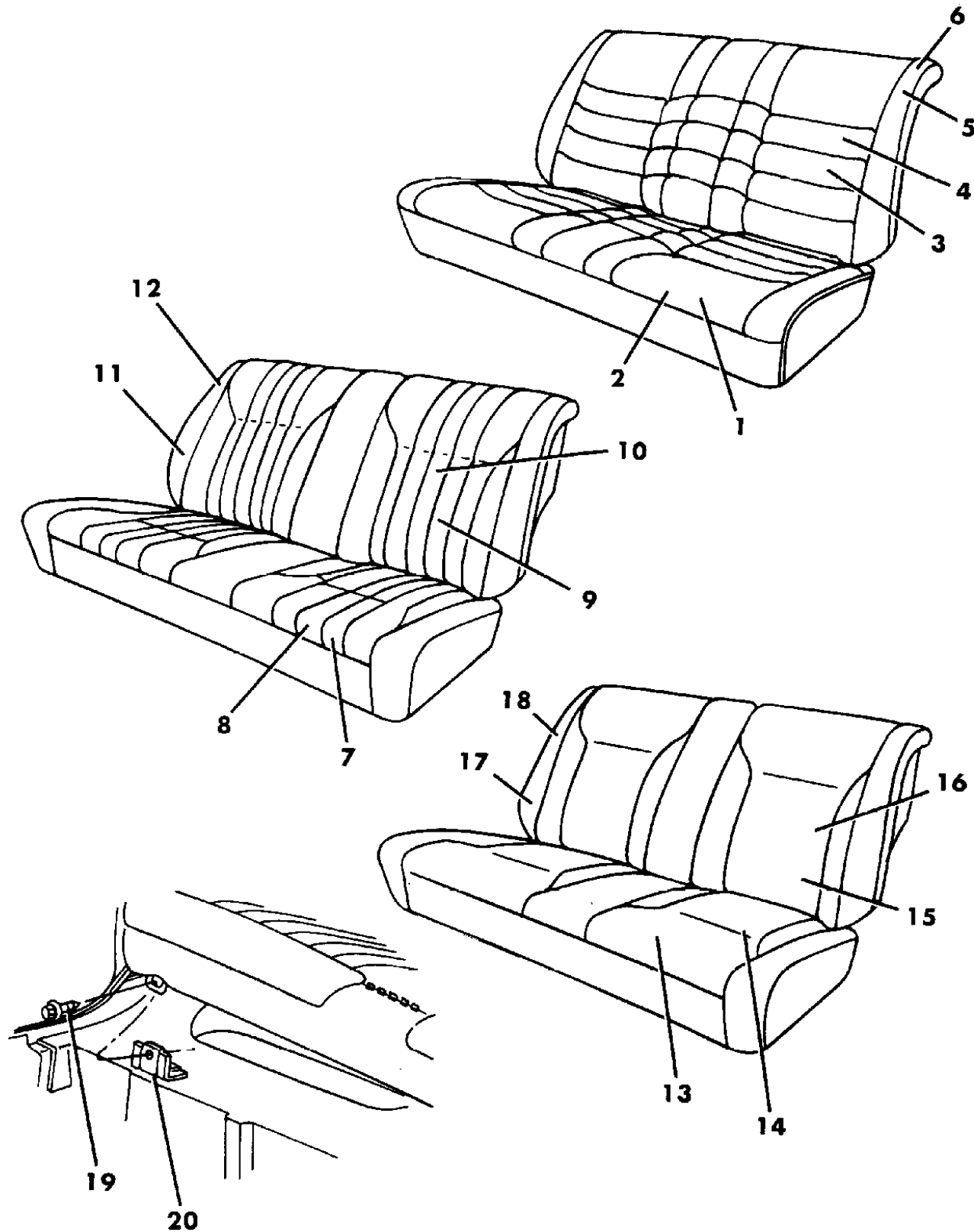
53=FWD & AWD Van & Wgn Ext. W.B.

27=2-Door Convertible

AR = Use as Required - = Non Illustrated Part P.A.R. = Paint as Required

**SEAT--REAR A BODY TRIM CODES BF,B7,GF,G7,NF,N7,PF,P7**  
**Figure ITA-2000**

93235 2000



ITEM	PART NUMBER	QTY	BODY	MODEL	DESCRIPTION
	C954-5 K7V	1			Champagne, (N7V,NFV)
7					CUSHION, w/Spring, Frame, Pad and Cover
	FL00 MD5	1			Quartz, (GFD,G7D)
	FL00 MB7	1			Blue, (GFB,G7B)
	FL00 MM6	1			Red, (GFM,G7M)
	FL00 MVV	1			Champagne, (GFV,G7V)
8					COVER, Cushion
	FV93 MD5	1			Quartz, (GFD,G7D)
	FV93 MB7	1			Blue, (GFB,G7B)
	FV93 MM6	1			Red, (GFM,G7M)
	FV93 MVV	1			Champagne, (GFV,G7V)
9					FOLDING BACK, w/Spring/Frame, Pad and Cover
	FK92-3 MD5	1			Quartz, (GFD,G7D)
	FK92-3 MB7	1			Blue, (GFB,G7B)
	FK92-3 MM6	1			Red, (GFM,G7M)
	FK92-3 MVV	1			Champagne, (GFV,G7V)
10					COVER, Back
	FV88-9 MD5	1			Quartz, (G7D,GFD)
	FV88-9 MB7	1			Blue, (G7B,GFB)
	FV88-9 MM6	1			Red, (G7M,GFM)
	FV88-9 MVV	1			Champagne, (G7V,GFV)
11					BOLSTER, Back
	FK96-7 MD5	1			Quartz, (G7D,GFD)
	FK96-7 MB7	1			Blue, (G7B,GFB)
	FK96-7 MM6	1			Red, (G7M,GFM)
	FK96-7 MVV	1			Champagne, (G7V,GFV)
12					COVER, Bolster
	FV96-7 MD5	1			Quartz, (G7D,GFD)
	FV96-7 MB7	1			Blue, (G7B,GFB)
	FV96-7 MM6	1			Red, (G7M,GFM)
	FV96-7 MVV	1			Champagne, (G7V,GFV)
13					Cushion, w/Spring/Frame, Pad and Cover
	FL02 MB7	1			Blue, (PFB,P7B)
	FL02 MD5	1			Quartz, (PFD,P7D)
	FL02 MM6	1			Red, (PFM,P7M)
	FL02 MVV	1			Champagne, (PFV,P7V)
14					COVER, Cushion
	FV91 MB7	1			Blue, (PFB,P7B)

**MODEL CODES:**

A BODY=(C=LeBaron, D=Spirit, P=Acclaim/LaBaron(Landau, Saratoga)

C BODY=(D=Dynasty, C=New Yorker/N.Y. Salon)

G BODY=(V=Daytona/IROC, Chrysler Daytona)

J BODY=(C=LeBaron, Chrysler LeBaron)

P BODY=(P=Sundance, D=Shadow)

S BODY=(H=Voyager(H) FWD, K=Caravan(H) FWD,

Y=Town & Country(H) FWD, P=Voyager(K) AWD,

D=Caravan(K) AWD, C=Town & Country(K) AWD)

Y BODY=(C=Imperial/5th Avenue)

E-S BODY=(K=Chrysler Voyager(H) FWD, D=Chrysler

Voyager(K) AWD)

**BODY STYLES:**

21=2-Door Coupe

41=4-Door Sedan

12-52=FWD & AWD Van & Wgn Std W.B.

24=2-Door Hatchback

44=4-Door Hatchback

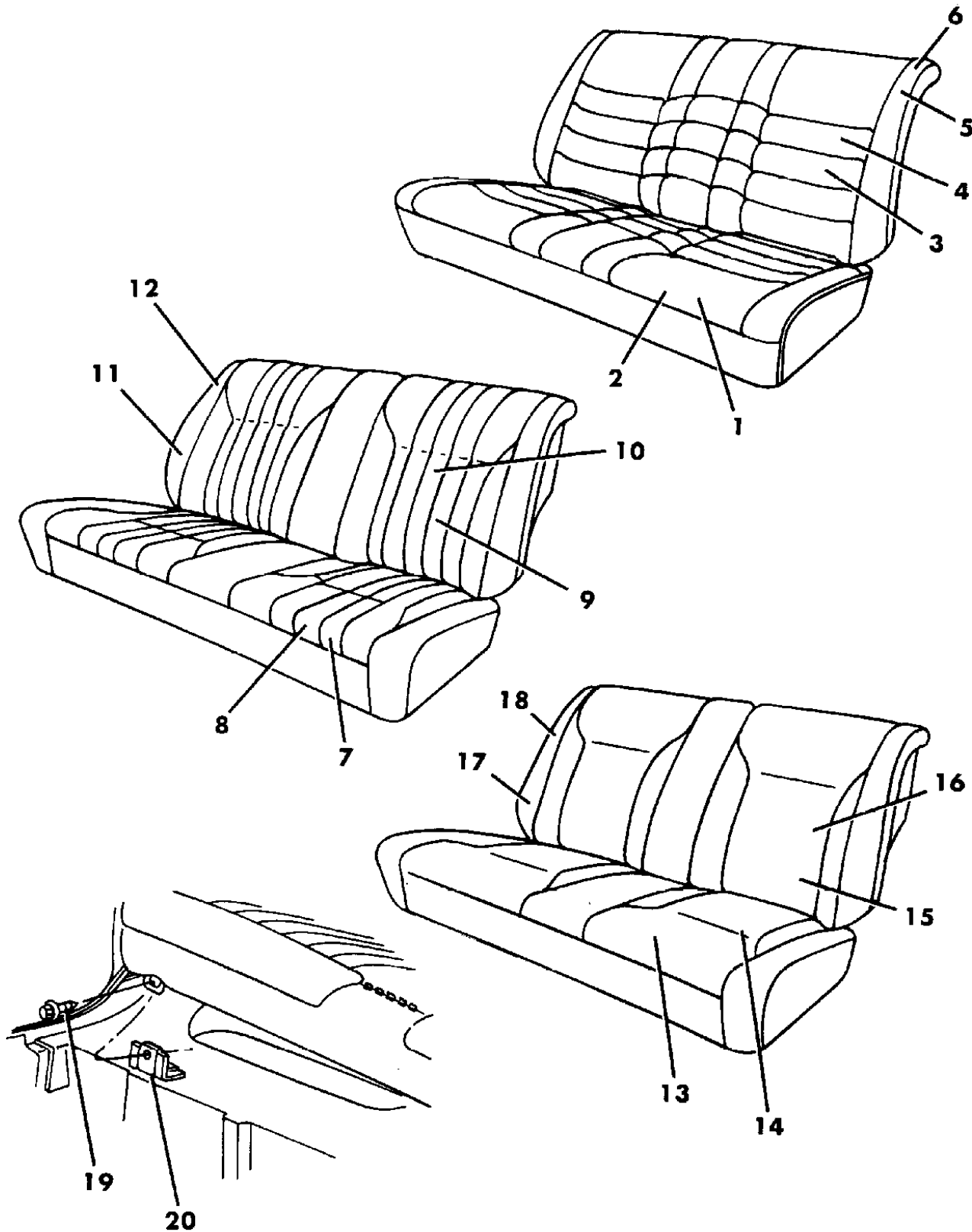
53=FWD & AWD Van & Wgn Ext. W.B.

27=2-Door Convertible

AR = Use as Required - = Non Illustrated Part P.A.R. = Paint as Required

**SEAT--REAR A BODY TRIM CODES BF,B7,GF,G7,NF,N7,PF,P7**  
**Figure ITA-2000**

93235 2000



ITEM	PART NUMBER	QTY	BODY	MODEL	DESCRIPTION
	FV91 MD5	1			Quartz, (PFD,P7D)
	FV91 MM6	1			Red, (PFM,P7M)
	FV91 MVV	1			Champagne, (PFV,P7V)
15					BACK, w/Spring/Frame, Pad and Cover FOLDING
	FK94-5 MB7	1			Blue, (PFB,P7B)
	FK94-5 MD5	1			Quartz, (PFD,P7D)
	FK94-5 MM6	1			Red, (PFM,P7M)
	FK94-5 MVV	1			Champagne, (PFV,P7V)
16					COVER, Back
	FV86-7 MB7	1			Blue, (PFB,P7B)
	FV86-7 MD5	1			Quartz, (PFD,P7D)
	FV86-7 MM6	1			Red, (PFM,P7M)
	FV86-7 MVV	1			Champagne, (PFV,P7V)
17					BOLSTER
	FK98-9 MB7	1			Blue, (PFB,P7B)
	FK98-9 MD5	1			Quartz, (PFD,P7D)
	FK98-9 MM6	1			Red, (PFM,P7M)
	FK98-9 MVV	1			Champagne, (PFV,P7V)
18					COVER, Bolster
	FV94-5 MB7	1			Blue, (PFB,P7B)
	FV94-5 MD5	1			Quartz, (PFD,P7D)
	FV94-5 MM6	1			Red, (PFM,P7M)
	FV94-5 MVV	1			Champagne, (PFV,P7V)
19	6100 567	AR			SCREW
20	6100 041	AR			U-NUT

**MODEL CODES:**

A BODY=(C=LeBaron, D=Spirit, P=Acclaim/LaBaron(Landau), Saratoga)  
 C BODY=(D=Dynasty, C=New Yorker/N.Y. Salon)  
 G BODY=(V=Daytona/IROC, Chrysler Daytona)  
 J BODY=(C=LeBaron, Chrysler LeBaron)  
 P BODY=(P=Sundance, D=Shadow)

S BODY=(H=Voyager(H) FWD, K=Caravan(H) FWD, Y=Town & Country(H) FWD, P=Voyager(K) AWD, D=Caravan(K) AWD, C=Town & Country(K) AWD)  
 Y BODY=(C=Imperial/5th Avenue)  
 E-S BODY=(K=Chrysler Voyager(H) FWD, D=Chrysler Voyager(K) AWD)

**BODY STYLES:**

21=2-Door Coupe      41=4-Door Sedan      12-52=FWD & AWD Van & Wgn Std W.B.  
 24=2-Door Hatchback      44=4-Door Hatchback      53=FWD & AWD Van & Wgn Ext. W.B.  
 27=2-Door Convertible

AR = Use as Required - = Non Illustrated Part P.A.R. = Paint as Required

**SEAT--REAR A BODY TRIM CODES CF,CP,PL**  
**Figure ITA-2100**

93235 2100A

ITEM	PART NUMBER	QTY	BODY	MODEL	DESCRIPTION
1	C411 JFD	1			CUSHION, w/Spring/Frame, Pad and Cover Quartz, (CFD)
	C411 KFB	1			Blue, (CFB)
	C411 LMA	1			Red, (CFM)
	C411 KFV	1			Champagne, (CFV)
2	C155 JFD	1			COVER, Cushion Quartz, (CFD)
	C155 KFB	1			Blue, (CFB)
	C155 LMA	1			Red, (CFM)
	C155 KFV	1			Champagne, (CFV)
3	C412 JFD	1			BACK, w/Spring/Frame, Pad and Cover Quartz, (CFD)
	C412 KFB	1			Blue, (CFB)
	C412 LMA	1			Red, (CFM)
	C412 KFV	1			Champagne, (CFV)
4	C154 JFD	1			COVER, Back Quartz, (CFD)
	C154 KFB	1			Blue, (CFB)
	C154 LMA	1			Red, (CFM)
	C154 KFV	1			Champagne, (CFV)
5	C415 JPD	1			CUSHION, w/Spring/Frame, Pad and Cover Quartz, (CPD)
	C415 KPB	1			Blue, (CPB)
	C415 LMA	1			Red, (CPM)
	C415 KPV	1			Champagne, (CPV)
	FY01 MD5	1			Quartz, (PLD) EUROPEAN
	FY01 MVV	1			Champagne, (PLV) EUROPEAN
6	C153 JPD	1			COVER, Cushion Quartz, (CPD)
	C153 LB7	1			Blue, (CPB)
	C153 LMA	1			Red, (CPM)
	C153 KPV	1			Champagne, (CPV)
	FY13 MD5	1			Quartz, (PLD) EUROPEAN
	FY13 MVV	1			Champagne, (PLV) EUROPEAN
7	C420 JPD	1			BACK, w/Spring/Frame, Pad and Cover Quartz, (CPD)
	C420 KPB	1			Blue, (CPB)
	C420 LMA	1			Red, (CPM)
	C420 KPV	1			Champagne, (CPV)

**MODEL CODES:**

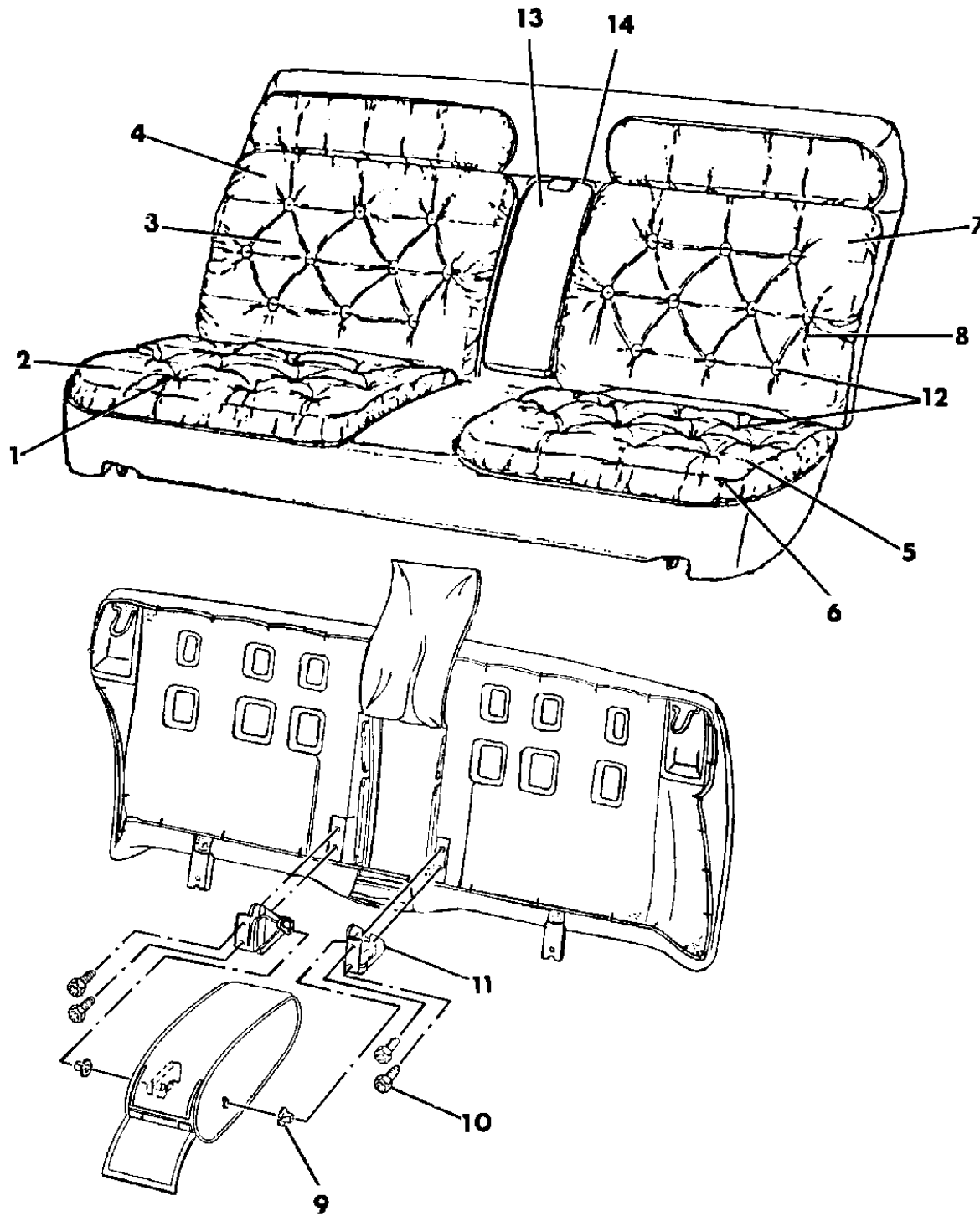
A BODY=(C=LeBaron, D=Spirit, P=Acclaim/LaBaron(Landau, Saratoga)  
 C BODY=(D=Dynasty, C=New Yorker/N.Y. Salon)  
 G BODY=(V=Daytona/ROC, Chrysler Daytona)  
 J BODY=(C=LeBaron, Chrysler LeBaron)  
 P BODY=(P=Sundance, D=Shadow)

S BODY=(H=Voyager(H) FWD, K=Caravan(H) FWD, Y=Town & Country(H) FWD, P=Voyager(K) AWD, D=Caravan(K) AWD, C=Town & Country(K) AWD)  
 Y BODY=(C=Imperial/5th Avenue)  
 E-S BODY=(K=Chrysler Voyager(H) FWD, D=Chrysler Voyager(K) AWD)

**BODY STYLES:**

21=2-Door Coupe      41=4-Door Sedan      12-52=FWD & AWD Van & Wgn Std W.B.  
 24=2-Door Hatchback      44=4-Door Hatchback      53=FWD & AWD Van & Wgn Ext. W.B.  
 27=2-Door Convertible

AR = Use as Required - = Non Illustrated Part P.A.R. = Paint as Required



SEAT--REAR A BODY TRIM CODES CF,CP,PL  
Figure ITA-2100

93235 2100A

ITEM	PART NUMBER	QTY	BODY	MODEL	DESCRIPTION
	FY14-5 MD5	1			Quartz, (PLD) EUROPEAN
	FY14-5 MVV	1			Champagne, (PLV) EUROPEAN
8					COVER, Back
	C152 JPD	1			Quartz, (CPD)
	C152 KPB	1			Blue, (CPB)
	C152 LMA	1			Red, (CPM)
	C152 KPV	1			Champagne, (CPV)
	FY18-9 MD5	1			Quartz, (PLD) EUROPEAN
	FY18-9 MVV	1			Champagne, (PLV) EUROPEAN
-					BOLSTER
	FY16-7 MD5	1			Quartz, (PLD) EUROPEAN
	FY16-7 MVV	1			Champagne, (PLV) EUROPEAN
-					COVER, Bolster
	FY22-3 MD5	1			Quartz, (PLD) EUROPEAN)
	FY22-3 MVV	1			Champagne, (PLV) EUROPEAN
9		2			BUSHING, (Serv. In Seat Back Only)
10		4			SCREW, 1/4x5/8) (Not Serv.)
11		2			BRACKET, (Serv. In Seat Back Only)
12					BUTTON, Cushion and Back
	DF20 KB7	AR			Blue, (CPB)
	DF20 LM6	AR			Red, (CPM)
	DF20 JW8	AR			Quartz, (CPW)
	DF20 JV4	AR			Champagne, (CPV)
13					ARMREST and COVER
	C413 JD5	1			Quartz, (CFD)
	C413 KB7	1			Blue, (CFB)
	C413 LMA	1			Red, (CFM)
	C413 KVV	1			Champagne, (CFV)
	C421 KB7	1			Blue, (CPB)
	C421 LMA	1			Red, (CPM)
	C421 JDW	1			Quartz, (CPDW)
	C421 KVV	1			Champagne, (CPV)
14					COVER, Armrest
	C157 JD5	1			Quartz, (CFD)
	C157 LB7	1			Blue, (CFB)
	C157 LMA	1			Red, (CFM)
	C157 LV4	1			Champagne, (CFV)
	C156 KB7	1			Blue, (CPB)
	C156 LMA	1			Red, (CPM)

MODEL CODES:

A BODY=(C=LeBaron, D=Spirit, P=Acclaim/LaBaron(Landau),  
Saratoga)

C BODY=(D=Dynasty, C=New Yorker/N.Y. Salon)

G BODY=(V=Daytona/IROC, Chrysler Daytona)

J BODY=(C=LeBaron, Chrysler LeBaron)

P BODY=(P=Sundance, D=Shadow)

S BODY=(H=Voyager(H) FWD, K=Caravan(H) FWD,

Y=Town & Country(H) FWD, P=Voyager(K) AWD,

D=Caravan(K) AWD, C=Town & Country(K) AWD)

Y BODY=(C=Imperial/5th Avenue)

E-S BODY=(K=Chrysler Voyager(H) FWD, D=Chrysler

Voyager(K) AWD)

BODY STYLES:

21=2-Door Coupe

41=4-Door Sedan

12-52=FWD & AWD Van & Wgn Std W.B.

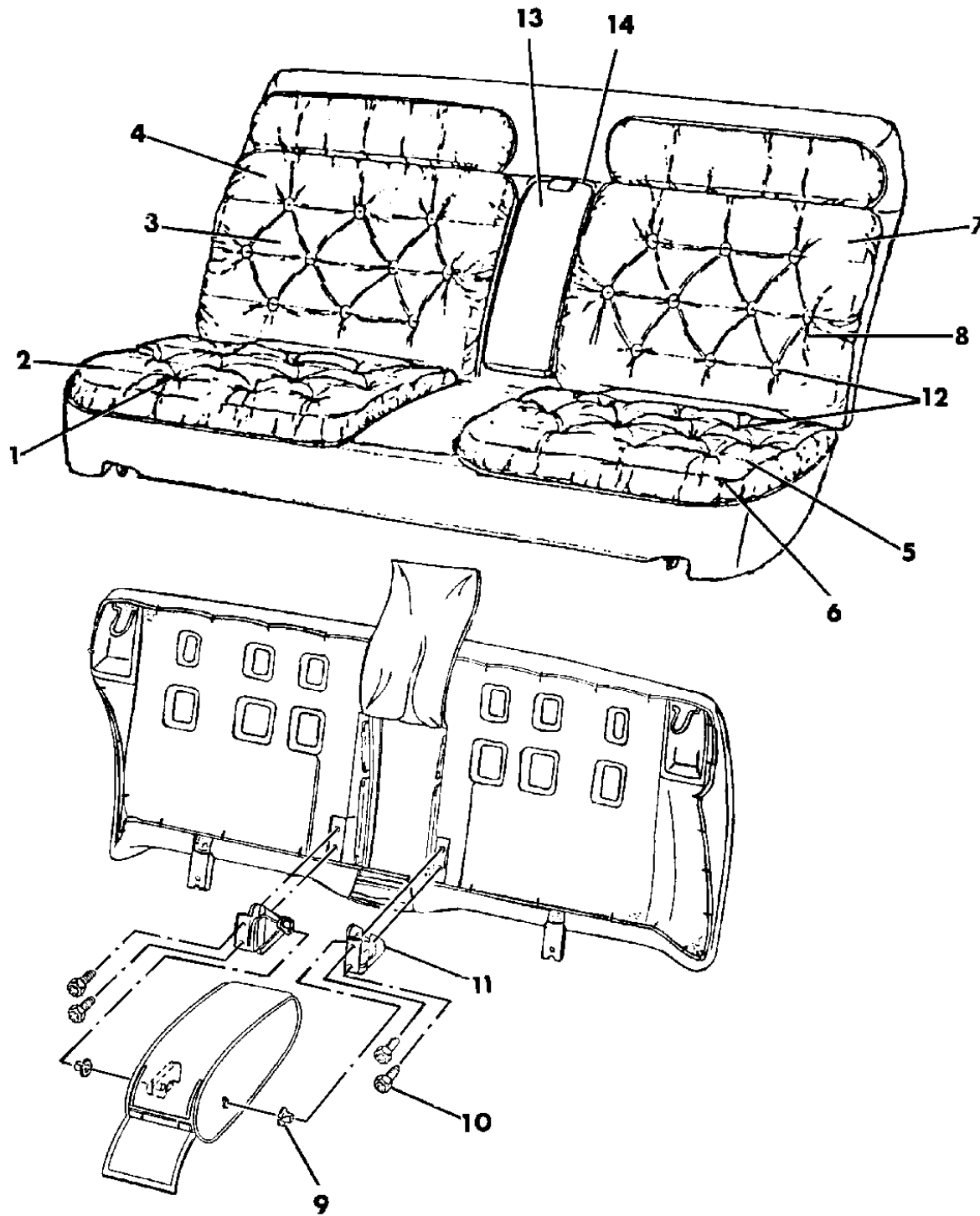
24=2-Door Hatchback

44=4-Door Hatchback

53=FWD & AWD Van & Wgn Ext. W.B.

27=2-Door Convertible

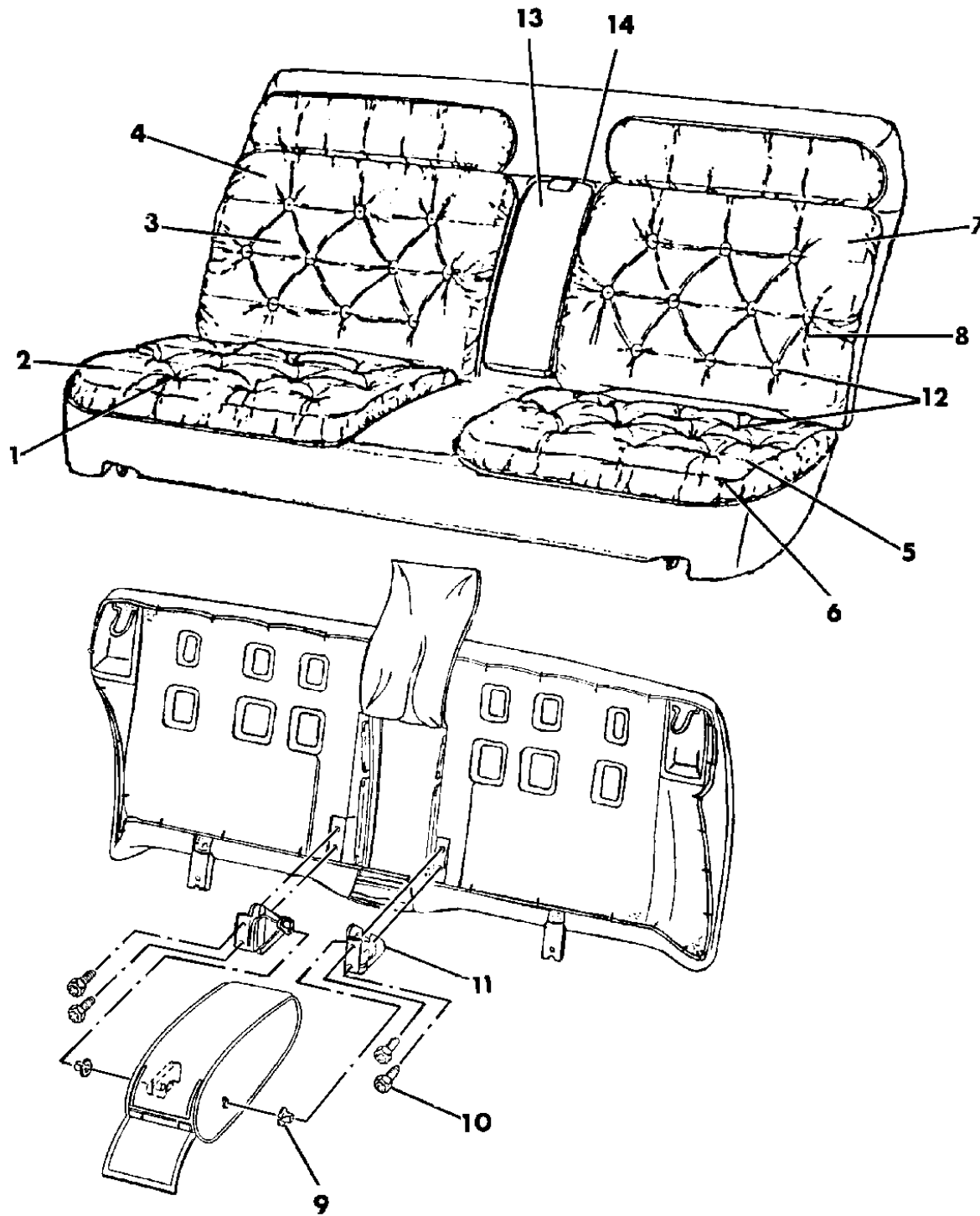
AR = Use as Required - = Non Illustrated Part P.A.R. = Paint as Required



SEAT--REAR A BODY TRIM CODES CF,CP,PL  
Figure ITA-2100

93235 2100A

ITEM	PART NUMBER	QTY	BODY	MODEL	DESCRIPTION
	C156 JDW	1			Quartz, (CPDW)
	C156 KVV	1			Champagne, (CPV)



**MODEL CODES:**

A BODY=(C=LeBaron, D=Spirit, P=Acclaim/LaBaron(Landau),  
Saratoga) S BODY=(H=Voyager(H) FWD, K=Caravan(H) FWD,  
Y=Town & Country(H) FWD, P=Voyager(K) AWD,  
D=Caravan(K) AWD, C=Town & Country(K) AWD)  
C BODY=(D=Dynasty, C=New Yorker/N.Y. Salon)  
G BODY=(V=Daytona/IROC, Chrysler Daytona) Y BODY=(C=Imperial/5th Avenue)  
J BODY=(C=LeBaron, Chrysler LeBaron) E-S BODY=(K=Chrysler Voyager(H) FWD, D=Chrysler  
P BODY=(P=Sundance, D=Shadow) Voyager(K) AWD)

**BODY STYLES:**

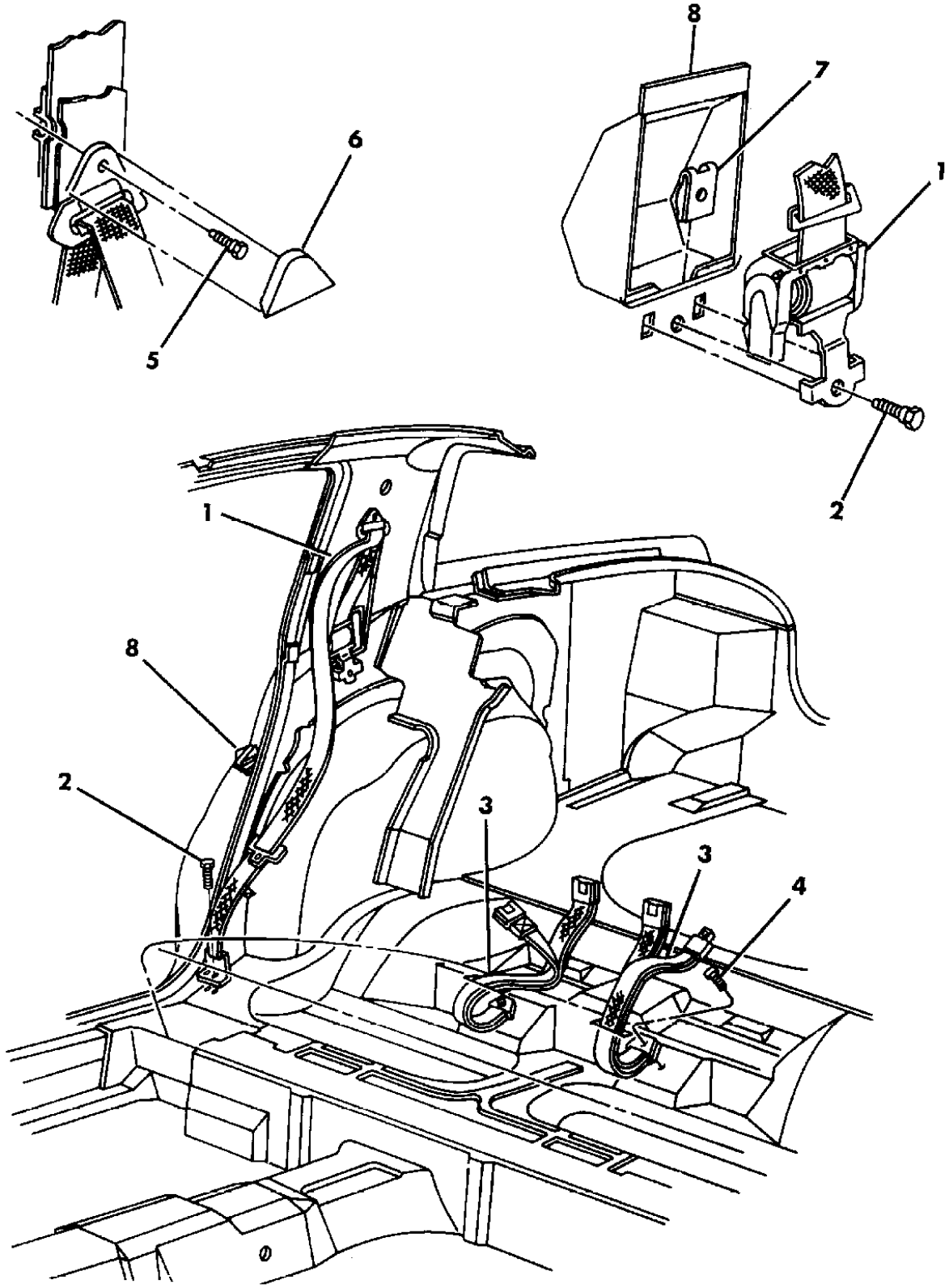
21=2-Door Coupe 41=4-Door Sedan 12-52=FWD & AWD Van & Wgn Std W.B.  
24=2-Door Hatchback 44=4-Door Hatchback 53=FWD & AWD Van & Wgn Ext. W.B.  
27=2-Door Convertible

AR = Use as Required - = Non Illustrated Part P.A.R. = Paint as Required

**BELT--REAR SEAT A BODY**  
Figure ITA-2200

93235 2200

ITEM	PART NUMBER	QTY	BODY	MODEL	DESCRIPTION
1					SEAT BELT, Outer
					LABEL NUMBER 4645194-5
	EL70-1 LD5	1			Quartz
	EL70-1 LB7	1			Blue
	EL70-1 LM6	1			Red
	EL70-1 LV8	1			Champagne
	EL70-1 LX9	1			Black, (EUROPEAN)
2	6031 484	4			BOLT
3					SEAT BELT, Inner
					LABEL NUMBER 5260604-5
	WF14-5 KD5	1			Quartz
	WF14-5 KB7	1			Blue
	WF14-5 LM6	1			Red
	WF14-5 KV8	1			Champagne
	WF14-5 LX9	1			Black, (EUROPEAN)
4	6031 298	2			BOLT
5	6031 217	2			BOLT
6					COVER, Turn Loop Rear Outer
	F877 JD5	2			Quartz
	F877 KB7	2			Blue
	F877 LMA	2			Red
	F877 JV8	2			Champagne
7	6032 353	2			U-NUT
8	4534 122-3	1			COVER and FASTENER ASSY, Quarter Inner Rear Shoulder Belt ***
-	4519 071	1			TETHER, Anchor Pkg. ***



**MODEL CODES:**

A BODY=(C=LeBaron, D=Spirit, P=Acclaim/LaBaron(Landau, Saratoga) S BODY=(H=Voyager(H) FWD, K=Caravan(H) FWD, Y=Town & Country(H) FWD, P=Voyager(K) AWD, D=Caravan(K) AWD, C=Town & Country(K) AWD)  
 C BODY=(D=Dynasty, C=New Yorker/N.Y. Salon) Y BODY=(C=Imperial/5th Avenue)  
 G BODY=(V=Daytona/IROC, Chrysler Daytona) E-S BODY=(K=Chrysler Voyager(H) FWD, D=Chrysler Voyager(K) AWD)  
 J BODY=(C=LeBaron, Chrysler LeBaron)  
 P BODY=(P=Sundance, D=Shadow)

**BODY STYLES:**

21=2-Door Coupe      41=4-Door Sedan      12-52=FWD & AWD Van & Wgn Std W.B.  
 24=2-Door Hatchback      44=4-Door Hatchback      53=FWD & AWD Van & Wgn Ext. W.B.  
 27=2-Door Convertible

AR = Use as Required - = Non Illustrated Part P.A.R. = Paint as Required

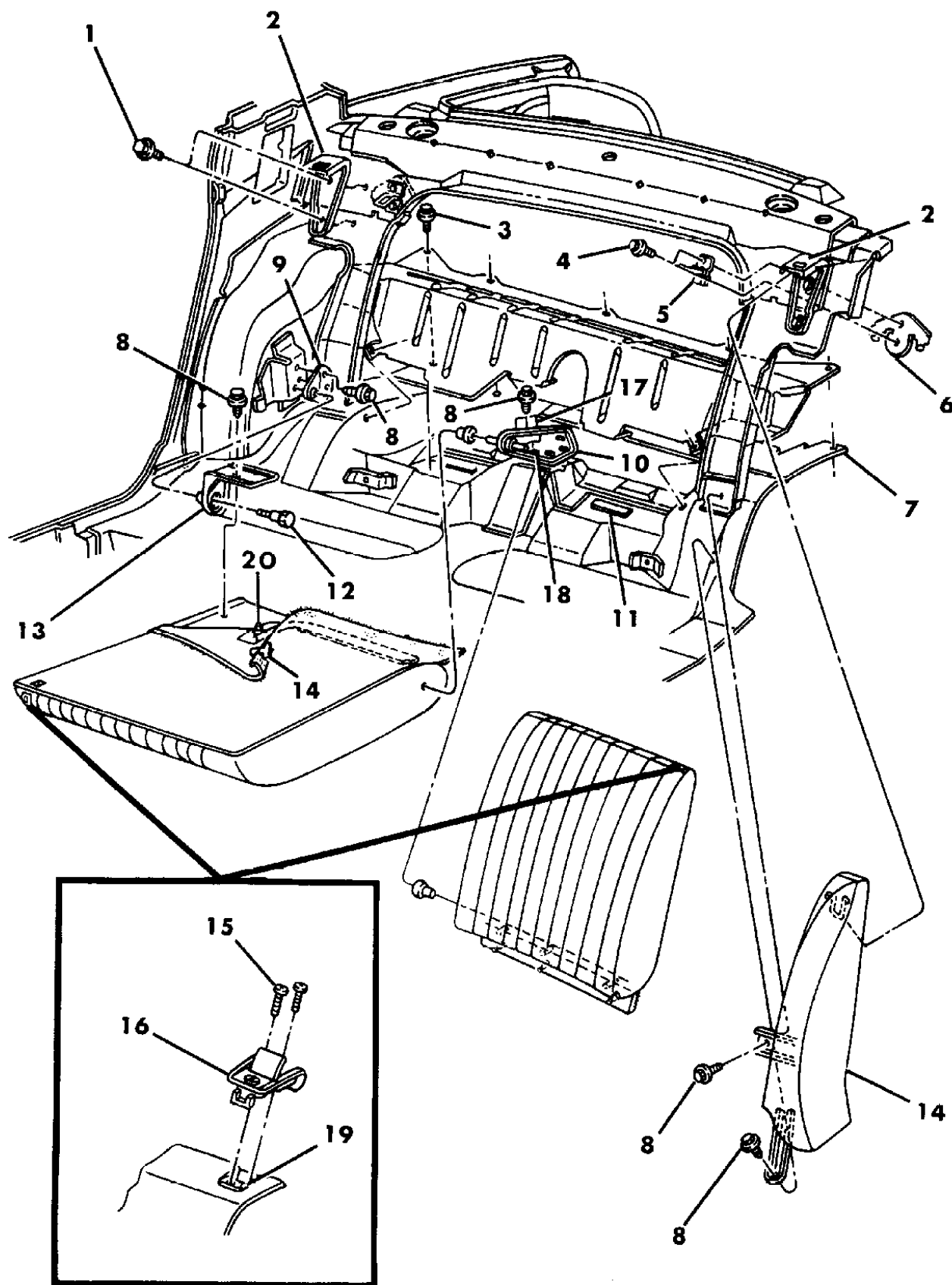


# SEAT--REAR FOLD DOWN A BODY

Figure ITA-2300

93235 2300

ITEM	PART NUMBER	QTY	BODY	MODEL	DESCRIPTION
1					SCREW and WASHER, (Not Serv.)
2	4420 545	2			BRACKET, Support To Shelf
3		AR			SCREW, (8x18x1/2) (Not Serv.)
4	6100 567	4			SCREW and WASHER
5	4420 482	2			STRICKER, Latch ***
6	4420 808	2			T-PLATE, Stricker ***
7	5256 139	1			FILLER, Rear Floor Pan
8		AR			SCREW, Seat Attaching (1/4x14x5/8) (Not Serv.)
9	4420 544	2			BRACKET, Support
10	4477 926	1			BRACKET, Pivot Center
11		2			SEAL, (Not Serv.)
12	6500 445	2			BOLT, Back Attaching
13	4402 428-9	1			HINGE
14					BACK, (See Ill. 2000 and 2100)
15		AR			SCREW, (8-18x.62) (Not Serv.)
16					BEZEL
	S544 HD5	2			Quartz
	S544 KB7	2			Blue
	S544 LMA	2			Red
	S544 KV4	2			Champagne
17	4477 926	1			SUPPORT, Pivot Bracket
18	2899 351	2			BUSHING, Pivot
19	4402 424	AR			LATCH, Rear Seat Back
20	6033 840	AR			RETAINER, Seat Back



**MODEL CODES:**

A BODY=(C=LeBaron, D=Spirit, P=Acclaim/LaBaron(Landau), Saratoga) S BODY=(H=Voyager(H) FWD, K=Caravan(H) FWD, Y=Town & Country(H) FWD, P=Voyager(K) AWD, D=Caravan(K) AWD, C=Town & Country(K) AWD)  
 C BODY=(D=Dynasty, C=New Yorker/N.Y. Salon)  
 G BODY=(V=Daytona/IROC, Chrysler Daytona)  
 J BODY=(C=LeBaron, Chrysler LeBaron)  
 P BODY=(P=Sundance, D=Shadow)  
 Y BODY=(C=Imperial/5th Avenue)  
 E-S BODY=(K=Chrysler Voyager(H) FWD, D=Chrysler Voyager(K) AWD)

**BODY STYLES:**

21=2-Door Coupe      41=4-Door Sedan      12-52=FWD & AWD Van & Wgn Std W.B.  
 24=2-Door Hatchback      44=4-Door Hatchback      53=FWD & AWD Van & Wgn Ext. W.B.  
 27=2-Door Convertible

AR = Use as Required - = Non Illustrated Part P.A.R. = Paint as Required

---

**GROUP ITC - C BODY**

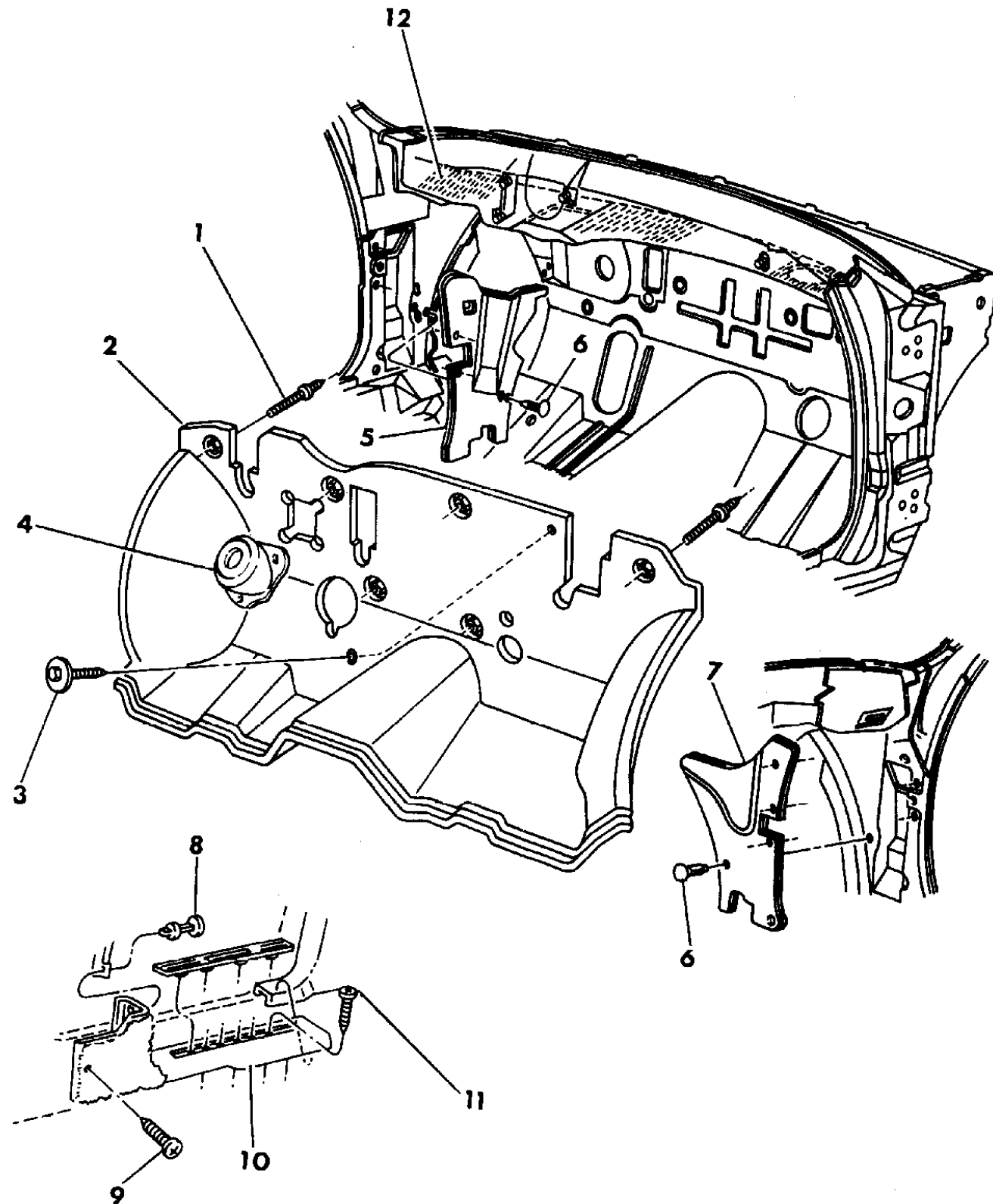
<b>ILLUSTRATION TITLE</b>	<b>GROUP-FIG. NO.</b>
COWL PANEL AND SILENCERS C BODY .....	Fig. ITC-100
HEADLINER--VISOR--SILENCERS C BODY .....	Fig. ITC-200
MOULDINGS--GARNISH C BODY .....	Fig. ITC-300
B-PILLAR TRIM C BODY .....	Fig. ITC-400
PANEL--QUARTER TRIM C BODY .....	Fig. ITC-500
CARPET AND SCUFF PLATES C BODY .....	Fig. ITC-600
CARPET--TRUNK C BODY .....	Fig. ITC-700
DOOR TRIM PANEL--FRONT C BODY .....	Fig. ITC-800
DOOR TRIM PANEL--REAR C BODY .....	Fig. ITC-900
SEAT--FRONT C BODY TRIM CODE D3 .....	Fig. ITC-1000
SEAT--FRONT C BODY TRIM CODE EF .....	Fig. ITC-1100
SEAT--FRONT C BODY TRIM CODES LP .....	Fig. ITC-1200
SEAT--FRONT C BODY TRIM CODE LF .....	Fig. ITC-1300
SEAT--FRONT C BODY TRIM CODES JF-JP .....	Fig. ITC-1400
BELT--FRONT SEAT C BODY .....	Fig. ITC-1500
SEAT--RECLINING C BODY .....	Fig. ITC-1600
ADJUSTERS AND COVERS MANUAL C BODY .....	Fig. ITC-1700
ADJUSTERS AND COVERS MANUAL AND ELECTRIC C BODY .....	Fig. ITC-1800
SEAT--REAR C BODY TRIM CODES D3-EF .....	Fig. ITC-1900
SEAT--REAR C BODY TRIM CODES LF,LP .....	Fig. ITC-2000
SEAT--REAR C BODY TRIM CODES JF,JP .....	Fig. ITC-2100
BELT--REAR SEAT C BODY .....	Fig. ITC-2200

**ILLUSTRATION NOT AVAILABLE AT TIME OF PUBLICATION**

---

**COWL PANEL AND SILENCERS C BODY**  
Figure ITC-100

93241 100



ITEM	PART NUMBER	QTY	BODY	MODEL	DESCRIPTION
1	6032 020	6			STUD, Collar (Special)
2	5256 049	1			LINER, Dash
3		AR			SCREW and WASHER, (Not Serv.)
4					COVER and SILENCER, (See Group 19 Chassis)
5		1			SILENCER, Cowl Left (Not Serv.)
6		AR			RETAINER (Not Serv.)
7		1			SILENCER, Cowl Right (Not Serv.)
8					FASTENER
	F155 JB9	AR			Blue
	F155 KM6	AR			Red
	F155 HV4	AR			Champagne
	F155 LAZ	AR			Agate
9	9414 726	2			SCREW
10					PANEL, Cowl and Scuff Plate
					Front
	GA08-9 LB9	1			Blue
	GA08-9 LMA	1			Red
	GA08-9 LV4	1			Champagne
	GA08-9 LAZ	1			Agate
11		AR			SCREW, (Not Serv.)
12	4674 088	AR			SILENCER, Cowl Molded

**MODEL CODES:**

A BODY=(C=LeBaron, D=Spirit, P=Acclaim/LaBaron(Landau), Saratoga) S BODY=(H=Voyager(H) FWD, K=Caravan(H) FWD, Y=Town & Country(H) FWD, P=Voyager(K) AWD, D=Caravan(K) AWD, C=Town & Country(K) AWD)  
 C BODY=(D=Dynasty, C=New Yorker/N.Y. Salon) Y BODY=(C=Imperial/5th Avenue)  
 G BODY=(V=Daytona/IROC, Chrysler Daytona) E-S BODY=(K=Chrysler Voyager(H) FWD, D=Chrysler Voyager(K) AWD)  
 J BODY=(C=LeBaron, Chrysler LeBaron) P BODY=(P=Sundance, D=Shadow)

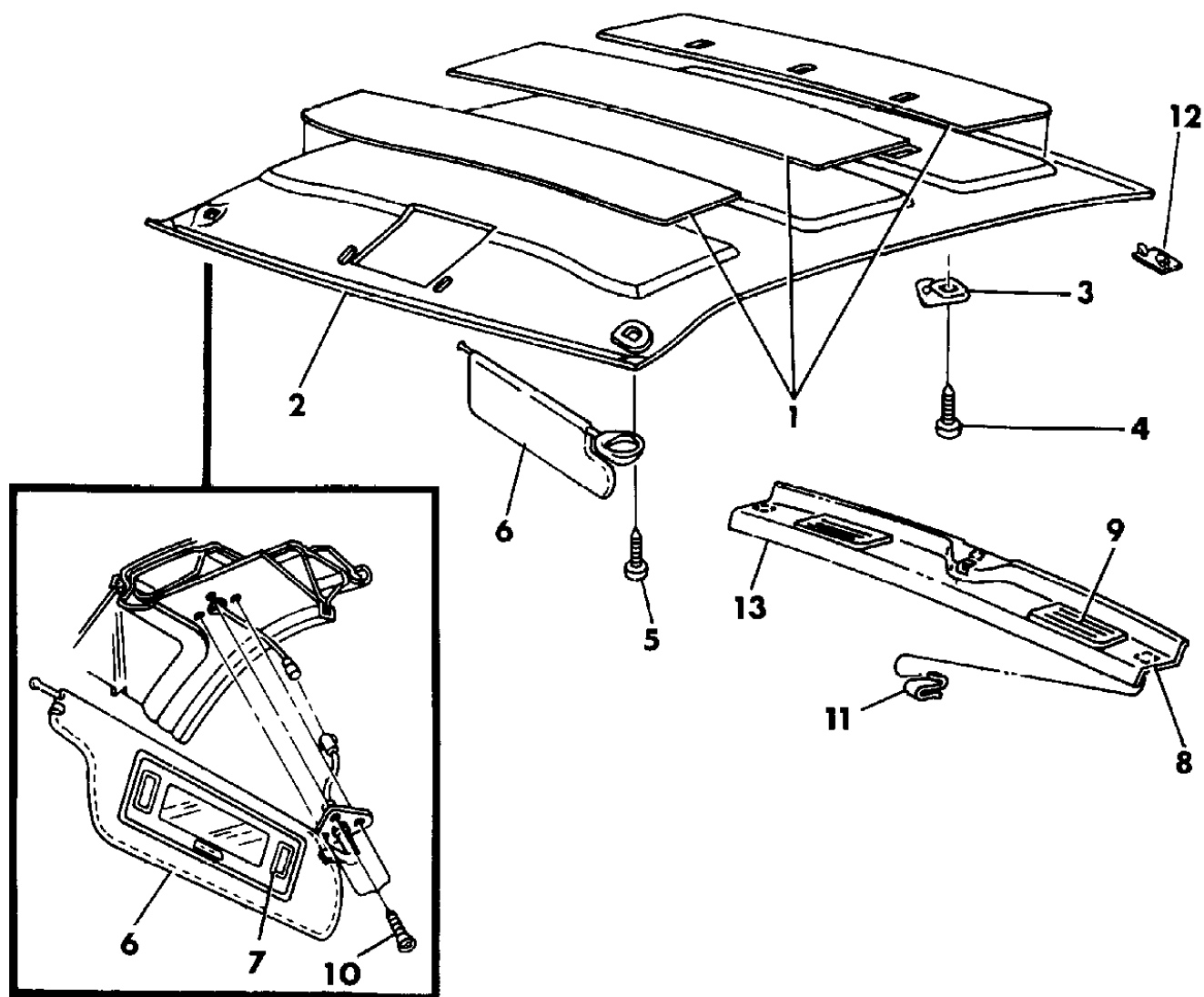
**BODY STYLES:**

21=2-Door Coupe      41=4-Door Sedan      12-52=FWD & AWD Van & Wgn Std W.B.  
 24=2-Door Hatchback      44=4-Door Hatchback      53=FWD & AWD Van & Wgn Ext. W.B.  
 27=2-Door Convertible

AR = Use as Required - = Non Illustrated Part P.A.R. = Paint as Required

**HEADLINER--VISOR--SILENCERS C BODY**  
Figure ITC-200

93241 200



ITEM	PART NUMBER	QTY	BODY	MODEL	DESCRIPTION
1	4713 203	AR			SILENCER, (Cut to Fit - 40x52)
2					HEADLINER w/o Sun Roof
	H244 JB9	1			Blue
	H244 LMA	1			Red
	H244 HV4	1			Champagne
	H244 LAZ	1			Agate
3	3685 992				HOOK, Coat
4		AR			SCREW, (Not Serv.)
5	6032 584	6			SCREW
6					VISOR, w/Illuminated Mirror (Complete)
	DZ56-7 KB9	1			Blue
	DZ56-7 LMA	1			Red
	DZ56-7 KV4	1			Champagne
	DZ56-7 LAZ	1			Agate
					VISOR, w/Mirror (Only)
					Left
	EE83 LMA	1			Red
	EE83 KV4	1			Champagne
	EE83 LAZ	1			Agate
	EE83 KB9	1			Blue
					Right
	EE86 LMA	1			Red
	EE86 KV4	1			Champagne
	EE86 LAZ	1			Agate
	EE86 KB9	1			Blue
					ARM and BRACKET
	EH54-5 LM6	1			Red
	EH54-5 LAZ	1			Agate
	EH54-5 KB9	1			Blue
	EH54-5 KV4	1			Champagne
7	6501 966	1			BULB, Vanity Mirror
8					PANEL, Shelf Trim
					w/Four Speaker Stero System, w/o Landau Roof
	EM68 KB9	1			Blue
	EM68 LM6	1			Red
	EM68 KV8	1			Champagne
	EM68 LAZ	1			Agate
					w/Infinity or Ultimate Sound, w/o Landau Roof

**MODEL CODES:**

A BODY=(C=LeBaron, D=Spirit, P=Acclaim/LaBaron(Landau),  
Saratoga)  
C BODY=(D=Dynasty, C=New Yorker/N.Y. Salon)  
G BODY=(V=Daytona/ROC, Chrysler Daytona)  
J BODY=(C=LeBaron, Chrysler LeBaron)  
P BODY=(P=Sundance, D=Shadow)

S BODY=(H=Voyager(H) FWD, K=Caravan(H) FWD,  
Y=Town & Country(H) FWD, P=Voyager(K) AWD,  
D=Caravan(K) AWD, C=Town & Country(K) AWD)  
Y BODY=(C=Imperial/5th Avenue)  
E-S BODY=(K=Chrysler Voyager(H) FWD, D=Chrysler  
Voyager(K) AWD)

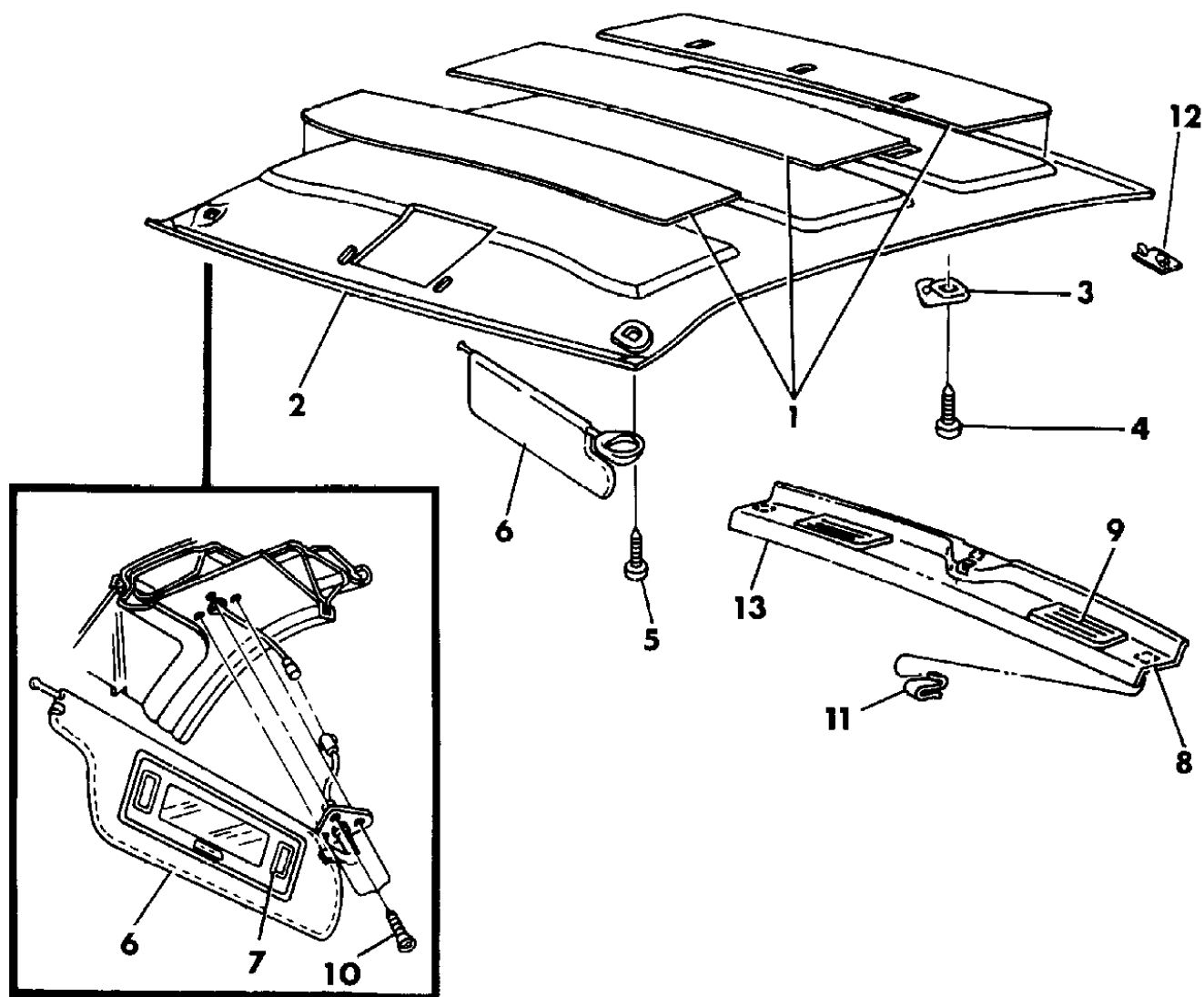
**BODY STYLES:**

21=2-Door Coupe      41=4-Door Sedan      12-52=FWD & AWD Van & Wgn Std W.B.  
24=2-Door Hatchback      44=4-Door Hatchback      53=FWD & AWD Van & Wgn Ext. W.B.  
27=2-Door Convertible

AR = Use as Required - = Non Illustrated Part P.A.R. = Paint as Required

**HEADLINER--VISOR--SILENCERS C BODY**  
**Figure ITC-200**

93241 200



ITEM	PART NUMBER	QTY	BODY	MODEL	DESCRIPTION
	EM69 KB9	1		H-P	Blue
	EM69 LM6	1		H-P	Red
	EM69 LAZ	1		H-P	Agate
	EM69 KV8	1		H-P	Champagne
	EM63 LAZ	1			Agate
	EM63 KB9	1			Blue
	EM63 LM6	1			Red
	EM63 KV8	1			Champagne
	EM66 LAZ	1			Agate
	EM66 KB9	1			Blue
	EM66 LM6	1			Red
	EM66 KV8	1			Champagne
9					GRILLE, Rear Shelf Speakers
	EM88-9 KB9	1			Blue
	EM88-9 LMA	1			Red
	EM88-9 LAZ	1			Agate
	EM88-9 KV8	1			Champagne
10	6032 584	6			SCREW
11	6502 184	3			CLIP, (S) Shelf Trim Panel Attaching
12	4410 800	2			RETAINER, Roof Headliner
13	4611 005	3			RETAINER, Shelf Trim Panel

**MODEL CODES:**

A BODY=(C=LeBaron, D=Spirit, P=Acclaim/LaBaron(Landau), Saratoga)      S BODY=(H=Voyager(H) FWD, K=Caravan(H) FWD, Y=Town & Country(H) FWD, P=Voyager(K) AWD, D=Caravan(K) AWD, C=Town & Country(K) AWD)  
 C BODY=(D=Dynasty, C=New Yorker/N.Y. Salon)  
 G BODY=(V=Daytona/IROC, Chrysler Daytona)  
 J BODY=(C=LeBaron, Chrysler LeBaron)  
 P BODY=(P=Sundance, D=Shadow)

**BODY STYLES:**

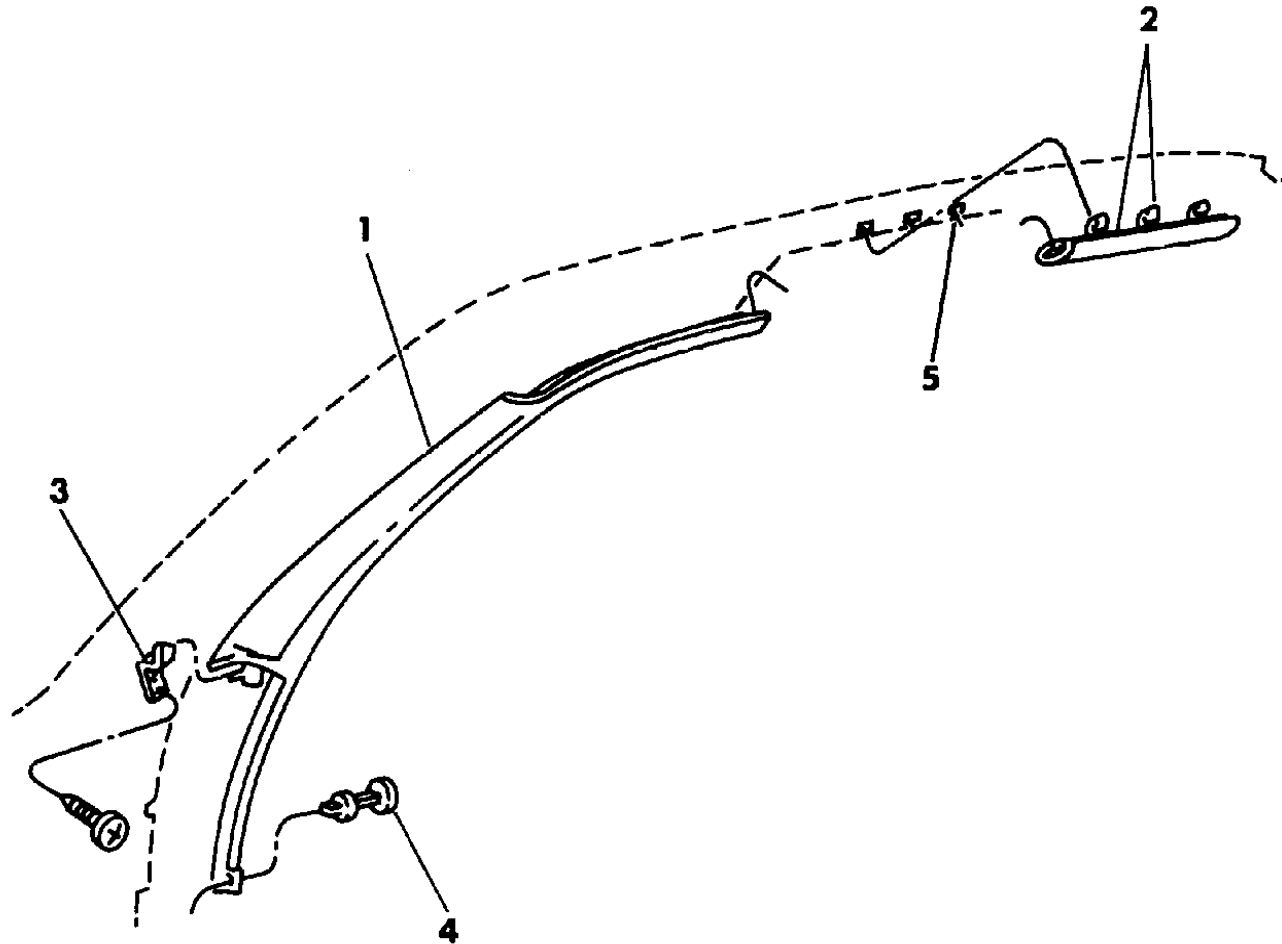
21=2-Door Coupe      41=4-Door Sedan      12-52=FWD & AWD Van & Wgn Std W.B.  
 24=2-Door Hatchback      44=4-Door Hatchback      53=FWD & AWD Van & Wgn Ext. W.B.  
 27=2-Door Convertible

AR = Use as Required - = Non Illustrated Part P.A.R. = Paint as Required

**MOULDINGS--GARNISH C BODY**  
**Figure ITC-300**

93241 300

ITEM	PART NUMBER	QTY	BODY	MODEL	DESCRIPTION
1	EX48-9 KV4	1			MOULDING, Windshield & Roof Rail (P.A.R.)
2	EX54-5 KV4				MOULDING, Rear Door Rail (P.A.R.)
3					BRACKET
	4409 716	1			Right
	4521 057	1			Left
4					FASTENER
	F155 JB9	AR			Blue
	F155 KM6	AR			Red
	F155 HV4	AR			Champagne
	F155 LAZ	AR			Agate
5	4681 110	3			CLIP, Front and Rear Moulding Attaching
					NOTE: P.A.R. = Paint As Required



**MODEL CODES:**

A BODY=(C=LeBaron, D=Spirit, P=Acclaim/LaBaron(Landau),  
Saratoga)  
 C BODY=(D=Dynasty, C=New Yorker/N.Y. Salon)  
 G BODY=(V=Daytona/IROC, Chrysler Daytona)  
 J BODY=(C=LeBaron, Chrysler LeBaron)  
 P BODY=(P=Sundance, D=Shadow)

S BODY=(H=Voyager(H) FWD, K=Caravan(H) FWD,  
Y=Town & Country(H) FWD, P=Voyager(K) AWD,  
D=Caravan(K) AWD, C=Town & Country(K) AWD)  
 Y BODY=(C=Imperial/5th Avenue)  
 E-S BODY=(K=Chrysler Voyager(H) FWD, D=Chrysler  
Voyager(K) AWD)

**BODY STYLES:**

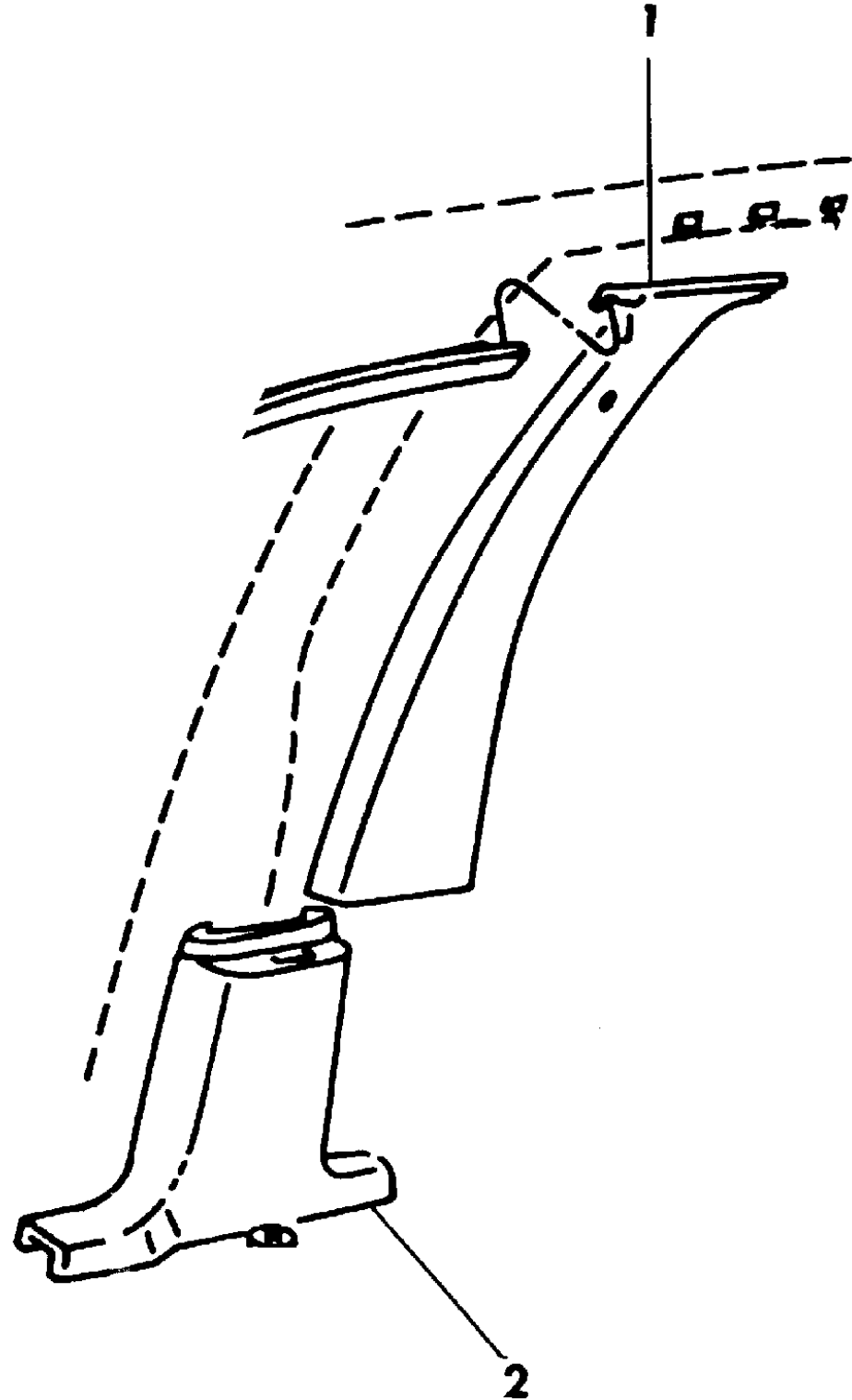
21=2-Door Coupe      41=4-Door Sedan      12-52=FWD & AWD Van & Wgn Std W.B.  
 24=2-Door Hatchback      44=4-Door Hatchback      53=FWD & AWD Van & Wgn Ext. W.B.  
 27=2-Door Convertible

AR = Use as Required - = Non Illustrated Part P.A.R. = Paint as Required

**B-PILLAR TRIM C BODY**  
Figure ITC-400

93241 400

ITEM	PART NUMBER	QTY	BODY	MODEL	DESCRIPTION
1	V718-9 HV4	1			PANEL, Upper Center Pillar (P.A..R.)
2	WJ62-3 JV4	1			PANEL, Lower Center Pillar (P.A.R.)
NOTE: (P.A.R. = Paint As Required)					



**MODEL CODES:**

A BODY=(C=LeBaron, D=Spirit, P=Acclaim/LaBaron(Landau), Saratoga)	S BODY=(H=Voyager(H) FWD, K=Caravan(H) FWD, Y=Town & Country(H) FWD, P=Voyager(K) AWD, D=Caravan(K) AWD, C=Town & Country(K) AWD)
C BODY=(D=Dynasty, C=New Yorker/N.Y. Salon)	Y BODY=(C=Imperial/5th Avenue)
G BODY=(V=Daytona/IROC, Chrysler Daytona)	E-S BODY=(K=Chrysler Voyager(H) FWD, D=Chrysler Voyager(K) AWD)
J BODY=(C=LeBaron, Chrysler LeBaron)	
P BODY=(P=Sundance, D=Shadow)	

**BODY STYLES:**

21=2-Door Coupe	41=4-Door Sedan	12-52=FWD & AWD Van & Wgn Std W.B.
24=2-Door Hatchback	44=4-Door Hatchback	53=FWD & AWD Van & Wgn Ext. W.B.
27=2-Door Convertible		

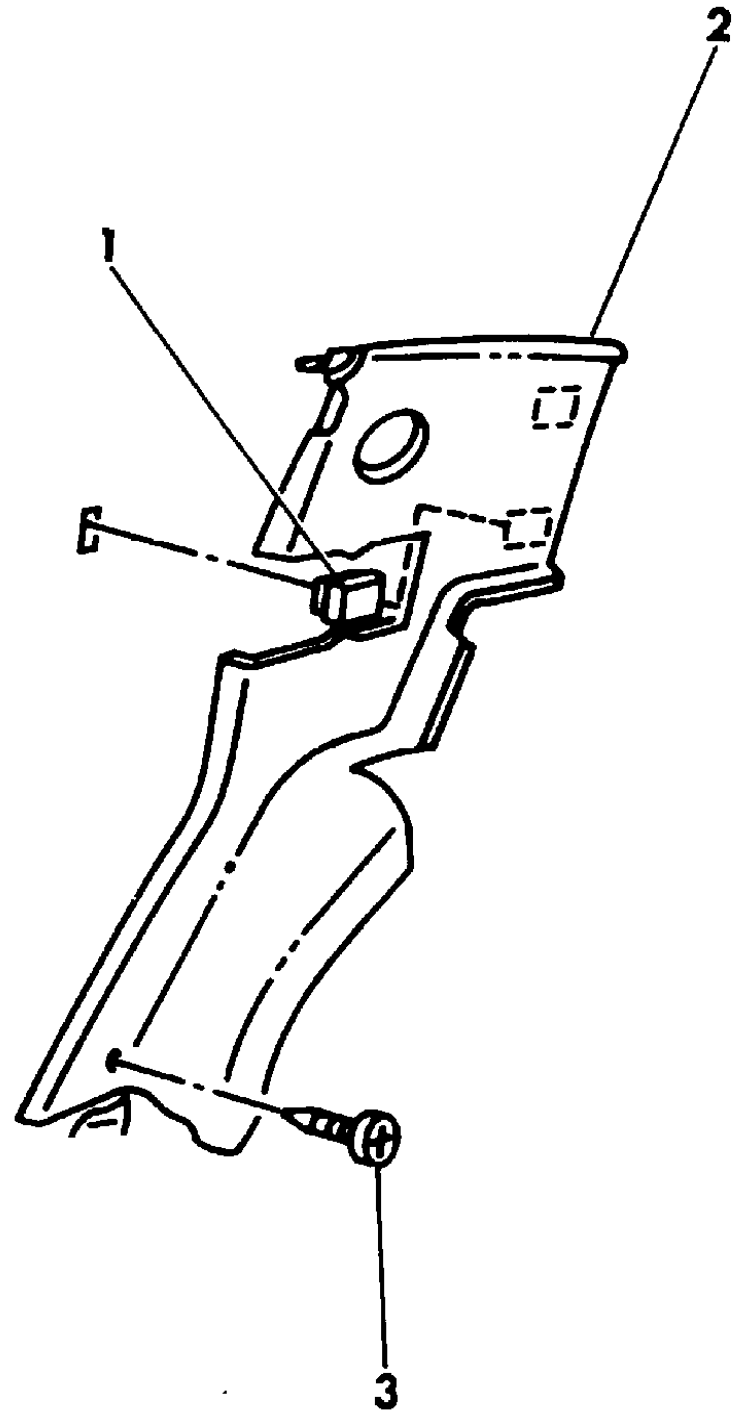
AR = Use as Required - = Non Illustrated Part P.A.R. = Paint as Required

PANEL--QUARTER TRIM C BODY  
Figure ITC-500

93241 500

ITEM	PART NUMBER	QTY	BODY	MODEL	DESCRIPTION
1	4453 467	AR			FASTENER
2	DL62-3 JV4	1			PANEL, Quarter Trim (P.A.R.)
3	6033 303	2			SCREW

NOTE: (P.A.R.) = Paint As Required



**MODEL CODES:**

A BODY=(C=LeBaron, D=Spirit, P=Acclaim/LaBaron(Landau),  
Saratoga) S BODY=(H=Voyager(H) FWD, K=Caravan(H) FWD,  
Y=Town & Country(H) FWD, P=Voyager(K) AWD,  
D=Caravan(K) AWD, C=Town & Country(K) AWD)  
C BODY=(D=Dynasty, C=New Yorker/N.Y. Salon) Y BODY=(C=Imperial/5th Avenue)  
G BODY=(V=Daytona/IROC, Chrysler Daytona) E-S BODY=(K=Chrysler Voyager(H) FWD, D=Chrysler  
J BODY=(C=LeBaron, Chrysler LeBaron) Voyager(K) AWD)  
P BODY=(P=Sundance, D=Shadow)

**BODY STYLES:**

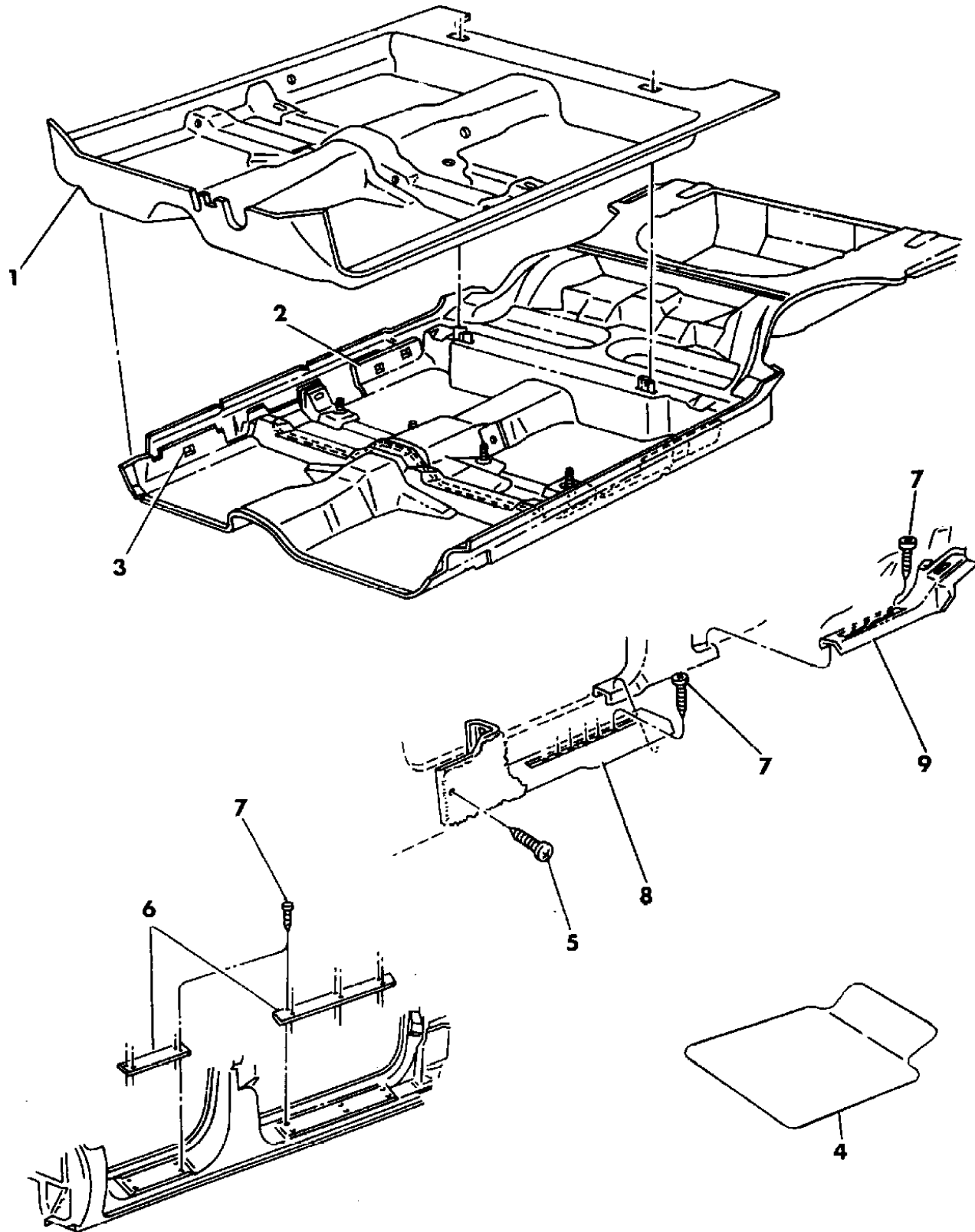
21=2-Door Coupe 41=4-Door Sedan 12-52=FWD & AWD Van & Wgn Std W.B.  
24=2-Door Hatchback 44=4-Door Hatchback 53=FWD & AWD Van & Wgn Ext. W.B.  
27=2-Door Convertible

AR = Use as Required - = Non Illustrated Part P.A.R. = Paint as Required



**CARPET AND SCUFF PLATES C BODY**  
Figure ITC-600

93241 600



ITEM	PART NUMBER	QTY	BODY	MODEL	DESCRIPTION
1					CARPET
	HF95 LB9	1			w/Bucket Seat - 50/50 Split Blue
	HF95 LM6	1			Red
	HF95 LV8	1			Champagne
	HF95 LAZ	1			Agate
	HG30 LB9	1			w/Bench Seat - Split Back Blue
	HG30 LM6	1			Red
	HG30 LV8	1			Champagne
	HG30 LAZ	1			Agate
2	4547 960	1			SILENCER, Rear Floor Pan Moulded
3	4611 640	1			SILENCER, Front Floor Moulded
4					FLOOR MATS, Carpeted (Set of 2)
					FRONT
	FN88 LB9	1			Blue
	FN88 LM6	1			Red
	FN88 LV8	1			Champagne
	FN88 LAZ	1			Agate
					REAR
	FN93 LB9	1			Blue
	FN93 LM6	1			Red
	FN93 LV8	1			Champagne
	FN93 LAZ	1			Agate
5	9414 726	2			SCREW
6					MOULDING, Still Inner
	4443 818	2			Front, Sill
	4443 819	2			Rear, Sill
7		AR			SCREW, (Not Serv.)
8					SCUFF PLATE and COWL
	GA08-9 LB9	1			Blue
	GA08-9 LMA	1			Red
	GA08-9 LV4	1			Champagne
	GA08-9 LAZ	1			Agate
9					SCUFF PLATE, Rear
	GA12-3 LB9	1			Blue
	GA12-3 LMA	1			Red
	GA12-3 LV4	1			Champagne
	GA12-3 LAZ	1			Agate

**MODEL CODES:**

A BODY=(C=LeBaron, D=Spirit, P=Acclaim/LaBaron(Landau), Saratoga)      S BODY=(H=Voyager(H) FWD, K=Caravan(H) FWD, Y=Town & Country(H) FWD, P=Voyager(K) AWD, D=Caravan(K) AWD, C=Town & Country(K) AWD)  
 C BODY=(D=Dynasty, C=New Yorker/N.Y. Salon)      Y BODY=(C=Imperial/5th Avenue)  
 G BODY=(V=Daytona/IROC, Chrysler Daytona)      E-S BODY=(K=Chrysler Voyager(H) FWD, D=Chrysler Voyager(K) AWD)  
 J BODY=(C=LeBaron, Chrysler LeBaron)  
 P BODY=(P=Sundance, D=Shadow)

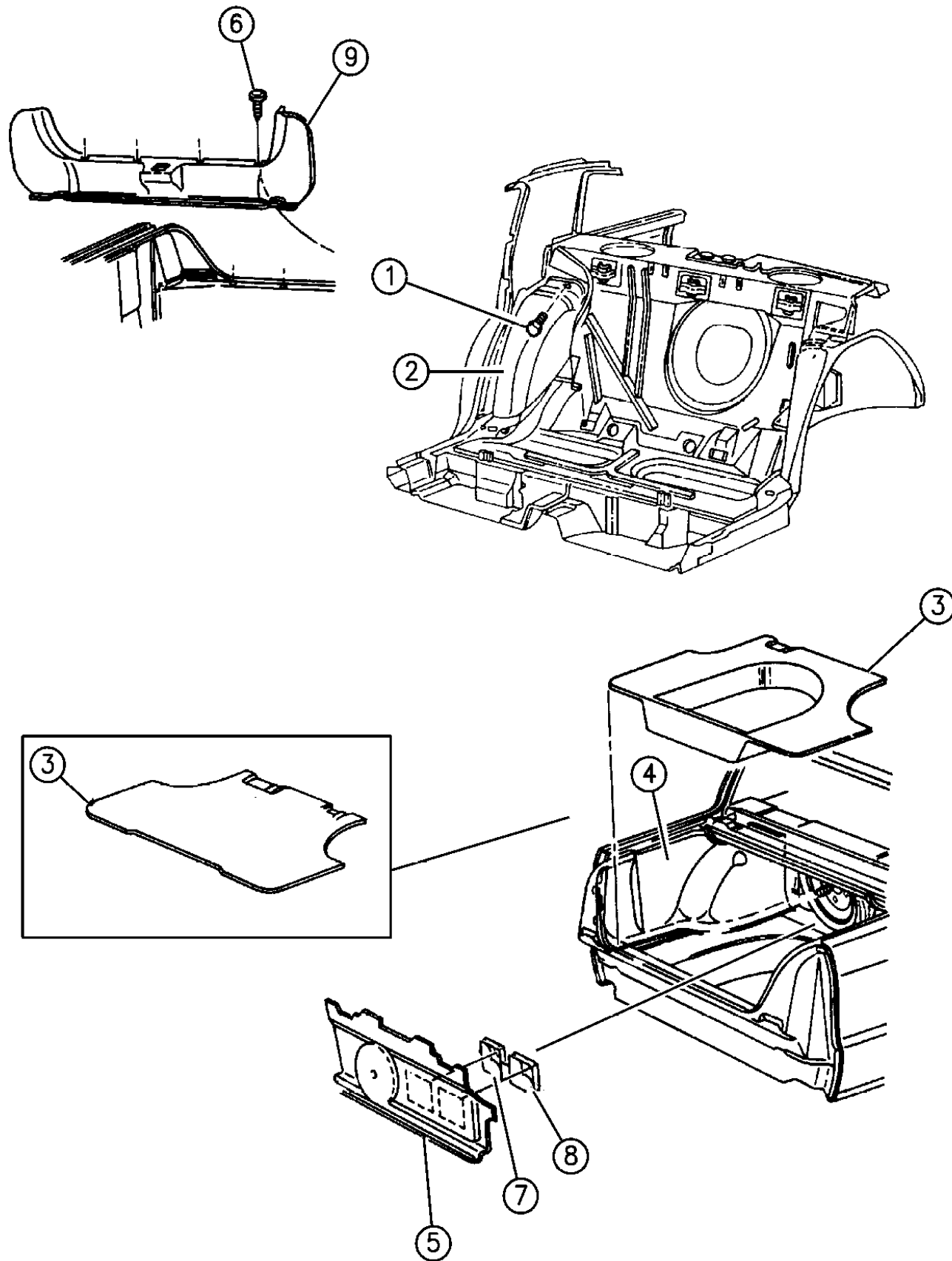
**BODY STYLES:**

21=2-Door Coupe      41=4-Door Sedan      12-52=FWD & AWD Van & Wgn Std W.B.  
 24=2-Door Hatchback      44=4-Door Hatchback      53=FWD & AWD Van & Wgn Ext. W.B.  
 27=2-Door Convertible

AR = Use as Required - = Non Illustrated Part P.A.R. = Paint as Required

**CARPET--TRUNK C BODY**  
Figure ITC-700

93241 700A



ITEM	PART NUMBER	QTY	BODY	MODEL	DESCRIPTION
1	6030 441	AR			RETAINER
2	4507 088-9	1			SILENCER, Wheelhouse
3	4309 996	1			CARPET, Luggage Compartment w/Compact Spare
	4547 604	1			w/Conventional Spare
4	4309 994-5	1			CARPET, Side
5	4681 419	1			CARPET, Bulkhead (w/ or w/o Mini Spare)
6	6032 650	AR			SCREW
7	4440 132	1			LABEL, Jack & Tire Stowage
8		1			LABEL, Wheel Cover Removal (Not Serv.)
9					CARPET, Deck Opening LOWER Chrysler
	4681 423	1			w/Power Pull Down
	4681 424	1			w/o Power Pull Down Dodge
	4681 421	1			w/Power Pull Down
	4681 422	1			w/o Power Pull Down

**MODEL CODES:**

A BODY=(C=LeBaron, D=Spirit, P=Acclaim/LaBaron(Landau), Saratoga)      S BODY=(H=Voyager(H) FWD, K=Caravan(H) FWD, Y=Town & Country(H) FWD, P=Voyager(K) AWD, D=Caravan(K) AWD, C=Town & Country(K) AWD)

C BODY=(D=Dynasty, C=New Yorker/N.Y. Salon)      Y BODY=(C=Imperial/5th Avenue)

G BODY=(V=Daytona/IROC, Chrysler Daytona)      E-S BODY=(K=Chrysler Voyager(H) FWD, D=Chrysler Voyager(K) AWD)

J BODY=(C=LeBaron, Chrysler LeBaron)

P BODY=(P=Sundance, D=Shadow)

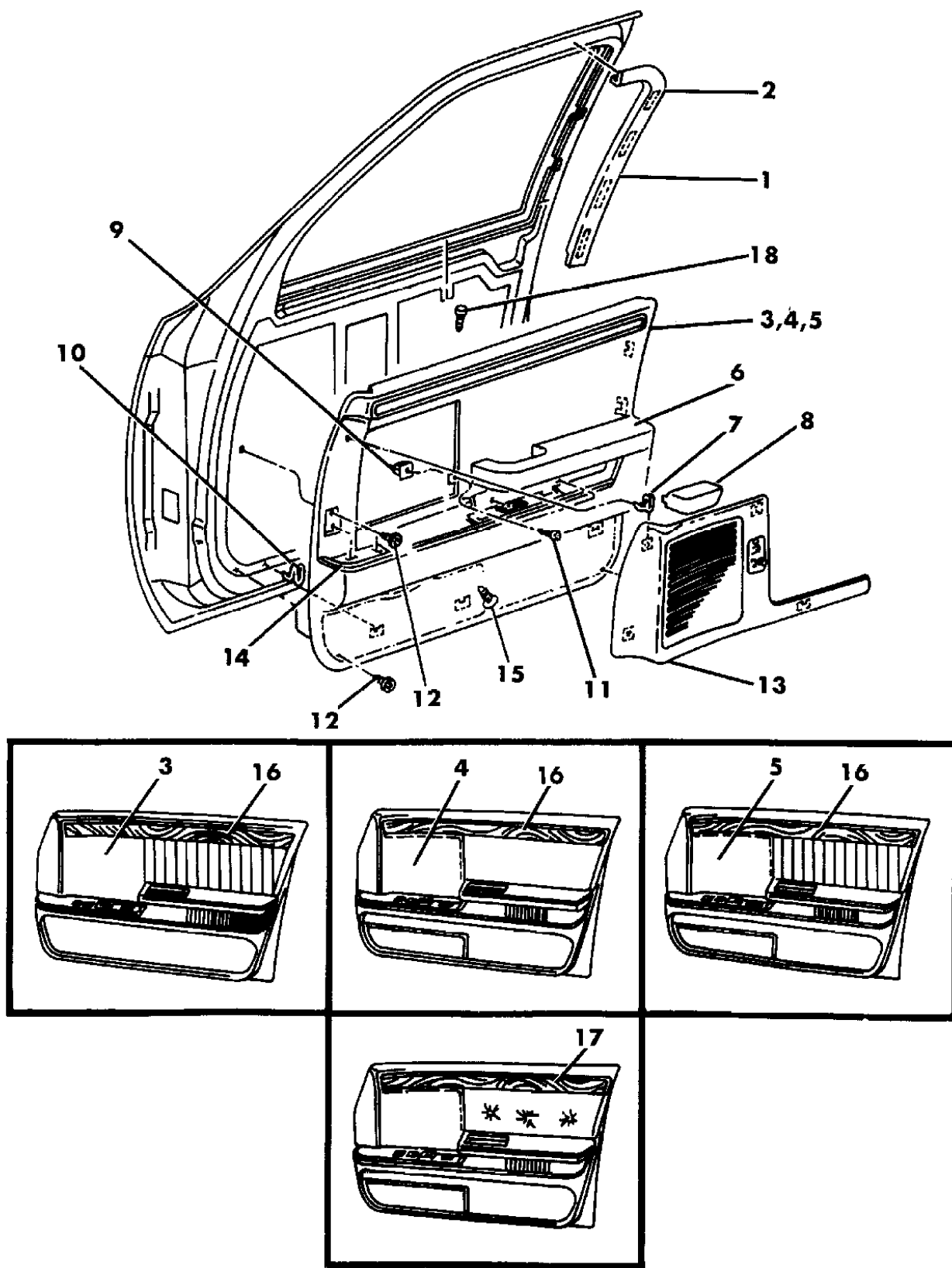
**BODY STYLES:**

21=2-Door Coupe      41=4-Door Sedan      12-52=FWD & AWD Van & Wgn Std W.B.  
24=2-Door Hatchback      44=4-Door Hatchback      53=FWD & AWD Van & Wgn Ext. W.B.  
27=2-Door Convertible

AR = Use as Required - = Non Illustrated Part P.A.R. = Paint as Required

**DOOR TRIM PANEL--FRONT C BODY**  
Figure ITC-800

93241 800



ITEM	PART NUMBER	QTY	BODY	MODEL	DESCRIPTION
1	V752-3 HV4	1			MOLDING, Door Frame (P.A.R.) ***
2					RETAINER, Moulding Upper (Serv. In Assy)
3					PANEL, Door Trim CLOTH
	HD28-9 LMA	1			Red, (D3M,LFM)
	HD28-9 LB9	1			Blue, (D3B,LFB)
	HD28-9 LAZ	1			Agate, (D3AZ,LFAZ)
	HD28-9 LV4	1			Champagne, (D3V,LFV)
4					PANEL, Door Trim CLOTH
	HD30-1 LMA	1			Red, (EFM)
	HD30-1 LB9	1			Blue, (EFB)
	HD30-1 LAZ	1			Agate, (EFAZ)
	HD30-1 LV4	1			Champagne, (EFV)
	HD24-5 LAZ	1			Agate, (JFAZ)
	HD24-5 LB9	1			Blue, (JFB)
	HD24-5 LMA	1			Red, (JFM)
	HD24-5 LV4	1			Champagne, (JFV)
5					PANEL, Door Trim CLOTH
	HD32-3 LAZ	1			Agate, (LPAZ)
	HD32-3 LB9	1			Blue, (LPB)
	HD32-3 LMA	1			Red, (LPM)
	HD32-3 LV4	1			Champagne, (LPV)
	HD26-7 LAZ	1			Agate, (JPAZ)
	HD26-7 LB9	1			Blue, (JPB)
	HD26-7 LMA	1			Red, (JPM)
	HD26-7 LV4	1			Champagne, (JPV)
6					ARMREST
	D394-5 HB9	1			Blue
	D394-5 LM6	1			Red
	D394-5 HV4	1			Champagne
	D394-5 LAZ	1			Agate
7	6501 769	AR			CLIP
8	4374 624-5	1			LENS, Courtesy Lamp
9	6501 842	4			NUT, Armrest
10	6501 769	4			FASTENER
11	6033 179	AR			SCREW
12		AR			SCREW and WASHER, (Not Serv.)
13					GRILLE, Speaker

**MODEL CODES:**

A BODY=(C=LeBaron, D=Spirit, P=Acclaim/LaBaron(Landau),  
Saratoga)  
C BODY=(D=Dynasty, C=New Yorker/N.Y. Salon)  
G BODY=(V=Daytona/ROC, Chrysler Daytona)  
J BODY=(C=LeBaron, Chrysler LeBaron)  
P BODY=(P=Sundance, D=Shadow)

S BODY=(H=Voyager(H) FWD, K=Caravan(H) FWD,  
Y=Town & Country(H) FWD, P=Voyager(K) AWD,  
D=Caravan(K) AWD, C=Town & Country(K) AWD)  
Y BODY=(C=Imperial/5th Avenue)  
E-S BODY=(K=Chrysler Voyager(H) FWD, D=Chrysler  
Voyager(K) AWD)

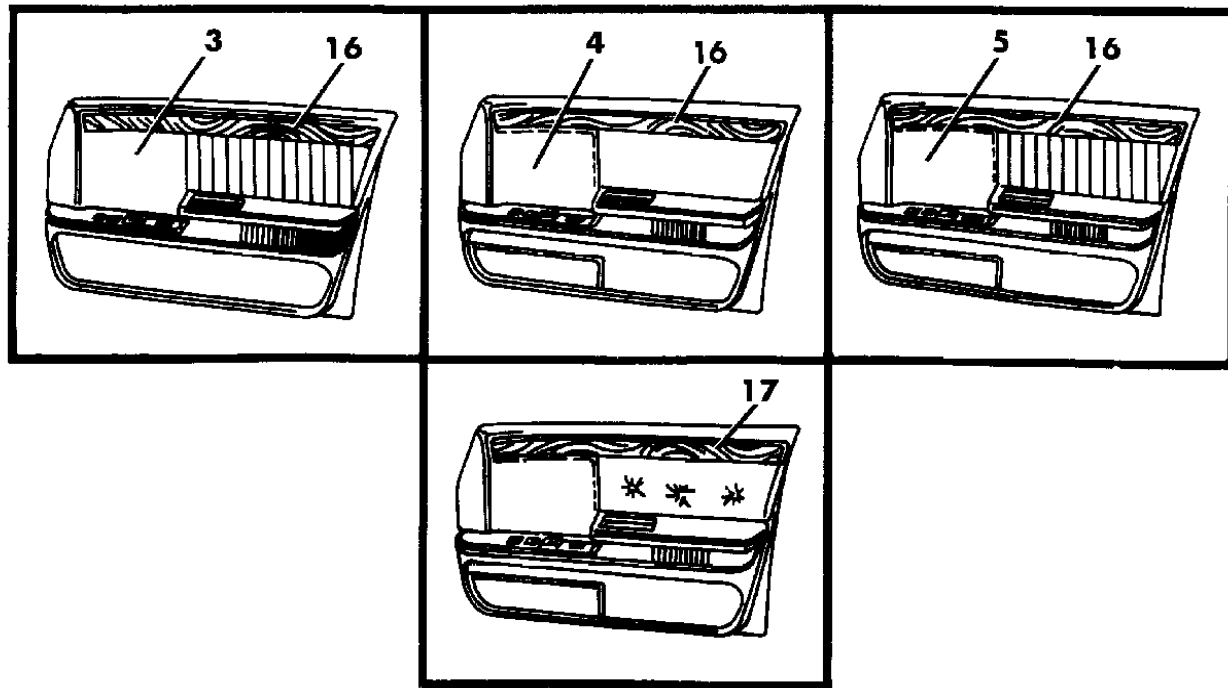
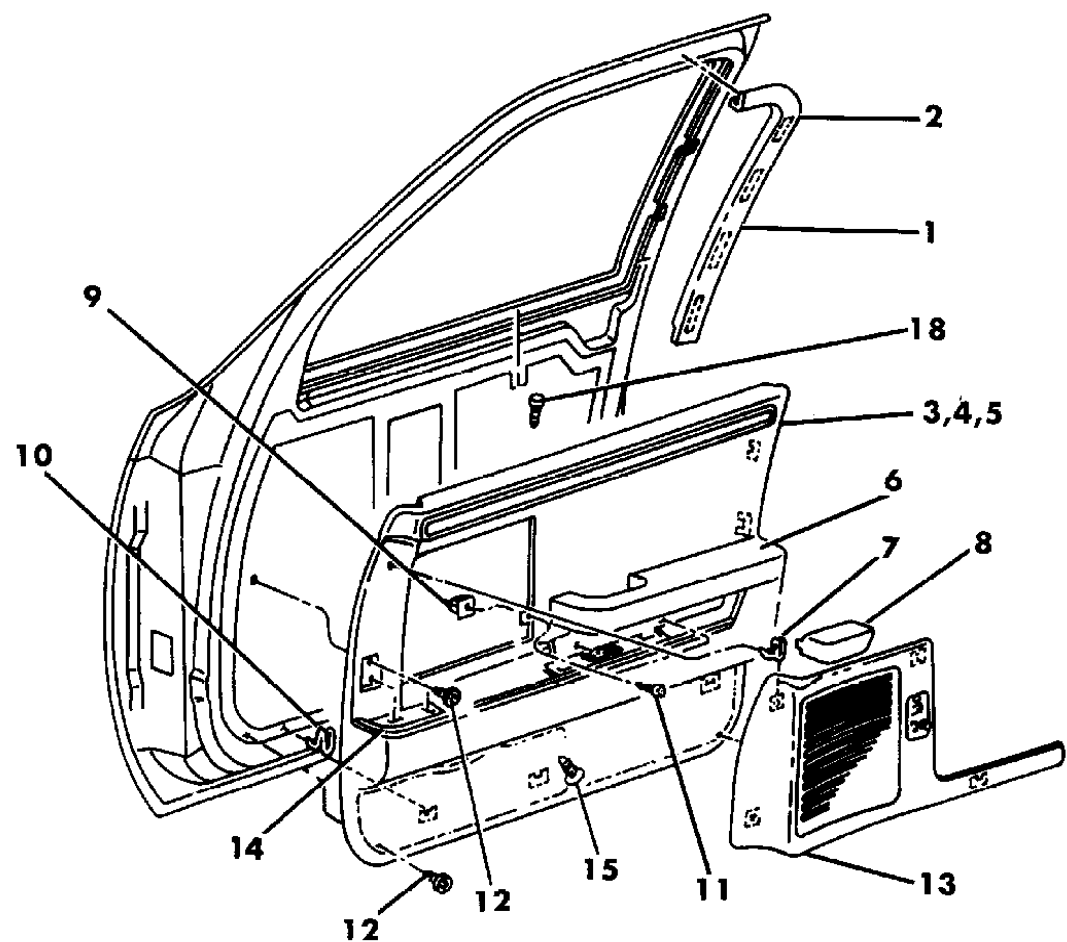
**BODY STYLES:**

21=2-Door Coupe      41=4-Door Sedan      12-52=FWD & AWD Van & Wgn Std W.B.  
24=2-Door Hatchback      44=4-Door Hatchback      53=FWD & AWD Van & Wgn Ext. W.B.  
27=2-Door Convertible

AR = Use as Required - = Non Illustrated Part P.A.R. = Paint as Required

DOOR TRIM PANEL--FRONT C BODY  
Figure ITC-800

93241 800



ITEM	PART NUMBER	QTY	BODY	MODEL	DESCRIPTION
	D014-5 HV4	1			w/Manual Windows (P.A.R)
					w/Power Windows
	AS16-7 JB9	1			Blue
	AS16-7 LM6	1			Red
	AS16-7 HV4	1			Champagne
	AS16-7 LAZ	1			Agate
					w/Power Windows and w/Power Seats
	AS14-5 JB9	1			Blue
	AS14-5 LM6	1			Red
	AS14-5 HV4	1			Champagne
	AS14-5 LAZ	1			Agate
14	5259 594-5	1			FRAME, Finish Plate
15	6033 446	AR			FASTENER, Map Pocket to Trim Panel
16	4410 306-7	1			MOLDING, Wood Grain II (Trim Code D3,LF,EF,LP) ***
17	4410 302-3	1			MOLDING, Wood Grain I (JF,JP) ***
18	H448 CS8	4			RETAINER, Bolster

NOTE: (P.A.R.) = Paint As Required

MODEL CODES:

A BODY=(C=LeBaron, D=Spirit, P=Acclaim/LaBaron(Landau),  
Saratoga)  
C BODY=(D=Dynasty, C=New Yorker/N.Y. Salon)  
G BODY=(V=Daytona/ROC, Chrysler Daytona)  
J BODY=(C=LeBaron, Chrysler LeBaron)  
P BODY=(P=Sundance, D=Shadow)

S BODY=(H=Voyager(H) FWD, K=Caravan(H) FWD,  
Y=Town & Country(H) FWD, P=Voyager(K) AWD,  
D=Caravan(K) AWD, C=Town & Country(K) AWD)  
Y BODY=(C=Imperial/5th Avenue)  
E-S BODY=(K=Chrysler Voyager(H) FWD, D=Chrysler  
Voyager(K) AWD)

BODY STYLES:

21=2-Door Coupe      41=4-Door Sedan      12-52=FWD & AWD Van & Wgn Std W.B.  
24=2-Door Hatchback      44=4-Door Hatchback      53=FWD & AWD Van & Wgn Ext. W.B.  
27=2-Door Convertible

AR = Use as Required - = Non Illustrated Part P.A.R. = Paint as Required

DOOR TRIM PANEL--REAR C BODY  
Figure ITC-900

93241 900

ITEM	PART NUMBER	QTY	BODY	MODEL	DESCRIPTION
1	5259 749	1			ASH RECEIVER, (For Cover See Ill. 23C)
2	F072-3 HV4	1			MOLDING, Frame (P.A.R.) ***
3					PANEL, Door Trim CLOTH
	EU00-1 LB9	1			Blue, (D3B,LFB)
	EU00-1 LMA	1			Red, (D3M,LFM)
	EU00-1 LV4	1			Champagne, (D3V,LFV)
	EU00-1 LAZ	1			Agate, (D3AZ,LFAZ)
4					PANEL, Door Trim CLOTH
	EU02-3 LBB	1			Blue, (EFB)
	EU02-3 LMA	1			Red, (EFM)
	EU02-3 LVV	1			Champagne, (EFV)
	EU02-3 LAZ	1			Agate, (EFAZ)
	HH40-1 MAZ	1			Agate, (JFAZ)
	HH40-1 MB9	1			Blue, (JFB)
	HH40-1 MMA	1			Red, (JFM)
	HH40-1 MV4	1			Champagne, (JFV)
5					PANEL, Door Trim CLOTH
	ET98-9 LAZ	1			Agate, (LPAZ)
	ET98-9 LB9	1			Blue, (LPB)
	ET98-9 LMA	1			Red, (LPM)
	ET98-9 LV4	1			Champagne, (LPV)
	HH42-3 MAZ	1			Agate, (JPAZ)
	HH42-3 MB9	1			Blue, (JPB)
	HH42-3 MMA	1			Red, (JPM)
	HH42-3 MV4	1			Champagne, (JPV)
6	H448 CS8	AR			RETAINER, Bolster
7	4374 624-5	1			LENS, Courtesy Lamp
8					PANEL, Name Plate w/Power Windows
	D870-1 JB9	1			Blue
	D870-1 LMA	1			Red
	D870-1 JV4	1			Champagne
	D870-1 LAZ	1			Agate
					w/o Power Windows
	D872-3 JB9	1			Blue
	D872-3 LMA	1			Red
	D872-3 JV4	1			Champagne

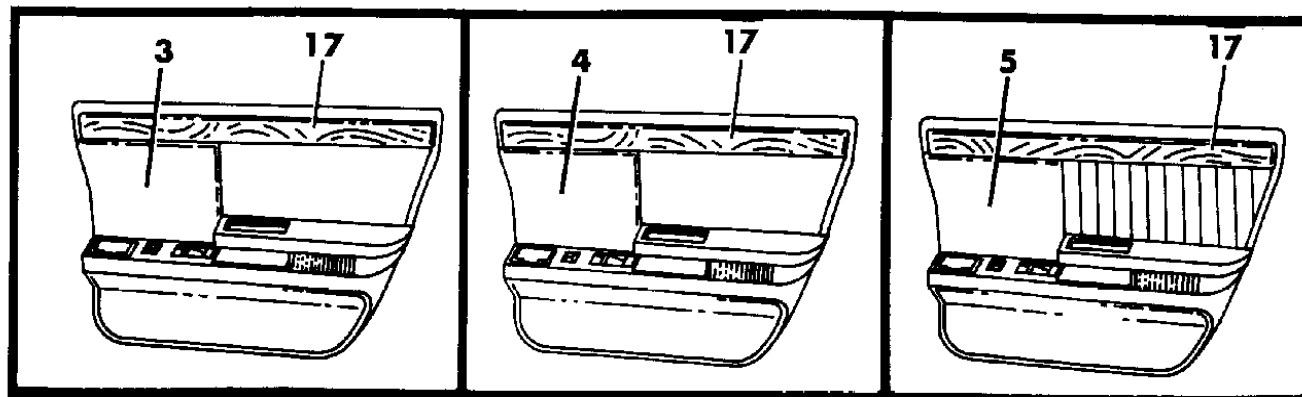
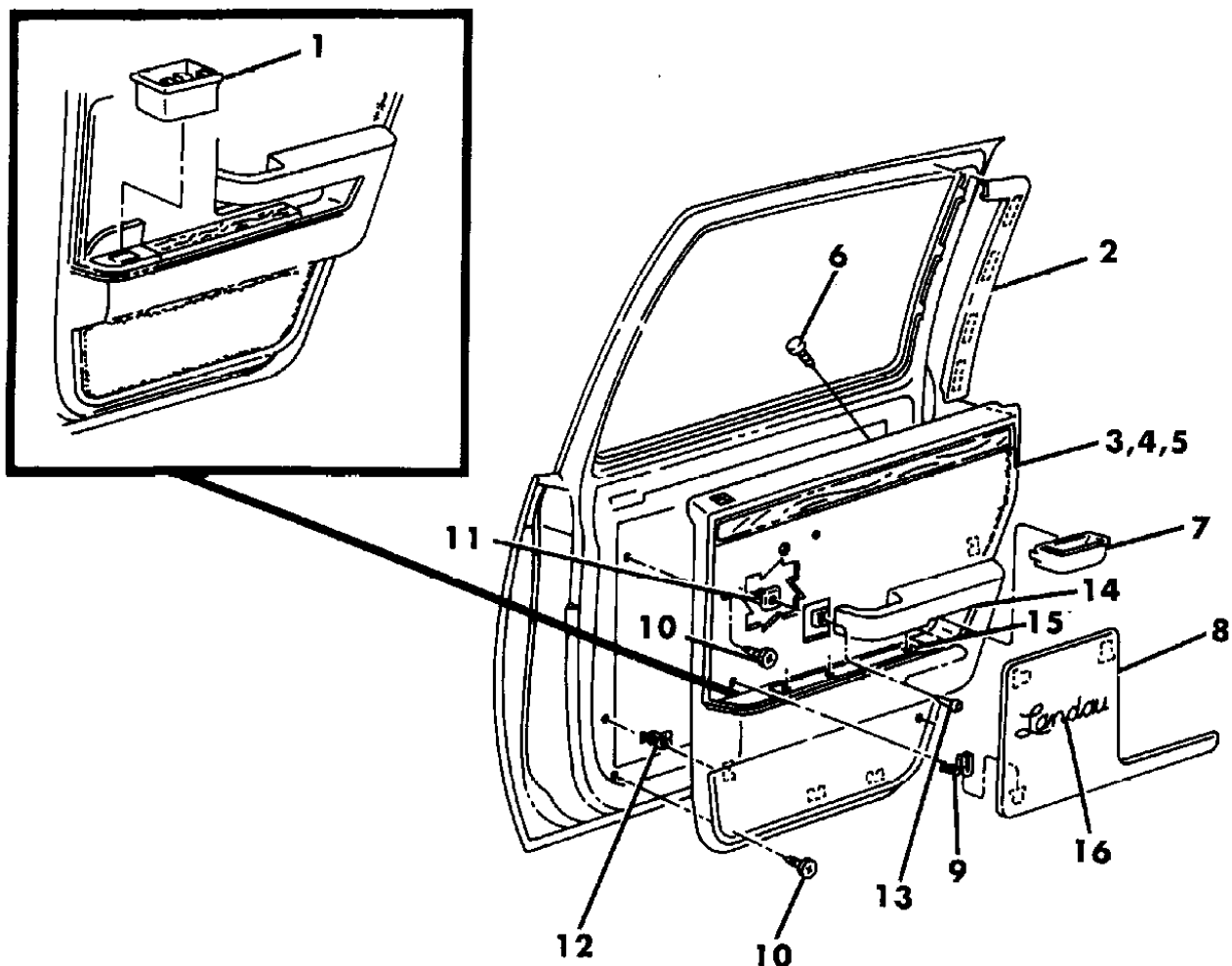
MODEL CODES:

A BODY=(C=LeBaron, D=Spirit, P=Acclaim/LaBaron(Landau),  
Saratoga) S BODY=(H=Voyager(H) FWD, K=Caravan(H) FWD,  
Y=Town & Country(H) FWD, P=Voyager(K) AWD,  
D=Caravan(K) AWD, C=Town & Country(K) AWD)  
C BODY=(D=Dynasty, C=New Yorker/N.Y. Salon)  
G BODY=(V=Daytona/IROC, Chrysler Daytona)  
J BODY=(C=LeBaron, Chrysler LeBaron)  
P BODY=(P=Sundance, D=Shadow) E-S BODY=(K=Chrysler Voyager(H) FWD, D=Chrysler  
Voyager(K) AWD)

BODY STYLES:

21=2-Door Coupe 41=4-Door Sedan 12-52=FWD & AWD Van & Wgn Std W.B.  
24=2-Door Hatchback 44=4-Door Hatchback 53=FWD & AWD Van & Wgn Ext. W.B.  
27=2-Door Convertible

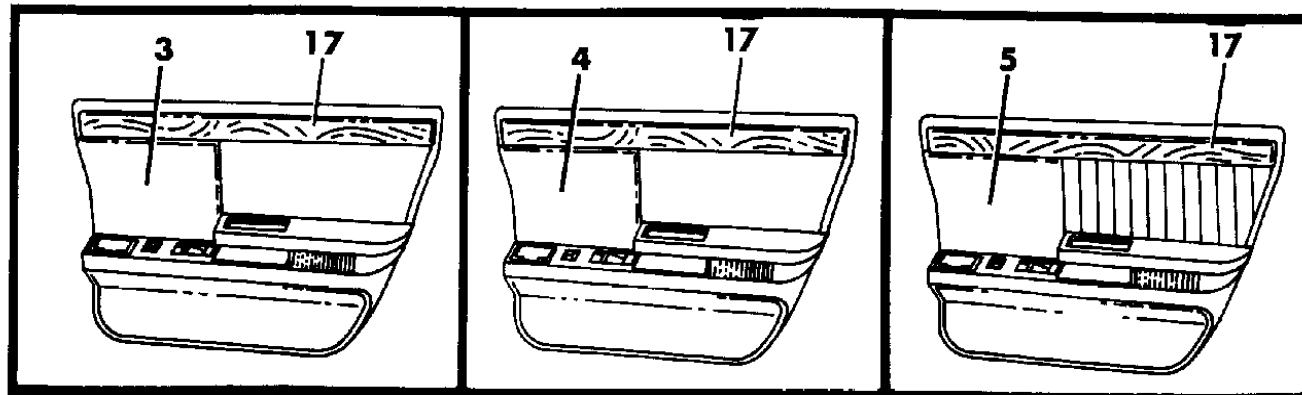
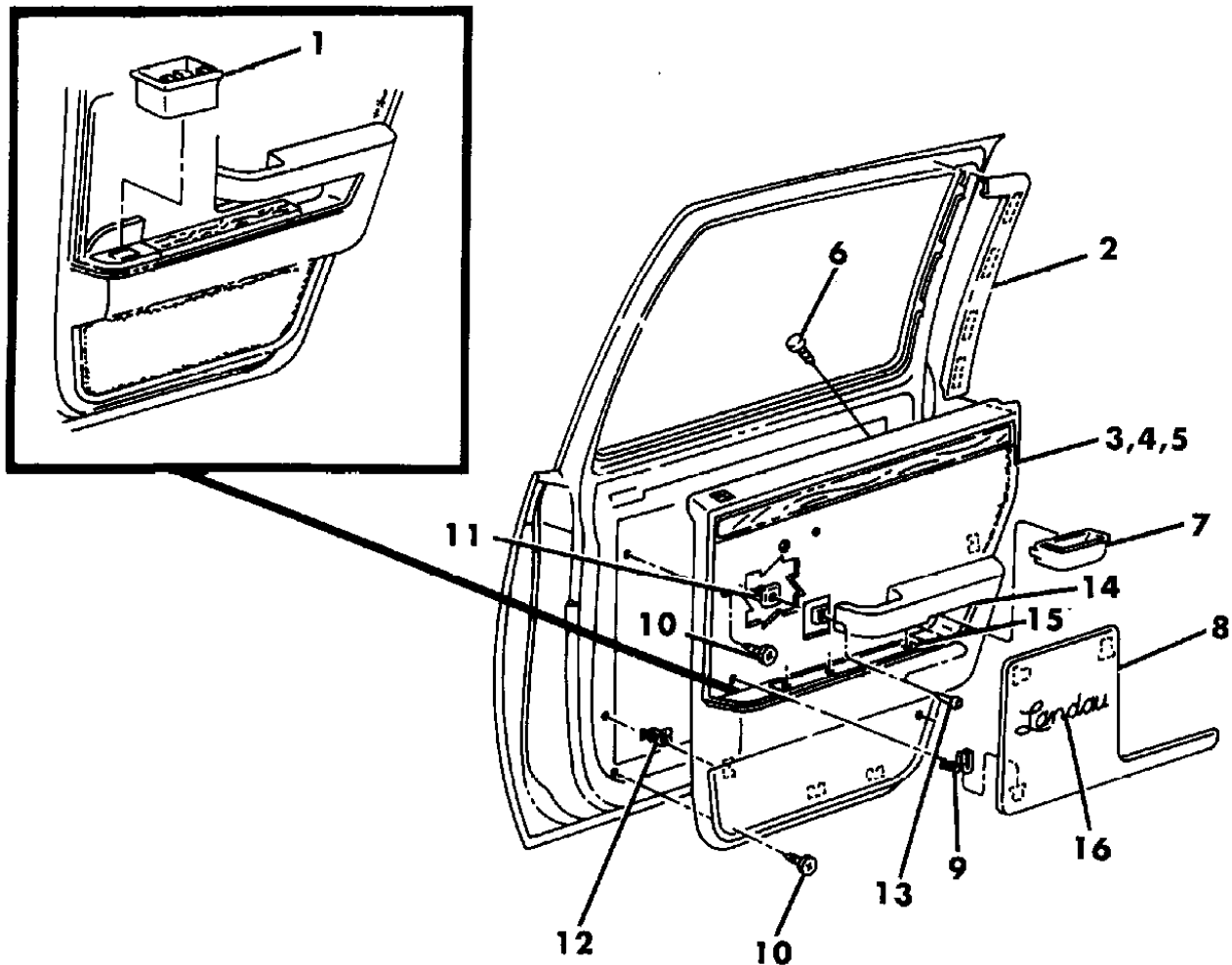
AR = Use as Required - = Non Illustrated Part P.A.R. = Paint as Required



DOOR TRIM PANEL--REAR C BODY  
Figure ITC-900

93241 900

ITEM	PART NUMBER	QTY	BODY	MODEL	DESCRIPTION
	D872-3 LAZ	1			Agate
9	6501 769	AR			FASTENER
10		AR			SCREW and WASHER, (Not Serv.)
11	6501 842	AR			NUT, Armrest Attaching
12	6501 769	AR			FASTENER, Door Trim Panel
13	6033 179	AR			SCREW
14					ARMREST
	D006-7 JB9	1			Blue
	D006-7 LM6	1			Red
	D006-7 HV4	1			Champagne
	D006-7 LAZ	1			Agate
15	4410 282-3	1			FRAME, Finish Plate
16	4473 955	2			NAME PLATE
17	4410 508-9	1			MOLDING, Wood Grain II ***



MODEL CODES:

A BODY=(C=LeBaron, D=Spirit, P=Acclaim/LaBaron(Landau), Saratoga) S BODY=(H=Voyager(H) FWD, K=Caravan(H) FWD, Y=Town & Country(H) FWD, P=Voyager(K) AWD, D=Caravan(K) AWD, C=Town & Country(K) AWD)  
 C BODY=(D=Dynasty, C=New Yorker/N.Y. Salon) Y BODY=(C=Imperial/5th Avenue)  
 G BODY=(V=Daytona/IROC, Chrysler Daytona) E-S BODY=(K=Chrysler Voyager(H) FWD, D=Chrysler Voyager(K) AWD)  
 J BODY=(C=LeBaron, Chrysler LeBaron)  
 P BODY=(P=Sundance, D=Shadow)

BODY STYLES:

21=2-Door Coupe 41=4-Door Sedan 12-52=FWD & AWD Van & Wgn Std W.B.  
 24=2-Door Hatchback 44=4-Door Hatchback 53=FWD & AWD Van & Wgn Ext. W.B.  
 27=2-Door Convertible

AR = Use as Required - = Non Illustrated Part P.A.R. = Paint as Required

SEAT--FRONT C BODY TRIM CODE D3  
Figure ITC-1000

93241 1000

ITEM	PART NUMBER	QTY	BODY	MODEL	DESCRIPTION
1					CUSHION, w/Spring/Frame, Pad and Cover
					CLOTH
		C430 J3B	1		Blue, (D3B)
		C430 LMA	1		Red, (D3M)
		C430 H3V	1		Champagne, (D3V)
2					COVER, Cushion
		C280 J3B	1		Blue, (D3B)
		C280 LMA	1		Red, (D3M)
		C280 H3V	1		Champagne, (D3V)
		C280 LAZ	1		Agate, (D3AZ)
3					BACK, w/Spring/Frame, Pad and Cover
		C136-7 J3B	1		Blue, (D3B)
		C136-7 LMA	1		Red, (D3M)
		C136-7 H3V	1		Champagne, (D3V)
		C136-7 LAZ	1		Agate, (D3AZ)
4					COVER, Back
		C092-3 J3B	1		Blue, (D3B)
		C092-3 LMA	1		Red, (D3M)
		C092-3 H3V	1		Champagne, (D3V)
		C092-3 LAZ	1		Agate, (D3AZ)
5					HEADREST and COVER
		C649 JB9	2		Blue, (D3B)
		C649 LMA	2		Red, (D3M)
		C649 HV4	2		Champagne, (D3V)
		C649 LAZ	2		Agate, (D3AZ)
6					COVER, Headrest
		C582 JB9	2		Blue, (D3B)
		C582 LMA	2		Red, (D3M)
		C582 HV4	2		Champagne, (D3V)
		C582 LAZ	2		Agate, (D3AZ)
7	S914 JW8	1			SLEEVE, Headrest
8	6500 354	1			SCREW and WASHER, Arm Attaching
9	4345 368-9	1			ARM, Cushion To Back
10					SHIELD, Cushion Rear Rail
		S678-9 JB9	1		Blue
		S678-9 LM6	1		Red
		S678-9 HV4	1		Champagne
		S678-9 LAZ	1		Agate

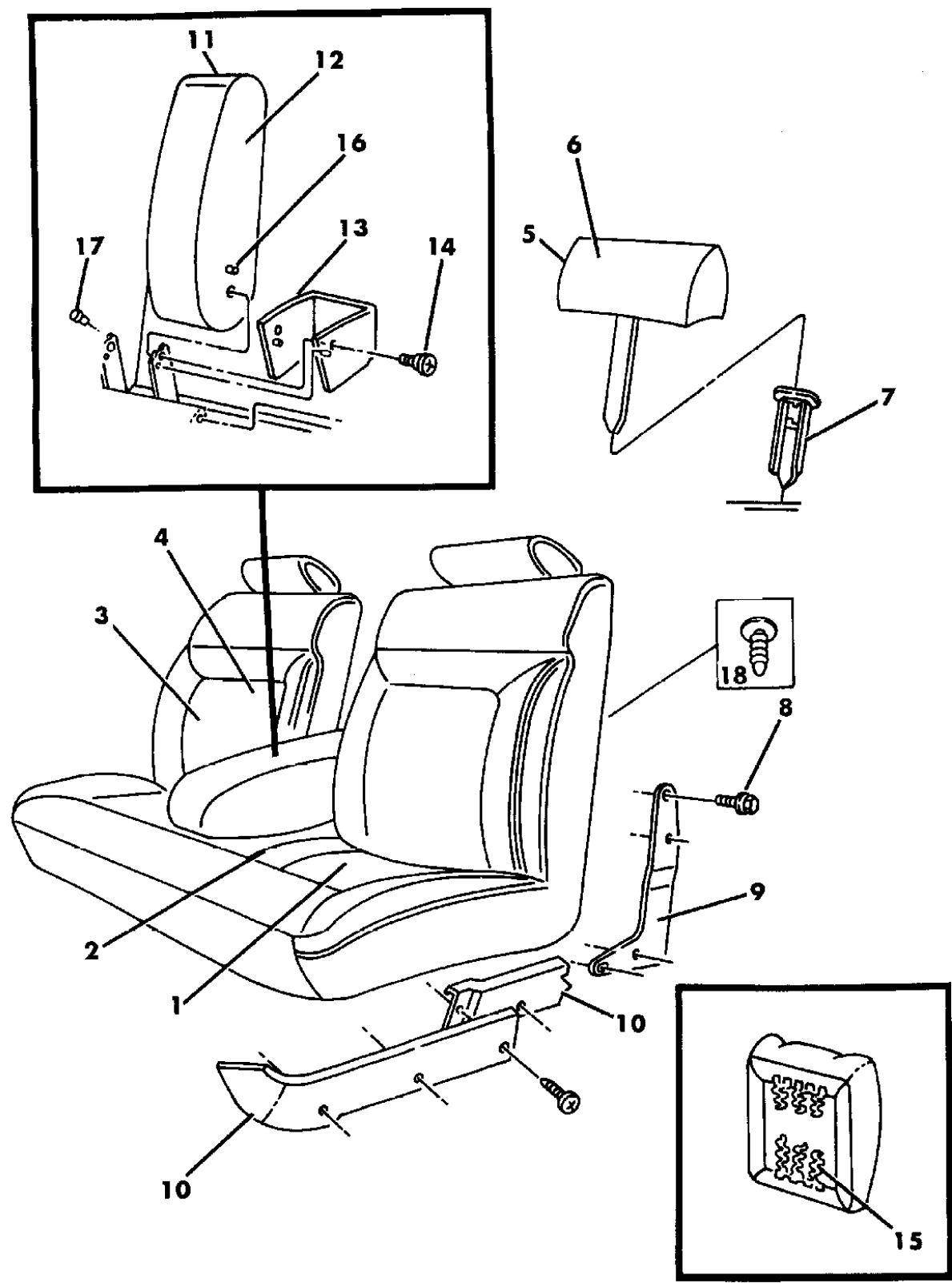
MODEL CODES:

A BODY=(C=LeBaron, D=Spirit, P=Acclaim/LaBaron(Landau), Saratoga) S BODY=(H=Voyager(H) FWD, K=Caravan(H) FWD, Y=Town & Country(H) FWD, P=Voyager(K) AWD, D=Caravan(K) AWD, C=Town & Country(K) AWD)  
 C BODY=(D=Dynasty, C=New Yorker/N.Y. Salon) Y BODY=(C=Imperial/5th Avenue)  
 G BODY=(V=Daytona/IROC, Chrysler Daytona) E-S BODY=(K=Chrysler Voyager(H) FWD, D=Chrysler Voyager(K) AWD)  
 J BODY=(C=LeBaron, Chrysler LeBaron) P BODY=(P=Sundance, D=Shadow)

BODY STYLES:

21=2-Door Coupe 41=4-Door Sedan 12-52=FWD & AWD Van & Wgn Std W.B.  
 24=2-Door Hatchback 44=4-Door Hatchback 53=FWD & AWD Van & Wgn Ext. W.B.  
 27=2-Door Convertible

AR = Use as Required - = Non Illustrated Part P.A.R. = Paint as Required

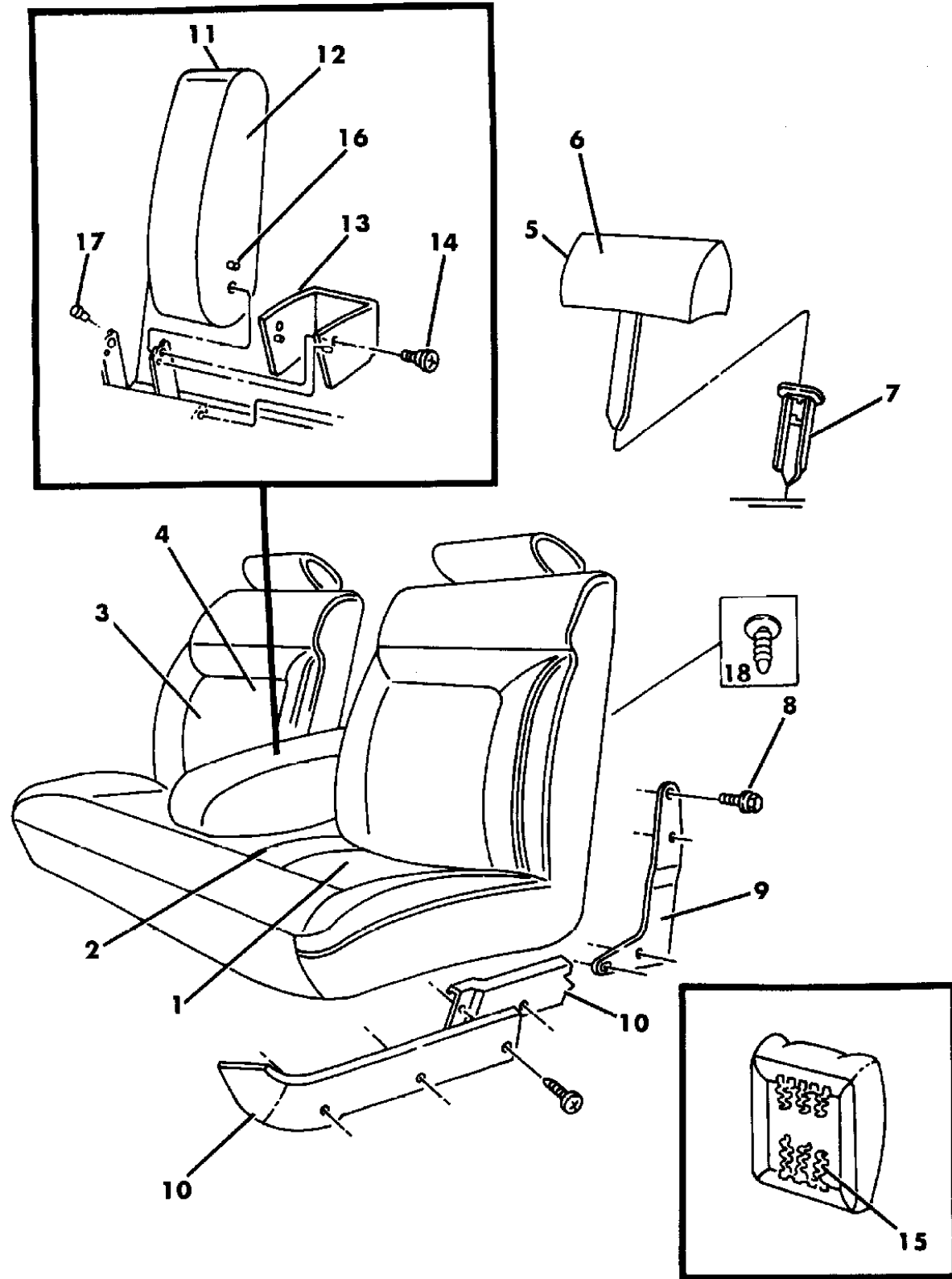


SEAT--FRONT C BODY TRIM CODE D3

Figure ITC-1000

93241 1000

ITEM	PART NUMBER	QTY	BODY	MODEL	DESCRIPTION
11					ARMREST
	C505 JB9	1			Blue, (D3B)
	C505 LMA	1			Red, (D3M)
	C505 HV4	1			Champagne, (D3V)
	C505 LAZ	1			Agate, (D3AZ)
12					ARMREST, Cover
	C841 JB9	1			Blue, (D3B)
	C841 LMA	1			Red, (D3M)
	C841 HV4	1			Champagne, (D3V)
	C841 LAZ	1			Agate, (D3AZ)
13					COVER, Back Center Armrest
	S581 JB9	1			Blue
	S581 LMA	1			Red
	S581 HV4	1			Champagne
	S581 LAZ	1			Agate
14	6030 082	AR			SCREW, Front Seat To Stanchion
15	6008 076	1			HOG RING
16	4239 076	1			ROD, Center Arm Rest Locking
17	4477 749	2			BUSHING, Pivot
18	6033 840	AR			FASTENER, Rear Back Pocket



MODEL CODES:

A BODY=(C=LeBaron, D=Spirit, P=Acclaim/LaBaron(Landau), Saratoga) S BODY=(H=Voyager(H) FWD, K=Caravan(H) FWD, Y=Town & Country(H) FWD, P=Voyager(K) AWD, D=Caravan(K) AWD, C=Town & Country(K) AWD)  
 C BODY=(D=Dynasty, C=New Yorker/N.Y. Salon) Y BODY=(C=Imperial/5th Avenue)  
 G BODY=(V=Daytona/IROC, Chrysler Daytona) E-S BODY=(K=Chrysler Voyager(H) FWD, D=Chrysler Voyager(K) AWD)  
 J BODY=(C=LeBaron, Chrysler LeBaron) P BODY=(P=Sundance, D=Shadow)

BODY STYLES:

21=2-Door Coupe 41=4-Door Sedan 12-52=FWD & AWD Van & Wgn Std W.B.  
 24=2-Door Hatchback 44=4-Door Hatchback 53=FWD & AWD Van & Wgn Ext. W.B.  
 27=2-Door Convertible

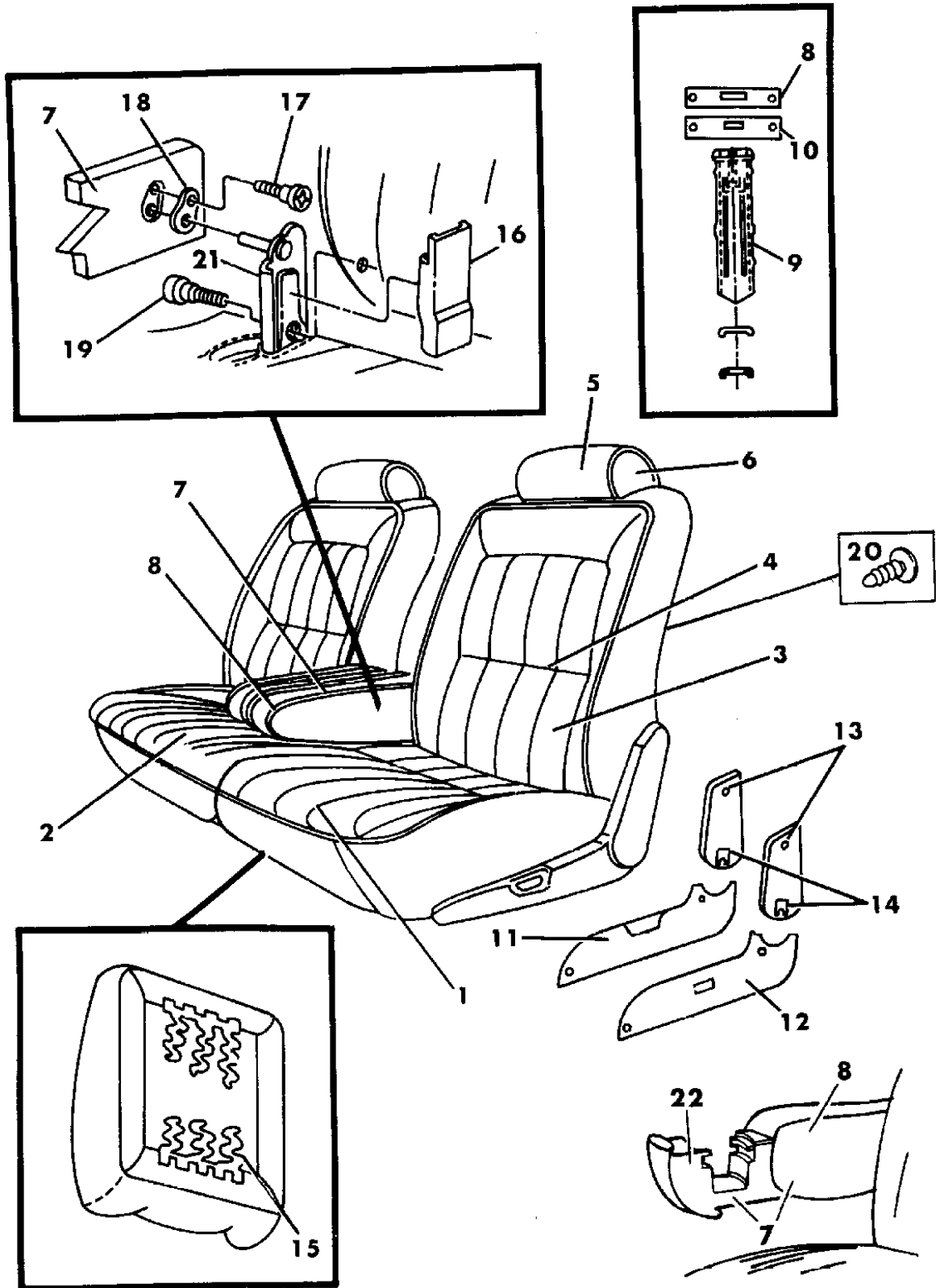
AR = Use as Required - = Non Illustrated Part P.A.R. = Paint as Required



SEAT--FRONT C BODY TRIM CODE EF  
Figure ITC-1100

93241 1100

ITEM	PART NUMBER	QTY	BODY	MODEL	DESCRIPTION
1					CUSHION, w/Spring/Frame, Pad and Cover
					CLOTH
		FU14-5 LBB	1		Blue, (EFB)
		FU14-5 LMA	1		Red, (EFM)
		FU14-5 LVV	1		Champagne, (EFV)
2					COVER, Cushion
					CLOTH
		FU12-3 LBB	1		Blue, (EFB)
		FU12-3 LMA	1		Red, (EFM)
3					BACK, w/Spring/Frame, Pad and Cover
					CLOTH
		FW14-5 LB9	1		Blue, (EFB)
		FW14-5 LMA	1		Red, (EFM)
4					COVER, Back
					CLOTH
		C082 JFB	2		Blue, (EFB)
		C082 LMA	2		Red, (EFM)
		C082 HFV	2		Champagne, (EFV)
5					HEADREST and COVER
					CLOTH
		C651 JB9	2		Blue, (EFB)
		C651 LMA	2		Red, (EFM)
6					COVER, Headrest
					CLOTH
		C584 JB9	2		Blue, (EFB)
		C584 LMA	2		Red, (EFM)
7					ARMREST and CUP HOLDER, Passenger and Drivers Seat ***
					CLOTH
		AG88 JB9	2		Blue, (EFB)
		AG88 LMA	2		Red, (EFM)



MODEL CODES:

A BODY=(C=LeBaron, D=Spirit, P=Acclaim/LaBaron(Landau, Saratoga)  
C BODY=(D=Dynasty, C=New Yorker/N.Y. Salon)  
G BODY=(V=Daytona/ROC, Chrysler Daytona)  
J BODY=(C=LeBaron, Chrysler LeBaron)  
P BODY=(P=Sundance, D=Shadow)

S BODY=(H=Voyager(H) FWD, K=Caravan(H) FWD, Y=Town & Country(H) FWD, P=Voyager(K) AWD, D=Caravan(K) AWD, C=Town & Country(K) AWD)  
Y BODY=(C=Imperial/5th Avenue)  
E-S BODY=(K=Chrysler Voyager(H) FWD, D=Chrysler Voyager(K) AWD)

BODY STYLES:

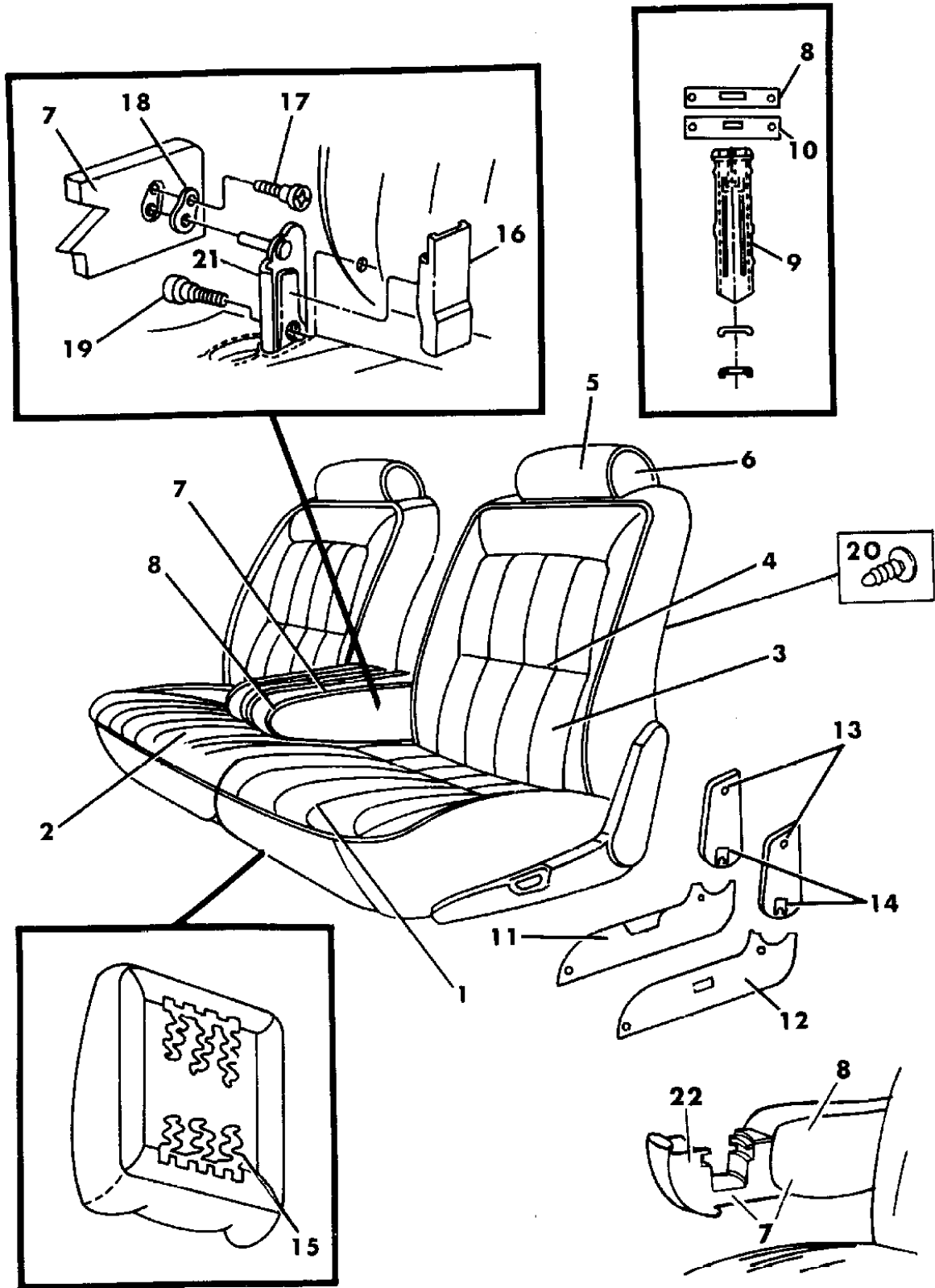
21=2-Door Coupe      41=4-Door Sedan      12-52=FWD & AWD Van & Wgn Std W.B.  
24=2-Door Hatchback      44=4-Door Hatchback      53=FWD & AWD Van & Wgn Ext. W.B.  
27=2-Door Convertible

AR = Use as Required - = Non Illustrated Part P.A.R. = Paint as Required

SEAT--FRONT C BODY TRIM CODE EF  
Figure ITC-1100

93241 1100

ITEM	PART NUMBER	QTY	BODY	MODEL	DESCRIPTION
	AG88 JV4	2			Champagne, (EFV)
	AG88 LAZ	2			Agate, (EFAZ)
8					ARMREST, Less Cup Holder (Serviced In Item 7 Only)
9	S283 HV4	2			SLEEVE, Headrest
10	4550 558	2			COVER, Headrest Finish
11					SHIELD, Cushion (Manual) (P.A.R.)
	S456 HV4	1			PASSENGER Outboard DRIVER
	S457 HV4	1			Outboard
12	GC06-7 LV4				SHIELD, w/Power (P.A.R.)
13					SHIELD, Back (P.A.R.)
	S762 HV4	1			Outboard DRIVER
	S763 HV4	1			Outboard
14	4317 800	1			CLIP, Shield Attaching
15	6008 076	AR			HOG RING
16					COVER, Stanchion
	S706-7 HB9	1			Blue
	S706-7 LMA	1			Red
	S706-7 HV4	1			Champagne
	S706-7 LAZ	1			Agate
17	6032 567	AR			SCREW, Armrest
18	4477 624	AR			SPACER
19	6501 774	AR			SCREW
20	6033 840	AR			FASTENER, Seat Back Pocket
21					BRACKET, (Serviced In Cushion Assy)
22					CUP HOLDER, (Serviced In Item 7 Only) ***



MODEL CODES:

A BODY=(C=LeBaron, D=Spirit, P=Acclaim/LaBaron(Landau),  
Saratoga)  
C BODY=(D=Dynasty, C=New Yorker/N.Y. Salon)  
G BODY=(V=Daytona/IROC, Chrysler Daytona)  
J BODY=(C=LeBaron, Chrysler LeBaron)  
P BODY=(P=Sundance, D=Shadow)

S BODY=(H=Voyager(H) FWD, K=Caravan(H) FWD,  
Y=Town & Country(H) FWD, P=Voyager(K) AWD,  
D=Caravan(K) AWD, C=Town & Country(K) AWD)  
Y BODY=(C=Imperial/5th Avenue)  
E-S BODY=(K=Chrysler Voyager(H) FWD, D=Chrysler  
Voyager(K) AWD)

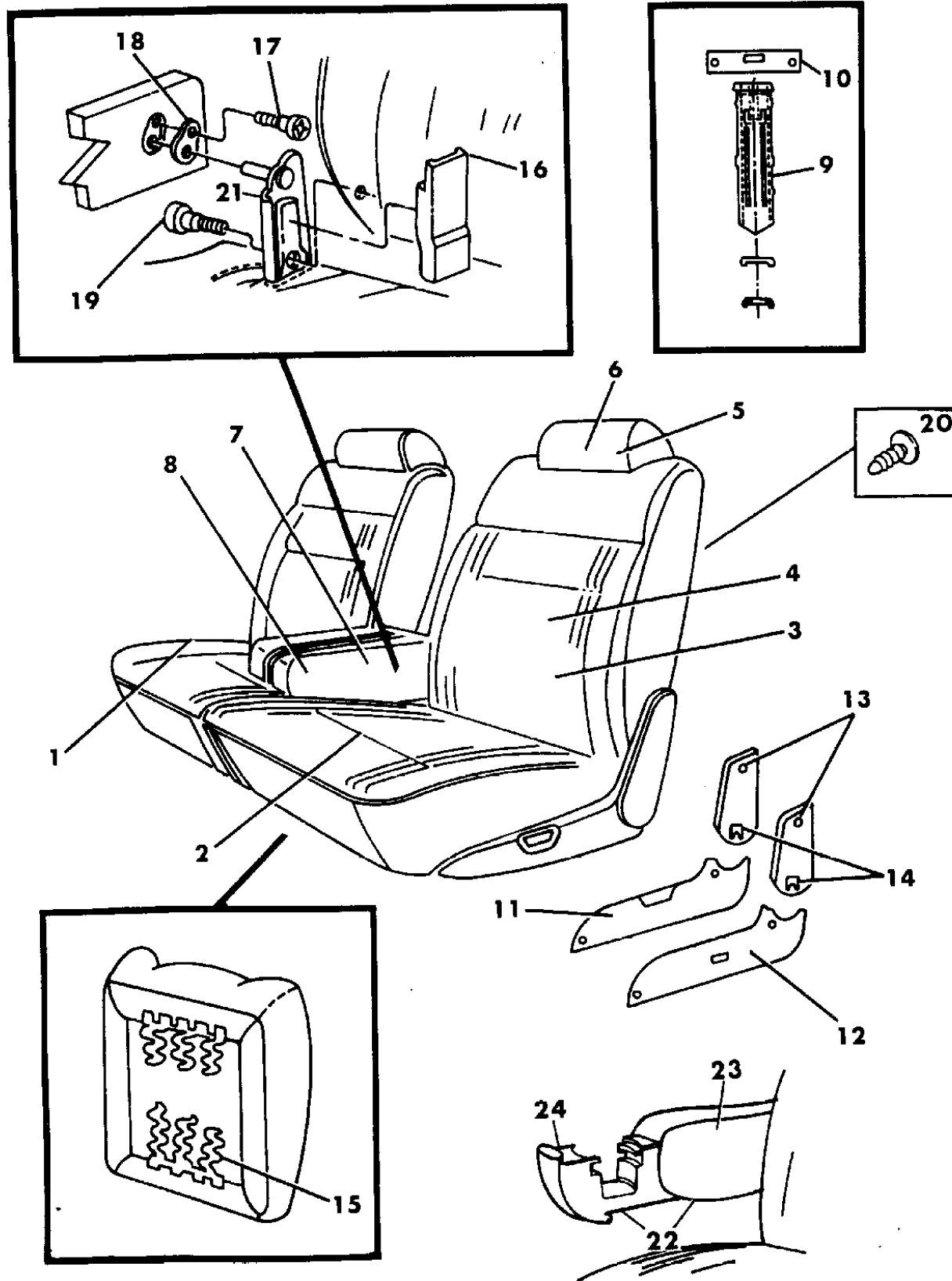
BODY STYLES:

21=2-Door Coupe      41=4-Door Sedan      12-52=FWD & AWD Van & Wgn Std W.B.  
24=2-Door Hatchback      44=4-Door Hatchback      53=FWD & AWD Van & Wgn Ext. W.B.  
27=2-Door Convertible

AR = Use as Required - = Non Illustrated Part P.A.R. = Paint as Required

**SEAT--FRONT C BODY TRIM CODES LP**  
Figure ITC-1200

93241 1200



ITEM	PART NUMBER	QTY	BODY	MODEL	DESCRIPTION
1					CUSHION, w/Spring/Frame, Pad and Cover
					LEATHER
		FU02-3 LMA	1		Red, (LPM)
		FU02-3 LAZ	1		Agate, (LPAZ)
		FU02-3 LB9	1		Blue, (LPB)
2					COVER, Cushion
					LEATHER
		FT98-9 LMA	1		Red, (LPM)
		FT98-9 LAZ	1		Agate, (LPAZ)
		FT98-9 LB9	1		Blue, (LPB)
3					BACK, w/Spring/Frame, Pad and Cover
					LEATHER
		GC02-3 LMA	1		Red, (LPM)
		GC02-3 LAZ	1		Agate, (LPAZ)
		GC02-3 LB9	1		Blue, (LPB)
4					COVER, Back
					LEATHER
		GB98-9 LMA	1		Red, (LPM)
		GB98-9 LAZ	1		Agate, (LPAZ)
		GB98-9 LB9	1		Blue, (LPB)
5					HEADREST and COVER
					LEATHER
		DJ29 LMA	2		Red, (HPM,LPM)
		DJ29 LAZ	2		Agate, (HPAZ,LPAZ)
		DJ29 KB9	2		Blue, (HPB,LPB)
6					COVER, Headrest
					LEATHER
		DJ31 LMA	2		Red, (HPM,LPM)
		DJ31 LAZ	2		Agate, (HPAZ,LPAZ)
		DJ31 KB9	2		Blue, (HPB,LPB)
7					ARMREST and COVER
					w/Cup Holder
					LEATHER

**MODEL CODES:**

A BODY=(C=LeBaron, D=Spirit, P=Acclaim/LaBaron(Landau), Saratoga) S BODY=(H=Voyager(H) FWD, K=Caravan(H) FWD, Y=Town & Country(H) FWD, P=Voyager(K) AWD, D=Caravan(K) AWD, C=Town & Country(K) AWD)  
 C BODY=(D=Dynasty, C=New Yorker/N.Y. Salon) Y BODY=(C=Imperial/5th Avenue)  
 G BODY=(V=Daytona/ROC, Chrysler Daytona) E-S BODY=(K=Chrysler Voyager(H) FWD, D=Chrysler Voyager(K) AWD)  
 J BODY=(C=LeBaron, Chrysler LeBaron) P BODY=(P=Sundance, D=Shadow)

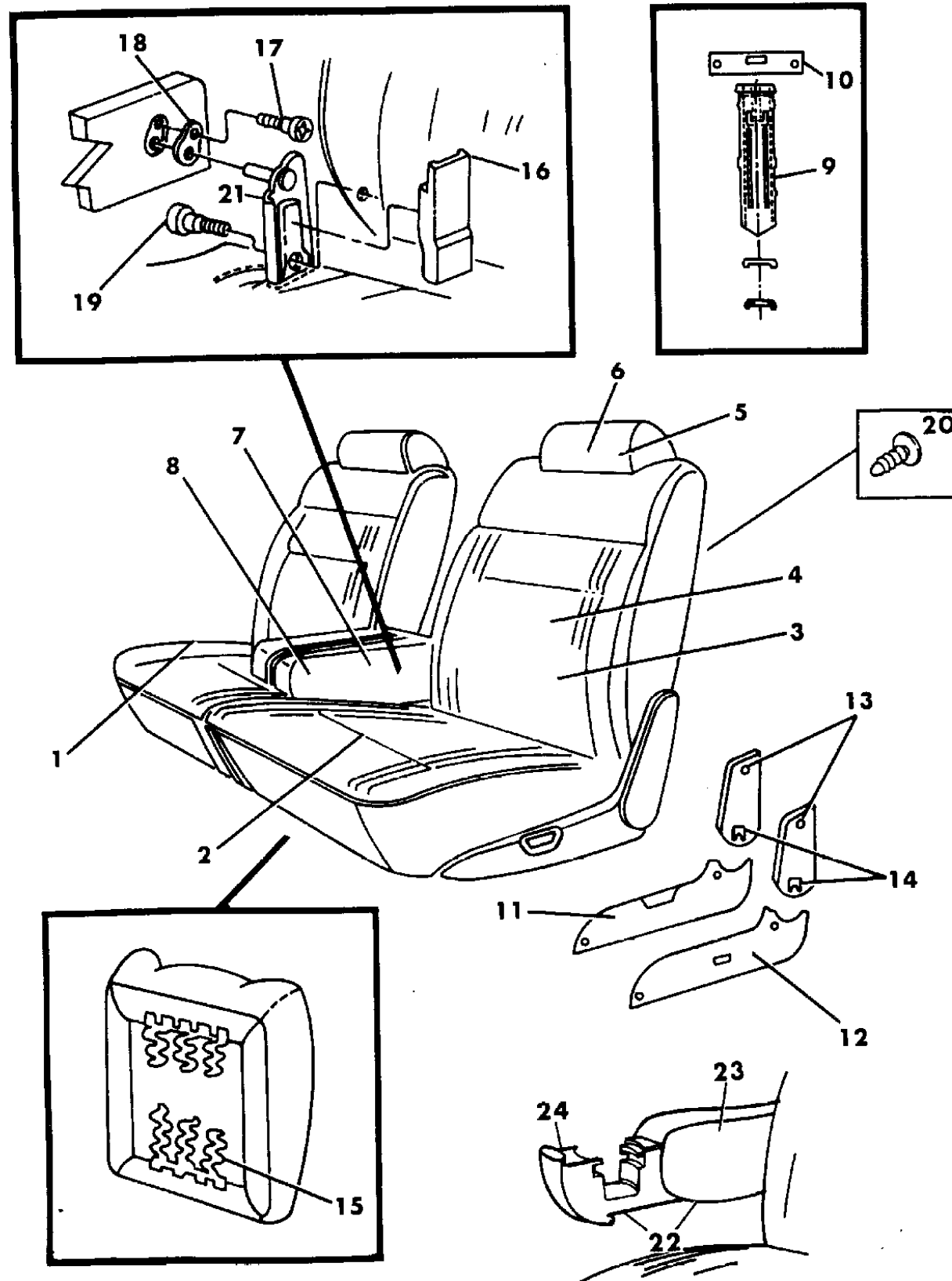
**BODY STYLES:**

21=2-Door Coupe 41=4-Door Sedan 12-52=FWD & AWD Van & Wgn Std W.B.  
 24=2-Door Hatchback 44=4-Door Hatchback 53=FWD & AWD Van & Wgn Ext. W.B.  
 27=2-Door Convertible

AR = Use as Required - = Non Illustrated Part P.A.R. = Paint as Required

SEAT--FRONT C BODY TRIM CODES LP  
Figure ITC-1200

93241 1200



ITEM	PART NUMBER	QTY	BODY	MODEL	DESCRIPTION
	AG90 LAZ	2			Agate, (LPAZ)
	AG90 LMA	2			Red, (LPM)
	AG90 JB9	2			Blue, (LPB)
	AG90 JV4	2			Champagne, (LPV)
8					COVER, Armrest, (Not Serviced)
9	S283 HV4	2			SLEEVE, Headrest (P.A.R.)
10	4550 558	2			COVER, Headrest Finish
11					SHIELD, Cushion (Manual) (P.A.R.) PASSENGER
	S456 HV4	1			Outboard
	S457 HV4	1			Inboard DRIVER
	S457 HV4	1			Outboard
	S456 HV4	1			Inboard
12	GC06-7 LV4	1			SHIELD, Cushion Power (P.A.R.)
13					SHIELD, Back PASSENGER
	S762 HV4	1			Outboard
	S763 HV4	1			Inboard DRIVER
	S763 HV4	1			Outboard
	S762 HV4	1			Inboard
14	4317 800	1			CLIP, Shield Attaching
15	6008 076	AR			HOG RING
16					COVER, Stanchion
	S706-7 HB9	1			Blue
	S706-7 LMA	1			Red
	S706-7 HV4	1			Champagne
	S706-7 LAZ	1			Agate
17	6032 567	AR			SCREW, Armrest
18	4477 624				SPACER
19	6501 774	AR			SCREW
20	6033 840	AR			FASTENER, Rear Back Pocket
21					BRACKET, (Serviced In Cushion Assy)
22					ARMREST and CUP HOLDER ***
	AG90 LAZ	2			Agate, (LPAZ)
	AG90 LMA	2			Red, (LPM)
	AG90 JB9	2			Blue, (LPB)
	AG90 JV4	2			Champagne, (LPV)

MODEL CODES:

A BODY=(C=LeBaron, D=Spirit, P=Acclaim/LaBaron(Landau),  
Saratoga)  
C BODY=(D=Dynasty, C=New Yorker/N.Y. Salon)  
G BODY=(V=Daytona/ROC, Chrysler Daytona)  
J BODY=(C=LeBaron, Chrysler LeBaron)  
P BODY=(P=Sundance, D=Shadow)

S BODY=(H=Voyager(H) FWD, K=Caravan(H) FWD,  
Y=Town & Country(H) FWD, P=Voyager(K) AWD,  
D=Caravan(K) AWD, C=Town & Country(K) AWD)  
Y BODY=(C=Imperial/5th Avenue)  
E-S BODY=(K=Chrysler Voyager(H) FWD, D=Chrysler  
Voyager(K) AWD)

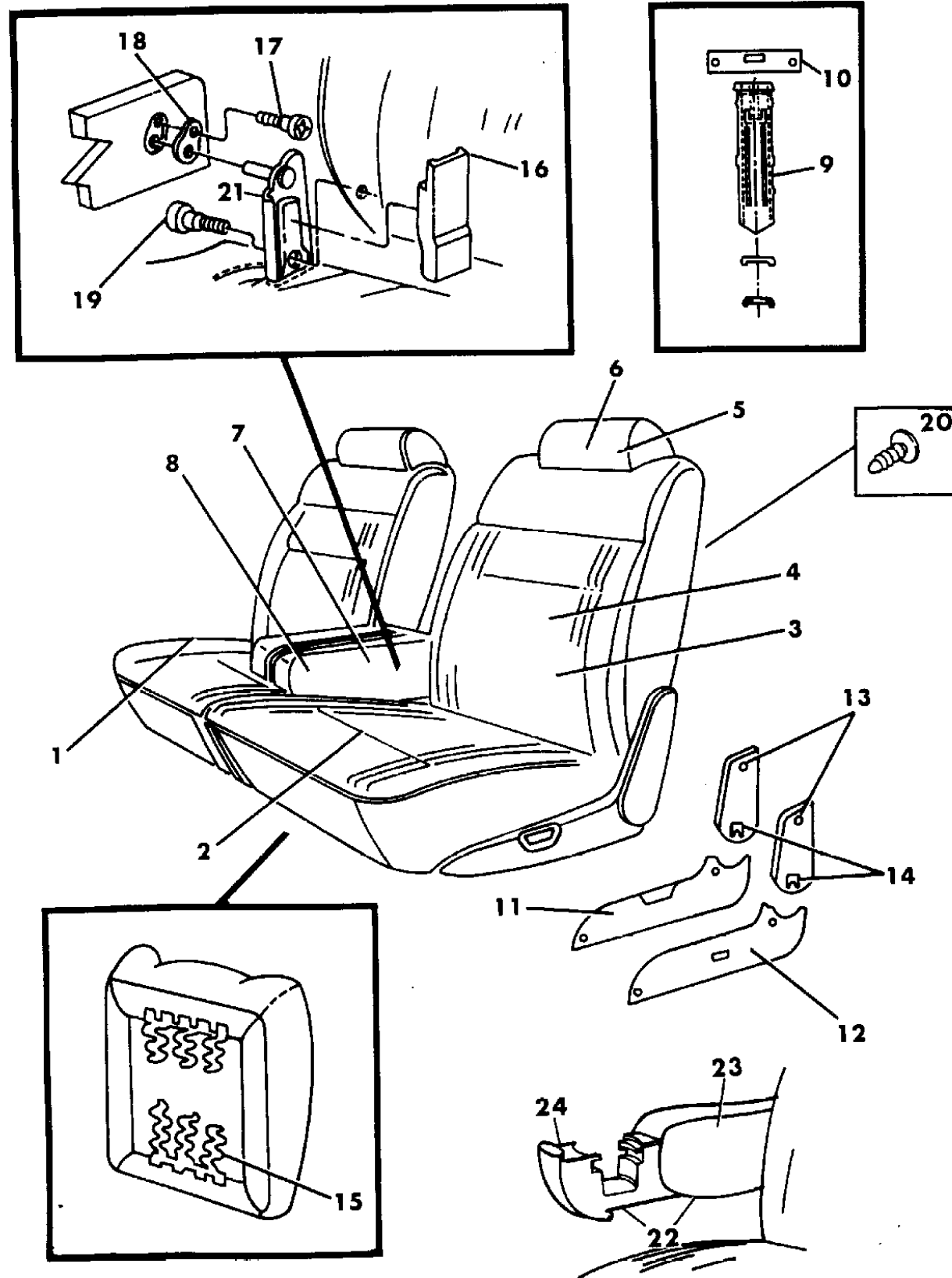
BODY STYLES:

21=2-Door Coupe      41=4-Door Sedan      12-52=FWD & AWD Van & Wgn Std W.B.  
24=2-Door Hatchback      44=4-Door Hatchback      53=FWD & AWD Van & Wgn Ext. W.B.  
27=2-Door Convertible

AR = Use as Required - = Non Illustrated Part P.A.R. = Paint as Required

SEAT--FRONT C BODY TRIM CODES LP  
Figure ITC-1200

93241 1200



ITEM	PART NUMBER	QTY	BODY	MODEL	DESCRIPTION
------	-------------	-----	------	-------	-------------

23					ARMREST, Less Cup Holder (Serviced In Item 7 Only)
24					CUP HOLDER, Only (Serviced In Item 7 Only) ***

MODEL CODES:

A BODY=(C=LeBaron, D=Spirit, P=Acclaim/LaBaron(Landau),  
Saratoga)  
C BODY=(D=Dynasty, C=New Yorker/N.Y. Salon)  
G BODY=(V=Daytona/IROC, Chrysler Daytona)  
J BODY=(C=LeBaron, Chrysler LeBaron)  
P BODY=(P=Sundance, D=Shadow)

S BODY=(H=Voyager(H) FWD, K=Caravan(H) FWD,  
Y=Town & Country(H) FWD, P=Voyager(K) AWD,  
D=Caravan(K) AWD, C=Town & Country(K) AWD)  
Y BODY=(C=Imperial/5th Avenue)  
E-S BODY=(K=Chrysler Voyager(H) FWD, D=Chrysler  
Voyager(K) AWD)

BODY STYLES:

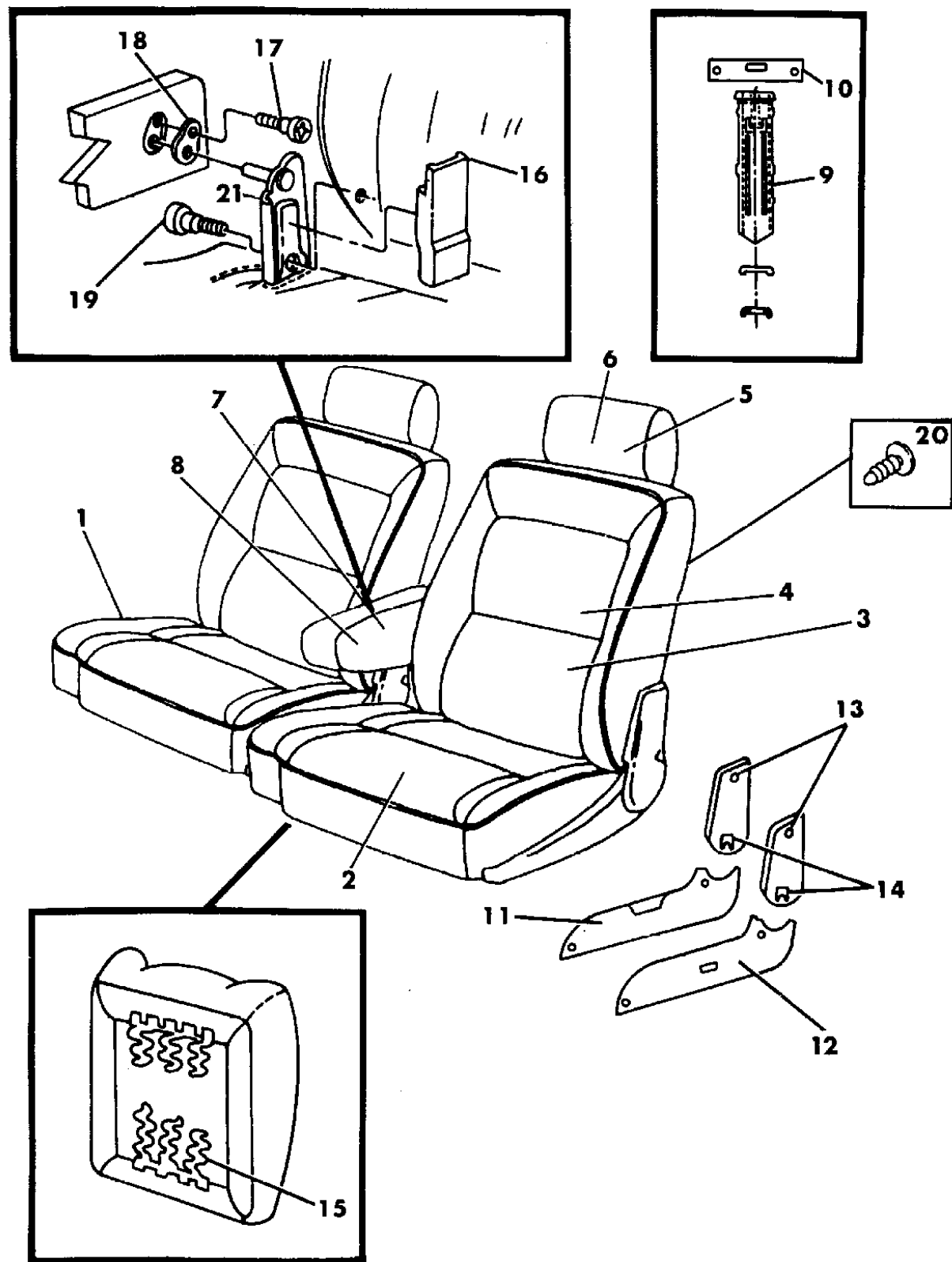
21=2-Door Coupe      41=4-Door Sedan      12-52=FWD & AWD Van & Wgn Std W.B.  
24=2-Door Hatchback      44=4-Door Hatchback      53=FWD & AWD Van & Wgn Ext. W.B.  
27=2-Door Convertible

AR = Use as Required - = Non Illustrated Part P.A.R. = Paint as Required

SEAT--FRONT C BODY TRIM CODE LF  
Figure ITC-1300

93241 1300

ITEM	PART NUMBER	QTY	BODY	MODEL	DESCRIPTION
1					CUSHION, w/Spring/Frame, Pad and Cover
					CLOTH
		FU18-9 LB9	1		Blue
		FU18-9 LMA	1		Red
		FU18-9 LV4	1		Champagne
2					COVER, Cushion
					CLOTH
		FU16-7 LB9	1		Blue
		FU16-7 LMA	1		Red
		FU16-7 LV4	1		Champagne
3					BACK, w/Spring/Frame, Pad and Cover
					CLOTH
		FW10-1 LB9	1		Blue
		FW10-1 LMA	1		Red
		FW10-1 LV4	1		Champagne
4					COVER, Back
					CLOTH
		DH92 JB9	2		Blue
		DH92 LMA	2		Red
		DH92 JV4	2		Champagne
5					HEADREST and COVER
					CLOTH
		FP03 LB9	2		Blue
		FP03 LMA	2		Red
		FP03 LV4	2		Champagne
6					COVER, Headrest
					CLOTH
		EH24 LB9	2		Blue
		EH24 LMA	2		Red
		EH24 LV4	2		Champagne
7					ARMREST and COVER, Passenger and Driver Seat
					CLOTH
		FP05 LB9	2		Blue



**MODEL CODES:**

A BODY=(C=LeBaron, D=Spirit, P=Acclaim/LaBaron(Landau),  
Saratoga)  
C BODY=(D=Dynasty, C=New Yorker/N.Y. Salon)  
G BODY=(V=Daytona/ROC, Chrysler Daytona)  
J BODY=(C=LeBaron, Chrysler LeBaron)  
P BODY=(P=Sundance, D=Shadow)

S BODY=(H=Voyager(H) FWD, K=Caravan(H) FWD,  
Y=Town & Country(H) FWD, P=Voyager(K) AWD,  
D=Caravan(K) AWD, C=Town & Country(K) AWD)  
Y BODY=(C=Imperial/5th Avenue)  
E-S BODY=(K=Chrysler Voyager(H) FWD, D=Chrysler  
Voyager(K) AWD)

**BODY STYLES:**

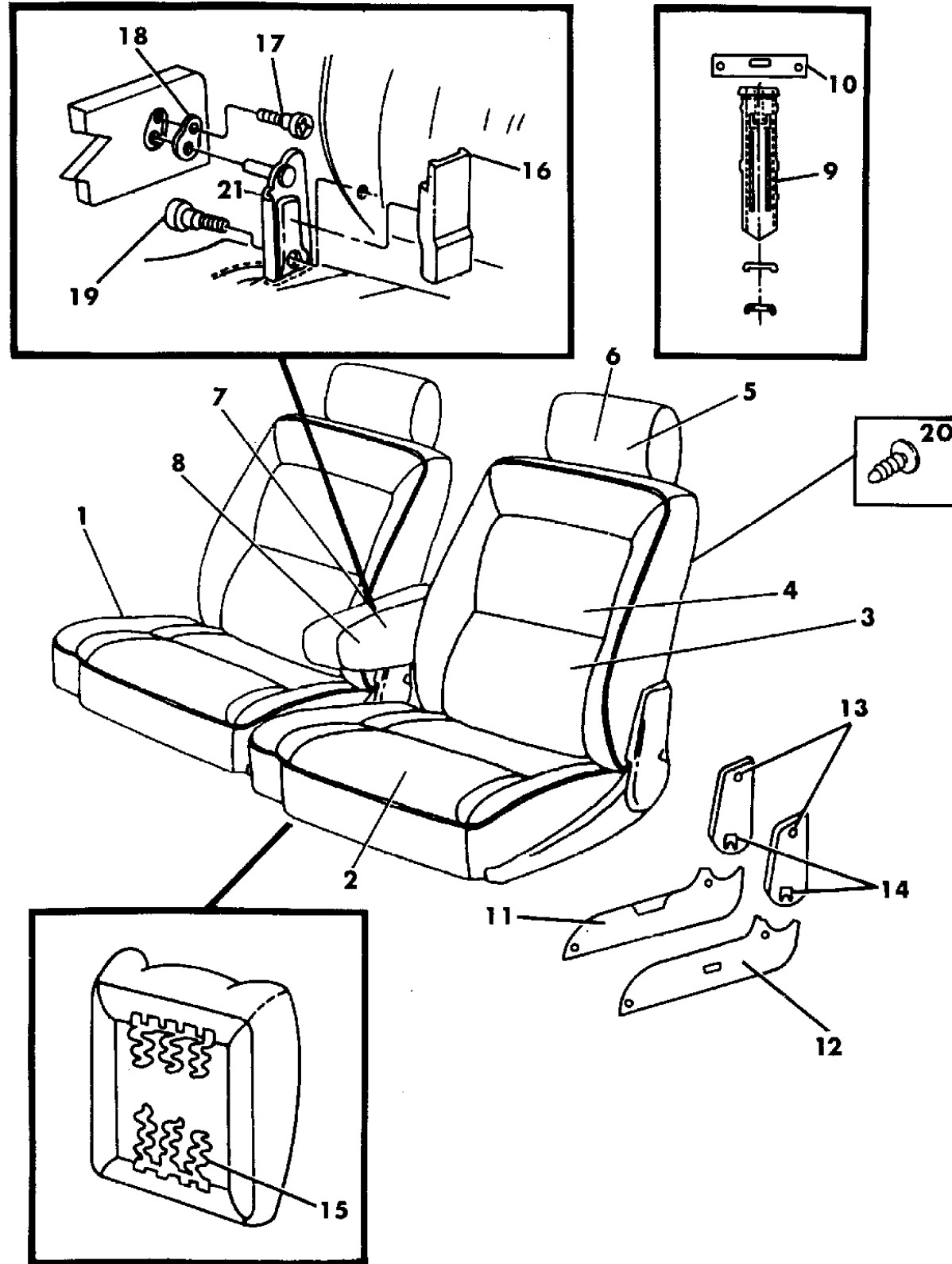
21=2-Door Coupe      41=4-Door Sedan      12-52=FWD & AWD Van & Wgn Std W.B.  
24=2-Door Hatchback      44=4-Door Hatchback      53=FWD & AWD Van & Wgn Ext. W.B.  
27=2-Door Convertible

AR = Use as Required - = Non Illustrated Part P.A.R. = Paint as Required

SEAT--FRONT C BODY TRIM CODE LF  
Figure ITC-1300

93241 1300

ITEM	PART NUMBER	QTY	BODY	MODEL	DESCRIPTION
	FP05 LMA	2			Red
	FP05 LV4	2			Champagne
	FP05 LAZ	2			Agate
8					COVER, Armrest CLOTH
	EH26 LB9	2			Blue
	EH26 LMA	2			Red
	EH26 LV4	2			Champagne
	EH26 LAZ	2			Agate
9	S283 HV4	2			SLEEVE, Headrest
10	4550 558	2			COVER, Headrest Finish
11					SHIELD, Cushion (Manual) (P.A.R.) PASSENGER
	S456 HV4	1			Outboard DRIVER
	S457 HV4	1			Outboard
12	GC06-7 LV4	1			SHIELD, Cushion Power (P.A.R.)
13					SHIELD, Back (P.A.R.) PASSENGER
	S762 HV4	1			Outboard DRIVER
	S763 HV4	1			Outboard
14	4317 800	1			CLIP, Shield Attaching
15	6008 076	AR			HOG RING
16					COVER, Stanchion
	S706-7 HB9	1			Blue
	S706-7 LMA	1			Red
	S706-7 HV4	1			Champagne
	S706-7 LAZ	1			Agate
17	6032 567	AR			SCREW, Armrest
18	4477 624	AR			SPACER
19	6501 774	AR			SCREW
20	6033 840	AR			FASTENER, Seat Back Pocket
21					BRACKET, (Serviced In Cushion Assy)



MODEL CODES:

A BODY=(C=LeBaron, D=Spirit, P=Acclaim/LaBaron(Landau),  
Saratoga)  
C BODY=(D=Dynasty, C=New Yorker/N.Y. Salon)  
G BODY=(V=Daytona/ROC, Chrysler Daytona)  
J BODY=(C=LeBaron, Chrysler LeBaron)  
P BODY=(P=Sundance, D=Shadow)

S BODY=(H=Voyager(H) FWD, K=Caravan(H) FWD,  
Y=Town & Country(H) FWD, P=Voyager(K) AWD,  
D=Caravan(K) AWD, C=Town & Country(K) AWD)  
Y BODY=(C=Imperial/5th Avenue)  
E-S BODY=(K=Chrysler Voyager(H) FWD, D=Chrysler  
Voyager(K) AWD)

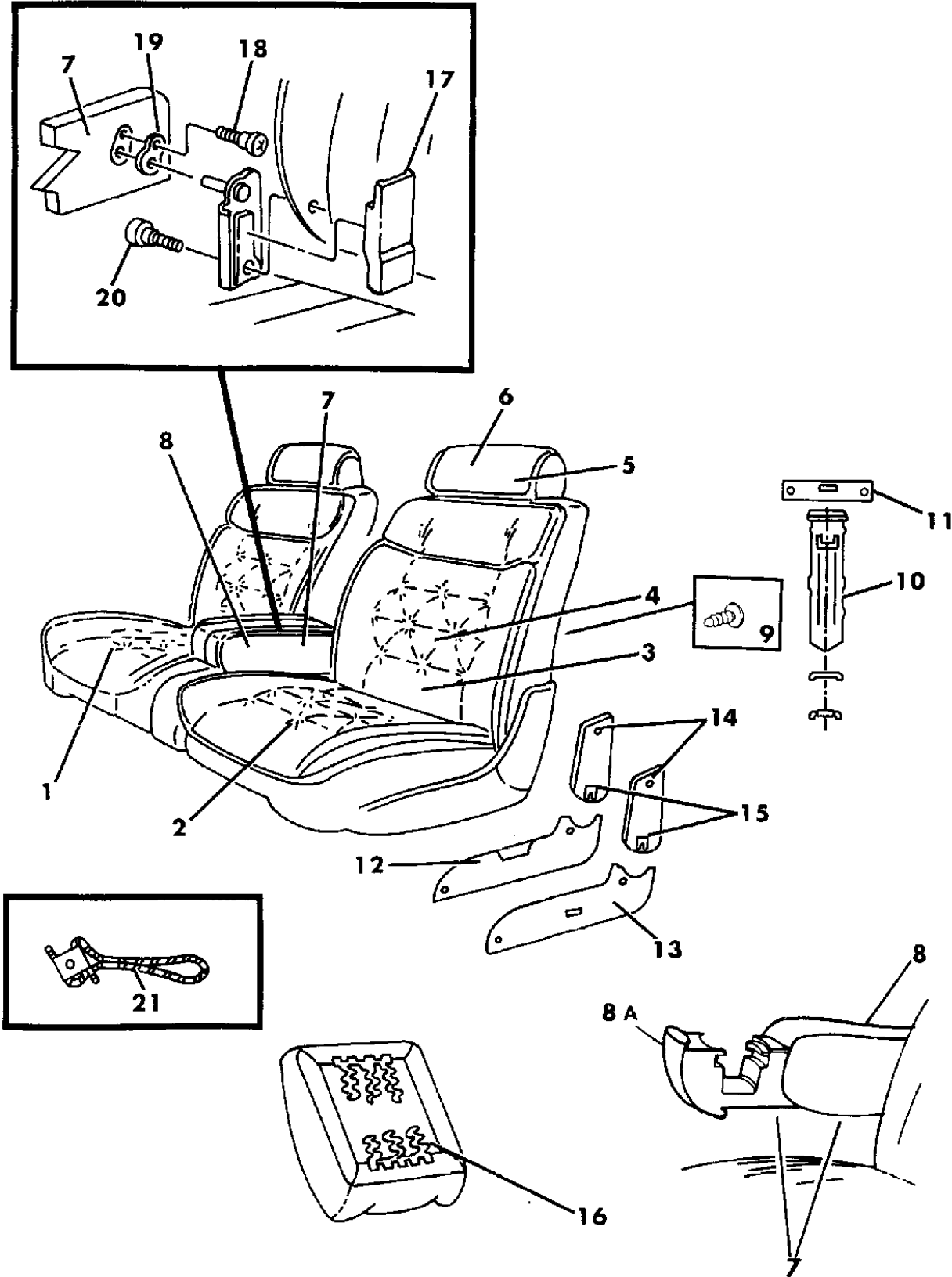
BODY STYLES:

21=2-Door Coupe      41=4-Door Sedan      12-52=FWD & AWD Van & Wgn Std W.B.  
24=2-Door Hatchback      44=4-Door Hatchback      53=FWD & AWD Van & Wgn Ext. W.B.  
27=2-Door Convertible

AR = Use as Required - = Non Illustrated Part P.A.R. = Paint as Required

SEAT--FRONT C BODY TRIM CODES JF-JP  
Figure ITC-1400

93241 1400



ITEM	PART NUMBER	QTY	BODY	MODEL	DESCRIPTION
1					CUSHION, w/Spring/Frame, Pad and Cover
					CLOTH
	GZ76-7 LB9	1			Blue, (JFB)
	GZ76-7 LMA	1			Red, (JFM)
	GZ76-7 LV4	1			Champagne, (JFV)
	GZ76-7 LAZ	1			Agate, (JFAZ)
					LEATHER
	FZ46-7 LB9	1			Blue, (JPB)
	FZ46-7 LMA	1			Red, (JPM)
	FZ46-7 LV4	1			Champagne, (JPV)
	FZ46-7 LAZ	1			Agate, (JPAZ)
2					COVER, Cushion
					CLOTH
	GZ74-5 LB9	1			Blue, (JFB)
	GZ74-5 LMA	1			Red, (JFM)
	GZ74-5 LV4	1			Champagne, (JFV)
	GZ74-5 LAZ	1			Agate, (JFAZ)
					LEATHER
	FZ42-3 LB9	1			Blue, (JPB)
	FZ42-3 LMA	1			Red, (JPM)
	FZ42-3 LV4	1			Champagne, (JPV)
	FZ42-3 LAZ	1			Agate, (JPAZ)
3					BACK, w/Spring/Frame, Pad and Cover
					CLOTH
	FZ54-5 LB9	1			Blue, (JFB)
	FZ54-5 LMA	1			Red, (JFM)
	FZ54-5 LV4	1			Champagne, (JFV)
	FZ54-5 LAZ	1			Agate, (JFAZ)
					LEATHER
	FZ52-3 LB9	1			Blue, (JPB)
	FZ52-3 LMA	1			Red, (JPM)
	FZ52-3 LV4	1			Champagne, (JPV)
	FZ52-3 LAZ	1			Agate, (JPAZ)
4					COVER, Back
					CLOTH
	ED00 KB9	2			Blue, (JFB)
	ED00 LMA	2			Red, (JFM)
	ED00 KV4	2			Champagne, (JFV)
	ED00 LAZ	2			Agate, (JFAZ)

MODEL CODES:

A BODY=(C=LeBaron, D=Spirit, P=Acclaim/LaBaron(Landau),  
Saratoga)  
C BODY=(D=Dynasty, C=New Yorker/N.Y. Salon)  
G BODY=(V=Daytona/ROC, Chrysler Daytona)  
J BODY=(C=LeBaron, Chrysler LeBaron)  
P BODY=(P=Sundance, D=Shadow)

S BODY=(H=Voyager(H) FWD, K=Caravan(H) FWD,  
Y=Town & Country(H) FWD, P=Voyager(K) AWD,  
D=Caravan(K) AWD, C=Town & Country(K) AWD)  
Y BODY=(C=Imperial/5th Avenue)  
E-S BODY=(K=Chrysler Voyager(H) FWD, D=Chrysler  
Voyager(K) AWD)

BODY STYLES:

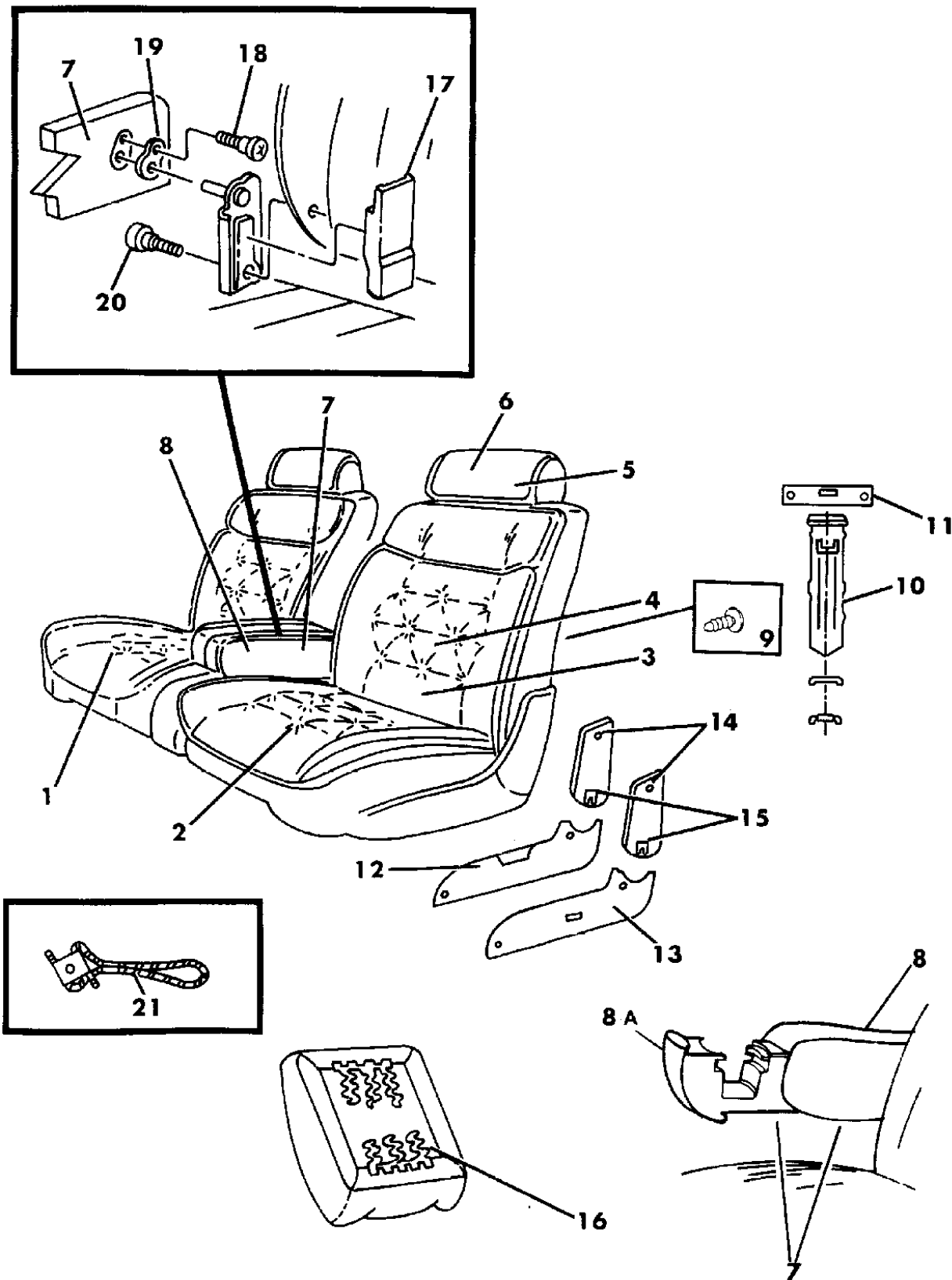
21=2-Door Coupe      41=4-Door Sedan      12-52=FWD & AWD Van & Wgn Std W.B.  
24=2-Door Hatchback      44=4-Door Hatchback      53=FWD & AWD Van & Wgn Ext. W.B.  
27=2-Door Convertible

AR = Use as Required - = Non Illustrated Part P.A.R. = Paint as Required



SEAT--FRONT C BODY TRIM CODES JF-JP  
Figure ITC-1400

93241 1400



ITEM	PART NUMBER	QTY	BODY	MODEL	DESCRIPTION
					LEATHER
	EC84 KB9	2			Blue, (JPB)
	EC84 LMA	2			Red, (JPM)
	EC84 KV4	2			Champagne, (JPV)
	EC84 LAZ	2			Agate, (JPAZ)
5					HEADREST and COVER
					CLOTH
	ED16 KB9	2			Blue, (JFB)
	ED16 LMA	2			Red, (JFM)
	ED16 KV4	2			Champagne, (JFV)
	ED16 LAZ	2			Agate, (JFAZ)
					LEATHER
	HN64 MAZ	2			Agate, (JPAZ)
	HN64 MB9	2			Blue, (JPB)
	HN64 MMA	2			Red, (JPM)
	HN64 MV4	2			Champagne, (JPV)
6					COVER, Headrest
					CLOTH
	ED14 KB9	2			Blue, (JFB)
	ED14 LMA	2			Red, (JFM)
	ED14 KV4	2			Champagne, (JFV)
	ED14 LAZ	2			Agate, (JFAZ)
					LEATHER
	HN70 MAZ	2			Agate, (JPAZ)
	HN70 MB9	2			Blue, (JPB)
	HN70 MMA	2			Red, (JPM)
	HN70 MV4	2			Champagne, (JPV)
7					ARMREST and CUP HOLDER ***
	AG94 JB9	2			Blue, (JFB)
	AG94 LMA	2			Red, (JFM)
	AG94 JV4	2			Champagne, (JFV)
	AG94 LAZ	2			Agate, (JFAZ)
	AG90 JB9	2			Blue, (JPB)
	AG90 LMA	2			Red, (JPM)
	AG90 JV4	2			Champagne, (JPV)
	AG90 LAZ	2			Agate, (JPAZ)
8					ARMREST, Less Cup Holder (Serviced w/Item 7 Only)
8A					CUP HOLDER, Only (Serviced w/Item 7 Only) ***
9	6033 840	AR			FASTENER, Rear Back Pocket

MODEL CODES:

A BODY=(C=LeBaron, D=Spirit, P=Acclaim/LaBaron(Landau), Saratoga)

C BODY=(D=Dynasty, C=New Yorker/N.Y. Salon)

G BODY=(V=Daytona/ROC, Chrysler Daytona)

J BODY=(C=LeBaron, Chrysler LeBaron)

P BODY=(P=Sundance, D=Shadow)

S BODY=(H=Voyager(H) FWD, K=Caravan(H) FWD,

Y=Town & Country(H) FWD, P=Voyager(K) AWD,

D=Caravan(K) AWD, C=Town & Country(K) AWD)

Y BODY=(C=Imperial/5th Avenue)

E-S BODY=(K=Chrysler Voyager(H) FWD, D=Chrysler

Voyager(K) AWD)

BODY STYLES:

21=2-Door Coupe

41=4-Door Sedan

12-52=FWD & AWD Van & Wgn Std W.B.

24=2-Door Hatchback

44=4-Door Hatchback

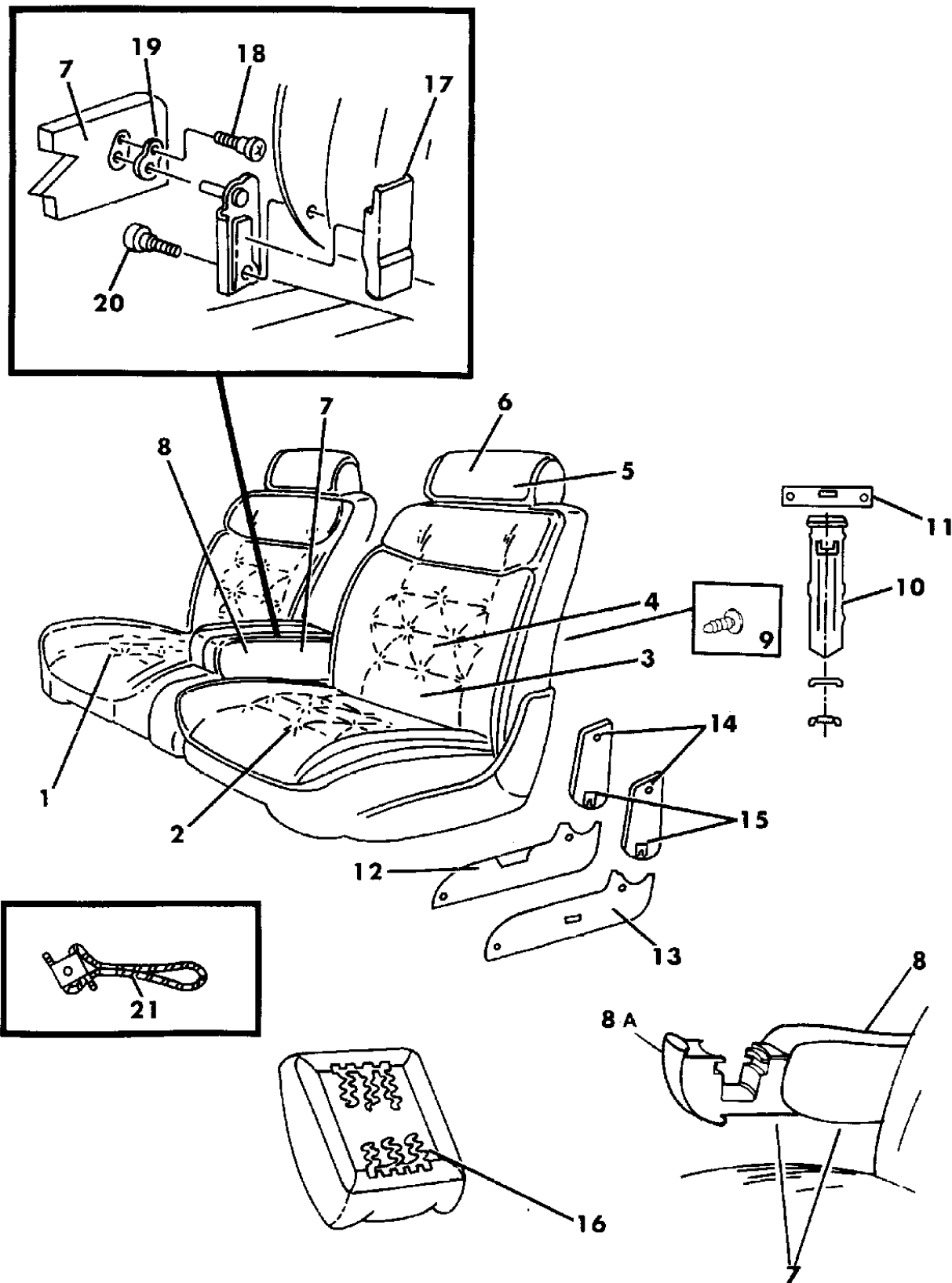
53=FWD & AWD Van & Wgn Ext. W.B.

27=2-Door Convertible

AR = Use as Required - = Non Illustrated Part P.A.R. = Paint as Required

SEAT--FRONT C BODY TRIM CODES JF-JP  
Figure ITC-1400

93241 1400



ITEM	PART NUMBER	QTY	BODY	MODEL	DESCRIPTION
10	S283 HV4	2			SLEEVE, Headrest (P.A.R.)
11	4550 558	2			COVER, Headrest Finish
12					SHIELD, Cushion, (P.A.R.)
					PASSENGER
	S456 HV4	1			Outboard
	S457 HV4	1			Inboard
					DRIVER
	S457 HV4	1			Outboard
	S456 HV4	1			Inboard
13	GC06-7 LV4	1			SHIELD, Cushion Electric
-	6028 309	AR			PUSH-NUT, Switch Attaching ***
14					SHIELD, Back
					PASSENGER
	S762 HV4	1			Outboard
	S763 HV4	1			Inboard
					DRIVER
	S763 HV4	1			Outboard
	S762 HV4	1			Inboard
15	4317 800	AR			CLIP, Shield Attaching
16	6008 076	AR			HOG RING
17					COVER, Stanchion
	S706-7 HB9	1			Blue
	S706-7 LMA	1			Red
	S706-7 HV4	1			Champagne
	S706-7 LAZ	1			Agate
18	6032 567	AR			SCREW, Armrest
19	4477 624	AR			SPACER
20	6501 774	AR			SCREW
21					RETAINER
	4376 956	AR			.75 LOOP
	4376 957	AR			1.38 LOOP
					NOTE: (P.A.R.) = Paint As Required

MODEL CODES:

A BODY=(C=LeBaron, D=Spirit, P=Acclaim/LaBaron(Landau),  
Saratoga)  
C BODY=(D=Dynasty, C=New Yorker/N.Y. Salon)  
G BODY=(V=Daytona/IROC, Chrysler Daytona)  
J BODY=(C=LeBaron, Chrysler LeBaron)  
P BODY=(P=Sundance, D=Shadow)

S BODY=(H=Voyager(H) FWD, K=Caravan(H) FWD,  
Y=Town & Country(H) FWD, P=Voyager(K) AWD,  
D=Caravan(K) AWD, C=Town & Country(K) AWD)  
Y BODY=(C=Imperial/5th Avenue)  
E-S BODY=(K=Chrysler Voyager(H) FWD, D=Chrysler  
Voyager(K) AWD)

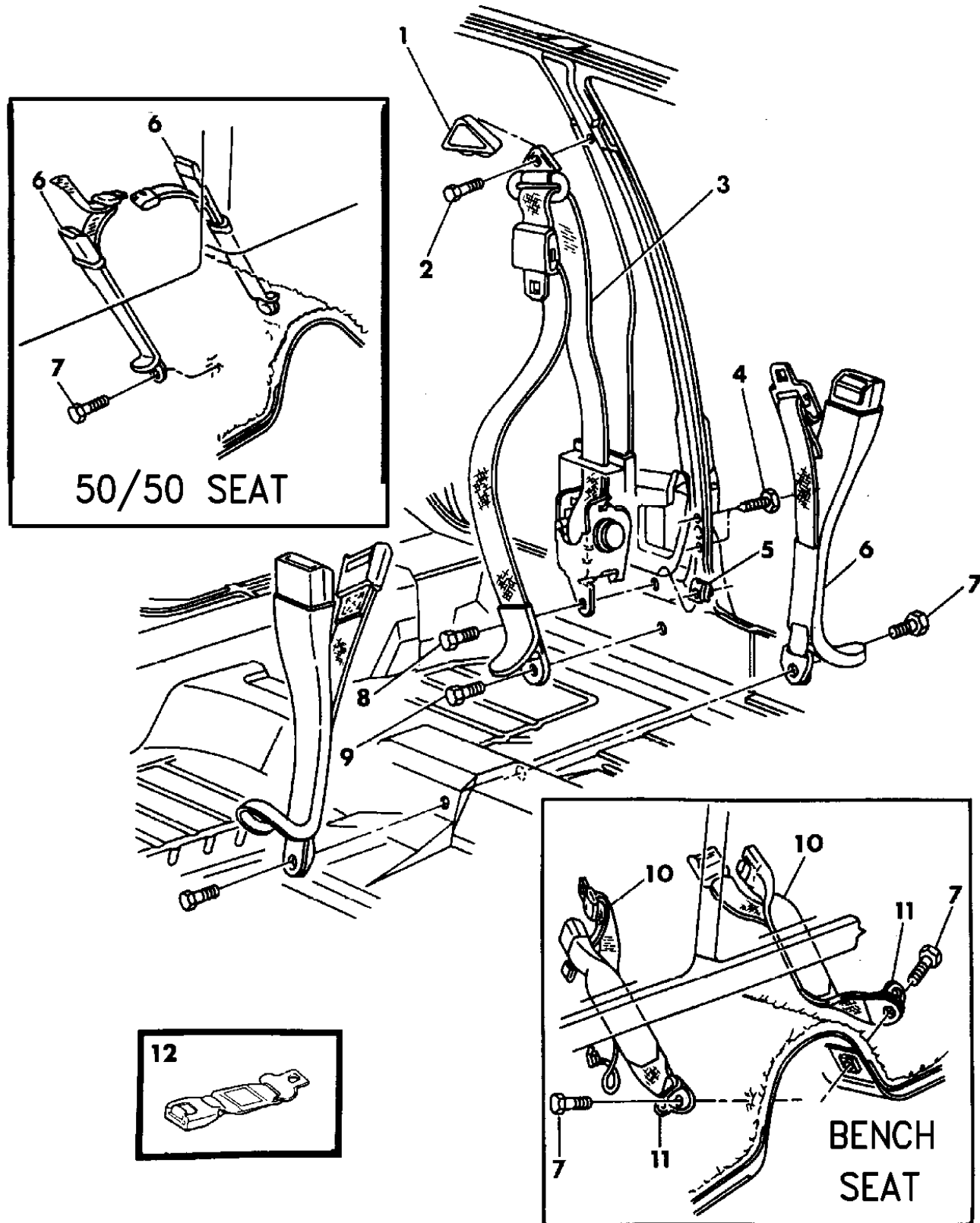
BODY STYLES:

21=2-Door Coupe      41=4-Door Sedan      12-52=FWD & AWD Van & Wgn Std W.B.  
24=2-Door Hatchback      44=4-Door Hatchback      53=FWD & AWD Van & Wgn Ext. W.B.  
27=2-Door Convertible

AR = Use as Required - = Non Illustrated Part P.A.R. = Paint as Required

**BELT--FRONT SEAT C BODY**  
Figure ITC-1500

93241 1500



ITEM	PART NUMBER	QTY	BODY	MODEL	DESCRIPTION
1	F877 JB9	2			COVER Blue
	F877 LMA	2			Red
	F877 JV4	2			Champagne
	F877 LAZ	2			Agate
2	6031 216	2			BOLT
3					BELT, Outer LABEL NUMBER 4680098 Right
	FS10 LAZ	1			Agate
	FS10 LB9	1			Blue
	FS10 LM6	1			Red
					Champagne LABEL NUMBER 5260591 Left
	WF01 KB9	1			Blue
	WF01 LM6	1			Red
	WF01 KV4	1			Champagne
4	WF01 LAZ	1			Agate
					SCREW, (Not Serv.)
5	6033 994	2			U-NUT
6					BELT, Inner w/50-50 Seat LABEL NUMBER 4614132-3
	FL80 KB9	1			Blue, Stamped 4642013
	FL81 KB9	1			Blue
	FL80-1 LM6	1			Red
	FL80-1 KV4	1			Champagne
	FL80-1 LAZ	1			Agate
7	6031 298	2			BOLT
8	6031 484	2			BOLT
9	6031 298	2			BOLT
10					BELT, Inner w/Bench Seat LABEL NUMBER 5260596-7
	WF06-7 KB9	1			Blue
	WF06-7 LM6	1			Red
	WF06-7 KV4	1			Champagne
	WF06-7 LAZ	1			Agate

**MODEL CODES:**

A BODY=(C=LeBaron, D=Spirit, P=Acclaim/LaBaron(Landau), Saratoga)      S BODY=(H=Voyager(H) FWD, K=Caravan(H) FWD, Y=Town & Country(H) FWD, P=Voyager(K) AWD, D=Caravan(K) AWD, C=Town & Country(K) AWD)  
 C BODY=(D=Dynasty, C=New Yorker/N.Y. Salon)  
 G BODY=(V=Daytona/IROC, Chrysler Daytona)  
 J BODY=(C=LeBaron, Chrysler LeBaron)  
 P BODY=(P=Sundance, D=Shadow)      Y BODY=(C=Imperial/5th Avenue)  
 E-S BODY=(K=Chrysler Voyager(H) FWD, D=Chrysler Voyager(K) AWD)

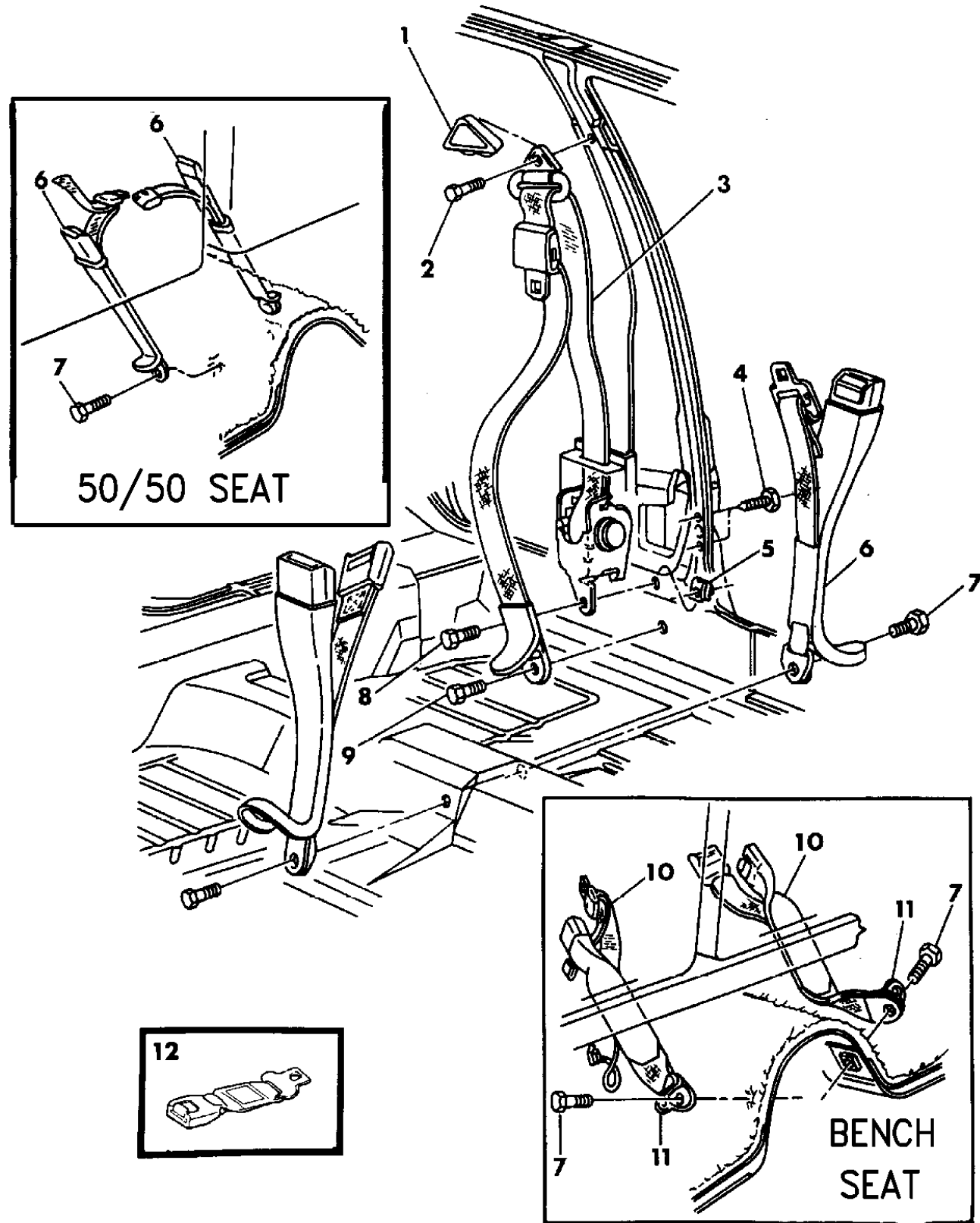
**BODY STYLES:**

21=2-Door Coupe      41=4-Door Sedan      12-52=FWD & AWD Van & Wgn Std W.B.  
 24=2-Door Hatchback      44=4-Door Hatchback      53=FWD & AWD Van & Wgn Ext. W.B.  
 27=2-Door Convertible

AR = Use as Required - = Non Illustrated Part P.A.R. = Paint as Required

**BELT--FRONT SEAT C BODY**  
Figure ITC-1500

93241 1500



ITEM	PART NUMBER	QTY	BODY	MODEL	DESCRIPTION
------	-------------	-----	------	-------	-------------

11	F814 HV4	1			COVER, Bolt (P.A.R.)
12	5260 606	AR			EXTENDER

NOTE: (P.A.R) = Paint As Required

**MODEL CODES:**

A BODY=(C=LeBaron, D=Spirit, P=Acclaim/LaBaron(Landau),  
Saratoga)  
C BODY=(D=Dynasty, C=New Yorker/N.Y. Salon)  
G BODY=(V=Daytona/ROC, Chrysler Daytona)  
J BODY=(C=LeBaron, Chrysler LeBaron)  
P BODY=(P=Sundance, D=Shadow)

S BODY=(H=Voyager(H) FWD, K=Caravan(H) FWD,  
Y=Town & Country(H) FWD, P=Voyager(K) AWD,  
D=Caravan(K) AWD, C=Town & Country(K) AWD)  
Y BODY=(C=Imperial/5th Avenue)  
E-S BODY=(K=Chrysler Voyager(H) FWD, D=Chrysler  
Voyager(K) AWD)

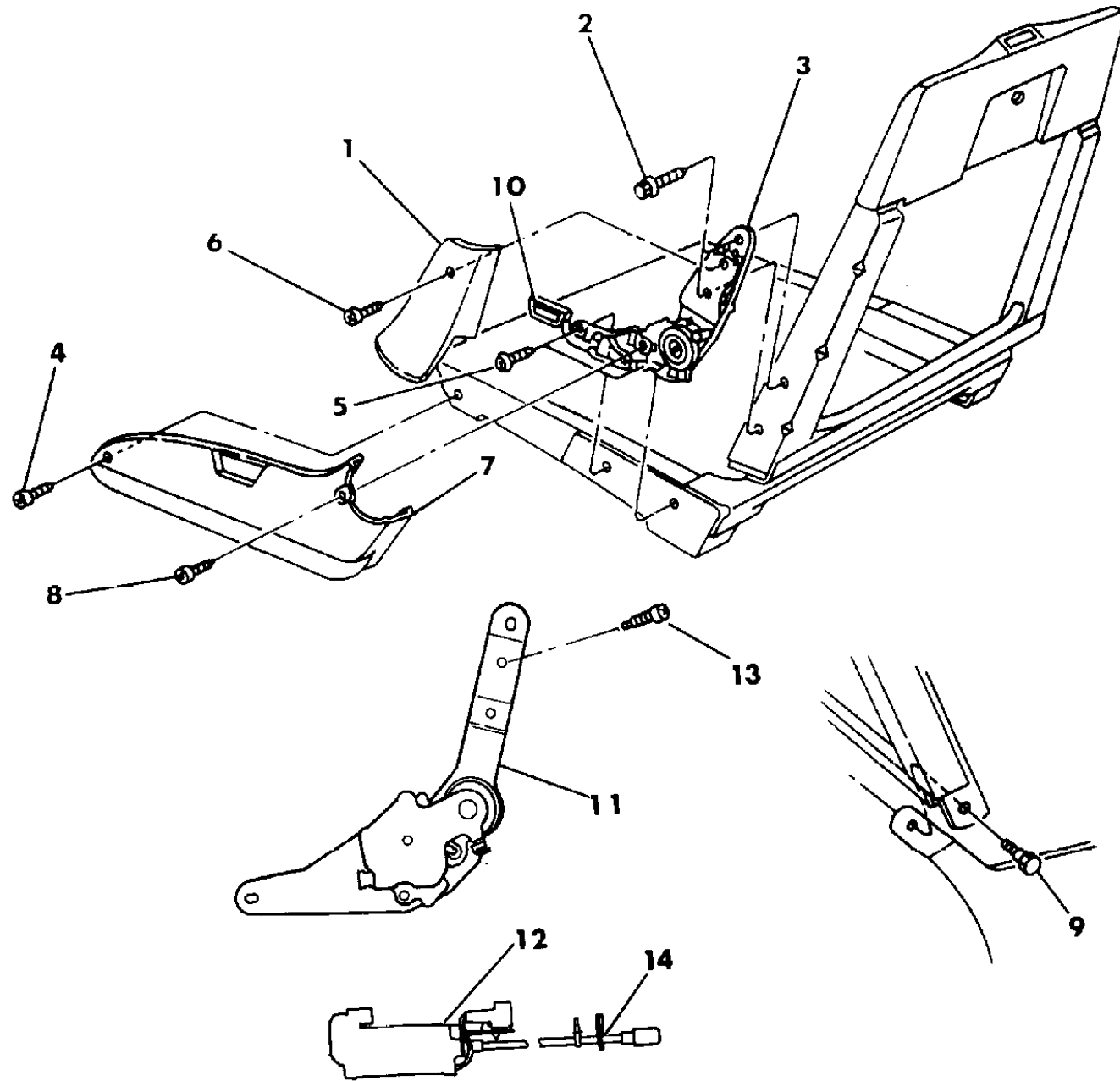
**BODY STYLES:**

21=2-Door Coupe      41=4-Door Sedan      12-52=FWD & AWD Van & Wgn Std W.B.  
24=2-Door Hatchback      44=4-Door Hatchback      53=FWD & AWD Van & Wgn Ext. W.B.  
27=2-Door Convertible

AR = Use as Required - = Non Illustrated Part P.A.R. = Paint as Required

**SEAT--RECLINING C BODY**  
Figure ITC-1600

93241 1600



ITEM	PART NUMBER	QTY	BODY	MODEL	DESCRIPTION
1	S762-3 HV4	1			SHIELD, Back (P.A.R.)
2	6501 222	AR			SCREW
3					RECLINER, Assembly w/o Power Passenger Seat
	4402 190	1			Driver Seat
	4402 191	1			w/Power Passenger Seat
	4402 968	1			Driver Seat, (w/Memory)
	4402 969	1			
4		AR			SCREW, (8-18x1.00) (Not Serv.)
5	6500 558	AR			SCREW
6					SCREW, (8-18x1.75) (Not Serv.)
7	S456-7 HV4	1			SHIELD, Cushion (P.A.R.)
8	6032 456	AR			SCREW
9	6501 774	2			BOLT
10					LEVER, Recliner Release (Serv. In Item 3) NOTE: (P.A.R.) = Paint As Required
11					POWER RELEASE, (w/o Motor)
	4476 938	1			Passenger
	4476 939	1			Driver, w/Power Memory Seat
12					MOTOR and CABLE, w/Power Release
	4476 940	1			Passenger
	4476 943	1			Driver, w/Memory Seat
13	9414 723	AR			SCREW, Power Recliner Attaching
14	6033 639	1			CLIP, Cable To Cushion

**MODEL CODES:**

A BODY=(C=LeBaron, D=Spirit, P=Acclaim/LaBaron(Landau),  
Saratoga)  
C BODY=(D=Dynasty, C=New Yorker/N.Y. Salon)  
G BODY=(V=Daytona/IROC, Chrysler Daytona)  
J BODY=(C=LeBaron, Chrysler LeBaron)  
P BODY=(P=Sundance, D=Shadow)

S BODY=(H=Voyager(H) FWD, K=Caravan(H) FWD,  
Y=Town & Country(H) FWD, P=Voyager(K) AWD,  
D=Caravan(K) AWD, C=Town & Country(K) AWD)  
Y BODY=(C=Imperial/5th Avenue)  
E-S BODY=(K=Chrysler Voyager(H) FWD, D=Chrysler  
Voyager(K) AWD)

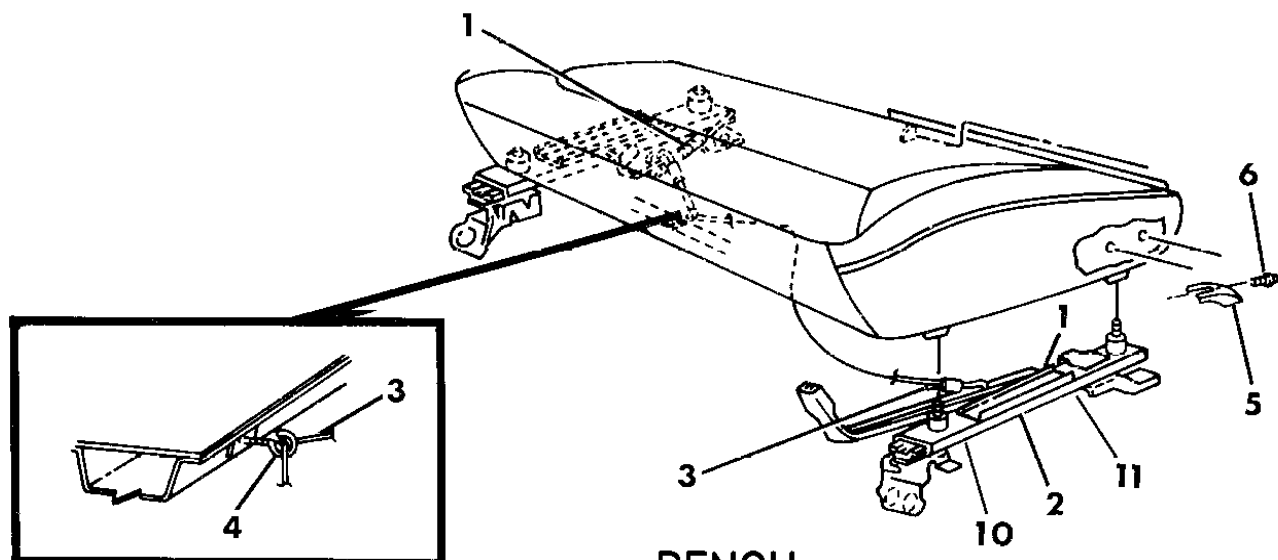
**BODY STYLES:**

21=2-Door Coupe      41=4-Door Sedan      12-52=FWD & AWD Van & Wgn Std W.B.  
24=2-Door Hatchback      44=4-Door Hatchback      53=FWD & AWD Van & Wgn Ext. W.B.  
27=2-Door Convertible

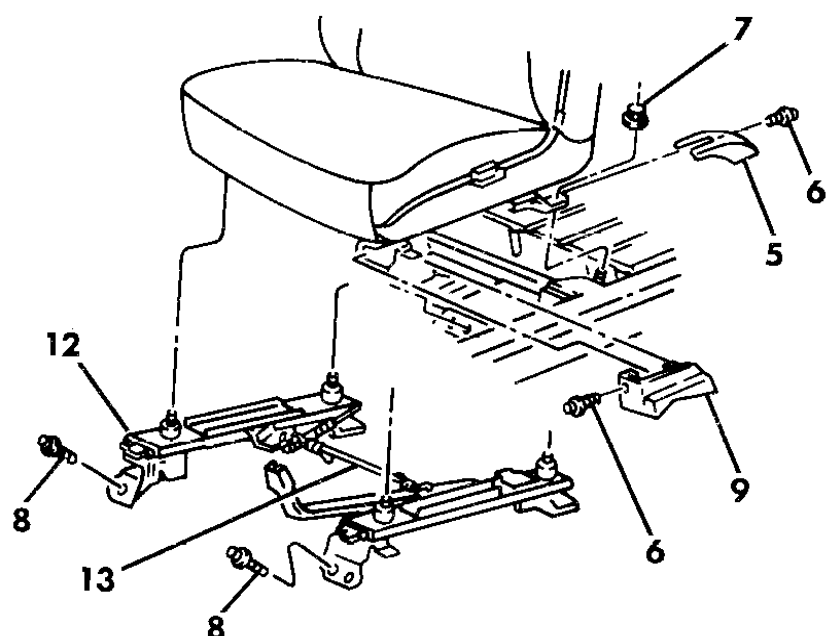
AR = Use as Required - = Non Illustrated Part P.A.R. = Paint as Required

**ADJUSTERS AND COVERS MANUAL C BODY**  
Figure ITC-1700

93241 1700



**BENCH**



ITEM	PART NUMBER	QTY	BODY	MODEL	DESCRIPTION
1					SPRING, Lever (Not Serv.)
2	4550 014-5	1			ADJUSTER, Seat Bench
3	4420 604	1			WIRE, Release Lever
4	4380 094	1			HOOK, Guide Wire
5					COVER, Adjusters Rear
					MANUAL
	FE28-9 KB9	1			Blue
	FE28-9 LMA	1			Red
	FE28-9 KV8	1			Champagne
	FE28-9 LAZ	1			Agate
6		AR			SCREW, (Not Serv.)
7	6501 279	2			NUT
8		AR			SCREW, (Not Serv.)
9					COVER, Manual Adjuster
					OUTBOARD
					Passenger Seat
	WJ68 KB9	1			Blue
	WJ68 LMA	1			Red
	WJ68 KV8	1			Champagne
	WJ68 LAZ	1			Agate
					Driver Seat
	WJ69 KB9	1			Blue
	WJ69 LMA	1			Red
	WJ69 KV8	1			Champagne
	WJ69 LAZ	1			Agate
10	0104 918	4			BEARING, Ball Adjuster
11					SPRING, Latch Return
	4402 213	1			Outboard
	4402 216	1			Inboard
12					ADJUSTER, Manual
					PASSENGER SEAT
	4550 004	1			Outboard
	4519 722	1			Inboard
					DRIVER SEAT
	4519 723	1			Inboard
	4550 005	1			Outboard
13	4571 193	2			WIRE, Guide

**MODEL CODES:**

A BODY=(C=LeBaron, D=Spirit, P=Acclaim/LaBaron(Landau),  
Saratoga)  
C BODY=(D=Dynasty, C=New Yorker/N.Y. Salon)  
G BODY=(V=Daytona/IROC, Chrysler Daytona)  
J BODY=(C=LeBaron, Chrysler LeBaron)  
P BODY=(P=Sundance, D=Shadow)

S BODY=(H=Voyager(H) FWD, K=Caravan(H) FWD,  
Y=Town & Country(H) FWD, P=Voyager(K) AWD,  
D=Caravan(K) AWD, C=Town & Country(K) AWD)  
Y BODY=(C=Imperial/5th Avenue)  
E-S BODY=(K=Chrysler Voyager(H) FWD, D=Chrysler  
Voyager(K) AWD)

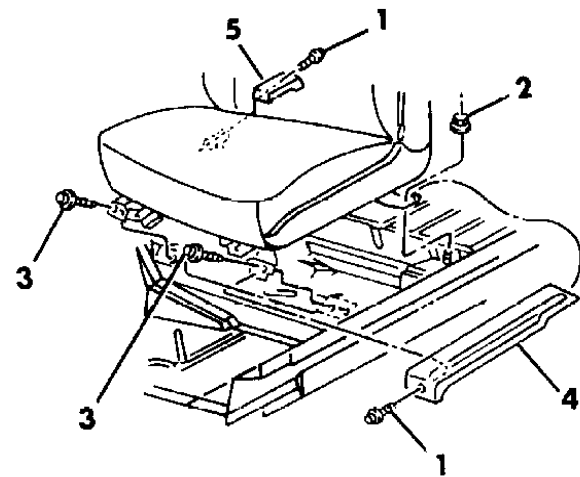
**BODY STYLES:**

21=2-Door Coupe      41=4-Door Sedan      12-52=FWD & AWD Van & Wgn Std W.B.  
24=2-Door Hatchback      44=4-Door Hatchback      53=FWD & AWD Van & Wgn Ext. W.B.  
27=2-Door Convertible

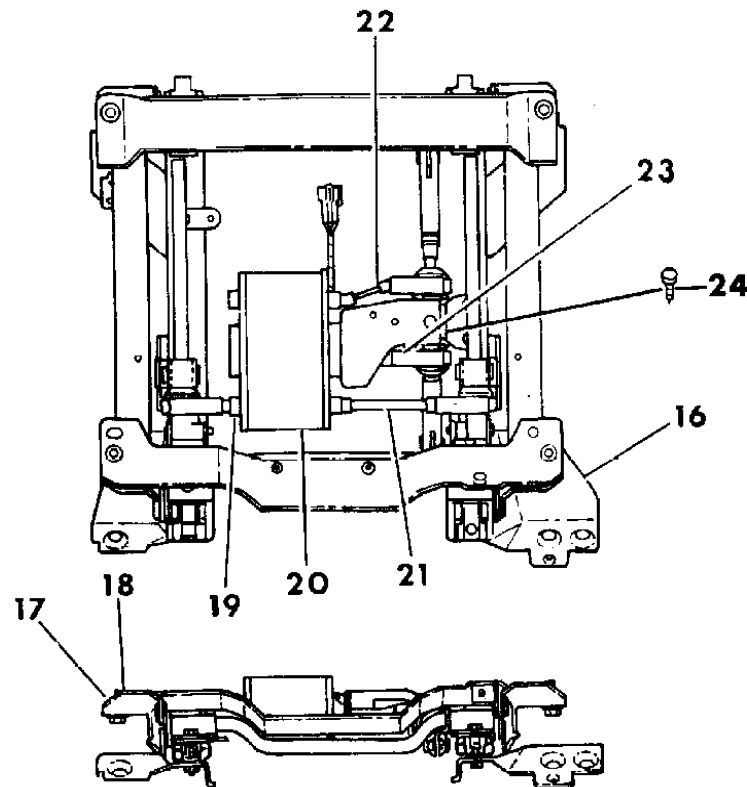
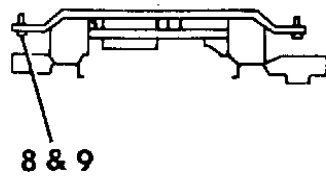
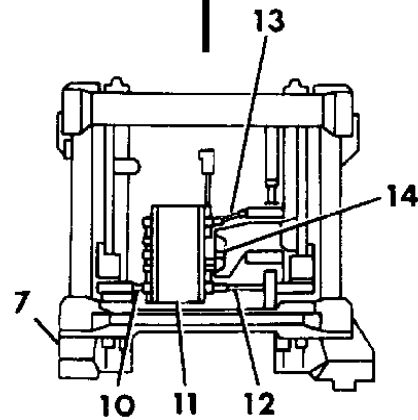
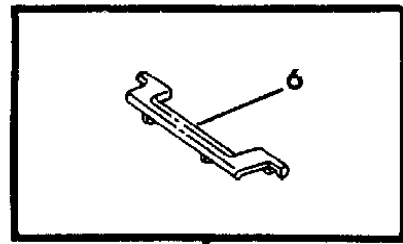
AR = Use as Required - = Non Illustrated Part P.A.R. = Paint as Required

**ADJUSTERS AND COVERS MANUAL AND ELECTRIC C BODY**  
Figure ITC-1800

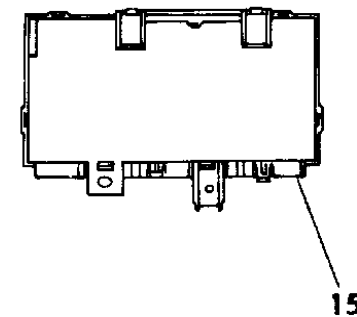
93241 1800



**W/O MEMORY**



**W/ MEMORY**



ITEM	PART NUMBER	QTY	BODY	MODEL	DESCRIPTION
1		AR			SCREW, (Not Serv.)
2	6501 279	2			NUT
3		AR			SCREW, (Not Serv.)
4					COVER, Electric Adjuster OUTBOARD
					Passenger Seat
	S976 HB9	1			Blue
	S976 LMA	1			Red
	S976 HV8	1			Champagne
	S976 LAZ	1			Agate
					Driver Seat
	EM91 LAZ	1			Agate
	EM91 KB9	1			Blue
	EM91 LMA	1			Red
	EM91 KV8	1			Champagne
5					COVER, Electric Adjuster INBOARD
	S978 HB9	1			Blue
	S978 LMA	1			Red
	S978 HV8	1			Champagne
	S978 LAZ	1			Agate
6					COVER, Electric Adjuster REAR, w/o Memory
	AC78 KB9	1			Blue
	AC78 LMA	1			Red
	AC78 KV8	1			Champagne
	AC78 LAZ	1			Agate, Stamped 4420990
7	4477 398-9	1			ADJUSTER, Less Motor
8	6033 077	4			SCREW, Adjuster To Seat
9	6028 040	4			RETAINER
10	4477 901	1			CABLE, Outer
11	4402 323	1			MOTOR and TUBE
12	4477 899	1			CABLE, Inner
13	4327 282	1			SHAFT, Flexible
14	4402 997	1			SHAFT, Flexible
15	5266 120	1			MODULE, w/Memory Seat
16	4477 400	1			ADJUSTER, Less Motor (Left Only) (w/Memory)
17	6033 077	4			SCREW, Adjuster to Seat
18	6028 040	4			RETAINER, Screw to Adjuster

**MODEL CODES:**

A BODY=(C=LeBaron, D=Spirit, P=Acclaim/LaBaron(Landau),  
Saratoga)

C BODY=(D=Dynasty, C=New Yorker/N.Y. Salon)

G BODY=(V=Daytona/ROC, Chrysler Daytona)

J BODY=(C=LeBaron, Chrysler LeBaron)

P BODY=(P=Sundance, D=Shadow)

S BODY=(H=Voyager(H) FWD, K=Caravan(H) FWD,

Y=Town & Country(H) FWD, P=Voyager(K) AWD,

D=Caravan(K) AWD, C=Town & Country(K) AWD)

Y BODY=(C=Imperial/5th Avenue)

E-S BODY=(K=Chrysler Voyager(H) FWD, D=Chrysler

Voyager(K) AWD)

**BODY STYLES:**

21=2-Door Coupe

41=4-Door Sedan

12-52=FWD & AWD Van & Wgn Std W.B.

24=2-Door Hatchback

44=4-Door Hatchback

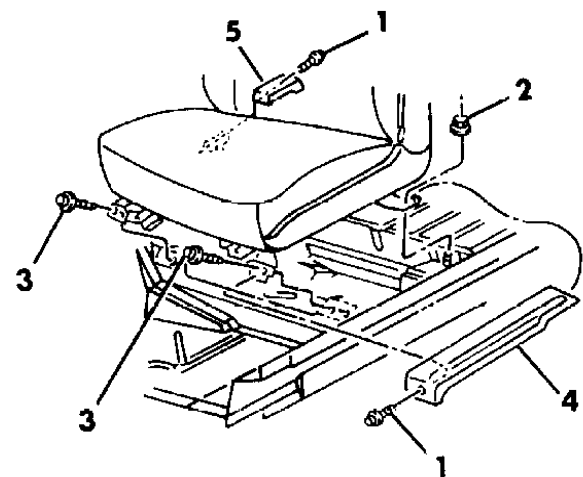
53=FWD & AWD Van & Wgn Ext. W.B.

27=2-Door Convertible

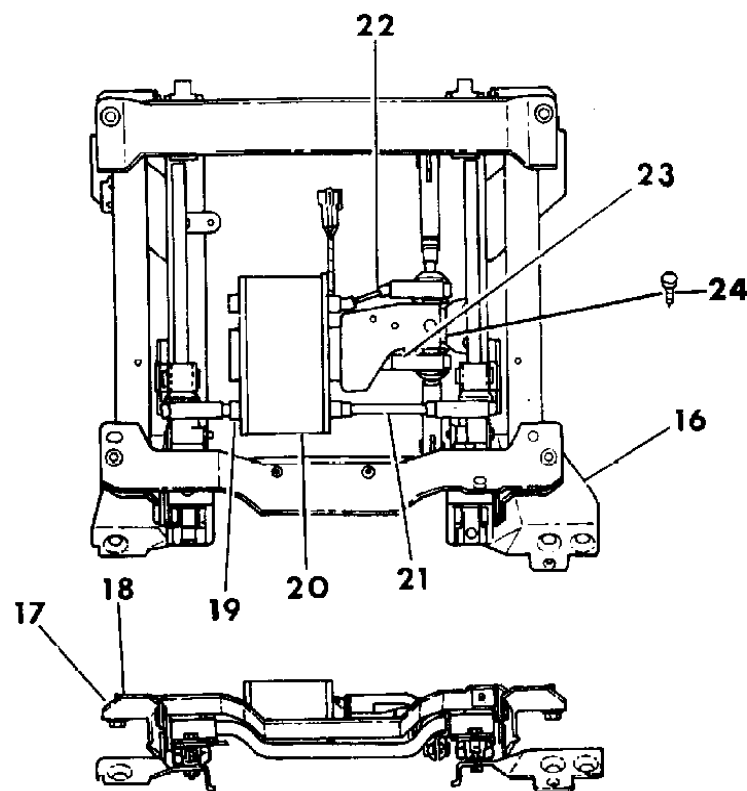
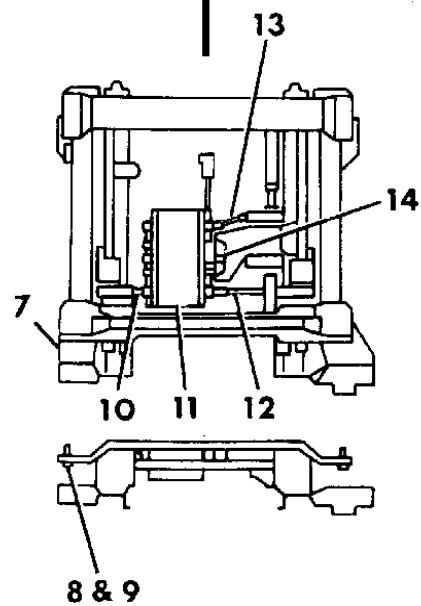
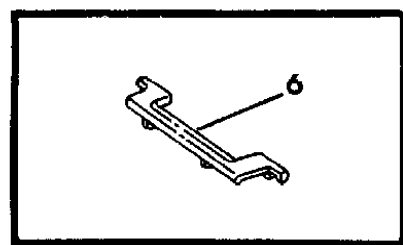
AR = Use as Required - = Non Illustrated Part P.A.R. = Paint as Required

**ADJUSTERS AND COVERS MANUAL AND ELECTRIC C BODY**  
Figure ITC-1800

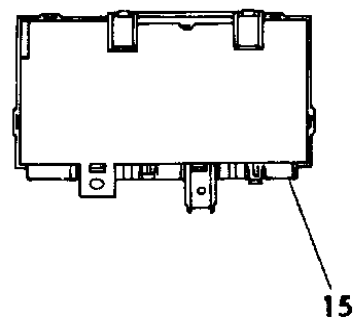
93241 1800



W/O MEMORY



W/ MEMORY



ITEM	PART NUMBER	QTY	BODY	MODEL	DESCRIPTION
19	4477 897	1			CABLE, Outer
20	4477 895	1			MOTOR and TUBE, w/Memory
21	4477 899	1			CABLE, Inner (w/Memory)
22	4327 282	1			SHAFT, Flexible (4.005")
23	4402 997	1			SHAFT, Flexible (3.86')
24	9414 723	AR			SCREW, Power Recliner Motor Attaching

**MODEL CODES:**

A BODY=(C=LeBaron, D=Spirit, P=Acclaim/LaBaron(Landau), Saratoga)      S BODY=(H=Voyager(H) FWD, K=Caravan(H) FWD, Y=Town & Country(H) FWD, P=Voyager(K) AWD, D=Caravan(K) AWD, C=Town & Country(K) AWD)  
 C BODY=(D=Dynasty, C=New Yorker/N.Y. Salon)  
 G BODY=(V=Daytona/IROC, Chrysler Daytona)  
 J BODY=(C=LeBaron, Chrysler LeBaron)  
 P BODY=(P=Sundance, D=Shadow)      Y BODY=(C=Imperial/5th Avenue)  
 E-S BODY=(K=Chrysler Voyager(H) FWD, D=Chrysler Voyager(K) AWD)

**BODY STYLES:**

21=2-Door Coupe      41=4-Door Sedan      12-52=FWD & AWD Van & Wgn Std W.B.  
 24=2-Door Hatchback      44=4-Door Hatchback      53=FWD & AWD Van & Wgn Ext. W.B.  
 27=2-Door Convertible

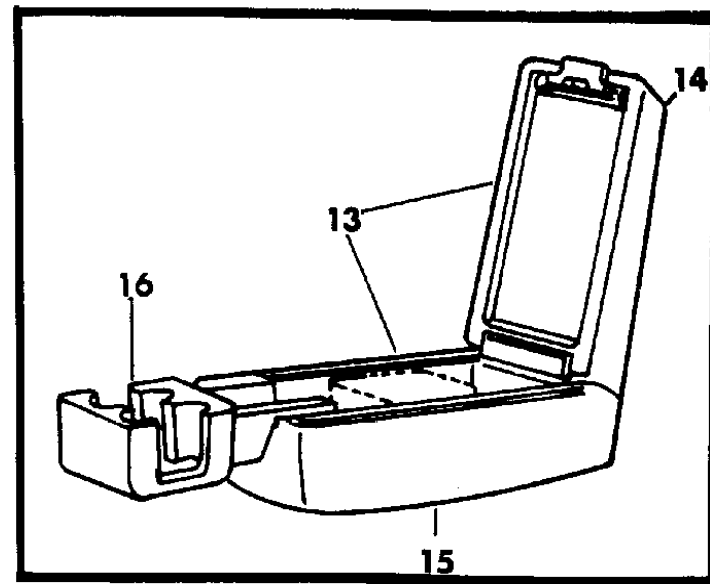
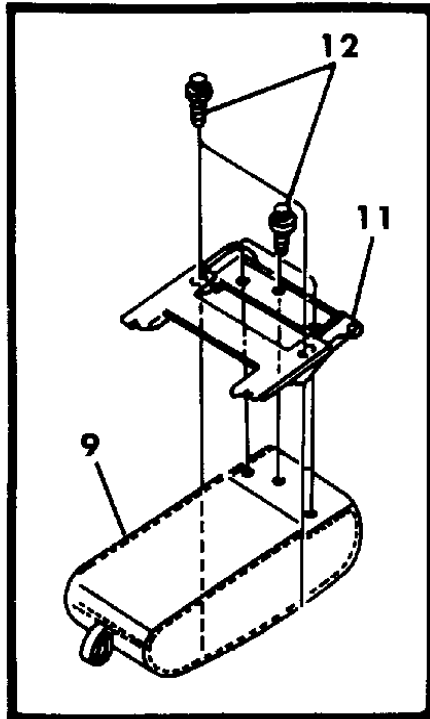
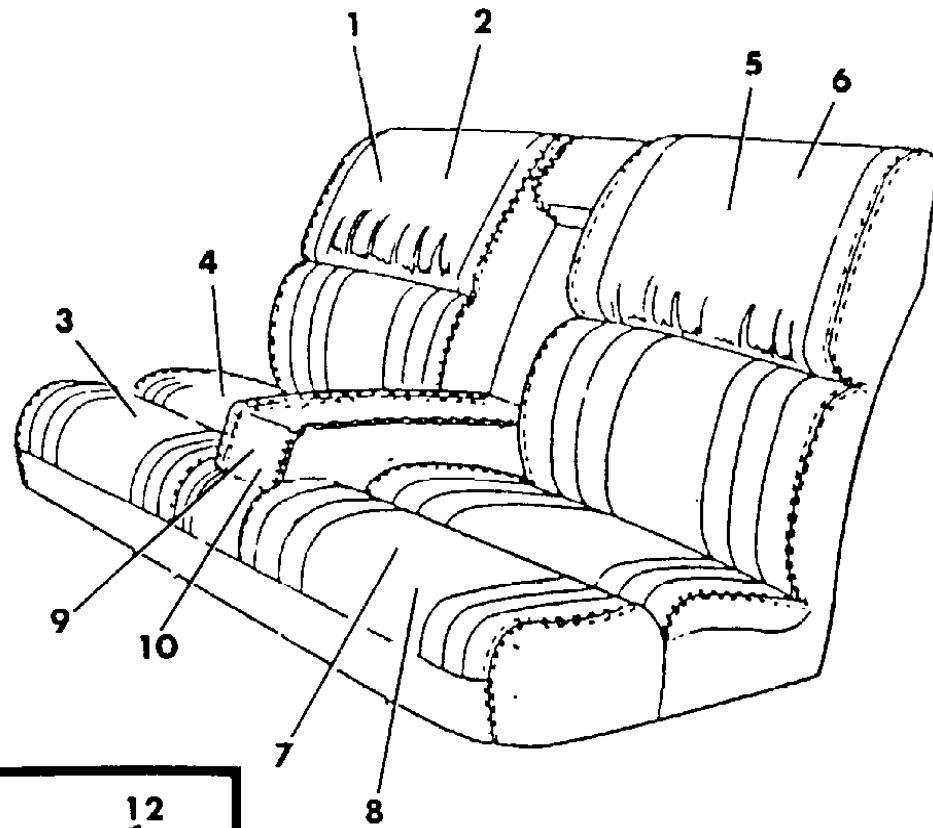
AR = Use as Required - = Non Illustrated Part P.A.R. = Paint as Required



**SEAT--REAR C BODY TRIM CODES D3-EF**  
**Figure ITC-1900**

93241 1900

ITEM	PART NUMBER	QTY	BODY	MODEL	DESCRIPTION
1					BACK, w/Spring/Frame, Pad and Cover
					CLOTH
		C640 J3B	1		Blue, (D3B)
		C640 LMA	1		Red, (D3M)
		C640 H3V	1		Champagne, (D3V)
2					COVER, Back
					CLOTH
		C095 J3B	1		Blue, (D3B)
		C095 LMA	1		Red, (D3M)
		C095 H3V	1		Champagne, (D3V)
3					CUSHION, w/Spring/Frame, Pad and Cover
					CLOTH
		C641 J3B	1		Blue, (D3B)
		C641 LMA	1		Red, (D3M)
		C641 H3V	1		Champagne, (D3V)
4					COVER, Cushion
					CLOTH
		C094 J3B	1		Blue, (D3B)
		C094 LMA	1		Red, (D3M)
		C094 H3V	1		Champagne, (D3V)
5					BACK, w/Spring/Frame, Pad and Cover
					CLOTH
		C423 JFB	1		Blue, (EFB)
		C423 LMA	1		Red, (EFM)
		C423 HFV	1		Champagne, (EFV)
6					COVER, Back
					CLOTH
		C117 JFB	1		Blue, (EFB)
		C117 LMA	1		Red, (EFM)
		C117 HFV	1		Champagne, (EFV)
7					CUSHION, w/Spring/Frame, Pad and Cover
					CLOTH
	C673 JFB	1			Blue, (EFB)



**MODEL CODES:**

A BODY=(C=LeBaron, D=Spirit, P=Acclaim/LaBaron(Landau),  
Saratoga)  
C BODY=(D=Dynasty, C=New Yorker/N.Y. Salon)  
G BODY=(V=Daytona/ROC, Chrysler Daytona)  
J BODY=(C=LeBaron, Chrysler LeBaron)  
P BODY=(P=Sundance, D=Shadow)

S BODY=(H=Voyager(H) FWD, K=Caravan(H) FWD,  
Y=Town & Country(H) FWD, P=Voyager(K) AWD,  
D=Caravan(K) AWD, C=Town & Country(K) AWD)  
Y BODY=(C=Imperial/5th Avenue)  
E-S BODY=(K=Chrysler Voyager(H) FWD, D=Chrysler  
Voyager(K) AWD)

**BODY STYLES:**

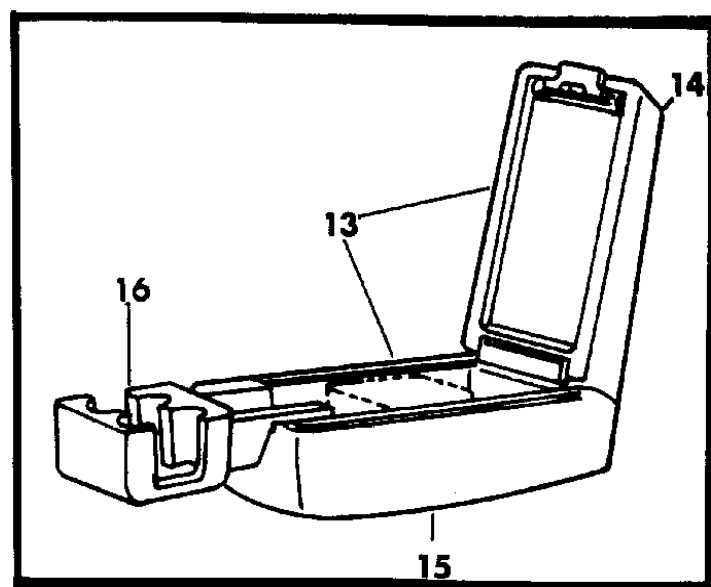
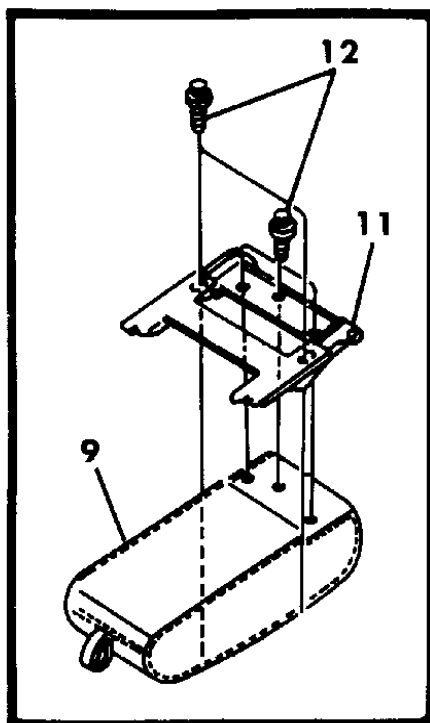
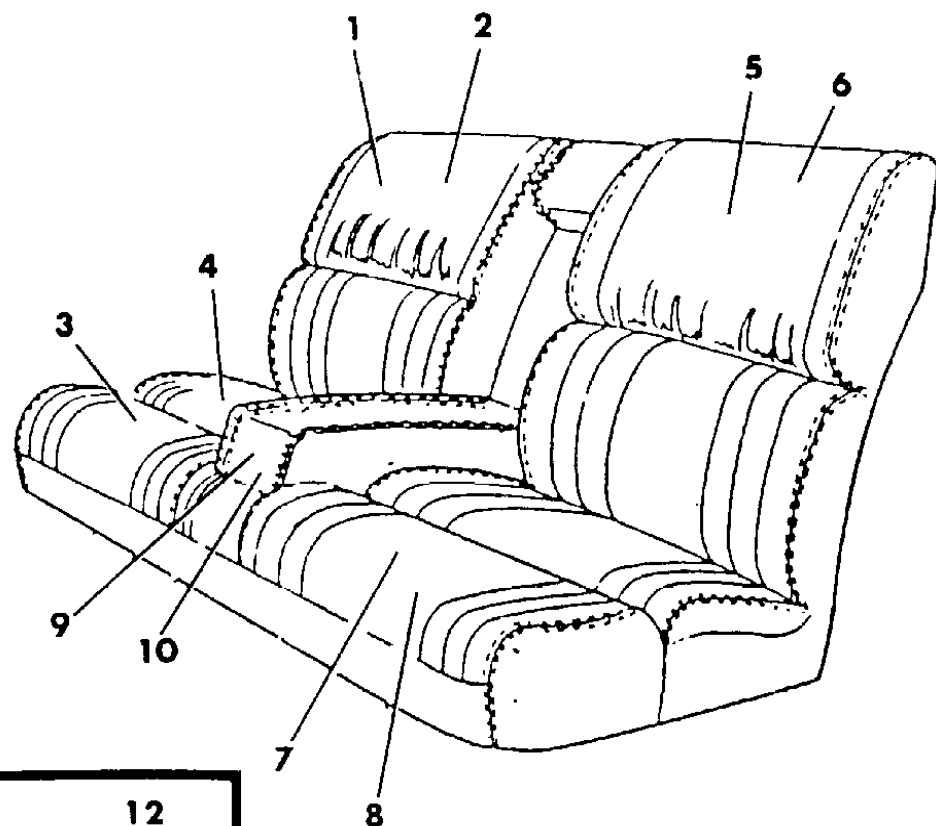
21=2-Door Coupe      41=4-Door Sedan      12-52=FWD & AWD Van & Wgn Std W.B.  
24=2-Door Hatchback      44=4-Door Hatchback      53=FWD & AWD Van & Wgn Ext. W.B.  
27=2-Door Convertible

AR = Use as Required - = Non Illustrated Part P.A.R. = Paint as Required

**SEAT--REAR C BODY TRIM CODES D3-EF**  
**Figure ITC-1900**

93241 1900

ITEM	PART NUMBER	QTY	BODY	MODEL	DESCRIPTION
	C673 LMA	1			Red, (EFM)
	C673 HFV	1			Champagne, (EFV)
	C673 LAZ	1			Agate, (EFAZ)
8					COVER, Cushion CLOTH
	C085 JFB	1			Blue, (EFB)
	C085 LMA	1			Red, (EFM)
	C085 HFV	1			Champagne, (EFV)
	C085 LAZ	1			Agate, (EFAZ)
9					ARMREST and COVER, (w/o Cup Holder)
	HB44 LAZ	1			Agate, (EFAZ)
	HB44 LBB	1			Blue, (EFB)
	HB44 LMA	1			Red, (EFM)
	HB44 LVV	1			Champagne, (EFV)
10					COVER, Armrest (Use After 4-30-92)
	HB41 LAZ	1			Agate, (EFAZ)
	HB41 LBB	1			Blue, (EFB)
	HB41 LMA	1			Red, (EFM)
	HB41 LVV	1			Champagne, (EFV)
11	4380 948	1			HINGE, Arm Rest
12	6501 230	AR			SCREW
13					ARMREST and CUP HOLDERS ***
	AG80 JB9				Blue, (EFB)
	AG80 LMA	1			Red, (EFM)
	AG80 JV4	1			Champagne, (EFV)
	AG80 LAZ	1			Agate, (EFAZ)
14					ARMREST, Upper (SERVICED IN ITEM 13)
15					ARMREST, Lower (SERVICED IN ITEM 13)
16	5260 276	1			CUP HOLDER ***



**MODEL CODES:**

A BODY=(C=LeBaron, D=Spirit, P=Acclaim/LaBaron(Landau), Saratoga)      S BODY=(H=Voyager(H) FWD, K=Caravan(H) FWD, Y=Town & Country(H) FWD, P=Voyager(K) AWD, D=Caravan(K) AWD, C=Town & Country(K) AWD)  
 C BODY=(D=Dynasty, C=New Yorker/N.Y. Salon)  
 G BODY=(V=Daytona/IROC, Chrysler Daytona)  
 J BODY=(C=LeBaron, Chrysler LeBaron)  
 P BODY=(P=Sundance, D=Shadow)      Y BODY=(C=Imperial/5th Avenue)  
 E-S BODY=(K=Chrysler Voyager(H) FWD, D=Chrysler Voyager(K) AWD)

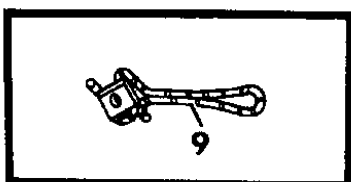
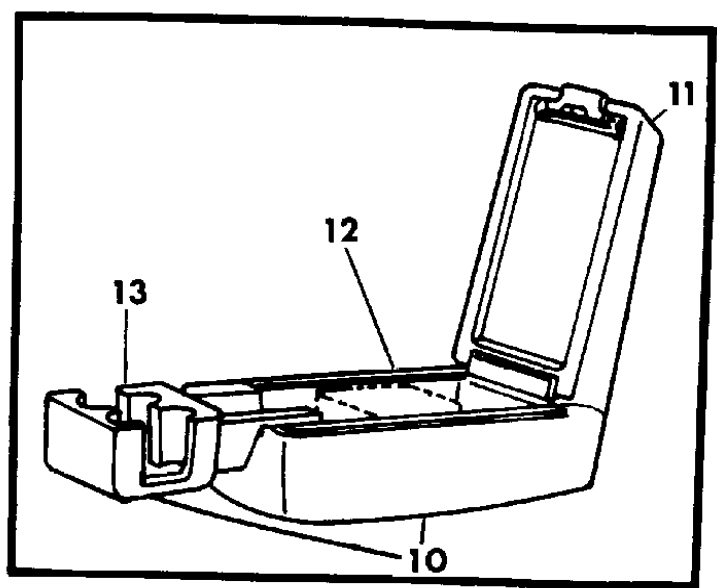
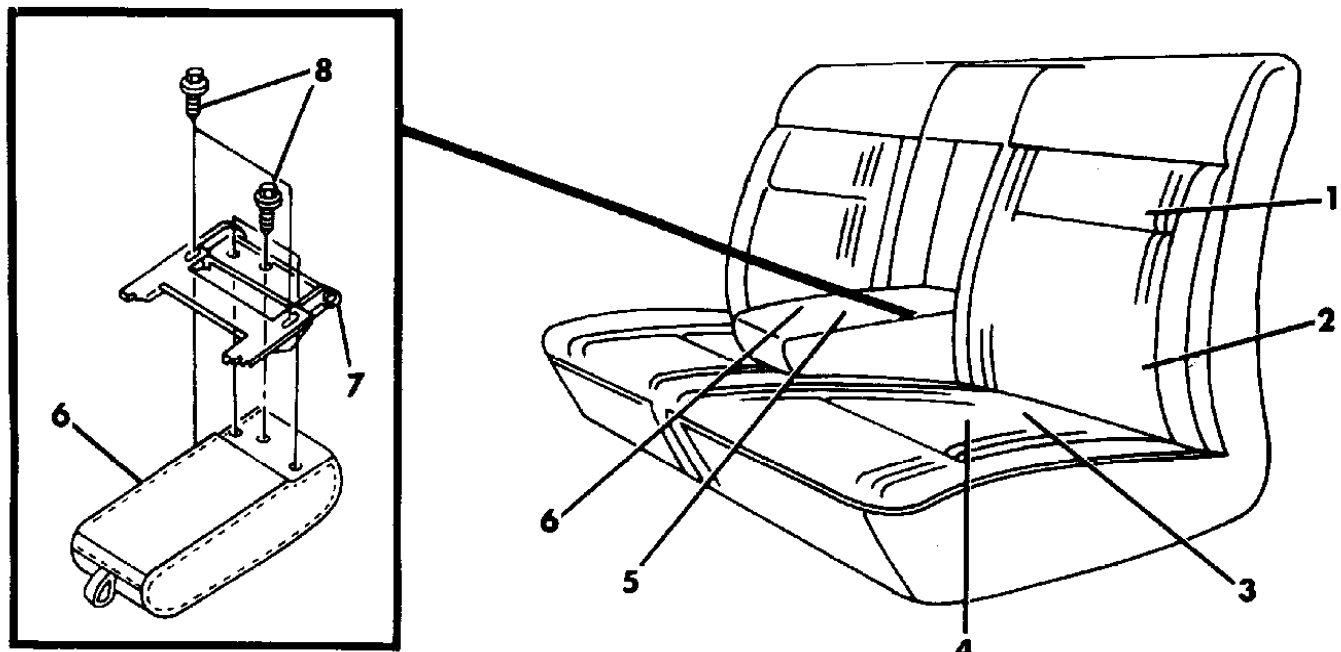
**BODY STYLES:**

21=2-Door Coupe      41=4-Door Sedan      12-52=FWD & AWD Van & Wgn Std W.B.  
 24=2-Door Hatchback      44=4-Door Hatchback      53=FWD & AWD Van & Wgn Ext. W.B.  
 27=2-Door Convertible

AR = Use as Required - = Non Illustrated Part P.A.R. = Paint as Required

**SEAT--REAR C BODY TRIM CODES LF,LP**  
Figure ITC-2000

93241 2000



ITEM	PART NUMBER	QTY	BODY	MODEL	DESCRIPTION
1					BACK, w/Spring/Frame, Pad and Cover
	DH91 JB9	1			CLOTH Blue, (LFB)
	DH91 LMA	1			Red, (LFM)
	DH91 JV4	1			Champagne, (LFV)
	DH91 LAZ	1			Agate, (LFAZ)
	DV94 LMA	1			LEATHER Red, (LPM)
	DV94 LAZ	1			Agate, (LPAZ)
	DV94 KB9	1			Blue, (LPB)
	DV94 KV4	1			Champagne, (LPV)
2					COVER, Back
	DH98 JB9	1			CLOTH Blue, (LFB)
	DH98 LMA	1			Red, (LFM)
	DH98 JV4	1			Champagne, (LFV)
	DH98 LAZ	1			Agate, (LFAZ)
	DV88 LMA	1			LEATHER Red, (LPM)
	DV88 LAZ	1			Agate, (LPAZ)
	DV88 KB9	1			Blue, (LPB)
	DV88 KV4	1			Champagne, (LPV)
3					CUSHION, w/Spring/Frame, Pad and Cover
	DH90 JB9	1			CLOTH Blue, (LFB)
	DH90 LMA	1			Red, (LFM)
	DH90 JV4	1			Champagne, (LFV)
	DH90 LAZ	1			Agate, (LFAZ)
	DV92 LMA	1			LEATHER Red, (LPM)
	DV92 LAZ	1			Agate, (LPAZ)
	DV92 KB9	1			Blue, (LPB)
	DV92 KV4	1			Champagne, (LPV)
4					COVER, Cushion
	DH99 JB9	1			CLOTH Blue, (LFB)
	DH99 LMA	1			Red, (LFM)
	DH99 JV4	1			Champagne, (LFV)
	DH99 LAZ	1			Agate, (LFAZ)

**MODEL CODES:**

A BODY=(C=LeBaron, D=Spirit, P=Acclaim/LaBaron(Landau, Saratoga) S BODY=(H=Voyager(H) FWD, K=Caravan(H) FWD, Y=Town & Country(H) FWD, P=Voyager(K) AWD, D=Caravan(K) AWD, C=Town & Country(K) AWD)

C BODY=(D=Dynasty, C=New Yorker/N.Y. Salon) Y BODY=(C=Imperial/5th Avenue)

G BODY=(V=Daytona/ROC, Chrysler Daytona) E-S BODY=(K=Chrysler Voyager(H) FWD, D=Chrysler Voyager(K) AWD)

J BODY=(C=LeBaron, Chrysler LeBaron) P BODY=(P=Sundance, D=Shadow)

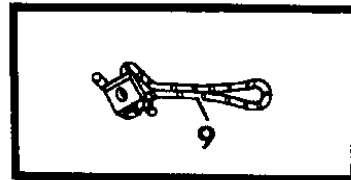
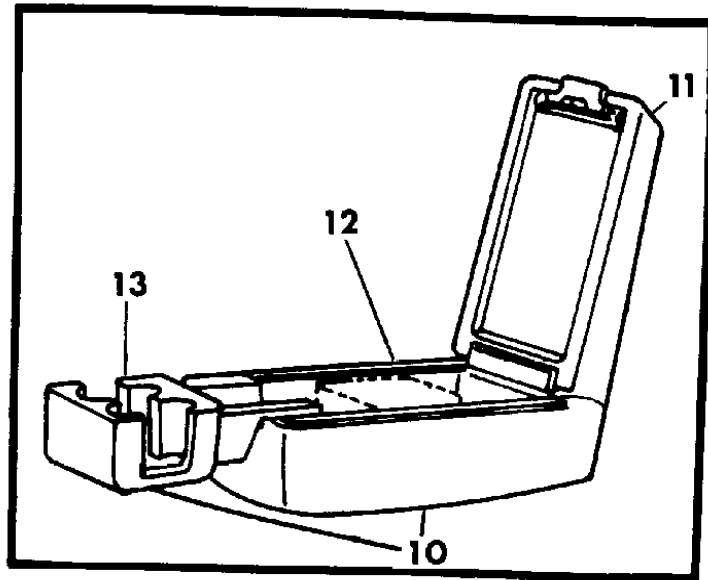
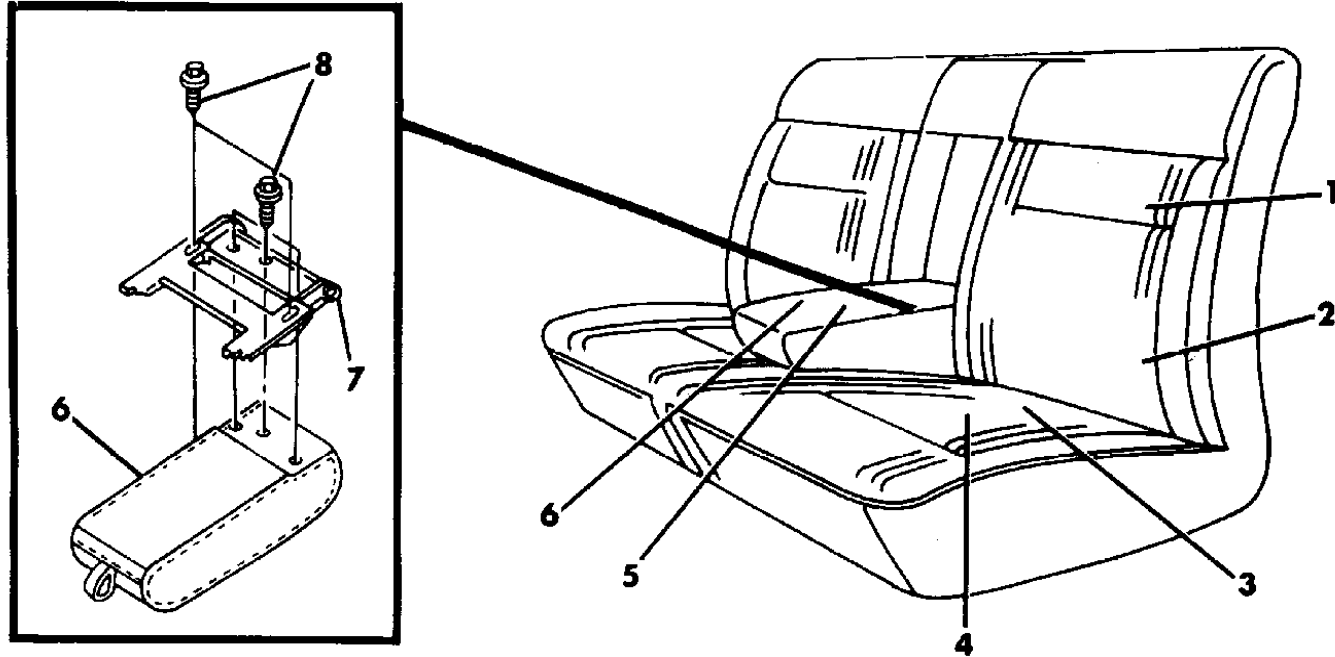
**BODY STYLES:**

21=2-Door Coupe      41=4-Door Sedan      12-52=FWD & AWD Van & Wgn Std W.B.  
 24=2-Door Hatchback      44=4-Door Hatchback      53=FWD & AWD Van & Wgn Ext. W.B.  
 27=2-Door Convertible

AR = Use as Required - = Non Illustrated Part P.A.R. = Paint as Required

**SEAT--REAR C BODY TRIM CODES LF,LP**  
Figure ITC-2000

93241 2000



ITEM	PART NUMBER	QTY	BODY	MODEL	DESCRIPTION
					LEATHER
	DV90 LMA	1			Red, (LPM)
	DV90 LAZ	1			Agate, (LPAZ)
	DV90 KB9	1			Blue, (LPB)
	DV90 KV4	1			Champagne, (LPV)
5					ARMREST and COVER
					LEATHER
	AG81 LMA	1			Red, (LPM)
	AG81 LAZ	1			Agate, (LPAZ)
	AG81 JB9	1			Blue, (LPB)
	AG81 JV4	1			Champagne, (LPV)
6					COVER, Armrest (Not Serv.)
7	4380 948	1			HINGE, Armrest
8	6501 230	AR			SCREW
9					RETAINER, Button (Serv. In Item 14)
10					ARMREST and CUP HOLDER ***
	AG81 JB9	1			Blue, (LPB)
	AG81 LMA	1			Red, (LPM)
	AG81 JV4	1			Champagne, (LPV)
	AG81 LAZ	1			Agate, (LPAZ)
11					ARMREST, Upper (SERVICED with ITEM 10 ONLY)
12					ARMREST, Lower (SERVICED with ITEM 10 ONLY)
13	5260 276	1			CUP HOLDER ***

**MODEL CODES:**

A BODY=(C=LeBaron, D=Spirit, P=Acclaim/LaBaron(Landau),  
Saratoga)  
C BODY=(D=Dynasty, C=New Yorker/N.Y. Salon)  
G BODY=(V=Daytona/IROC, Chrysler Daytona)  
J BODY=(C=LeBaron, Chrysler LeBaron)  
P BODY=(P=Sundance, D=Shadow)

S BODY=(H=Voyager(H) FWD, K=Caravan(H) FWD,  
Y=Town & Country(H) FWD, P=Voyager(K) AWD,  
D=Caravan(K) AWD, C=Town & Country(K) AWD)  
Y BODY=(C=Imperial/5th Avenue)  
E-S BODY=(K=Chrysler Voyager(H) FWD, D=Chrysler  
Voyager(K) AWD)

**BODY STYLES:**

21=2-Door Coupe      41=4-Door Sedan      12-52=FWD & AWD Van & Wgn Std W.B.  
24=2-Door Hatchback      44=4-Door Hatchback      53=FWD & AWD Van & Wgn Ext. W.B.  
27=2-Door Convertible

AR = Use as Required - = Non Illustrated Part P.A.R. = Paint as Required

**SEAT--REAR C BODY TRIM CODES JF,JP**  
**Figure ITC-2100**

93241 2100B

ITEM	PART NUMBER	QTY	BODY	MODEL	DESCRIPTION
1					BACK, w/Spring/Frame, Pad and Cover
					CLOTH
		GD90 LB9	1		Blue, (JFB)
		GD90 LMA	1		Red, (JFM)
		GD90 LV4	1		Champagne, (JFV)
		GD90 LAZ	1		Agate, (JFAZ)
					LEATHER
		FZ30 LMA	1		Red, (JPM)
		FZ30 LAZ	1		Agate, (JPAZ)
		FZ30 LB9	1		Blue, (JPB)
	FZ30 LV4	1		Champagne, (JPV)	
2					COVER, Back
					CLOTH
		GD67 LB9	1		Blue, (JFB)
		GD67 LMA	1		Red, (JFM)
		GD67 LV4	1		Champagne, (JFV)
		GD67 LAZ	1		Agate, (JFAZ)
					LEATHER
		FZ51 LMA	1		Red, (JPM)
		FZ51 LAZ	1		Agate, (JPAZ)
		FZ51 LB9	1		Blue, (JPB)
	FZ51 LV4	1		Champagne, (JPV)	
3					CUSHION, w/Spring/Frame, Pad and Cover
					CLOTH
		FZ44 LB9	1		Blue, (JFB)
		FZ44 LMA	1		Red, (JFM)
		FZ44 LV4	1		Champagne, (JFV)
		FZ44 LAZ	1		Agate, (JFAZ)
					LEATHER
		FZ34 LMA	1		Red, (JPM)
		FZ34 LAZ	1		Agate, (JPAZ)
		FZ34 LB9	1		Blue, (JPB)
	FZ34 LV4	1		Champagne, (JPV)	
4					COVER, Cushion
					CLOTH
		FZ45 LB9	1		Blue, (JFB)
		FZ45 LMA	1		Red, (JFM)
		FZ45 LV4	1		Champagne, (JFV)
	FZ45 LAZ	1		Agate, (JFAZ)	

**MODEL CODES:**

A BODY=(C=LeBaron, D=Spirit, P=Acclaim/LaBaron(Landau), Saratoga)

C BODY=(D=Dynasty, C=New Yorker/N.Y. Salon)

G BODY=(V=Daytona/ROC, Chrysler Daytona)

J BODY=(C=LeBaron, Chrysler LeBaron)

P BODY=(P=Sundance, D=Shadow)

S BODY=(H=Voyager(H) FWD, K=Caravan(H) FWD,

Y=Town & Country(H) FWD, P=Voyager(K) AWD,

D=Caravan(K) AWD, C=Town & Country(K) AWD)

Y BODY=(C=Imperial/5th Avenue)

E-S BODY=(K=Chrysler Voyager(H) FWD, D=Chrysler Voyager(K) AWD)

**BODY STYLES:**

21=2-Door Coupe

41=4-Door Sedan

12-52=FWD & AWD Van & Wgn Std W.B.

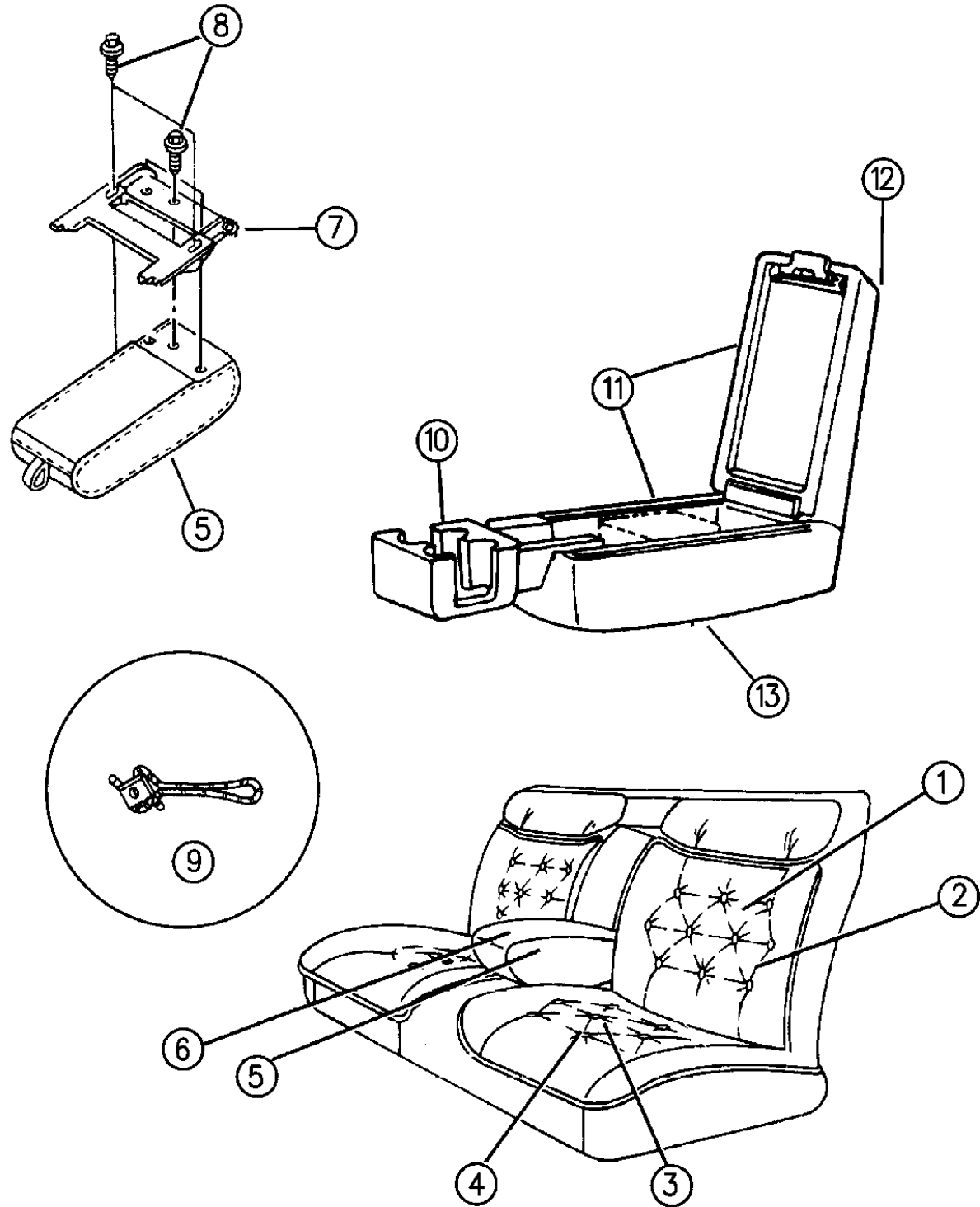
24=2-Door Hatchback

44=4-Door Hatchback

53=FWD & AWD Van & Wgn Ext. W.B.

27=2-Door Convertible

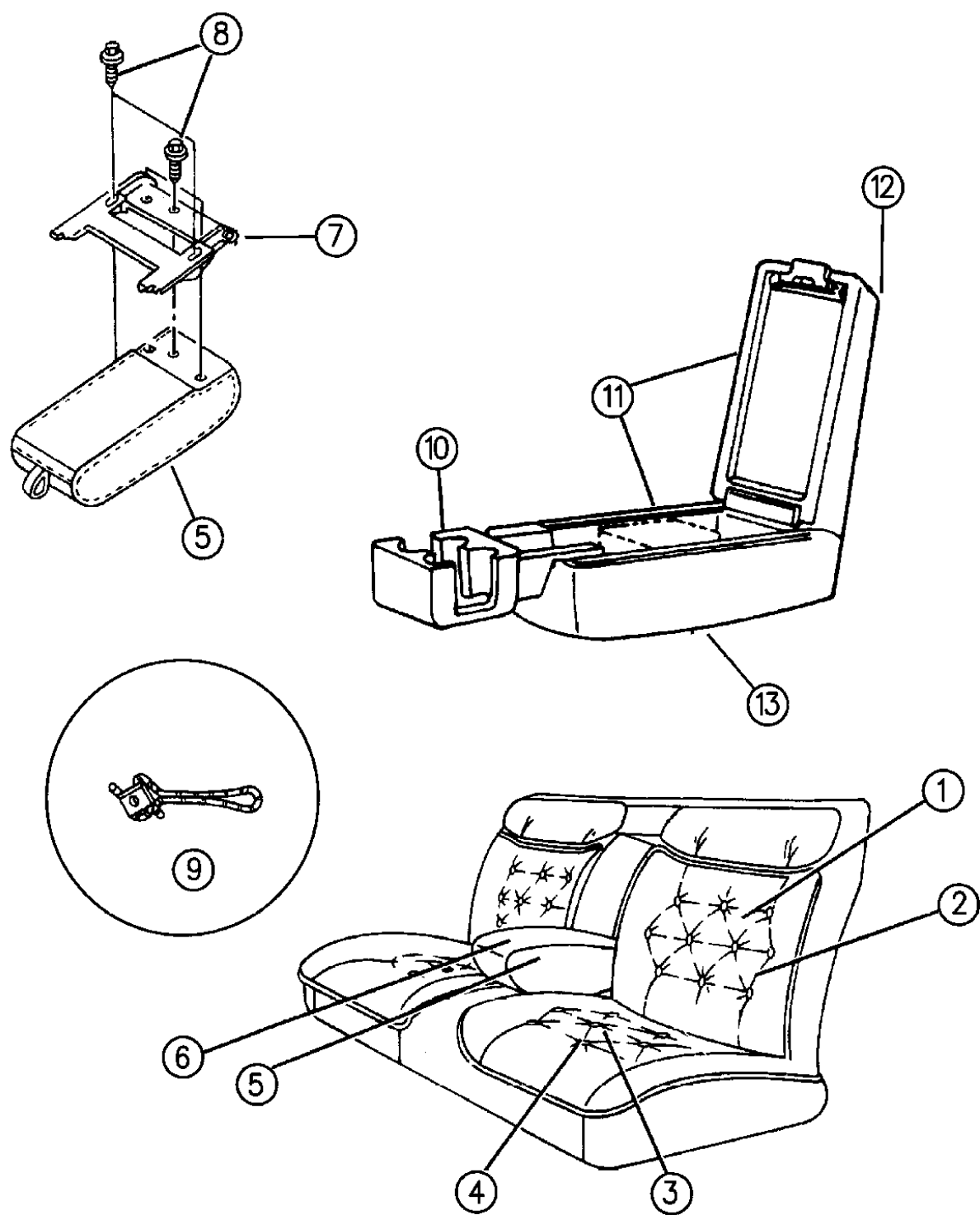
AR = Use as Required - = Non Illustrated Part P.A.R. = Paint as Required



**SEAT--REAR C BODY TRIM CODES JF,JP**  
**Figure ITC-2100**

93241 2100B

ITEM	PART NUMBER	QTY	BODY	MODEL	DESCRIPTION
					LEATHER
	FZ49 LMA	1			Red, (JPM)
	FZ49 LAZ	1			Agate, (JPAZ)
	FZ49 LB9	1			Blue, (JPB)
	FZ49 LV4	1			Champagne, (JPV)
5					ARMREST and COVER
					CLOTH
	AG83 LAZ	1			Agate, (JFAZ)
	AG83 JB9	1			Blue, (JFB)
	AG83 LMA	1			Red, (JFM)
	AG83 JV4	1			Champagne, (JFV)
					LEATHER
	AG81 LMA	1			Red, (JPM)
	AG81 LAZ	1			Agate, (JPAZ)
	AG81 JB9	1			Blue, (JPB)
	AG81 JV4	1			Champagne, (JPV)
6					COVER, Armrest (Not Serv.)
7	4380 948	1			HINGE, Armrest
8	6501 230	AR			SCREW
9					RETAINER, Button (Serv. In Item 14)
10					ARMREST and CUP HOLDER ***
					CLOTH
	AG83 LAZ	1			Agate, (JFAZ)
	AG83 JB9	1			Blue, (JFB)
	AG83 LMA	1			Red, (JFM)
	AG83 JV4	1			Champagne, (JFV)
					LEATHER
	AG81 JB9	1			Blue, (JPB)
	AG81 LMA	1			Red, (JPM)
	AG81 JV4	1			Champagne, (JPV)
	AG81 LAZ	1			Agate, (JPAZ)
11					ARMREST, Upper (SERVICED with ITEM 10 ONLY)
12					ARMREST, Lower (SERVICED with ITEM 10 ONLY)
13	5260 276	1			CUP HOLDER ***



**MODEL CODES:**

A BODY=(C=LeBaron, D=Spirit, P=Acclaim/LaBaron(Landau, Saratoga) S BODY=(H=Voyager(H) FWD, K=Caravan(H) FWD, Y=Town & Country(H) FWD, P=Voyager(K) AWD, D=Caravan(K) AWD, C=Town & Country(K) AWD)  
 C BODY=(D=Dynasty, C=New Yorker/N.Y. Salon) Y BODY=(C=Imperial/5th Avenue)  
 G BODY=(V=Daytona/ROC, Chrysler Daytona) E-S BODY=(K=Chrysler Voyager(H) FWD, D=Chrysler Voyager(K) AWD)  
 J BODY=(C=LeBaron, Chrysler LeBaron) P BODY=(P=Sundance, D=Shadow)

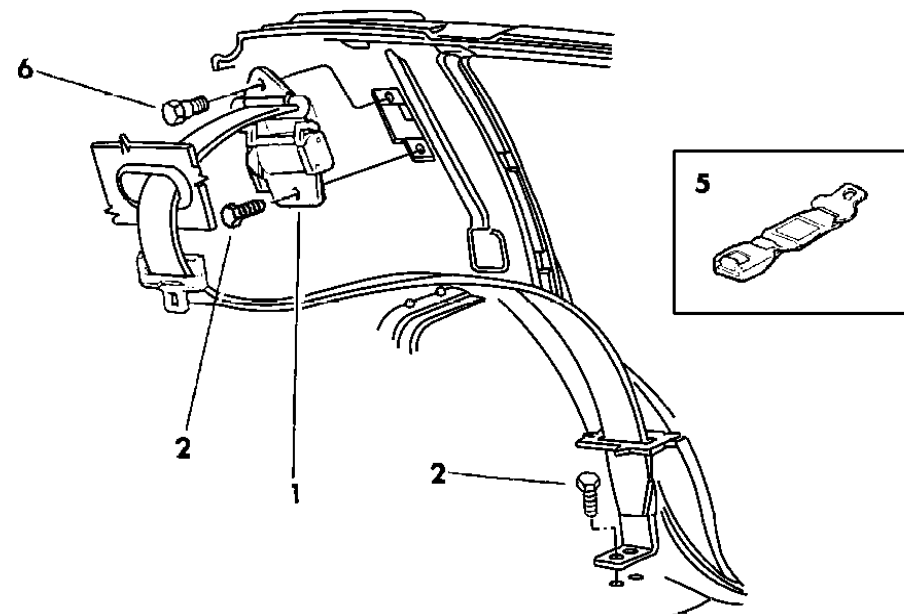
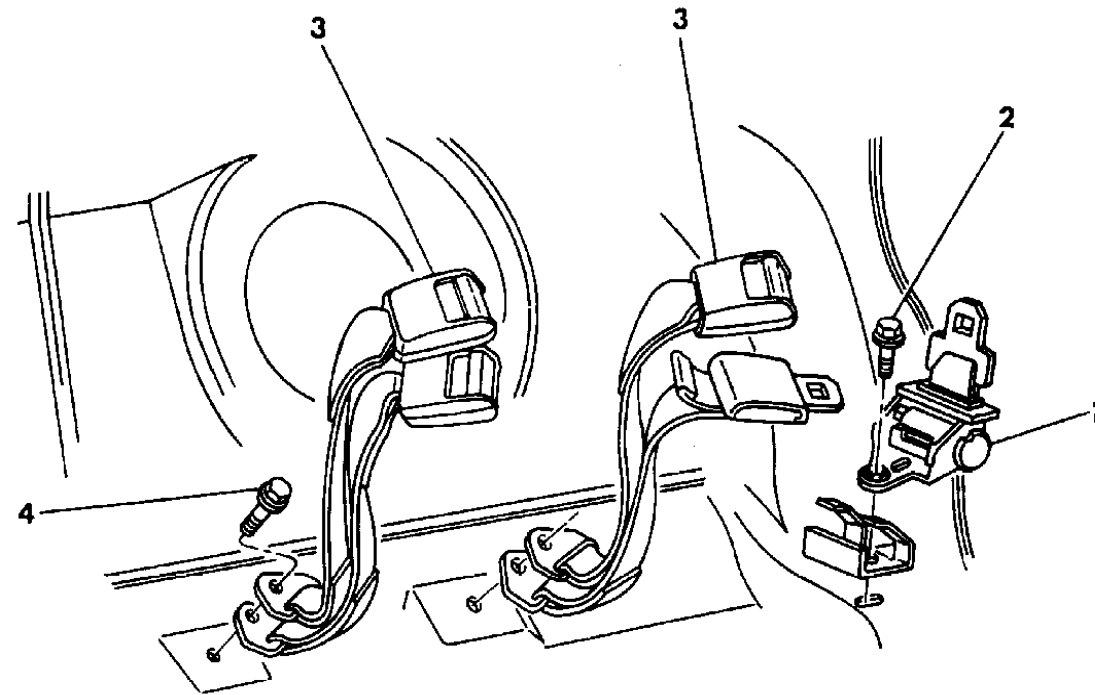
**BODY STYLES:**

21=2-Door Coupe      41=4-Door Sedan      12-52=FWD & AWD Van & Wgn Std W.B.  
 24=2-Door Hatchback      44=4-Door Hatchback      53=FWD & AWD Van & Wgn Ext. W.B.  
 27=2-Door Convertible

AR = Use as Required - = Non Illustrated Part P.A.R. = Paint as Required

**BELT--REAR SEAT C BODY**  
Figure ITC-2200

93241 2200A



ITEM	PART NUMBER	QTY	BODY	MODEL	DESCRIPTION
1					BELT, Outer Shoulder and Lap
					LABEL NUMBER 4645198-9
	EL74-5 LB9	2			Blue
	EL74-5 LM6	2			Red
	EL74-5 LV4	2			Champagne
	EL74-5 LAZ	2			Agate
2	6031 484	2			BOLT
3					BELT, Inner
					LABEL NUMBER 5260602-3
	WF12-3 KB9	1			Blue
	WF12-3 LM6	1			Red
	WF12-3 KV4	1			Champagne
	WF12-3 LAZ	1			Agate
4	6031 298	2			BOLT
5	4402 887	AR			EXTENDER
6	6031 298	AR			BOLT
-					TETHER, Anchor Pkg. ***
	4519 072	1			Outer
	4519 073	1			Center

**MODEL CODES:**

A BODY=(C=LeBaron, D=Spirit, P=Acclaim/LaBaron(Landau), Saratoga) S BODY=(H=Voyager(H) FWD, K=Caravan(H) FWD, Y=Town & Country(H) FWD, P=Voyager(K) AWD, D=Caravan(K) AWD, C=Town & Country(K) AWD)  
 C BODY=(D=Dynasty, C=New Yorker/N.Y. Salon) Y BODY=(C=Imperial/5th Avenue)  
 G BODY=(V=Daytona/IROC, Chrysler Daytona) E-S BODY=(K=Chrysler Voyager(H) FWD, D=Chrysler Voyager(K) AWD)  
 J BODY=(C=LeBaron, Chrysler LeBaron)  
 P BODY=(P=Sundance, D=Shadow)

**BODY STYLES:**

21=2-Door Coupe      41=4-Door Sedan      12-52=FWD & AWD Van & Wgn Std W.B.  
 24=2-Door Hatchback      44=4-Door Hatchback      53=FWD & AWD Van & Wgn Ext. W.B.  
 27=2-Door Convertible

AR = Use as Required - = Non Illustrated Part P.A.R. = Paint as Required

---

**GROUP ITG - G BODY**

<b>ILLUSTRATION TITLE</b>	<b>GROUP-FIG. NO.</b>
COWL PANEL AND SILENCERS G BODY .....	Fig. ITG-100
HEADLINING AND VISOR FRONT G BODY .....	Fig. ITG-200
TONNEAU COVER G BODY .....	Fig. ITG-300
MOULDING--GARNISH G BODY .....	Fig. ITG-400
PANEL--QUARTER TRIM & LOWER DECK OPENING G BODY .....	Fig. ITG-500
PANEL--LIFTGATE TRIM G BODY .....	Fig. ITG-600
CARPET AND SILENCERS G BODY .....	Fig. ITG-700
SCUFF PLATE G BODY .....	Fig. ITG-800
PANEL--DOOR TRIM G BODY .....	Fig. ITG-900
SEAT--FRONT G BODY TRIM CODE J7 .....	Fig. ITG-1000
SEAT--FRONT G BODY TRIM CODE X7 .....	Fig. ITG-1100
SEAT--FRONT G BODY TRIM CODE XL .....	Fig. ITG-1200
BELT--FRONT SEAT LAP AND SHOULDER G BODY MANUAL-ACTIVE SYSTEM .....	Fig. ITG-1300
LUMBAR AND THIGH SUPPORT - ELECTRIC G BODY .....	Fig. ITG-1400
RECLINING SEAT--FRONT G BODY .....	Fig. ITG-1500
ADJUSTER--MANUAL G BODY .....	Fig. ITG-1600
COVERS--MANUAL SEAT ADJUSTER G BODY .....	Fig. ITG-1700
ADJUSTER--ELECTRIC G BODY .....	Fig. ITG-1800
COVERS--ELECTRIC SEAT ADJUSTER G BODY .....	Fig. ITG-1900
SEAT--REAR G BODY TRIM CODE J7 .....	Fig. ITG-2000
SEAT--REAR G BODY TRIM CODE XL .....	Fig. ITG-2100
SEAT--REAR G BODY TRIM CODE X7 .....	Fig. ITG-2200
BELT--REAR SEAT G BODY .....	Fig. ITG-2300
SEAT--REAR FOLD DOWN G BODY .....	Fig. ITG-2400

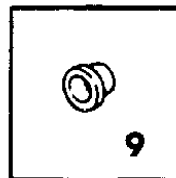
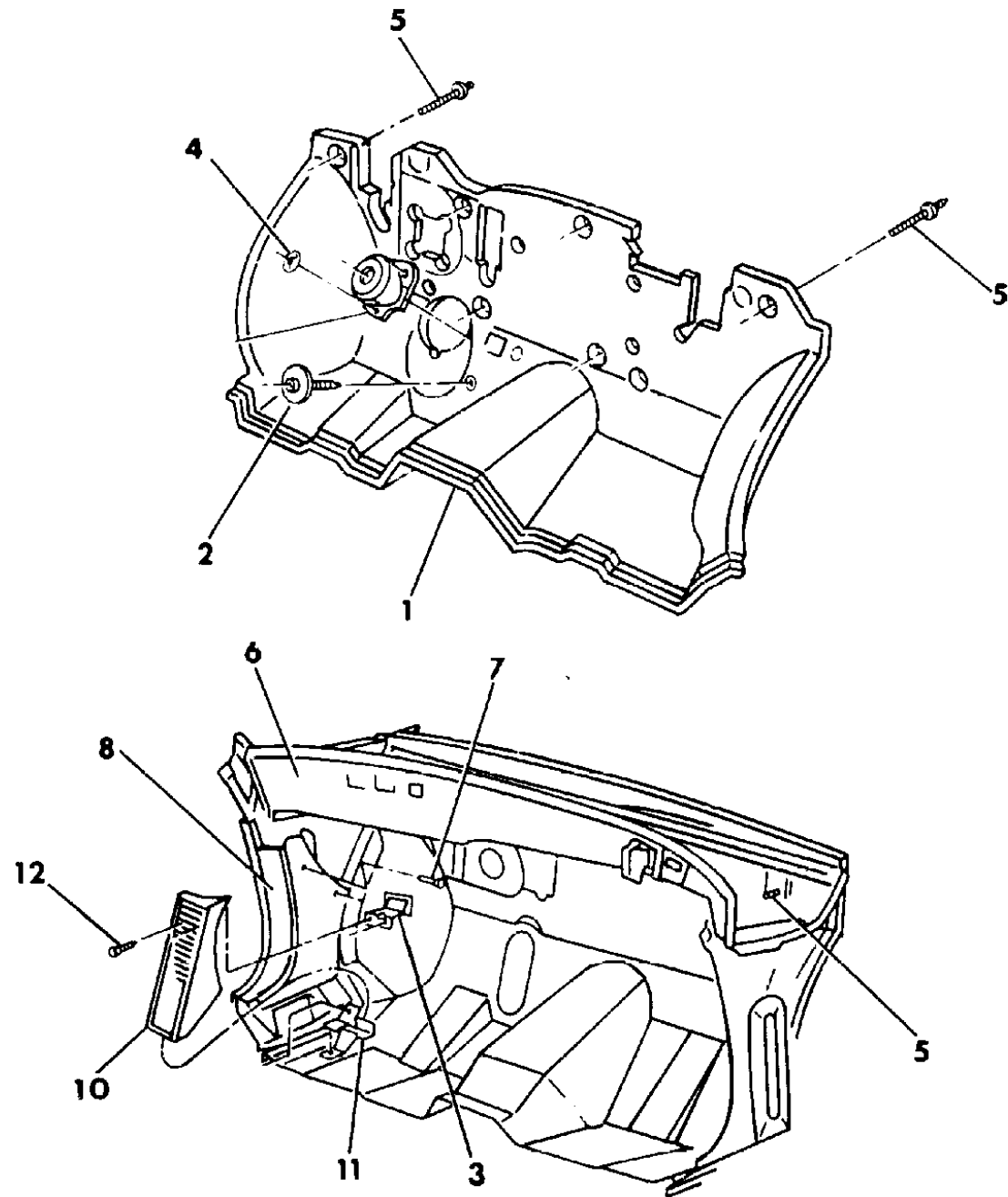
**ILLUSTRATION NOT AVAILABLE AT TIME OF PUBLICATION**



**COWL PANEL AND SILENCERS G BODY**  
Figure ITG-100

93236 100

ITEM	PART NUMBER	QTY	BODY	MODEL	DESCRIPTION
1	4674 088	1			LINER, Dash
2					SCREW, (8-18x3/4) (Not Serv.)
3	4410 559	1			BRACKET, Footrest Upper
4					NUT, Push-On (Not Serv.)
5	6032 020	6			STUD, Collar Special
6					SILENCER, Cowl (Not Serv.)
7					SCREW, (8-18x1 3/4) (Not Serv.)
8					PANEL, Cowl Side Trim
					Right
	DU13 KD5	1			Quartz
	DU13 LM6	1			Red
	DU13 LAZ	1			Agate
					Left
	DU17 KD5	1			Quartz
	DU17 LM6	1			Red
	DU17 LAZ	1			Agate
9	6032 185	6			CAPLUG, Dash Liner
10	4248 717	1			FOOTREST, Left Only
11	5256 171	1			BRACKET, Footrest, Lower
12		AR			SCREW, (8-18x1 3/4) Not Serv.



**MODEL CODES:**

A BODY=(C=LeBaron, D=Spirit, P=Acclaim/LaBaron(Landau),  
Saratoga)  
C BODY=(D=Dynasty, C=New Yorker/N.Y. Salon)  
G BODY=(V=Daytona/IROC, Chrysler Daytona)  
J BODY=(C=LeBaron, Chrysler LeBaron)  
P BODY=(P=Sundance, D=Shadow)

S BODY=(H=Voyager(H) FWD, K=Caravan(H) FWD,  
Y=Town & Country(H) FWD, P=Voyager(K) AWD,  
D=Caravan(K) AWD, C=Town & Country(K) AWD)  
Y BODY=(C=Imperial/5th Avenue)  
E-S BODY=(K=Chrysler Voyager(H) FWD, D=Chrysler  
Voyager(K) AWD)

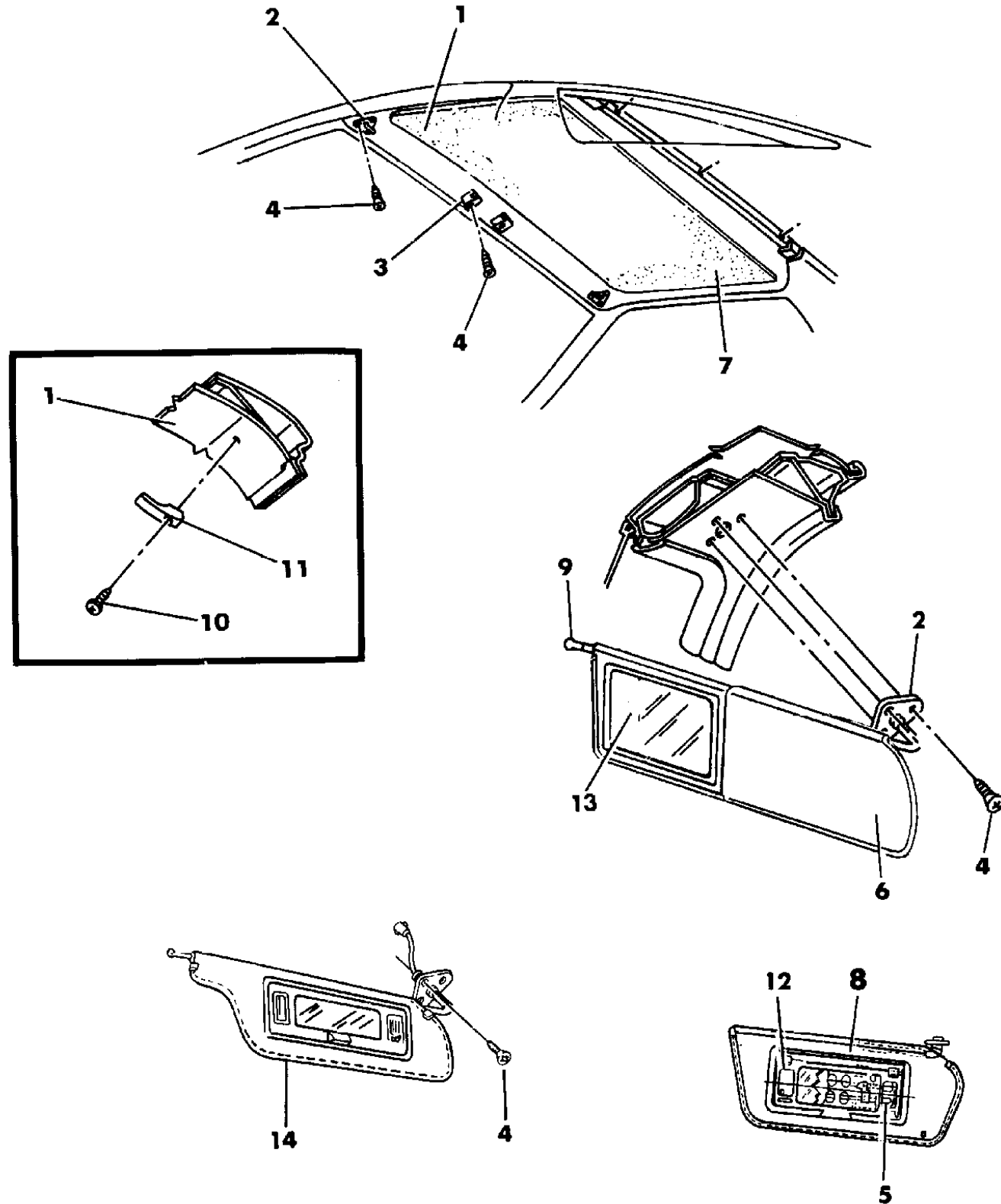
**BODY STYLES:**

21=2-Door Coupe      41=4-Door Sedan      12-52=FWD & AWD Van & Wgn Std W.B.  
24=2-Door Hatchback      44=4-Door Hatchback      53=FWD & AWD Van & Wgn Ext. W.B.  
27=2-Door Convertible

AR = Use as Required - = Non Illustrated Part P.A.R. = Paint as Required

**HEADLINING AND VISOR FRONT G BODY**  
Figure ITG-200

93236 200



ITEM	PART NUMBER	QTY	BODY	MODEL	DESCRIPTION
1					HEADLINER
					w/o Sunroof
	H958 JD5	1			Quartz
	H958 LMA	1			Red
	H958 LAZ	1			Agate
					w/Sunroof
	H810 JD5	1			Quartz
	H810 LMA	1			Red
	H810 LAZ	1			Agate
2					ARM and BRACKET, Visor (w/o T/Bar)
	EH54-5 KD5	1			Quartz
	EH54-5 LM6	1			Red
	EH54-5 LAZ	1			Agate
	4547 614	2			PUSHNUT, Arm and Bracket ***
3					CLIP, Visor Retainer
	DF49 KD5	2			Quartz
	DF49 LMA	2			Red
	DF49 LAZ	2			Agate
4	6032 584	6			SCREW
5	9433 184	2			BULB, Vanity Mirror
6					VISOR, w/Mirror (Only)
					RIGHT
	EA22 KD5	1			Quartz
	EA22 LMA	1			Red
	EA22 LAZ	1			Agate
					LEFT, w/Mirror and Sliding Door
	EE83 KD5	1			Quartz
	EE83 LMA	1			Red
	EE83 LAZ	1			Agate
7	4713 203	2			SILENCER, Roof
8					VANITY, Illuminated Mirror (Sub Assembly)
	H640 HD5	1			Quartz
	H640 LMA	1			Red
	H640 LAZ	1			Agate
9	4507 170	2			TIP, Visor Support
10					SCREW, (8-18x1) (Not Serv.)
11					HOOK, Coat
	H542 HD5	2			Quartz
	H542 LM6	2			Red

**MODEL CODES:**

A BODY=(C=LeBaron, D=Spirit, P=Acclaim/LaBaron(Landau), Saratoga)  
 C BODY=(D=Dynasty, C=New Yorker/N.Y. Salon)  
 G BODY=(V=Daytona/IROC, Chrysler Daytona)  
 J BODY=(C=LeBaron, Chrysler LeBaron)  
 P BODY=(P=Sundance, D=Shadow)

S BODY=(H=Voyager(H) FWD, K=Caravan(H) FWD, Y=Town & Country(H) FWD, P=Voyager(K) AWD, D=Caravan(K) AWD, C=Town & Country(K) AWD)  
 Y BODY=(C=Imperial/5th Avenue)  
 E-S BODY=(K=Chrysler Voyager(H) FWD, D=Chrysler Voyager(K) AWD)

**BODY STYLES:**

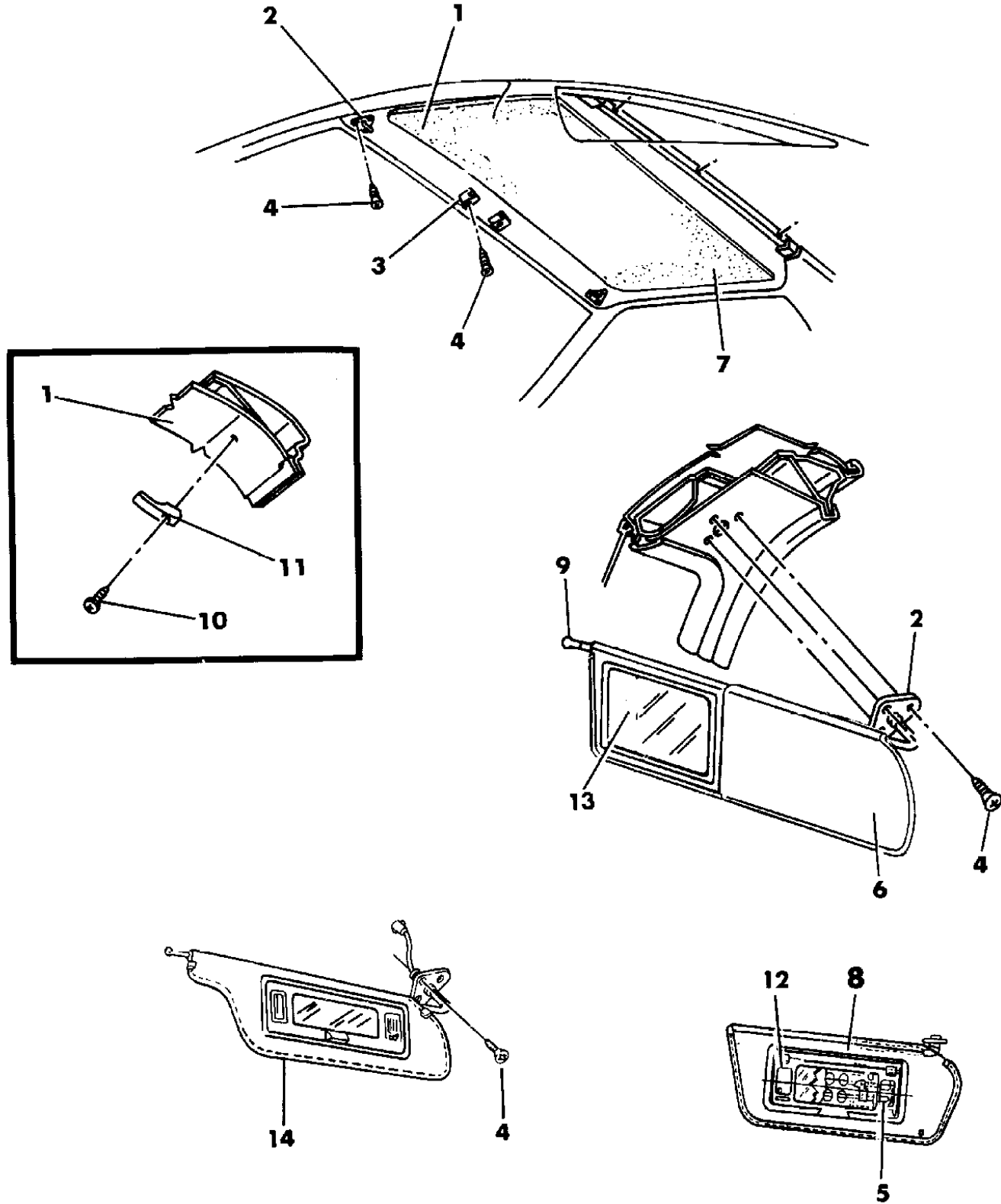
21=2-Door Coupe      41=4-Door Sedan      12-52=FWD & AWD Van & Wgn Std W.B.  
 24=2-Door Hatchback      44=4-Door Hatchback      53=FWD & AWD Van & Wgn Ext. W.B.  
 27=2-Door Convertible

AR = Use as Required - = Non Illustrated Part P.A.R. = Paint as Required

**HEADLINING AND VISOR FRONT G BODY**  
Figure ITG-200

93236 200

ITEM	PART NUMBER	QTY	BODY	MODEL	DESCRIPTION
	H542 LAZ	2			Agate
12	4410 693	1			LENS
13					MIRROR, Visor (Only)
	H322 KD5	1			Quartz
	H322 LM6	1			Red
14	H322 LAZ	1			Agate
					VISOR, w/Illuminated Mirror
					RIGHT
	H888 HD5	1			Quartz
	H888 LMA	1			Red
	H888 LAZ	1			Agate
					LEFT, w/Illuminated Mirror
	H197 JD5	1			Quartz
	H197 LMA	1			Red
	H197 LAZ	1			Agate
					Sub Assembly Illuminated Mirror
					Right
	H768 HD5	1			Quartz
	H768 LMA	1			Red
	H768 LAZ	1			Agate
					VISOR, Sub Assembly For Ill. Mirror (Left)
	H157 JD5	1			Quartz
	H157 LMA	1			Red
	H157 LAZ	1			Agate



**MODEL CODES:**

A BODY=(C=LeBaron, D=Spirit, P=Acclaim/LaBaron(Landau), Saratoga)      S BODY=(H=Voyager(H) FWD, K=Caravan(H) FWD, Y=Town & Country(H) FWD, P=Voyager(K) AWD, D=Caravan(K) AWD, C=Town & Country(K) AWD)

C BODY=(D=Dynasty, C=New Yorker/N.Y. Salon)

G BODY=(V=Daytona/ROC, Chrysler Daytona)

J BODY=(C=LeBaron, Chrysler LeBaron)

P BODY=(P=Sundance, D=Shadow)

Y BODY=(C=Imperial/5th Avenue)

E-S BODY=(K=Chrysler Voyager(H) FWD, D=Chrysler Voyager(K) AWD)

**BODY STYLES:**

21=2-Door Coupe      41=4-Door Sedan      12-52=FWD & AWD Van & Wgn Std W.B.

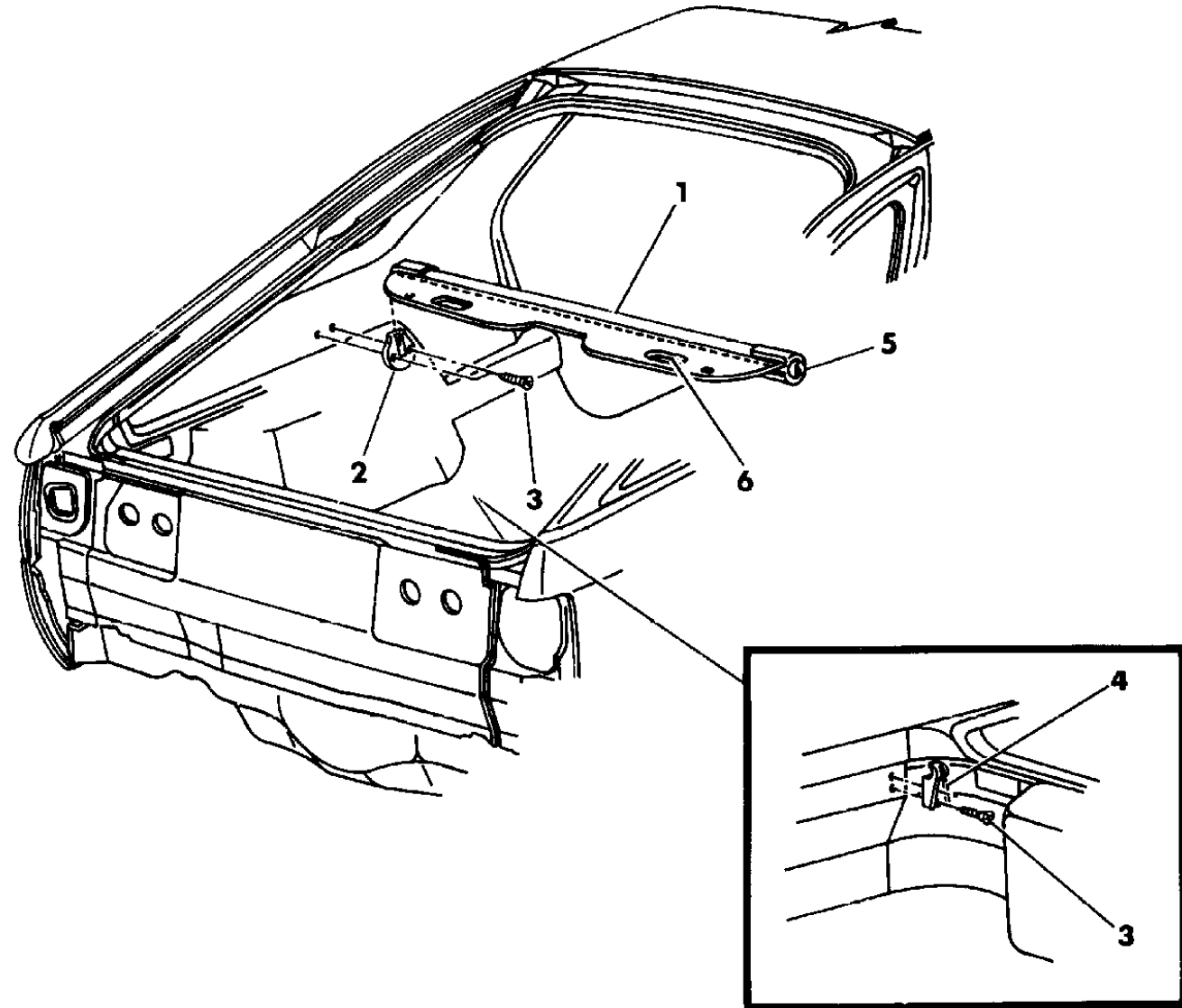
24=2-Door Hatchback      44=4-Door Hatchback      53=FWD & AWD Van & Wgn Ext. W.B.

27=2-Door Convertible

AR = Use as Required - = Non Illustrated Part P.A.R. = Paint as Required

**TONNEAU COVER G BODY**  
Figure ITG-300

93236 300



ITEM	PART NUMBER	QTY	BODY	MODEL	DESCRIPTION
1					COVER, Rear Compartment
	4636 715	1			Quartz
	H502 LM6	1			Red
	H502 LAZ	1			Agate
2					SUPPORT, Rear Compartment
	H482 JD5	2			Quartz
	H482 LM6	2			Red
	H482 LAZ	2			Agate
3					SCREW, (8-1x1 1/4) (Not Serv.)
4					HOOK, Rear Compartment
	H464 JD5	2			Quartz
	H464 LM6	2			Red
	H464 LAZ	2			Agate
5	4271 047	1			END CAP PACKAGE
6					GROMMET, Tonneau Cover
	H544 JD5	2			Quartz
	H544 LM6	2			Red
	H544 LAZ	2			Agate

**MODEL CODES:**

A BODY=(C=LeBaron, D=Spirit, P=Acclaim/LaBaron(Landau), Saratoga)      S BODY=(H=Voyager(H) FWD, K=Caravan(H) FWD, Y=Town & Country(H) FWD, P=Voyager(K) AWD, D=Caravan(K) AWD, C=Town & Country(K) AWD)  
 C BODY=(D=Dynasty, C=New Yorker/N.Y. Salon)      Y BODY=(C=Imperial/5th Avenue)  
 G BODY=(V=Daytona/IROC, Chrysler Daytona)      E-S BODY=(K=Chrysler Voyager(H) FWD, D=Chrysler Voyager(K) AWD)  
 J BODY=(C=LeBaron, Chrysler LeBaron)  
 P BODY=(P=Sundance, D=Shadow)

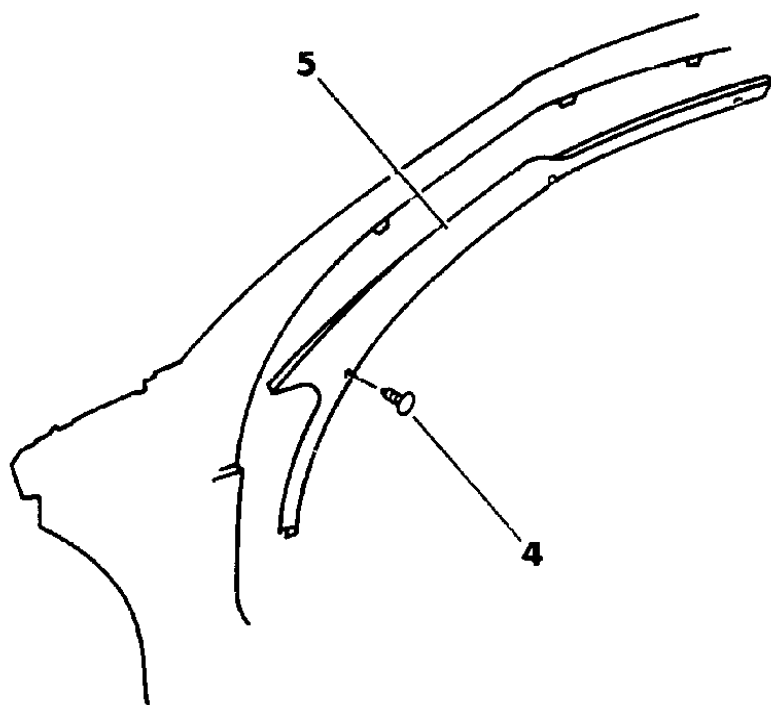
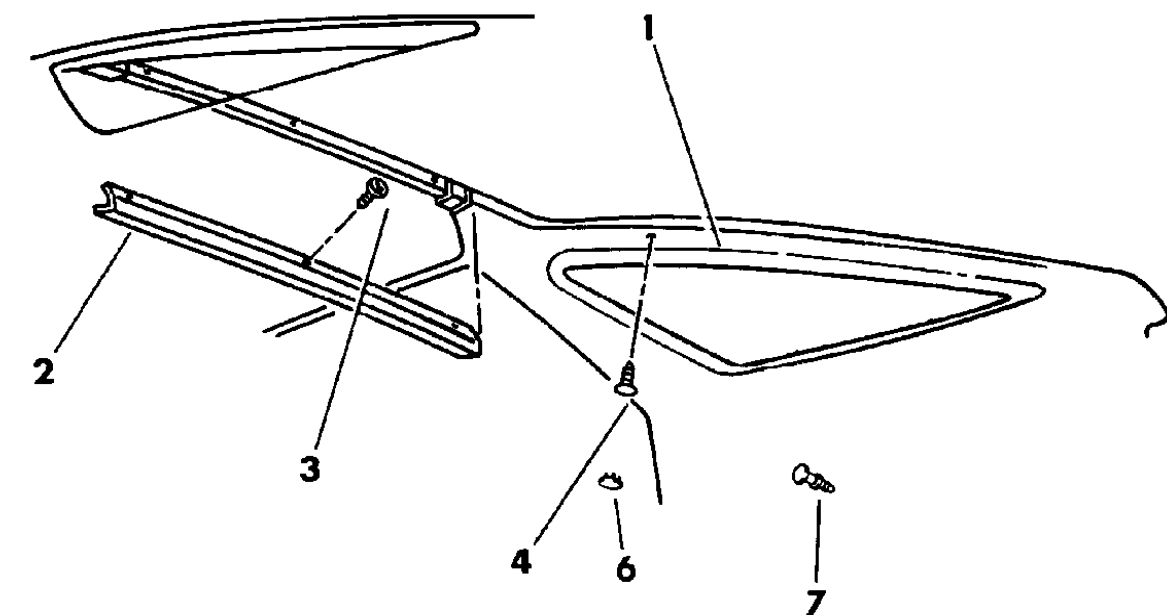
**BODY STYLES:**

21=2-Door Coupe      41=4-Door Sedan      12-52=FWD & AWD Van & Wgn Std W.B.  
 24=2-Door Hatchback      44=4-Door Hatchback      53=FWD & AWD Van & Wgn Ext. W.B.  
 27=2-Door Convertible

AR = Use as Required - = Non Illustrated Part P.A.R. = Paint as Required

**MOULDING--GARNISH G BODY**  
**Figure ITG-400**

93236 400A



ITEM	PART NUMBER	QTY	BODY	MODEL	DESCRIPTION
1					PANEL, Qtr. Trim Upper (See ILLUSTRATION 500)
2	F432 JD5	1			MOULDING, Rear Header (P.A.R.)
3					SCREW, (8-18x5/8) (Not Serv.)
4	0153 704	4			SCREW
-	4665 332-3	1			CLIP, Garnish to Cowl
5					MOULDING, Windshield Side Garnish
	DM52-3 JD5	1			Quartz
	DM52-3 LMA	1			Red
	DM52-3 LAZ	1			Agate
6	F245 LAZ	AR			PLUG, Trim (P.A.R.)
7					FASTENER, Garnish Attach.
	F155 HD5	AR			Quartz
	F155 KM6	AR			Red
	F155 LAZ	AR			Agate

NOTE: (P.A.R. = Paint as Required)

**MODEL CODES:**

A BODY=(C=LeBaron, D=Spirit, P=Acclaim/LaBaron(Landau), Saratoga) S BODY=(H=Voyager(H) FWD, K=Caravan(H) FWD, Y=Town & Country(H) FWD, P=Voyager(K) AWD, D=Caravan(K) AWD, C=Town & Country(K) AWD)  
 C BODY=(D=Dynasty, C=New Yorker/N.Y. Salon) Y BODY=(C=Imperial/5th Avenue)  
 G BODY=(V=Daytona/IROC, Chrysler Daytona) E-S BODY=(K=Chrysler Voyager(H) FWD, D=Chrysler Voyager(K) AWD)  
 J BODY=(C=LeBaron, Chrysler LeBaron)  
 P BODY=(P=Sundance, D=Shadow)

**BODY STYLES:**

21=2-Door Coupe      41=4-Door Sedan      12-52=FWD & AWD Van & Wgn Std W.B.  
 24=2-Door Hatchback      44=4-Door Hatchback      53=FWD & AWD Van & Wgn Ext. W.B.  
 27=2-Door Convertible

AR = Use as Required - = Non Illustrated Part P.A.R. = Paint as Required

PANEL--QUARTER TRIM & LOWER DECK OPENING G BODY  
Figure ITG-500

93236 500

ITEM	PART NUMBER	QTY	BODY	MODEL	DESCRIPTION
1	FP88-9 KD5	1			PANEL, Qtr. Upper Trim (P.A.R.)
	K784-5 JD5	1			Armrest
2					SCREW, Panel Attach. (8-18x1/2) (Not Serv.)
3					HOOK, Coat
	H542 HD5	2			Quartz
	H542 LM6	2			Red
	H542 LAZ	2			Agate
4					SCREW, (Not Serv.) (8-18x1 1/4)
5					PLATE, Door Sill Scuff (See Scuff Plate Illus.)
6	FP92-3 KD5	1			PANEL, Qtr. Lwr. Trim (P.A.R.)
7					SCREW, (Not Serv.) (8-18x5/8) (Not Serv.)
8	F245 LAZ	AR			PLUG, Trim (P.A.R.)
9					PANEL, Liftgate Opening Lower Trim
	GC73 LAZ	1			Agate
	GC73 LD5	1			Quartz
	GC73 LM6	1			Red
10					FASTENER
	F155 HD5	AR			Quartz
	F155 KM6	AR			Red
	F155 LAZ	AR			Agate
11	F416-7 CX9	1			COVER, Seat Latch (P.A.R.)
12	0152 490	2			U-NUT
13	4186 901	AR			SILENCER, Wheelhouse
14	3591 126	1			BRACKET, Cargo Lamp Painted
15					GRILLE, Rear Speakers
	H710-1 JW8	1			Quartz
	H710-1 LMA	1			Red
	H710-1 LAZ	1			Agate
16	4247 885	2			BRACKET, Liftgate Lower Trim Panel Attach.
17		AR			SCREW, (8-18x5/8) (Not Serv.)
18		2			COVER, Rear Compartment Speaker w/o Radio (Not Serv.)
19	6032 268	5			RETAINER, Grille Attach.
20					PLUG, w/o Cargo Compartment Lamp
	FR30 LAZ	1			Agate
	FR30 LD5	1			Quartz
	FR30 LM6	1			Red

MODEL CODES:

A BODY=(C=LeBaron, D=Spirit, P=Acclaim/LaBaron(Landau), Saratoga)

C BODY=(D=Dynasty, C=New Yorker/N.Y. Salon)

G BODY=(V=Daytona/IROC, Chrysler Daytona)

J BODY=(C=LeBaron, Chrysler LeBaron)

P BODY=(P=Sundance, D=Shadow)

S BODY=(H=Voyager(H) FWD, K=Caravan(H) FWD,

Y=Town & Country(H) FWD, P=Voyager(K) AWD,

D=Caravan(K) AWD, C=Town & Country(K) AWD)

Y BODY=(C=Imperial/5th Avenue)

E-S BODY=(K=Chrysler Voyager(H) FWD, D=Chrysler

Voyager(K) AWD)

BODY STYLES:

21=2-Door Coupe

41=4-Door Sedan

12-52=FWD & AWD Van & Wgn Std W.B.

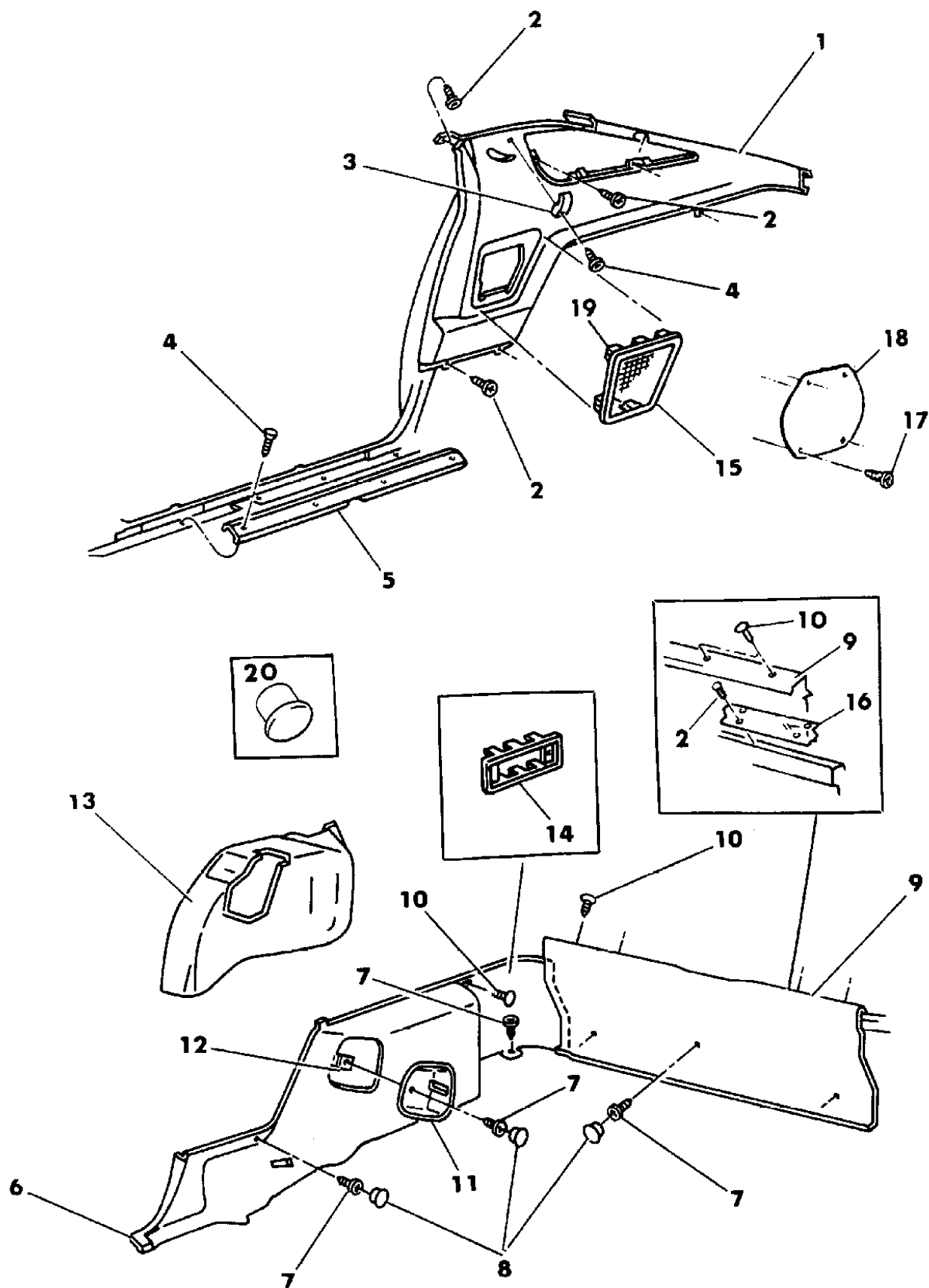
24=2-Door Hatchback

44=4-Door Hatchback

53=FWD & AWD Van & Wgn Ext. W.B.

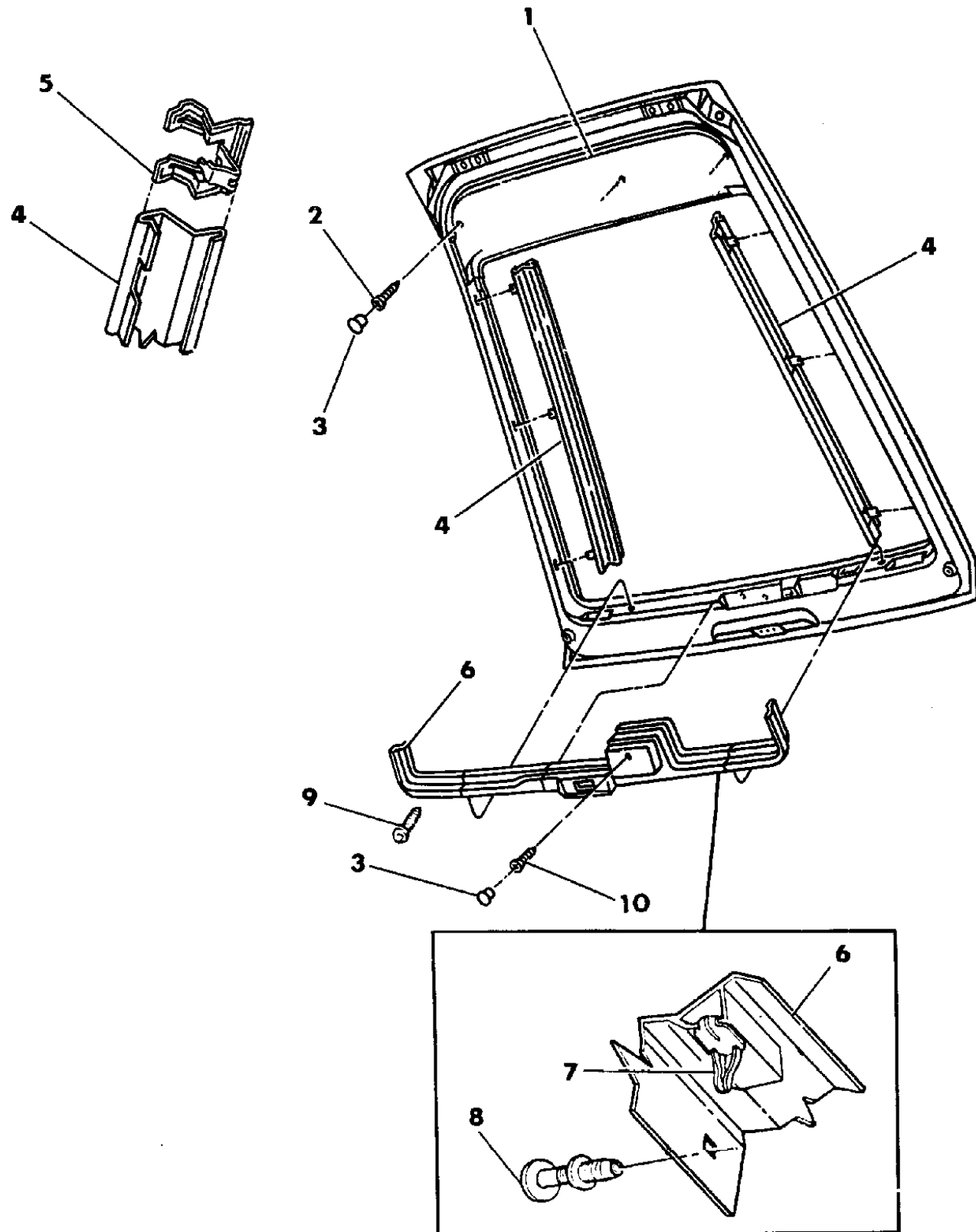
27=2-Door Convertible

AR = Use as Required - = Non Illustrated Part P.A.R. = Paint as Required



PANEL--LIFTGATE TRIM G BODY  
Figure ITG-600

93236 600



ITEM	PART NUMBER	QTY	BODY	MODEL	DESCRIPTION
1	H311 JD5	1			PANEL, Liftgate Upper Trim
2					SCREW, (8-18x3/4) (Not Serv.)
3	F245 LAZ	5			PLUG, Trim (P.A.R.)
4	4309 082-3	1			PANEL, Liftgate Side Trim (P.A.R.)
5	4247 729	6			RETAINER, Side Trim Attach
6					PANEL, Liftgate Lower w/Seal (P.A.R.)
	H180 JD5	1			w/o Rear Window Wiper
	H175 JD5	1			w/Rear Wiper
7	3832 616	3			CLIP, Lower Trim Panel w/Rear Wipers
8					FASTENER, w/o Rear Wiper
	F155 HD5	4			Quartz
	F155 KM6	4			Red
	F155 LAZ	4			Agate
9					SCREW, (8-15x13/32) Not Serv.
10	9436 676	AR			SCREW

MODEL CODES:

A BODY=(C=LeBaron, D=Spirit, P=Acclaim/LaBaron(Landau), Saratoga) S BODY=(H=Voyager(H) FWD, K=Caravan(H) FWD, Y=Town & Country(H) FWD, P=Voyager(K) AWD, D=Caravan(K) AWD, C=Town & Country(K) AWD)  
 C BODY=(D=Dynasty, C=New Yorker/N.Y. Salon) Y BODY=(C=Imperial/5th Avenue)  
 G BODY=(V=Daytona/IROC, Chrysler Daytona) E-S BODY=(K=Chrysler Voyager(H) FWD, D=Chrysler Voyager(K) AWD)  
 J BODY=(C=LeBaron, Chrysler LeBaron) P BODY=(P=Sundance, D=Shadow)

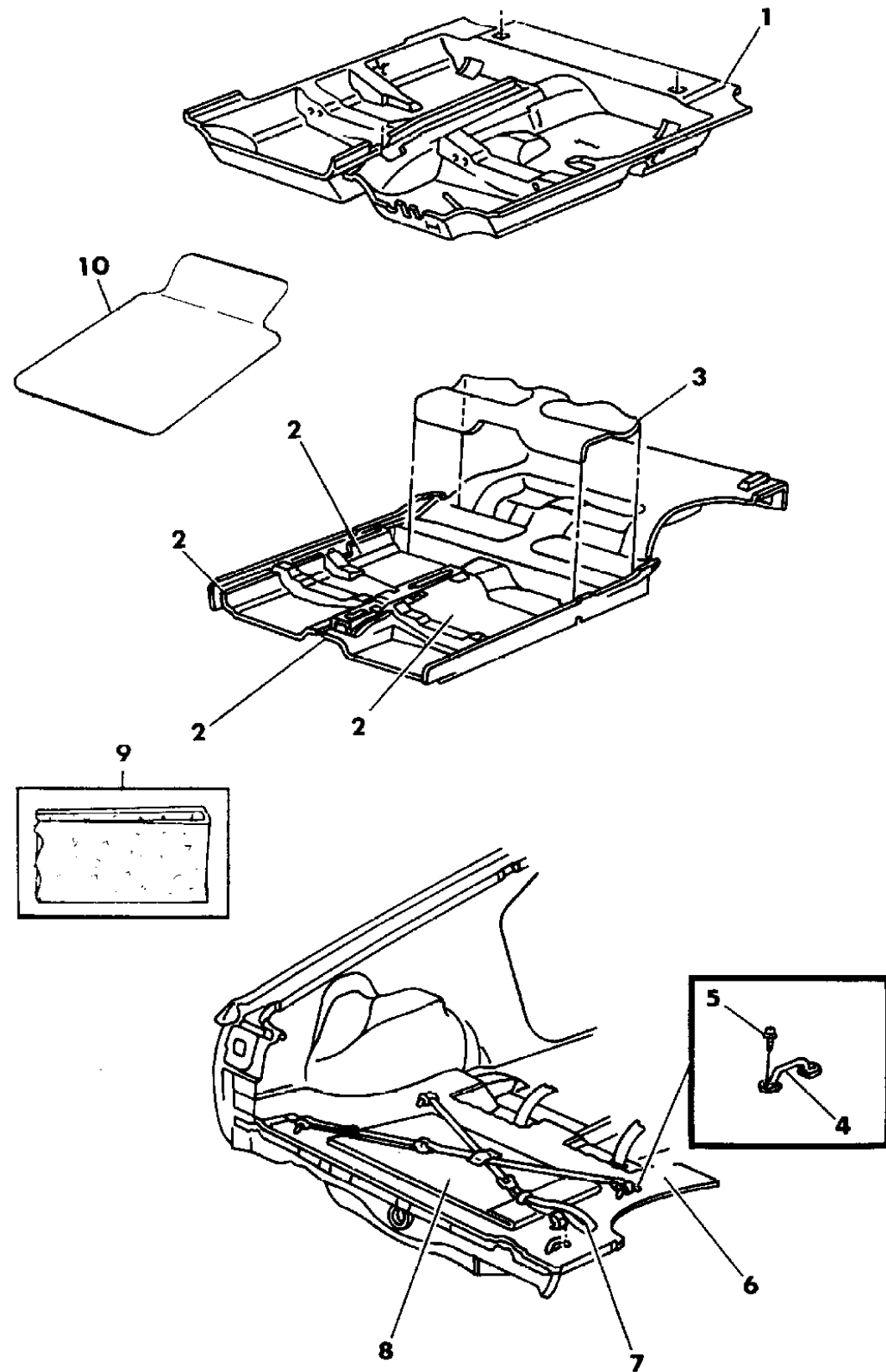
BODY STYLES:

21=2-Door Coupe 41=4-Door Sedan 12-52=FWD & AWD Van & Wgn Std W.B.  
 24=2-Door Hatchback 44=4-Door Hatchback 53=FWD & AWD Van & Wgn Ext. W.B.  
 27=2-Door Convertible

AR = Use as Required - = Non Illustrated Part P.A.R. = Paint as Required

**CARPET AND SILENCERS G BODY**  
**Figure ITG-700**

93236 700



ITEM	PART NUMBER	QTY	BODY	MODEL	DESCRIPTION
1					CARPET, Floor
	EN97 KD5	1			Quartz
	EN97 LM6	1			Red
	EN97 LAZ	1			Agate
	EN97 KRC	1			Radiant Red
2	4186 901	AR			SILENCER, Floor (36"x72" Cut To Fit)
3	4186 901	AR			SILENCER, Under Rear Seat (36"x72" Cut To Fit)
4					FOOT, Tie Down Anchor
	4248 818	4			(Use Up To 9-18-91)
	4665 288	4			(Use After 9-18-91)
5					SCREW, (8-18x3/4) (Not Serv.)
6					CARPET, Cargo Area w/o Slits
	FZ60 LRC	1			Radiant Red
	FZ60 LAZ	1			Agate
	FZ60 LD5	1			Quartz
	FZ60 LM6	1			Red
7	GN22 LX9	2			STRAP, Tie Down, Black
8	H608 CX7	1			BAG, Sunroof Storage
9	3762 862	AR			SILENCER, Cargo Compartment (36"x72" Cut To Fit)
10					CARPETED FLOOR MATS, Set Of Two
					FRONT
	FN88 LD5	1			Quartz
	FN88 LM6	1			Red
	FN88 LAZ	1			Agate
	FN88 LRC	1			Radiant Red

**MODEL CODES:**

A BODY=(C=LeBaron, D=Spirit, P=Acclaim/LaBaron(Landau), Saratoga) S BODY=(H=Voyager(H) FWD, K=Caravan(H) FWD, Y=Town & Country(H) FWD, P=Voyager(K) AWD, D=Caravan(K) AWD, C=Town & Country(K) AWD)  
 C BODY=(D=Dynasty, C=New Yorker/N.Y. Salon) Y BODY=(C=Imperial/5th Avenue)  
 G BODY=(V=Daytona/IROC, Chrysler Daytona) E-S BODY=(K=Chrysler Voyager(H) FWD, D=Chrysler Voyager(K) AWD)  
 J BODY=(C=LeBaron, Chrysler LeBaron)  
 P BODY=(P=Sundance, D=Shadow)

**BODY STYLES:**

21=2-Door Coupe      41=4-Door Sedan      12-52=FWD & AWD Van & Wgn Std W.B.  
 24=2-Door Hatchback      44=4-Door Hatchback      53=FWD & AWD Van & Wgn Ext. W.B.  
 27=2-Door Convertible

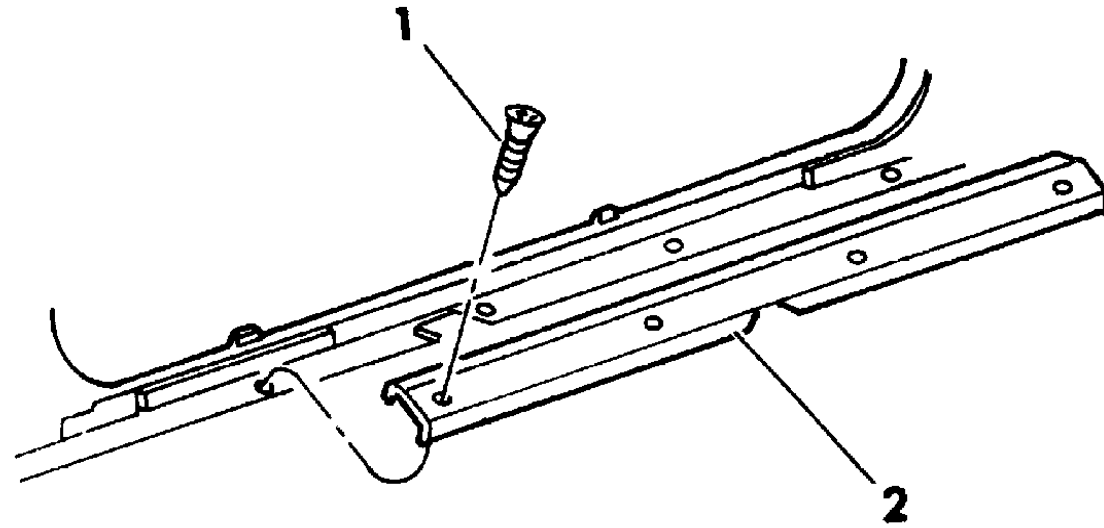
AR = Use as Required - = Non Illustrated Part P.A.R. = Paint as Required



**SCUFF PLATE G BODY**  
**Figure ITG-800**

93236 800

ITEM	PART NUMBER	QTY	BODY	MODEL	DESCRIPTION
1		AR			SCREW, (8-18x1 1/4) (Not Serv.)
2	AH68 JD5	2			PLATE, Door Sill Scuff (P.A.R.) NOTE: (P.A.R.) = Paint as Required



**MODEL CODES:**

A BODY=(C=LeBaron, D=Spirit, P=Acclaim/LaBaron(Landau), Saratoga)      S BODY=(H=Voyager(H) FWD, K=Caravan(H) FWD, Y=Town & Country(H) FWD, P=Voyager(K) AWD, D=Caravan(K) AWD, C=Town & Country(K) AWD)  
 C BODY=(D=Dynasty, C=New Yorker/N.Y. Salon)  
 G BODY=(V=Daytona/IROC, Chrysler Daytona)      Y BODY=(C=Imperial/5th Avenue)  
 J BODY=(C=LeBaron, Chrysler LeBaron)      E-S BODY=(K=Chrysler Voyager(H) FWD, D=Chrysler Voyager(K) AWD)  
 P BODY=(P=Sundance, D=Shadow)

**BODY STYLES:**

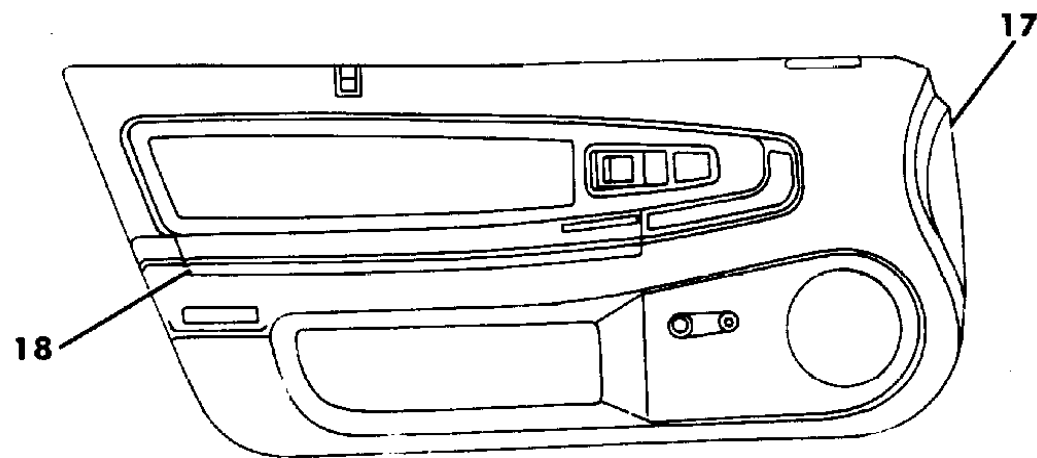
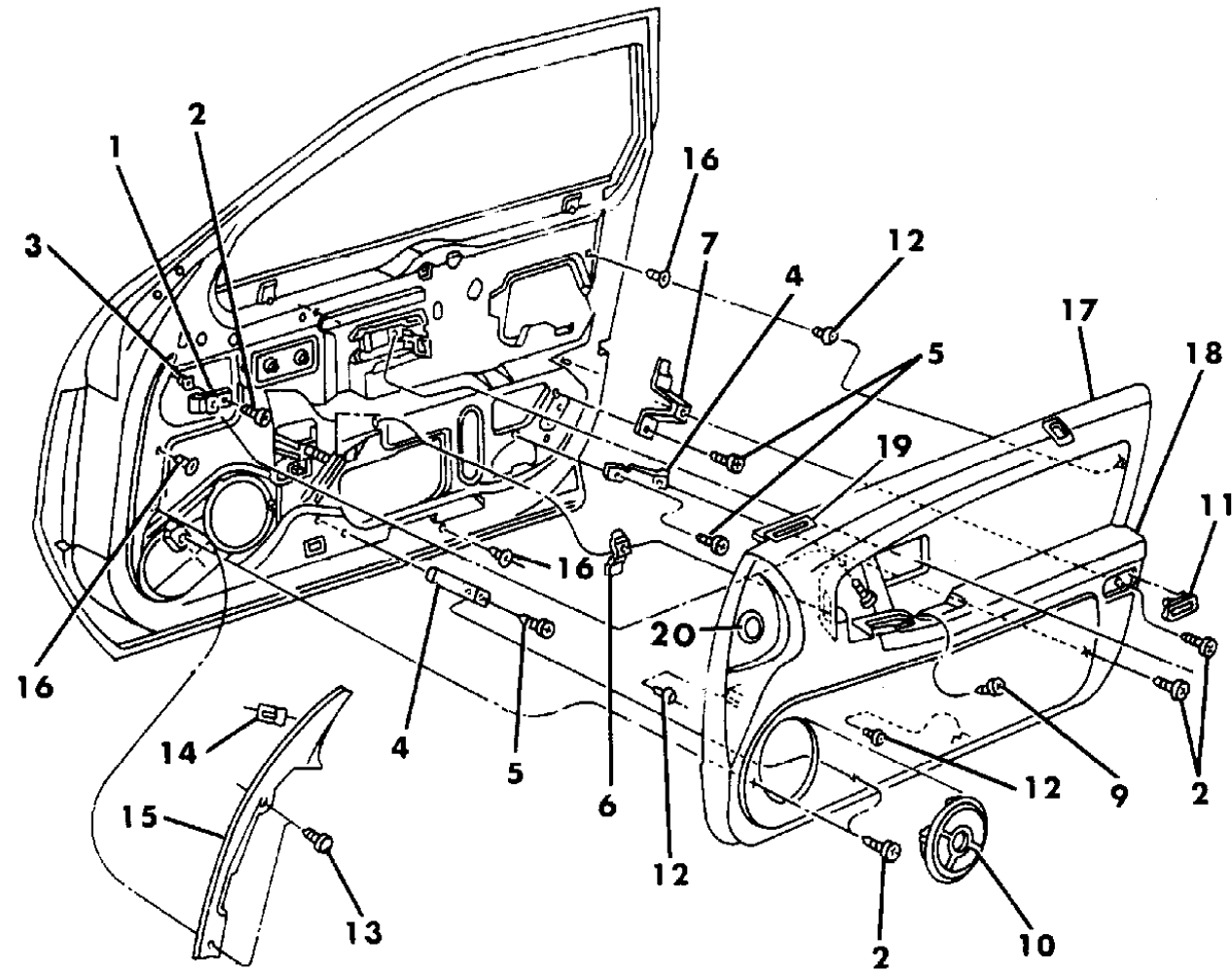
21=2-Door Coupe      41=4-Door Sedan      12-52=FWD & AWD Van & Wgn Std W.B.  
 24=2-Door Hatchback      44=4-Door Hatchback      53=FWD & AWD Van & Wgn Ext. W.B.  
 27=2-Door Convertible

AR = Use as Required - = Non Illustrated Part P.A.R. = Paint as Required

PANEL--DOOR TRIM G BODY  
Figure ITG-900

93236 900

ITEM	PART NUMBER	QTY	BODY	MODEL	DESCRIPTION
1	4521 258	100			BRACKET, Armrest
2		9			SCREW, (Not Serv.)
3	6000 943	1			NUT, Armrest
4	5259 987	4			BRACKET, Map Pocket Attaching
5		6			SCREW, (Not Serv.)
6	6502 440	2			CLIP
7	5259 984	2			BRACKET
9		1			SCREW, (Not Serv.)
10	4469 133	2			GRILLE, Speaker
11	5268 181	2			REFLECTOR, w/Clips ***
12	6502 187	6			FASTENER
13	6030 441	4			FASTENER, Cover
14	6501 292	2			CLIP, Cover
15	4409 090-1	1			COVER, Door Panel
16	6502 188	6			SEAL
17					PANEL, Door Trim
					Complete Panel, w/Bolster
	GV06-7 LDW	1			Quartz, (J7D)
	GV06-7 LM7	1			Red, (J7M)
	GV06-7 LAZ	1			Agate, (J7AZ)
	GV10-1 LDW	1			Quartz, (XLDW)
	GV10-1 LRC	1			Radiant Red, (XLAR)
	GV10-1 LAZ	1			Agate, (XLAZ)
	GV08-9 LDW	1			Quartz, (X7DW)
	GV08-9 LAZ	1			Agate, (X7AZ)
18					ARMREST, Door
	GV04-5 LD5	1			Quartz
	GV04-5 LM6	1			Red
	GV04-5 LAZ	1			Agate
19					BEZEL, Demister Grille
	WM82 JD5	2			Quartz
	WM82 LMA	2			Red
	WM82 LAZ	2			Agate
20	4453 217	1			BEZEL, Demister Inlet



MODEL CODES:

A BODY=(C=LeBaron, D=Spirit, P=Acclaim/LaBaron(Landau), Saratoga)

C BODY=(D=Dynasty, C=New Yorker/N.Y. Salon)

G BODY=(V=Daytona/IROC, Chrysler Daytona)

J BODY=(C=LeBaron, Chrysler LeBaron)

P BODY=(P=Sundance, D=Shadow)

S BODY=(H=Voyager(H) FWD, K=Caravan(H) FWD,

Y=Town & Country(H) FWD, P=Voyager(K) AWD,

D=Caravan(K) AWD, C=Town & Country(K) AWD)

Y BODY=(C=Imperial/5th Avenue)

E-S BODY=(K=Chrysler Voyager(H) FWD, D=Chrysler

Voyager(K) AWD)

BODY STYLES:

21=2-Door Coupe

41=4-Door Sedan

12-52=FWD & AWD Van & Wgn Std W.B.

24=2-Door Hatchback

44=4-Door Hatchback

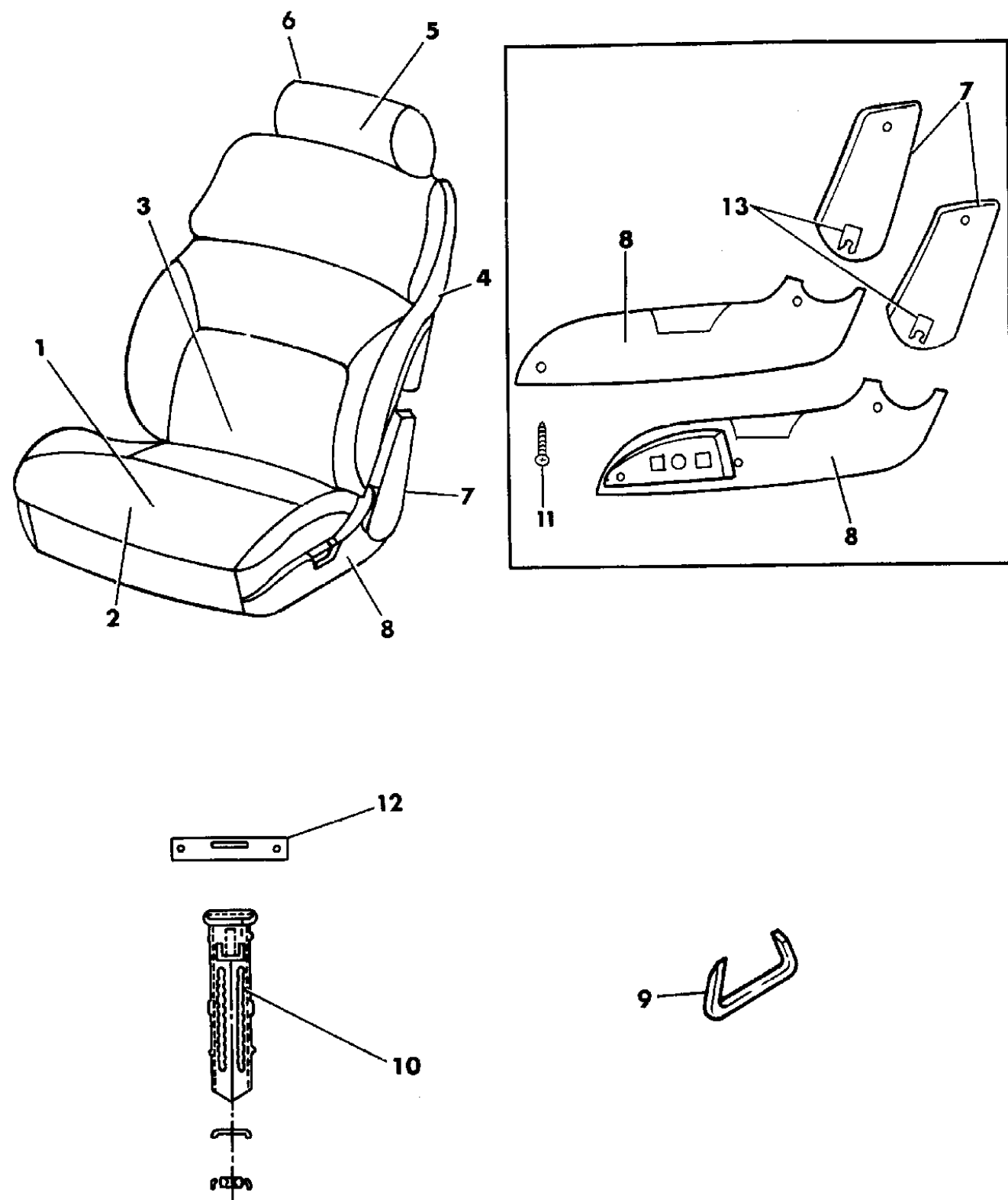
53=FWD & AWD Van & Wgn Ext. W.B.

27=2-Door Convertible

AR = Use as Required - = Non Illustrated Part P.A.R. = Paint as Required

SEAT--FRONT G BODY TRIM CODE J7  
Figure ITG-1000

93236 1000



ITEM	PART NUMBER	QTY	BODY	MODEL	DESCRIPTION
1-2					CUSHION, w/Spring/Frame, Pad and Cover
	GD12-3 LDW	1			CLOTH Quartz
	GD12-3 LMA	1			Red
	GD12-3 LAZ	1			Agate
	EJ24-5 LWW	1			EUROPEAN Quartz, (EUROPEAN)
	EJ24-5 LAZ	1			Agate, (EUROPEAN)
2					COVER, Cushion
	GC94-5 LAZ	1			CLOTH Agate
	GC94-5 LDW	1			Quartz
	GC94-5 LMA	1			Red
	AF90-1 J7D	1			EUROPEAN Quartz, (EUROPEAN)
	AF90-1 LAZ	1			Agate, (EUROPEAN)
3					BACK, w/Spring/Frame, Pad and Cover
	GD10-1 LDW	1			CLOTH Quartz
	GD10-1 LMA	1			Red
	GD10-1 LAZ	1			Agate
4					COVER, Back
	GC93 LDW	2			CLOTH Quartz
	GC93 LMA	2			Red
	GC93 LAZ	2			Agate
5					HEADREST and COVER
	B711 JWW	2			CLOTH Quartz
	B711 LMA	2			Red
	B711 LAZ	2			Agate
6					COVER, Headrest
	AJ54 JWW	2			CLOTH Quartz
	AJ54 LMA	2			Red
	AJ54 LAZ	2			Agate
7					SHIELD, Back
					OUTER Passenger Seat

MODEL CODES:

A BODY=(C=LeBaron, D=Spirit, P=Acclaim/LaBaron(Landau, Saratoga) S BODY=(H=Voyager(H) FWD, K=Caravan(H) FWD, Y=Town & Country(H) FWD, P=Voyager(K) AWD, D=Caravan(K) AWD, C=Town & Country(K) AWD)  
 C BODY=(D=Dynasty, C=New Yorker/N.Y. Salon)  
 G BODY=(V=Daytona/ROC, Chrysler Daytona)  
 J BODY=(C=LeBaron, Chrysler LeBaron)  
 P BODY=(P=Sundance, D=Shadow)  
 Y BODY=(C=Imperial/5th Avenue)  
 E-S BODY=(K=Chrysler Voyager(H) FWD, D=Chrysler Voyager(K) AWD)

BODY STYLES:

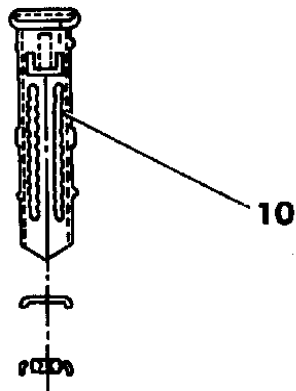
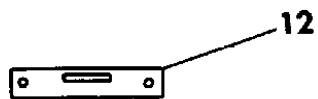
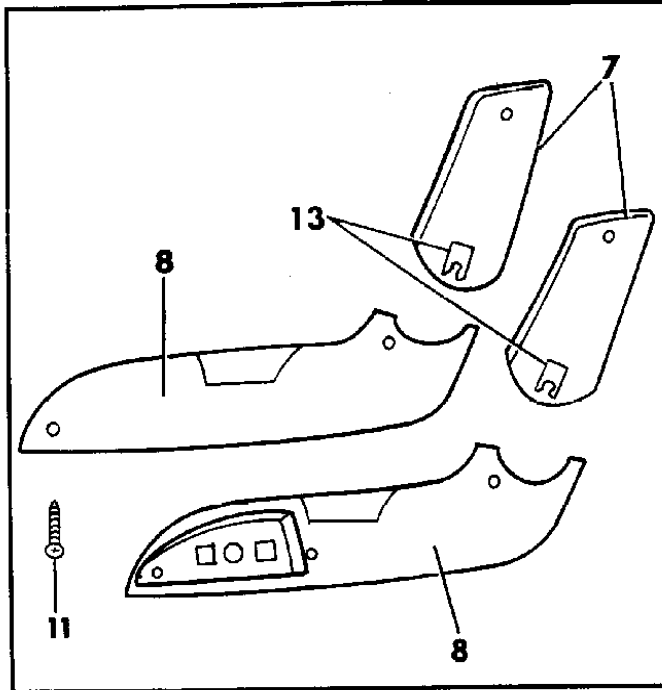
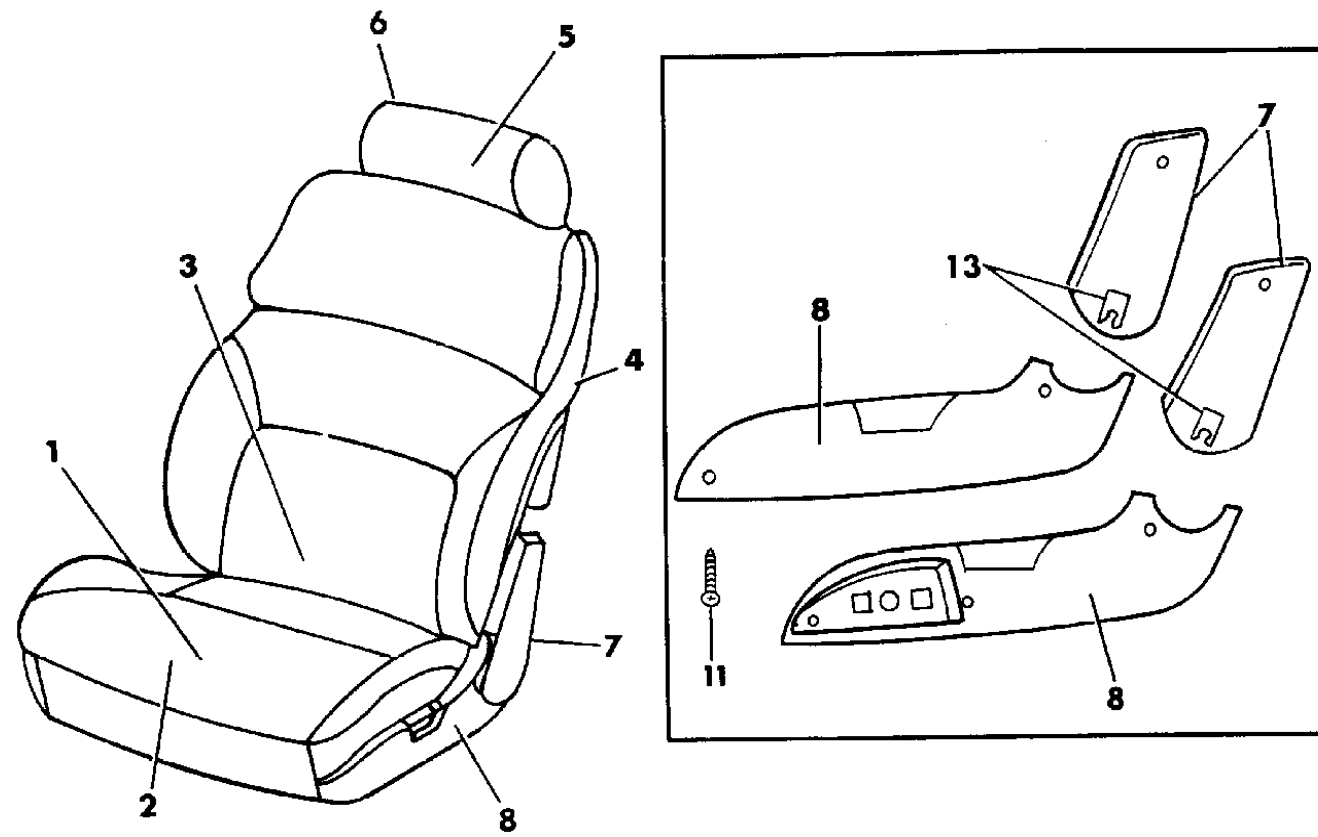
21=2-Door Coupe 41=4-Door Sedan 12-52=FWD & AWD Van & Wgn Std W.B.  
 24=2-Door Hatchback 44=4-Door Hatchback 53=FWD & AWD Van & Wgn Ext. W.B.  
 27=2-Door Convertible

AR = Use as Required - = Non Illustrated Part P.A.R. = Paint as Required

SEAT--FRONT G BODY TRIM CODE J7

Figure ITG-1000

93236 1000



ITEM	PART NUMBER	QTY	BODY	MODEL	DESCRIPTION
	S508 JD5	1			Quartz
	S508 LM6	1			Red
	S508 LAZ	1			Agate
					Driver Seat
	S509 JD5	1			Quartz
	S509 LM6	1			Red
	S509 LAZ	1			Agate
					INNER
					Passenger Seat
	S509 JD5	1			Quartz
	S509 LM6	1			Red
	S509 LAZ	1			Agate
					Driver Seat
	S508 JD5	1			Quartz
	S508 LM6	1			Red
	S508 LAZ	1			Agate
8					SHIELD, Cushion (P.A.R.)
					OUTER
	S458 HS8	1			Passenger Seat
	S765 JV4	1			Driver Seat
					INNER
	S765 JV4	1			Passenger Seat
	S458 HS8	1			Driver Seat
9	6008 076	AR			HOG RING
10	S283 HV4	2			SLEEVE, Headrest (P.A.R.)
11		AR			SCREW, Side Shield Attaching (8-18x1.75) (Not Serv)
12	4550 558	2			COVER, Headrest Finish
13	4317 800	AR			CLIP
NOTE: (P.A.R.) = Paint As Required					

MODEL CODES:

A BODY=(C=LeBaron, D=Spirit, P=Acclaim/LaBaron(Landau, Saratoga)  
 C BODY=(D=Dynasty, C=New Yorker/N.Y. Salon)  
 G BODY=(V=Daytona/IROC, Chrysler Daytona)  
 J BODY=(C=LeBaron, Chrysler LeBaron)  
 P BODY=(P=Sundance, D=Shadow)

S BODY=(H=Voyager(H) FWD, K=Caravan(H) FWD, Y=Town & Country(H) FWD, P=Voyager(K) AWD, D=Caravan(K) AWD, C=Town & Country(K) AWD)  
 Y BODY=(C=Imperial/5th Avenue)  
 E-S BODY=(K=Chrysler Voyager(H) FWD, D=Chrysler Voyager(K) AWD)

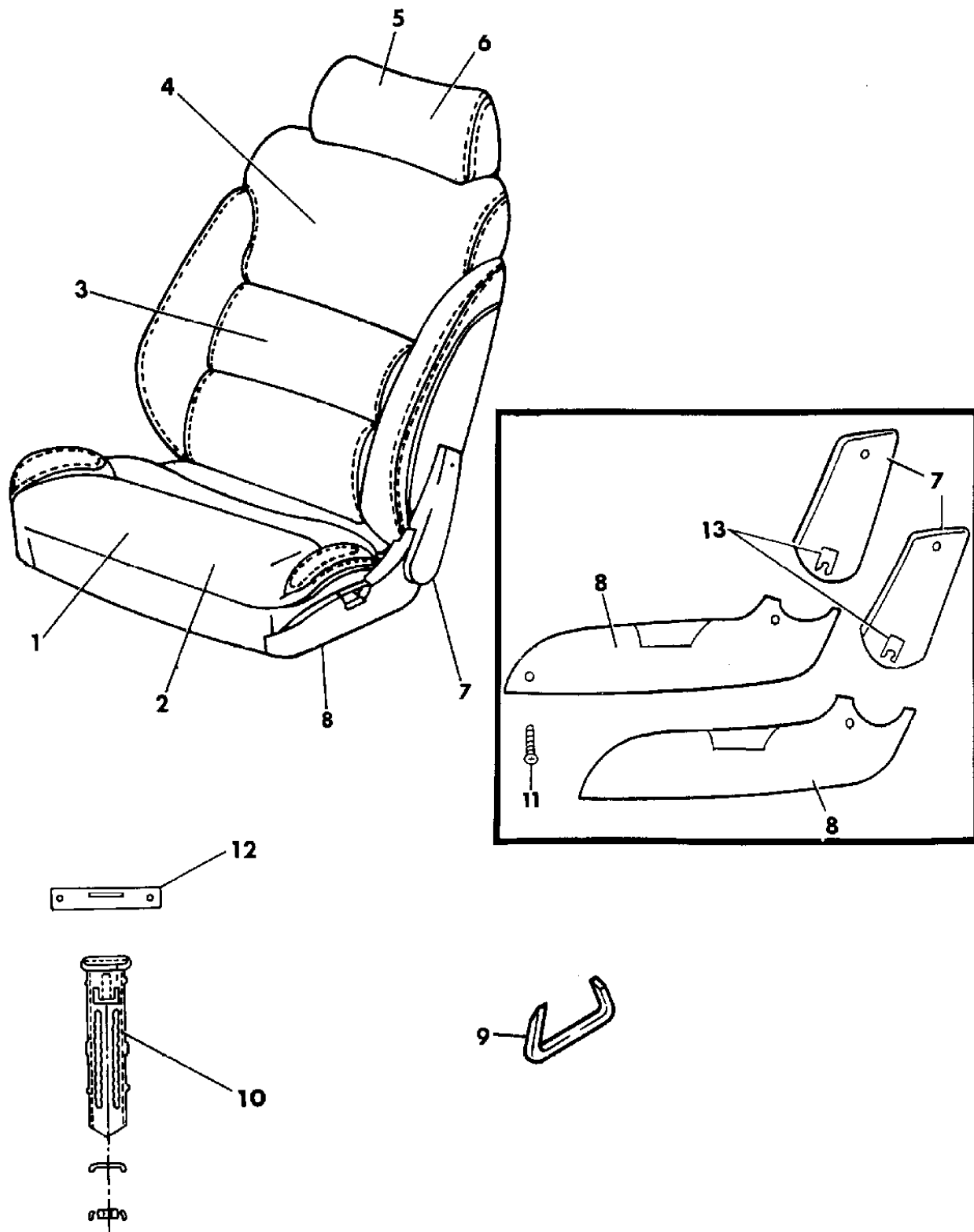
BODY STYLES:

21=2-Door Coupe      41=4-Door Sedan      12-52=FWD & AWD Van & Wgn Std W.B.  
 24=2-Door Hatchback      44=4-Door Hatchback      53=FWD & AWD Van & Wgn Ext. W.B.  
 27=2-Door Convertible

AR = Use as Required - = Non Illustrated Part P.A.R. = Paint as Required

**SEAT--FRONT G BODY TRIM CODE X7**  
**Figure ITG-1100**

93236 1100



ITEM	PART NUMBER	QTY	BODY	MODEL	DESCRIPTION
1					CUSHION, w/Spring/Frame, Pad and Cover
					Cloth
	EY72-3 LW8	1			Quartz
	EY72-3 LAZ	1			Agate EUROPEAN
2					COVER, Cushion
					Cloth
	EJ26-7 LW8	1			Quartz
	EJ26-7 LAZ	1			Agate
3					BACK, w/Spring/Frame, Pad and Cover
					CLOTH
	EY70-1 LW8	1			Quartz
	EY70-1 LAZ	1			Agate
4					COVER, Back
					CLOTH
	EY66-7 LW8	1			Quartz
	EY66-7 LAZ	1			Agate
5					HEADREST and COVER
					Quartz
	EY64 LW8	2			Agate
	EY64 LAZ	2			Agate
6					COVER, Headrest
					Quartz
	EY63 LW8	2			Agate
	EY63 LAZ	2			Agate
7					SHIELD, Back
					OUTER
					Passenger Seat
	S508 JD5	1			Quartz
	S508 LAZ	1			Agate
					Driver Seat
	S509 JD5	1			Quartz
	S509 LAZ	1			Agate
					Driver Seat (w/Power)
	S825 JD5	1			Quartz
	S825 LAZ	1			Agate
					INNER
				Passenger Seat	
				Quartz	
S509 JD5	1			Quartz	

**MODEL CODES:**

A BODY=(C=LeBaron, D=Spirit, P=Acclaim/LaBaron(Landau), Saratoga) S BODY=(H=Voyager(H) FWD, K=Caravan(H) FWD, Y=Town & Country(H) FWD, P=Voyager(K) AWD, D=Caravan(K) AWD, C=Town & Country(K) AWD)  
 C BODY=(D=Dynasty, C=New Yorker/N.Y. Salon) Y BODY=(C=Imperial/5th Avenue)  
 G BODY=(V=Daytona/ROC, Chrysler Daytona) E-S BODY=(K=Chrysler Voyager(H) FWD, D=Chrysler Voyager(K) AWD)  
 J BODY=(C=LeBaron, Chrysler LeBaron) P BODY=(P=Sundance, D=Shadow)

**BODY STYLES:**

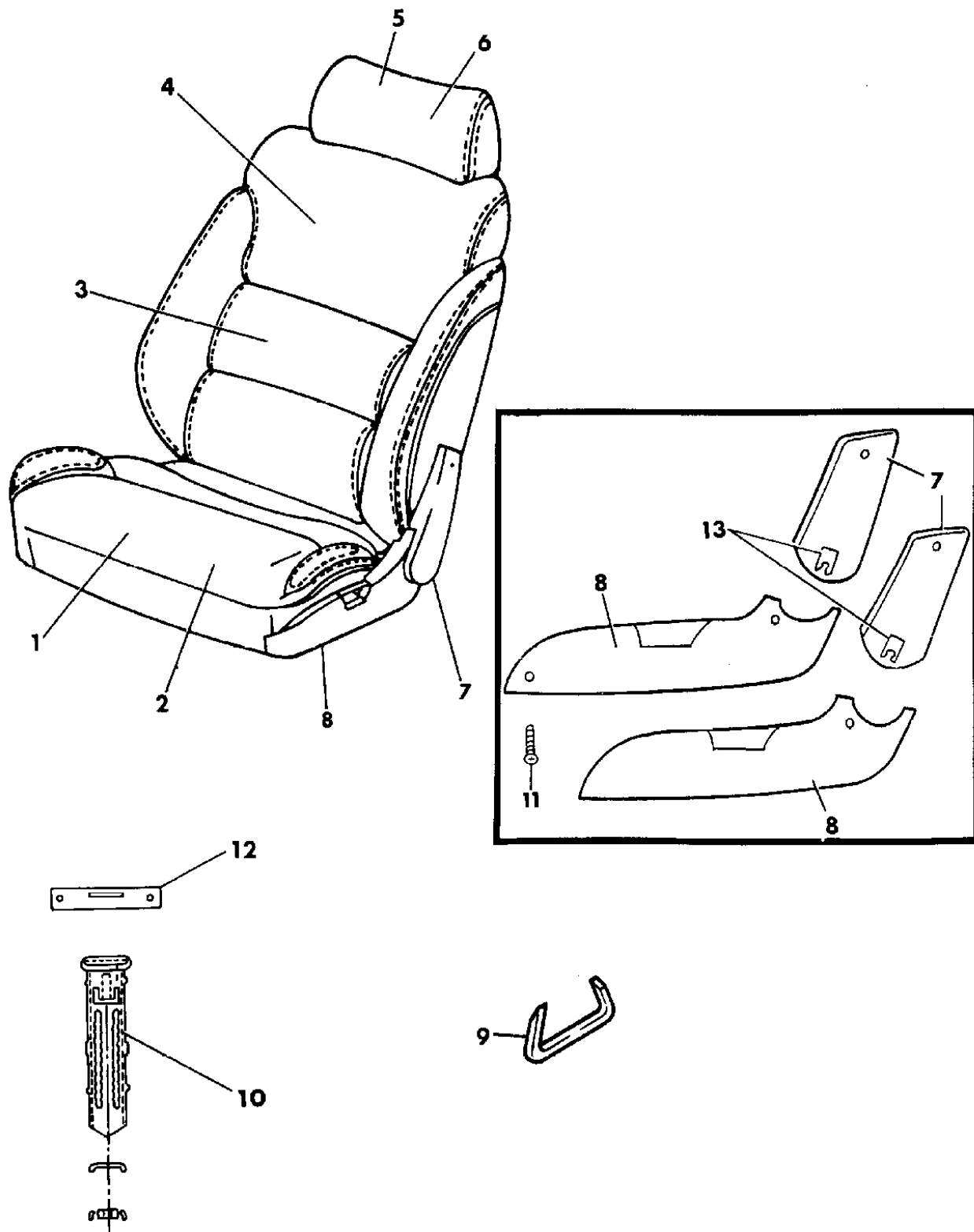
21=2-Door Coupe 41=4-Door Sedan 12-52=FWD & AWD Van & Wgn Std W.B.  
 24=2-Door Hatchback 44=4-Door Hatchback 53=FWD & AWD Van & Wgn Ext. W.B.  
 27=2-Door Convertible

AR = Use as Required - = Non Illustrated Part P.A.R. = Paint as Required

SEAT--FRONT G BODY TRIM CODE X7

Figure ITG-1100

93236 1100



ITEM	PART NUMBER	QTY	BODY	MODEL	DESCRIPTION
	S509 LAZ	1			Agate
					Driver Seat
	S508 JD5	1			Quartz
	S508 LAZ	1			Agate
8					SHIELD, Cushion (P.A.R.)
					OUTER
	S458 HS8	1			Passenger Seat
	S795 JD5	1			Driver Seat
					INNER
	S795 JD5	1			Passenger Seat
	S458 HS8	1			Driver Seat
9	6008 076	AR			HOG RING
10	S283 HV4	2			SLEEVE, Headrest (P.A.R.)
	S914 JW8	2			(w/Power Wings and Power Lumbar - Trim Code X7)
11		AR			SCREW, Side Shield (8-18x1.75) (Not Serv.)
12	4550 558	2			COVER, Headrest Finish
13	4317 800	AR			CLIP

NOTE: (P.A.R.)= Paint As Required

MODEL CODES:

A BODY=(C=LeBaron, D=Spirit, P=Acclaim/LaBaron(Landau), Saratoga) S BODY=(H=Voyager(H) FWD, K=Caravan(H) FWD, Y=Town & Country(H) FWD, P=Voyager(K) AWD, D=Caravan(K) AWD, C=Town & Country(K) AWD)  
 C BODY=(D=Dynasty, C=New Yorker/N.Y. Salon) Y BODY=(C=Imperial/5th Avenue)  
 G BODY=(V=Daytona/IROC, Chrysler Daytona) E-S BODY=(K=Chrysler Voyager(H) FWD, D=Chrysler Voyager(K) AWD)  
 J BODY=(C=LeBaron, Chrysler LeBaron) P BODY=(P=Sundance, D=Shadow)

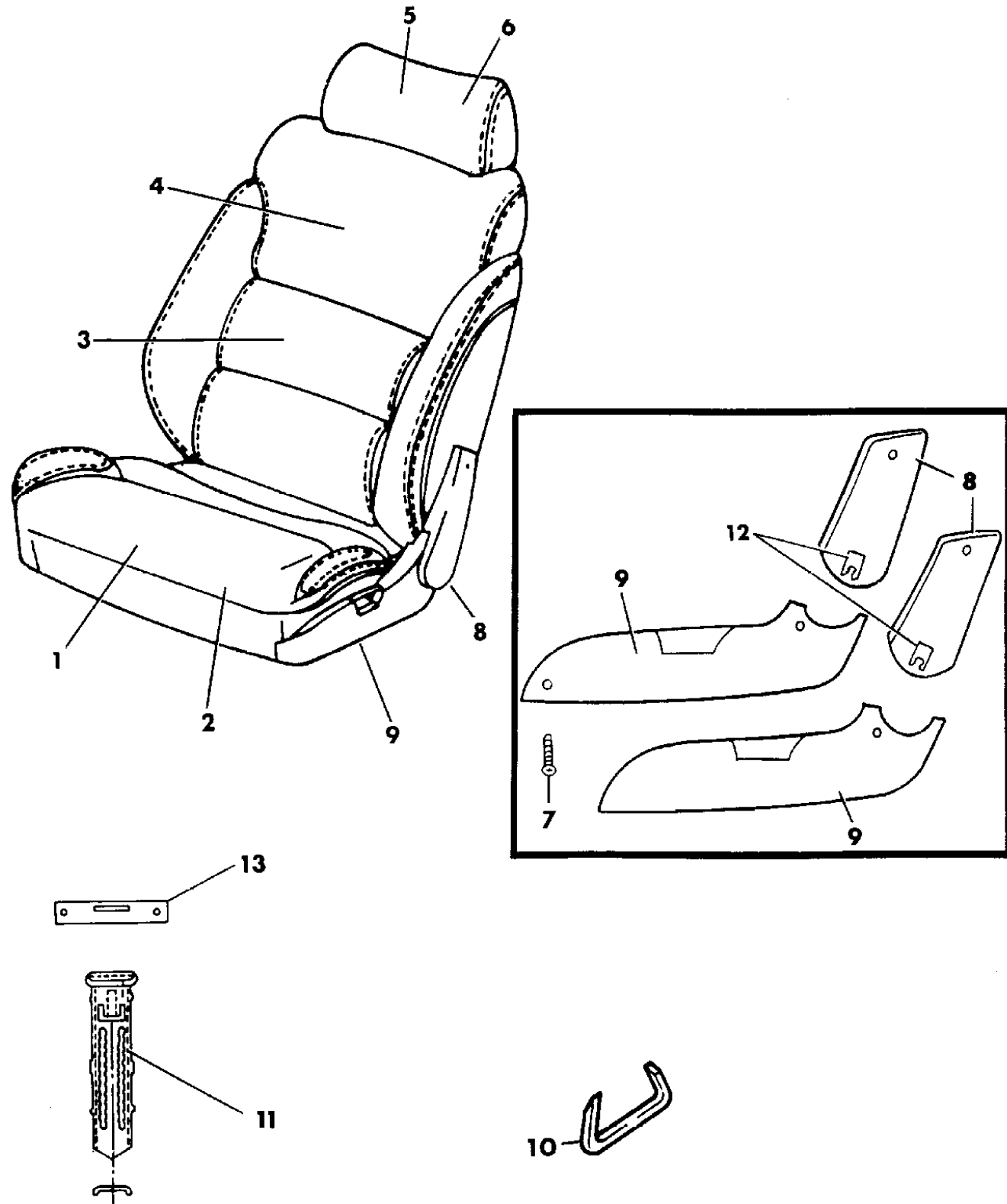
BODY STYLES:

21=2-Door Coupe 41=4-Door Sedan 12-52=FWD & AWD Van & Wgn Std W.B.  
 24=2-Door Hatchback 44=4-Door Hatchback 53=FWD & AWD Van & Wgn Ext. W.B.  
 27=2-Door Convertible

AR = Use as Required - = Non Illustrated Part P.A.R. = Paint as Required

**SEAT--FRONT G BODY TRIM CODE XL**  
**Figure ITG-1200**

93236 1200



ITEM	PART NUMBER	QTY	BODY	MODEL	DESCRIPTION
1-2					CUSHION, w/Spring/Frame, Pad and Cover
	FD96-7 LDW	1			Leather
	FD96-7 LAZ	1			Quartz
	FD96-7 LRC	1			Agate
					Radiant Red
					EUROPEAN
	EJ28-9 LW8	1			Leather
	EJ28-9 LAZ	1			Quartz
	EJ28-9 LRC	1			Agate
					Radiant Red
2					COVER, Cushion
	FD90-1 LDW	1			Leather
	FD90-1 LAZ	1			Quartz
	FD90-1 LRC	1			Agate
					Radiant Red
3-4					BACK, w/Spring/Frame, Pad and Cover
					LEATHER
	GD22-3 LDW	1			Leather
	GD22-3 LAZ	1			Quartz
	GD22-3 LRC	1			Agate
					Radiant Red
4					COVER, Back
					LEATHER
	GC88-9 LDW	1			Leather
	GC88-9 LAZ	1			Quartz
	GC88-9 LRC	1			Agate
					Radiant Red
5					HEADREST and COVER
					LEATHER
	N546 JW8	2			Leather
	N546 LAZ	2			Quartz
	N546 KRC	2			Agate
					Radiant Red
6					COVER, Headrest
					LEATHER
	AJ50 JW8	2			Leather
	AJ50 LAZ	2			Quartz
	AJ50 KRC	2			Agate
					Radiant Red
7		AR			SCREW, Shield (8-18x1.74) (Not Serv.)
8					SHIELD, Back
					OUTER
					Passenger Seat
	S508 JD5	1			Quartz

**MODEL CODES:**

A BODY=(C=LeBaron, D=Spirit, P=Acclaim/LaBaron(Landau, Saratoga)  
 C BODY=(D=Dynasty, C=New Yorker/N.Y. Salon)  
 G BODY=(V=Daytona/IROC, Chrysler Daytona)  
 J BODY=(C=LeBaron, Chrysler LeBaron)  
 P BODY=(P=Sundance, D=Shadow)

S BODY=(H=Voyager(H) FWD, K=Caravan(H) FWD, Y=Town & Country(H) FWD, P=Voyager(K) AWD, D=Caravan(K) AWD, C=Town & Country(K) AWD)  
 Y BODY=(C=Imperial/5th Avenue)  
 E-S BODY=(K=Chrysler Voyager(H) FWD, D=Chrysler Voyager(K) AWD)

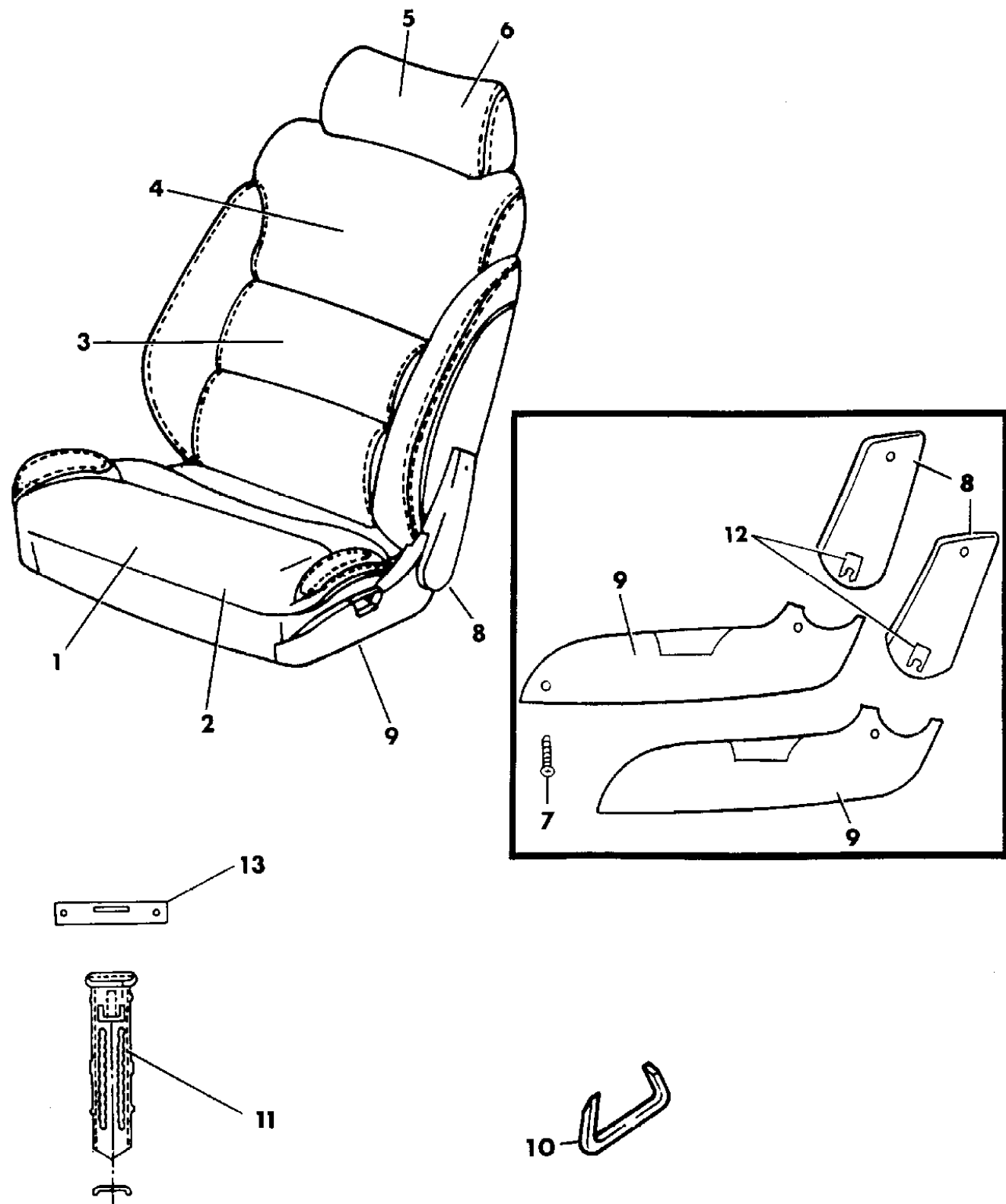
**BODY STYLES:**

21=2-Door Coupe      41=4-Door Sedan      12-52=FWD & AWD Van & Wgn Std W.B.  
 24=2-Door Hatchback      44=4-Door Hatchback      53=FWD & AWD Van & Wgn Ext. W.B.  
 27=2-Door Convertible

AR = Use as Required - = Non Illustrated Part P.A.R. = Paint as Required

SEAT--FRONT G BODY TRIM CODE XL  
Figure ITG-1200

93236 1200



ITEM	PART NUMBER	QTY	BODY	MODEL	DESCRIPTION
	S508 LAZ	1			Agate
	S508 KRC	1			Radiant Red
	S825 JD5	1			Quartz
	S825 LAZ	1			Agate
	S825 KRC	1			Radiant Red
	S825 JD5	1			Quartz
	S825 LAZ	1			Agate
	S825 KRC	1			Radiant Red
	S508 JD5	1			Quartz
	S508 LAZ	1			Agate
	S508 KRC	1			Radiant Red
9					SHIELD, Cushion (P.A.R.) OUTER
	S458 HS8	1			Passenger Seat
	S795 JD5	1			Driver Seat INNER
	S795 JD5	1			Passenger Seat
	S458 HS8	1			Driver Seat
10	6008 076	AR			HOG RING
11	S283 HV4	2			SLEEVE, Headrest (P.A.R.) (w/Power Wings and Power Lumbar)
	S914 JW8	2			
12	4317 800	AR			CLIP
13	4550 558	2			COVER, Headrest Finish NOTE: (P.A.R.) = Paint As Required

MODEL CODES:

A BODY=(C=LeBaron, D=Spirit, P=Acclaim/LaBaron(Landau),  
Saratoga)  
C BODY=(D=Dynasty, C=New Yorker/N.Y. Salon)  
G BODY=(V=Daytona/ROC, Chrysler Daytona)  
J BODY=(C=LeBaron, Chrysler LeBaron)  
P BODY=(P=Sundance, D=Shadow)

S BODY=(H=Voyager(H) FWD, K=Caravan(H) FWD,  
Y=Town & Country(H) FWD, P=Voyager(K) AWD,  
D=Caravan(K) AWD, C=Town & Country(K) AWD)  
Y BODY=(C=Imperial/5th Avenue)  
E-S BODY=(K=Chrysler Voyager(H) FWD, D=Chrysler  
Voyager(K) AWD)

BODY STYLES:

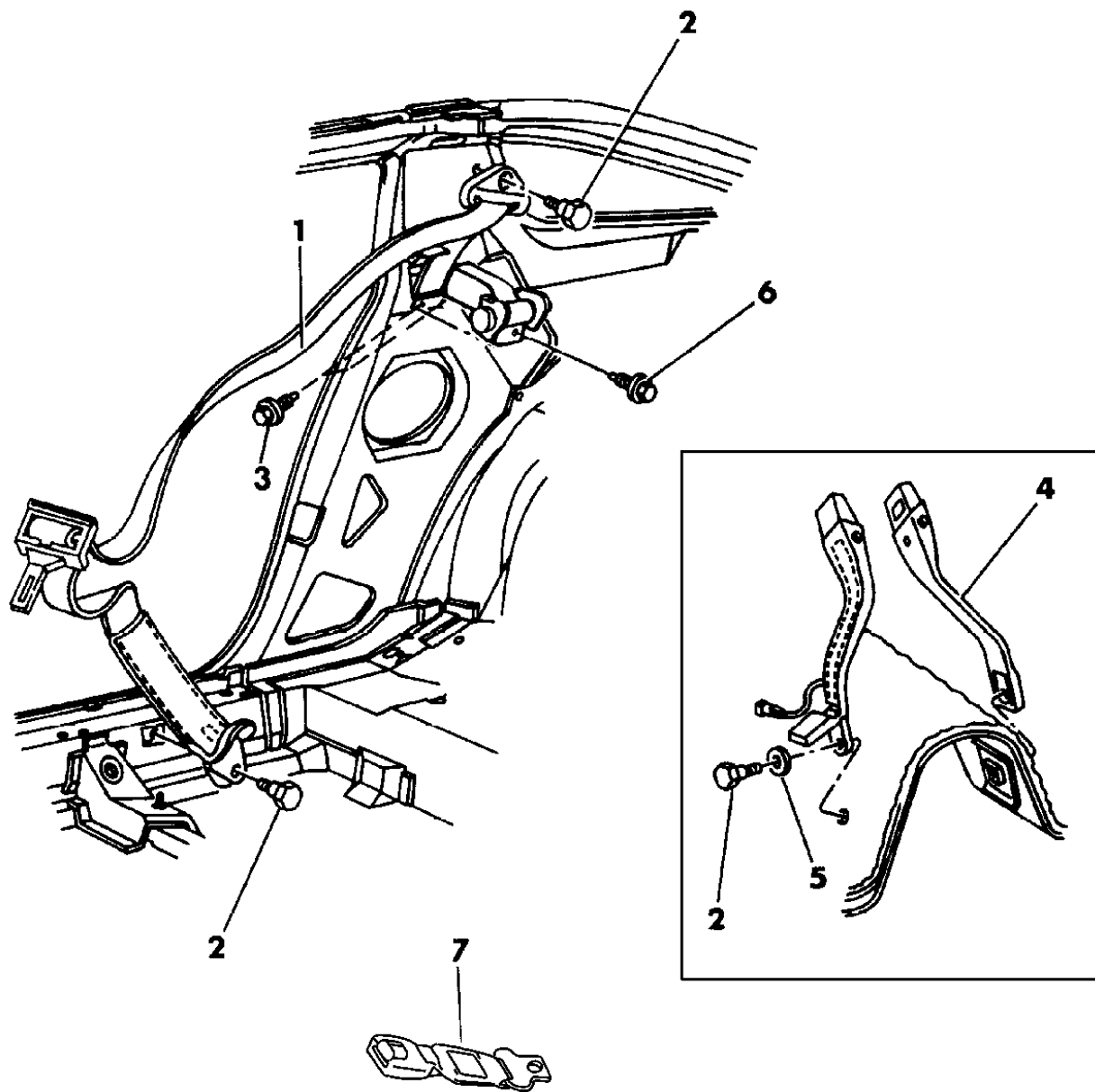
21=2-Door Coupe      41=4-Door Sedan      12-52=FWD & AWD Van & Wgn Std W.B.  
24=2-Door Hatchback      44=4-Door Hatchback      53=FWD & AWD Van & Wgn Ext. W.B.  
27=2-Door Convertible

AR = Use as Required - = Non Illustrated Part P.A.R. = Paint as Required



**BELT--FRONT SEAT LAP AND SHOULDER G BODY MANUAL-ACTIVE SYSTEM**  
**Figure ITG-1300**

93236 1300A



ITEM	PART NUMBER	QTY	BODY	MODEL	DESCRIPTION
1					BELT, Outboard Lap and Shoulder
					LABEL NUMBER 4645200-1
	EL76-7 LD5	1			Quartz
	EL76-7 LM6	1			Red
	EL76-7 LAZ	1			Agate
					COVER, Adjustable Turn Loop (EUROPEAN)
	EK52-3 KD5	1			Quartz, (EUROPEAN)
	EK52-3 LAZ	1			Agate, (EUROPEAN)
	H448 LAZ	AR			FASTENER, Turn/Loop (EUROPEAN)
	4550 740-1	1			BELT, Outer (EUROPEAN)
2	6031 298	2			BOLT, Shoulder
3		AR			BOLT, (m8-1.25x25) (Not Serv.)
4					BELT, Front Seat (Inner)
					LABEL NUMBER 4614134-5
	DK56-7 KD5	1			Quartz
	DK56-7 LM6	1			Red
	DK56-7 LAZ	1			Agate
5					WASHER, (Not Serv.)
6	6100 591	4			SCREW
7	5260 606	1			EXTENDER
-	4571 727	2			ADJUSTER, Front Seat Belt T/Loop Manual (EUROPEAN)
-	6502 339	2			NUT, Seat Belt Track (EUROPEAN)
-	4571 559	2			BUTTON, Seat Belt T/Loop (EUROPEAN)

NOTE: (P.A.R.)= Paint As Required

**MODEL CODES:**

A BODY=(C=LeBaron, D=Spirit, P=Acclaim/LaBaron(Landau), Saratoga)      S BODY=(H=Voyager(H) FWD, K=Caravan(H) FWD, Y=Town & Country(H) FWD, P=Voyager(K) AWD, D=Caravan(K) AWD, C=Town & Country(K) AWD)  
 C BODY=(D=Dynasty, C=New Yorker/N.Y. Salon)  
 G BODY=(V=Daytona/IROC, Chrysler Daytona)  
 J BODY=(C=LeBaron, Chrysler LeBaron)  
 P BODY=(P=Sundance, D=Shadow)      Y BODY=(C=Imperial/5th Avenue)  
 E-S BODY=(K=Chrysler Voyager(H) FWD, D=Chrysler Voyager(K) AWD)

**BODY STYLES:**

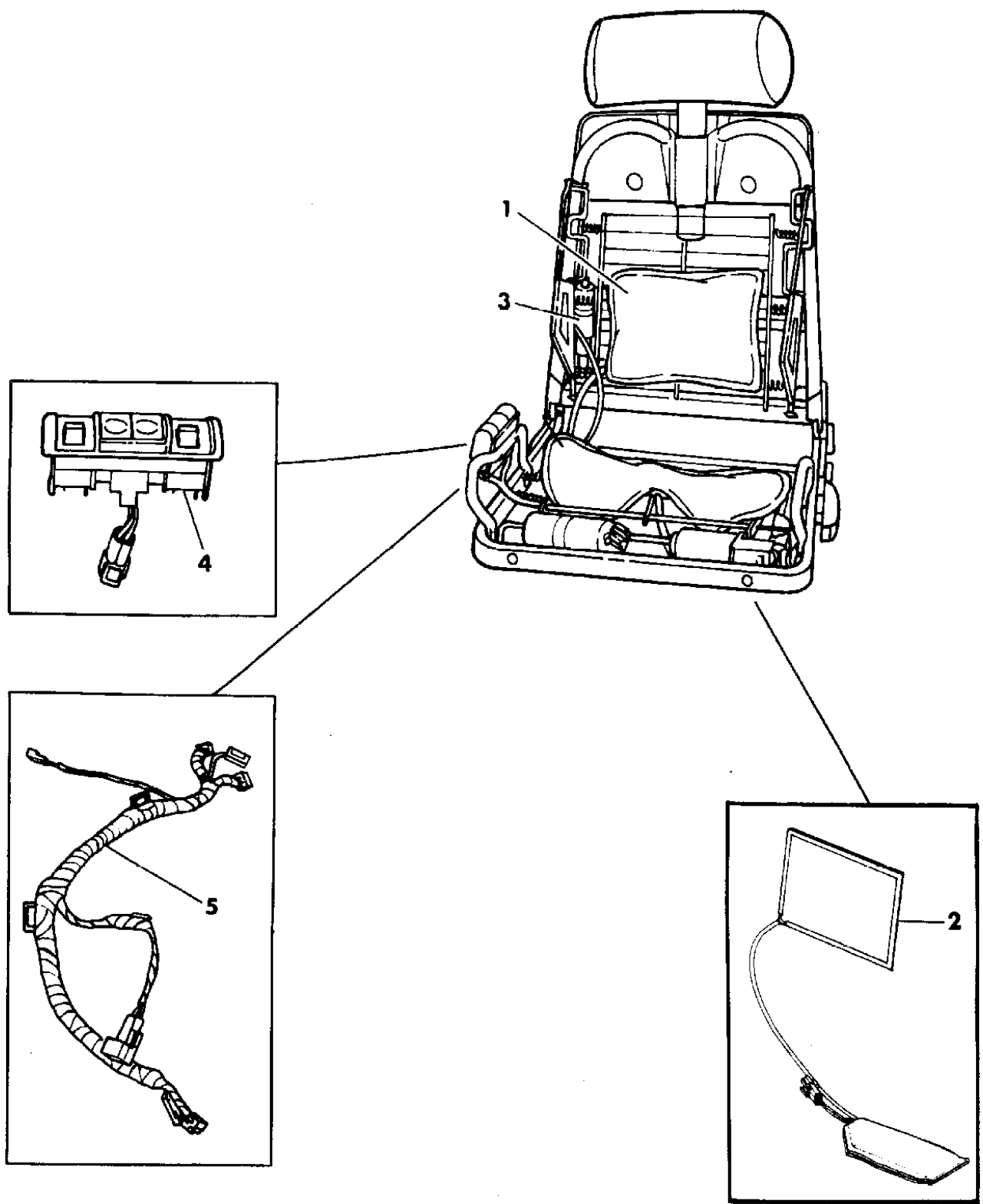
21=2-Door Coupe      41=4-Door Sedan      12-52=FWD & AWD Van & Wgn Std W.B.  
 24=2-Door Hatchback      44=4-Door Hatchback      53=FWD & AWD Van & Wgn Ext. W.B.  
 27=2-Door Convertible

AR = Use as Required - = Non Illustrated Part P.A.R. = Paint as Required

LUMBAR AND THIGH SUPPORT - ELECTRIC G BODY  
Figure ITG-1400

93236 1400

ITEM	PART NUMBER	QTY	BODY	MODEL	DESCRIPTION
1	4645 596	1			BLADDER, Lumbar Support
2					MOTOR and PUMP, (Cancelled Not Use In 1991)
3	4376 627	1			MOTOR, Gear Box, Back Wing
4	4373 856	1			SWITCH, Elec. Lumbar
5	4481 447	1			WIRING HARNESS



**MODEL CODES:**

A BODY=(C=LeBaron, D=Spirit, P=Acclaim/LaBaron(Landau), Saratoga) S BODY=(H=Voyager(H) FWD, K=Caravan(H) FWD, Y=Town & Country(H) FWD, P=Voyager(K) AWD, D=Caravan(K) AWD, C=Town & Country(K) AWD)  
 C BODY=(D=Dynasty, C=New Yorker/N.Y. Salon) Y BODY=(C=Imperial/5th Avenue)  
 G BODY=(V=Daytona/IROC, Chrysler Daytona) E-S BODY=(K=Chrysler Voyager(H) FWD, D=Chrysler Voyager(K) AWD)  
 J BODY=(C=LeBaron, Chrysler LeBaron)  
 P BODY=(P=Sundance, D=Shadow)

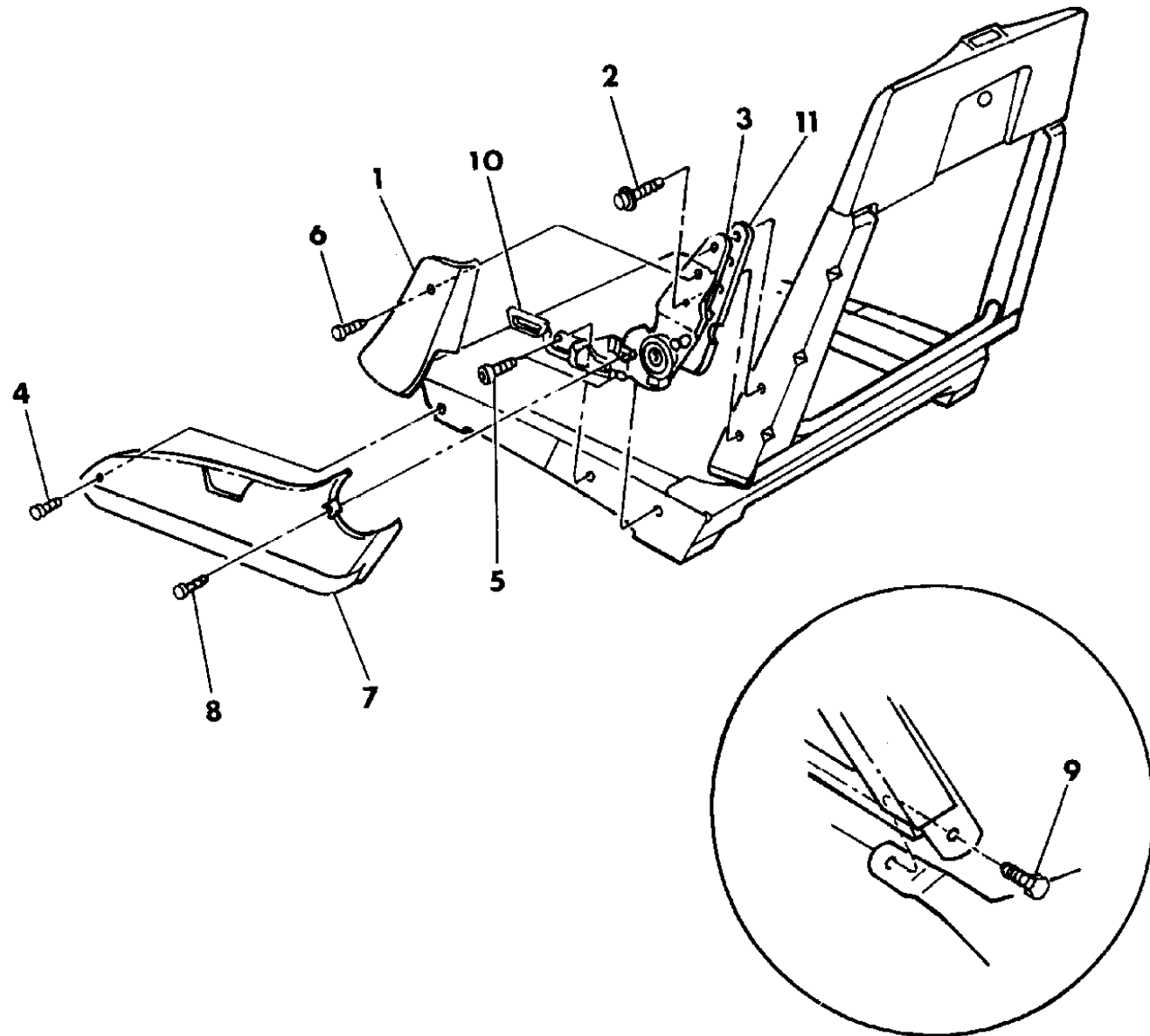
**BODY STYLES:**

21=2-Door Coupe      41=4-Door Sedan      12-52=FWD & AWD Van & Wgn Std W.B.  
 24=2-Door Hatchback      44=4-Door Hatchback      53=FWD & AWD Van & Wgn Ext. W.B.  
 27=2-Door Convertible

AR = Use as Required - = Non Illustrated Part P.A.R. = Paint as Required

**RECLINING SEAT--FRONT G BODY**  
Figure ITG-1500

93236 1500



ITEM	PART NUMBER	QTY	BODY	MODEL	DESCRIPTION	
1	S508-9 JD5	1			SHIELD, w/Release Button Quartz	
	S508-9 LM6	1			Red	
	S508-9 LAZ	1			Agate	
	S508 KRC	1			Radiant Red	
					w/Power (Driver Seat)	
	S825 JD5	1			Quartz	
	S825 LAZ	1			Agate	
	S825 KRC	1			Radiant Red	
2	6501 222	AR			SCREW	
3					RECLINER Passenger Seat	
					Driver Seat	
		4402 890	1			Trim Code - J7
		4476 945	1			Less Motor, (Power) Trim Code - XL and X7
		4550 247	1			Motor and Cable, (XL and X7 Trim Codes)
		6033 639	1			CLIP, Cable To Cushion
		4477 364-5	1			RECLINER, Anti-Dump (EUROPEAN)
		4571 623	1			RECLINER, Power Left (EUROPEAN)
	4		AR			SCREW, (8-18x1.00) (Not Serv.)
	5	6500 558	AR			SCREW
	6	6501 221	AR			SCREW, Arm to Cushion
7					SHIELD, Cushion (P.A.R.) Passenger Side	
		S458 HS8	1		Driver Side	
	S795 JD5	1			Trim Code - XL and X7	
	S765 JV4	1			Trim Code - J7	
8	6032 456	AR			SCREW	
9	6501 346	2			BOLT, (10-1.5x39)	
10					LEVER, Recliner Release (P.A.R.) (Serv. In Item 3)	
11					PROTECTOR, Seat Trim	
		4476 947	1		Protector, Power Recliner ***	

NOTE: (P.A.R.) = Paint as Required

**MODEL CODES:**

A BODY=(C=LeBaron, D=Spirit, P=Acclaim/LaBaron(Landau, Saratoga)  
C BODY=(D=Dynasty, C=New Yorker/N.Y. Salon)  
G BODY=(V=Daytona/IROC, Chrysler Daytona)  
J BODY=(C=LeBaron, Chrysler LeBaron)  
P BODY=(P=Sundance, D=Shadow)

S BODY=(H=Voyager(H) FWD, K=Caravan(H) FWD, Y=Town & Country(H) FWD, P=Voyager(K) AWD, D=Caravan(K) AWD, C=Town & Country(K) AWD)  
Y BODY=(C=Imperial/5th Avenue)  
E-S BODY=(K=Chrysler Voyager(H) FWD, D=Chrysler Voyager(K) AWD)

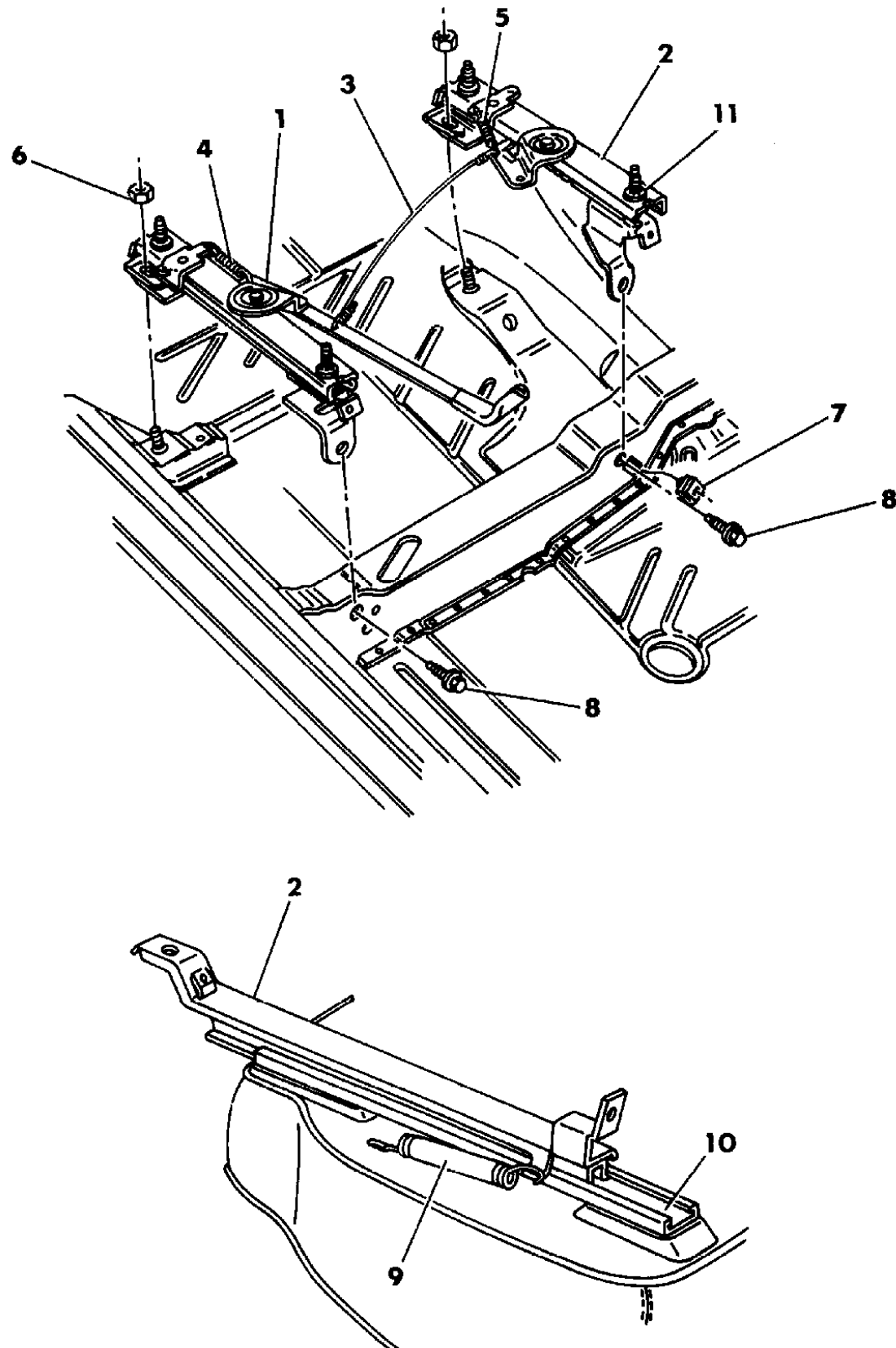
**BODY STYLES:**

21=2-Door Coupe      41=4-Door Sedan      12-52=FWD & AWD Van & Wgn Std W.B.  
24=2-Door Hatchback      44=4-Door Hatchback      53=FWD & AWD Van & Wgn Ext. W.B.  
27=2-Door Convertible

AR = Use as Required - = Non Illustrated Part P.A.R. = Paint as Required

**ADJUSTER--MANUAL G BODY**  
Figure ITG-1600

93236 1600



ITEM	PART NUMBER	QTY	BODY	MODEL	DESCRIPTION
1					ADJUSTER, Outer
	4380 288	1			Passenger Seat
	4380 289	1			Driver Seat
2					ADJUSTER, Inner
	4380 290	1			Passenger Seat
	4380 291	1			Driver Seat
3	4380 285	1			WIRE, Adjuster Release
4	4402 213	1			SPRING, Lever Return
5	4402 215	1			SPRING, Latch Return Inboard
6		AR			NUT, Hex Flange (m8x1.25h) (Not Serv.)
7	6101 283	1			U-NUT
8		AR			SCREW and WASHER, Hex Head (m8x1.25x30) (Not Serv.)
9	4290 990	1			SPRING, Inner Seat Assist
10	4316 938	1			TRACK, Lower
11	6028 040	2			RETAINER, Push-On

**MODEL CODES:**

A BODY=(C=LeBaron, D=Spirit, P=Acclaim/LaBaron(Landau), Saratoga)      S BODY=(H=Voyager(H) FWD, K=Caravan(H) FWD, Y=Town & Country(H) FWD, P=Voyager(K) AWD, D=Caravan(K) AWD, C=Town & Country(K) AWD)  
 C BODY=(D=Dynasty, C=New Yorker/N.Y. Salon)      Y BODY=(C=Imperial/5th Avenue)  
 G BODY=(V=Daytona/IROC, Chrysler Daytona)      E-S BODY=(K=Chrysler Voyager(H) FWD, D=Chrysler Voyager(K) AWD)  
 J BODY=(C=LeBaron, Chrysler LeBaron)  
 P BODY=(P=Sundance, D=Shadow)

**BODY STYLES:**

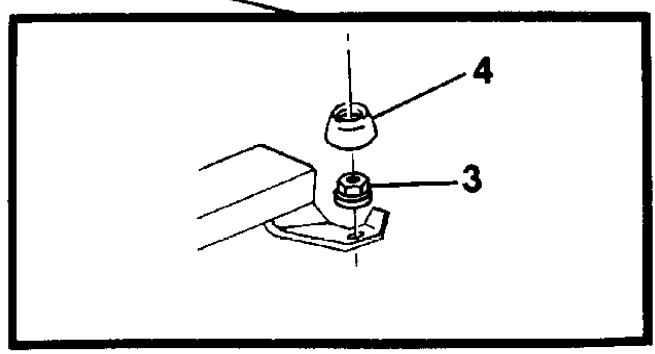
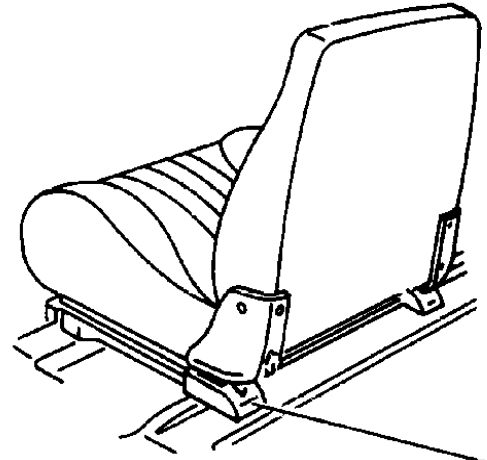
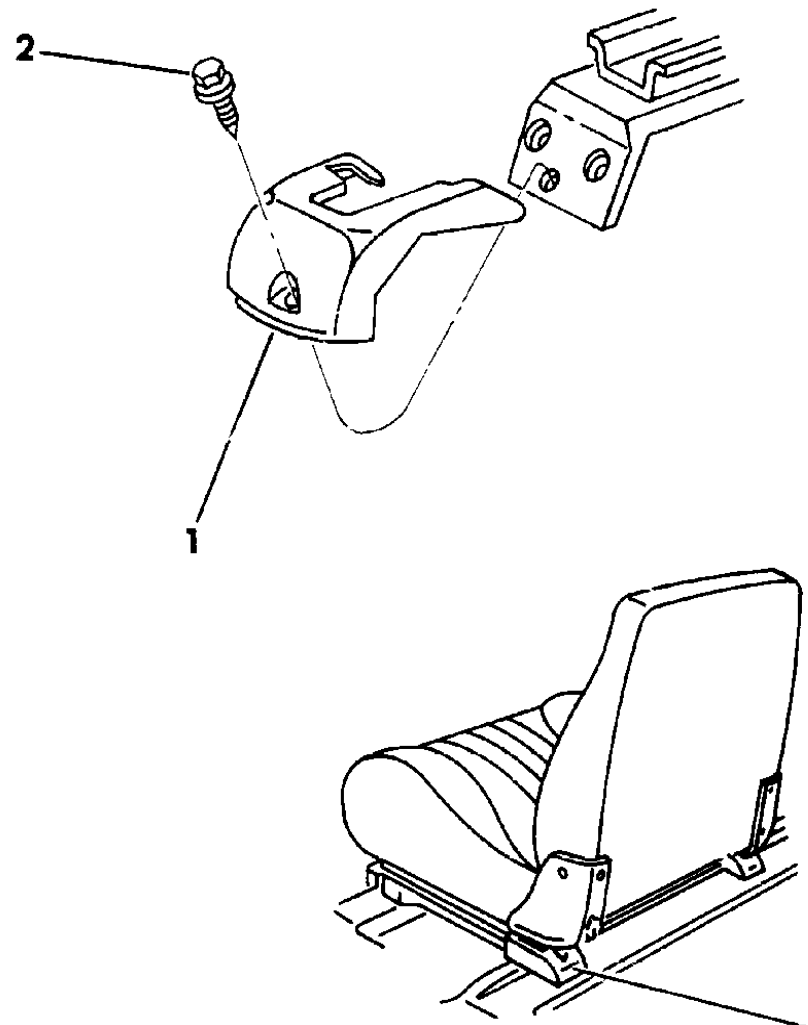
21=2-Door Coupe      41=4-Door Sedan      12-52=FWD & AWD Van & Wgn Std W.B.  
 24=2-Door Hatchback      44=4-Door Hatchback      53=FWD & AWD Van & Wgn Ext. W.B.  
 27=2-Door Convertible

AR = Use as Required - = Non Illustrated Part P.A.R. = Paint as Required

**COVERS--MANUAL SEAT ADJUSTER G BODY**  
**Figure ITG-1700**

93236 1700

ITEM	PART NUMBER	QTY	BODY	MODEL	DESCRIPTION
1					COVER, Manual Adjuster, Outer
	S968 JD5	1			Quartz
	S968 LMA	1			Red
	S968 LAZ	1			Agate
	S968 KRC	1			Radiant Red
2		AR			SCREW, (8-18x3/4) (Not Serv.)
3	6501 279	4			NUT and WASHER, Adjuster To Floor
4	4550 001	2			COVER, Manual Adjuster Rear (P.A.R.)



**MODEL CODES:**

A BODY=(C=LeBaron, D=Spirit, P=Acclaim/LaBaron(Landau), Saratoga)	S BODY=(H=Voyager(H) FWD, K=Caravan(H) FWD, Y=Town & Country(H) FWD, P=Voyager(K) AWD, D=Caravan(K) AWD, C=Town & Country(K) AWD)
C BODY=(D=Dynasty, C=New Yorker/N.Y. Salon)	Y BODY=(C=Imperial/5th Avenue)
G BODY=(V=Daytona/IROC, Chrysler Daytona)	E-S BODY=(K=Chrysler Voyager(H) FWD, D=Chrysler Voyager(K) AWD)
J BODY=(C=LeBaron, Chrysler LeBaron)	
P BODY=(P=Sundance, D=Shadow)	

**BODY STYLES:**

21=2-Door Coupe	41=4-Door Sedan	12-52=FWD & AWD Van & Wgn Std W.B.
24=2-Door Hatchback	44=4-Door Hatchback	53=FWD & AWD Van & Wgn Ext. W.B.
27=2-Door Convertible		

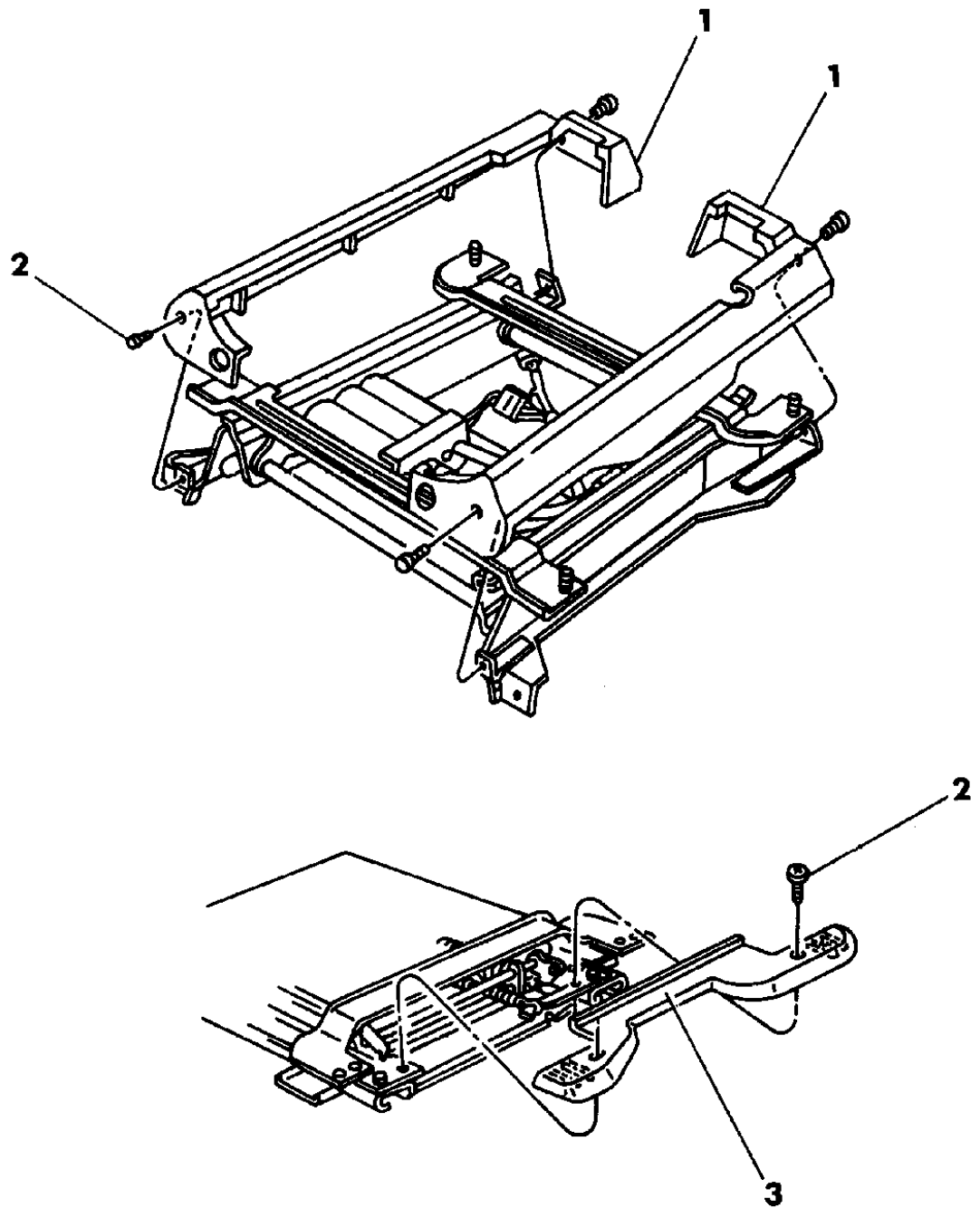
AR = Use as Required - = Non Illustrated Part P.A.R. = Paint as Required



**COVERS--ELECTRIC SEAT ADJUSTER G BODY**  
Figure ITG-1900

93236 1900

ITEM	PART NUMBER	QTY	BODY	MODEL	DESCRIPTION
1					COVER, Electric Seat Adjuster w/ Bucket Seats
					INNER
	S978 HD5	1			Quartz
	S978 LMA	1			Red
	S978 LAZ	1			Agate
	S978 KRC	1			Radiant Red
					OUTER
	S897 JD5	1			Quartz
	S897 LMA	1			Red
	S897 LAZ	1			Agate
	S897 KRC	1			Radiant Red
2		AR			SCREW, (8-18x3/4) (Not Serv.)
3					COVER, Electric Adjuster, Rear
	AC78 KD5	1			Quartz
	AC78 LMA	1			Red
	AC78 LAZ	1			Agate
	AC78 KRC	1			Radiant Red



**MODEL CODES:**

A BODY=(C=LeBaron, D=Spirit, P=Acclaim/LaBaron(Landau), Saratoga)      S BODY=(H=Voyager(H) FWD, K=Caravan(H) FWD, Y=Town & Country(H) FWD, P=Voyager(K) AWD, D=Caravan(K) AWD, C=Town & Country(K) AWD)  
 C BODY=(D=Dynasty, C=New Yorker/N.Y. Salon)      Y BODY=(C=Imperial/5th Avenue)  
 G BODY=(V=Daytona/IROC, Chrysler Daytona)      E-S BODY=(K=Chrysler Voyager(H) FWD, D=Chrysler Voyager(K) AWD)  
 J BODY=(C=LeBaron, Chrysler LeBaron)  
 P BODY=(P=Sundance, D=Shadow)

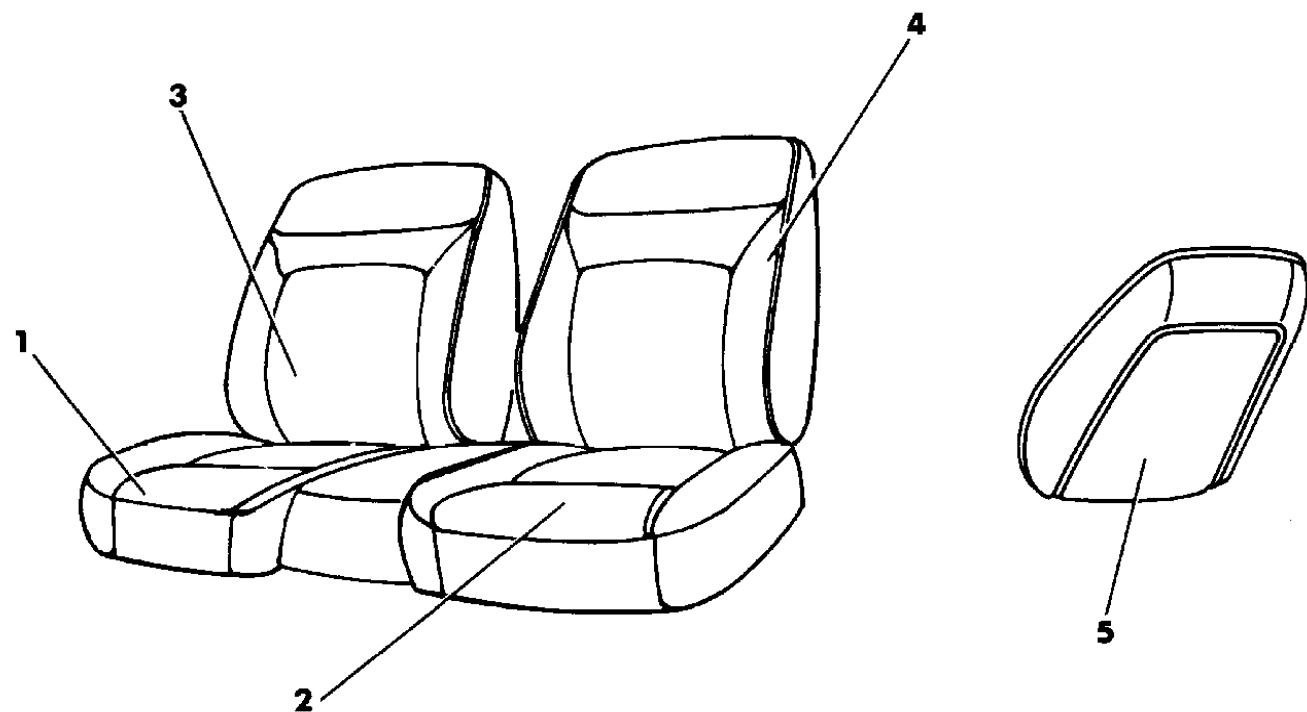
**BODY STYLES:**

21=2-Door Coupe      41=4-Door Sedan      12-52=FWD & AWD Van & Wgn Std W.B.  
 24=2-Door Hatchback      44=4-Door Hatchback      53=FWD & AWD Van & Wgn Ext. W.B.  
 27=2-Door Convertible

AR = Use as Required - = Non Illustrated Part P.A.R. = Paint as Required

**SEAT--REAR G BODY TRIM CODE J7**  
**Figure ITG-2000**

93236 2000



ITEM	PART NUMBER	QTY	BODY	MODEL	DESCRIPTION
1					CUSHION, w/Spring, Frame, Pad and Cover
					CLOTH
	FJ80 MDW	1			Quartz
	FJ80 MMA	1			Red
	FJ80 MAZ	1			Agate
2					COVER, Cushion
					CLOTH
	FJ88 MDW	1			Quartz
	FJ88 MMA	1			Red
	FJ88 MAZ	1			Agate
3					BACK, w/Spring, Frame, Pad and Cover
					CLOTH
	GD14-5 LDW	1			Quartz
	GD14-5 LMA	1			Red
	GD14-5 LAZ	1			Agate
4					COVER, Back
					CLOTH
	GC98-9 LDW	1			Quartz
	GC98-9 LMA	1			Red
	GC98-9 LAZ	1			Agate
5					PANEL, Seat Back w/Carpet
	S730 JD5	2			Quartz
	S730 LM6	2			Red
	S730 LAZ	2			Agate
6	6008 076	AR			HOG RING

**MODEL CODES:**

A BODY=(C=LeBaron, D=Spirit, P=Acclaim/LaBaron(Landau), Saratoga)      S BODY=(H=Voyager(H) FWD, K=Caravan(H) FWD, Y=Town & Country(H) FWD, P=Voyager(K) AWD, D=Caravan(K) AWD, C=Town & Country(K) AWD)  
 C BODY=(D=Dynasty, C=New Yorker/N.Y. Salon)  
 G BODY=(V=Daytona/IROC, Chrysler Daytona)  
 J BODY=(C=LeBaron, Chrysler LeBaron)  
 P BODY=(P=Sundance, D=Shadow)

**BODY STYLES:**

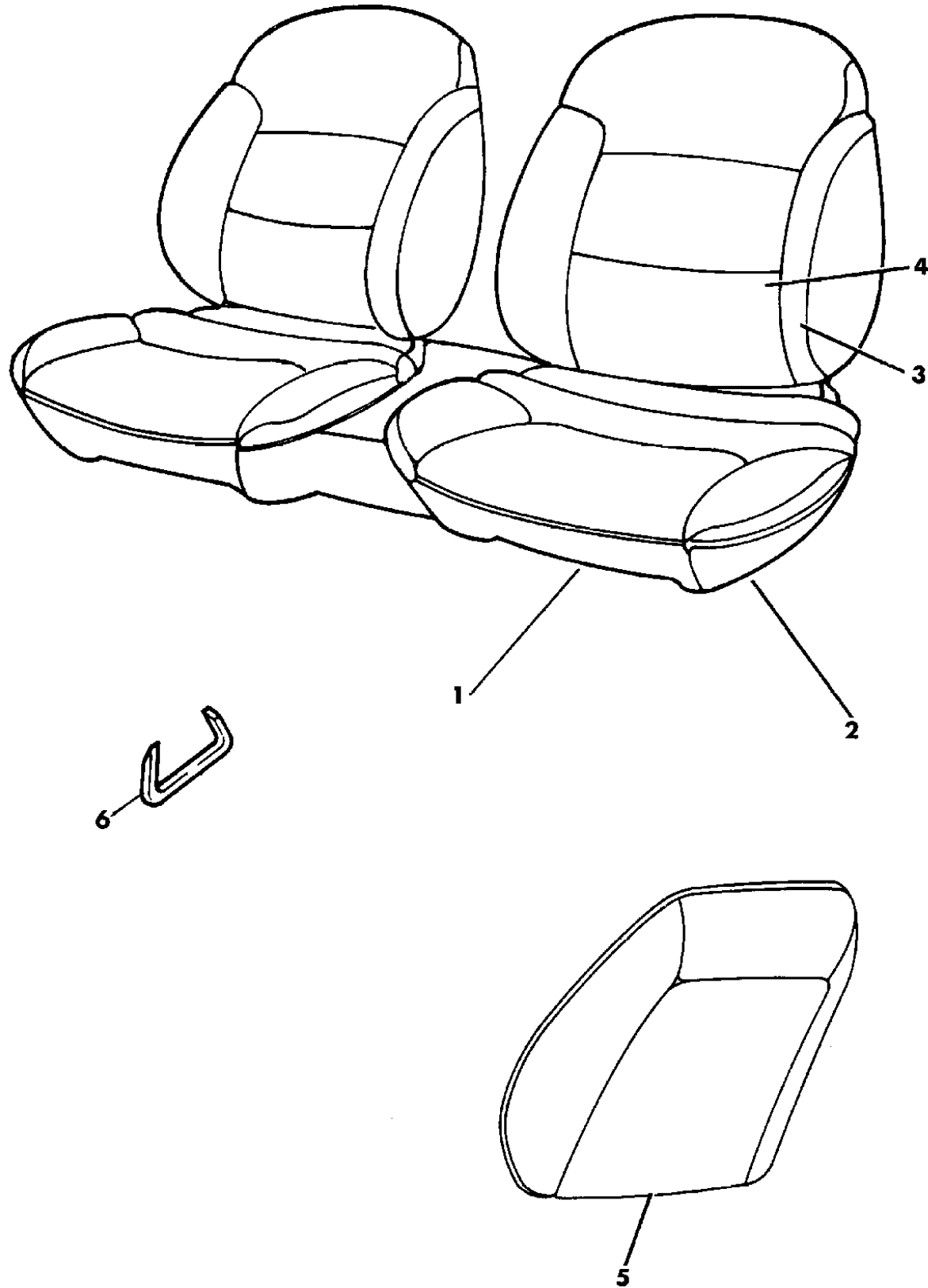
21=2-Door Coupe      41=4-Door Sedan      12-52=FWD & AWD Van & Wgn Std W.B.  
 24=2-Door Hatchback      44=4-Door Hatchback      53=FWD & AWD Van & Wgn Ext. W.B.  
 27=2-Door Convertible

AR = Use as Required - = Non Illustrated Part P.A.R. = Paint as Required



SEAT--REAR G BODY TRIM CODE XL  
Figure ITG-2100

93236 2100



ITEM	PART NUMBER	QTY	BODY	MODEL	DESCRIPTION
1					CUSHION, w/Spring, Frame, Pad and Cover
	FJ78 MDW	1			LEATHER Quartz
	FJ78 MAZ	1			Agate
	FJ78 MRC	1			Radiant Red
2					COVER, Cushion
	FJ83 MDW	1			LEATHER Quartz
	FJ83 MAZ	1			Agate
	FJ83 MRC	1			Radiant Red
3					BACK, w/Spring, Frame, Pad and Cover
	GD08-9 LDW	1			LEATHER Quartz
	GD08-9 LAZ	1			Agate
	GD08-9 LRC	1			Radiant Red
4					COVER, Back
	GC90-1 LDW	1			LEATHER Quartz
	GC90-1 LAZ	1			Agate
	GC90-1 LRC	1			Radiant Red
5					PANEL, Seat Back w/Carpet
	S730 JD5	2			Quartz
	S730 LAZ	2			Agate
	S730 KRC	1			Radiant Red
6	6008 076	AR			HOG RING

**MODEL CODES:**

A BODY=(C=LeBaron, D=Spirit, P=Acclaim/LaBaron(Landau),  
Saratoga)  
C BODY=(D=Dynasty, C=New Yorker/N.Y. Salon)  
G BODY=(V=Daytona/ROC, Chrysler Daytona)  
J BODY=(C=LeBaron, Chrysler LeBaron)  
P BODY=(P=Sundance, D=Shadow)

S BODY=(H=Voyager(H) FWD, K=Caravan(H) FWD,  
Y=Town & Country(H) FWD, P=Voyager(K) AWD,  
D=Caravan(K) AWD, C=Town & Country(K) AWD)  
Y BODY=(C=Imperial/5th Avenue)  
E-S BODY=(K=Chrysler Voyager(H) FWD, D=Chrysler  
Voyager(K) AWD)

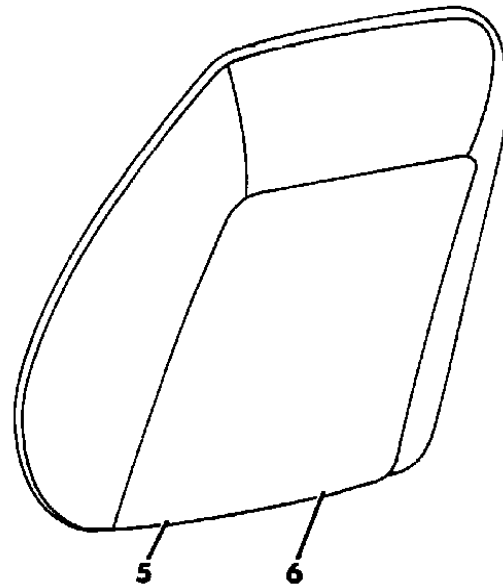
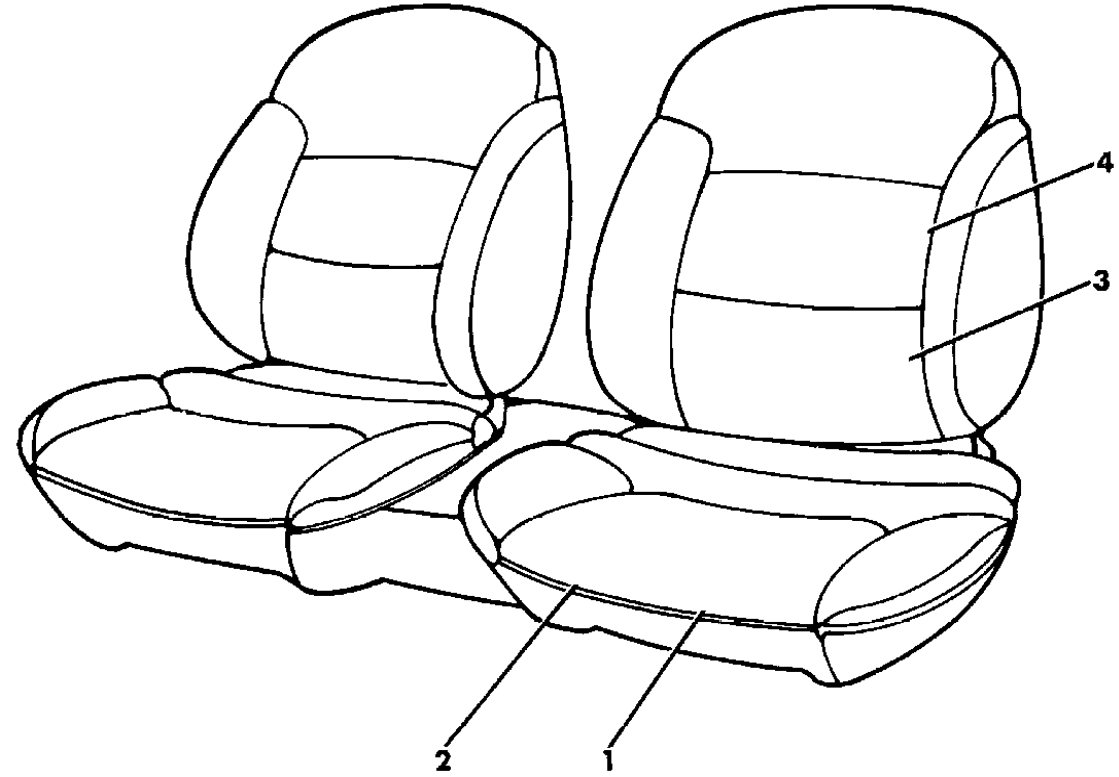
**BODY STYLES:**

21=2-Door Coupe      41=4-Door Sedan      12-52=FWD & AWD Van & Wgn Std W.B.  
24=2-Door Hatchback      44=4-Door Hatchback      53=FWD & AWD Van & Wgn Ext. W.B.  
27=2-Door Convertible

AR = Use as Required - = Non Illustrated Part P.A.R. = Paint as Required

SEAT--REAR G BODY TRIM CODE X7  
Figure ITG-2200

93236 2200



ITEM	PART NUMBER	QTY	BODY	MODEL	DESCRIPTION
1					CUSHION, w/Spring, Frame, Pad and Cover
	FJ79 MAZ	1			CLOTH Agate, (X7AZ)
	FJ79 MDW	1			Quartz, (X7DW)
2					COVER, Cushion
	FJ81 MAZ	1			CLOTH Agate, (X7AZ)
	FJ81 MDW	1			Quartz, (X7DW)
3					BACK, w/Spring, Frame, Pad and Cover
	EY76-7 LAZ	1			CLOTH Agate, (X7AZ)
	EY76-7 LW8	1			Quartz, (X7DW)
4					COVER, Back
	EY74-5 LAZ	1			CLOTH Agate, (X7AZ)
	EY74-5 LW8	1			Quartz, (X7DW)
5					ROLL STOCK, Carpet, (Serviced In Back Panel Only)
6					PANEL, Seat Back w/Carpet
	S730 LAZ	2			Agate, (X7AZ)
	S730 JD5	2			Quartz, (X7DW)
7	6008 076	AR			HOG RING

**MODEL CODES:**

A BODY=(C=LeBaron, D=Spirit, P=Acclaim/LaBaron(Landau),  
Saratoga)  
C BODY=(D=Dynasty, C=New Yorker/N.Y. Salon)  
G BODY=(V=Daytona/IROC, Chrysler Daytona)  
J BODY=(C=LeBaron, Chrysler LeBaron)  
P BODY=(P=Sundance, D=Shadow)

S BODY=(H=Voyager(H) FWD, K=Caravan(H) FWD,  
Y=Town & Country(H) FWD, P=Voyager(K) AWD,  
D=Caravan(K) AWD, C=Town & Country(K) AWD)  
Y BODY=(C=Imperial/5th Avenue)  
E-S BODY=(K=Chrysler Voyager(H) FWD, D=Chrysler  
Voyager(K) AWD)

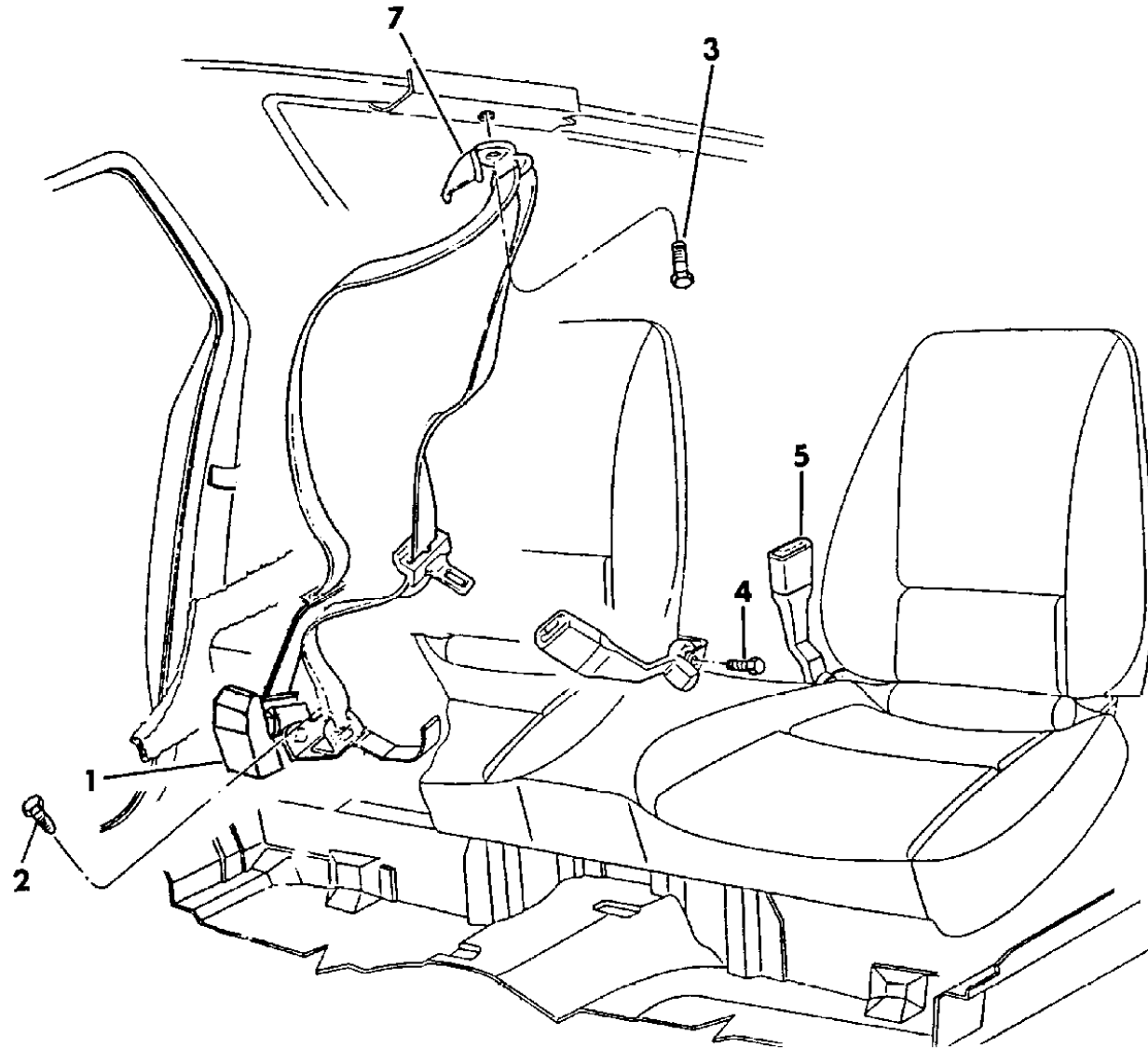
**BODY STYLES:**

21=2-Door Coupe      41=4-Door Sedan      12-52=FWD & AWD Van & Wgn Std W.B.  
24=2-Door Hatchback      44=4-Door Hatchback      53=FWD & AWD Van & Wgn Ext. W.B.  
27=2-Door Convertible

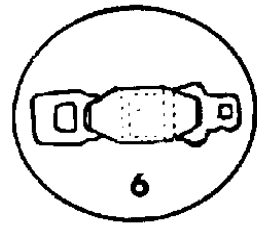
AR = Use as Required - = Non Illustrated Part P.A.R. = Paint as Required

**BELT--REAR SEAT G BODY**  
Figure ITG-2300

93236 2300



ITEM	PART NUMBER	QTY	BODY	MODEL	DESCRIPTION
1					BELT, Rear Lap Outboard Tip, Right LABEL NUMBER 4645202-3
	EL78-9 LD5	1			Quartz
	EL78-9 LM6	1			Red
	EL78-9 LAZ	1			Agate
	4550 742-3	1			SEAT BELT, Outer (EUROPEAN) ***
2	6031 484	2			BOLT, Outboard Belt Attaching
3	6031 217	2			BOLT, Shoulder
4	6032 039	2			BOLT, Inner
5					BELT, Rear Inner Buckle LABEL NUMBER 4664010
	FJ70 MD5	2			Quartz
	FJ70 MM6	2			Red
	FJ70 MAZ	2			Agate
	FJ70 MX9	2			Black, (EUROPEAN)
6	4364 849	AR			EXTENDER, Seat Belt
7					COVER, Turn Loop
	B608 JD5	2			Quartz
	B608 LM6	2			Red
	B608 LAZ	2			Agate
					COVER, Adjustable T/Loop (EUROPEAN)
	EK52-3 KD5	1			Quartz (EUROPEAN)
	EK52-3 LAZ	1			Agate, (EUROPEAN)
-	H448 LAZ	AR			FASTENER, T/Loop Attaching (EUROPEAN)



**MODEL CODES:**

A BODY=(C=LeBaron, D=Spirit, P=Acclaim/LaBaron(Landau),  
Saratoga)  
C BODY=(D=Dynasty, C=New Yorker/N.Y. Salon)  
G BODY=(V=Daytona/IROC, Chrysler Daytona)  
J BODY=(C=LeBaron, Chrysler LeBaron)  
P BODY=(P=Sundance, D=Shadow)

S BODY=(H=Voyager(H) FWD, K=Caravan(H) FWD,  
Y=Town & Country(H) FWD, P=Voyager(K) AWD,  
D=Caravan(K) AWD, C=Town & Country(K) AWD)  
Y BODY=(C=Imperial/5th Avenue)  
E-S BODY=(K=Chrysler Voyager(H) FWD, D=Chrysler  
Voyager(K) AWD)

**BODY STYLES:**

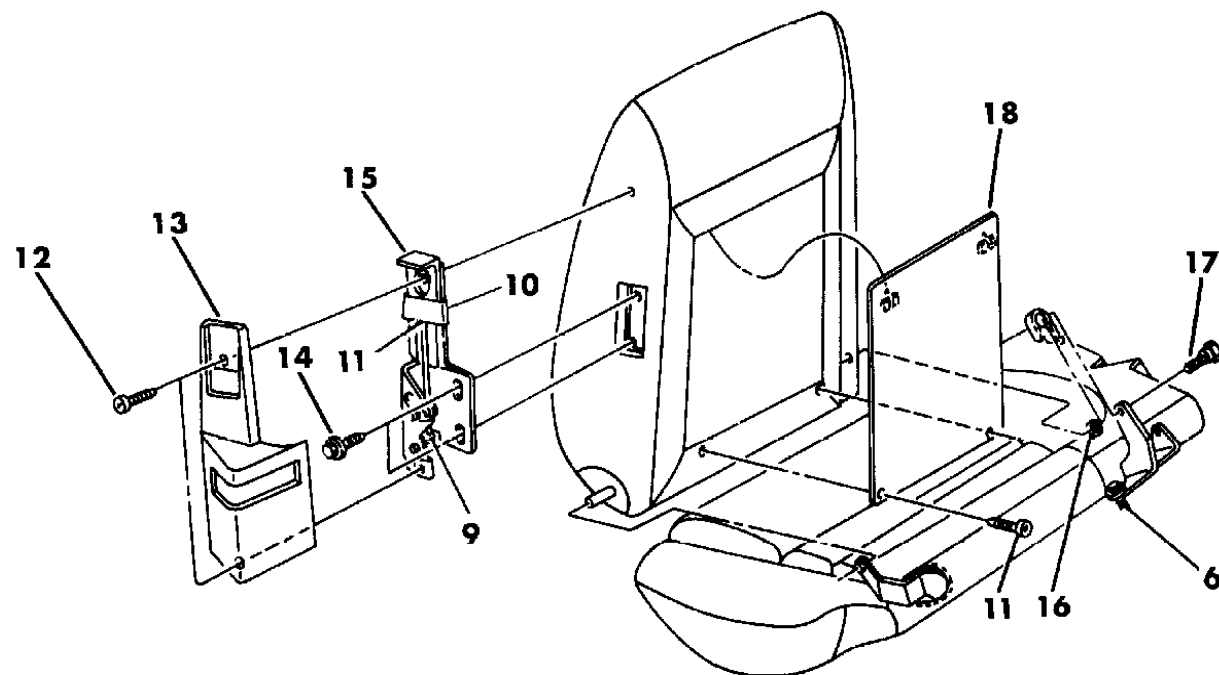
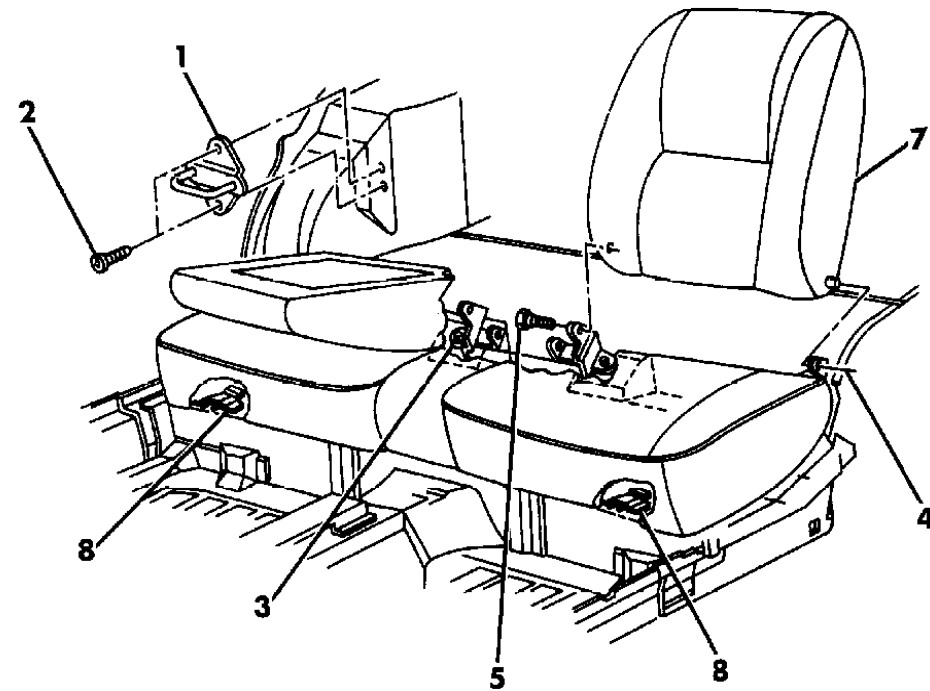
21=2-Door Coupe      41=4-Door Sedan      12-52=FWD & AWD Van & Wgn Std W.B.  
24=2-Door Hatchback      44=4-Door Hatchback      53=FWD & AWD Van & Wgn Ext. W.B.  
27=2-Door Convertible

AR = Use as Required - = Non Illustrated Part P.A.R. = Paint as Required

**SEAT--REAR FOLD DOWN G BODY**  
Figure ITG-2400

93236 2400

ITEM	PART NUMBER	QTY	BODY	MODEL	DESCRIPTION
1	4645 524	2			STRIKER, Seat Back Latch
2	6501 539	4			SCREW, w/Washer Striker Attaching
3					BRACKET, Inner Seat Back Hinge, (Serv. in Seat Cushion)
4					BRACKET, Outer Seat Back Hinge, (Serv. in Seat Cushion)
5	6500 534	2			BOLT, Cushion to Seat Back
6	6031 218	2			BOLT, Cushion to Floor
7	4277 360-1	1			FRAME, Seat Back
8	6026 647	2			RETAINER, Cushion to Floor Attaching
9	2945 108-9	1			CLIP, Rod to Latch Release Lever
10	H436 JD5	2			BUTTON, Folding Seat Back Release, (P.A.R.)
11	6031 485	1			CLIP, Release Rod to Button
12		AR			SCREW, (5/16x18x.028) (Not Serv.)
13	S822-3 JD5	1			COVER, Seat Back Latch (P.A.R.)
14	6100 557	2			SCREW, Latch Attaching, (M6x20)
15	4277 618-9	1			LATCH, Seat Back Release
16					WASHER, (Not Serv.)
17	6500 445	AR			BOLT
18					PANEL, Back w/Carpet
	S730 JD5	2			Quartz
	S730 LM6	2			Red
	S730 LAZ	2			Agate
	S730 KRC	2			Radiant Red



**MODEL CODES:**

A BODY=(C=LeBaron, D=Spirit, P=Acclaim/LaBaron(Landau), Saratoga)      S BODY=(H=Voyager(H) FWD, K=Caravan(H) FWD, Y=Town & Country(H) FWD, P=Voyager(K) AWD, D=Caravan(K) AWD, C=Town & Country(K) AWD)  
 C BODY=(D=Dynasty, C=New Yorker/N.Y. Salon)      Y BODY=(C=Imperial/5th Avenue)  
 G BODY=(V=Daytona/IROC, Chrysler Daytona)      E-S BODY=(K=Chrysler Voyager(H) FWD, D=Chrysler Voyager(K) AWD)  
 J BODY=(C=LeBaron, Chrysler LeBaron)  
 P BODY=(P=Sundance, D=Shadow)

**BODY STYLES:**

21=2-Door Coupe      41=4-Door Sedan      12-52=FWD & AWD Van & Wgn Std W.B.  
 24=2-Door Hatchback      44=4-Door Hatchback      53=FWD & AWD Van & Wgn Ext. W.B.  
 27=2-Door Convertible

AR = Use as Required - = Non Illustrated Part P.A.R. = Paint as Required

---

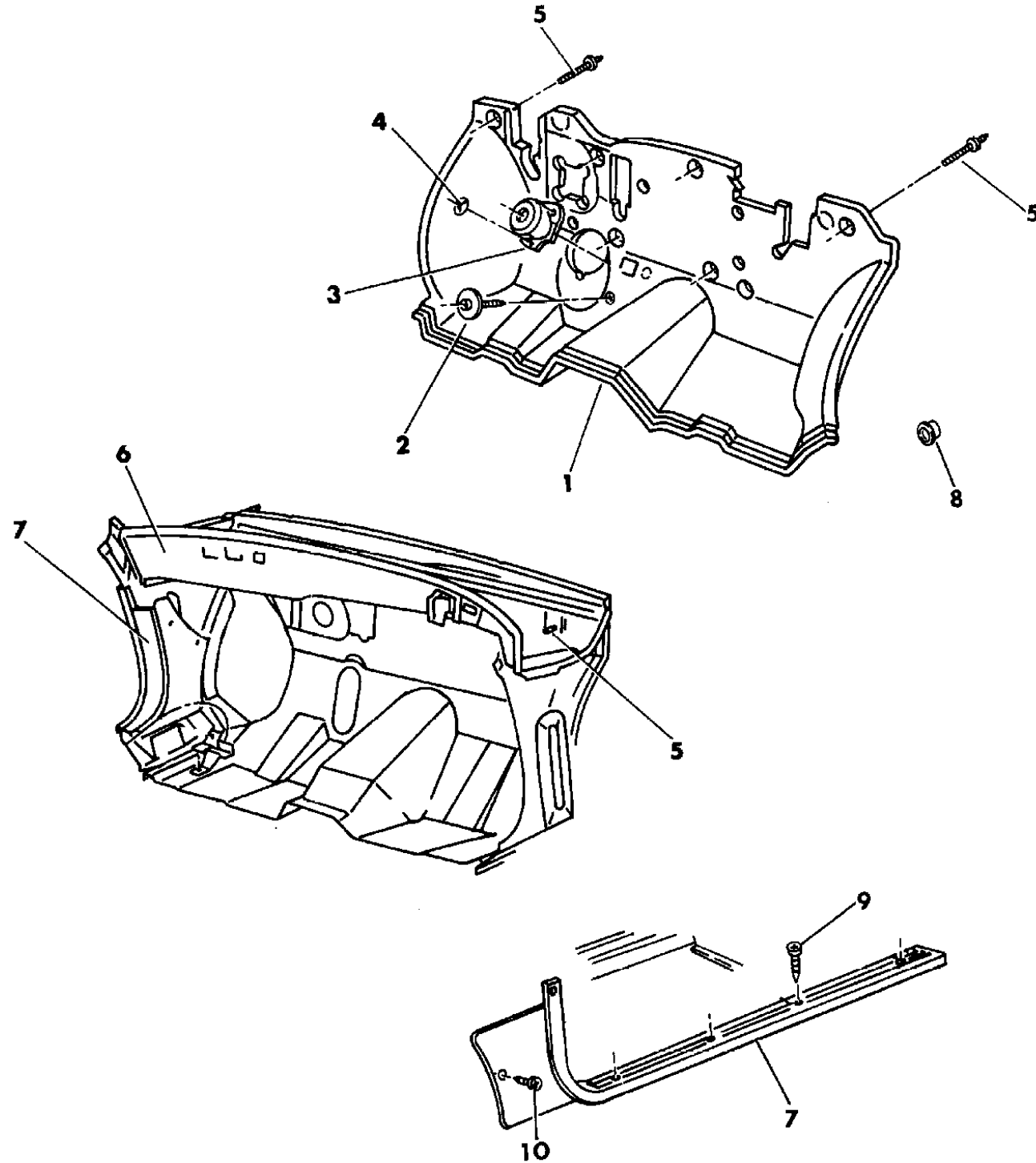
**GROUP ITJ - J BODY**

<b>ILLUSTRATION TITLE</b>	<b>GROUP-FIG. NO.</b>
COWL PANEL AND SILENCERS J BODY .....	Fig. ITJ-100
HEADLINER AND VISOR J BODY .....	Fig. ITJ-200
SHELF PANEL AND RELATED PARTS J BODY .....	Fig. ITJ-300
MOULDINGS--GARNISH J BODY .....	Fig. ITJ-400
PANEL--QUARTER TRIM J BODY 21 .....	Fig. ITJ-500
PANEL--QUARTER TRIM J BODY 27 .....	Fig. ITJ-600
CARPET AND SILENCERS J BODY .....	Fig. ITJ-700
SILENCERS--REAR COMPARTMENT J BODY .....	Fig. ITJ-800
SCUFF PLATE J BODY .....	Fig. ITJ-900
PANEL--DOOR TRIM J BODY .....	Fig. ITJ-1000
SEAT--FRONT J BODY TRIM CODE D7,D8 .....	Fig. ITJ-1100
SEAT--FRONT J BODY TRIM CODE V7 .....	Fig. ITJ-1200
SEAT--FRONT J BODY TRIM CODE XL .....	Fig. ITJ-1300
BELT--FRONT SEAT J BODY MANUAL-ACTIVE SYSTEM .....	Fig. ITJ-1400
LUMBAR AND THIGH SUPPORT - ELECTRIC J BODY TRIM CODE XL .....	Fig. ITJ-1500
SEAT--RECLINING J BODY .....	Fig. ITJ-1600
ADJUSTER--MANUAL J BODY .....	Fig. ITJ-1700
COVERS--MANUAL SEAT ADJUSTER J BODY .....	Fig. ITJ-1800
ADJUSTER--ELECTRIC J BODY .....	Fig. ITJ-1900
COVERS ELECTRIC SEAT ADJUSTER J BODY .....	Fig. ITJ-2000
SEAT--REAR J BODY 21 .....	Fig. ITJ-2100
SEAT--REAR J BODY 27 .....	Fig. ITJ-2200
BELT--REAR SEAT J BODY .....	Fig. ITJ-2300
SEAT--REAR FOLD DOWN J BODY 21 .....	Fig. ITJ-2400
SEAT--REAR ATTACHMENTS AND SLINGWELL RETAINER J BODY 27 .....	Fig. ITJ-2500

**ILLUSTRATION NOT AVAILABLE AT TIME OF PUBLICATION**

**COWL PANEL AND SILENCERS J BODY**  
Figure ITJ-100

93233 100



ITEM	PART NUMBER	QTY	BODY	MODEL	DESCRIPTION
1	4674 088	1			LINER, Dash
2					SCREW, (8-18x.75) (Not Serv.)
3					COVER, w/Silencer Steering Column (See Group 19)
4					PUSH NUT, (Not Serv.)
5	6032 020	6			STUD, Collar
6					SILENCER, Cowl Panel
	5253 700	1			Right
	4475 895	1			Left
7					PANEL, Cowl Side and Scuff Plate
					RIGHT
	GE28 LAZ	1			Agate
	GE28 LB9	1			Blue
	GE28 LMA	1			Red
	GE28 LV8	1			Champagne
					LEFT
	GE29 LAZ	1			Agate
	GE29 LB9	1			Blue
	GE29 LMA	1			Red
	GE29 LV8	1			Champagne
8	6032 185	AR			CAPLUG, Dash Liner
9					SCREW, (8-18x1x1/2) (Not Serv.)
10					SCREW, (8-18x1) (Not Serv.)

**MODEL CODES:**

A BODY=(C=LeBaron, D=Spirit, P=Acclaim/LaBaron(Landau), Saratoga)      S BODY=(H=Voyager(H) FWD, K=Caravan(H) FWD, Y=Town & Country(H) FWD, P=Voyager(K) AWD, D=Caravan(K) AWD, C=Town & Country(K) AWD)

C BODY=(D=Dynasty, C=New Yorker/N.Y. Salon)      Y BODY=(C=Imperial/5th Avenue)

G BODY=(V=Daytona/IROC, Chrysler Daytona)      E-S BODY=(K=Chrysler Voyager(H) FWD, D=Chrysler Voyager(K) AWD)

J BODY=(C=LeBaron, Chrysler LeBaron)

P BODY=(P=Sundance, D=Shadow)

**BODY STYLES:**

21=2-Door Coupe      41=4-Door Sedan      12-52=FWD & AWD Van & Wgn Std W.B.

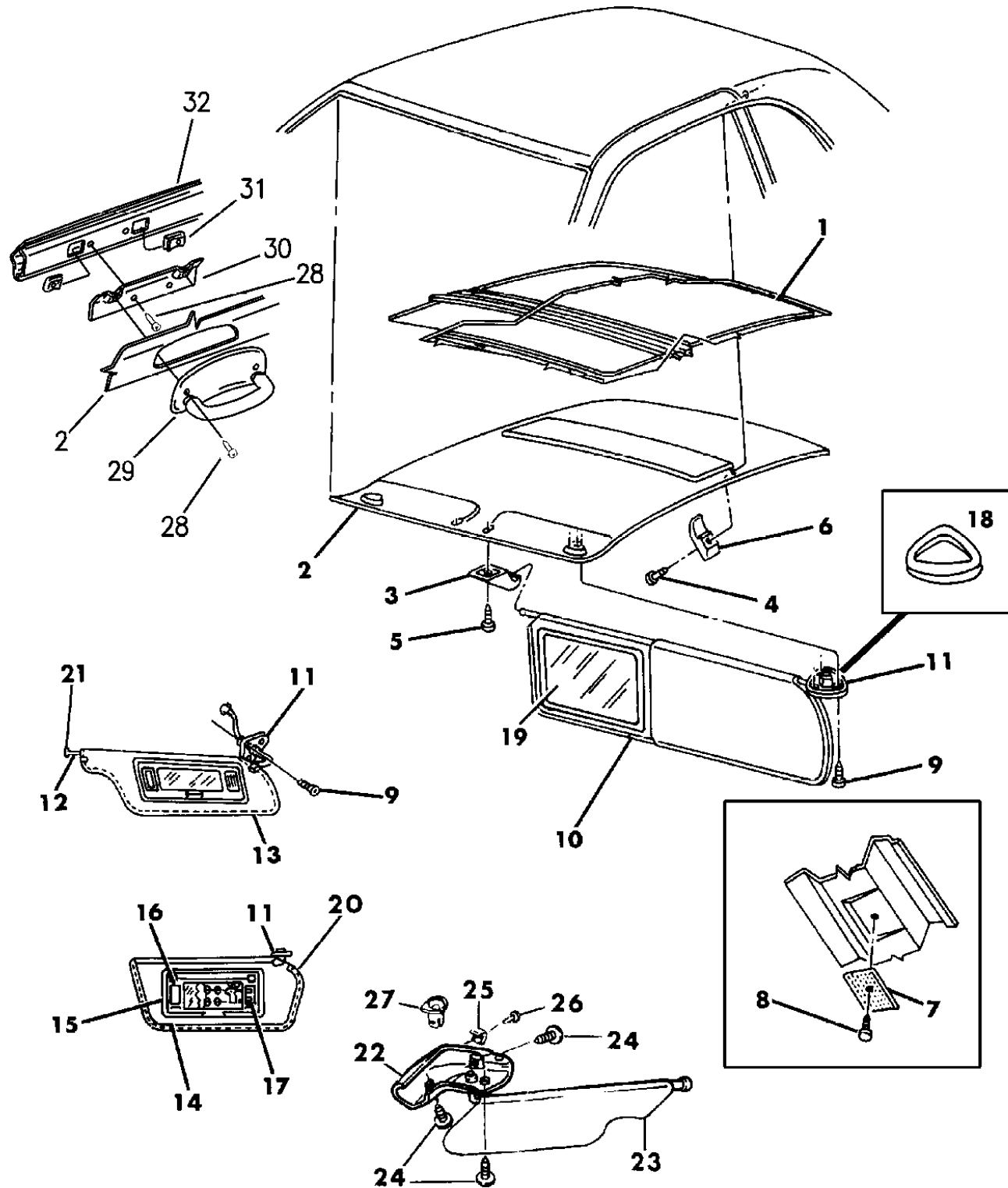
24=2-Door Hatchback      44=4-Door Hatchback      53=FWD & AWD Van & Wgn Ext. W.B.

27=2-Door Convertible

AR = Use as Required - = Non Illustrated Part P.A.R. = Paint as Required

**HEADLINER AND VISOR J BODY**  
Figure ITJ-200

93233 200A



ITEM	PART NUMBER	QTY	BODY	MODEL	DESCRIPTION
1	4342 496	AR			SILENCER, Roof Front and Rear
2					HEADLINER w/o SUNROOF
	GU00 LAZ	1			Agate
	GU00 LB9	1			Blue
	GU00 LMA	1			Red
	GU00 LV8	1			Champagne
					W/CONVERTABLE TOP
	FY74 LAZ	1	27		Agate
	FY74 LB9	1	27		Blue
	FY74 LM7	1	27		Red
	FY74 LV8	1	27		Champagne
3					CLIP, Visor Retaining
	DF49 LAZ	2			Agate
	DF49 KB9	2			Blue
	DF49 LMA	2			Red
	DF49 KV8	2			Champagne
4					SCREW, (8-18x7/8) (Not Serv.)
5		2			SCREW, (8-18x3/4) (Not Serv.)
6					HOOK, Coat
	H542 LAZ	2			Agate
	H542 JB9	2			Blue
	H542 LM6	2			Red
	H542 JV8	2			Champagne
7	4473 044	3			HOOK, Fastener Headliner
8					SCREW, (8-18x1/2) (Not Serv.)
9	6032 584	6			SCREW
10					VISOR, (Serv. Item 13 or 15)
11					ARM and BRACKET
	EH54 LAZ	1			Agate
	EH54 KB9	1			Blue
	EH54 LM6	1			Red
	EH54 KV8	1			Champagne
-	4547 614	2			PUSHNUT, Arm and Bracket ***
12	4507 170	2	21		TIP, Visor Support
13			21		VISOR, w/Mirror (Only) RIGHT
	EA22 LAZ	1			Agate
	EA22 KB9	1			Blue

**MODEL CODES:**

A BODY=(C=LeBaron, D=Spirit, P=Acclaim/LaBaron(Landau),  
Saratoga)  
C BODY=(D=Dynasty, C=New Yorker/N.Y. Salon)  
G BODY=(V=Daytona/IROC, Chrysler Daytona)  
J BODY=(C=LeBaron, Chrysler LeBaron)  
P BODY=(P=Sundance, D=Shadow)

S BODY=(H=Voyager(H) FWD, K=Caravan(H) FWD,  
Y=Town & Country(H) FWD, P=Voyager(K) AWD,  
D=Caravan(K) AWD, C=Town & Country(K) AWD)  
Y BODY=(C=Imperial/5th Avenue)  
E-S BODY=(K=Chrysler Voyager(H) FWD, D=Chrysler  
Voyager(K) AWD)

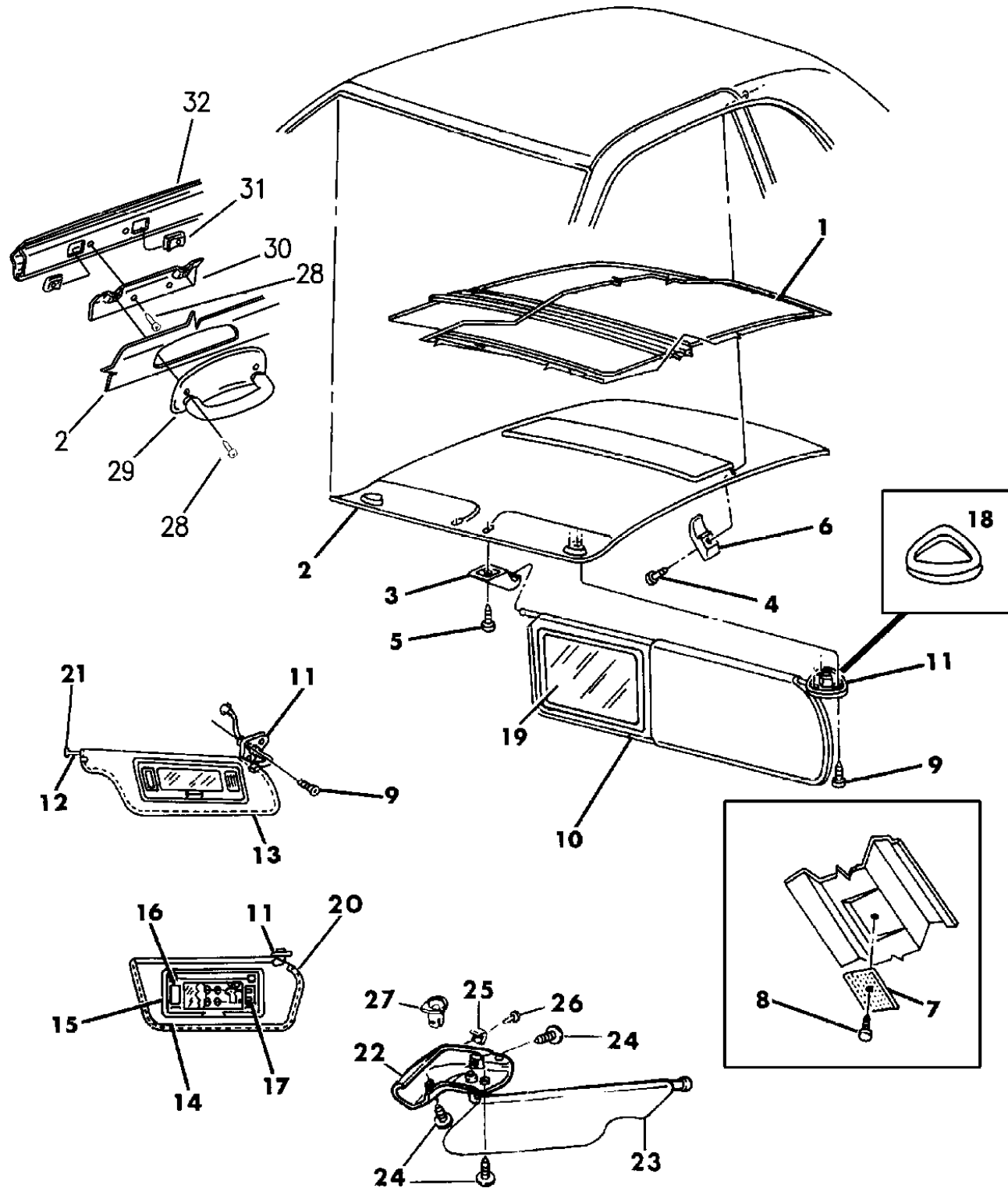
**BODY STYLES:**

21=2-Door Coupe      41=4-Door Sedan      12-52=FWD & AWD Van & Wgn Std W.B.  
24=2-Door Hatchback      44=4-Door Hatchback      53=FWD & AWD Van & Wgn Ext. W.B.  
27=2-Door Convertible

AR = Use as Required - = Non Illustrated Part P.A.R. = Paint as Required

**HEADLINER AND VISOR J BODY**  
Figure ITJ-200

93233 200A



ITEM	PART NUMBER	QTY	BODY	MODEL	DESCRIPTION
	EA22 LMA	1			Red
	EA22 KV8	1			Champagne
	EE83 LAZ	1			Agate
	EE83 KB9	1			Blue
	EE83 LMA	1			Red
	EE83 KV8	1			Champagne
14				21	VISOR, w/Illum. Mirror RIGHT
	H888 LAZ	1			Agate
	H888 HB9	1			Blue
	H888 LMA	1			Red
	H888 JV8	1			Champagne
	H197 LAZ	1			Agate
	H197 JB9	1			Blue
	H197 LMA	1			Red
	H197 JV8	1			Champagne
					VISOR, Sub Assembly (For Illuminated Vanity Mirror) LEFT
	H157 LAZ	1			Agate
	H157 JB9	1			Blue
	H157 LMA	1			Red
	H157 JV8	1			Champagne
					RIGHT
	H768 LAZ	1			Agate
	H768 HB9	1			Blue
	H768 LMA	1			Red
	H768 JV8	1			Champagne
15					ILLUMINATED VANITY MIRROR, Sub Assembly *** w/Cloth Cover
	H640 LAZ	2		21	Agate
	H640 HB9	2		21	Blue
	H640 LMA	2		21	Red
	H640 JV8	2		21	Champagne
16	4410 693	AR			LENS
17	9433 184	AR			BULB
18	5259 852	1			SPACER, Visor Mounting (Left)
19					MIRROR, Vanity Right (Non Illuminated)

**MODEL CODES:**

A BODY=(C=LeBaron, D=Spirit, P=Acclaim/LaBaron(Landau), Saratoga)

C BODY=(D=Dynasty, C=New Yorker/N.Y. Salon)

G BODY=(V=Daytona/ROC, Chrysler Daytona)

J BODY=(C=LeBaron, Chrysler LeBaron)

P BODY=(P=Sundance, D=Shadow)

S BODY=(H=Voyager(H) FWD, K=Caravan(H) FWD,

Y=Town & Country(H) FWD, P=Voyager(K) AWD,

D=Caravan(K) AWD, C=Town & Country(K) AWD)

Y BODY=(C=Imperial/5th Avenue)

E-S BODY=(K=Chrysler Voyager(H) FWD, D=Chrysler

Voyager(K) AWD)

**BODY STYLES:**

21=2-Door Coupe

41=4-Door Sedan

12-52=FWD & AWD Van & Wgn Std W.B.

24=2-Door Hatchback

44=4-Door Hatchback

53=FWD & AWD Van & Wgn Ext. W.B.

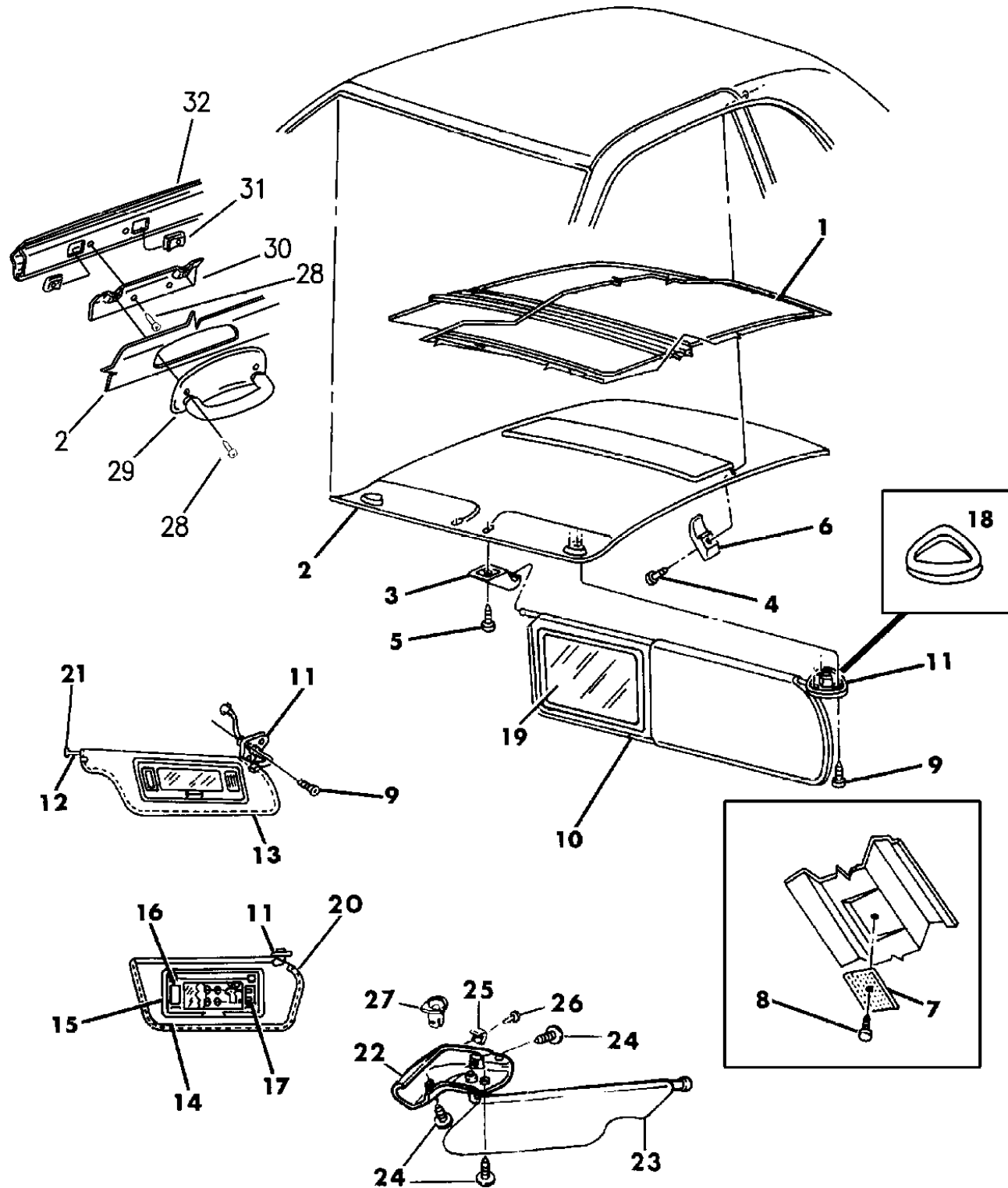
27=2-Door Convertible

AR = Use as Required - = Non Illustrated Part P.A.R. = Paint as Required



**HEADLINER AND VISOR J BODY**  
Figure ITJ-200

93233 200A



ITEM	PART NUMBER	QTY	BODY	MODEL	DESCRIPTION
	H322 LAZ	1			Agate
	H322 LM6	1			Red
	H322 KB9	1			Blue
	H322 KV8	1			Champagne
20	4248 427	7		27	CLIP, Visor End
21	4356 395	2		27	SUPPORT, Visor Inner
22				27	VISOR, Sub-Assembly (For Illuminated Vanity Mirror)
	HP54-5 MAZ	1		27	Agate
	HP54-5 MB9	1		27	Blue
	HP54-5 MMA	1		27	Red
	HP54-5 MV8	1		27	Champagne
					CORNER CAP, w/arm (w/o Illuminated Vanity Mirror ***
	AS06-7 LAZ	1		27	Agate
	AS06-7 JB9	1		27	Blue
	AS06-7 LM6	1		27	Red
	AS06-7 JV8	1		27	Champagne
					ILLUMINATED VANITY MIRROR, Sub Assembly ***
	EM78 LAZ	2		27	Agate
	EM78 KB9	2		27	Blue
	EM78 LM6	2		27	Red
	EM78 KV8	2		27	Champagne
23				27	VISOR, (Only)
	HK92-3 MAZ	1		27	Agate
	HK92-3 MB9	1		27	Blue
	HK92-3 MMA	1		27	Red
	HK92-3 MV8	1		27	Champagne
24					SCREW, (10-24x1) Not Serv.
25	4547 474	2		27	CLIP, J-Hook Attaching
26		AR			SCREW, (Not Serv.)
27	4410 254	2		27	GUIDE, Convertible Roof Pin
28	6032 584	10			SCREW
29					HANDLE, Passenger Assist
	GS76 MAZ	1			Agate, (European)
	GS76 MB9	1			Blue, (European)
	GS76 MM6	1			Red, (European)
	GS76 MV8	1			Champagne, (European)
30	4665 296	1			BRACKET, (European)
31		2			U-NUT, (Not Serv.)
32					ROOF-RAIL, (Reference Only) ***

**MODEL CODES:**

A BODY=(C=LeBaron, D=Spirit, P=Acclaim/LaBaron(Landau), Saratoga)      S BODY=(H=Voyager(H) FWD, K=Caravan(H) FWD, Y=Town & Country(H) FWD, P=Voyager(K) AWD, D=Caravan(K) AWD, C=Town & Country(K) AWD)  
 C BODY=(D=Dynasty, C=New Yorker/N.Y. Salon)  
 G BODY=(V=Daytona/IROC, Chrysler Daytona)  
 J BODY=(C=LeBaron, Chrysler LeBaron)  
 P BODY=(P=Sundance, D=Shadow)

**BODY STYLES:**

21=2-Door Coupe      41=4-Door Sedan      12-52=FWD & AWD Van & Wgn Std W.B.  
 24=2-Door Hatchback      44=4-Door Hatchback      53=FWD & AWD Van & Wgn Ext. W.B.  
 27=2-Door Convertible

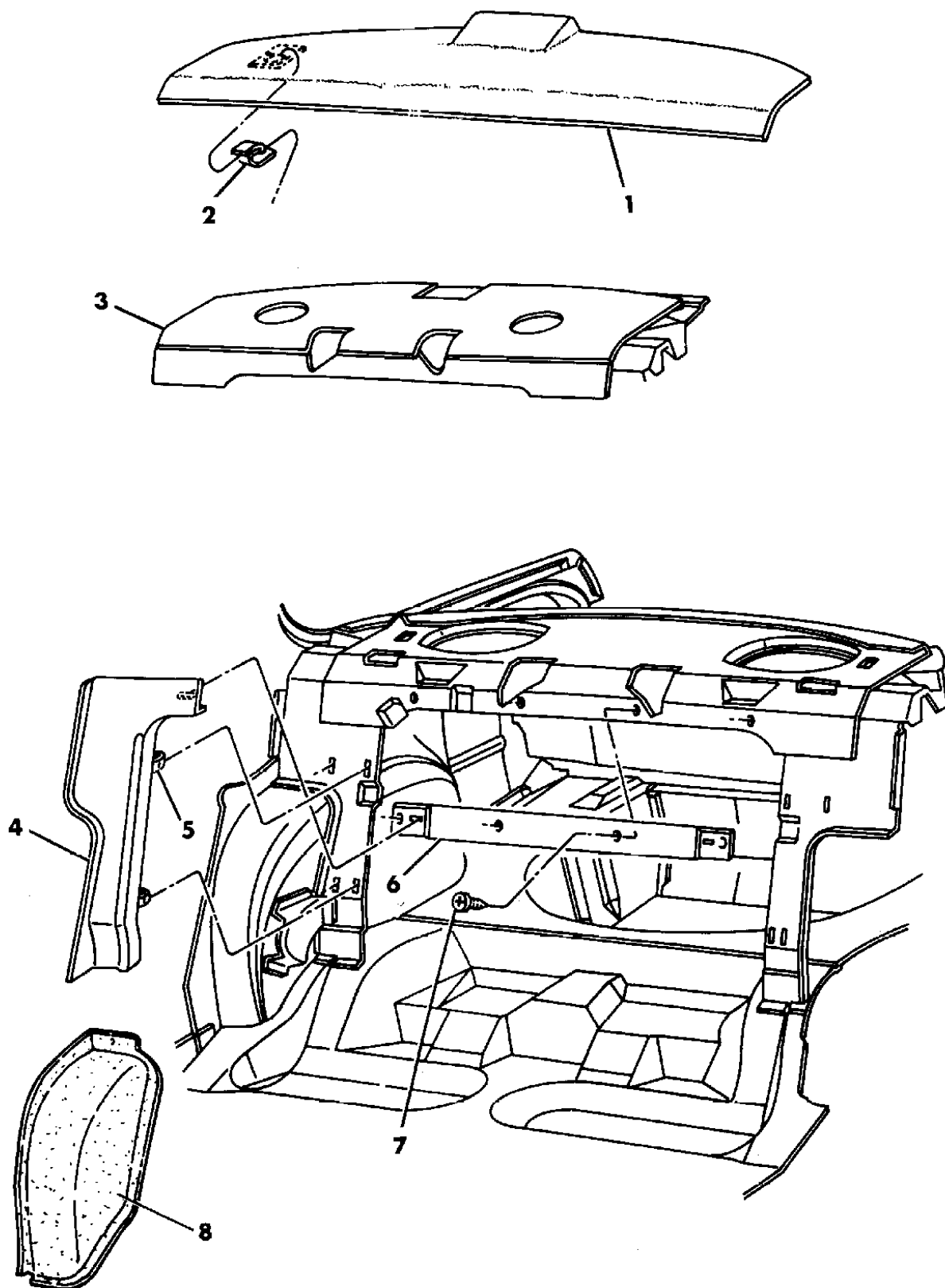
AR = Use as Required - = Non Illustrated Part P.A.R. = Paint as Required

**SHelf PANEL AND RELATED PARTS J BODY**  
**Figure ITJ-300**

93233 300

ITEM	PART NUMBER	QTY	BODY	MODEL	DESCRIPTION
1					PANEL, Shelf Trim
	GW90 LAZ	1			Agate
	GW90 LB9	1			Blue
	GW90 LM6	1			Red
	GW90 LV8	1			Champagne
	AC74 LAZ	1			Agate, (D7AZ)
	AC74 JB9	1			Blue, (D7B)
	AC74 JV8	1			Champagne, (D7V)
	AC74 MMA	1			Red, (D7M)
2	6031 536	2			CLIP
3	4186 901	1			SILENCER
4	V470-1 JV8	1			MOULDING , Shelf Trim Side (P.A.R.)
5	6032 268	8			RETAINER
6	V609 JV8	1			MOULDING, Shelf Trim Center (P.A.R.)
7		4			SCREW, (8-18x5/8) (Not Serv.)
8	4410 952-3	1			SILENCER, Rear Wheel House

NOTE: (P.A.R.) = Paint As Required



**MODEL CODES:**

A BODY=(C=LeBaron, D=Spirit, P=Acclaim/LaBaron(Landau), Saratoga)      S BODY=(H=Voyager(H) FWD, K=Caravan(H) FWD, Y=Town & Country(H) FWD, P=Voyager(K) AWD, D=Caravan(K) AWD, C=Town & Country(K) AWD)  
 C BODY=(D=Dynasty, C=New Yorker/N.Y. Salon)  
 G BODY=(V=Daytona/IROC, Chrysler Daytona)  
 J BODY=(C=LeBaron, Chrysler LeBaron)  
 P BODY=(P=Sundance, D=Shadow)

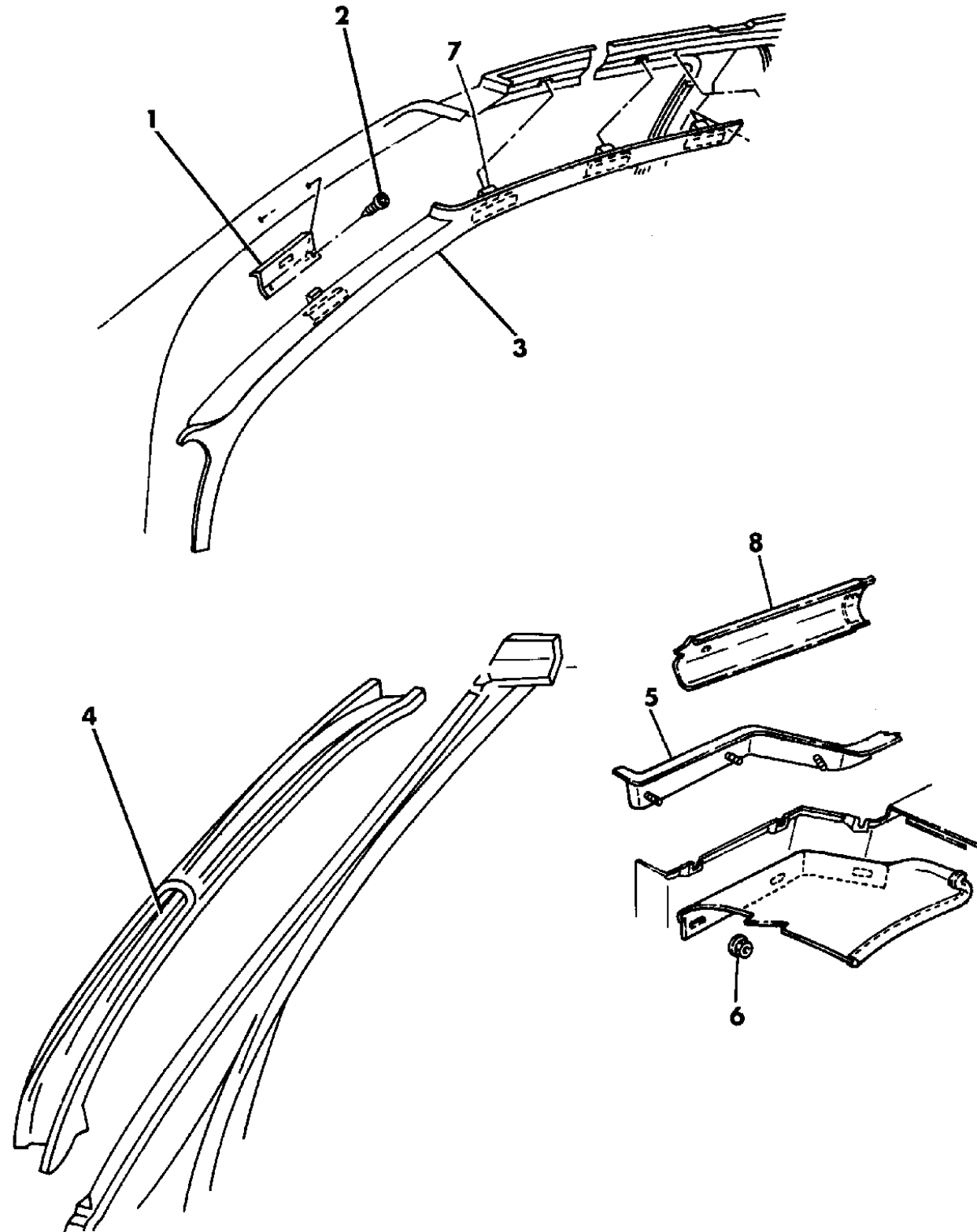
**BODY STYLES:**

21=2-Door Coupe      41=4-Door Sedan      12-52=FWD & AWD Van & Wgn Std W.B.  
 24=2-Door Hatchback      44=4-Door Hatchback      53=FWD & AWD Van & Wgn Ext. W.B.  
 27=2-Door Convertible

AR = Use as Required - = Non Illustrated Part P.A.R. = Paint as Required

**MOULDINGS--GARNISH J BODY**  
Figure ITJ-400

93233 400



ITEM	PART NUMBER	QTY	BODY	MODEL	DESCRIPTION
1	4381 887	2		21	BRACKET
2		4			SCREW, (8-32x1/2) (Not Serv.)
3					MOULDING , Windshield Side and Rail
	V244-5 LAZ	1		21	Agate
	V244-5 JB9	1		21	Blue
	V244-5 LMA	1		21	Red
	V244-5 JV8	1		21	Champagne
4					MOULDING, Windshield Side
	EB72-3 LAZ	1		27	Agate
	EB72-3 JB9	1		27	Blue
	EB72-3 LM6	1		27	Red
	EB72-3 JV8	1		27	Champagne
5				27	MOULDING, Quarter Trim Upper
	HG00-1 LAZ	1		27	Agate
	HG00-1 LM6	1		27	Red
	HG00-1 LB9	1		27	Blue
	HG00-1 LV8	1		27	Champagne
					MOULDING, Quarter Trim Upper (EUROPEAN)
	HG90-1 LAZ	1		27	Agate, (European)
	HG90-1 LB9	1		27	Blue, (European)
	HG90-1 LM6	1		27	Red, (European)
	HG90-1 LV8	1		27	Champagne, (European)
					BRACKET, Moulding Attaching (EUROPEAN)
	EM26-7 LAZ	1		27	Agate, (European)
	EM26-7 LB9	1		27	Blue, (European)
	EM26-7 LM6	1		27	Red, (European)
	EM26-7 LV8	1		27	Champagne, (European)
6	6502 676-7	4		27	NUT, Plastic Push-On
7		8		21	CLIP
8					MOULDING, Windshield Header
	HK98 MAZ	1		27	Agate
	HK98 MB9	1		27	Blue
	HK98 MM6	1		27	Red
	HK98 MV8	1		27	Champagne

NOTE: (P.A.R.) = Paint As Required

**MODEL CODES:**

A BODY=(C=LeBaron, D=Spirit, P=Acclaim/LaBaron(Landau),  
Saratoga)  
C BODY=(D=Dynasty, C=New Yorker/N.Y. Salon)  
G BODY=(V=Daytona/IROC, Chrysler Daytona)  
J BODY=(C=LeBaron, Chrysler LeBaron)  
P BODY=(P=Sundance, D=Shadow)

S BODY=(H=Voyager(H) FWD, K=Caravan(H) FWD,  
Y=Town & Country(H) FWD, P=Voyager(K) AWD,  
D=Caravan(K) AWD, C=Town & Country(K) AWD)  
Y BODY=(C=Imperial/5th Avenue)  
E-S BODY=(K=Chrysler Voyager(H) FWD, D=Chrysler  
Voyager(K) AWD)

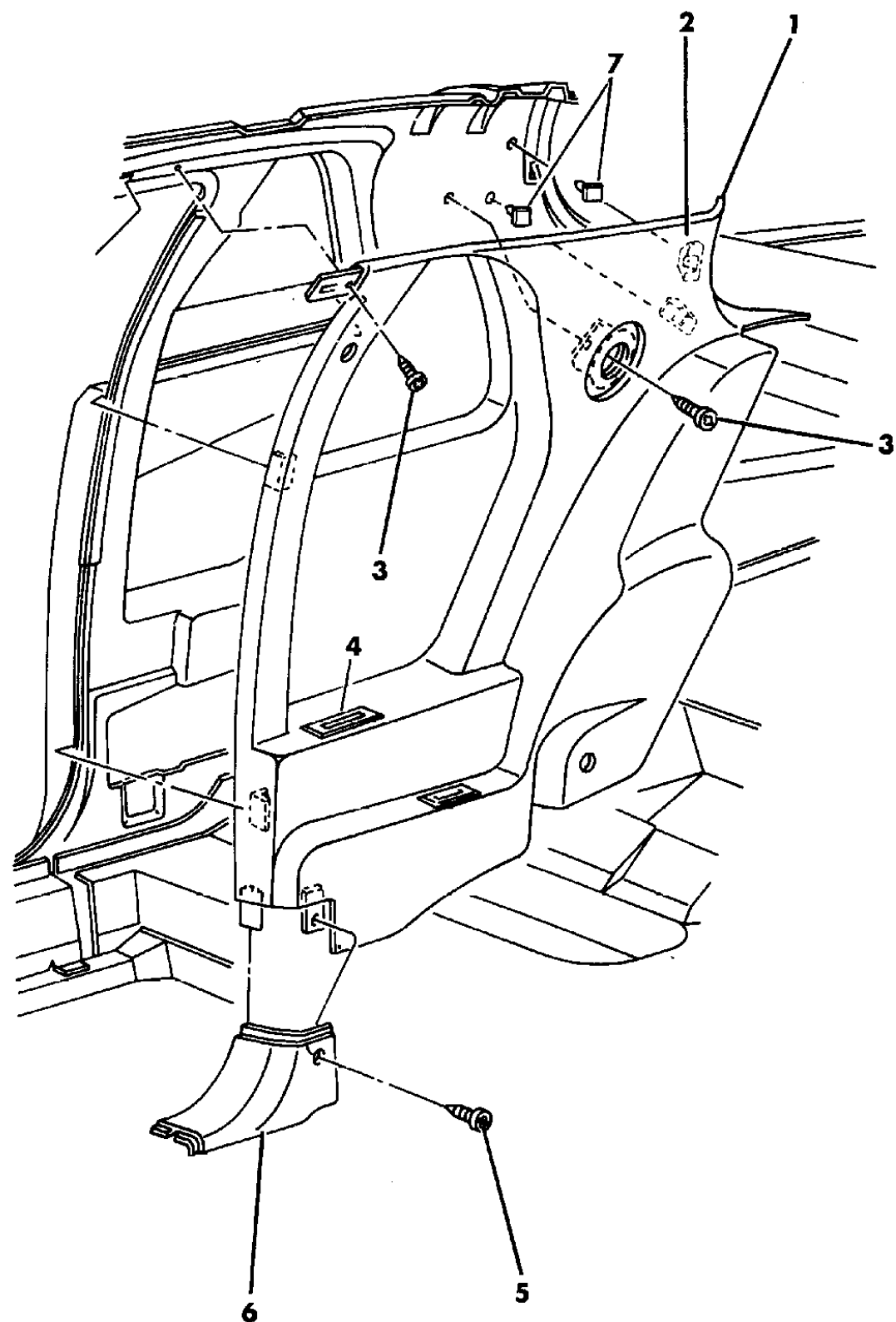
**BODY STYLES:**

21=2-Door Coupe      41=4-Door Sedan      12-52=FWD & AWD Van & Wgn Std W.B.  
24=2-Door Hatchback      44=4-Door Hatchback      53=FWD & AWD Van & Wgn Ext. W.B.  
27=2-Door Convertible

AR = Use as Required - = Non Illustrated Part P.A.R. = Paint as Required

PANEL--QUARTER TRIM J BODY 21  
Figure ITJ-500

93233 500



ITEM	PART NUMBER	QTY	BODY	MODEL	DESCRIPTION
1					PANEL, Quarter Trim
					w/Manual Active Seat Belt System
	GW18-9 LAZ	1			Agate
	GW18-9 LB9	1			Blue
	GW18-9 LMA	1			Red
	GW18-9 LV8	1			Champagne
2	4453 467	4			FASTENER
3	6032 456	AR			SCREW
4					BEZEL, Seat Belt (Serv. W/Belt)
5		2			SCREW, (8-18x3/4) (Not Serv.)
6					PANEL, Quarter Trim Lower Extension
	GW22-3 LAZ	1			Agate
	GW22-3 LB9	1			Blue
	GW22-3 LMA	1			Red
	GW22-3 LV8	1			Champagne
7	4453 467	4			FASTENER

**MODEL CODES:**

A BODY=(C=LeBaron, D=Spirit, P=Acclaim/LaBaron(Landau), Saratoga) S BODY=(H=Voyager(H) FWD, K=Caravan(H) FWD, Y=Town & Country(H) FWD, P=Voyager(K) AWD, D=Caravan(K) AWD, C=Town & Country(K) AWD)  
 C BODY=(D=Dynasty, C=New Yorker/N.Y. Salon) Y BODY=(C=Imperial/5th Avenue)  
 G BODY=(V=Daytona/IROC, Chrysler Daytona) E-S BODY=(K=Chrysler Voyager(H) FWD, D=Chrysler Voyager(K) AWD)  
 J BODY=(C=LeBaron, Chrysler LeBaron) P BODY=(P=Sundance, D=Shadow)

**BODY STYLES:**

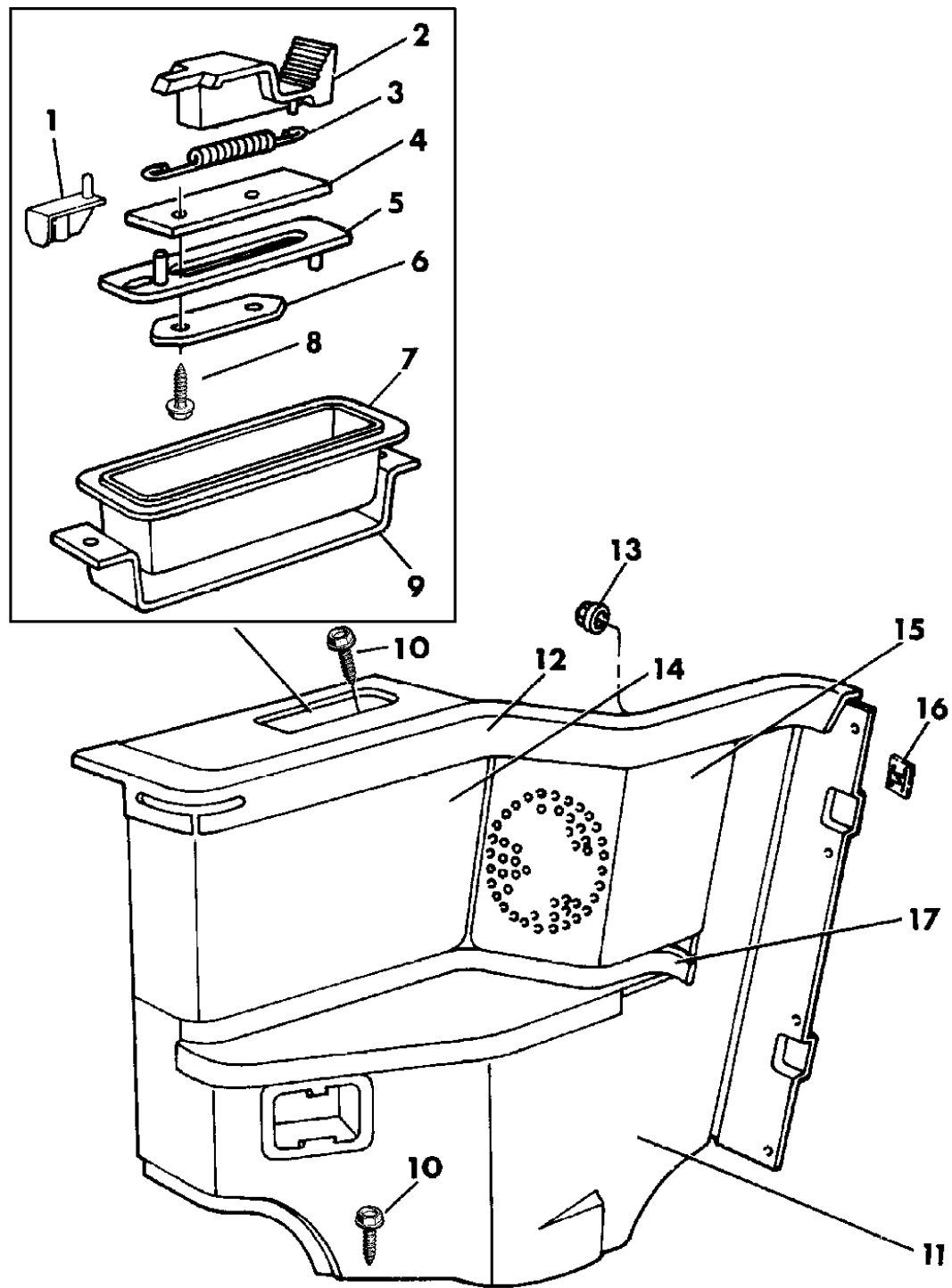
21=2-Door Coupe 41=4-Door Sedan 12-52=FWD & AWD Van & Wgn Std W.B.  
 24=2-Door Hatchback 44=4-Door Hatchback 53=FWD & AWD Van & Wgn Ext. W.B.  
 27=2-Door Convertible

AR = Use as Required - = Non Illustrated Part P.A.R. = Paint as Required

PANEL--QUARTER TRIM J BODY 27

Figure ITJ-600

93233 600A



ITEM	PART NUMBER	QTY	BODY	MODEL	DESCRIPTION
1	4454 342	2			RETAINER, Spring
2	4422 266	2			LATCH, Folding Top Boot
3	4422 271	1			SPRING, Folding Top Boot Latch
4	4422 268	1			PLATE, Folding Top Boot Latch
5	4422 290-1				BASE, Folding Top Boot Latch
6	4422 269	1			RETAINER, Folding Top Boot Latch
7	4422 265	2			HOUSING, Folding Top Boot Latch
8		AR			SCREW, (m4-14 Self Tapping) (Not Serv.)
9	4422 292-3	1			BRACKET, Folding Top Boot Latch
10		AR			SCREW, (Not Serv.)
11					PANEL, Quarter Trim
	FV98-9 LAZ	1			Agate
	FV98-9 LB9	1			Blue
	FV98-9 LM6	1			Red
	FV98-9 LVV	1			Champagne
	FV98-9 LMW	1			Red/White
	FV98-9 LWA	1			White/Agate
					PANEL, Quarter Trim and Upper Moulding (EUROPEAN)
	HG92-3 LAZ	1			Agate, (European)
	HG92-3 LB9	1			Blue, (European)
	HG92-3 LMA	1			Red, (European)
	HG92-3 LVV	1			Champagne, (European)
	HG92-3 LMW	1			Red/White, (European)
	HG92-3 LWA	1			White/Agate, (European)
12					MOULDING, Quarter Panel Upper
					(Use Up To 4-2-92)
	FV62-3 LAZ	1			Agate
	FV62-3 LB9	1			Blue
	FV62-3 LM6	1			Red
	FV62-3 LV8	1			Champagne
					(Use After 4-2-92)
	HG00-1 LAZ	1			Agate
	HG00-1 LB9	1			Blue
	HG00-1 LM6	1			Red
	HG00-1 LV8	1			Champagne
-	6034 598	3			U-NUT, Spring Quarter Trim to Upper Moulding Attaching
-	4723 930	1		27	SLOT COVER, Upper Molding Seat Belt ***
-	4723 931	1		27	SLOT COVER, Upper Molding Seat Belt (EUROPEAN) ***
13	6502 676	4			NUT, Plastic (Push In)

MODEL CODES:

A BODY=(C=LeBaron, D=Spirit, P=Acclaim/LaBaron(Landau), Saratoga) S BODY=(H=Voyager(H) FWD, K=Caravan(H) FWD, Y=Town & Country(H) FWD, P=Voyager(K) AWD, D=Caravan(K) AWD, C=Town & Country(K) AWD)  
 C BODY=(D=Dynasty, C=New Yorker/N.Y. Salon)  
 G BODY=(V=Daytona/IROC, Chrysler Daytona)  
 J BODY=(C=LeBaron, Chrysler LeBaron)  
 P BODY=(P=Sundance, D=Shadow) E-S BODY=(K=Chrysler Voyager(H) FWD, D=Chrysler Voyager(K) AWD)

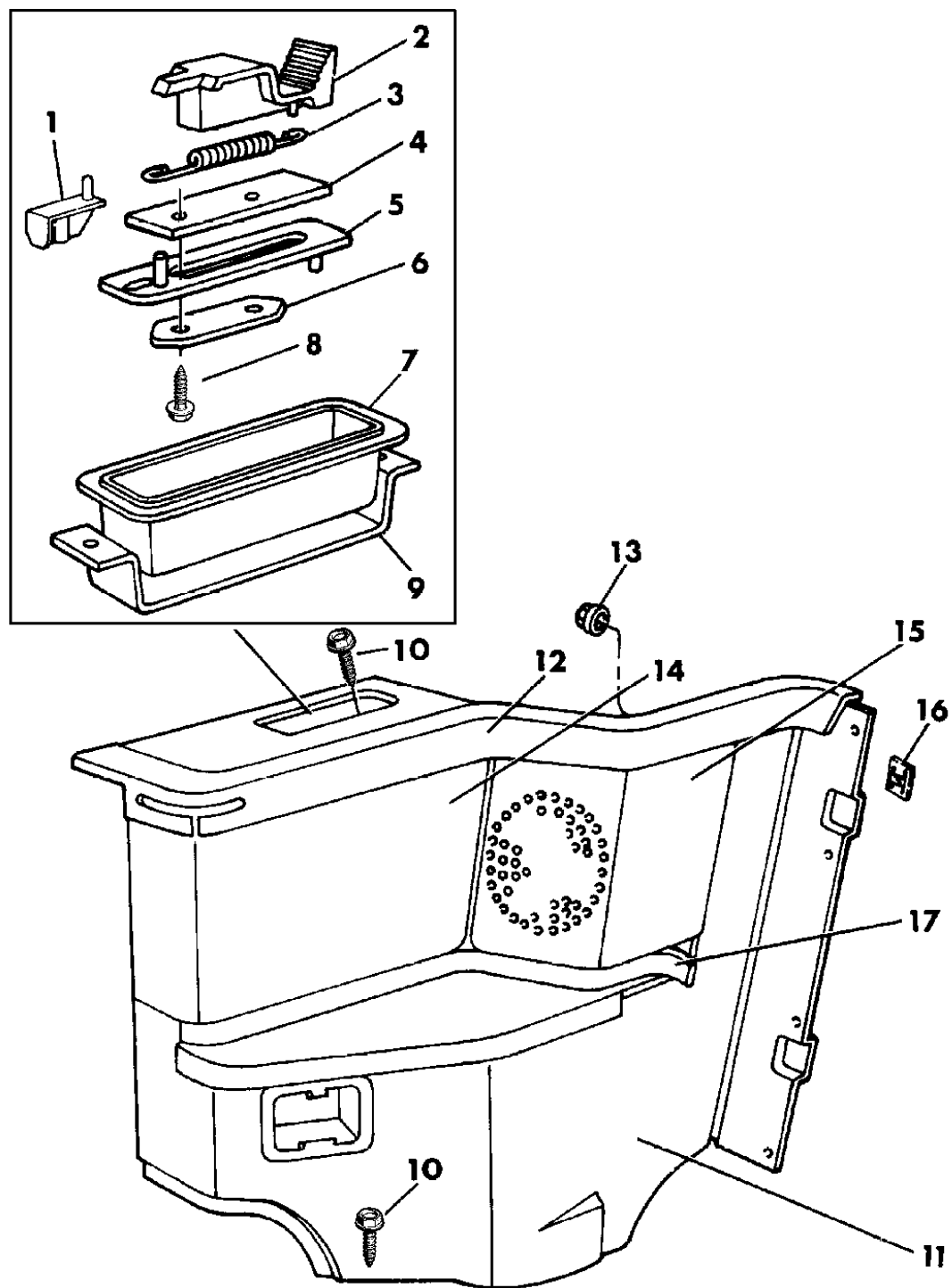
BODY STYLES:

21=2-Door Coupe 41=4-Door Sedan 12-52=FWD & AWD Van & Wgn Std W.B.  
 24=2-Door Hatchback 44=4-Door Hatchback 53=FWD & AWD Van & Wgn Ext. W.B.  
 27=2-Door Convertible

AR = Use as Required - = Non Illustrated Part P.A.R. = Paint as Required

PANEL--QUARTER TRIM J BODY 27  
Figure ITJ-600

93233 600A



ITEM	PART NUMBER	QTY	BODY	MODEL	DESCRIPTION
14					BOLSTER, Quarter Trim Lower
	FW00-1 LAZ	1			Agate
	FW00-1 LB9	1			Blue
	FW00-1 LMA	1			Red
	FW00-1 LV4	1			Champagne
	FW00-1 LWC	1			White
15					GRILLE, Rear Speaker
	H670-1 LAZ	1			Agate
	H670-1 JB9	1			Blue
	H670-1 LMA	1			Red
	H670-1 JV8	1			Champagne
16	6033 446	AR			RETAINER, Lower Moulding Attaching
17					MOULDING, Quarter Trim Lower (Serviced With Item 11 Only)

MODEL CODES:

A BODY=(C=LeBaron, D=Spirit, P=Acclaim/LaBaron(Landau), Saratoga) S BODY=(H=Voyager(H) FWD, K=Caravan(H) FWD, Y=Town & Country(H) FWD, P=Voyager(K) AWD, D=Caravan(K) AWD, C=Town & Country(K) AWD)  
 C BODY=(D=Dynasty, C=New Yorker/N.Y. Salon) Y BODY=(C=Imperial/5th Avenue)  
 G BODY=(V=Daytona/IROC, Chrysler Daytona) E-S BODY=(K=Chrysler Voyager(H) FWD, D=Chrysler Voyager(K) AWD)  
 J BODY=(C=LeBaron, Chrysler LeBaron) P BODY=(P=Sundance, D=Shadow)

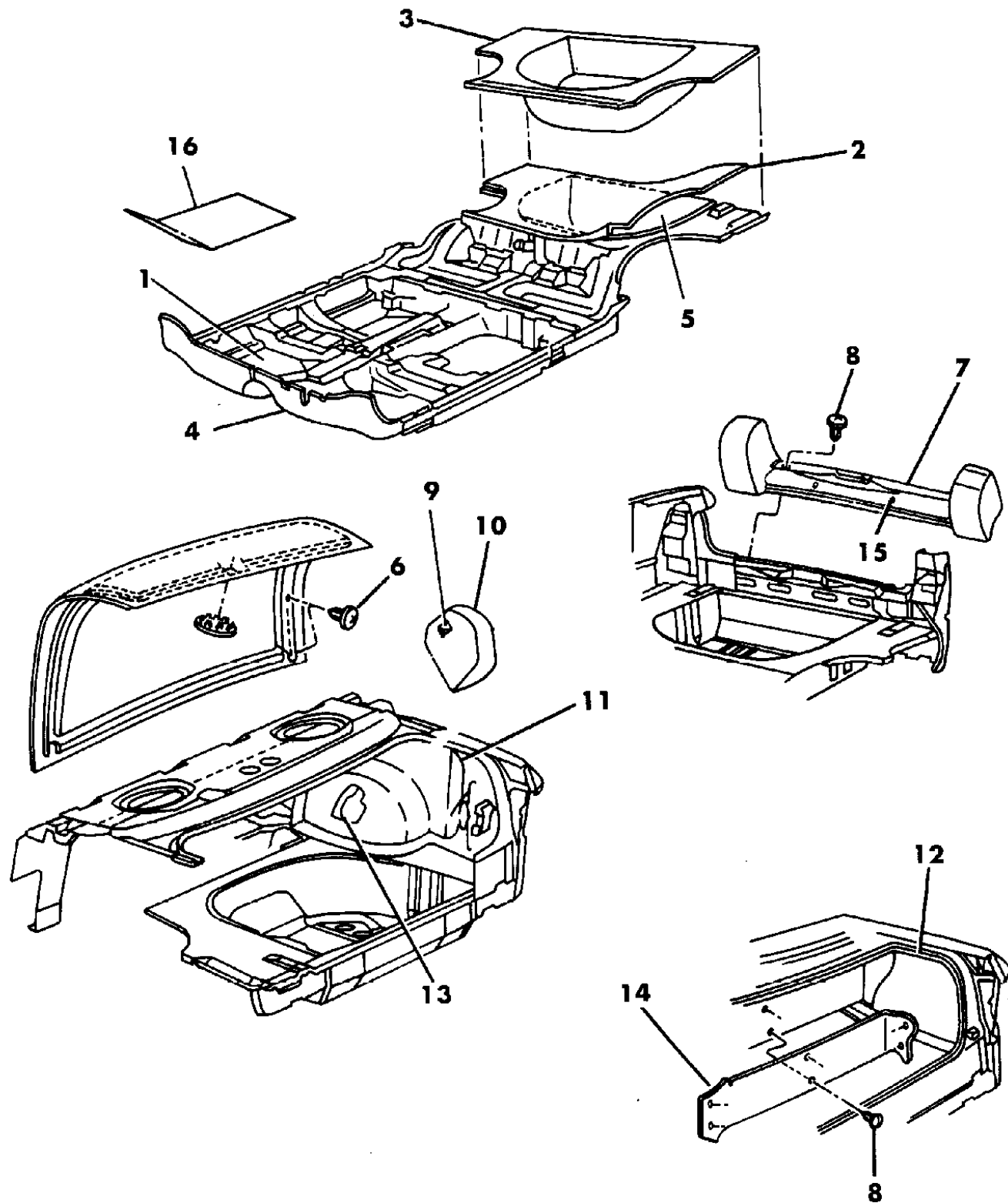
BODY STYLES:

21=2-Door Coupe 41=4-Door Sedan 12-52=FWD & AWD Van & Wgn Std W.B.  
 24=2-Door Hatchback 44=4-Door Hatchback 53=FWD & AWD Van & Wgn Ext. W.B.  
 27=2-Door Convertible

AR = Use as Required - = Non Illustrated Part P.A.R. = Paint as Required

**CARPET AND SILENCERS J BODY**  
Figure ITJ-700

93233 700A



ITEM	PART NUMBER	QTY	BODY	MODEL	DESCRIPTION
1					CARPET
	FT36 LAZ	1		21	Agate
	FT36 LB9	1		21	Blue
	FT36 LM6	1		21	Red
	FT36 LV8	1		21	Champagne
	FT74 LAZ	1		27	Agate
	FT74 LB9	1		27	Blue
	FT74 LM6	1		27	Red
	FT74 LV8	1		27	Champagne
2	4620 926	1		21 P H	CARPET, Luggage Compartment Floor
3	4381 607			27	CARPET, Luggage Compartment Floor
4					SILENCER, Floor Pan
	5259 169	1		21	Front
	4547 703	1		21	Rear, Moulded
5	4409 902	1		21	COVER, Tire (Hardboard)
6	6030 441	AR			RETAINER
7	4611 939	1			PANEL, Deck Lid Opening
8	6030 441	AR		27	RETAINER
9	4490 917	1		27	LABEL, Jack Cover Stowage
10					COVER, Spare
	4409 902	1		21	Full Size Spare
	4620 900	1		27	Mini-Spare
11				21	PANEL, Side Trim
	4453 038	1			Right
	4665 387	1			Left
12					PANEL, Side Trim
	4453 042	1		27	Right
	4665 393	1		27	Left
13	4186 901	AR		21-27	SILENCER
14	5259 528	1		27	PANEL, Bulkhead Trim
15	4381 395	2		21	FASTENER
16					FLOOR MATS, Carpet, Set of Two
					FRONT
	HH48 MAZ	1			Agate
	HH48 MB9	1			Blue
	HH48 MM6	1			Red
	HH48 MV8	1			Champagne
					REAR
	HH49 MAZ	1			Agate

**MODEL CODES:**

A BODY=(C=LeBaron, D=Spirit, P=Acclaim/LaBaron(Landau), Saratoga) S BODY=(H=Voyager(H) FWD, K=Caravan(H) FWD, Y=Town & Country(H) FWD, P=Voyager(K) AWD, D=Caravan(K) AWD, C=Town & Country(K) AWD)  
 C BODY=(D=Dynasty, C=New Yorker/N.Y. Salon) Y BODY=(C=Imperial/5th Avenue)  
 G BODY=(V=Daytona/IROC, Chrysler Daytona) E-S BODY=(K=Chrysler Voyager(H) FWD, D=Chrysler Voyager(K) AWD)  
 J BODY=(C=LeBaron, Chrysler LeBaron)  
 P BODY=(P=Sundance, D=Shadow)

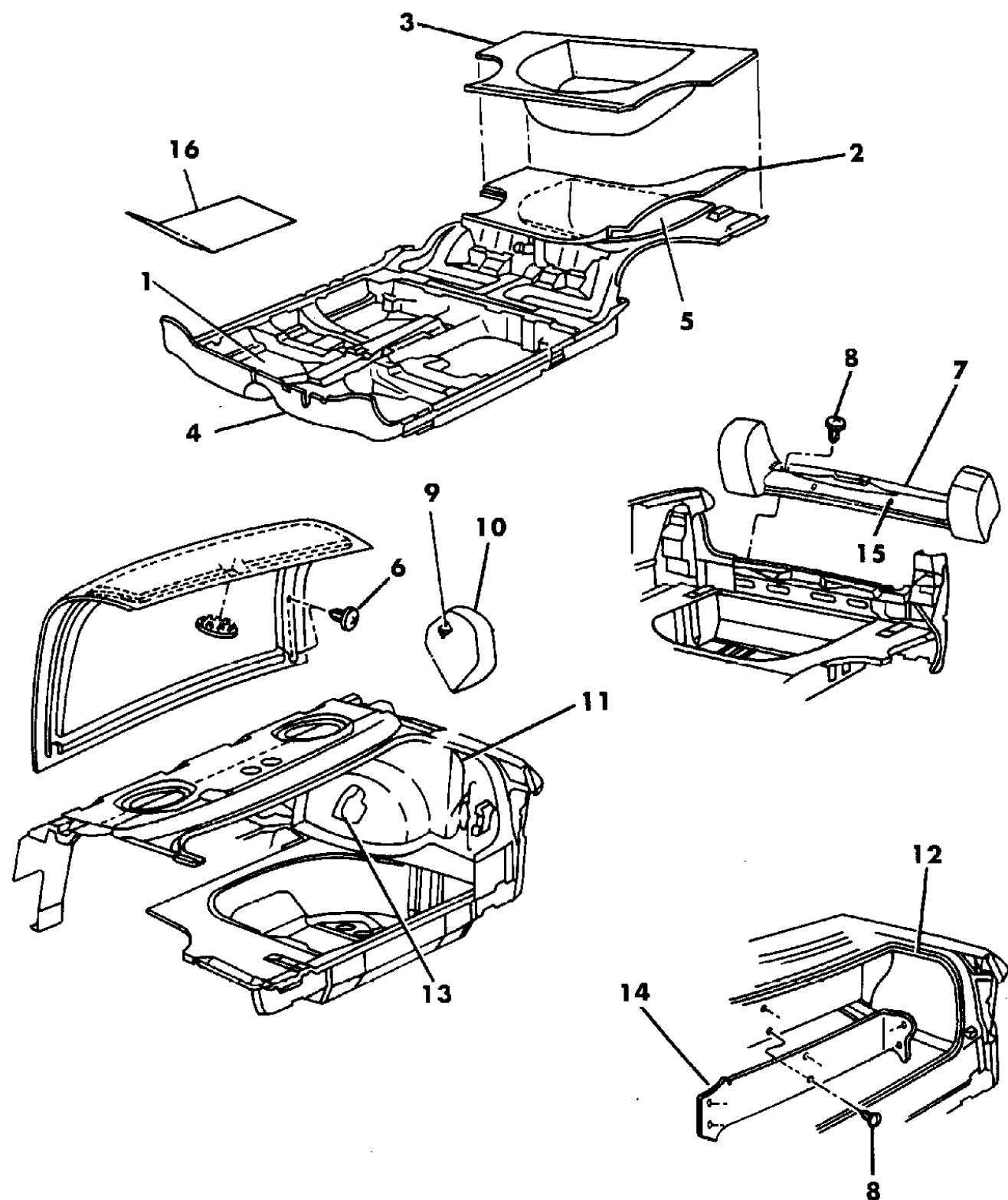
**BODY STYLES:**

21=2-Door Coupe      41=4-Door Sedan      12-52=FWD & AWD Van & Wgn Std W.B.  
 24=2-Door Hatchback      44=4-Door Hatchback      53=FWD & AWD Van & Wgn Ext. W.B.  
 27=2-Door Convertible

AR = Use as Required - = Non Illustrated Part P.A.R. = Paint as Required

**CARPET AND SILENCERS J BODY**  
**Figure ITJ-700**

93233 700A



ITEM	PART NUMBER	QTY	BODY	MODEL	DESCRIPTION
	HH49 MB9	1			Blue
	HH49 MM6	1			Red
	HH49 MV8	1			Champagne

**MODEL CODES:**

A BODY=(C=LeBaron, D=Spirit, P=Acclaim/LaBaron(Landau),  
Saratoga)  
 C BODY=(D=Dynasty, C=New Yorker/N.Y. Salon)  
 G BODY=(V=Daytona/IROC, Chrysler Daytona)  
 J BODY=(C=LeBaron, Chrysler LeBaron)  
 P BODY=(P=Sundance, D=Shadow)

S BODY=(H=Voyager(H) FWD, K=Caravan(H) FWD,  
Y=Town & Country(H) FWD, P=Voyager(K) AWD,  
D=Caravan(K) AWD, C=Town & Country(K) AWD)  
 Y BODY=(C=Imperial/5th Avenue)  
 E-S BODY=(K=Chrysler Voyager(H) FWD, D=Chrysler  
Voyager(K) AWD)

**BODY STYLES:**

21=2-Door Coupe      41=4-Door Sedan      12-52=FWD & AWD Van & Wgn Std W.B.  
 24=2-Door Hatchback      44=4-Door Hatchback      53=FWD & AWD Van & Wgn Ext. W.B.  
 27=2-Door Convertible

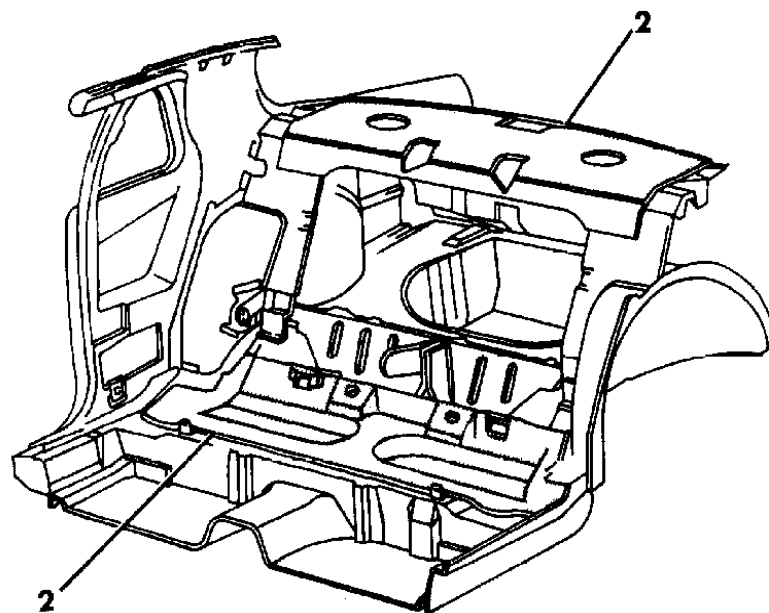
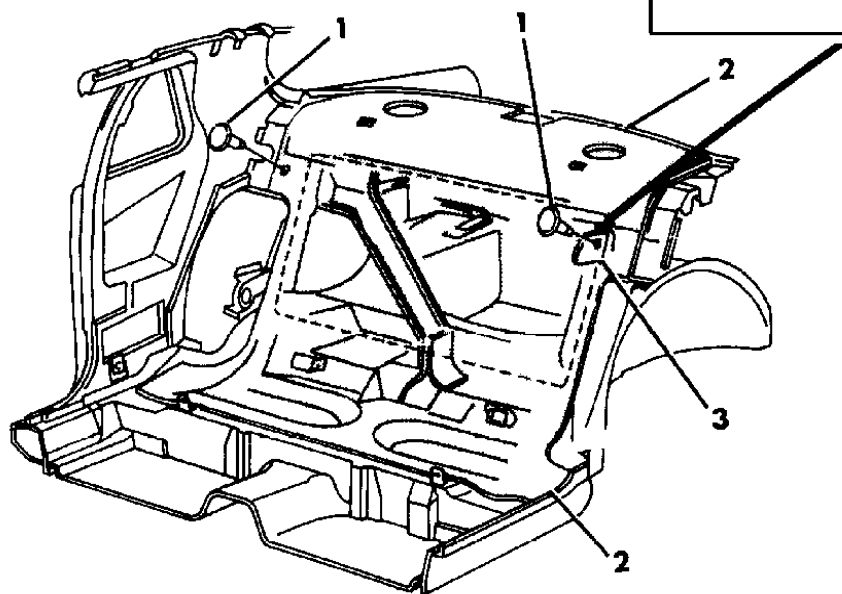
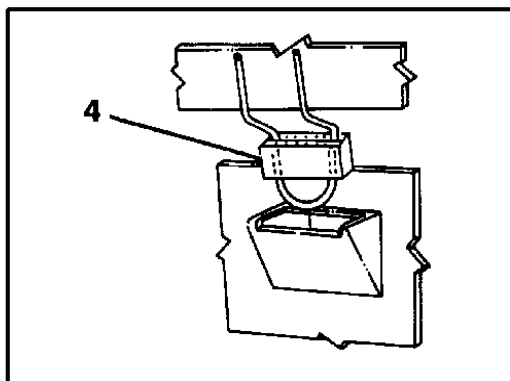
AR = Use as Required - = Non Illustrated Part P.A.R. = Paint as Required



**SILENCERS--REAR COMPARTMENT J BODY**  
**Figure ITJ-800**

93233 800A

ITEM	PART NUMBER	QTY	BODY	MODEL	DESCRIPTION
1	4381 395	4		21	FASTENER
2	4186 901	AR		21	SILENCER
3	4496 111	1		21	PANEL, Luggage Compartment Board
4	4239 182	2			SEAL, Rear Seat Back to Shelf Panel



**MODEL CODES:**

A BODY=(C=LeBaron, D=Spirit, P=Acclaim/LaBaron(Landau), Saratoga)      S BODY=(H=Voyager(H) FWD, K=Caravan(H) FWD, Y=Town & Country(H) FWD, P=Voyager(K) AWD, D=Caravan(K) AWD, C=Town & Country(K) AWD)  
 C BODY=(D=Dynasty, C=New Yorker/N.Y. Salon)  
 G BODY=(V=Daytona/IROC, Chrysler Daytona)  
 J BODY=(C=LeBaron, Chrysler LeBaron)  
 P BODY=(P=Sundance, D=Shadow)      Y BODY=(C=Imperial/5th Avenue)  
 E-S BODY=(K=Chrysler Voyager(H) FWD, D=Chrysler Voyager(K) AWD)

**BODY STYLES:**

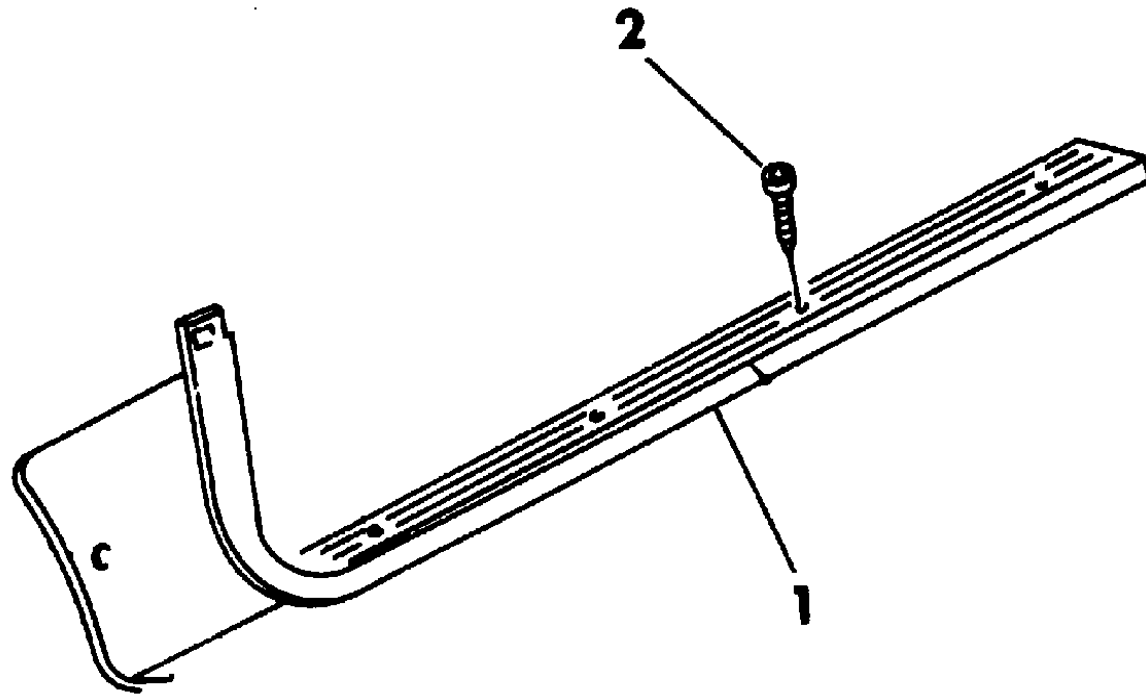
21=2-Door Coupe      41=4-Door Sedan      12-52=FWD & AWD Van & Wgn Std W.B.  
 24=2-Door Hatchback      44=4-Door Hatchback      53=FWD & AWD Van & Wgn Ext. W.B.  
 27=2-Door Convertible

AR = Use as Required - = Non Illustrated Part P.A.R. = Paint as Required

**SCUFF PLATE J BODY**  
Figure ITJ-900

93233 900

ITEM	PART NUMBER	QTY	BODY	MODEL	DESCRIPTION
1					SCUFF PLATE, Panel Cowl Side
	GE28-9 LAZ	1			Agate
	GE28-9 LB9	1			Blue
	GE28-9 LMA	1			Red
	GE28-9 LV8	1			Champagne
2		AR			SCREW, (8-18x1 1/2) (Not Serv.)



**MODEL CODES:**

A BODY=(C=LeBaron, D=Spirit, P=Acclaim/LaBaron(Landau),  
Saratoga)  
C BODY=(D=Dynasty, C=New Yorker/N.Y. Salon)  
G BODY=(V=Daytona/IROC, Chrysler Daytona)  
J BODY=(C=LeBaron, Chrysler LeBaron)  
P BODY=(P=Sundance, D=Shadow)

S BODY=(H=Voyager(H) FWD, K=Caravan(H) FWD,  
Y=Town & Country(H) FWD, P=Voyager(K) AWD,  
D=Caravan(K) AWD, C=Town & Country(K) AWD)  
Y BODY=(C=Imperial/5th Avenue)  
E-S BODY=(K=Chrysler Voyager(H) FWD, D=Chrysler  
Voyager(K) AWD)

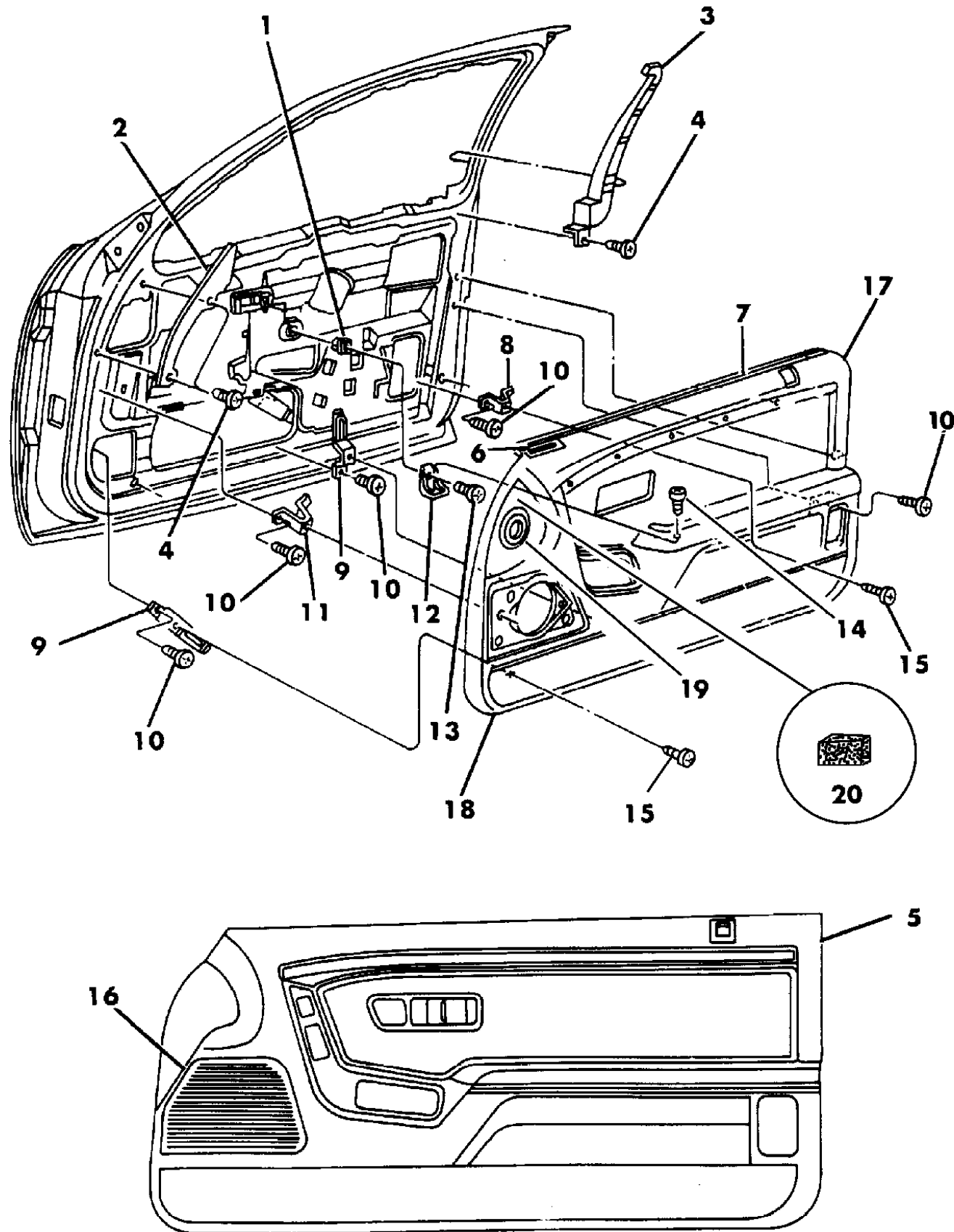
**BODY STYLES:**

21=2-Door Coupe      41=4-Door Sedan      12-52=FWD & AWD Van & Wgn Std W.B.  
24=2-Door Hatchback      44=4-Door Hatchback      53=FWD & AWD Van & Wgn Ext. W.B.  
27=2-Door Convertible

AR = Use as Required - = Non Illustrated Part P.A.R. = Paint as Required

PANEL--DOOR TRIM J BODY  
Figure ITJ-1000

93233 1000A



ITEM	PART NUMBER	QTY	BODY	MODEL	DESCRIPTION
1	6501 842	2			NUT, Armrest
2	4496 172-3	1			COVER, Door Flag Trim Garnish (See Group 23C For Weather Strip and Glass Run
3	4410 418-9	1			MOULDING, Rear Frame Garnish
4					SCREW, (8-15x1/2) (Not Serv.)
5					PANEL, Door Trim
* For Bolster, Check the End Of Illustration For Part Numbers s ARE NOT RETURNABLE.					
				21	CLOTH
	HC50-1 LAZ	1			Agate, (D7AZ)
	HC50-1 LB9	1			Blue, (D7B)
	HC50-1 LMA	1			Red, (D7M)
	HC50-1 LVV	1			Champagne, (D7V)
				27	CLOTH
	HC56-7 LAZ	1			Agate, (D7AZ)
	HC56-7 LB9	1			Blue, (D7B)
	HC56-7 LMA	1			Red, (D7M)
	HC56-7 LVV	1			Champagne, (D7V)
				21	CLOTH
	HC52-3 LDX	1			Agate, (V7AZ)
	HC52-3 LBX	1			Blue, (V7B)
	HC52-3 LMA	1			Red, (V7M)
	HC52-3 LVX	1			Champagne, (V7V)
				21	LEATHER
	HC54-5 LAZ	1			Agate, (XLAZ)
	HC54-5 LB9	1			Blue, (XLB)
	HC54-5 LMA	1			Red, (XLM)
	HC54-5 LVV	1			Champagne, (XLV)
				27	LEATHER
	HC58-9 LAZ	1			Agate, (XLAZ)
	HC58-9 LB9	1			Blue, (XLB)
	HC58-9 LMA	1			Red, (XLM)
	HC58-9 LVV	1			Champagne, (XLV)
	HC58-9 LMW	1			Red/White, (XLMW,D8MW)
	HC58-9 LWA	1			White/Agate, (D8WA,XLWA)
6					BEZEL, Demister Grille
	WM82 JB9	2			Blue
	WM82 LMA	2			Red
	WM82 LAZ	2			Agate
	WM82 JV8	2			Champagne

MODEL CODES:

A BODY=(C=LeBaron, D=Spirit, P=Acclaim/LaBaron(Landau), Saratoga)

C BODY=(D=Dynasty, C=New Yorker/N.Y. Salon)

G BODY=(V=Daytona/IROC, Chrysler Daytona)

J BODY=(C=LeBaron, Chrysler LeBaron)

P BODY=(P=Sundance, D=Shadow)

S BODY=(H=Voyager(H) FWD, K=Caravan(H) FWD,

Y=Town & Country(H) FWD, P=Voyager(K) AWD,

D=Caravan(K) AWD, C=Town & Country(K) AWD)

Y BODY=(C=Imperial/5th Avenue)

E-S BODY=(K=Chrysler Voyager(H) FWD, D=Chrysler

Voyager(K) AWD)

BODY STYLES:

21=2-Door Coupe

41=4-Door Sedan

12-52=FWD & AWD Van & Wgn Std W.B.

24=2-Door Hatchback

44=4-Door Hatchback

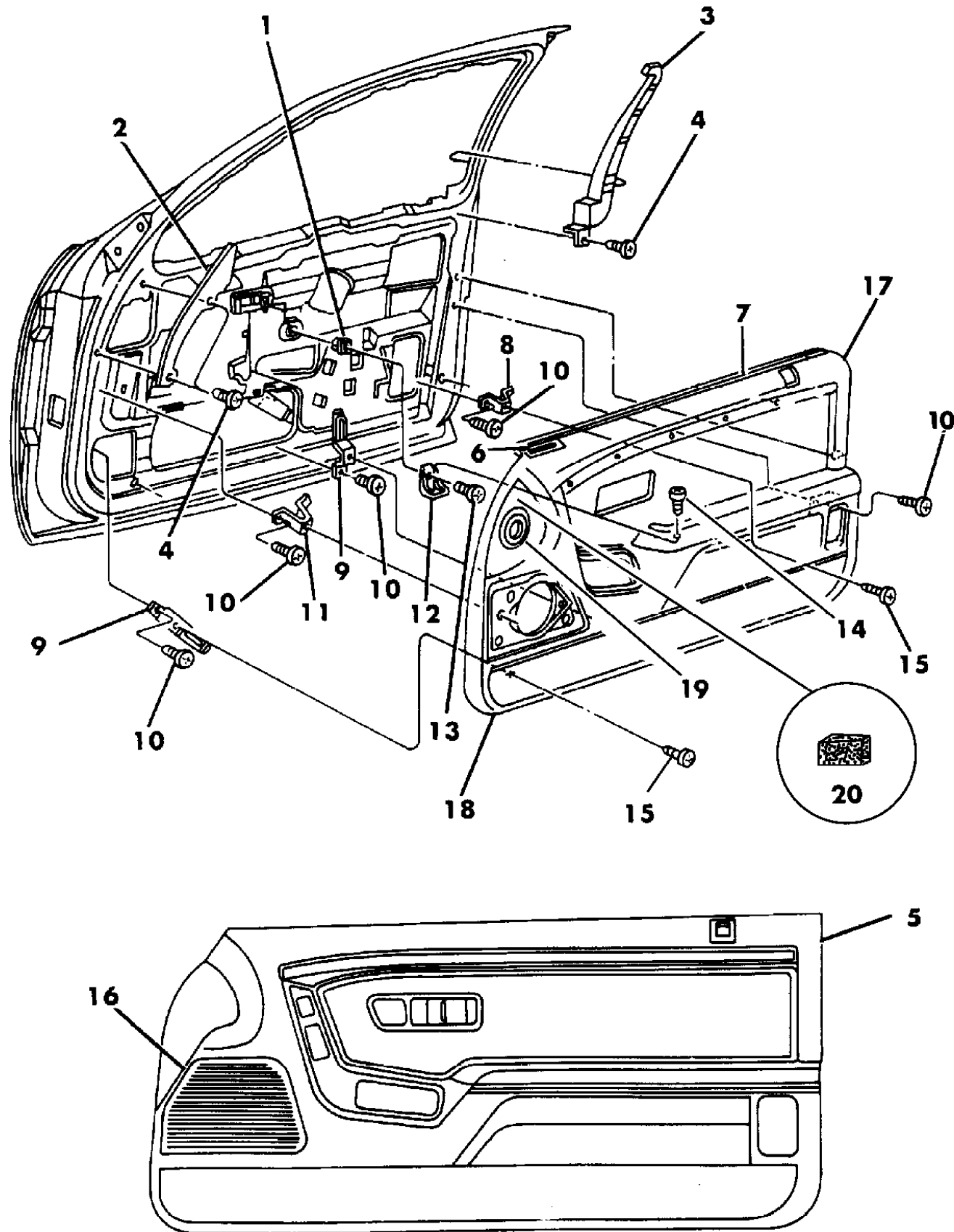
53=FWD & AWD Van & Wgn Ext. W.B.

27=2-Door Convertible

AR = Use as Required - = Non Illustrated Part P.A.R. = Paint as Required

PANEL--DOOR TRIM J BODY  
Figure ITJ-1000

93233 1000A



ITEM	PART NUMBER	QTY	BODY	MODEL	DESCRIPTION
7	4521 306-7	1		27	WEATHER STRIP, Door Panel (Chrome) ***
8	5259 988	2			BRACKET, Map Pocket Attaching
9	5259 986	4			BRACKET
10					SCREW, (10x16x3/8) Not Serv.
11	5259 985	2			BRACKET
12	4620 863	2			BRACKET
13					SCREW, (Not Serv.)
14					SCREW, (Not Serv.)
15					SCREW, (Not Serv.)
16					GRILLE, Speaker
	D644-5 LAZ	1			Agate
	D644-5 JB9	1			Blue
	D644-5 LM6	1			Red
	D644-5 JV8	1			Champagen
17					ARMREST
	HC46-7 LAZ	1			Agate
	HC46-7 LB9	1			Blue
	HC46-7 LM6	1			Red
	HC46-7 LV8	1			Champagne
18					PANEL, Door (Sub-Assembly)
	GD94-5 LAZ	1		21	Agate
	GD94-5 LB9	1		21	Blue
	GD94-5 LMA	1		21	Red
	GD94-5 LV8	1		21	Champagne
	GD98-9 LAZ	1		27	Agate
	GD98-9 LB9	1		27	Blue
	GD98-9 LMA	1		27	Red
	GD98-9 LV8	1		27	Champagne
19	4453 217	1			BEZEL, Demister Inlet
20	4665 733	1			PATCH, Door Panel To I/P Noise Aperature (1/2" x 1") ***
-					BOLSTER, Door Panel
	JY66-7 PAZ	1			Agate, (D7AZ)
	JY66-7 PMA	1			Red, (D7M6)
	JY66-7 PV4	1			Champagne, (D7VV)
	JY68-9 PWC	1			Blue/White, (D8WA,D8MW,XLWA,DLWA,XLMW)
	JY68-9 PAZ	1			Agate, (XLAZ,DLAZ)
	JY68-9 PV4	1			Champagen, (XLVV,DLVV)
	JY68-9 PMA	1			Red, (DLM6)

MODEL CODES:

A BODY=(C=LeBaron, D=Spirit, P=Acclaim/LaBaron(Landau), Saratoga)

C BODY=(D=Dynasty, C=New Yorker/N.Y. Salon)

G BODY=(V=Daytona/IROC, Chrysler Daytona)

J BODY=(C=LeBaron, Chrysler LeBaron)

P BODY=(P=Sundance, D=Shadow)

S BODY=(H=Voyager(H) FWD, K=Caravan(H) FWD,

Y=Town & Country(H) FWD, P=Voyager(K) AWD,

D=Caravan(K) AWD, C=Town & Country(K) AWD)

Y BODY=(C=Imperial/5th Avenue)

E-S BODY=(K=Chrysler Voyager(H) FWD, D=Chrysler

Voyager(K) AWD)

BODY STYLES:

21=2-Door Coupe

41=4-Door Sedan

12-52=FWD & AWD Van & Wgn Std W.B.

24=2-Door Hatchback

44=4-Door Hatchback

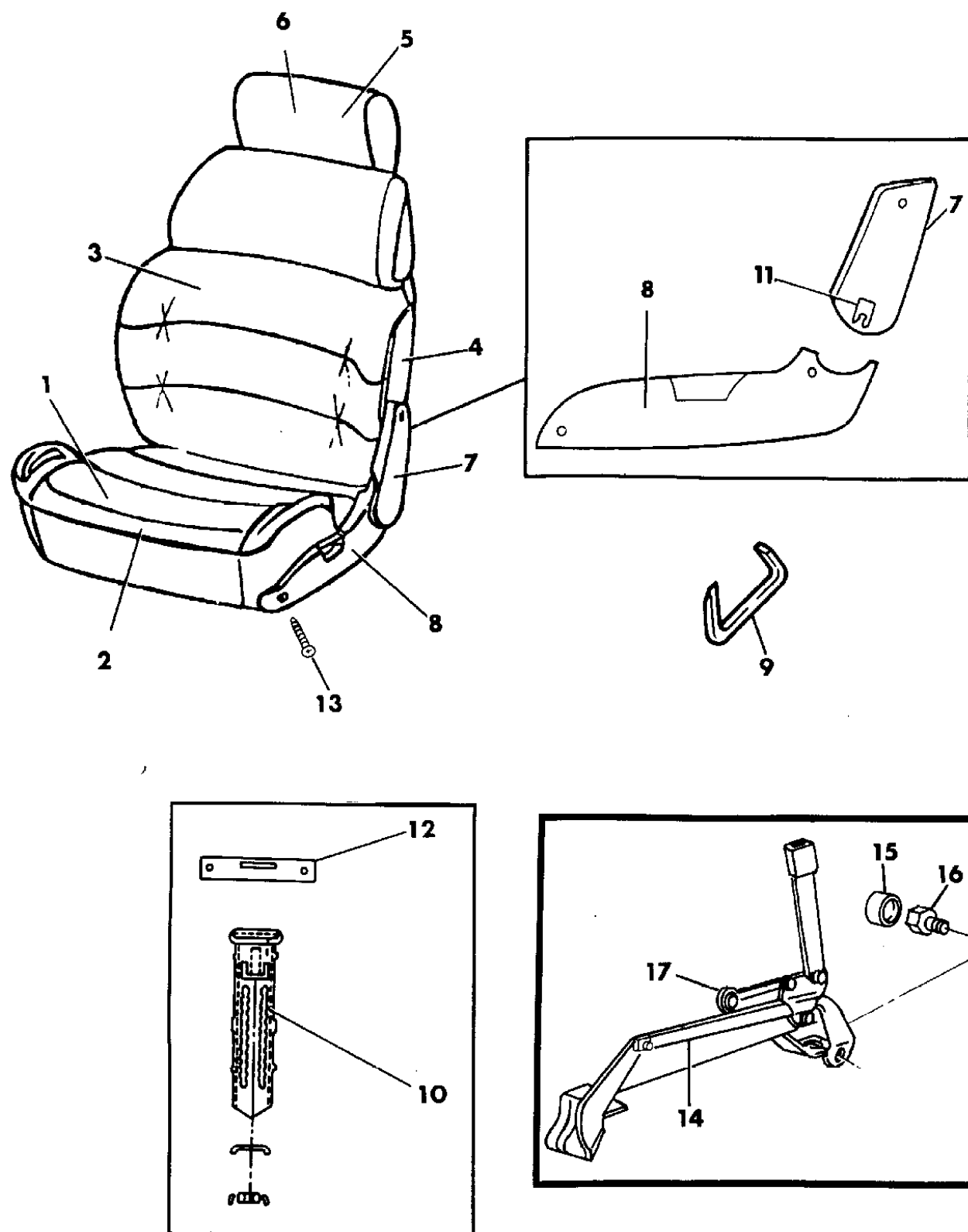
53=FWD & AWD Van & Wgn Ext. W.B.

27=2-Door Convertible

AR = Use as Required - = Non Illustrated Part P.A.R. = Paint as Required

SEAT--FRONT J BODY TRIM CODE D7,D8  
Figure ITJ-1100

93233 1100



ITEM	PART NUMBER	QTY	BODY	MODEL	DESCRIPTION
1-2					CUSHION, w/Spring/Frame, Pad and Cover
					CLOTH
	EZ00-1 LAZ	1			Agate, (D7AZ)
	EZ00-1 LBB	1			Blue, (D7B)
	EZ00-1 LMA	1			Red, (D7M)
	EZ00-1 LVV	1			Champagne, (D7V)
	EJ30-1 LAZ	1			Agate, (D7AZ) (EUROPEAN)
	EJ30-1 LBB	1			Blue, (D7B) (EUROPEAN)
	EJ30-1 LVV	1			Champagne, (D7V) (EUROPEAN)
					VINYL
2	GD18-9 LWC	1			White, (D8MW,D8WA)
					COVER, Cushion
					CLOTH
	EY96-7 LAZ	1			Agate, (D7AZ)
	EY96-7 LBB	1			Blue, (D7B)
	EY96-7 LMA	1			Red, (D7M)
	EY96-7 LVV	1			Champagne, (D7V)
					VINYL
3	GD00-1 LWC	1			White, (D8MW,D8WA)
					BACK, w/Spring/Frame, Pad and Cover
					CLOTH
	EY98-9 LAZ	1			Agate, (D7AZ)
	EY98-9 LBB	1			Blue, (D7B)
	EY98-9 LMA	1			Red, (D7M)
	EY98-9 LVV	1			Champagne, (D7V)
					VINYL
4	GD16-7 LWC	1			White, (D8MW,D8WA)
					COVER, Back
					CLOTH and VINYL
	EY94 LAZ	2			Agate, (D7AZ)
	EY94 LBB	2			Blue, (D7B)
	EY94 LMA	2			Red, (D7M)
	EY94 LVV	2			Champagne, (D7V)
					VINYL
5	GC92 LWC	2			White, (D8MW,D8WA)
					HEADREST and COVER
					CLOTH
	EY87 LAZ	2			Agate, (D7AZ)
	EY87 LBB	1			Blue, (D7B)

MODEL CODES:

A BODY=(C=LeBaron, D=Spirit, P=Acclaim/LaBaron(Landau), Saratoga)

C BODY=(D=Dynasty, C=New Yorker/N.Y. Salon)

G BODY=(V=Daytona/IROC, Chrysler Daytona)

J BODY=(C=LeBaron, Chrysler LeBaron)

P BODY=(P=Sundance, D=Shadow)

S BODY=(H=Voyager(H) FWD, K=Caravan(H) FWD,

Y=Town & Country(H) FWD, P=Voyager(K) AWD,

D=Caravan(K) AWD, C=Town & Country(K) AWD)

Y BODY=(C=Imperial/5th Avenue)

E-S BODY=(K=Chrysler Voyager(H) FWD, D=Chrysler

Voyager(K) AWD)

BODY STYLES:

21=2-Door Coupe

41=4-Door Sedan

12-52=FWD & AWD Van & Wgn Std W.B.

24=2-Door Hatchback

44=4-Door Hatchback

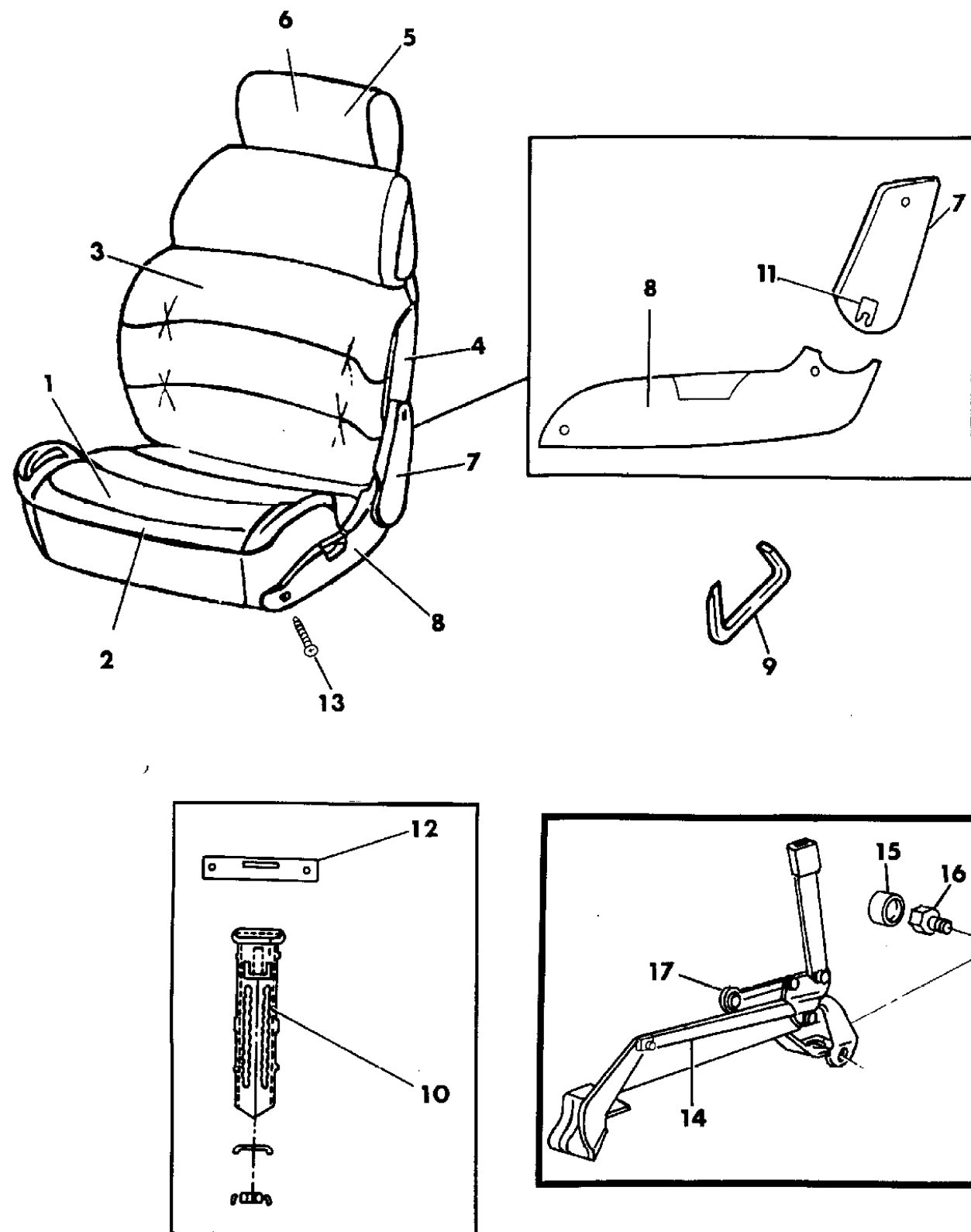
53=FWD & AWD Van & Wgn Ext. W.B.

27=2-Door Convertible

AR = Use as Required - = Non Illustrated Part P.A.R. = Paint as Required

SEAT--FRONT J BODY TRIM CODE D7,D8  
Figure ITJ-1100

93233 1100



ITEM	PART NUMBER	QTY	BODY	MODEL	DESCRIPTION
	EY87 LMA	2			Red, (D7M)
	EY87 LVV	2			Champagne, (D7V) VINYL
	WU72 KWC	2			White, (D8WA,D8MW)
6					COVER, Headrest CLOTH
	EY83 LAZ	2			Agate, (D7AZ)
	EY83 LBB	1			Blue, (D7B)
	EY83 LMA	2			Red, (D7M)
	EY83 LVV	2			Champagne, (D7V) VINYL
	WU70 KWC	2			White, (D8WA,D8MW)
7					SHIELD, Back (P.A.R.) OUTER Passenger Seat
	S508 LAZ	1			Agate
	S508 LM6	1			Red
	S508 JB9	1			Blue
	S508 JV4	1			Champagne Driver Seat
	S509 LAZ	1			Agate
	S509 LM6	1			Red
	S509 JB9	1			Blue
	S509 JV4	1			Champagne W/POWER, Driver Only
	S825 LAZ	1			INNER Passenger Seat
	S509 LAZ	1			Agate
	S509 LM6	1			Red
	S509 JB9	1			Blue
	S509 JV4	1			Champagne Driver Seat
	S508 LAZ	1			Agate
	S508 LM6	1			Red
	S508 JB9	1			Blue
	S508 JV4	1			Champagne Driver Seat
8					SHIELD, Cushion (P.A.R.) OUTER Passenger Seat
	S458 JV4	1			Passenger Seat

MODEL CODES:

A BODY=(C=LeBaron, D=Spirit, P=Acclaim/LaBaron(Landau),  
Saratoga)

C BODY=(D=Dynasty, C=New Yorker/N.Y. Salon)

G BODY=(V=Daytona/IROC, Chrysler Daytona)

J BODY=(C=LeBaron, Chrysler LeBaron)

P BODY=(P=Sundance, D=Shadow)

S BODY=(H=Voyager(H) FWD, K=Caravan(H) FWD,

Y=Town & Country(H) FWD, P=Voyager(K) AWD,

D=Caravan(K) AWD, C=Town & Country(K) AWD)

Y BODY=(C=Imperial/5th Avenue)

E-S BODY=(K=Chrysler Voyager(H) FWD, D=Chrysler

Voyager(K) AWD)

BODY STYLES:

21=2-Door Coupe

41=4-Door Sedan

12-52=FWD & AWD Van & Wgn Std W.B.

24=2-Door Hatchback

44=4-Door Hatchback

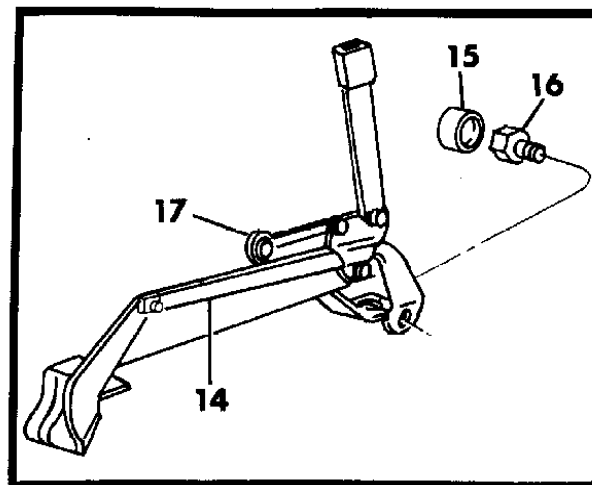
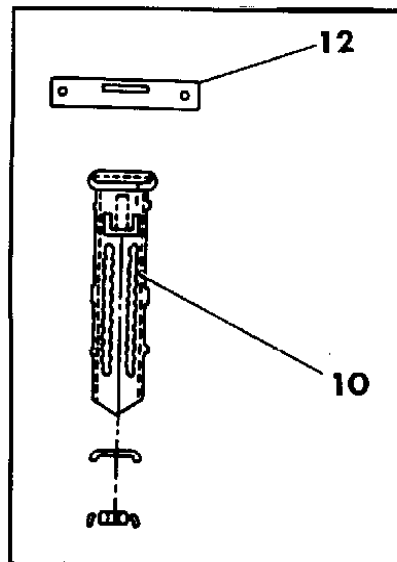
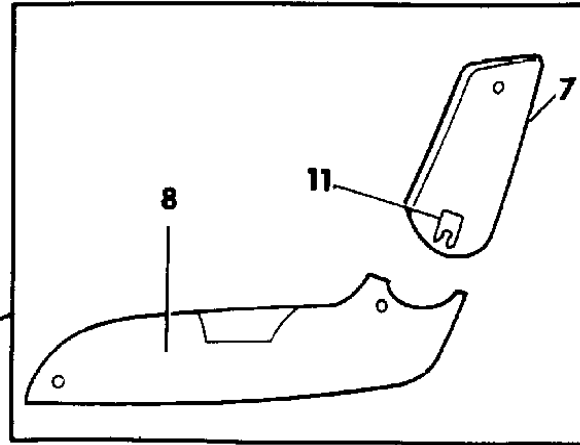
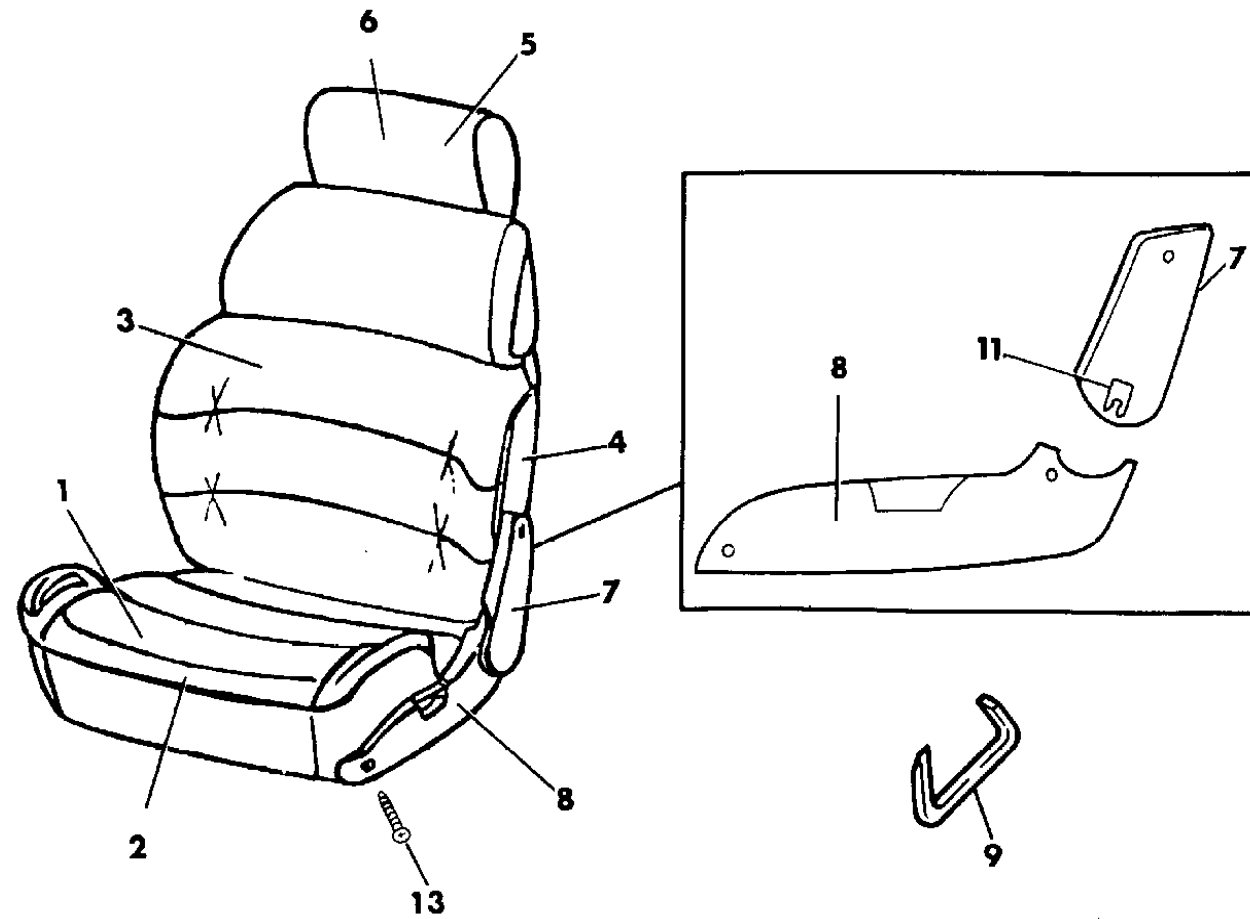
53=FWD & AWD Van & Wgn Ext. W.B.

27=2-Door Convertible

AR = Use as Required - = Non Illustrated Part P.A.R. = Paint as Required

SEAT--FRONT J BODY TRIM CODE D7,D8  
Figure ITJ-1100

93233 1100



ITEM	PART NUMBER	QTY	BODY	MODEL	DESCRIPTION
	S765 JV4	1			Driver Seat
	S795 JD5	1			Driver Seat, (For X7, XL Trim Codes)
	S797 JV4	1			Driver Seat, (W/POWER)
					INNER
	S765 JV4	1			Passenger Seat
	S458 JV4	1			Driver Seat
9	6008 076	AR			HOG RING
10	S283 HV4	AR			SLEEVE, Headrest (P.A.R.)
11	4317 800	AR			CLIP
12	4190 388	2			COVER, Headrest Finish
13		AR			SCREW, Side Shield Attaching (8-18x.75) (Not Serv.)
					NOTE: Item 14-15-16-17 Used With Trim Code D7 and XL Only
14	4664 008-9	1		27	LOCKBAR ASSY, Front Seat Inner (EUROPEAN) ***
15	4614 862	2			COVER, Inboard (EUROPEAN)
16	6031 298	4			BOLT, Shoulder
17	6030 998	1			NUT, Lockbar Front Inner
					NOTE: (P.A.R.) = Paint As Required

MODEL CODES:

A BODY=(C=LeBaron, D=Spirit, P=Acclaim/LaBaron(Landau),  
Saratoga)  
C BODY=(D=Dynasty, C=New Yorker/N.Y. Salon)  
G BODY=(V=Daytona/IROC, Chrysler Daytona)  
J BODY=(C=LeBaron, Chrysler LeBaron)  
P BODY=(P=Sundance, D=Shadow)

S BODY=(H=Voyager(H) FWD, K=Caravan(H) FWD,  
Y=Town & Country(H) FWD, P=Voyager(K) AWD,  
D=Caravan(K) AWD, C=Town & Country(K) AWD)  
Y BODY=(C=Imperial/5th Avenue)  
E-S BODY=(K=Chrysler Voyager(H) FWD, D=Chrysler  
Voyager(K) AWD)

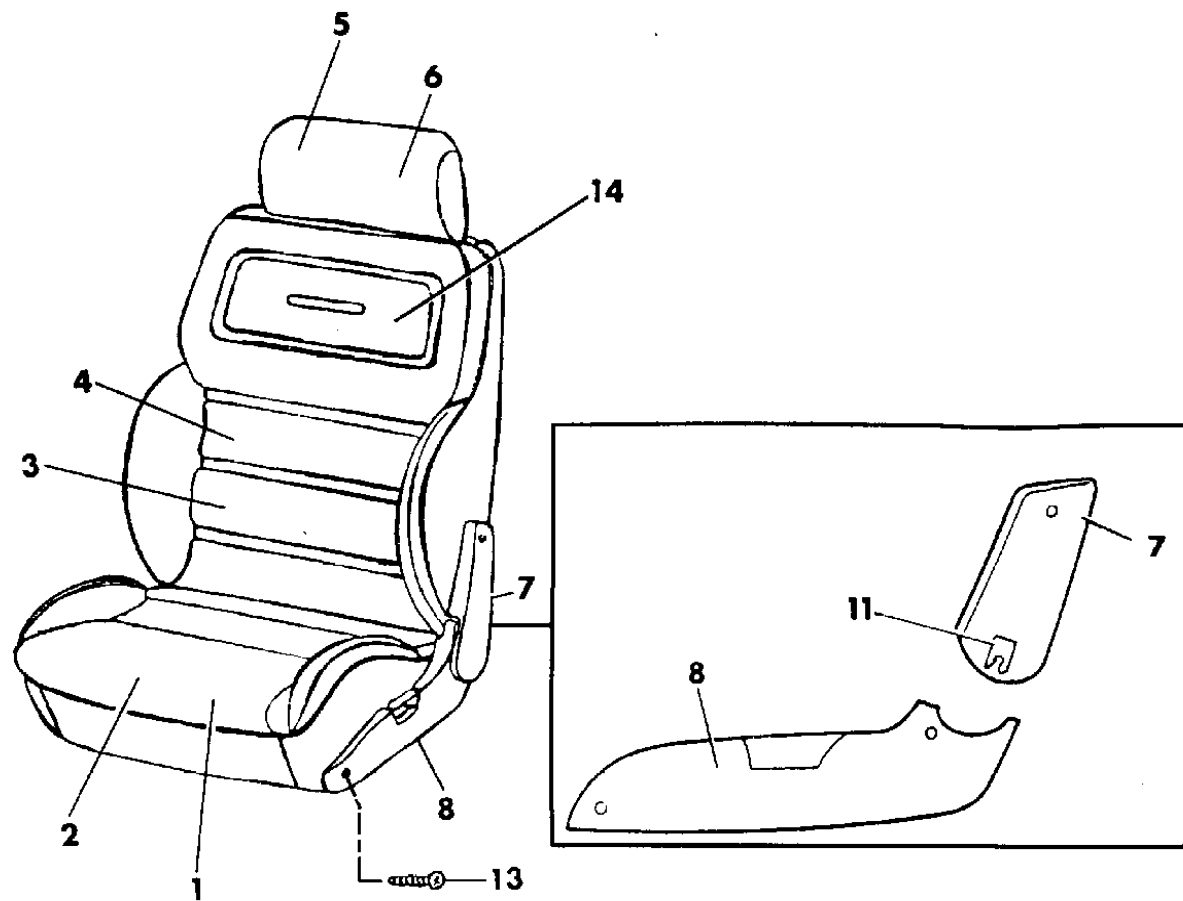
BODY STYLES:

21=2-Door Coupe      41=4-Door Sedan      12-52=FWD & AWD Van & Wgn Std W.B.  
24=2-Door Hatchback      44=4-Door Hatchback      53=FWD & AWD Van & Wgn Ext. W.B.  
27=2-Door Convertible

AR = Use as Required - = Non Illustrated Part P.A.R. = Paint as Required

**SEAT--FRONT J BODY TRIM CODE V7**  
**Figure ITJ-1200**

93233 1200



ITEM	PART NUMBER	QTY	BODY	MODEL	DESCRIPTION
1-2					CUSHION, w/Spring, Frame, Pad and Cover
	EZ10-1 LDX	1			CLOTH Agate, (V7AZ)
	EZ10-1 LBX	1			Blue, (V7B)
	EZ10-1 LMA	1			Red, (V7M)
	EZ10-1 LVX	1			Champagne, (V7V)
2					COVER, Cushion
	EZ08-9 LDX	1			CLOTH Agate, (V7AZ)
	EZ08-9 LBX	1			Blue, (V7B)
	EZ08-9 LMA	1			Red, (V7M)
	EZ08-9 LVX	1			Champagne, (V7V)
3-4					BACK, w/Spring, Frame, Pad and Cover
	EZ12-3 LDX	1			CLOTH Agate, (V7AZ)
	EZ12-3 LBX	1			Blue, (V7B)
	EZ12-3 LMA	1			Red, (V7M)
	EZ12-3 LVX	1			Champagne, (V7V)
4					COVER, Back
	EZ19 LDX	2			CLOTH Agate, (V7AZ)
	EZ19 LBX	2			Blue, (V7B)
	EZ19 LMA	2			Red, (V7M)
	EZ19 LVX	2			Champagne, (V7V)
5					HEADREST and COVER
	N545 JDX	2			Agate, (V7AZ)
	N545 JBX	2			Blue, (V7B)
	N545 LMA	2			Red, (V7M)
	N545 JVX	2			Champagne, (V7V)
6					COVER, Headrest
	N150 JDX	2			Agate, (V7AZ)
	N150 JBX	2			Blue, (V7B)
	N150 LMA	2			Red, (V7M)
	N150 JVX	2			Champagne, (V7V)
7					SHIELD, Back (P.A.R.)
	S508 LAZ	1			OUTER Agate Passenger Seat
	S508 LM6	1			Red

**MODEL CODES:**

A BODY=(C=LeBaron, D=Spirit, P=Acclaim/LaBaron(Landau, Saratoga) S BODY=(H=Voyager(H) FWD, K=Caravan(H) FWD, Y=Town & Country(H) FWD, P=Voyager(K) AWD, D=Caravan(K) AWD, C=Town & Country(K) AWD)  
 C BODY=(D=Dynasty, C=New Yorker/N.Y. Salon)  
 G BODY=(V=Daytona/IROC, Chrysler Daytona)  
 J BODY=(C=LeBaron, Chrysler LeBaron)  
 P BODY=(P=Sundance, D=Shadow) Y BODY=(C=Imperial/5th Avenue)  
 E-S BODY=(K=Chrysler Voyager(H) FWD, D=Chrysler Voyager(K) AWD)

**BODY STYLES:**

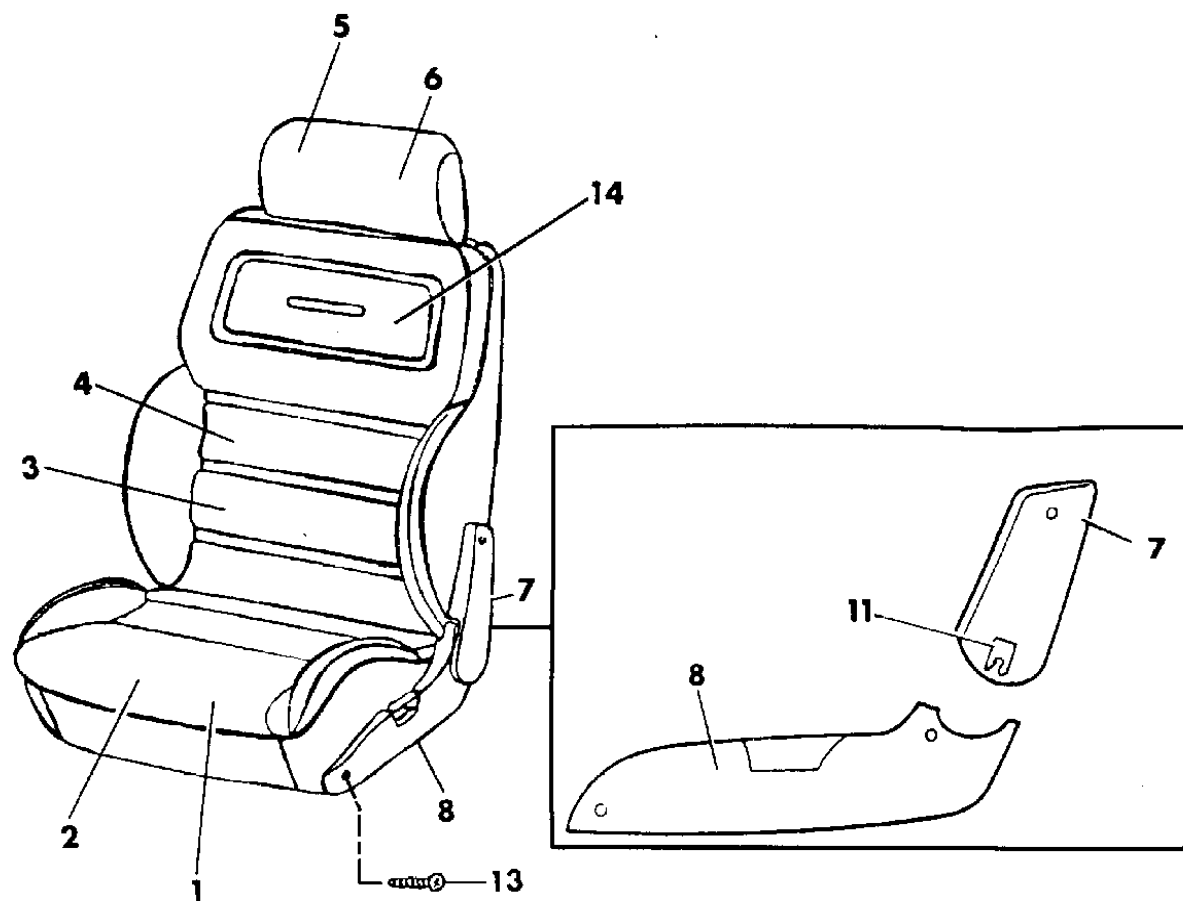
21=2-Door Coupe 41=4-Door Sedan 12-52=FWD & AWD Van & Wgn Std W.B.  
 24=2-Door Hatchback 44=4-Door Hatchback 53=FWD & AWD Van & Wgn Ext. W.B.  
 27=2-Door Convertible

AR = Use as Required - = Non Illustrated Part P.A.R. = Paint as Required



SEAT--FRONT J BODY TRIM CODE V7  
Figure ITJ-1200

93233 1200



ITEM	PART NUMBER	QTY	BODY	MODEL	DESCRIPTION
	S508 JB9	1			Blue
	S508 JV4	1			Champagne
	S509 LAZ	1			Driver Seat Agate
	S509 LM6	1			Red
	S509 JB9	1			Blue
	S509 JV4	1			Champagne INNER Passenger Seat
	S509 LAZ	1			Agate
	S509 LM6	1			Red
	S509 JB9	1			Blue
	S509 JV4	1			Champagne Driver Seat
	S508 LAZ	1			Agate
	S508 LM6	1			Red
	S508 JB9	1			Blue
	S508 JV4	1			Champagne
8					SHIELD, Cushion (P.A.R.) OUTER Passenger Seat
	S458 JV4	1			Driver Seat
	S765 JV4	1			Driver Seat, (W/POWER)
	S797 JV4	1			INNER Passenger Seat
	S765 JV4	1			Driver Seat
	S458 JV4	1			Driver Seat
9	6008 076	AR			HOG RING
10	S283 HV4	2			SLEEVE, Headrest
11	4317 800	AR			CLIP
12	4190 388	2			COVER, Headrest Finish
13		AR			SCREW, Side Shields Attach. (8-18x1.75) (Not Serv.)
14					BUTTON, Front Seat Back
	AJ63 JDX	1			Agate
	AJ63 JBX	1			Blue
	AJ63 LMA	1			Red
	AJ63 JVX	1			Champagne

NOTE: (P.A.R.) = Paint As Required

MODEL CODES:

A BODY=(C=LeBaron, D=Spirit, P=Acclaim/LaBaron(Landau),  
Saratoga)

C BODY=(D=Dynasty, C=New Yorker/N.Y. Salon)

G BODY=(V=Daytona/ROC, Chrysler Daytona)

J BODY=(C=LeBaron, Chrysler LeBaron)

P BODY=(P=Sundance, D=Shadow)

S BODY=(H=Voyager(H) FWD, K=Caravan(H) FWD,

Y=Town & Country(H) FWD, P=Voyager(K) AWD,

D=Caravan(K) AWD, C=Town & Country(K) AWD)

Y BODY=(C=Imperial/5th Avenue)

E-S BODY=(K=Chrysler Voyager(H) FWD, D=Chrysler

Voyager(K) AWD)

BODY STYLES:

21=2-Door Coupe

41=4-Door Sedan

12-52=FWD & AWD Van & Wgn Std W.B.

24=2-Door Hatchback

44=4-Door Hatchback

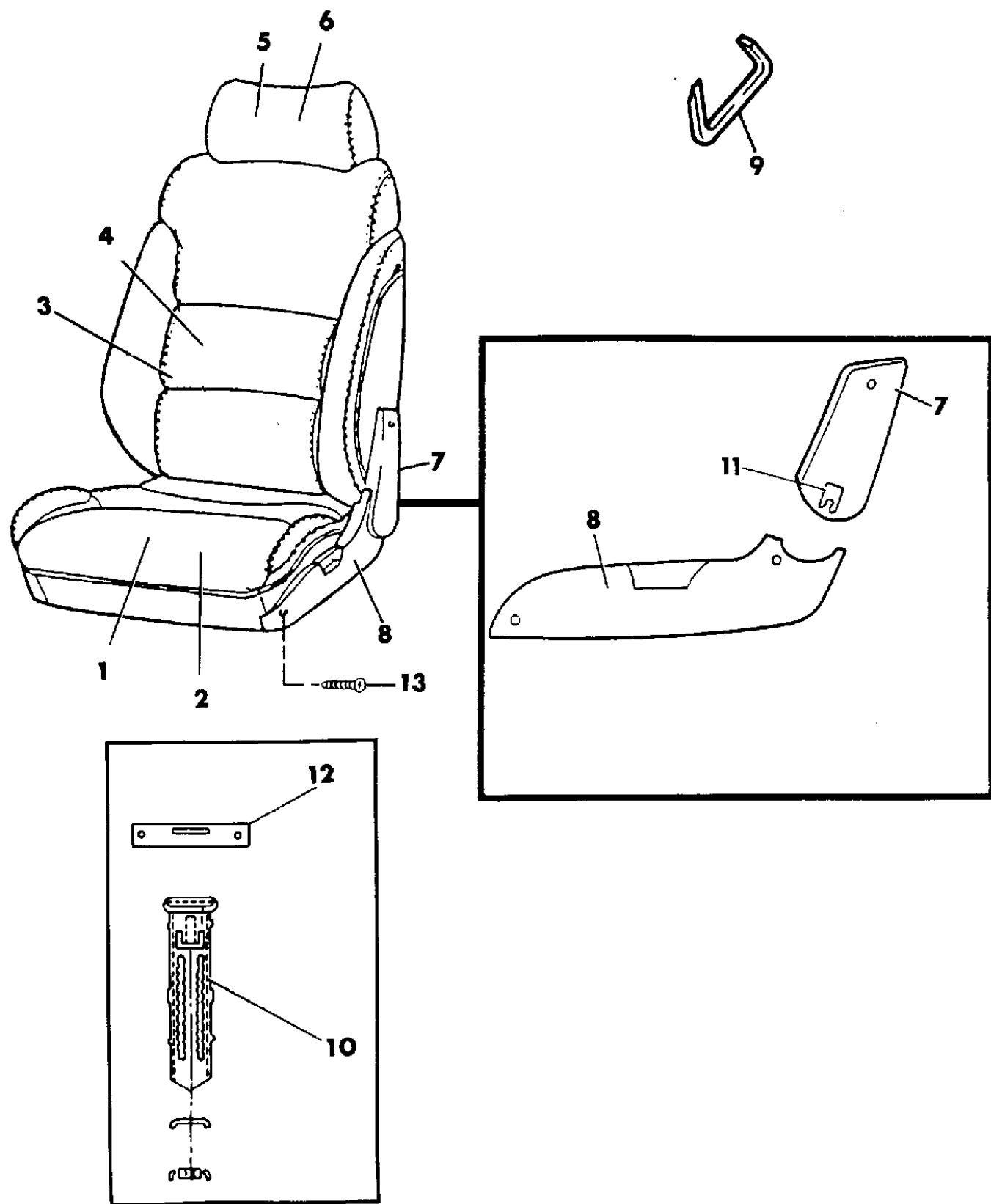
53=FWD & AWD Van & Wgn Ext. W.B.

27=2-Door Convertible

AR = Use as Required - = Non Illustrated Part P.A.R. = Paint as Required

SEAT--FRONT J BODY TRIM CODE XL  
Figure ITJ-1300

93233 1300A



ITEM	PART NUMBER	QTY	BODY	MODEL	DESCRIPTION
1-2					CUSHION, w/Spring/Frame, Pad and Cover
					MANUAL, Right
					Leather
	FD98 LAZ	1			Agate, (XLAZ)
	FD98 LB9	1			Blue, (XLB)
	FD98 LMA	1			Red, (XLM)
	FD98 LV4	1			Champagne, (XLV)
	GZ38 MWC	1			White, (XLMW,XLWA)
	EJ28 LAZ	1			Agate, (XLAZ) (EUROPEAN)
	EJ28 LV4	1			Champagne, (XLVV) (EUROPEAN)
	EJ28 MB9	1			Blue, (XLB) (EUROPEAN)
					ELECTRIC, Left
	FD97 LAZ	1			Agate, (XLAZ)
	FD97 MB9	1			Blue, (XLB)
	FD97 MMA	1			Red, (XLM)
	FD97 MV4	1			Champagne, (XLV)
	GZ45 MWC	1			White, (XLWA,XLMW)
	EJ29 LAZ	1			Agate, (XLAZ) (EUROPEAN)
	EJ29 LV4	1			Champagne, (XLVV) (EUROPEAN)
	EJ29 MB9	1			Blue, (XLB) (EUROPEAN)
2					COVER, Cushion
					PASSENGER and DRIVER
					LEATHER
	FD90-1 LAZ	1			Agate, (XLAZ)
	FD90-1 LB9	1			Blue, (XLB)
	FD90-1 LMA	1			Red, (XLM)
	FD90-1 LV4	1			Champagne, (XLV)
	GZ46-7 MWC	1			White, (WLMW,XLWA)
3-4					BACK, w/Spring/Frame/Pad and Cover
					LEATHER
					RIGHT
	GD22 LAZ	1			Agate, (XLAZ)
	GD22 LB9	1			Blue, (XLB)
	GD22 LMA	1			Red, (XLM)
	GD22 LV4	1			Champagne, (XLV)
	GD22 LWC	1			White, (XLMW,XLWA)
					LEFT
					(Use Up To 9-21-93)
	GD23 LAZ	1			Agate, (XLAZ)

MODEL CODES:

A BODY=(C=LeBaron, D=Spirit, P=Acclaim/LaBaron(Landau),  
Saratoga)  
C BODY=(D=Dynasty, C=New Yorker/N.Y. Salon)  
G BODY=(V=Daytona/ROC, Chrysler Daytona)  
J BODY=(C=LeBaron, Chrysler LeBaron)  
P BODY=(P=Sundance, D=Shadow)

S BODY=(H=Voyager(H) FWD, K=Caravan(H) FWD,  
Y=Town & Country(H) FWD, P=Voyager(K) AWD,  
D=Caravan(K) AWD, C=Town & Country(K) AWD)  
Y BODY=(C=Imperial/5th Avenue)  
E-S BODY=(K=Chrysler Voyager(H) FWD, D=Chrysler  
Voyager(K) AWD)

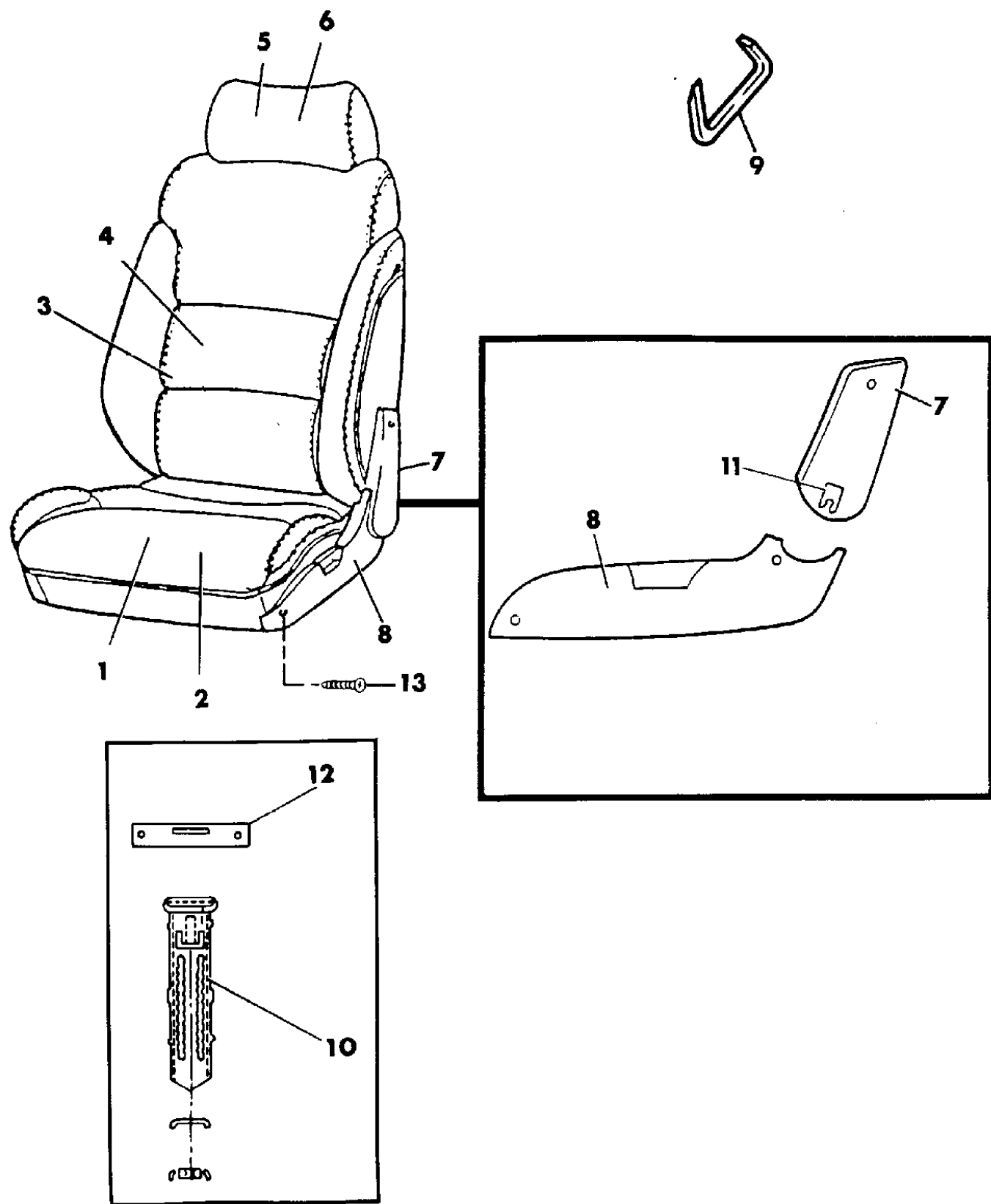
BODY STYLES:

21=2-Door Coupe      41=4-Door Sedan      12-52=FWD & AWD Van & Wgn Std W.B.  
24=2-Door Hatchback      44=4-Door Hatchback      53=FWD & AWD Van & Wgn Ext. W.B.  
27=2-Door Convertible

AR = Use as Required - = Non Illustrated Part P.A.R. = Paint as Required

SEAT--FRONT J BODY TRIM CODE XL  
Figure ITJ-1300

93233 1300A



ITEM	PART NUMBER	QTY	BODY	MODEL	DESCRIPTION
	GD23 MB9	1			Blue, (XLB)
	GD23 MMA	1			Red, (XLM)
	GD23 LV4	1			Champagne, (XLV)
	GD23 MWC	1			White, (XLMW,XLWA) (Use After 9-21-92)
	HL11 MAZ	1			Agate, (XLAZ)
	HL11 MB9	1			Blue, (XLB)
	HL11 MMA	1			Red, (XLM)
	HL11 MV4	1			Champagne, (XLV)
	HL11 MWC	1			White, (XLMW,XLWA)
4					COVER, Back LEATHER Right
	GC88 LAZ	1			Agate, (XLAZ)
	GC88 LB9	1			Blue, (XLB)
	GC88 LMA	1			Red, (XLM)
	GC88 LV4	1			Champagne, (XLV)
	GC88 LWC	1			White, (XLMW,XLWA) Left
	GC89 LAZ	1			Agate, (XLAZ)
	GC89 MB9	1			Blue, (XLB)
	GC89 MMA	1			Red, (XLM)
	GC89 LV4	1			Champagne, (XLV)
	GC89 MWC	1			White, (XLMW,XLWA)
5					HEADREST and COVER LEATHER
	N546 LAZ	2			Agate, (XLAZ)
	N546 JB9	2			Blue, (XLB)
	N546 LMA	2			Red, (XLM)
	N546 JV4	2			Champagne, (XLV)
	N546 KWC	2			White, (XLMW,XLWA)
	B595 LAZ	2			Agate, (XLAZ) (EUROPEAN)
	B595 LV4	2			Champagne, (XLV) (EUROPEAN)
	B595 MB9	2			Blue, (XLB) (EUROPEAN)
	B595 MWC	2			White, (XLMW,XLWA) (EUROPEAN)
6					COVER, Headrest LEATHER
	AJ50 LAZ	2			Agate, (XLAZ)
	AJ50 JB9	2			Blue, (XLB)

MODEL CODES:

A BODY=(C=LeBaron, D=Spirit, P=Acclaim/LaBaron(Landau), Saratoga) S BODY=(H=Voyager(H) FWD, K=Caravan(H) FWD, Y=Town & Country(H) FWD, P=Voyager(K) AWD, D=Caravan(K) AWD, C=Town & Country(K) AWD)  
 C BODY=(D=Dynasty, C=New Yorker/N.Y. Salon)  
 G BODY=(V=Daytona/IROC, Chrysler Daytona)  
 J BODY=(C=LeBaron, Chrysler LeBaron)  
 P BODY=(P=Sundance, D=Shadow)  
 Y BODY=(C=Imperial/5th Avenue)  
 E-S BODY=(K=Chrysler Voyager(H) FWD, D=Chrysler Voyager(K) AWD)

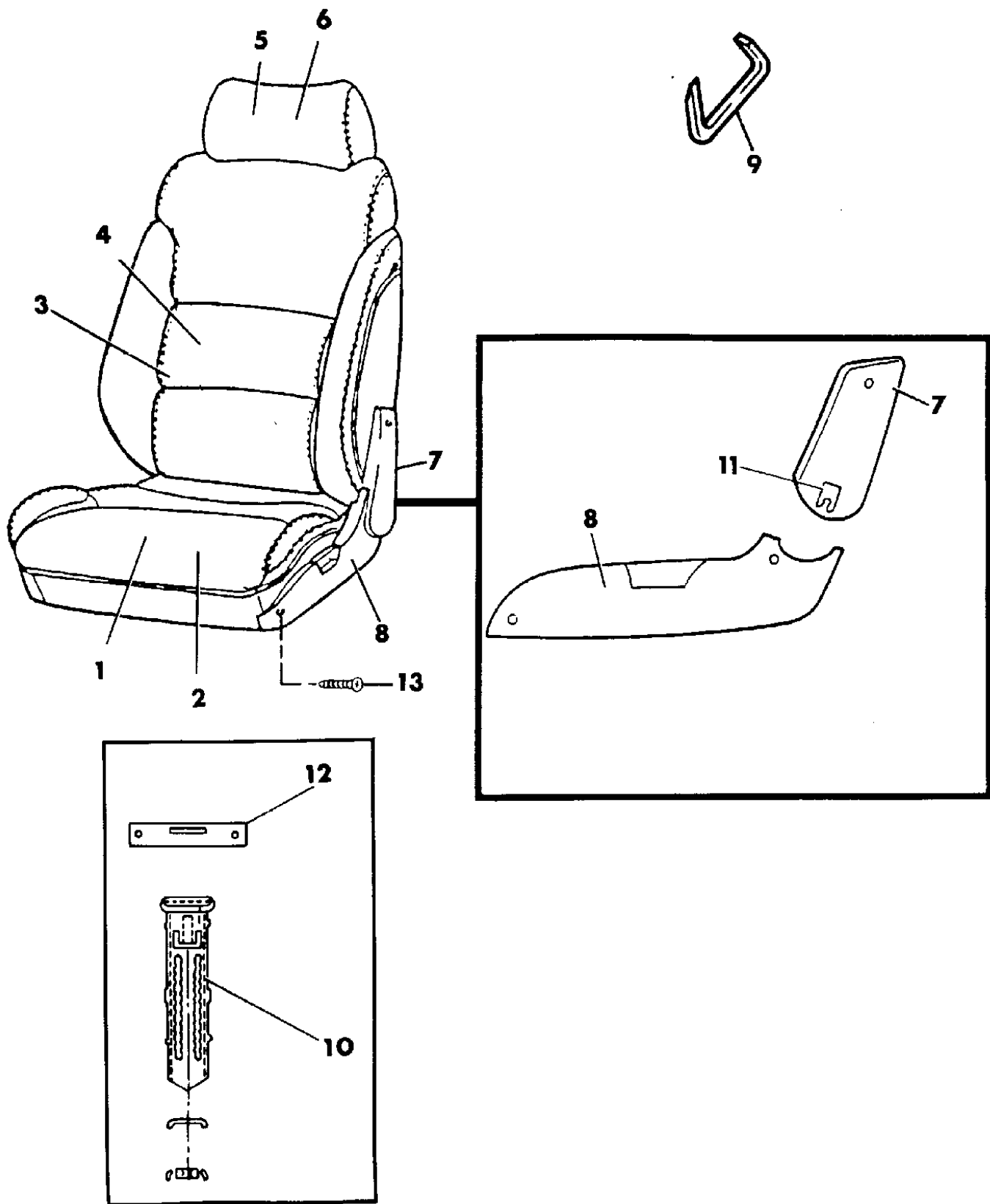
BODY STYLES:

21=2-Door Coupe 41=4-Door Sedan 12-52=FWD & AWD Van & Wgn Std W.B.  
 24=2-Door Hatchback 44=4-Door Hatchback 53=FWD & AWD Van & Wgn Ext. W.B.  
 27=2-Door Convertible

AR = Use as Required - = Non Illustrated Part P.A.R. = Paint as Required

SEAT--FRONT J BODY TRIM CODE XL  
Figure ITJ-1300

93233 1300A



ITEM	PART NUMBER	QTY	BODY	MODEL	DESCRIPTION
	AJ50 LMA	2			Red, (XLM)
	AJ50 JV4	2			Champagne, (XLV)
	AJ50 KWC	2			White, (XLMW,XLWA)
7					SHIELD, Back OUTER
	S508 LAZ	1			Passenger Seat Agate
	S508 LM6	1			Red
	S508 JB9	1			Blue
	S508 JV4	1			Champagne
	S508 KWC	1			White Driver Seat
	S509 LAZ	1			Quartz
	S509 LM6	1			Red
	S509 JB9	1			Blue
	S509 JV4	1			Champagne
	S509 KWC	1			White w/POWER, Driver Seat (XL Trim Code)
	S825 LAZ	1			Agate
	S825 MB9	1			Blue
	S825 MM6	1			Red
	S825 MWC	1			White
	S825 LV4	1			Champagne INNER Passenger Seat
	S509 LAZ	1			Agate
	S509 LM6	1			Red
	S509 JB9	1			Blue
	S509 JV4	1			Champagne
	S509 KWC	1			White Driver Seat
	S508 LAZ	1			Agate
	S508 LM6	1			Red
	S508 JB9	1			Blue
	S508 JV4	1			Champagne
	S508 KWC	1			White
8					SHIELD, Cushion (P.A.R.) OUTER
	S458 JV4	1			Passenger Seat

MODEL CODES:

A BODY=(C=LeBaron, D=Spirit, P=Acclaim/LaBaron(Landau, Saratoga)  
C BODY=(D=Dynasty, C=New Yorker/N.Y. Salon)  
G BODY=(V=Daytona/ROC, Chrysler Daytona)  
J BODY=(C=LeBaron, Chrysler LeBaron)  
P BODY=(P=Sundance, D=Shadow)

S BODY=(H=Voyager(H) FWD, K=Caravan(H) FWD, Y=Town & Country(H) FWD, P=Voyager(K) AWD, D=Caravan(K) AWD, C=Town & Country(K) AWD)  
Y BODY=(C=Imperial/5th Avenue)  
E-S BODY=(K=Chrysler Voyager(H) FWD, D=Chrysler Voyager(K) AWD)

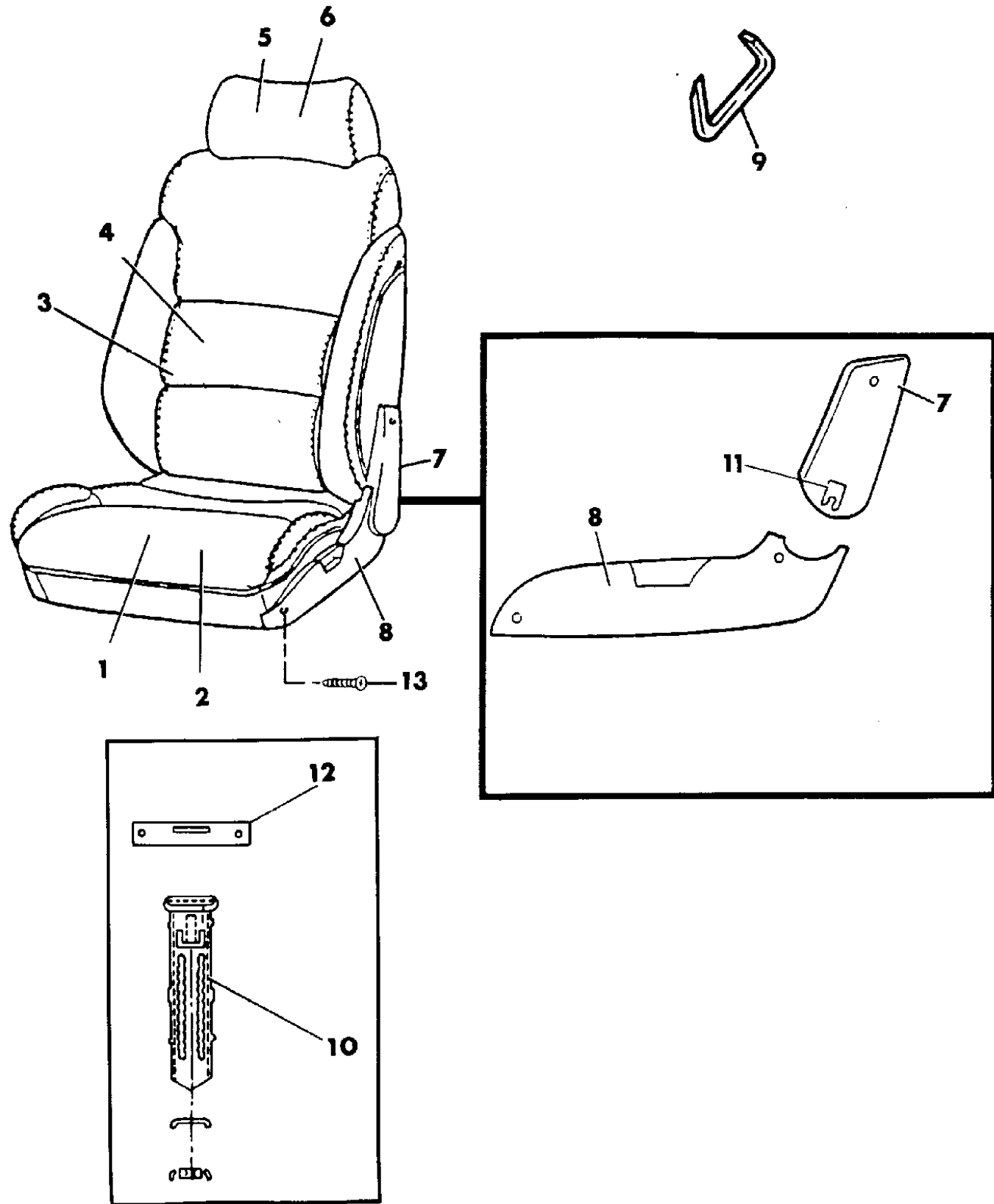
BODY STYLES:

21=2-Door Coupe      41=4-Door Sedan      12-52=FWD & AWD Van & Wgn Std W.B.  
24=2-Door Hatchback      44=4-Door Hatchback      53=FWD & AWD Van & Wgn Ext. W.B.  
27=2-Door Convertible

AR = Use as Required - = Non Illustrated Part P.A.R. = Paint as Required

SEAT--FRONT J BODY TRIM CODE XL  
Figure ITJ-1300

93233 1300A



ITEM	PART NUMBER	QTY	BODY	MODEL	DESCRIPTION
	S797 JV4	1			Driver Seat
	S795 JD5	1			Driver Seat, w/Power (XL Trim Code)
	S797 JV4	1			INNER
	S458 JV4	1			Passenger Seat
	S458 JV4	1			Driver Seat
9	6008 076	AR			HOG RING
10	S283 HV4	2			SLEEVE, Headrest (P.A.R.)
	S914 JW8	2			w/Power Wings and Power lumbar
11	4317 800	AR			CLIP
12	4190 388	2			COVER, Headrest Finish
13					SCREW, Side Shield Attaching (8-18x1.75) (Not Serv.)
					NOTE: Item 14-15-16-17 Used With Trim Code D7 and XL Only
					NOTE: (P.A.R.) = Paint As Required

MODEL CODES:

A BODY=(C=LeBaron, D=Spirit, P=Acclaim/LaBaron(Landau),  
Saratoga)  
C BODY=(D=Dynasty, C=New Yorker/N.Y. Salon)  
G BODY=(V=Daytona/IROC, Chrysler Daytona)  
J BODY=(C=LeBaron, Chrysler LeBaron)  
P BODY=(P=Sundance, D=Shadow)

S BODY=(H=Voyager(H) FWD, K=Caravan(H) FWD,  
Y=Town & Country(H) FWD, P=Voyager(K) AWD,  
D=Caravan(K) AWD, C=Town & Country(K) AWD)  
Y BODY=(C=Imperial/5th Avenue)  
E-S BODY=(K=Chrysler Voyager(H) FWD, D=Chrysler  
Voyager(K) AWD)

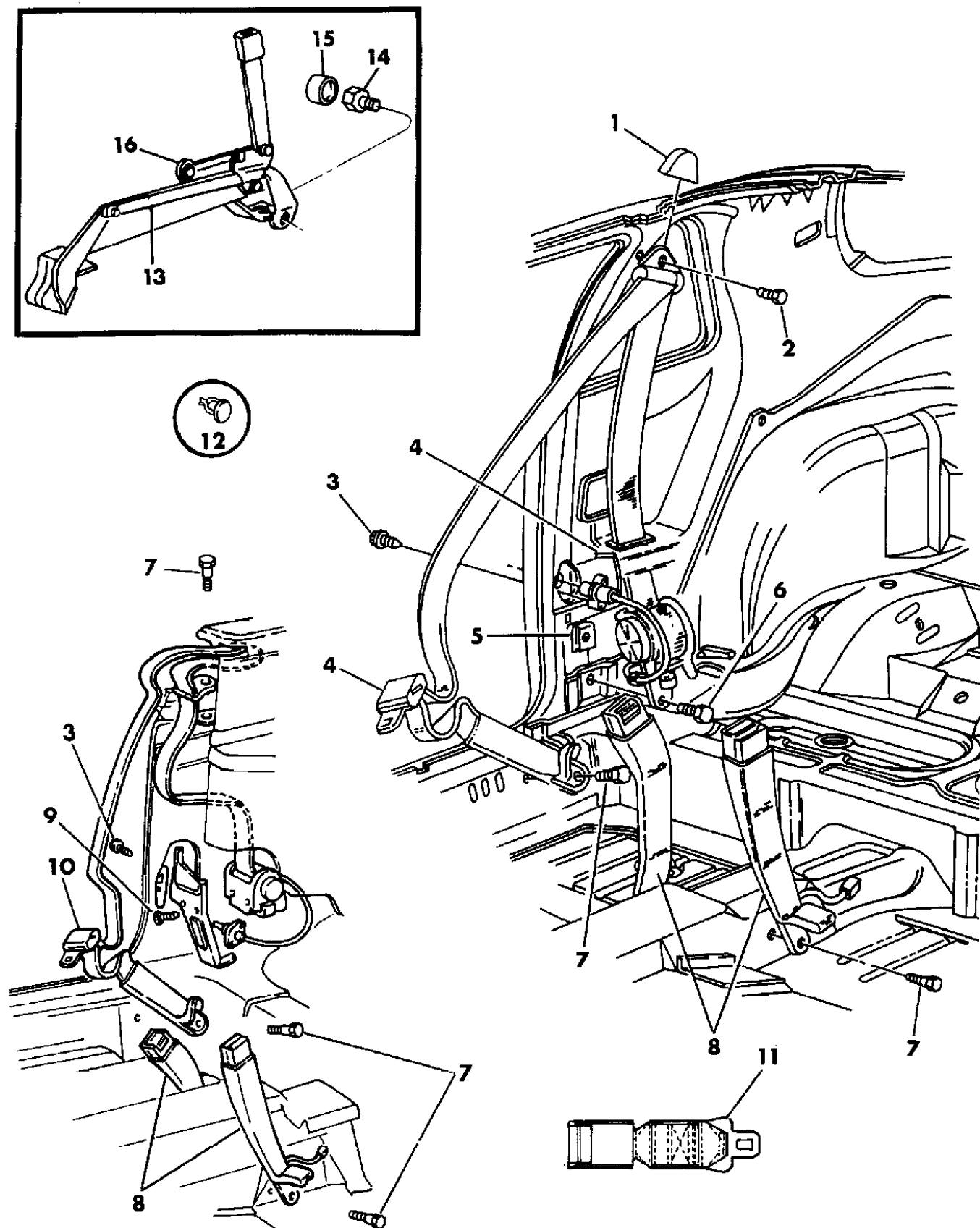
BODY STYLES:

21=2-Door Coupe      41=4-Door Sedan      12-52=FWD & AWD Van & Wgn Std W.B.  
24=2-Door Hatchback      44=4-Door Hatchback      53=FWD & AWD Van & Wgn Ext. W.B.  
27=2-Door Convertible

AR = Use as Required - = Non Illustrated Part P.A.R. = Paint as Required

**BELT--FRONT SEAT J BODY MANUAL-ACTIVE SYSTEM**  
**Figure ITJ-1400**

93233 1400A



ITEM	PART NUMBER	QTY	BODY	MODEL	DESCRIPTION
1	F877 LAZ	2			COVER, Turning Loop Agate
	F877 JB9	2			Blue
	F877 KM6	2			Red
	F877 JV8	2			Champagne
					w/EUROPEAN
2	EJ22-3 MX9	1			Black
	6031 217	2			BOLT ANCHOR, Belt Shoulder (EUROPEAN)
	4490 678	1		27	Right, (European)
	4490 679	1		27	Left, (European)
3					SCREW, (10-16x3/4) (Not Serv.)
4					BELT, Outer
					LABEL NUMBER 4645204-5
	EL80-1 LAZ	1		21	Agate
	EL80-1 LB9	1		21	Blue
	EL80-1 LM6	1		21	Red
	EL80-1 LV8	1		21	Champagne
	4550 732-3	1		21	Outer, (EUROPEAN) ***
5	6032 353	2			U-NUT
6	6031 484	2			BOLT
7	6031 298	2			BOLT
8					BELT, Inner
					LABEL NUMBER 4614134-5
	DK56-7 LAZ	1			Agate
	DK56-7 KB9	1			Blue
	DK56-7 LM6	1			Red
	DK56-7 KV8	1			Champagne
9		4			BOLT, (m8-1.25x25) (Not Serv.)
10					BELT, Outer
					LABEL NUMBER 4614739
	EL63 LAZ	2		27	Agate
	EL63 LB9	2		27	Blue
	EL63 LM6	2		27	Red
	EL63 LV8	2		27	Champagne
		4664 006-7	1		27
11	5260 606	AR			EXTENDER
12	6033 793	6			CLIP, Seat Belt Access Hole Cover Attaching
13	4664 008-9	1		27	LOCKBAR ASSY, Front Seat Inner (EUROPEAN) ***

**MODEL CODES:**

A BODY=(C=LeBaron, D=Spirit, P=Acclaim/LaBaron(Landau), Saratoga)      S BODY=(H=Voyager(H) FWD, K=Caravan(H) FWD, Y=Town & Country(H) FWD, P=Voyager(K) AWD, D=Caravan(K) AWD, C=Town & Country(K) AWD)  
C BODY=(D=Dynasty, C=New Yorker/N.Y. Salon)      Y BODY=(C=Imperial/5th Avenue)  
G BODY=(V=Daytona/ROC, Chrysler Daytona)      E-S BODY=(K=Chrysler Voyager(H) FWD, D=Chrysler Voyager(K) AWD)  
J BODY=(C=LeBaron, Chrysler LeBaron)  
P BODY=(P=Sundance, D=Shadow)

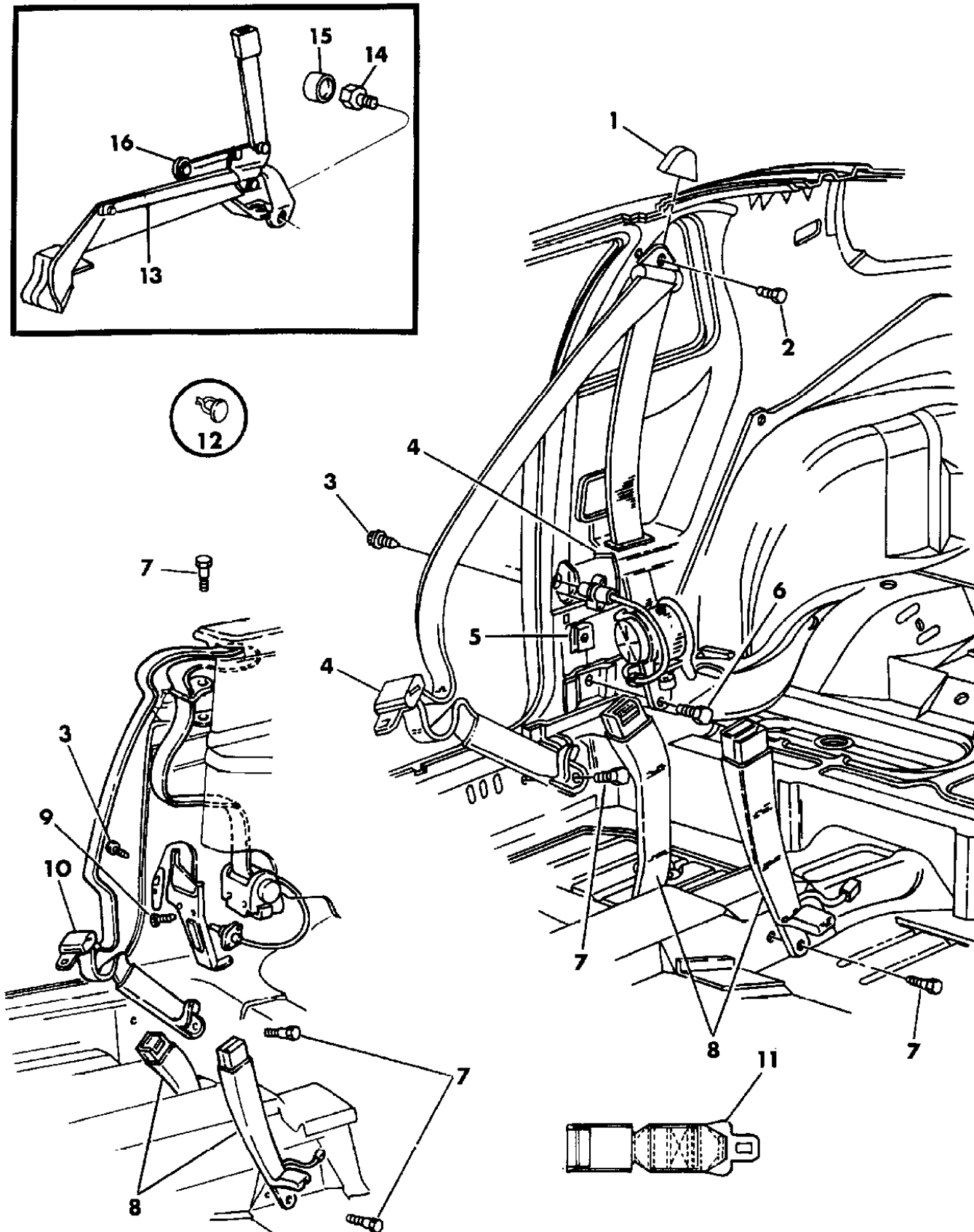
**BODY STYLES:**

21=2-Door Coupe      41=4-Door Sedan      12-52=FWD & AWD Van & Wgn Std W.B.  
24=2-Door Hatchback      44=4-Door Hatchback      53=FWD & AWD Van & Wgn Ext. W.B.  
27=2-Door Convertible

AR = Use as Required - = Non Illustrated Part P.A.R. = Paint as Required

**BELT--FRONT SEAT J BODY MANUAL-ACTIVE SYSTEM**  
**Figure ITJ-1400**

93233 1400A



ITEM	PART NUMBER	QTY	BODY	MODEL	DESCRIPTION
14	6031 298	4		27	BOLT, Shoulder
15	4614 862	2			COVER, Inboard (EUROPEAN)
16	6030 998	1		27	NUT, Lockbar Front Inner
-	4571 727	2			ADJUSTER, Front Seat Belt T/Loop Manual (EUROPEAN)
-	4571 559	2			BUTTON, Seat Belt T/Loop (EUROPEAN)
-	6502 339	2			NUT, Seat Belt Track

**MODEL CODES:**

A BODY=(C=LeBaron, D=Spirit, P=Acclaim/LaBaron(Landau),  
Saratoga)  
 C BODY=(D=Dynasty, C=New Yorker/N.Y. Salon)  
 G BODY=(V=Daytona/IROC, Chrysler Daytona)  
 J BODY=(C=LeBaron, Chrysler LeBaron)  
 P BODY=(P=Sundance, D=Shadow)

S BODY=(H=Voyager(H) FWD, K=Caravan(H) FWD,  
Y=Town & Country(H) FWD, P=Voyager(K) AWD,  
D=Caravan(K) AWD, C=Town & Country(K) AWD)  
 Y BODY=(C=Imperial/5th Avenue)  
 E-S BODY=(K=Chrysler Voyager(H) FWD, D=Chrysler  
Voyager(K) AWD)

**BODY STYLES:**

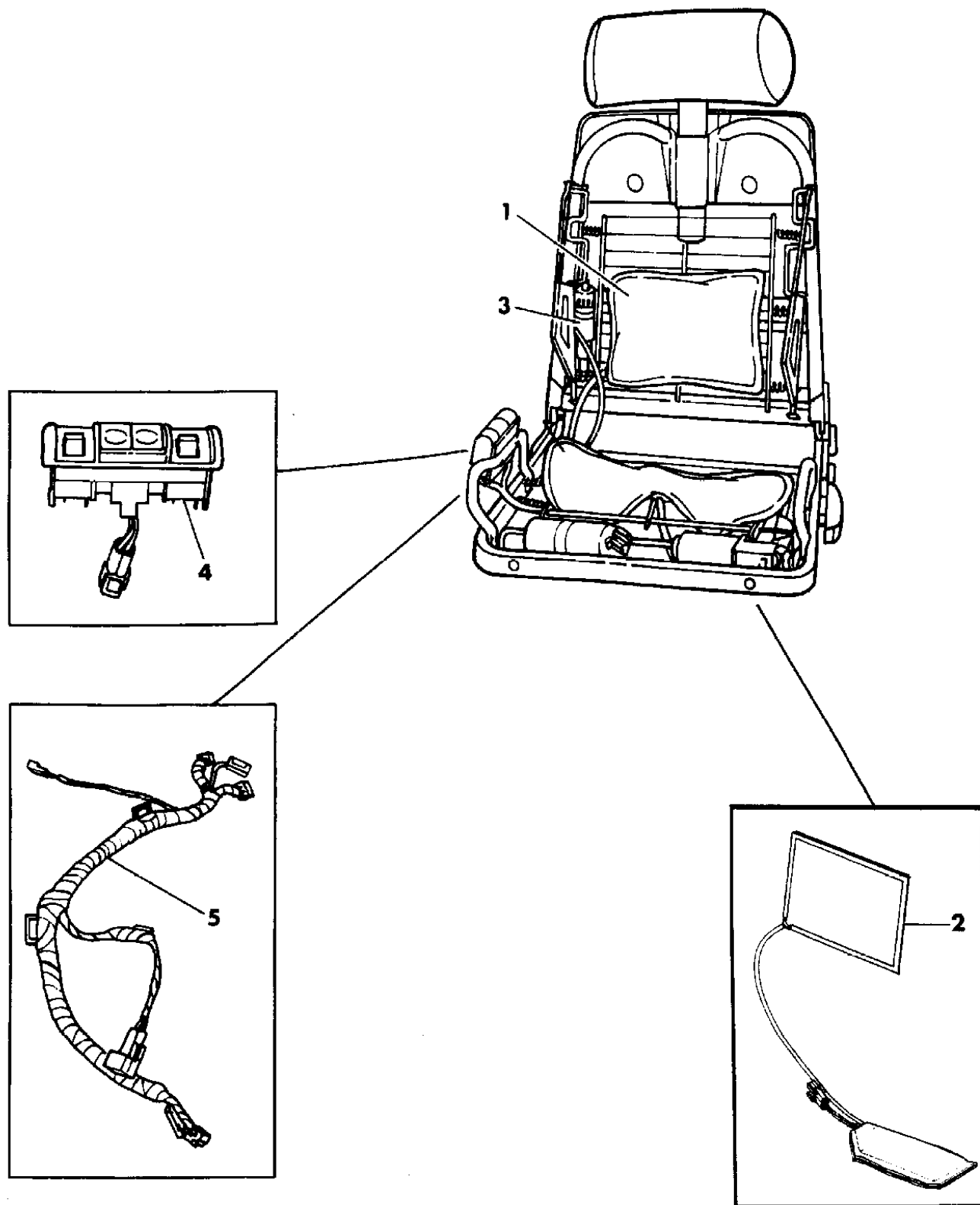
21=2-Door Coupe      41=4-Door Sedan      12-52=FWD & AWD Van & Wgn Std W.B.  
 24=2-Door Hatchback      44=4-Door Hatchback      53=FWD & AWD Van & Wgn Ext. W.B.  
 27=2-Door Convertible

AR = Use as Required - = Non Illustrated Part P.A.R. = Paint as Required

LUMBAR AND THIGH SUPPORT - ELECTRIC J BODY TRIM CODE XL  
Figure ITJ-1500

93233 1500

ITEM	PART NUMBER	QTY	BODY	MODEL	DESCRIPTION
1	4645 596	1			BLADDER, Lumbar Support
2	4645 600	1			PUMP, Pneumatic
3	4376 627	1			MOTOR, Gear Box, Back Wing
4	4373 856	1			SWITCH, Elec. Lumbar
5	4481 447	1			WIRING HARNESS



**MODEL CODES:**

A BODY=(C=LeBaron, D=Spirit, P=Acclaim/LaBaron(Landau), Saratoga) S BODY=(H=Voyager(H) FWD, K=Caravan(H) FWD, Y=Town & Country(H) FWD, P=Voyager(K) AWD, D=Caravan(K) AWD, C=Town & Country(K) AWD)  
 C BODY=(D=Dynasty, C=New Yorker/N.Y. Salon) Y BODY=(C=Imperial/5th Avenue)  
 G BODY=(V=Daytona/IROC, Chrysler Daytona) E-S BODY=(K=Chrysler Voyager(H) FWD, D=Chrysler Voyager(K) AWD)  
 J BODY=(C=LeBaron, Chrysler LeBaron)  
 P BODY=(P=Sundance, D=Shadow)

**BODY STYLES:**

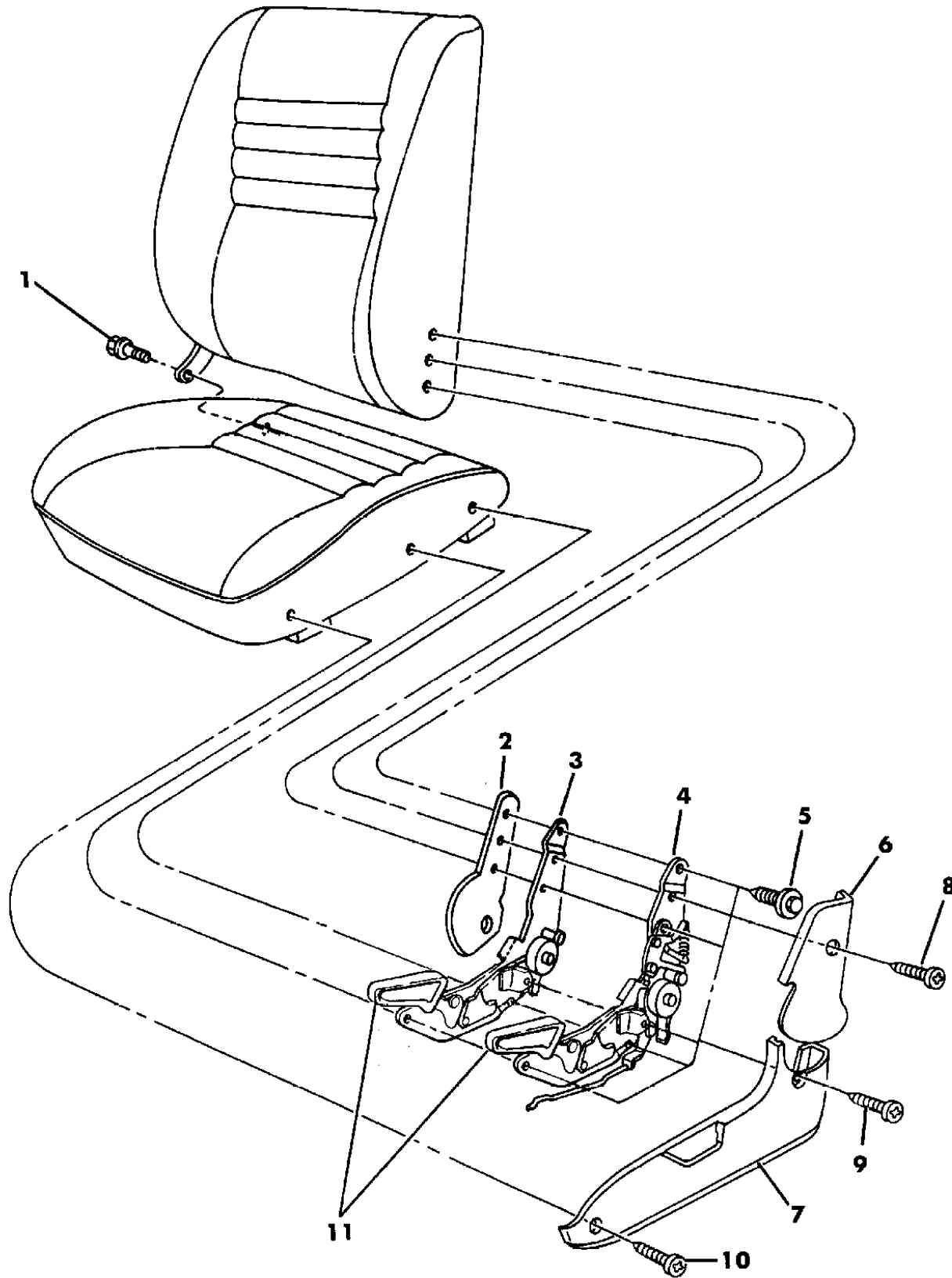
21=2-Door Coupe      41=4-Door Sedan      12-52=FWD & AWD Van & Wgn Std W.B.  
 24=2-Door Hatchback      44=4-Door Hatchback      53=FWD & AWD Van & Wgn Ext. W.B.  
 27=2-Door Convertible

AR = Use as Required - = Non Illustrated Part P.A.R. = Paint as Required



SEAT--RECLINING J BODY  
Figure ITJ-1600

93233 1600



ITEM	PART NUMBER	QTY	BODY	MODEL	DESCRIPTION
1	4645 806	1			BOLT, Inner Pivot
2	4327 671	1			PROTECTOR
	4476 947	1			PROTECTOR, w/Power Recliner
3					RECLINER
	4402 891	1			Left
	4476 945	1			Less Motor, (Power) Trim Codes XL,V7
	4550 247	1			Motor and Cable, (Power Only)
	6033 639	1			CLIP, Power Recliner To Cushion
4					RECLINER
	4420 960	1			w/Easy Entry Manual, Right
	4550 250	1			RECLINER, Front Seat Right (EUROPEAN)
	4477 365	1			RECLINER, Front Seat Left (EUROPEAN)
	4571 623	1			RECLINER, Power w/o motor (EUROPEAN)
	4571 623	1			RECLINER, Left Power (EUROPEAN)
5	6501 222	AR			SCREW
6					SHIELD, Back (w/Release Button)
	S508-9 LAZ	1			Agate
	S508-9 LM6	1			Red
	S508-9 JB9	1			Blue
	S508-9 JV4	1			Champagne
	S508-9 KWC	1			White
	S825 LAZ	1			w/Power, Driver Side Agate
7					SHIELD, Cushion (P.A.R.)
	S765 JV4	1			Passenger
	S458 JV4	1			Driver
	S797 JV4	1			w/Power, Driver Side
	S795 JD5	1			For Trim Code XL Only (Driver Seat)
8		AR			SCREW, (8-18x1 3/4) (Not Serv.)
9	6032 456	AR			SCREW
10		AR			SCREW, (8-18x1) (Not Serv.)
11					HANDLE, (Serv. In Item 3-4)

NOTE: (P.A.R.) = Paint As Required

MODEL CODES:

A BODY=(C=LeBaron, D=Spirit, P=Acclaim/LaBaron(Landau),  
Saratoga)

C BODY=(D=Dynasty, C=New Yorker/N.Y. Salon)

G BODY=(V=Daytona/IROC, Chrysler Daytona)

J BODY=(C=LeBaron, Chrysler LeBaron)

P BODY=(P=Sundance, D=Shadow)

S BODY=(H=Voyager(H) FWD, K=Caravan(H) FWD,

Y=Town & Country(H) FWD, P=Voyager(K) AWD,

D=Caravan(K) AWD, C=Town & Country(K) AWD)

Y BODY=(C=Imperial/5th Avenue)

E-S BODY=(K=Chrysler Voyager(H) FWD, D=Chrysler

Voyager(K) AWD)

BODY STYLES:

21=2-Door Coupe

41=4-Door Sedan

12-52=FWD & AWD Van & Wgn Std W.B.

24=2-Door Hatchback

44=4-Door Hatchback

53=FWD & AWD Van & Wgn Ext. W.B.

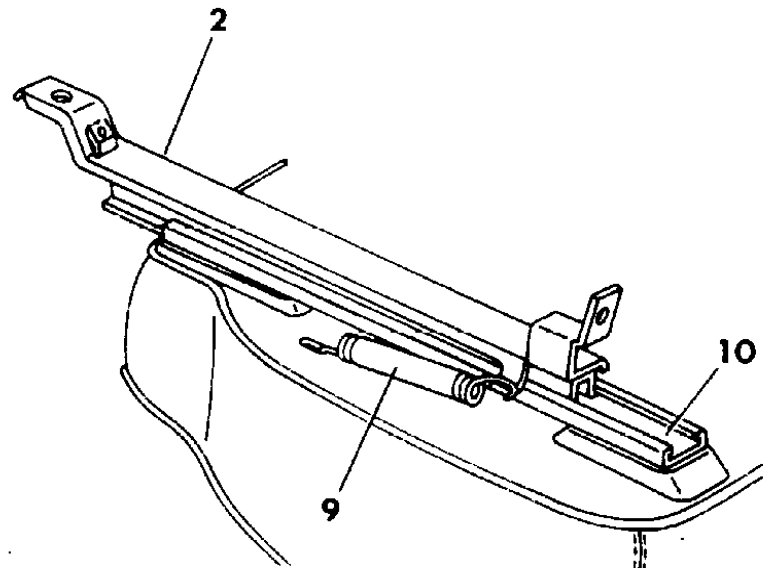
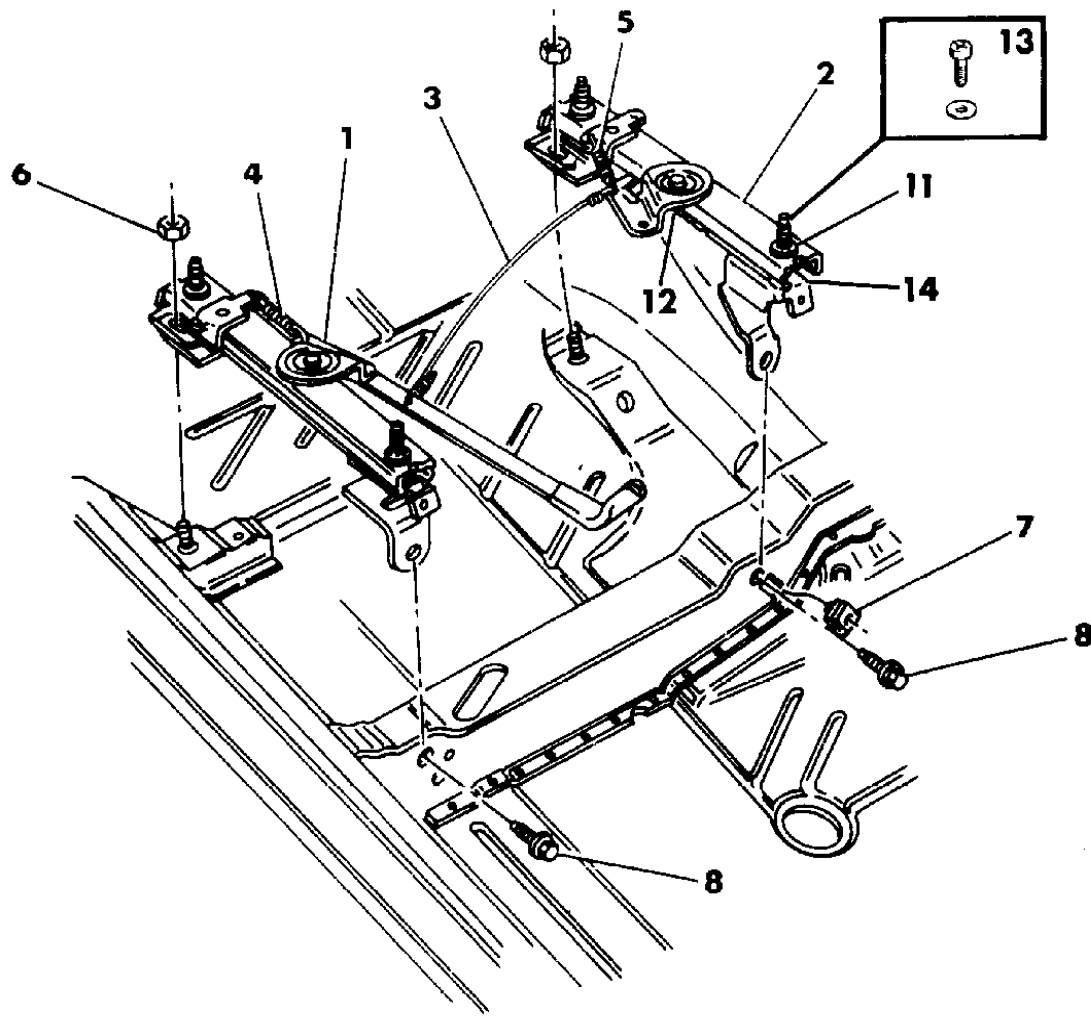
27=2-Door Convertible

AR = Use as Required - = Non Illustrated Part P.A.R. = Paint as Required

**ADJUSTER--MANUAL J BODY**  
**Figure ITJ-1700**

93233 1700

ITEM	PART NUMBER	QTY	BODY	MODEL	DESCRIPTION
1					ADJUSTER, Outer
	4380 026	1			Passenger Seat w/Easy Entry
	4380 289	1			Driver Seat
2					ADJUSTER, Inner
	4380 290	1			Passenger Seat w/Easy Entry
	4380 291	1			Driver Side
3	4380 285	1			WIRE, Adjuster Release
4	4402 213	1			SPRING, Lever Return
5	4402 215	1			SPRING, Latch Return Inboard
6		AR			NUT, Hexagon Flange (m8x1.25-6H) (Not Serv.)
7	6101 283	1			U-NUT
8		AR			SCREW and WASHER, (Hex Head (m8-1.25x30) (Not Serv.)
9	4290 990	1			SPRING, Inner Adjuster Assist
10	4316 938	1			TRACK, Lower
11	6028 040	2			RETAINER
12	0104 918	4			BALL BEARING, Front Adjuster
13	0181 088	AR			SCREW and WASHER, Adjuster To Seat
14	4316 938-9	1			TRACK, Manual Adjuster Lower



**MODEL CODES:**

A BODY=(C=LeBaron, D=Spirit, P=Acclaim/LaBaron(Landau),  
Saratoga)  
 C BODY=(D=Dynasty, C=New Yorker/N.Y. Salon)  
 G BODY=(V=Daytona/IROC, Chrysler Daytona)  
 J BODY=(C=LeBaron, Chrysler LeBaron)  
 P BODY=(P=Sundance, D=Shadow)

S BODY=(H=Voyager(H) FWD, K=Caravan(H) FWD,  
Y=Town & Country(H) FWD, P=Voyager(K) AWD,  
D=Caravan(K) AWD, C=Town & Country(K) AWD)  
 Y BODY=(C=Imperial/5th Avenue)  
 E-S BODY=(K=Chrysler Voyager(H) FWD, D=Chrysler  
Voyager(K) AWD)

**BODY STYLES:**

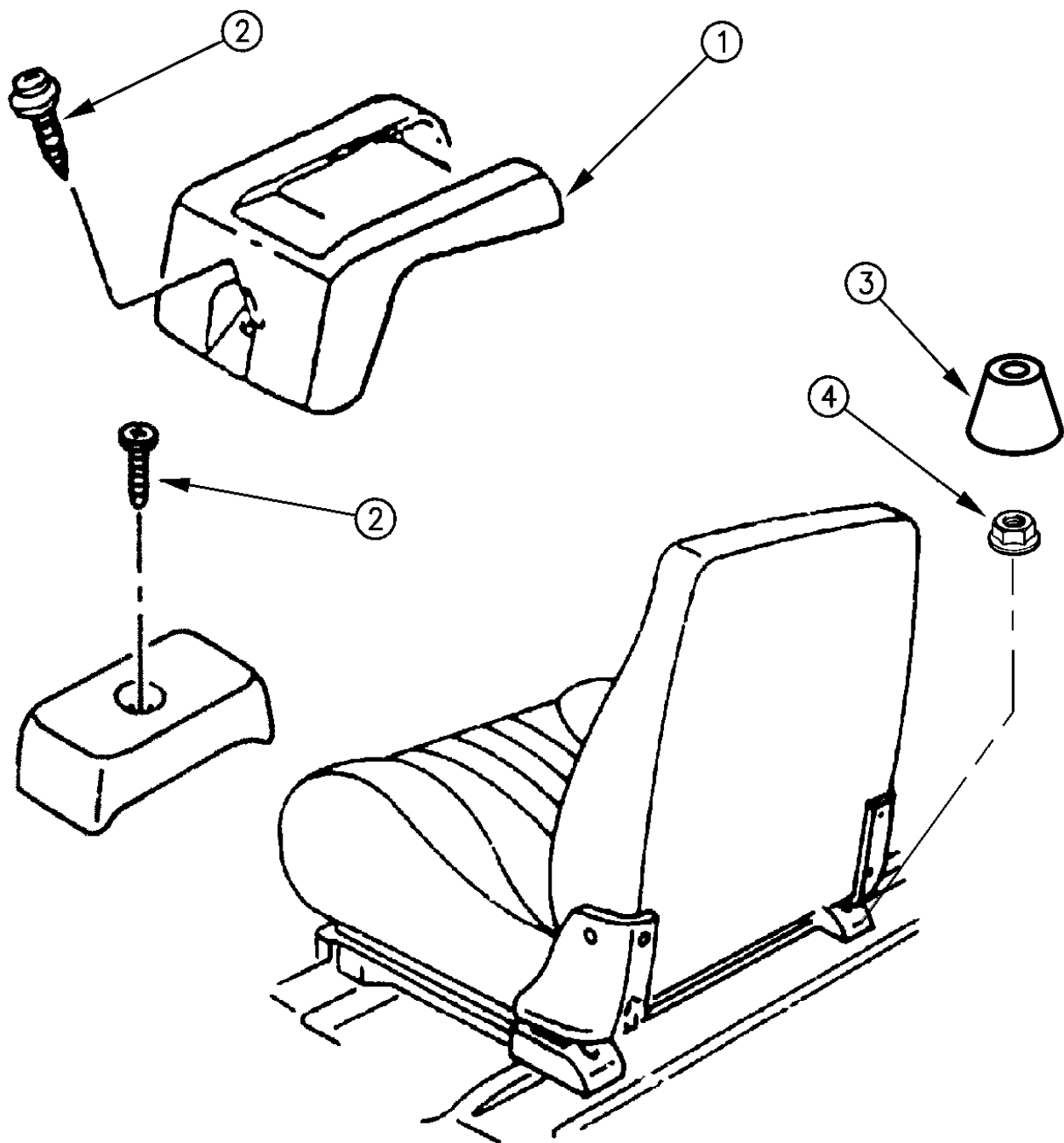
21=2-Door Coupe      41=4-Door Sedan      12-52=FWD & AWD Van & Wgn Std W.B.  
 24=2-Door Hatchback      44=4-Door Hatchback      53=FWD & AWD Van & Wgn Ext. W.B.  
 27=2-Door Convertible

AR = Use as Required - = Non Illustrated Part P.A.R. = Paint as Required

**COVERS--MANUAL SEAT ADJUSTER J BODY**  
**Figure ITJ-1800**

93233 1800A

ITEM	PART NUMBER	QTY	BODY	MODEL	DESCRIPTION
1					COVER, Manual Adjuster
	S968 LAZ	1			Agate
	S968 JB9	1			Blue
	S968 LMA	1			Red
	S968 JV8	1			Champagne
2		AR			SCREW, (8-18x3/4) (Not Serv.)
3	4550 001	2			COVER, Front Seat Manual Adjuster (Rear)
4	6501 279	4			NUT



**MODEL CODES:**

A BODY=(C=LeBaron, D=Spirit, P=Acclaim/LaBaron(Landau), Saratoga)      S BODY=(H=Voyager(H) FWD, K=Caravan(H) FWD, Y=Town & Country(H) FWD, P=Voyager(K) AWD, D=Caravan(K) AWD, C=Town & Country(K) AWD)  
 C BODY=(D=Dynasty, C=New Yorker/N.Y. Salon)  
 G BODY=(V=Daytona/IROC, Chrysler Daytona)  
 J BODY=(C=LeBaron, Chrysler LeBaron)  
 P BODY=(P=Sundance, D=Shadow)      Y BODY=(C=Imperial/5th Avenue)  
 E-S BODY=(K=Chrysler Voyager(H) FWD, D=Chrysler Voyager(K) AWD)

**BODY STYLES:**

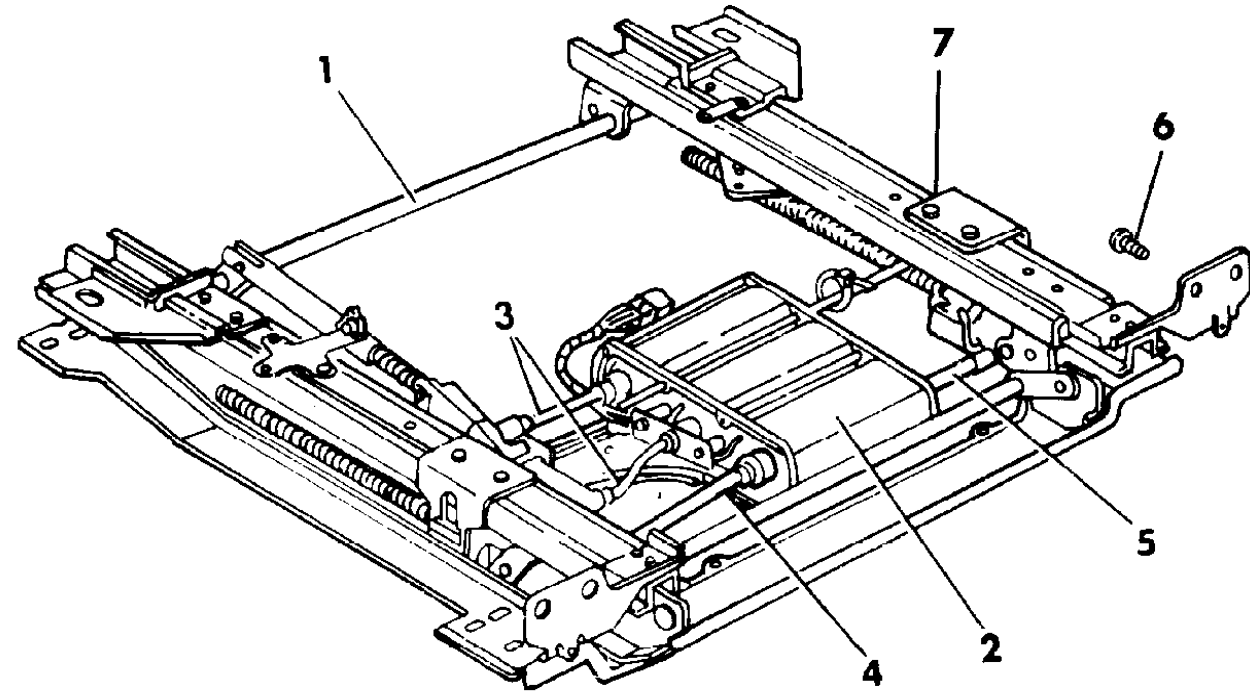
21=2-Door Coupe      41=4-Door Sedan      12-52=FWD & AWD Van & Wgn Std W.B.  
 24=2-Door Hatchback      44=4-Door Hatchback      53=FWD & AWD Van & Wgn Ext. W.B.  
 27=2-Door Convertible

AR = Use as Required - = Non Illustrated Part P.A.R. = Paint as Required

**ADJUSTER--ELECTRIC J BODY**  
**Figure ITJ-1900**

93233 1900

ITEM	PART NUMBER	QTY	BODY	MODEL	DESCRIPTION
1	4571 929	1			ADJUSTER, Less Motor
2	4402 323	1			MOTOR, w/Tube Assembly
3					SHAFT
	4327 282	2			Flexible Shaft, (4.005")
	4402 997	1			Flexible Shaft, (3.86")
4	4477 899	1			CABLE, Outer
5	4477 901	1			CABLE, Inner
6	6033 077	4			SCREW, Adjuster to Seat
7	6028 040	4			RETAINER, Adjuster



**MODEL CODES:**

A BODY=(C=LeBaron, D=Spirit, P=Acclaim/LaBaron(Landau), Saratoga)      S BODY=(H=Voyager(H) FWD, K=Caravan(H) FWD, Y=Town & Country(H) FWD, P=Voyager(K) AWD, D=Caravan(K) AWD, C=Town & Country(K) AWD)  
 C BODY=(D=Dynasty, C=New Yorker/N.Y. Salon)  
 G BODY=(V=Daytona/IROC, Chrysler Daytona)      Y BODY=(C=Imperial/5th Avenue)  
 J BODY=(C=LeBaron, Chrysler LeBaron)      E-S BODY=(K=Chrysler Voyager(H) FWD, D=Chrysler Voyager(K) AWD)  
 P BODY=(P=Sundance, D=Shadow)

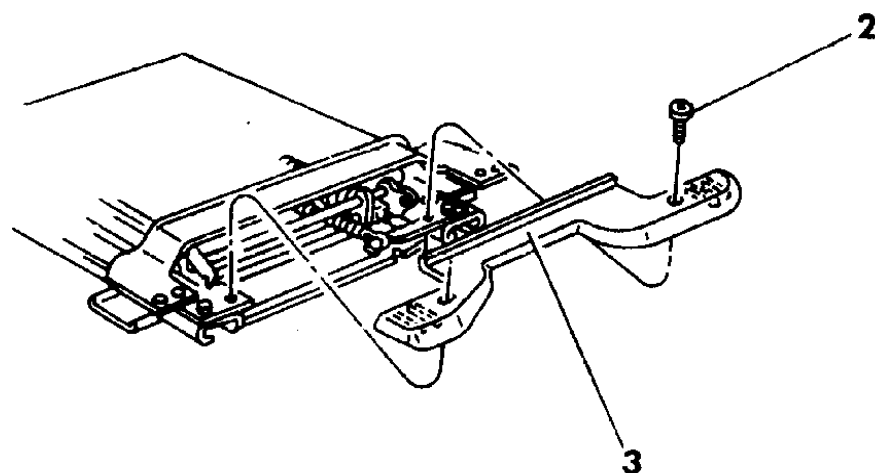
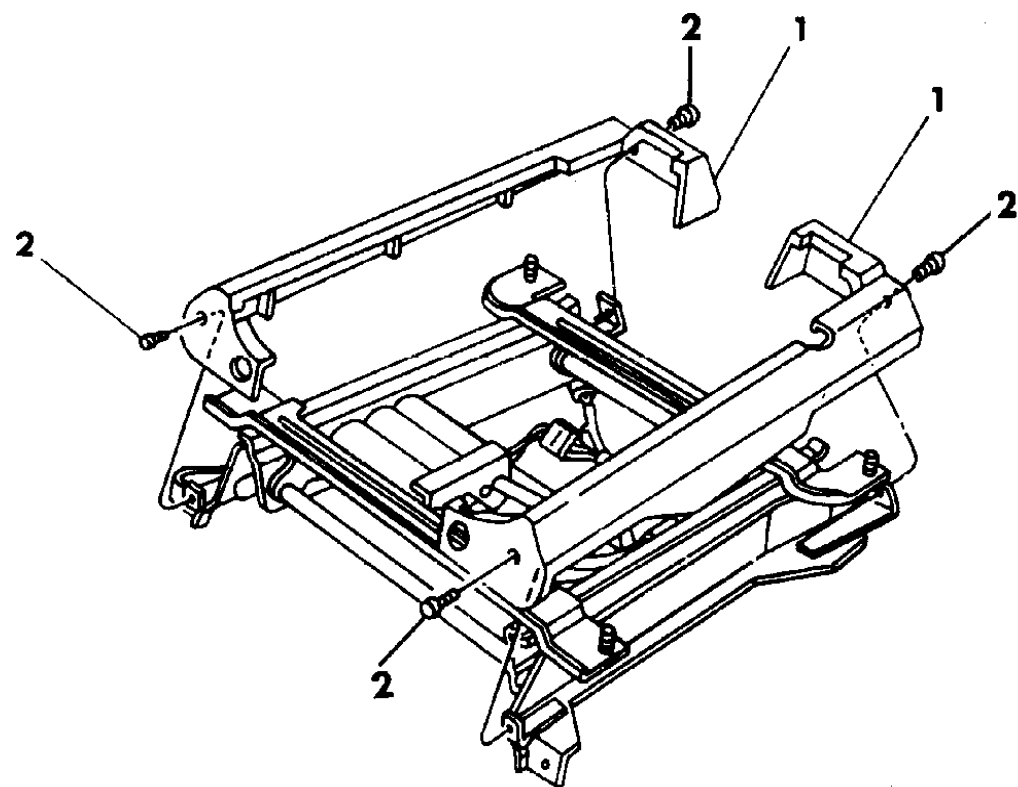
**BODY STYLES:**

21=2-Door Coupe      41=4-Door Sedan      12-52=FWD & AWD Van & Wgn Std W.B.  
 24=2-Door Hatchback      44=4-Door Hatchback      53=FWD & AWD Van & Wgn Ext. W.B.  
 27=2-Door Convertible

AR = Use as Required - = Non Illustrated Part P.A.R. = Paint as Required

**COVERS ELECTRIC SEAT ADJUSTER J BODY**  
**Figure ITJ-2000**

93233 2000



ITEM	PART NUMBER	QTY	BODY	MODEL	DESCRIPTION
1					COVER, Electric Seat Adjuster w/ Bucket Seats
					INNER
	S978 LAZ	1			Agate
	S978 HB9	1			Blue
	S978 LMA	1			Red
	S978 HV8	1			Champagne
					OUTER
	S897 LAZ	1			Agate
	S897 JB9	1			Blue
	S897 LMA	1			Red
	S897 JV8	1			Champagne
2		AR			SCREW, (8-18x3/4) (Not Serv.)
3					COVER, Electric Adjuster, Rear
	AC78 LAZ	1			Agate
	AC78 KB9	1			Blue
	AC78 LMA	1			Red
	AC78 KV8	1			Champagne

**MODEL CODES:**

A BODY=(C=LeBaron, D=Spirit, P=Acclaim/LaBaron(Landau),  
Saratoga) S BODY=(H=Voyager(H) FWD, K=Caravan(H) FWD,  
Y=Town & Country(H) FWD, P=Voyager(K) AWD,  
D=Caravan(K) AWD, C=Town & Country(K) AWD)  
C BODY=(D=Dynasty, C=New Yorker/N.Y. Salon) Y BODY=(C=Imperial/5th Avenue)  
G BODY=(V=Daytona/IROC, Chrysler Daytona) E-S BODY=(K=Chrysler Voyager(H) FWD, D=Chrysler  
Voyager(K) AWD)  
J BODY=(C=LeBaron, Chrysler LeBaron) P BODY=(P=Sundance, D=Shadow)

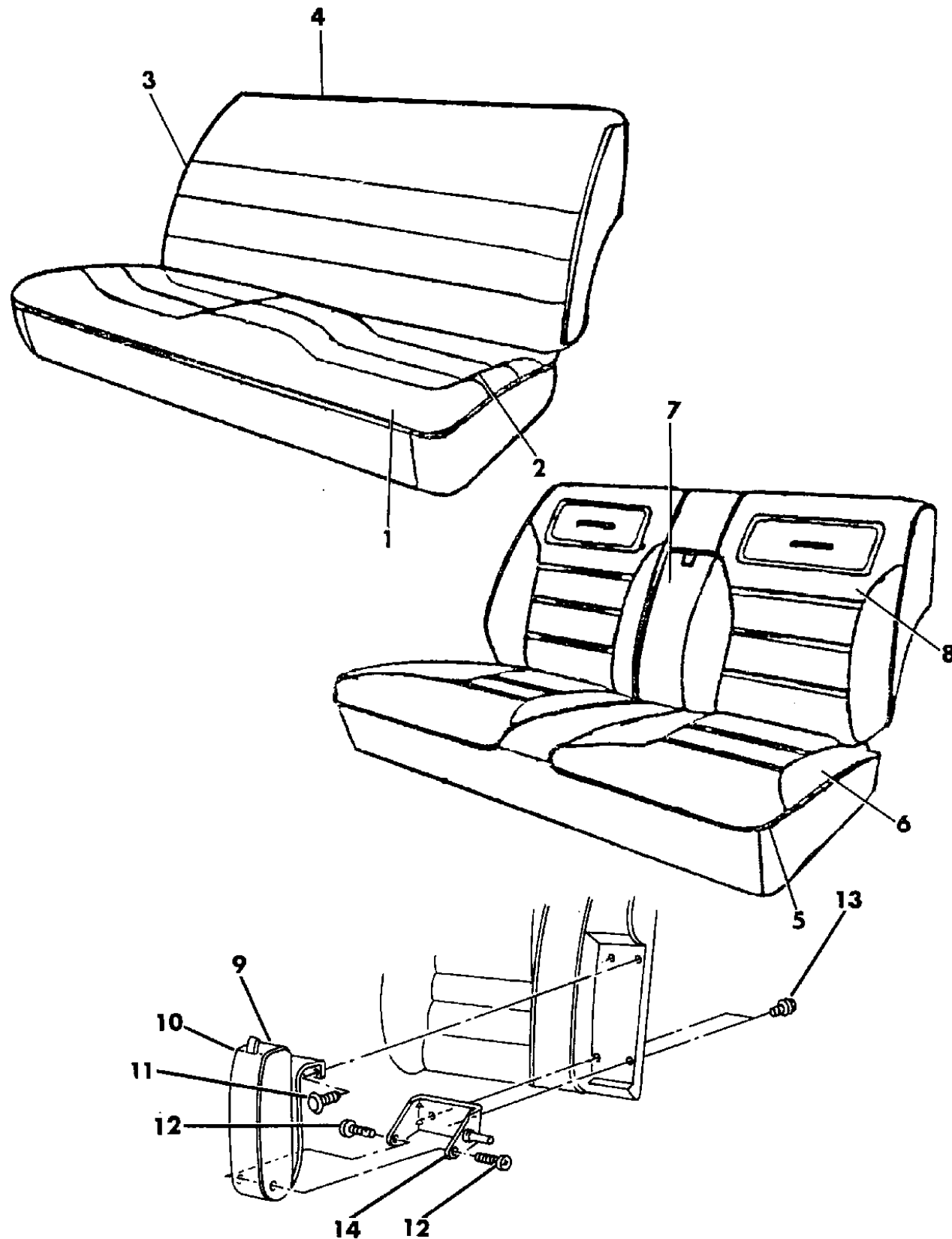
**BODY STYLES:**

21=2-Door Coupe      41=4-Door Sedan      12-52=FWD & AWD Van & Wgn Std W.B.  
24=2-Door Hatchback      44=4-Door Hatchback      53=FWD & AWD Van & Wgn Ext. W.B.  
27=2-Door Convertible

AR = Use as Required - = Non Illustrated Part P.A.R. = Paint as Required

SEAT--REAR J BODY 21  
Figure ITJ-2100

93233 2100



ITEM	PART NUMBER	QTY	BODY	MODEL	DESCRIPTION
1-2					CUSHION, w/Spring, Frame, Pad and Cover
	EY91 LAZ	1			CLOTH Agate, (D7AZ)
	EY91 LBB	1			Blue, (D7B)
	EY91 LMA	1			Red, (D7M)
	EY91 LVV	1			Champagne, (D7V)
2					COVER, Cushion
	EZ02 LAZ	1			CLOTH Agate, (D7AZ)
	EZ02 LBB	1			Blue, (D7B)
	EZ02 LMA	1			Red, (D7M)
	EZ02 LVV	1			Champagne, (D7V)
3-4					BACK, w/Spring, Frame, Pad and Cover
	EZ07 LAZ	1			CLOTH Agate, (D7AZ)
	EZ07 LBB	1			Blue, (D7B)
	EZ07 LMA	1			Red, (D7M)
	EZ07 LVV	1			Champagne, (D7V)
4					COVER, Back
	EZ04 LAZ	1			CLOTH Agate, (D7AZ)
	EZ04 LBB	1			Blue, (D7B)
	EZ04 LMA	1			Red, (D7M)
	EZ04 LVV	1			Champagne, (D7V)
5					CUSHION, w/Spring, Frame, Pad and Cover
	EZ24 LDX	1			CLOTH Agate, (V7AZ)
	EZ24 LBX	1			Blue, (V7B)
	EZ24 LMA	1			Red, (V7M)
	EZ24 LVX	1			Champagne, (V7V)
	FE17 LAZ	1			LEATHER Agate, (XLAZ)
	FE17 LB9	1			Blue, (XLB)
	FE17 LMA	1			Red, (XLM)
	FE17 LV4	1			Champagne, (XLV)
6					COVER, Cushion
	EZ22 LDX	1			CLOTH Agate, (V7AZ)
	EZ22 LBX	1			Blue, (V7B)

MODEL CODES:

A BODY=(C=LeBaron, D=Spirit, P=Acclaim/LaBaron(Landau),  
Saratoga)  
C BODY=(D=Dynasty, C=New Yorker/N.Y. Salon)  
G BODY=(V=Daytona/ROC, Chrysler Daytona)  
J BODY=(C=LeBaron, Chrysler LeBaron)  
P BODY=(P=Sundance, D=Shadow)

S BODY=(H=Voyager(H) FWD, K=Caravan(H) FWD,  
Y=Town & Country(H) FWD, P=Voyager(K) AWD,  
D=Caravan(K) AWD, C=Town & Country(K) AWD)  
Y BODY=(C=Imperial/5th Avenue)  
E-S BODY=(K=Chrysler Voyager(H) FWD, D=Chrysler  
Voyager(K) AWD)

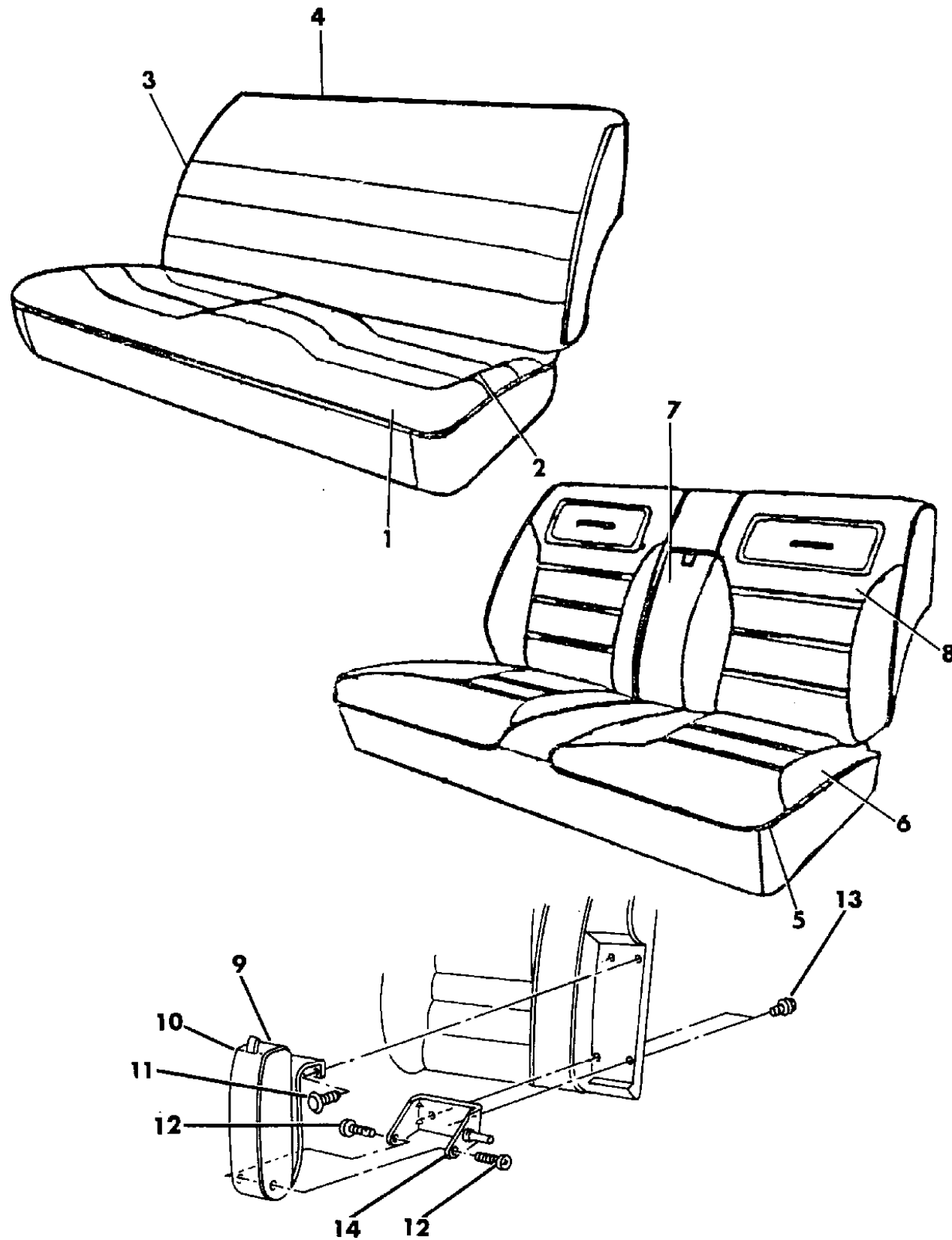
BODY STYLES:

21=2-Door Coupe      41=4-Door Sedan      12-52=FWD & AWD Van & Wgn Std W.B.  
24=2-Door Hatchback      44=4-Door Hatchback      53=FWD & AWD Van & Wgn Ext. W.B.  
27=2-Door Convertible

AR = Use as Required - = Non Illustrated Part P.A.R. = Paint as Required

SEAT--REAR J BODY 21  
Figure ITJ-2100

93233 2100



ITEM	PART NUMBER	QTY	BODY	MODEL	DESCRIPTION
	EZ22 LMA	1			Red, (V7M)
	EZ22 LVX	1			Champagne, (V7V) LEATHER
	FE13 LAZ	1			Agate, (XLAZ)
	FE13 LB9	1			Blue, (XLB)
	FE13 LMA	1			Red, (XLM)
	FE13 LV4	1			Champagne, (XLV)
7-8					BACK, w/Spring/Frame, Pad and Cover CLOTH
					Right
	EZ20 LDX	1			Quartz, (V7A)
	EZ20 LBX	1			Blue, (V7B)
	EZ20 LMA	1			Red, (V7M)
	EZ20 LVX	1			Champagne, (V7V) Left
	EZ17 LDX	1			Agate, (V7AZ)
	EZ17 LBX	1			Blue, (V7B)
	EZ17 LMA	1			Red, (V7M)
	EZ17 LVX	1			Champagne, (V7V) LEATHER
					Right
	GD24 LAZ	1			Agate, (XLAZ)
	GD24 LB9	1			Blue, (XLB)
	GD24 LMA	1			Red, (XLM)
	GD24 LV4	1			Champagne, (XLV) Left
	FP59 LAZ	1			Agate, (XLAZ)
	FP59 LB9	1			Blue, (XLB)
	FP59 LMA	1			Red, (XLM)
	FP59 LV4	1			Champagne, (XLV)
8					COVER, Back CLOTH
	EZ14-5 LDX	1			Agate, (V7AZ)
	EZ14-5 LBX	1			Blue, (V7B)
	EZ14-5 LMA	1			Red, (V7M)
	EZ14-5 LVX	1			Champagne, (V7V) LEATHER
	GD26-7 LAZ	1			Agate, (XLAZ)
	GD26-7 LB9	1			Blue, (XLB)

MODEL CODES:

A BODY=(C=LeBaron, D=Spirit, P=Acclaim/LaBaron(Landau),  
Saratoga)  
C BODY=(D=Dynasty, C=New Yorker/N.Y. Salon)  
G BODY=(V=Daytona/ROC, Chrysler Daytona)  
J BODY=(C=LeBaron, Chrysler LeBaron)  
P BODY=(P=Sundance, D=Shadow)

S BODY=(H=Voyager(H) FWD, K=Caravan(H) FWD,  
Y=Town & Country(H) FWD, P=Voyager(K) AWD,  
D=Caravan(K) AWD, C=Town & Country(K) AWD)  
Y BODY=(C=Imperial/5th Avenue)  
E-S BODY=(K=Chrysler Voyager(H) FWD, D=Chrysler  
Voyager(K) AWD)

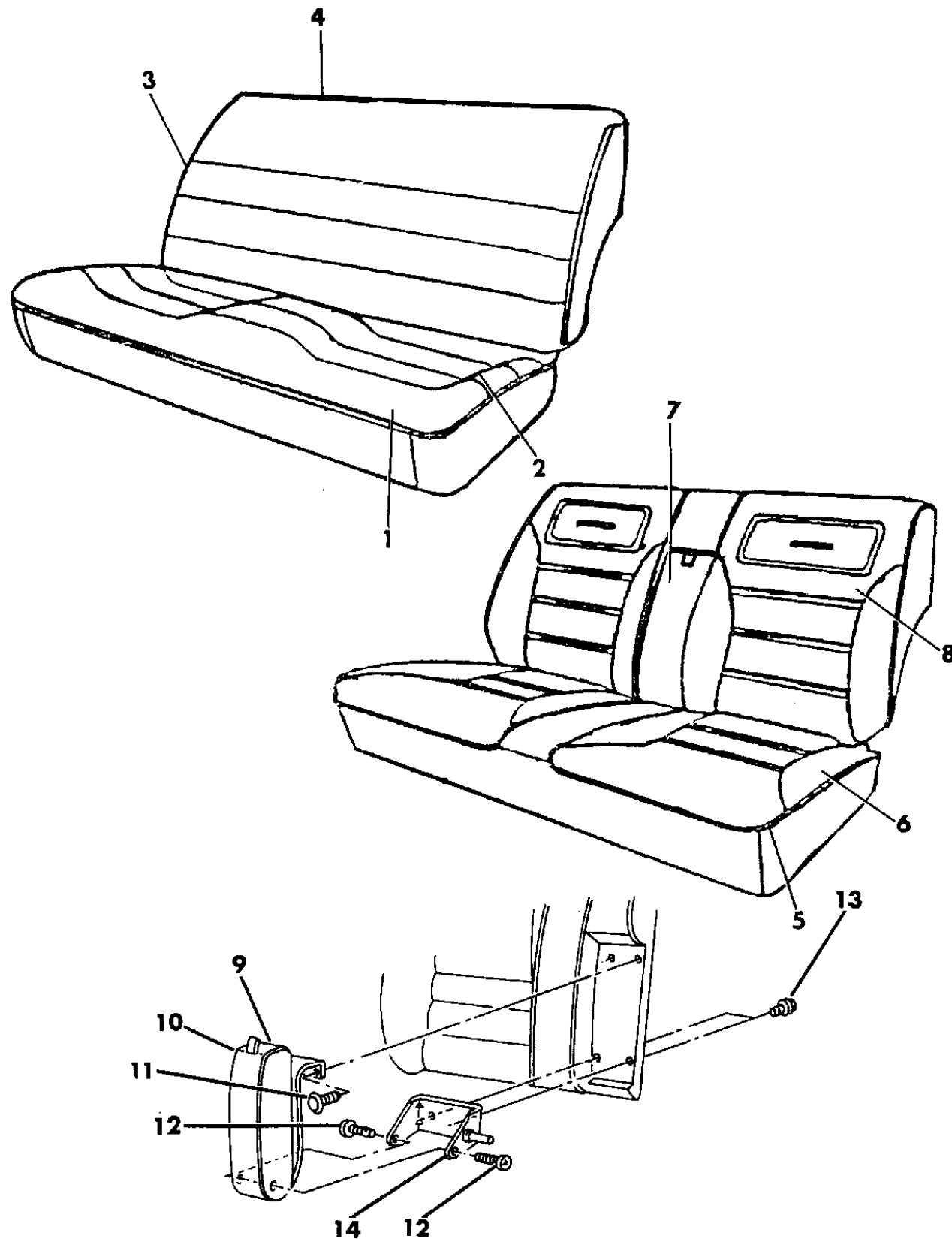
BODY STYLES:

21=2-Door Coupe      41=4-Door Sedan      12-52=FWD & AWD Van & Wgn Std W.B.  
24=2-Door Hatchback      44=4-Door Hatchback      53=FWD & AWD Van & Wgn Ext. W.B.  
27=2-Door Convertible

AR = Use as Required - = Non Illustrated Part P.A.R. = Paint as Required

SEAT--REAR J BODY 21  
Figure ITJ-2100

93233 2100



ITEM	PART NUMBER	QTY	BODY	MODEL	DESCRIPTION
	GD26-7 LMA	1			Red, (XLM)
	GD26-7 LV4	1			Champagne, (XLV)
9					ARMREST and COVER CLOTH
	EZ25 LAZ	1			Agate, (V7AZ)
	EZ25 LB9	1			Blue, (V7B)
	EZ25 LMA	1			Red, (V7M)
	EZ25 LV4	1			Champagne, (V7V) LEATHER
	GD29 LAZ	1			Agate, (XLAZ)
	GD29 LB9	1			Blue, (XLB)
	GD29 LMA	1			Red, (XLM)
	GD29 LV4	1			Champagne, (XLV)
10					COVER, Armrest CLOTH
	EZ23 LAZ	1			Agate, (V7AZ)
	EZ23 LB9	1			Blue, (V7B)
	EZ23 LMA	1			Red, (V7M)
	EZ23 LV4	1			Champagne, (V7V) LEATHER
	GD20 LAZ	1			Agate, (XLAZ)
	GD20 LB9	1			Blue, (XLB)
	GD20 LMA	1			Red, (XLM)
	GD20 LV4	1			Champagne, (XLV)
11	6033 840	AR			FASTENER
12	6032 567	AR			SCREW
13	6501 476	AR			SCREW
14	4380 610	1			BRACKET

MODEL CODES:

A BODY=(C=LeBaron, D=Spirit, P=Acclaim/LaBaron(Landau),  
Saratoga)  
C BODY=(D=Dynasty, C=New Yorker/N.Y. Salon)  
G BODY=(V=Daytona/IROC, Chrysler Daytona)  
J BODY=(C=LeBaron, Chrysler LeBaron)  
P BODY=(P=Sundance, D=Shadow)

S BODY=(H=Voyager(H) FWD, K=Caravan(H) FWD,  
Y=Town & Country(H) FWD, P=Voyager(K) AWD,  
D=Caravan(K) AWD, C=Town & Country(K) AWD)  
Y BODY=(C=Imperial/5th Avenue)  
E-S BODY=(K=Chrysler Voyager(H) FWD, D=Chrysler  
Voyager(K) AWD)

BODY STYLES:

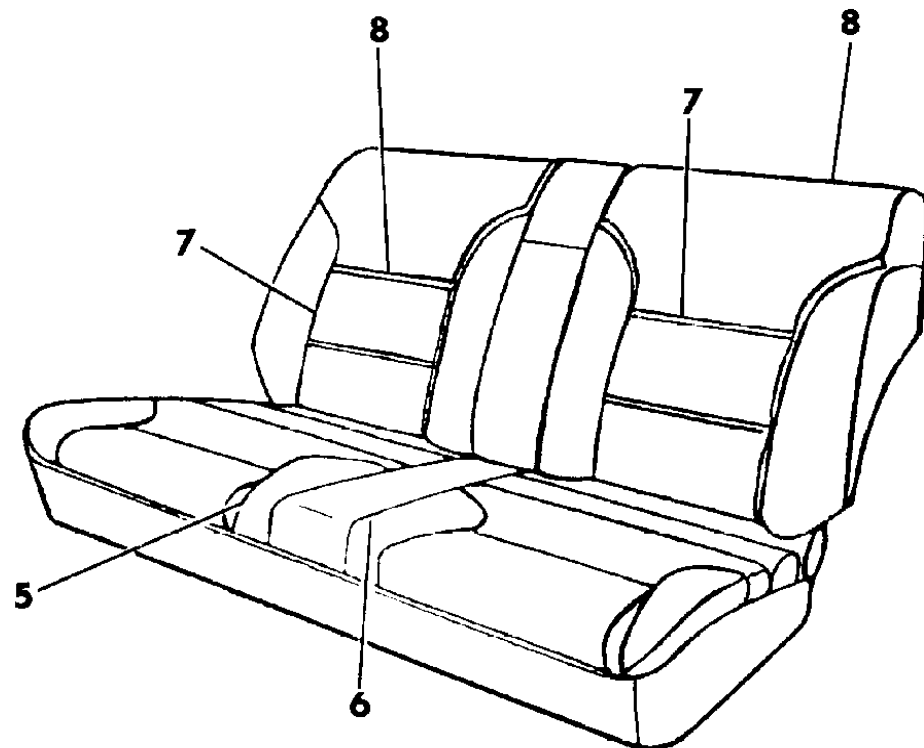
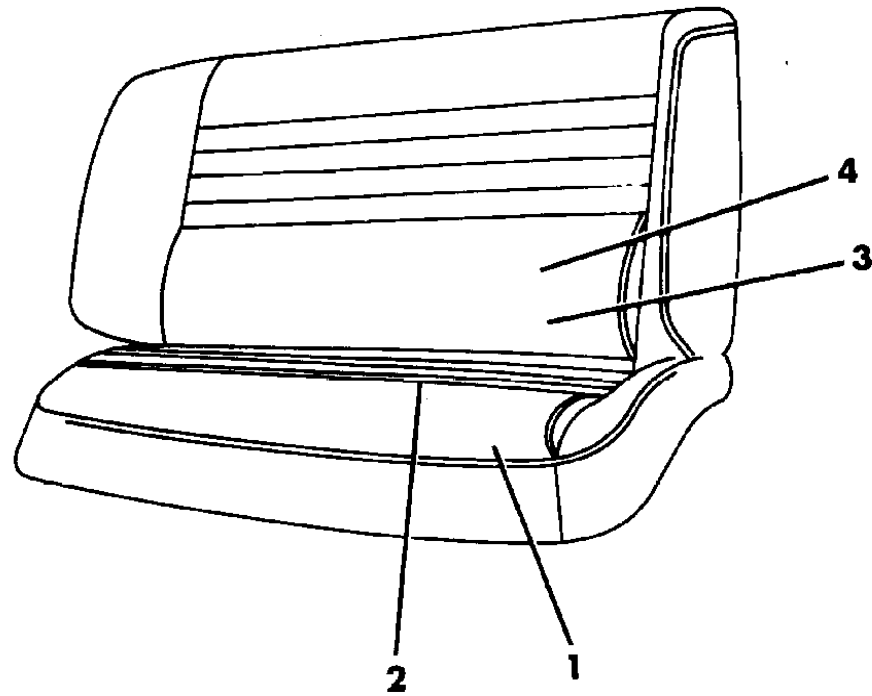
21=2-Door Coupe      41=4-Door Sedan      12-52=FWD & AWD Van & Wgn Std W.B.  
24=2-Door Hatchback      44=4-Door Hatchback      53=FWD & AWD Van & Wgn Ext. W.B.  
27=2-Door Convertible

AR = Use as Required - = Non Illustrated Part P.A.R. = Paint as Required



SEAT--REAR J BODY 27  
Figure ITJ-2200

93233 2200



ITEM	PART NUMBER	QTY	BODY	MODEL	DESCRIPTION
1					CUSHION, w/Spring/Frame, Pad and Cover
	EY93 LAZ	1			CLOTH Agate, (D7AZ)
	EY93 LBB	1			Blue, (D7B)
	EY93 LMA	1			Red, (D7M)
	EY93 LVV	1			Champagne, (D7V)
2					COVER
	EZ03 LAZ	1			CLOTH Agate, (D7AZ)
	EZ03 LBB	1			Blue, (D7B)
	EZ03 LMA	1			Red, (D7M)
	EZ03 LVV	1			Champagne, (D7V)
3					BACK, w/Spring/Frame, Pad and Cover
	GB35 LAZ	1			CLOTH Agate, (D7AZ)
	GB35 LBB	1			Blue, (D7B)
	GB35 LMA	1			Red, (D7M)
	GB35 LVV	1			Champagne, (D7V)
4					COVER, Back
	EZ05 LAZ	1			CLOTH Agate, (D7AZ)
	EZ05 LBB	1			Blue, (D7B)
	EZ05 LMA	1			Red, (D7M)
	EZ05 LVV	1			Champagne, (D7V)
5					CUSHION, w/Spring/Frame, Pad and Cover
	FE19 LAZ	1			LEATHER Agate, (XLAZ)
	FE19 LB9	1			Blue, (XLB)
	FE19 LMA	1			Red, (XLM)
	FE19 LV4	1			Champagne, (XLV)
	FE19 LWC	1			White, (XLMW,XLWA)
	FP64 LWC	1			VINYL White, (D8MW,D8WA)
6					COVER, Cushion
	FE16 LAZ	1			LEATHER Agate, (XLAZ)
	FE16 LB9	1			Blue, (XLB)
	FE16 LMA	1			Red, (XLM)
	FE16 LV4	1			Champagne, (XLV)

MODEL CODES:

A BODY=(C=LeBaron, D=Spirit, P=Acclaim/LaBaron(Landau, Saratoga)

C BODY=(D=Dynasty, C=New Yorker/N.Y. Salon)

G BODY=(V=Daytona/ROC, Chrysler Daytona)

J BODY=(C=LeBaron, Chrysler LeBaron)

P BODY=(P=Sundance, D=Shadow)

S BODY=(H=Voyager(H) FWD, K=Caravan(H) FWD,

Y=Town & Country(H) FWD, P=Voyager(K) AWD,

D=Caravan(K) AWD, C=Town & Country(K) AWD)

Y BODY=(C=Imperial/5th Avenue)

E-S BODY=(K=Chrysler Voyager(H) FWD, D=Chrysler

Voyager(K) AWD)

BODY STYLES:

21=2-Door Coupe

41=4-Door Sedan

12-52=FWD & AWD Van & Wgn Std W.B.

24=2-Door Hatchback

44=4-Door Hatchback

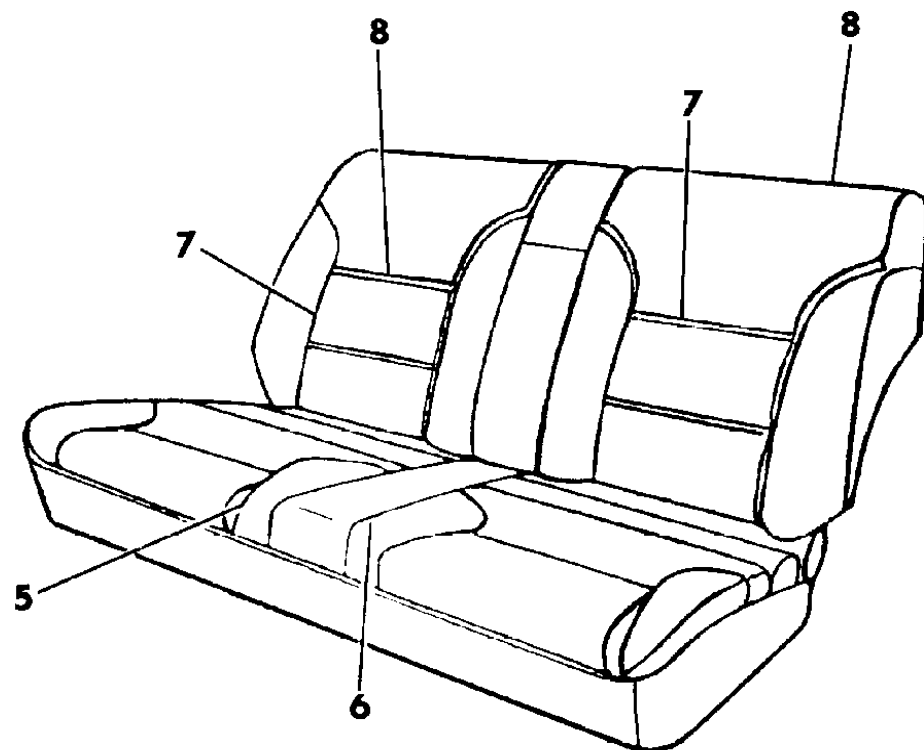
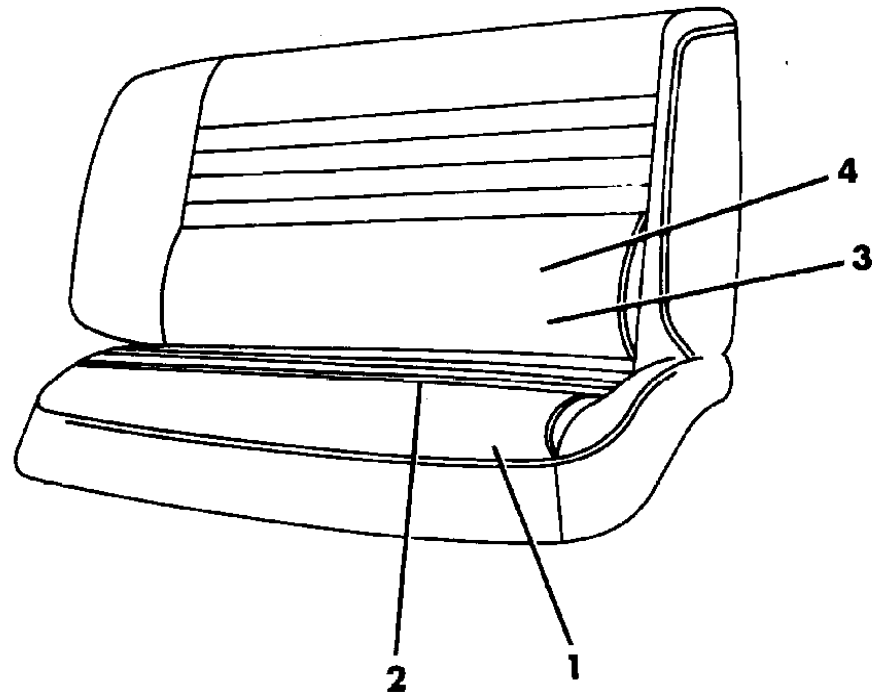
53=FWD & AWD Van & Wgn Ext. W.B.

27=2-Door Convertible

AR = Use as Required - = Non Illustrated Part P.A.R. = Paint as Required

SEAT--REAR J BODY 27  
Figure ITJ-2200

93233 2200



ITEM	PART NUMBER	QTY	BODY	MODEL	DESCRIPTION
	FE16 LWC	1			White, (XLMW,XLWA)
7	GD04 LWC	1			VINYL White, (D8MW,D8WA) BACK, w/Spring/Frame, Pad and Cover LEATHER
	GB33 LAZ	1			Agate, (XLAZ)
	GB33 LB9	1			Blue, (XLB)
	GB33 LMA	1			Red, (XLM)
	GB33 LV4	1			Champagne, (XLV)
	GB33 LWC	1			White, (XLMW,XLWA) VINYL
8	GB34 LWC	1			White, (D8MW,D8WA) COVER, Back LEATHER
	GD03 LAZ	1			Agate, (XLAZ)
	GD03 LB9	1			Blue, (XLB)
	GD03 LMA	1			Red, (XLM)
	GD03 LV4	1			Champagne, (XLV)
	GD03 LWC	1			White, (XLMW,XLWA) VINYL
	GD02 LWC	1			White, (D8MW,D8WA)

MODEL CODES:

A BODY=(C=LeBaron, D=Spirit, P=Acclaim/LaBaron(Landau, Saratoga)  
C BODY=(D=Dynasty, C=New Yorker/N.Y. Salon)  
G BODY=(V=Daytona/IROC, Chrysler Daytona)  
J BODY=(C=LeBaron, Chrysler LeBaron)  
P BODY=(P=Sundance, D=Shadow)

S BODY=(H=Voyager(H) FWD, K=Caravan(H) FWD, Y=Town & Country(H) FWD, P=Voyager(K) AWD, D=Caravan(K) AWD, C=Town & Country(K) AWD)  
Y BODY=(C=Imperial/5th Avenue)  
E-S BODY=(K=Chrysler Voyager(H) FWD, D=Chrysler Voyager(K) AWD)

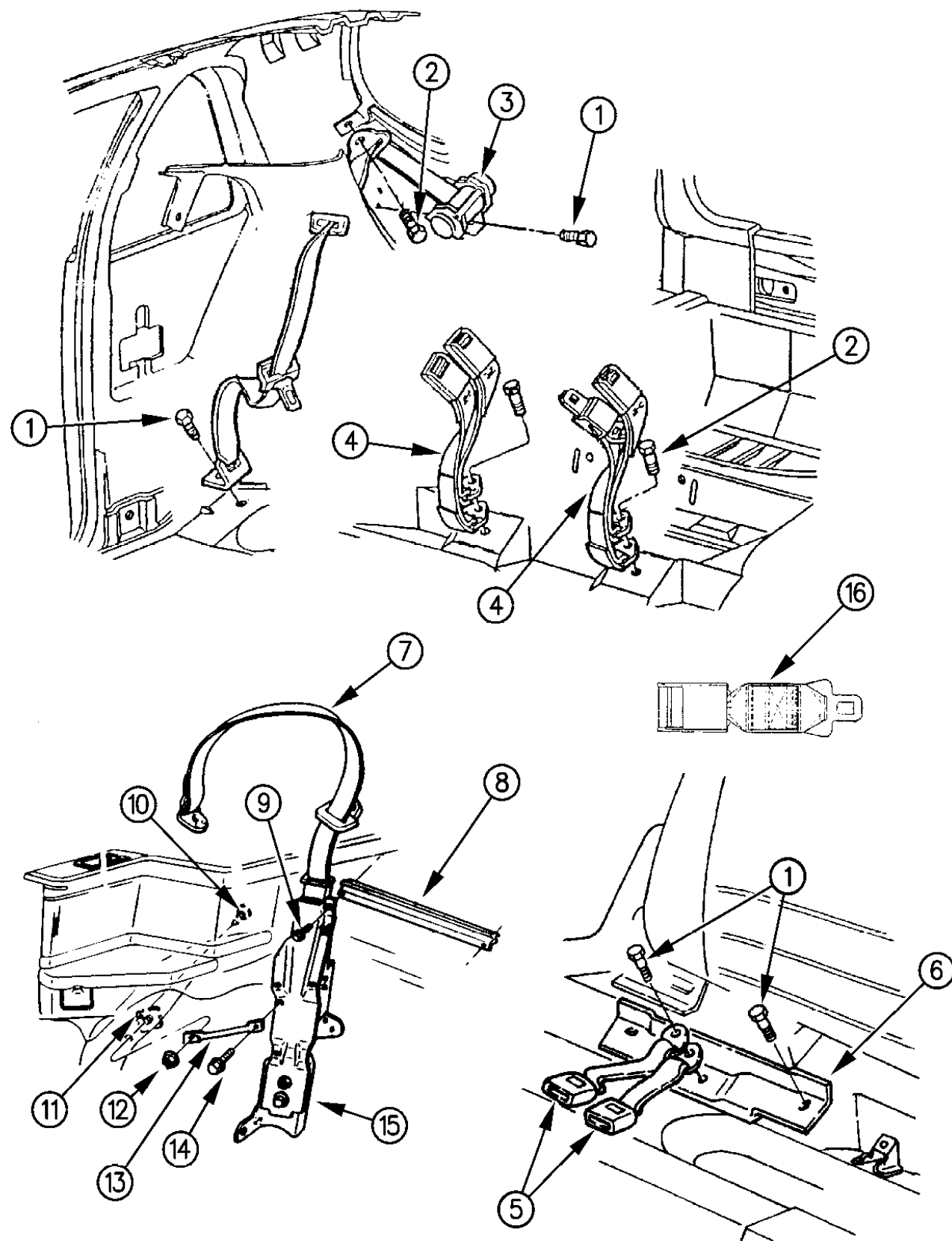
BODY STYLES:

21=2-Door Coupe      41=4-Door Sedan      12-52=FWD & AWD Van & Wgn Std W.B.  
24=2-Door Hatchback      44=4-Door Hatchback      53=FWD & AWD Van & Wgn Ext. W.B.  
27=2-Door Convertible

AR = Use as Required - = Non Illustrated Part P.A.R. = Paint as Required

**BELT--REAR SEAT J BODY**  
Figure ITJ-2300

93233 2300A



ITEM	PART NUMBER	QTY	BODY	MODEL	DESCRIPTION
1	6031 484	2			BOLT
2	6031 298	2			BOLT
3					BELT, Outer LABEL NUMBER 4645206-7
	EL82-3 LAZ	1		21	Agate
	EL82-3 LB9	1		21	Blue
	EL82-3 LM6	1		21	Red
	EL82-3 LV8	1		21	Champagne
	4550 734-5	1		21	Outer, (EUROPEAN) ***
4					BELT, Inner LABEL NUMBER 4476454-5
	F758-9 LAZ	1		21	Agate
	F758-9 JB9	1		21	Blue
	F758-9 LM6	1		21	Red
	F758-9 JV8	1		21	Champagne
	4550 736-7	1		21	BELT, Inner (EUROPEAN)
5					BELT, Inner LABEL NUMBER 4645394
	EZ42 LAZ	1		27	Agate
	EZ42 LB9	1		27	Blue
	EZ42 LM6	1		27	Red
	EZ42 LV8	1		27	Champagne
-	4614 975	1		27	INNER, (European) ***
6	4655 173	1		27	PLATE, Seat Belt Inner Attach.
7					BELT, Outer LABEL NUMBER 4614298-9
	DP52-3 LAZ	1		27	Agate
	DP52-3 LB9	1		27	Blue
	DP52-3 LM6	1		27	Red
	DP52-3 LV8	1		27	Champagne
-	4614 300-1	1		27	OUTER, (European) ***
8	5261 985	1		27	RETAINER, F/Top Boot Seat Back Insert
9	6501 714	2		27	SCREW and WASHER
10	9436 676	1		27	SCREW, Reinforcement Rear Wheelhouse Inner
11	4655 466	1		27	REINFORCEMENT, w/Screw
12	6500 284	1		27	NUT and WASHER, Shoulder Belt Brace
13	4655 397	1		27	BRACE, Rear Shoulder Belt
14	6100 266	1		27	SCREW and WASHER, Shoulder Belt Brace
15	4655 536-7	1		27	SUPPORT

**MODEL CODES:**

A BODY=(C=LeBaron, D=Spirit, P=Acclaim/LaBaron(Landau), Saratoga)      S BODY=(H=Voyager(H) FWD, K=Caravan(H) FWD, Y=Town & Country(H) FWD, P=Voyager(K) AWD, D=Caravan(K) AWD, C=Town & Country(K) AWD)

C BODY=(D=Dynasty, C=New Yorker/N.Y. Salon)

G BODY=(V=Daytona/IROC, Chrysler Daytona)

J BODY=(C=LeBaron, Chrysler LeBaron)

P BODY=(P=Sundance, D=Shadow)

Y BODY=(C=Imperial/5th Avenue)

E-S BODY=(K=Chrysler Voyager(H) FWD, D=Chrysler Voyager(K) AWD)

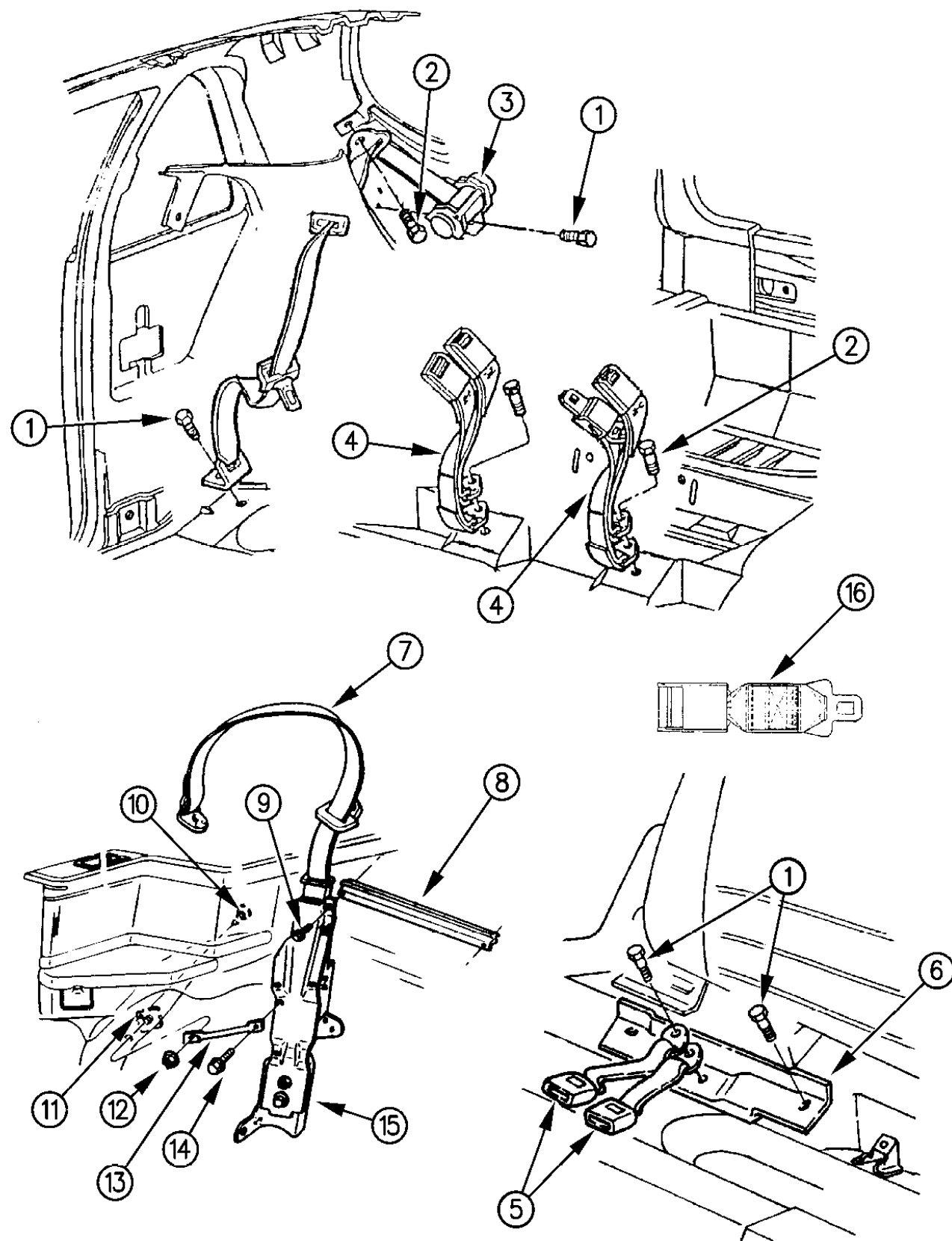
**BODY STYLES:**

21=2-Door Coupe      41=4-Door Sedan      12-52=FWD & AWD Van & Wgn Std W.B.  
24=2-Door Hatchback      44=4-Door Hatchback      53=FWD & AWD Van & Wgn Ext. W.B.  
27=2-Door Convertible

AR = Use as Required - = Non Illustrated Part P.A.R. = Paint as Required

**BELT--REAR SEAT J BODY**  
**Figure ITJ-2300**

93233 2300A



ITEM	PART NUMBER	QTY	BODY	MODEL	DESCRIPTION
16	4402 887	1			EXTENDER
	4519 077	AR	21		ANCHOR PACKAGE, Teather, Child Restraint ***

**MODEL CODES:**

A BODY=(C=LeBaron, D=Spirit, P=Acclaim/LaBaron(Landau),  
 Saratoga)  
 C BODY=(D=Dynasty, C=New Yorker/N.Y. Salon)  
 G BODY=(V=Daytona/IROC, Chrysler Daytona)  
 J BODY=(C=LeBaron, Chrysler LeBaron)  
 P BODY=(P=Sundance, D=Shadow)

S BODY=(H=Voyager(H) FWD, K=Caravan(H) FWD,  
 Y=Town & Country(H) FWD, P=Voyager(K) AWD,  
 D=Caravan(K) AWD, C=Town & Country(K) AWD)  
 Y BODY=(C=Imperial/5th Avenue)  
 E-S BODY=(K=Chrysler Voyager(H) FWD, D=Chrysler  
 Voyager(K) AWD)

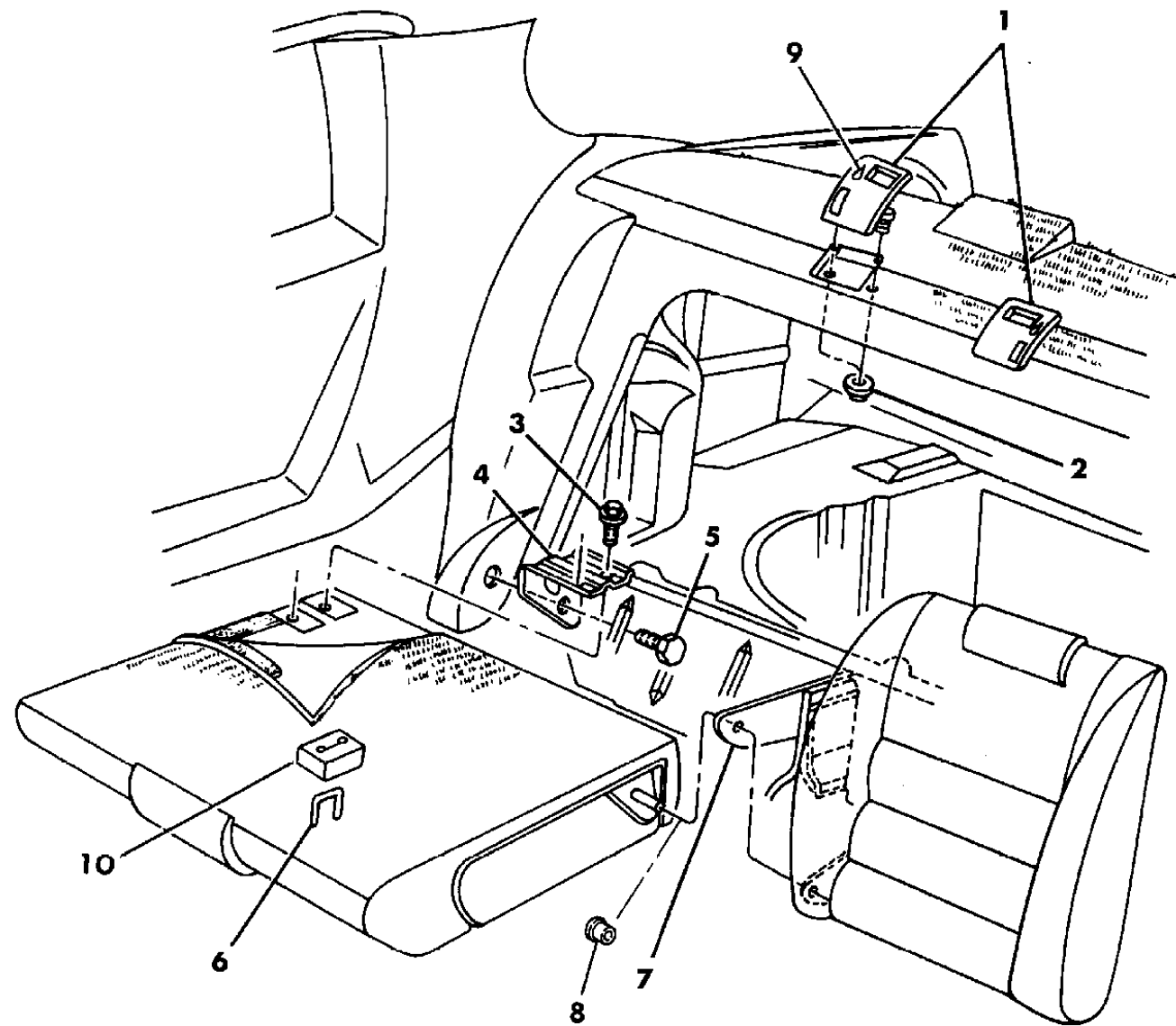
**BODY STYLES:**

21=2-Door Coupe      41=4-Door Sedan      12-52=FWD & AWD Van & Wgn Std W.B.  
 24=2-Door Hatchback      44=4-Door Hatchback      53=FWD & AWD Van & Wgn Ext. W.B.  
 27=2-Door Convertible

AR = Use as Required - = Non Illustrated Part P.A.R. = Paint as Required

SEAT--REAR FOLD DOWN J BODY 21  
Figure ITJ-2400

93233 2400



ITEM	PART NUMBER	QTY	BODY	MODEL	DESCRIPTION
1					LATCH, Handle and Bezel Complete
	S934-5 LAZ	1			Agate
	S934-5 JB9	1			Blue
	S934-5 LM6	1			Red
	S934-5 JV8	1			Champagne
2	6500 274	4			NUT
3	6502 064	4			SCREW and WASHER
4	4380 608-9	1			BRACKET, Pivot Outboard
5	6500 445	2			BOLT, Shoulder
6	4380 072	2			STRIKER
7	4371 277	1			BRACKET, Pivot Inboard
8	4477 749	1			BUSHING, Pivot Inboard, Lt.
9					CYLINDER, Locking (Refer to 23D)
10	4239 182	2			SEAL, Rear Back To Shelf Panel

**MODEL CODES:**

A BODY=(C=LeBaron, D=Spirit, P=Acclaim/LaBaron(Landau), Saratoga) S BODY=(H=Voyager(H) FWD, K=Caravan(H) FWD, Y=Town & Country(H) FWD, P=Voyager(K) AWD, D=Caravan(K) AWD, C=Town & Country(K) AWD)  
 C BODY=(D=Dynasty, C=New Yorker/N.Y. Salon)  
 G BODY=(V=Daytona/IROC, Chrysler Daytona)  
 J BODY=(C=LeBaron, Chrysler LeBaron)  
 P BODY=(P=Sundance, D=Shadow)  
 Y BODY=(C=Imperial/5th Avenue)  
 E-S BODY=(K=Chrysler Voyager(H) FWD, D=Chrysler Voyager(K) AWD)

**BODY STYLES:**

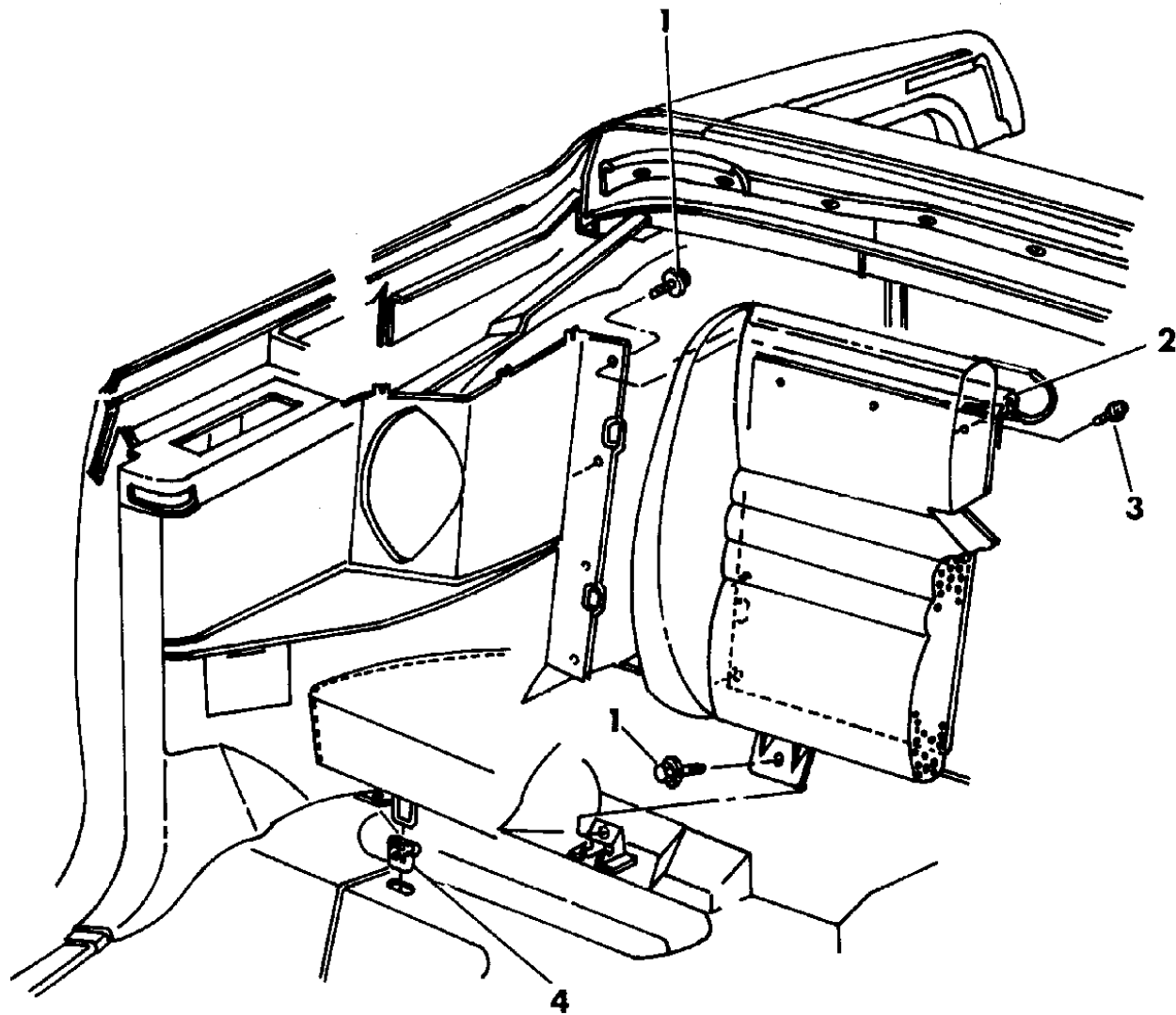
21=2-Door Coupe      41=4-Door Sedan      12-52=FWD & AWD Van & Wgn Std W.B.  
 24=2-Door Hatchback      44=4-Door Hatchback      53=FWD & AWD Van & Wgn Ext. W.B.  
 27=2-Door Convertible

AR = Use as Required - = Non Illustrated Part P.A.R. = Paint as Required

**SEAT--REAR ATTACHMENTS AND SLINGWELL RETAINER J BODY 27**  
**Figure ITJ-2500**

93233 2500

ITEM	PART NUMBER	QTY	BODY	MODEL	DESCRIPTION
1		10			SCREW and WASHER, (M6-1.00x25) (Not Serv.)
2	5261 985	1			RETAINER, Slingwell
3	6033 347	7			SCREW
4	4519 960	2			RETAINER, Cushion to Floor Pan



**MODEL CODES:**

A BODY=(C=LeBaron, D=Spirit, P=Acclaim/LaBaron(Landau),  
Saratoga) S BODY=(H=Voyager(H) FWD, K=Caravan(H) FWD,  
Y=Town & Country(H) FWD, P=Voyager(K) AWD,  
D=Caravan(K) AWD, C=Town & Country(K) AWD)  
C BODY=(D=Dynasty, C=New Yorker/N.Y. Salon)  
G BODY=(V=Daytona/IROC, Chrysler Daytona) Y BODY=(C=Imperial/5th Avenue)  
J BODY=(C=LeBaron, Chrysler LeBaron) E-S BODY=(K=Chrysler Voyager(H) FWD, D=Chrysler  
P BODY=(P=Sundance, D=Shadow) Voyager(K) AWD)

**BODY STYLES:**

21=2-Door Coupe      41=4-Door Sedan      12-52=FWD & AWD Van & Wgn Std W.B.  
24=2-Door Hatchback      44=4-Door Hatchback      53=FWD & AWD Van & Wgn Ext. W.B.  
27=2-Door Convertible

AR = Use as Required - = Non Illustrated Part P.A.R. = Paint as Required

---

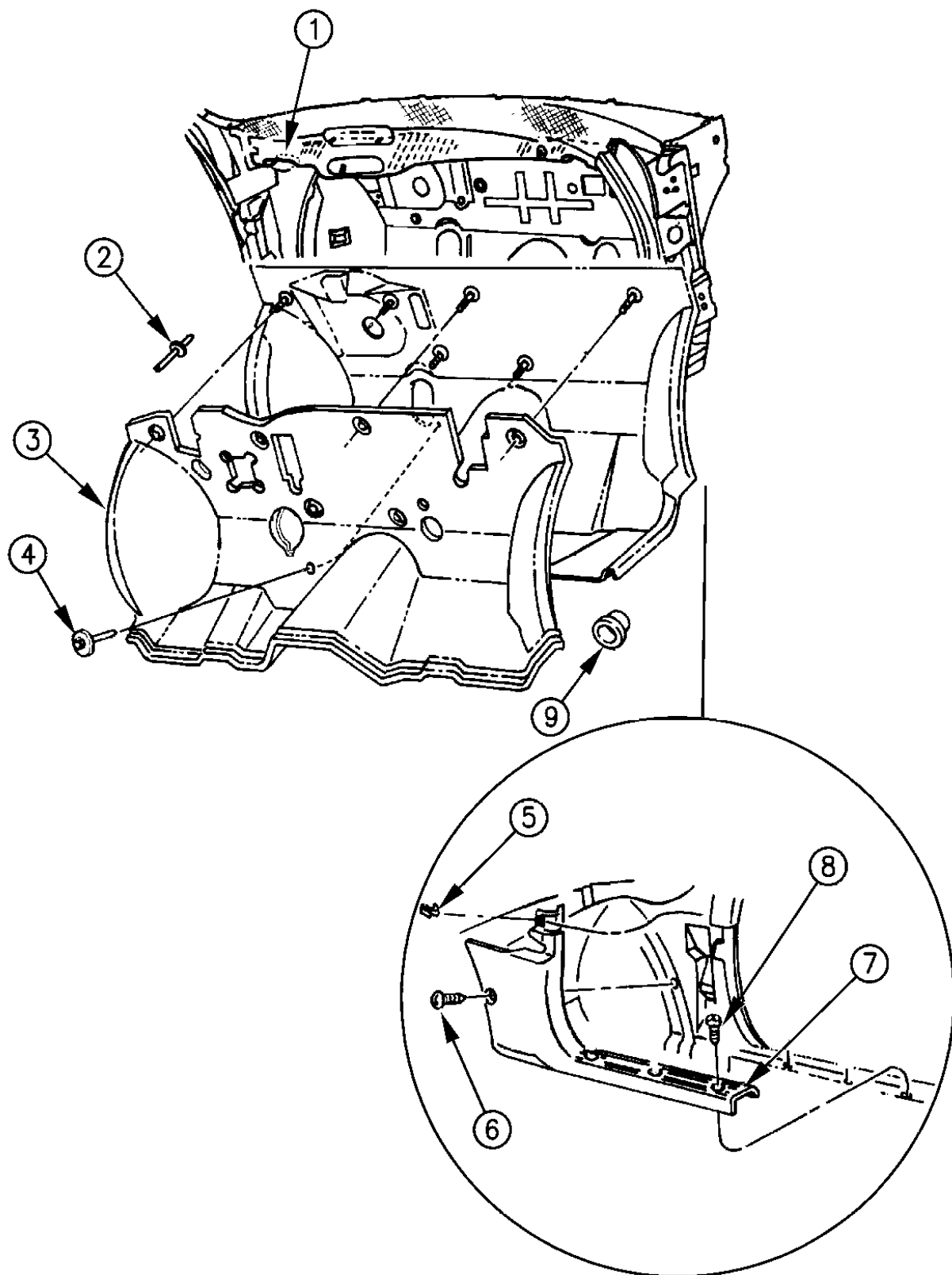
**GROUP ITP - P BODY**

<b>ILLUSTRATION TITLE</b>	<b>GROUP-FIG. NO.</b>
COWL PANEL AND SILENCERS P BODY .....	Fig. ITP-100
HEADLINER-VISOR AND SHELF TRIM P BODY .....	Fig. ITP-200
MOULDING--GARNISH P BODY .....	Fig. ITP-300
MOULDING - HEADER AND "A" PILLAR P BODY - 27 .....	Fig. ITP-400
B-PILLAR TRIM P BODY .....	Fig. ITP-500
PANEL--QUARTER TRIM P BODY .....	Fig. ITP-600
LIFT GATE TRIM P BODY .....	Fig. ITP-700
CARPET P BODY .....	Fig. ITP-800
TRUNK TRIM - 27 P BODY .....	Fig. ITP-900
SCUFF PLATES P BODY .....	Fig. ITP-1000
DOOR TRIM PANEL P BODY 24-27 .....	Fig. ITP-1100
DOOR TRIM PANEL--FRONT P BODY--44 .....	Fig. ITP-1200
DOOR TRIM PANEL--REAR P BODY--44 .....	Fig. ITP-1300
SEAT FRONT P BODY TRIM CODE P7 .....	Fig. ITP-1400
SEAT FRONT P BODY TRIM CODE F7 .....	Fig. ITP-1500
BELT FRONT SEAT - MANUAL P BODY .....	Fig. ITP-1600
SEAT-RECLINING P BODY .....	Fig. ITP-1700
ADJUSTER--MANUAL AND COVERS P BODY .....	Fig. ITP-1800
ADJUSTER--ELECTRIC AND COVERS P BODY .....	Fig. ITP-1900
SEAT--REAR P BODY TRIM CODES F7-P7 (AND CONVERTIBLE) .....	Fig. ITP-2000
BELT--REAR SEAT P BODY .....	Fig. ITP-2100
SEAT--REAR FOLD DOWN P BODY .....	Fig. ITP-2200

**ILLUSTRATION NOT AVAILABLE AT TIME OF PUBLICATION**

**COWL PANEL AND SILENCERS P BODY**  
Figure ITP-100

93232 100



ITEM	PART NUMBER	QTY	BODY	MODEL	DESCRIPTION
1					SILENCER, Cowl Plenum (Not Serv.)
2	6032 020	6			STUD
3	4655 149	1			LINER, Dash
4		1			SCREW, w/Seal and Washer (8-18x.75) (Not Serv.)
5	4620 732	2			S-CLIP
6		2			SCREW, (10-16x1) (Not Serv.)
7					COWL and SCUFF PLATE
	WP20-1 JD5	1		24	Quartz
	WP20-1 LMA	1		24	Red
	WP20-1 JV4	1		24	Champagne
	WP22-3 JD5	1		44	Quartz
	WP22-3 LMA	1		44	Red
	WP22-3 JV4	1		44	Champagne
	5242 112-3	1		27	Bordeaux
	5241 540-1	1		27	Champagne
	5241 542-3	1		27	Quartz
8		6			SCREW, (10-16x2) (Not Serv.)
9	6032 185	6			CAPLUG

**MODEL CODES:**

A BODY=(C=LeBaron, D=Spirit, P=Acclaim/LaBaron(Landau), Saratoga)      S BODY=(H=Voyager(H) FWD, K=Caravan(H) FWD, Y=Town & Country(H) FWD, P=Voyager(K) AWD, D=Caravan(K) AWD, C=Town & Country(K) AWD)  
 C BODY=(D=Dynasty, C=New Yorker/N.Y. Salon)      Y BODY=(C=Imperial/5th Avenue)  
 G BODY=(V=Daytona/IROC, Chrysler Daytona)      E-S BODY=(K=Chrysler Voyager(H) FWD, D=Chrysler Voyager(K) AWD)  
 J BODY=(C=LeBaron, Chrysler LeBaron)  
 P BODY=(P=Sundance, D=Shadow)

**BODY STYLES:**

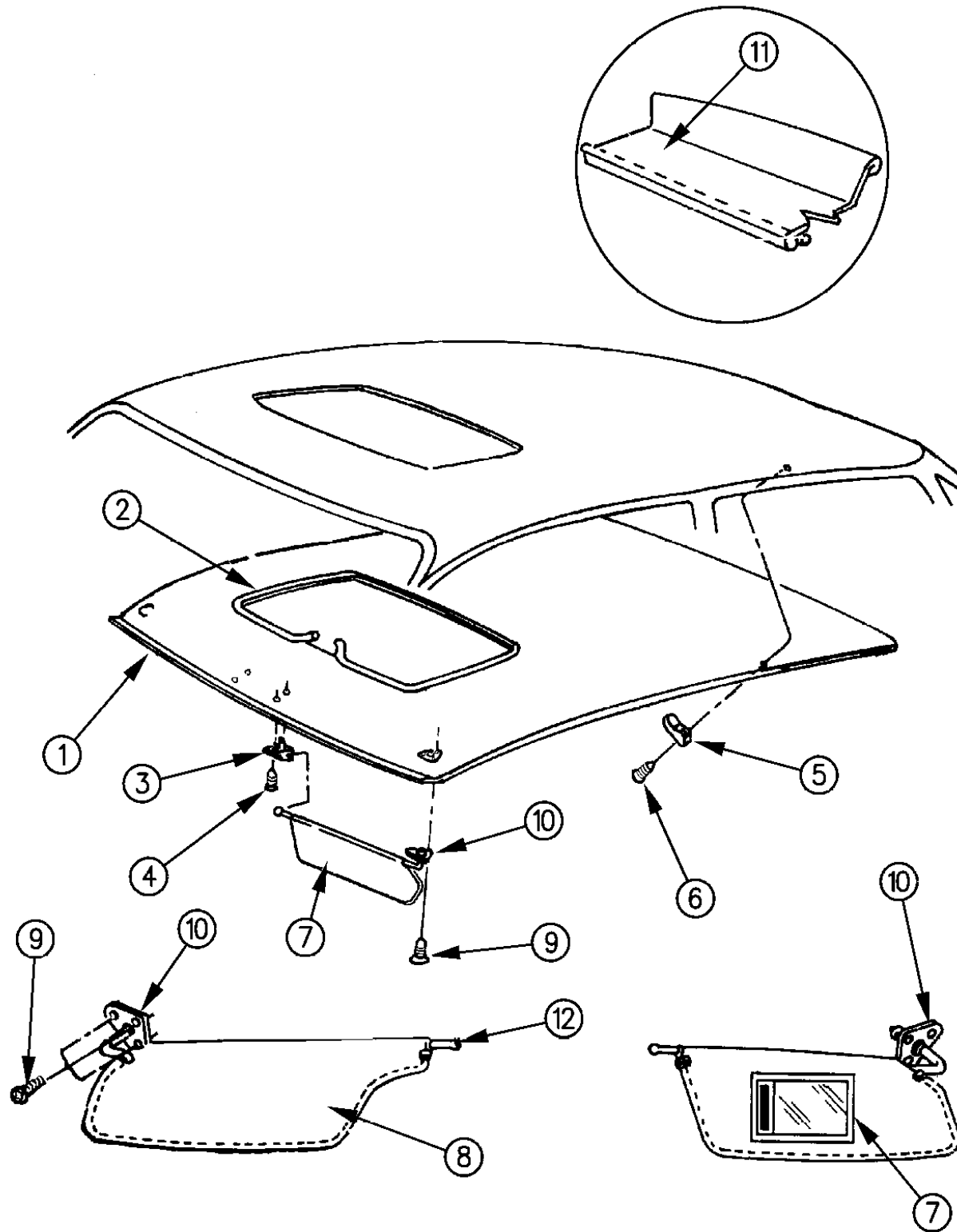
21=2-Door Coupe      41=4-Door Sedan      12-52=FWD & AWD Van & Wgn Std W.B.  
 24=2-Door Hatchback      44=4-Door Hatchback      53=FWD & AWD Van & Wgn Ext. W.B.  
 27=2-Door Convertible

AR = Use as Required - = Non Illustrated Part P.A.R. = Paint as Required



**HEADLINER-VISOR AND SHELF TRIM P BODY**  
Figure ITP-200

93232 200



ITEM	PART NUMBER	QTY	BODY	MODEL	DESCRIPTION
1					HEADLINER
					w/o SUN ROOF
	GC80 LD5	1			Quartz
	GC80 LMA	1			Red
	GC80 LV4	1			Champagne
					w/SUN ROOF
	GC81 LD5	1			Quartz
	GC81 LMA	1			Red
	GC81 LV4	1			Champagne
2					WELT, Headliner, w/Sun Roof
	H178 HD5	1			Quartz
	H178 LM6	1			Red
	H178 JV4	1			Champagne
3					CLIP, Visor Retaining
	DF49 KD5	2			Quartz
	DF49 LMA	2			Red
	DF49 KV4	2			Champagne
4		2			SCREW, (8-18x3/4) (Not Serv.)
5					HOOK, Coat
	H542 HD5	2			Quartz
	H542 LM6	2			Red
	H542 JV4	2			Champagne
6		2			SCREW, (8-18x7/8) (Not Serv.)
7					VISOR, w/Mirror, w/o Arm and Bracket
					RIGHT
	EA22 KD5	1			Quartz
	EA22 LMA	1			Red
	EA22 KV4	1			Champagne
					LEFT, w/Mirror and Sliding Door
	EE83 KD5	1			Quartz
	EE83 LMA	1			Red
	EE83 KV4	1			Champagne
					MIRROR, (Only) Vanity For Right Side
	H322 KD5	1			Quartz
	H322 LM6	1			Red
	H322 KV4	1			Champagne
8					VISOR, w/o Mirror and Arm and Bracket
	FZ72-3 LD5	1			Quartz
	FZ72-3 MV4	1			Champagne

**MODEL CODES:**

A BODY=(C=LeBaron, D=Spirit, P=Acclaim/LaBaron(Landau), Saratoga)

C BODY=(D=Dynasty, C=New Yorker/N.Y. Salon)

G BODY=(V=Daytona/IROC, Chrysler Daytona)

J BODY=(C=LeBaron, Chrysler LeBaron)

P BODY=(P=Sundance, D=Shadow)

S BODY=(H=Voyager(H) FWD, K=Caravan(H) FWD,

Y=Town & Country(H) FWD, P=Voyager(K) AWD,

D=Caravan(K) AWD, C=Town & Country(K) AWD)

Y BODY=(C=Imperial/5th Avenue)

E-S BODY=(K=Chrysler Voyager(H) FWD, D=Chrysler

Voyager(K) AWD)

**BODY STYLES:**

21=2-Door Coupe

41=4-Door Sedan

12-52=FWD & AWD Van & Wgn Std W.B.

24=2-Door Hatchback

44=4-Door Hatchback

53=FWD & AWD Van & Wgn Ext. W.B.

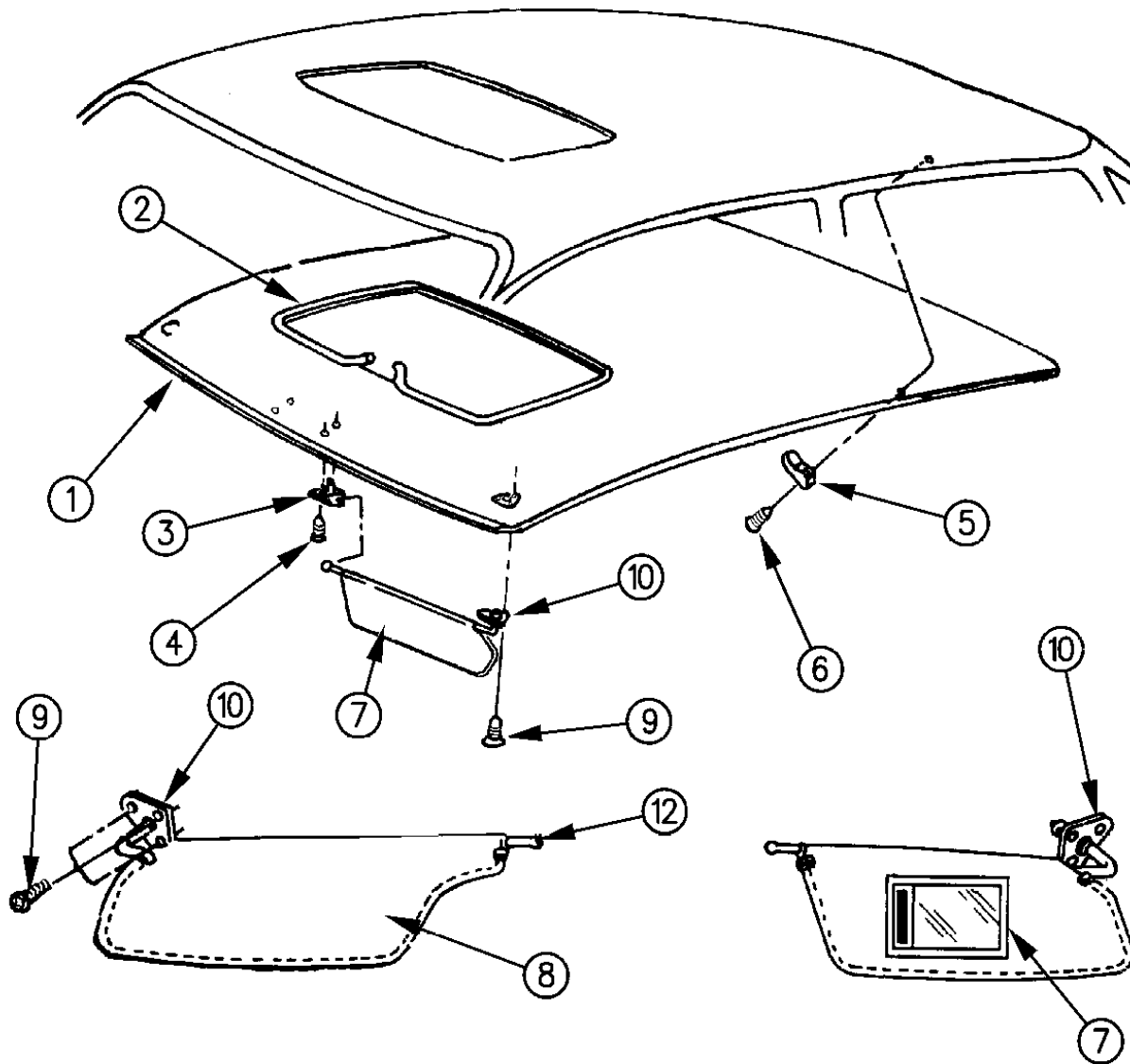
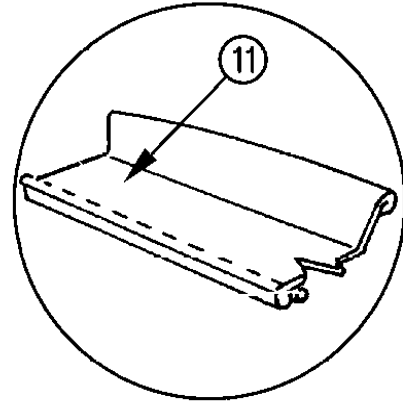
27=2-Door Convertible

AR = Use as Required - = Non Illustrated Part P.A.R. = Paint as Required

**HEADLINER-VISOR AND SHELF TRIM P BODY**  
Figure ITP-200

93232 200

ITEM	PART NUMBER	QTY	BODY	MODEL	DESCRIPTION
9	6032 584	AR			SCREW
10		1			ARM and BRACKET, Visor
	EH54-5 KD5	1			Quartz
	EH54-5 LM6	1			Red
11		1			PANEL, Shelf Trim
	GU03 LD5	1			Quartz
	GU03 MMA	1			Red
12		1			TIP, Visor Support
	EH54-5 KV4	1			Champagne
					NOTE: (P.A.R.) = Paint As Required



**MODEL CODES:**

A BODY=(C=LeBaron, D=Spirit, P=Acclaim/LaBaron(Landau), Saratoga)      S BODY=(H=Voyager(H) FWD, K=Caravan(H) FWD, Y=Town & Country(H) FWD, P=Voyager(K) AWD, D=Caravan(K) AWD, C=Town & Country(K) AWD)  
 C BODY=(D=Dynasty, C=New Yorker/N.Y. Salon)  
 G BODY=(V=Daytona/IROC, Chrysler Daytona)  
 J BODY=(C=LeBaron, Chrysler LeBaron)  
 P BODY=(P=Sundance, D=Shadow)

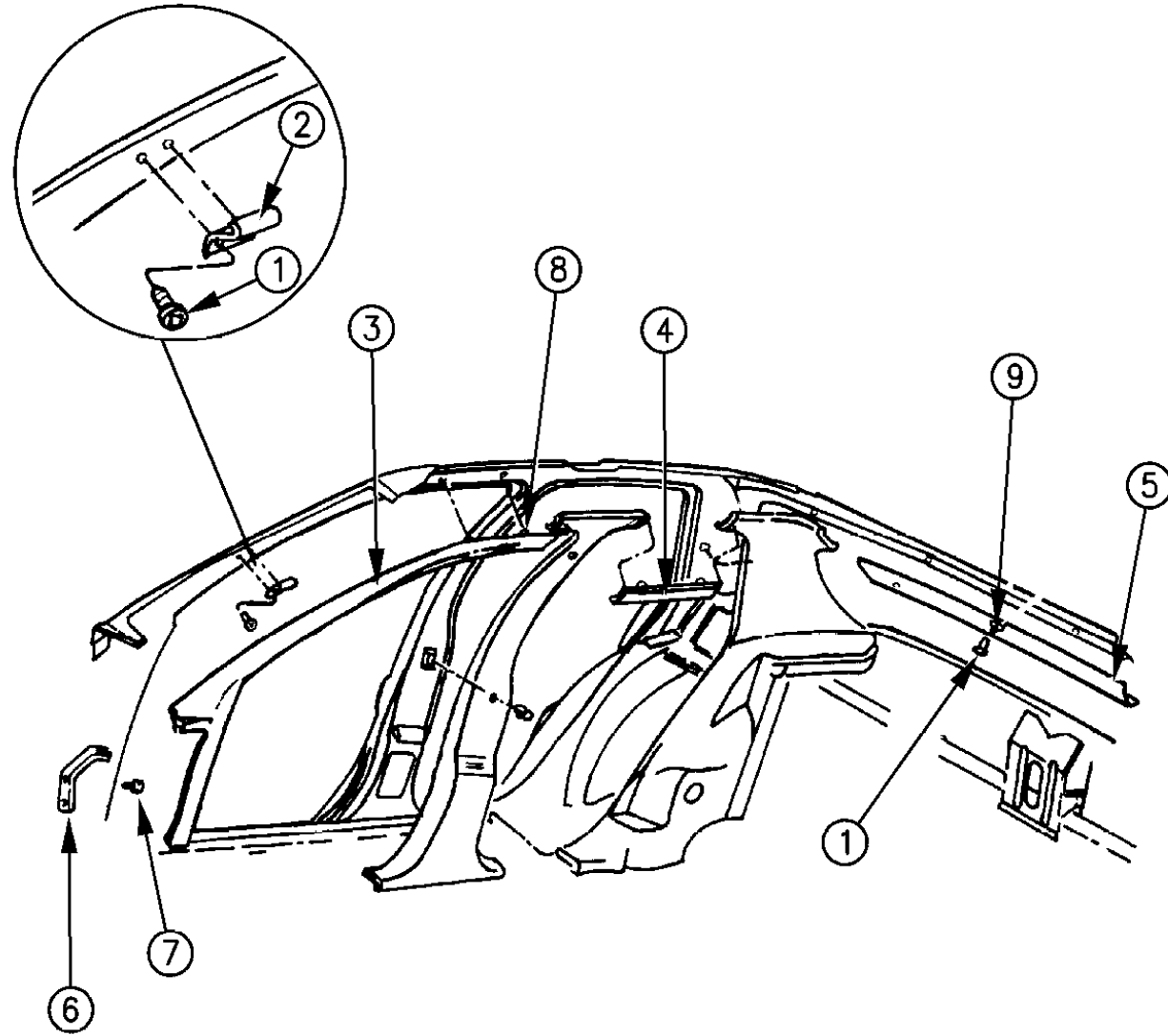
**BODY STYLES:**

21=2-Door Coupe      41=4-Door Sedan      12-52=FWD & AWD Van & Wgn Std W.B.  
 24=2-Door Hatchback      44=4-Door Hatchback      53=FWD & AWD Van & Wgn Ext. W.B.  
 27=2-Door Convertible

AR = Use as Required - = Non Illustrated Part P.A.R. = Paint as Required

**MOULDING--GARNISH P BODY**  
Figure ITP-300

93232 300



ITEM	PART NUMBER	QTY	BODY	MODEL	DESCRIPTION
1		AR			SCREW, (8-1/2x32) (Not serv.)
2	4381 077	2			BRACKET, Windshield Side Trim Upper
3					MOULDING, Windshield Side and Roof Rail
	HC72-3 LD5	1		24-27	Quartz
	HC72-3 LMA	1		24-27	Red
	HC72-3 LV4	1		24-27	Champagne
	HC74-5 LD5	1		44	Quartz
	HC74-5 LMA	1		44	Red
	HC74-5 LV4	1		44	Champagne
4					MOULDING, Rear Door Rail
	WP14-5 JD5	1			Quartz
	WP14-5 LMA	1			Red
	WP14-5 JV4	1			Champagne
5					MOULDING, Liftgate Opening Upper
	GE09 LD5	1			Quartz
	GE09 LM6	1			Red
	GE09 LV4	1			Champagne
6	4453 886-7	1			BRACKET, Windshield Side Trim Lower
7		4			SCREW, (10-16x1) (Not Serviced)
8	6501 351	AR			CLIP
9	6033 056	4			WASHER, Liftgate and Rear Header Garnish

NOTE: (P.A.R.) = Paint As Required

**MODEL CODES:**

A BODY=(C=LeBaron, D=Spirit, P=Acclaim/LaBaron(Landau), Saratoga) S BODY=(H=Voyager(H) FWD, K=Caravan(H) FWD, Y=Town & Country(H) FWD, P=Voyager(K) AWD, D=Caravan(K) AWD, C=Town & Country(K) AWD)  
 C BODY=(D=Dynasty, C=New Yorker/N.Y. Salon)  
 G BODY=(V=Daytona/IROC, Chrysler Daytona)  
 J BODY=(C=LeBaron, Chrysler LeBaron)  
 P BODY=(P=Sundance, D=Shadow) Y BODY=(C=Imperial/5th Avenue)  
 E-S BODY=(K=Chrysler Voyager(H) FWD, D=Chrysler Voyager(K) AWD)

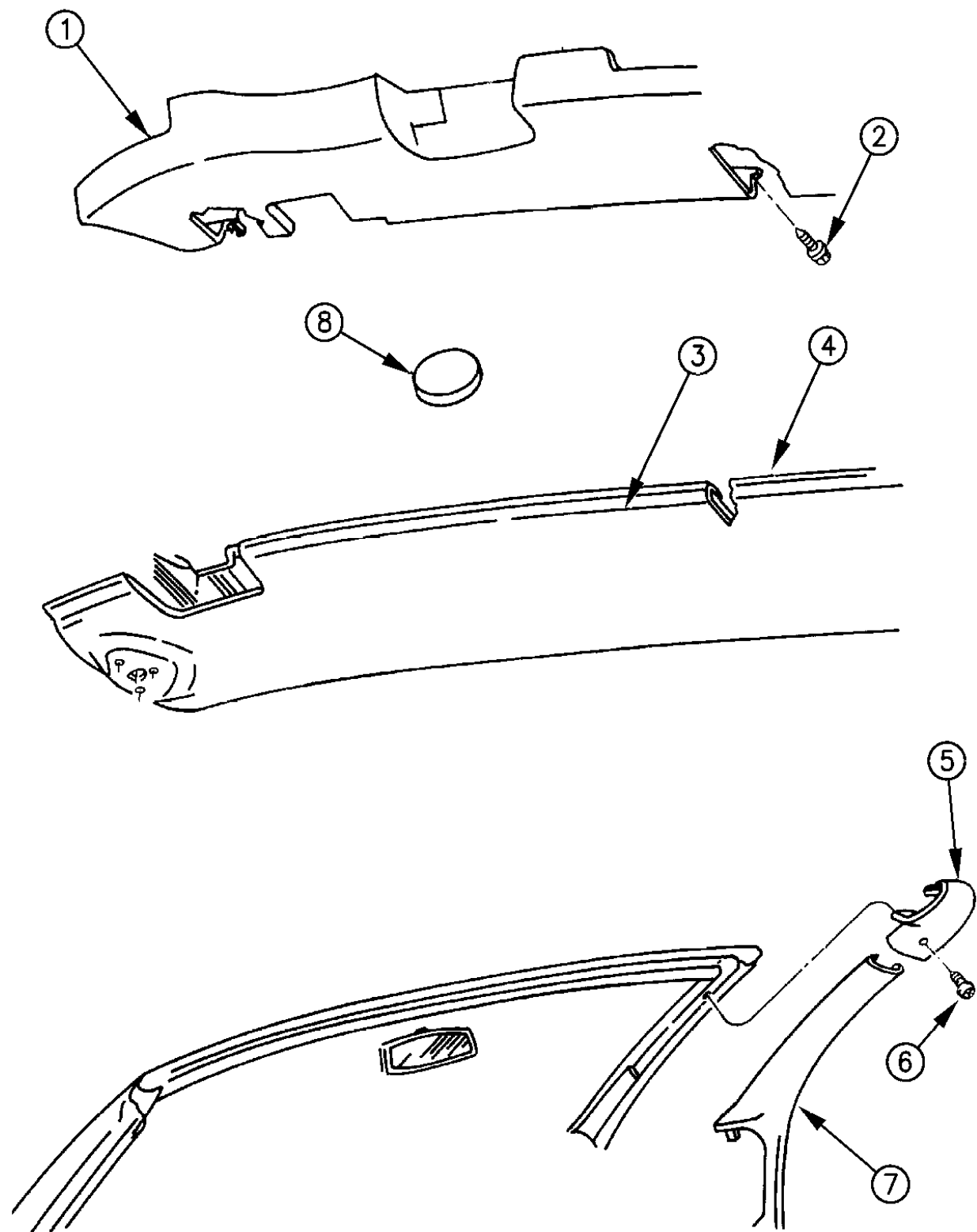
**BODY STYLES:**

21=2-Door Coupe 41=4-Door Sedan 12-52=FWD & AWD Van & Wgn Std W.B.  
 24=2-Door Hatchback 44=4-Door Hatchback 53=FWD & AWD Van & Wgn Ext. W.B.  
 27=2-Door Convertible

AR = Use as Required - = Non Illustrated Part P.A.R. = Paint as Required

**MOULDING - HEADER AND "A" PILLAR P BODY - 27**  
**Figure ITP-400**

93232 400



ITEM	PART NUMBER	QTY	BODY	MODEL	DESCRIPTION
1	5242 091	1			GARNISH, Header Inner ***
2	5241 874	AR			SCREW
-	5241 871	AR			CAP, (Goes Behind The Screw)
3	5242 101	1			MOLDING, Windshield Header Garnish *** Red
	5241 570	1			Champagne
	5241 571	1			Quartz
4					COVER, Windshield Header (SERVICED IN ITEM 3 ONLY)
5					END CAP, Header
	5242 114-5	1			Red
	5242 248-9	1			Champagne
	5242 250-1	1			Quartz
6	5241 771	AR			SCREW
7		1			MOLDING, "A" Pillar Garnish ***
	5242 064-5	1			Red
	5242 066-7	1			Champagne
	5242 068-9	1			Quartz
8	5242 083	2			BUMPER

**MODEL CODES:**

A BODY=(C=LeBaron, D=Spirit, P=Acclaim/LaBaron(Landau), Saratoga)      S BODY=(H=Voyager(H) FWD, K=Caravan(H) FWD, Y=Town & Country(H) FWD, P=Voyager(K) AWD, D=Caravan(K) AWD, C=Town & Country(K) AWD)  
 C BODY=(D=Dynasty, C=New Yorker/N.Y. Salon)      Y BODY=(C=Imperial/5th Avenue)  
 G BODY=(V=Daytona/IROC, Chrysler Daytona)      E-S BODY=(K=Chrysler Voyager(H) FWD, D=Chrysler Voyager(K) AWD)  
 J BODY=(C=LeBaron, Chrysler LeBaron)  
 P BODY=(P=Sundance, D=Shadow)

**BODY STYLES:**

21=2-Door Coupe      41=4-Door Sedan      12-52=FWD & AWD Van & Wgn Std W.B.  
 24=2-Door Hatchback      44=4-Door Hatchback      53=FWD & AWD Van & Wgn Ext. W.B.  
 27=2-Door Convertible

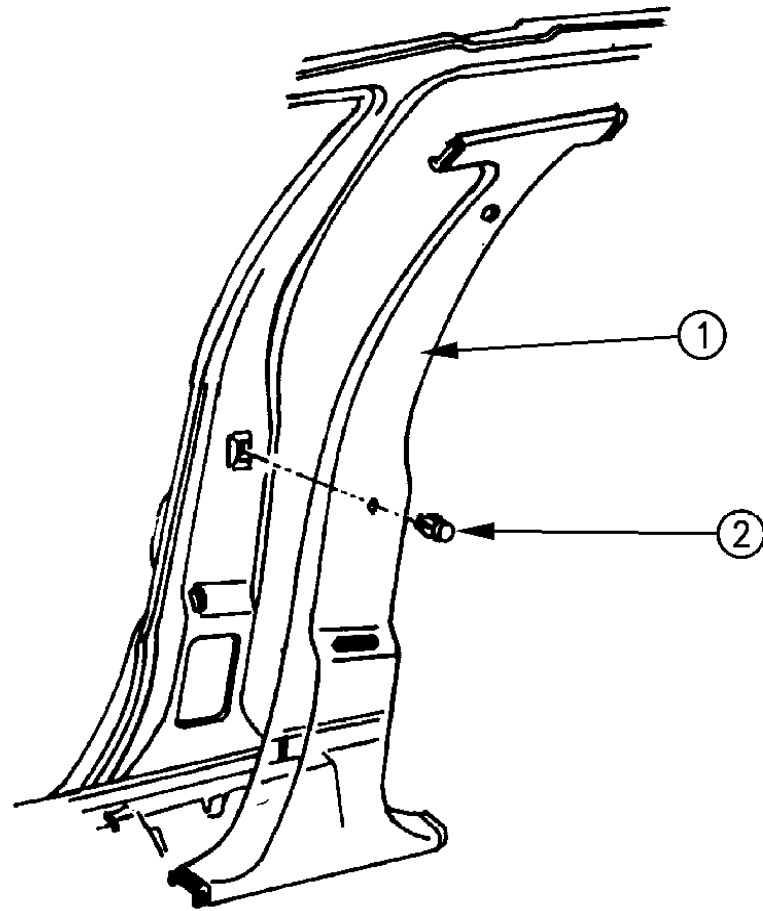
AR = Use as Required - = Non Illustrated Part P.A.R. = Paint as Required

**B-PILLAR TRIM P BODY**  
Figure ITP-500

93232 500

ITEM	PART NUMBER	QTY	BODY	MODEL	DESCRIPTION
------	-------------	-----	------	-------	-------------

1	EN06-7 KV4	1			COVER, Center Pillar (B) Trim (P.A.R.)
2					FASTENER, (Cancelled Not Required) NOTE: (P.A.R.) = Paint As Required



**MODEL CODES:**

A BODY=(C=LeBaron, D=Spirit, P=Acclaim/LaBaron(Landau), Saratoga)	S BODY=(H=Voyager(H) FWD, K=Caravan(H) FWD, Y=Town & Country(H) FWD, P=Voyager(K) AWD, D=Caravan(K) AWD, C=Town & Country(K) AWD)
C BODY=(D=Dynasty, C=New Yorker/N.Y. Salon)	Y BODY=(C=Imperial/5th Avenue)
G BODY=(V=Daytona/IROC, Chrysler Daytona)	E-S BODY=(K=Chrysler Voyager(H) FWD, D=Chrysler Voyager(K) AWD)
J BODY=(C=LeBaron, Chrysler LeBaron)	
P BODY=(P=Sundance, D=Shadow)	

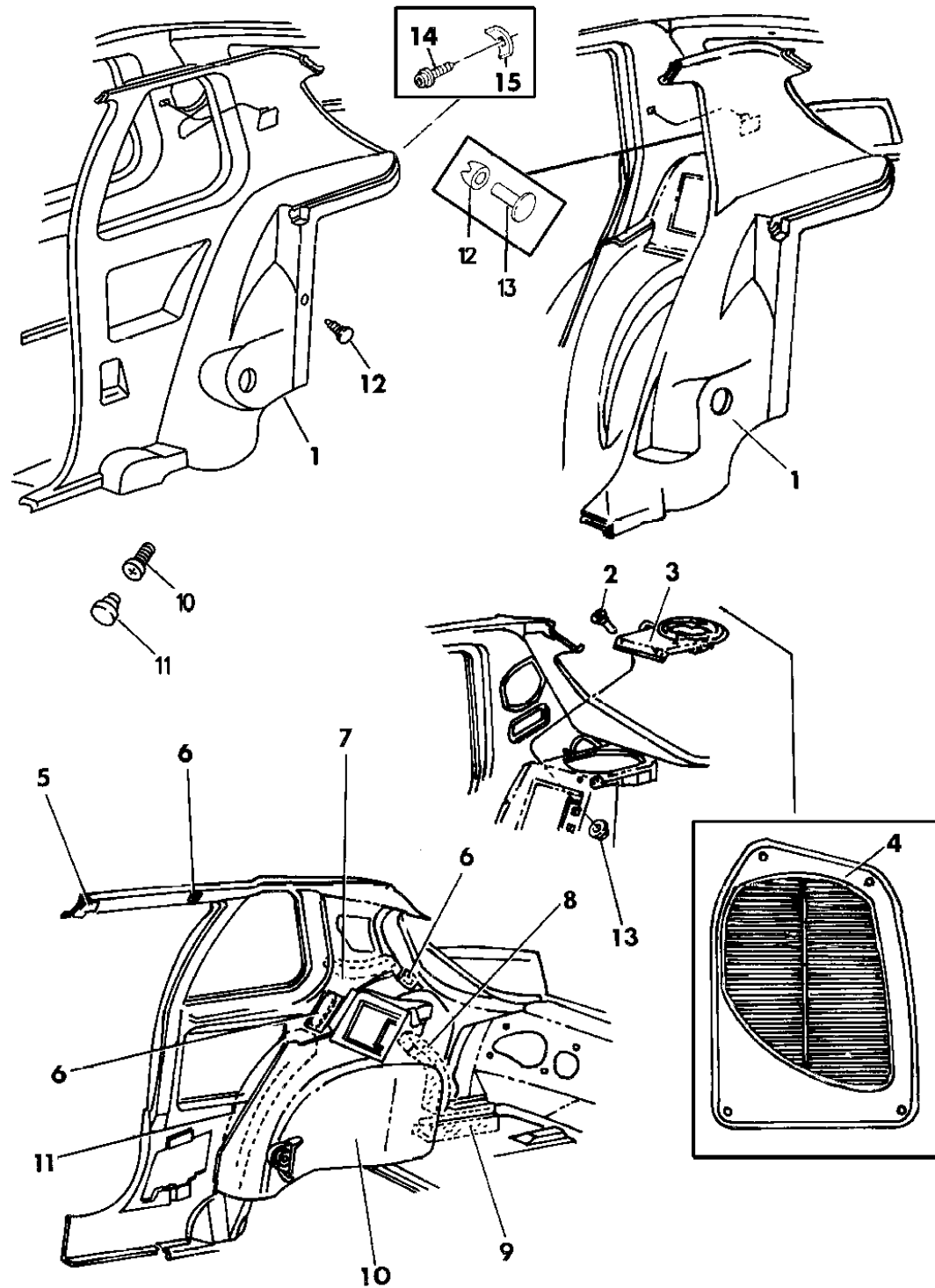
**BODY STYLES:**

21=2-Door Coupe	41=4-Door Sedan	12-52=FWD & AWD Van & Wgn Std W.B.
24=2-Door Hatchback	44=4-Door Hatchback	53=FWD & AWD Van & Wgn Ext. W.B.
27=2-Door Convertible		

AR = Use as Required - = Non Illustrated Part P.A.R. = Paint as Required

PANEL--QUARTER TRIM P BODY  
Figure ITP-600

93232 600B



ITEM	PART NUMBER	QTY	BODY	MODEL	DESCRIPTION
1					PANEL, Quarter Trim (P.A.R.)
					4-DOOR
	EZ40-1 KV4	1	44		Upper, (P.A.R.)
	FK06-7 KV4	1	44		Lower, (P.A.R.)
					2-DOOR
	EZ38-9 KD5	1	24		Quartz
	EZ38-9 LMA	1	24		Red
	EZ38-9 KV4	1	24		Champagne
					w/CONVERTABLE
	5242 156-7	1	27		Quartz
	5242 102-3	1	27		Bordeaux
	5242 154-5	1	27		Champagne
2		8			SCREW, (10-16x.625) (Not Serv.)
3	4469 378-9	1			PLATE, Mounting, w/or w/o Speaker
4					GRILLE, Speaker
					w/CONVERTABLE
	5242 107	1	27		Red
	5241 558	1	27		Champagne
	5241 559	1	27		Quartz
* Speaker Grille For Model 24 and 44 Serviced In Quarter Trim Panel - Item 1 s ARE NOT RETURNABLE.					
5	4278 178	2			TAPE, Roof Rail Inner
6	4186 901	2			SILENCER
7	4655 366	2			SILENCER
8		AR			SCREW, (Not Serv.)
9	9420 278	8			NUT, Used w/Speaker
10	5241 375	AR	27		SCREW
11					PLUG, Trim Cap
	F324 GR8	AR	27		Red
	F324 KB7	AR	27		Blue
	F324 KV8	AR	27		Champagne
	F324 HD5	1	27		Quartz
12	5242 171	AR	27		RETAINER, Body
13					Retainer, Pin ***
	5242 087	AR	27		Champagne
	5242 088	AR	27		Quartz
	5242 089	AR	27		Blue
	5242 110	AR	27		Red
14	5241 883	AR			SNAP, Boot To Quarter Trim Panel Attaching ***
15	5241 884	AR			NUT, Boot To Quarter Trim Panel Attaching

MODEL CODES:

A BODY=(C=LeBaron, D=Spirit, P=Acclaim/LaBaron(Landau), Saratoga) S BODY=(H=Voyager(H) FWD, K=Caravan(H) FWD, Y=Town & Country(H) FWD, P=Voyager(K) AWD, D=Caravan(K) AWD, C=Town & Country(K) AWD)  
 C BODY=(D=Dynasty, C=New Yorker/N.Y. Salon)  
 G BODY=(V=Daytona/IROC, Chrysler Daytona) Y BODY=(C=Imperial/5th Avenue)  
 J BODY=(C=LeBaron, Chrysler LeBaron) E-S BODY=(K=Chrysler Voyager(H) FWD, D=Chrysler Voyager(K) AWD)  
 P BODY=(P=Sundance, D=Shadow)

BODY STYLES:

21=2-Door Coupe 41=4-Door Sedan 12-52=FWD & AWD Van & Wgn Std W.B.  
 24=2-Door Hatchback 44=4-Door Hatchback 53=FWD & AWD Van & Wgn Ext. W.B.  
 27=2-Door Convertible

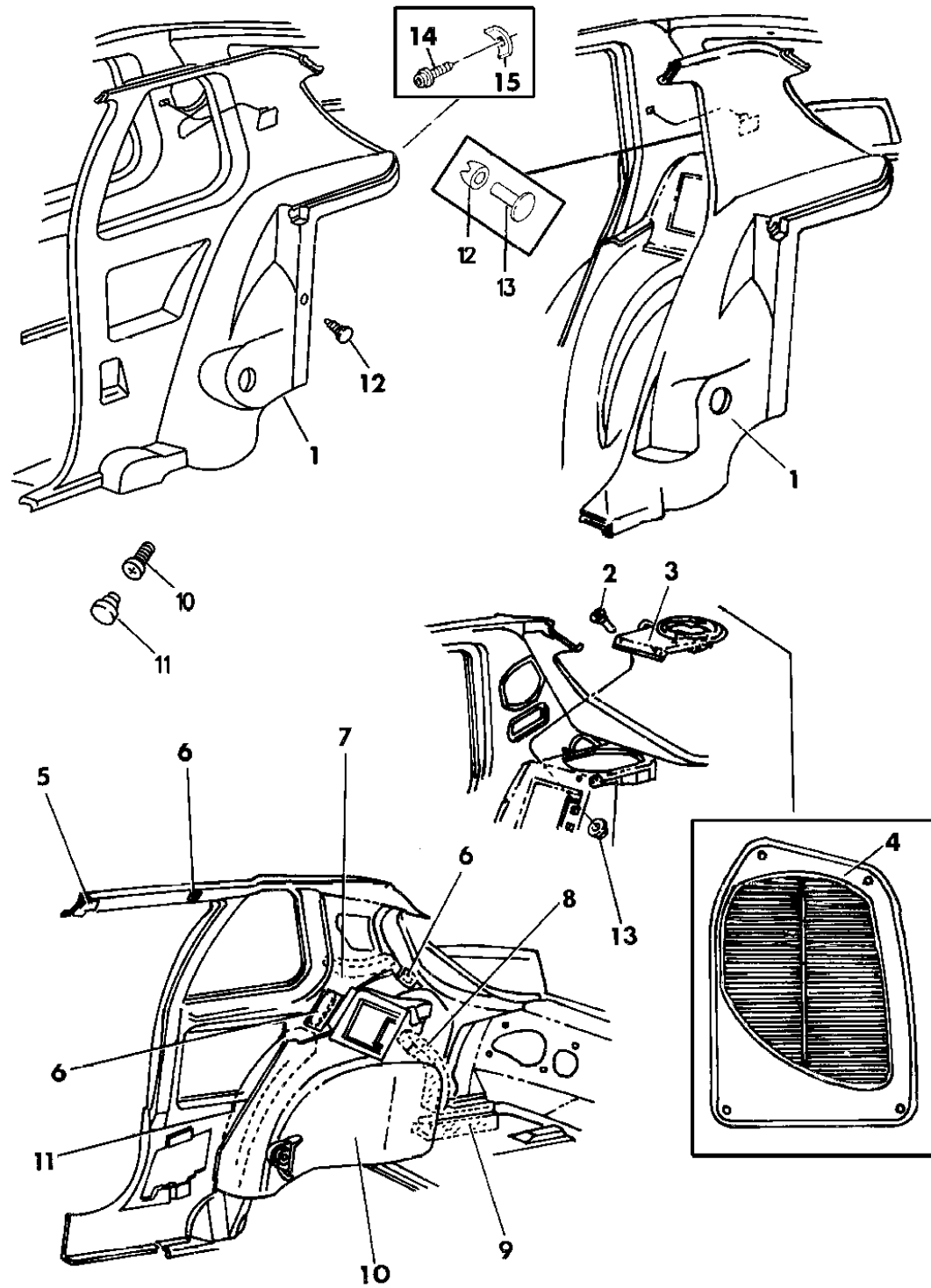
AR = Use as Required - = Non Illustrated Part P.A.R. = Paint as Required

PANEL--QUARTER TRIM P BODY  
Figure ITP-600

93232 600B

ITEM	PART NUMBER	QTY	BODY	MODEL	DESCRIPTION
------	-------------	-----	------	-------	-------------

NOTE: For Carpeted Pieces See Carpet Illustration



**MODEL CODES:**

A BODY=(C=LeBaron, D=Spirit, P=Acclaim/LaBaron(Landau),  
Saratoga)  
C BODY=(D=Dynasty, C=New Yorker/N.Y. Salon)  
G BODY=(V=Daytona/IROC, Chrysler Daytona)  
J BODY=(C=LeBaron, Chrysler LeBaron)  
P BODY=(P=Sundance, D=Shadow)

S BODY=(H=Voyager(H) FWD, K=Caravan(H) FWD,  
Y=Town & Country(H) FWD, P=Voyager(K) AWD,  
D=Caravan(K) AWD, C=Town & Country(K) AWD)  
Y BODY=(C=Imperial/5th Avenue)  
E-S BODY=(K=Chrysler Voyager(H) FWD, D=Chrysler  
Voyager(K) AWD)

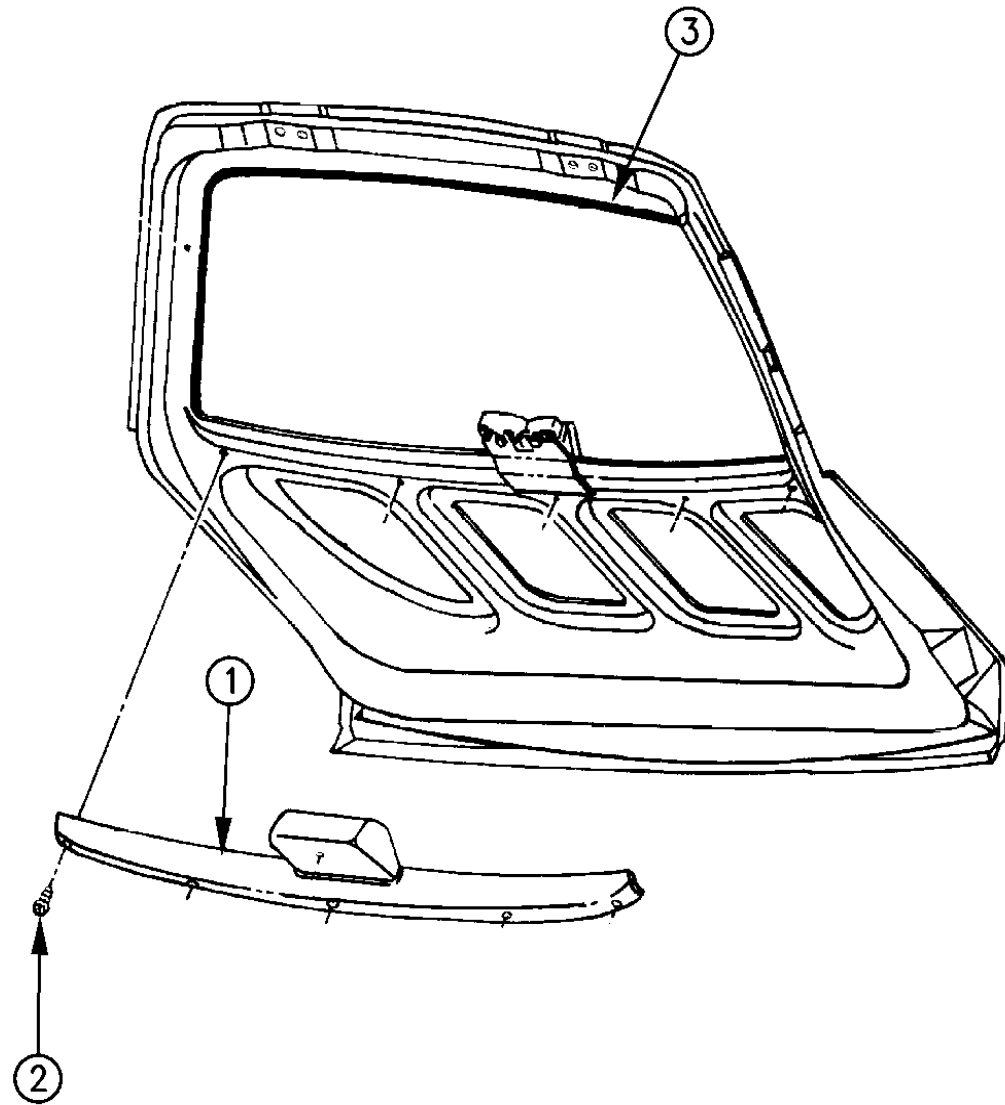
**BODY STYLES:**

21=2-Door Coupe      41=4-Door Sedan      12-52=FWD & AWD Van & Wgn Std W.B.  
24=2-Door Hatchback      44=4-Door Hatchback      53=FWD & AWD Van & Wgn Ext. W.B.  
27=2-Door Convertible

AR = Use as Required - = Non Illustrated Part P.A.R. = Paint as Required

LIFT GATE TRIM P BODY  
Figure ITP-700

93232 700



ITEM	PART NUMBER	QTY	BODY	MODEL	DESCRIPTION
1					PANEL, Liftgate Trim (P.A.R.)
	H300 JV4	1			w/Rear Spoiler
	H846 JV4	1			w/o Rear Spoiler
2	6032 986	6			SCREW
3					MOULDING, Pinchweld
	H702 HD5	1			Quartz
	H702 LM6	1			Red
	H702 KJ9	1			Tundra

**MODEL CODES:**

A BODY=(C=LeBaron, D=Spirit, P=Acclaim/LaBaron(Landau), Saratoga) S BODY=(H=Voyager(H) FWD, K=Caravan(H) FWD, Y=Town & Country(H) FWD, P=Voyager(K) AWD, D=Caravan(K) AWD, C=Town & Country(K) AWD)  
 C BODY=(D=Dynasty, C=New Yorker/N.Y. Salon) Y BODY=(C=Imperial/5th Avenue)  
 G BODY=(V=Daytona/IROC, Chrysler Daytona) E-S BODY=(K=Chrysler Voyager(H) FWD, D=Chrysler Voyager(K) AWD)  
 J BODY=(C=LeBaron, Chrysler LeBaron) P BODY=(P=Sundance, D=Shadow)

**BODY STYLES:**

21=2-Door Coupe      41=4-Door Sedan      12-52=FWD & AWD Van & Wgn Std W.B.  
 24=2-Door Hatchback      44=4-Door Hatchback      53=FWD & AWD Van & Wgn Ext. W.B.  
 27=2-Door Convertible

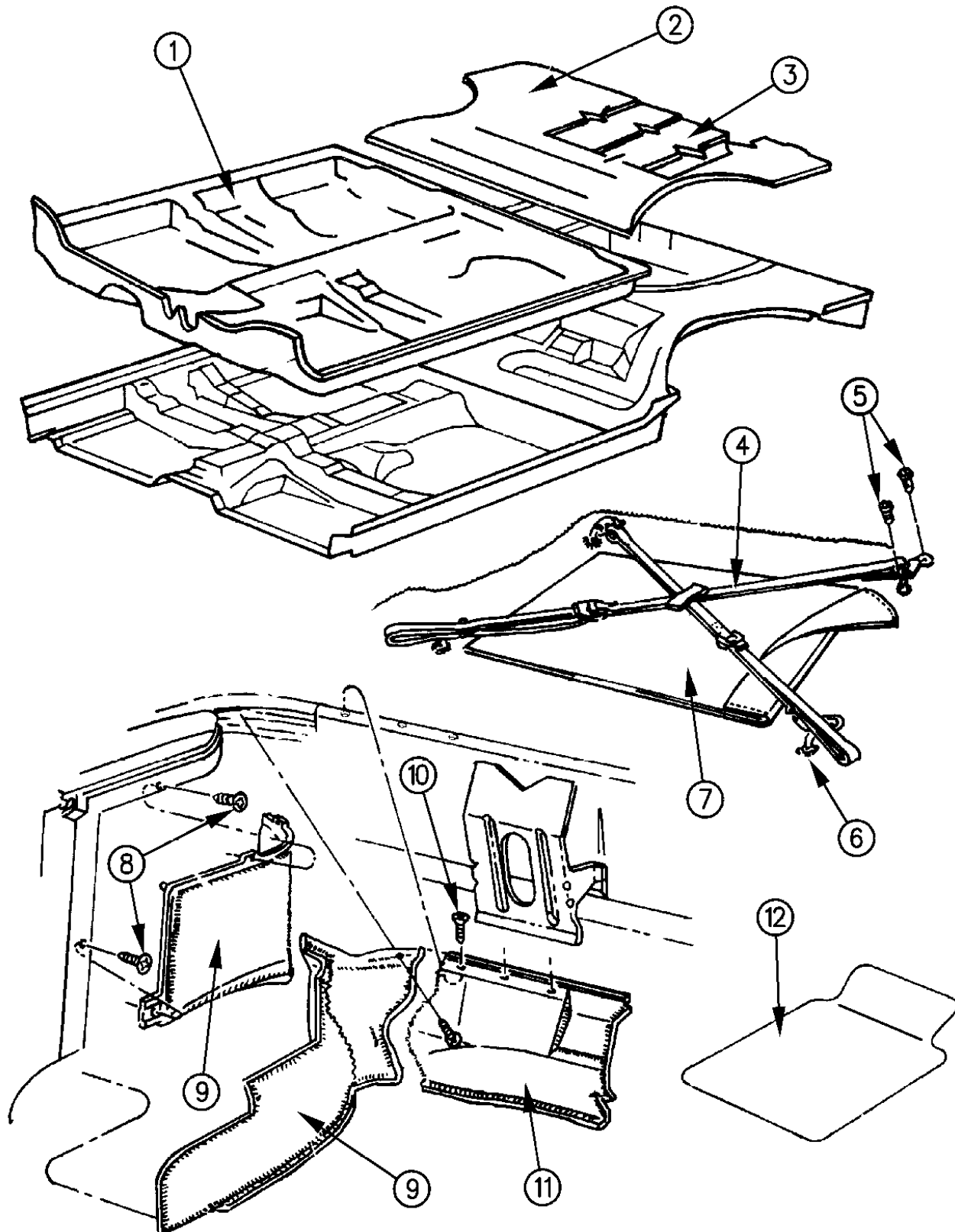
AR = Use as Required - = Non Illustrated Part P.A.R. = Paint as Required



**CARPET P BODY**  
Figure ITP-800

93232 800

ITEM	PART NUMBER	QTY	BODY	MODEL	DESCRIPTION
1					CARPET, Front and Rear
					w/Cable Release Deck Lid and Liftgate
	GL91 LD5	1			Quartz
	GL91 LM6	1			Red
	GL91 LV8	1			Champagne
					w/o Cable Release Deck Lid and Liftgate
	GL92 LD5	1			Quartz
	GL92 LM6	1			Red
	GL92 LV8	1			Champagne
					CARPET, Floor
	5242 111	1		27	Bordeaux
	5241 566	1		27	Buckskin
	5241 567	1		27	Quartz
2	4665 295	1			CARPET, Cargo Floor w/o Slots
3	4665 291	1			SILENCER, Cargo Floor
4	H349 CX9	2			STRAP, Convenience Tie Down
5		8			SCREW, (8-18x3/4) (Not Serv.)
6	4665 288	4			FOOT, Convenience Tie Down
7	H609 DX7	1			BAG, Sunroof Storage
8		AR			SCREW, (8-18x5/8) (Not Serv.)
9	4620 522-3	1			CARPET, Cargo Side Trim
10	6032 986	6			SCREW
11	4496 671	1			CARPET, Lower Deck Opening w/Child Tether
12					CARPETED FLOOR MATS, (Set Of Two)
					FRONT
	HH48 MD5	1			Quartz
	HH48 MM6	1			Red
	HH48 MV8	1			Champagne
					REAR
	HH49 MD5	1			Quartz
	HH49 MM6	1			Red
	HH49 MV8	1			Champagne



**MODEL CODES:**

A BODY=(C=LeBaron, D=Spirit, P=Acclaim/LaBaron(Landau), Saratoga)

C BODY=(D=Dynasty, C=New Yorker/N.Y. Salon)

G BODY=(V=Daytona/IROC, Chrysler Daytona)

J BODY=(C=LeBaron, Chrysler LeBaron)

P BODY=(P=Sundance, D=Shadow)

S BODY=(H=Voyager(H) FWD, K=Caravan(H) FWD,

Y=Town & Country(H) FWD, P=Voyager(K) AWD,

D=Caravan(K) AWD, C=Town & Country(K) AWD)

Y BODY=(C=Imperial/5th Avenue)

E-S BODY=(K=Chrysler Voyager(H) FWD, D=Chrysler

Voyager(K) AWD)

**BODY STYLES:**

21=2-Door Coupe

41=4-Door Sedan

12-52=FWD & AWD Van & Wgn Std W.B.

24=2-Door Hatchback

44=4-Door Hatchback

53=FWD & AWD Van & Wgn Ext. W.B.

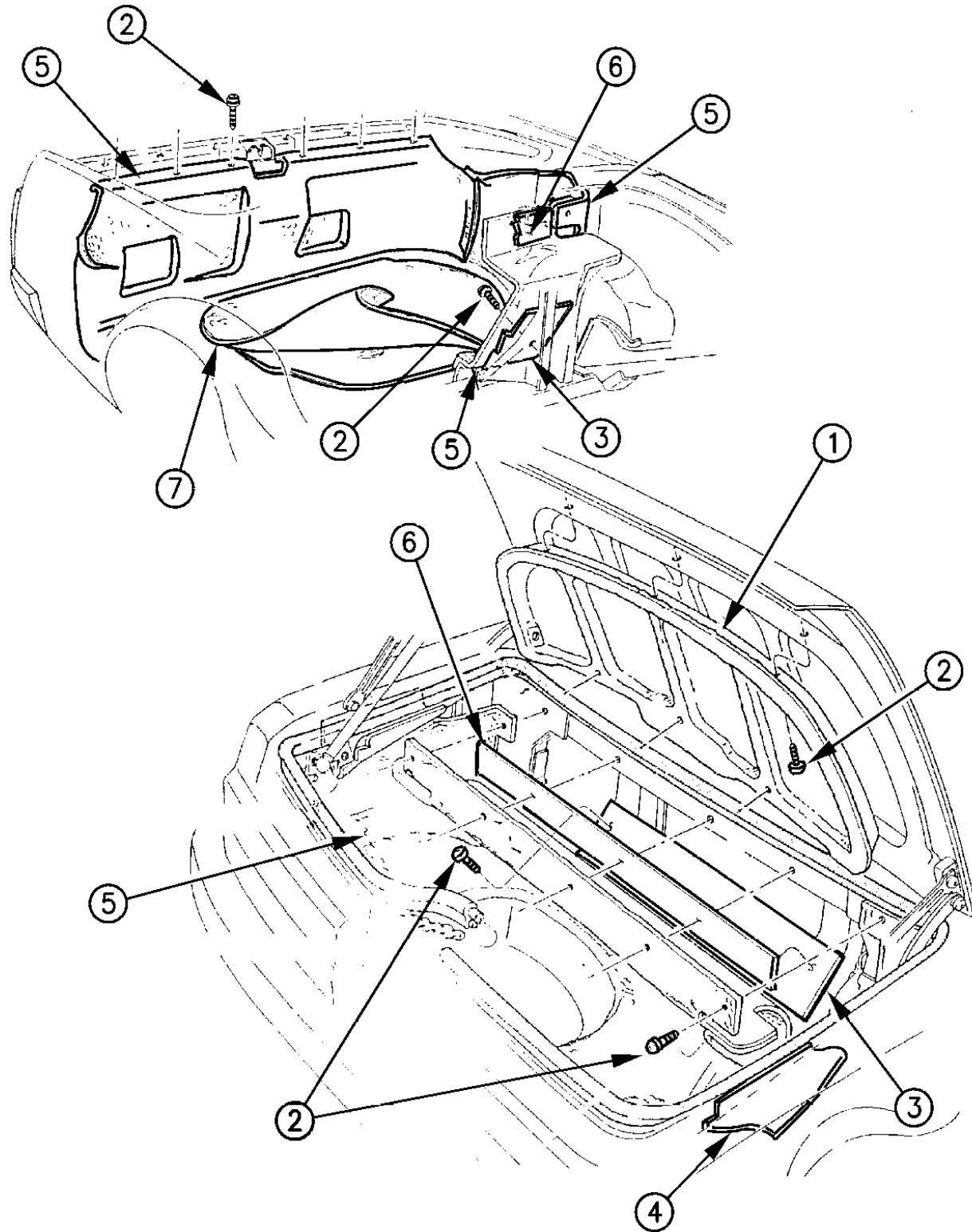
27=2-Door Convertible

AR = Use as Required - = Non Illustrated Part P.A.R. = Paint as Required

TRUNK TRIM - 27 P BODY  
Figure ITP-900

93232 900

ITEM	PART NUMBER	QTY	BODY	MODEL	DESCRIPTION
1	5241 341	1			COVER, Deck Lid
2	5241 771	AR			SCREW
3	5241 344	1			SUPPORT, Carpet Seat Back Truck
4	5241 346-7	1			COVER, Trunk Edge
5	5241 342	1			COVER, Luggage Compartment Complete (Black)
6	5241 345	1			SUPPORT, Carpet Trough Trunk
7	5241 343	1			COVER, Sapre Tire Well



**MODEL CODES:**

A BODY=(C=LeBaron, D=Spirit, P=Acclaim/LaBaron(Landau),  
Saratoga) S BODY=(H=Voyager(H) FWD, K=Caravan(H) FWD,  
Y=Town & Country(H) FWD, P=Voyager(K) AWD,  
D=Caravan(K) AWD, C=Town & Country(K) AWD)  
C BODY=(D=Dynasty, C=New Yorker/N.Y. Salon)  
G BODY=(V=Daytona/IROC, Chrysler Daytona) Y BODY=(C=Imperial/5th Avenue)  
J BODY=(C=LeBaron, Chrysler LeBaron) E-S BODY=(K=Chrysler Voyager(H) FWD, D=Chrysler  
P BODY=(P=Sundance, D=Shadow) Voyager(K) AWD)

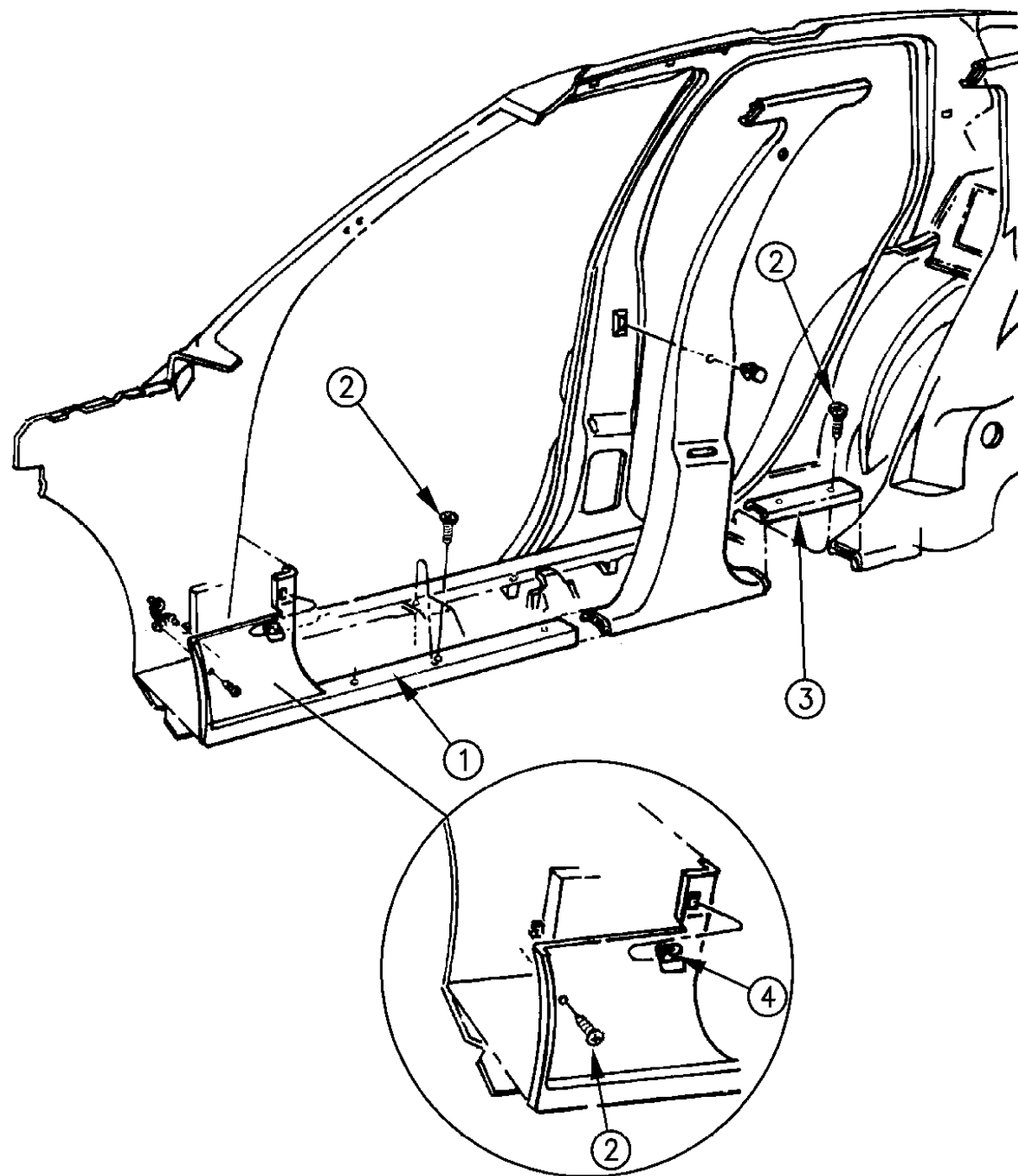
**BODY STYLES:**

21=2-Door Coupe      41=4-Door Sedan      12-52=FWD & AWD Van & Wgn Std W.B.  
24=2-Door Hatchback      44=4-Door Hatchback      53=FWD & AWD Van & Wgn Ext. W.B.  
27=2-Door Convertible

AR = Use as Required - = Non Illustrated Part P.A.R. = Paint as Required

SCUFF PLATES P BODY  
Figure ITP-1000

93232 1000



ITEM	PART NUMBER	QTY	BODY	MODEL	DESCRIPTION
1					SCUFF PLATE and COWL
	WP20-1 JD5	1		24-27	Quartz
	WP20-1 LMA	1		24-27	Red
	WP20-1 JV4	1		24-27	Champagne
	WP22-3 JD5	1		44	Quartz
	WP22-3 LMA	1		44	Red
	WP22-3 JV4	1		44	Champagne
2		AR			SCREW, (10-16x2) (Not Serv.)
3					SCUFF PLATE, Rear (Not Serv.) Serv. In Quarter Trim Panel
					Lower, See Ill. 500
4	4620 732	2			S-CLIP

MODEL CODES:

A BODY=(C=LeBaron, D=Spirit, P=Acclaim/LaBaron(Landau), Saratoga) S BODY=(H=Voyager(H) FWD, K=Caravan(H) FWD, Y=Town & Country(H) FWD, P=Voyager(K) AWD, D=Caravan(K) AWD, C=Town & Country(K) AWD)  
 C BODY=(D=Dynasty, C=New Yorker/N.Y. Salon)  
 G BODY=(V=Daytona/IROC, Chrysler Daytona)  
 J BODY=(C=LeBaron, Chrysler LeBaron)  
 P BODY=(P=Sundance, D=Shadow)  
 Y BODY=(C=Imperial/5th Avenue)  
 E-S BODY=(K=Chrysler Voyager(H) FWD, D=Chrysler Voyager(K) AWD)

BODY STYLES:

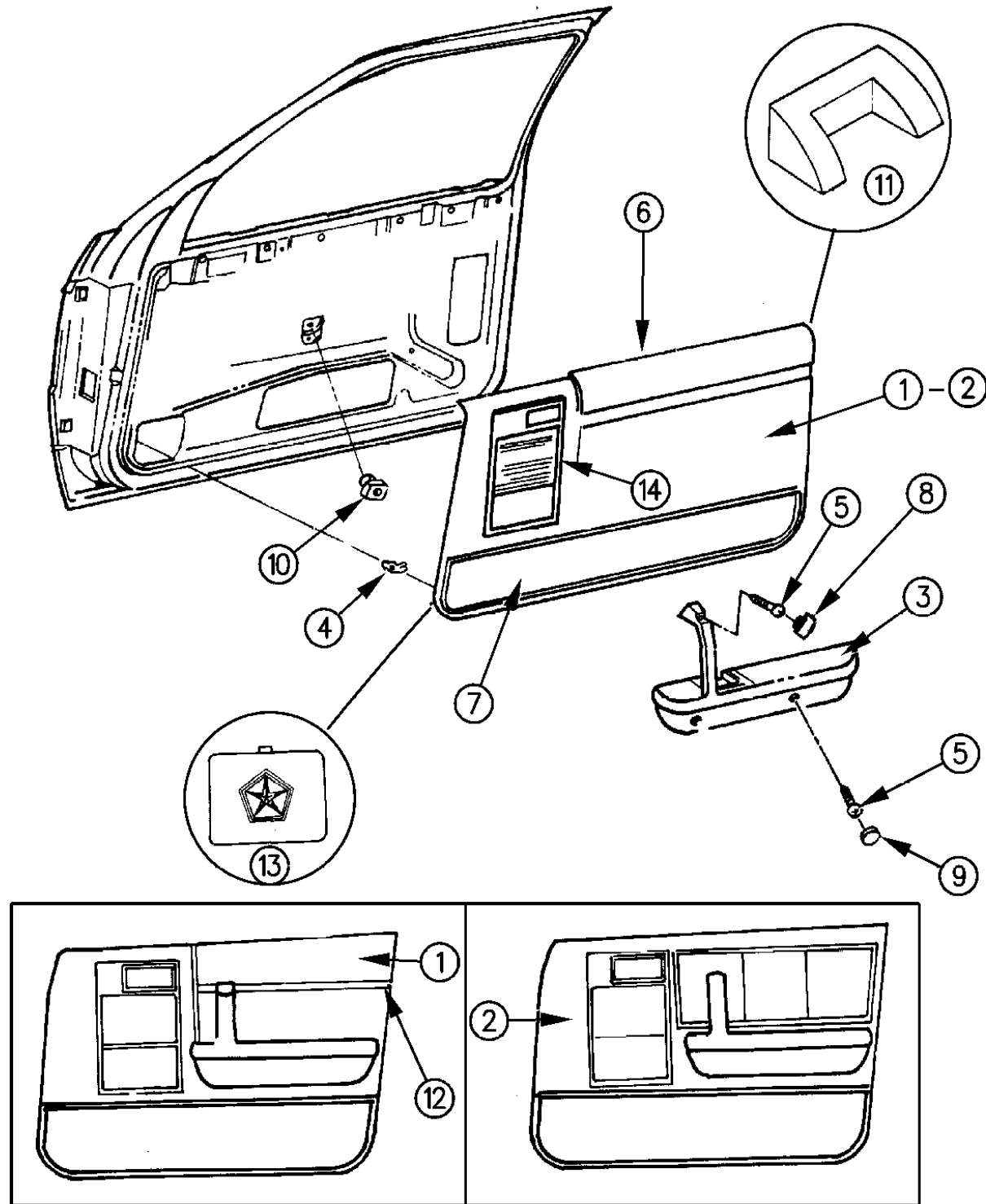
21=2-Door Coupe      41=4-Door Sedan      12-52=FWD & AWD Van & Wgn Std W.B.  
 24=2-Door Hatchback      44=4-Door Hatchback      53=FWD & AWD Van & Wgn Ext. W.B.  
 27=2-Door Convertible

AR = Use as Required - = Non Illustrated Part P.A.R. = Paint as Required

DOOR TRIM PANEL P BODY 24-27  
Figure ITP-1100

93232 1100

ITEM	PART NUMBER	QTY	BODY	MODEL	DESCRIPTION
1					PANEL, Door
	EV14-5 KD5	1			Quartz, (F7D)
	EV14-5 MV4	1			Champagne, (F7V)
2					PANEL, Door
	GZ54-5 MD5	1			Quartz, (P7D)
	GZ54-5 MMA	1			Red, (P7M)
	GZ54-5 MV4	1			Champagne, (P7V)
3					ARMREST w/Power
	AF94-5 HD5	1			Quartz
	AF94-5 LM6	1			Red
	AF94-5 JV4	1			Champagne w/o Power
	AF92-3 HD5	1			Quartz
	AF92-3 LM6	1			Red
	AF92-3 JV4	1			Champagne
4	6501 352	AR			FASTENER
5		AR			SCREW, (1/4-14x1.75) (Not Serv.)
6	4309 232-3	1			WEATHERSTRIP
7					CARPET, (Serv. In Door Trim Panel)
8					PLUG
	AH16 HD5	2			Quartz
	AH16 LM6	2			Red
	AH16 JV4	2			Champagne
9					PLUG
	D457 HD5	4			Quartz
	D457 LM6	4			Red
	D457 JV4	4			Champagne
10	6501 842	6			NUT, Armrest Attaching
11	4409 781	4			SEAL, Door Panel Belt End
12					MOULDING, (Serv. In Assy)
13	AP46 JV4	2			COVER, Manual Window Regulator (P.A.R.) Use With Power Windows
14	AK42-3 JV4	1			COVER, Speaker Bezel (P.A.R.)



**MODEL CODES:**

A BODY=(C=LeBaron, D=Spirit, P=Acclaim/LaBaron(Landau, Saratoga)  
C BODY=(D=Dynasty, C=New Yorker/N.Y. Salon)  
G BODY=(V=Daytona/IROC, Chrysler Daytona)  
J BODY=(C=LeBaron, Chrysler LeBaron)  
P BODY=(P=Sundance, D=Shadow)

S BODY=(H=Voyager(H) FWD, K=Caravan(H) FWD, Y=Town & Country(H) FWD, P=Voyager(K) AWD, D=Caravan(K) AWD, C=Town & Country(K) AWD)  
Y BODY=(C=Imperial/5th Avenue)  
E-S BODY=(K=Chrysler Voyager(H) FWD, D=Chrysler Voyager(K) AWD)

**BODY STYLES:**

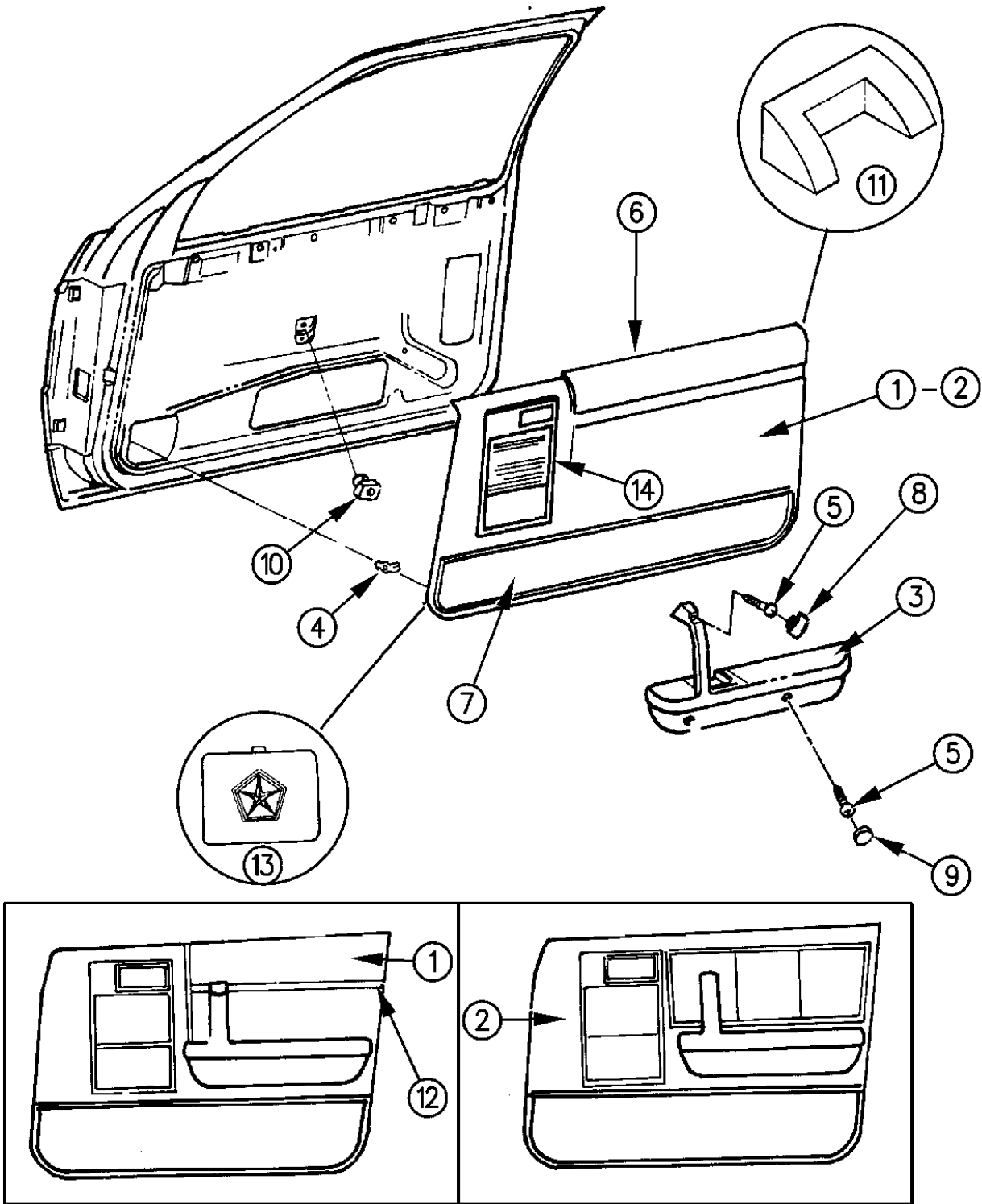
21=2-Door Coupe      41=4-Door Sedan      12-52=FWD & AWD Van & Wgn Std W.B.  
24=2-Door Hatchback      44=4-Door Hatchback      53=FWD & AWD Van & Wgn Ext. W.B.  
27=2-Door Convertible

AR = Use as Required - = Non Illustrated Part P.A.R. = Paint as Required

DOOR TRIM PANEL--FRONT P BODY--44  
Figure ITP-1200

93232 1200

ITEM	PART NUMBER	QTY	BODY	MODEL	DESCRIPTION
1	EV16-7 KD5	1			PANEL, Door Quartz, (F7D)
	EV16-7 MV4	1			Champagne, (F7V)
2	GZ52-3 MD5	1			PANEL, Door Quartz, (P7D)
	GZ52-3 MMA	1			Red, (P7M)
	GZ52-3 MV4	1			Champagne, (P7V)
3					ARMREST w/Power
	AF94-5 HD5	1			Quartz
	AF94-5 LM6	1			Red
	AF94-5 JV4	1			Champagne w/o Power
	AF92-3 HD5	1			Quartz
	AF92-3 LM6	1			Red
	AF92-3 JV4	1			Champagne
4	6501 352	16			RETAINER
5		AR			SCREW, (1/4-14x1.75) (Not Serv.)
6	4283 134-5	1			WEATHERSTRIP
7					CARPET, (Serviced in Door Trim Panel)
8					PLUG
	AH16 HD5	2			Quartz
	AH16 LM6	2			Red
	AH16 JV4	2			Champagne
9					PLUG
	D457 HD5	4			Quartz
	D457 LM6	4			Red
	D457 JV4	4			Champagne
10	6501 842	6			NUT, Armest Attaching
11	4409 781	4			SEAL, Door Panel Belt End
12					MOULDING, (Serv. In Assy)
13	AP46 JV4	2			COVER, Manual Window Regulator (P.A.R.) Use With Power Windows
14	AK42-3 JV4	1			COVER, Speaker Bezel (P.A.R.)



MODEL CODES:

A BODY=(C=LeBaron, D=Spirit, P=Acclaim/LaBaron(Landau, Saratoga)  
C BODY=(D=Dynasty, C=New Yorker/N.Y. Salon)  
G BODY=(V=Daytona/IROC, Chrysler Daytona)  
J BODY=(C=LeBaron, Chrysler LeBaron)  
P BODY=(P=Sundance, D=Shadow)

S BODY=(H=Voyager(H) FWD, K=Caravan(H) FWD, Y=Town & Country(H) FWD, P=Voyager(K) AWD, D=Caravan(K) AWD, C=Town & Country(K) AWD)  
Y BODY=(C=Imperial/5th Avenue)  
E-S BODY=(K=Chrysler Voyager(H) FWD, D=Chrysler Voyager(K) AWD)

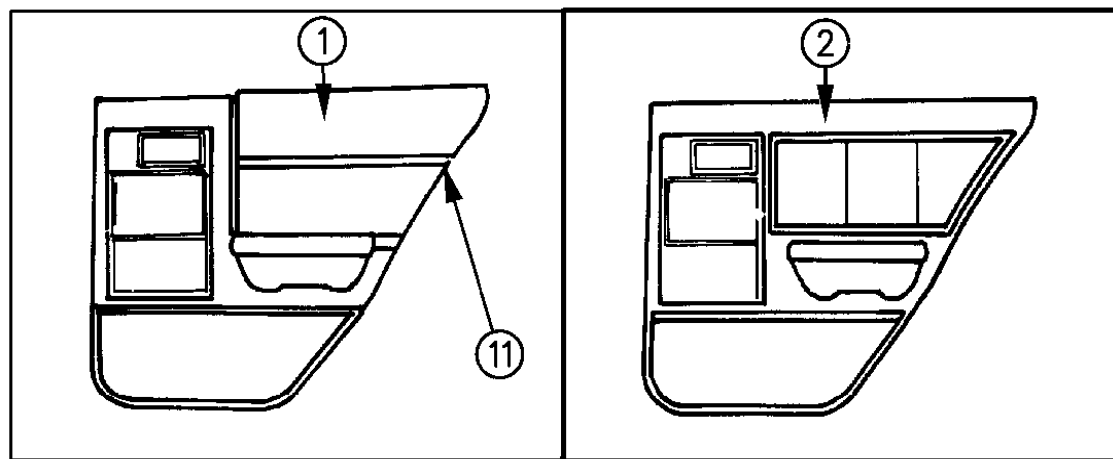
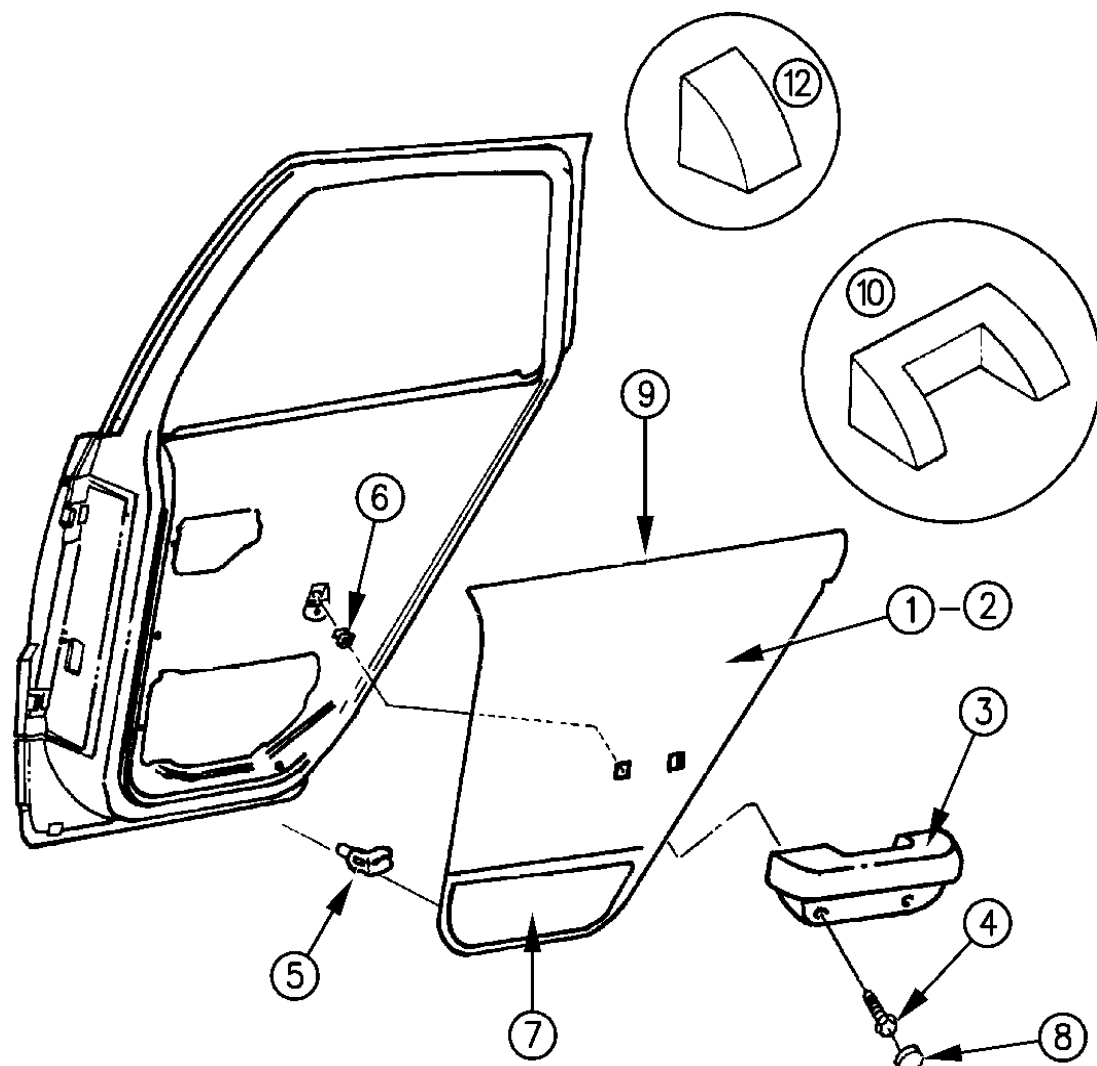
BODY STYLES:

21=2-Door Coupe      41=4-Door Sedan      12-52=FWD & AWD Van & Wgn Std W.B.  
24=2-Door Hatchback      44=4-Door Hatchback      53=FWD & AWD Van & Wgn Ext. W.B.  
27=2-Door Convertible

AR = Use as Required - = Non Illustrated Part P.A.R. = Paint as Required

DOOR TRIM PANEL--REAR P BODY--44  
Figure ITP-1300

93232 1300



ITEM	PART NUMBER	QTY	BODY	MODEL	DESCRIPTION
1					PANEL, Door
	EV18-9 KD5	1			Quartz, (F7D)
	EV18-9 MV4	1			Champagne, (F7V)
2					PANEL, Door CLOTH
	GZ56-7 MD5	1			Quartz, (P7D)
	GZ56-7 MMA	1			Red, (P7M)
	GZ56-7 MV4	1			Champagne, (P7V)
3					ARMREST
	BB70 HD5	2			Quartz
	BB70 LM6	2			Red
	BB70 JV4	2			Champagne
4		4			SCREW, (1/4-14x1.75) (Not Serv.)
5	6501 352	AR			FASTENER
6	6501 842	4			NUT
7					CARPET, (Serv. in Door Trim Panel)
8					PLUG
	D457 HD5	4			Quartz
	D457 LM6	4			Red
	D457 JV4	4			Champagne
9	4381 900-1	1			WEATHERSTRIP
10	4409 781	2			SEAL, Door Panel (Rear)
11					MOULDING, (Serv. In Assy)
12	4409 580	2			SEAL, Door Panel (Front)

MODEL CODES:

A BODY=(C=LeBaron, D=Spirit, P=Acclaim/LaBaron(Landau, Saratoga) S BODY=(H=Voyager(H) FWD, K=Caravan(H) FWD, Y=Town & Country(H) FWD, P=Voyager(K) AWD, D=Caravan(K) AWD, C=Town & Country(K) AWD)  
 C BODY=(D=Dynasty, C=New Yorker/N.Y. Salon)  
 G BODY=(V=Daytona/IROC, Chrysler Daytona)  
 J BODY=(C=LeBaron, Chrysler LeBaron)  
 P BODY=(P=Sundance, D=Shadow)  
 Y BODY=(C=Imperial/5th Avenue)  
 E-S BODY=(K=Chrysler Voyager(H) FWD, D=Chrysler Voyager(K) AWD)

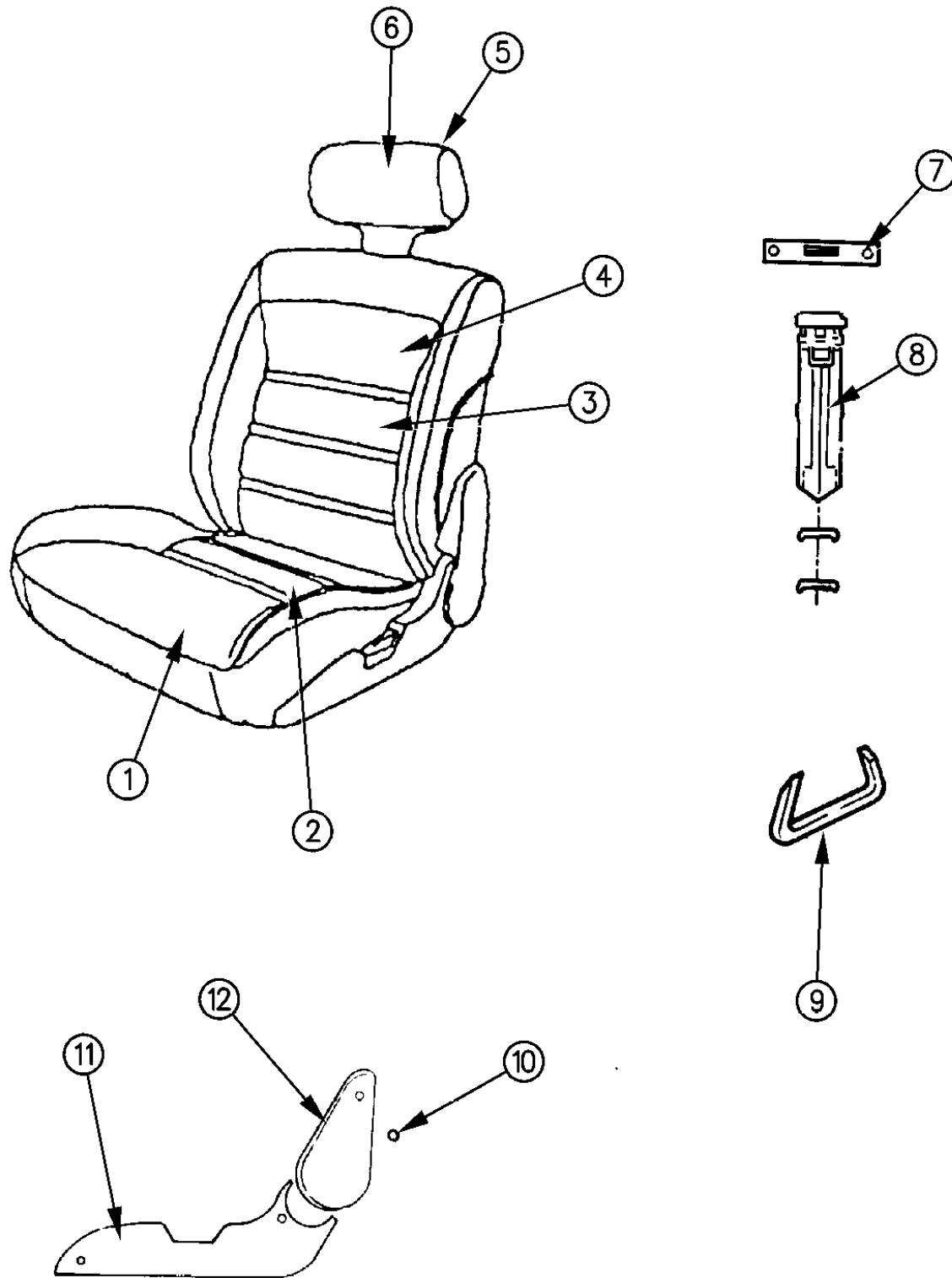
BODY STYLES:

21=2-Door Coupe 41=4-Door Sedan 12-52=FWD & AWD Van & Wgn Std W.B.  
 24=2-Door Hatchback 44=4-Door Hatchback 53=FWD & AWD Van & Wgn Ext. W.B.  
 27=2-Door Convertible

AR = Use as Required - = Non Illustrated Part P.A.R. = Paint as Required

**SEAT FRONT P BODY TRIM CODE P7**  
Figure ITP-1400

93232 1400



ITEM	PART NUMBER	QTY	BODY	MODEL	DESCRIPTION
1-2					CUSHION, w/Spring/Frame, Pad and Cover
					CLOTH
	GU80-1 MD5	1			Quartz, (P7D)
	GU80-1 MMA	1			Red, (P7M)
	GU80-1 MV4	1			Champagne, (P7V)
2					COVER, Cushion
					CLOTH
	GU84-5 MD5	1			Quartz, (P7D)
	GU84-5 MMA	1			Red, (P7M)
	GU84-5 MV4	1			Champagne, (P7V)
3-4					BACK, w/Spring/Frame, Pad and Cover
					CLOTH
	GU82-3 MD5	1			Quartz, (P7D)
	GU82-3 MMA	1			Red, (P7M)
	GU82-3 MV4	1			Champagne, (P7V)
4					COVER, Back
					CLOTH
	GU76 MD5	2			Quartz, (P7D)
	GU76 MMA	2			Red, (P7M)
	GU76 MV4	2			Champagne, (P7V)
5-6					HEADREST and COVER
	WE64 KD5	2			Quartz, (P7D)
	WE64 LMA	2			Red, (P7M)
	WE64 KV4	2			Champagne, (P7V)
6					COVER, Headrest
	WE63 KD5	2			Quartz, (P7D)
	WE63 LMA	2			Red, (P7M)
	WE63 KV4	2			Champagne, (P7V)
7					COVER, Headrest Finish
	AR75 KD5	1			Quartz
	AR75 LMA	1			Red
	AR75 KV4	1			Champagne
8	AK24 KD5	2			SLEEVE, Headrest (P.A.R.)
9	6008 076	AR			HOG RING
10	4317 800	AR			CLIP
11					SHIELD, Cushion (P.A.R.)
					OUTER
	S458 JV4	1		24	Passenger Seat
	S765 JV4	1		24	Driver Seat, (Manual)

**MODEL CODES:**

A BODY=(C=LeBaron, D=Spirit, P=Acclaim/LaBaron(Landau),  
Saratoga)  
C BODY=(D=Dynasty, C=New Yorker/N.Y. Salon)  
G BODY=(V=Daytona/IROC, Chrysler Daytona)  
J BODY=(C=LeBaron, Chrysler LeBaron)  
P BODY=(P=Sundance, D=Shadow)

S BODY=(H=Voyager(H) FWD, K=Caravan(H) FWD,  
Y=Town & Country(H) FWD, P=Voyager(K) AWD,  
D=Caravan(K) AWD, C=Town & Country(K) AWD)  
Y BODY=(C=Imperial/5th Avenue)  
E-S BODY=(K=Chrysler Voyager(H) FWD, D=Chrysler  
Voyager(K) AWD)

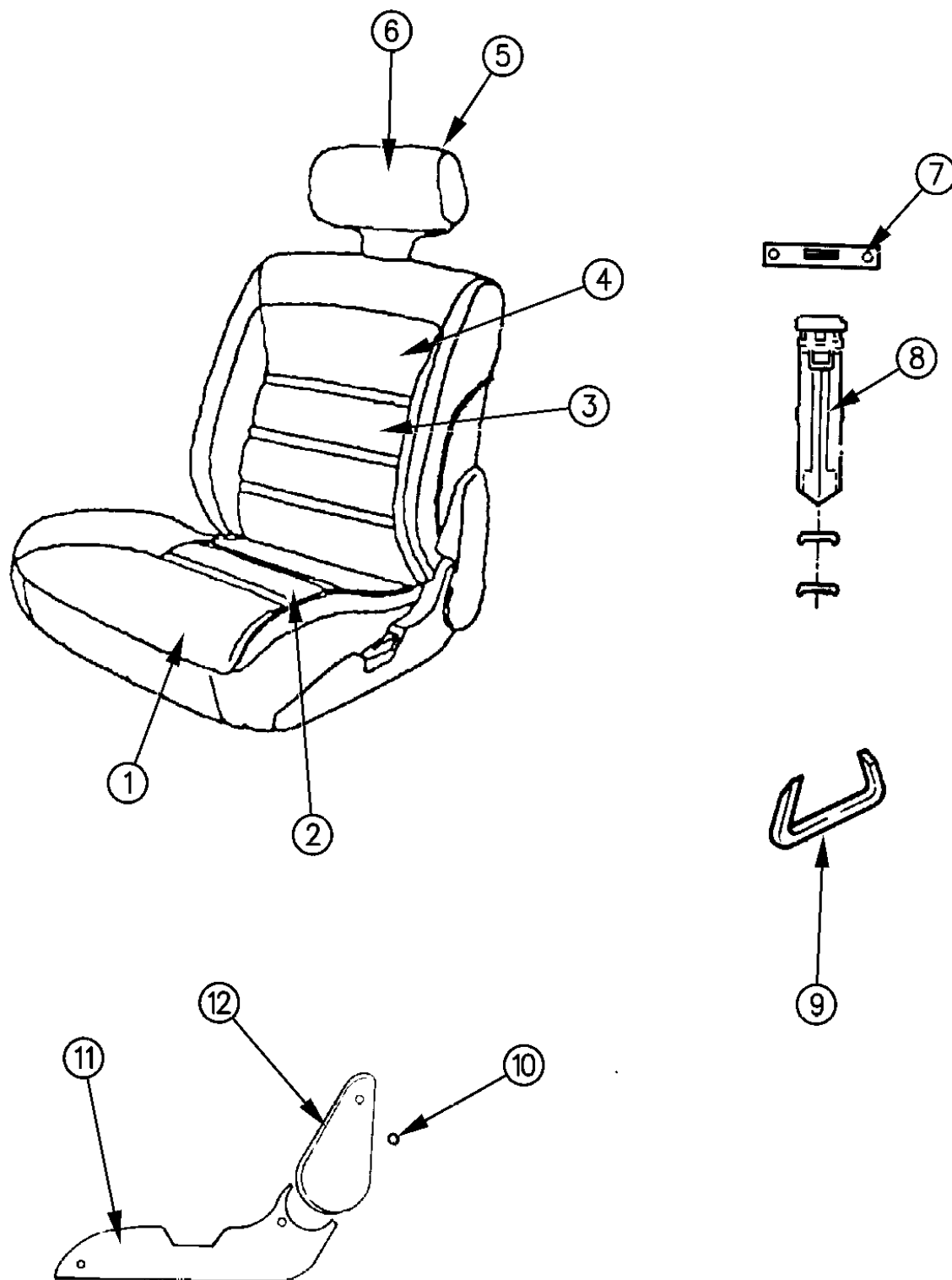
**BODY STYLES:**

21=2-Door Coupe      41=4-Door Sedan      12-52=FWD & AWD Van & Wgn Std W.B.  
24=2-Door Hatchback      44=4-Door Hatchback      53=FWD & AWD Van & Wgn Ext. W.B.  
27=2-Door Convertible

AR = Use as Required - = Non Illustrated Part P.A.R. = Paint as Required

SEAT FRONT P BODY TRIM CODE P7  
Figure ITP-1400

93232 1400



ITEM	PART NUMBER	QTY	BODY	MODEL	DESCRIPTION
	S767 JV4	1		24	Driver Seat, (Power)
	S456 HV4	1		44	Passenger Seat
	S457 HV4	1		44	Driver Seat, (Manual)
	S767 JV4	1		44	Driver Seat, (Power)
					INNER
	S765 JV4	1		24	Passenger Seat
	S458 JV4	1		24	Driver Seat
	S457 HV4	1		44	Passenger Seat
	S456 HV4	1		44	Driver Seat
12					SHIELD, Back OUTER Passenger Seat
	S508 JD5	1		24-27	Quartz
	S508 LM6	1		24-27	Red
	S508 JV4	1		24-27	Champagne
	S880 JV4	1		44	Passenger Seat (P.A.R.) Driver Seat
	S509 JD5	1		24-27	Quartz
	S509 LM6	1		24-27	Red
	S509 JV4	1		24-27	Champagne
	S881 JV4	1		44	Driver Seat, (P.A.R.)

NOTE: (P.A.R.) = Paint As Required

MODEL CODES:

A BODY=(C=LeBaron, D=Spirit, P=Acclaim/LaBaron(Landau),  
Saratoga)  
C BODY=(D=Dynasty, C=New Yorker/N.Y. Salon)  
G BODY=(V=Daytona/ROC, Chrysler Daytona)  
J BODY=(C=LeBaron, Chrysler LeBaron)  
P BODY=(P=Sundance, D=Shadow)

S BODY=(H=Voyager(H) FWD, K=Caravan(H) FWD,  
Y=Town & Country(H) FWD, P=Voyager(K) AWD,  
D=Caravan(K) AWD, C=Town & Country(K) AWD)  
Y BODY=(C=Imperial/5th Avenue)  
E-S BODY=(K=Chrysler Voyager(H) FWD, D=Chrysler  
Voyager(K) AWD)

BODY STYLES:

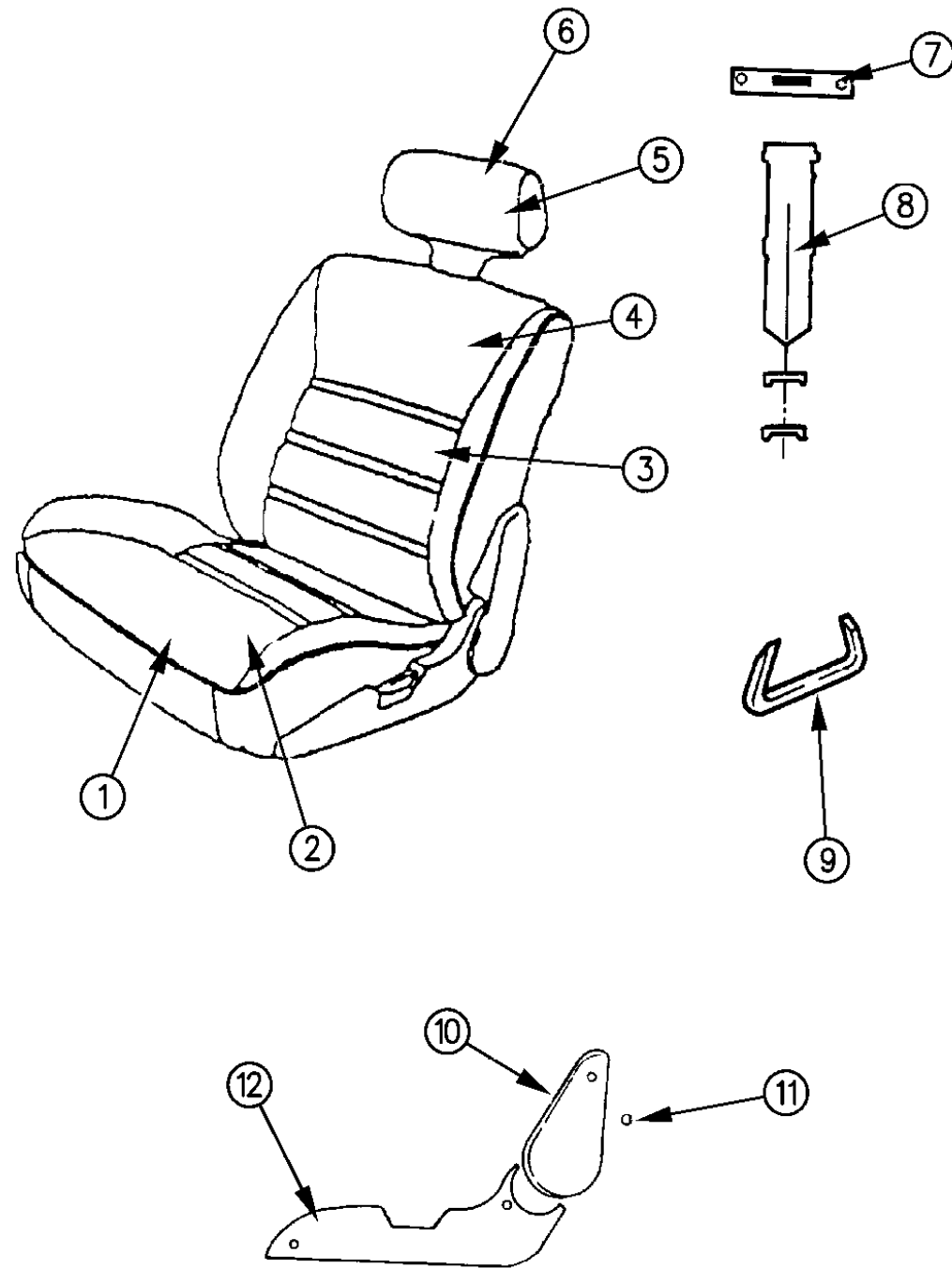
21=2-Door Coupe      41=4-Door Sedan      12-52=FWD & AWD Van & Wgn Std W.B.  
24=2-Door Hatchback      44=4-Door Hatchback      53=FWD & AWD Van & Wgn Ext. W.B.  
27=2-Door Convertible

AR = Use as Required - = Non Illustrated Part P.A.R. = Paint as Required



**SEAT FRONT P BODY TRIM CODE F7**  
Figure ITP-1500

93232 1500



ITEM	PART NUMBER	QTY	BODY	MODEL	DESCRIPTION
1-2					CUSHION, w/Spring, Frame, Pad and Cover
	EF56-7 KVV	1			Champagne, (F7V)
	EF56-7 KDD	1			Quartz, (F7D)
2					COVER, Cushion
	EF34-5 KVV	1			Champagne, (F7V)
	EF34-5 KDD	1			Quartz, (F7D)
3-4					BACK, w/Spring, Frame, Pad and Cover
	EF54-5 KVV	1			Champagne, (F7V)
	EF54-5 KDD	1			Quartz, (F7D)
4					COVER, Back
	EF26 KDD	2			Quartz, (F7D)
	EF26 KVV	2			Champagne, (F7V)
5					HEADREST and COVER
	WE64 KV4	2			Champagne, (F7V)
	WE64 KD5	2			Quartz, (F7D)
6					COVER, Headrest
	WE63 KV4	2			Champagne, (F7V)
	WE63 KD5	2			Quartz, (F7D)
7					COVER, Headrest Finish
	AR75 KD5	2			Quartz
	AR75 KV4	2			Champagne
8	AK24 KD5	2			SLEEVE, Headrest
9	6008 076	AR			HOG RING
10					SHIELD, Back (P.A.R.) OUTER
					Passenger Seat
	S508 JD5	1		24-27	Quartz
	S508 JV4	1		24-27	Champagne
	S880 JV4	1		44	Passenger Seat, (P.A.R.)
					Driver Seat
	S509 JD5	1		24-27	Quartz
	S509 JV4	1		24-27	Champagne
	S881 JV4	1		44	Driver Seat, (P.A.R.)
11	4317 800	AR			CLIP
12					SHIELD, Cushion (P.A.R.) OUTER
	S458 JV4	1		24	Passenger Seat
	S765 JV4	1		24	Driver Seat, (Manual)
	S767 JV4	1		24	Driver Seat, (Power)

**MODEL CODES:**

A BODY=(C=LeBaron, D=Spirit, P=Acclaim/LaBaron(Landau),  
Saratoga)  
C BODY=(D=Dynasty, C=New Yorker/N.Y. Salon)  
G BODY=(V=Daytona/IROC, Chrysler Daytona)  
J BODY=(C=LeBaron, Chrysler LeBaron)  
P BODY=(P=Sundance, D=Shadow)

S BODY=(H=Voyager(H) FWD, K=Caravan(H) FWD,  
Y=Town & Country(H) FWD, P=Voyager(K) AWD,  
D=Caravan(K) AWD, C=Town & Country(K) AWD)  
Y BODY=(C=Imperial/5th Avenue)  
E-S BODY=(K=Chrysler Voyager(H) FWD, D=Chrysler  
Voyager(K) AWD)

**BODY STYLES:**

21=2-Door Coupe      41=4-Door Sedan      12-52=FWD & AWD Van & Wgn Std W.B.  
24=2-Door Hatchback      44=4-Door Hatchback      53=FWD & AWD Van & Wgn Ext. W.B.  
27=2-Door Convertible

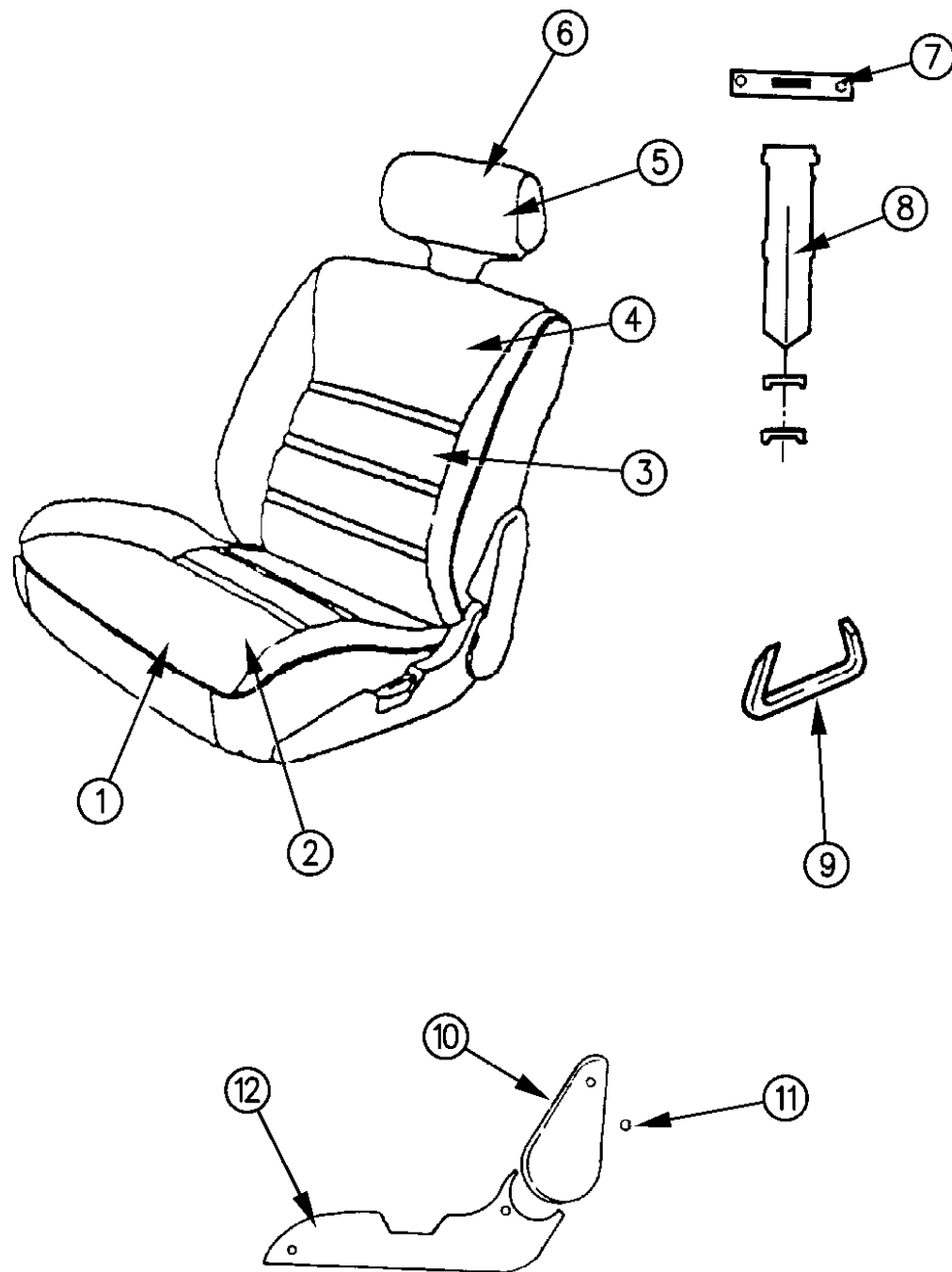
AR = Use as Required - = Non Illustrated Part P.A.R. = Paint as Required

SEAT FRONT P BODY TRIM CODE F7  
Figure ITP-1500

93232 1500

ITEM	PART NUMBER	QTY	BODY	MODEL	DESCRIPTION
	S456 HV4	1		44	Passenger Seat
	S457 HV4	1		44	Driver Seat, (Manual)
	S767 JV4	1		44	Driver Seat, (Power)
					INNER
	S765 JV4	1		24	Passenger Seat
	S458 JV4	1		24	Driver Seat
	S457 HV4	1		44	Passenger Seat
	S456 HV4	1		44	Driver Seat

NOTE: (P.A.R.) = Paint As Required



**MODEL CODES:**

A BODY=(C=LeBaron, D=Spirit, P=Acclaim/LaBaron(Landau), Saratoga) S BODY=(H=Voyager(H) FWD, K=Caravan(H) FWD, Y=Town & Country(H) FWD, P=Voyager(K) AWD, D=Caravan(K) AWD, C=Town & Country(K) AWD)  
 C BODY=(D=Dynasty, C=New Yorker/N.Y. Salon)  
 G BODY=(V=Daytona/IROC, Chrysler Daytona)  
 J BODY=(C=LeBaron, Chrysler LeBaron)  
 P BODY=(P=Sundance, D=Shadow)  
 Y BODY=(C=Imperial/5th Avenue)  
 E-S BODY=(K=Chrysler Voyager(H) FWD, D=Chrysler Voyager(K) AWD)

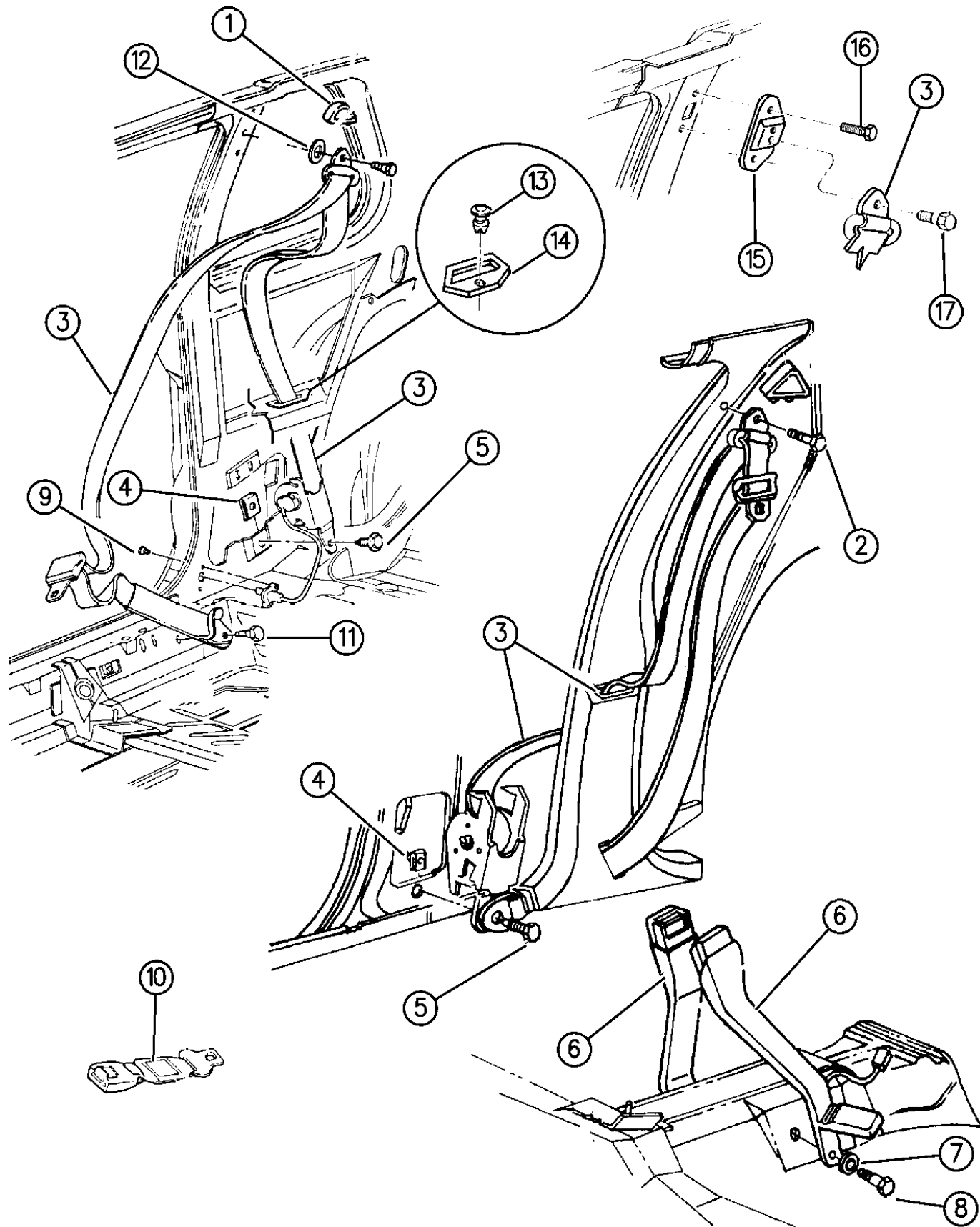
**BODY STYLES:**

21=2-Door Coupe      41=4-Door Sedan      12-52=FWD & AWD Van & Wgn Std W.B.  
 24=2-Door Hatchback      44=4-Door Hatchback      53=FWD & AWD Van & Wgn Ext. W.B.  
 27=2-Door Convertible

AR = Use as Required - = Non Illustrated Part P.A.R. = Paint as Required

**BELT FRONT SEAT - MANUAL P BODY**  
Figure ITP-1600

93232 1600A



ITEM	PART NUMBER	QTY	BODY	MODEL	DESCRIPTION
1					COVER, Turning Loop
	F877 JD5	2			Quartz
	F877 LMA	2			Red
	F877 JV4	2			Champagne
2	6033 113	1			BOLT
3					BELT, Lap and Shoulder Tip Outer
					Label Number 4645208-9
	EL84-5 LD5	1		24	Quartz
	EL84-5 LM6	1		24	Red
	EL84-5 LV4	1		24	Champagne
					Label Number 4645212-3
	EL88-9 LD5	1		27	Quartz
	EL88-9 LM6	1		27	Bordeaux
	EL88-9 LV4	1		27	Champagne
					Label Number 4645192-3
	EL68-9 LD5	1		44	Quartz
	EL68-9 LM6	1		44	Red
	EL68-9 LV4	1		44	Champagne
4	6032 353	2			NUT and RETAINER
5	6031 484	2			BOLT, Retractor
6					BELT, Buckle Inner
					Label Number 4614130-1
	DK52-3 KD5	1			Quartz
	DK52-3 LM6	1			Red
	DK52-3 KV4	1			Champagne
7		2			WASHER, (Not Serv.)
8	6031 298	2			BOLT
9					SCREW, (10-16x3/4) (Not Serv.)
10	5260 606	AR			EXTENDER
11	6031 484	AR			BOLT
12	5241 523	1		27	SPACER, Front Turning Loop Belt
13					SCREW, Plastic, (Shoulder Belt Attaching)
	5242 110	1		27	Bordeaux
	5242 087	1		27	Champagne
	5242 088	1		27	Quartz
-	5242 171	1			RETAINER, (For Plastic Screw)
14					BEZEL, Shoulder Belt
	5242 116	1		27	Bordeaux
	4720 513	1		27	Champagne

**MODEL CODES:**

A BODY=(C=LeBaron, D=Spirit, P=Acclaim/LaBaron(Landau), Saratoga) S BODY=(H=Voyager(H) FWD, K=Caravan(H) FWD, Y=Town & Country(H) FWD, P=Voyager(K) AWD, D=Caravan(K) AWD, C=Town & Country(K) AWD)  
 C BODY=(D=Dynasty, C=New Yorker/N.Y. Salon) Y BODY=(C=Imperial/5th Avenue)  
 G BODY=(V=Daytona/IROC, Chrysler Daytona) E-S BODY=(K=Chrysler Voyager(H) FWD, D=Chrysler Voyager(K) AWD)  
 J BODY=(C=LeBaron, Chrysler LeBaron) P BODY=(P=Sundance, D=Shadow)

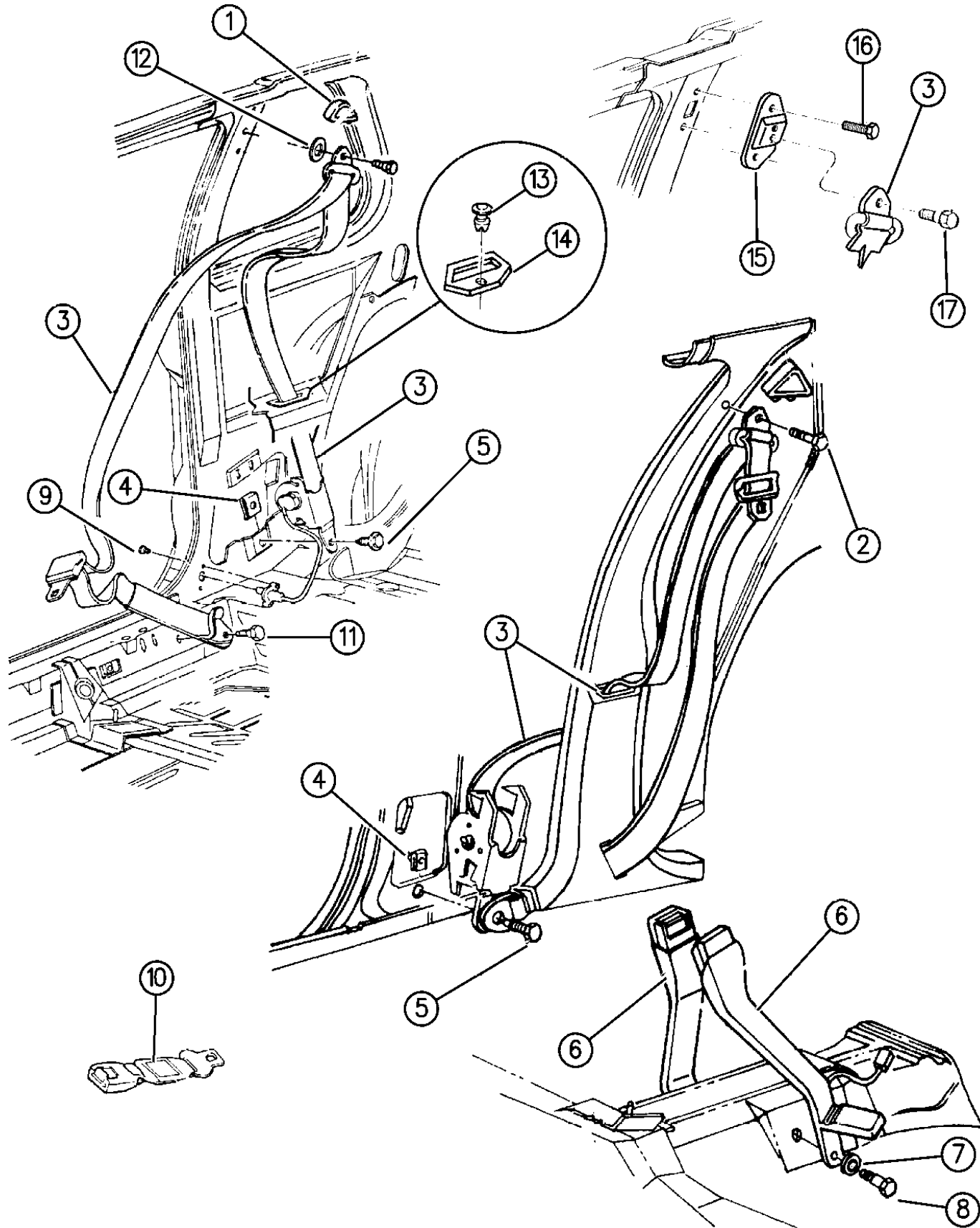
**BODY STYLES:**

21=2-Door Coupe 41=4-Door Sedan 12-52=FWD & AWD Van & Wgn Std W.B.  
 24=2-Door Hatchback 44=4-Door Hatchback 53=FWD & AWD Van & Wgn Ext. W.B.  
 27=2-Door Convertible

AR = Use as Required - = Non Illustrated Part P.A.R. = Paint as Required

**BELT FRONT SEAT - MANUAL P BODY**  
Figure ITP-1600

93232 1600A



ITEM	PART NUMBER	QTY	BODY	MODEL	DESCRIPTION
	4720 518	1		27	Quartz
-	5241 230-1	1		27	BRACKET, Seat Belt Retractor
15	4490 660	1			BRACKET, Belt Anchor Upper
16	6502 111	2			SCREW
17	6031 216	2			BOLT, Shoulder

**MODEL CODES:**

A BODY=(C=LeBaron, D=Spirit, P=Acclaim/LaBaron(Landau),  
Saratoga) S BODY=(H=Voyager(H) FWD, K=Caravan(H) FWD,  
Y=Town & Country(H) FWD, P=Voyager(K) AWD,  
D=Caravan(K) AWD, C=Town & Country(K) AWD)  
C BODY=(D=Dynasty, C=New Yorker/N.Y. Salon)  
G BODY=(V=Daytona/IROC, Chrysler Daytona) Y BODY=(C=Imperial/5th Avenue)  
J BODY=(C=LeBaron, Chrysler LeBaron) E-S BODY=(K=Chrysler Voyager(H) FWD, D=Chrysler  
P BODY=(P=Sundance, D=Shadow) Voyager(K) AWD)

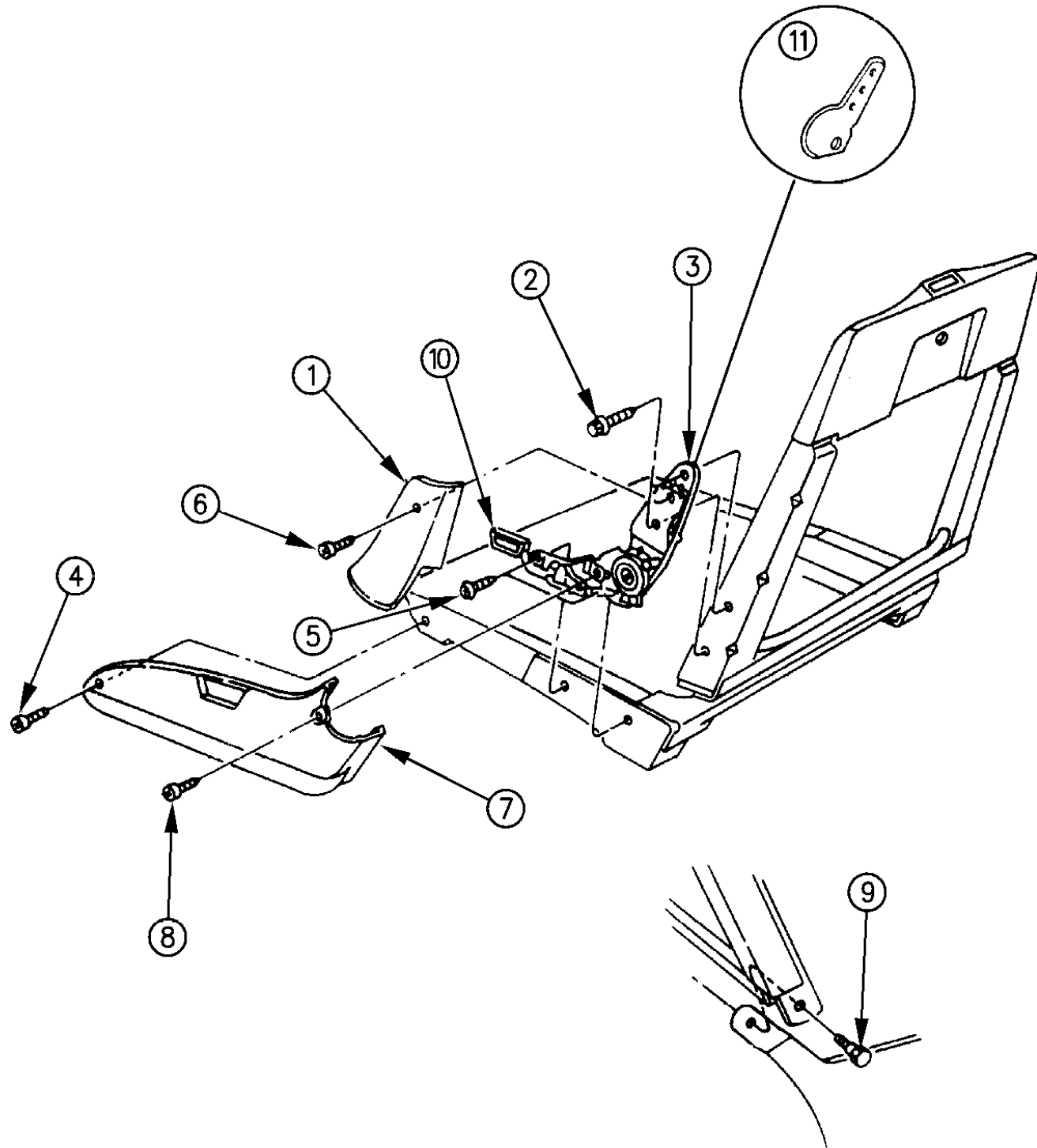
**BODY STYLES:**

21=2-Door Coupe      41=4-Door Sedan      12-52=FWD & AWD Van & Wgn Std W.B.  
24=2-Door Hatchback      44=4-Door Hatchback      53=FWD & AWD Van & Wgn Ext. W.B.  
27=2-Door Convertible

AR = Use as Required - = Non Illustrated Part P.A.R. = Paint as Required

**SEAT-RECLINING P BODY**  
Figure ITP-1700

93232 1700



ITEM	PART NUMBER	QTY	BODY	MODEL	DESCRIPTION
1					SHIELD, Back
	S508-9 JD5	1		24-27	Quartz
	S508-9 LM6	1		24-27	Red
	S508-9 JV4	1		24-27	Champagne
	S880-1 JV4	1		44	(P.A.R.)
2	6501 222	AR			SCREW
3					RECLINER
	4402 890	1		24-27	Passenger Seat
	4402 891	1		24-27	Driver Seat
	4402 190	1		44	Passenger Seat
	4402 191	1		44	Driver Seat
4		AR			SCREW, (8-18x1.00) (Not Serv.)
5	6501 222	AR			SCREW
6		AR			SCREW, (8-18x1.75) (Not Serv.)
7	S456-7 HV4	1			SHIELD, Cushion (P.A.R.)
8	6032 456	AR			SCREW
9	6501 346	2			BOLT
10		1			LEVER, Recliner Release, (P.A.R.) (Serv. In Item 3)
11	4327 671	2			PROTECTOR

NOTE: (P.A.R.) = Paint As Required

**MODEL CODES:**

A BODY=(C=LeBaron, D=Spirit, P=Acclaim/LaBaron(Landau), Saratoga)      S BODY=(H=Voyager(H) FWD, K=Caravan(H) FWD, Y=Town & Country(H) FWD, P=Voyager(K) AWD, D=Caravan(K) AWD, C=Town & Country(K) AWD)

C BODY=(D=Dynasty, C=New Yorker/N.Y. Salon)      Y BODY=(C=Imperial/5th Avenue)

G BODY=(V=Daytona/IROC, Chrysler Daytona)      E-S BODY=(K=Chrysler Voyager(H) FWD, D=Chrysler Voyager(K) AWD)

J BODY=(C=LeBaron, Chrysler LeBaron)

P BODY=(P=Sundance, D=Shadow)

**BODY STYLES:**

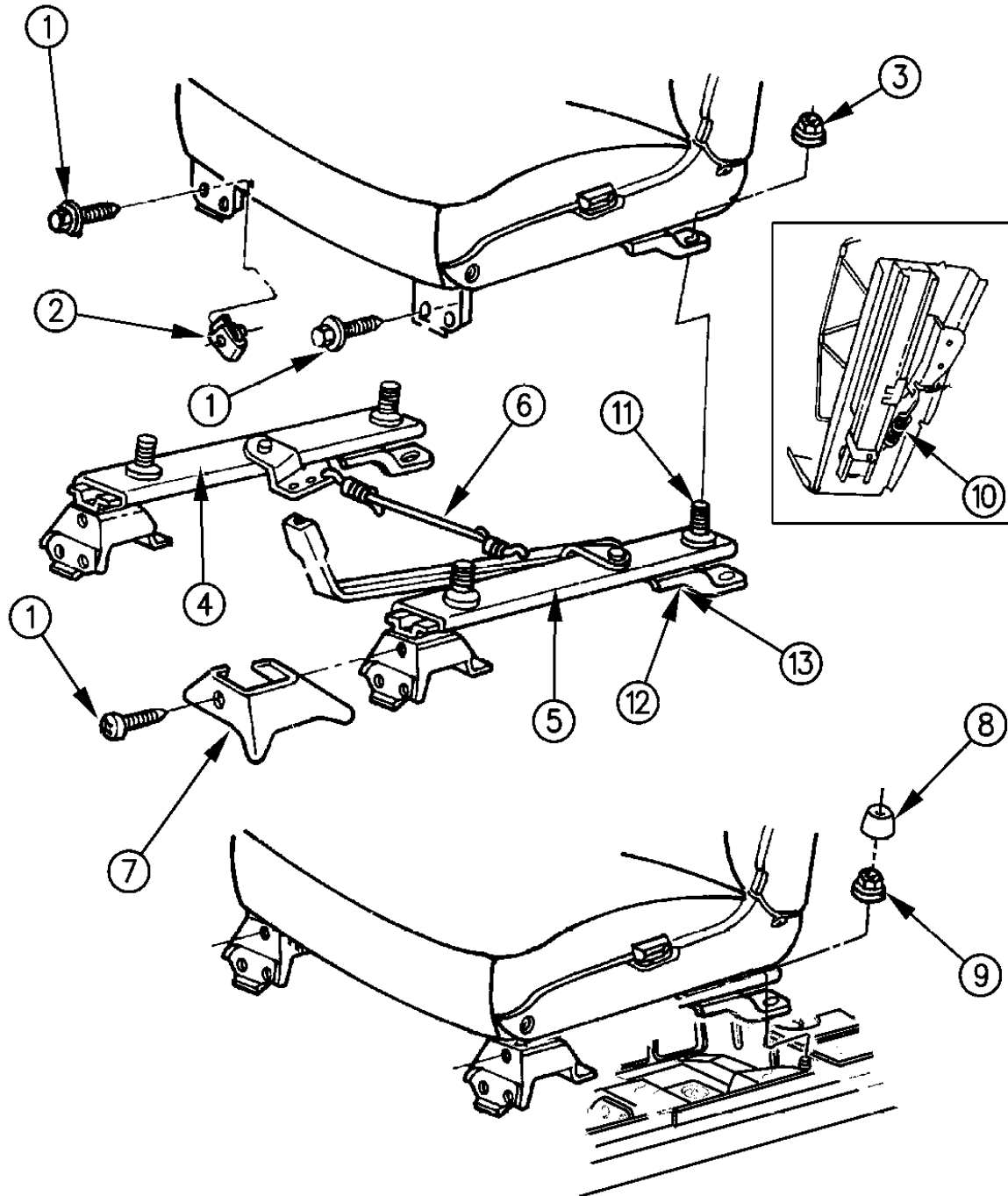
21=2-Door Coupe      41=4-Door Sedan      12-52=FWD & AWD Van & Wgn Std W.B.  
24=2-Door Hatchback      44=4-Door Hatchback      53=FWD & AWD Van & Wgn Ext. W.B.  
27=2-Door Convertible

AR = Use as Required - = Non Illustrated Part P.A.R. = Paint as Required

**ADJUSTER--MANUAL AND COVERS P BODY**  
**Figure ITP-1800**

93232 1800

ITEM	PART NUMBER	QTY	BODY	MODEL	DESCRIPTION
1		AR			SCREW and WASHER, (m8-1.25x30) (Not Serv.)
2	6101 283	AR			U-NUT
3	6501 279	AR			NUT
4					ADJUSTER, Inner
	4380 330	1			Passenger
	4380 331	1			Driver
5					ADJUSTER, Outer
	4380 328	1			Passenger
	4380 329	1			Driver
6	4380 285	1			WIRE, Adjuster
7					COVER, Front Outer
	S982-3 HD5	1			Quartz
	S982-3 LMA	1			Red
	S982-3 JV8	1			Champagne
8		2			COVER, Adjuster
	S636 HD5	2			Quartz
	S636 LMA	2			Red
	S636 HV8	2			Champagne
9	6501 279	2			NUT
10					SPRING, Latch Return
	4402 213	2			Outboard
	4402 216	2			Inboard
11	0181 088	AR			SCREW and WASHER, Adjuster To Seat
12	0104 918	4			BEARING, Adjuster
13	4477 714	4			RETAINER, Adjuster Bearing



**MODEL CODES:**

A BODY=(C=LeBaron, D=Spirit, P=Acclaim/LaBaron(Landau, Saratoga) S BODY=(H=Voyager(H) FWD, K=Caravan(H) FWD, Y=Town & Country(H) FWD, P=Voyager(K) AWD, D=Caravan(K) AWD, C=Town & Country(K) AWD)  
 C BODY=(D=Dynasty, C=New Yorker/N.Y. Salon)  
 G BODY=(V=Daytona/ROC, Chrysler Daytona)  
 J BODY=(C=LeBaron, Chrysler LeBaron)  
 P BODY=(P=Sundance, D=Shadow)  
 Y BODY=(C=Imperial/5th Avenue)  
 E-S BODY=(K=Chrysler Voyager(H) FWD, D=Chrysler Voyager(K) AWD)

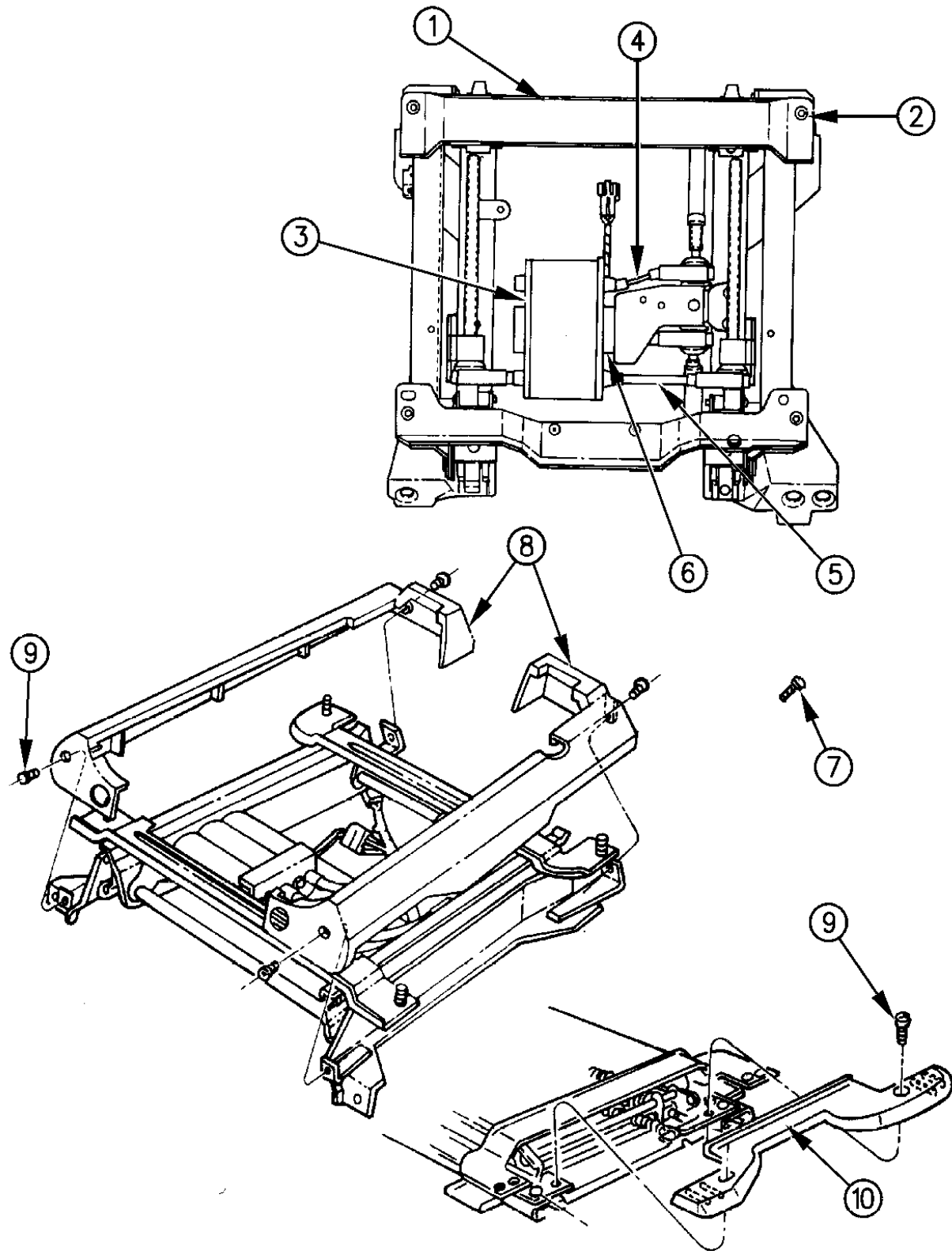
**BODY STYLES:**

21=2-Door Coupe      41=4-Door Sedan      12-52=FWD & AWD Van & Wgn Std W.B.  
 24=2-Door Hatchback      44=4-Door Hatchback      53=FWD & AWD Van & Wgn Ext. W.B.  
 27=2-Door Convertible

AR = Use as Required - = Non Illustrated Part P.A.R. = Paint as Required

**ADJUSTER--ELECTRIC AND COVERS P BODY**  
Figure ITP-1900

93232 1900



ITEM	PART NUMBER	QTY	BODY	MODEL	DESCRIPTION
1	4477 399	1			ADJUSTER, Less Motor
2	6033 077	4			SCREW, Adjuster to Seat
3	4402 323	1			MOTOR, w/Tube Assembly
4	4327 282	2			SHAFT, Flexible (4.005")
	4402 997	1			Shaft, Flexible (3.86")
5	4477 899	1			CABLE, Outer (5.195")
6	4477 901	1			CABLE, Inner (1.91")
7	6028 040	AR			SCREW, to Adjuster
8					COVER, Electric Seat Adjuster
					INNER
	S978 HD5	1			Quartz
	S978 LMA	1			Red
	S978 HV8	1			Champagne
					OUTER
	S977 HD5	1			Quartz
	S977 LMA	1			Red
	S977 KV8	1			Champagne
9		AR			SCREW, (8-18x3/4) (Not Serv.)
10					COVER, Electric Adjuster, Rear
	AC78 KD5	1			Quartz
	AC78 LMA	1			Red
	AC78 KV4	1			Champagne

**MODEL CODES:**

A BODY=(C=LeBaron, D=Spirit, P=Acclaim/LaBaron(Landau), Saratoga)      S BODY=(H=Voyager(H) FWD, K=Caravan(H) FWD, Y=Town & Country(H) FWD, P=Voyager(K) AWD, D=Caravan(K) AWD, C=Town & Country(K) AWD)  
 C BODY=(D=Dynasty, C=New Yorker/N.Y. Salon)      Y BODY=(C=Imperial/5th Avenue)  
 G BODY=(V=Daytona/IROC, Chrysler Daytona)      E-S BODY=(K=Chrysler Voyager(H) FWD, D=Chrysler Voyager(K) AWD)  
 J BODY=(C=LeBaron, Chrysler LeBaron)  
 P BODY=(P=Sundance, D=Shadow)

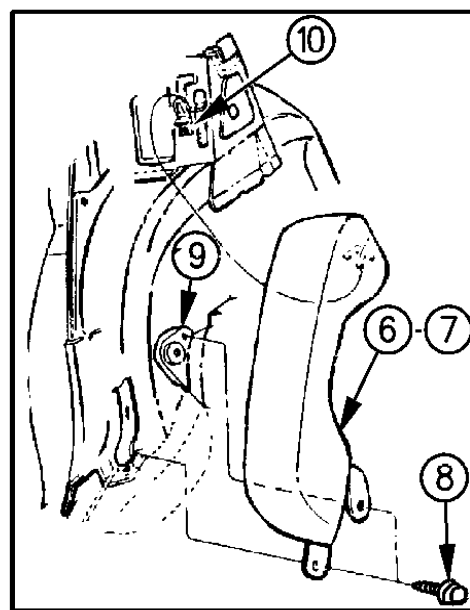
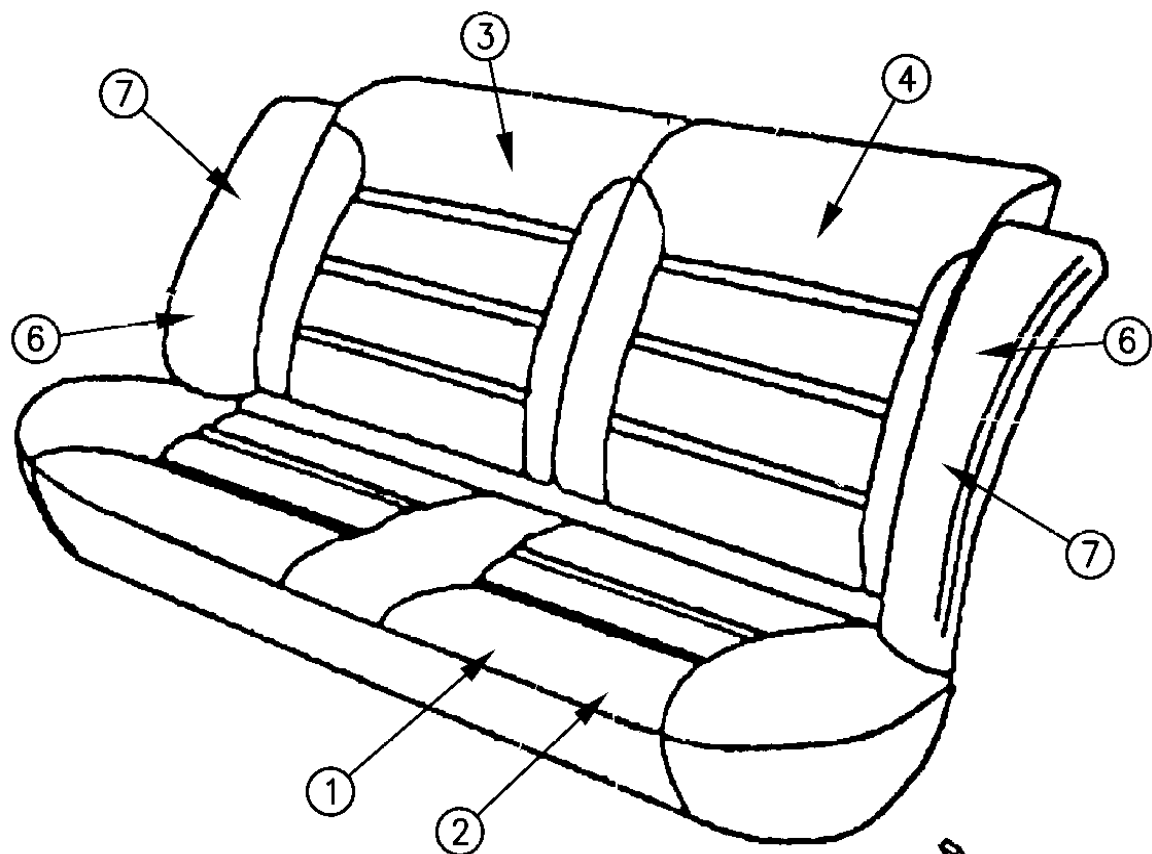
**BODY STYLES:**

21=2-Door Coupe      41=4-Door Sedan      12-52=FWD & AWD Van & Wgn Std W.B.  
 24=2-Door Hatchback      44=4-Door Hatchback      53=FWD & AWD Van & Wgn Ext. W.B.  
 27=2-Door Convertible

AR = Use as Required - = Non Illustrated Part P.A.R. = Paint as Required

**SEAT--REAR P BODY TRIM CODES F7-P7 (AND CONVERTIBLE)**  
Figure ITP-2000

93232 2000



ITEM	PART NUMBER	QTY	BODY	MODEL	DESCRIPTION
1-2					CUSHION, w/Spring/Frame, Pad and Cover
	HH58 MD5	1			Quartz, (P7D,F7D)
	HH58 MMA	1			Red, (P7M)
	HH58 MV4	1			Champagne, (F7V,P7V)
	4740 528	1	27		Bordeaux
	5242 041	1	27		Champagne
	4740 522	1	27		Quartz
2					COVER, Cushion CLOTH
	HH59 MD5	1			Quartz, (P7D,F7D)
	HH59 MMA	1			Red, (P7M)
	HH59 MV4	1			Champagne, (F7V,P7V)
	4740 526	1	27		Bordeaux
	4740 524	1	27		Champagne
	4740 525	1	27		Quartz
3-4					BACK, w/Spring/Frame, Pad and Cover
	FZ40 LD5	1			Quartz, (E7D,F7D)
	FZ40 LV4	1			Champagne, (F7V)
	GU70 MD5	1			Quartz, (P7D)
	GU70 MMA	1			Red, (P7M)
	GU70 MV4	1			Champagne, (P7V)
	4740 489	1	27		Bordeaux
	4740 487	1	27		Champagne
	4740 488	1	27		Quartz
4					COVER, Back
	FZ35 LD5	1			Quartz, (F7D)
	FZ35 LV4	1			Champagne, (F7V)
	GU86 MD5	1			Quartz, (P7D)
	GU86 MMA	1			Red, (P7M)
	GU86 MV4	1			Champagne, (P7V)
	4740 529	1	27		Bordeaux
	4740 527	1	27		Champagne
	4740 528	1	27		Quartz
5	6008 076	AR			HOG RING
6					BOLSTER, w/Cover
	EG94-5 KD5	1	24		Quartz, (P7D,F7D)
	EG94-5 LMA	1	24		Red,(P7M)
	EG94-5 KV4	1	24		Champagne, (F7V,P7V)
	EG96-7 KD5	1	44		Quartz, (P7D,F7D)

**MODEL CODES:**

A BODY=(C=LeBaron, D=Spirit, P=Acclaim/LaBaron(Landau), Saratoga) S BODY=(H=Voyager(H) FWD, K=Caravan(H) FWD, Y=Town & Country(H) FWD, P=Voyager(K) AWD, D=Caravan(K) AWD, C=Town & Country(K) AWD)  
 C BODY=(D=Dynasty, C=New Yorker/N.Y. Salon) Y BODY=(C=Imperial/5th Avenue)  
 G BODY=(V=Daytona/IROC, Chrysler Daytona) E-S BODY=(K=Chrysler Voyager(H) FWD, D=Chrysler Voyager(K) AWD)  
 J BODY=(C=LeBaron, Chrysler LeBaron) P BODY=(P=Sundance, D=Shadow)

**BODY STYLES:**

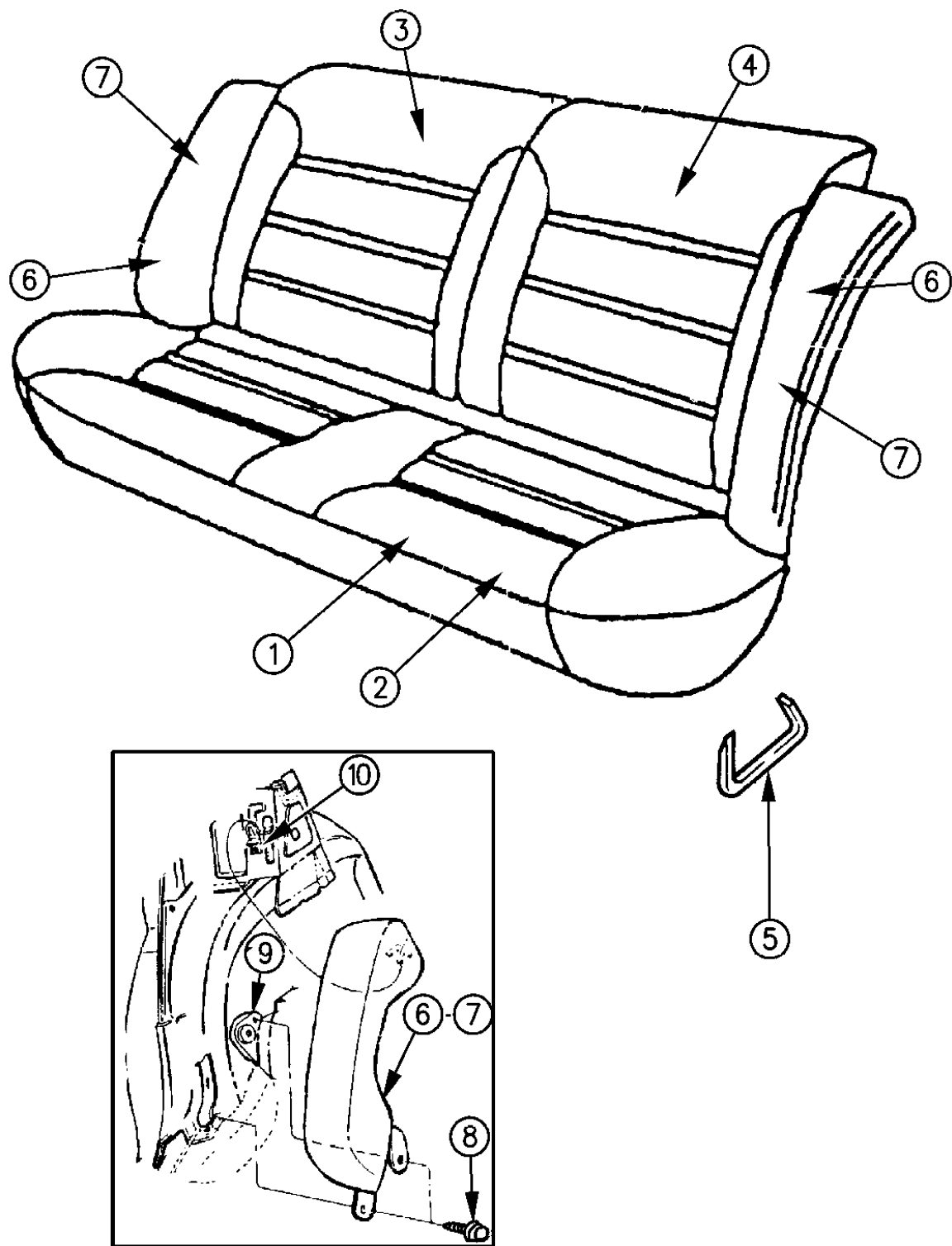
21=2-Door Coupe 41=4-Door Sedan 12-52=FWD & AWD Van & Wgn Std W.B.  
 24=2-Door Hatchback 44=4-Door Hatchback 53=FWD & AWD Van & Wgn Ext. W.B.  
 27=2-Door Convertible

AR = Use as Required - = Non Illustrated Part P.A.R. = Paint as Required



SEAT--REAR P BODY TRIM CODES F7-P7 (AND CONVERTIBLE)  
Figure ITP-2000

93232 2000



ITEM	PART NUMBER	QTY	BODY	MODEL	DESCRIPTION
	EG96-7 LMA	1		44	Red, (P7M)
	EG96-7 KV4	1		44	Champagne, (F7V,P7V)
7					COVER, Bolster
	EH02-3 KDD	1		24	Quartz, (P7D,F7D)
	EH02-3 LMA	1		24	Red, (P7M)
	EH02-3 KVV	1		24	Champagne, (F7V)
	EH06-7 KDD	1		44	Quartz, (P7D,F7D)
	EH06-7 LMA	1		44	Red, (P7M)
	EH06-7 KVV	1		44	Champagne, (F7V,P7V)
8					SCREW, Bolster Attaching (Not Serv.)
9					BRACKET, (Not Serv.) Welded
10					BRACKET, Bolster Attaching (Not Serv.) Welded

**MODEL CODES:**

A BODY=(C=LeBaron, D=Spirit, P=Acclaim/LaBaron(Landau), Saratoga) S BODY=(H=Voyager(H) FWD, K=Caravan(H) FWD, Y=Town & Country(H) FWD, P=Voyager(K) AWD, D=Caravan(K) AWD, C=Town & Country(K) AWD)  
 C BODY=(D=Dynasty, C=New Yorker/N.Y. Salon) Y BODY=(C=Imperial/5th Avenue)  
 G BODY=(V=Daytona/IROC, Chrysler Daytona) E-S BODY=(K=Chrysler Voyager(H) FWD, D=Chrysler Voyager(K) AWD)  
 J BODY=(C=LeBaron, Chrysler LeBaron)  
 P BODY=(P=Sundance, D=Shadow)

**BODY STYLES:**

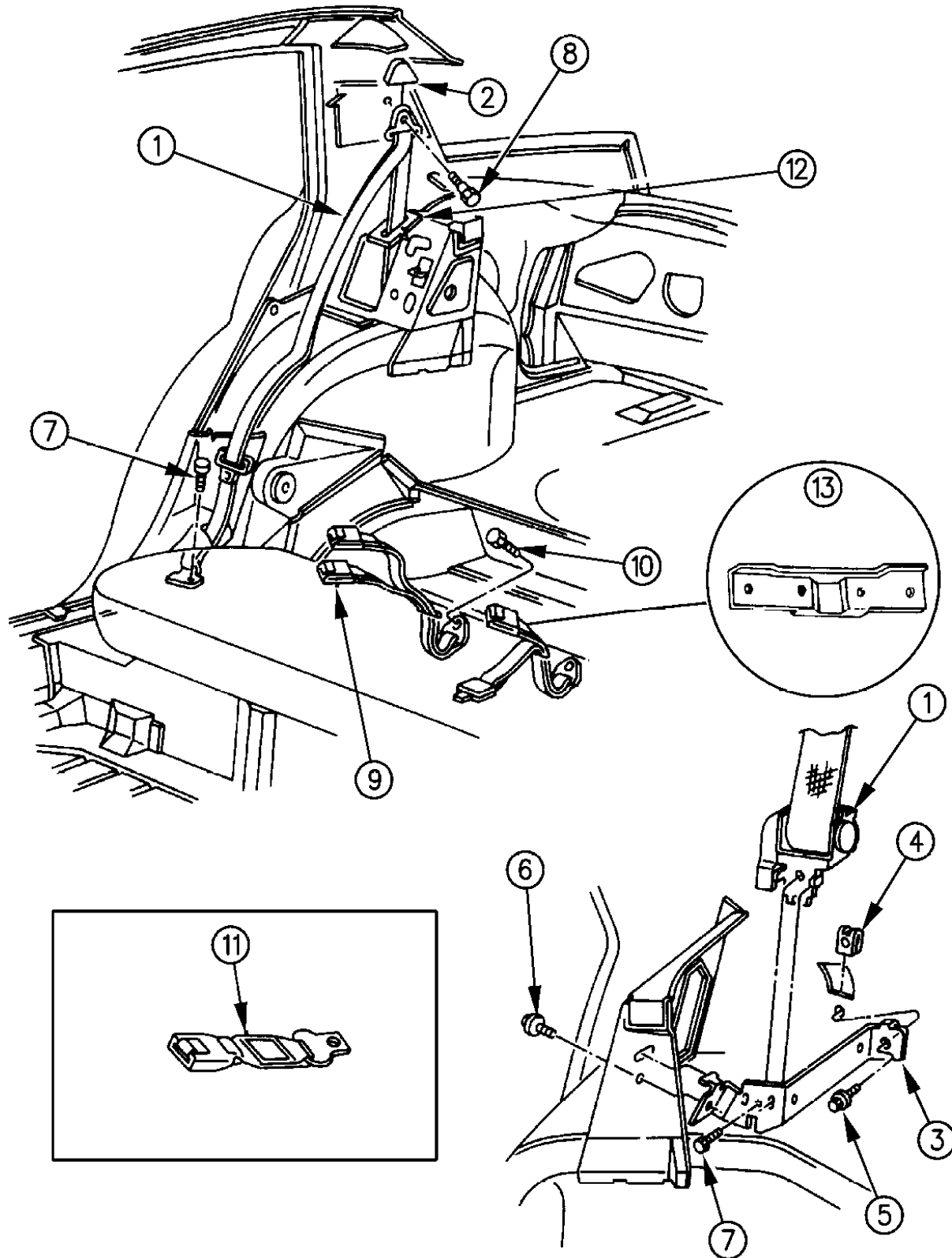
21=2-Door Coupe 41=4-Door Sedan 12-52=FWD & AWD Van & Wgn Std W.B.  
 24=2-Door Hatchback 44=4-Door Hatchback 53=FWD & AWD Van & Wgn Ext. W.B.  
 27=2-Door Convertible

AR = Use as Required - = Non Illustrated Part P.A.R. = Paint as Required

**BELT--REAR SEAT P BODY**  
Figure ITP-2100

93232 2100

ITEM	PART NUMBER	QTY	BODY	MODEL	DESCRIPTION
1					BELT, Outboard Tip Half
					LABEL NUMBER 4645210-1
	EL86-7 LD5	1		24-44	Quartz
	EL86-7 LM6	1		24-44	Red
	EL86-7 LV4	1		24-44	Champagne
					LABEL NUMBER 4645214-5
	EL90-1 LD5	1		27	Quartz
	EL90-1 LM6	1		27	Bordeaux
	EL90-1 LV4	1		27	Champagne
2					COVER, T/Loop
	F877 JD5	2			Quartz
	F877 LMA	2			Red
	F877 JV4	2			Champagne
3	4490 036-7	1			BRACKET, Rear Seat Belt Retractor
4	6032 353	2			U-NUT
5	6033 651	2			BOLT and WASHER
6	6501 350	2			SCREW and WASHER
7	6031 484	4			BOLT
8	6033 113	2			BOLT, Shoulder
9					BELT, Rear Inner
					Label Number 4645232-3
	EM82-3 KD5	1		24-44	Quartz
	EM82-3 LM6	1		24-44	Red
	EM82-3 KV4	1		24-44	Champagne
					Label Number 4614041
	DP27 JD5	1		27	Quartz
	DP27 LM6	1		27	Red
	DP27 JV4	1		27	Champagne
10	6031 298	2			BOLT
11	4402 887	1			EXTENSION, Seat Belt
12					BEZEL, Shoulder Belt
	5242 116	1		27	Bordeaux
	5241 546	1		27	Champagne
	5241 547	1		27	Quartz
13	5241 277	1		27	BRACKET, Rear Seat Buckle
-	4519 292	1			TETHER, Anchor Pkg. ***



**MODEL CODES:**

A BODY=(C=LeBaron, D=Spirit, P=Acclaim/LaBaron(Landau), Saratoga)  
 C BODY=(D=Dynasty, C=New Yorker/N.Y. Salon)  
 G BODY=(V=Daytona/IROC, Chrysler Daytona)  
 J BODY=(C=LeBaron, Chrysler LeBaron)  
 P BODY=(P=Sundance, D=Shadow)

S BODY=(H=Voyager(H) FWD, K=Caravan(H) FWD, Y=Town & Country(H) FWD, P=Voyager(K) AWD, D=Caravan(K) AWD, C=Town & Country(K) AWD)  
 Y BODY=(C=Imperial/5th Avenue)  
 E-S BODY=(K=Chrysler Voyager(H) FWD, D=Chrysler Voyager(K) AWD)

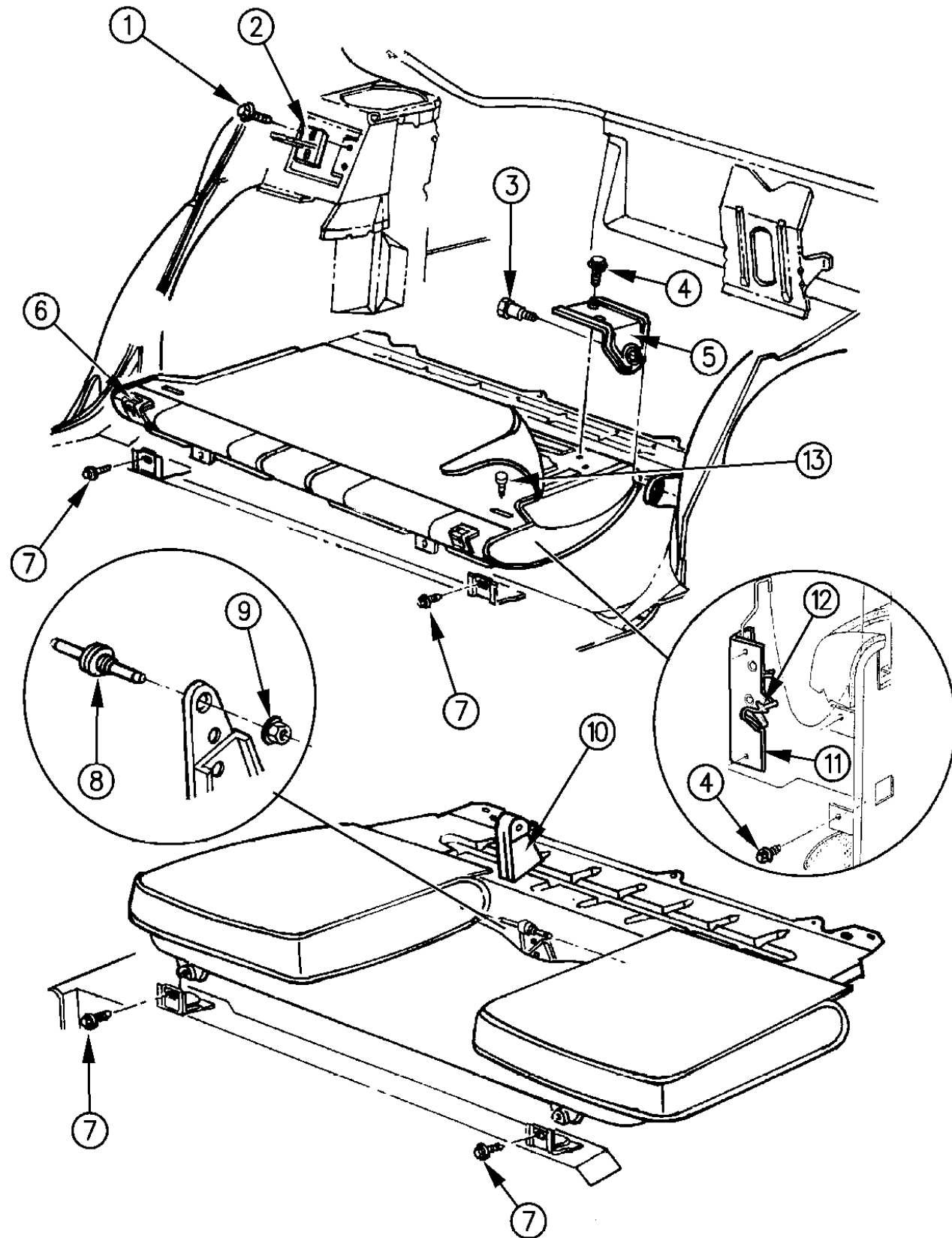
**BODY STYLES:**

21=2-Door Coupe      41=4-Door Sedan      12-52=FWD & AWD Van & Wgn Std W.B.  
 24=2-Door Hatchback      44=4-Door Hatchback      53=FWD & AWD Van & Wgn Ext. W.B.  
 27=2-Door Convertible

AR = Use as Required - = Non Illustrated Part P.A.R. = Paint as Required

SEAT--REAR FOLD DOWN P BODY  
Figure ITP-2200

93232 2200



ITEM	PART NUMBER	QTY	BODY	MODEL	DESCRIPTION
1	6501 373	4			SCREW and WASHER
2	4327 554	2			STRIKER
3	6501 445	2			BOLT, Shoulder
4					SCREW and WASHER (Not Serv.) (1/4-14-.875) ***
5	4519 946-7	1			HINGE
6	WV02 JV4	2			HANDLE, Latch Release (P.A.R.)
7					SCREW, (Not Serv.) 1/4-14x.875)
8		1			PIN, (Serv. In Item 5)
9	6501 058	1			NUT
10	4519 928	1			COVER, Pivot
11	4376 036-7	1			LATCH, Rear Seat Back
12	5257 478-9	1			CLIP, Latch Rod To Lever
13	6033 840	AR			FASTENER, Rear Seat Back Carpet To Carpet In Trunk

NOTE: (P.A.R.) = Paint As Required

MODEL CODES:

A BODY=(C=LeBaron, D=Spirit, P=Acclaim/LaBaron(Landau),  
Saratoga)

C BODY=(D=Dynasty, C=New Yorker/N.Y. Salon)

G BODY=(V=Daytona/IROC, Chrysler Daytona)

J BODY=(C=LeBaron, Chrysler LeBaron)

P BODY=(P=Sundance, D=Shadow)

S BODY=(H=Voyager(H) FWD, K=Caravan(H) FWD,

Y=Town & Country(H) FWD, P=Voyager(K) AWD,

D=Caravan(K) AWD, C=Town & Country(K) AWD)

Y BODY=(C=Imperial/5th Avenue)

E-S BODY=(K=Chrysler Voyager(H) FWD, D=Chrysler  
Voyager(K) AWD)

BODY STYLES:

21=2-Door Coupe

41=4-Door Sedan

12-52=FWD & AWD Van & Wgn Std W.B.

24=2-Door Hatchback

44=4-Door Hatchback

53=FWD & AWD Van & Wgn Ext. W.B.

27=2-Door Convertible

AR = Use as Required - = Non Illustrated Part P.A.R. = Paint as Required

GROUP ITS - S BODY

ILLUSTRATION TITLE	GROUP-FIG. NO.
COWL PANEL AND SILENCERS S BODY .....	Fig. ITS-100
HEADLINER AND VISOR S BODY .....	Fig. ITS-200
MOULDING--GARNISH S BODY .....	Fig. ITS-300
B PILLAR TRIM S BODY .....	Fig. ITS-400
PANEL--QUARTER TRIM S BODY W/112" WHEELBASE .....	Fig. ITS-500
PANEL--QUARTER TRIM S BODY W/119" WHEELBASE .....	Fig. ITS-600
LIFT GATE TRIM S BODY .....	Fig. ITS-700
TONNEAU COVER S BODY - EURO ONLY .....	Fig. ITS-750
CARPET S BODY .....	Fig. ITS-800
SCUFF PLATES S BODY .....	Fig. ITS-900
PANEL--DOOR TRIM FRONT S BODY .....	Fig. ITS-1000
PANEL--DOOR TRIM SLIDING S BODY .....	Fig. ITS-1100
SEAT--FRONT S BODY TRIM CODE H5,T5 .....	Fig. ITS-1200
SEAT--FRONT S BODY TRIM CODES C6,H6 .....	Fig. ITS-1300
SEAT--FRONT S BODY TRIM CODE H7,R7,Y7 .....	Fig. ITS-1400
SEAT--FRONT S BODY TRIM CODE EL,KL .....	Fig. ITS-1500
SEAT--FRONT S BODY TRIM CODES G7,GL .....	Fig. ITS-1600
BELT--FRONT SEAT S BODY .....	Fig. ITS-1700
RISER--RIGHT BUCKET SEAT AND STORAGE BOX S BODY .....	Fig. ITS-1800
SEAT--RECLINING AND NON-RECLINING - ARMREST AND SIDE SHIELDS AND ATTACHING PARTS S BODY .....	Fig. ITS-1900
ADJUSTER--MANUAL S BODY .....	Fig. ITS-2000
ADJUSTER--ELECTRIC AND LEFT RISER COVERS AND SHIELDS S BODY .....	Fig. ITS-2100
CHILD SEAT MODULE S BODY .....	Fig. ITS-2200
CHILD SEAT S BODY .....	Fig. ITS-2300
SEAT--REAR S BODY TRIM CODE H5,T5,H7 .....	Fig. ITS-2400
SEAT--REAR S BODY TRIM CODE H6 .....	Fig. ITS-2500
SEAT--REAR S BODY TRIM CODES R7,Y7 .....	Fig. ITS-2600
SEAT--REAR S BODY TRIM CODE EL,KL .....	Fig. ITS-2700
SEAT--REAR S BODY TRIM CODE G7,GL .....	Fig. ITS-2800
SEAT REAR--QUADS S BODY TRIM CODE H5,R7,Y7 .....	Fig. ITS-2900
SEAT--REAR QUADS S BODY TRIM CODE EL,GL,G7,KL .....	Fig. ITS-3000
ADJUSTERS - REAR SEATS COVERS-SHIELDS AND ATTACHING PARTS S BODY .....	Fig. ITS-3100
SEAT--REAR QUADS ADJUSTER, SIDE SHIELDS AND ATTACHING PARTS S BODY .....	Fig. ITS-3200
CONVERTABED 1ST REAR SEAT S BODY TRIM CODE H5 .....	Fig. ITS-3300
CONVERTABED 2ND REAR SEAT S BODY TRIM CODE H5 .....	Fig. ITS-3400
BELT--REAR SEAT QUAD INNER S BODY .....	Fig. ITS-3500
BELT--REAR SEAT LAP BELT S BODY .....	Fig. ITS-3600
BELT--REAR SEAT SHOULDER BELTS S BODY .....	Fig. ITS-3700
SEAT--REAR ATTACHMENTS FLOOR PAN S BODY .....	Fig. ITS-3800

ILLUSTRATION NOT AVAILABLE AT TIME OF PUBLICATION

---

**GROUP ITS - S BODY**

**ILLUSTRATION TITLE**

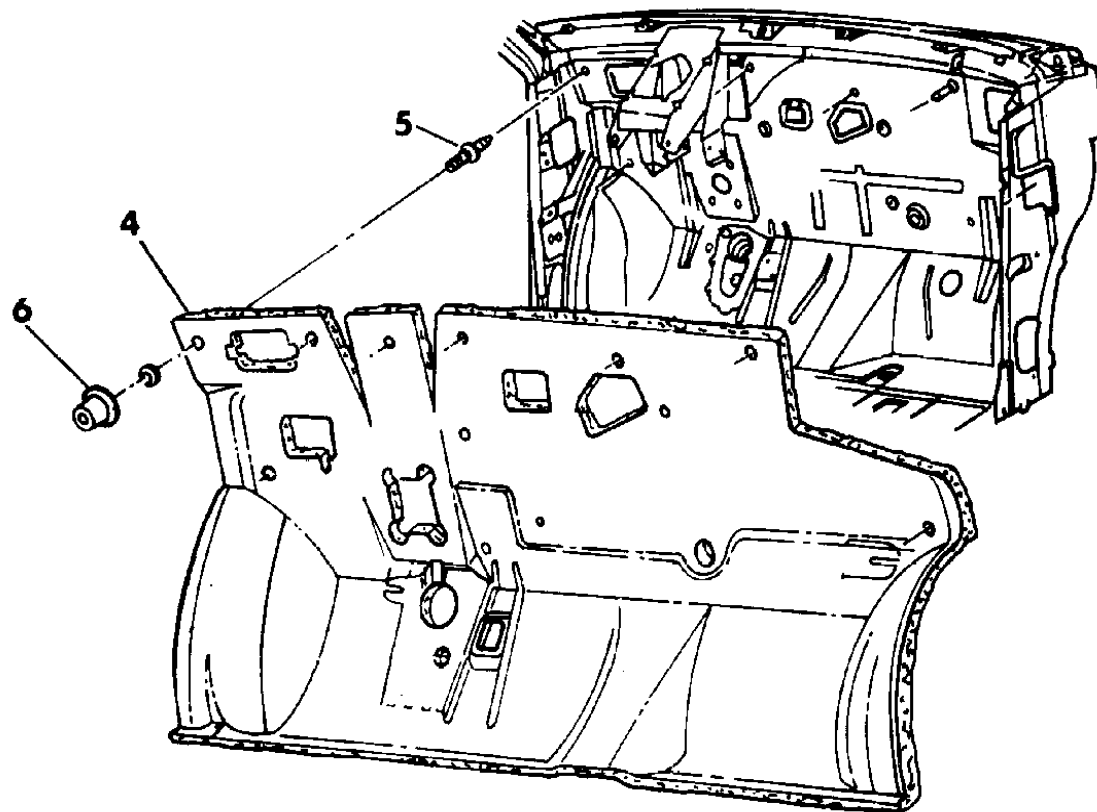
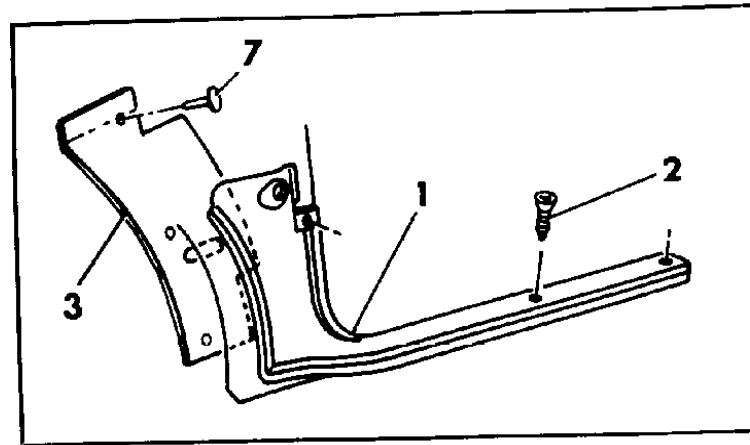
**GROUP-FIG. NO.**

**EMISSION LABELS (Continued)**

SEAT--REAR ATTACHMENTS FLOOR PAN S BODY .....	Fig. ITS-3800
RISERS - SEAT REAR 1ST POSITION SEAT S BODY .....	Fig. ITS-3900

**COWL PANEL AND SILENCERS S BODY**  
Figure ITS-100

93242 100



ITEM	PART NUMBER	QTY	BODY	MODEL	DESCRIPTION
1	FR02-3 KV4				COWL and SCUFF PLATE, (P.A.R.)
2		6			SCREW, (10-16x3/4) (Not Serv.)
3	3762 862	1			SILENCER, Cowl (36"x72" Cut To Fit)
4	4674 436	1			SILENCER, Dash Panel (24"x48"x1/4 Cut To Fit)
					SILENCER'S (EUROPEAN) ***
	4678 439	1			Dash Panel, Driver Side
	4678 444	1			Dash Panel, Passenger Side
	4678 440	1			Plenum, Passenger Side (Inside)
	4678 441	1			Plenum, Driver Side
	4678 442	1			Plenum, Passenger Side (Outboard)
	4678 433	1			Ventilator Top (w/o A/C)
	4678 430	1			Header Top
5	6034 188	AR			STUD, Dash Panel
6	6032 185	AR			CAPLUG
7	6026 430	8			RETAINER, Silencer

**MODEL CODES:**

A BODY=(C=LeBaron, D=Spirit, P=Acclaim/LaBaron(Landau), Saratoga) S BODY=(H=Voyager(H) FWD, K=Caravan(H) FWD, Y=Town & Country(H) FWD, P=Voyager(K) AWD, D=Caravan(K) AWD, C=Town & Country(K) AWD)  
 C BODY=(D=Dynasty, C=New Yorker/N.Y. Salon) Y BODY=(C=Imperial/5th Avenue)  
 G BODY=(V=Daytona/IROC, Chrysler Daytona) E-S BODY=(K=Chrysler Voyager(H) FWD, D=Chrysler Voyager(K) AWD)  
 J BODY=(C=LeBaron, Chrysler LeBaron)  
 P BODY=(P=Sundance, D=Shadow)

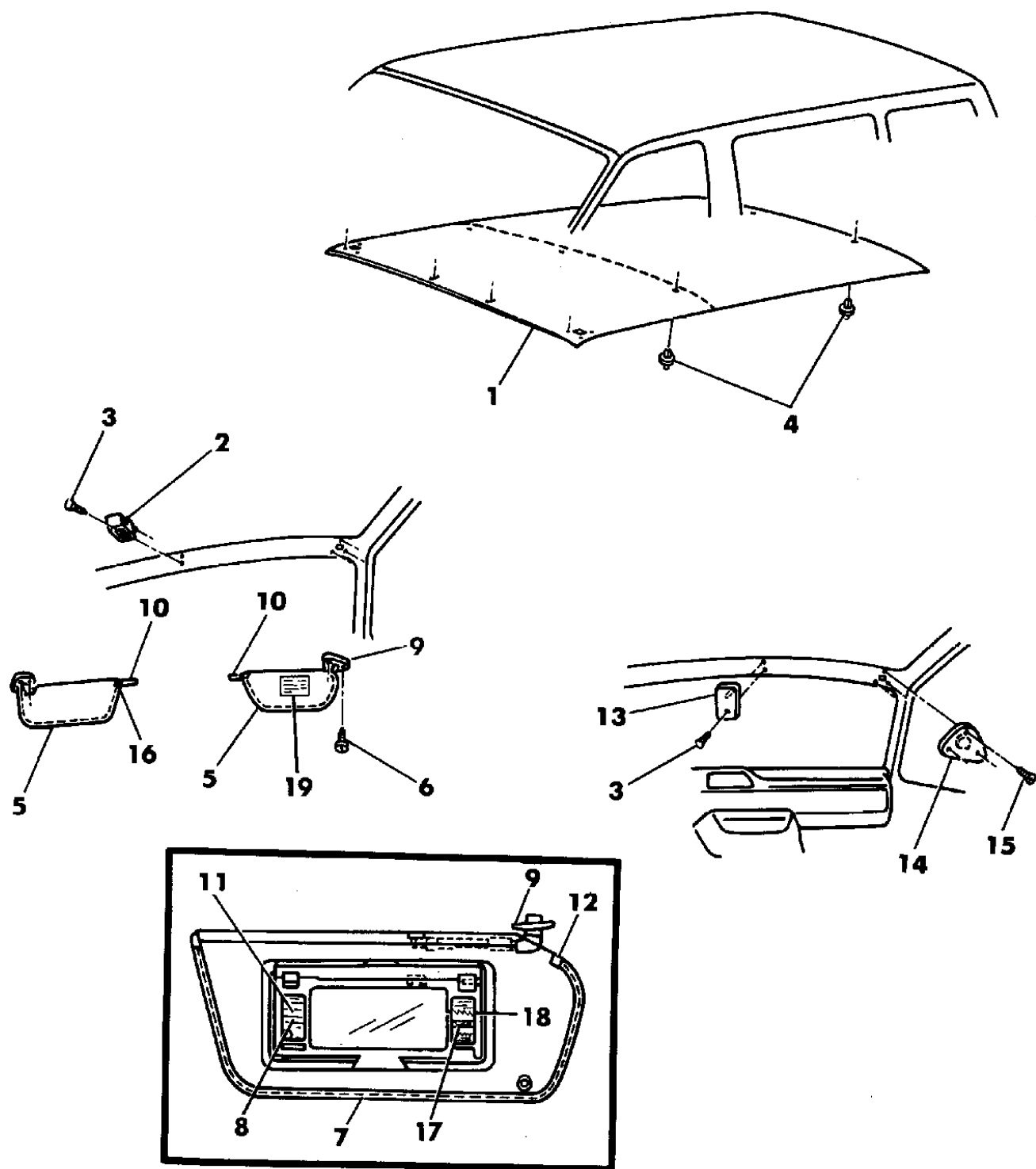
**BODY STYLES:**

21=2-Door Coupe      41=4-Door Sedan      12-52=FWD & AWD Van & Wgn Std W.B.  
 24=2-Door Hatchback      44=4-Door Hatchback      53=FWD & AWD Van & Wgn Ext. W.B.  
 27=2-Door Convertible

AR = Use as Required - = Non Illustrated Part P.A.R. = Paint as Required

**HEADLINER AND VISOR S BODY**  
Figure ITS-200

93242 200



ITEM	PART NUMBER	QTY	BODY	MODEL	DESCRIPTION
1					HEADLINER, Full (Cloth)
					w/112" Wheelbase
	HL64 MD5	1			Quartz
	HL64 MB7	1			Blue
	HL64 MMA	1			Red
	HL64 MV4	1			Champagne
					112" Wheelbase
	HL97 MB7	1			Blue, (EUROPEAN)
	HL97 MD5	1			Quartz, (EUROPEAN)
	HL97 MV4	1			Champagne, (EUROPEAN)
					Full - 53 - EUROPEAN ***
	JV92 MB7	1	53		Blue, (EUROPEAN)
	JV92 MD5	1	53		Quartz, (EUROPEAN)
	JV92 MV4	1	53		Champagne, (EUROPEAN)
					FRONT, (Cloth) Van
	ED50 KD5	1			Silver
	ED50 MMA	1			Red
	ED50 KV4	1			Champagne
	ED50 MB7	1			Blue
					FULL, Cloth w/119" Wheelbase (W/O SUNROOF)
	JV90 MD5	1			Quartz
	JV90 MB7	1			Blue
	JV90 MMA	1			Red
	4728 972	1			Champagne
					Front, w/119" Wheelbase
	H746 MB7	1	53		Blue
	H746 LD5	1	53		Quartz
	H746 MMA	1	53		Red
	H746 LV4	1	53		Champagne
					Front, w/119" Wheelbase (EUROPEAN)
	HB83 MB7	1	53		Blue, (European)
	HB83 MD5	1	53		Quartz, (European)
	HB83 MV4	1	53		Champagne, (European)
					Rear, w/119" Wheelbase
	H745 MB7	1	53		Blue
	H745 LD5	1	53		Quartz
	H745 MMA	1	53		Red
	H745 LV4	1	53		Champagne
	HB85 MV4	1	53		Champagne, (EUROPEAN)

**MODEL CODES:**

A BODY=(C=LeBaron, D=Spirit, P=Acclaim/LaBaron(Landau), Saratoga) S BODY=(H=Voyager(H) FWD, K=Caravan(H) FWD, Y=Town & Country(H) FWD, P=Voyager(K) AWD, D=Caravan(K) AWD, C=Town & Country(K) AWD)  
 C BODY=(D=Dynasty, C=New Yorker/N.Y. Salon) Y BODY=(C=Imperial/5th Avenue)  
 G BODY=(V=Daytona/ROC, Chrysler Daytona) E-S BODY=(K=Chrysler Voyager(H) FWD, D=Chrysler Voyager(K) AWD)  
 J BODY=(C=LeBaron, Chrysler LeBaron) P BODY=(P=Sundance, D=Shadow)

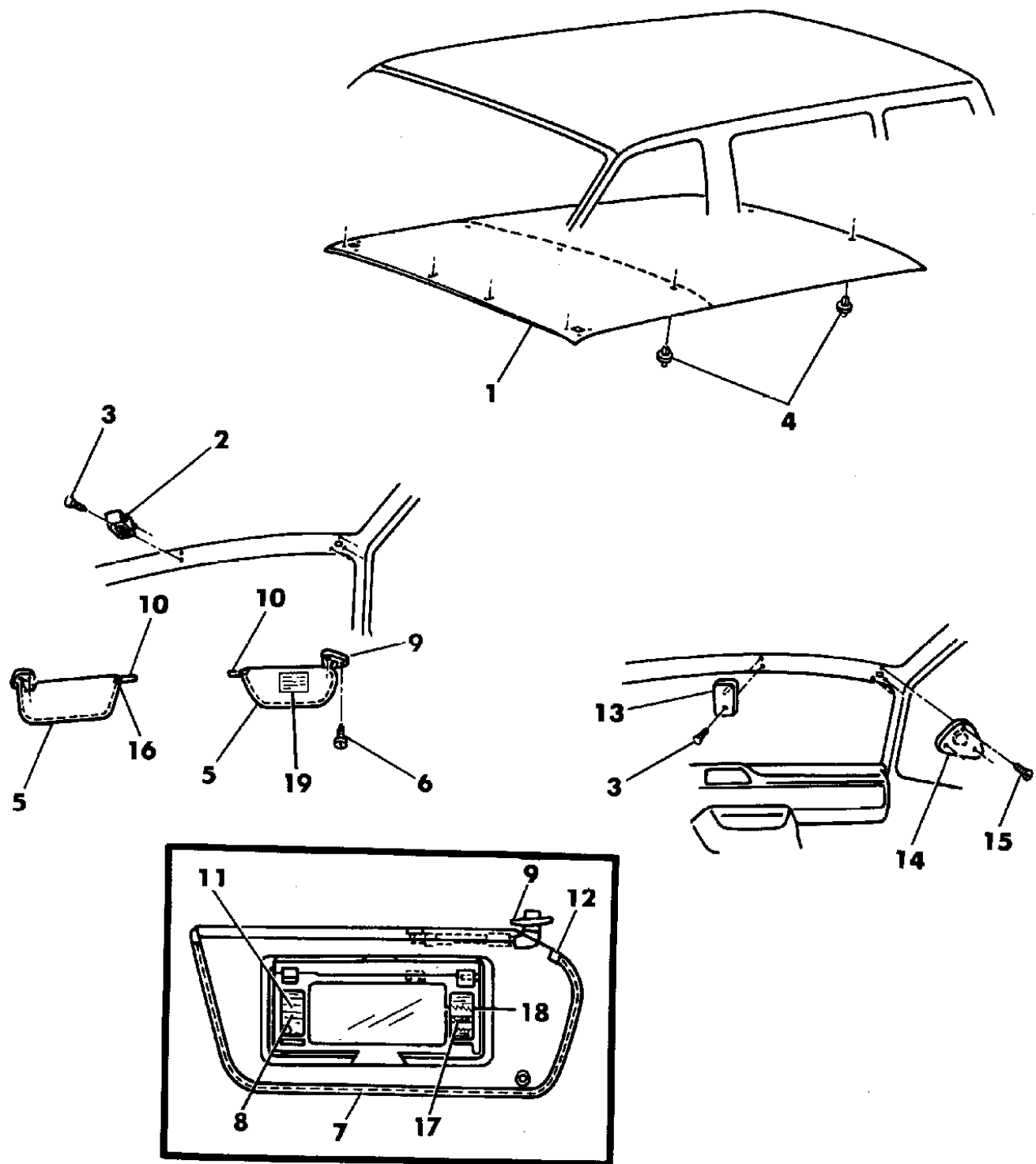
**BODY STYLES:**

21=2-Door Coupe 41=4-Door Sedan 12-52=FWD & AWD Van & Wgn Std W.B.  
 24=2-Door Hatchback 44=4-Door Hatchback 53=FWD & AWD Van & Wgn Ext. W.B.  
 27=2-Door Convertible

AR = Use as Required - = Non Illustrated Part P.A.R. = Paint as Required

**HEADLINER AND VISOR S BODY**  
Figure ITS-200

93242 200



ITEM	PART NUMBER	QTY	BODY	MODEL	DESCRIPTION
	HB85 MD5	1		53	Quartz, (EUROPEAN)
	HB85 MB7	1		53	Blue, (EUROPEAN)
	4706 627	1			FRONT, (Softboard)
	4547 695	1			w/112" Wheelbase
2					w/119" Wheelbase
					CLIP, Windshield Visor Retainer
	DF49 KD5	2			Quartz
	DF49 KB7	2			Blue
	DF49 LMA	2			Red
	DF49 KV4	2			Champagne
3		AR			SCREW, (8-18x3/4) (Not Serv.)
4					FASTENER, Headliner
	H452 KD5	AR			Quartz
	H452 MB7	AR			Blue
	H452 TM6	AR			Red
	H452 KV4	AR			Champagne
5					VISOR, w/Mirror w/o Arm and Bracket
					Left
	FG69 KD5	1			Quartz
	FG69 MB7	1			Blue
	FG69 MMA	1			Red
	FG69 KV4	1			Champagne
					VISOR, w/Mirror
					Right
	EA18 KD5	1			Quartz
	EA18 MB7	1			Blue
	EA18 MMA	1			Red
	EA18 KV4	1			Champagne
					VISOR, w/o Mirror and w/o Arm and Bracket (VINYL)
					Left
	FG83 KD5	1			Quartz
	FG83 KV4	1			Champagne
					Right
	H558 KD5	1			Quartz
	H558 KV4	1			Champagne
	4248 480	1			Arm and Bracket (Use With Vinyl Visor)
					MIRROR, (Only) Vanity For Right Side
	H322 KD5	1			Quartz
	H322 LM6	1			Red

**MODEL CODES:**

A BODY=(C=LeBaron, D=Spirit, P=Acclaim/LaBaron(Landau),  
Saratoga)  
C BODY=(D=Dynasty, C=New Yorker/N.Y. Salon)  
G BODY=(V=Daytona/ROC, Chrysler Daytona)  
J BODY=(C=LeBaron, Chrysler LeBaron)  
P BODY=(P=Sundance, D=Shadow)

S BODY=(H=Voyager(H) FWD, K=Caravan(H) FWD,  
Y=Town & Country(H) FWD, P=Voyager(K) AWD,  
D=Caravan(K) AWD, C=Town & Country(K) AWD)  
Y BODY=(C=Imperial/5th Avenue)  
E-S BODY=(K=Chrysler Voyager(H) FWD, D=Chrysler  
Voyager(K) AWD)

**BODY STYLES:**

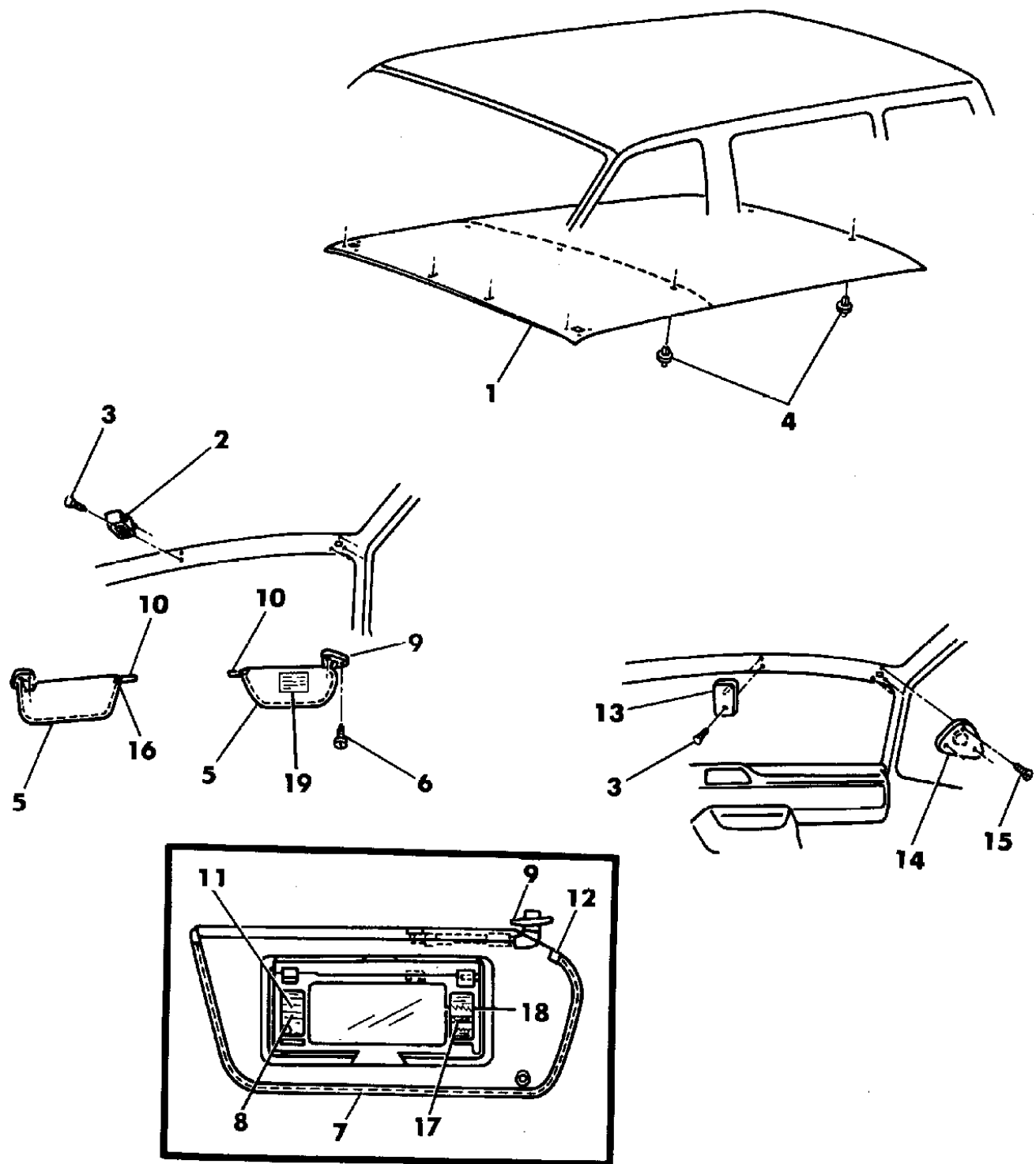
21=2-Door Coupe      41=4-Door Sedan      12-52=FWD & AWD Van & Wgn Std W.B.  
24=2-Door Hatchback      44=4-Door Hatchback      53=FWD & AWD Van & Wgn Ext. W.B.  
27=2-Door Convertible

AR = Use as Required - = Non Illustrated Part P.A.R. = Paint as Required



**HEADLINER AND VISOR S BODY**  
Figure ITS-200

93242 200



ITEM	PART NUMBER	QTY	BODY	MODEL	DESCRIPTION
	H322 KV4	1			Champagne
	H322 KB7	1			Blue
6	6032 584	AR			SCREW
7					VISOR, w/Illuminated Vanity Mirror Right
	DZ54 KD5	1			Quartz
	DZ54 MB7	1			Blue
	DZ54 MMA	1			Red
	DZ54 KV4	1			Champagne
					Left
	FG87 KD5	1			Quartz
	FG87 MB7	1			Blue
	FG87 MMA	1			Red
	FG87 KV4	1			Champagne
					VISOR, w/Mirror and Sliding Door (Cloth) w/o Arm and Bracket
	FP48-9 LD5	1			Quartz
	FP48-9 MB7	1			Blue
	FP48-9 MMA	1			Red
	FP48-9 LV4	1			Champagne
					Left, w/o Mirror
	FG79 KD5	1			Quartz, (EUROPEAN)
					Left, w/Arm and Bracket (Complete)
	FG81 KD5	1			Quartz, (EUROPEAN)
					VISOR, Complete w/Arm and Bracket & Mirror
	FP50-1 MB7	1			Blue
	FP50-1 LD5	1			Quartz
	FP50-1 MMA	1			Red
	FP50-1 LV4	1			Champagne
8	4620 137	1			LENS/BUTTON, Illuminated Vanity Mirror (Left) ***
9					ARM and BRACKET
	EH60-1 MB7	1			Blue
	EH60-1 KD5	1			Quartz
	EH60-1 MM6	1			Red
	EH60-1 KV4	1			Champagne
10	2789 037	2			TIP, Visor Panel Inner Support w/o Mirror w/Mirror (Van w/o Windows) ***
	H315 CX9	AR			
11	9433 184	1			BULB, Vanity Mirror (Used With DZ54)
12	1490 983	AR			CLIP
13	H457 DA1	1			PLUG, Support Right

**MODEL CODES:**

A BODY=(C=LeBaron, D=Spirit, P=Acclaim/LaBaron(Landau),  
Saratoga)  
C BODY=(D=Dynasty, C=New Yorker/N.Y. Salon)  
G BODY=(V=Daytona/ROC, Chrysler Daytona)  
J BODY=(C=LeBaron, Chrysler LeBaron)  
P BODY=(P=Sundance, D=Shadow)

S BODY=(H=Voyager(H) FWD, K=Caravan(H) FWD,  
Y=Town & Country(H) FWD, P=Voyager(K) AWD,  
D=Caravan(K) AWD, C=Town & Country(K) AWD)  
Y BODY=(C=Imperial/5th Avenue)  
E-S BODY=(K=Chrysler Voyager(H) FWD, D=Chrysler  
Voyager(K) AWD)

**BODY STYLES:**

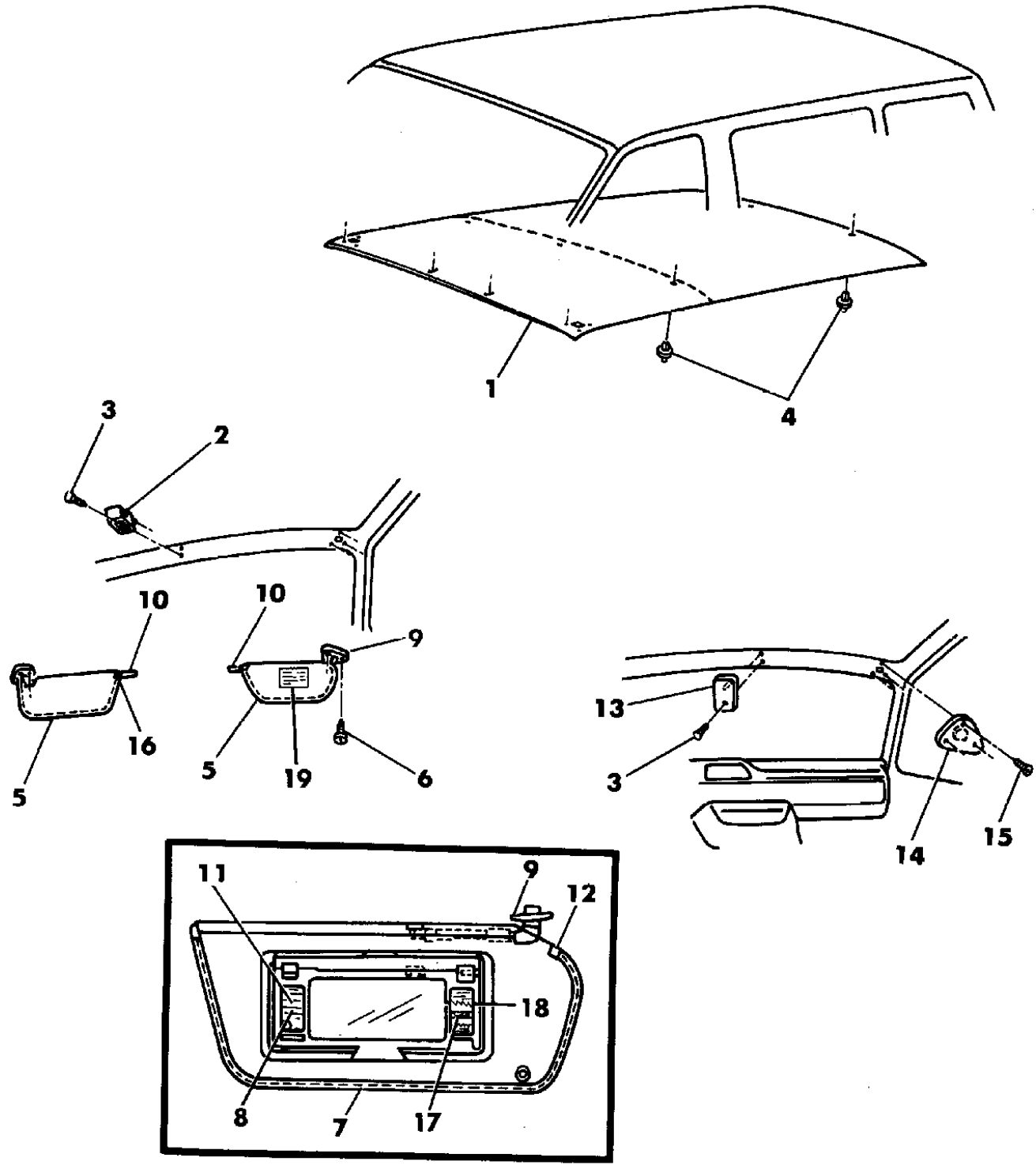
21=2-Door Coupe      41=4-Door Sedan      12-52=FWD & AWD Van & Wgn Std W.B.  
24=2-Door Hatchback      44=4-Door Hatchback      53=FWD & AWD Van & Wgn Ext. W.B.  
27=2-Door Convertible

AR = Use as Required - = Non Illustrated Part P.A.R. = Paint as Required

HEADLINER AND VISOR S BODY  
Figure ITS-200

93242 200

ITEM	PART NUMBER	QTY	BODY	MODEL	DESCRIPTION
14	4282 388	1			BRACKET, Plate w/o Visor Right
15	6032 584	AR			SCREW
16	4507 170	1			TIP, Visor Inner Support (For Model 50 Wagon)
17	6501 966	2			BULB, Vanity Mirror (Use With FG87)
18	4620 136	1			LENS/BUTTON, Illuminated Vanity Mirror (Right) ***
19					LABEL
	4681 235	1			Passive Restraint Visor (French)
	4681 233	1			For Passive Restraint Visor



MODEL CODES:

A BODY=(C=LeBaron, D=Spirit, P=Acclaim/LaBaron(Landau, Saratoga) S BODY=(H=Voyager(H) FWD, K=Caravan(H) FWD, Y=Town & Country(H) FWD, P=Voyager(K) AWD, D=Caravan(K) AWD, C=Town & Country(K) AWD)  
 C BODY=(D=Dynasty, C=New Yorker/N.Y. Salon)  
 G BODY=(V=Daytona/IROC, Chrysler Daytona)  
 J BODY=(C=LeBaron, Chrysler LeBaron)  
 P BODY=(P=Sundance, D=Shadow)  
 Y BODY=(C=Imperial/5th Avenue)  
 E-S BODY=(K=Chrysler Voyager(H) FWD, D=Chrysler Voyager(K) AWD)

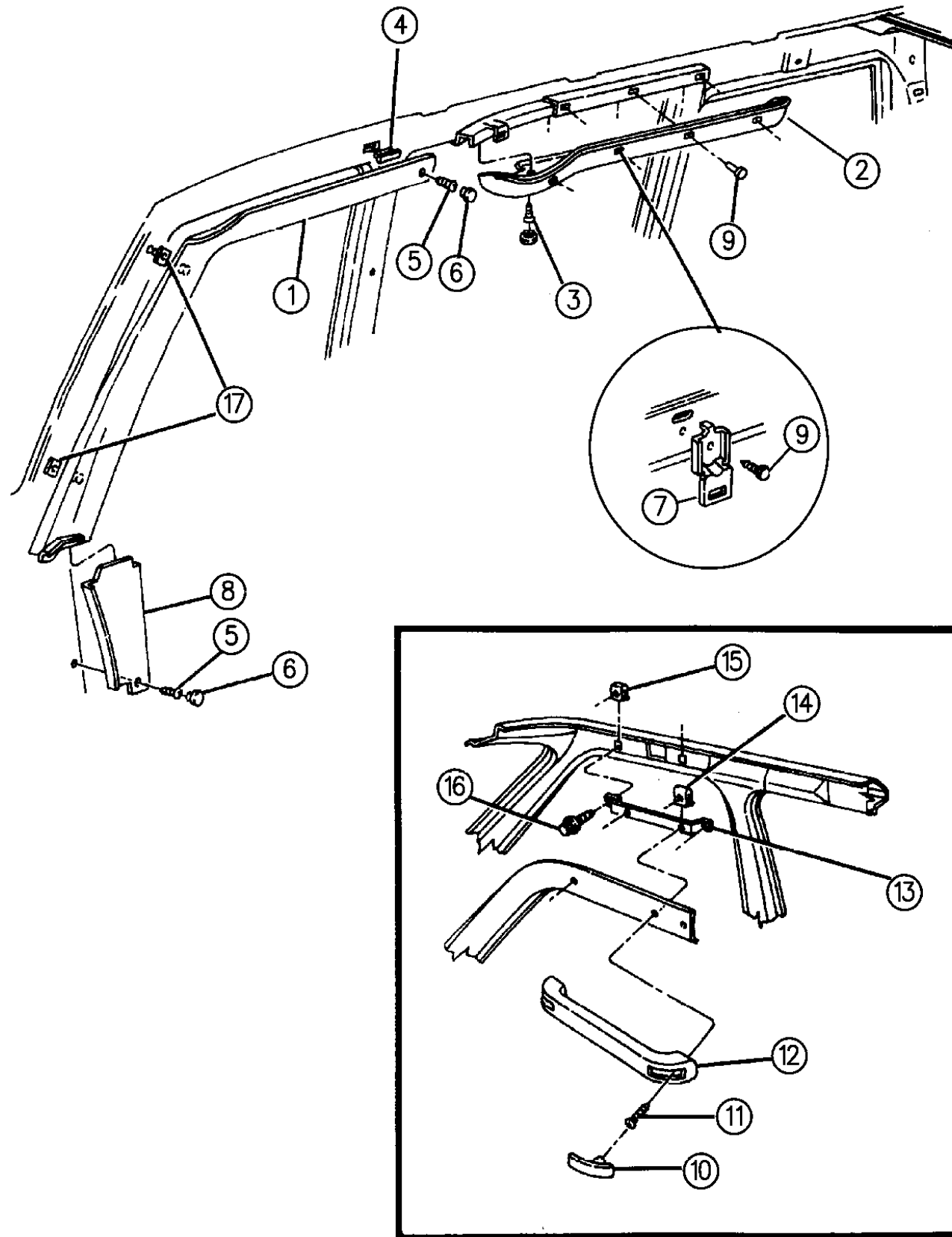
BODY STYLES:

21=2-Door Coupe      41=4-Door Sedan      12-52=FWD & AWD Van & Wgn Std W.B.  
 24=2-Door Hatchback      44=4-Door Hatchback      53=FWD & AWD Van & Wgn Ext. W.B.  
 27=2-Door Convertible

AR = Use as Required - = Non Illustrated Part P.A.R. = Paint as Required

**MOULDING--GARNISH S BODY**  
Figure ITS-300

93242 300A



ITEM	PART NUMBER	QTY	BODY	MODEL	DESCRIPTION
1					MOULDING, Windshield Side
					RIGHT
	EV46 KD5	1			Quartz
	EV46 MB7	1			Blue
	EV46 MM6	1			Red
	EV46 KV4	1			Champagne
					LEFT
	EV47 KD5	1			Quartz
	EV47 MB7	1			Blue
	EV47 MM6	1			Red
	EV47 KV4	1			Champagne
					RIGHT - All Markets & Grab Handles
	FS12 KD5	1			Quartz, (European)
	FS12 MB7	1			Blue, (European)
	FS12 MM6	1			Red, (European)
	FS12 KV4	1			Champagne, (European)
2	EP74 KV4	1			COVER, Sliding Door Upper Track (P.A.R.)
3		7			SCREW, (8-18x5/8) (Not Serv.)
4	6032 061	2			NUT, Windshield Side and Roof Rail Moulding
5	6032 456	2			SCREW
6	F450 KV4	AR			PLUG, Trim (P.A.R.)
7	4309 149	1			BRACKET, Cover Attaching
8					MOULDING, Side (Lower)
	FA36-7 KD5	1			Quartz
	FA36-7 MB7	1			Blue
	FA36-7 MM6	1			Red
	FA36-7 KV4	1			Champagne
9					FASTENER
	F451 MM6	3			Red
	F451 KD5	3			Quartz
	F451 MB7	3			Blue
	F451 KV4	3			Champagne
10					PLUG, Roof Grab Handle
	H526 HD5	2			Quartz
	H526 KB7	2			Blue
	H526 KM6	2			Red
	H526 KV4	2			Champagne
11	6101 240	2			SCREW
12					HANDLE, Roof Grab

**MODEL CODES:**

A BODY=(C=LeBaron, D=Spirit, P=Acclaim/LaBaron(Landau), Saratoga) S BODY=(H=Voyager(H) FWD, K=Caravan(H) FWD, Y=Town & Country(H) FWD, P=Voyager(K) AWD, D=Caravan(K) AWD, C=Town & Country(K) AWD)  
 C BODY=(D=Dynasty, C=New Yorker/N.Y. Salon) Y BODY=(C=Imperial/5th Avenue)  
 G BODY=(V=Daytona/IROC, Chrysler Daytona) E-S BODY=(K=Chrysler Voyager(H) FWD, D=Chrysler Voyager(K) AWD)  
 J BODY=(C=LeBaron, Chrysler LeBaron) P BODY=(P=Sundance, D=Shadow)

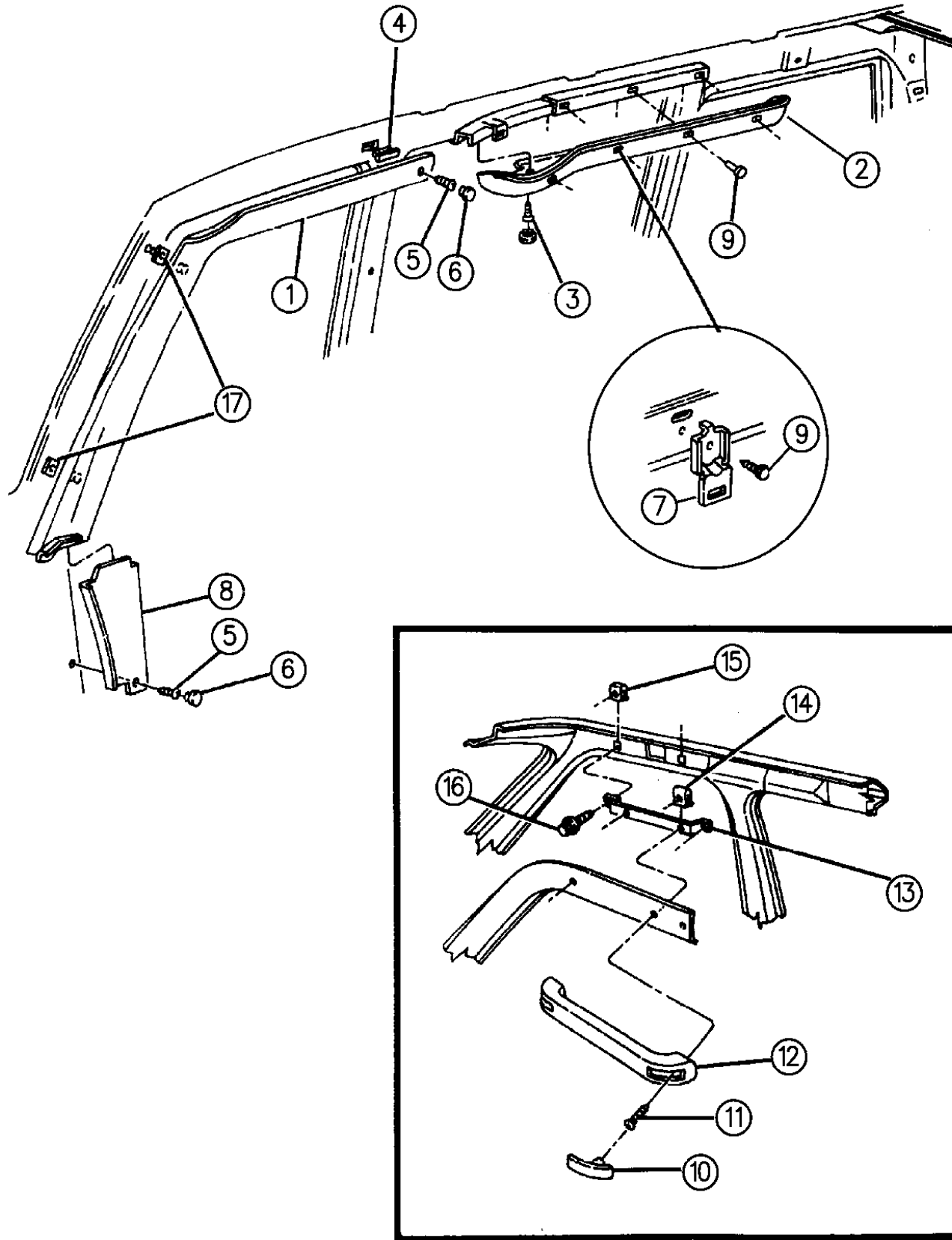
**BODY STYLES:**

21=2-Door Coupe      41=4-Door Sedan      12-52=FWD & AWD Van & Wgn Std W.B.  
 24=2-Door Hatchback      44=4-Door Hatchback      53=FWD & AWD Van & Wgn Ext. W.B.  
 27=2-Door Convertible

AR = Use as Required - = Non Illustrated Part P.A.R. = Paint as Required

MOULDING--GARNISH S BODY  
Figure ITS-300

93242 300A



ITEM	PART NUMBER	QTY	BODY	MODEL	DESCRIPTION
	H882 HD5	1			Quartz
	H882 MB7	1			Blue
	H882 KM6	1			Red
	H882 KV4	1			Champagne
13	5255 340	1			BRACKET
14	6100 040	2			U-NUT, Right Side
15	6100 041	2			U-NUT, Right Side
16	6100 275	2			SCREW and WASHER
17	4453 467	4			FASTENER

NOTE: (P.A.R.) = Paint As Required

**MODEL CODES:**

A BODY=(C=LeBaron, D=Spirit, P=Acclaim/LaBaron(Landau),  
Saratoga)  
C BODY=(D=Dynasty, C=New Yorker/N.Y. Salon)  
G BODY=(V=Daytona/IROC, Chrysler Daytona)  
J BODY=(C=LeBaron, Chrysler LeBaron)  
P BODY=(P=Sundance, D=Shadow)

S BODY=(H=Voyager(H) FWD, K=Caravan(H) FWD,  
Y=Town & Country(H) FWD, P=Voyager(K) AWD,  
D=Caravan(K) AWD, C=Town & Country(K) AWD)  
Y BODY=(C=Imperial/5th Avenue)  
E-S BODY=(K=Chrysler Voyager(H) FWD, D=Chrysler  
Voyager(K) AWD)

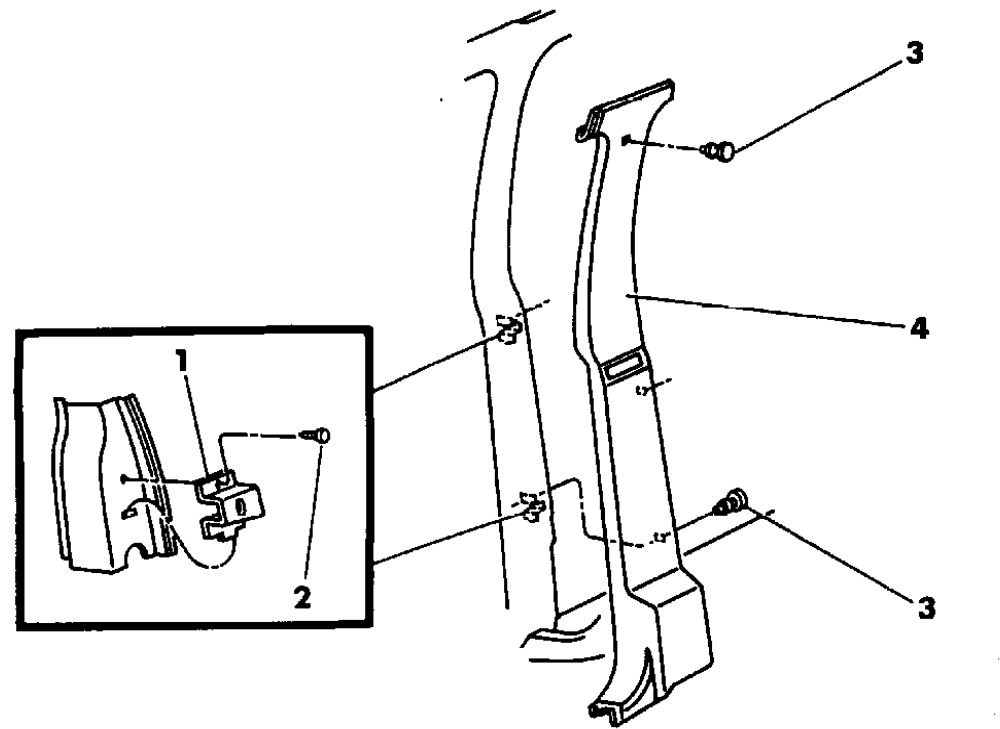
**BODY STYLES:**

21=2-Door Coupe      41=4-Door Sedan      12-52=FWD & AWD Van & Wgn Std W.B.  
24=2-Door Hatchback      44=4-Door Hatchback      53=FWD & AWD Van & Wgn Ext. W.B.  
27=2-Door Convertible

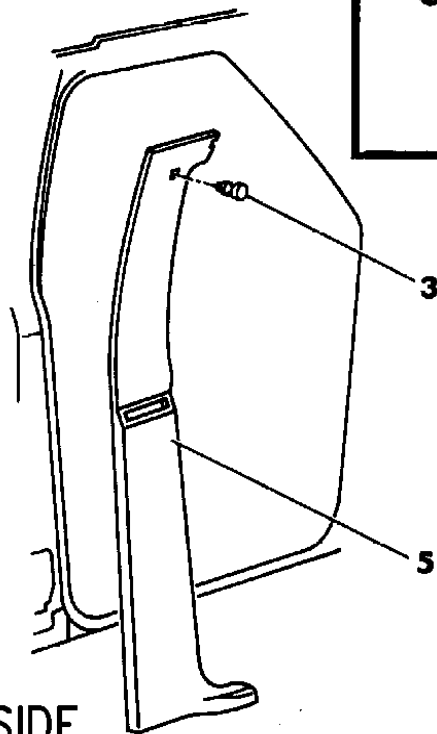
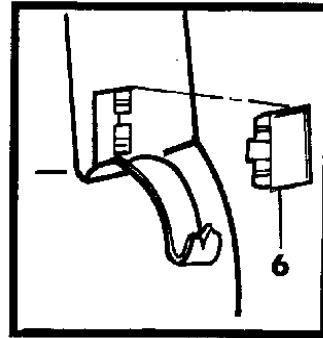
AR = Use as Required - = Non Illustrated Part P.A.R. = Paint as Required

**B PILLAR TRIM S BODY**  
Figure ITS-400

93242 400



RIGHT SIDE



LEFT SIDE

ITEM	PART NUMBER	QTY	BODY	MODEL	DESCRIPTION
1					BRACKET, Trim Cover Attaching
	4521 380	2			Right
2		AR			SCREW, (8-18x5/8) (Not Serv.)
3					SCREW, (Not Serv.)
4					COVER, B Pillar
	FW48 MD5	1			RIGHT, (P.A.R.)
5					COVER, B Pillar
	FW49 MD5			12-13	LEFT, (P.A.R.)
				52-53	See Illustration 500 or 600 - Quarter Trim Panels Upper and Lower
6	F284 KV4	1			COVER, Center Pillar Shoulder Belt Access (P.A.R.)

**MODEL CODES:**

A BODY=(C=LeBaron, D=Spirit, P=Acclaim/LaBaron(Landau),  
Saratoga)  
C BODY=(D=Dynasty, C=New Yorker/N.Y. Salon)  
G BODY=(V=Daytona/IROC, Chrysler Daytona)  
J BODY=(C=LeBaron, Chrysler LeBaron)  
P BODY=(P=Sundance, D=Shadow)

S BODY=(H=Voyager(H) FWD, K=Caravan(H) FWD,  
Y=Town & Country(H) FWD, P=Voyager(K) AWD,  
D=Caravan(K) AWD, C=Town & Country(K) AWD)  
Y BODY=(C=Imperial/5th Avenue)  
E-S BODY=(K=Chrysler Voyager(H) FWD, D=Chrysler  
Voyager(K) AWD)

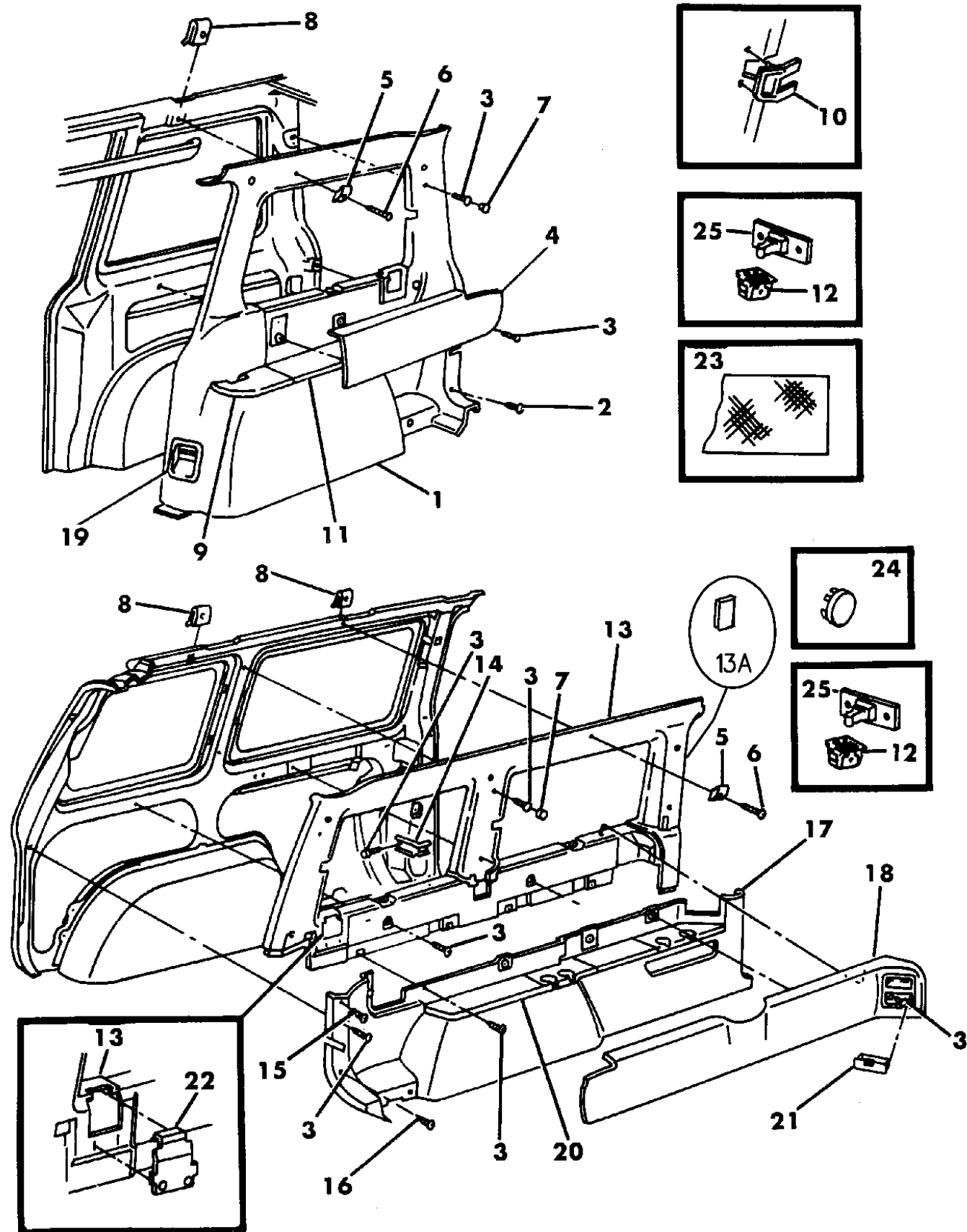
**BODY STYLES:**

21=2-Door Coupe      41=4-Door Sedan      12-52=FWD & AWD Van & Wgn Std W.B.  
24=2-Door Hatchback      44=4-Door Hatchback      53=FWD & AWD Van & Wgn Ext. W.B.  
27=2-Door Convertible

AR = Use as Required - = Non Illustrated Part P.A.R. = Paint as Required

PANEL--QUARTER TRIM S BODY W/112" WHEELBASE  
Figure ITS-500

93242 500C



ITEM	PART NUMBER	QTY	BODY	MODEL	DESCRIPTION
1					PANEL, Quarter Trim Rear (P.A.R.) (See Note At The End Of Page)
	HC40 LV4	1			5-Passenger(Right)
	HC42 LV4	1			7-Passenger (Right)
					7-PASSENGER (EUROPEAN)
					Right
	JS37 MB7	1			Blue
	JS37 MV4	1			Champagne
	JS37 MD5	1			Quartz
2	6100 275	AR			SCREW
3					SCREW, (.190-16x.500)
4					BOLSTER, Quarter Trim (Right)
	EY28 LD5	1			Quartz, (H5D,R7D,H7D)
	EY28 MB7	1			Blue, (H5B,R7B,H7B)
	EY28 MMA	1			Red, (H5M,R7M)
	EY28 KVV	1			Champagne, (H5V,R7V,H7V)
	FR28 LD5	1			Quartz, (Y7D)
	FR28 LV4	1			Champagne, (Y7V)
	FR28 MB7	1			Blue, (Y7B)
	EY30 KD5	1			Quartz, (ELD,H6D,KLD)
	EY30 MMA	1			Red, (ELM,H6M)
	EY30 KV4	1			Champagne, (ELV,H6V,KLV)
	EY30 MB7	1			Blue, (H6B)
	EY32 KD5	1			Quartz, (T5D)
	EY32 MMA	1			Red, (T5M)
	EY32 KV4	1			Champagne, (T5V)
	EY32 MB7	1			Blue, (T5B)
5					HOOK, Coat
	AC30 KD5	3			Quartz
	AC30 MB7	3			Blue
	AC30 MM6	3			Red
	AC30 KV4	3			Champagne
6					SCREW, (8-18x3/4) (Not Serv.)
7	F450 KV4	AR			PLUG, (P.A.R.)
8	0152 490	3			U-NUT
9	K916 KV4	1			COVER, Quarter Trim Wheelhouse Seat Belt Access
10					BEZEL, Quarter Window Latch (P.A.R.)
	AL26-7 KV4	1			w/Manual Window
	AL28-9 KV4	1			w/Remote Window

MODEL CODES:

A BODY=(C=LeBaron, D=Spirit, P=Acclaim/LaBaron(Landau), Saratoga) S BODY=(H=Voyager(H) FWD, K=Caravan(H) FWD, Y=Town & Country(H) FWD, P=Voyager(K) AWD, D=Caravan(K) AWD, C=Town & Country(K) AWD)  
 C BODY=(D=Dynasty, C=New Yorker/N.Y. Salon) Y BODY=(C=Imperial/5th Avenue)  
 G BODY=(V=Daytona/IROC, Chrysler Daytona) E-S BODY=(K=Chrysler Voyager(H) FWD, D=Chrysler Voyager(K) AWD)  
 J BODY=(C=LeBaron, Chrysler LeBaron) P BODY=(P=Sundance, D=Shadow)

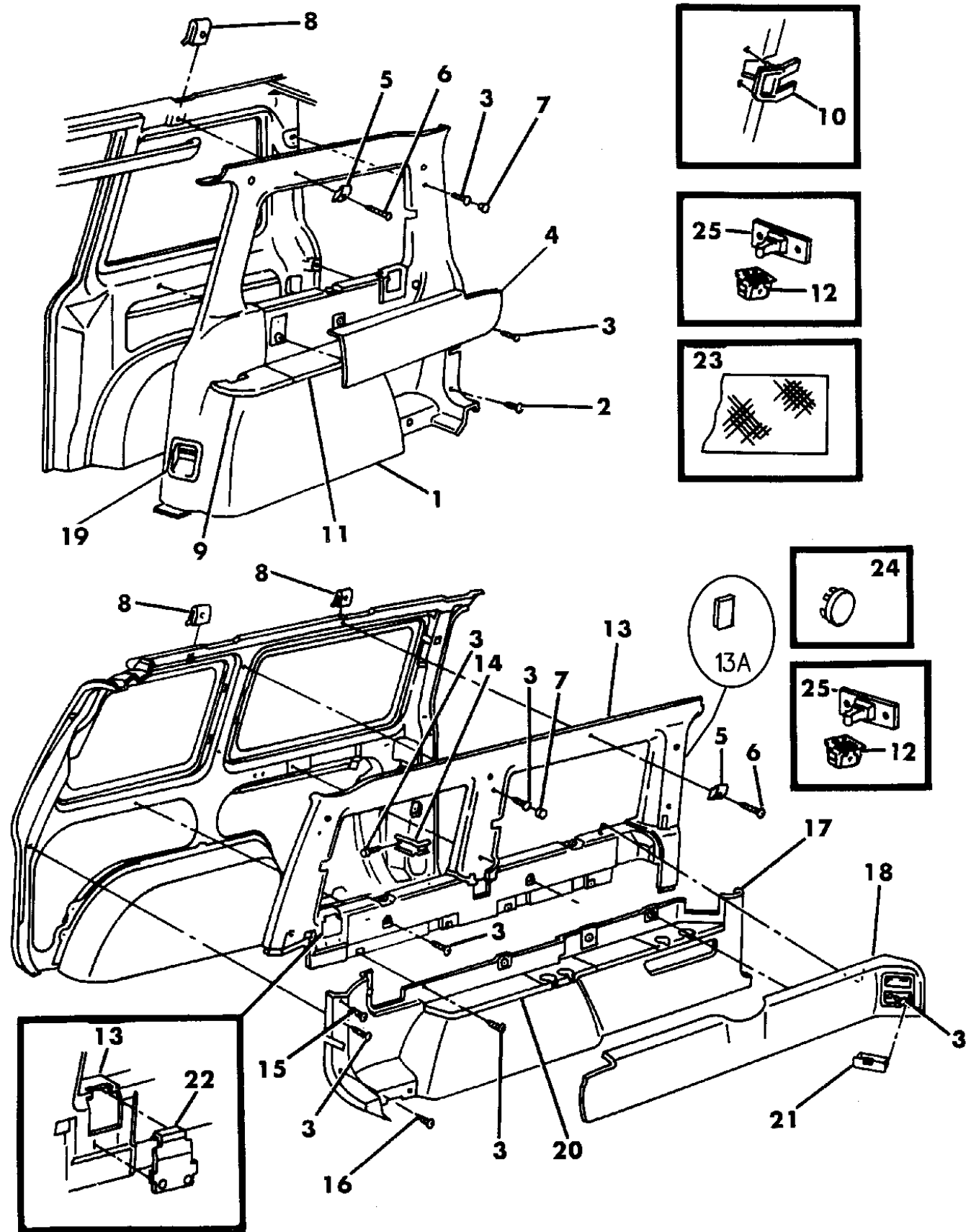
BODY STYLES:

21=2-Door Coupe 41=4-Door Sedan 12-52=FWD & AWD Van & Wgn Std W.B.  
 24=2-Door Hatchback 44=4-Door Hatchback 53=FWD & AWD Van & Wgn Ext. W.B.  
 27=2-Door Convertible

AR = Use as Required - = Non Illustrated Part P.A.R. = Paint as Required

PANEL--QUARTER TRIM S BODY W/112" WHEELBASE  
Figure ITS-500

93242 500C



ITEM	PART NUMBER	QTY	BODY	MODEL	DESCRIPTION
11					BIN and ARMREST, Rear Quarter Storage (Right)
	K914 KD5	1			Quartz
	K914 MB7	1			Blue
	K914 MM6	1			Red
	K914 KV4	1			Champagne
12	4247 211	2			CATCH, Storage Bin
13					PANEL, Quarter Trim Upper
	HR61 MB7	1			Blue
	HR61 MD5	1			Quartz
	HR61 MM6	1			Red
	HR61 MV4	1			Champagne
13A		1			PLUG, Quarter Panel Upper (Left) (Serviced With Quarter Panel)
14	4620 119	1			BRACKET, Trim Panel Attaching
15		AR			SCREW, (Not Serv.)
16		AR			SCREW, (8-18x1/2) Not Serv.
17					PANEL, Quarter Trim Lower Left (P.A.R.)
	ET07 KV4	1			5-Passenger - 1 Storage Bin
	ES99 KV4	1			7-Passenger - 2 Storage Bins
18					BOLSTER, Quarter Panel (Left)
	EY29 MB7	1			Blue, (R7B,H5B,H7B)
	EY29 LD5	1			Quartz, (R7D,H5D,H7D)
	EY29 MMA	1			Red, (R7M,H5M)
	EY29 KVV	1			Champagne, (R7V,H5V,H7V)
	FR27 LD5	1			Quartz, (Y7D)
	FR27 LV4	1			Champagne, (Y7V)
	FR27 MB7	1			Blue, (Y7B)
	EY31 MB7	1			Blue, (H6B)
	EY31 KD5	1			Quartz, (H6D,ELD,KLD)
	EY31 MMA	1			Red, (H6M,ELM)
	EY31 KV4	1			Champagne, (H6V,ELV,KLV)
	EY33 KD5	1			Quartz, (T5D)
	EY33 MMA	1			Red, (T5M)
	EY33 KV4	1			Champagne, (T5V)
	EY33 MB7	1			Blue, (T5B)
19					BEZEL, Seat Belt
	FL72 MB7	1			Blue
	FL72 KD5	1			Quartz
	FL72 MM6	1			Red
	FL72 KV4	1			Champagne

MODEL CODES:

A BODY=(C=LeBaron, D=Spirit, P=Acclaim/LaBaron(Landau), Saratoga) S BODY=(H=Voyager(H) FWD, K=Caravan(H) FWD, Y=Town & Country(H) FWD, P=Voyager(K) AWD, D=Caravan(K) AWD, C=Town & Country(K) AWD)  
 C BODY=(D=Dynasty, C=New Yorker/N.Y. Salon) Y BODY=(C=Imperial/5th Avenue)  
 G BODY=(V=Daytona/IROC, Chrysler Daytona) E-S BODY=(K=Chrysler Voyager(H) FWD, D=Chrysler Voyager(K) AWD)  
 J BODY=(C=LeBaron, Chrysler LeBaron) P BODY=(P=Sundance, D=Shadow)

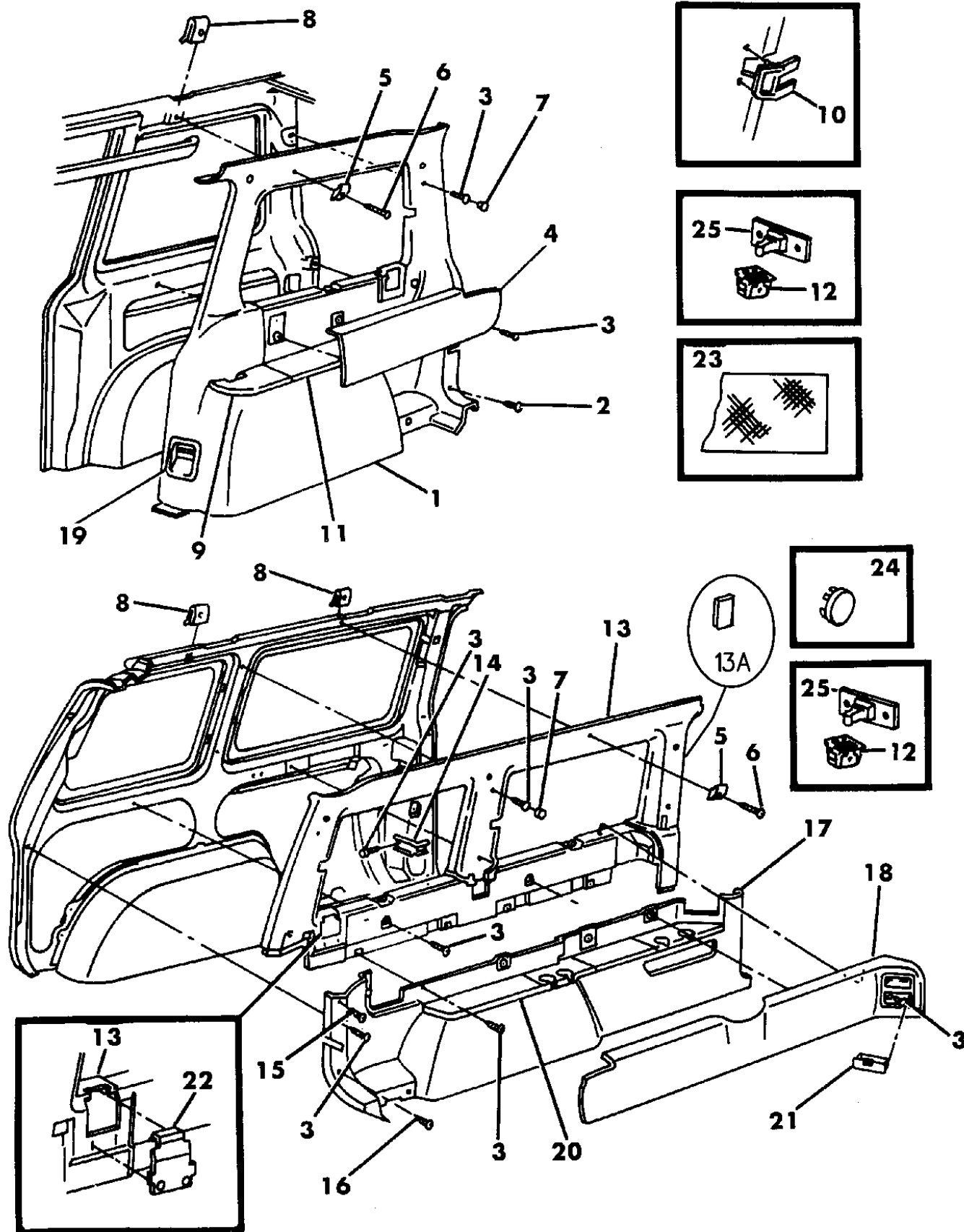
BODY STYLES:

21=2-Door Coupe 41=4-Door Sedan 12-52=FWD & AWD Van & Wgn Std W.B.  
 24=2-Door Hatchback 44=4-Door Hatchback 53=FWD & AWD Van & Wgn Ext. W.B.  
 27=2-Door Convertible

AR = Use as Required - = Non Illustrated Part P.A.R. = Paint as Required

PANEL--QUARTER TRIM S BODY W/112" WHEELBASE  
Figure ITS-500

93242 500C



ITEM	PART NUMBER	QTY	BODY	MODEL	DESCRIPTION
20					BIN and ARMREST, (Left)
					Front
	K907 KD5	1			Quartz
	K907 MB7	1			Blue
	K907 MM6	1			Red
	K907 KV4	1			Champagne
					Rear
	K915 MM6	1			Red
	K915 KD5	1			Quartz
	K915 MB7	1			Blue
	K915 KV4	1			Champagne
21	4521 804	1			SNUFFER, Ash Receiver
-	4620 269	1			ASH RECEIVER ASSY
22	AQ29 KV4	1			COVER, Quarter Panel Rear Seat Belt
23	4186 901	AR			SILENCER, (36"x72" Cut To Fit)
24	AZ78 KV4	1			PLUG, Quarter Panel Seat Belt Turning Loop
25					STRIKER, Storage Bin (Not Serv.)
26	6100 040	8			U-NUT
27		6			NUT, (M6x1.0) Not Serv.
28	4674 442	3			BRACKET
29	6100 275	8			SCREW and WASHER
30					HANDLE, Roof Grab
	H882 MB7	4			Blue
	H882 HD5	4			Quartz
	H882 KV4	4			Champagne
31	6101 240	8			SCREW
32					PLUG
	H526 KB7	8			Blue
	H526 HD5	8			Quartz
	H526 KV4	8			Champagne

NOTE: (P.A.R. = Paint As Required)  
NOTE: Openings must be cut in right quarter panel to install storage bin and ash receiver

MODEL CODES:

A BODY=(C=LeBaron, D=Spirit, P=Acclaim/LaBaron(Landau, Saratoga) S BODY=(H=Voyager(H) FWD, K=Caravan(H) FWD, Y=Town & Country(H) FWD, P=Voyager(K) AWD, D=Caravan(K) AWD, C=Town & Country(K) AWD)  
C BODY=(D=Dynasty, C=New Yorker/N.Y. Salon) Y BODY=(C=Imperial/5th Avenue)  
G BODY=(V=Daytona/IROC, Chrysler Daytona) E-S BODY=(K=Chrysler Voyager(H) FWD, D=Chrysler Voyager(K) AWD)  
J BODY=(C=LeBaron, Chrysler LeBaron)  
P BODY=(P=Sundance, D=Shadow)

BODY STYLES:

21=2-Door Coupe 41=4-Door Sedan 12-52=FWD & AWD Van & Wgn Std W.B.  
24=2-Door Hatchback 44=4-Door Hatchback 53=FWD & AWD Van & Wgn Ext. W.B.  
27=2-Door Convertible

AR = Use as Required - = Non Illustrated Part P.A.R. = Paint as Required



PANEL--QUARTER TRIM S BODY W/119" WHEELBASE  
Figure ITS-600

93242 600

ITEM	PART NUMBER	QTY	BODY	MODEL	DESCRIPTION
1	FF36 KV4	1			PANEL, Quarter Trim Rear (P.A.R.)
					EUROPEAN
	JS36 MB7	1			Blue
	JS36 MD5	1			Quartz
2	JS36 MV4	1			Champagne
					HOOK, Coat
	AC30 KD5	3			Quartz
	AC30 MB7	3			Blue
3	AC30 MM6	3			Red
	AC30 KV4	3			Champagne
					SCREW, (8-18x3/4) (Not Serv.)
					PLUG, (P.A.R.)
4	F450 KV4	AR			SCREW, (Not Serv.)
6					BOLSTER, Quarter Trim
	EX00 KV4	1			Champagne, (GLV,G7V)
	EX00 MW8	1			Quartz, (GLDW)
	EW94 LD5	1			Quartz, (R7D,H5D,H7D)
	EW94 MB7	1			Blue, (R7B,H5B,H7B)
	EW94 MMA	1			Red, (R7M,H5M)
	EW94 KVV	1			Champagne, (R7V,H5V,H7V)
	FR08 LD5	1			Quartz, (Y7D)
	FR08 LV4	1			Champagne, (Y7V)
	FR08 MB7	1			Blue, (Y7B)
	EW96 KD5	1			Quartz, (ELD,H6D,KLD)
	EW96 MMA	1			Red, (ELM,H6M)
	EW96 KV4	1			Champagne, (ELV,H6V,KLV)
EW96 MB7	1			Blue, (H6B)	
7	0153 341	AR			SCREW
8	0152 490	3			U-NUT
9					BIN and ARMREST, Rear Quarter Storage (Right)
	K914 KD5	1			Quartz
	K914 MB7	1			Blue
	K914 MM6	1			Red
10	K914 KV4	1			Champagne
					BEZEL, Quarter Window Latch (P.A.R.)
	AL26-7 KV4	1			w/Manual Window
	AL28-9 KV4	1			w/Remote Window
11	4186 901	AR			SILENCER, (36" x 72" Cut To Fit)
12		1			BEZEL, Quarter Panel Seat Belt

MODEL CODES:

A BODY=(C=LeBaron, D=Spirit, P=Acclaim/LaBaron(Landau), Saratoga)

C BODY=(D=Dynasty, C=New Yorker/N.Y. Salon)

G BODY=(V=Daytona/IROC, Chrysler Daytona)

J BODY=(C=LeBaron, Chrysler LeBaron)

P BODY=(P=Sundance, D=Shadow)

S BODY=(H=Voyager(H) FWD, K=Caravan(H) FWD,

Y=Town & Country(H) FWD, P=Voyager(K) AWD,

D=Caravan(K) AWD, C=Town & Country(K) AWD)

Y BODY=(C=Imperial/5th Avenue)

E-S BODY=(K=Chrysler Voyager(H) FWD, D=Chrysler

Voyager(K) AWD)

BODY STYLES:

21=2-Door Coupe

41=4-Door Sedan

12-52=FWD & AWD Van & Wgn Std W.B.

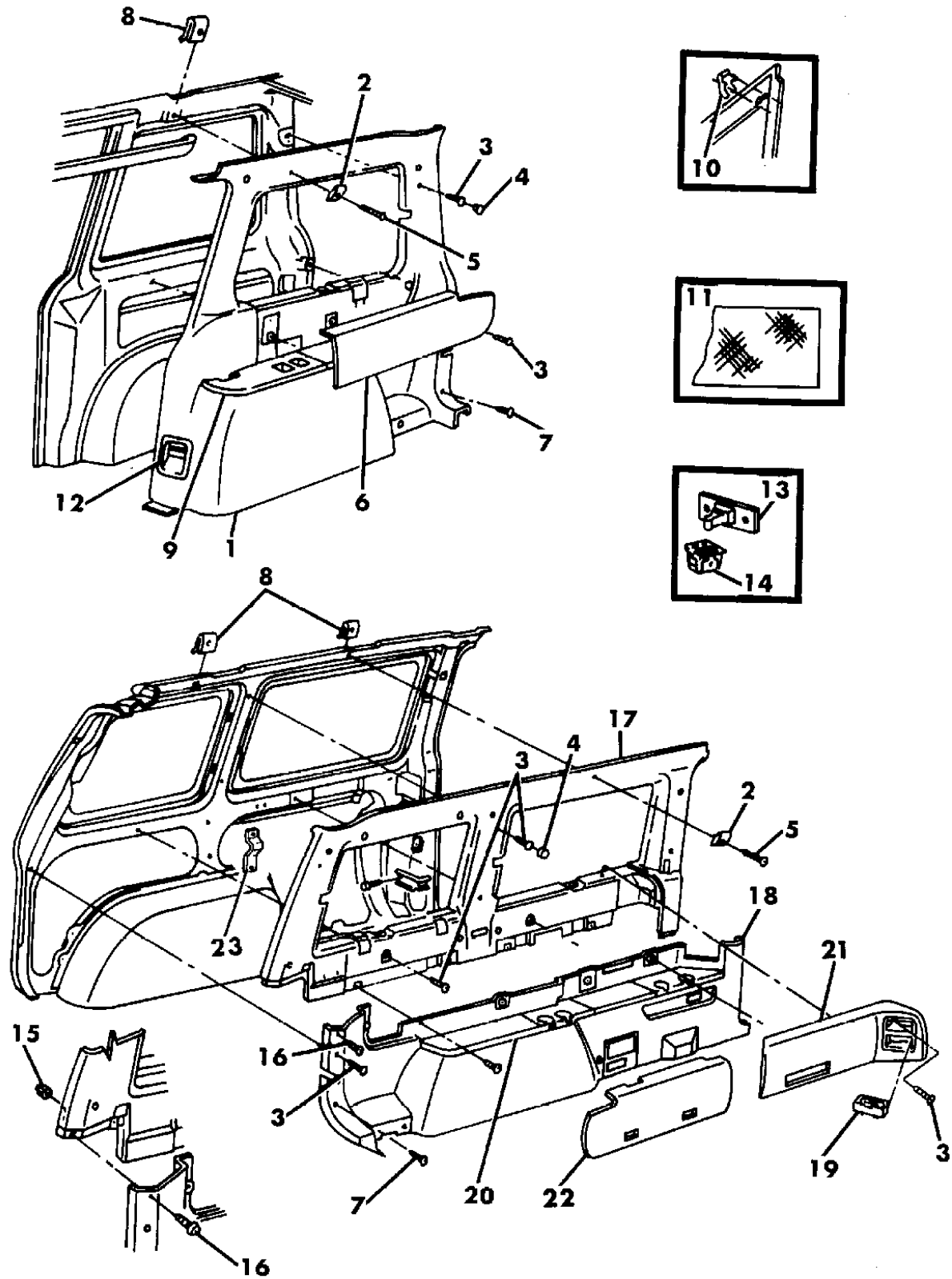
24=2-Door Hatchback

44=4-Door Hatchback

53=FWD & AWD Van & Wgn Ext. W.B.

27=2-Door Convertible

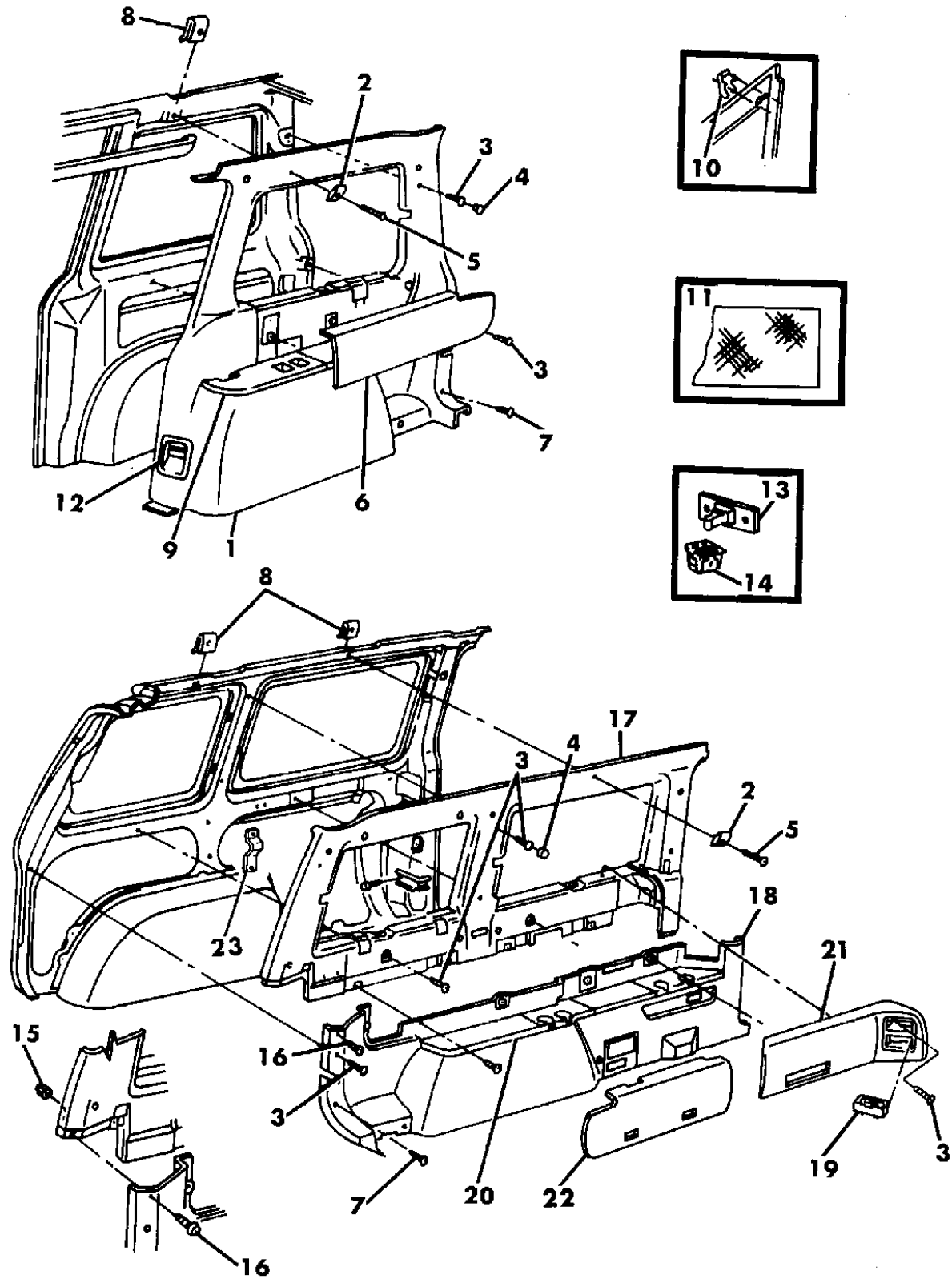
AR = Use as Required - = Non Illustrated Part P.A.R. = Paint as Required



PANEL--QUARTER TRIM S BODY W/119" WHEELBASE  
Figure ITS-600

93242 600

ITEM	PART NUMBER	QTY	BODY	MODEL	DESCRIPTION
	FP98 MB7	1			Blue
	FP98 KD5	1			Quartz
	FP98 MMA	1			Red
	FP98 KV4	1			Champagne
13					STRIKER, Storage Bin (Not Serv.)
14	4247 211	1			CATCH, Storage Bin
15		AR			NUT, Quarter Panel Attaching (Not Serv.)
16		AR			SCREW, (Not Serv.)
17	HF99 MV4	1			PANEL, Quarter Trim (Upper Left) P.A.R.
	HG25 MB7	1			Blue, (European)
	HG25 MD5	1			Quartz, (European)
	HG25 MV4	1			Champagne, (European)
18					PANEL, Quarter Trim Lower Left w/Rear Heater, w/Air Cond. (119' Wheelbase)
	KS40 MB7	1			Blue
	KS40 MM6	1			Red
	KS40 LD5	1			Quartz
	KS40 LV4	1			Champagne w/o Aux Htr. and A.C.
	KS23 MB7	1			Blue
	KS23 KD5	1			Quartz
	KS23 MM6	1			Red
	KS23 KV4	1			Champagne
19	4620 269	1			ASH RECEIVER
-	4521 804	1			SNUFFER, Ash Receiver
20					BIN and ARMREST, (Left) Front
	K907 KD5	1			Quartz
	K907 MM6	1			Red
	K907 MB7	1			Blue
	K907 KV4	1			Champagne Rear
	K915 MM6	1			Red
	K915 KD5	1			Quartz
	K915 MB7	1			Blue
	K915 KV4	1			Champagne
21					BOLSTER, Quarter Trim Panel FRONT w/o Rear Heater and A/C



MODEL CODES:

A BODY=(C=LeBaron, D=Spirit, P=Acclaim/LaBaron(Landau), Saratoga) S BODY=(H=Voyager(H) FWD, K=Caravan(H) FWD, Y=Town & Country(H) FWD, P=Voyager(K) AWD, D=Caravan(K) AWD, C=Town & Country(K) AWD)  
 C BODY=(D=Dynasty, C=New Yorker/N.Y. Salon) Y BODY=(C=Imperial/5th Avenue)  
 G BODY=(V=Daytona/IROC, Chrysler Daytona) E-S BODY=(K=Chrysler Voyager(H) FWD, D=Chrysler Voyager(K) AWD)  
 J BODY=(C=LeBaron, Chrysler LeBaron) P BODY=(P=Sundance, D=Shadow)

BODY STYLES:

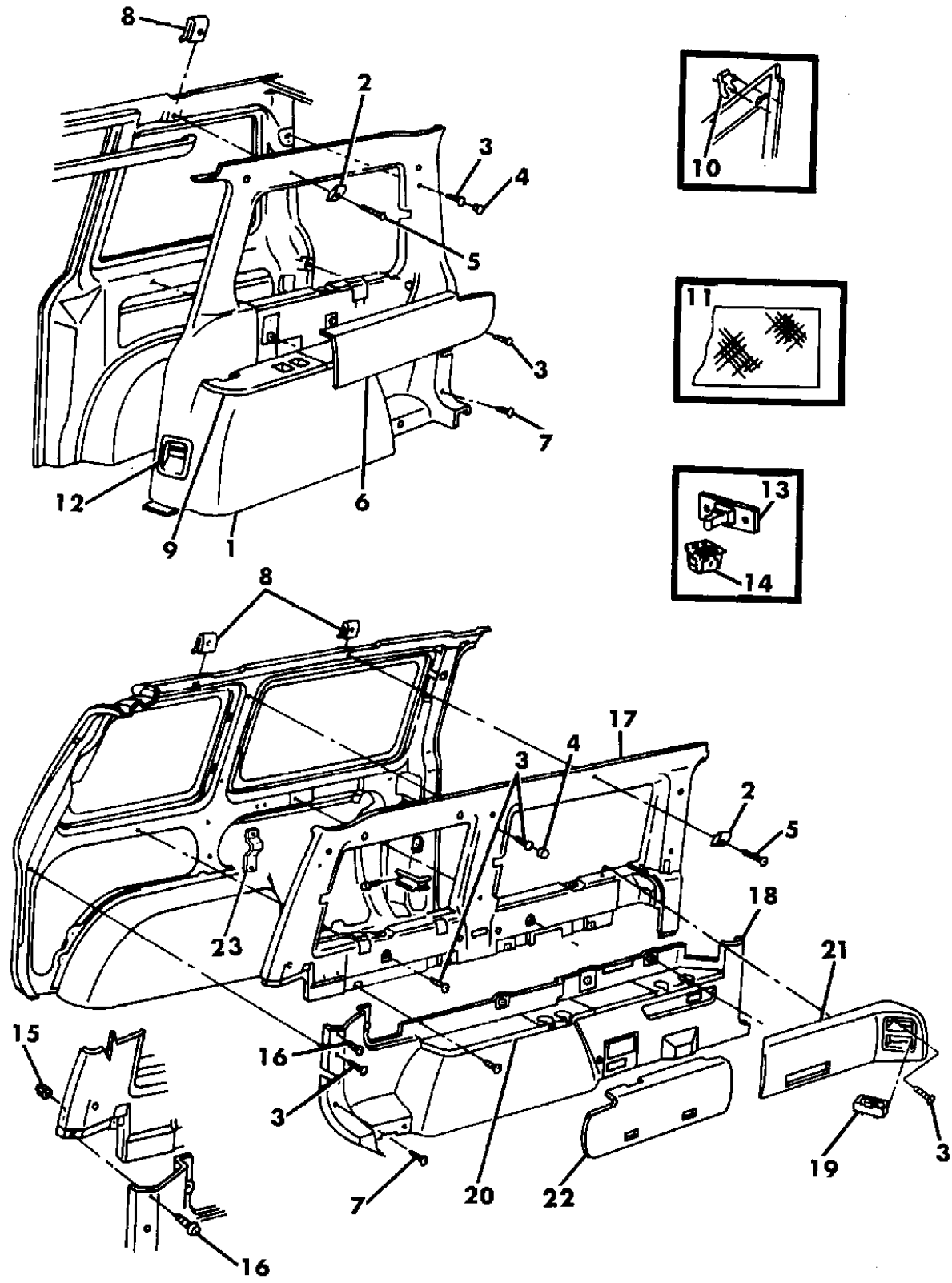
21=2-Door Coupe 41=4-Door Sedan 12-52=FWD & AWD Van & Wgn Std W.B.  
 24=2-Door Hatchback 44=4-Door Hatchback 53=FWD & AWD Van & Wgn Ext. W.B.  
 27=2-Door Convertible

AR = Use as Required - = Non Illustrated Part P.A.R. = Paint as Required

PANEL--QUARTER TRIM S BODY W/119" WHEELBASE  
Figure ITS-600

93242 600

ITEM	PART NUMBER	QTY	BODY	MODEL	DESCRIPTION
	EX21 KV4	1			Champagne, (GLV,G7V)
	EX21 MW8	1			Quartz, (GLDW)
	EX05 KD5	1			Quartz, (ELD,H6D,KLD)
	EX05 MMA	1			Red, (ELM,H6M)
	EX05 KV4	1			Champagne, (ELV,H6V,KLV)
	EX05 MB7	1			Blue, (H6B)
	EW95 LD5	1			Quartz, (H5D,R7D,H7D)
	EW95 MB7	1			Blue, (H5B,R7B,H7B)
	EW95 MMA	1			Red, (H5M,R7M)
	EW95 KVV	1			Champagne, (H5V,R7V,H7V)
	FR09 LD5	1			Quartz, (Y7D)
	FR09 LV4	1			Champagne, (Y7V)
	FR09 MB7	1			Blue, (Y7B)
	EX25 KV4	1			w/Rear Heater and A/C Champagne, (GLV,G7V)
	EX25 MW8	1			Quartz, (GLDW)
	EW99 LD5	1			Quartz, (H5D,R7D,H7D)
	EW99 MB7	1			Blue, (H5B,R7B,H7B)
	EW99 MMA	1			Red, (H5M,R7M)
	EW99 KVV	1			Champagne, (H5V,R7V,H7V)
	FR15 LD5	1			Quartz, (Y7D)
	FR15 LV4	1			Champagne, (Y7V)
	FR15 MB7	1			Blue, (Y7B)
	EX09 KD5	1			Quartz, (ELD,H6D,KLD)
	EX09 MMA	1			Red, (ELM,H6M)
	EX09 KV4	1			Champagne, (ELV,H6V,KLV)
	EX09 MB7	1			Blue, (H6B)
22					BOLSTER, Quarter Trim Panel, Rear w/o Rear Heater and A/C
	EX23 KV4	1			Champagne, (GLV,G7V)
	EX23 MW8	1			Quartz, (GLDW)
	EW97 LD5	1			Quartz, (H5D,R7D,H7D)
	EW97 MB7	1			Blue, (H5B,R7B,H7B)
	EW97 MMA	1			Red, (H5M,R7M)
	EW97 KVV	1			Champagne, (H5V,R7V,H7V)
	FR11 LD5	1			Quartz, (Y7D)
	FR11 LV4	1			Champagne, (Y7V)
	FR11 MB7	1			Blue, (Y7B)
	EX07 KD5	1			Quartz, (ELD,E6D,KLD)



MODEL CODES:

A BODY=(C=LeBaron, D=Spirit, P=Acclaim/LaBaron(Landau, Saratoga) S BODY=(H=Voyager(H) FWD, K=Caravan(H) FWD, Y=Town & Country(H) FWD, P=Voyager(K) AWD, D=Caravan(K) AWD, C=Town & Country(K) AWD)  
 C BODY=(D=Dynasty, C=New Yorker/N.Y. Salon) Y BODY=(C=Imperial/5th Avenue)  
 G BODY=(V=Daytona/IROC, Chrysler Daytona) E-S BODY=(K=Chrysler Voyager(H) FWD, D=Chrysler Voyager(K) AWD)  
 J BODY=(C=LeBaron, Chrysler LeBaron) P BODY=(P=Sundance, D=Shadow)

BODY STYLES:

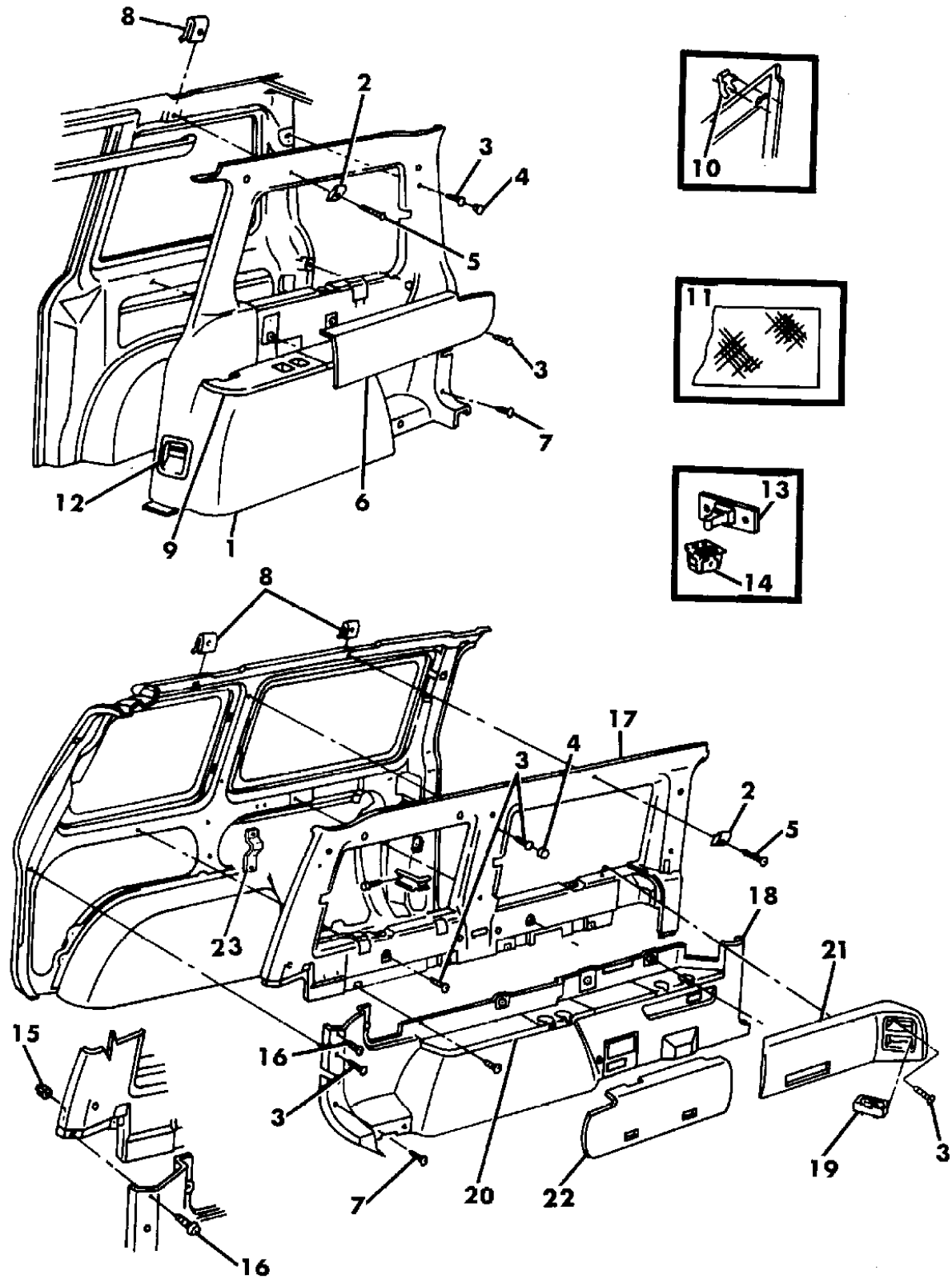
21=2-Door Coupe 41=4-Door Sedan 12-52=FWD & AWD Van & Wgn Std W.B.  
 24=2-Door Hatchback 44=4-Door Hatchback 53=FWD & AWD Van & Wgn Ext. W.B.  
 27=2-Door Convertible

AR = Use as Required - = Non Illustrated Part P.A.R. = Paint as Required

PANEL--QUARTER TRIM S BODY W/119" WHEELBASE  
Figure ITS-600

93242 600

ITEM	PART NUMBER	QTY	BODY	MODEL	DESCRIPTION
	EX07 MMA	1			Red, (ELM,H6M)
	EX07 KV4	1			Champagne, (ELV,H6V,KLV)
	EX07 MB7	1			Blue, (H6B) w/Rear Heater and A/C
	EX27 KV4	1			Champagne, (GLV,G7V)
	EX27 MW8	1			Quartz, (GLDW)
	EX03 LD5	1			Quartz, (H5D,R7D,H7D)
	EX03 MB7	1			Blue, (H5B,R7B,H7B)
	EX03 MMA	1			Red, (H5M,R7M)
	EX03 KVV	1			Champagne, (H5V,R7V,H7V)
	FR13 LD5	1			Quartz, (Y7D)
	FR13 LV4	1			Champagne, (Y7V)
	FR13 MB7	1			Blue, (Y7B)
	EX11 KD5	1			Quartz, (H6D,ELD,KLD)
	EX11 MMA	1			Red, (H6M,ELM)
	EX11 KV4	1			Champagne, (H6V,ELV,KLV)
	EX11 MB7	1			Blue, (H6B)
23	4620 121	1			BRACKET, Quarter Attaching (Left) NOTE: (P.A.R.) = Paint As Required



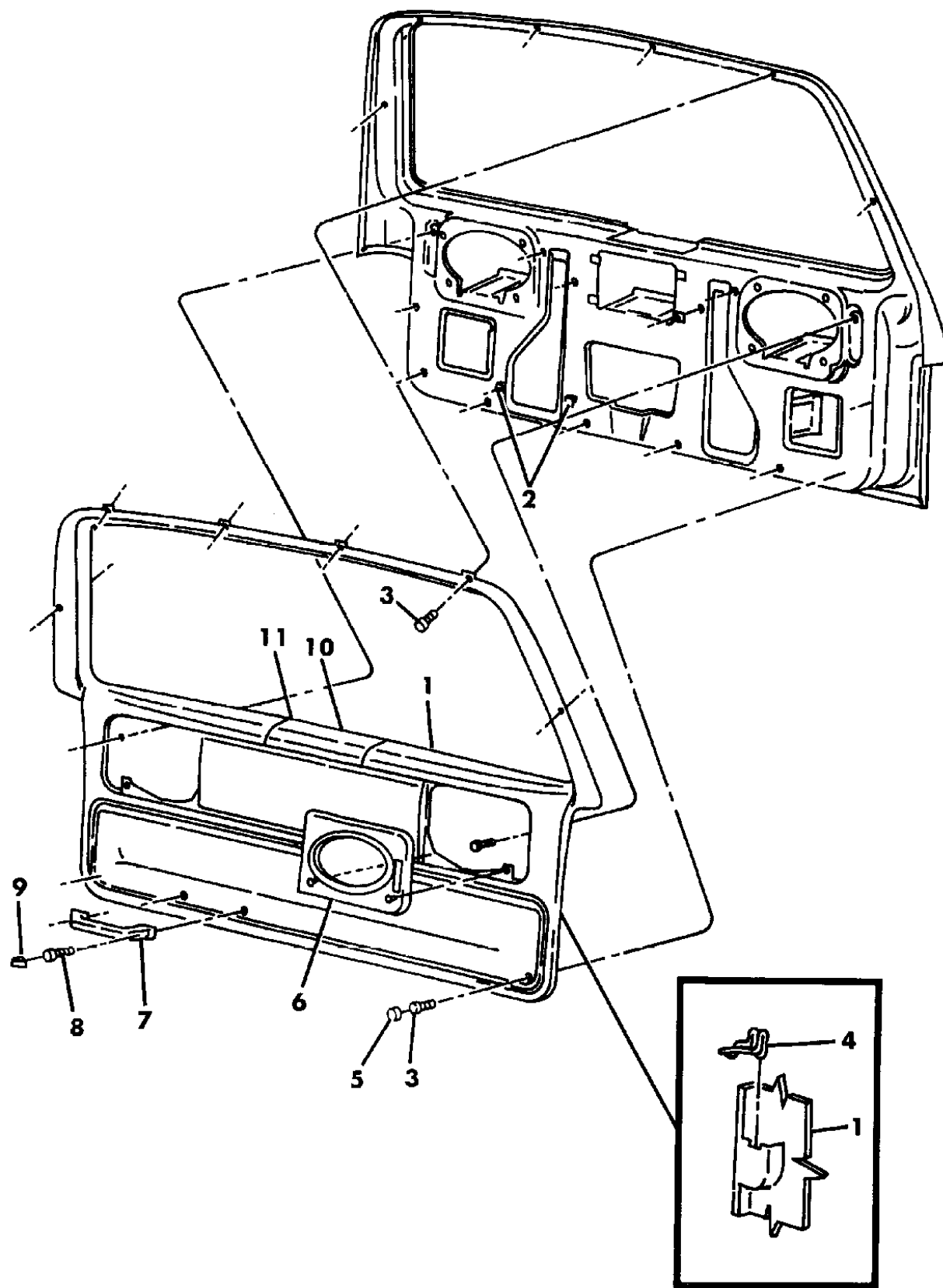
**MODEL CODES:**  
A BODY=(C=LeBaron, D=Spirit, P=Acclaim/LaBaron(Landau), Saratoga) S BODY=(H=Voyager(H) FWD, K=Caravan(H) FWD, Y=Town & Country(H) FWD, P=Voyager(K) AWD, D=Caravan(K) AWD, C=Town & Country(K) AWD)  
C BODY=(D=Dynasty, C=New Yorker/N.Y. Salon) Y BODY=(C=Imperial/5th Avenue)  
G BODY=(V=Daytona/IROC, Chrysler Daytona) E-S BODY=(K=Chrysler Voyager(H) FWD, D=Chrysler Voyager(K) AWD)  
J BODY=(C=LeBaron, Chrysler LeBaron) P BODY=(P=Sundance, D=Shadow)

**BODY STYLES:**  
21=2-Door Coupe 41=4-Door Sedan 12-52=FWD & AWD Van & Wgn Std W.B.  
24=2-Door Hatchback 44=4-Door Hatchback 53=FWD & AWD Van & Wgn Ext. W.B.  
27=2-Door Convertible

AR = Use as Required - = Non Illustrated Part P.A.R. = Paint as Required

### LIFT GATE TRIM S BODY Figure ITS-700

93242 700



ITEM	PART NUMBER	QTY	BODY	MODEL	DESCRIPTION	
1	MC21 PB7	1			PANEL, Liftgate Blue	
	MC21 PF6	1			Champagne	
	MC21 PM6	1			Red	
	MC21 PD5	1			Quartz	
2		2			NUT, (Not Serv.)	
3		10			SCREW, (Not Serv.)	
4	6501 352	10			FASTENER	
5	AC63 KV4	4			PLUG, (P.A.R.)	
6					GRILLE, Speaker w/Four Speakers and Premium Sound w/Lamp Lens	
	FD32-3 KD5	1			Quartz	
	FD32-3 MB7	1			Blue	
	FD32-3 MM6	1			Red	
	FD32-3 KV4	1			Champagne	
					w/Standard Speakers w/o Lamp Lens	
	AP20-1 KD5	1			Quartz	
	AP20-1 MM6	1			Red	
	AP20-1 MB7	1			Blue	
	AP20-1 KV4	1			Champagne	
7	6502 067	AR			CLIP, Speaker Grille Attaching	
					HANDLE, Lift Gate	
	H882 MB7	1			Blue	
	H882 KM6	1			Red	
	H882 HD5	1			Quartz	
8	H882 KV4	1			Champagne	
	4520 042	1			Woodgrain	
		2			SCREW, (Not Serv.)	
	9					PLUG
		H526 KB7	2			Blue
H526 KM6		2			Red	
H526 HD5		2			Quartz	
H526 KV4		2			Champagne	
10	DH57 KV4	1			COVER, Liftgate (P.A.R.)	
11	F450 KV4	2			PLUG	

**MODEL CODES:**

A BODY=(C=LeBaron, D=Spirit, P=Acclaim/LaBaron(Landau), Saratoga)      S BODY=(H=Voyager(H) FWD, K=Caravan(H) FWD, Y=Town & Country(H) FWD, P=Voyager(K) AWD, D=Caravan(K) AWD, C=Town & Country(K) AWD)

C BODY=(D=Dynasty, C=New Yorker/N.Y. Salon)

G BODY=(V=Daytona/IROC, Chrysler Daytona)

J BODY=(C=LeBaron, Chrysler LeBaron)

P BODY=(P=Sundance, D=Shadow)

Y BODY=(C=Imperial/5th Avenue)

E-S BODY=(K=Chrysler Voyager(H) FWD, D=Chrysler Voyager(K) AWD)

**BODY STYLES:**

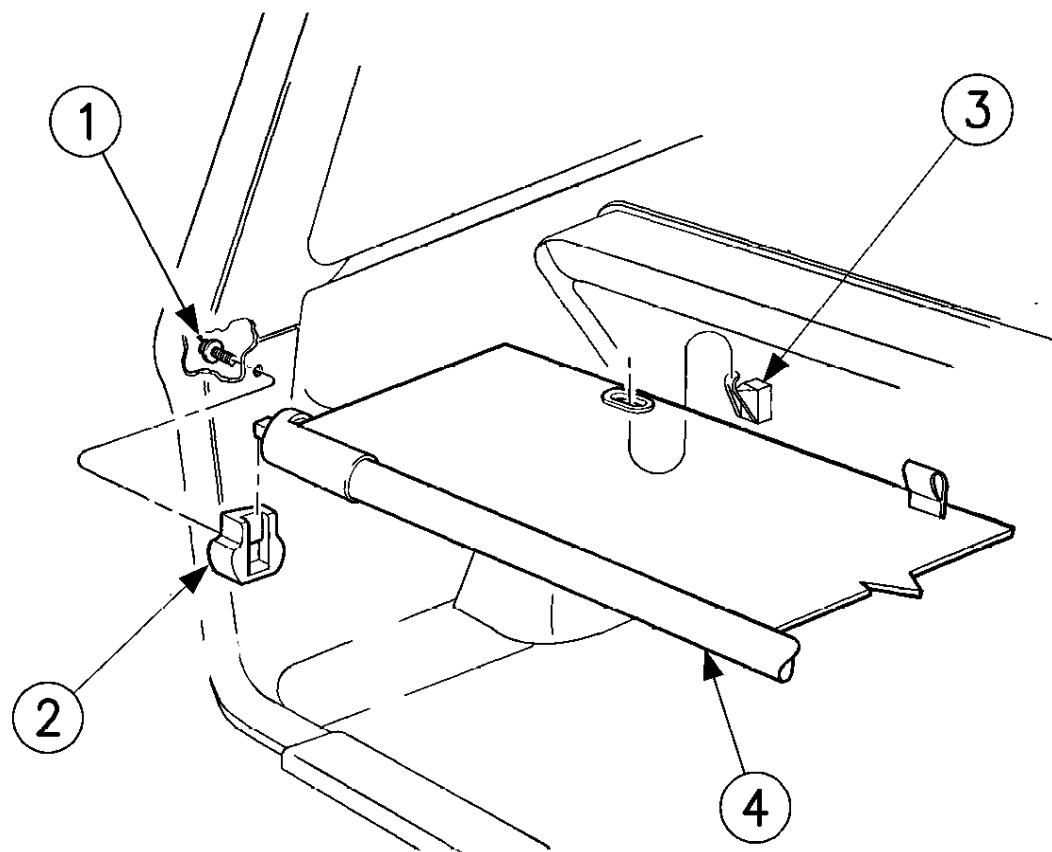
21=2-Door Coupe      41=4-Door Sedan      12-52=FWD & AWD Van & Wgn Std W.B.  
24=2-Door Hatchback      44=4-Door Hatchback      53=FWD & AWD Van & Wgn Ext. W.B.  
27=2-Door Convertible

AR = Use as Required - = Non Illustrated Part P.A.R. = Paint as Required

**TONNEAU COVER S BODY - EURO ONLY**  
**Figure ITS-750**

93242 750

ITEM	PART NUMBER	QTY	BODY	MODEL	DESCRIPTION
1		4			SCREW and WASHER, (.190-16x.750) Not Serv
2	4754 104-5	1			SUPPORT, Tonneau Cover
3	4762 318	2			RETAINER-HOOK, Tonneau Cover ***
4					TONNEAU COVER ***
	HF58 MB7	1			Blue
	HF58 MD5	1			Quartz
	HF58 MV4	1			Champagne



**MODEL CODES:**

A BODY=(C=LeBaron, D=Spirit, P=Acclaim/LaBaron(Landau), Saratoga)      S BODY=(H=Voyager(H) FWD, K=Caravan(H) FWD, Y=Town & Country(H) FWD, P=Voyager(K) AWD, D=Caravan(K) AWD, C=Town & Country(K) AWD)  
 C BODY=(D=Dynasty, C=New Yorker/N.Y. Salon)  
 G BODY=(V=Daytona/IROC, Chrysler Daytona)  
 J BODY=(C=LeBaron, Chrysler LeBaron)  
 P BODY=(P=Sundance, D=Shadow)

**BODY STYLES:**

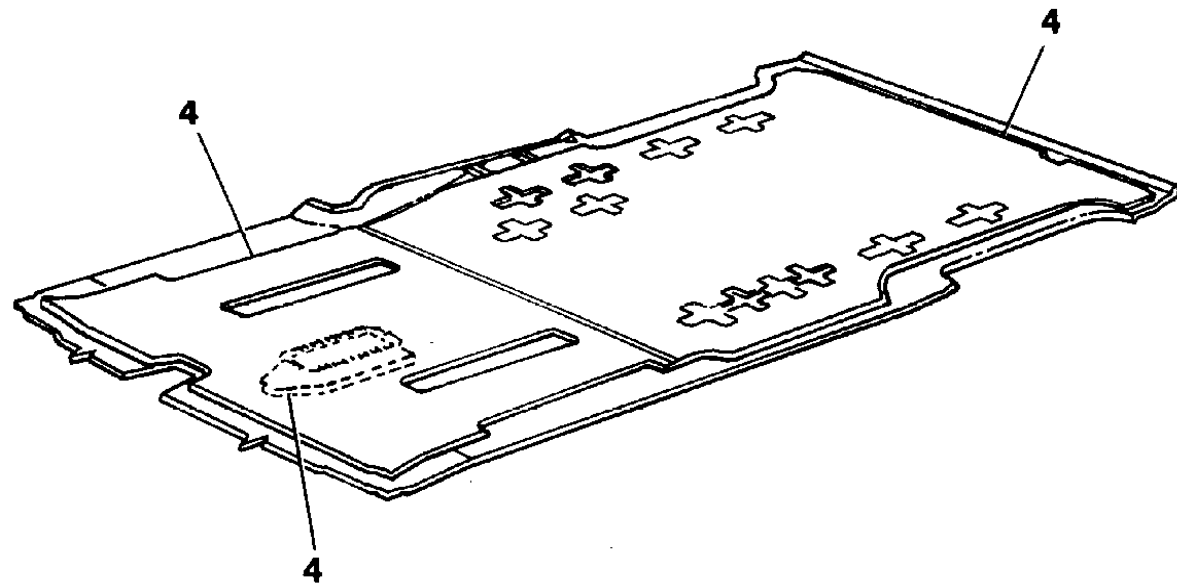
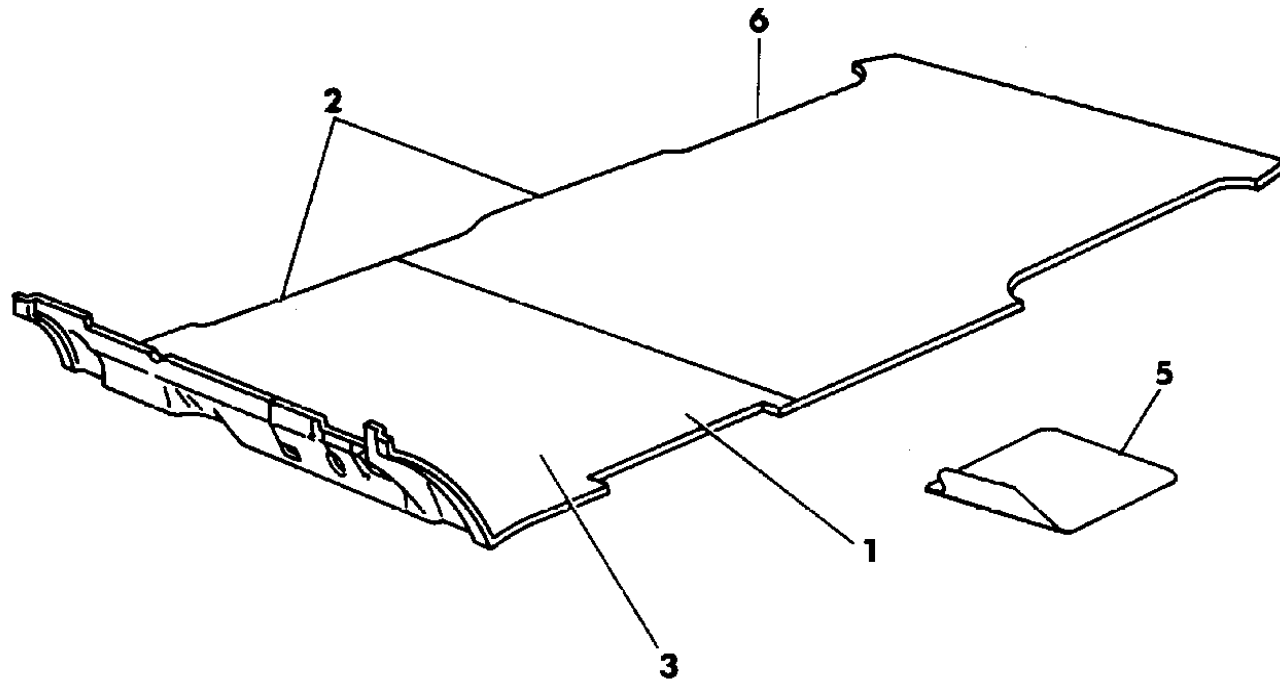
21=2-Door Coupe      41=4-Door Sedan      12-52=FWD & AWD Van & Wgn Std W.B.  
 24=2-Door Hatchback      44=4-Door Hatchback      53=FWD & AWD Van & Wgn Ext. W.B.  
 27=2-Door Convertible

AR = Use as Required - = Non Illustrated Part P.A.R. = Paint as Required

**CARPET S BODY**  
**Figure ITS-800**

93242 800

ITEM	PART NUMBER	QTY	BODY	MODEL	DESCRIPTION
1					CARPET, Front Only (Van)
	HG72 LD5	1			Quartz
2					CARPET, Front and Rear w/112" Wheelbase 5 Passenger
	HG66 MB7	1			Blue
	HG66 MM6	1			Red
	HG66 LV8	1			Champagne
	HG66 LD5	1			Quartz
					7 Passenger
	HG68 MB7	1			Blue
	HG68 MM6	1			Red
	HG68 LV8	1			Champagne
	HG68 LD5	1			Quartz
					w/119 Wheelbase
	HG70 MB7	1			Blue
	HG70 MM6	1			Red
	HG70 LV8	1			Champagne
	HG70 LD5	1			Quartz
3	4706 328	1			MAT, Front Floor
4	4186 901	AR			SILENCER, (70"x37") (For Complete Floor, Model 52 Use 2 Pcs, Model 53 Use 3 Pcs)
5					CARPETED FLOOR MATS, Sets (FRONT AND REAR) w/5 Passenger (112" Wheelbase)
	HM50 MB7	1		52	Blue
	HM50 MD5	1		52	Quartz
	HM50 MM6	1		52	Red
	HM50 MV8	1		52	Champagne
					w/7 Passenger (112" Wheelbase)
	HM46 MB7	1		52	Blue
	HM46 MD5	1		52	Quartz
	HM46 MM6	1		52	Red
	HM46 MV8	1		52	Champagne
					7 Passenger (119" Wheelbase)
	HM44 MB7	1		53	Blue
	HM44 MD5	1		53	Quartz
	HM44 MM6	1		53	Red
	HM44 MV8	1		53	Champagne
6					MAT, Heavy Duty Rear Floor



**MODEL CODES:**

A BODY=(C=LeBaron, D=Spirit, P=Acclaim/LaBaron(Landau, Saratoga) S BODY=(H=Voyager(H) FWD, K=Caravan(H) FWD, Y=Town & Country(H) FWD, P=Voyager(K) AWD, D=Caravan(K) AWD, C=Town & Country(K) AWD)  
 C BODY=(D=Dynasty, C=New Yorker/N.Y. Salon) Y BODY=(C=Imperial/5th Avenue)  
 G BODY=(V=Daytona/IROC, Chrysler Daytona) E-S BODY=(K=Chrysler Voyager(H) FWD, D=Chrysler Voyager(K) AWD)  
 J BODY=(C=LeBaron, Chrysler LeBaron)  
 P BODY=(P=Sundance, D=Shadow)

**BODY STYLES:**

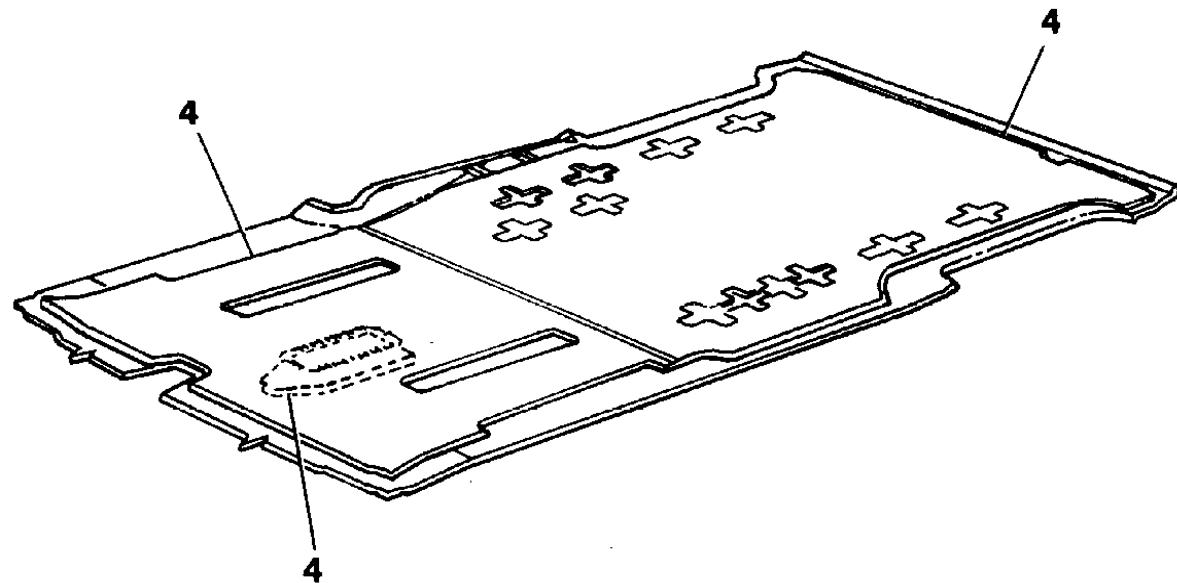
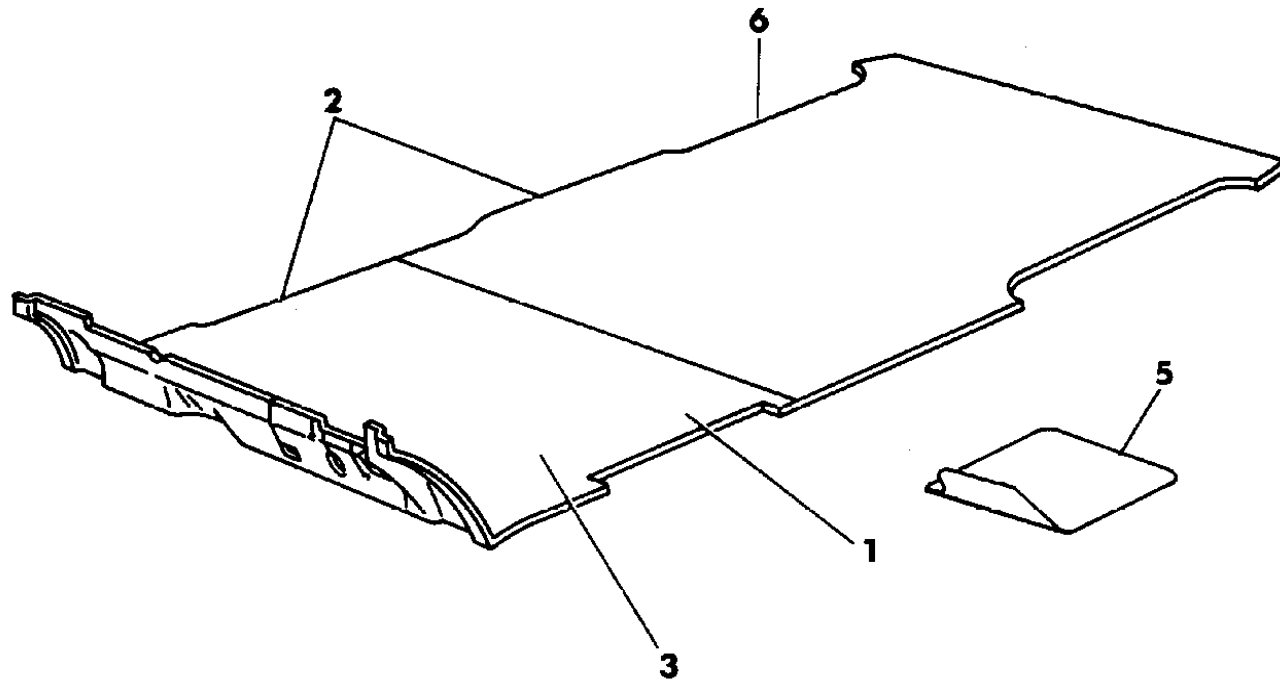
21=2-Door Coupe 41=4-Door Sedan 12-52=FWD & AWD Van & Wgn Std W.B.  
 24=2-Door Hatchback 44=4-Door Hatchback 53=FWD & AWD Van & Wgn Ext. W.B.  
 27=2-Door Convertible

AR = Use as Required - = Non Illustrated Part P.A.R. = Paint as Required

CARPET S BODY  
Figure ITS-800

93242 800

ITEM	PART NUMBER	QTY	BODY	MODEL	DESCRIPTION
					w/112" WheelBase
	4681 153	1	52		5 Passenger
	4681 155	1	52		7 Passenger
					w/119" Wheelbase
	4681 159	1	53		7 Passenger



**MODEL CODES:**

A BODY=(C=LeBaron, D=Spirit, P=Acclaim/LaBaron(Landau),  
Saratoga)  
C BODY=(D=Dynasty, C=New Yorker/N.Y. Salon)  
G BODY=(V=Daytona/IROC, Chrysler Daytona)  
J BODY=(C=LeBaron, Chrysler LeBaron)  
P BODY=(P=Sundance, D=Shadow)

S BODY=(H=Voyager(H) FWD, K=Caravan(H) FWD,  
Y=Town & Country(H) FWD, P=Voyager(K) AWD,  
D=Caravan(K) AWD, C=Town & Country(K) AWD)  
Y BODY=(C=Imperial/5th Avenue)  
E-S BODY=(K=Chrysler Voyager(H) FWD, D=Chrysler  
Voyager(K) AWD)

**BODY STYLES:**

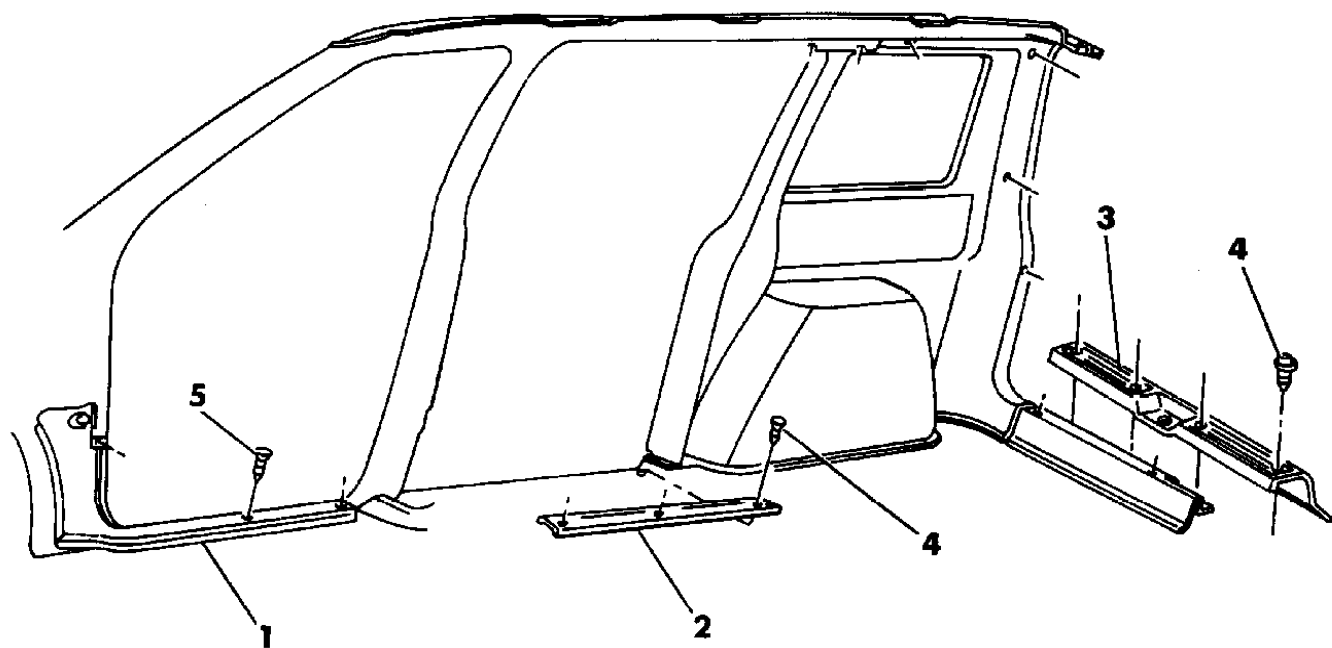
21=2-Door Coupe      41=4-Door Sedan      12-52=FWD & AWD Van & Wgn Std W.B.  
24=2-Door Hatchback      44=4-Door Hatchback      53=FWD & AWD Van & Wgn Ext. W.B.  
27=2-Door Convertible

AR = Use as Required - = Non Illustrated Part P.A.R. = Paint as Required



**SCUFF PLATES S BODY**  
Figure ITS-900

93242 900



ITEM	PART NUMBER	QTY	BODY	MODEL	DESCRIPTION
1					SCUFF PLATE and COWL
	FR02-3 MB7	1			Blue
	FR02-3 KD5	1			Quartz
	FR02-3 MMA	1			Red
	FR02-3 KV4	1			Champagne
2					PLATE, Sliding Door Scuff
	M968 MB7	1			Blue
	M968 MMA	1			Red
	M968 KV4	1			Champagne
	M968 KD5	1			Quartz
3					PLATE, Liftgate Rear Still Scuff (P.A.R.) w/112" Wheelbase
	M966 MB7	1			Blue
	M966 MM6	1			Red
	M966 KV4	1			Champagne
	M966 KD5	1			Quartz
					w/119" Wheelbase
	M967 MB7	1			Blue
	M967 MM6	1			Red
	M967 KV4	1			Champagne
	M967 KD5	1			Quartz
4		AR			SCREW, (10-16x3/4) (Not Serv.)
5		AR			SCREW, (8-18x3/4) (Not Serv.)
					NOTE: (P.A.R.) = Paint As Required

**MODEL CODES:**

A BODY=(C=LeBaron, D=Spirit, P=Acclaim/LaBaron(Landau), Saratoga)      S BODY=(H=Voyager(H) FWD, K=Caravan(H) FWD, Y=Town & Country(H) FWD, P=Voyager(K) AWD, D=Caravan(K) AWD, C=Town & Country(K) AWD)  
 C BODY=(D=Dynasty, C=New Yorker/N.Y. Salon)      Y BODY=(C=Imperial/5th Avenue)  
 G BODY=(V=Daytona/IROC, Chrysler Daytona)      E-S BODY=(K=Chrysler Voyager(H) FWD, D=Chrysler Voyager(K) AWD)  
 J BODY=(C=LeBaron, Chrysler LeBaron)  
 P BODY=(P=Sundance, D=Shadow)

**BODY STYLES:**

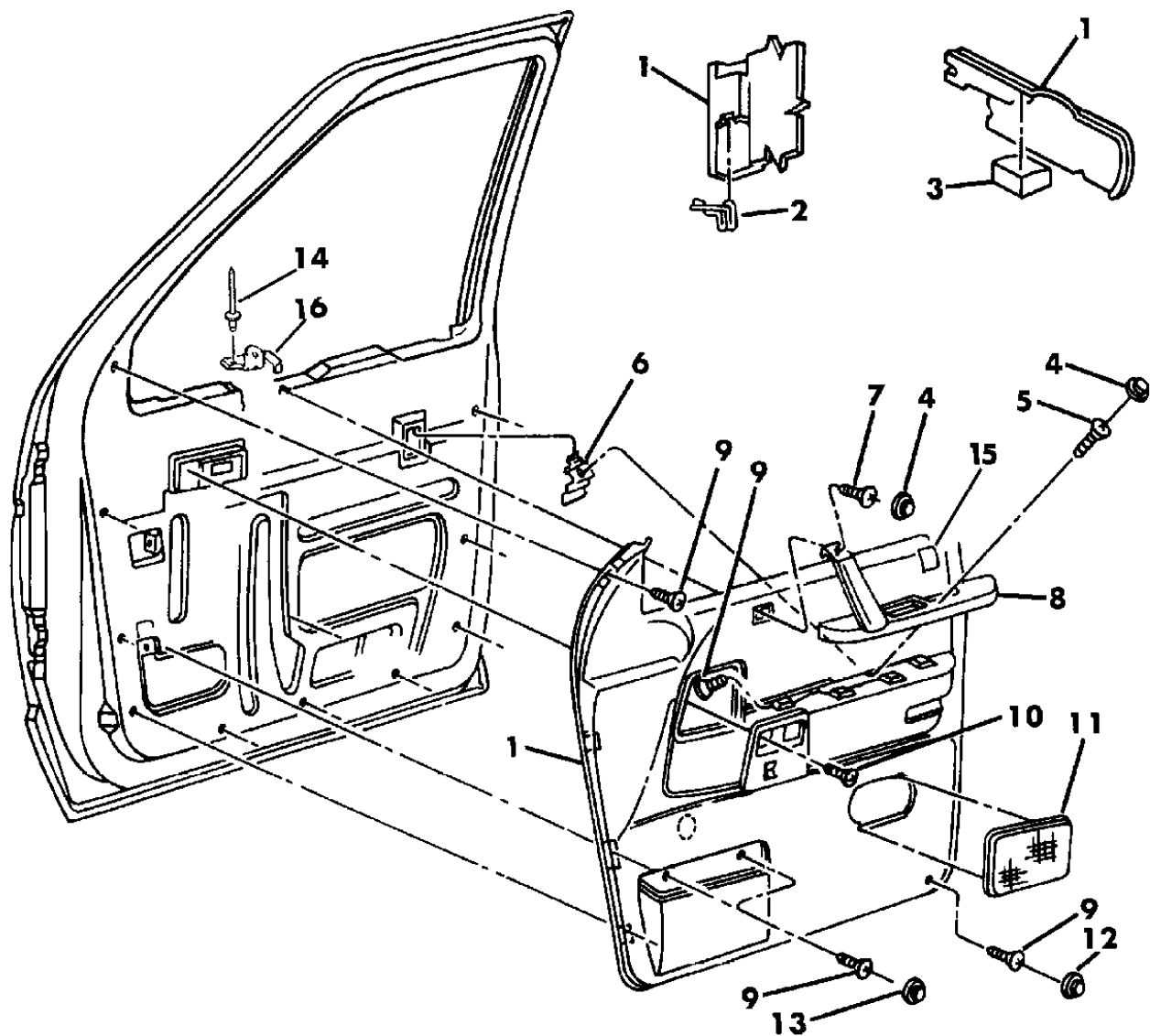
21=2-Door Coupe      41=4-Door Sedan      12-52=FWD & AWD Van & Wgn Std W.B.  
 24=2-Door Hatchback      44=4-Door Hatchback      53=FWD & AWD Van & Wgn Ext. W.B.  
 27=2-Door Convertible

AR = Use as Required - = Non Illustrated Part P.A.R. = Paint as Required

PANEL--DOOR TRIM FRONT S BODY

Figure ITS-1000

93242 1000A



ITEM	PART NUMBER	QTY	BODY	MODEL	DESCRIPTION
1					PANEL, Door Full
	HE00-1 LV4	1			(P.A.R.) TRIM CODES, (T5,ZZ,C6,H7)
	ER64-5 MMA	1			Red, (H6M)
	ER64-5 LD5	1			Quartz, (H6D)
	ER64-5 MB7	1			Blue, (H6B)
	ER64-5 LV4	1			Champagne, (H6V)
	ER68-9 MMA	1			Red, (ELM)
	ER68-9 LD5	1			Quartz, (ELD,KLD)
	ER68-9 LV4	1			Champagne, (ELV,KLV)
	ER66-7 MMA	1			Red, (R7M)
	ER66-7 LD5	1			Quartz, (R7D)
	ER66-7 MB7	1			Blue, (R7B)
	ER66-7 LVV	1			Champagne, (R7V)
	EN60-1 LD5	1			Quartz, (Y7D)
	EN60-1 LV4	1			Champagne, (Y7V)
	EN60-1 MB7	1			Blue, (Y7B)
	EL36-7 MMA	1			Red, (H5M)
	EL36-7 LD5	1			Quartz, (H5D,H7D)
	EL36-7 MB7	1			Blue, (H5B,H7B)
	EL36-7 LVV	1			Champagne, (H5V,H7V)
	EL38-9 LV4	1			Champagne, (GLV,G7V)
	EL38-9 MW8	1			Quartz, (GLDW)
2	6501 352	18			FASTENER
3					SEAL, Cancelled Never Used
4	AC64 KV4	4			PLUG, Armrest (P.A.R.)
5		2			SCREW, (Not Serv.)
6	4507 770	2			BRACKET, Armrest
7		2			SCREW, Armrest Attaching
8					ARMREST
					w/o Power Mirrors and Windows
	D034-5 MM6	1			Red
	D034-5 KD5	1			Quartz
	D034-5 MB7	1			Blue
	D034-5 KV4	1			Champagne
					w/Power Windows and Mirrors
	D074-5 MM6	1			Red
	D074-5 KD5	1			Quartz
	D074-5 MB7	1			Blue
	D074-5 KV4	1			Champagne

MODEL CODES:

A BODY=(C=LeBaron, D=Spirit, P=Acclaim/LaBaron(Landau, Saratoga) S BODY=(H=Voyager(H) FWD, K=Caravan(H) FWD, Y=Town & Country(H) FWD, P=Voyager(K) AWD, D=Caravan(K) AWD, C=Town & Country(K) AWD)  
 C BODY=(D=Dynasty, C=New Yorker/N.Y. Salon)  
 G BODY=(V=Daytona/IROC, Chrysler Daytona)  
 J BODY=(C=LeBaron, Chrysler LeBaron)  
 P BODY=(P=Sundance, D=Shadow)  
 Y BODY=(C=Imperial/5th Avenue)  
 E-S BODY=(K=Chrysler Voyager(H) FWD, D=Chrysler Voyager(K) AWD)

BODY STYLES:

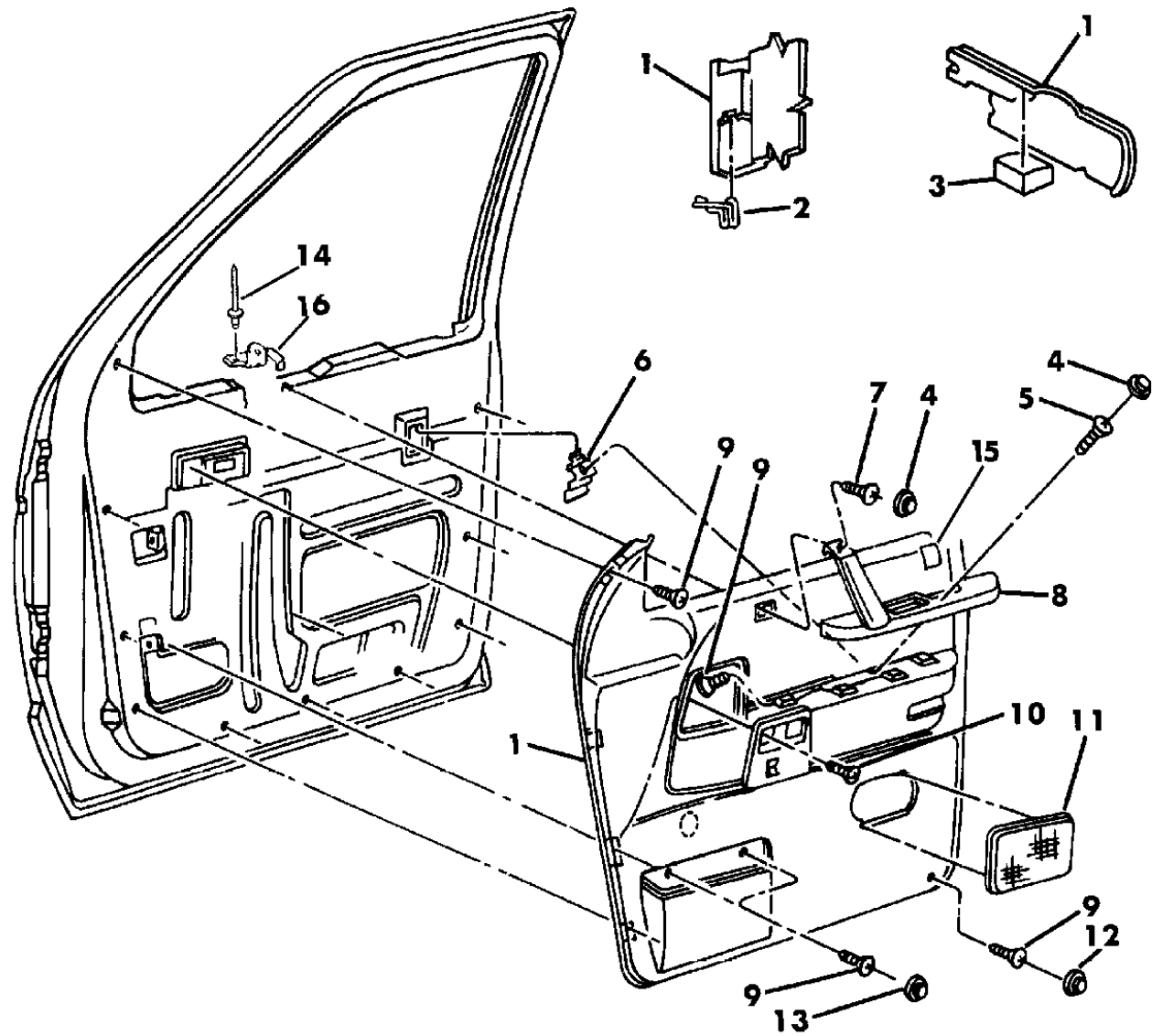
21=2-Door Coupe      41=4-Door Sedan      12-52=FWD & AWD Van & Wgn Std W.B.  
 24=2-Door Hatchback      44=4-Door Hatchback      53=FWD & AWD Van & Wgn Ext. W.B.  
 27=2-Door Convertible

AR = Use as Required - = Non Illustrated Part P.A.R. = Paint as Required

PANEL--DOOR TRIM FRONT S BODY

Figure ITS-1000

93242 1000A



ITEM	PART NUMBER	QTY	BODY	MODEL	DESCRIPTION
9		AR			SCREW, (Not Serv.)
10		AR			SCREW, (Not Serv.)
11					GRILLE, Front Door Speaker (w/Infinity Name Plate)
	FW38 MM6	2			Red
	FW38 MD5	2			Quartz
	FW38 MB7	2			Blue
	FW38 MV8	2			Champagne
12	F450 KV4	2			PLUG, (P.A.R.)
13	F450 KV4	4			PLUG, Door Panel Map Pocket (P.A.R.)
14					RIVET, Bracket Attaching (Not Serv.)
15					NOTE: See Group 23C Ill. 4000 Item 21 Bezel Locking Knob ***
16	4620 594-5	1			BRACKET, Armrest Handle Attaching

MODEL CODES:

A BODY=(C=LeBaron, D=Spirit, P=Acclaim/LaBaron(Landau),  
Saratoga)  
C BODY=(D=Dynasty, C=New Yorker/N.Y. Salon)  
G BODY=(V=Daytona/IROC, Chrysler Daytona)  
J BODY=(C=LeBaron, Chrysler LeBaron)  
P BODY=(P=Sundance, D=Shadow)

S BODY=(H=Voyager(H) FWD, K=Caravan(H) FWD,  
Y=Town & Country(H) FWD, P=Voyager(K) AWD,  
D=Caravan(K) AWD, C=Town & Country(K) AWD)  
Y BODY=(C=Imperial/5th Avenue)  
E-S BODY=(K=Chrysler Voyager(H) FWD, D=Chrysler  
Voyager(K) AWD)

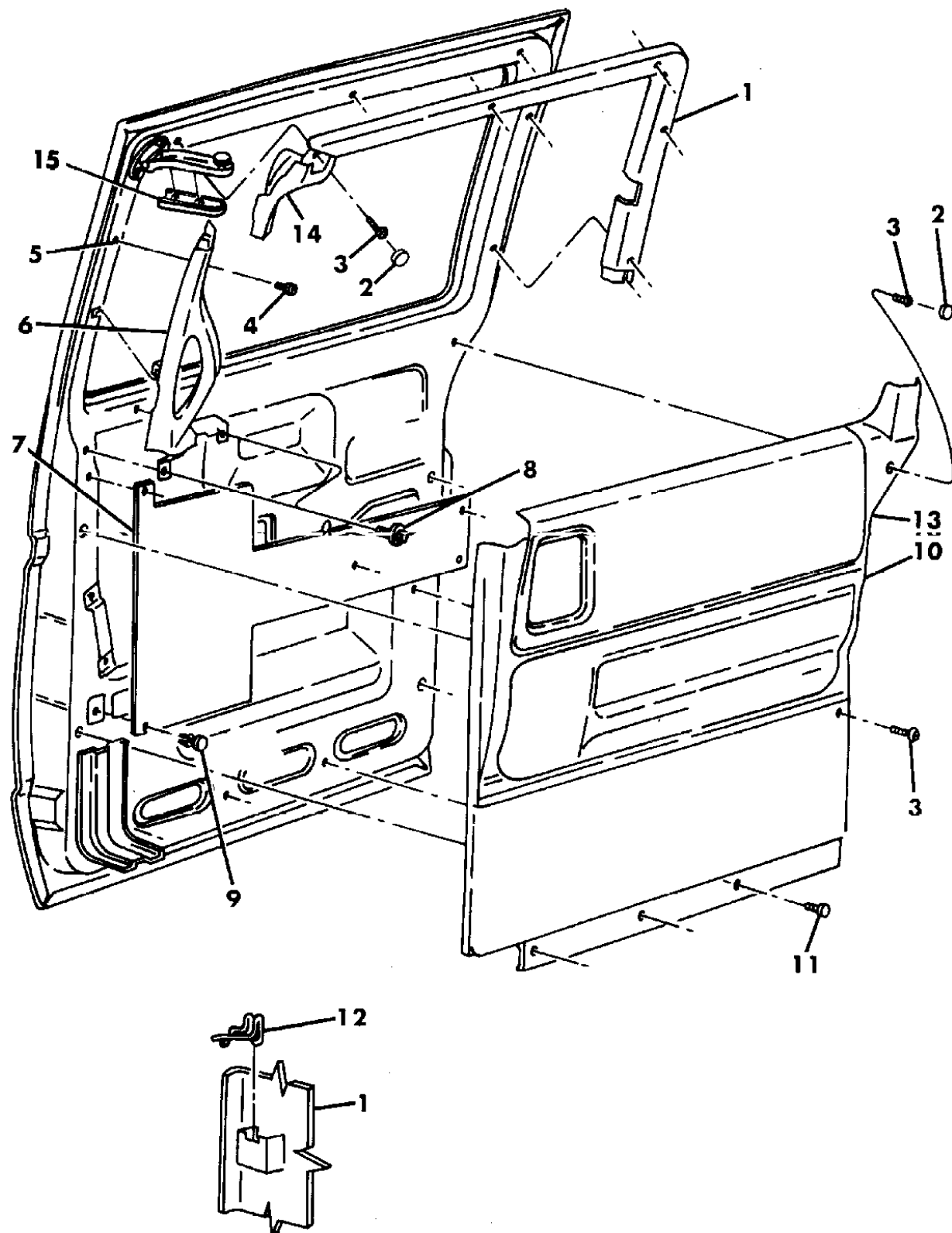
BODY STYLES:

21=2-Door Coupe      41=4-Door Sedan      12-52=FWD & AWD Van & Wgn Std W.B.  
24=2-Door Hatchback      44=4-Door Hatchback      53=FWD & AWD Van & Wgn Ext. W.B.  
27=2-Door Convertible

AR = Use as Required - = Non Illustrated Part P.A.R. = Paint as Required

PANEL--DOOR TRIM SLIDING S BODY  
Figure ITS-1100

93242 1100



ITEM	PART NUMBER	QTY	BODY	MODEL	DESCRIPTION
1					MOLDING, Sliding Door Upper ***
	EB16 MM6	1			Red
	EB16 KD5	1			Quartz
	EB16 MB7	1			Blue
	EB16 KV4	1			Champagne
2	F450 KV4	7			PLUG
3		AR			SCREW, (Not Serv.)
4		AR			SCREW, (Not Serv.)
5	0445 359	1			U-NUT
6					HANDLE, Sliding Door
	GD70 MM6	1			Red
	GD70 LD5	1			Quartz
	GD70 MB7	1			Blue
	GD70 LV4	1			Champagne
7	4611 465	1			COVER, Door Panel
8	6100 567	2			BOLT
9	6501 301	6			FASTENER
10					PANEL, Door Trim
	EN66 MB7	1			Blue, (H5B,H7B)
	EN66 LVV	1			Champagne, (H5V,H7V)
	EN66 LD5	1			Quartz, (H5D,H7D)
	EN66 MMA	1			Red, (H5M)
	EN68 MB7	1			Blue, (H6B)
	EN68 LD5	1			Quartz, (H6D)
	EN68 MMA	1			Red, (H6M)
	EN68 LV4	1			Champagne, (H6V)
	EN64 LD5	1			Quartz, (Y7D)
	EN64 LV4	1			Champagne, (Y7V)
	EN64 MB7	1			Blue, (Y7B)
	FG04 MMA	1			Red, (R7M)
	FG04 LD5	1			Quartz, (R7D)
	FG04 MB7	1			Blue, (R7B)
	FG04 KVV	1			Champagne, (R7V)
	FG06 MMA	1			Red, (ELM)
	FG06 KD5	1			Quartz, (ELD,KLD)
	FG06 KV4	1			Champagne, (ELV,KLV)
	FG08 KV4	1			Champagne, (G7V,GLV)
	FG08 MW8	1			Quartz, (GLDW)
	FG12 KD5	1	L		Quartz, (L5D,T5D)

MODEL CODES:

A BODY=(C=LeBaron, D=Spirit, P=Acclaim/LaBaron(Landau), Saratoga)

C BODY=(D=Dynasty, C=New Yorker/N.Y. Salon)

G BODY=(V=Daytona/IROC, Chrysler Daytona)

J BODY=(C=LeBaron, Chrysler LeBaron)

P BODY=(P=Sundance, D=Shadow)

S BODY=(H=Voyager(H) FWD, K=Caravan(H) FWD,

Y=Town & Country(H) FWD, P=Voyager(K) AWD,

D=Caravan(K) AWD, C=Town & Country(K) AWD)

Y BODY=(C=Imperial/5th Avenue)

E-S BODY=(K=Chrysler Voyager(H) FWD, D=Chrysler

Voyager(K) AWD)

BODY STYLES:

21=2-Door Coupe

41=4-Door Sedan

12-52=FWD & AWD Van & Wgn Std W.B.

24=2-Door Hatchback

44=4-Door Hatchback

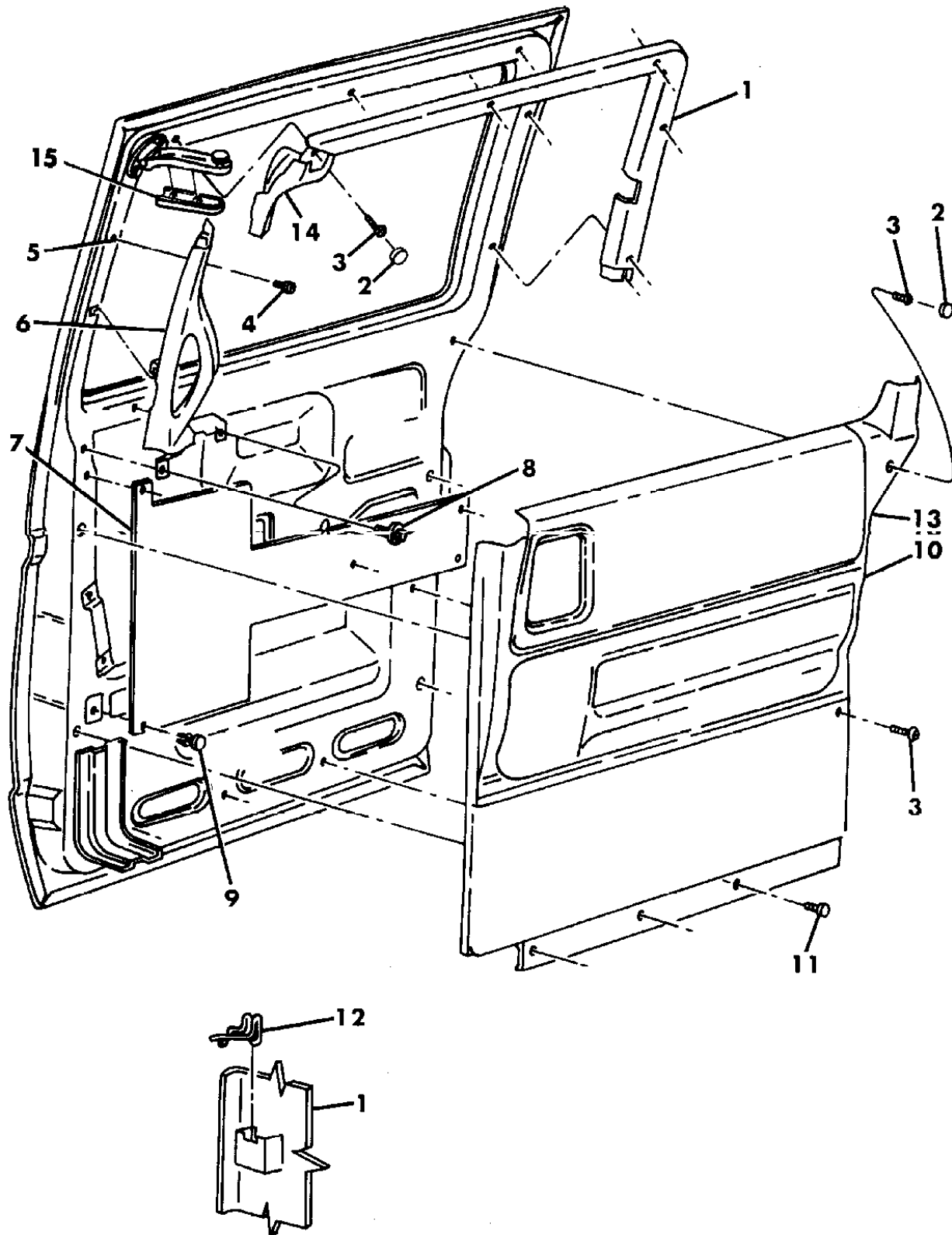
53=FWD & AWD Van & Wgn Ext. W.B.

27=2-Door Convertible

AR = Use as Required - = Non Illustrated Part P.A.R. = Paint as Required

PANEL--DOOR TRIM SLIDING S BODY  
Figure ITS-1100

93242 1100



ITEM	PART NUMBER	QTY	BODY	MODEL	DESCRIPTION
	FG12 MM6	1		L	Red, (L5M,T5M)
	FG12 KV4	1		L	Champagne, (L5V,T5V)
	FG12 MB7	1			Blue, (T5B)
11					FASTENER, Door Panel
	F451 MM6	3			Red
	F451 KD5	3			Quartz
	F451 MB7	3			Blue
	F451 KV4	3			Champagne
12	6501 352	AR			FASTENER
13					BOLSTER, Door Panel
	EN62 LD5	1			Quartz, (Y7D)
	EN62 LV4	1			Champagne, (Y7V)
	EN62 MB7	1			Blue, (Y7B)
	AG26 MMA	1			Red, (H5M,R7M)
	AG26 LD5	1			Quartz, (H5D,R7D,H7D)
	AG26 MB7	1			Blue, (H5B,R7B,H7B)
	AG26 KVV	1			Champagne, (H5V,R7V,H7V)
	AG18 MMA	1			Red, (H6M,ELM)
	AG18 KD5	1			Quartz, (H6D,ELD,KLD)
	AG18 KV4	1			Champagne, (H6V,ELV,KLV)
	AG18 MB7	1			Blue, (H6B)
	WM68 KV4	1			Champagne, (GLV,G7V)
	WM68 MW8	1			Quartz, (GLDW)
14					Item 14 Is Part Of Item 1, It Is Not Serviced Seperate
15					COVER, Sliding Door Upper
	F352 KD5	1			Quartz
	F352 MB7	1			Blue
	F352 MM6	1			Red
	F352 KV4	1			Champagne

NOTE: (P.A.R.) = Paint As Required

MODEL CODES:

A BODY=(C=LeBaron, D=Spirit, P=Acclaim/LaBaron(Landau, Saratoga) S BODY=(H=Voyager(H) FWD, K=Caravan(H) FWD, Y=Town & Country(H) FWD, P=Voyager(K) AWD, D=Caravan(K) AWD, C=Town & Country(K) AWD)  
 C BODY=(D=Dynasty, C=New Yorker/N.Y. Salon) Y BODY=(C=Imperial/5th Avenue)  
 G BODY=(V=Daytona/IROC, Chrysler Daytona) E-S BODY=(K=Chrysler Voyager(H) FWD, D=Chrysler Voyager(K) AWD)  
 J BODY=(C=LeBaron, Chrysler LeBaron) P BODY=(P=Sundance, D=Shadow)

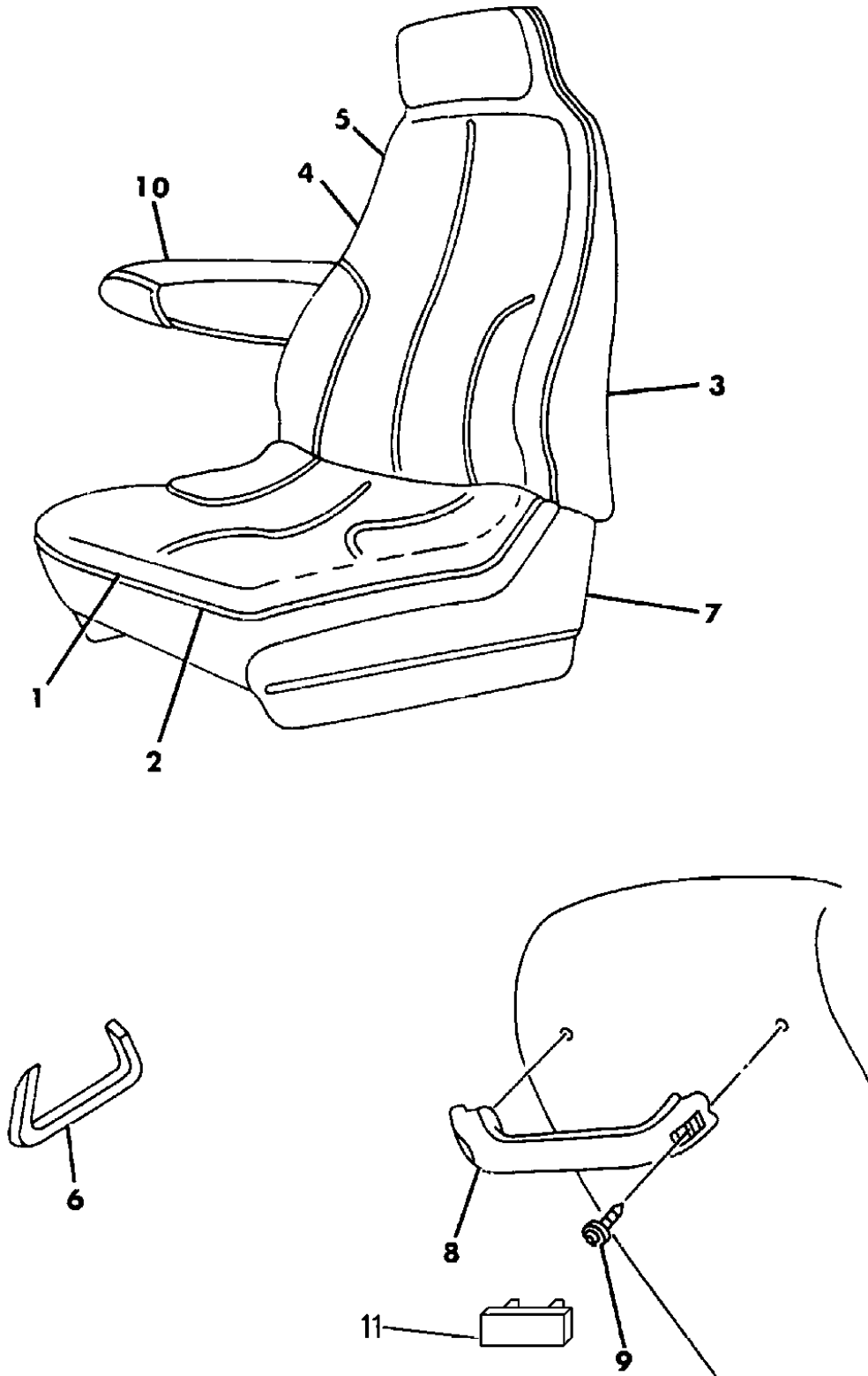
BODY STYLES:

21=2-Door Coupe 41=4-Door Sedan 12-52=FWD & AWD Van & Wgn Std W.B.  
 24=2-Door Hatchback 44=4-Door Hatchback 53=FWD & AWD Van & Wgn Ext. W.B.  
 27=2-Door Convertible

AR = Use as Required - = Non Illustrated Part P.A.R. = Paint as Required

SEAT--FRONT S BODY TRIM CODE H5,T5  
Figure ITS-1200

93242 1200A



ITEM	PART NUMBER	QTY	BODY	MODEL	DESCRIPTION
1-2					CUSHION, w/Spring/Frame, Pad and Cover
	HK57 MB7	2			CLOTH Blue, (H5B,T5B)
	HK57 MD5	2			Quartz, (H5D,T5D)
	HK57 MMA	2			Red, (H5M,T5M)
	HK57 MVV	2			Champagne, (H5V,T5V)
2					COVER and PAD, Cushion
	HK48 MB7	2			CLOTH Blue, (H5B,T5B)
	HK48 MD5	2			Quartz, (H5D,T5D)
	HK48 MMA	2			Red, (H5M,T5M)
	HK48 MVV	2			Champagne, (H5V,T5V)
3					ROLL STOCK, Vinyl 54" Wide, Order By The Inch
	R600 KB7	AR			Blue, (H5B)
	R600 KMA	AR			Red, (H5M,T5M)
	R600 HV4	AR			Champagne, (H5V,T5V)
	R600 HD5	AR			Quartz, (H5D,T5D)
4-5					BACK, w/Spring/Frame, Pad and Cover
					CLOTH Right
	HK36 MD5	1			Quartz, (H5D,T5D)
	HK36 MB7	1			Blue, (H5B,T5B)
	HK36 MMA	1			Red, (H5M,T5M)
	HK36 MVV	1			Champagne, (H5V,T5V)
					Left
	HK59 MD5	1			Quartz, (H5D,T5D)
	HK59 MB7	1			Blue, (H5B,T5B)
	HK59 MMA	1			Red, (H5M,T5M)
	HK59 MVV	1			Champagne, (H5V,T5V)
5					COVER and PAD, Back
					CLOTH Right
	HK50 MB7	1			Blue, (H5B,T5B)
	HK50 MD5	1			Quartz, (H5D,T5D)
	HK50 MMA	1			Red, (H5M,T5M)
	HK50 MVV	1			Champagne, (H5V,T5V)
					Left
	HK52 MD5	1			Quartz, (H5D,T5D)
	HK52 MB7	1			Blue, (H5B,T5B)

MODEL CODES:

A BODY=(C=LeBaron, D=Spirit, P=Acclaim/LaBaron(Landau),  
Saratoga)  
C BODY=(D=Dynasty, C=New Yorker/N.Y. Salon)  
G BODY=(V=Daytona/ROC, Chrysler Daytona)  
J BODY=(C=LeBaron, Chrysler LeBaron)  
P BODY=(P=Sundance, D=Shadow)

S BODY=(H=Voyager(H) FWD, K=Caravan(H) FWD,  
Y=Town & Country(H) FWD, P=Voyager(K) AWD,  
D=Caravan(K) AWD, C=Town & Country(K) AWD)  
Y BODY=(C=Imperial/5th Avenue)  
E-S BODY=(K=Chrysler Voyager(H) FWD, D=Chrysler  
Voyager(K) AWD)

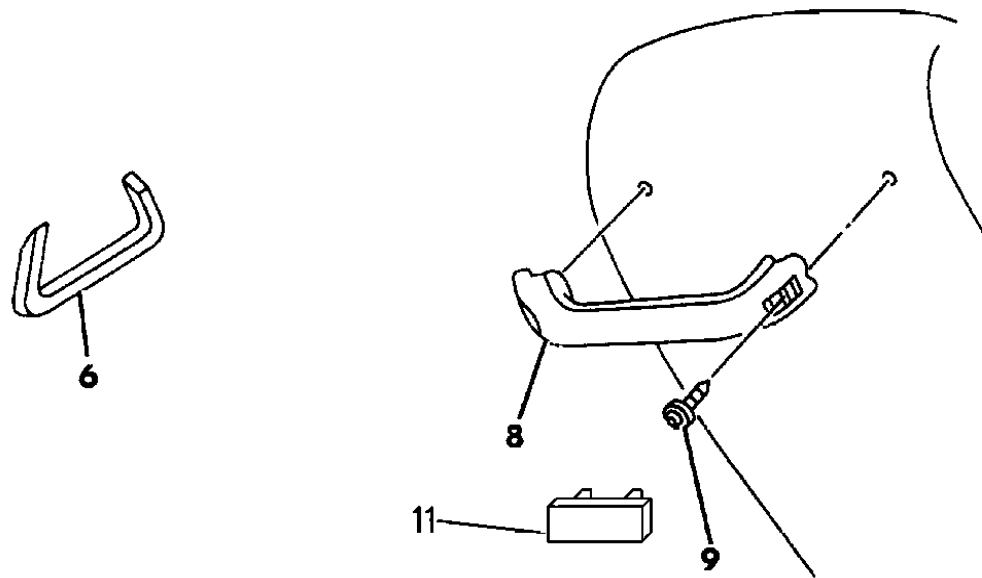
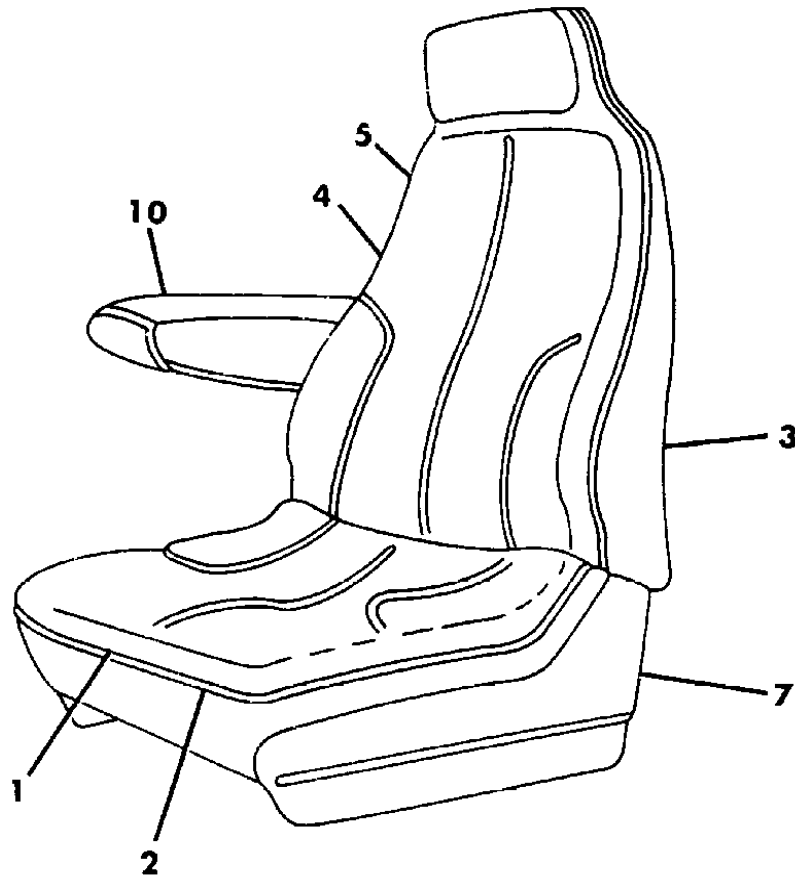
BODY STYLES:

21=2-Door Coupe      41=4-Door Sedan      12-52=FWD & AWD Van & Wgn Std W.B.  
24=2-Door Hatchback      44=4-Door Hatchback      53=FWD & AWD Van & Wgn Ext. W.B.  
27=2-Door Convertible

AR = Use as Required - = Non Illustrated Part P.A.R. = Paint as Required

SEAT--FRONT S BODY TRIM CODE H5,T5  
Figure ITS-1200

93242 1200A



ITEM	PART NUMBER	QTY	BODY	MODEL	DESCRIPTION
	HK52 MMA	1			Red, (H5M,T5M)
	HK52 MVV	1			Champagne, (H5V,T5V)
6	6008 076	AR			HOG RING
7					SHIELD, Cushion (See Ill 1900)
8					HANDLE, Assist
	GN04 LD5	1			Quartz
	GN04 MB7	1			Blue
	GN04 MM6	1			Red
	GN04 LV4	1			Champagne
9	6501 518	2			SCREW
10					ARMREST and COVER PASSENGER SEAT Inboard
	WT70 KD5	1			Quartz
	WT70 MB7	1			Blue
	WT70 MMA	1			Red
	WT70 KV4	1			Champagne
					DRIVER SEAT Inboard
	WT71 KD5	1			Quartz
	WT71 MB7	1			Blue
	WT71 MMA	1			Red
	WT71 KV4	1			Champagne
11					CAP, Assist Handle
	GN53 MB7	2			Blue
	GN53 LD5	2			Quartz
	GN53 MM6	2			Red
	GN53 LV4	2			Champagne

**MODEL CODES:**

A BODY=(C=LeBaron, D=Spirit, P=Acclaim/LaBaron(Landau),  
Saratoga)  
C BODY=(D=Dynasty, C=New Yorker/N.Y. Salon)  
G BODY=(V=Daytona/ROC, Chrysler Daytona)  
J BODY=(C=LeBaron, Chrysler LeBaron)  
P BODY=(P=Sundance, D=Shadow)

S BODY=(H=Voyager(H) FWD, K=Caravan(H) FWD,  
Y=Town & Country(H) FWD, P=Voyager(K) AWD,  
D=Caravan(K) AWD, C=Town & Country(K) AWD)  
Y BODY=(C=Imperial/5th Avenue)  
E-S BODY=(K=Chrysler Voyager(H) FWD, D=Chrysler  
Voyager(K) AWD)

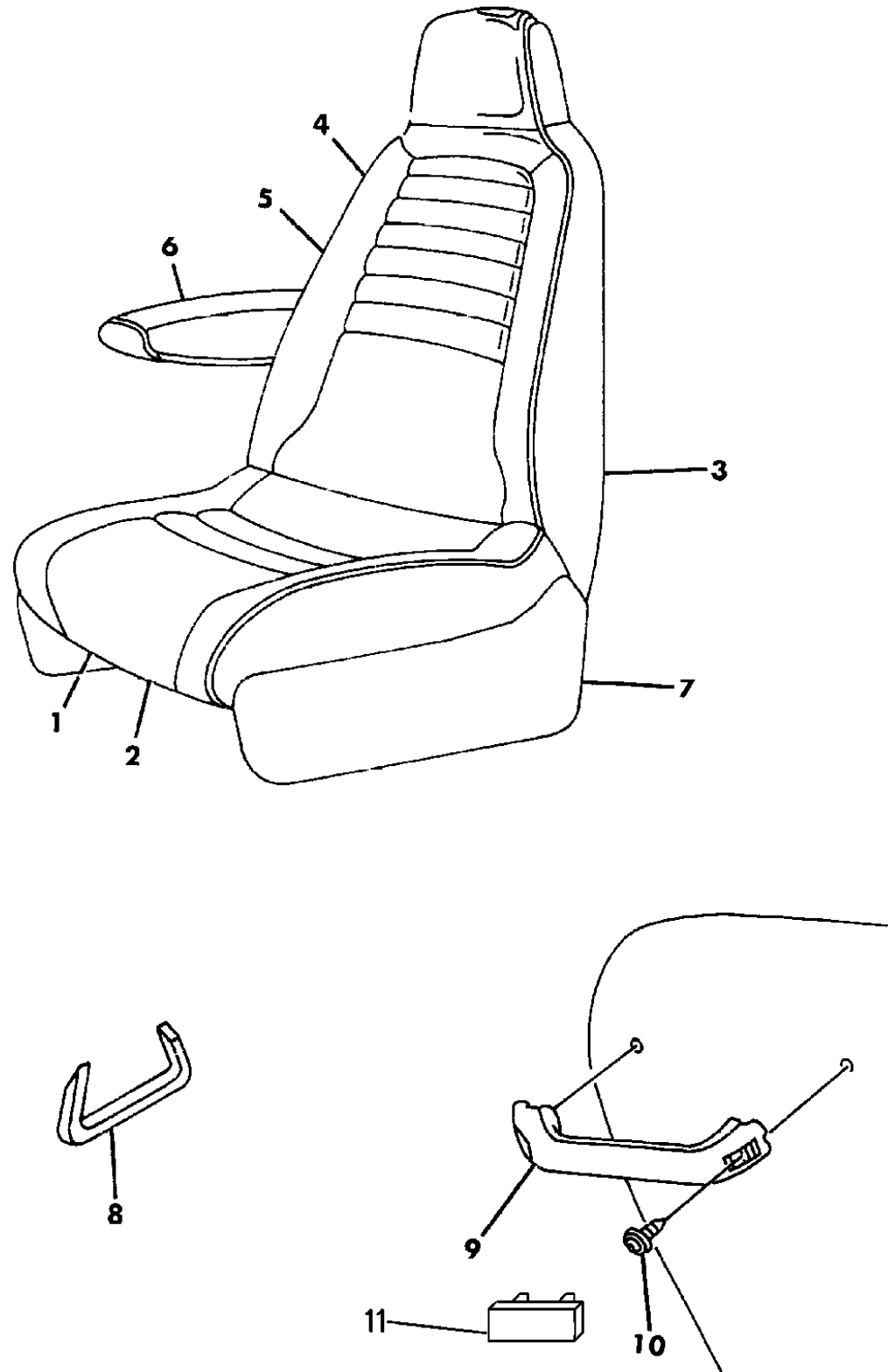
**BODY STYLES:**

21=2-Door Coupe      41=4-Door Sedan      12-52=FWD & AWD Van & Wgn Std W.B.  
24=2-Door Hatchback      44=4-Door Hatchback      53=FWD & AWD Van & Wgn Ext. W.B.  
27=2-Door Convertible

AR = Use as Required - = Non Illustrated Part P.A.R. = Paint as Required

**SEAT--FRONT S BODY TRIM CODES C6,H6**  
Figure ITS-1300

93242 1300A



ITEM	PART NUMBER	QTY	BODY	MODEL	DESCRIPTION
1					CUSHION, w/Spring/Frame, Pad and Cover VINYL
	G808 KD5	2			Quartz, (H6D,C6D)
	G808 MB7	2			Blue, (H6B)
	G808 MMA	2			Red, (H6M)
	G808 KV4	2			Champagne, (H6V,C6V)
2					COVER, Cushion VINYL
	AM86 KD5	2			Quartz, (H6D,C6D)
	AM86 MB7	2			Blue, (H6B)
	AM86 MMA	2			Red, (H6M)
	AM86 KV4	2			Champagne, (H6V,C6V)
3					ROLL STOCK, Vinyl Order By The Inch
	R600 HD5	AR			Quartz
	R600 KB7	AR			Blue
	R600 KMA	AR			Red
	R600 HV4	AR			Champagne
4					BACK, w/Spring/Frame, Pad and Cover VINYL
	G804-5 KD5	1			Quartz, (H6D,C6D)
	G804-5 MB7	1			Blue, (H6B)
	G804-5 MMA	1			Red, (H6M)
	G804-5 KV4	1			Champagne, (H6V,C6V)
5					COVER, Back VINYL
	AN06 KD5	2			Quartz, (H6D,C6D)
	AN06 MB7	2			Blue, (H6B)
	AN06 MMA	2			Red, (H6M)
	AN06 KV4	2			Champagne, (H6V,C6V)
6					ARMREST and COVER PASSENGER SEAT Inboard
	G818 KD5	1			Quartz, (H6D,C6D)
	G818 MB7	1			Blue, (H6B)
	G818 MMA	1			Red, (H6M)
	G818 KV4	1			Champagne, (H6V,C6V)
					DRIVER SEAT Inboard
	G819 KD5	1			Quartz, (H6D,C6D)

**MODEL CODES:**

A BODY=(C=LeBaron, D=Spirit, P=Acclaim/LaBaron(Landau),  
Saratoga)  
C BODY=(D=Dynasty, C=New Yorker/N.Y. Salon)  
G BODY=(V=Daytona/ROC, Chrysler Daytona)  
J BODY=(C=LeBaron, Chrysler LeBaron)  
P BODY=(P=Sundance, D=Shadow)

S BODY=(H=Voyager(H) FWD, K=Caravan(H) FWD,  
Y=Town & Country(H) FWD, P=Voyager(K) AWD,  
D=Caravan(K) AWD, C=Town & Country(K) AWD)  
Y BODY=(C=Imperial/5th Avenue)  
E-S BODY=(K=Chrysler Voyager(H) FWD, D=Chrysler  
Voyager(K) AWD)

**BODY STYLES:**

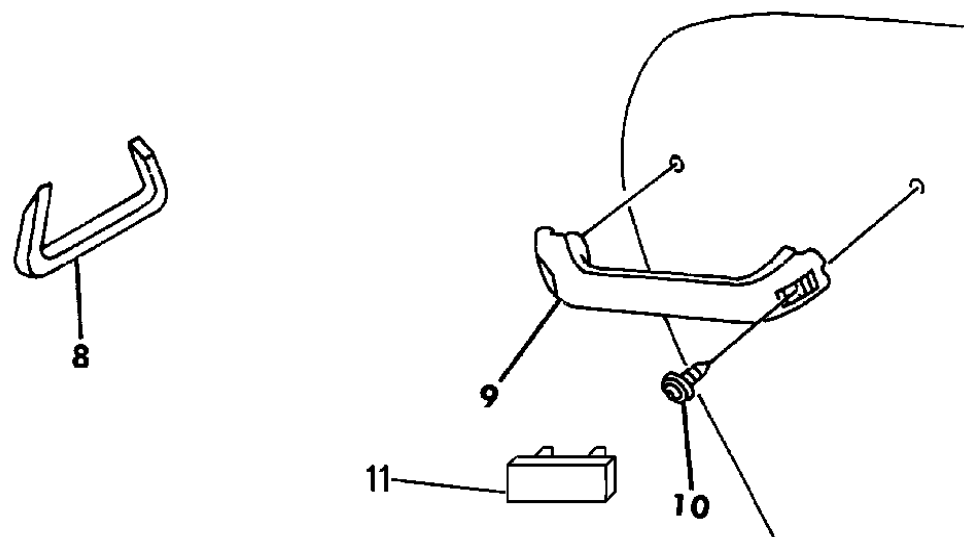
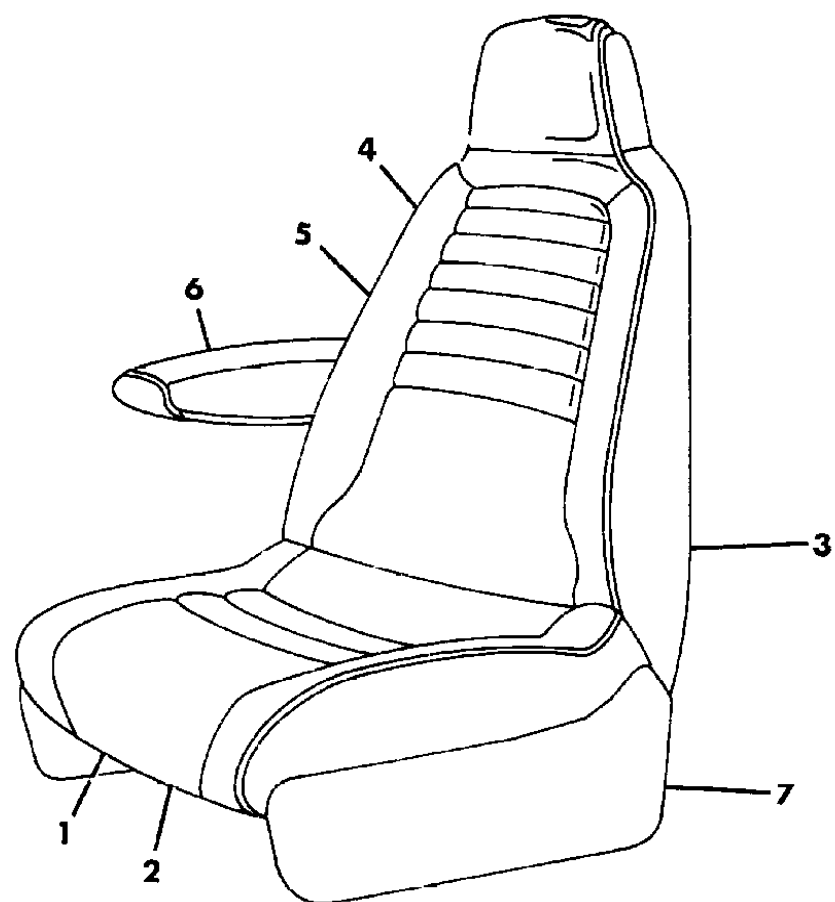
21=2-Door Coupe      41=4-Door Sedan      12-52=FWD & AWD Van & Wgn Std W.B.  
24=2-Door Hatchback      44=4-Door Hatchback      53=FWD & AWD Van & Wgn Ext. W.B.  
27=2-Door Convertible

AR = Use as Required - = Non Illustrated Part P.A.R. = Paint as Required



SEAT--FRONT S BODY TRIM CODES C6,H6  
Figure ITS-1300

93242 1300A



ITEM	PART NUMBER	QTY	BODY	MODEL	DESCRIPTION
	G819 MB7	1			Blue, (H6B)
	G819 MMA	1			Red, (H6M)
	G819 KV4	1			Champagne, (H6V,C6V)
7					SHIELD, Cushion (See Ill 2000)
8	6008 076	AR			HOG RING
9					HANDLE, Assist
	GN04 LD5	1			Quartz
	GN04 MB7	1			Blue
	GN04 MM6	1			Red
	GN04 LV4	1			Champagne
10		AR			SCREW, (Not Serv.)
11					CAP, Assist Handle
	GN53 MB7	2			Blue
	GN53 LD5	2			Quartz
	GN53 MM6	2			Red
	GN53 LV4	2			Champagne
NOTE: For Arm Rest Attaching Parts See Ill. Number 1900					

MODEL CODES:

A BODY=(C=LeBaron, D=Spirit, P=Acclaim/LaBaron(Landau), Saratoga) S BODY=(H=Voyager(H) FWD, K=Caravan(H) FWD, Y=Town & Country(H) FWD, P=Voyager(K) AWD, D=Caravan(K) AWD, C=Town & Country(K) AWD)  
 C BODY=(D=Dynasty, C=New Yorker/N.Y. Salon) Y BODY=(C=Imperial/5th Avenue)  
 G BODY=(V=Daytona/ROC, Chrysler Daytona) E-S BODY=(K=Chrysler Voyager(H) FWD, D=Chrysler Voyager(K) AWD)  
 J BODY=(C=LeBaron, Chrysler LeBaron) P BODY=(P=Sundance, D=Shadow)

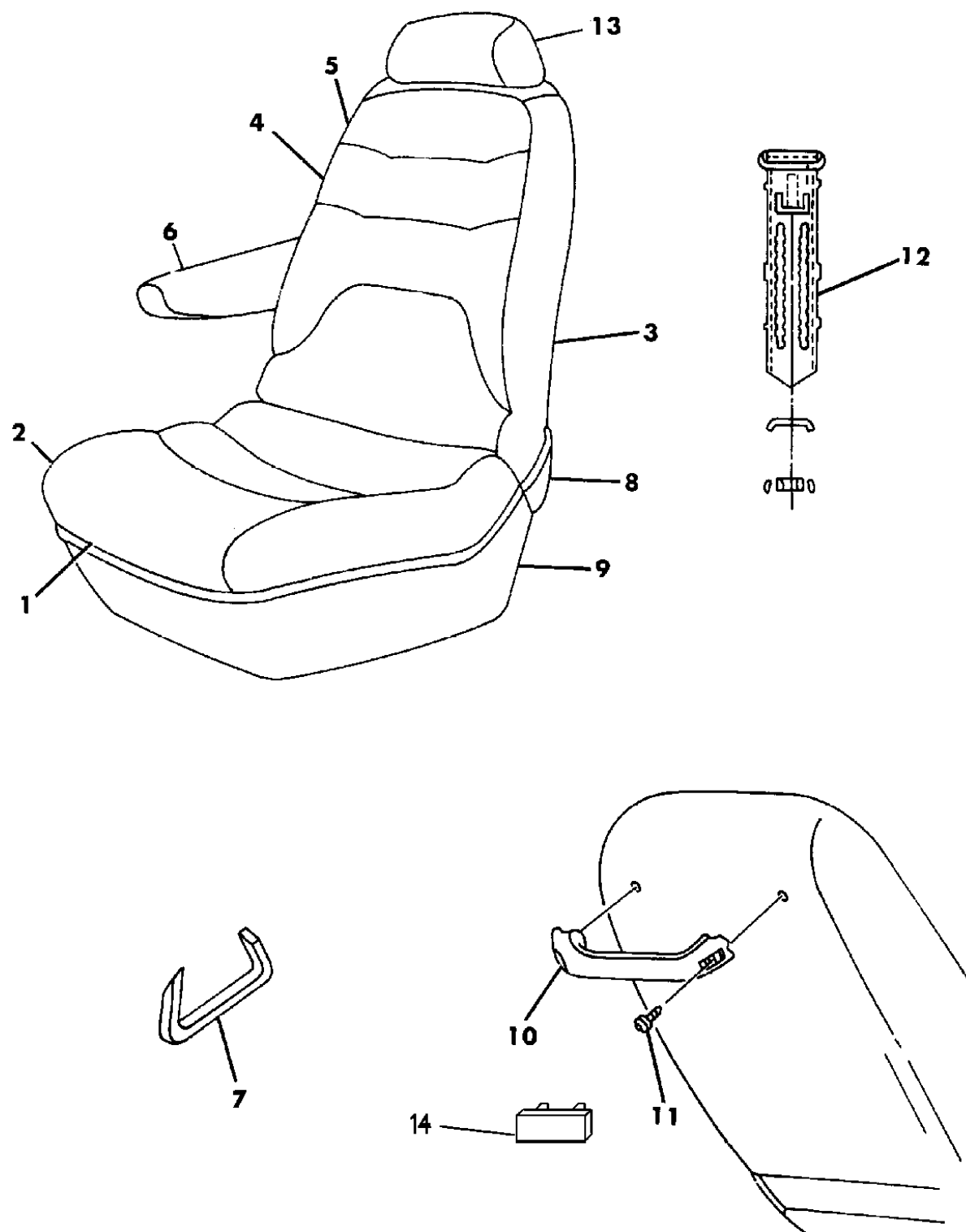
BODY STYLES:

21=2-Door Coupe 41=4-Door Sedan 12-52=FWD & AWD Van & Wgn Std W.B.  
 24=2-Door Hatchback 44=4-Door Hatchback 53=FWD & AWD Van & Wgn Ext. W.B.  
 27=2-Door Convertible

AR = Use as Required - = Non Illustrated Part P.A.R. = Paint as Required

SEAT--FRONT S BODY TRIM CODE H7,R7,Y7  
Figure ITS-1400

93242 1400A



ITEM	PART NUMBER	QTY	BODY	MODEL	DESCRIPTION
1					CUSHION, w/Spring/Frame, Pad and Cover
	HE96 MD5	2			CLOTH Quartz, (R7D)
	HE96 MB7	2			Blue, (R7B)
	HE96 MMA	2			Red, (R7M)
	HE96 MVV	2			Champagne, (R7V)
	GN64 MB7	2			Blue, (H7B)
	GN64 LVV	2			Champagne, (H7V)
	GN64 LD5	2			Quartz, (H7D)
	GN24 LD5	2			Quartz, (Y7D)
	GN24 LVV	2			Champagne, (Y7V)
	GN24 MB7	2			Blue, (Y7B)
2					COVER and PAD, Cushion
	HF00 MD5	2			CLOTH Quartz, (R7D)
	HF00 MB7	2			Blue, (R7B)
	HF00 MMA	2			Red, (R7M)
	HF00 MVV	2			Champagne, (R7V)
	FC48 MB7	2			Blue, (H7B)
	FC48 LD5	2			Quartz, (H7D)
	FC48 LVV	2			Champagne, (H7V)
	EP42 LD5	2			Quartz, (Y7D)
	EP42 LVV	2			Champagne, (Y7V)
	EP42 MB7	2			Blue, (Y7B)
3					ROLL STOCK, Vinyl Order By The Inch (58" Wide)
	R600 HD5	AR			Quartz, (P7D,R7D)
	R600 KB7	AR			Blue, (P7B,R7B)
	R600 KMA	AR			Red, (P7M,R7M)
	R600 HV4	AR			Champagne, (P7V,R7V)
4					BACK, w/Spring/Frame, Pad and Cover
					CLOTH Right
	JH68 MB7	1			Blue, (R7B)
	JH68 PD5	1			Quartz, (R7D)
	JH68 MMA	1			Red, (R7M)
	JH68 MVV	1			Champagne, (R7V)
					Left
	HE93 MB7	1			Blue, (R7B)
	HE93 MD5	1			Quartz, (R7D)

MODEL CODES:

A BODY=(C=LeBaron, D=Spirit, P=Acclaim/LaBaron(Landau), Saratoga) S BODY=(H=Voyager(H) FWD, K=Caravan(H) FWD, Y=Town & Country(H) FWD, P=Voyager(K) AWD, D=Caravan(K) AWD, C=Town & Country(K) AWD)  
 C BODY=(D=Dynasty, C=New Yorker/N.Y. Salon) Y BODY=(C=Imperial/5th Avenue)  
 G BODY=(V=Daytona/ROC, Chrysler Daytona) E-S BODY=(K=Chrysler Voyager(H) FWD, D=Chrysler Voyager(K) AWD)  
 J BODY=(C=LeBaron, Chrysler LeBaron) P BODY=(P=Sundance, D=Shadow)

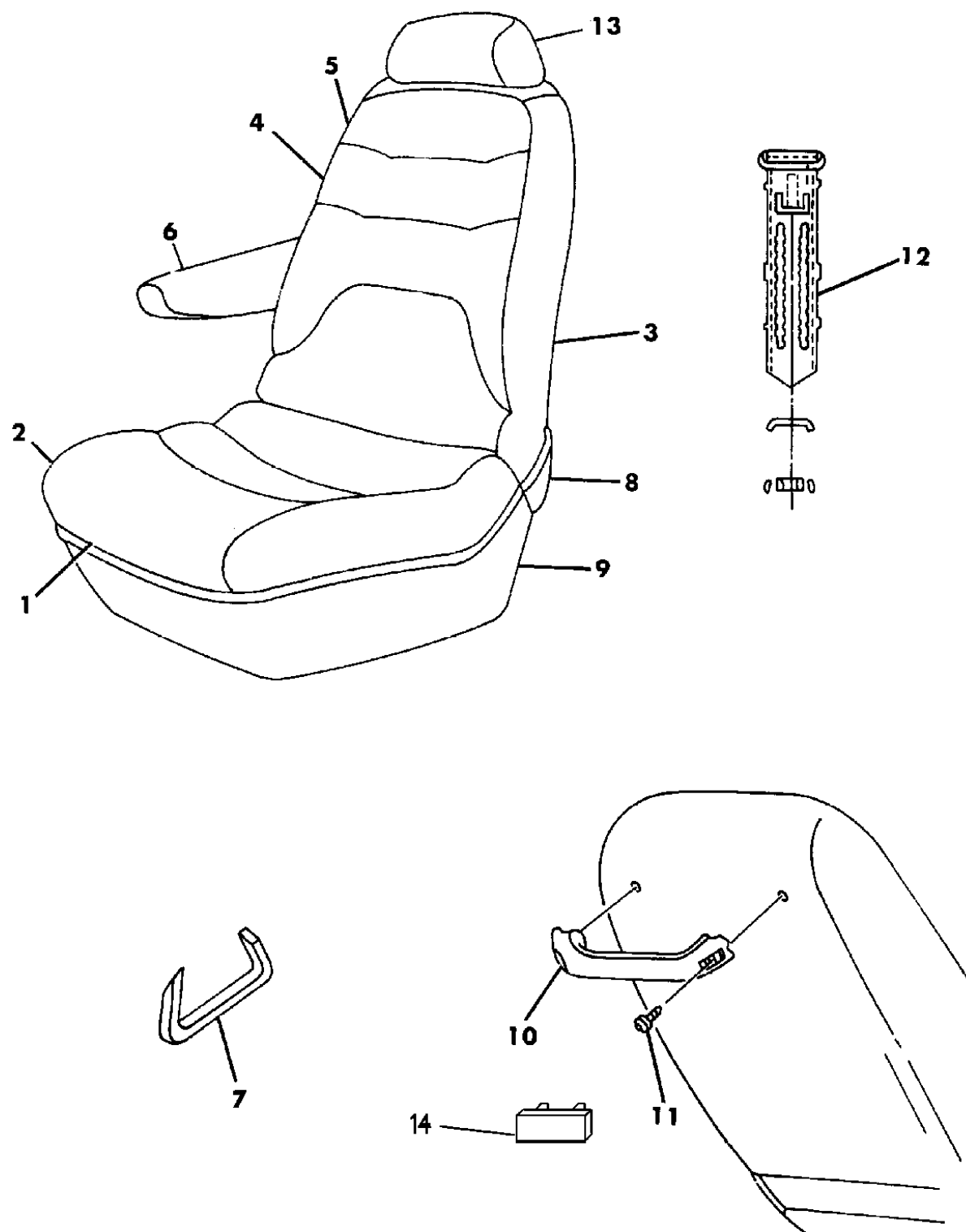
BODY STYLES:

21=2-Door Coupe 41=4-Door Sedan 12-52=FWD & AWD Van & Wgn Std W.B.  
 24=2-Door Hatchback 44=4-Door Hatchback 53=FWD & AWD Van & Wgn Ext. W.B.  
 27=2-Door Convertible

AR = Use as Required - = Non Illustrated Part P.A.R. = Paint as Required

**SEAT--FRONT S BODY TRIM CODE H7,R7,Y7  
Figure ITS-1400**

93242 1400A



ITEM	PART NUMBER	QTY	BODY	MODEL	DESCRIPTION
	HE93 MMA	1			Red, (R7M)
	HE93 MVV	1			Champagne, (R7V) (Right Side Only - w/o Assist Handle) EUROPEAN
	GN66-7 MB7	1			Blue, (H7B)
	GN66-7 LVV	1			Champagne, (H7V)
	GN66-7 LD5	1			Quartz, (H7D)
	GN26-7 LD5	1			Quartz, (Y7D)
	GN26-7 LVV	1			Champagne, (Y7V)
	GN26-7 MB7	1			Blue, (Y7B)
					(Right Side Only - w/Assist Handles) EUROPEAN
	HY87 MB7	1			Blue, (H7B) European
	HY87 LVV	1			Champagne, (H7V) European
	HY87 LD5	1			Quartz, (H7D) European
	HY93 LD5	1			Quartz, (Y7D) European
	HY93 LVV	1			Champagne, (Y7V) European
	HY93 MB7	1			Blue, (Y7B) European
5					COVER and PAD, Back CLOTH
	HF02-3 MD5	1			Quartz, (R7D)
	HF02-3 MB7	1			Blue, (R7B)
	HF02-3 MMA	1			Red, (R7M)
	HF02-3 MVV	1			Champagne, (R7V)
	FC47 MB7	2			Blue, (H7B)
	FC47 LD5	2			Quartz, (H7D)
	FC47 LVV	2			Champagne, (H7V)
	EP40-1 LD5	1			Quartz, (Y7D)
	EP40-1 LVV	1			Champagne, (Y7V)
	EP40-1 MB7	1			Blue, (Y7B)
6					ARMREST and COVER PASSENGER SEAT Inboard
	GZ30 MD5	1			Quartz, (R7D)
	GZ30 MB7	1			Blue, (R7B)
	GZ30 MMA	1			Red, (R7M)
	GZ30 MVV	1			Champagne, (R7V)
	JP38 MB7	1			Blue, (H7B)
	JP38 MVV	1			Champagne, (H7V)
	JP38 MD5	1			Quartz, (H7D)
	GN78 LD5	1			Quartz, (Y7D)

**MODEL CODES:**

A BODY=(C=LeBaron, D=Spirit, P=Acclaim/LaBaron(Landau, Saratoga) S BODY=(H=Voyager(H) FWD, K=Caravan(H) FWD, Y=Town & Country(H) FWD, P=Voyager(K) AWD, D=Caravan(K) AWD, C=Town & Country(K) AWD)  
 C BODY=(D=Dynasty, C=New Yorker/N.Y. Salon) Y BODY=(C=Imperial/5th Avenue)  
 G BODY=(V=Daytona/ROC, Chrysler Daytona) E-S BODY=(K=Chrysler Voyager(H) FWD, D=Chrysler Voyager(K) AWD)  
 J BODY=(C=LeBaron, Chrysler LeBaron) P BODY=(P=Sundance, D=Shadow)

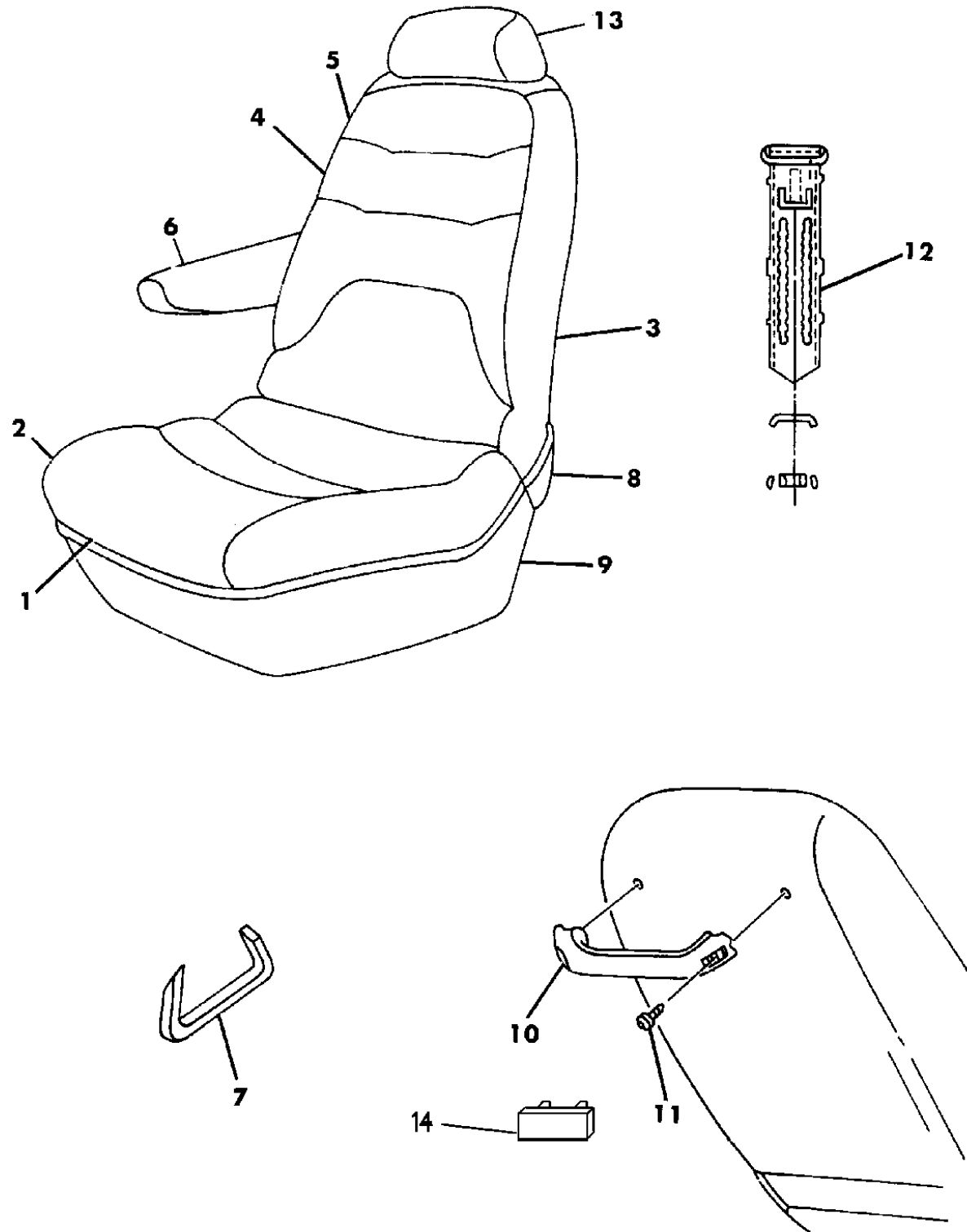
**BODY STYLES:**

21=2-Door Coupe      41=4-Door Sedan      12-52=FWD & AWD Van & Wgn Std W.B.  
 24=2-Door Hatchback      44=4-Door Hatchback      53=FWD & AWD Van & Wgn Ext. W.B.  
 27=2-Door Convertible

AR = Use as Required - = Non Illustrated Part P.A.R. = Paint as Required

SEAT--FRONT S BODY TRIM CODE H7,R7,Y7  
Figure ITS-1400

93242 1400A



ITEM	PART NUMBER	QTY	BODY	MODEL	DESCRIPTION
	GN78 LVV	1			Champagne, (Y7V)
	GN78 MB7	1			Blue, (Y7B) DRIVER SEAT Inboard
	GZ31 MD5	1			Quartz, (R7D)
	GZ31 MB7	1			Blue, (R7B)
	GZ31 MMA	1			Red, (R7M)
	GZ31 MVV	1			Champagne, (R7V)
	JP39 MB7	1			Blue, (H7B)
	JP39 MVV	1			Champagne, (H7V)
	JP39 MD5	1			Quartz, (H7D)
	GN81 LD5	1			Quartz, (Y7D)
	GN81 LVV	1			Champagne, (Y7V)
7	6008 076	AR			Blue, (Y7B) HOG RING
8-9					SHIELD, Cushion (See ILL. 2000)
10					HANDLE, Assist (Right Only)
	GN04 LD5	1			Quartz
	GN04 MB7	1			Blue
	GN04 MM6	1			Red
	GN04 LV4	1			Champagne
11	6501 518	2			SCREW
12					SLEEVE, Headrest
	S281 HV4	1			Champagne
	S281 MMA	1			Red
	S281 HD5	1			Quartz
	S281 MB7	1			Blue
	4746 317	1			(For Trim Codes H7 and Y7) EUROPEAN)
13					HEADREST and COVER
	HK62 MD5	2			Quartz, (R7D,H7D)
	HK62 MB7	2			Blue, (R7C,H7C)
	HK62 MMA	2			Red, (R7R)
	HK62 MVV	2			Champagne, (R7V,H7V)
	EP21 MB7	2			Blue, (Y7B)
	EP21 LD5	2			Quartz, (Y7D)
	EP21 LV4	2			Champagne, (Y7V)
14					CAP, Assist Handle
	GN53 MB7	2			Blue
	GN53 LD5	2			Quartz

MODEL CODES:

A BODY=(C=LeBaron, D=Spirit, P=Acclaim/LaBaron(Landau),  
Saratoga)

C BODY=(D=Dynasty, C=New Yorker/N.Y. Salon)

G BODY=(V=Daytona/ROC, Chrysler Daytona)

J BODY=(C=LeBaron, Chrysler LeBaron)

P BODY=(P=Sundance, D=Shadow)

S BODY=(H=Voyager(H) FWD, K=Caravan(H) FWD,

Y=Town & Country(H) FWD, P=Voyager(K) AWD,

D=Caravan(K) AWD, C=Town & Country(K) AWD)

Y BODY=(C=Imperial/5th Avenue)

E-S BODY=(K=Chrysler Voyager(H) FWD, D=Chrysler

Voyager(K) AWD)

BODY STYLES:

21=2-Door Coupe

41=4-Door Sedan

12-52=FWD & AWD Van & Wgn Std W.B.

24=2-Door Hatchback

44=4-Door Hatchback

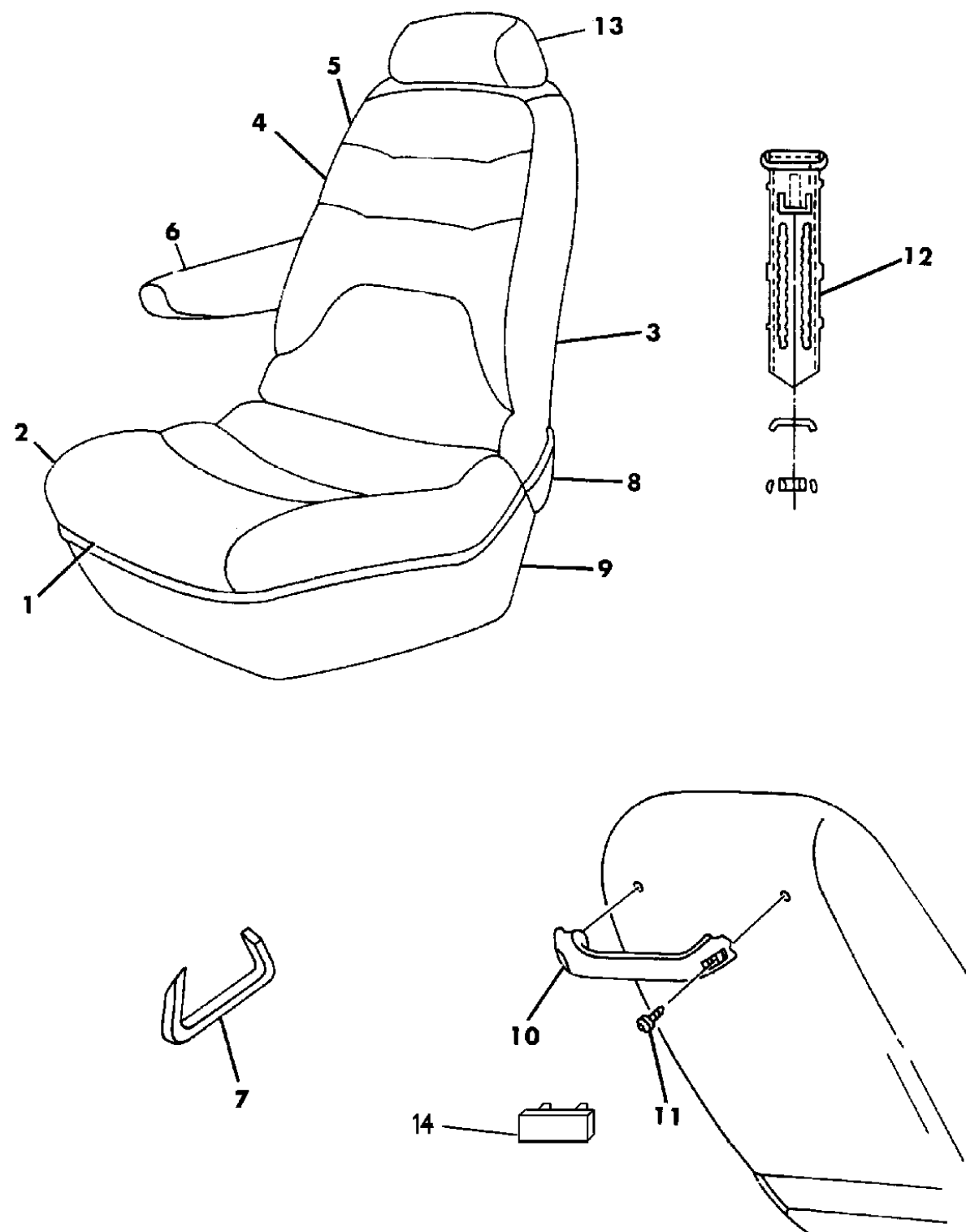
53=FWD & AWD Van & Wgn Ext. W.B.

27=2-Door Convertible

AR = Use as Required - = Non Illustrated Part P.A.R. = Paint as Required

SEAT--FRONT S BODY TRIM CODE H7,R7,Y7  
Figure ITS-1400

93242 1400A



ITEM	PART NUMBER	QTY	BODY	MODEL	DESCRIPTION
------	-------------	-----	------	-------	-------------

	GN53 MM6	2			Red
	GN53 LV4	2			Champagne

NOTE: For Arm Rest Attaching Parts See Ill. Number 1900

**MODEL CODES:**

A BODY=(C=LeBaron, D=Spirit, P=Acclaim/LaBaron(Landau, Saratoga)  
 C BODY=(D=Dynasty, C=New Yorker/N.Y. Salon)  
 G BODY=(V=Daytona/IROC, Chrysler Daytona)  
 J BODY=(C=LeBaron, Chrysler LeBaron)  
 P BODY=(P=Sundance, D=Shadow)

S BODY=(H=Voyager(H) FWD, K=Caravan(H) FWD, Y=Town & Country(H) FWD, P=Voyager(K) AWD, D=Caravan(K) AWD, C=Town & Country(K) AWD)  
 Y BODY=(C=Imperial/5th Avenue)  
 E-S BODY=(K=Chrysler Voyager(H) FWD, D=Chrysler Voyager(K) AWD)

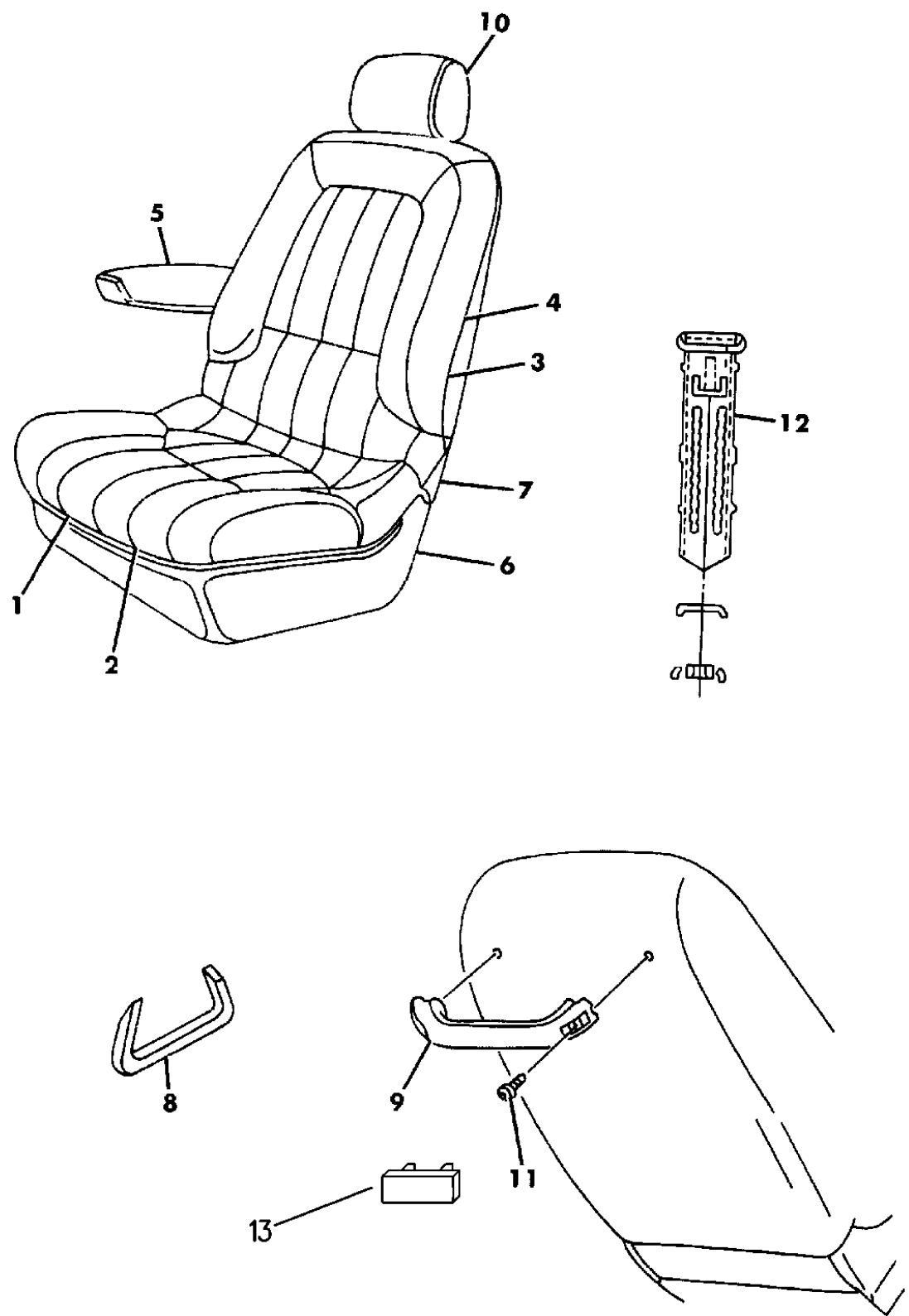
**BODY STYLES:**

21=2-Door Coupe      41=4-Door Sedan      12-52=FWD & AWD Van & Wgn Std W.B.  
 24=2-Door Hatchback      44=4-Door Hatchback      53=FWD & AWD Van & Wgn Ext. W.B.  
 27=2-Door Convertible

AR = Use as Required - = Non Illustrated Part P.A.R. = Paint as Required

**SEAT--FRONT S BODY TRIM CODE EL,KL**  
**Figure ITS-1500**

93242 1500A



ITEM	PART NUMBER	QTY	BODY	MODEL	DESCRIPTION
1					CUSHION, w/Spring/Frame, Pad and Cover
					LEATHER
		FU61 LD5	2		Quartz, (ELD)
		FU61 MMA	2		Red, (ELM)
		FU61 LV4	2		Champagne, (ELV)
		GN68 LD5	2		Quartz, (KLD)
	GN68 LV4	2		Champagne, (KLV)	
2					COVER, Cushion
					LEATHER
		FU50 LD5	2		Quartz, (ELD,KLD)
		FU50 MMA	2		Red, (ELM)
	FU50 LV4	2		Champagne, (ELV,KLV)	
3					BACK, w/Spring/Frame, Pad and Cover
					LEATHER
					Right
		FK28 LD5	1		Quartz, (ELD)
		FK28 MMA	1		Red, (ELM)
		FK28 LV4	1		Champagne, (ELV)
					w/Assist Handle
		HY96 LD5	1		Quartz, (KLD)
		HY96 LV4	1		Champagne, (KLV)
					Left
		AA53 KD5	1		Quartz, (ELD)
		AA53 MMA	1		Red, (ELM)
		AA53 KV4	1		Champagne, (ELV)
		GN75 LD5	1		Quartz, (KLD)
	GN75 LV4	1		Champagne, (KLV)	
4					COVER, Back
					LEATHER
		AN14-5 KD5	1		Quartz, (ELD)
		AN14-5 MMA	1		Red, (ELM)
		AN14-5 KV4	1		Champagne, (ELV)
		FU48-9 LD5	1		Quartz, (KLD)
	FU48-9 LV4	1		Champagne, (KLV)	
5					ARMREST and COVER
					PASSENGER SEAT
					Inboard
		G818 KV4	1		Champagne, (ELV)
	G818 KD5	1		Quartz, (ELD)	

**MODEL CODES:**

A BODY=(C=LeBaron, D=Spirit, P=Acclaim/LaBaron(Landau), Saratoga) S BODY=(H=Voyager(H) FWD, K=Caravan(H) FWD, Y=Town & Country(H) FWD, P=Voyager(K) AWD, D=Caravan(K) AWD, C=Town & Country(K) AWD)  
 C BODY=(D=Dynasty, C=New Yorker/N.Y. Salon) Y BODY=(C=Imperial/5th Avenue)  
 G BODY=(V=Daytona/IROC, Chrysler Daytona) E-S BODY=(K=Chrysler Voyager(H) FWD, D=Chrysler Voyager(K) AWD)  
 J BODY=(C=LeBaron, Chrysler LeBaron) P BODY=(P=Sundance, D=Shadow)

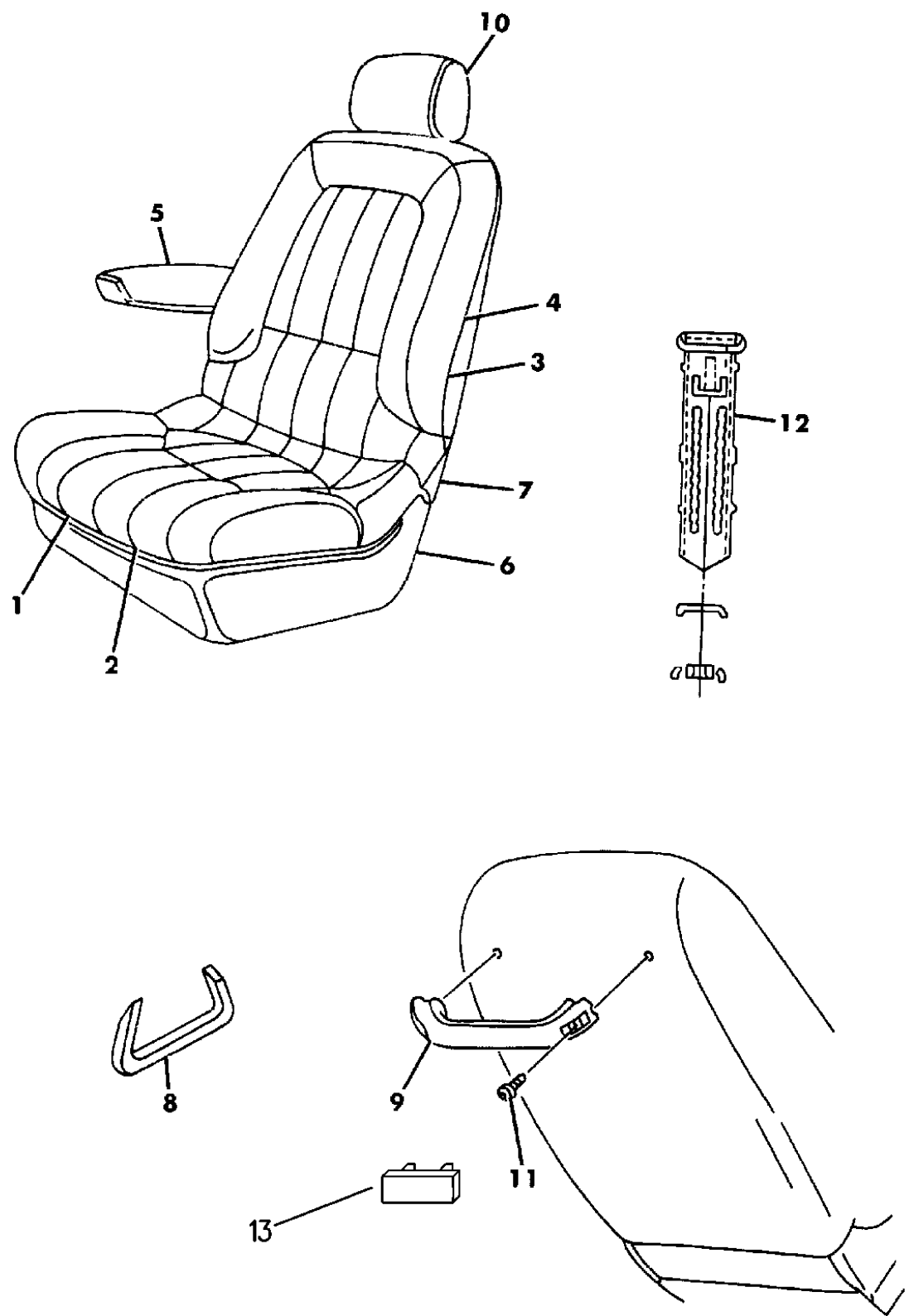
**BODY STYLES:**

21=2-Door Coupe 41=4-Door Sedan 12-52=FWD & AWD Van & Wgn Std W.B.  
 24=2-Door Hatchback 44=4-Door Hatchback 53=FWD & AWD Van & Wgn Ext. W.B.  
 27=2-Door Convertible

AR = Use as Required - = Non Illustrated Part P.A.R. = Paint as Required

**SEAT--FRONT S BODY TRIM CODE EL,KL**  
**Figure ITS-1500**

93242 1500A



ITEM	PART NUMBER	QTY	BODY	MODEL	DESCRIPTION
	G818 MMA	1			Red, (ELM)
	GN80 LD5	1			Quartz, (KLD)
	GN80 LV4	1			Champagne, (KLV)
					DRIVER SEAT Inboard
	G819 KV4	1			Champagne, (ELV)
	G819 KD5	1			Quartz, (ELD)
	G819 MMA	1			Red, (ELM)
	GN83 LD5	1			Quartz, (KLD)
	GN83 LV4	1			Champagne, (KLV)
6 & 7					SHIELDS, (See ILL. 2000) ***
8	6008 076	AR			HOG RING
9					HANDLE, Assist
	GN04 LV4	1			Champagne
	GN04 LD5	1			Quartz
	GN04 MM6	1			Red
10					HEADREST
	AA56 KV4	1			Champagne
	AA56 KD5	1			Quartz
	AA56 MMA	1			Red
11	6501 518	2			SCREW
12					SLEEVE, Headrest
	S281 HV4	1			Champagne
	S281 MMA	1			Red
	S281 HD5	1			Quartz
	4746 317	1			(For Trim Code KL) EUROPEAN
13					CAP, Assist
	GN53 LV4	2			Champagne
	GN53 LD5	2			Quartz
	GN53 MM6	2			Red

NOTE: For Arm Rest Attaching Parts See Ill. Number 1900

**MODEL CODES:**

A BODY=(C=LeBaron, D=Spirit, P=Acclaim/LaBaron(Landau, Saratoga) S BODY=(H=Voyager(H) FWD, K=Caravan(H) FWD, Y=Town & Country(H) FWD, P=Voyager(K) AWD, D=Caravan(K) AWD, C=Town & Country(K) AWD)  
 C BODY=(D=Dynasty, C=New Yorker/N.Y. Salon) Y BODY=(C=Imperial/5th Avenue)  
 G BODY=(V=Daytona/IROC, Chrysler Daytona) E-S BODY=(K=Chrysler Voyager(H) FWD, D=Chrysler Voyager(K) AWD)  
 J BODY=(C=LeBaron, Chrysler LeBaron)  
 P BODY=(P=Sundance, D=Shadow)

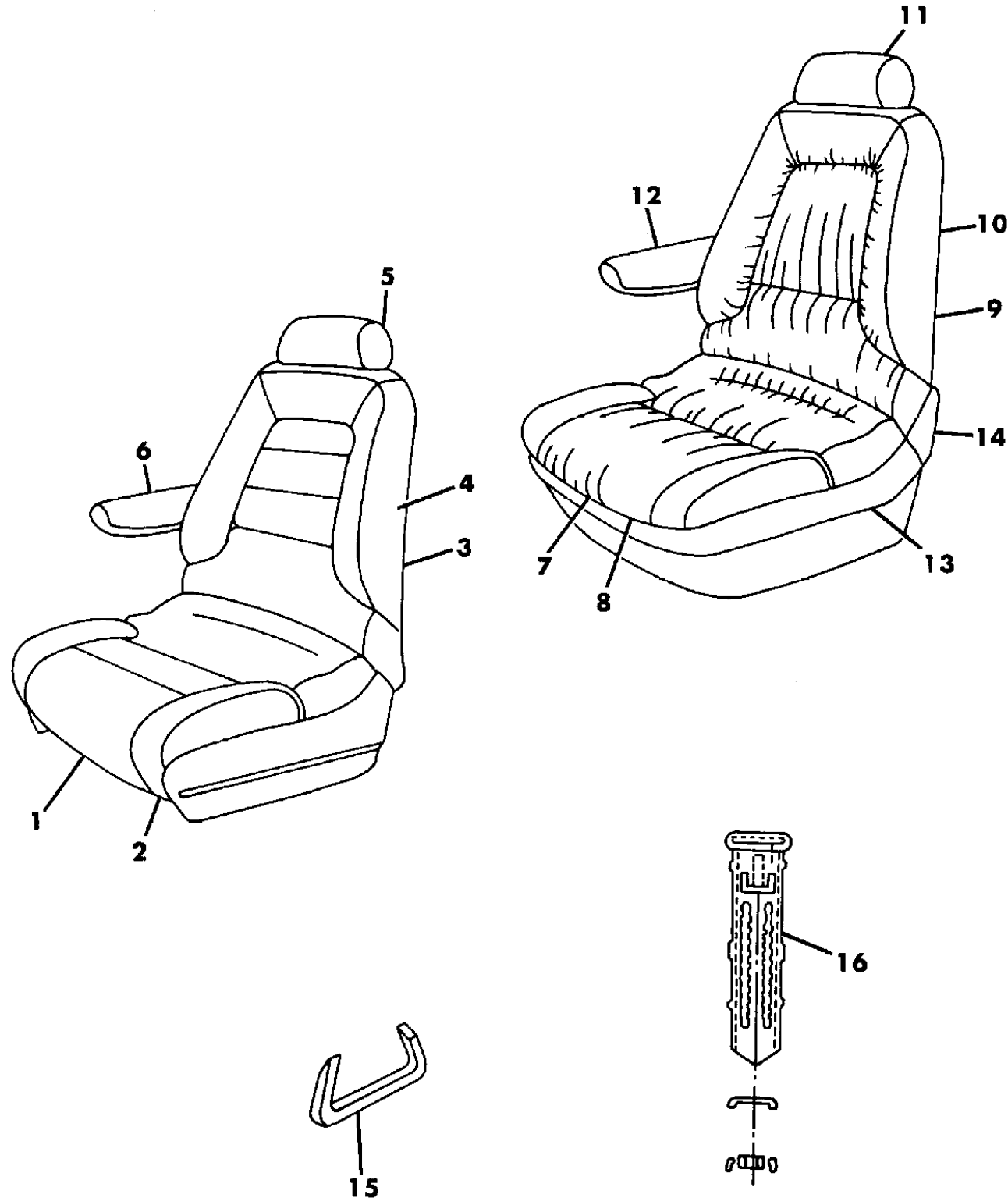
**BODY STYLES:**

21=2-Door Coupe      41=4-Door Sedan      12-52=FWD & AWD Van & Wgn Std W.B.  
 24=2-Door Hatchback      44=4-Door Hatchback      53=FWD & AWD Van & Wgn Ext. W.B.  
 27=2-Door Convertible

AR = Use as Required - = Non Illustrated Part P.A.R. = Paint as Required

**SEAT--FRONT S BODY TRIM CODES G7,GL**  
Figure ITS-1600

93242 1600



ITEM	PART NUMBER	QTY	BODY	MODEL	DESCRIPTION
1					CUSHION, w/Spring/Frame, Pad and Cover CLOTH Champagne, (G7V)
2	WU42 KV4	2			COVER, Cushion CLOTH Champagne, (G7V)
3	WU36 KV4	2			BACK, w/Spring/Frame, Pad and Cover CLOTH Right Champagne, (G7V)
	FK32 LV4	1			Champagne, (G7V) Left
	WU11 KV4	1			Champagne, (G7V)
4					COVER, Back CLOTH Champagne, (G7V)
5	WU34-5 KV4	1			HEADREST CLOTH Champagne, (G7V)
6	AA56 KV4	1			ARMREST and COVER PASSENGER SEAT Inboard Champagne, (G7V)
	G818 KV4	1			DRIVER SEAT Inboard Champagne, (G7V)
	G819 KV4	1			Champagne, (G7V)
7					CUSHION, w/Spring/Frame, Pad and Cover LEATHER Champagne, (GLV) Quartz, (GLDW)
	WU44 KV4	2			
	WU44 MW8	2			
8					COVER, Cushion Leather Champagne, (GLV) Quartz, (GLDW)
	WU24 KV4	2			
	WU24 MW8	2			
9					BACK, w/Spring/Frame, Pad and Cover LEATHER Right Champagne, (GLV) Quartz, (GLDW) Left
	FK30 LV4	1			
	FK30 MW8	1			

**MODEL CODES:**

A BODY=(C=LeBaron, D=Spirit, P=Acclaim/LaBaron(Landau, Saratoga)  
C BODY=(D=Dynasty, C=New Yorker/N.Y. Salon)  
G BODY=(V=Daytona/IROC, Chrysler Daytona)  
J BODY=(C=LeBaron, Chrysler LeBaron)  
P BODY=(P=Sundance, D=Shadow)

S BODY=(H=Voyager(H) FWD, K=Caravan(H) FWD, Y=Town & Country(H) FWD, P=Voyager(K) AWD, D=Caravan(K) AWD, C=Town & Country(K) AWD)  
Y BODY=(C=Imperial/5th Avenue)  
E-S BODY=(K=Chrysler Voyager(H) FWD, D=Chrysler Voyager(K) AWD)

**BODY STYLES:**

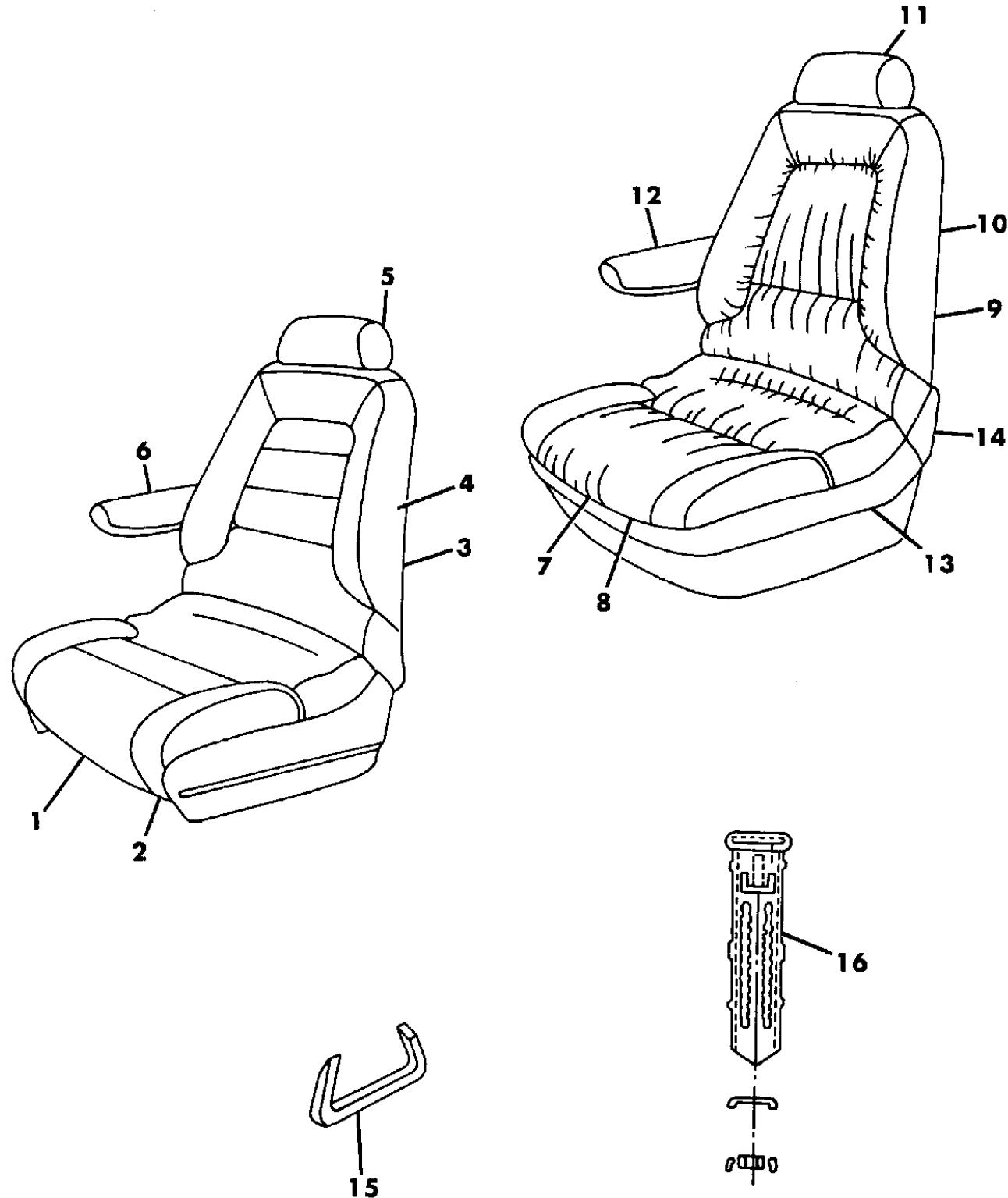
21=2-Door Coupe      41=4-Door Sedan      12-52=FWD & AWD Van & Wgn Std W.B.  
24=2-Door Hatchback      44=4-Door Hatchback      53=FWD & AWD Van & Wgn Ext. W.B.  
27=2-Door Convertible

AR = Use as Required - = Non Illustrated Part P.A.R. = Paint as Required



**SEAT--FRONT S BODY TRIM CODES G7,GL**  
Figure ITS-1600

93242 1600



ITEM	PART NUMBER	QTY	BODY	MODEL	DESCRIPTION
	WT93 KV4	1			Champagne, (GLV)
	WT93 MW8	1			Quartz, (GLDW)
10					COVER, Back LEATHER
	WU22-3 KV4	1			Champagne, (GLV)
	WU22-3 MW8	1			Quartz, (GLDW)
11					HEADREST and COVER LEATHER
	AA56 KV4	2			Champagne, (GLV)
	AA56 MW8	2			Quartz, (GLDW)
12					ARMREST and COVER PASSENGER SEAT Inboard
	G818 KV4	1			Champagne, (GLV)
	G818 MW8	1			Quartz, (GLDW)
					DRIVER SEAT Inboard
	G819 KV4	1			Champagne, (GLV)
	G819 MW8	1			Quartz, (GLDW)
13-14					SHIELDS, (See Ill. 2000) ***
15	6008 076	AR			HOG RING
16	S281 HV4	1			SLEEVE, Headrest

NOTE: For Arm Rest Attaching Parts See Ill. Number 1600

**MODEL CODES:**

A BODY=(C=LeBaron, D=Spirit, P=Acclaim/LaBaron(Landau),  
Saratoga)  
C BODY=(D=Dynasty, C=New Yorker/N.Y. Salon)  
G BODY=(V=Daytona/IROC, Chrysler Daytona)  
J BODY=(C=LeBaron, Chrysler LeBaron)  
P BODY=(P=Sundance, D=Shadow)

S BODY=(H=Voyager(H) FWD, K=Caravan(H) FWD,  
Y=Town & Country(H) FWD, P=Voyager(K) AWD,  
D=Caravan(K) AWD, C=Town & Country(K) AWD)  
Y BODY=(C=Imperial/5th Avenue)  
E-S BODY=(K=Chrysler Voyager(H) FWD, D=Chrysler  
Voyager(K) AWD)

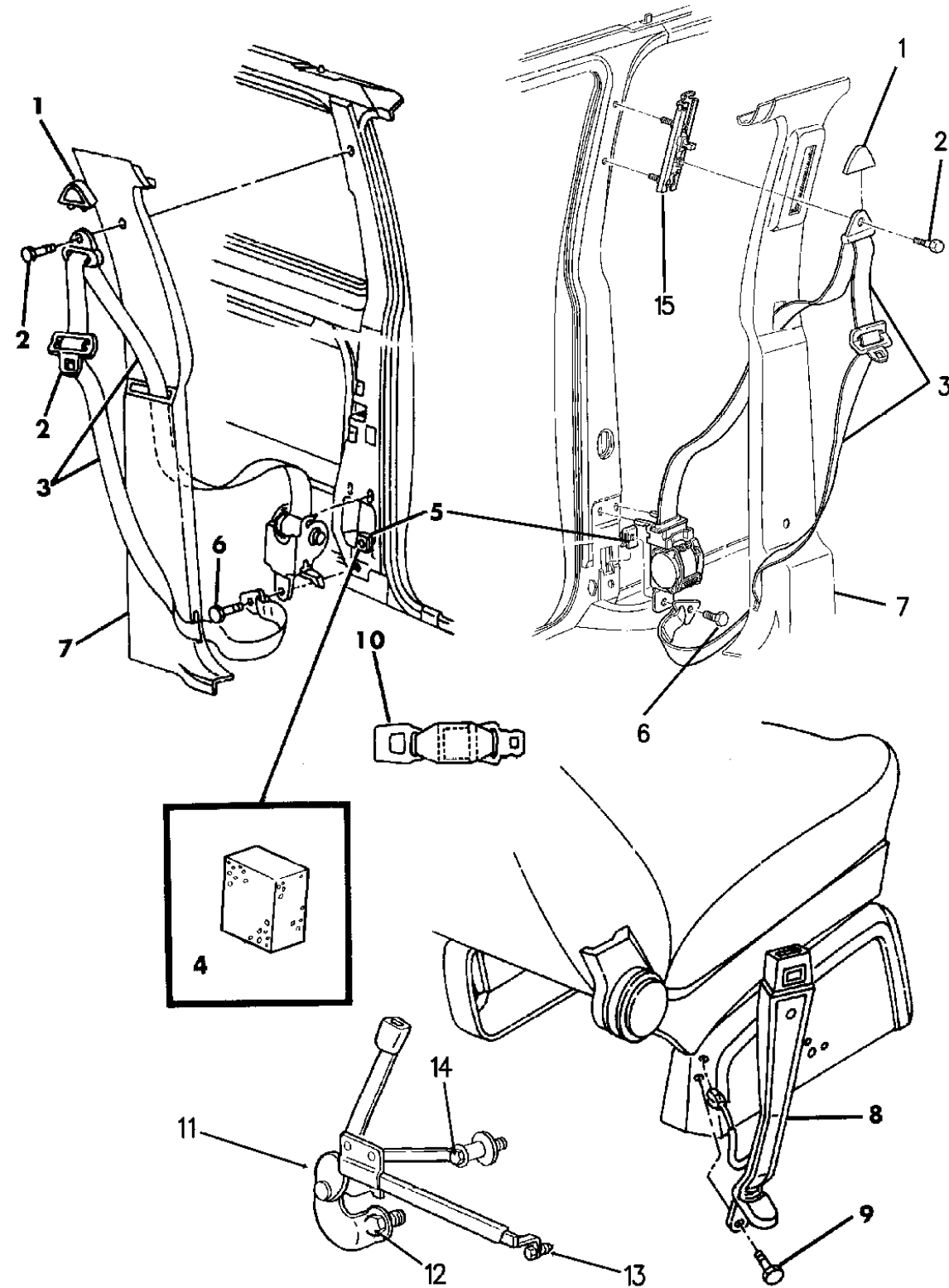
**BODY STYLES:**

21=2-Door Coupe      41=4-Door Sedan      12-52=FWD & AWD Van & Wgn Std W.B.  
24=2-Door Hatchback      44=4-Door Hatchback      53=FWD & AWD Van & Wgn Ext. W.B.  
27=2-Door Convertible

AR = Use as Required - = Non Illustrated Part P.A.R. = Paint as Required

**BELT--FRONT SEAT S BODY**  
Figure ITS-1700

93242 1700A



ITEM	PART NUMBER	QTY	BODY	MODEL	DESCRIPTION
1					COVER, Outer Turning Loop
	F877 JD5	2			Quartz
	F877 KB7	2			Blue
	F877 LMA	2			Red
	F877 JV4	2			Champagne
-					Adjustable T/Loop ***
	CG74-5 MB7	1			Blue
	CG74-5 MD5	1			Quartz
	CG74-5 MMA	1			Red
	CG74-5 MV4	1			Champagne
			12-13		LEFT ONLY - VAN
	CG77 MB7	1			Blue
	CG77 MD5	1			Quartz
	CG77 MMA	1			Red
	CG77 MV4	1			Champagne
2	6034 741	2			BOLT
3					BELT, Outer
					RIGHT
					LABEL NUMBER 4680264
	HL10 MD5	1			Quartz
	HL10 MB7	1			Blue
	HL10 MM6	1			Red
	HL10 MV4	1			Champagne
					LEFT
					LABEL NUMBER 4680245
	HA57 MD5	1			Quartz
	HA57 MB7	1			Blue
	HA57 MM6	1			Red
	HA57 MV4	1			Champagne
					BELT, Outer Front (EUROPEAN)
	4645 236	1			Right
	4680 247	1			Left
4	4674 147	1			COVER, Retractor (Left)
5	6032 353	2			NUT and RETAINER
6	6031 484	2			BOLT
7					QUARTER PANEL, (Reference)
8					BELT, Inboard
					LABEL NUMBER 4476496-7
	F566-7 KD5	1			Quartz

**MODEL CODES:**

A BODY=(C=LeBaron, D=Spirit, P=Acclaim/LaBaron(Landau),  
Saratoga)  
C BODY=(D=Dynasty, C=New Yorker/N.Y. Salon)  
G BODY=(V=Daytona/IROC, Chrysler Daytona)  
J BODY=(C=LeBaron, Chrysler LeBaron)  
P BODY=(P=Sundance, D=Shadow)

S BODY=(H=Voyager(H) FWD, K=Caravan(H) FWD,  
Y=Town & Country(H) FWD, P=Voyager(K) AWD,  
D=Caravan(K) AWD, C=Town & Country(K) AWD)  
Y BODY=(C=Imperial/5th Avenue)  
E-S BODY=(K=Chrysler Voyager(H) FWD, D=Chrysler  
Voyager(K) AWD)

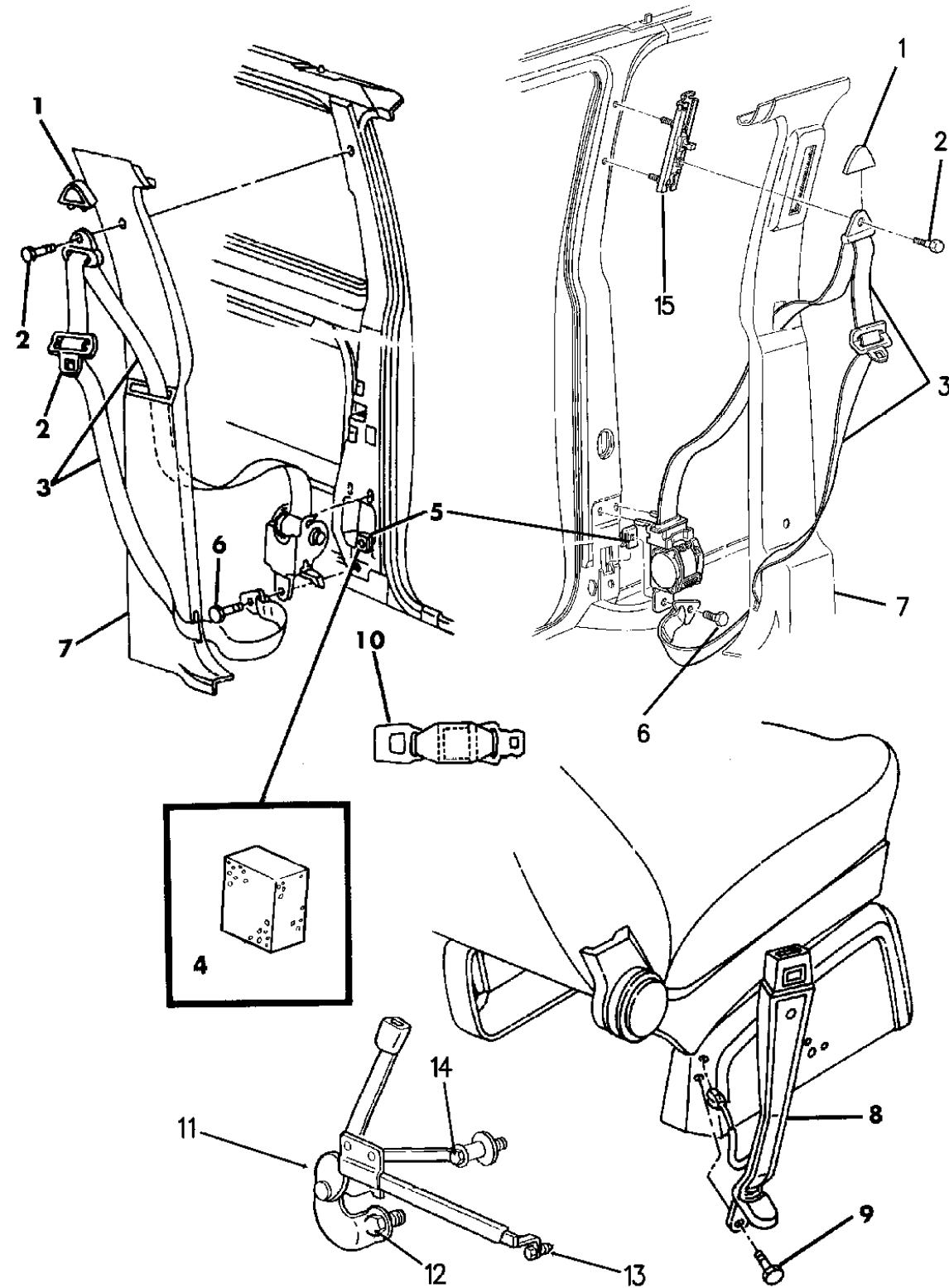
**BODY STYLES:**

21=2-Door Coupe      41=4-Door Sedan      12-52=FWD & AWD Van & Wgn Std W.B.  
24=2-Door Hatchback      44=4-Door Hatchback      53=FWD & AWD Van & Wgn Ext. W.B.  
27=2-Door Convertible

AR = Use as Required - = Non Illustrated Part P.A.R. = Paint as Required

**BELT--FRONT SEAT S BODY**  
Figure ITS-1700

93242 1700A



ITEM	PART NUMBER	QTY	BODY	MODEL	DESCRIPTION
	F566-7 MB7	1			Blue
	F566-7 MM6	1			Red
	F566-7 KV4	1			Champagne
-	4614 823	1			SEAT BELT INNER, (EUROPEAN) ***
-	4680 045	1			BUSHING, Inner Belt
	4680 054-5	1			BELT, Front Inner (EUROPEAN)
9	6031 218	2			BOLT
10	4740 415	1			EXTENDER, (Front Bucket and Rear Quad)
11	4614 643	1			LOCK BAR, Inner Left (EUROPEAN) ***
11	6032 039	1			BOLT
13		1			SCREW, (Not Serv.) (M6x1.00x25.00)
14					BOLT, (Serv. With Item 11)
15	4680 249	2			ADJUSTER, T/Loop

NOTE: (P.A.R.) = Paint As Required

**MODEL CODES:**

A BODY=(C=LeBaron, D=Spirit, P=Acclaim/LaBaron(Landau),  
Saratoga)  
C BODY=(D=Dynasty, C=New Yorker/N.Y. Salon)  
G BODY=(V=Daytona/IROC, Chrysler Daytona)  
J BODY=(C=LeBaron, Chrysler LeBaron)  
P BODY=(P=Sundance, D=Shadow)

S BODY=(H=Voyager(H) FWD, K=Caravan(H) FWD,  
Y=Town & Country(H) FWD, P=Voyager(K) AWD,  
D=Caravan(K) AWD, C=Town & Country(K) AWD)  
Y BODY=(C=Imperial/5th Avenue)  
E-S BODY=(K=Chrysler Voyager(H) FWD, D=Chrysler  
Voyager(K) AWD)

**BODY STYLES:**

21=2-Door Coupe      41=4-Door Sedan      12-52=FWD & AWD Van & Wgn Std W.B.  
24=2-Door Hatchback      44=4-Door Hatchback      53=FWD & AWD Van & Wgn Ext. W.B.  
27=2-Door Convertible

AR = Use as Required - = Non Illustrated Part P.A.R. = Paint as Required

**RISER--RIGHT BUCKET SEAT AND STORAGE BOX S BODY**  
**Figure ITS-1800**

93242 1800

ITEM	PART NUMBER	QTY	BODY	MODEL	DESCRIPTION
1		4			BOLT, Support To Riser (Not Serv.) (8-1.25x45)
2	4317 341	4			SPACER, Cushion to Riser
3	4317 852	1			STRIKER, Storage Box to Latch
4	4519 615	1			SUPPORT, Front Seat Striker (Black Only)
5		AR			SCREW, (Not Serv.)
6	4477 490-1	1			RISER
7		10			SCREW, (8-18x5/8) (Not Serv.)
8	6501 269	AR			NUT and WASHER
9	6500 741	4			STUD, Riser To Floor
10					SUPPORT, Front Seat Pivot
	4550 420	1			Inner, Right
	4550 422	1			Outer, Right
11	6100 051	4			NUT and WASHER
12	4284 115	1			CLIP
13					SCREW, (M8x1.25) (Not Serv.)
14	4284 100	1			SOCKET, Adapter
15	4477 492-3	1			ROLLER ASSEMBLY, Front Seat Stowage ***
16	S488 KV4	1			DRAWER, Storage (P.A.R.)
17	4477 496	1			LATCH-HANDLE, Cylinder Housing Assy. ***
18		8			NUT, (Not Serv.)
19					COVER, Riser Inner (P.A.R.)
					Manual Seat
	S502 KV4	1			Outboard
	S503 KV4	1			Inboard
20	9420 486	AR			SCREW

NOTE: (P.A.R. = Paint As Required)

**MODEL CODES:**

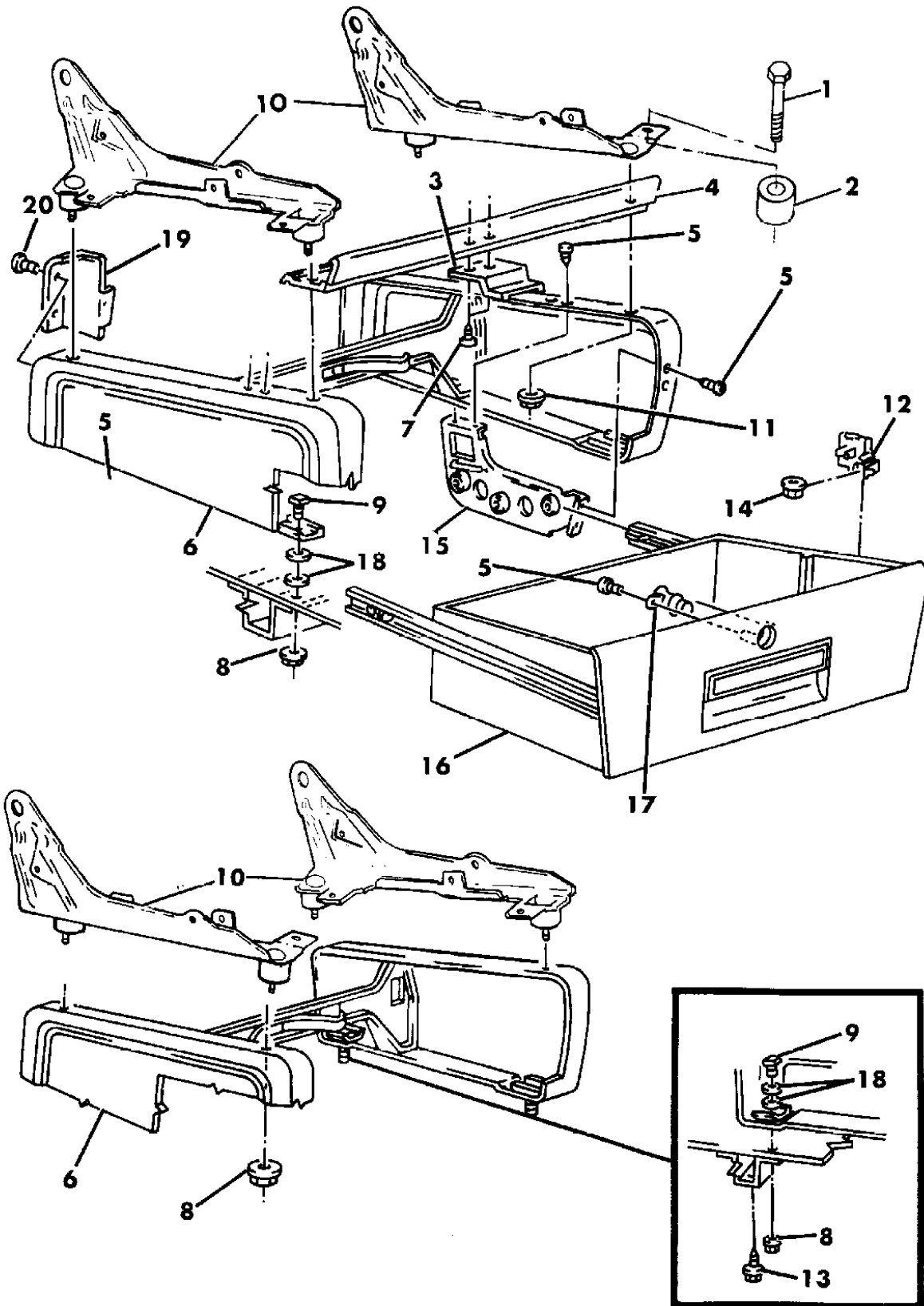
A BODY=(C=LeBaron, D=Spirit, P=Acclaim/LaBaron(Landau),  
Saratoga)  
 C BODY=(D=Dynasty, C=New Yorker/N.Y. Salon)  
 G BODY=(V=Daytona/IROC, Chrysler Daytona)  
 J BODY=(C=LeBaron, Chrysler LeBaron)  
 P BODY=(P=Sundance, D=Shadow)

S BODY=(H=Voyager(H) FWD, K=Caravan(H) FWD,  
Y=Town & Country(H) FWD, P=Voyager(K) AWD,  
D=Caravan(K) AWD, C=Town & Country(K) AWD)  
 Y BODY=(C=Imperial/5th Avenue)  
 E-S BODY=(K=Chrysler Voyager(H) FWD, D=Chrysler  
Voyager(K) AWD)

**BODY STYLES:**

21=2-Door Coupe      41=4-Door Sedan      12-52=FWD & AWD Van & Wgn Std W.B.  
 24=2-Door Hatchback      44=4-Door Hatchback      53=FWD & AWD Van & Wgn Ext. W.B.  
 27=2-Door Convertible

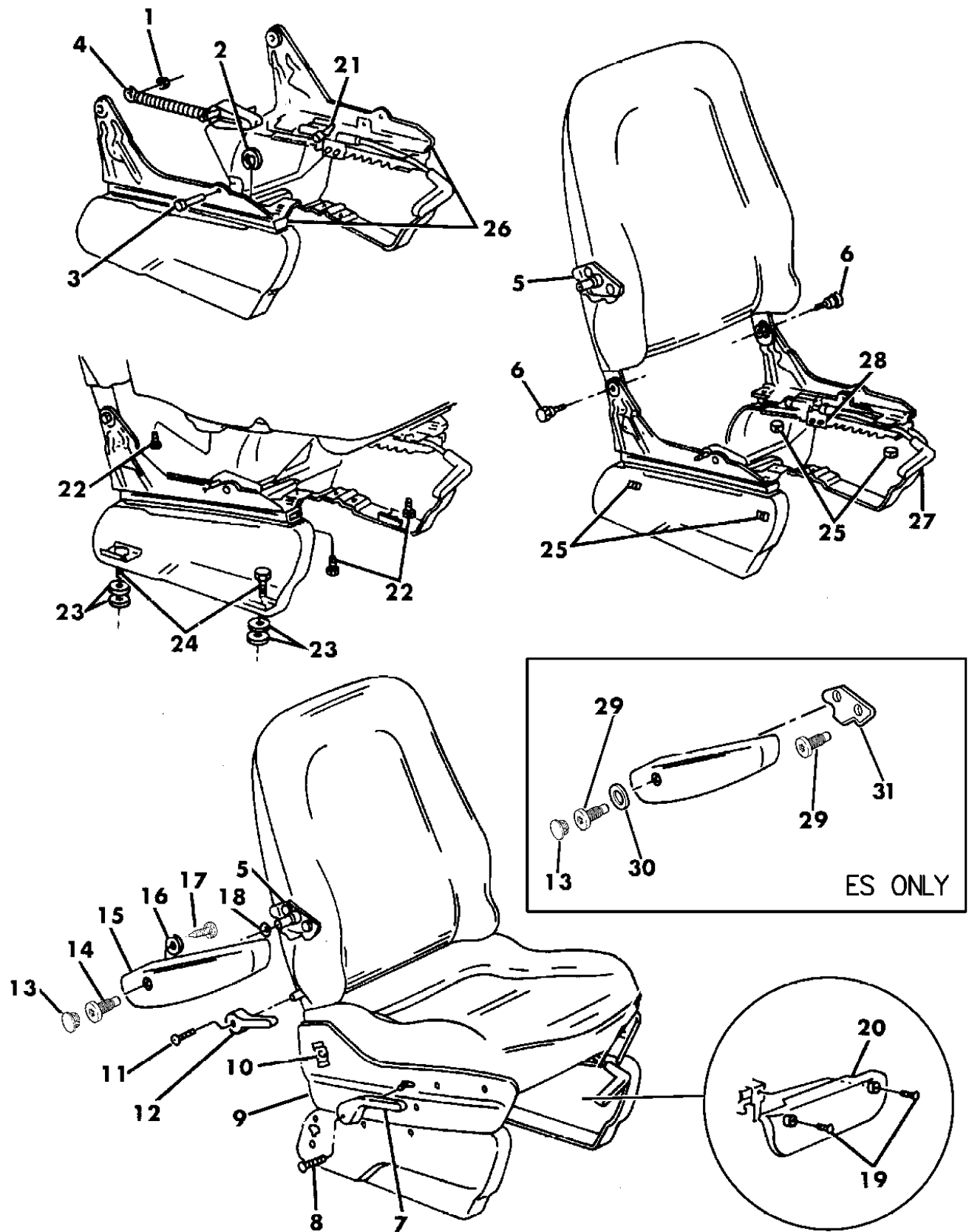
AR = Use as Required - = Non Illustrated Part P.A.R. = Paint as Required



SEAT--RECLINING AND NON-RECLINING - ARMREST AND SIDE SHIELDS AND ATTACHING PARTS S BODY

Figure ITS-1900

93242 1900B



ITEM	PART NUMBER	QTY	BODY	MODEL	DESCRIPTION
1	6100 499	AR			NUT, Seat Back To Recliner
2					E-RING, (Not Serv.)
3					CLEVIS PIN, (Not Serv.) ***
4	4477 470-1	1			RECLINER, Front Seat
5	4519 646-7	1			SUPPORT, Armrest
	6503 240	2			SCREW, Bracket to Back
6	6502 265	2			BOLT, Seat Back Pivot
7	4477 472-3	1			HANDLE, Back Recliner
8					SCREW, Recliner Handle (Not Serv.)
9					SHIELD, Front Seat
					DRIVER SEAT
					Inner, w/o Power, w/Recliner
	AX35 KV4	1			Champagne
	AX35 MMA	1			Red
	AX35 KD5	1			Quartz
	AX35 MB7	1			Blue
	FC41 MB7	1			Blue, (EUROPEAN)
	FC41 LD5	1			Quartz, (EUROPEAN)
	FC41 LV4	1			Champagne, (EUROPEAN)
					DRIVER SEAT, w/Power and w/Recliner
					Inner
	AX29 KD5	1			Quartz
	AX29 MB7	1			Blue
	AX29 MMA	1			Red
	AX29 KV4	1			Quartz
	FC35 MB7	1			Blue, (EUROPEAN)
	FC35 LD5	1			Quartz, (EUROPEAN)
	FC35 LV4	1			Champagne, (EUROPEAN)
					DRIVER SEAT
					Outer
	AX33 KV4	1			Champagne
	AX33 MMA	1			Red
	AX33 KD5	1			Quartz
	AX33 MB7	1			Blue
					PASSENGER SEAT
					OUTER
	AX32 KD5	1			Quartz
	AX32 MB7	1			Blue
	AX32 MMA	1			Red

MODEL CODES:

A BODY=(C=LeBaron, D=Spirit, P=Acclaim/LaBaron(Landau), Saratoga)  
 C BODY=(D=Dynasty, C=New Yorker/N.Y. Salon)  
 G BODY=(V=Daytona/IROC, Chrysler Daytona)  
 J BODY=(C=LeBaron, Chrysler LeBaron)  
 P BODY=(P=Sundance, D=Shadow)

S BODY=(H=Voyager(H) FWD, K=Caravan(H) FWD, Y=Town & Country(H) FWD, P=Voyager(K) AWD, D=Caravan(K) AWD, C=Town & Country(K) AWD)  
 Y BODY=(C=Imperial/5th Avenue)  
 E-S BODY=(K=Chrysler Voyager(H) FWD, D=Chrysler Voyager(K) AWD)

BODY STYLES:

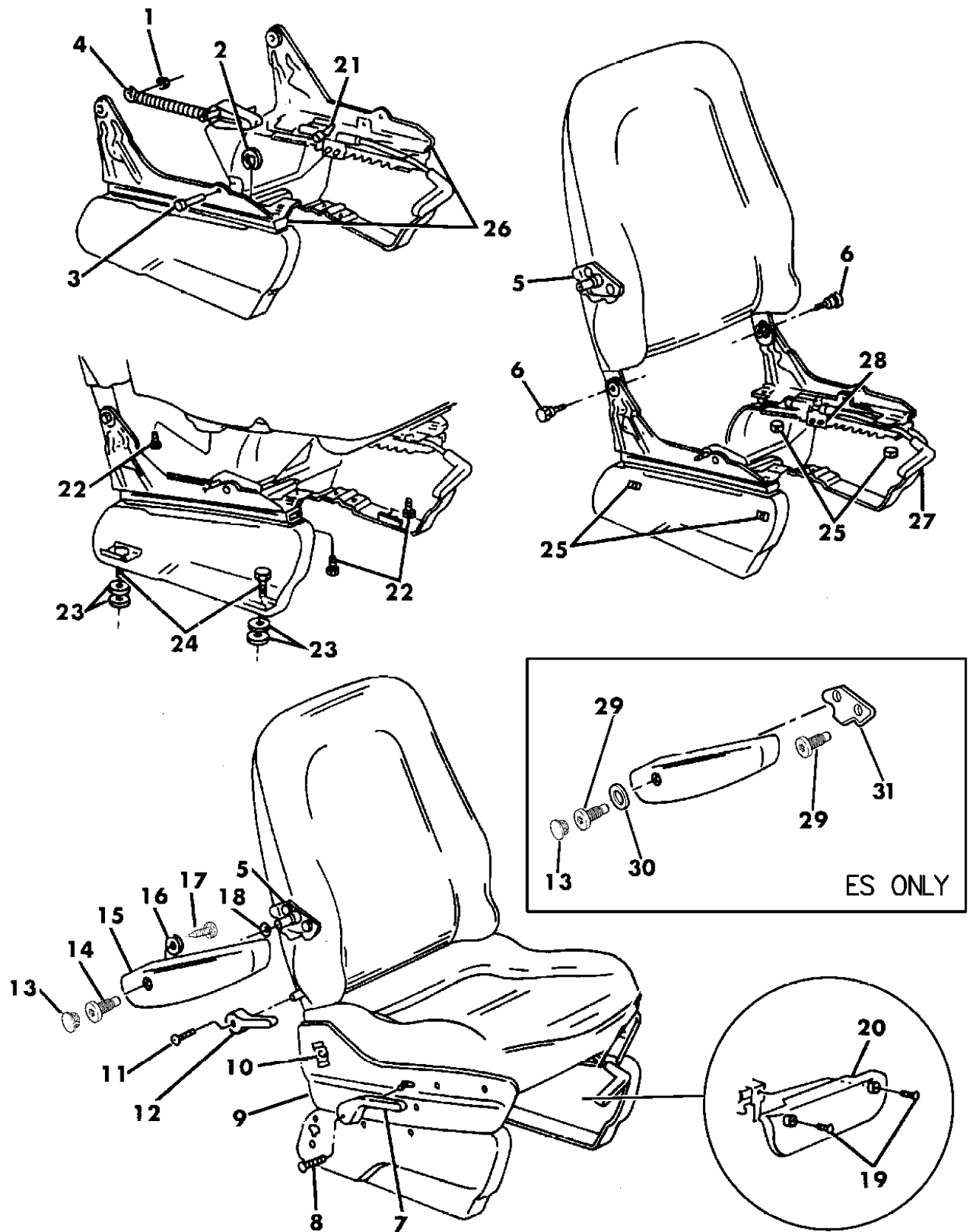
21=2-Door Coupe      41=4-Door Sedan      12-52=FWD & AWD Van & Wgn Std W.B.  
 24=2-Door Hatchback      44=4-Door Hatchback      53=FWD & AWD Van & Wgn Ext. W.B.  
 27=2-Door Convertible

AR = Use as Required - = Non Illustrated Part P.A.R. = Paint as Required

SEAT--RECLINING AND NON-RECLINING - ARMREST AND SIDE SHIELDS AND ATTACHING PARTS S BODY

Figure ITS-1900

93242 1900B



ITEM	PART NUMBER	QTY	BODY	MODEL	DESCRIPTION
	AX32 KV4	1			Champagne
					PASSENGER SEAT
					INNER
	AX34 KV4	1			Champagne
	AX34 MMA	1			Red
	AX34 KD5	1			Quartz
	AX34 MB7	1			Blue
10	6003 984	2			RETAINER, Shield To Cushion
11					SCREW, Lumbar Handle Attaching (Not Serv.)
12	4477 681	1			HANDLE, Lumbar
13					PLUG, Armrest
	WU50 KD5	2			Medium Quartz
	WU50 MB7	2			Blue
	WU50 MM6	2			Red
	WU50 KV4	2			Champagne
	WU50 MW8	2			Light Quartz
14	6501 542	1			BOLT
15					ARMREST, (See Seat Illustrations)
16	0120 393	1			WASHER
17	6032 567	1			BOLT
18	6034 112	1			WASHER, Wave Armrest Pivot
19					SCREW, (Not Serv.)
20					SHIELD, Front Cushion (w/Power) Lower
	S501 KV4	1			Left Only (P.A.R.)
21	2765 433	1			WIRE, Adjuster Latch Tie
22	6100 574	4			BOLT, Support To Cushion
23					PUSH-NUT, Riser To Floor (Not Serv.)
24	6500 741	4			BOLT, Riser To Floor
25	6100 051	AR			NUT, Seat To Riser
26					ADJUSTER, Manual (Left Seat)
	4420 753	1			Inboard
	4420 755	1			Outboard
27	4512 668	1			HANDLE, Fuel Filler Door Remote Release
28		2			SCREW, (Not Serv.)
29	4746 291	AR			BOLT, (European)
30	6034 112	1			WASHER, (European)
31					BRACKET, Serv. In Seat Back Only (European)

NOTE: (P.A.R. = Paint As Required)

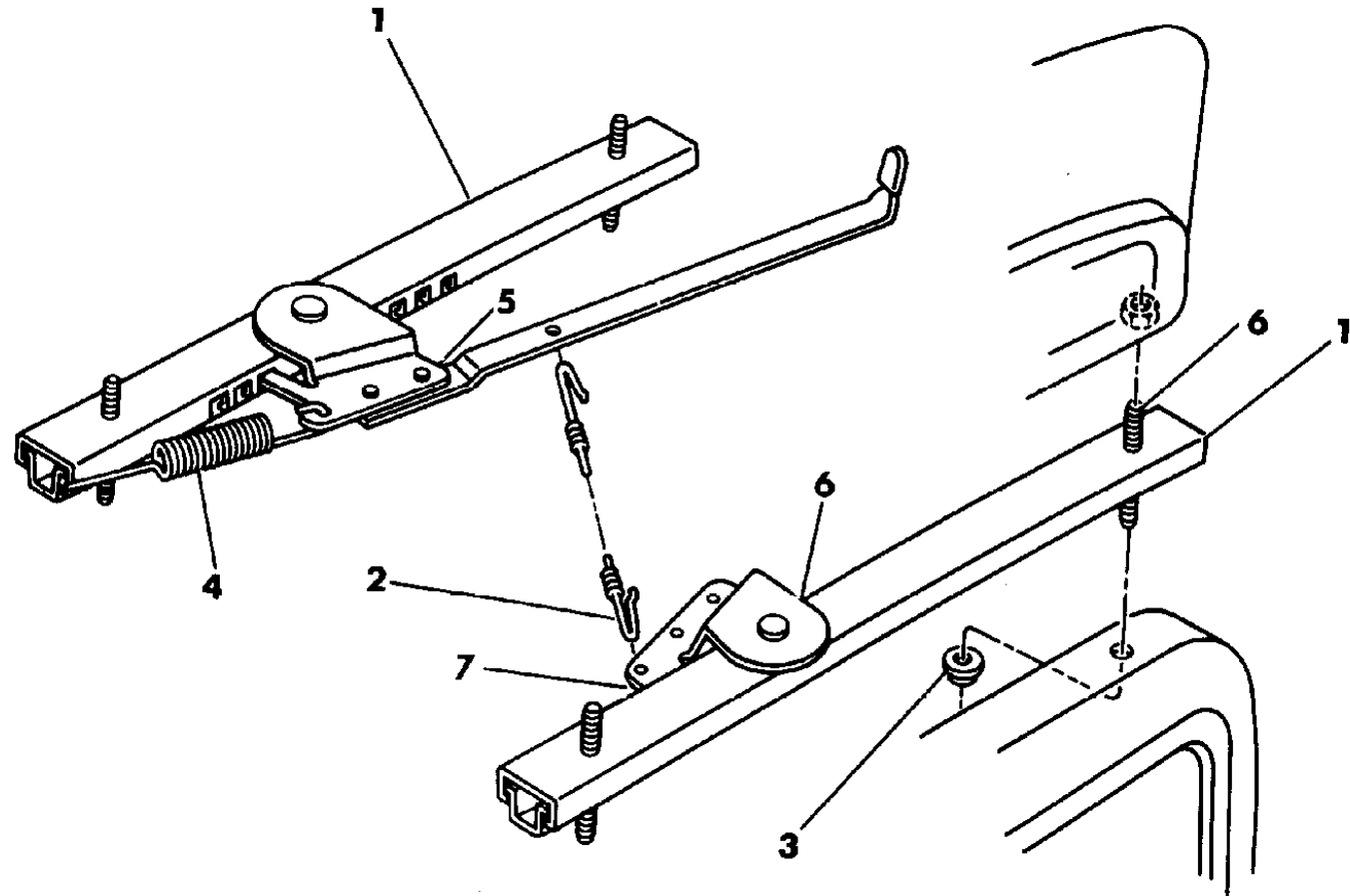
**MODEL CODES:**  
 A BODY=(C=LeBaron, D=Spirit, P=Acclaim/LaBaron(Landau), Saratoga) S BODY=(H=Voyager(H) FWD, K=Caravan(H) FWD, Y=Town & Country(H) FWD, P=Voyager(K) AWD, D=Caravan(K) AWD, C=Town & Country(K) AWD)  
 C BODY=(D=Dynasty, C=New Yorker/N.Y. Salon) Y BODY=(C=Imperial/5th Avenue)  
 G BODY=(V=Daytona/IROC, Chrysler Daytona) E-S BODY=(K=Chrysler Voyager(H) FWD, D=Chrysler Voyager(K) AWD)  
 J BODY=(C=LeBaron, Chrysler LeBaron) P BODY=(P=Sundance, D=Shadow)

**BODY STYLES:**  
 21=2-Door Coupe 41=4-Door Sedan 12-52=FWD & AWD Van & Wgn Std W.B.  
 24=2-Door Hatchback 44=4-Door Hatchback 53=FWD & AWD Van & Wgn Ext. W.B.  
 27=2-Door Convertible

AR = Use as Required - = Non Illustrated Part P.A.R. = Paint as Required

**ADJUSTER--MANUAL S BODY**  
Figure ITS-2000

93242 2000



ITEM	PART NUMBER	QTY	BODY	MODEL	DESCRIPTION
1					ADJUSTER
	4420 753	1			Inner
	4679 673	1			ADJUSTER, Inner Left (EUROPEAN)
	4420 755	1			Outer
	4680 249	2			ADJUSTER, Front Seat T/Loop (Manual)
2	2765 433	1			WIRE, Adjuster Latch Tie
3	6025 010	8			NUT and WASHER
4	4402 213	1			SPRING, Manual Adjuster Latch
5	0104 918	4			BEARING
6	4477 714	2			RETAINER, Manual Adjuster Roller
7	4645 244-5	1			SPRING, Front Seat Torsion

**MODEL CODES:**

A BODY=(C=LeBaron, D=Spirit, P=Acclaim/LaBaron(Landau),  
Saratoga)  
C BODY=(D=Dynasty, C=New Yorker/N.Y. Salon)  
G BODY=(V=Daytona/IROC, Chrysler Daytona)  
J BODY=(C=LeBaron, Chrysler LeBaron)  
P BODY=(P=Sundance, D=Shadow)

S BODY=(H=Voyager(H) FWD, K=Caravan(H) FWD,  
Y=Town & Country(H) FWD, P=Voyager(K) AWD,  
D=Caravan(K) AWD, C=Town & Country(K) AWD)  
Y BODY=(C=Imperial/5th Avenue)  
E-S BODY=(K=Chrysler Voyager(H) FWD, D=Chrysler  
Voyager(K) AWD)

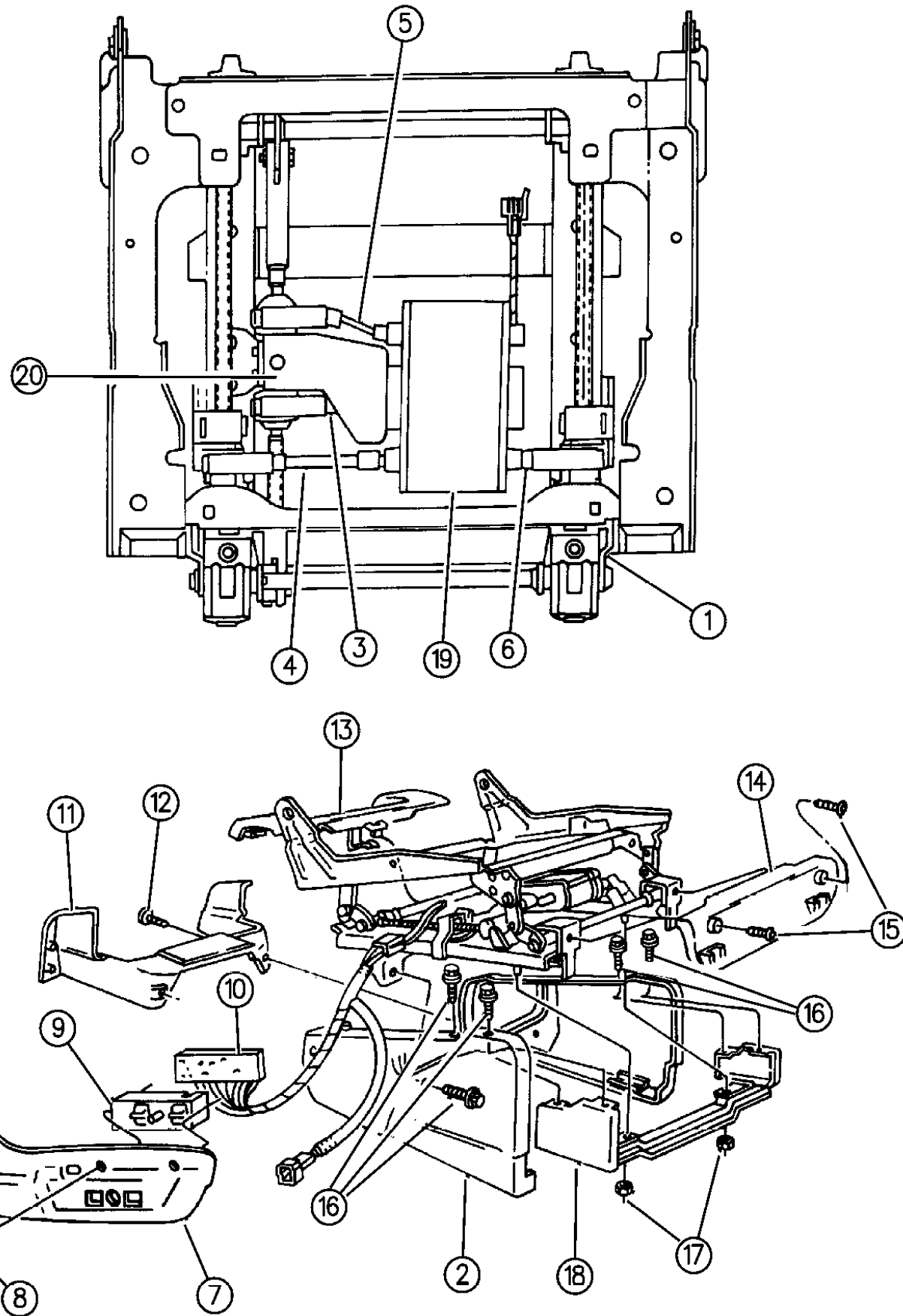
**BODY STYLES:**

21=2-Door Coupe      41=4-Door Sedan      12-52=FWD & AWD Van & Wgn Std W.B.  
24=2-Door Hatchback      44=4-Door Hatchback      53=FWD & AWD Van & Wgn Ext. W.B.  
27=2-Door Convertible

AR = Use as Required - = Non Illustrated Part P.A.R. = Paint as Required

**ADJUSTER--ELECTRIC AND LEFT RISER COVERS AND SHIELDS S BODY**  
Figure ITS-2100

93242 2100B



ITEM	PART NUMBER	QTY	BODY	MODEL	DESCRIPTION
NOTE: The Parts Listed Are For Replacement Only , Not New Installation.					
1	4550 633	1			ADJUSTER, Less Motor, (Comes w/Recliner and Seat Seat Stanchions)
-	4679 675	1			ADJUSTER, w/Motor (EUROPEAN)
2	4477 490-1	1			RISER, Front Seat
3	4402 997	1			SHAFT, Flexible (Front)
4	4477 899	1			CABLE, Right
5	4327 282	1			SHAFT, Flexible (Rear)
6	4477 901	1			CABLE, Front (Left)
7					SHIELD, Cushion (w/Power)
					Inner - Driver
	AX29 KD5	1			Quartz
	AX29 MB7	1			Blue
	AX29 MMA	1			Red
	AX29 KV4	1			Champagne
8					SCREW, (Not Serv.)
9	4373 848	1			SWITCH, Power Adjuster
10					WIRING HARNESS, (See Group 8)
11	AC59 KV4	1			COVER, Riser Inner (Power Left) P.A.R.
12					SCREW, (Not Serv.)
13					COVER, Adjuster Rear (w/Power)
	AC78 KD5	1			Quartz
	AC78 LMA	1			Red
	AC78 KB7	1			Blue
	AC78 KV4	1			Champagne
14	S501 KV4	1			SHEILD, Lower (P.A.R.) ***
15					SCREW, (Not Serv.)
16	6100 574	AR			BOLT
17	6101 467	2			NUT, Cross Member Attaching
18	4571 591	1			SUPPORT, Front Seat
19	4713 389	1			MOTOR, Adjuster
20	4856 015	1			BRACKET, Power Seat Motor Attaching

**MODEL CODES:**

A BODY=(C=LeBaron, D=Spirit, P=Acclaim/LaBaron(Landau, Saratoga) S BODY=(H=Voyager(H) FWD, K=Caravan(H) FWD, Y=Town & Country(H) FWD, P=Voyager(K) AWD, D=Caravan(K) AWD, C=Town & Country(K) AWD)  
 C BODY=(D=Dynasty, C=New Yorker/N.Y. Salon) Y BODY=(C=Imperial/5th Avenue)  
 G BODY=(V=Daytona/IROC, Chrysler Daytona) E-S BODY=(K=Chrysler Voyager(H) FWD, D=Chrysler Voyager(K) AWD)  
 J BODY=(C=LeBaron, Chrysler LeBaron) P BODY=(P=Sundance, D=Shadow)

**BODY STYLES:**

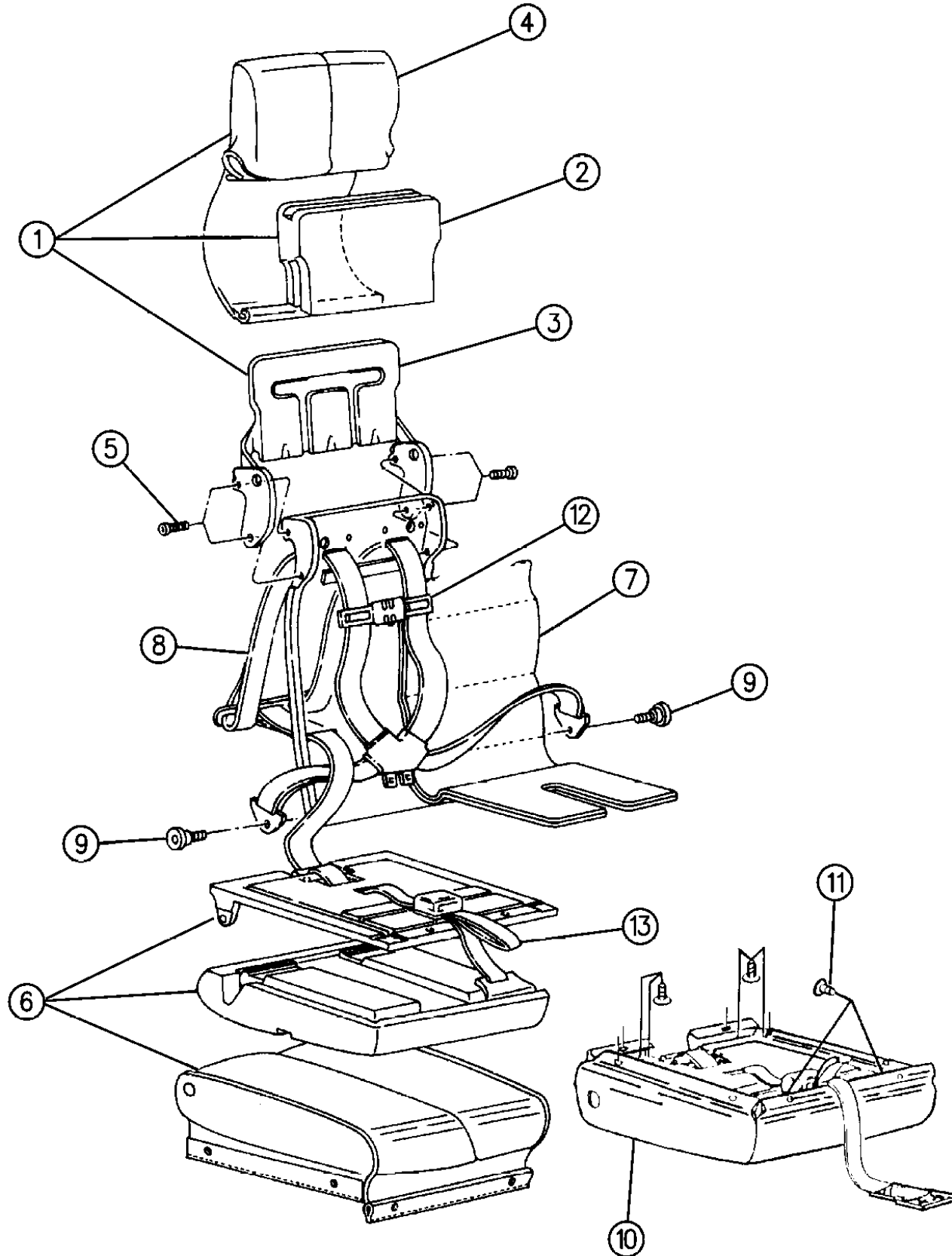
21=2-Door Coupe 41=4-Door Sedan 12-52=FWD & AWD Van & Wgn Std W.B.  
 24=2-Door Hatchback 44=4-Door Hatchback 53=FWD & AWD Van & Wgn Ext. W.B.  
 27=2-Door Convertible

AR = Use as Required - = Non Illustrated Part P.A.R. = Paint as Required



**CHILD SEAT MODULE S BODY**  
Figure ITS-2200

93242 2200C



ITEM	PART NUMBER	QTY	BODY	MODEL	DESCRIPTION
Child Seat Can't Retrofit To A 1991 Model Or Any Previous Models, Only Used For 1992 And Future Vehicles. (For Replacement Only) s ARE NOT RETURNABLE.					
**FOR REPLACEMENT PARTS ONLY s ARE NOT RETURNABLE.					
1					HEADREST and COVER
	JC12 MB7	1			Blue, (H5B,T5B)
	JC12 MD5	1			Quartz, (H5D,T5D)
	JC12 MMA	1			Red, (H5M,T5M)
	JC12 MVV	1			Champagne, (H5V,T5V)
	JC11 MB7	1			Blue, (R7B)
	JC11 MD5	1			Quartz, (R7D)
	JC11 MMA	1			Red, (R7M)
	JC11 MVV	1			Champagne, (R7V)
2	4741 859	1			PAD-FOAM, Child Seat Headrest ***
3	4741 648	1			HEADREST, w/o Cover and Pad
4					COVER, Headrest
	JR53 MB7	1			Blue, (R7B)
	JR53 MD5	1			Quartz, (R7D)
	JR53 MMA	1			Red, (R7M)
	JR53 MVV	1			Champagne, (R7V)
	JP45 MB7	1			Blue, (H5B,T5B)
	JP45 MD5	1			Quartz, (T5D,H5D)
	JP45 MMA	1			Red, (T5R,H5R)
	JP45 MVV	1			Champagne, (T5V,H5V)
	JR57 MB7	1			Blue, (R7B) (Canada)
	JR57 MD5	1			Quartz, (R7D) (Canada)
	JR57 MMA	1			Red, (R7M) (Canada)
	JR57 MVV	1			Champagne, (R7V) (Canada)
	JR54 MB7	1			Blue, (H5B,T5B) (Canada)
	JR54 MMA	1			Red, (H5M,T5M) (Canada)
	JR54 MD5	1			Quartz, (H5D,T5D) (Canada)
	JR54 MVV	1			Champagne, (H5V,T5V) (Canada)
5	4638 925	AR			SCREW, Headrest Attaching
6					CUSHION, Child Seat
	HR05 MB7	1			Blue, (H5B,T5B)
	HR05 MD5	1			Quartz, (H5D,T5D)
	HR05 MMA	1			Red, (H5M,T5M)
	HR05 MVV	1			Champagne, (H5V,T5V)
	HP99 MB7	1			Blue, (R7M)
	HP99 MD5	1			Quartz, (R7D)

**MODEL CODES:**

A BODY=(C=LeBaron, D=Spirit, P=Acclaim/LaBaron(Landau, Saratoga) S BODY=(H=Voyager(H) FWD, K=Caravan(H) FWD, Y=Town & Country(H) FWD, P=Voyager(K) AWD, D=Caravan(K) AWD, C=Town & Country(K) AWD)  
 C BODY=(D=Dynasty, C=New Yorker/N.Y. Salon)  
 G BODY=(V=Daytona/IROC, Chrysler Daytona)  
 J BODY=(C=LeBaron, Chrysler LeBaron)  
 P BODY=(P=Sundance, D=Shadow)  
 Y BODY=(C=Imperial/5th Avenue)  
 E-S BODY=(K=Chrysler Voyager(H) FWD, D=Chrysler Voyager(K) AWD)

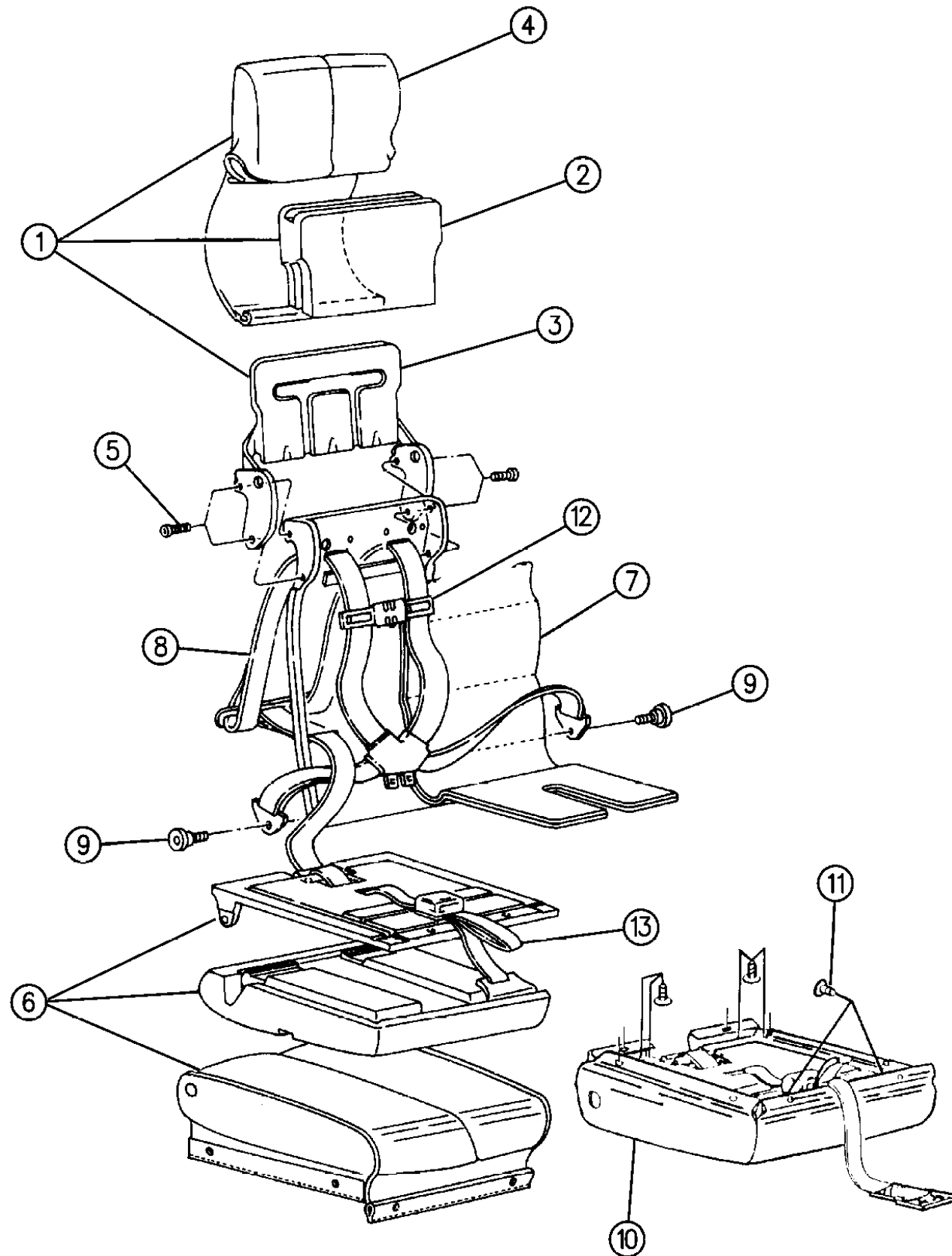
**BODY STYLES:**

21=2-Door Coupe      41=4-Door Sedan      12-52=FWD & AWD Van & Wgn Std W.B.  
 24=2-Door Hatchback      44=4-Door Hatchback      53=FWD & AWD Van & Wgn Ext. W.B.  
 27=2-Door Convertible

AR = Use as Required - = Non Illustrated Part P.A.R. = Paint as Required

CHILD SEAT MODULE S BODY  
Figure ITS-2200

93242 2200C



ITEM	PART NUMBER	QTY	BODY	MODEL	DESCRIPTION
	HP99 MMA	1			Red, (R7M)
	HP99 MVV	1			Champagne, (R7V)
7	HU48 MB7	1			PAD ASSEMBLY, Seat Back and Cushion (Removeable) *** Blue
	HU48 MD5	1			Quartz
	HU48 MMA	1			Red
	HU48 MVV	1			Champagne
8					SEAT BELT, Serviced With Seat Complete Module ***
9					SCREW, (Not Serv.)
10					CUSHION, w/Spring, Frame, Pad and Cover (Child Seat Module)
	HR05 MB7	1			Blue, (H5B,T5B)
	HR05 MD5	1			Quartz, (H5D,T5D)
	HR05 MMA	1			Red, (H5M,T5M)
	HR05 MVV	1			Champagne, (H5V,T5V)
	HP99 MB7	1			Blue, (R7B)
	HP99 MD5	1			Quartz, (R7D)
	HP99 MMA	1			Red, (R7M)
	HP99 MVV	1			Champagne, (R7V)
11	4720 080	5			SCREW
12	4864 851	1			CLIP, Child Seat Harness
13	4864 850	1			CROTCH STRAP PKG., w/Buckle ***

MODEL CODES:

A BODY=(C=LeBaron, D=Spirit, P=Acclaim/LaBaron(Landau),  
Saratoga)  
C BODY=(D=Dynasty, C=New Yorker/N.Y. Salon)  
G BODY=(V=Daytona/IROC, Chrysler Daytona)  
J BODY=(C=LeBaron, Chrysler LeBaron)  
P BODY=(P=Sundance, D=Shadow)

S BODY=(H=Voyager(H) FWD, K=Caravan(H) FWD,  
Y=Town & Country(H) FWD, P=Voyager(K) AWD,  
D=Caravan(K) AWD, C=Town & Country(K) AWD)  
Y BODY=(C=Imperial/5th Avenue)  
E-S BODY=(K=Chrysler Voyager(H) FWD, D=Chrysler  
Voyager(K) AWD)

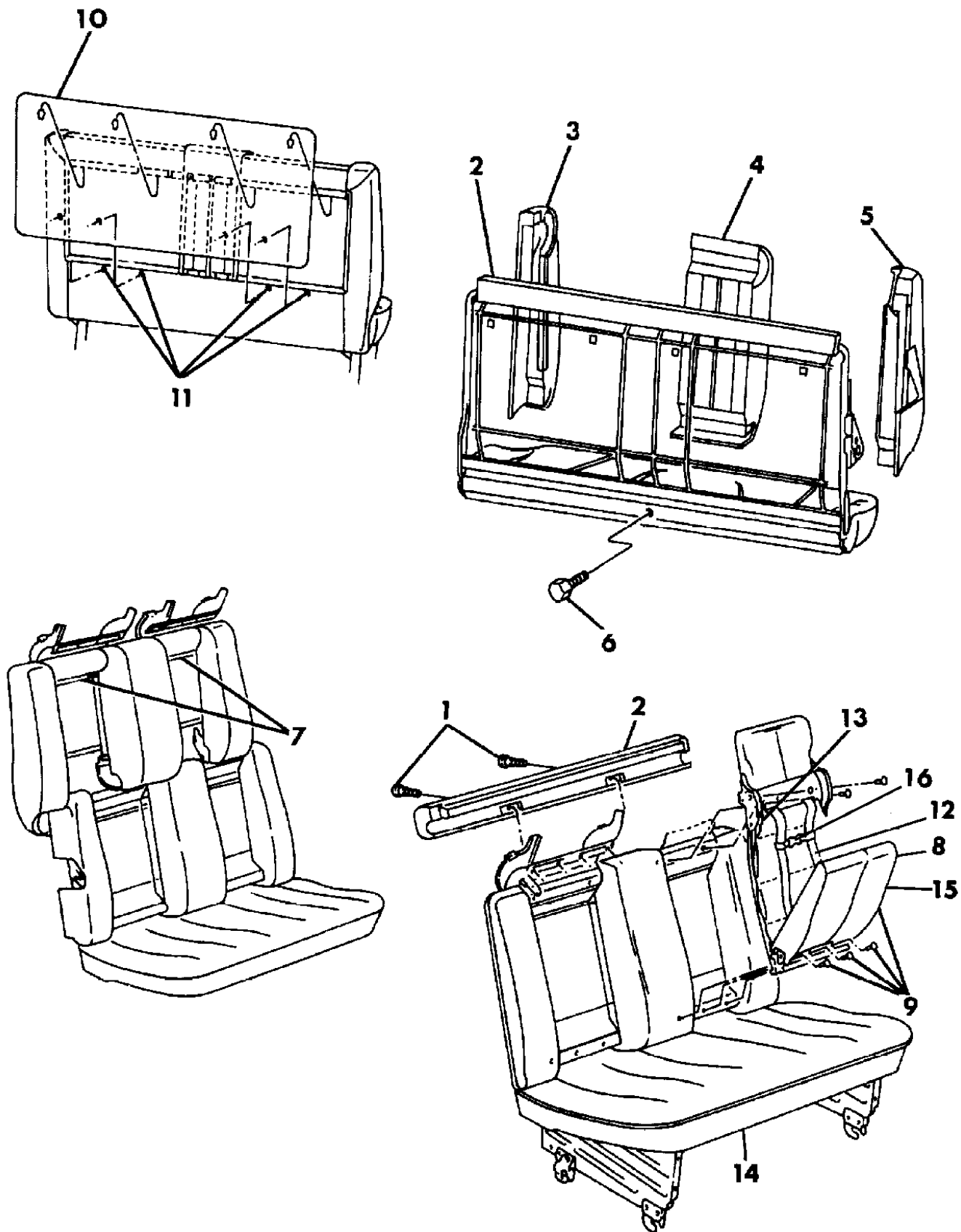
BODY STYLES:

21=2-Door Coupe      41=4-Door Sedan      12-52=FWD & AWD Van & Wgn Std W.B.  
24=2-Door Hatchback      44=4-Door Hatchback      53=FWD & AWD Van & Wgn Ext. W.B.  
27=2-Door Convertible

AR = Use as Required - = Non Illustrated Part P.A.R. = Paint as Required

CHILD SEAT S BODY  
Figure ITS-2300

93242 2300B



ITEM	PART NUMBER	QTY	BODY	MODEL	DESCRIPTION
Child Seat Can't Retrofit To A 1991 Model or Any Previous Models, Only Used For 1992 and Future Vehicles. (For Replacement Only) s ARE NOT RETURNABLE.					
**FOR REPLACEMENT PARTS ONLY s ARE NOT RETURNABLE.					
1	4638 927	3			SCREW, Pad Attaching
2	4638 931	1			PAD, Seat Back Top
3	4638 929	1			PAD, Bolster Seat Back (Left)
4	4638 930	1			PAD, Bolster Seat Back (Center)
5	4728 472	1			PAD, Bolster Seat Back (Right)
6	6034 454	AR			SCREW
7					COVER, Seat Back
	HR07 MB7	1			Blue, (H5B)
	HR07 MD5	1			Quartz, (H5D,T5D)
	HR07 MMA	1			Red, (H5M,T5M)
	HR07 MVV	1			Champagne, (H5V,T5V)
	HR01 MB7	1			Blue, (R7B)
	HR01 MD5	1			Quartz, (R7D)
	HR01 MMA	1			Red, (R7M)
	HR01 MVV	1			Champagne, (R7V)
8					CHILD SEAT ASSY, Complete Module ***
	HR04 MB7	2			Blue, (H5B,T5B)
	HR04 MD5	2			Quartz, (H5D,T5D)
	HR04 MMA	2			Red, (H5M,T5M)
	HR04 MVV	2			Champagne, (H5V,T5V)
	HP97 MB7	2			Blue, (R7B)
	HP97 MD5	2			Quartz, (R7D)
	HP97 MMA	2			Red, (R7M)
	HP97 MVV	2			Champagne, (R7V)
9	4638 926	10			SCREW, Seat Back and Module Attaching
10					PANEL ASSY, 1st Rear Seat Bench Back Cover ***
	FY42 MB7	1			Blue
	FY42 LD5	1			Quartz
	FY42 MMA	1			Red
	FY42 LV4	1			Champagne
11	4638 875	4			SCREW, Back Panel To Frame
12					SEAT BELT, Serviced In Item 8 Only (Child Seat Assy Complete Module) ***
13	4740 010	1			STRAP
14					PAD and COVER, 1st Rear Bench Cushion ***
	HR08 MB7	1			Blue, (H5B)

MODEL CODES:

A BODY=(C=LeBaron, D=Spirit, P=Acclaim/LaBaron(Landau), Saratoga)

C BODY=(D=Dynasty, C=New Yorker/N.Y. Salon)

G BODY=(V=Daytona/IROC, Chrysler Daytona)

J BODY=(C=LeBaron, Chrysler LeBaron)

P BODY=(P=Sundance, D=Shadow)

S BODY=(H=Voyager(H) FWD, K=Caravan(H) FWD,

Y=Town & Country(H) FWD, P=Voyager(K) AWD,

D=Caravan(K) AWD, C=Town & Country(K) AWD)

Y BODY=(C=Imperial/5th Avenue)

E-S BODY=(K=Chrysler Voyager(H) FWD, D=Chrysler

Voyager(K) AWD)

BODY STYLES:

21=2-Door Coupe

41=4-Door Sedan

12-52=FWD & AWD Van & Wgn Std W.B.

24=2-Door Hatchback

44=4-Door Hatchback

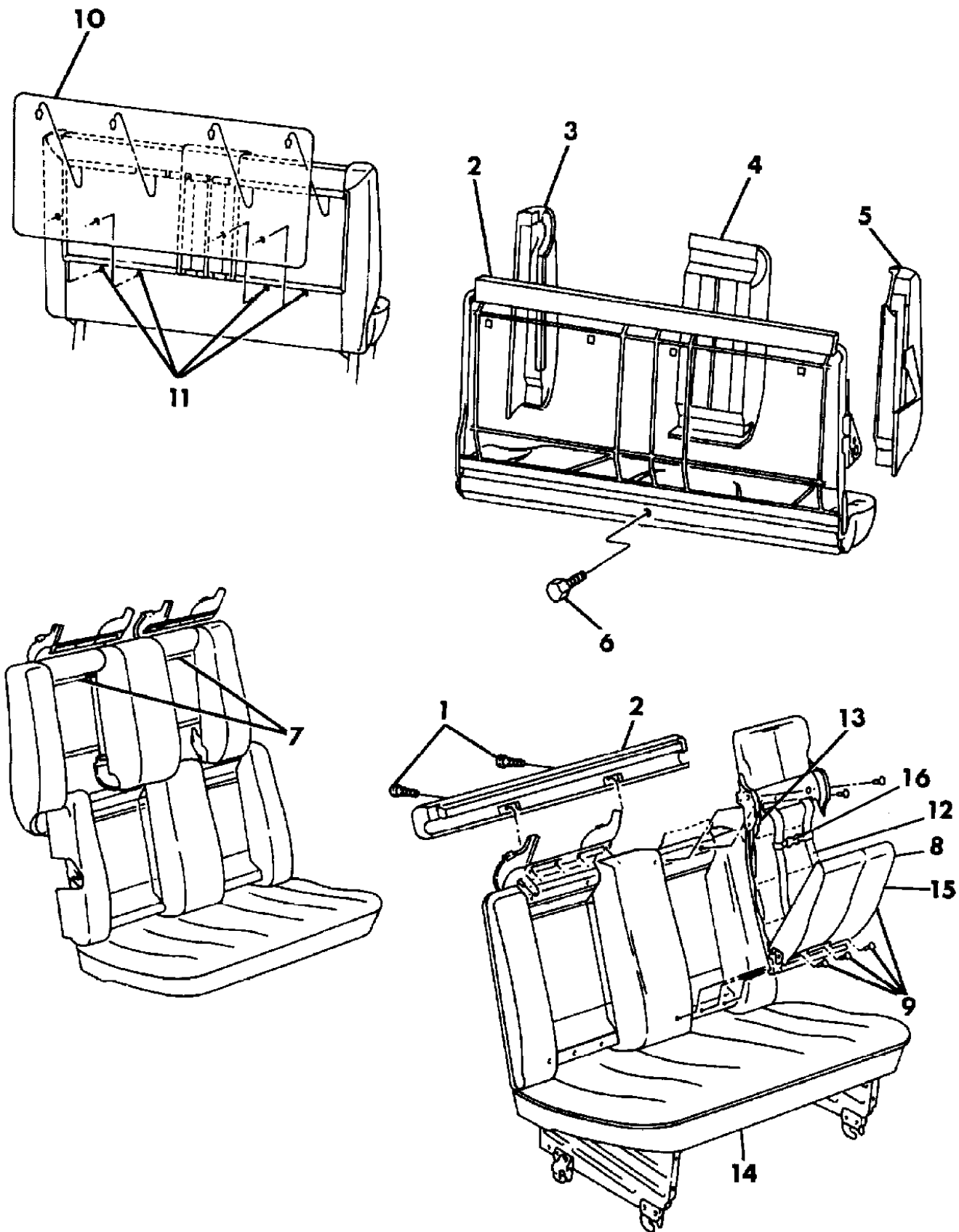
53=FWD & AWD Van & Wgn Ext. W.B.

27=2-Door Convertible

AR = Use as Required - = Non Illustrated Part P.A.R. = Paint as Required

CHILD SEAT S BODY  
Figure ITS-2300

93242 2300B



ITEM	PART NUMBER	QTY	BODY	MODEL	DESCRIPTION
	HR08 MD5	1			Quartz, (H5D,T5D)
	HR08 MMA	1			Red, (H5M,T5M)
	HR08 MVV	1			Champagne, (H5V,T5V)
	HR00 MB7	1			Blue, (R7B)
	HR00 MD5	1			Quartz, (R7D)
	HR00 MMA	1			Red, (R7M)
	HR00 MVV	1			Champagne, (R7V)
15					CUSHION, Child Seat (Complete)
	HR05 MB7	1			Blue, (H5B)
	HR05 MD5	1			Quartz, (H5D,T5D)
	HR05 MMA	1			Red, (H5M,T5M)
	HR05 MVV	1			Champagne, (H5V,T5V)
	HP99 MB7	1			Blue, (R7B)
	HP99 MD5	1			Quartz, (R7D)
	HP99 MMA	1			Red, (R7M)
	HP99 MVV	1			Champagne, (R7V)
16	4864 851	1			CLIP
-	4761 009	1			BACK and CUSHION FRAME, For Child Seat ***

MODEL CODES:

A BODY=(C=LeBaron, D=Spirit, P=Acclaim/LaBaron(Landau),  
Saratoga)  
C BODY=(D=Dynasty, C=New Yorker/N.Y. Salon)  
G BODY=(V=Daytona/IROC, Chrysler Daytona)  
J BODY=(C=LeBaron, Chrysler LeBaron)  
P BODY=(P=Sundance, D=Shadow)

S BODY=(H=Voyager(H) FWD, K=Caravan(H) FWD,  
Y=Town & Country(H) FWD, P=Voyager(K) AWD,  
D=Caravan(K) AWD, C=Town & Country(K) AWD)  
Y BODY=(C=Imperial/5th Avenue)  
E-S BODY=(K=Chrysler Voyager(H) FWD, D=Chrysler  
Voyager(K) AWD)

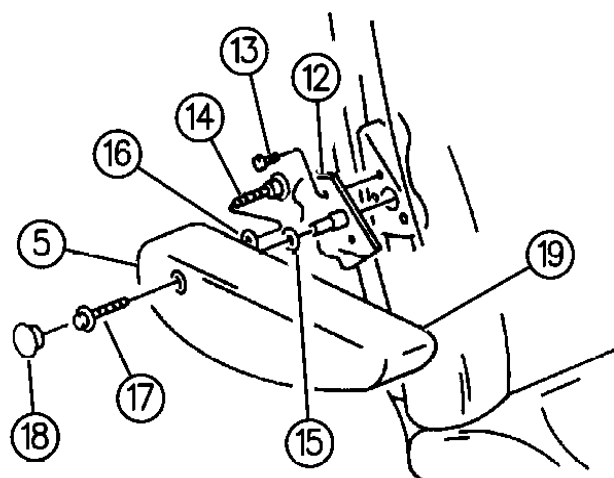
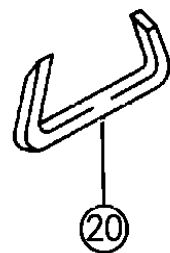
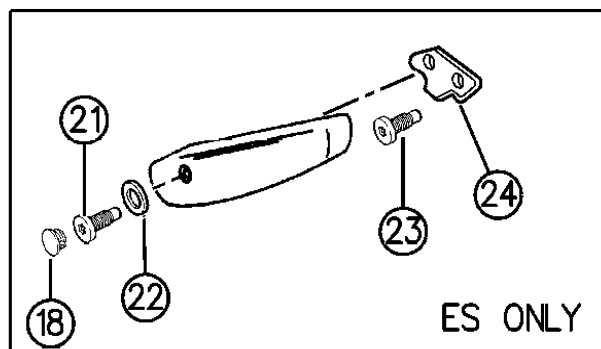
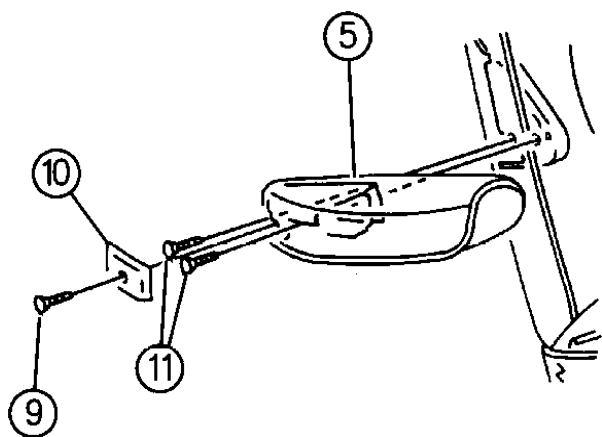
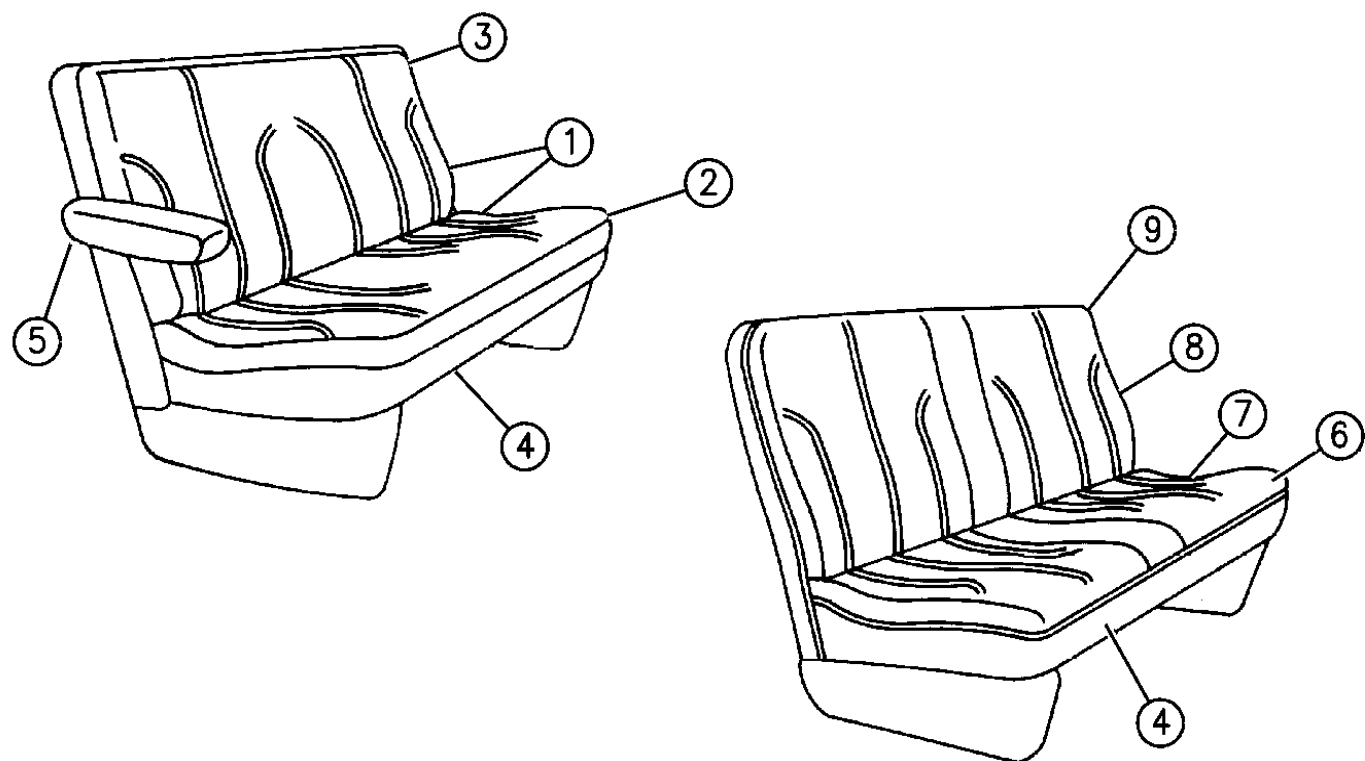
BODY STYLES:

21=2-Door Coupe      41=4-Door Sedan      12-52=FWD & AWD Van & Wgn Std W.B.  
24=2-Door Hatchback      44=4-Door Hatchback      53=FWD & AWD Van & Wgn Ext. W.B.  
27=2-Door Convertible

AR = Use as Required - = Non Illustrated Part P.A.R. = Paint as Required

SEAT--REAR S BODY TRIM CODE H5,T5,H7  
Figure ITS-2400

93242 2400A



ITEM	PART NUMBER	QTY	BODY	MODEL	DESCRIPTION
1-4					SEAT COMPLETE, w/Spring/Frame, Pad and Cover (Includes Cushion and Back CLOTH 2 Passenger ( Use In First Position w/7 Passenger Seating Quartz, (H5D,T5D)
	HK44 MD5	1			Blue, (H5B,T5B)
	HK44 MB7	1			Red, (H5M,T5M)
	HK44 MMA	1			Champagne, (H5V,T5V)
	HK44 MVV	1			3 Passenger (Use In First Position w/5 Passenger Seating)
	HK61 MD5	1			Quartz, (H5D,L5D)
	HK61 MB7	1			Blue, (H5B,T5B)
	HK61 MMA	1			Red, (H5M,T5M)
	HK61 MVV	1			Champagne, (H5V,L5V)
2					COVER, Cushion CLOTH 2 Passenger
	HK73 MD5	1			Quartz, (H5D,T5D)
	HK73 MB7	1			Blue, (H5B,T5B)
	HK73 MMA	1			Red, (H5M,T5M)
	HK73 MVV	1			Champagne, (H5V,T5V)
	FC49 MB7	1			Blue, (H7C)
	FC49 LD5	1			Quartz, (H7D)
	FC49 LVV	1			Champagne, (H7V)
	HK77 MD5	1			Quartz, (H5D,T5D)
	HK77 MB7	1			Blue, (H5B,T5B)
	HK77 MMA	1			Red, (H5M,T5M)
	HK77 MVV	1			Champagne, (H5V,T5V)
-					CUSHION and BACK, Complete w/Spring/Frame, Pad and Cover (1st Rear Seat 2 Passenger)
	HH93 MB7	1			Blue, (H7B)
	HH93 LVV	1			Champagne, (H7C)
	HH93 LD5	1			Quartz, (H7D)
3					COVER, Back CLOTH 2 Passenger
	HK71 MD5	1			Quartz, (H5D,T5D)
	HK71 MB7	1			Blue, (H5B,T5B)
	HK71 MMA	1			Red, (H5M,T5M)

MODEL CODES:

A BODY=(C=LeBaron, D=Spirit, P=Acclaim/LaBaron(Landau), Saratoga)  
C BODY=(D=Dynasty, C=New Yorker/N.Y. Salon)  
G BODY=(V=Daytona/IROC, Chrysler Daytona)  
J BODY=(C=LeBaron, Chrysler LeBaron)  
P BODY=(P=Sundance, D=Shadow)

S BODY=(H=Voyager(H) FWD, K=Caravan(H) FWD, Y=Town & Country(H) FWD, P=Voyager(K) AWD, D=Caravan(K) AWD, C=Town & Country(K) AWD)  
Y BODY=(C=Imperial/5th Avenue)  
E-S BODY=(K=Chrysler Voyager(H) FWD, D=Chrysler Voyager(K) AWD)

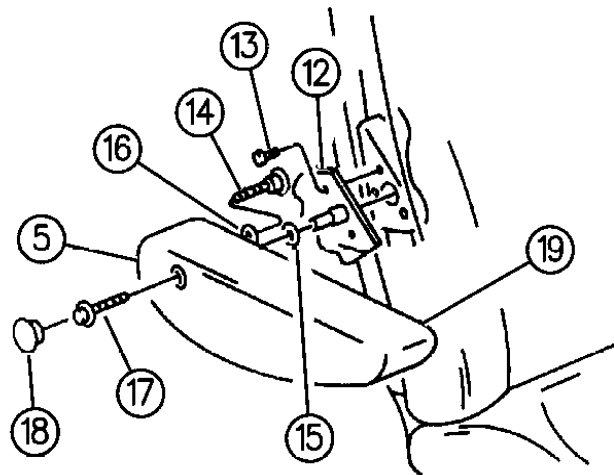
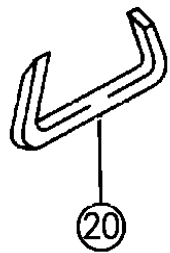
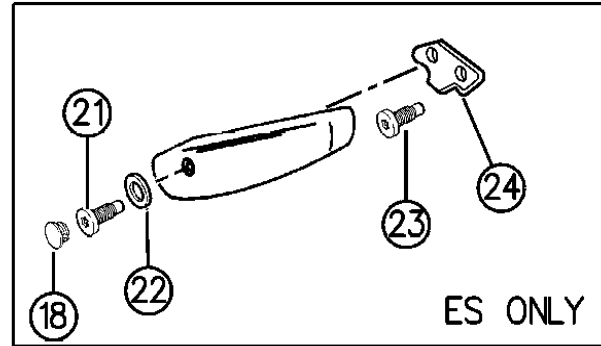
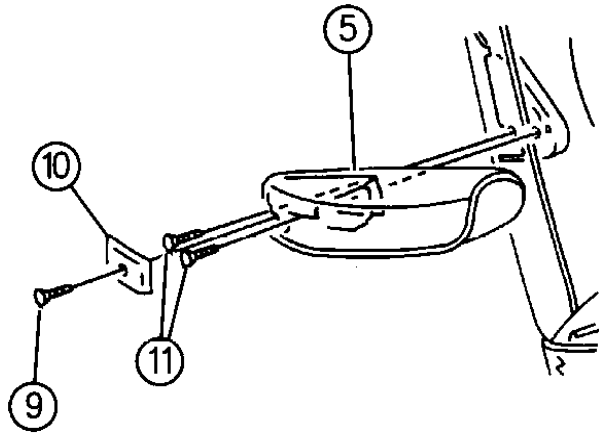
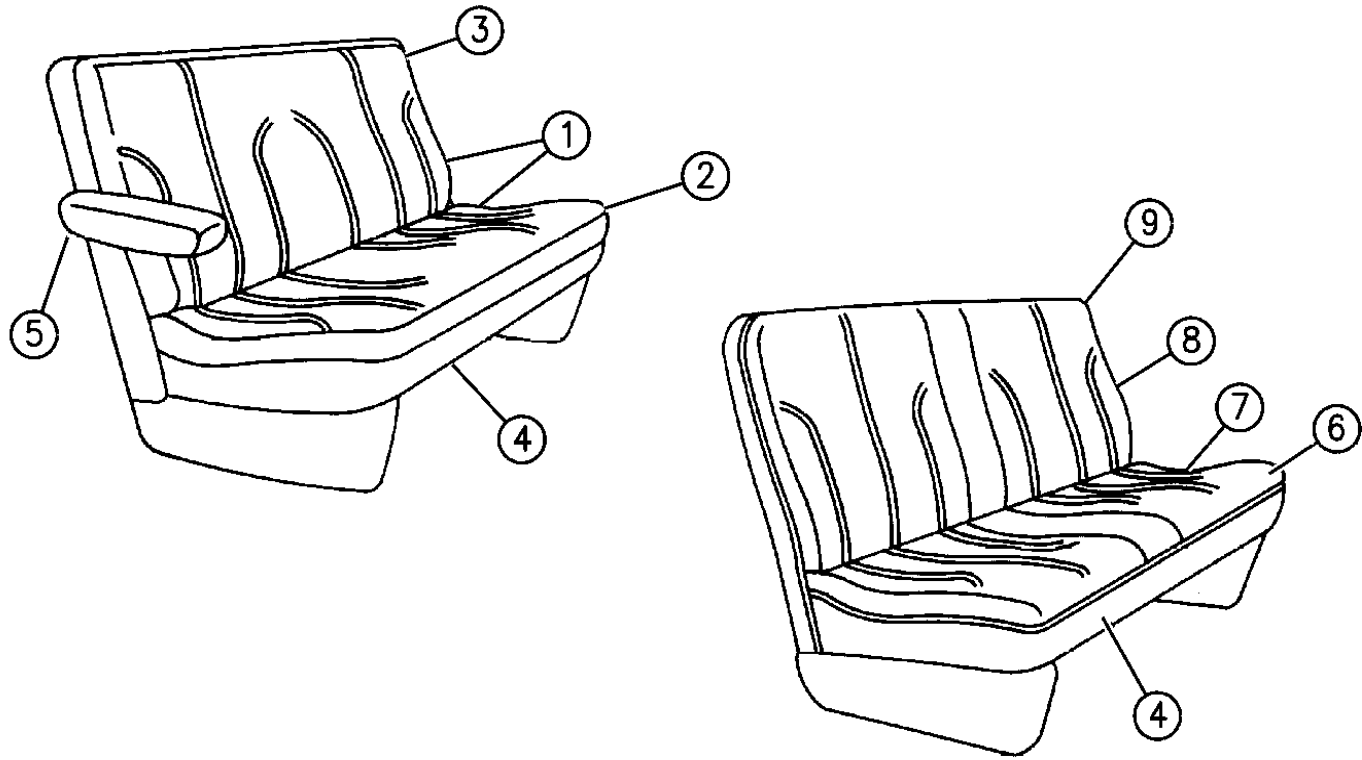
BODY STYLES:

21=2-Door Coupe      41=4-Door Sedan      12-52=FWD & AWD Van & Wgn Std W.B.  
24=2-Door Hatchback      44=4-Door Hatchback      53=FWD & AWD Van & Wgn Ext. W.B.  
27=2-Door Convertible

AR = Use as Required - = Non Illustrated Part P.A.R. = Paint as Required

**SEAT--REAR S BODY TRIM CODE H5,T5,H7**  
**Figure ITS-2400**

93242 2400A



ITEM	PART NUMBER	QTY	BODY	MODEL	DESCRIPTION
	HK71 MVV	1			Champagne, (H5V,T5V)
	FC50 MB7	1			Blue, (H7B)
	FC50 LD5	1			Quartz, (H7D)
	FC50 LVV	1			Champagne, (H7V)
					3 Passenger
	HK75 MD5	1			Quartz, (H5D,T5D)
	HK75 MB7	1			Blue, (H5B,T5B)
	HK75 MMA	1			Red, (H5M,T5M)
	HK75 MVV	1			Champagne, (H5V,T5V)
-					BACK and CUSHION, Complete w/Spring/Frame, Pad and Cover (1st Seat 2 Passenger) ***
	HH93 MB7	1			Blue, (H7B)
	HH93 LVV	1			Champagne, (H7V)
	HH93 LD5	1			Quartz, (H7D)
4					ROLL STOCK, Vinyl Order By The Inch
	R600 HD5	AR			Quartz
	R600 KB7	AR			Blue
	R600 KMA	AR			Red
	R600 HV4	AR			Champagne
5					ARMREST and COVER 2 Passenger
	WT71 KD5	1			Quartz, (H5D,T5D)
	WT71 MB7	1			Blue, (H5B,T5B)
	WT71 MMA	1			Red, (H5M,T5M)
	WT71 KV4	1			Champagne, (H5V,T5V)
	JP38 MB7	1			Blue, (H7B)
	JP38 MD5	1			Quartz, (H7D)
	JP38 MVV	1			Champagne, (H7V)
					3 Passenger
	AA28 KD5	1			Quartz, (H5D,T5D)
	AA28 MB7	1			Blue, (H5B,T5B)
	AA28 MMA	1			Red, (H5M,T5M)
	AA28 KV4	1			Champagne, (H5V,T5V)
					FOLDING REAR SEAT
6					CUSHION, w/Spring/Frame, Pad and Cover CLOTH
	HK65 MD5	1			Quartz, (H5D,T5D)
	HK65 MB7	1			Blue, (H5B,T5B)
	HK65 MMA	1			Red, (H5M,T5M)

**MODEL CODES:**

A BODY=(C=LeBaron, D=Spirit, P=Acclaim/LaBaron(Landau), Saratoga)

C BODY=(D=Dynasty, C=New Yorker/N.Y. Salon)

G BODY=(V=Daytona/IROC, Chrysler Daytona)

J BODY=(C=LeBaron, Chrysler LeBaron)

P BODY=(P=Sundance, D=Shadow)

S BODY=(H=Voyager(H) FWD, K=Caravan(H) FWD,

Y=Town & Country(H) FWD, P=Voyager(K) AWD,

D=Caravan(K) AWD, C=Town & Country(K) AWD)

Y BODY=(C=Imperial/5th Avenue)

E-S BODY=(K=Chrysler Voyager(H) FWD, D=Chrysler

Voyager(K) AWD)

**BODY STYLES:**

21=2-Door Coupe

41=4-Door Sedan

12-52=FWD & AWD Van & Wgn Std W.B.

24=2-Door Hatchback

44=4-Door Hatchback

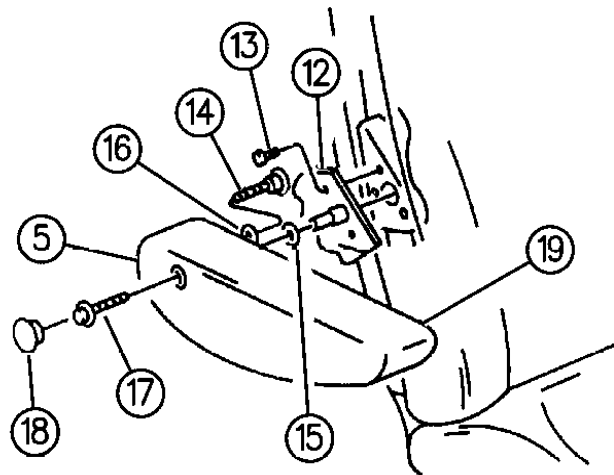
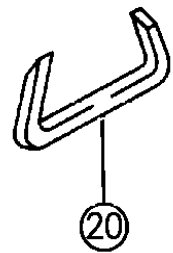
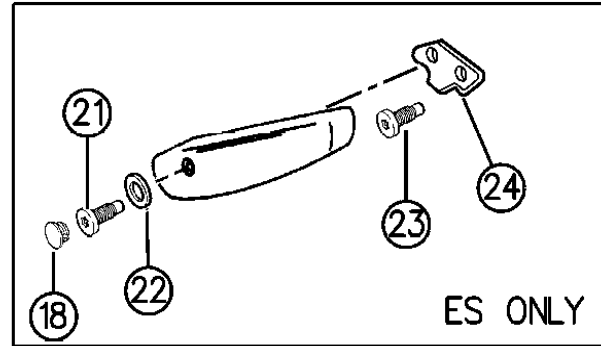
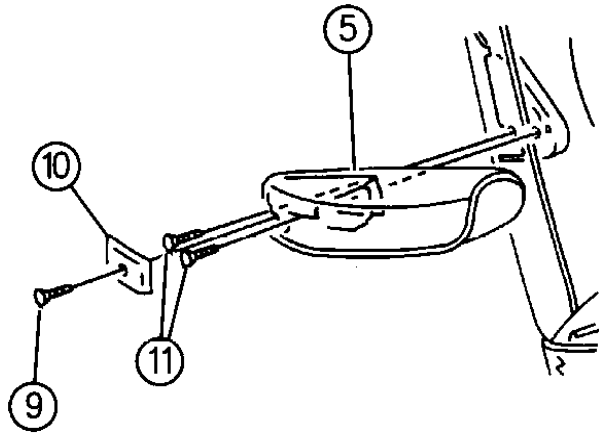
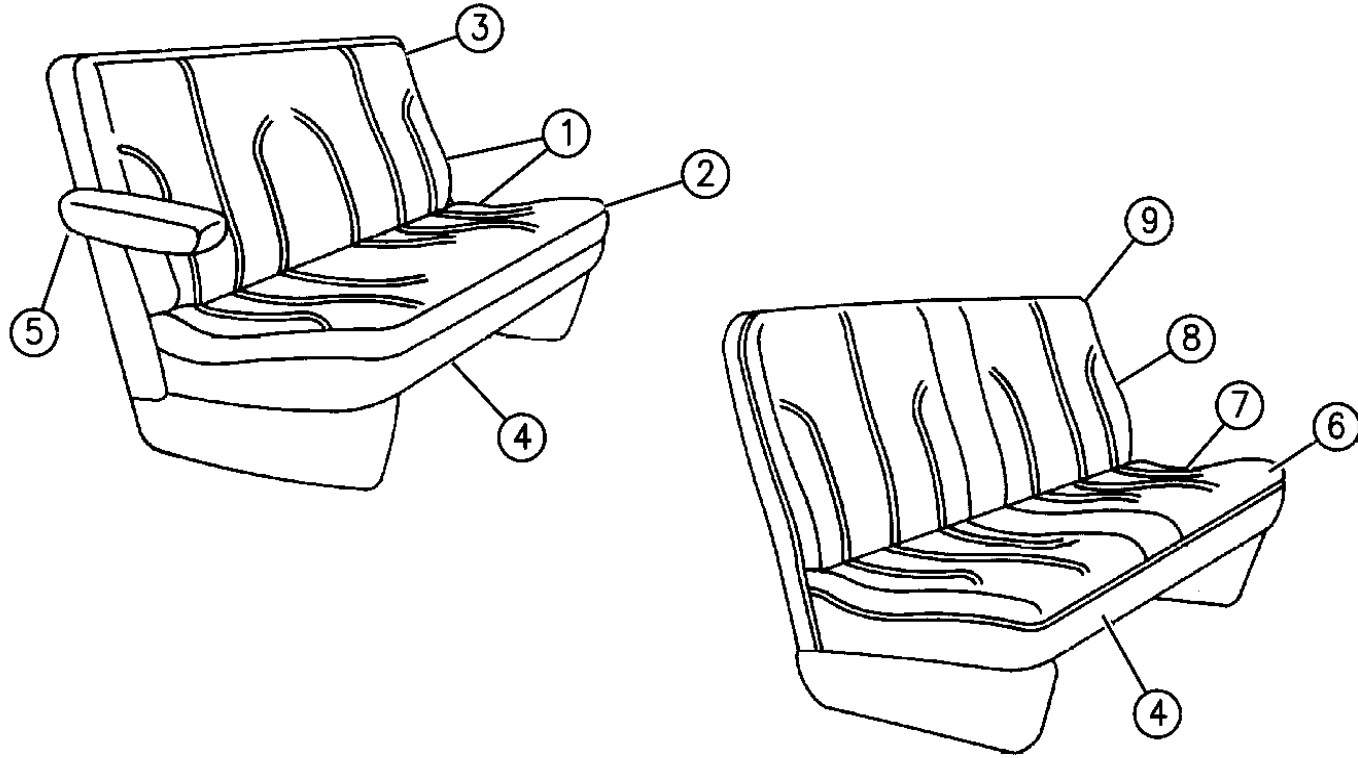
53=FWD & AWD Van & Wgn Ext. W.B.

27=2-Door Convertible

AR = Use as Required - = Non Illustrated Part P.A.R. = Paint as Required

**SEAT--REAR S BODY TRIM CODE H5,T5,H7**  
**Figure ITS-2400**

93242 2400A



ITEM	PART NUMBER	QTY	BODY	MODEL	DESCRIPTION
	HK65 MVV	1			Champagne, (H5V,T5V)
	GN58 MB7	1			Blue, (H7B)
	GN58 LVV	1			Champagne, (H7V)
	GN58 LD5	1			Quartz, (H7D)
					FOUR WHEEL DRIVE ***
	HK67 MD5	1			Quartz, (H5D)
	HK67 MB7	1			Blue, (H5B)
	HK67 MMA	1			Red, (H5M)
	HK67 MVV	1			Champagne, (H5V)
	GN60 MB7	1			Blue, (H7B)
	GN60 LVV	1			Champagne, (H7V)
	GN60 LD5	1			Quartz, (H7D)
7					COVER, Cushion
					CLOTH
	HK58 MD5	1			Quartz, (H5D,T5D)
	HK58 MB7	1			Blue, (H5B,T5B)
	HK58 MMA	1			Red, (H5M,T5M)
	HK58 MVV	1			Champagne, (H5V,T5V)
	FC52 MB7	1			Blue, (H7B)
	FC52 LD5	1			Quartz, (H7D)
	FC52 LVV	1			Champagne, (H7V)
					FOUR WHEEL DRIVE
	HK60 MD5	1			Quartz, (H5D)
	HK60 MB7	1			Blue, (H5B)
	HK60 MMA	1			Red, (H5M)
	HK60 MVV	1			Champagne, (H5V)
					FOUR WHEEL DRIVE
	FC53 MB7	1			Blue, (H7B)
	FC53 LD5	1			Quartz, (H7D)
	FC53 LVV	1			Champagne, (H7V)
8					BACK, w/Spring/Frame, Pad and Cover
					CLOTH
	HK46 MD5	1			Quartz, (H5D,T5D)
	HK46 MB7	1			Blue, (H5B,T5B)
	HK46 MMA	1			Red, (H5M,T5M)
	HK46 MVV	1			Champagne, (H5V,T5V)
					w/o Hooks
	GN59 MB7	1			Blue, (H7B)
	GN59 LVV	1			Champagne, (H7V)

**MODEL CODES:**

A BODY=(C=LeBaron, D=Spirit, P=Acclaim/LaBaron(Landau),  
Saratoga)  
C BODY=(D=Dynasty, C=New Yorker/N.Y. Salon)  
G BODY=(V=Daytona/IROC, Chrysler Daytona)  
J BODY=(C=LeBaron, Chrysler LeBaron)  
P BODY=(P=Sundance, D=Shadow)

S BODY=(H=Voyager(H) FWD, K=Caravan(H) FWD,  
Y=Town & Country(H) FWD, P=Voyager(K) AWD,  
D=Caravan(K) AWD, C=Town & Country(K) AWD)  
Y BODY=(C=Imperial/5th Avenue)  
E-S BODY=(K=Chrysler Voyager(H) FWD, D=Chrysler  
Voyager(K) AWD)

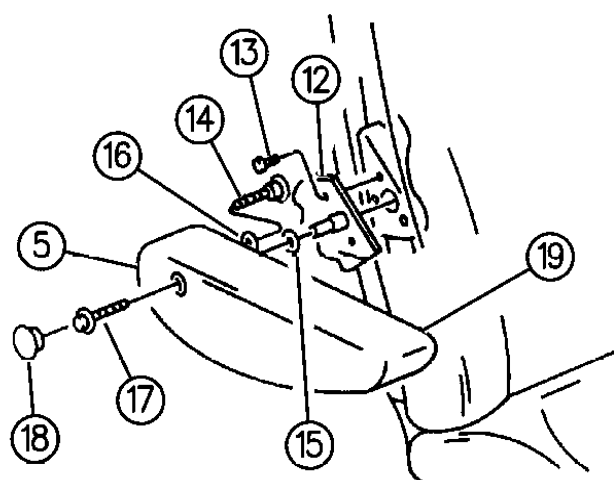
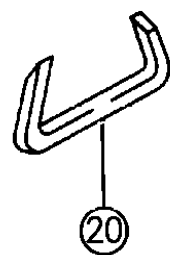
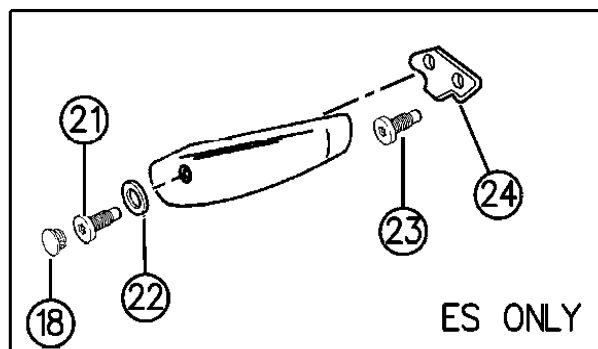
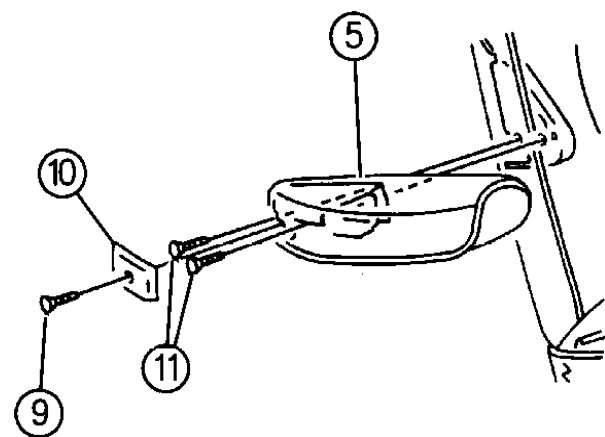
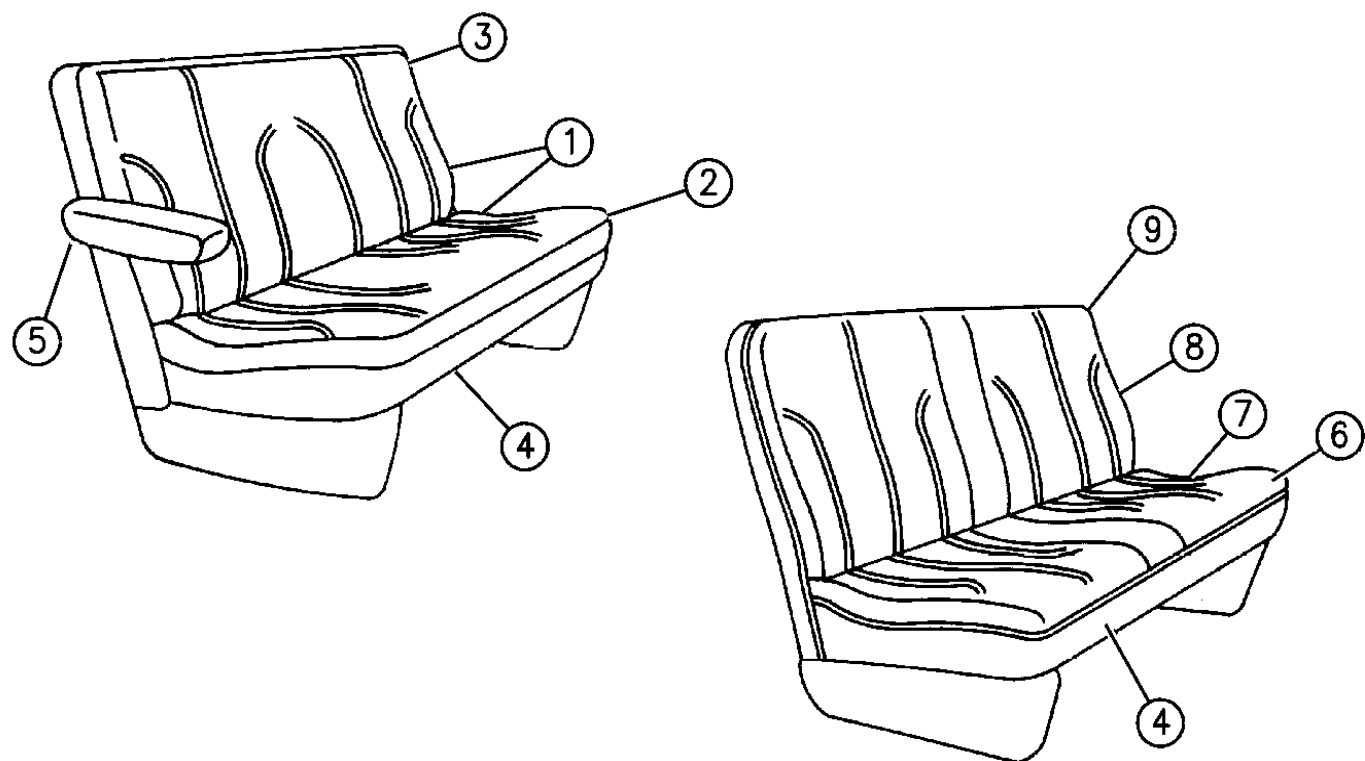
**BODY STYLES:**

21=2-Door Coupe      41=4-Door Sedan      12-52=FWD & AWD Van & Wgn Std W.B.  
24=2-Door Hatchback      44=4-Door Hatchback      53=FWD & AWD Van & Wgn Ext. W.B.  
27=2-Door Convertible

AR = Use as Required   - = Non Illustrated Part   P.A.R. = Paint as Required

SEAT--REAR S BODY TRIM CODE H5,T5,H7  
Figure ITS-2400

93242 2400A



ITEM	PART NUMBER	QTY	BODY	MODEL	DESCRIPTION
	GN59 LD5	1			Quartz, (H7D) w/Hooks
	JC85 MB7	1			Blue, (H7B)
	JC85 MD5	1			Quartz, (H7D)
	JC85 MVV	1			Champagne, (H7V)
	HK63 MD5	1			FOUR WHEEL DRIVE *** Quartz, (H5D,T5D)
	HK63 MB7	1			Blue, (H5B)
	HK63 MMA	1			Red, (H5M,T5M)
	HK63 MVV	1			Champagne, (H5V,T5V) w/o Hooks
	JB80 MB7	1			Blue, (H7B)
	JB80 LD5	1			Quartz, (H7D)
	JB80 LVV	1			Champagne, (H7V) w/Hooks
	JB81 MB7	1			Blue, (H7B)
	JB81 MD5	1			Quartz, (H7B)
	JB81 MVV	1			Champagne, (H7V)
9					COVER, Back CLOTH
	HK56 MD5	1			Quartz, (H5D,T5D)
	HK56 MB7	1			Blue, (H5B,T5B)
	HK56 MMA	1			Red, (H5M,T5M)
	HK56 MVV	1			Champagne, (H5V,T5V)
	FC51 LVV	1			Champagne, (H7V)
	FC51 MB7	1			Blue, (H7B)
	FC51 LD5	1			Quartz, (H7D) FOUR WHEEL DRIVE ***
	HK56 MD5	1			Quartz, (H5D,T5D)
	HK56 MB7	1			Blue, (H5B,T5B)
	HK56 MMA	1			Red, (H5M,T5M)
	HK56 MVV	1			Champagne, (H5V,T5V)
	FC51 LVV	1			Champagne, (H7V)
	FC51 MB7	1			Blue, (H7B)
	FC51 LD5	1			Quartz, (H7D)
10					BEZEL, Armrest
	AC50 KD5	1			Quartz, (H5D,T5D)
	AC50 MMA	1			Red, (H5M,T5M)
	AC50 KV4	1			Champagne, (H5V,T5V)

MODEL CODES:

A BODY=(C=LeBaron, D=Spirit, P=Acclaim/LaBaron(Landau), Saratoga)

C BODY=(D=Dynasty, C=New Yorker/N.Y. Salon)

G BODY=(V=Daytona/IROC, Chrysler Daytona)

J BODY=(C=LeBaron, Chrysler LeBaron)

P BODY=(P=Sundance, D=Shadow)

S BODY=(H=Voyager(H) FWD, K=Caravan(H) FWD,

Y=Town & Country(H) FWD, P=Voyager(K) AWD,

D=Caravan(K) AWD, C=Town & Country(K) AWD)

Y BODY=(C=Imperial/5th Avenue)

E-S BODY=(K=Chrysler Voyager(H) FWD, D=Chrysler

Voyager(K) AWD)

BODY STYLES:

21=2-Door Coupe

41=4-Door Sedan

12-52=FWD & AWD Van & Wgn Std W.B.

24=2-Door Hatchback

44=4-Door Hatchback

53=FWD & AWD Van & Wgn Ext. W.B.

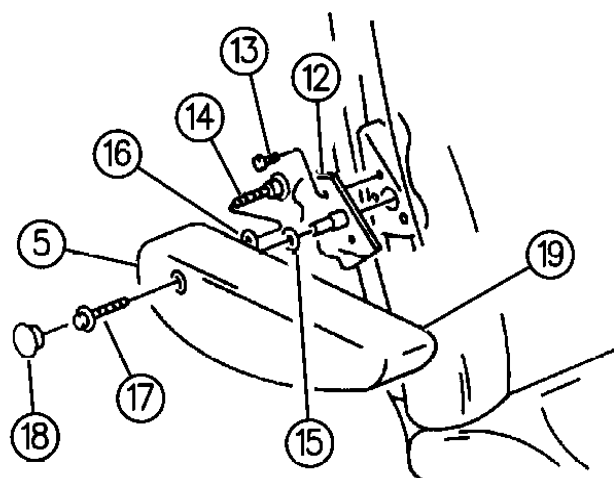
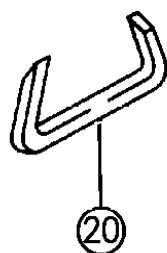
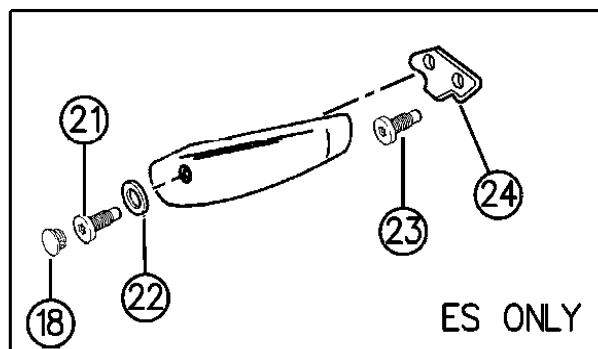
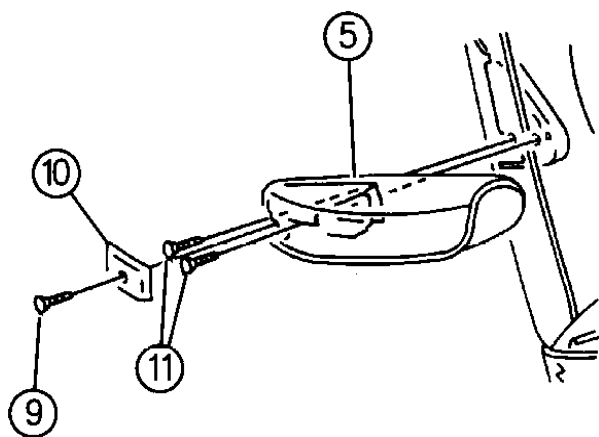
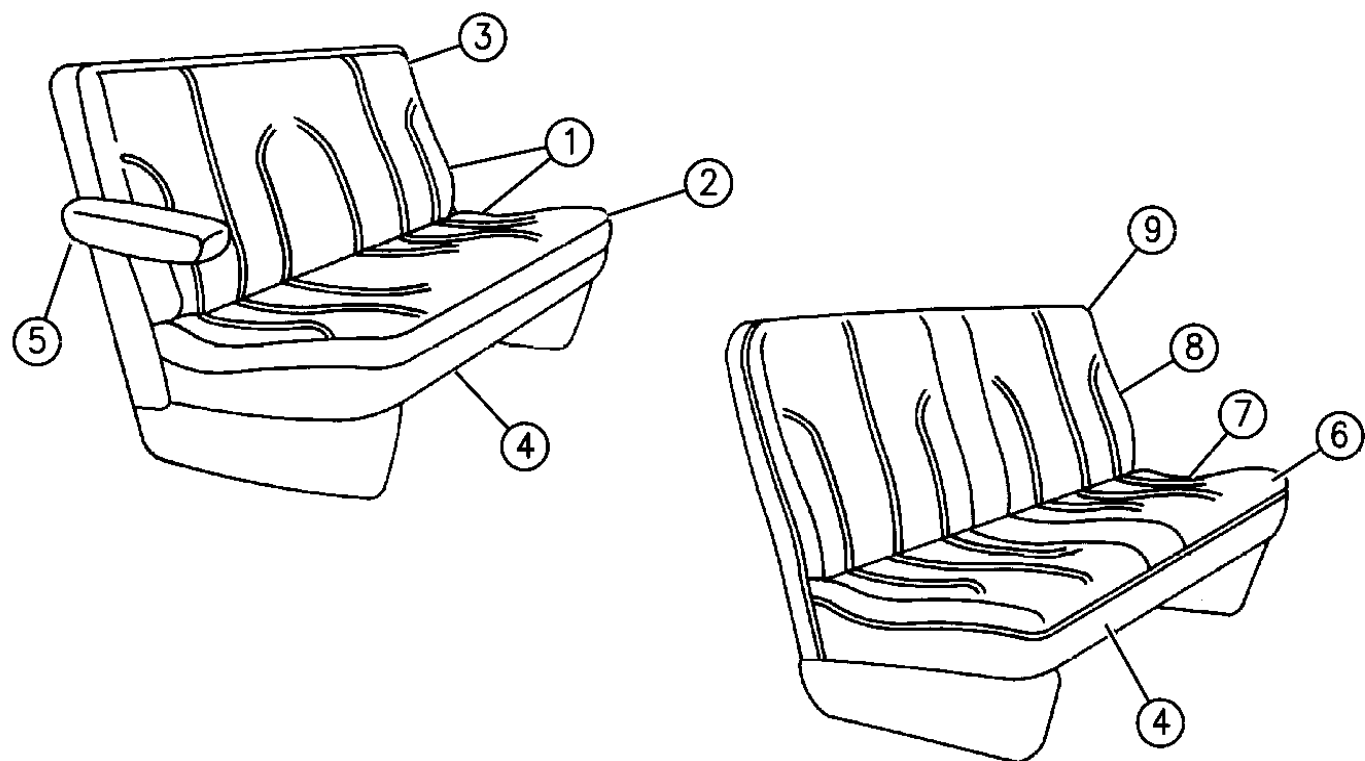
27=2-Door Convertible

AR = Use as Required - = Non Illustrated Part P.A.R. = Paint as Required



SEAT--REAR S BODY TRIM CODE H5,T5,H7  
Figure ITS-2400

93242 2400A



ITEM	PART NUMBER	QTY	BODY	MODEL	DESCRIPTION
	AC50 MB7	1			Blue, (H5B)
11	6501 539	1			SCREW
12	4519 646-7				SUPPORT
13	6501 539	2			SCREW
14	6032 567	1			SCREW
15	6034 112	1			WASHER, (Wave Type)
16	0120 393	1			WASHER
17	6501 542	1			SCREW
18					PLUG
	WU50 KD5	2			Quartz
	WU50 MB7	2			Blue
	WU50 MM6	2			Red
	WU50 KV4	1			Champagne
19					ARMREST, (3 Passenger) See Item 5
20	6008 076	AR			HOG RING
21	4746 291	1			BOLT, Armrest Attaching
22	6034 112	1			WASHER
23	4746 291	1			BOLT, Armrest Stop
24					BRACKET, Armrest Attaching (Serv. In Seat Back Only)

NOTE: (P.A.R.) = Paint As Required

MODEL CODES:

A BODY=(C=LeBaron, D=Spirit, P=Acclaim/LaBaron(Landau),  
Saratoga)  
C BODY=(D=Dynasty, C=New Yorker/N.Y. Salon)  
G BODY=(V=Daytona/IROC, Chrysler Daytona)  
J BODY=(C=LeBaron, Chrysler LeBaron)  
P BODY=(P=Sundance, D=Shadow)

S BODY=(H=Voyager(H) FWD, K=Caravan(H) FWD,  
Y=Town & Country(H) FWD, P=Voyager(K) AWD,  
D=Caravan(K) AWD, C=Town & Country(K) AWD)  
Y BODY=(C=Imperial/5th Avenue)  
E-S BODY=(K=Chrysler Voyager(H) FWD, D=Chrysler  
Voyager(K) AWD)

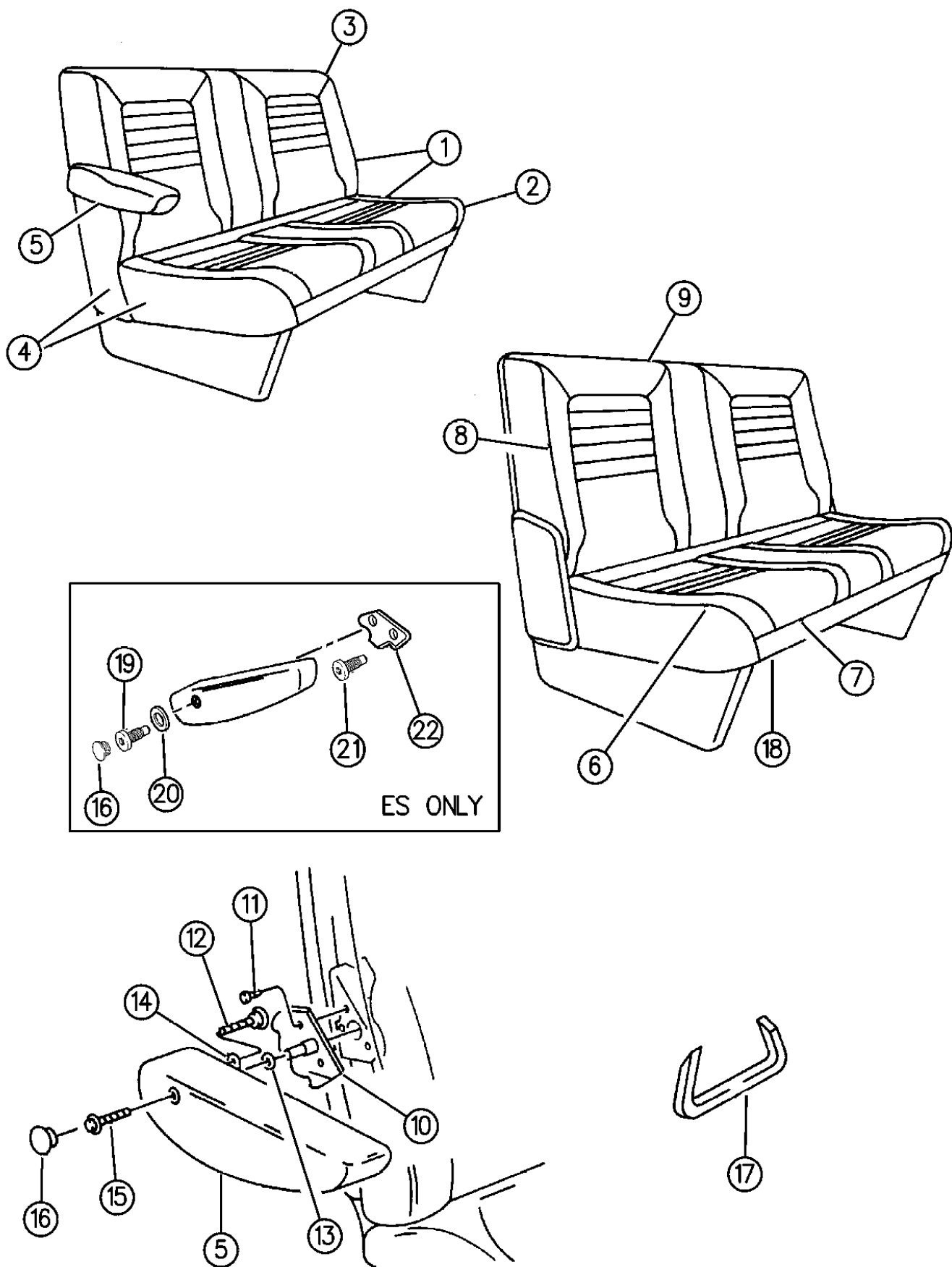
BODY STYLES:

21=2-Door Coupe      41=4-Door Sedan      12-52=FWD & AWD Van & Wgn Std W.B.  
24=2-Door Hatchback      44=4-Door Hatchback      53=FWD & AWD Van & Wgn Ext. W.B.  
27=2-Door Convertible

AR = Use as Required - = Non Illustrated Part P.A.R. = Paint as Required

SEAT--REAR S BODY TRIM CODE H6  
Figure ITS-2500

93242 2500A



ITEM	PART NUMBER	QTY	BODY	MODEL	DESCRIPTION
1-4					SEAT COMPLETE, w/Spring, Frame, Pad and Cover (Includes Cushion and Back) VINYL 2 Passenger (Used in First Position w/Seven Passenger Seating)
	AA04 KD5	1			Quartz, (H6D)
	AA04 MB7	1			Blue, (H6B)
	AA04 MMA	1			Red, (H6M)
	AA04 KV4	1			Champagne, (H6V)
2					COVER, Cushion VINYL 2 Passenger
	AN30 KD5	1			Quartz, (H6D)
	AN30 MB7	1			Blue, (H6B)
	AN30 MMA	1			Red, (H6M)
	AN30 KV4	1			Champagne, (H6V)
3					COVER, Back VINYL 2 Passenger
	AN27 KD5	1			Quartz, (H6D)
	AN27 MB7	1			Blue, (H6B)
	AN27 MMA	1			Red, (H6M)
	AN27 KV4	1			Champagne, (H6V)
4					ROLL STOCK, Vinyl, Order By The Inch 58" Wide
	R600 HD5	AR			Quartz
	R600 HV4	AR			Champagne
	R600 KB7	AR			Blue
	R600 KMA	AR			Red
5					ARMREST and COVER 2 PASSENGER
	G819 KD5	1			Quartz, (H6D)
	G819 MB7	1			Blue, (H6B)
	G819 MMA	1			Red, (H6M)
	G819 KV4	1			Champagne, (H6V)
6 & 4					FOLDING REAR SEAT (See Note) CUSHION, w/Spring/Frame, Pad and Cover VINYL
	AA06 KD5	1			Quartz, (H6D)
	AA06 MB7	1			Blue, (H6B)

MODEL CODES:

A BODY=(C=LeBaron, D=Spirit, P=Acclaim/LaBaron(Landau), Saratoga)

C BODY=(D=Dynasty, C=New Yorker/N.Y. Salon)

G BODY=(V=Daytona/IROC, Chrysler Daytona)

J BODY=(C=LeBaron, Chrysler LeBaron)

P BODY=(P=Sundance, D=Shadow)

S BODY=(H=Voyager(H) FWD, K=Caravan(H) FWD,

Y=Town & Country(H) FWD, P=Voyager(K) AWD,

D=Caravan(K) AWD, C=Town & Country(K) AWD)

Y BODY=(C=Imperial/5th Avenue)

E-S BODY=(K=Chrysler Voyager(H) FWD, D=Chrysler

Voyager(K) AWD)

BODY STYLES:

21=2-Door Coupe

41=4-Door Sedan

12-52=FWD & AWD Van & Wgn Std W.B.

24=2-Door Hatchback

44=4-Door Hatchback

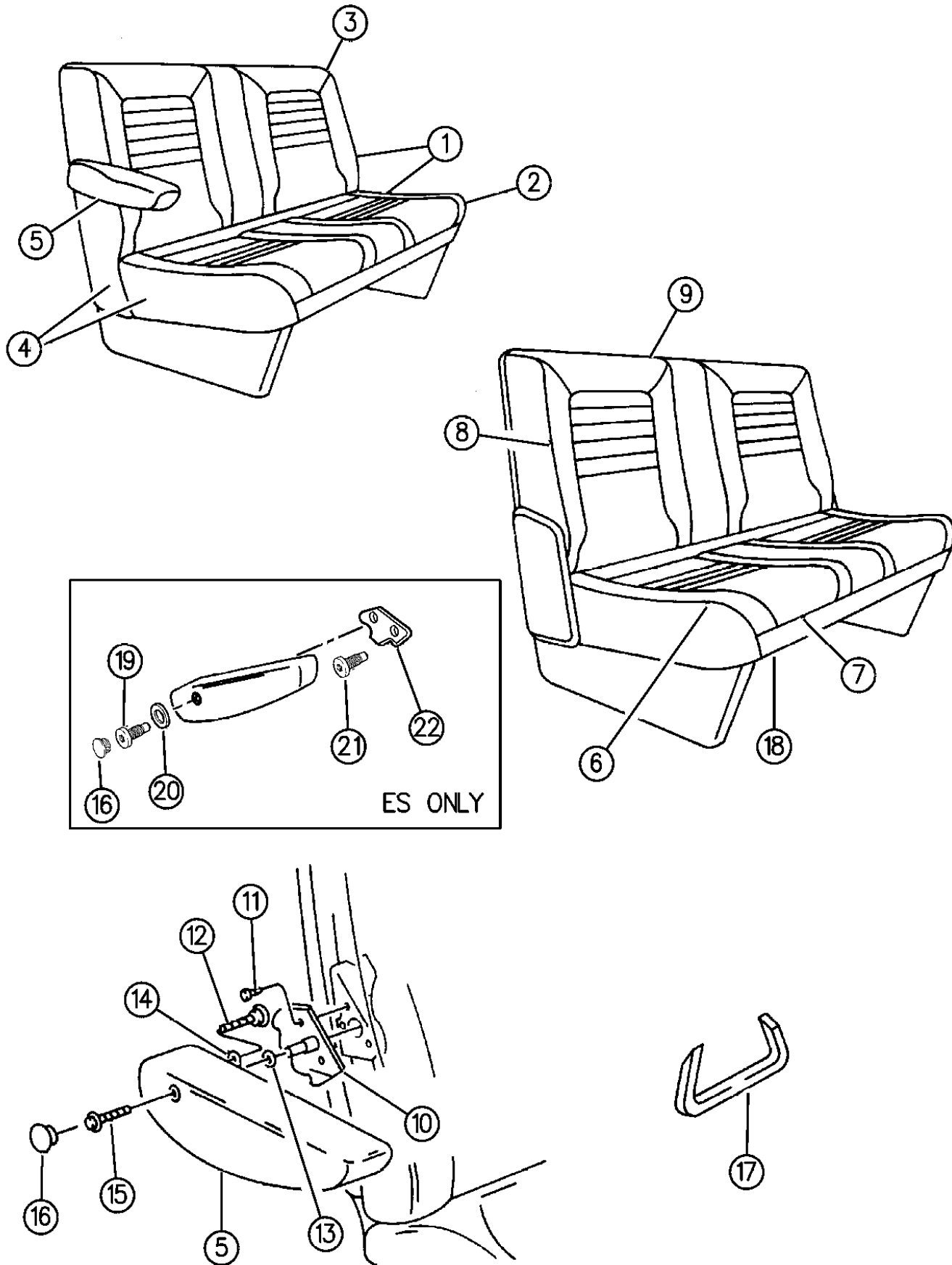
53=FWD & AWD Van & Wgn Ext. W.B.

27=2-Door Convertible

AR = Use as Required - = Non Illustrated Part P.A.R. = Paint as Required

SEAT--REAR S BODY TRIM CODE H6  
Figure ITS-2500

93242 2500A



ITEM	PART NUMBER	QTY	BODY	MODEL	DESCRIPTION
	AA06 MMA	1			Red, (H6M)
	AA06 KV4	1			Champagne, (H6V) FOUR WHEEL DRIVE ***
	WE67 KD5	1			Quartz, (H6D)
	WE67 MB7	1			Blue, (H6B)
	WE67 MMA	1			Red, (H6M)
	WE67 KV4	1			Champagne, (H6V)
7					COVER, Cushion w/Protector Shield VINYL
	AM73 KD5	1			Quartz, (H6D)
	AM73 MB7	1			Blue, (H6B)
	AM73 MMA	1			Red, (H6M)
	AM73 KV4	1			Champagne, (H6V) FOUR WHEEL DRIVE ***
	WE68 KD5	1			Quartz, (H6D)
	WE68 MB7	1			Blue, (H6B)
	WE68 MMA	1			Red, (H6M)
	WE68 KV4	1			Champagne, (H6V)
8 & 4					BACK, w/Spring/Frame, Pad and Cover VINYL
	AA05 KD5	1			Quartz, (H6D)
	AA05 MB7	1			Blue, (H6B)
	AA05 MMA	1			Red, (H6M)
	AA05 KV4	1			Champagne, (H6V) FOUR WHEEL DRIVE ***
	WE66 KD5	1			Quartz, (H6D)
	WE66 MB7	1			Blue, (H6B)
	WE66 MMA	1			Red, (H6M)
	WE66 KV4	1			Champagne, (H6V)
9					COVER, Back VINYL
	AM67 KD5	1			Quartz, (H6D)
	AM67 MB7	1			Blue, (H6B)
	AM67 MMA	1			Red, (H6M)
	AM67 KV4	1			Champagne, (H6V) FOUR WHEEL DRIVE ***
	AM67 KD5	1			Quartz, (H6D)
	AM67 MB7	1			Blue, (H6b)
	AM67 MMA	1			Red, (H6M)

**MODEL CODES:**

A BODY=(C=LeBaron, D=Spirit, P=Acclaim/LaBaron(Landau), Saratoga)

C BODY=(D=Dynasty, C=New Yorker/N.Y. Salon)

G BODY=(V=Daytona/IROC, Chrysler Daytona)

J BODY=(C=LeBaron, Chrysler LeBaron)

P BODY=(P=Sundance, D=Shadow)

S BODY=(H=Voyager(H) FWD, K=Caravan(H) FWD,

Y=Town & Country(H) FWD, P=Voyager(K) AWD,

D=Caravan(K) AWD, C=Town & Country(K) AWD)

Y BODY=(C=Imperial/5th Avenue)

E-S BODY=(K=Chrysler Voyager(H) FWD, D=Chrysler

Voyager(K) AWD)

**BODY STYLES:**

21=2-Door Coupe

41=4-Door Sedan

12-52=FWD & AWD Van & Wgn Std W.B.

24=2-Door Hatchback

44=4-Door Hatchback

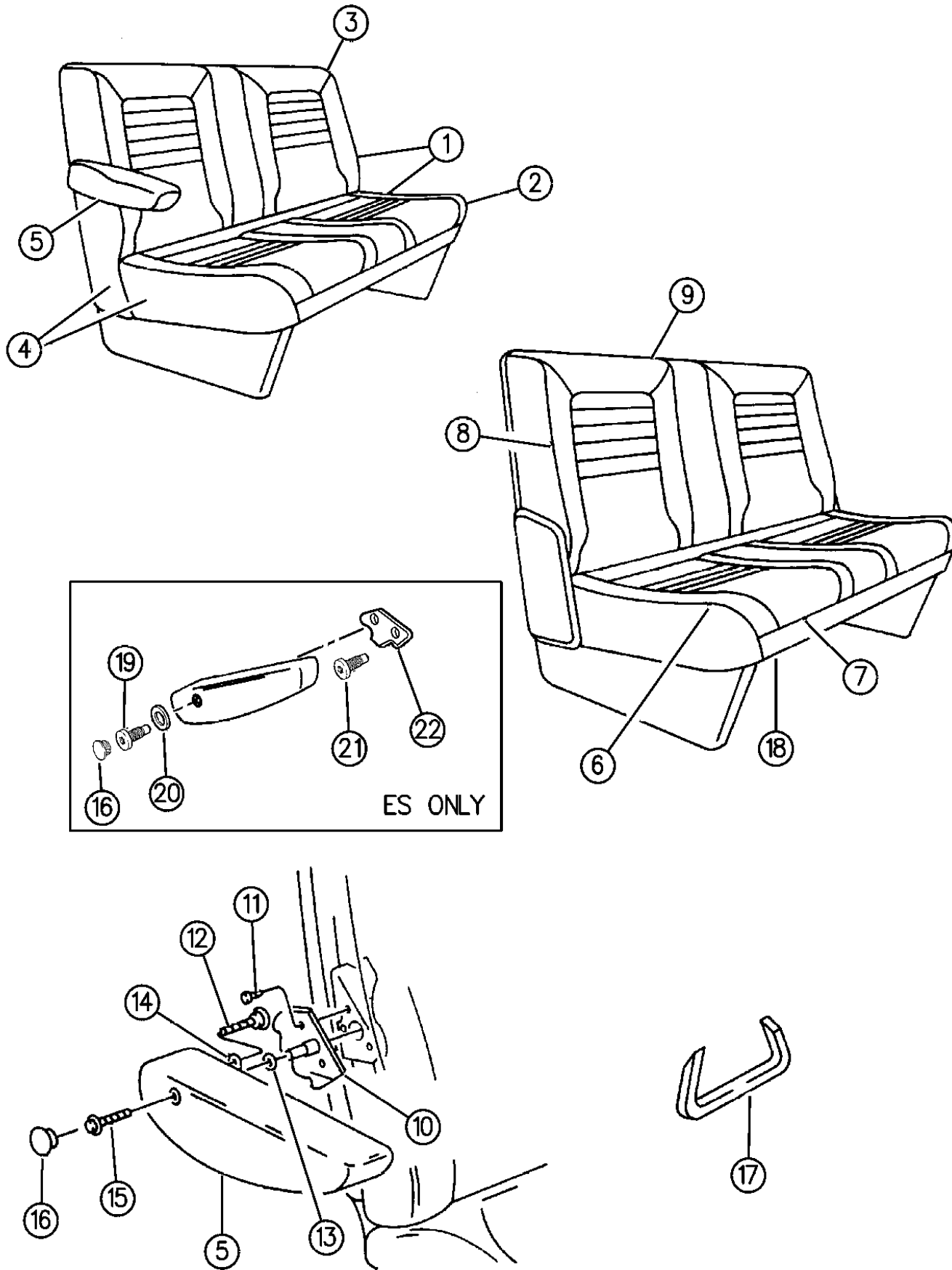
53=FWD & AWD Van & Wgn Ext. W.B.

27=2-Door Convertible

AR = Use as Required - = Non Illustrated Part P.A.R. = Paint as Required

SEAT--REAR S BODY TRIM CODE H6  
Figure ITS-2500

93242 2500A



ITEM	PART NUMBER	QTY	BODY	MODEL	DESCRIPTION
	AM67 KV4	1			Champagne, (H6V)
10	4519 646-7	1			SUPPORT, Armrest
11	6501 539	2			SCREW
12	6032 567	1			SCREW
13	6034 112	1			WASHER
14	0120 393	1			WASHER
15	6501 542	1			SCREW
16					PLUG
	WU50 KD5	1			Quartz
	WU50 MB7	1			Blue
	WU50 MM6	1			Red
	WU50 KV4	1			Champagne
17	6008 076	AR			HOG RING
18	4614 844	1			FRAME and RISER, 2nd Rear Seat 3 Passenger (Trim Code H6 and EL) ***
19	4746 291	1			BOLT, Armrest Attching
20	6034 112	1			WASHER
21	4746 291	1			BOLT, Armrest Stop
22					BRACKET, (Serv. In Seat Back Only)

MODEL CODES:

A BODY=(C=LeBaron, D=Spirit, P=Acclaim/LaBaron(Landau, Saratoga)  
C BODY=(D=Dynasty, C=New Yorker/N.Y. Salon)  
G BODY=(V=Daytona/IROC, Chrysler Daytona)  
J BODY=(C=LeBaron, Chrysler LeBaron)  
P BODY=(P=Sundance, D=Shadow)

S BODY=(H=Voyager(H) FWD, K=Caravan(H) FWD, Y=Town & Country(H) FWD, P=Voyager(K) AWD, D=Caravan(K) AWD, C=Town & Country(K) AWD)  
Y BODY=(C=Imperial/5th Avenue)  
E-S BODY=(K=Chrysler Voyager(H) FWD, D=Chrysler Voyager(K) AWD)

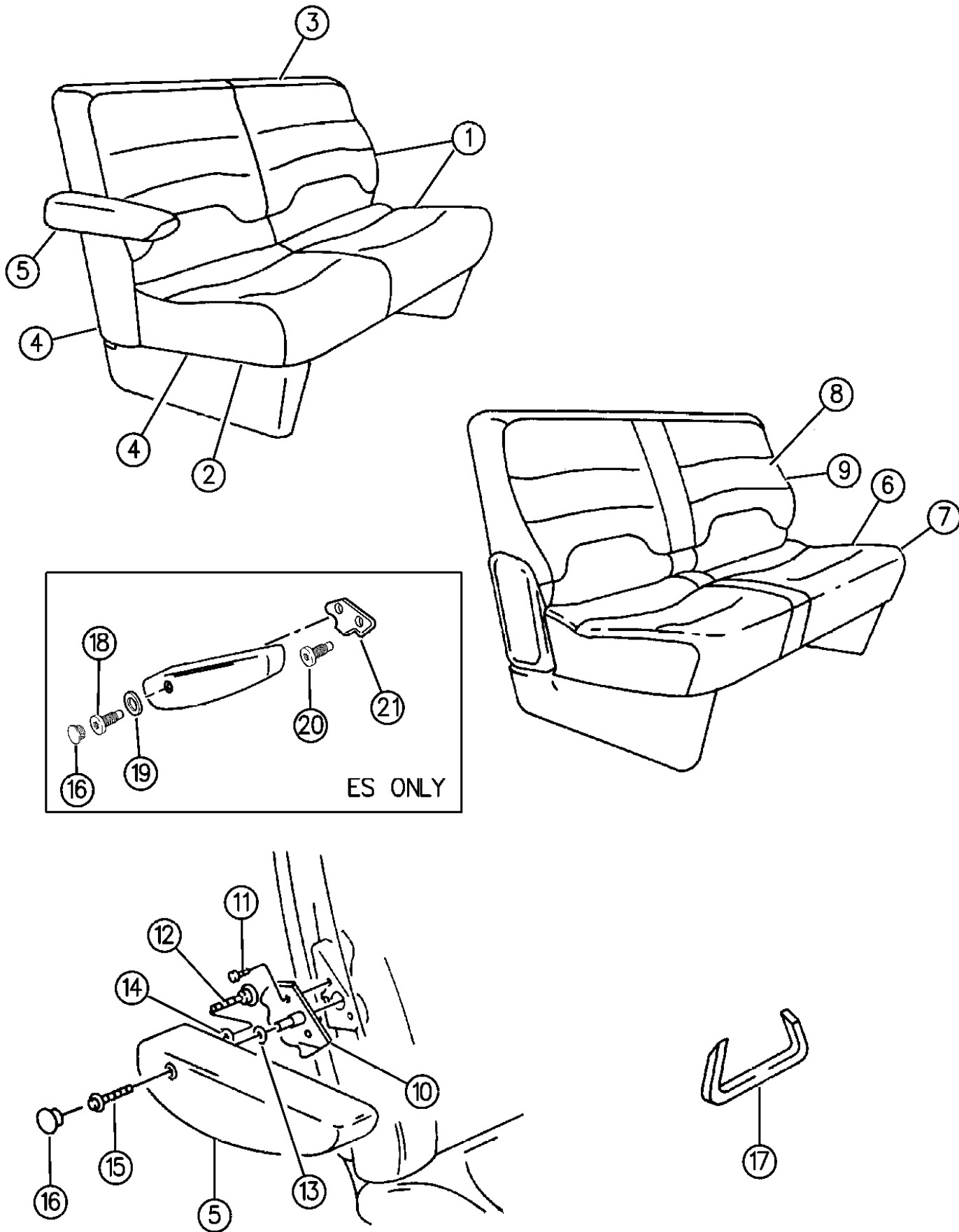
BODY STYLES:

21=2-Door Coupe      41=4-Door Sedan      12-52=FWD & AWD Van & Wgn Std W.B.  
24=2-Door Hatchback      44=4-Door Hatchback      53=FWD & AWD Van & Wgn Ext. W.B.  
27=2-Door Convertible

AR = Use as Required - = Non Illustrated Part P.A.R. = Paint as Required

**SEAT--REAR S BODY TRIM CODES R7,Y7**  
**Figure ITS-2600**

93242 2600A



ITEM	PART NUMBER	QTY	BODY	MODEL	DESCRIPTION
1-4					SEAT COMPLETE, (Includes Cushion and Back) w/Spring/Frame, Pad and Cover CLOTH 2 Passenger (Used In First Position w/7 Passenger Seating)
	HE83 MD5	1			Quartz, (R7D)
	HE83 MB7	1			Blue, (R7B)
	HE83 MMA	1			Red, (R7M)
	HE83 MVV	1			Champagne, (R7V)
	HH95 LD5	1			Quartz, (Y7D)
	HH95 LVV	1			Champagne, (Y7V)
	HH95 MB7	1			Blue, (Y7B)
2					COVER, Cushion CLOTH 2 Passenger
	HE99 MD5	1			Quartz, (R7D)
	HE99 MB7	1			Blue, (R7B)
	HE99 MMA	1			Red, (R7M)
	HE99 MVV	1			Champagne, (R7V)
	EP33 LD5	1			Quartz, (Y7D)
	EP33 LVV	1			Champagne, (Y7V)
	EP33 MB7	1			Blue, (Y7B)
3					COVER, Back CLOTH 2 Passenger
	HF04 MD5	1			Quartz, (R7D)
	HF04 MB7	1			Blue, (R7B)
	HF04 MMA	1			Red, (R7M)
	HF04 MVV	1			Champagne, (R7V)
	EP31 LD5	1			Quartz, (Y7D)
	EP31 LVV	1			Champagne, (Y7V)
	EP31 MB7	1			Blue, (Y7B)
4					ROLL STOCK, Vinyl Order By The Inch Quartz
	R600 HD5	AR			Blue, 54" Wide
	R600 KB7	AR			Red, 54" Wide
	R600 KMA	AR			Champagne, 54" Wide
	R600 HV4	AR			
5					ARMREST and COVER 2 PASSENGER
	GZ31 MD5	1			Quartz, (R7D)

**MODEL CODES:**

A BODY=(C=LeBaron, D=Spirit, P=Acclaim/LaBaron(Landau, Saratoga) S BODY=(H=Voyager(H) FWD, K=Caravan(H) FWD, Y=Town & Country(H) FWD, P=Voyager(K) AWD, D=Caravan(K) AWD, C=Town & Country(K) AWD)  
 C BODY=(D=Dynasty, C=New Yorker/N.Y. Salon)  
 G BODY=(V=Daytona/IROC, Chrysler Daytona)  
 J BODY=(C=LeBaron, Chrysler LeBaron)  
 P BODY=(P=Sundance, D=Shadow)  
 Y BODY=(C=Imperial/5th Avenue)  
 E-S BODY=(K=Chrysler Voyager(H) FWD, D=Chrysler Voyager(K) AWD)

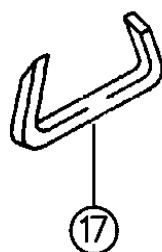
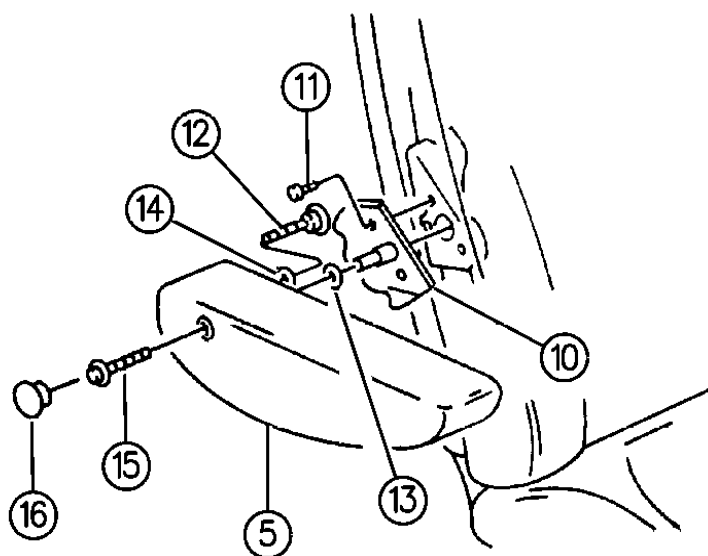
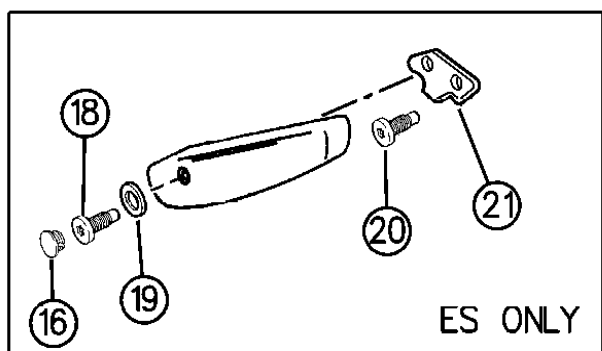
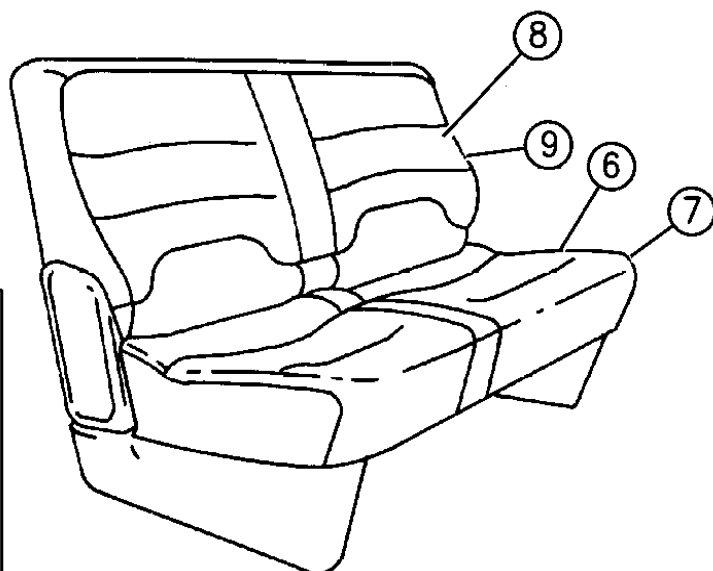
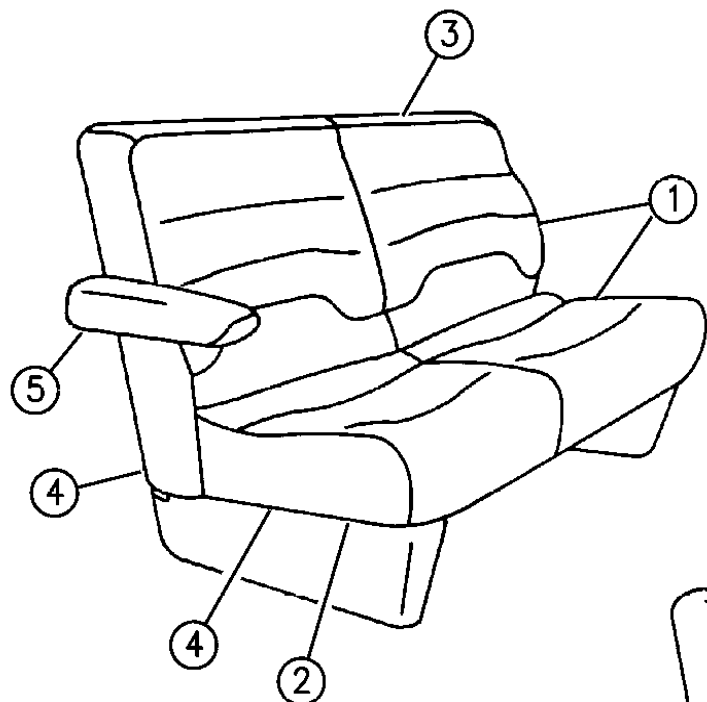
**BODY STYLES:**

21=2-Door Coupe      41=4-Door Sedan      12-52=FWD & AWD Van & Wgn Std W.B.  
 24=2-Door Hatchback      44=4-Door Hatchback      53=FWD & AWD Van & Wgn Ext. W.B.  
 27=2-Door Convertible

AR = Use as Required - = Non Illustrated Part P.A.R. = Paint as Required

SEAT--REAR S BODY TRIM CODES R7,Y7  
Figure ITS-2600

93242 2600A



ITEM	PART NUMBER	QTY	BODY	MODEL	DESCRIPTION
	GZ31 MB7	1			Blue, (R7B)
	GZ31 MMA	1			Red, (R7M)
	GZ31 MVV	1			Champagne, (R7V)
	GN81 LD5	1			Quartz, (Y7D)
	GN81 LVV	1			Champagne, (Y7V)
	GN81 MB7	1			Blue, (Y7B)
					FOLDING REAR SEAT (See Note)
6 & 4					CUSHION, w/Spring/Frame, Pad and Cover CLOTH
					3 PASSENGER
	HE97 MD5	1			Quartz, (R7D)
	HE97 MB7	1			Blue, (R7B)
	HE97 MMA	1			Red, (R7M)
	HE97 MVV	1			Champagne, (R7V)
	GN54 LD5	1			Quartz, (Y7D)
	GN54 LVV	1			Champagne, (Y7V)
	GN54 MB7	1			Blue, (Y7B)
					FOUR WHEEL DRIVE ***
	HE98 MD5	1			Quartz, (R7D)
	HE98 MB7	1			Blue, (R7B)
	HE98 MMA	1			Red, (R7M)
	HE98 MVV	1			Champagne, (R7V)
	JB79 MB7	1			Blue, (Y7B)
	JB79 MD5	1			Quartz, (Y7D)
	JB79 MVV	1			Champagne, (Y7V)
7					COVER, Cushion CLOTH
					3 PASSENGER
	HF01 MD5	1			Quartz, (R7D)
	HF01 MB7	1			Blue, (R7B)
	HF01 MMA	1			Red, (R7M)
	HF01 MVV	1			Champagne, (R7V)
	EP37 LD5	1			Quartz, (Y7D)
	EP37 LVV	1			Champagne, (Y7V)
	EP37 MB7	1			Blue, (Y7B)
					FOUR WHEEL DRIVE ***
	HF05 MD5	1			Quartz, (R7D)
	HF05 MB7	1			Blue, (R7B)
	HF05 MMA	1			Red, (R7M)

MODEL CODES:

A BODY=(C=LeBaron, D=Spirit, P=Acclaim/LaBaron(Landau), Saratoga)

C BODY=(D=Dynasty, C=New Yorker/N.Y. Salon)

G BODY=(V=Daytona/IROC, Chrysler Daytona)

J BODY=(C=LeBaron, Chrysler LeBaron)

P BODY=(P=Sundance, D=Shadow)

S BODY=(H=Voyager(H) FWD, K=Caravan(H) FWD,

Y=Town & Country(H) FWD, P=Voyager(K) AWD,

D=Caravan(K) AWD, C=Town & Country(K) AWD)

Y BODY=(C=Imperial/5th Avenue)

E-S BODY=(K=Chrysler Voyager(H) FWD, D=Chrysler

Voyager(K) AWD)

BODY STYLES:

21=2-Door Coupe

41=4-Door Sedan

12-52=FWD & AWD Van & Wgn Std W.B.

24=2-Door Hatchback

44=4-Door Hatchback

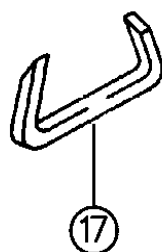
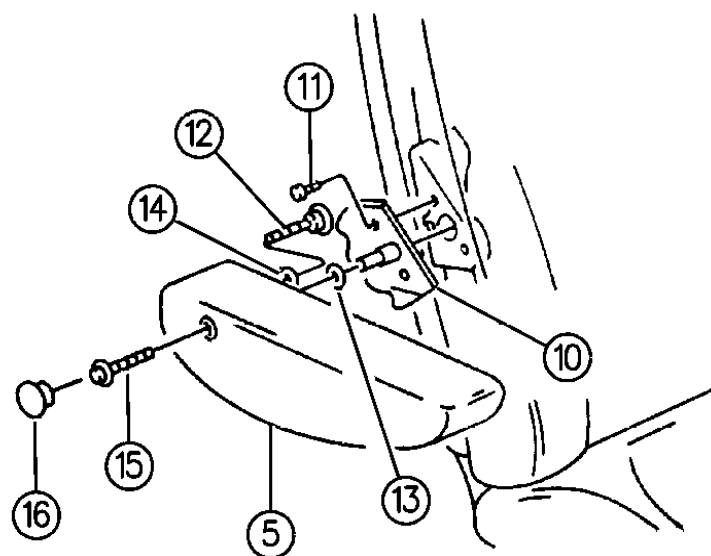
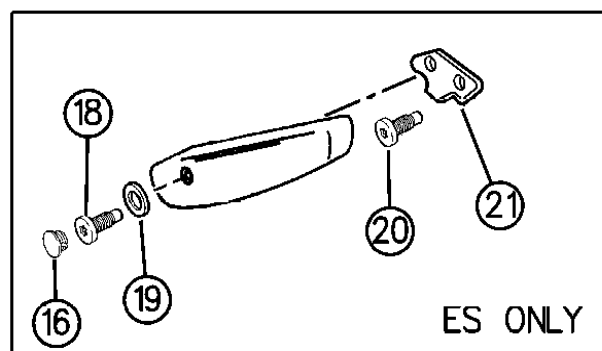
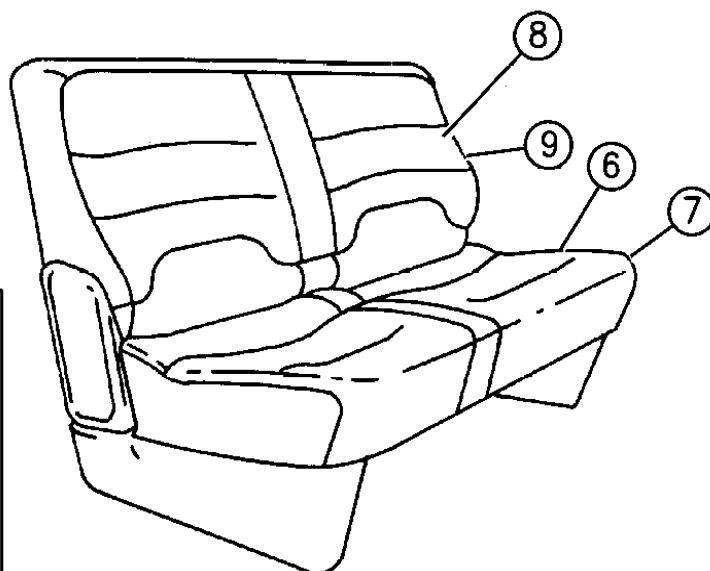
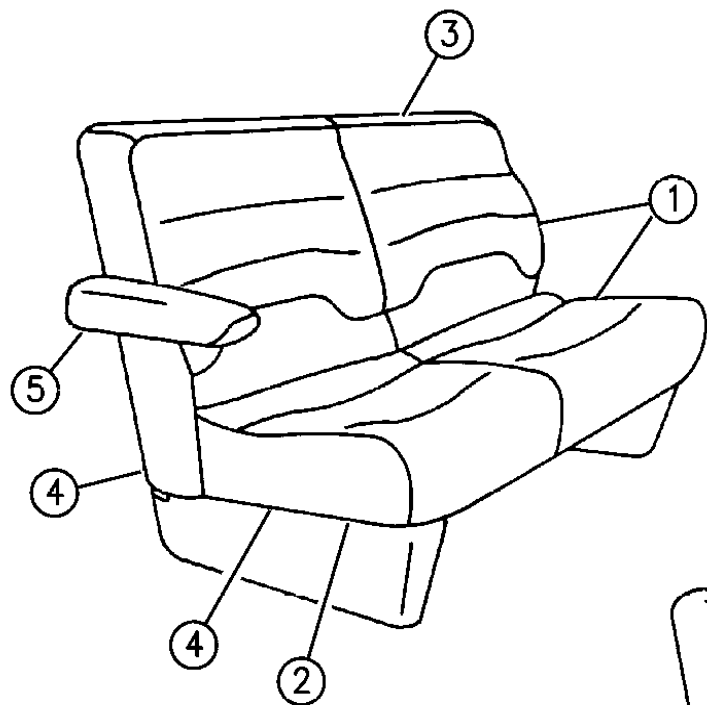
53=FWD & AWD Van & Wgn Ext. W.B.

27=2-Door Convertible

AR = Use as Required - = Non Illustrated Part P.A.R. = Paint as Required

**SEAT--REAR S BODY TRIM CODES R7,Y7**  
**Figure ITS-2600**

93242 2600A



ITEM	PART NUMBER	QTY	BODY	MODEL	DESCRIPTION
	HF05 MVV	1			Champagne, (R7V)
	HS51 LD5	1			Quartz, (Y7D)
	HS51 LVV	1			Champagne, (Y7V)
	HS51 MB7	1			Blue, (Y7B)
8 & 4					BACK, w/Spring/Frame, Pad and Cover
					CLOTH
					3 PASSENGER
	HE89 MD5	1			Quartz, (R7D)
	HE89 MB7	1			Blue, (R7B)
	HE89 MMA	1			Red, (R7M)
	HE89 MVV	1			Champagne, (R7V)
	GN55 LD5	1			Quartz, (Y7D)
	GN55 LVV	1			Champagne, (Y7V)
	GN55 MB7	1			Blue, (Y7B)
					FOUR WHEEL DRIVE ***
	HE90 MD5	1			Quartz, (R7D)
	HE90 MB7	1			Blue, (R7B)
	HE90 MMA	1			Red, (R7M)
	HE90 MVV	1			Champagne, (R7V)
	JB87 LD5	1			Quartz, (Y7D)
	JB87 LVV	1			Champagne, (Y7V)
	JB87 MB7	1			Blue, (Y7B)
9					COVER, Back
					CLOTH
					3 PASSENGER
	HF06 MD5	1			Quartz, (R7D)
	HF06 MB7	1			Blue, (R7B)
	HF06 MMA	1			Red, (R7M)
	HF06 MVV	1			Champagne, (R7V)
	EP35 LD5	1			Quartz, (Y7D)
	EP35 LVV	1			Champagne, (Y7V)
	EP35 MB7	1			Blue, (Y7B)
					FOUR WHEEL DRIVE ***
	HF06 MD5	1			Quartz, (R7D)
	HF06 MB7	1			Blue, (R7B)
	HF06 MMA	1			Red, (R7M)
	HF06 MVV	1			Champagne, (R7V)
	EP35 LD5	1			Quartz, (Y7D)
	EP35 LVV	1			Champagne, (Y7V)

**MODEL CODES:**

A BODY=(C=LeBaron, D=Spirit, P=Acclaim/LaBaron(Landau), Saratoga)

C BODY=(D=Dynasty, C=New Yorker/N.Y. Salon)

G BODY=(V=Daytona/IROC, Chrysler Daytona)

J BODY=(C=LeBaron, Chrysler LeBaron)

P BODY=(P=Sundance, D=Shadow)

S BODY=(H=Voyager(H) FWD, K=Caravan(H) FWD,

Y=Town & Country(H) FWD, P=Voyager(K) AWD,

D=Caravan(K) AWD, C=Town & Country(K) AWD)

Y BODY=(C=Imperial/5th Avenue)

E-S BODY=(K=Chrysler Voyager(H) FWD, D=Chrysler

Voyager(K) AWD)

**BODY STYLES:**

21=2-Door Coupe

41=4-Door Sedan

12-52=FWD & AWD Van & Wgn Std W.B.

24=2-Door Hatchback

44=4-Door Hatchback

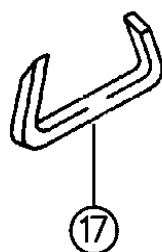
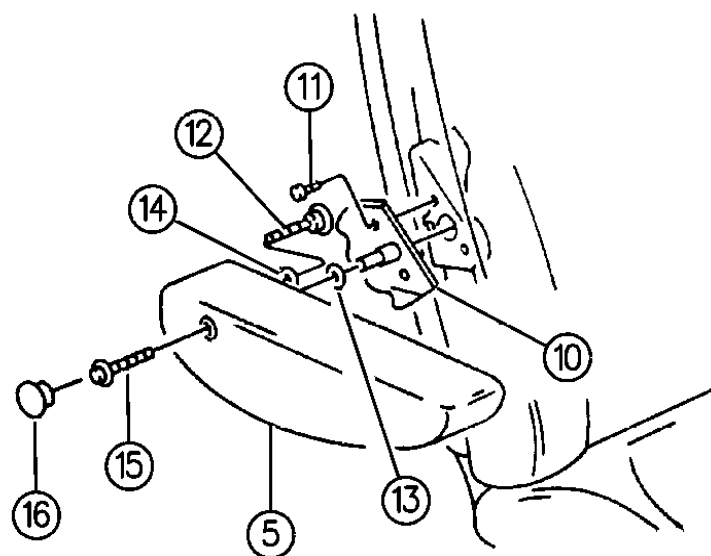
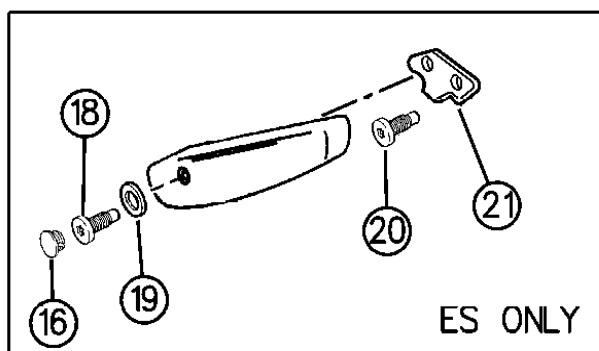
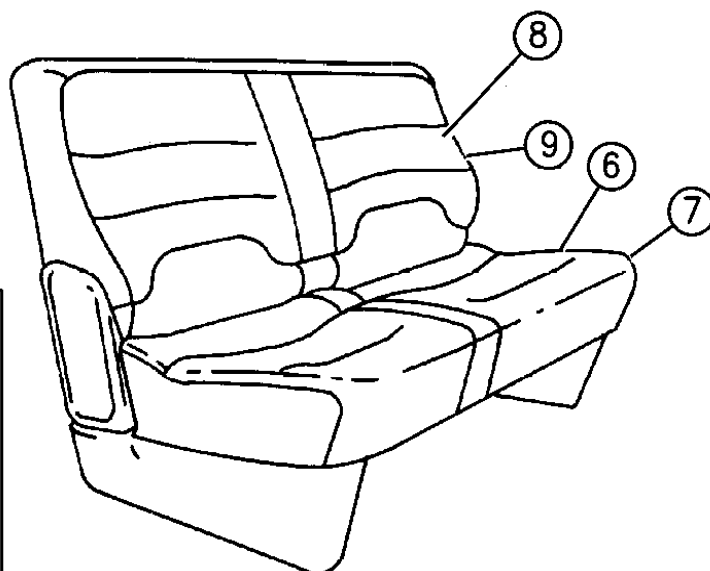
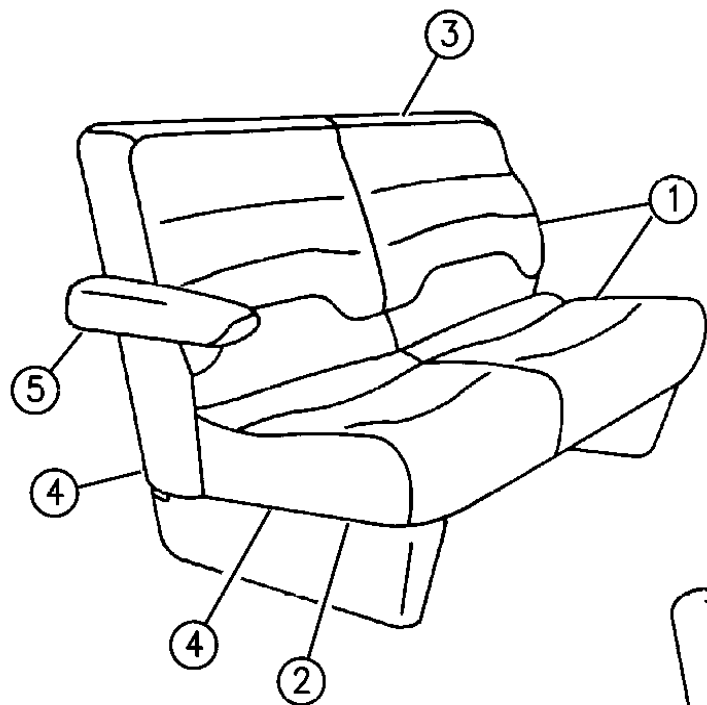
53=FWD & AWD Van & Wgn Ext. W.B.

27=2-Door Convertible

AR = Use as Required - = Non Illustrated Part P.A.R. = Paint as Required

**SEAT--REAR S BODY TRIM CODES R7,Y7**  
**Figure ITS-2600**

93242 2600A



ITEM	PART NUMBER	QTY	BODY	MODEL	DESCRIPTION
	EP35 MB7	1			Blue, (Y7B)
10	4519 646-7	1			SUPPORT, Armrest
11	6501 539	2			SCREW
12	6032 567	1			SCREW
13	6034 112	1			WASHER
14	0120 393	1			WASHER
15	6501 542	1			SCREW
16					PLUG
	WU50 KD5	1			Quartz
	WU50 MB7	1			Blue
	WU50 MM6	1			Red
	WU50 KV4	1			Champagne
17	6008 076	AR			HOG RING
18	4746 291	1			BOLT, Armrest Attaching
19	6034 112	1			WASHER
20	4746 291	1			BOLT, Armrest Stop
21					BRACKET, (Serv. In Seat Back Only)

NOTE: (P.A.R.) = Paint As Required

**MODEL CODES:**

A BODY=(C=LeBaron, D=Spirit, P=Acclaim/LaBaron(Landau), Saratoga)      S BODY=(H=Voyager(H) FWD, K=Caravan(H) FWD, Y=Town & Country(H) FWD, P=Voyager(K) AWD, D=Caravan(K) AWD, C=Town & Country(K) AWD)  
 C BODY=(D=Dynasty, C=New Yorker/N.Y. Salon)  
 G BODY=(V=Daytona/IROC, Chrysler Daytona)  
 J BODY=(C=LeBaron, Chrysler LeBaron)  
 P BODY=(P=Sundance, D=Shadow)

**BODY STYLES:**

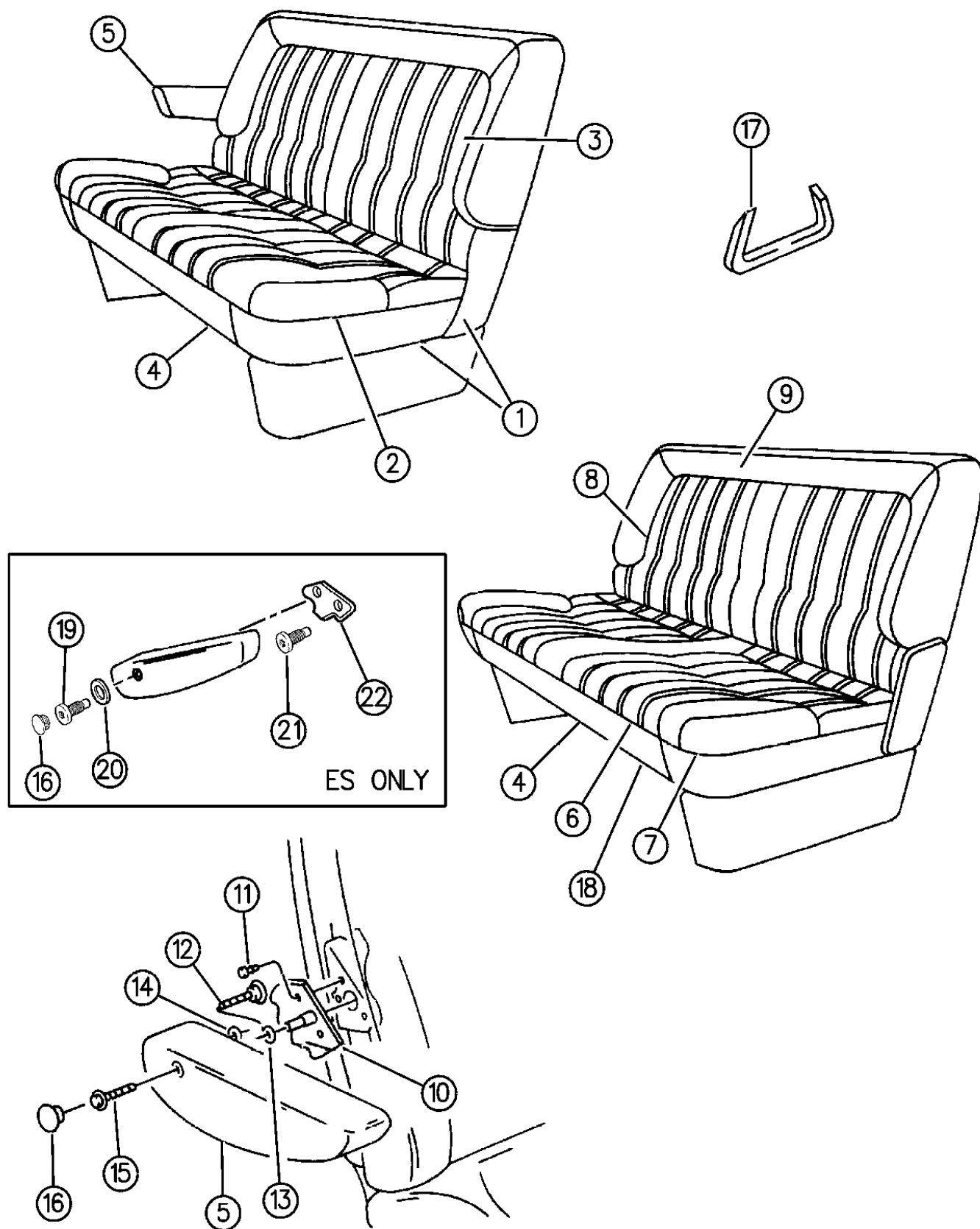
21=2-Door Coupe      41=4-Door Sedan      12-52=FWD & AWD Van & Wgn Std W.B.  
 24=2-Door Hatchback      44=4-Door Hatchback      53=FWD & AWD Van & Wgn Ext. W.B.  
 27=2-Door Convertible

AR = Use as Required   - = Non Illustrated Part   P.A.R. = Paint as Required



SEAT--REAR S BODY TRIM CODE EL,KL  
Figure ITS-2700

93242 2700A



ITEM	PART NUMBER	QTY	BODY	MODEL	DESCRIPTION
1-4					SEAT COMPLETE, w/Spring/Frame, Pad and Cover (Includes Cushion and Back LEATHER 2 Passenger ( Use In First Position w/7 Passenger Seating Quartz, (ELD)
	AA10 KD5	1			Red, (ELM)
	AA10 MMA	1			Champagne, (ELV)
	HH97 LD5	1			Quartz, (KLD)
	HH97 LV4	1			Champagen, (KLV)
2					COVER, Cushion LEATHER 2 Passenger Quartz, (ELD,KLD)
	AN32 KD5	1			Red, (ELM)
	AN32 MMA	1			Champagne, (ELV,KLV)
3					COVER, Back LEATHER 2 Passenger Quartz, (ELD,KLD)
	AN29 KD5	1			Red, (ELM)
	AN29 MMA	1			Champagne, (ELV,KLV)
4					ROLL STOCK, Vinyl Order By The Inch (58" Wide) Quartz Red Champagne
	R600 HD5	AR			Quartz
	R600 KMA	AR			Red
	R600 HV4	AR			Champagne
5					ARMREST and COVER 2 Passenger Quartz, (ELD) Red, (ELM) Champagne, (ELV) Quartz, (KLD) Champagne, (KLV) FOLDING REAR SEAT (See Note) ***
	G819 KD5	1			Quartz, (ELD)
	G819 MMA	1			Red, (ELM)
	G819 KV4	1			Champagne, (ELV)
	GN83 LD5	1			Quartz, (KLD)
	GN83 LV4	1			Champagne, (KLV)
6 & 4					CUSHION, w/Spring/Frame, Pad and Cover LEATHER Quartz, (ELD) Red, (ELM) Champagne, (ELV) Quartz, (KLD)
	AA12 KD5	1			Quartz, (ELD)
	AA12 MMA	1			Red, (ELM)
	AA12 KV4	1			Champagne, (ELV)
	GN71 LD5	1			Quartz, (KLD)

MODEL CODES:

A BODY=(C=LeBaron, D=Spirit, P=Acclaim/LaBaron(Landau),  
Saratoga)

C BODY=(D=Dynasty, C=New Yorker/N.Y. Salon)

G BODY=(V=Daytona/ROC, Chrysler Daytona)

J BODY=(C=LeBaron, Chrysler LeBaron)

P BODY=(P=Sundance, D=Shadow)

S BODY=(H=Voyager(H) FWD, K=Caravan(H) FWD,  
Y=Town & Country(H) FWD, P=Voyager(K) AWD,  
D=Caravan(K) AWD, C=Town & Country(K) AWD)  
Y BODY=(C=Imperial/5th Avenue)  
E-S BODY=(K=Chrysler Voyager(H) FWD, D=Chrysler  
Voyager(K) AWD)

BODY STYLES:

21=2-Door Coupe

41=4-Door Sedan

12-52=FWD & AWD Van & Wgn Std W.B.

24=2-Door Hatchback

44=4-Door Hatchback

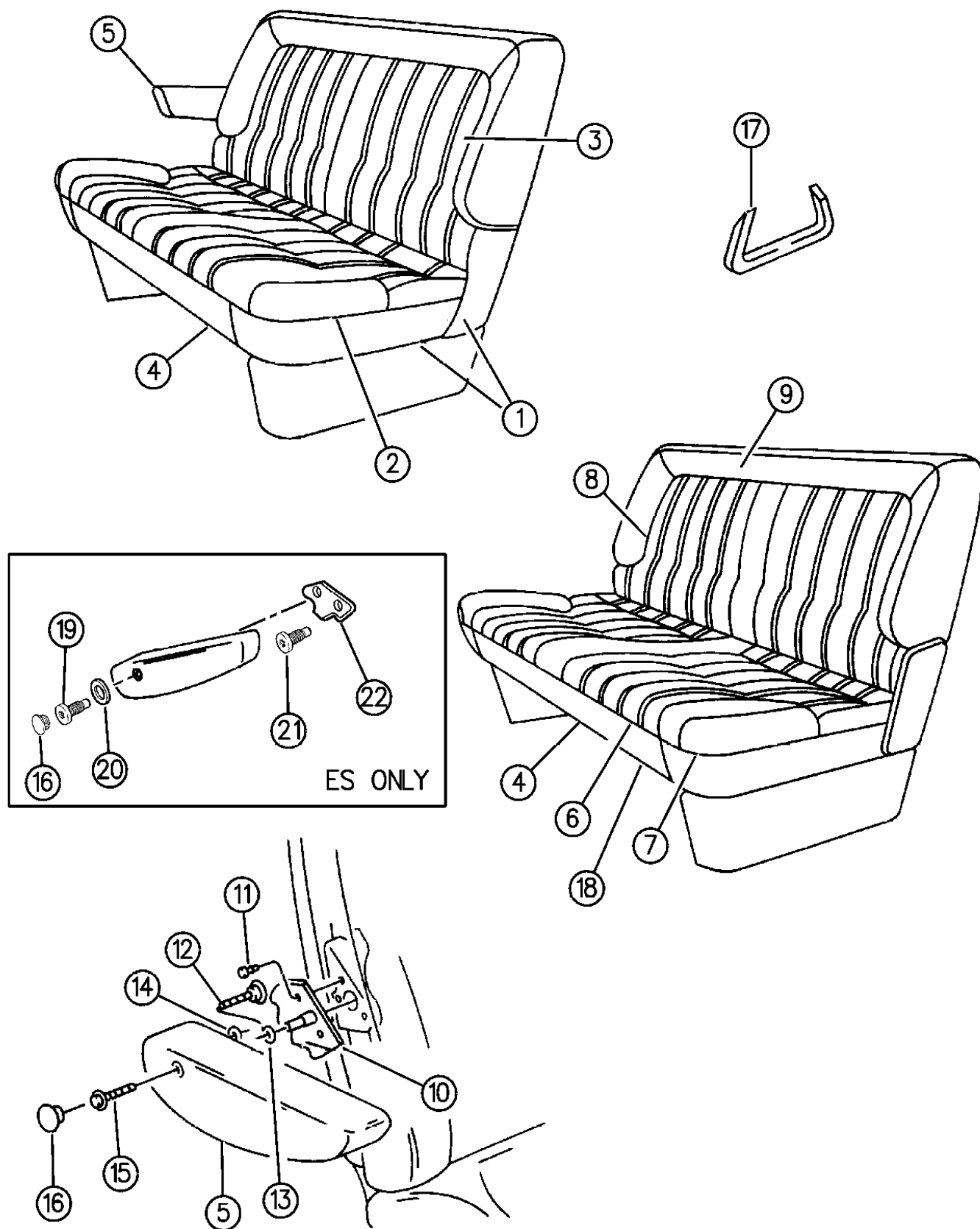
53=FWD & AWD Van & Wgn Ext. W.B.

27=2-Door Convertible

AR = Use as Required - = Non Illustrated Part P.A.R. = Paint as Required

SEAT--REAR S BODY TRIM CODE EL,KL  
Figure ITS-2700

93242 2700A



ITEM	PART NUMBER	QTY	BODY	MODEL	DESCRIPTION
	GN71 LV4	1			Champagne, (KLV) FOUR WHEEL DRIVE ***
	AZ55 KD5	1			Quartz, (ELD)
	AZ55 MMA	1			Red, (ELM)
	AZ55 KV4	1			Champagne, (ELV)
	GN73 LD5	1			Quartz, (KLD)
	GN73 LV4	1			Champagne, (KLV)
7					COVER, Cushion LEATHER
	AM75 KD5	1			Quartz, (ELD,KLD)
	AM75 MMA	1			Red, (ELM)
	AM75 KV4	1			Champagne, (ELV,KLV) FOUR WHEEL DRIVE ***
	WD36 KD5	1			Quartz, (ELD,KLD)
	WD36 MMA	1			Red, (ELM)
	WD36 KV4	1			Champagne, (ELV,KLV)
8 & 4					BACK, w/Spring/Frame, Pad and Cover LEATHER
	AA11 KD5	1			Quartz, (ELD)
	AA11 MMA	1			Red, (ELM)
	AA11 KV4	1			Champagne, (ELV)
					w/o Hooks
	GN72 LD5	1			Quartz, (KLD)
	GN72 LV4	1			Champagne, (KLV) w/Hooks
	JB84 MD5	1			Quartz, (KLD)
	JB84 MV4	1			Champagne, (KLV) FOUR WHEEL DRIVE ***
	AZ56 KD5	1			Quartz, (ELD)
	AZ56 MMA	1			Red, (ELM)
	AZ56 KV4	1			Champagne, (ELV) w/o Hooks
	JB83 LD5	1			Quartz, (KLD)
	JB83 LV4	1			Champagne, (KLV) w/Hooks
	JD09 MD5	1			Quartz, (KLD)
	JD09 MV4	1			Champagne, (KLV)
9					COVER, Back LEATHER

MODEL CODES:

A BODY=(C=LeBaron, D=Spirit, P=Acclaim/LaBaron(Landau, Saratoga) S BODY=(H=Voyager(H) FWD, K=Caravan(H) FWD, Y=Town & Country(H) FWD, P=Voyager(K) AWD, D=Caravan(K) AWD, C=Town & Country(K) AWD)  
C BODY=(D=Dynasty, C=New Yorker/N.Y. Salon)  
G BODY=(V=Daytona/ROC, Chrysler Daytona)  
J BODY=(C=LeBaron, Chrysler LeBaron)  
P BODY=(P=Sundance, D=Shadow)  
Y BODY=(C=Imperial/5th Avenue)  
E-S BODY=(K=Chrysler Voyager(H) FWD, D=Chrysler Voyager(K) AWD)

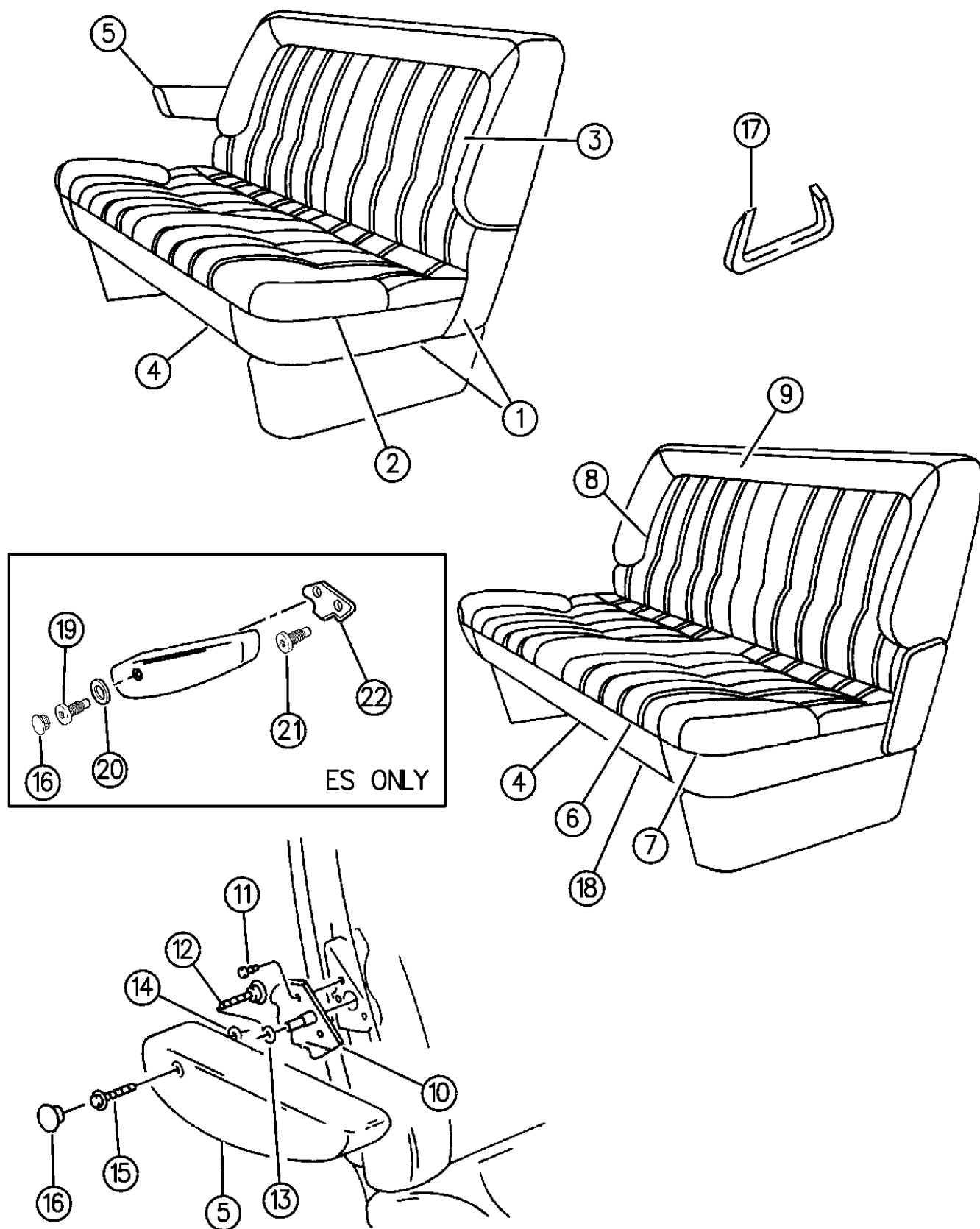
BODY STYLES:

21=2-Door Coupe 41=4-Door Sedan 12-52=FWD & AWD Van & Wgn Std W.B.  
24=2-Door Hatchback 44=4-Door Hatchback 53=FWD & AWD Van & Wgn Ext. W.B.  
27=2-Door Convertible

AR = Use as Required - = Non Illustrated Part P.A.R. = Paint as Required

SEAT--REAR S BODY TRIM CODE EL,KL  
Figure ITS-2700

93242 2700A



ITEM	PART NUMBER	QTY	BODY	MODEL	DESCRIPTION
	AM69 KD5	1			Quartz, (ELD,KLD)
	AM69 MMA	1			Red, (ELM)
	AM69 KV4	1			Champagne, (ELV,KLV)
					FOUR WHEEL DRIVE ***
	AM69 KD5	1			Quartz, (ELD)
	AM69 MMA	1			Red, (ELM)
	AM69 KV4	1			Champagne, (ELV)
10	4519 646-7	1			SUPPORT, Armrest
11	6501 539	2			SCREW
12	6032 567	1			SCREW
13	6034 112	1			WASHER
14	0120 393	1			WASHER
15	6501 542	1			SCREW
16					PLUG
	WU50 KD5	1			Quartz
	WU50 MM6	1			Red
	WU50 KV4	1			Champagne
17	6008 076	AR			HOG RING
18	4614 844	1			FRAME and RISER, 2nd Rear Seat 3 Passenger (Trim Code EL) ***
19	4746 291	1			BOLT, Armrest Attaching
20	6034 112	1			WASHER
21	4746 291	1			BOLT, Armrest Stop
22					BRACKET, (Serv. In Seat Back Only)

MODEL CODES:

A BODY=(C=LeBaron, D=Spirit, P=Acclaim/LaBaron(Landau), Saratoga) S BODY=(H=Voyager(H) FWD, K=Caravan(H) FWD, Y=Town & Country(H) FWD, P=Voyager(K) AWD, D=Caravan(K) AWD, C=Town & Country(K) AWD)  
 C BODY=(D=Dynasty, C=New Yorker/N.Y. Salon) Y BODY=(C=Imperial/5th Avenue)  
 G BODY=(V=Daytona/IROC, Chrysler Daytona) E-S BODY=(K=Chrysler Voyager(H) FWD, D=Chrysler Voyager(K) AWD)  
 J BODY=(C=LeBaron, Chrysler LeBaron) P BODY=(P=Sundance, D=Shadow)

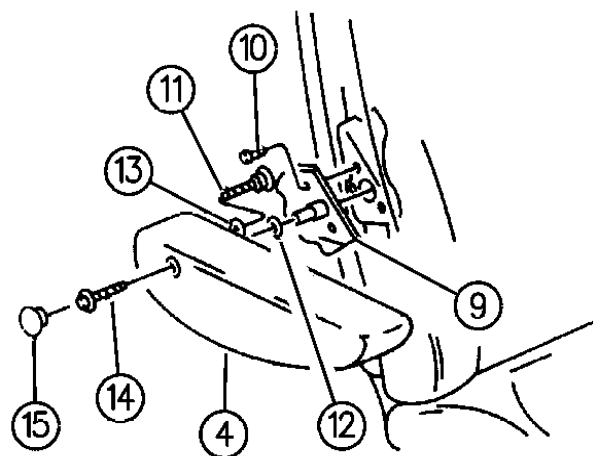
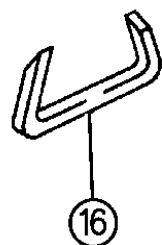
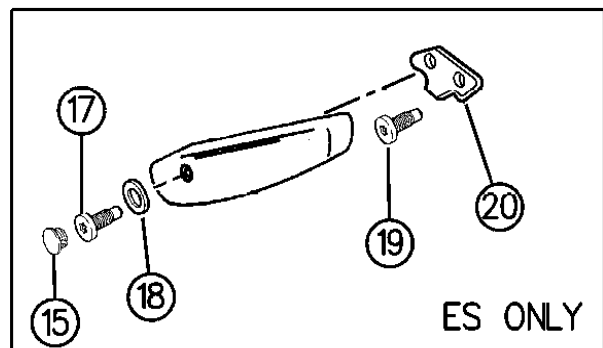
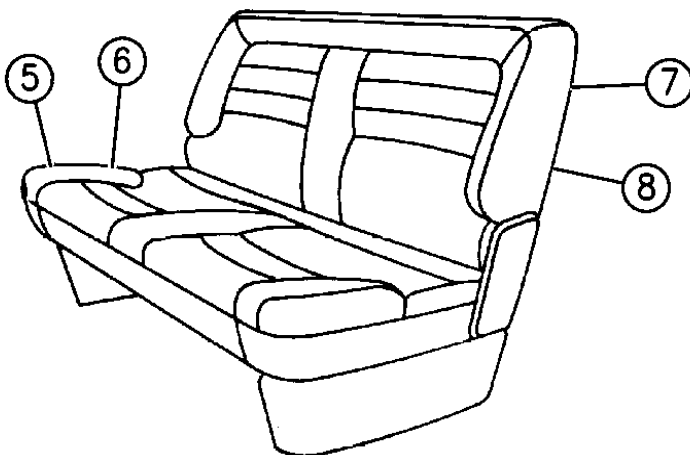
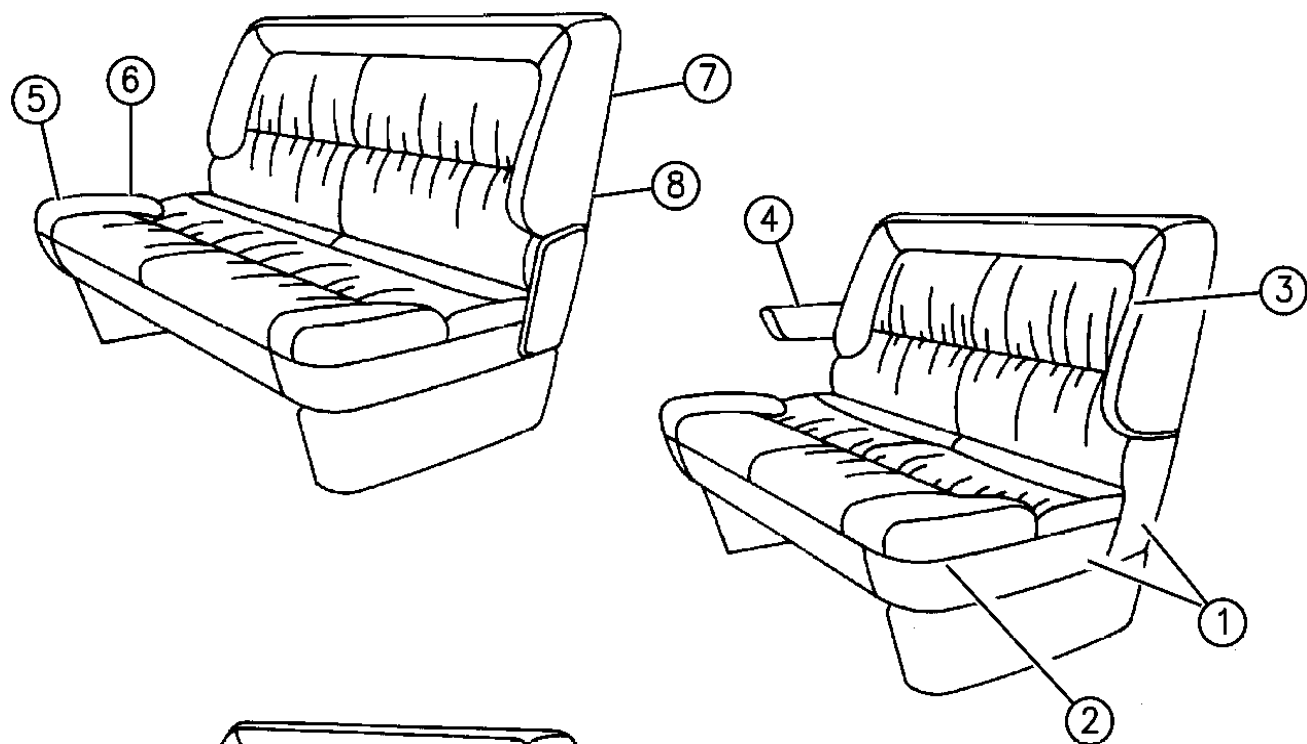
BODY STYLES:

21=2-Door Coupe 41=4-Door Sedan 12-52=FWD & AWD Van & Wgn Std W.B.  
 24=2-Door Hatchback 44=4-Door Hatchback 53=FWD & AWD Van & Wgn Ext. W.B.  
 27=2-Door Convertible

AR = Use as Required - = Non Illustrated Part P.A.R. = Paint as Required

SEAT--REAR S BODY TRIM CODE G7,GL  
Figure ITS-2800

93242 2800A



ITEM	PART NUMBER	QTY	BODY	MODEL	DESCRIPTION
1					SEAT COMPLETE, w/Spring/Frame, Pad and Cover (Includes Cushion and Back LEATHER 2 Passenger ( Use In First Position w/7 Passenger Seating Champagne, (GLV)
	WT96 KV4	1			
	WT96 MW8	1			Quartz, (GLD)
2					COVER, Cushion LEATHER 2 Passenger Champagne, (GLV) Quartz, (GLD)
	WU26 KV4	1			
	WU26 MW8	1			
3					COVER, Back LEATHER 2 Passenger Champagne, (GLV) Quartz, (GLD)
	WU28 KV4	1			
	WU28 MW8	1			
4					ARMREST and COVER 2 Passenger Champagne, (GLV) Quartz, (GLD) FOLDING REAR SEAT
	G819 KV4	1			
	G819 MW8	1			
5					CUSHION, w/Spring/Frame, Pad and Cover CLOTH Champagne, (G7V)) FOUR WHEEL DRIVE
	WU04 KV4	1			
	WU04 KV4	1			Champagne, (G7V) LEATHER
	WU02 KV4	1			Champagne, (GLV) FOUR WHEEL DRIVE
	WU02 MW8	1			
	WU02 KV4	1			Champagne, (GLV) Quartz, (GLD)
	WU02 MW8	1			
6					COVER, Cushion CLOTH Champagne, (G7V) FOUR WHEEL DRIVE
	WU40 KV4	1			
	WU40 KV4	1			Champagne, (G7V) LEATHER
	WU30 KV4	1			Champagne, (GLV)

MODEL CODES:

A BODY=(C=LeBaron, D=Spirit, P=Acclaim/LaBaron(Landau), Saratoga)  
C BODY=(D=Dynasty, C=New Yorker/N.Y. Salon)  
G BODY=(V=Daytona/IROC, Chrysler Daytona)  
J BODY=(C=LeBaron, Chrysler LeBaron)  
P BODY=(P=Sundance, D=Shadow)

S BODY=(H=Voyager(H) FWD, K=Caravan(H) FWD, Y=Town & Country(H) FWD, P=Voyager(K) AWD, D=Caravan(K) AWD, C=Town & Country(K) AWD)  
Y BODY=(C=Imperial/5th Avenue)  
E-S BODY=(K=Chrysler Voyager(H) FWD, D=Chrysler Voyager(K) AWD)

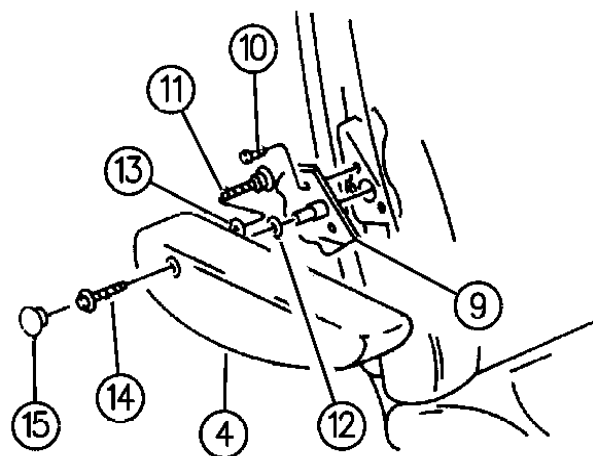
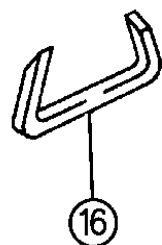
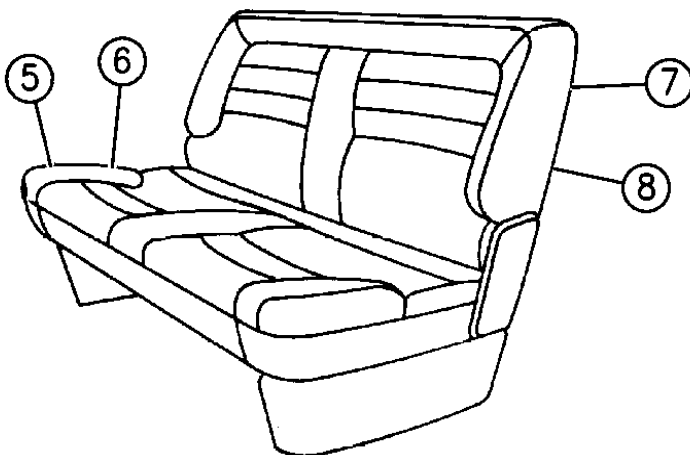
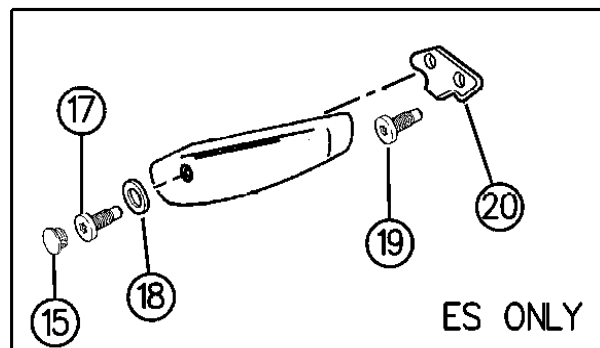
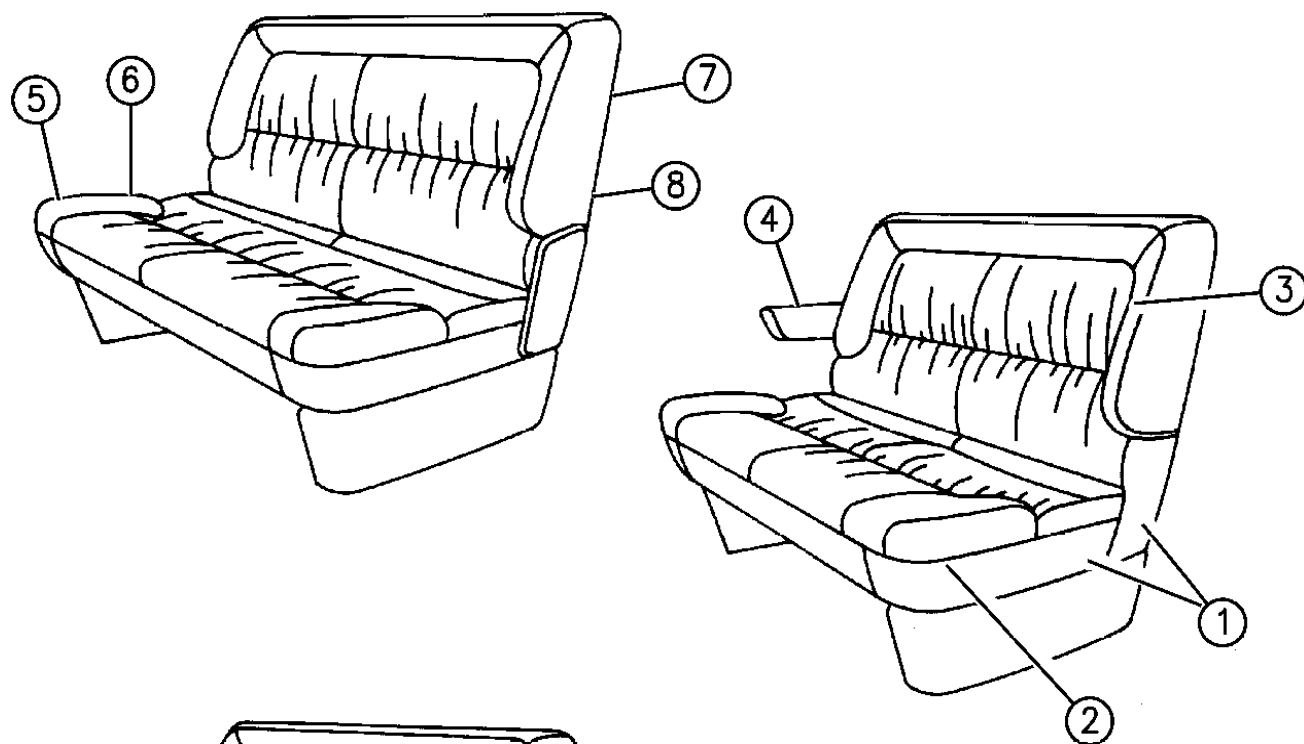
BODY STYLES:

21=2-Door Coupe 41=4-Door Sedan 12-52=FWD & AWD Van & Wgn Std W.B.  
24=2-Door Hatchback 44=4-Door Hatchback 53=FWD & AWD Van & Wgn Ext. W.B.  
27=2-Door Convertible

AR = Use as Required - = Non Illustrated Part P.A.R. = Paint as Required

SEAT--REAR S BODY TRIM CODE G7,GL  
Figure ITS-2800

93242 2800A



ITEM	PART NUMBER	QTY	BODY	MODEL	DESCRIPTION
	WU30 MW8	1			Quartz, (GLD)
	WU30 KV4	1			FOUR WHEEL DRIVE Champagne, (GLV)
	WU30 MW8	1			Quartz, (GLD)
7					BACK, w/Spring/Frame, Pad and Cover
	WU06 KV4	1			CLOTH Champagne, (G7V)
	WU00 KV4	1			LEATHER Champagne, (GLV)
	WU00 MW8	1			Quartz, (GLDW)
8					COVER, Back CLOTH
	WU38 KV4	1			Champagne, (G7V)
	WU32 KV4	1			LEATHER Champagne, (GLV)
	WU32 MW8	1			Quartz, (GLDW)
9	4519 646-7	1			SUPPORT, Armrest
10	6501 539	2			SCREW
11	6032 567	1			SCREW
12	6034 112	1			WASHER
13	0120 393	1			WASHER
14	6501 542	1			SCREW
15					PLUG
	WU50 KD5	1			Quartz
	WU50 MB7	1			Blue
	WU50 MM6	1			Red
	WU50 KV4	1			Champagne
16	6008 076	AR			HOG RING
17	4746 291	1			BOLT, Armrest Attaching
18	6034 112	1			WASHER
19	4746 291	1			BOLT, Armrest Stop
20					BRACKET, (Serv. In Seat Back Only)

MODEL CODES:

A BODY=(C=LeBaron, D=Spirit, P=Acclaim/LaBaron(Landau),  
Saratoga)  
C BODY=(D=Dynasty, C=New Yorker/N.Y. Salon)  
G BODY=(V=Daytona/IROC, Chrysler Daytona)  
J BODY=(C=LeBaron, Chrysler LeBaron)  
P BODY=(P=Sundance, D=Shadow)

S BODY=(H=Voyager(H) FWD, K=Caravan(H) FWD,  
Y=Town & Country(H) FWD, P=Voyager(K) AWD,  
D=Caravan(K) AWD, C=Town & Country(K) AWD)  
Y BODY=(C=Imperial/5th Avenue)  
E-S BODY=(K=Chrysler Voyager(H) FWD, D=Chrysler  
Voyager(K) AWD)

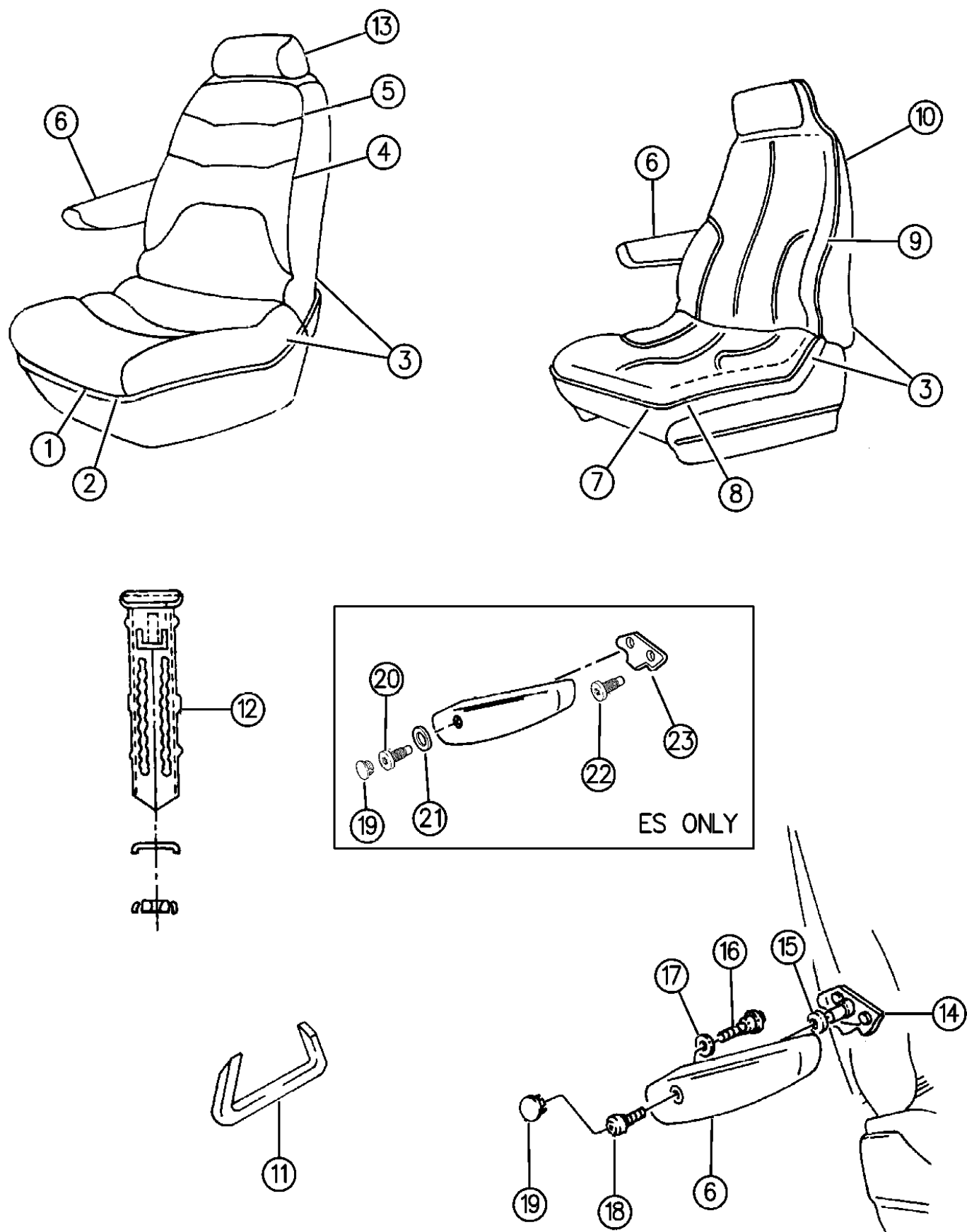
BODY STYLES:

21=2-Door Coupe      41=4-Door Sedan      12-52=FWD & AWD Van & Wgn Std W.B.  
24=2-Door Hatchback      44=4-Door Hatchback      53=FWD & AWD Van & Wgn Ext. W.B.  
27=2-Door Convertible

AR = Use as Required - = Non Illustrated Part P.A.R. = Paint as Required

**SEAT REAR--QUADS S BODY TRIM CODE H5,R7,Y7**  
**Figure ITS-2900**

93242 2900A



ITEM	PART NUMBER	QTY	BODY	MODEL	DESCRIPTION
1					CUSHION, w/Spring/Frame, Pad and Cover
					CLOTH
		HE96 MD5	2		Quartz, (R7D)
		HE96 MB7	2		Blue, (R7B)
		HE96 MMA	2		Red, (R7M)
		HE96 MVV	2		Champagne, (R7V)
		GN24 LD5	2		Quartz, (Y7D)
2					COVER and PAD, Cushion
					CLOTH
		HF00 MD5	2		Quartz, (R7D)
		HF00 MB7	2		Blue, (R7B)
		HF00 MMA	2		Red, (R7M)
		HF00 MVV	2		Champagne, (R7V)
		EP42 LD5	2		Quartz, (Y7D)
3					ROLL STOCK, Vinyl Order By The Inch (58" Wide)
		R600 HD5	AR		Quartz
		R600 KB7	AR		Blue
		R600 KMA	AR		Red
4					BACK, w/Spring/Frame, Pad and Cover
					CLOTH
		HE94-5 MD5	1		Quartz, (R7D)
		HE94-5 MB7	1		Blue, (R7B)
		HE94-5 MMA	1		Red, (R7M)
		HE94-5 MVV	1		Champagne, (R7V)
					RIGHT
		JB30 MB7	1		Blue, (Y7B)
		JB30 MD5	1		Quartz, (Y7D)
		JB30 MVV	1		Champagne, (Y7V)
					LEFT
		JK31 MD5	1		Quartz, (Y7D)
		JK31 MVV	1		Champagne, (Y7V)
	JK31 MB7	1		Blue, (Y7B)	
5					COVER and PAD, Back Right

**MODEL CODES:**

A BODY=(C=LeBaron, D=Spirit, P=Acclaim/LaBaron(Landau, Saratoga)  
 C BODY=(D=Dynasty, C=New Yorker/N.Y. Salon)  
 G BODY=(V=Daytona/ROC, Chrysler Daytona)  
 J BODY=(C=LeBaron, Chrysler LeBaron)  
 P BODY=(P=Sundance, D=Shadow)

S BODY=(H=Voyager(H) FWD, K=Caravan(H) FWD, Y=Town & Country(H) FWD, P=Voyager(K) AWD, D=Caravan(K) AWD, C=Town & Country(K) AWD)  
 Y BODY=(C=Imperial/5th Avenue)  
 E-S BODY=(K=Chrysler Voyager(H) FWD, D=Chrysler Voyager(K) AWD)

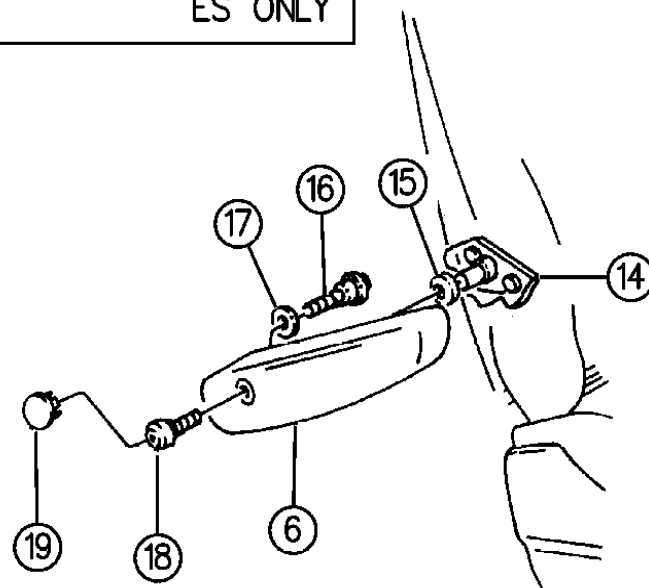
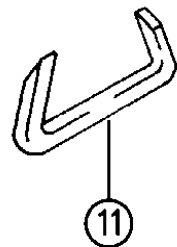
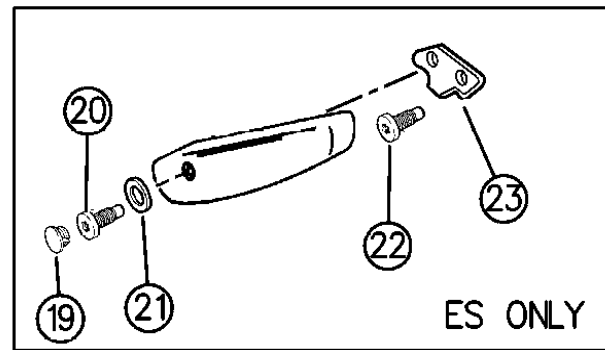
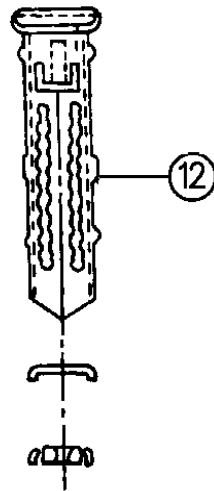
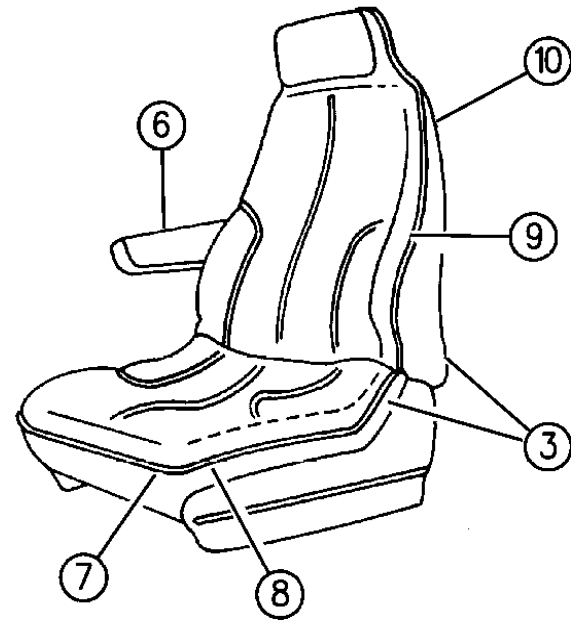
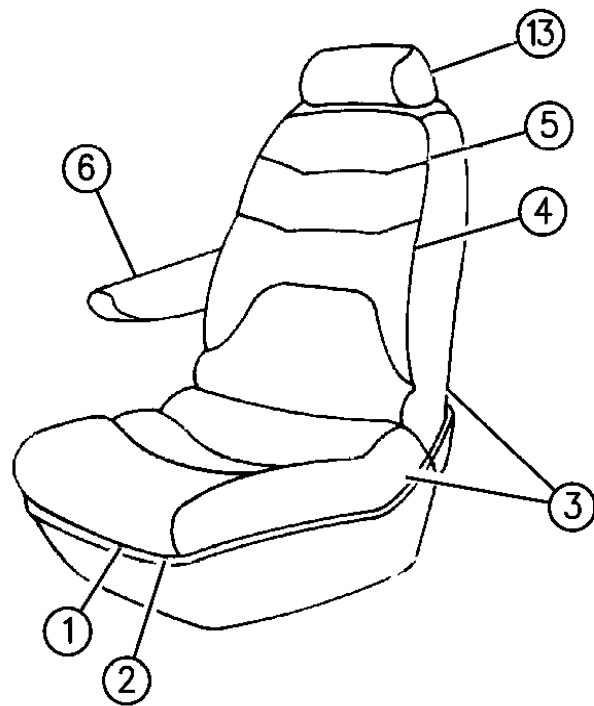
**BODY STYLES:**

21=2-Door Coupe      41=4-Door Sedan      12-52=FWD & AWD Van & Wgn Std W.B.  
 24=2-Door Hatchback      44=4-Door Hatchback      53=FWD & AWD Van & Wgn Ext. W.B.  
 27=2-Door Convertible

AR = Use as Required - = Non Illustrated Part P.A.R. = Paint as Required

SEAT REAR--QUADS S BODY TRIM CODE H5,R7,Y7  
Figure ITS-2900

93242 2900A



ITEM	PART NUMBER	QTY	BODY	MODEL	DESCRIPTION
	HE91 MD5	1			Quartz, (R7D)
	HE91 MB7	1			Blue, (R7B)
	HE91 MMA	1			Red, (R7M)
	HE91 MVV	1			Champagne, (R7V)
	EP41 LVV	1			Champagne, (Y7V)
	EP41 MB7	1			Blue, (Y7B)
	EP41 LD5	1			Quartz, (Y7D)
					Left
	HF03 MD5	1			Quartz, (R7D)
	HF03 MB7	1			Blue, (R7B)
	HF03 MMA	1			Red, (R7M)
	HF03 MVV	1			Champagne, (R7V)
	EP41 LD5	1			Quartz, (Y7D)
	EP41 LVV	1			Champagne, (Y7V)
	EP41 MB7	1			Blue, (Y7B)
6					ARMREST and COVER RIGHT - SEAT
					Inboard
	GZ30 MD5	1			Quartz, (R7D)
	GZ30 MB7	1			Blue, (R7B)
	GZ30 MMA	1			Red, (R7M)
	GZ30 MVV	1			Champagne, (R7V)
	WT70 KD5	1			Quartz, (H5D)
	WT70 MB7	1			Blue, (H5B)
	WT70 MMA	1			Red, (H5M)
	WT70 KV4	1			Champagne, (H5V)
	GN78 LD5	1			Quartz, (Y7D)
	GN78 LVV	1			Champagne, (Y7V)
	GN78 MB7	1			Blue, (Y7B)
					Outboard
	GZ31 MD5	1			Quartz, (R7D)
	GZ31 MB7	1			Blue, (R7B)
	GZ31 MMA	1			Red, (R7M)
	GZ31 MVV	1			Champagne, (R7V)
	WT71 KD5	1			Quartz, (H5D)
	WT71 MB7	1			Blue, (H5B)
	WT71 MMA	1			Red, (H5M)
	WT71 KV4	1			Champagne, (H5V)
	GN81 LD5	1			Quartz, (Y7D)

MODEL CODES:

A BODY=(C=LeBaron, D=Spirit, P=Acclaim/LaBaron(Landau),  
Saratoga)  
C BODY=(D=Dynasty, C=New Yorker/N.Y. Salon)  
G BODY=(V=Daytona/ROC, Chrysler Daytona)  
J BODY=(C=LeBaron, Chrysler LeBaron)  
P BODY=(P=Sundance, D=Shadow)

S BODY=(H=Voyager(H) FWD, K=Caravan(H) FWD,  
Y=Town & Country(H) FWD, P=Voyager(K) AWD,  
D=Caravan(K) AWD, C=Town & Country(K) AWD)  
Y BODY=(C=Imperial/5th Avenue)  
E-S BODY=(K=Chrysler Voyager(H) FWD, D=Chrysler  
Voyager(K) AWD)

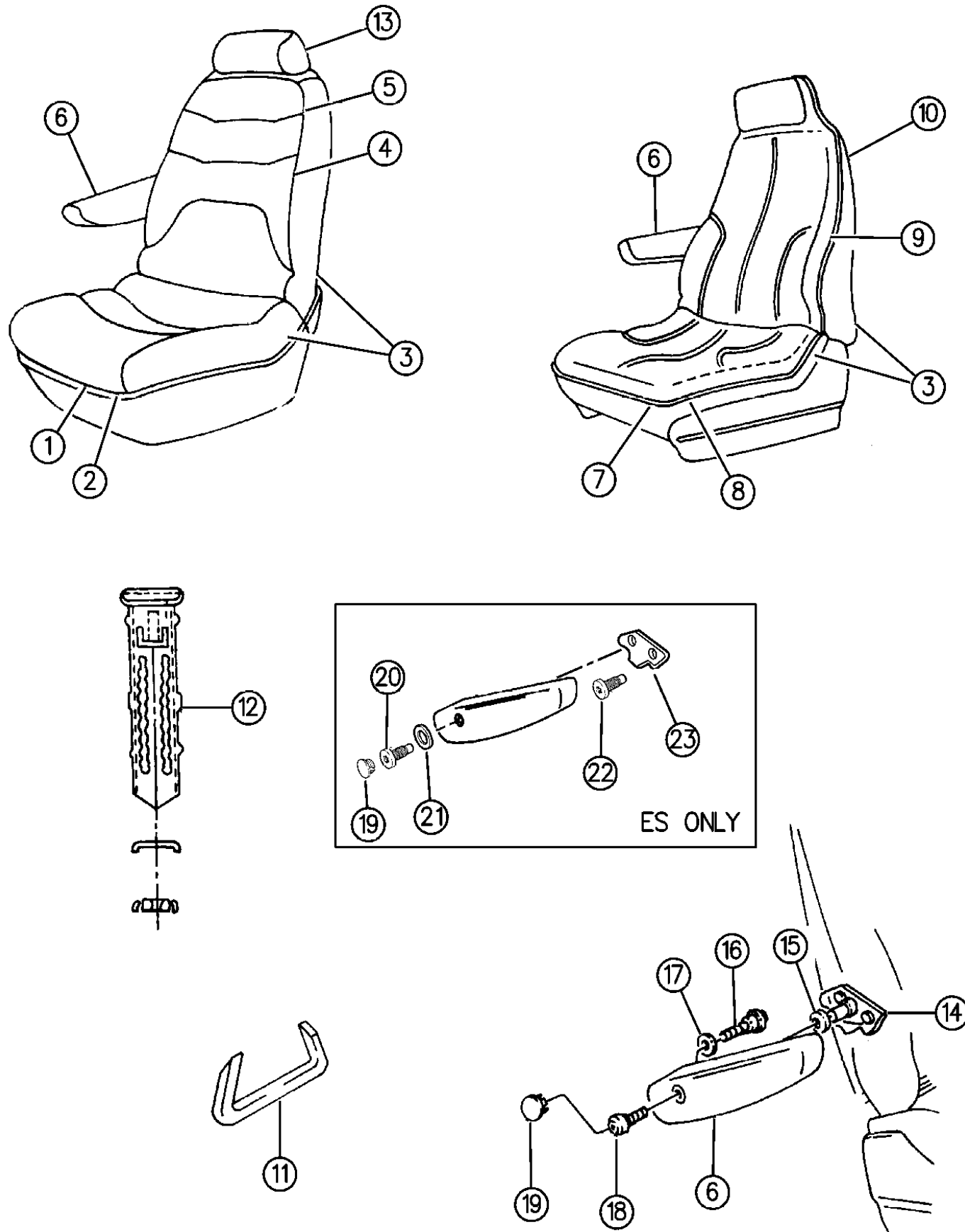
BODY STYLES:

21=2-Door Coupe      41=4-Door Sedan      12-52=FWD & AWD Van & Wgn Std W.B.  
24=2-Door Hatchback      44=4-Door Hatchback      53=FWD & AWD Van & Wgn Ext. W.B.  
27=2-Door Convertible

AR = Use as Required - = Non Illustrated Part P.A.R. = Paint as Required

**SEAT REAR--QUADS S BODY TRIM CODE H5,R7,Y7**  
**Figure ITS-2900**

93242 2900A



ITEM	PART NUMBER	QTY	BODY	MODEL	DESCRIPTION
	GN81 LVV	1			Champagne, (Y7V)
	GN81 MB7	1			Blue, (Y7B)
					LEFT - SEAT
					Inboard
	GZ31 MD5	1			Quartz, (R7D)
	GZ31 MB7	1			Blue, (R7B)
	GZ31 MMA	1			Red, (R7M)
	GZ31 MVV	1			Champagne, (R7V)
	WT71 KD5	1			Quartz, (H5D)
	WT71 MB7	1			Blue, (H5B)
	WT71 MMA	1			Red, (H5M)
	WT71 KV4	1			Champagne, (H5V)
	GN81 LD5	1			Quartz, (Y7D)
	GN81 LVV	1			Champagne, (Y7V)
	GN81 MB7	1			Blue, (Y7B)
7					CUSHION, w/Spring/Frame, Pad and Cover
					CLOTH
	HK57 MD5	2			Quartz, (H5D)
	HK57 MB7	2			Blue, (H5B)
	HK57 MMA	2			Red, (H5M)
	HK57 MVV	2			Champagne, (H5V)
8					COVER and PAD, Cushion
					CLOTH
	HK48 MD5	2			Quartz, (H5D)
	HK48 MB7	2			Blue, (H5B)
	HK48 MMA	2			Red, (H5M)
	HK48 MVV	2			Champagne, (H5V)
9					BACK, w/Spring/Frame, Pad and Cover
					CLOTH
					Right
	HK38 MD5	1			Quartz, (H5D)
	HK38 MB7	1			Blue, (H5B)
	HK38 MMA	1			Red, (H5M)
	HK38 MVV	1			Champagne, (H5V)
					Left
	HK59 MD5	1			Quartz, (H5D)
	HK59 MB7	1			Blue, (H5B)
	HK59 MMA	1			Red, (H5M)
	HK59 MVV	1			Champagne, (H5V)

**MODEL CODES:**

A BODY=(C=LeBaron, D=Spirit, P=Acclaim/LaBaron(Landau),  
 Saratoga)  
 C BODY=(D=Dynasty, C=New Yorker/N.Y. Salon)  
 G BODY=(V=Daytona/ROC, Chrysler Daytona)  
 J BODY=(C=LeBaron, Chrysler LeBaron)  
 P BODY=(P=Sundance, D=Shadow)

S BODY=(H=Voyager(H) FWD, K=Caravan(H) FWD,  
 Y=Town & Country(H) FWD, P=Voyager(K) AWD,  
 D=Caravan(K) AWD, C=Town & Country(K) AWD)  
 Y BODY=(C=Imperial/5th Avenue)  
 E-S BODY=(K=Chrysler Voyager(H) FWD, D=Chrysler  
 Voyager(K) AWD)

**BODY STYLES:**

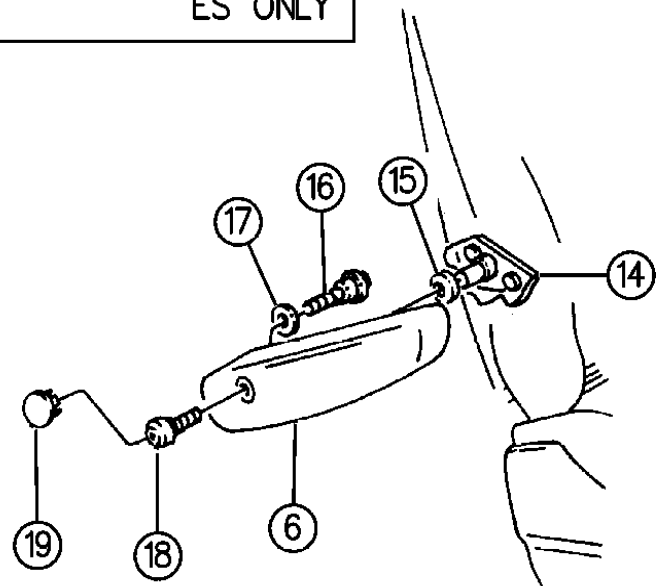
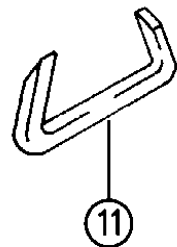
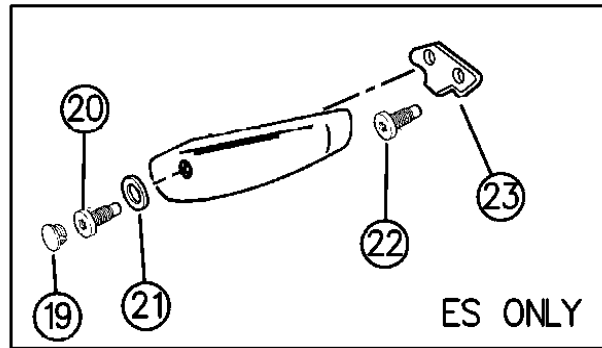
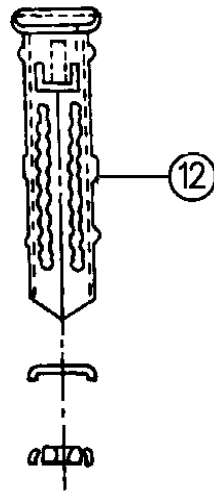
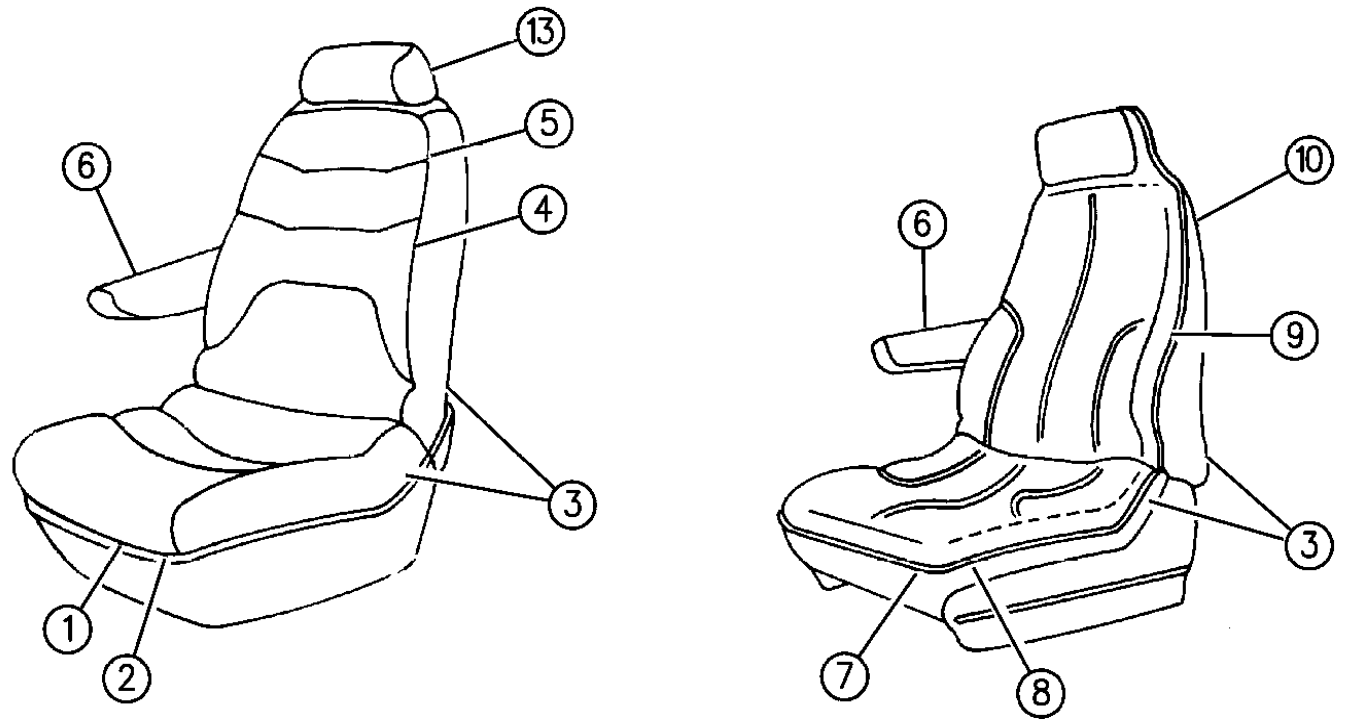
21=2-Door Coupe      41=4-Door Sedan      12-52=FWD & AWD Van & Wgn Std W.B.  
 24=2-Door Hatchback      44=4-Door Hatchback      53=FWD & AWD Van & Wgn Ext. W.B.  
 27=2-Door Convertible

AR = Use as Required - = Non Illustrated Part P.A.R. = Paint as Required



SEAT REAR--QUADS S BODY TRIM CODE H5,R7,Y7  
Figure ITS-2900

93242 2900A



ITEM	PART NUMBER	QTY	BODY	MODEL	DESCRIPTION
10					COVER and PAD, Back
					CLOTH
					Right
	HK54 MD5	1			Quartz, (H5D)
	HK54 MB7	1			Blue, (H5B)
	HK54 MMA	1			Red, (H5M)
	HK54 MVV	1			Champagne, (H5V)
					Left
	HK52 MD5	1			Quartz, (H5D)
	HK52 MB7	1			Blue, (H5B)
	HK52 MMA	1			Red, (H5M)
	HK52 MVV	1			Champagne, (H5V)
11	6008 076	AR			HOG RING
12					SLEEVE, Headrest
	S281 HV4	1			Champagne
	S281 MMA	1			Red
	S281 HD5	1			Quartz
	S281 MB7	1			Blue
	4746 317	1			(For Trim Code Y7) EUROPEAN
13					HEADREST and COVER
	HK62 MD5	2			Quartz, (R7D)
	HK62 MB7	2			Blue, (R7B)
	HK62 MMA	2			Red, (R7M)
	HK62 MVV	2			Champagne, (R7V)
14	4519 646-7	1			BRACKET, Armrest
15	6034 112	1			Washer ***
16	6032 567	1			BOLT
17	0120 393	1			WASHER
18	6501 542	1			BOLT
19					PLUG
	WU50 KD5	1			Quartz
	WU50 MB7	1			Blue
	WU50 MM6	1			Red
	WU50 KV4	1			Champagne
20	4746 291	1			BOLT, Armrest Attaching
21	6034 112	1			WASHER
22	4746 291	1			BOLT, Armrest Stop
23					BRACKET, (Serv. In Seat Back Only)

NOTE: For Shield Covers See Ill 3000

MODEL CODES:

A BODY=(C=LeBaron, D=Spirit, P=Acclaim/LaBaron(Landau), Saratoga)  
C BODY=(D=Dynasty, C=New Yorker/N.Y. Salon)  
G BODY=(V=Daytona/ROC, Chrysler Daytona)  
J BODY=(C=LeBaron, Chrysler LeBaron)  
P BODY=(P=Sundance, D=Shadow)

S BODY=(H=Voyager(H) FWD, K=Caravan(H) FWD, Y=Town & Country(H) FWD, P=Voyager(K) AWD, D=Caravan(K) AWD, C=Town & Country(K) AWD)  
Y BODY=(C=Imperial/5th Avenue)  
E-S BODY=(K=Chrysler Voyager(H) FWD, D=Chrysler Voyager(K) AWD)

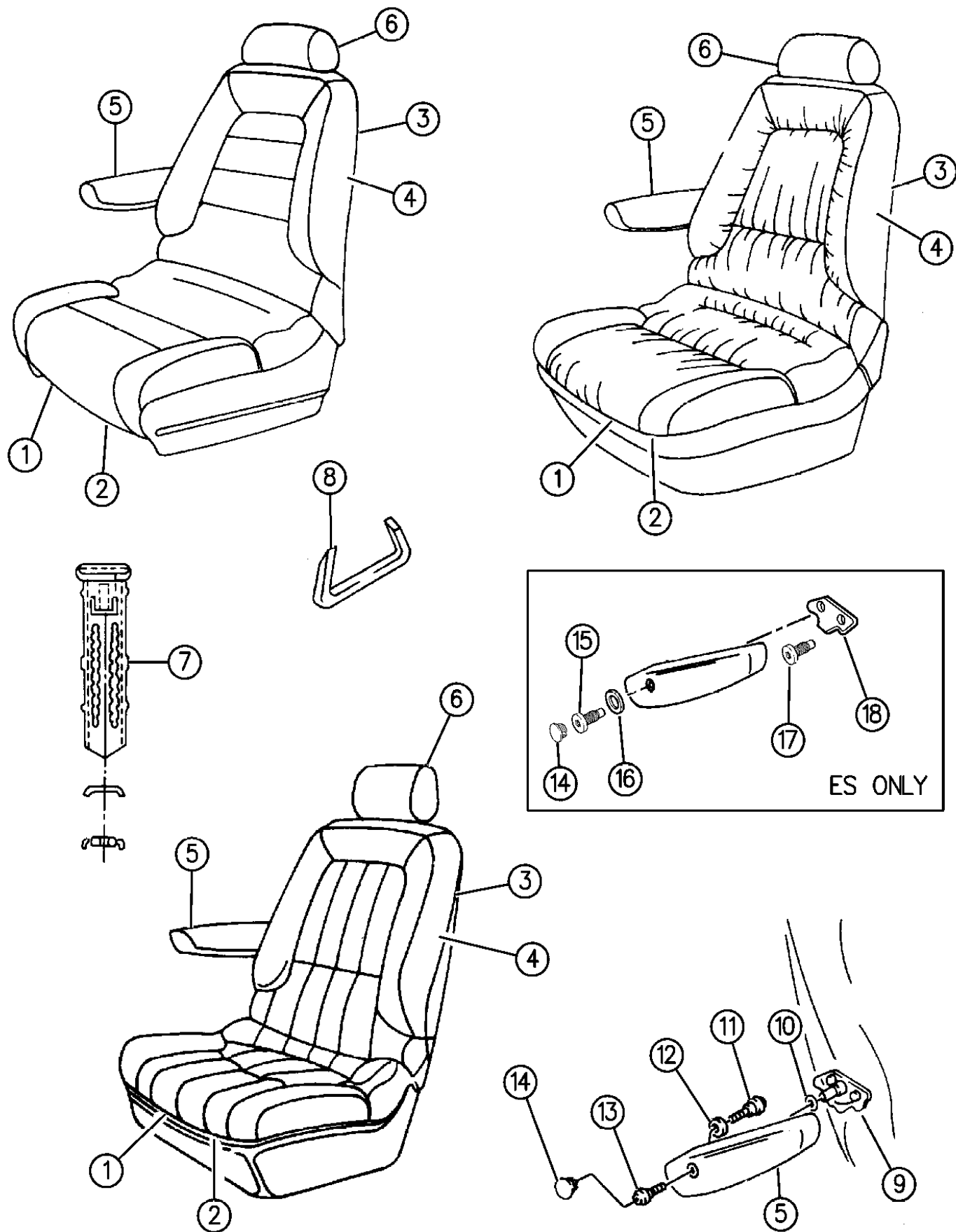
BODY STYLES:

21=2-Door Coupe      41=4-Door Sedan      12-52=FWD & AWD Van & Wgn Std W.B.  
24=2-Door Hatchback      44=4-Door Hatchback      53=FWD & AWD Van & Wgn Ext. W.B.  
27=2-Door Convertible

AR = Use as Required - = Non Illustrated Part P.A.R. = Paint as Required

**SEAT--REAR QUADS S BODY TRIM CODE EL,GL,G7,KL**  
**Figure ITS-3000**

93242 3000A



ITEM	PART NUMBER	QTY	BODY	MODEL	DESCRIPTION				
1					CUSHION, w/Spring/Frame, Pad and Cover				
					LEATHER				
		FU61 LD5	2		Quartz, (ELD)				
		FU61 MMA	2		Red, (ELM)				
		FU61 LV4	2		Champagne, (ELV)				
		WU44 KV4	2		Champagne, (GLV)				
		WU44 MW8	2		Quartz, (GLD)				
2					GN68 LD5	2			Quartz, (KLD)
		GN68 LV4	2		Champagne, (KLV)				
					CLOTH				
		WU42 KV4	2		Champagne, (G7V)				
					COVER and PAD, Cushion				
					LEATHER				
		FU50 LD5	2		Quartz, (ELD,KLD)				
	FU50 MMA	2		Red, (ELM)					
	FU50 LV4	2		Champagne, (ELV,KLV)					
	WU24 KV4	2		Champagne, (GLV)					
	WU24 MW8	2		Quartz, (GLD)					
3					CLOTH				
		WU36 KV4	2		Champagne, (G7V)				
					BACK, w/Spring/Frame, Pad and Cover				
					LEATHER				
		FK38-9 LD5	1		Quartz, (ELD)				
		FK38-9 MMA	1		Red, (ELM)				
		FK38-9 LV4	1		Champagne, (ELV)				
	FK40-1 LV4	1		Champagne, (GLV)					
	FK40-1 MW8	1		Quartz, (GLD)					
4					RIGHT				
		JB32 MD5	1		Quartz, (KLD) (European)				
		JB32 MV4	1		Champagne, (KLV) (European)				
					LEFT				
	JK29 MD5	1		Quartz, (KLD)					
	JK29 MV4	1		Champagne, (KLV)					
4					CLOTH				
		FK42-3 LV4	1		Champagne, (G7V)				
					COVER, Back				
				LEATHER					
	AN14-5 KD5	1		Quartz, (ELD)					
	AN14-5 MMA	1		Red, (ELM)					

**MODEL CODES:**

A BODY=(C=LeBaron, D=Spirit, P=Acclaim/LaBaron(Landau), Saratoga)  
 C BODY=(D=Dynasty, C=New Yorker/N.Y. Salon)  
 G BODY=(V=Daytona/IROC, Chrysler Daytona)  
 J BODY=(C=LeBaron, Chrysler LeBaron)  
 P BODY=(P=Sundance, D=Shadow)

S BODY=(H=Voyager(H) FWD, K=Caravan(H) FWD, Y=Town & Country(H) FWD, P=Voyager(K) AWD, D=Caravan(K) AWD, C=Town & Country(K) AWD)  
 Y BODY=(C=Imperial/5th Avenue)  
 E-S BODY=(K=Chrysler Voyager(H) FWD, D=Chrysler Voyager(K) AWD)

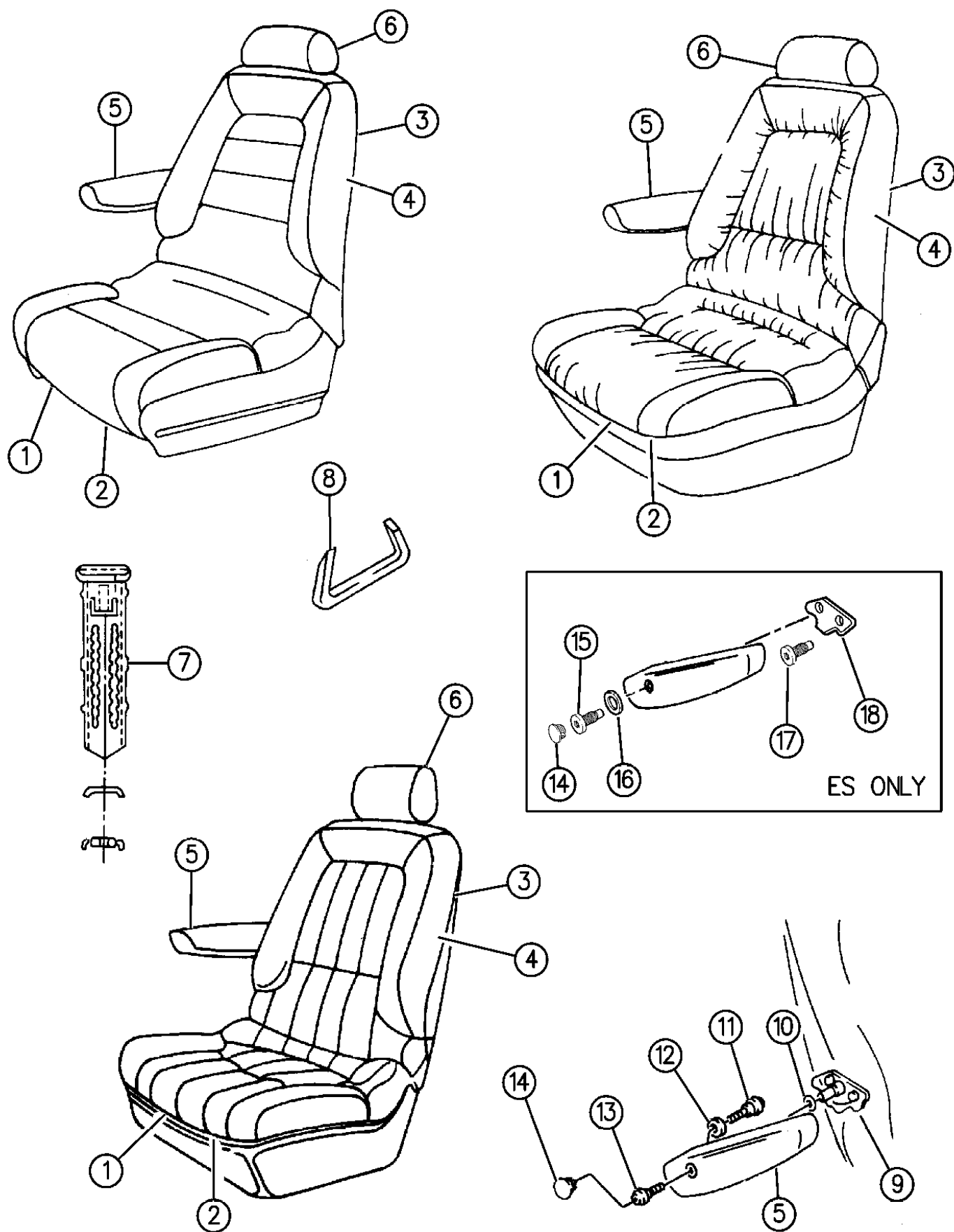
**BODY STYLES:**

21=2-Door Coupe      41=4-Door Sedan      12-52=FWD & AWD Van & Wgn Std W.B.  
 24=2-Door Hatchback      44=4-Door Hatchback      53=FWD & AWD Van & Wgn Ext. W.B.  
 27=2-Door Convertible

AR = Use as Required - = Non Illustrated Part P.A.R. = Paint as Required

SEAT--REAR QUADS S BODY TRIM CODE EL,GL,G7,KL  
Figure ITS-3000

93242 3000A



ITEM	PART NUMBER	QTY	BODY	MODEL	DESCRIPTION
	AN14-5 KV4	1			Champagne, (ELV)
	WU22-3 KV4	1			Champagne, (GLV)
	WU22-3 MW8	1			Quartz, (GLD)
	FU49 LD5	2			Quartz, (KLD)
	FU49 LV4	2			Champagne, (KLV)
5	WU34-5 KV4	1			CLOTH Champagne, (G7V) ARMREST and COVER RIGHT - SEAT
	G819 KD5	1			Outboard Quartz, (ELD)
	G819 MMA	1			Red, (ELM)
	G819 KV4	1			Champagne, (ELV, GLV, G7V)
	G819 MW8	1			Quartz, (GLD)
	GN83 LD5	1			Quartz, (KLD)
	GN83 LV4	1			Champagne, (KLV)
	G818 KD5	1			Inboard Quartz, (ELD)
	G818 MMA	1			Red, (ELM)
	G818 KV4	1			Champagne, (ELV, GLV, G7V)
	G818 MW8	1			Quartz, (GLD)
	GN80 LD5	1			Quartz, (KLD)
	GN80 LV4	1			Champagne, (KLV)
	G819 KD5	1			DRIVER SEAT Inboard Quartz, (ELD)
	G819 MMA	1			Red, (ELM)
	G819 KV4	1			Champagne, (ELV, GLV, G7V)
	G819 MW8	1			Quartz, (GLD)
	GN83 LD5	1			Quartz, (KLD)
	GN83 LV4	1			Champagne, (KLV)
6	AA56 KD5	1			HEADREST and COVER Quartz, (ELD)
	AA56 MMA	1			Red, (ELM)
	AA56 KV4	1			Champagne, (ELV, GLV, G7V)
	AA56 MW8	1			Quartz, (GLD)
7	S281 HD5	1			SLEEVE, Headrest Quartz
	S281 MMA	1			Red

MODEL CODES:

A BODY=(C=LeBaron, D=Spirit, P=Acclaim/LaBaron(Landau), Saratoga)

C BODY=(D=Dynasty, C=New Yorker/N.Y. Salon)

G BODY=(V=Daytona/IROC, Chrysler Daytona)

J BODY=(C=LeBaron, Chrysler LeBaron)

P BODY=(P=Sundance, D=Shadow)

S BODY=(H=Voyager(H) FWD, K=Caravan(H) FWD,

Y=Town & Country(H) FWD, P=Voyager(K) AWD,

D=Caravan(K) AWD, C=Town & Country(K) AWD)

Y BODY=(C=Imperial/5th Avenue)

E-S BODY=(K=Chrysler Voyager(H) FWD, D=Chrysler

Voyager(K) AWD)

BODY STYLES:

21=2-Door Coupe

41=4-Door Sedan

12-52=FWD & AWD Van & Wgn Std W.B.

24=2-Door Hatchback

44=4-Door Hatchback

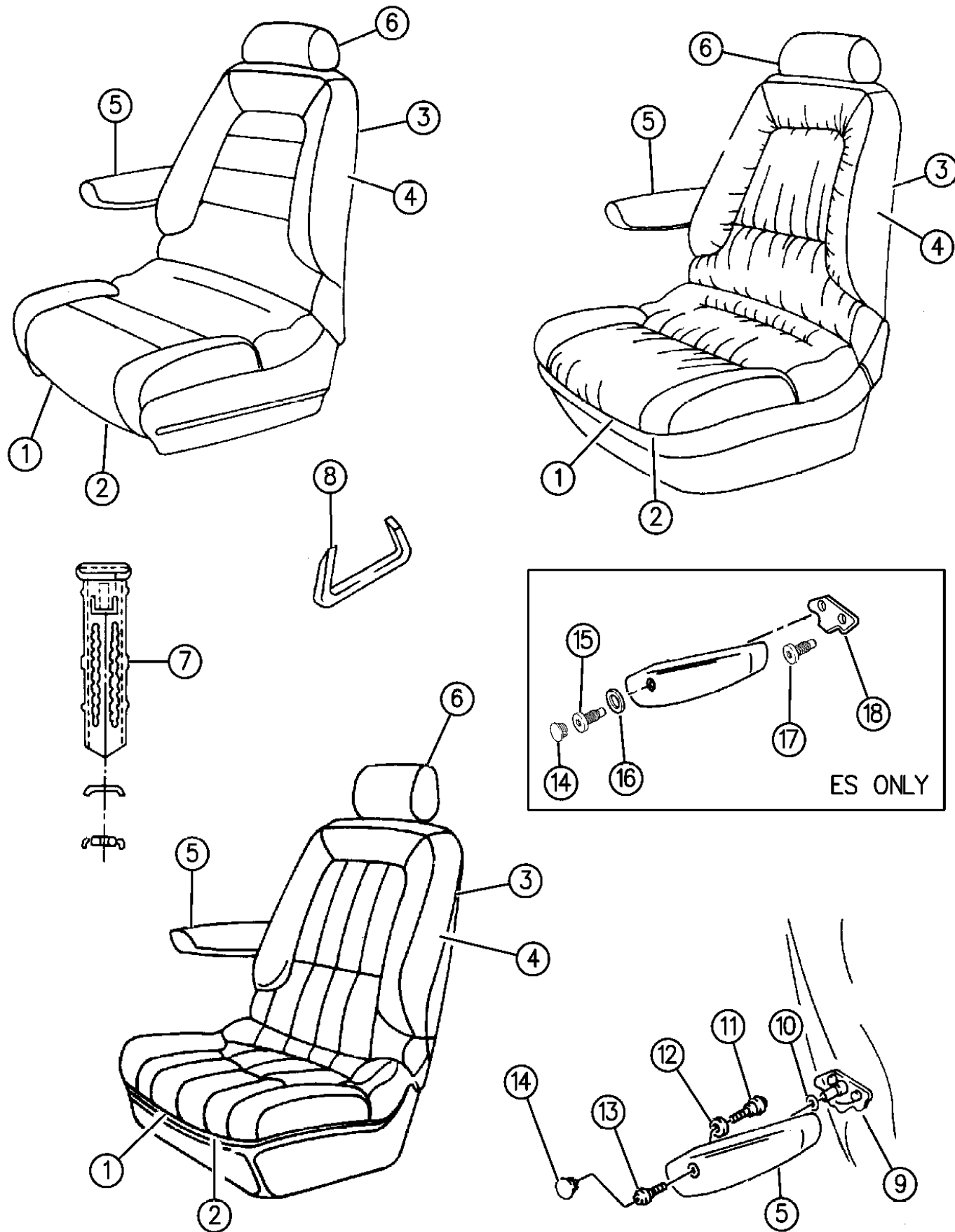
53=FWD & AWD Van & Wgn Ext. W.B.

27=2-Door Convertible

AR = Use as Required - = Non Illustrated Part P.A.R. = Paint as Required

SEAT--REAR QUADS S BODY TRIM CODE EL,GL,G7,KL  
Figure ITS-3000

93242 3000A



ITEM	PART NUMBER	QTY	BODY	MODEL	DESCRIPTION
	S281 HV4	1			Champagne
	S281 MW8	1			Quartz
	4746 317	1			(For Trim Code KL) EUROPEAN
8	6008 076	AR			HOG RING
9	4519 646-7	1			BRACKET, Armrest
10	6034 112	1			WASHER
11	6032 567	1			BOLT
12	0120 393	1			WASHER
13	6501 542	1			BOLT
14					PLUG
	WU50 KD5	1			Quartz
	WU50 MM6	1			Red
	WU50 KV4	1			Champagne
	WU50 MW8	1			Quartz
15	4746 291	1			BOLT, Armrest Attaching
16	6034 112	1			WASHER
17	4746 291	1			BOLT, Armrest Stop
18					BRACKET, (Serv. In Seat Back Only)

MODEL CODES:

A BODY=(C=LeBaron, D=Spirit, P=Acclaim/LaBaron(Landau),  
Saratoga)  
C BODY=(D=Dynasty, C=New Yorker/N.Y. Salon)  
G BODY=(V=Daytona/IROC, Chrysler Daytona)  
J BODY=(C=LeBaron, Chrysler LeBaron)  
P BODY=(P=Sundance, D=Shadow)

S BODY=(H=Voyager(H) FWD, K=Caravan(H) FWD,  
Y=Town & Country(H) FWD, P=Voyager(K) AWD,  
D=Caravan(K) AWD, C=Town & Country(K) AWD)  
Y BODY=(C=Imperial/5th Avenue)  
E-S BODY=(K=Chrysler Voyager(H) FWD, D=Chrysler  
Voyager(K) AWD)

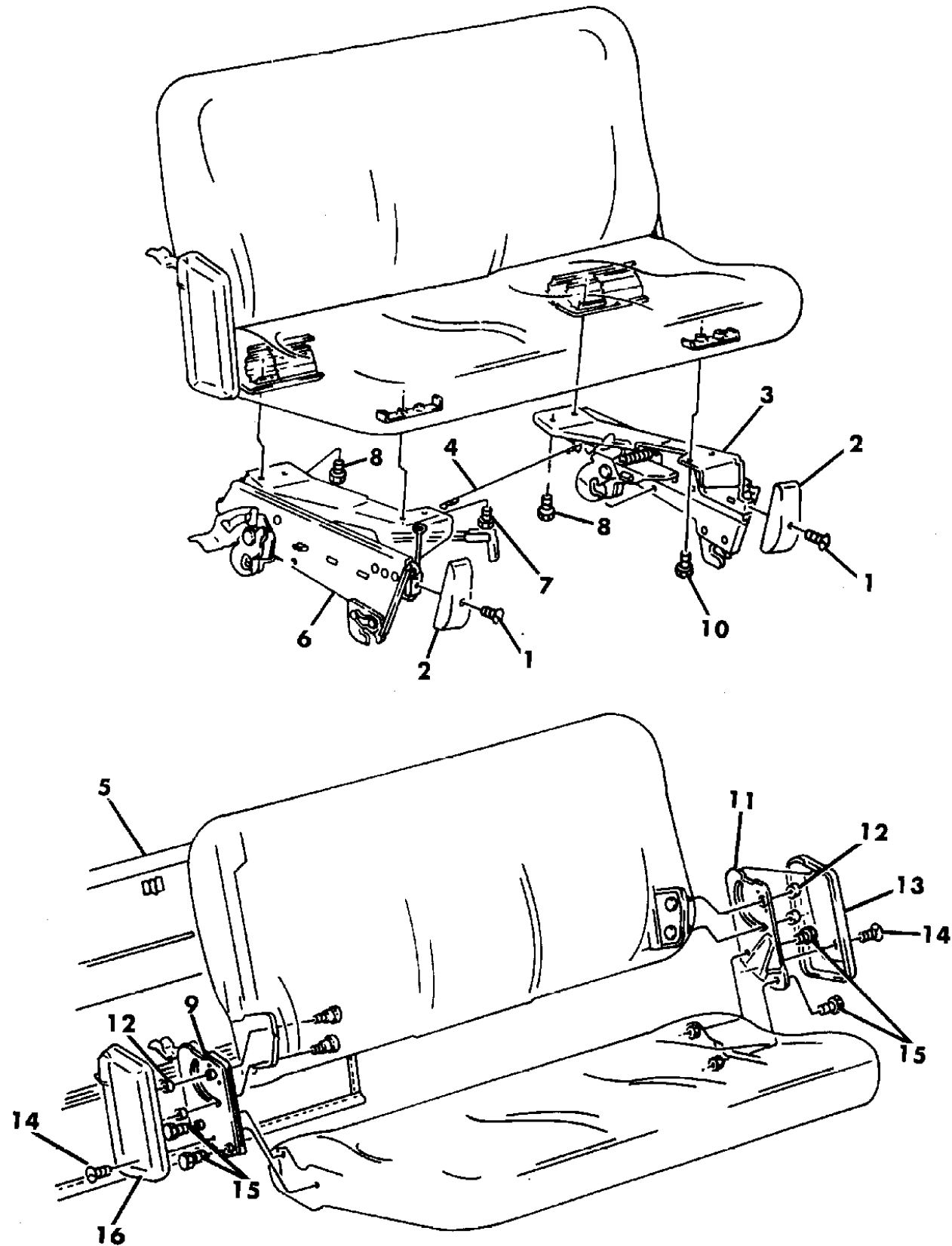
BODY STYLES:

21=2-Door Coupe      41=4-Door Sedan      12-52=FWD & AWD Van & Wgn Std W.B.  
24=2-Door Hatchback      44=4-Door Hatchback      53=FWD & AWD Van & Wgn Ext. W.B.  
27=2-Door Convertible

AR = Use as Required - = Non Illustrated Part P.A.R. = Paint as Required

**ADJUSTERS - REAR SEATS COVERS-SHIELDS AND ATTACHING PARTS S BODY**  
Figure ITS-3100

93242 3100



ITEM	PART NUMBER	QTY	BODY	MODEL	DESCRIPTION
1					SCREW, (Not Serv.)
2	AC48 KV4	1			COVER, Seat Adjuster
3	4519 601	1			ADJUSTER, (Left) (2nd Rear Seat 3-Passenger) Adjustable
	4519 390	2			ADJUSTER, Stationary (AWD)
4	4614 887	1			WIRE, 2nd Rear Seat Adjuster Release
5					PANEL, Rear Seat Back (Trim Codes EL,H6,T5,H5,P7,R7,G7,GL)
	DF46 MB7	1			Blue
	DF46 KD5	1			Quartz
	DF46 MMA	1			Red
	DF46 KV8	1			Champagne w/Convertabed, (H5 Trim Code)
	GL90 MB7	1			Blue
	GL90 KV4	1			Champagne
	GL90 MMA	1			Red
	GL90 LD5	1			Quartz
6	4519 600	1			ADJUSTER, (Right) (2nd Rear Seat 3-Passenger) Adjustable
	4519 390	2			ADJUSTER, Stationary (AWD)
7	6501 423	AR			BOLT
8	6031 218	4			BOLT, Riser To Cushion
9	4571 872	1			LATCH
-	4550 126	1			SPACER, Rear Seat Back Latch
10	6501 423	4			BOLT
11	4571 693	1			SUPPORT, Rear Back Pivot
12	6100 219	4			NUT
13					COVER, Back Hinge (Left)
	AC55 MB7	1			Blue
	AC55 KD5	1			Quartz
	AC55 MMA	1			Red
	AC55 KV4	1			Champagne
14					SCREW, (Not Serv.)
15					BOLT, (Not Serv.)
16					COVER, Back Hinge (Right)
	AC54 MB7	1			Blue
	AC54 KD5	1			Quartz
	AC54 MMA	1			Red
	AC54 KV4	1			Champagne

**MODEL CODES:**

A BODY=(C=LeBaron, D=Spirit, P=Acclaim/LaBaron(Landau), Saratoga)      S BODY=(H=Voyager(H) FWD, K=Caravan(H) FWD, Y=Town & Country(H) FWD, P=Voyager(K) AWD, D=Caravan(K) AWD, C=Town & Country(K) AWD)  
 C BODY=(D=Dynasty, C=New Yorker/N.Y. Salon)      Y BODY=(C=Imperial/5th Avenue)  
 G BODY=(V=Daytona/IROC, Chrysler Daytona)      E-S BODY=(K=Chrysler Voyager(H) FWD, D=Chrysler Voyager(K) AWD)  
 J BODY=(C=LeBaron, Chrysler LeBaron)  
 P BODY=(P=Sundance, D=Shadow)

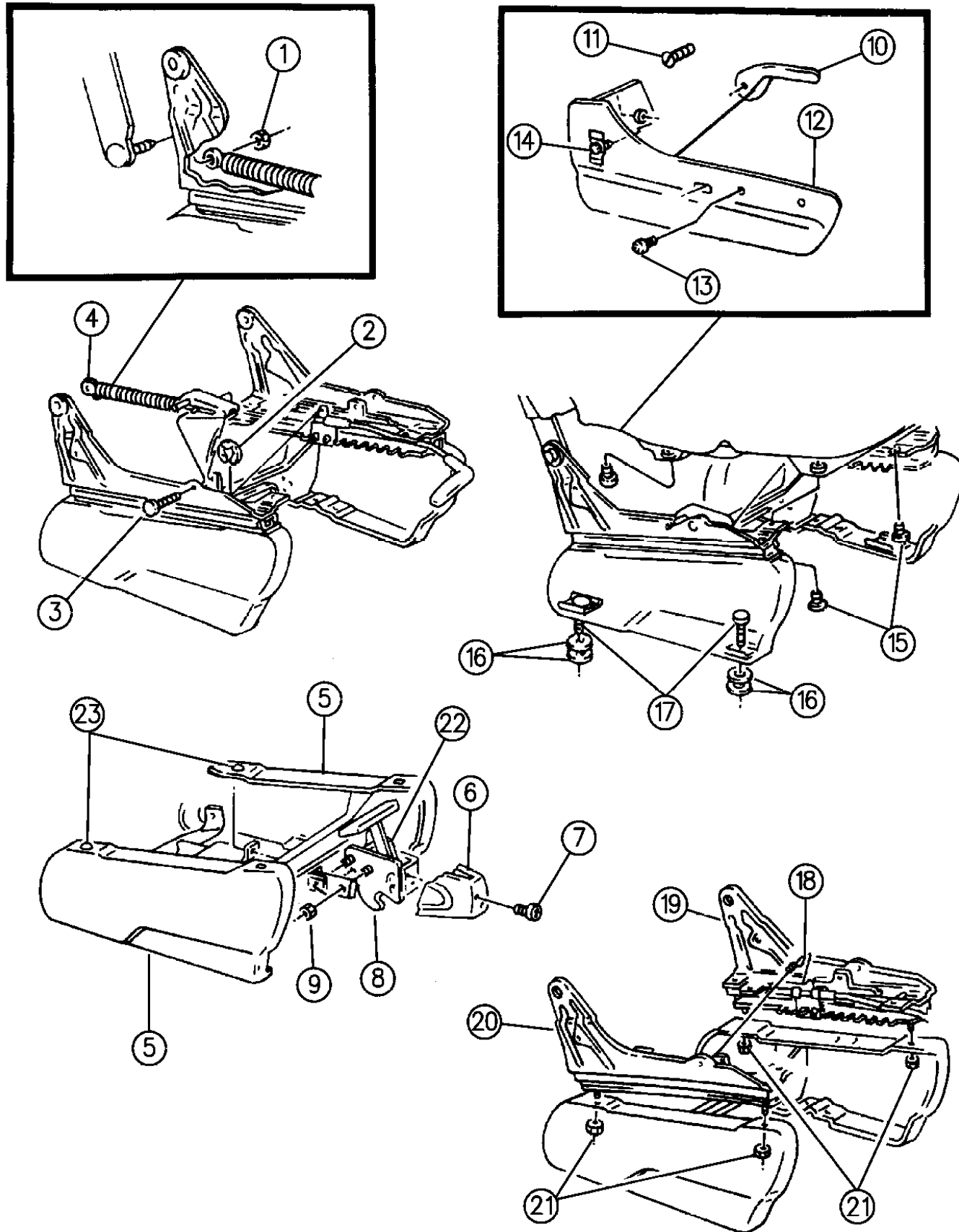
**BODY STYLES:**

21=2-Door Coupe      41=4-Door Sedan      12-52=FWD & AWD Van & Wgn Std W.B.  
 24=2-Door Hatchback      44=4-Door Hatchback      53=FWD & AWD Van & Wgn Ext. W.B.  
 27=2-Door Convertible

AR = Use as Required - = Non Illustrated Part P.A.R. = Paint as Required

SEAT--REAR QUADS ADJUSTER, SIDE SHIELDS AND ATTACHING PARTS S BODY  
Figure ITS-3200

93242 3200A



ITEM	PART NUMBER	QTY	BODY	MODEL	DESCRIPTION
1	6100 499	1			NUT
2					E-RING, (Not Serv.)
3					CLEVIS PIN, (Not Serv.) ***
4	4477 470-1	1			RECLINER, Rear Seat
5					RISER, Rear Quad
					RIGHT, w/EZ Entry
	FX42 MB7	1			Blue
	FX42 MD5	1			Quartz
	FX42 MM6	1			Red
	FX42 MV4	1			Champagne w/European
	KP05 MB7	1			Blue, (European)
	KP05 MD5	1			Quartz, (European)
	KP05 MVV	1			Champagne, (European)
					LEFT
	WL49 KD5	1			Quartz
	WL49 MB7	1			Blue
	WL49 MM6	1			Red
	WL49 KV4	1			Champagne
6	AC44 KV4	1			COVER, Rear Quad Handle (P.A.R.)
7					SCREW, (Not Serv.)
8	4614 065	1			LATCH, Raer Quad Seat
9	6502 337	2			NUT
10	4477 472-3	1			HANDLE, Back Recliner
11					SCREW, (Not Serv.)
12					SHIELD, Rear Seat
					LEFT REAR SEAT
					Inner
	AX35 MB7	1			Blue
	AX35 KV4	1			Champagne
	AX35 KD5	1			Quartz
	AX35 MMA	1			Red
					Outer
	AX33 MB7	1			Blue
	AX33 KD5	1			Quartz
	AX33 MMA	1			Red
	AX33 KV4	1			Champagne
					RIGHT REAR SEAT
					Outer

MODEL CODES:

A BODY=(C=LeBaron, D=Spirit, P=Acclaim/LaBaron(Landau),  
Saratoga)

C BODY=(D=Dynasty, C=New Yorker/N.Y. Salon)

G BODY=(V=Daytona/IROC, Chrysler Daytona)

J BODY=(C=LeBaron, Chrysler LeBaron)

P BODY=(P=Sundance, D=Shadow)

S BODY=(H=Voyager(H) FWD, K=Caravan(H) FWD,

Y=Town & Country(H) FWD, P=Voyager(K) AWD,

D=Caravan(K) AWD, C=Town & Country(K) AWD)

Y BODY=(C=Imperial/5th Avenue)

E-S BODY=(K=Chrysler Voyager(H) FWD, D=Chrysler

Voyager(K) AWD)

BODY STYLES:

21=2-Door Coupe

41=4-Door Sedan

12-52=FWD & AWD Van & Wgn Std W.B.

24=2-Door Hatchback

44=4-Door Hatchback

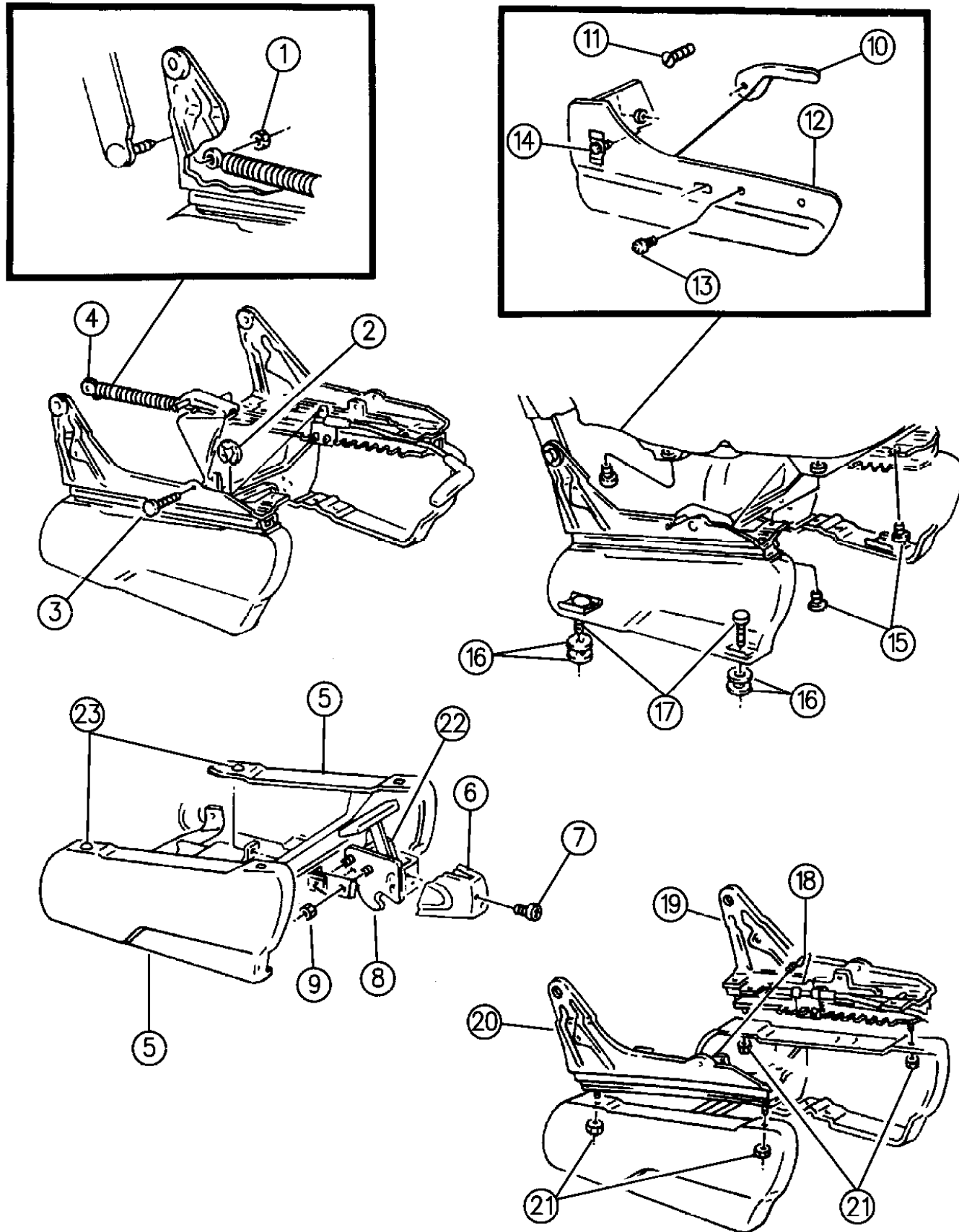
53=FWD & AWD Van & Wgn Ext. W.B.

27=2-Door Convertible

AR = Use as Required - = Non Illustrated Part P.A.R. = Paint as Required

SEAT--REAR QUADS ADJUSTER, SIDE SHIELDS AND ATTACHING PARTS S BODY  
Figure ITS-3200

93242 3200A



ITEM	PART NUMBER	QTY	BODY	MODEL	DESCRIPTION
	AX32 KD5	1			Quartz
	AX32 MB7	1			Blue
	AX32 MMA	1			Red
	AX32 KV4	1			Champagne Inner
	AX34 MB7	1			Blue
	AX34 KV4	1			Champagne
	AX34 KD5	1			Quartz
	AX34 MMA	1			Red
13					SCREW, (Not Serv.)
14	6003 984	2			RETAINER, Shield To Cushion
15	6100 574	4			BOLT
16					PUSH NUT, (Not Serv.)
17	6500 741	4			BOLT
18	2765 433	1			WIRE, Adjuster Latch Tie
19	4550 420	1			SUPPORT, Rear Quad Inner
20	4550 422	1			SUPPORT, Rear Quad Outer
21	6100 051	AR			NUT, Saet To Riser
22	9417 838	2			SPACER, Pivot Center
23	4746 534	2			BUMPER, Rubber (Rear Quad w/EZ Entry)

MODEL CODES:

A BODY=(C=LeBaron, D=Spirit, P=Acclaim/LaBaron(Landau), Saratoga) S BODY=(H=Voyager(H) FWD, K=Caravan(H) FWD, Y=Town & Country(H) FWD, P=Voyager(K) AWD, D=Caravan(K) AWD, C=Town & Country(K) AWD)  
 C BODY=(D=Dynasty, C=New Yorker/N.Y. Salon)  
 G BODY=(V=Daytona/IROC, Chrysler Daytona)  
 J BODY=(C=LeBaron, Chrysler LeBaron)  
 P BODY=(P=Sundance, D=Shadow)  
 Y BODY=(C=Imperial/5th Avenue)  
 E-S BODY=(K=Chrysler Voyager(H) FWD, D=Chrysler Voyager(K) AWD)

BODY STYLES:

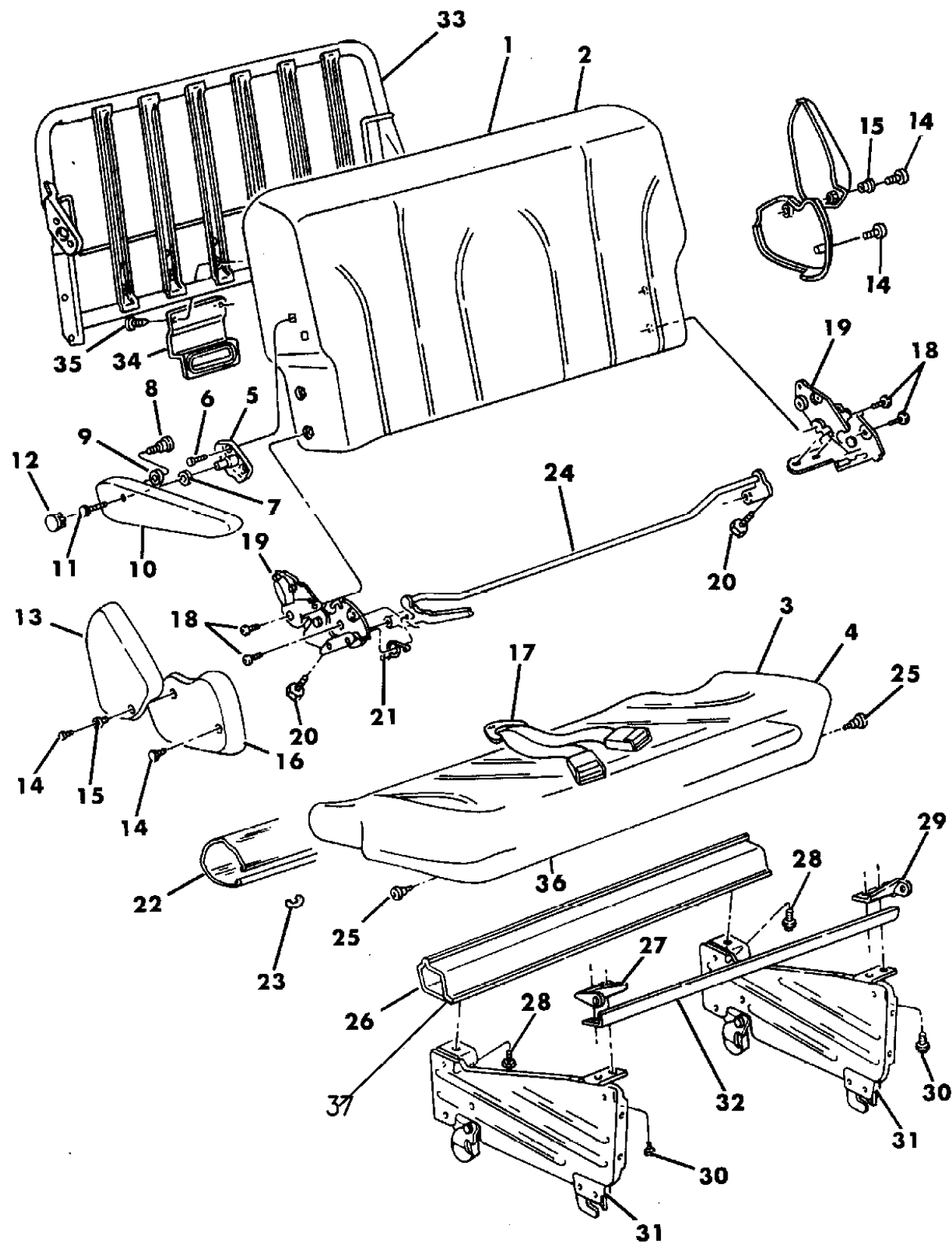
21=2-Door Coupe 41=4-Door Sedan 12-52=FWD & AWD Van & Wgn Std W.B.  
 24=2-Door Hatchback 44=4-Door Hatchback 53=FWD & AWD Van & Wgn Ext. W.B.  
 27=2-Door Convertible

AR = Use as Required - = Non Illustrated Part P.A.R. = Paint as Required

CONVERTABLE 1ST REAR SEAT S BODY TRIM CODE H5

Figure ITS-3300

93242 3300



ITEM	PART NUMBER	QTY	BODY	MODEL	DESCRIPTION
1-36					CONVERTABLE COMPLETE, Replaces Rear Seat's
	HK45 MB7	1			Blue
	HK45 MD5	1			Quartz
	HK45 MMA	1			Red
	HK45 MVV	1			Champagne
					NOTE: FOR REPLACEMENT ONLY - NOT FOR COMPLETE INSTALLATION
1					BACK, w/Spring/Frame Pad and Cover
	HK87 MD5	1			Quartz
	HK87 MB7	1			Blue
	HK87 MMA	1			Red
	HK87 MVV	1			Champagne
2					COVER and PAD, Back
	HK83 MD5	1			Quartz, (H5D)
	HK83 MB7	1			Blue, (H5B)
	HK83 MMA	1			Red, (H5M)
	HK83 MVV	1			Champagne, (H5V)
3					CUSHION, w/Spring/Frame Pad and Cover
	HK86 MD5	1			Quartz
	HK86 MB7	1			Blue
	HK86 MMA	1			Red
	HK86 MVV	1			Champagne
4					COVER and PAD, Cushion
	HK82 MD5	1			Quartz, (H5D)
	HK82 MB7	1			Blue, (H5B)
	HK82 MMA	1			Red, (H5M)
	HK82 PF6	1			Driftwood, (H5F)
5	4519 646-7	1			SUPPORT, Armrest
6	6100 583	AR			BOLT
7	6034 112	1			WASHER
8	6032 567	1			SCREW
9	J012 0393	1			WASHER
10					ARMREST
	WT71 KD5	1			Quartz
	WT71 MB7	1			Blue
	WT71 MMA	1			Red
	WT71 KV4	1			Champagne
11	6501 542	1			SCREW, Armrest To Back
12					PLUG

MODEL CODES:

A BODY=(C=LeBaron, D=Spirit, P=Acclaim/LaBaron(Landau), Saratoga) S BODY=(H=Voyager(H) FWD, K=Caravan(H) FWD, Y=Town & Country(H) FWD, P=Voyager(K) AWD, D=Caravan(K) AWD, C=Town & Country(K) AWD)  
 C BODY=(D=Dynasty, C=New Yorker/N.Y. Salon) Y BODY=(C=Imperial/5th Avenue)  
 G BODY=(V=Daytona/ROC, Chrysler Daytona) E-S BODY=(K=Chrysler Voyager(H) FWD, D=Chrysler Voyager(K) AWD)  
 J BODY=(C=LeBaron, Chrysler LeBaron) P BODY=(P=Sundance, D=Shadow)

BODY STYLES:

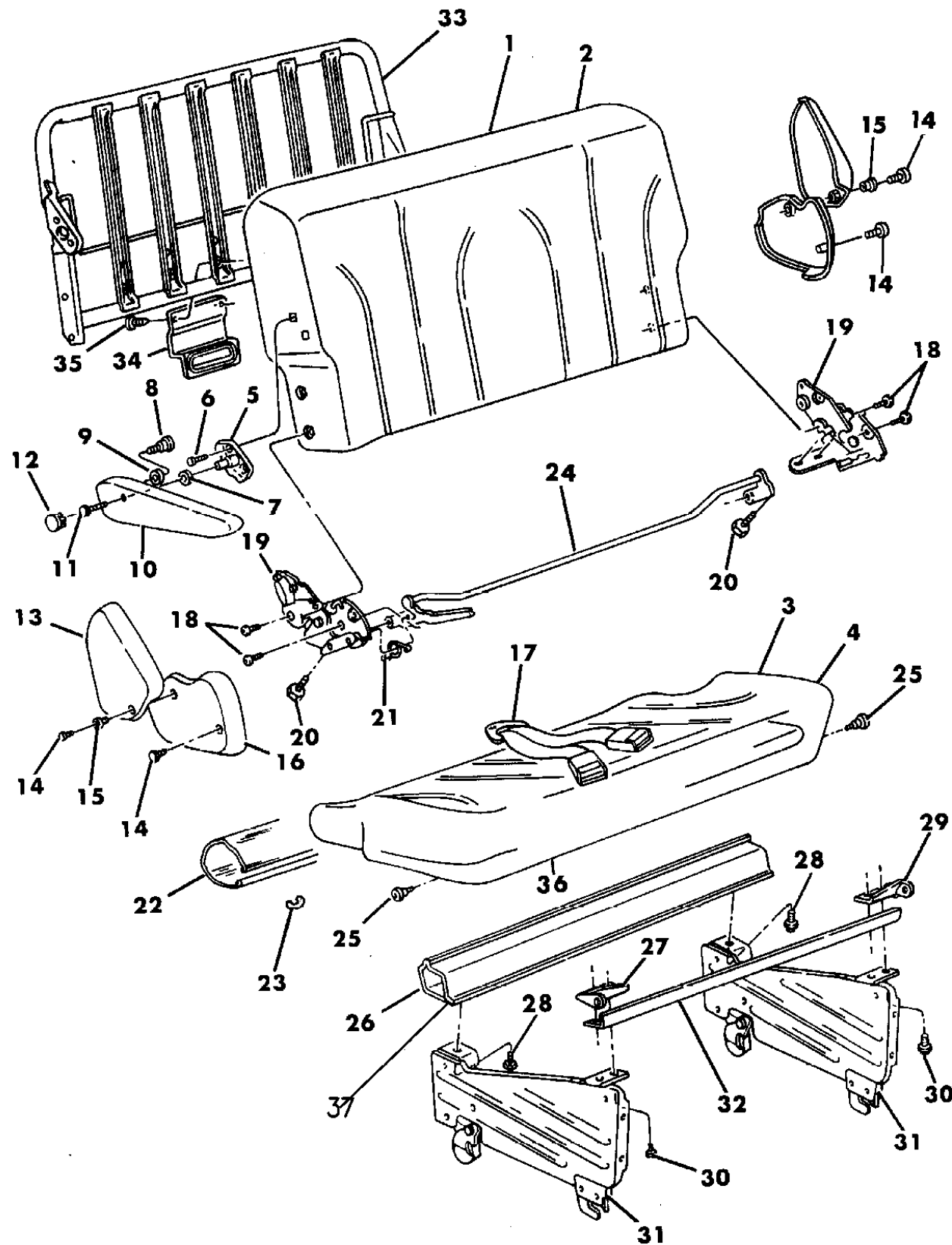
21=2-Door Coupe 41=4-Door Sedan 12-52=FWD & AWD Van & Wgn Std W.B.  
 24=2-Door Hatchback 44=4-Door Hatchback 53=FWD & AWD Van & Wgn Ext. W.B.  
 27=2-Door Convertible

AR = Use as Required - = Non Illustrated Part P.A.R. = Paint as Required



CONVERTABLE 1ST REAR SEAT S BODY TRIM CODE H5  
Figure ITS-3300

93242 3300



ITEM	PART NUMBER	QTY	BODY	MODEL	DESCRIPTION
	WU50 KD5	1			Quartz
	WU50 MB7	1			Blue
	WU50 MM6	1			Red
	WU50 KV4	1			Champagne
13	WY42-3 MD5	1			COVER, Hinge Upper (P.A.R.)
14					SCREW, (Not Serv.)
15	4614 866	1			RETAINER
16	WM60-1 KV4	1			COVER, Hinge Lower (P.A.R.)
17					SEAT BELT, Inner ***
					LABEL NUMBER 4680038
	FD14 KD5	1			Quartz
	FD14 MB7	1			Blue
	FD14 MM6	1			Red
	FD14 KV4	1			Champagne
	4680 062	1			Right, (EUROPEAN)
	4680 057	1			Left, (EUROPEAN)
18					SCREW, (Not Serv.)
	HJ74-5 LVV	1			(P.A.R.) H-7 Trim Code (EUROPEAN)
19	4571 320-1	1			HINGE, Rear Seat
20	6031 218	AR			BOLT
21	4614 166	1			SPRING
	HJ76-7 LVV	1			(P.A.R.) Trim Code H-7 (EUROPEAN)
22					COVER
23	6008 076	AR			HOG RING
24	4571 338	1			HANDLE, Rear Seat Hinge
25	6502 385	AR			BOLT
26	4571 390	1			BELT BAR ***
27	4571 388	1			BRACKET
28	6031 218	AR			BOLT
29	4614 125	1			BRACKET
30	6501 118	4			BOLT
31	4519 390	2			RISER, Rear Seat
32	4571 386	1			CROSS-MEMBER ***
33	4571 374	1			FRAME, Rear Seat Back
34	4614 864	1			GUIDE, Rear Seat
					1st Position 5 Passenger
	HL22 MB7	1			Blue
	HL22 MMA	1			Red
	HL22 KV4	1			Champagne

MODEL CODES:

A BODY=(C=LeBaron, D=Spirit, P=Acclaim/LaBaron(Landau), Saratoga) S BODY=(H=Voyager(H) FWD, K=Caravan(H) FWD, Y=Town & Country(H) FWD, P=Voyager(K) AWD, D=Caravan(K) AWD, C=Town & Country(K) AWD)  
 C BODY=(D=Dynasty, C=New Yorker/N.Y. Salon) Y BODY=(C=Imperial/5th Avenue)  
 G BODY=(V=Daytona/IROC, Chrysler Daytona) E-S BODY=(K=Chrysler Voyager(H) FWD, D=Chrysler Voyager(K) AWD)  
 J BODY=(C=LeBaron, Chrysler LeBaron) P BODY=(P=Sundance, D=Shadow)

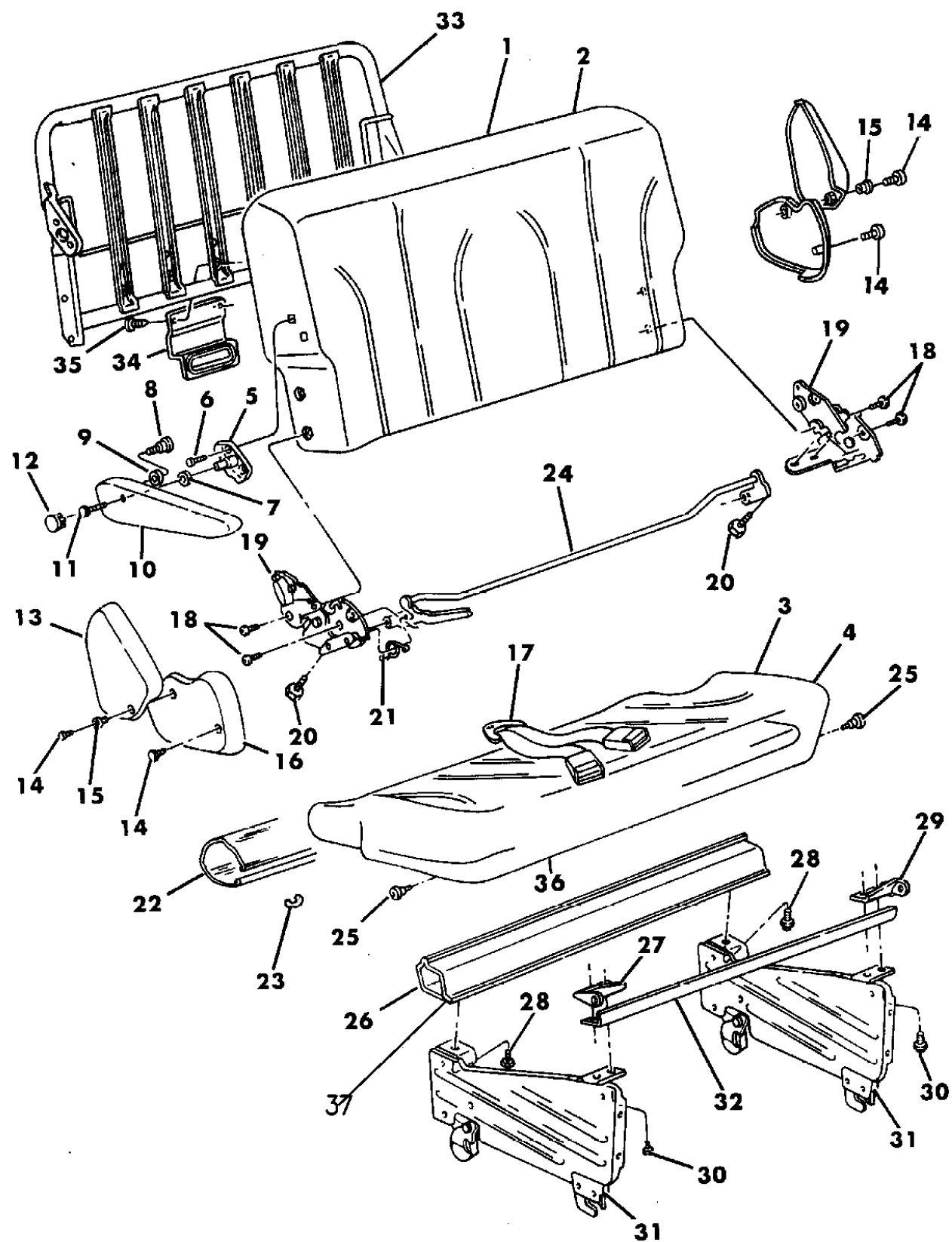
BODY STYLES:

21=2-Door Coupe 41=4-Door Sedan 12-52=FWD & AWD Van & Wgn Std W.B.  
 24=2-Door Hatchback 44=4-Door Hatchback 53=FWD & AWD Van & Wgn Ext. W.B.  
 27=2-Door Convertible

AR = Use as Required - = Non Illustrated Part P.A.R. = Paint as Required

CONVERTABLE 1ST REAR SEAT S BODY TRIM CODE H5  
Figure ITS-3300

93242 3300



ITEM	PART NUMBER	QTY	BODY	MODEL	DESCRIPTION
	HL22 LD5	1			Quartz
35					SCREW, (Not Serv.)
36	4571 344	1			SPRING, Rear Seat Cushion
32	4571 386	1			CROSS-MEMBER ***
33	4571 374	1			FRAME, Rear Seat Back
34	4614 864	1			GUIDE, Rear Seat
35					SCREW, (Not Serv.)
36	4571 344	1			SPRING, Rear Seat Cushion
37					COVER, Belt Bar
	HL22 KV4	1			Champagne
	HL22 LD5	1			Quartz
	HL22 MB7	1			Blue
	HL22 MMA	1			Red

MODEL CODES:

A BODY=(C=LeBaron, D=Spirit, P=Acclaim/LaBaron(Landau), Saratoga)

C BODY=(D=Dynasty, C=New Yorker/N.Y. Salon)

G BODY=(V=Daytona/IROC, Chrysler Daytona)

J BODY=(C=LeBaron, Chrysler LeBaron)

P BODY=(P=Sundance, D=Shadow)

S BODY=(H=Voyager(H) FWD, K=Caravan(H) FWD,

Y=Town & Country(H) FWD, P=Voyager(K) AWD,

D=Caravan(K) AWD, C=Town & Country(K) AWD)

Y BODY=(C=Imperial/5th Avenue)

E-S BODY=(K=Chrysler Voyager(H) FWD, D=Chrysler

Voyager(K) AWD)

BODY STYLES:

21=2-Door Coupe

41=4-Door Sedan

12-52=FWD & AWD Van & Wgn Std W.B.

24=2-Door Hatchback

44=4-Door Hatchback

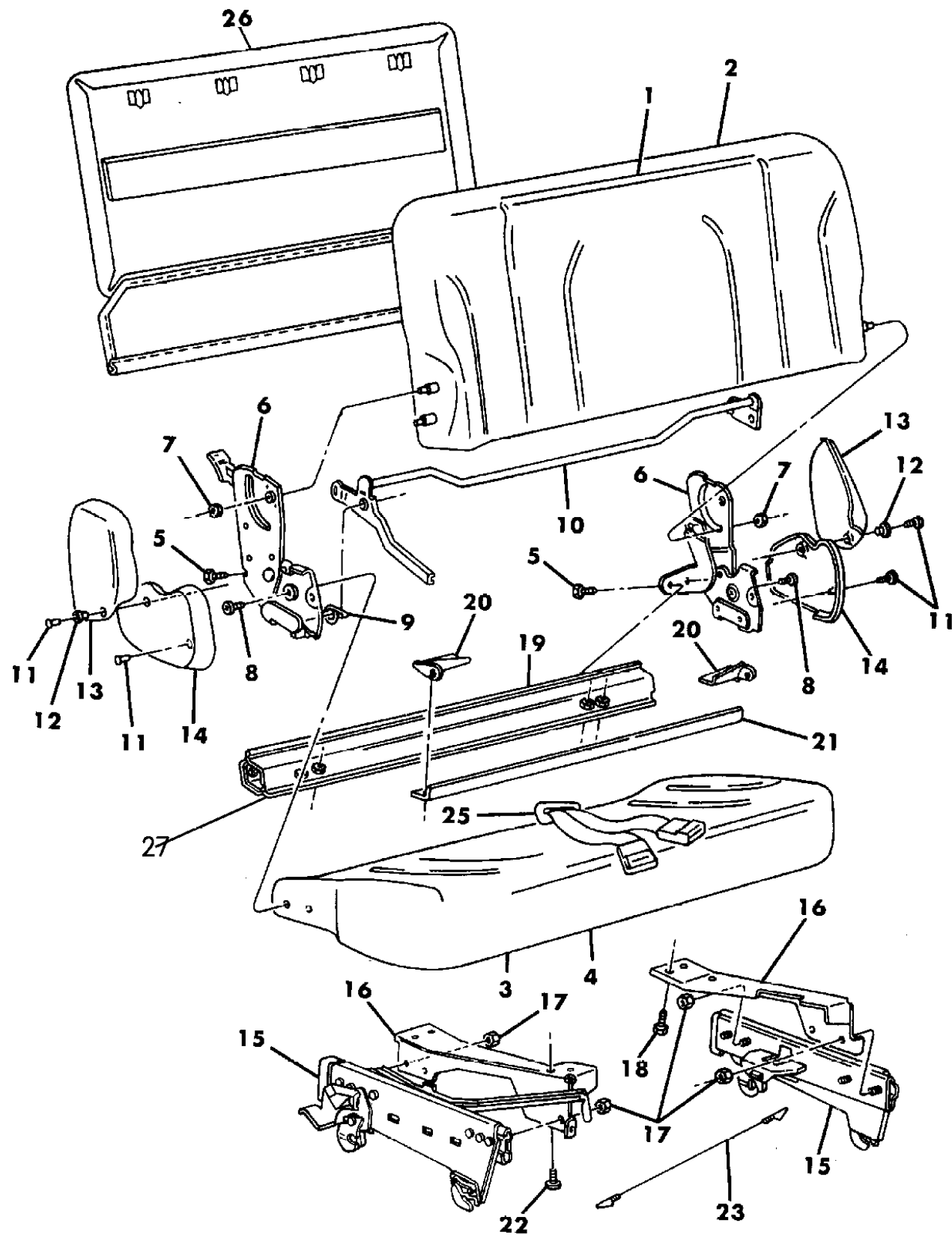
53=FWD & AWD Van & Wgn Ext. W.B.

27=2-Door Convertible

AR = Use as Required - = Non Illustrated Part P.A.R. = Paint as Required

**CONVERTABED 2ND REAR SEAT S BODY TRIM CODE H5**  
**Figure ITS-3400**

93242 3400



ITEM	PART NUMBER	QTY	BODY	MODEL	DESCRIPTION
1-25					CONVERTABED COMPLETE, Replaces Rear Seat
	HK47 MD5	1			Quartz
	HK47 MB7	1			Blue
	HK47 MMA	1			Red
	HK47 MVV	1			Champagne
					NOTE: FOR REPLACEMENT ONLY - NOT FOR COMPLETE INSTALATION ***
1					BACK, w/Spring/Frame Pad and Cover
	HK89 MD5	1			Quartz
	HK89 MB7	1			Blue
	HK89 MMA	1			Red
	HK89 MVV	1			Champagne
2					COVER, Back
	HK84 MD5	1			Quartz, (H5D)
	HK84 MB7	1			Blue, (H5B)
	HK84 MMA	1			Red, (H5M)
	HK84 MVV	1			Champagne, (H5V)
3					CUSHION, w/Spring/Frame Pad and Cover
	HK88 MD5	1			Quartz
	HK88 MB7	1			Blue
	HK88 MMA	1			Red
	HK88 MVV	1			Champagne
-	4571 722	1			SPRING, 2nd Rear Cushion
4					COVER, Cushion
	HK85 MD5	1			Quartz, (H5D)
	HK85 MB7	1			Blue, (H5B)
	HK85 MMA	1			Red, (H5M)
	HK85 MVV	1			Champagne, (H5V)
5	6031 218	AR			BOLT
6	4571 710-1	1			HINGE
7	6100 219	2			NUT
8					SCREW, (Not Serv.)
9	4614 166				SPRING, Retainer Handle
10	4571 744	1			HANDLE
11					BOLT, (Not Serv.)
12	4614 866	1			RETAINER
13	WM58-9 KV4	1			COVER, Upper Hinge (P.A.R.)
14	WM60-1 KV4	1			COVER, Lower Hinge (P.A.R.)
15	4519 600-1	1			ADJUSTER, Base and Riser Assembly (2nd Rear Seat)

**MODEL CODES:**

A BODY=(C=LeBaron, D=Spirit, P=Acclaim/LaBaron(Landau), Saratoga) S BODY=(H=Voyager(H) FWD, K=Caravan(H) FWD, Y=Town & Country(H) FWD, P=Voyager(K) AWD, D=Caravan(K) AWD, C=Town & Country(K) AWD)  
 C BODY=(D=Dynasty, C=New Yorker/N.Y. Salon) Y BODY=(C=Imperial/5th Avenue)  
 G BODY=(V=Daytona/IROC, Chrysler Daytona) E-S BODY=(K=Chrysler Voyager(H) FWD, D=Chrysler Voyager(K) AWD)  
 J BODY=(C=LeBaron, Chrysler LeBaron)  
 P BODY=(P=Sundance, D=Shadow)

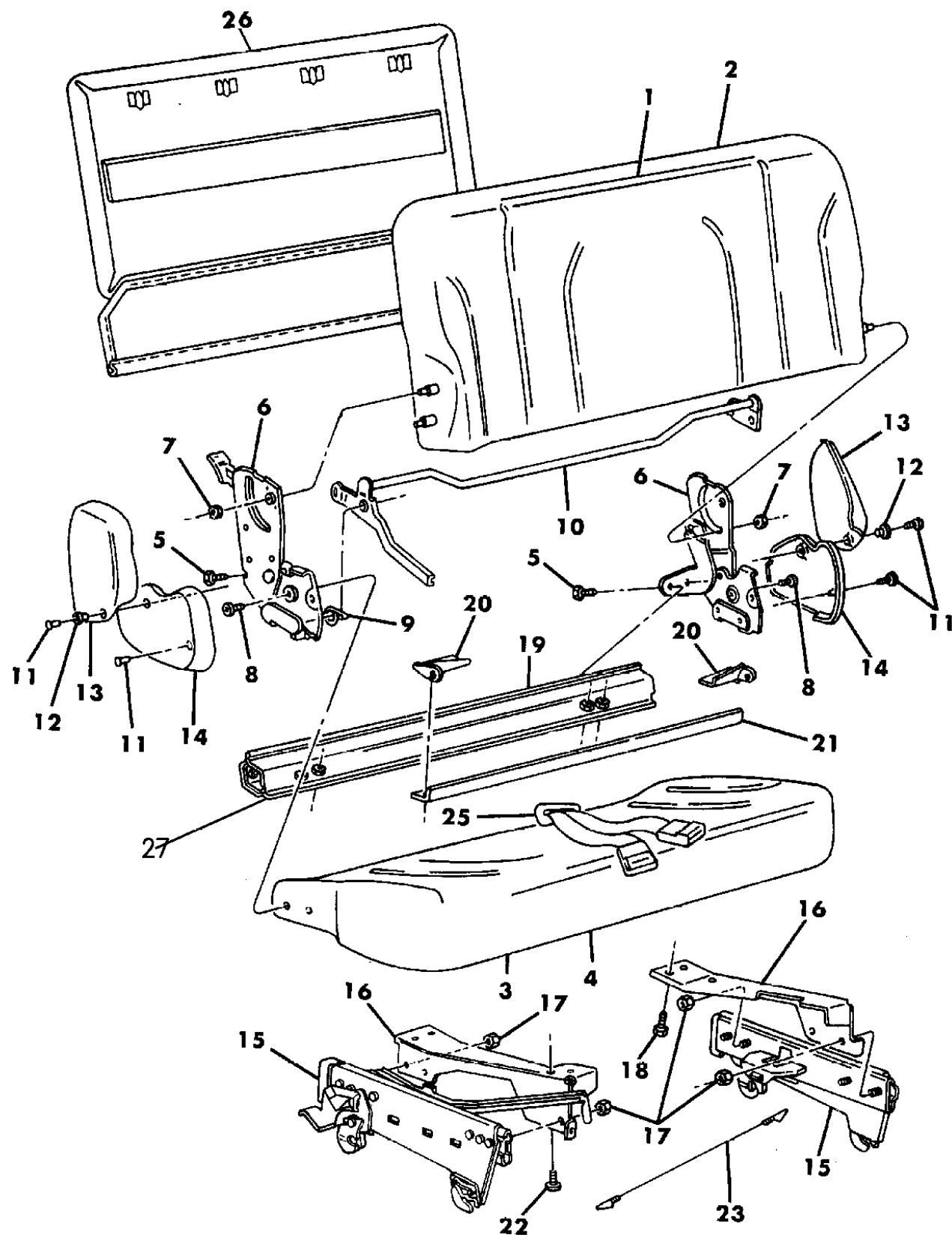
**BODY STYLES:**

21=2-Door Coupe 41=4-Door Sedan 12-52=FWD & AWD Van & Wgn Std W.B.  
 24=2-Door Hatchback 44=4-Door Hatchback 53=FWD & AWD Van & Wgn Ext. W.B.  
 27=2-Door Convertible

AR = Use as Required - = Non Illustrated Part P.A.R. = Paint as Required

CONVERTABLE 2ND REAR SEAT S BODY TRIM CODE H5  
Figure ITS-3400

93242 3400



ITEM	PART NUMBER	QTY	BODY	MODEL	DESCRIPTION
16					BRACKET, Rear Adjuster (Serviced w/Item 15 )
17	6100 055	AR			NUT
18	6031 218	AR			BOLT
19	4571 694	1			BELT BAR ***
20	4571 388-9	1			BRACKET, Riser Attaching
21	4571 692	1			CROSS-MEMBER ***
22	6501 423	AR			BOLT
23	4614 887	1			WIRE, Adjuster Release
25					SEAT BELT, Inner ***
					RIGHT
					Label Number 4680038
	FD14 MB7	1			Blue
	FD14 KD5	1			Quartz
	FD14 MM6	1			Red
	FD14 KV4	1			Champagne
					LEFT
					Label Number 4680037
	FD13 MB7	1			Blue
	FD13 KD5	1			Quartz
	FD13 MM6	1			Red
	FD13 KV4	1			Champagne
26					PANEL, Rear Seat Back(w/Convertabed)
	GL90 MB7	1			Blue
	GL90 KV4	1			Champagne
	GL90 MMA	1			Red
	GL90 LD5	1			Quartz
27					COVER, Belt Bar
	HL24 KV4	1			Champagne
	HL24 LD5	1			Quartz
	HL24 MB7	1			Blue
	HL24 MMA	1			Red

MODEL CODES:

A BODY=(C=LeBaron, D=Spirit, P=Acclaim/LaBaron(Landau),  
Saratoga)  
C BODY=(D=Dynasty, C=New Yorker/N.Y. Salon)  
G BODY=(V=Daytona/IROC, Chrysler Daytona)  
J BODY=(C=LeBaron, Chrysler LeBaron)  
P BODY=(P=Sundance, D=Shadow)

S BODY=(H=Voyager(H) FWD, K=Caravan(H) FWD,  
Y=Town & Country(H) FWD, P=Voyager(K) AWD,  
D=Caravan(K) AWD, C=Town & Country(K) AWD)  
Y BODY=(C=Imperial/5th Avenue)  
E-S BODY=(K=Chrysler Voyager(H) FWD, D=Chrysler  
Voyager(K) AWD)

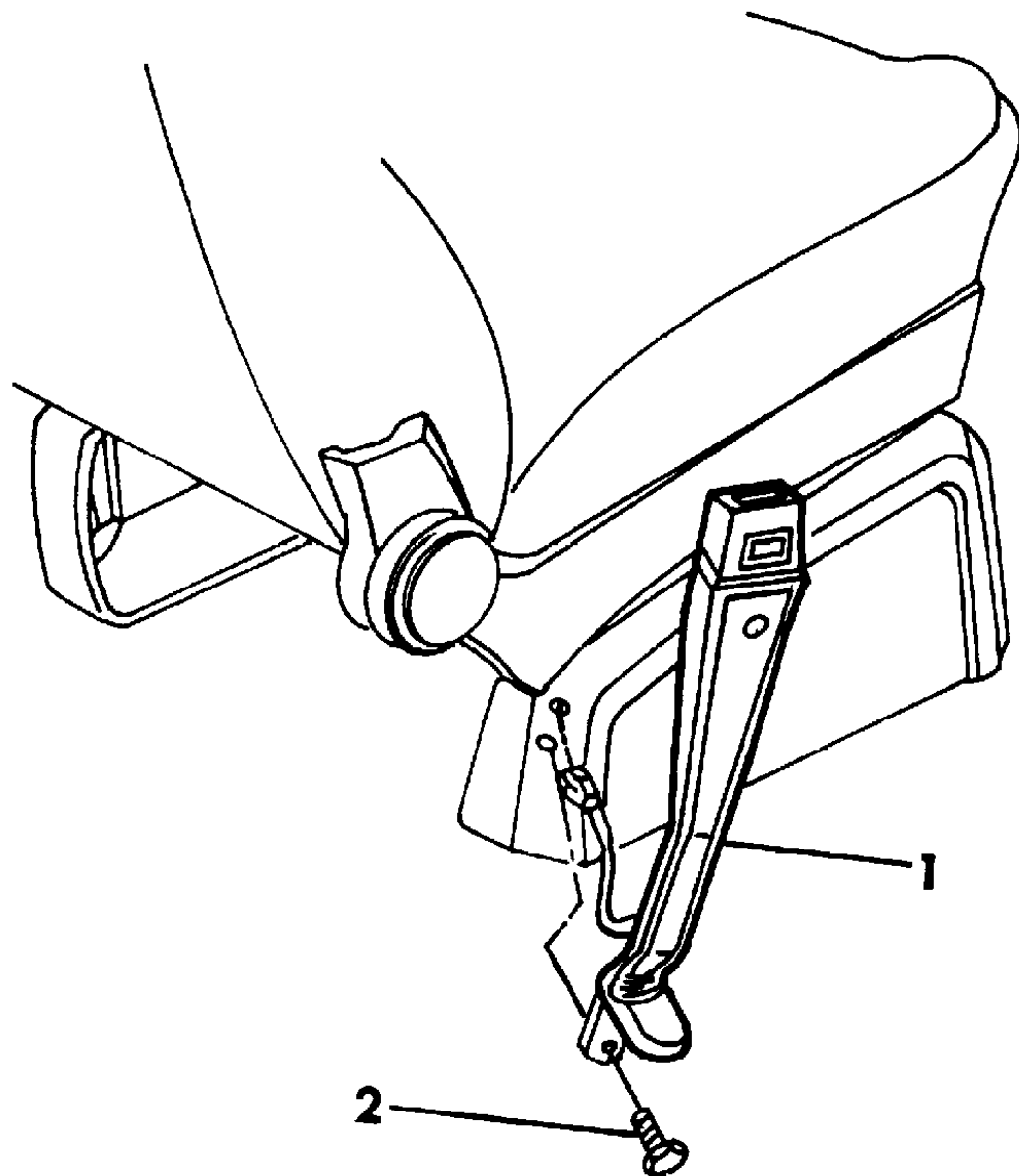
BODY STYLES:

21=2-Door Coupe      41=4-Door Sedan      12-52=FWD & AWD Van & Wgn Std W.B.  
24=2-Door Hatchback      44=4-Door Hatchback      53=FWD & AWD Van & Wgn Ext. W.B.  
27=2-Door Convertible

AR = Use as Required - = Non Illustrated Part P.A.R. = Paint as Required

**BELT--REAR SEAT QUAD INNER S BODY**  
**Figure ITS-3500**

93242 3500



ITEM	PART NUMBER	QTY	BODY	MODEL	DESCRIPTION
1					BELT, Inner
					LABEL NUMBER 4476496-7
	F566-7 MB7	1			Blue
	F566-7 MM6	1			Red
	F566-7 KV4	1			Champagne
	F566-7 KD5	1			Quartz
					NON BUX (Right)
					Label Number 4680114
	GE12 MM6	1			Red
	GE12 MV4	1			Champagne
	GE12 MB7	1			Blue
	GE12 MD5	1			Quartz
	4680 116-7	1			Inner, Quads (EUROPEAN)
					LABEL NUMBER 4680290-1
	HS72-3 MD5	1			Quartz
	HS72-3 MM6	1			Red
	HS72-3 MV4	1			Champagne
	HS72-3 MB7	1			Blue
2	6031 218	2			BOLT
					NOTE: For Outer Belts See Shoulder Belt Illustration

**MODEL CODES:**

A BODY=(C=LeBaron, D=Spirit, P=Acclaim/LaBaron(Landau), Saratoga)      S BODY=(H=Voyager(H) FWD, K=Caravan(H) FWD, Y=Town & Country(H) FWD, P=Voyager(K) AWD, D=Caravan(K) AWD, C=Town & Country(K) AWD)  
 C BODY=(D=Dynasty, C=New Yorker/N.Y. Salon)      Y BODY=(C=Imperial/5th Avenue)  
 G BODY=(V=Daytona/IROC, Chrysler Daytona)      E-S BODY=(K=Chrysler Voyager(H) FWD, D=Chrysler Voyager(K) AWD)  
 J BODY=(C=LeBaron, Chrysler LeBaron)  
 P BODY=(P=Sundance, D=Shadow)

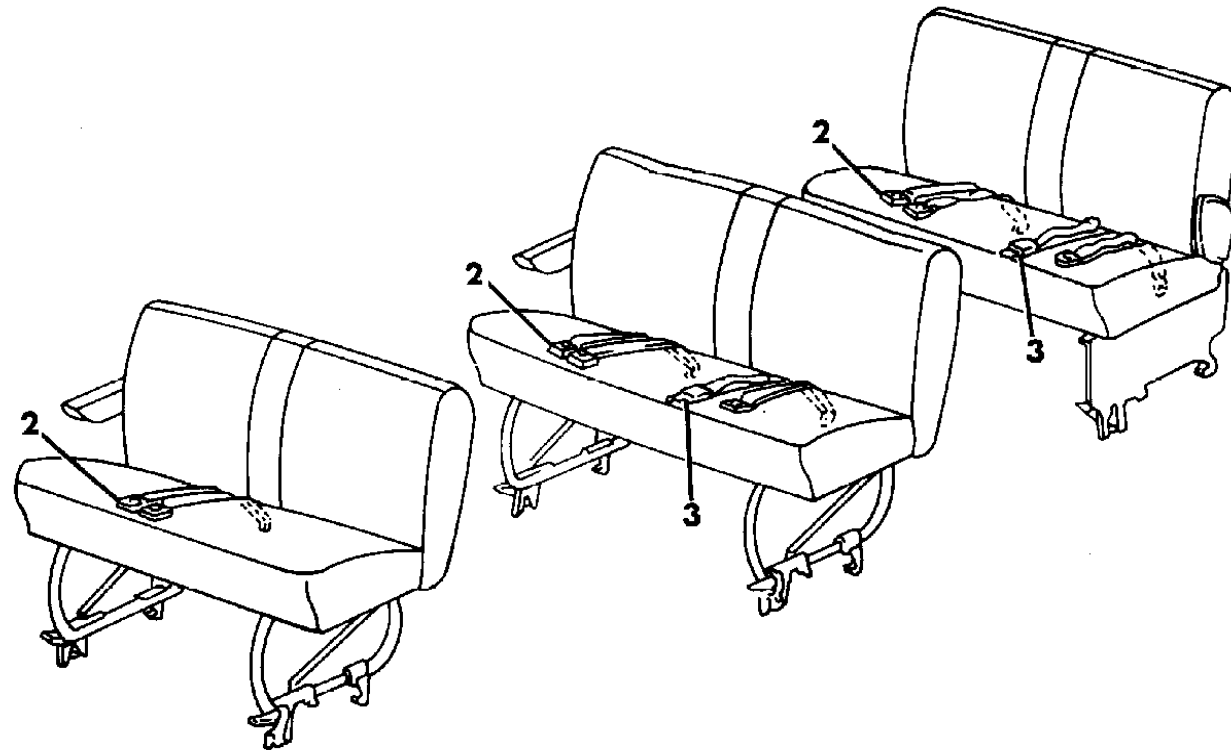
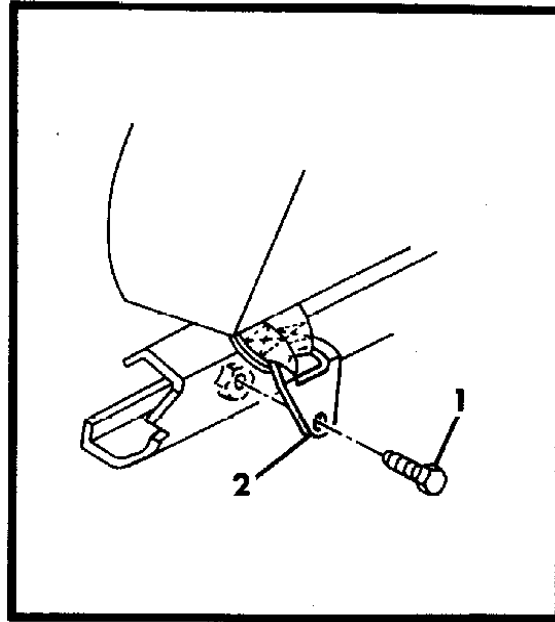
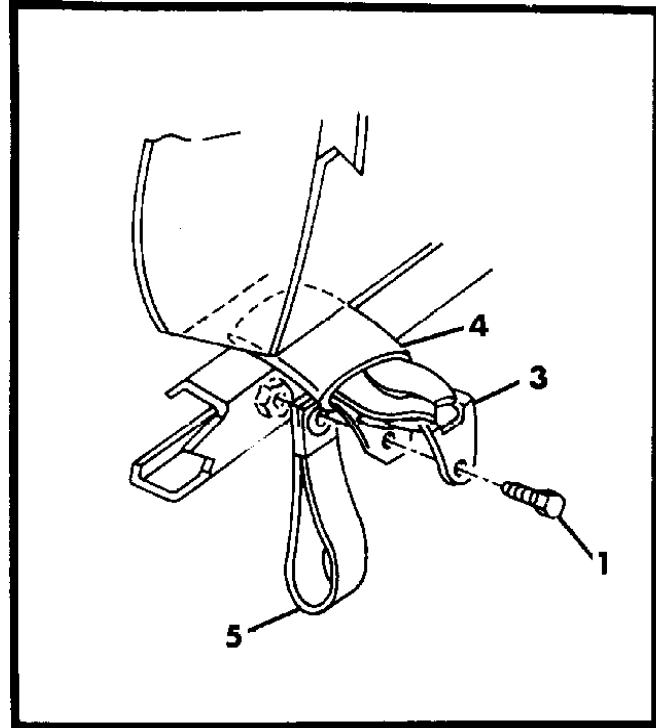
**BODY STYLES:**

21=2-Door Coupe      41=4-Door Sedan      12-52=FWD & AWD Van & Wgn Std W.B.  
 24=2-Door Hatchback      44=4-Door Hatchback      53=FWD & AWD Van & Wgn Ext. W.B.  
 27=2-Door Convertible

AR = Use as Required - = Non Illustrated Part P.A.R. = Paint as Required

**BELT--REAR SEAT LAP BELT S BODY**  
Figure ITS-3600

93242 3600



ITEM	PART NUMBER	QTY	BODY	MODEL	DESCRIPTION
1	6031 484	AR			BOLT
2					SEAT BELT, Inner Right (w/Buckle) *** (Use Up To 3-8-93) LABEL NUMBER 4680038
	FD14 KD5	1			Quartz
	FD14 MB7	1			Blue
	FD14 MM6	1			Red
	FD14 KV4	1			Champagne (Use After 3-8-93)
					LABEL NUMBER 4680288
	HS70 MD5	1			Quartz
	HS70 MM6	1			Red
	HS70 MV4	1			Champagne
	HS70 MB7	1			Blue
	4680 062	1			SEAT BELT, Inner Right (EUROPEAN) ***
3					SEAT BELT, Inner Left (w/Tip) *** (Use Up To 3-8-93) LABEL NUMBER 4680037
	FD13 KD5	1			Quartz
	FD13 MB7	1			Blue
	FD13 MM6	1			Red
	FD13 KV4	1			Champagne (Use After 3-8-93)
					LABEL NUMBER 4680289
	HS71 MD5	1			Quartz
	HS71 MB7	1			Blue
	HS71 MM6	1			Red
	HS71 MV4	1			Champagne
	4680 057	1			SEAT BELT, Inner Left (EUROPEAN) *** w/CONVERTABED *** (Use Up To 3-8-93) LABEL NUMBER 4680037
	FD13 MB7	1			Blue
	FD13 KD5	1			Quartz
	FD13 MM6	1			Red
	FD13 KV4	1			Champagne (Use After 3-8-93)
					LABEL NUMBER 4680289
	HS71 MD5	1			Quartz

**MODEL CODES:**

A BODY=(C=LeBaron, D=Spirit, P=Acclaim/LaBaron(Landau),  
Saratoga)  
C BODY=(D=Dynasty, C=New Yorker/N.Y. Salon)  
G BODY=(V=Daytona/ROC, Chrysler Daytona)  
J BODY=(C=LeBaron, Chrysler LeBaron)  
P BODY=(P=Sundance, D=Shadow)

S BODY=(H=Voyager(H) FWD, K=Caravan(H) FWD,  
Y=Town & Country(H) FWD, P=Voyager(K) AWD,  
D=Caravan(K) AWD, C=Town & Country(K) AWD)  
Y BODY=(C=Imperial/5th Avenue)  
E-S BODY=(K=Chrysler Voyager(H) FWD, D=Chrysler  
Voyager(K) AWD)

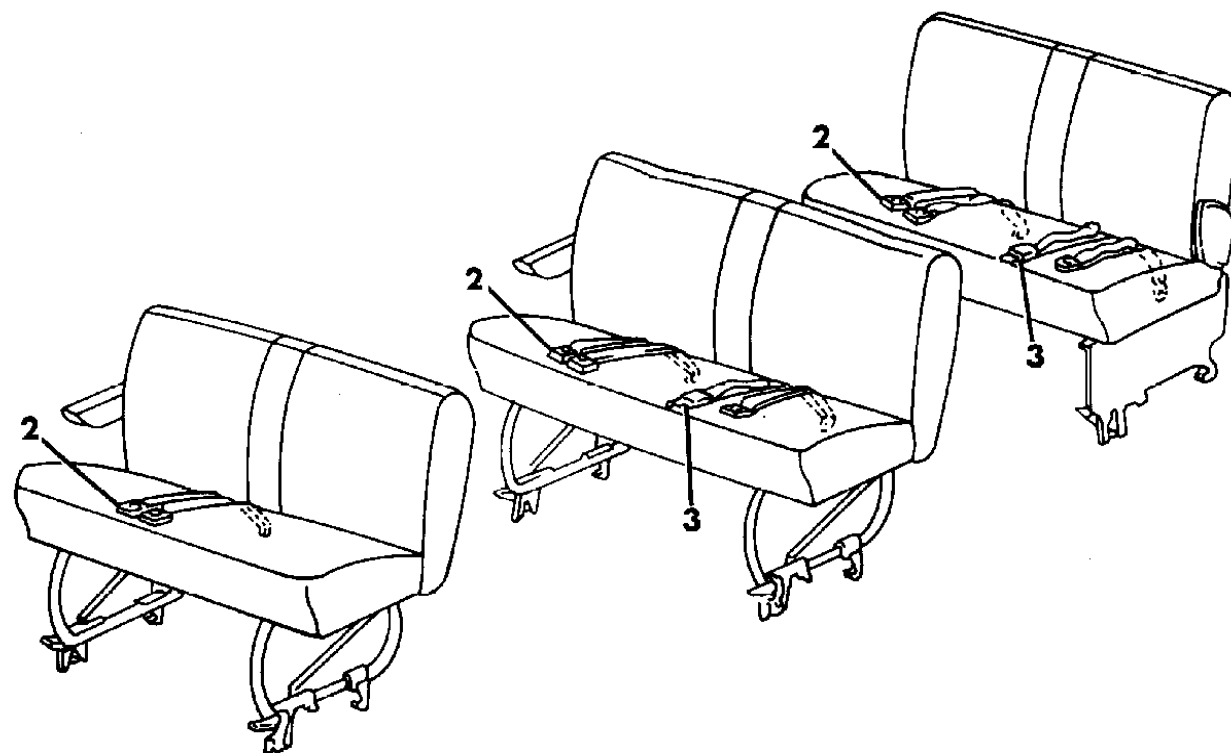
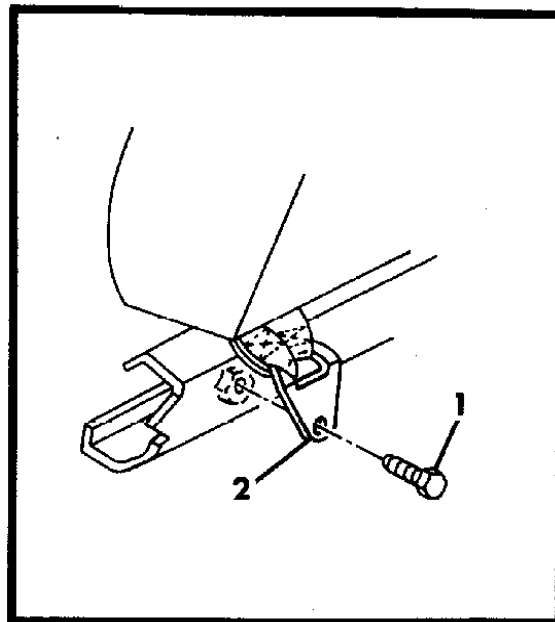
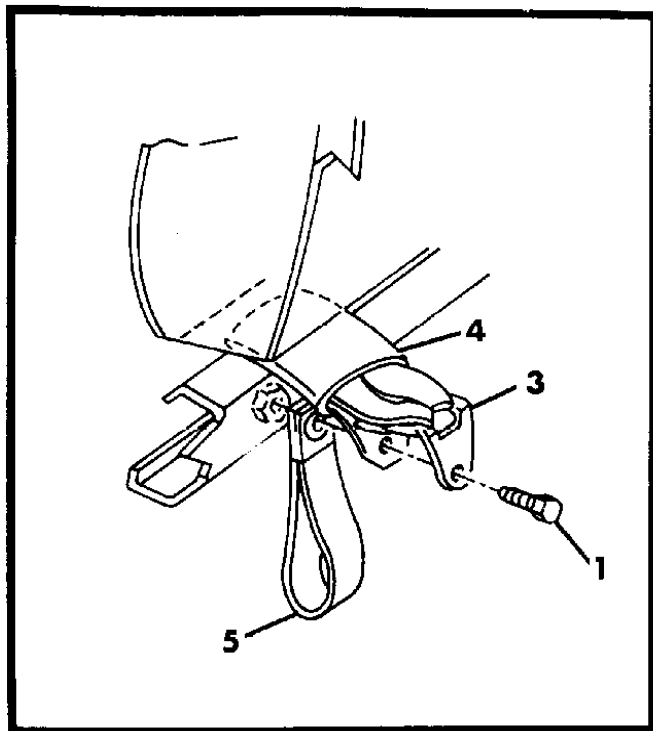
**BODY STYLES:**

21=2-Door Coupe      41=4-Door Sedan      12-52=FWD & AWD Van & Wgn Std W.B.  
24=2-Door Hatchback      44=4-Door Hatchback      53=FWD & AWD Van & Wgn Ext. W.B.  
27=2-Door Convertible

AR = Use as Required - = Non Illustrated Part P.A.R. = Paint as Required

**BELT--REAR SEAT LAP BELT S BODY**  
**Figure ITS-3600**

93242 3600



ITEM	PART NUMBER	QTY	BODY	MODEL	DESCRIPTION
	HS71 MB7	1			Blue
	HS71 MM6	1			Red
	HS71 MV4	1			Champagne
	4680 057	1			SEAT BELT, Inner Left (EUROPEAN) ***
4	4327 145	2			RETAINER, 2nd Rear Seat
5	S537 CX9	1			PULL STRAP
-	4773 694	1			Teather Anchor Package, Child Seat ***

**MODEL CODES:**

A BODY=(C=LeBaron, D=Spirit, P=Acclaim/LaBaron(Landau),  
Saratoga)  
 C BODY=(D=Dynasty, C=New Yorker/N.Y. Salon)  
 G BODY=(V=Daytona/IROC, Chrysler Daytona)  
 J BODY=(C=LeBaron, Chrysler LeBaron)  
 P BODY=(P=Sundance, D=Shadow)

S BODY=(H=Voyager(H) FWD, K=Caravan(H) FWD,  
Y=Town & Country(H) FWD, P=Voyager(K) AWD,  
D=Caravan(K) AWD, C=Town & Country(K) AWD)  
 Y BODY=(C=Imperial/5th Avenue)  
 E-S BODY=(K=Chrysler Voyager(H) FWD, D=Chrysler  
Voyager(K) AWD)

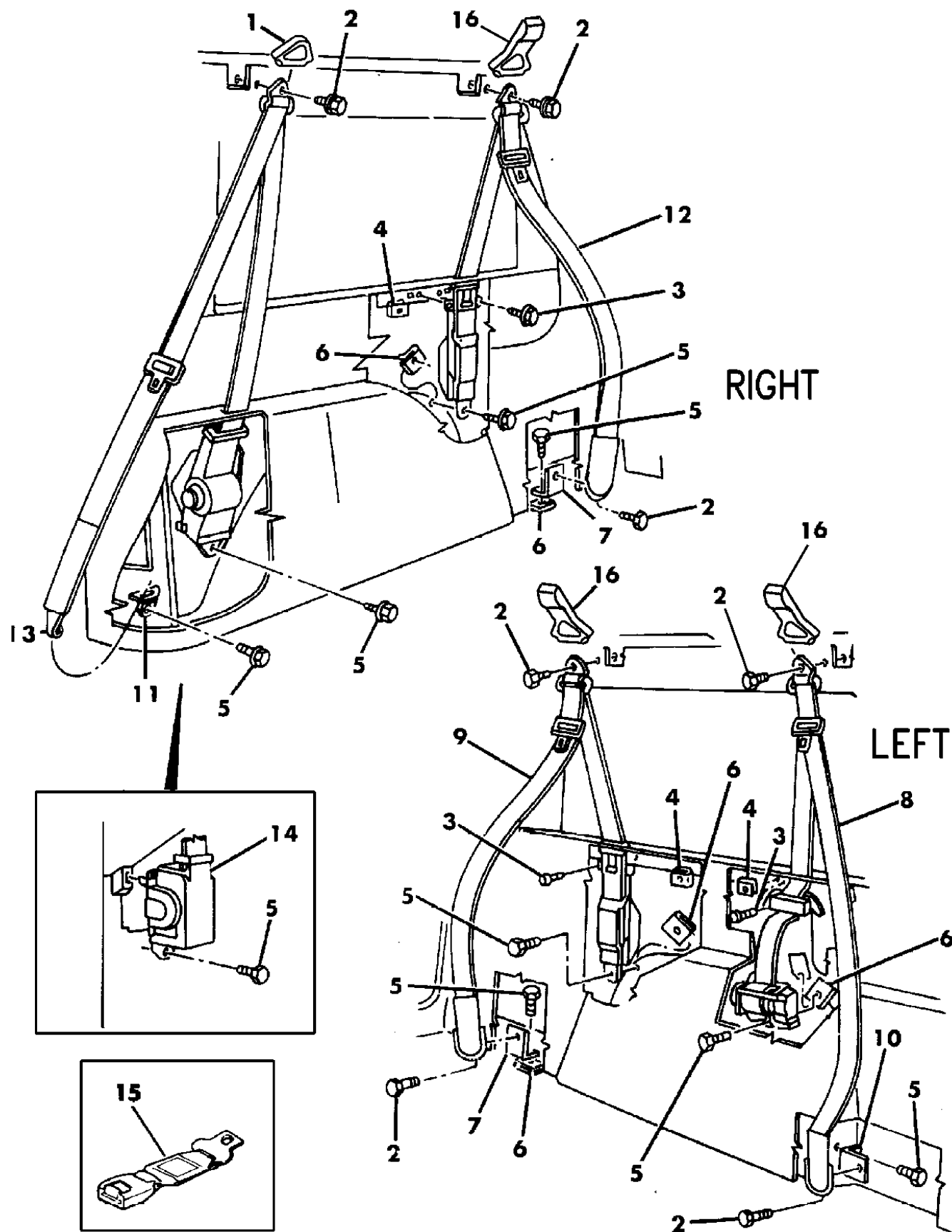
**BODY STYLES:**

21=2-Door Coupe      41=4-Door Sedan      12-52=FWD & AWD Van & Wgn Std W.B.  
 24=2-Door Hatchback      44=4-Door Hatchback      53=FWD & AWD Van & Wgn Ext. W.B.  
 27=2-Door Convertible

AR = Use as Required - = Non Illustrated Part P.A.R. = Paint as Required

**BELT--REAR SEAT SHOULDER BELTS S BODY**  
Figure ITS-3700

93242 3700A



ITEM	PART NUMBER	QTY	BODY	MODEL	DESCRIPTION
1					COVER, Turn Loop
	F877 JD5	2			Quartz
	F877 KB7	2			Blue
	F877 LMA	2			Red
	F877 JV4	2			Champagne
2					BOLT
	6031 217	AR			1st Position Rear Seat Belt
	6034 455	AR			2nd Position Rear Seat Belt
	6031 484	4			BOLT
	6031 448	3			U-NUT
3	6100 276	8			BOLT
4	6100 041	8			U-NUT
5	6031 484	4			BOLT
6	6031 448	3			U-NUT
7	4519 250	2			BRACKET
8					BELT, 1ST. Rear Seat Outer (Left)
					LABEL NUMBER 4680277
	HM95 MD5	1		52	Quartz
	HM95 MB7	1		52	Blue
	HM95 MM6	1		52	Red
	HM95 MV4	1		52	Champagne
	4680 258-9	1		52	BELT, 1st Rear Seat Outer (EUROPEAN)
					LABEL NUMBER 4680279
	HM97 MB7	1		53	Blue
	HM97 MD5	1		53	Quartz
HM97 MM6	1		53	Red	
HM97 MV4	1		53	Champagne	
4680 260-1	1		53	BELT, 1st Rear Seat Outer Left (EUROPEAN)	
9					BELT, 2nd Rear Seat Outer (Right or Left)
					LABEL NUMBER 4680282
	HN34 MD5	2		52	Quartz
	HN34 MB7	2		52	Blue
	HN34 MM6	2		52	Red
HN34 MV4	2		52	Champagne	
					LABEL NUMBER 4680306
HV58 MB7	2		53	Blue	
HV58 MD5	2		53	Quartz	
HV58 MM6	2		53	Red	
HV58 MV4	2		53	Champagne	
4680 058	2			BELT, 2nd Rear Seat Outer Left (EUROPEAN)	

**MODEL CODES:**

A BODY=(C=LeBaron, D=Spirit, P=Acclaim/LaBaron(Landau), Saratoga)      S BODY=(H=Voyager(H) FWD, K=Caravan(H) FWD, Y=Town & Country(H) FWD, P=Voyager(K) AWD, D=Caravan(K) AWD, C=Town & Country(K) AWD)  
 C BODY=(D=Dynasty, C=New Yorker/N.Y. Salon)  
 G BODY=(V=Daytona/IROC, Chrysler Daytona)      Y BODY=(C=Imperial/5th Avenue)  
 J BODY=(C=LeBaron, Chrysler LeBaron)      E-S BODY=(K=Chrysler Voyager(H) FWD, D=Chrysler Voyager(K) AWD)  
 P BODY=(P=Sundance, D=Shadow)

**BODY STYLES:**

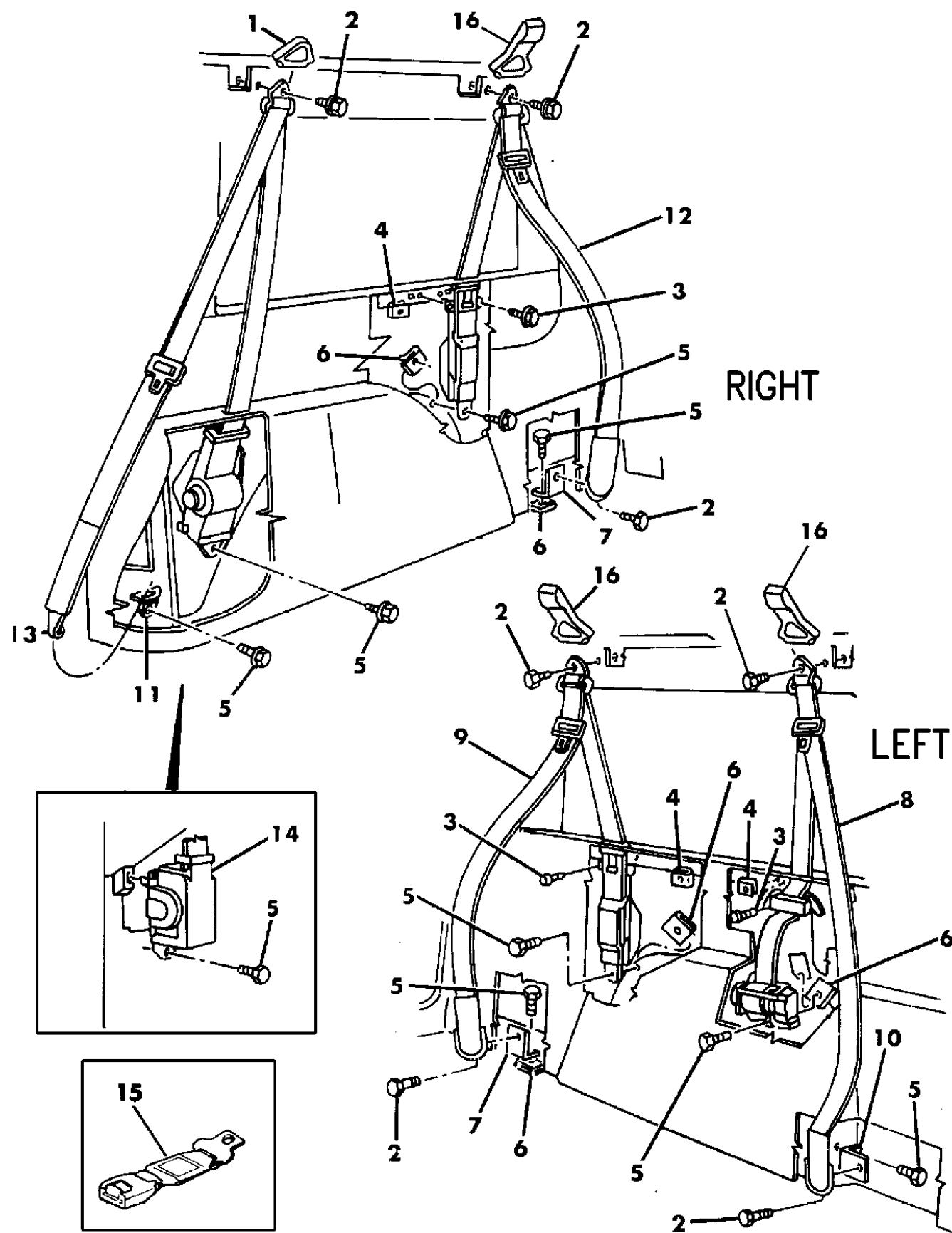
21=2-Door Coupe      41=4-Door Sedan      12-52=FWD & AWD Van & Wgn Std W.B.  
 24=2-Door Hatchback      44=4-Door Hatchback      53=FWD & AWD Van & Wgn Ext. W.B.  
 27=2-Door Convertible

AR = Use as Required - = Non Illustrated Part P.A.R. = Paint as Required



**BELT--REAR SEAT SHOULDER BELTS S BODY**  
Figure ITS-3700

93242 3700A



ITEM	PART NUMBER	QTY	BODY	MODEL	DESCRIPTION
10	4519 247	1			BRACKET
11	4571 980	1	53		BRACKET, Seat Belt Anchor Hook Long Wheel Base
	4571 978	1	52		Short Wheel Base
12					BELT, 2nd Rear Seat Outer (Right or Left) LABEL NUMBER 4680282
	HN34 MD5	2	52		Quartz
	HN34 MB7	2	52		Blue
	HN34 MM6	2	52		Red
	HN34 MV4	2	52		Champagne LABEL NUMBER 4680306
	HV58 MB7	2	53		Blue
	HV58 MD5	2	53		Quartz
	HV58 MM6	2	53		Red
	HV58 MV4	2	53		Champagne
	4680 058	2			BELT, 2nd Rear Seat Outer (EUROPEAN)
13					BELT, 1st. Rear Seat Outer Right (Hooks Into a stricker - See III 3800 Item 7) LABEL NUMBER 4645218
	EL94 MM6	1	52		Red
	EL94 MB7	1	52		Blue
	EL94 LD5	1	52		Quartz
	EL94 LV4	1	52		Chapmagne LABEL NUMBER 4680276
	HM94 MB7	1	52		Blue, (Canada)
	HM94 MD5	1	52		Quartz, (Canada)
	HM94 MM6	1	52		Red, (Canada)
	HM94 MV4	1	52		Champagne, (Canada) LABEL NUMBER 4645222
	EL98 LD5	1	53		Quartz
	EL98 MB7	1	53		Blue
	EL98 MM6	1	53		Red
	EL98 LV4	1	53		Champagne
					BELT, 1st Rear Seat Outer Right (CANADA ONLY) LABEL NUMBER 4645240
	EN84 LD5	1	53		Quartz
	EN84 MB7	1	53		Blue
	EN84 MM6	1	53		Red
	EN84 LV4	1	53		Champagne

**MODEL CODES:**

A BODY=(C=LeBaron, D=Spirit, P=Acclaim/LaBaron(Landau), Saratoga)      S BODY=(H=Voyager(H) FWD, K=Caravan(H) FWD, Y=Town & Country(H) FWD, P=Voyager(K) AWD, D=Caravan(K) AWD, C=Town & Country(K) AWD)

C BODY=(D=Dynasty, C=New Yorker/N.Y. Salon)      Y BODY=(C=Imperial/5th Avenue)

G BODY=(V=Daytona/IROC, Chrysler Daytona)      E-S BODY=(K=Chrysler Voyager(H) FWD, D=Chrysler Voyager(K) AWD)

J BODY=(C=LeBaron, Chrysler LeBaron)

P BODY=(P=Sundance, D=Shadow)

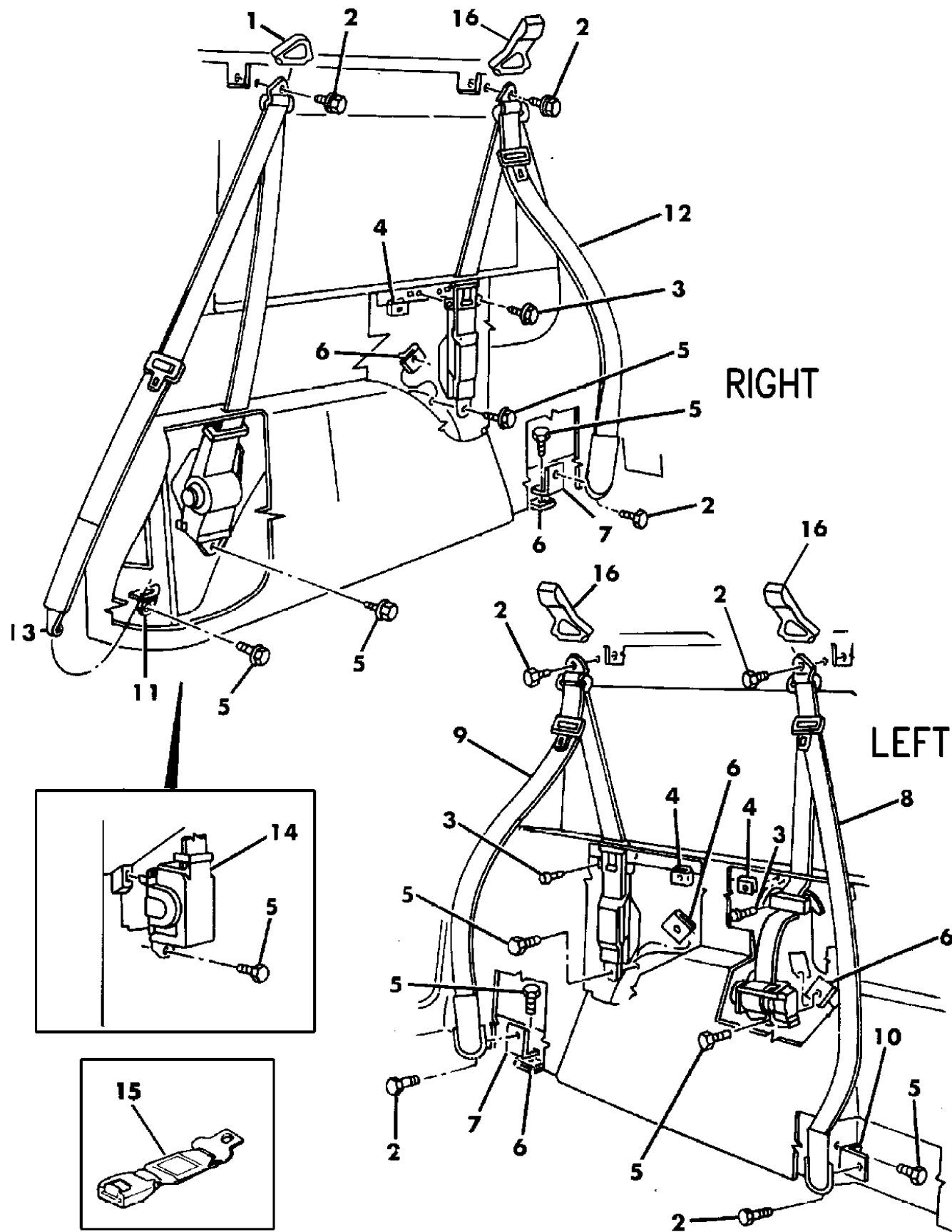
**BODY STYLES:**

21=2-Door Coupe      41=4-Door Sedan      12-52=FWD & AWD Van & Wgn Std W.B.  
24=2-Door Hatchback      44=4-Door Hatchback      53=FWD & AWD Van & Wgn Ext. W.B.  
27=2-Door Convertible

AR = Use as Required - = Non Illustrated Part P.A.R. = Paint as Required

**BELT--REAR SEAT SHOULDER BELTS S BODY**  
Figure ITS-3700

93242 3700A



ITEM	PART NUMBER	QTY	BODY	MODEL	DESCRIPTION
14					BELT, 1st. Rear Seat Outer Right
					LABEL NUMBER 4680244 or 4680272
	HM90 MD5	1		52	Quartz
	HM90 MB7	1		52	Blue
	HM90 MM6	1		52	Red
	HM90 MV4	1		52	Champagne
					LABEL NUMBER 4680274
	HM92 MB7	1		53	Blue
	HM92 MD5	1		53	Quartz
	HM92 MM6	1		53	Red
	HM92 MV4	1		53	Champagne
					BELT 1st Rear Seat Outer Right (CANADA ONLY) ***
					LABEL NUMBER 4680068
	FK24 LD5	1		52	Quartz
	FK24 MB7	1		52	Blue
	FK24 MM6	1		52	Red
	FK24 LV4	1		52	Champagne
15	4740 415	AR			EXTENDER, Seat Belt
16					COVER, (Serv. In Seat Belt Assy.)
					NOTE: (P.A.R. = Paint As Required)

**MODEL CODES:**

A BODY=(C=LeBaron, D=Spirit, P=Acclaim/LaBaron(Landau), Saratoga)      S BODY=(H=Voyager(H) FWD, K=Caravan(H) FWD, Y=Town & Country(H) FWD, P=Voyager(K) AWD, D=Caravan(K) AWD, C=Town & Country(K) AWD)  
 C BODY=(D=Dynasty, C=New Yorker/N.Y. Salon)      Y BODY=(C=Imperial/5th Avenue)  
 G BODY=(V=Daytona/IROC, Chrysler Daytona)      E-S BODY=(K=Chrysler Voyager(H) FWD, D=Chrysler Voyager(K) AWD)  
 J BODY=(C=LeBaron, Chrysler LeBaron)  
 P BODY=(P=Sundance, D=Shadow)

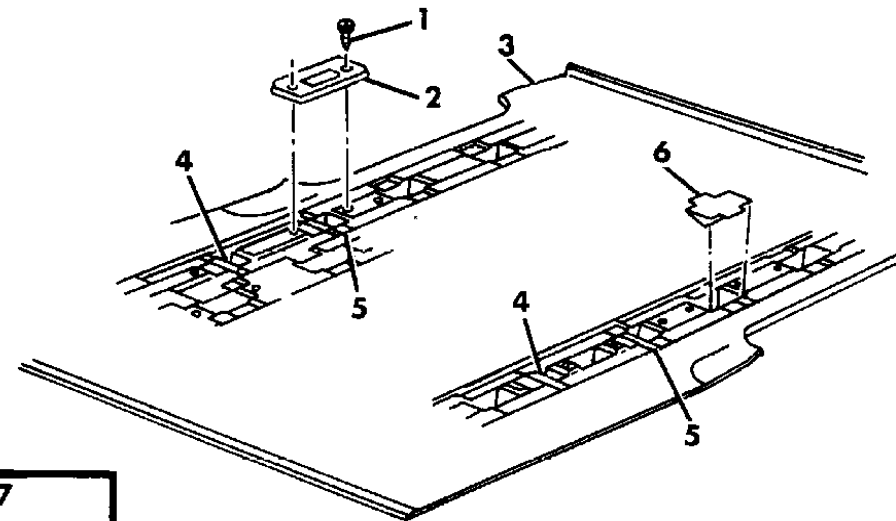
**BODY STYLES:**

21=2-Door Coupe      41=4-Door Sedan      12-52=FWD & AWD Van & Wgn Std W.B.  
 24=2-Door Hatchback      44=4-Door Hatchback      53=FWD & AWD Van & Wgn Ext. W.B.  
 27=2-Door Convertible

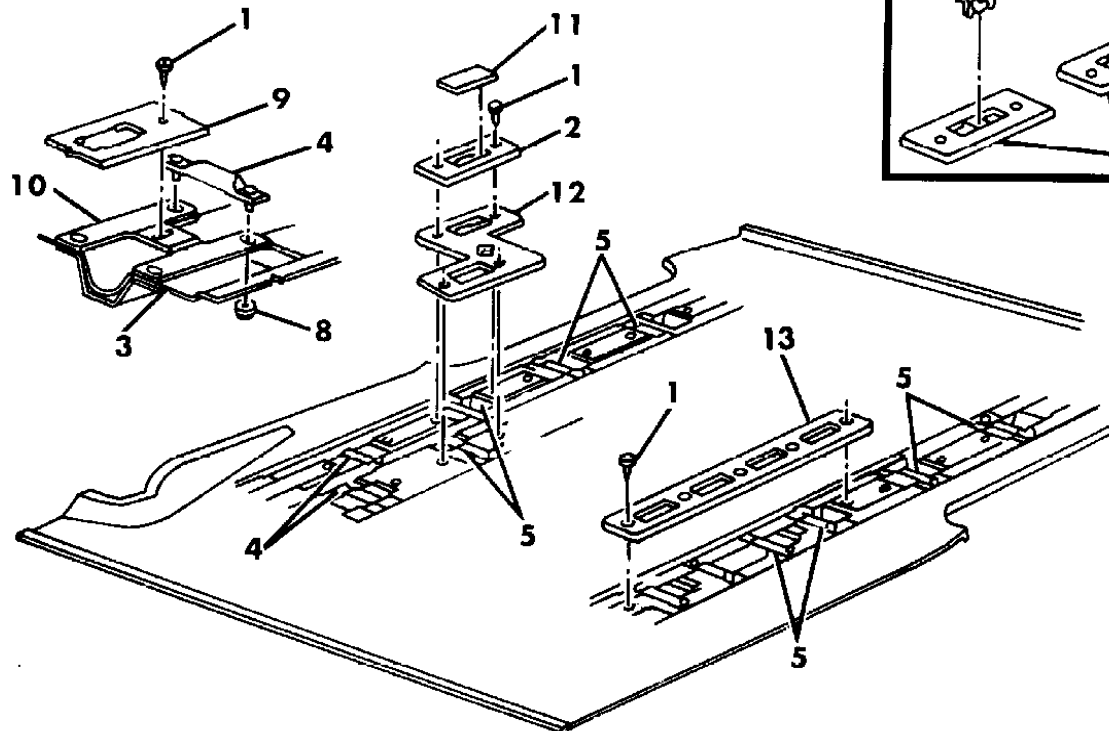
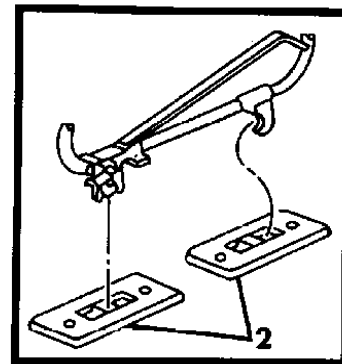
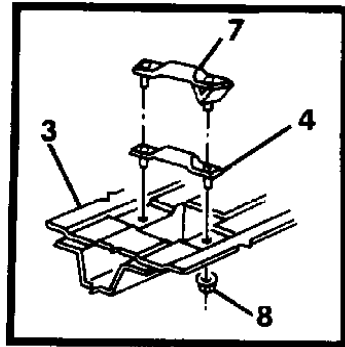
AR = Use as Required - = Non Illustrated Part P.A.R. = Paint as Required

**SEAT--REAR ATTACHMENTS FLOOR PAN S BODY**  
Figure ITS-3800

93242 3800



**5 PASSENGER**



**7 PASSENGER**

ITEM	PART NUMBER	QTY	BODY	MODEL	DESCRIPTION
1	6500 741	AR			SCREW, (8-15x1)
2	AW71 MB7	AR			ESCUTCHEON, Seat Hold Down (Short) Blue
	AW71 MMA	AR			Red
	AW71 KV8	AR			Champagne
	AW71 KD5	AR			Quartz
3					FLOOR PAN, (Reference)
4	4548 302	AR			STRIKER and BOLT, Seat Retention (Front)
5	4548 304	AR			STRIKER and BOLT, Seat Retention (Rear)
6					FILLER, rear Floor Striker 5 Passenger (Not Serv.)
7	5255 241	1		52-53	STRIKER, Rear Seat Retention & Seat Belt Anchor Bracket
8					NUT and WASHER
	6500 927	AR			Used For Rear Seat Front Retention
	6501 269	AR			Used For Rear Seat Striker
9					ESCUTCHION, Seat Hold Down (Long) *** 112" Wheelbase
	AW69 MB7	1		52	Blue
	AW69 MMA	1		52	Red
	AW69 KV8	1		52	Champagne
	AW69 KD5	1		52	Quartz
					119" Wheelbase
	AW70 MB7	1		53	Blue
	AW70 MMA	1		53	Red
	AW70 KV8	1		53	Champagne
	AW70 KD5	1		53	Quartz
10	4385 043	1			SUPPORT, Floor Pan Striker Bezel
11					COVER, Rear Seat Hold Down Floor Escutcheon
	S655 KD5	AR			Quartz
	S655 MB7	AR			Blue
	S655 MMA	AR			Red
	S655 KV8	AR			Champagne
12					ESCUTCHEON, Rear Floor (w/Belt Anchor Hole)
	GH43 MB7	1		52	Blue, (BI-LINGUAL)
	GH43 LD5	1		52	Quartz, (BI-LINGUAL)
	GH43 MMA	1		52	Red, (BI-LINGUAL)
	GH43 LV8	1		52	Champagne, (BI-LINGUAL)
	GH35 MB7	1		52	Blue, (ENGLISH)
	GH35 LD5	1		52	Quartz, (ENGLISH)
	GH35 MMA	1		52	Red, (ENGLISH)

**MODEL CODES:**

A BODY=(C=LeBaron, D=Spirit, P=Acclaim/LaBaron(Landau), Saratoga)

C BODY=(D=Dynasty, C=New Yorker/N.Y. Salon)

G BODY=(V=Daytona/ROC, Chrysler Daytona)

J BODY=(C=LeBaron, Chrysler LeBaron)

P BODY=(P=Sundance, D=Shadow)

S BODY=(H=Voyager(H) FWD, K=Caravan(H) FWD,

Y=Town & Country(H) FWD, P=Voyager(K) AWD,

D=Caravan(K) AWD, C=Town & Country(K) AWD)

Y BODY=(C=Imperial/5th Avenue)

E-S BODY=(K=Chrysler Voyager(H) FWD, D=Chrysler

Voyager(K) AWD)

**BODY STYLES:**

21=2-Door Coupe

41=4-Door Sedan

12-52=FWD & AWD Van & Wgn Std W.B.

24=2-Door Hatchback

44=4-Door Hatchback

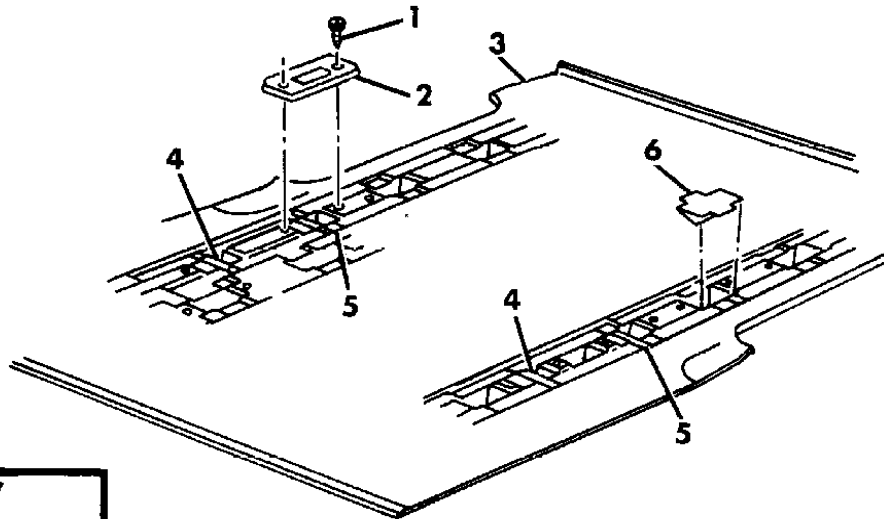
53=FWD & AWD Van & Wgn Ext. W.B.

27=2-Door Convertible

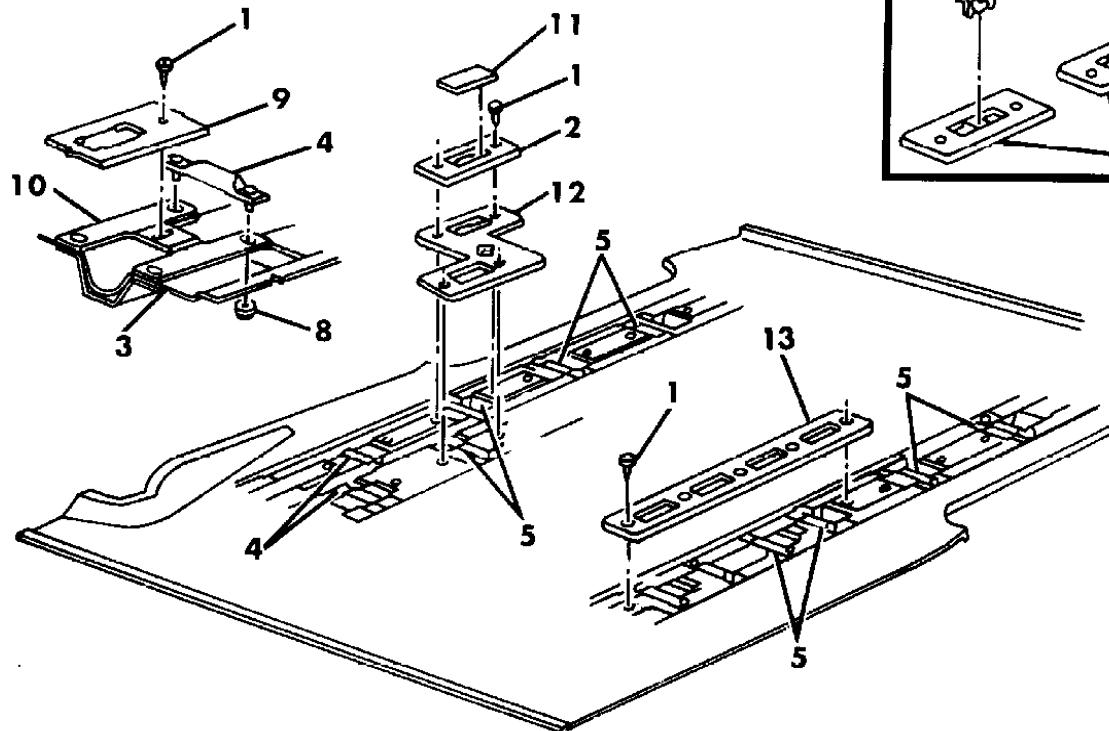
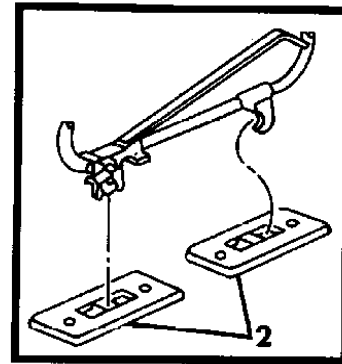
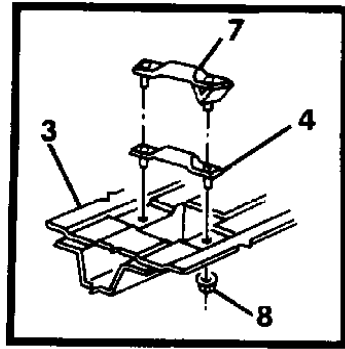
AR = Use as Required - = Non Illustrated Part P.A.R. = Paint as Required

**SEAT--REAR ATTACHMENTS FLOOR PAN S BODY**  
Figure ITS-3800

93242 3800



**5 PASSENGER**



**7 PASSENGER**

ITEM	PART NUMBER	QTY	BODY	MODEL	DESCRIPTION
	GH35 LV8	1		52	Champagne, (ENGLISH)
	GH45 MB7	1		53	Blue, (ENGLISH)
	GH45 LD5	1		53	Quartz, (ENGLISH)
	GH45 MMA	1		53	Red, (ENGLISH)
	GH45 LV8	1		53	Champagne, (ENGLISH)
	GH47 MB7	1		53	Blue, (BI-LINGUAL)
	GH47 LD5	1		53	Quartz, (BI-LINGUAL)
	GH47 MMA	1		53	Red, (BI-LINGUAL)
	GH47 LV8	1		53	Champagne, (BI-LINGUAL)
13					ESCUTCHEON, Seat Hold Down (Long)
	AW69 MMA	1		52	Red
	AW69 KD5	1		52	Quartz
	AW69 MB7	1		52	Blue
	AW69 KV8	1		52	Champagne
	AW70 MMA	1		53	Red
	AW70 KD5	1		53	Quartz
	AW70 MB7	1		53	Blue
	AW70 KV8	1		53	Champagne

**MODEL CODES:**

A BODY=(C=LeBaron, D=Spirit, P=Acclaim/LaBaron(Landau),  
Saratoga)  
C BODY=(D=Dynasty, C=New Yorker/N.Y. Salon)  
G BODY=(V=Daytona/IROC, Chrysler Daytona)  
J BODY=(C=LeBaron, Chrysler LeBaron)  
P BODY=(P=Sundance, D=Shadow)

S BODY=(H=Voyager(H) FWD, K=Caravan(H) FWD,  
Y=Town & Country(H) FWD, P=Voyager(K) AWD,  
D=Caravan(K) AWD, C=Town & Country(K) AWD)  
Y BODY=(C=Imperial/5th Avenue)  
E-S BODY=(K=Chrysler Voyager(H) FWD, D=Chrysler  
Voyager(K) AWD)

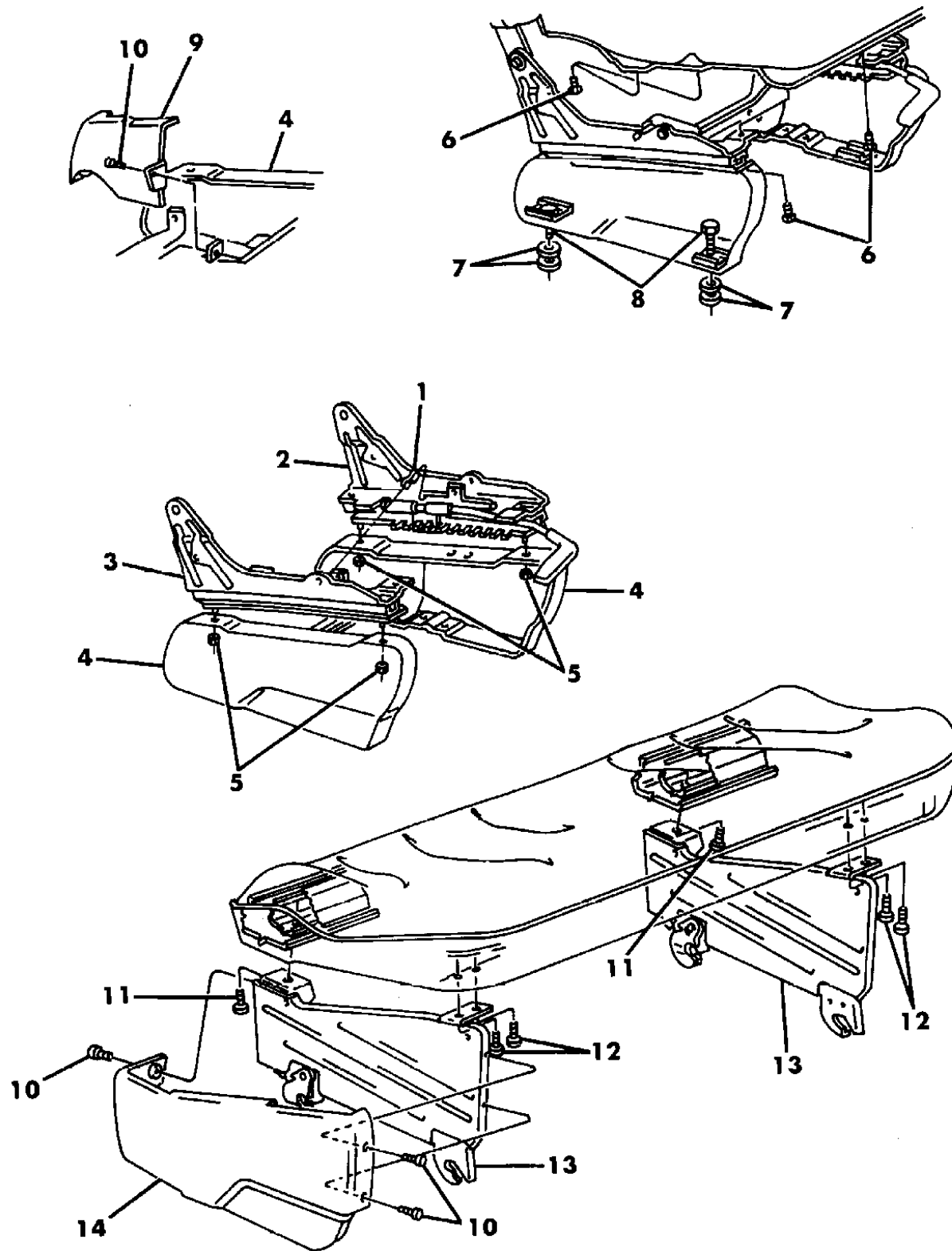
**BODY STYLES:**

21=2-Door Coupe      41=4-Door Sedan      12-52=FWD & AWD Van & Wgn Std W.B.  
24=2-Door Hatchback      44=4-Door Hatchback      53=FWD & AWD Van & Wgn Ext. W.B.  
27=2-Door Convertible

AR = Use as Required - = Non Illustrated Part P.A.R. = Paint as Required

**RISERS - SEAT REAR 1ST POSITION SEAT S BODY**  
Figure ITS-3900

93242 3900



ITEM	PART NUMBER	QTY	BODY	MODEL	DESCRIPTION
1	2765 433	1			SPRING, Wire Latch Tie
2	4420 755	1			ADJUSTER, Manual Outboard
3	4420 753	1			ADJUSTER, Manual Inboard
4					RISER, Rear Quads
					RIGHT, w/EZ Entry
	FX42 MB7	1			Blue
	FX42 MD5	1			Quartz
	FX42 MM6	1			Red
	FX42 MV4	1			Champagne
					LEFT
	WL49 MB7	1			Blue
	WL49 KD5	1			Quartz
	WL49 MM6	1			Red
	WL49 KV4	1			Champagne
5	6100 051	AR			NUT
6	6100 574	AR			BOLT
7		AR			PUSH-NUT, (Not Serv.)
8	6500 741	4			BOLT, Riser To Floor
9					COVER, Riser Rear
	GU34 MB7	1			Blue, Stamped 4705236
	GU35 MB7	1			Blue
	GU34-5 MD5	1			Quartz
	GU34-5 MMA	1			Red
	GU34-5 MV4	1			Champagne
10					SCREW, Cover To Riser (Not Serv.)
11	6031 218	2			BOLT, Riser To Rear Cushion
12	6501 423	4			BOLT, Riser To Front Cushion
13	4519 390	2			RISER, (1st Rear Seat - 2 or 3 Passneger Seating)
14	AC52 KV4	1			COVER, Riser (P.A.R.)

NOTE: (P.A.R.) = Paint As Required)

**MODEL CODES:**

A BODY=(C=LeBaron, D=Spirit, P=Acclaim/LaBaron(Landau),  
Saratoga)  
C BODY=(D=Dynasty, C=New Yorker/N.Y. Salon)  
G BODY=(V=Daytona/IROC, Chrysler Daytona)  
J BODY=(C=LeBaron, Chrysler LeBaron)  
P BODY=(P=Sundance, D=Shadow)

S BODY=(H=Voyager(H) FWD, K=Caravan(H) FWD,  
Y=Town & Country(H) FWD, P=Voyager(K) AWD,  
D=Caravan(K) AWD, C=Town & Country(K) AWD)  
Y BODY=(C=Imperial/5th Avenue)  
E-S BODY=(K=Chrysler Voyager(H) FWD, D=Chrysler  
Voyager(K) AWD)

**BODY STYLES:**

21=2-Door Coupe      41=4-Door Sedan      12-52=FWD & AWD Van & Wgn Std W.B.  
24=2-Door Hatchback      44=4-Door Hatchback      53=FWD & AWD Van & Wgn Ext. W.B.  
27=2-Door Convertible

AR = Use as Required - = Non Illustrated Part P.A.R. = Paint as Required

---

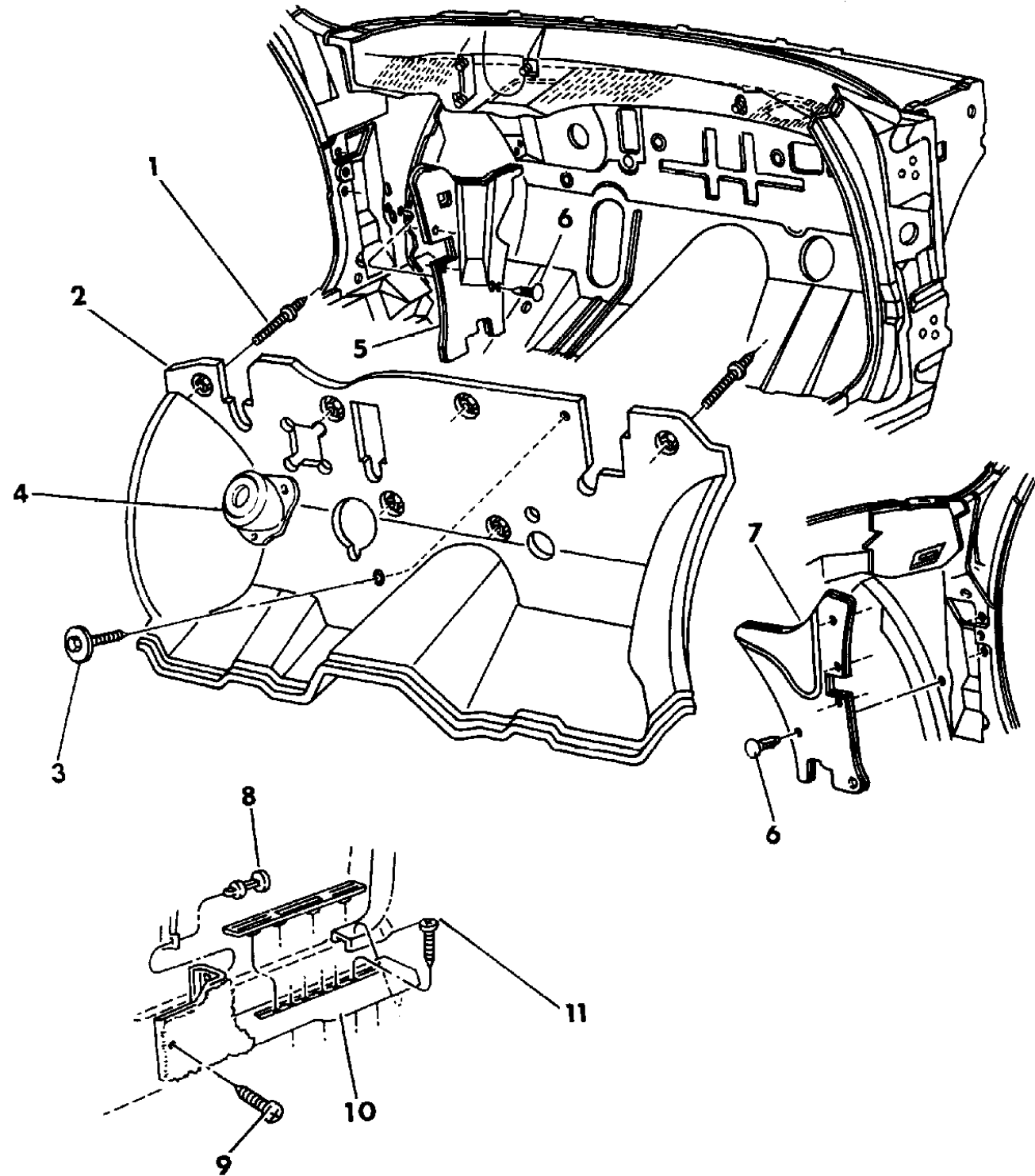
**GROUP ITY - Y BODY**

<b>ILLUSTRATION TITLE</b>	<b>GROUP-FIG. NO.</b>
COWL PANEL AND SILENCERS Y BODY .....	Fig. ITY-100
HEADLINER--VISOR--SILENCERS Y BODY .....	Fig. ITY-200
MOULDINGS--GARNISH Y BODY .....	Fig. ITY-300
B-PILLAR TRIM Y BODY .....	Fig. ITY-400
PANEL--QUARTER TRIM Y BODY .....	Fig. ITY-500
CARPET AND SCUFF PLATES Y BODY .....	Fig. ITY-600
CARPET--TRUNK Y BODY .....	Fig. ITY-700
DOOR TRIM PANEL - FRONT Y BODY .....	Fig. ITY-800
DOOR TRIM PANEL - REAR Y BODY - SPECIAL .....	Fig. ITY-900
DOOR TRIM PANEL--REAR Y BODY - PREMIUM .....	Fig. ITY-1000
SEAT--FRONT Y BODY TRIM CODES SF-SP .....	Fig. ITY-1100
SEAT--FRONT Y BODY TRIM CODES YF,YP .....	Fig. ITY-1200
BELT--FRONT SEAT Y BODY .....	Fig. ITY-1300
SEAT--RECLINING Y BODY .....	Fig. ITY-1400
ADJUSTERS AND COVERS MANUAL Y BODY .....	Fig. ITY-1500
ADJUSTERS AND COVERS MANUAL AND ELECTRIC Y BODY .....	Fig. ITY-1600
SEAT--REAR Y BODY TRIM CODES YF,YP .....	Fig. ITY-1700
SEAT--REAR Y BODY TRIM CODES SF-SP .....	Fig. ITY-1800
BELT--REAR SEAT Y BODY .....	Fig. ITY-1900

**ILLUSTRATION NOT AVAILABLE AT TIME OF PUBLICATION**

**COWL PANEL AND SILENCERS Y BODY**  
Figure ITY-100

93237 100



ITEM	PART NUMBER	QTY	BODY	MODEL	DESCRIPTION
1	6032 020	6			STUD, Collar (Special)
2	5256 049	1			Silencer, Dash and Cowl Sides ***
3		AR			SCREW and WASHER, (Not Serv.)
4					COVER and SILENCER, (See Group 19 Chassis)
5		1			SILENCER, Cowl Left (Not Serv.)
6		AR			RETAINER (Not Serv.)
7		1			SILENCER, Cowl Right (Not Serv.)
8					FASTENER
	F155 HB9	AR			Blue
	F155 KM6	AR			Red
	F155 HV4	AR			Champagne
	F155 LAZ	AR			Agate
	F155 JH7	AR			Mahogany
	F155 CX9	AR			Black
	F155 HW8	AR			Quartz
9	9414 726	2			SCREW
10					PANEL, Cowl and Scuff Plate
	GA08-9 LB9	1			Blue
	GA08-9 LMA	1			Red
	GA08-9 LV4	1			Champagne/Tan
	GA08-9 LAZ	1			Agate
	GA08-9 LH7	1			Mahogany
	GA08-9 LX9	1			Black
11		AR			SCREW, (Not Serv.)

**MODEL CODES:**

A BODY=(C=LeBaron, D=Spirit, P=Acclaim/LaBaron(Landau), Saratoga)      S BODY=(H=Voyager(H) FWD, K=Caravan(H) FWD, Y=Town & Country(H) FWD, P=Voyager(K) AWD, D=Caravan(K) AWD, C=Town & Country(K) AWD)  
 C BODY=(D=Dynasty, C=New Yorker/N.Y. Salon)  
 G BODY=(V=Daytona/IROC, Chrysler Daytona)  
 J BODY=(C=LeBaron, Chrysler LeBaron)  
 P BODY=(P=Sundance, D=Shadow)      Y BODY=(C=Imperial/5th Avenue)  
 E-S BODY=(K=Chrysler Voyager(H) FWD, D=Chrysler Voyager(K) AWD)

**BODY STYLES:**

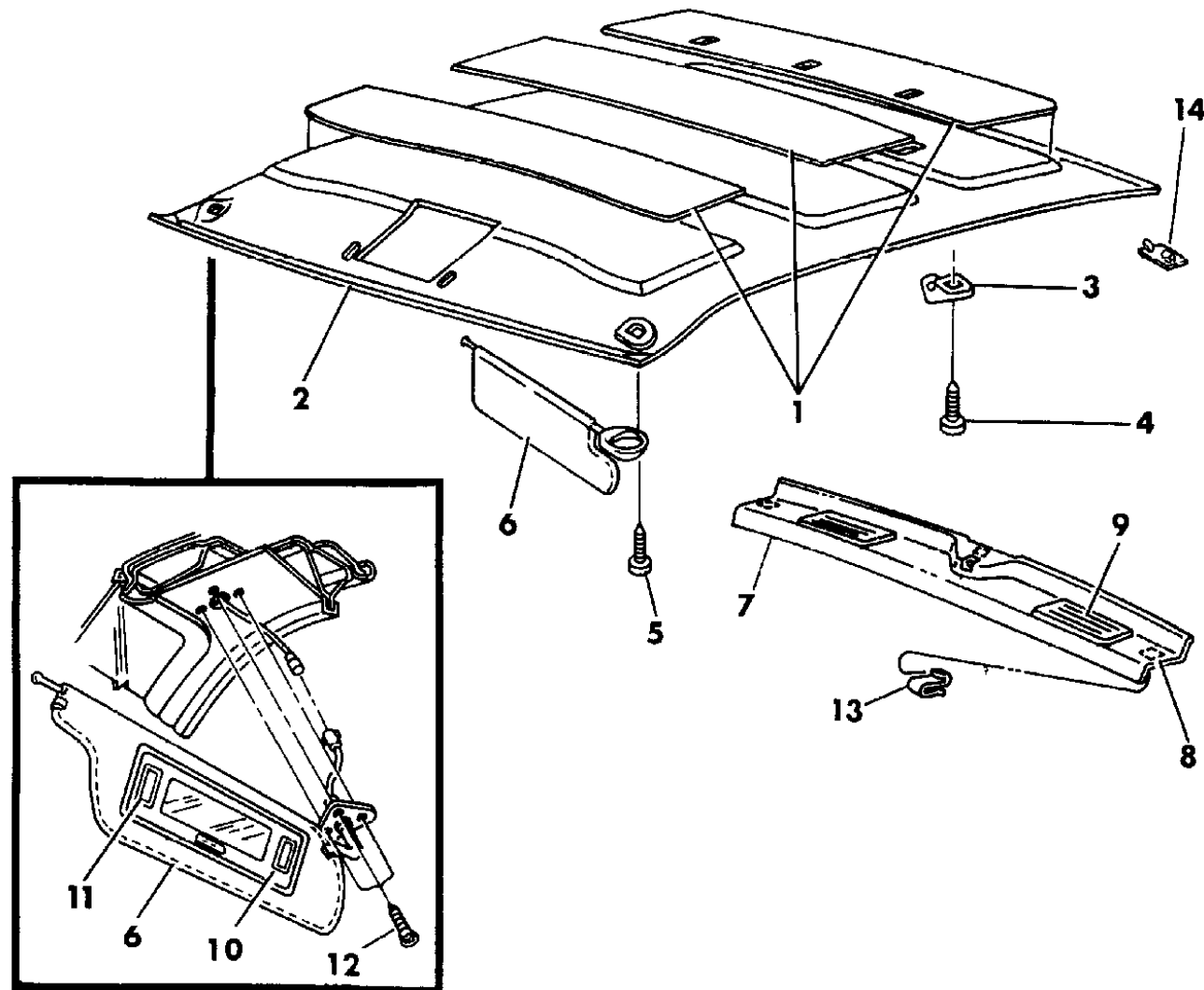
21=2-Door Coupe      41=4-Door Sedan      12-52=FWD & AWD Van & Wgn Std W.B.  
 24=2-Door Hatchback      44=4-Door Hatchback      53=FWD & AWD Van & Wgn Ext. W.B.  
 27=2-Door Convertible

AR = Use as Required - = Non Illustrated Part P.A.R. = Paint as Required

**HEADLINER--VISOR--SILENCERS Y BODY**  
Figure ITY-200

93237 200

ITEM	PART NUMBER	QTY	BODY	MODEL	DESCRIPTION
1	4342 496	AR			SILENCER, (Cut to Fit)
2					HEADLINER w/o Sun Roof
	H790 HB9	1	S		Blue
	H790 LMA	1	S		Red
	H790 HV4	1	S		Champagne
	H790 LAZ	1	S		Agate
	H823 JB9	1	P		Blue
	H823 LMA	1	P		Red
	H823 HV4	1	P		Champagne
	H823 JX9	1	P		Black
	H823 HW8	1	P		Quartz
	H823 JH7	1	P		Mahogany
					w/ Sun Roof
	H791 HB9	1	S		Blue
	H791 LMA	1	S		Red
	H791 HV4	1	S		Champagne
	H791 LAZ	1	S		Agate
3	5259 902	2			HOOK, Coat
4		AR			SCREW, (Not Serv.)
5	6032 584	6			SCREW
6					VISOR, w/Illuminated Mirror (Complete) w/Variable Adjusting Light Switch
	DZ56-7 KB9	1			Blue
	DZ56-7 LMA	1			Red
	DZ56-7 KV4	1			Champagne
	DZ56-7 LAZ	1			Agate
	DZ56-7 KH7	1			Mahogany
	DZ56-7 KW8	1			Quartz
	DZ56-7 KX9	1			Black
					VISOR, w/Mirror (Only)
					Left
	EE83 LMA	1			Red
	EE83 KV4	1			Champagne
	EE83 LAZ	1			Agate
	EE83 KB9	1			Blue
					Right
	EE86 LMA	1			Red
	EE86 KV4	1			Champagne



**MODEL CODES:**

A BODY=(C=LeBaron, D=Spirit, P=Acclaim/LaBaron(Landau), Saratoga)      S BODY=(H=Voyager(H) FWD, K=Caravan(H) FWD, Y=Town & Country(H) FWD, P=Voyager(K) AWD, D=Caravan(K) AWD, C=Town & Country(K) AWD)

C BODY=(D=Dynasty, C=New Yorker/N.Y. Salon)

G BODY=(V=Daytona/ROC, Chrysler Daytona)

J BODY=(C=LeBaron, Chrysler LeBaron)

P BODY=(P=Sundance, D=Shadow)

Y BODY=(C=Imperial/5th Avenue)

E-S BODY=(K=Chrysler Voyager(H) FWD, D=Chrysler Voyager(K) AWD)

**BODY STYLES:**

21=2-Door Coupe      41=4-Door Sedan      12-52=FWD & AWD Van & Wgn Std W.B.  
24=2-Door Hatchback      44=4-Door Hatchback      53=FWD & AWD Van & Wgn Ext. W.B.  
27=2-Door Convertible

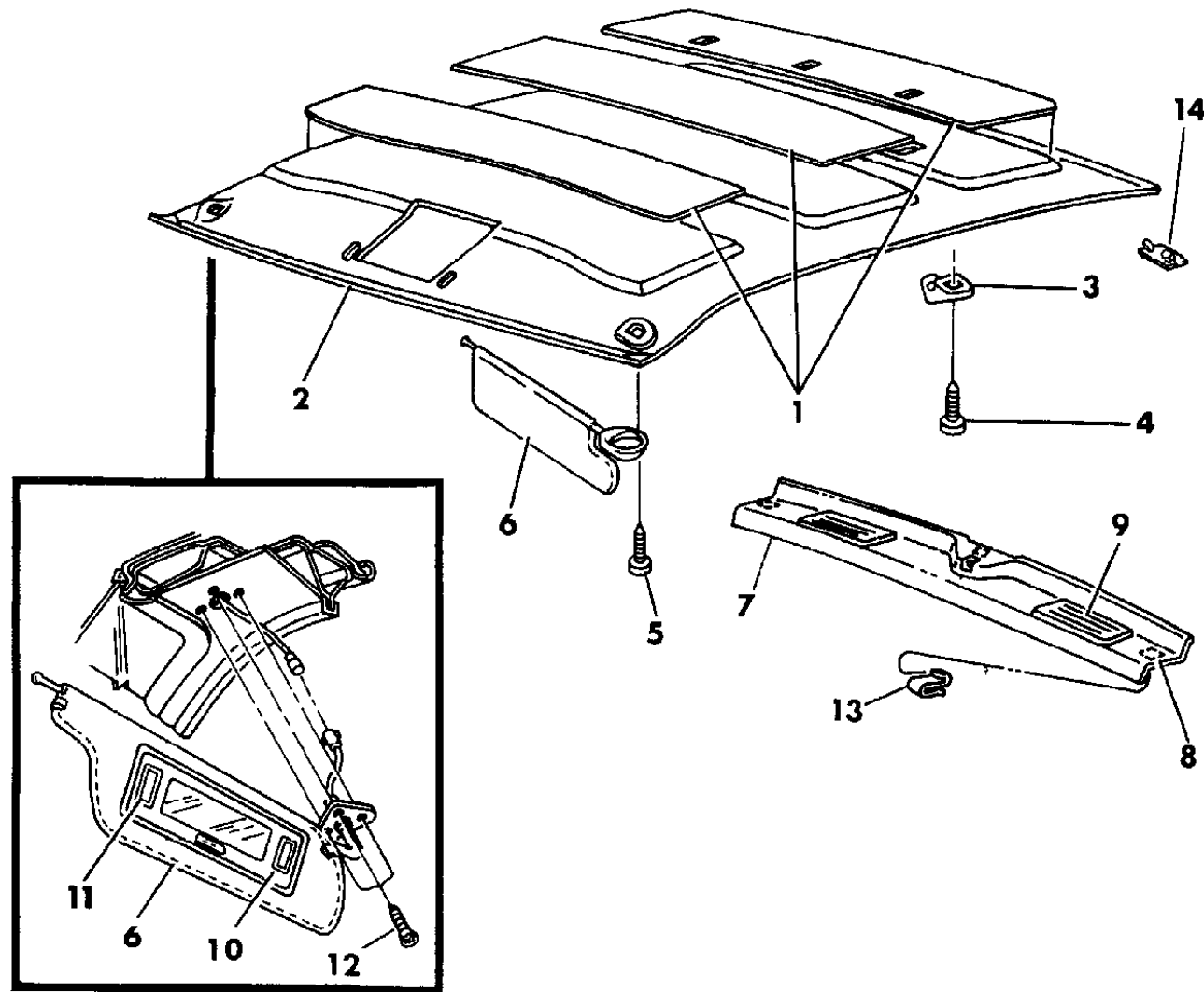
AR = Use as Required - = Non Illustrated Part P.A.R. = Paint as Required



**HEADLINER--VISOR--SILENCERS Y BODY**  
Figure ITY-200

93237 200

ITEM	PART NUMBER	QTY	BODY	MODEL	DESCRIPTION
	EE86 LAZ	1			Agate
	EE86 KB9	1			Blue
	EH54-5 LM6	1			ARM and BRACKET Red
	EH54-5 LAZ	1			Agate
	EH54-5 KB9	1			Blue
	EH54-5 KV4	1			Champagne
7	4611 005	3			RETAINER, Shelf Trim Panel
8					PANEL, Shelf Trim
	EM67 KB9	1		P	Blue
	EM67 LM6	1		P	Red
	EM67 KV8	1		P	Champagne
	EM67 KH7	1		P	Mahogany
	EM67 KX9	1		P	Black w/o Infinity Sound System
	EM63 KB9	1		S	Blue
	EM63 LM6	1		S	Red
	EM63 KV8	1		S	Champagne
	EM63 LAZ	1		S	Agate w/Infinity or Ultimate Sound
	EM66 KB9	1		S	Blue
	EM66 LM6	1		S	Red
	EM66 KV8	1		S	Champagne
	EM66 LAZ	1		S	Agate
9					GRILLE, Rear Shelf Speakers
	EM88-9 LAZ	1		S	Agate
	EM88-9 KB9	1		S P	Blue
	EM88-9 LMA	1		S P	Red
	EM88-9 KV8	1		S P	Champagne
	EM88-9 KH7	1		P	Mahogany
	EM88-9 KX7	1		P	Black
10	4620 136-7	1			LENS/BUTTON, Illuminated Vanity Mirror ***
11	6501 966	1			BULB, Vanity Mirror
12	6032 584	6			SCREW
13	6502 184	3			CLIP, (S) Shelf Trim Panel Attaching
14	4410 800	4			RETAINER, Roof Headliner



**MODEL CODES:**

A BODY=(C=LeBaron, D=Spirit, P=Acclaim/LaBaron(Landau), Saratoga)

C BODY=(D=Dynasty, C=New Yorker/N.Y. Salon)

G BODY=(V=Daytona/ROC, Chrysler Daytona)

J BODY=(C=LeBaron, Chrysler LeBaron)

P BODY=(P=Sundance, D=Shadow)

S BODY=(H=Voyager(H) FWD, K=Caravan(H) FWD,

Y=Town & Country(H) FWD, P=Voyager(K) AWD,

D=Caravan(K) AWD, C=Town & Country(K) AWD)

Y BODY=(C=Imperial/5th Avenue)

E-S BODY=(K=Chrysler Voyager(H) FWD, D=Chrysler

Voyager(K) AWD)

**BODY STYLES:**

21=2-Door Coupe

41=4-Door Sedan

12-52=FWD & AWD Van & Wgn Std W.B.

24=2-Door Hatchback

44=4-Door Hatchback

53=FWD & AWD Van & Wgn Ext. W.B.

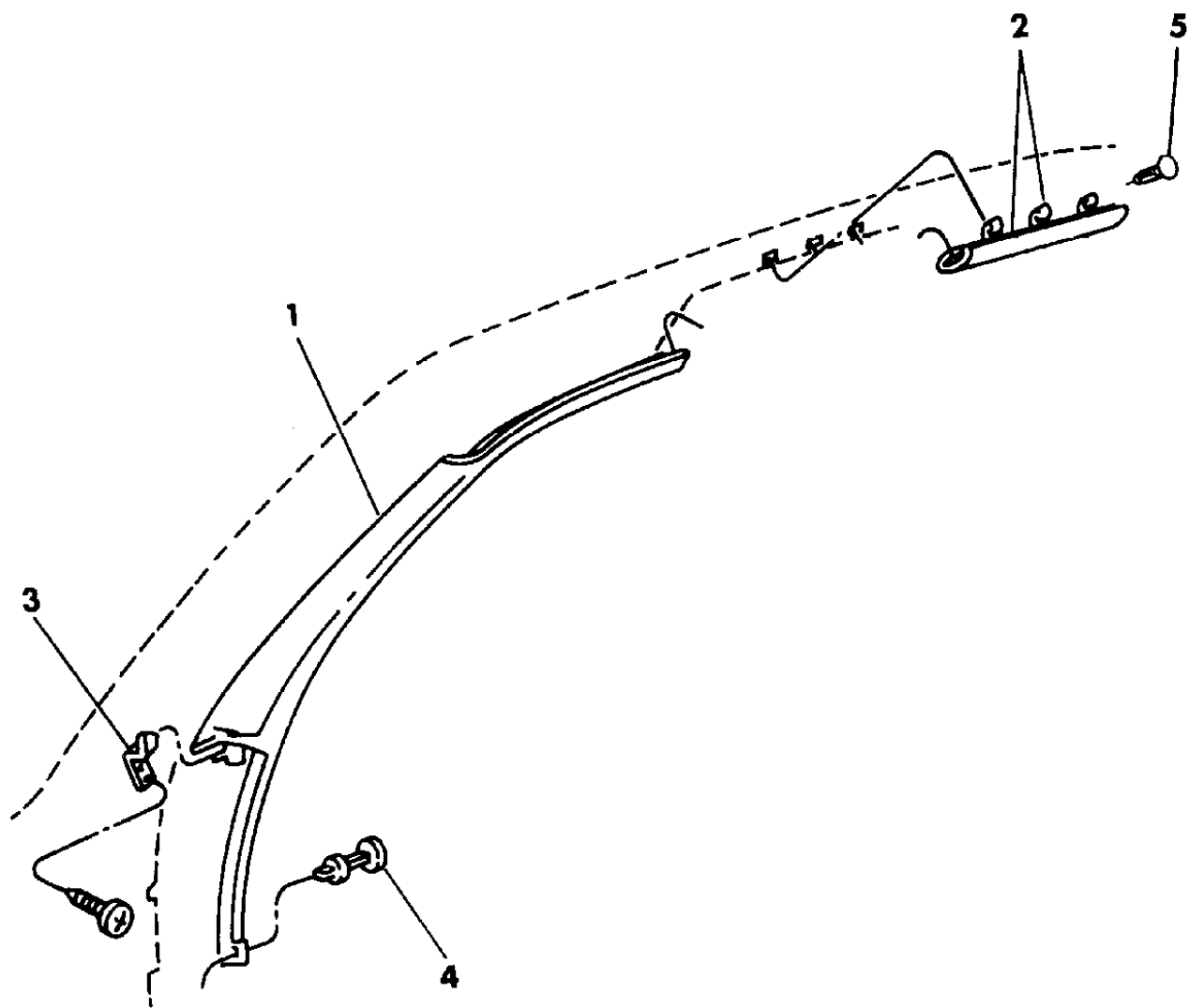
27=2-Door Convertible

AR = Use as Required - = Non Illustrated Part P.A.R. = Paint as Required

**MOULDINGS--GARNISH Y BODY**  
Figure ITY-300

93237 300

ITEM	PART NUMBER	QTY	BODY	MODEL	DESCRIPTION
1					MOULDING, Windshield & Roof Rail
					Flocked
	EX50-1 KB9	1			Blue
	EX50-1 LM6	1			Red
	EX50-1 KV4	1			Champagne
	EX50-1 LAZ	1			Agate
	EX50-1 KH7	1			Mahogany
	EX50-1 KW8	1			Quartz
	EX50-1 KX9	1			Black
2					MOULDING, Rear Door Roof Rail Garnish, w/Light
					Flocked
	EX52-3 KB9	1			Blue
	EX52-3 LM6	1			Red
	EX52-3 KV4	1			Champagne
	EX52-3 LAZ	1			Agate
	EX52-3 KH7	1			Mahogany
	EX52-3 KW8	1			Quartz
	EX52-3 KX9	1			Black
3					BRACKET
	4409 716	1			Right
	4521 057	1			Left
4					FASTENER
	F155 HB9	AR			Blue
	F155 KM6	AR			Red
	F155 HV4	AR			Champagne
	F155 LAZ	AR			Agate
	F155 JH7	AR			Mahogany
	F155 HW8	AR			Quartz
	F155 CX9	AR			Black
5	4681 110	AR			CLIP, Rear Roof Rail Attaching



**MODEL CODES:**

A BODY=(C=LeBaron, D=Spirit, P=Acclaim/LaBaron(Landau), Saratoga)      S BODY=(H=Voyager(H) FWD, K=Caravan(H) FWD, Y=Town & Country(H) FWD, P=Voyager(K) AWD, D=Caravan(K) AWD, C=Town & Country(K) AWD)  
 C BODY=(D=Dynasty, C=New Yorker/N.Y. Salon)  
 G BODY=(V=Daytona/IROC, Chrysler Daytona)  
 J BODY=(C=LeBaron, Chrysler LeBaron)  
 P BODY=(P=Sundance, D=Shadow)

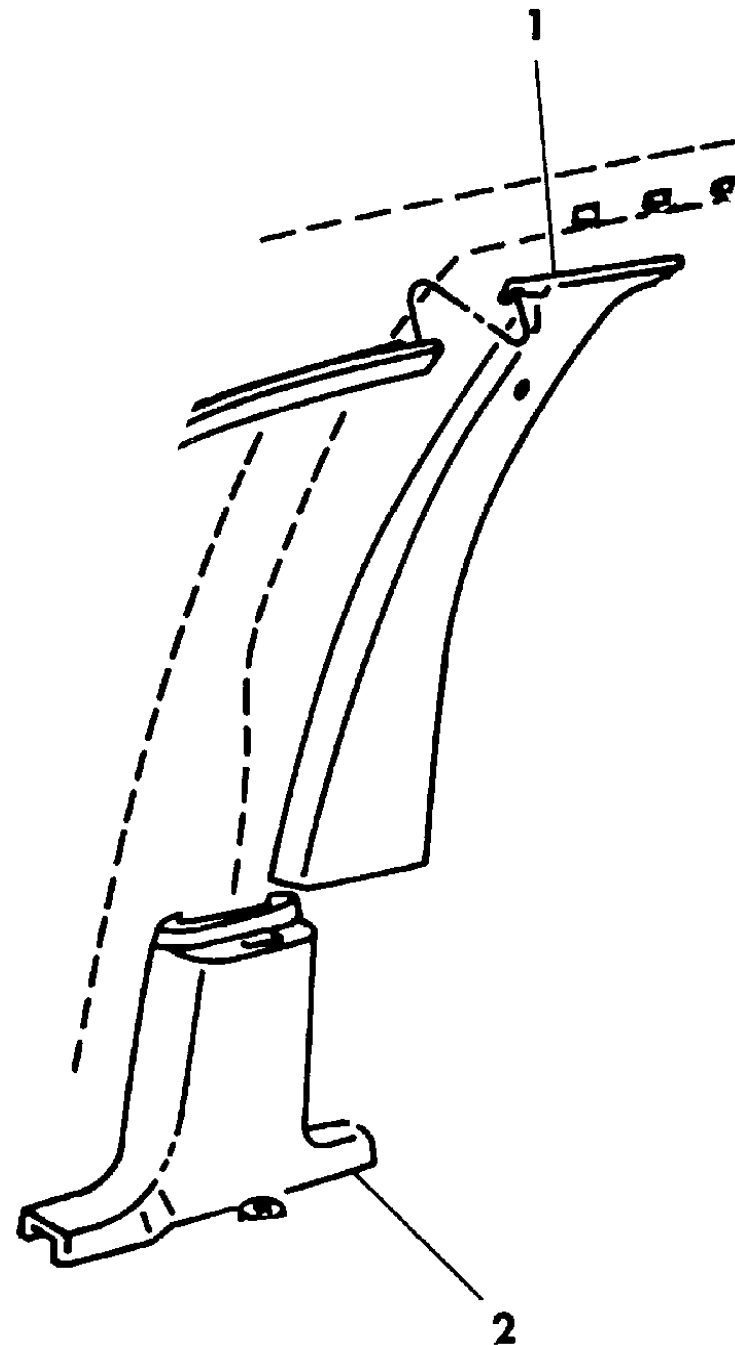
**BODY STYLES:**

21=2-Door Coupe      41=4-Door Sedan      12-52=FWD & AWD Van & Wgn Std W.B.  
 24=2-Door Hatchback      44=4-Door Hatchback      53=FWD & AWD Van & Wgn Ext. W.B.  
 27=2-Door Convertible

AR = Use as Required   - = Non Illustrated Part   P.A.R. = Paint as Required

**B-PILLAR TRIM Y BODY**  
Figure ITY-400

93237 400



ITEM	PART NUMBER	QTY	BODY	MODEL	DESCRIPTION
1					PANEL, Upper Center Pillar (Flocked)
	V716-7 HB9	1			Flocked Blue
	V716-7 LM6	1			Red
	V716-7 HV4	1			Champagne
	V716-7 LAZ	1			Agate
	V716-7 JH7	1			Mahogany
	V716-7 HW8	1			Quartz
	V716-7 JX9	1			Black
2	WJ62-3 JV4	1			PANEL, Lower Center Pillar (P.A.R.) NOTE: (P.A.R. = Paint As Required)

**MODEL CODES:**

A BODY=(C=LeBaron, D=Spirit, P=Acclaim/LaBaron(Landau), Saratoga)      S BODY=(H=Voyager(H) FWD, K=Caravan(H) FWD, Y=Town & Country(H) FWD, P=Voyager(K) AWD, D=Caravan(K) AWD, C=Town & Country(K) AWD)  
 C BODY=(D=Dynasty, C=New Yorker/N.Y. Salon)  
 G BODY=(V=Daytona/IROC, Chrysler Daytona)  
 J BODY=(C=LeBaron, Chrysler LeBaron)  
 P BODY=(P=Sundance, D=Shadow)      Y BODY=(C=Imperial/5th Avenue)  
 E-S BODY=(K=Chrysler Voyager(H) FWD, D=Chrysler Voyager(K) AWD)

**BODY STYLES:**

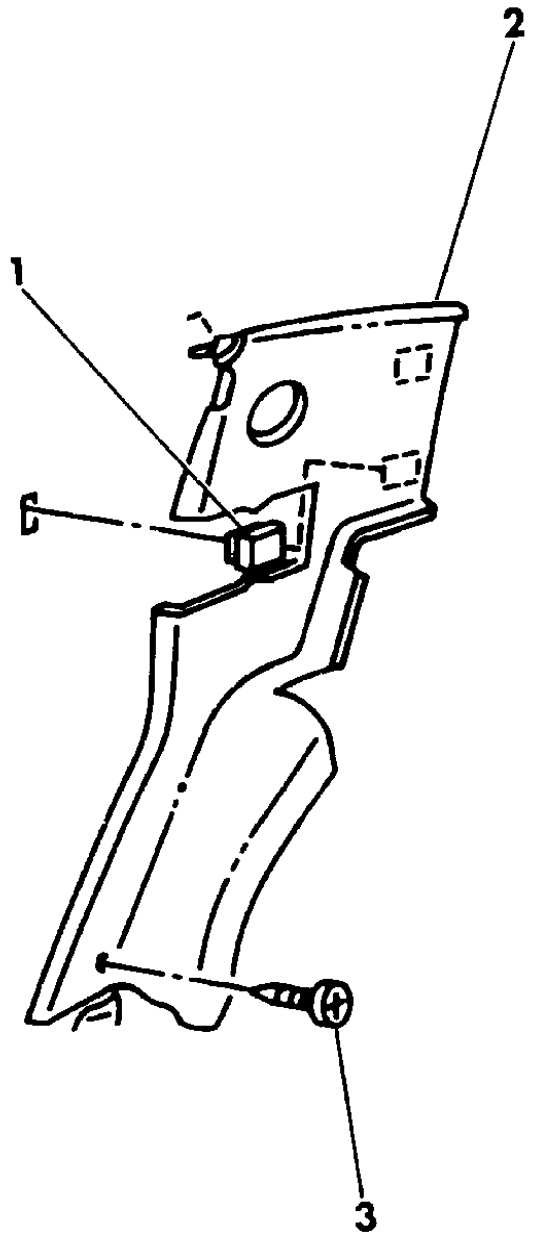
21=2-Door Coupe      41=4-Door Sedan      12-52=FWD & AWD Van & Wgn Std W.B.  
 24=2-Door Hatchback      44=4-Door Hatchback      53=FWD & AWD Van & Wgn Ext. W.B.  
 27=2-Door Convertible

AR = Use as Required - = Non Illustrated Part P.A.R. = Paint as Required

PANEL--QUARTER TRIM Y BODY  
Figure ITY-500

93237 500

ITEM	PART NUMBER	QTY	BODY	MODEL	DESCRIPTION
1	4453 467	AR			FASTENER
2					PANEL, Quarter Trim
	DL66-7 JB9	1	S		Blue
	DL66-7 LM6	1	S		Red
	DL66-7 JV4	1	S		Champagne
	DL66-7 LAZ	1	S		Agate FLOCKED
	DL70-1 JB9	1	P		Blue
	DL70-1 LM6	1	P		Red
	DL70-1 JV4	1	P		Champagne
	DL70-1 JH7	1	P		Mahogany
	DL70-1 JW8	1	P		Quartz
	DL70-1 JX9	1	P		Black
3	0153 704	2			SCREW



**MODEL CODES:**

A BODY=(C=LeBaron, D=Spirit, P=Acclaim/LaBaron(Landau), Saratoga)      S BODY=(H=Voyager(H) FWD, K=Caravan(H) FWD, Y=Town & Country(H) FWD, P=Voyager(K) AWD, D=Caravan(K) AWD, C=Town & Country(K) AWD)

C BODY=(D=Dynasty, C=New Yorker/N.Y. Salon)

G BODY=(V=Daytona/IROC, Chrysler Daytona)      Y BODY=(C=Imperial/5th Avenue)

J BODY=(C=LeBaron, Chrysler LeBaron)      E-S BODY=(K=Chrysler Voyager(H) FWD, D=Chrysler Voyager(K) AWD)

P BODY=(P=Sundance, D=Shadow)

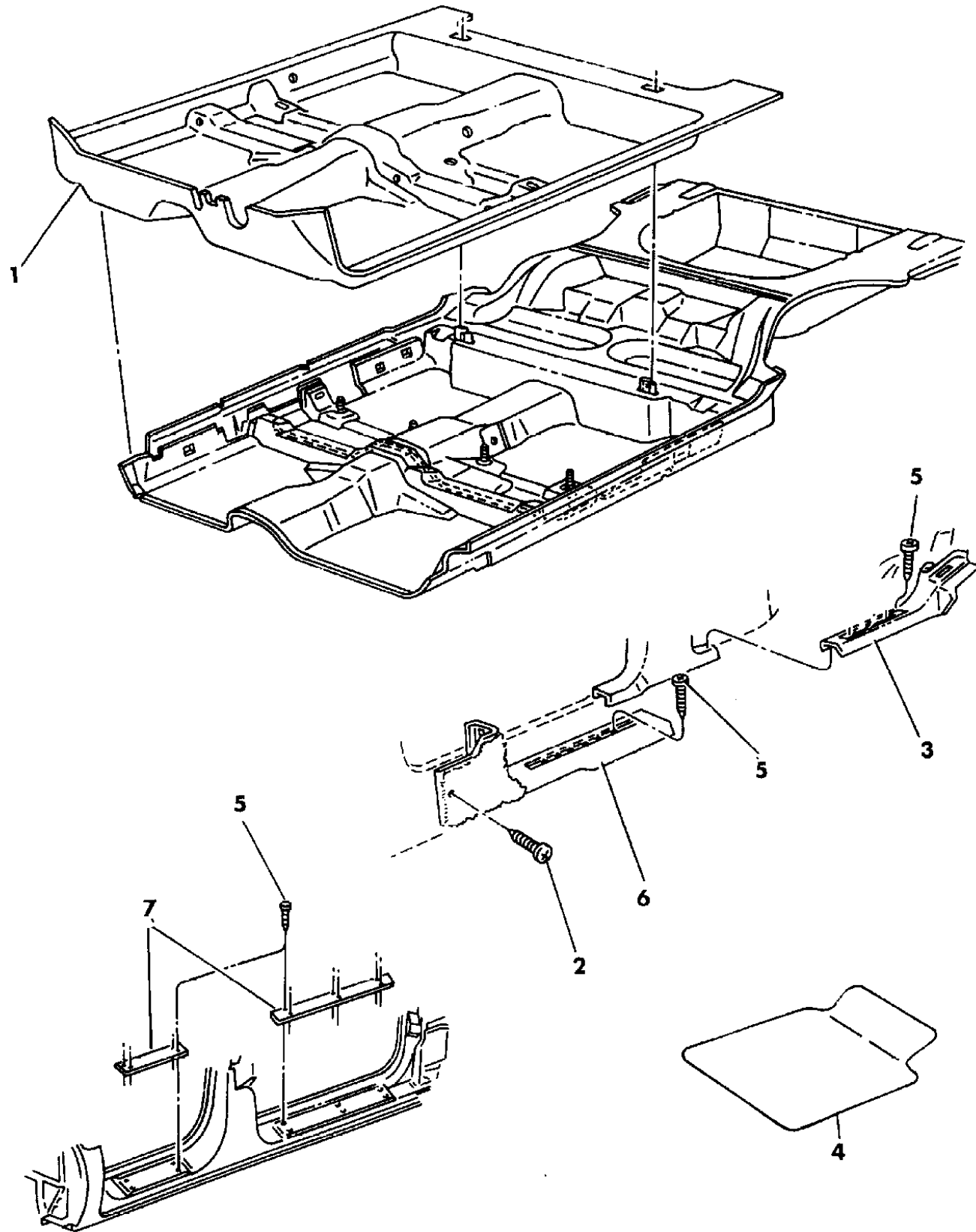
**BODY STYLES:**

21=2-Door Coupe      41=4-Door Sedan      12-52=FWD & AWD Van & Wgn Std W.B.  
 24=2-Door Hatchback      44=4-Door Hatchback      53=FWD & AWD Van & Wgn Ext. W.B.  
 27=2-Door Convertible

AR = Use as Required - = Non Illustrated Part P.A.R. = Paint as Required

**CARPET AND SCUFF PLATES Y BODY**  
Figure ITY-600

93237 600



ITEM	PART NUMBER	QTY	BODY	MODEL	DESCRIPTION	
1	CARPET					
	FB46 LAZ	1			Agate	
	FB46 LB9	1			Blue	
	FB46 LM6	1			Red	
	FB46 LV8	1			Champagne	
	FB46 LH7	1			Mahogany	
2	FB46 LX9	1			Black	
	9414 726	1			SCREW	
3	SCUFF PLATE, Rear					
	GA14-5 LB9	1			Blue	
	GA14-5 LMA	1			Red	
	GA14-5 LV4	1			Champagne	
	GA14-5 LAZ	1			Agate	
	GA14-5 LH7	1			Mahogany	
	GA14-5 LW8	1			Quartz	
	GA14-5 LX9	1			Black	
	4	FLOOR MATS, Carpeted (Set of 2)				
		FRONT				
FN88 LB9		1		S	Blue	
FN88 LM6		1		S	Red	
FN88 LV8		1		S	Champagne	
FN88 LAZ		1		S	Agate	
M078 JB9		1		P	Blue	
M078 LM6		1		P	Red	
M078 JV8		1		P	Champagne	
M078 JH7		1		P	Mahogany	
M078 JX9		1		P	Black	
REAR						
FM12 LB9		1		S	Blue	
FM12 LM6		1		S	Red	
FM12 LV8		1		S	Champagne	
FM12 LAZ		1		S	Agate	
M060 JB9		1		P	Blue	
M060 LM6		1		P	Red	
M060 JV8		1		P	Champagne	
M060 JH7		1		P	Mahogany	
M060 JX9	1		P	Black		
5		AR			SCREW, (Not Serv.)	
6					SCUFF PLATE and COWL	

**MODEL CODES:**

A BODY=(C=LeBaron, D=Spirit, P=Acclaim/LaBaron(Landau), Saratoga)      S BODY=(H=Voyager(H) FWD, K=Caravan(H) FWD, Y=Town & Country(H) FWD, P=Voyager(K) AWD, D=Caravan(K) AWD, C=Town & Country(K) AWD)  
 C BODY=(D=Dynasty, C=New Yorker/N.Y. Salon)  
 G BODY=(V=Daytona/ROC, Chrysler Daytona)  
 J BODY=(C=LeBaron, Chrysler LeBaron)  
 P BODY=(P=Sundance, D=Shadow)      Y BODY=(C=Imperial/5th Avenue)  
 E-S BODY=(K=Chrysler Voyager(H) FWD, D=Chrysler Voyager(K) AWD)

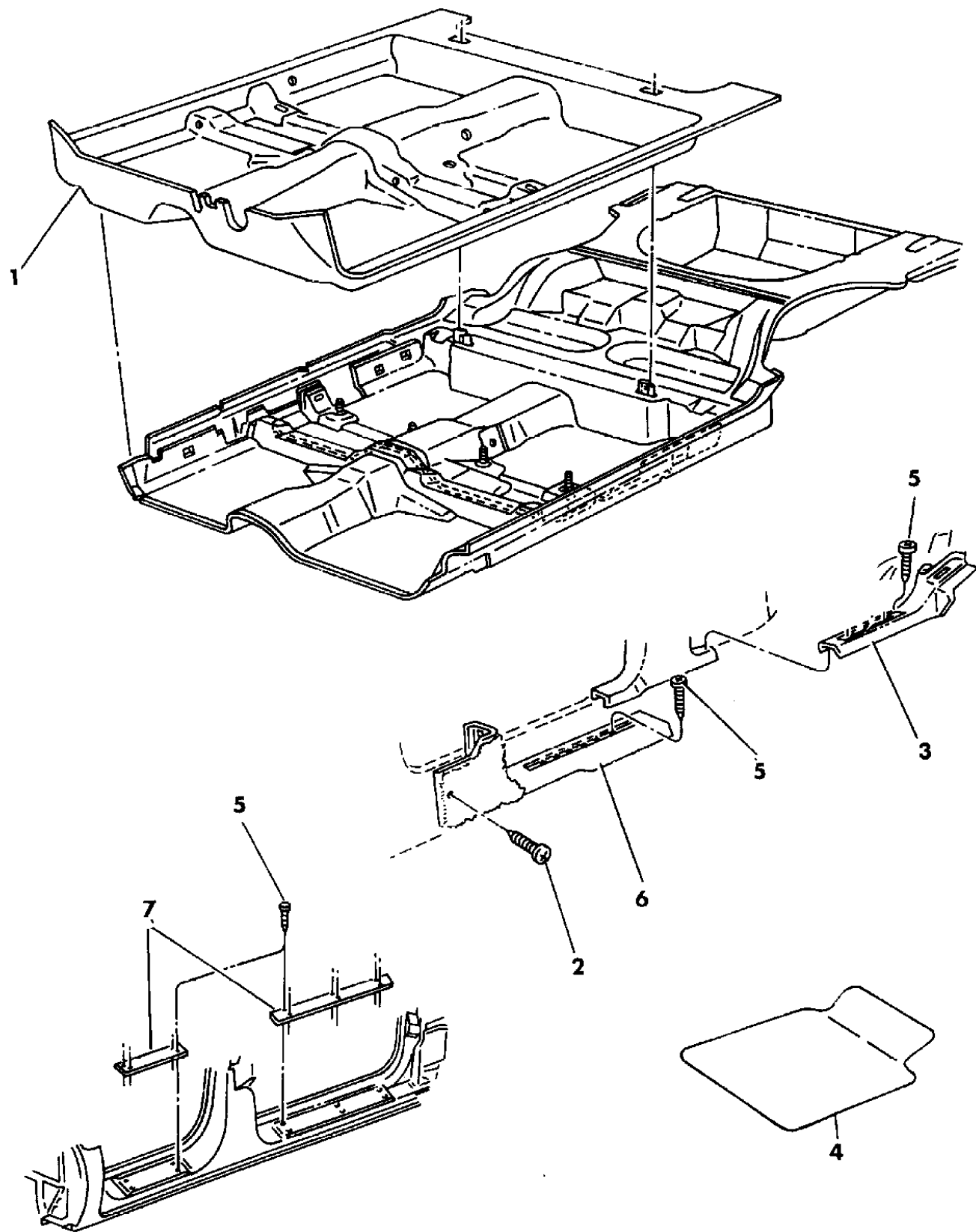
**BODY STYLES:**

21=2-Door Coupe      41=4-Door Sedan      12-52=FWD & AWD Van & Wgn Std W.B.  
 24=2-Door Hatchback      44=4-Door Hatchback      53=FWD & AWD Van & Wgn Ext. W.B.  
 27=2-Door Convertible

AR = Use as Required - = Non Illustrated Part P.A.R. = Paint as Required

**CARPET AND SCUFF PLATES Y BODY**  
**Figure ITY-600**

93237 600



ITEM	PART NUMBER	QTY	BODY	MODEL	DESCRIPTION
	GA08-9 LB9	1			Blue
	GA08-9 LMA	1			Red
	GA08-9 LV4	1			Champagne
	GA08-9 LAZ	1			Agate
	GA08-9 LH7	1			Mahogany
	GA08-9 LW8	1			Quartz
	GA08-9 LX9	1			Black
7					MOULDING, Sill Inner
	4443 818	2			Front, Sill
	4422 704	2			Rear, Sill

NOTE: (P.A.R.) = Paint As Required

**MODEL CODES:**

A BODY=(C=LeBaron, D=Spirit, P=Acclaim/LaBaron(Landau), Saratoga)      S BODY=(H=Voyager(H) FWD, K=Caravan(H) FWD, Y=Town & Country(H) FWD, P=Voyager(K) AWD, D=Caravan(K) AWD, C=Town & Country(K) AWD)  
 C BODY=(D=Dynasty, C=New Yorker/N.Y. Salon)  
 G BODY=(V=Daytona/IROC, Chrysler Daytona)  
 J BODY=(C=LeBaron, Chrysler LeBaron)  
 P BODY=(P=Sundance, D=Shadow)

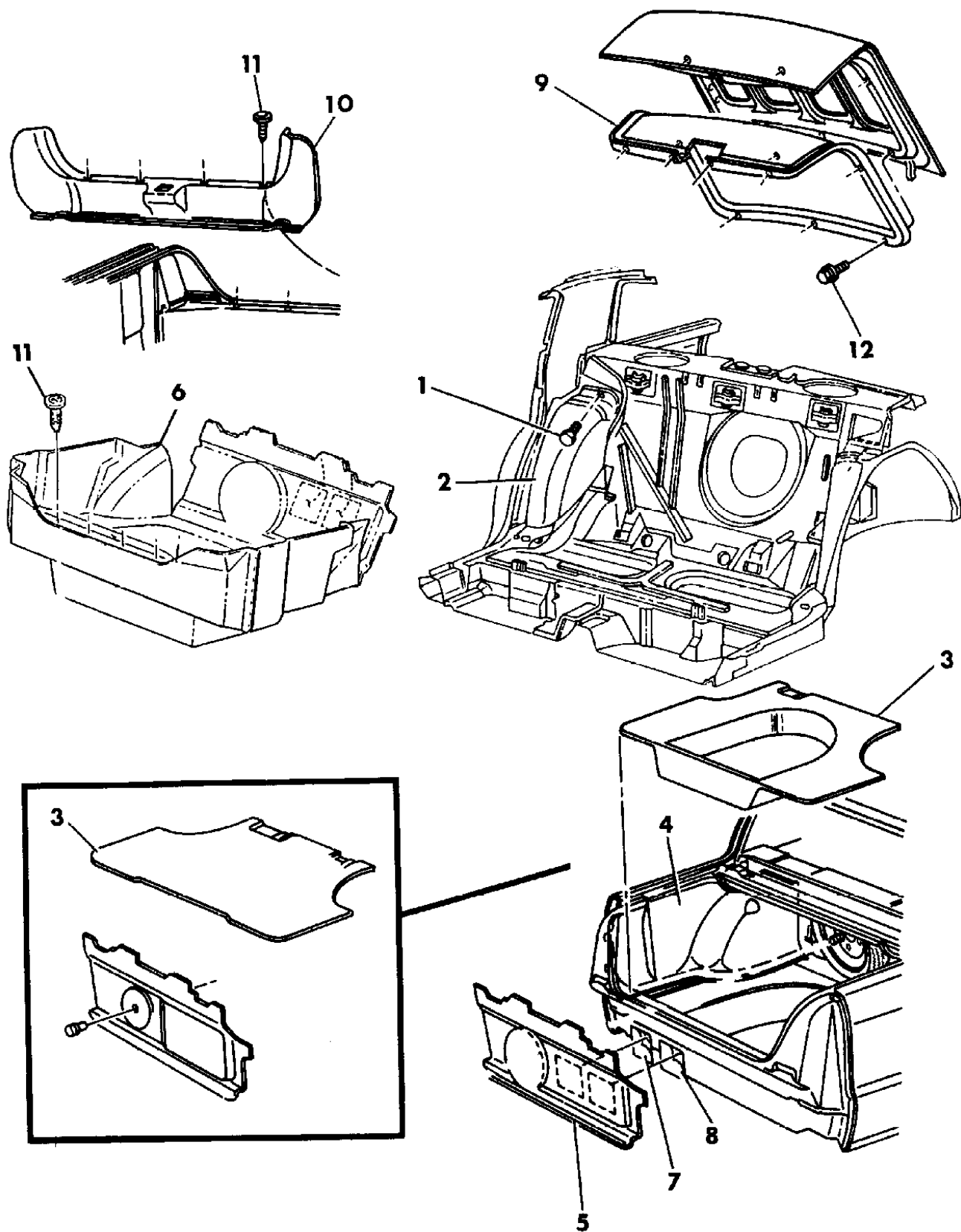
**BODY STYLES:**

21=2-Door Coupe      41=4-Door Sedan      12-52=FWD & AWD Van & Wgn Std W.B.  
 24=2-Door Hatchback      44=4-Door Hatchback      53=FWD & AWD Van & Wgn Ext. W.B.  
 27=2-Door Convertible

AR = Use as Required - = Non Illustrated Part P.A.R. = Paint as Required

**CARPET--TRUNK Y BODY**  
Figure ITY-700

93237 700



ITEM	PART NUMBER	QTY	BODY	MODEL	DESCRIPTION
1	6030 441	AR			RETAINER
2	4507 088-9	1			SILENCER, Wheelhouse
3	4309 996	1	S		CARPET, Luggage Compartment w/Compact Spare
	4547 604	1	S		w/Conventional Spare
	5259 087	1	P		w/Conventional Spare
4	4309 994-5	1			CARPET, Side
	4309 994	1			Right
	4309 995	1			Left, (Use Up To 4-30-92)
	4706 331	1			Left, (Use After 4-30-92)
5	4681 419	1			CARPET, Bulkhead w/Conventional Spare
	4681 419	1			w/Mini Spare
6	4611 591	1		P	CARPET TRUNK, One Piece Construction ***
7	4440 132	1			LABEL, Jack & Tire Stowage
8		1			LABEL, Wheel Cover Removal (Not Serv.)
9	4611 686				CARPET, Deck Lid Upper
10					CARPET, Deck Opening LOWER
	4681 423	1			w/Power Pull Down
	4681 424	1			w/o Power Pull Down
11	6032 650	AR			SCREW
12		AR			PIN, (Not Serv.)

**MODEL CODES:**

A BODY=(C=LeBaron, D=Spirit, P=Acclaim/LaBaron(Landau), Saratoga)      S BODY=(H=Voyager(H) FWD, K=Caravan(H) FWD, Y=Town & Country(H) FWD, P=Voyager(K) AWD, D=Caravan(K) AWD, C=Town & Country(K) AWD)  
 C BODY=(D=Dynasty, C=New Yorker/N.Y. Salon)  
 G BODY=(V=Daytona/IROC, Chrysler Daytona)  
 J BODY=(C=LeBaron, Chrysler LeBaron)  
 P BODY=(P=Sundance, D=Shadow)      Y BODY=(C=Imperial/5th Avenue)  
 E-S BODY=(K=Chrysler Voyager(H) FWD, D=Chrysler Voyager(K) AWD)

**BODY STYLES:**

21=2-Door Coupe      41=4-Door Sedan      12-52=FWD & AWD Van & Wgn Std W.B.  
 24=2-Door Hatchback      44=4-Door Hatchback      53=FWD & AWD Van & Wgn Ext. W.B.  
 27=2-Door Convertible

AR = Use as Required - = Non Illustrated Part P.A.R. = Paint as Required

**DOOR TRIM PANEL - FRONT Y BODY**  
Figure ITY-800

93237 800

ITEM	PART NUMBER	QTY	BODY	MODEL	DESCRIPTION
1					MOLDING, Door Frame *** Flocked Blue Red Champagne
	V750-1 HB9	1			Blue
	V750-1 LM6	1			Red
	V750-1 HV4	1			Champagne
	V750-1 LAZ	1			Agate
	V750-1 JH7	1			Mahogany
	V750-1 JW8	1			Light Quartz
	V750-1 JX9	1			Black
2					RETAINER, Moulding Upper (Serv. In Assy)
3					PANEL, Door Trim
	FL30-1 LB9	1			Blue, (YPB,YFB)
	FL30-1 LH7	1			Mahogany, (YPH,YFH)
	FL30-1 LMA	1			Red, (YPM,YFM)
	FL30-1 LV4	1			Champagne, (YPV,YFV)
	FL30-1 LW8	1			Quartz, (YPXW)
	FL30-1 LX7	1			Black, (YPX)
	HD26-7 LMA	1			Red, (SPM)
	HD26-7 LV4	1			Champagne, (SPV)
	HD26-7 LAZ	1			Charcoal, (SPAZ)
	HD26-7 LB9	1			Blue, (SPB)
	HD24-5 LB9	1			Blue, (SFB)
	HD24-5 LMA	1			Red, (SFM)
	HD24-5 LV4	1			Champagne, (SFV)
	HD24-5 LAZ	1			Agate, (SFAZ)
4	6501 842	4			NUT
5		2			PULL HANDLE
	DW06 JB9	2			Blue
	DW06 JH7	2			Mahogany
	DW06 LMA	2			Red
	DW06 JV4	2			Champagne
	DW06 JW8	2			Light Quartz
	DW06 JX7	2			Black
6	6033 179	4			SCREW
7					MAP POCKET ***
	FL78-9 LB9	1			Blue
	FL78-9 LH7	1			Mahogany
	FL78-9 LM6	1			Red
	FL78-9 LV8	1			Champagne

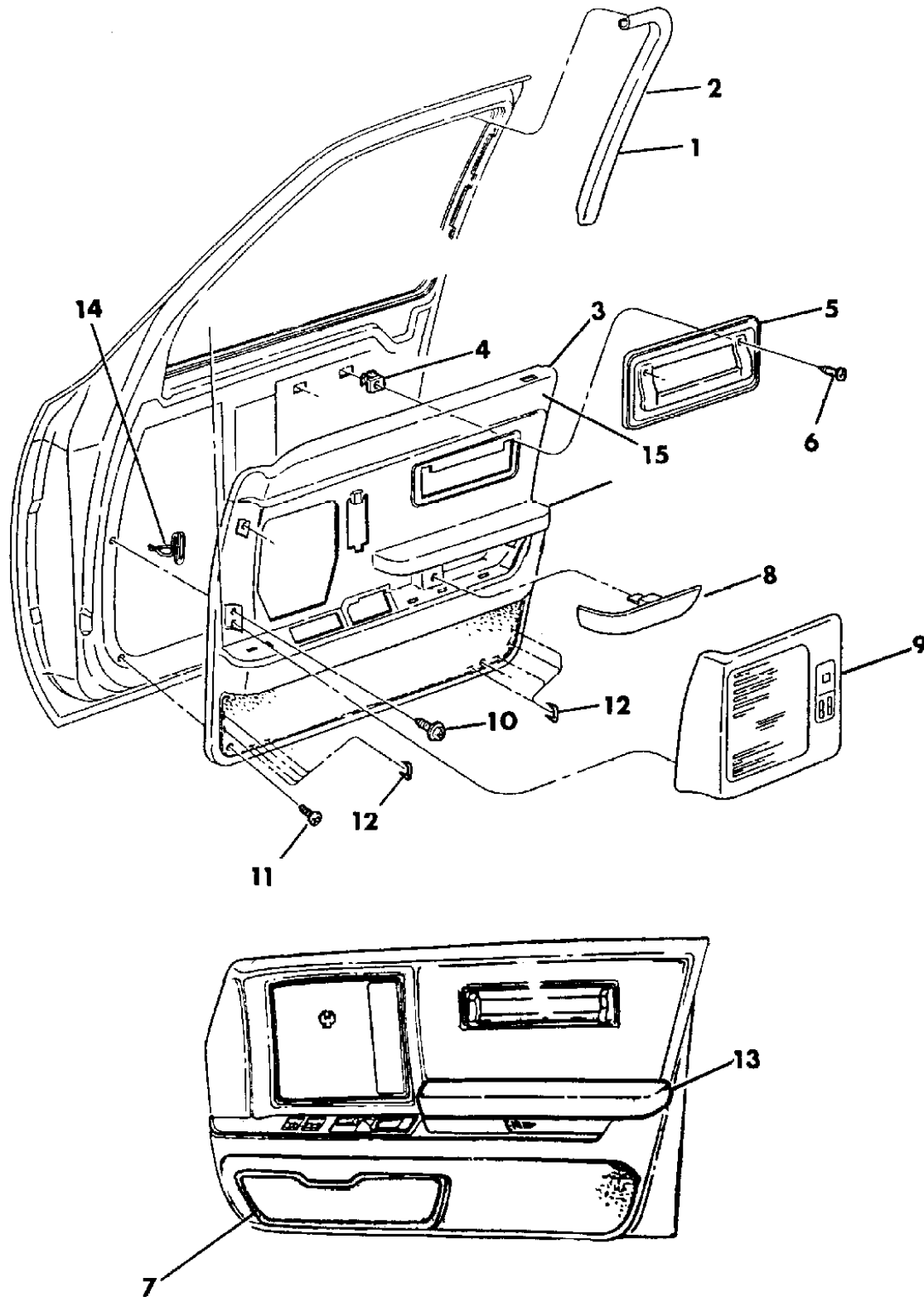
**MODEL CODES:**

A BODY=(C=LeBaron, D=Spirit, P=Acclaim/LaBaron(Landau), Saratoga)      S BODY=(H=Voyager(H) FWD, K=Caravan(H) FWD, Y=Town & Country(H) FWD, P=Voyager(K) AWD, D=Caravan(K) AWD, C=Town & Country(K) AWD)  
 C BODY=(D=Dynasty, C=New Yorker/N.Y. Salon)  
 G BODY=(V=Daytona/ROC, Chrysler Daytona)  
 J BODY=(C=LeBaron, Chrysler LeBaron)  
 P BODY=(P=Sundance, D=Shadow)      Y BODY=(C=Imperial/5th Avenue)  
 E-S BODY=(K=Chrysler Voyager(H) FWD, D=Chrysler Voyager(K) AWD)

**BODY STYLES:**

21=2-Door Coupe      41=4-Door Sedan      12-52=FWD & AWD Van & Wgn Std W.B.  
 24=2-Door Hatchback      44=4-Door Hatchback      53=FWD & AWD Van & Wgn Ext. W.B.  
 27=2-Door Convertible

AR = Use as Required - = Non Illustrated Part P.A.R. = Paint as Required





**DOOR TRIM PANEL - FRONT Y BODY**  
Figure ITY-800

93237 800

ITEM	PART NUMBER	QTY	BODY	MODEL	DESCRIPTION	
8	FL78-9 LX9	1			Black COVER, Door Panel Armrest	
	DR98-9 JB9	1			Blue	
	DR98-9 LM6	1			Red	
	DR98-9 JV4	1			Champagne	
	DR98-9 JX9	1			Black	
	DR98-9 JW8	1			Light Quartz	
	DR98-9 JH7	1			Mahogany	
9					PANEL, Grille w/Power Seat and Windows	
	AS14-5 JB9	1		S	Blue	
	AS14-5 LM6	1		S	Red	
	AS14-5 HV4	1		S	Champagne	
	AS14-5 LAZ	1		S	Agate w/Power Windows	
	AS16-7 LAZ	1			Agate	
	AS16-7 JB9	1			Blue	
	AS16-7 LM6	1			Red	
	AS16-7 HV4	1			Champagne	
	EG90-1 JB9	1		P	Blue	
	EG90-1 LM6	1		P	Red	
	EG90-1 JV4	1		P	Champagne	
	EG90-1 JX7	1		P	Black	
	EG90-1 JW8	1		P	Quartz	
	EG90-1 JH7	1		P	Mahogany	
	10					SCREW, (Not Serv.)
	11					SCREW, (Not Serv.)
	12					STAPLE, (Not Serv.)
	13					ARMREST
DR96-7 JB9		1		P	Blue	
DR96-7 LM6		1		P	Red	
DR96-7 JV4		1		P	Champagne	
DR96-7 JX9		1		P	Black	
DR96-7 JW8		1		P	Light Quartz	
DR96-7 JH7		1		P	Mahogany	
D394-5 LAZ		1		S	Agate	
D394-5 HB9		1		S	Blue	
D394-5 LM6		1		S	Red	
D394-5 HV4		1		S	Champagne	

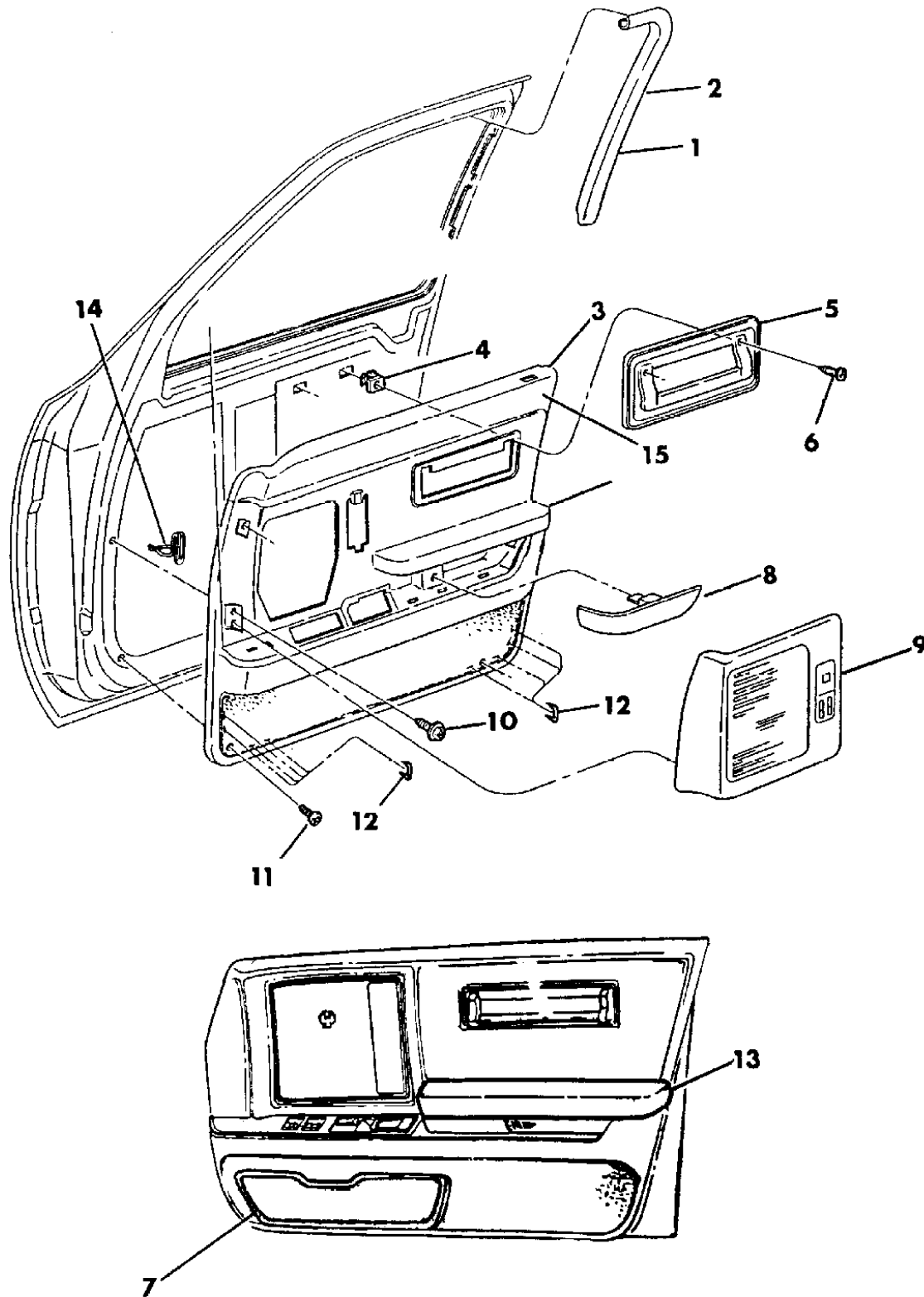
**MODEL CODES:**

A BODY=(C=LeBaron, D=Spirit, P=Acclaim/LaBaron(Landau), Saratoga)      S BODY=(H=Voyager(H) FWD, K=Caravan(H) FWD, Y=Town & Country(H) FWD, P=Voyager(K) AWD, D=Caravan(K) AWD, C=Town & Country(K) AWD)  
 C BODY=(D=Dynasty, C=New Yorker/N.Y. Salon)  
 G BODY=(V=Daytona/IROC, Chrysler Daytona)  
 J BODY=(C=LeBaron, Chrysler LeBaron)  
 P BODY=(P=Sundance, D=Shadow)      Y BODY=(C=Imperial/5th Avenue)  
 E-S BODY=(K=Chrysler Voyager(H) FWD, D=Chrysler Voyager(K) AWD)

**BODY STYLES:**

21=2-Door Coupe      41=4-Door Sedan      12-52=FWD & AWD Van & Wgn Std W.B.  
 24=2-Door Hatchback      44=4-Door Hatchback      53=FWD & AWD Van & Wgn Ext. W.B.  
 27=2-Door Convertible

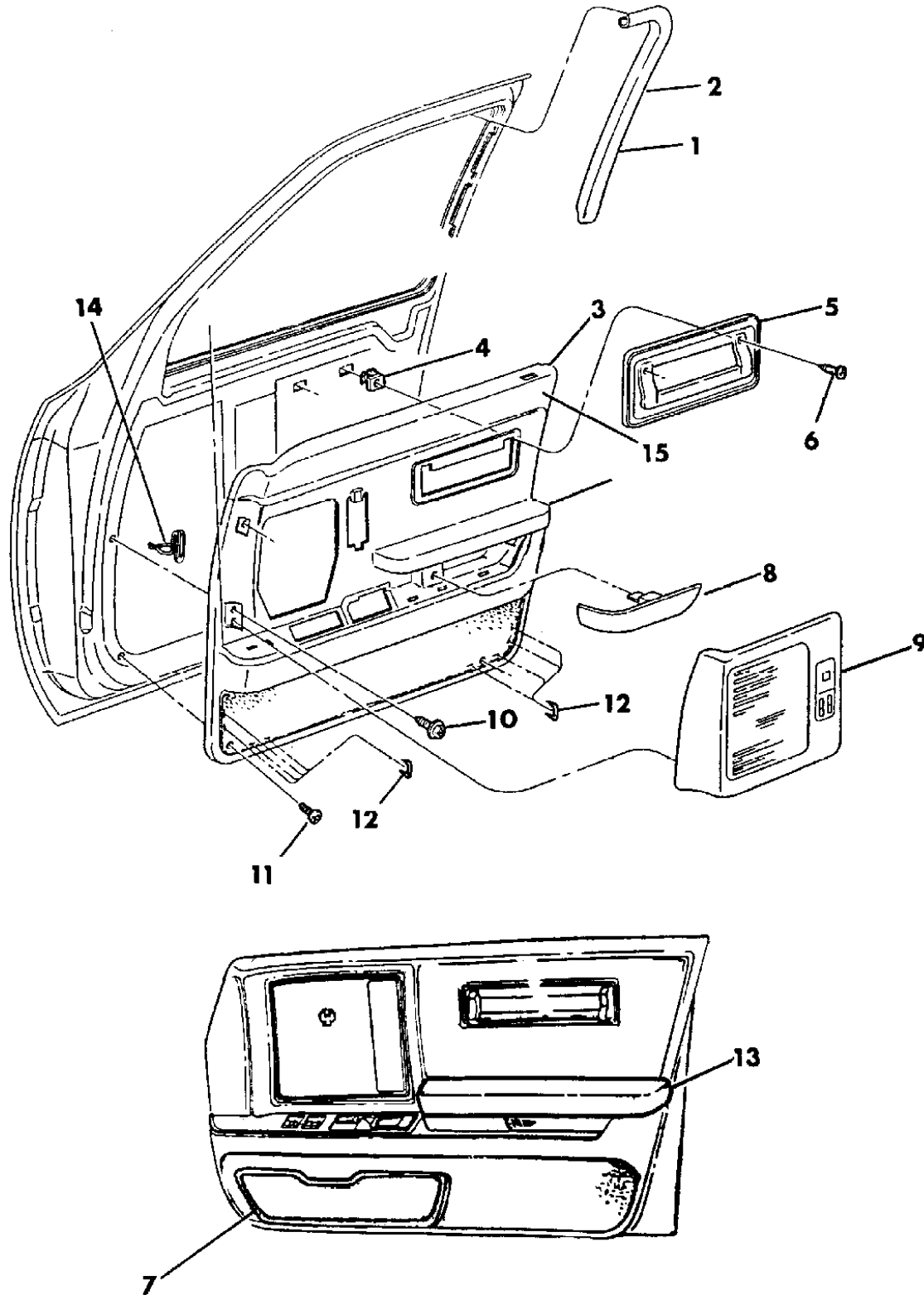
AR = Use as Required - = Non Illustrated Part P.A.R. = Paint as Required



DOOR TRIM PANEL - FRONT Y BODY  
Figure ITY-800

93237 800

ITEM	PART NUMBER	QTY	BODY	MODEL	DESCRIPTION
14	6501 769	AR			CLIP, Door Panel Attaching
15	4410 302-3	1			MOULDING, Woodgrain (For SF and SP Trim Codes Only)



**MODEL CODES:**

A BODY=(C=LeBaron, D=Spirit, P=Acclaim/LaBaron(Landau),  
Saratoga)  
C BODY=(D=Dynasty, C=New Yorker/N.Y. Salon)  
G BODY=(V=Daytona/IROC, Chrysler Daytona)  
J BODY=(C=LeBaron, Chrysler LeBaron)  
P BODY=(P=Sundance, D=Shadow)

S BODY=(H=Voyager(H) FWD, K=Caravan(H) FWD,  
Y=Town & Country(H) FWD, P=Voyager(K) AWD,  
D=Caravan(K) AWD, C=Town & Country(K) AWD)  
Y BODY=(C=Imperial/5th Avenue)  
E-S BODY=(K=Chrysler Voyager(H) FWD, D=Chrysler  
Voyager(K) AWD)

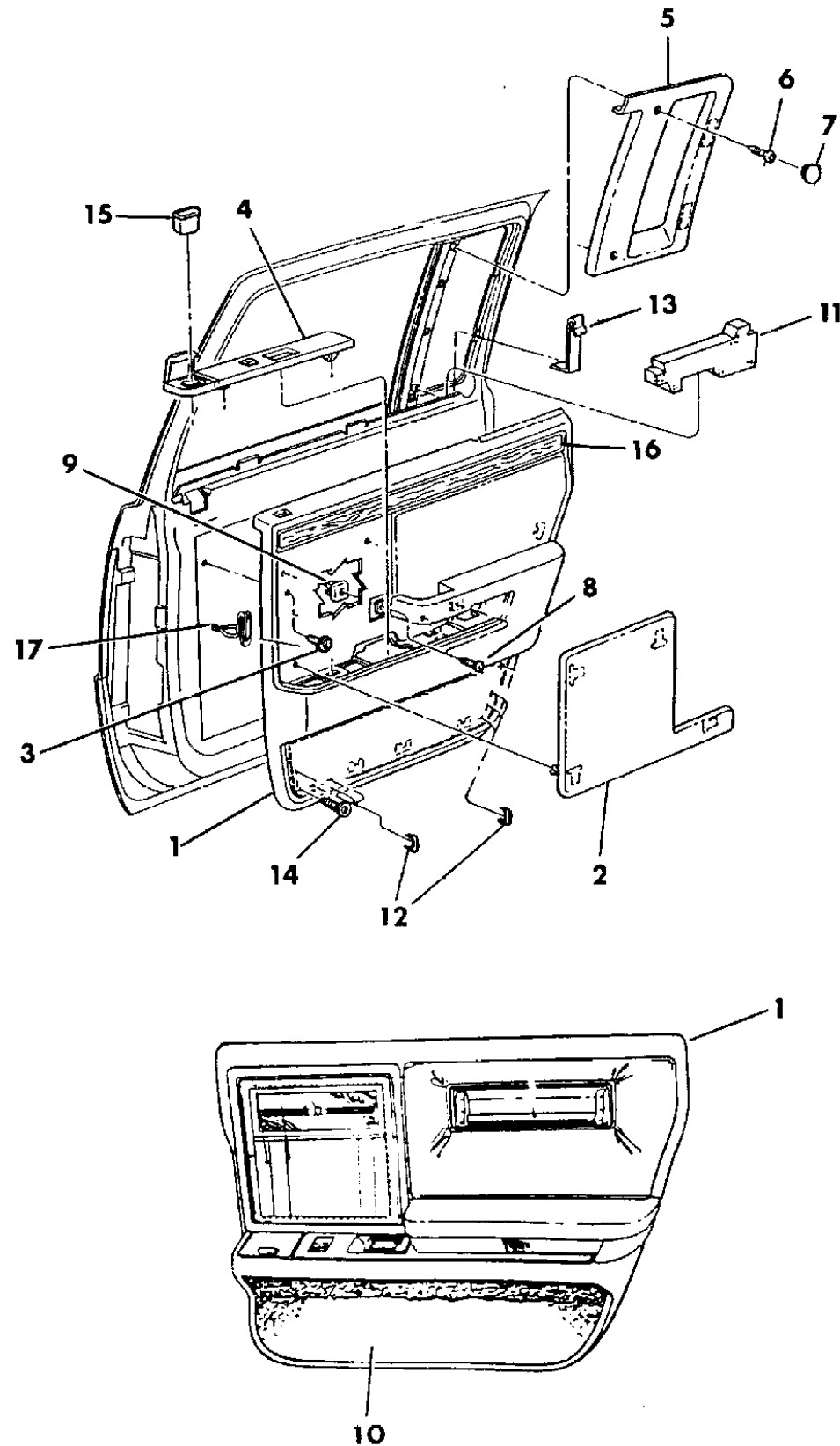
**BODY STYLES:**

21=2-Door Coupe      41=4-Door Sedan      12-52=FWD & AWD Van & Wgn Std W.B.  
24=2-Door Hatchback      44=4-Door Hatchback      53=FWD & AWD Van & Wgn Ext. W.B.  
27=2-Door Convertible

AR = Use as Required - = Non Illustrated Part P.A.R. = Paint as Required

**DOOR TRIM PANEL - REAR Y BODY - SPECIAL**  
Figure ITY-900

93237 900



ITEM	PART NUMBER	QTY	BODY	MODEL	DESCRIPTION
1	PANEL, Door Trim				
	FL24-5 LB9	1			Blue, (SFB)
	FL24-5 LMA	1			Red, (SFM)
	FL24-5 LV4	1			Champagne, (SFV)
	FL24-5 LAZ	1			Agate, (SFAZ)
	FL26-7 LB9	1			Blue, (SPB)
	FL26-7 LMA	1			Red, (SPM)
	FL26-7 LV4	1			Champagne, (SPV)
FL26-7 LAZ	1			Agate, (SPAZ)	
2	NAME PLATE, Door Panel				
	DR20-1 JB9	1			Blue
	DR20-1 LMA	1			Red
	DR20-1 JV4	1			Champagne
	DR20-1 LAZ	1			Agate
3		AR			SCREW (Not Serv.)
4					BEZEL (see Group 23C)
5					COVER, Door Glass
	DR70-1 JB9	1			Blue
	DR70-1 LM6	1			Red
	DR70-1 JV4	1			Champagne
	DR70-1 LAZ	1			Agate
6		AR			SCREW (Not Serv.)
7					PLUG
	BA52 JB9	4			Blue
	BA52 LM6	4			Red
	BA52 JV4	4			Champagne/Tan
	BA52 JH7	4			Mahogany
	BA52 JW8	4			Light Quartz
	BA52 LAZ	4			Agate
	BA52 JX9	4			Black
8		AR			SCREW (Not Serv.)
9	6501 842	4			NUT
10					CARPET, (Serv. In Panel)
11	4615 103	2			SEAL
12		AR			STAPLE (Not Serv.)
13	5257 458	AR			CLIP
14		AR			SCREW (Not Serv.)
15	5259 749	2			ASH RECEIVER
16	4611 690-1	1			MOULDING, Upper

**MODEL CODES:**

A BODY=(C=LeBaron, D=Spirit, P=Acclaim/LaBaron(Landau), Saratoga) S BODY=(H=Voyager(H) FWD, K=Caravan(H) FWD, Y=Town & Country(H) FWD, P=Voyager(K) AWD, D=Caravan(K) AWD, C=Town & Country(K) AWD)  
 C BODY=(D=Dynasty, C=New Yorker/N.Y. Salon) Y BODY=(C=Imperial/5th Avenue)  
 G BODY=(V=Daytona/IROC, Chrysler Daytona) E-S BODY=(K=Chrysler Voyager(H) FWD, D=Chrysler Voyager(K) AWD)  
 J BODY=(C=LeBaron, Chrysler LeBaron) P BODY=(P=Sundance, D=Shadow)

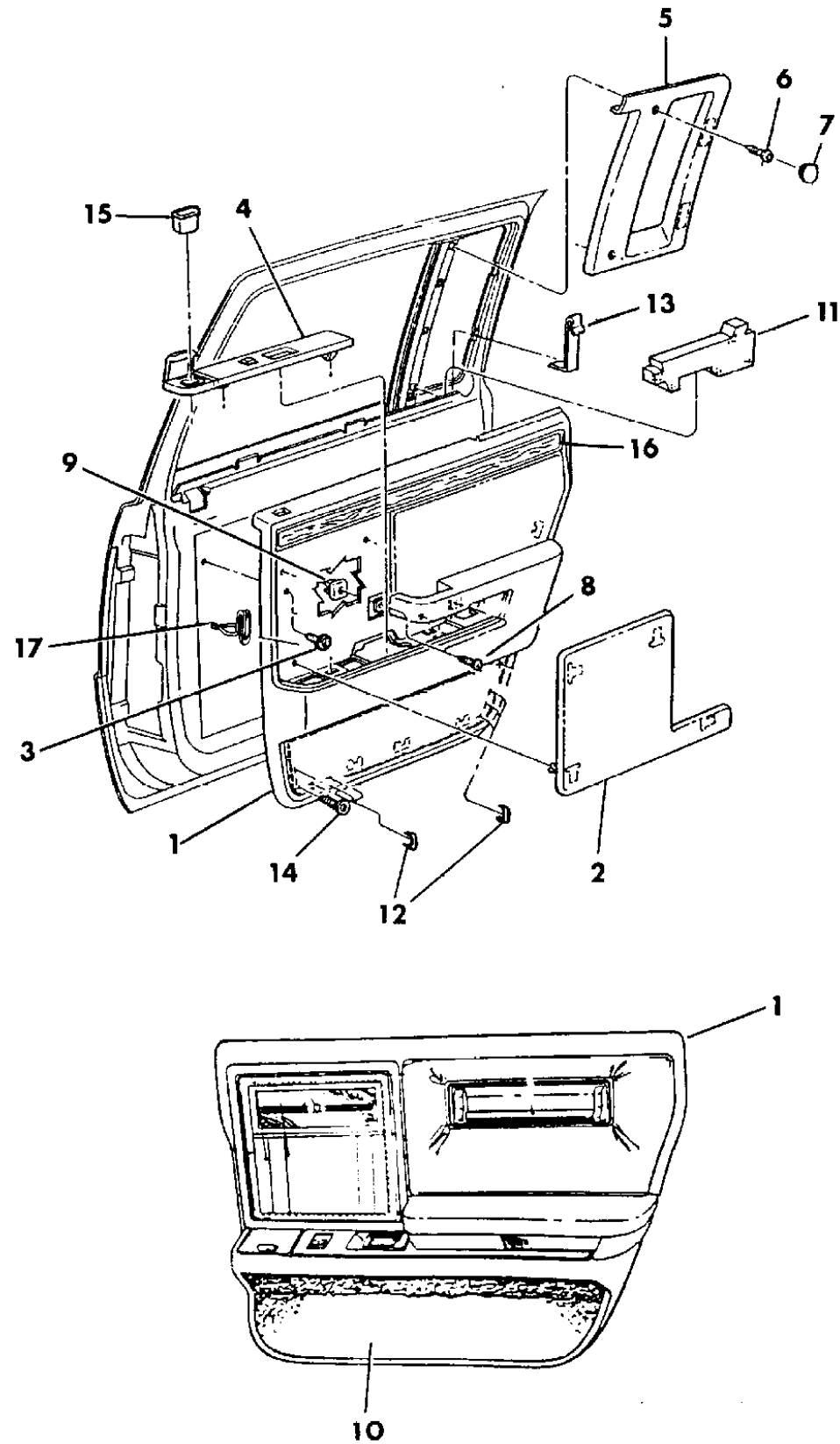
**BODY STYLES:**

21=2-Door Coupe 41=4-Door Sedan 12-52=FWD & AWD Van & Wgn Std W.B.  
 24=2-Door Hatchback 44=4-Door Hatchback 53=FWD & AWD Van & Wgn Ext. W.B.  
 27=2-Door Convertible

AR = Use as Required - = Non Illustrated Part P.A.R. = Paint as Required

**DOOR TRIM PANEL - REAR Y BODY - SPECIAL**  
**Figure ITY-900**

93237 900



ITEM	PART NUMBER	QTY	BODY	MODEL	DESCRIPTION
17	6501 769	AR			CLIP, Panel Attaching

**MODEL CODES:**

A BODY=(C=LeBaron, D=Spirit, P=Acclaim/LaBaron(Landau),  
 Saratoga) S BODY=(H=Voyager(H) FWD, K=Caravan(H) FWD,  
 Y=Town & Country(H) FWD, P=Voyager(K) AWD,  
 D=Caravan(K) AWD, C=Town & Country(K) AWD)  
 C BODY=(D=Dynasty, C=New Yorker/N.Y. Salon)  
 G BODY=(V=Daytona/IROC, Chrysler Daytona)  
 J BODY=(C=LeBaron, Chrysler LeBaron)  
 P BODY=(P=Sundance, D=Shadow) E-S BODY=(K=Chrysler Voyager(H) FWD, D=Chrysler  
 Voyager(K) AWD)

**BODY STYLES:**

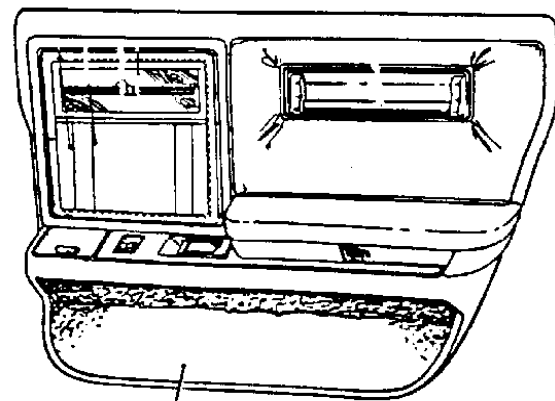
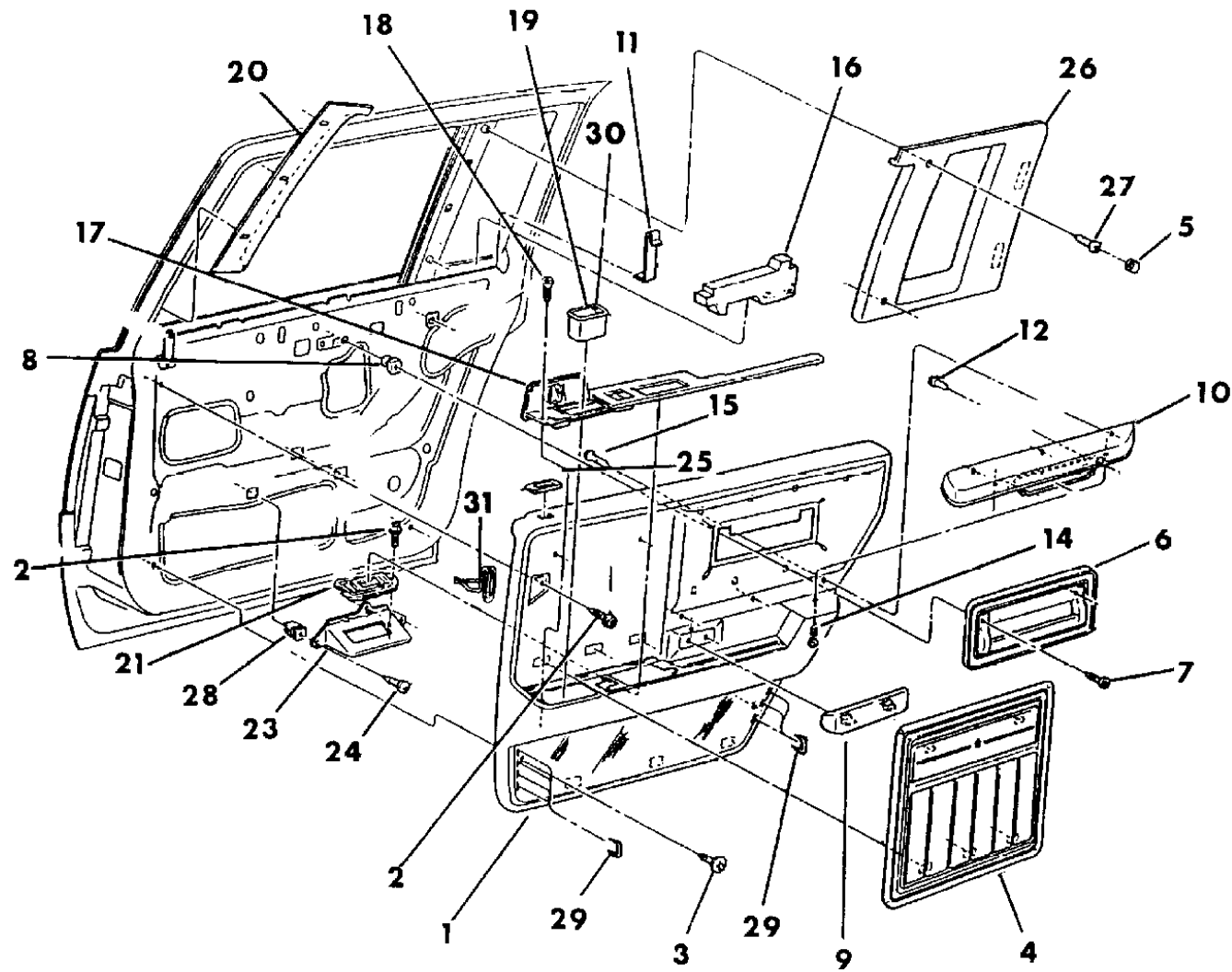
21=2-Door Coupe      41=4-Door Sedan      12-52=FWD & AWD Van & Wgn Std W.B.  
 24=2-Door Hatchback      44=4-Door Hatchback      53=FWD & AWD Van & Wgn Ext. W.B.  
 27=2-Door Convertible

AR = Use as Required - = Non Illustrated Part P.A.R. = Paint as Required

DOOR TRIM PANEL--REAR Y BODY - PREMIUM

Figure ITY-1000

93237 1000



13

ITEM	PART NUMBER	QTY	BODY	MODEL	DESCRIPTION
1					PANEL, Door
	FL34-5 LB9	1			Blue, (YFB,YPB)
	FL34-5 LMA	1			Red, (YFM,YPM)
	FL34-5 LV4	1			Champagne, (YFV,YPV)
	FL34-5 LH7	1			Mohogany, (YFH,YPH)
	FL34-5 LW8	1			Light Quartz, (YPXW)
	FL34-5 LX7	1			Black, (YPX)
2		AR			SCREW (Not Serv.)
3		AR			SCREW (Not Serv.)
4					BOLSTER
	HN60-1 MB9	1			Blue
	HN60-1 MMA	1			Red
	HN60-1 MV4	1			Champagne
	HN60-1 MH7	1			Mahogany
	HN60-1 MW8	1			Light Quartz
	HN60-1 MX7	1			Black
-	6032 268	3			RETAINER, (Top Of Bolster Attaching)
5					PLUG
	BA52 JB9	4			Blue
	BA52 LM6	4			Red
	BA52 JV4	4			Champagne
	BA52 JH7	4			Mahogany
	BA52 JW8	4			Light Quartz
	BA52 LAZ	4			Agate
	BA52 JX9	4			Black
6					PULL HANDLE
	DW06 JB9	2			Blue
	DW06 LMA	2			Red
	DW06 JV4	2			Champagne
	DW06 JH7	2			Mahogany
	DW06 JW8	2			Light Quartz
	DW06 JX7	2			Black
7	6033 179	4			SCREW
8	6501 842	4			NUT
9					COVER, Lower Complete
	DS04-5 JB9	1			Blue
	DS04-5 LM6	1			Red
	DS04-5 JV4	1			Champagne
	DS04-5 JH7	1			Mahogany

MODEL CODES:

A BODY=(C=LeBaron, D=Spirit, P=Acclaim/LaBaron(Landau), Saratoga)

C BODY=(D=Dynasty, C=New Yorker/N.Y. Salon)

G BODY=(V=Daytona/IROC, Chrysler Daytona)

J BODY=(C=LeBaron, Chrysler LeBaron)

P BODY=(P=Sundance, D=Shadow)

S BODY=(H=Voyager(H) FWD, K=Caravan(H) FWD,

Y=Town & Country(H) FWD, P=Voyager(K) AWD,

D=Caravan(K) AWD, C=Town & Country(K) AWD)

Y BODY=(C=Imperial/5th Avenue)

E-S BODY=(K=Chrysler Voyager(H) FWD, D=Chrysler

Voyager(K) AWD)

BODY STYLES:

21=2-Door Coupe

41=4-Door Sedan

12-52=FWD & AWD Van & Wgn Std W.B.

24=2-Door Hatchback

44=4-Door Hatchback

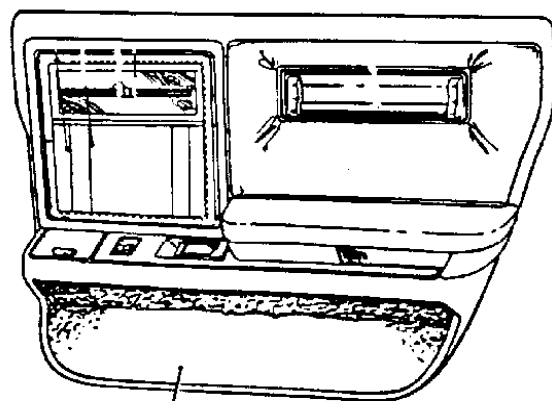
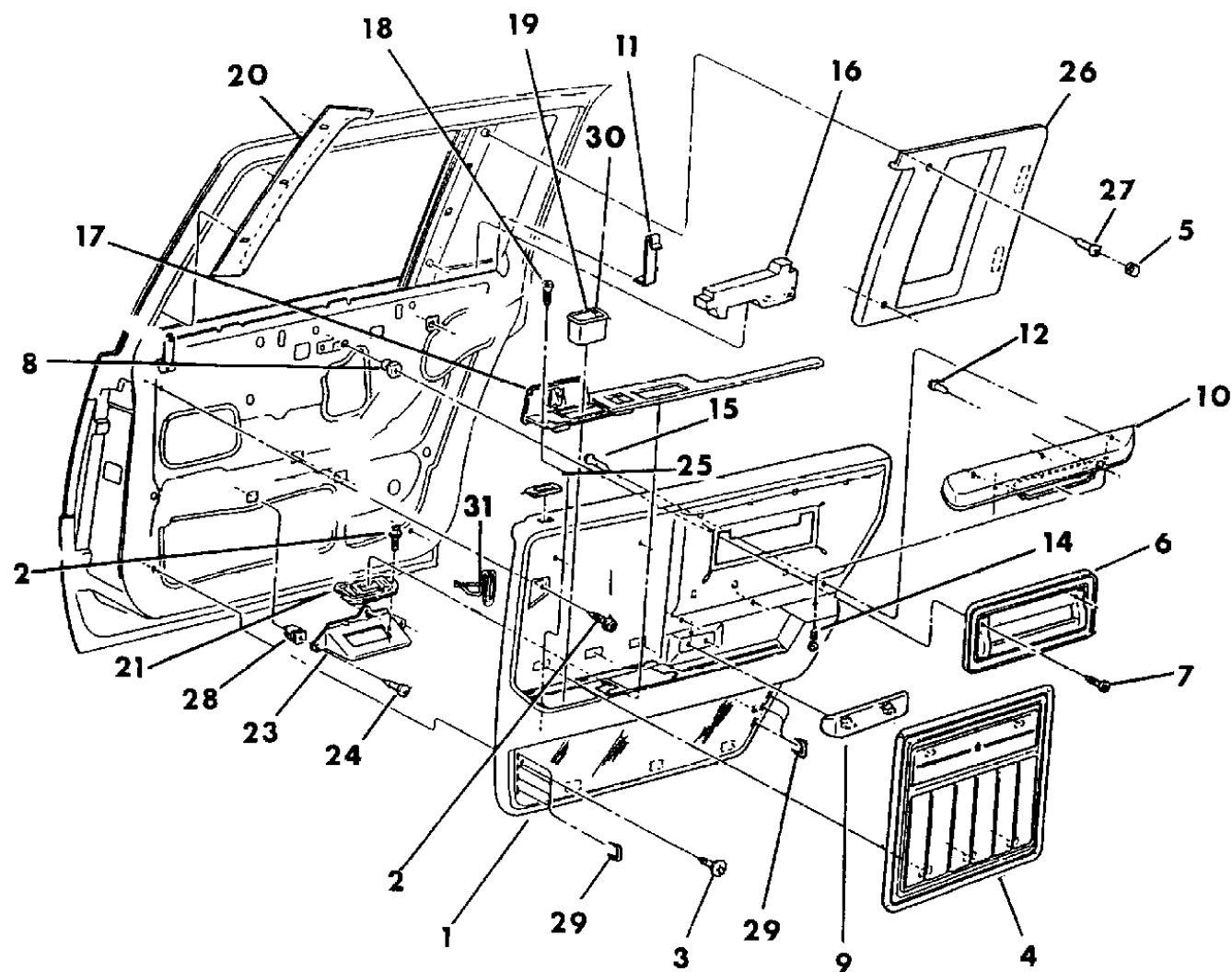
53=FWD & AWD Van & Wgn Ext. W.B.

27=2-Door Convertible

AR = Use as Required - = Non Illustrated Part P.A.R. = Paint as Required

**DOOR TRIM PANEL--REAR Y BODY - PREMIUM**  
Figure ITY-1000

93237 1000



13

ITEM	PART NUMBER	QTY	BODY	MODEL	DESCRIPTION
	DS04-5 JW8	1			Light Quartz
	DS04-5 JX9	1			Black
10	DS02-3 JB9	1			ARMREST Blue
	DS02-3 LM6	1			Red
	DS02-3 JV4	1			Champagne
	DS02-3 JH7	1			Mahogany
	DS02-3 JW8	1			Light Quartz
	DS02-3 JX9	1			Black
11	5257 458	2			CLIP
12		4			SCREW, Tapping (Not Serv.)
13					CARPET, (Serv. In Panel)
14		4			SCREW (Not Serv.)
15		6			SCREW (Not Serv.)
16	4615 103	2			SEAL, Belt Inner
17					BEZEL (refer to group 23C)
18		2			SCREW (Not Serv.)
19	4507 258	2			ASH RECEIVER
20					MOULDING, Inner (Flocked)
	DF36-7 JB9	1			Blue
	DF36-7 LM6	1			Red
	DF36-7 JV4	1			Champagne
	DF36-7 JH7	1			Mahogany
	DF36-7 JW8	1			Light Quartz
	DF36-7 JX9	1			Black
21					HOUSING, Latch (refer to Group 23C)
23					BRACKET, Handle, (refer to Group 23C)
24		AR			SCREW (Not Serviced)
25					BEZEL, Lock Button (refer to Group 23C)
26					COVER, Fixed Glass Inner Trim
	DR68-9 JB9	1			Blue
	DR68-9 LM6	1			Red
	DR68-9 JV4	1			Champagne
	DR68-9 JH7	1			Mahogany
	DR68-9 JW8	1			Light Quartz
	DR68-9 JX9	1			Black
27		4			SCREW (Not Serv.)
28	6027 958	6			NUT
29		AR			STAPLE (Not Serv.)

**MODEL CODES:**

A BODY=(C=LeBaron, D=Spirit, P=Acclaim/LaBaron(Landau), Saratoga)      S BODY=(H=Voyager(H) FWD, K=Caravan(H) FWD, Y=Town & Country(H) FWD, P=Voyager(K) AWD, D=Caravan(K) AWD, C=Town & Country(K) AWD)  
 C BODY=(D=Dynasty, C=New Yorker/N.Y. Salon)  
 G BODY=(V=Daytona/IROC, Chrysler Daytona)  
 J BODY=(C=LeBaron, Chrysler LeBaron)  
 P BODY=(P=Sundance, D=Shadow)      E-S BODY=(K=Chrysler Voyager(H) FWD, D=Chrysler Voyager(K) AWD)

**BODY STYLES:**

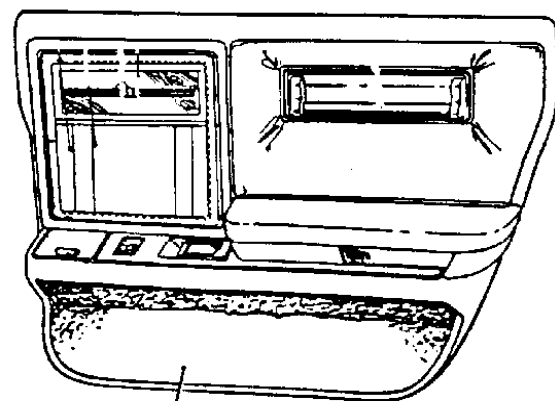
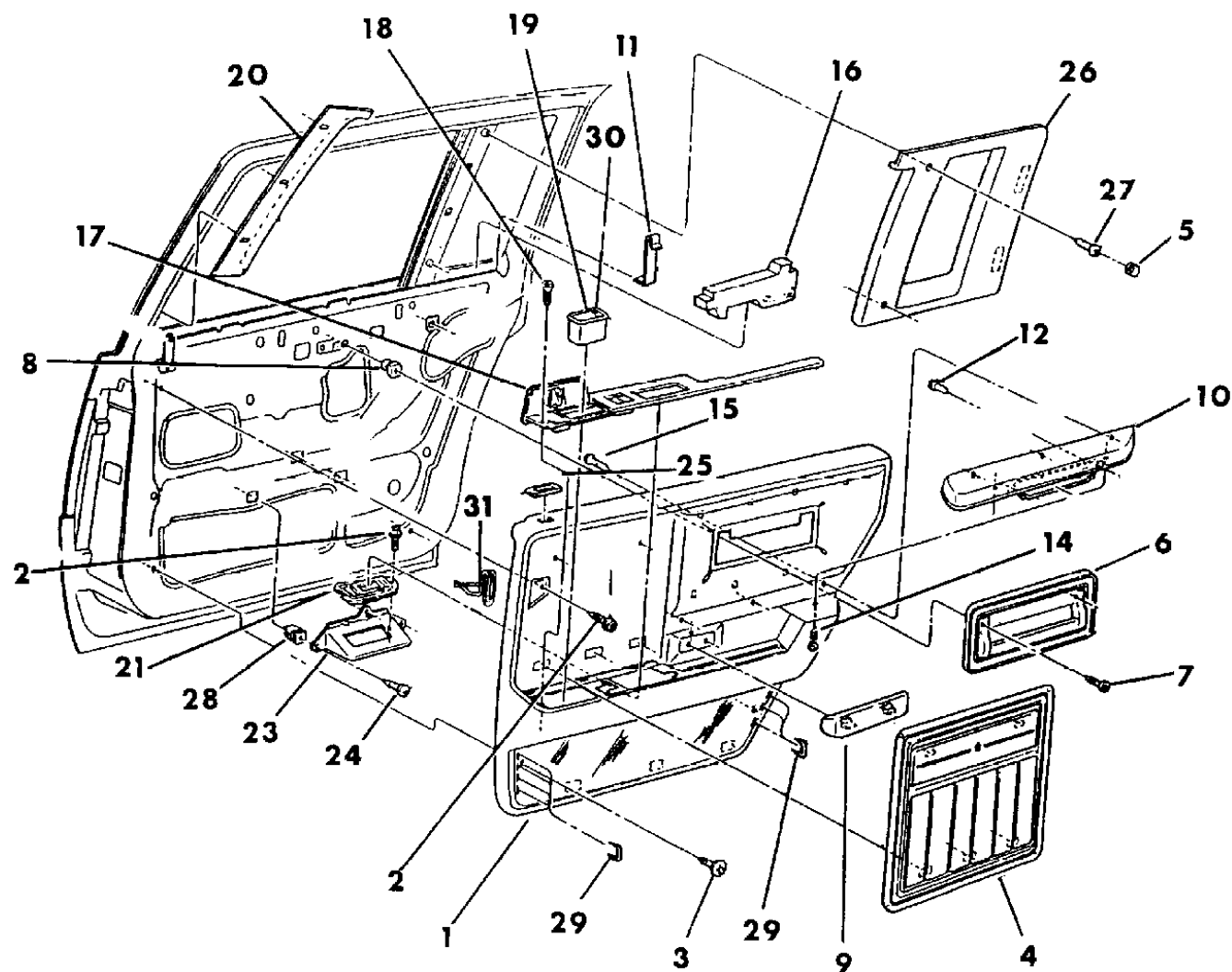
21=2-Door Coupe      41=4-Door Sedan      12-52=FWD & AWD Van & Wgn Std W.B.  
 24=2-Door Hatchback      44=4-Door Hatchback      53=FWD & AWD Van & Wgn Ext. W.B.  
 27=2-Door Convertible

AR = Use as Required - = Non Illustrated Part P.A.R. = Paint as Required

DOOR TRIM PANEL--REAR Y BODY - PREMIUM

Figure ITY-1000

93237 1000



13

ITEM	PART NUMBER	QTY	BODY	MODEL	DESCRIPTION
30	4611 546-7	1			LID, Ash Receiver ***
31	6501 769	AR			CLIP, Panel Attaching

MODEL CODES:

A BODY=(C=LeBaron, D=Spirit, P=Acclaim/LaBaron(Landau), Saratoga)

C BODY=(D=Dynasty, C=New Yorker/N.Y. Salon)

G BODY=(V=Daytona/IROC, Chrysler Daytona)

J BODY=(C=LeBaron, Chrysler LeBaron)

P BODY=(P=Sundance, D=Shadow)

S BODY=(H=Voyager(H) FWD, K=Caravan(H) FWD,

Y=Town & Country(H) FWD, P=Voyager(K) AWD,

D=Caravan(K) AWD, C=Town & Country(K) AWD)

Y BODY=(C=Imperial/5th Avenue)

E-S BODY=(K=Chrysler Voyager(H) FWD, D=Chrysler

Voyager(K) AWD)

BODY STYLES:

21=2-Door Coupe

41=4-Door Sedan

12-52=FWD & AWD Van & Wgn Std W.B.

24=2-Door Hatchback

44=4-Door Hatchback

53=FWD & AWD Van & Wgn Ext. W.B.

27=2-Door Convertible

AR = Use as Required - = Non Illustrated Part P.A.R. = Paint as Required

**SEAT--FRONT Y BODY TRIM CODES SF-SP**  
**Figure ITY-1100**

93237 1100

ITEM	PART NUMBER	QTY	BODY	MODEL	DESCRIPTION	
1	CUSHION, w/Spring/Frame, Pad and Cover					
	CLOTH					
		FU10-1 LB9	1			Blue, (SFB)
		FU10-1 LMA	1			Red, (SFM)
		FU10-1 LV4	1			Champagne, (SFV)
		FU10-1 LAZ	1			Agate, (SFAZ)
	LEATHER					
		FU06-7 LB9	1			Blue, (SPB)
		FU06-7 LMA	1			Red, (SPM)
		FU06-7 LV4	1			Champagne, (SPV)
	FU06-7 LAZ	1			Agate, (SPAZ)	
2	COVER, Cushion					
	CLOTH					
		FU08-9 LB9	1			Blue, (SFB)
		FU08-9 LMA	1			Red, (SFM)
		FU08-9 LV4	1			Champagne, (SFV)
		FU08-9 LAZ	1			Agate, (SFAZ)
	LEATHER					
		FU04-5 LB9	1			Blue, (SPB)
		FU04-5 LMA	1			Red, (SPM)
		FU04-5 LV4	1			Champagne, (SPV)
	FU04-5 LAZ	1			Agate, (SPAZ)	
3	BACK, w/Spring/Frame, Pad and Cover					
	CLOTH					
		FW20-1 LB9	1			Blue, (SFB)
		FW20-1 LMA	1			Red, (SFM)
		FW20-1 LV4	1			Champagne, (SFV)
		FW20-1 LAZ	1			Agate, (SFAZ)
	LEATHER					
		FW18-9 LB9	1			Blue, (SPB)
		FW18-9 LMA	1			Red, (SPM)
		FW18-9 LV4	1			Champagne, (SPV)
	FW18-9 LAZ	1			Agate, (SPAZ)	
4	COVER, Back					
	CLOTH					
		EM21 KB9	2			Blue, (SFB)
		EM21 LMA	2			Red, (SFM)
		EM21 KV4	2			Champagne, (SFV)
	EM21 LAZ	2			Agate, (SFAZ)	

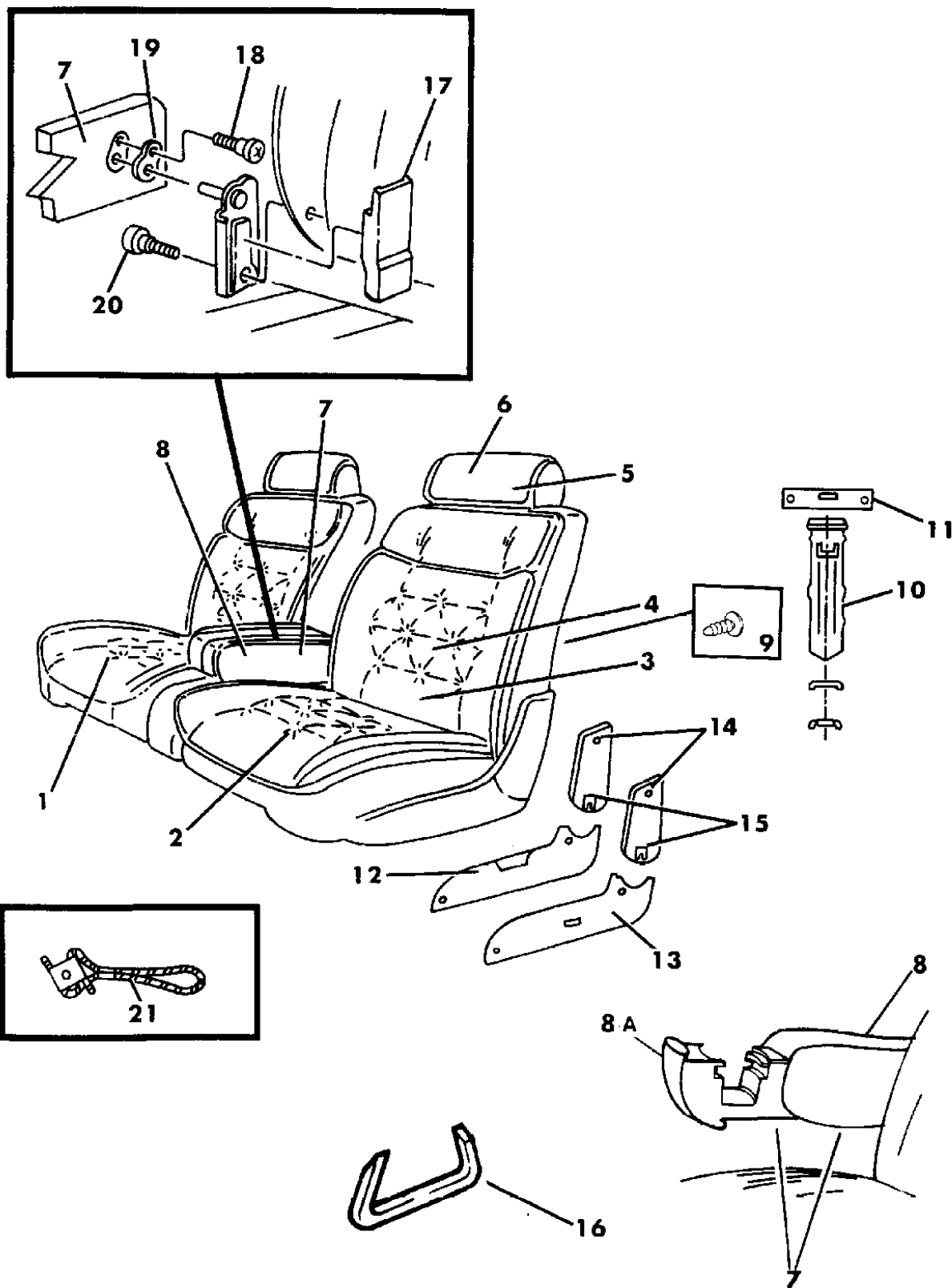
**MODEL CODES:**

A BODY=(C=LeBaron, D=Spirit, P=Acclaim/LaBaron(Landau), Saratoga)      S BODY=(H=Voyager(H) FWD, K=Caravan(H) FWD, Y=Town & Country(H) FWD, P=Voyager(K) AWD, D=Caravan(K) AWD, C=Town & Country(K) AWD)  
C BODY=(D=Dynasty, C=New Yorker/N.Y. Salon)      Y BODY=(C=Imperial/5th Avenue)  
G BODY=(V=Daytona/IROC, Chrysler Daytona)      E-S BODY=(K=Chrysler Voyager(H) FWD, D=Chrysler Voyager(K) AWD)  
J BODY=(C=LeBaron, Chrysler LeBaron)  
P BODY=(P=Sundance, D=Shadow)

**BODY STYLES:**

21=2-Door Coupe      41=4-Door Sedan      12-52=FWD & AWD Van & Wgn Std W.B.  
24=2-Door Hatchback      44=4-Door Hatchback      53=FWD & AWD Van & Wgn Ext. W.B.  
27=2-Door Convertible

AR = Use as Required   - = Non Illustrated Part   P.A.R. = Paint as Required





**SEAT--FRONT Y BODY TRIM CODES SF-SP**  
Figure ITY-1100

93237 1100

ITEM	PART NUMBER	QTY	BODY	MODEL	DESCRIPTION
					LEATHER
	EM20 KB9	2			Blue, (SPB)
	EM20 LMA	2			Red, (SPM)
	EM20 KV4	2			Champagne, (SPV)
	EM20 LAZ	2			Agate, (SPAZ)
5					HEADREST and COVER
					CLOTH
	ED16 KB9	2			Blue, (SFB)
	ED16 LMA	2			Red, (SFM)
	ED16 KV4	2			Champagne, (SFV)
	ED16 LAZ	2			Agate, (SFAZ)
					LEATHER
	HN64 MAZ	2			Agate, (SPAZ)
	HN64 MB9	2			Blue, (SPB)
	HN64 MMA	2			Red, (SPM)
	HN64 MV4	2			Champagne, (SPV)
6					COVER, Headrest
					CLOTH
	ED14 KB9	2			Blue, (SFB)
	ED14 LMA	2			Red, (SFM)
	ED14 KV4	2			Champagne, (SFV)
	ED14 LAZ	2			Agate, (SFAZ)
					LEATHER
	HN70 MAZ	2			Agate, (SPAZ)
	HN70 MB9	2			Blue, (SPB)
	HN70 MMA	2			Red, (SPM)
	HN70 MV4	2			Champagne, (SPV)
7					ARMREST and CUP HOLDER ***
	AG94 JB9	2			Blue, (SFB)
	AG94 LMA	2			Red, (SFM)
	AG94 JV4	2			Champagne, (SFV)
	AG94 LAZ	2			Agate, (SFAZ)
	AG90 JB9	2			Blue, (SPB)
	AG90 LMA	2			Red, (SPM)
	AG90 JV4	2			Champagne, (SPV)
	AG90 LAZ	2			Agate, (SPAZ)
8					ARMREST, Less Cup Holder (Serviced w/Item 7 Only)
8A					CUP HOLDER, Only (Serviced w/Item 7 Only) ***
9	6033 840	AR			FASTENER, Rear Back Pocket

**MODEL CODES:**

A BODY=(C=LeBaron, D=Spirit, P=Acclaim/LaBaron(Landau), Saratoga)

C BODY=(D=Dynasty, C=New Yorker/N.Y. Salon)

G BODY=(V=Daytona/ROC, Chrysler Daytona)

J BODY=(C=LeBaron, Chrysler LeBaron)

P BODY=(P=Sundance, D=Shadow)

S BODY=(H=Voyager(H) FWD, K=Caravan(H) FWD,

Y=Town & Country(H) FWD, P=Voyager(K) AWD,

D=Caravan(K) AWD, C=Town & Country(K) AWD)

Y BODY=(C=Imperial/5th Avenue)

E-S BODY=(K=Chrysler Voyager(H) FWD, D=Chrysler

Voyager(K) AWD)

**BODY STYLES:**

21=2-Door Coupe

41=4-Door Sedan

12-52=FWD & AWD Van & Wgn Std W.B.

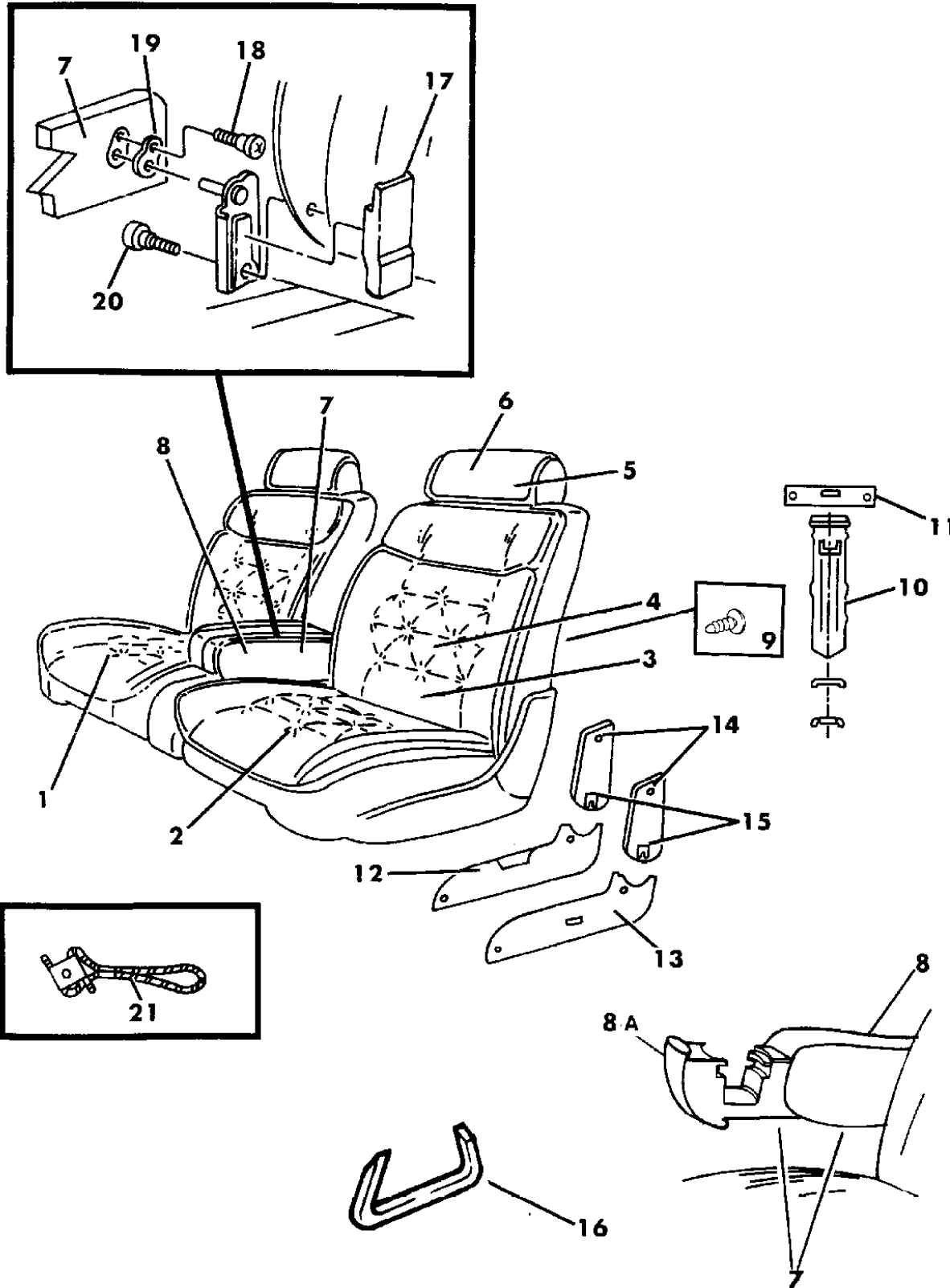
24=2-Door Hatchback

44=4-Door Hatchback

53=FWD & AWD Van & Wgn Ext. W.B.

27=2-Door Convertible

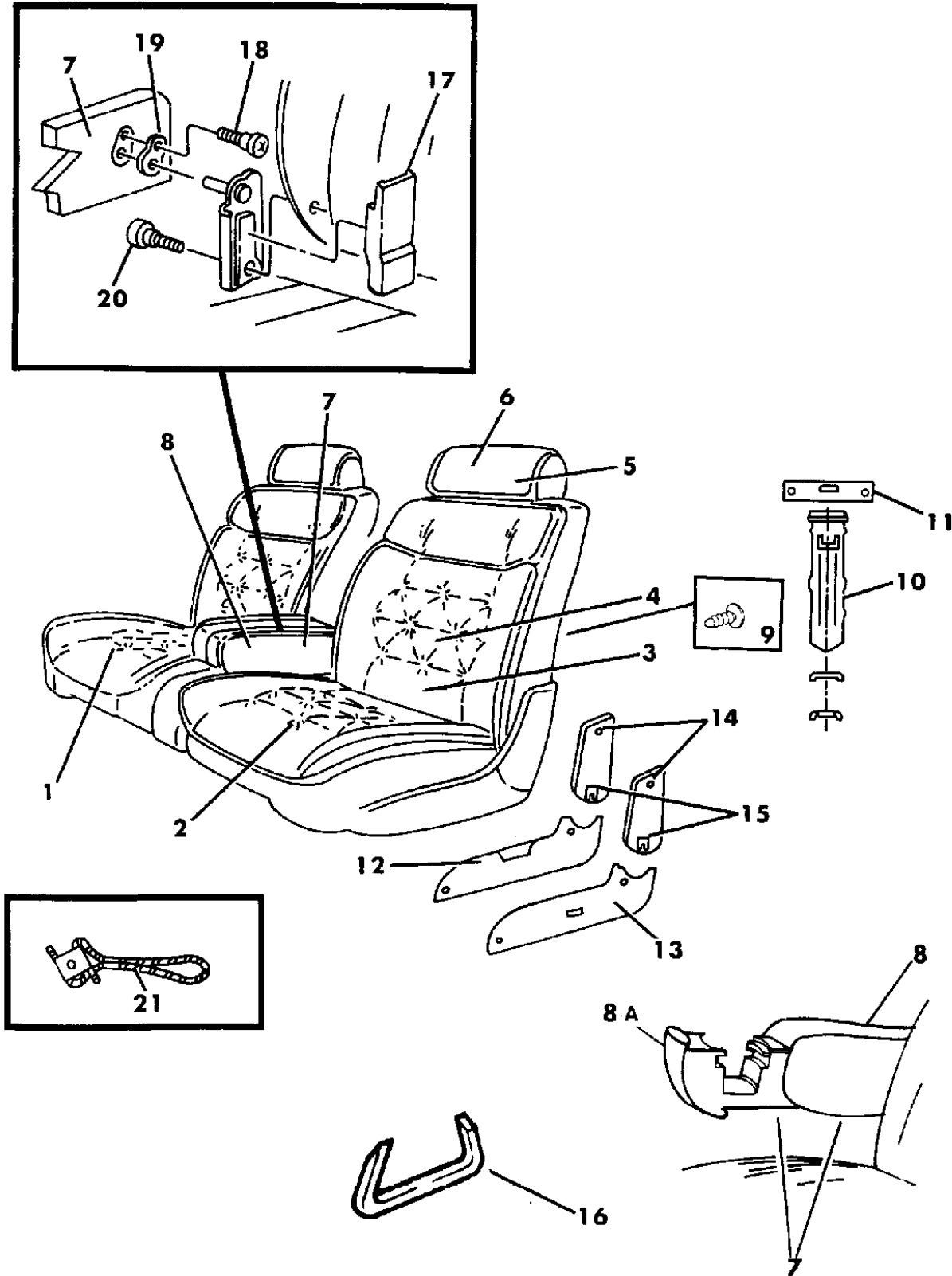
AR = Use as Required - = Non Illustrated Part P.A.R. = Paint as Required



**SEAT--FRONT Y BODY TRIM CODES SF-SP**  
Figure ITY-1100

93237 1100

ITEM	PART NUMBER	QTY	BODY	MODEL	DESCRIPTION
10	S283 HV4	2			SLEEVE, Headrest (P.A.R.)
11	4550 558	2			COVER, Headrest Finish
12					SHIELD, Cushion, (P.A.R.)
					PASSENGER
	S456 HV4	1			Outboard
	S457 HV4	1			Inboard
					DRIVER
	S457 HV4	1			Outboard
	S456 HV4	1			Inboard
13	GC06-7 LV4	1			SHIELD, Cushion Electric
-	6028 309	AR			PUSH-NUT, Switch Attaching ***
14					SHIELD, Back
					PASSENGER
	S762 HV4	1			Outboard
	S763 HV4	1			Inboard
					DRIVER
	S763 HV4	1			Outboard
	S762 HV4	1			Inboard
15	4317 800	AR			CLIP, Shield Attaching
16	6008 076	AR			HOG RING
17					COVER, Stanchion
	S706-7 HB9	1			Blue
	S706-7 LMA	1			Red
	S706-7 HV4	1			Champagne
	S706-7 LAZ	1			Agate
18	6032 567	AR			SCREW, Armrest
19	4477 624	AR			SPACER
20	6501 774	AR			SCREW
21					RETAINER
	4376 956	AR			.75 LOOP
	4376 957	AR			1.38 LOOP
					NOTE: (P.A.R.) = Paint As Required



**MODEL CODES:**

A BODY=(C=LeBaron, D=Spirit, P=Acclaim/LaBaron(Landau), Saratoga)      S BODY=(H=Voyager(H) FWD, K=Caravan(H) FWD, Y=Town & Country(H) FWD, P=Voyager(K) AWD, D=Caravan(K) AWD, C=Town & Country(K) AWD)

C BODY=(D=Dynasty, C=New Yorker/N.Y. Salon)

G BODY=(V=Daytona/IROC, Chrysler Daytona)

J BODY=(C=LeBaron, Chrysler LeBaron)

P BODY=(P=Sundance, D=Shadow)

Y BODY=(C=Imperial/5th Avenue)

E-S BODY=(K=Chrysler Voyager(H) FWD, D=Chrysler Voyager(K) AWD)

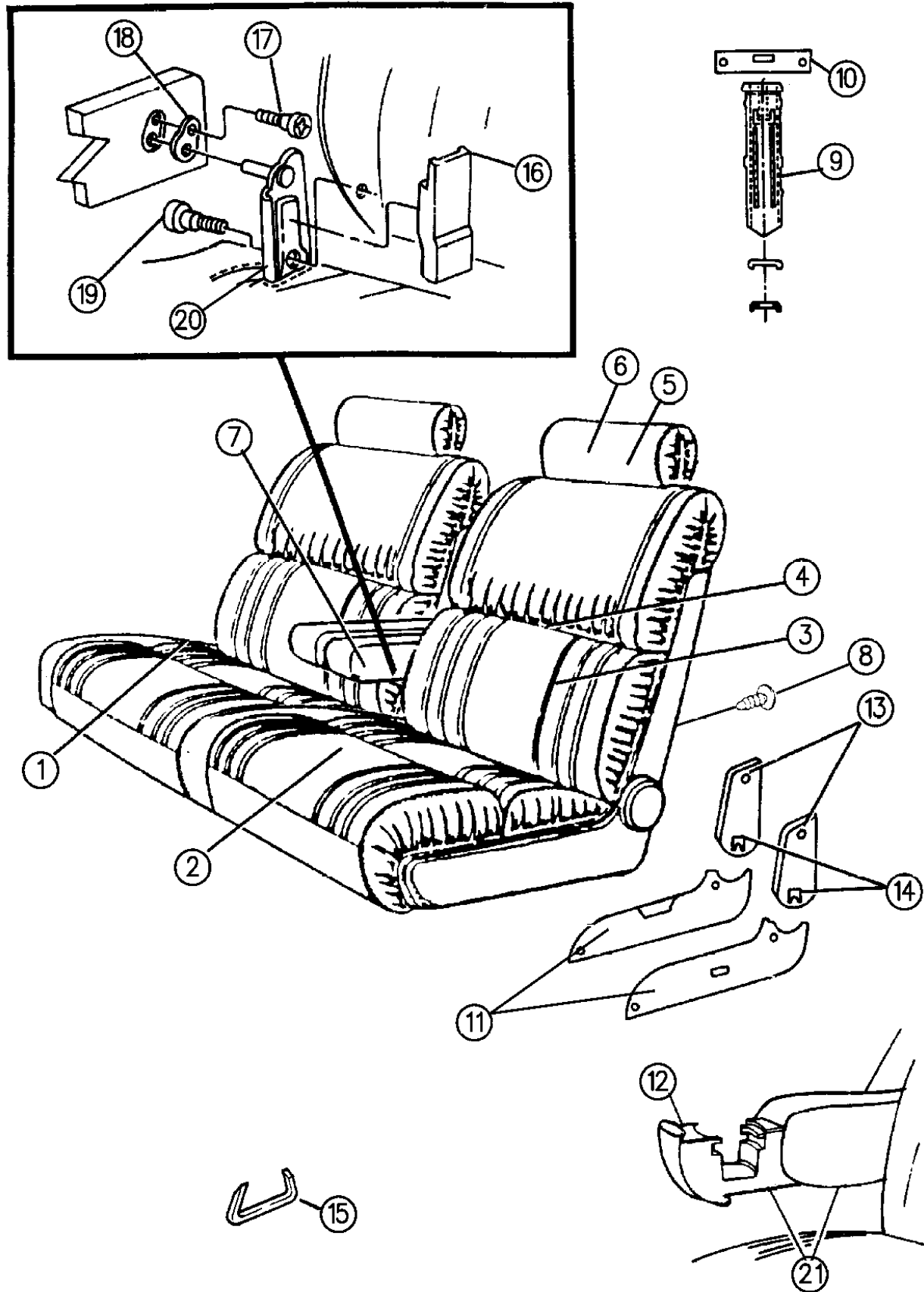
**BODY STYLES:**

21=2-Door Coupe      41=4-Door Sedan      12-52=FWD & AWD Van & Wgn Std W.B.  
 24=2-Door Hatchback      44=4-Door Hatchback      53=FWD & AWD Van & Wgn Ext. W.B.  
 27=2-Door Convertible

AR = Use as Required - = Non Illustrated Part P.A.R. = Paint as Required

SEAT--FRONT Y BODY TRIM CODES YF,YP  
Figure ITY-1200

93237 1200A



ITEM	PART NUMBER	QTY	BODY	MODEL	DESCRIPTION
1					CUSHION, w/Spring/Frame, Pad and Cover
					CLOTH
	GD64-5 LB9	1			Blue, (YFB)
	GD64-5 LMA	1			Red, (YFM)
	GD64-5 LV4	1			Champagne, (YFV)
	GD64-5 LH7	1			Mahogany, (YFH)
					LEATHER
	GD62-3 LPB	1			Blue, (YPB)
	GD62-3 LMA	1			Red, (YPM)
	GD62-3 LPV	1			Champagne, (YPV)
	GD62-3 LPH	1			Mahogany, (YPH)
	GD62-3 LW8	1			Quartz, (YPW)
	GD62-3 LPX	1			Black, (YPX)
2					COVER, Cushion
					CLOTH
	FZ64-5 LB9	1			Blue, (YFB)
	FZ64-5 LMA	1			Red, (YFM)
	FZ64-5 LV4	1			Champagne, (YFV)
	FZ64-5 LH7	1			Mahogany, (YFH)
					LEATHER
	FZ62-3 LPB	1			Blue, (YPB)
	FZ62-3 LMA	1			Red, (YPM)
	FZ62-3 LPV	1			Champagne, (YPV)
	FZ62-3 LPH	1			Mahogany, (YPH)
	FZ62-3 LW8	1			Quartz, (YPW)
	FZ62-3 LPX	1			Black, (YPX)
3					BACK, w/Spring/Frame, Pad and Cover
					CLOTH
	FU26-7 LB9	1			Blue, (YFB)
	FU26-7 LMA	1			Red, (YFM)
	FU26-7 LV4	1			Champagne, (YFV)
	FU26-7 LH7	1			Mahogany, (YFH)
					LEATHER
	FS52-3 LB9	1			Blue, (YPB)
	FS52-3 LMA	1			Red, (YPM)
	FS52-3 LV4	1			Champagne, (YPV)
	FS52-3 LH7	1			Mahogany, (YPH)
	FS52-3 LW8	1			Quartz, (YPW)
	FS52-3 LX9	1			Black, (YPX)

MODEL CODES:

A BODY=(C=LeBaron, D=Spirit, P=Acclaim/LaBaron(Landau, Saratoga)  
C BODY=(D=Dynasty, C=New Yorker/N.Y. Salon)  
G BODY=(V=Daytona/IROC, Chrysler Daytona)  
J BODY=(C=LeBaron, Chrysler LeBaron)  
P BODY=(P=Sundance, D=Shadow)

S BODY=(H=Voyager(H) FWD, K=Caravan(H) FWD, Y=Town & Country(H) FWD, P=Voyager(K) AWD, D=Caravan(K) AWD, C=Town & Country(K) AWD)  
Y BODY=(C=Imperial/5th Avenue)  
E-S BODY=(K=Chrysler Voyager(H) FWD, D=Chrysler Voyager(K) AWD)

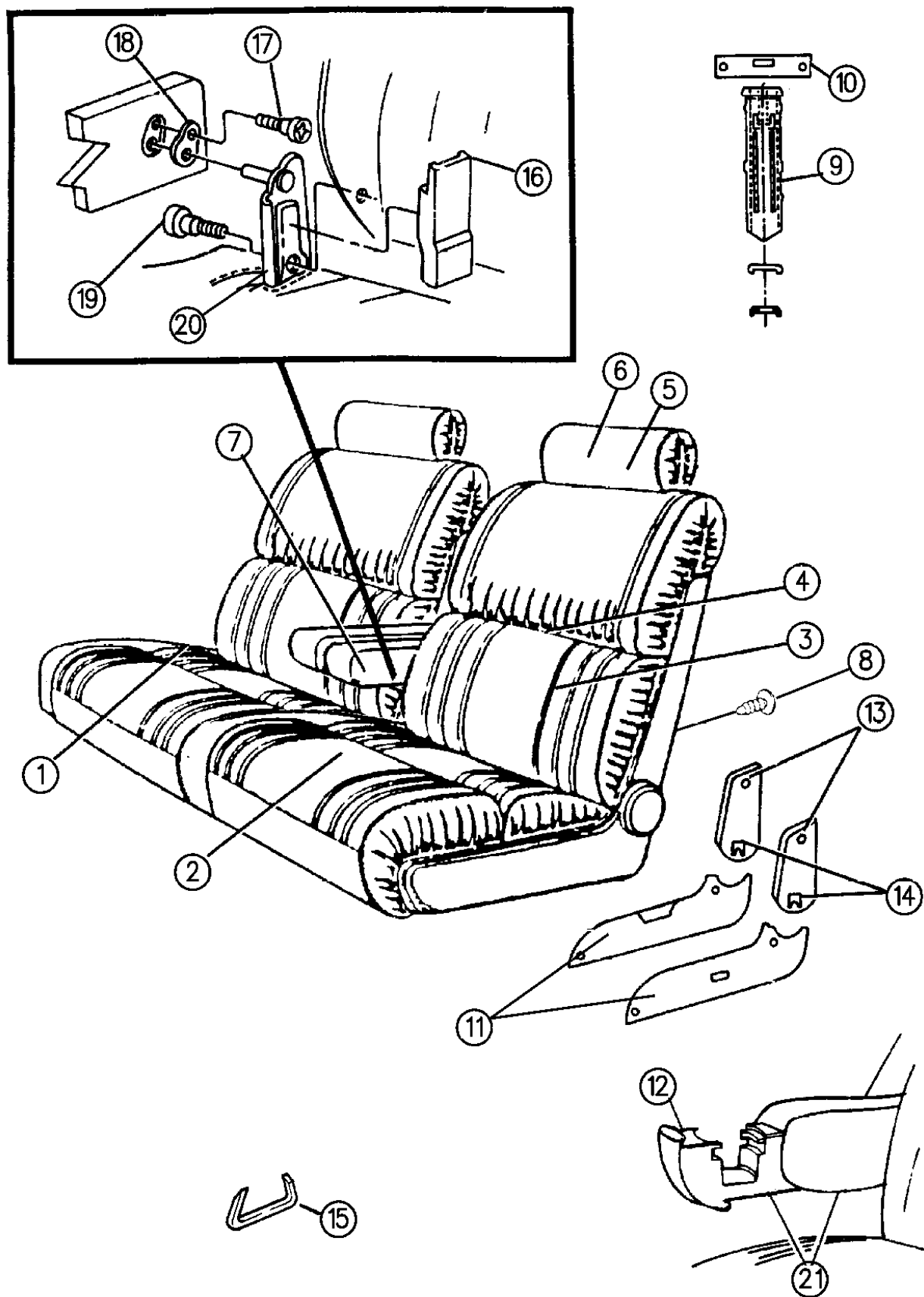
BODY STYLES:

21=2-Door Coupe      41=4-Door Sedan      12-52=FWD & AWD Van & Wgn Std W.B.  
24=2-Door Hatchback      44=4-Door Hatchback      53=FWD & AWD Van & Wgn Ext. W.B.  
27=2-Door Convertible

AR = Use as Required - = Non Illustrated Part P.A.R. = Paint as Required

SEAT--FRONT Y BODY TRIM CODES YF,YP  
Figure ITY-1200

93237 1200A



ITEM	PART NUMBER	QTY	BODY	MODEL	DESCRIPTION
4					COVER, Back w/Map Pocket
					CLOTH
	FU24-5 LB9	1			Blue, (YFB)
	FU24-5 LMA	1			Red, (YFM)
	FU24-5 LV4	1			Champagne, (YFV)
	FU24-5 LH7	1			Mahogany, (YFH)
					LEATHER
	FS48-9 LB9	1			Blue, (YPB)
	FS48-9 LMA	1			Red, (YPM)
	FS48-9 LV4	1			Champagne, (YPV)
	FS48-9 LH7	1			Mahogany, (YPH)
	FS48-9 LW8	1			Quartz, (YPW)
	FS48-9 LX9	1			Black, (YPX)
5					HEADREST and COVER
					CLOTH
	FU29 LB9	2			Blue, (YFB)
	FU29 LMA	2			Red, (YFM)
	FU29 LV4	2			Champagne, (YFV)
	FU29 LH7	2			Mahogany, (YFH)
	EE65 KB9	2			Blue, (YPB)
	EE65 KH7	2			Mahogany, (YPH)
	EE65 LMA	2			Red, (YPM)
	EE65 KV4	2			Champagne, (YPV)
	EE65 KW8	2			Quartz, (YPW)
	EE65 KX9	2			Black, (YPX)
6					COVER, Headrest
	FT79 LB9	2			Blue, (YFB)
	FT79 LH7	2			Mahogany, (YFH)
	FT79 LMA	2			Red, (YFM)
	FT79 LV4	2			Champagne, (YFV)
	EE67 KB9	2			Blue, (YPB)
	EE67 LMA	2			Red, (YPM)
	EE67 KV4	2			Champagne, (YPV)
	EE67 KH7	2			Mahogany, (YFH)
	EE67 KW8	2			Quartz, (YPW)
	EE67 KX9	2			Black, (YPX)
7					ARMREST and CUP HOLDER ***
	AG94 JB9	2			Blue, (YFB)
	AG94 LMA	2			Red, (YFM)

MODEL CODES:

A BODY=(C=LeBaron, D=Spirit, P=Acclaim/LaBaron(Landau), Saratoga)

C BODY=(D=Dynasty, C=New Yorker/N.Y. Salon)

G BODY=(V=Daytona/IROC, Chrysler Daytona)

J BODY=(C=LeBaron, Chrysler LeBaron)

P BODY=(P=Sundance, D=Shadow)

S BODY=(H=Voyager(H) FWD, K=Caravan(H) FWD,

Y=Town & Country(H) FWD, P=Voyager(K) AWD,

D=Caravan(K) AWD, C=Town & Country(K) AWD)

Y BODY=(C=Imperial/5th Avenue)

E-S BODY=(K=Chrysler Voyager(H) FWD, D=Chrysler

Voyager(K) AWD)

BODY STYLES:

21=2-Door Coupe

41=4-Door Sedan

12-52=FWD & AWD Van & Wgn Std W.B.

24=2-Door Hatchback

44=4-Door Hatchback

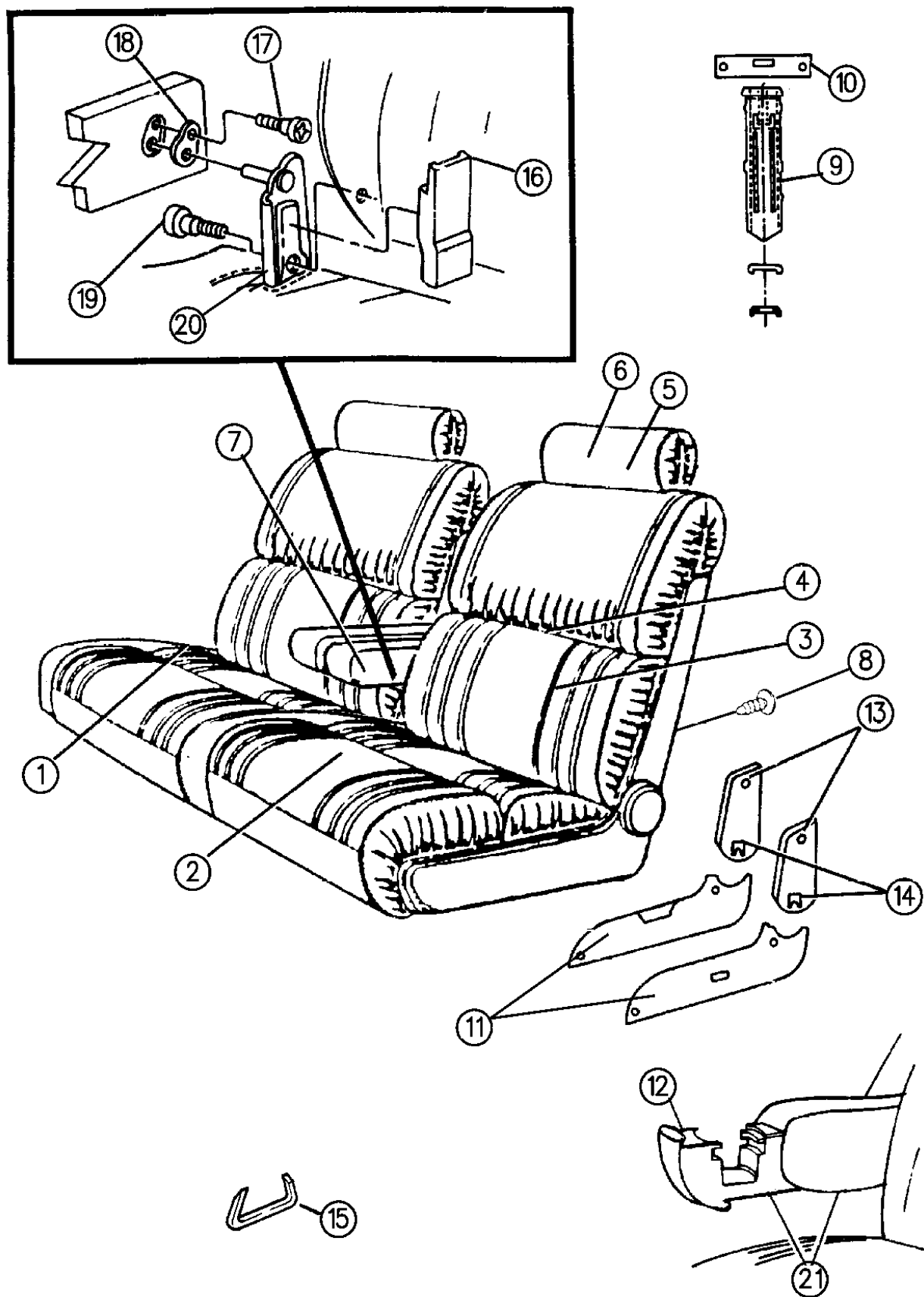
53=FWD & AWD Van & Wgn Ext. W.B.

27=2-Door Convertible

AR = Use as Required - = Non Illustrated Part P.A.R. = Paint as Required

SEAT--FRONT Y BODY TRIM CODES YF,YP  
Figure ITY-1200

93237 1200A



ITEM	PART NUMBER	QTY	BODY	MODEL	DESCRIPTION
	AG94 JV4	2			Champagne, (YFV)
	AG94 JH7	2			Mahogany, (YFH)
	AG90 JB9	2			Blue, (YPB)
	AG90 LMA	2			Red, (YPM)
	AG90 JV4	2			Champagne, (YPV)
	AG90 JH7	2			Mahogany, (YPH)
	AG90 JW8	2			Quartz, (YPRW)
	AG90 JX9	2			Black, (YPX)
8	6033 840	AR			FASTENER, Rear Back Pocket
9	S283 HV4	2			SLEEVE, Headrest (P.A.R.)
10	4550 558	2			COVER, Headrest Finish
11					SHIELD, Cushion, (P.A.R.) PASSENGER
	S768 HW8	1			Outboard
	S769 HW8	1			Inboard DRIVER
	S769 HW8	1			Outboard
	S768 HW8	1			Inboard
-	4420 953	1			BRACKET, Cushion Shield Attaching
12					CUP HOLDER ONLY, (Serviced w/Item 7 Only) ***
13	6100 840	AR			NUT, Seat Back Handle
14	4317 800	1			CLIP, Shield Attaching
15	6008 076	AR			HOG RING
16					COVER, Stanchion
	S706-7 HB9	1			Blue
	S706-7 LMA	1			Red
	S706-7 HV4	1			Champagne
	S706-7 JH7	1			Mahogany
	S706-7 HW8	1			Quartz
	S706-7 JX9	1			Black
17	6032 567	AR			SCREW, Armrest
18	4477 624	1			SPACER
19	6502 264	AR			SCREW
20	6033 840	AR			FASTENER, Rear Back Pocket
20					BRACKET, (Serviced In Cushion Assy)
21					ARMREST and CUP HOLDER ***
	AG94 JB9	2			Blue, (YFB)
	AG94 LMA	2			Red, (YFM)
	AG94 JV4	2			Champagne, (YFV)

MODEL CODES:

A BODY=(C=LeBaron, D=Spirit, P=Acclaim/LaBaron(Landau), Saratoga)

C BODY=(D=Dynasty, C=New Yorker/N.Y. Salon)

G BODY=(V=Daytona/IROC, Chrysler Daytona)

J BODY=(C=LeBaron, Chrysler LeBaron)

P BODY=(P=Sundance, D=Shadow)

S BODY=(H=Voyager(H) FWD, K=Caravan(H) FWD,

Y=Town & Country(H) FWD, P=Voyager(K) AWD,

D=Caravan(K) AWD, C=Town & Country(K) AWD)

Y BODY=(C=Imperial/5th Avenue)

E-S BODY=(K=Chrysler Voyager(H) FWD, D=Chrysler

Voyager(K) AWD)

BODY STYLES:

21=2-Door Coupe

41=4-Door Sedan

12-52=FWD & AWD Van & Wgn Std W.B.

24=2-Door Hatchback

44=4-Door Hatchback

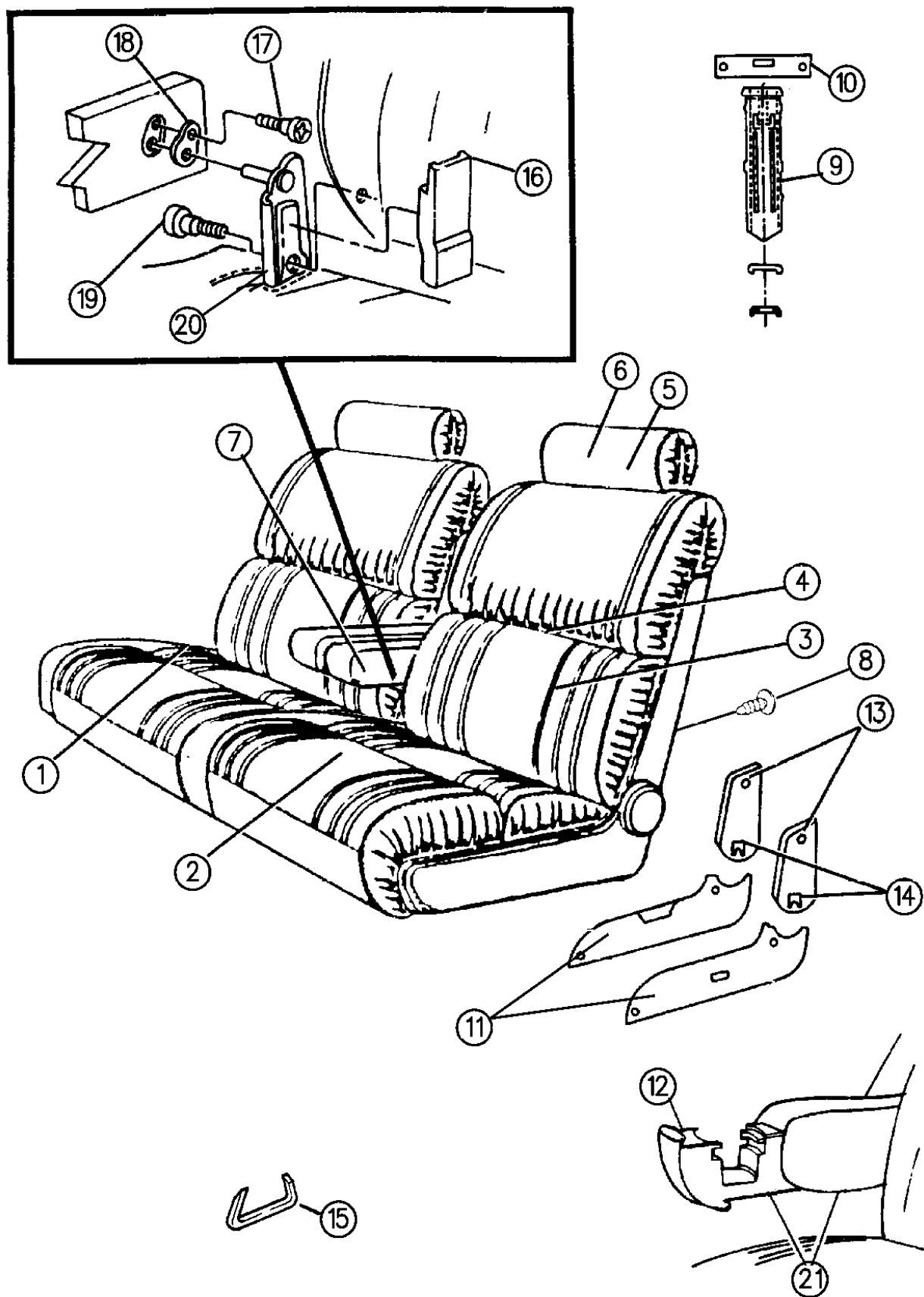
53=FWD & AWD Van & Wgn Ext. W.B.

27=2-Door Convertible

AR = Use as Required - = Non Illustrated Part P.A.R. = Paint as Required

SEAT--FRONT Y BODY TRIM CODES YF,YP  
Figure ITY-1200

93237 1200A



ITEM	PART NUMBER	QTY	BODY	MODEL	DESCRIPTION
	AG94 JH7	2			Mahogany, (YFH)
	AG90 JB9	2			Quartz, (YPB)
	AG90 LMA	2			Red, (YPR)
	AG90 JV4	2			Champagne, (YPV)
	AG90 JH7	2			Mahogany, (YPH)
	AG90 JW8	2			Quartz, (YPRW)
	AG90 JX9	2			Black, (YPX)
22					ARMREST, Less Cup Holder (Serviced w/Item 7 or 21 Only)

**MODEL CODES:**

A BODY=(C=LeBaron, D=Spirit, P=Acclaim/LaBaron(Landau), Saratoga) S BODY=(H=Voyager(H) FWD, K=Caravan(H) FWD, Y=Town & Country(H) FWD, P=Voyager(K) AWD, D=Caravan(K) AWD, C=Town & Country(K) AWD)  
 C BODY=(D=Dynasty, C=New Yorker/N.Y. Salon) Y BODY=(C=Imperial/5th Avenue)  
 G BODY=(V=Daytona/IROC, Chrysler Daytona) E-S BODY=(K=Chrysler Voyager(H) FWD, D=Chrysler Voyager(K) AWD)  
 J BODY=(C=LeBaron, Chrysler LeBaron) P BODY=(P=Sundance, D=Shadow)

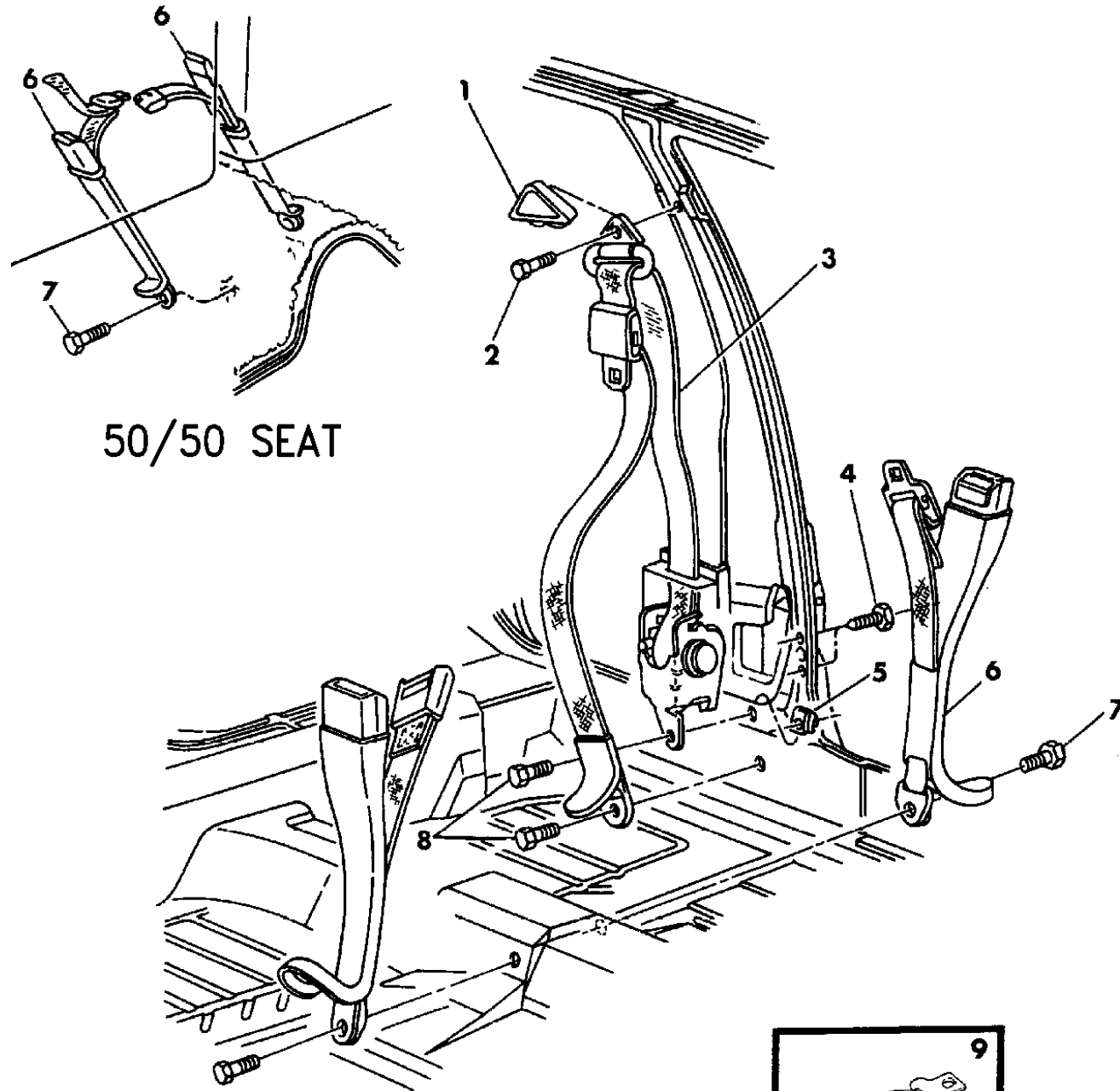
**BODY STYLES:**

21=2-Door Coupe 41=4-Door Sedan 12-52=FWD & AWD Van & Wgn Std W.B.  
 24=2-Door Hatchback 44=4-Door Hatchback 53=FWD & AWD Van & Wgn Ext. W.B.  
 27=2-Door Convertible

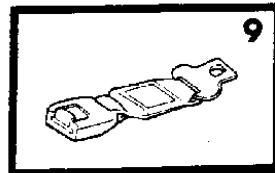
AR = Use as Required - = Non Illustrated Part P.A.R. = Paint as Required

**BELT--FRONT SEAT Y BODY**  
Figure ITY-1300

93237 1300



50/50 SEAT



ITEM	PART NUMBER	QTY	BODY	MODEL	DESCRIPTION
1					COVER, Turn Loop
	F679 JB9	2			Blue
	F679 LM6	2			Red
	F679 JV4	2			Champagne
	F679 JH7	2			Mahogany
	F679 JW8	2			Quartz
	F679 LAZ	2			Agate
	F679 JX9	2			Black
2	6031 216	2			BOLT
3					BELT, Outer
					Right
					LABEL NUMBER 4680098
					Right
	FS10 LB9	1			Blue
	FS10 LM6	1			Red
	FS10 LV4	1			Champagne
	FS10 LH7	1			Mahogany
	FS10 LW8	1			Quartz
	FS10 LAZ	1			Agate
	FS10 LX9	1			Black
					LABEL NUMBER 5260591
					Left
	WF01 LAZ	1			Agate
	WF01 KB9	1			Blue
	WF01 LM6	1			Red
WF01 KV4	1			Champagne	
WF01 KH7	1			Mohogany	
WF01 KW8	1			Quartz	
WF01 KX9	1			Black	
4					SCREW, (Not Serv.)
5	6033 994	2			U-NUT
6					BELT, Inner
					LABEL NUMBER 4680072-3
	FL80-1 KB9	1			Blue
	FL80-1 LM6	1			Red
	FL80-1 KV4	1			Champagne
	FL80-1 KH7	1			Mahogany
	FL80-1 KW8	1			Quartz
	FL80-1 LAZ	1			Agate

**MODEL CODES:**

A BODY=(C=LeBaron, D=Spirit, P=Acclaim/LaBaron(Landau),  
Saratoga)  
C BODY=(D=Dynasty, C=New Yorker/N.Y. Salon)  
G BODY=(V=Daytona/ROC, Chrysler Daytona)  
J BODY=(C=LeBaron, Chrysler LeBaron)  
P BODY=(P=Sundance, D=Shadow)

S BODY=(H=Voyager(H) FWD, K=Caravan(H) FWD,  
Y=Town & Country(H) FWD, P=Voyager(K) AWD,  
D=Caravan(K) AWD, C=Town & Country(K) AWD)  
Y BODY=(C=Imperial/5th Avenue)  
E-S BODY=(K=Chrysler Voyager(H) FWD, D=Chrysler  
Voyager(K) AWD)

**BODY STYLES:**

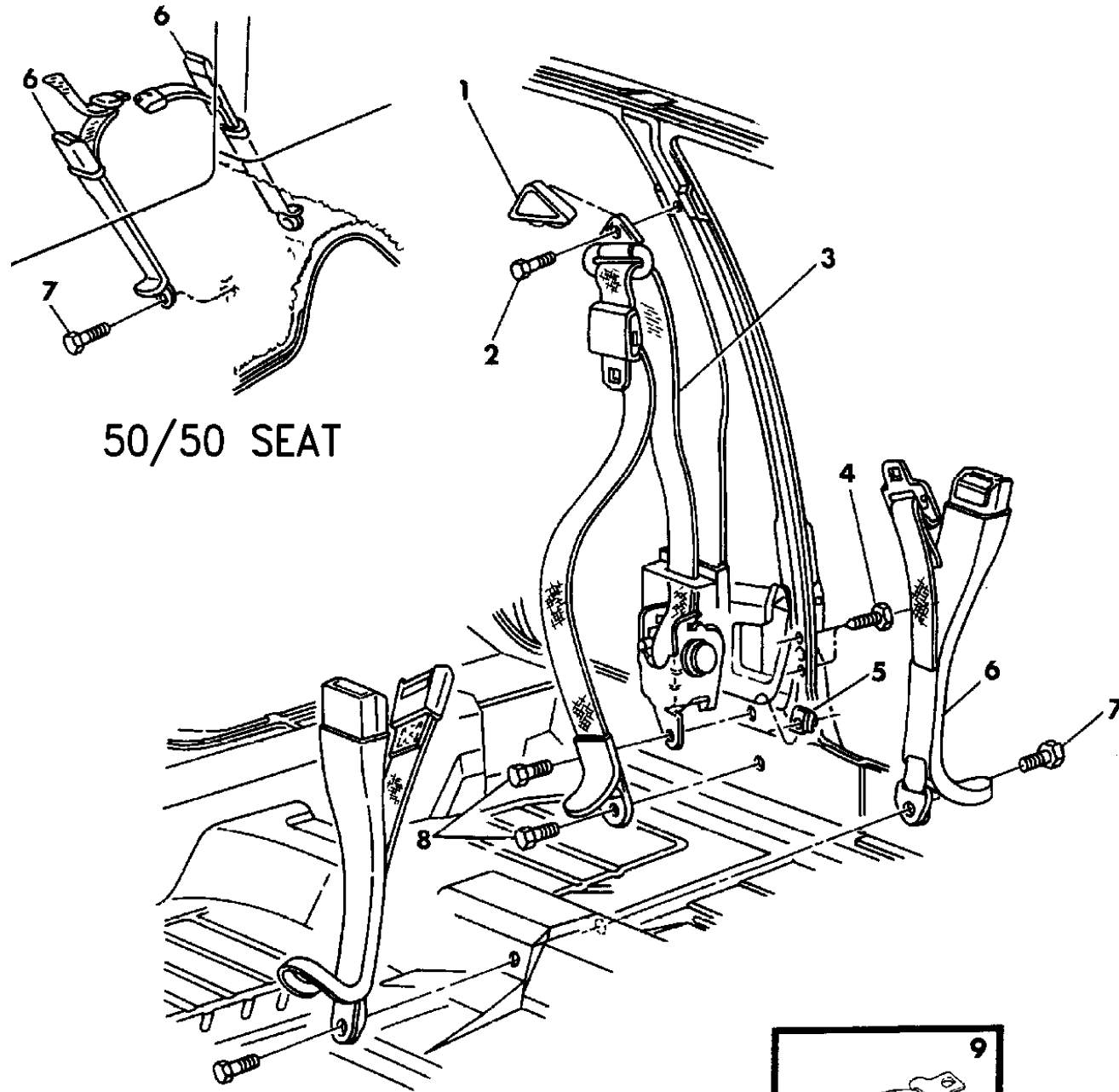
21=2-Door Coupe      41=4-Door Sedan      12-52=FWD & AWD Van & Wgn Std W.B.  
24=2-Door Hatchback      44=4-Door Hatchback      53=FWD & AWD Van & Wgn Ext. W.B.  
27=2-Door Convertible

AR = Use as Required - = Non Illustrated Part P.A.R. = Paint as Required

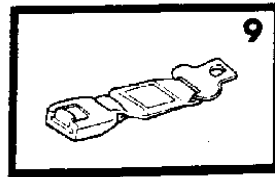
**BELT--FRONT SEAT Y BODY**  
Figure ITY-1300

93237 1300

ITEM	PART NUMBER	QTY	BODY	MODEL	DESCRIPTION
	FL80-1 KX9	1			Black
7	6031 484	2			BOLT
8	6031 298	2			BOLT
9	5260 606	AR			EXTENDER



50/50 SEAT



**MODEL CODES:**

A BODY=(C=LeBaron, D=Spirit, P=Acclaim/LaBaron(Landau), Saratoga)      S BODY=(H=Voyager(H) FWD, K=Caravan(H) FWD, Y=Town & Country(H) FWD, P=Voyager(K) AWD, D=Caravan(K) AWD, C=Town & Country(K) AWD)  
 C BODY=(D=Dynasty, C=New Yorker/N.Y. Salon)  
 G BODY=(V=Daytona/IROC, Chrysler Daytona)  
 J BODY=(C=LeBaron, Chrysler LeBaron)  
 P BODY=(P=Sundance, D=Shadow)      Y BODY=(C=Imperial/5th Avenue)  
 E-S BODY=(K=Chrysler Voyager(H) FWD, D=Chrysler Voyager(K) AWD)

**BODY STYLES:**

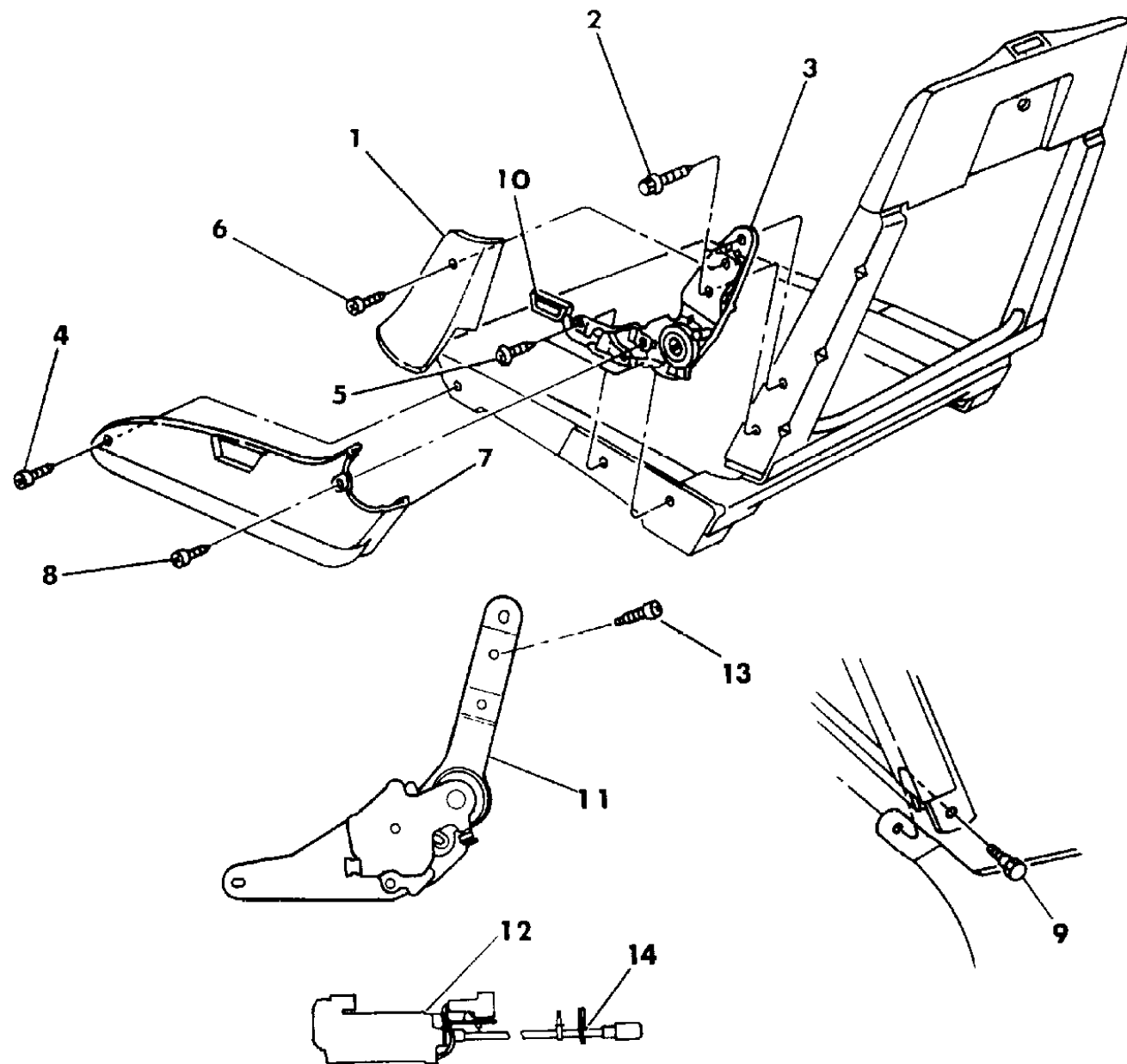
21=2-Door Coupe      41=4-Door Sedan      12-52=FWD & AWD Van & Wgn Std W.B.  
 24=2-Door Hatchback      44=4-Door Hatchback      53=FWD & AWD Van & Wgn Ext. W.B.  
 27=2-Door Convertible

AR = Use as Required - = Non Illustrated Part P.A.R. = Paint as Required



**SEAT--RECLINING Y BODY**  
Figure ITY-1400

93237 1400



ITEM	PART NUMBER	QTY	BODY	MODEL	DESCRIPTION
1	S762-3 HV4	1			SHIELD, Back (P.A.R.)
2	6501 222	AR			SCREW
3					RECLINER, Assembly
	4402 190	1			w/o Power Passenger Seat
	4402 191	1			Driver Seat
	4402 968	1			w/Power Passenger Seat
	4402 969	1			Driver Seat, (w/Memory)
4		AR			SCREW, (8-18x1.00) (Not Serv.)
5	6500 558	AR			SCREW
6					SCREW, (8-18x1.75) (Not Serv.)
7					SHIELD, Cushion
	S456-7 HV4	1			P.A.R.
	S768-9 HW8	1			Shield, Cushion (P.A.R.) Front Part Of Shield Is Woodgrain And The Back Part Is (P.A.R.)
8	6032 456	AR			SCREW
9	6501 774	2			BOLT
10					LEVER, Recliner Release (Serv. In Item 3) NOTE: (P.A.R.) = Paint As Required
11					POWER RELEASE, (w/o Motor)
	4476 938	1			Passenger
	4476 939	1			Driver, w/Power Memory Seat
12					MOTOR and CABLE, w/Power Release
	4476 940	1			Passenger
	4476 943	1			Driver, w/Memory Seat
13	9414 723	AR			SCREW, Power Recliner Attaching
14	6033 639	1			CLIP, Cable To Cushion

**MODEL CODES:**

A BODY=(C=LeBaron, D=Spirit, P=Acclaim/LaBaron(Landau),  
Saratoga)  
C BODY=(D=Dynasty, C=New Yorker/N.Y. Salon)  
G BODY=(V=Daytona/IROC, Chrysler Daytona)  
J BODY=(C=LeBaron, Chrysler LeBaron)  
P BODY=(P=Sundance, D=Shadow)

S BODY=(H=Voyager(H) FWD, K=Caravan(H) FWD,  
Y=Town & Country(H) FWD, P=Voyager(K) AWD,  
D=Caravan(K) AWD, C=Town & Country(K) AWD)  
Y BODY=(C=Imperial/5th Avenue)  
E-S BODY=(K=Chrysler Voyager(H) FWD, D=Chrysler  
Voyager(K) AWD)

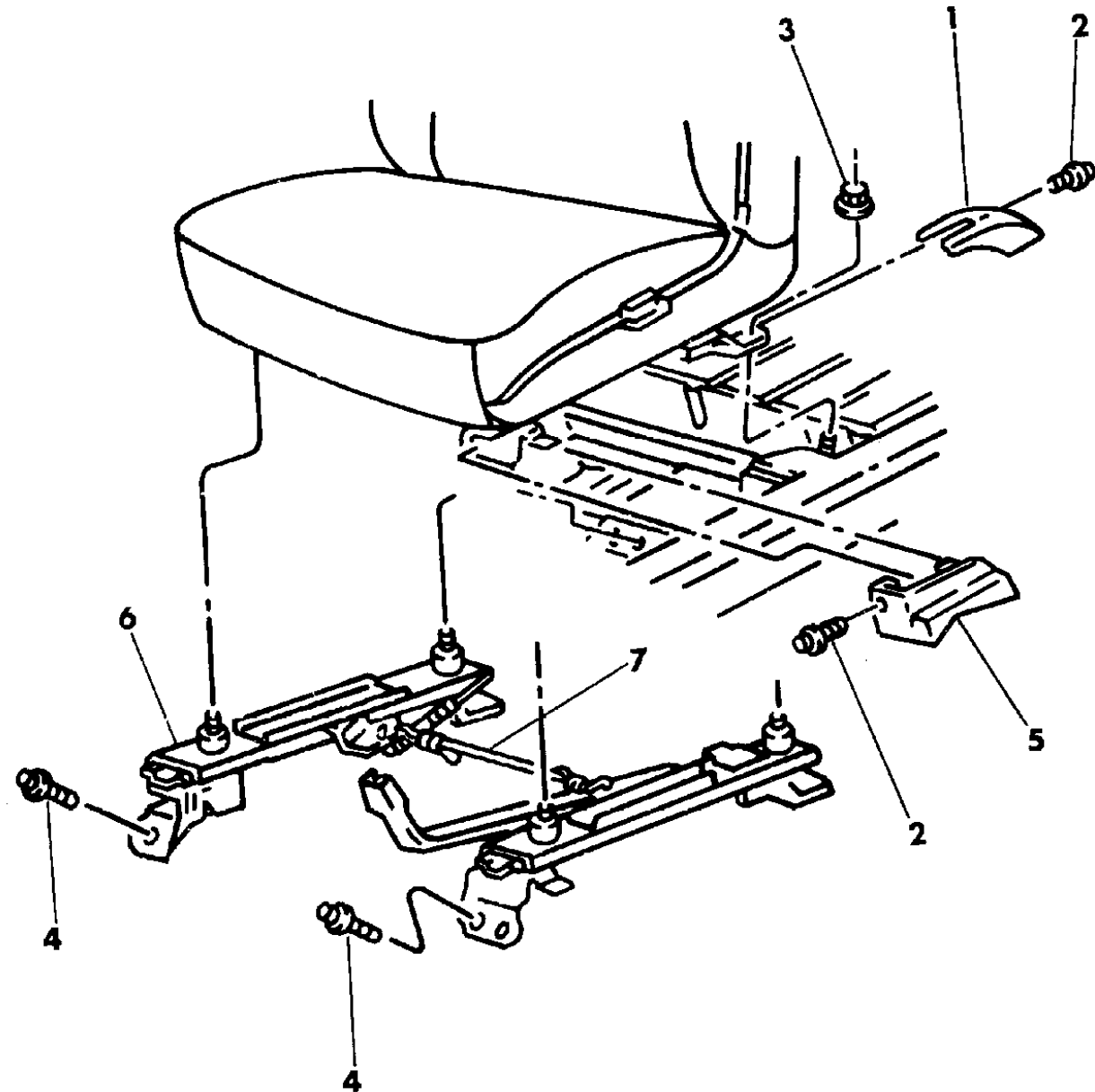
**BODY STYLES:**

21=2-Door Coupe      41=4-Door Sedan      12-52=FWD & AWD Van & Wgn Std W.B.  
24=2-Door Hatchback      44=4-Door Hatchback      53=FWD & AWD Van & Wgn Ext. W.B.  
27=2-Door Convertible

AR = Use as Required - = Non Illustrated Part P.A.R. = Paint as Required

**ADJUSTERS AND COVERS MANUAL Y BODY**  
Figure ITY-1500

93237 1500



ITEM	PART NUMBER	QTY	BODY	MODEL	DESCRIPTION
1					COVER, Adjusters Rear
					MANUAL
	FE29 KB9	2			Blue
	FE29 LMA	2			Red
	FE29 KV8	2			Champagne
	FE29 LAZ	2			Agate
2		AR			SCREW, (Not Serv.)
3	6501 279	2			NUT
4		AR			SCREW, (Not Serv.)
5					COVER, Manual Adjuster
					OUTBOARD
	WJ68-9 KB9	1			Blue
	WJ68-9 LMA	1			Red
	WJ68-9 KV8	1			Champagne
	WJ68-9 LAZ	1			Agate
6					ADJUSTER, Manual
					PASSENGER SEAT
	4519 722	1			Inboard
	4550 004	1			Outboard
7	4571 193	2			WIRE, Guide

**MODEL CODES:**

A BODY=(C=LeBaron, D=Spirit, P=Acclaim/LaBaron(Landau), Saratoga) S BODY=(H=Voyager(H) FWD, K=Caravan(H) FWD, Y=Town & Country(H) FWD, P=Voyager(K) AWD, D=Caravan(K) AWD, C=Town & Country(K) AWD)  
 C BODY=(D=Dynasty, C=New Yorker/N.Y. Salon) Y BODY=(C=Imperial/5th Avenue)  
 G BODY=(V=Daytona/IROC, Chrysler Daytona) E-S BODY=(K=Chrysler Voyager(H) FWD, D=Chrysler Voyager(K) AWD)  
 J BODY=(C=LeBaron, Chrysler LeBaron) P BODY=(P=Sundance, D=Shadow)

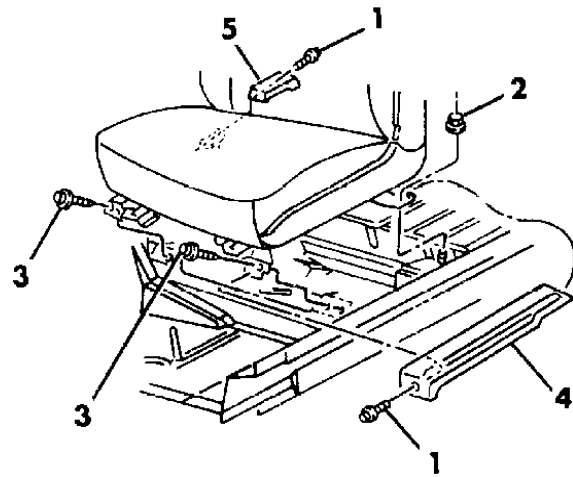
**BODY STYLES:**

21=2-Door Coupe      41=4-Door Sedan      12-52=FWD & AWD Van & Wgn Std W.B.  
 24=2-Door Hatchback      44=4-Door Hatchback      53=FWD & AWD Van & Wgn Ext. W.B.  
 27=2-Door Convertible

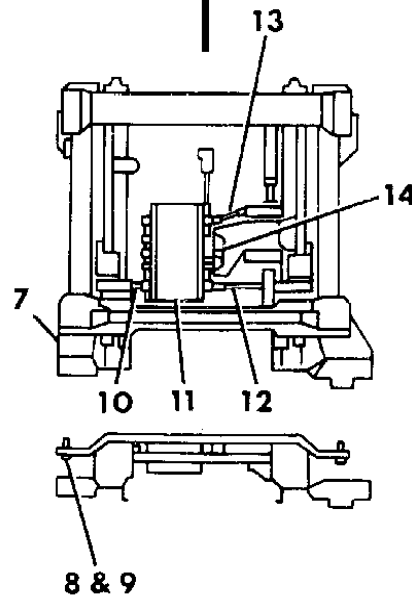
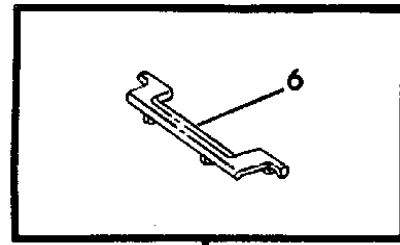
AR = Use as Required - = Non Illustrated Part P.A.R. = Paint as Required

**ADJUSTERS AND COVERS MANUAL AND ELECTRIC Y BODY**  
Figure ITY-1600

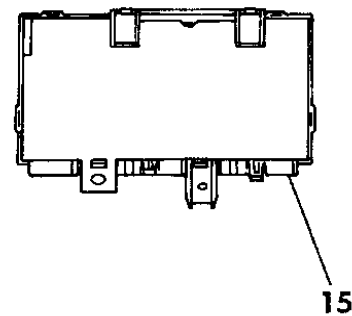
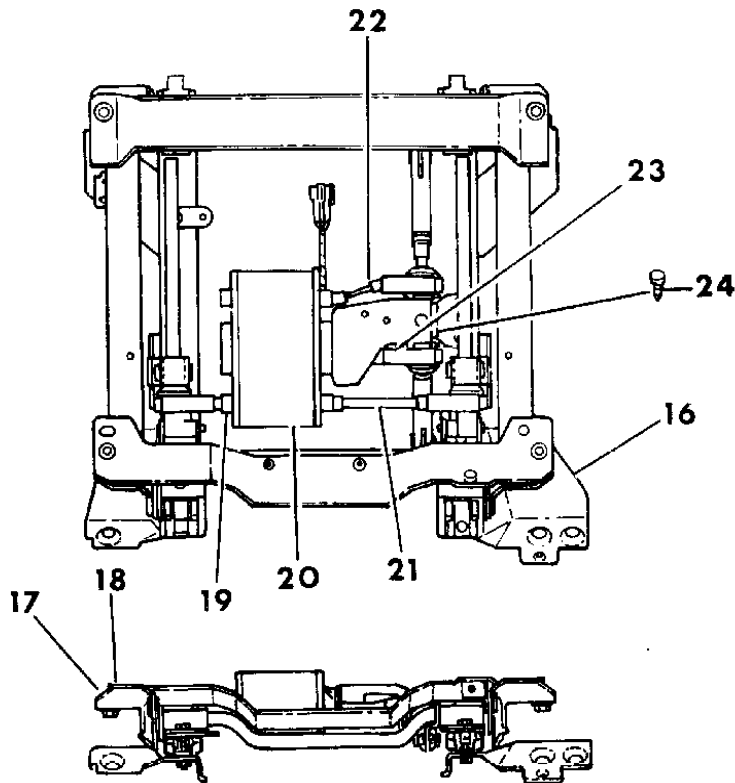
93237 1600



**W/O MEMORY**



**W/ MEMORY**



ITEM	PART NUMBER	QTY	BODY	MODEL	DESCRIPTION
1		AR			SCREW, (Not Serv.)
2	6501 279	2			NUT
3		AR			SCREW, (Not Serv.)
4					COVER, Electric Adjuster OUTBOARD
					Passenger Seat
	S976 HB9	1			Blue
	S976 LMA	1			Red
	S976 HV8	1			Champagne
	S976 JH7	1			Mahogany
	S976 LAZ	1			Agate
	S976 HX9	1			Black
					Driver Seat
	EM91 KB9	1			Blue
	EM91 LMA	1			Red
	EM91 KV8	1			Champagne
	EM91 KH7	1			Mahogany
	EM91 LAZ	1			Agate
	EM91 KX9	1			Black
5					COVER, Electric Adjuster INBOARD
	S978 HB9	1			Blue
	S978 LMA	1			Red
	S978 HV8	1			Champagne
	S978 JH7	1			Mahogany
	S978 LAZ	1			Agate
	S978 GX9	1			Black
6					COVER, Electric Adjuster REAR
	AC78 LAZ	1			Agate
	AC78 KB9	1			Blue
	AC78 LMA	1			Red
	AC78 KV8	1			Champagne
					REAR - w/Memory Adjuster
	S954 HB9	1			Blue
	S954 LMA	1			Red
	S954 HV8	1			Champagne
	S954 JH7	1			Mahogany
	S954 HX9	1			Black

**MODEL CODES:**

A BODY=(C=LeBaron, D=Spirit, P=Acclaim/LaBaron(Landau, Saratoga)  
C BODY=(D=Dynasty, C=New Yorker/N.Y. Salon)  
G BODY=(V=Daytona/ROC, Chrysler Daytona)  
J BODY=(C=LeBaron, Chrysler LeBaron)  
P BODY=(P=Sundance, D=Shadow)

S BODY=(H=Voyager(H) FWD, K=Caravan(H) FWD, Y=Town & Country(H) FWD, P=Voyager(K) AWD, D=Caravan(K) AWD, C=Town & Country(K) AWD)  
Y BODY=(C=Imperial/5th Avenue)  
E-S BODY=(K=Chrysler Voyager(H) FWD, D=Chrysler Voyager(K) AWD)

**BODY STYLES:**

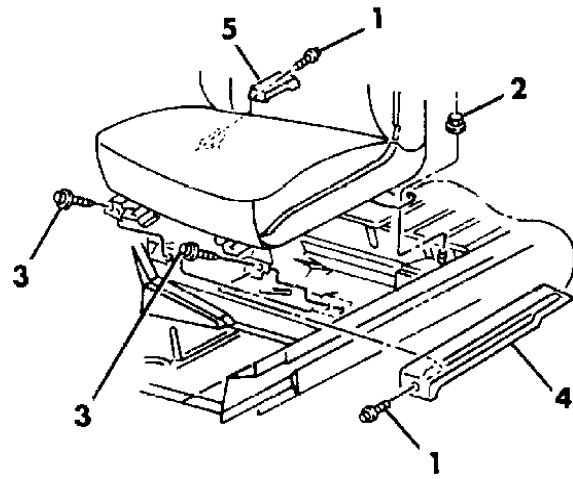
21=2-Door Coupe      41=4-Door Sedan      12-52=FWD & AWD Van & Wgn Std W.B.  
24=2-Door Hatchback      44=4-Door Hatchback      53=FWD & AWD Van & Wgn Ext. W.B.  
27=2-Door Convertible

AR = Use as Required - = Non Illustrated Part P.A.R. = Paint as Required

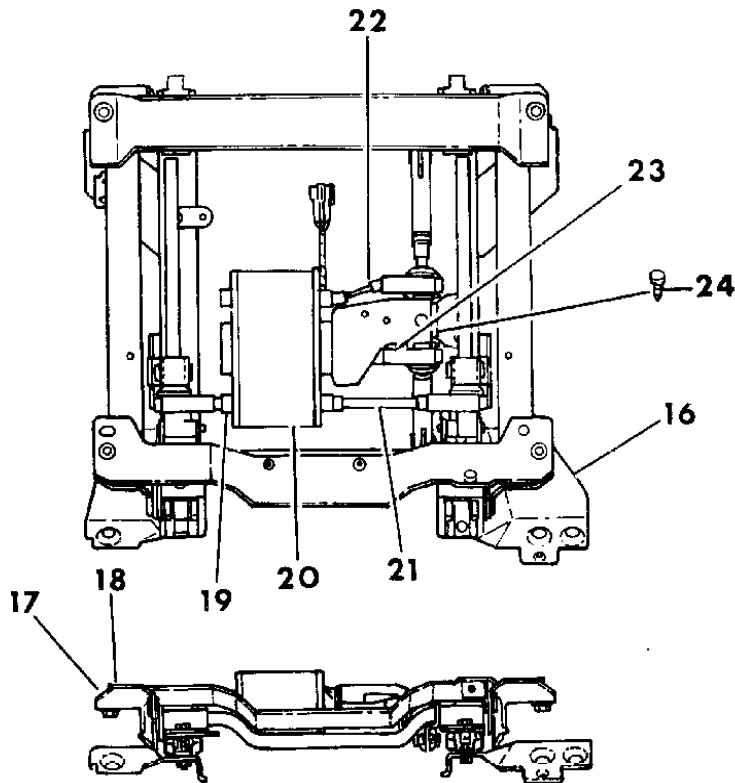
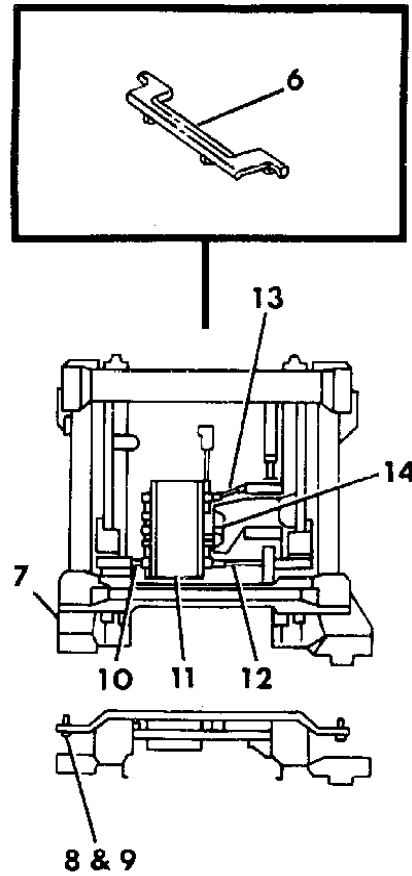
**ADJUSTERS AND COVERS MANUAL AND ELECTRIC Y BODY**  
Figure ITY-1600

93237 1600

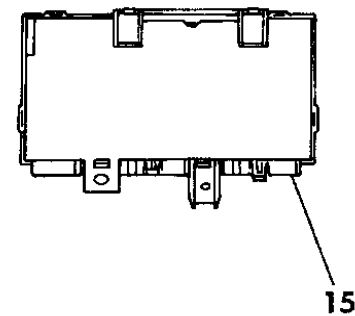
ITEM	PART NUMBER	QTY	BODY	MODEL	DESCRIPTION
	S954 LAZ	1			Agate
7	4477 398-9	1			ADJUSTER, Less Motor
8	6033 077	4			SCREW, Adjuster To Seat
9	6028 040	4			RETAINER
10	4477 901	1			CABLE, Outer
11	4402 323	1			MOTOR and TUBE
12	4477 899	1			CABLE, Inner
13	4327 282	1			SHAFT, Flexible
14	4402 997	1			SHAFT, Flexible
15	5266 120	1			MODULE, w/Memory Seat
16	4477 400	1			ADJUSTER, Less Motor (Left Only) (w/Memory)
17	6033 077	4			SCREW, Adjuster to Seat
18	6028 040	4			RETAINER, Screw to Adjuster
19	4477 897	1			CABLE, Outer
20	4477 895	1			MOTOR and TUBE, w/Memory
21	4477 899	1			CABLE, Inner (w/Memory)
22	4327 282	1			SHAFT, Flexible (4.005")
23	4402 997	1			SHAFT, Flexible (3.86')
24					SCREW, (Not Serv.)



W/O MEMORY



W/ MEMORY



**MODEL CODES:**

A BODY=(C=LeBaron, D=Spirit, P=Acclaim/LaBaron(Landau), Saratoga)      S BODY=(H=Voyager(H) FWD, K=Caravan(H) FWD, Y=Town & Country(H) FWD, P=Voyager(K) AWD, D=Caravan(K) AWD, C=Town & Country(K) AWD)  
 C BODY=(D=Dynasty, C=New Yorker/N.Y. Salon)  
 G BODY=(V=Daytona/ROC, Chrysler Daytona)  
 J BODY=(C=LeBaron, Chrysler LeBaron)  
 P BODY=(P=Sundance, D=Shadow)      Y BODY=(C=Imperial/5th Avenue)  
 E-S BODY=(K=Chrysler Voyager(H) FWD, D=Chrysler Voyager(K) AWD)

**BODY STYLES:**

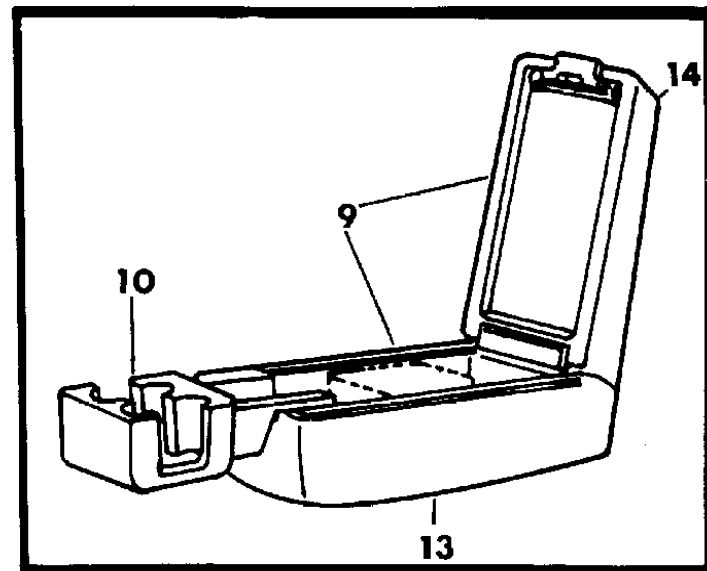
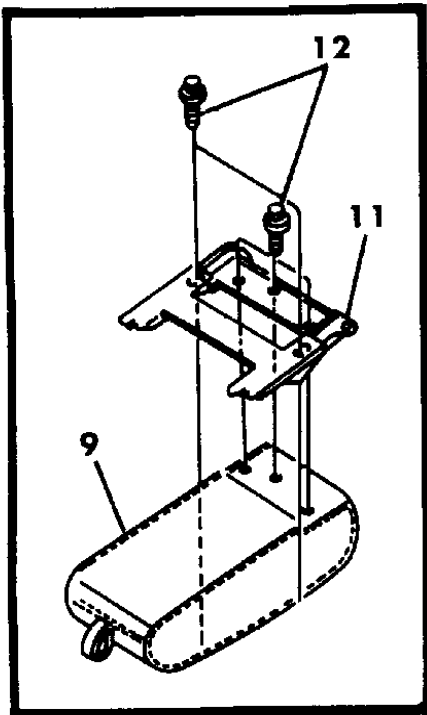
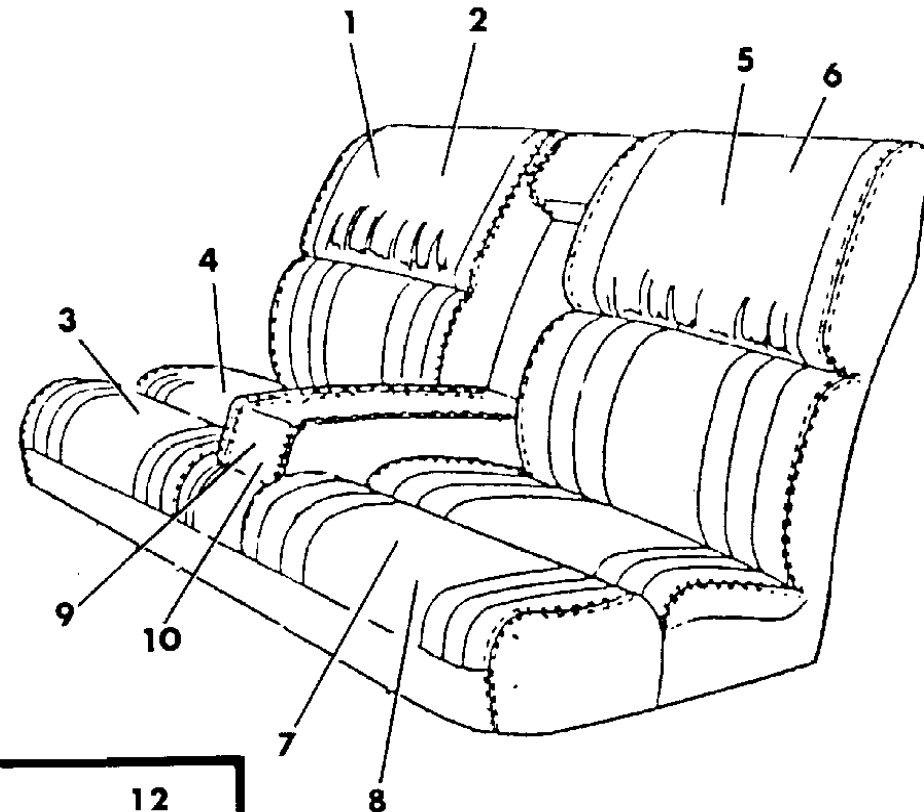
21=2-Door Coupe      41=4-Door Sedan      12-52=FWD & AWD Van & Wgn Std W.B.  
 24=2-Door Hatchback      44=4-Door Hatchback      53=FWD & AWD Van & Wgn Ext. W.B.  
 27=2-Door Convertible

AR = Use as Required - = Non Illustrated Part P.A.R. = Paint as Required

**SEAT--REAR Y BODY TRIM CODES YF,YP**  
Figure ITY-1700

93237 1700

ITEM	PART NUMBER	QTY	BODY	MODEL	DESCRIPTION
1					BACK, w/Spring/Frame, Pad and Cover
					CLOTH
					Blue, (YFB)
					Red, (YFM)
2					COVER, Back
					CLOTH
					Blue, (YFB)
					Red, (YFM)
3					CUSHION, w/Spring/Frame, Pad and Cover
					CLOTH
					Blue, (YFB)
					Red, (YFM)
4					COVER, Cushion
					CLOTH
					Blue, (YFB)
					Red, (YFM)
5					BACK, w/Spring/Frame, Pad and Cover
					LEATHER
					Blue, (YPB)
					Red, (YPM)
6					COVER, Back
					LEATHER
					Blue, (YPB)
					Red, (YPM)



**MODEL CODES:**

A BODY=(C=LeBaron, D=Spirit, P=Acclaim/LaBaron(Landau), Saratoga)      S BODY=(H=Voyager(H) FWD, K=Caravan(H) FWD, Y=Town & Country(H) FWD, P=Voyager(K) AWD, D=Caravan(K) AWD, C=Town & Country(K) AWD)  
 C BODY=(D=Dynasty, C=New Yorker/N.Y. Salon)      Y BODY=(C=Imperial/5th Avenue)  
 G BODY=(V=Daytona/ROC, Chrysler Daytona)      E-S BODY=(K=Chrysler Voyager(H) FWD, D=Chrysler Voyager(K) AWD)  
 J BODY=(C=LeBaron, Chrysler LeBaron)  
 P BODY=(P=Sundance, D=Shadow)

**BODY STYLES:**

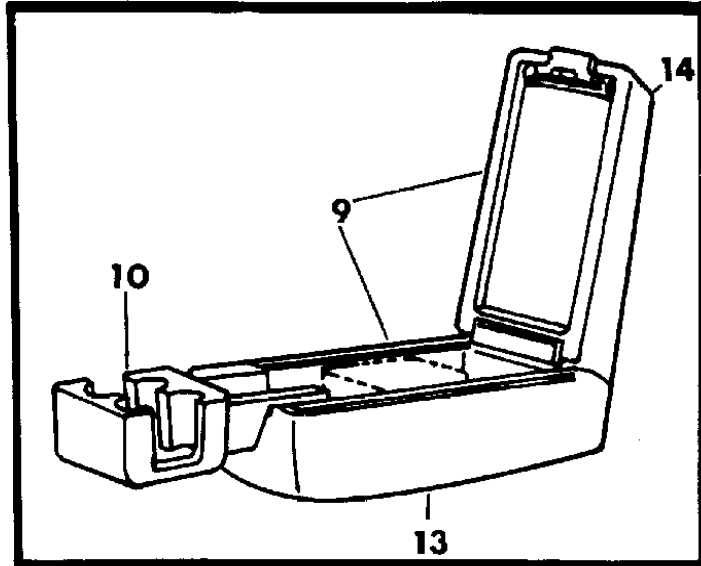
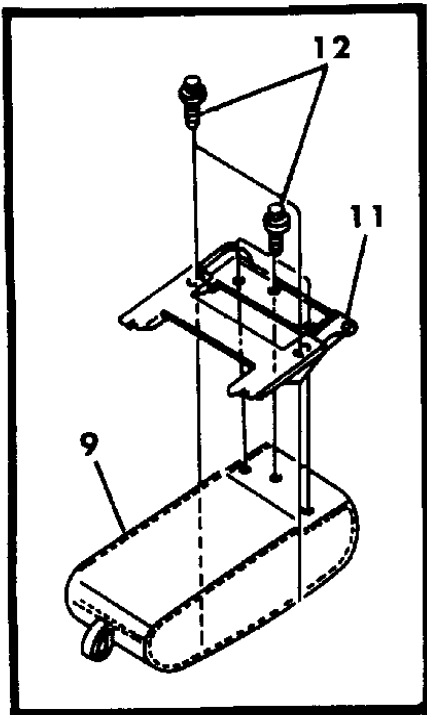
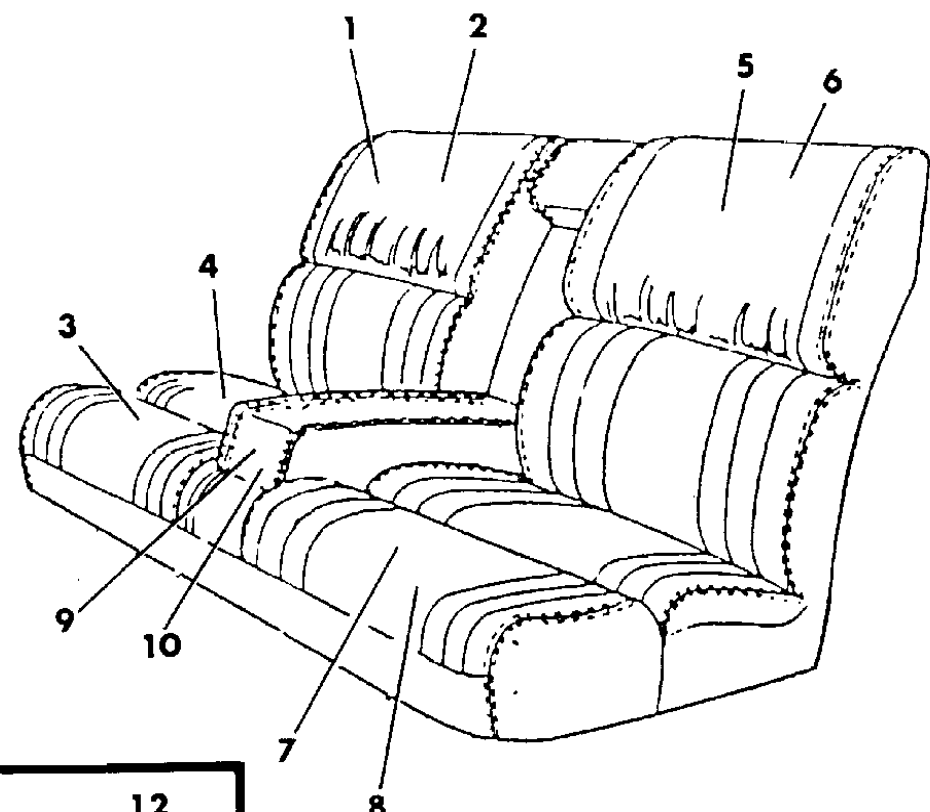
21=2-Door Coupe      41=4-Door Sedan      12-52=FWD & AWD Van & Wgn Std W.B.  
 24=2-Door Hatchback      44=4-Door Hatchback      53=FWD & AWD Van & Wgn Ext. W.B.  
 27=2-Door Convertible

AR = Use as Required    - = Non Illustrated Part    P.A.R. = Paint as Required

**SEAT--REAR Y BODY TRIM CODES YF,YP**  
Figure ITY-1700

93237 1700

ITEM	PART NUMBER	QTY	BODY	MODEL	DESCRIPTION
7	WT78 JX7	1			Black, (YPX)
	CUSHION, w/Spring/Frame, Pad and Cover				
	LEATHER				
	B366 JPB	1			Blue, (YPB)
	B366 LMA	1			Red, (YPM)
	B366 JPV	1			Champagne, (YPV)
	B366 JPH	1			Mahogany, (YPH)
8	B366 LW8	1			Quartz, (YPXW)
	B366 JPX	1			Black, (YPX)
	COVER, Cushion				
	LEATHER				
	WT65 JB9	1			Blue, (YPB)
	WT65 LMA	1			Red, (YPM)
	WT65 JV4	1			Champagne, (YPV)
9	WT65 JH7	1			Mahogany, (YPH)
	WT65 LW8	1			Quartz, (YPXW)
	WT65 JX7	1			Black, (YPX)
	ARMREST and CUP HOLDER ***				
	AG81 JB9	1			Blue, (YPB)
	AG81 LMA	1			Red, (YPM)
	AG81 JV4	1			Champagne, (YPV)
10	AG81 JH7	1			Mahogany, (YPH)
	AG81 JW8	1			Quartz, (YPXW)
	AG81 JX7	1			Black, (YPX)
	ARMREST and COVER				
	FU00 LB9	1			Blue, (YFB)
	FU00 LH7	1			Mahogany, (YFH)
	FU00 LMA	1			Red, (YFM)
11	FU00 LV4	1			Champagne, (YFV)
	COVER, Armrest				
	FT84 LB9	1			Blue, (YFB)
	FT84 LH7	1			Mahogany, (YFH)
	FT84 LMA	1			Red, (YFM)
	FT84 LV4	1			Champagne, (YFV)
	10	5260 276	1		
11	4380 948	1			HINGE, Arm Rest
12	6501 230	AR			SCREW
13					ARMREST , Lower (Serviced In Item 9 Only)
14					ARMREST, Upper (Serviced In Item 9 Only)



**MODEL CODES:**  
A BODY=(C=LeBaron, D=Spirit, P=Acclaim/LaBaron(Landau), Saratoga)      S BODY=(H=Voyager(H) FWD, K=Caravan(H) FWD, Y=Town & Country(H) FWD, P=Voyager(K) AWD, D=Caravan(K) AWD, C=Town & Country(K) AWD)  
C BODY=(D=Dynasty, C=New Yorker/N.Y. Salon)      Y BODY=(C=Imperial/5th Avenue)  
G BODY=(V=Daytona/IROC, Chrysler Daytona)      E-S BODY=(K=Chrysler Voyager(H) FWD, D=Chrysler Voyager(K) AWD)  
J BODY=(C=LeBaron, Chrysler LeBaron)  
P BODY=(P=Sundance, D=Shadow)

**BODY STYLES:**  
21=2-Door Coupe      41=4-Door Sedan      12-52=FWD & AWD Van & Wgn Std W.B.  
24=2-Door Hatchback      44=4-Door Hatchback      53=FWD & AWD Van & Wgn Ext. W.B.  
27=2-Door Convertible

AR = Use as Required - = Non Illustrated Part P.A.R. = Paint as Required

**SEAT--REAR Y BODY TRIM CODES SF-SP**  
Figure ITY-1800

93237 1800

ITEM	PART NUMBER	QTY	BODY	MODEL	DESCRIPTION
1					ARMREST and COVER
	HB43 LAZ	1			Agate, (SFAZ)
	HB43 LB9	1			Blue, (SFB)
	HB43 LMA	1			Red, (SFM)
	HB43 LV4	1			Champagne, (SFV)
2					COVER, Armrest
	HB42 LB9	1			Blue, (SFB)
	HB42 LMA	1			Red, (SFM)
	HB42 LV4	1			Champagne, (SFV)
	HB42 LAZ	1			Agate, (SFAZ)
3	4380 948	1			HINGE, Armrest
4	6501 230	AR			SCREW
6					BACK, w/Spring/Frame, Pad and Cover
					CLOTH
	GD90 LAZ	1			Agate, (SFAZ)
	GD90 LB9	1			Blue, (SFB)
	GD90 LMA	1			Red, (SFM)
	GD90 LV4	1			Champagne, (SFV)
					LEATHER
	FZ30 LB9	1			Blue, (SPB)
	FZ30 LMA	1			Red, (SPM)
	FZ30 LV4	1			Champagne, (SPV)
	FZ30 LAZ	1			Agate, (SPAZ)
7					COVER, Back
					CLOTH
	GD67 LB9	1			Blue, (SFB)
	GD67 LMA	1			Red, (SFM)
	GD67 LV4	1			Champagne, (SFV)
	GD67 LAZ	1			Agate, (SFAZ)
					LEATHER
	FZ51 LB9	1			Blue, (SPB)
	FZ51 LMA	1			Red, (SPM)
	FZ51 LV4	1			Champagne, (SPV)
	FZ51 LAZ	1			Agate, (SPAZ)
8					CUSHION, w/Spring/Frame, Pad and Cover
					CLOTH
	FZ44 LB9	1			Blue, (SFB)
	FZ44 LMA	1			Red, (SFM)
	FZ44 LV4	1			Champagne, (SFV)

**MODEL CODES:**

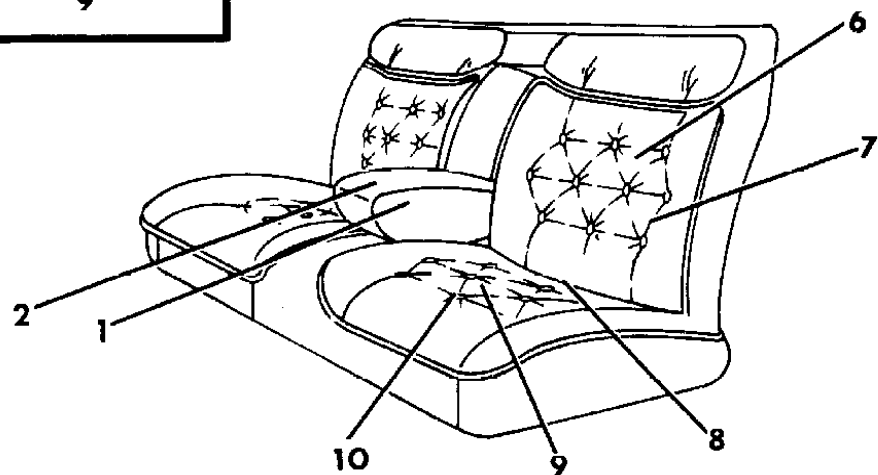
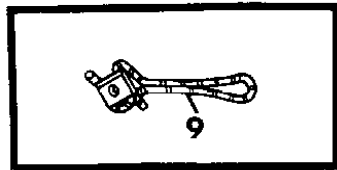
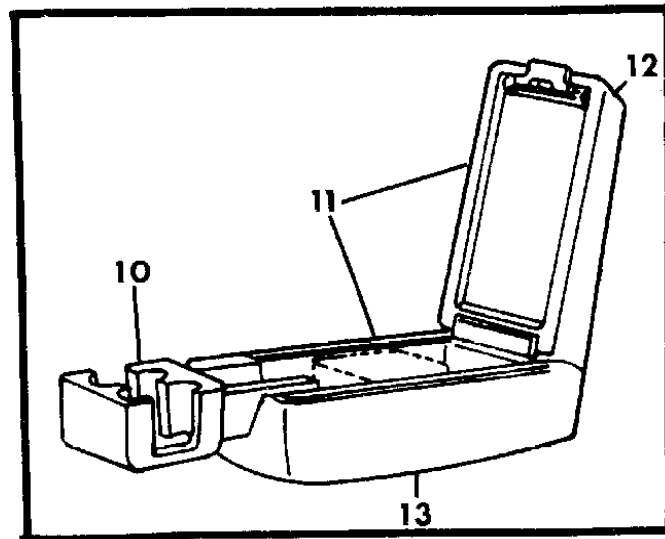
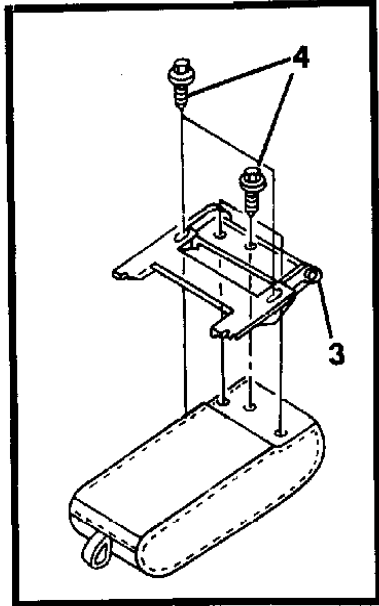
A BODY=(C=LeBaron, D=Spirit, P=Acclaim/LaBaron(Landau),  
Saratoga)  
C BODY=(D=Dynasty, C=New Yorker/N.Y. Salon)  
G BODY=(V=Daytona/ROC, Chrysler Daytona)  
J BODY=(C=LeBaron, Chrysler LeBaron)  
P BODY=(P=Sundance, D=Shadow)

S BODY=(H=Voyager(H) FWD, K=Caravan(H) FWD,  
Y=Town & Country(H) FWD, P=Voyager(K) AWD,  
D=Caravan(K) AWD, C=Town & Country(K) AWD)  
Y BODY=(C=Imperial/5th Avenue)  
E-S BODY=(K=Chrysler Voyager(H) FWD, D=Chrysler  
Voyager(K) AWD)

**BODY STYLES:**

21=2-Door Coupe      41=4-Door Sedan      12-52=FWD & AWD Van & Wgn Std W.B.  
24=2-Door Hatchback      44=4-Door Hatchback      53=FWD & AWD Van & Wgn Ext. W.B.  
27=2-Door Convertible

AR = Use as Required - = Non Illustrated Part P.A.R. = Paint as Required



**SEAT--REAR Y BODY TRIM CODES SF-SP**  
Figure ITY-1800

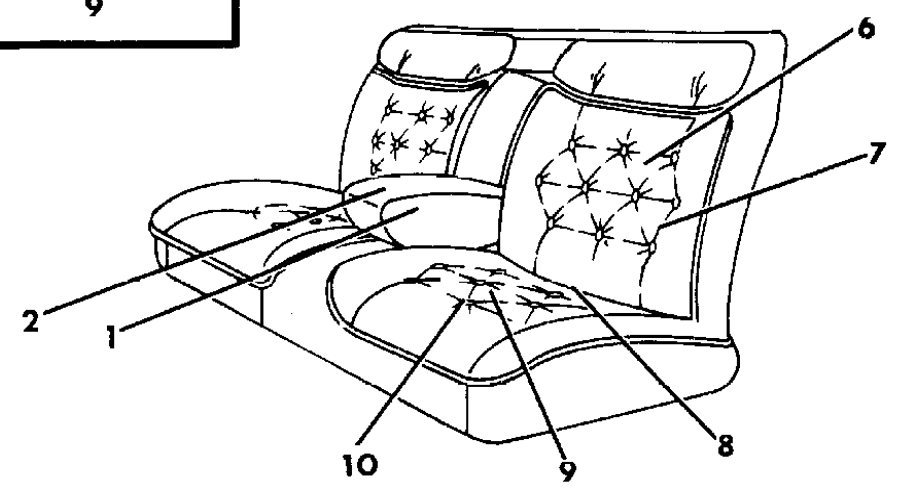
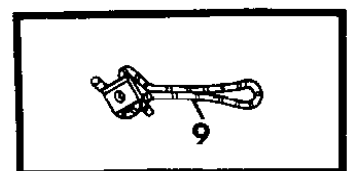
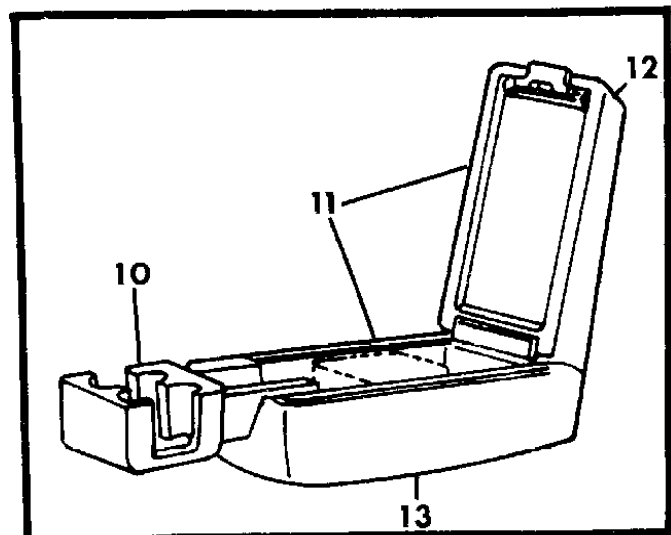
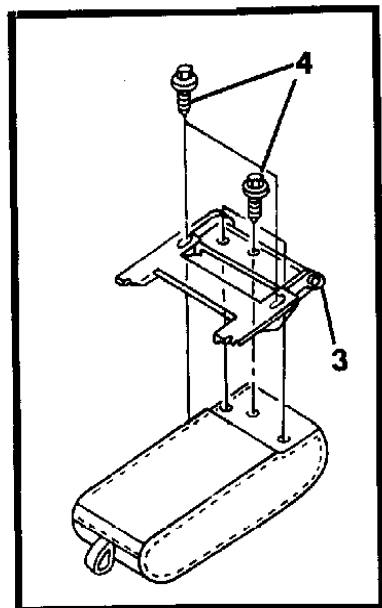
93237 1800

ITEM	PART NUMBER	QTY	BODY	MODEL	DESCRIPTION
	FZ44 LAZ	1			Agate, (SFAZ) LEATHER
	FZ34 LB9	1			Blue, (SPB)
	FZ34 LMA	1			Red, (SPM)
	FZ34 LV4	1			Champagne, (SPV)
9	FZ34 LAZ	1			Agate, (SPAZ) COVER, Cushion CLOTH
	FZ45 LB9	1			Blue, (SFB)
	FZ45 LMA	1			Red, (SFM)
	FZ45 LV4	1			Champagne, (SFV)
	FZ45 LAZ	1			Agate, (SFAZ) LEATHER
	FZ49 LB9	1			Blue, (SPB)
	FZ49 LMA	1			Red, (SPM)
	FZ49 LV4	1			Champagne, (SPV)
	FZ49 LAZ	1			Agate, (SPAZ)
10	5260 276	1			CUP HOLDER ***
11					ARMREST and CUP HOLDER ***
	AG83 JB9	1			Blue, (SFB)
	AG83 LMA	1			Red, (SFM)
	AG83 JV4	1			Champagne, (SFV)
	AG83 LAZ	1			Agate, (SFAZ)
	AG81 JB9	1			Blue, (SPB)
	AG81 LMA	1			Red, (SPM)
	AG81 JV4	1			Champagne, (SPV)
	AG81 LAZ	1			Agate, (SPAZ)
12					ARMREST, Upper (SERVICED IN ITEM 11 ONLY)
13					ARMREST, Lower (SERVICED IN ITEM 11 ONLY)
10	5260 276	1			CUP HOLDER ***
11					ARMREST and CUP HOLDER ***
	AG83 JB9	1			Blue, (SFB)
	AG83 LMA	1			Red, (SFM)
	AG83 JV4	1			Champagne, (SFV)
	AG83 LAZ	1			Agate, (SFAZ)
	AG81 JB9	1			Blue, (SPB)
	AG81 LMA	1			Red, (SPM)
	AG81 JV4	1			Champagne, (SPV)
	AG81 LAZ	1			Agate, (SPAZ)

**MODEL CODES:**  
A BODY=(C=LeBaron, D=Spirit, P=Acclaim/LaBaron(Landau), Saratoga)      S BODY=(H=Voyager(H) FWD, K=Caravan(H) FWD, Y=Town & Country(H) FWD, P=Voyager(K) AWD, D=Caravan(K) AWD, C=Town & Country(K) AWD)  
C BODY=(D=Dynasty, C=New Yorker/N.Y. Salon)      Y BODY=(C=Imperial/5th Avenue)  
G BODY=(V=Daytona/IROC, Chrysler Daytona)      E-S BODY=(K=Chrysler Voyager(H) FWD, D=Chrysler Voyager(K) AWD)  
J BODY=(C=LeBaron, Chrysler LeBaron)  
P BODY=(P=Sundance, D=Shadow)

**BODY STYLES:**  
21=2-Door Coupe      41=4-Door Sedan      12-52=FWD & AWD Van & Wgn Std W.B.  
24=2-Door Hatchback      44=4-Door Hatchback      53=FWD & AWD Van & Wgn Ext. W.B.  
27=2-Door Convertible

AR = Use as Required - = Non Illustrated Part P.A.R. = Paint as Required

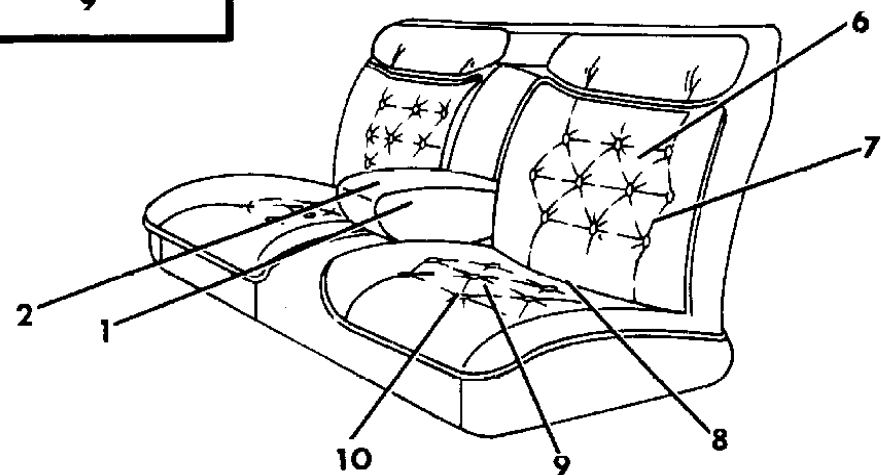
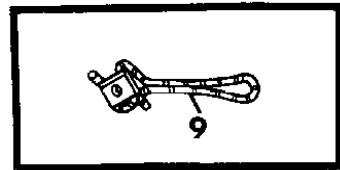
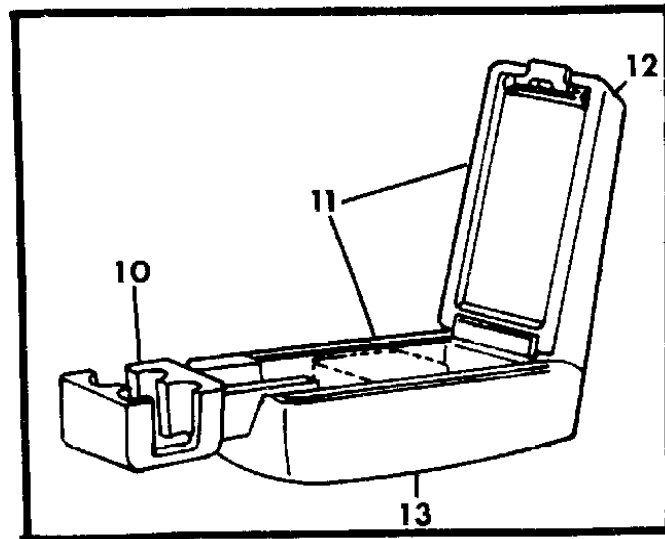
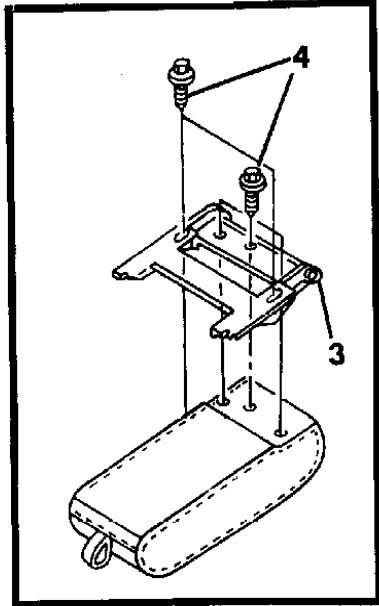




**SEAT--REAR Y BODY TRIM CODES SF-SP**  
**Figure ITY-1800**

93237 1800

ITEM	PART NUMBER	QTY	BODY	MODEL	DESCRIPTION
12					ARMREST, Upper (SERVICED IN ITEM 11 ONLY)
13					ARMREST, Lower (SERVICED IN ITEM 11 ONLY)



**MODEL CODES:**

A BODY=(C=LeBaron, D=Spirit, P=Acclaim/LaBaron(Landau),  
Saratoga)  
 C BODY=(D=Dynasty, C=New Yorker/N.Y. Salon)  
 G BODY=(V=Daytona/IROC, Chrysler Daytona)  
 J BODY=(C=LeBaron, Chrysler LeBaron)  
 P BODY=(P=Sundance, D=Shadow)

S BODY=(H=Voyager(H) FWD, K=Caravan(H) FWD,  
Y=Town & Country(H) FWD, P=Voyager(K) AWD,  
D=Caravan(K) AWD, C=Town & Country(K) AWD)  
 Y BODY=(C=Imperial/5th Avenue)  
 E-S BODY=(K=Chrysler Voyager(H) FWD, D=Chrysler  
Voyager(K) AWD)

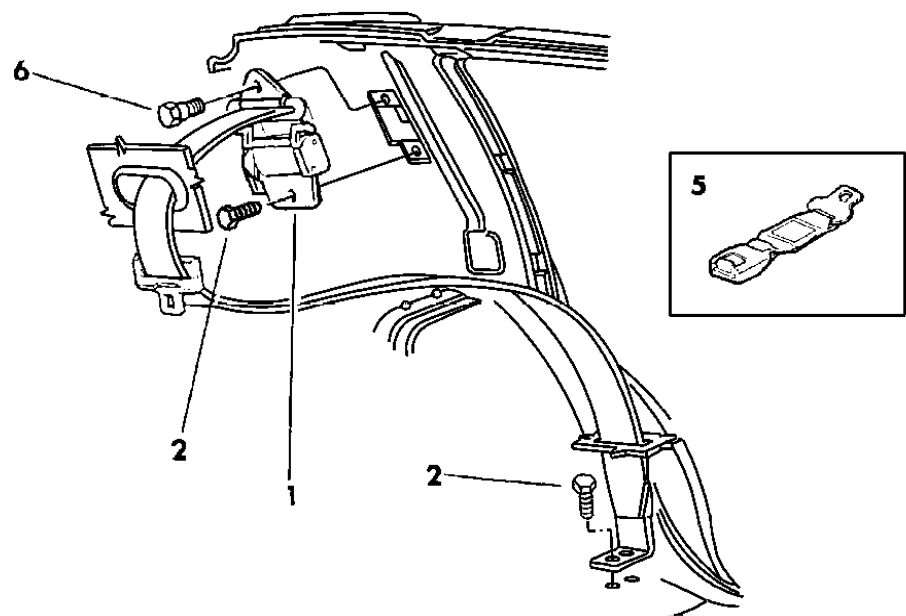
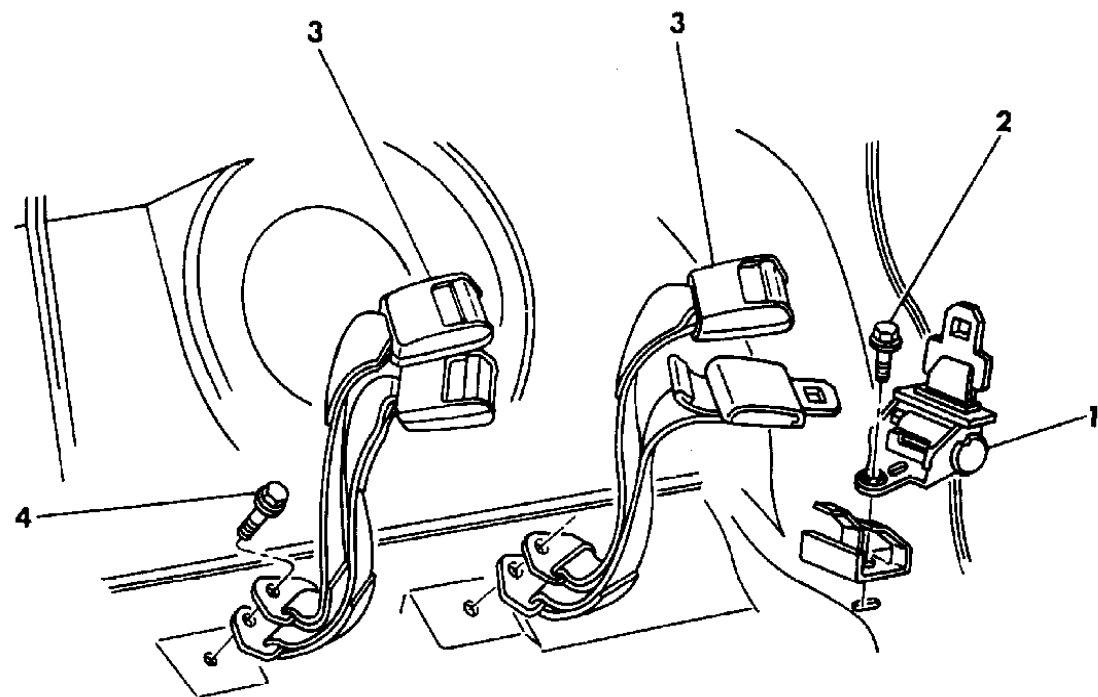
**BODY STYLES:**

21=2-Door Coupe      41=4-Door Sedan      12-52=FWD & AWD Van & Wgn Std W.B.  
 24=2-Door Hatchback      44=4-Door Hatchback      53=FWD & AWD Van & Wgn Ext. W.B.  
 27=2-Door Convertible

AR = Use as Required   - = Non Illustrated Part   P.A.R. = Paint as Required

**BELT--REAR SEAT Y BODY**  
Figure ITY-1900

93237 1900A



ITEM	PART NUMBER	QTY	BODY	MODEL	DESCRIPTION
1					BELT, Outer Shoulder and Lap
					LABEL NUMBER 4645198-9
	EL74-5 LB9	1			Blue
	EL74-5 LM6	1			Red
	EL74-5 LV4	1			Champagne
	EL74-5 LH7	1			Mahogany
	EL74-5 LW8	1			Quartz
	EL74-5 LAZ	1			Agate
	EL74-5 LX9	1			Black
2	6031 484	2			BOLT
3					BELT, Inner
					LABEL NUMBER 5260602-3
	WF12-3 KB9	1			Blue
	WF12-3 LM6	1			Red
	WF12-3 KV4	1			Champagne
	WF12-3 KH7	1			Mahogany
	WF12-3 KW8	1			Quartz
	WF12-3 LAZ	1			Agate
	WF12-3 KX9	1			Black
4	6031 298	2			BOLT
5	5260 606	AR			EXTENDER
6	6031 298	AR			BOLT
	4519 071	AR			ANCHOR PACKAGE, Teather, Child Restraint ***

**MODEL CODES:**

A BODY=(C=LeBaron, D=Spirit, P=Acclaim/LaBaron(Landau), Saratoga) S BODY=(H=Voyager(H) FWD, K=Caravan(H) FWD, Y=Town & Country(H) FWD, P=Voyager(K) AWD, D=Caravan(K) AWD, C=Town & Country(K) AWD)  
 C BODY=(D=Dynasty, C=New Yorker/N.Y. Salon) Y BODY=(C=Imperial/5th Avenue)  
 G BODY=(V=Daytona/IROC, Chrysler Daytona) E-S BODY=(K=Chrysler Voyager(H) FWD, D=Chrysler Voyager(K) AWD)  
 J BODY=(C=LeBaron, Chrysler LeBaron)  
 P BODY=(P=Sundance, D=Shadow)

**BODY STYLES:**

21=2-Door Coupe      41=4-Door Sedan      12-52=FWD & AWD Van & Wgn Std W.B.  
 24=2-Door Hatchback      44=4-Door Hatchback      53=FWD & AWD Van & Wgn Ext. W.B.  
 27=2-Door Convertible

AR = Use as Required - = Non Illustrated Part P.A.R. = Paint as Required