

CHIME WARNING/REMINDER SYSTEM

WARNING: ON VEHICLES EQUIPPED WITH AN AIR BAG, REFER TO THE AIR BAG PORTION OF THIS SECTION FOR STEERING WHEEL OR SWITCH REMOVAL AND INSTALLATION PROCEDURES.

The chime warning/reminder system includes signals for fasten seat belts, turn signal warning, exterior lamps left on and key left in ignition.

When using the DRB II refer to the Body Chassis Diagnostic Manual for the procedure.

FASTEN SEAT BELTS

A warning lamp on the instrument panel, and an audible chime tone are used as the fasten seat belt warning/reminder.

TURN SIGNAL WARNING

An audible chime tone shows that the turn signal has been on for .8 km (.6 mi.) at a speed above 24 km/h (15 mph).

EXTERIOR LAMPS LEFT ON

An audible chime tone indicates the exterior lamps were left on.

KEY LEFT IN IGNITION

An audible chime tone indicates the key was left in ignition.

FASTEN SEAT BELTS

To test the ignition switch must be in the off position for several minutes before testing the fasten seat belts. Turn the ignition switch to the ON position with the driver's seat belt unbuckled. The seat belt warning lamp should light for 4 to 8 seconds and the tone should sound 4 to 8 seconds.

TURN SIGNAL WARNING

To test turn signal warning system it must have:

- The input from either the right or left turn signal lamps creates a voltage change between 0 and battery voltage.
- The distance sensor message from the engine controller, must exceed 24 km/h (15 mph) for .8 km (.6 mi.).
- When the two conditions above are met, the chime will sound. The chime will stop when no further voltage change or a drop in speed is detected.
- If hazard warning signals are pulsing, then no chime shall sound.
- If turn signal lamps are not working properly, the chime will not sound.
- When using DRB II refer to the Body Chassis Diagnostic Manual for the procedure.

EXTERIOR LAMPS LEFT ON

To test the headlamps left on function, turn ignition off, turn exterior lamps on with drivers door open. Chime should sound until headlamps are turned off or drivers door is closed.

KEY LEFT IN IGNITION

To test the key left in ignition function, insert key into the ignition and open drivers door. Chime should sound until key is removed from ignition or drivers door is closed.

CHIME SYSTEM DIAGNOSIS

CONDITION: NO TONE WHEN IGNITION SWITCH IS TURNED ON AND DRIVERS SEAT BELT IS UNBUCKLED

REPAIR

- (1) Check driver's seat belt buckle switch for a ground when unbuckled.
- (2) Check for battery feed at terminal B-16 and ignition feed at terminal B-12 of body controller (Fig. 1 and 2).
- (3) Check for tone in any other function.
- (4) Repair as necessary.

CONDITION: NO FASTEN SEAT BELT LAMP WHEN IGNITION SWITCH IS TURNED ON

REPAIR

- (1) Check for burned out bulb.
- (2) Check for battery feed at terminal B-16 and lamp output at terminal B-21 of body controller.
- (3) Check for ignition feed at terminal B-12 of body controller.
- (4) Repair as necessary.

CONDITION: FASTEN SEAT BELT LAMP OR TONE CONTINUE FOR MORE THAN 10 SECONDS AFTER SEAT BELTS ARE FASTENED AND DRIVERS DOOR IS CLOSED

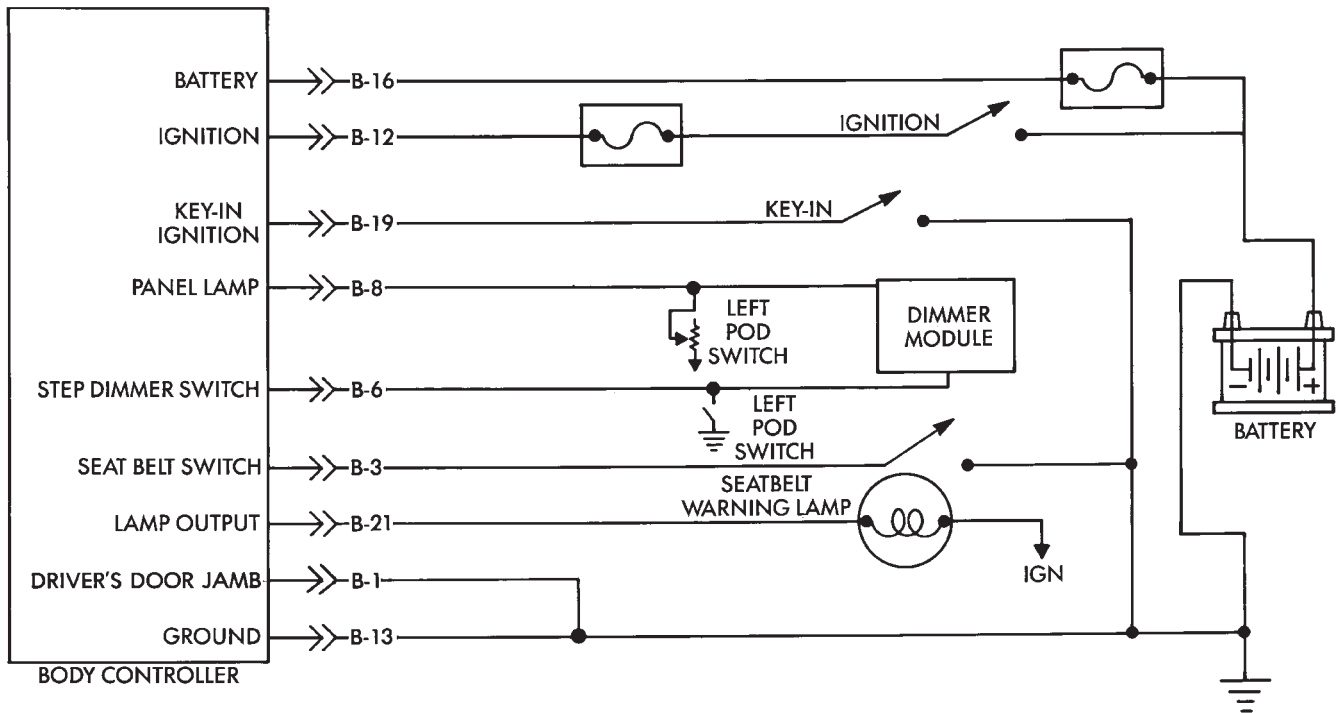
REPAIR

- (1) Check left door jamb switch.
- (2) Inspect body controller connectors and wires for proper connection.
- (3) Repair as necessary.

CONDITION: NO TONE WHEN HEADLAMPS ARE ON AND DRIVERS DOOR IS OPEN

REPAIR

- (1) Check left door jamb switch for good ground when drivers door is open.



918M-19

Fig. 1 Chime Warning/Reminder Wiring

- (2) Inspect body controller connectors and wires for proper connection.
- (3) Check for battery feed at terminal B-16 of body controller.
- (4) Check headlamp switch.
- (5) Repair as necessary.

CONDITION: NO TONE WHEN KEY IS LEFT IN IGNITION AND DRIVERS DOOR IS OPEN

REPAIR

- (1) Check left door jamb switch for good ground when drivers door is open.

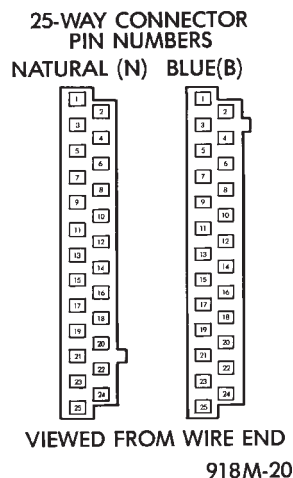
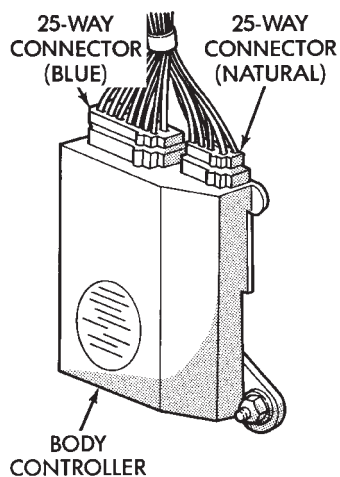


Fig. 2 Body Controller 25-Way Connectors

- (2) Inspect body controller connectors and wires for proper connection.
- (3) Check for battery feed at terminal B-16 of body controller (Fig. 1).
- (4) Check key-in switch.
- (5) Repair as necessary.

CONDITION: CHIMES CONTINUE WHEN HEADLAMPS ARE TURNED OFF AND/OR KEY IS REMOVED FROM IGNITION

REPAIR

- (1) Check wiring for a grounded condition between headlamp switch, key-in switch and chime module.
- (2) Inspect body controller connectors and wires for proper connection.
- (3) Repair as necessary.

HEADLAMP SWITCH REPLACEMENT

Refer to Group 8E, Instrument Panel and Gauges.

SEAT BELT BUCKLE REPLACEMENT

Refer to Group 23, Body for service procedures.

KEY-IN SWITCH

The Key-in switch is built into the ignition switch assembly. If the Key-in switch require service, the ignition switch assembly must be replaced. Refer to Group 8D, Ignition System for service procedures.