

BODY

CONTENTS

	page		page
BODY COMPONENT SERVICE	20	PAINT	3
BODY DIAGNOSTIC PROCEDURES	2	SEAT COMPONENT SERVICE	7
GENERAL SERVICE INFORMATION	1	WINDSHIELD	5

GENERAL SERVICE INFORMATION

VEHICLE IDENTIFICATION

Throughout this group, references to the Chrysler Corporation vehicle family identification code are used when describing a procedure that is unique to that vehicle. Refer to Introduction Group of this manual for detailed information on vehicle identification. If a procedure is common to all vehicles covered in this manual, no reference will be made to a vehicle family code.

SAFETY PRECAUTIONS AND WARNINGS

WARNING: EYE PROTECTION SHOULD BE USED WHEN SERVICING GLASS COMPONENTS. PERSONAL INJURY CAN RESULT.

USE A BREATHING FILTER WHEN SPRAYING PAINT OR SOLVENTS IN A CONFINED AREA. PERSONAL INJURY CAN RESULT.

AVOID PROLONGED SKIN CONTACT WITH PETROLEUM OR ALCOHOL BASED CLEANING SOLVENTS. PERSONAL INJURY CAN RESULT.

DO NOT VENTURE UNDER A HOISTED VEHICLE THAT IS NOT PROPERLY SUPPORTED ON SAFETY STANDS. PERSONAL INJURY CAN RESULT.

CAUTION: When holes must be drilled or punched in an inner body panel, verify depth of space to the outer body panel, electrical wiring, or other components. Damage to vehicle can result.

Do not use abrasive chemicals or compounds on painted surfaces. Damage to finish can result.

Do not use harsh alkaline based cleaning solvents on painted or upholstered surfaces. Damage to finish or color can result.

Do not hammer or pound on plastic trim panel when servicing interior trim, plastic panel can break.

Chrysler Corporation uses many different types of push-in fasteners to secure the interior and exterior trim to the body. Most of these fasteners can be reused to assemble the trim during various repair procedures. At times a push-in fastener cannot be removed without damaging the fastener or the component it is holding. If it is not possible to remove a fastener without damaging a component or body, cut or brake the fastener and use a new one when installing the component. Never pry or pound on a plastic or press-board trim component. Using a suitable fork-type prying device, pry the fastener from the retaining hole behind the component being removed. When installing, verify fastener alignment with the retaining hole, by hand, push directly on or over the fastener until it seats. Apply a low force pull to the panel to verify that it is secure.

When it is necessary to remove components to service another, it should not be necessary to apply excessive force or bend a component to remove it. Before damaging a trim component, verify hidden fasteners or captured edges holding the component in place.

BODY DIAGNOSTIC PROCEDURES

WATER LEAKS

Water leaks can be caused by poor sealing, improper body component alignment, body seam porosity, missing plugs, or blocked drain holes. Centrifugal and gravitational force can cause water to drip from a location away from the actual leak point, making leak detection difficult. All body sealing points should be water tight in normal wet driving conditions. Water flowing downward from the front of the vehicle should not enter the passenger or luggage compartment. Moving sealing surfaces will not always seal water tight under all conditions. At times, side glass or door seals will allow water to enter the passenger compartment during high pressure washing or hard driving rain (severe) conditions. Over compensating on door or glass adjustments to stop a water leak that occurs under severe conditions, can cause premature seal wear and excessive closing or latching effort. After completing a repair, water test vehicle to verify leak has stopped before returning vehicle to use.

VISUAL INSPECTION BEFORE WATER LEAK TESTS

Verify that floor and body plugs are in place, body drains are clear and body components are properly aligned and sealed. If component alignment or sealing is necessary, refer to the appropriate section of this group for proper procedures.

*WATER LEAK TESTS***WARNING: DO NOT USE ELECTRIC SHOP LIGHTS OR TOOLS IN WATER TEST AREA, PERSONAL INJURY CAN RESULT.**

When the conditions causing a water leak has been determined, simulate the conditions as closely as possible.

- If a leak occurs with the vehicle parked in a steady light rain, flood the leak area with an open ended garden hose.
- If a leak occurs while driving at highway speeds in a steady rain, test the leak area with a reasonable velocity stream or fan spray of water. Direct the spray in the direction comparable to actual conditions.
- If a leak occurs when the vehicle is parked on an incline, hoist the end or side of the vehicle to simulate this condition. This method can be used when the leak occurs when the vehicle accelerates, stops or turns. If the leak occurs on acceleration, hoist the front of the vehicle. If the leak occurs when braking, hoist the back of the vehicle. If the leak occurs on left turns, hoist the left side of the vehicle. If the leak occurs on right turns, hoist the right side of the

vehicle. For hoisting recommendations refer to Group 0, Lubrication and Maintenance, General Information section.

WATER LEAK DETECTION

To detect a water leak point of entry, do a water test and watch for water tracks or droplets forming on the inside of the vehicle. If necessary, remove interior trim covers or panels to gain visual access to the leak area. If the hose cannot be positioned without being held, have someone help do the water test.

Some water leaks must be tested for a considerable length of time to become apparent. When a leak appears, find the highest point of the water track or drop. The highest point usually will show the point of entry. After leak point has been found, repair the leak and water test to verify that leak has stopped.

Locating the entry point of water that is leaking into a cavity between panels can be difficult. The trapped water splashes or runs from the cavity it is dammed up in, often at a distance from the entry point. Most water leaks of this type become apparent after accelerating, stopping, turning, or when on a incline.

MIRROR INSPECTION METHOD

When a leak point area is visually obstructed, use a suitable mirror to gain visual access. A mirror can also be used to deflect light to a limited access area to assist in locating a leak point.

BRIGHT LIGHT LEAK TEST METHOD

Some water leaks in the luggage compartment can be detected without water testing. Position the vehicle in a brightly light area. From inside the darkened luggage compartment inspect around seals and body seams. If necessary, have a helper direct a drop light over the suspected leak areas around the luggage compartment. If light is visible through a normally sealed location, water could enter through the opening.

PRESSURIZED LEAK TEST METHOD

When a water leak into the passenger compartment can not be detected by water testing, pressurize the passenger compartment and soap test exterior of the vehicle. To pressurize the passenger compartment, close all doors and windows, start engine, and set heater control to high blower in HEAT position. If engine can not be started, connect a charger to the battery to assure adequate voltage to the blower. With interior pressurized, apply dish detergent solution to suspected leak area on the exterior of the vehicle. Apply detergent solution with spray device or

soft bristle brush. If soap bubbles occur at a body seam, joint, seal or gasket the leak entry point could be at that location.

WIND NOISE

Wind noise is the result of most air leaks. Air leaks can be caused by poor sealing, improper body component alignment, body seam porosity, or missing plugs in the engine compartment or door hinge pillar areas. All body sealing points should be air tight in normal driving conditions. Moving sealing surfaces will not always seal air tight under all conditions. At times, side glass or door seals will allow wind noise to be noticed in the passenger compartment during high cross-winds. Over compensating on door or glass adjustments to stop wind noise that occurs under severe conditions, can cause premature seal wear and excessive closing or latching effort. After a repair procedure has been performed, test vehicle to verify noise has stopped before returning vehicle to use.

Wind noise can also be caused by improperly fitted exterior moldings or body ornamentation. Loose moldings can flutter, creating a buzzing or chattering noise. An open cavity or protruding edge can create whistling or howling noise. Inspect the exterior of the vehicle to verify that these conditions do not exist.

INTRODUCTION

A paint code is provided on the body code plate located in the engine compartment. Refer to the Introduction section at the front of this manual for body code plate description.

BASE COAT/CLEAR COAT FINISH

On most vehicles a two part paint application (base coat/clear coat) is used. Color paint that is applied to primer is called base coat. The clear coat protects the base coat from ultra violet light and provides a durable high gloss finish.

WET SANDING, BUFFING AND POLISHING

Minor acid etching, orange peel or smudging in clear coat can be reduced with light wet sanding, hand buffing and polishing. If the finish has been wet sanded in the past, it can not be repeated. Wet sanding operation should be performed by a trained automotive painter.

CAUTION: Do not remove clear coat finish, if equipped. Base coat paint must retain clear coat to shine.

PAINTED SURFACE TOUCH-UP

When a painted metal surface has been scratched or chipped, it should be touched-up as soon as possi-

VISUAL INSPECTION BEFORE TESTS

Verify that floor and body plugs are in place and body components are aligned and sealed. If component alignment or sealing is necessary, refer to the appropriate section of this group for proper procedures.

ROAD TESTING WIND NOISE

(1) Drive the vehicle to verify the general location of the wind noise.

(2) Apply 50 mm (2 in.) masking tape in 150 mm (6 in.) lengths along weatherstrips, weld seams or moldings. After each length is applied drive vehicle. If noise goes away after a piece of tape is applied, remove tape, locate and repair defect.

POSSIBLE CAUSE OF WIND NOISE

- Moldings standing away from body surface can catch wind and whistle.
- Gaps in sealed areas behind overhanging body flanges can cause wind rushing sounds.
- Misaligned movable components.
- Missing or improperly installed plugs in pillars.
- Weld burn through holes.

PAINT

ble to avoid corrosion. For best results, use Mopar® Scratch Filler/Primer, Touch-Up Paints and Clear Top Coat. Refer to Introduction group of this manual for Body Code Plate information.

TOUCH-UP PROCEDURE

(1) Scrape loose paint and corrosion from inside scratch or chip.

(2) Clean affected area with Mopar® Tar/Road Oil Remover and allow to dry.

(3) Fill the inside of the scratch or chip with a coat of filler/primer. Do not overlap primer onto good surface finish. The applicator brush should be wet enough to puddle fill the defect without running. Do not stroke brush applicator on body surface. Allow the filler/ primer to dry hard.

(4) Cover the filler/primer with color touch-up paint. Do not overlap touch-up color onto the original color coat around the scratch or chip. Butt the new color to the original color if possible. Do not stroke applicator brush on body surface. Allow touch-up paint to dry hard.

(5) On vehicles without clear coat, the touch-up color can be lightly (600 grit) wet sanded and polished with rubbing compound.

(6) On vehicles with clear coat, Apply clear top coat to touch-up paint with the same technique as described in step 4. Allow clear top coat to dry hard. If desired, step 5 can be performed on clear top coat.

PAINT AND TRIM CODE DESCRIPTIONS

PAINT CODE	COLOR NAME	SATIN GLOW	PEARL COAT	CLEAR COAT
BD	Light Blue	X		
BF	Medium Water Blue	X		
B8	Midnight Blue, Metallic			X
C1	Diamond Blue, Metallic			X
C3	Banzai Blue, Metallic			X
DA	Bright Silver Quartz, Metallic			X
D8	Dark Quartz Gray, Metallic			X
FA	Light Driftwood	X		
GF	Emerald Green		X	
G6	Beryl Green		X	
H6	Light Mahogany, Metallic			X
MB	Wildberry		X	
M3	Raspberry		X	
M4	Claret Red		X	
M9	Black Cherry		X	
QE	Aqua		X	
RB	Radiant Fire			X
RF	Radiant Red, Metallic			X
V4	Light Champagne, Metallic			X
W7	Bright White			X
X8	Black			X
TRIM CODE	COLOR NAME			
B7	Slate Blue			
B9	Midnight Blue			
AR	Agate/Radiant Red			
AZ	Agate			
DW	Medium Light Quartz			
D5	Medium Quartz			
H7	Mahogany			
MW	Crimson Red/Frost White			
M6	Crimson Red			
VV	Champagne/Medium Champagne			
V4	Champagne			
WA	Agate/Frost White			
XW	Black/Light Quartz			
X7	Black			

WINDSHIELD

SAFETY PRECAUTIONS AND WARNINGS

WARNING: DO NOT OPERATE THE VEHICLE WITHIN 24 HOURS OF WINDSHIELD INSTALLATION. IT TAKES AT LEAST 24 HOURS FOR URETHANE ADHESIVE TO CURE. IF IT IS NOT CURED, THE WINDSHIELD MAY NOT PERFORM PROPERLY IN AN ACCIDENT. BE SURE TO REFER TO THE URETHANE MANUFACTURER'S DIRECTIONS FOR CURING TIME SPECIFICATIONS, AND DO NOT USE ADHESIVE AFTER ITS EXPIRATION DATE.

VAPORS THAT ARE EMITTED FROM THE URETHANE ADHESIVE OR PRIMER COULD CAUSE PERSONAL INJURY, USE THEM IN A WELL VENTILATED AREA. SKIN CONTACT WITH URETHANE ADHESIVE SHOULD BE AVOIDED, OR PERSONAL INJURY MAY RESULT.

ALWAYS WEAR EYE AND HAND PROTECTION WHEN WORKING WITH GLASS.

CAUTION: Protect all painted or trimmed surfaces from coming in contact with urethane or primers.

Be careful not to damage painted surfaces when removing moldings or cutting urethane around windshield.

It is difficult to salvage a windshield during the removal operation. The windshield is part of the structural support for the roof. The urethane bonding used to secure the windshield to the fence is difficult to cut or clean from any surface. If the moldings are set in urethane, it would also be unlikely they could be salvaged. Before removing the windshield, check the availability of the windshield and moldings from the parts supplier.

WINDSHIELD REPLACEMENT

WINDSHIELD REMOVAL

- (1) Remove inside rear view mirror.
- (2) Remove cowl cover. Refer to Cowl Cover Removal paragraph in this group.
- (3) Remove windshield moldings (Fig. 1). Pull outward on molding at the bottom of A-pillars using pliers.
- (4) Cut urethane bonding from around windshield using a suitable sharp cold knife. A pneumatic cutting device can be used if available (Fig. 2).
- (5) Separate windshield from vehicle.

WINDSHIELD INSTALLATION

CAUTION: Open the left front door glass before installing windshield to avoid pressurizing the pas-

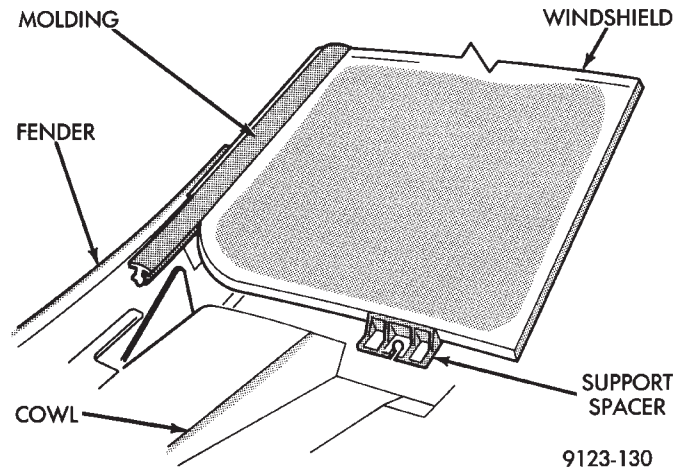


Fig. 1 Windshield Moldings

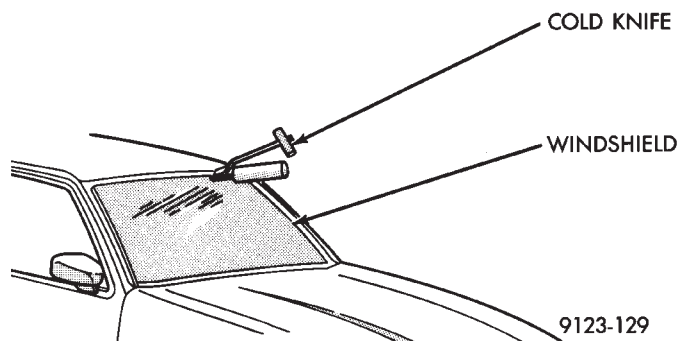


Fig. 2 Cut Urethane Around Windshield

senger compartment if a door or the trunk lid is slammed before urethane bonding is cured. Water leaks can result.

Allow the urethane at least 24 hours to cure before returning the vehicle to use.

The windshield fence should be cleaned of old urethane bonding material. Support spacers should be cleaned and properly installed on weld studs or repair screws at bottom of windshield opening.

(1) Place replacement windshield into windshield opening and position glass in the center of the opening against the support spacers. Mark the glass at the support spacers with a grease pencil or pieces of masking tape and ink pen to use as a reference for installation. Remove replacement windshield from windshield opening (Fig. 3).

(2) Position the windshield inside up on a suitable work surface with two padded, wood 10 cm by 10 cm by 50 cm (4 in. by 4 in. by 20 in.) blocks, placed parallel 75 cm (2.5 ft.) apart (Fig. 4).

(3) Clean inside of windshield with Mopar® Glass Cleaner and lint-free cloth.

(4) Apply clear glass primer 25 mm (1 in.) wide around perimeter of windshield and wipe with clean/dry lint-free cloth.



(5) Apply black-out primer 15 mm (.75 in.) wide on top and sides of windshield and 25 mm (1 in.) on bottom of windshield. Allow at least three minutes drying time.

(6) Position windshield bonding compression spacers on lower fence above the support spacers at the edge of the windshield opening (Fig. 5).

(7) Apply a 10 mm (0.4 in.) bead of urethane around perimeter of windshield along the inside of the moldings.

(8) With the aid of a helper, position the windshield over the windshield opening. Align the reference marks at the bottom of the windshield to the support spacers.

(9) Slowly lower windshield glass to windshield opening fence. Guide the top molding into proper position if necessary. Push windshield inward to fence spacers at bottom and until top molding is flush to roof line (Fig. 6).

(10) Clean access urethane from exterior with Mopar®, Super Clean or equivalent.

(11) Install windshield molding. Apply 150 mm (6 in.) lengths of 50 mm (2 in.) masking tape spaced 250 mm (10 in.) apart to hold molding in place until urethane cures.

(12) Install cowl cover and wipers.

(13) Install inside rear view mirror.

(14) After urethane has cured, remove tape strips and water test windshield to verify repair.

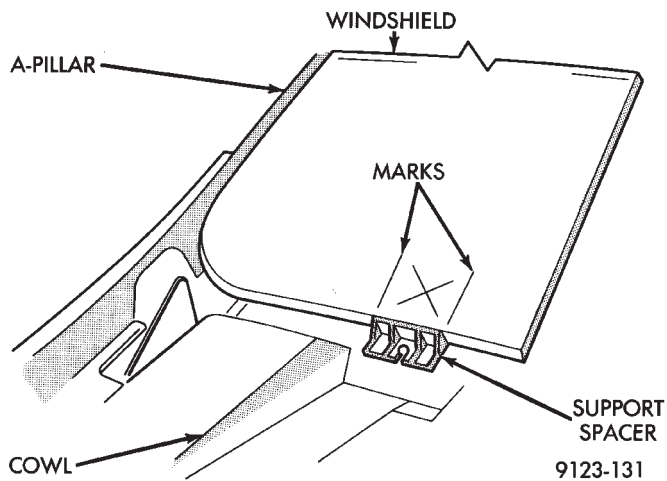


Fig. 3 Center Windshield and Mark at Support Spacers

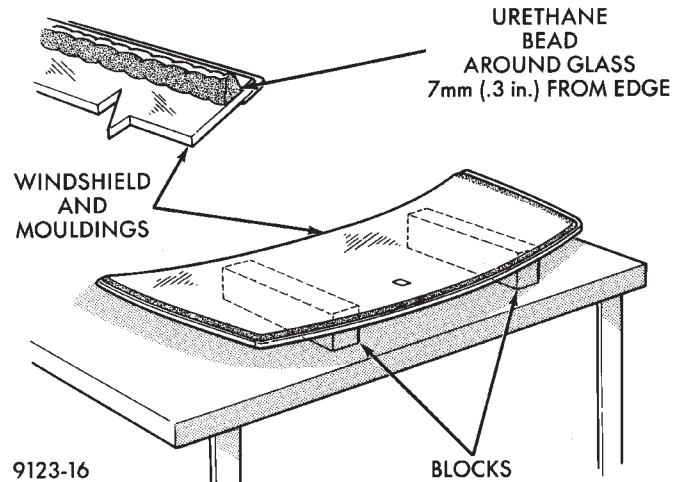


Fig. 4 Work Surface Set up and Molding Installation

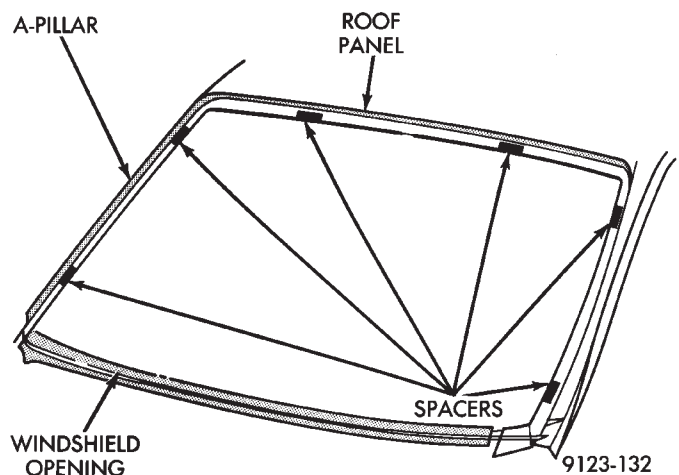


Fig. 5 Position Urethane Compression Spacers

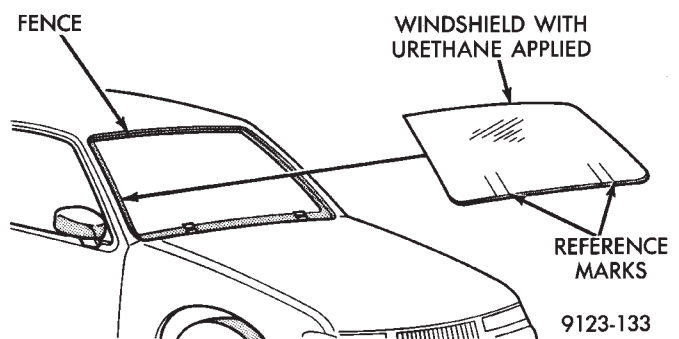


Fig. 6 Lower Windshield Into Position

SEAT COMPONENT SERVICE

INDEX

	page		page
Armrest	7	Converta-Bed Seat Cushion Frame	19
Bucket Seat Back	8	Converta-Bed Seat Hinge Covers	17
Bucket Seat Cushion Frame	11	Converta-Bed Seat Riser	17
Bucket Seat Cushion Pad	11	Converta-Bed Seats	17
Bucket Seat Cushion Side Cover	11	General Information	7
Bucket Seat Riser	11	Head Restraint	7
Bucket Seat Riser Trim Cover	11	Lumbar Support Handle	9
Child Restraint Seat	14	Recliner Handle	8
Child Seat Back Cover and Pads	16	Seat Back Assist Strap	9
Child Seat Cushion Cover and Pad	16	Seat Back Frame	9
Child Seat Module	14	Seat Back Recliner	9
Child Seat Module Cushion Cover and Pad	15	Second Rear Seat Back	12
Child Seat Module Head Restraint	15	Second Rear Seat Back Hinge	13
Child Seat Module Head Restraint Cover and Pad	15	Second Rear Seat Back Hinge Cover	12
Converta-Bed Forward Rail and Pivot	17	Second Rear Seat Back Pad	14
Converta-Bed Latch Handle and Link Bar	18	Second Rear Seat Back Panel	12
Converta-Bed Seat Back Frame	18	Second Rear Seat Cushion Pad	14
Converta-Bed Seat Back Hinge	18	Second Rear Seat Riser	13
		Second Rear Seat Track	13

GENERAL INFORMATION

On some trim styles, the cushion and back pads are molded into the covers. Molded in place trim covers are not serviced separately from the base pad. Molded in place trim cover and pad can be identified by the lack of sewing stitches in areas that appear to be sewn together.

HEAD RESTRAINT

HEAD RESTRAINT REMOVAL (FIG. 1)

The head restraint is retained with a leaf spring clip at the bottom of the sleeve attached to the seat back frame.

- (1) Fabricate a tool from 25 mm (1 in.) steel shipping band stock 6 cm (24 in.) long.
- (2) Lift head restraint to the highest position.
- (3) Insert end of tool between the bar and sleeve at the front of the head restraint. Push tool in until it comes to a solid stop.
- (4) Push downward on head restraint allowing the tool to travel with the bar.
- (5) Hold tool downward and pull upward on head restraint. If head restraint stops, the tool was not inserted far enough.
- (6) Separate head restraint from seat back.
- (7) Pull sleeve from seat back.

HEAD RESTRAINT INSTALLATION (FIG. 2)

- (1) Install sleeve through hole in trim cover at top of seat back, open side forward.
- (2) Insert bar into sleeve and push head restraint downward.

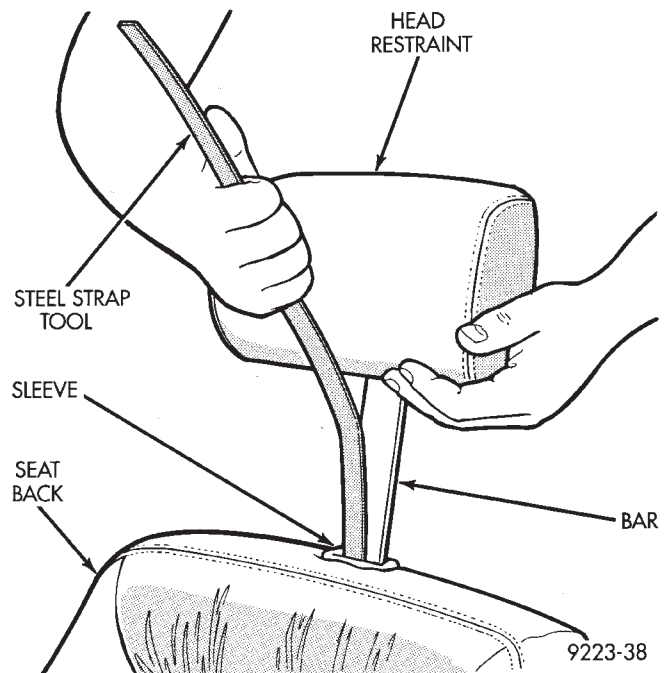


Fig. 1 Remove Head Restraint

ARMREST

ARMREST REMOVAL (FIG. 3)

- (1) Remove trim plug covering screw on side of armrest.
- (2) Remove screw holding armrest to mounting.
- (3) Rotate armrest upward to align armrest stop to gate in mount.
- (4) Pull outward to separate armrest from mount.

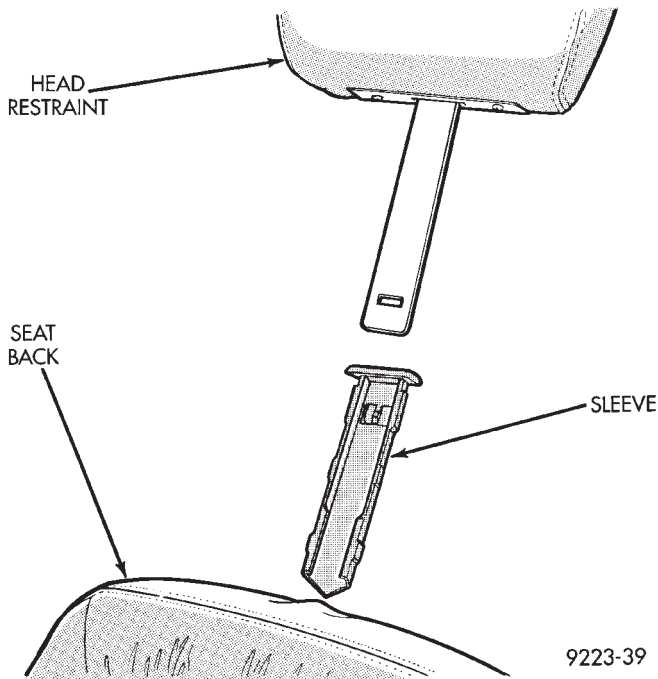


Fig. 2 Install Head Restraint

- (5) Remove screws holding mount to seat back.
- (6) Separate mount from seat back.

ARMREST INSTALLATION

Reverse the preceding operation.

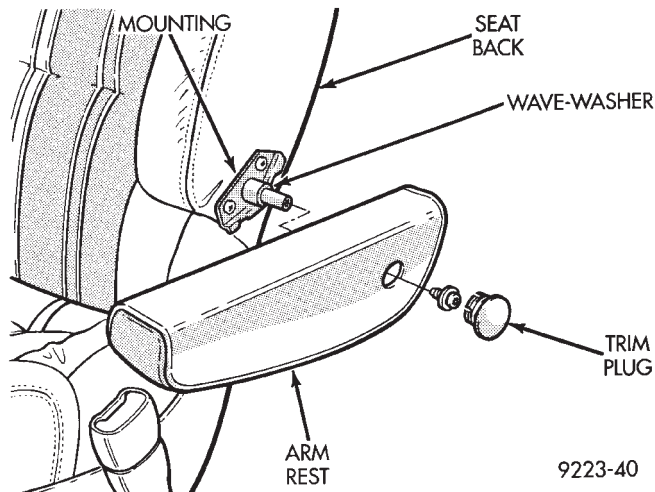


Fig. 3 Arm Rest

BUCKET SEAT BACK

BUCKET SEAT BACK REMOVAL (FIG. 4 AND 5)

- (1) Position seat back recliner in the full upright position.
- (2) Remove seat and position seat on a clean soft work surface. Refer to Body Component Service section of this group. For first rear seat, refer to Owner's Manual for instructions.
- (3) Remove seat base riser.

- (4) Disengage clip holding inboard seat belt buckle tether to side cover.
- (5) Remove recliner handle.
- (6) Remove side covers.
- (7) Disengage J-strip retainer holding seat cushion cover to rear frame rail.
- (8) Remove nut and wave washer holding seat back frame to recliner shaft.
- (9) Separate recliner shaft from stud on seat back.
- (10) Remove shoulder bolts holding cushion frame to seat back frame.
- (11) Separate seat back from cushion.

BUCKET SEAT BACK INSTALLATION

Reverse the preceding operation.

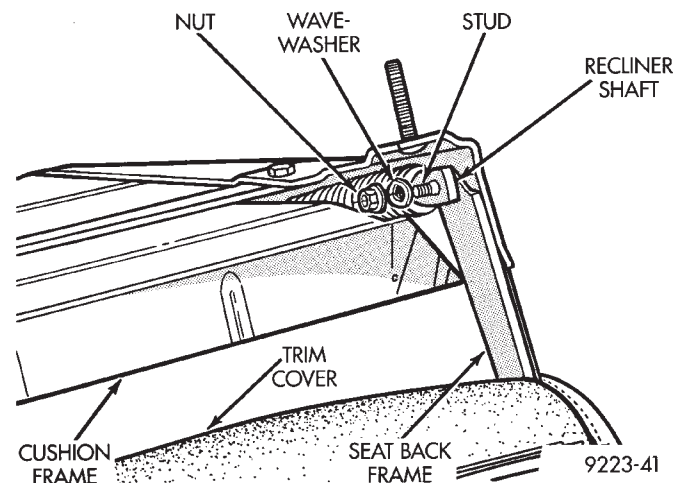


Fig. 4 Recliner Shaft Nut and Wave Washer

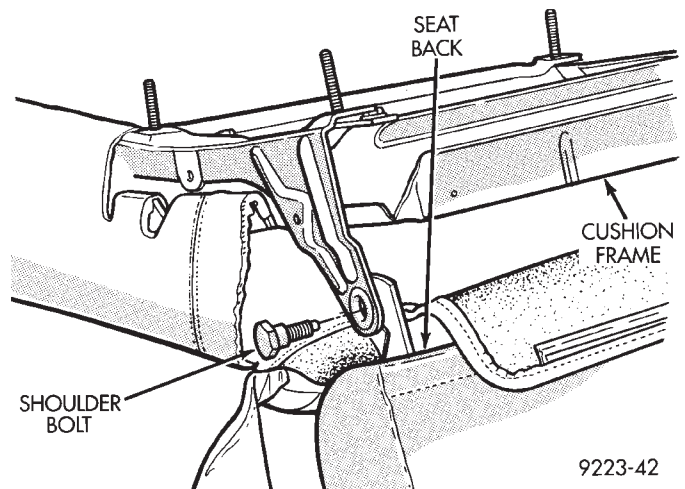


Fig. 5 Seat Back Pivot Bolts

RECLINER HANDLE

RECLINER HANDLE REMOVAL (FIG. 6)

- (1) Remove screw holding handle to recliner spline shaft.
- (2) Pull outward and separate handle from seat.



RECLINER HANDLE INSTALLATION

Reverse the preceding operation

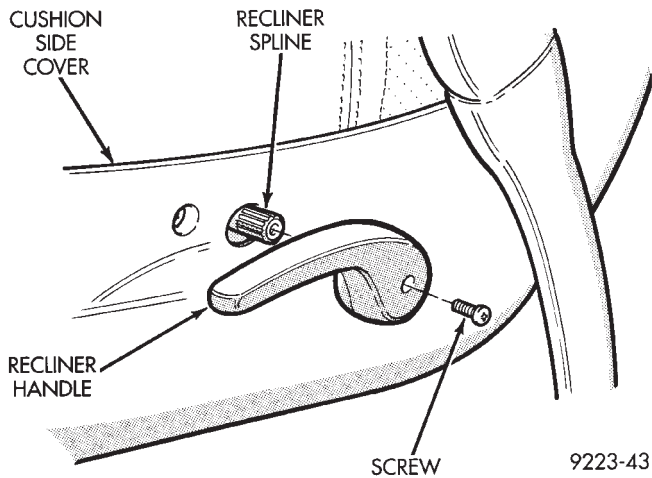


Fig. 6 Recliner Handle

LUMBAR SUPPORT HANDLE INSTALLATION
Reverse the preceding operation.

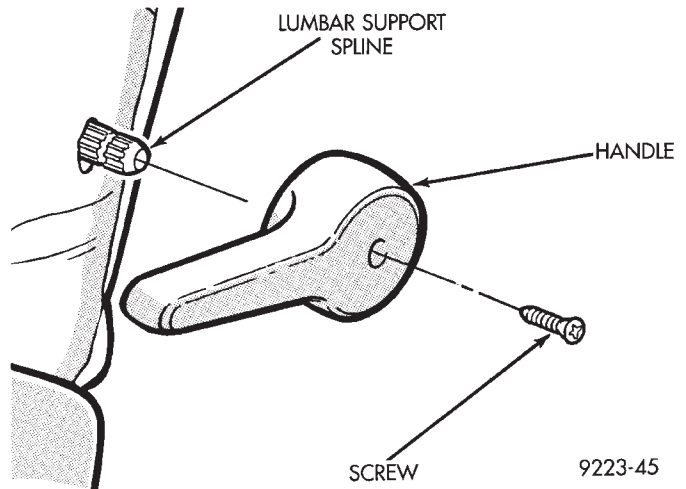


Fig. 8 Lumbar Support Handle

SEAT BACK RECLINER

SEAT BACK RECLINER REMOVAL (FIG. 7)

- (1) Remove Seat From vehicle.
- (2) Remove seat cushion side cover.
- (3) Separate seat back from cushion.
- (4) Remove bolts holding recliner to cushion frame.
- (5) Separate recliner from cushion.

SEAT BACK RECLINER INSTALLATION

Reverse the preceding operation.

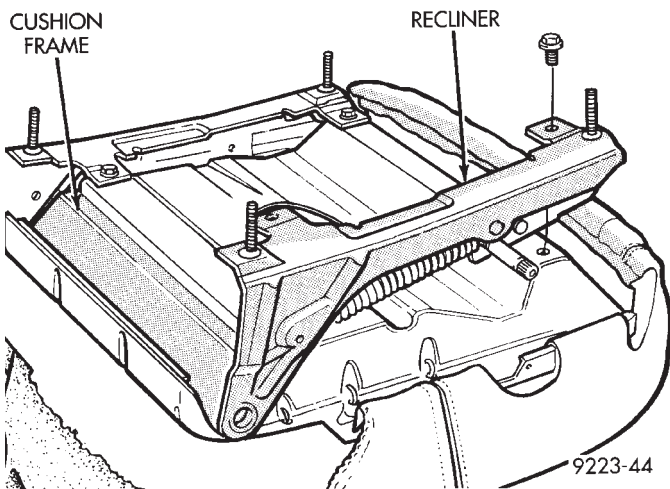


Fig. 7 Seat Back Recliner

LUMBAR SUPPORT HANDLE

LUMBAR SUPPORT HANDLE REMOVAL (FIG. 8)

- (1) Remove screw holding lumbar support handle to spline shaft on seat back.
- (2) Pull and separate handle from seat.

SEAT BACK ASSIST STRAP

SEAT BACK ASSIST STRAP REMOVAL (FIG. 9)

- (1) Remove screws holding assist strap to seat back.
- (2) Separate assist strap from seat back.

SEAT BACK ASSIST STRAP INSTALLATION

Reverse the preceding operation.

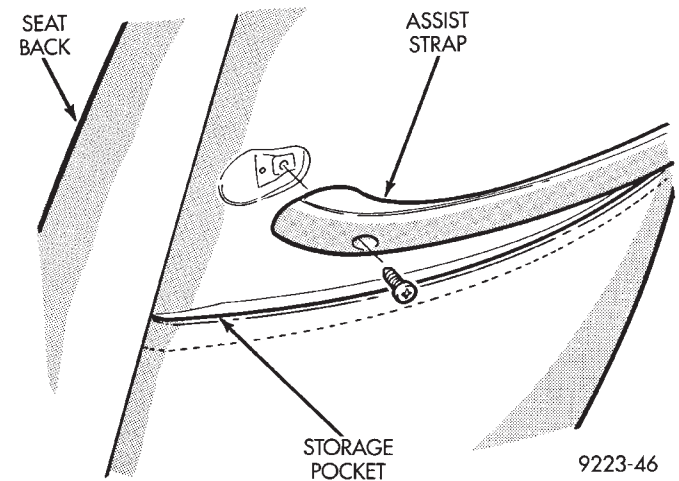


Fig. 9 Seat Back Assist Strap

SEAT BACK FRAME

SEAT BACK FRAME REMOVAL (FIG. 10 AND 11)

- (1) Remove seat from vehicle.
- (2) Remove head restraint.
- (3) Remove arm rest and mount.
- (4) Remove assist strap.
- (5) Remove lumbar adjuster handle.
- (6) Separate seat back from cushion.



- (7) Remove hog-rings closing trim cover at bottom of seat back.
- (8) Pull cover inside out and upward to the first pull down listing.
- (9) Separate hook/loop fastener strips holding cover to pad.
- (10) Remove hog-rings holding listing wires to pull down wires molded into pad.
- (11) Pull cover from top of pad.
- (12) Remove hog-rings holding pad apron to back of frame.
- (13) Separate seat back frame from pad.

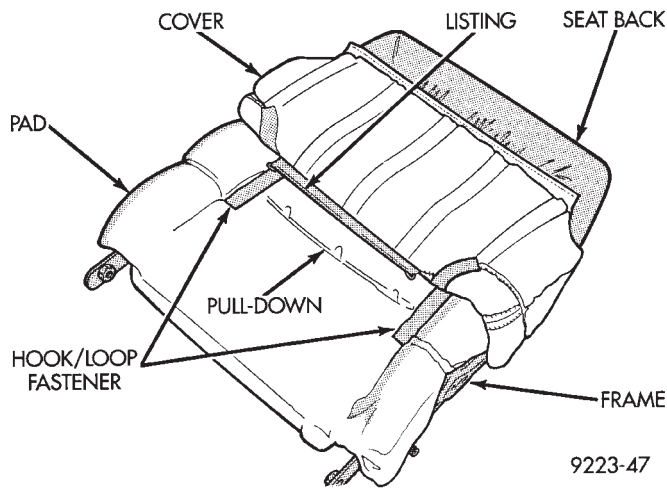


Fig. 10 Seat Back Cover Listing and Hook/Loop Fasteners

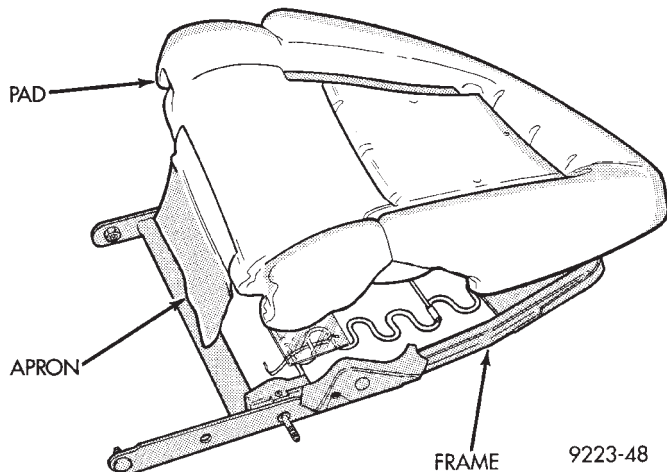


Fig. 11 Seat Back Frame and Pad

SEAT BACK FRAME INSTALLATION (FIG. 12, 13 AND 14)

- (1) Insert frame into pad.
- (2) Hog-ring pad apron to rear of seat back.
- (3) Slip trim cover over top of seat to the pull down wire groove in the pad.
- (4) With listing centered in the pull down groove, hog-ring listing wire to pull down wire molded into pad.

- (5) Roll trim cover down to bottom of seat back.
- (6) Engage hook/loop fasteners to hold cover to pad.
- (7) Hog-ring bottom closure wires together.
- (8) Reverse steps 6 through 1 of the removal operation.

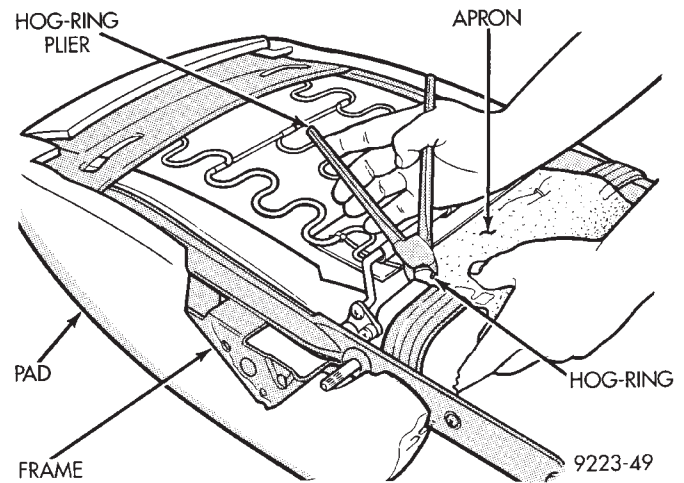


Fig. 12 Hog-ring Apron to Seat Back

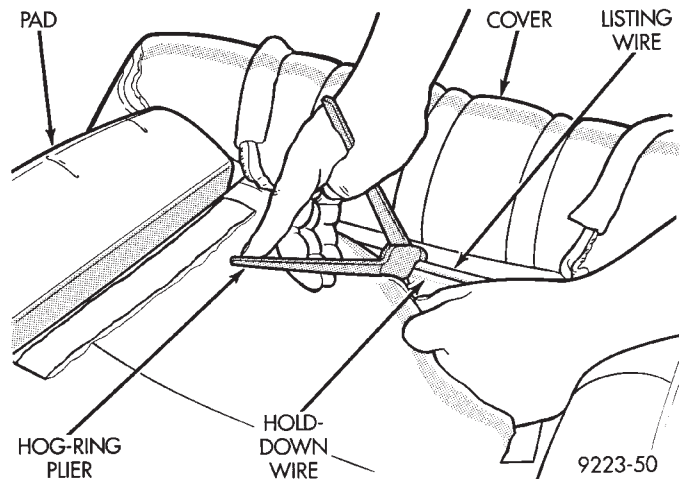


Fig. 13 Hog-ring Listing to Pull Down—Typical

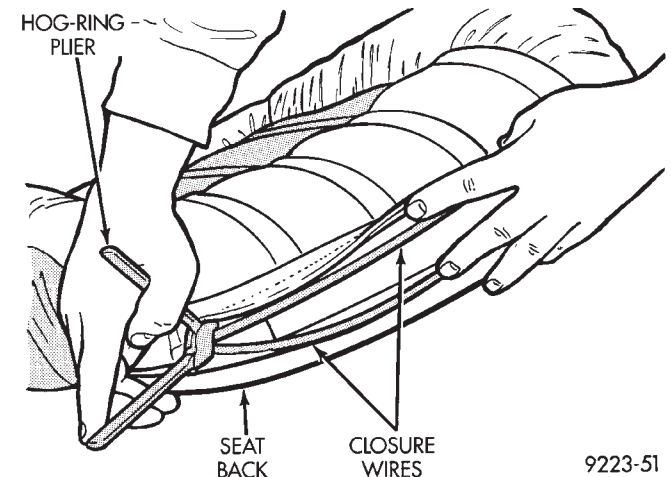


Fig. 14 Hog-ring Cover Closure Together—Typical

BUCKET SEAT RISER TRIM COVER

BUCKET SEAT RISER TRIM COVER REMOVAL (FIG. 15)

- (1) Remove screw holding riser trim cover to seat riser crossmember.
- (2) Separate trim cover from seat riser.

BUCKET SEAT RISER TRIM COVER INSTALLATION

Reverse the preceding operation.

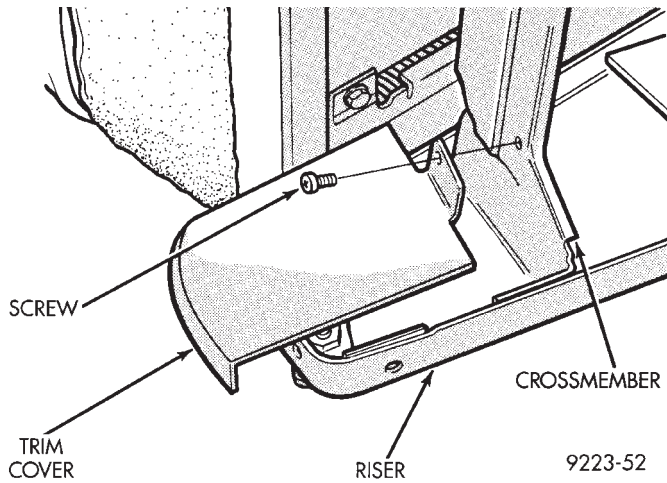


Fig. 15 Bucket Seat Riser Trim Cover

BUCKET SEAT RISER

BUCKET SEAT RISER REMOVAL (FIG. 16)

- (1) Remove seat from vehicle. Refer Body Component Service section for front seat procedures. Refer to Owner's Manual for rear seat procedures.
- (2) Remove storage drawer, if equipped.
- (3) Remove nuts holding riser to bottom of seat.
- (4) Separate riser from seat.

BUCKET SEAT RISER INSTALLATION

Reverse the preceding operation.

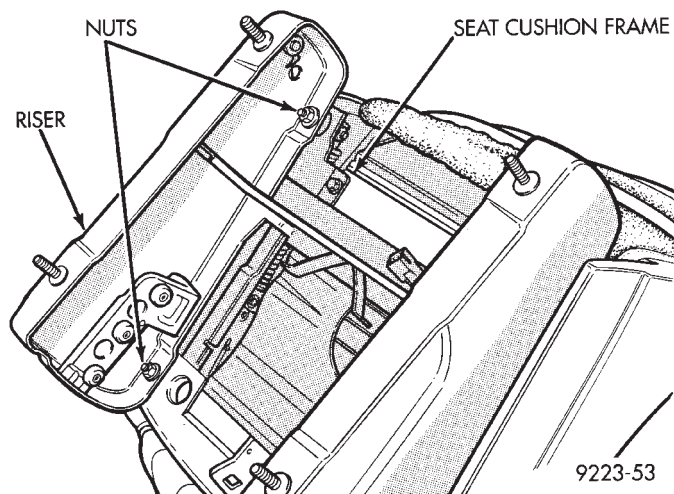


Fig. 16 Bucket Seat Riser

BUCKET SEAT CUSHION SIDE COVER

BUCKET SEAT CUSHION SIDE COVER REMOVAL (FIG. 17)

- (1) Remove recliner handle, if equipped.
- (2) Disengage seat belt buckle tether from side cover, if equipped.
- (3) Remove screws holding side cover to seat cushion frame.
- (4) Separate side cover from seat.

BUCKET SEAT CUSHION SIDE COVER INSTALLATION

Reverse the preceding operation.

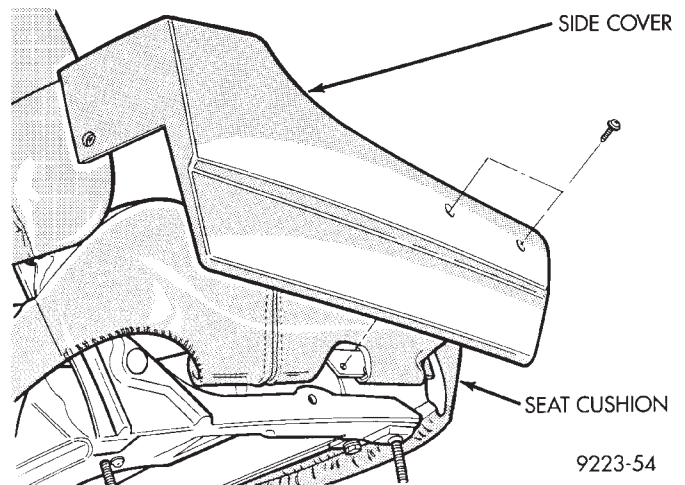


Fig. 17 Bucket Seat Cushion Side Cover

BUCKET SEAT CUSHION FRAME

BUCKET SEAT CUSHION FRAME REMOVAL (FIG. 18)

- (1) Remove seat from vehicle. Refer Body Component Service section for front seat procedures. Refer to Owner's Manual for rear seat procedures.
- (2) Remove riser.
- (3) Separate seat back from cushion.
- (4) Disengage J-strip retainers from cushion frame.
- (5) Separate frame from pad.

BUCKET SEAT CUSHION FRAME INSTALLATION

Reverse the preceding operation.

BUCKET SEAT CUSHION PAD

BUCKET SEAT CUSHION PAD REMOVAL (FIG. 19)

- (1) Remove seat from vehicle. Refer Body Component Service section for front seat procedures. Refer to Owner's Manual for rear seat procedures.
- (2) Separate riser from seat.
- (3) Separate seat back from cushion.
- (4) Disengage J-strip retainers from cushion frame.

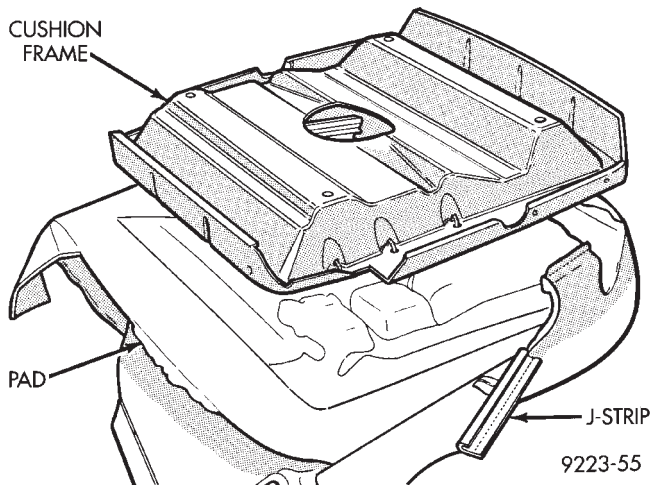


Fig. 18 Bucket Seat Cushion Frame

- (5) Disengage hook/loop fasteners holding cover to pad.
- (6) Remove hog-rings holding listing wire to hold down wire in pad.
- (7) Separate cover from pad.

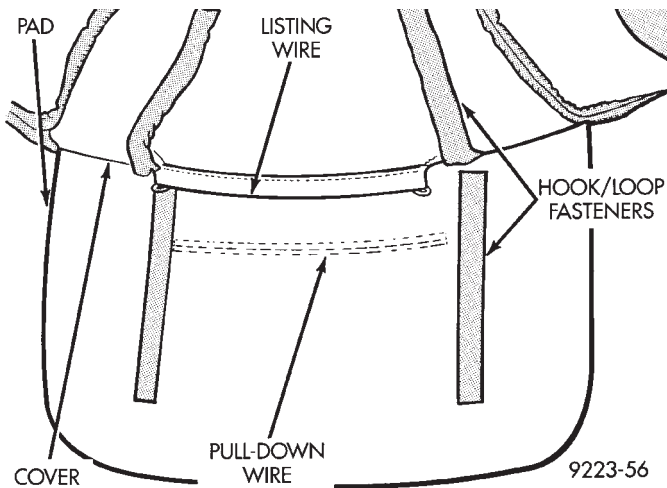


Fig. 19 Seat Cushion Cover Listing and Hook/Loop Fasteners

BUCKET SEAT CUSHION PAD INSTALLATION (FIG. 20)

- (1) Center listing wire in pull down groove.
- (2) Hog-ring listing wire to pull down wire in pad.
- (3) Reverse steps 5 through 1 of preceding operation.

SECOND REAR SEAT BACK PANEL

SECOND REAR SEAT BACK PANEL REMOVAL (FIG. 21)

- (1) Remove screws holding rear panel to seat back.
- (2) Lift upward on base of panel and pull rearward to disengage hooks holding top of panel to seat back.
- (3) Separate panel from seat back.

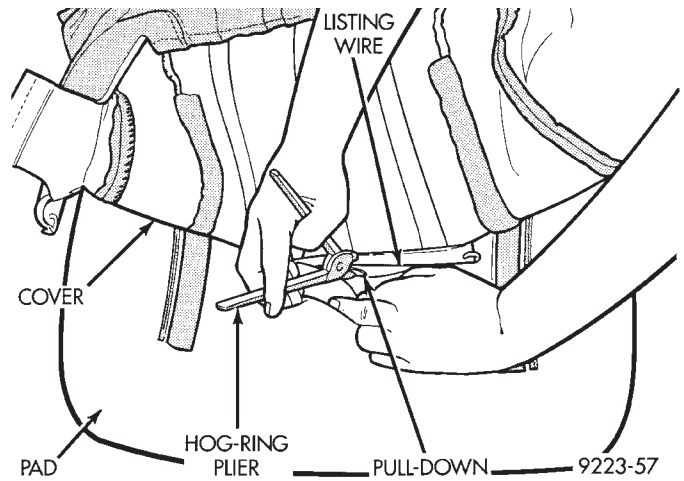


Fig. 20 Hog-ring Cover Listing to Pull Down

SECOND REAR SEAT BACK PANEL INSTALLATION

Reverse the preceding operation.

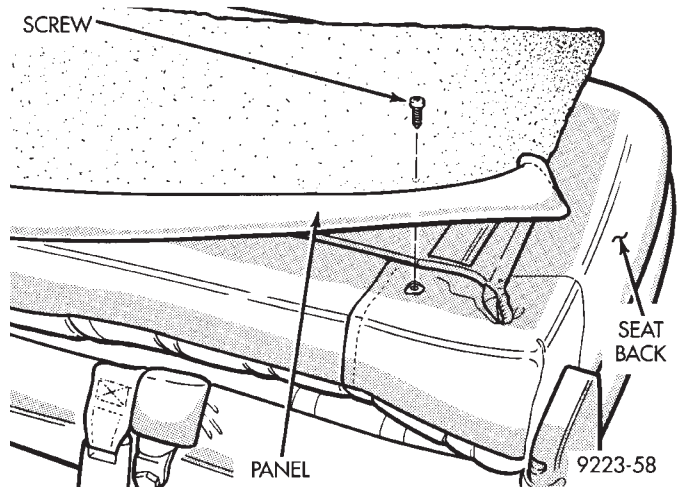


Fig. 21 Second Rear Seat Back Panel

SECOND REAR SEAT BACK HINGE COVER

SECOND REAR SEAT BACK HINGE COVER REMOVAL (FIG. 22)

- (1) Remove screw holding hinge cover to seat back hinge.
- (2) Separate cover from seat back hinge.

SECOND REAR SEAT BACK HINGE COVER INSTALLATION

Reverse the preceding operation.

SECOND REAR SEAT BACK

SECOND REAR SEAT BACK REMOVAL (FIG. 23)

- (1) Remove seat back hinge covers.
- (2) Remove bolts holding bottom of seat back hinges to cushion frame.
- (3) Separate seat back from cushion.

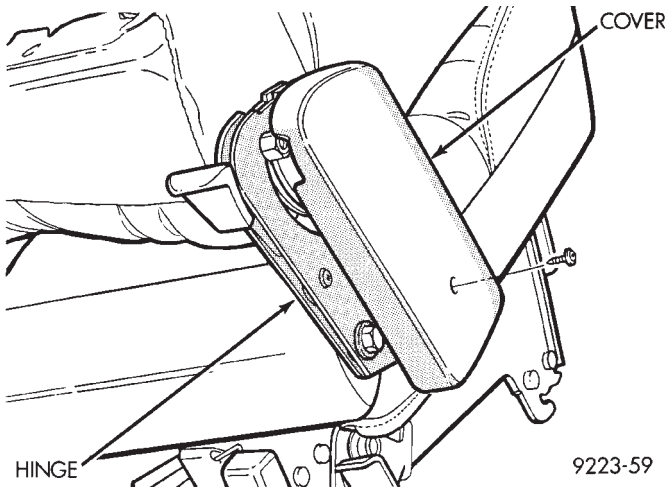


Fig. 22 Second Rear Seat Back Hinge Cover

SECOND REAR SEAT BACK INSTALLATION
Reverse the preceding operation.

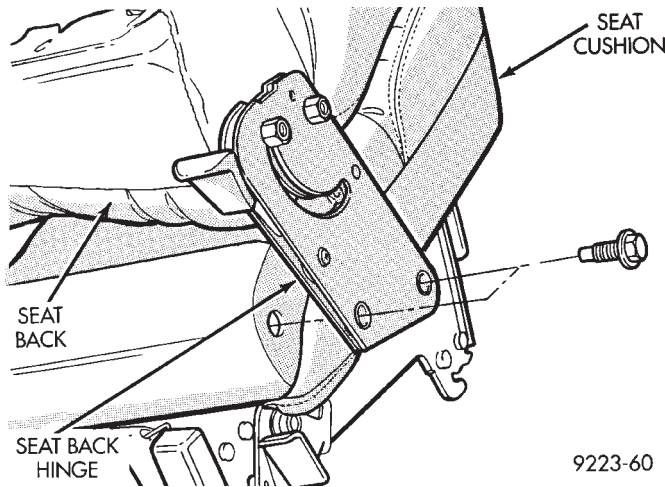


Fig. 23 Second Rear Seat Back

SECOND REAR SEAT BACK HINGE

SECOND REAR SEAT BACK HINGE REMOVAL
(FIG. 24)

- (1) Remove seat back hinge cover.
- (2) Remove bolts holding seat back hinge to cushion frame.
- (3) Remove nuts holding hinge to seat back.
- (4) Separate seat back hinge from seat.

SECOND REAR SEAT BACK HINGE INSTALLATION

Reverse the preceding operation.

SECOND REAR SEAT TRACK

SECOND REAR SEAT TRACK REMOVAL (FIG. 25)

- (1) Remove second rear seat from vehicle.
- (2) Position seat upside down on a clean work surface.

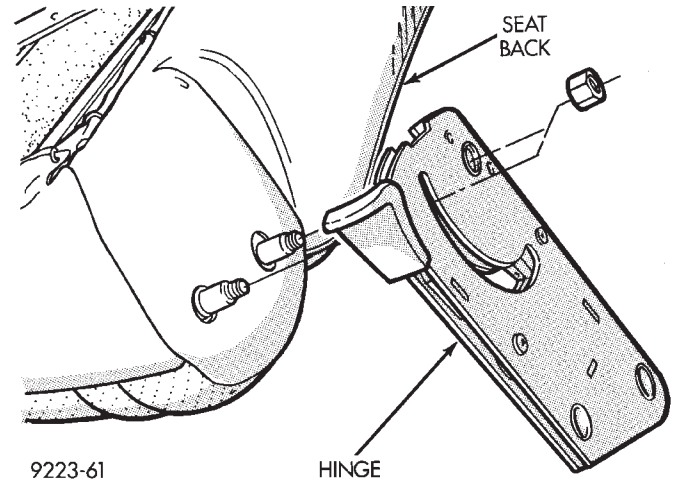


Fig. 24 Second Rear Seat Back Hinge

- (3) Disconnect track adjuster link wire from latch arm.
- (4) Remove nuts holding track to riser.
- (5) Separate track from riser.

SECOND REAR SEAT TRACK INSTALLATION
Reverse the preceding operation.

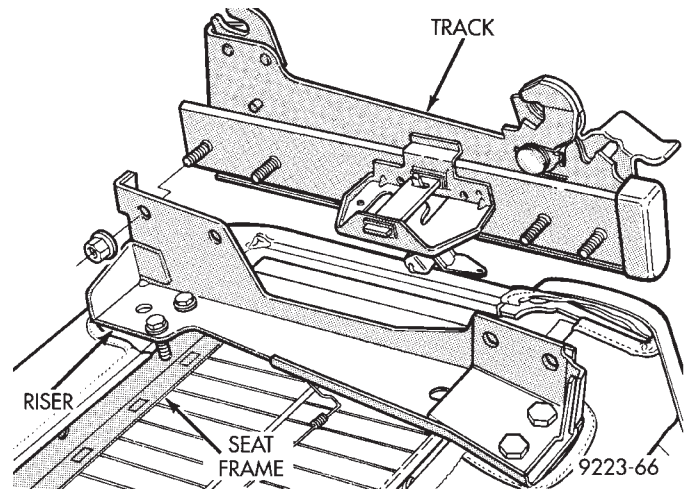


Fig. 25 Second Rear Seat Track

SECOND REAR SEAT RISER

SECOND REAR SEAT RISER REMOVAL (FIG. 26)

- (1) Remove seat track, if equipped.
- (2) Remove bolts holding riser to bottom of seat frame.
- (3) Separate riser from seat.

SECOND REAR SEAT RISER INSTALLATION

Reverse the preceding operation.

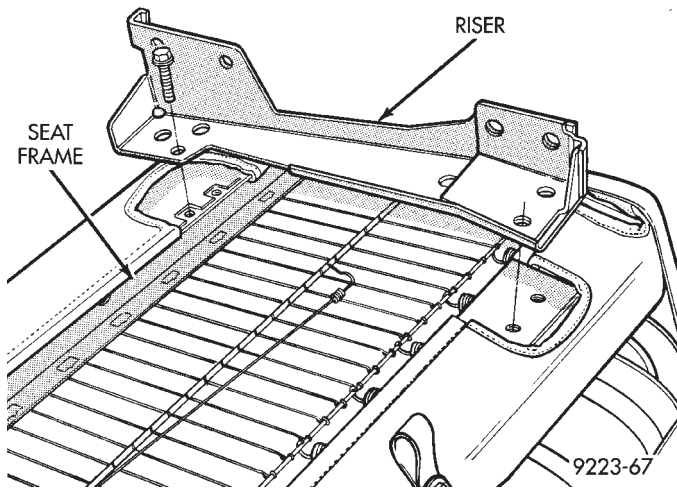


Fig. 26 Second Rear Seat Riser—Typical

SECOND REAR SEAT CUSHION PAD

SECOND REAR SEAT CUSHION PAD REMOVAL

- (1) Remove seat from vehicle.
- (2) Position seat on a clean work surface.
- (3) Separate seat back hinges from cushion frame.
- (4) Remove seat risers.
- (5) Remove seat belts from rear rail of seat cushion frame.
- (6) Disengage J-strip retainers holding trim cover to bottom cushion frame.
- (7) Separate frame from cushion pad and cover.
- (8) Turn cushion pad upright on work surface.
- (9) Roll cover inside out to top of cushion pad.
- (10) Remove hog-rings holding cover listing wire to hold down wire in cushion pad. Refer to Bucket Seat Cushion Pad paragraph for typical illustrations.
- (11) Separate cover from pad.

SECOND REAR SEAT CUSHION PAD INSTALLATION

Reverse the preceding operation.

SECOND REAR SEAT BACK PAD

SECOND REAR SEAT BACK PAD REMOVAL

- (1) Remove seat back hinge covers.
- (2) Remove bolts holding hinges to cushion frame.
- (3) Separate seat back from cushion.
- (4) Position seat back on a clean work surface.
- (5) Remove seat back trim panel.
- (6) Remove hog-rings holding cover to seat back frame.
- (7) Separate frame from back pad and cover.
- (8) Turn back pad upright on work surface.
- (9) Roll cover inside out to top of back pad.
- (10) Remove hog-rings holding cover listing wires to hold down wires in pad. Refer to Bucket Seat Back Pad paragraph for typical illustrations.
- (11) Separate cover from back pad.

SECOND REAR SEAT BACK PAD INSTALLATION

Reverse the preceding operation.

CHILD RESTRAINT SEAT

The child restraint, two passenger seat, located in the first rear position can be removed from the vehicle using instructions provided in the Owner's manual.

CHILD SEAT MODULE

CHILD SEAT MODULE REMOVAL

- (1) Remove trim panel from rear of seat back.
- (2) Open child seat and separate hook and loop fasteners holding vinyl insert to module.
- (3) Disengage J-strip retainer holding head restraint trim cover to seat back frame.
- (4) Remove hog-rings holding seat back trim cover to upper seat back frame (Fig. 27).
- (5) Disengage push-in fasteners holding seat back trim cover to module under head restraint.
- (6) Pull seat back trim cover from under head restraint.
- (7) Remove screws holding top of module to seat back frame (Fig. 28).
- (8) Close child restraint seat.
- (9) Deflect pad at base of module upward to gain access to hidden screws under module.
- (10) Remove screws holding bottom of module to seat back frame (Fig. 28).
- (11) Rotate top of module forward while pulling upward and separate module from seat back.

CHILD SEAT MODULE INSTALLATION

Reverse the preceding operation.

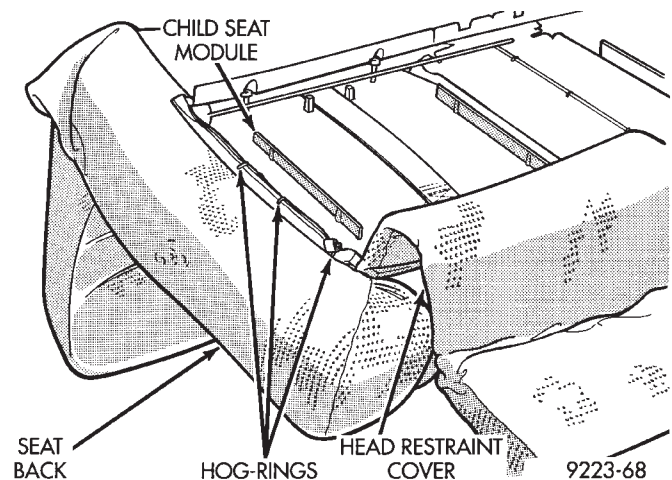


Fig. 27 Seat Back Cover Hog-ring

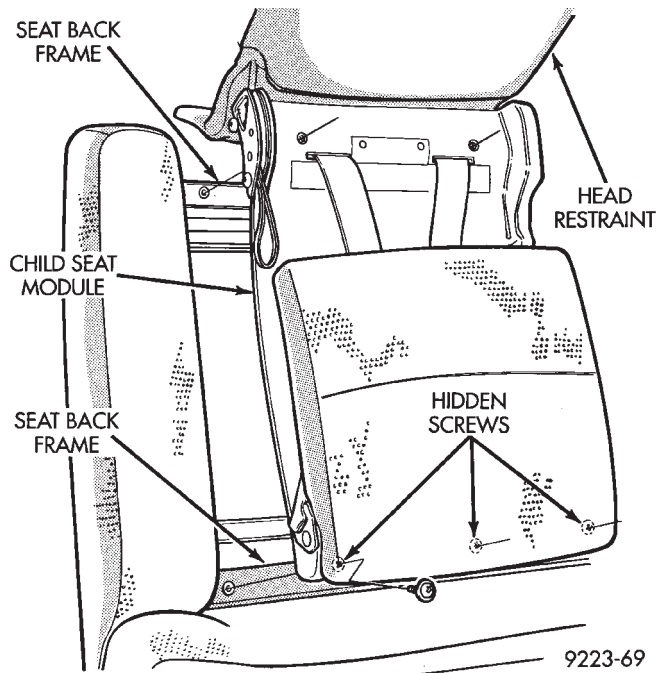


Fig. 28 Child Seat Module

CHILD SEAT MODULE HEAD RESTRAINT

CHILD SEAT MODULE HEAD RESTRAINT REMOVAL (FIG. 29)

- (1) Remove child restraint seat module from seat back.
- (2) Remove screws holding head restraint hinge to module.
- (3) Separate head restraint from module.

CHILD SEAT MODULE HEAD RESTRAINT INSTALLATION

Reverse the preceding operation.

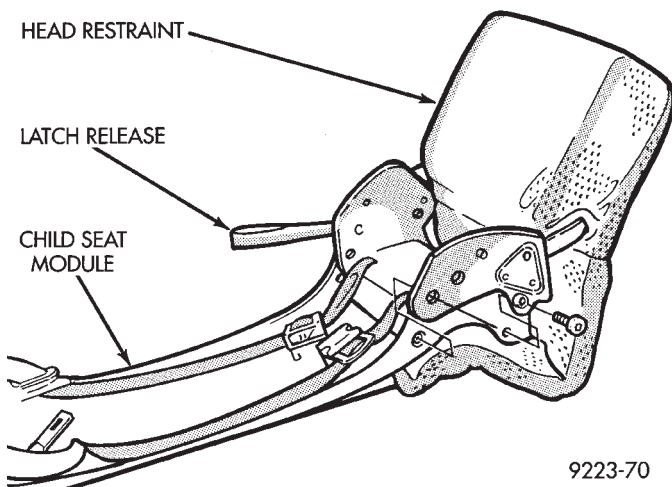


Fig. 29 Child Restraint Head Restraint

CHILD SEAT MODULE HEAD RESTRAINT COVER AND PAD

CHILD SEAT MODULE HEAD RESTRAINT COVER AND PAD REMOVAL

- (1) Remove trim panel from rear of seat back.
- (2) Disengage J-strip retainer holding head restraint trim cover to seat back frame.
- (3) Open head restraint to the highest position.
- (4) Disengage hook and loop closure at bottom of head restraint.
- (5) Turn head restraint cover inside-out from bottom of cover up.
- (6) Separate cover from head restraint armature and pad.
- (7) Separate pad from armature.

CHILD SEAT MODULE HEAD RESTRAINT COVER AND PAD INSTALLATION

Reverse the preceding operation.

CHILD SEAT MODULE CUSHION COVER AND PAD

CHILD SEAT MODULE CUSHION COVER AND PAD REMOVAL

- (1) Remove child seat module.
- (2) Remove bolts holding child seat cushion and restraint belts to module pivots (Fig. 30).
- (3) Disengage push-in fasteners holding trim cover to cushion pan (Fig. 31).
- (4) Separate trim cover from cushion pad and pan.
- (5) Separate pad from pan.

CHILD SEAT MODULE CUSHION COVER AND PAD INSTALLATION

Reverse the preceding operation.

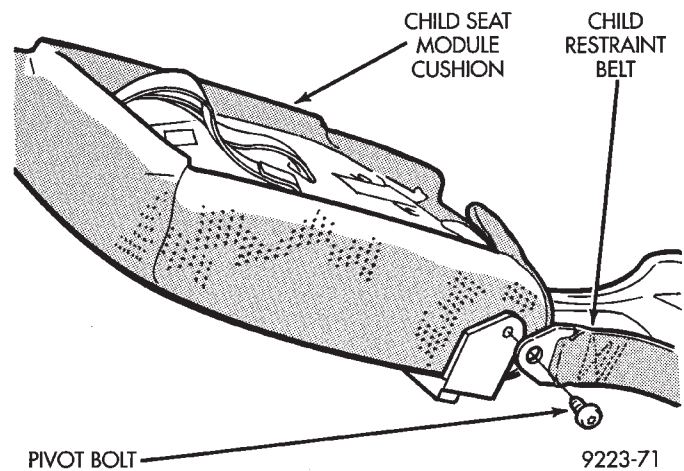


Fig. 30 Child Seat Cushion Pivot Bolts

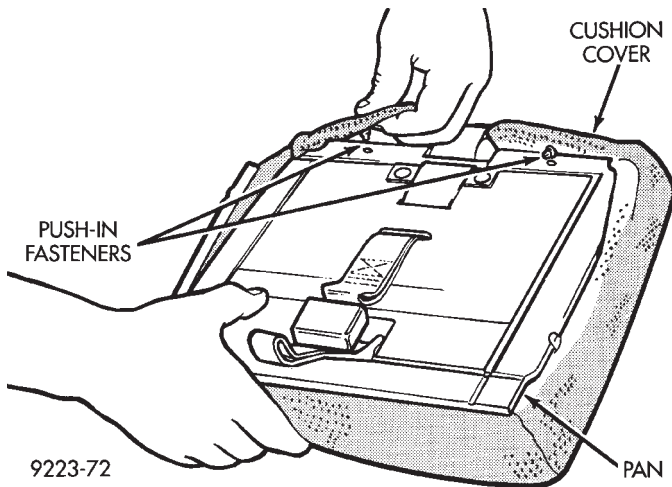


Fig. 31 Child Seat Cushion Cover

CHILD SEAT BACK COVER AND PADS

CHILD SEAT BACK COVER AND PADS REMOVAL

- (1) Remove seat from vehicle.
- (2) Remove risers from bottom of seat.
- (3) Remove child seat modules.
- (4) Remove outboard arm rest and pivot bracket.
- (5) Remove hog-rings holding lower rear corners of seat back cover to cushion frame (Fig. 32).
- (6) Disengage J-strips holding seat back cover to bottom of cushion frame (Fig. 33).
- (7) Disengage J-strips holding seat back cover to seat back frame retaining wires.
- (8) Remove hog-rings holding cover to outboard seat back frame retaining wires.
- (9) Separate cover from pads and frame (Fig. 34).
- (10) Remove hog-rings holding pads to seat back frame.
- (11) Separate pads from frame.
- (12) Remove screws holding upper insulator cap to seat back frame.
- (13) Separate insulator cap from frame.

CHILD SEAT BACK COVER AND PADS INSTALLATION

Reverse the preceding operation.

CHILD SEAT CUSHION COVER AND PAD

CHILD SEAT CUSHION COVER AND PAD REMOVAL

- (1) Remove seat from vehicle.
- (2) Remove risers from bottom of seat.
- (3) Remove bolts holding seat belt buckles to cushion frame.
- (4) Separate seat belts from cushion.
- (5) Disengage J-strips holding seat back cover to bottom of cushion frame.
- (6) Remove hog-rings holding lower rear corners of seat back cover to cushion frame.

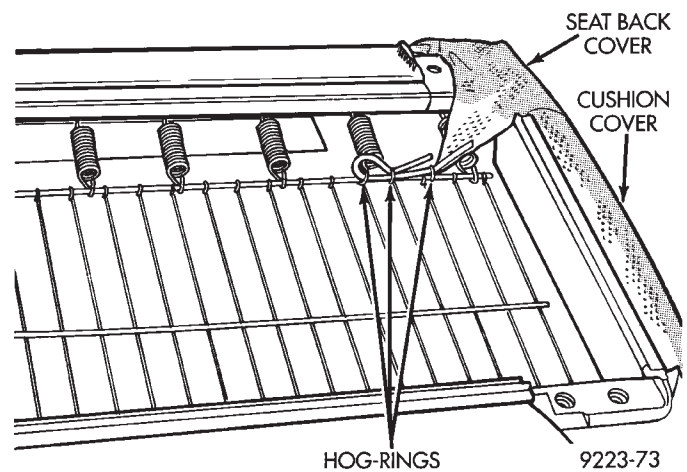


Fig. 32 Seat Back Cover Hog-rings

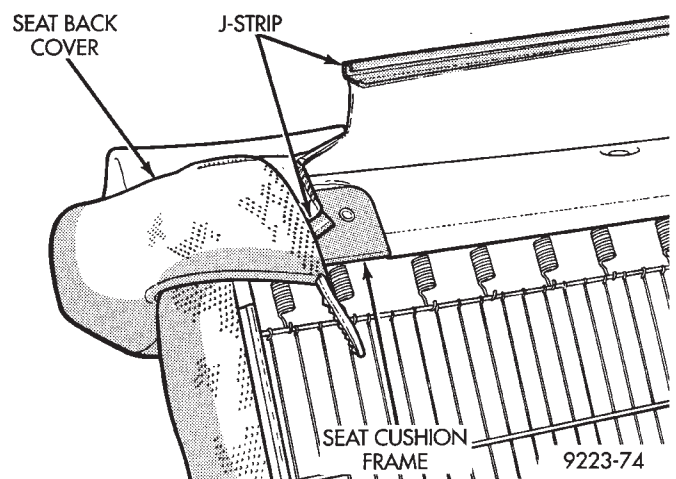


Fig. 33 Seat Back Cover J-strip

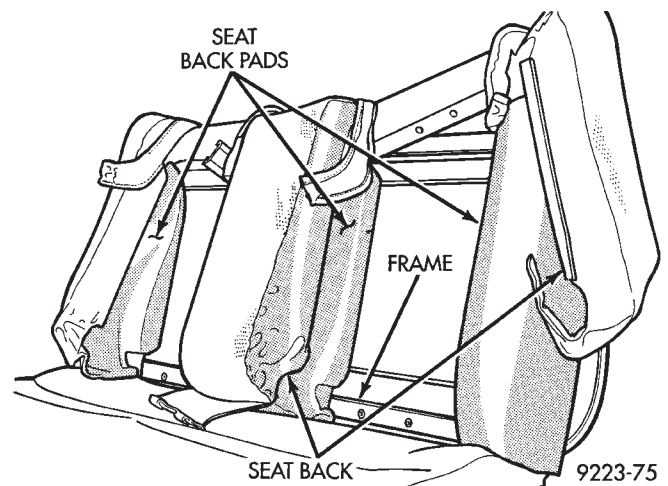


Fig. 34 Seat Back Cover and Pads

- (7) Disengage J-strips holding cushion cover and pad to seat frame.
- (8) Separate cover and pad from seat frame.

CHILD SEAT CUSHION COVER AND PAD INSTALLATION

Reverse the preceding operation.

CONVERTA-BED SEATS

The optional Converta-bed seats are removed from the vehicle using the same procedure as the two and three passenger bench seats. Refer to the Owner's Manual provided with the vehicle for proper removal procedure.

CONVERTA-BED SEAT RISER

CONVERTA-BED SEAT RISER REMOVAL (FIG. 35)

- (1) Remove seat from vehicle.
- (2) Remove seat track, if equipped.
- (3) Remove bolts holding seat track to rear frame rail.
- (4) Remove bolts holding seat track to forward pivot bracket and rail.
- (5) Separate riser from seat.

CONVERTA-BED SEAT RISER INSTALLATION

Reverse the preceding operation.

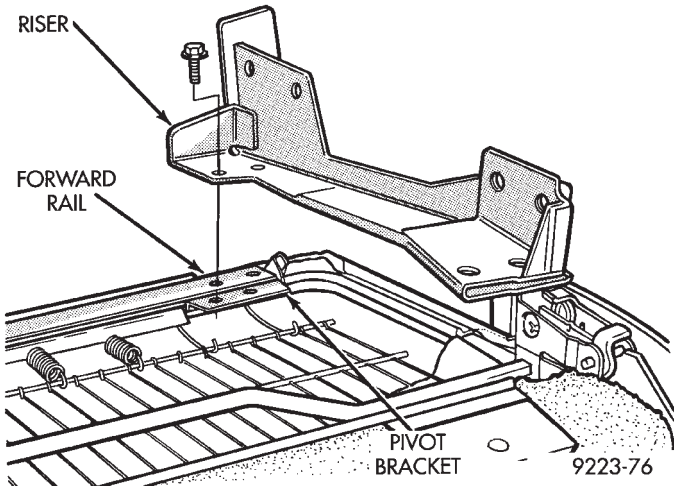


Fig. 35 Converta-bed Riser

CONVERTA-BED FORWARD RAIL AND PIVOT

CONVERTA-BED FORWARD RAIL AND PIVOT REMOVAL (FIG. 36)

- (1) Remove seat from vehicle.
- (2) Remove seat track, if equipped.
- (3) Remove bolts holding seat track to rear frame rail.
- (4) Remove bolts holding seat track to forward pivot bracket and rail.
- (5) Separate riser from seat.
- (6) Separate forward rail from pivot bracket.
- (7) Remove shoulder bolt holding pivot bracket from cushion frame.
- (8) Separate pivot bracket from seat.

CONVERTA-BED FORWARD RAIL AND PIVOT INSTALLATION

Reverse the preceding operation.

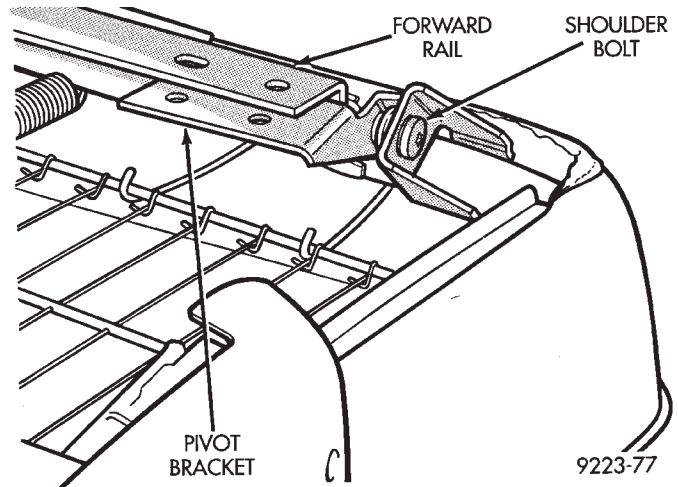


Fig. 36 Forward Rail and Pivot

CONVERTA-BED SEAT HINGE COVERS.

CONVERTA-BED SEAT HINGE COVER REMOVAL

- (1) If necessary, Remove seat from vehicle.
- (2) Remove screw holding upper hinge cover to seat back hinge.
- (3) Separate upper hinge cover from seat (Fig. 37).
- (4) Remove screw holding lower hinge cover to seat back hinge.
- (5) Separate lower hinge cover from seat (Fig. 38).

CONVERTA-BED SEAT HINGE COVER INSTALLATION

Reverse the preceding operation.

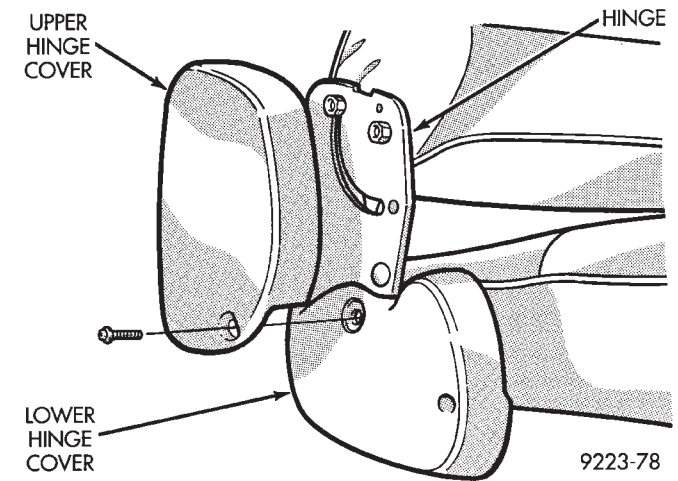


Fig. 37 Upper Hinge Cover

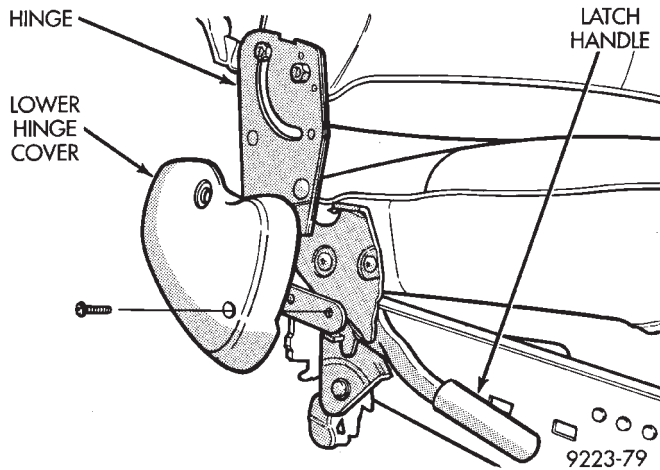


Fig. 38 Lower Hinge Cover

CONVERTA-BED LATCH HANDLE AND LINK BAR

CONVERTA-BED LATCH HANDLE AND LINK BAR REMOVAL

- (1) Remove seat from vehicle.
- (2) Remove upper and lower seat back hinge covers.
- (3) Remove risers from seat cushion frame.
- (4) Remove push-nut holding latch handle to right seat back hinge (Fig. 39).
- (5) Disengage seat back latch return spring from right hinge (Fig. 39).
- (6) Loosen bolts holding right seat back hinge to cushion frame (Fig. 40).
- (7) Separate latch handle and link bar from cushion frame.

CONVERTA-BED LATCH HANDLE AND LINK BAR INSTALLATION

Reverse the preceding operation.

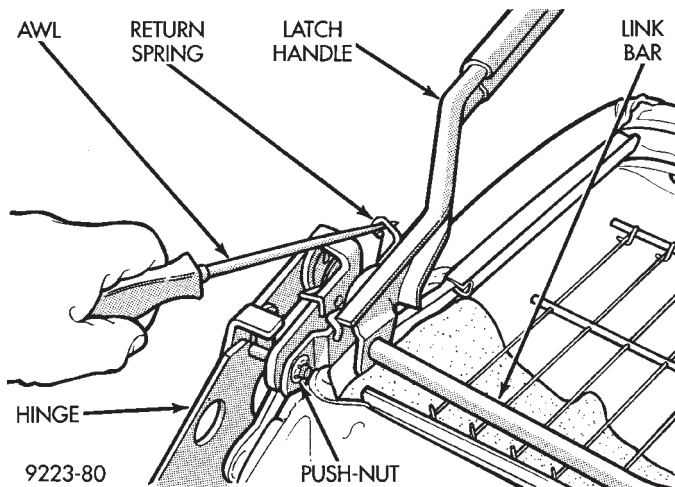
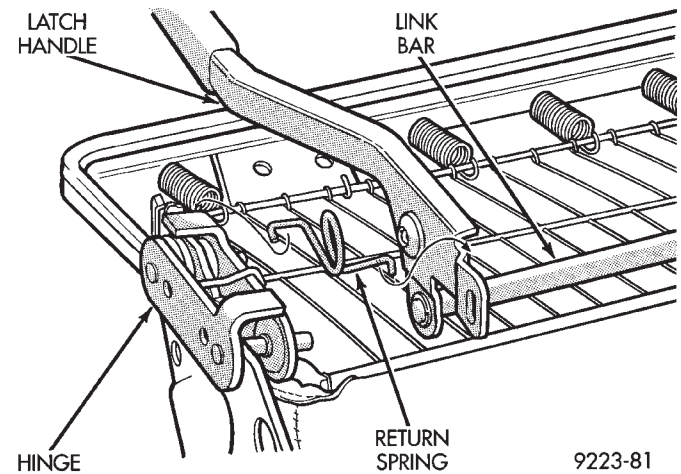


Fig. 39 Push-nut and Return Spring



**Fig. 40 Latch Handle, Link Bar and Return Spring
CONVERTA-BED SEAT BACK HINGE**

CONVERTA-BED SEAT BACK HINGE REMOVAL

- (1) Remove seat from vehicle.
- (2) Remove upper and lower seat back hinge covers.
- (3) If removing right hinge, remove push-nut holding latch handle to right seat back hinge. Disengage seat back latch return spring from right hinge (Fig. 39).
- (4) Disengage interlocking J-strips holding carpet cover together below rear rail (Fig. 41).
- (5) Remove bolts holding seat back hinge and spacer to rear rail (Fig. 42).
- (6) Remove nuts holding seat back hinge to back frame.
- (7) Remove bolts holding seat back hinge to cushion frame.
- (8) Separate seat back hinge from seat.

CONVERTA-BED SEAT BACK HINGE INSTALLATION

Reverse the preceding operation.

CONVERTA-BED SEAT BACK FRAME

CONVERTA-BED SEAT BACK FRAME REMOVAL

- (1) Remove seat from vehicle.
- (2) Remove upper and lower seat back hinge covers.
- (3) On three passenger seat, disengage hook and channel retainer holding seat back lower apron to the rear rail cover (Fig. 43).
- (4) Disengage interlocking J-strips holding carpet cover together below rear rail.
- (5) Remove bolts holding left seat back hinge and spacer to rear rail.
- (6) Remove nuts holding seat back hinges to seat back frame.

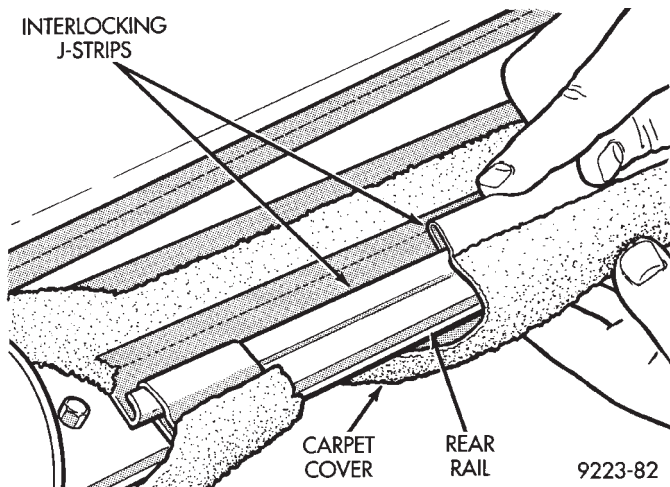


Fig. 41 Interlocking J-strips

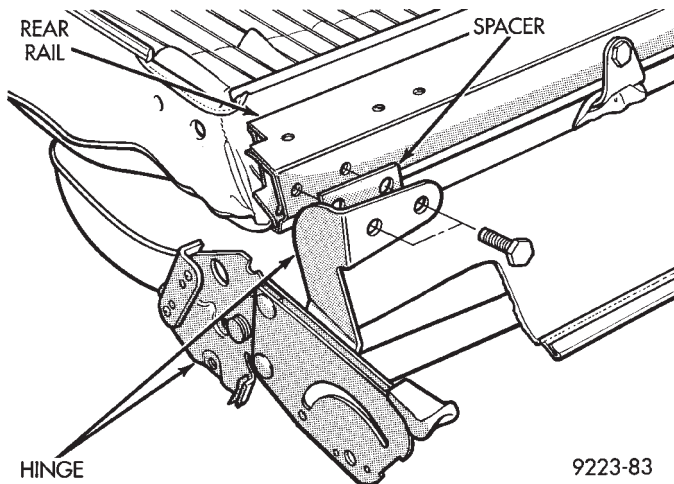


Fig. 42 Seat Back Hinge

- (7) Remove bolts holding left seat back hinge to cushion frame.
- (8) Separate left seat back hinge from seat.
- (9) Separate seat back from cushion.
- (10) On three passenger seat, remove seat back rear trim panel.

(11) For two passenger seat refer to procedure A. For three passenger seat refer to procedure B.

- a) Disengage interlocking J-strip holding bottom of seat back cover together.
- b) Disengage J-strips holding seat back cover and pad to frame.

(12) Separate cover and pad from seat back frame.

CONVERTA-BED SEAT BACK FRAME INSTALLATION

Reverse the preceding operation.

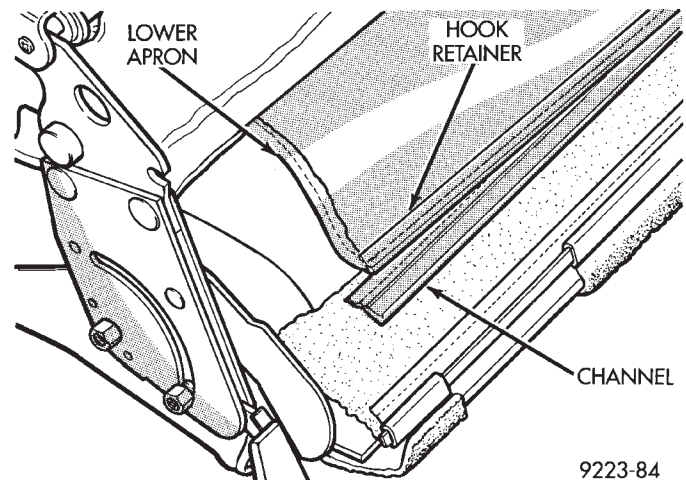


Fig. 43 Hook and Channel Retainer

CONVERTA-BED SEAT CUSHION FRAME

CONVERTA-BED SEAT CUSHION FRAME REMOVAL

- (1) Remove seat from vehicle.
- (2) Separate seat back from cushion.
- (3) Remove left seat back hinge and latch handle from cushion frame.
- (4) Disengage J-strips holding cover and pad to cushion frame.
- (5) Separate cover and pad from cushion frame.

CONVERTA-BED SEAT CUSHION FRAME INSTALLATION

Reverse the preceding operation.

BODY COMPONENT SERVICE

INDEX

	page		page
A-Pillar and Roof Rail Moldings	36	Liftgate	41
Body Side Applique (Fig. 35)	33	Liftgate Latch	42
Cowl Cover	22	Liftgate Trim Panel	42
Cowl Trim and Scuff Plates	35	Outside Front Door Latch Release Handle	25
Door Opening Weatherstrips	32	Overhead Console	41
Exterior Moldings (Fig. 34)	33	Rear Engine Compartment Splash Shield	23
Floor Carpet	41	Rear Seat Belts	39
Front Center Console	40	Rear Window Glass	43
Front Door and Hinge	24	Right B-Pillar Trim Cover	36
Front Door Belt Molding and Weatherstrip—Van	26	Right Quarter Trim Panel	36
Front Door Belt Molding and Weatherstrip—Wagon	27	Right Side Grab Handle	35
Front Door Frame Rear Molding—Van	26	Roof Top Luggage Rack	43
Front Door Glass	26	Seats	40
Front Door Glass Channel and Run Weatherstrip	27	Shoulder Harness Height Adjuster	39
Front Door Glass Lower Channel	27	Sight Shield	22
Front Door Latch	25	Sliding Door	29
Front Door Side View Mirror	26	Sliding Door Center Hinge	29
Front Door Trim Panel	24	Sliding Door Center Hinge Track Cover	29
Front Door Window Regulator—Manual	27	Sliding Door Frame Upper Molding	28
Front Door Window Regulator—Power	28	Sliding Door Inside Latch/Lock Control	30
Front End Splash Shields	23	Sliding Door Latch/Lock Linkage	30
Front Fender	23	Sliding Door Lower Hinge	30
Front Seat Belts	37	Sliding Door Outside Latch Release Handle	31
Fuel Fill Door Release Cable	43	Sliding Door Power Lock Actuator	31
Grille	20	Sliding Door Pull Handle	28
Head Lining	41	Sliding Door Rear Latch	31
Hood and Hinges	21	Sliding Door Trim Panel	28
Hood Latch	21	Sliding Door Upper Hinge	30
Hood Ornament	20	Stick-On Body Side Molding	32
Hood Release Cable	22	Transaxle Splash Shield	23
Hood Safety Catch	21	Upper Track Cover	36
Left Quarter Trim Panel	36	Vent Window	31
Left Quarter Trim Panel—With Rear A/C	37	Vent Window Weatherstrip	32
		Wood Grain Overlay	35

GRILLE

GRILLE REMOVAL (FIG. 1 OR 2)

- (1) Remove bolt holding grille to bracket in front of radiator.
- (2) Remove headlamp bezel and park/turn signal lamp on low line models. Refer to Group 8L, Lamps for proper procedures.
- (3) Remove screws holding grille to front headlamp assemblies.
- (4) Separate grille from vehicle.

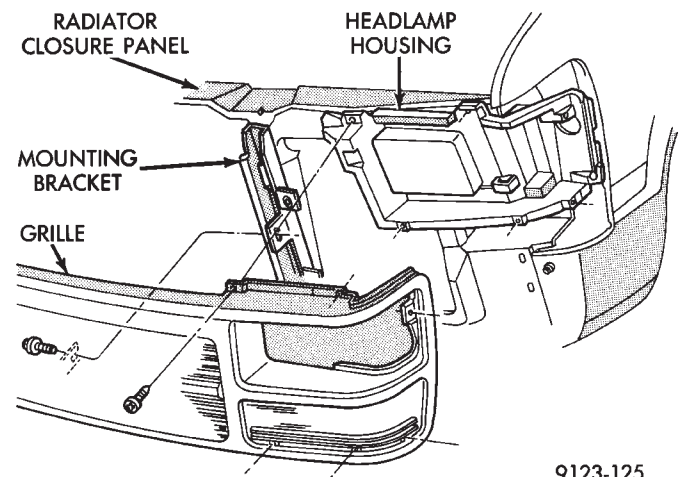
GRILLE INSTALLATION

Reverse the preceding operation.

HOOD ORNAMENT

HOOD ORNAMENT REMOVAL (FIG. 3)

- (1) Raise hood to the full up position.
- (2) Remove nut holding hood ornament to hood.
- (3) Separate ornament from hood.

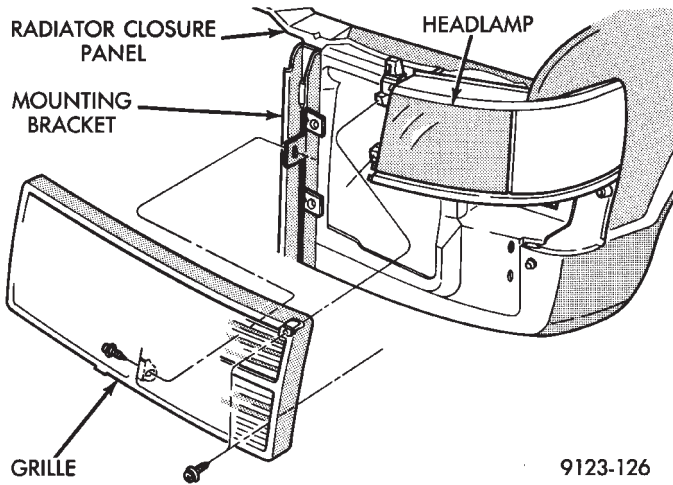


9123-125

Fig. 1 Grille—Low Line

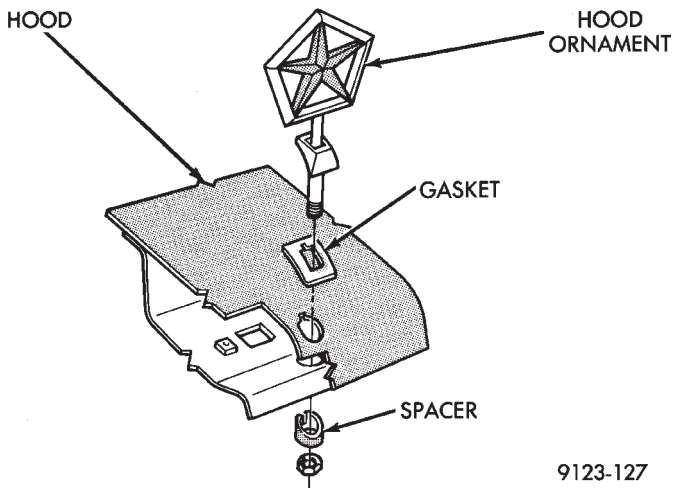
HOOD ORNAMENT INSTALLATION

Reverse the preceding operation.



9123-126

Fig. 2 Grille—High Line



9123-127

Fig. 3 Hood Ornament

HOOD AND HINGES

HOOD REMOVAL (FIG. 4)

- (1) Raise hood to full up position.
- (2) Remove cowl cover as necessary to gain access to under hood lamp connector. Disconnect under hood lamp wire connector.
- (3) Mark all bolt and hinge attachment locations with a grease pencil or other suitable device to provide reference marks for installation. When installing hood, align all marks and secure bolts. The hood should be aligned to 4 mm (0.160 in.) gap to the front fenders and flush across the top surfaces along fenders.
- (4) Remove the top hood to hinge attaching bolts and loosen the bottom bolts until they can be removed by hand.
- (5) With assistance of a helper at the opposite side of the vehicle to support the hood, remove the bottom hood to hinge attaching bolts. Separate the hood from the vehicle.

HOOD INSTALLATION

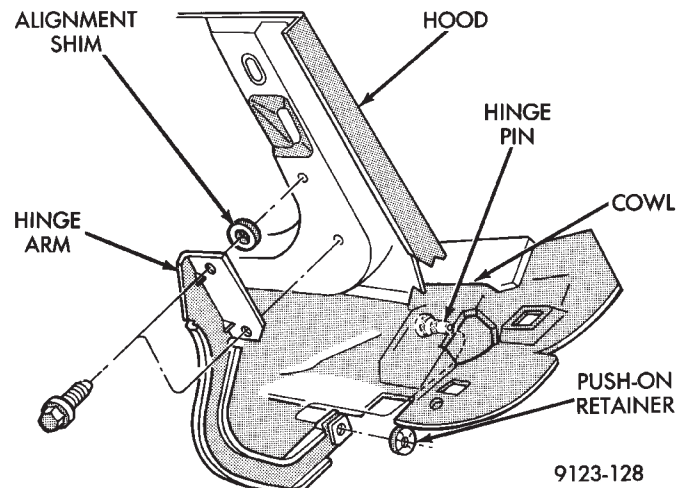
Reverse the preceding operation.

HOOD HINGE REMOVAL (FIG. 4)

- (1) Support hood on the side that requires hinge replacement.
- (2) Mark all bolt and hinge attachment locations with a grease pencil or other suitable device to provide reference marks for installation. When installing hood hinge, align all marks and secure bolts. The hood should be aligned to 4 mm (0.160 in.) gap to the front fenders and flush across the top surfaces along fenders. Shims can be added or removed between the hood and hinge to achieve proper hood height.
- (3) Remove cowl cover as necessary to gain access to hood hinge pin.
- (4) Remove hood to hinge attaching bolts.
- (5) Remove push-on retainer holding hood hinge arm to hinge pin through access hole in cowl.

HOOD HINGE INSTALLATION

Reverse the preceding operation. If necessary, paint new hinge before installation.



9123-128

Fig. 4 Hood and Hinge Assembly

HOOD SAFETY CATCH

HOOD SAFETY CATCH REMOVAL (FIG. 5)

- (1) Raise hood and support with prop rod.
- (2) Remove bolts holding safety catch to hood.
- (3) Separate safety catch from hood.

HOOD SAFETY CATCH INSTALLATION

Reverse the preceding operation.

HOOD LATCH

HOOD LATCH REMOVAL (FIG. 6)

- (1) Raise hood and remove grille and radiator closure panel sight shield.
- (2) Remove bolts holding latch to radiator closure panel.
- (3) Separate latch from closure panel. Pry latch ca-

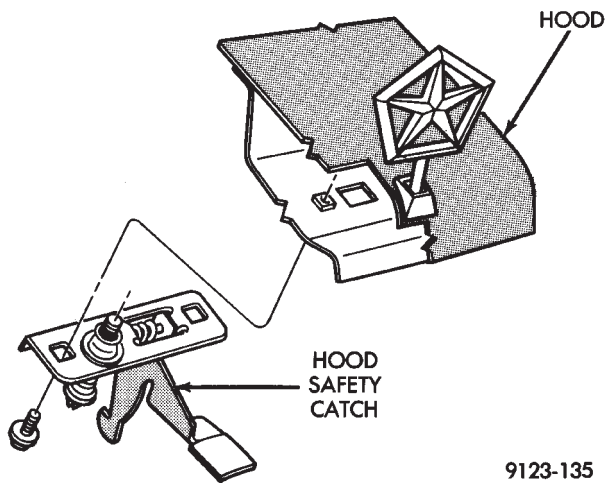


Fig. 5 Hood Safety Catch

ble casing from slot retainer on latch.

(4) Disengage cable end from latch release arm.

HOOD LATCH INSTALLATION

Reverse the preceding operation.

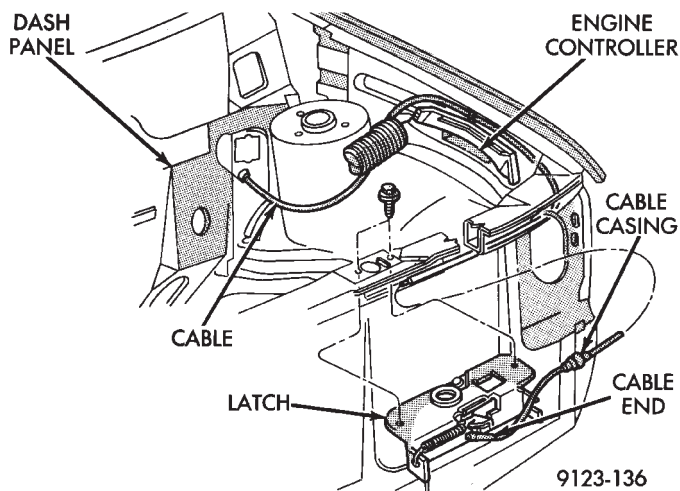


Fig. 6 Hood Latch

HOOD RELEASE CABLE

HOOD RELEASE CABLE REMOVAL (FIG. 7)

- (1) Raise hood and support with prop rod.
- (2) Remove grille and radiator closure sight shield.
- (3) Disconnect hood release cable casing and cable end from hood latch assembly.
- (4) Remove hood latch release cable handle attaching bolts from under left lower edge of instrument panel.
- (5) Disengage release cable rubber grommet from engine compartment dash panel behind instrument panel.
- (6) Rout cable assembly through engine compartment around battery, under fender lip, around relay bank, and under wiring harnesses, toward dash

panel. Push cable through access hole in dash panel under the brake master cylinder, into passenger compartment.

HOOD RELEASE CABLE INSTALLATION

Reverse the preceding operation.

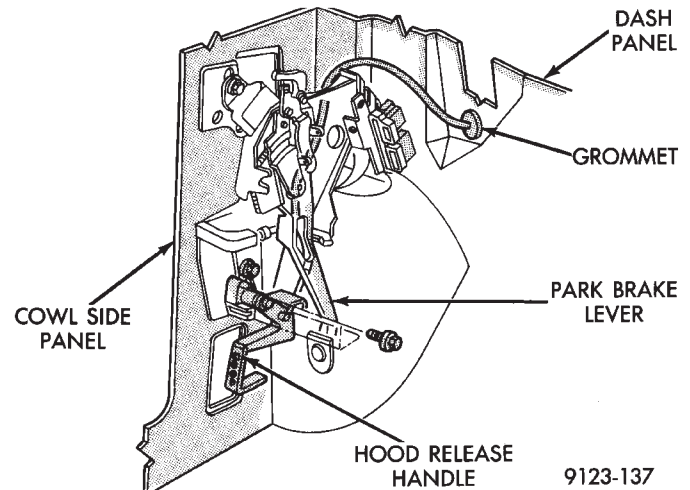


Fig. 7 Hood Release Cable

SIGHT SHIELD

SIGHT SHIELD REMOVAL (FIG. 8)

- (1) Raise hood and support with prop rod.
- (2) Remove grille as necessary to gain clearance for sight shield removal.
- (3) Remove push-in fasteners holding sight shield to radiator closure panel.
- (4) Separate sight shield from vehicle.

SIGHT SHIELD INSTALLATION

Reverse the preceding operation.

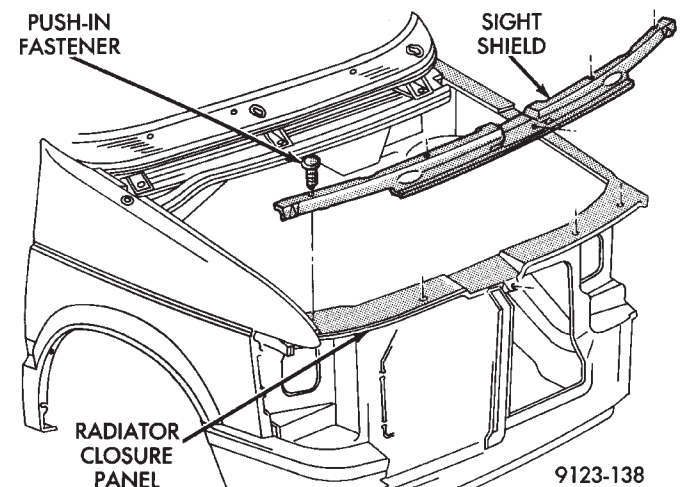


Fig. 8 Sight Shield

COWL COVER

COWL COVER REMOVAL (FIG. 9)

- (1) Raise hood and support with prop rod.

(2) Remove windshield wiper arms. Refer to Group 8K, Electrical/Windshield Wipers and Washers for proper procedures.

(3) Remove screws holding cowl cover to cowl panel below windshield.

(4) Separate cowl cover from vehicle.

COWL COVER INSTALLATION

Reverse the preceding operation.

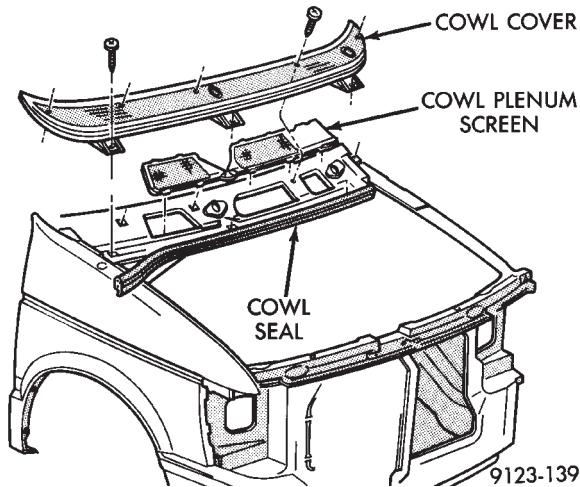


Fig. 9 Cowl Cover and Seal

FRONT END SPLASH SHIELDS

FRONT WHEELHOUSE SPLASH SHIELD REMOVAL (FIG. 10)

(1) Remove rear engine compartment splash shield.

(2) Remove bolts holding wheelhouse splash shield to front frame member.

(3) Remove push-in fasteners holding wheelhouse splash shield to front fender wheel lip and upper suspension tower.

(4) Separate wheelhouse splash shield from vehicle.

FRONT WHEELHOUSE SPLASH SHIELD INSTALLATION

Reverse the preceding operation.

ENGINE DRIVE BELT SPLASH SHIELD REMOVAL (FIG. 10)

(1) Remove wheelhouse splash shield as necessary to gain access to engine drive belt splash shield.

(2) Remove screws holding engine drive belt splash shield to front frame member.

(3) Separate splash shield from vehicle.

ENGINE DRIVE BELT SPLASH SHIELD INSTALLATION

Reverse the preceding operation.

REAR ENGINE COMPARTMENT SPLASH SHIELD

REAR ENGINE COMPARTMENT SPLASH SHIELD REMOVAL (FIG. 10)

(1) Remove bolt holding rear engine compartment splash shield to frame side member.

(2) Remove push-in fastener holding rear engine compartment splash shield to wheelhouse splash shield.

(3) Separate splash shield from vehicle.

REAR ENGINE COMPARTMENT SPLASH SHIELD INSTALLATION

Reverse the preceding operation.

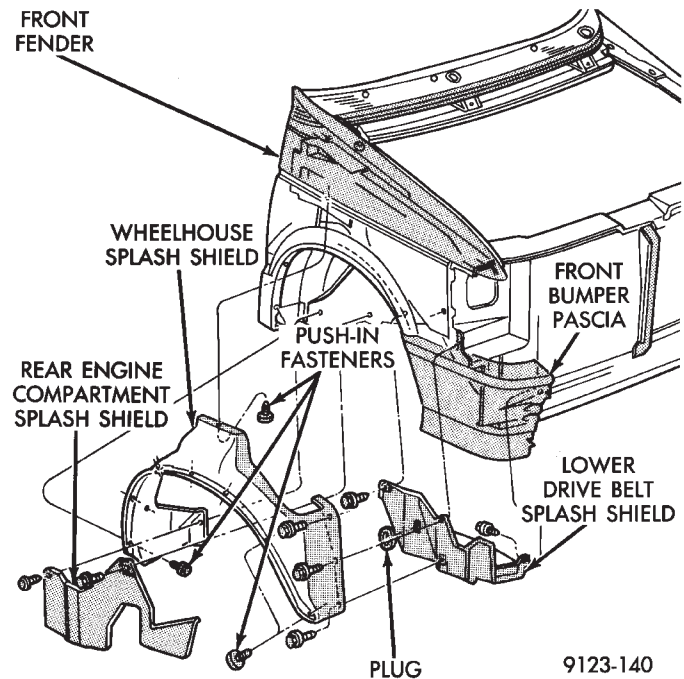


Fig. 10 Front End Splash Shields

TRANSAXLE SPLASH SHIELD

TRANSAXLE SPLASH SHIELD REMOVAL (FIG. 11)

(1) Remove front wheelhouse splash shield as necessary to gain access to transaxle splash shield.

(2) Remove screws holding transaxle splash shield to front frame member.

(3) Separate splash shield from vehicle.

TRANSAXLE SPLASH SHIELD INSTALLATION

Reverse the preceding operation.

FRONT FENDER

FRONT FENDER REMOVAL (FIG. 12)

(1) Remove grille and headlamp assembly.

(2) Remove wheelhouse splash shield.

(3) Remove bolts holding jack hoisting pad to under body and separate pad from vehicle.

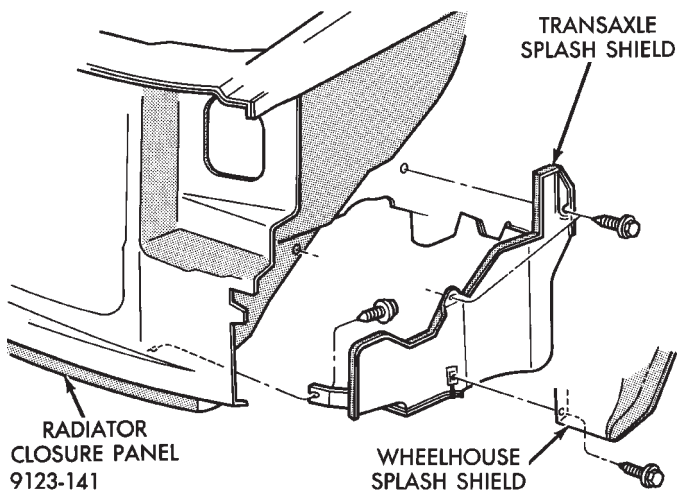


Fig. 11 Transaxle Splash Shield

- (4) Remove bolts holding fender to hinge pillar from inside wheel opening.
- (5) Remove bolt holding fender to rocker panel.
- (6) Remove bolts holding fender to lower radiator closure panel.
- (7) Remove bolts holding fender to cowl side panel.
- (8) Cut adhesive holding support brace to fender near upper door hinge, if equipped.
- (9) Separate fender from vehicle.

FRONT FENDER INSTALLATION

Reverse the preceding operation. Align front fender to 6 mm (0.240 in.) to forward edge of door and 4 mm (0.160) to edge of hood. All surfaces across gaps should be flush.

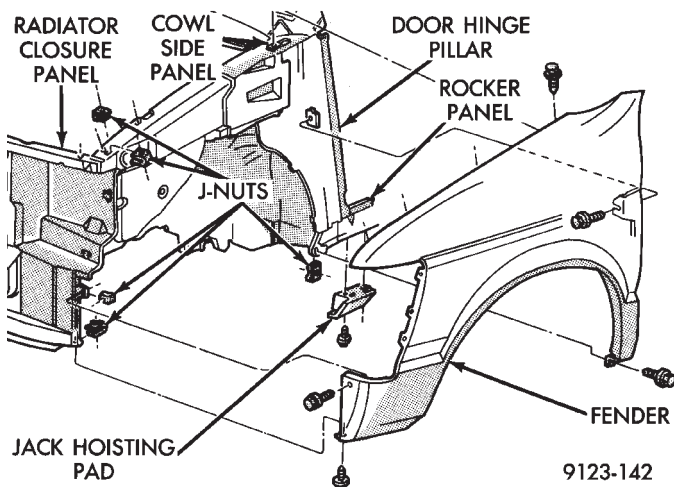


Fig. 12 Front Fender

FRONT DOOR TRIM PANEL

FRONT DOOR TRIM PANEL REMOVAL (FIG. 13)

- (1) Lower door glass.
- (2) Disconnect battery negative cable if equipped with power windows.

- (3) Remove screw holding door latch handle bezel to door trim panel. Separate bezel from door.
- (4) Remove screw holding upper door trim to side view mirror frame.
- (5) Remove plugs and screws holding trim to door from above map pocket.
- (6) Remove plug and screw holding bottom rearward edge of trim to door.
- (7) Remove plugs and screws holding arm rest to door panel.
- (8) Remove screw holding window crank to regulator and separate crank from door, if equipped.
- (9) Disengage trim clips holding trim panel to perimeter door inner panel.
- (10) Lift trim panel upward to disengage barb clips at top of trim panel.
- (11) Disconnect courtesy lamp, power lock switch and power window switch wire connectors, if equipped.
- (12) Separate trim panel from door.

FRONT DOOR TRIM PANEL INSTALLATION

Reverse the preceding operation.

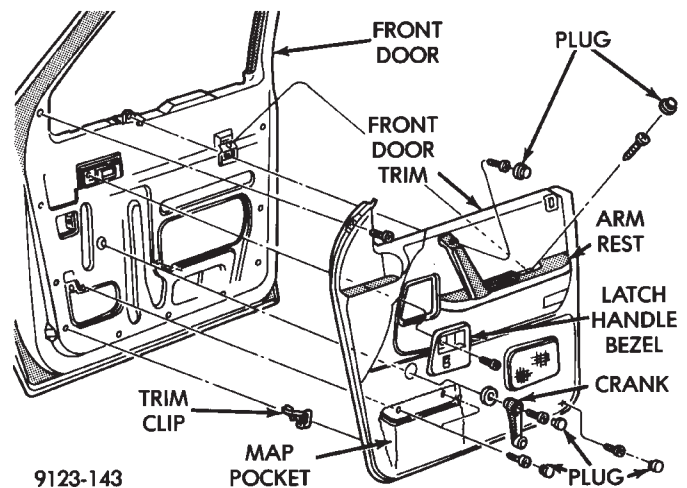


Fig. 13 Front Door Trim Panel

FRONT DOOR AND HINGE

The front door hinge is welded to the door and bolted to the hinge pillar. The door half of the hinge pivots on a removable hinge pin. The hinge pin is driven in from the bottom on the top hinge and from the top on the bottom hinge. All adjustments to the hinge are performed on the hinge pillar half of the hinge. If the welded half of the hinge must be bent to align door, consult an authorized body repair facility.

FRONT DOOR REMOVAL (FIG. 14)

- (1) Remove door trim panel, silencer pad, and water shield.
- (2) Disconnect all wire connectors and wire harness hold downs inside door and push wire harness through access hole in front of door into hinge pillar opening.

- (3) Open door and support door on a suitable lifting device.
- (4) Drive bottom hinge pin upward and remove pin from hinge.
- (5) Drive top hinge pin downward and remove pin from hinge.
- (6) Separate door from vehicle.

FRONT DOOR INSTALLATION

Reverse the preceding operation. The door should not require re-alignment. If door does need alignment, refer to Front Door Hinge Installation paragraph in this section.

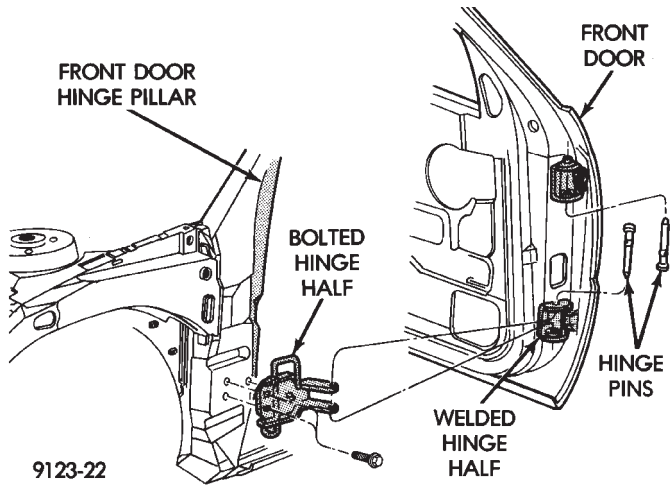


Fig. 14 Front Door—Typical

FRONT DOOR HINGE REMOVAL (FIG. 14)

- (1) Remove front fender wheelhouse splash shield. Refer to Front Wheelhouse Splash Shield Removal paragraph in this section.
- (2) Support door on a suitable lifting device.
- (3) Drive out hinge pin on the effected hinge.
- (4) Remove bolts holding hinge to hinge pillar and separate hinge form vehicle.

FRONT DOOR HINGE INSTALLATION

Reverse the preceding operation. Align door to achieve 6 mm (0.240 in.) gap to all surrounding panels and flush across gaps.

OUTSIDE FRONT DOOR LATCH RELEASE HANDLE

OUTSIDE FRONT DOOR LATCH RELEASE HANDLE REMOVAL (FIG. 15)

- (1) Remove door trim panel and water shield as necessary to gain access to outside door handle.
- (2) Disconnect lock cylinder linkage from door latch.
- (3) Disconnect latch release linkage from door latch.
- (4) Disconnect illuminated entry switch wire connector.

- (5) Remove nut holding outside handle retaining bracket to door panel and separate bracket from door.
- (6) Lift lock cylinder linkage upward to parallel back of outside handle.
- (7) Separate outside handle from door.

OUTSIDE FRONT DOOR LATCH RELEASE HANDLE INSTALLATION

Reverse the preceding operation.

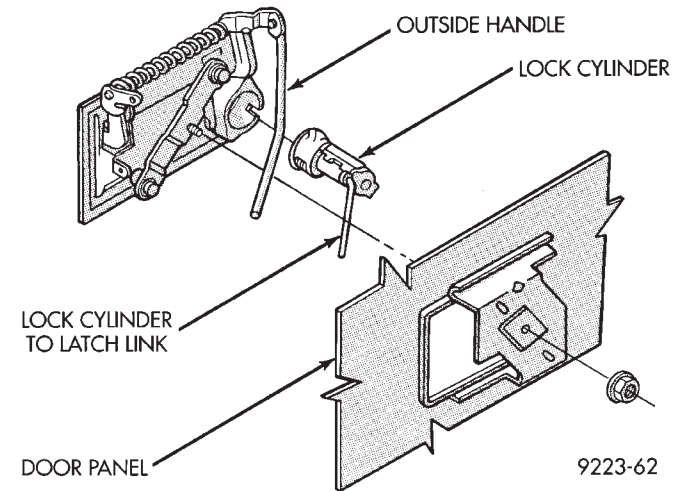


Fig. 15 Outside Door Latch Release Handle

FRONT DOOR LATCH

FRONT DOOR LATCH REMOVAL (FIG. 16)

- (1) Remove door trim panel and water shield as necessary to gain access to door latch.
- (2) Disconnect all linkage rods from latch.
- (3) Disconnect power door lock actuator wire connector.
- (4) Remove screws holding latch to door end frame.
- (5) Separate door latch from door.

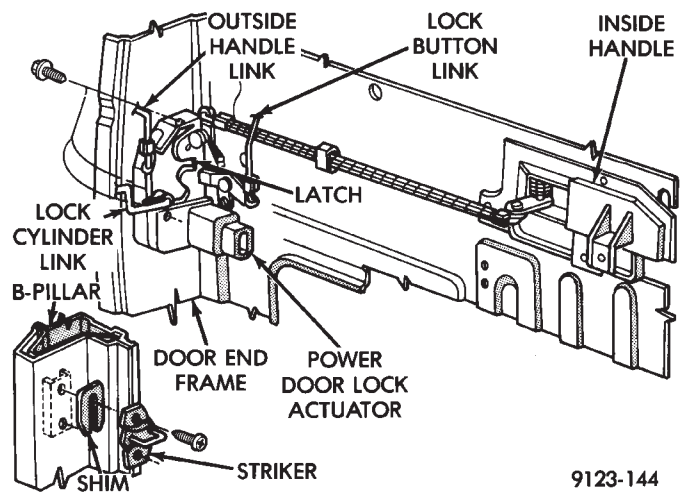


Fig. 16 Front Door Latch

FRONT DOOR LATCH INSTALLATION

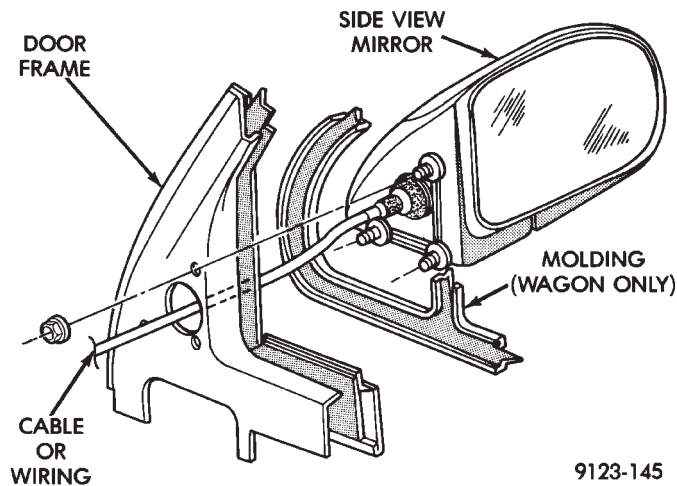
Reverse the preceding operation.

FRONT DOOR SIDE VIEW MIRROR**FRONT DOOR SIDE VIEW MIRROR REMOVAL (FIG. 17)**

- (1) Remove door trim panel and water shield as necessary to gain access to side view mirror.
- (2) Disconnect power side view mirror wire connector, if equipped.
- (3) Remove nuts holding side view mirror to door frame.
- (4) Separate mirror from door.

FRONT DOOR SIDE VIEW MIRROR INSTALLATION

Reverse the preceding operation.



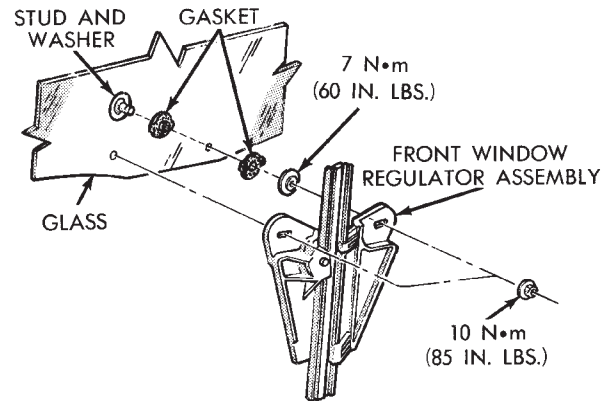
9123-145

Fig. 17 Side View Mirror**FRONT DOOR GLASS****FRONT DOOR GLASS REMOVAL (FIG. 18)**

- (1) Remove front door trim panel and water shield.
- (2) Raise glass to align attaching nuts to access holes in inner door panel.
- (3) Remove nuts holding door glass to window regulator lift plate.
- (4) Separate glass from lift plate.
- (5) Lift glass upward through opening at top of door.

FRONT DOOR GLASS INSTALLATION

Reverse the preceding operation. To align glass, install attaching nuts hand tight allowing glass to slide on lift plate. Raise glass to full up position. Secure glass attaching nuts.



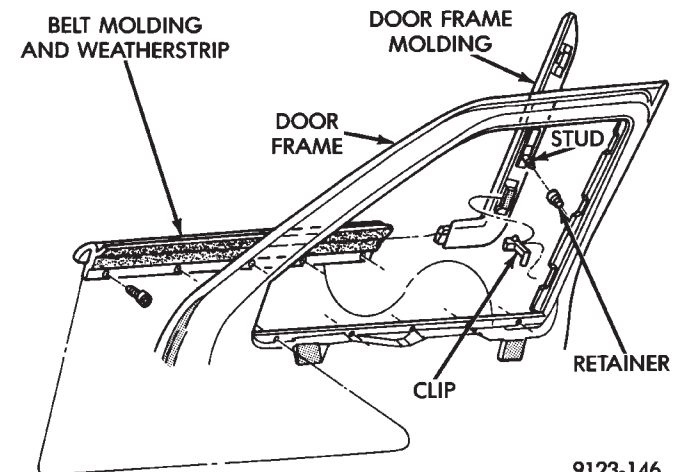
RH1319

Fig. 18 Front Door Glass**FRONT DOOR BELT MOLDING AND WEATHERSTRIP—VAN****BELT MOLDING AND WEATHERSTRIP REMOVAL (FIG. 19)**

- (1) Remove door glass.
- (2) Remove side view mirror.
- (3) Remove screws holding belt molding and weatherstrip to door panel.
- (4) Separate belt molding and weatherstrip from door.

BELT MOLDING AND WEATHERSTRIP INSTALLATION

Reverse the preceding operation.



9123-146

Fig. 19 Belt Molding and Weatherstrip—Van Only**FRONT DOOR FRAME REAR MOLDING—VAN****FRONT DOOR FRAME REAR MOLDING REMOVAL (FIG. 19)**

- (1) Remove belt molding and weatherstrip as necessary to clear door frame molding removal path.
- (2) Remove glass run weatherstrip to gain access to molding clips.

(3) Disengage clips holding door frame molding to door frame.

(4) Separate molding from door.

FRONT DOOR FRAME REAR MOLDING INSTALLATION

Reverse the preceding operation.

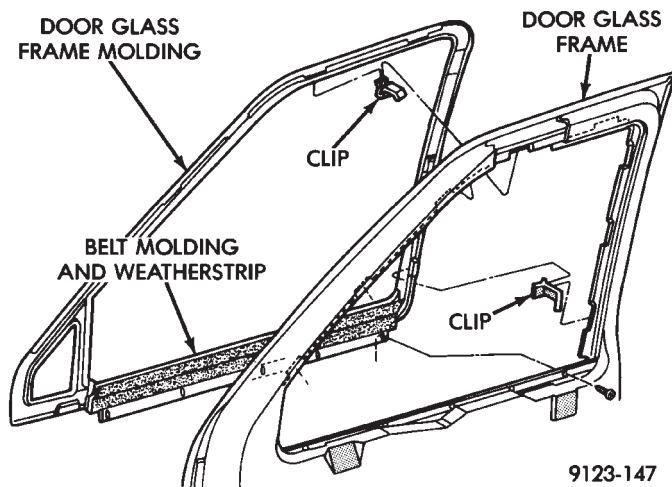
FRONT DOOR BELT MOLDING AND WEATHERSTRIP—WAGON

BELT MOLDING AND WEATHERSTRIP REMOVAL (FIG. 20)

- (1) Remove door glass.
- (2) Remove side view mirror.
- (3) Remove door glass run weatherstrip.
- (4) Disengage clips holding door frame molding to door frame.
- (5) Remove screws holding belt molding and weatherstrip to door panel.
- (6) Separate belt molding and weatherstrip from door.

BELT MOLDING AND WEATHERSTRIP INSTALLATION

Reverse the preceding operation.



9123-147

Fig. 20 Belt Molding and Weatherstrip—Wagon Only

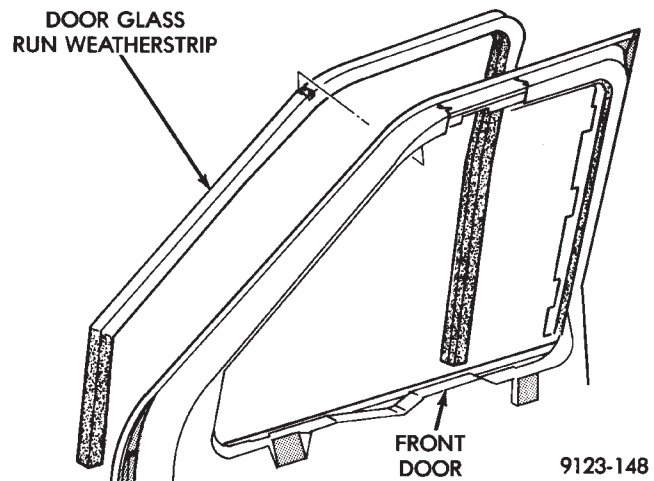
FRONT DOOR GLASS CHANNEL AND RUN WEATHERSTRIP

GLASS CHANNEL AND RUN WEATHERSTRIP REMOVAL (FIG. 21)

- (1) Lower door glass to down position.
- (2) Remove side view mirror as necessary to gain clearance for weatherstrip removal.
- (3) Pull glass run weatherstrip from door frame channel.

GLASS CHANNEL AND RUN WEATHERSTRIP INSTALLATION

Reverse the preceding operation.



9123-148

Fig. 21 Glass Channel and Run Weatherstrip

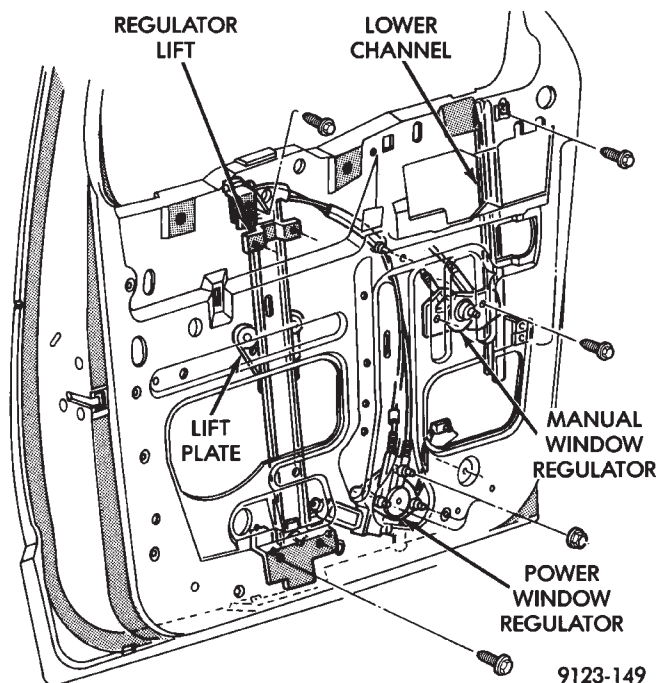
FRONT DOOR GLASS LOWER CHANNEL

FRONT LOWER CHANNEL REMOVAL (FIG. 22)

- (1) Remove door trim panel and water shield.
- (2) Raise glass to up position.
- (3) Remove bolts holding channel to inner door panel.
- (4) Separate channel from door.

FRONT LOWER CHANNEL INSTALLATION

Reverse the preceding operation.



9123-149

Fig. 22 Front Lower Channel and Window Regulator

FRONT DOOR WINDOW REGULATOR—MANUAL

MANUAL WINDOW REGULATOR REMOVAL (FIG. 22)

- (1) Remove door trim panel and water shield.

- (2) Remove bolts holding door glass to window lift plate.
- (3) Allow glass to rest on bottom of door.
- (4) Remove bolts holding regulator to door inner panel.
- (5) Disengage push-in fastener holding regulator cables to inner door panel.
- (6) Separate regulator from door.

MANUAL WINDOW REGULATOR INSTALLATION

Reverse the preceding operation.

FRONT DOOR WINDOW REGULATOR—POWER

POWER WINDOW REGULATOR REMOVAL (FIG. 22)

- (1) Remove door trim panel and water shield.
- (2) Remove bolts holding door glass to window lift plate.
- (3) Disconnect battery negative cable.
- (4) Allow glass to rest on bottom of door.
- (5) Disconnect power window regulator motor wire connector. Disengage push-in fastener holding wire harness to inner door panel.
- (6) Remove bolts holding regulator to door inner panel.
- (7) Disengage push-in fastener holding regulator cables to inner door panel.
- (8) Separate regulator from door.

POWER WINDOW REGULATOR INSTALLATION

Reverse the preceding operation.

SLIDING DOOR TRIM PANEL

SLIDING DOOR TRIM PANEL REMOVAL (FIG. 23)

- (1) Close sliding door. From inside vehicle perform the following.
- (2) Remove screw plug at rearward center of door trim and remove screw.
- (3) Remove hidden screw from upper rearward corner of carpet insert.
- (4) Remove screws holding trim to door from along bottom of trim panel.
- (5) Disengage trim clips holding trim to door from around perimeter of trim panel.
- (6) Lift trim panel upward to disengage barbed retainers holding top of trim to door flange.
- (7) Separate trim panel from sliding door.

SLIDING DOOR TRIM PANEL INSTALLATION

Reverse the preceding operation.

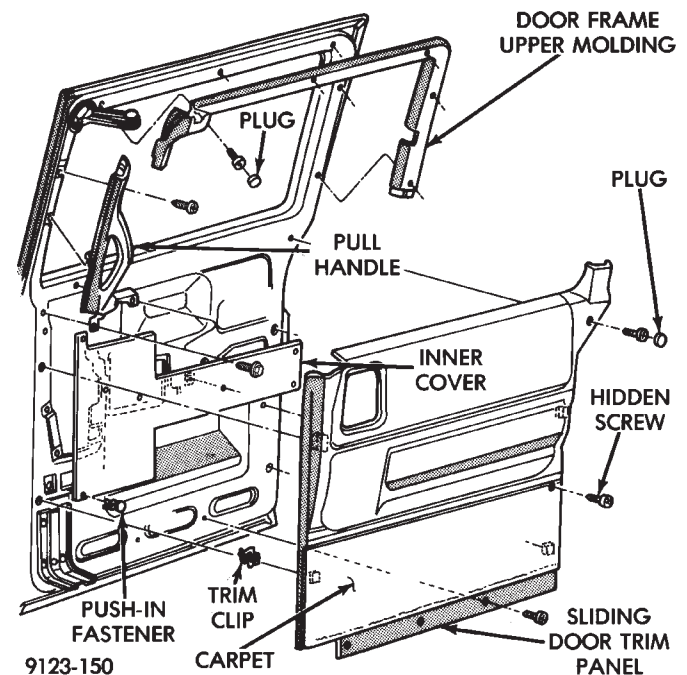


Fig. 23 Sliding Door Trim and Pull Handle

SLIDING DOOR FRAME UPPER MOLDING

SLIDING DOOR FRAME UPPER MOLDING REMOVAL (FIG. 23)

- (1) Remove sliding door trim panel.
- (2) Remove screw plugs from upper door frame molding.
- (3) Remove screws holding upper molding to door frame.
- (4) Separate molding from door frame.

SLIDING DOOR FRAME UPPER MOLDING INSTALLATION

Reverse the preceding operation.

SLIDING DOOR PULL HANDLE

SLIDING DOOR PULL HANDLE REMOVAL (FIG. 23)

- (1) Remove sliding door trim panel.
- (2) Remove upper door frame molding.
- (3) Remove screw holding top of pull handle to door frame.
- (4) Remove bolts holding pull handle to inner door panel.
- (5) Separate pull handle from door.

SLIDING DOOR PULL HANDLE INSTALLATION

Reverse the preceding operation.

SLIDING DOOR

SLIDING DOOR REMOVAL

When removing the sliding door as an assembly it is not necessary to loosen bolts that would alter the alignment.

- (1) Remove sliding door upper track cover.
- (2) Remove upper track over travel stop.
- (3) Remove sliding door sill plate.
- (4) Remove lower track over travel stop.
- (5) Remove sliding door center track cover.
- (6) Remove center track over travel stop.
- (7) With assistance, roll the door rearward and disengage hinge rollers from tracks.
- (8) Separate sliding door from vehicle.

SLIDING DOOR INSTALLATION

Reverse the preceding operation.

SLIDING DOOR CENTER HINGE TRACK COVER

SLIDING DOOR CENTER HINGE TRACK COVER REMOVAL (FIG. 24)

- (1) Open liftgate.
- (2) Remove screws holding center track cover to quarter panel from above right taillamp.
- (3) Open sliding door.
- (4) Remove screws holding center track cover to quarter panel from above sliding door rear latch striker.
- (5) Disengage clips holding track cover to quarter panel.
- (6) Separate track cover from vehicle.

SLIDING DOOR CENTER HINGE TRACK COVER INSTALLATION

Reverse the preceding operation.

SLIDING DOOR CENTER HINGE

SLIDING DOOR CENTER HINGE REMOVAL (FIG. 25)

- (1) Remove sliding door center hinge track cover.
- (2) Remove screw holding over travel stop to center hinge track (Fig. 24).
- (3) Remove sliding door trim panel.
- (4) Mark hinge location on sliding door for reference points when installing.
- (5) Support Sliding door on a suitable lifting device.
- (6) Remove bolts holding center hinge to sliding door.
- (7) Separate hinge from door.
- (8) Slide hinge rollers from open end of channel at rear of quarter panel.

SLIDING DOOR HINGE INSTALLATION

Reverse the preceding operation. Clean center track with suitable solvent and wipe or blow dry

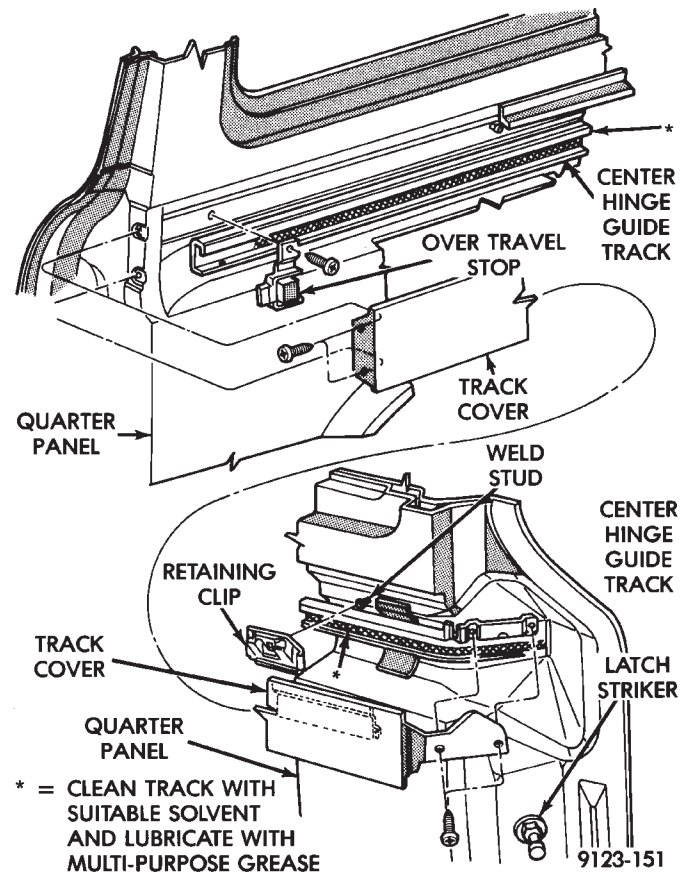


Fig. 24 Sliding Door Center Hinge Track Cover and Over Travel Stop

with compressed air. Lubricate track and rollers with Mopar® Multi-purpose Grease. Align sliding door to 6 mm (0.240 in.) gap to edge of quarter panel and B-pillar, 7 mm (0.280 in.) gap to rocker and flush across gaps.

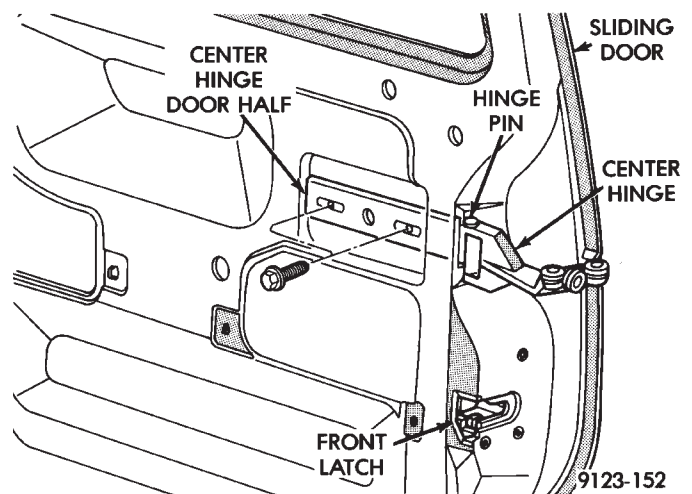


Fig. 25 Sliding Door Center Hinge

SLIDING DOOR UPPER HINGE

SLIDING DOOR UPPER HINGE REMOVAL (FIG. 26)

- (1) Remove sliding door upper frame molding and pull handle.
- (2) Remove sliding door upper track cover.
- (3) Remove upper track over travel stop.
- (4) Mark hinge location on sliding door for reference points when installing.
- (5) Support Sliding door on a suitable lifting device.
- (6) Remove bolts holding hinge to sliding door.
- (7) Separate hinge from sliding door.
- (8) Slide hinge from open end of track at rear of door opening.

SLIDING DOOR UPPER HINGE INSTALLATION

Reverse the preceding operation. Align sliding door to 6 mm (0.240 in.) gap to edge of quarter panel and B-pillar, 7 mm (0.280 in.) gap to rocker and flush across gaps.

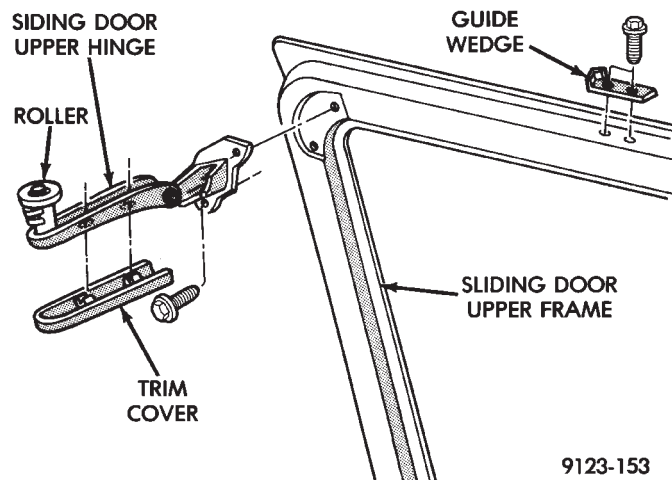


Fig. 26 Sliding Door Upper Hinge and Guide Wedge

SLIDING DOOR LOWER HINGE

SLIDING DOOR LOWER HINGE REMOVAL (FIG. 27)

- (1) Remove sliding door trim panel.
- (2) Remove sliding door lower hinge cover.
- (3) Remove sliding door sill plate.
- (4) Remove lower track over travel stop.
- (5) Mark hinge location on sliding door for reference points when installing.
- (6) Support sliding door on a suitable lifting device. Do not allow door to contact quarter panel.
- (7) Remove bolts holding hinge to mounting bracket. If mounting bracket must be replaced, remove bolts holding mounting bracket to sliding door.
- (8) Separate hinge from sliding door.
- (9) Slide hinge from open end of track at rear of door opening.

SLIDING DOOR LOWER HINGE INSTALLATION

Reverse the preceding operation. Align sliding door to 6 mm (0.240 in.) gap to edge of quarter panel and B-pillar, 7 mm (0.280 in.) gap to rocker and flush across gaps.

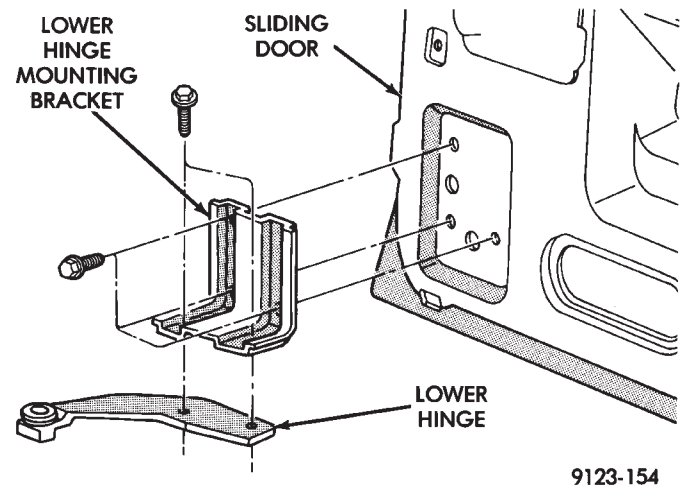


Fig. 27 Sliding Door Lower Hinge

SLIDING DOOR INSIDE LATCH/LOCK CONTROL

SLIDING DOOR INSIDE LATCH/LOCK CONTROL REMOVAL (FIG. 28)

- (1) Remove sliding door trim panel and water shield.
- (2) Remove screws holding inside door handle bezel to latch/lock control assembly.
- (3) Separate bezel from control.
- (4) Remove bolts holding latch/lock control to inner door panel.
- (5) Pull control away from inner door panel and disconnect linkage rods and power door lock wire connector, if equipped.
- (6) Separate control from door.

SLIDING DOOR INSIDE LATCH/LOCK CONTROL INSTALLATION

Reverse the preceding operation.

SLIDING DOOR LATCH/LOCK LINKAGE

SLIDING DOOR LATCH/LOCK LINKAGE REMOVAL (FIG. 29)

- (1) Remove sliding door trim panel and water shield.
- (2) Remove latch/lock control.
- (3) Disconnect ends of linkage rod to be replaced.
- (4) Separate linkage rod from door.

SLIDING DOOR LATCH/LOCK LINKAGE INSTALLATION

Reverse the preceding operation.

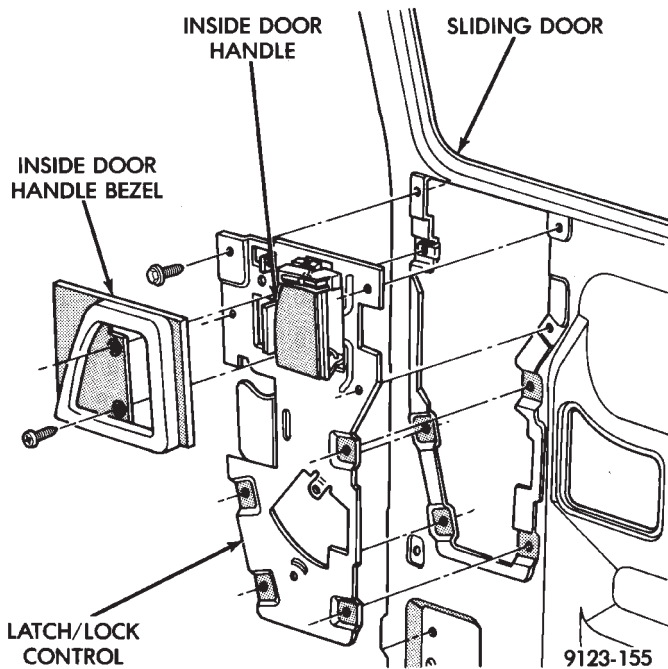


Fig. 28 Inside Latch/Lock Control

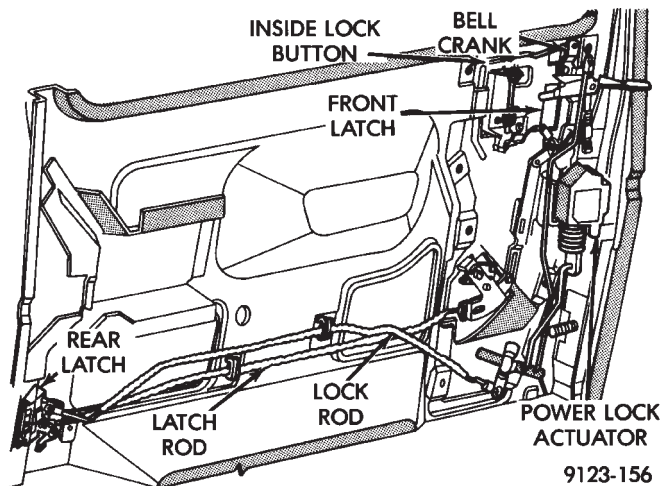


Fig. 29 Sliding Door Latch/Lock Linkage

SLIDING DOOR POWER LOCK ACTUATOR

SLIDING DOOR POWER LOCK ACTUATOR REMOVAL (FIG. 29)

- (1) Remove sliding door latch/lock control assembly.
- (2) Disconnect linkage rod from power door lock actuator.
- (3) Remove screws holding actuator to control.
- (4) Separate actuator from control.

SLIDING DOOR POWER LOCK ACTUATOR INSTALLATION

Reverse the preceding operation.

SLIDING DOOR OUTSIDE LATCH RELEASE HANDLE

SLIDING DOOR OUTSIDE LATCH RELEASE HANDLE REMOVAL (FIG. 30)

- (1) Remove sliding door trim panel and water shield.
- (2) Remove screws holding inside latch/lock control assembly to door inner panel.
- (3) Disconnect linkage rods and wire connectors as necessary to gain access to outside handle mounting.
- (4) Disconnect lock rod from lock cylinder arm.
- (5) Remove nuts holding mounting plate to inner door panel and separate plate from door.
- (6) Separate outside handle from door.

SLIDING DOOR OUTSIDE LATCH RELEASE HANDLE INSTALLATION

Reverse the preceding operation.

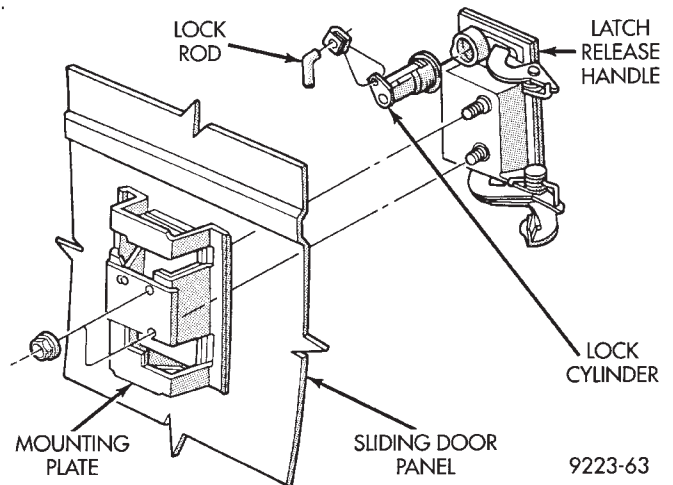


Fig. 30 Sliding Door Outside Release Handle

SLIDING DOOR REAR LATCH

SLIDING DOOR REAR LATCH REMOVAL (FIG. 31)

- (1) Remove sliding door trim panel and water shield as necessary.
- (2) Unlatch door and allow to swing outward, do not open.
- (3) Disconnect linkage rods from rear latch.
- (4) Remove screws holding latch to door end frame.
- (5) Separate latch from door end frame and remove through access hole in inner door panel.

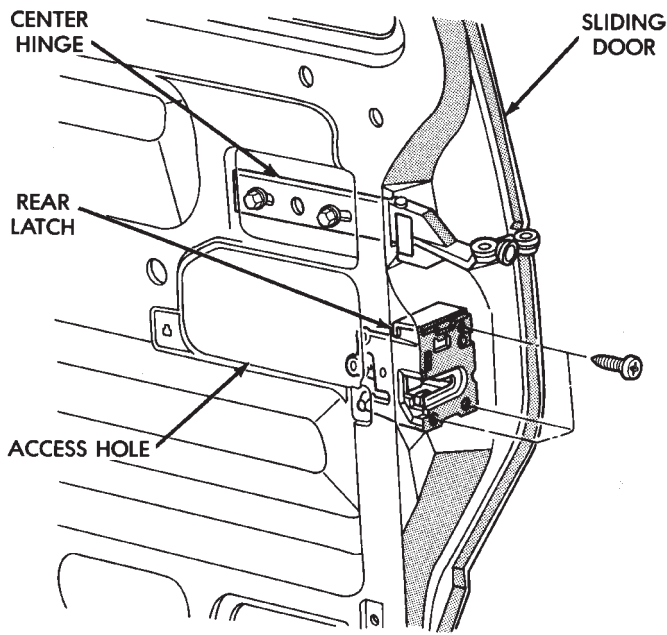
SLIDING DOOR REAR LATCH INSTALLATION

Reverse the preceding operation.

VENT WINDOW

VENT WINDOW REMOVAL (FIG. 32)

The sliding door, body side and quarter glass vent windows are serviced using same procedure.



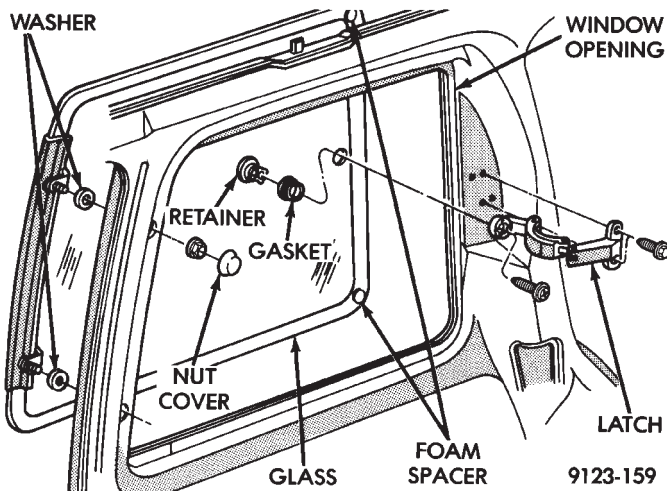
9123-158

Fig. 31 Sliding Door Rear Latch

- (1) Remove upper trim molding from around glass.
- (2) Remove screw holding latch to glass.
- (3) Separate glass from latch.
- (4) Remove nut covers and nuts holding glass hinge to window opening flange.
- (5) Separate glass from vehicle.

VENT WINDOW INSTALLATION

Reverse the preceding operation.



9123-159

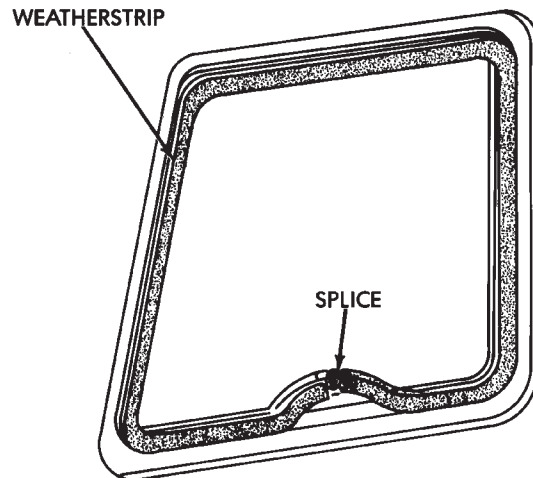
Fig. 32 Vent Window—Sliding Door, Body Side or Quarter**VENT WINDOW WEATHERSTRIP****VENT WINDOW WEATHERSTRIP REMOVAL (FIG. 33)**

- (1) Remove interior trim as necessary to gain clearance for weatherstrip removal.

- (2) Remove screw holding latch to glass.
- (3) Hinge vent glass away from weatherstrip.
- (4) Pull vent glass weatherstrip from pinch flange.

VENT WINDOW WEATHERSTRIP INSTALLATION

Reverse the preceding operation.



9123-160

Fig. 33 Vent Window Weatherstrip**DOOR OPENING WEATHERSTRIPS****FRONT DOOR OPENING WEATHERSTRIP REMOVAL**

- (1) Remove interior trim as necessary to gain clearance for weatherstrip removal.
- (2) Pull weatherstrip from pinch flange around door opening.

DOOR OPENING WEATHERSTRIP INSTALLATION

- (1) Locate the middle to the weatherstrip at the center of the upper pinch flange. Push weatherstrip onto pinch flange at the top corner.
- (2) When the weatherstrip has been installed down the door opening to the sill pinch flange, mate the ends of the weatherstrip together and finish installing.

STICK-ON BODY SIDE MOLDING**STICK-ON BODY SIDE MOLDING REMOVAL AND INSTALLATION**

- (1) Warm the effected stick-on molding and body metal to approximately 38°C (100°F) using a suitable heat lamp or heat gun.
- (2) Pull stick-on molding from painted surface.
- (3) Remove adhesive tape residue from painted surface of vehicle.
- (4) If molding is to be reused, Remove tape residue from molding. Clean back of molding with Mopar®, Super Kleen solvent or equivalent. Wipe molding dry.

with lint free cloth. Apply new body side molding (two sided adhesive) tape to back of molding.

(5) Clean body surface with Super Kleen solvent or equivalent. Wipe surface dry with lint free cloth.

(6) Apply a length of masking tape on the body, parallel to the top edge of the molding to use as a guide, if necessary.

(7) Remove protective cover from tape on back of molding. Apply molding to body below the masking tape guide.

(8) Remove masking tape guide and heat body and molding, see step one. Firmly press molding to body surface to assure adhesion.

EXTERIOR MOLDINGS (FIG. 34)

UPPER MOLDINGS

LIFTGATE

(1) Open liftgate and remove nuts holding upper molding to liftgate.

(2) Disengage clips holding upper molding to liftgate.

(3) Separate molding from liftgate.

To install, reverse the preceding operation.

SLIDING DOOR TRACK COVER

(1) Disengage barrel clip fastener holding rear end of upper molding to sliding door center track cover.

(2) Disengage clips holding upper molding to center track cover.

(3) Separate molding from track cover.

To install, reverse the preceding operation.

DOORS

(1) Disengage clips holding upper molding to door.

(2) Separate upper molding from door.

To install, reverse the preceding operation.

FENDERS

(1) Remove headlamp bezel as necessary to gain access to molding fastener.

(2) Remove screw holding upper molding to fender at front of molding.

(3) Disengage clips holding upper molding to fender.

(4) Separate molding from fender.

To install, reverse the preceding operation.

LEFT QUARTER PANEL

(1) Disengage clips holding upper molding to quarter panel.

(2) Separate molding from quarter panel.

To install, reverse the preceding operation.

LOWER MOLDINGS

DOORS

(1) Disengage clips holding lower molding to door.

(2) Separate lower molding from door.

To install, reverse the preceding operation.

LEFT QUARTER PANEL

(1) Disengage clips holding lower molding to left quarter panel.

(2) Separate lower molding from quarter panel.

To install, reverse the preceding operation.

WHEEL LIP MOLDINGS

(1) Remove screws holding wheel lip moldings to wheel opening flange.

(2) Separate wheel lip molding from vehicle.

To install, reverse the preceding operation.

SILL MOLDINGS

RIGHT QUARTER

(1) Remove screws holding right quarter panel sill molding to wheel opening flange.

(2) Disengage clips holding sill molding to sill panel.

To install, reverse the preceding operation.

LEFT QUARTER

(1) Disengage clips holding sill molding to sill.

(2) Separate sill molding from vehicle.

To install, reverse the preceding operation.

DOORS

(1) Disengage clips holding sill molding to door.

(2) Separate sill molding from door.

To install, reverse the preceding operation.

FENDERS

(1) Remove screws holding sill molding to wheel opening flange.

(2) Disengage clips holding sill molding to fender.

(3) Separate sill molding from front fender.

To install, reverse the preceding operation.

BODY SIDE APPLIQUE (FIG. 35)

DOOR APPLIQUE

(1) Remove screws holding applique to bottom edge of door.

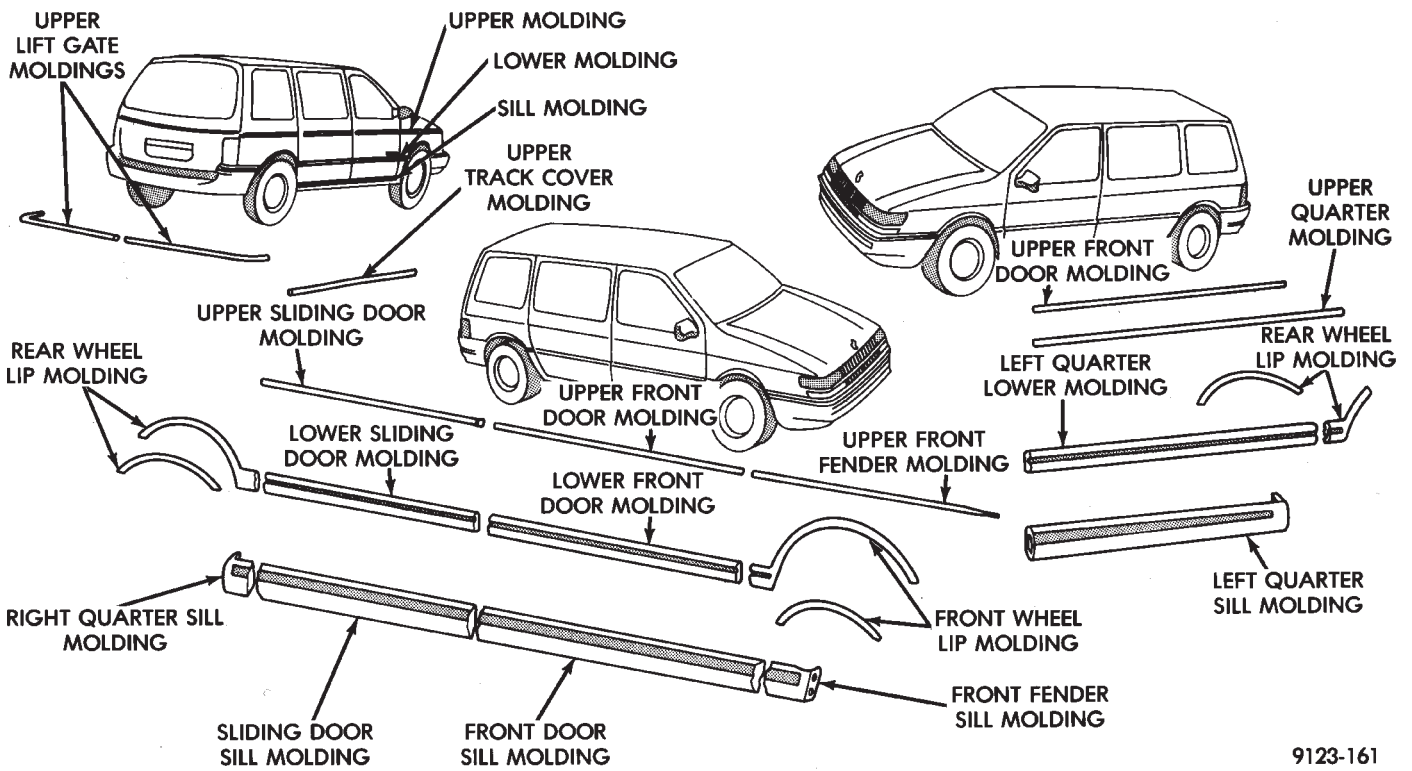
(2) Lift applique upward to disengage from retaining channel.

(3) Separate applique from door.

To install, reverse the preceding operation.

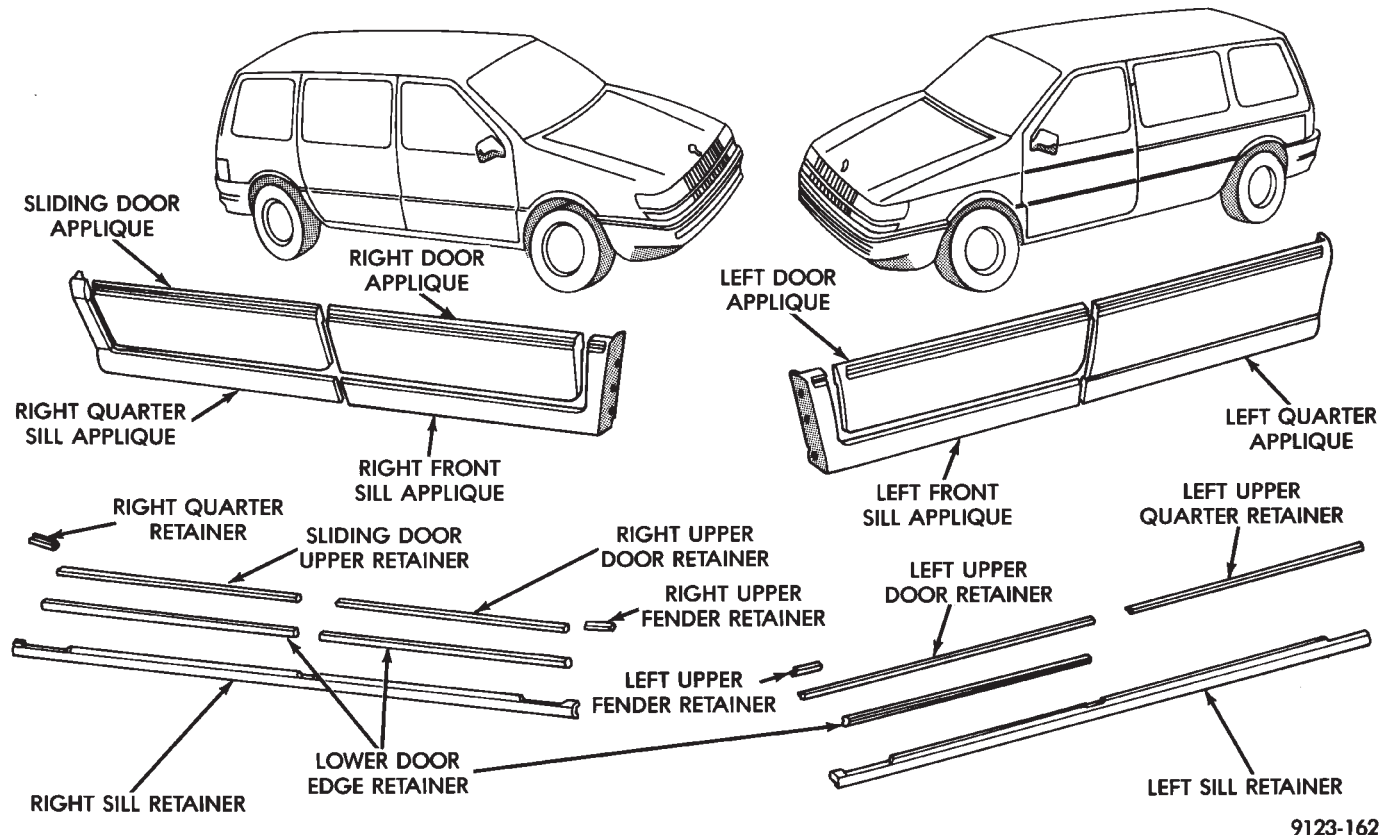
FRONT SILL APPLIQUE

(1) Remove screws holding front sill applique to front wheel opening flange.



9123-161

Fig. 34 Exterior Moldings



9123-162

Fig. 35 Body Side Applique

(2) Remove screws holding applique to under side of rocker panel.

(3) Lift applique upward to disengage from retaining channel.

- (4) Separate applique from sill.
To install, reverse the preceding operation.

RIGHT REAR SILL APPLIQUE

- (1) Remove screws holding rear sill applique to rear wheel opening flange.
(2) Remove screws holding applique to under side of rocker panel.
(3) Lift applique upward to disengage from retaining channel.
(4) Separate applique from sill.
To install, reverse the preceding operation.

LEFT QUARTER APPLIQUE

- (1) Remove screws holding left quarter applique to rear wheel opening flange.
(2) Remove screws holding applique to under side of rocker panel.
(3) Lift applique upward to disengage from retaining channel.
(4) Separate applique from quarter panel.
To install, reverse the preceding operation.

WOOD GRAIN OVERLAY

WOOD GRAIN OVERLAY REMOVAL

- (1) Remove exterior trim as necessary to clear captured edges of wood grain overlay for removal.
(2) Remove wood grain overlay using a suitable heat gun or sun lamp to soften the adhesive backing. Start removal in most accessible corner of panel to be serviced.
(3) Clean adhesive residue from body finish using a suitable adhesive remover.

WOOD GRAIN OVERLAY INSTALLATION

INSTALLATION EQUIPMENT

- Pail filled with mild dish soap solution.
- Lint free applicator cloth or sponge.
- Body putty applicator squeegee.
- Heat gun or sun lamp.
- Razor knife.

The painted surface of the body panel to be covered by a wood grain overlay must be smooth and completely cured before overlay can be applied. If painted surface is not smooth, wet sand with 600 grit wet/dry sand paper until surface is smooth.

Ripples and feather edging will read through overlay if surface is not properly prepared.

- (1) With backing still in place, position overlay across panel to receive overlay. Apply masking at top of overlay to hold it in position.
(2) Mark outside edge of panel on overlay with a grease pencil.
(3) Trim overlay to within 17 mm (0.750 in.) of outline marks.

- (4) Spread overlay across a smooth flat work surface, wood grain side down.

(5) Peel paper backing away from overlay exposing adhesive back of overlay.

(6) Apply soap solution liberally to adhesive back of overlay.

(7) Apply soap solution liberally to body panel surface.

(8) Place overlay into position on body panel. Smooth out wrinkles by pulling lightly on edges of overlay until it lays flat on painted surface.

(9) Push air pockets from under overlay to the perimeter of the panel from the center of the overlay out.

(10) Squeegee soap solution and air bubbles from behind overlay from the center of the panel out using a body putty applicator squeegee.

CAUTION: Do not cut into painted surface of body panel when trimming overlay to size.

(11) Trim overlay to size using a razor knife. Leave at least 13 mm (0.5 in.) for edges of doors and openings.

CAUTION: Do not overheat overlay when performing step 12.

(12) Apply heat to overlay to evaporate residual moisture from edges of overlay and to allow overlay to be stretched into concave surfaces.

(13) Edge turn overlay around doors or fenders.

(14) Install exterior trim if necessary.

Small air or water bubbles under overlay can be pierced with a pin and smoothed out.

RIGHT SIDE GRAB HANDLE

RIGHT SIDE GRAB HANDLE REMOVAL (FIG. 36)

- (1) Remove screw covers from grab handle.
(2) Remove screws holding grab handle to roof rail above right front door.
(3) Separate grab handle from roof rail.
(4) Remove A-pillar/roof rail molding.
(5) Remove bolts holding grab handle reinforcement to roof rail.
(6) Separate reinforcement from roof rail.

RIGHT SIDE GRAB HANDLE INSTALLATION

Reverse the preceding operation.

COWL TRIM AND SCUFF PLATES

COWL TRIM AND SCUFF PLATE REMOVAL (FIG. 37)

- (1) Remove plug and screw holding windshield side garnish molding to cowl trim cover.
(2) Remove screws holding scuff plate to door sill.

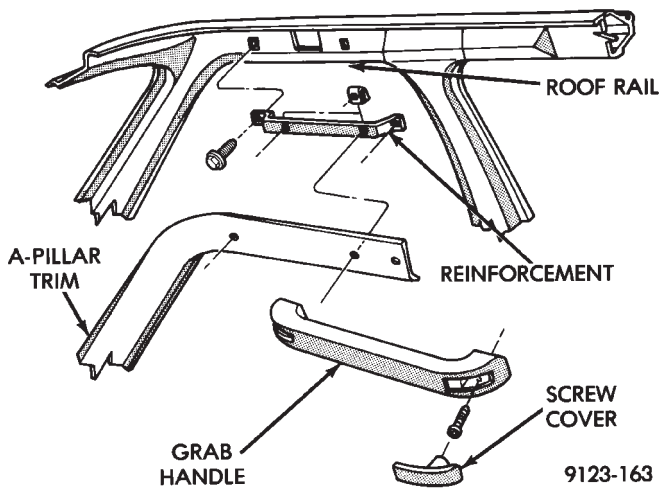


Fig. 36 Grab Handle

- (3) Separate cowl trim/scuff plate from vehicle.

COWL TRIM AND SCUFF PLATE INSTALLATION

Reverse the preceding operation.

SLIDING DOOR SCUFF PLATE REMOVAL (FIG. 37)

- (1) Remove screws holding sliding door scuff plate to sill.
- (2) Separate scuff plate from vehicle.

SLIDING DOOR SCUFF PLATE INSTALLATION

Reverse the preceding operation.

A-PILLAR AND ROOF RAIL MOLDINGS

A-PILLAR MOLDING REMOVAL (FIG. 37)

- (1) Remove grab handle, if equipped.
- (2) Remove windshield side garnish molding.
- (3) Remove plug and screw holding A-pillar trim to roof rail.
- (4) Disengage fasteners holding A-pillar trim to A-pillar.
- (5) Separate A-pillar trim from vehicle.

A-PILLAR MOLDING INSTALLATION

Reverse the preceding operation.

RIGHT B-PILLAR TRIM COVER

RIGHT B-PILLAR TRIM COVER REMOVAL (FIG. 37)

- (1) Remove cover and bolt holding shoulder harness turning loop to B-pillar.
- (2) Remove bolt holding outboard seat belt anchor to floor.
- (3) Remove A-pillar trim as necessary to gain clearance for removal of B-pillar trim.
- (4) Remove door sill scuff plates to gain clearance for removal of B-pillar trim.

- (5) Remove screws holding B-pillar trim to B-pillar.

- (6) Separate B-pillar trim from vehicle

RIGHT B-PILLAR TRIM COVER INSTALLATION

Reverse the preceding operation.

UPPER TRACK COVER

UPPER TRACK COVER REMOVAL (FIG. 37)

- (1) Remove plugs and screws holding upper track cover to sliding door track.
- (2) Separate track cover from vehicle.

UPPER TRACK COVER INSTALLATION

Reverse the preceding operation.

RIGHT QUARTER TRIM PANEL

RIGHT QUARTER TRIM PANEL REMOVAL (FIG. 37)

- (1) Remove liftgate and sliding door sill scuff plate.
- (2) Remove sliding door upper track cover.
- (3) Pull outward at bottom of quarter trim insert to disengage fasteners holding insert to trim panel.
- (4) Lift upward on quarter trim insert and separate insert from quarter trim panel.
- (5) Remove screw holding coat hook to roof rail and separate hook from vehicle.
- (6) Remove covers and bolts holding shoulder harness turning lops to roof rail and separate belts from trim panel.
- (7) Remove bolts holding outboard seat belt to floor and separate belt from floor.
- (8) Remove plugs and screws holding quarter trim to inner quarter panel.
- (9) Separate quarter trim panel from vehicle.

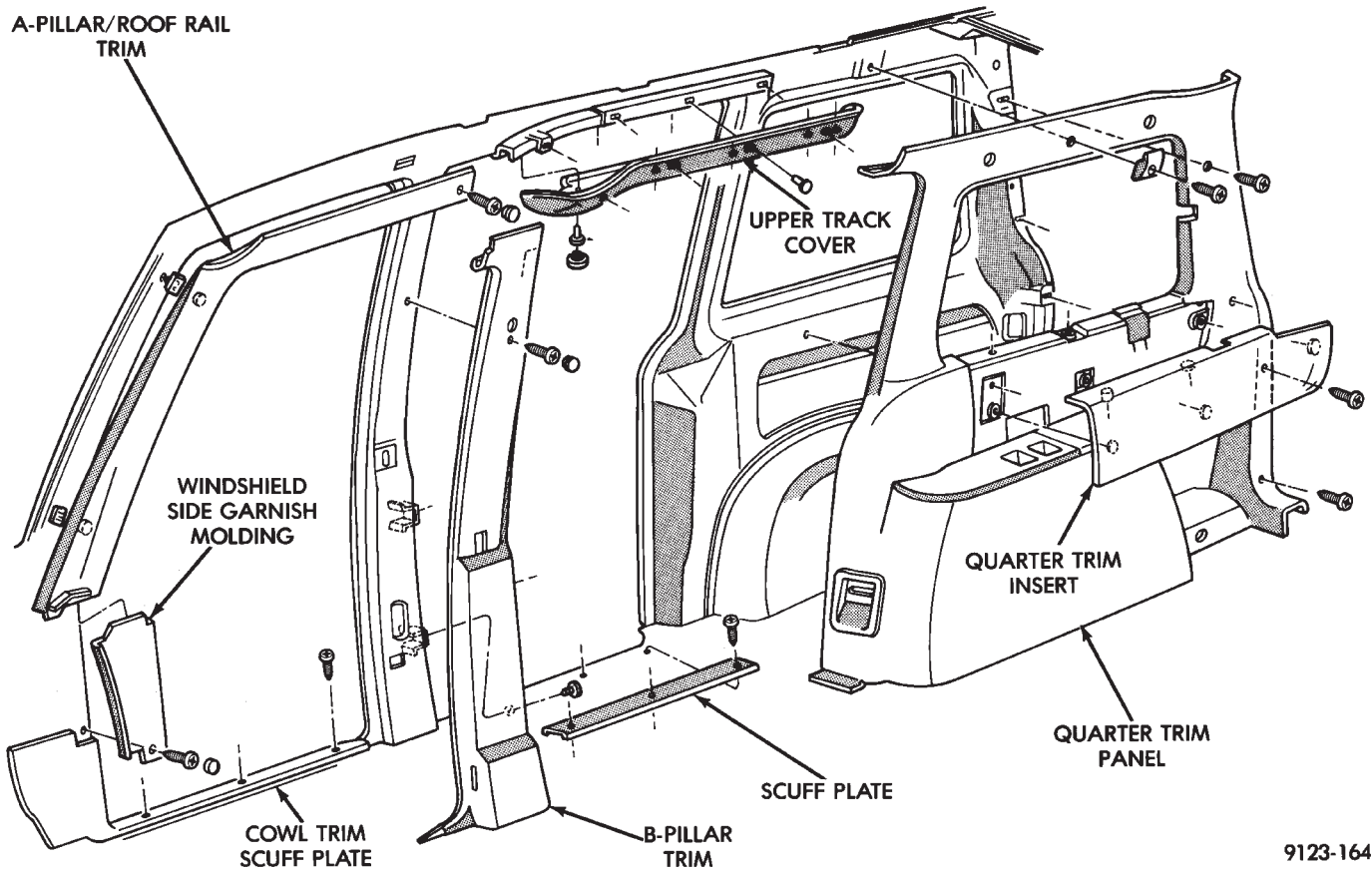
RIGHT QUARTER TRIM PANEL INSTALLATION

Reverse the preceding operation.

LEFT QUARTER TRIM PANEL

LEFT QUARTER TRIM PANEL REMOVAL (FIG. 38)

- (1) Remove ash tray.
- (2) Remove screw holding quarter trim insert to quarter trim from inside ash tray opening.
- (3) Pull outward at bottom of trim insert to disengage clips holding insert to quarter trim.
- (4) Lift insert upward and separate quarter trim insert from vehicle.
- (5) Remove screws holding lower quarter trim panel to inner quarter panel.
- (6) Separate lower quarter trim from vehicle.
- (7) Remove covers and bolts holding shoulder harness turning loops to upper quarter panel.



9123-164

Fig. 37 Interior Trim—Typical

- (8) Remove bolts holding outboard seat belt anchor to floor.
- (9) Remove seat belt retractor covers.
- (10) Remove screw holding coat hook to quarter panel.
- (11) Remove screws holding upper quarter trim panel to inner quarter panel.
- (12) Separate upper quarter trim panel from vehicle.

LEFT QUARTER TRIM PANEL INSTALLATION
Reverse the preceding operation.

LEFT QUARTER TRIM PANEL—WITH REAR A/C

LEFT QUARTER TRIM PANEL REMOVAL (FIG. 39)

- (1) Remove ash tray.
- (2) Remove screw holding quarter trim insert to quarter trim from inside ash tray opening.
- (3) Pull outward at bottom of trim insert to disengage clips holding insert to quarter trim.
- (4) Lift insert upward and separate quarter trim insert from vehicle.
- (5) Remove screws holding lower quarter trim panel to inner quarter panel.
- (6) Separate lower quarter trim from vehicle.

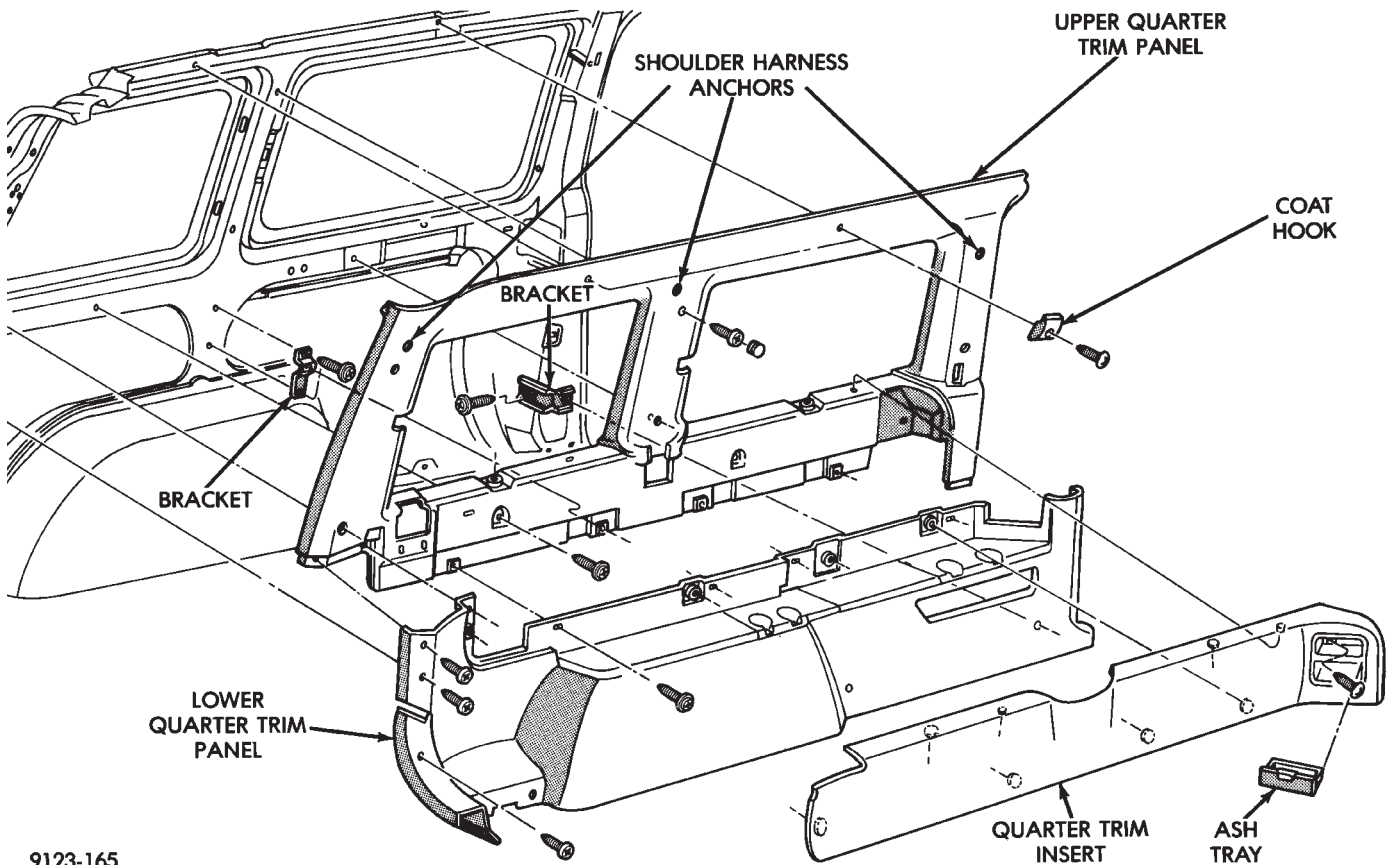
- (7) Remove covers and bolts holding shoulder harness turning loops to upper quarter panel.
- (8) Remove bolts holding outboard seat belt anchor to floor.
- (9) Remove seat belt retractor covers.
- (10) Remove screws holding coat hook to quarter panel.
- (11) Remove screws holding upper quarter trim panel to inner quarter panel.
- (12) Separate upper quarter trim panel from vehicle.

LEFT QUARTER TRIM PANEL INSTALLATION
Reverse the preceding operation.

FRONT SEAT BELTS

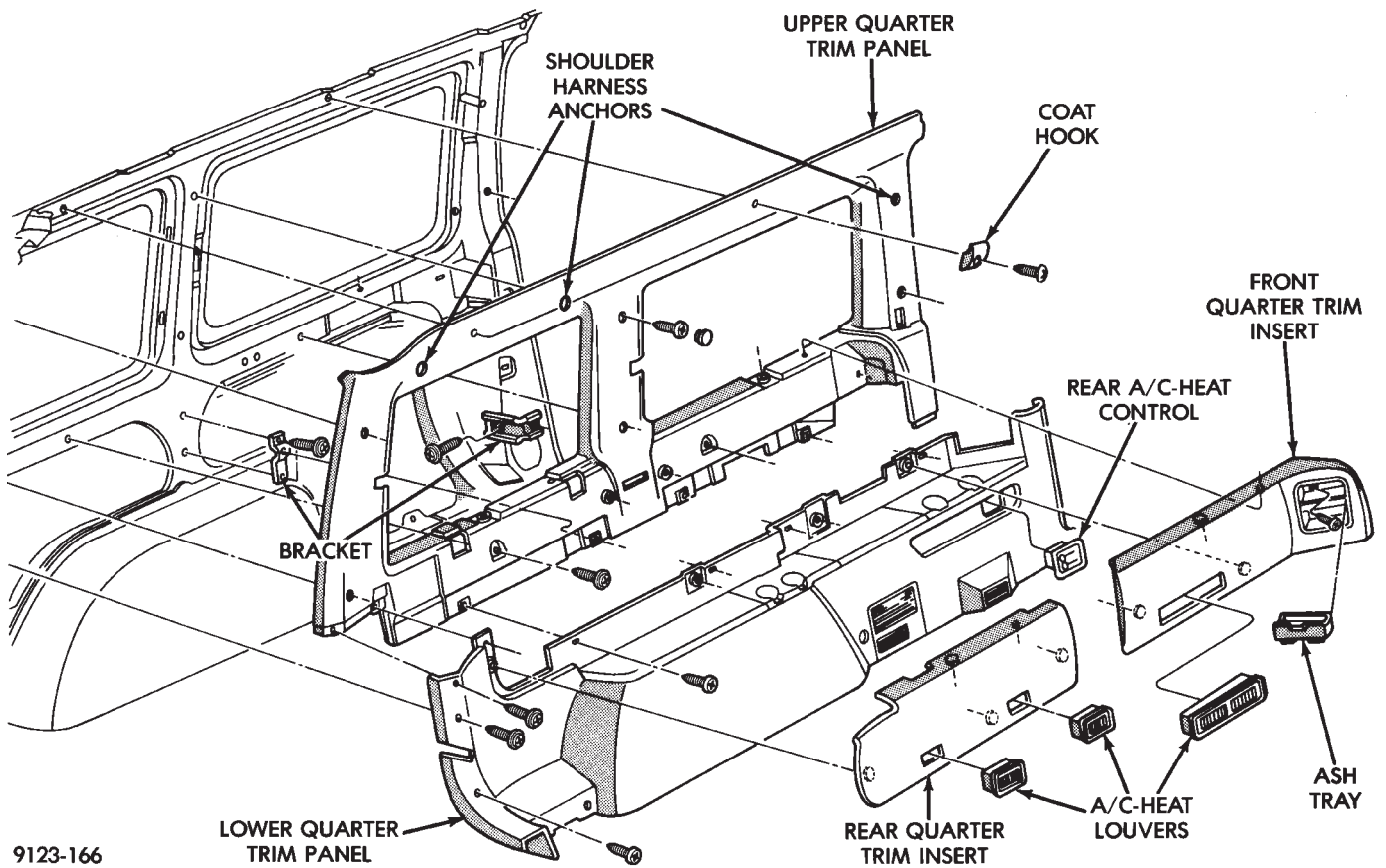
OUTBOARD SHOULDER HARNESS/LAP BELT REMOVAL (FIG. 40 OR 41)

- (1) Remove shoulder harness turning loop.
- (2) Remove B-pillar or quarter trim panels as necessary to gain access to belt retractor.
- (3) Remove bolt holding retractor and lower lap belt anchor to B-pillar.
- (4) Separate belt from vehicle.



9123-165

Fig. 38 Quarter Trim Panel



9123-166

Fig. 39 Quarter Trim Panel—With Rear A/C

OUTBOARD SHOULDER HARNESS/LAP BELT INSTALLATION

Reverse the preceding operation.

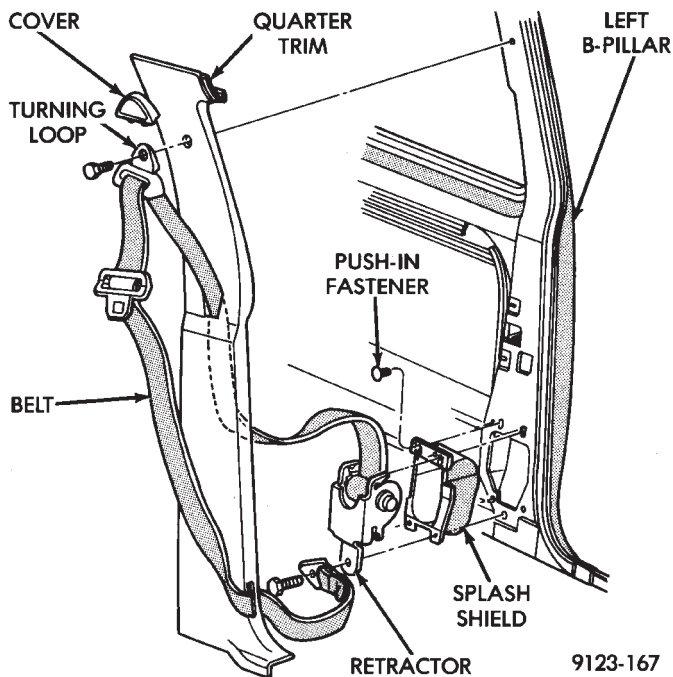


Fig. 40 Front Outboard Seat Belt—Left Side

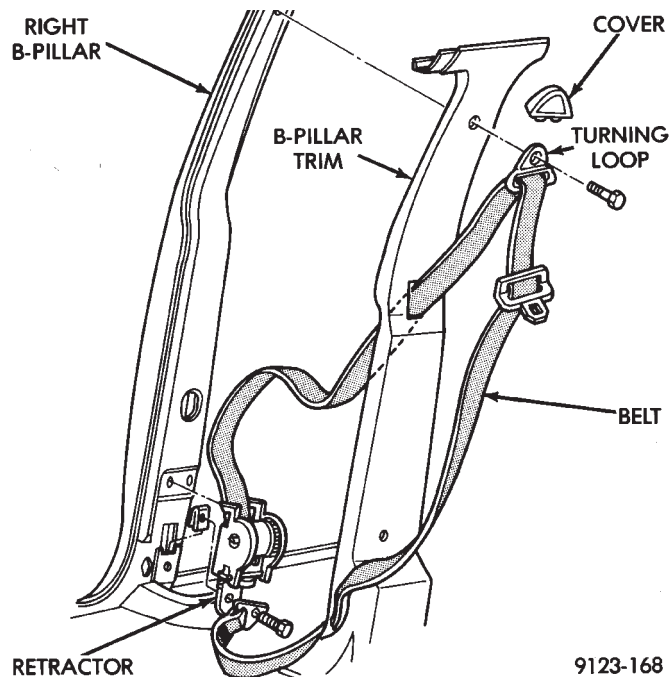


Fig. 41 Front Outboard Seat Belt—Right Side
SHOULDER HARNESS HEIGHT ADJUSTER

REMOVAL

- (1) Remove B-pillar trim or Quarter trim panel.
- (2) Remove bolts holding adjuster to B-pillar.
- (3) Separate adjuster from vehicle.

INSTALLATION

Reverse the preceding operation.

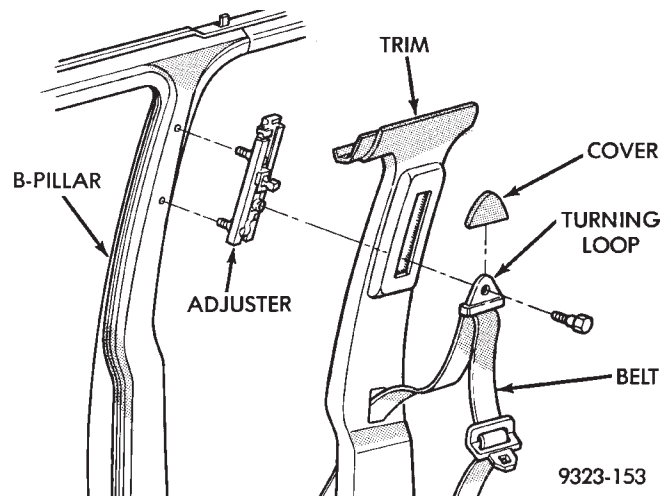


Fig. 42 Shoulder Harness Height Adjuster

INBOARD BUCKLE REMOVAL (FIG. 43)

- (1) Remove bolt holding seat belt buckle to seat riser.
- (2) separate buckle from seat riser.
- (3) Disconnect seat belt sensor wire connector, if equipped.

INBOARD BUCKLE INSTALLATION

Reverse the preceding operation.

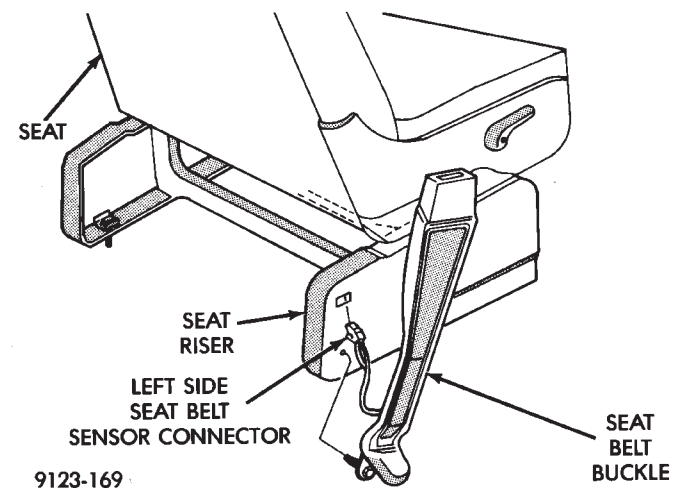


Fig. 43 Front Inboard Seat Belt Buckle

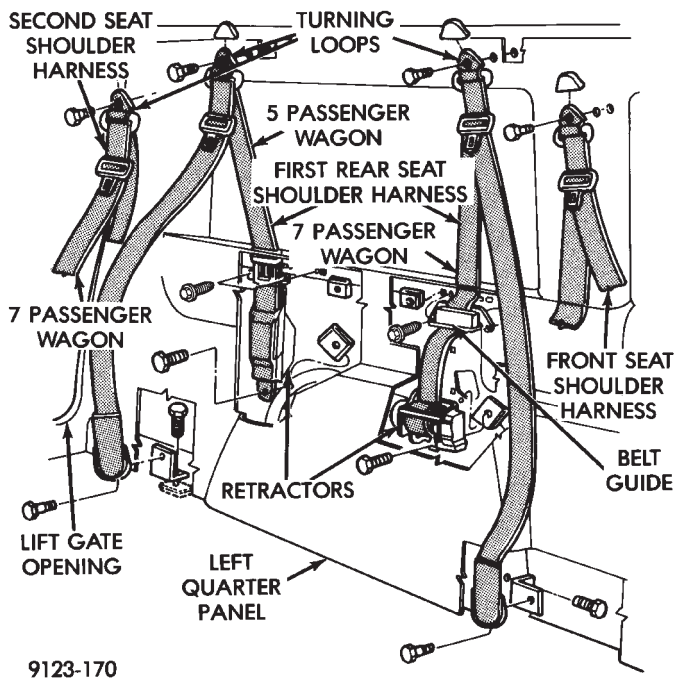
REAR SEAT BELTS

OUTBOARD SHOULDER HARNESS/LAP BELT REMOVAL (FIG. 44 OR 45)

- (1) Remove interior trim as necessary to gain access to belt retractor.
- (2) Remove bolt holding lower lap belt anchor to floor bracket.
- (3) Remove bolt holding belt retractor to inner quarter panel.
- (4) Separate belt from vehicle.

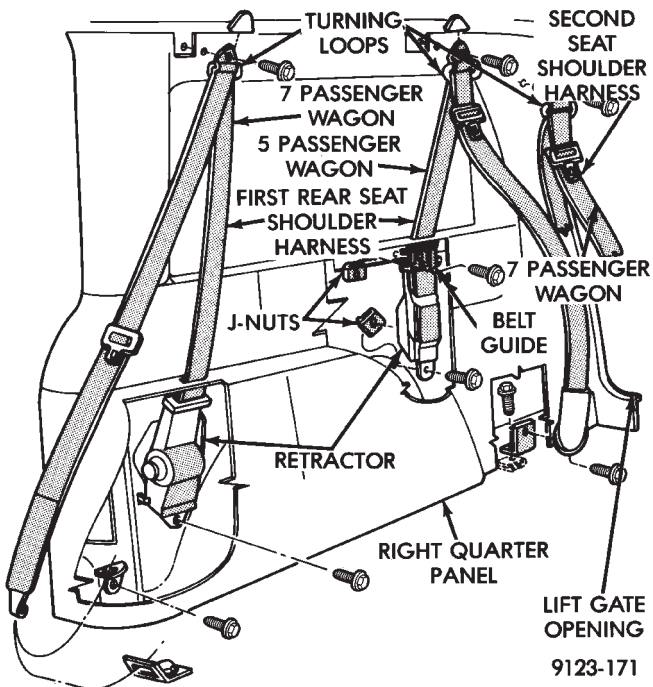
OUTBOARD SHOULDER HARNESS/LAP BELT INSTALLATION

Reverse the preceding operation.



9123-170

Fig. 44 Rear Shoulder/lap Belts—Left Side



9123-171

Fig. 45 Rear Shoulder/lap Belts—Right Side

SEATS

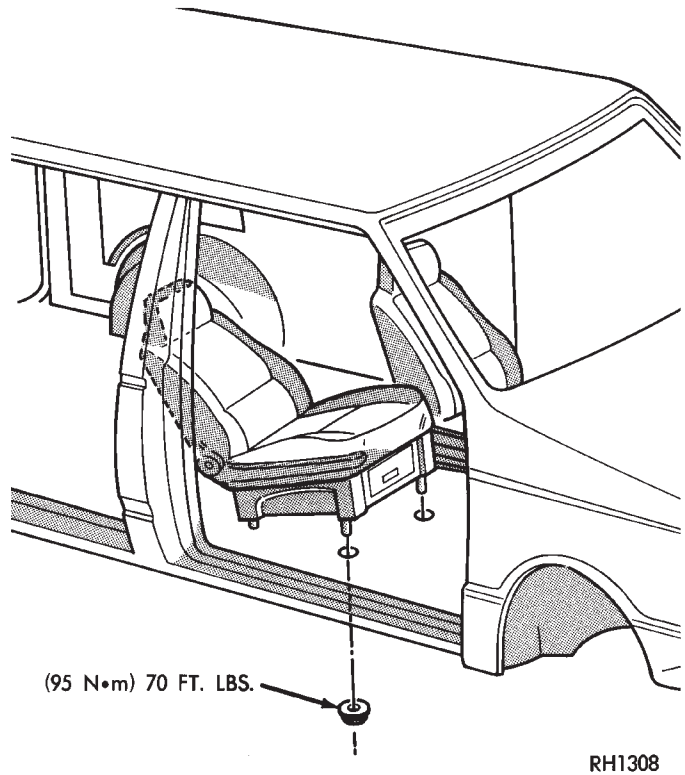
Refer to Owner's Manual for rear seat removal procedures.

FRONT SEAT REMOVAL (FIG. 46)

- (1) Remove fuel fill door release handle and disconnect seat belt sensor wire connector if left seat is being serviced.
- (2) Remove nuts holding seat riser to floor.
- (3) Separate seat and riser from vehicle.

FRONT SEAT INSTALLATION

Reverse the preceding operation.



RH1308

Fig. 46 Front Seat and Riser—Typical

FRONT CENTER CONSOLE

FRONT CENTER CONSOLE REMOVAL (FIG. 47)

- (1) Remove center instrument panel bezel. Refer to Group 8E, Instrument Panel for proper procedure.
- (2) Remove screws holding top of console to instrument panel.
- (3) Remove ash tray or open sun glass bin. Remove screws holding console to instrument panel.
- (4) Separate upper console module from instrument panel, if equipped.
- (5) Disconnect ash tray lamp wire connector.
- (6) Remove screws holding bottom of full forward console to floor bracket.
- (7) separate forward console from vehicle.

FRONT CENTER CONSOLE INSTALLATION

Reverse the preceding operation.

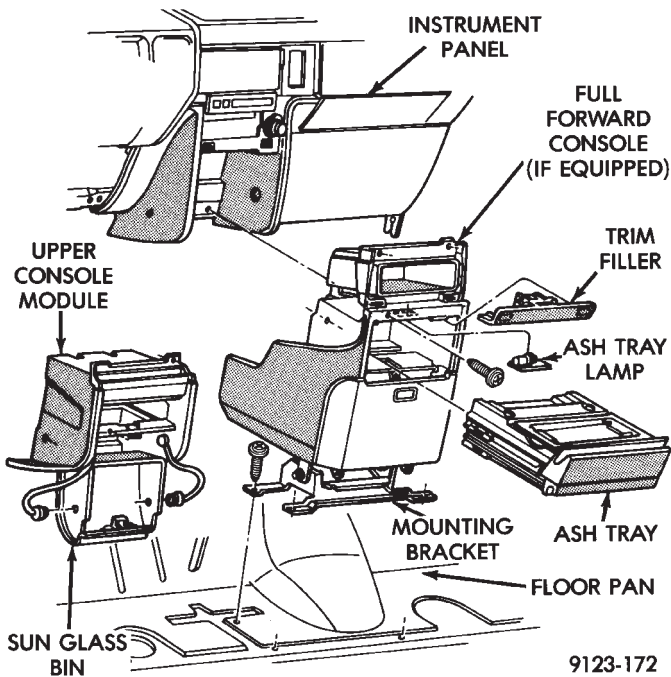


Fig. 47 Forward Console

FLOOR CARPET

FLOOR CARPET REMOVAL (FIG. 48)

- (1) Remove full forward console, if equipped.
- (2) Remove Seats.
- (3) Remove door sill scuff plates.
- (4) Remove rear seat anchor well bezels, if equipped.
- (5) Fold carpet to center of vehicle and remove through sliding door.

FLOOR CARPET INSTALLATION

Reverse the preceding operation.

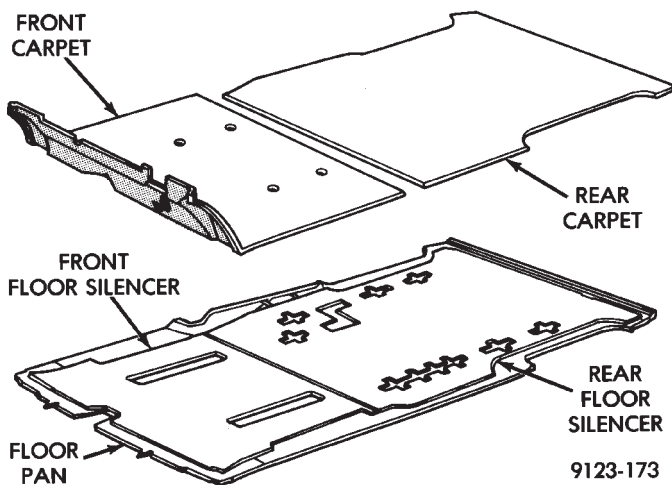


Fig. 48 Floor Carpet and Silencers

OVERHEAD CONSOLE

OVERHEAD CONSOLE REMOVAL (FIG. 49)

- (1) Disengage sun visor ends from overhead console
- (2) Remove screws holding overhead console to roof at front of console.
- (3) Slide overhead console forward to disengage clips holding rear of console to roof.
- (4) Disconnect wire connectors from back of console.
- (5) Separate overhead console from vehicle.

OVERHEAD CONSOLE INSTALLATION

Reverse the preceding operation.

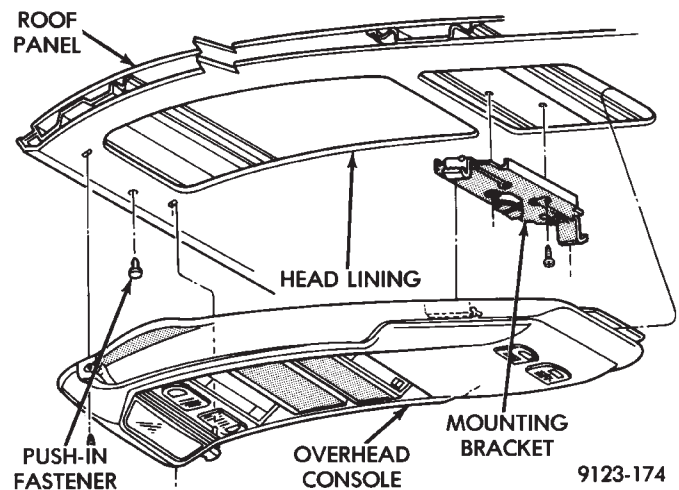


Fig. 49 Overhead Console

HEAD LINING

HEAD LINING REMOVAL (FIG. 50)

- (1) Remove overhead console, if equipped.
- (2) Remove inboard sun visor clips, if equipped.
- (3) Remove roof rail moldings as necessary to gain clearance for head lining removal.
- (4) Remove sliding door upper track cover.
- (5) Remove right quarter trim panel.
- (6) Remove dome lamp, if equipped.
- (7) Separate head lining from vehicle.

HEAD LINING INSTALLATION

Reverse the preceding operation.

LIFTGATE

LIFTGATE REMOVAL (FIG. 51)

- (1) Raise and support liftgate in open position.
- (2) Mark hinge to liftgate attaching locations to assist installation.
- (2) Disconnect lift prop rods from liftgate.
- (3) Remove bolts holding body half of hinge closed. Liftgate will rotate away from roof panel.

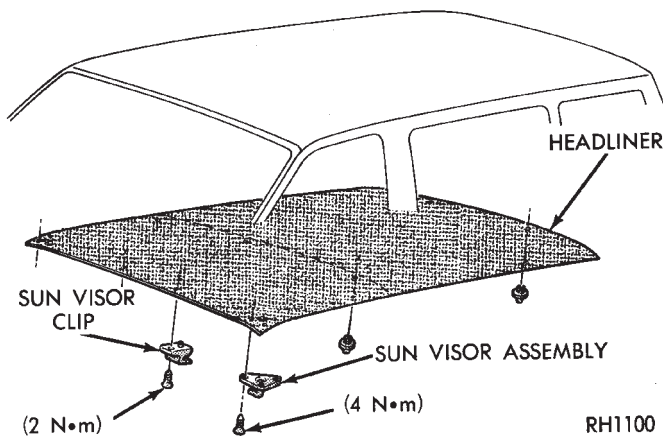


Fig. 50 Head Lining

(4) With assistance of a helper at the opposite side of the vehicle to support the liftgate, remove the hinge to liftgate attaching bolts.

(5) Separate the liftgate from the vehicle.

LIFTGATE INSTALLATION

Reverse the preceding operation. Align liftgate to 7 mm (0.280 in.) gap to roof panel and 6 mm (0.240 in.) gap to quarter panels. Surfaces should be flush across gaps.

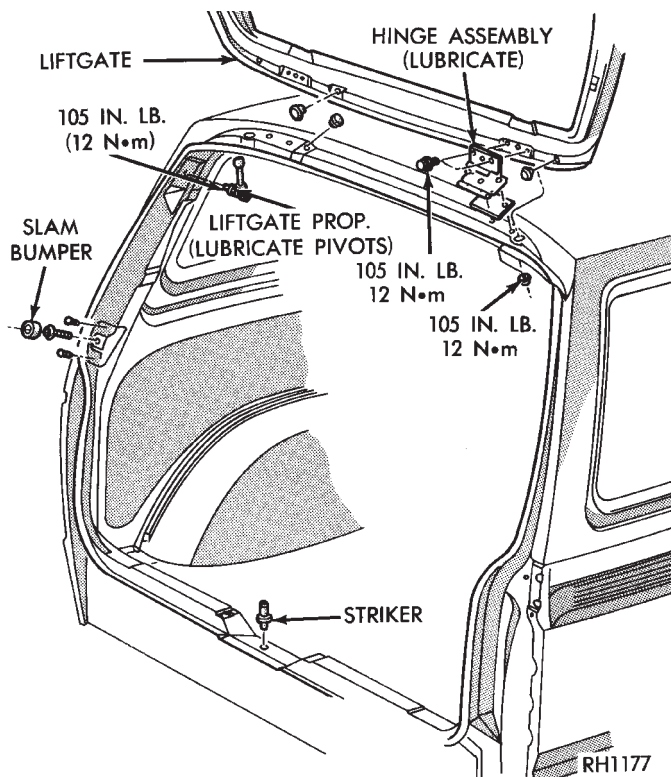


Fig. 51 LiftGate

LIFTGATE TRIM PANEL

LIFTGATE TRIM PANEL REMOVAL (FIG. 52)

(1) Raise liftgate and remove courtesy lamp lenses.

(2) Remove courtesy lamp assemblies. Insert courtesy lamps through openings in the trim panel into liftgate, if equipped.

(3) Remove speaker grilles, if equipped.

(4) Remove plugs at the ends of the assist handle, and remove screws. Separate handle from trim panel, if equipped.

(5) Remove push-in fasteners from above the rear window.

(6) Remove two trim plugs at lower corners of trim panel and remove screws.

(7) Disengage frog-leg fasteners around perimeter of trim panel. Separate trim panel from liftgate.

LIFTGATE TRIM PANEL INSTALLATION

(1) Position trim panel under liftgate between the prop-rod cylinders. Insert courtesy lamp assemblies through trim cover openings.

(2) Position frog-leg fasteners below holes in liftgate, one at a time, push (do not pound) fasteners into locked position.

(3) Install assist handle, courtesy lamps, outer corner attaching screws, speaker grilles and push-in fasteners above rear window.

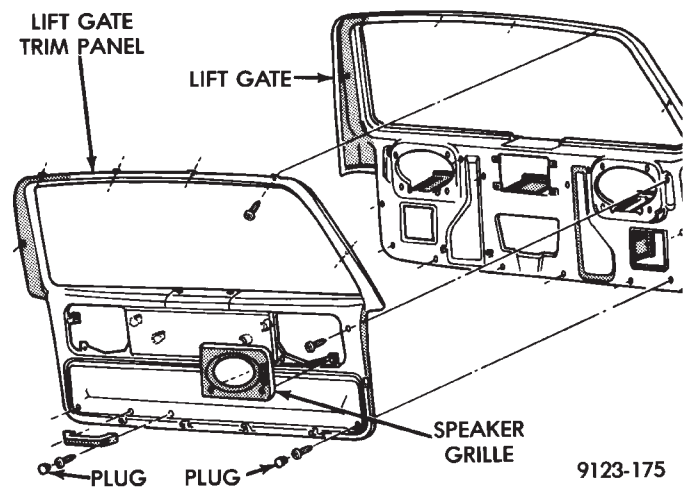


Fig. 52 LiftGate Trim Panel

LIFTGATE LATCH

LIFTGATE LATCH REMOVAL (FIG. 53)

(1) Raise liftgate to open position.

(2) Remove liftgate trim panel.

(3) Disconnect linkage rods from latch.

(4) Remove screws holding latch to liftgate.

(5) Separate latch from liftgate.

LIFTGATE LATCH INSTALLATION

Reverse the preceding operation.

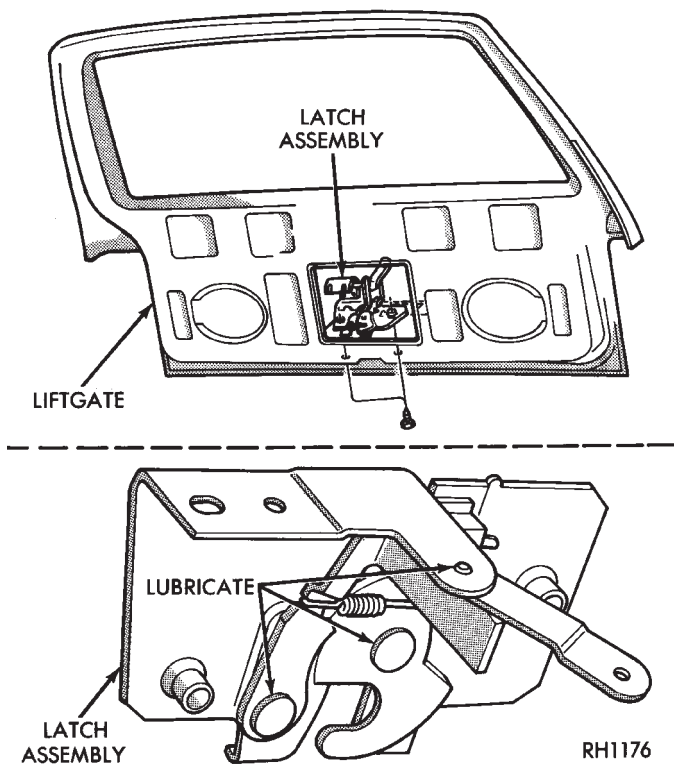


Fig. 53 LiftGate Latch

ROOF TOP LUGGAGE RACK

ROOF TOP LUGGAGE RACK REMOVAL (FIG. 54)

The luggage rack skid strips are attached to the roof panel with adhesive strips using the same methods as stick-on body side moldings. Refer to Stick-on Body Moldings paragraph for procedures.

- (1) Slide side rail end covers from ends of side rails.
- (2) Remove screws holding rails to roof panel.
- (3) Separate luggage rack from vehicle.

ROOF TOP LUGGAGE RACK INSTALLATION

Reverse the preceding operation.

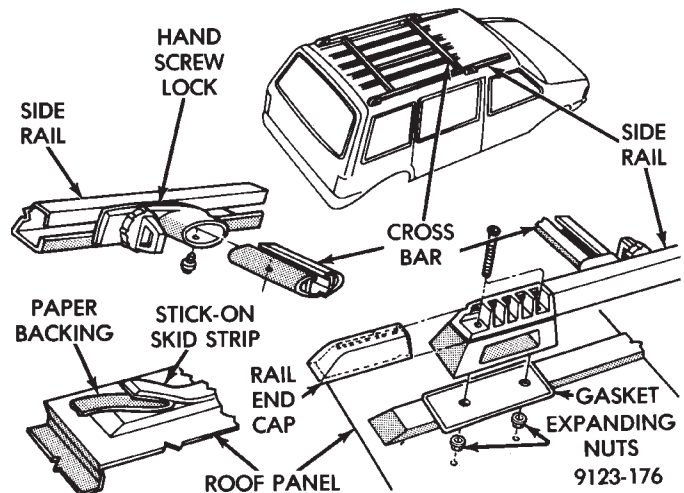


Fig. 54 Roof Top Luggage Rack

FUEL FILL DOOR RELEASE CABLE

FUEL FILL DOOR CABLE REMOVAL (FIG. 55)

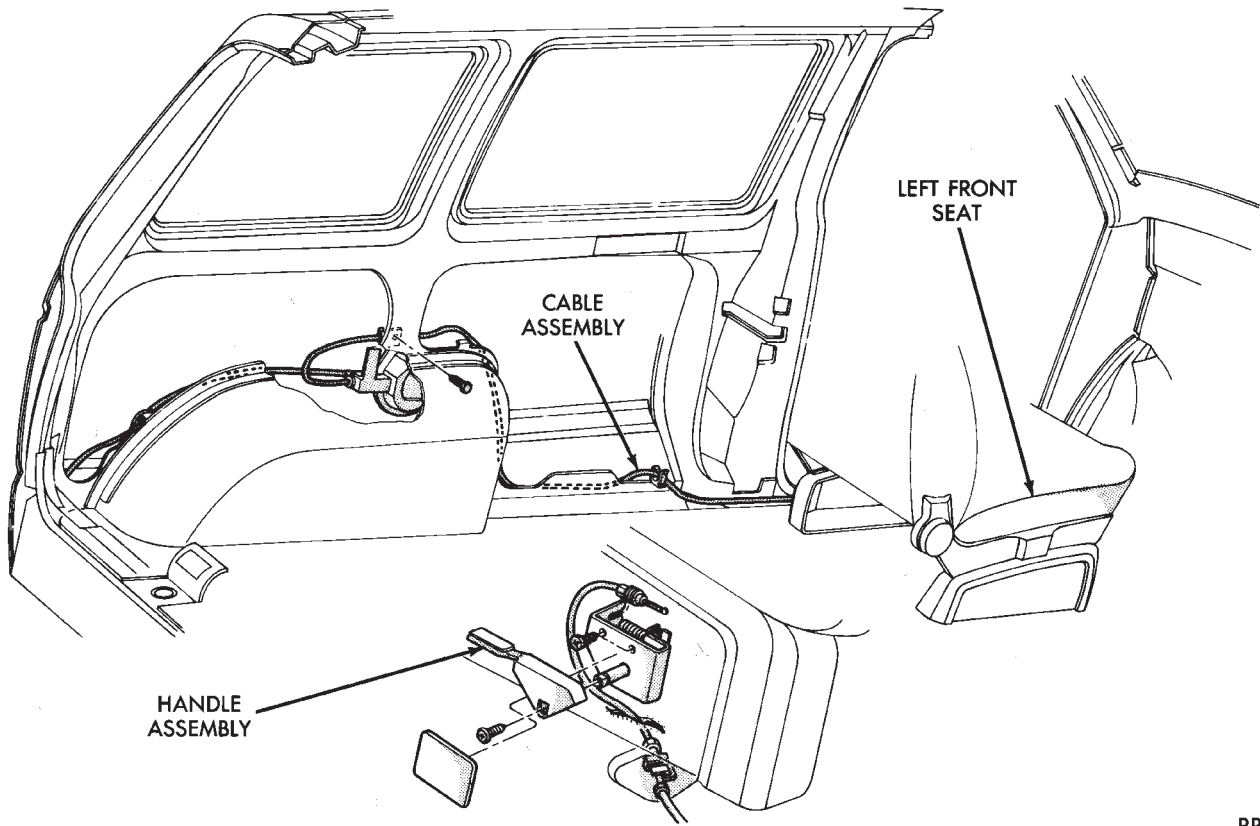
- (1) Remove interior trim as necessary to gain access to cable.
- (2) Remove screw holding hood release handle to mechanism. Separate handle from mechanism.
- (3) Remove screws holding release mechanism to seat riser. Separate mechanism from riser.
- (4) Disengage cable casing from slot on mechanism.
- (5) Remove nut holding cable end to fuel fill opening.
- (6) Remove cable from vehicle.

FUEL FILL DOOR CABLE INSTALLATION

Reverse the preceding operation.

REAR WINDOW GLASS

The rear window glass is serviced using the same method as servicing the windshield. Refer to Windshield section of this group for proper service procedures.



RP848

Fig. 55 Fuel Fill Door Release Cable