

# CHIME WARNING/REMINDER SYSTEM

## CONTENTS

	page		page
CHIME SYSTEM DIAGNOSIS .....	1	KEY LEFT IN IGNITION .....	1
EXTERIOR LAMPS LEFT ON .....	1	KEY-IN SWITCH .....	3
FASTEN SEAT BELTS .....	1	SEAT BELT BUCKLE REPLACEMENT .....	3
FASTEN SEAT BELTS .....	1	TURN SIGNAL WARNING .....	1
GENERAL INFORMATION .....	1	TURN SIGNAL WARNING .....	1
HEADLAMP SWITCH REPLACEMENT .....	3		

### GENERAL INFORMATION

**WARNING: ON VEHICLES EQUIPPED WITH AN AIR BAG, REFER TO THE AIR BAG PORTION OF THIS SECTION FOR STEERING WHEEL OR SWITCH REMOVAL AND INSTALLATION PROCEDURES.**

The chime warning/reminder system includes signals for fasten seat belts, turn signal warning, exterior lamps left on and key left in ignition.

When using the DRB II refer to the Body Chassis Diagnostic Manual for the procedure.

### FASTEN SEAT BELTS

A warning lamp on the instrument panel, and an audible chime tone are used as the fasten seat belt warning/reminder.

### TURN SIGNAL WARNING

An audible chime tone shows that the turn signal has been on for .8 km (.6 mi.) at a speed above 24 km/h (15 mph).

### EXTERIOR LAMPS LEFT ON

An audible chime tone indicates the exterior lamps were left on with the driver door open and ignition OFF.

### KEY LEFT IN IGNITION

An audible chime tone indicates the key was left in ignition, with the ignition is in OFF position and driver door is open.

### FASTEN SEAT BELTS

To test the ignition switch must be in the off position for one minute before testing the fasten seat belts. Turn the ignition switch to the ON position with the driver's seat belt unbuckled. The seat belt warning lamp should light for 4 to 8 seconds and the tone should sound 4 to 8 seconds.

### TURN SIGNAL WARNING

For the turn signal warning system to operate:

- Must have input from either the right or left turn signal lamps creates a voltage change between 0 and battery voltage.
- The vehicle speed sensor message to the power-train control module, that the vehicle has exceed 24 km/h (15 mph) for .8 km (.6 mi.).
- When the two conditions above are met, the chime will sound. The chime will stop when no further voltage change is detected.
- If hazard warning signals are pulsing, then no chime shall sound.
- If speed drops below 15 mph, before the warning is issued, the warning will not be issued and the distance counter will be reset.
- If turn signal lamps are not working properly, the chime will not sound.
- When using DRB II refer to the Body Chassis Diagnostic Manual for the procedure.

### EXTERIOR LAMPS LEFT ON

To test the headlamps left on function, turn ignition off, turn exterior lamps on with drivers door open. Chime should sound until headlamps are turned off or drivers door is closed.

### KEY LEFT IN IGNITION

To test the key left in ignition function, insert key into the ignition and open drivers door. Do not turn ignition ON. Chime should sound until key is removed from ignition or drivers door is closed.

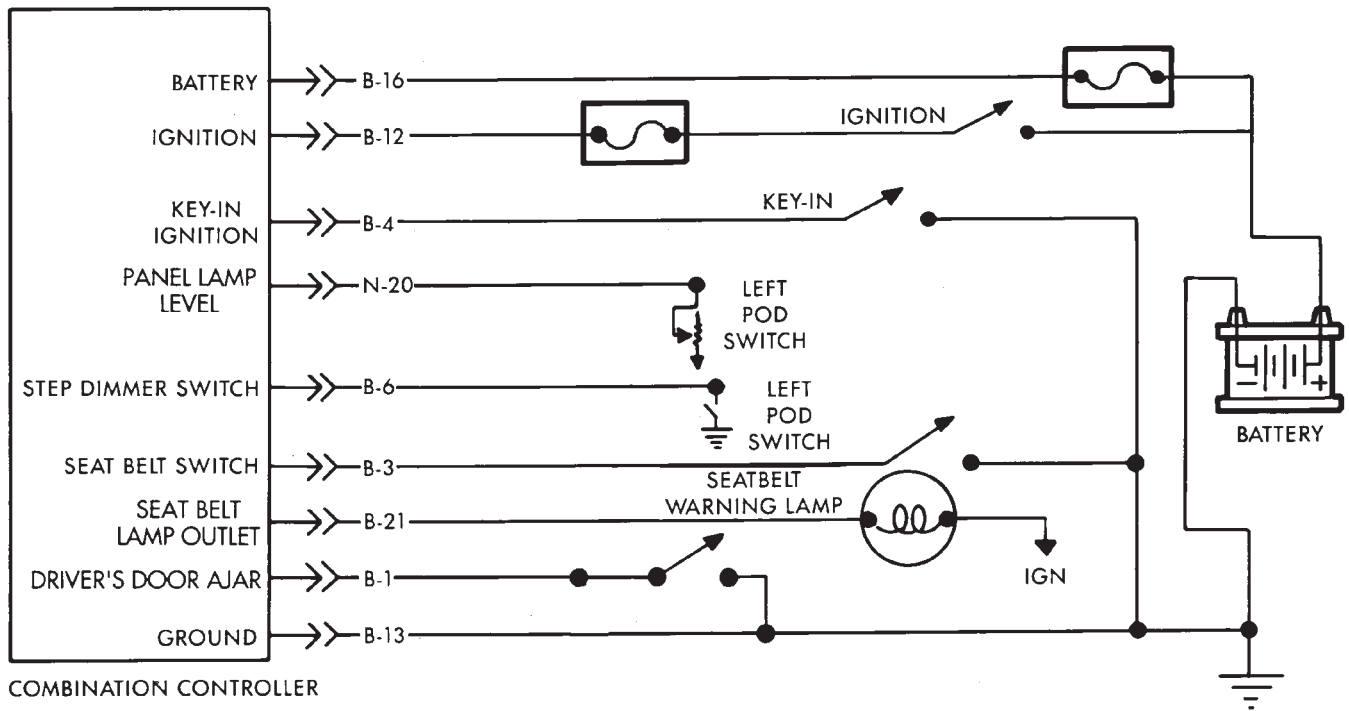
### CHIME SYSTEM DIAGNOSIS

*CONDITION: NO TONE WHEN IGNITION SWITCH IS TURNED ON AND DRIVERS SEAT BELT IS UNBUCKLED*

### REPAIR

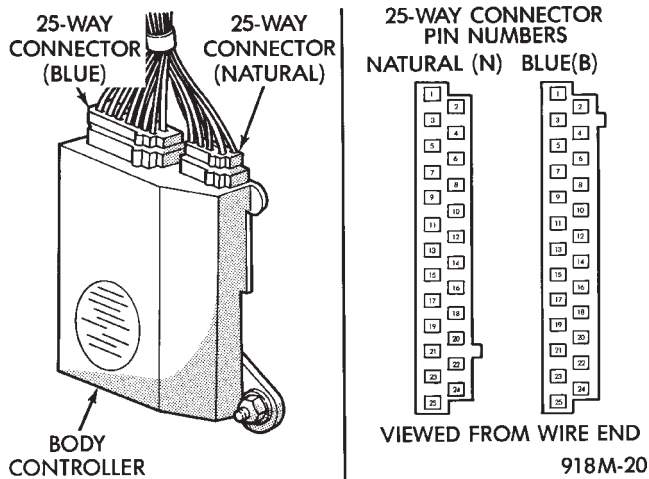
(1) Using an DRB II, check for tone in any other function.

(2) Check for battery feed at terminal B-16 and ignition feed at terminal B-12 of combination controller (Fig. 1 and 2). Repair as necessary.



938U-10

**Fig. 1 Chime Warning/Reminder Wiring**



**Fig. 2 Combination Controller 25-Way Connectors**

- (3) Check driver's seat belt buckle switch input for a closed circuit when unbuckled. If input not seen look for open in wiring or switch.
- (4) Repair as necessary.

*CONDITION: NO FASTEN SEAT BELT LAMP WHEN IGNITION SWITCH IS TURNED ON*

**REPAIR**

- (1) Check for burned out bulb.
- (2) Check for battery feed at terminal B-16 and lamp output at terminal B-21 of combination controller.

- (3) Check for ignition feed at terminal B-12 of combination controller.
- (4) Repair as necessary.

*CONDITION: FASTEN SEAT BELT LAMP OR TONE CONTINUES FOR MORE THAN 10 SECONDS AFTER SEAT BELTS ARE FASTENED AND DRIVERS DOOR IS CLOSED*

**REPAIR**

Replace body controller.

*CONDITION: NO TONE WHEN PARK OR HEADLAMPS ARE ON AND DRIVERS DOOR IS OPEN*

**REPAIR**

- (1) Check left door ajar switch for good ground when drivers door is open.
- (2) Inspect combination controller connectors and wires for proper connection.
- (3) Check for battery feed at terminal B-16 of combination controller, step dim input on B-6 and variable panel lamp level input on N-20.
- (4) Check park or headlamp switch.
- (5) Repair as necessary.

*CONDITION: NO TONE WHEN KEY IS LEFT IN IGNITION AND DRIVERS DOOR IS OPEN*

**REPAIR**

- (1) Check left door ajar switch for good ground

when drivers door is open.

(2) Inspect combination controller connectors and wires for proper connection.

(3) Check for battery feed at terminal B-16 of combination controller (Fig. 1).

(4) Check key-in switch input at body controller B-4.

(5) Repair as necessary.

*CONDITION: CHIMES CONTINUE WHEN HEADLAMPS ARE TURNED OFF AND/OR KEY IS REMOVED FROM IGNITION*

#### REPAIR

(1) Check wiring for a grounded condition between key-in switch and body controller.

(2) Inspect combination controller connectors and wires for proper connection.

(3) Inspect for shorted key-in switch.

(4) Repair as necessary.

#### HEADLAMP SWITCH REPLACEMENT

Refer to Group 8E, Instrument Panel and Gauges.

#### SEAT BELT BUCKLE REPLACEMENT

Refer to Group 23, Body for service procedures.

#### KEY-IN SWITCH

The Key-in switch is built into the ignition switch assembly. If the Key-in switch require service, the ignition switch assembly must be replaced. Refer to Group 8D, Ignition System for service procedures.

